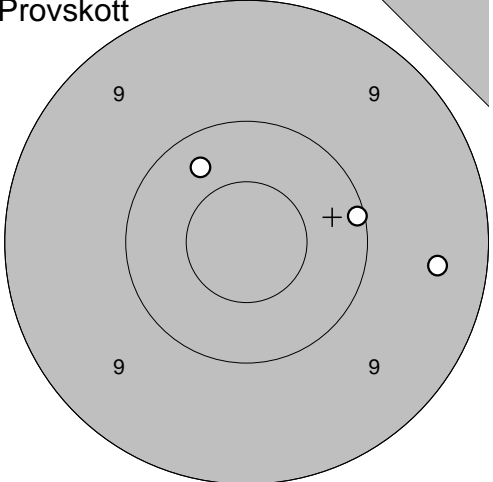
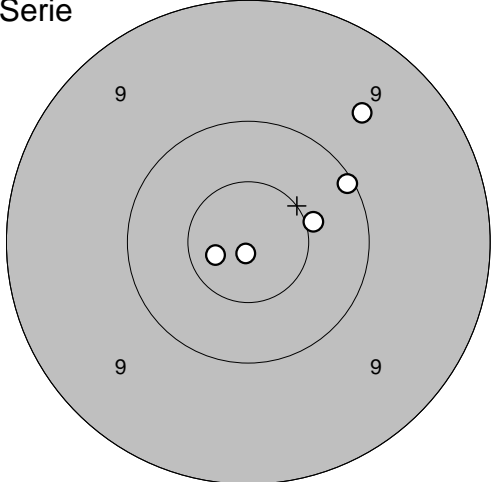
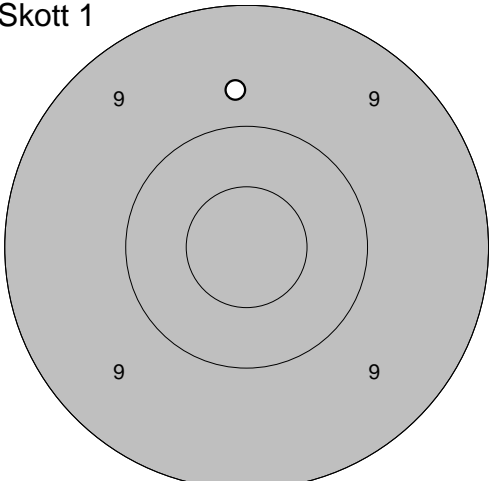
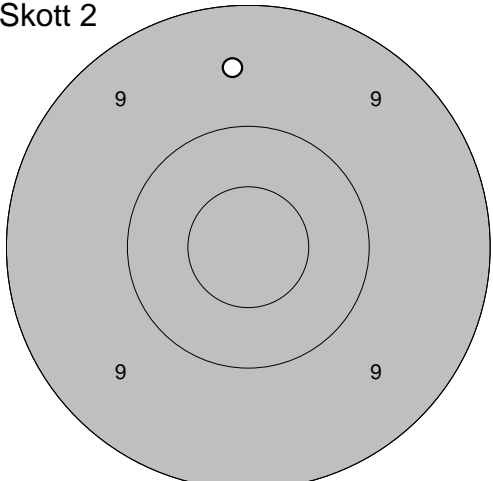
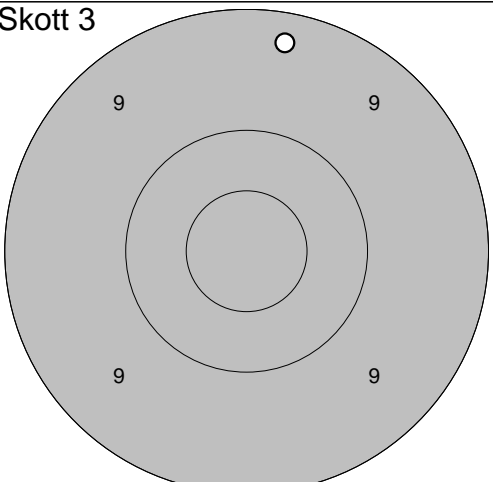
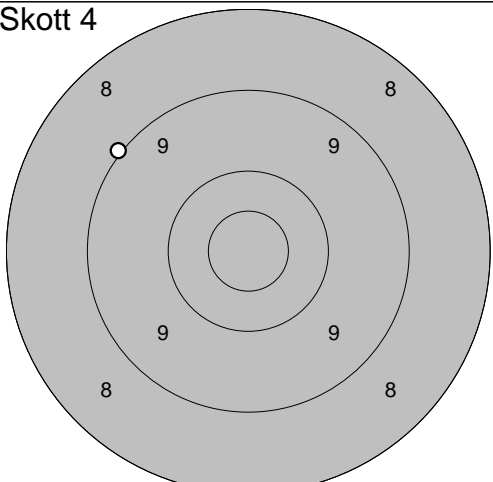
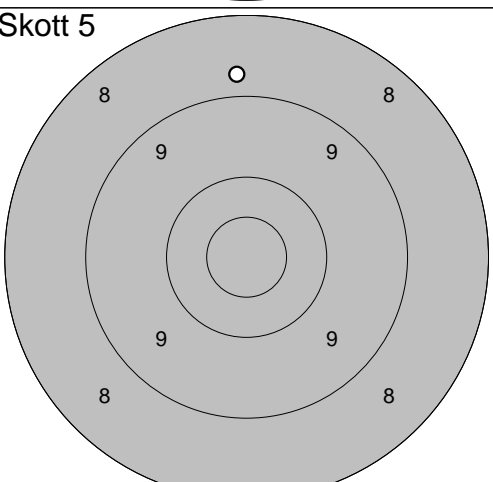
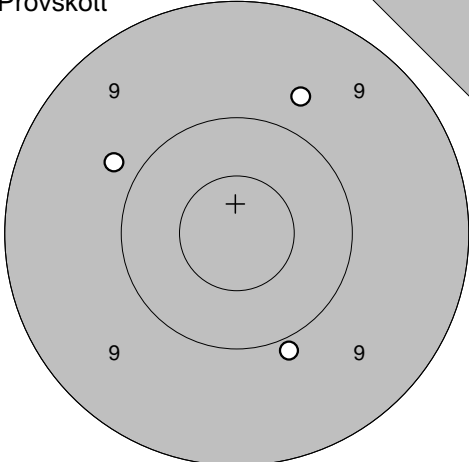
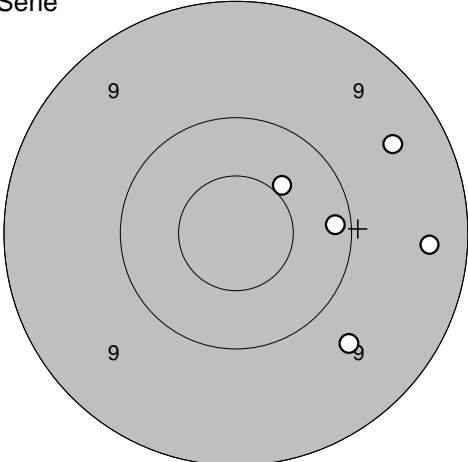


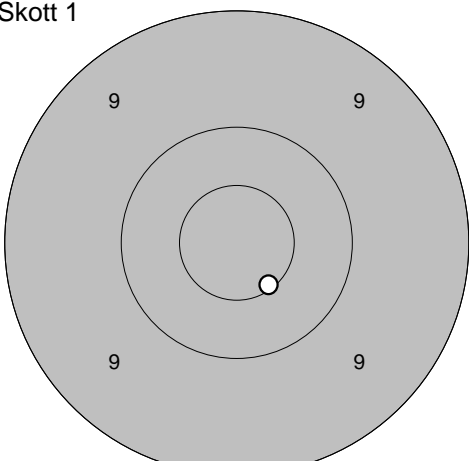
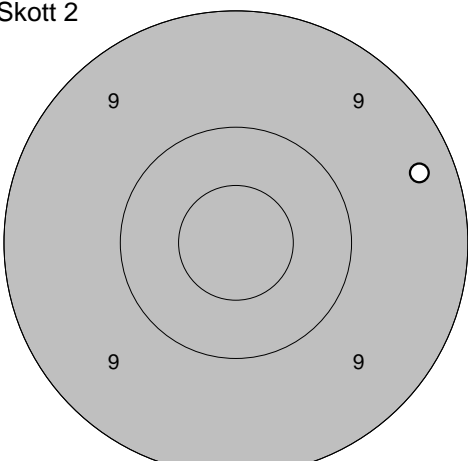
Provskott 	1: 10,1 → 2: 9,4 → 3: 10,3 ↗ Serie 29,0 Totalt 243,0	Serie 	1: 10,1 ↗ 2: 9,6 ↗ 3: 10,5* → 4: 10,9* ↓ 5: 10,7* ← Serie 49,0 Totalt 292,0
--	--	--	---

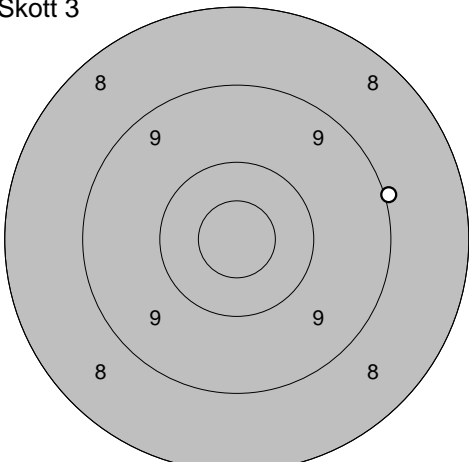
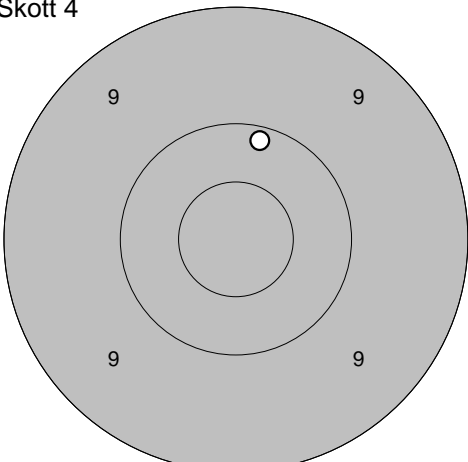
Skott 1 	Skott 2 
1: 9,7 ↑ Serie 9,0 Totalt 301,0	1: 9,5 ↑ Serie 9,0 Totalt 310,0

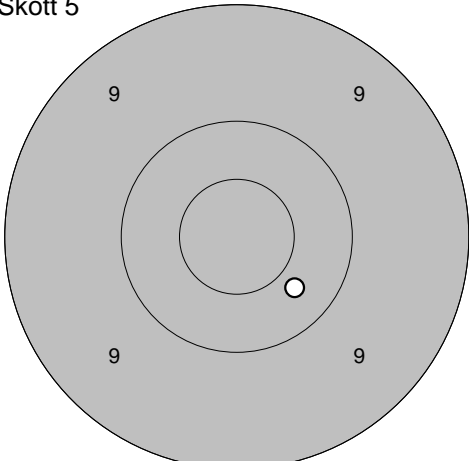
Skott 3 	Skott 4 
1: 9,3 ↑ Serie 9,0 Totalt 319,0	1: 9,0 ↖ Serie 9,0 Totalt 328,0

Skott 5 	
1: 8,8 ↑ Serie 8,0 Totalt 336,0	

Provskott 	1: 9,7 ↗ 2: 9,8 ↖ 3: 9,9 ↓ Serie 27,0 Totalt 235,0	Serie 	1: 9,7 ↘ 2: 10,5* ↗ 3: 9,5 ↗ 4: 10,2 → 5: 9,4 → Serie 47,0 Totalt 282,0
--	--	--	---

Skott 1 	1: 10,6* ↘ Serie 10,0 Totalt 292,0	Skott 2 	1: 9,3 → Serie 9,0 Totalt 301,0
---	--	---	---

Skott 3 	1: 9,0 → Serie 9,0 Totalt 310,0	Skott 4 	1: 10,2 ↑ Serie 10,0 Totalt 320,0
--	---	--	---

Skott 5 	1: 10,4 ↘ Serie 10,0 Totalt 330,0		
--	---	--	--

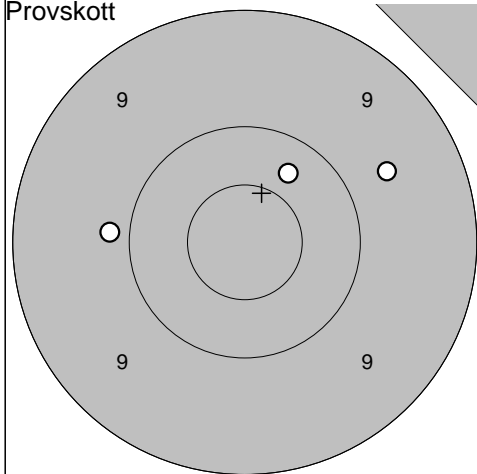
Ununge

2009-07-14

Björksskottet 2009 Final

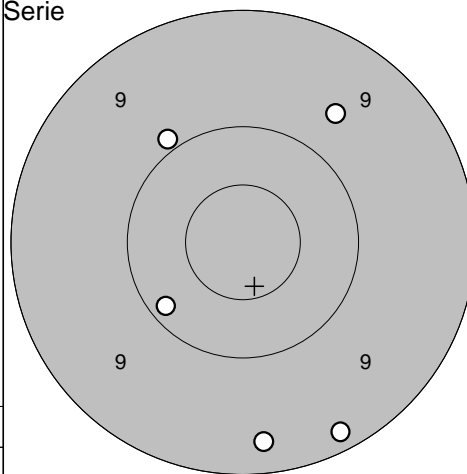
Ramselefors SKF

Provskott



1: 10,3 ↗
2: 9,7 →
3: 9,9 ←

Serie

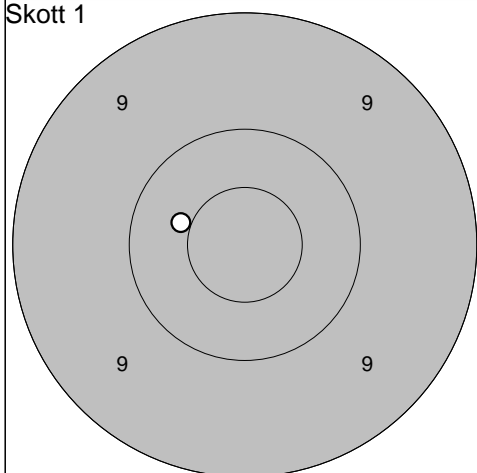


1: 10,2 ↙
2: 9,7 ↗
3: 9,2 ↓
4: 9,3 ↓
5: 9,9 ↗

Serie 28,0
Totalt 242,0

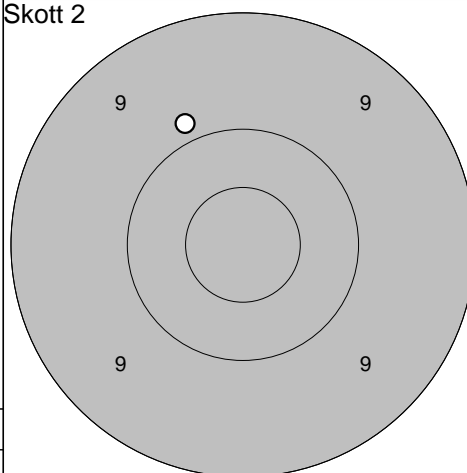
Serie 46,0
Totalt 288,0

Skott 1



1: 10,5* ←

Skott 2

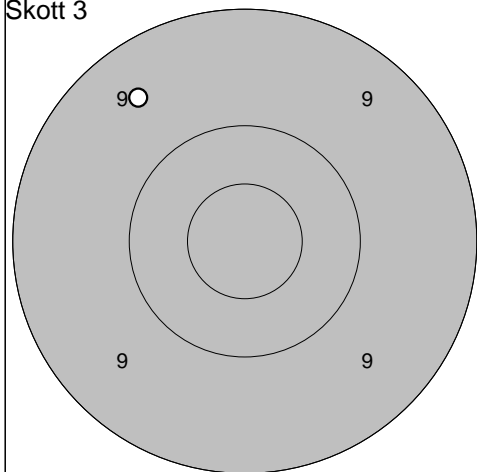


1: 9,9 ↖

Serie 10,0
Totalt 298,0

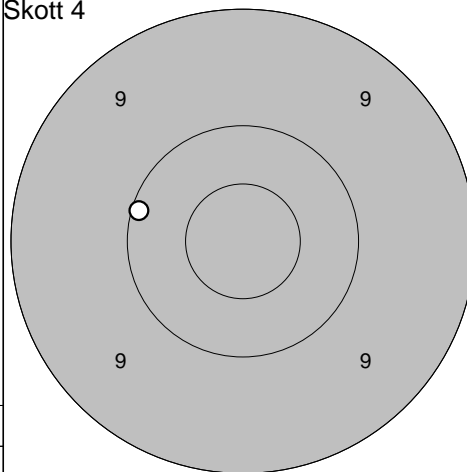
Serie 9,0
Totalt 307,0

Skott 3



1: 9,5 ↖

Skott 4

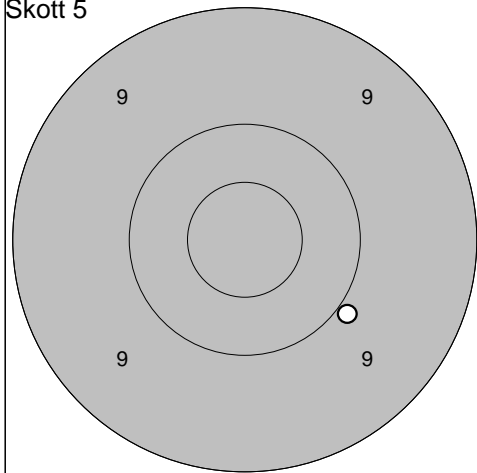


1: 10,1 ←

Serie 9,0
Totalt 316,0

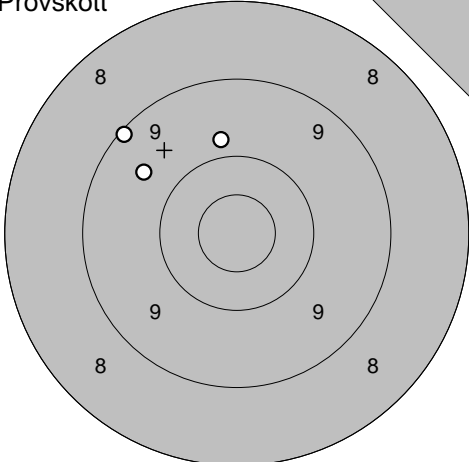
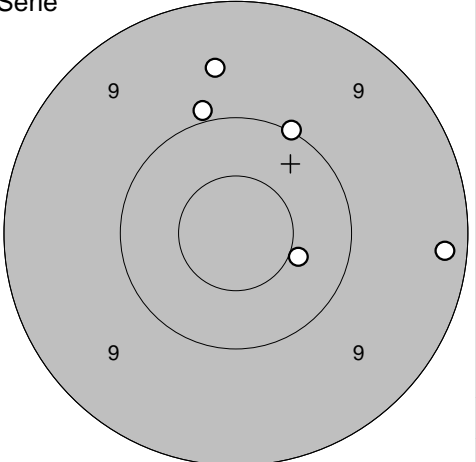
Serie 10,0
Totalt 326,0

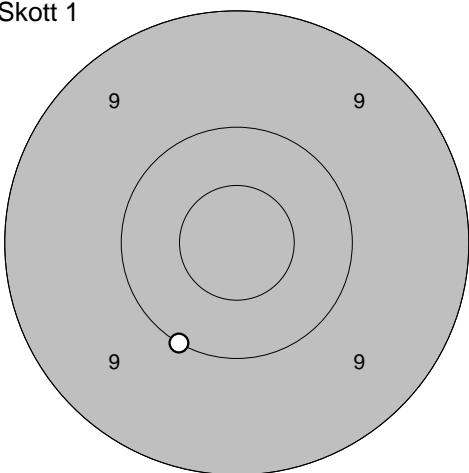
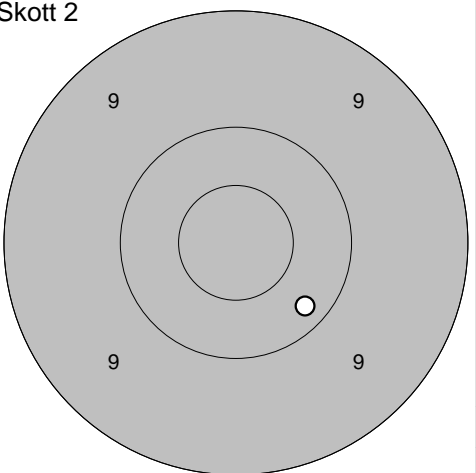
Skott 5

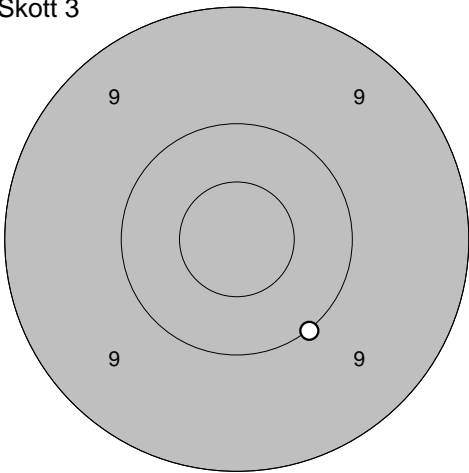
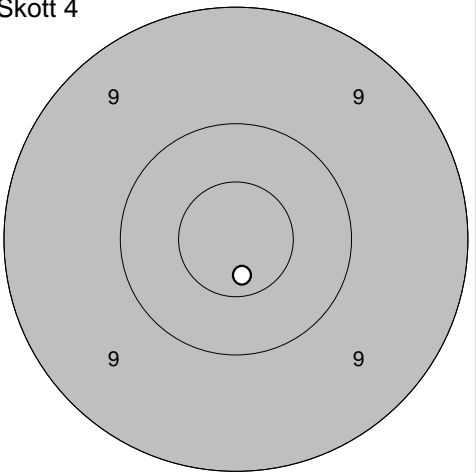


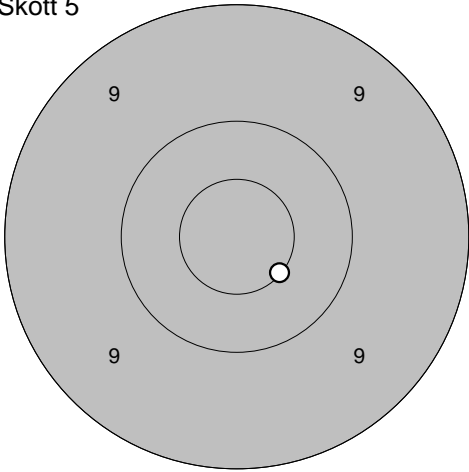
1: 9,9 ↘

Serie 9,0
Totalt 335,0

Provskott 	1: 9,1 ↖ 2: 9,6 ↗ 3: 9,8 ↑ Serie 27,0 Totalt 241,0	Serie 	1: 9,6 ↑ 2: 10,5* ➤ 3: 9,2 ➔ 4: 10,0 ↗ 5: 9,9 ↑ Serie 47,0 Totalt 288,0
--	--	--	---

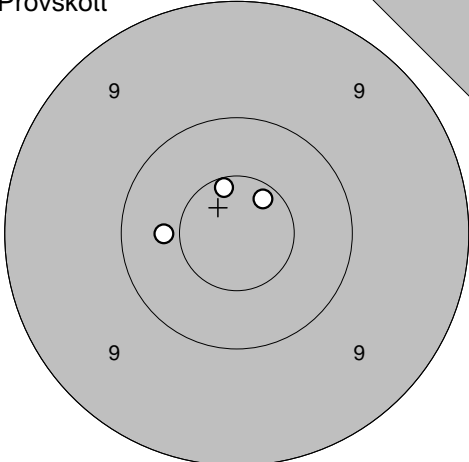
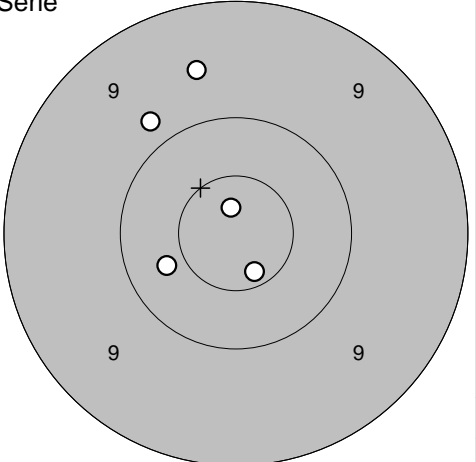
Skott 1 	1: 10,0 ↘ Serie 10,0 Totalt 298,0	Skott 2 	1: 10,2 ↘ Serie 10,0 Totalt 308,0
---	---	---	---

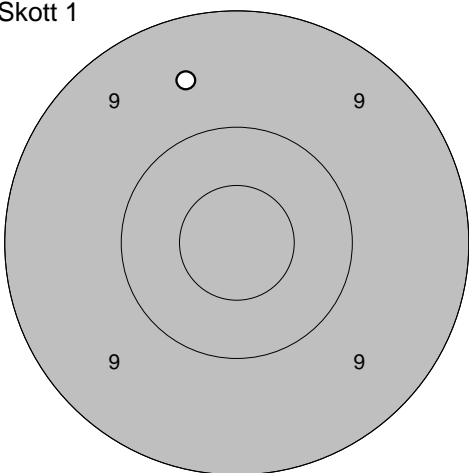
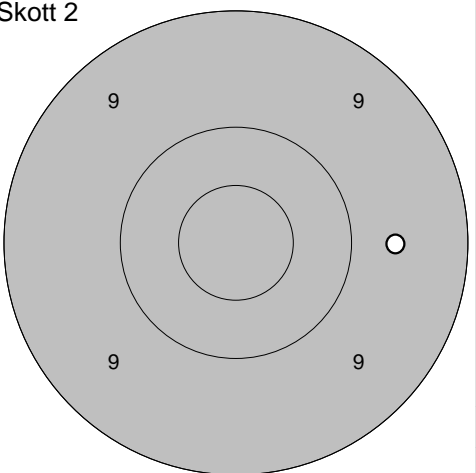
Skott 3 	1: 10,0 ↘ Serie 10,0 Totalt 318,0	Skott 4 	1: 10,7* ↘ Serie 10,0 Totalt 328,0
--	---	--	--

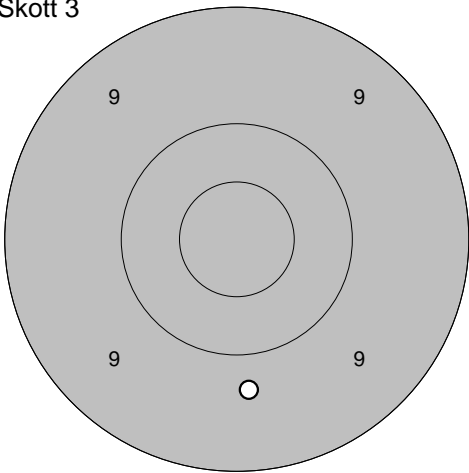
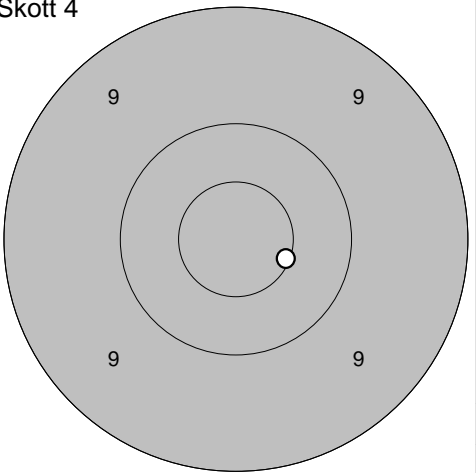
Skott 5 	1: 10,5* ↘ Serie 10,0 Totalt 338,0		
--	--	--	--

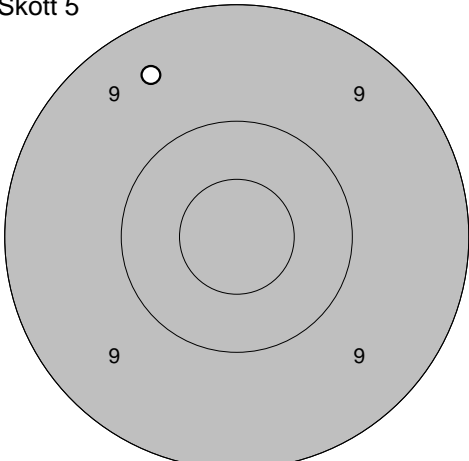
Ununge

2009-07-14	Björksskottet 2009 Final	Ramselefors SKF
------------	--------------------------	-----------------

<p>Provskott</p> 	<p>1: 10,4 ← 2: 10,7* ↗ 3: 10,6* ↑</p>	<p>Serie</p> 	<p>1: 10,4 ← 2: 10,8* ↑ 3: 10,7* ↓ 4: 9,6 ↑ 5: 9,8 ↗</p>
Serie 30,0		Serie 48,0	
Totalt 239,0		Totalt 287,0	

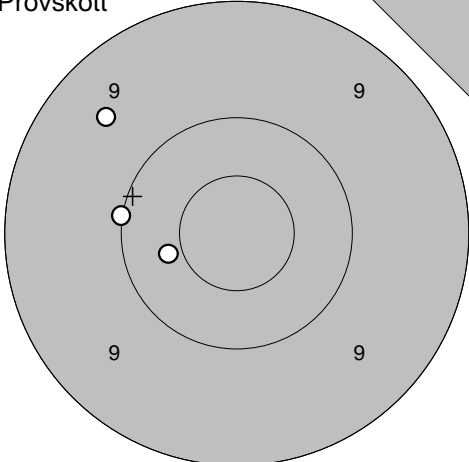
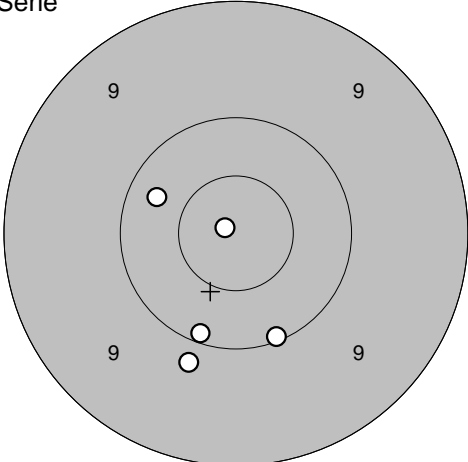
<p>Skott 1</p> 	<p>1: 9,6 ↑</p>	<p>Skott 2</p> 	<p>1: 9,7 →</p>
Serie 9,0		Serie 9,0	
Totalt 296,0		Totalt 305,0	

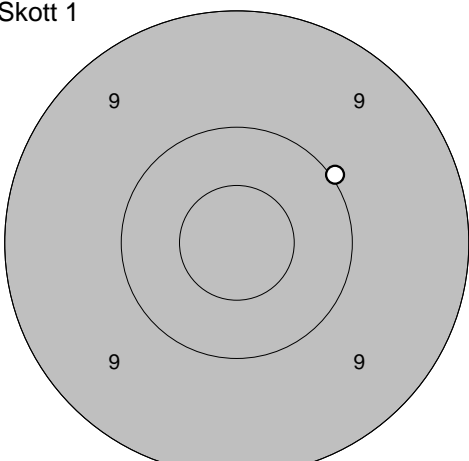
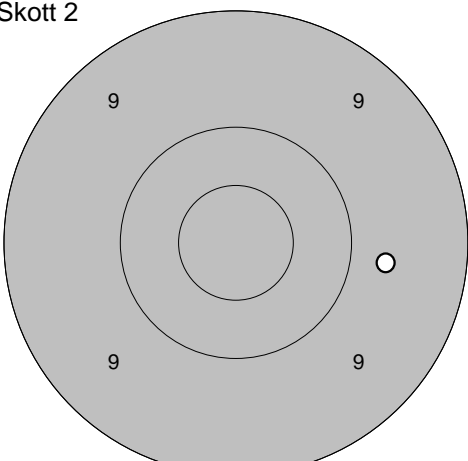
<p>Skott 3</p> 	<p>1: 9,7 ↓</p>	<p>Skott 4</p> 	<p>1: 10,6* →</p>
Serie 9,0		Serie 10,0	
Totalt 314,0		Totalt 324,0	

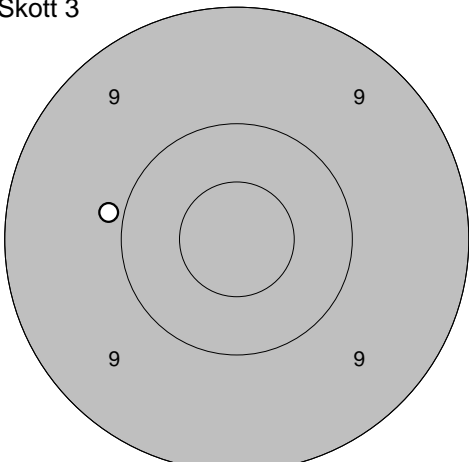
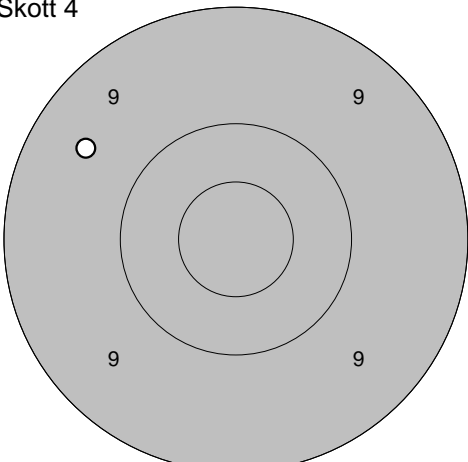
<p>Skott 5</p> 	<p>1: 9,5 ↗</p>		
Serie 9,0			
Totalt 333,0			

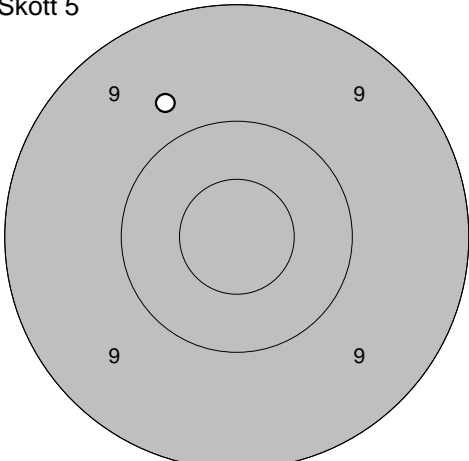
Ale		
-----	--	--

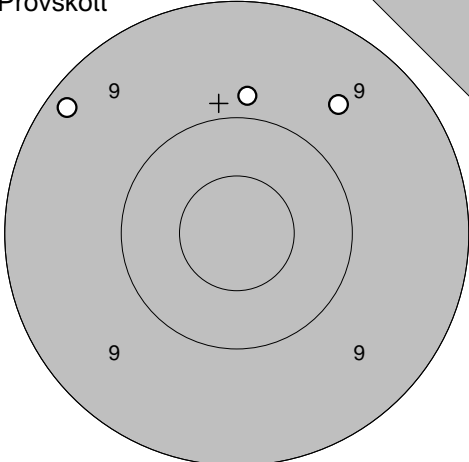
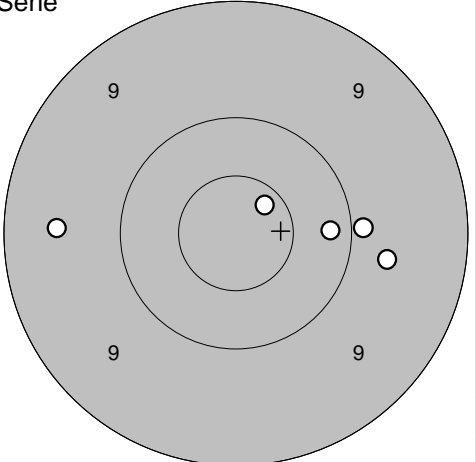
2009-07-14	Björkskottet 2009 Final	Ramselefors SKF
------------	-------------------------	-----------------

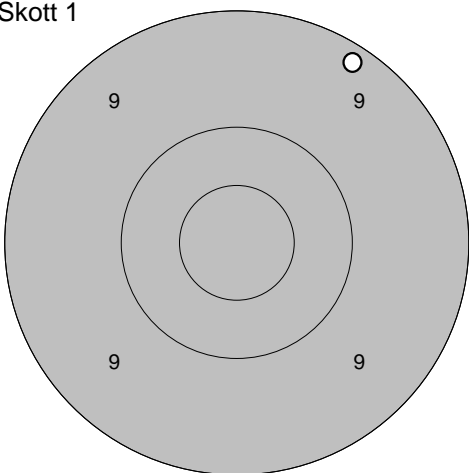
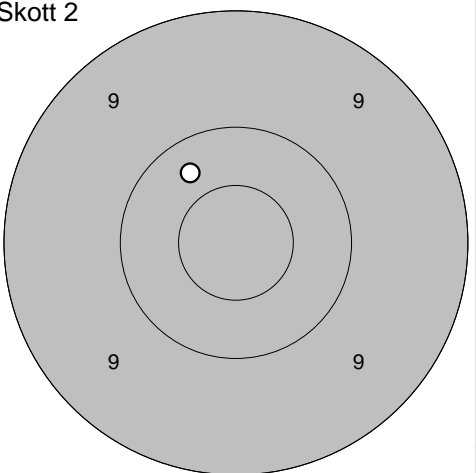
Provskott 	1: 9,5 ↗ 2: 10,0 ← 3: 10,4 ←	Serie 	1: 10,1 ↓ 2: 10,9* ↗ 3: 10,3 ↗ 4: 10,1 ↓ 5: 9,8 ↓
Serie 29,0		Serie 49,0	
Totalt 238,0		Totalt 287,0	

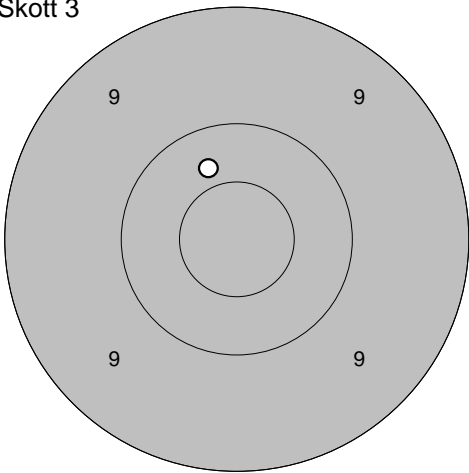
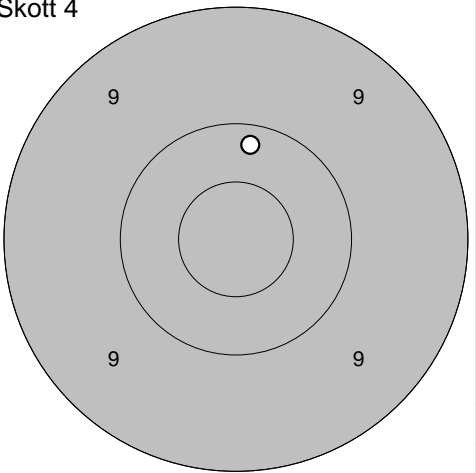
Skott 1 	1: 10,0 ↗	Skott 2 	1: 9,7 →
Serie 10,0		Serie 9,0	
Totalt 297,0		Totalt 306,0	

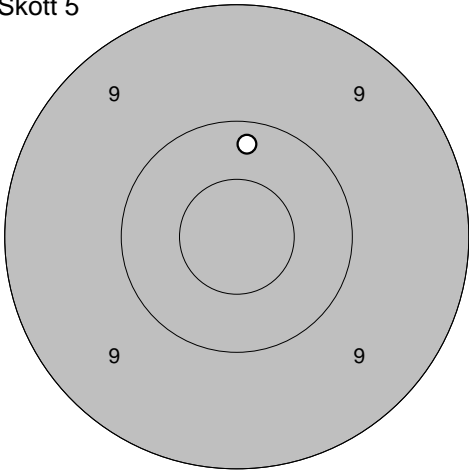
Skott 3 	1: 9,9 ←	Skott 4 	1: 9,5 ↗
Serie 9,0		Serie 9,0	
Totalt 315,0		Totalt 324,0	

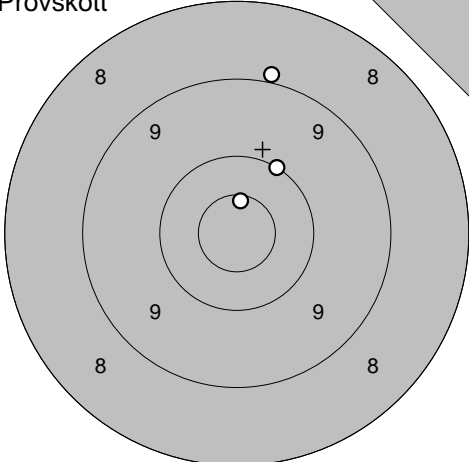
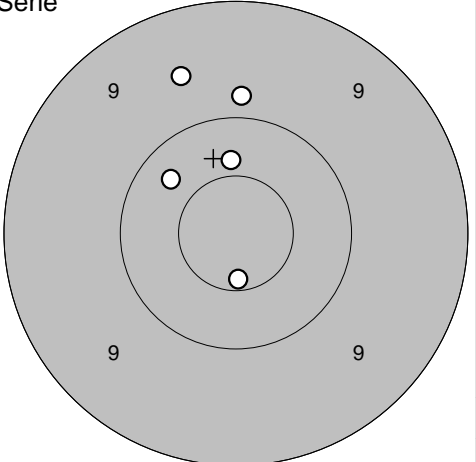
Skott 5 	1: 9,7 ↗		
Serie 9,0			
Totalt 333,0			

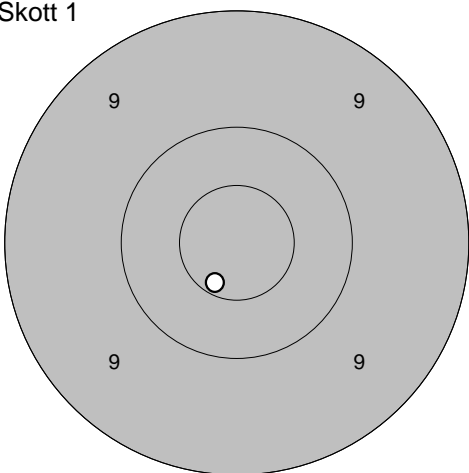
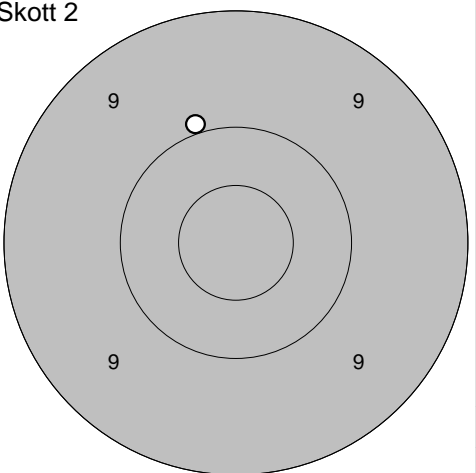
Provskott 	1: 9,8 ↑ 2: 9,2 ↖ 3: 9,6 ↗	Serie 	1: 9,5 ← 2: 9,9 → 3: 9,7 → 4: 10,2 → 5: 10,7* ↗
Serie 27,0		Serie 47,0	
Totalt 235,0		Totalt 282,0	

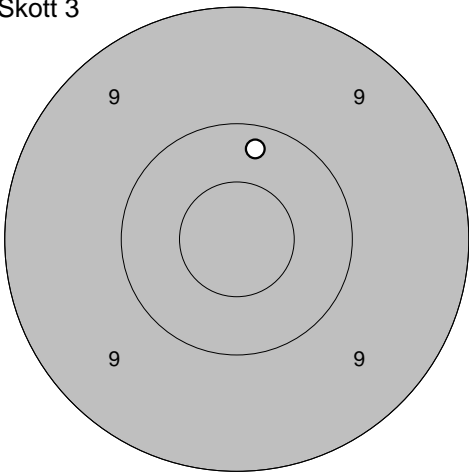
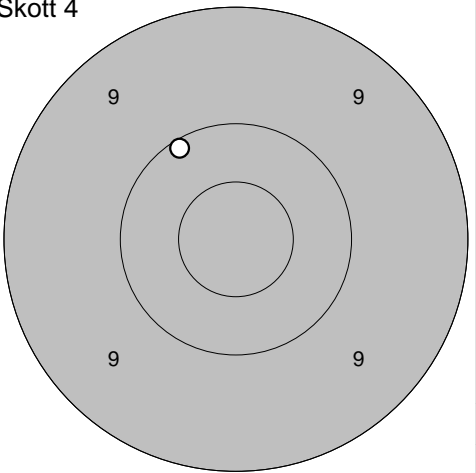
Skott 1 	1: 9,2 ↗	Skott 2 	1: 10,3 ↖
Serie 9,0		Serie 10,0	
Totalt 291,0		Totalt 301,0	

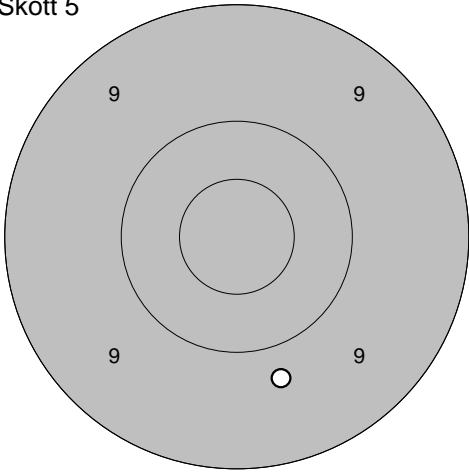
Skott 3 	1: 10,4 ↖	Skott 4 	1: 10,2 ↑
Serie 10,0		Serie 10,0	
Totalt 311,0		Totalt 321,0	

Skott 5 	1: 10,2 ↑		
Serie 10,0			
Totalt 331,0			

Provskott 	1: 10,1 ↗ 2: 9,0 ↑ 3: 10,6* ↑ <hr/> Serie 29,0 Totalt 233,0	Serie 	1: 9,6 ↗ 2: 9,8 ↑ 3: 10,4 ↑ 4: 10,3 ↖ 5: 10,6* ↓ <hr/> Serie 48,0 Totalt 281,0
--	---	--	--

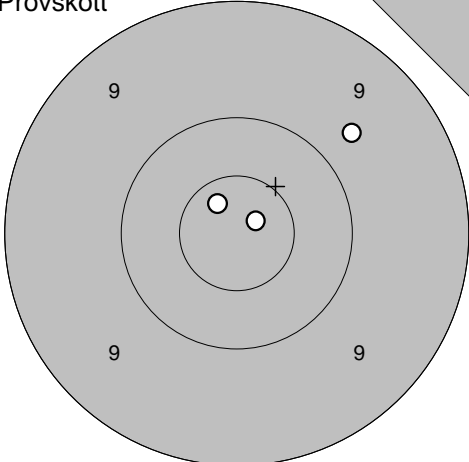
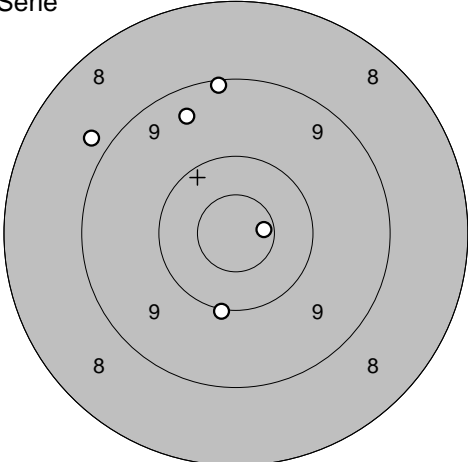
Skott 1 	1: 10,6* ↘ <hr/> Serie 10,0 Totalt 291,0	Skott 2 	1: 10,0 ↗ <hr/> Serie 10,0 Totalt 301,0
---	--	---	---

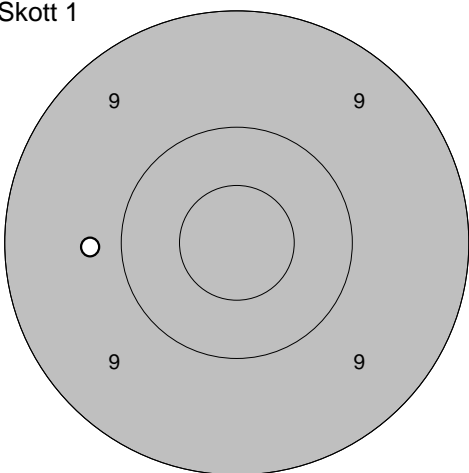
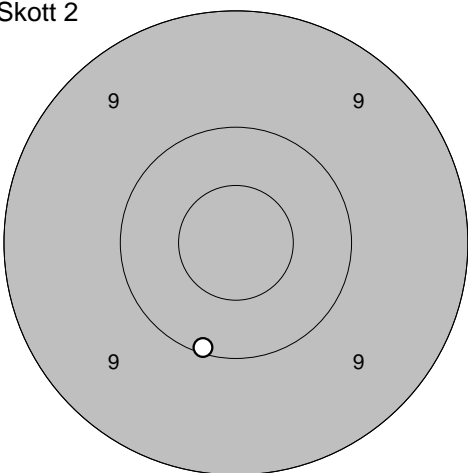
Skott 3 	1: 10,2 ↑ <hr/> Serie 10,0 Totalt 311,0	Skott 4 	1: 10,1 ↗ <hr/> Serie 10,0 Totalt 321,0
--	---	--	---

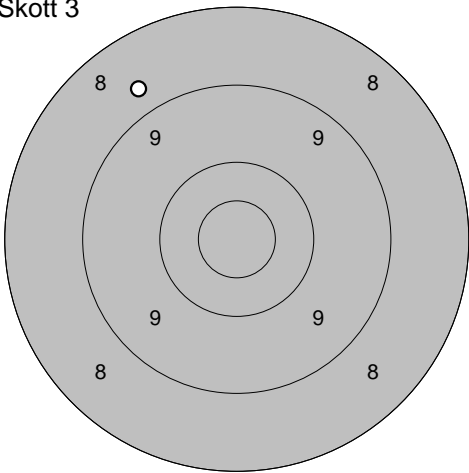
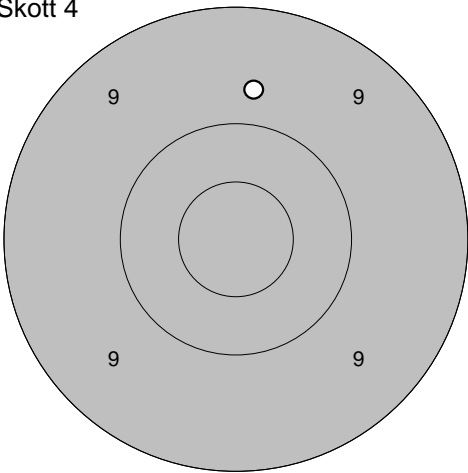
Skott 5 	1: 9,8 ↓ <hr/> Serie 9,0 Totalt 330,0		
--	---	--	--

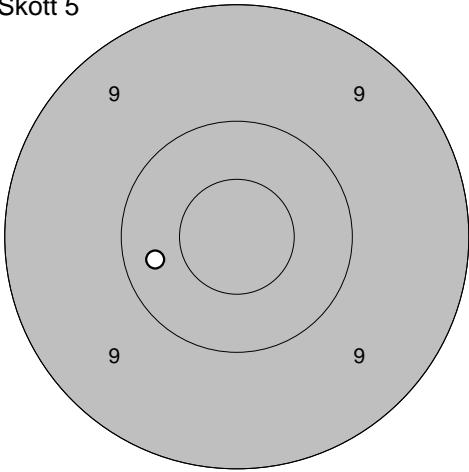
Ale	
-----	--

2009-07-14	Björkskottet 2009 Final	Ramselefors SKF
------------	-------------------------	-----------------

<p>Provskott</p> 	<p>1: 10,7* ↖ 2: 9,7 ↗ 3: 10,8* ↗</p> <table border="1" style="width:100%; border-collapse: collapse;"> <tr><td>Serie</td><td style="text-align: right;">29,0</td></tr> <tr><td>Totalt</td><td style="text-align: right;">230,0</td></tr> </table>	Serie	29,0	Totalt	230,0	<p>Serie</p>  <p>1: 8,8 ↖ 2: 10,7* → 3: 9,1 ↑ 4: 9,4 ↖ 5: 10,0 ↓</p> <table border="1" style="width:100%; border-collapse: collapse;"> <tr><td>Serie</td><td style="text-align: right;">46,0</td></tr> <tr><td>Totalt</td><td style="text-align: right;">276,0</td></tr> </table>	Serie	46,0	Totalt	276,0
Serie	29,0									
Totalt	230,0									
Serie	46,0									
Totalt	276,0									

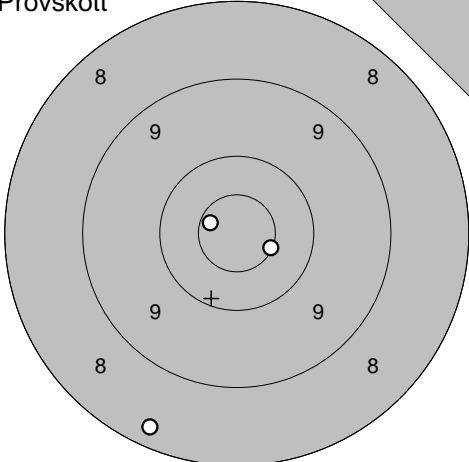
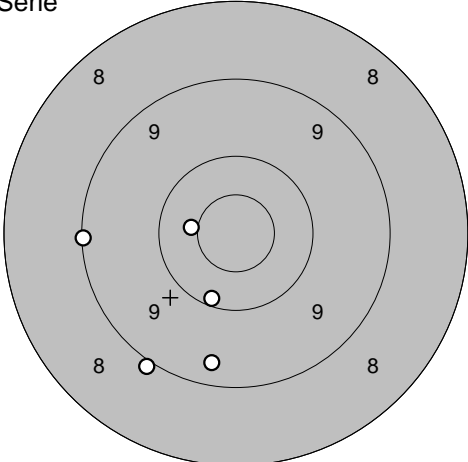
<p>Skott 1</p>  <table border="1" style="width:100%; border-collapse: collapse;"> <tr><td>Serie</td><td style="text-align: right;">9,0</td></tr> <tr><td>Totalt</td><td style="text-align: right;">285,0</td></tr> </table>	Serie	9,0	Totalt	285,0	<p>1: 9,8 ←</p> <p>Skott 2</p>  <p>1: 10,1 ↓</p> <table border="1" style="width:100%; border-collapse: collapse;"> <tr><td>Serie</td><td style="text-align: right;">10,0</td></tr> <tr><td>Totalt</td><td style="text-align: right;">295,0</td></tr> </table>	Serie	10,0	Totalt	295,0
Serie	9,0								
Totalt	285,0								
Serie	10,0								
Totalt	295,0								

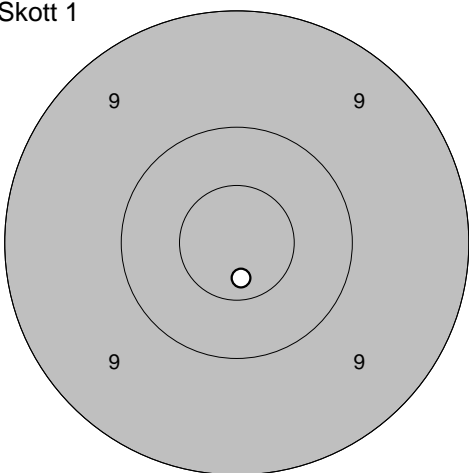
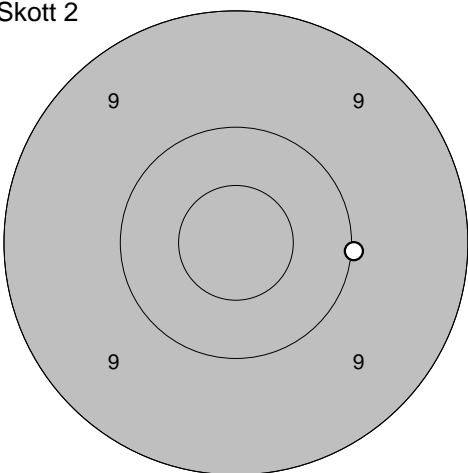
<p>Skott 3</p>  <table border="1" style="width:100%; border-collapse: collapse;"> <tr><td>Serie</td><td style="text-align: right;">8,0</td></tr> <tr><td>Totalt</td><td style="text-align: right;">303,0</td></tr> </table>	Serie	8,0	Totalt	303,0	<p>1: 8,7 ↖</p> <p>Skott 4</p>  <p>1: 9,7 ↑</p> <table border="1" style="width:100%; border-collapse: collapse;"> <tr><td>Serie</td><td style="text-align: right;">9,0</td></tr> <tr><td>Totalt</td><td style="text-align: right;">312,0</td></tr> </table>	Serie	9,0	Totalt	312,0
Serie	8,0								
Totalt	303,0								
Serie	9,0								
Totalt	312,0								

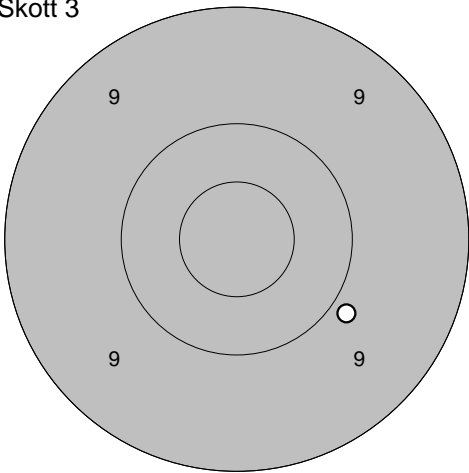
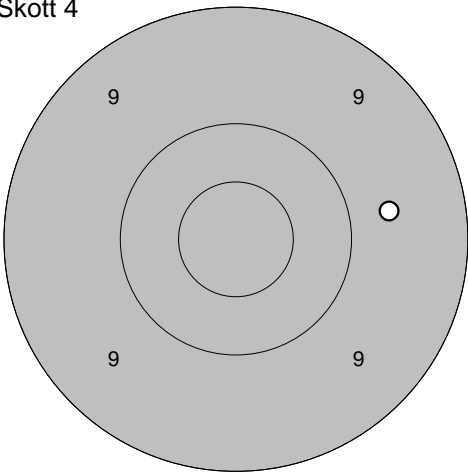
<p>Skott 5</p>  <table border="1" style="width:100%; border-collapse: collapse;"> <tr><td>Serie</td><td style="text-align: right;">10,0</td></tr> <tr><td>Totalt</td><td style="text-align: right;">322,0</td></tr> </table>	Serie	10,0	Totalt	322,0	<p>1: 10,3 ←</p>
Serie	10,0				
Totalt	322,0				

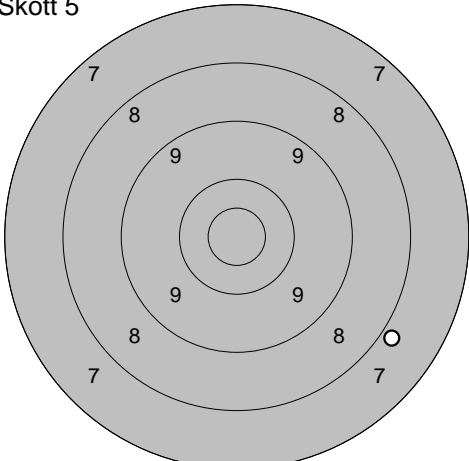
Ununge

2009-07-14	Björkskottet 2009 Final	Ramselefors SKF
------------	-------------------------	-----------------

<p>Provskott</p> 	<p>1: 10,7* ← 2: 8,3 ↓ 3: 10,6* →</p> <table border="1" style="width:100%; border-collapse: collapse;"> <tr><td>Serie</td><td style="text-align: right;">28,0</td></tr> <tr><td>Totalt</td><td style="text-align: right;">229,0</td></tr> </table>	Serie	28,0	Totalt	229,0	<p>Serie</p>  <p>1: 10,5* ← 2: 9,0 ↓ 3: 10,2 ↓ 4: 9,1 ← 5: 9,3 ↓</p> <table border="1" style="width:100%; border-collapse: collapse;"> <tr><td>Serie</td><td style="text-align: right;">47,0</td></tr> <tr><td>Totalt</td><td style="text-align: right;">276,0</td></tr> </table>	Serie	47,0	Totalt	276,0
Serie	28,0									
Totalt	229,0									
Serie	47,0									
Totalt	276,0									

<p>Skott 1</p> 	<p>1: 10,7* ↓</p> <table border="1" style="width:100%; border-collapse: collapse;"> <tr><td>Serie</td><td style="text-align: right;">10,0</td></tr> <tr><td>Totalt</td><td style="text-align: right;">286,0</td></tr> </table>	Serie	10,0	Totalt	286,0	<p>Skott 2</p>  <p>1: 10,0 →</p> <table border="1" style="width:100%; border-collapse: collapse;"> <tr><td>Serie</td><td style="text-align: right;">10,0</td></tr> <tr><td>Totalt</td><td style="text-align: right;">296,0</td></tr> </table>	Serie	10,0	Totalt	296,0
Serie	10,0									
Totalt	286,0									
Serie	10,0									
Totalt	296,0									

<p>Skott 3</p> 	<p>1: 9,9 →</p> <table border="1" style="width:100%; border-collapse: collapse;"> <tr><td>Serie</td><td style="text-align: right;">9,0</td></tr> <tr><td>Totalt</td><td style="text-align: right;">305,0</td></tr> </table>	Serie	9,0	Totalt	305,0	<p>Skott 4</p>  <p>1: 9,7 →</p> <table border="1" style="width:100%; border-collapse: collapse;"> <tr><td>Serie</td><td style="text-align: right;">9,0</td></tr> <tr><td>Totalt</td><td style="text-align: right;">314,0</td></tr> </table>	Serie	9,0	Totalt	314,0
Serie	9,0									
Totalt	305,0									
Serie	9,0									
Totalt	314,0									

<p>Skott 5</p> 	<p>1: 7,9 →</p> <table border="1" style="width:100%; border-collapse: collapse;"> <tr><td>Serie</td><td style="text-align: right;">7,0</td></tr> <tr><td>Totalt</td><td style="text-align: right;">321,0</td></tr> </table>	Serie	7,0	Totalt	321,0	
Serie	7,0					
Totalt	321,0					

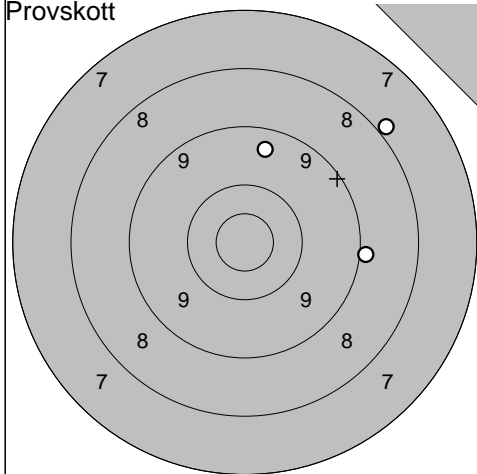
Liden

2009-07-14

Björkskottet 2009 Final

Ramselefors SKF

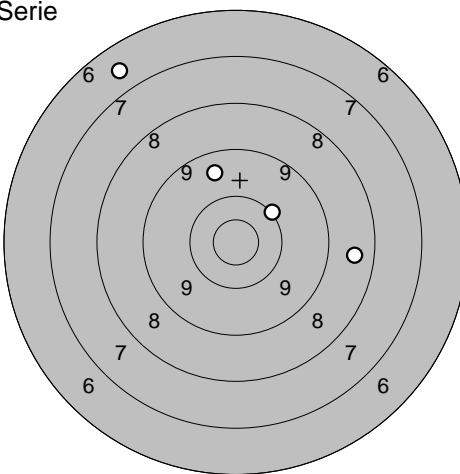
Provskott



1: 9,4 ↑
2: 7,9 ↗
3: 9,0 →

Serie 25,0
Totalt 222,0

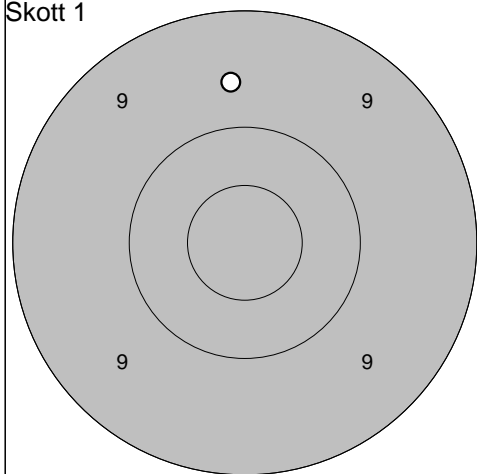
Serie



1: 9,6 ↑
2: 10,1 ↗
3: 8,5 →
4: 6,7 ↖

Serie 33,0
Totalt 255,0

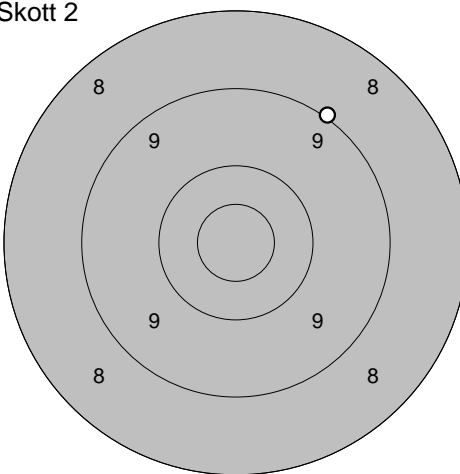
Skott 1



1: 9,6 ↑

Serie 9,0
Totalt 264,0

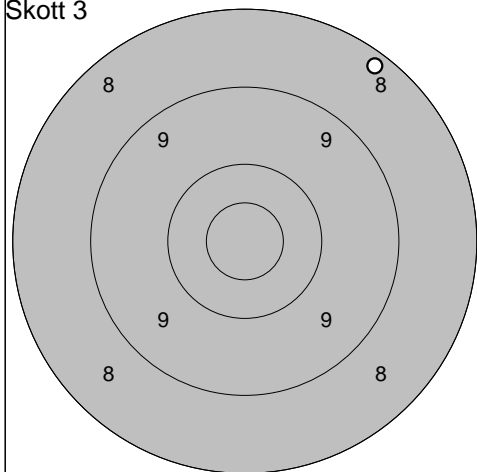
Skott 2



1: 9,0 ↗

Serie 9,0
Totalt 273,0

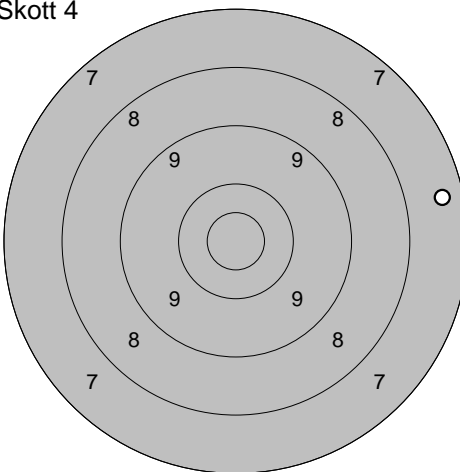
Skott 3



1: 8,2 ↗

Serie 8,0
Totalt 281,0

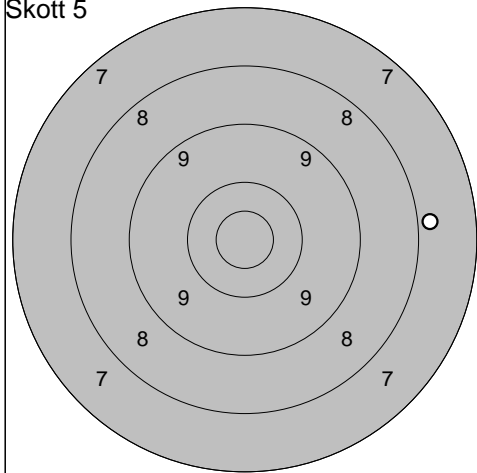
Skott 4



1: 7,4 →

Serie 7,0
Totalt 288,0

Skott 5



1: 7,9 →

Serie 7,0
Totalt 295,0

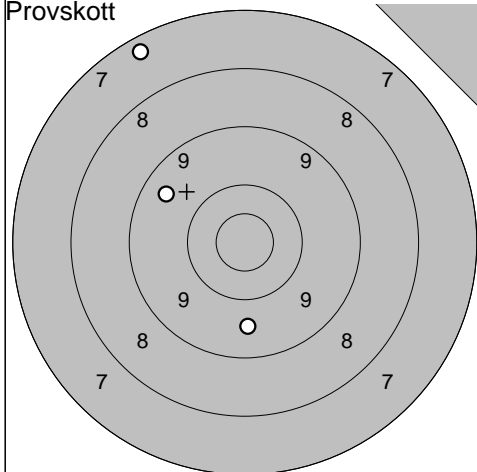
Ununge

2009-07-14

Björksskottet 2009 Final

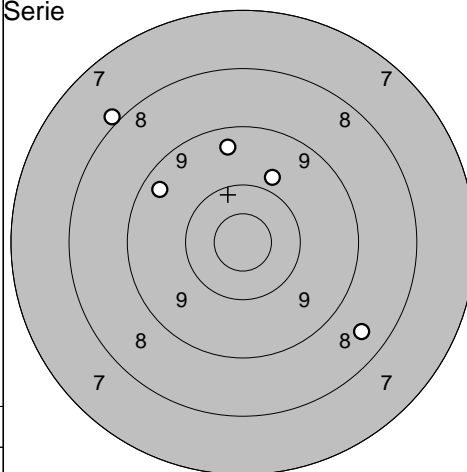
Ramselefors SKF

Provskott



1: 9,6 ↓
2: 9,5 ↖
3: 7,3 ↗

Serie

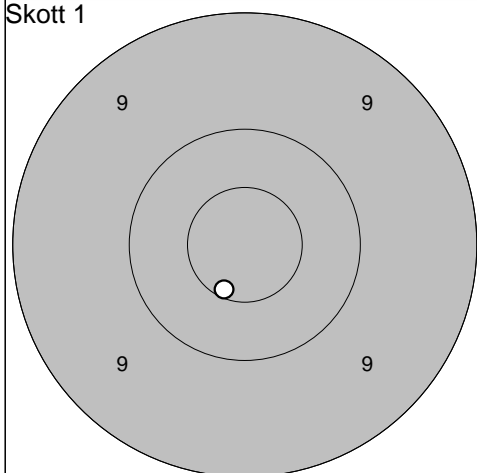


1: 8,5 ↘
2: 9,9 ↗
3: 9,4 ↗
4: 9,4 ↗
5: 8,0 ↗

Serie 25,0
Totalt 220,0

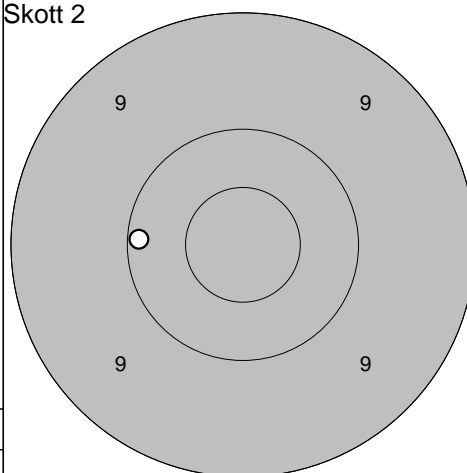
Serie 43,0
Totalt 263,0

Skott 1



1: 10,6* ↓

Skott 2

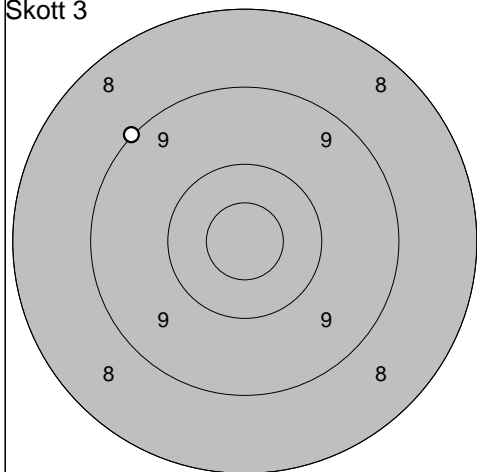


1: 10,1 ←

Serie 10,0
Totalt 273,0

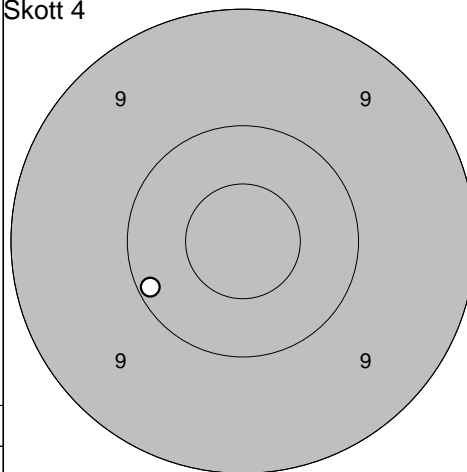
Serie 10,0
Totalt 283,0

Skott 3



1: 9,0 ↖

Skott 4

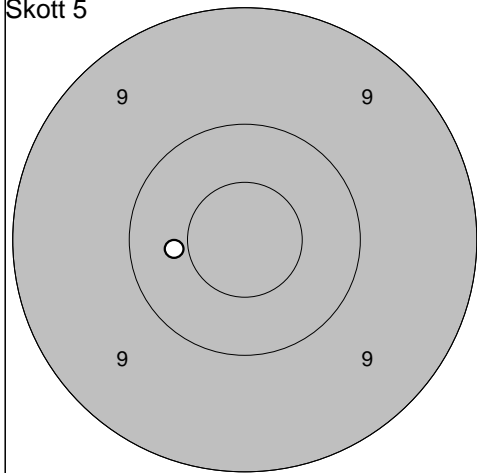


1: 10,1 ↖

Serie 9,0
Totalt 292,0

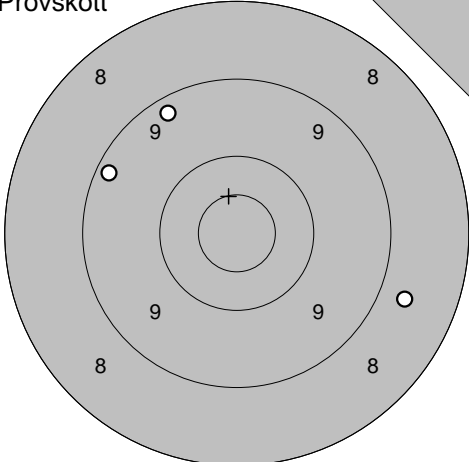
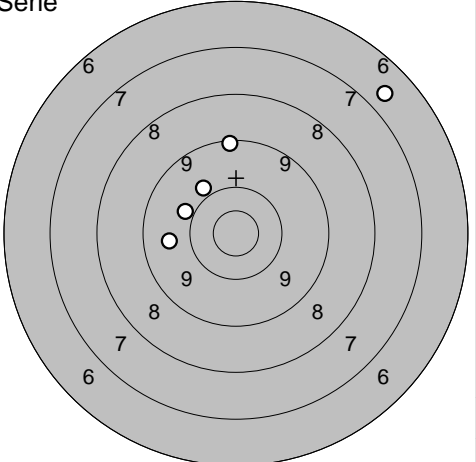
Serie 10,0
Totalt 302,0

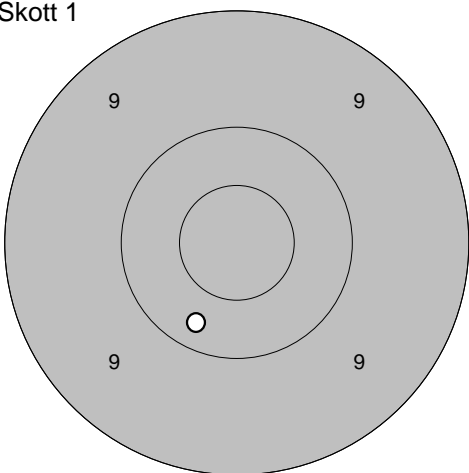
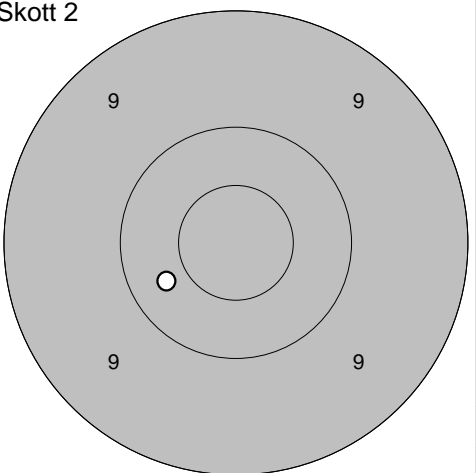
Skott 5

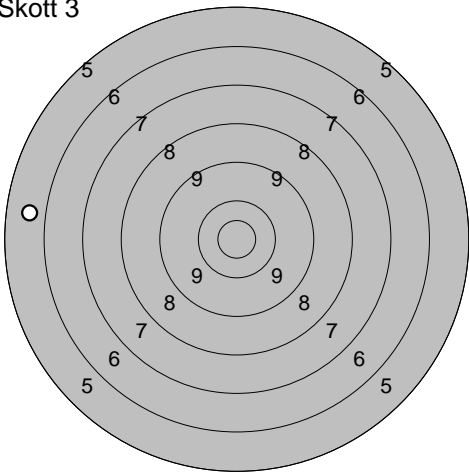
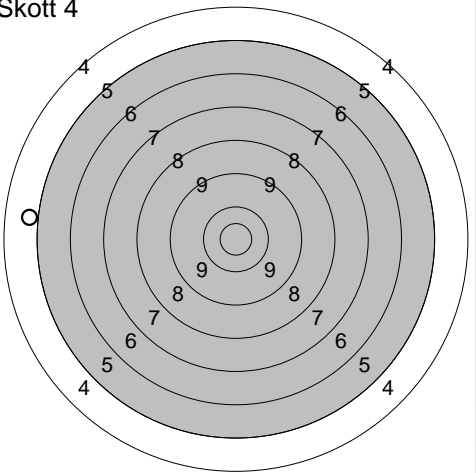


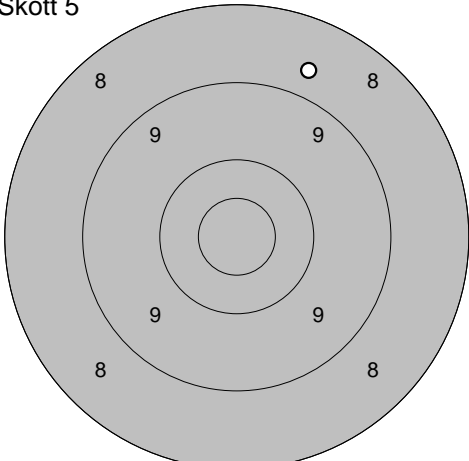
1: 10,4 ←

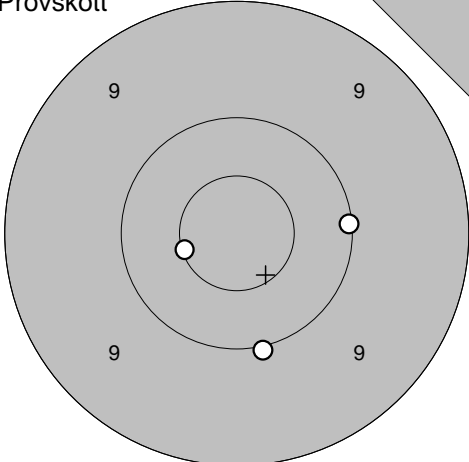
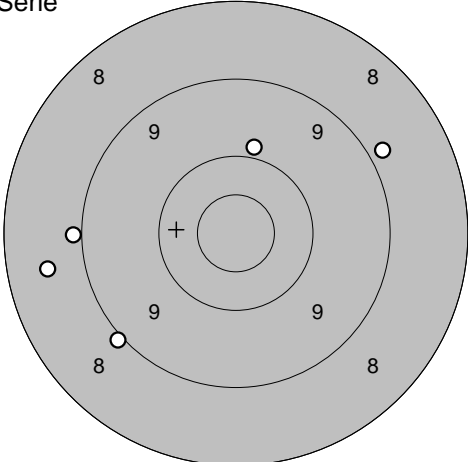
Serie 10,0
Totalt 312,0

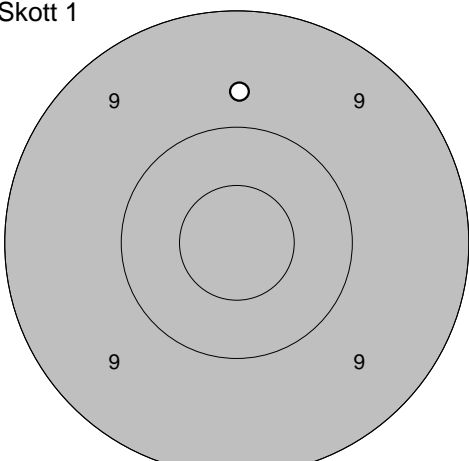
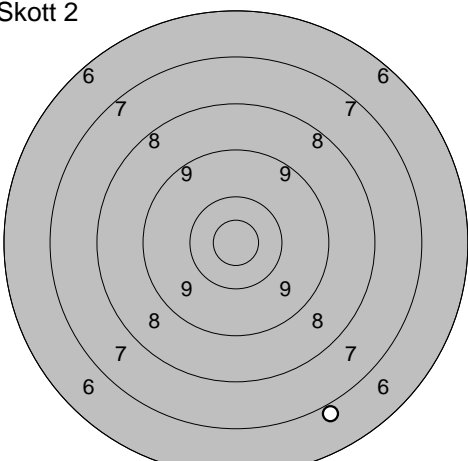
Provskott 	1: 9,3 ↗ 2: 9,2 ↖ 3: 8,7 →	Serie 	1: 9,7 ← 2: 9,9 ↖ 3: 9,2 ↑ 4: 9,9 ↖ 5: 6,7 ↗
Serie 26,0		Serie 42,0	
Totalt 231,0		Totalt 273,0	

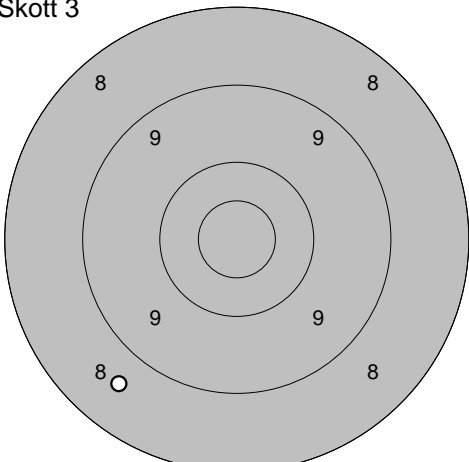
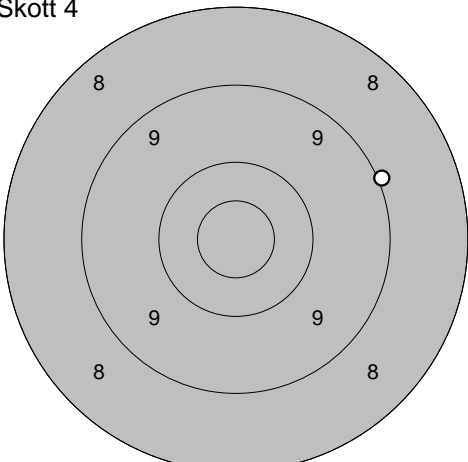
Skott 1 	1: 10,3 ↘	Skott 2 	1: 10,3 ←
Serie 10,0		Serie 10,0	
Totalt 283,0		Totalt 293,0	

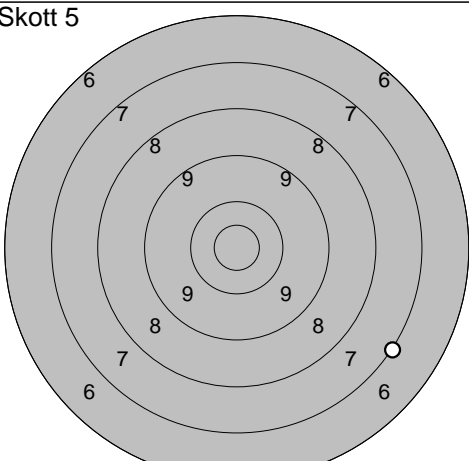
Skott 3 	1: 5,8 ←	Skott 4 	1: 4,9 ←
Serie 5,0		Serie 4,0	
Totalt 298,0		Totalt 302,0	

Skott 5 	1: 8,7 ↗		
Serie 8,0			
Totalt 310,0			

Provskott 	1: 10,6* ← 2: 10,1 → 3: 10,0 ↓ Serie 30,0 Totalt 228,0	Serie 	1: 9,0 ↙ 2: 9,9 ↑ 3: 9,0 ← 4: 8,6 ← 5: 8,9 ↗ Serie 43,0 Totalt 271,0
--	--	--	--

Skott 1 	1: 9,7 ↑ Serie 9,0 Totalt 280,0	Skott 2 	1: 6,9 ↓ Serie 6,0 Totalt 286,0
---	---	---	---

Skott 3 	1: 8,6 ↙ Serie 8,0 Totalt 294,0	Skott 4 	1: 9,0 ↗ Serie 9,0 Totalt 303,0
--	---	--	---

Skott 5 	1: 7,1 ↘ Serie 7,0 Totalt 310,0		
--	---	--	--

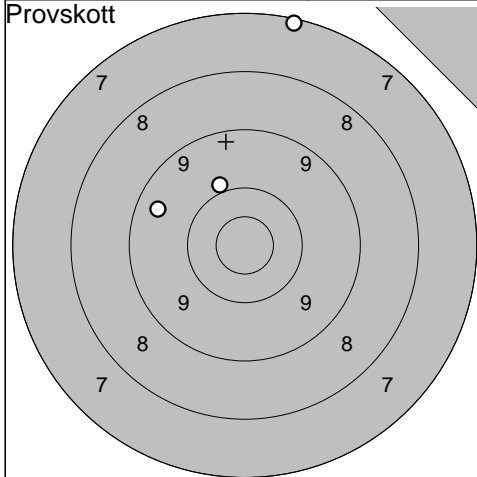
Frötuna

2009-07-14

Björkskottet 2009 Final

Ramselefors SKF

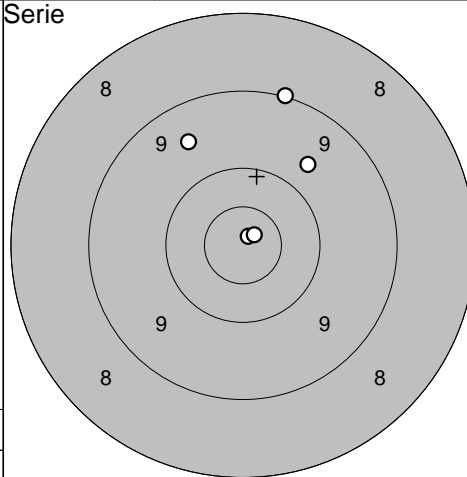
Provs-kott



1: 10,0 ↖
2: 7,2 ↑
3: 9,5 ↙

Serie 26,0
Totalt 228,0

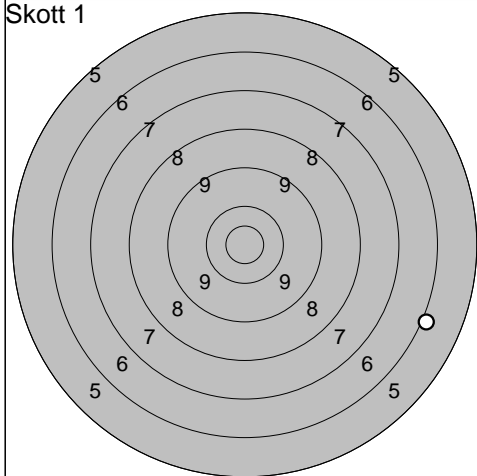
Serie



1: 9,7 ↗
2: 9,0 ↑
3: 10,9* ↗
4: 9,5 ↖
5: 10,8* ↗

Serie 47,0
Totalt 275,0

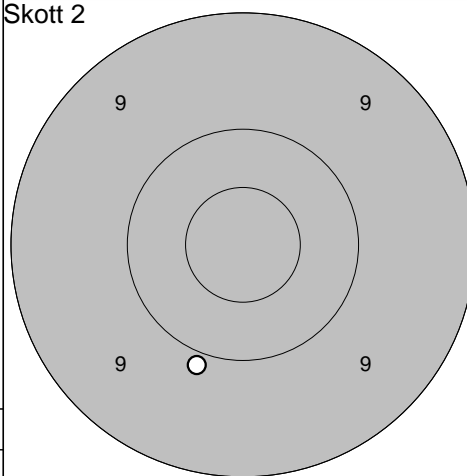
Skott 1



1: 6,0 →

Serie 6,0
Totalt 281,0

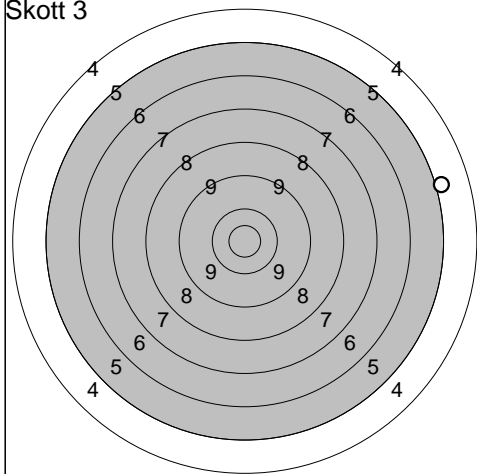
Skott 2



1: 9,9 ↓

Serie 9,0
Totalt 290,0

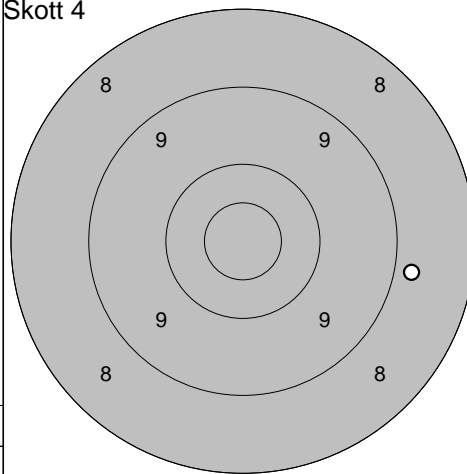
Skott 3



1: 5,0 →

Serie 5,0
Totalt 295,0

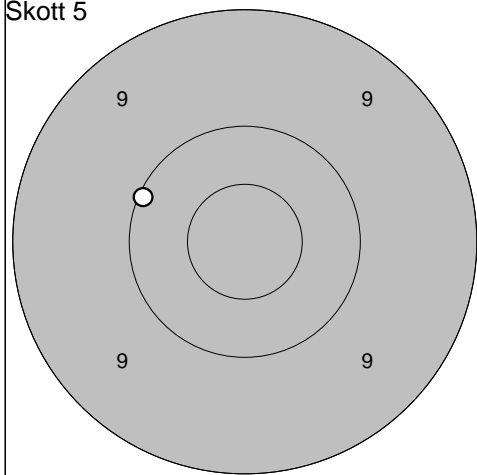
Skott 4



1: 8,8 →

Serie 8,0
Totalt 303,0

Skott 5

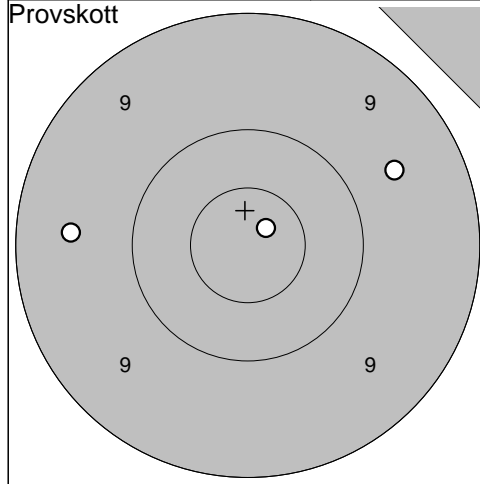


1: 10,1 ↙

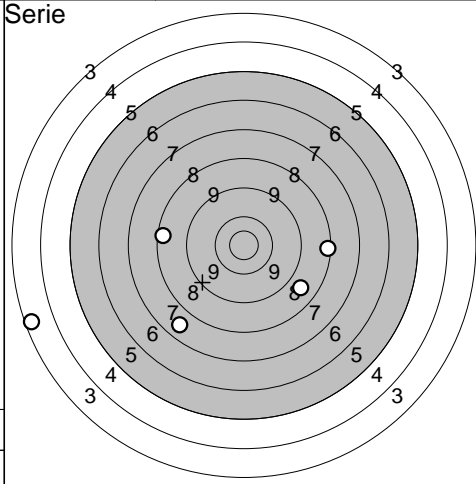
Serie 10,0
Totalt 313,0

Ununge

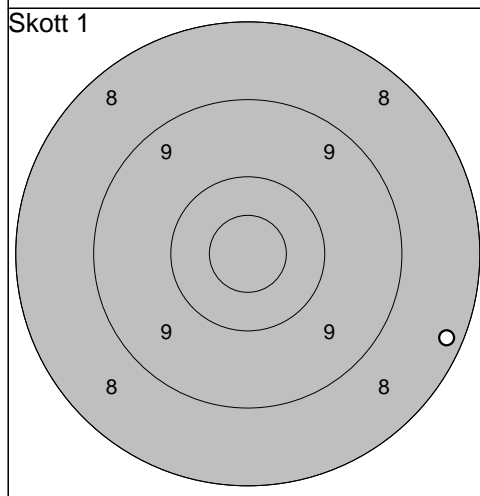
2009-07-14	Björkskottet 2009 Final	Ramselefors SKF
------------	-------------------------	-----------------



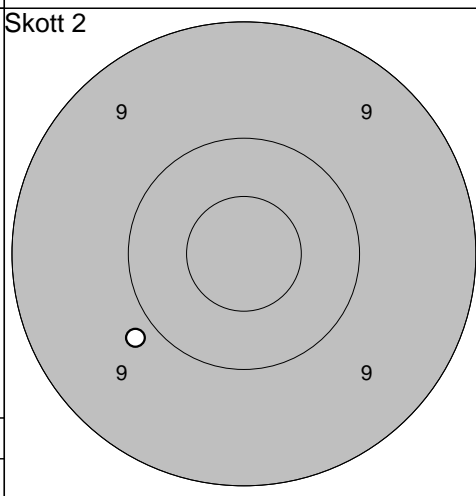
1: 9,6	↗
2: 9,5	←
3: 10,8*	↗
<hr/>	
Serie	28,0
Totalt	225,0



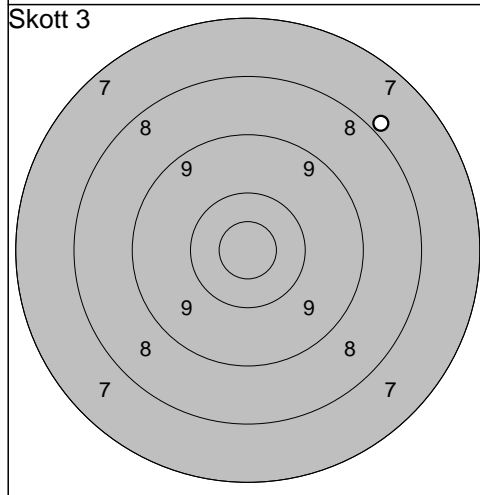
1: 8,3	→
2: 8,4	←
3: 8,7	↘
4: 3,5	←
5: 7,7	↙
<hr/>	
Serie	34,0
Totalt	259,0



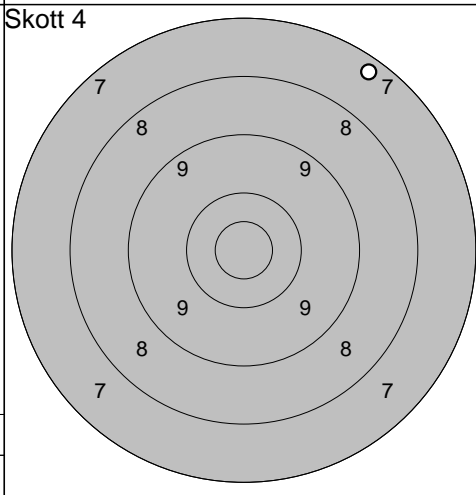
1: 8,2	↘
<hr/>	
Serie	8,0
Totalt	267,0



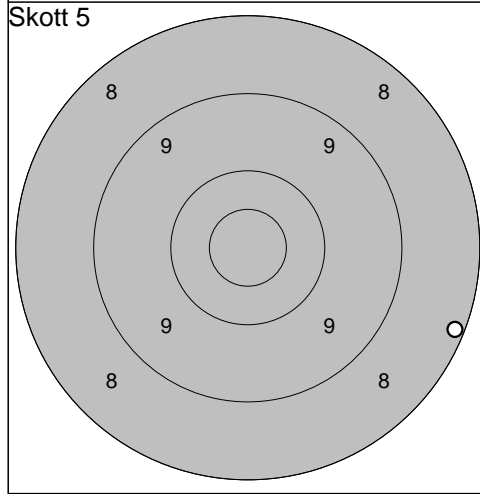
1: 9,9	↙
<hr/>	
Serie	9,0
Totalt	276,0



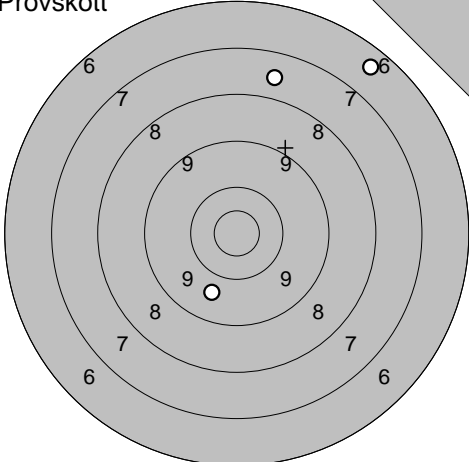
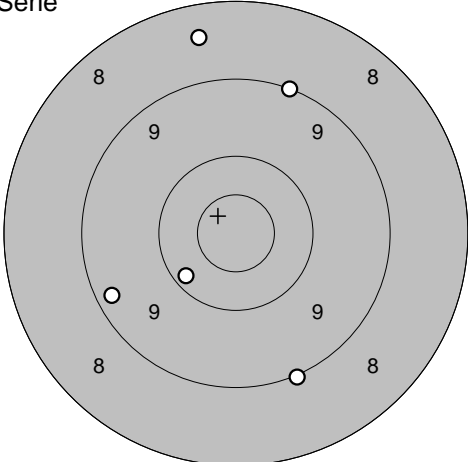
1: 7,9	↗
<hr/>	
Serie	7,0
Totalt	283,0

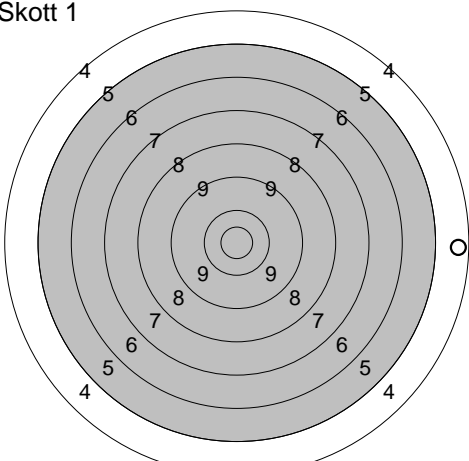
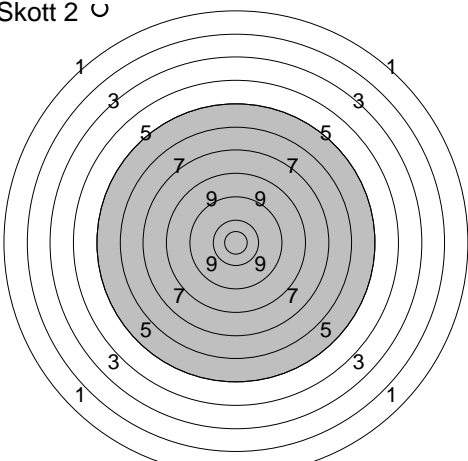


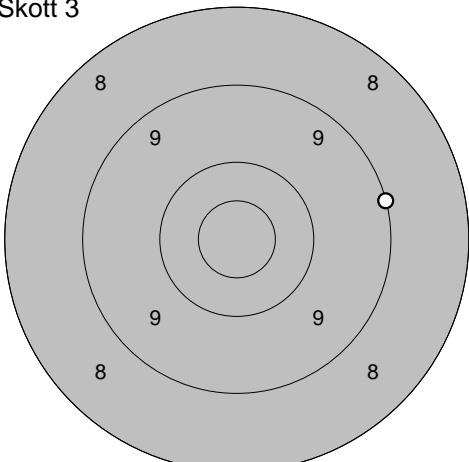
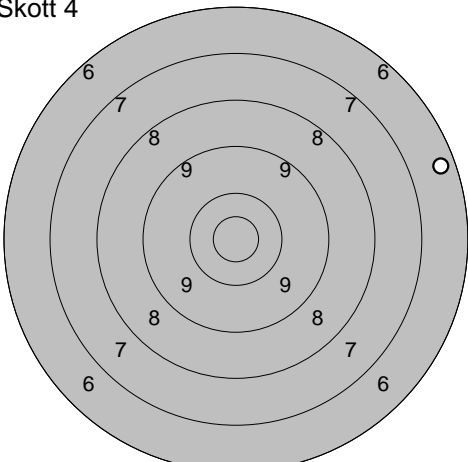
1: 7,3	↗
<hr/>	
Serie	7,0
Totalt	290,0

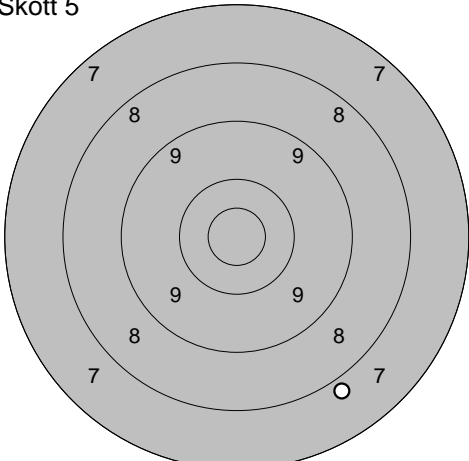


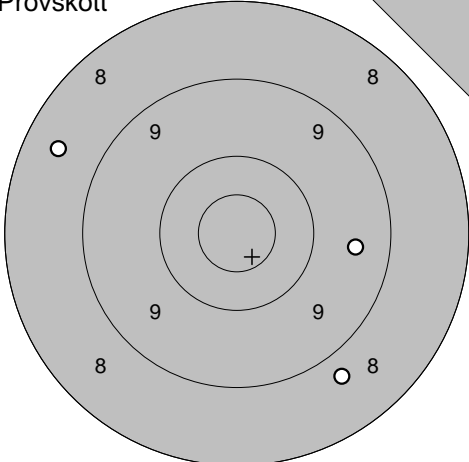
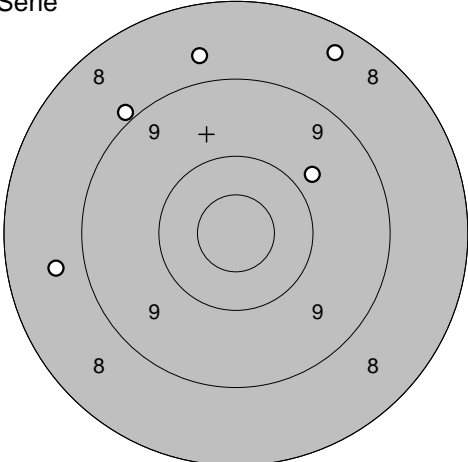
1: 8,2	↘
<hr/>	
Serie	8,0
Totalt	298,0

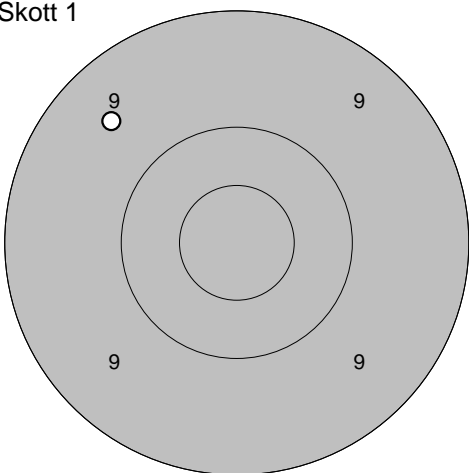
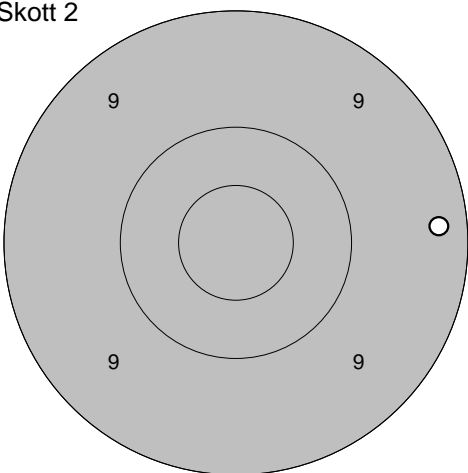
Provskott 	1: 6,5 ↗ 2: 7,7 ↑ 3: 9,7 ↓ <hr/> Serie 22,0 Totalt 224,0	Serie 	1: 9,1 ↗ 2: 9,0 ↓ 3: 8,5 ↑ 4: 10,2 ↙ 5: 9,3 ↙ <hr/> Serie 45,0 Totalt 269,0
--	--	--	---

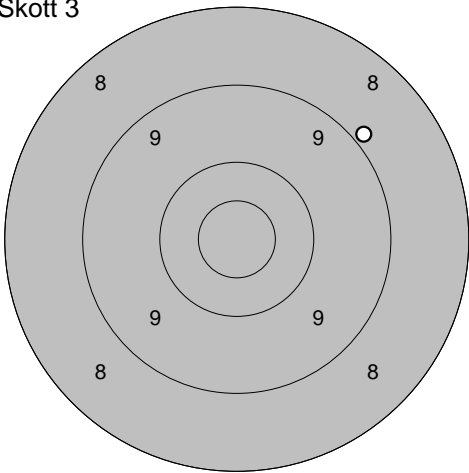
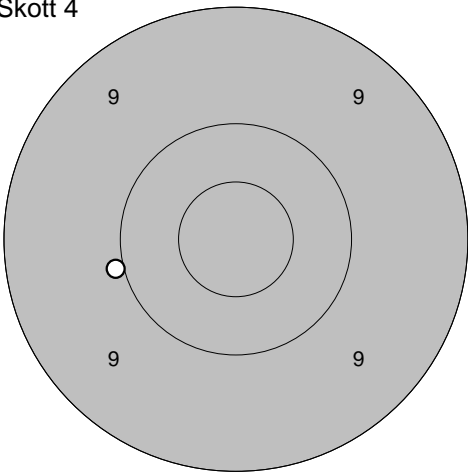
Skott 1 	1: 4,5 → <hr/> Serie 4,0 Totalt 273,0	Skott 2 ∪ 	1: 0,0 ↖ <hr/> Serie 0,0 Totalt 273,0
---	---	---	---

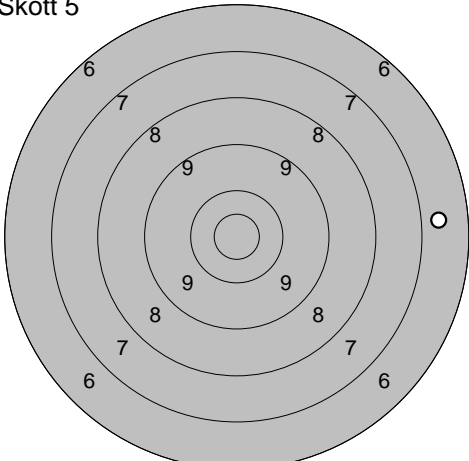
Skott 3 	1: 9,1 → <hr/> Serie 9,0 Totalt 282,0	Skott 4 	1: 6,4 → <hr/> Serie 6,0 Totalt 288,0
--	---	--	---

Skott 5 	1: 7,9 ↓ <hr/> Serie 7,0 Totalt 295,0		
--	---	--	--

Provskott 	1: 9,5 → 2: 8,5 ↗ 3: 8,7 ↘	Serie 	1: 8,7 ↑ 2: 8,7 ← 3: 8,9 ↖ 4: 9,8 ↗ 5: 8,4 ↗
Serie 25,0		Serie 41,0	
Totalt 223,0		Totalt 264,0	

Skott 1 	1: 9,5 ↖	Skott 2 	1: 9,3 →
Serie 9,0		Serie 9,0	
Totalt 273,0		Totalt 282,0	

Skott 3 	1: 8,9 ↗	Skott 4 	1: 10,0 ←
Serie 8,0		Serie 10,0	
Totalt 290,0		Totalt 300,0	

Skott 5 	1: 6,7 →		
Serie 6,0			
Totalt 306,0			

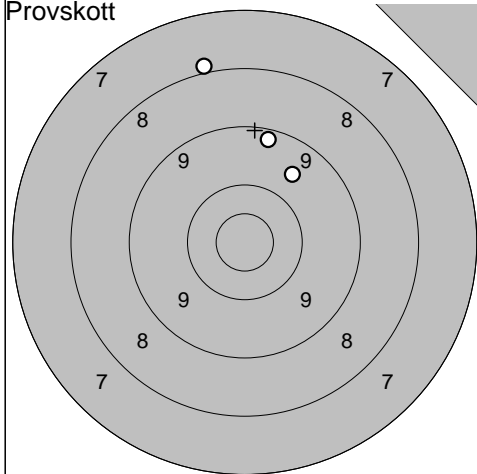
Ununge

2009-07-14

Björkskottet 2009 Final

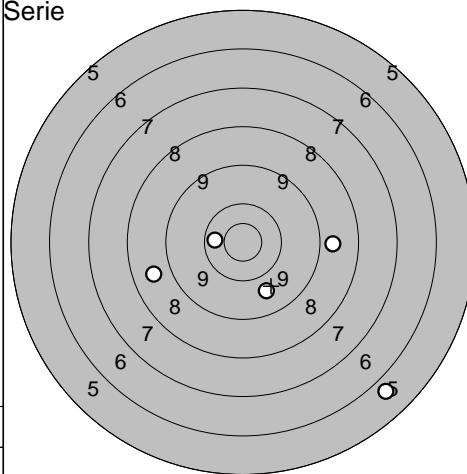
Ramselefors SKF

Provskott



1: 8,0 ↑
2: 9,3 ↑
3: 9,7 ↗

Serie

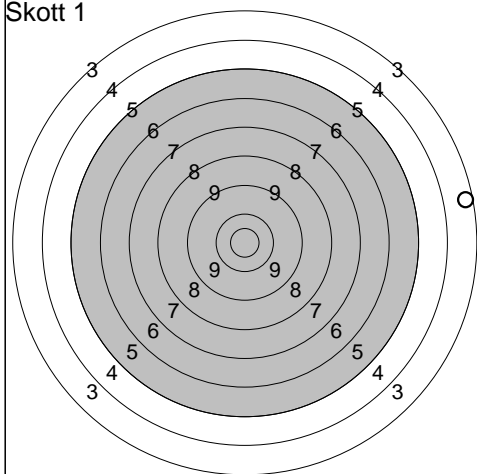


1: 10,4 ←
2: 8,7 ←
3: 5,8 ↘
4: 8,8 →
5: 9,7 ↘

Serie 26,0
Totalt 220,0

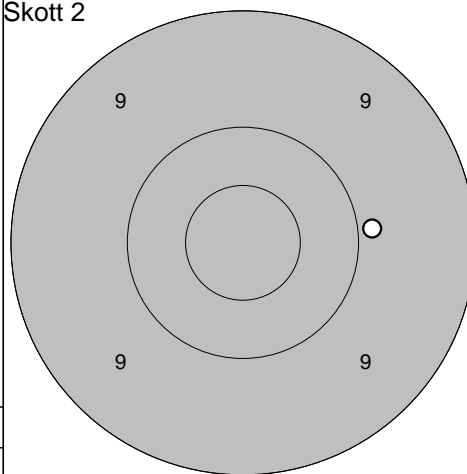
Serie 40,0
Totalt 260,0

Skott 1



1: 3,4 →

Skott 2

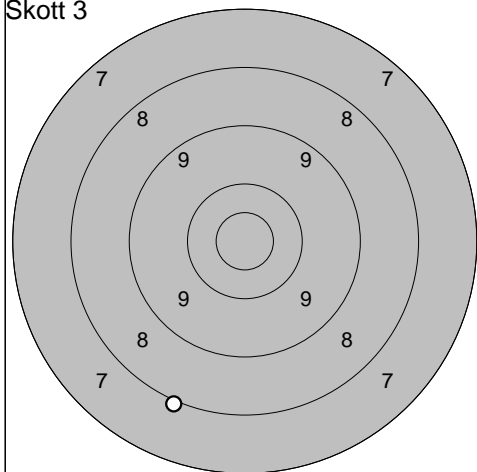


1: 9,9 →

Serie 3,0
Totalt 263,0

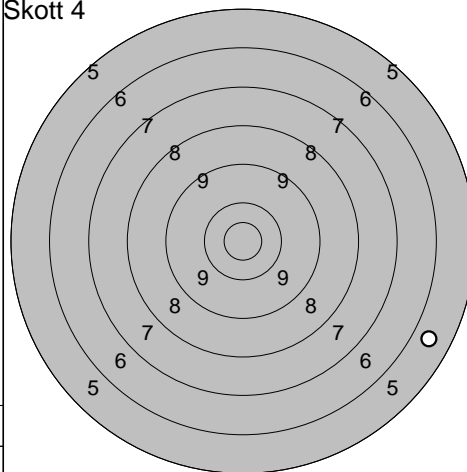
Serie 9,0
Totalt 272,0

Skott 3



1: 8,0 ↓

Skott 4

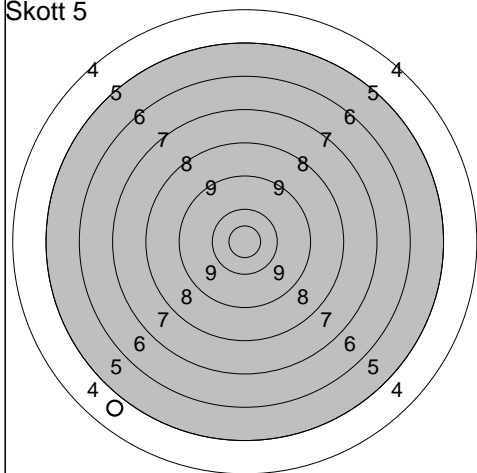


1: 5,7 →

Serie 8,0
Totalt 280,0

Serie 5,0
Totalt 285,0

Skott 5

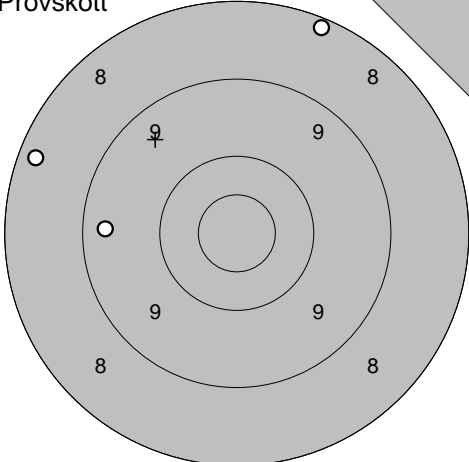
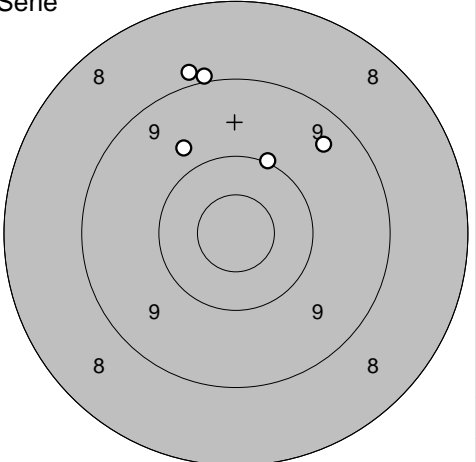


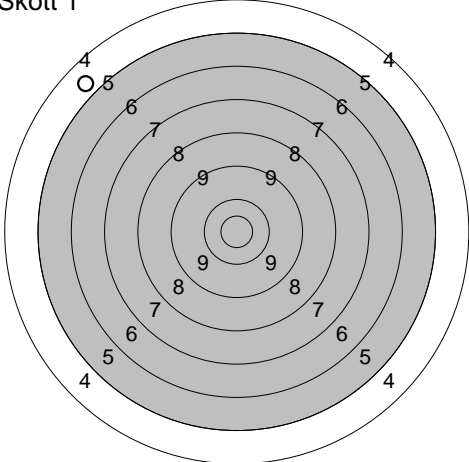
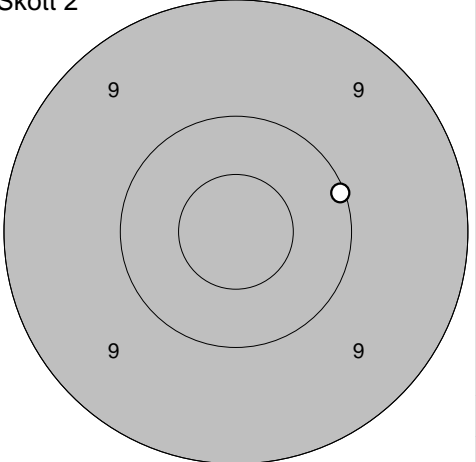
1: 4,8 ↙

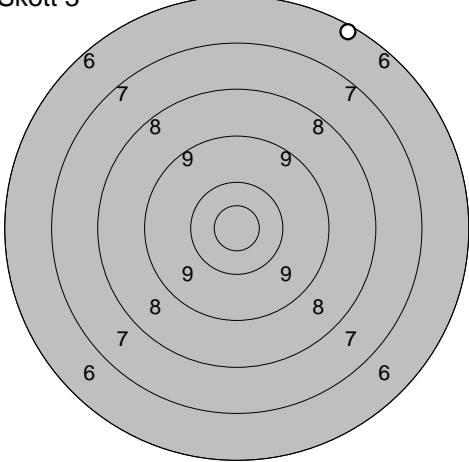
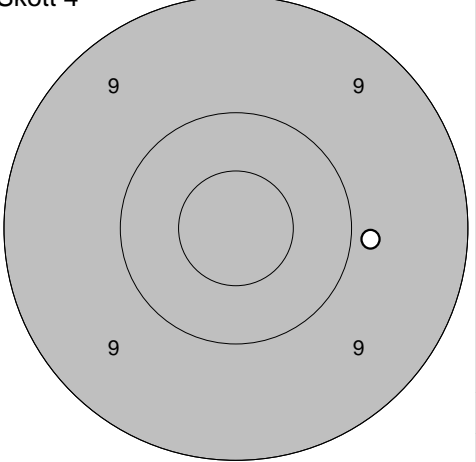
Serie 4,0
Totalt 289,0

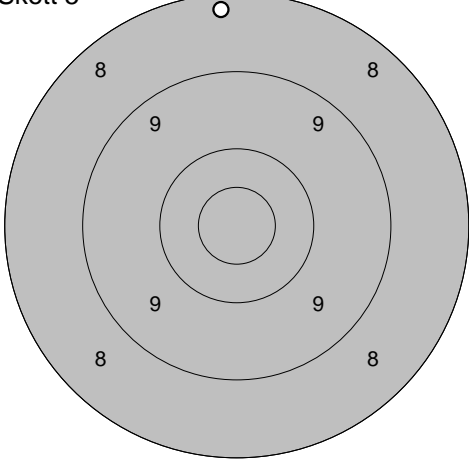
I 19 / A 9

2009-07-14	Björkskottet 2009 Final	Ramselefors SKF
------------	-------------------------	-----------------

Provskott 	1: 8,2 ↗ 2: 8,3 ← 3: 9,3 ← <table border="1" style="width:100%; border-collapse: collapse;"> <tr><td style="text-align: right;">Serie</td><td style="text-align: right;">25,0</td></tr> <tr><td style="text-align: right;">Totalt</td><td style="text-align: right;">219,0</td></tr> </table>	Serie	25,0	Totalt	219,0	Serie 	1: 9,4 ↗ 2: 8,9 ↑ 3: 9,8 ↗ 4: 9,0 ↑ 5: 10,0 ↑ <table border="1" style="width:100%; border-collapse: collapse;"> <tr><td style="text-align: right;">Serie</td><td style="text-align: right;">45,0</td></tr> <tr><td style="text-align: right;">Totalt</td><td style="text-align: right;">264,0</td></tr> </table>	Serie	45,0	Totalt	264,0
Serie	25,0										
Totalt	219,0										
Serie	45,0										
Totalt	264,0										

Skott 1 	1: 4,8 ↖ <table border="1" style="width:100%; border-collapse: collapse;"> <tr><td style="text-align: right;">Serie</td><td style="text-align: right;">4,0</td></tr> <tr><td style="text-align: right;">Totalt</td><td style="text-align: right;">268,0</td></tr> </table>	Serie	4,0	Totalt	268,0	Skott 2 	1: 10,1 → <table border="1" style="width:100%; border-collapse: collapse;"> <tr><td style="text-align: right;">Serie</td><td style="text-align: right;">10,0</td></tr> <tr><td style="text-align: right;">Totalt</td><td style="text-align: right;">278,0</td></tr> </table>	Serie	10,0	Totalt	278,0
Serie	4,0										
Totalt	268,0										
Serie	10,0										
Totalt	278,0										

Skott 3 	1: 6,2 ↗ <table border="1" style="width:100%; border-collapse: collapse;"> <tr><td style="text-align: right;">Serie</td><td style="text-align: right;">6,0</td></tr> <tr><td style="text-align: right;">Totalt</td><td style="text-align: right;">284,0</td></tr> </table>	Serie	6,0	Totalt	284,0	Skott 4 	1: 9,9 → <table border="1" style="width:100%; border-collapse: collapse;"> <tr><td style="text-align: right;">Serie</td><td style="text-align: right;">9,0</td></tr> <tr><td style="text-align: right;">Totalt</td><td style="text-align: right;">293,0</td></tr> </table>	Serie	9,0	Totalt	293,0
Serie	6,0										
Totalt	284,0										
Serie	9,0										
Totalt	293,0										

Skott 5 	1: 8,3 ↑ <table border="1" style="width:100%; border-collapse: collapse;"> <tr><td style="text-align: right;">Serie</td><td style="text-align: right;">8,0</td></tr> <tr><td style="text-align: right;">Totalt</td><td style="text-align: right;">301,0</td></tr> </table>	Serie	8,0	Totalt	301,0	
Serie	8,0					
Totalt	301,0					

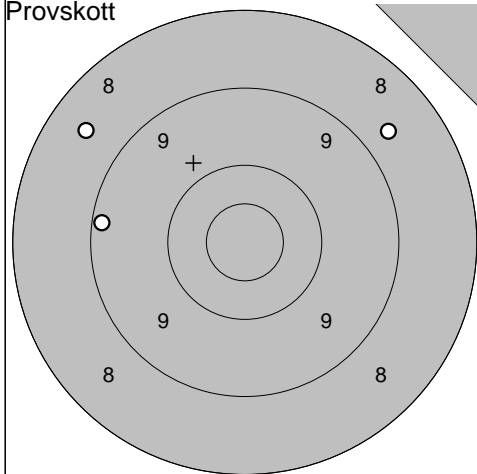
Gideå

2009-07-14

Björkskottet 2009 Final

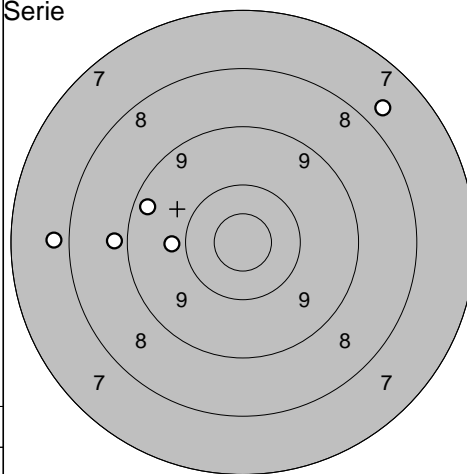
Ramselefors SKF

Provskott



1: 9,2 ←
2: 8,5 ↖
3: 8,7 ↗

Serie

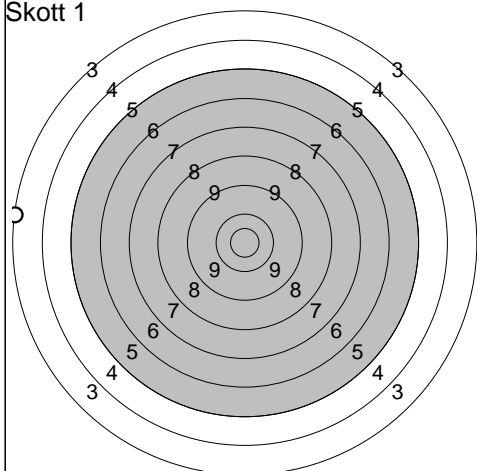


1: 9,9 ←
2: 9,3 ↖
3: 7,7 ↗
4: 7,8 ←
5: 8,9 ←

Serie 25,0
Totalt 219,0

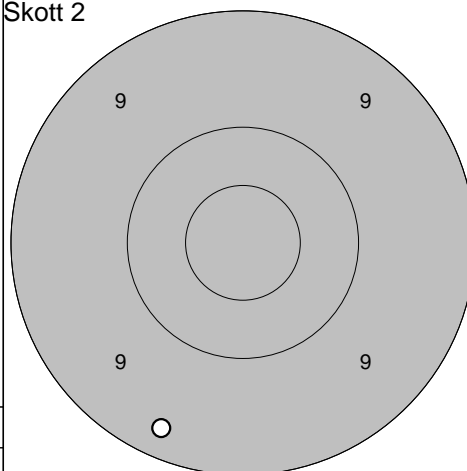
Serie 40,0
Totalt 259,0

Skott 1



1: 3,2 ←

Skott 2

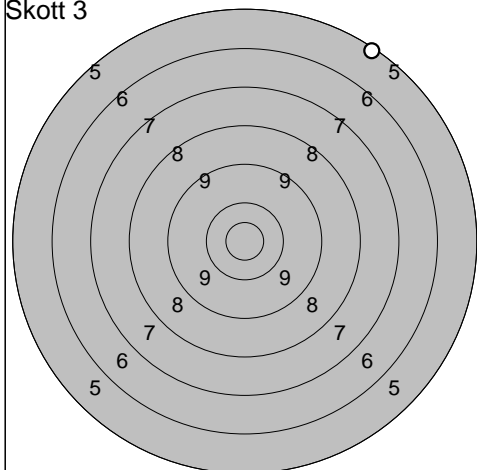


1: 9,3 ↙

Serie 3,0
Totalt 262,0

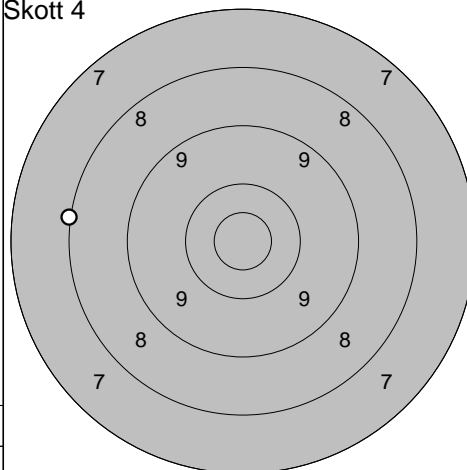
Serie 9,0
Totalt 271,0

Skott 3



1: 5,2 ↗

Skott 4

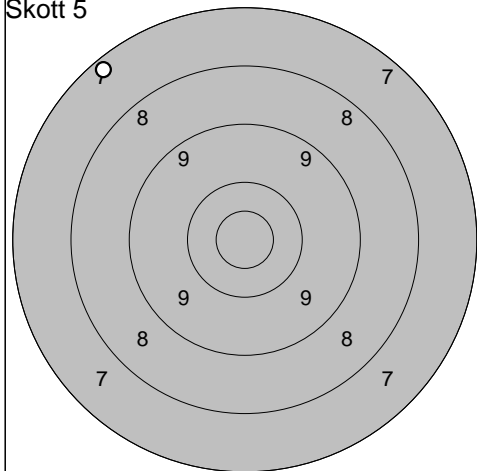


1: 8,1 ←

Serie 5,0
Totalt 276,0

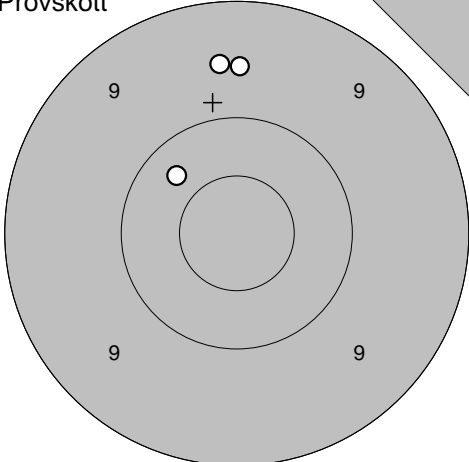
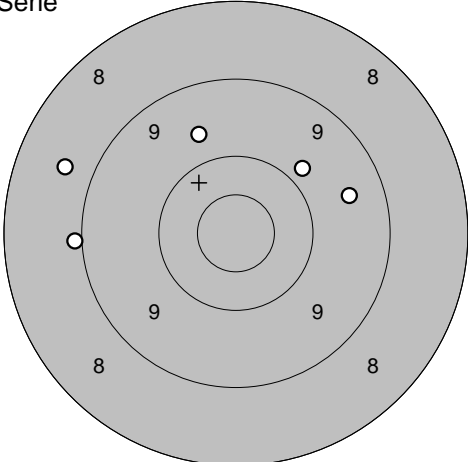
Serie 8,0
Totalt 284,0

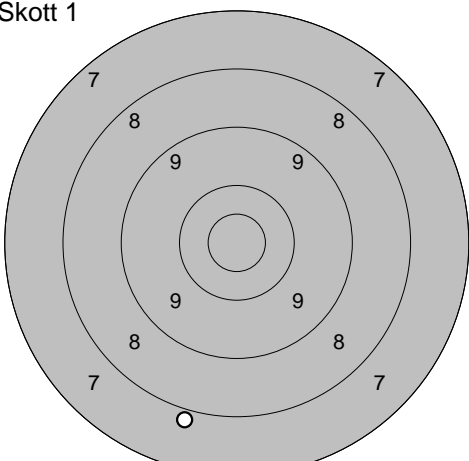
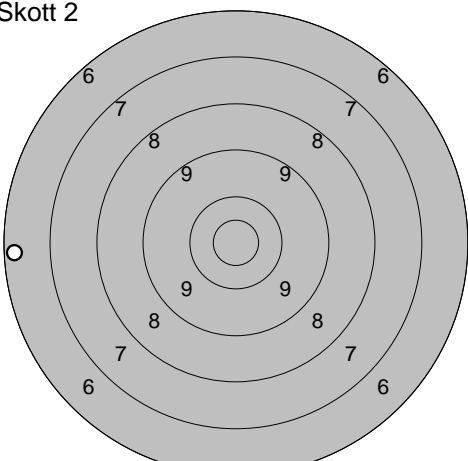
Skott 5

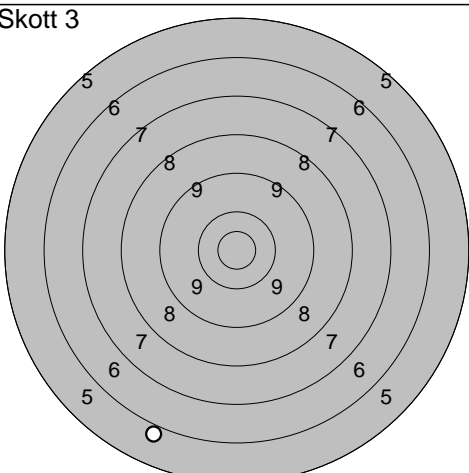
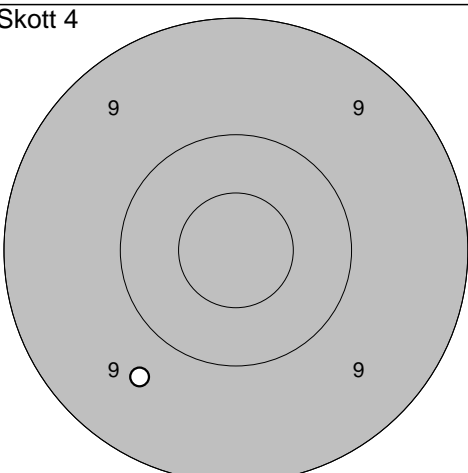


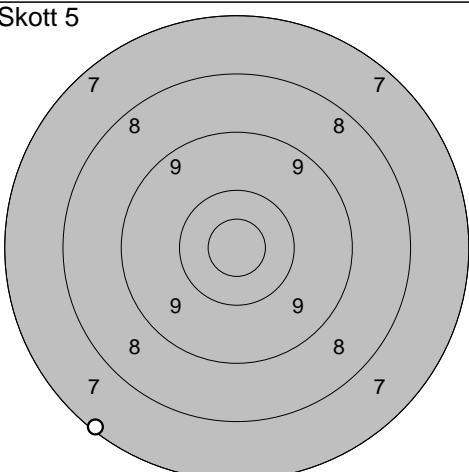
1: 7,3 ↖

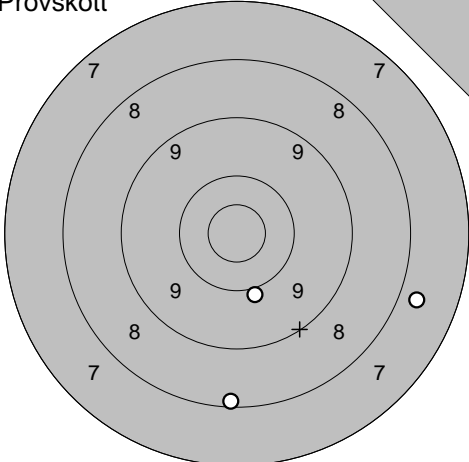
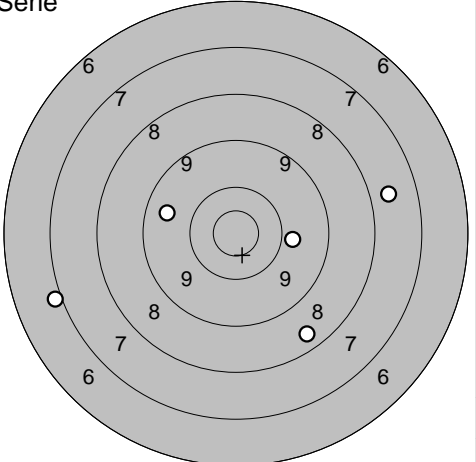
Serie 7,0
Totalt 291,0

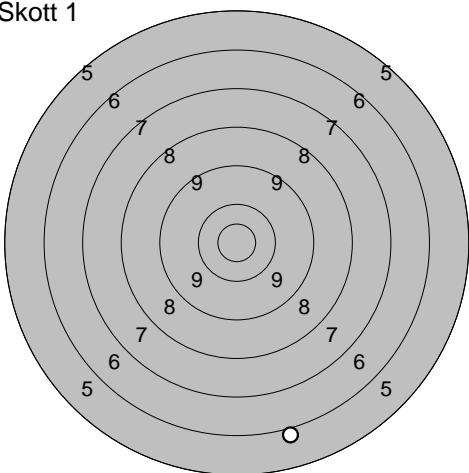
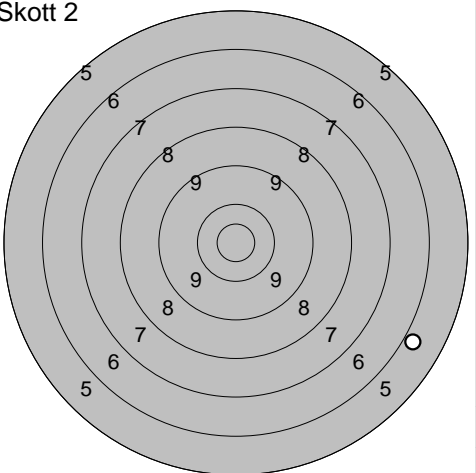
Provskott 	1: 10,3 ↖ 2: 9,6 ↑ 3: 9,6 ↑ <table border="1" style="width:100%; border-collapse: collapse;"> <tr><td style="padding: 2px;">Serie</td><td style="text-align: right; padding: 2px;">28,0</td></tr> <tr><td style="padding: 2px;">Totalt</td><td style="text-align: right; padding: 2px;">218,0</td></tr> </table>	Serie	28,0	Totalt	218,0	Serie 	1: 9,9 ↗ 2: 9,0 ← 3: 9,7 ↗ 4: 9,5 → 5: 8,7 ← <table border="1" style="width:100%; border-collapse: collapse;"> <tr><td style="padding: 2px;">Serie</td><td style="text-align: right; padding: 2px;">44,0</td></tr> <tr><td style="padding: 2px;">Totalt</td><td style="text-align: right; padding: 2px;">262,0</td></tr> </table>	Serie	44,0	Totalt	262,0
Serie	28,0										
Totalt	218,0										
Serie	44,0										
Totalt	262,0										

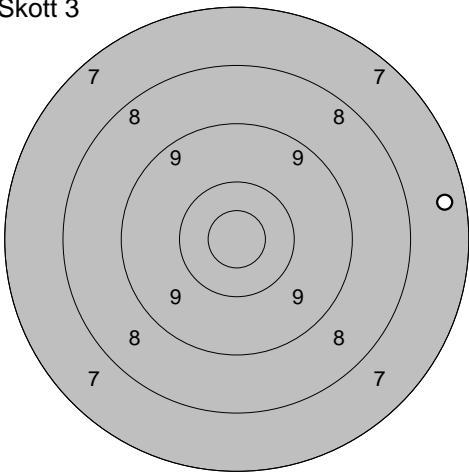
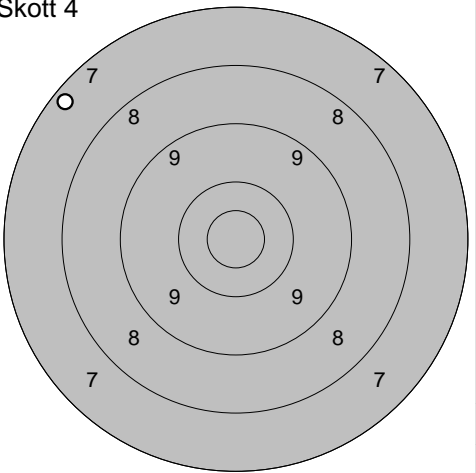
Skott 1 	1: 7,9 ↓ <table border="1" style="width:100%; border-collapse: collapse;"> <tr><td style="padding: 2px;">Serie</td><td style="text-align: right; padding: 2px;">7,0</td></tr> <tr><td style="padding: 2px;">Totalt</td><td style="text-align: right; padding: 2px;">269,0</td></tr> </table>	Serie	7,0	Totalt	269,0	Skott 2 	1: 6,4 ← <table border="1" style="width:100%; border-collapse: collapse;"> <tr><td style="padding: 2px;">Serie</td><td style="text-align: right; padding: 2px;">6,0</td></tr> <tr><td style="padding: 2px;">Totalt</td><td style="text-align: right; padding: 2px;">275,0</td></tr> </table>	Serie	6,0	Totalt	275,0
Serie	7,0										
Totalt	269,0										
Serie	6,0										
Totalt	275,0										

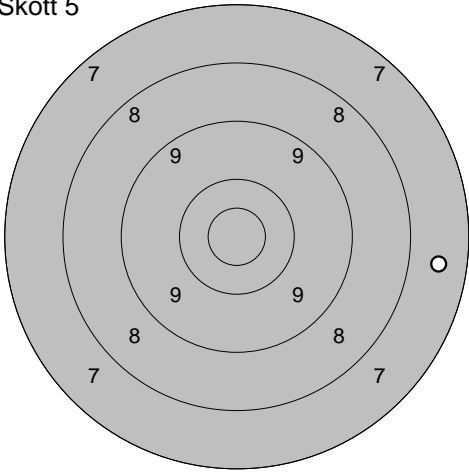
Skott 3 	1: 5,9 ↓ <table border="1" style="width:100%; border-collapse: collapse;"> <tr><td style="padding: 2px;">Serie</td><td style="text-align: right; padding: 2px;">5,0</td></tr> <tr><td style="padding: 2px;">Totalt</td><td style="text-align: right; padding: 2px;">280,0</td></tr> </table>	Serie	5,0	Totalt	280,0	Skott 4 	1: 9,7 ↘ <table border="1" style="width:100%; border-collapse: collapse;"> <tr><td style="padding: 2px;">Serie</td><td style="text-align: right; padding: 2px;">9,0</td></tr> <tr><td style="padding: 2px;">Totalt</td><td style="text-align: right; padding: 2px;">289,0</td></tr> </table>	Serie	9,0	Totalt	289,0
Serie	5,0										
Totalt	280,0										
Serie	9,0										
Totalt	289,0										

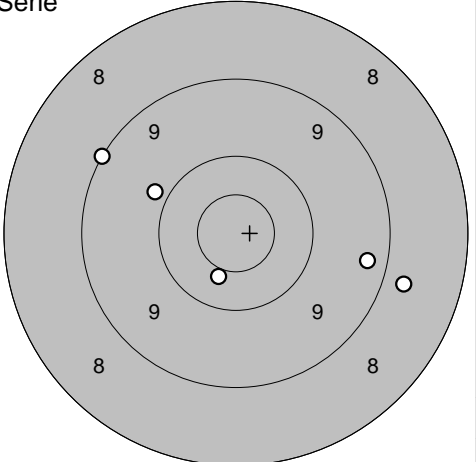
Skott 5 	1: 7,2 ↘ <table border="1" style="width:100%; border-collapse: collapse;"> <tr><td style="padding: 2px;">Serie</td><td style="text-align: right; padding: 2px;">7,0</td></tr> <tr><td style="padding: 2px;">Totalt</td><td style="text-align: right; padding: 2px;">296,0</td></tr> </table>	Serie	7,0	Totalt	296,0		
Serie	7,0						
Totalt	296,0						

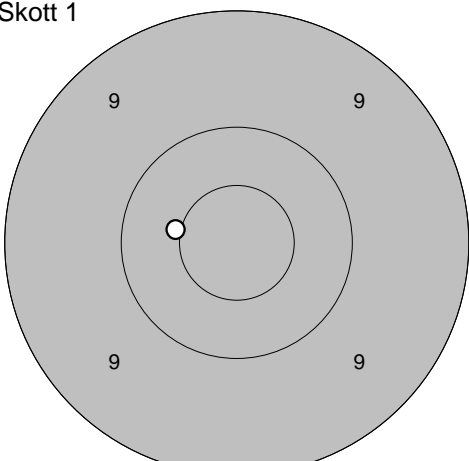
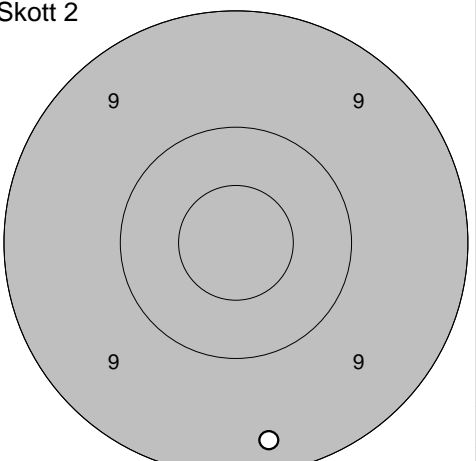
Provskott 	1: 7,8 → 2: 8,2 ↓ 3: 10,0 ↓ <hr/> Serie 25,0 Totalt 215,0	Serie 	1: 8,5 ↓ 2: 9,9 → 3: 7,7 → 4: 7,0 ← 5: 9,6 ← <hr/> Serie 40,0 Totalt 255,0
--	---	--	--

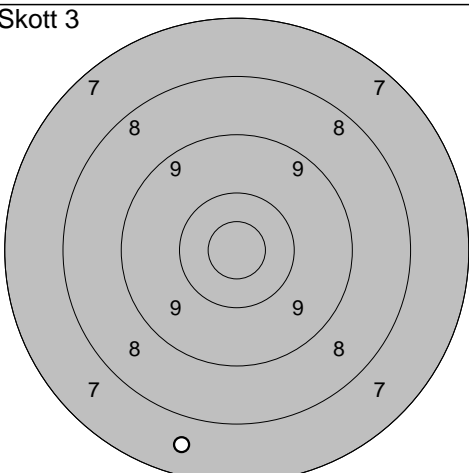
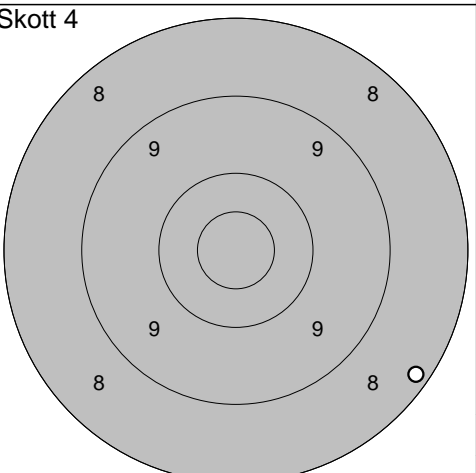
Skott 1 	1: 6,0 ↓ <hr/> Serie 6,0 Totalt 261,0	Skott 2 	1: 5,9 → <hr/> Serie 5,0 Totalt 266,0
---	---	---	---

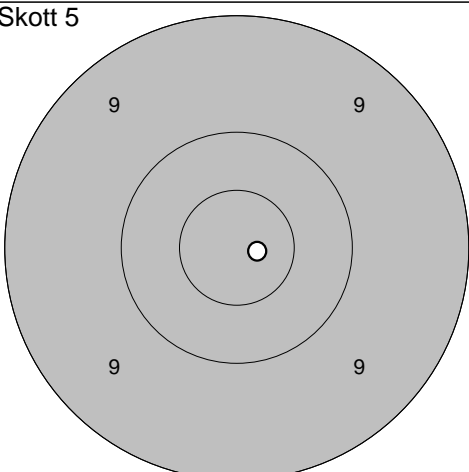
Skott 3 	1: 7,4 → <hr/> Serie 7,0 Totalt 273,0	Skott 4 	1: 7,3 ← <hr/> Serie 7,0 Totalt 280,0
--	---	--	---

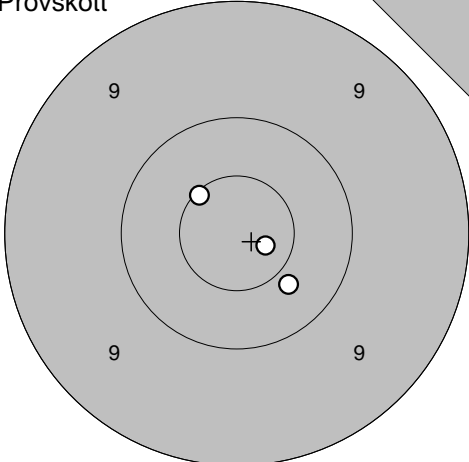
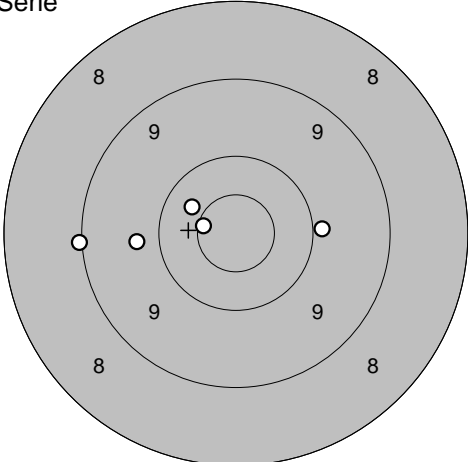
Skott 5 	1: 7,6 → <hr/> Serie 7,0 Totalt 287,0		
--	---	--	--

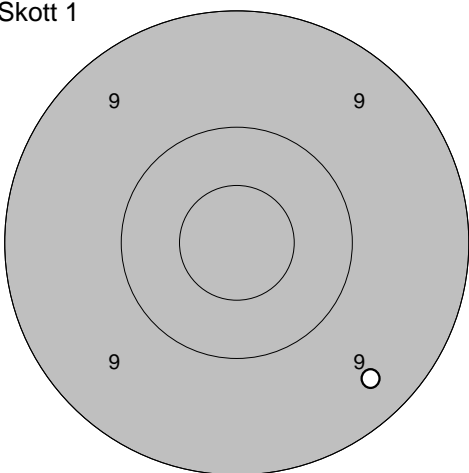
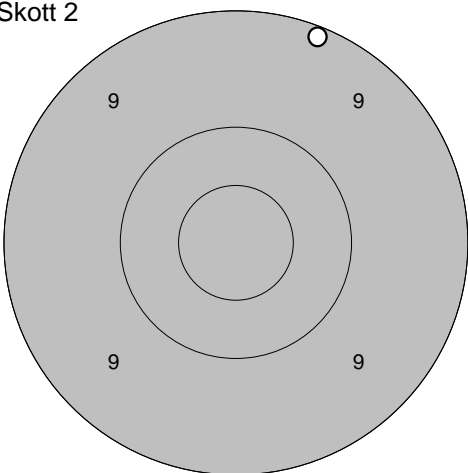
Provskott 	1: 9,0 → 2: 9,4 ↖ 3: 9,5 ↗ Serie 27,0 Totalt 236,0	Serie 	1: 10,4 ↓ 2: 9,3 → 3: 8,8 → 4: 9,9 ↗ 5: 9,1 ↗ Serie 45,0 Totalt 281,0
--	--	--	---

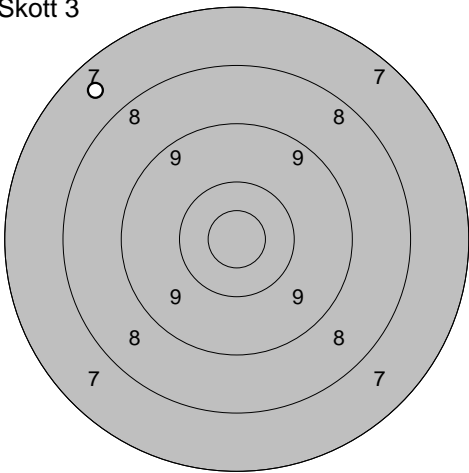
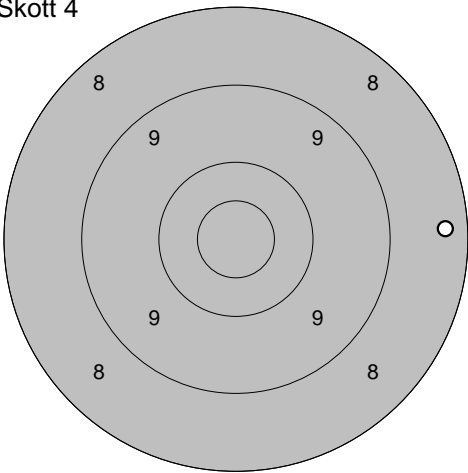
Skott 1 	1: 10,5* ← Serie 10,0 Totalt 291,0	Skott 2 	1: 9,3 ↓ Serie 9,0 Totalt 300,0
---	--	---	---

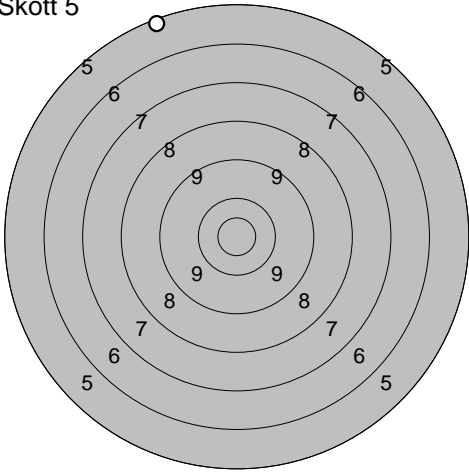
Skott 3 	1: 7,6 ↓ Serie 7,0 Totalt 307,0	Skott 4 	1: 8,2 ↘ Serie 8,0 Totalt 315,0
--	---	--	---

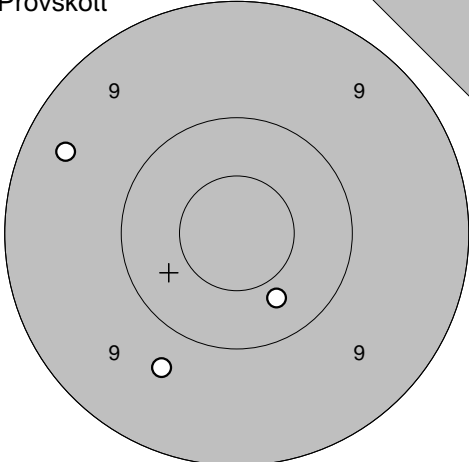
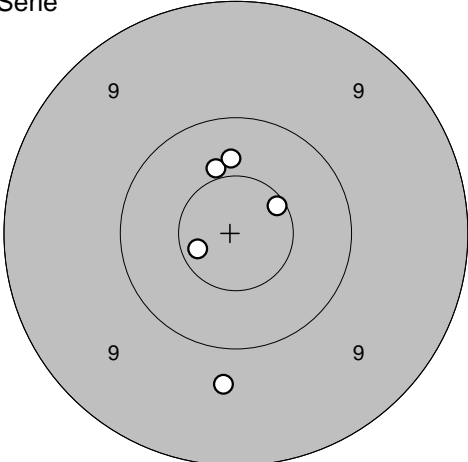
Skott 5 	1: 10,8* → Serie 10,0 Totalt 325,0		
--	--	--	--

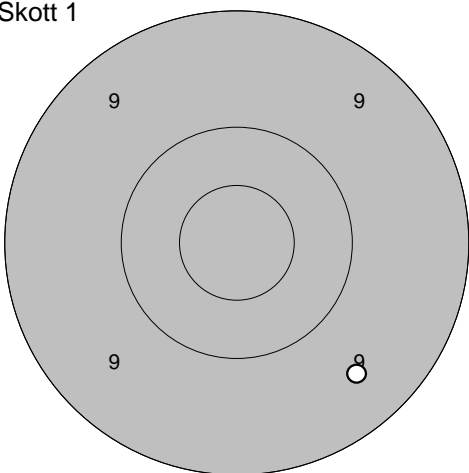
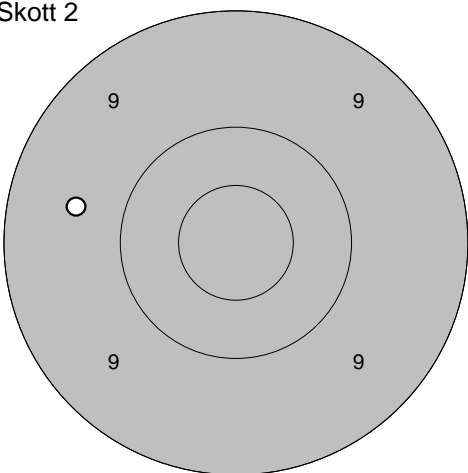
Provskott 	1: 10,8* → 2: 10,6* ↗ 3: 10,4 ↘	Serie 	1: 10,4 ↖ 2: 9,8 ← 3: 9,9 → 4: 9,0 ← 5: 10,6* ←
Serie 30,0		Serie 47,0	
Totalt 234,0		Totalt 281,0	

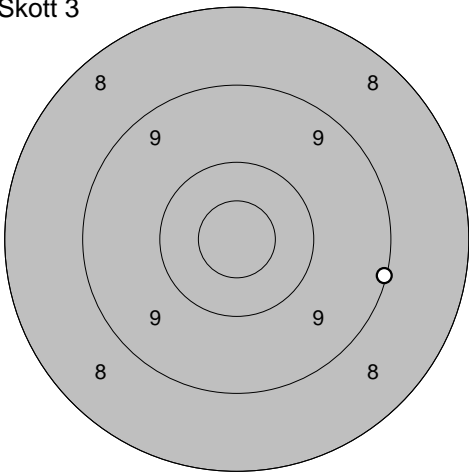
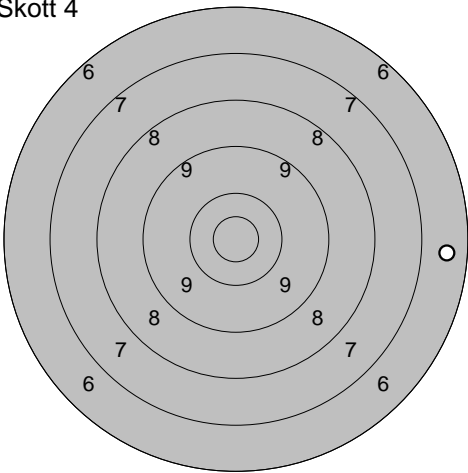
Skott 1 	1: 9,4 ↘	Skott 2 	1: 9,1 ↗
Serie 9,0		Serie 9,0	
Totalt 290,0		Totalt 299,0	

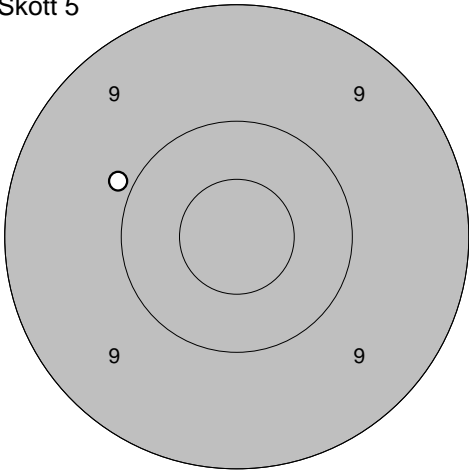
Skott 3 	1: 7,5 ↖	Skott 4 	1: 8,3 →
Serie 7,0		Serie 8,0	
Totalt 306,0		Totalt 314,0	

Skott 5 	1: 5,3 ↗		
Serie 5,0			
Totalt 319,0			

Provsjött 	1: 9,7 ↘ 2: 9,4 ↖ 3: 10,4 ↘ <hr/> Serie 28,0 Totalt 232,0	Serie 	1: 10,4 ↗ 2: 9,7 ↓ 3: 10,4 ↑ 4: 10,6* ↗ 5: 10,7* ← <hr/> Serie 49,0 Totalt 281,0
--	---	--	--

Skott 1 	1: 9,5 ↘ <hr/> Serie 9,0 Totalt 290,0	Skott 2 	1: 9,6 ← <hr/> Serie 9,0 Totalt 299,0
---	---	---	---

Skott 3 	1: 9,1 → <hr/> Serie 9,0 Totalt 308,0	Skott 4 	1: 6,6 → <hr/> Serie 6,0 Totalt 314,0
--	---	--	---

Skott 5 	1: 9,9 ← <hr/> Serie 9,0 Totalt 323,0		
--	---	--	--

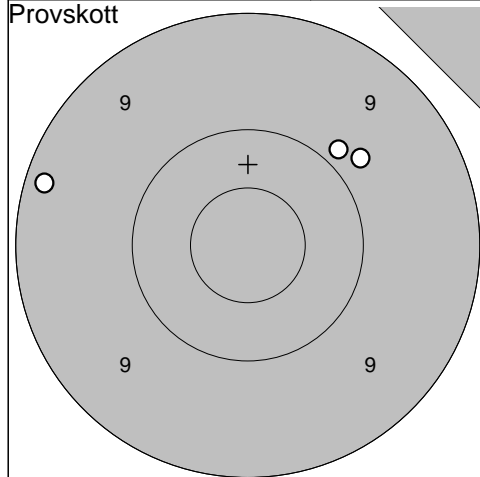
S 3

2009-07-14

Björkskottet 2009 Final

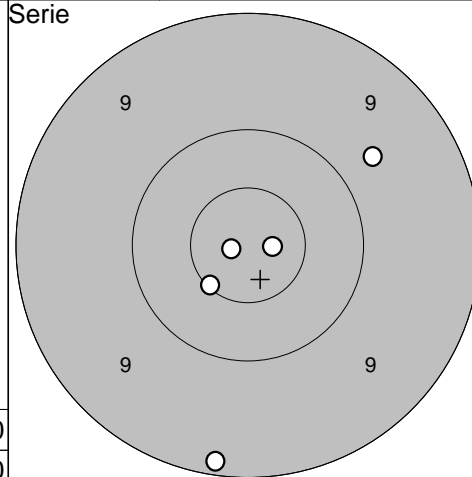
Ramselefors SKF

Provskott



1: 9,2 ←
2: 9,9 ↗
3: 9,8 ↗

Serie



1: 9,7 ↗
2: 10,9* ←
3: 10,8* →
4: 9,1 ↓
5: 10,6* ↙

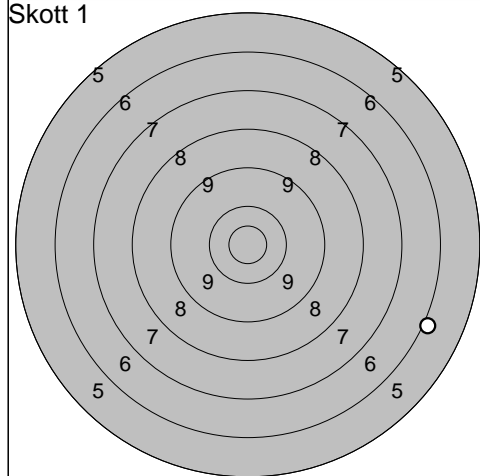
Serie 27,0

Totalt 231,0

Serie 48,0

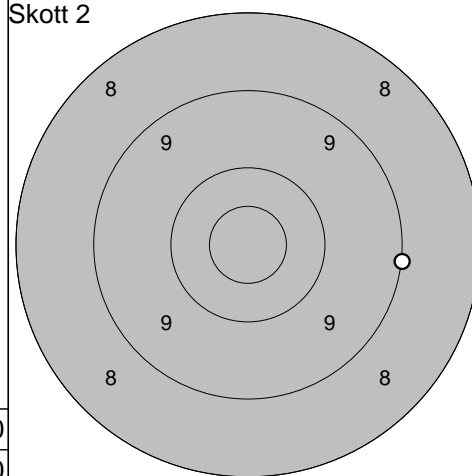
Totalt 279,0

Skott 1



1: 6,0 →

Skott 2



1: 9,0 →

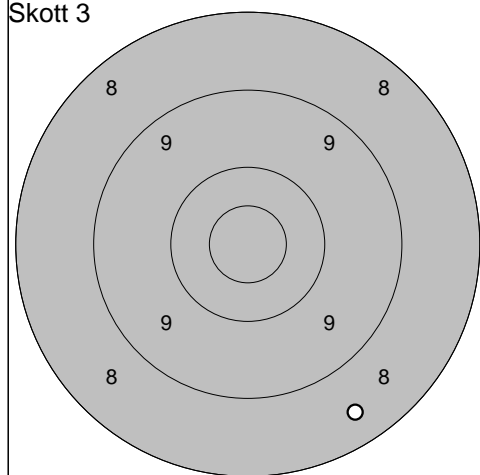
Serie 6,0

Totalt 285,0

Serie 9,0

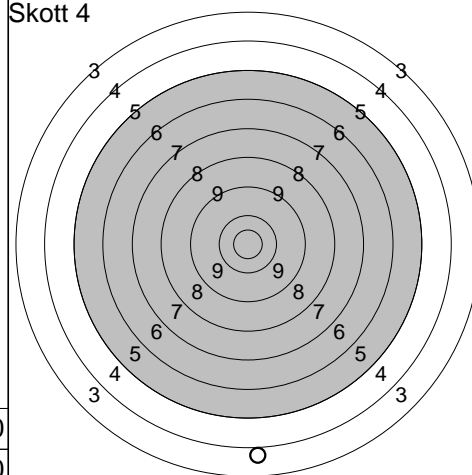
Totalt 294,0

Skott 3



1: 8,5 ↘

Skott 4



1: 3,9 ↓

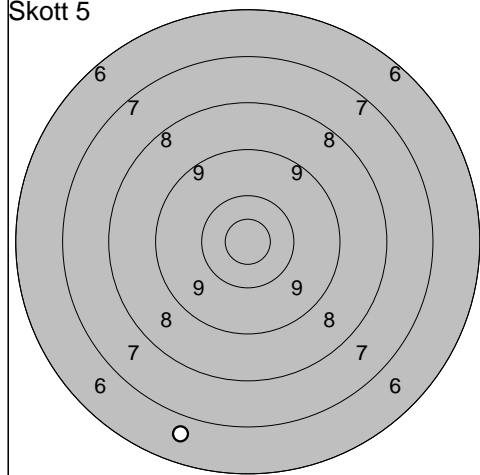
Serie 8,0

Totalt 302,0

Serie 3,0

Totalt 305,0

Skott 5



1: 6,7 ↘

Serie 6,0

Totalt 311,0

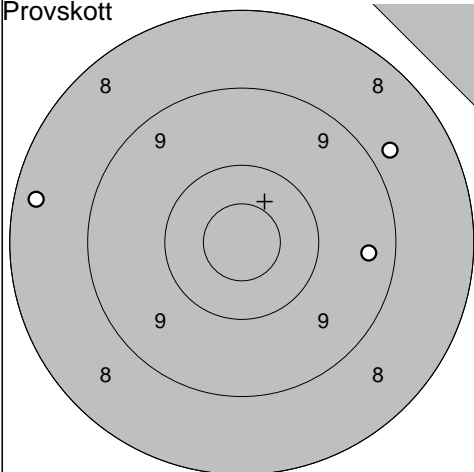
Ramselefors

2009-07-14

Björkskottet 2009 Final

Ramselefors SKF

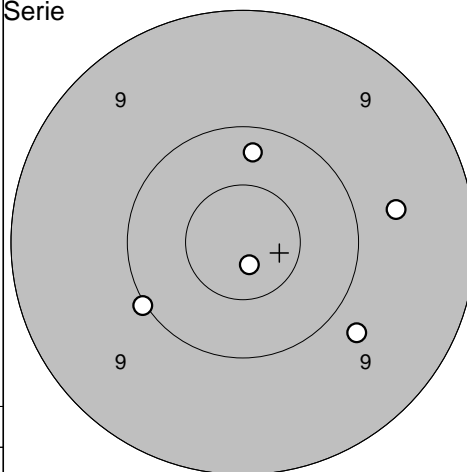
Provskott



1: 9,4 →
2: 8,8 ↗
3: 8,3 ←

Serie	25,0
Totalt	228,0

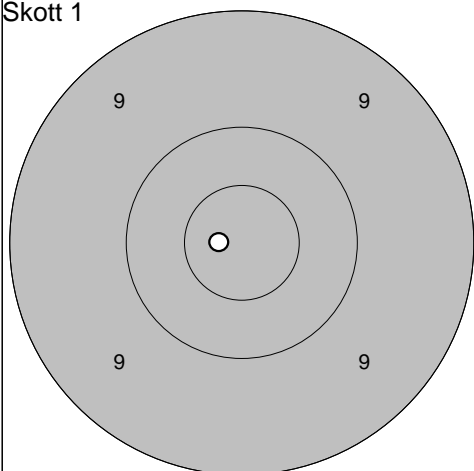
Serie



1: 9,8 ↘
2: 10,3 ↑
3: 10,0 ↙
4: 10,8* ↓
5: 9,7 →

Serie	48,0
Totalt	276,0

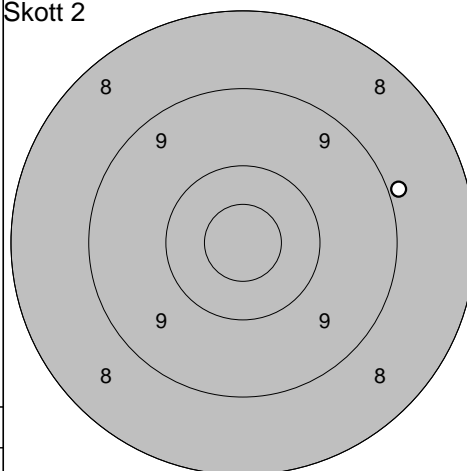
Skott 1



1: 10,8* ←

Serie	10,0
Totalt	286,0

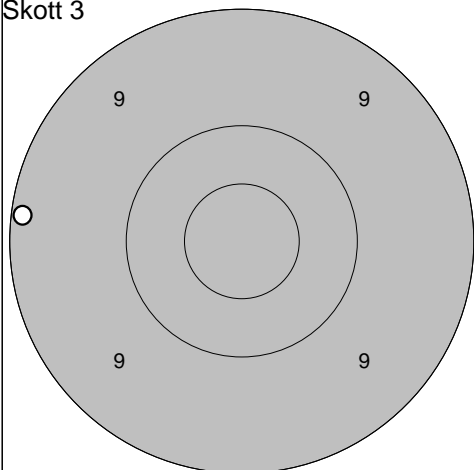
Skott 2



1: 8,9 →

Serie	8,0
Totalt	294,0

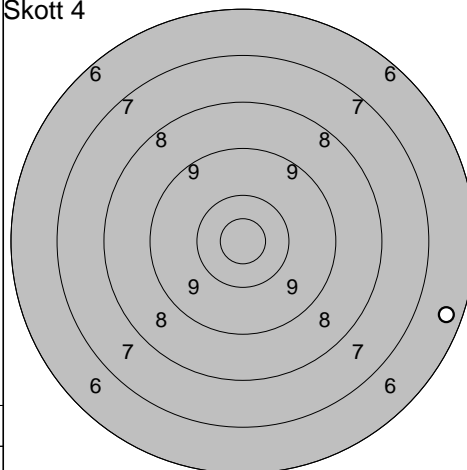
Skott 3



1: 9,1 ←

Serie	9,0
Totalt	303,0

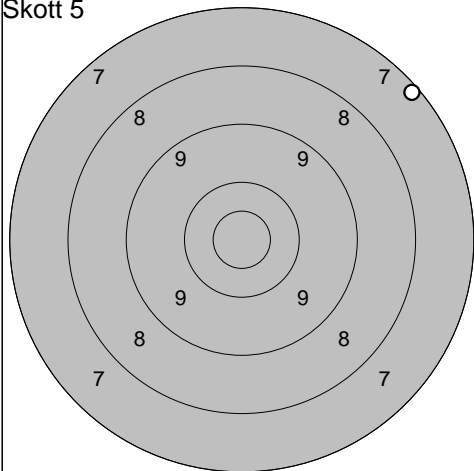
Skott 4



1: 6,5 →

Serie	6,0
Totalt	309,0

Skott 5



1: 7,2 ↗

Serie	7,0
Totalt	316,0

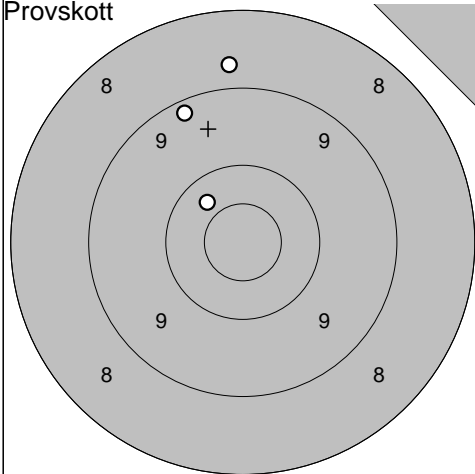
Stenungsund

2009-07-14

Björkskottet 2009 Final

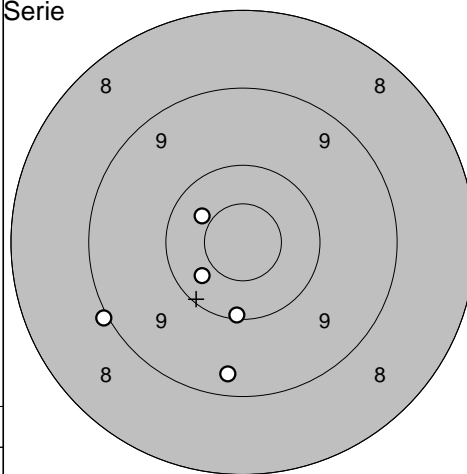
Ramselefors SKF

Provskott



1: 8,7 ↑
2: 9,2 ↗
3: 10,4 ↗

Serie

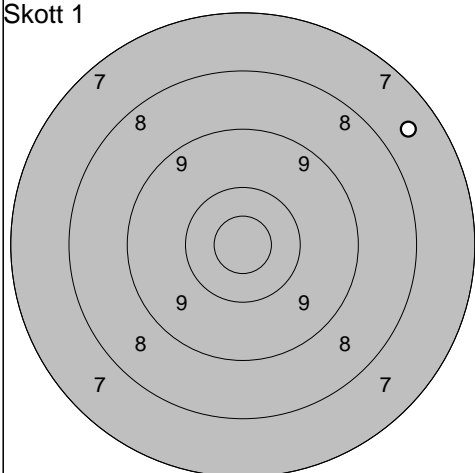


1: 10,4 ↖
2: 10,4 ↙
3: 9,0 ↙
4: 9,3 ↓
5: 10,1 ↓

Serie	27,0
Totalt	225,0

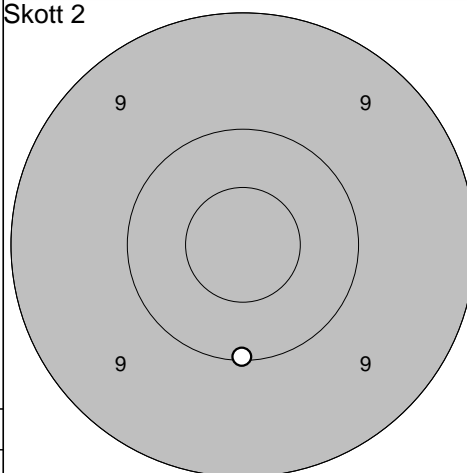
Serie	48,0
Totalt	273,0

Skott 1



1: 7,6 ↗

Skott 2

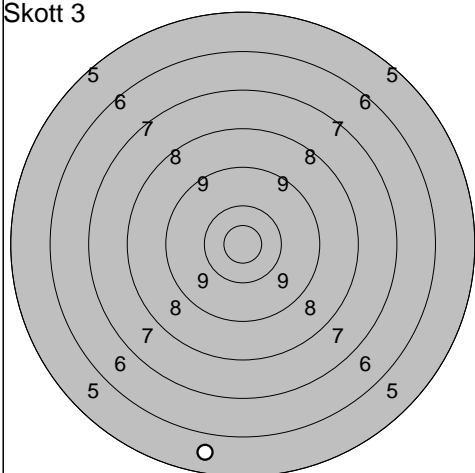


1: 10,1 ↓

Serie	7,0
Totalt	280,0

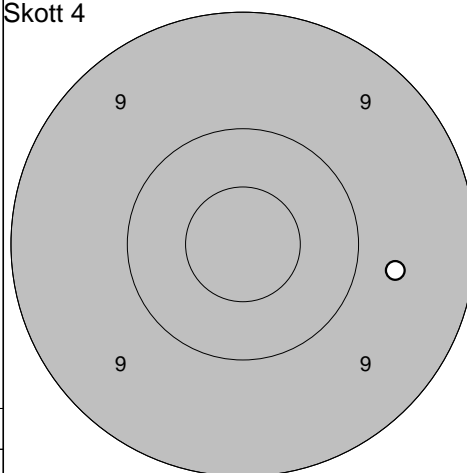
Serie	10,0
Totalt	290,0

Skott 3



1: 5,7 ↓

Skott 4

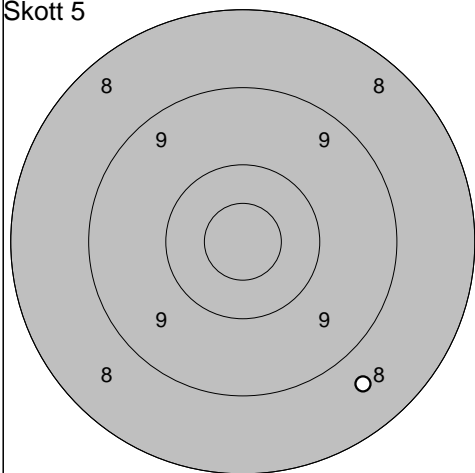


1: 9,7 →

Serie	5,0
Totalt	295,0

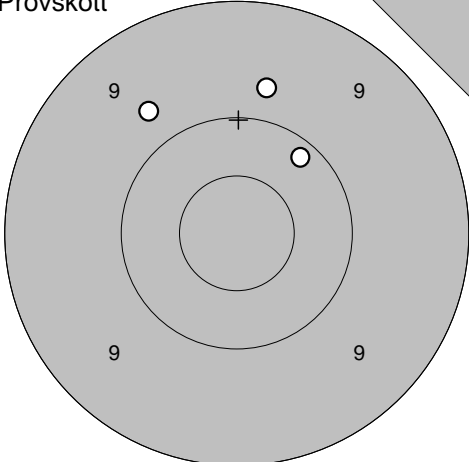
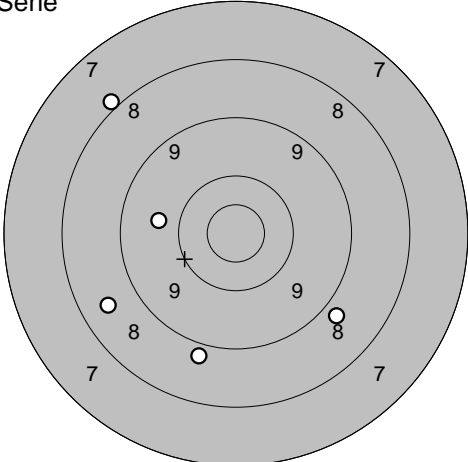
Serie	9,0
Totalt	304,0

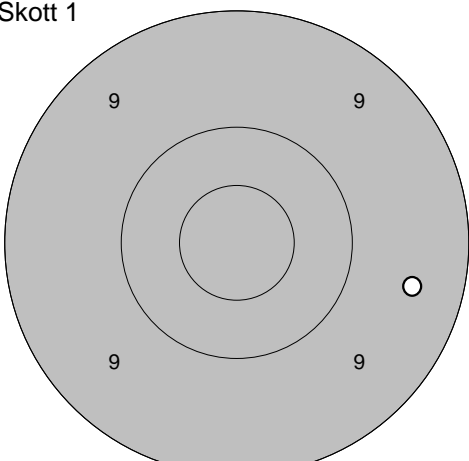
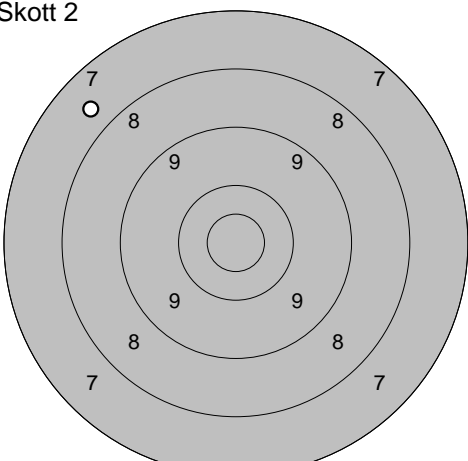
Skott 5

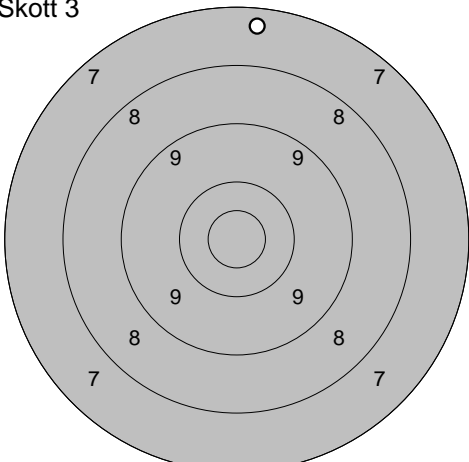
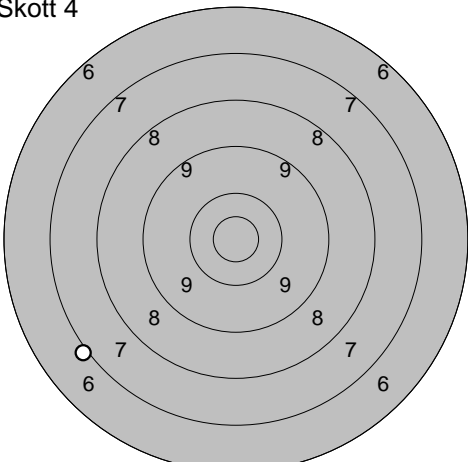


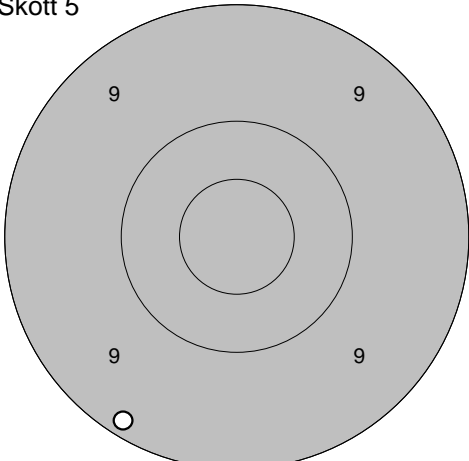
1: 8,6 ↘

Serie	8,0
Totalt	312,0

Provs-kott 	1: 9,7 ↗ 2: 10,2 ↗ 3: 9,8 ↑	Serie 	1: 8,0 ↗ 2: 9,7 ← 3: 8,6 ← 4: 8,8 ↘ 5: 8,9 ↓
	Serie 28,0		Serie 41,0
	Totalt 225,0		Totalt 266,0

Skott 1 	1: 9,5 →	Skott 2 	1: 7,7 ↖
	Serie 9,0		Serie 7,0
	Totalt 275,0		Totalt 282,0

Skott 3 	1: 7,4 ↑	Skott 4 	1: 7,0 ↖
	Serie 7,0		Serie 7,0
	Totalt 289,0		Totalt 296,0

Skott 5 	1: 9,2 ↘		
	Serie 9,0		
	Totalt 305,0		

Skjutlag

2

Tavla

8

Torvald Andersson

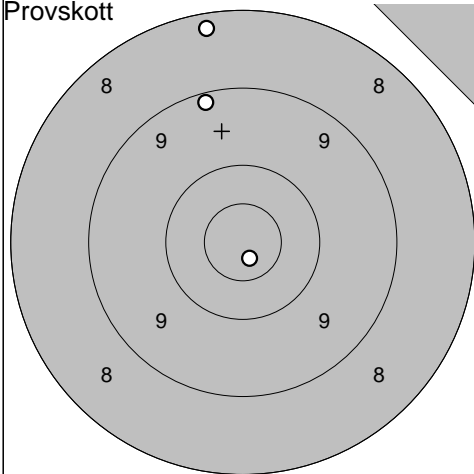
Bälunge-Jumkil

2009-07-14

Björkskottet 2009 Final

Ramselefors SKF

Provskott



1: 9,2

↑

2: 8,3

↑

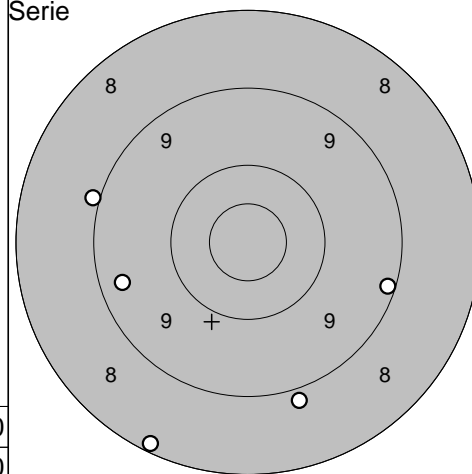
3: 10,8*

↓

Serie 27,0

Totalt 225,0

Serie



1: 9,3

←

2: 8,2

↓

3: 9,1

→

4: 8,9

↓

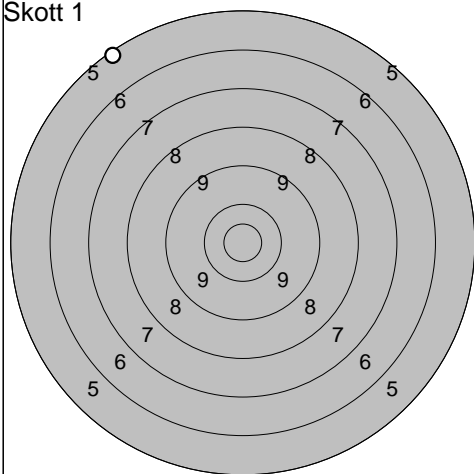
5: 9,0

←

Serie 43,0

Totalt 268,0

Skott 1



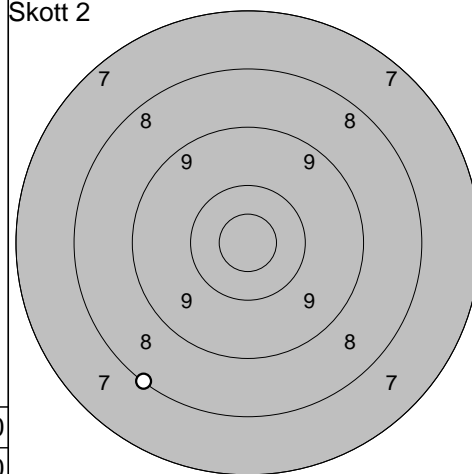
1: 5,3

↖

Serie 5,0

Totalt 273,0

Skott 2



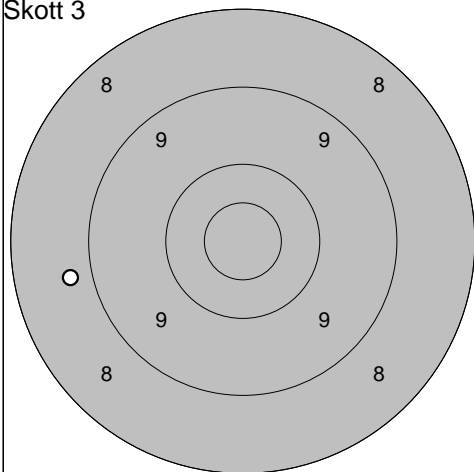
1: 8,1

↙

Serie 8,0

Totalt 281,0

Skott 3



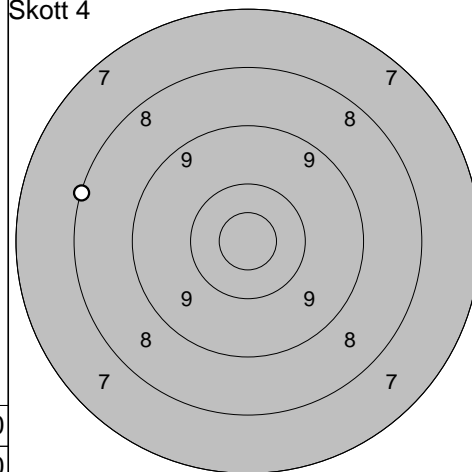
1: 8,8

←

Serie 8,0

Totalt 289,0

Skott 4



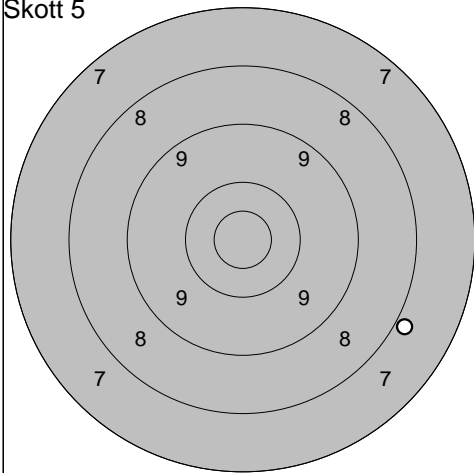
1: 8,1

←

Serie 8,0

Totalt 297,0

Skott 5

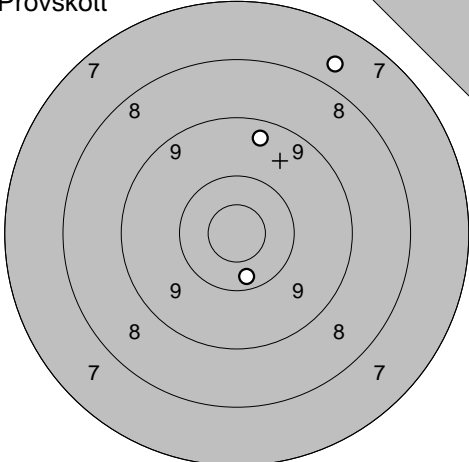
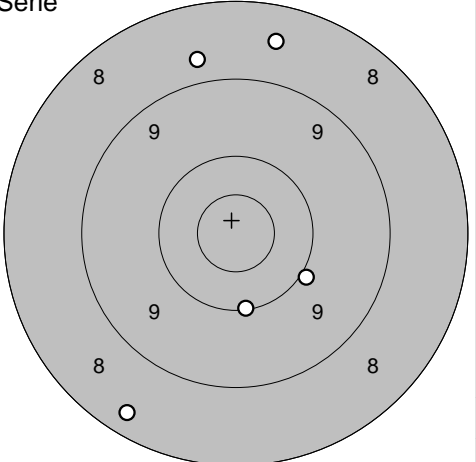


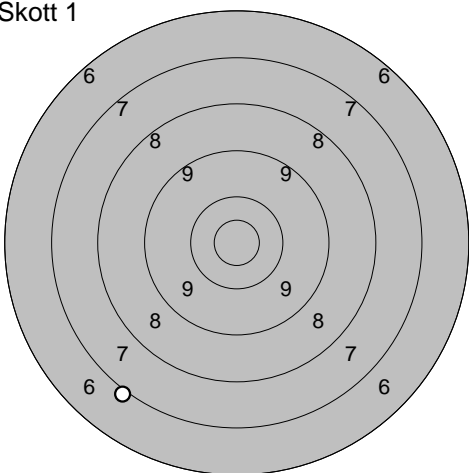
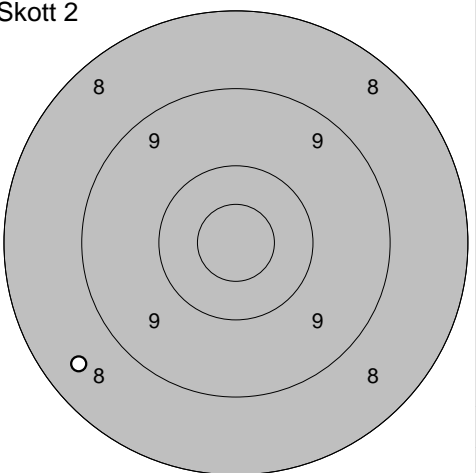
1: 7,9

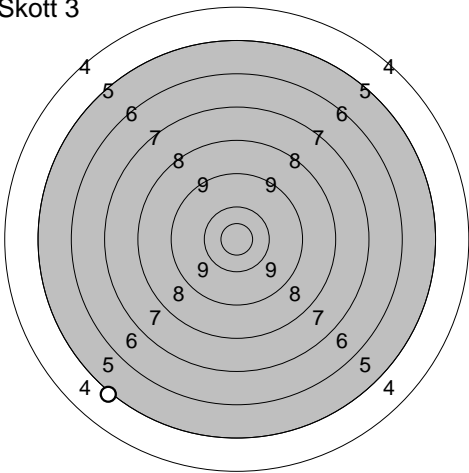
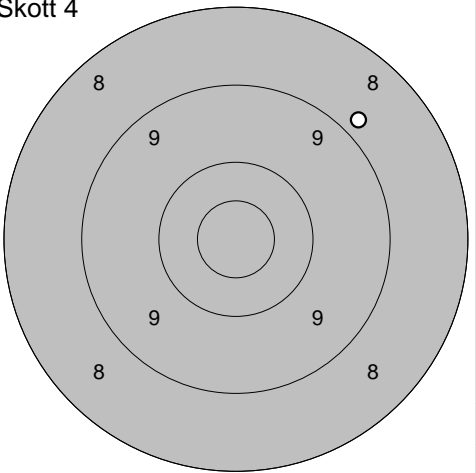
↘

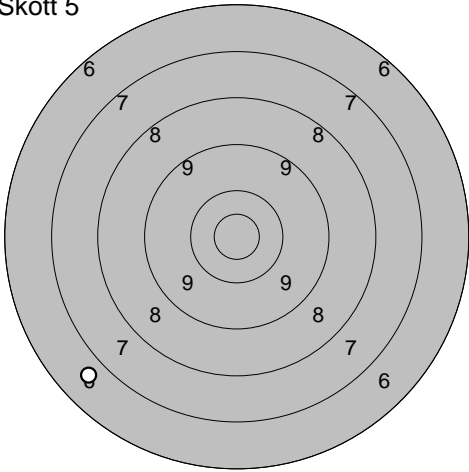
Serie 7,0

Totalt 304,0

<p>Provskott</p> 	<p>1: 10,3 ↓ 2: 9,4 ↑ 3: 7,7 ↗</p>	<p>Serie</p> 	<p>1: 8,5 ↑ 2: 8,8 ↑ 3: 10,0 ↘ 4: 8,3 ↓ 5: 10,1 ↓</p>
Serie 26,0		Serie 44,0	
Totalt 223,0		Totalt 267,0	

<p>Skott 1</p> 	<p>1: 7,0 ↘</p>	<p>Skott 2</p> 	<p>1: 8,5 ↙</p>
Serie 7,0		Serie 8,0	
Totalt 274,0		Totalt 282,0	

<p>Skott 3</p> 	<p>1: 5,1 ↘</p>	<p>Skott 4</p> 	<p>1: 8,8 ↗</p>
Serie 5,0		Serie 8,0	
Totalt 287,0		Totalt 295,0	

<p>Skott 5</p> 	<p>1: 6,7 ↙</p>		
Serie 6,0			
Totalt 301,0			

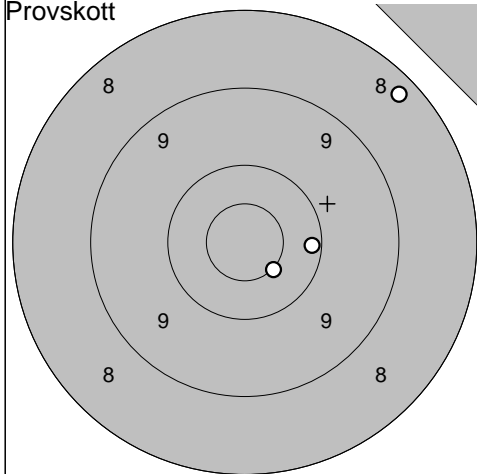
I 19 / A 9

2009-07-14

Björkskottet 2009 Final

Ramselefors SKF

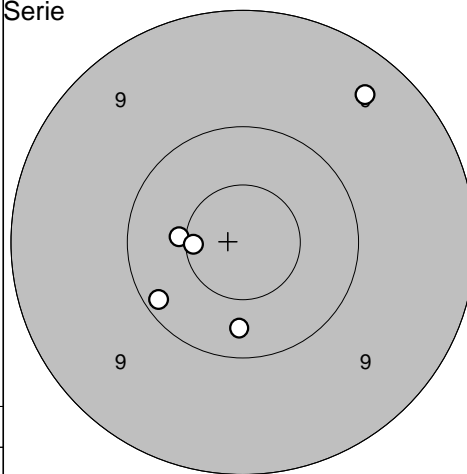
Provskott



1: 8,3 ↗
2: 10,5* ↘
3: 10,2 →

Serie	28,0
Totalt	222,0

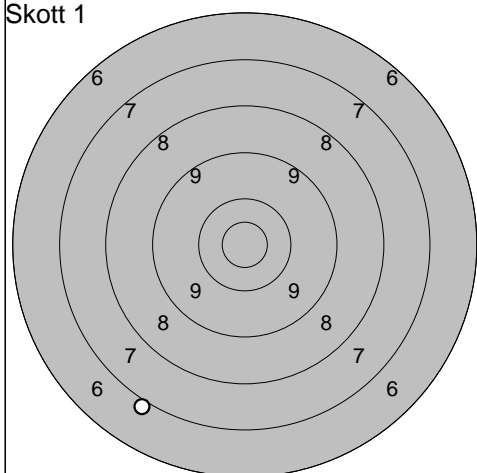
Serie



1: 9,4 ↗
2: 10,3 ↓
3: 10,2 ↙
4: 10,5* ←
5: 10,6* ←

Serie	49,0
Totalt	271,0

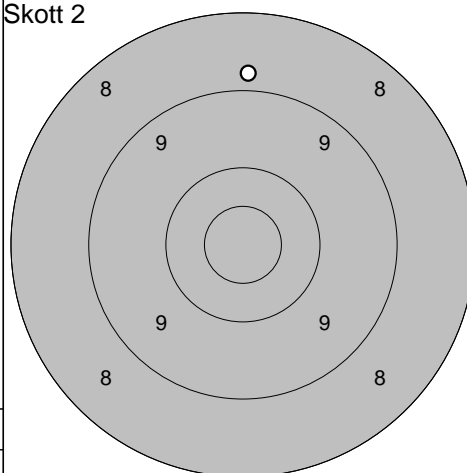
Skott 1



1: 7,0 ↘

Serie	7,0
Totalt	278,0

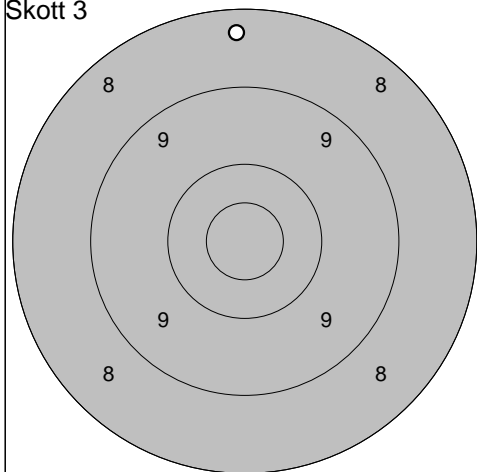
Skott 2



1: 8,8 ↑

Serie	8,0
Totalt	286,0

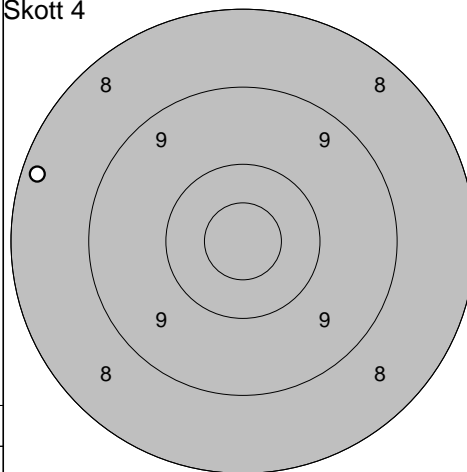
Skott 3



1: 8,4 ↑

Serie	8,0
Totalt	294,0

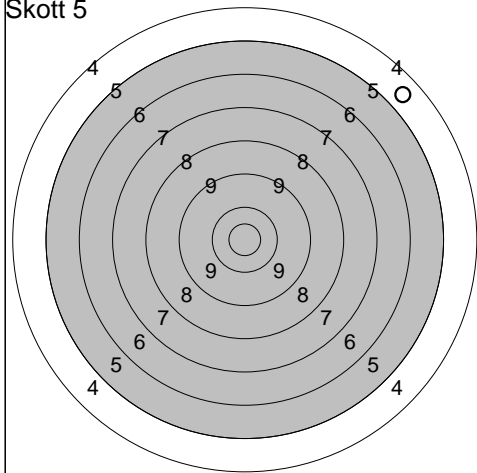
Skott 4



1: 8,3 ←

Serie	8,0
Totalt	302,0

Skott 5



1: 4,7 ↗

Serie	4,0
Totalt	306,0

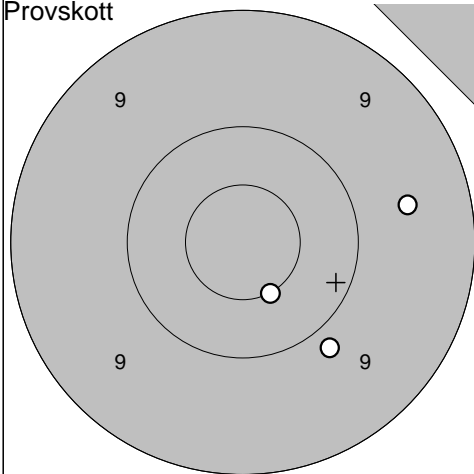
Solberga

2009-07-14

Björkskottet 2009 Final

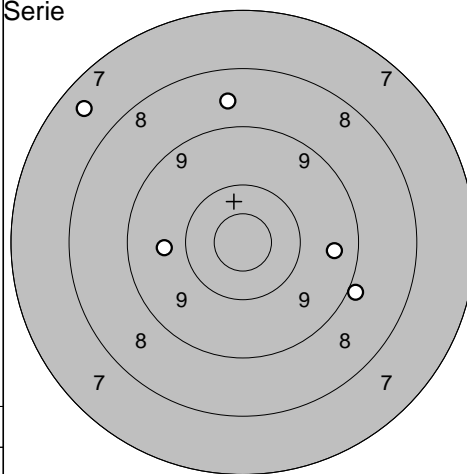
Ramselefors SKF

Provskott



1: 10,5* ↘
 2: 9,8 ↘
 3: 9,6 →

Serie



1: 9,0 →
 2: 9,7 ←
 3: 7,5 ↗
 4: 8,6 ↑
 5: 9,5 →

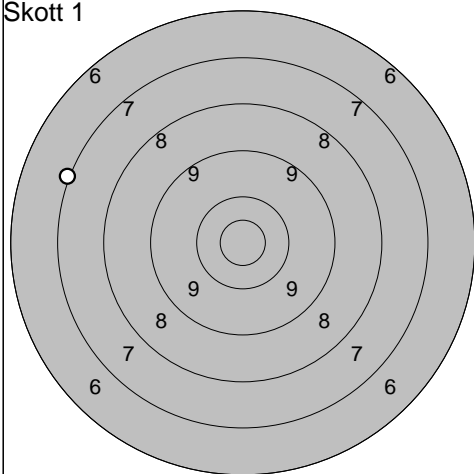
Serie 28,0

Totalt 221,0

Serie 42,0

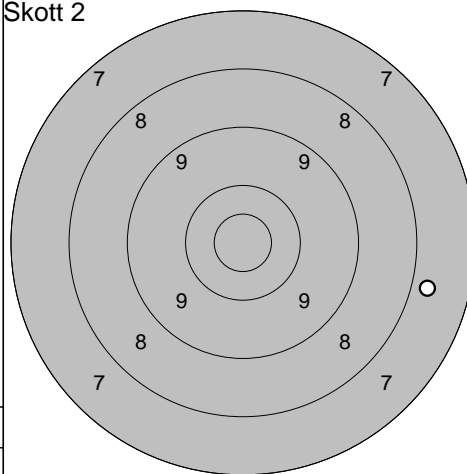
Totalt 263,0

Skott 1



1: 7,1 ←

Skott 2



1: 7,8 →

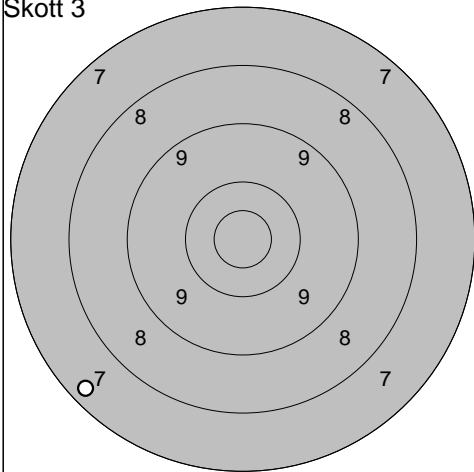
Serie 7,0

Totalt 270,0

Serie 7,0

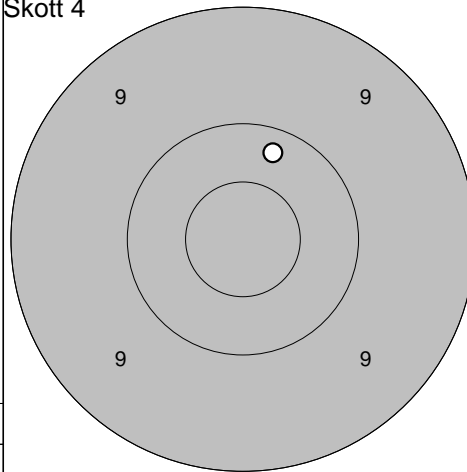
Totalt 277,0

Skott 3



1: 7,4 ↙

Skott 4



1: 10,2 ↑

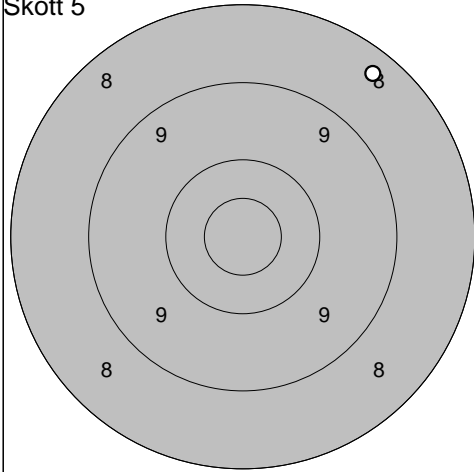
Serie 7,0

Totalt 284,0

Serie 10,0

Totalt 294,0

Skott 5



1: 8,4 ↗

Serie 8,0

Totalt 302,0

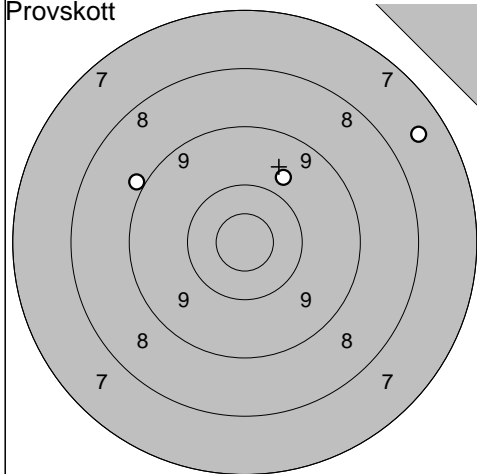
S 3

2009-07-14

Björkskottet 2009 Final

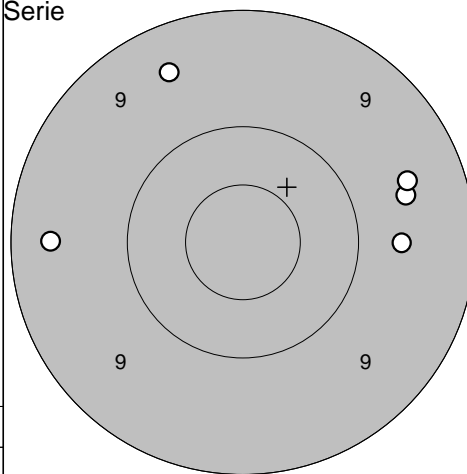
Ramselefors SKF

Provskott



1: 7,6 ↗
2: 9,8 ↗
3: 9,0 ↖

Serie

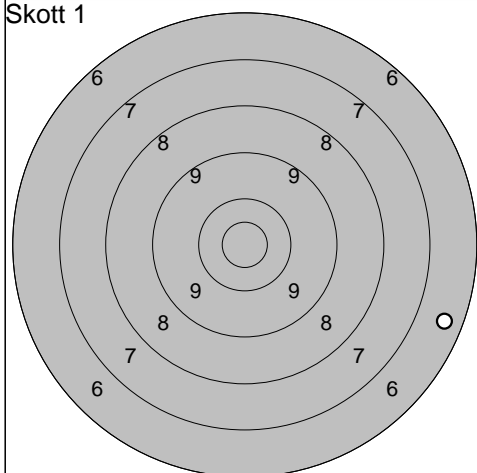


1: 9,4 ↖
2: 9,7 →
3: 9,4 ←
4: 9,6 →
5: 9,5 →

Serie 25,0
Totalt 220,0

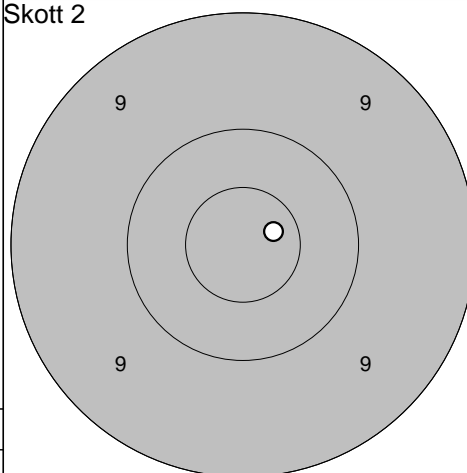
Serie 45,0
Totalt 265,0

Skott 1



1: 6,5 →

Skott 2

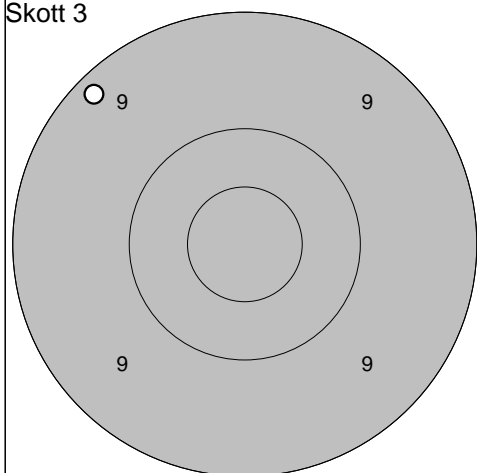


1: 10,7* →

Serie 6,0
Totalt 271,0

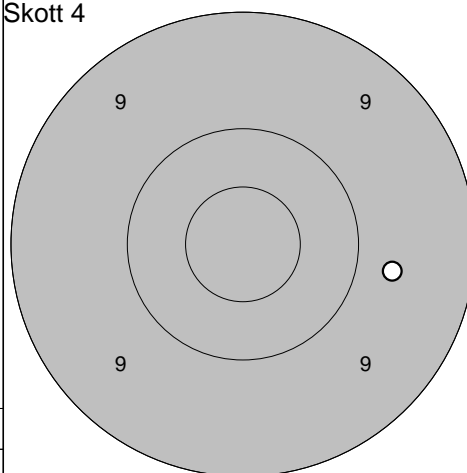
Serie 10,0
Totalt 281,0

Skott 3



1: 9,2 ↖

Skott 4

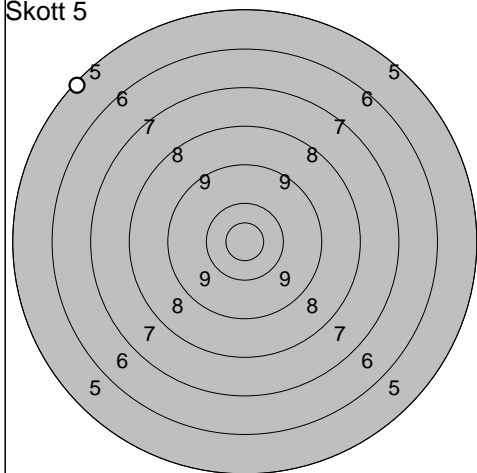


1: 9,7 →

Serie 9,0
Totalt 290,0

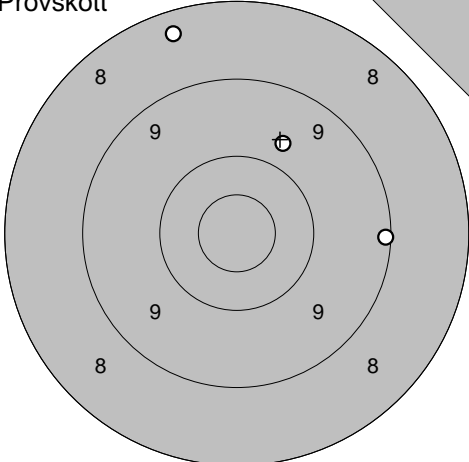
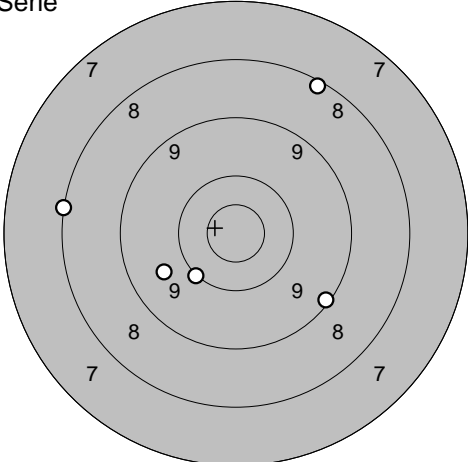
Serie 9,0
Totalt 299,0

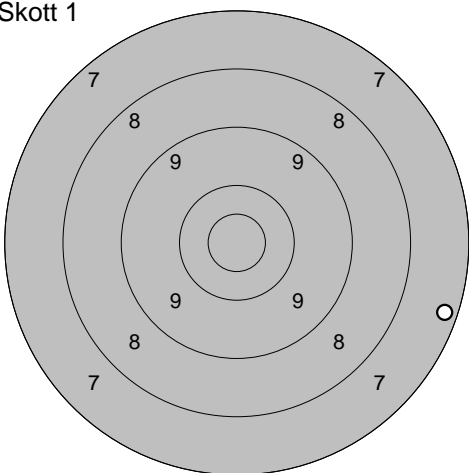
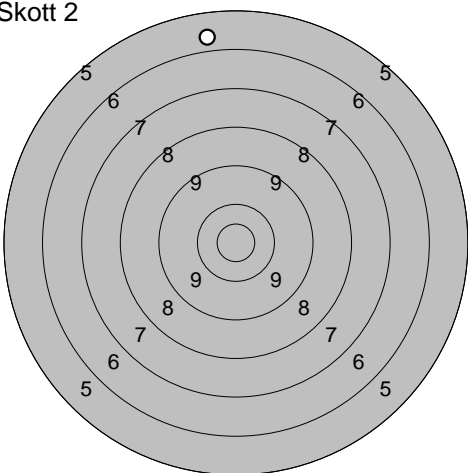
Skott 5

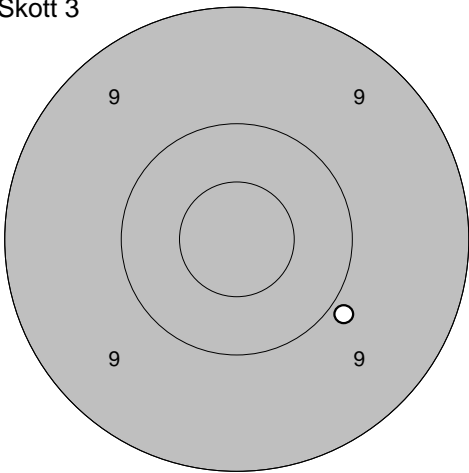
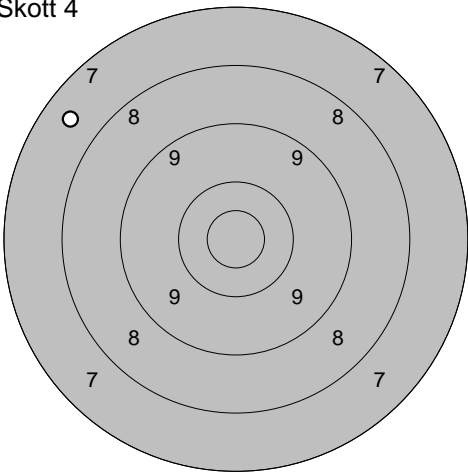


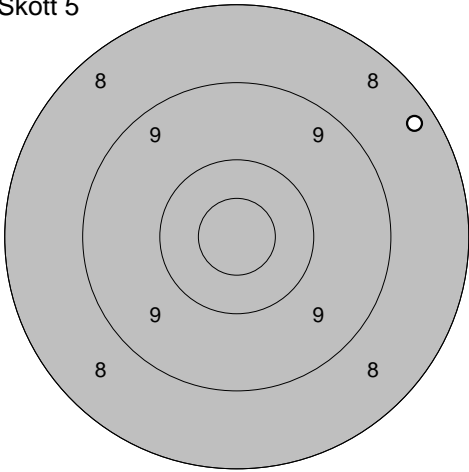
1: 5,2 ↖

Serie 5,0
Totalt 304,0

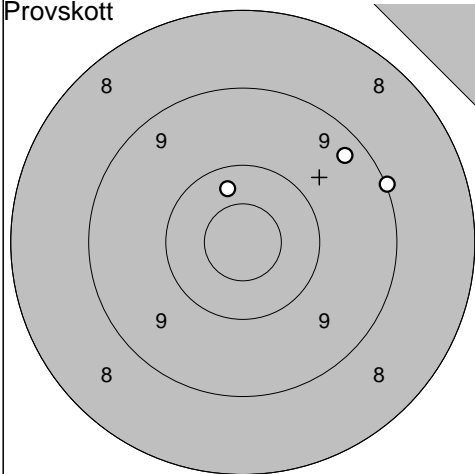
Provskott 	1: 8,3 ↗ 2: 9,1 → 3: 9,7 ↗ <hr/> Serie 26,0 Totalt 216,0	Serie 	1: 9,1 ↘ 2: 9,7 ↙ 3: 10,1 ↙ 4: 8,2 ↗ 5: 8,1 ← <hr/> Serie 44,0 Totalt 260,0
--	--	--	---

Skott 1 	1: 7,3 → <hr/> Serie 7,0 Totalt 267,0	Skott 2 	1: 5,8 ↗ <hr/> Serie 5,0 Totalt 272,0
---	---	---	---

Skott 3 	1: 9,9 ↘ <hr/> Serie 9,0 Totalt 281,0	Skott 4 	1: 7,6 ↙ <hr/> Serie 7,0 Totalt 288,0
--	---	--	---

Skott 5 	1: 8,3 ↗ <hr/> Serie 8,0 Totalt 296,0		
--	---	--	--

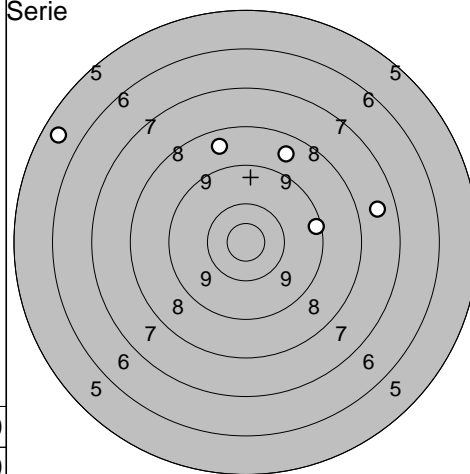
Provskott



1: 10,3 ↗
2: 9,0 →
3: 9,3 ↗

Serie 28,0
Totalt 209,0

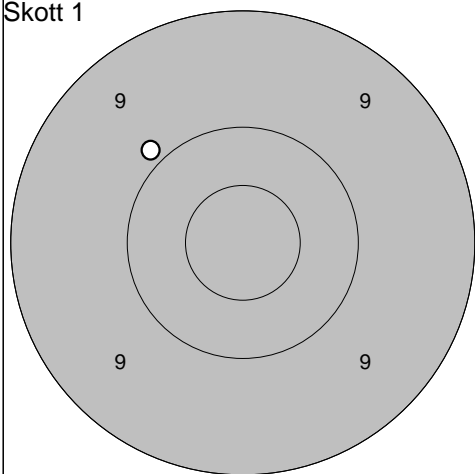
Serie



1: 8,6 ↗
2: 7,6 →
3: 8,6 ↗
4: 9,3 →
5: 5,6 ↖

Serie 37,0
Totalt 246,0

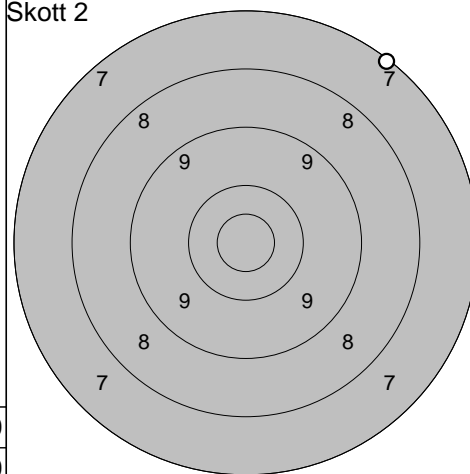
Skott 1



1: 9,9 ↖

Serie 9,0
Totalt 255,0

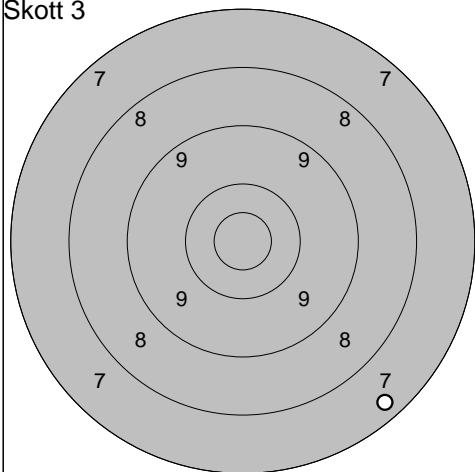
Skott 2



1: 7,1 ↗

Serie 7,0
Totalt 262,0

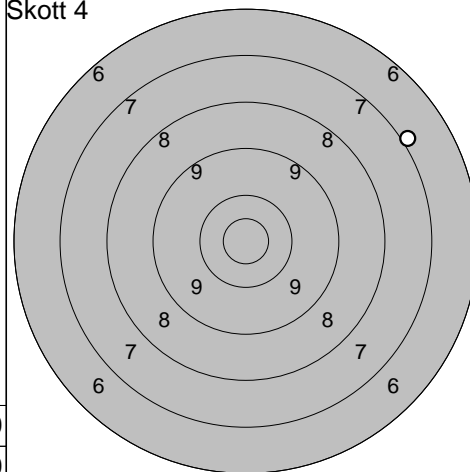
Skott 3



1: 7,4 ↘

Serie 7,0
Totalt 269,0

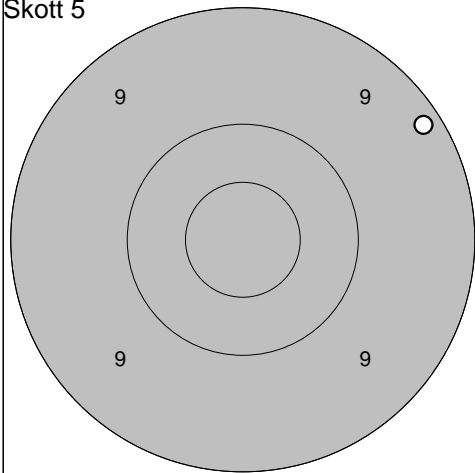
Skott 4



1: 7,0 ↗

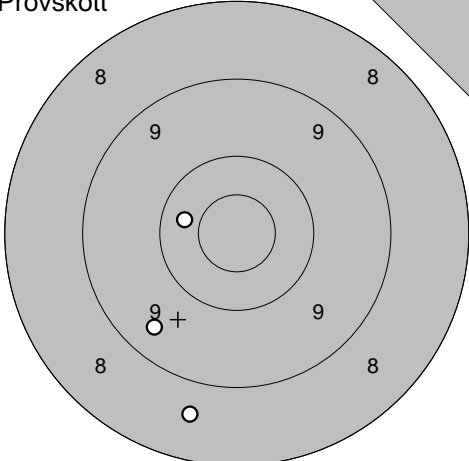
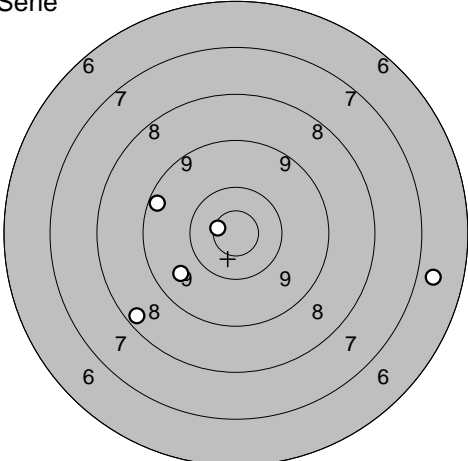
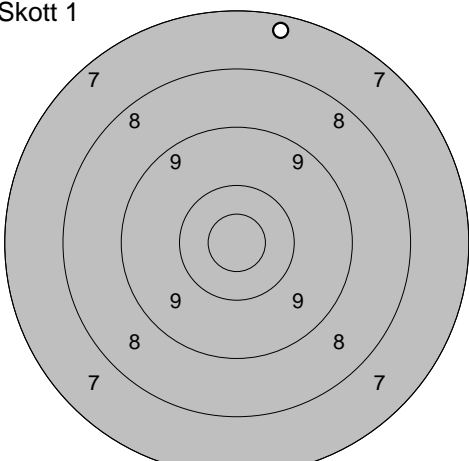
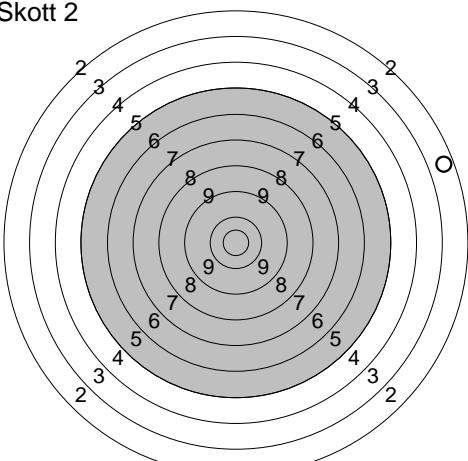
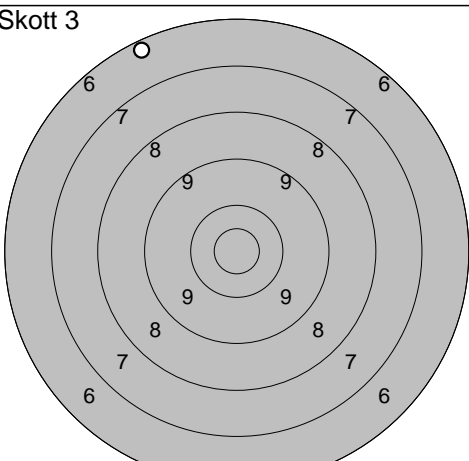
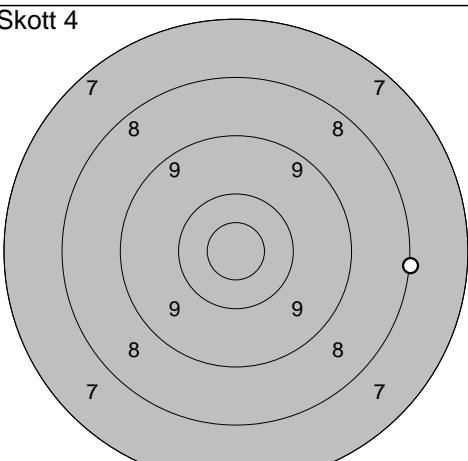
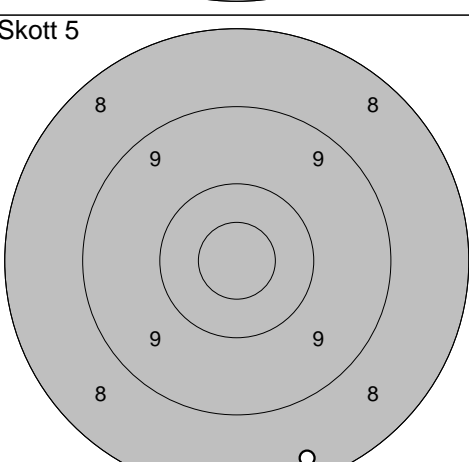
Serie 7,0
Totalt 276,0

Skott 5



1: 9,2 ↗

Serie 9,0
Totalt 285,0

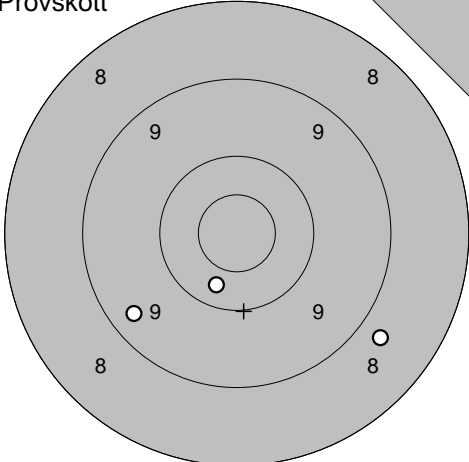
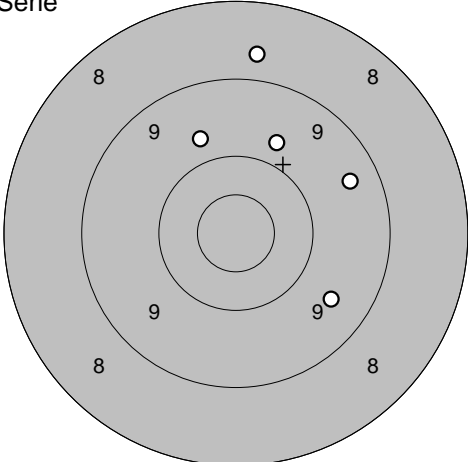
Skjutlag	Tavla	Håkan Engman	
2	15	Lindesberg	
2009-07-14	Björkskottet 2009 Final	Ramselefors SKF	
Provs-kott 	1: 8,6 ↘ 2: 10,4 ← 3: 9,4 ↙ Serie 27,0 Totalt 208,0	Serie 	1: 10,7* ← 2: 6,8 → 3: 8,3 ↙ 4: 9,3 ← 5: 9,6 ↙ Serie 42,0 Totalt 250,0
Skott 1 	1: 7,4 ↑ Serie 7,0 Totalt 257,0	Skott 2 	1: 2,6 → Serie 2,0 Totalt 259,0
Skott 3 	1: 6,3 ↖ Serie 6,0 Totalt 265,0	Skott 4 	1: 8,1 → Serie 8,0 Totalt 273,0
Skott 5 	1: 8,3 ↘ Serie 8,0 Totalt 281,0		

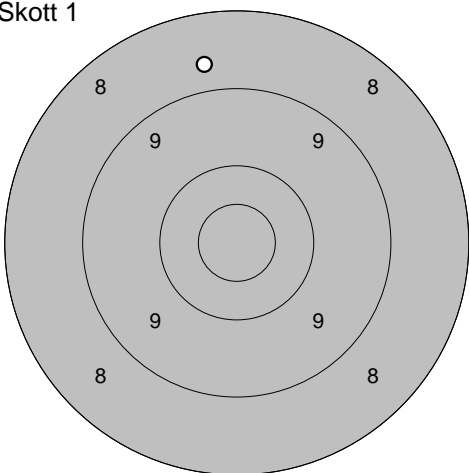
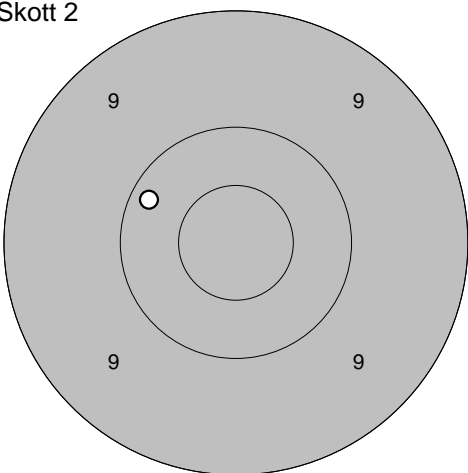
<p>Provskott</p>	<p>1: 10,4 ← 2: 9,9 ↘ 3: 8,8 ↘</p> <p>Serie 27,0 Totalt 206,0</p>	<p>Serie</p> <p>1: 6,3 ↗ 2: 8,7 ↘ 3: 8,2 → 4: 9,3 ↘ 5: 9,0 ↘</p> <p>Serie 40,0 Totalt 246,0</p>
------------------	---	---

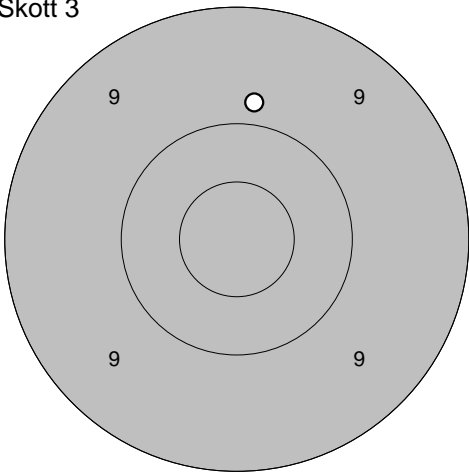
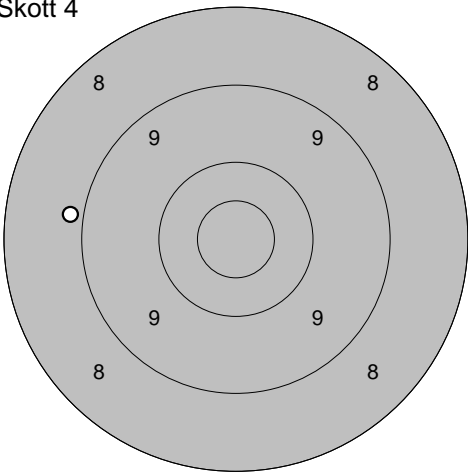
<p>Skott 1</p>	<p>1: 6,3 ↘</p> <p>Serie 6,0 Totalt 252,0</p>	<p>Skott 2</p>	<p>1: 0,0 ←</p> <p>Serie 0,0 Totalt 252,0</p>
----------------	---	----------------	---

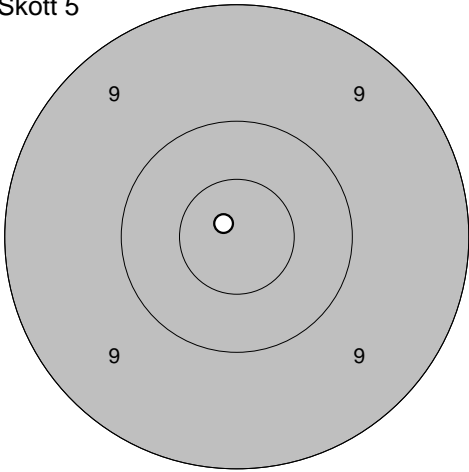
<p>Skott 3</p>	<p>1: 6,1 ↘</p> <p>Serie 6,0 Totalt 258,0</p>	<p>Skott 4</p>	<p>1: 6,6 ↘</p> <p>Serie 6,0 Totalt 264,0</p>
----------------	---	----------------	---

<p>Skott 5</p>	<p>1: 6,6 ↗</p> <p>Serie 6,0 Totalt 270,0</p>		
----------------	---	--	--

Provskott 	1: 10,3 ↘ 2: 8,7 ↘ 3: 9,4 ↙ <hr/> Serie 27,0 Totalt 231,0	Serie 	1: 9,7 ↗ 2: 9,5 ↘ 3: 9,8 ↗ 4: 9,4 ↗ 5: 8,7 ↗ <hr/> Serie 44,0 Totalt 275,0
--	---	--	--

Skott 1 	Skott 2 
1: 8,7 ↑ <hr/> Serie 8,0 Totalt 283,0	1: 10,2 ↖ <hr/> Serie 10,0 Totalt 293,0

Skott 3 	Skott 4 
1: 9,8 ↑ <hr/> Serie 9,0 Totalt 302,0	1: 8,9 ← <hr/> Serie 8,0 Totalt 310,0

Skott 5 	1: 10,9* ↖ <hr/> Serie 10,0 Totalt 320,0
--	--

Provskott 	1: 6,3 → 2: 6,7 ↓ 3: 6,3 ↓	Serie 	1: 8,5 ↓ 2: 8,8 ↓ 3: 10,7* ↓ 4: 9,4 ↓ 5: 9,2 ↓
Serie 18,0		Serie 44,0	
Totalt 221,0		Totalt 265,0	

Skott 1 	1: 8,5 →	Skott 2 	1: 7,3 ↓
Serie 8,0		Serie 7,0	
Totalt 273,0		Totalt 280,0	

Skott 3 	1: 5,0 →	Skott 4 	1: 9,5 →
Serie 5,0		Serie 9,0	
Totalt 285,0		Totalt 294,0	

Skott 5 	1: 7,2 ↓	
Serie 7,0		
Totalt 301,0		

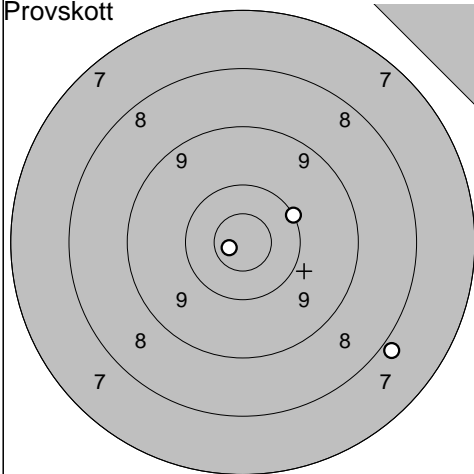
Söderala

2009-07-14

Björkskottet 2009 Final

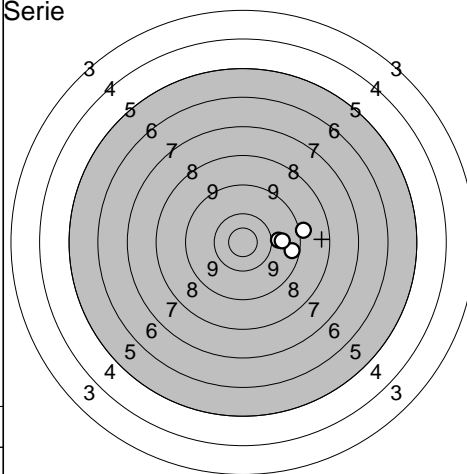
Ramselefors SKF

Provskott



1: 10,1 →
 2: 7,9 ↘
 3: 10,8* ←

Serie



1: 3,1 →
 2: 9,1 →
 3: 10,0 →
 4: 9,5 →
 5: 9,8 →

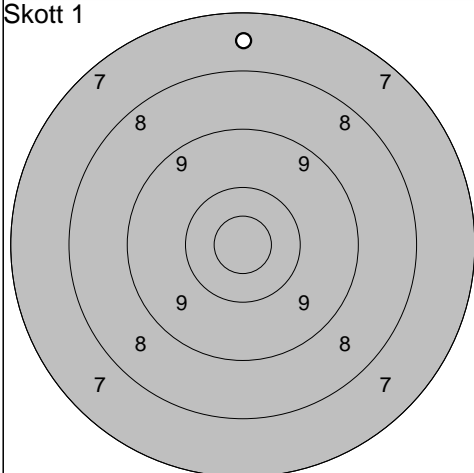
Serie 27,0

Totalt 217,0

Serie 40,0

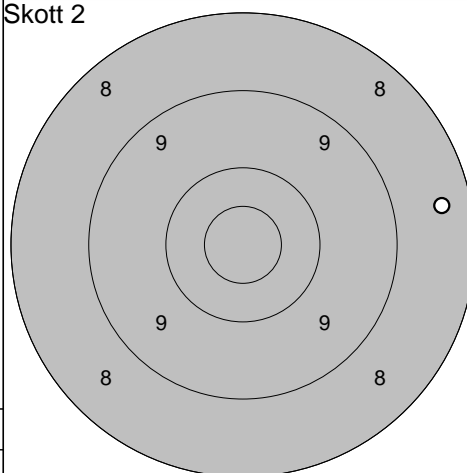
Totalt 257,0

Skott 1



1: 7,6 ↑

Skott 2



1: 8,4 →

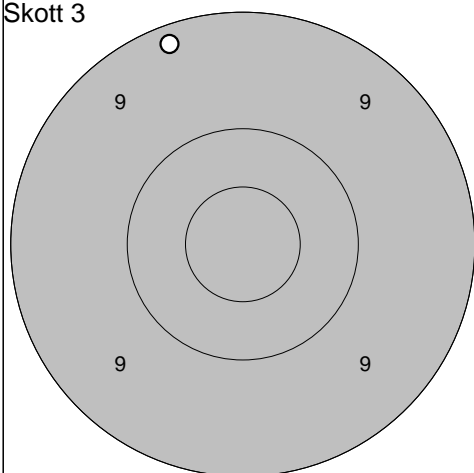
Serie 7,0

Totalt 264,0

Serie 8,0

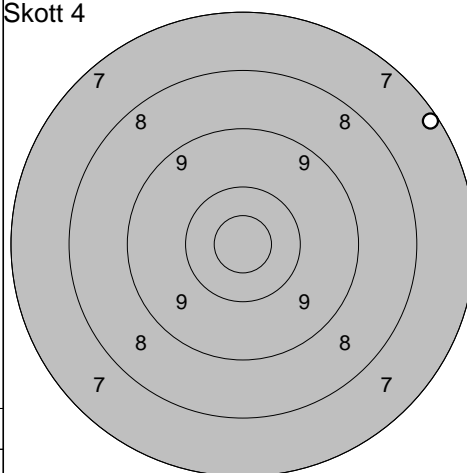
Totalt 272,0

Skott 3



1: 9,2 ↖

Skott 4



1: 7,2 ↗

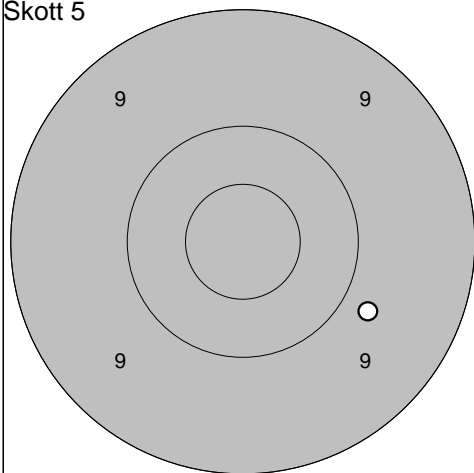
Serie 9,0

Totalt 281,0

Serie 7,0

Totalt 288,0

Skott 5



1: 9,8 ↘

Serie 9,0

Totalt 297,0

Skjutlag

3

Tavla

1

Anders Petersson

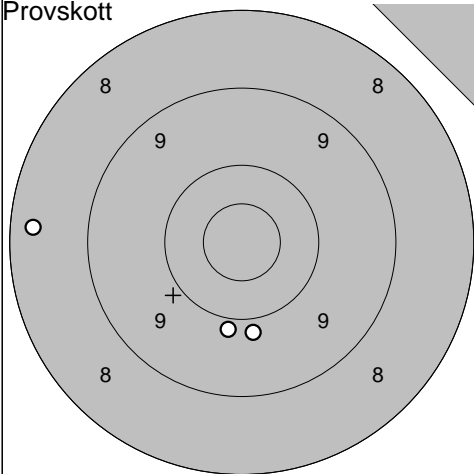
Älmhult

2009-07-14

Björkskottet 2009 Final

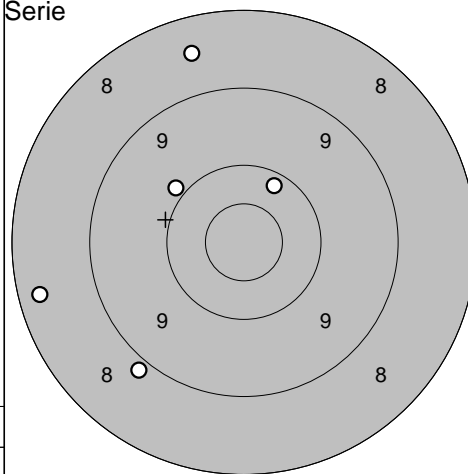
Ramselefors SKF

Provskott



1: 9,9 ↓
 2: 8,3 ←
 3: 9,9 ↓

Serie



1: 8,5 ↑
 2: 8,9 ↙
 3: 9,9 ↖
 4: 10,2 ↗
 5: 8,3 ←

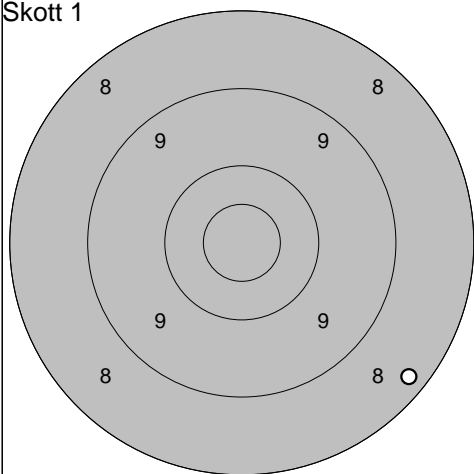
Serie 26,0

Totalt 238,0

Serie 43,0

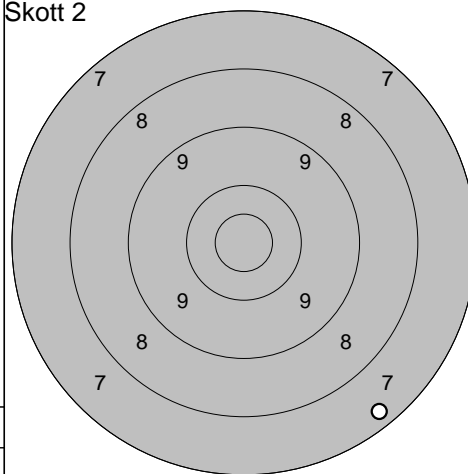
Totalt 281,0

Skott 1



1: 8,3 ↘

Skott 2



1: 7,3 ↘

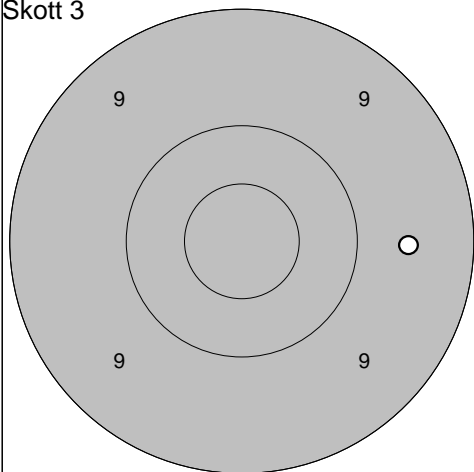
Serie 8,0

Totalt 289,0

Serie 7,0

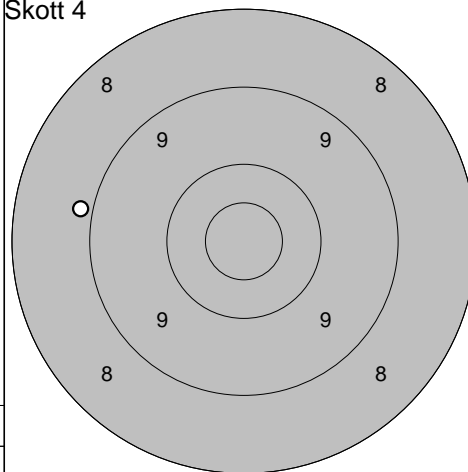
Totalt 296,0

Skott 3



1: 9,6 →

Skott 4



1: 8,9 ←

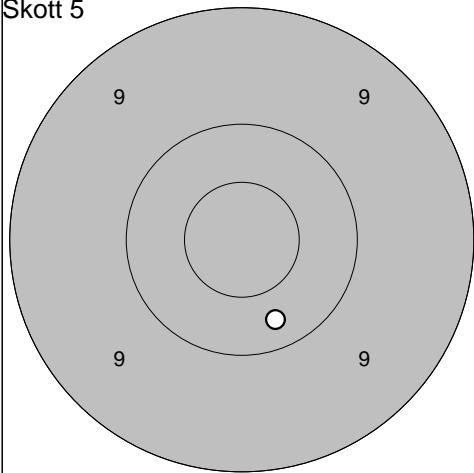
Serie 9,0

Totalt 305,0

Serie 8,0

Totalt 313,0

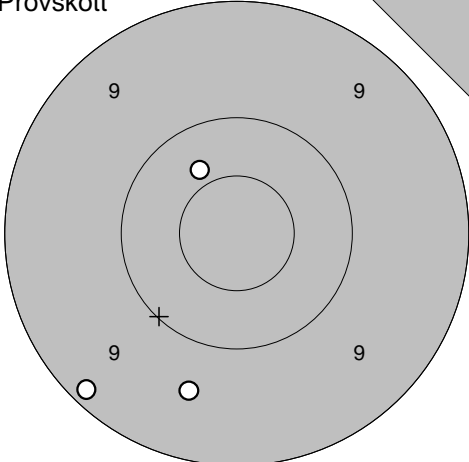
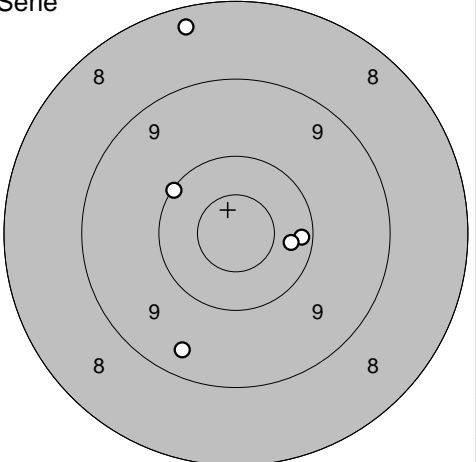
Skott 5

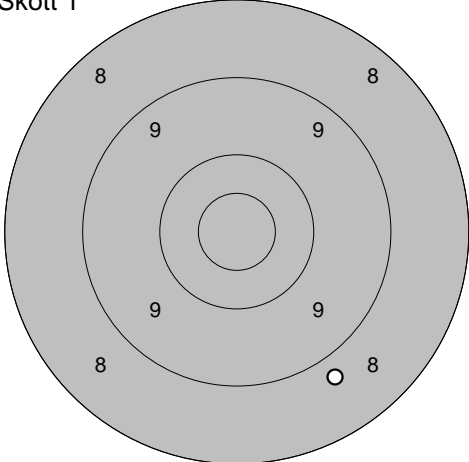
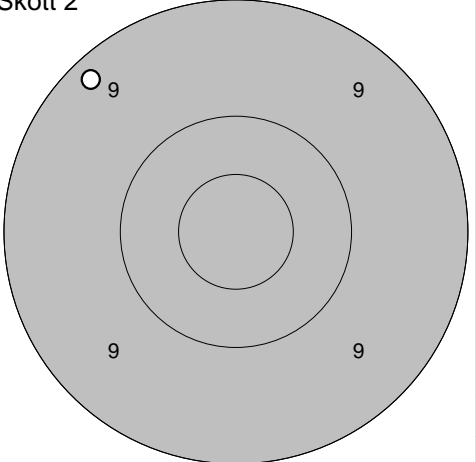


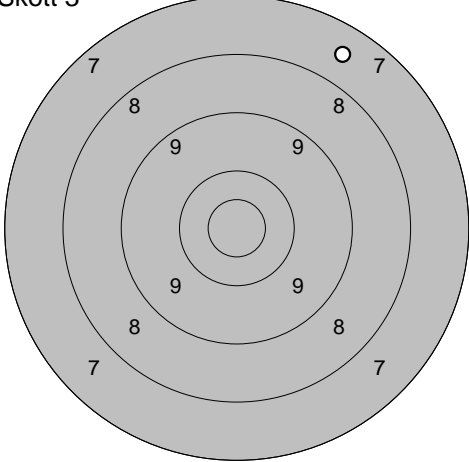
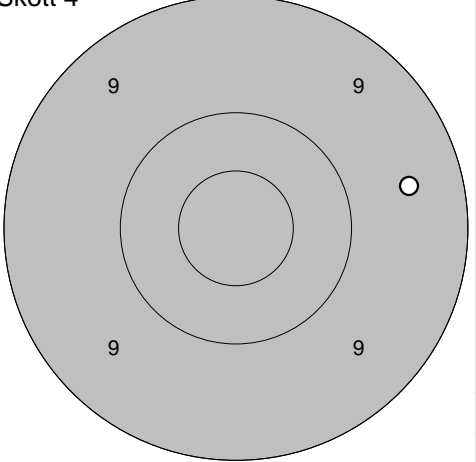
1: 10,3 ↓

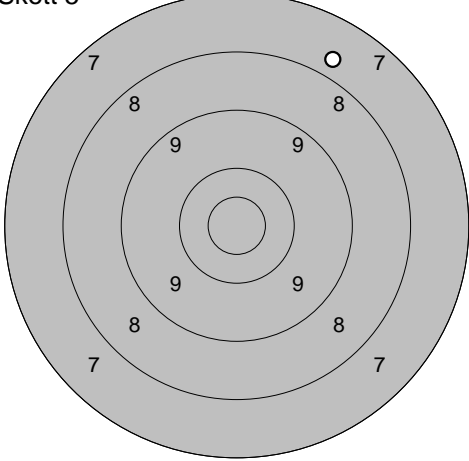
Serie 10,0

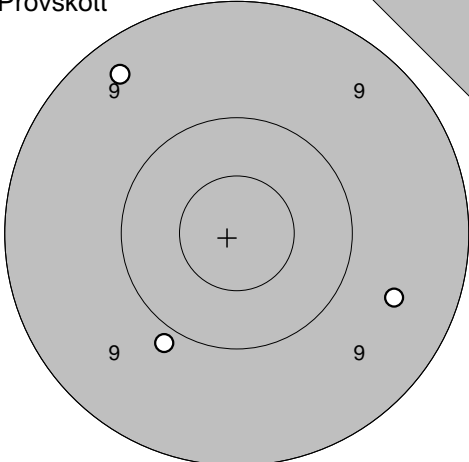
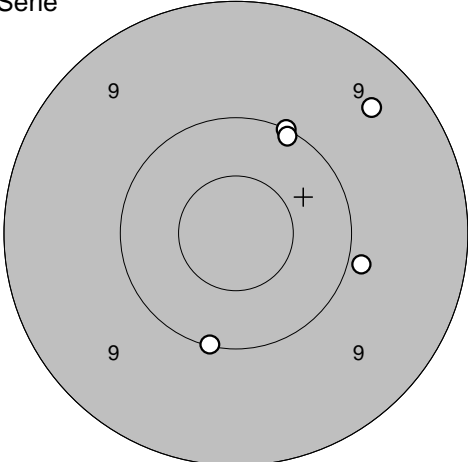
Totalt 323,0

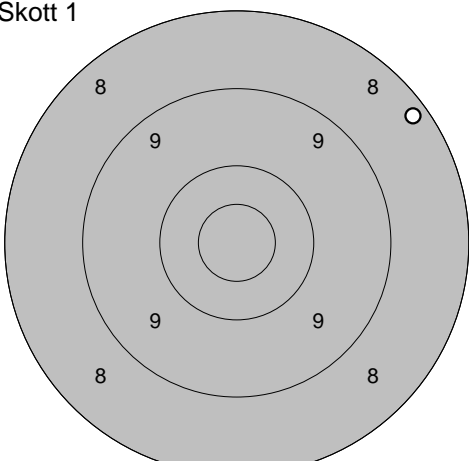
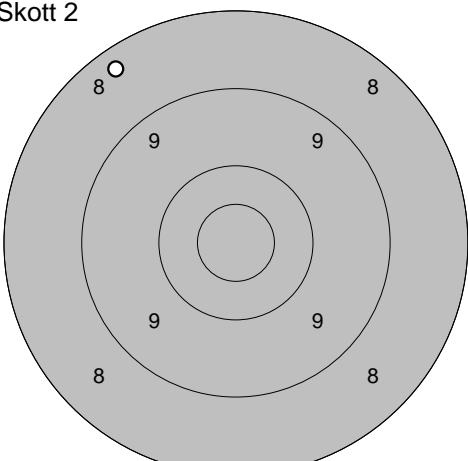
<p>Provskott</p> 	<p>1: 9,6 ↓</p> <p>2: 10,4 ↗</p> <p>3: 9,2 ↘</p>	<p>Serie</p> 	<p>1: 8,3 ↑</p> <p>2: 10,1 ↗</p> <p>3: 10,2 →</p> <p>4: 10,3 →</p> <p>5: 9,4 ↓</p>
	Serie 28,0		Serie 47,0
Totalt 238,0	Totalt 285,0		

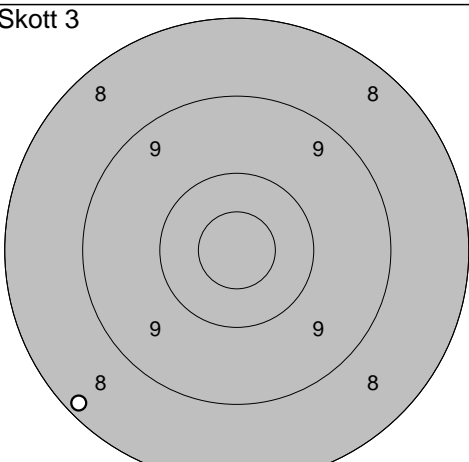
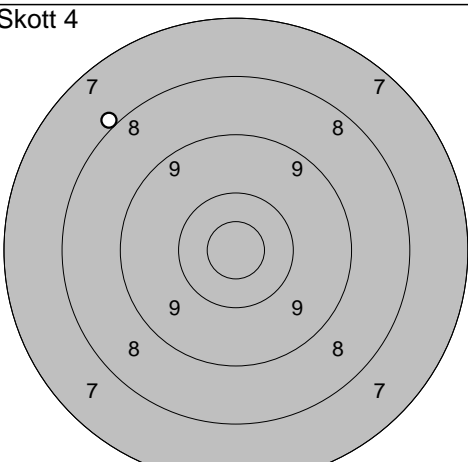
<p>Skott 1</p> 	<p>1: 8,8 ↓</p>	<p>Skott 2</p> 	<p>1: 9,2 ↖</p>
	Serie 8,0		Serie 9,0
Totalt 293,0	Totalt 302,0		

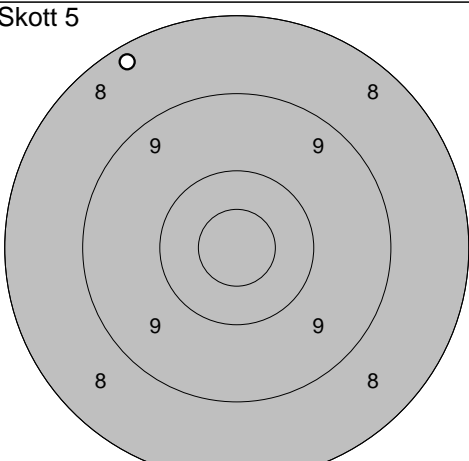
<p>Skott 3</p> 	<p>1: 7,6 ↗</p>	<p>Skott 4</p> 	<p>1: 9,5 →</p>
	Serie 7,0		Serie 9,0
Totalt 309,0	Totalt 318,0		

<p>Skott 5</p> 	<p>1: 7,8 ↗</p>		
	Serie 7,0		
Totalt 325,0			

Provskott 	1: 9,3 ↗ 2: 9,6 → 3: 9,9 ↘ Serie 27,0 Totalt 237,0	Serie 	1: 9,4 ↗ 2: 9,9 → 3: 10,0 ↗ 4: 10,1 ↗ 5: 10,0 ↘ Serie 48,0 Totalt 285,0
--	--	--	---

Skott 1 	1: 8,2 ↗ Serie 8,0 Totalt 293,0	Skott 2 	1: 8,3 ↖ Serie 8,0 Totalt 301,0
---	---	---	---

Skott 3 	1: 8,2 ↘ Serie 8,0 Totalt 309,0	Skott 4 	1: 8,0 ↖ Serie 8,0 Totalt 317,0
--	---	--	---

Skott 5 	1: 8,3 ↗ Serie 8,0 Totalt 325,0		
--	---	--	--

Skjutlag

Tavla

3

4

Mikael Olofsson

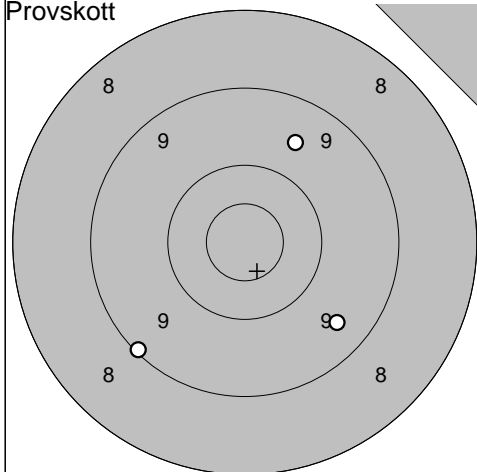
Moälven/Modo

2009-07-14

Björkskottet 2009 Final

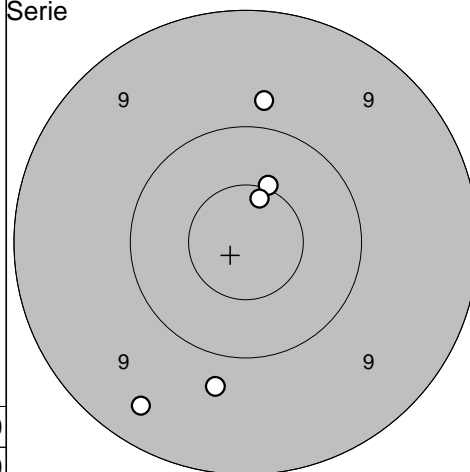
Ramselefors SKF

Provskott



1: 9,6 ↗
 2: 9,1 ↙
 3: 9,5 ↘

Serie



1: 9,8 ↑
 2: 10,5* ↑
 3: 9,4 ↙
 4: 9,8 ↘
 5: 10,6* ↑

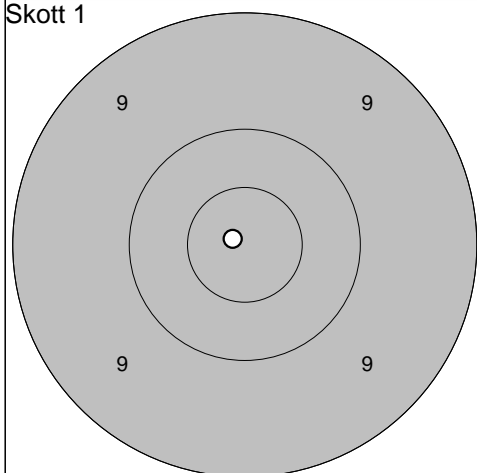
Serie 27,0

Totalt 236,0

Serie 47,0

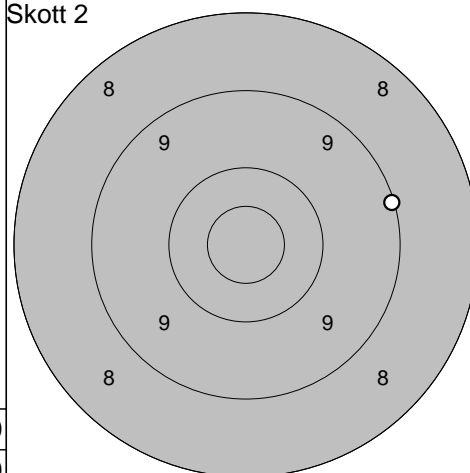
Totalt 283,0

Skott 1



1: 10,9* ↙

Skott 2



1: 9,1 →

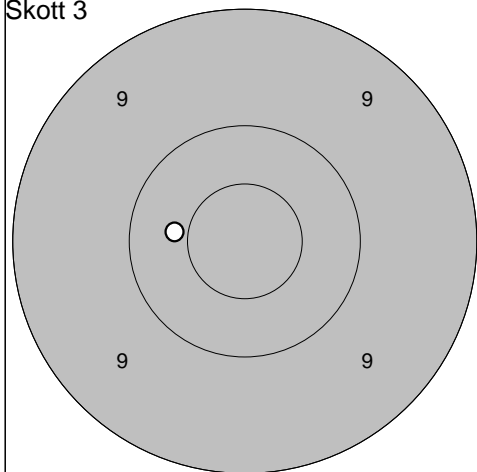
Serie 10,0

Totalt 293,0

Serie 9,0

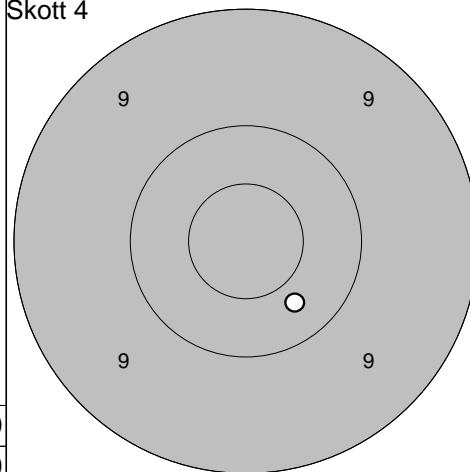
Totalt 302,0

Skott 3



1: 10,4 ↙

Skott 4



1: 10,4 ↘

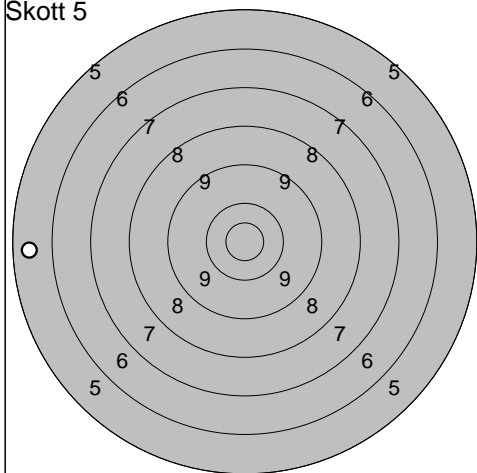
Serie 10,0

Totalt 312,0

Serie 10,0

Totalt 322,0

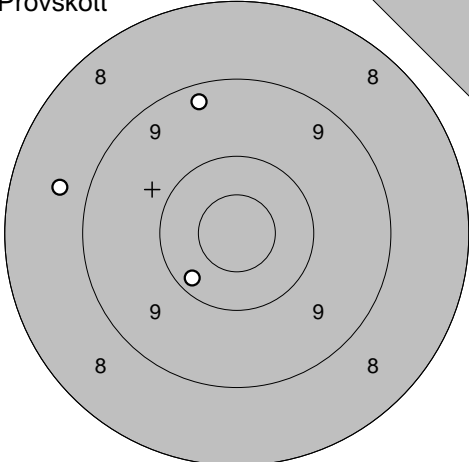
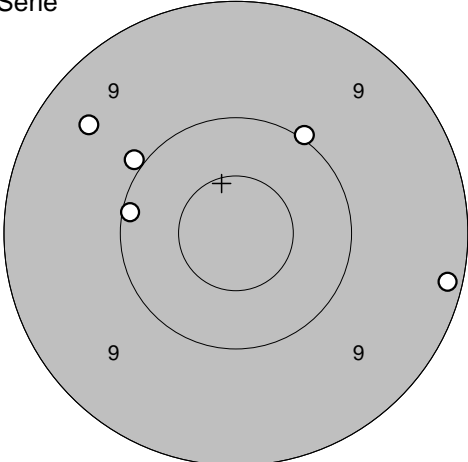
Skott 5

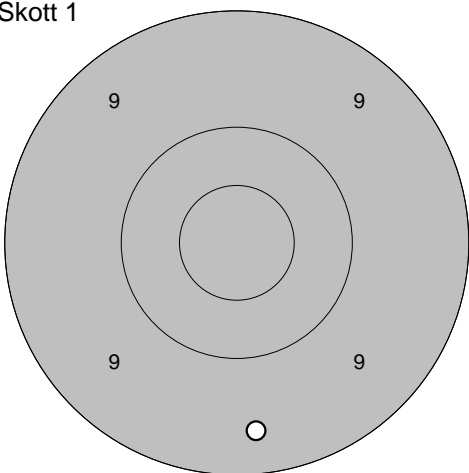
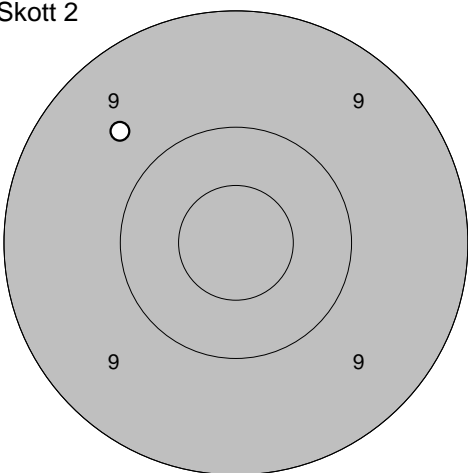


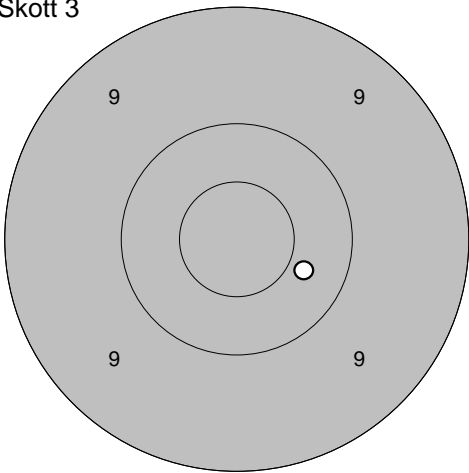
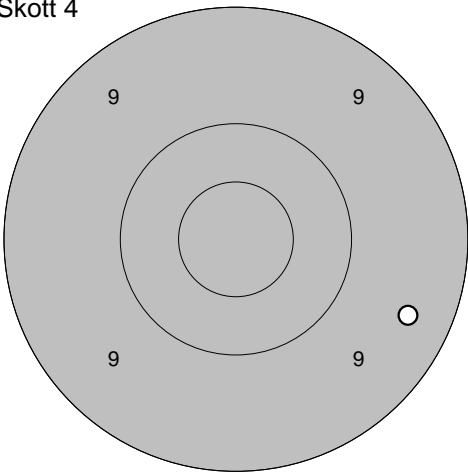
1: 5,6 ↙

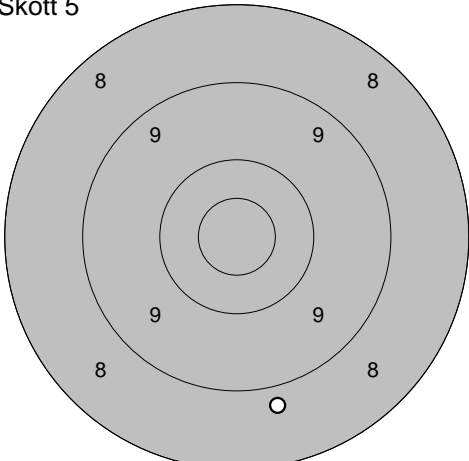
Serie 5,0

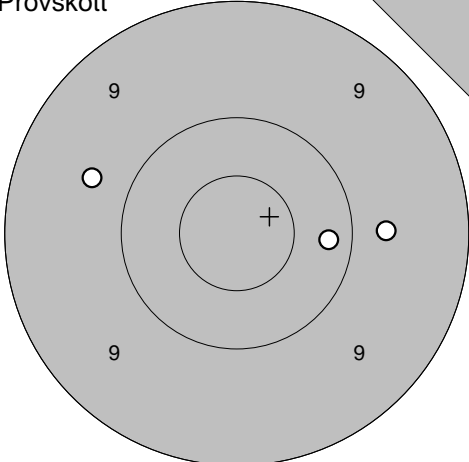
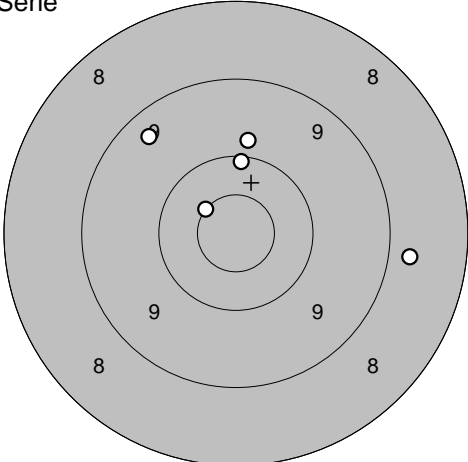
Totalt 327,0

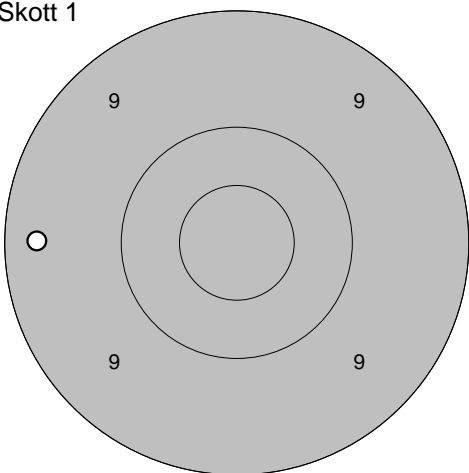
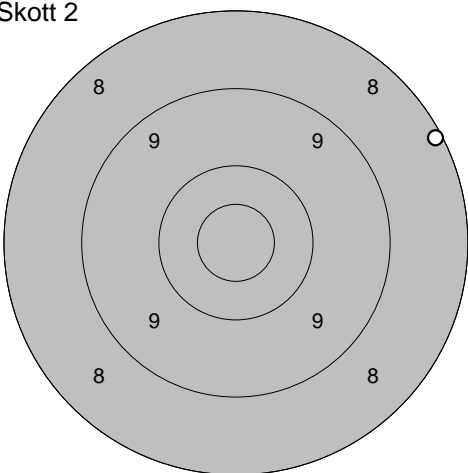
Provskott 	1: 8,7 ← 2: 10,2 ↙ 3: 9,3 ↑	Serie 	1: 10,0 ↗ 2: 10,1 ← 3: 9,5 ↗ 4: 9,2 → 5: 10,0 ↗
Serie 27,0		Serie 48,0	
Totalt 236,0		Totalt 284,0	

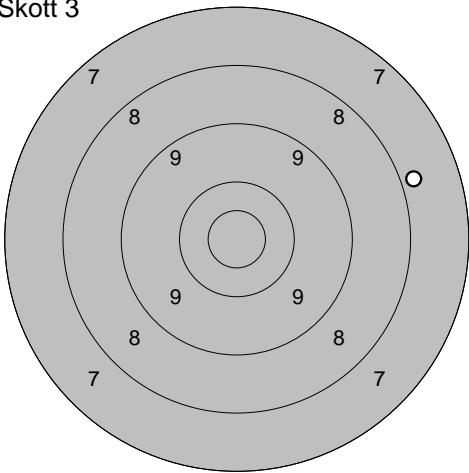
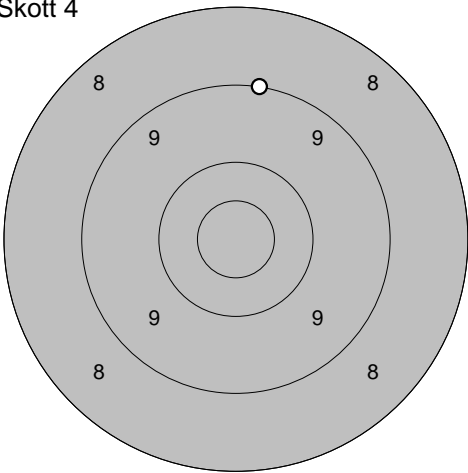
Skott 1 	1: 9,4 ↓	Skott 2 	1: 9,6 ↖
Serie 9,0		Serie 9,0	
Totalt 293,0		Totalt 302,0	

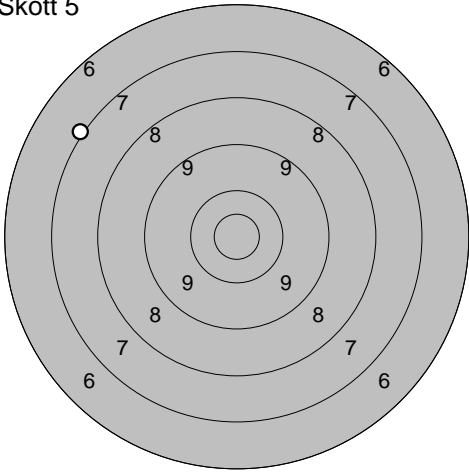
Skott 3 	1: 10,4 →	Skott 4 	1: 9,4 →
Serie 10,0		Serie 9,0	
Totalt 312,0		Totalt 321,0	

Skott 5 	1: 8,8 ↓		
Serie 8,0			
Totalt 329,0			

Provskott 	1: 9,7 ← 2: 9,7 → 3: 10,2 →	Serie 	1: 10,1 ↑ 2: 8,8 → 3: 9,8 ↑ 4: 10,6* ↖ 5: 9,4 ↖
Serie 28,0		Serie 46,0	
Totalt 235,0		Totalt 281,0	

Skott 1 	1: 9,3 ←	Skott 2 	1: 8,1 →
Serie 9,0		Serie 8,0	
Totalt 290,0		Totalt 298,0	

Skott 3 	1: 7,9 →	Skott 4 	1: 9,1 ↑
Serie 7,0		Serie 9,0	
Totalt 305,0		Totalt 314,0	

Skott 5 	1: 7,1 ↖		
Serie 7,0			
Totalt 321,0			

Skjutlag

Tavla

3

7

Ronny Nilsson

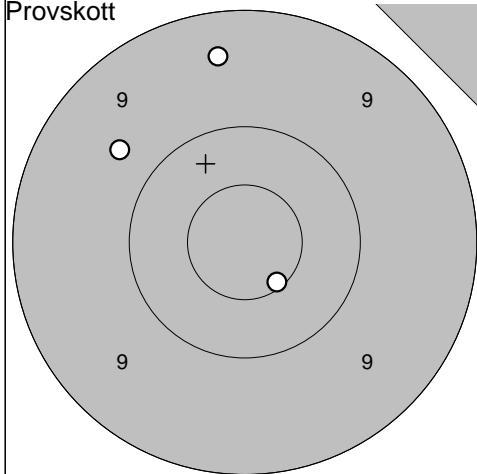
Piteå

2009-07-14

Björkskottet 2009 Final

Ramselefors SKF

Provskott

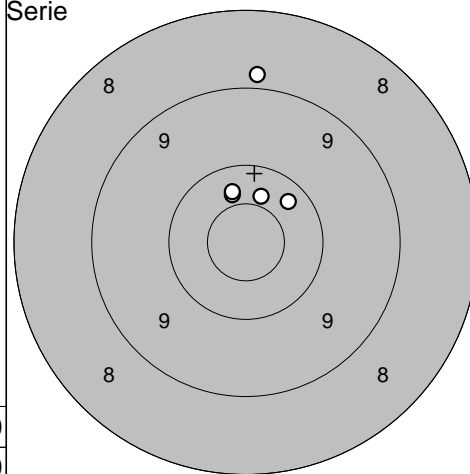


1: 9,7 ↖
 2: 10,6* ↘
 3: 9,4 ↑

Serie 28,0

Totalt 234,0

Serie

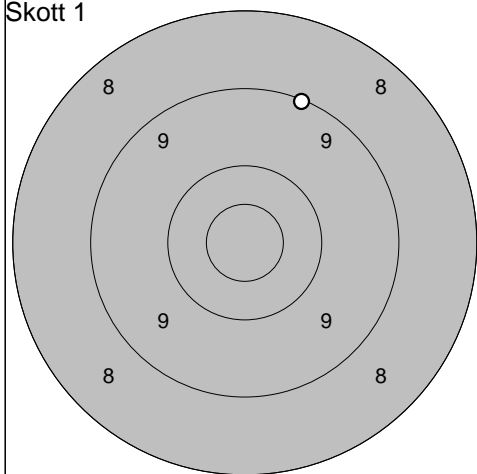


1: 8,9 ↑
 2: 10,4 ↑
 3: 10,3 ↗
 4: 10,4 ↑
 5: 10,4 ↑

Serie 48,0

Totalt 282,0

Skott 1

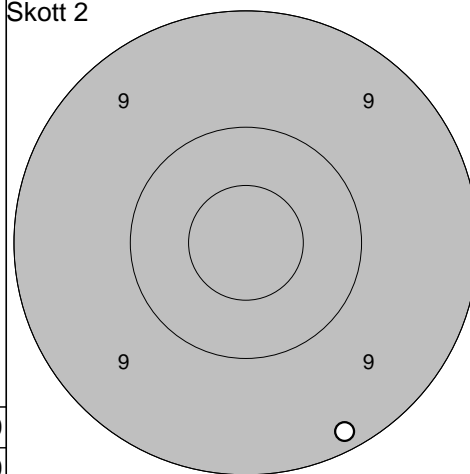


1: 9,1 ↗

Serie 9,0

Totalt 291,0

Skott 2

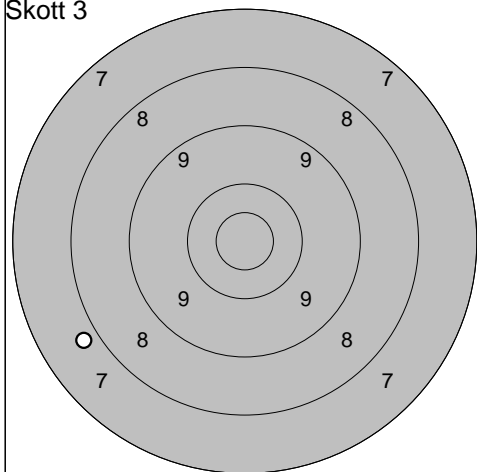


1: 9,2 ↘

Serie 9,0

Totalt 300,0

Skott 3

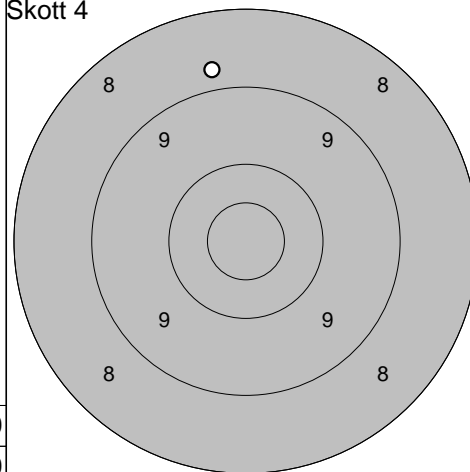


1: 7,8 ↙

Serie 7,0

Totalt 307,0

Skott 4

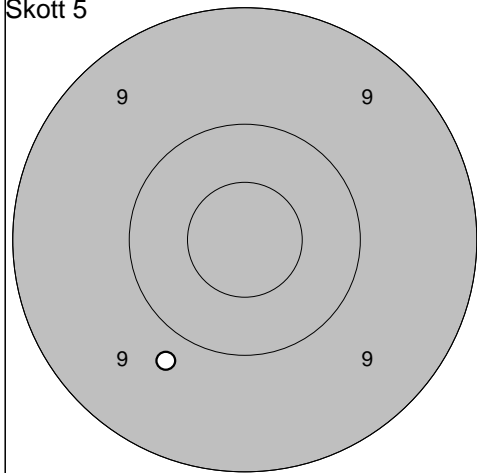


1: 8,8 ↑

Serie 8,0

Totalt 315,0

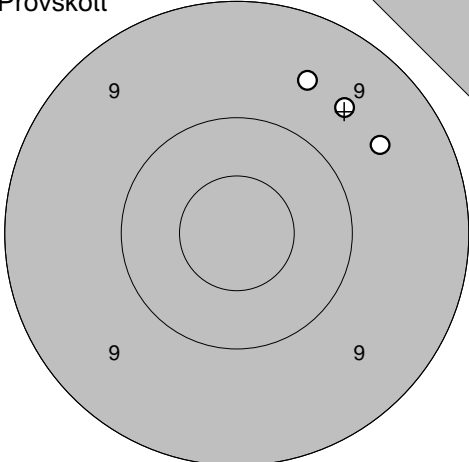
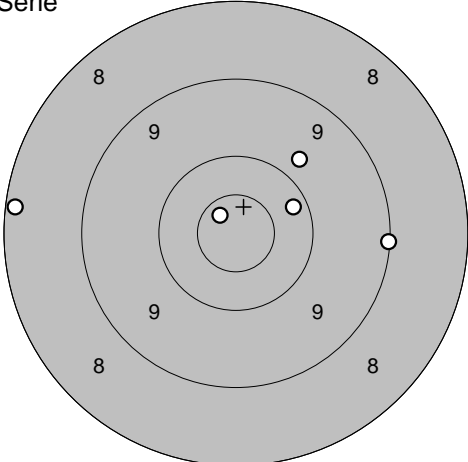
Skott 5

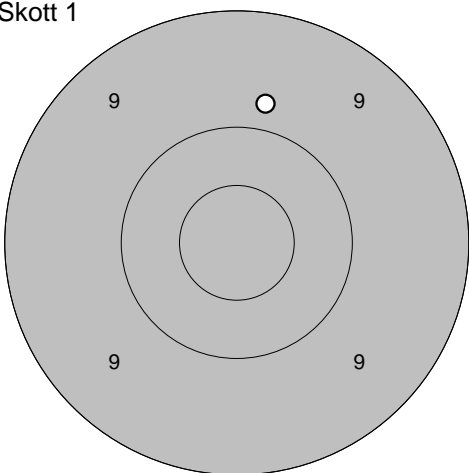
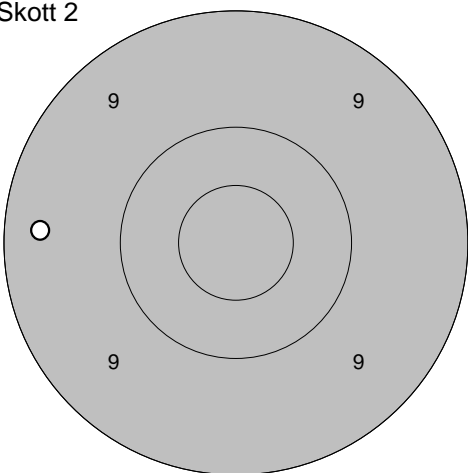


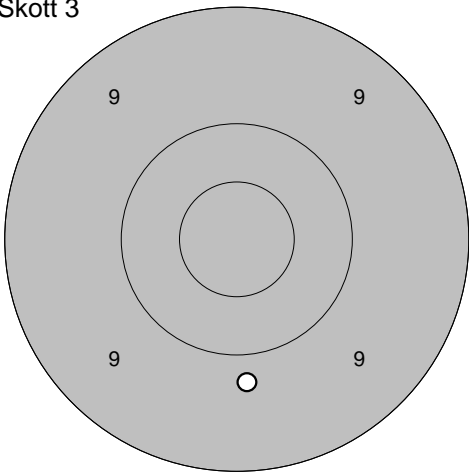
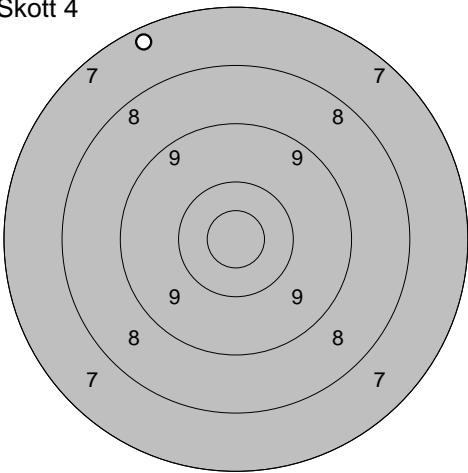
1: 9,8 ↘

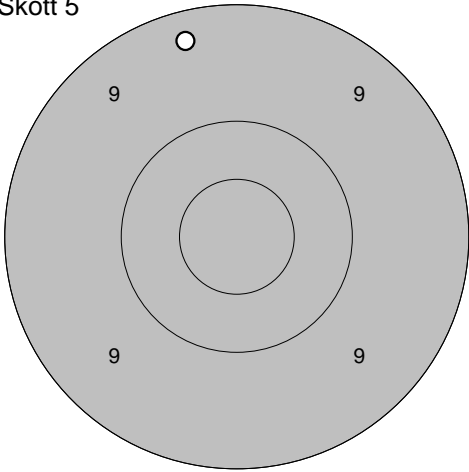
Serie 9,0

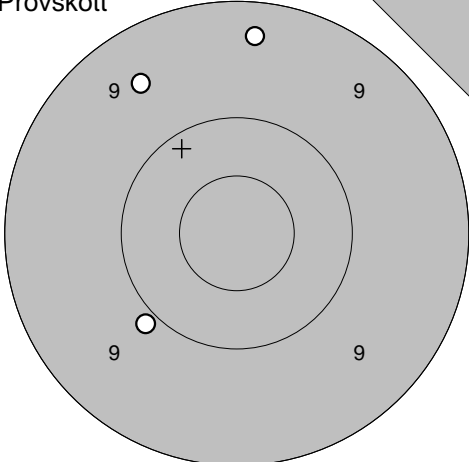
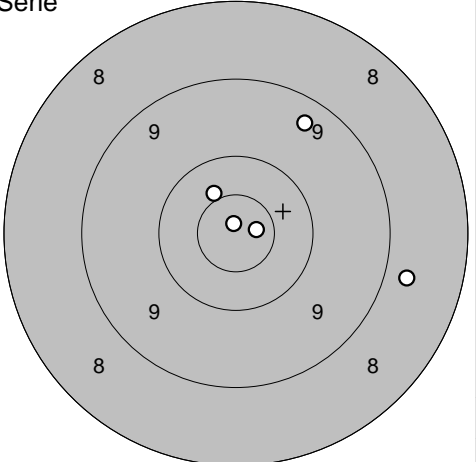
Totalt 324,0

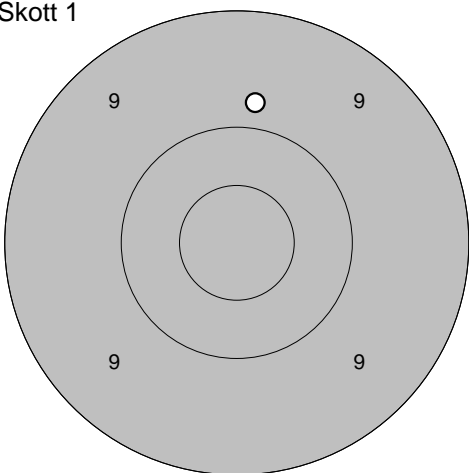
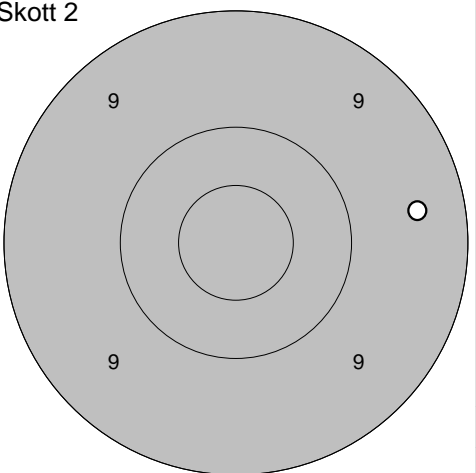
Provs-kott 	1: 9,6 ↗ 2: 9,6 → 3: 9,6 ↗ <hr/> Serie 27,0 Totalt 234,0	Serie 	1: 10,2 → 2: 9,1 → 3: 10,7* ↖ 4: 9,8 ↗ 5: 8,2 ← <hr/> Serie 46,0 Totalt 280,0
---	--	--	---

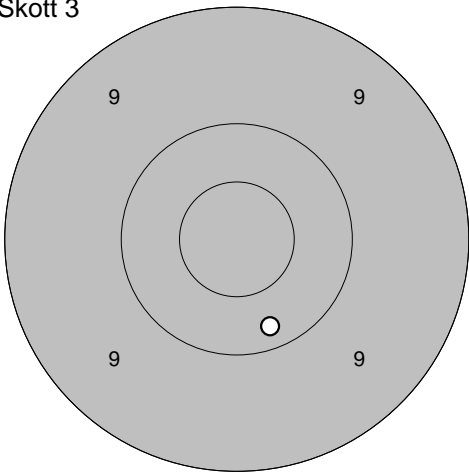
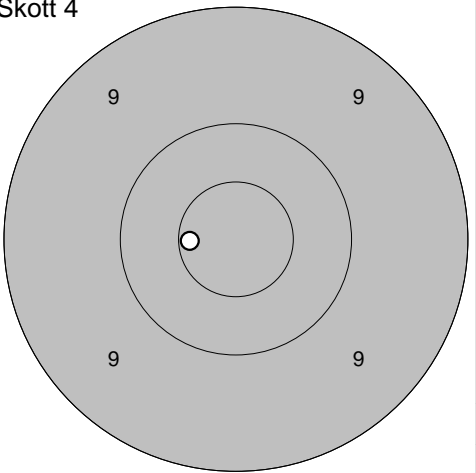
Skott 1 	1: 9,8 ↑ <hr/> Serie 9,0 Totalt 289,0	Skott 2 	1: 9,3 ← <hr/> Serie 9,0 Totalt 298,0
---	---	---	---

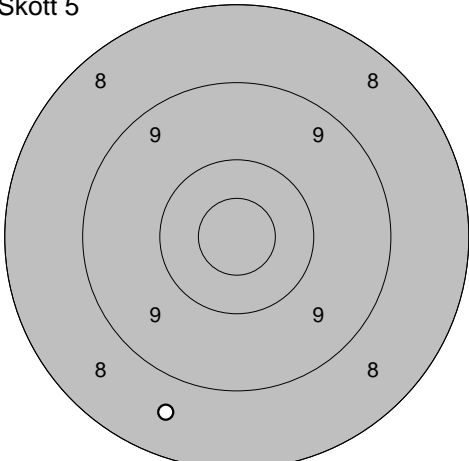
Skott 3 	1: 9,8 ↓ <hr/> Serie 9,0 Totalt 307,0	Skott 4 	1: 7,3 ↗ <hr/> Serie 7,0 Totalt 314,0
--	---	--	---

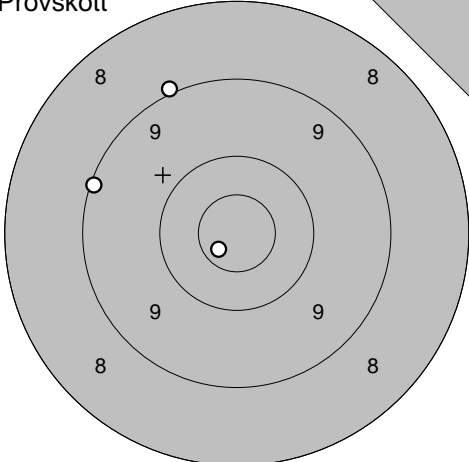
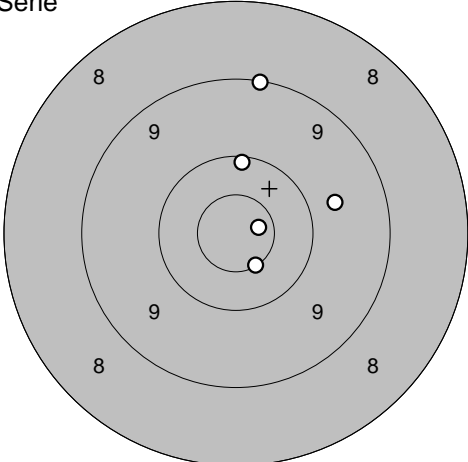
Skott 5 	1: 9,3 ↑ <hr/> Serie 9,0 Totalt 323,0		
--	---	--	--

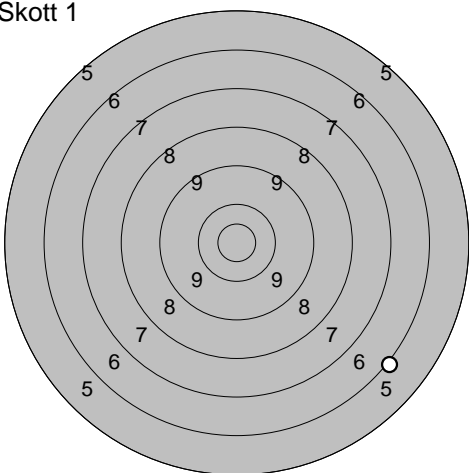
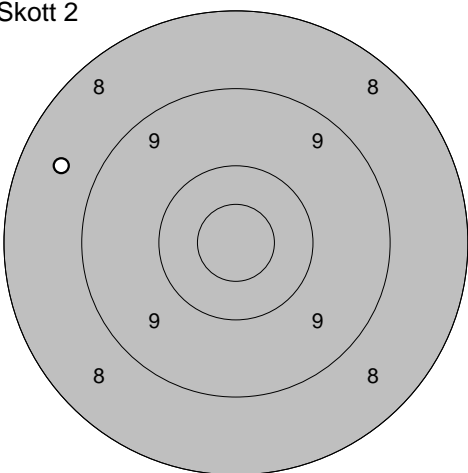
<p>Provskott</p> 	<p>1: 9,5 ↗ 2: 9,3 ↑ 3: 9,9 ↘</p> <table border="1" style="width:100%; border-collapse: collapse;"> <tr><td>Serie</td><td style="text-align: right;">27,0</td></tr> <tr><td>Totalt</td><td style="text-align: right;">234,0</td></tr> </table>	Serie	27,0	Totalt	234,0	<p>Serie</p>  <p>1: 9,4 ↗ 2: 10,9* ↑ 3: 10,5* ↗ 4: 10,8* → 5: 8,8 →</p> <table border="1" style="width:100%; border-collapse: collapse;"> <tr><td>Serie</td><td style="text-align: right;">47,0</td></tr> <tr><td>Totalt</td><td style="text-align: right;">281,0</td></tr> </table>	Serie	47,0	Totalt	281,0
Serie	27,0									
Totalt	234,0									
Serie	47,0									
Totalt	281,0									

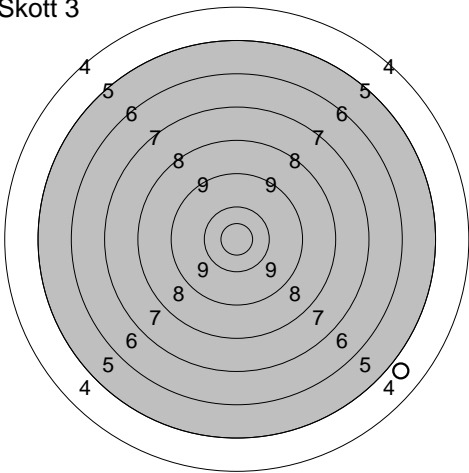
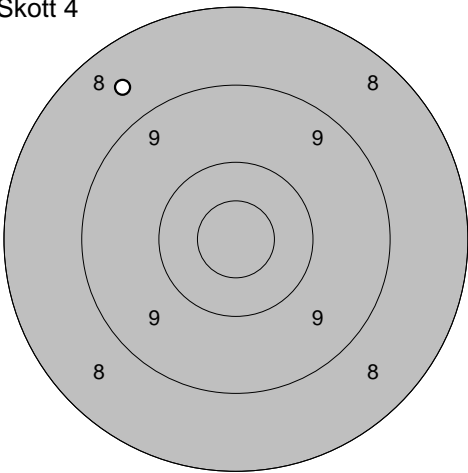
<p>Skott 1</p> 	<p>1: 9,8 ↑</p> <table border="1" style="width:100%; border-collapse: collapse;"> <tr><td>Serie</td><td style="text-align: right;">9,0</td></tr> <tr><td>Totalt</td><td style="text-align: right;">290,0</td></tr> </table>	Serie	9,0	Totalt	290,0	<p>Skott 2</p>  <p>1: 9,4 →</p> <table border="1" style="width:100%; border-collapse: collapse;"> <tr><td>Serie</td><td style="text-align: right;">9,0</td></tr> <tr><td>Totalt</td><td style="text-align: right;">299,0</td></tr> </table>	Serie	9,0	Totalt	299,0
Serie	9,0									
Totalt	290,0									
Serie	9,0									
Totalt	299,0									

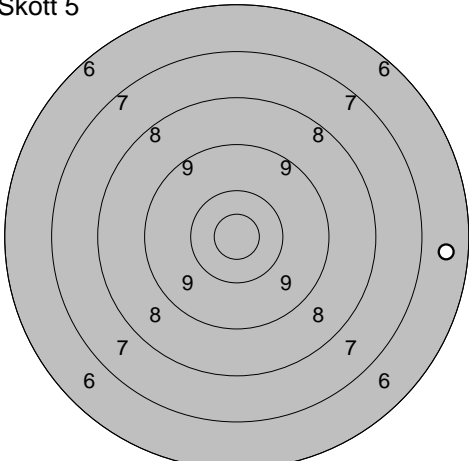
<p>Skott 3</p> 	<p>1: 10,2 ↓</p> <table border="1" style="width:100%; border-collapse: collapse;"> <tr><td>Serie</td><td style="text-align: right;">10,0</td></tr> <tr><td>Totalt</td><td style="text-align: right;">309,0</td></tr> </table>	Serie	10,0	Totalt	309,0	<p>Skott 4</p>  <p>1: 10,6* ←</p> <table border="1" style="width:100%; border-collapse: collapse;"> <tr><td>Serie</td><td style="text-align: right;">10,0</td></tr> <tr><td>Totalt</td><td style="text-align: right;">319,0</td></tr> </table>	Serie	10,0	Totalt	319,0
Serie	10,0									
Totalt	309,0									
Serie	10,0									
Totalt	319,0									

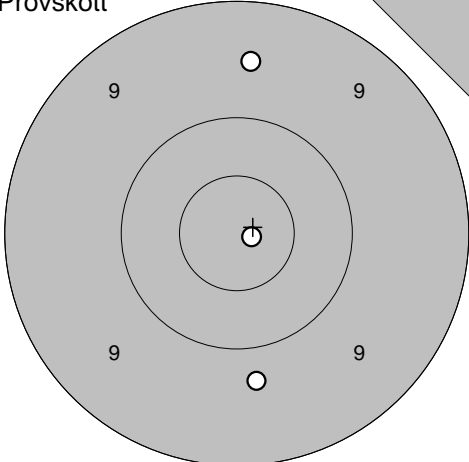
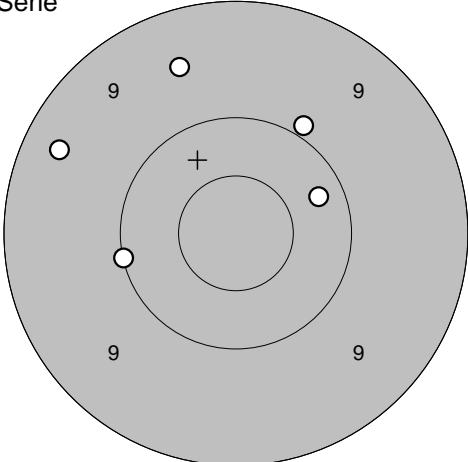
<p>Skott 5</p> 	<p>1: 8,6 ↓</p> <table border="1" style="width:100%; border-collapse: collapse;"> <tr><td>Serie</td><td style="text-align: right;">8,0</td></tr> <tr><td>Totalt</td><td style="text-align: right;">327,0</td></tr> </table>	Serie	8,0	Totalt	327,0	
Serie	8,0					
Totalt	327,0					

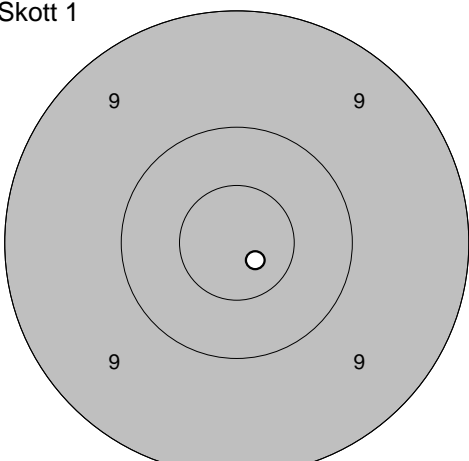
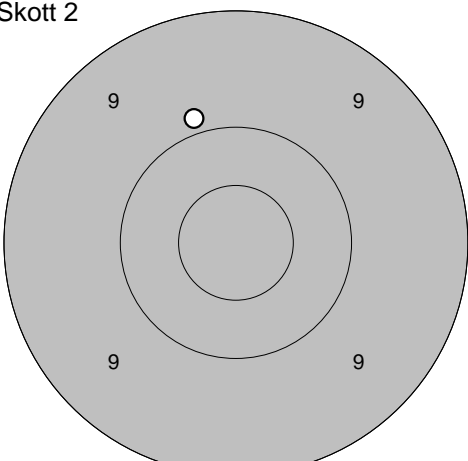
<p>Provskott</p> 	<p>1: 9,1 ↙ 2: 9,0 ↗ 3: 10,7* ↘</p> <p>Serie 28,0 Totalt 233,0</p>	<p>Serie</p>  <p>1: 9,1 ↑ 2: 10,7* → 3: 10,6* ↘ 4: 10,1 ↑ 5: 9,7 →</p> <p>Serie 48,0 Totalt 281,0</p>
---	--	---

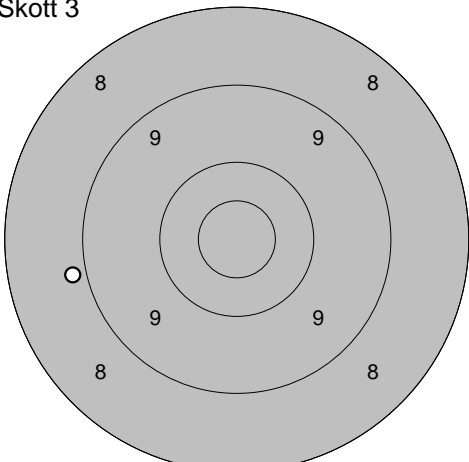
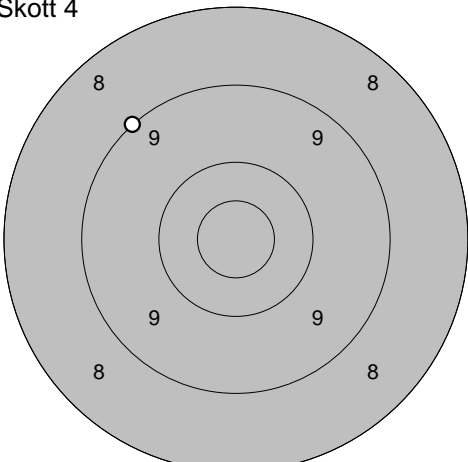
<p>Skott 1</p> 	<p>1: 6,1 ↘</p> <p>Serie 6,0 Totalt 287,0</p>	<p>Skott 2</p> 	<p>1: 8,6 ↙</p> <p>Serie 8,0 Totalt 295,0</p>
--	---	--	---

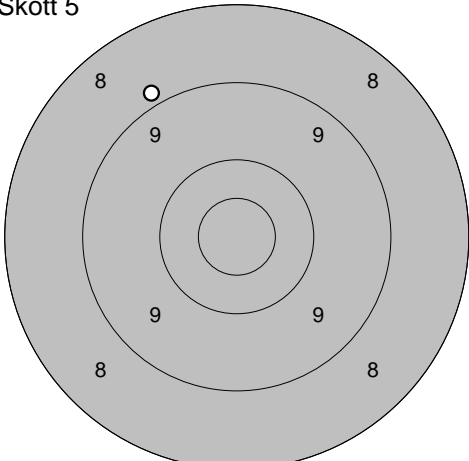
<p>Skott 3</p> 	<p>1: 4,8 ↘</p> <p>Serie 4,0 Totalt 299,0</p>	<p>Skott 4</p> 	<p>1: 8,6 ↗</p> <p>Serie 8,0 Totalt 307,0</p>
---	---	---	---

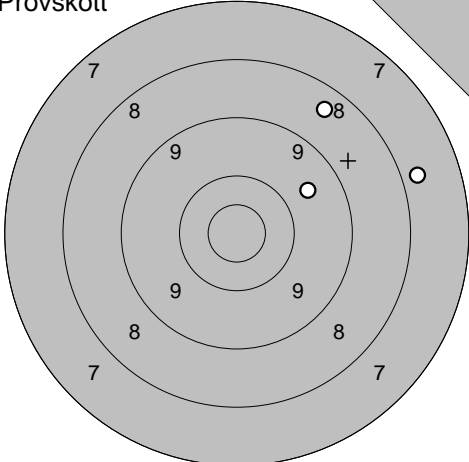
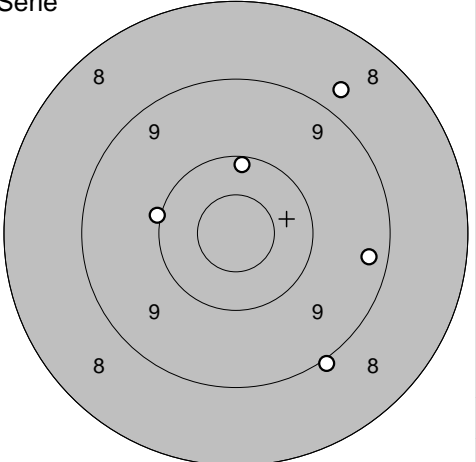
<p>Skott 5</p> 	<p>1: 6,6 →</p> <p>Serie 6,0 Totalt 313,0</p>		
---	---	--	--

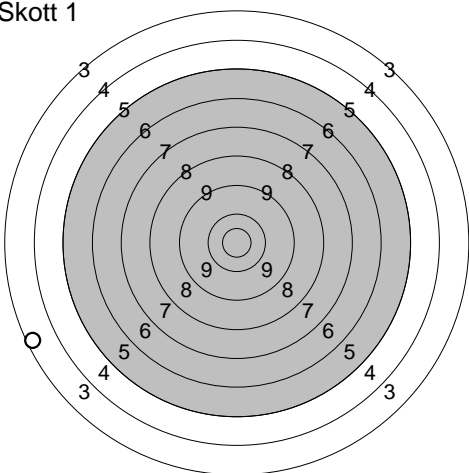
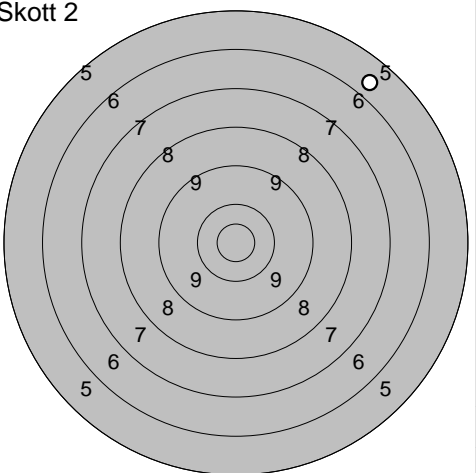
Provs-kott 	1: 9,5 ↑ 2: 10,9* → 3: 9,7 ↓ Serie 28,0 Totalt 233,0	Serie 	1: 9,9 ↗ 2: 9,4 ↖ 3: 9,5 ↑ 4: 10,0 ← 5: 10,2 → Serie 47,0 Totalt 280,0
--	--	---	--

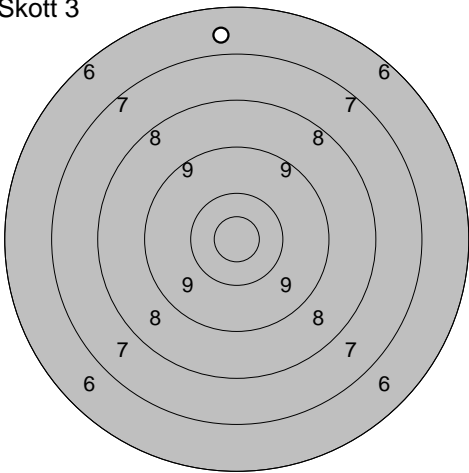
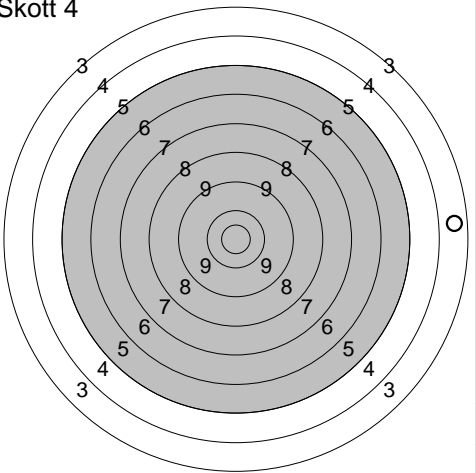
Skott 1 	1: 10,8* ↘ Serie 10,0 Totalt 290,0	Skott 2 	1: 9,9 ↗ Serie 9,0 Totalt 299,0
--	--	--	---

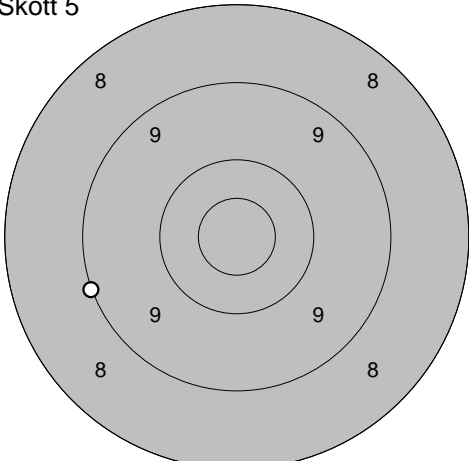
Skott 3 	1: 8,9 ← Serie 8,0 Totalt 307,0	Skott 4 	1: 9,1 ↖ Serie 9,0 Totalt 316,0
---	---	---	---

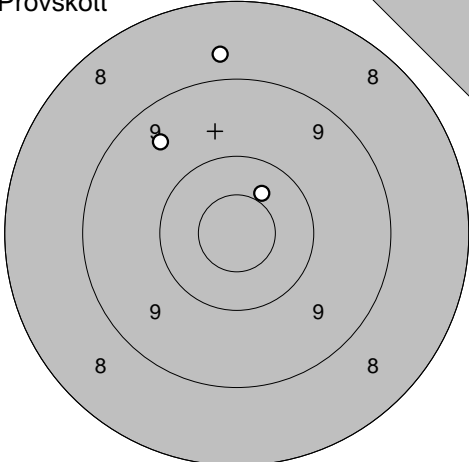
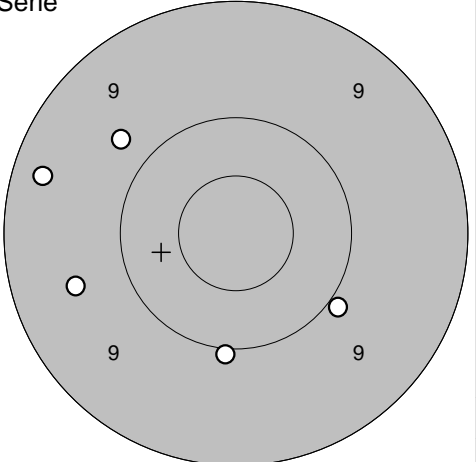
Skott 5 	1: 8,9 ↗ Serie 8,0 Totalt 324,0		
---	---	--	--

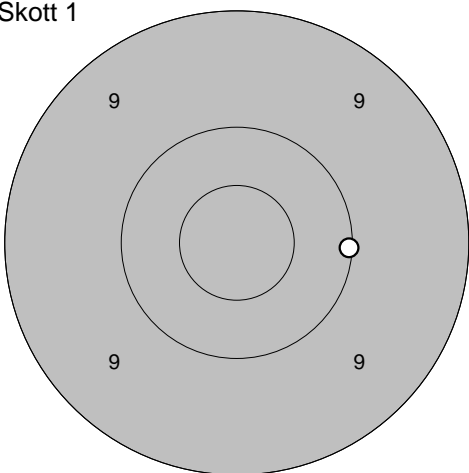
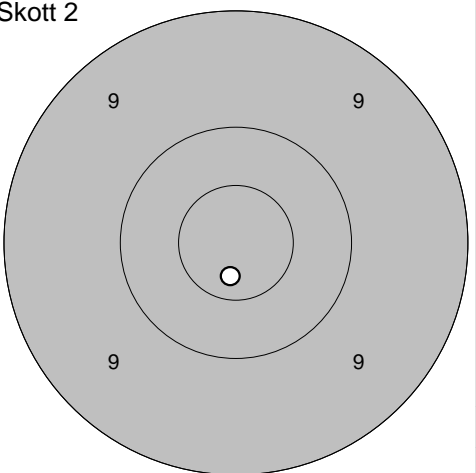
<p>Provskott</p> 	<p>1: 8,5 ↗ 2: 7,8 → 3: 9,6 ↗</p> <p>Serie 24,0 Totalt 232,0</p>	<p>Serie</p>  <p>1: 9,0 ↘ 2: 10,0 ← 3: 8,7 ↗ 4: 9,3 → 5: 10,2 ↑</p> <p>Serie 46,0 Totalt 278,0</p>
---	--	--

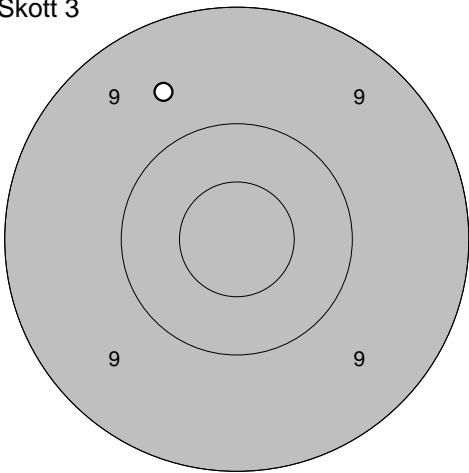
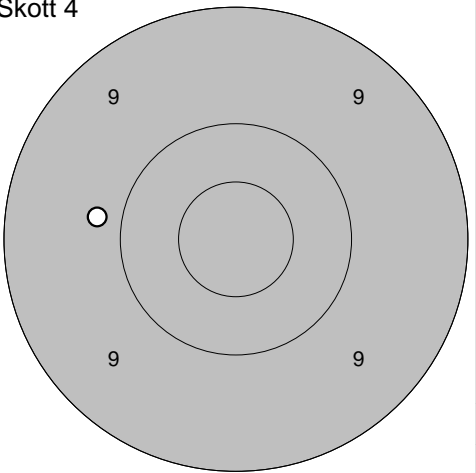
<p>Skott 1</p>  <p>Serie 3,0 Totalt 281,0</p>	<p>Skott 2</p>  <p>1: 5,8 ↗</p> <p>Serie 5,0 Totalt 286,0</p>
--	--

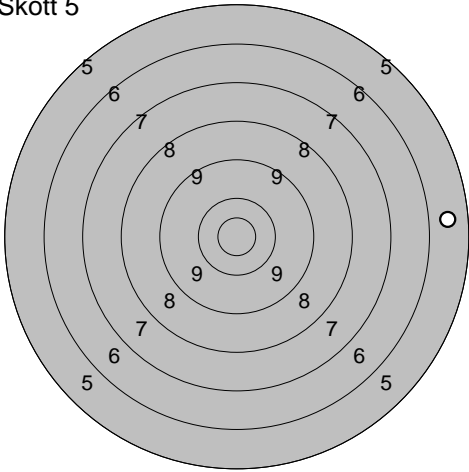
<p>Skott 3</p>  <p>1: 6,7 ↑</p> <p>Serie 6,0 Totalt 292,0</p>	<p>Skott 4</p>  <p>1: 3,7 →</p> <p>Serie 3,0 Totalt 295,0</p>
---	---

<p>Skott 5</p>  <p>1: 9,0 ←</p> <p>Serie 9,0 Totalt 304,0</p>	
---	--

<p>Provskott</p> 	<p>1: 8,7 ↑ 2: 9,5 ↖ 3: 10,4 ↗</p> <table border="1" style="width:100%; border-collapse: collapse;"> <tr><td>Serie</td><td style="text-align: right;">27,0</td></tr> <tr><td>Totalt</td><td style="text-align: right;">231,0</td></tr> </table>	Serie	27,0	Totalt	231,0	<p>Serie</p>  <p>1: 9,8 ↗ 2: 9,9 ↘ 3: 9,6 ← 4: 9,3 ↖ 5: 10,0 ↓</p> <table border="1" style="width:100%; border-collapse: collapse;"> <tr><td>Serie</td><td style="text-align: right;">46,0</td></tr> <tr><td>Totalt</td><td style="text-align: right;">277,0</td></tr> </table>	Serie	46,0	Totalt	277,0
Serie	27,0									
Totalt	231,0									
Serie	46,0									
Totalt	277,0									

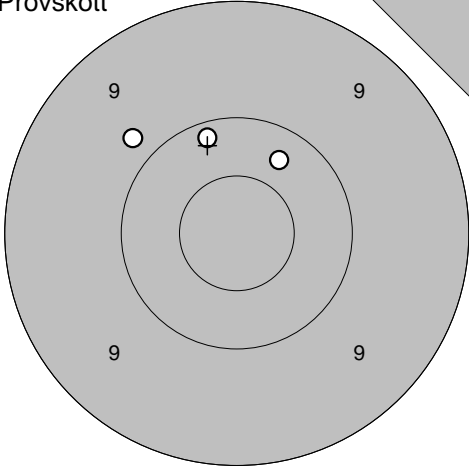
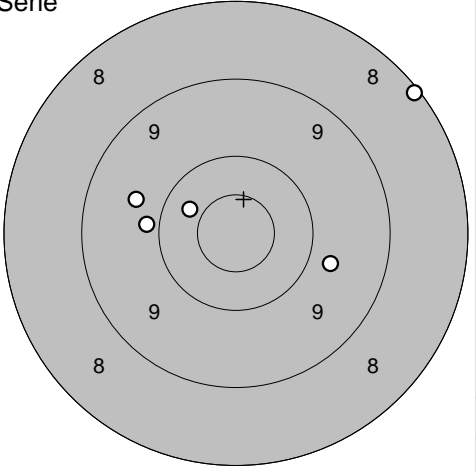
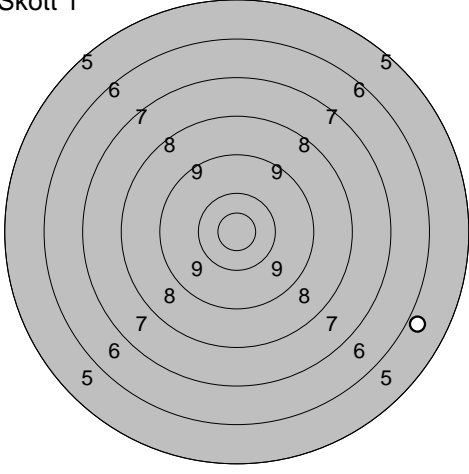
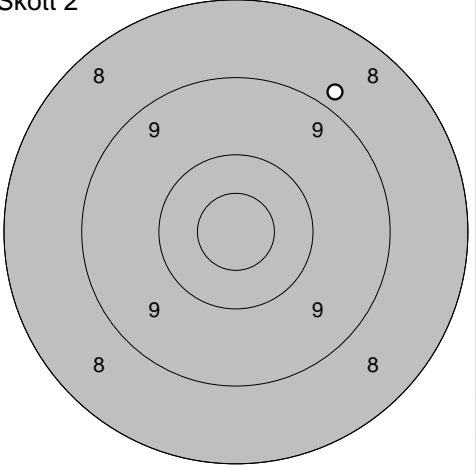
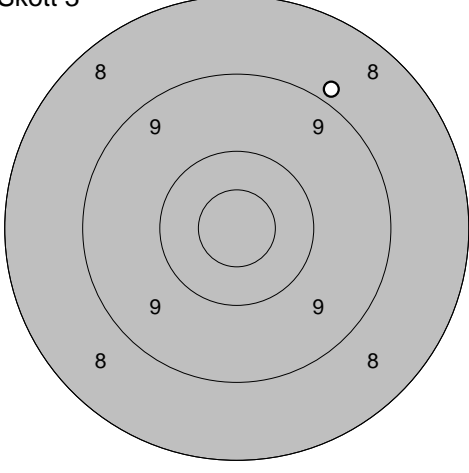
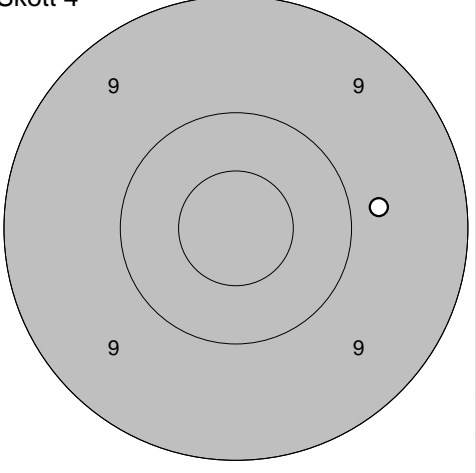
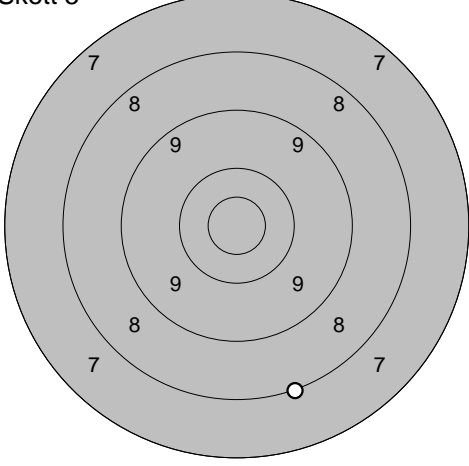
<p>Skott 1</p> 	<p>1: 10,1 →</p> <table border="1" style="width:100%; border-collapse: collapse;"> <tr><td>Serie</td><td style="text-align: right;">10,0</td></tr> <tr><td>Totalt</td><td style="text-align: right;">287,0</td></tr> </table>	Serie	10,0	Totalt	287,0	<p>Skott 2</p>  <p>1: 10,7* ↓</p> <table border="1" style="width:100%; border-collapse: collapse;"> <tr><td>Serie</td><td style="text-align: right;">10,0</td></tr> <tr><td>Totalt</td><td style="text-align: right;">297,0</td></tr> </table>	Serie	10,0	Totalt	297,0
Serie	10,0									
Totalt	287,0									
Serie	10,0									
Totalt	297,0									

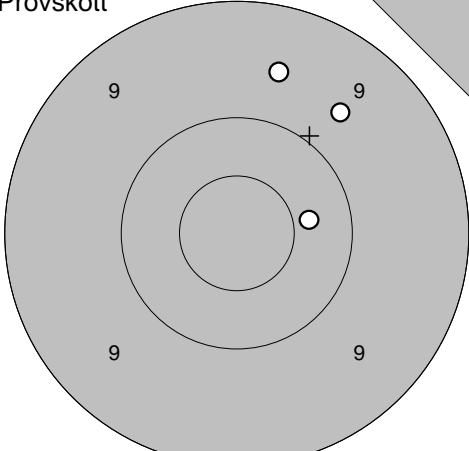
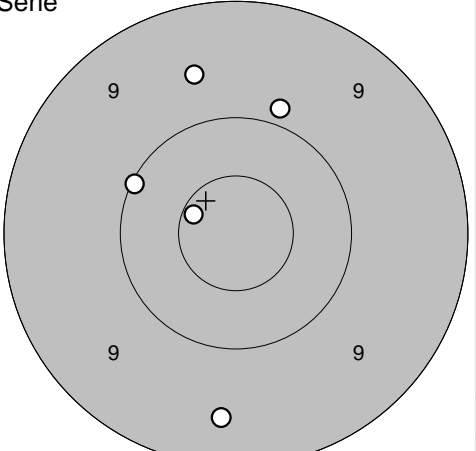
<p>Skott 3</p> 	<p>1: 9,6 ↖</p> <table border="1" style="width:100%; border-collapse: collapse;"> <tr><td>Serie</td><td style="text-align: right;">9,0</td></tr> <tr><td>Totalt</td><td style="text-align: right;">306,0</td></tr> </table>	Serie	9,0	Totalt	306,0	<p>Skott 4</p>  <p>1: 9,8 ←</p> <table border="1" style="width:100%; border-collapse: collapse;"> <tr><td>Serie</td><td style="text-align: right;">9,0</td></tr> <tr><td>Totalt</td><td style="text-align: right;">315,0</td></tr> </table>	Serie	9,0	Totalt	315,0
Serie	9,0									
Totalt	306,0									
Serie	9,0									
Totalt	315,0									

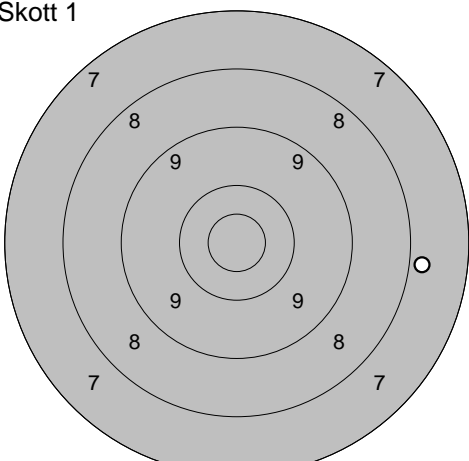
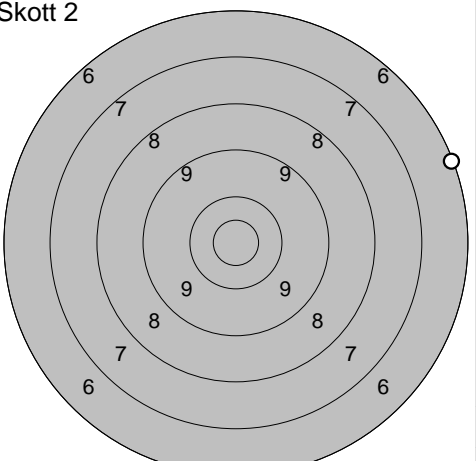
<p>Skott 5</p> 	<p>1: 5,7 →</p> <table border="1" style="width:100%; border-collapse: collapse;"> <tr><td>Serie</td><td style="text-align: right;">5,0</td></tr> <tr><td>Totalt</td><td style="text-align: right;">320,0</td></tr> </table>	Serie	5,0	Totalt	320,0	
Serie	5,0					
Totalt	320,0					

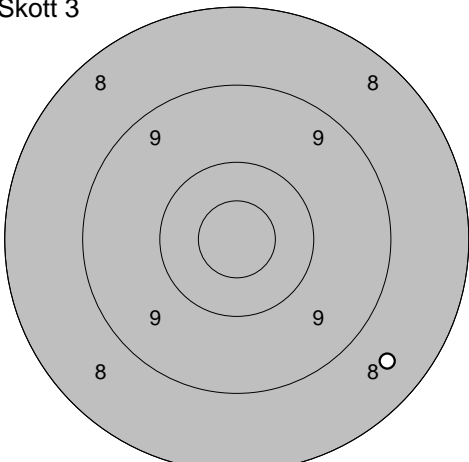
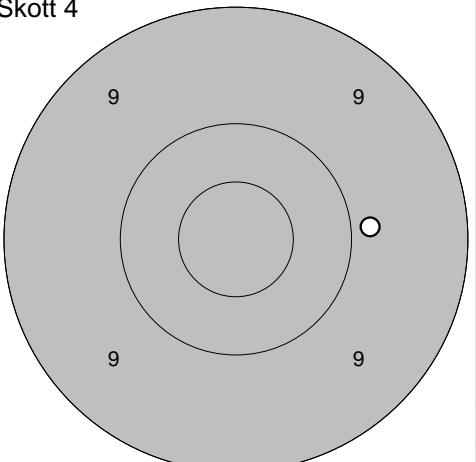
Göteborg

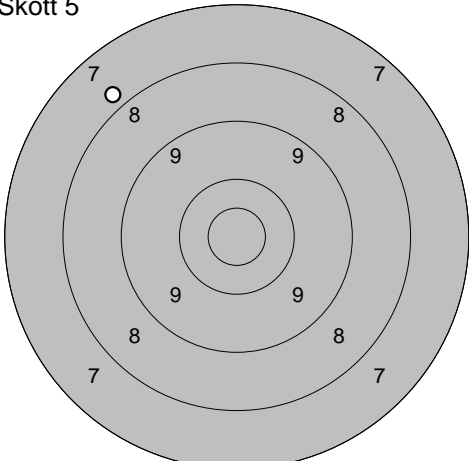
2009-07-14	Björkskottet 2009 Final	Ramselefors SKF
------------	-------------------------	-----------------

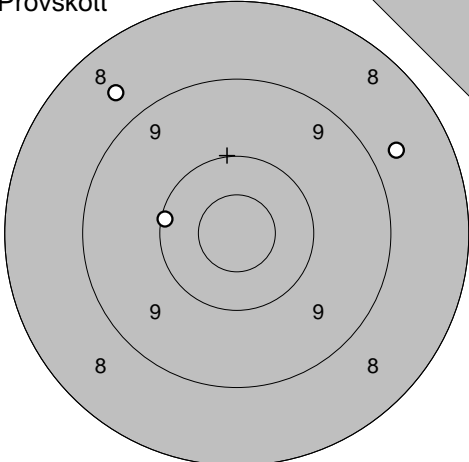
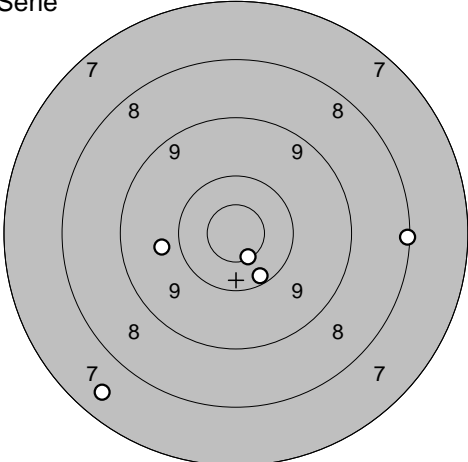
<p>Provskott</p> 	<p>1: 10,3 ↗ 2: 9,8 ↖ 3: 10,2 ↑</p> <hr/> <p>Serie 29,0</p> <hr/> <p>Totalt 230,0</p>	<p>Serie</p> 	<p>1: 10,4 ↗ 2: 9,7 ↖ 3: 9,8 → 4: 9,9 ← 5: 8,1 ↗</p> <hr/> <p>Serie 45,0</p> <hr/> <p>Totalt 275,0</p>
<p>Skott 1</p> 	<p>1: 5,9 →</p> <hr/> <p>Serie 5,0</p> <hr/> <p>Totalt 280,0</p>	<p>Skott 2</p> 	<p>1: 8,8 ↗</p> <hr/> <p>Serie 8,0</p> <hr/> <p>Totalt 288,0</p>
<p>Skott 3</p> 	<p>1: 8,9 ↗</p> <hr/> <p>Serie 8,0</p> <hr/> <p>Totalt 296,0</p>	<p>Skott 4</p> 	<p>1: 9,8 →</p> <hr/> <p>Serie 9,0</p> <hr/> <p>Totalt 305,0</p>
<p>Skott 5</p> 	<p>1: 8,1 ↓</p> <hr/> <p>Serie 8,0</p> <hr/> <p>Totalt 313,0</p>		

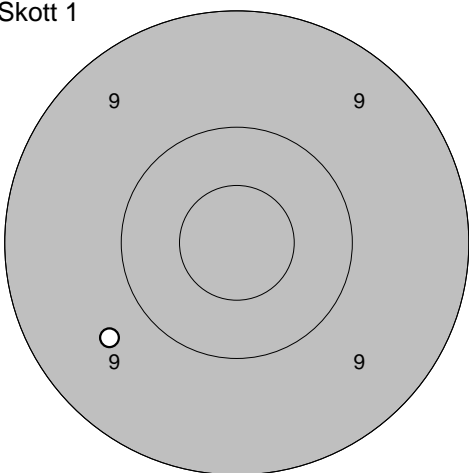
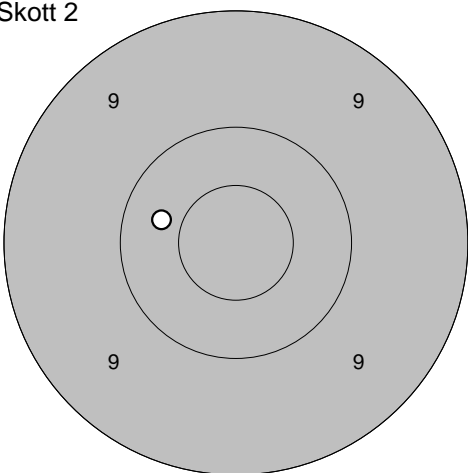
<p>Provskott</p> 	<p>1: 9,7 ↗ 2: 9,6 ↑ 3: 10,4 →</p>	<p>Serie</p> 	<p>1: 9,4 ↓ 2: 10,6* ↖ 3: 9,9 ↑ 4: 9,6 ↑ 5: 10,1 ↖</p>
	Serie 28,0		Serie 47,0
	Totalt 230,0		Totalt 277,0

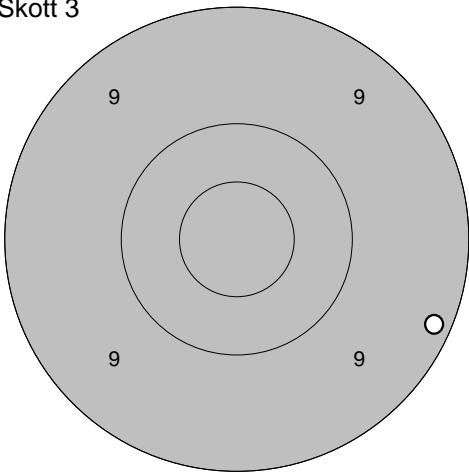
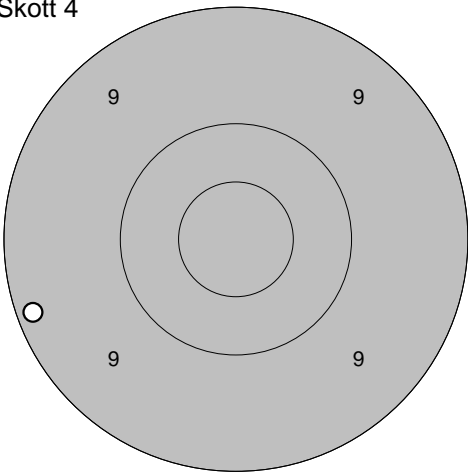
<p>Skott 1</p> 	<p>1: 7,9 →</p>	<p>Skott 2</p> 	<p>1: 6,2 →</p>
	Serie 7,0		Serie 6,0
	Totalt 284,0		Totalt 290,0

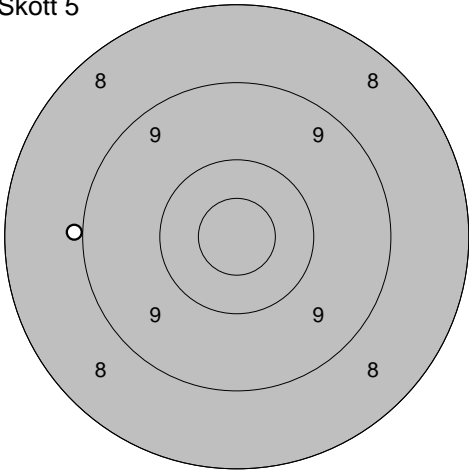
<p>Skott 3</p> 	<p>1: 8,5 ↘</p>	<p>Skott 4</p> 	<p>1: 9,9 →</p>
	Serie 8,0		Serie 9,0
	Totalt 298,0		Totalt 307,0

<p>Skott 5</p> 	<p>1: 7,8 ↖</p>		
	Serie 7,0		
	Totalt 314,0		

Provskott 	1: 8,7 ↗ 2: 8,7 → 3: 10,1 ← <table border="1" style="width:100%; border-collapse: collapse;"> <tr><td style="padding: 2px;">Serie</td><td style="text-align: right; padding: 2px;">26,0</td></tr> <tr><td style="padding: 2px;">Totalt</td><td style="text-align: right; padding: 2px;">230,0</td></tr> </table>	Serie	26,0	Totalt	230,0	Serie 	1: 8,1 → 2: 9,8 ← 3: 10,6* ↓ 4: 7,5 ↙ 5: 10,2 ↓ <table border="1" style="width:100%; border-collapse: collapse;"> <tr><td style="padding: 2px;">Serie</td><td style="text-align: right; padding: 2px;">44,0</td></tr> <tr><td style="padding: 2px;">Totalt</td><td style="text-align: right; padding: 2px;">274,0</td></tr> </table>	Serie	44,0	Totalt	274,0
Serie	26,0										
Totalt	230,0										
Serie	44,0										
Totalt	274,0										

Skott 1 	1: 9,7 ↙ <table border="1" style="width:100%; border-collapse: collapse;"> <tr><td style="padding: 2px;">Serie</td><td style="text-align: right; padding: 2px;">9,0</td></tr> <tr><td style="padding: 2px;">Totalt</td><td style="text-align: right; padding: 2px;">283,0</td></tr> </table>	Serie	9,0	Totalt	283,0	Skott 2 	1: 10,4 ← <table border="1" style="width:100%; border-collapse: collapse;"> <tr><td style="padding: 2px;">Serie</td><td style="text-align: right; padding: 2px;">10,0</td></tr> <tr><td style="padding: 2px;">Totalt</td><td style="text-align: right; padding: 2px;">293,0</td></tr> </table>	Serie	10,0	Totalt	293,0
Serie	9,0										
Totalt	283,0										
Serie	10,0										
Totalt	293,0										

Skott 3 	1: 9,2 → <table border="1" style="width:100%; border-collapse: collapse;"> <tr><td style="padding: 2px;">Serie</td><td style="text-align: right; padding: 2px;">9,0</td></tr> <tr><td style="padding: 2px;">Totalt</td><td style="text-align: right; padding: 2px;">302,0</td></tr> </table>	Serie	9,0	Totalt	302,0	Skott 4 	1: 9,2 ← <table border="1" style="width:100%; border-collapse: collapse;"> <tr><td style="padding: 2px;">Serie</td><td style="text-align: right; padding: 2px;">9,0</td></tr> <tr><td style="padding: 2px;">Totalt</td><td style="text-align: right; padding: 2px;">311,0</td></tr> </table>	Serie	9,0	Totalt	311,0
Serie	9,0										
Totalt	302,0										
Serie	9,0										
Totalt	311,0										

Skott 5 	1: 9,0 ← <table border="1" style="width:100%; border-collapse: collapse;"> <tr><td style="padding: 2px;">Serie</td><td style="text-align: right; padding: 2px;">9,0</td></tr> <tr><td style="padding: 2px;">Totalt</td><td style="text-align: right; padding: 2px;">320,0</td></tr> </table>	Serie	9,0	Totalt	320,0		
Serie	9,0						
Totalt	320,0						

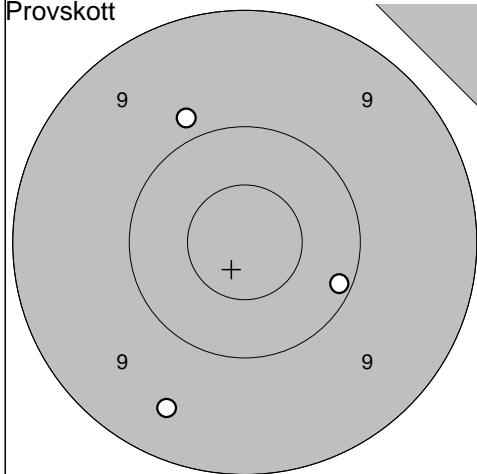
Ramselefors

2009-07-14

Björkskottet 2009 Final

Ramselefors SKF

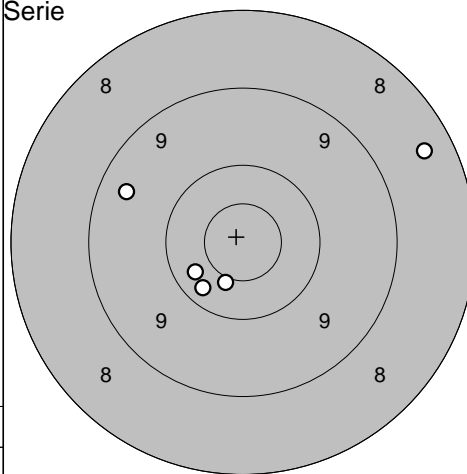
Provskott



1: 10,1 →
2: 9,5 ↓
3: 9,8 ↗

Serie 28,0
Totalt 229,0

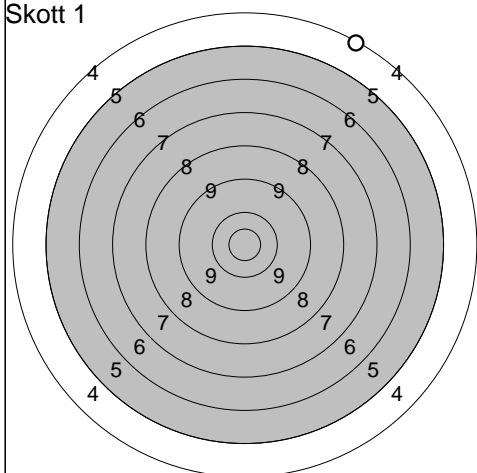
Serie



1: 10,3 ↙
2: 8,4 →
3: 9,4 ↖
4: 10,3 ↓
5: 10,5* ↓

Serie 47,0
Totalt 276,0

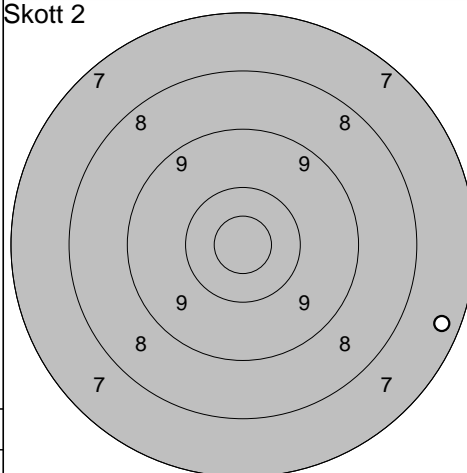
Skott 1



1: 4,2 ↗

Serie 4,0
Totalt 280,0

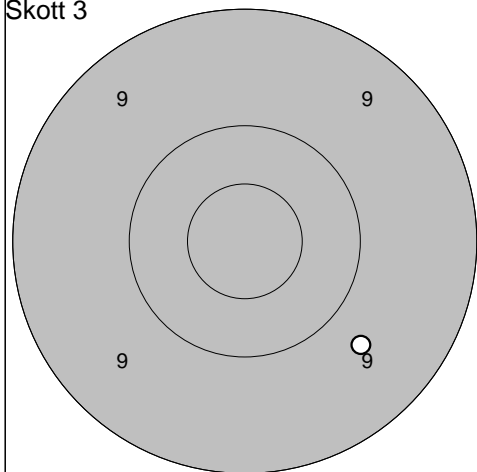
Skott 2



1: 7,4 →

Serie 7,0
Totalt 287,0

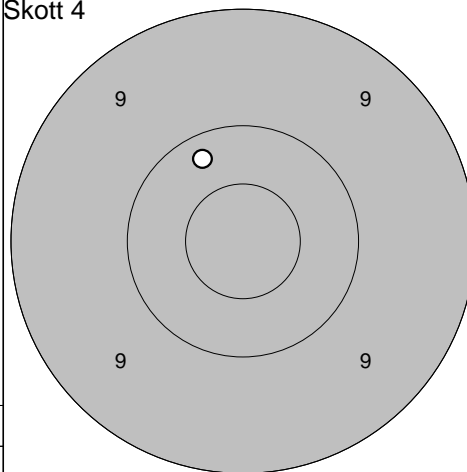
Skott 3



1: 9,7 ↓

Serie 9,0
Totalt 296,0

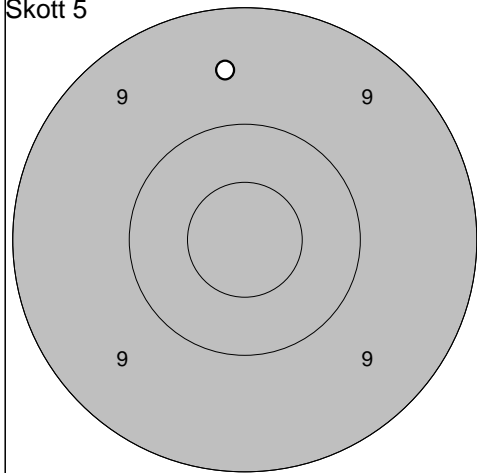
Skott 4



1: 10,2 ↖

Serie 10,0
Totalt 306,0

Skott 5



1: 9,6 ↑

Serie 9,0
Totalt 315,0

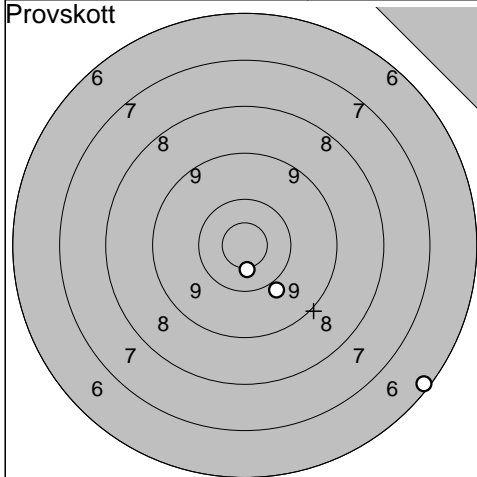
S 3

2009-07-14

Björkskottet 2009 Final

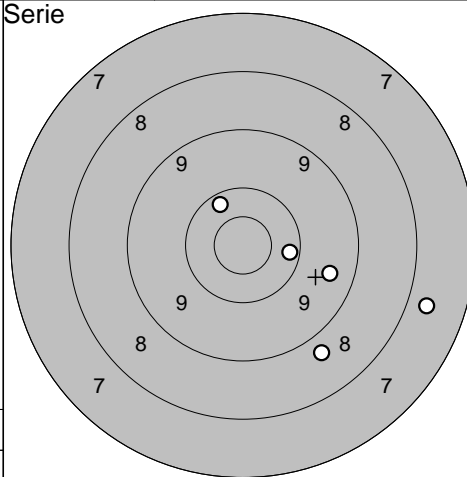
Ramselefors SKF

Provskott



1: 9,9 ↘
 2: 10,6* ↓
 3: 6,2 ↘

Serie

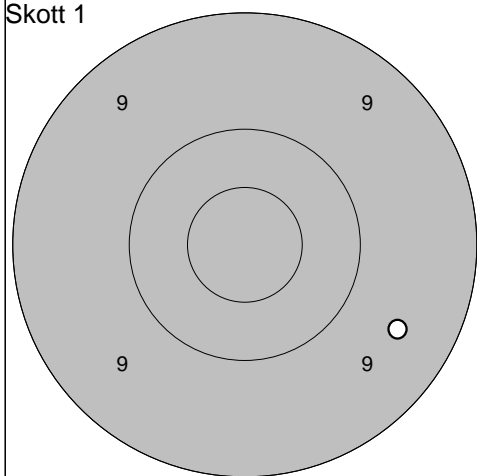


1: 9,5 →
 2: 10,3 ↗
 3: 7,7 →
 4: 8,8 ↓
 5: 10,3 →

Serie 25,0
 Totalt 228,0

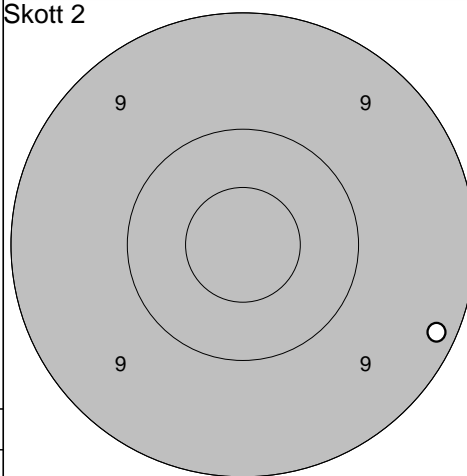
Serie 44,0
 Totalt 272,0

Skott 1



1: 9,5 ↘

Skott 2

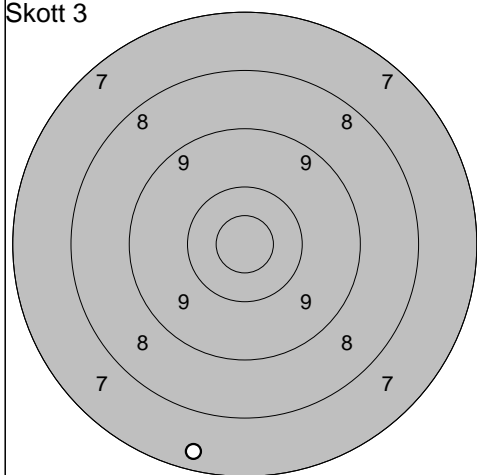


1: 9,2 →

Serie 9,0
 Totalt 281,0

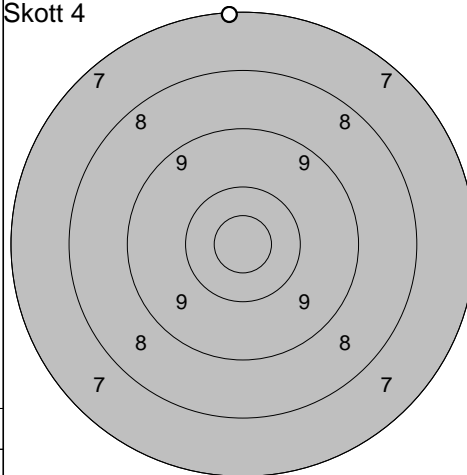
Serie 9,0
 Totalt 290,0

Skott 3



1: 7,4 ↓

Skott 4

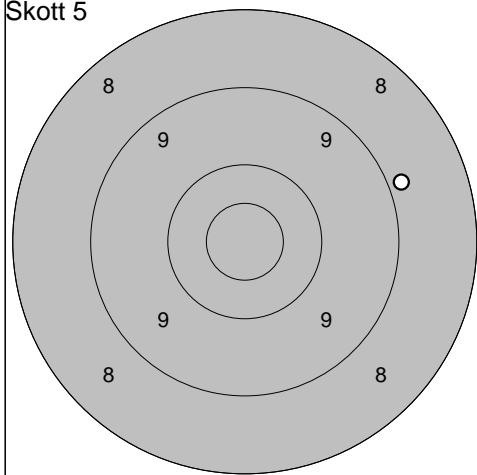


1: 7,1 ↑

Serie 7,0
 Totalt 297,0

Serie 7,0
 Totalt 304,0

Skott 5



1: 8,9 →

Serie 8,0
 Totalt 312,0

F 21

2009-07-14	Björkskottet 2009 Final	Ramselefors SKF
------------	-------------------------	-----------------

<p>Provskott</p>	<p>1: 10,4 ↗ 2: 9,0 → 3: 10,2 ↓</p>	<p>Serie</p>	<p>1: 9,9 ↗ 2: 9,6 ↙ 3: 10,1 ↗ 4: 9,0 ↓ 5: 9,3 ↓</p>
Serie 29,0		Serie 46,0	
Totalt 227,0		Totalt 273,0	

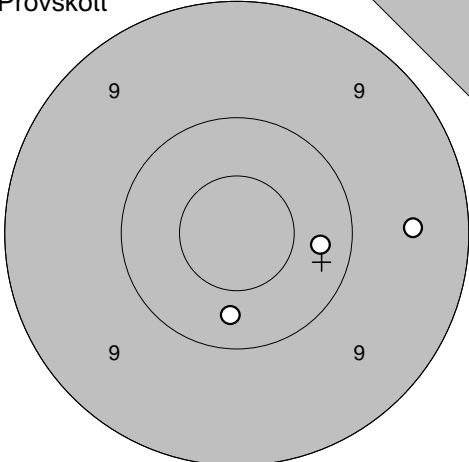
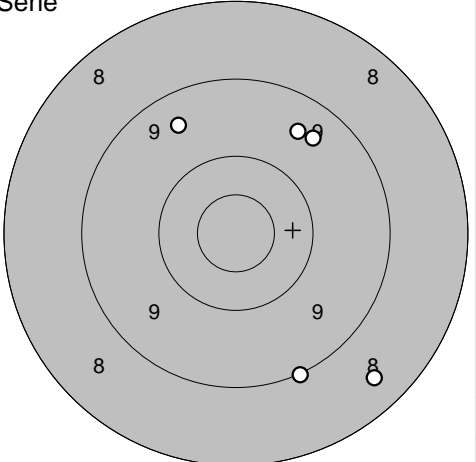
<p>Skott 1</p>	<p>1: 8,9 →</p>	<p>Skott 2</p>	<p>1: 9,8 ↙</p>
Serie 8,0		Serie 9,0	
Totalt 281,0		Totalt 290,0	

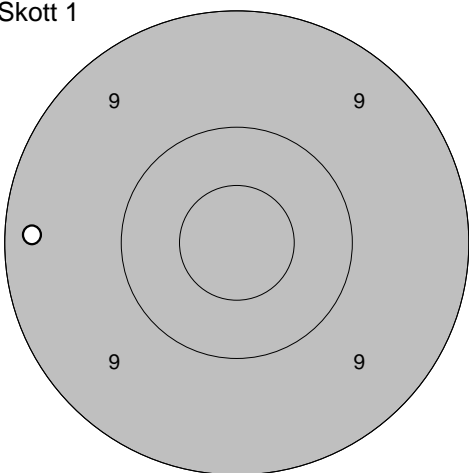
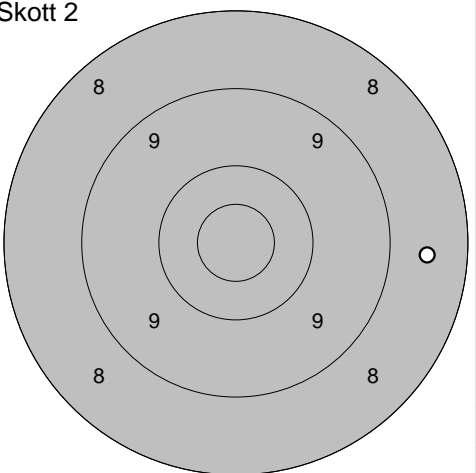
<p>Skott 3</p>	<p>1: 9,2 ↓</p>	<p>Skott 4</p>	<p>1: 7,5 ↙</p>
Serie 9,0		Serie 7,0	
Totalt 299,0		Totalt 306,0	

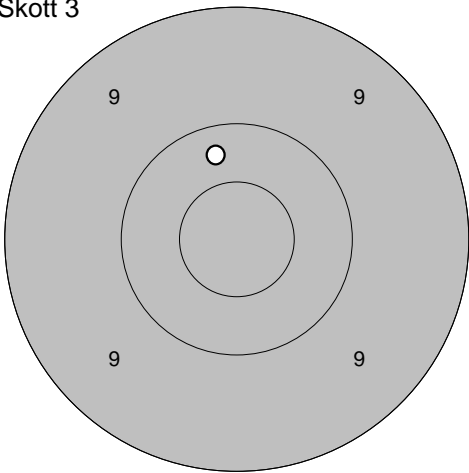
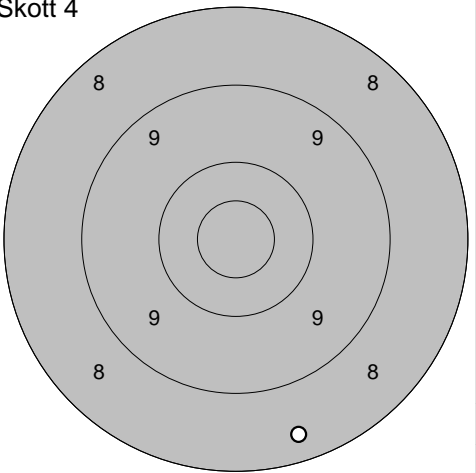
<p>Skott 5</p>	<p>1: 9,8 ↓</p>		
Serie 9,0			
Totalt 315,0			

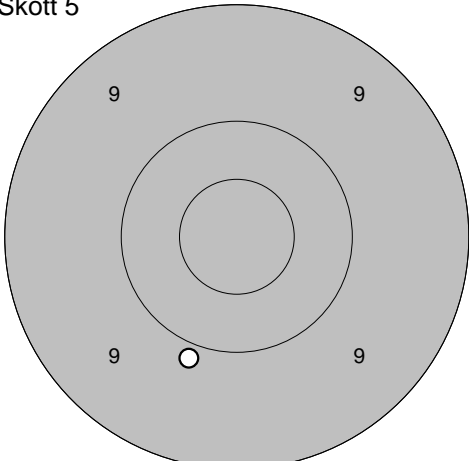
Ununge	
--------	--

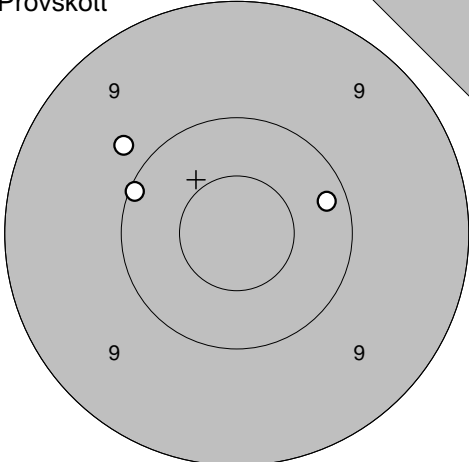
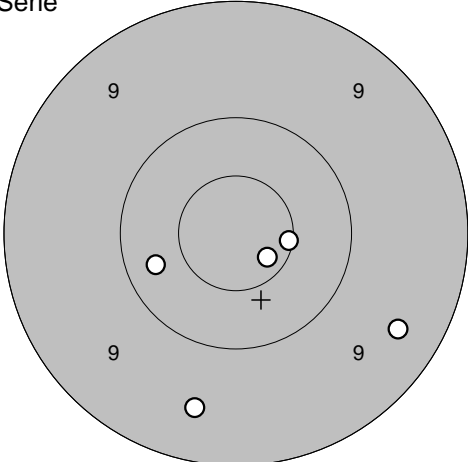
2009-07-14	Björkskottet 2009 Final	Ramselefors SKF
------------	-------------------------	-----------------

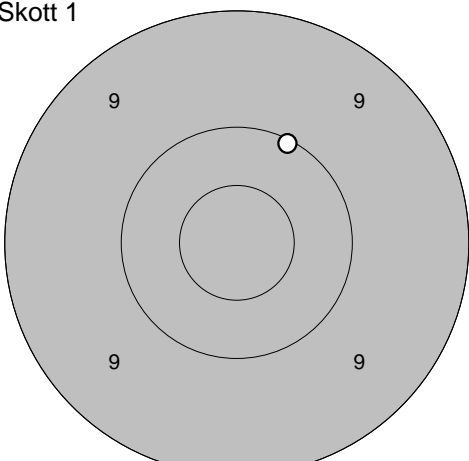
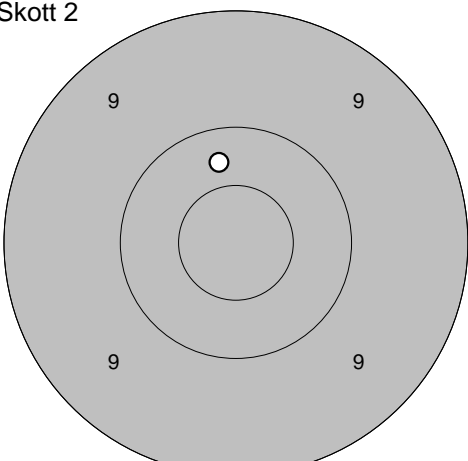
<p>Provskott</p> 	<p>1: 10,3 ↓ 2: 9,5 → 3: 10,3 →</p> <p>Serie 29,0 Totalt 227,0</p>	<p>Serie</p>  <p>1: 9,5 ↗ 2: 9,5 ↗ 3: 9,5 ↗ 4: 8,5 ↘ 5: 9,0 ↘</p> <p>Serie 44,0 Totalt 271,0</p>
---	--	--

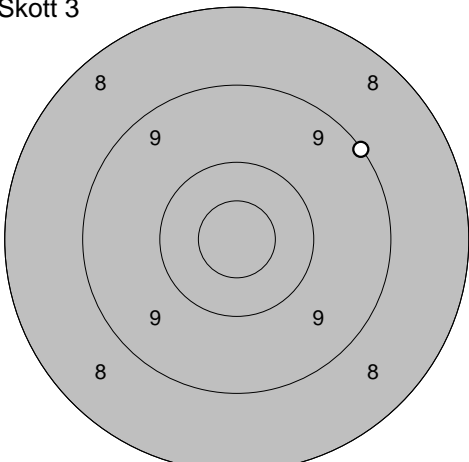
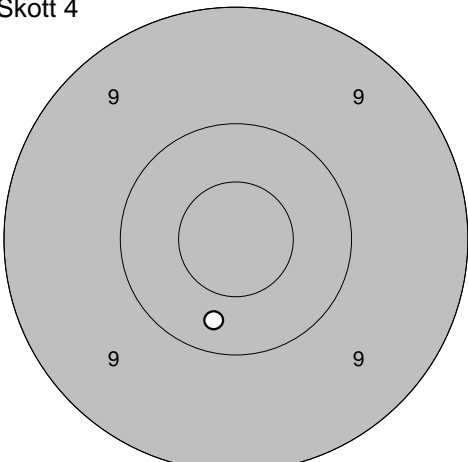
<p>Skott 1</p> 	<p>1: 9,3 ←</p> <p>Serie 9,0 Totalt 280,0</p>	<p>Skott 2</p> 	<p>1: 8,6 →</p> <p>Serie 8,0 Totalt 288,0</p>
--	---	--	---

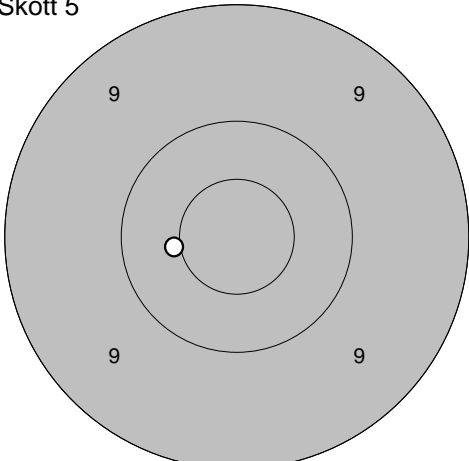
<p>Skott 3</p> 	<p>1: 10,3 ↑</p> <p>Serie 10,0 Totalt 298,0</p>	<p>Skott 4</p> 	<p>1: 8,4 ↓</p> <p>Serie 8,0 Totalt 306,0</p>
---	---	---	---

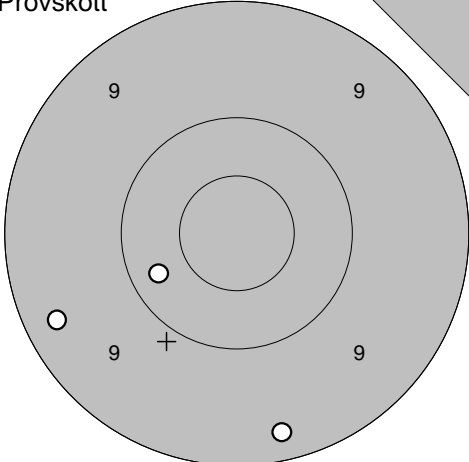
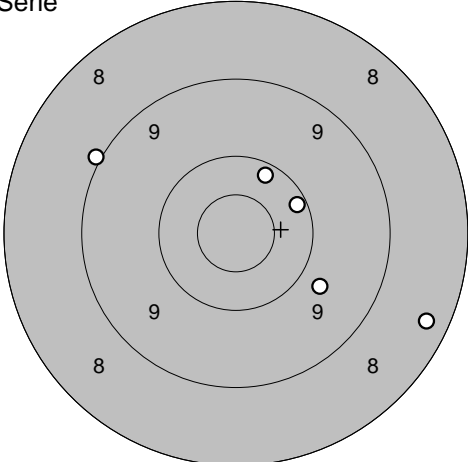
<p>Skott 5</p> 	<p>1: 9,9 ↓</p> <p>Serie 9,0 Totalt 315,0</p>		
---	---	--	--

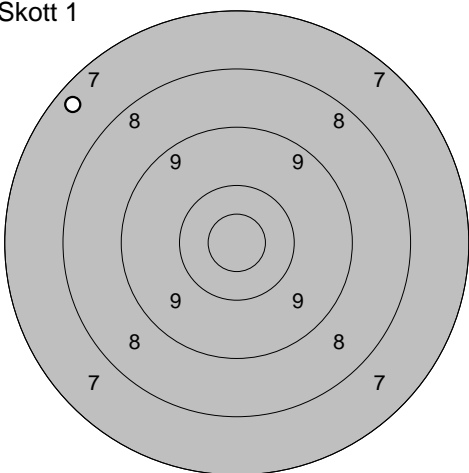
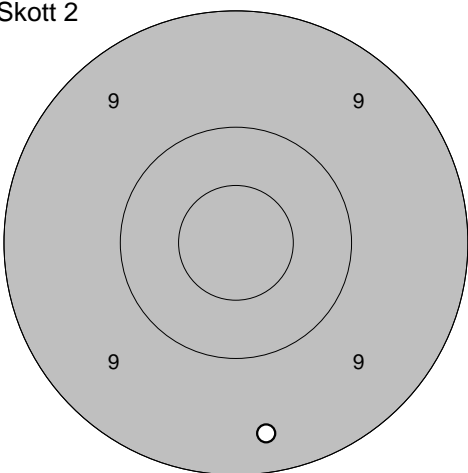
Provskott 	1: 10,2 → 2: 9,8 ↗ 3: 10,1 ↖ <hr/> Serie 29,0 Totalt 226,0	Serie 	1: 10,3 ← 2: 10,7* ↘ 3: 9,4 ↘ 4: 9,5 ↓ 5: 10,6* → <hr/> Serie 48,0 Totalt 274,0
--	--	--	---

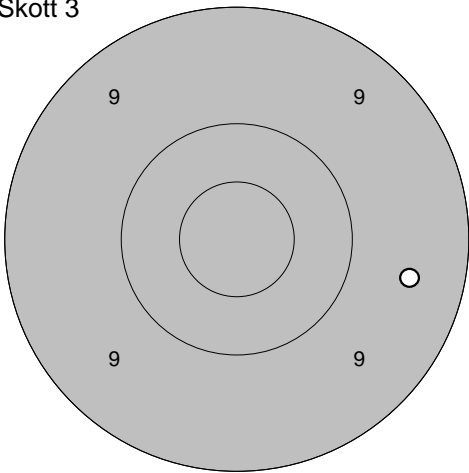
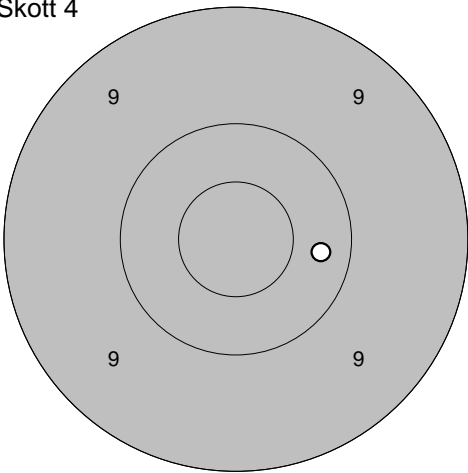
Skott 1 	1: 10,1 ↗ <hr/> Serie 10,0 Totalt 284,0	Skott 2 	1: 10,3 ↑ <hr/> Serie 10,0 Totalt 294,0
---	---	---	---

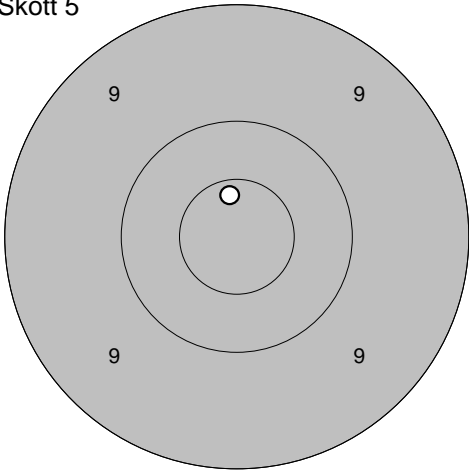
Skott 3 	1: 9,1 ↗ <hr/> Serie 9,0 Totalt 303,0	Skott 4 	1: 10,3 ↓ <hr/> Serie 10,0 Totalt 313,0
--	---	--	---

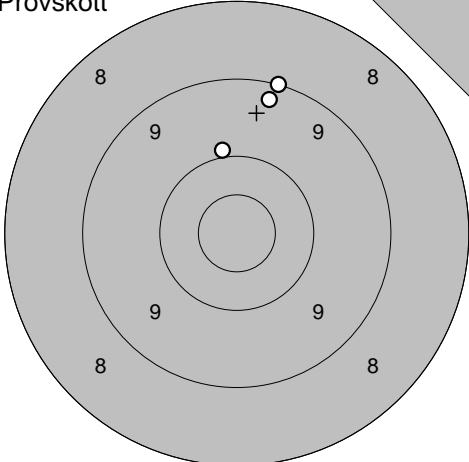
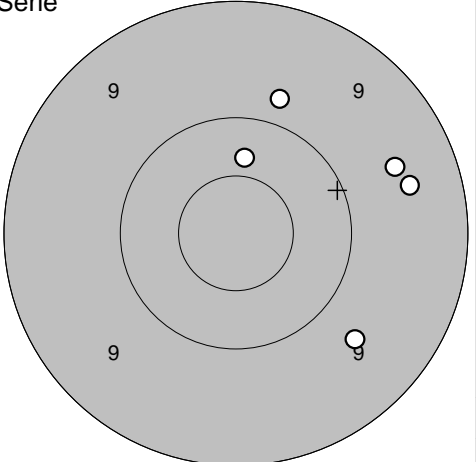
Skott 5 	1: 10,5* ← <hr/> Serie 10,0 Totalt 323,0		
--	--	--	--

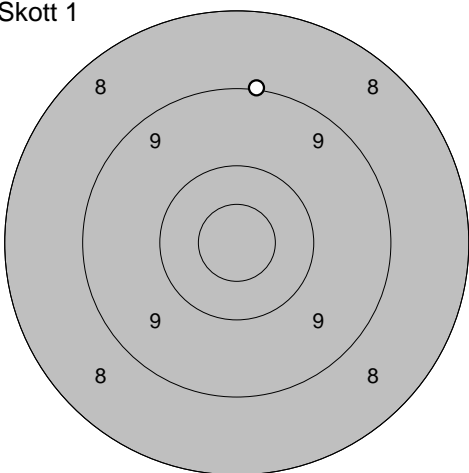
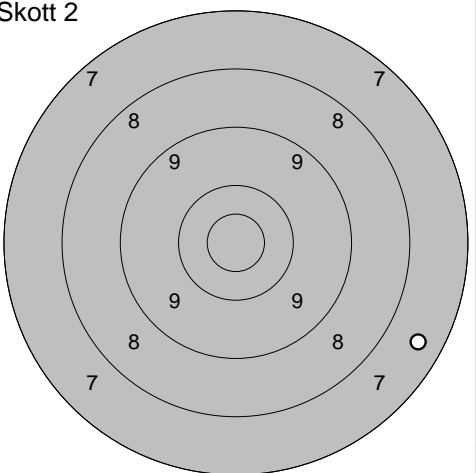
Provs-kott 	1: 10,3 ↙ 2: 9,3 ↓ 3: 9,3 ↙	Serie 	1: 10,2 → 2: 10,2 ↗ 3: 9,8 ↘ 4: 8,3 ↘ 5: 9,0 ↗
Serie 28,0		Serie 46,0	
Totalt 226,0		Totalt 272,0	

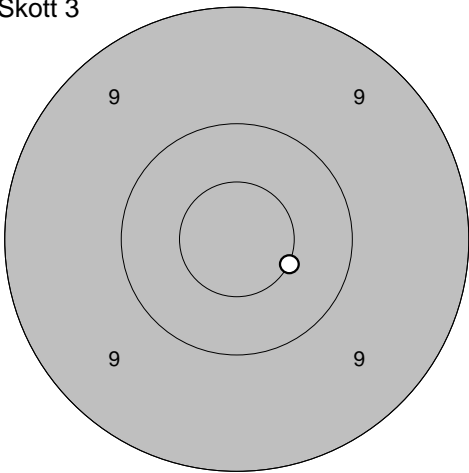
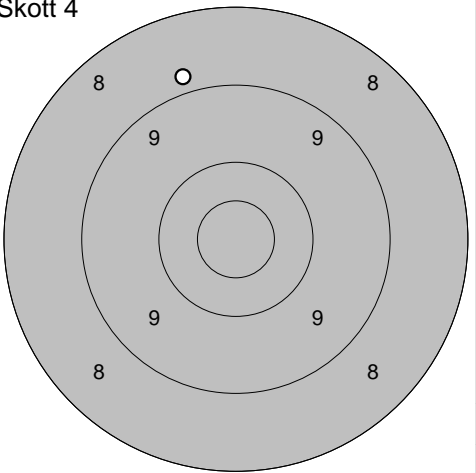
Skott 1 	1: 7,4 ↖	Skott 2 	1: 9,4 ↓
Serie 7,0		Serie 9,0	
Totalt 279,0		Totalt 288,0	

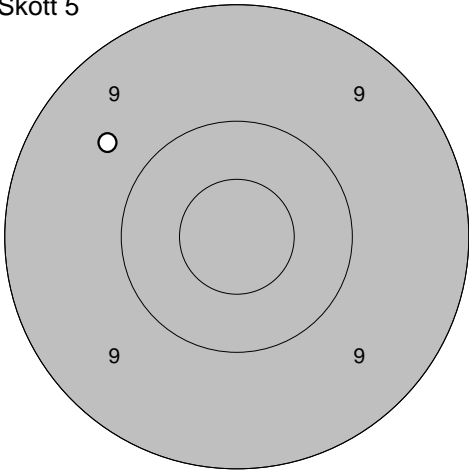
Skott 3 	1: 9,5 →	Skott 4 	1: 10,3 →
Serie 9,0		Serie 10,0	
Totalt 297,0		Totalt 307,0	

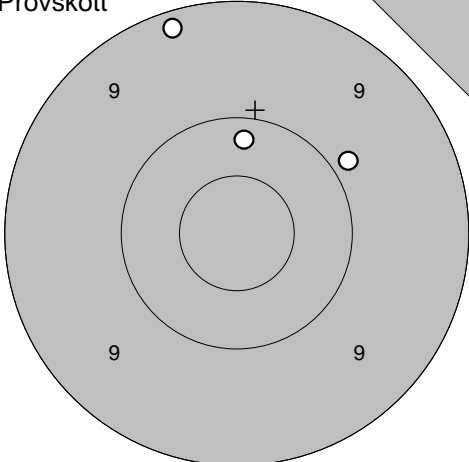
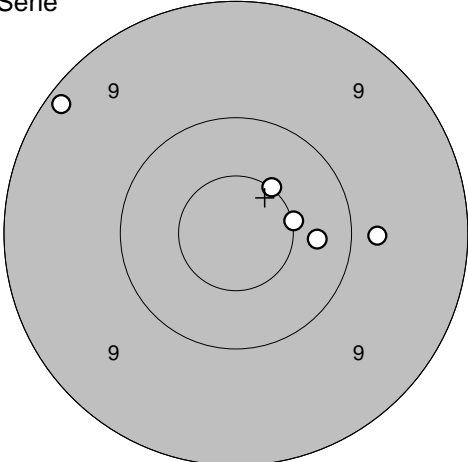
Skott 5 	1: 10,7* ↑		
Serie 10,0			
Totalt 317,0			

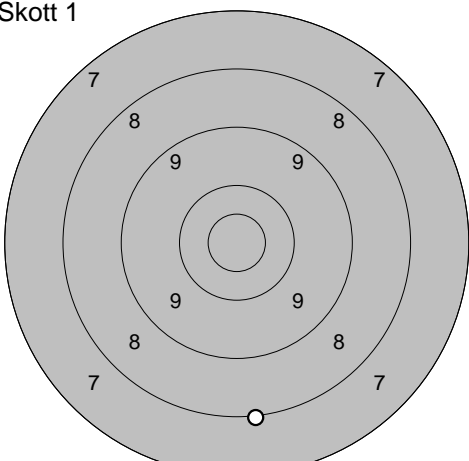
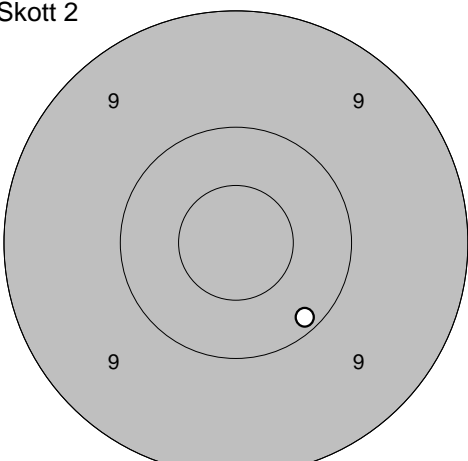
Provs-kott 	1: 9,3 ↑ 2: 10,0 ↑ 3: 9,0 ↑ <hr/> Serie 28,0 Totalt 225,0	Serie 	1: 9,5 → 2: 9,7 ↘ 3: 9,5 → 4: 10,4 ↑ 5: 9,8 ↑ <hr/> Serie 46,0 Totalt 271,0
---	---	--	---

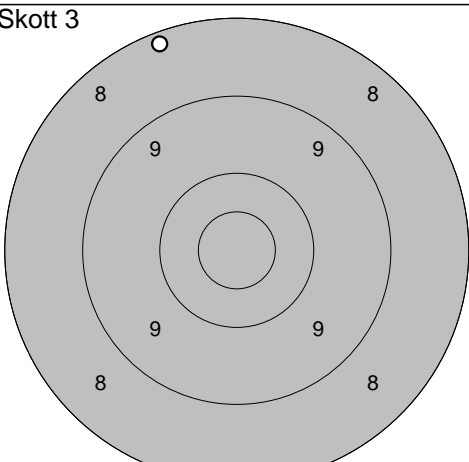
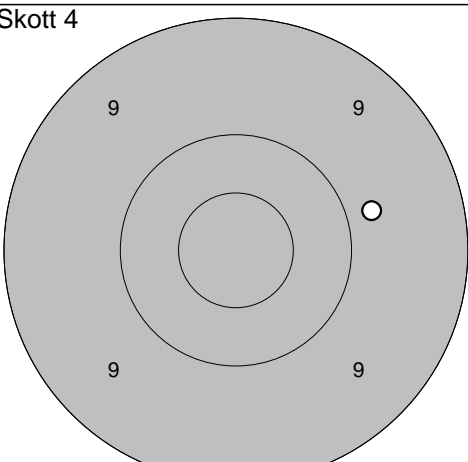
Skott 1 	1: 9,0 ↑ <hr/> Serie 9,0 Totalt 280,0	Skott 2 	1: 7,5 ↘ <hr/> Serie 7,0 Totalt 287,0
---	---	---	---

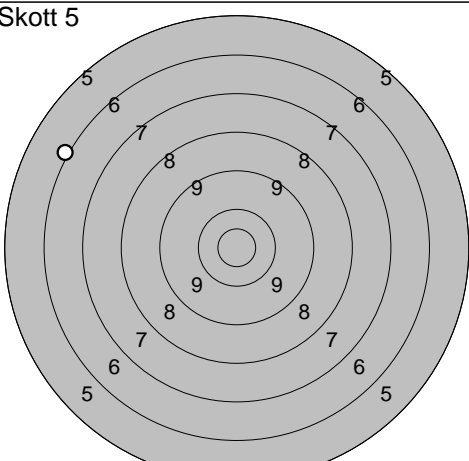
Skott 3 	1: 10,5* ↘ <hr/> Serie 10,0 Totalt 297,0	Skott 4 	1: 8,8 ↑ <hr/> Serie 8,0 Totalt 305,0
--	--	--	---

Skott 5 	1: 9,7 ↖ <hr/> Serie 9,0 Totalt 314,0		
--	---	--	--

<p>Provskott</p> 	<p>1: 9,2 ↗ 2: 9,9 ↘ 3: 10,2 ↑</p>	<p>Serie</p> 	<p>1: 10,5* → 2: 9,8 → 3: 10,3 → 4: 9,2 ↗ 5: 10,5* ↘</p>
Serie 28,0		Serie 48,0	
Totalt 225,0		Totalt 273,0	

<p>Skott 1</p> 	<p>1: 8,0 ↓</p>	<p>Skott 2</p> 	<p>1: 10,2 ↘</p>
Serie 8,0		Serie 10,0	
Totalt 281,0		Totalt 291,0	

<p>Skott 3</p> 	<p>1: 8,2 ↗</p>	<p>Skott 4</p> 	<p>1: 9,8 →</p>
Serie 8,0		Serie 9,0	
Totalt 299,0		Totalt 308,0	

<p>Skott 5</p> 	<p>1: 6,1 ↖</p>		
Serie 6,0			
Totalt 314,0			