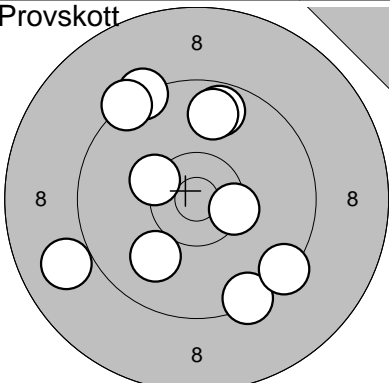
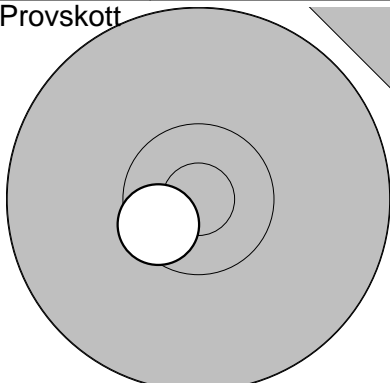


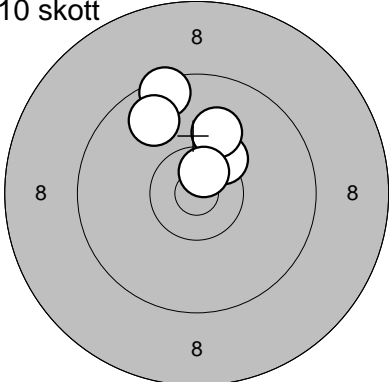
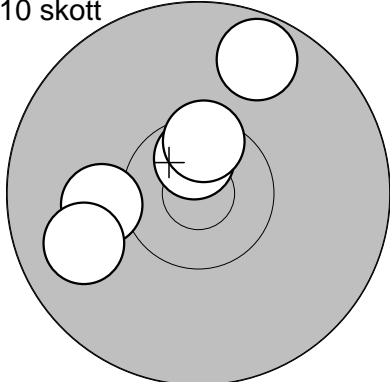
I 16 / Lv 6

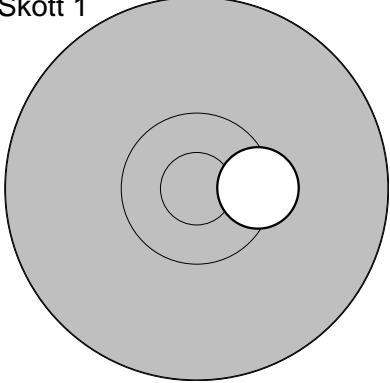
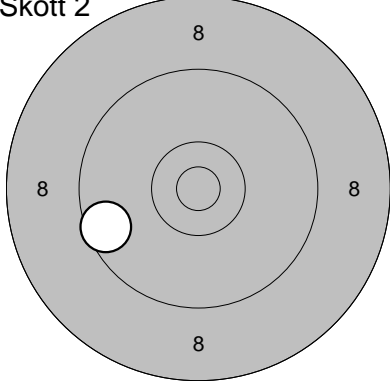
2009-07-16

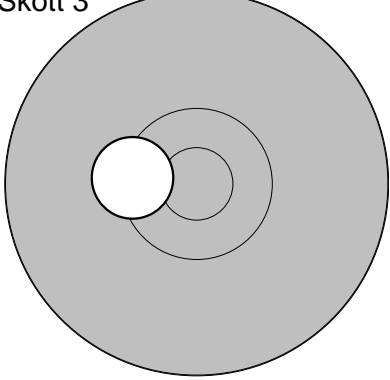
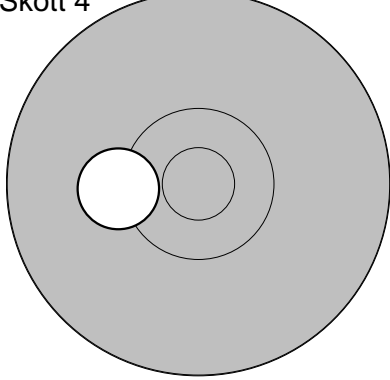
Tavelträffen 2009 Final

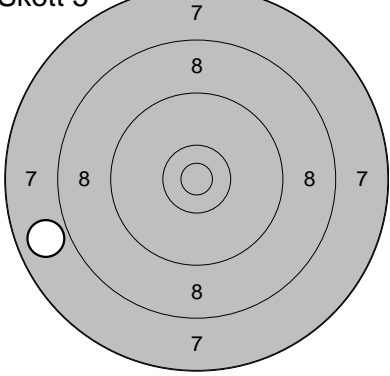
Ramselefors SKF

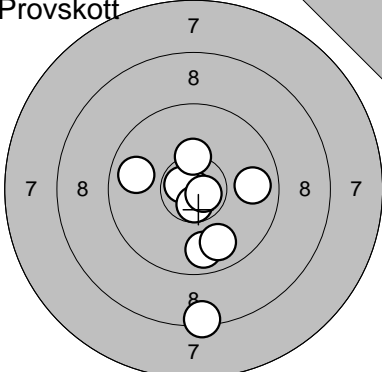
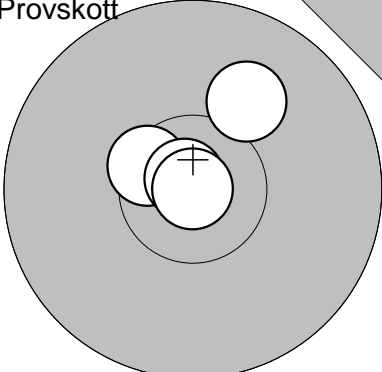
<b>Provskott</b> 	1: 9,4 ↘ 2: 8,9 ← 3: 9,4 ↘ 4: 10,3* ↗ 5: 9,7 ↑ 6: 10,4* → 7: 9,3 ↗ 8: 10,0 ↘ 9: 9,3 ↗ 10: 9,8 ↑ <hr/> Serie 92,0 Totalt 195,0	<b>Provskott</b> 	11: 10,5* ↖ <hr/> Serie 10,0 Totalt 195,0
--	--	--	---

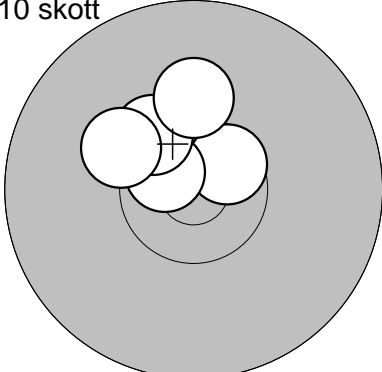
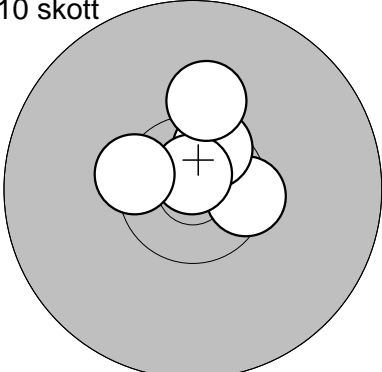
<b>10 skott</b> 	1: 10,4* ↗ 2: 9,5 ↑ 3: 9,8 ↗ 4: 10,1 ↑ 5: 10,6* ↑ <hr/> Serie 48,0 Totalt 243,0	<b>10 skott</b> 	6: 10,1 ← 7: 9,7 ↑ 8: 9,9 ← 9: 10,7* ↑ 10: 10,5* ↑ <hr/> Serie 48,0 Totalt 291,0
---	---	---	--

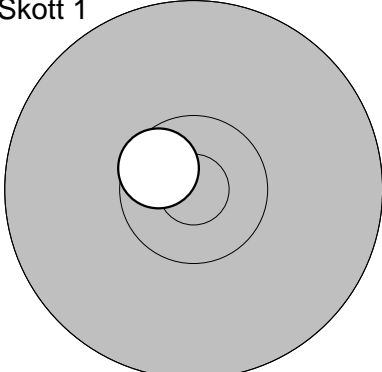
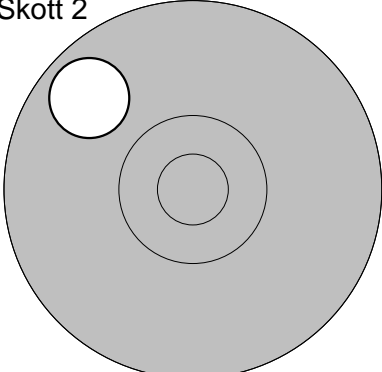
<b>Skott 1</b> 	1: 10,4* → <hr/> Serie 10,0 Totalt 301,0	<b>Skott 2</b> 	1: 9,6 ← <hr/> Serie 9,0 Totalt 310,0
--	--	--	---

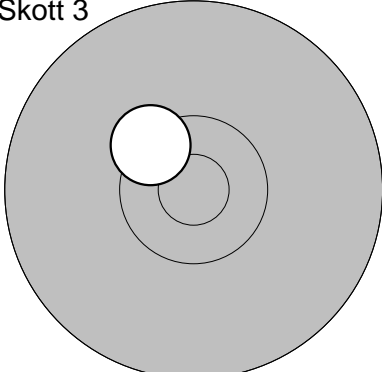
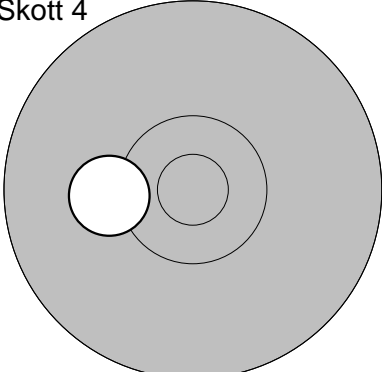
<b>Skott 3</b> 	1: 10,4* ← <hr/> Serie 10,0 Totalt 320,0	<b>Skott 4</b> 	1: 10,3 ← <hr/> Serie 10,0 Totalt 330,0
--	--	--	---

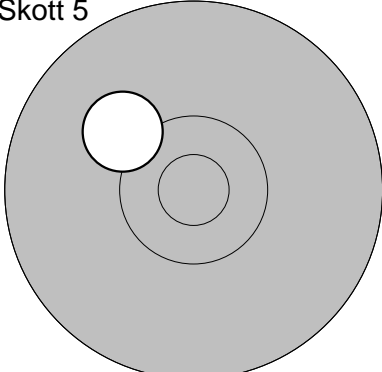
<b>Skott 5</b> 	1: 7,9 ← <hr/> Serie 7,0 Totalt 337,0		
--	---	--	--

<b>Provsnitt</b> 	1: [0,0] 2: 9,8 ↗ 3: 9,8 ↘ 4: 10,7* ↗ 5: 8,4 ↘ 6: 9,8 → 7: 9,8 ↘ 8: 10,6* ↘ 9: 10,3* ↑ 10: 10,7* ↘ <hr/> <b>Serie</b> 84,0 <b>Totalt</b> 195,0	<b>Provsnitt</b> 	11: 10,5* ↗ 12: 10,1 ↗ 13: 10,8* ↗ 14: [0,0] <hr/> <b>Serie</b> 30,0 <b>Totalt</b> 195,0
--	---	--	---

<b>10 skott</b> 	1: 10,6* ↗ 2: 10,7* ↗ 3: 10,4* ↗ 4: 10,2 ↗ 5: 10,2 ↑ <hr/> <b>Serie</b> 50,0 <b>Totalt</b> 245,0	<b>10 skott</b> 	6: 10,5* → 7: 10,6* ↗ 8: 10,8* ↑ 9: 10,4* ← 10: 10,2 ↑ <hr/> <b>Serie</b> 50,0 <b>Totalt</b> 295,0
---	--	---	--

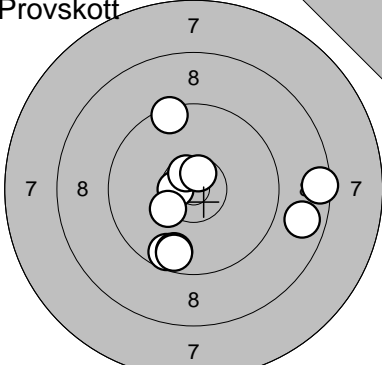
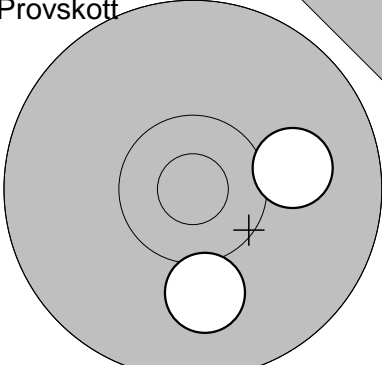
<b>Skott 1</b> 	1: 10,6* ↗ <hr/> <b>Serie</b> 10,0 <b>Totalt</b> 305,0	<b>Skott 2</b> 	1: 9,7 ↖ <hr/> <b>Serie</b> 9,0 <b>Totalt</b> 314,0
--	--	--	---

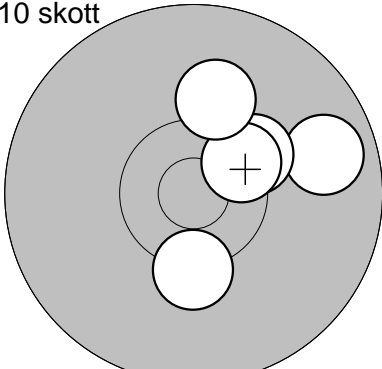
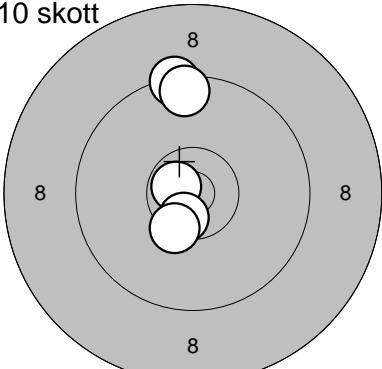
<b>Skott 3</b> 	1: 10,4* ↗ <hr/> <b>Serie</b> 10,0 <b>Totalt</b> 324,0	<b>Skott 4</b> 	1: 10,2 ← <hr/> <b>Serie</b> 10,0 <b>Totalt</b> 334,0
--	--	--	---

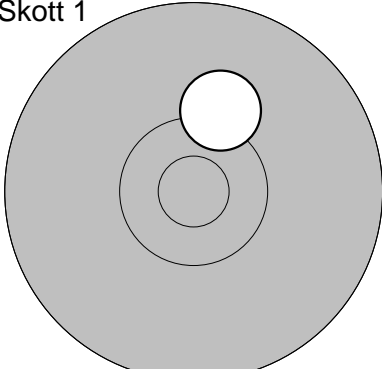
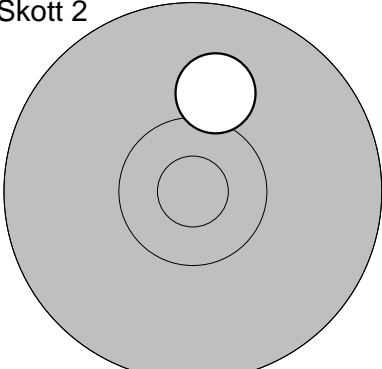
<b>Skott 5</b> 	1: 10,2 ↗ <hr/> <b>Serie</b> 10,0 <b>Totalt</b> 344,0		
--	---	--	--

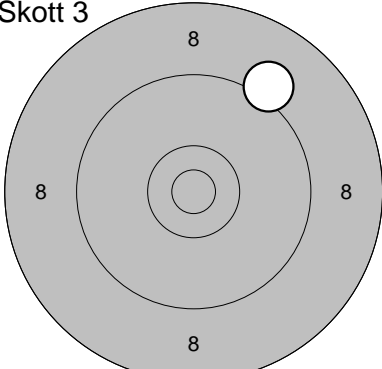
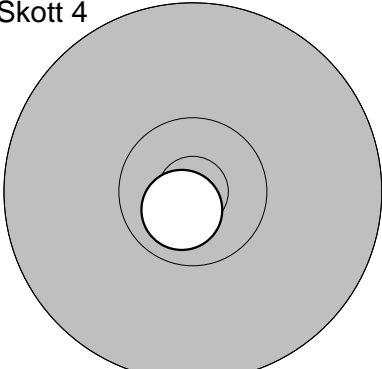
Piteå

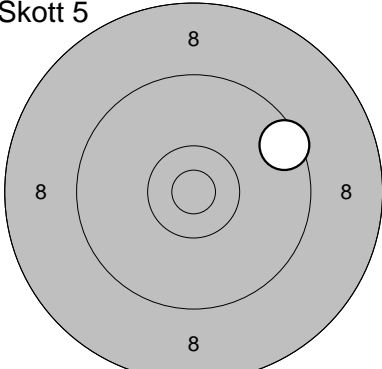
2009-07-16	Tavelträffen 2009 Final	Ramselefors SKF
------------	-------------------------	-----------------

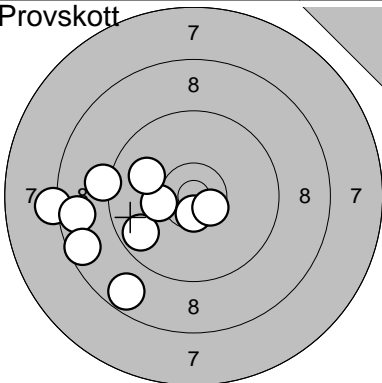
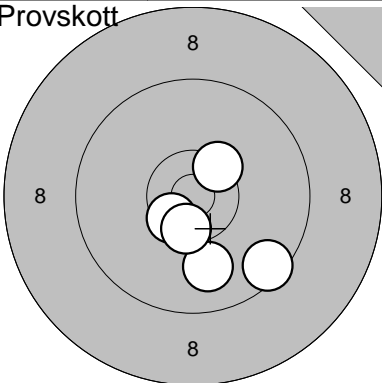
<b>Provskott</b> 	1: 8,5 → 2: 8,8 → 3: 9,6 ↓ 4: 9,7 ↓ 5: 9,7 ↓ 6: 9,5 ↑ 7: 10,6* ← 8: 10,3* ↓ 9: 10,6* ↑ 10: 10,6* ↑ <hr/> Serie 92,0 Totalt 194,0	<b>Provskott</b> 	11: 10,0 ↓ 12: 10,1 → <hr/> Serie 20,0 Totalt 194,0
--	---	--	--

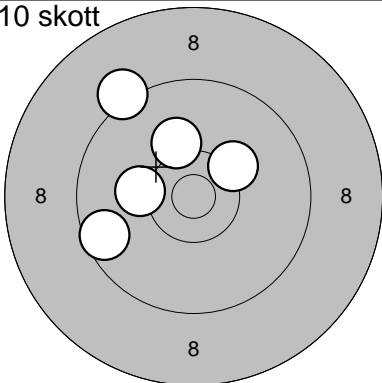
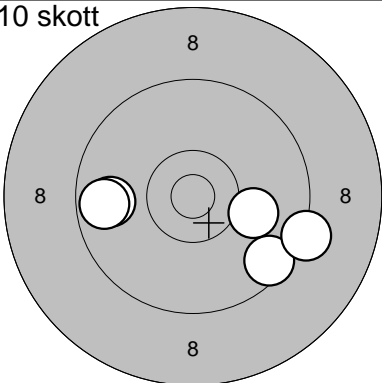
<b>10 skott</b> 	1: 9,8 → 2: 10,3 ↓ 3: 10,3* → 4: 10,5* → 5: 10,1 ↑ <hr/> Serie 49,0 Totalt 243,0	<b>10 skott</b> 	6: 10,7* ← 7: 9,4 ↑ 8: 9,5 ↑ 9: 10,6* ↓ 10: 10,4* ↓ <hr/> Serie 48,0 Totalt 291,0
---	--	---	---

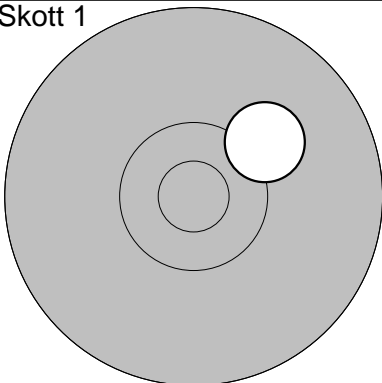
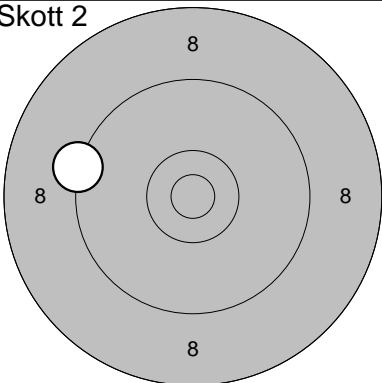
<b>Skott 1</b> 	1: 10,2 ↑ <hr/> Serie 10,0 Totalt 301,0	<b>Skott 2</b> 	1: 10,1 ↑ <hr/> Serie 10,0 Totalt 311,0
--	---	--	---

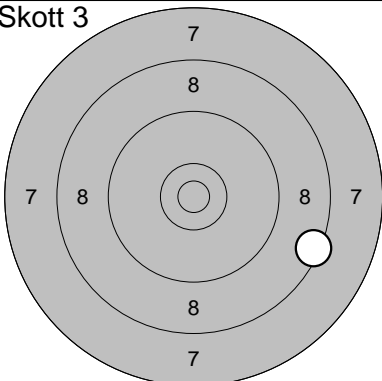
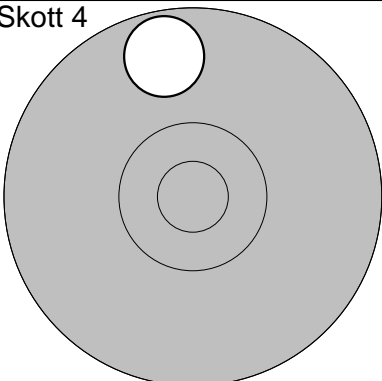
<b>Skott 3</b> 	1: 9,1 ↗ <hr/> Serie 9,0 Totalt 320,0	<b>Skott 4</b> 	1: 10,8* ↓ <hr/> Serie 10,0 Totalt 330,0
--	---	--	--

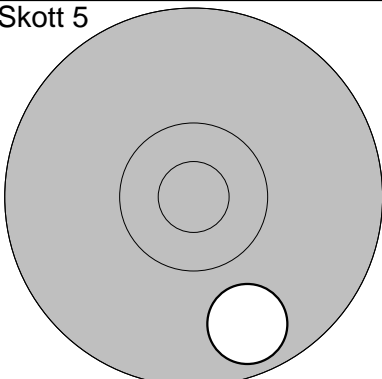
<b>Skott 5</b> 	1: 9,5 → <hr/> Serie 9,0 Totalt 339,0		
--	---	--	--

<b>Provskott</b> 	1: 9,7 ↙ 2: 10,3 ← 3: 8,7 ↘ 4: 8,2 ← 5: 8,7 ← 6: 9,2 ← 7: 8,6 ← 8: 10,0 ↗ 9: 10,6* ↓ 10: 10,6* ↓ <hr/> <b>Serie</b> 90,0 <b>Totalt</b> 194,0	<b>Provskott</b> 	11: 10,5* ↙ 12: 9,9 ↓ 13: 10,4* ↗ 14: 9,5 ↘ 15: 10,5* ↓ <hr/> <b>Serie</b> 48,0 <b>Totalt</b> 194,0
--	---	--	---

<b>10 skott</b> 	1: 9,2 ↗ 2: 10,2 ↗ 3: 9,6 ← 4: 10,2 ← 5: 10,3 ↗ <hr/> <b>Serie</b> 48,0 <b>Totalt</b> 242,0	<b>10 skott</b> 	6: 9,5 ↘ 7: 9,8 ← 8: 10,1 → 9: 9,3 → 10: 9,7 ← <hr/> <b>Serie</b> 46,0 <b>Totalt</b> 288,0
---	---	---	--

<b>Skott 1</b> 	1: 10,2 ↗ <hr/> <b>Serie</b> 10,0 <b>Totalt</b> 298,0	<b>Skott 2</b> 	1: 9,3 ← <hr/> <b>Serie</b> 9,0 <b>Totalt</b> 307,0
---	---	---	---

<b>Skott 3</b> 	1: 8,4 → <hr/> <b>Serie</b> 8,0 <b>Totalt</b> 315,0	<b>Skott 4</b> 	1: 9,7 ↑ <hr/> <b>Serie</b> 9,0 <b>Totalt</b> 324,0
--	---	--	---

<b>Skott 5</b> 	1: 9,7 ↓ <hr/> <b>Serie</b> 9,0 <b>Totalt</b> 333,0		
--	---	--	--

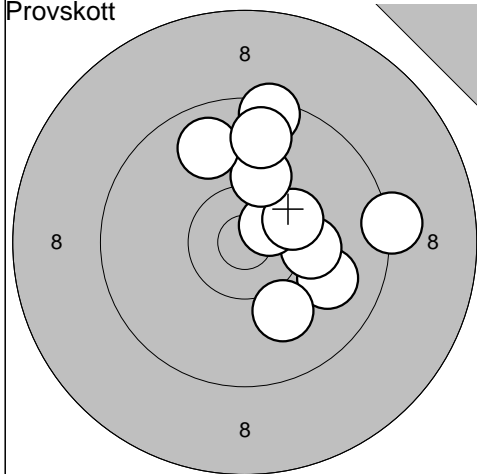
Umeå

2009-07-16

Tavelträffen 2009 Final

Ramselefors SKF

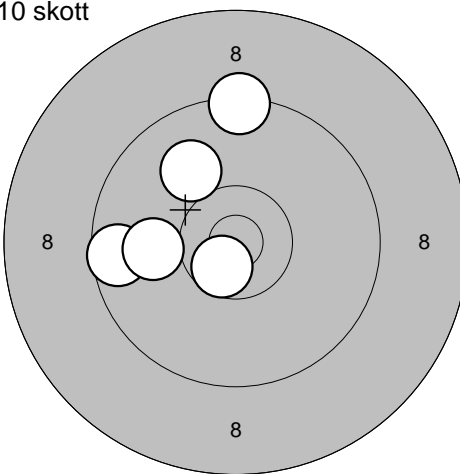
Provskott



- 1: 9,9 →
- 2: 10,2 →
- 3: 9,3 →
- 4: 10,6\* ↗
- 5: 10,3\* ↗
- 6: 9,5 ↑
- 7: 10,2 ↑
- 8: 9,8 ↑
- 9: 9,7 ↑
- 10: 10,0 ↓

Serie	95,0
Totalt	194,0

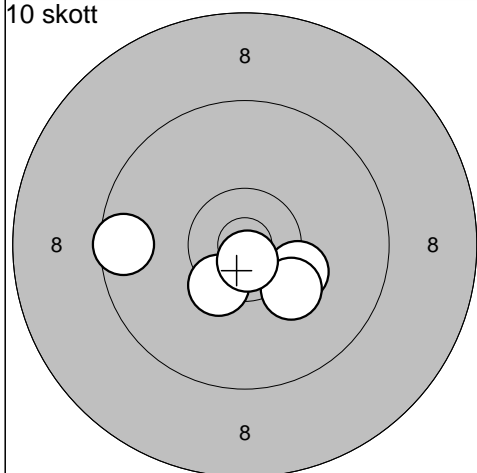
10 skott



- 1: 9,4 ↑
- 2: 10,0 ↖
- 3: 9,6 ←
- 4: 10,0 ←
- 5: 10,6\* ↓

Serie	48,0
Totalt	242,0

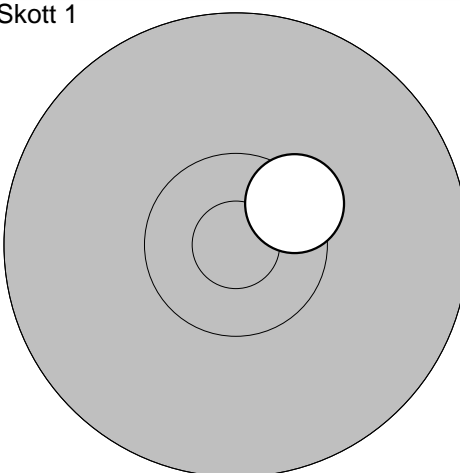
10 skott



- 6: 10,4\* ↓
- 7: 9,6 ←
- 8: 10,3 ↓
- 9: 10,2 ↓
- 10: 10,8\* ↓

Serie	49,0
Totalt	291,0

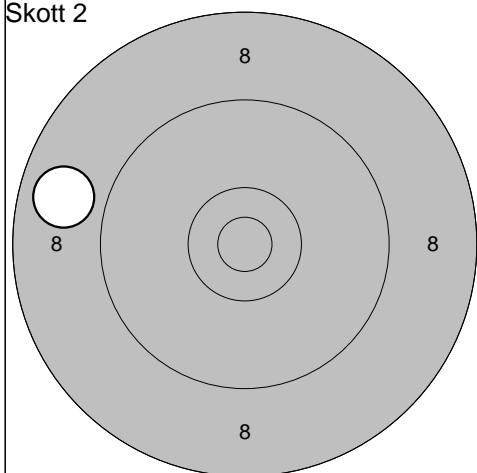
Skott 1



- 1: 10,4\* ↗

Serie	10,0
Totalt	301,0

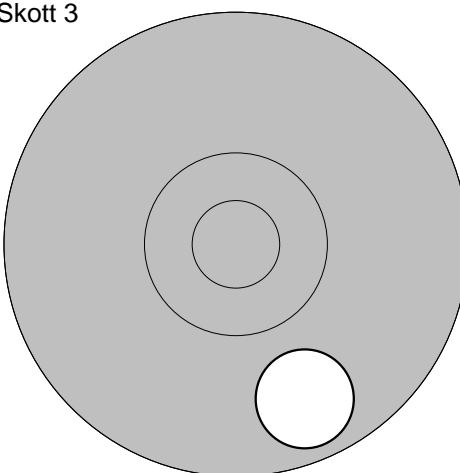
Skott 2



- 1: 8,8 ←

Serie	8,0
Totalt	309,0

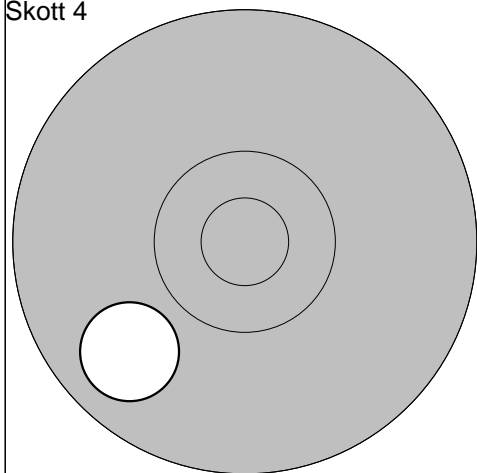
Skott 3



- 1: 9,7 ↓

Serie	9,0
Totalt	318,0

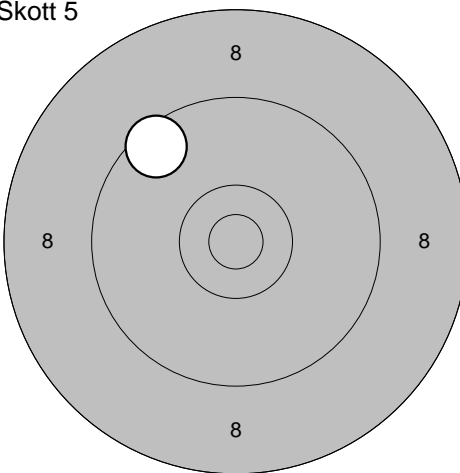
Skott 4



- 1: 9,8 ↙

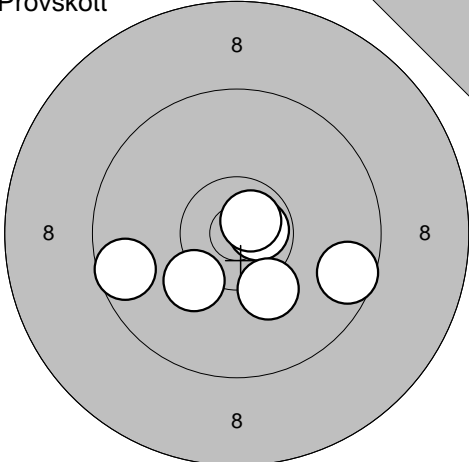
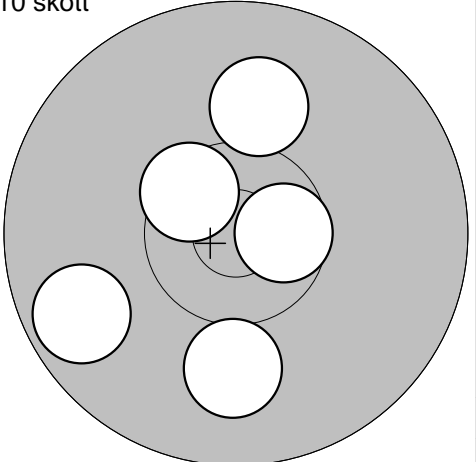
Serie	9,0
Totalt	327,0

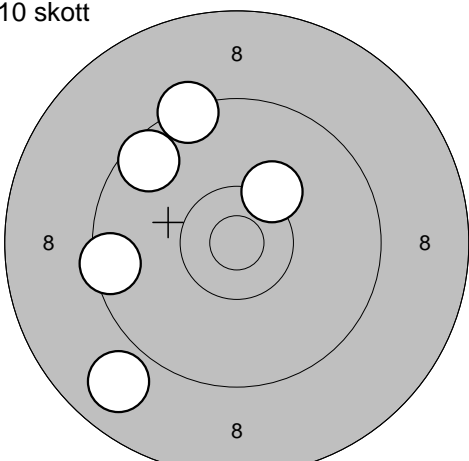
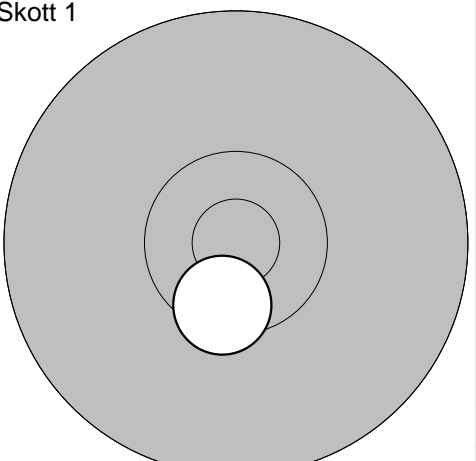
Skott 5

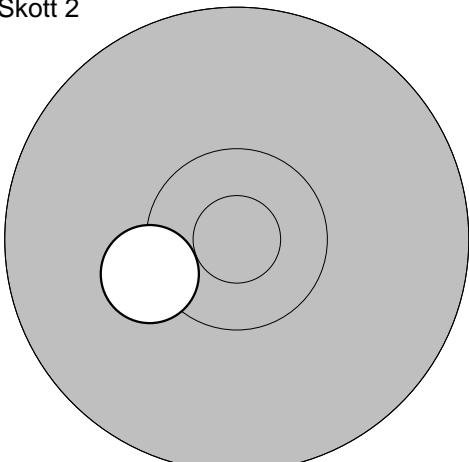
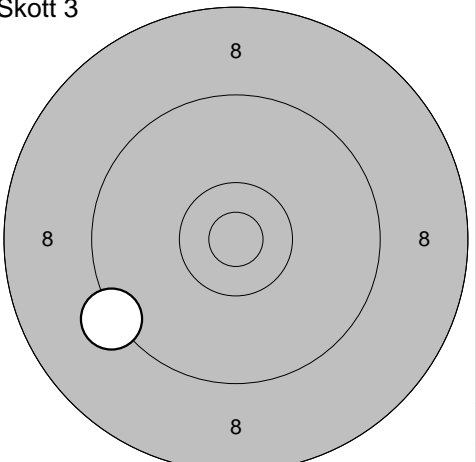


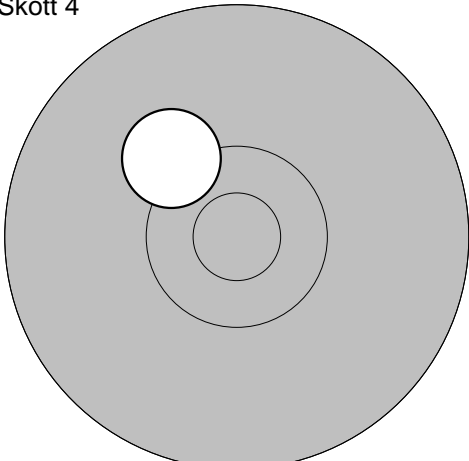
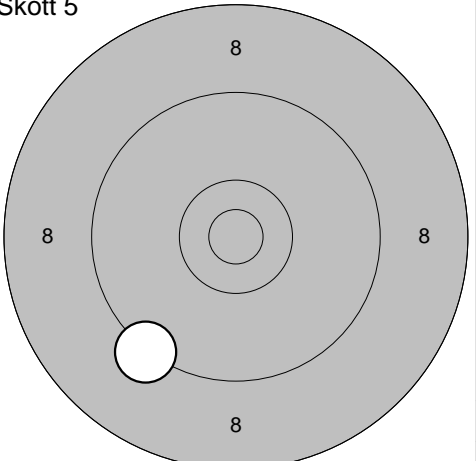
- 1: 9,5 ↖

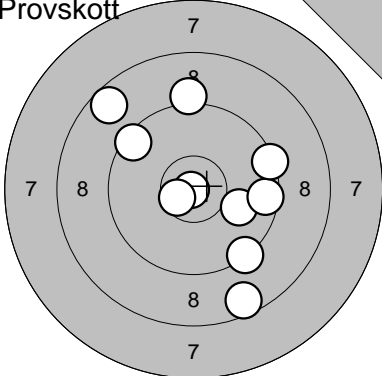
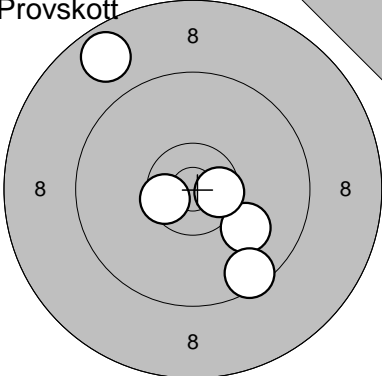
Serie	9,0
Totalt	336,0

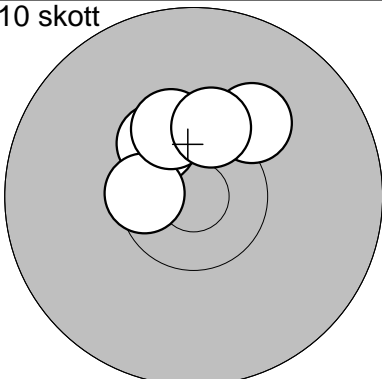
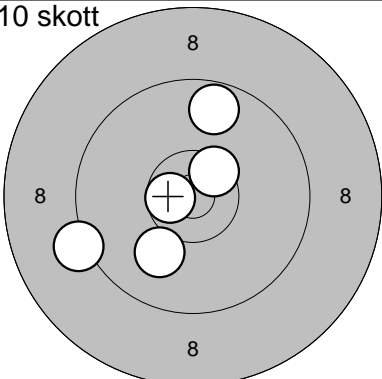
<p>Provskott</p> 	<p>1: 9,6 →</p> <p>2: 10,7* →</p> <p>3: 10,2 ↘</p> <p>4: 10,2 ↘</p> <p>5: 9,6 ←</p> <p>6: 10,7* ↗</p>	<p>10 skott</p> 	<p>1: 10,5* ↖</p> <p>2: 10,6* →</p> <p>3: 9,7 ↙</p> <p>4: 10,0 ↓</p> <p>5: 10,0 ↑</p>
Serie 58,0		Serie 49,0	
Totalt 192,0		Totalt 241,0	

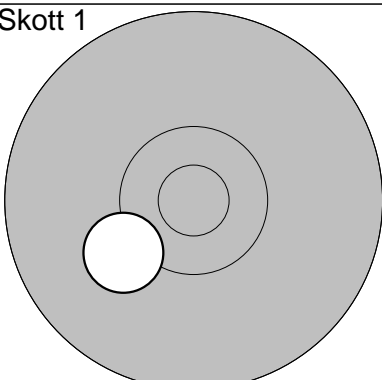
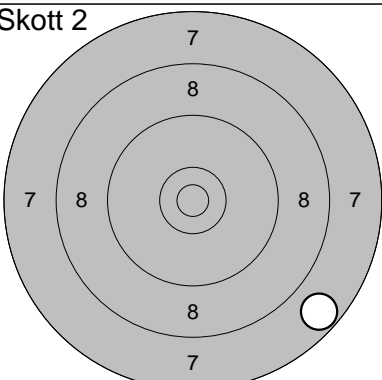
<p>10 skott</p> 	<p>6: 9,4 ↑</p> <p>7: 10,2 ↗</p> <p>8: 9,5 ←</p> <p>9: 8,9 ↘</p> <p>10: 9,6 ↖</p>	<p>Skott 1</p> 	<p>1: 10,5* ↓</p>
Serie 45,0		Serie 10,0	
Totalt 286,0		Totalt 296,0	

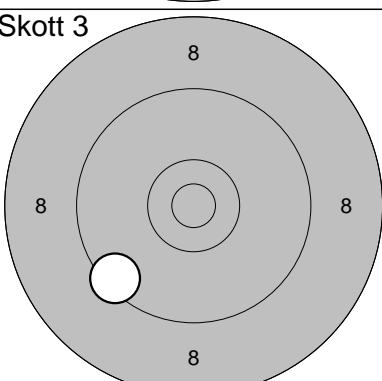
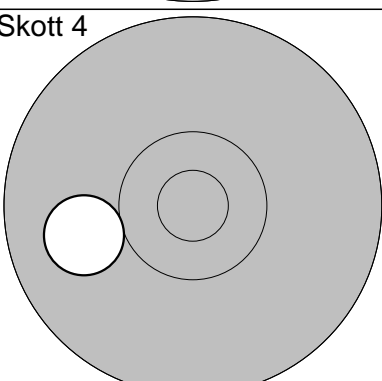
<p>Skott 2</p> 	<p>1: 10,3 ↙</p>	<p>Skott 3</p> 	<p>1: 9,3 ↙</p>
Serie 10,0		Serie 9,0	
Totalt 306,0		Totalt 315,0	

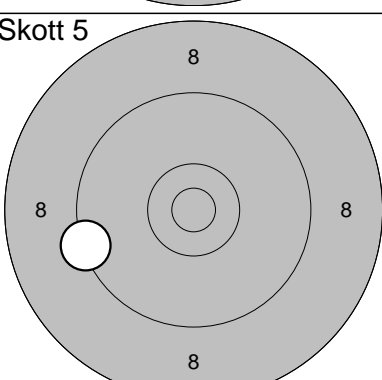
<p>Skott 4</p> 	<p>1: 10,2 ↖</p>	<p>Skott 5</p> 	<p>1: 9,3 ↙</p>
Serie 10,0		Serie 9,0	
Totalt 325,0		Totalt 334,0	

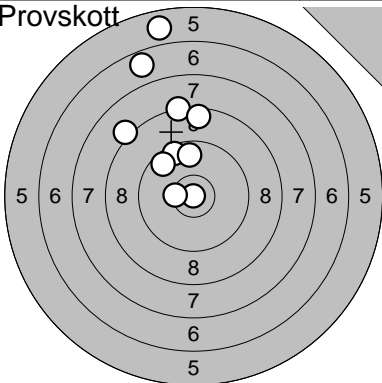
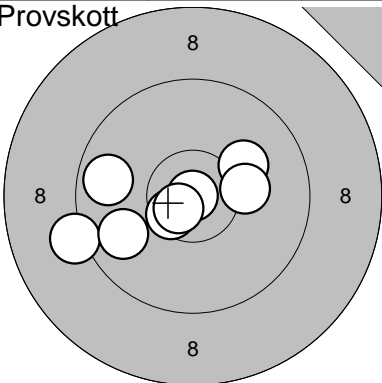
<b>Provskott</b> 	1: 10,0 ↘ 2: 9,3 ↘ 3: 10,9* ↘ 4: 9,5 → 5: 8,6 ↘ 6: 9,2 ↗ 7: 9,5 ↗ 8: 10,6* ↘ 9: 9,4 → 10: 8,7 ↗	<b>Provskott</b> 	11: 10,0 ↘ 12: 10,5* ← 13: 9,5 ↘ 14: 10,6* → 15: 8,7 ↗
Serie 91,0		Serie 47,0	
Totalt 190,0		Totalt 190,0	

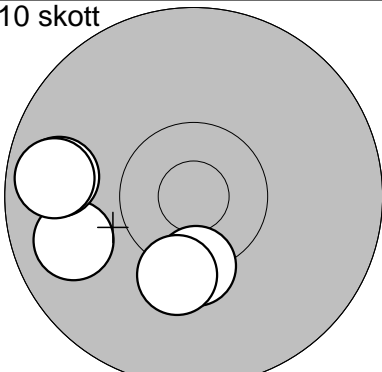
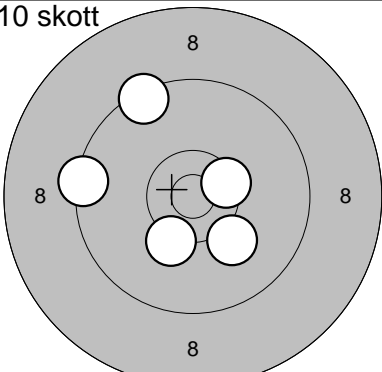
<b>10 skott</b> 	1: 10,4* ↗ 2: 10,1 ↗ 3: 10,5* ← 4: 10,3* ↗ 5: 10,3* ↗	<b>10 skott</b> 	6: 9,2 ← 7: 10,6* ← 8: 9,7 ↑ 9: 10,5* ↗ 10: 10,0 ↘
Serie 50,0		Serie 48,0	
Totalt 240,0		Totalt 288,0	

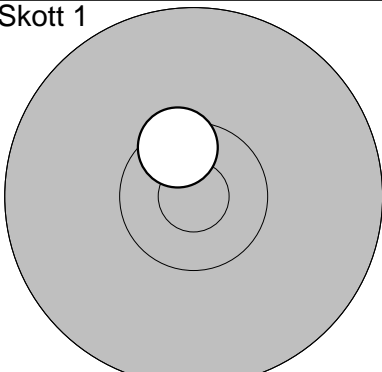
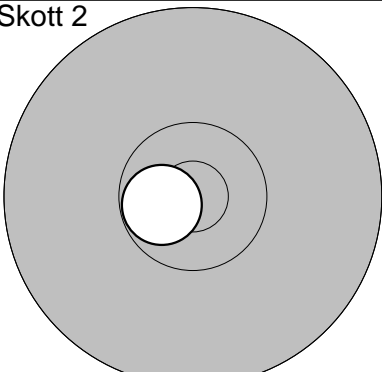
<b>Skott 1</b> 	1: 10,2 ↘	<b>Skott 2</b> 	1: 7,7 ↘
Serie 10,0		Serie 7,0	
Totalt 298,0		Totalt 305,0	

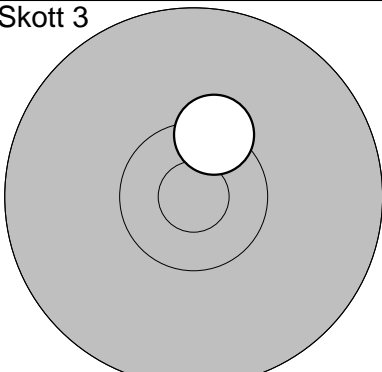
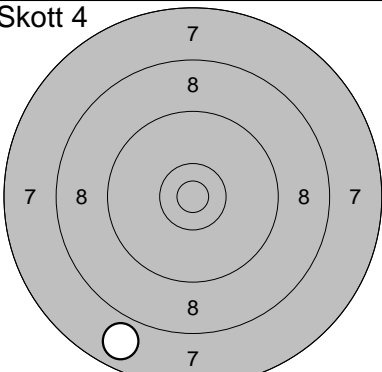
<b>Skott 3</b> 	1: 9,4 ↘	<b>Skott 4</b> 	1: 10,0 ←
Serie 9,0		Serie 10,0	
Totalt 314,0		Totalt 324,0	

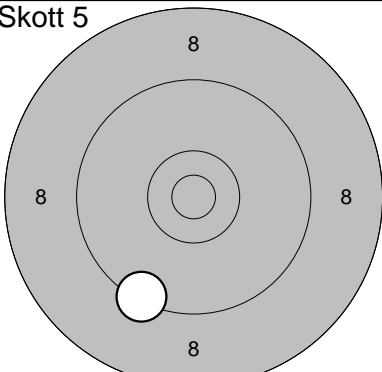
<b>Skott 5</b> 	1: 9,4 ←		
Serie 9,0			
Totalt 333,0			

<b>Provs-kott</b> 	1: [0,0] 2: 6,8 3: 5,8 4: 8,3 5: 9,6 6: 9,7 7: 8,2 8: 8,6 9: 10,4* 10: 9,6 Serie 72,0 Totalt 190,0	<b>Provs-kott</b> 	11: 9,2 12: 10,6* 13: 9,7 14: 9,8 15: [0,0] 16: 10,1 17: 10,2 18: 10,7* Serie 67,0 Totalt 190,0
---	---	---	--

<b>10 skott</b> 	1: 9,8 2: 9,8 3: 10,3* 4: 10,2 5: 9,7 Serie 47,0 Totalt 237,0	<b>10 skott</b> 	6: 10,3 7: 9,4 8: 10,1 9: 10,4* 10: 9,4 Serie 48,0 Totalt 285,0
---	---	---	---

<b>Skott 1</b> 	1: 10,5* Serie 10,0 Totalt 295,0	<b>Skott 2</b> 	1: 10,7* Serie 10,0 Totalt 305,0
---	--	---	--

<b>Skott 3</b> 	1: 10,4* Serie 10,0 Totalt 315,0	<b>Skott 4</b> 	1: 7,8 Serie 7,0 Totalt 322,0
--	--	--	-------------------------------------

<b>Skott 5</b> 	1: 9,4 Serie 9,0 Totalt 331,0		
--	-------------------------------------	--	--



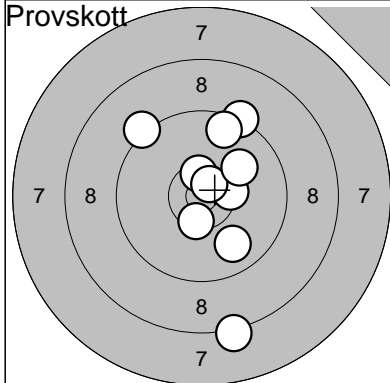
F 21

2009-07-16

Tavelträffen 2009 Final

Ramselefors SKF

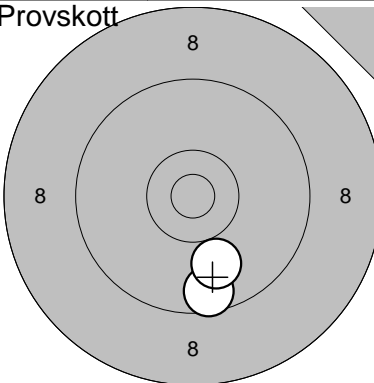
Provskott



- 1: 8,2 ↓
- 2: 9,3 ↗
- 3: 9,6 ↗
- 4: 10,5\* ↓
- 5: 9,8 ↓
- 6: 9,2 ↗
- 7: 10,5\* ↗
- 8: 10,4\* →
- 9: 10,7\* ↗
- 10: 10,0 ↗

Serie 94,0  
Totalt 189,0

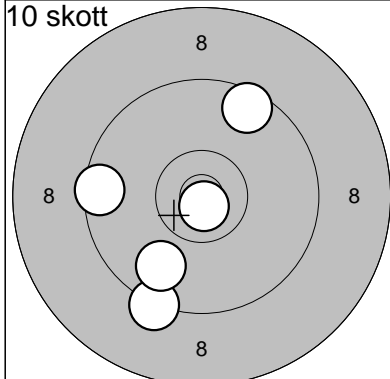
Provskott



- 11: 9,6 ↓
- 12: 9,9 ↓

Serie 18,0  
Totalt 189,0

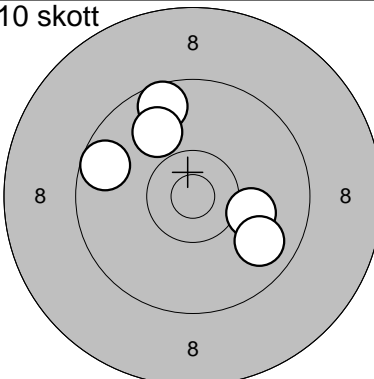
10 skott



- 1: 9,6 ↗
- 2: 9,3 ↓
- 3: 9,8 ↓
- 4: 10,8\* ↓
- 5: 9,5 ←

Serie 46,0  
Totalt 235,0

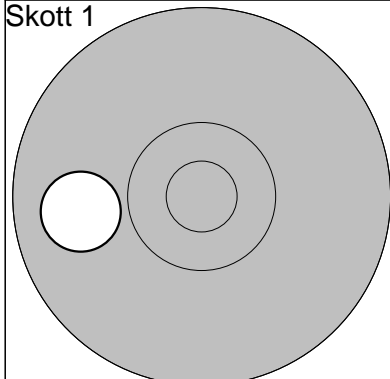
10 skott



- 6: 9,7 ←
- 7: 9,6 ↗
- 8: 9,9 ↗
- 9: 10,1 →
- 10: 9,8 ↓

Serie 46,0  
Totalt 281,0

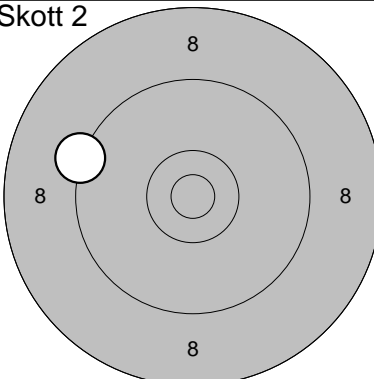
Skott 1



- 1: 9,9 ←

Serie 9,0  
Totalt 290,0

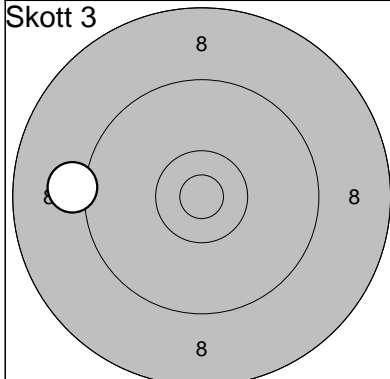
Skott 2



- 1: 9,3 ←

Serie 9,0  
Totalt 299,0

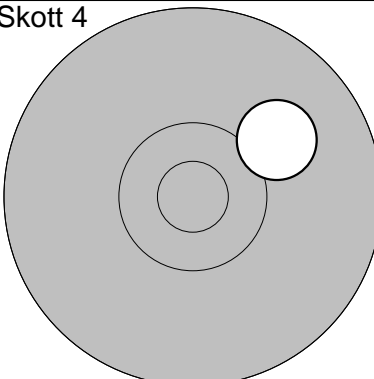
Skott 3



- 1: 9,1 ←

Serie 9,0  
Totalt 308,0

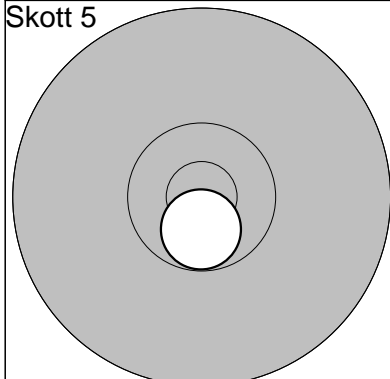
Skott 4



- 1: 10,1 ↗

Serie 10,0  
Totalt 318,0

Skott 5



- 1: 10,7\* ↓

Serie 10,0  
Totalt 328,0

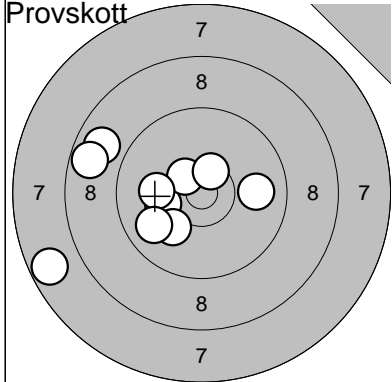
Frötuna

2009-07-16

Tavelträffen 2009 Final

Ramselefors SKF

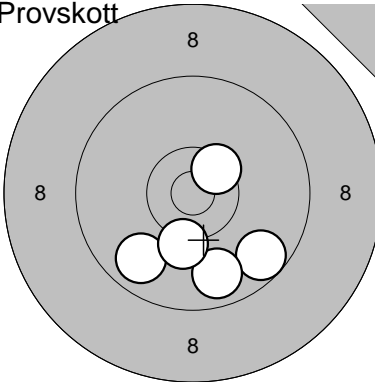
Provskott



- 1: 9,9 →
- 2: 10,2 ←
- 3: 10,1 ↙
- 4: 7,7 ←
- 5: 10,5\* ↗
- 6: 10,1 ←
- 7: 8,8 ↗
- 8: 8,7 ↗
- 9: 9,8 ←
- 10: 10,5\* ↗

Serie 91,0  
Totalt 189,0

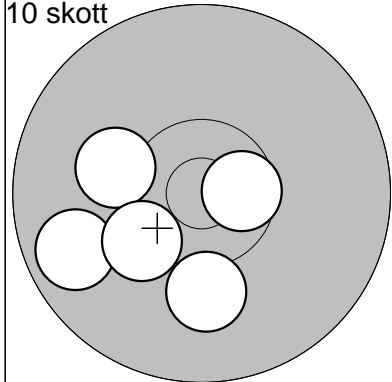
Provskott



- 11: 9,6 ↘
- 12: 9,8 ↘
- 13: 10,5\* ↗
- 14: 9,8 ↘
- 15: 10,2 ↘

Serie 47,0  
Totalt 189,0

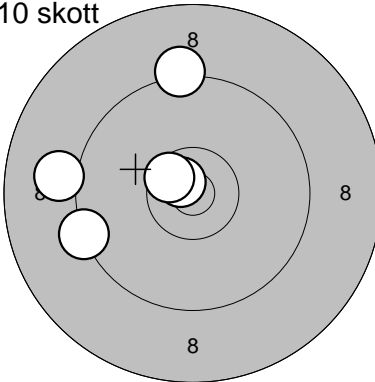
10 skott



- 1: 10,2 ←
- 2: 9,7 ←
- 3: 10,3 ←
- 4: 10,6\* →
- 5: 10,1 ↓

Serie 49,0  
Totalt 238,0

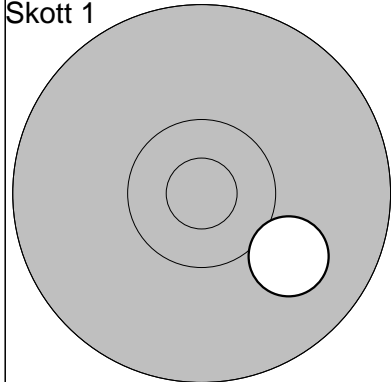
10 skott



- 6: 10,7\* ↗
- 7: 9,3 ←
- 8: 9,2 ↑
- 9: 9,1 ←
- 10: 10,6\* ↗

Serie 47,0  
Totalt 285,0

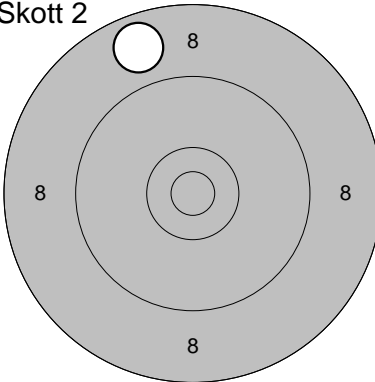
Skott 1



- 1: 10,0 →

Serie 10,0  
Totalt 295,0

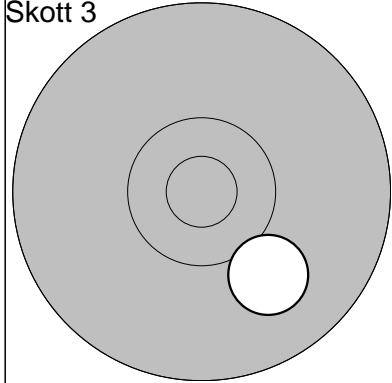
Skott 2



- 1: 8,8 ↗

Serie 8,0  
Totalt 303,0

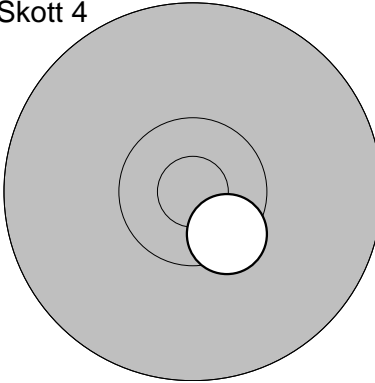
Skott 3



- 1: 10,0 ↘

Serie 10,0  
Totalt 313,0

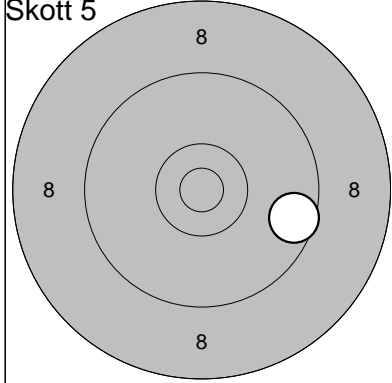
Skott 4



- 1: 10,5\* ↘

Serie 10,0  
Totalt 323,0

Skott 5

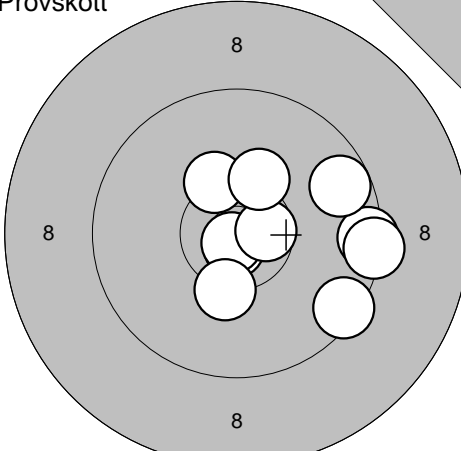
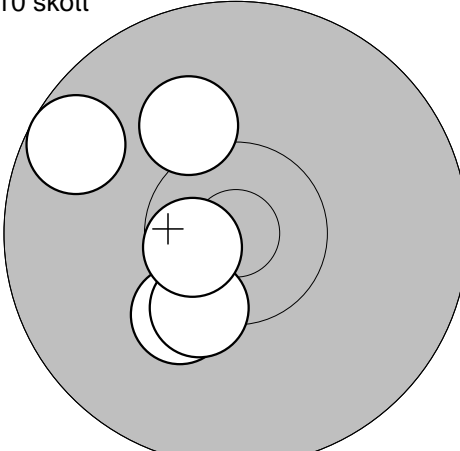


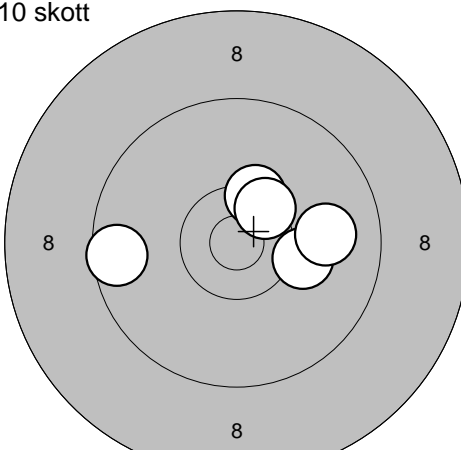
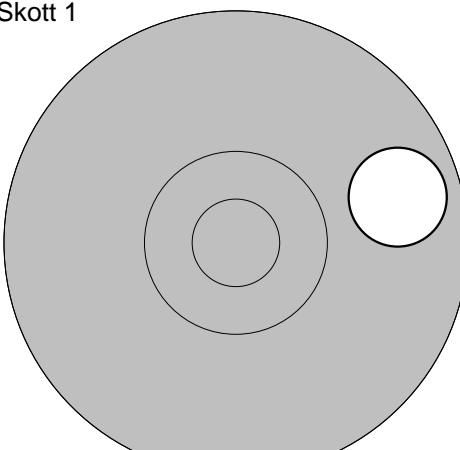
- 1: 9,6 →

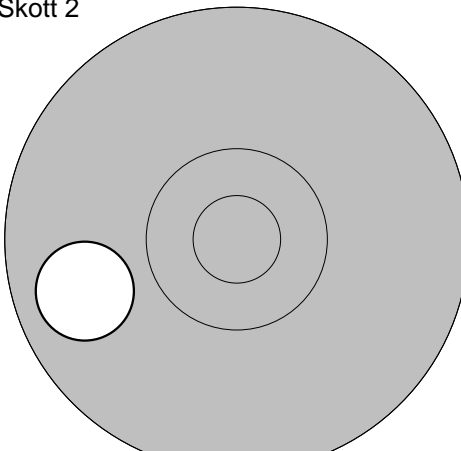
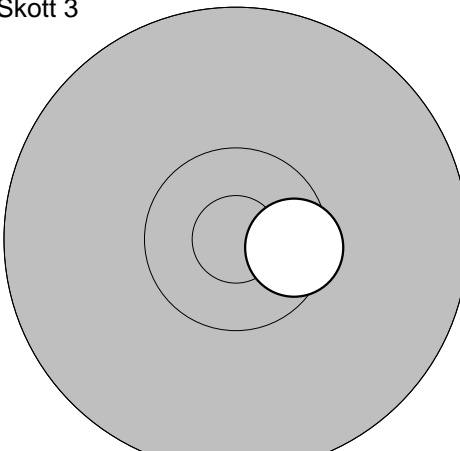
Serie 9,0  
Totalt 332,0

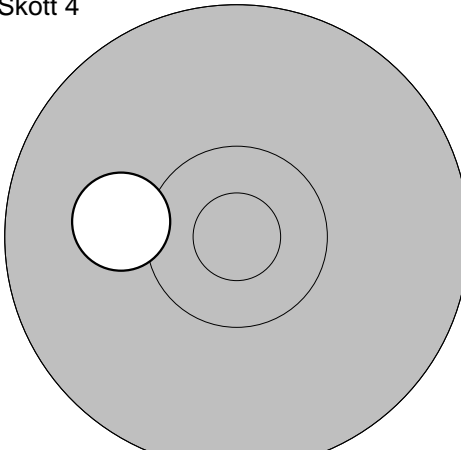
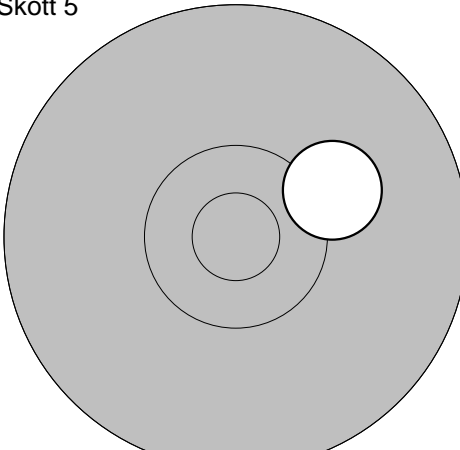
Ale

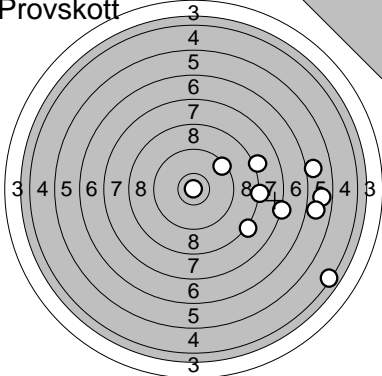
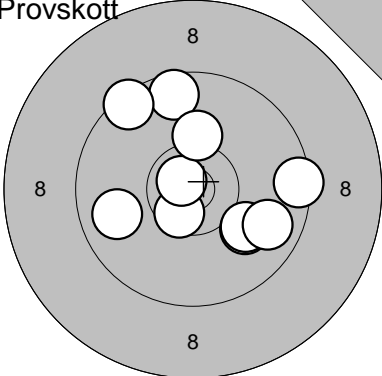
2009-07-16	Tavelträffen 2009 Final	Ramselefors SKF
------------	-------------------------	-----------------

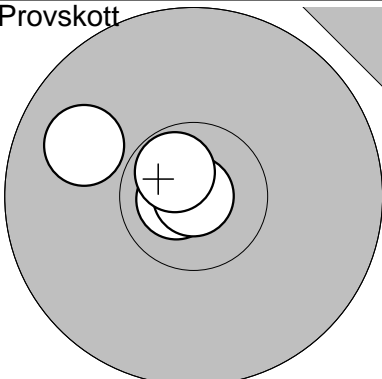
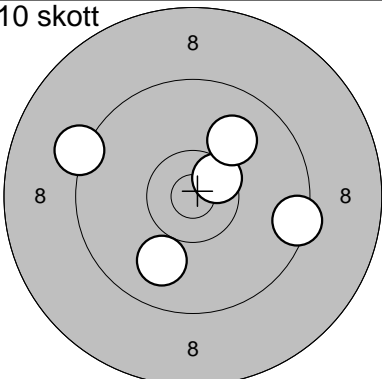
<p>Provskott</p> 	<p>1: 9,4 →                  2: 9,6 →                  3: 10,8* ↓                  4: 10,8* ↓                  5: 10,6* →                  6: 9,4 →                  7: 9,5 ↘                  8: 10,3* ↗                  9: 10,3* ↓                  10: 10,3 ↗</p>	<p>10 skott</p> 	<p>1: 10,2 ↙                  2: 10,1 ↗                  3: 10,4* ↓                  4: 10,6* ←                  5: 9,7 ↖</p>
Serie 96,0		Serie 49,0	
Totalt 196,0		Totalt 245,0	

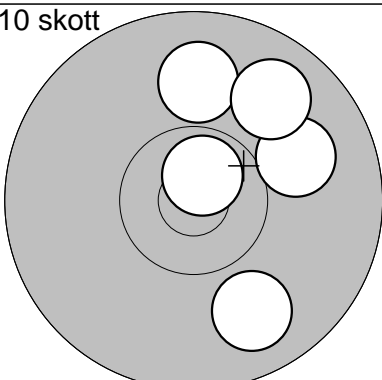
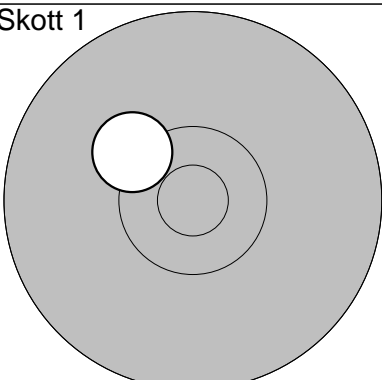
<p>10 skott</p> 	<p>6: 9,6 ←                  7: 10,4* ↗                  8: 10,2 →                  9: 10,4* ↗                  10: 9,9 →</p>	<p>Skott 1</p> 	<p>1: 9,8 →</p>
Serie 48,0		Serie 9,0	
Totalt 293,0		Totalt 302,0	

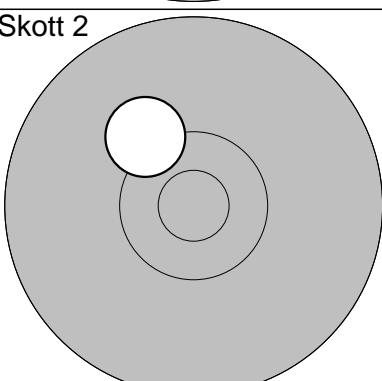
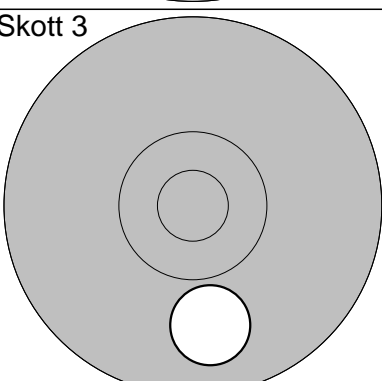
<p>Skott 2</p> 	<p>1: 9,8 ←</p>	<p>Skott 3</p> 	<p>1: 10,5* →</p>
Serie 9,0		Serie 10,0	
Totalt 311,0		Totalt 321,0	

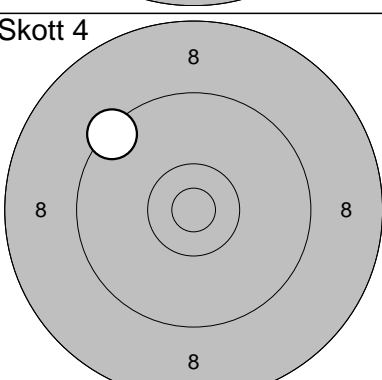
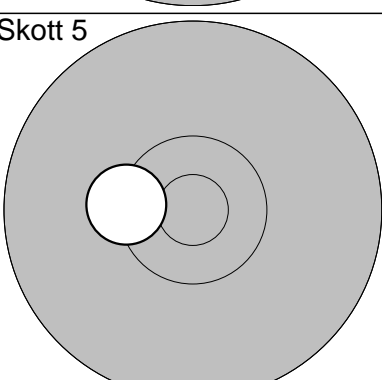
<p>Skott 4</p> 	<p>1: 10,1 ←</p>	<p>Skott 5</p> 	<p>1: 10,2 →</p>
Serie 10,0		Serie 10,0	
Totalt 331,0		Totalt 341,0	

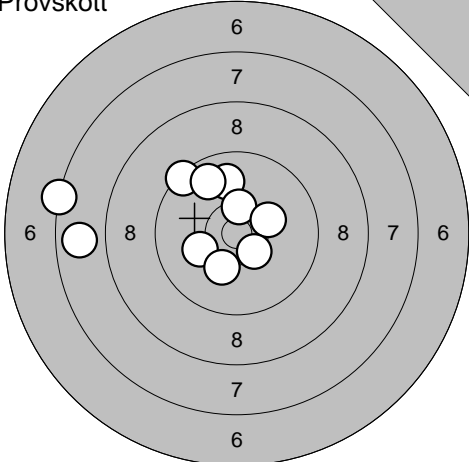
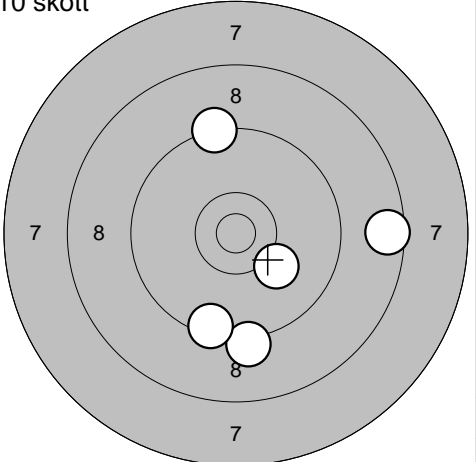
Provs-kott	Provs-kott		
			
	1: [0,0] → 2: 5,7 → 3: 6,0 → 4: 4,4 ↓ 5: 7,3 → 6: 5,9 → 7: 8,2 ↓ 8: 8,2 → 9: 9,5 ↗ 10: 8,2 →		11: 10,0 ↘ 12: 9,5 → 13: 10,6* ↓ 14: 9,6 ↑ 15: 10,0 ↓ 16: 9,8 → 17: 10,8* ↗ 18: 10,2 ↑ 19: 9,5 ↗ 20: 9,8 ←
	Serie 60,0		Serie 95,0
	Totalt 193,0		Totalt 193,0

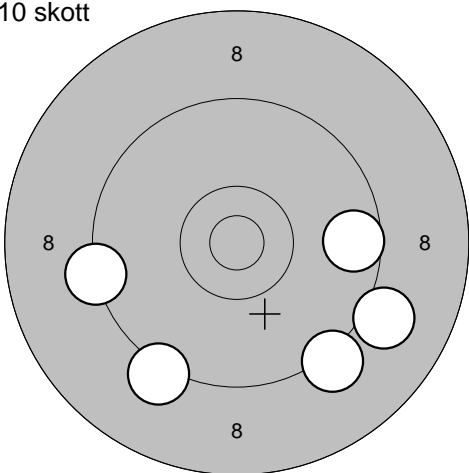
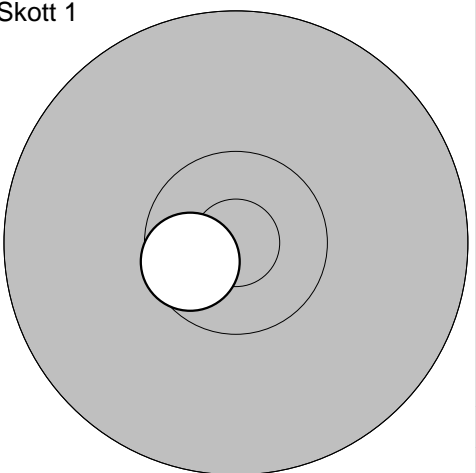
Provs-kott	10 skott		
			
	21: 10,8* ← 22: 9,9 ↗ 23: [0,0] ↗ 24: 10,7* ↗		1: 10,5* ↗ 2: 10,0 ↗ 3: 9,9 ↓ 4: 9,4 → 5: 9,2 ←
	Serie 29,0		Serie 47,0
	Totalt 193,0		Totalt 240,0

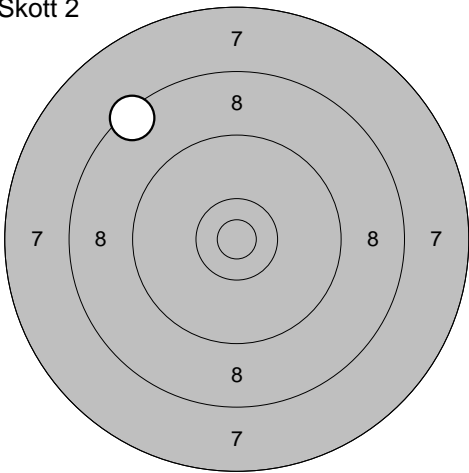
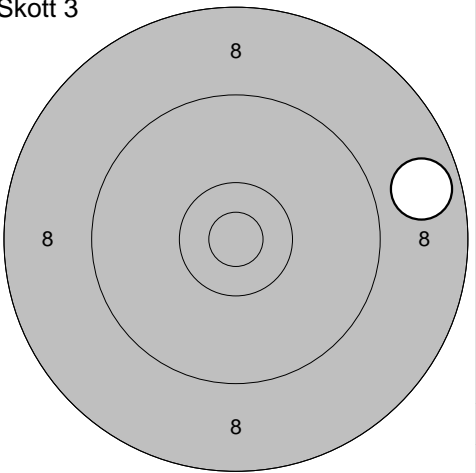
10 skott		Skott 1	
			
	6: 10,0 → 7: 10,7* ↗ 8: 9,9 ↑ 9: 9,9 ↓ 10: 9,8 ↗		1: 10,3 ↗
	Serie 47,0		Serie 10,0
	Totalt 287,0		Totalt 297,0

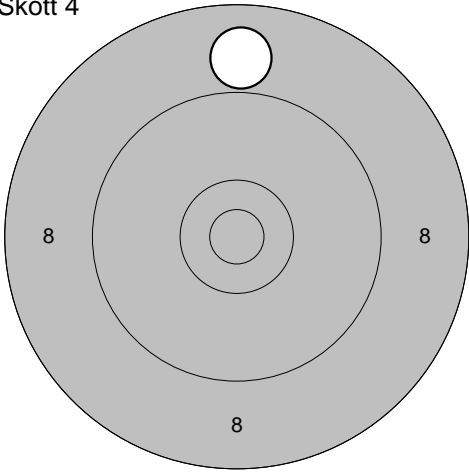
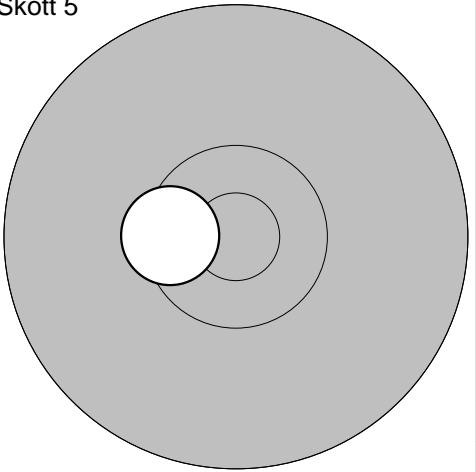
Skott 2		Skott 3	
			
	1: 10,2 ↗		1: 9,9 ↓
	Serie 10,0		Serie 9,0
	Totalt 307,0		Totalt 316,0

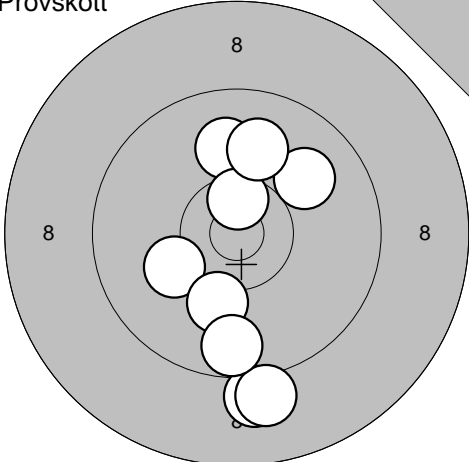
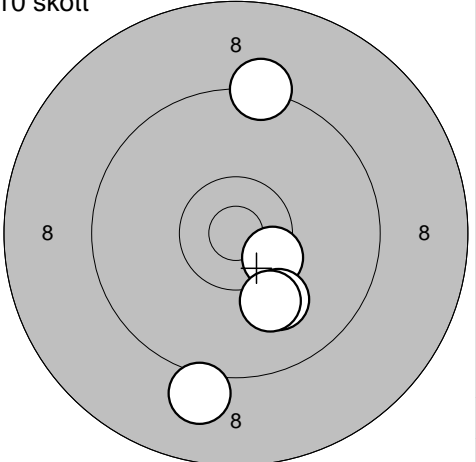
Skott 4		Skott 5	
			
	1: 9,4 ↗		1: 10,4* ←
	Serie 9,0		Serie 10,0
	Totalt 325,0		Totalt 335,0

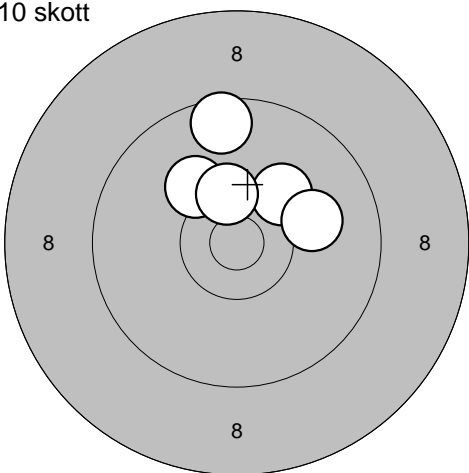
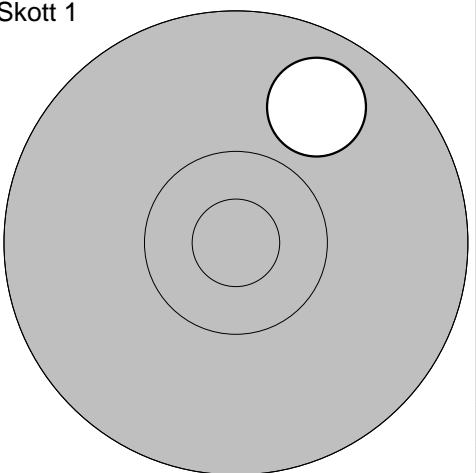
<p>Provskott</p> 	<p>10 skott</p> <p>1: 7,8 ←                  2: 10,2 ←                  3: 7,3 ←                  4: 9,4 ↗                  5: 9,9 ↑                  6: 10,4* ↑                  7: 10,3 →                  8: 9,8 ↗                  9: 10,2 ↓                  10: 10,4* ↓</p> <table border="1" style="width:100%; border-collapse: collapse;"> <tr><td>Serie</td><td style="text-align: right;">91,0</td></tr> <tr><td>Totalt</td><td style="text-align: right;">192,0</td></tr> </table>	Serie	91,0	Totalt	192,0	 <p>1: 10,1 ↘                  2: 9,2 ↓                  3: 8,6 →                  4: 9,4 ↓                  5: 9,3 ↑</p> <table border="1" style="width:100%; border-collapse: collapse;"> <tr><td>Serie</td><td style="text-align: right;">45,0</td></tr> <tr><td>Totalt</td><td style="text-align: right;">237,0</td></tr> </table>	Serie	45,0	Totalt	237,0
Serie	91,0									
Totalt	192,0									
Serie	45,0									
Totalt	237,0									

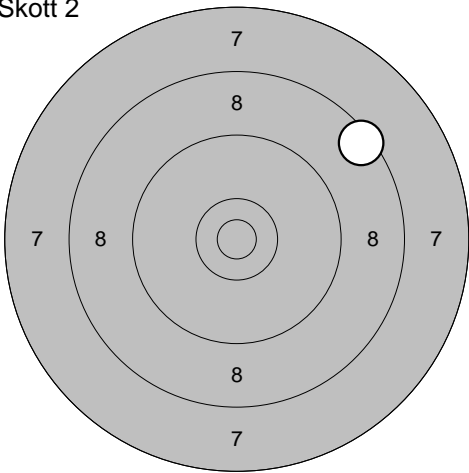
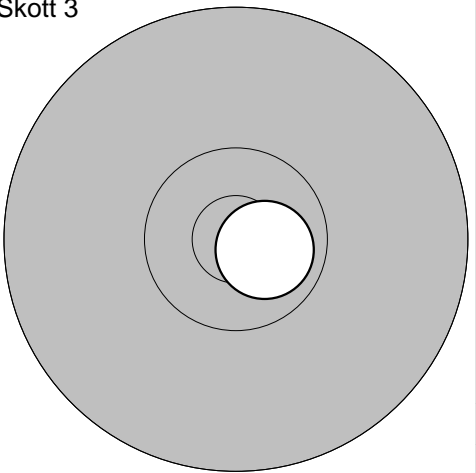
<p>10 skott</p>  <table border="1" style="width:100%; border-collapse: collapse;"> <tr><td>Serie</td><td style="text-align: right;">45,0</td></tr> <tr><td>Totalt</td><td style="text-align: right;">282,0</td></tr> </table>	Serie	45,0	Totalt	282,0	<p>Skott 1</p>  <p>1: 10,6* ←</p> <table border="1" style="width:100%; border-collapse: collapse;"> <tr><td>Serie</td><td style="text-align: right;">10,0</td></tr> <tr><td>Totalt</td><td style="text-align: right;">292,0</td></tr> </table>	Serie	10,0	Totalt	292,0
Serie	45,0								
Totalt	282,0								
Serie	10,0								
Totalt	292,0								

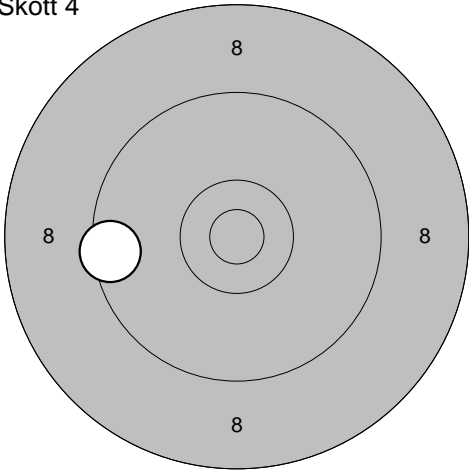
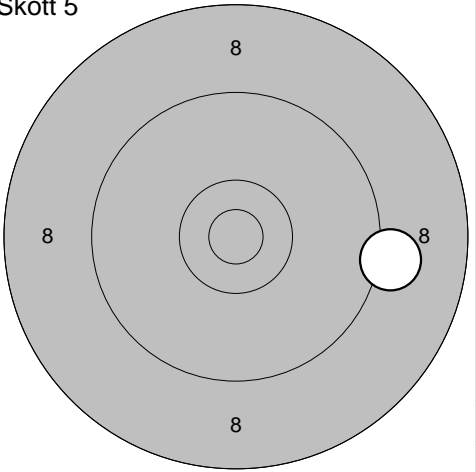
<p>Skott 2</p>  <p>1: 8,4 ↖</p> <table border="1" style="width:100%; border-collapse: collapse;"> <tr><td>Serie</td><td style="text-align: right;">8,0</td></tr> <tr><td>Totalt</td><td style="text-align: right;">300,0</td></tr> </table>	Serie	8,0	Totalt	300,0	<p>Skott 3</p>  <p>1: 8,8 →</p> <table border="1" style="width:100%; border-collapse: collapse;"> <tr><td>Serie</td><td style="text-align: right;">8,0</td></tr> <tr><td>Totalt</td><td style="text-align: right;">308,0</td></tr> </table>	Serie	8,0	Totalt	308,0
Serie	8,0								
Totalt	300,0								
Serie	8,0								
Totalt	308,0								

<p>Skott 4</p>  <p>1: 8,9 ↑</p> <table border="1" style="width:100%; border-collapse: collapse;"> <tr><td>Serie</td><td style="text-align: right;">8,0</td></tr> <tr><td>Totalt</td><td style="text-align: right;">316,0</td></tr> </table>	Serie	8,0	Totalt	316,0	<p>Skott 5</p>  <p>1: 10,5* ←</p> <table border="1" style="width:100%; border-collapse: collapse;"> <tr><td>Serie</td><td style="text-align: right;">10,0</td></tr> <tr><td>Totalt</td><td style="text-align: right;">326,0</td></tr> </table>	Serie	10,0	Totalt	326,0
Serie	8,0								
Totalt	316,0								
Serie	10,0								
Totalt	326,0								

<p>Provskott</p> 	<p>10 skott</p> <p>1: 10,0 ↑ 2: 10,6* ↑ 3: 10,0 ↗ 4: 10,1 ↖ 5: 10,0 ↑ 6: 10,1 ↓ 7: 9,1 ↓ 8: 9,1 ↓ 9: 9,7 ↓</p> <table border="1" style="width:100%; border-collapse: collapse;"> <tr><td>Serie</td><td style="text-align: right;">87,0</td></tr> <tr><td>Totalt</td><td style="text-align: right;">191,0</td></tr> </table>	Serie	87,0	Totalt	191,0	 <p>1: 10,4* ↘ 2: 9,1 ↓ 3: 10,0 ↘ 4: 10,1 ↓ 5: 9,3 ↑</p> <table border="1" style="width:100%; border-collapse: collapse;"> <tr><td>Serie</td><td style="text-align: right;">48,0</td></tr> <tr><td>Totalt</td><td style="text-align: right;">239,0</td></tr> </table>	Serie	48,0	Totalt	239,0
Serie	87,0									
Totalt	191,0									
Serie	48,0									
Totalt	239,0									

<p>10 skott</p> 	<p>Skott 1</p> <p>6: 10,2 ↖ 7: 10,2 ↗ 8: 10,0 → 9: 9,6 ↑ 10: 10,4* ↑</p> <table border="1" style="width:100%; border-collapse: collapse;"> <tr><td>Serie</td><td style="text-align: right;">49,0</td></tr> <tr><td>Totalt</td><td style="text-align: right;">288,0</td></tr> </table>	Serie	49,0	Totalt	288,0	 <p>1: 9,8 ↗</p> <table border="1" style="width:100%; border-collapse: collapse;"> <tr><td>Serie</td><td style="text-align: right;">9,0</td></tr> <tr><td>Totalt</td><td style="text-align: right;">297,0</td></tr> </table>	Serie	9,0	Totalt	297,0
Serie	49,0									
Totalt	288,0									
Serie	9,0									
Totalt	297,0									

<p>Skott 2</p> 	<p>Skott 3</p> <p>1: 8,5 ↗</p> <table border="1" style="width:100%; border-collapse: collapse;"> <tr><td>Serie</td><td style="text-align: right;">8,0</td></tr> <tr><td>Totalt</td><td style="text-align: right;">305,0</td></tr> </table>	Serie	8,0	Totalt	305,0	 <p>1: 10,7* →</p> <table border="1" style="width:100%; border-collapse: collapse;"> <tr><td>Serie</td><td style="text-align: right;">10,0</td></tr> <tr><td>Totalt</td><td style="text-align: right;">315,0</td></tr> </table>	Serie	10,0	Totalt	315,0
Serie	8,0									
Totalt	305,0									
Serie	10,0									
Totalt	315,0									

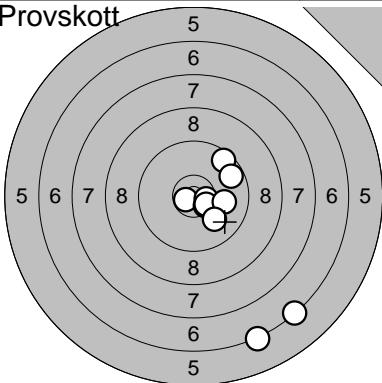
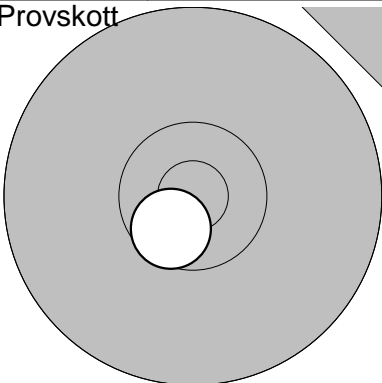
<p>Skott 4</p> 	<p>Skott 5</p> <p>1: 9,5 ←</p> <table border="1" style="width:100%; border-collapse: collapse;"> <tr><td>Serie</td><td style="text-align: right;">9,0</td></tr> <tr><td>Totalt</td><td style="text-align: right;">324,0</td></tr> </table>	Serie	9,0	Totalt	324,0	 <p>1: 9,2 →</p> <table border="1" style="width:100%; border-collapse: collapse;"> <tr><td>Serie</td><td style="text-align: right;">9,0</td></tr> <tr><td>Totalt</td><td style="text-align: right;">333,0</td></tr> </table>	Serie	9,0	Totalt	333,0
Serie	9,0									
Totalt	324,0									
Serie	9,0									
Totalt	333,0									

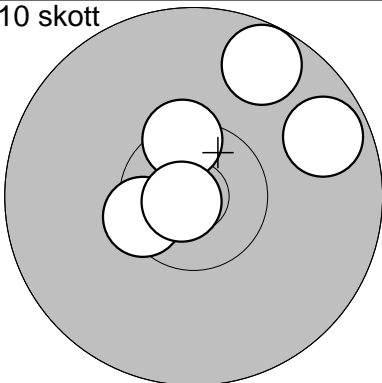
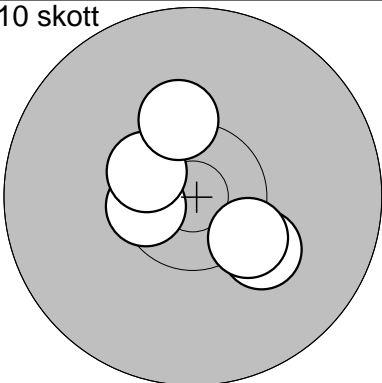
I 19 / A 9

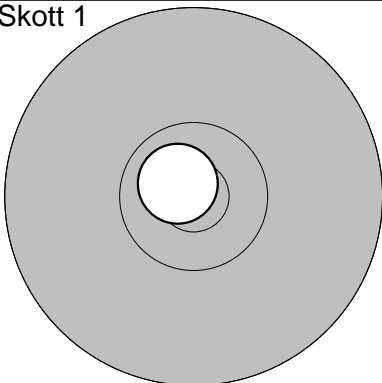
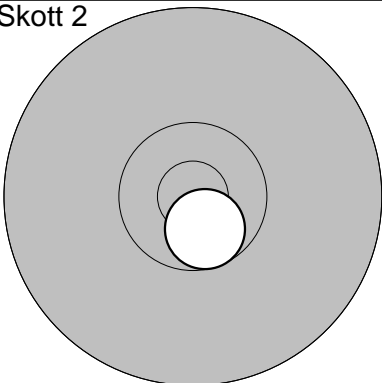
2009-07-16

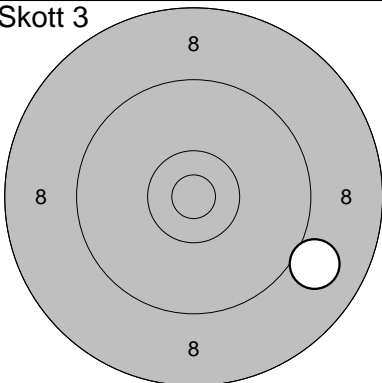
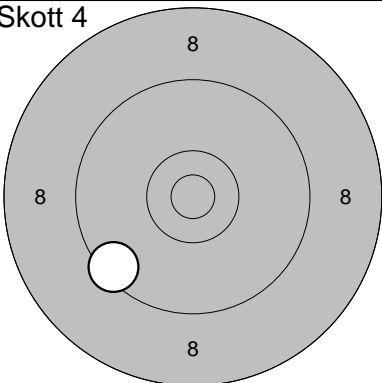
Tavelträffen 2009 Final

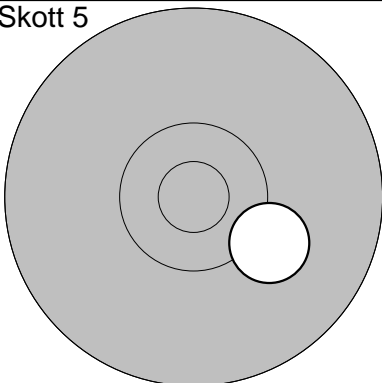
Ramselefors SKF

<p>Provskott</p> 	<p>1: 6,3 ↘                  2: 6,3 ↘                  3: 9,5 ↗                  4: 10,7* ↖                  5: 10,5* ↗                  6: 10,5* ↘                  7: 10,5* ↘                  8: 10,0 →                  9: 10,0 ↘                  10: 9,7 →</p> <p>Serie 90,0                  Totalt 191,0</p>	<p>Provskott</p> 	<p>11: 10,6* ↘</p> <p>Serie 10,0                  Totalt 191,0</p>
---	--	---	--

<p>10 skott</p> 	<p>1: 9,7 →                  2: 9,7 ↑                  3: 10,4* ↑                  4: 10,5* ↖                  5: 10,8* ↖</p> <p>Serie 48,0                  Totalt 239,0</p>	<p>10 skott</p> 	<p>6: 10,2 ↘                  7: 10,5* ↖                  8: 10,5* ↖                  9: 10,3 ↑                  10: 10,3* ↘</p> <p>Serie 50,0                  Totalt 289,0</p>
--	---	--	--

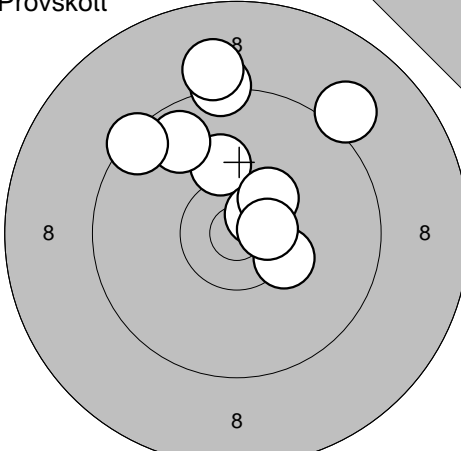
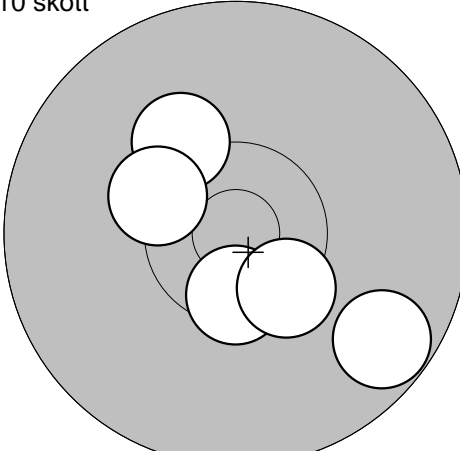
<p>Skott 1</p> 	<p>1: 10,8* ↗</p> <p>Serie 10,0                  Totalt 299,0</p>	<p>Skott 2</p> 	<p>1: 10,6* ↘</p> <p>Serie 10,0                  Totalt 309,0</p>
--	---	--	---

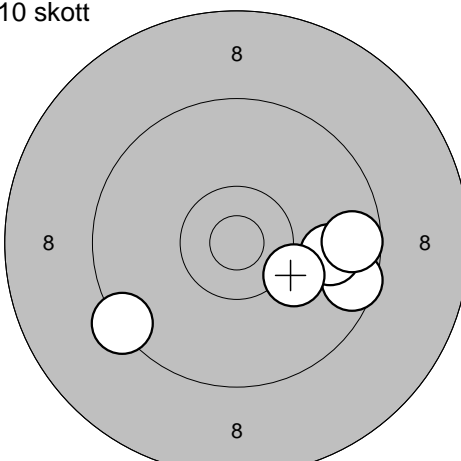
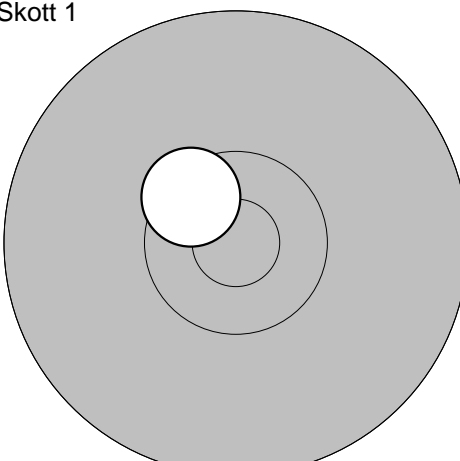
<p>Skott 3</p> 	<p>1: 9,0 ↘</p> <p>Serie 9,0                  Totalt 318,0</p>	<p>Skott 4</p> 	<p>1: 9,5 ↘</p> <p>Serie 9,0                  Totalt 327,0</p>
---	--	---	--

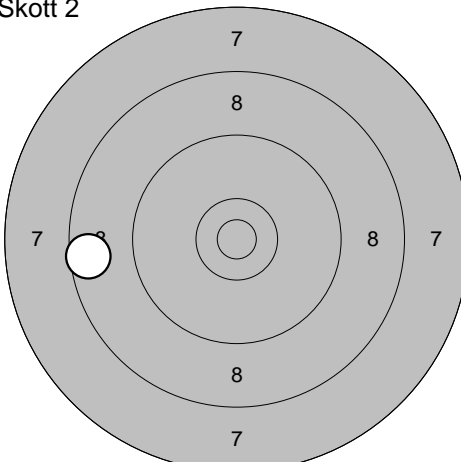
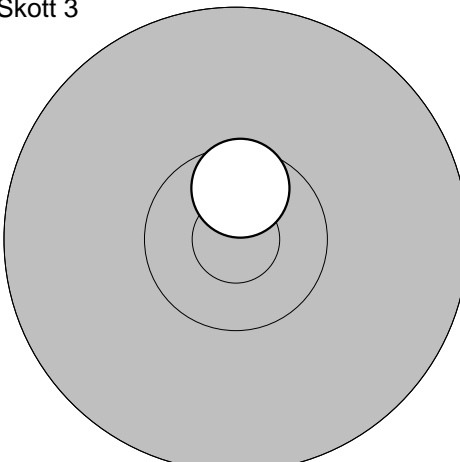
<p>Skott 5</p> 	<p>1: 10,2 ↘</p> <p>Serie 10,0                  Totalt 337,0</p>		
---	--	--	--

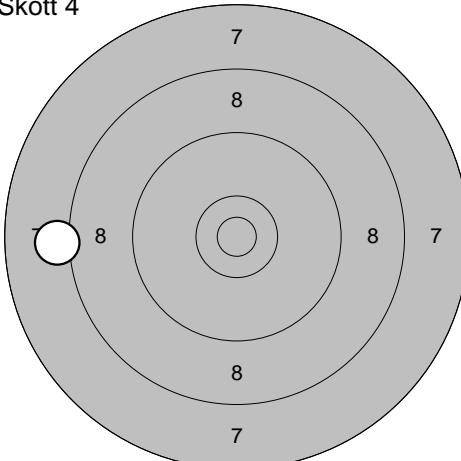
Ale

2009-07-16	Tavelträffen 2009 Final	Ramselefors SKF
------------	-------------------------	-----------------

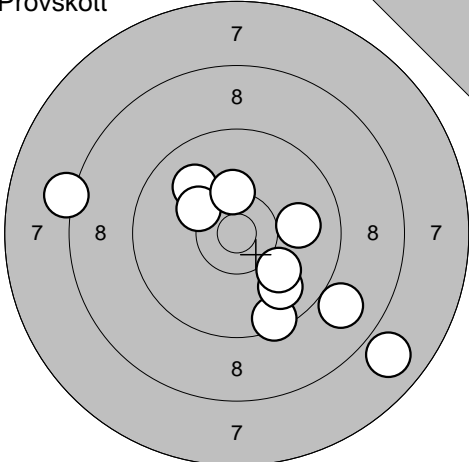
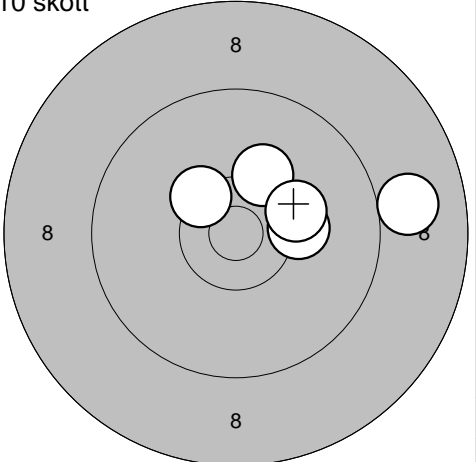
<p>Provskott</p> 	<p>10 skott</p> <p>1: 9,3 ↑                  2: 9,1 ↗                  3: 10,2 ↑                  4: 9,1 ↑                  5: 10,6* ↗                  6: 10,4* ↗                  7: 9,7 ↗                  8: 9,4 ↗                  9: 10,3* ↘                  10: 10,6* →</p> <table border="1" style="width:100%; border-collapse: collapse;"> <tr><td>Serie</td><td style="text-align: right;">95,0</td></tr> <tr><td>Totalt</td><td style="text-align: right;">190,0</td></tr> </table>	Serie	95,0	Totalt	190,0	 <p>1: 9,7 ↘                  2: 10,5* ↓                  3: 10,2 ↗                  4: 10,4* ↘                  5: 10,3* ↗</p> <table border="1" style="width:100%; border-collapse: collapse;"> <tr><td>Serie</td><td style="text-align: right;">49,0</td></tr> <tr><td>Totalt</td><td style="text-align: right;">239,0</td></tr> </table>	Serie	49,0	Totalt	239,0
Serie	95,0									
Totalt	190,0									
Serie	49,0									
Totalt	239,0									

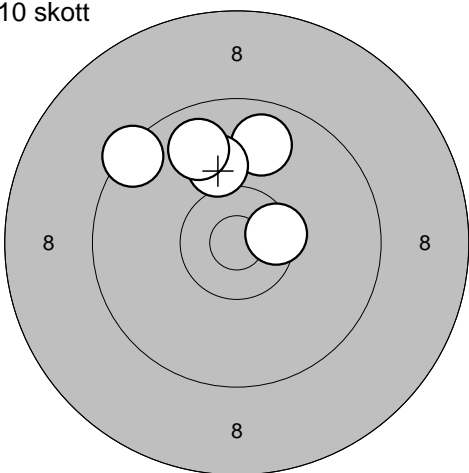
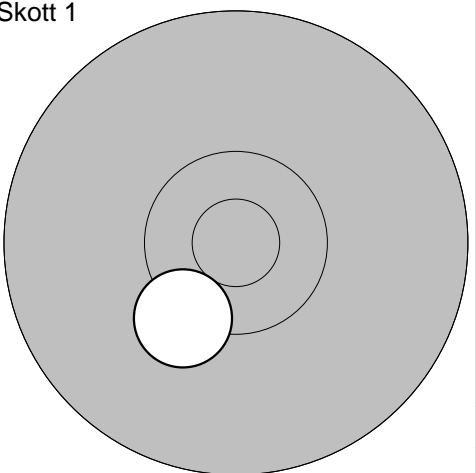
<p>10 skott</p> 	<p>Skott 1</p> <p>6: 9,6 →                  7: 9,4 ↙                  8: 9,9 →                  9: 10,2 ↘                  10: 9,6 →</p> <table border="1" style="width:100%; border-collapse: collapse;"> <tr><td>Serie</td><td style="text-align: right;">46,0</td></tr> <tr><td>Totalt</td><td style="text-align: right;">285,0</td></tr> </table>	Serie	46,0	Totalt	285,0	 <p>1: 10,5* ↖</p> <table border="1" style="width:100%; border-collapse: collapse;"> <tr><td>Serie</td><td style="text-align: right;">10,0</td></tr> <tr><td>Totalt</td><td style="text-align: right;">295,0</td></tr> </table>	Serie	10,0	Totalt	295,0
Serie	46,0									
Totalt	285,0									
Serie	10,0									
Totalt	295,0									

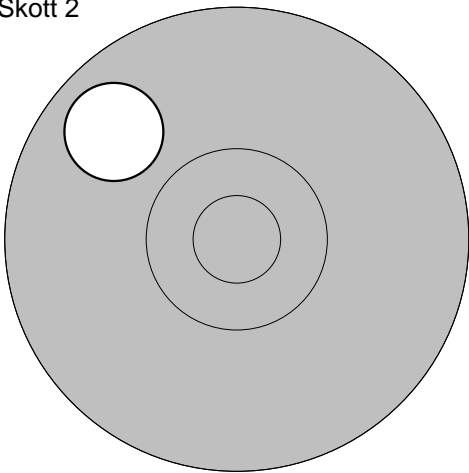
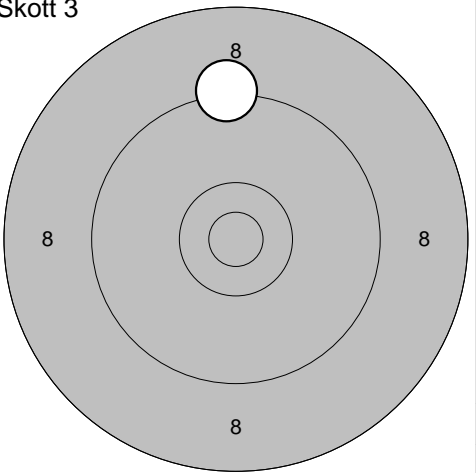
<p>Skott 2</p> 	<p>Skott 3</p> <p>1: 8,6 ←</p> <table border="1" style="width:100%; border-collapse: collapse;"> <tr><td>Serie</td><td style="text-align: right;">8,0</td></tr> <tr><td>Totalt</td><td style="text-align: right;">303,0</td></tr> </table>	Serie	8,0	Totalt	303,0	 <p>1: 10,6* ↑</p> <table border="1" style="width:100%; border-collapse: collapse;"> <tr><td>Serie</td><td style="text-align: right;">10,0</td></tr> <tr><td>Totalt</td><td style="text-align: right;">313,0</td></tr> </table>	Serie	10,0	Totalt	313,0
Serie	8,0									
Totalt	303,0									
Serie	10,0									
Totalt	313,0									

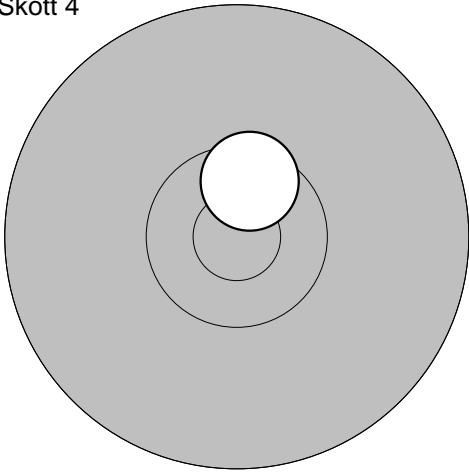
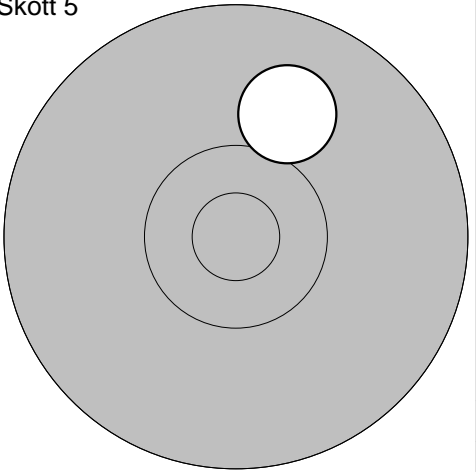
<p>Skott 4</p> 	<p>Skott 5</p> <p>1: 8,1 ←</p> <table border="1" style="width:100%; border-collapse: collapse;"> <tr><td>Serie</td><td style="text-align: right;">8,0</td></tr> <tr><td>Totalt</td><td style="text-align: right;">321,0</td></tr> </table>	Serie	8,0	Totalt	321,0	 <p>1: 8,4 ↘</p> <table border="1" style="width:100%; border-collapse: collapse;"> <tr><td>Serie</td><td style="text-align: right;">8,0</td></tr> <tr><td>Totalt</td><td style="text-align: right;">329,0</td></tr> </table>	Serie	8,0	Totalt	329,0
Serie	8,0									
Totalt	321,0									
Serie	8,0									
Totalt	329,0									



<p>Provskott</p> 	<p>10 skott</p> 	<p>1: 7,9 ↘ 2: 8,2 ↖ 3: 9,5 ↘ 4: 10,0 ↗ 5: 10,2 ↗ 6: 9,9 ↘ 7: 10,1 ↘ 8: 8,9 ↘ 9: 10,0 → 10: 10,3* ↑</p> <p>Serie 91,0 Totalt 189,0</p>	<p>1: 10,2 ↗ 2: 9,0 → 3: 10,2 → 4: 10,4* ↖ 5: 10,2 →</p> <p>Serie 49,0 Totalt 238,0</p>
---	--	--	---

<p>10 skott</p> 	<p>Skott 1</p> 	<p>6: 9,8 ↑ 7: 10,0 ↑ 8: 9,4 ↗ 9: 10,5* → 10: 9,8 ↗</p> <p>Serie 47,0 Totalt 285,0</p>	<p>1: 10,3* ↘</p> <p>Serie 10,0 Totalt 295,0</p>
---	--	--	--

<p>Skott 2</p> 	<p>Skott 3</p> 	<p>1: 9,8 ↖</p> <p>Serie 9,0 Totalt 304,0</p>	<p>1: 9,3 ↑</p> <p>Serie 9,0 Totalt 313,0</p>
---	---	---	---

<p>Skott 4</p> 	<p>Skott 5</p> 	<p>1: 10,5* ↑</p> <p>Serie 10,0 Totalt 323,0</p>	<p>1: 10,0 ↗</p> <p>Serie 10,0 Totalt 333,0</p>
---	---	--	---

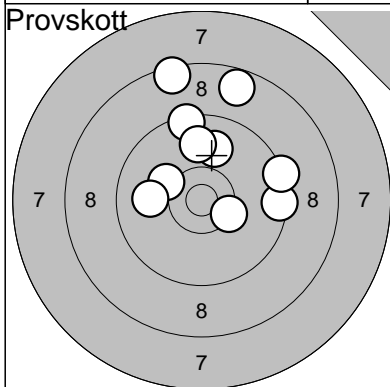
Ramselefors

2009-07-16

Tavelträffen 2009 Final

Ramselefors SKF

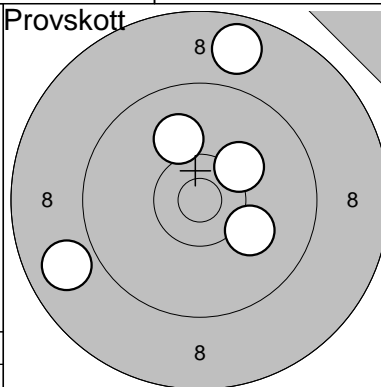
Provskott



- 1: 9,4 →
- 2: 9,3 →
- 3: 10,2 ↗
- 4: 9,4 ↗
- 5: 10,0 ←
- 6: 9,9 ↗
- 7: 9,9 ↗
- 8: 8,5 ↗
- 9: 8,7 ↗
- 10: 10,3\* ↗

Serie 91,0  
Totalt 189,0

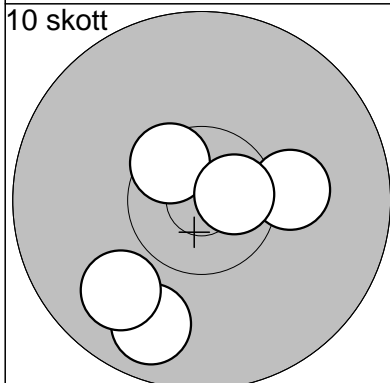
Provskott



- 11: 10,1 →
- 12: 8,9 ←
- 13: 8,8 ↑
- 14: 10,1 ↑
- 15: 10,2 ↗

Serie 46,0  
Totalt 189,0

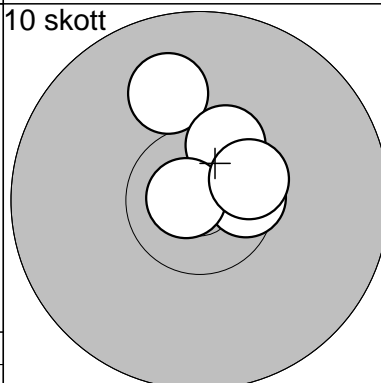
10 skott



- 1: 10,5\* ↗
- 2: 10,2 →
- 3: 9,8 ↓
- 4: 9,9 ↙
- 5: 10,7\* →

Serie 48,0  
Totalt 237,0

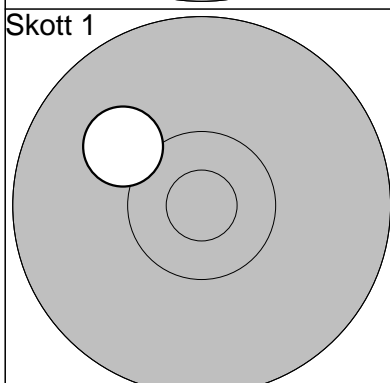
10 skott



- 6: 10,0 ↑
- 7: 10,5\* →
- 8: 10,4\* ↗
- 9: 10,8\* ←
- 10: 10,5\* ↗

Serie 50,0  
Totalt 287,0

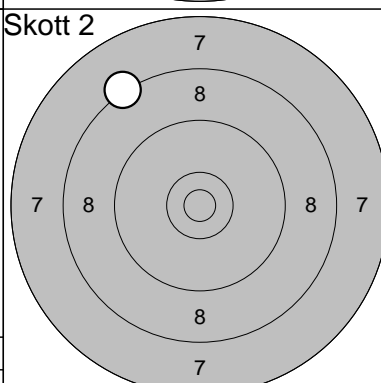
Skott 1



- 1: 10,1 ↗

Serie 10,0  
Totalt 297,0

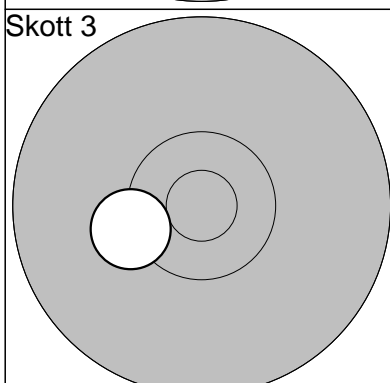
Skott 2



- 1: 8,3 ↖

Serie 8,0  
Totalt 305,0

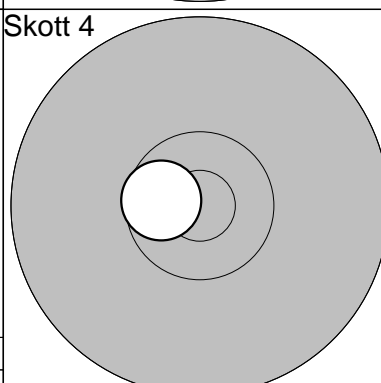
Skott 3



- 1: 10,3\* ←

Serie 10,0  
Totalt 315,0

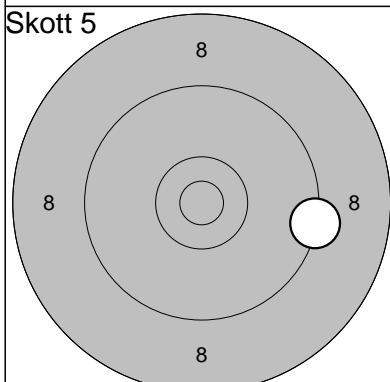
Skott 4



- 1: 10,6\* ←

Serie 10,0  
Totalt 325,0

Skott 5



- 1: 9,3 →

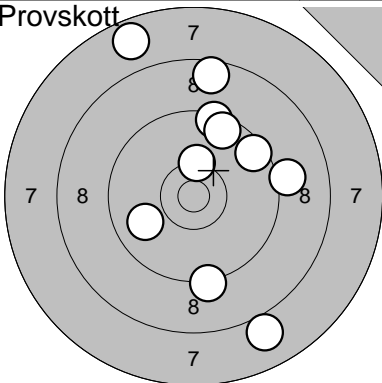
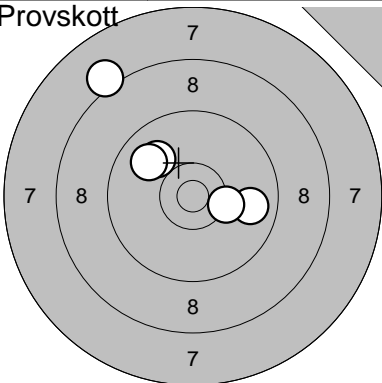
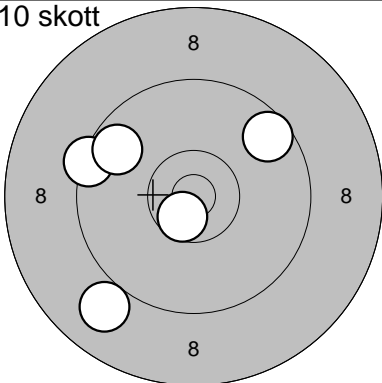
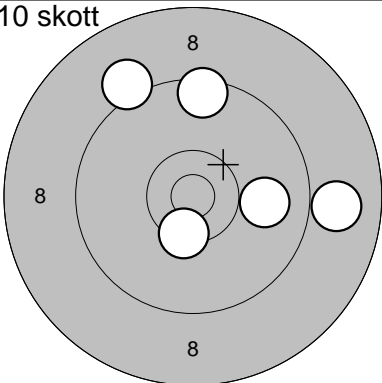
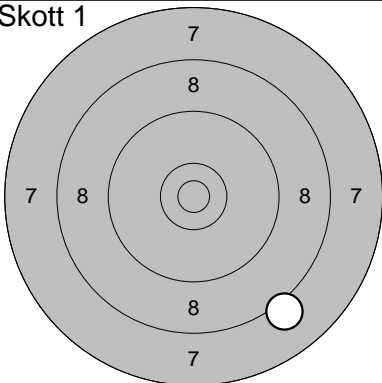
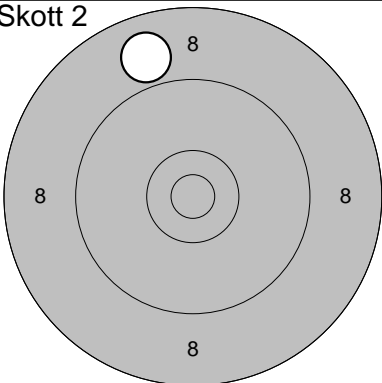
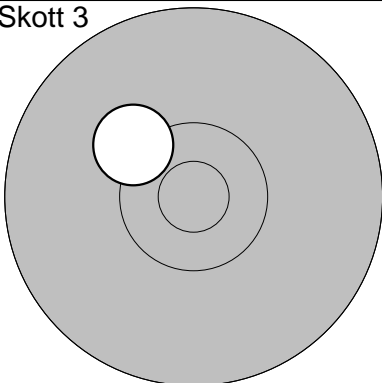
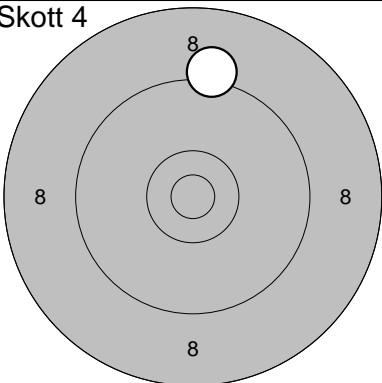
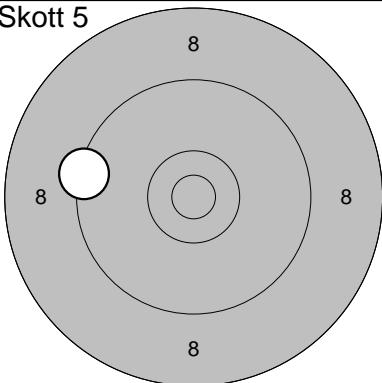
Serie 9,0  
Totalt 334,0

Övertorneå

2009-07-16

Tavelträffen 2009 Final

Ramselefors SKF

<p>Provskott</p> 	<p>1: 7,7 ↗ 2: 8,0 ↘ 3: 8,6 ↗ 4: 9,4 ↗ 5: 9,6 ↗ 6: 10,3* ↗ 7: 9,9 ↖ 8: 9,2 ↘ 9: 9,1 → 10: 9,5 ↗</p> <p>Serie 87,0 Totalt 186,0</p>	<p>Provskott</p> 	<p>11: 9,8 → 12: 10,0 ↗ 13: 10,3 → 14: 9,9 ↗ 15: 8,1 ↗</p> <p>Serie 46,0 Totalt 186,0</p>
<p>10 skott</p> 	<p>1: 10,6* ↘ 2: 9,6 ↗ 3: 9,4 ↖ 4: 9,7 ↖ 5: 9,0 ↘</p> <p>Serie 46,0 Totalt 232,0</p>	<p>10 skott</p> 	<p>6: 8,9 → 7: 9,9 → 8: 10,4* ↘ 9: 9,1 ↗ 10: 9,5 ↑</p> <p>Serie 45,0 Totalt 277,0</p>
<p>Skott 1</p> 	<p>1: 8,1 ↘</p> <p>Serie 8,0 Totalt 285,0</p>	<p>Skott 2</p> 	<p>1: 8,9 ↑</p> <p>Serie 8,0 Totalt 293,0</p>
<p>Skott 3</p> 	<p>1: 10,3 ↖</p> <p>Serie 10,0 Totalt 303,0</p>	<p>Skott 4</p> 	<p>1: 9,2 ↑</p> <p>Serie 9,0 Totalt 312,0</p>
<p>Skott 5</p> 	<p>1: 9,4 ↖</p> <p>Serie 9,0 Totalt 321,0</p>		

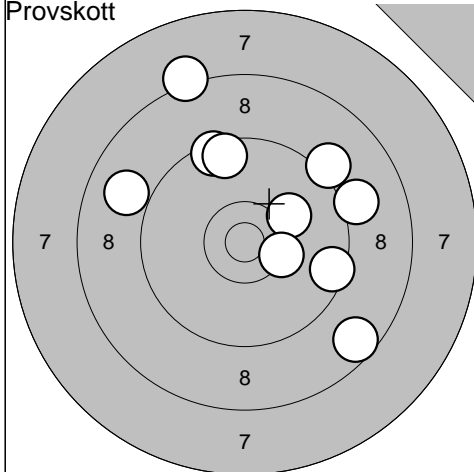
Vännäs

2009-07-16

Tavelträffen 2009 Final

Ramselefors SKF

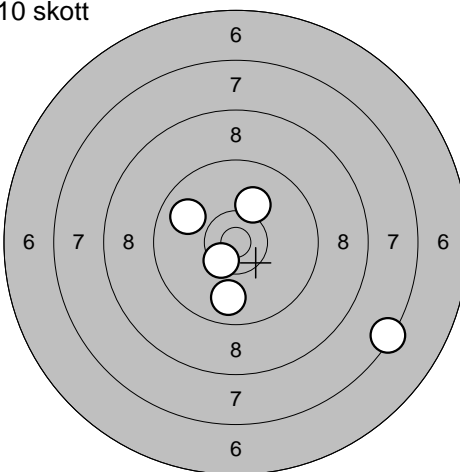
Provskott



- 1: 9,1 →
- 2: 9,5 →
- 3: 9,5 ↗
- 4: 9,2 ↗
- 5: 8,2 ↗
- 6: 8,6 ↘
- 7: 10,1 ↗
- 8: 9,6 ↗
- 9: 8,9 ↖
- 10: 10,3\* →

Serie 89,0  
Totalt 186,0

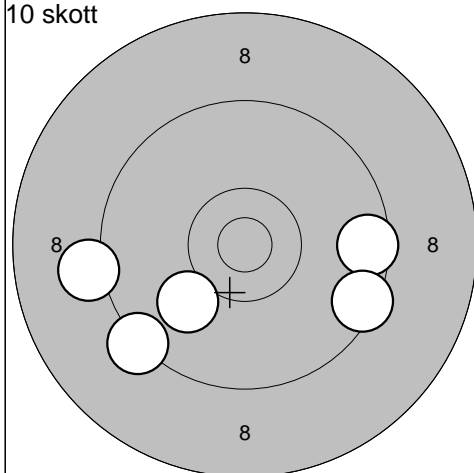
10 skott



- 1: 9,9 ↖
- 2: 10,1 ↗
- 3: 9,8 ↓
- 4: 7,4 →
- 5: 10,5\* ↖

Serie 45,0  
Totalt 231,0

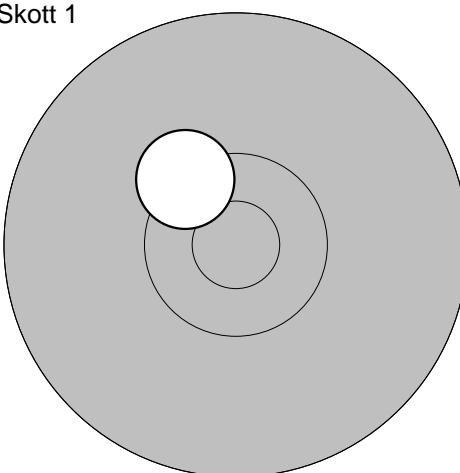
10 skott



- 6: 9,3 ↘
- 7: 10,0 ↘
- 8: 9,1 ←
- 9: 9,5 →
- 10: 9,5 ↘

Serie 46,0  
Totalt 277,0

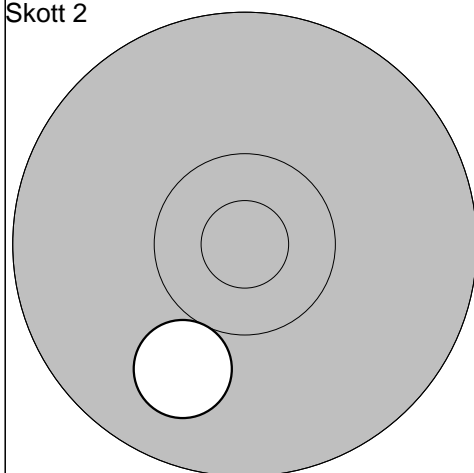
Skott 1



- 1: 10,4\* ↖

Serie 10,0  
Totalt 287,0

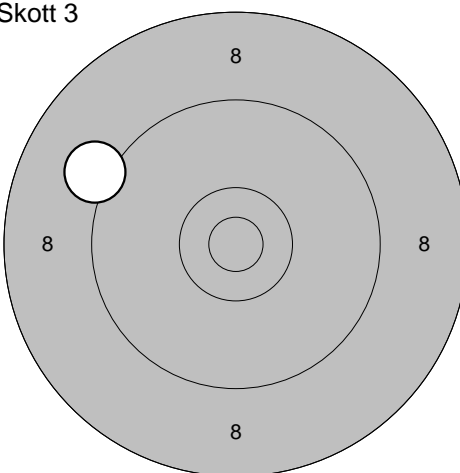
Skott 2



- 1: 10,0 ↘

Serie 10,0  
Totalt 297,0

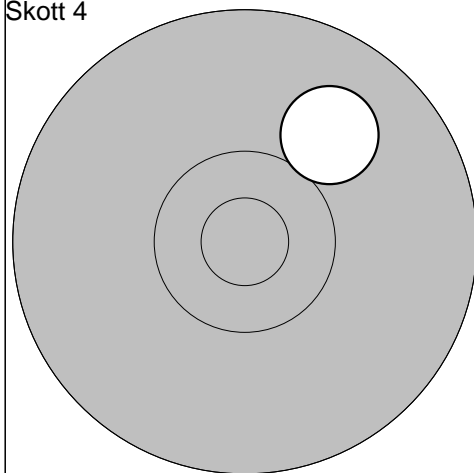
Skott 3



- 1: 9,1 ↖

Serie 9,0  
Totalt 306,0

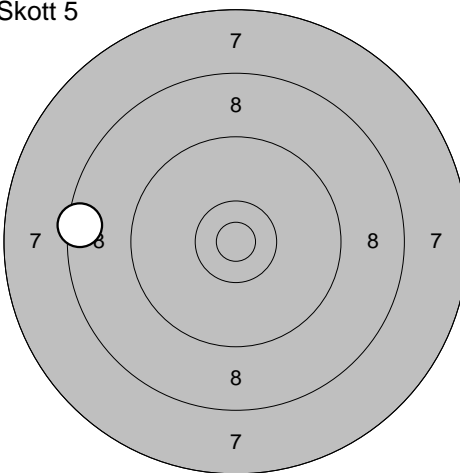
Skott 4



- 1: 10,0 ↗

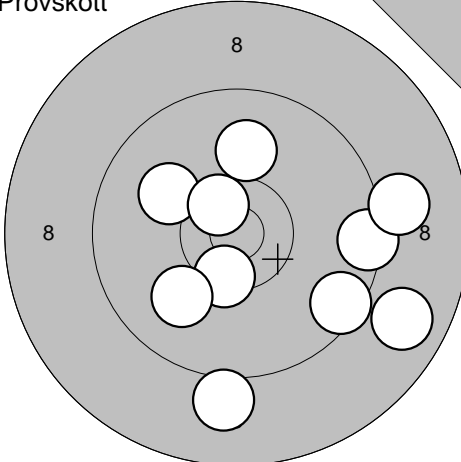
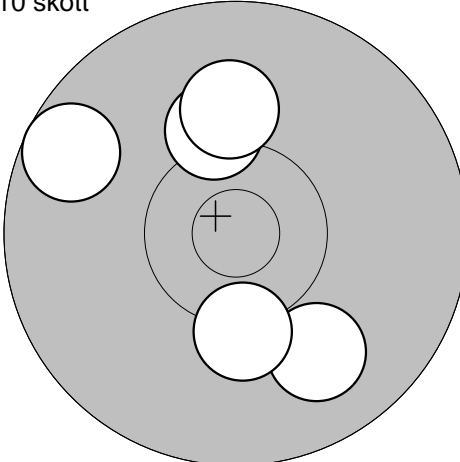
Serie 10,0  
Totalt 316,0

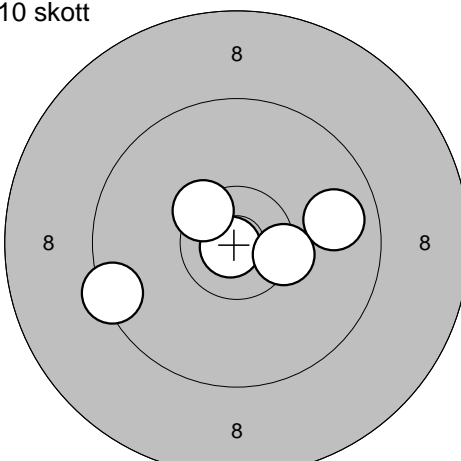
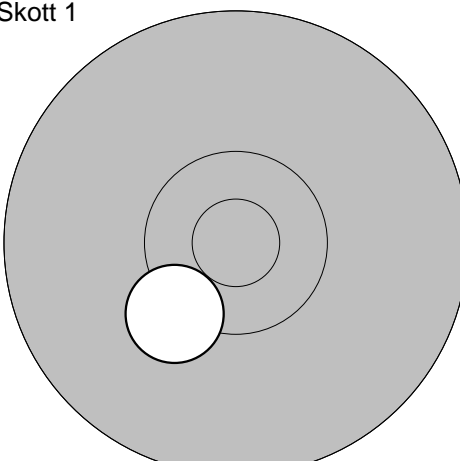
Skott 5

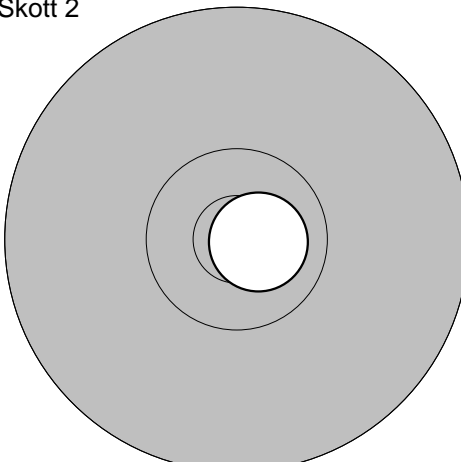
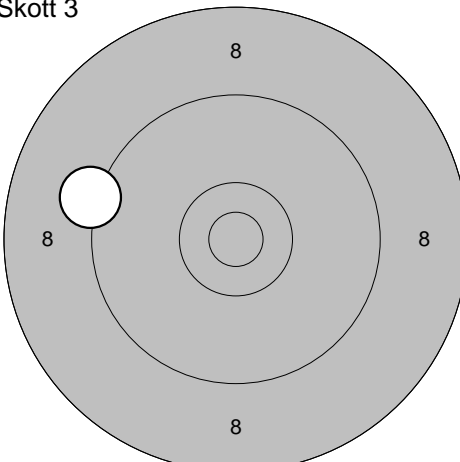


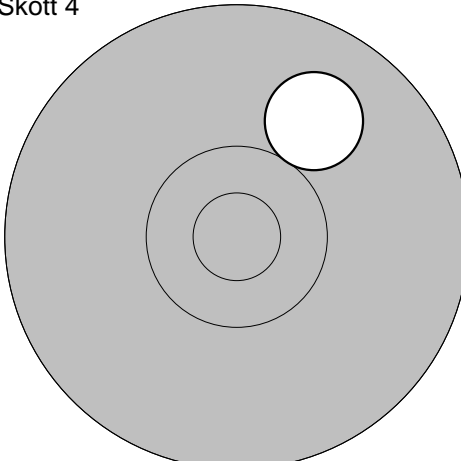
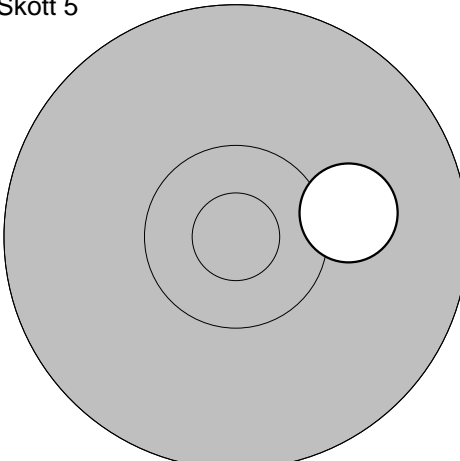
- 1: 8,5 ←

Serie 8,0  
Totalt 324,0

<p>Provskott</p> 	<p>1: 9,4 → 2: 9,1 → 3: 8,8 ↘ 4: 10,1 ↗ 5: 9,5 ↘ 6: 10,6* ↗ 7: 10,4* ↓ 8: 10,0 ↘ 9: 9,0 ↓ 10: 10,0 ↑</p> <p>Serie 94,0 Totalt 185,0</p>	<p>10 skott</p>  <p>1: 10,2 ↑ 2: 9,7 ↖ 3: 9,9 ↘ 4: 10,2 ↓ 5: 10,1 ↑</p> <p>Serie 48,0 Totalt 233,0</p>
---	---	--

<p>10 skott</p>  <p>Serie 48,0 Totalt 281,0</p>	<p>Skott 1</p>  <p>1: 10,3 ↘</p> <p>Serie 10,0 Totalt 291,0</p>
--	--

<p>Skott 2</p>  <p>Serie 10,0 Totalt 301,0</p>	<p>Skott 3</p>  <p>1: 9,2 ↖</p> <p>Serie 9,0 Totalt 310,0</p>
--	---

<p>Skott 4</p>  <p>Serie 10,0 Totalt 320,0</p>	<p>Skott 5</p>  <p>1: 10,1 →</p> <p>Serie 10,0 Totalt 330,0</p>
--	---

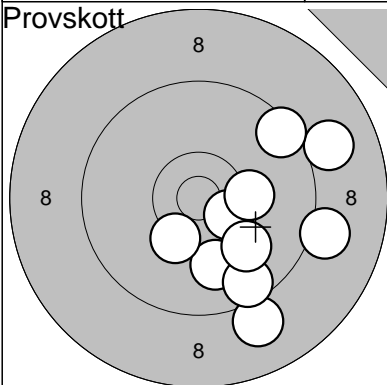
Lindesberg

2009-07-16

Tavelträffen 2009 Final

Ramselefors SKF

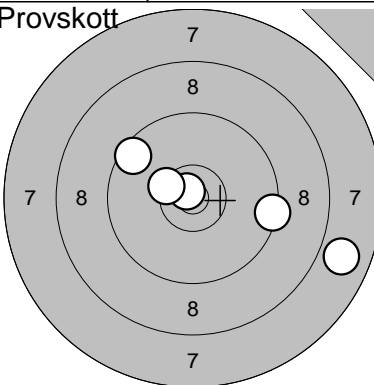
Provskott



1:	9,0	↘
2:	10,0	↘
3:	10,3*	↘
4:	9,6	↘
5:	10,5*	↘
6:	9,1	→
7:	10,2	→
8:	9,0	→
9:	9,5	↗
10:	10,0	↘

Serie	95,0
Totalt	184,0

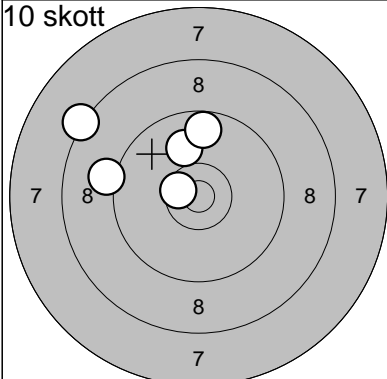
Provskott



11:	9,4	→
12:	9,5	↗
13:	10,8*	↗
14:	7,9	↘
15:	10,4*	↗

Serie	45,0
Totalt	184,0

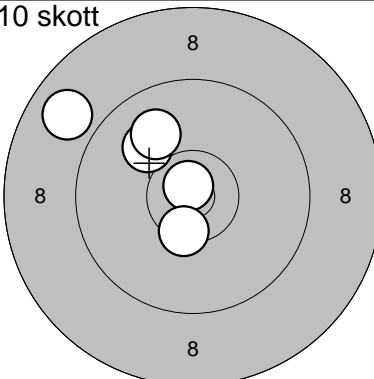
10 skott



1:	10,0	↑
2:	9,7	↑
3:	8,3	↗
4:	10,6*	↖
5:	9,1	↖

Serie	46,0
Totalt	230,0

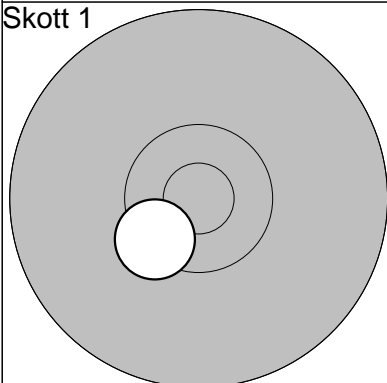
10 skott



6:	8,9	↖
7:	10,8*	↗
8:	10,0	↗
9:	9,9	↗
10:	10,4*	↘

Serie	47,0
Totalt	277,0

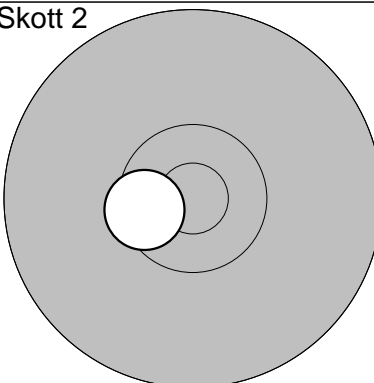
Skott 1



1:	10,4*	↘
----	-------	---

Serie	10,0
Totalt	287,0

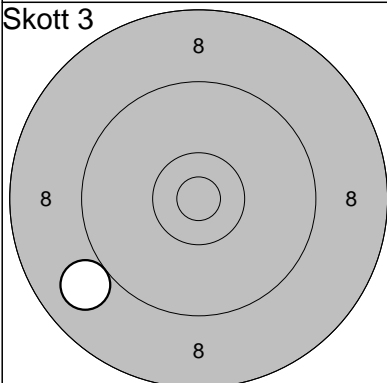
Skott 2



1:	10,5*	←
----	-------	---

Serie	10,0
Totalt	297,0

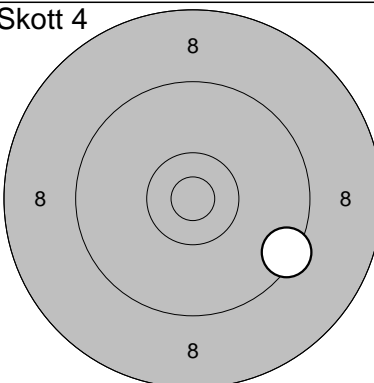
Skott 3



1:	8,9	↘
----	-----	---

Serie	8,0
Totalt	305,0

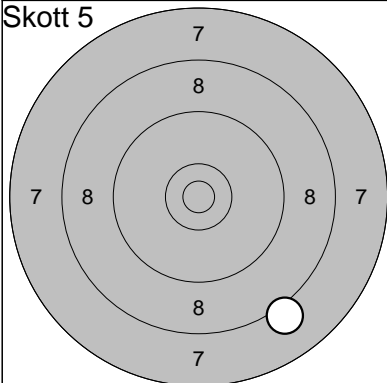
Skott 4



1:	9,4	→
----	-----	---

Serie	9,0
Totalt	314,0

Skott 5

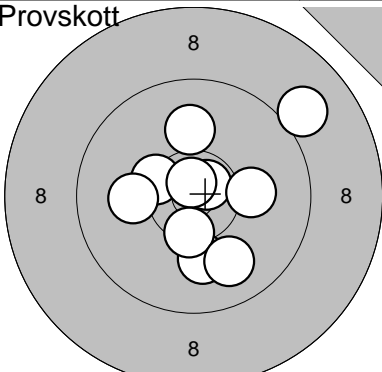
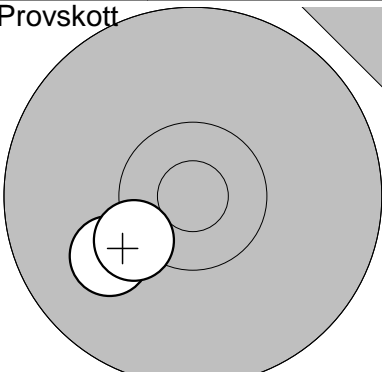


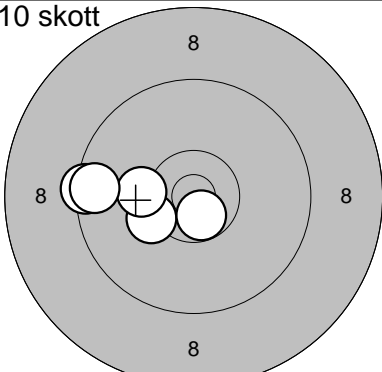
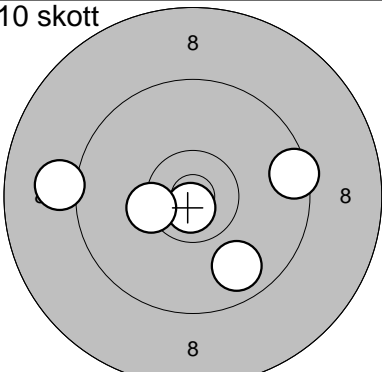
1:	8,1	↘
----	-----	---

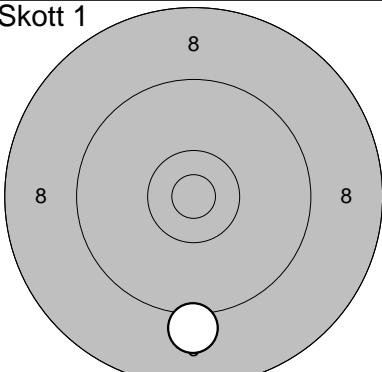
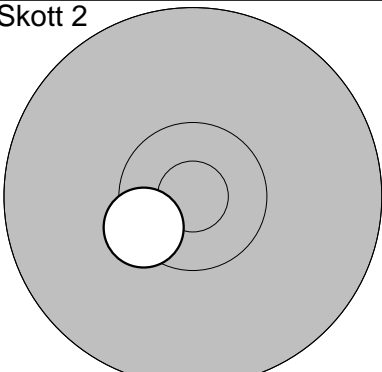
Serie	8,0
Totalt	322,0

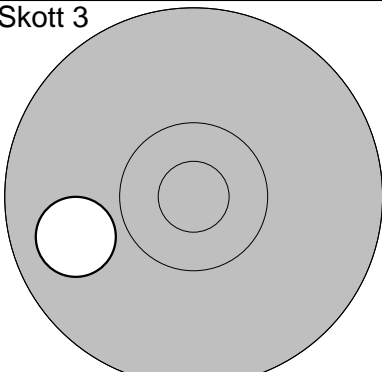
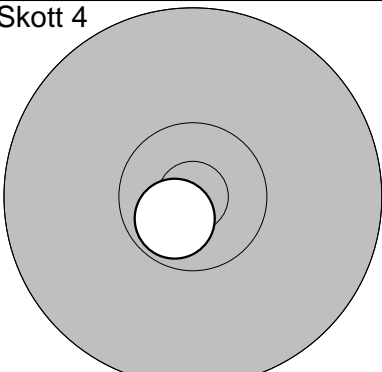
Umeå

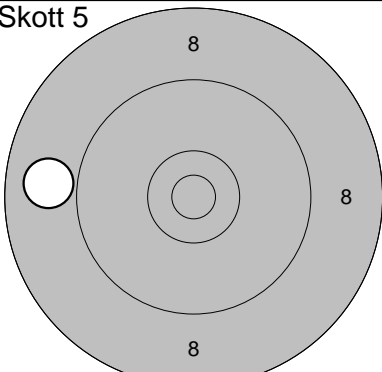
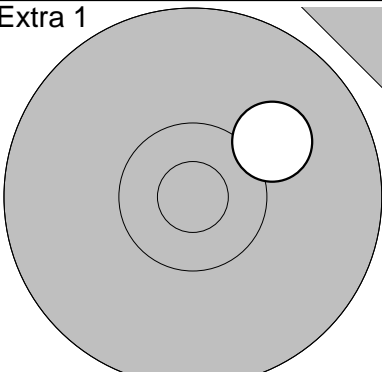
2009-07-16	Tavelträffen 2009 Final	Ramselefors SKF
------------	-------------------------	-----------------

<b>Provskott</b> 	1: 10,0 ↑ 2: 10,7* ↗ 3: 10,4* ↖ 4: 10,8* ↑ 5: 10,1 ↓ 6: 10,4* ↓ 7: 9,0 ↗ 8: 10,1 ← 9: 10,1 → 10: 9,9 ↓	<b>Provskott</b> 	11: 10,1 ↖ 12: 10,3* ↖								
<table style="width:100%; border-collapse: collapse;"> <tr> <td style="width:50%;"><b>Serie</b></td> <td style="text-align: right;"><b>98,0</b></td> </tr> <tr> <td><b>Totalt</b></td> <td style="text-align: right;"><b>197,0</b></td> </tr> </table>		<b>Serie</b>	<b>98,0</b>	<b>Totalt</b>	<b>197,0</b>	<table style="width:100%; border-collapse: collapse;"> <tr> <td style="width:50%;"><b>Serie</b></td> <td style="text-align: right;"><b>20,0</b></td> </tr> <tr> <td><b>Totalt</b></td> <td style="text-align: right;"><b>197,0</b></td> </tr> </table>		<b>Serie</b>	<b>20,0</b>	<b>Totalt</b>	<b>197,0</b>
<b>Serie</b>	<b>98,0</b>										
<b>Totalt</b>	<b>197,0</b>										
<b>Serie</b>	<b>20,0</b>										
<b>Totalt</b>	<b>197,0</b>										

<b>10 skott</b> 	1: 10,3 ↖ 2: 9,4 ← 3: 10,2 ← 4: 10,7* ↓ 5: 9,6 ←	<b>10 skott</b> 	6: 10,8* ↓ 7: 9,8 ↓ 8: 9,5 → 9: 9,1 ← 10: 10,3* ←								
<table style="width:100%; border-collapse: collapse;"> <tr> <td style="width:50%;"><b>Serie</b></td> <td style="text-align: right;"><b>48,0</b></td> </tr> <tr> <td><b>Totalt</b></td> <td style="text-align: right;"><b>245,0</b></td> </tr> </table>		<b>Serie</b>	<b>48,0</b>	<b>Totalt</b>	<b>245,0</b>	<table style="width:100%; border-collapse: collapse;"> <tr> <td style="width:50%;"><b>Serie</b></td> <td style="text-align: right;"><b>47,0</b></td> </tr> <tr> <td><b>Totalt</b></td> <td style="text-align: right;"><b>292,0</b></td> </tr> </table>		<b>Serie</b>	<b>47,0</b>	<b>Totalt</b>	<b>292,0</b>
<b>Serie</b>	<b>48,0</b>										
<b>Totalt</b>	<b>245,0</b>										
<b>Serie</b>	<b>47,0</b>										
<b>Totalt</b>	<b>292,0</b>										

<b>Skott 1</b> 	1: 9,1 ↓	<b>Skott 2</b> 	1: 10,4* ↖								
<table style="width:100%; border-collapse: collapse;"> <tr> <td style="width:50%;"><b>Serie</b></td> <td style="text-align: right;"><b>9,0</b></td> </tr> <tr> <td><b>Totalt</b></td> <td style="text-align: right;"><b>301,0</b></td> </tr> </table>		<b>Serie</b>	<b>9,0</b>	<b>Totalt</b>	<b>301,0</b>	<table style="width:100%; border-collapse: collapse;"> <tr> <td style="width:50%;"><b>Serie</b></td> <td style="text-align: right;"><b>10,0</b></td> </tr> <tr> <td><b>Totalt</b></td> <td style="text-align: right;"><b>311,0</b></td> </tr> </table>		<b>Serie</b>	<b>10,0</b>	<b>Totalt</b>	<b>311,0</b>
<b>Serie</b>	<b>9,0</b>										
<b>Totalt</b>	<b>301,0</b>										
<b>Serie</b>	<b>10,0</b>										
<b>Totalt</b>	<b>311,0</b>										

<b>Skott 3</b> 	1: 9,9 ←	<b>Skott 4</b> 	1: 10,7* ↖								
<table style="width:100%; border-collapse: collapse;"> <tr> <td style="width:50%;"><b>Serie</b></td> <td style="text-align: right;"><b>9,0</b></td> </tr> <tr> <td><b>Totalt</b></td> <td style="text-align: right;"><b>320,0</b></td> </tr> </table>		<b>Serie</b>	<b>9,0</b>	<b>Totalt</b>	<b>320,0</b>	<table style="width:100%; border-collapse: collapse;"> <tr> <td style="width:50%;"><b>Serie</b></td> <td style="text-align: right;"><b>10,0</b></td> </tr> <tr> <td><b>Totalt</b></td> <td style="text-align: right;"><b>330,0</b></td> </tr> </table>		<b>Serie</b>	<b>10,0</b>	<b>Totalt</b>	<b>330,0</b>
<b>Serie</b>	<b>9,0</b>										
<b>Totalt</b>	<b>320,0</b>										
<b>Serie</b>	<b>10,0</b>										
<b>Totalt</b>	<b>330,0</b>										

<b>Skott 5</b> 	1: 8,9 ←	<b>Extra 1</b> 	1: 10,1 ↗								
<table style="width:100%; border-collapse: collapse;"> <tr> <td style="width:50%;"><b>Serie</b></td> <td style="text-align: right;"><b>8,0</b></td> </tr> <tr> <td><b>Totalt</b></td> <td style="text-align: right;"><b>338,0</b></td> </tr> </table>		<b>Serie</b>	<b>8,0</b>	<b>Totalt</b>	<b>338,0</b>	<table style="width:100%; border-collapse: collapse;"> <tr> <td style="width:50%;"><b>Serie</b></td> <td style="text-align: right;"><b>10,0</b></td> </tr> <tr> <td><b>Totalt</b></td> <td style="text-align: right;"><b>338,0</b></td> </tr> </table>		<b>Serie</b>	<b>10,0</b>	<b>Totalt</b>	<b>338,0</b>
<b>Serie</b>	<b>8,0</b>										
<b>Totalt</b>	<b>338,0</b>										
<b>Serie</b>	<b>10,0</b>										
<b>Totalt</b>	<b>338,0</b>										

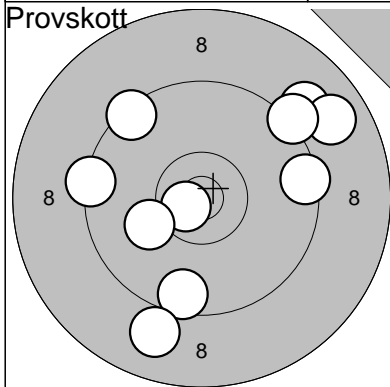
Ununge

2009-07-16

Tavelträffen 2009 Final

Ramselefors SKF

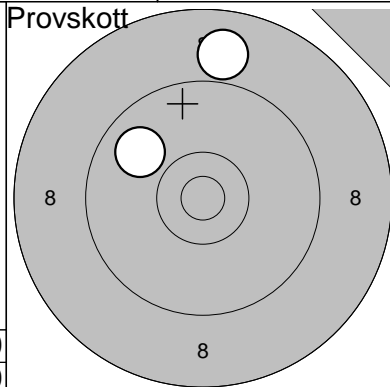
Provskott



1:	9,0	↗
2:	8,8	→
3:	9,6	↓
4:	9,5	→
5:	9,0	↓
6:	10,7*	↖
7:	9,4	←
8:	9,4	↗
9:	9,3	↗
10:	10,1	↖

Serie	91,0
Totalt	193,0

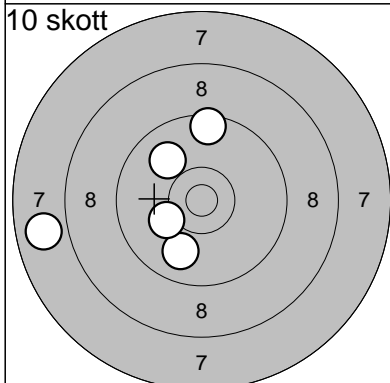
Provskott



11:	9,9	↖
12:	8,9	↑

Serie	17,0
Totalt	193,0

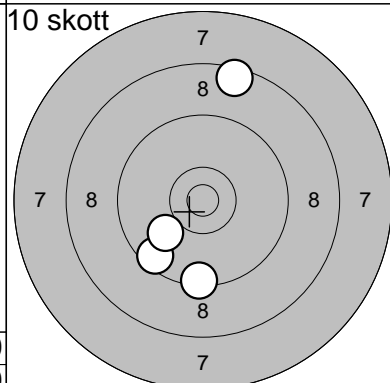
10 skott



1:	9,5	↑
2:	7,8	←
3:	9,9	↗
4:	9,9	↓
5:	10,2	↖

Serie	44,0
Totalt	237,0

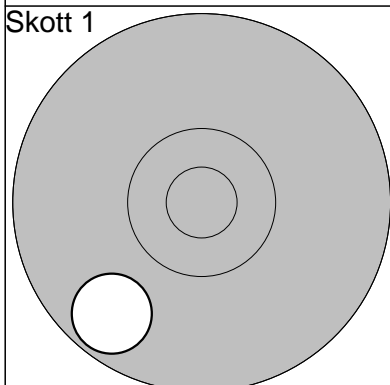
10 skott



6:	9,5	↘
7:	8,5	↑
8:	9,4	↓
9:	10,0	↘
10:	0,0	↘

Serie	36,0
Totalt	273,0

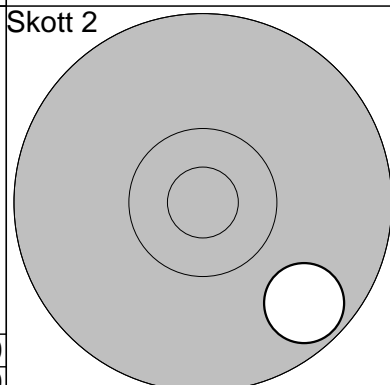
Skott 1



1:	9,7	↘
----	-----	---

Serie	9,0
Totalt	282,0

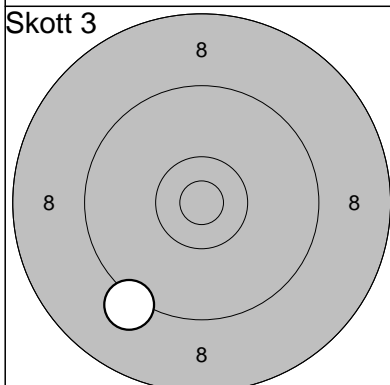
Skott 2



1:	9,7	↘
----	-----	---

Serie	9,0
Totalt	291,0

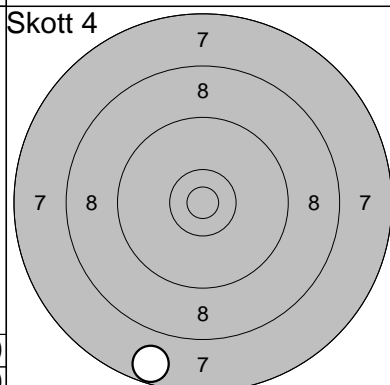
Skott 3



1:	9,2	↘
----	-----	---

Serie	9,0
Totalt	300,0

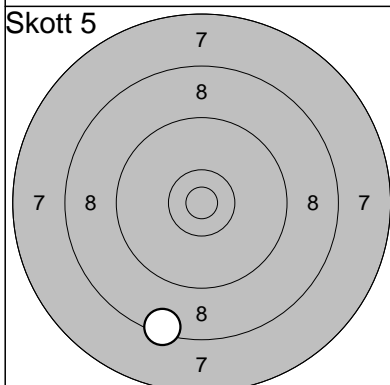
Skott 4



1:	7,7	↓
----	-----	---

Serie	7,0
Totalt	307,0

Skott 5



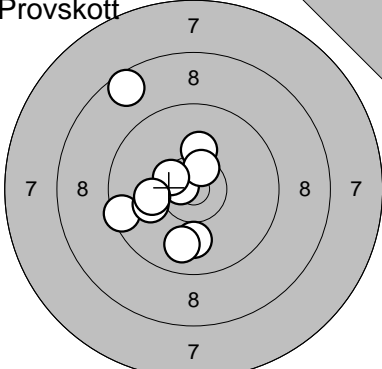
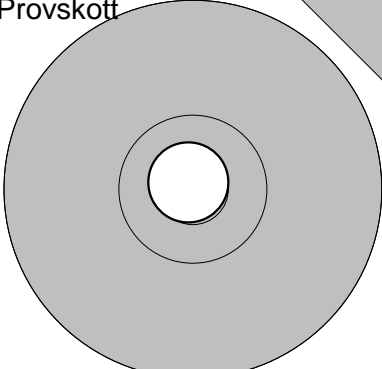
1:	8,4	↓
----	-----	---

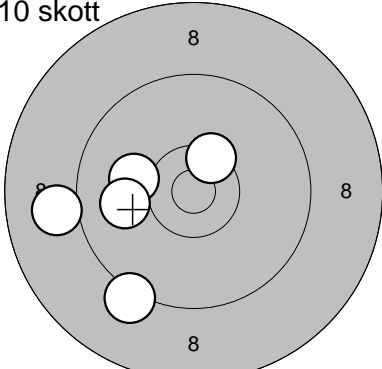
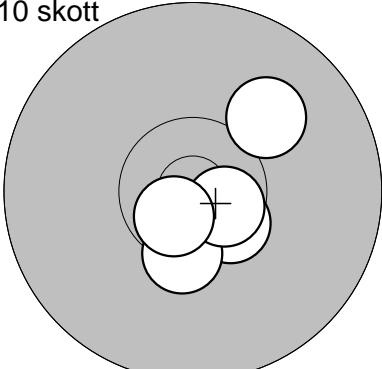
Serie	8,0
Totalt	315,0

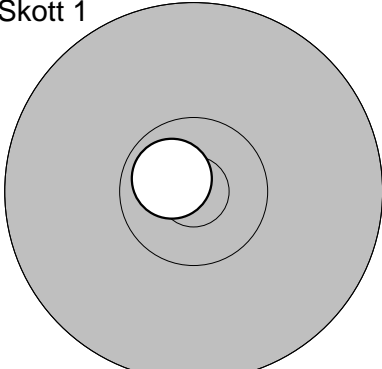
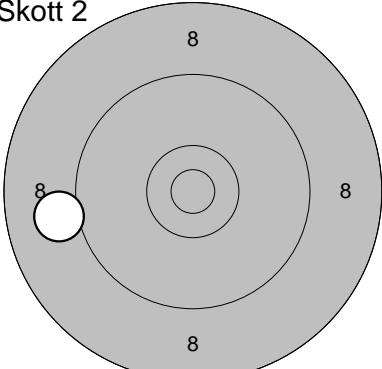


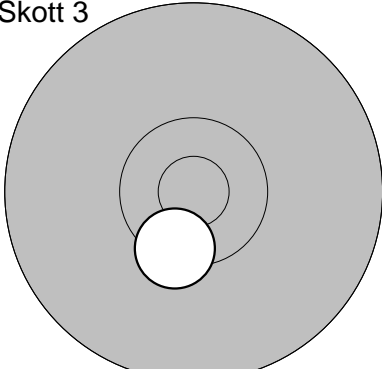
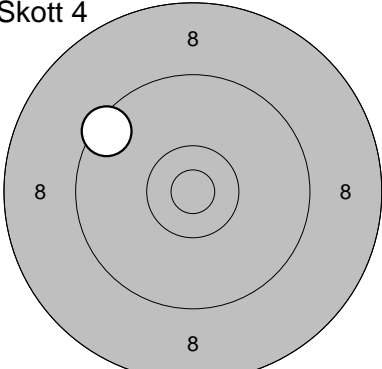
Ununge

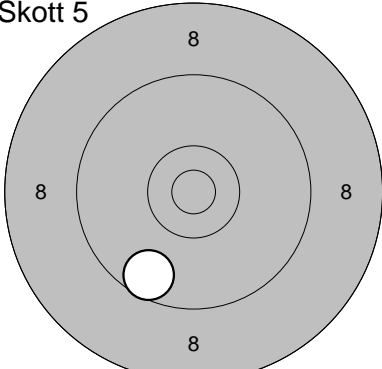
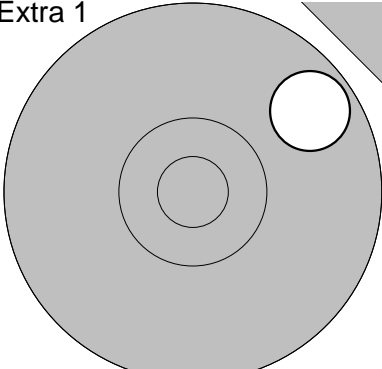
2009-07-16	Tavelträffen 2009 Final	Ramselefors SKF
------------	-------------------------	-----------------

<b>Provskott</b> 	1: 9,5 ← 2: 10,1 ← 3: 10,7* ← 4: 10,2 ↑ 5: 10,0 ↓ 6: 10,5* ↑ 7: 10,5* ↑ 8: 8,6 ↗ 9: 10,1 ← 10: 9,9 ↓	<b>Provskott</b> 	11: 10,9* ↖								
	<table border="1" style="width:100%; border-collapse: collapse;"> <tr> <td style="text-align: right;">Serie</td> <td style="text-align: right;">96,0</td> </tr> <tr> <td style="text-align: right;">Totalt</td> <td style="text-align: right;">193,0</td> </tr> </table>	Serie	96,0	Totalt	193,0		<table border="1" style="width:100%; border-collapse: collapse;"> <tr> <td style="text-align: right;">Serie</td> <td style="text-align: right;">10,0</td> </tr> <tr> <td style="text-align: right;">Totalt</td> <td style="text-align: right;">193,0</td> </tr> </table>	Serie	10,0	Totalt	193,0
Serie	96,0										
Totalt	193,0										
Serie	10,0										
Totalt	193,0										

<b>10 skott</b> 	1: 10,1 ← 2: 9,0 ← 3: 9,2 ↓ 4: 10,4* ↗ 5: 10,0 ←	<b>10 skott</b> 	6: 10,5* ↘ 7: 10,0 ↗ 8: 10,4* ↓ 9: 10,6* → 10: 10,7* ↓								
	<table border="1" style="width:100%; border-collapse: collapse;"> <tr> <td style="text-align: right;">Serie</td> <td style="text-align: right;">48,0</td> </tr> <tr> <td style="text-align: right;">Totalt</td> <td style="text-align: right;">241,0</td> </tr> </table>	Serie	48,0	Totalt	241,0		<table border="1" style="width:100%; border-collapse: collapse;"> <tr> <td style="text-align: right;">Serie</td> <td style="text-align: right;">50,0</td> </tr> <tr> <td style="text-align: right;">Totalt</td> <td style="text-align: right;">291,0</td> </tr> </table>	Serie	50,0	Totalt	291,0
Serie	48,0										
Totalt	241,0										
Serie	50,0										
Totalt	291,0										

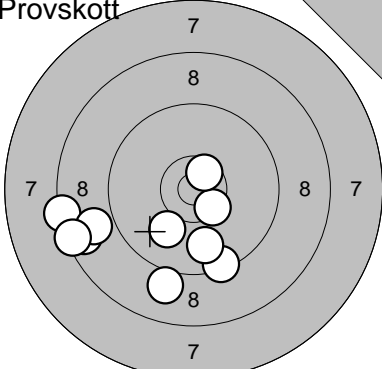
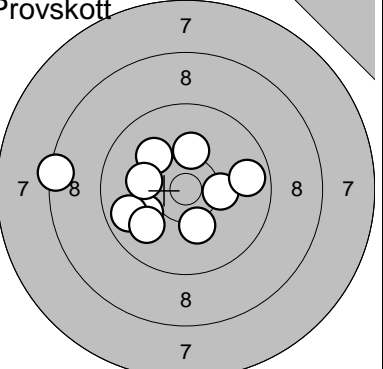
<b>Skott 1</b> 	1: 10,7* ↖	<b>Skott 2</b> 	1: 9,0 ←								
	<table border="1" style="width:100%; border-collapse: collapse;"> <tr> <td style="text-align: right;">Serie</td> <td style="text-align: right;">10,0</td> </tr> <tr> <td style="text-align: right;">Totalt</td> <td style="text-align: right;">301,0</td> </tr> </table>	Serie	10,0	Totalt	301,0		<table border="1" style="width:100%; border-collapse: collapse;"> <tr> <td style="text-align: right;">Serie</td> <td style="text-align: right;">9,0</td> </tr> <tr> <td style="text-align: right;">Totalt</td> <td style="text-align: right;">310,0</td> </tr> </table>	Serie	9,0	Totalt	310,0
Serie	10,0										
Totalt	301,0										
Serie	9,0										
Totalt	310,0										

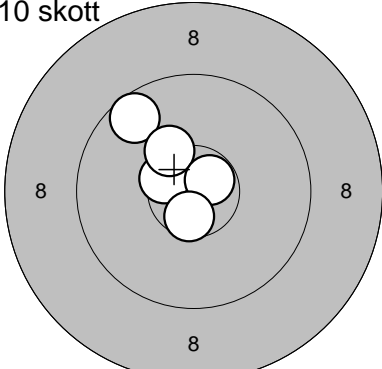
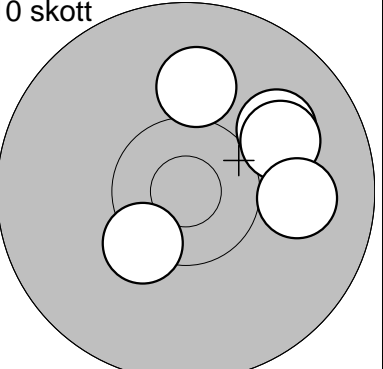
<b>Skott 3</b> 	1: 10,4* ↓	<b>Skott 4</b> 	1: 9,5 ↖								
	<table border="1" style="width:100%; border-collapse: collapse;"> <tr> <td style="text-align: right;">Serie</td> <td style="text-align: right;">10,0</td> </tr> <tr> <td style="text-align: right;">Totalt</td> <td style="text-align: right;">320,0</td> </tr> </table>	Serie	10,0	Totalt	320,0		<table border="1" style="width:100%; border-collapse: collapse;"> <tr> <td style="text-align: right;">Serie</td> <td style="text-align: right;">9,0</td> </tr> <tr> <td style="text-align: right;">Totalt</td> <td style="text-align: right;">329,0</td> </tr> </table>	Serie	9,0	Totalt	329,0
Serie	10,0										
Totalt	320,0										
Serie	9,0										
Totalt	329,0										

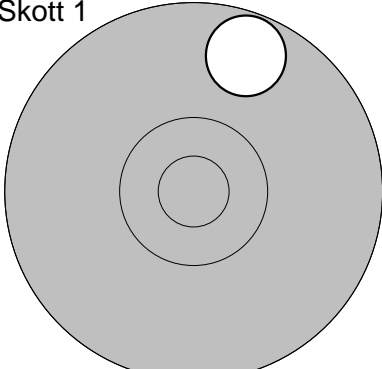
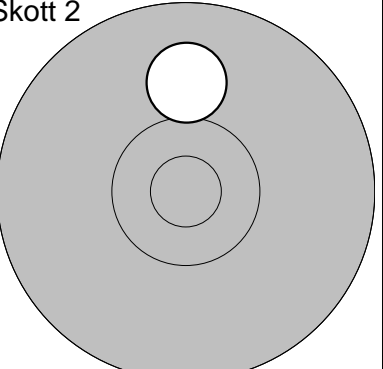
<b>Skott 5</b> 	1: 9,6 ↓	<b>Extra 1</b> 	1: 9,7 ↗								
	<table border="1" style="width:100%; border-collapse: collapse;"> <tr> <td style="text-align: right;">Serie</td> <td style="text-align: right;">9,0</td> </tr> <tr> <td style="text-align: right;">Totalt</td> <td style="text-align: right;">338,0</td> </tr> </table>	Serie	9,0	Totalt	338,0		<table border="1" style="width:100%; border-collapse: collapse;"> <tr> <td style="text-align: right;">Serie</td> <td style="text-align: right;">9,0</td> </tr> <tr> <td style="text-align: right;">Totalt</td> <td style="text-align: right;">338,0</td> </tr> </table>	Serie	9,0	Totalt	338,0
Serie	9,0										
Totalt	338,0										
Serie	9,0										
Totalt	338,0										

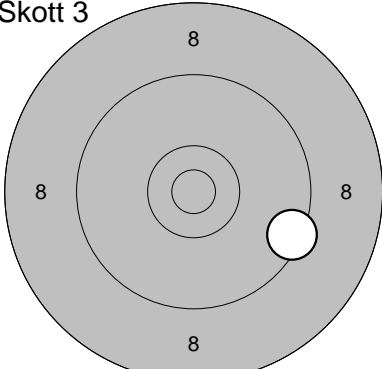
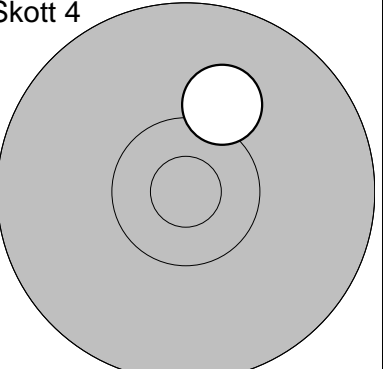
Ramselefors

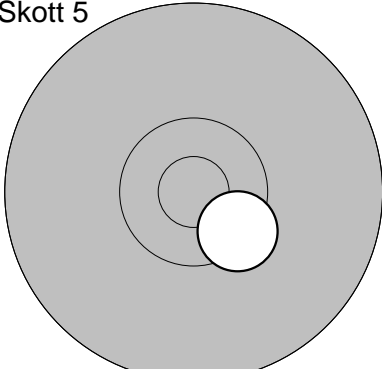
2009-07-16	Tavelträffen 2009 Final	Ramselefors SKF
------------	-------------------------	-----------------

<b>Provskott</b> 	1: 8,7 ↙ 2: 8,4 ← 3: 8,9 ↙ 4: 8,4 ← 5: 10,4* ↘ 6: 9,0 ↘ 7: 9,4 ↘ 8: 9,8 ↘ 9: 10,0 ↘ 10: 10,6* ↗	<b>Provskott</b> 	11: 10,2 ↓ 12: 10,1 ↗ 13: 10,0 ← 14: 10,3 → 15: 9,7 → 16: 9,8 ← 17: 8,4 ← 18: 9,9 ↙ 19: 10,1 ← 20: 10,2 ↑
	Serie 89,0		Serie 95,0
	Totalt 190,0		Totalt 190,0

<b>10 skott</b> 	1: 10,5* ↙ 2: 9,6 ↗ 3: 10,3* ↗ 4: 10,7* ↗ 5: 10,6* ↓	<b>10 skott</b> 	6: 10,0 ↗ 7: 10,4* ↙ 8: 10,0 ↗ 9: 10,0 → 10: 10,0 ↑
	Serie 49,0		Serie 50,0
	Totalt 239,0		Totalt 289,0

<b>Skott 1</b> 	1: 9,7 ↑	<b>Skott 2</b> 	1: 10,0 ↑
	Serie 9,0		Serie 10,0
	Totalt 298,0		Totalt 308,0

<b>Skott 3</b> 	1: 9,4 →	<b>Skott 4</b> 	1: 10,1 ↑
	Serie 9,0		Serie 10,0
	Totalt 317,0		Totalt 327,0

<b>Skott 5</b> 	1: 10,4* ↘		
	Serie 10,0		
	Totalt 337,0		

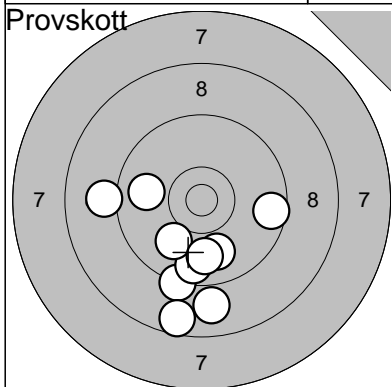
Ununge

2009-07-16

Tavelträffen 2009 Final

Ramselefors SKF

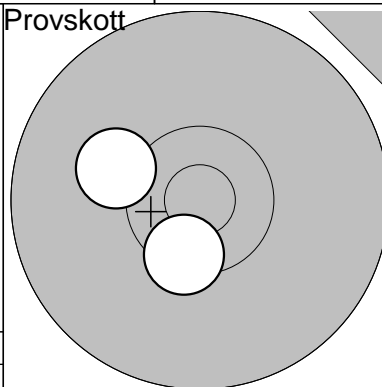
Provskott



1: 9,6 →  
 2: 9,1 ←  
 3: 9,3 ↓  
 4: 8,6 ↓  
 5: 8,9 ↓  
 6: 9,7 ↓  
 7: 9,9 ←  
 8: 9,9 ↓  
 9: 10,0 ↓  
 10: 9,9 ↓

Serie 89,0  
 Totalt 189,0

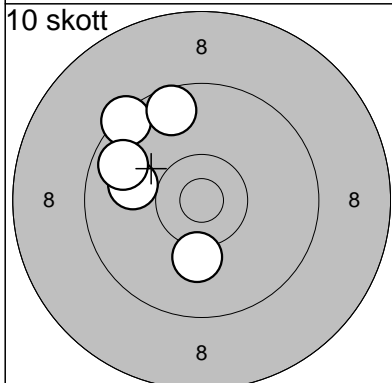
Provskott



11: 10,2 ←  
 12: 10,5\* ↓

Serie 20,0  
 Totalt 189,0

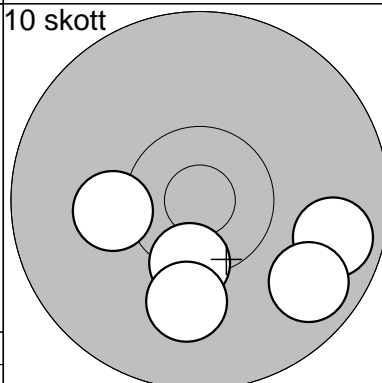
10 skott



1: 9,4 ↗  
 2: 10,0 ←  
 3: 9,8 ↗  
 4: 9,6 ↗  
 5: 10,1 ↓

Serie 47,0  
 Totalt 236,0

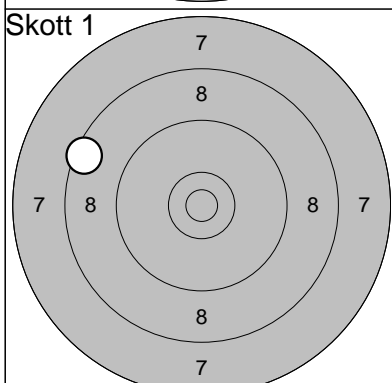
10 skott



6: 10,4\* ↓  
 7: 9,7 →  
 8: 9,8 ↘  
 9: 10,1 ↓  
 10: 10,2 ←

Serie 48,0  
 Totalt 284,0

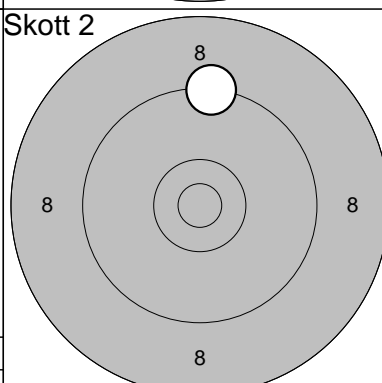
Skott 1



1: 8,5 ←

Serie 8,0  
 Totalt 292,0

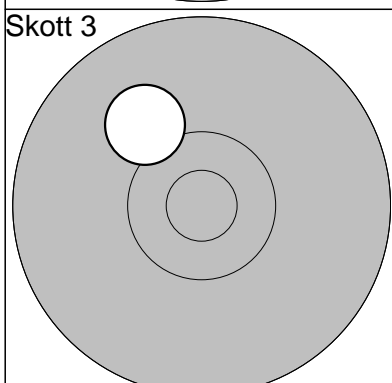
Skott 2



1: 9,3 ↑

Serie 9,0  
 Totalt 301,0

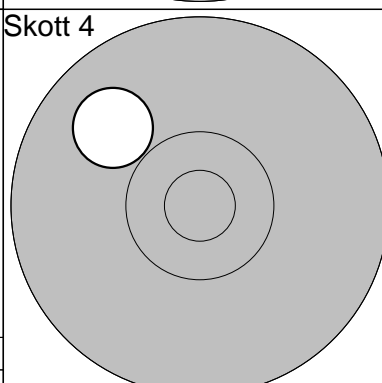
Skott 3



1: 10,1 ↗

Serie 10,0  
 Totalt 311,0

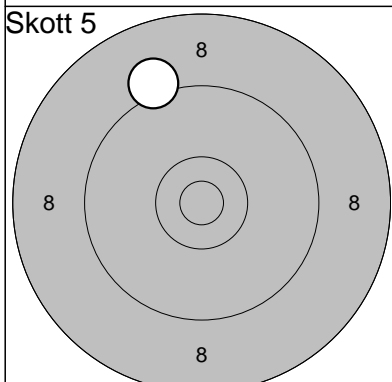
Skott 4



1: 9,9 ↗

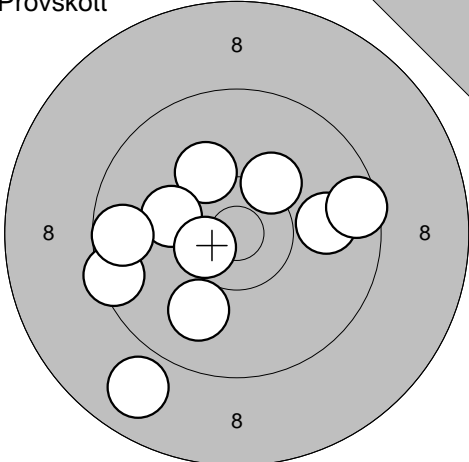
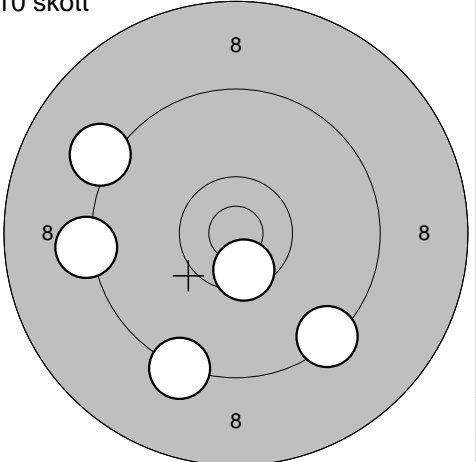
Serie 9,0  
 Totalt 320,0

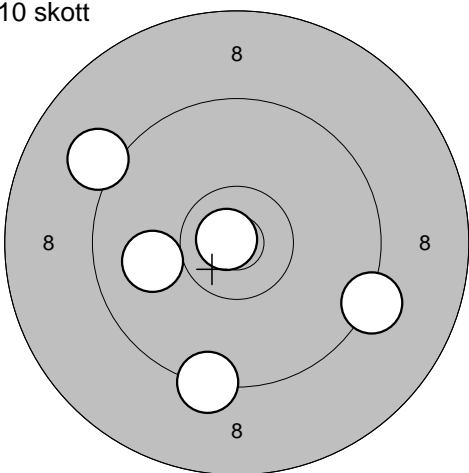
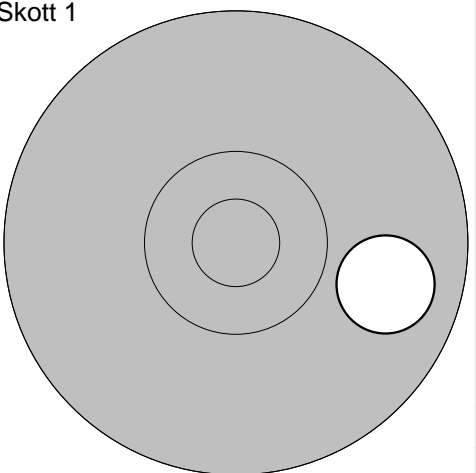
Skott 5

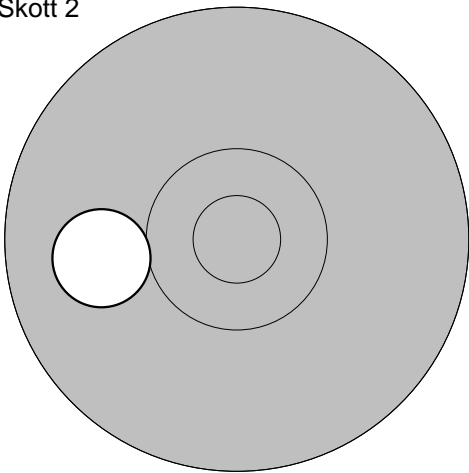
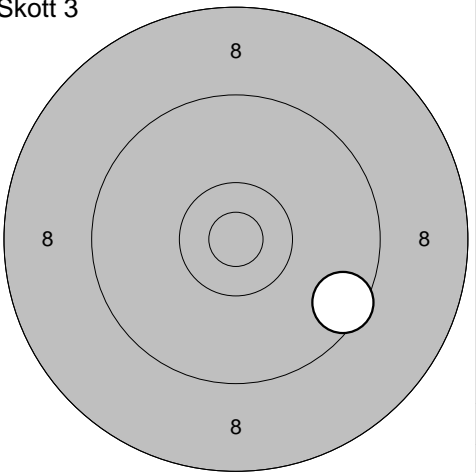


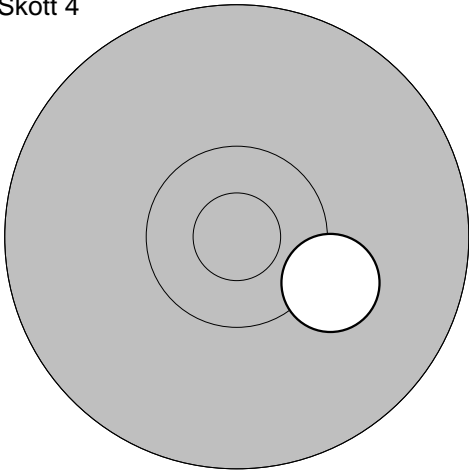
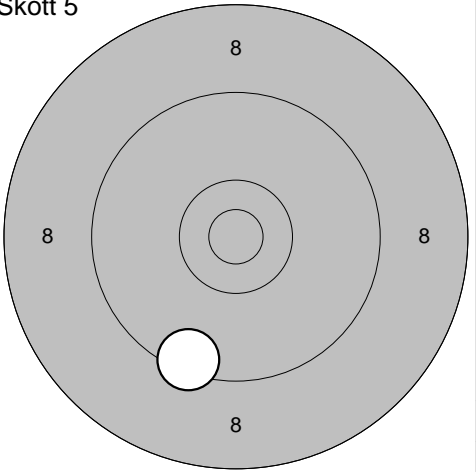
1: 9,2 ↗

Serie 9,0  
 Totalt 329,0

<p>Provskott</p> 	<p>10 skott</p> 	
<p>1: 8,9 ↘                  2: 10,2 ↗                  3: 9,9 →                  4: 9,5 →                  5: 10,3 ↗                  6: 10,0 ↓                  7: 9,5 ←                  8: 10,2 ←                  9: 10,6* ←                  10: 9,7 ←</p>	<p>1: 10,5* ↓                  2: 9,2 ↗                  3: 9,3 ↓                  4: 9,4 ↓                  5: 9,2 ←</p>	
<p>Serie 94,0                  Totalt 189,0</p>	<p>Serie 46,0                  Totalt 235,0</p>	

<p>10 skott</p> 	<p>Skott 1</p> 	
<p>6: 10,0 ←                  7: 9,1 ↗                  8: 9,3 ↓                  9: 9,3 ↘                  10: 10,8* ←</p>	<p>1: 9,8 →</p>	
<p>Serie 47,0                  Totalt 282,0</p>	<p>Serie 9,0                  Totalt 291,0</p>	

<p>Skott 2</p> 	<p>Skott 3</p> 	
<p>1: 10,0 ←</p>	<p>1: 9,5 →</p>	
<p>Serie 10,0                  Totalt 301,0</p>	<p>Serie 9,0                  Totalt 310,0</p>	

<p>Skott 4</p> 	<p>Skott 5</p> 	
<p>1: 10,2 →</p>	<p>1: 9,4 ↓</p>	
<p>Serie 10,0                  Totalt 320,0</p>	<p>Serie 9,0                  Totalt 329,0</p>	

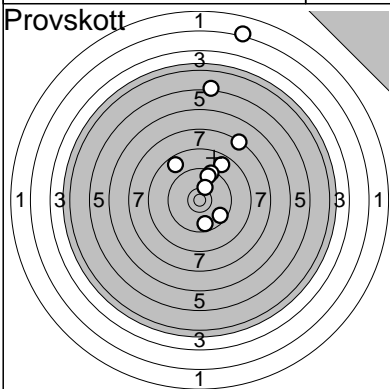
Ramselefors

2009-07-16

Tavelträffen 2009 Final

Ramselefors SKF

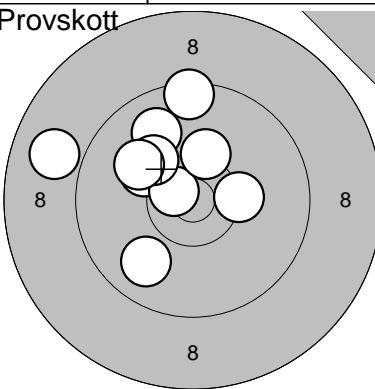
Provskott



1:	2,2	↗
2:	5,2	↗
3:	7,4	↗
4:	8,8	↗
5:	9,5	↗
6:	8,8	↗
7:	9,7	↗
8:	9,7	↘
9:	9,7	↘
10:	10,3	↗

Serie	76,0
Totalt	188,0

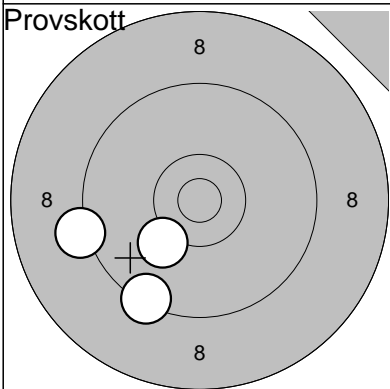
Provskott



11:	10,2	↖
12:	9,5	↗
13:	10,7*	↖
14:	9,9	↗
15:	8,9	↖
16:	10,2	↗
17:	10,3	↗
18:	10,1	↗
19:	10,3*	→
20:	9,9	↘

Serie	95,0
Totalt	188,0

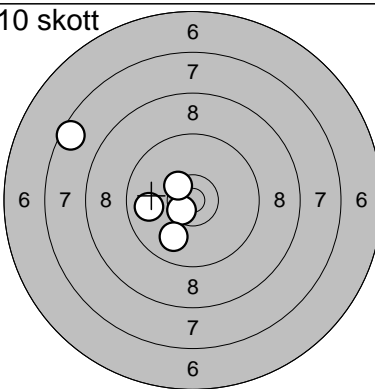
Provskott



21:	9,2	↖
22:	9,4	↘
23:	10,2	↘

Serie	28,0
Totalt	188,0

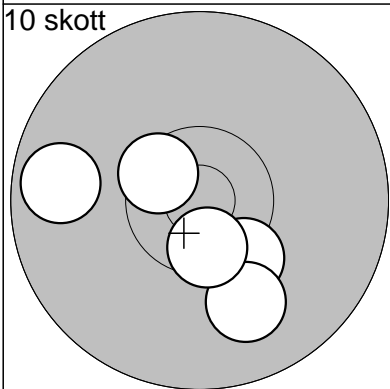
10 skott



1:	7,6	↖
2:	9,9	↖
3:	10,6*	↘
4:	9,9	↘
5:	10,5*	↗

Serie	45,0
Totalt	233,0

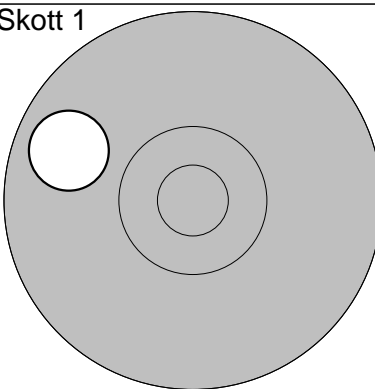
10 skott



6:	10,5*	↗
7:	9,7	↖
8:	10,3*	↘
9:	10,0	↘
10:	10,5*	↘

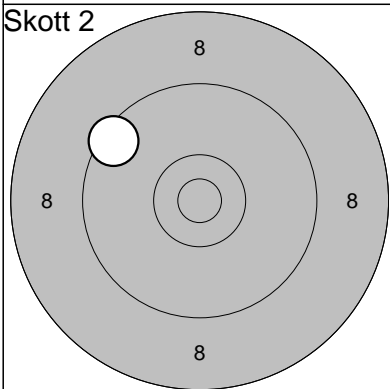
Serie	49,0
Totalt	282,0

Skott 1



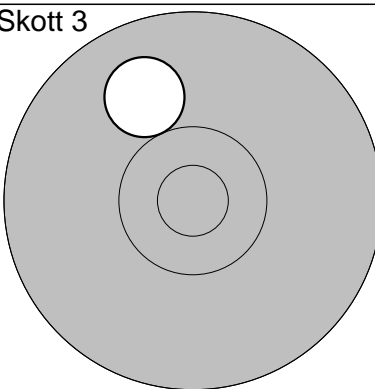
Serie	9,0
Totalt	291,0

Skott 2



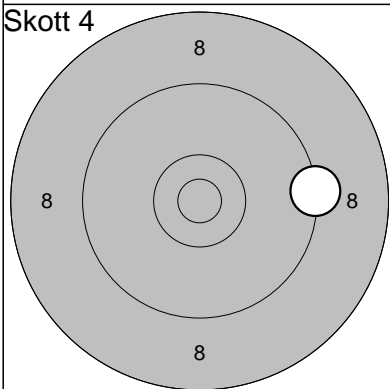
Serie	9,0
Totalt	300,0

Skott 3



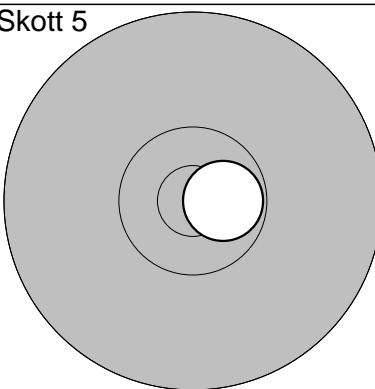
Serie	10,0
Totalt	310,0

Skott 4

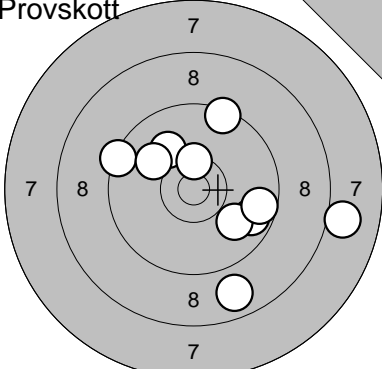
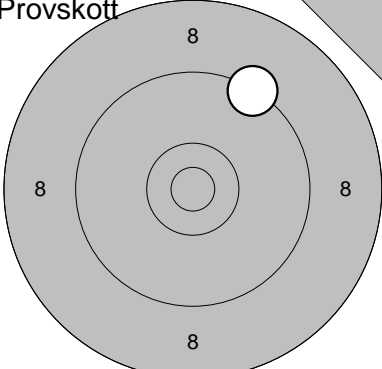


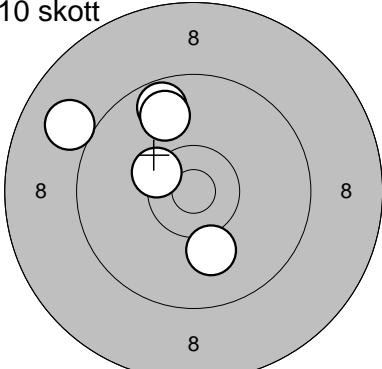
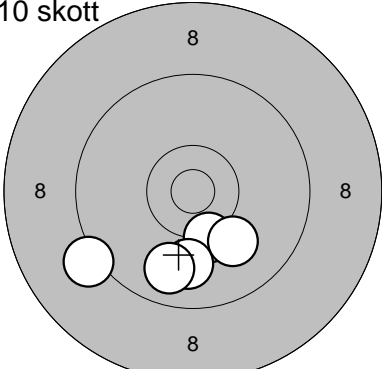
Serie	9,0
Totalt	319,0

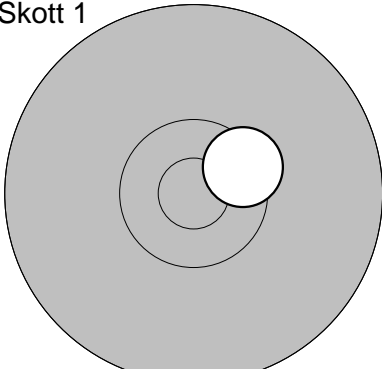
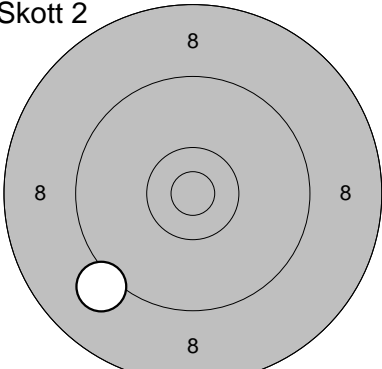
Skott 5

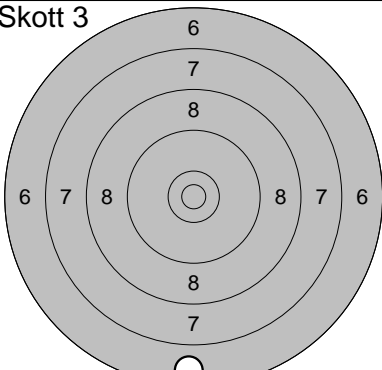
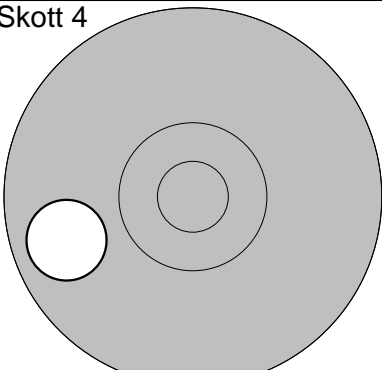


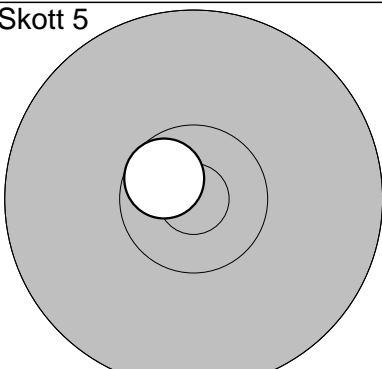
Serie	10,0
Totalt	329,0

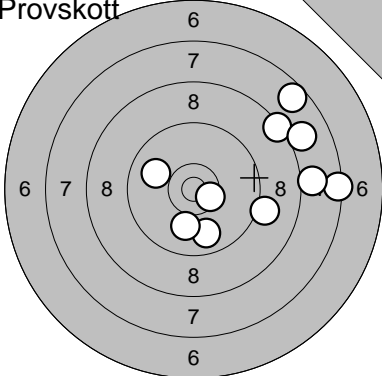
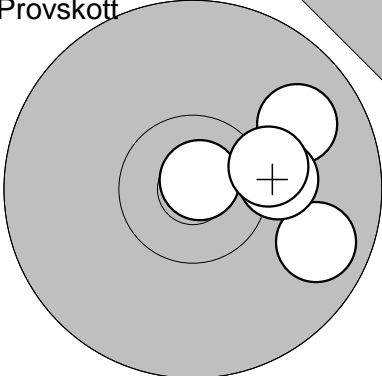
<b>Provskott</b> 	1: 8,8 ↓ 2: 9,4 ↗ 3: 9,4 ↗ 4: 9,7 ↓ 5: 10,1 ↗ 6: 8,0 ↓ 7: 9,9 ↓ 8: 10,4* ↗ 9: 9,6 ↗ 10: 10,0 ↗	<b>Provskott</b> 	11: 9,3 ↗								
	<table border="1" style="width:100%; border-collapse: collapse;"> <tr> <td style="text-align: right;">Serie</td> <td style="text-align: right;">91,0</td> </tr> <tr> <td style="text-align: right;">Totalt</td> <td style="text-align: right;">188,0</td> </tr> </table>	Serie	91,0	Totalt	188,0		<table border="1" style="width:100%; border-collapse: collapse;"> <tr> <td style="text-align: right;">Serie</td> <td style="text-align: right;">9,0</td> </tr> <tr> <td style="text-align: right;">Totalt</td> <td style="text-align: right;">188,0</td> </tr> </table>	Serie	9,0	Totalt	188,0
Serie	91,0										
Totalt	188,0										
Serie	9,0										
Totalt	188,0										

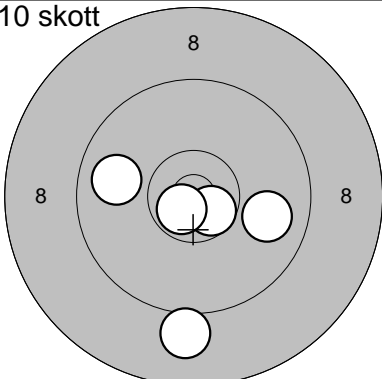
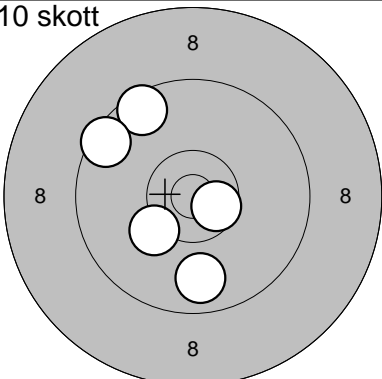
<b>10 skott</b> 	1: 9,7 ↗ 2: 10,4* ↗ 3: 9,8 ↗ 4: 9,0 ↗ 5: 10,1 ↓	<b>10 skott</b> 	6: 10,3 ↓ 7: 9,9 ↓ 8: 10,0 ↓ 9: 9,8 ↓ 10: 9,2 ↙								
	<table border="1" style="width:100%; border-collapse: collapse;"> <tr> <td style="text-align: right;">Serie</td> <td style="text-align: right;">47,0</td> </tr> <tr> <td style="text-align: right;">Totalt</td> <td style="text-align: right;">235,0</td> </tr> </table>	Serie	47,0	Totalt	235,0		<table border="1" style="width:100%; border-collapse: collapse;"> <tr> <td style="text-align: right;">Serie</td> <td style="text-align: right;">47,0</td> </tr> <tr> <td style="text-align: right;">Totalt</td> <td style="text-align: right;">282,0</td> </tr> </table>	Serie	47,0	Totalt	282,0
Serie	47,0										
Totalt	235,0										
Serie	47,0										
Totalt	282,0										

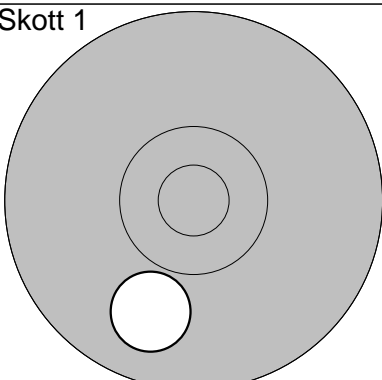
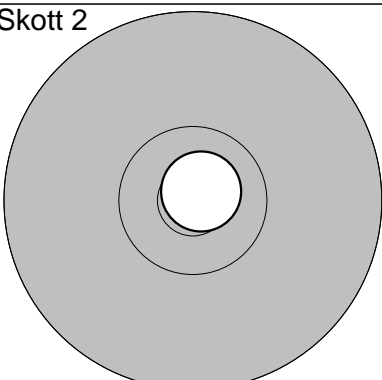
<b>Skott 1</b> 	1: 10,5* →	<b>Skott 2</b> 	1: 9,1 ↙								
	<table border="1" style="width:100%; border-collapse: collapse;"> <tr> <td style="text-align: right;">Serie</td> <td style="text-align: right;">10,0</td> </tr> <tr> <td style="text-align: right;">Totalt</td> <td style="text-align: right;">292,0</td> </tr> </table>	Serie	10,0	Totalt	292,0		<table border="1" style="width:100%; border-collapse: collapse;"> <tr> <td style="text-align: right;">Serie</td> <td style="text-align: right;">9,0</td> </tr> <tr> <td style="text-align: right;">Totalt</td> <td style="text-align: right;">301,0</td> </tr> </table>	Serie	9,0	Totalt	301,0
Serie	10,0										
Totalt	292,0										
Serie	9,0										
Totalt	301,0										

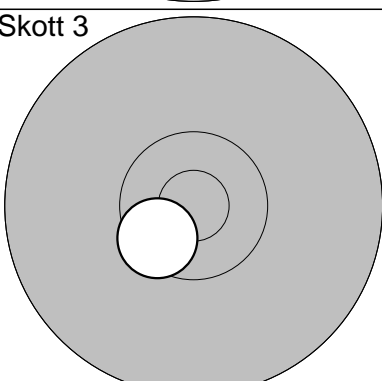
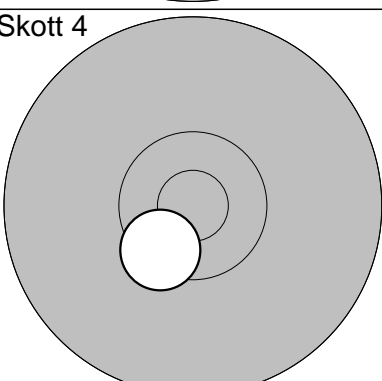
<b>Skott 3</b> 	1: 6,7 ↓	<b>Skott 4</b> 	1: 9,8 ←								
	<table border="1" style="width:100%; border-collapse: collapse;"> <tr> <td style="text-align: right;">Serie</td> <td style="text-align: right;">6,0</td> </tr> <tr> <td style="text-align: right;">Totalt</td> <td style="text-align: right;">307,0</td> </tr> </table>	Serie	6,0	Totalt	307,0		<table border="1" style="width:100%; border-collapse: collapse;"> <tr> <td style="text-align: right;">Serie</td> <td style="text-align: right;">9,0</td> </tr> <tr> <td style="text-align: right;">Totalt</td> <td style="text-align: right;">316,0</td> </tr> </table>	Serie	9,0	Totalt	316,0
Serie	6,0										
Totalt	307,0										
Serie	9,0										
Totalt	316,0										

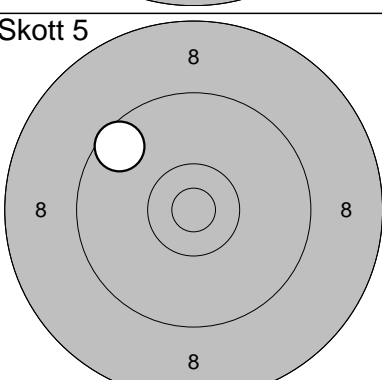
<b>Skott 5</b> 	1: 10,6* ↗						
	<table border="1" style="width:100%; border-collapse: collapse;"> <tr> <td style="text-align: right;">Serie</td> <td style="text-align: right;">10,0</td> </tr> <tr> <td style="text-align: right;">Totalt</td> <td style="text-align: right;">326,0</td> </tr> </table>	Serie	10,0	Totalt	326,0		
Serie	10,0						
Totalt	326,0						

<b>Provskott</b> 	1: 7,6 ↗ 2: 8,4 ↗ 3: 7,4 → 4: 8,0 ↗ 5: 9,1 ↗ 6: 8,0 → 7: 9,8 ↘ 8: 10,5* ↘ 9: 10,0 ↗ 10: 10,0 ↓ <hr/> <b>Serie</b> 86,0 <b>Totalt</b> 186,0	<b>Provskott</b> 	11: 9,8 → 12: 9,9 ↗ 13: 10,2 → 14: 10,9* ↗ 15: 10,3 → <hr/> <b>Serie</b> 48,0 <b>Totalt</b> 186,0
--	---	--	---

<b>10 skott</b> 	1: 9,9 → 2: 9,0 ↓ 3: 10,6* ↓ 4: 9,8 ↗ 5: 10,7* ↓ <hr/> <b>Serie</b> 47,0 <b>Totalt</b> 233,0	<b>10 skott</b> 	6: 9,6 ↗ 7: 9,8 ↓ 8: 10,2 ↘ 9: 9,5 ↗ 10: 10,6* → <hr/> <b>Serie</b> 47,0 <b>Totalt</b> 280,0
---	--	---	--

<b>Skott 1</b> 	1: 9,9 ↓ <hr/> <b>Serie</b> 9,0 <b>Totalt</b> 289,0	<b>Skott 2</b> 	1: 10,8* ↗ <hr/> <b>Serie</b> 10,0 <b>Totalt</b> 299,0
---	---	---	--

<b>Skott 3</b> 	1: 10,5* ↘ <hr/> <b>Serie</b> 10,0 <b>Totalt</b> 309,0	<b>Skott 4</b> 	1: 10,5* ↘ <hr/> <b>Serie</b> 10,0 <b>Totalt</b> 319,0
--	--	--	--

<b>Skott 5</b> 	1: 9,6 ↗ <hr/> <b>Serie</b> 9,0 <b>Totalt</b> 328,0		
--	---	--	--

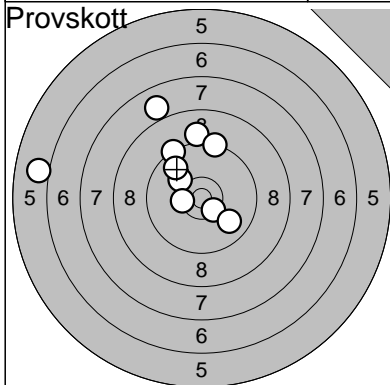
Ramselefors

2009-07-16

Tavelträffen 2009 Final

Ramselefors SKF

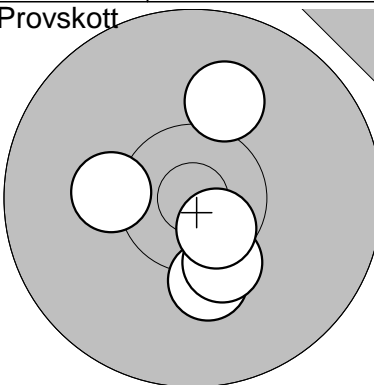
Provskott



1: 8,0 ↗  
 2: 6,0 ↗↖  
 3: 10,1 ↗↖  
 4: 9,0 ↗↖  
 5: 9,3 ↗↖  
 6: 10,4\* ↖↗  
 7: 9,8 ↗↖  
 8: 10,4\* ↘↗  
 9: 9,3 ↗  
 10: 9,9 ↘

Serie 89,0  
 Totalt 181,0

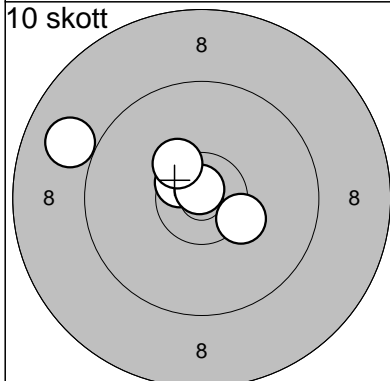
Provskott



11: 10,2 ↓  
 12: 10,3\* ↓  
 13: 10,6\* ↓  
 14: 10,1 ↑  
 15: 10,2 ←

Serie 50,0  
 Totalt 181,0

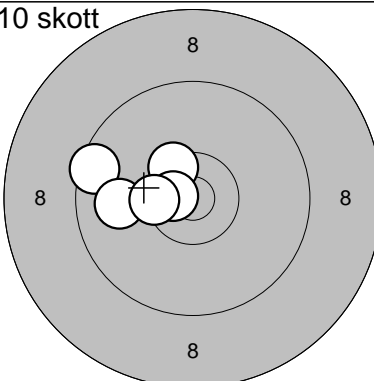
10 skott



1: 10,6\* ↗  
 2: 10,8\* ↗  
 3: 9,0 ↗↖  
 4: 10,4\* ↗↖  
 5: 10,3\* ↘

Serie 49,0  
 Totalt 230,0

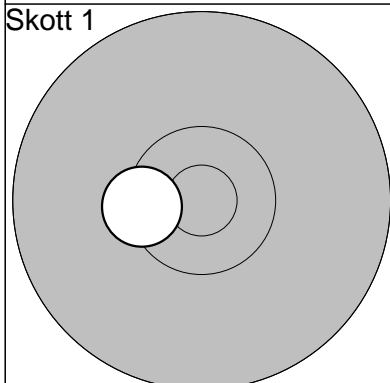
10 skott



6: 10,4\* ↗  
 7: 10,7\* ←  
 8: 9,5 ←  
 9: 9,9 ←  
 10: 10,4\* ←

Serie 48,0  
 Totalt 278,0

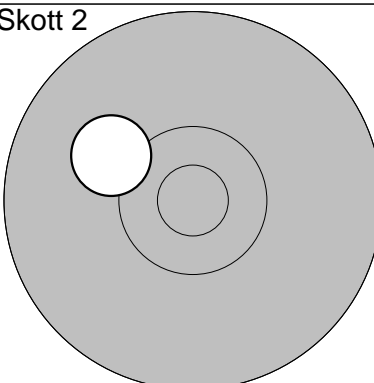
Skott 1



1: 10,4\* ←

Serie 10,0  
 Totalt 288,0

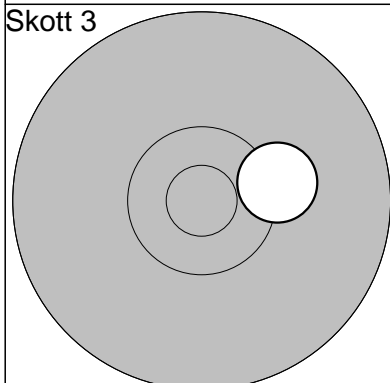
Skott 2



1: 10,1 ↖

Serie 10,0  
 Totalt 298,0

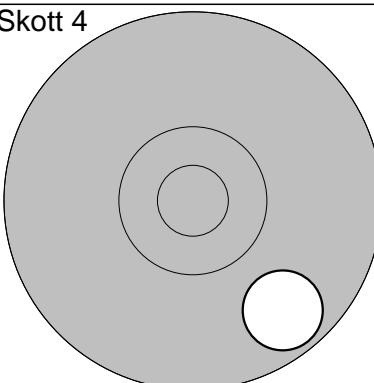
Skott 3



1: 10,3 →

Serie 10,0  
 Totalt 308,0

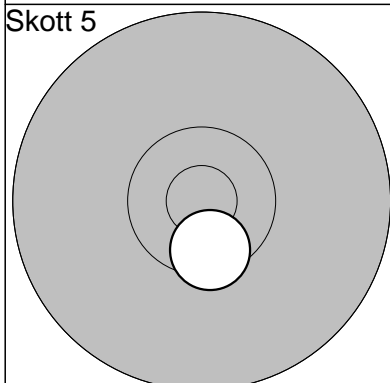
Skott 4



1: 9,7 ↘

Serie 9,0  
 Totalt 317,0

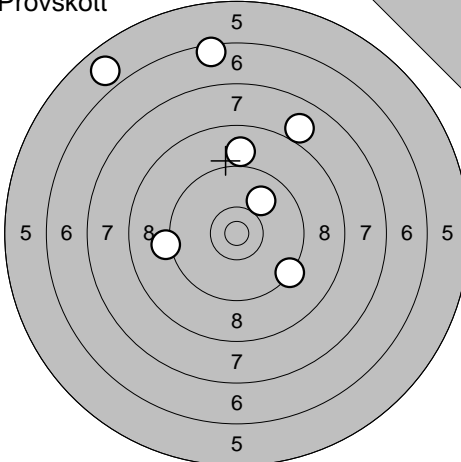
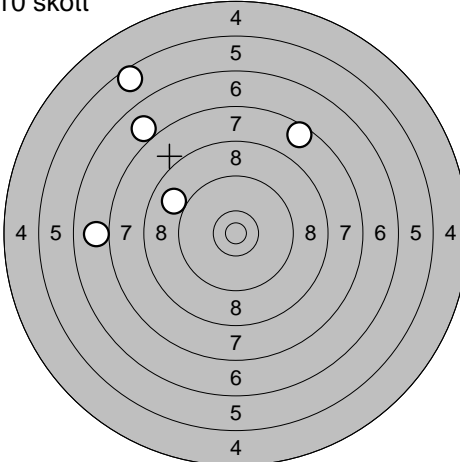
Skott 5

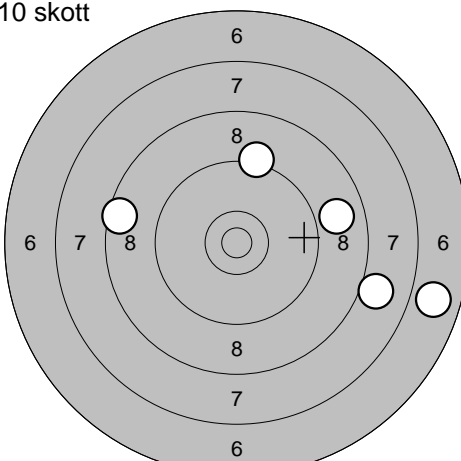
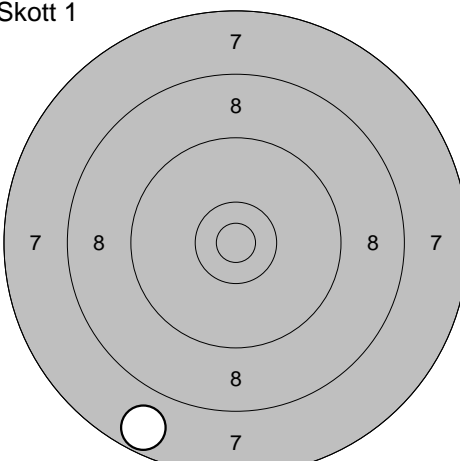


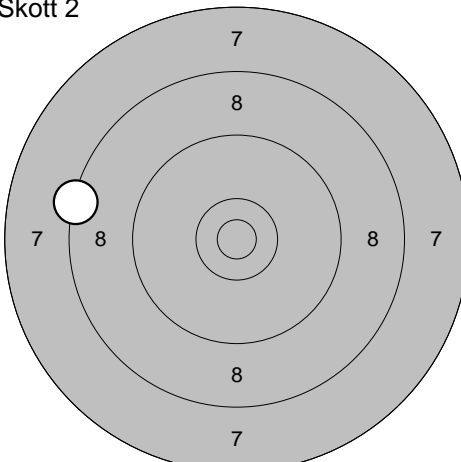
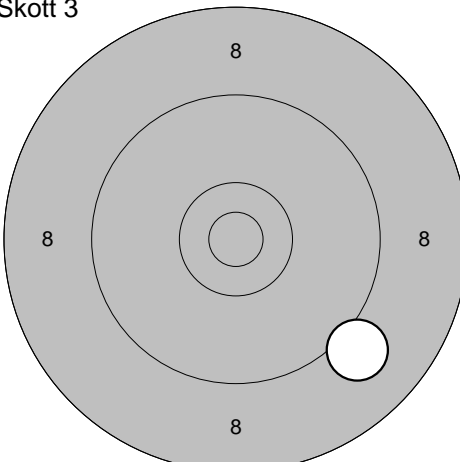
1: 10,5\* ↓

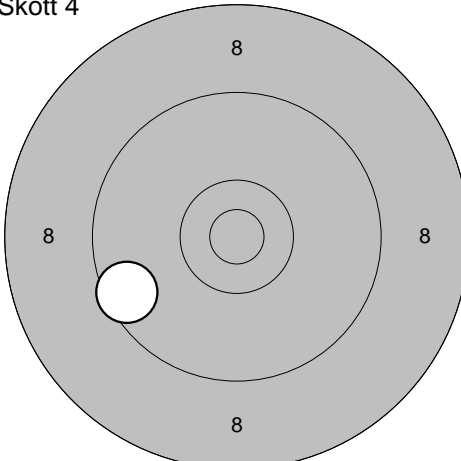
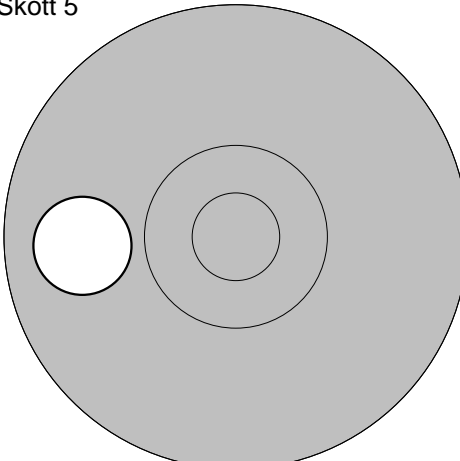
Serie 10,0  
 Totalt 327,0

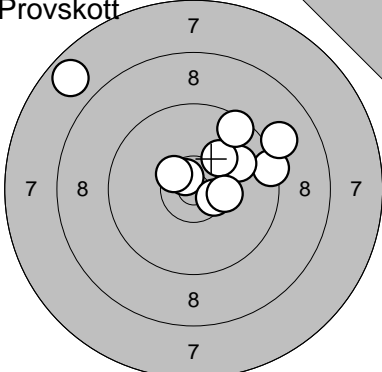
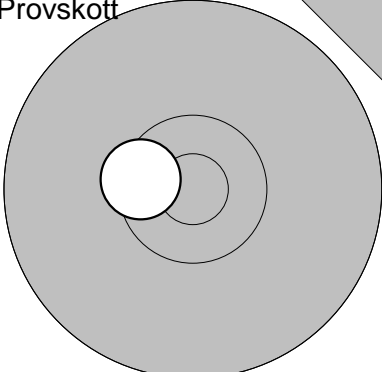


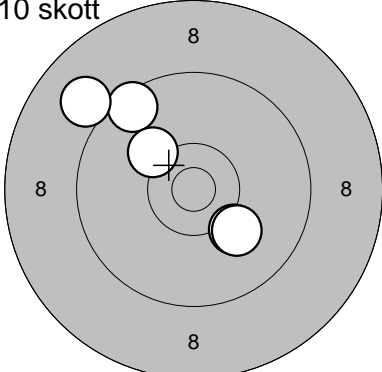
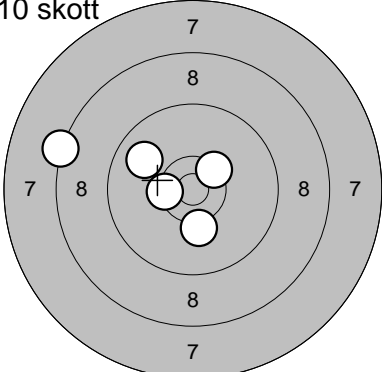
<p>Provskott</p> 	<p>1: 10,0 ↗                  2: 9,0 ↑                  3: 9,3 ↘                  4: 5,9 ↗                  5: 8,0 ↗                  6: 6,5 ↑                  7: 9,2 ←</p> <table border="1" style="width:100%; border-collapse: collapse;"> <tr><td>Serie</td><td style="text-align: right;">56,0</td></tr> <tr><td>Totalt</td><td style="text-align: right;">174,0</td></tr> </table>	Serie	56,0	Totalt	174,0	<p>10 skott</p> 	<p>1: 5,6 ↗                  2: 7,0 ↗                  3: 7,6 ↗                  4: 9,0 ↗                  5: 7,0 ←</p> <table border="1" style="width:100%; border-collapse: collapse;"> <tr><td>Serie</td><td style="text-align: right;">35,0</td></tr> <tr><td>Totalt</td><td style="text-align: right;">209,0</td></tr> </table>	Serie	35,0	Totalt	209,0
Serie	56,0										
Totalt	174,0										
Serie	35,0										
Totalt	209,0										

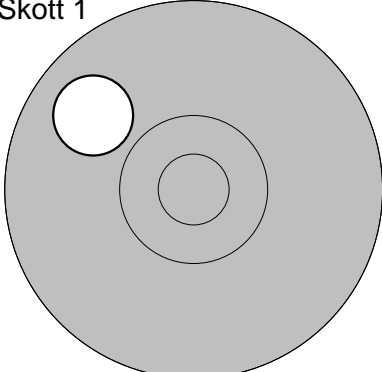
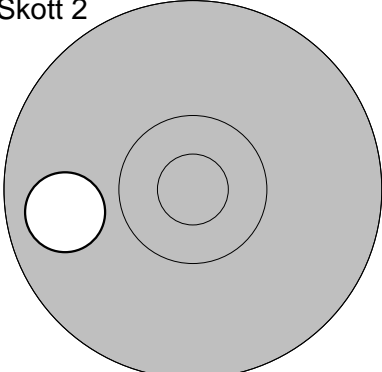
<p>10 skott</p> 	<p>6: 9,2 ↑                  7: 6,8 →                  8: 8,0 →                  9: 8,9 →                  10: 8,6 ←</p> <table border="1" style="width:100%; border-collapse: collapse;"> <tr><td>Serie</td><td style="text-align: right;">39,0</td></tr> <tr><td>Totalt</td><td style="text-align: right;">248,0</td></tr> </table>	Serie	39,0	Totalt	248,0	<p>Skott 1</p> 	<p>1: 7,7 ↘</p> <table border="1" style="width:100%; border-collapse: collapse;"> <tr><td>Serie</td><td style="text-align: right;">7,0</td></tr> <tr><td>Totalt</td><td style="text-align: right;">255,0</td></tr> </table>	Serie	7,0	Totalt	255,0
Serie	39,0										
Totalt	248,0										
Serie	7,0										
Totalt	255,0										

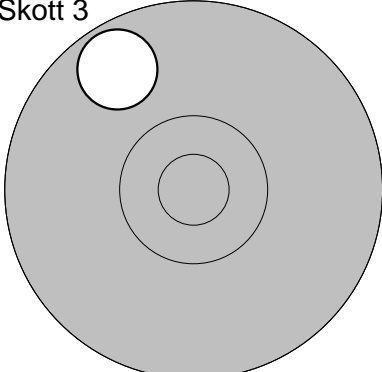
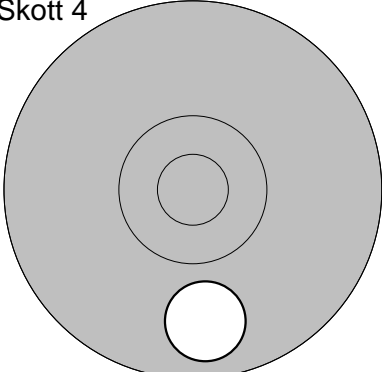
<p>Skott 2</p> 	<p>1: 8,4 ←</p> <table border="1" style="width:100%; border-collapse: collapse;"> <tr><td>Serie</td><td style="text-align: right;">8,0</td></tr> <tr><td>Totalt</td><td style="text-align: right;">263,0</td></tr> </table>	Serie	8,0	Totalt	263,0	<p>Skott 3</p> 	<p>1: 9,1 ↘</p> <table border="1" style="width:100%; border-collapse: collapse;"> <tr><td>Serie</td><td style="text-align: right;">9,0</td></tr> <tr><td>Totalt</td><td style="text-align: right;">272,0</td></tr> </table>	Serie	9,0	Totalt	272,0
Serie	8,0										
Totalt	263,0										
Serie	9,0										
Totalt	272,0										

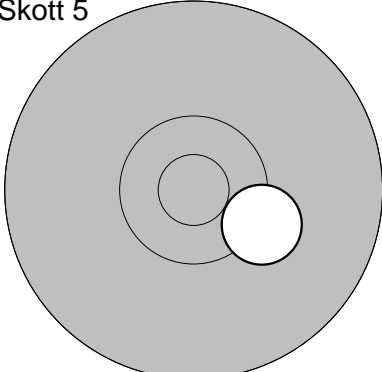
<p>Skott 4</p> 	<p>1: 9,5 ←</p> <table border="1" style="width:100%; border-collapse: collapse;"> <tr><td>Serie</td><td style="text-align: right;">9,0</td></tr> <tr><td>Totalt</td><td style="text-align: right;">281,0</td></tr> </table>	Serie	9,0	Totalt	281,0	<p>Skott 5</p> 	<p>1: 9,9 ←</p> <table border="1" style="width:100%; border-collapse: collapse;"> <tr><td>Serie</td><td style="text-align: right;">9,0</td></tr> <tr><td>Totalt</td><td style="text-align: right;">290,0</td></tr> </table>	Serie	9,0	Totalt	290,0
Serie	9,0										
Totalt	281,0										
Serie	9,0										
Totalt	290,0										

<b>Provskott</b> 	1: 7,8 ↗ 2: 10,7* ↗ 3: 9,4 → 4: 10,0 ↗ 5: 10,5* ↓ 6: 9,0 ↗ 7: 10,2 ↗ 8: 9,5 ↗ 9: 10,5* ↗ 10: 10,3* →	<b>Provskott</b> 	11: 10,5* ←
Serie 94,0 Totalt 194,0		Serie 10,0 Totalt 194,0	

<b>10 skott</b> 	1: 9,5 ↗ 2: 10,2 ↓ 3: 10,1 ↓ 4: 9,0 ↗ 5: 10,2 ↗	<b>10 skott</b> 	6: 9,9 ↖ 7: 10,4* ↗ 8: 10,4* ← 9: 10,2 ↓ 10: 8,3 ↖
Serie 48,0 Totalt 242,0		Serie 47,0 Totalt 289,0	

<b>Skott 1</b> 	1: 9,9 ↗	<b>Skott 2</b> 	1: 9,8 ←
Serie 9,0 Totalt 298,0		Serie 9,0 Totalt 307,0	

<b>Skott 3</b> 	1: 9,7 ↗	<b>Skott 4</b> 	1: 9,8 ↓
Serie 9,0 Totalt 316,0		Serie 9,0 Totalt 325,0	

<b>Skott 5</b> 	1: 10,3 ↓		
Serie 10,0 Totalt 335,0			

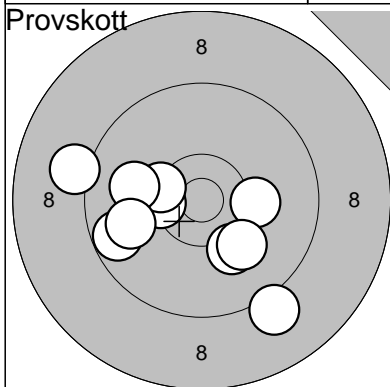
Drängsmark

2009-07-16

Tavelträffen 2009 Final

Ramselefors SKF

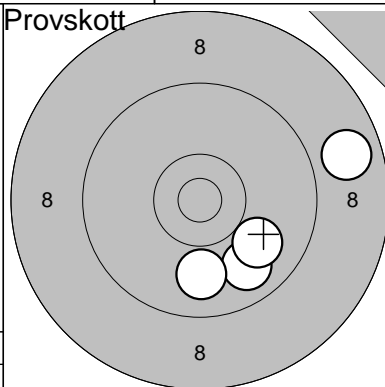
Provskott



1:	10,2	→
2:	10,1	↘
3:	10,4*	←
4:	9,7	↙
5:	9,1	↖
6:	10,4*	↗
7:	9,1	↘
8:	10,1	↙
9:	10,0	←
10:	9,9	↖

Serie	96,0
Totalt	194,0

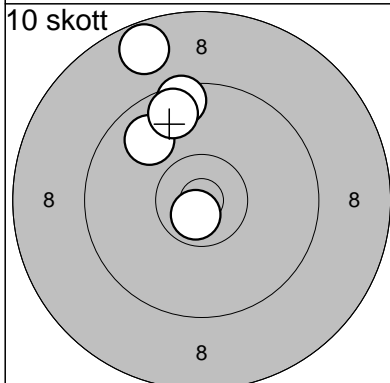
Provskott



11:	8,8	→
12:	9,8	↘
13:	9,9	↙
14:	9,9	↘

Serie	35,0
Totalt	194,0

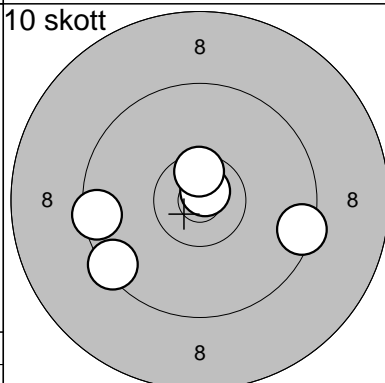
10 skott



1:	9,8	↗
2:	9,5	↗
3:	8,7	↗
4:	9,7	↗
5:	10,7*	↘

Serie	45,0
Totalt	239,0

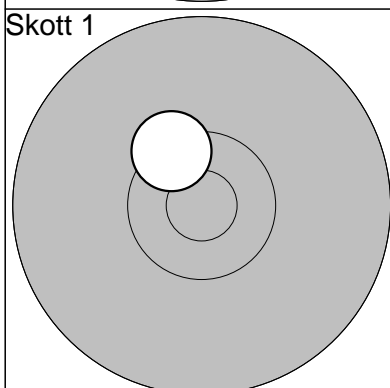
10 skott



6:	9,5	→
7:	9,5	←
8:	10,8*	↗
9:	9,4	↙
10:	10,5*	↑

Serie	47,0
Totalt	286,0

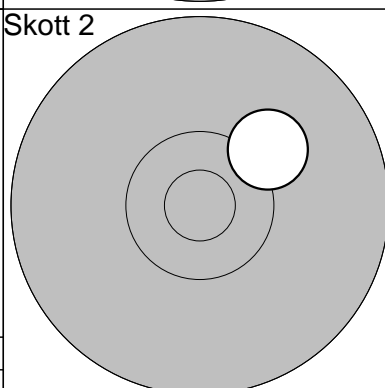
Skott 1



1:	10,4*	↖
----	-------	---

Serie	10,0
Totalt	296,0

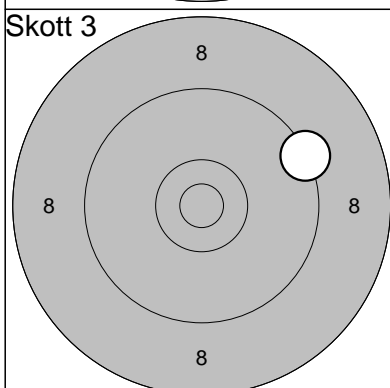
Skott 2



1:	10,2	↗
----	------	---

Serie	10,0
Totalt	306,0

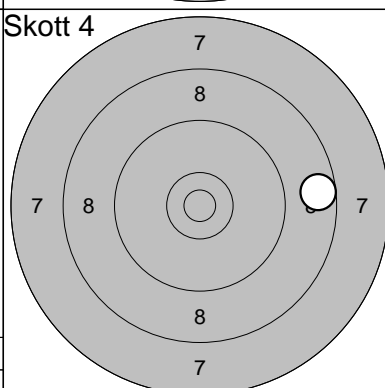
Skott 3



1:	9,3	↗
----	-----	---

Serie	9,0
Totalt	315,0

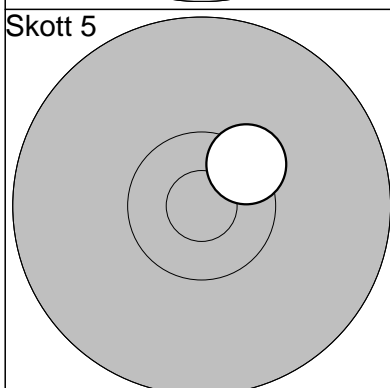
Skott 4



1:	8,6	→
----	-----	---

Serie	8,0
Totalt	323,0

Skott 5



1:	10,4*	↗
----	-------	---

Serie	10,0
Totalt	333,0

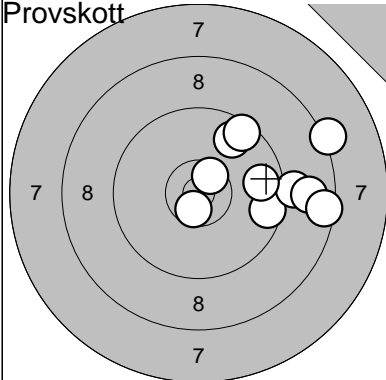
Ale

2009-07-16

Tavelträffen 2009 Final

Ramselefors SKF

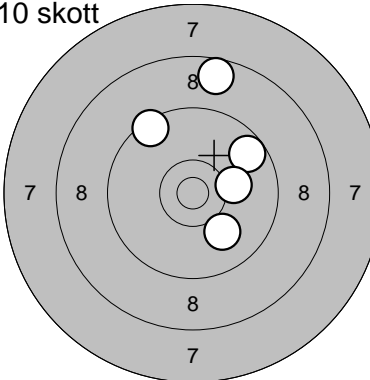
Provskott



1: 9,6 →  
 2: 8,2 →  
 3: 9,1 →  
 4: 8,8 →  
 5: 8,5 →  
 6: 9,7 ↗  
 7: 9,5 ↗  
 8: 10,6\* ↓  
 9: 9,7 →  
 10: 10,6\* ↗

Serie 89,0  
 Totalt 187,0

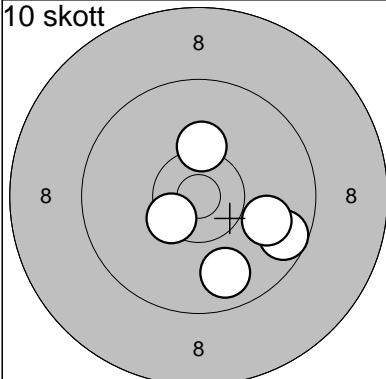
10 skott



1: 9,5 ↗  
 2: 9,7 ↗  
 3: 10,1 →  
 4: 8,6 ↑  
 5: 10,0 ↓

Serie 46,0  
 Totalt 233,0

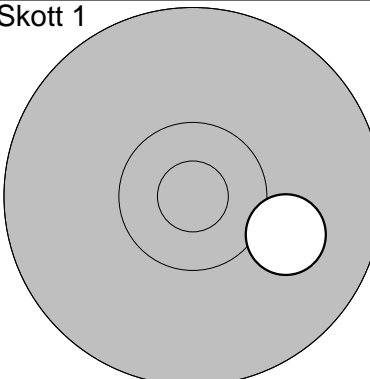
10 skott



6: 9,6 →  
 7: 10,3 ↑  
 8: 10,5\* ↓  
 9: 9,9 ↘  
 10: 9,8 ↓

Serie 47,0  
 Totalt 280,0

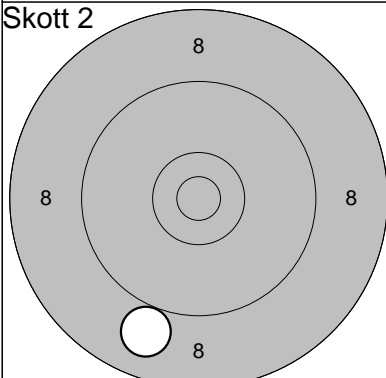
Skott 1



1: 10,1 →

Serie 10,0  
 Totalt 290,0

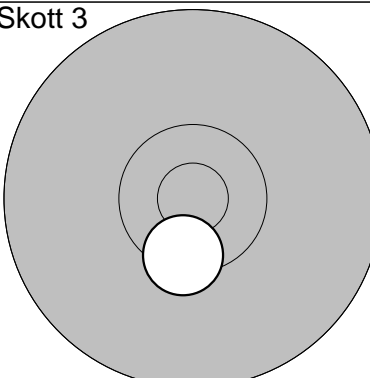
Skott 2



1: 8,9 ↓

Serie 8,0  
 Totalt 298,0

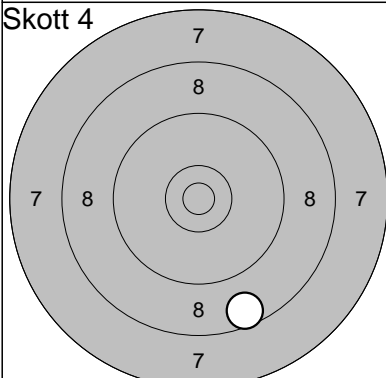
Skott 3



1: 10,4\* ↓

Serie 10,0  
 Totalt 308,0

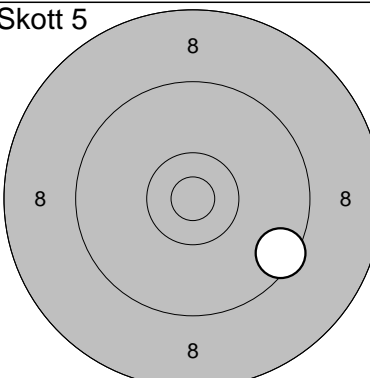
Skott 4



1: 8,6 ↓

Serie 8,0  
 Totalt 316,0

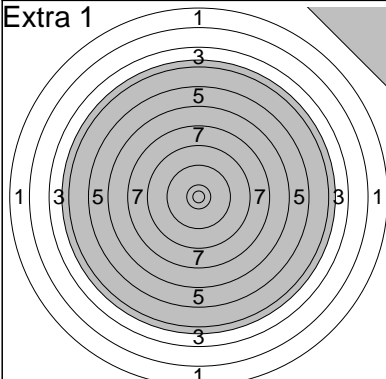
Skott 5



1: 9,5 →

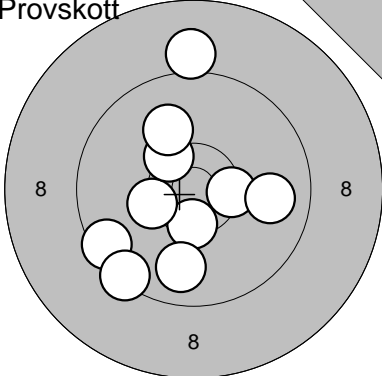
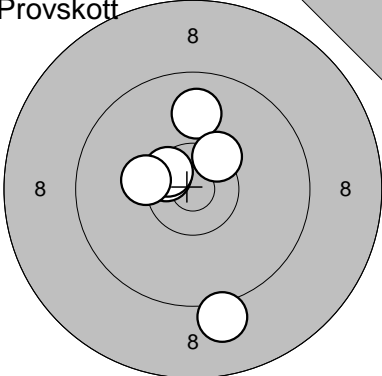
Serie 9,0  
 Totalt 325,0

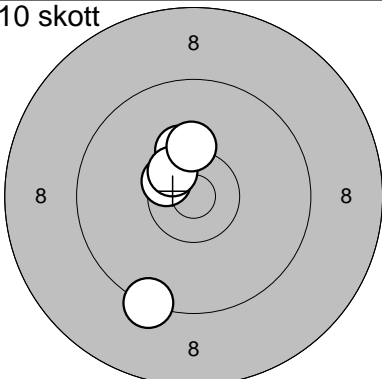
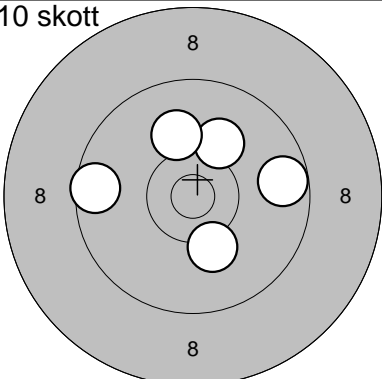
Extra 1

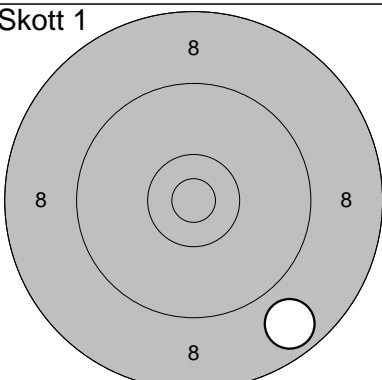
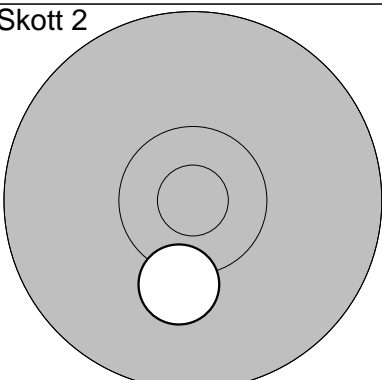


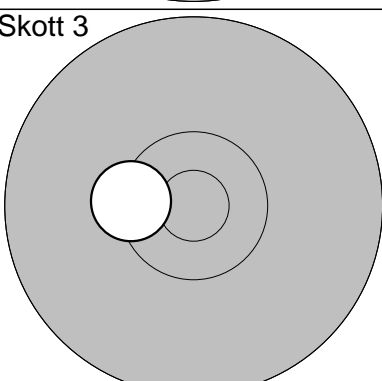
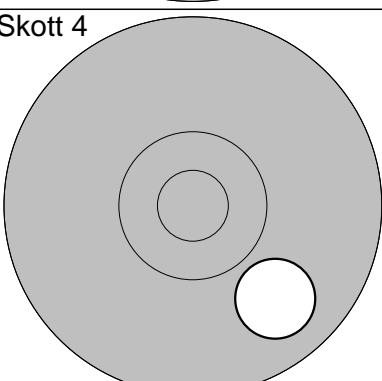
1: [0,0]

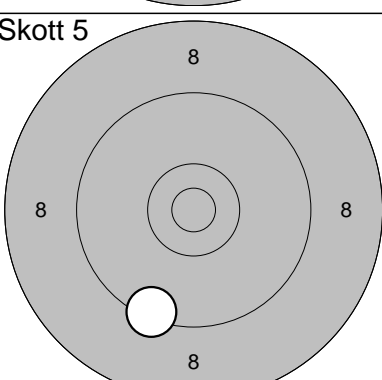
Serie 0,0  
 Totalt 325,0

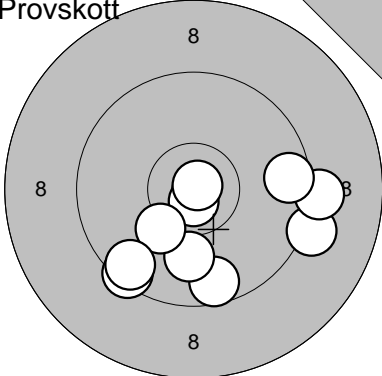
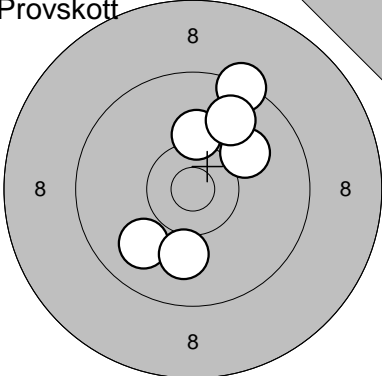
Provskott		Provskott	
	1: 10,5* ↓ 2: 9,5 ↙ 3: 9,4 ↘ 4: 10,3* ↙ 5: 10,4* → 6: 9,8 ↓ 7: 9,9 → 8: 10,4* ↗ 9: 9,1 ↑ 10: 10,1 ↗		11: 9,9 ↑ 12: 9,1 ↓ 13: 10,5* ↖ 14: 10,5* ↗ 15: 10,3 ← 16: 10,4* ↗
Serie 95,0		Serie 58,0	
Totalt 191,0		Totalt 191,0	

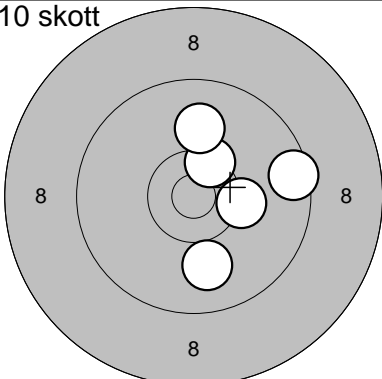
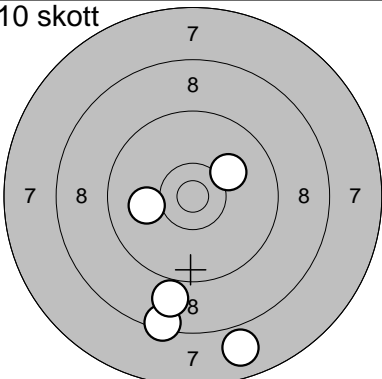
10 skott		10 skott	
	1: 10,5* ↗ 2: 10,3 ↗ 3: 10,5* ↗ 4: 10,3 ↗ 5: 9,3 ↓		6: 10,1 ↗ 7: 10,1 ↑ 8: 10,2 ↓ 9: 9,7 → 10: 9,6 ←
Serie 49,0		Serie 48,0	
Totalt 240,0		Totalt 288,0	

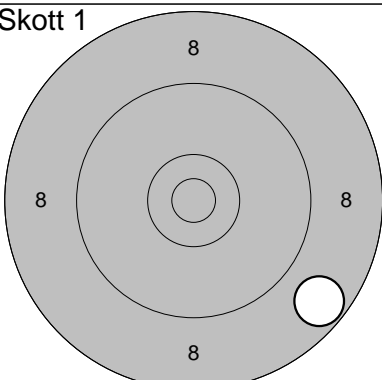
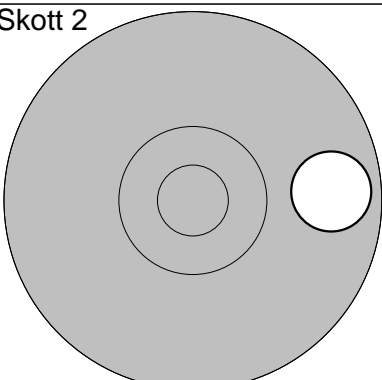
Skott 1		Skott 2	
	1: 8,8 ↓		1: 10,2 ↓
Serie 8,0		Serie 10,0	
Totalt 296,0		Totalt 306,0	

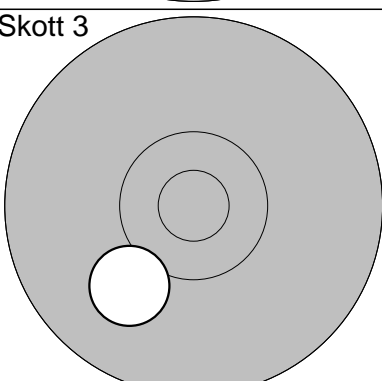
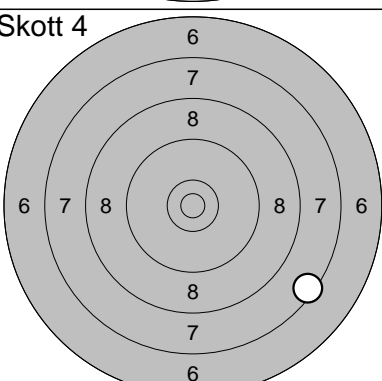
Skott 3		Skott 4	
	1: 10,4* ←		1: 9,9 ↘
Serie 10,0		Serie 9,0	
Totalt 316,0		Totalt 325,0	

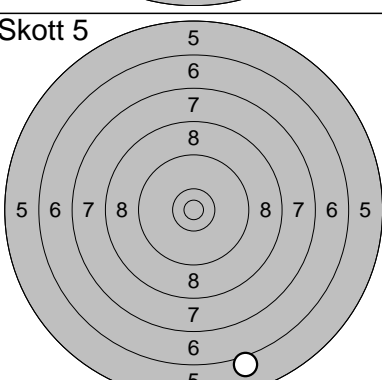
Skott 5			
	1: 9,4 ↓		
Serie 9,0			
Totalt 334,0			

Provsnitt 	1: 9,6 ↘ 2: 9,2 → 3: 9,2 → 4: 10,8* ↓ 5: 9,5 ↘ 6: 10,0 ↓ 7: 9,6 → 8: 10,2 ↘ 9: 10,9* ↗ 10: 9,6 ↘ <hr/> Serie 94,0 Totalt 187,0	Provsnitt 	11: 9,9 ↘ 12: 10,0 ↓ 13: 9,4 ↑ 14: 10,2 ↑ 15: 10,1 ↗ 16: 9,8 ↑ <hr/> Serie 57,0 Totalt 187,0
---	---	---	---

10 skott 	1: 10,4* ↗ 2: 10,0 ↑ 3: 10,3 → 4: 9,5 → 5: 10,0 ↓ <hr/> Serie 49,0 Totalt 236,0	10 skott 	6: 10,1 ↗ 7: 7,9 ↓ 8: 8,4 ↓ 9: 10,0 ← 10: 8,9 ↓ <hr/> Serie 43,0 Totalt 279,0
--	---	--	---

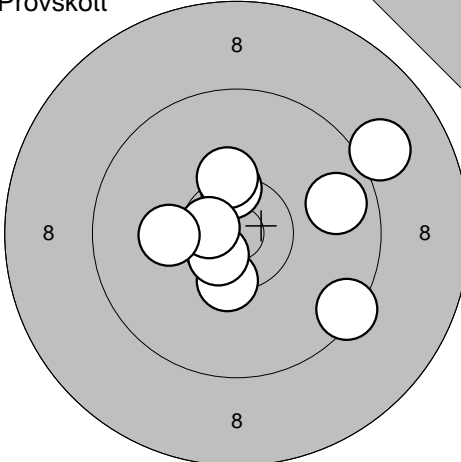
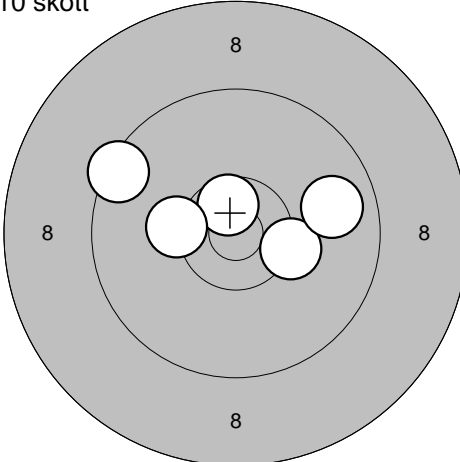
Skott 1 	1: 8,7 → <hr/> Serie 8,0 Totalt 287,0	Skott 2 	1: 9,7 → <hr/> Serie 9,0 Totalt 296,0
--	---	--	---

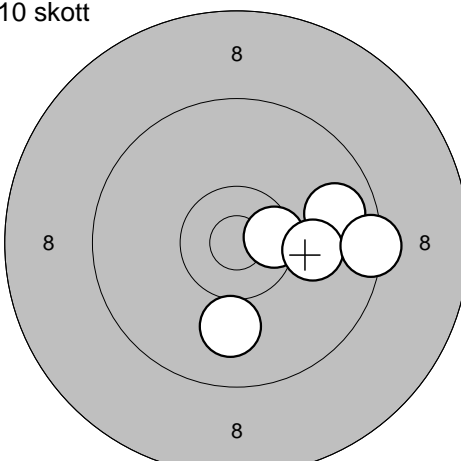
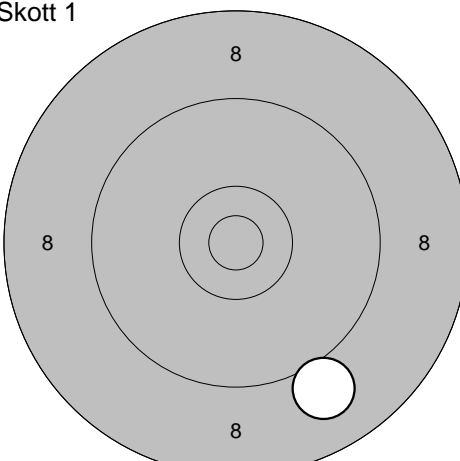
Skott 3 	1: 10,1 ↘ <hr/> Serie 10,0 Totalt 306,0	Skott 4 	1: 7,5 → <hr/> Serie 7,0 Totalt 313,0
---	---	---	---

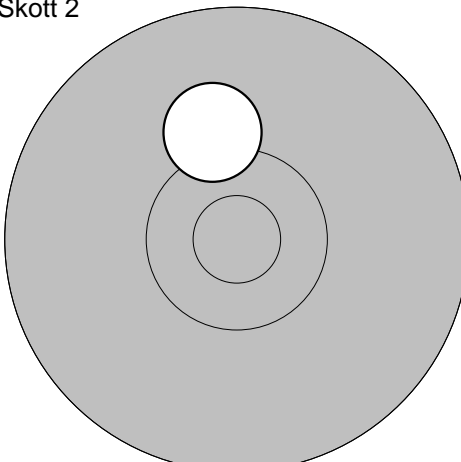
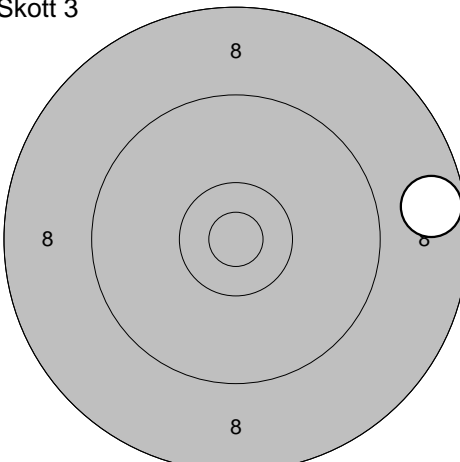
Skott 5 	1: 6,1 ↓ <hr/> Serie 6,0 Totalt 319,0		
---	---	--	--

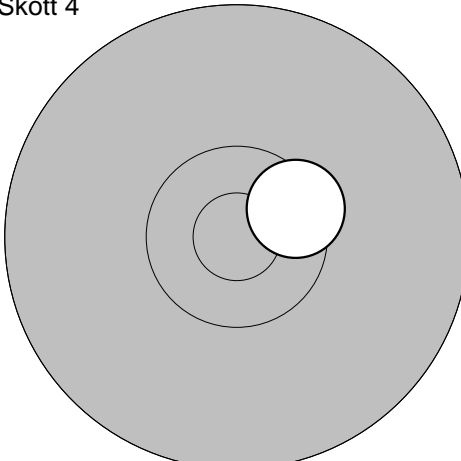
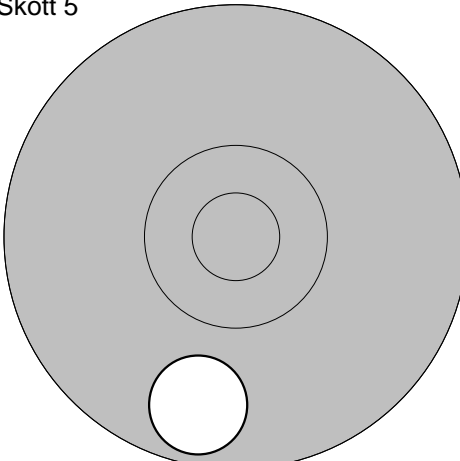
Niemisel

2009-07-16	Tavelträffen 2009 Final	Ramselefors SKF
------------	-------------------------	-----------------

<p>Provsnitt</p> 	<p>1: 10,4* ↓</p> <p>2: 9,4 →</p> <p>3: 10,6* ↓</p> <p>4: 9,1 →</p> <p>5: 9,8 →</p> <p>6: 10,4* ↑</p> <p>7: 10,3* ↑</p> <p>8: 10,6* ←</p> <p>9: 10,2 ←</p>	<p>10 skott</p> 	<p>1: 9,4 ↖</p> <p>2: 10,6* ↑</p> <p>3: 10,3 ←</p> <p>4: 10,3* →</p> <p>5: 9,8 →</p>
Serie 87,0		Serie 48,0	
Totalt 187,0		Totalt 235,0	

<p>10 skott</p> 	<p>6: 10,5* →</p> <p>7: 9,8 →</p> <p>8: 10,0 ↓</p> <p>9: 10,1 →</p> <p>10: 9,4 →</p>	<p>Skott 1</p> 	<p>1: 9,0 ↓</p>
Serie 48,0		Serie 9,0	
Totalt 283,0		Totalt 292,0	

<p>Skott 2</p> 	<p>1: 10,2 ↑</p>	<p>Skott 3</p> 	<p>1: 8,7 →</p>
Serie 10,0		Serie 8,0	
Totalt 302,0		Totalt 310,0	

<p>Skott 4</p> 	<p>1: 10,5* →</p>	<p>Skott 5</p> 	<p>1: 9,7 ↓</p>
Serie 10,0		Serie 9,0	
Totalt 320,0		Totalt 329,0	

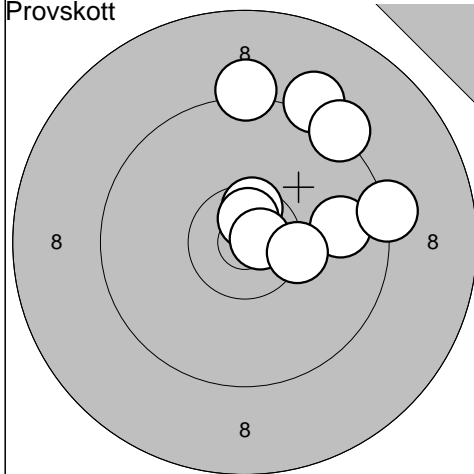
Umeå

2009-07-16

Tavelträffen 2009 Final

Ramselefors SKF

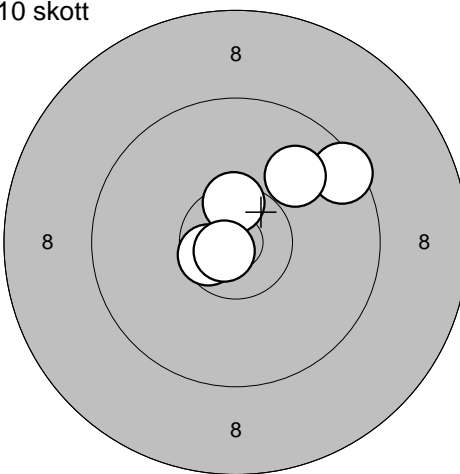
Provskott



- 1: 9,2 ↗
- 2: 9,2 ↑
- 3: 10,6\* ↑
- 4: 10,7\* ↑
- 5: 9,8 →
- 6: 9,3 ↗
- 7: 10,8\* →
- 8: 9,3 →
- 9: 10,3\* →

Serie 85,0  
Totalt 186,0

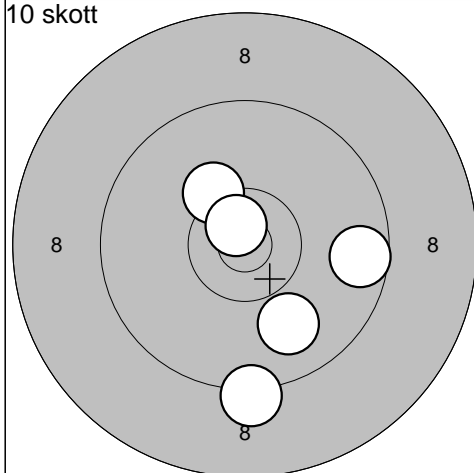
10 skott



- 1: 10,5\* ↑
- 2: 9,5 ↗
- 3: 9,9 ↗
- 4: 10,6\* ←
- 5: 10,8\* ↙

Serie 48,0  
Totalt 234,0

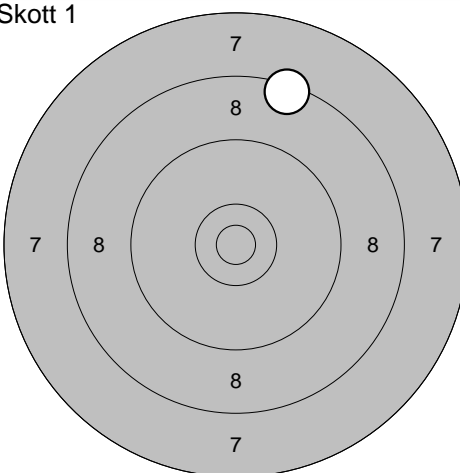
10 skott



- 6: 9,2 ↓
- 7: 10,3 ↗
- 8: 10,7\* ↗
- 9: 9,6 →
- 10: 9,9 ↘

Serie 47,0  
Totalt 281,0

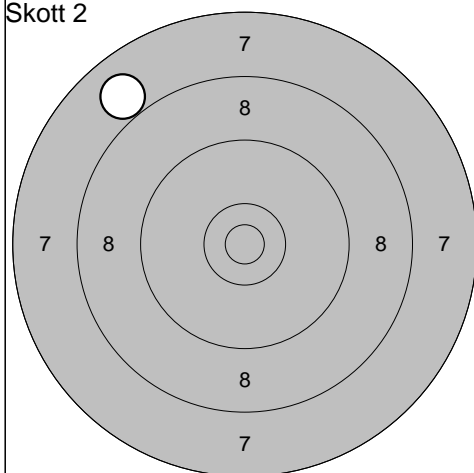
Skott 1



- 1: 8,4 ↑

Serie 8,0  
Totalt 289,0

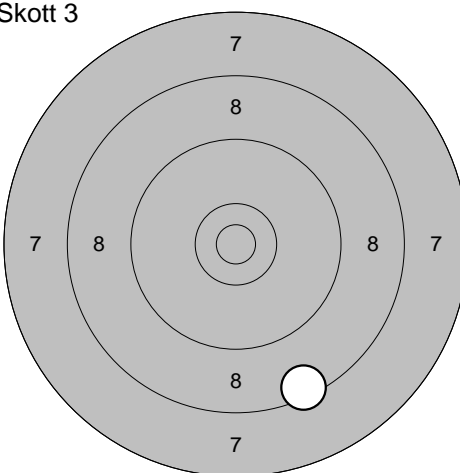
Skott 2



- 1: 7,9 ↖

Serie 7,0  
Totalt 296,0

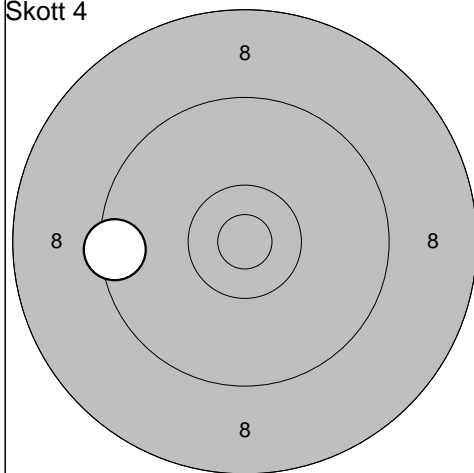
Skott 3



- 1: 8,5 ↓

Serie 8,0  
Totalt 304,0

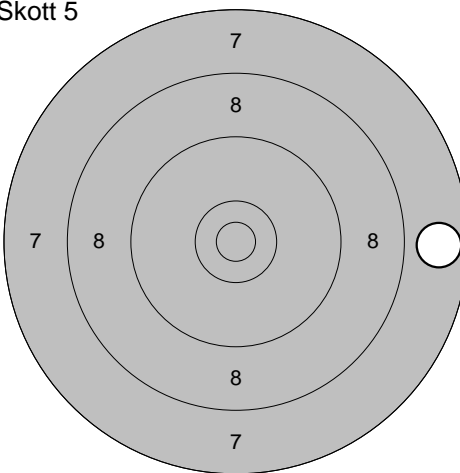
Skott 4



- 1: 9,5 ←

Serie 9,0  
Totalt 313,0

Skott 5



- 1: 7,8 →

Serie 7,0  
Totalt 320,0



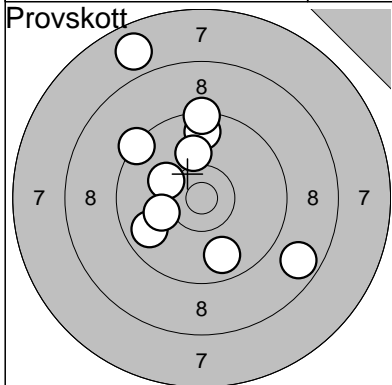
F 21

2009-07-16

Tavelträffen 2009 Final

Ramselefors SKF

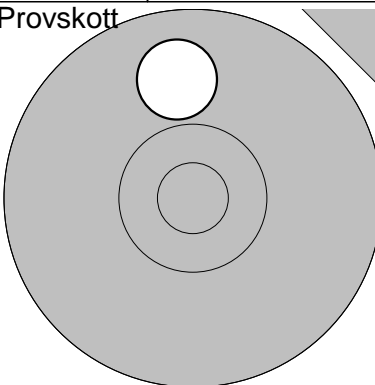
Provskott



1: 7,8 ↗  
 2: 9,4 ↗↗  
 3: 9,7 ↗↗  
 4: 10,2 ↗↗  
 5: 9,4 ↗↗  
 6: 9,8 ↗↗  
 7: 10,1 ↗↗  
 8: 10,1 ↗↗  
 9: 8,7 ↘↘  
 10: 9,8 ↘↘

Serie 90,0  
 Totalt 184,0

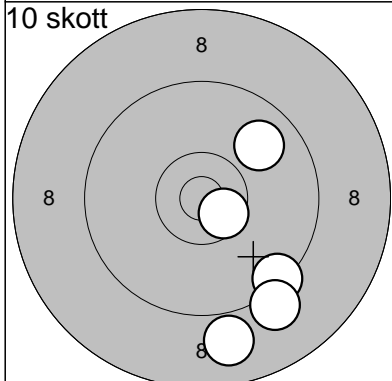
Provskott



11: 9,9 ↗

Serie 9,0  
 Totalt 184,0

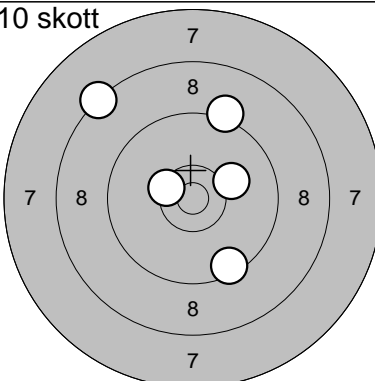
10 skott



1: 10,6\* ↘  
 2: 8,9 ↘  
 3: 9,4 ↘  
 4: 9,1 ↘  
 5: 9,9 ↗

Serie 45,0  
 Totalt 229,0

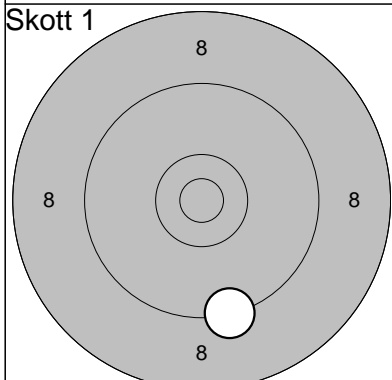
10 skott



6: 8,3 ↗  
 7: 10,1 →  
 8: 9,2 ↗  
 9: 10,4\* ↗  
 10: 9,5 ↘

Serie 46,0  
 Totalt 275,0

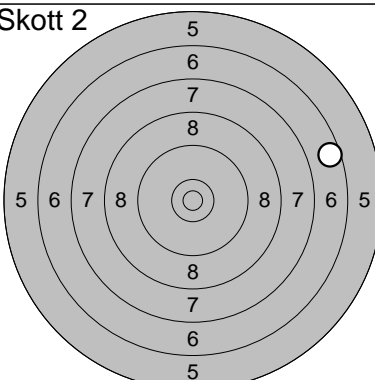
Skott 1



1: 9,3 ↘

Serie 9,0  
 Totalt 284,0

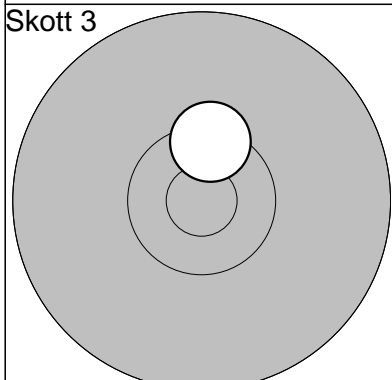
Skott 2



1: 6,6 →

Serie 6,0  
 Totalt 290,0

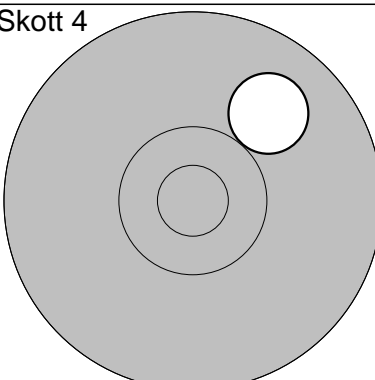
Skott 3



1: 10,4\* ↗

Serie 10,0  
 Totalt 300,0

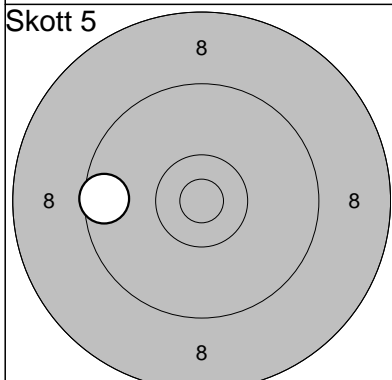
Skott 4



1: 9,9 ↗

Serie 9,0  
 Totalt 309,0

Skott 5



1: 9,6 ←

Serie 9,0  
 Totalt 318,0

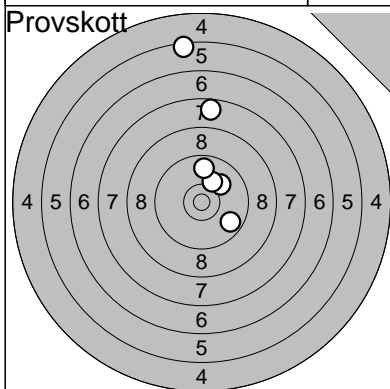
Norge

2009-07-16

Tavelträffen 2009 Final

Ramselefors SKF

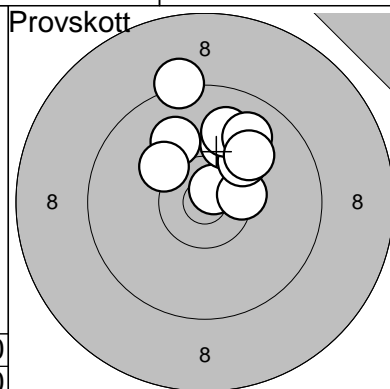
Provsjøtt



1: 0,0 ↑  
2: 0,0 ↑↑  
3: 0,0 ↑↑↑  
4: 0,0 ↑↑↑↑  
5: 5,5 ↑↑↑↑↑  
6: 7,7 ↑↑↑↑↑↑  
7: 10,0 ↗↑↑↑↑↑  
8: 9,7 ↓↑↑↑↑↑  
9: 10,2 ↑↑↑↑↑↑  
10: 9,8 ↑↑↑↑↑↑

Serie 50,0  
Totalt 183,0

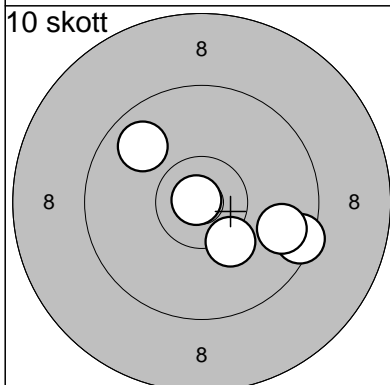
Provsjøtt



11: 10,7\* ↗  
12: 10,1 ↑  
13: 10,4\* →  
14: 10,0 ↗  
15: 10,2 ↗  
16: 10,2 ↗  
17: 9,9 ↑  
18: 9,3 ↑  
19: 9,9 ↗  
20: 10,0 ↗

Serie 97,0  
Totalt 183,0

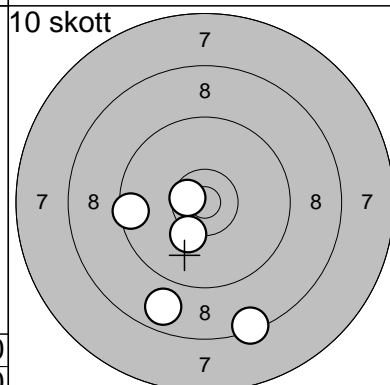
10 skjøtt



1: 9,8 ↗  
2: 10,9\* ↗  
3: 9,5 ↓  
4: 10,3 ↓  
5: 9,8 ↓

Serie 47,0  
Totalt 230,0

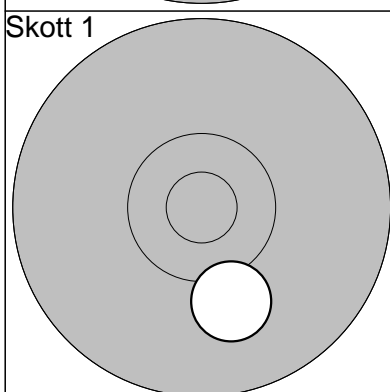
10 skjøtt



6: 8,4 ↓  
7: 10,6\* ←  
8: 9,5 ←  
9: 8,8 ↓  
10: 10,3 ↓

Serie 45,0  
Totalt 275,0

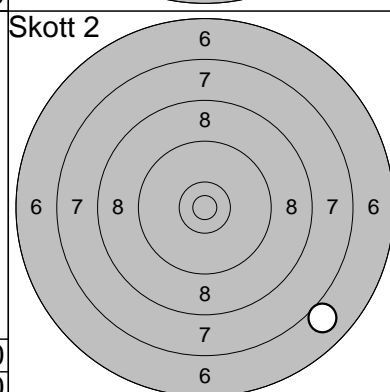
Skjøtt 1



1: 10,1 ↓

Serie 10,0  
Totalt 285,0

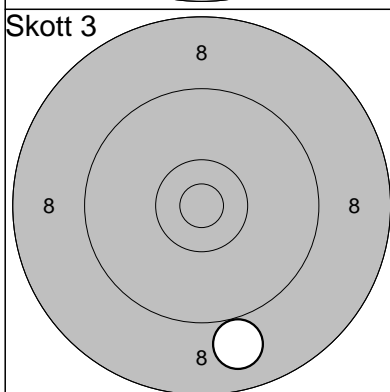
Skjøtt 2



1: 7,0 ↓

Serie 7,0  
Totalt 292,0

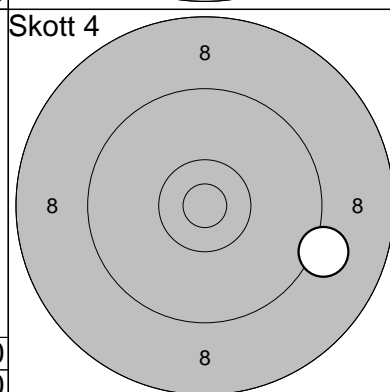
Skjøtt 3



1: 8,9 ↓

Serie 8,0  
Totalt 300,0

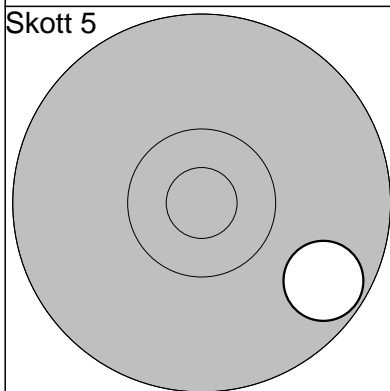
Skjøtt 4



1: 9,2 →

Serie 9,0  
Totalt 309,0

Skjøtt 5



1: 9,7 ↓

Serie 9,0  
Totalt 318,0

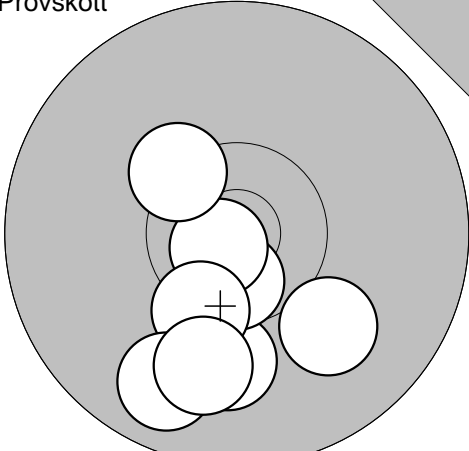
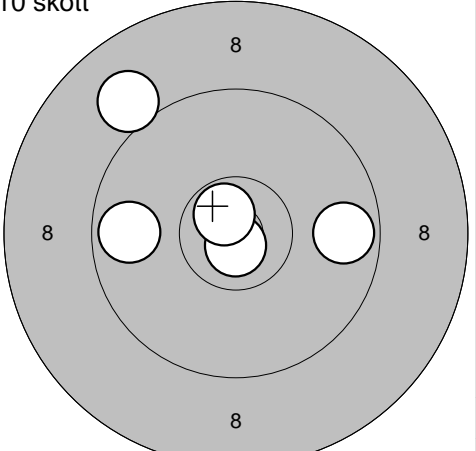
Ununge

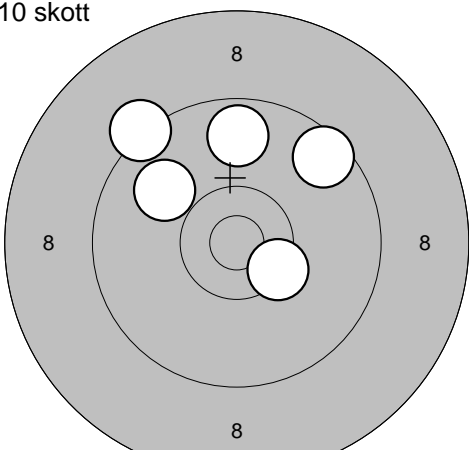
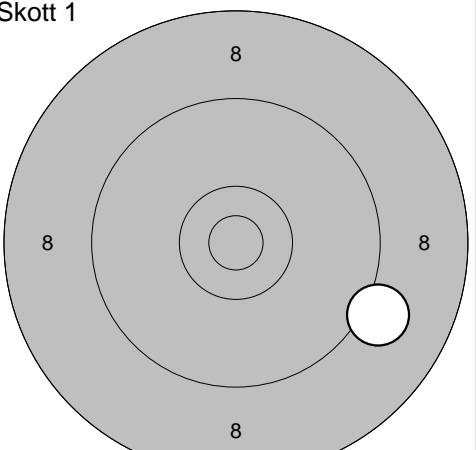
2009-07-16

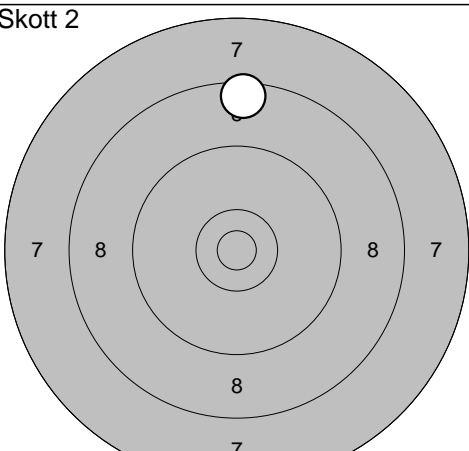
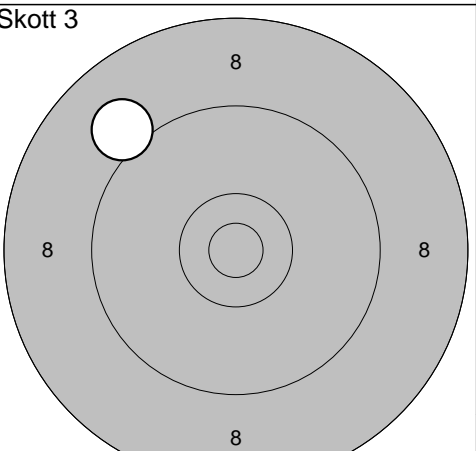
Tavelträffen 2009 Final

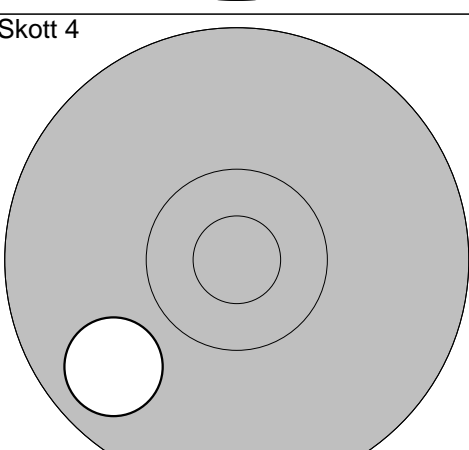
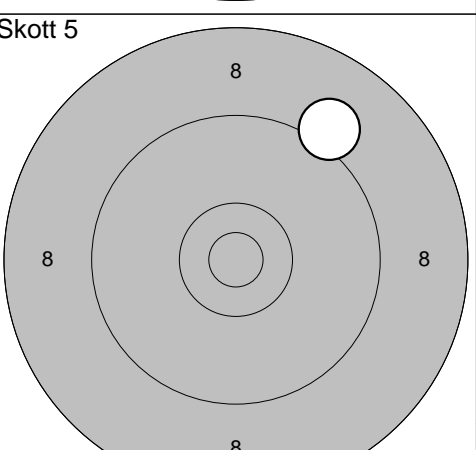
Ramselefors SKF

Provsnitt

	<p>1: 10,0 ↓</p> <p>2: 10,6* ↓</p> <p>3: 10,8* ↙</p> <p>4: 10,0 ↘</p> <p>5: 10,3* ↓</p> <p>6: 9,8 ↓</p> <p>7: 10,3* ↗</p> <p>8: 10,0 ↓</p>	<p>10 skott</p> 	<p>1: 9,0 ↗</p> <p>2: 9,7 ←</p> <p>3: 10,8* ↓</p> <p>4: 9,7 →</p> <p>5: 10,7* ↗</p>
Serie	79,0	Serie	47,0
Totalt	183,0	Totalt	230,0

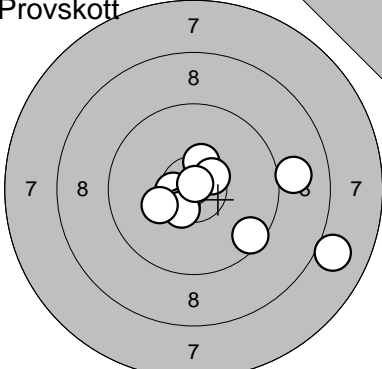
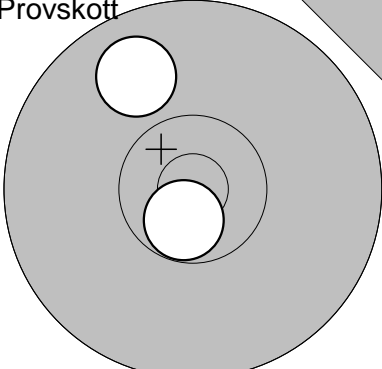
<p>10 skott</p> 	<p>6: 9,6 ↗</p> <p>7: 9,9 ↗</p> <p>8: 9,3 ↗</p> <p>9: 9,7 ↑</p> <p>10: 10,4* ↘</p>	<p>Skott 1</p> 	<p>1: 9,1 ↘</p>
Serie	46,0	Serie	9,0
Totalt	276,0	Totalt	285,0

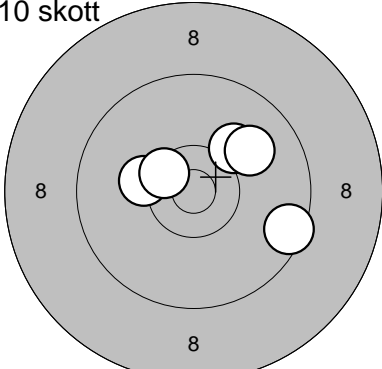
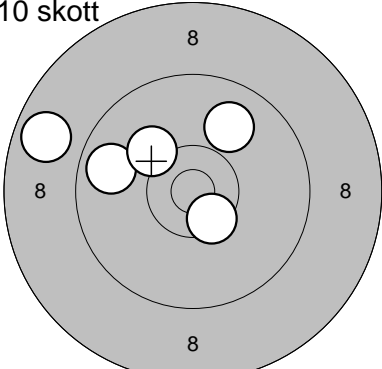
<p>Skott 2</p> 	<p>1: 8,5 ↑</p>	<p>Skott 3</p> 	<p>1: 9,1 ↗</p>
Serie	8,0	Serie	9,0
Totalt	293,0	Totalt	302,0

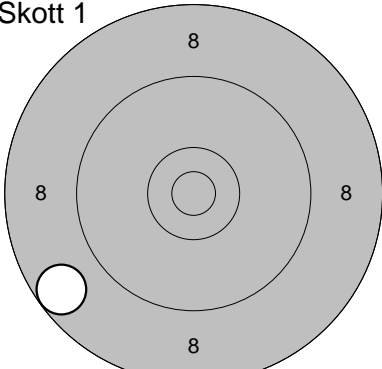
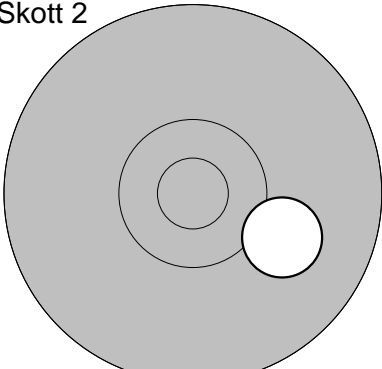
<p>Skott 4</p> 	<p>1: 9,8 ↙</p>	<p>Skott 5</p> 	<p>1: 9,1 ↗</p>
Serie	9,0	Serie	9,0
Totalt	311,0	Totalt	320,0

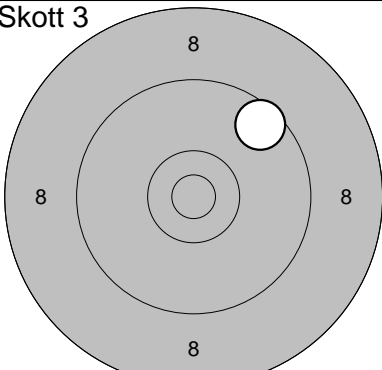
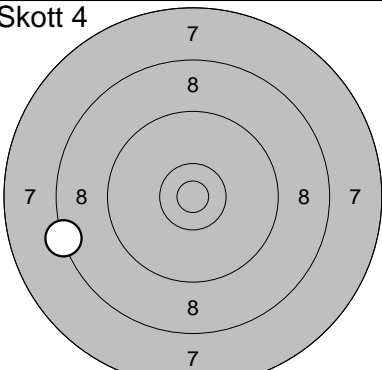
Piteå

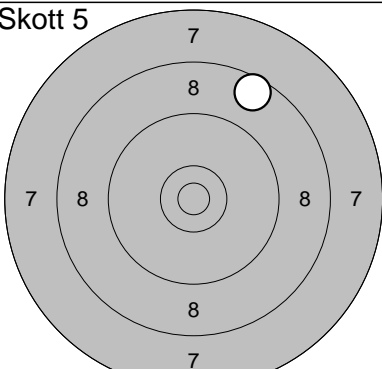
2009-07-16	Tavelträffen 2009 Final	Ramselefors SKF
------------	-------------------------	-----------------

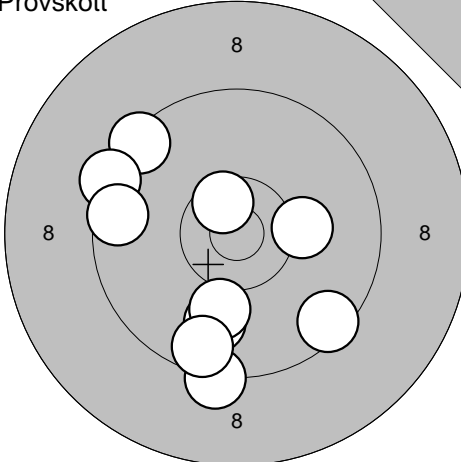
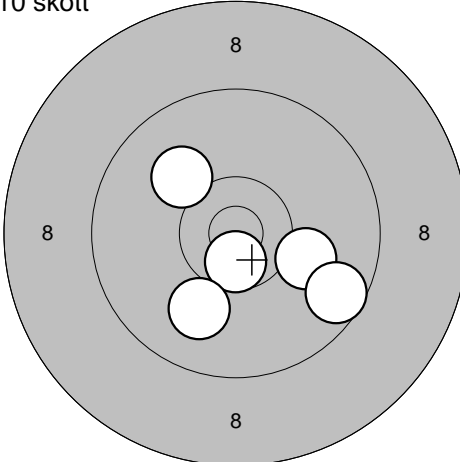
<b>Provskott</b> 	1: 9,0 → 2: 8,0 → 3: 10,6* ← 4: 10,5* ↓ 5: 10,5* ↓ 6: 10,2 ← 7: 9,5 ↓ 8: 10,4* ↑ 9: 10,5* ↗ 10: 10,9* ↑	<b>Provskott</b> 	11: 9,9 ↗ 12: 10,7* ↓
Serie 96,0		Serie 19,0	
Totalt 181,0		Totalt 181,0	

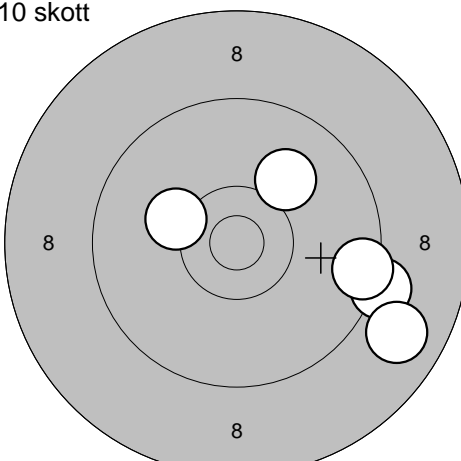
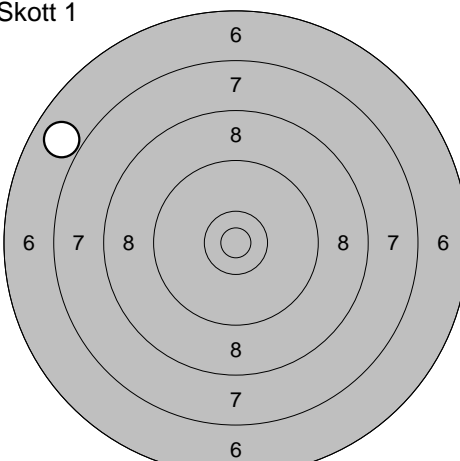
<b>10 skott</b> 	1: 10,1 ↗ 2: 10,2 ← 3: 9,5 → 4: 10,0 ↗ 5: 10,5* ←	<b>10 skott</b> 	6: 9,8 ← 7: 8,8 ← 8: 10,2 ↗ 9: 9,9 ↗ 10: 10,5* ↓
Serie 49,0		Serie 46,0	
Totalt 230,0		Totalt 276,0	

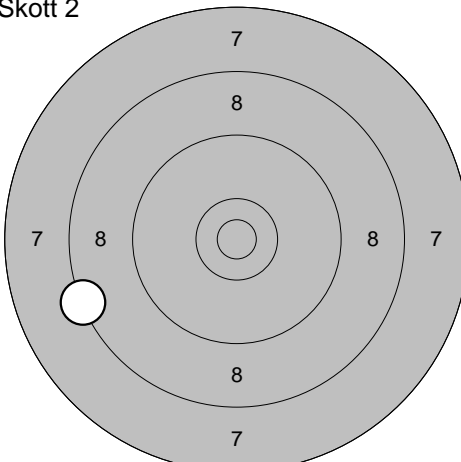
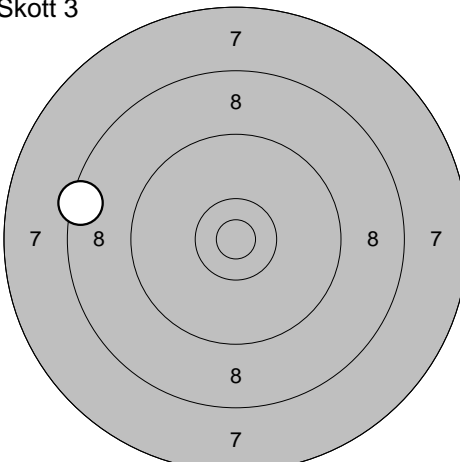
<b>Skott 1</b> 	1: 8,7 ←	<b>Skott 2</b> 	1: 10,1 →
Serie 8,0		Serie 10,0	
Totalt 284,0		Totalt 294,0	

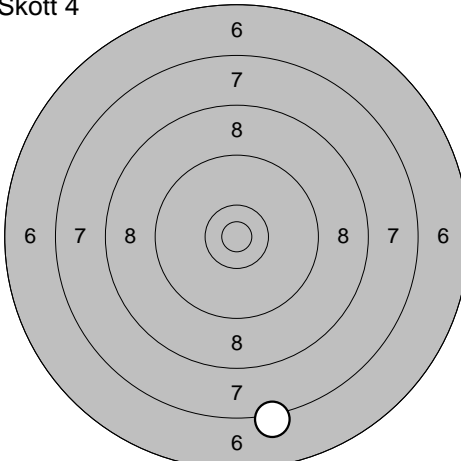
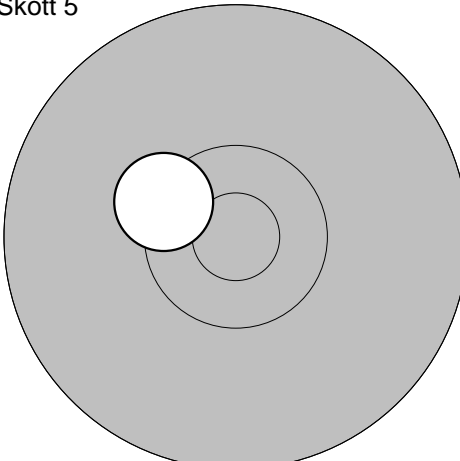
<b>Skott 3</b> 	1: 9,6 ↗	<b>Skott 4</b> 	1: 8,3 ←
Serie 9,0		Serie 8,0	
Totalt 303,0		Totalt 311,0	

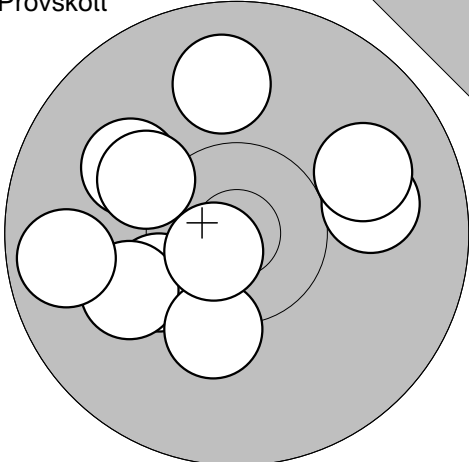
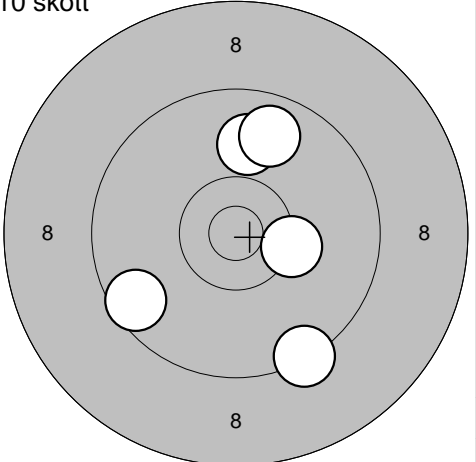
<b>Skott 5</b> 	1: 8,6 ↗		
Serie 8,0			
Totalt 319,0			

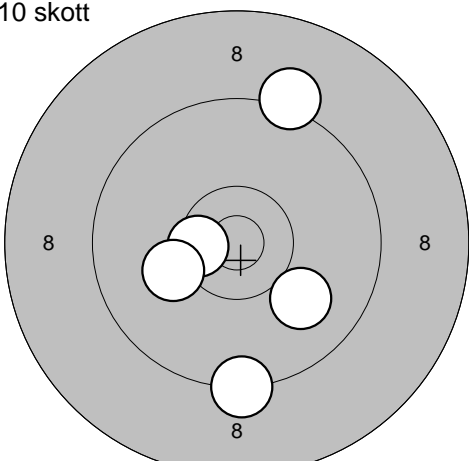
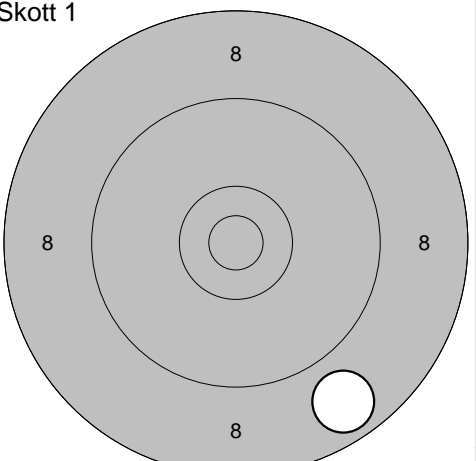
<p>Provskott</p> 	<p>10 skott</p> 	<p>1: 9,9 ↘                  2: 9,3 ↓                  3: 10,1 ↓                  4: 10,6* ↗                  5: 10,2 →                  6: 9,4 ↗                  7: 9,4 ↗                  8: 9,6 ↓                  9: 9,5 ↘                  10: 9,6 ←</p> <table border="1" style="width:100%; border-collapse: collapse;"> <tr><td>Serie</td><td style="text-align: right;">93,0</td></tr> <tr><td>Totalt</td><td style="text-align: right;">180,0</td></tr> </table>	Serie	93,0	Totalt	180,0
Serie	93,0					
Totalt	180,0					
		<p>1: 10,1 ↗                  2: 10,6* ↓                  3: 10,1 →                  4: 9,6 ↘                  5: 10,0 ↓</p> <table border="1" style="width:100%; border-collapse: collapse;"> <tr><td>Serie</td><td style="text-align: right;">49,0</td></tr> <tr><td>Totalt</td><td style="text-align: right;">229,0</td></tr> </table>	Serie	49,0	Totalt	229,0
Serie	49,0					
Totalt	229,0					

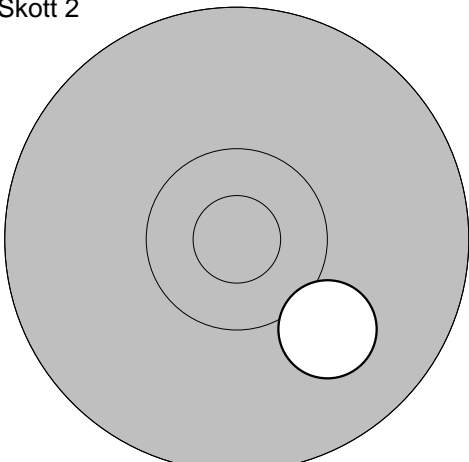
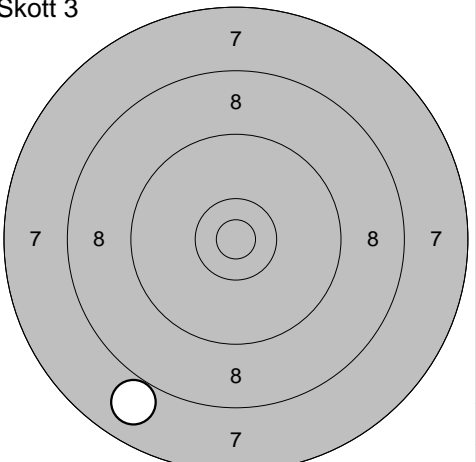
<p>10 skott</p> 	<p>Skott 1</p> 	<p>6: 10,2 ←                  7: 10,0 ↗                  8: 9,2 →                  9: 9,5 →                  10: 8,8 ↘</p> <table border="1" style="width:100%; border-collapse: collapse;"> <tr><td>Serie</td><td style="text-align: right;">46,0</td></tr> <tr><td>Totalt</td><td style="text-align: right;">275,0</td></tr> </table>	Serie	46,0	Totalt	275,0
Serie	46,0					
Totalt	275,0					
		<p>1: 6,9 ↖</p> <table border="1" style="width:100%; border-collapse: collapse;"> <tr><td>Serie</td><td style="text-align: right;">6,0</td></tr> <tr><td>Totalt</td><td style="text-align: right;">281,0</td></tr> </table>	Serie	6,0	Totalt	281,0
Serie	6,0					
Totalt	281,0					

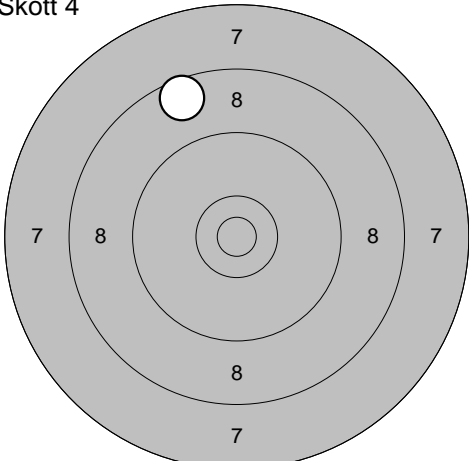
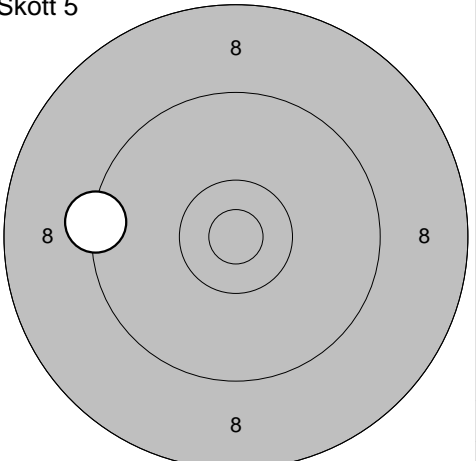
<p>Skott 2</p> 	<p>Skott 3</p> 	<p>1: 8,3 ↖</p> <table border="1" style="width:100%; border-collapse: collapse;"> <tr><td>Serie</td><td style="text-align: right;">8,0</td></tr> <tr><td>Totalt</td><td style="text-align: right;">289,0</td></tr> </table>	Serie	8,0	Totalt	289,0
Serie	8,0					
Totalt	289,0					
		<p>1: 8,5 ↖</p> <table border="1" style="width:100%; border-collapse: collapse;"> <tr><td>Serie</td><td style="text-align: right;">8,0</td></tr> <tr><td>Totalt</td><td style="text-align: right;">297,0</td></tr> </table>	Serie	8,0	Totalt	297,0
Serie	8,0					
Totalt	297,0					

<p>Skott 4</p> 	<p>Skott 5</p> 	<p>1: 7,2 ↓</p> <table border="1" style="width:100%; border-collapse: collapse;"> <tr><td>Serie</td><td style="text-align: right;">7,0</td></tr> <tr><td>Totalt</td><td style="text-align: right;">304,0</td></tr> </table>	Serie	7,0	Totalt	304,0
Serie	7,0					
Totalt	304,0					
		<p>1: 10,4* ↖</p> <table border="1" style="width:100%; border-collapse: collapse;"> <tr><td>Serie</td><td style="text-align: right;">10,0</td></tr> <tr><td>Totalt</td><td style="text-align: right;">314,0</td></tr> </table>	Serie	10,0	Totalt	314,0
Serie	10,0					
Totalt	314,0					

Provs skott 	1: 9,9 ↑ 2: 10,3* ↙ 3: 10,1 ↙ 4: 10,0 → 5: 10,1 ↖ 6: 10,2 ↖ 7: 9,7 ← 8: 10,2 ↓ 9: 10,0 → 10: 10,7* ↙ <hr/> Serie 98,0 Totalt 186,0	10 skott 	1: 9,6 ↙ 2: 9,9 ↑ 3: 9,8 ↑ 4: 10,3* → 5: 9,3 ↓ <hr/> Serie 46,0 Totalt 232,0
---	---	--	--

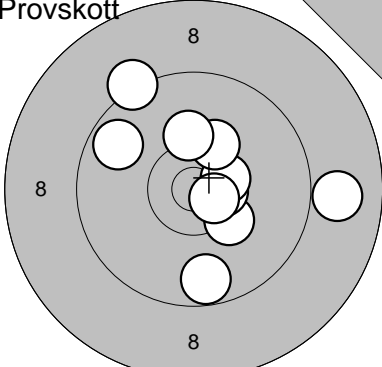
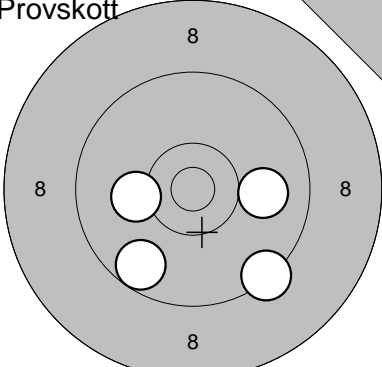
10 skott 	6: 9,2 ↑ 7: 10,0 ↘ 8: 10,5* ← 9: 9,3 ↓ 10: 10,2 ← <hr/> Serie 48,0 Totalt 280,0	Skott 1 	1: 8,8 ↘ <hr/> Serie 8,0 Totalt 288,0
---	---	--	---

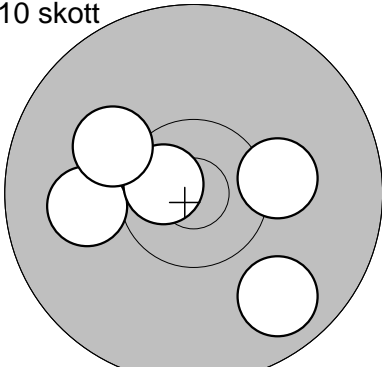
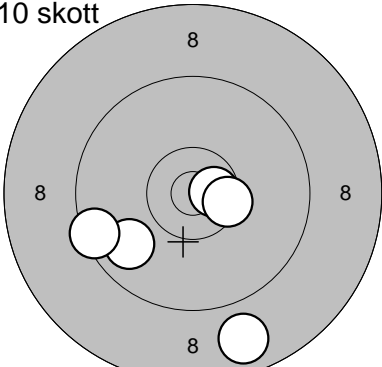
Skott 2 	1: 10,0 ↘ <hr/> Serie 10,0 Totalt 298,0	Skott 3 	1: 7,9 ↙ <hr/> Serie 7,0 Totalt 305,0
---	---	---	---

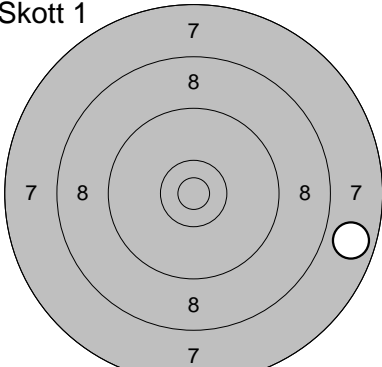
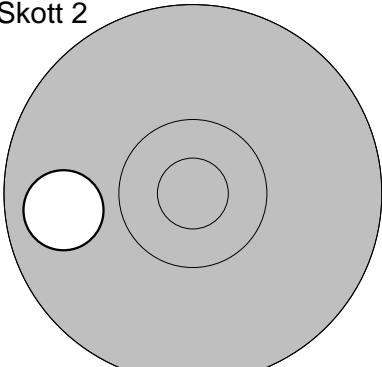
Skott 4 	1: 8,6 ↑ <hr/> Serie 8,0 Totalt 313,0	Skott 5 	1: 9,4 ← <hr/> Serie 9,0 Totalt 322,0
---	---	---	---

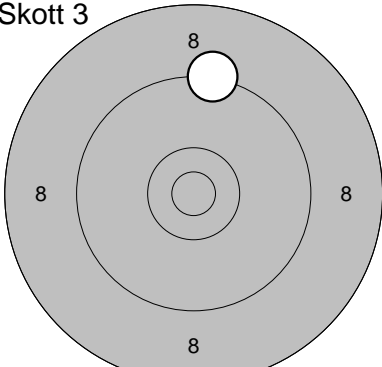
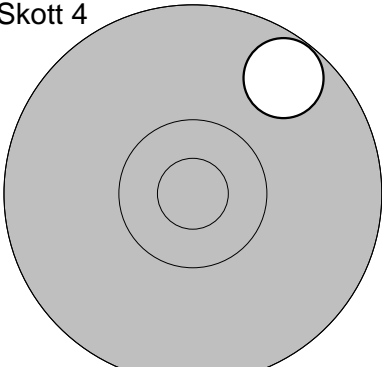
I 19 / A 9

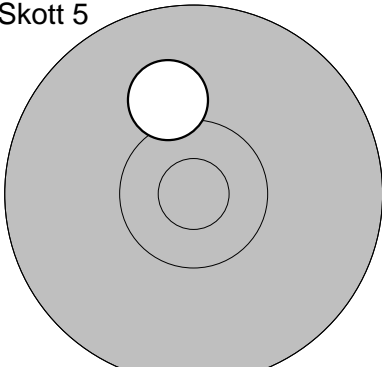
2009-07-16	Tavelträffen 2009 Final	Ramselefors SKF
------------	-------------------------	-----------------

<b>Provskott</b> 	1: 9,7 ↘ 2: 8,9 → 3: 10,3 ↘ 4: 10,5* → 5: 10,5* → 6: 10,6* ↘ 7: 10,3 ↗ 8: 9,3 ↗ 9: 9,7 ↗ 10: 10,2 ↑	<b>Provskott</b> 	11: 9,7 ↘ 12: 10,2 ← 13: 9,4 ↘ 14: 10,0 →
Serie 95,0		Serie 38,0	
Totalt 182,0		Totalt 182,0	

<b>10 skott</b> 	1: 10,0 ← 2: 10,7* ↖ 3: 9,8 ↘ 4: 10,2 → 5: 10,1 ↗	<b>10 skott</b> 	6: 10,6* → 7: 9,8 ↘ 8: 9,5 ← 9: 8,8 ↘ 10: 10,4* →
Serie 49,0		Serie 46,0	
Totalt 231,0		Totalt 277,0	

<b>Skott 1</b> 	1: 7,8 →	<b>Skott 2</b> 	1: 9,8 ←
Serie 7,0		Serie 9,0	
Totalt 284,0		Totalt 293,0	

<b>Skott 3</b> 	1: 9,3 ↑	<b>Skott 4</b> 	1: 9,7 ↗
Serie 9,0		Serie 9,0	
Totalt 302,0		Totalt 311,0	

<b>Skott 5</b> 	1: 10,1 ↑		
Serie 10,0			
Totalt 321,0			

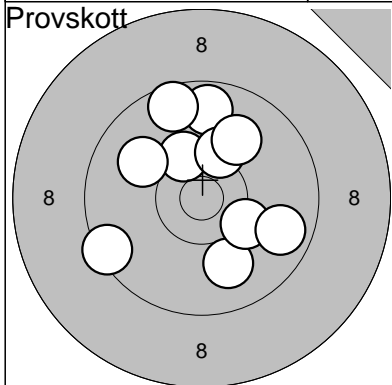
S 3

2009-07-16

Tavelträffen 2009 Final

Ramselefors SKF

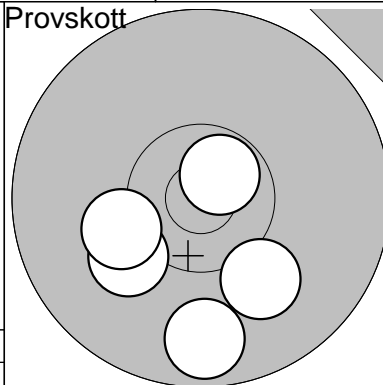
Provskott



- 1: 9,7 ↗
- 2: 10,0 ↘
- 3: 10,3\* ↗
- 4: 10,2 ↘
- 5: 10,3 ↗
- 6: 9,8 ↘
- 7: 10,0 ↗
- 8: 9,4 ↘
- 9: 10,0 ↗
- 10: 9,6 ↗

Serie 96,0  
Totalt 178,0

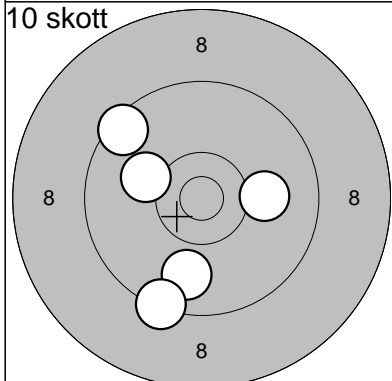
Provskott



- 11: 10,7\* ↗
- 12: 10,1 ↘
- 13: 9,7 ↘
- 14: 10,2 ↘
- 15: 10,1 ↘

Serie 49,0  
Totalt 178,0

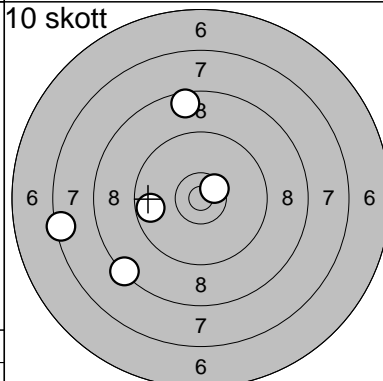
10 skott



- 1: 9,9 ↘
- 2: 9,5 ↗
- 3: 9,4 ↘
- 4: 10,1 ↗
- 5: 10,1 ↗

Serie 47,0  
Totalt 225,0

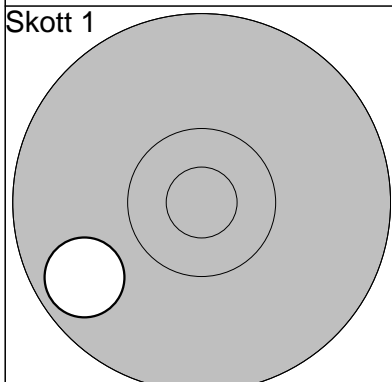
10 skott



- 6: 10,5\* ↗
- 7: 8,6 ↗
- 8: 9,7 ↘
- 9: 7,4 ↘
- 10: 8,4 ↘

Serie 42,0  
Totalt 267,0

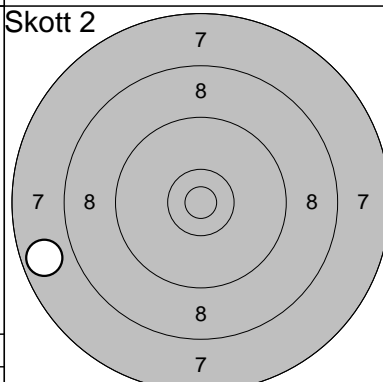
Skott 1



- 1: 9,7 ↘

Serie 9,0  
Totalt 276,0

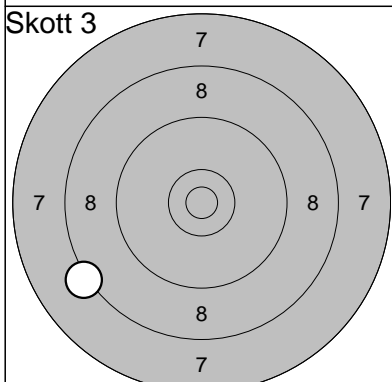
Skott 2



- 1: 7,7 ↘

Serie 7,0  
Totalt 283,0

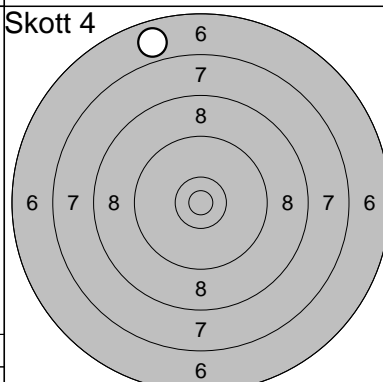
Skott 3



- 1: 8,2 ↘

Serie 8,0  
Totalt 291,0

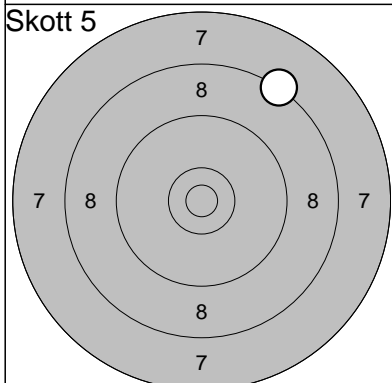
Skott 4



- 1: 6,8 ↗

Serie 6,0  
Totalt 297,0

Skott 5



- 1: 8,3 ↗

Serie 8,0  
Totalt 305,0



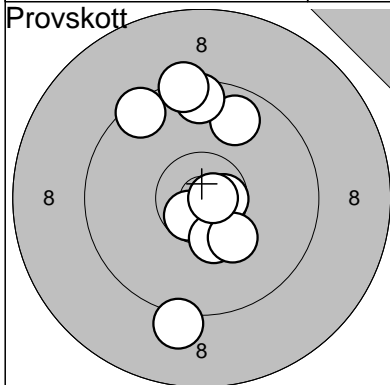
Ramselefors

2009-07-16

Tavelträffen 2009 Final

Ramselefors SKF

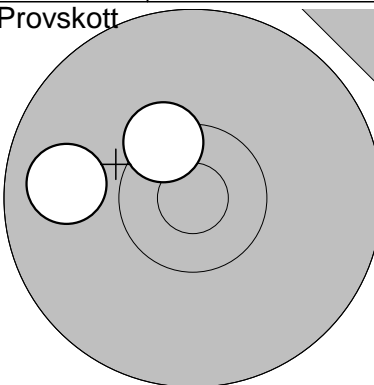
Provskott



1: 9,8 ↗  
 2: 10,6\* ↘  
 3: 10,6\* →  
 4: 10,4\* ↘  
 5: 9,6 ↗  
 6: 9,4 ↗  
 7: 10,2 ↘  
 8: 9,2 ↘  
 9: 9,5 ↗  
 10: 10,8\* →

Serie 95,0  
 Totalt 176,0

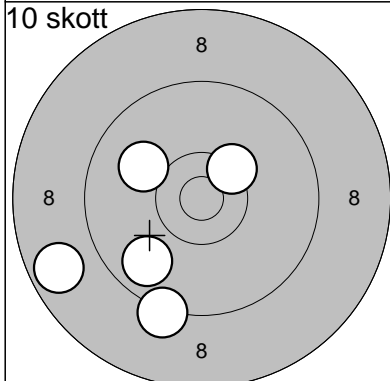
Provskott



11: 9,8 ←  
 12: 10,4\* ↗

Serie 19,0  
 Totalt 176,0

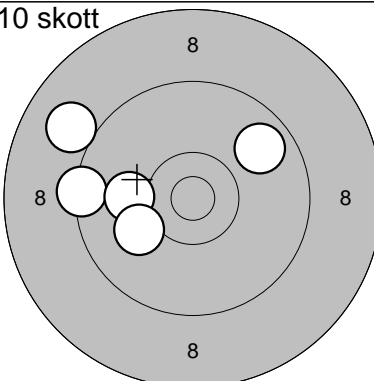
10 skott



1: 10,0 ↗  
 2: 8,7 ↘  
 3: 9,8 ↘  
 4: 9,3 ↘  
 5: 10,4\* ↗

Serie 46,0  
 Totalt 222,0

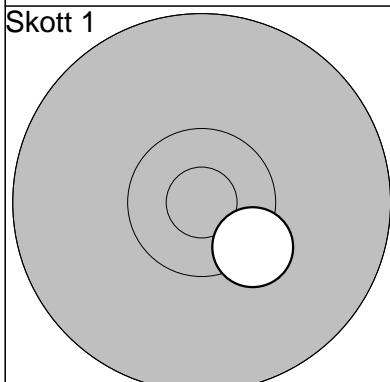
10 skott



6: 9,0 ↖  
 7: 9,4 ←  
 8: 9,8 ↗  
 9: 10,1 ←  
 10: 10,1 ↘

Serie 47,0  
 Totalt 269,0

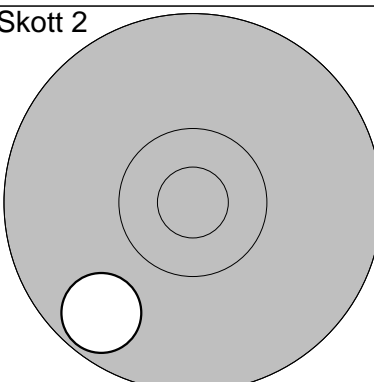
Skott 1



1: 10,4\* ↘

Serie 10,0  
 Totalt 279,0

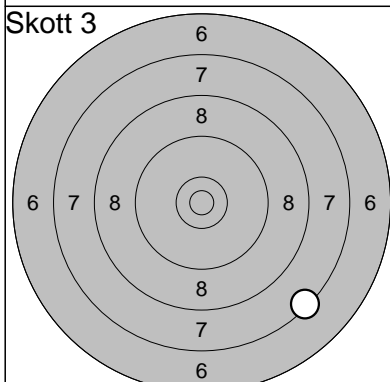
Skott 2



1: 9,7 ↘

Serie 9,0  
 Totalt 288,0

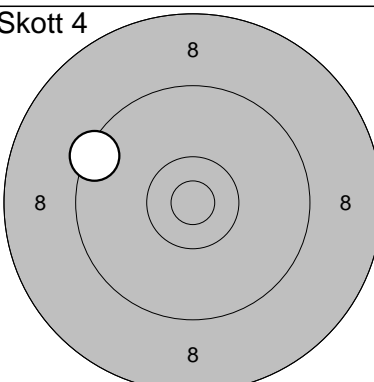
Skott 3



1: 7,4 ↘

Serie 7,0  
 Totalt 295,0

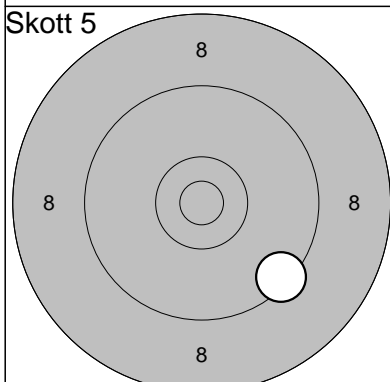
Skott 4



1: 9,4 ↖

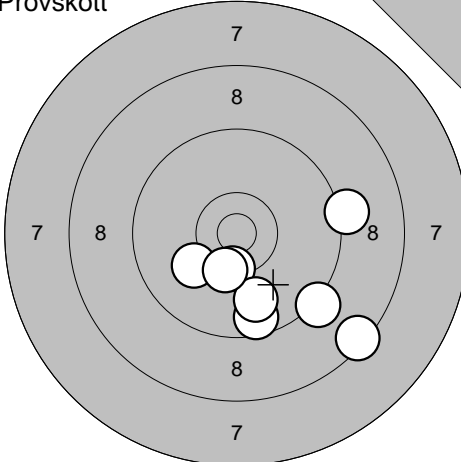
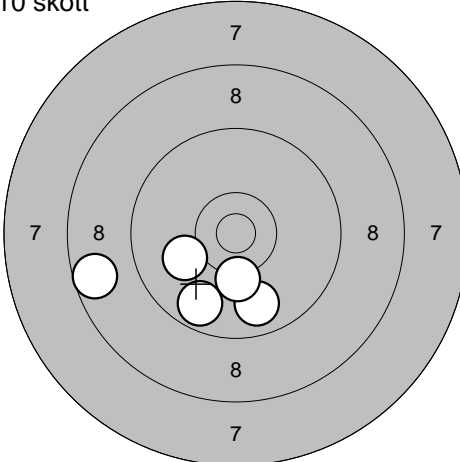
Serie 9,0  
 Totalt 304,0

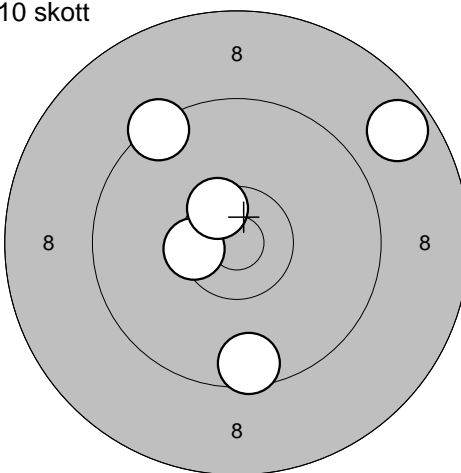
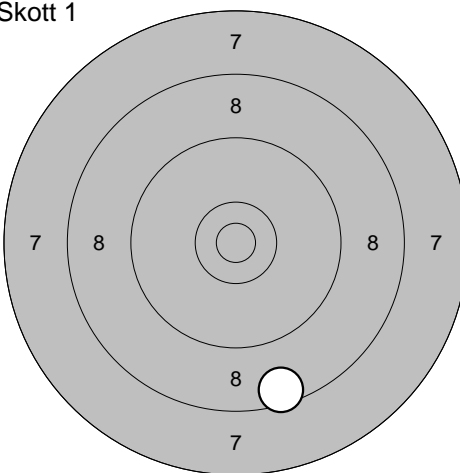
Skott 5

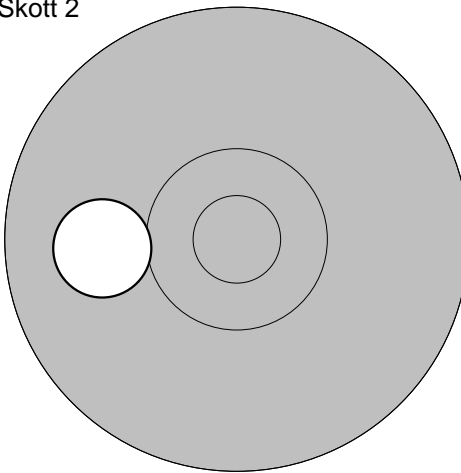
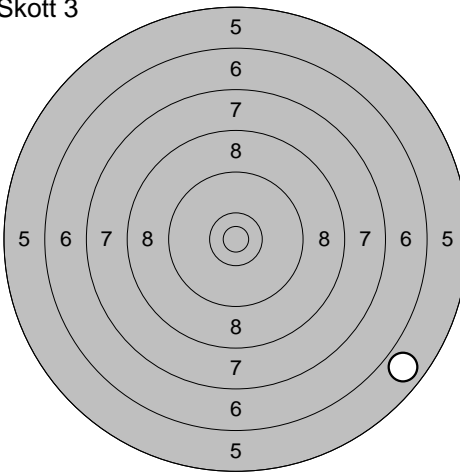


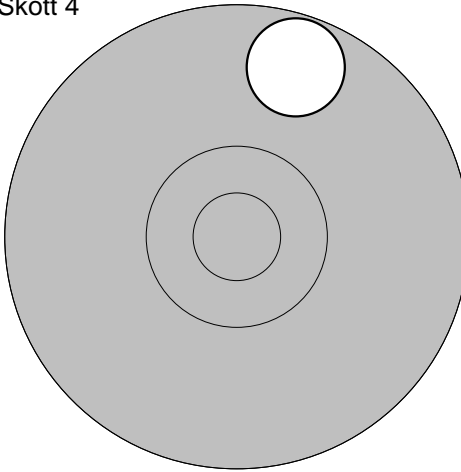
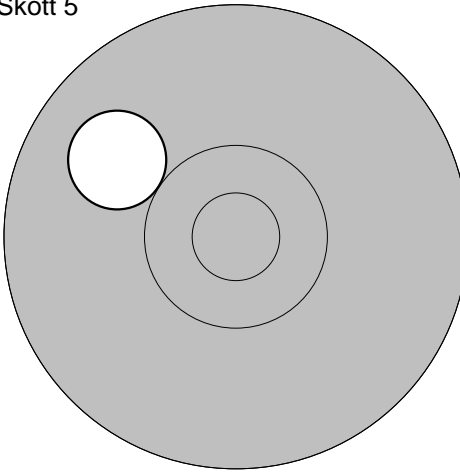
1: 9,4 ↘

Serie 9,0  
 Totalt 313,0

<p>Provskott</p> 	<p>1: 9,2 →                  2: 10,4* ↓                  3: 9,2 ↓                  4: 8,4 ↓                  5: 9,6 ↓                  6: 9,9 ↓                  7: 10,1 ↙                  8: 10,3* ↓</p> <table border="1" style="width:100%; border-collapse: collapse;"> <tr><td>Serie</td><td style="text-align: right;">74,0</td></tr> <tr><td>Totalt</td><td style="text-align: right;">176,0</td></tr> </table>	Serie	74,0	Totalt	176,0	<p>10 skott</p> 	<p>1: 9,8 ↓                  2: 8,6 ←                  3: 9,7 ↓                  4: 10,1 ←                  5: 10,2 ↓</p> <table border="1" style="width:100%; border-collapse: collapse;"> <tr><td>Serie</td><td style="text-align: right;">46,0</td></tr> <tr><td>Totalt</td><td style="text-align: right;">222,0</td></tr> </table>	Serie	46,0	Totalt	222,0
Serie	74,0										
Totalt	176,0										
Serie	46,0										
Totalt	222,0										

<p>10 skott</p> 	<p>6: 10,5* ←                  7: 8,7 ↗                  8: 9,6 ↓                  9: 9,4 ↗                  10: 10,5* ↗</p> <table border="1" style="width:100%; border-collapse: collapse;"> <tr><td>Serie</td><td style="text-align: right;">46,0</td></tr> <tr><td>Totalt</td><td style="text-align: right;">268,0</td></tr> </table>	Serie	46,0	Totalt	268,0	<p>Skott 1</p> 	<p>1: 8,5 ↓</p> <table border="1" style="width:100%; border-collapse: collapse;"> <tr><td>Serie</td><td style="text-align: right;">8,0</td></tr> <tr><td>Totalt</td><td style="text-align: right;">276,0</td></tr> </table>	Serie	8,0	Totalt	276,0
Serie	46,0										
Totalt	268,0										
Serie	8,0										
Totalt	276,0										

<p>Skott 2</p> 	<p>1: 10,0 ←</p> <table border="1" style="width:100%; border-collapse: collapse;"> <tr><td>Serie</td><td style="text-align: right;">10,0</td></tr> <tr><td>Totalt</td><td style="text-align: right;">286,0</td></tr> </table>	Serie	10,0	Totalt	286,0	<p>Skott 3</p> 	<p>1: 5,8 ↘</p> <table border="1" style="width:100%; border-collapse: collapse;"> <tr><td>Serie</td><td style="text-align: right;">5,0</td></tr> <tr><td>Totalt</td><td style="text-align: right;">291,0</td></tr> </table>	Serie	5,0	Totalt	291,0
Serie	10,0										
Totalt	286,0										
Serie	5,0										
Totalt	291,0										

<p>Skott 4</p> 	<p>1: 9,7 ↗</p> <table border="1" style="width:100%; border-collapse: collapse;"> <tr><td>Serie</td><td style="text-align: right;">9,0</td></tr> <tr><td>Totalt</td><td style="text-align: right;">300,0</td></tr> </table>	Serie	9,0	Totalt	300,0	<p>Skott 5</p> 	<p>1: 10,0 ↗</p> <table border="1" style="width:100%; border-collapse: collapse;"> <tr><td>Serie</td><td style="text-align: right;">10,0</td></tr> <tr><td>Totalt</td><td style="text-align: right;">310,0</td></tr> </table>	Serie	10,0	Totalt	310,0
Serie	9,0										
Totalt	300,0										
Serie	10,0										
Totalt	310,0										

<p>Provskott</p>	<p>10 skott</p> <p>1: 8,8 ←                  2: 9,7 ↙                  3: 8,7 ↖                  4: 9,8 ↗                  5: 9,8 ↗                  6: 8,5 ↓                  7: 10,7* →                  8: 9,6 ↙                  9: 10,3 ←</p> <table border="1" style="width:100%; border-collapse: collapse;"> <tr><td>Serie</td><td style="text-align: right;">80,0</td></tr> <tr><td>Totalt</td><td style="text-align: right;">175,0</td></tr> </table>	Serie	80,0	Totalt	175,0	<p>1: 10,4* ←                  2: 9,9 ↙                  3: 10,6* ↗                  4: 9,3 →                  5: 10,7* ↘</p> <table border="1" style="width:100%; border-collapse: collapse;"> <tr><td>Serie</td><td style="text-align: right;">48,0</td></tr> <tr><td>Totalt</td><td style="text-align: right;">223,0</td></tr> </table>	Serie	48,0	Totalt	223,0
Serie	80,0									
Totalt	175,0									
Serie	48,0									
Totalt	223,0									

<p>10 skott</p> <table border="1" style="width:100%; border-collapse: collapse;"> <tr><td>Serie</td><td style="text-align: right;">45,0</td></tr> <tr><td>Totalt</td><td style="text-align: right;">268,0</td></tr> </table>	Serie	45,0	Totalt	268,0	<p>Skott 1</p> <p>1: 7,9 ↗</p> <table border="1" style="width:100%; border-collapse: collapse;"> <tr><td>Serie</td><td style="text-align: right;">7,0</td></tr> <tr><td>Totalt</td><td style="text-align: right;">275,0</td></tr> </table>	Serie	7,0	Totalt	275,0	
Serie	45,0									
Totalt	268,0									
Serie	7,0									
Totalt	275,0									

<p>Skott 2</p> <table border="1" style="width:100%; border-collapse: collapse;"> <tr><td>Serie</td><td style="text-align: right;">8,0</td></tr> <tr><td>Totalt</td><td style="text-align: right;">283,0</td></tr> </table>	Serie	8,0	Totalt	283,0	<p>Skott 3</p> <p>1: 8,9 ↗</p> <table border="1" style="width:100%; border-collapse: collapse;"> <tr><td>Serie</td><td style="text-align: right;">8,0</td></tr> <tr><td>Totalt</td><td style="text-align: right;">291,0</td></tr> </table>	Serie	8,0	Totalt	291,0	
Serie	8,0									
Totalt	283,0									
Serie	8,0									
Totalt	291,0									

<p>Skott 4</p> <table border="1" style="width:100%; border-collapse: collapse;"> <tr><td>Serie</td><td style="text-align: right;">9,0</td></tr> <tr><td>Totalt</td><td style="text-align: right;">300,0</td></tr> </table>	Serie	9,0	Totalt	300,0	<p>Skott 5</p> <p>1: 6,1 ↘</p> <table border="1" style="width:100%; border-collapse: collapse;"> <tr><td>Serie</td><td style="text-align: right;">6,0</td></tr> <tr><td>Totalt</td><td style="text-align: right;">306,0</td></tr> </table>	Serie	6,0	Totalt	306,0	
Serie	9,0									
Totalt	300,0									
Serie	6,0									
Totalt	306,0									

Provskott		Provskott	
	1: 7,4 ↗ 2: 9,4 ↗ 3: 9,0 ↗ 4: 8,5 ↗ 5: 7,5 → 6: 9,9 ↗ 7: 10,6* ↗ 8: 9,2 ↗ 9: 7,8 → 10: 8,6 ←		11: 9,0 ↑ 12: 9,6 ↑ 13: 9,7 → 14: 9,6 → 15: 10,7* ↓ 16: 10,0 ↓ 17: 10,4* → 18: 10,2 → 19: 10,3* ↓ 20: 9,7 ↗
Serie 83,0		Serie 95,0	
Totalt 173,0		Totalt 173,0	

Provskott		10 skott	
	21: 10,4* ↓		1: 9,6 ↓ 2: 9,6 ↗ 3: 10,2 ↑ 4: 9,9 ← 5: 9,1 ↗
Serie 10,0		Serie 46,0	
Totalt 173,0		Totalt 219,0	

10 skott		Skott 1	
	6: 8,1 ← 7: 8,7 ← 8: 6,8 ↗ 9: 9,2 ↗ 10: 9,6 ←		1: 7,3 ↗
Serie 40,0		Serie 7,0	
Totalt 259,0		Totalt 266,0	

Skott 2		Skott 3	
	1: 8,9 →		1: 4,0 ↗
Serie 8,0		Serie 4,0	
Totalt 274,0		Totalt 278,0	

Skott 4		Skott 5	
	1: 3,0 →		1: 4,3 ↗
Serie 3,0		Serie 4,0	
Totalt 281,0		Totalt 285,0	

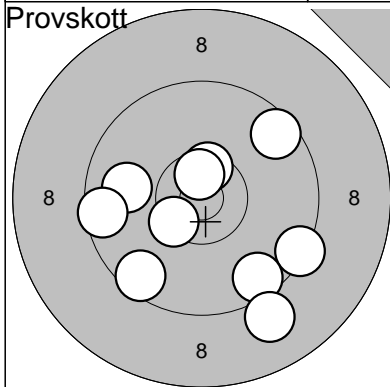
Bälunge-Jumkil

2009-07-16

Tavelträffen 2009 Final

Ramselefors SKF

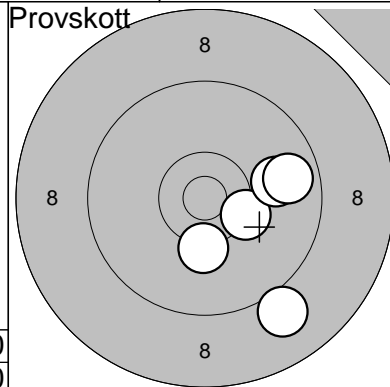
Provskott



1: 10,5\* ↑  
 2: 9,9 ←  
 3: 9,6 ←  
 4: 10,6\* ↑  
 5: 10,4\* ↙  
 6: 9,6 ↗  
 7: 9,4 ↓  
 8: 9,6 ↓  
 9: 9,0 ↓  
 10: 9,6 ↓

Serie 93,0  
 Totalt 164,0

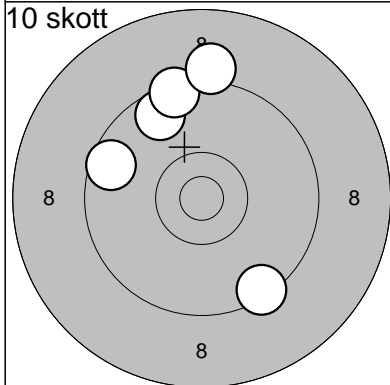
Provskott



11: 10,3\* →  
 12: 9,9 →  
 13: 9,8 →  
 14: 10,2 ↓  
 15: 9,0 ↓

Serie 47,0  
 Totalt 164,0

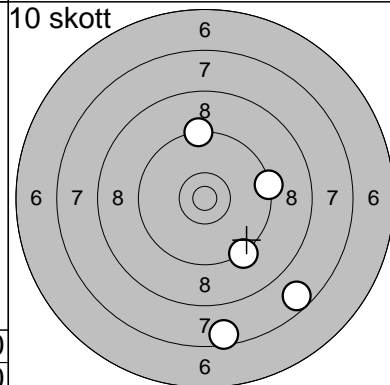
10 skott



1: 9,4 ↓  
 2: 9,7 ↗  
 3: 9,4 ↗  
 4: 9,1 ↑  
 5: 9,6 ↙

Serie 45,0  
 Totalt 209,0

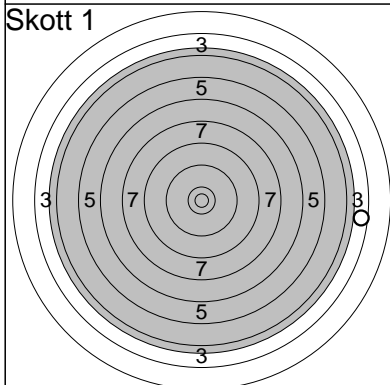
10 skott



6: 9,3 ↓  
 7: 7,6 ↓  
 8: 9,3 →  
 9: 7,6 ↓  
 10: 9,3 ↑

Serie 41,0  
 Totalt 250,0

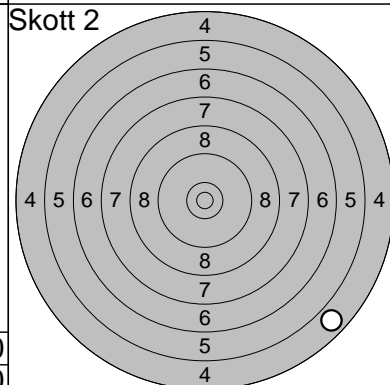
Skott 1



1: 3,6 →

Serie 3,0  
 Totalt 253,0

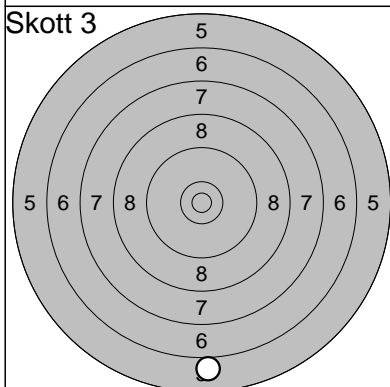
Skott 2



1: 4,8 ↓

Serie 4,0  
 Totalt 257,0

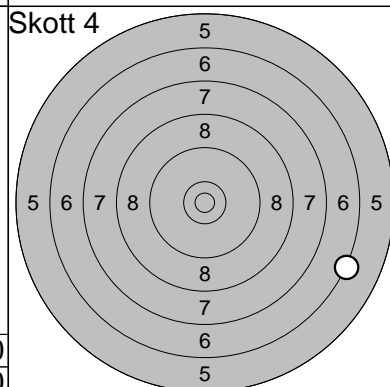
Skott 3



1: 6,0 ↓

Serie 6,0  
 Totalt 263,0

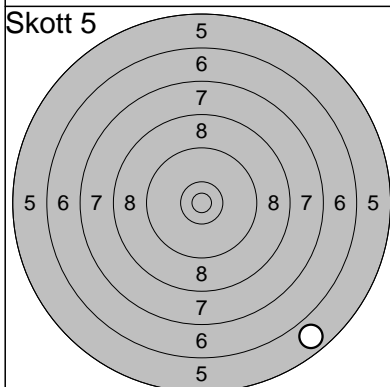
Skott 4



1: 6,3 →

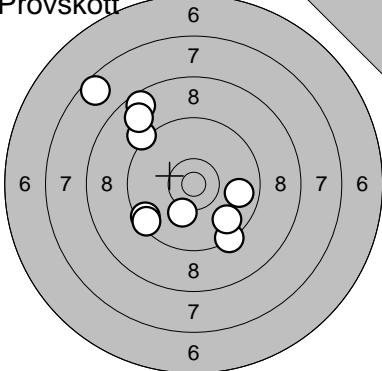
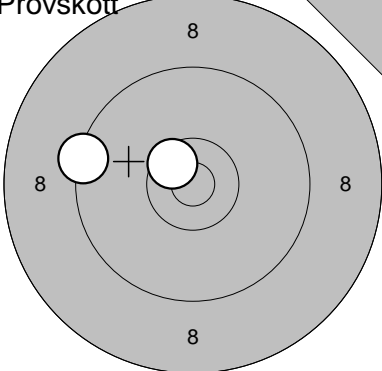
Serie 6,0  
 Totalt 269,0

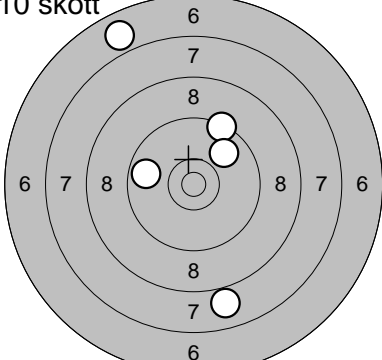
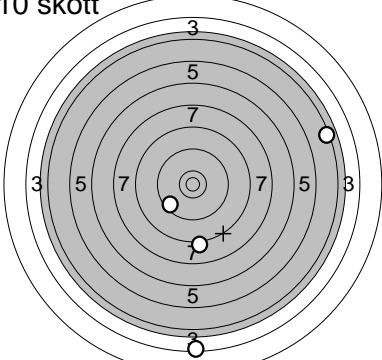
Skott 5

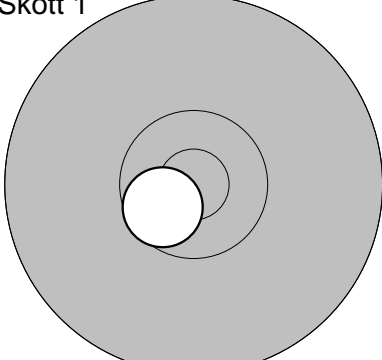
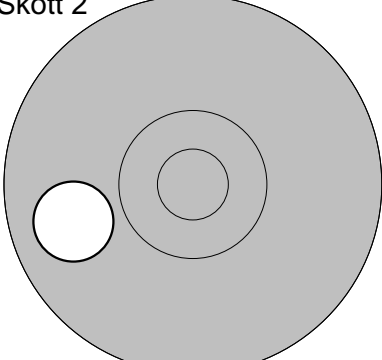


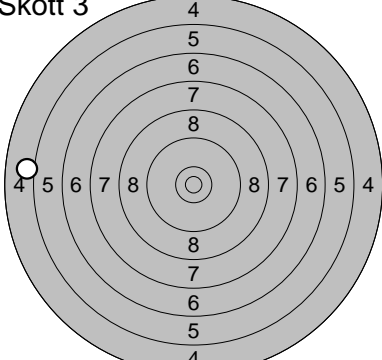
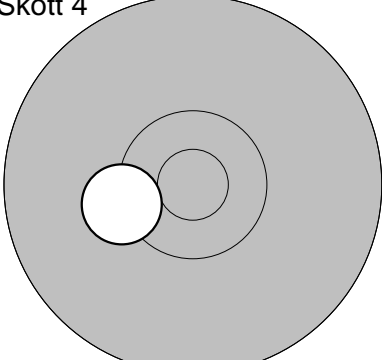
1: 5,8 ↓

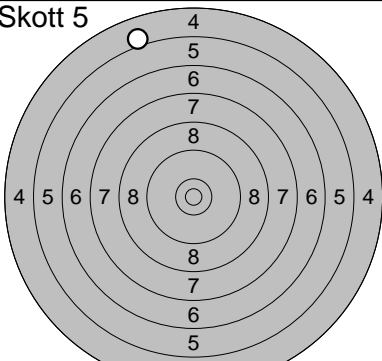
Serie 5,0  
 Totalt 274,0

<b>Provskott</b> 	1: 9,2 ↗ 2: 9,5 ↖ 3: 9,4 ↘ 4: 9,8 → 5: 8,6 ↗ 6: 8,8 ↗ 7: 9,7 ↘ 8: 9,5 ↖ 9: 10,2 ↘ 10: 7,6 ↗	<b>Provskott</b> 	11: 9,4 ↖ 12: 10,6* ↗
Serie 87,0		Serie 19,0	
Totalt 164,0		Totalt 164,0	

<b>10 skott</b> 	1: 7,9 ↓ 2: 9,4 ↗ 3: 9,8 ↖ 4: 6,9 ↗ 5: 9,9 ↗	<b>10 skott</b> 	6: 9,6 ↖ 7: 4,4 → 8: 8,2 ↓ 9: 3,4 ↓
Serie 40,0		Serie 24,0	
Totalt 204,0		Totalt 228,0	

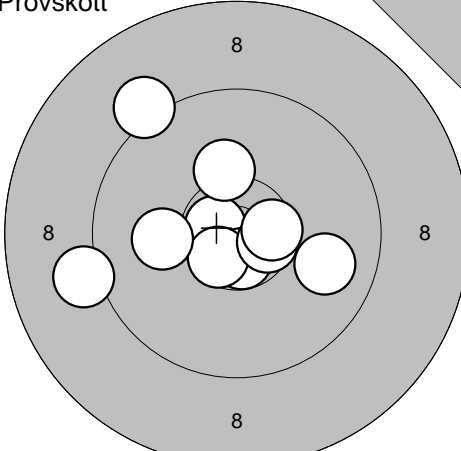
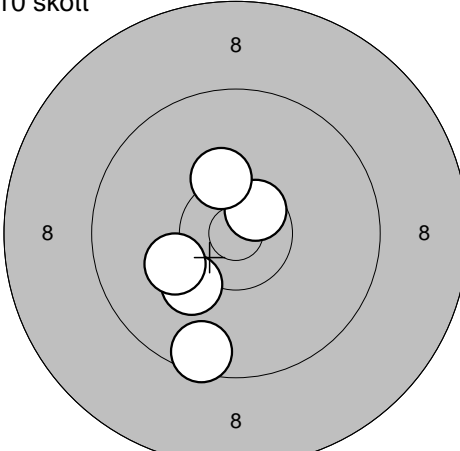
<b>Skott 1</b> 	1: 10,6* ↖	<b>Skott 2</b> 	1: 9,9 ↖
Serie 10,0		Serie 9,0	
Totalt 238,0		Totalt 247,0	

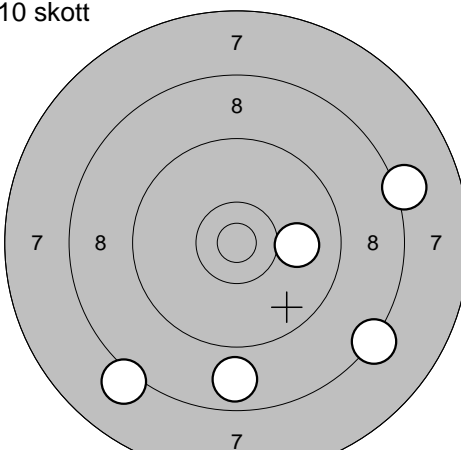
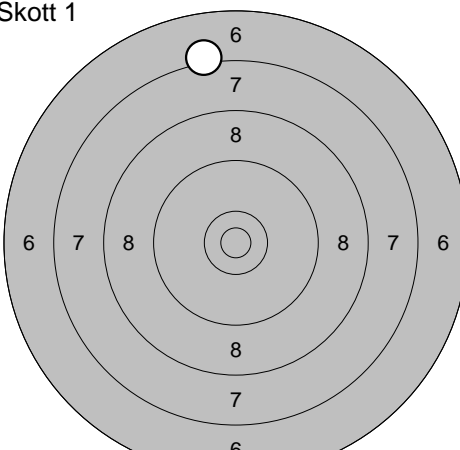
<b>Skott 3</b> 	1: 5,1 ↖	<b>Skott 4</b> 	1: 10,3* ↖
Serie 5,0		Serie 10,0	
Totalt 252,0		Totalt 262,0	

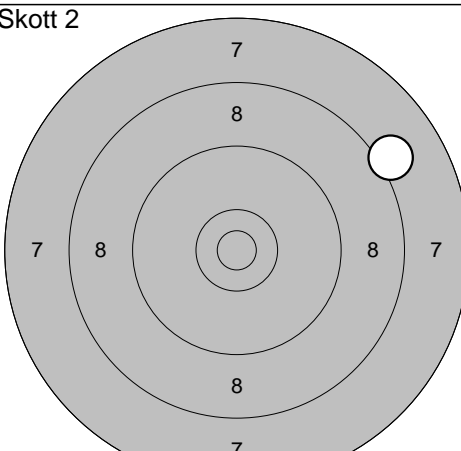
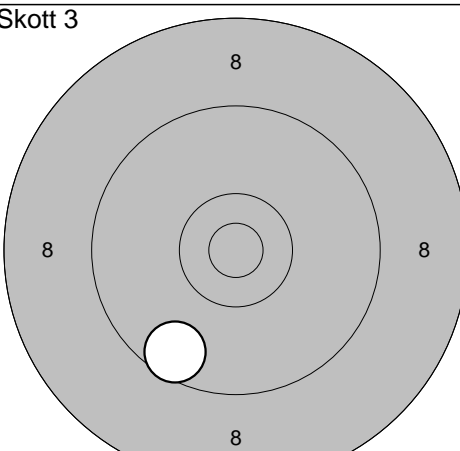
<b>Skott 5</b> 	1: 5,1 ↗		
Serie 5,0			
Totalt 267,0			

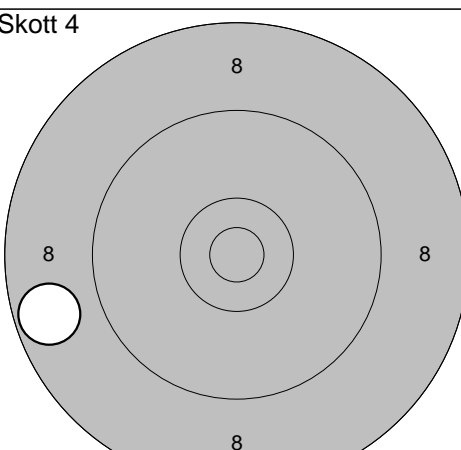
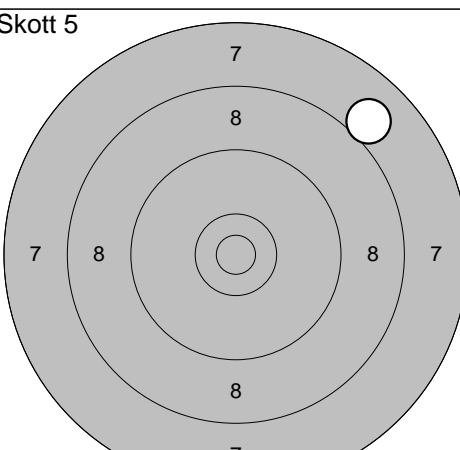
Ale

2009-07-16	Tavelträffen 2009 Final	Ramselefors SKF
------------	-------------------------	-----------------

<p>Provskott</p> 	<p>10 skott</p> <p>1: 9,1 ← 2: 10,7* ← 3: 10,6* ↓ 4: 9,2 ↗ 5: 10,6* ↓ 6: 10,2 ↑ 7: 10,1 ← 8: 10,6* → 9: 10,5* → 10: 9,9 →</p> <table border="1" style="width:100%; border-collapse: collapse;"> <tr><td>Serie</td><td style="text-align: right;">97,0</td></tr> <tr><td>Totalt</td><td style="text-align: right;">163,0</td></tr> </table>	Serie	97,0	Totalt	163,0	 <p>1: 9,5 ↓ 2: 10,2 ↙ 3: 10,6* ↗ 4: 10,2 ← 5: 10,3* ↑</p> <table border="1" style="width:100%; border-collapse: collapse;"> <tr><td>Serie</td><td style="text-align: right;">49,0</td></tr> <tr><td>Totalt</td><td style="text-align: right;">212,0</td></tr> </table>	Serie	49,0	Totalt	212,0
Serie	97,0									
Totalt	163,0									
Serie	49,0									
Totalt	212,0									

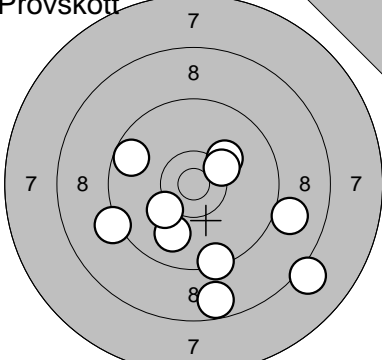
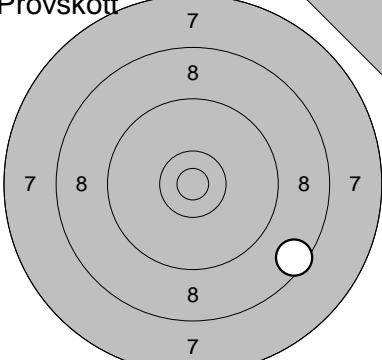
<p>10 skott</p> 	<p>6: 10,0 → 7: 8,3 ↘ 8: 8,1 ↘ 9: 8,2 → 10: 8,8 ↓</p> <table border="1" style="width:100%; border-collapse: collapse;"> <tr><td>Serie</td><td style="text-align: right;">42,0</td></tr> <tr><td>Totalt</td><td style="text-align: right;">254,0</td></tr> </table>	Serie	42,0	Totalt	254,0	<p>Skott 1</p>  <p>1: 7,2 ↑</p> <table border="1" style="width:100%; border-collapse: collapse;"> <tr><td>Serie</td><td style="text-align: right;">7,0</td></tr> <tr><td>Totalt</td><td style="text-align: right;">261,0</td></tr> </table>	Serie	7,0	Totalt	261,0
Serie	42,0									
Totalt	254,0									
Serie	7,0									
Totalt	261,0									

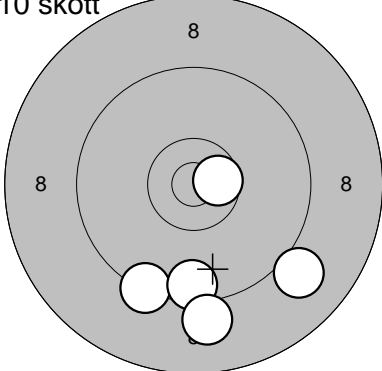
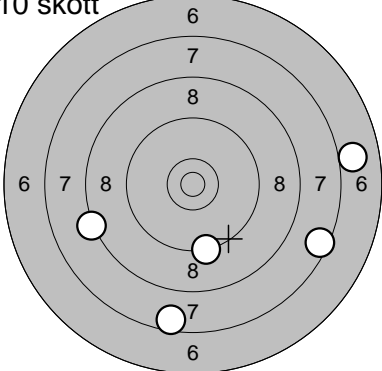
<p>Skott 2</p> 	<p>1: 8,1 ↗</p> <table border="1" style="width:100%; border-collapse: collapse;"> <tr><td>Serie</td><td style="text-align: right;">8,0</td></tr> <tr><td>Totalt</td><td style="text-align: right;">269,0</td></tr> </table>	Serie	8,0	Totalt	269,0	<p>Skott 3</p>  <p>1: 9,6 ↘</p> <table border="1" style="width:100%; border-collapse: collapse;"> <tr><td>Serie</td><td style="text-align: right;">9,0</td></tr> <tr><td>Totalt</td><td style="text-align: right;">278,0</td></tr> </table>	Serie	9,0	Totalt	278,0
Serie	8,0									
Totalt	269,0									
Serie	9,0									
Totalt	278,0									

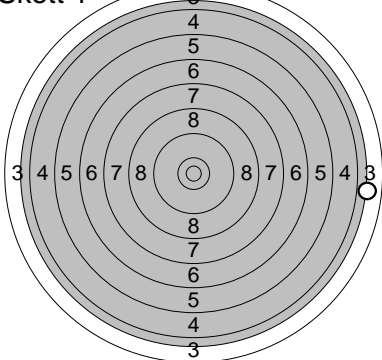
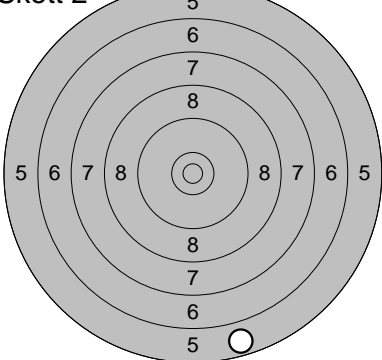
<p>Skott 4</p> 	<p>1: 8,7 ←</p> <table border="1" style="width:100%; border-collapse: collapse;"> <tr><td>Serie</td><td style="text-align: right;">8,0</td></tr> <tr><td>Totalt</td><td style="text-align: right;">286,0</td></tr> </table>	Serie	8,0	Totalt	286,0	<p>Skott 5</p>  <p>1: 8,0 ↗</p> <table border="1" style="width:100%; border-collapse: collapse;"> <tr><td>Serie</td><td style="text-align: right;">8,0</td></tr> <tr><td>Totalt</td><td style="text-align: right;">294,0</td></tr> </table>	Serie	8,0	Totalt	294,0
Serie	8,0									
Totalt	286,0									
Serie	8,0									
Totalt	294,0									

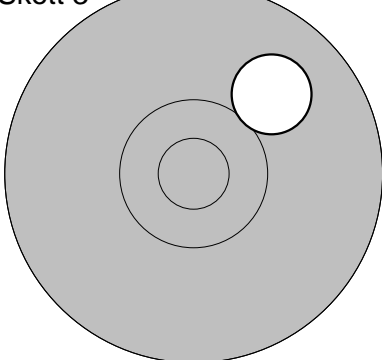
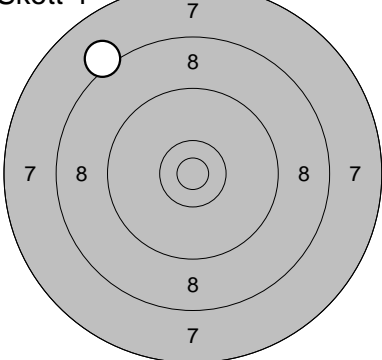
Ale

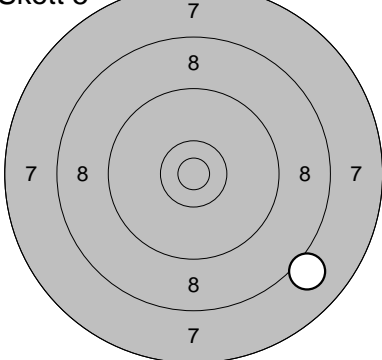
2009-07-16	Tavelträffen 2009 Final	Ramselefors SKF
------------	-------------------------	-----------------

<b>Provsnitt</b> 	1: 8,7 ↓ 2: 9,2 ↙ 3: 9,9 ↓ 4: 9,6 ↗ 5: 9,0 ↘ 6: 10,2 ↗ 7: 9,4 ↓ 8: 10,2 ↙ 9: 10,3* ↗ 10: 8,1 ↓	<b>Provsnitt</b> 	11: 8,5 ↘
<b>Serie</b> 91,0 <b>Totalt</b> 184,0		<b>Serie</b> 8,0 <b>Totalt</b> 184,0	

<b>10 skott</b> 	1: 9,3 ↓ 2: 9,5 ↓ 3: 10,6* → 4: 9,0 ↓ 5: 9,0 ↓	<b>10 skott</b> 	6: 7,6 ↓ 7: 9,3 ↓ 8: 8,3 ← 9: 7,5 → 10: 6,9 →
<b>Serie</b> 46,0 <b>Totalt</b> 230,0		<b>Serie</b> 37,0 <b>Totalt</b> 267,0	

<b>Skott 1</b> 	1: 3,9 →	<b>Skott 2</b> 	1: 5,7 ↓
<b>Serie</b> 3,0 <b>Totalt</b> 270,0		<b>Serie</b> 5,0 <b>Totalt</b> 275,0	

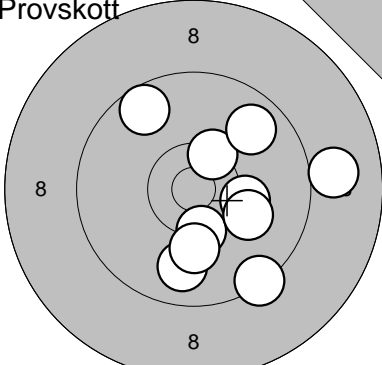
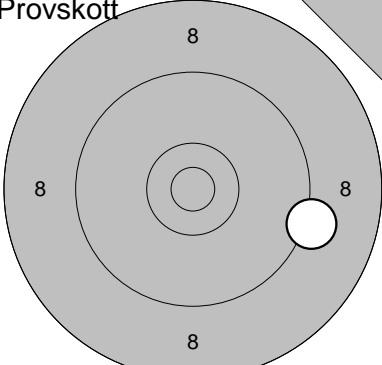
<b>Skott 3</b> 	1: 10,0 ↗	<b>Skott 4</b> 	1: 8,1 ↗
<b>Serie</b> 10,0 <b>Totalt</b> 285,0		<b>Serie</b> 8,0 <b>Totalt</b> 293,0	

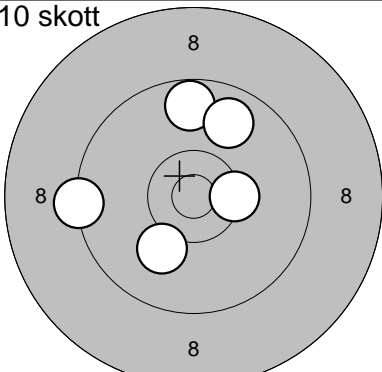
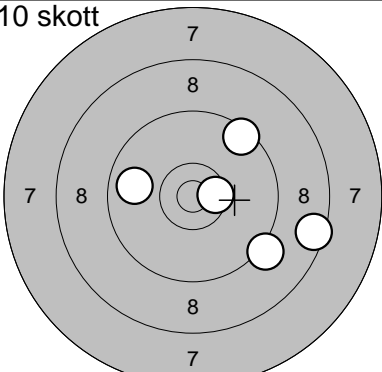
<b>Skott 5</b> 	1: 8,1 ↓		
<b>Serie</b> 8,0 <b>Totalt</b> 301,0			

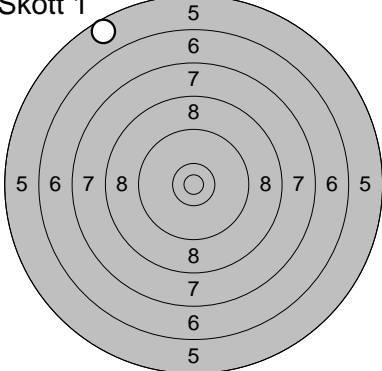
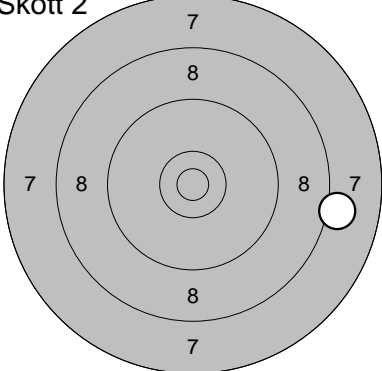


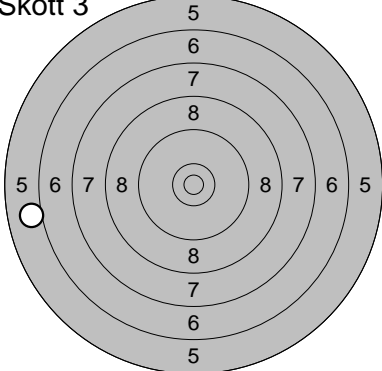
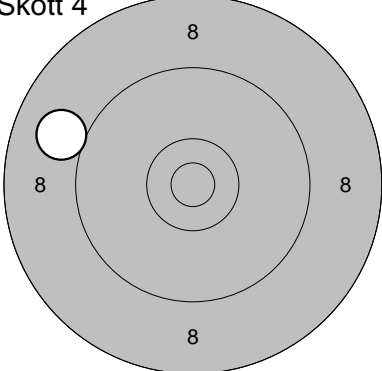
Ramselefors

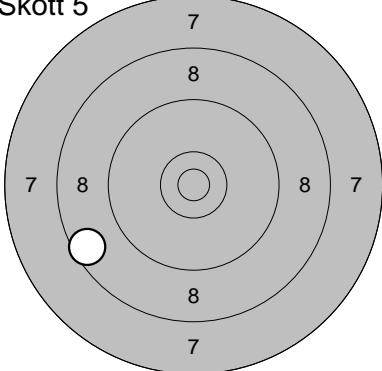
2009-07-16	Tavelträffen 2009 Final	Ramselefors SKF
------------	-------------------------	-----------------

<b>Provskott</b> 	1: 10,4* ↗ 2: 9,8 ↓ 3: 10,4* ↓ 4: 9,0 → 5: 10,2 → 6: 9,8 ↗ 7: 10,1 ↓ 8: 9,4 ↓ 9: 10,1 ↗ 10: 9,7 ↗	<b>Provskott</b> 	11: 9,2 →
Serie 95,0 Totalt 180,0		Serie 9,0 Totalt 180,0	

<b>10 skott</b> 	1: 9,7 ↑ 2: 9,3 ← 3: 10,1 ↓ 4: 9,8 ↗ 5: 10,4* →	<b>10 skott</b> 	6: 9,8 ← 7: 9,5 ↗ 8: 8,5 → 9: 10,5* → 10: 9,2 ↓
Serie 47,0 Totalt 227,0		Serie 45,0 Totalt 272,0	

<b>Skott 1</b> 	1: 5,7 ↗	<b>Skott 2</b> 	1: 8,1 →
Serie 5,0 Totalt 277,0		Serie 8,0 Totalt 285,0	

<b>Skott 3</b> 	1: 6,0 ←	<b>Skott 4</b> 	1: 9,0 ←
Serie 6,0 Totalt 291,0		Serie 9,0 Totalt 300,0	

<b>Skott 5</b> 	1: 8,6 ←		
Serie 8,0 Totalt 308,0			

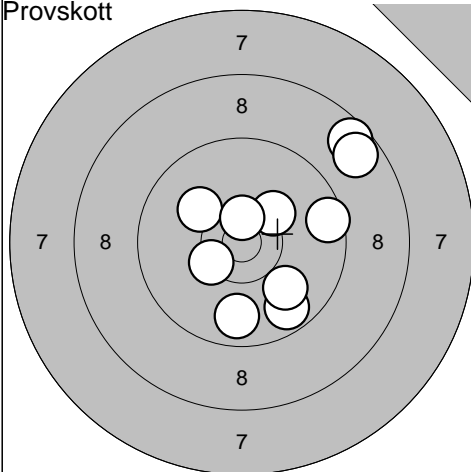
Drängsmark

2009-07-16

Tavelträffen 2009 Final

Ramselefors SKF

Provskott

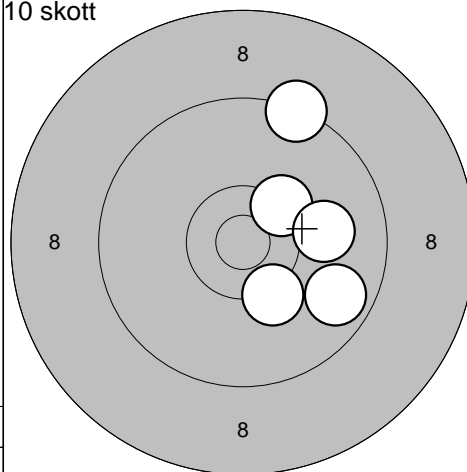


1: 8,6 ↗  
 2: 9,5 →  
 3: 8,7 ↗  
 4: 9,7 ↓  
 5: 10,4\* ↙  
 6: 10,3 ↗  
 7: 10,1 ↗  
 8: 10,0 ↓  
 9: 9,8 ↓  
 10: 10,6\* ↑

Serie 93,0

Totalt 168,0

10 skott

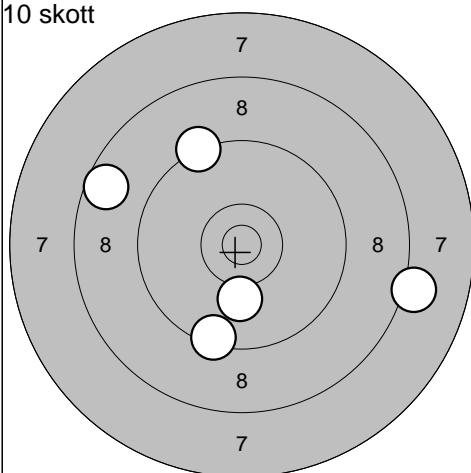


1: 9,3 ↗  
 2: 10,3 ↓  
 3: 10,3\* ↗  
 4: 9,7 →  
 5: 10,0 →

Serie 48,0

Totalt 216,0

10 skott

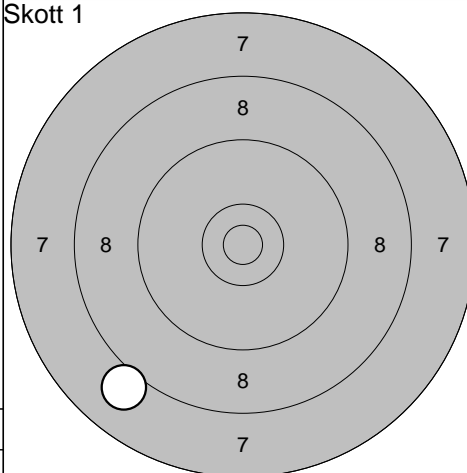


6: 8,6 ↙  
 7: 9,4 ↓  
 8: 10,1 ↓  
 9: 8,1 →  
 10: 9,3 ↗

Serie 44,0

Totalt 260,0

Skott 1

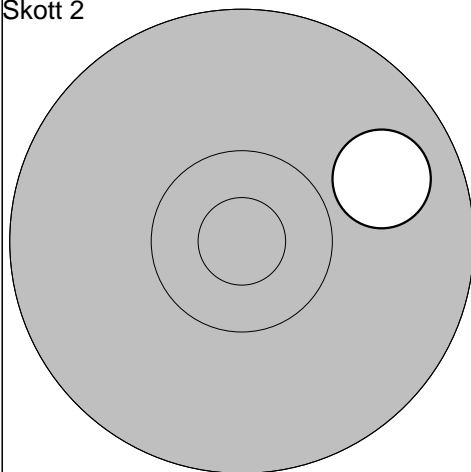


1: 8,0 ↙

Serie 8,0

Totalt 268,0

Skott 2

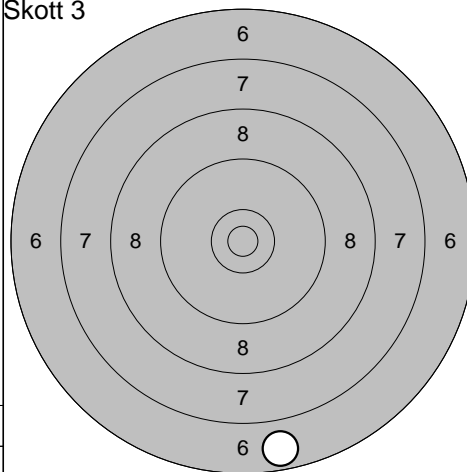


1: 9,9 →

Serie 9,0

Totalt 277,0

Skott 3

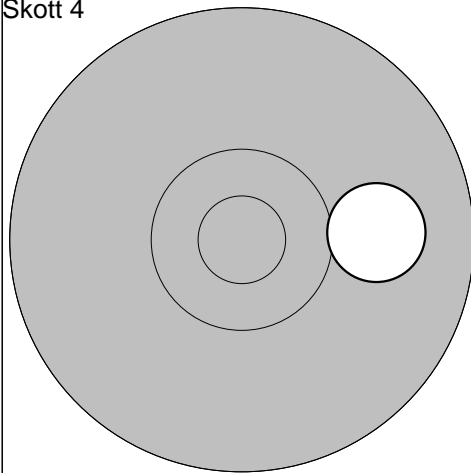


1: 6,7 ↓

Serie 6,0

Totalt 283,0

Skott 4

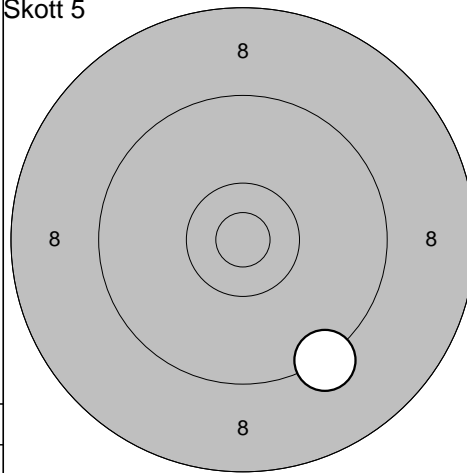


1: 10,0 →

Serie 10,0

Totalt 293,0

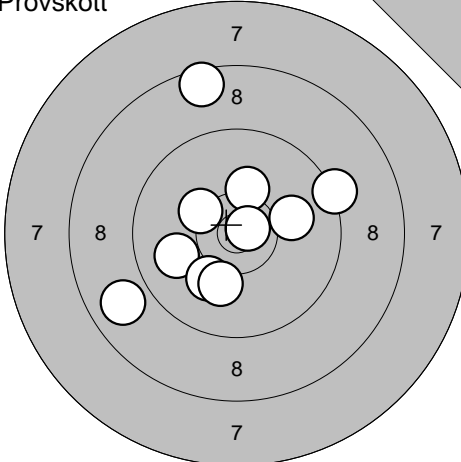
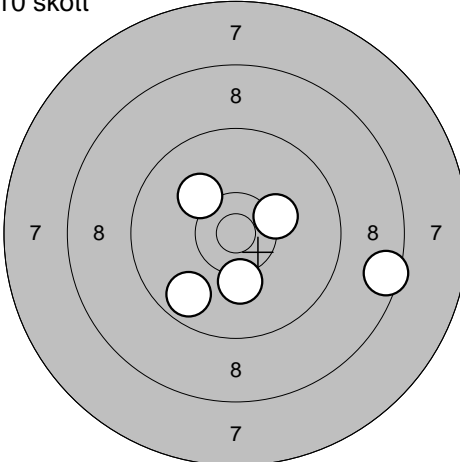
Skott 5

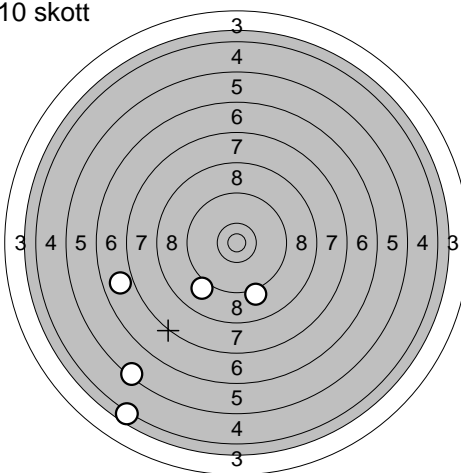
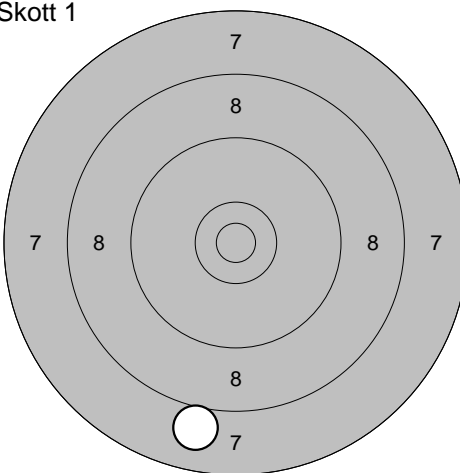


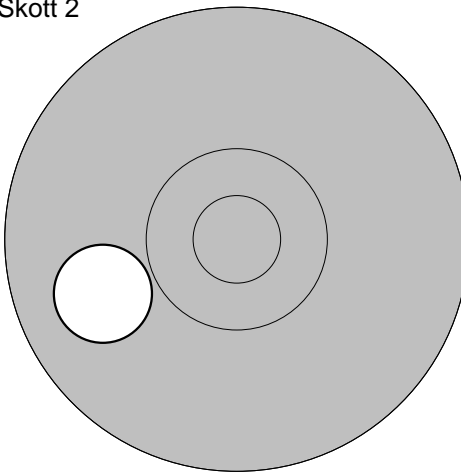
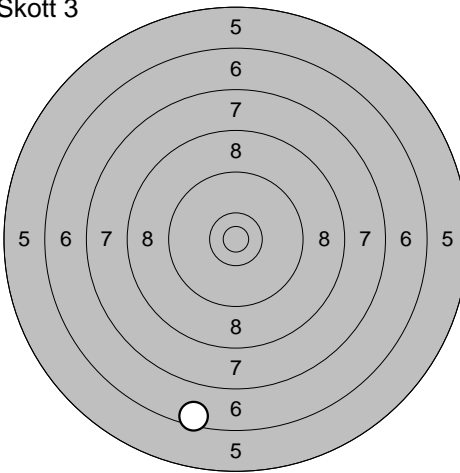
1: 9,3 ↓

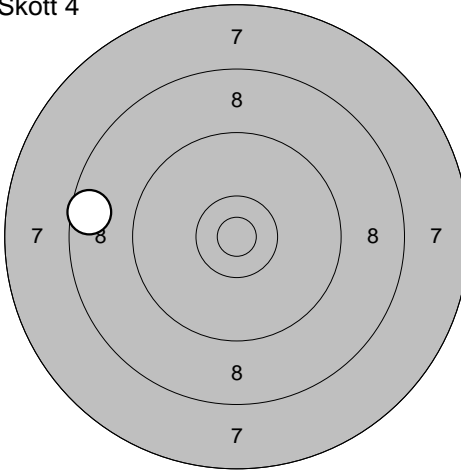
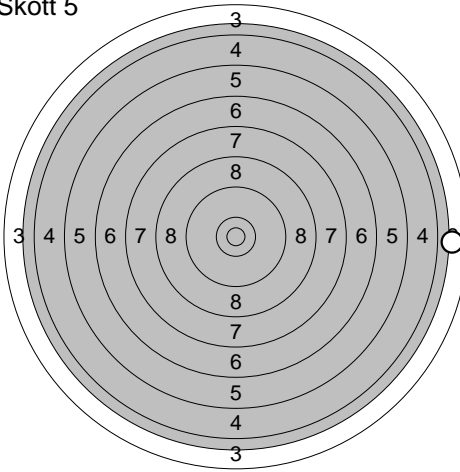
Serie 9,0

Totalt 302,0

<p>Provskott</p> 	<p>10 skott</p> <table style="width:100%; border-collapse: collapse;"> <tr><td>1: 9,9</td><td>↙</td></tr> <tr><td>2: 8,9</td><td>↙</td></tr> <tr><td>3: 10,1</td><td>↘</td></tr> <tr><td>4: 10,1</td><td>↘</td></tr> <tr><td>5: 8,6</td><td>↑</td></tr> <tr><td>6: 10,0</td><td>→</td></tr> <tr><td>7: 10,3*</td><td>↖</td></tr> <tr><td>8: 9,3</td><td>→</td></tr> <tr><td>9: 10,2</td><td>↑</td></tr> <tr><td>10: 10,8*</td><td>→</td></tr> </table> <table style="width:100%; border-collapse: collapse; margin-top: 5px;"> <tr><td style="border-top: 1px solid black;">Serie</td><td style="border-top: 1px solid black; text-align: right;">94,0</td></tr> <tr><td style="border-top: 1px solid black;">Totalt</td><td style="border-top: 1px solid black; text-align: right;">164,0</td></tr> </table>	1: 9,9	↙	2: 8,9	↙	3: 10,1	↘	4: 10,1	↘	5: 8,6	↑	6: 10,0	→	7: 10,3*	↖	8: 9,3	→	9: 10,2	↑	10: 10,8*	→	Serie	94,0	Totalt	164,0	 <table style="width:100%; border-collapse: collapse; margin-top: 5px;"> <tr><td style="border-top: 1px solid black;">Serie</td><td style="border-top: 1px solid black; text-align: right;">47,0</td></tr> <tr><td style="border-top: 1px solid black;">Totalt</td><td style="border-top: 1px solid black; text-align: right;">211,0</td></tr> </table>	Serie	47,0	Totalt	211,0
1: 9,9	↙																													
2: 8,9	↙																													
3: 10,1	↘																													
4: 10,1	↘																													
5: 8,6	↑																													
6: 10,0	→																													
7: 10,3*	↖																													
8: 9,3	→																													
9: 10,2	↑																													
10: 10,8*	→																													
Serie	94,0																													
Totalt	164,0																													
Serie	47,0																													
Totalt	211,0																													

<p>10 skott</p>  <table style="width:100%; border-collapse: collapse; margin-top: 5px;"> <tr><td style="border-top: 1px solid black;">Serie</td><td style="border-top: 1px solid black; text-align: right;">33,0</td></tr> <tr><td style="border-top: 1px solid black;">Totalt</td><td style="border-top: 1px solid black; text-align: right;">244,0</td></tr> </table>	Serie	33,0	Totalt	244,0	<p>Skott 1</p>  <table style="width:100%; border-collapse: collapse; margin-top: 5px;"> <tr><td style="border-top: 1px solid black;">Serie</td><td style="border-top: 1px solid black; text-align: right;">8,0</td></tr> <tr><td style="border-top: 1px solid black;">Totalt</td><td style="border-top: 1px solid black; text-align: right;">252,0</td></tr> </table>	Serie	8,0	Totalt	252,0	<table style="width:100%; border-collapse: collapse;"> <tr><td>1: 8,0</td><td>↓</td></tr> </table>	1: 8,0	↓
Serie	33,0											
Totalt	244,0											
Serie	8,0											
Totalt	252,0											
1: 8,0	↓											

<p>Skott 2</p>  <table style="width:100%; border-collapse: collapse; margin-top: 5px;"> <tr><td style="border-top: 1px solid black;">Serie</td><td style="border-top: 1px solid black; text-align: right;">9,0</td></tr> <tr><td style="border-top: 1px solid black;">Totalt</td><td style="border-top: 1px solid black; text-align: right;">261,0</td></tr> </table>	Serie	9,0	Totalt	261,0	<p>Skott 3</p>  <table style="width:100%; border-collapse: collapse; margin-top: 5px;"> <tr><td style="border-top: 1px solid black;">Serie</td><td style="border-top: 1px solid black; text-align: right;">6,0</td></tr> <tr><td style="border-top: 1px solid black;">Totalt</td><td style="border-top: 1px solid black; text-align: right;">267,0</td></tr> </table>	Serie	6,0	Totalt	267,0	<table style="width:100%; border-collapse: collapse;"> <tr><td>1: 9,9</td><td>↙</td></tr> <tr><td>1: 6,5</td><td>↓</td></tr> </table>	1: 9,9	↙	1: 6,5	↓
Serie	9,0													
Totalt	261,0													
Serie	6,0													
Totalt	267,0													
1: 9,9	↙													
1: 6,5	↓													

<p>Skott 4</p>  <table style="width:100%; border-collapse: collapse; margin-top: 5px;"> <tr><td style="border-top: 1px solid black;">Serie</td><td style="border-top: 1px solid black; text-align: right;">8,0</td></tr> <tr><td style="border-top: 1px solid black;">Totalt</td><td style="border-top: 1px solid black; text-align: right;">275,0</td></tr> </table>	Serie	8,0	Totalt	275,0	<p>Skott 5</p>  <table style="width:100%; border-collapse: collapse; margin-top: 5px;"> <tr><td style="border-top: 1px solid black;">Serie</td><td style="border-top: 1px solid black; text-align: right;">3,0</td></tr> <tr><td style="border-top: 1px solid black;">Totalt</td><td style="border-top: 1px solid black; text-align: right;">278,0</td></tr> </table>	Serie	3,0	Totalt	278,0	<table style="width:100%; border-collapse: collapse;"> <tr><td>1: 8,6</td><td>↙</td></tr> <tr><td>1: 3,8</td><td>→</td></tr> </table>	1: 8,6	↙	1: 3,8	→
Serie	8,0													
Totalt	275,0													
Serie	3,0													
Totalt	278,0													
1: 8,6	↙													
1: 3,8	→													

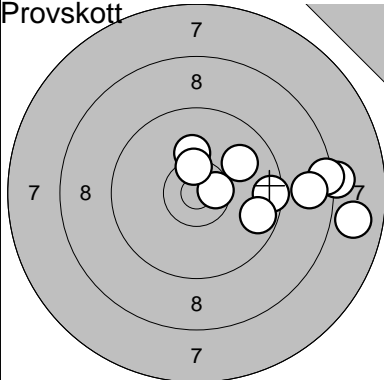
Ramselefors

2009-07-16

Tavelträffen 2009 Final

Ramselefors SKF

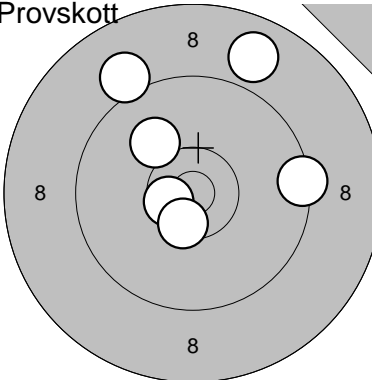
Provskott



- 1: 7,9 →
- 2: 8,2 →
- 3: 8,4 →
- 4: 9,9 ↗
- 5: 10,6\* →
- 6: 9,5 →
- 7: 8,8 →
- 8: 10,2 ↑
- 9: 10,4\* ↑
- 10: 9,7 →

Serie 88,0  
Totalt 164,0

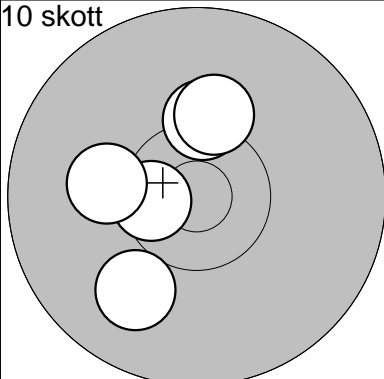
Provskott



- 11: 9,4 →
- 12: 10,1 ↗
- 13: 10,6\* ←
- 14: 9,1 ↗
- 15: 8,9 ↑
- 16: 10,5\* ↓

Serie 56,0  
Totalt 164,0

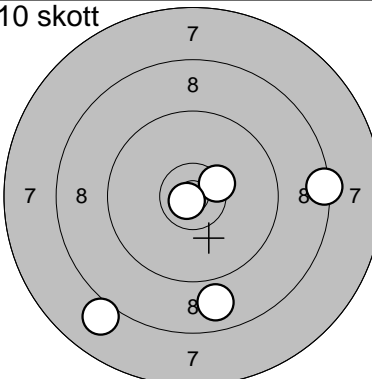
10 skott



- 1: 10,6\* ←
- 2: 10,3 ↑
- 3: 10,2 ←
- 4: 10,0 ↘
- 5: 10,2 ↑

Serie 50,0  
Totalt 214,0

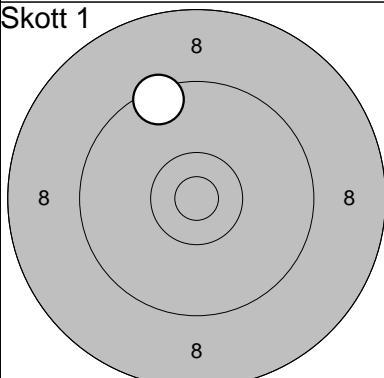
10 skott



- 6: 8,0 ↘
- 7: 8,4 →
- 8: 10,4\* ↗
- 9: 10,8\* ↘
- 10: 8,9 ↓

Serie 44,0  
Totalt 258,0

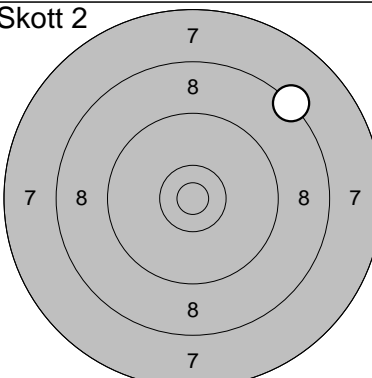
Skott 1



- 1: 9,5 ↑

Serie 9,0  
Totalt 267,0

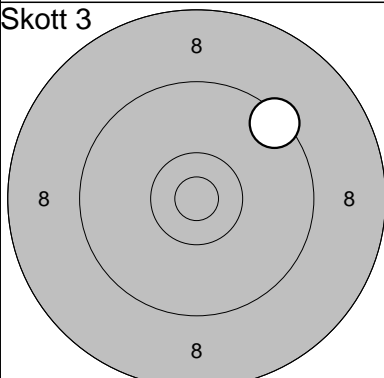
Skott 2



- 1: 8,3 ↗

Serie 8,0  
Totalt 275,0

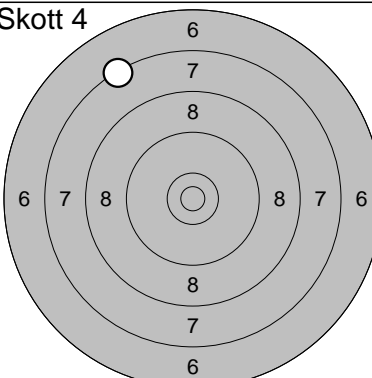
Skott 3



- 1: 9,4 ↗

Serie 9,0  
Totalt 284,0

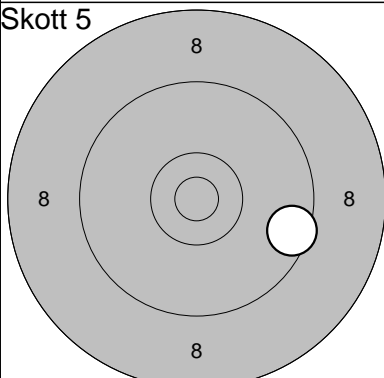
Skott 4



- 1: 7,4 ↑

Serie 7,0  
Totalt 291,0

Skott 5



- 1: 9,5 →

Serie 9,0  
Totalt 300,0