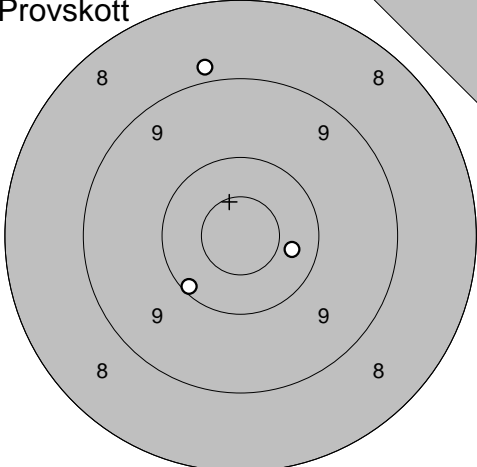
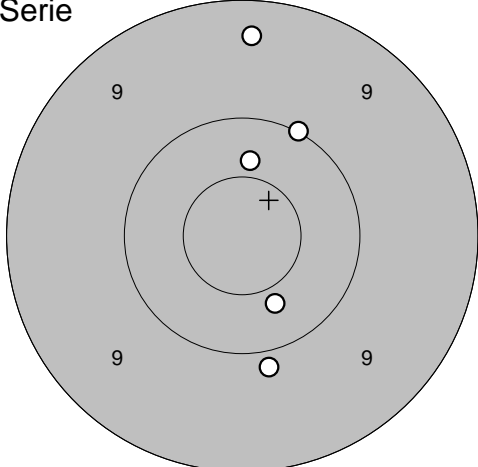
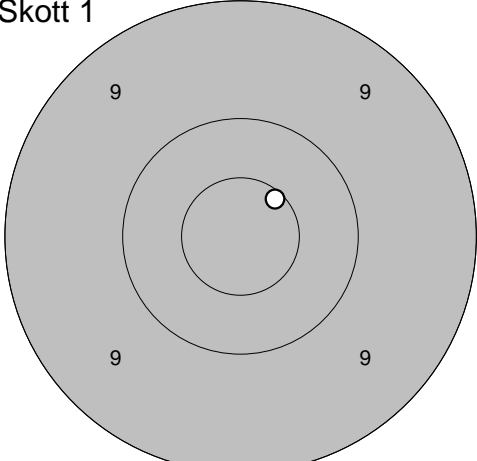
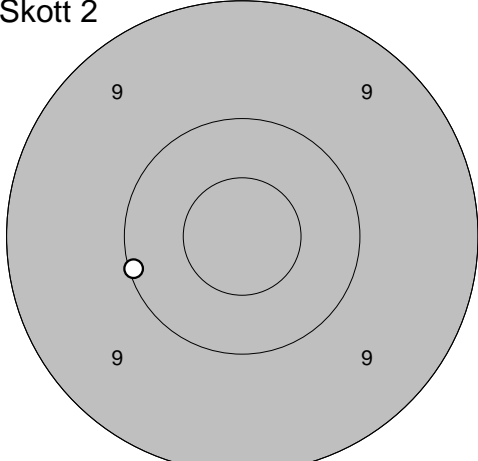
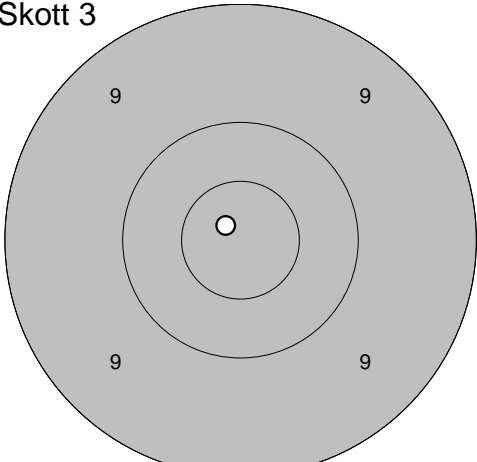
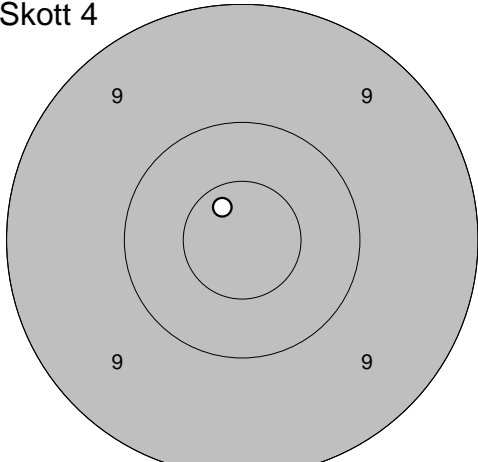
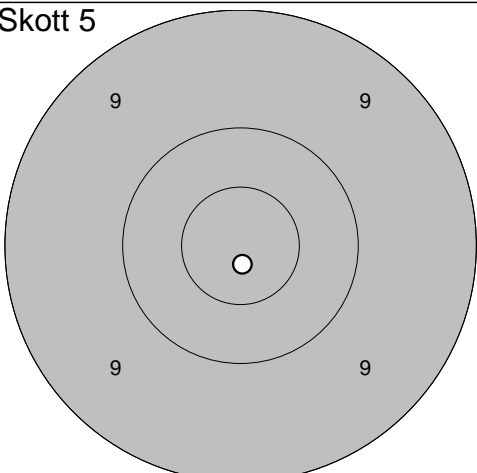
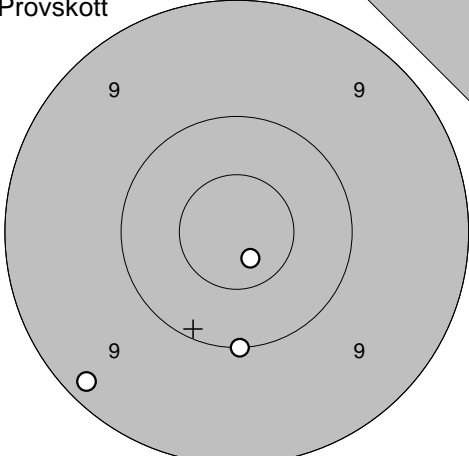
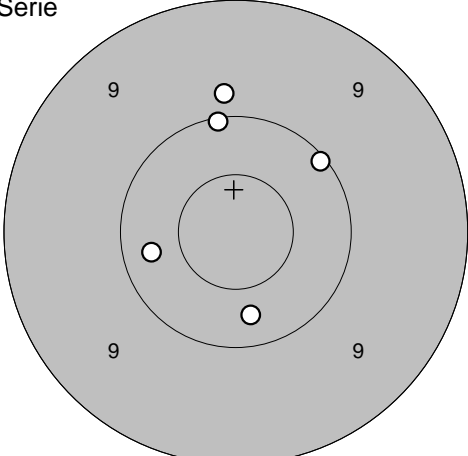


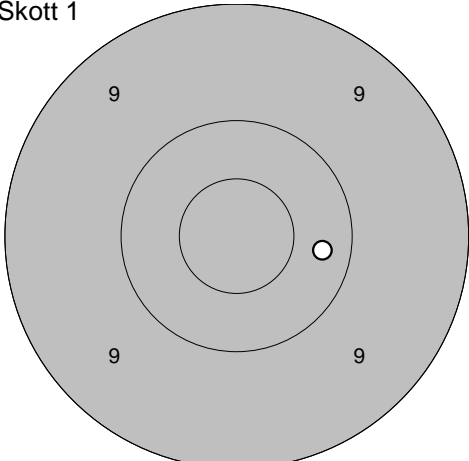
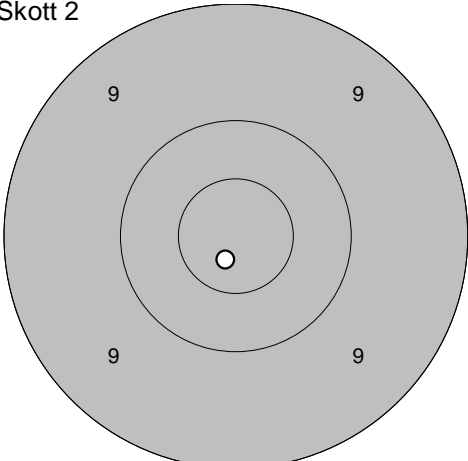
Provskott 	1: 10,1 ↙ 2: 8,9 ↑ 3: 10,4 → Serie 28,0 Totalt 244,0	Serie 	1: 9,3 ↑ 2: 10,4 ↓ 3: 10,4 ↑ 4: 10,0 ↗ 5: 9,9 ↓ Serie 48,0 Totalt 292,0
--	--	--	---

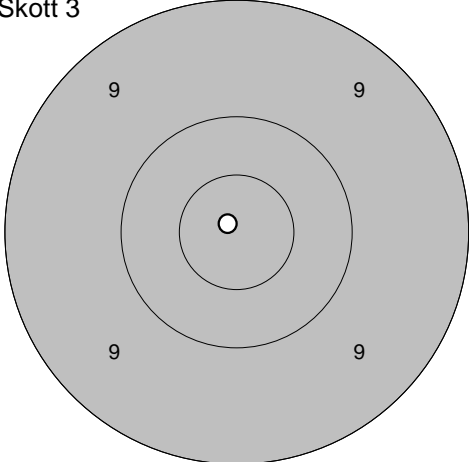
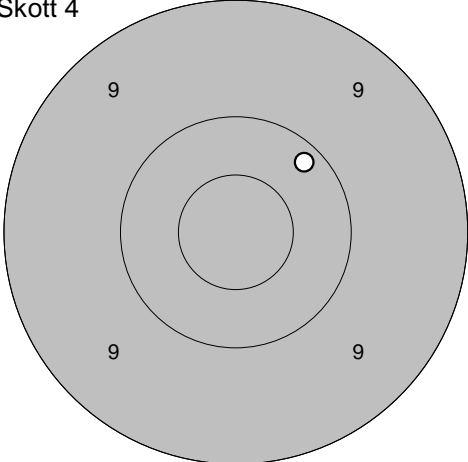
Skott 1 	1: 10,6* ↗ Serie 10,0 Totalt 302,0	Skott 2 	1: 10,1 ← Serie 10,0 Totalt 312,0
---	--	---	---

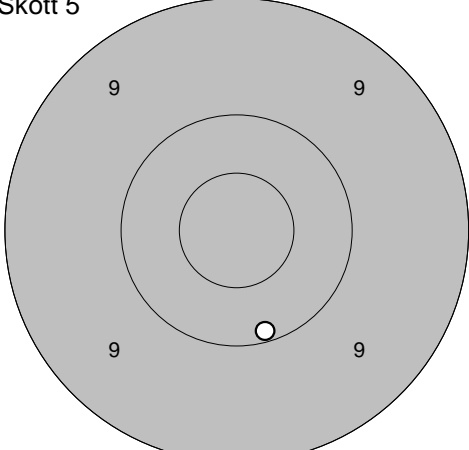
Skott 3 	1: 10,9* ↖ Serie 10,0 Totalt 322,0	Skott 4 	1: 10,7* ↖ Serie 10,0 Totalt 332,0
--	--	--	--

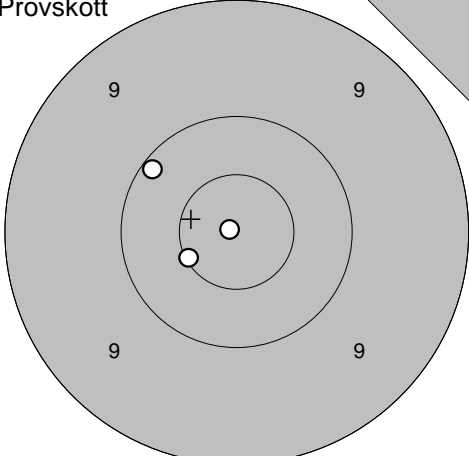
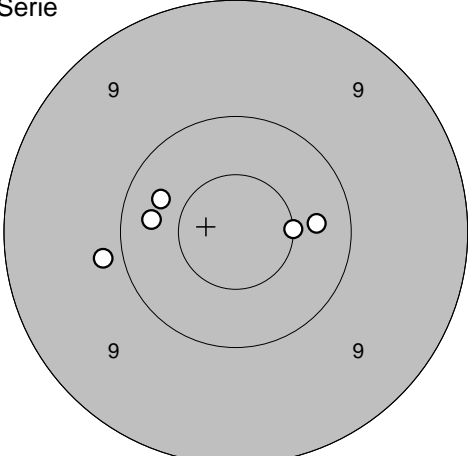
Skott 5 	1: 10,9* ↓ Serie 10,0 Totalt 342,0
--	--

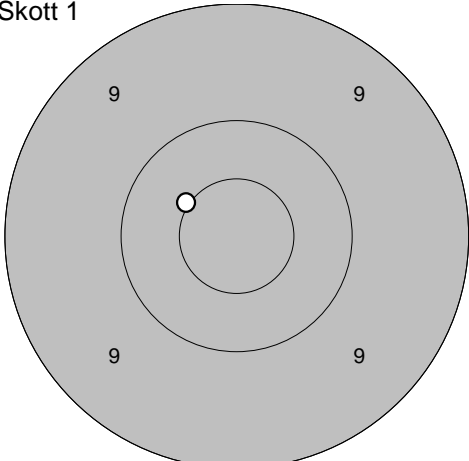
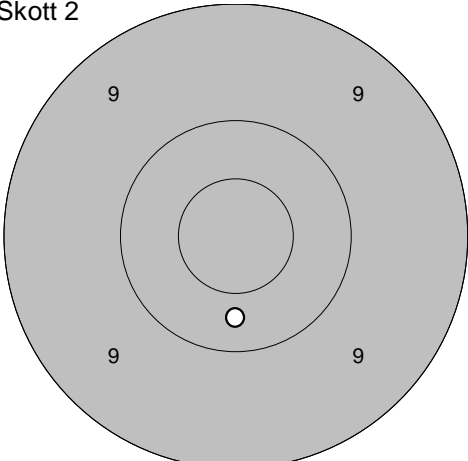
<p>Provskott</p> 	<p>1: 9,2 ↙ 2: 10,8* ↓ 3: 10,0 ↓</p>	<p>Serie</p> 	<p>1: 10,1 ↗ 2: 10,1 ↑ 3: 10,3 ← 4: 9,8 ↑ 5: 10,3 ↓</p>								
<table border="1" style="float: right; border-collapse: collapse;"> <tr><td>Serie</td><td style="text-align: right;">29,0</td></tr> <tr><td>Totalt</td><td style="text-align: right;">244,0</td></tr> </table>		Serie	29,0	Totalt	244,0	<table border="1" style="float: right; border-collapse: collapse;"> <tr><td>Serie</td><td style="text-align: right;">49,0</td></tr> <tr><td>Totalt</td><td style="text-align: right;">293,0</td></tr> </table>		Serie	49,0	Totalt	293,0
Serie	29,0										
Totalt	244,0										
Serie	49,0										
Totalt	293,0										

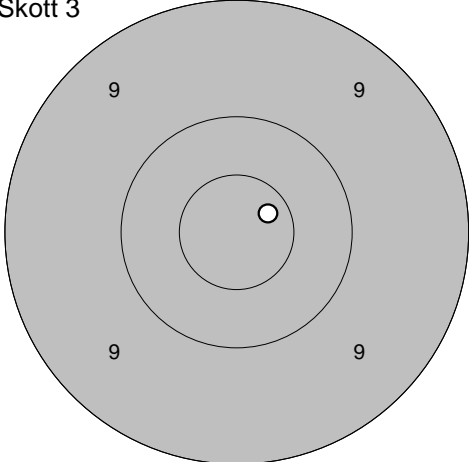
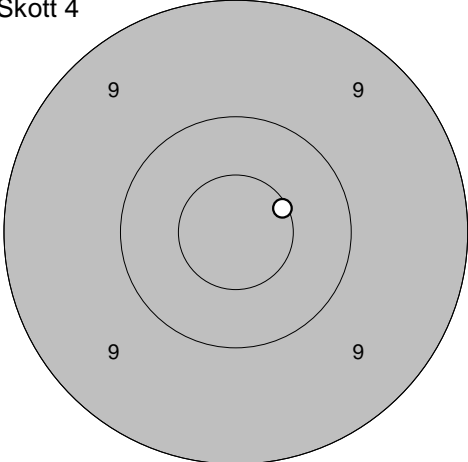
<p>Skott 1</p> 	<p>1: 10,3 →</p>	<p>Skott 2</p> 	<p>1: 10,8* ↓</p>								
<table border="1" style="float: right; border-collapse: collapse;"> <tr><td>Serie</td><td style="text-align: right;">10,0</td></tr> <tr><td>Totalt</td><td style="text-align: right;">303,0</td></tr> </table>		Serie	10,0	Totalt	303,0	<table border="1" style="float: right; border-collapse: collapse;"> <tr><td>Serie</td><td style="text-align: right;">10,0</td></tr> <tr><td>Totalt</td><td style="text-align: right;">313,0</td></tr> </table>		Serie	10,0	Totalt	313,0
Serie	10,0										
Totalt	303,0										
Serie	10,0										
Totalt	313,0										

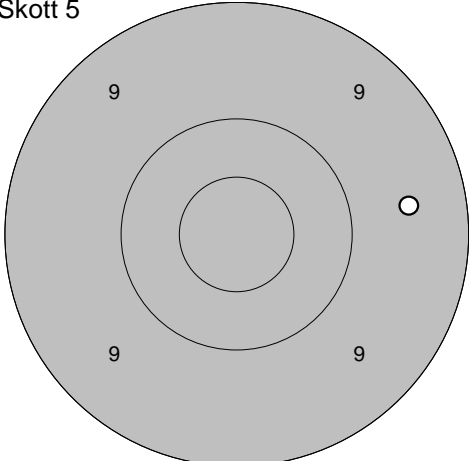
<p>Skott 3</p> 	<p>1: 10,9* ↙</p>	<p>Skott 4</p> 	<p>1: 10,2 ↗</p>								
<table border="1" style="float: right; border-collapse: collapse;"> <tr><td>Serie</td><td style="text-align: right;">10,0</td></tr> <tr><td>Totalt</td><td style="text-align: right;">323,0</td></tr> </table>		Serie	10,0	Totalt	323,0	<table border="1" style="float: right; border-collapse: collapse;"> <tr><td>Serie</td><td style="text-align: right;">10,0</td></tr> <tr><td>Totalt</td><td style="text-align: right;">333,0</td></tr> </table>		Serie	10,0	Totalt	333,0
Serie	10,0										
Totalt	323,0										
Serie	10,0										
Totalt	333,0										

<p>Skott 5</p> 	<p>1: 10,1 ↓</p>						
<table border="1" style="float: right; border-collapse: collapse;"> <tr><td>Serie</td><td style="text-align: right;">10,0</td></tr> <tr><td>Totalt</td><td style="text-align: right;">343,0</td></tr> </table>		Serie	10,0	Totalt	343,0		
Serie	10,0						
Totalt	343,0						

Provskott 	1: 10,6* ↙ 2: 10,1 ↖ 3: 10,9* ↖ <hr/> Serie 30,0 Totalt 244,0	Serie 	1: 10,3 → 2: 10,3 ← 3: 10,5* → 4: 10,3 ↖ 5: 9,9 ← <hr/> Serie 49,0 Totalt 293,0
--	---	--	---

Skott 1 	1: 10,5* ↖ <hr/> Serie 10,0 Totalt 303,0
Skott 2 	1: 10,3 ↓ <hr/> Serie 10,0 Totalt 313,0

Skott 3 	1: 10,7* ↗ <hr/> Serie 10,0 Totalt 323,0
Skott 4 	1: 10,6* ↗ <hr/> Serie 10,0 Totalt 333,0

Skott 5 	1: 9,5 → <hr/> Serie 9,0 Totalt 342,0
--	---

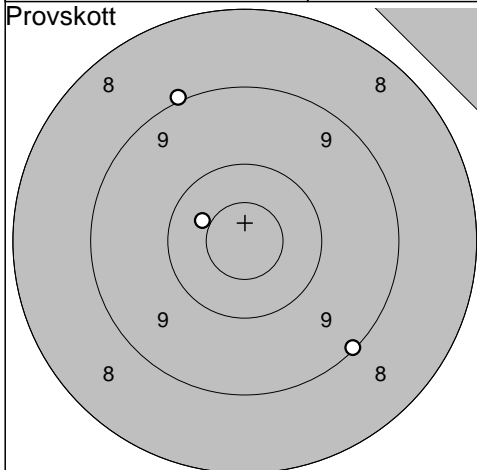
Ramselefors

2009-08-15

Förbundsmästerskap 2009 Final

Umeå skytteallians

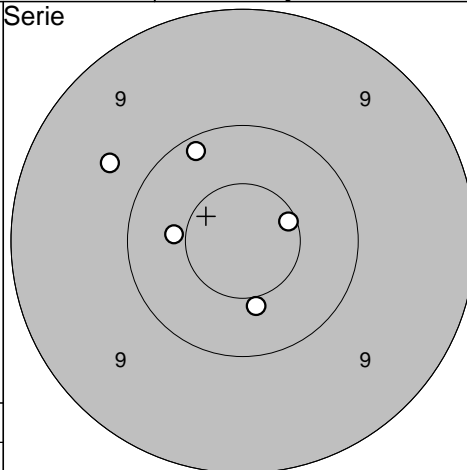
Provskott



1: 9,0 ↗
2: 10,4 ↖
3: 9,1 ↘

Serie	28,0
Totalt	243,0

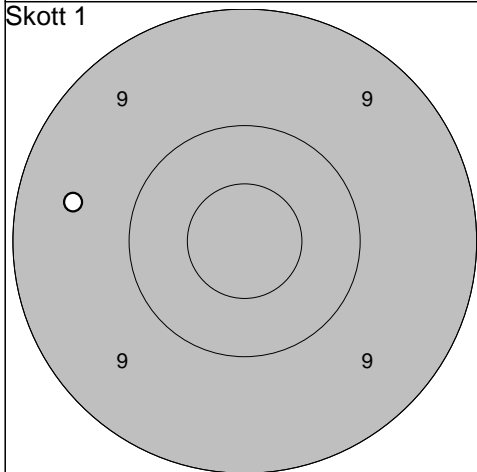
Serie



1: 9,7 ↖
2: 10,5* ↓
3: 10,2 ↗
4: 10,6* →
5: 10,4 ←

Serie	49,0
Totalt	292,0

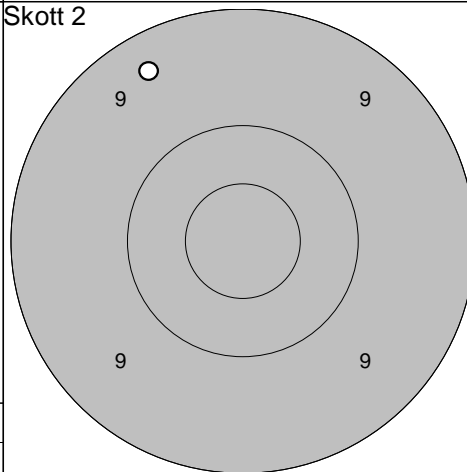
Skott 1



1: 9,5 ←

Serie	9,0
Totalt	301,0

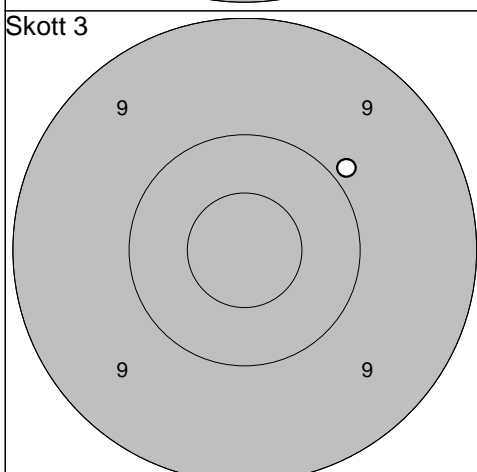
Skott 2



1: 9,4 ↖

Serie	9,0
Totalt	310,0

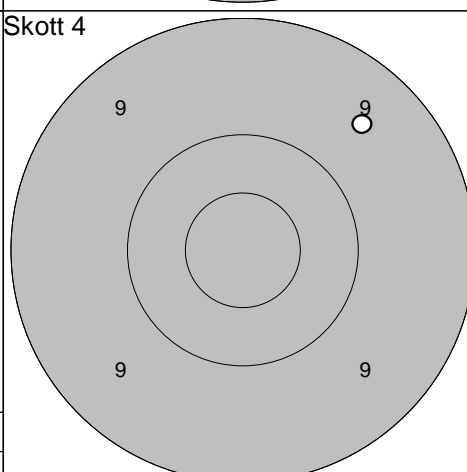
Skott 3



1: 9,9 ↗

Serie	9,0
Totalt	319,0

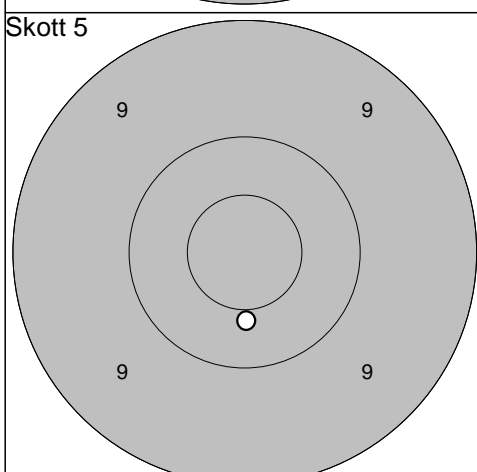
Skott 4



1: 9,5 ↗

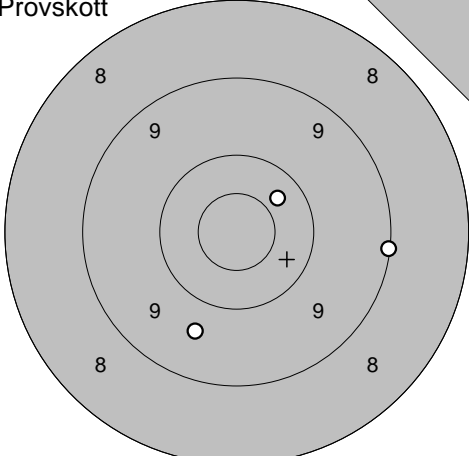
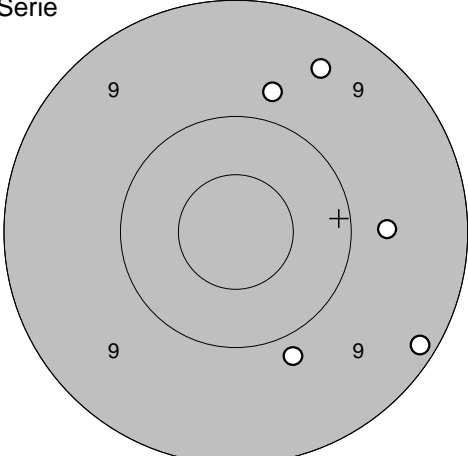
Serie	9,0
Totalt	328,0

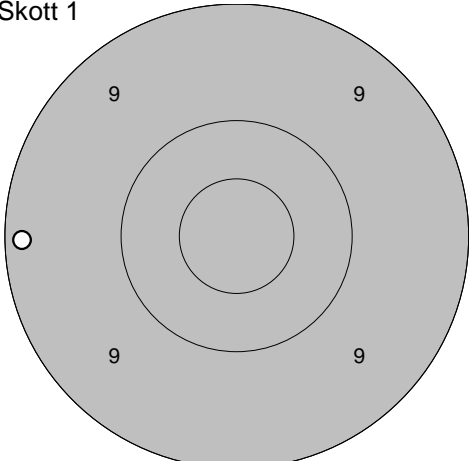
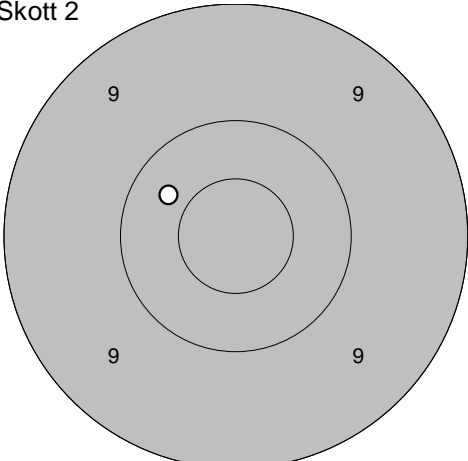
Skott 5

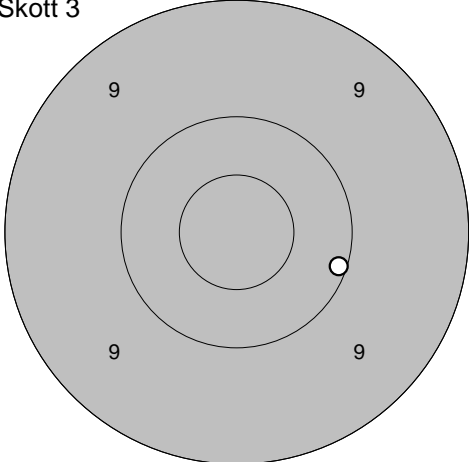
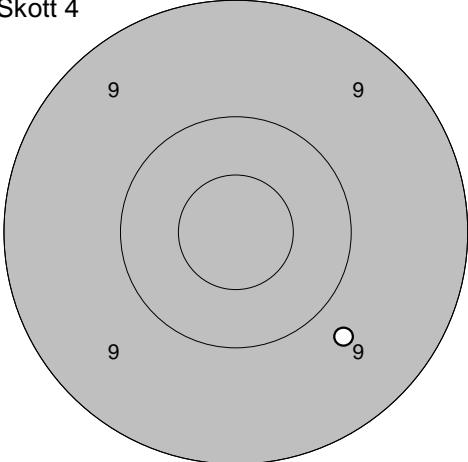


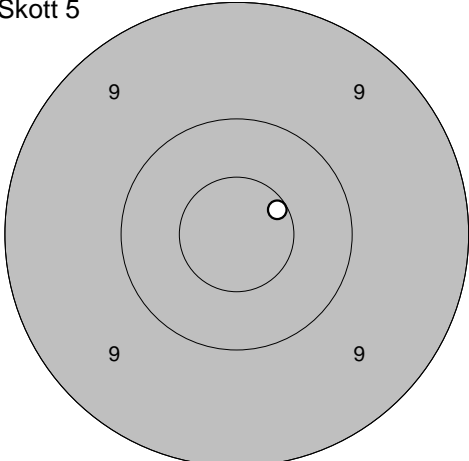
1: 10,4 ↓

Serie	10,0
Totalt	338,0

Provskott 	1: 10,4 ↗ 2: 9,7 ↓ 3: 9,1 →	Serie 	1: 9,8 ↑ 2: 9,2 ↘ 3: 9,4 ↗ 4: 9,9 ↓ 5: 9,7 →
Serie 28,0 Totalt 241,0		Serie 45,0 Totalt 286,0	

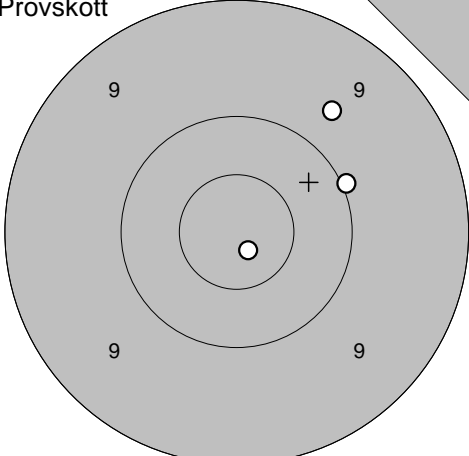
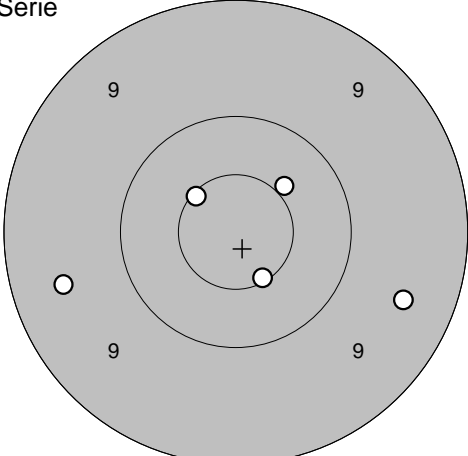
Skott 1 	1: 9,2 ←	Skott 2 	1: 10,4 ↖
Serie 9,0 Totalt 295,0		Serie 10,0 Totalt 305,0	

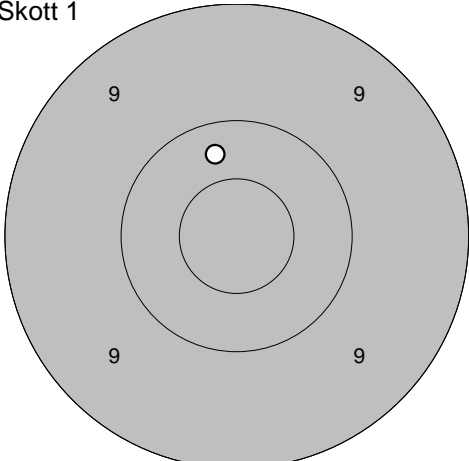
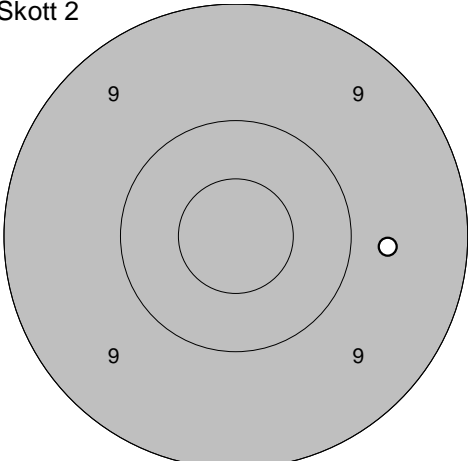
Skott 3 	1: 10,1 →	Skott 4 	1: 9,7 ↘
Serie 10,0 Totalt 315,0		Serie 9,0 Totalt 324,0	

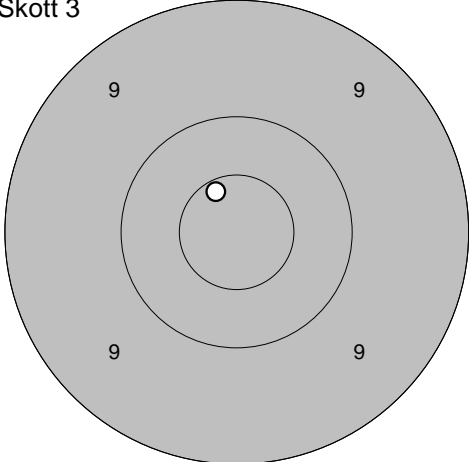
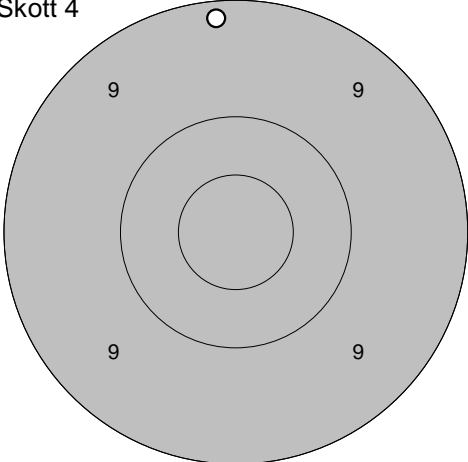
Skott 5 	1: 10,6* ↗		
Serie 10,0 Totalt 334,0			

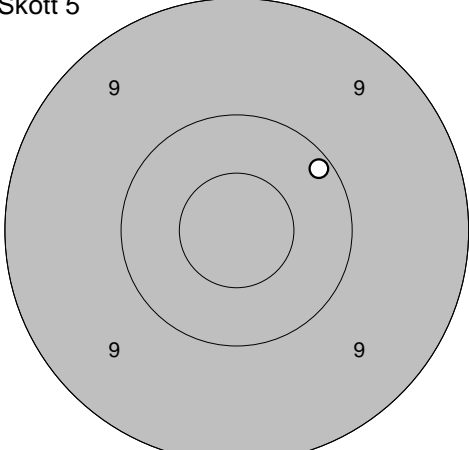
Ramselefors

2009-08-15	Förbundsmästerskap 2009 Final	Umeå skytteallians
------------	-------------------------------	--------------------

<p>Provskott</p> 	<p>1: 10,0 →</p> <p>2: 9,7 ↗</p> <p>3: 10,8* ↘</p>	<p>Serie</p> 	<p>1: 10,6* ↖</p> <p>2: 10,5* ↗</p> <p>3: 9,5 →</p> <p>4: 10,6* ↘</p> <p>5: 9,5 ←</p>								
<table border="1" style="float: right; border-collapse: collapse;"> <tr><td>Serie</td><td style="text-align: right;">29,0</td></tr> <tr><td>Totalt</td><td style="text-align: right;">239,0</td></tr> </table>	Serie	29,0	Totalt	239,0		<table border="1" style="float: right; border-collapse: collapse;"> <tr><td>Serie</td><td style="text-align: right;">48,0</td></tr> <tr><td>Totalt</td><td style="text-align: right;">287,0</td></tr> </table>	Serie	48,0	Totalt	287,0	
Serie	29,0										
Totalt	239,0										
Serie	48,0										
Totalt	287,0										

<p>Skott 1</p> 	<p>1: 10,3 ↑</p>	<p>Skott 2</p> 	<p>1: 9,7 →</p>								
<table border="1" style="float: right; border-collapse: collapse;"> <tr><td>Serie</td><td style="text-align: right;">10,0</td></tr> <tr><td>Totalt</td><td style="text-align: right;">297,0</td></tr> </table>	Serie	10,0	Totalt	297,0		<table border="1" style="float: right; border-collapse: collapse;"> <tr><td>Serie</td><td style="text-align: right;">9,0</td></tr> <tr><td>Totalt</td><td style="text-align: right;">306,0</td></tr> </table>	Serie	9,0	Totalt	306,0	
Serie	10,0										
Totalt	297,0										
Serie	9,0										
Totalt	306,0										

<p>Skott 3</p> 	<p>1: 10,6* ↖</p>	<p>Skott 4</p> 	<p>1: 9,2 ↑</p>								
<table border="1" style="float: right; border-collapse: collapse;"> <tr><td>Serie</td><td style="text-align: right;">10,0</td></tr> <tr><td>Totalt</td><td style="text-align: right;">316,0</td></tr> </table>	Serie	10,0	Totalt	316,0		<table border="1" style="float: right; border-collapse: collapse;"> <tr><td>Serie</td><td style="text-align: right;">9,0</td></tr> <tr><td>Totalt</td><td style="text-align: right;">325,0</td></tr> </table>	Serie	9,0	Totalt	325,0	
Serie	10,0										
Totalt	316,0										
Serie	9,0										
Totalt	325,0										

<p>Skott 5</p> 	<p>1: 10,1 ↗</p>						
<table border="1" style="float: right; border-collapse: collapse;"> <tr><td>Serie</td><td style="text-align: right;">10,0</td></tr> <tr><td>Totalt</td><td style="text-align: right;">335,0</td></tr> </table>	Serie	10,0	Totalt	335,0			
Serie	10,0						
Totalt	335,0						

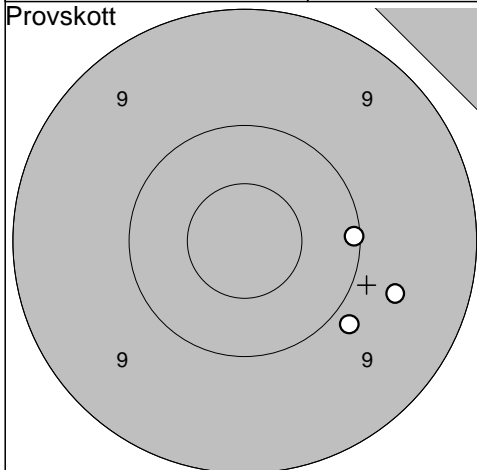
Ramselefors

2009-08-15

Förbundsmästerskap 2009 Final

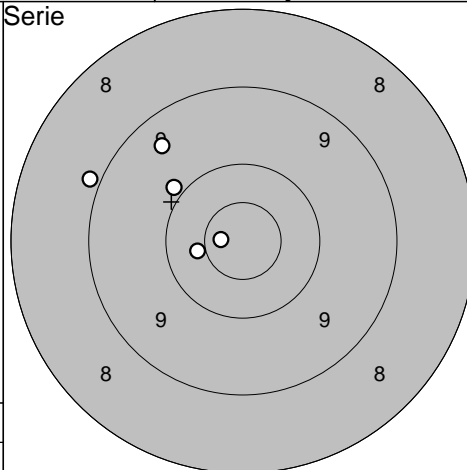
Umeå skytteallians

Provskott



1: 10,1 →
2: 9,7 ↘
3: 9,9 ↘

Serie

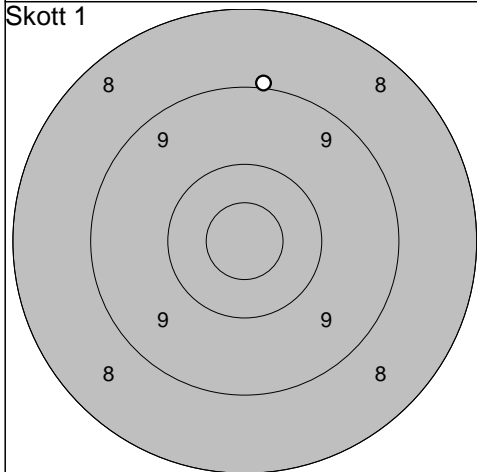


1: 9,9 ↗
2: 8,9 ↖
3: 10,8* ←
4: 10,5* ←
5: 9,4 ↗

Serie	28,0
Totalt	237,0

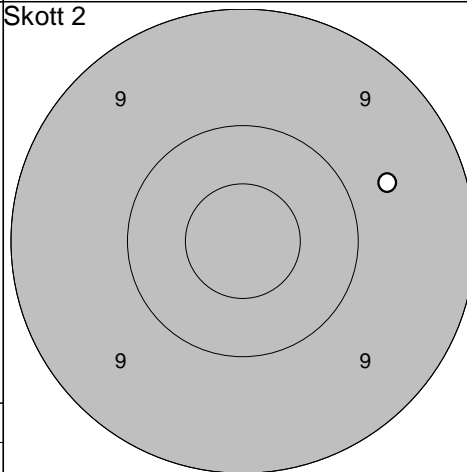
Serie	46,0
Totalt	283,0

Skott 1



1: 9,0 ↑

Skott 2

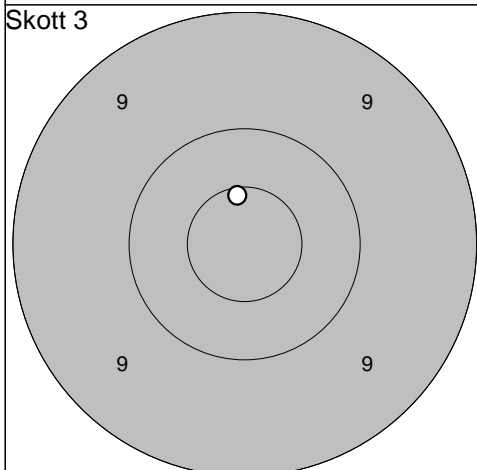


1: 9,7 →

Serie	9,0
Totalt	292,0

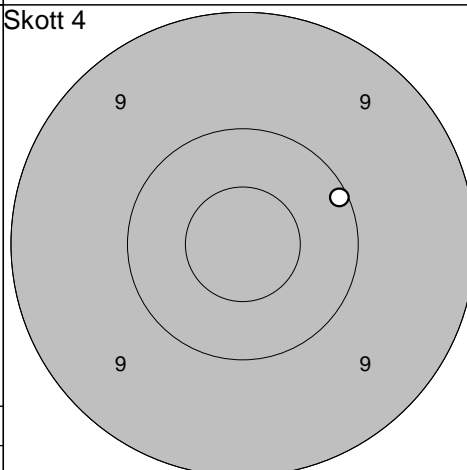
Serie	9,0
Totalt	301,0

Skott 3



1: 10,6* ↑

Skott 4

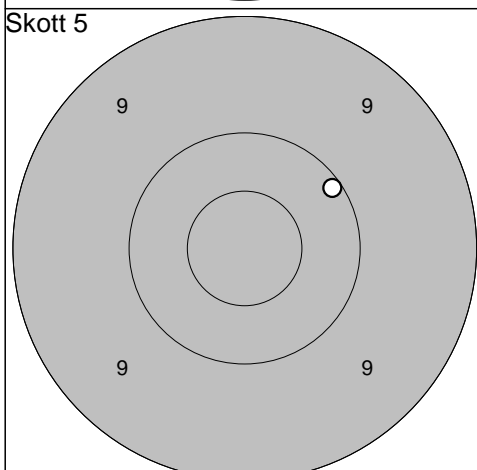


1: 10,1 →

Serie	10,0
Totalt	311,0

Serie	10,0
Totalt	321,0

Skott 5

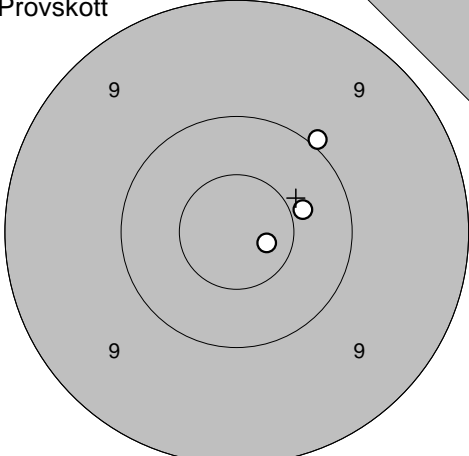
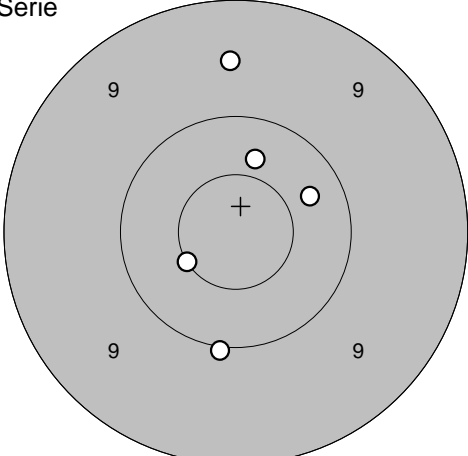


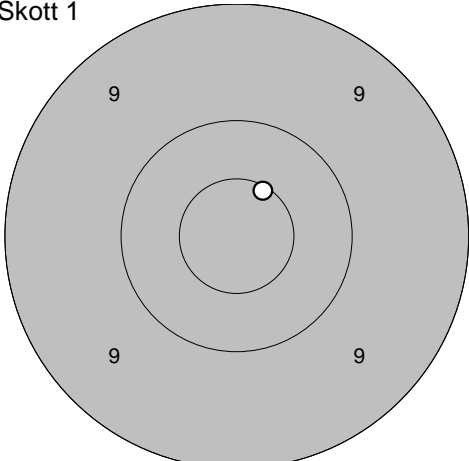
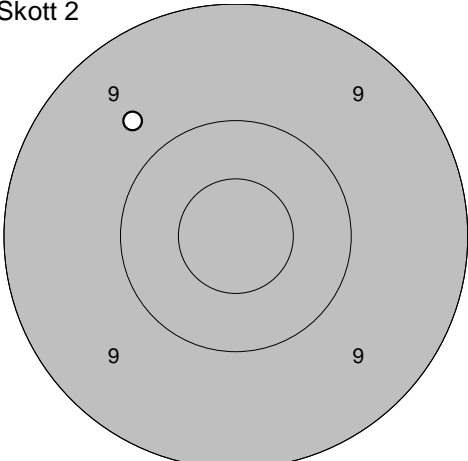
1: 10,1 ↗

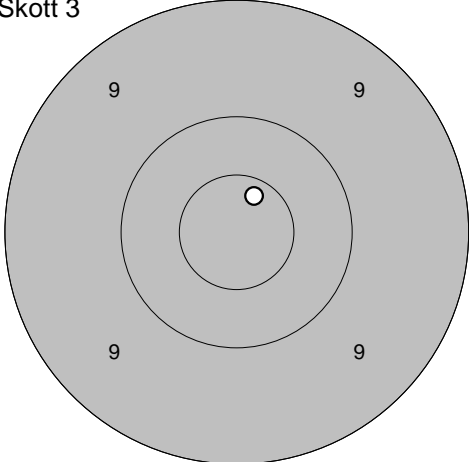
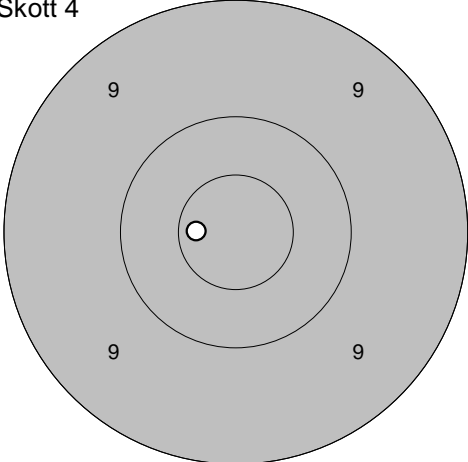
Serie	10,0
Totalt	331,0

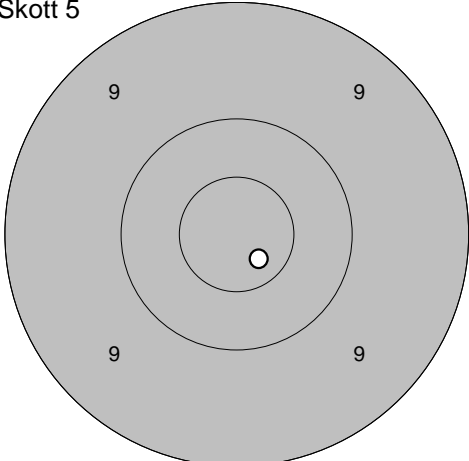
Umeå

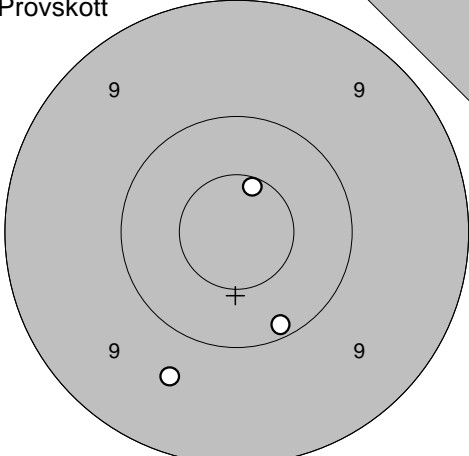
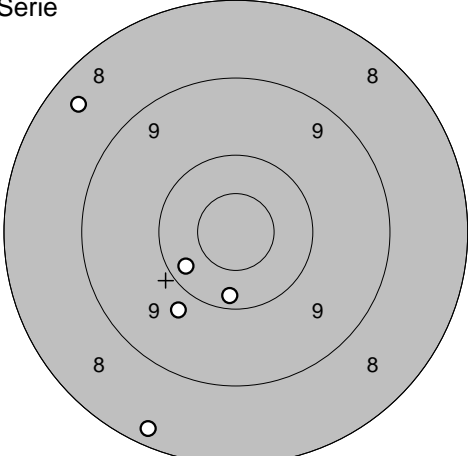
2009-08-15	Förbundsmästerskap 2009 Final	Umeå skytteallians
------------	-------------------------------	--------------------

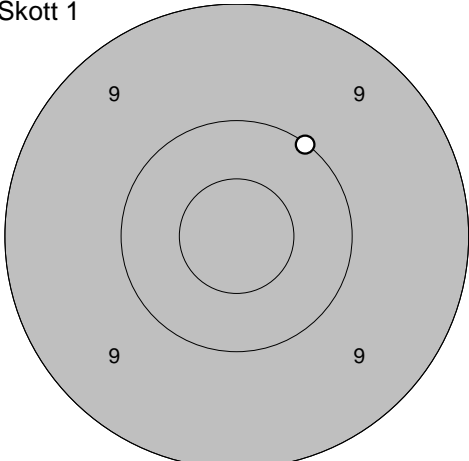
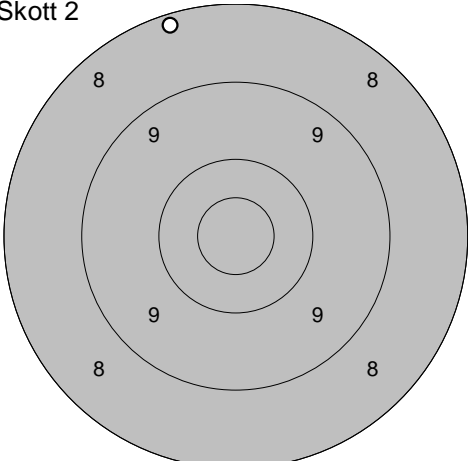
<p>Provskott</p> 	<p>1: 10,8* →</p> <p>2: 10,0 ↗</p> <p>3: 10,4 →</p>	<p>Serie</p> 	<p>1: 10,4 ↑</p> <p>2: 10,5* ↙</p> <p>3: 10,3 →</p> <p>4: 9,6 ↑</p> <p>5: 10,0 ↓</p>								
<table border="1" style="float: right; border-collapse: collapse;"> <tr><td>Serie</td><td style="text-align: right;">30,0</td></tr> <tr><td>Totalt</td><td style="text-align: right;">236,0</td></tr> </table>	Serie	30,0	Totalt	236,0		<table border="1" style="float: right; border-collapse: collapse;"> <tr><td>Serie</td><td style="text-align: right;">49,0</td></tr> <tr><td>Totalt</td><td style="text-align: right;">285,0</td></tr> </table>	Serie	49,0	Totalt	285,0	
Serie	30,0										
Totalt	236,0										
Serie	49,0										
Totalt	285,0										

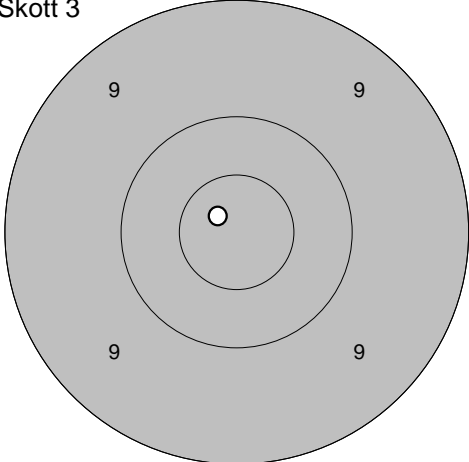
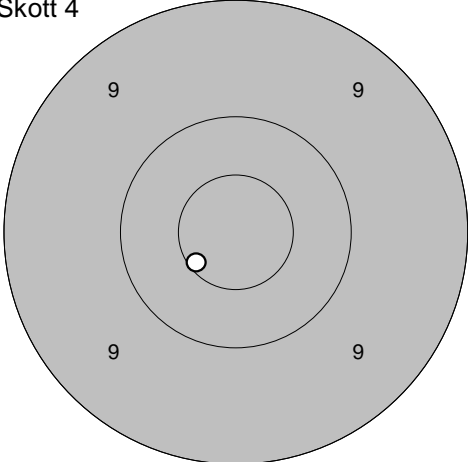
<p>Skott 1</p> 	<p>1: 10,6* ↗</p>	<p>Skott 2</p> 	<p>1: 9,7 ↖</p>								
<table border="1" style="float: right; border-collapse: collapse;"> <tr><td>Serie</td><td style="text-align: right;">10,0</td></tr> <tr><td>Totalt</td><td style="text-align: right;">295,0</td></tr> </table>	Serie	10,0	Totalt	295,0		<table border="1" style="float: right; border-collapse: collapse;"> <tr><td>Serie</td><td style="text-align: right;">9,0</td></tr> <tr><td>Totalt</td><td style="text-align: right;">304,0</td></tr> </table>	Serie	9,0	Totalt	304,0	
Serie	10,0										
Totalt	295,0										
Serie	9,0										
Totalt	304,0										

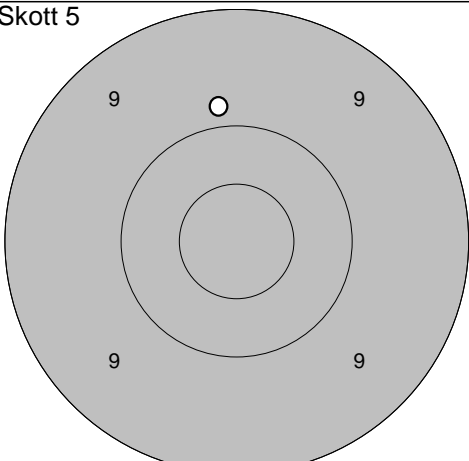
<p>Skott 3</p> 	<p>1: 10,7* ↗</p>	<p>Skott 4</p> 	<p>1: 10,7* ←</p>								
<table border="1" style="float: right; border-collapse: collapse;"> <tr><td>Serie</td><td style="text-align: right;">10,0</td></tr> <tr><td>Totalt</td><td style="text-align: right;">314,0</td></tr> </table>	Serie	10,0	Totalt	314,0		<table border="1" style="float: right; border-collapse: collapse;"> <tr><td>Serie</td><td style="text-align: right;">10,0</td></tr> <tr><td>Totalt</td><td style="text-align: right;">324,0</td></tr> </table>	Serie	10,0	Totalt	324,0	
Serie	10,0										
Totalt	314,0										
Serie	10,0										
Totalt	324,0										

<p>Skott 5</p> 	<p>1: 10,7* ↘</p>						
<table border="1" style="float: right; border-collapse: collapse;"> <tr><td>Serie</td><td style="text-align: right;">10,0</td></tr> <tr><td>Totalt</td><td style="text-align: right;">334,0</td></tr> </table>	Serie	10,0	Totalt	334,0			
Serie	10,0						
Totalt	334,0						

Provskott 	1: 10,1 ↓ 2: 9,7 ↓ 3: 10,6* ↑	Serie 	1: 8,3 ↓ 2: 9,8 ↓ 3: 10,3 ← 4: 8,4 ↖ 5: 10,2 ↓
	Serie 29,0		Serie 45,0
	Totalt 234,0		Totalt 279,0

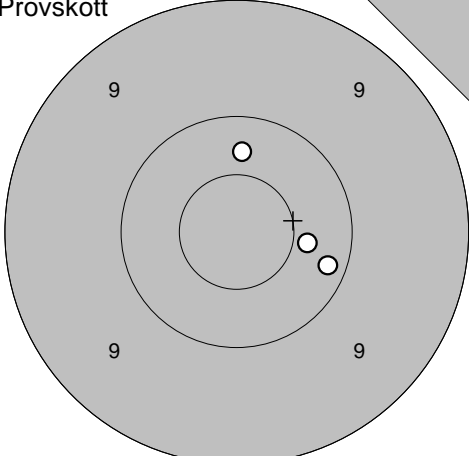
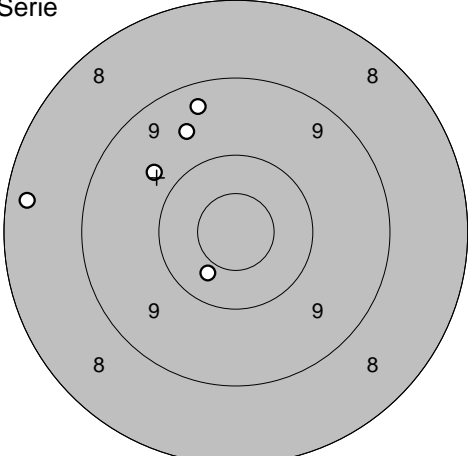
Skott 1 	1: 10,0 ↗	Skott 2 	1: 8,2 ↑
	Serie 10,0		Serie 8,0
	Totalt 289,0		Totalt 297,0

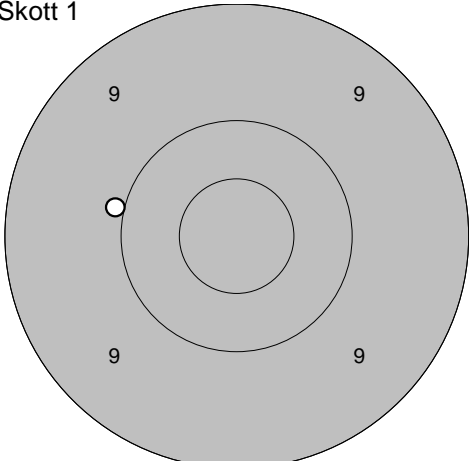
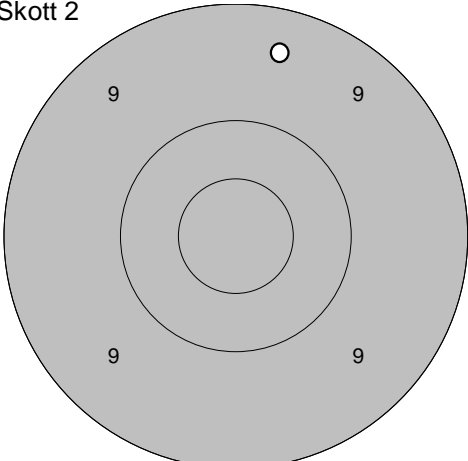
Skott 3 	1: 10,8* ↖	Skott 4 	1: 10,6* ↖
	Serie 10,0		Serie 10,0
	Totalt 307,0		Totalt 317,0

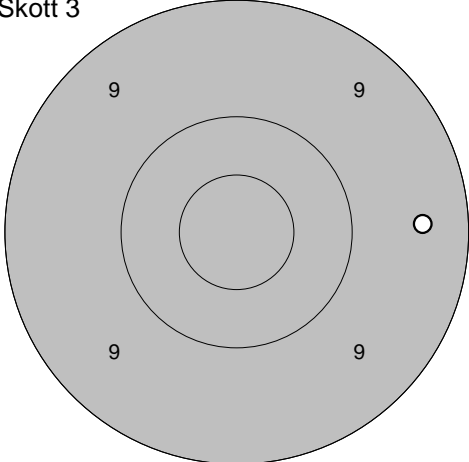
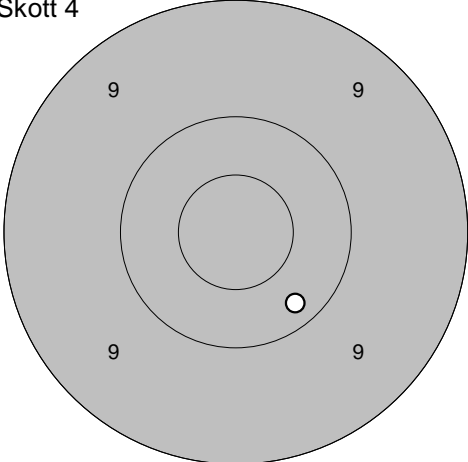
Skott 5 	1: 9,9 ↑		
	Serie 9,0		
	Totalt 326,0		

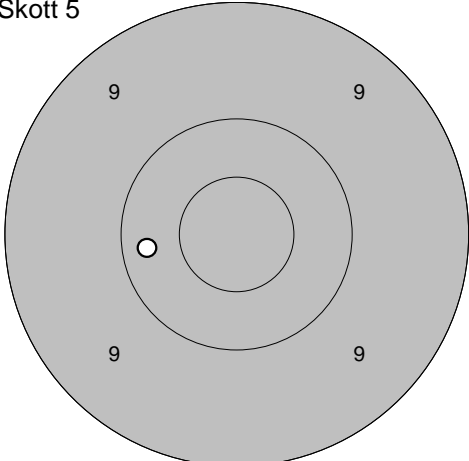
Rönnskär

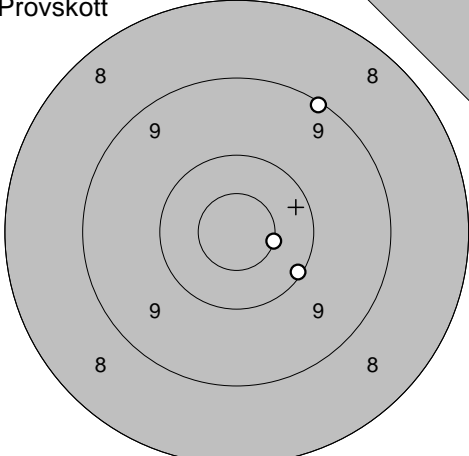
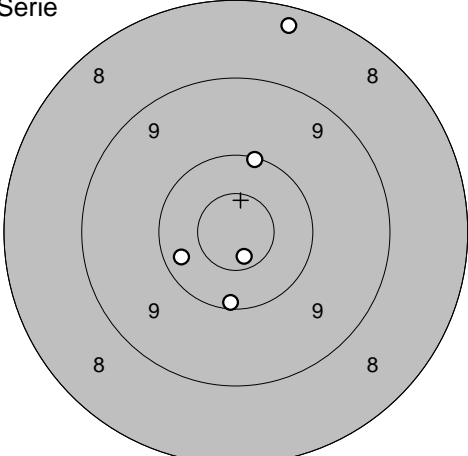
2009-08-15	Förbundsmästerskap 2009 Final	Umeå skytteallians
------------	-------------------------------	--------------------

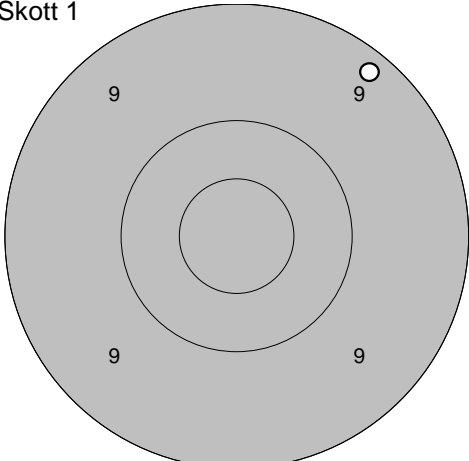
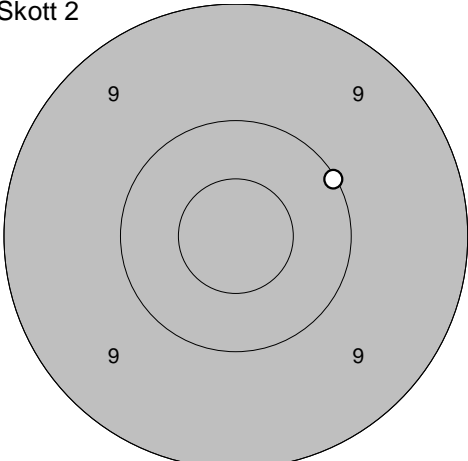
<p>Provskott</p> 	<p>1: 10,2 → 2: 10,4 → 3: 10,3 ↑</p>	<p>Serie</p> 	<p>1: 9,6 ↗ 2: 8,3 ← 3: 10,4 ↘ 4: 9,4 ↗ 5: 9,8 ↗</p>
	Serie 30,0		Serie 45,0
	Totalt 239,0		Totalt 284,0

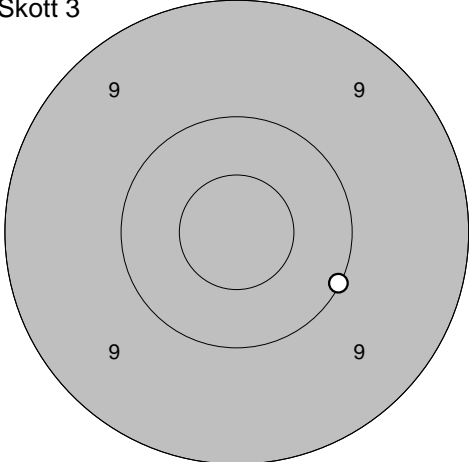
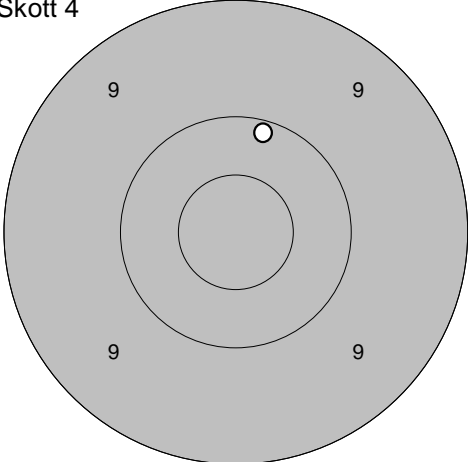
<p>Skott 1</p> 	<p>1: 10,0 ←</p>	<p>Skott 2</p> 	<p>1: 9,4 ↗</p>
	Serie 10,0		Serie 9,0
	Totalt 294,0		Totalt 303,0

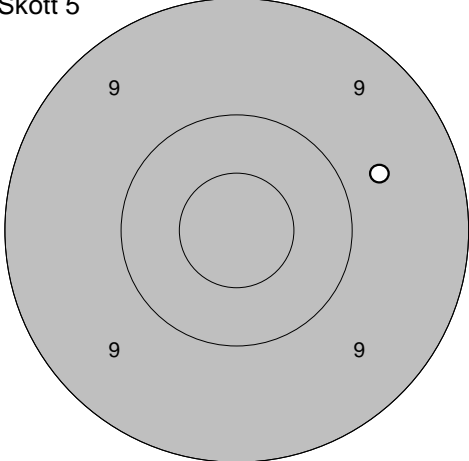
<p>Skott 3</p> 	<p>1: 9,4 →</p>	<p>Skott 4</p> 	<p>1: 10,2 ↘</p>
	Serie 9,0		Serie 10,0
	Totalt 312,0		Totalt 322,0

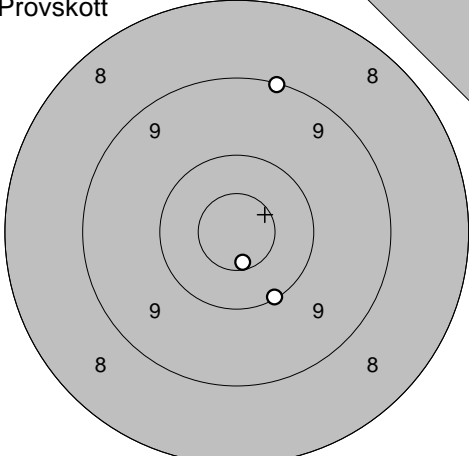
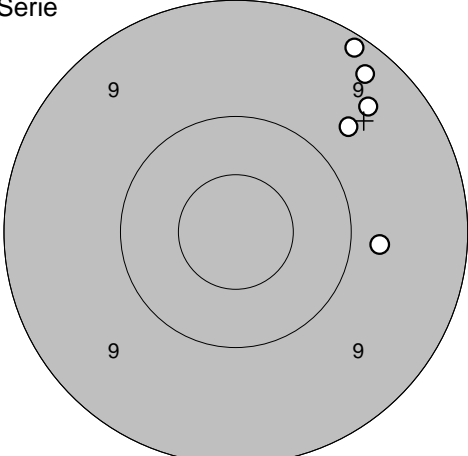
<p>Skott 5</p> 	<p>1: 10,3 ←</p>		
	Serie 10,0		
	Totalt 332,0		

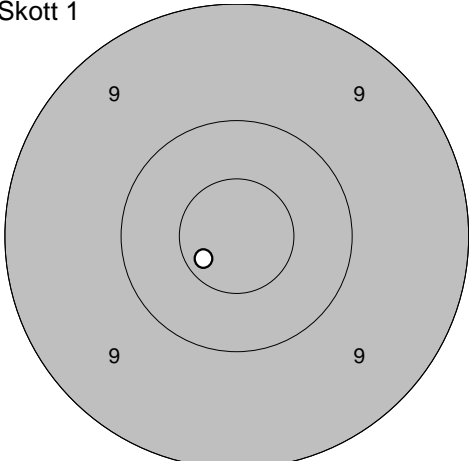
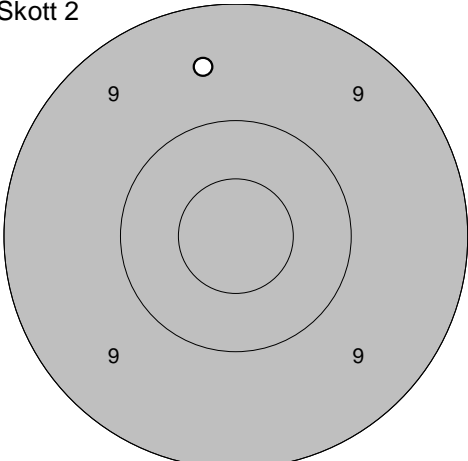
Provskott 	1: 10,6* → 2: 9,1 ↗ 3: 10,1 ↘ <table border="1" style="width:100%; border-collapse: collapse;"> <tr><td style="padding: 2px;">Serie</td><td style="text-align: right; padding: 2px;">29,0</td></tr> <tr><td style="padding: 2px;">Totalt</td><td style="text-align: right; padding: 2px;">236,0</td></tr> </table>	Serie	29,0	Totalt	236,0	Serie  <table style="width:100%; border-collapse: collapse;"> <tr> <td style="padding: 2px;">1: 10,1</td> <td style="padding: 2px;">↗</td> </tr> <tr> <td style="padding: 2px;">2: 10,1</td> <td style="padding: 2px;">↘</td> </tr> <tr> <td style="padding: 2px;">3: 8,3</td> <td style="padding: 2px;">↗</td> </tr> <tr> <td style="padding: 2px;">4: 10,7*</td> <td style="padding: 2px;">↘</td> </tr> <tr> <td style="padding: 2px;">5: 10,3</td> <td style="padding: 2px;">↖</td> </tr> </table> <table border="1" style="width:100%; border-collapse: collapse;"> <tr><td style="padding: 2px;">Serie</td><td style="text-align: right; padding: 2px;">48,0</td></tr> <tr><td style="padding: 2px;">Totalt</td><td style="text-align: right; padding: 2px;">284,0</td></tr> </table>	1: 10,1	↗	2: 10,1	↘	3: 8,3	↗	4: 10,7*	↘	5: 10,3	↖	Serie	48,0	Totalt	284,0
Serie	29,0																			
Totalt	236,0																			
1: 10,1	↗																			
2: 10,1	↘																			
3: 8,3	↗																			
4: 10,7*	↘																			
5: 10,3	↖																			
Serie	48,0																			
Totalt	284,0																			

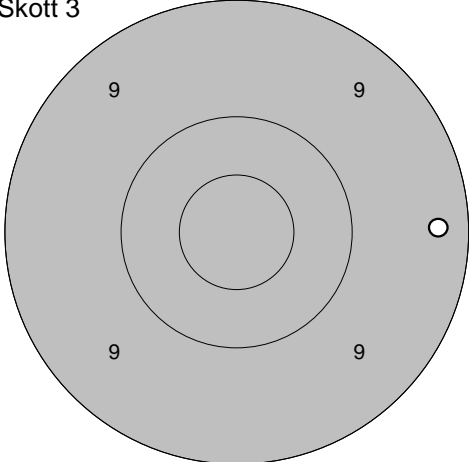
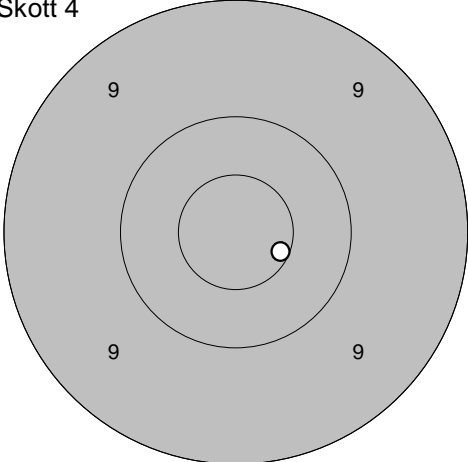
Skott 1  <table border="1" style="width:100%; border-collapse: collapse;"> <tr><td style="padding: 2px;">Serie</td><td style="text-align: right; padding: 2px;">9,0</td></tr> <tr><td style="padding: 2px;">Totalt</td><td style="text-align: right; padding: 2px;">293,0</td></tr> </table>	Serie	9,0	Totalt	293,0	Skott 2  <table style="width:100%; border-collapse: collapse;"> <tr> <td style="padding: 2px;">1: 10,1</td> <td style="padding: 2px;">↗</td> </tr> </table> <table border="1" style="width:100%; border-collapse: collapse;"> <tr><td style="padding: 2px;">Serie</td><td style="text-align: right; padding: 2px;">10,0</td></tr> <tr><td style="padding: 2px;">Totalt</td><td style="text-align: right; padding: 2px;">303,0</td></tr> </table>	1: 10,1	↗	Serie	10,0	Totalt	303,0
Serie	9,0										
Totalt	293,0										
1: 10,1	↗										
Serie	10,0										
Totalt	303,0										

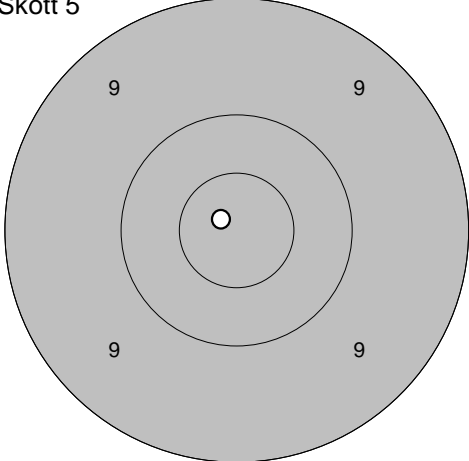
Skott 3  <table border="1" style="width:100%; border-collapse: collapse;"> <tr><td style="padding: 2px;">Serie</td><td style="text-align: right; padding: 2px;">10,0</td></tr> <tr><td style="padding: 2px;">Totalt</td><td style="text-align: right; padding: 2px;">313,0</td></tr> </table>	Serie	10,0	Totalt	313,0	Skott 4  <table style="width:100%; border-collapse: collapse;"> <tr> <td style="padding: 2px;">1: 10,1</td> <td style="padding: 2px;">↗</td> </tr> </table> <table border="1" style="width:100%; border-collapse: collapse;"> <tr><td style="padding: 2px;">Serie</td><td style="text-align: right; padding: 2px;">10,0</td></tr> <tr><td style="padding: 2px;">Totalt</td><td style="text-align: right; padding: 2px;">323,0</td></tr> </table>	1: 10,1	↗	Serie	10,0	Totalt	323,0
Serie	10,0										
Totalt	313,0										
1: 10,1	↗										
Serie	10,0										
Totalt	323,0										

Skott 5  <table border="1" style="width:100%; border-collapse: collapse;"> <tr><td style="padding: 2px;">Serie</td><td style="text-align: right; padding: 2px;">9,0</td></tr> <tr><td style="padding: 2px;">Totalt</td><td style="text-align: right; padding: 2px;">332,0</td></tr> </table>	Serie	9,0	Totalt	332,0	<table style="width:100%; border-collapse: collapse;"> <tr> <td style="padding: 2px;">1: 9,7</td> <td style="padding: 2px;">→</td> </tr> </table>	1: 9,7	→
Serie	9,0						
Totalt	332,0						
1: 9,7	→						

Provskott 	1: 10,1 ↘ 2: 10,6* ↓ 3: 9,1 ↑ <table border="1" style="width:100%; border-collapse: collapse;"> <tr><td style="padding: 2px;">Serie</td><td style="text-align: right; padding: 2px;">29,0</td></tr> <tr><td style="padding: 2px;">Totalt</td><td style="text-align: right; padding: 2px;">234,0</td></tr> </table>	Serie	29,0	Totalt	234,0	Serie  <table style="width:100%; border-collapse: collapse;"> <tr><td style="padding: 2px;">1: 9,5 ↗</td></tr> <tr><td style="padding: 2px;">2: 9,3 ↗</td></tr> <tr><td style="padding: 2px;">3: 9,8 →</td></tr> <tr><td style="padding: 2px;">4: 9,7 ↗</td></tr> <tr><td style="padding: 2px;">5: 9,1 ↗</td></tr> </table> <table border="1" style="width:100%; border-collapse: collapse;"> <tr><td style="padding: 2px;">Serie</td><td style="text-align: right; padding: 2px;">45,0</td></tr> <tr><td style="padding: 2px;">Totalt</td><td style="text-align: right; padding: 2px;">279,0</td></tr> </table>	1: 9,5 ↗	2: 9,3 ↗	3: 9,8 →	4: 9,7 ↗	5: 9,1 ↗	Serie	45,0	Totalt	279,0
Serie	29,0														
Totalt	234,0														
1: 9,5 ↗															
2: 9,3 ↗															
3: 9,8 →															
4: 9,7 ↗															
5: 9,1 ↗															
Serie	45,0														
Totalt	279,0														

Skott 1  <table border="1" style="width:100%; border-collapse: collapse;"> <tr><td style="padding: 2px;">Serie</td><td style="text-align: right; padding: 2px;">10,0</td></tr> <tr><td style="padding: 2px;">Totalt</td><td style="text-align: right; padding: 2px;">289,0</td></tr> </table>	Serie	10,0	Totalt	289,0	Skott 2  <table style="width:100%; border-collapse: collapse;"> <tr><td style="padding: 2px;">1: 9,5 ↑</td></tr> </table> <table border="1" style="width:100%; border-collapse: collapse;"> <tr><td style="padding: 2px;">Serie</td><td style="text-align: right; padding: 2px;">9,0</td></tr> <tr><td style="padding: 2px;">Totalt</td><td style="text-align: right; padding: 2px;">298,0</td></tr> </table>	1: 9,5 ↑	Serie	9,0	Totalt	298,0
Serie	10,0									
Totalt	289,0									
1: 9,5 ↑										
Serie	9,0									
Totalt	298,0									

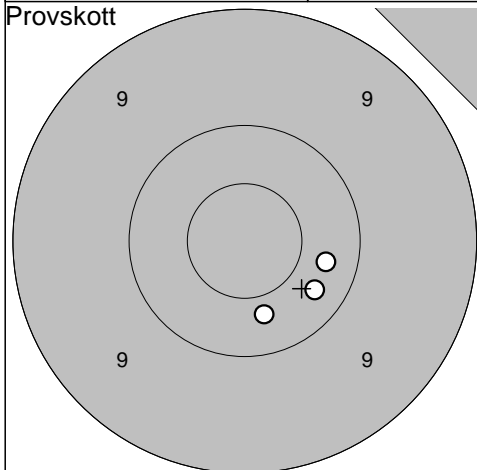
Skott 3  <table border="1" style="width:100%; border-collapse: collapse;"> <tr><td style="padding: 2px;">Serie</td><td style="text-align: right; padding: 2px;">9,0</td></tr> <tr><td style="padding: 2px;">Totalt</td><td style="text-align: right; padding: 2px;">307,0</td></tr> </table>	Serie	9,0	Totalt	307,0	Skott 4  <table style="width:100%; border-collapse: collapse;"> <tr><td style="padding: 2px;">1: 10,6* ➤</td></tr> </table> <table border="1" style="width:100%; border-collapse: collapse;"> <tr><td style="padding: 2px;">Serie</td><td style="text-align: right; padding: 2px;">10,0</td></tr> <tr><td style="padding: 2px;">Totalt</td><td style="text-align: right; padding: 2px;">317,0</td></tr> </table>	1: 10,6* ➤	Serie	10,0	Totalt	317,0
Serie	9,0									
Totalt	307,0									
1: 10,6* ➤										
Serie	10,0									
Totalt	317,0									

Skott 5  <table border="1" style="width:100%; border-collapse: collapse;"> <tr><td style="padding: 2px;">Serie</td><td style="text-align: right; padding: 2px;">10,0</td></tr> <tr><td style="padding: 2px;">Totalt</td><td style="text-align: right; padding: 2px;">327,0</td></tr> </table>	Serie	10,0	Totalt	327,0	<table style="width:100%; border-collapse: collapse;"> <tr><td style="padding: 2px;">1: 10,9* ↖</td></tr> </table>	1: 10,9* ↖	
Serie	10,0						
Totalt	327,0						
1: 10,9* ↖							

Ramselefors

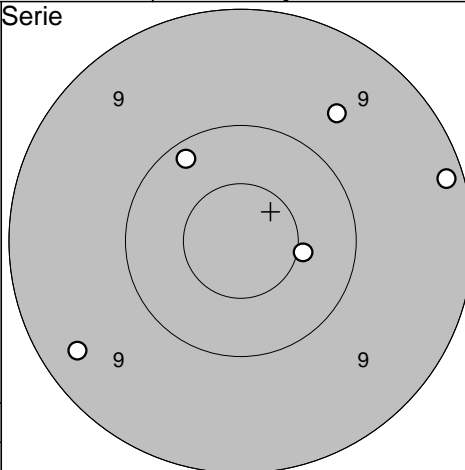
2009-08-15	Förbundsmästerskap 2009 Final	Umeå skytteallians
------------	-------------------------------	--------------------

Provskott



1: 10,3 →
2: 10,4 ↓
3: 10,3 ↓

Serie

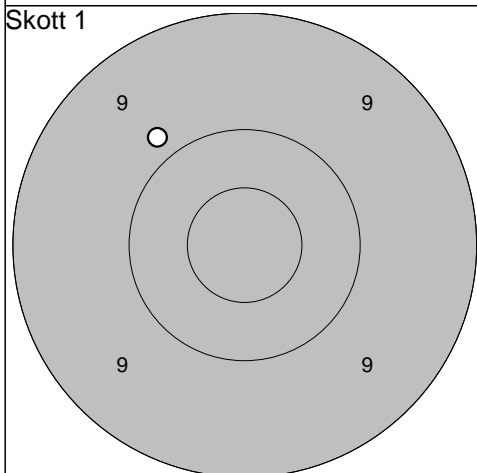


1: 9,3 ←
2: 10,2 ↖
3: 9,7 ↗
4: 10,5* →
5: 9,2 →

Serie	30,0
Totalt	233,0

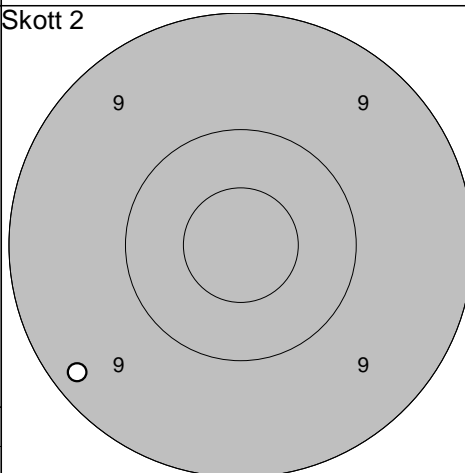
Serie	47,0
Totalt	280,0

Skott 1



1: 9,8 ↖

Skott 2

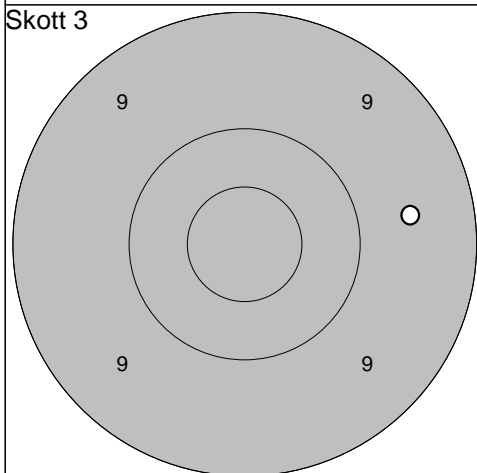


1: 9,2 ←

Serie	9,0
Totalt	289,0

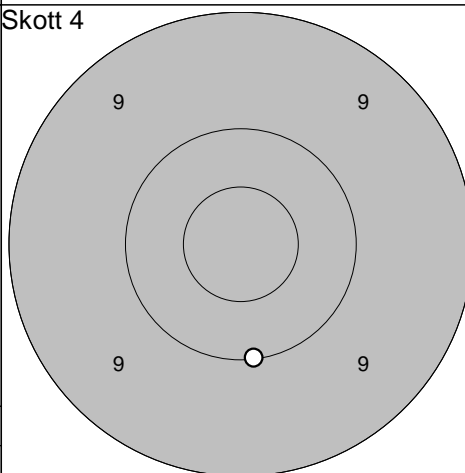
Serie	9,0
Totalt	298,0

Skott 3



1: 9,6 →

Skott 4

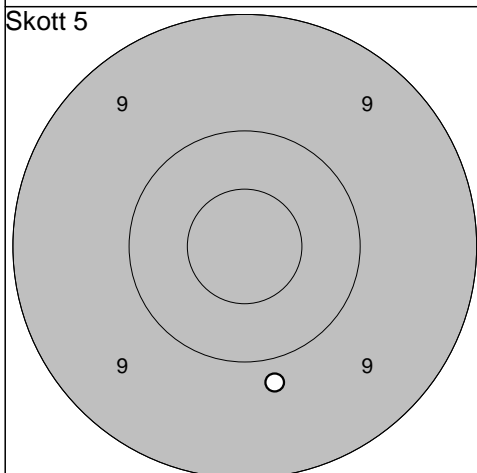


1: 10,0 ↓

Serie	9,0
Totalt	307,0

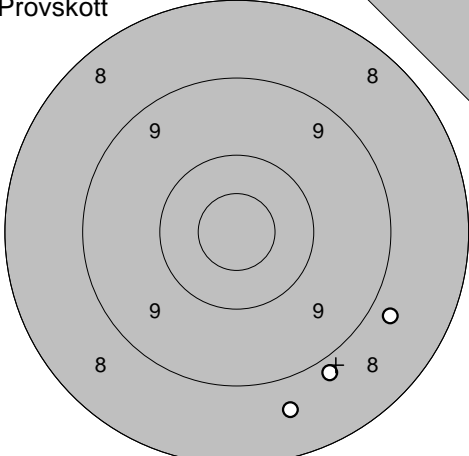
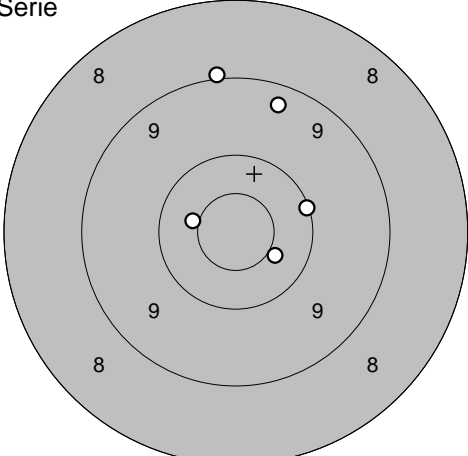
Serie	10,0
Totalt	317,0

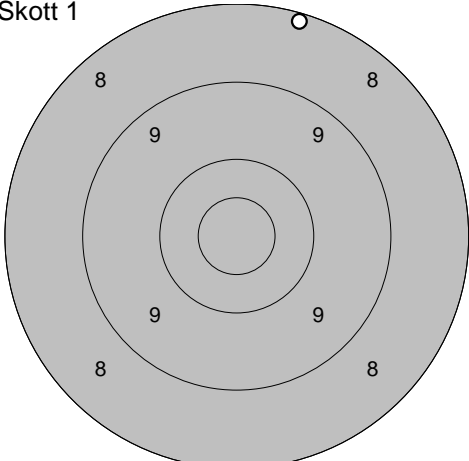
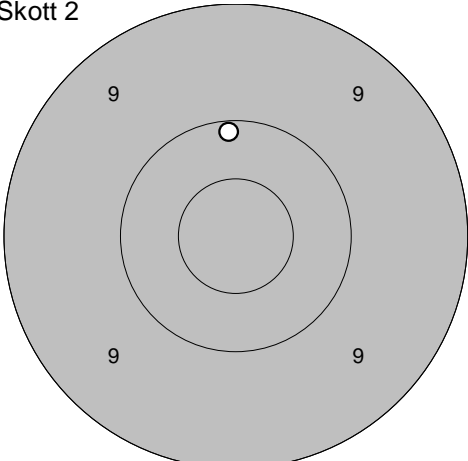
Skott 5

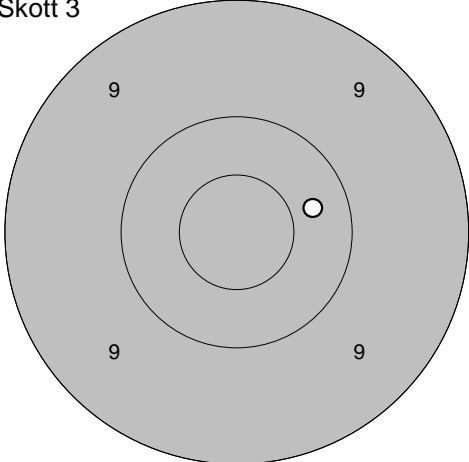
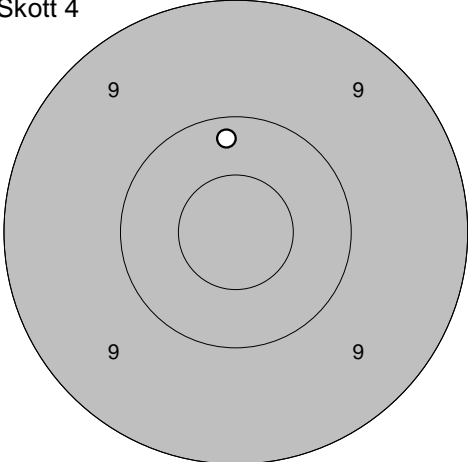


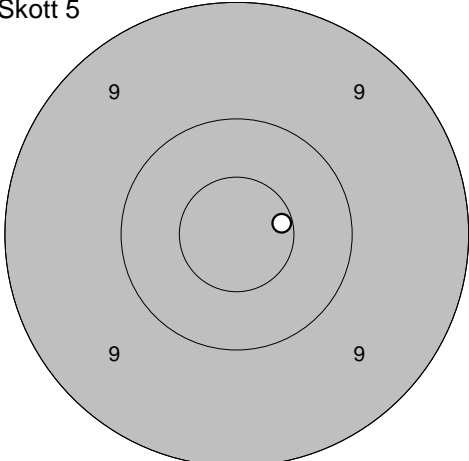
1: 9,8 ↓

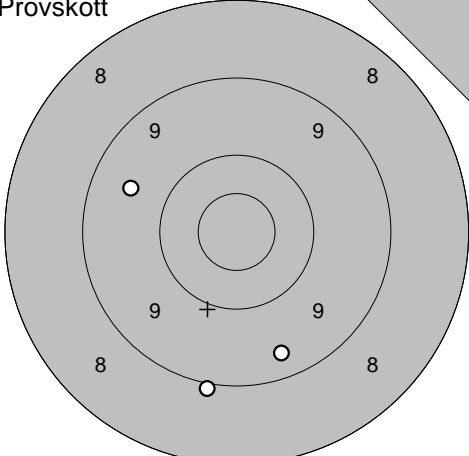
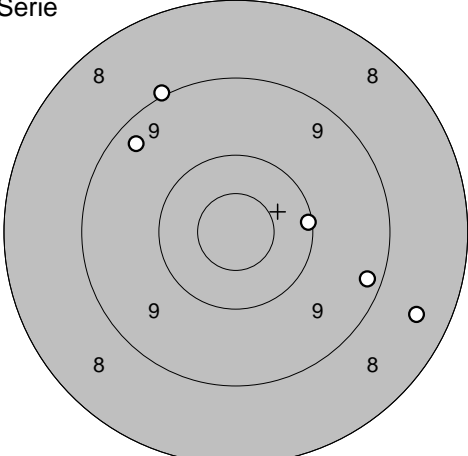
Serie	9,0
Totalt	326,0

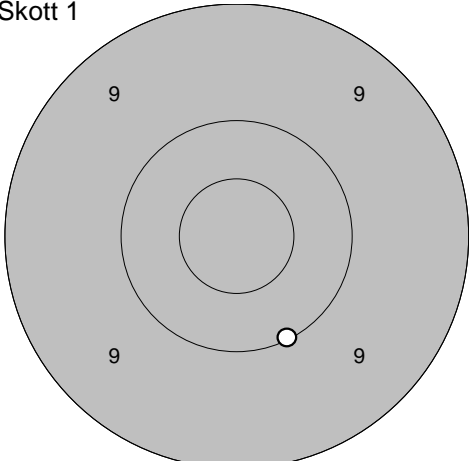
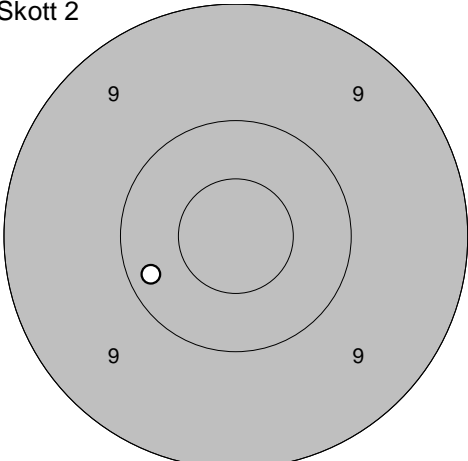
Provsnitt 	1: 8,8 → 2: 8,9 ↘ 3: 8,6 ↘ <hr/> Serie 24,0 Totalt 228,0	Serie 	1: 9,3 ↑ 2: 10,5* ← 3: 10,1 → 4: 9,0 ↑ 5: 10,5* ↘ <hr/> Serie 48,0 Totalt 276,0
--	--	--	---

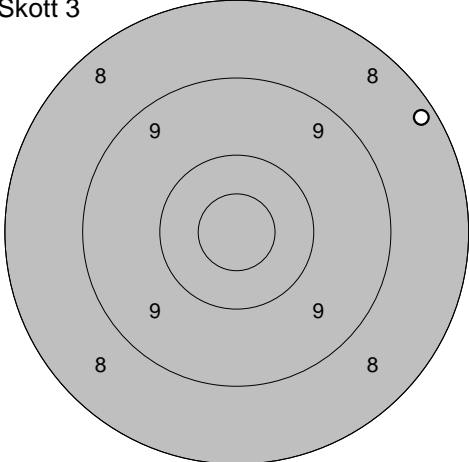
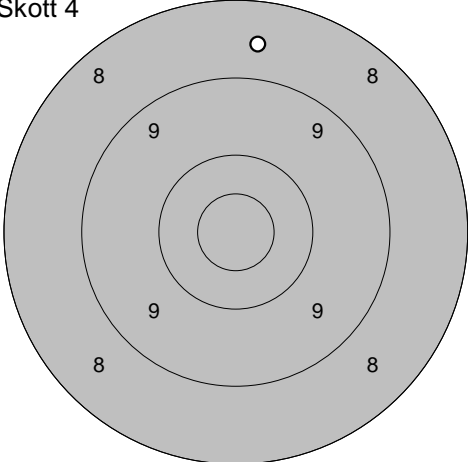
Skott 1 	1: 8,2 ↑ <hr/> Serie 8,0 Totalt 284,0	Skott 2 	1: 10,1 ↑ <hr/> Serie 10,0 Totalt 294,0
---	---	---	---

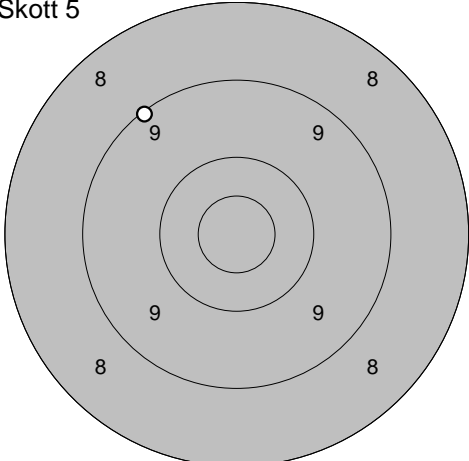
Skott 3 	1: 10,3 → <hr/> Serie 10,0 Totalt 304,0	Skott 4 	1: 10,2 ↑ <hr/> Serie 10,0 Totalt 314,0
--	---	--	---

Skott 5 	1: 10,6* → <hr/> Serie 10,0 Totalt 324,0		
--	--	--	--

Provskott 	1: 9,0 ↓ 2: 9,4 ↓ 3: 9,6 ↖ Serie 27,0 Totalt 224,0	Serie 	1: 8,5 → 2: 10,1 → 3: 9,2 → 4: 9,3 ↗ 5: 9,0 ↗ Serie 45,0 Totalt 269,0
--	--	--	---

Skott 1 	1: 10,1 ↓ Serie 10,0 Totalt 279,0
Skott 2 	1: 10,2 ← Serie 10,0 Totalt 289,0

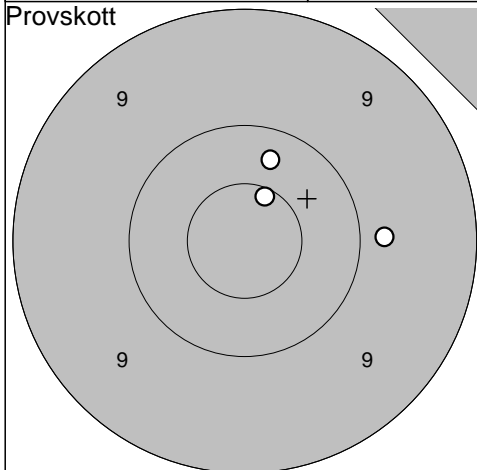
Skott 3 	1: 8,2 ↗ Serie 8,0 Totalt 297,0
Skott 4 	1: 8,6 ↑ Serie 8,0 Totalt 305,0

Skott 5 	1: 9,1 ↖ Serie 9,0 Totalt 314,0
--	---

Ramselefors

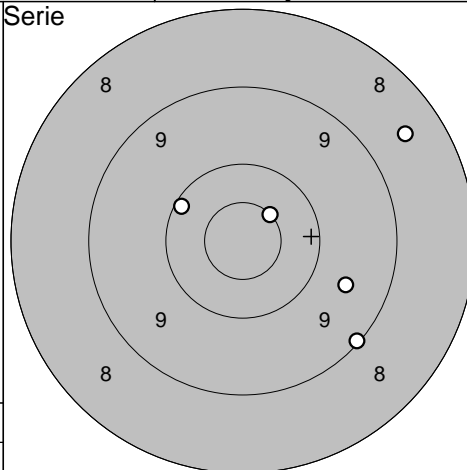
2009-08-15	Förbundsmästerskap 2009 Final	Umeå skytteallians
------------	-------------------------------	--------------------

Provskott



1: 10,3 ↗
 2: 9,8 →
 3: 10,6* ↗

Serie

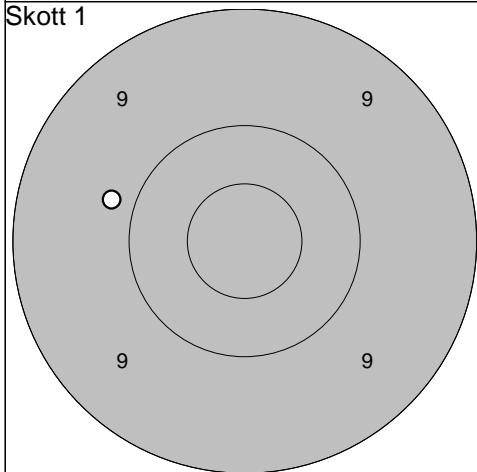


1: 9,1 ↘
 2: 8,5 ↗
 3: 9,6 ↘
 4: 10,6* ↗
 5: 10,1 ↗

Serie	29,0
Totalt	233,0

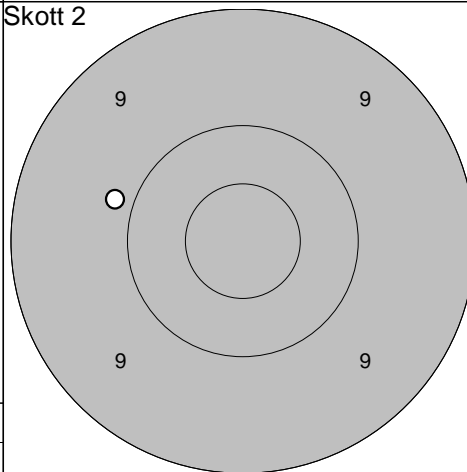
Serie	46,0
Totalt	279,0

Skott 1



1: 9,8 ←

Skott 2

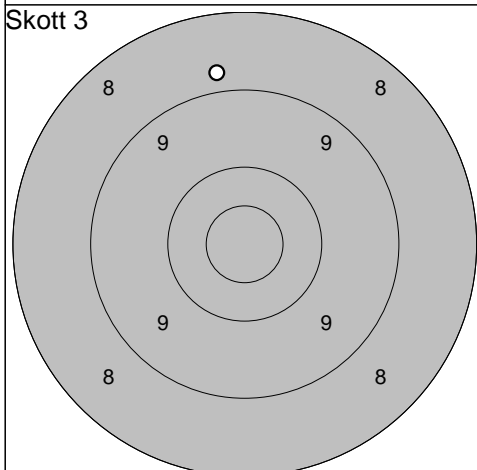


1: 9,9 ←

Serie	9,0
Totalt	288,0

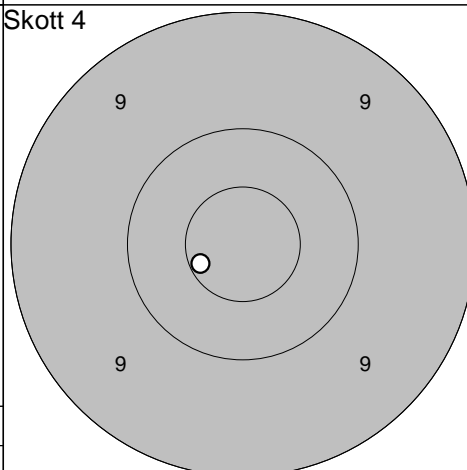
Serie	9,0
Totalt	297,0

Skott 3



1: 8,8 ↗

Skott 4

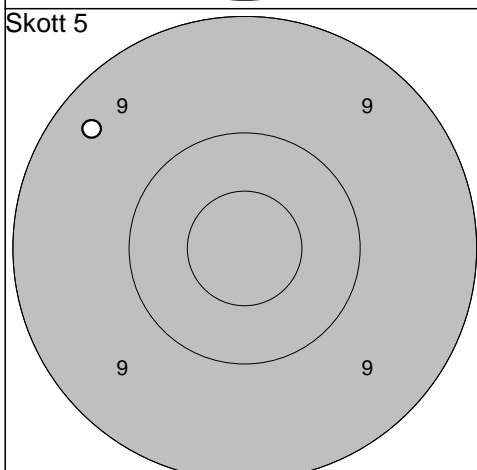


1: 10,6* ←

Serie	8,0
Totalt	305,0

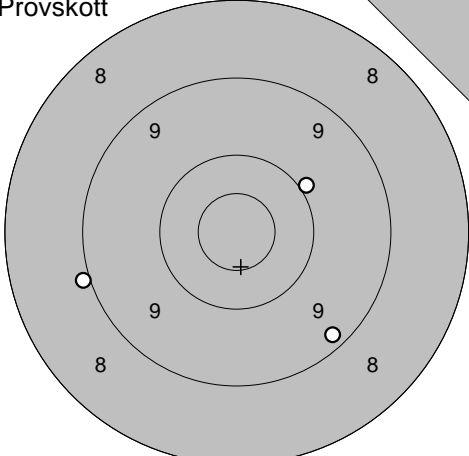
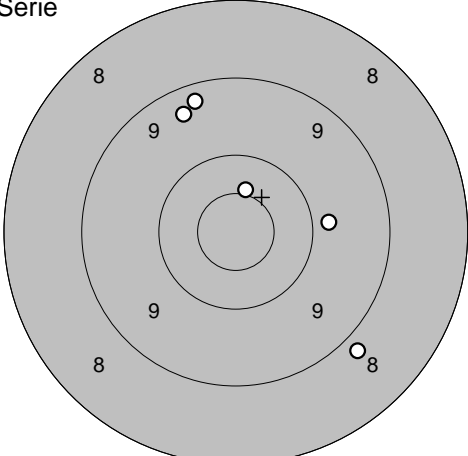
Serie	10,0
Totalt	315,0

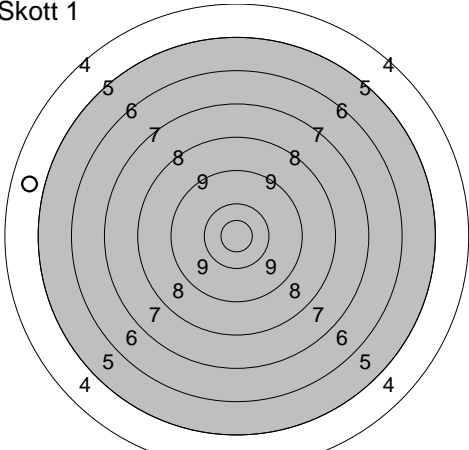
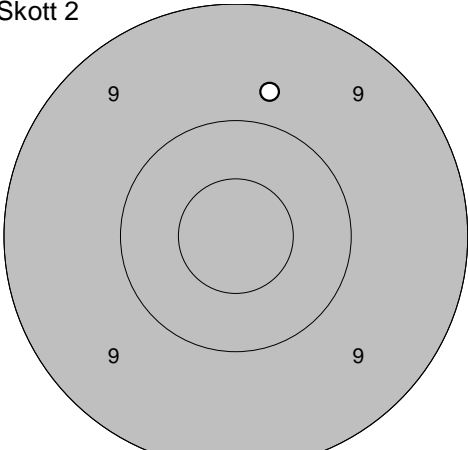
Skott 5

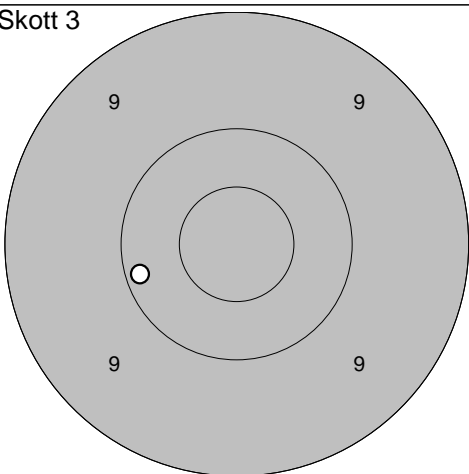
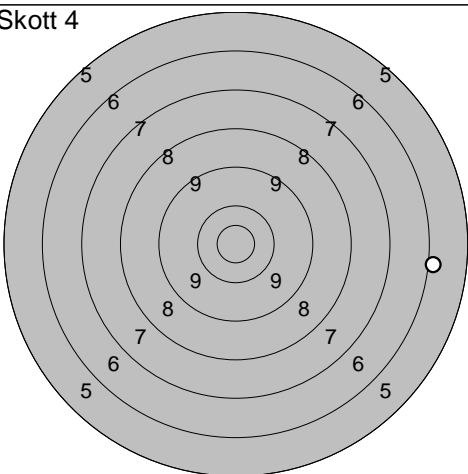


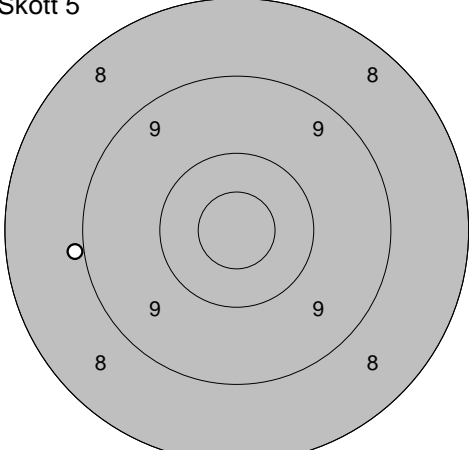
1: 9,4 ↖

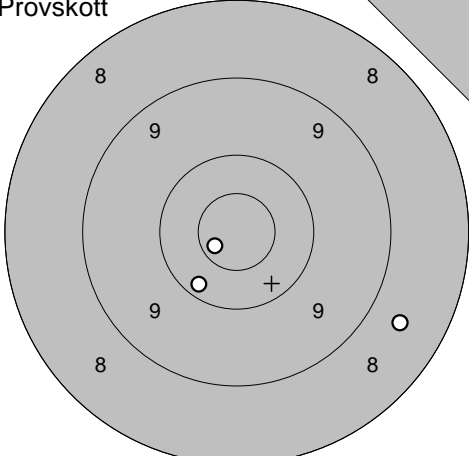
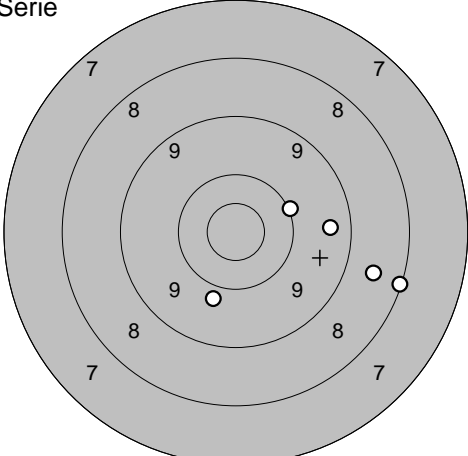
Serie	9,0
Totalt	324,0

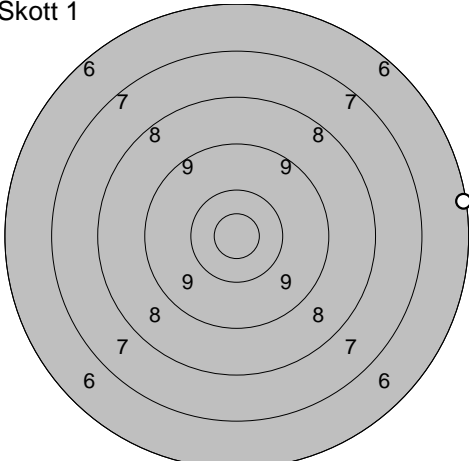
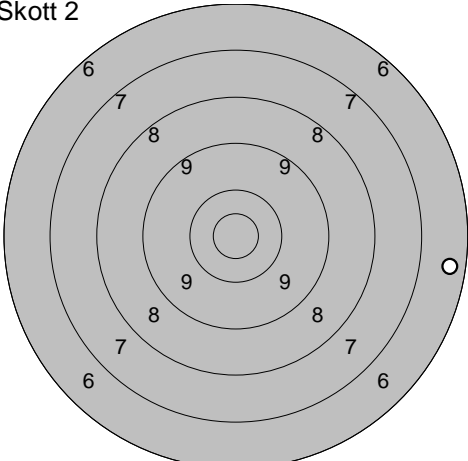
Provskott 	1: 10,0 ↗ 2: 9,0 ← 3: 9,2 ↘ <table border="1" style="width:100%; border-collapse: collapse;"> <tr><td style="text-align: right;">Serie</td><td style="text-align: right;">28,0</td></tr> <tr><td style="text-align: right;">Totalt</td><td style="text-align: right;">240,0</td></tr> </table>	Serie	28,0	Totalt	240,0	Serie 	1: 9,8 → 2: 9,4 ↗ 3: 9,3 ↗ 4: 10,5* ↑ 5: 8,8 ↘ <table border="1" style="width:100%; border-collapse: collapse;"> <tr><td style="text-align: right;">Serie</td><td style="text-align: right;">45,0</td></tr> <tr><td style="text-align: right;">Totalt</td><td style="text-align: right;">285,0</td></tr> </table>	Serie	45,0	Totalt	285,0
Serie	28,0										
Totalt	240,0										
Serie	45,0										
Totalt	285,0										

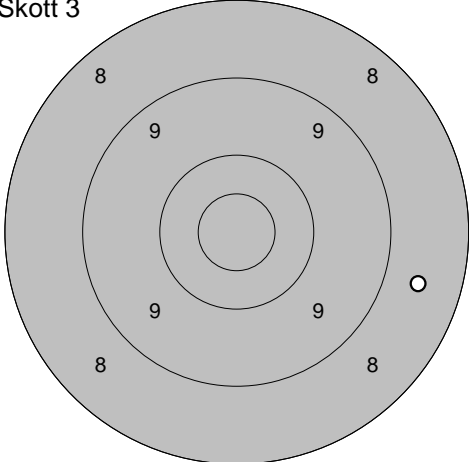
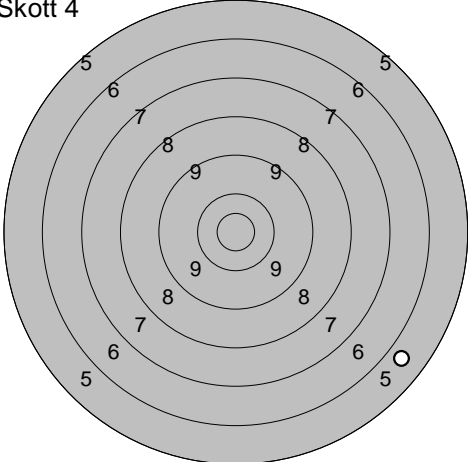
Skott 1 	1: 4,7 ← <table border="1" style="width:100%; border-collapse: collapse;"> <tr><td style="text-align: right;">Serie</td><td style="text-align: right;">4,0</td></tr> <tr><td style="text-align: right;">Totalt</td><td style="text-align: right;">289,0</td></tr> </table>	Serie	4,0	Totalt	289,0	Skott 2 	1: 9,8 ↑ <table border="1" style="width:100%; border-collapse: collapse;"> <tr><td style="text-align: right;">Serie</td><td style="text-align: right;">9,0</td></tr> <tr><td style="text-align: right;">Totalt</td><td style="text-align: right;">298,0</td></tr> </table>	Serie	9,0	Totalt	298,0
Serie	4,0										
Totalt	289,0										
Serie	9,0										
Totalt	298,0										

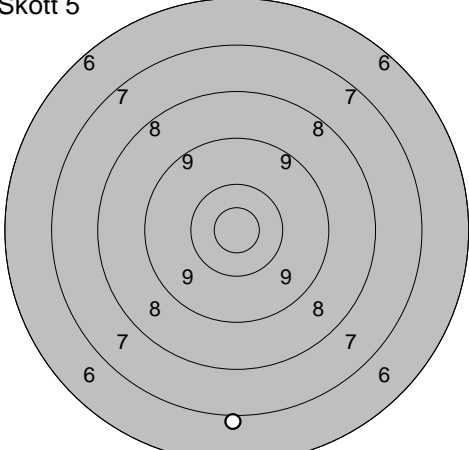
Skott 3 	1: 10,2 ← <table border="1" style="width:100%; border-collapse: collapse;"> <tr><td style="text-align: right;">Serie</td><td style="text-align: right;">10,0</td></tr> <tr><td style="text-align: right;">Totalt</td><td style="text-align: right;">308,0</td></tr> </table>	Serie	10,0	Totalt	308,0	Skott 4 	1: 6,0 → <table border="1" style="width:100%; border-collapse: collapse;"> <tr><td style="text-align: right;">Serie</td><td style="text-align: right;">6,0</td></tr> <tr><td style="text-align: right;">Totalt</td><td style="text-align: right;">314,0</td></tr> </table>	Serie	6,0	Totalt	314,0
Serie	10,0										
Totalt	308,0										
Serie	6,0										
Totalt	314,0										

Skott 5 	1: 8,9 ← <table border="1" style="width:100%; border-collapse: collapse;"> <tr><td style="text-align: right;">Serie</td><td style="text-align: right;">8,0</td></tr> <tr><td style="text-align: right;">Totalt</td><td style="text-align: right;">322,0</td></tr> </table>	Serie	8,0	Totalt	322,0		
Serie	8,0						
Totalt	322,0						

<p>Provskott</p> 	<p>1: 8,6 → 2: 10,2 ↓ 3: 10,7* ↙</p> <p>Serie 28,0 Totalt 231,0</p>	<p>Serie</p>  <p>1: 10,1 → 2: 8,6 → 3: 8,1 → 4: 9,9 ↓ 5: 9,4 →</p> <p>Serie 44,0 Totalt 275,0</p>
---	---	---

<p>Skott 1</p> 	<p>1: 6,2 →</p> <p>Serie 6,0 Totalt 281,0</p>	<p>Skott 2</p> 	<p>1: 6,5 →</p> <p>Serie 6,0 Totalt 287,0</p>
--	---	--	---

<p>Skott 3</p> 	<p>1: 8,6 →</p> <p>Serie 8,0 Totalt 295,0</p>	<p>Skott 4</p> 	<p>1: 5,8 ↘</p> <p>Serie 5,0 Totalt 300,0</p>
---	---	---	---

<p>Skott 5</p> 	<p>1: 7,0 ↓</p> <p>Serie 7,0 Totalt 307,0</p>		
---	---	--	--

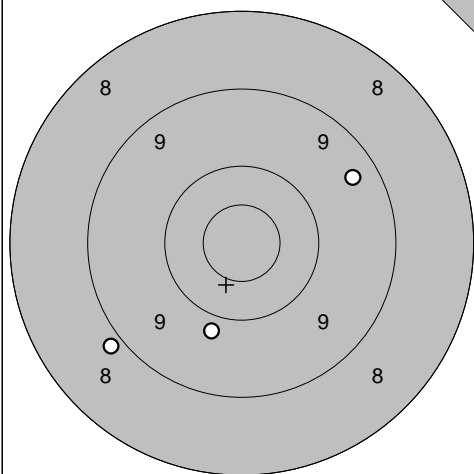
Ramselefors

2009-08-15

Förbundsmästerskap 2009 Final

Umeå skytteallians

Provskott

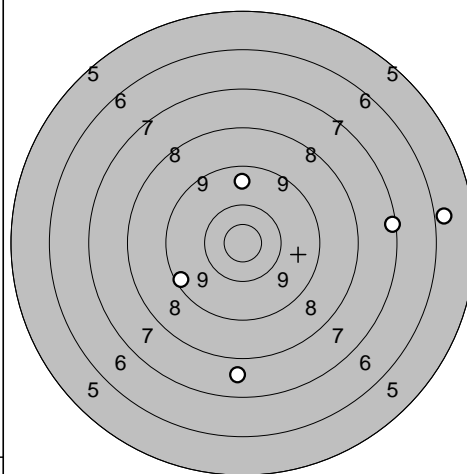


1: 9,8 ↓

2: 8,9 ↙

3: 9,4 ↗

Serie



1: 9,5 ↑

2: 5,9 →

3: 9,3 ↙

4: 7,7 ↓

5: 7,2 →

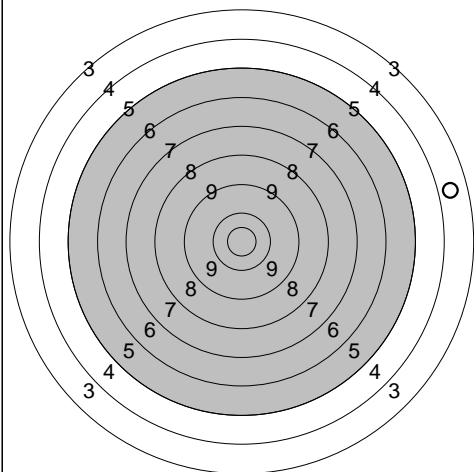
Serie 26,0

Totalt 227,0

Serie 37,0

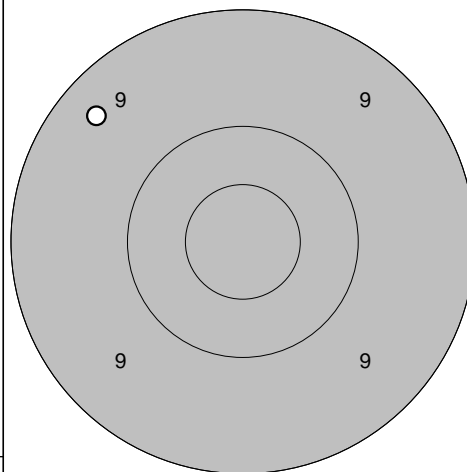
Totalt 264,0

Skott 1



1: 3,8 →

Skott 2



1: 9,4 ↖

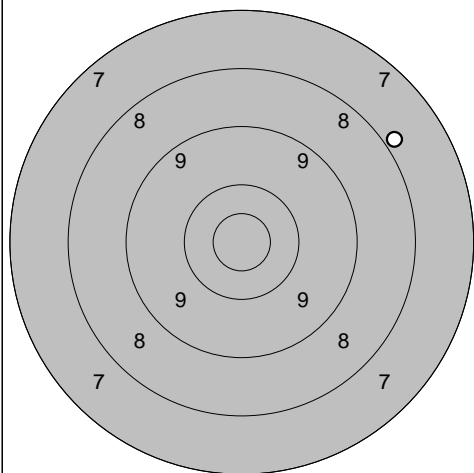
Serie 3,0

Totalt 267,0

Serie 9,0

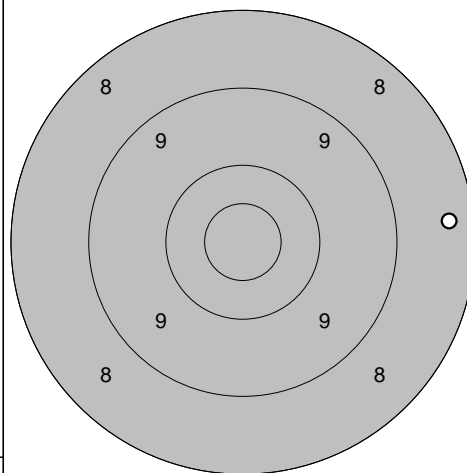
Totalt 276,0

Skott 4



1: 7,9 ↗

Skott 5



1: 8,4 →

Serie 7,0

Totalt 283,0

Serie 8,0

Totalt 291,0

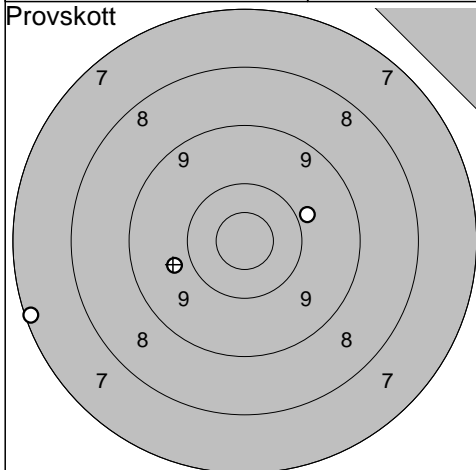
Ramselefors

2009-08-15

Förbundsmästerskap 2009 Final

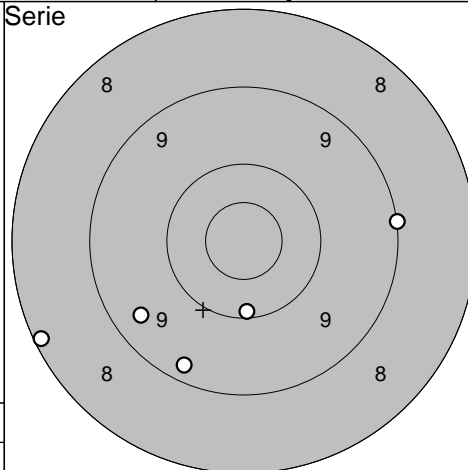
Umeå skytteallians

Provskott



1: 9,9 →
 2: 7,2 ←
 3: 9,8 ←

Serie



1: 9,0 →
 2: 8,1 ←
 3: 9,4 ←
 4: 10,1 ↓
 5: 9,3 ↓

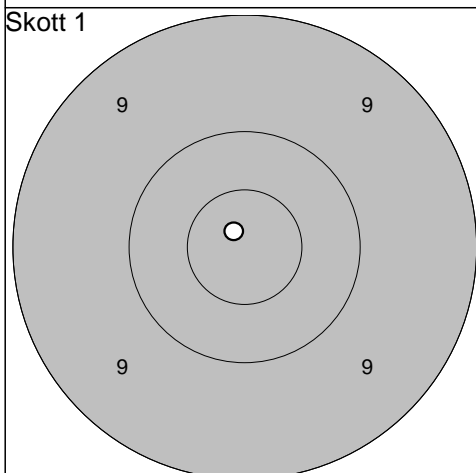
Serie 25,0

Totalt 227,0

Serie 45,0

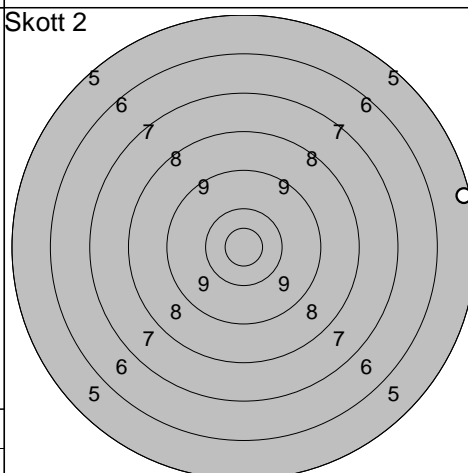
Totalt 272,0

Skott 1



1: 10,9* ↖

Skott 2



1: 5,3 →

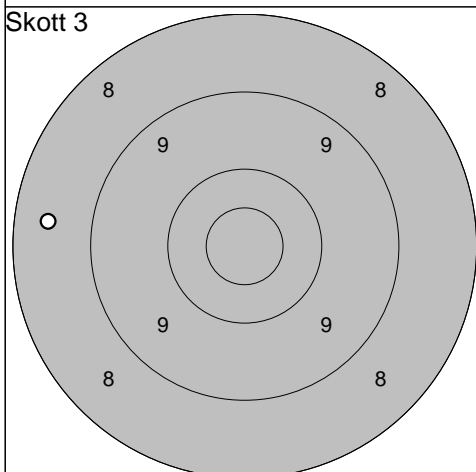
Serie 10,0

Totalt 282,0

Serie 5,0

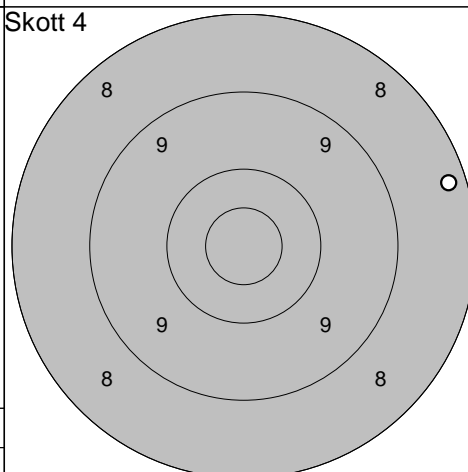
Totalt 287,0

Skott 3



1: 8,5 ←

Skott 4



1: 8,3 →

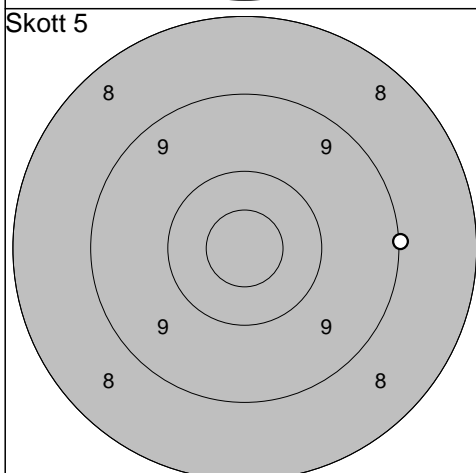
Serie 8,0

Totalt 295,0

Serie 8,0

Totalt 303,0

Skott 5



1: 9,0 →

Serie 9,0

Totalt 312,0

Skjutlag

Tavla

2

16

Fredrik Forsgren

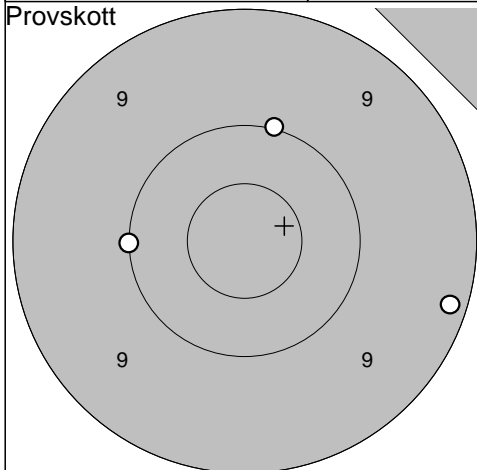
Ramselefors

2009-08-15

Förbundsmästerskap 2009 Final

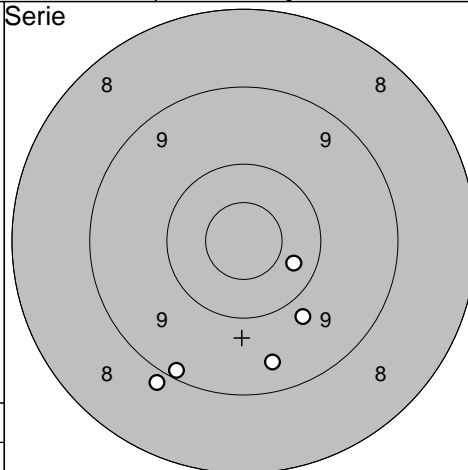
Umeå skytteallians

Provskott



1: 9,2 →
 2: 10,0 ↑
 3: 10,0 ←

Serie



1: 10,3 →
 2: 9,4 ↓
 3: 9,8 ↓
 4: 9,2 ↓
 5: 8,9 ↓

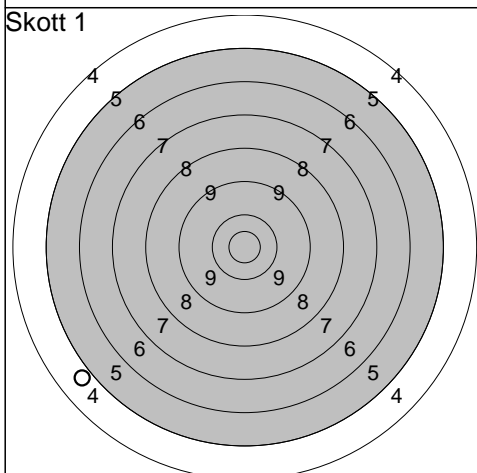
Serie 29,0

Totalt 222,0

Serie 45,0

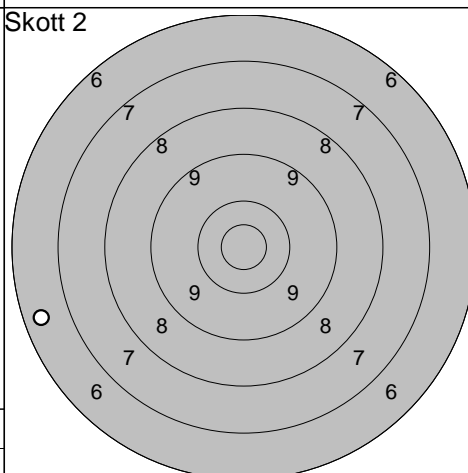
Totalt 267,0

Skott 1



1: 4,9 ↙

Skott 2



1: 6,5 ↙

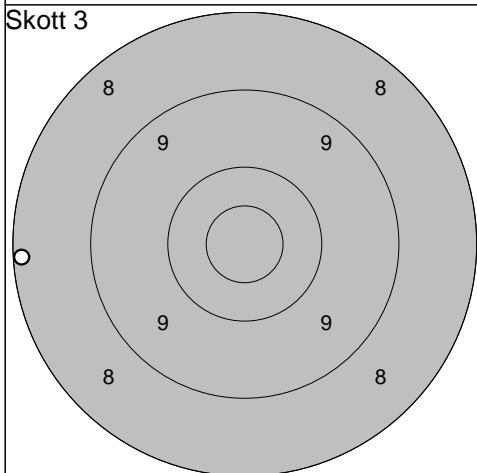
Serie 4,0

Totalt 271,0

Serie 6,0

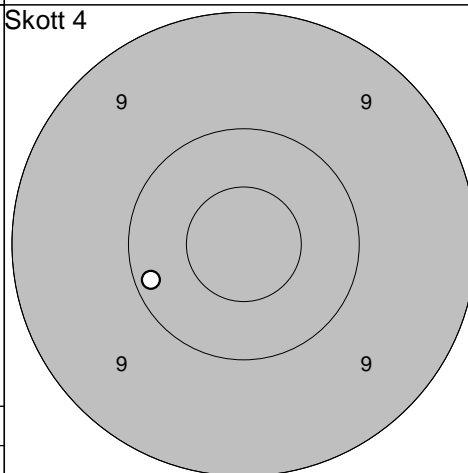
Totalt 277,0

Skott 3



1: 8,2 ←

Skott 4



1: 10,2 ↙

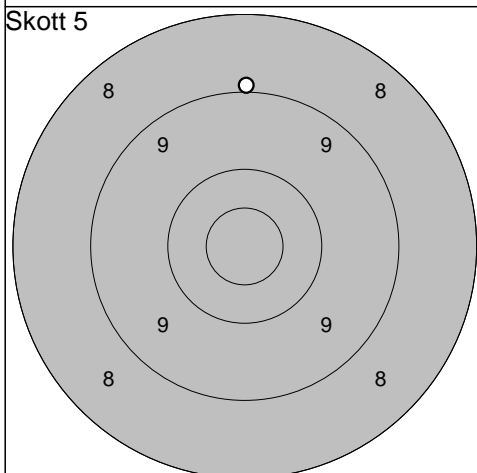
Serie 8,0

Totalt 285,0

Serie 10,0

Totalt 295,0

Skott 5



1: 9,0 ↑

Serie 9,0

Totalt 304,0

www.AC-Skytte.com

http://www.megalink.no

MLRemotelSSF 300m

16:23 - 15.08.2009

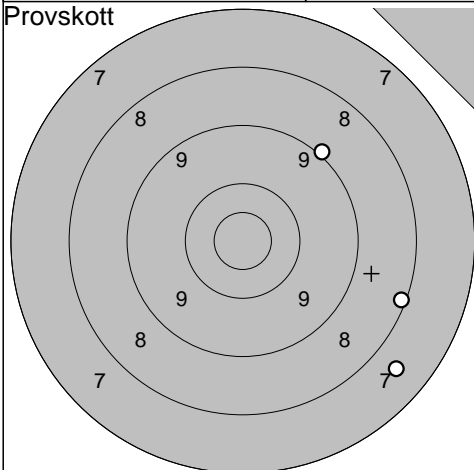
Ramselefors

2009-08-15

Förbundsmästerskap 2009 Final

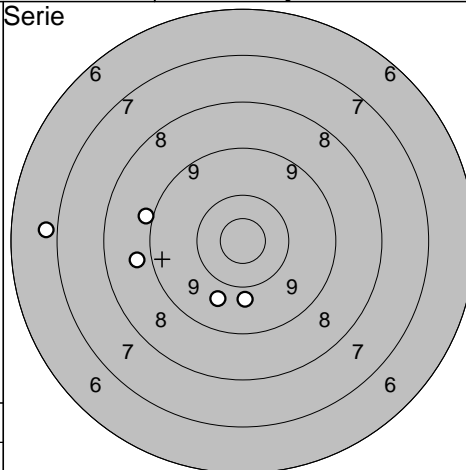
Umeå skytteallians

Provskott



1: 8,2 →
 2: 9,0 ↗
 3: 7,6 ↘

Serie



1: 6,9 ←
 2: 9,8 ↓
 3: 8,8 ←
 4: 9,9 ↓
 5: 9,0 ←

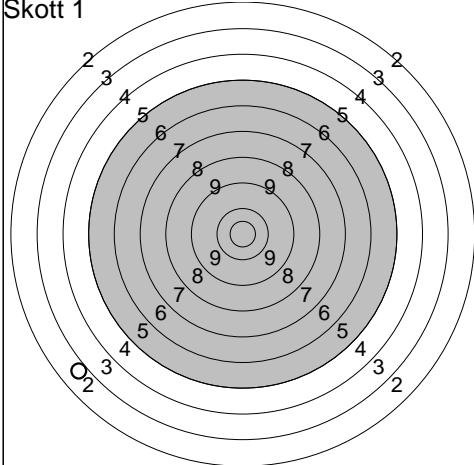
Serie 24,0

Totalt 222,0

Serie 41,0

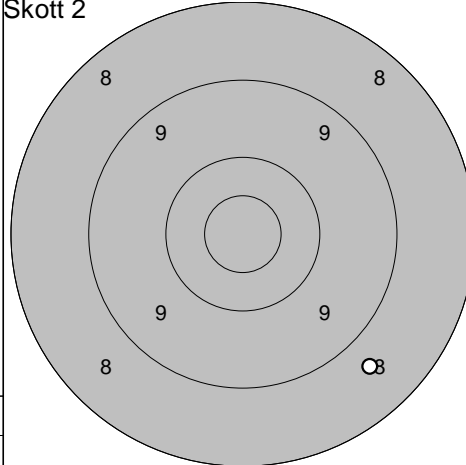
Totalt 263,0

Skott 1



1: 3,0 ↙

Skott 2



1: 8,7 ↘

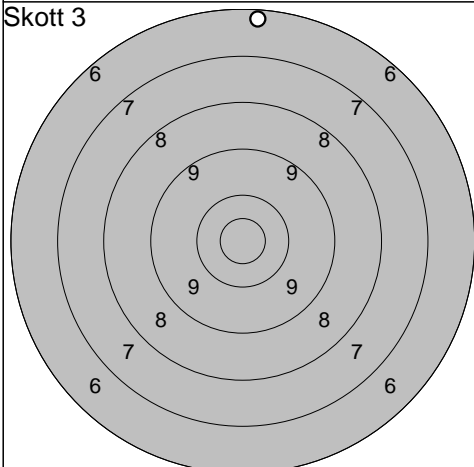
Serie 3,0

Totalt 266,0

Serie 8,0

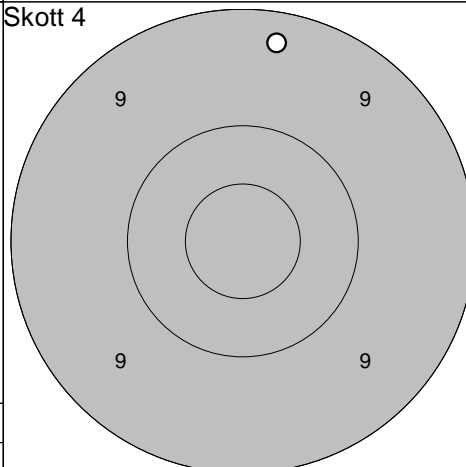
Totalt 274,0

Skott 3



1: 6,3 ↑

Skott 4



1: 9,3 ↑

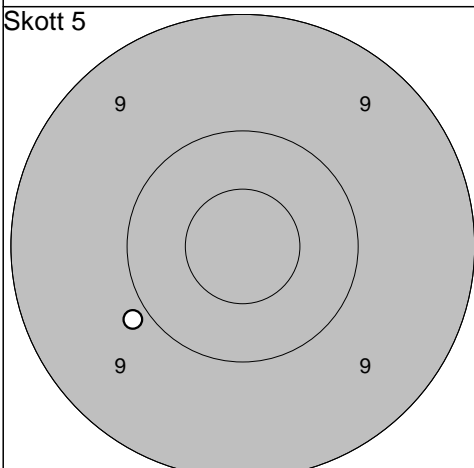
Serie 6,0

Totalt 280,0

Serie 9,0

Totalt 289,0

Skott 5



1: 9,9 ↙

Serie 9,0

Totalt 298,0

Skjutlag

2

Tavla

18

Johan Nilsson

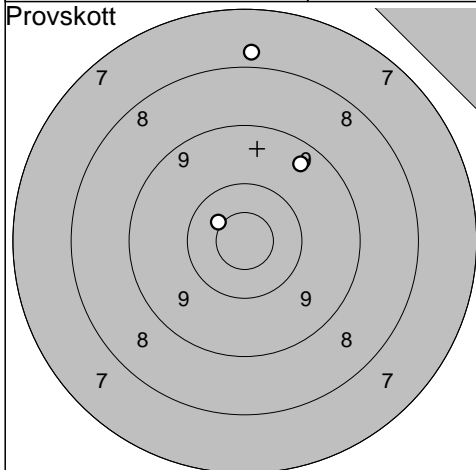
Ramselefors

2009-08-15

Förbundsmästerskap 2009 Final

Umeå skytteallians

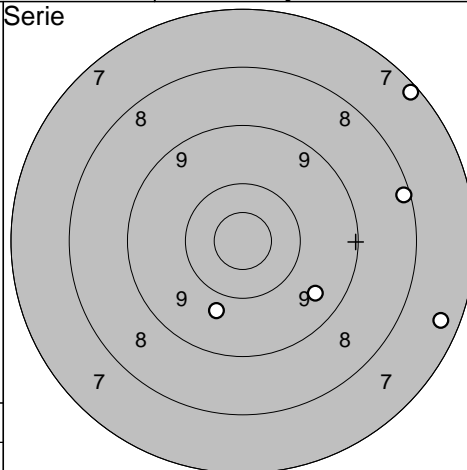
Provskott



1: 7,8 ↑
 2: 9,4 ↗
 3: 10,5* ↖

Serie 26,0
 Totalt 211,0

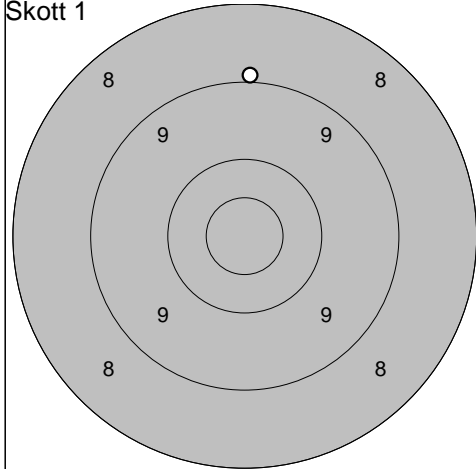
Serie



1: 9,8 ↓
 2: 7,4 →
 3: 9,5 ↘
 4: 7,2 ↗
 5: 8,2 →

Serie 40,0
 Totalt 251,0

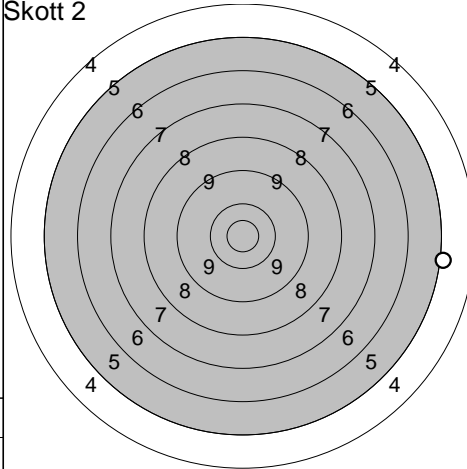
Skott 1



1: 9,0 ↑

Serie 9,0
 Totalt 260,0

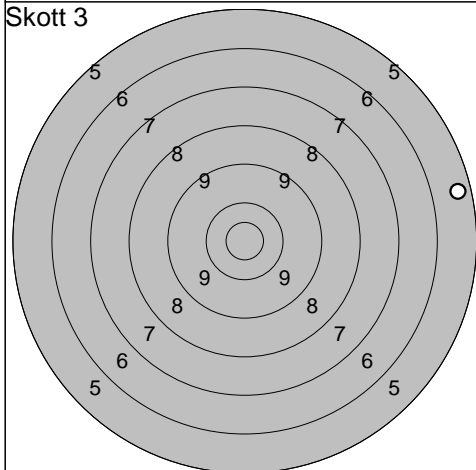
Skott 2



1: 5,1 →

Serie 5,0
 Totalt 265,0

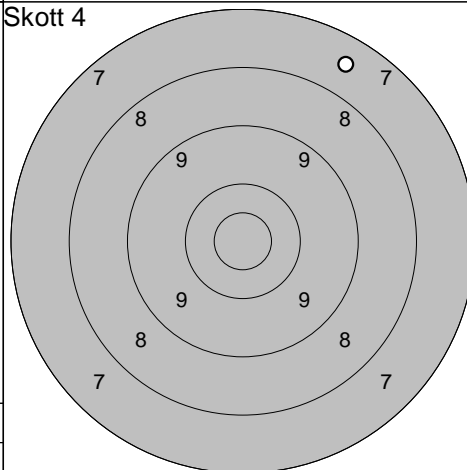
Skott 3



1: 5,5 →

Serie 5,0
 Totalt 270,0

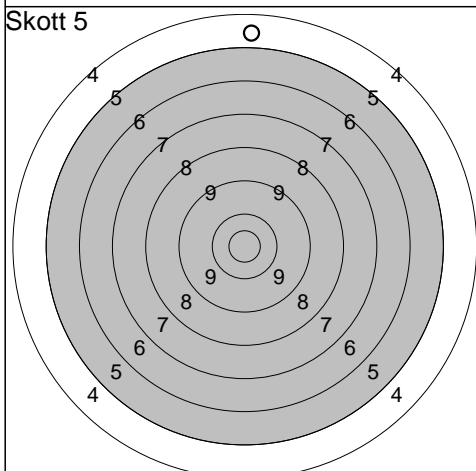
Skott 4



1: 7,6 ↗

Serie 7,0
 Totalt 277,0

Skott 5



1: 4,8 ↑

Serie 4,0
 Totalt 281,0

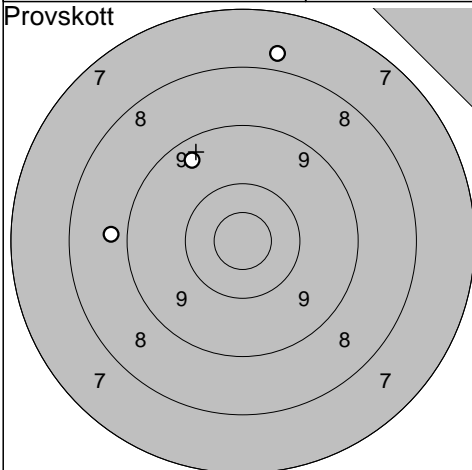
Skellefteå

2009-08-15

Förbundsmästerskap 2009 Final

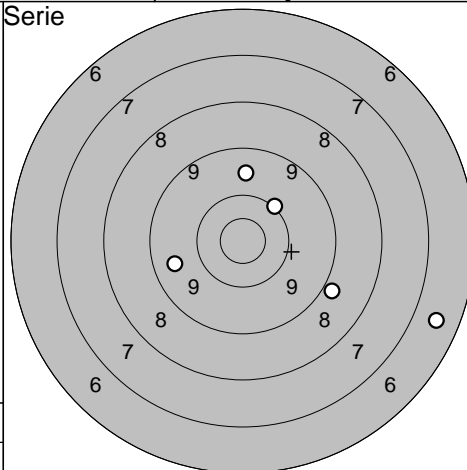
Umeå skytteallians

Provskott



1: 7,8 ↑
 2: 9,4 ↗
 3: 8,8 ←

Serie



1: 9,6 ←
 2: 9,7 ↑
 3: 8,9 ↘
 4: 10,1 ↗
 5: 6,6 ↘

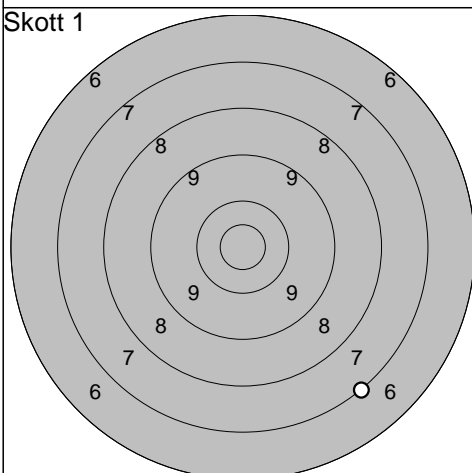
Serie 24,0

Totalt 225,0

Serie 42,0

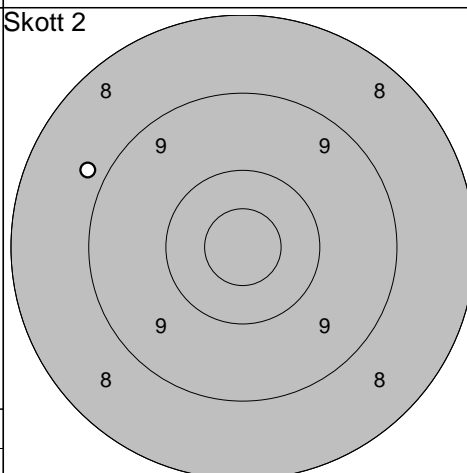
Totalt 267,0

Skott 1



1: 7,1 ↘

Skott 2



1: 8,8 ↗

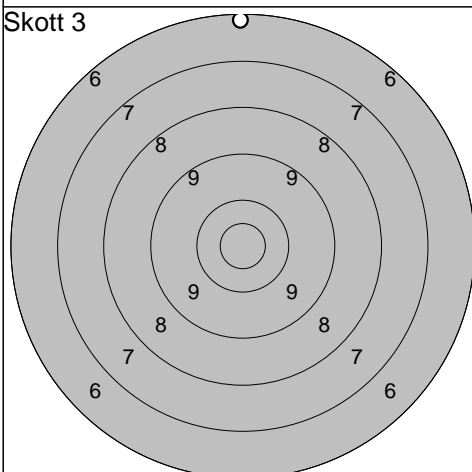
Serie 7,0

Totalt 274,0

Serie 8,0

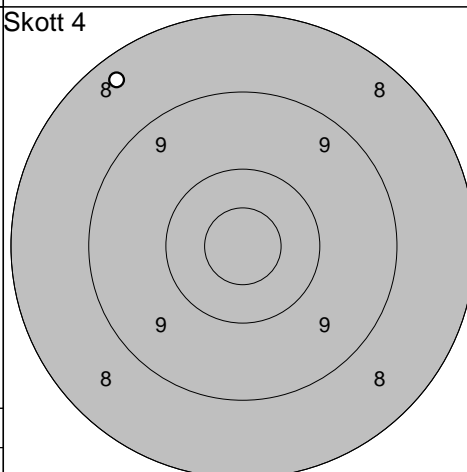
Totalt 282,0

Skott 3



1: 6,2 ↑

Skott 4



1: 8,4 ↗

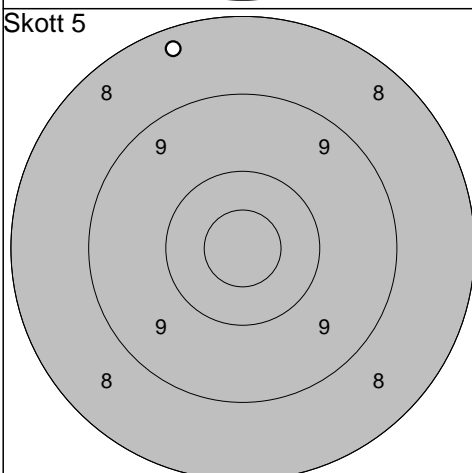
Serie 6,0

Totalt 288,0

Serie 8,0

Totalt 296,0

Skott 5



1: 8,3 ↑

Serie 8,0

Totalt 304,0

Skjutlag

Tavla

2

20

Jan-Erik Karlsson

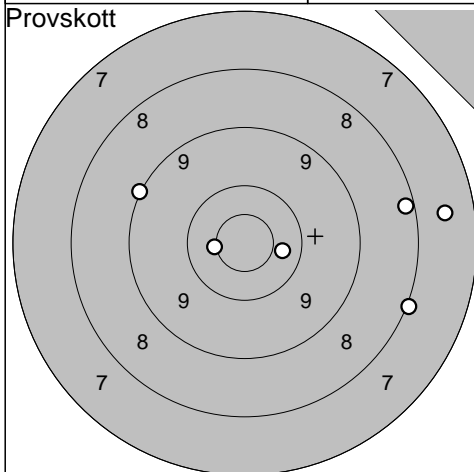
Ramselefors

2009-08-15

Förbundsmästerskap 2009 Final

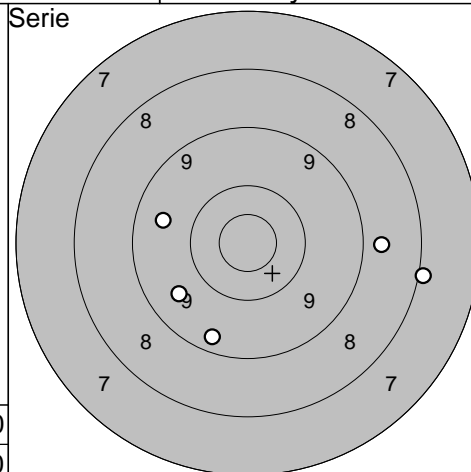
Umeå skytteallians

Provskott



1: 10,6* ←
 2: 7,6 →
 3: 8,2 →
 4: 10,4 →
 5: 9,1 ↖
 6: 8,0 ↘

Serie



1: 9,6 ←
 2: 8,0 →
 3: 9,4 ↓
 4: 8,8 →
 5: 9,6 ↙

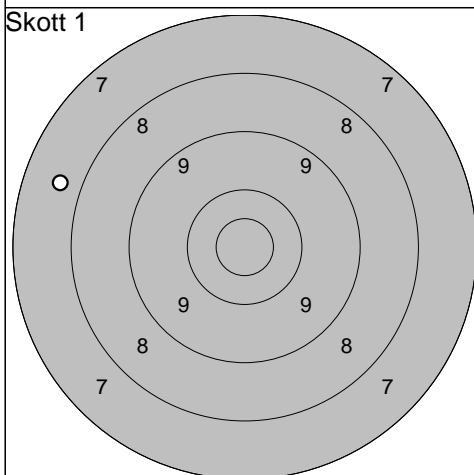
Serie 52,0

Totalt 223,0

Serie 43,0

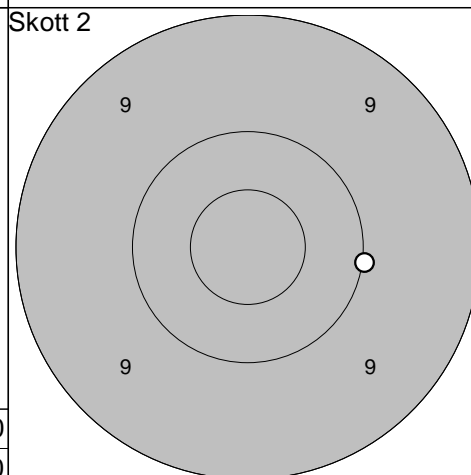
Totalt 266,0

Skott 1



1: 7,7 ←

Skott 2



1: 10,0 →

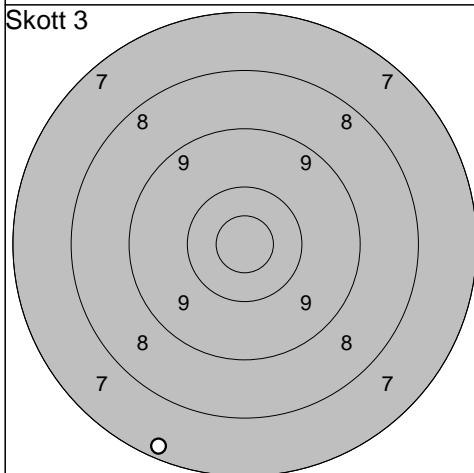
Serie 7,0

Totalt 273,0

Serie 10,0

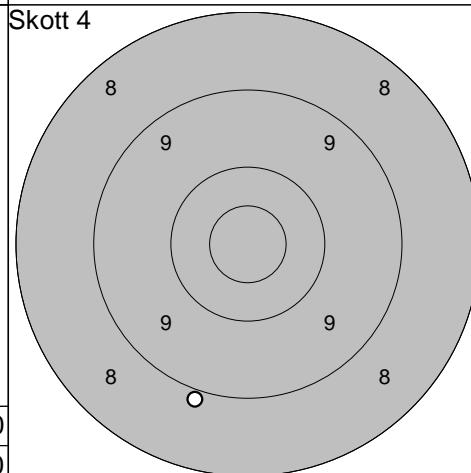
Totalt 283,0

Skott 3



1: 7,3 ↓

Skott 4



1: 8,9 ↓

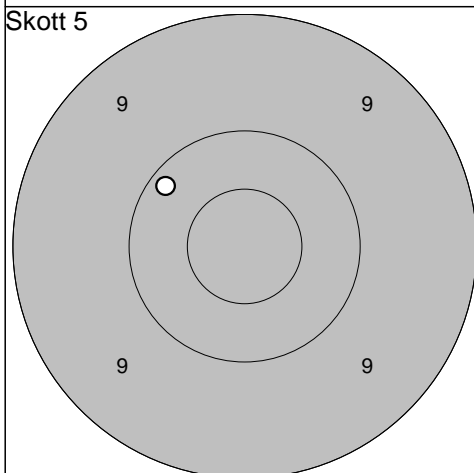
Serie 7,0

Totalt 290,0

Serie 8,0

Totalt 298,0

Skott 5



1: 10,2 ↖

Serie 10,0

Totalt 308,0

www.AC-Skytte.com

http://www.megalink.no

MLRemotelSSF 300m

16:23 - 15.08.2009

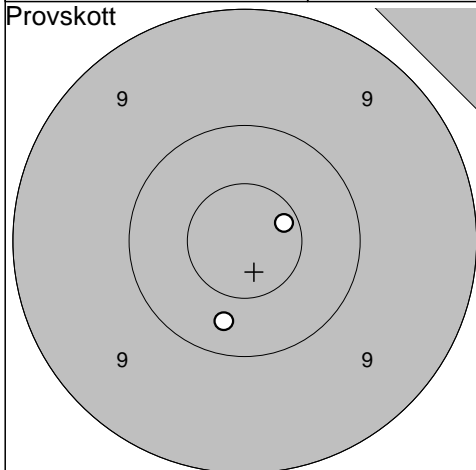
Bastuträsk

2009-08-15

Förbundsmästerskap 2009 Final

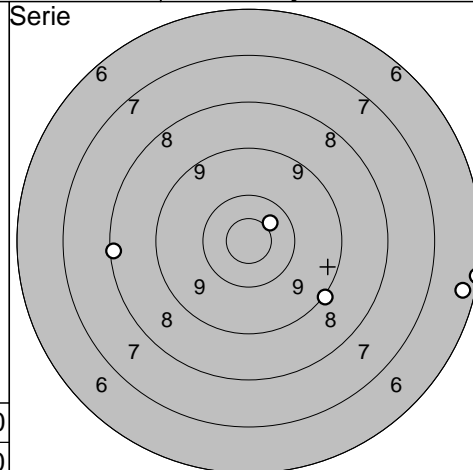
Umeå skytteallians

Provskott



1: 10,7* →
2: 10,3 ↓

Serie



1: 9,1 ↘
2: 6,4 →
3: 6,1 →
4: 10,5* ↗
5: 8,2 ←

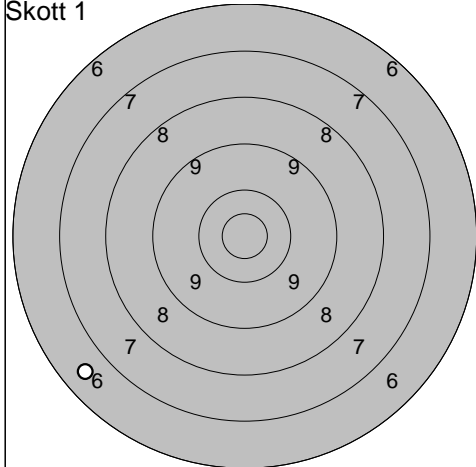
Serie 20,0

Totalt 203,0

Serie 39,0

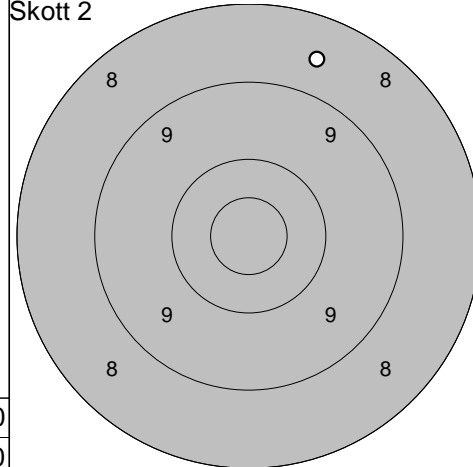
Totalt 242,0

Skott 1



1: 6,6 ↙

Skott 2



1: 8,6 ↗

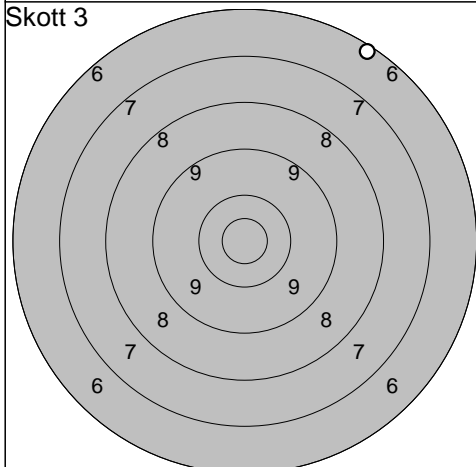
Serie 6,0

Totalt 248,0

Serie 8,0

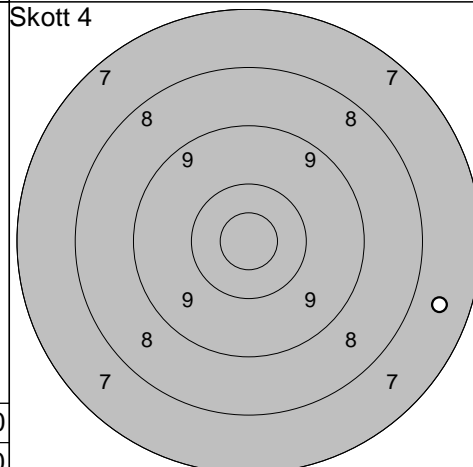
Totalt 256,0

Skott 3



1: 6,2 ↗

Skott 4



1: 7,6 →

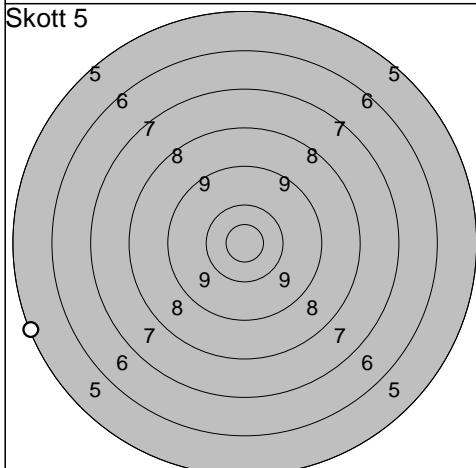
Serie 6,0

Totalt 262,0

Serie 7,0

Totalt 269,0

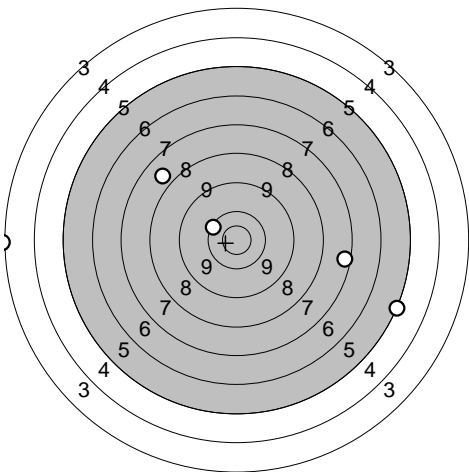
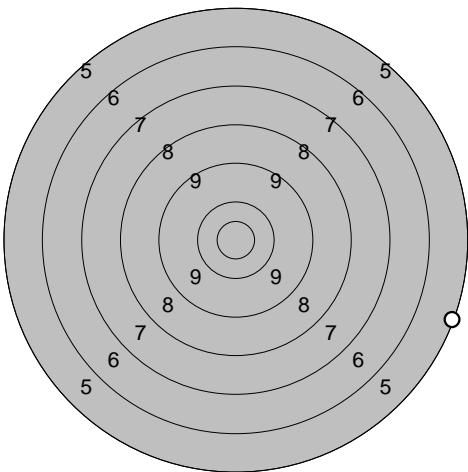
Skott 5

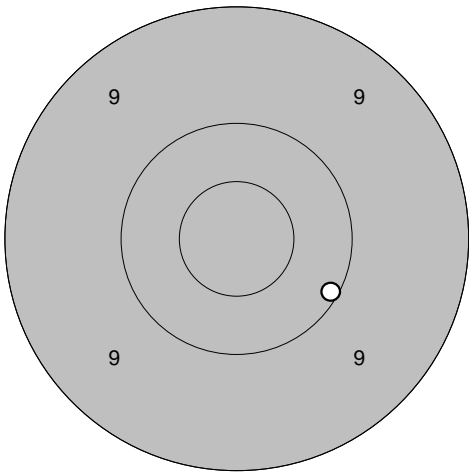
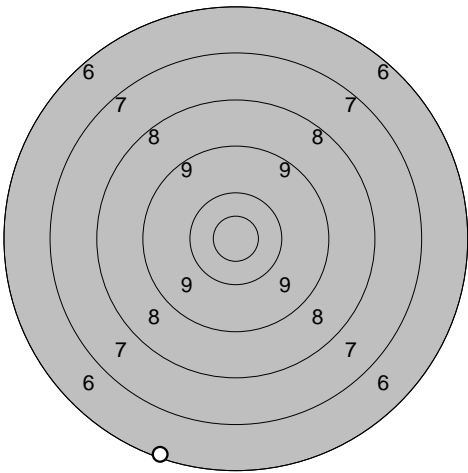


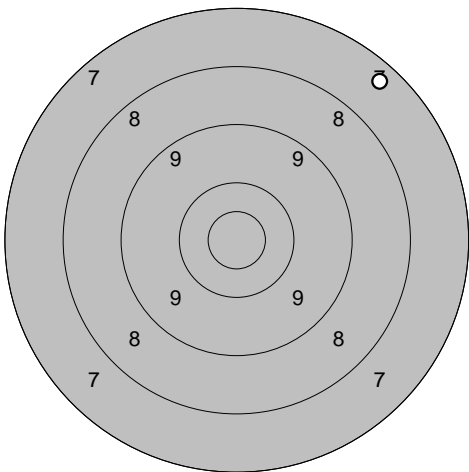
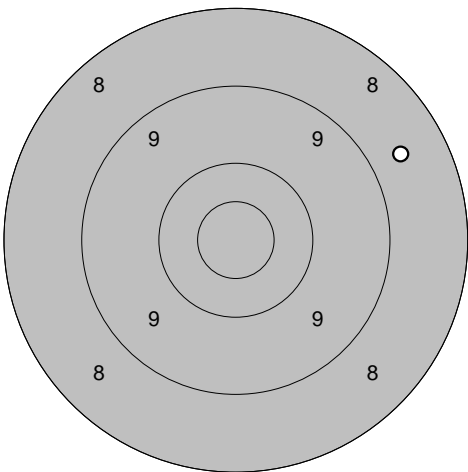
1: 5,2 ←

Serie 5,0

Totalt 274,0

<p>Serie</p> 	<p>1: 5,2 → 2: 7,4 → 3: 3,1 ← 4: 7,8 ↗ 5: 10,3 ↗</p>	<p>Skott 1</p> 
Serie 32,0		Serie 5,0
Totalt 230,0		Totalt 235,0

<p>Skott 2</p> 	<p>1: 10,1 →</p>	<p>Skott 3</p> 
Serie 10,0		Serie 6,0
Totalt 245,0		Totalt 251,0

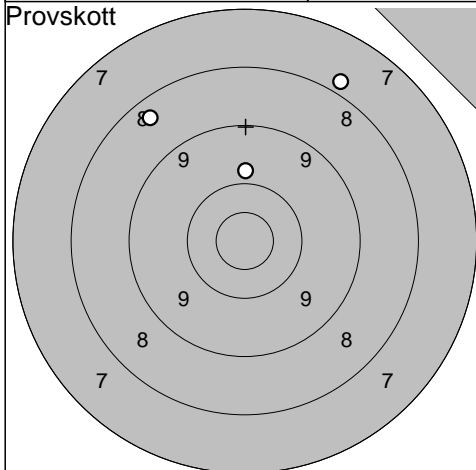
<p>Skott 4</p> 	<p>1: 7,4 ↗</p>	<p>Skott 5</p> 
Serie 7,0		Serie 8,0
Totalt 258,0		Totalt 266,0

2009-08-15

Förbundsmästerskap 2009 Final

Umeå skytteallians

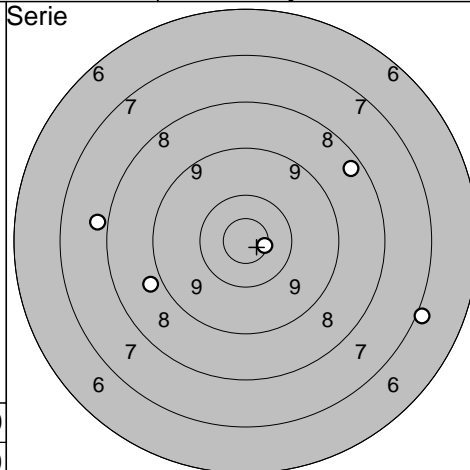
Provskott



1: 7,9 ↗
 2: 8,4 ↘
 3: 9,9 ↑

Serie 24,0
 Totalt 198,0

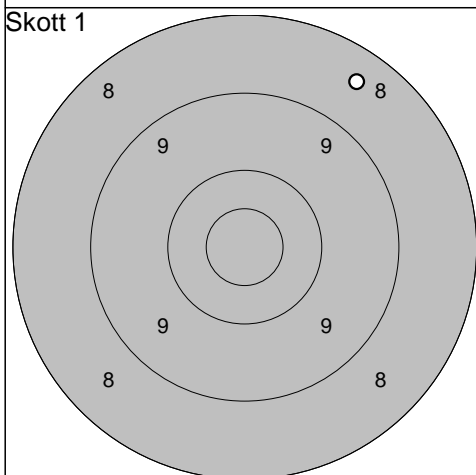
Serie



1: 8,4 ↗
 2: 7,0 →
 3: 7,9 ←
 4: 10,7* →
 5: 8,9 ←

Serie 40,0
 Totalt 238,0

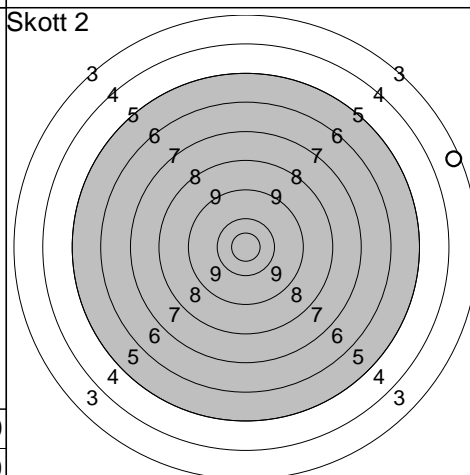
Skott 1



1: 8,5 ↗

Serie 8,0
 Totalt 246,0

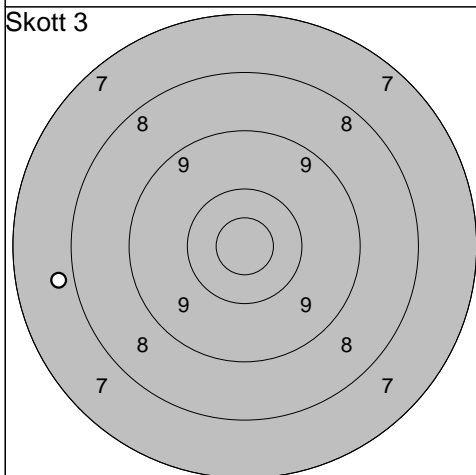
Skott 2



1: 3,4 →

Serie 3,0
 Totalt 249,0

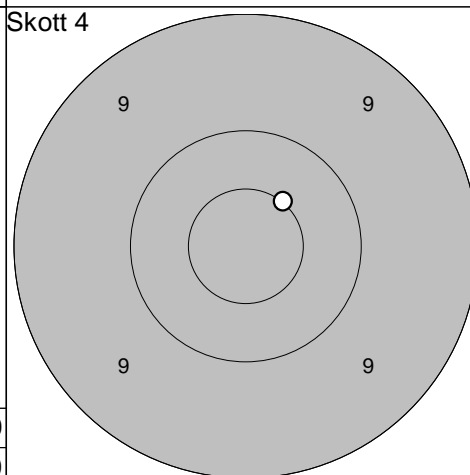
Skott 3



1: 7,8 ←

Serie 7,0
 Totalt 256,0

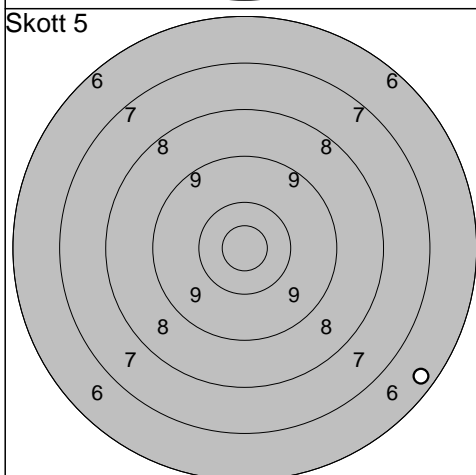
Skott 4



1: 10,5* ↗

Serie 10,0
 Totalt 266,0

Skott 5



1: 6,4 →

Serie 6,0
 Totalt 272,0