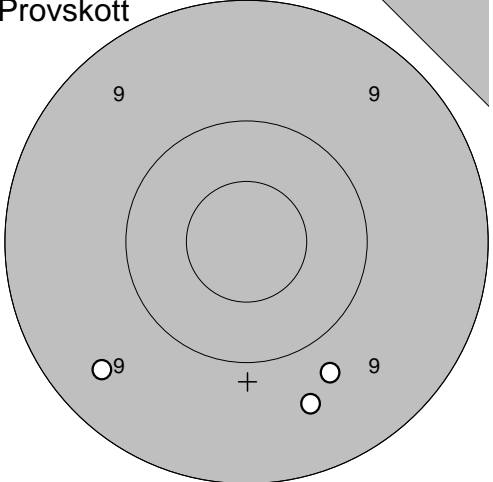
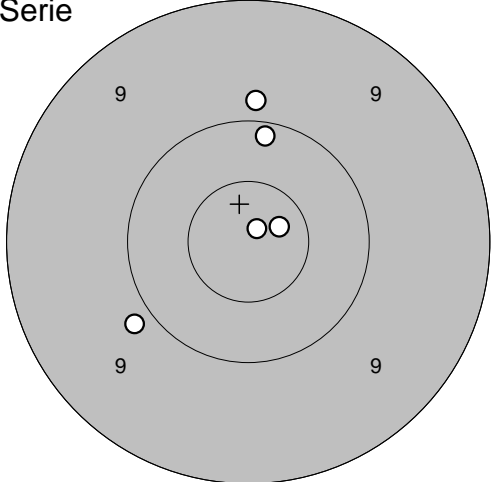
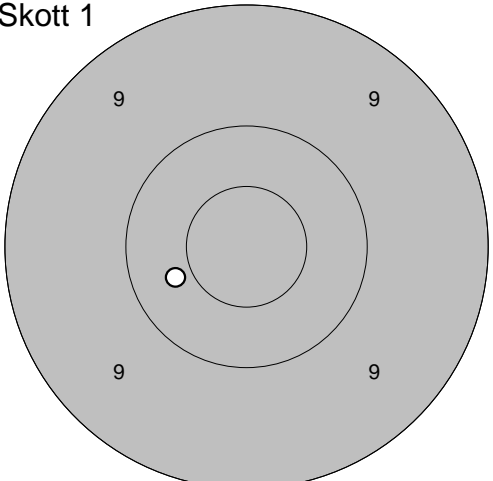
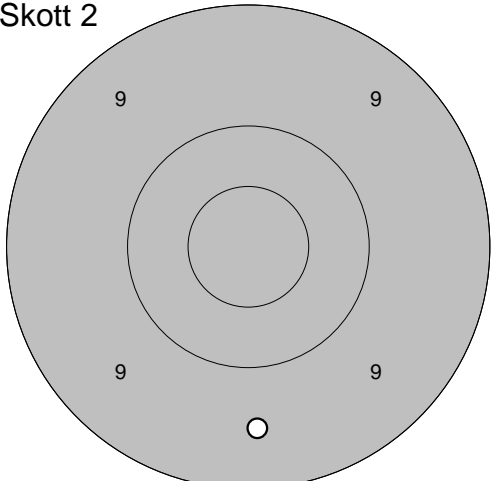
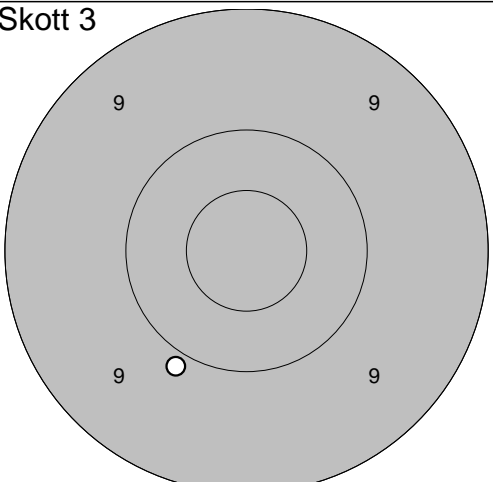
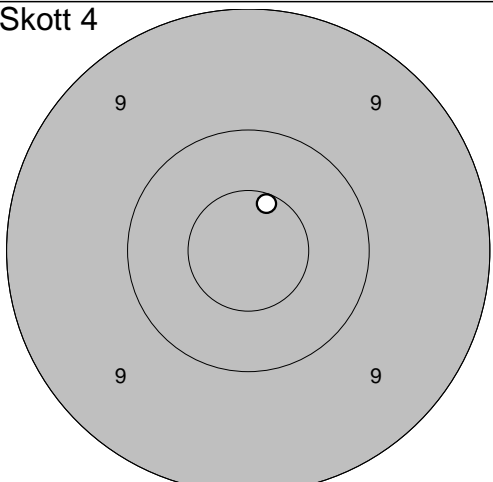
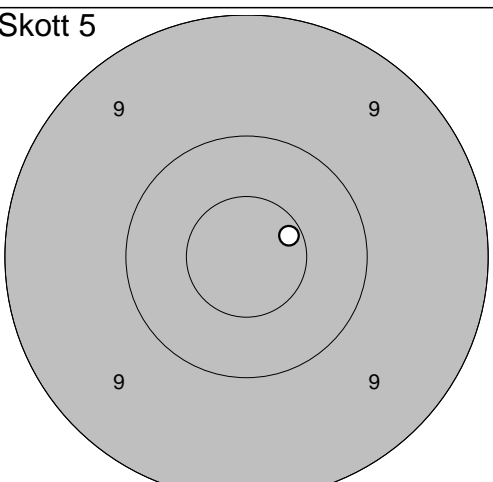
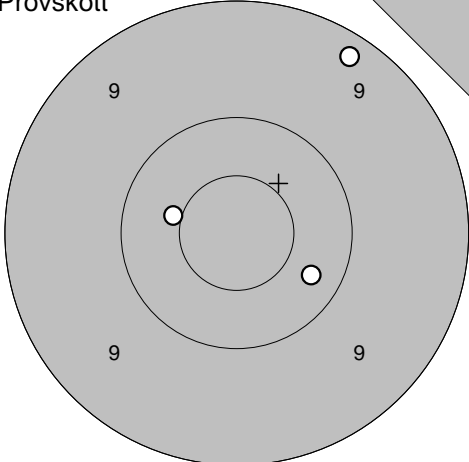
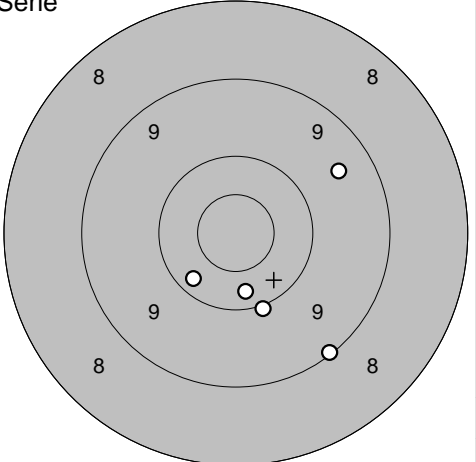


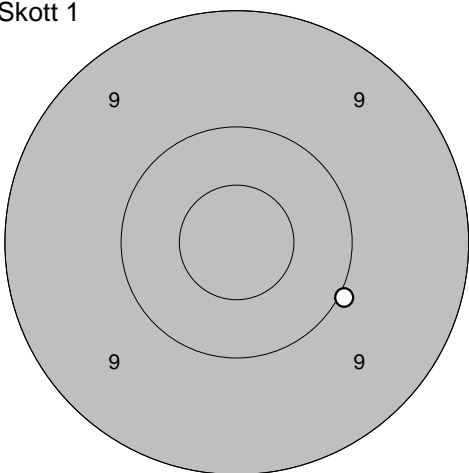
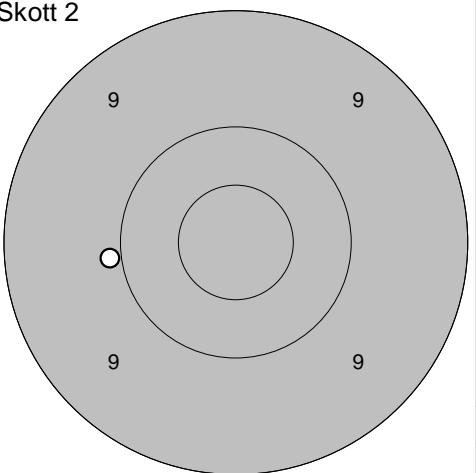
<b>Provskott</b> 	1: 9,4 ↙ 2: 9,6 ↓ 3: 9,7 ↓	<b>Serie</b> 	1: 10,7* → 2: 9,9 ↙ 3: 10,1 ↑ 4: 9,9 ↑ 5: 10,9* ↗
	Serie 27,0		Serie 48,0
	Totalt 246,0		Totalt 294,0

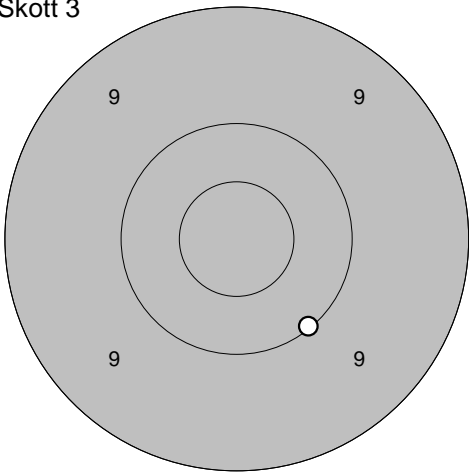
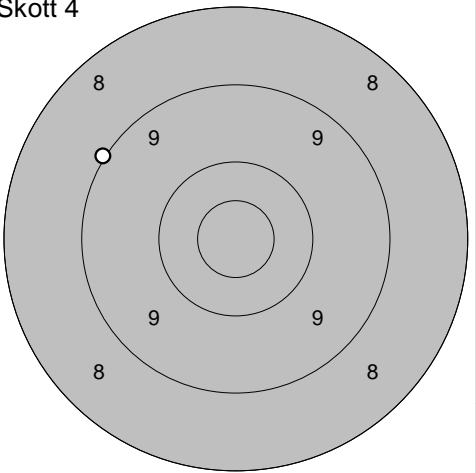
<b>Skott 1</b> 	1: 10,4 ↙	<b>Skott 2</b> 	1: 9,5 ↓
	Serie 10,0		Serie 9,0
	Totalt 304,0		Totalt 313,0

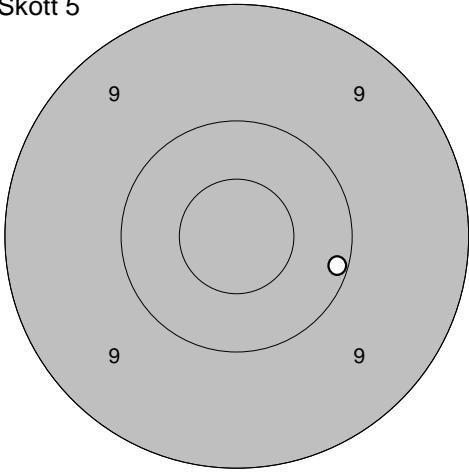
<b>Skott 3</b> 	1: 9,9 ↓	<b>Skott 4</b> 	1: 10,6* ↗
	Serie 9,0		Serie 10,0
	Totalt 322,0		Totalt 332,0

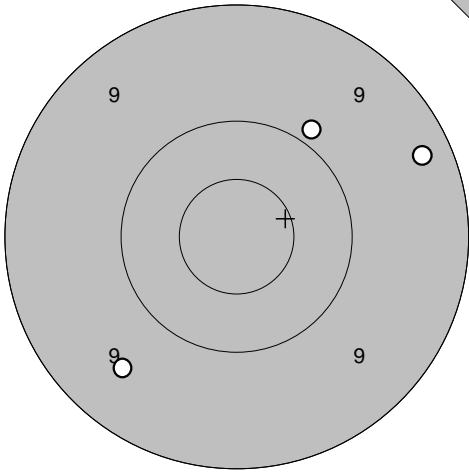
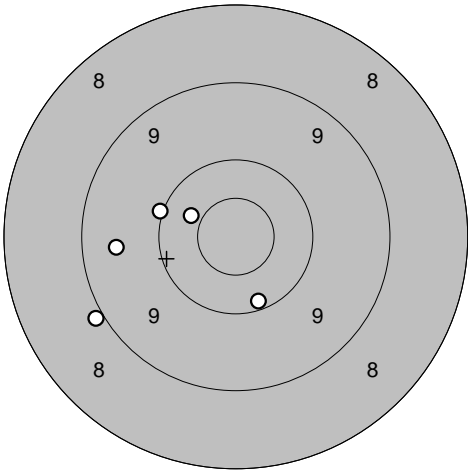
<b>Skott 5</b> 	1: 10,6* →		
	Serie 10,0		
	Totalt 342,0		

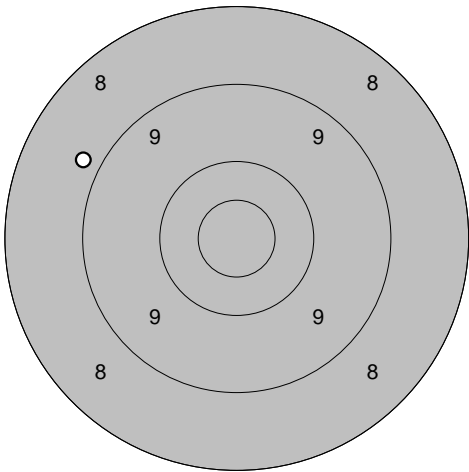
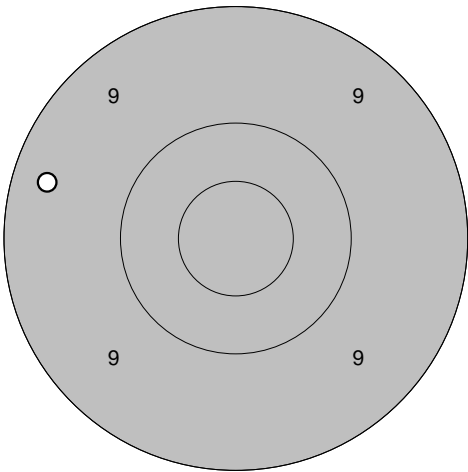
<p>Provskott</p> 	<p>1: 9,2 ↗ 2: 10,3 → 3: 10,5* ←</p> <table border="1" style="width:100%; border-collapse: collapse;"> <tr><td>Serie</td><td style="text-align: right;">29,0</td></tr> <tr><td>Totalt</td><td style="text-align: right;">240,0</td></tr> </table>	Serie	29,0	Totalt	240,0	<p>Serie</p>  <p>1: 10,0 ↓ 2: 10,2 ↙ 3: 9,5 → 4: 10,3 ↓ 5: 9,1 ↘</p> <table border="1" style="width:100%; border-collapse: collapse;"> <tr><td>Serie</td><td style="text-align: right;">48,0</td></tr> <tr><td>Totalt</td><td style="text-align: right;">288,0</td></tr> </table>	Serie	48,0	Totalt	288,0
Serie	29,0									
Totalt	240,0									
Serie	48,0									
Totalt	288,0									

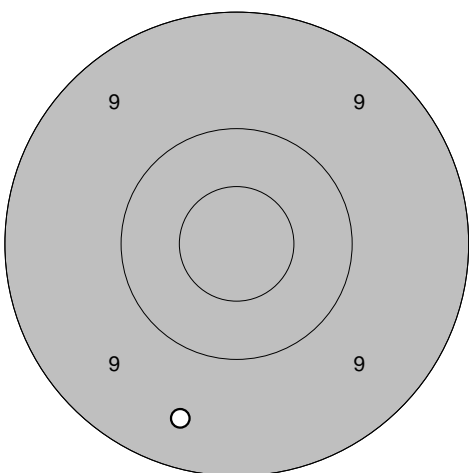
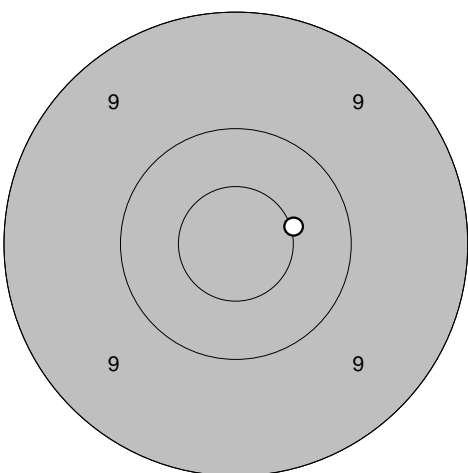
<p>Skott 1</p> 	<p>1: 10,0 →</p> <table border="1" style="width:100%; border-collapse: collapse;"> <tr><td>Serie</td><td style="text-align: right;">10,0</td></tr> <tr><td>Totalt</td><td style="text-align: right;">298,0</td></tr> </table>	Serie	10,0	Totalt	298,0	<p>Skott 2</p>  <p>1: 9,9 ←</p> <table border="1" style="width:100%; border-collapse: collapse;"> <tr><td>Serie</td><td style="text-align: right;">9,0</td></tr> <tr><td>Totalt</td><td style="text-align: right;">307,0</td></tr> </table>	Serie	9,0	Totalt	307,0
Serie	10,0									
Totalt	298,0									
Serie	9,0									
Totalt	307,0									

<p>Skott 3</p> 	<p>1: 10,1 ↓</p> <table border="1" style="width:100%; border-collapse: collapse;"> <tr><td>Serie</td><td style="text-align: right;">10,0</td></tr> <tr><td>Totalt</td><td style="text-align: right;">317,0</td></tr> </table>	Serie	10,0	Totalt	317,0	<p>Skott 4</p>  <p>1: 9,0 ↖</p> <table border="1" style="width:100%; border-collapse: collapse;"> <tr><td>Serie</td><td style="text-align: right;">9,0</td></tr> <tr><td>Totalt</td><td style="text-align: right;">326,0</td></tr> </table>	Serie	9,0	Totalt	326,0
Serie	10,0									
Totalt	317,0									
Serie	9,0									
Totalt	326,0									

<p>Skott 5</p> 	<p>1: 10,1 →</p> <table border="1" style="width:100%; border-collapse: collapse;"> <tr><td>Serie</td><td style="text-align: right;">10,0</td></tr> <tr><td>Totalt</td><td style="text-align: right;">336,0</td></tr> </table>	Serie	10,0	Totalt	336,0	
Serie	10,0					
Totalt	336,0					

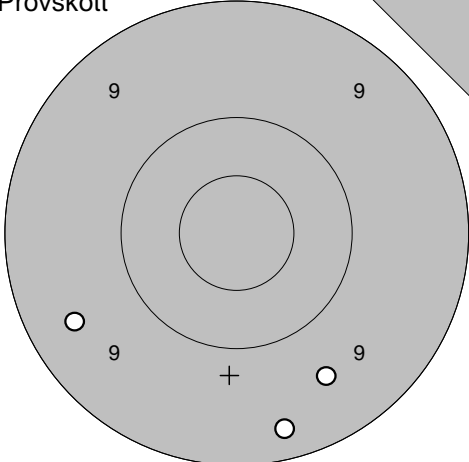
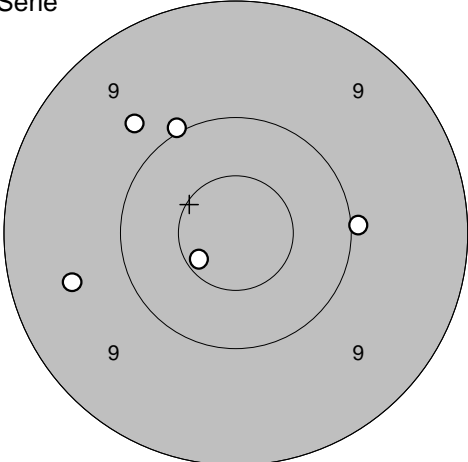
<b>Provs-kott</b> 	<p>1: 9,9 ↗ 2: 9,5 ↘ 3: 9,3 →</p>	<b>Serie</b> 	<p>1: 10,2 ↓ 2: 10,0 ← 3: 9,5 ← 4: 9,0 ← 5: 10,4 ←</p>
Serie 27,0		Serie 48,0	
Totalt 238,0		Totalt 286,0	

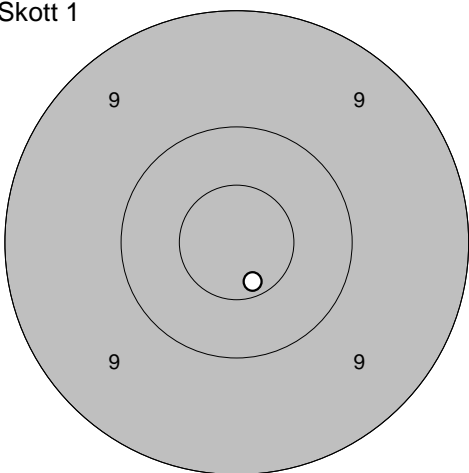
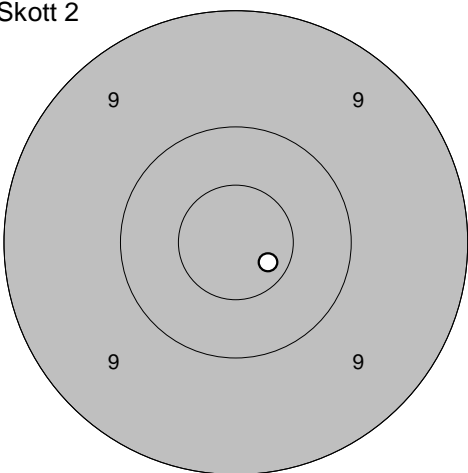
<b>Skott 1</b> 	<p>1: 8,8 ←</p>	<b>Skott 3</b> 	<p>1: 9,3 ←</p>
Serie 8,0		Serie 9,0	
Totalt 294,0		Totalt 303,0	

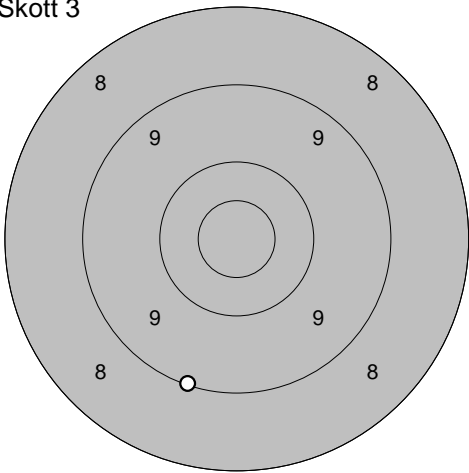
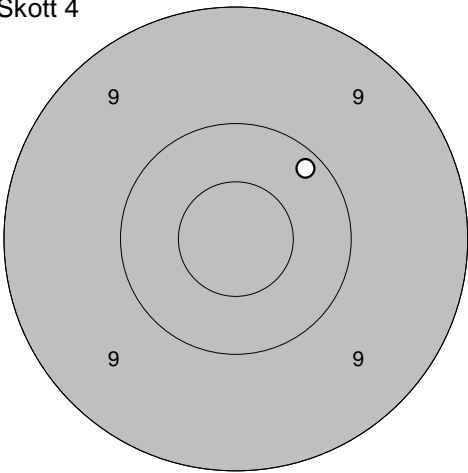
<b>Skott 4</b> 	<p>1: 9,5 ↓</p>	<b>Skott 5</b> 	<p>1: 10,5* →</p>
Serie 9,0		Serie 10,0	
Totalt 312,0		Totalt 322,0	

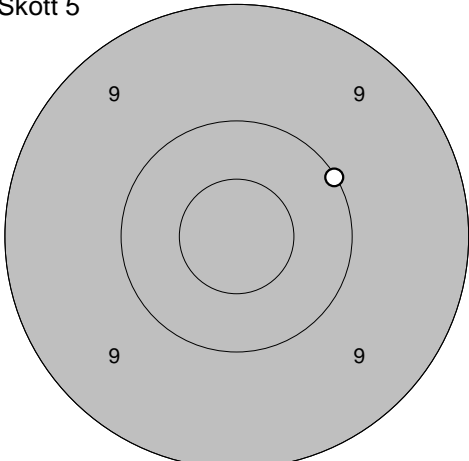
Ununge

2010-07-20	Björksskottet 2010 Final	Ramselefors SKF
------------	--------------------------	-----------------

<p>Provskott</p> 	<p>1: 9,6 ↘ 2: 9,3 ↓ 3: 9,4 ↙</p>	<p>Serie</p> 	<p>1: 10,6* ↙ 2: 9,6 ← 3: 10,0 ↗ 4: 10,0 → 5: 9,8 ↖</p>
Serie 27,0		Serie 48,0	
Totalt 236,0		Totalt 284,0	

<p>Skott 1</p> 	<p>1: 10,7* ↘</p>	<p>Skott 2</p> 	<p>1: 10,7* →</p>
Serie 10,0		Serie 10,0	
Totalt 294,0		Totalt 304,0	

<p>Skott 3</p> 	<p>1: 9,1 ↘</p>	<p>Skott 4</p> 	<p>1: 10,2 ↗</p>
Serie 9,0		Serie 10,0	
Totalt 313,0		Totalt 323,0	

<p>Skott 5</p> 	<p>1: 10,0 ↗</p>		
Serie 10,0			
Totalt 333,0			

Skjutlag

1

Tavla

5

Jimmy Eriksson

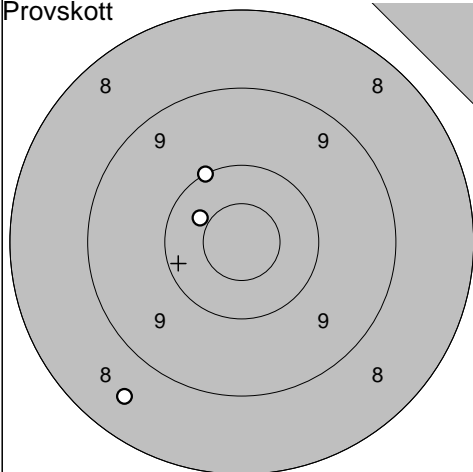
Ramselefors

2010-07-20

Björkskottet 2010 Final

Ramselefors SKF

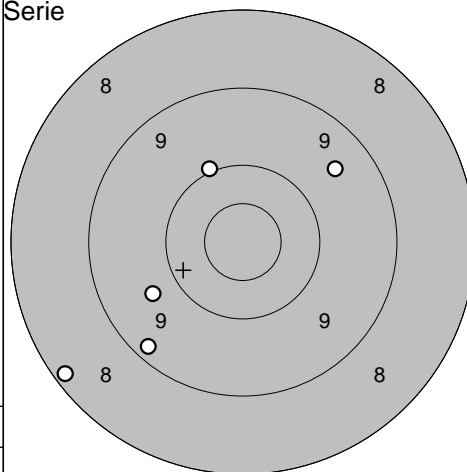
Provskott



1: 10,4 ↙  
 2: 10,1 ↗  
 3: 8,5 ↘

Serie 28,0  
 Totalt 235,0

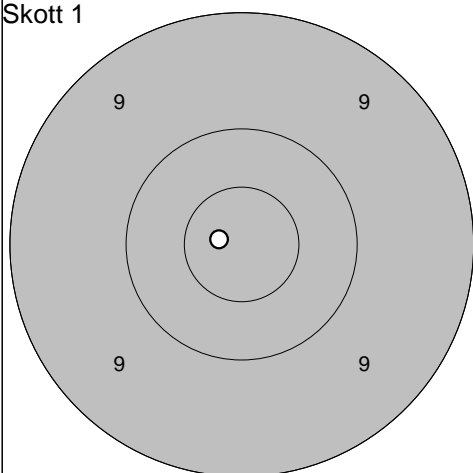
Serie



1: 9,2 ↙  
 2: 8,2 ↙  
 3: 9,5 ↗  
 4: 10,0 ↗  
 5: 9,7 ↙

Serie 45,0  
 Totalt 280,0

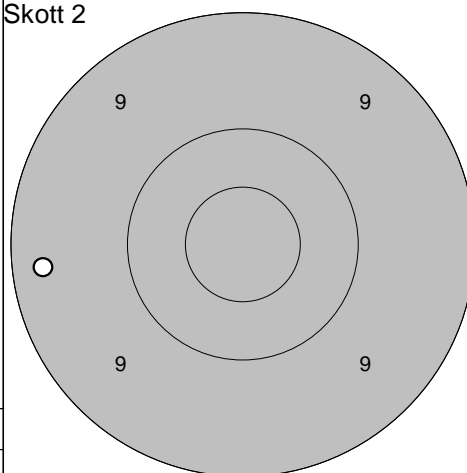
Skott 1



1: 10,8\* ←

Serie 10,0  
 Totalt 290,0

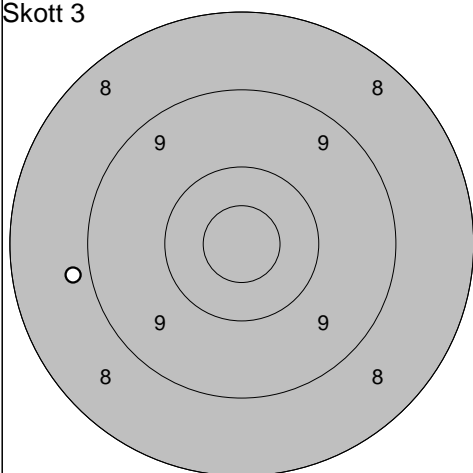
Skott 2



1: 9,3 ←

Serie 9,0  
 Totalt 299,0

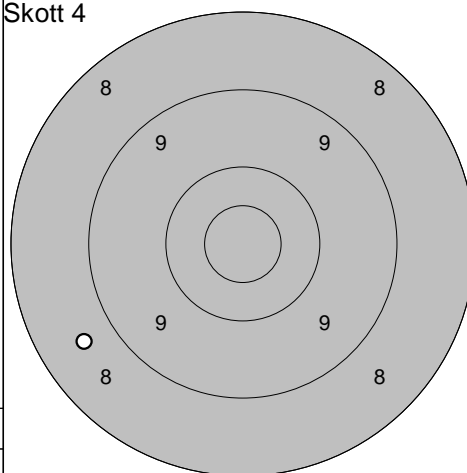
Skott 3



1: 8,8 ←

Serie 8,0  
 Totalt 307,0

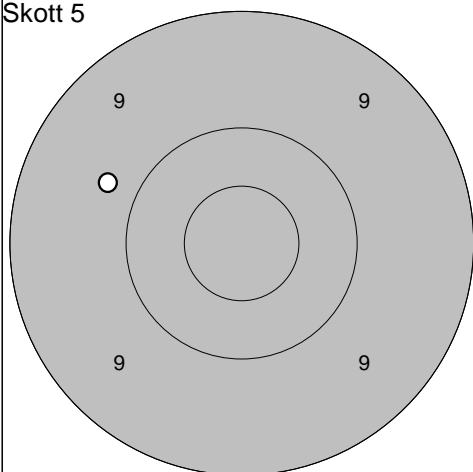
Skott 4



1: 8,6 ↙

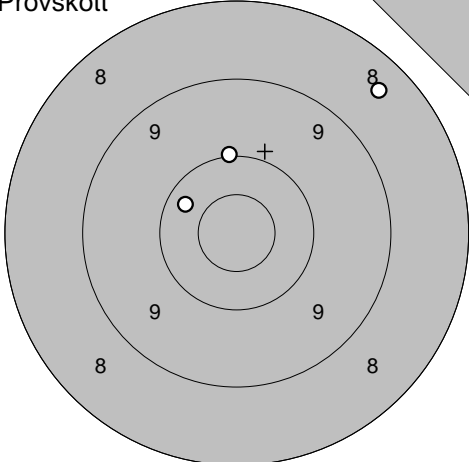
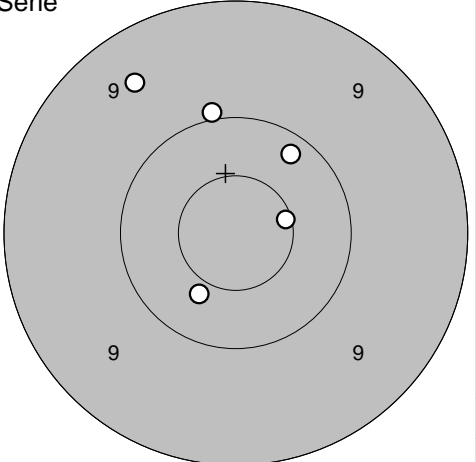
Serie 8,0  
 Totalt 315,0

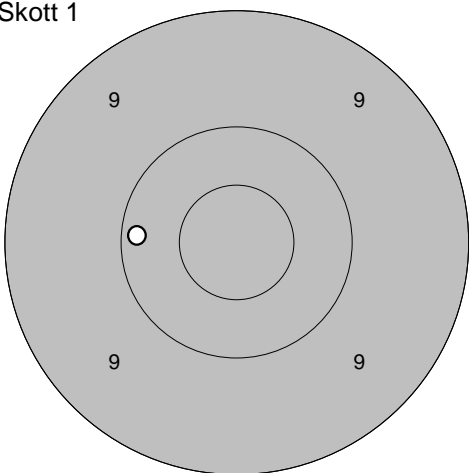
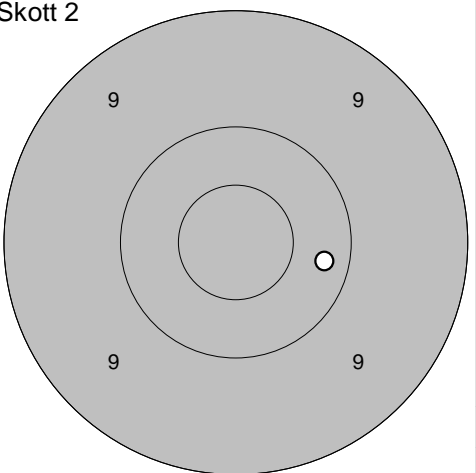
Skott 5

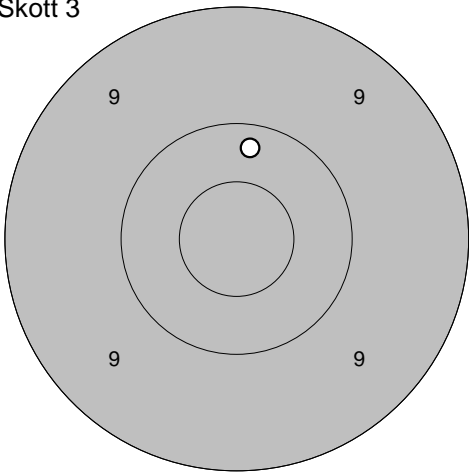
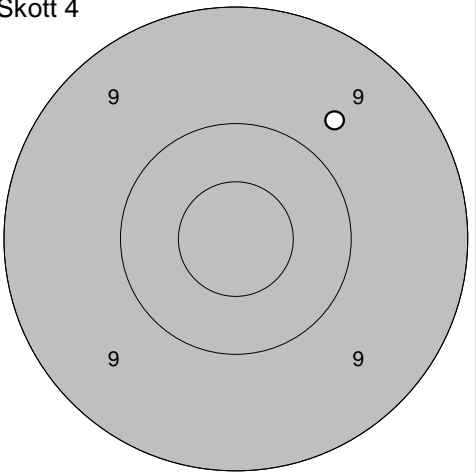


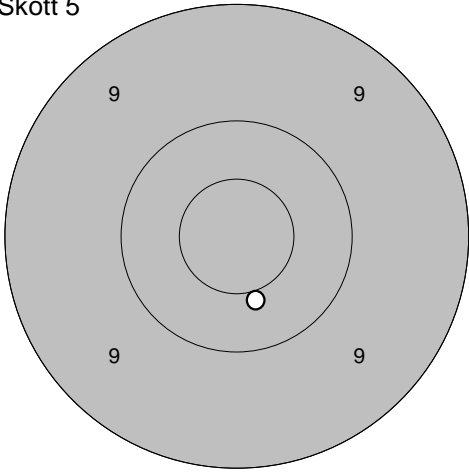
1: 9,8 ↙

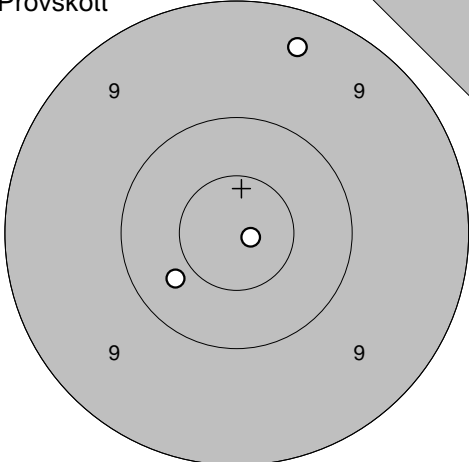
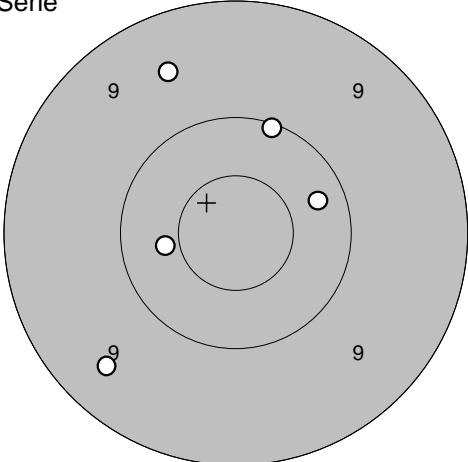
Serie 9,0  
 Totalt 324,0

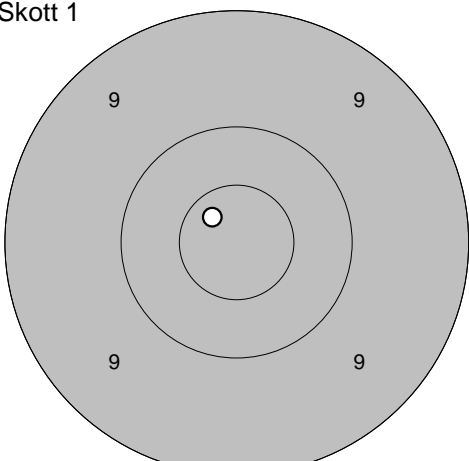
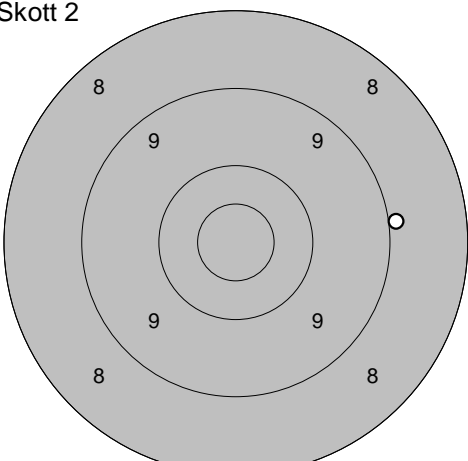
<b>Provskott</b> 	1: 8,4 ↗ 2: 10,3 ↖ 3: 10,0 ↑  Serie 28,0 Totalt 235,0	<b>Serie</b> 	1: 10,0 ↑ 2: 10,6* → 3: 9,5 ↖ 4: 10,4 ↙ 5: 10,2 ↗  Serie 49,0 Totalt 284,0
--	--	--	---

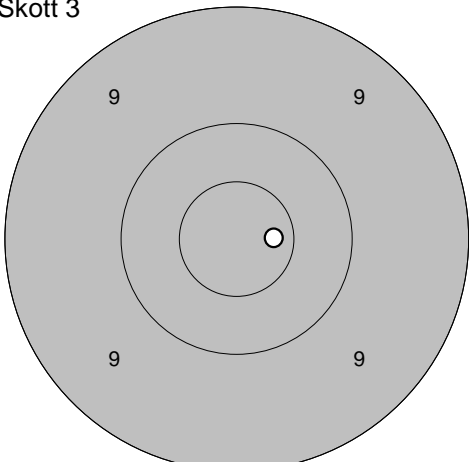
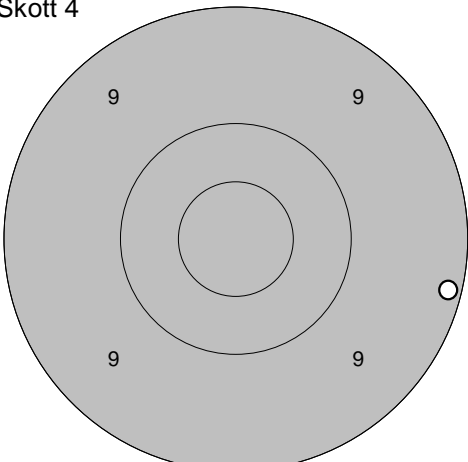
<b>Skott 1</b> 	1: 10,2 ←	<b>Skott 2</b> 	1: 10,2 →
Serie 10,0 Totalt 294,0		Serie 10,0 Totalt 304,0	

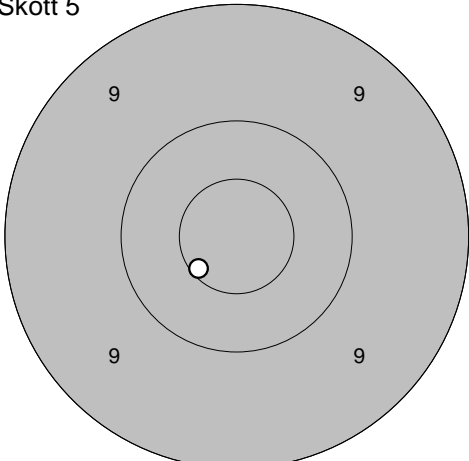
<b>Skott 3</b> 	1: 10,2 ↑	<b>Skott 4</b> 	1: 9,7 ↗
Serie 10,0 Totalt 314,0		Serie 9,0 Totalt 323,0	

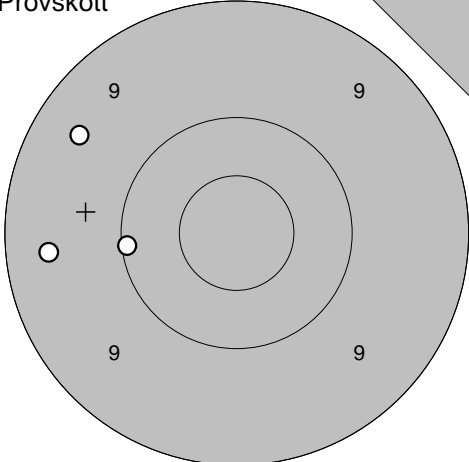
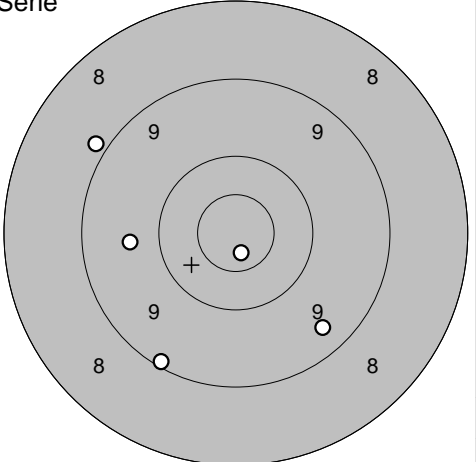
<b>Skott 5</b> 	1: 10,5* ↓		
Serie 10,0 Totalt 333,0			

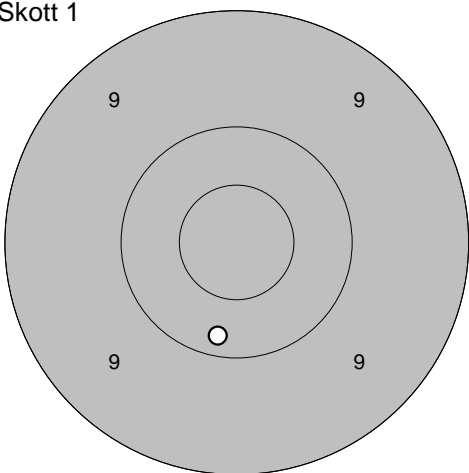
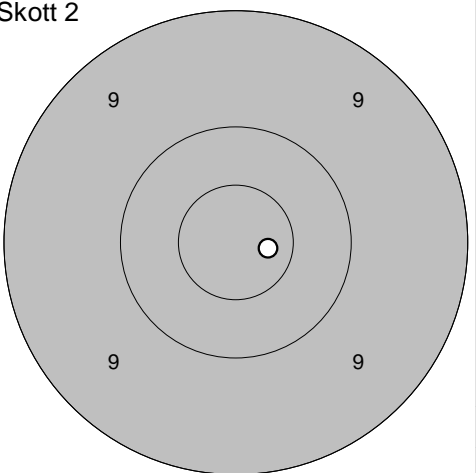
<b>Provs-kott</b> 	1: 9,3    ↗ 2: 10,4   ↙ 3: 10,9*    →	<b>Serie</b> 	1: 9,5    ↗ 2: 9,4    ↙ 3: 10,4    ← 4: 10,3    → 5: 10,1    ↗
Serie    29,0	Serie    48,0	Serie    48,0	Serie    48,0
Totalt    233,0	Totalt    281,0	Totalt    281,0	Totalt    281,0

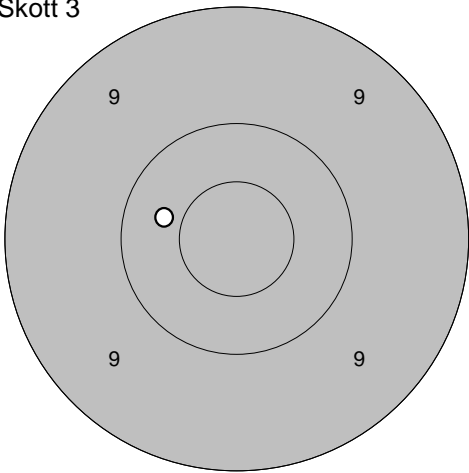
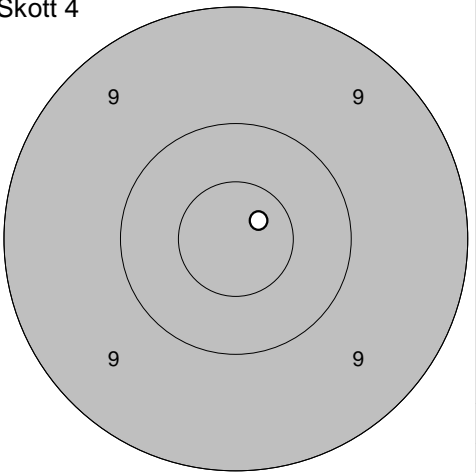
<b>Skott 1</b> 	1: 10,7*   ↙	<b>Skott 2</b> 	1: 9,0    →
Serie    10,0	Serie    9,0	Serie    9,0	Serie    9,0
Totalt    291,0	Totalt    300,0	Totalt    300,0	Totalt    300,0

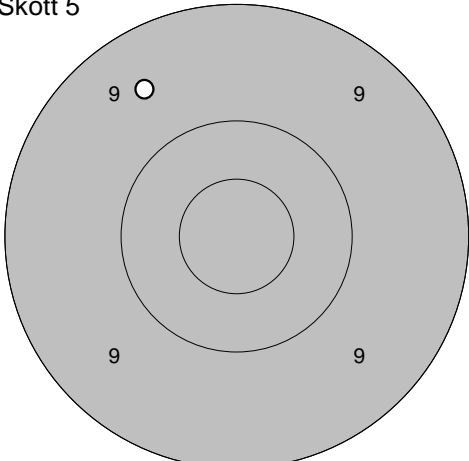
<b>Skott 3</b> 	1: 10,7*    →	<b>Skott 4</b> 	1: 9,1    →
Serie    10,0	Serie    9,0	Serie    9,0	Serie    9,0
Totalt    310,0	Totalt    319,0	Totalt    319,0	Totalt    319,0

<b>Skott 5</b> 	1: 10,6*   ↙		
Serie    10,0	Serie    10,0	Serie    10,0	Serie    10,0
Totalt    329,0	Totalt    329,0	Totalt    329,0	Totalt    329,0

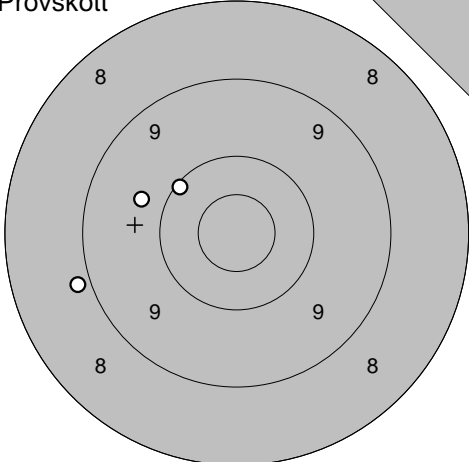
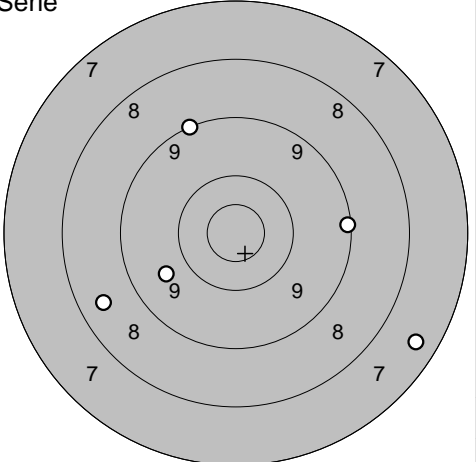
<p>Provskott</p> 	<p>1: 9,4 ← 2: 10,1 ← 3: 9,4 ↖</p> <p>Serie 28,0 Totalt 228,0</p>	<p>Serie</p>  <p>1: 9,1 ↘ 2: 8,9 ↗ 3: 10,8* ↘ 4: 9,4 ↘ 5: 9,7 ←</p> <p>Serie 45,0 Totalt 273,0</p>
---	---	--

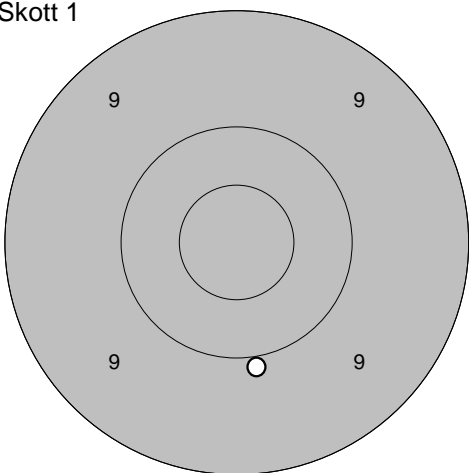
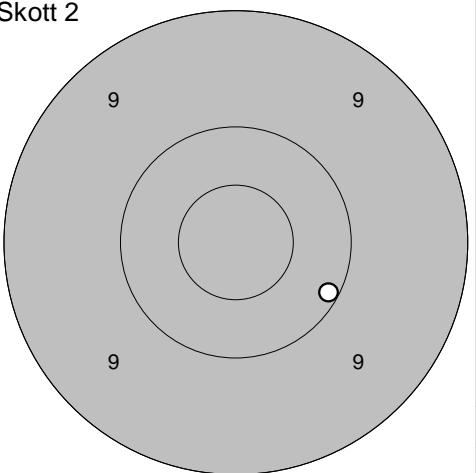
<p>Skott 1</p>  <p>Serie 10,0 Totalt 283,0</p>	<p>Skott 2</p>  <p>1: 10,2* ↓</p> <p>Serie 10,0 Totalt 293,0</p>
---	---

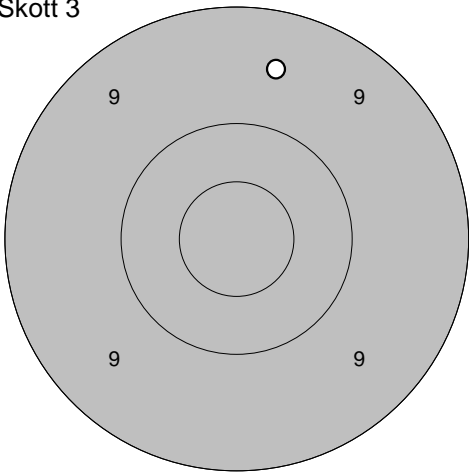
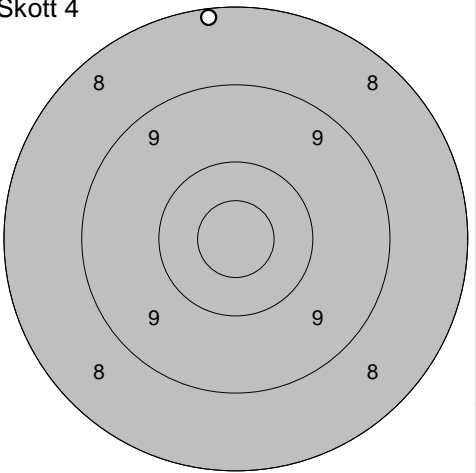
<p>Skott 3</p>  <p>1: 10,4 ←</p> <p>Serie 10,0 Totalt 303,0</p>	<p>Skott 4</p>  <p>1: 10,8* ↗</p> <p>Serie 10,0 Totalt 313,0</p>
---	--

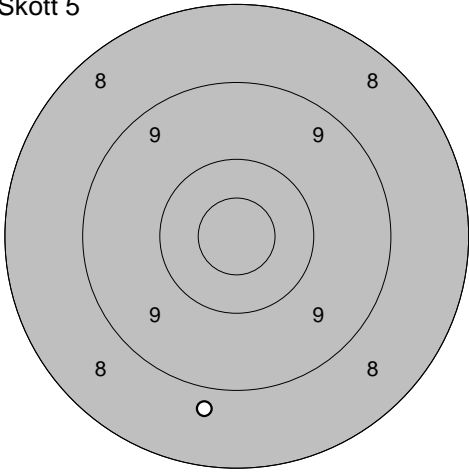
<p>Skott 5</p>  <p>1: 9,5 ↖</p> <p>Serie 9,0 Totalt 322,0</p>	
---	--



Provs-kott 	1: 9,7 ← 2: 10,1 ↗ 3: 8,9 ←  Serie 27,0 Totalt 225,0	Serie 	1: 9,1 → 2: 7,5 ↘ 3: 9,7 ← 4: 9,1 ↗ 5: 8,5 ←  Serie 42,0 Totalt 267,0
--	---	---	--

Skott 1 	1: 9,9 ↓  Serie 9,0 Totalt 276,0	Skott 2 	1: 10,1 ↘  Serie 10,0 Totalt 286,0
--	---	--	---

Skott 3 	1: 9,5 ↗  Serie 9,0 Totalt 295,0	Skott 4 	1: 8,2 ↗  Serie 8,0 Totalt 303,0
---	---	---	---

Skott 5 	1: 8,8 ↓  Serie 8,0 Totalt 311,0
---	---

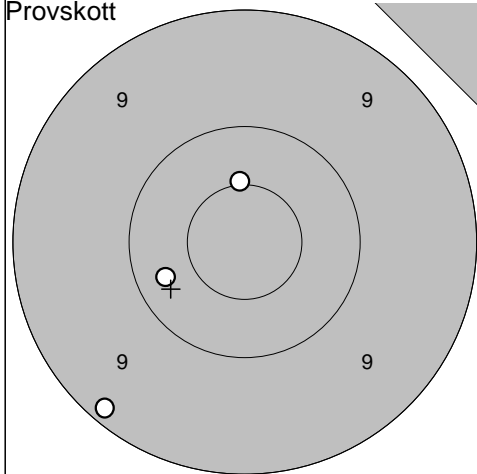
Umeå

2010-07-20

Björkskottet 2010 Final

Ramselefors SKF

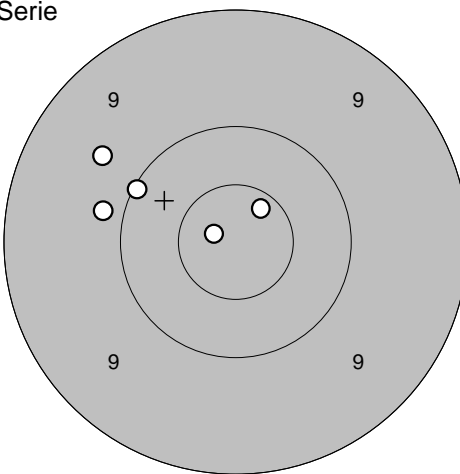
Provskott



1: 9,2 ↙  
2: 10,3 ←  
3: 10,5\* ↑

Serie 29,0  
Totalt 242,0

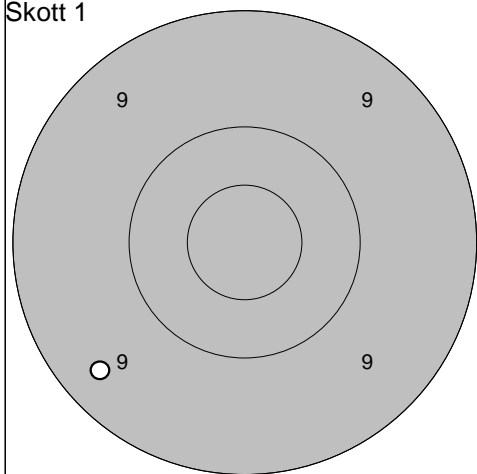
Serie



1: 9,9 ←  
2: 10,8\* ↖  
3: 10,1 ↗  
4: 9,7 ↗  
5: 10,7\* ↗

Serie 48,0  
Totalt 290,0

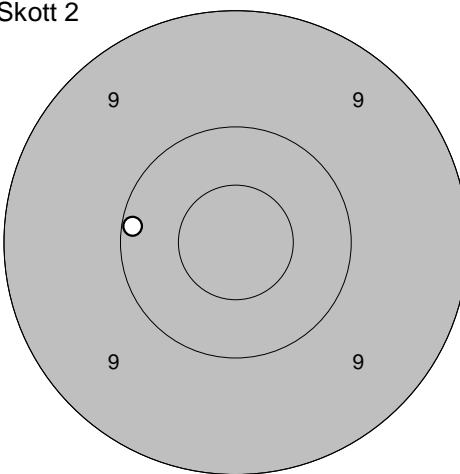
Skott 1



1: 9,4 ↙

Serie 9,0  
Totalt 299,0

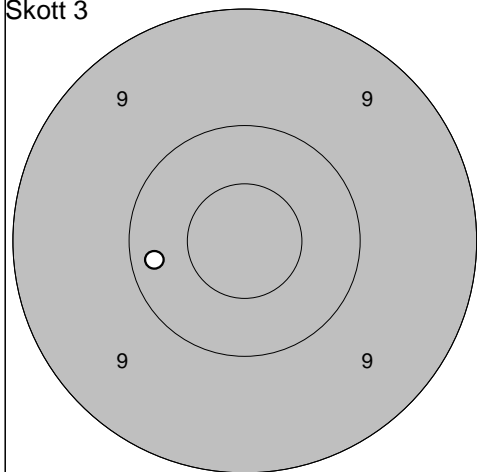
Skott 2



1: 10,1 ←

Serie 10,0  
Totalt 309,0

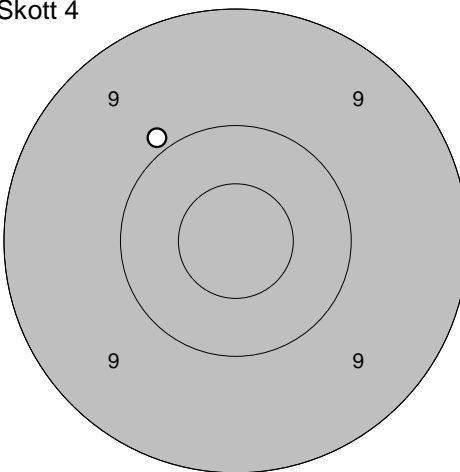
Skott 3



1: 10,2 ←

Serie 10,0  
Totalt 319,0

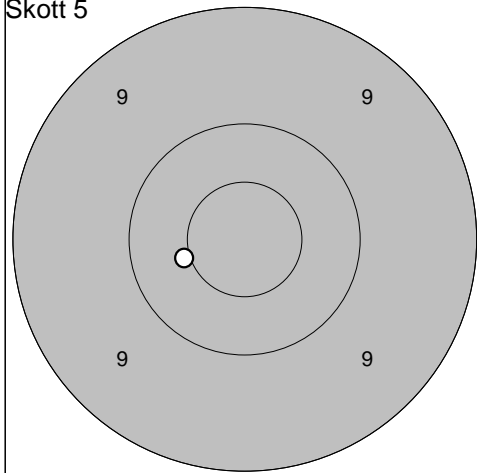
Skott 4



1: 9,9 ↗

Serie 9,0  
Totalt 328,0

Skott 5



1: 10,5\* ←

Serie 10,0  
Totalt 338,0

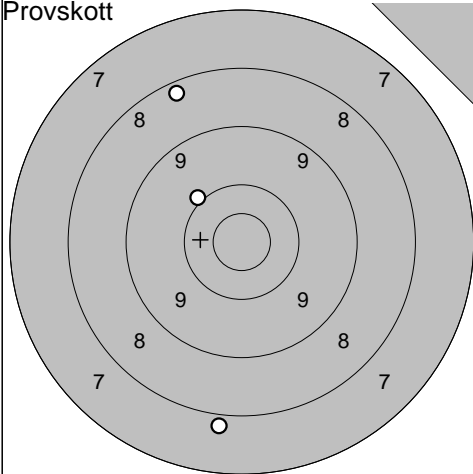
Hammerdal

2010-07-20

Björkskottet 2010 Final

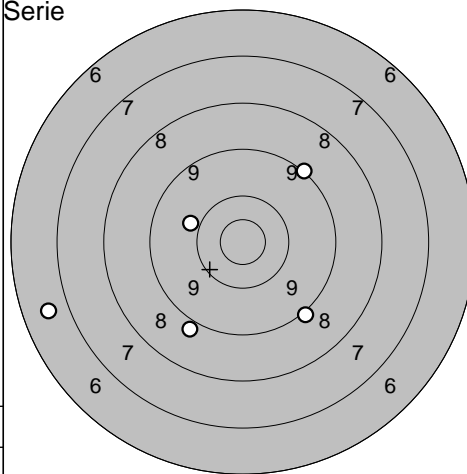
Ramselefors SKF

Provskott



1: 10,0 ↗  
2: 8,3 ↗  
3: 7,9 ↓

Serie

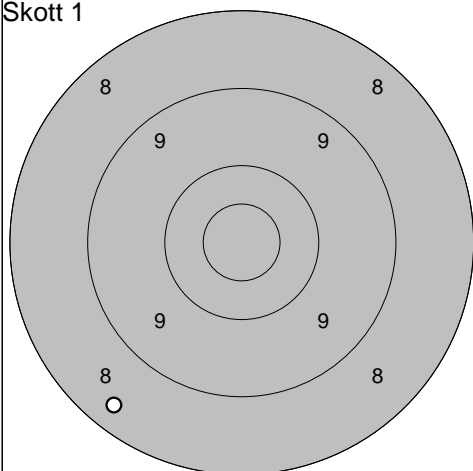


1: 9,1 ↗  
2: 8,9 ↓  
3: 9,9 ←  
4: 6,7 ←  
5: 9,0 ↓

Serie 25,0  
Totalt 237,0

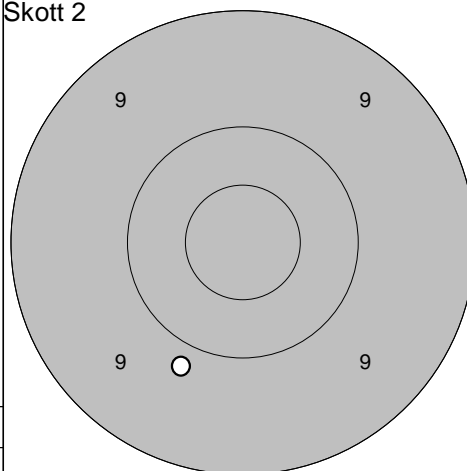
Serie 41,0  
Totalt 278,0

Skott 1



1: 8,4 ↓

Skott 2

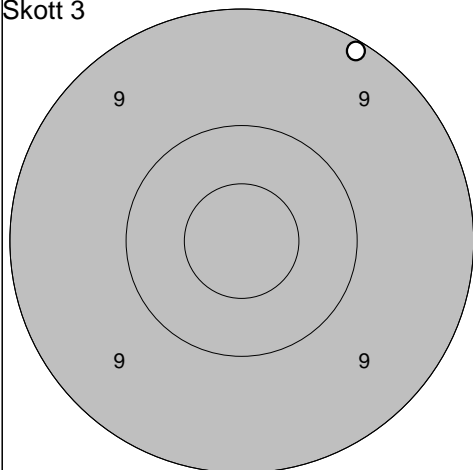


1: 9,8 ↓

Serie 8,0  
Totalt 286,0

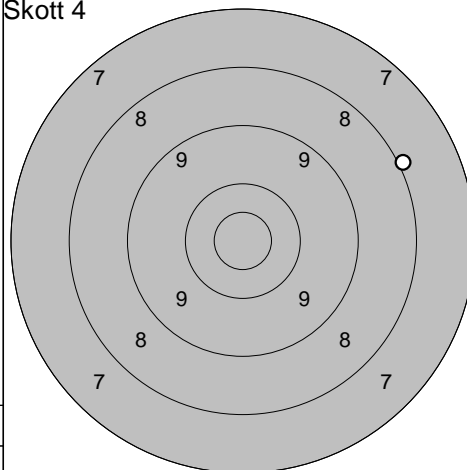
Serie 9,0  
Totalt 295,0

Skott 3



1: 9,1 ↗

Skott 4

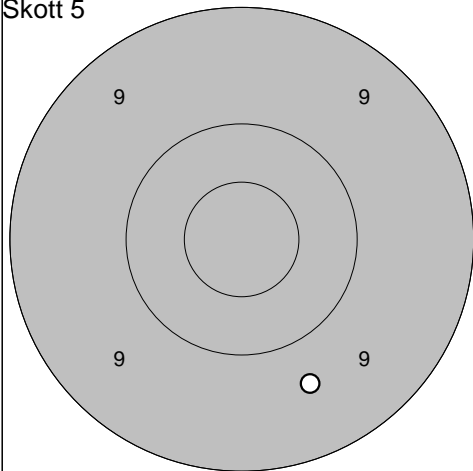


1: 8,0 ↗

Serie 9,0  
Totalt 304,0

Serie 8,0  
Totalt 312,0

Skott 5



1: 9,7 ↓

Serie 9,0  
Totalt 321,0

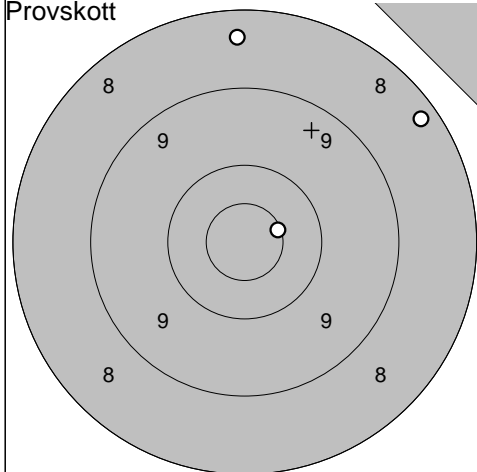
Frötuna

2010-07-20

Björksskottet 2010 Final

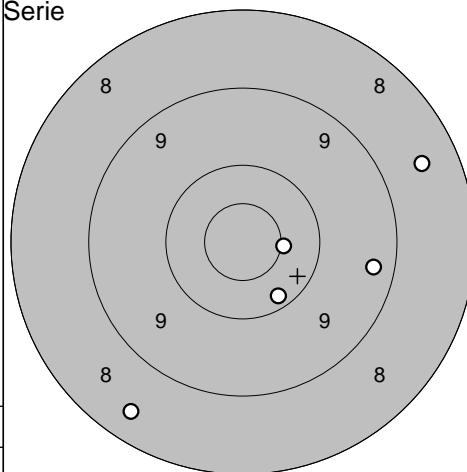
Ramselefors SKF

Provskott



1: 8,3 ↗  
2: 10,6\* →  
3: 8,4 ↑

Serie

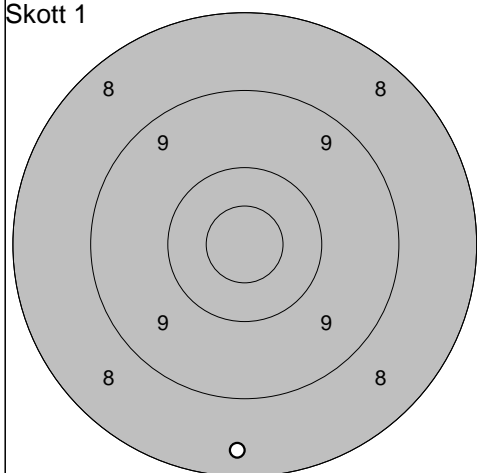


1: 8,4 ↘  
2: 10,5\* →  
3: 9,3 →  
4: 8,5 →  
5: 10,2 ↘

Serie 26,0  
Totalt 234,0

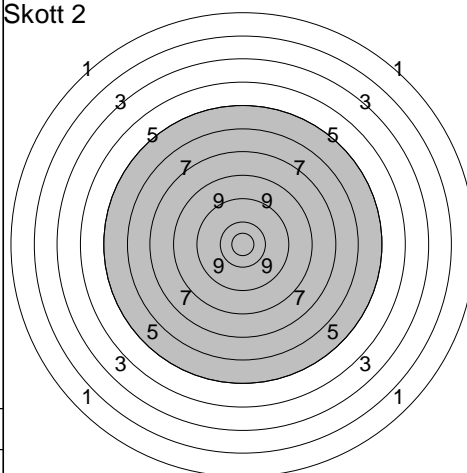
Serie 45,0  
Totalt 279,0

Skott 1



1: 8,4 ↓

Skott 2

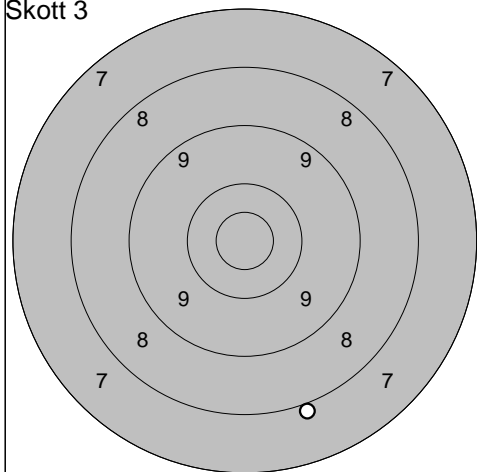


1: 0,0 ↓

Serie 8,0  
Totalt 287,0

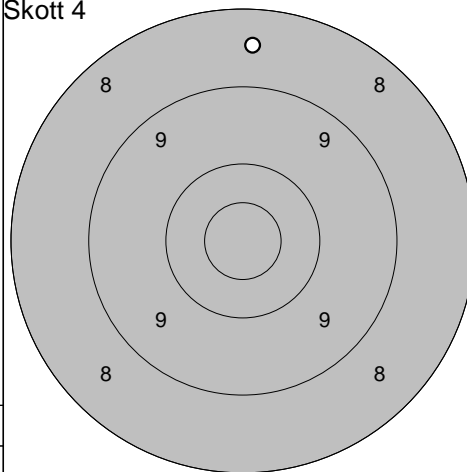
Serie 0,0  
Totalt 287,0

Skott 3



1: 7,9 ↓

Skott 4

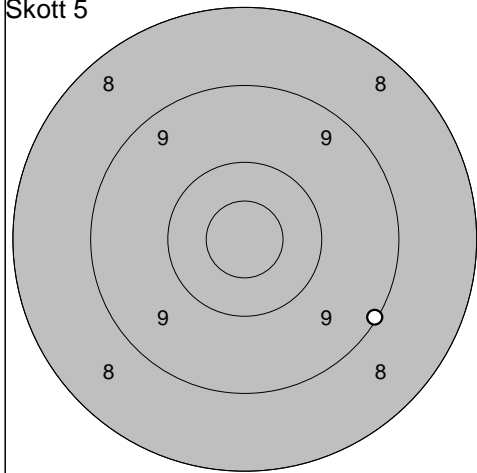


1: 8,5 ↑

Serie 7,0  
Totalt 294,0

Serie 8,0  
Totalt 302,0

Skott 5



1: 9,1 →

Serie 9,0  
Totalt 311,0

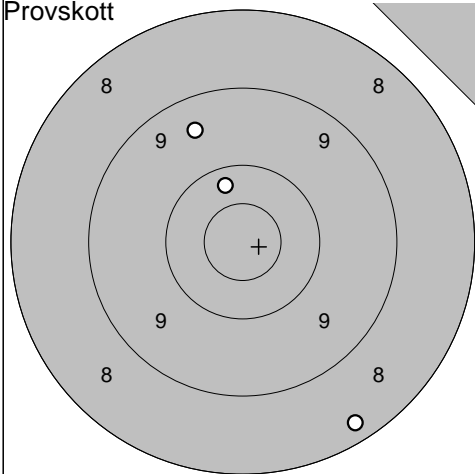
Hogdal

2010-07-20

Björkskottet 2010 Final

Ramselefors SKF

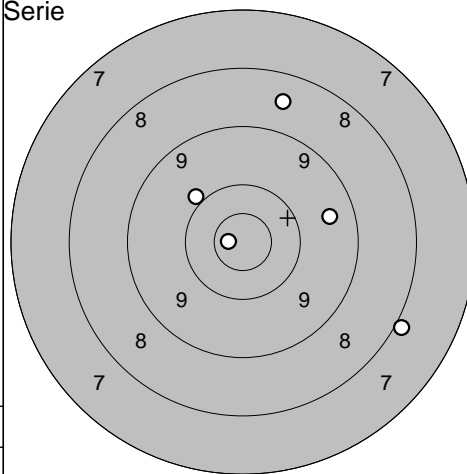
Provskott



1: 10,3 ↗  
2: 9,5 ↗  
3: 8,3 ↘

Serie 27,0  
Totalt 228,0

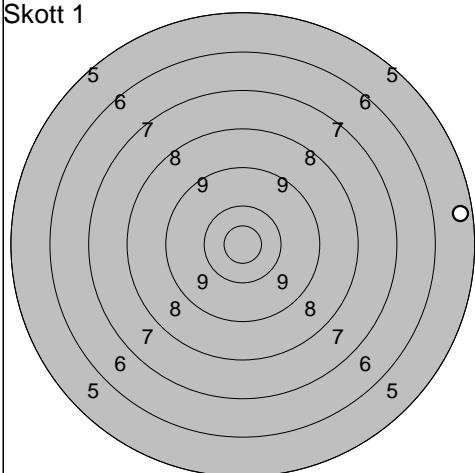
Serie



1: 9,5 →  
2: 10,0 ↗  
3: 8,0 →  
4: 8,6 ↑  
5: 10,8\* ←

Serie 45,0  
Totalt 273,0

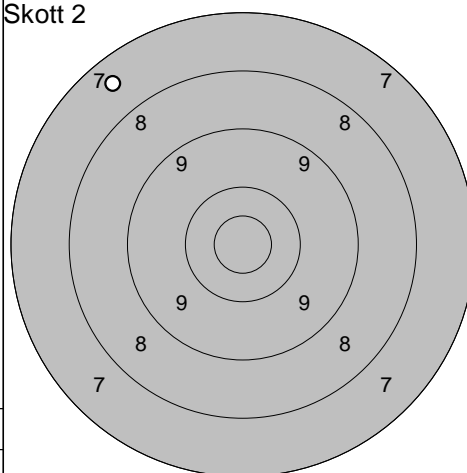
Skott 1



1: 5,4 →

Serie 5,0  
Totalt 278,0

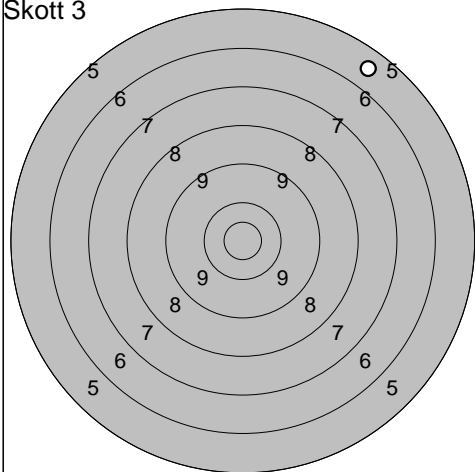
Skott 2



1: 7,5 ↖

Serie 7,0  
Totalt 285,0

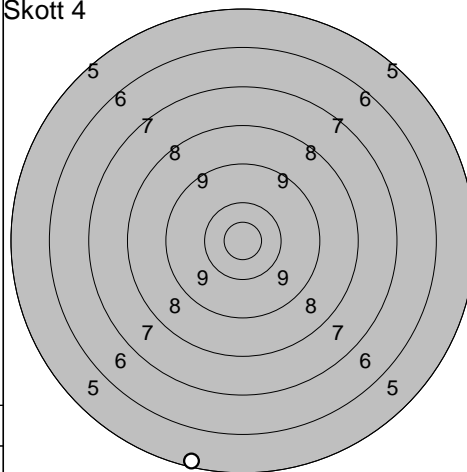
Skott 3



1: 5,6 ↗

Serie 5,0  
Totalt 290,0

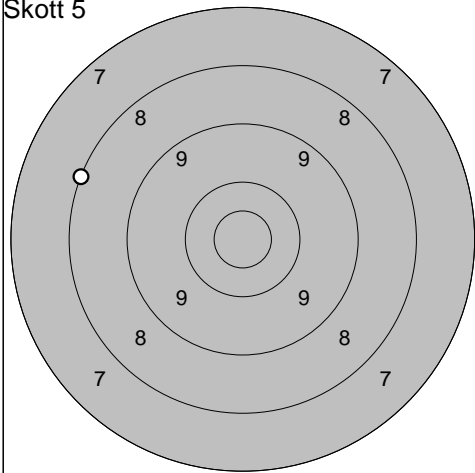
Skott 4



1: 5,3 ↓

Serie 5,0  
Totalt 295,0

Skott 5



1: 8,1 ←

Serie 8,0  
Totalt 303,0

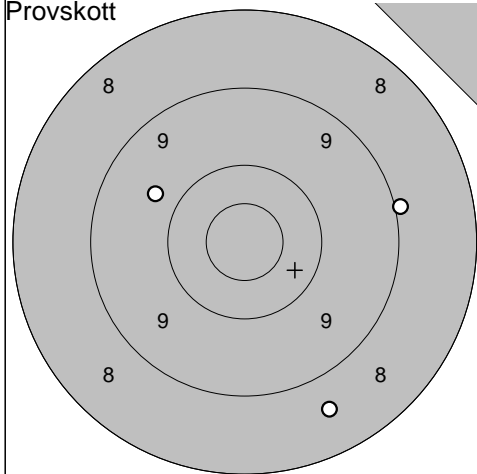
Ununge

2010-07-20

Björkskottet 2010 Final

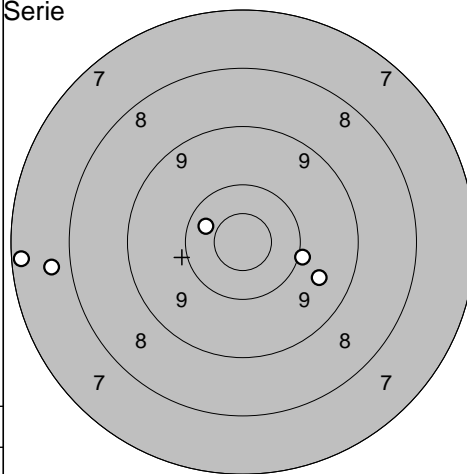
Ramselefors SKF

Provskott



1: 9,0 →  
2: 9,7 ↖  
3: 8,6 ↘

Serie

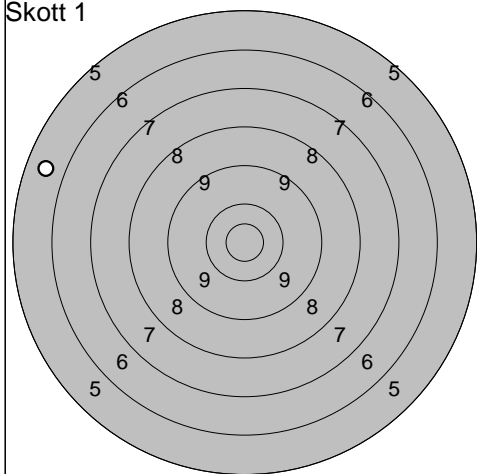


1: 10,0 →  
2: 9,6 ↘  
3: 7,3 ←  
4: 10,4 ↖  
5: 7,8 ←

Serie 26,0  
Totalt 227,0

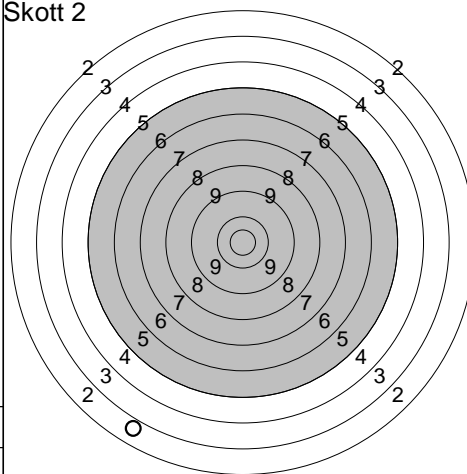
Serie 43,0  
Totalt 270,0

Skott 1



1: 5,7 ←

Skott 2

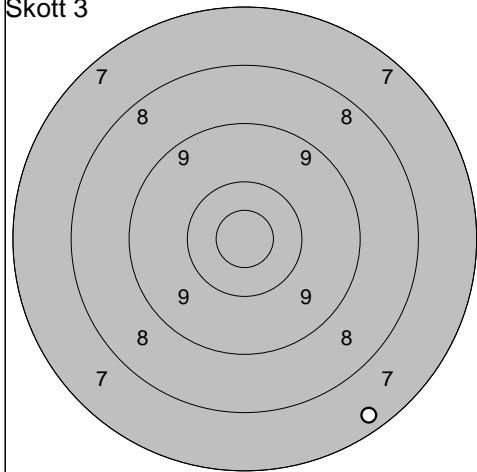


1: 2,9 ↘

Serie 5,0  
Totalt 275,0

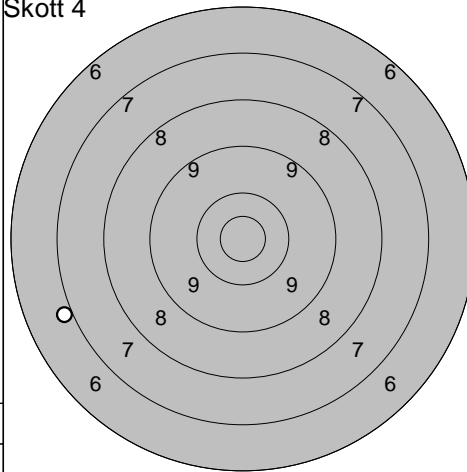
Serie 2,0  
Totalt 277,0

Skott 3



1: 7,4 ↘

Skott 4

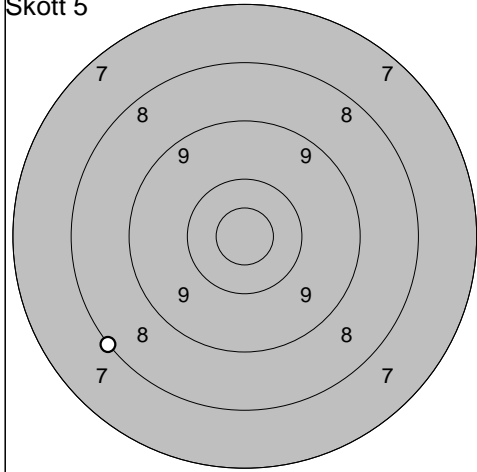


1: 7,0 ←

Serie 7,0  
Totalt 284,0

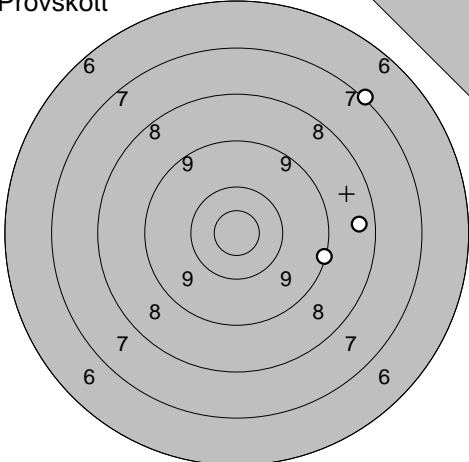
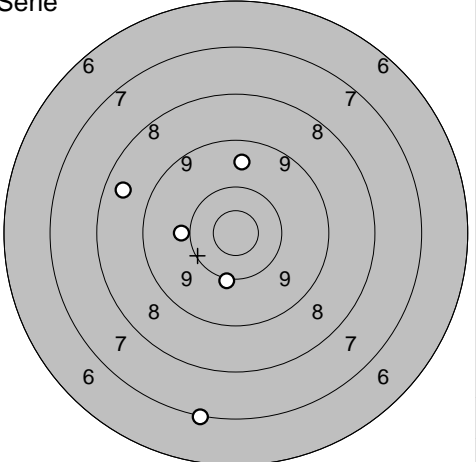
Serie 7,0  
Totalt 291,0

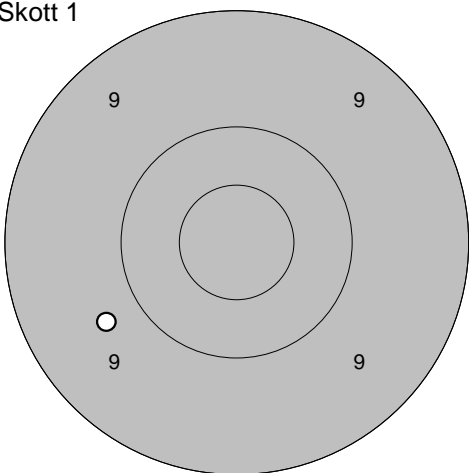
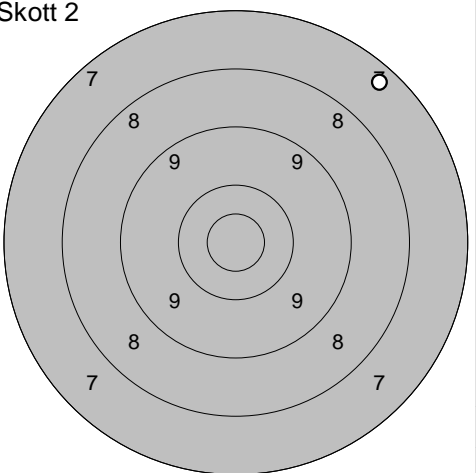
Skott 5

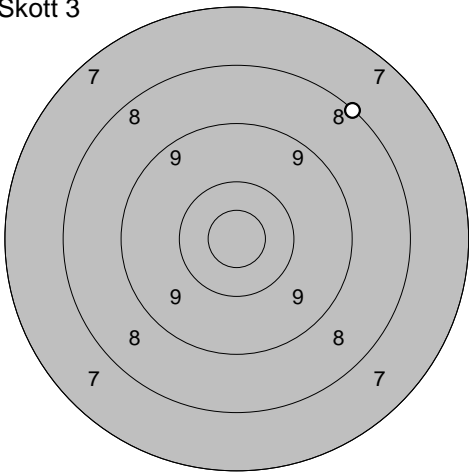
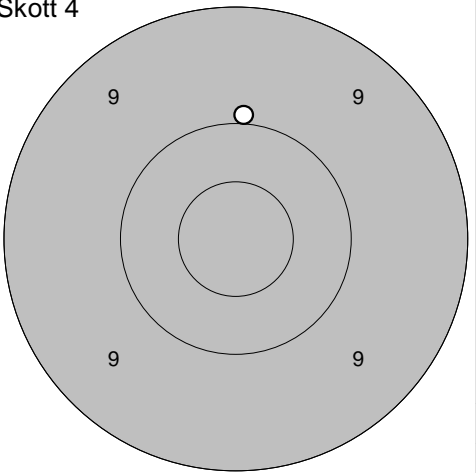


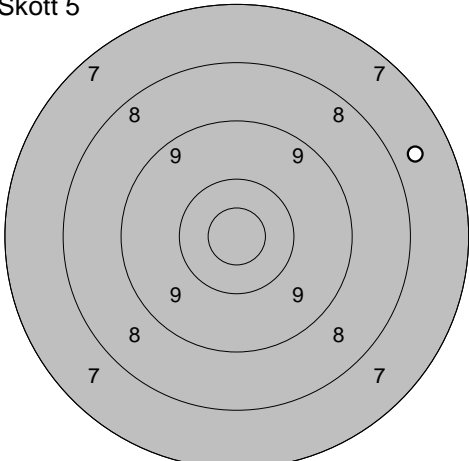
1: 8,1 ↖

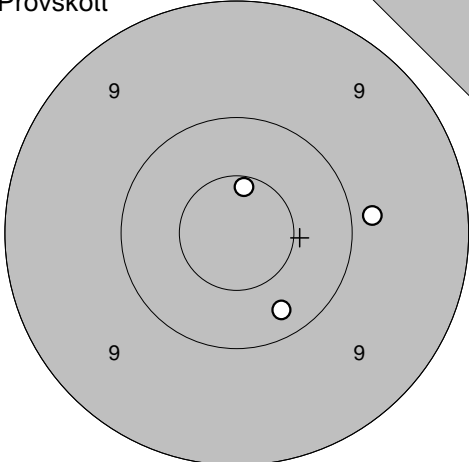
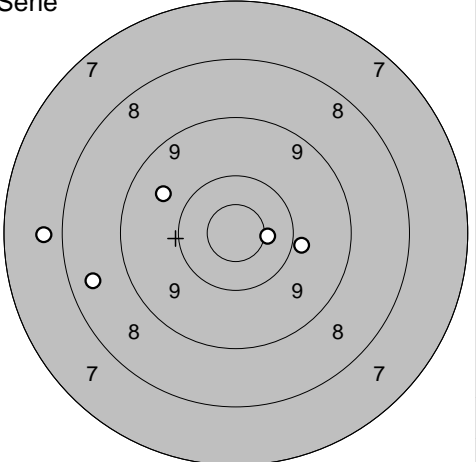
Serie 8,0  
Totalt 299,0

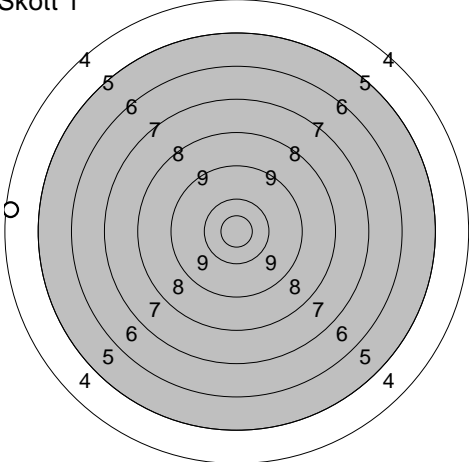
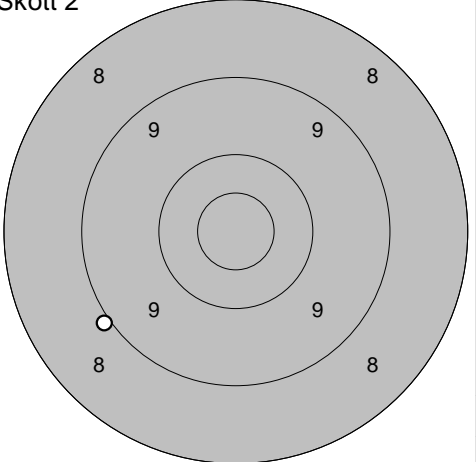
<p>Provskott</p> 	<p>1: 7,1 ↗ 2: 9,2 → 3: 8,5 →</p> <p>Serie 24,0 Totalt 223,0</p>	<p>Serie</p>  <p>1: 10,1 ↓ 2: 9,6 ↑ 3: 8,5 ← 4: 7,1 ↓ 5: 10,0 ←</p> <p>Serie 44,0 Totalt 267,0</p>
---	--	--

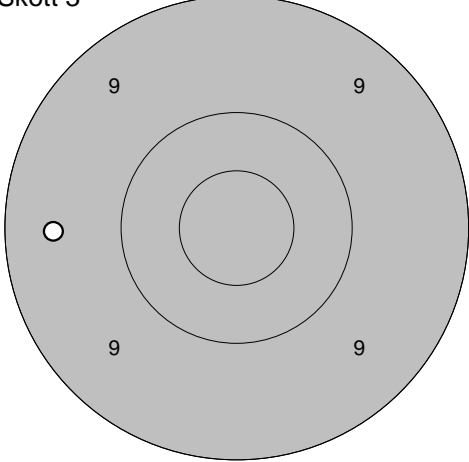
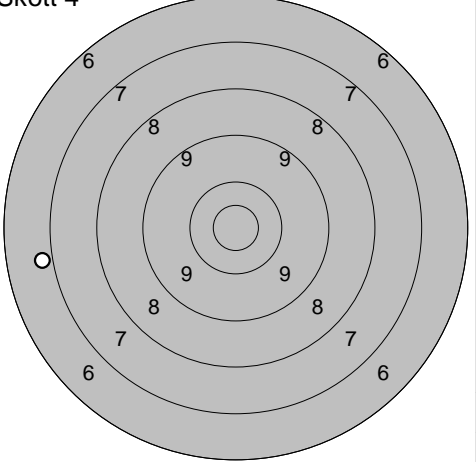
<p>Skott 1</p> 	<p>1: 9,7 ↙</p> <p>Serie 9,0 Totalt 276,0</p>	<p>Skott 2</p> 	<p>1: 7,4 ↗</p> <p>Serie 7,0 Totalt 283,0</p>
--	---	--	---

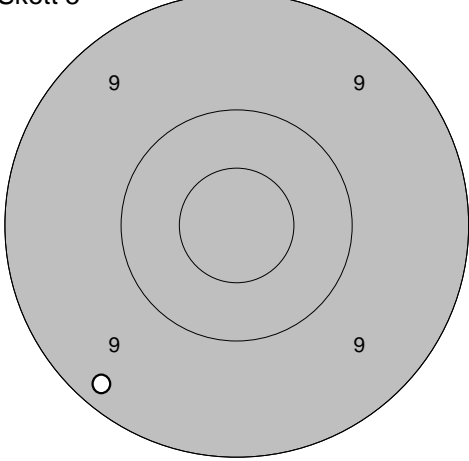
<p>Skott 3</p> 	<p>1: 8,1 ↗</p> <p>Serie 8,0 Totalt 291,0</p>	<p>Skott 4</p> 	<p>1: 10,0 ↑</p> <p>Serie 10,0 Totalt 301,0</p>
---	---	---	---

<p>Skott 5</p> 	<p>1: 7,7 →</p> <p>Serie 7,0 Totalt 308,0</p>		
---	---	--	--

<b>Provskott</b> 	1: 9,8 → 2: 10,3 ↘ 3: 10,6* ↑	<b>Serie</b> 	1: 8,5 ← 2: 10,5* → 3: 9,7 ↖ 4: 7,8 ← 5: 9,9 →
Serie 29,0		Serie 43,0	
Totalt 222,0		Totalt 265,0	

<b>Skott 1</b> 	1: 4,4 ←	<b>Skott 2</b> 	1: 9,0 ↖
Serie 4,0		Serie 9,0	
Totalt 269,0		Totalt 278,0	

<b>Skott 3</b> 	1: 9,5 ←	<b>Skott 4</b> 	1: 6,9 ←
Serie 9,0		Serie 6,0	
Totalt 287,0		Totalt 293,0	

<b>Skott 5</b> 	1: 9,2 ↘		
Serie 9,0			
Totalt 302,0			



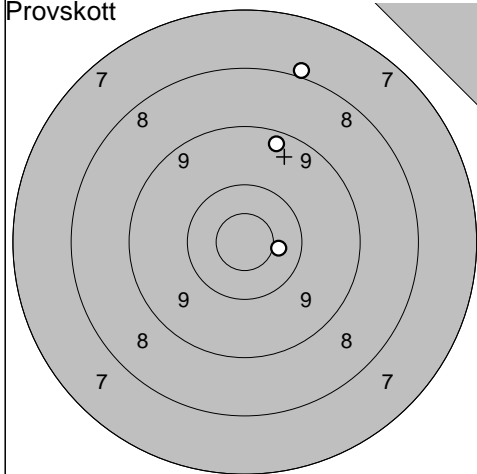
Gideå

2010-07-20

Björkskottet 2010 Final

Ramselefors SKF

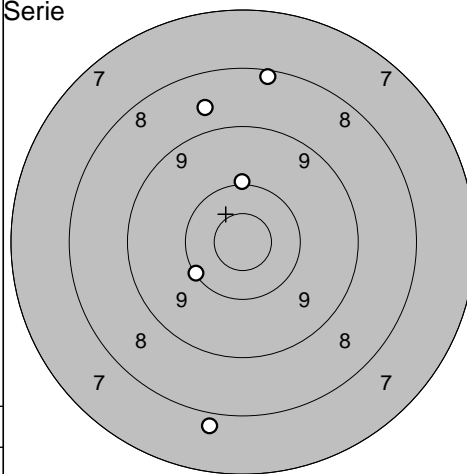
Provskott



1: 9,3 ↑  
2: 10,5\* →  
3: 8,0 ↑

Serie	27,0
Totalt	221,0

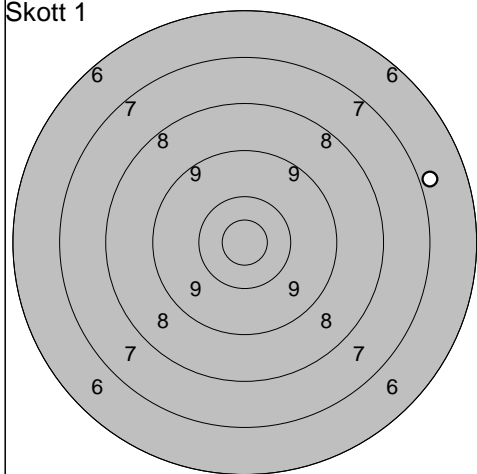
Serie



1: 8,2 ↑  
2: 10,1 ↙  
3: 10,0 ↑  
4: 7,9 ↓  
5: 8,7 ↑

Serie	43,0
Totalt	264,0

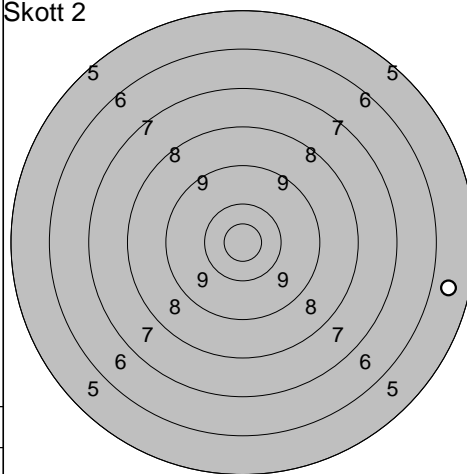
Skott 1



1: 6,9 →

Serie	6,0
Totalt	270,0

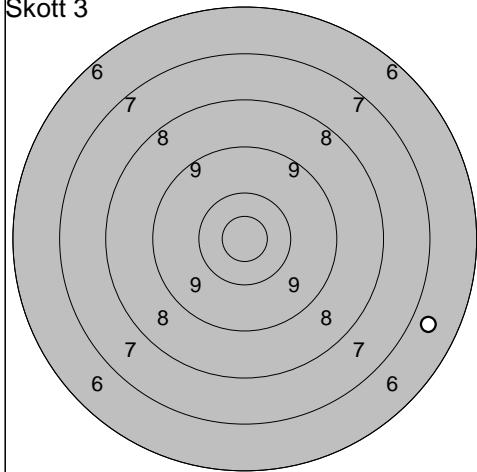
Skott 2



1: 5,7 →

Serie	5,0
Totalt	275,0

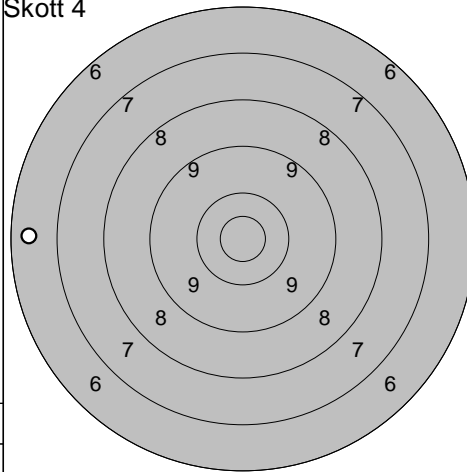
Skott 3



1: 6,7 →

Serie	6,0
Totalt	281,0

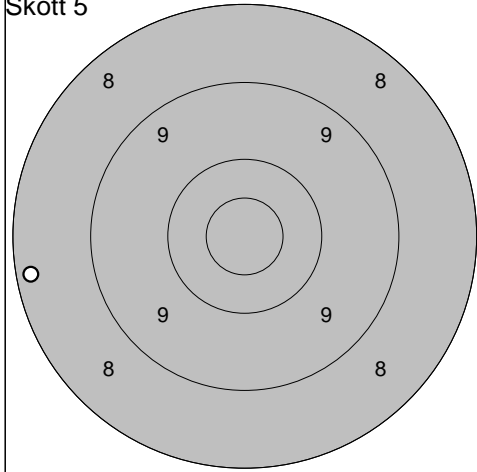
Skott 4



1: 6,5 ←

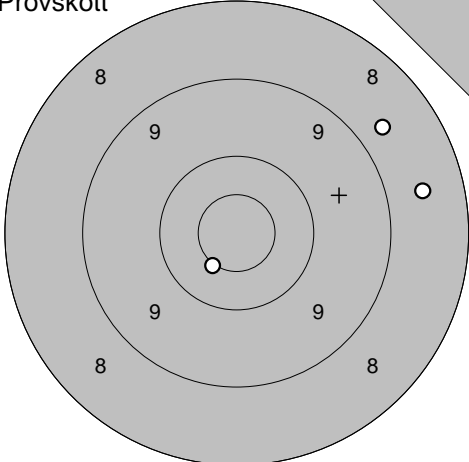
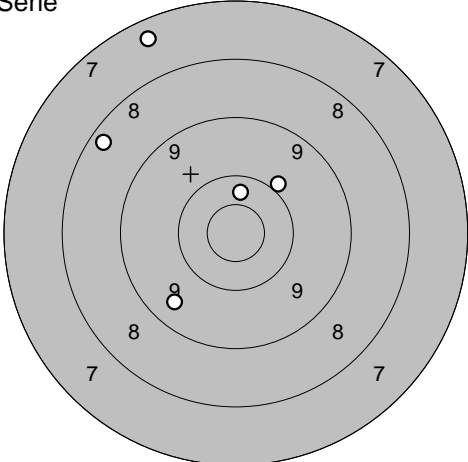
Serie	6,0
Totalt	287,0

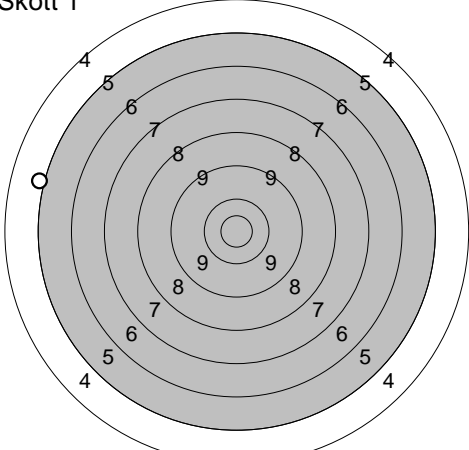
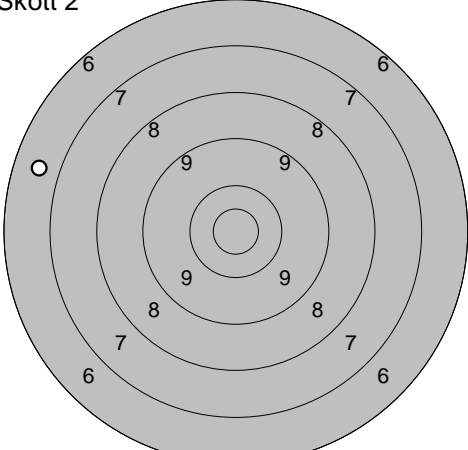
Skott 5

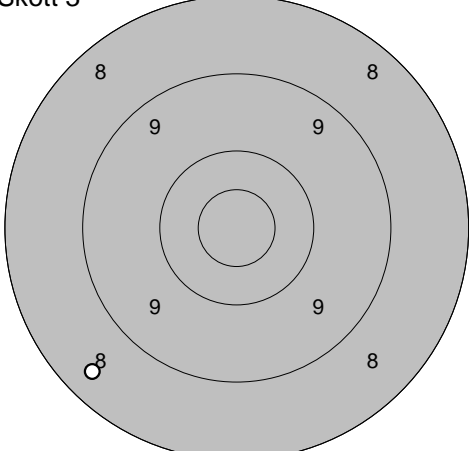
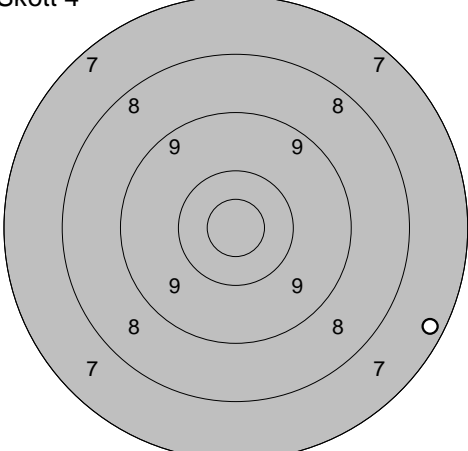


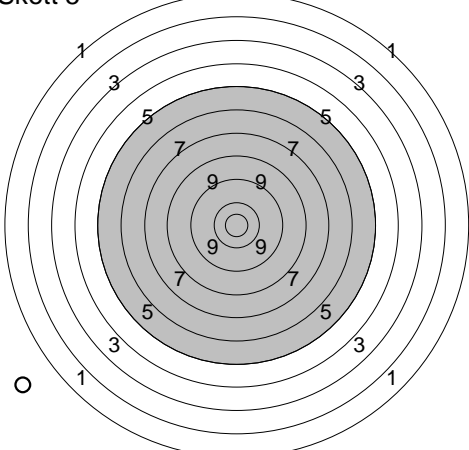
1: 8,2 ←

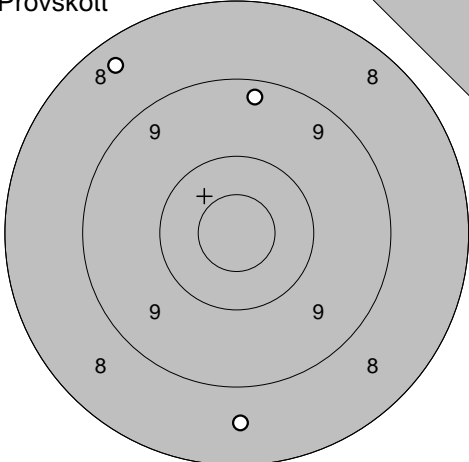
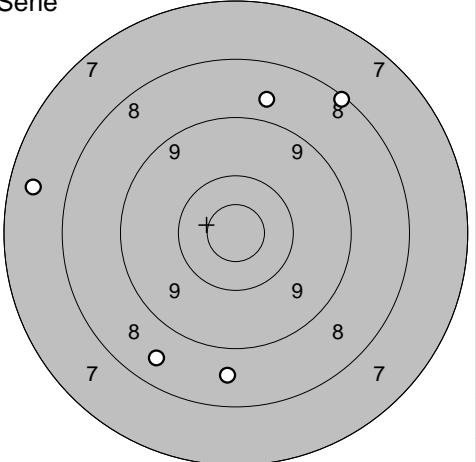
Serie	8,0
Totalt	295,0

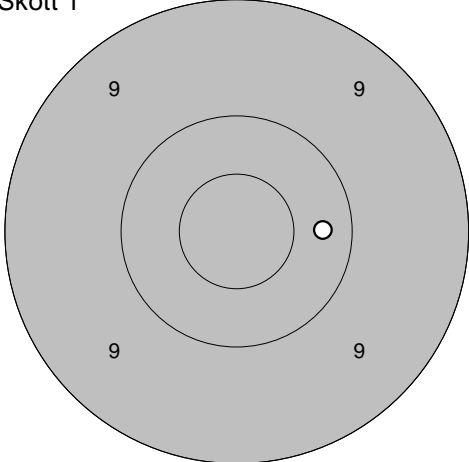
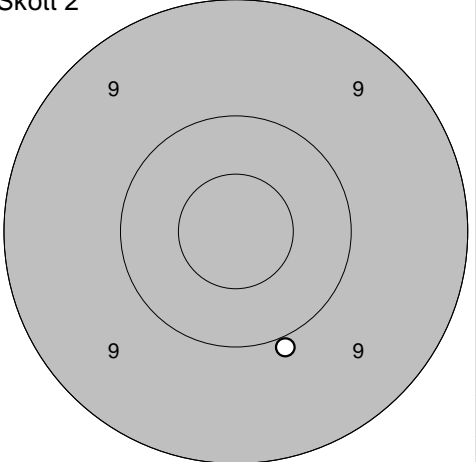
<p>Provskott</p> 	<p>1: 8,7 ↗ 2: 10,5* ↓ 3: 8,6 →</p>	<p>Serie</p> 	<p>1: 7,4 ↖ 2: 10,4 ↑ 3: 10,0 ↗ 4: 8,3 ↖ 5: 9,5 ↓</p>
	Serie 26,0		Serie 44,0
	Totalt 216,0		Totalt 260,0

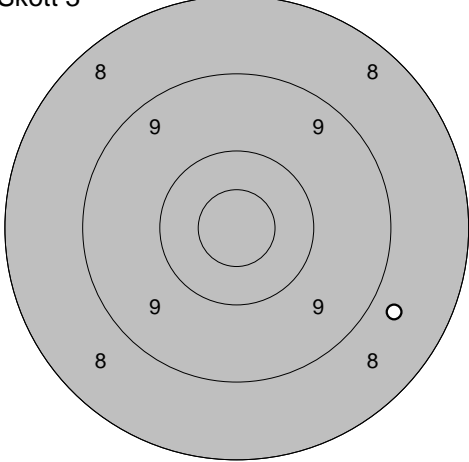
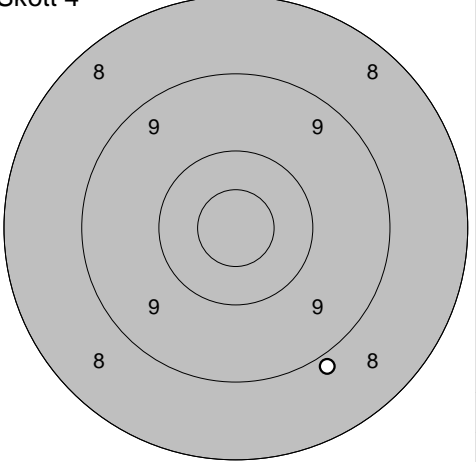
<p>Skott 1</p> 	<p>1: 5,1 ←</p>	<p>Skott 2</p> 	<p>1: 6,7 ←</p>
	Serie 5,0		Serie 6,0
	Totalt 265,0		Totalt 271,0

<p>Skott 3</p> 	<p>1: 8,4 ↘</p>	<p>Skott 4</p> 	<p>1: 7,3 →</p>
	Serie 8,0		Serie 7,0
	Totalt 279,0		Totalt 286,0

<p>Skott 5</p> 	<p>1: 0,0 ↙</p>		
	Serie 0,0		
	Totalt 286,0		

<p><b>Provs-kott</b></p> 	<p>1: 8,4 ↗ 2: 9,3 ↑ 3: 8,6 ↓</p> <p>Serie 25,0 Totalt 213,0</p>	<p><b>Serie</b></p>  <p>1: 7,5 ← 2: 8,1 ↗ 3: 8,7 ↑ 4: 8,6 ↓ 5: 8,5 ↘</p> <p>Serie 39,0 Totalt 252,0</p>
---	--	---

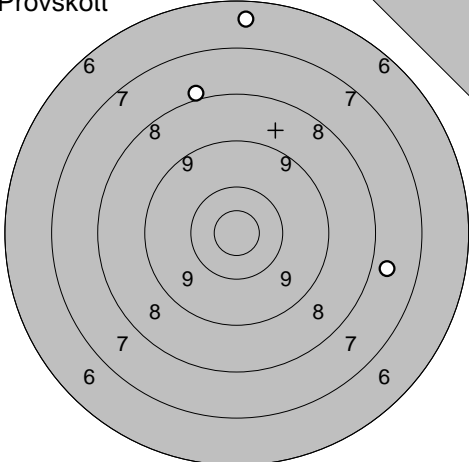
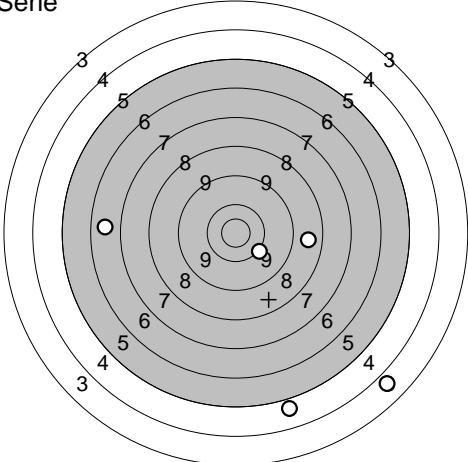
<p><b>Skott 1</b></p>  <p>Serie 10,0 Totalt 262,0</p>	<p><b>Skott 2</b></p>  <p>1: 9,9 ↓ Serie 9,0 Totalt 271,0</p>
--	--

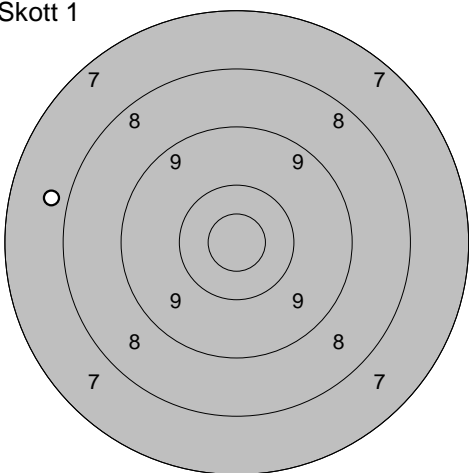
<p><b>Skott 3</b></p>  <p>1: 8,7 ↘ Serie 8,0 Totalt 279,0</p>	<p><b>Skott 4</b></p>  <p>1: 8,9 ↓ Serie 8,0 Totalt 287,0</p>
---	---

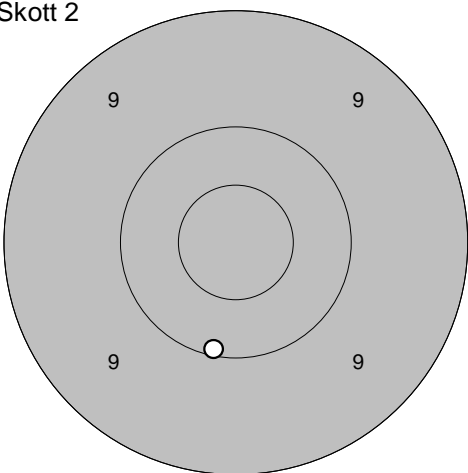
<p><b>Skott 5</b></p>  <p>1: 8,2 ↗ Serie 8,0 Totalt 295,0</p>	
---	--

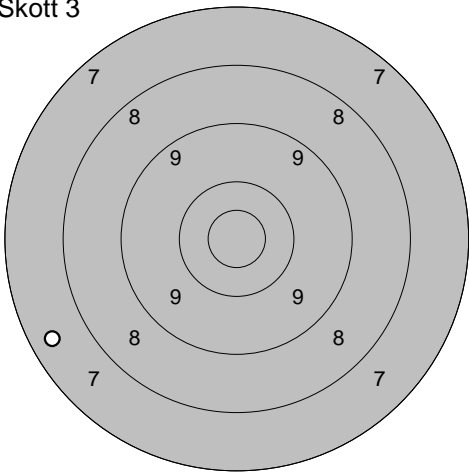
Ununge	
--------	--

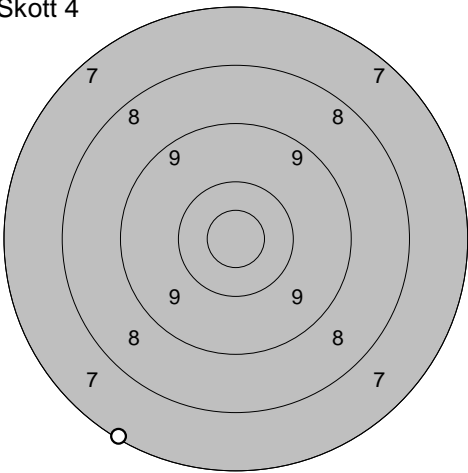
2010-07-20	Björkskottet 2010 Final	Ramselefors SKF
------------	-------------------------	-----------------

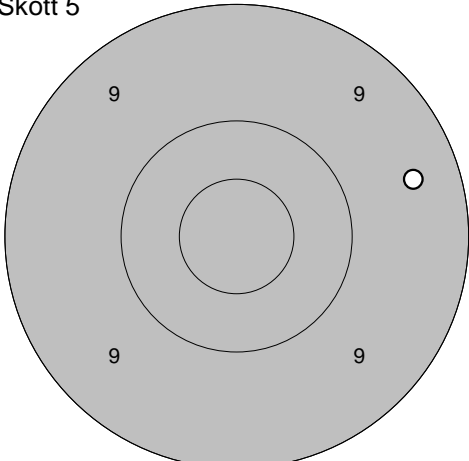
<p>Provskott</p> 	<p>1: 7,8 → 2: 6,5 ↑ 3: 8,0 ↑</p>	<p>Serie</p> 	<p>1: 4,9 ↓ 2: 3,9 ↓ 3: 10,2 ↓ 4: 6,7 ← 5: 8,7 →</p>
Serie 21,0		Serie 31,0	
Totalt 212,0		Totalt 243,0	

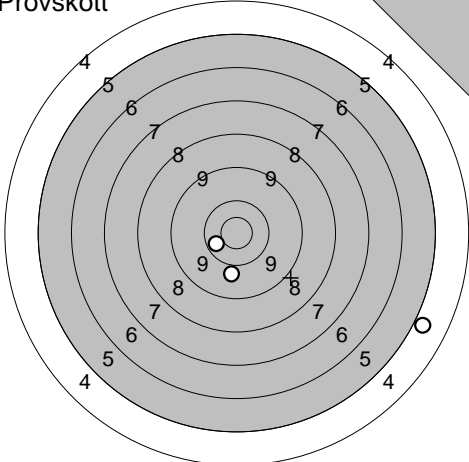
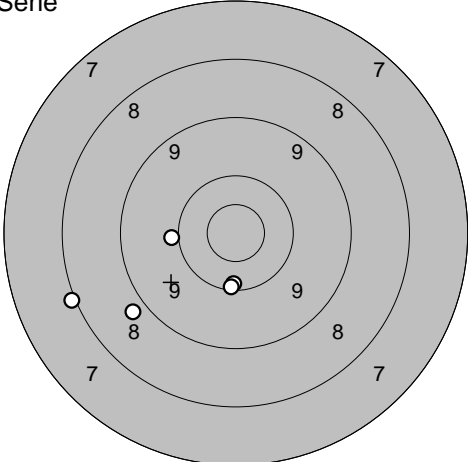
<p>Skott 1</p> 	<p>1: 7,8 ←</p>
Serie 7,0	
Totalt 250,0	

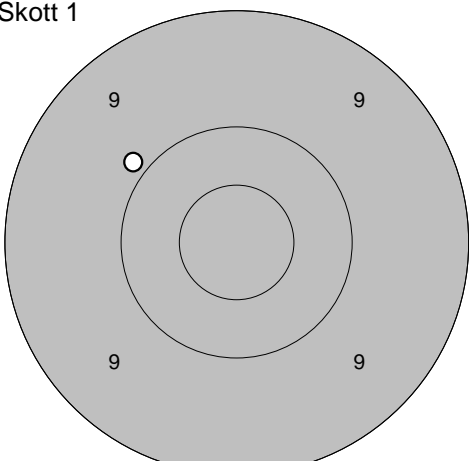
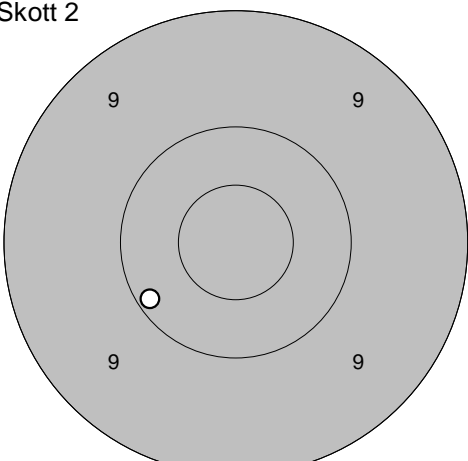
<p>Skott 2</p> 	<p>1: 10,1 ↓</p>
Serie 10,0	
Totalt 260,0	

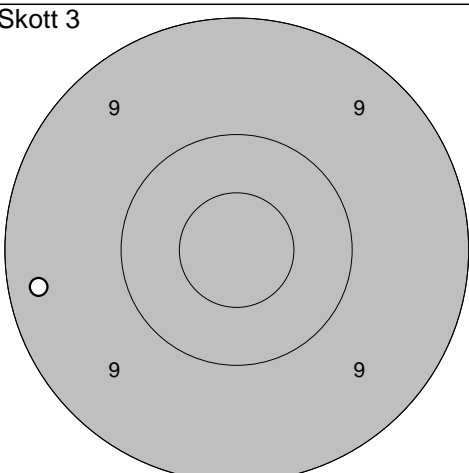
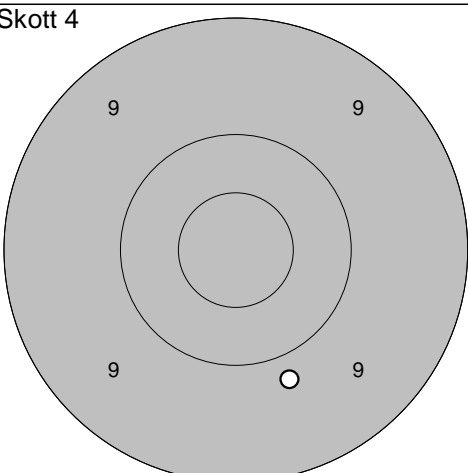
<p>Skott 3</p> 	<p>1: 7,5 ↙</p>
Serie 7,0	
Totalt 267,0	

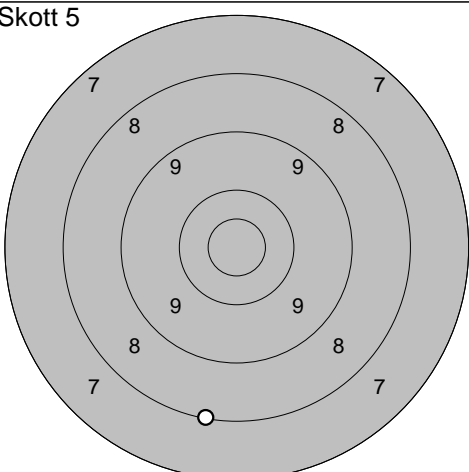
<p>Skott 4</p> 	<p>1: 7,1 ↘</p>
Serie 7,0	
Totalt 274,0	

<p>Skott 5</p> 	<p>1: 9,4 →</p>
Serie 9,0	
Totalt 283,0	

<b>Provskott</b> 	1: 9,9 ↓ 2: 4,9 → 3: 10,5* ←  Serie 23,0 Totalt 208,0	<b>Serie</b> 	1: 10,0 ← 2: 10,2 ↓ 3: 8,9 ↙ 4: 10,2 ↓ 5: 8,0 ←  Serie 46,0 Totalt 254,0
--	--	--	---

<b>Skott 1</b> 	<b>Skott 2</b> 
1: 9,9 ↖  Serie 9,0 Totalt 263,0	1: 10,1 ↖  Serie 10,0 Totalt 273,0

<b>Skott 3</b> 	<b>Skott 4</b> 
1: 9,3 ←  Serie 9,0 Totalt 282,0	1: 9,8 ↓  Serie 9,0 Totalt 291,0

<b>Skott 5</b> 	1: 8,1 ↓  Serie 8,0 Totalt 299,0
--	---

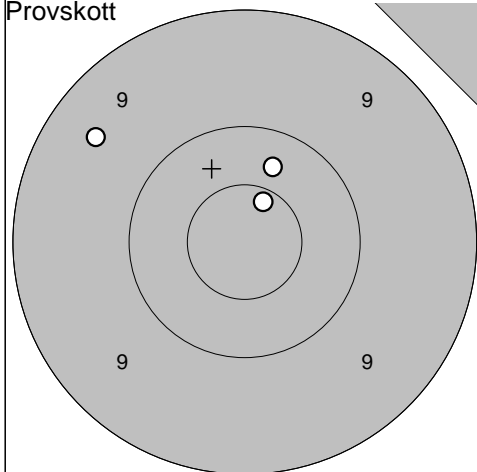
Ununge

2010-07-20

Björkskottet 2010 Final

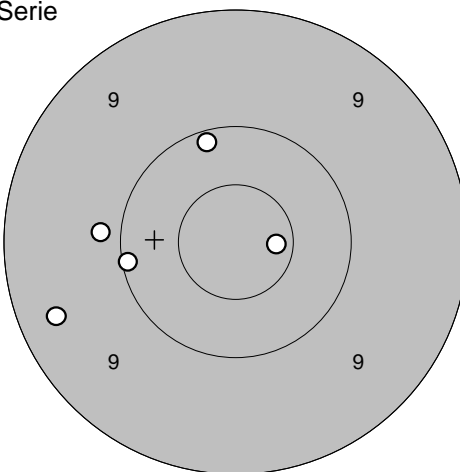
Ramselefors SKF

Provs-kott



1: 10,6\* ↗  
2: 9,5 ↖  
3: 10,3 ↗

Serie

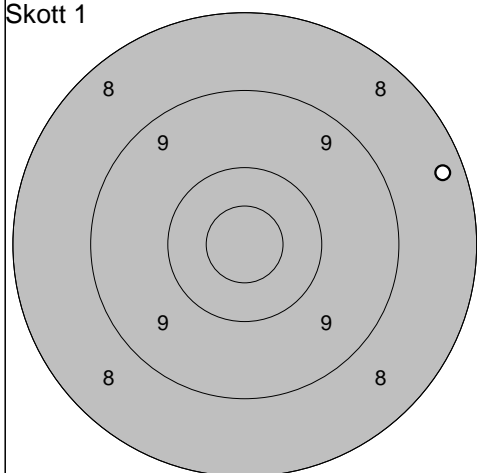


1: 10,1 ↗  
2: 10,1 ←  
3: 9,9 ←  
4: 10,7\* →  
5: 9,4 ←

Serie	29,0
Totalt	234,0

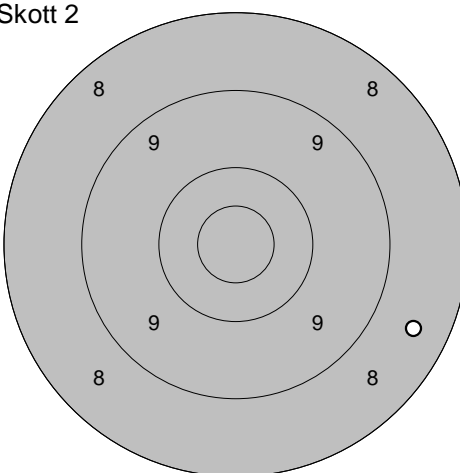
Serie	48,0
Totalt	282,0

Skott 1



1: 8,3 →

Skott 2

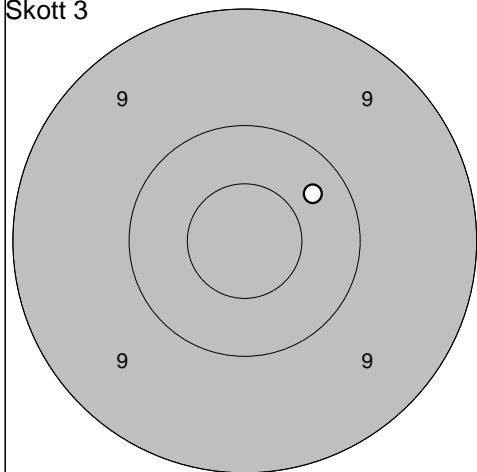


1: 8,5 →

Serie	8,0
Totalt	290,0

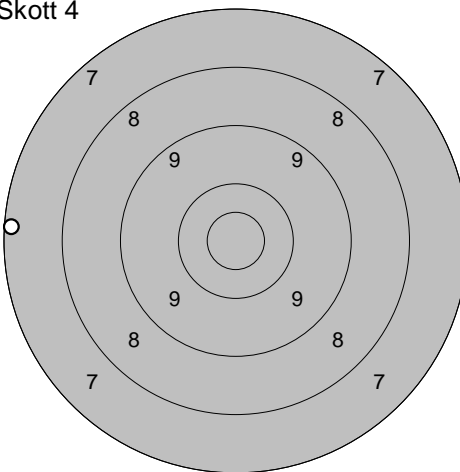
Serie	8,0
Totalt	298,0

Skott 3



1: 10,3 ↗

Skott 4

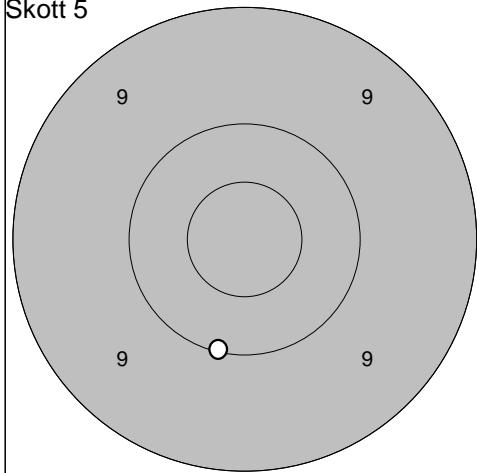


1: 7,2 ←

Serie	10,0
Totalt	308,0

Serie	7,0
Totalt	315,0

Skott 5



1: 10,1 ↓

Serie	10,0
Totalt	325,0

Skjutlag

2

Tavla

2

Sören Olsson

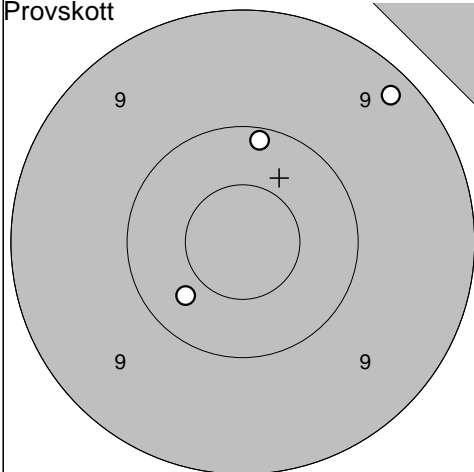
Umeå

2010-07-20

Björkskottet 2010 Final

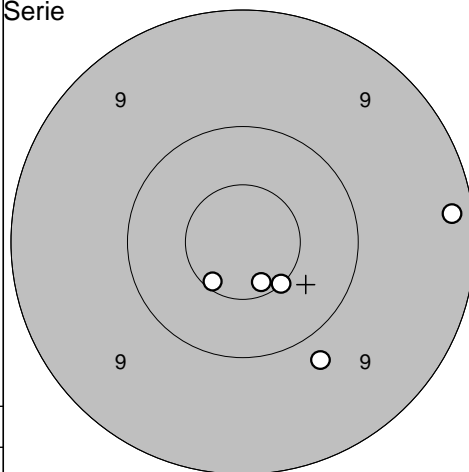
Ramselefors SKF

Provskott



1: 10,4 ↙  
 2: 9,2 ↗  
 3: 10,1 ↑

Serie



1: 10,6\* ↙  
 2: 9,2 →  
 3: 9,8 ↘  
 4: 10,5\* ↘  
 5: 10,6\* ↘

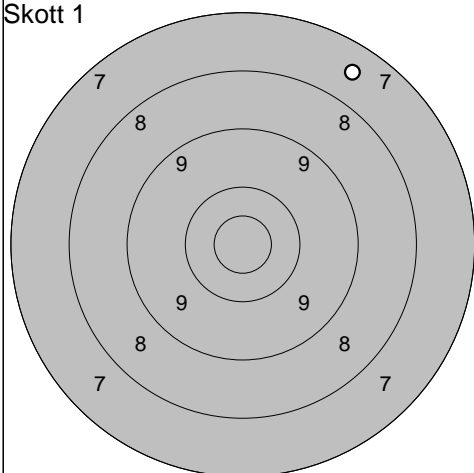
Serie 29,0

Totalt 233,0

Serie 48,0

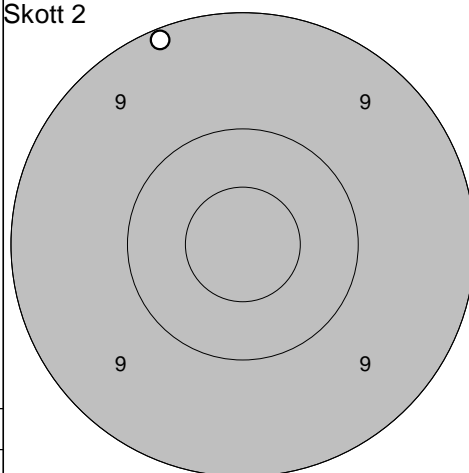
Totalt 281,0

Skott 1



1: 7,6 ↗

Skott 2



1: 9,1 ↖

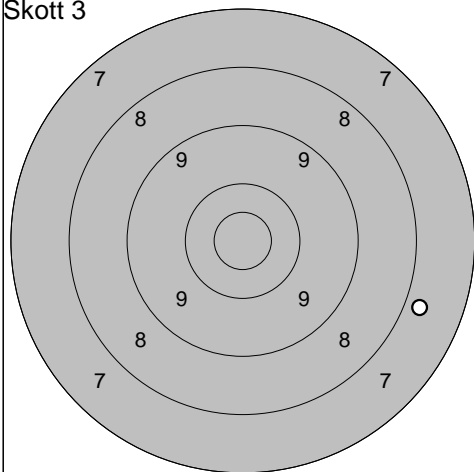
Serie 7,0

Totalt 288,0

Serie 9,0

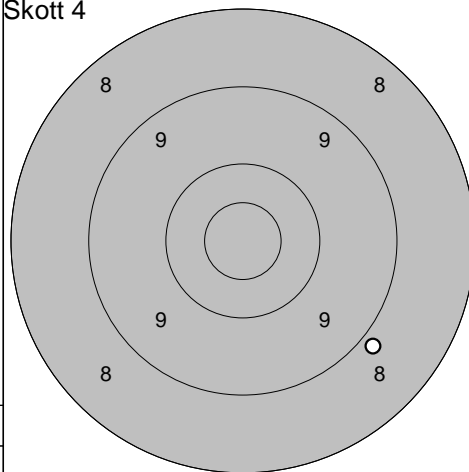
Totalt 297,0

Skott 3



1: 7,8 →

Skott 4



1: 8,9 ↘

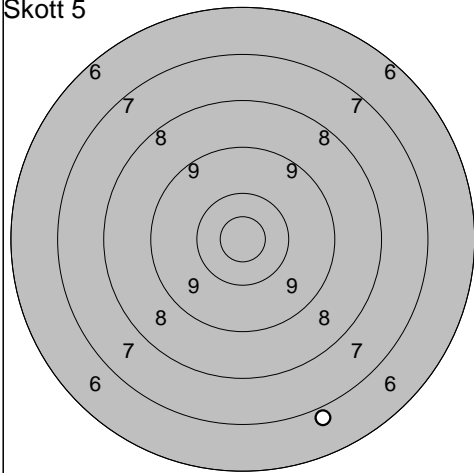
Serie 7,0

Totalt 304,0

Serie 8,0

Totalt 312,0

Skott 5



1: 6,9 ↘

Serie 6,0

Totalt 318,0

Ale

2010-07-20	Björkskottet 2010 Final	Ramselefors SKF
------------	-------------------------	-----------------

<p>Provskott</p>	<p>1: 10,5* →</p> <p>2: 8,6 ↗</p> <p>3: 10,9* ↓</p>	<p>Serie</p>	<p>1: 10,2 ←</p> <p>2: 9,4 ↖</p> <p>3: 9,5 ↖</p> <p>4: 10,3 ←</p> <p>5: 8,7 ↑</p>
Serie 28,0		Serie 46,0	
Totalt 233,0		Totalt 279,0	

<p>Skott 1</p>	<p>1: 8,6 →</p>	<p>Skott 2</p>	<p>1: 9,0 ←</p>
Serie 8,0		Serie 9,0	
Totalt 287,0		Totalt 296,0	

<p>Skott 3</p>	<p>1: 7,7 ↘</p>	<p>Skott 4</p>	<p>1: 9,1 ↗</p>
Serie 7,0		Serie 9,0	
Totalt 303,0		Totalt 312,0	

<p>Skott 5</p>	<p>1: 9,6 →</p>		
Serie 9,0			
Totalt 321,0			



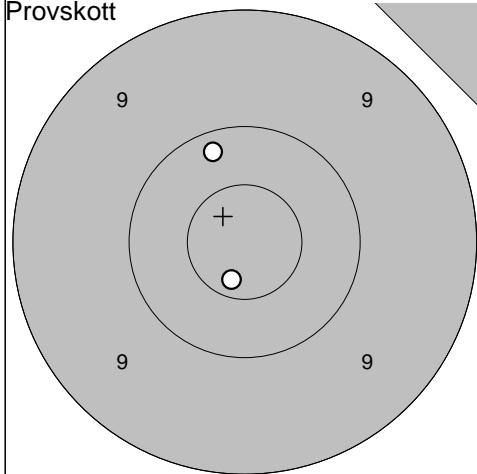
Ramselefors

2010-07-20

Björkskottet 2010 Final

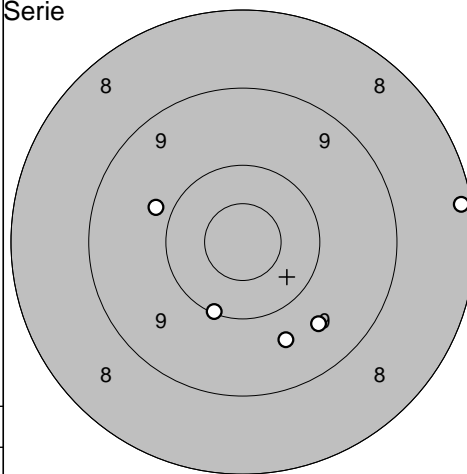
Ramselefors SKF

Provskott



1: 10,2 ↗  
2: 10,7\* ↓

Serie



1: 9,8 ↖  
2: 8,2 →  
3: 10,1 ↓  
4: 9,6 ↓  
5: 9,7 ↓

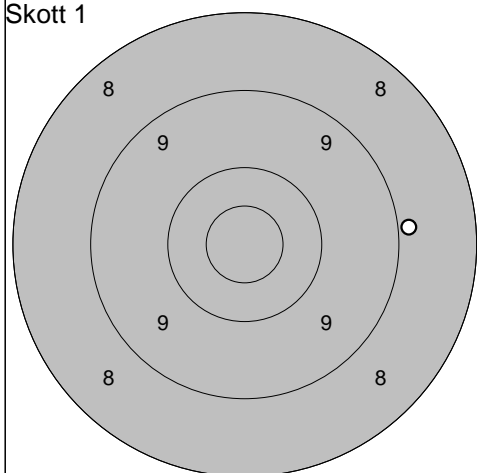
Serie 20,0

Totalt 228,0

Serie 45,0

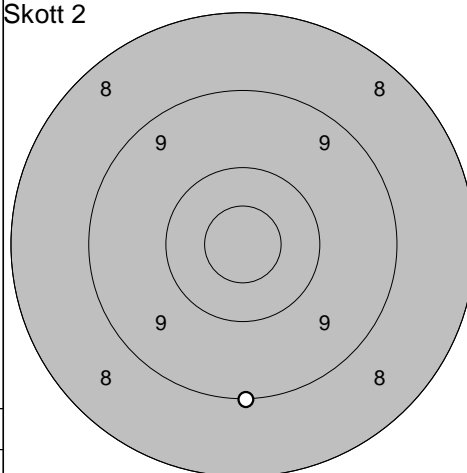
Totalt 273,0

Skott 1



1: 8,9 →

Skott 2



1: 9,0 ↓

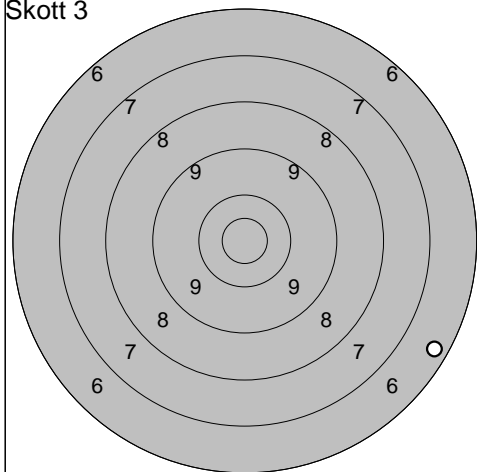
Serie 8,0

Totalt 281,0

Serie 9,0

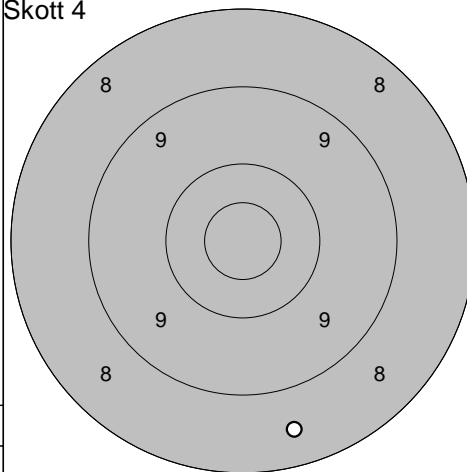
Totalt 290,0

Skott 3



1: 6,4 ↘

Skott 4



1: 8,5 ↓

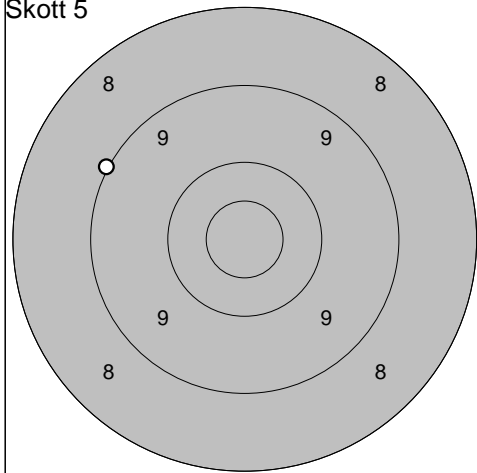
Serie 6,0

Totalt 296,0

Serie 8,0

Totalt 304,0

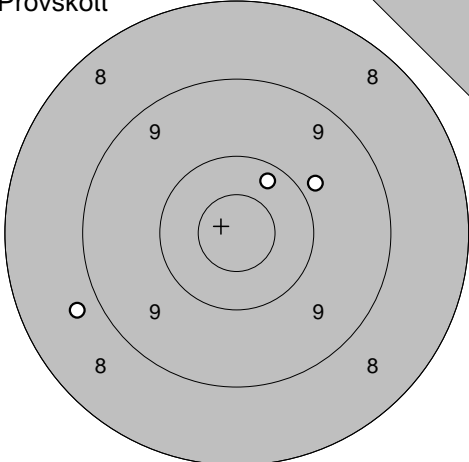
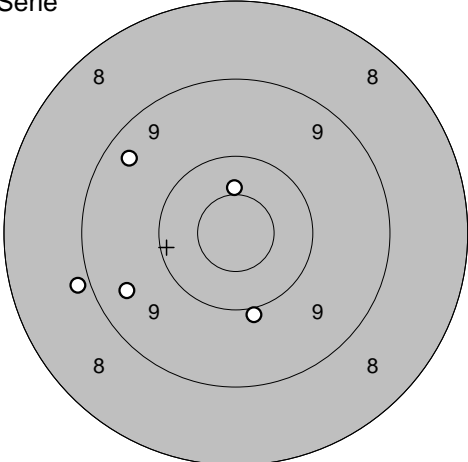
Skott 5

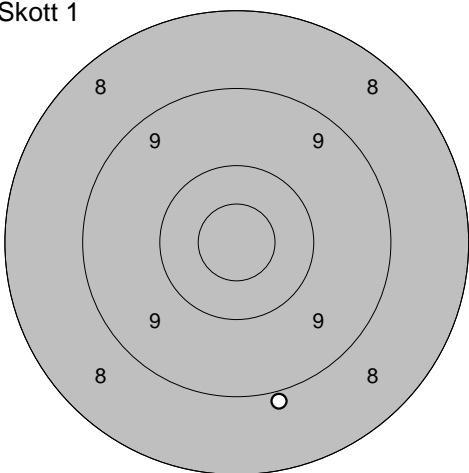
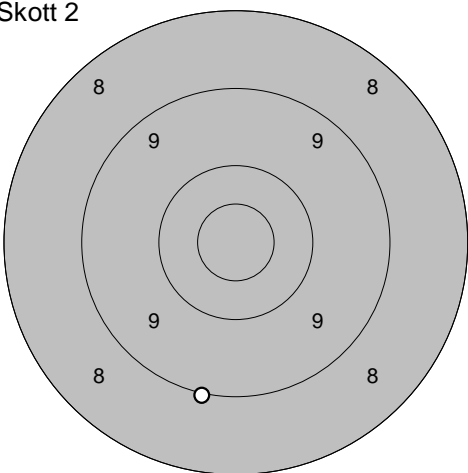


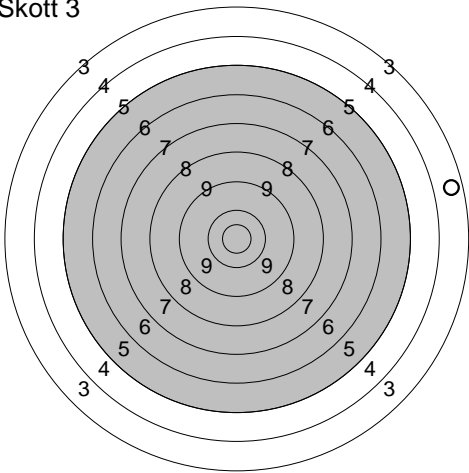
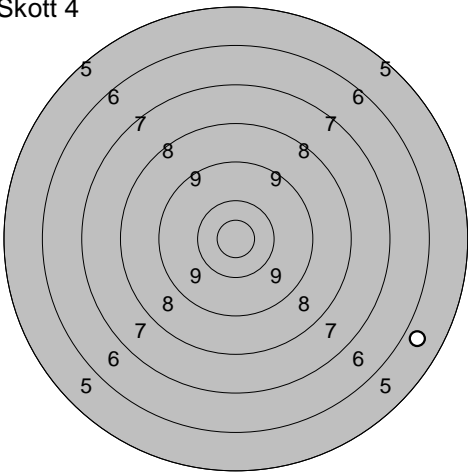
1: 9,0 ↖

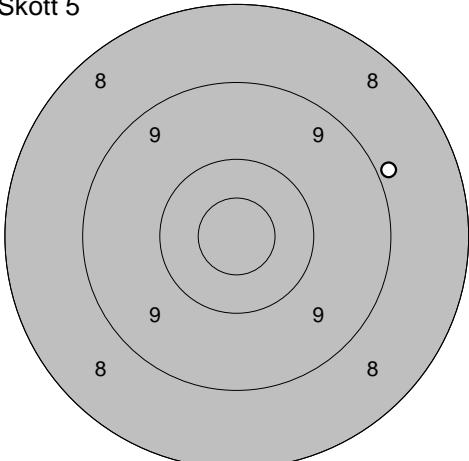
Serie 9,0

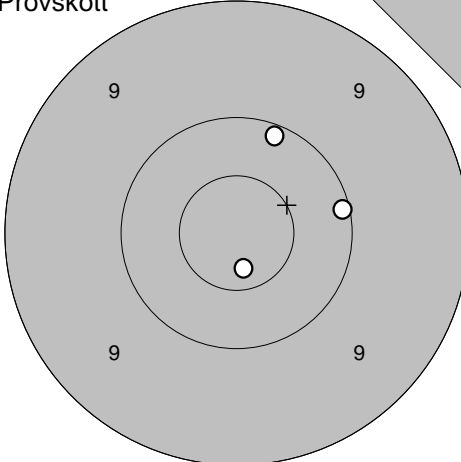
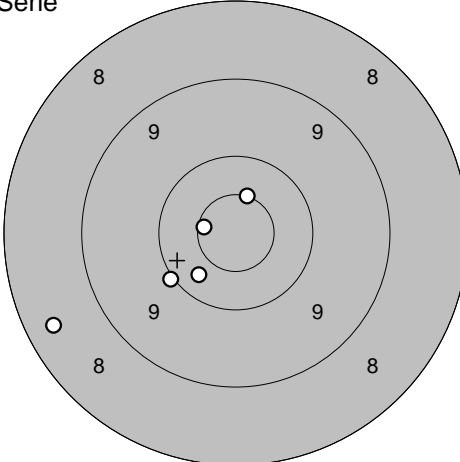
Totalt 313,0

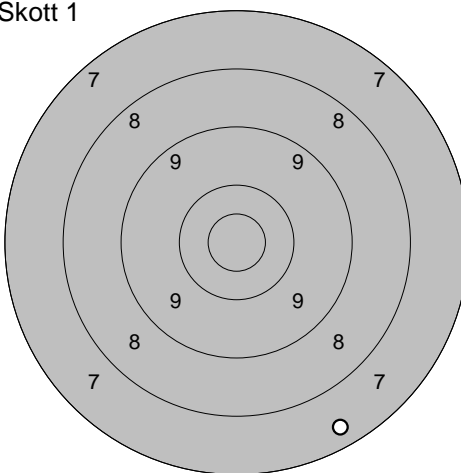
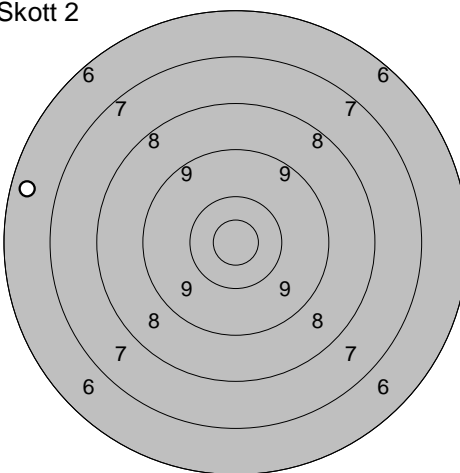
<p>Provskott</p> 	<p>1: 10,3 ↗ 2: 8,8 ← 3: 9,8 →</p> <p>Serie 27,0 Totalt 227,0</p>	<p>Serie</p>  <p>1: 10,0 ↓ 2: 8,9 ← 3: 9,5 ← 4: 9,4 ↖ 5: 10,5* ↑</p> <p>Serie 46,0 Totalt 273,0</p>
---	---	---

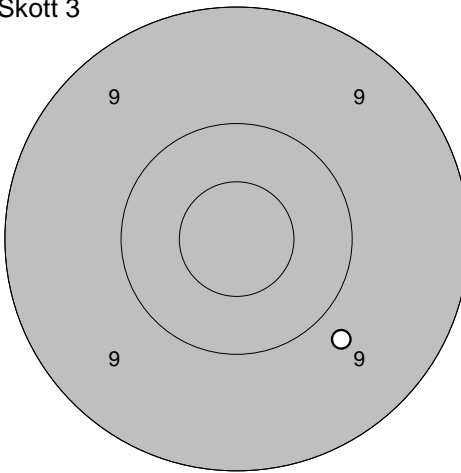
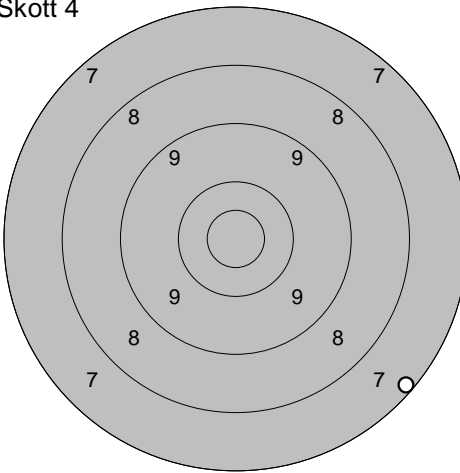
<p>Skott 1</p> 	<p>1: 8,9 ↓</p> <p>Serie 8,0 Totalt 281,0</p>	<p>Skott 2</p> 	<p>1: 9,0 ↓</p> <p>Serie 9,0 Totalt 290,0</p>
--	---	--	---

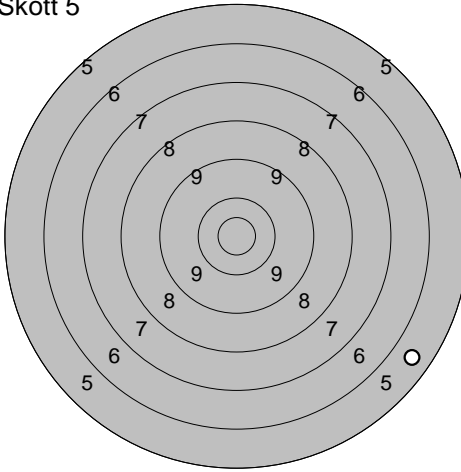
<p>Skott 3</p> 	<p>1: 3,6 →</p> <p>Serie 3,0 Totalt 293,0</p>	<p>Skott 4</p> 	<p>1: 5,8 →</p> <p>Serie 5,0 Totalt 298,0</p>
---	---	---	---

<p>Skott 5</p> 	<p>1: 8,9 →</p> <p>Serie 8,0 Totalt 306,0</p>		
---	---	--	--

<b>Provskott</b> 	1: 10,1 → 2: 10,1 ↑ 3: 10,7* ↓  Serie 30,0 Totalt 226,0	<b>Serie</b> 	1: 10,6* ↑ 2: 10,0 ↙ 3: 8,4 ↙ 4: 10,6* ← 5: 10,3 ↙  Serie 48,0 Totalt 274,0
--	--	--	--

<b>Skott 1</b> 	1: 7,4 ↓  Serie 7,0 Totalt 281,0	<b>Skott 2</b> 	1: 6,5 ←  Serie 6,0 Totalt 287,0
---	---	---	---

<b>Skott 3</b> 	1: 9,8 ↘  Serie 9,0 Totalt 296,0	<b>Skott 4</b> 	1: 7,2 ↘  Serie 7,0 Totalt 303,0
--	---	--	---

<b>Skott 5</b> 	1: 5,6 ↘  Serie 5,0 Totalt 308,0		
--	---	--	--

Skjutlag

2

Tavla

7

## Hampus Stenlund

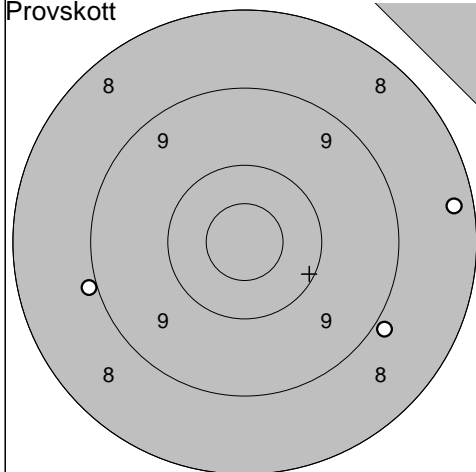
I 19 / A 9

2010-07-20

Björkskottet 2010 Final

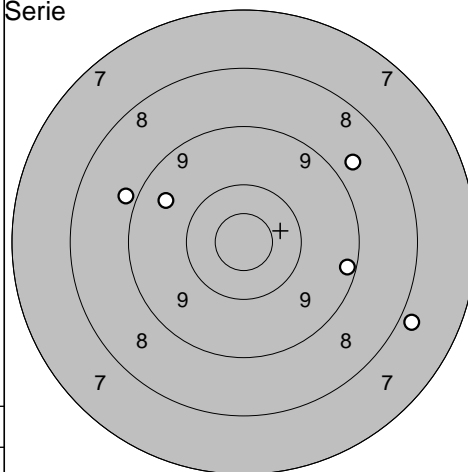
Ramselefors SKF

Provskott



1: 8,9 →  
 2: 8,3 →  
 3: 9,0 ←

Serie



1: 7,9 →  
 2: 9,2 →  
 3: 9,6 ↖  
 4: 8,9 ↖  
 5: 8,8 ↗

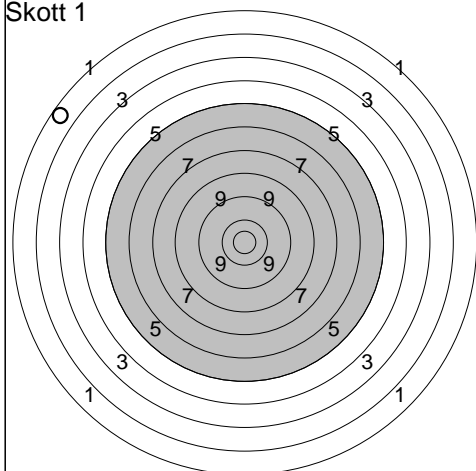
Serie 25,0

Totalt 221,0

Serie 41,0

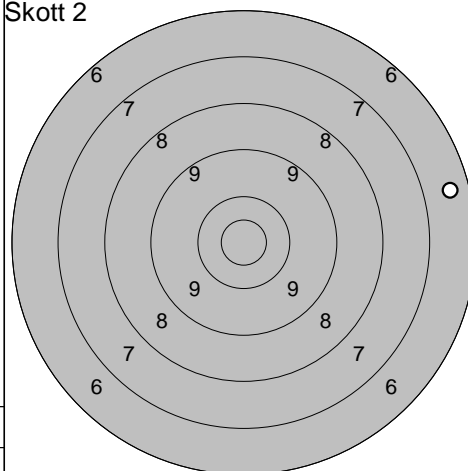
Totalt 262,0

Skott 1



1: 1,6 ↖

Skott 2



1: 6,5 →

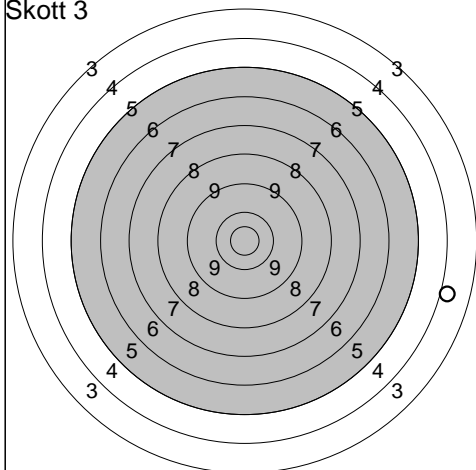
Serie 1,0

Totalt 263,0

Serie 6,0

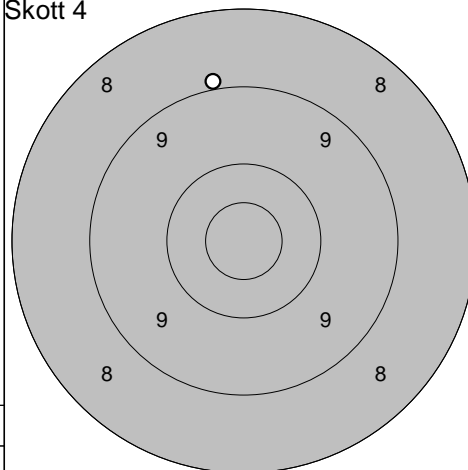
Totalt 269,0

Skott 3



1: 4,0 →

Skott 4



1: 9,0 ↑

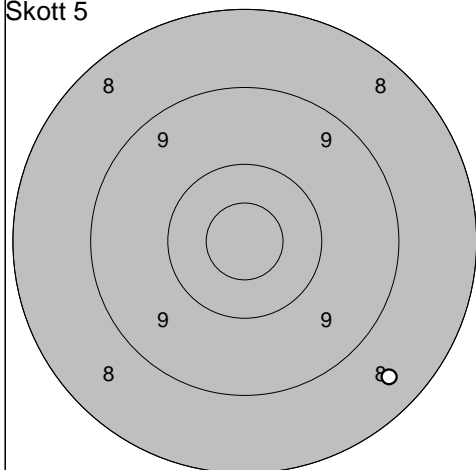
Serie 4,0

Totalt 273,0

Serie 9,0

Totalt 282,0

Skott 5



1: 8,5 ↘

Serie 8,0

Totalt 290,0

Skjutlag

Tavla

2

8

Torvald Andersson

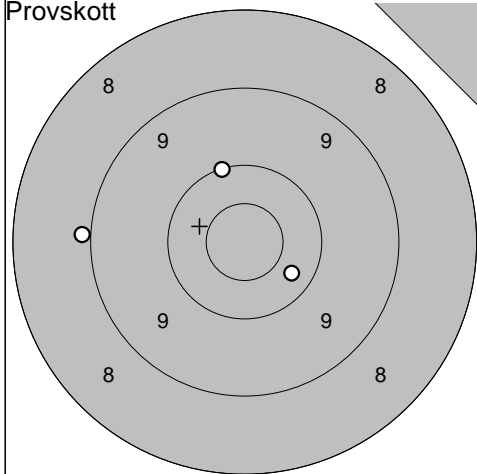
Bälunge-Jumkil

2010-07-20

Björkskottet 2010 Final

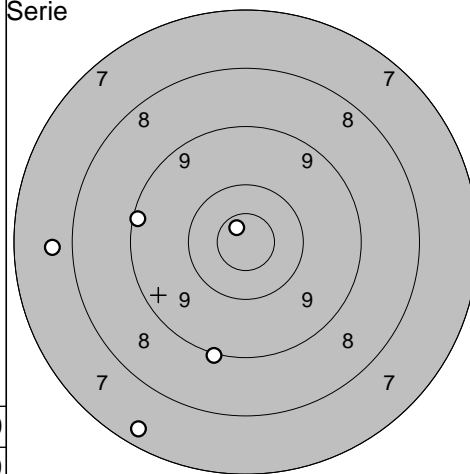
Ramselefors SKF

Provskott



1: 10,3 ↘  
 2: 8,9 ←  
 3: 10,1 ↗

Serie



1: 10,8\* ↗  
 2: 9,2 ←  
 3: 7,8 ←  
 4: 7,4 ↘  
 5: 9,1 ↘

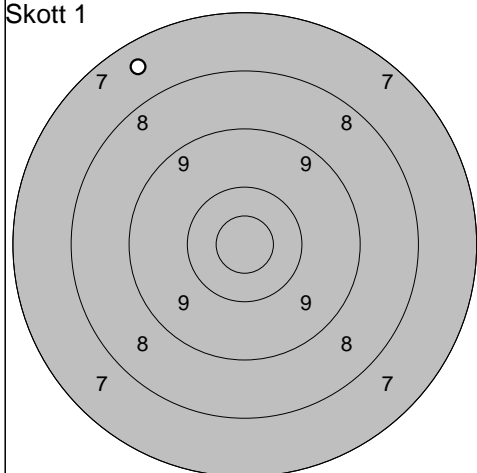
Serie 28,0

Totalt 220,0

Serie 42,0

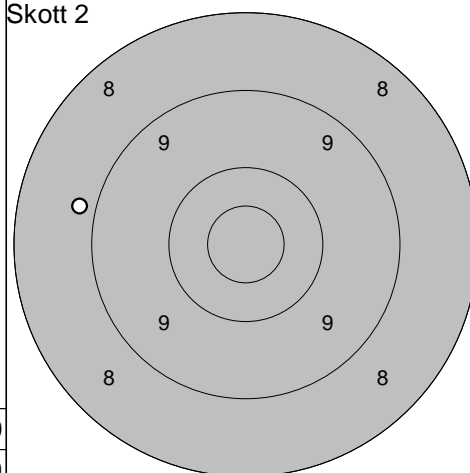
Totalt 262,0

Skott 1



1: 7,5 ↘

Skott 2



1: 8,8 ←

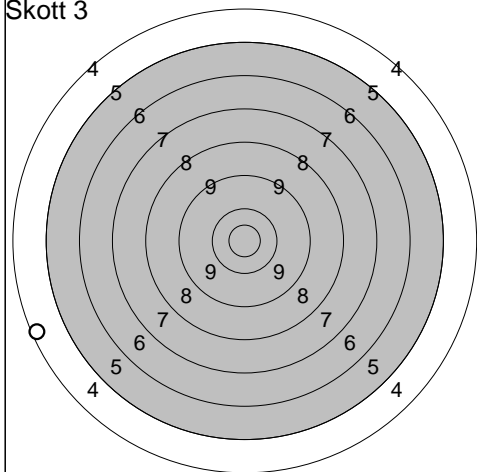
Serie 7,0

Totalt 269,0

Serie 8,0

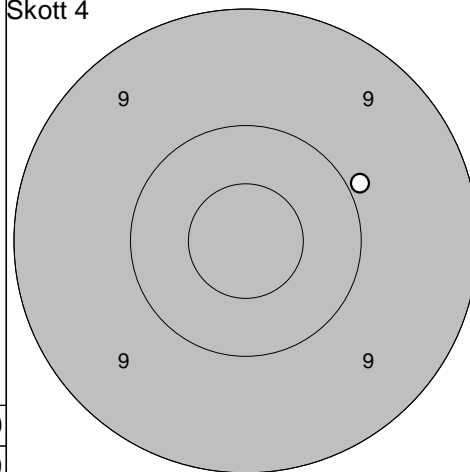
Totalt 277,0

Skott 3



1: 4,3 ←

Skott 4



1: 9,9 ↗

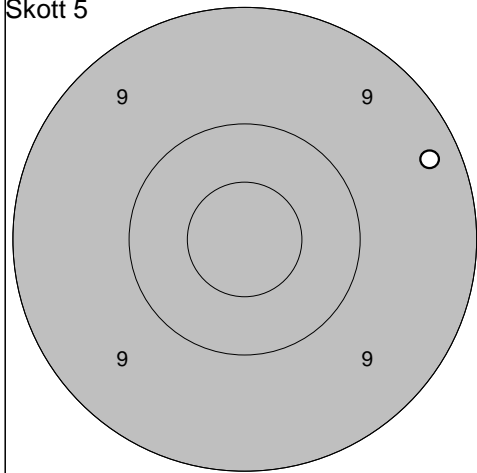
Serie 4,0

Totalt 281,0

Serie 9,0

Totalt 290,0

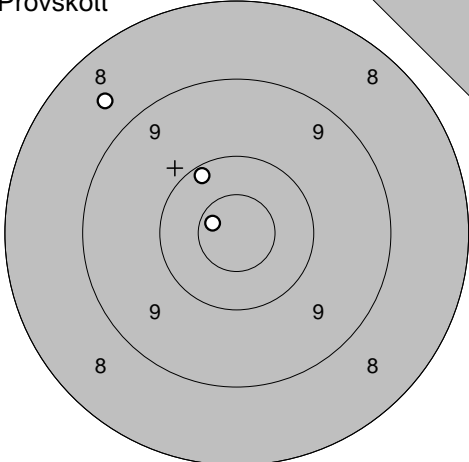
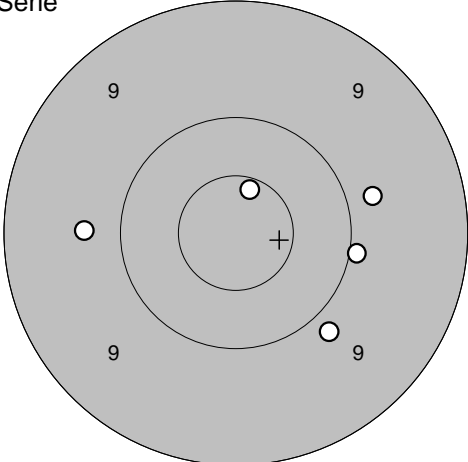
Skott 5

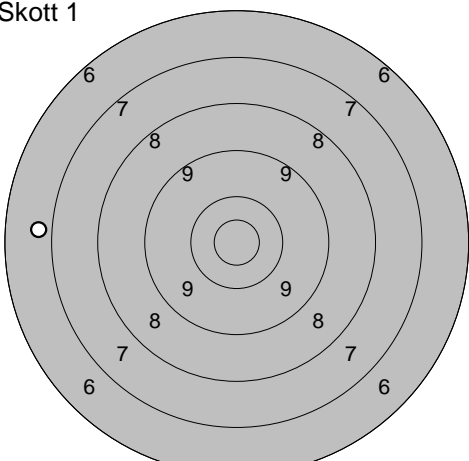
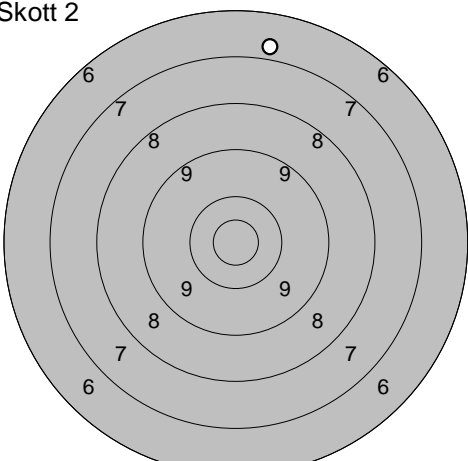


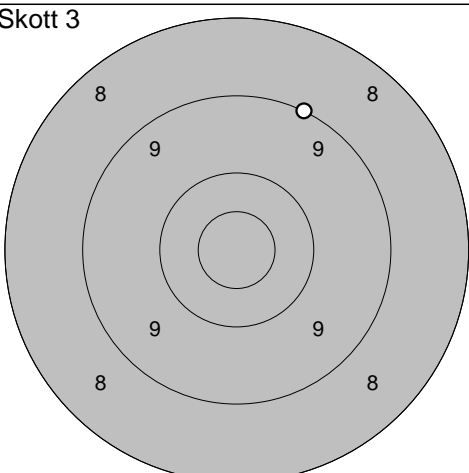
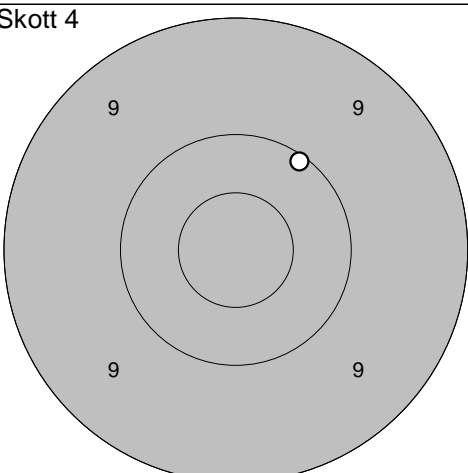
1: 9,3 ↗

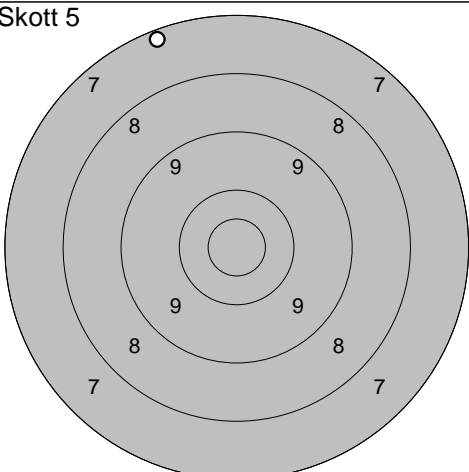
Serie 9,0

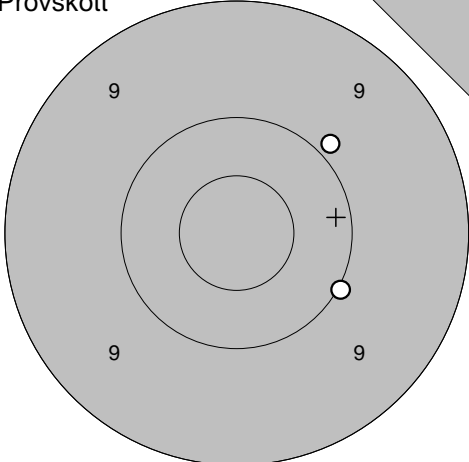
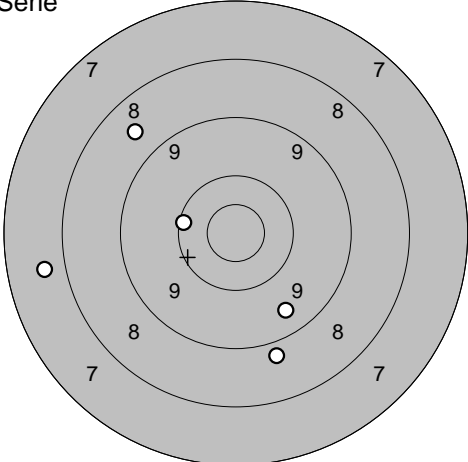
Totalt 299,0

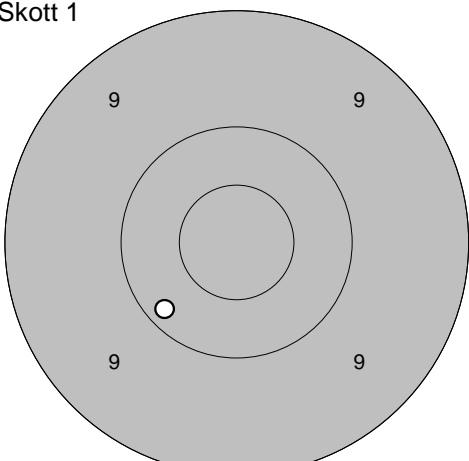
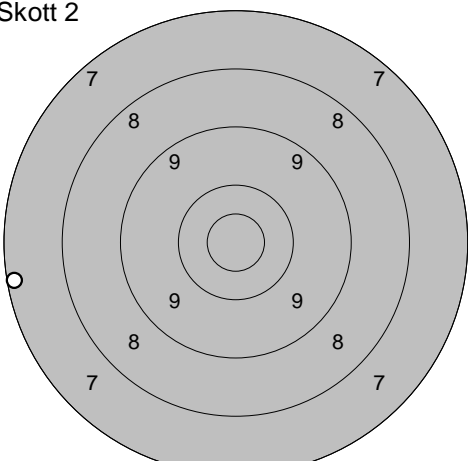
<b>Provskott</b> 	1: 10,2 ↗ 2: 8,6 ↗ 3: 10,7* ↖  <table border="1" style="width:100%; border-collapse: collapse;"> <tr><td style="padding: 2px;">Serie</td><td style="text-align: right; padding: 2px;">28,0</td></tr> <tr><td style="padding: 2px;">Totalt</td><td style="text-align: right; padding: 2px;">218,0</td></tr> </table>	Serie	28,0	Totalt	218,0	<b>Serie</b>  1: 9,8 → 2: 10,0 → 3: 9,9 ↘ 4: 10,6* ↑ 5: 9,7 ←  <table border="1" style="width:100%; border-collapse: collapse;"> <tr><td style="padding: 2px;">Serie</td><td style="text-align: right; padding: 2px;">47,0</td></tr> <tr><td style="padding: 2px;">Totalt</td><td style="text-align: right; padding: 2px;">265,0</td></tr> </table>	Serie	47,0	Totalt	265,0
Serie	28,0									
Totalt	218,0									
Serie	47,0									
Totalt	265,0									

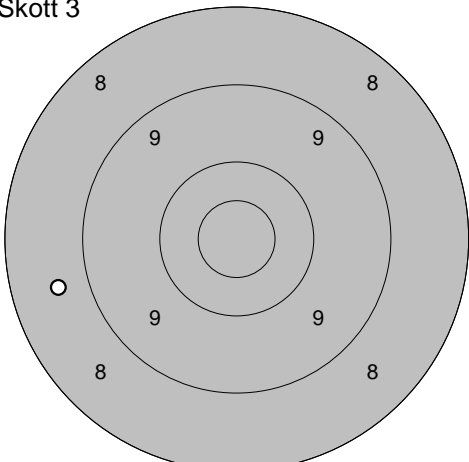
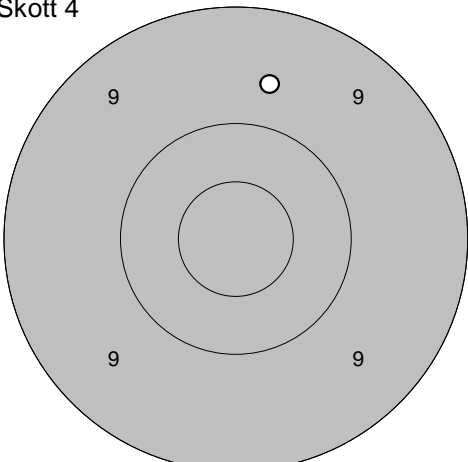
<b>Skott 1</b>  <table border="1" style="width:100%; border-collapse: collapse;"> <tr><td style="padding: 2px;">Serie</td><td style="text-align: right; padding: 2px;">6,0</td></tr> <tr><td style="padding: 2px;">Totalt</td><td style="text-align: right; padding: 2px;">271,0</td></tr> </table>	Serie	6,0	Totalt	271,0	<b>Skott 2</b>  1: 6,8 ↑  <table border="1" style="width:100%; border-collapse: collapse;"> <tr><td style="padding: 2px;">Serie</td><td style="text-align: right; padding: 2px;">6,0</td></tr> <tr><td style="padding: 2px;">Totalt</td><td style="text-align: right; padding: 2px;">277,0</td></tr> </table>	Serie	6,0	Totalt	277,0
Serie	6,0								
Totalt	271,0								
Serie	6,0								
Totalt	277,0								

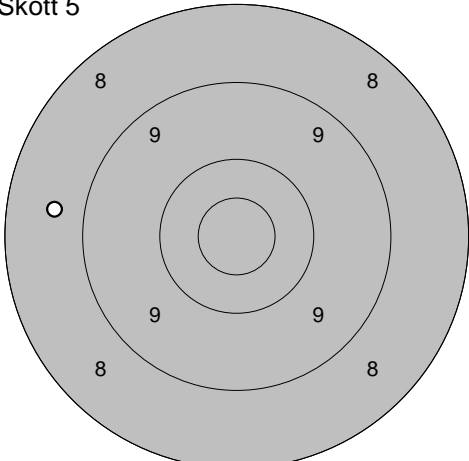
<b>Skott 3</b>  <table border="1" style="width:100%; border-collapse: collapse;"> <tr><td style="padding: 2px;">Serie</td><td style="text-align: right; padding: 2px;">9,0</td></tr> <tr><td style="padding: 2px;">Totalt</td><td style="text-align: right; padding: 2px;">286,0</td></tr> </table>	Serie	9,0	Totalt	286,0	<b>Skott 4</b>  1: 10,1 ↗  <table border="1" style="width:100%; border-collapse: collapse;"> <tr><td style="padding: 2px;">Serie</td><td style="text-align: right; padding: 2px;">10,0</td></tr> <tr><td style="padding: 2px;">Totalt</td><td style="text-align: right; padding: 2px;">296,0</td></tr> </table>	Serie	10,0	Totalt	296,0
Serie	9,0								
Totalt	286,0								
Serie	10,0								
Totalt	296,0								

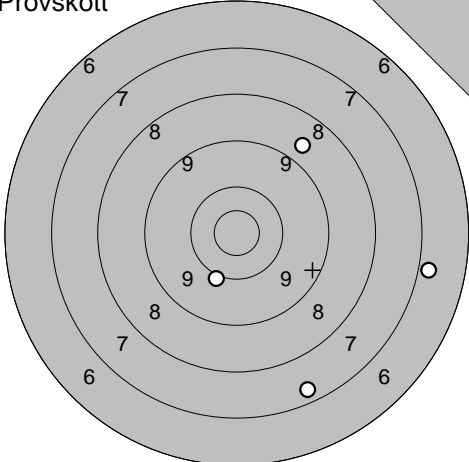
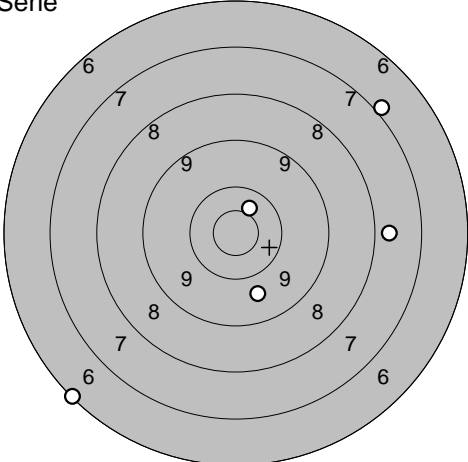
<b>Skott 5</b>  <table border="1" style="width:100%; border-collapse: collapse;"> <tr><td style="padding: 2px;">Serie</td><td style="text-align: right; padding: 2px;">7,0</td></tr> <tr><td style="padding: 2px;">Totalt</td><td style="text-align: right; padding: 2px;">303,0</td></tr> </table>	Serie	7,0	Totalt	303,0	1: 7,2 ↗ 	
Serie	7,0					
Totalt	303,0					

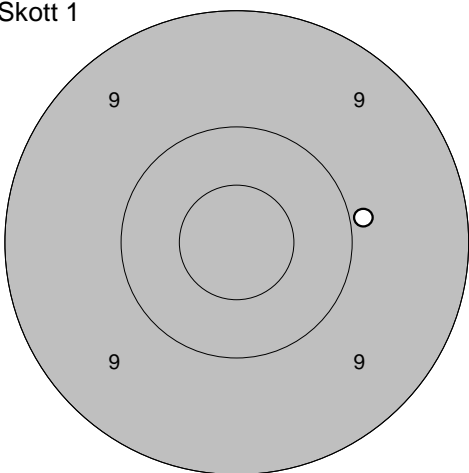
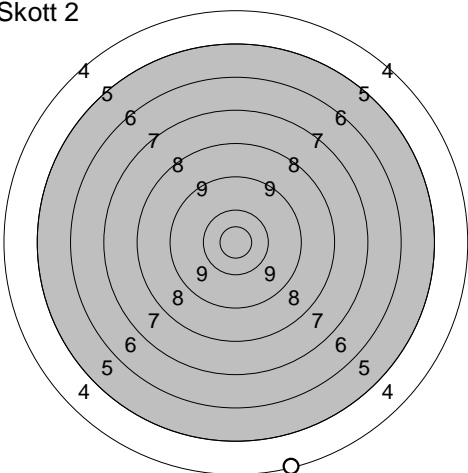
<b>Provskott</b> 	1: 10,0 → 2: 9,9 ↗  Serie 19,0 Totalt 217,0	<b>Serie</b> 	1: 8,6 ↗ 2: 8,8 ↓ 3: 9,5 ↓ 4: 10,2 ← 5: 7,7 ←  Serie 42,0 Totalt 259,0
--	---	--	---

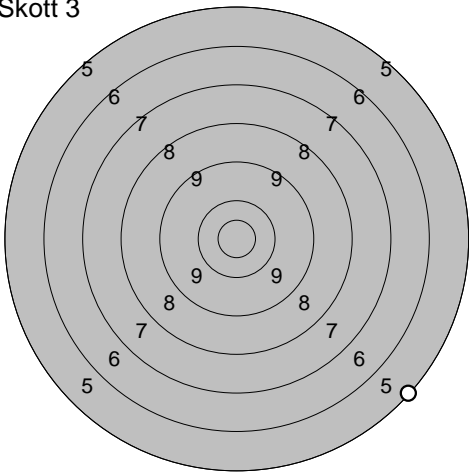
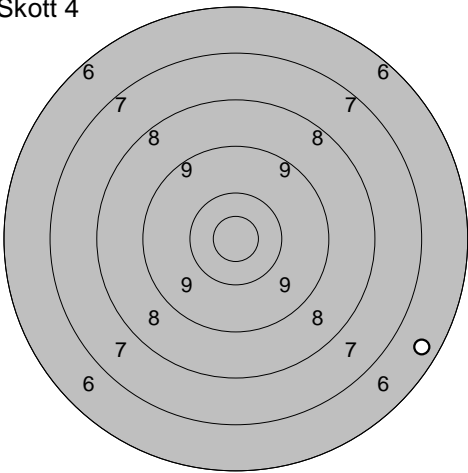
<b>Skott 1</b> 	1: 10,2 ↙  Serie 10,0 Totalt 269,0	<b>Skott 2</b> 	1: 7,2 ←  Serie 7,0 Totalt 276,0
---	---	---	---

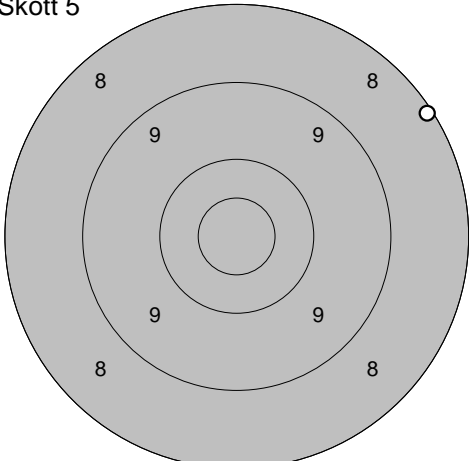
<b>Skott 3</b> 	1: 8,7 ←  Serie 8,0 Totalt 284,0	<b>Skott 4</b> 	1: 9,7 ↑  Serie 9,0 Totalt 293,0
--	---	--	---

<b>Skott 5</b> 	1: 8,7 ←  Serie 8,0 Totalt 301,0		
--	---	--	--

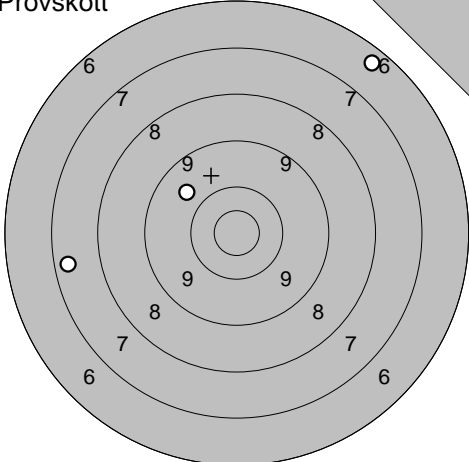
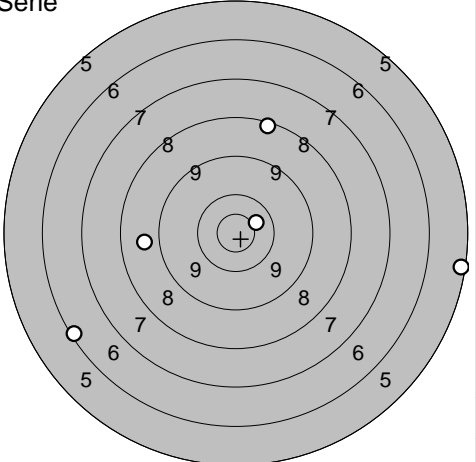
<p>Provskott</p> 	<p>1: 10,0 ↘                  2: 8,8 ↗                  3: 6,9 →                  4: 7,4 ↘</p> <table border="1" style="width:100%; border-collapse: collapse;"> <tr><td>Serie</td><td style="text-align: right;">31,0</td></tr> <tr><td>Totalt</td><td style="text-align: right;">214,0</td></tr> </table>	Serie	31,0	Totalt	214,0	<p>Serie</p>  <p>1: 6,2 ↙                  2: 7,8 →                  3: 7,0 ↗                  4: 9,7 ↘                  5: 10,5* ↗</p> <table border="1" style="width:100%; border-collapse: collapse;"> <tr><td>Serie</td><td style="text-align: right;">39,0</td></tr> <tr><td>Totalt</td><td style="text-align: right;">253,0</td></tr> </table>	Serie	39,0	Totalt	253,0
Serie	31,0									
Totalt	214,0									
Serie	39,0									
Totalt	253,0									

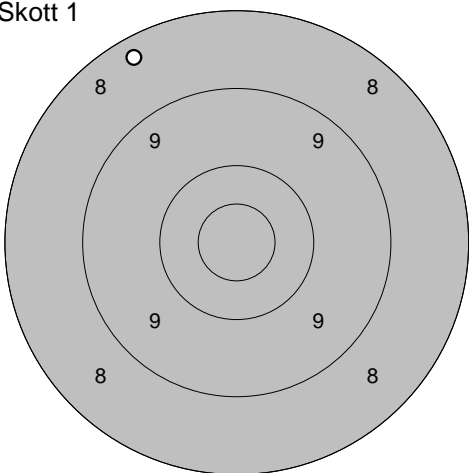
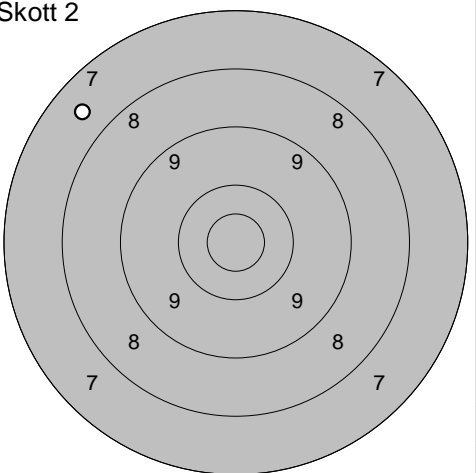
<p>Skott 1</p> 	<p>1: 9,9 →</p> <table border="1" style="width:100%; border-collapse: collapse;"> <tr><td>Serie</td><td style="text-align: right;">9,0</td></tr> <tr><td>Totalt</td><td style="text-align: right;">262,0</td></tr> </table>	Serie	9,0	Totalt	262,0	<p>Skott 2</p>  <p>1: 4,2 ↘</p> <table border="1" style="width:100%; border-collapse: collapse;"> <tr><td>Serie</td><td style="text-align: right;">4,0</td></tr> <tr><td>Totalt</td><td style="text-align: right;">266,0</td></tr> </table>	Serie	4,0	Totalt	266,0
Serie	9,0									
Totalt	262,0									
Serie	4,0									
Totalt	266,0									

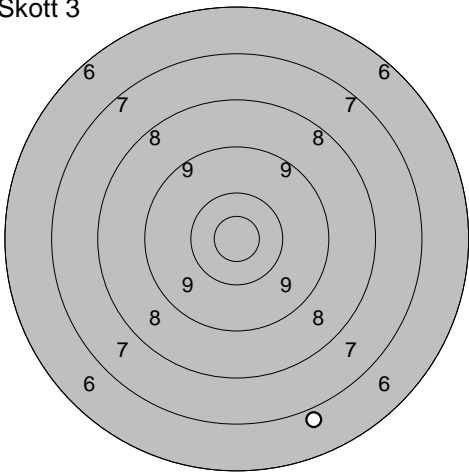
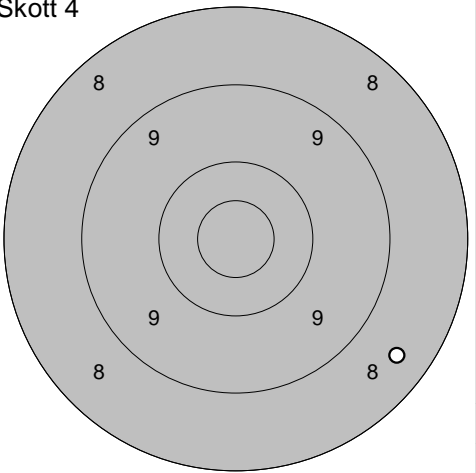
<p>Skott 3</p> 	<p>1: 5,2 ↘</p> <table border="1" style="width:100%; border-collapse: collapse;"> <tr><td>Serie</td><td style="text-align: right;">5,0</td></tr> <tr><td>Totalt</td><td style="text-align: right;">271,0</td></tr> </table>	Serie	5,0	Totalt	271,0	<p>Skott 4</p>  <p>1: 6,5 →</p> <table border="1" style="width:100%; border-collapse: collapse;"> <tr><td>Serie</td><td style="text-align: right;">6,0</td></tr> <tr><td>Totalt</td><td style="text-align: right;">277,0</td></tr> </table>	Serie	6,0	Totalt	277,0
Serie	5,0									
Totalt	271,0									
Serie	6,0									
Totalt	277,0									

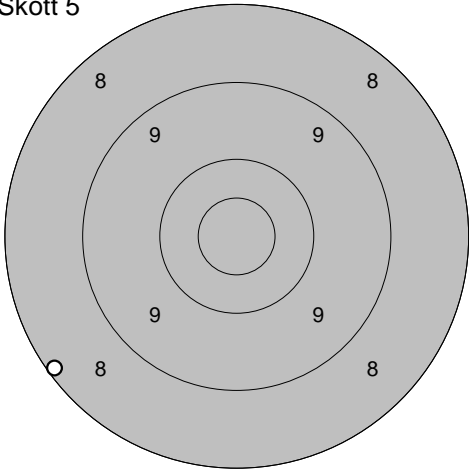
<p>Skott 5</p> 	<p>1: 8,1 ↗</p> <table border="1" style="width:100%; border-collapse: collapse;"> <tr><td>Serie</td><td style="text-align: right;">8,0</td></tr> <tr><td>Totalt</td><td style="text-align: right;">285,0</td></tr> </table>	Serie	8,0	Totalt	285,0	
Serie	8,0					
Totalt	285,0					



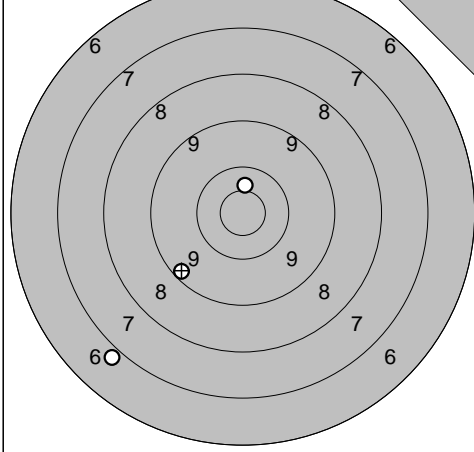
<b>Provskott</b> 	<b>Serie</b> 1: 9,7 ↖ 2: 7,4 ← 3: 6,4 ↗	<b>Serie</b> 	1: 8,3 ↑ 2: 5,2 → 3: 8,8 ← 4: 10,6* → 5: 6,2 ↙
Serie 22,0		Serie 37,0	
<b>Totalt</b> 226,0		<b>Totalt</b> 263,0	

<b>Skott 1</b> 	1: 8,3 ↖	<b>Skott 2</b> 	1: 7,6 ↖
Serie 8,0		Serie 7,0	
<b>Totalt</b> 271,0		<b>Totalt</b> 278,0	

<b>Skott 3</b> 	1: 6,9 ↓	<b>Skott 4</b> 	1: 8,5 ↘
Serie 6,0		Serie 8,0	
<b>Totalt</b> 284,0		<b>Totalt</b> 292,0	

<b>Skott 5</b> 	1: 8,1 ↙		
Serie 8,0			
<b>Totalt</b> 300,0			

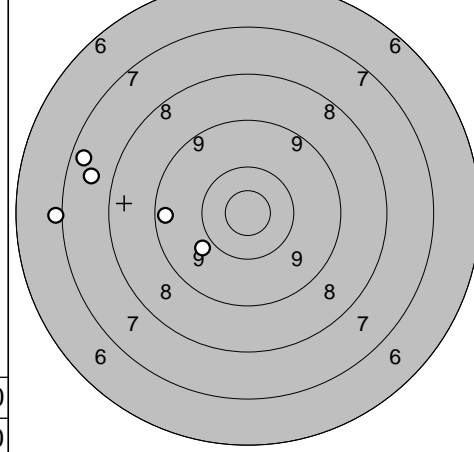
Provskott



1: 6,9 ↙  
2: 9,3 ↙  
3: 10,5\* ↑

Serie 25,0  
Totalt 209,0

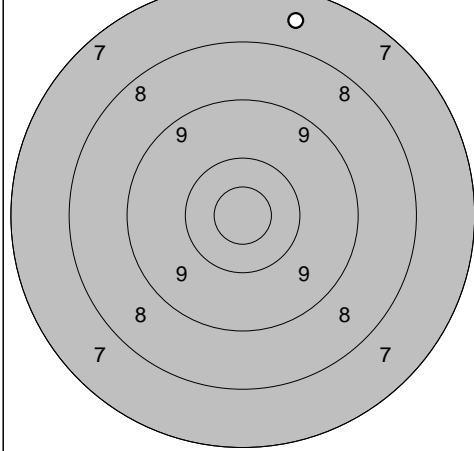
Serie



1: 7,0 ←  
2: 9,3 ←  
3: 7,4 ←  
4: 9,9 ↙  
5: 7,7 ←

Serie 39,0  
Totalt 248,0

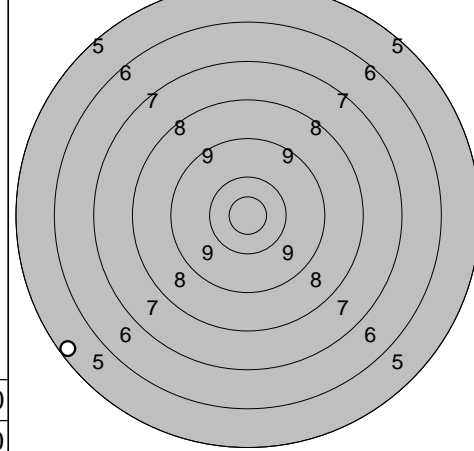
Skott 1



1: 7,6 ↑

Serie 7,0  
Totalt 255,0

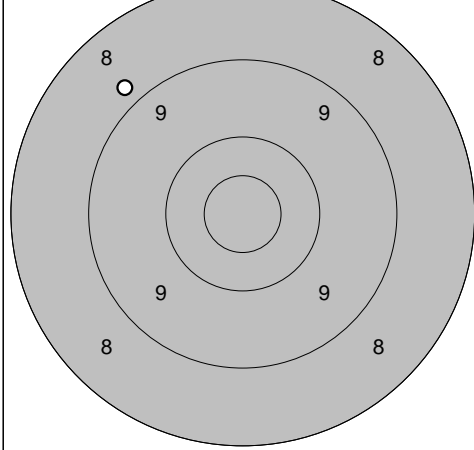
Skott 2



1: 5,4 ↙

Serie 5,0  
Totalt 260,0

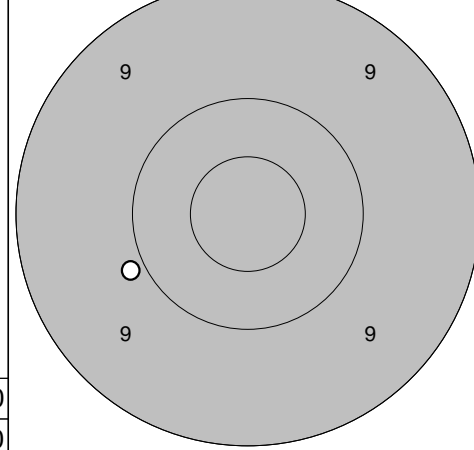
Skott 3



1: 8,8 ↘

Serie 8,0  
Totalt 268,0

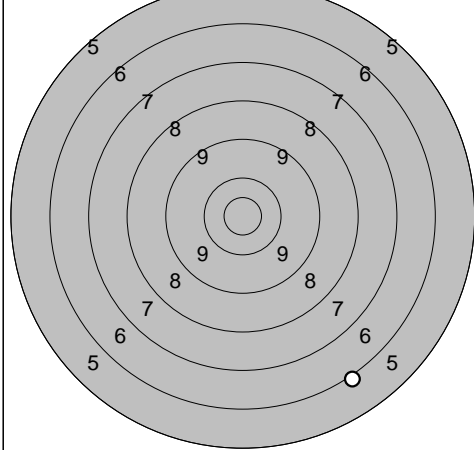
Skott 4



1: 9,9 ←

Serie 9,0  
Totalt 277,0

Skott 5



1: 6,1 ↘

Serie 6,0  
Totalt 283,0

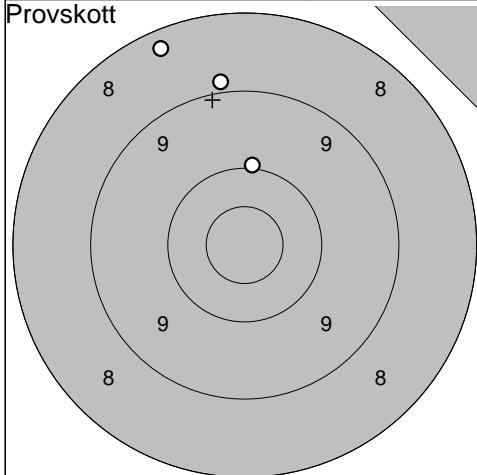
F 21

2010-07-20

Björkskottet 2010 Final

Ramselefors SKF

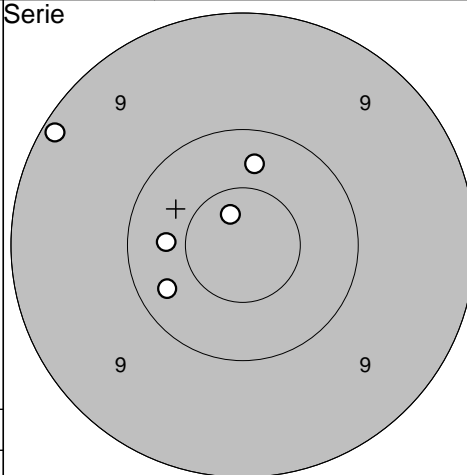
Provskott



1: 8,3 ↗  
2: 8,9 ↑  
3: 10,0 ↑

Serie	26,0
Totalt	237,0

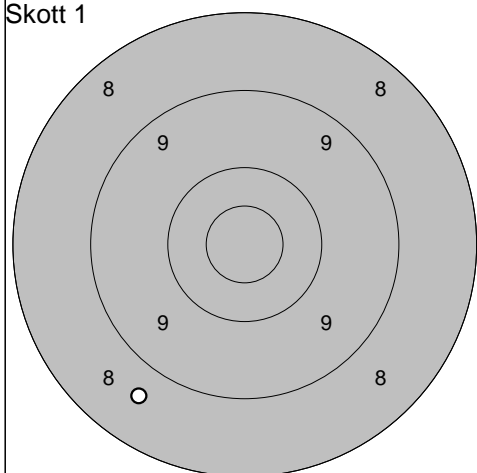
Serie



1: 10,3 ↑  
2: 10,4 ←  
3: 10,3 ↙  
4: 10,7\* ↗  
5: 9,2 ↖

Serie	49,0
Totalt	286,0

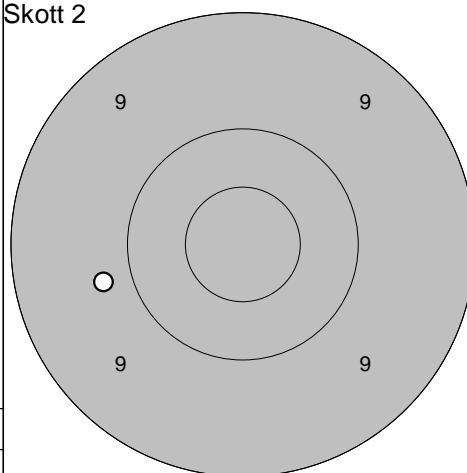
Skott 1



1: 8,7 ↘

Serie	8,0
Totalt	294,0

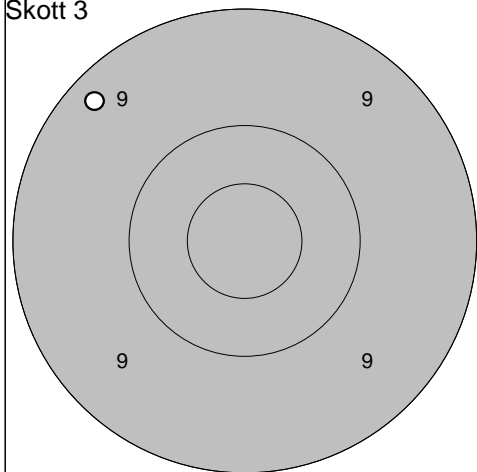
Skott 2



1: 9,8 ←

Serie	9,0
Totalt	303,0

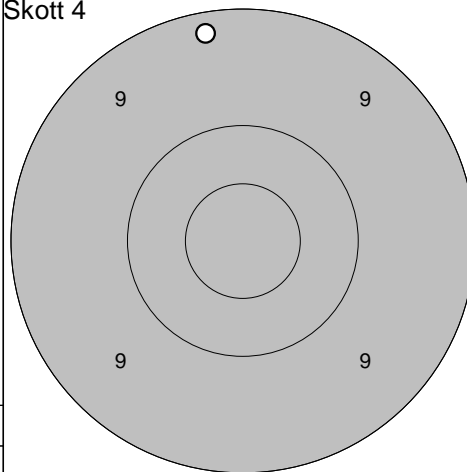
Skott 3



1: 9,3 ↖

Serie	9,0
Totalt	312,0

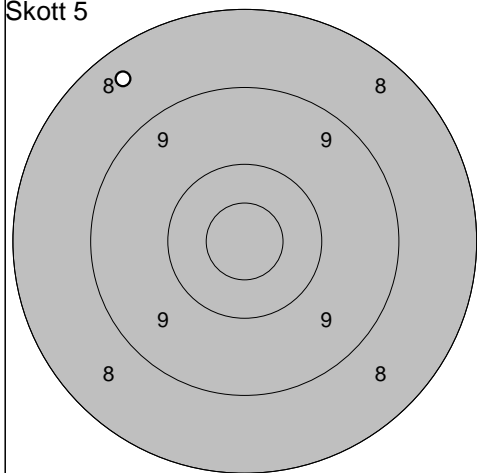
Skott 4



1: 9,2 ↑

Serie	9,0
Totalt	321,0

Skott 5



1: 8,4 ↗

Serie	8,0
Totalt	329,0

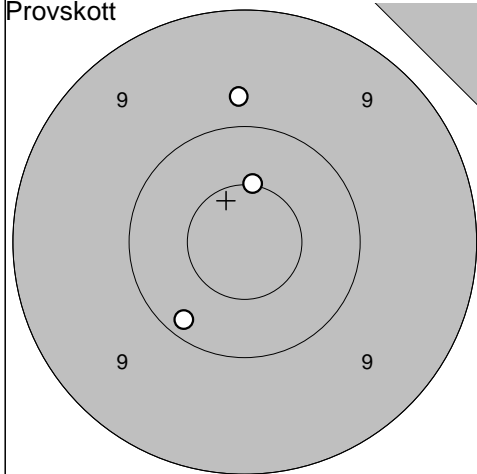
Moälven-Modo

2010-07-20

Björkskottet 2010 Final

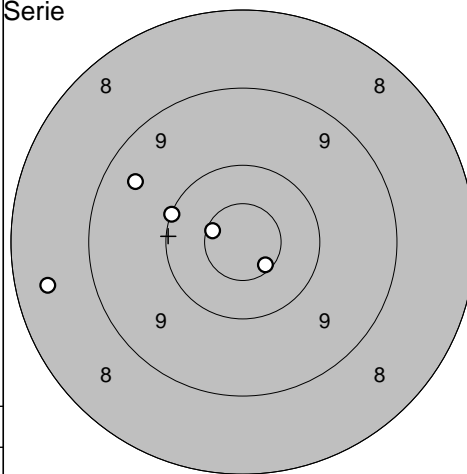
Ramselefors SKF

Provskott



1: 9,8    ↑  
2: 10,5\*    ↑  
3: 10,2    ↘

Serie

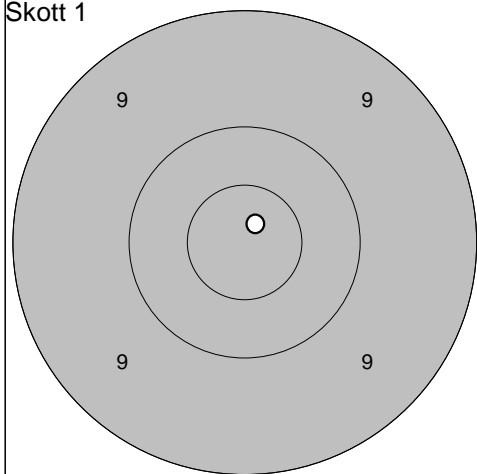


1: 10,6\*    ↘  
2: 10,6\*    ↖  
3: 10,1    ↖  
4: 9,5    ↗  
5: 8,5    ←

Serie 29,0  
Totalt 237,0

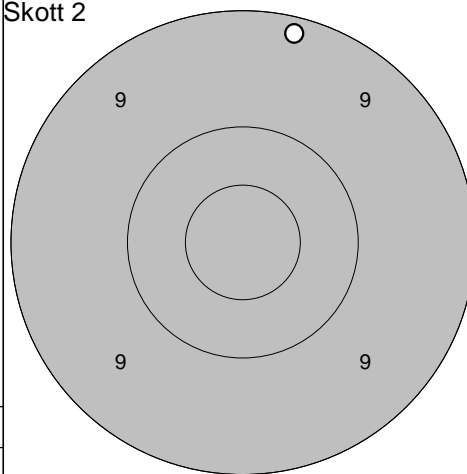
Serie 47,0  
Totalt 284,0

Skott 1



1: 10,8\*    ↗

Skott 2

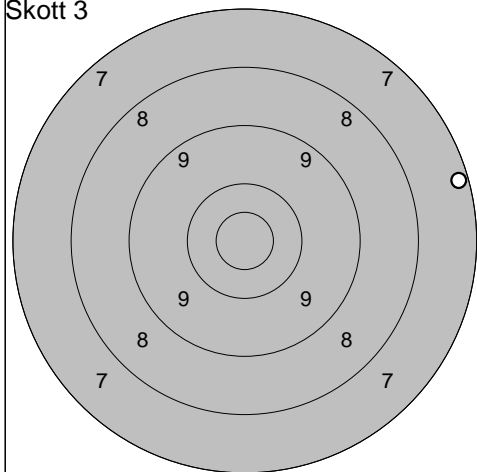


1: 9,2    ↑

Serie 10,0  
Totalt 294,0

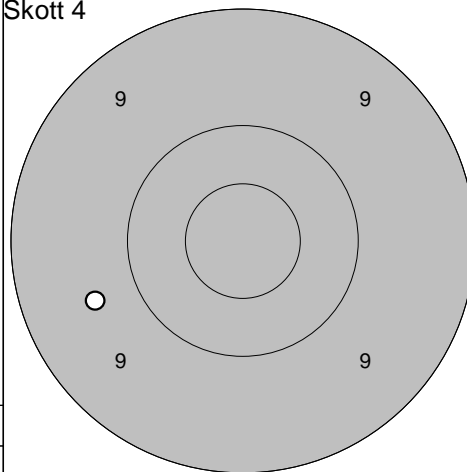
Serie 9,0  
Totalt 303,0

Skott 3



1: 7,2    →

Skott 4

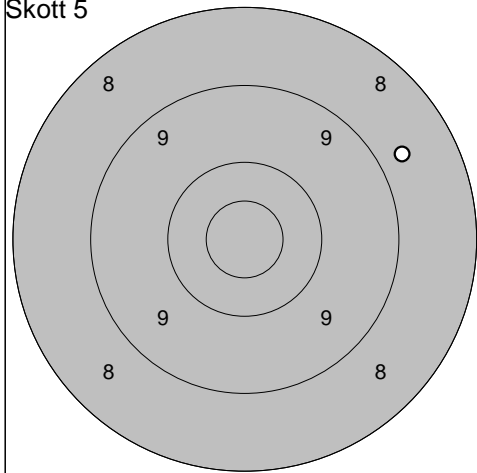


1: 9,7    ←

Serie 7,0  
Totalt 310,0

Serie 9,0  
Totalt 319,0

Skott 5



1: 8,7    ↗

Serie 8,0  
Totalt 327,0

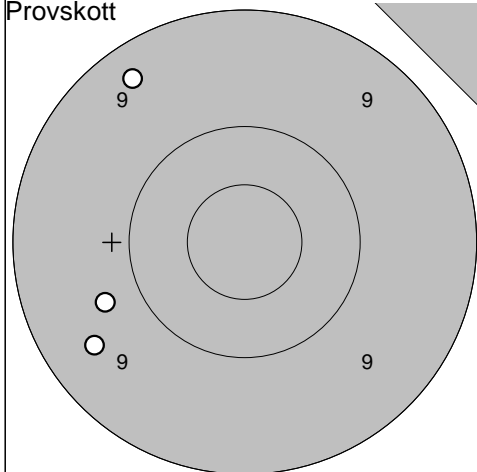
Karlstad-Ulvsby

2010-07-20

Björkskottet 2010 Final

Ramselefors SKF

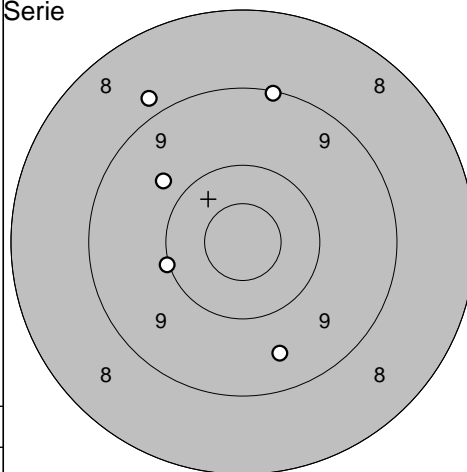
Provskott



1: 9,7 ↙  
2: 9,5 ↙  
3: 9,3 ↗

Serie	27,0
Totalt	235,0

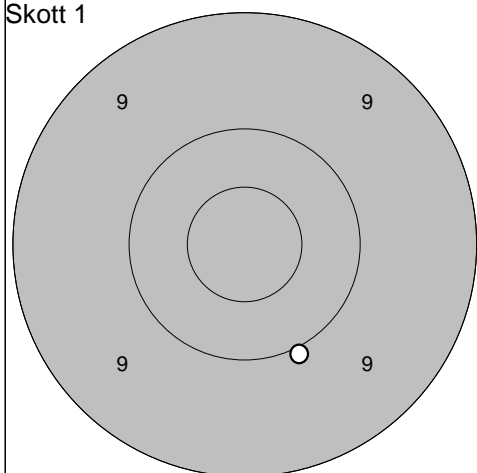
Serie



1: 9,1 ↗  
2: 8,8 ↗  
3: 9,5 ↘  
4: 9,8 ↗  
5: 10,0 ←

Serie	45,0
Totalt	280,0

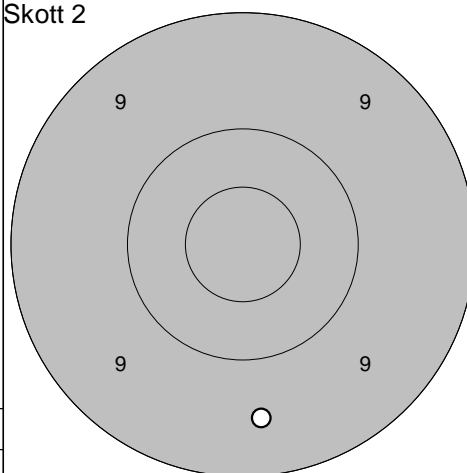
Skott 1



1: 10,0 ↘

Serie	10,0
Totalt	290,0

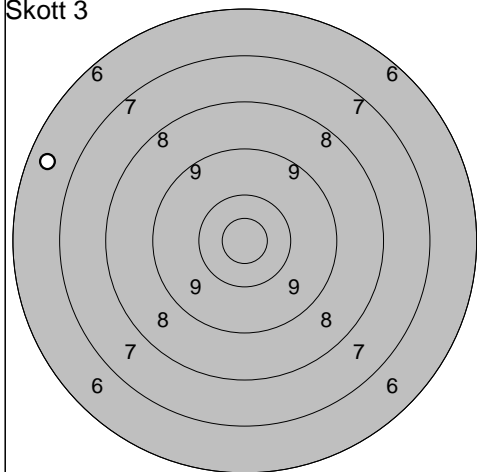
Skott 2



1: 9,5 ↘

Serie	9,0
Totalt	299,0

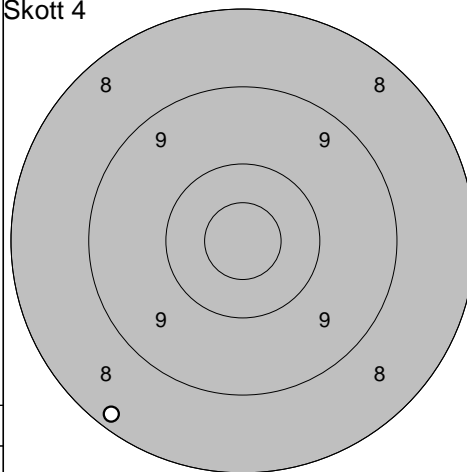
Skott 3



1: 6,5 ↙

Serie	6,0
Totalt	305,0

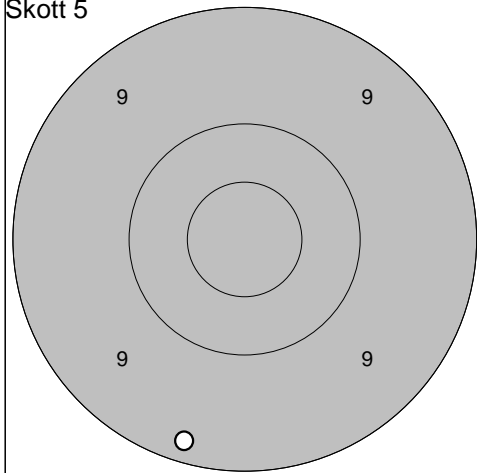
Skott 4



1: 8,2 ↘

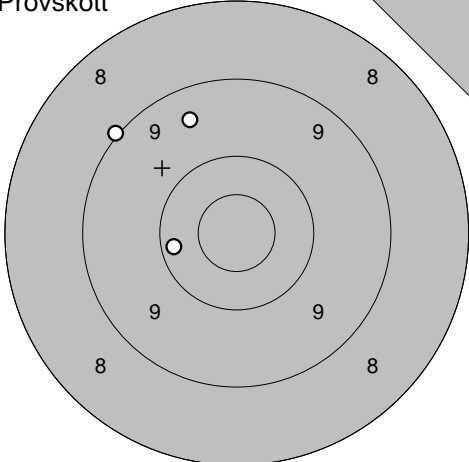
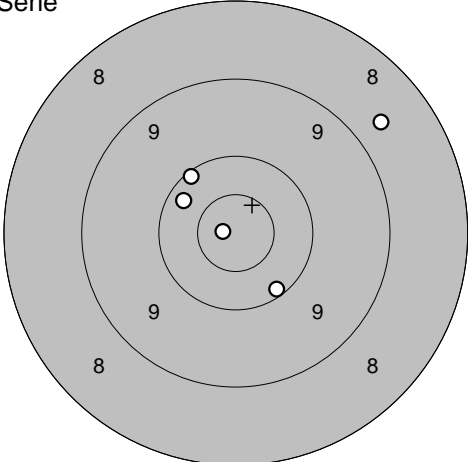
Serie	8,0
Totalt	313,0

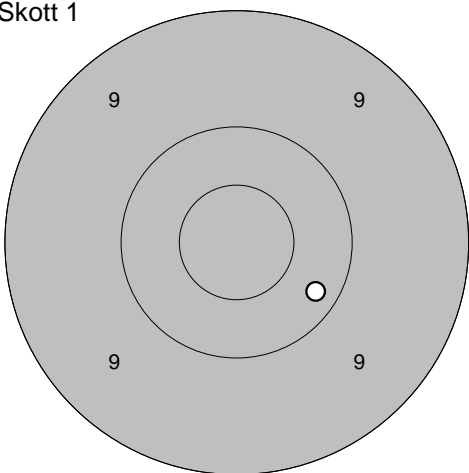
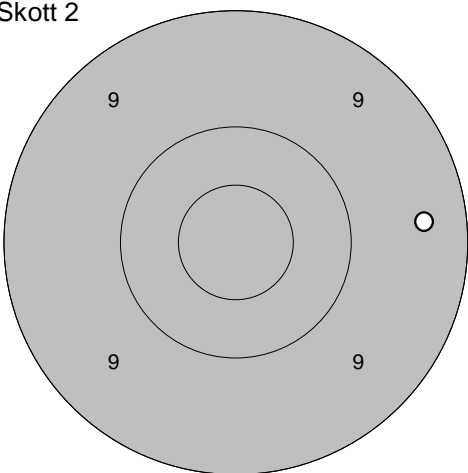
Skott 5

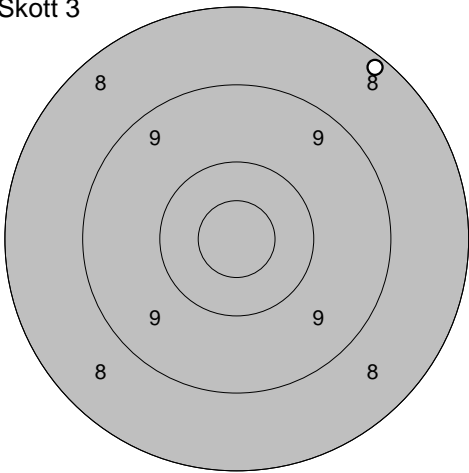
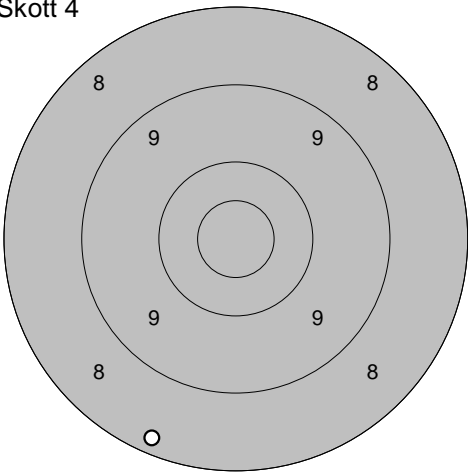


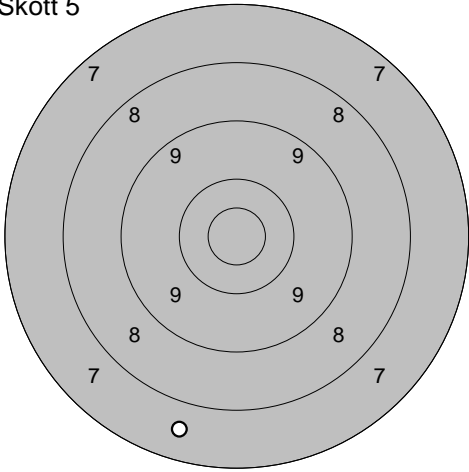
1: 9,2 ↘

Serie	9,0
Totalt	322,0

<b>Provskott</b> 	1: 9,5 ↗ 2: 9,0 ↘ 3: 10,2 ←  <table border="1" style="width:100%; border-collapse: collapse;"> <tr><td style="text-align: right;">Serie</td><td style="text-align: right;">28,0</td></tr> <tr><td style="text-align: right;">Totalt</td><td style="text-align: right;">235,0</td></tr> </table>	Serie	28,0	Totalt	235,0	<b>Serie</b>  1: 8,7 ↗ 2: 10,3 ↘ 3: 10,9* ← 4: 10,1 ↗ 5: 10,1 ↘  <table border="1" style="width:100%; border-collapse: collapse;"> <tr><td style="text-align: right;">Serie</td><td style="text-align: right;">48,0</td></tr> <tr><td style="text-align: right;">Totalt</td><td style="text-align: right;">283,0</td></tr> </table>	Serie	48,0	Totalt	283,0
Serie	28,0									
Totalt	235,0									
Serie	48,0									
Totalt	283,0									

<b>Skott 1</b> 	1: 10,2 ↘  <table border="1" style="width:100%; border-collapse: collapse;"> <tr><td style="text-align: right;">Serie</td><td style="text-align: right;">10,0</td></tr> <tr><td style="text-align: right;">Totalt</td><td style="text-align: right;">293,0</td></tr> </table>	Serie	10,0	Totalt	293,0	<b>Skott 2</b>  1: 9,4 →  <table border="1" style="width:100%; border-collapse: collapse;"> <tr><td style="text-align: right;">Serie</td><td style="text-align: right;">9,0</td></tr> <tr><td style="text-align: right;">Totalt</td><td style="text-align: right;">302,0</td></tr> </table>	Serie	9,0	Totalt	302,0
Serie	10,0									
Totalt	293,0									
Serie	9,0									
Totalt	302,0									

<b>Skott 3</b> 	1: 8,2 ↗  <table border="1" style="width:100%; border-collapse: collapse;"> <tr><td style="text-align: right;">Serie</td><td style="text-align: right;">8,0</td></tr> <tr><td style="text-align: right;">Totalt</td><td style="text-align: right;">310,0</td></tr> </table>	Serie	8,0	Totalt	310,0	<b>Skott 4</b>  1: 8,3 ↘  <table border="1" style="width:100%; border-collapse: collapse;"> <tr><td style="text-align: right;">Serie</td><td style="text-align: right;">8,0</td></tr> <tr><td style="text-align: right;">Totalt</td><td style="text-align: right;">318,0</td></tr> </table>	Serie	8,0	Totalt	318,0
Serie	8,0									
Totalt	310,0									
Serie	8,0									
Totalt	318,0									

<b>Skott 5</b> 	1: 7,6 ↘  <table border="1" style="width:100%; border-collapse: collapse;"> <tr><td style="text-align: right;">Serie</td><td style="text-align: right;">7,0</td></tr> <tr><td style="text-align: right;">Totalt</td><td style="text-align: right;">325,0</td></tr> </table>	Serie	7,0	Totalt	325,0	
Serie	7,0					
Totalt	325,0					

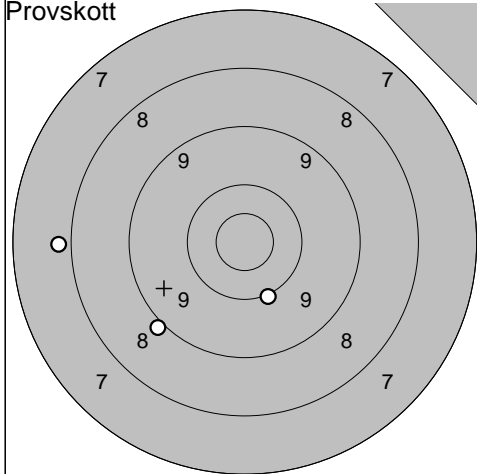
Ununge

2010-07-20

Björkskottet 2010 Final

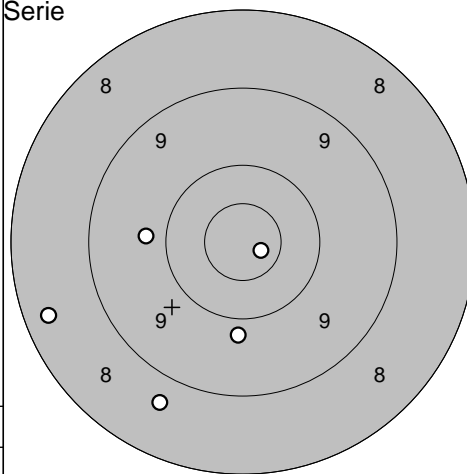
Ramselefors SKF

Provskott



1: 9,0 ↙  
2: 7,9 ←  
3: 10,0 ↓

Serie

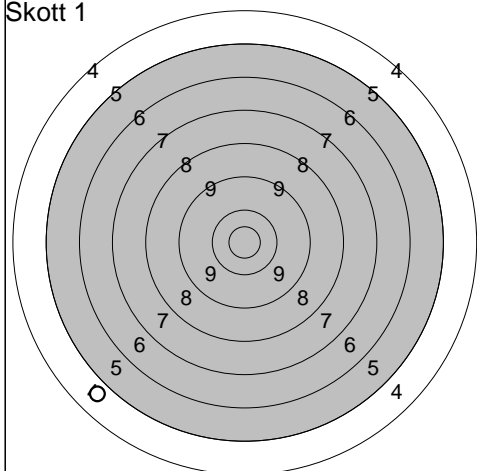


1: 8,7 ↙  
2: 9,8 ↓  
3: 8,4 ←  
4: 10,8\* →  
5: 9,8 ←

Serie 26,0  
Totalt 233,0

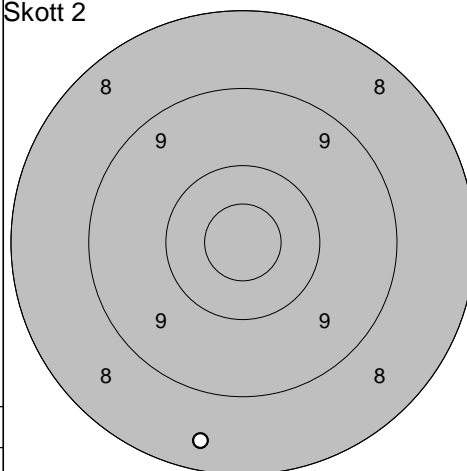
Serie 44,0  
Totalt 277,0

Skott 1



1: 4,8 ↙

Skott 2

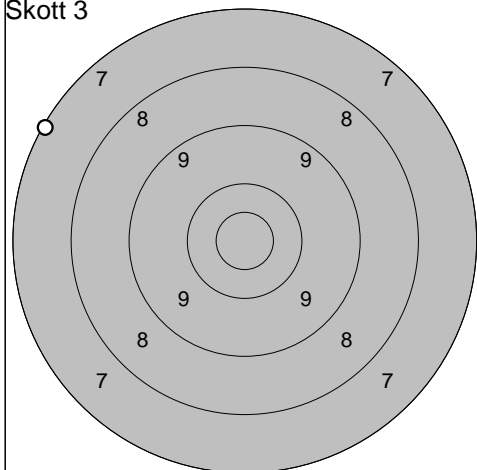


1: 8,4 ↓

Serie 4,0  
Totalt 281,0

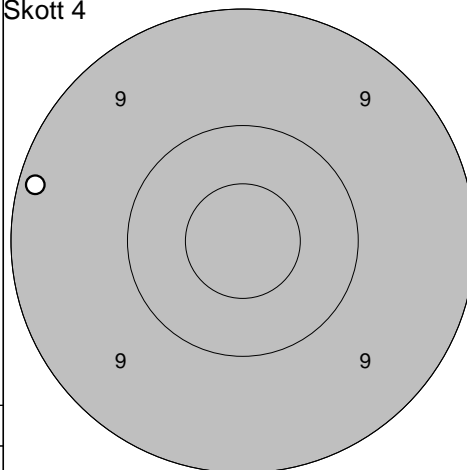
Serie 8,0  
Totalt 289,0

Skott 3



1: 7,1 ←

Skott 4

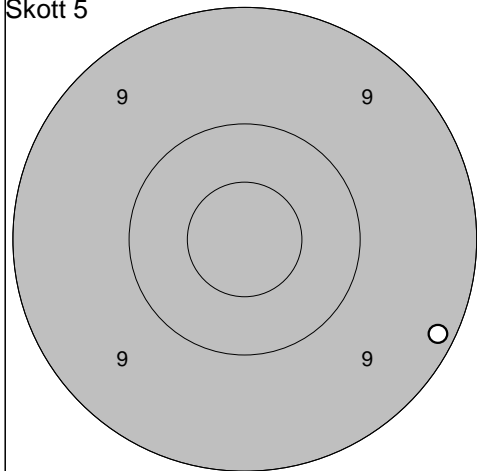


1: 9,2 ←

Serie 7,0  
Totalt 296,0

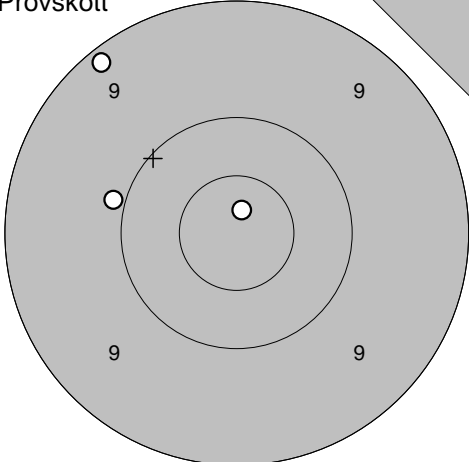
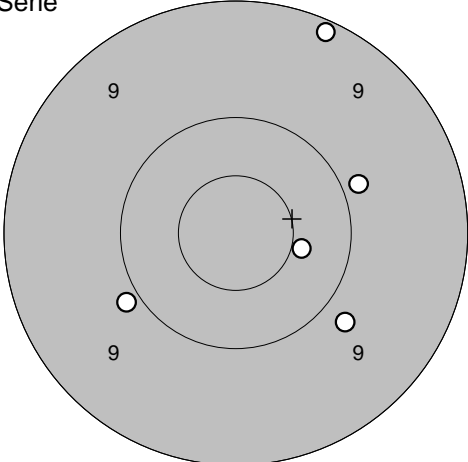
Serie 9,0  
Totalt 305,0

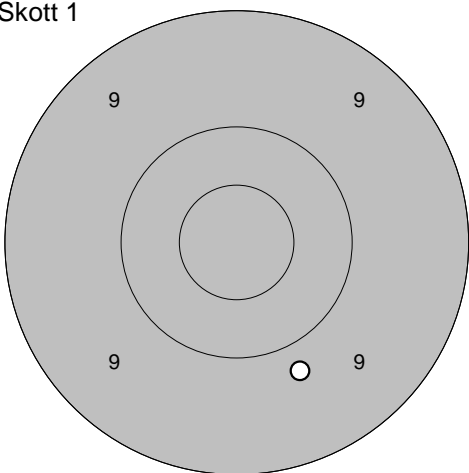
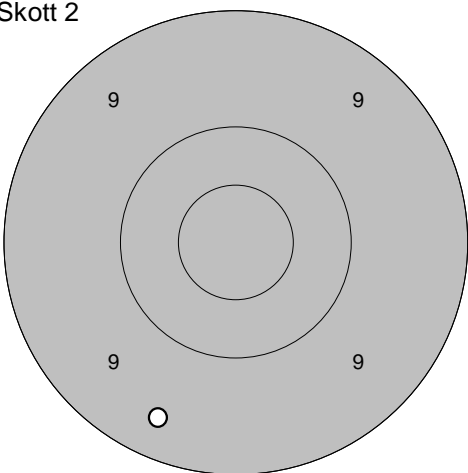
Skott 5

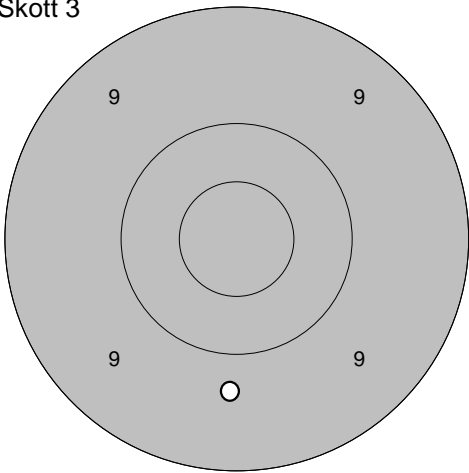
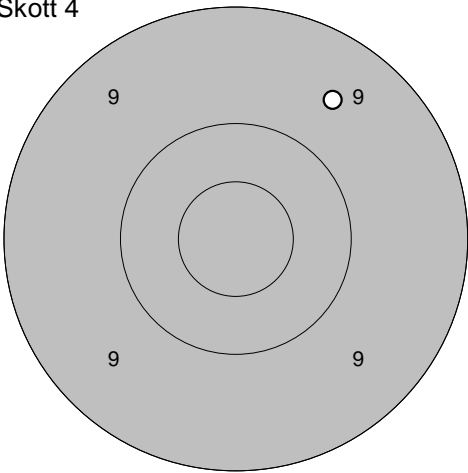


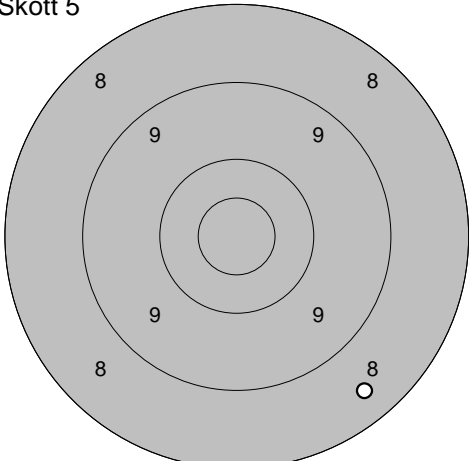
1: 9,2 →

Serie 9,0  
Totalt 314,0

<b>Provskott</b> 	1: 10,8* ↑ 2: 9,9 ← 3: 9,2 ↗  Serie 28,0 Totalt 232,0	<b>Serie</b> 	1: 9,1 ↗ 2: 10,4 → 3: 9,9 ↙ 4: 9,8 ↘ 5: 9,9 →  Serie 46,0 Totalt 278,0
--	--	--	---

<b>Skott 1</b> 	1: 9,8 ↘  Serie 9,0 Totalt 287,0	<b>Skott 2</b> 	1: 9,4 ↘  Serie 9,0 Totalt 296,0
---	---	---	---

<b>Skott 3</b> 	1: 9,7 ↘  Serie 9,0 Totalt 305,0	<b>Skott 4</b> 	1: 9,6 ↗  Serie 9,0 Totalt 314,0
--	---	--	---

<b>Skott 5</b> 	1: 8,5 ↘  Serie 8,0 Totalt 322,0		
--	---	--	--



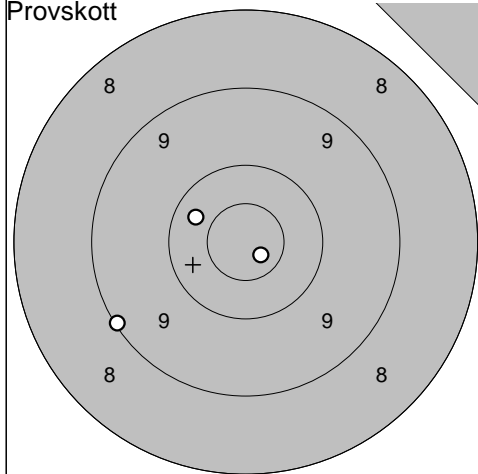
Niemisel

2010-07-20

Björkskottet 2010 Final

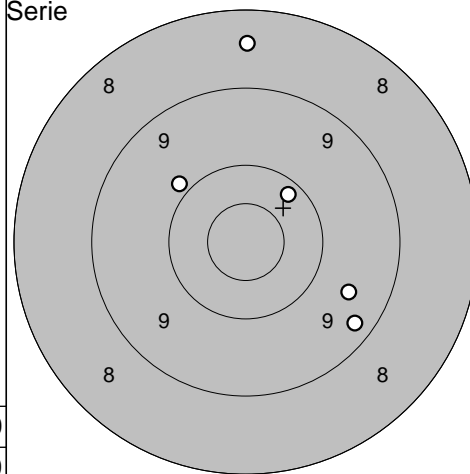
Ramselefors SKF

Provs-kott



1: 9,1 ↙  
2: 10,3 ↖  
3: 10,8\* ↘

Serie

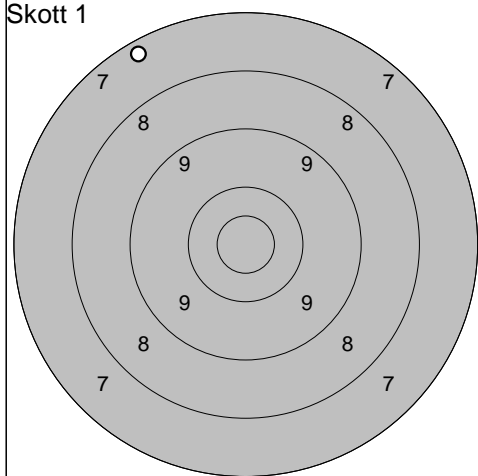


1: 9,9 ↗  
2: 9,3 ↘  
3: 10,2 ↗  
4: 8,5 ↑  
5: 9,6 ⇒

Serie 29,0  
Totalt 231,0

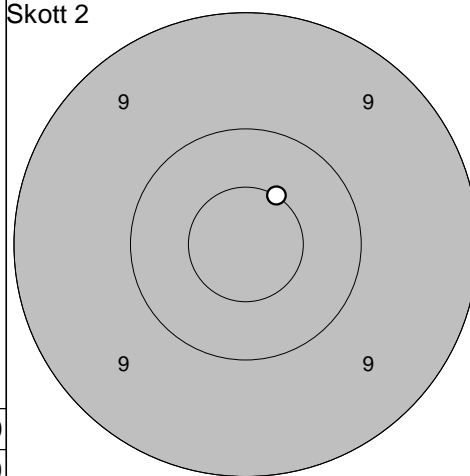
Serie 45,0  
Totalt 276,0

Skott 1



1: 7,3 ↖

Skott 2

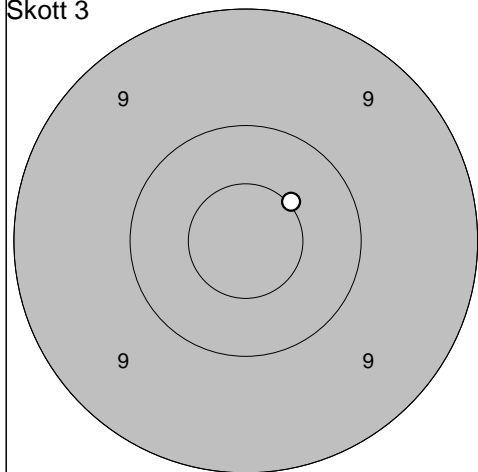


1: 10,5\* ↗

Serie 7,0  
Totalt 283,0

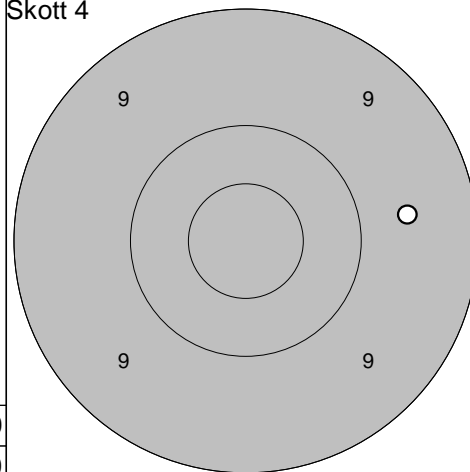
Serie 10,0  
Totalt 293,0

Skott 3



1: 10,5\* ↗

Skott 4

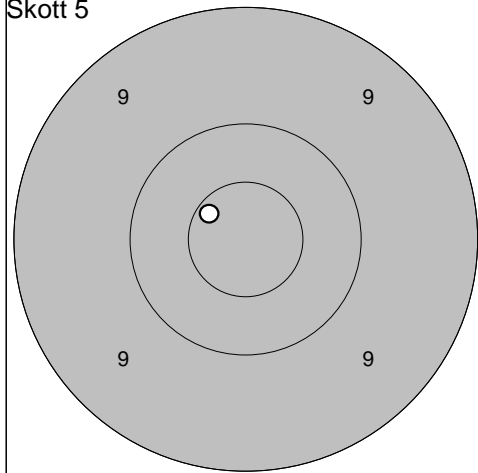


1: 9,6 →

Serie 10,0  
Totalt 303,0

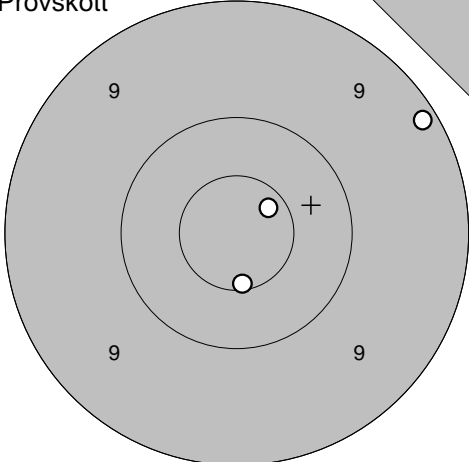
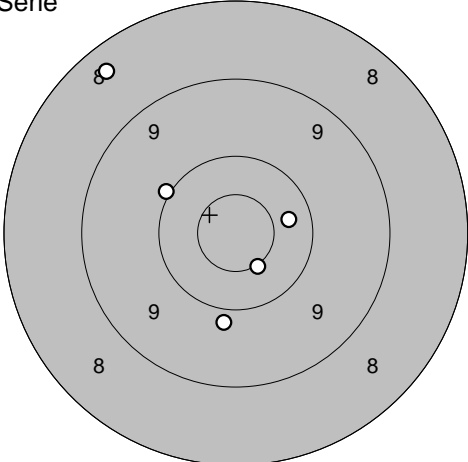
Serie 9,0  
Totalt 312,0

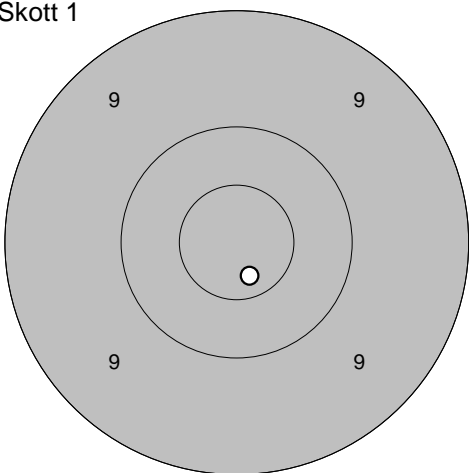
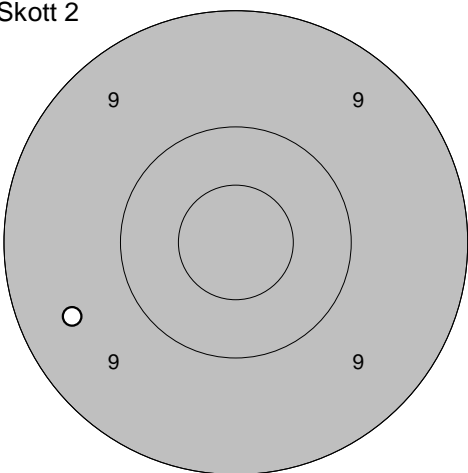
Skott 5

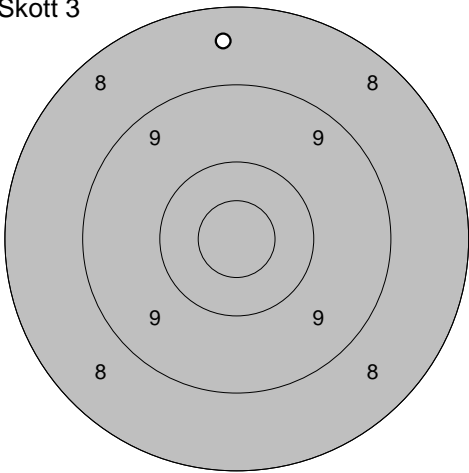
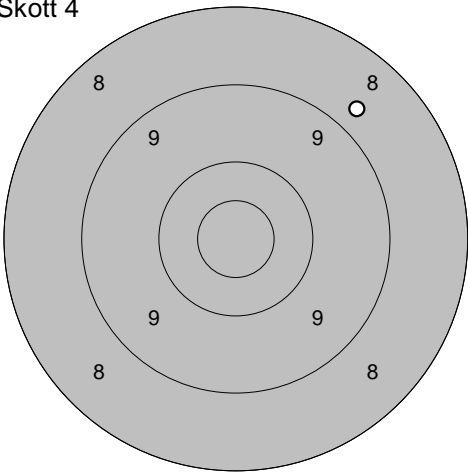


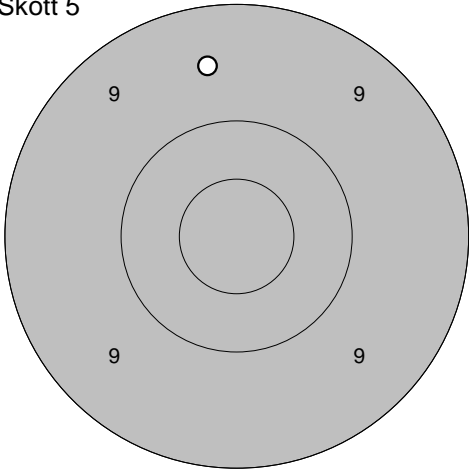
1: 10,6\* ↖

Serie 10,0  
Totalt 322,0

Provs-kott 	1: 9,2 ↗ 2: 10,6* ↓ 3: 10,7* ↗  Serie 29,0 Totalt 231,0	Serie 	1: 10,3 → 2: 10,0 ↗ 3: 10,5* ↓ 4: 8,4 ↗ 5: 9,9 ↓  Serie 47,0 Totalt 278,0
--	--	---	--

Skott 1 	1: 10,7* ↓  Serie 10,0 Totalt 288,0	Skott 2 	1: 9,5 ←  Serie 9,0 Totalt 297,0
--	--	--	---

Skott 3 	1: 8,5 ↑  Serie 8,0 Totalt 305,0	Skott 4 	1: 8,8 ↗  Serie 8,0 Totalt 313,0
---	---	---	---

Skott 5 	1: 9,5 ↑  Serie 9,0 Totalt 322,0		
---	---	--	--

Skjutlag

Tavla

3

9

Harry Östling

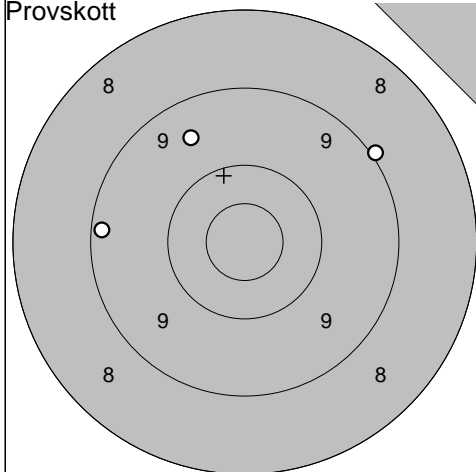
F 21

2010-07-20

Björkskottet 2010 Final

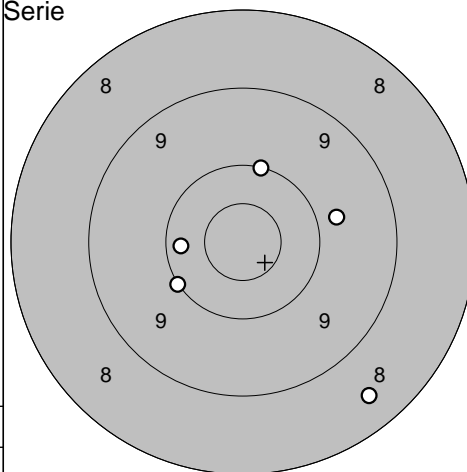
Ramselefors SKF

Provskott



1: 9,0 ↗  
 2: 9,2 ←  
 3: 9,5 ↖

Serie



1: 9,8 →  
 2: 10,3 ←  
 3: 8,5 ↘  
 4: 10,0 ↖  
 5: 10,1 ↑

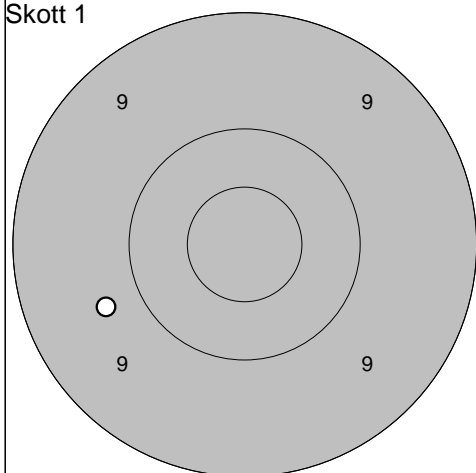
Serie 27,0

Totalt 231,0

Serie 47,0

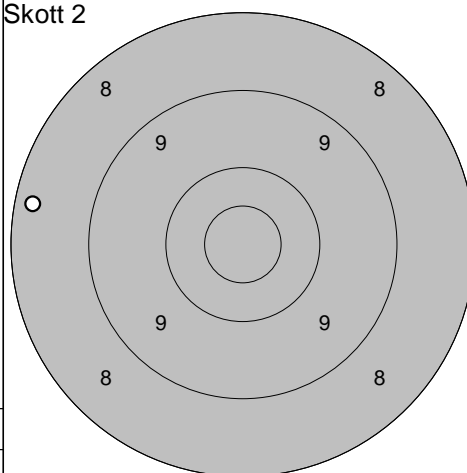
Totalt 278,0

Skott 1



1: 9,7 ←

Skott 2



1: 8,3 ←

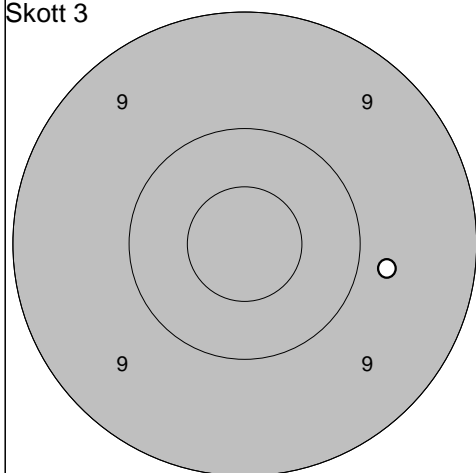
Serie 9,0

Totalt 287,0

Serie 8,0

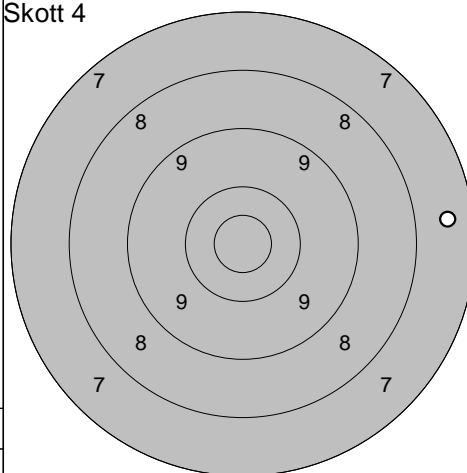
Totalt 295,0

Skott 3



1: 9,8 →

Skott 4



1: 7,5 →

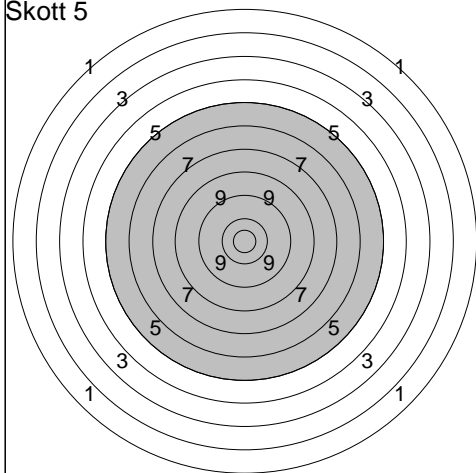
Serie 9,0

Totalt 304,0

Serie 7,0

Totalt 311,0

Skott 5



1: 0,0 ↓

Serie 0,0

Totalt 311,0

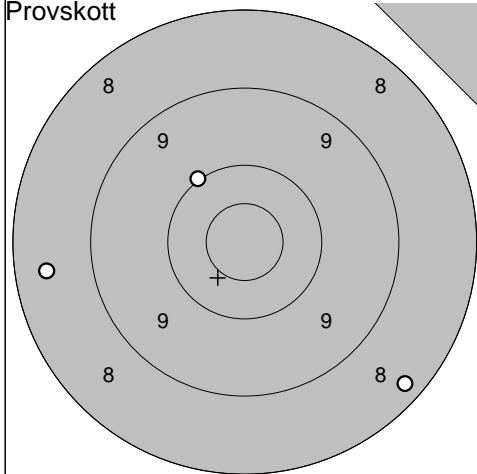
Umeå

2010-07-20

Björkskottet 2010 Final

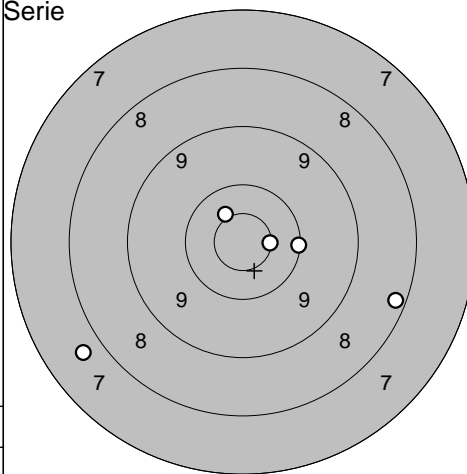
Ramselefors SKF

Provskott



1: 8,5 ←  
2: 10,0 ↗  
3: 8,3 ↘

Serie



1: 8,3 →  
2: 10,5\* ↗  
3: 10,1 →  
4: 10,6\* →  
5: 7,7 ↙

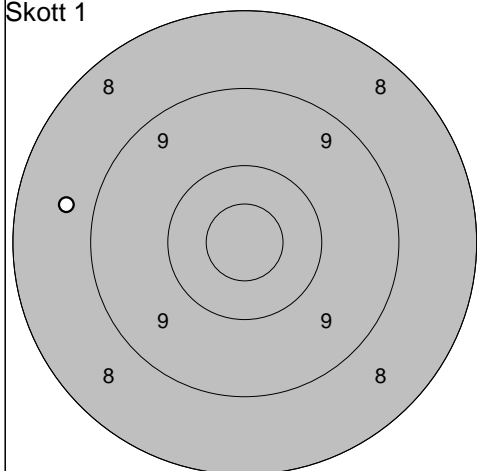
Serie 26,0

Totalt 230,0

Serie 45,0

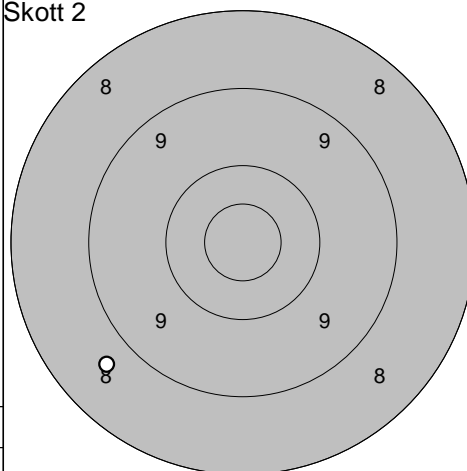
Totalt 275,0

Skott 1



1: 8,7 ←

Skott 2



1: 8,7 ↙

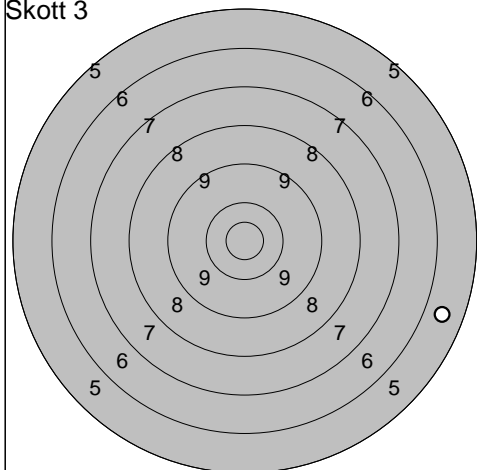
Serie 8,0

Totalt 283,0

Serie 8,0

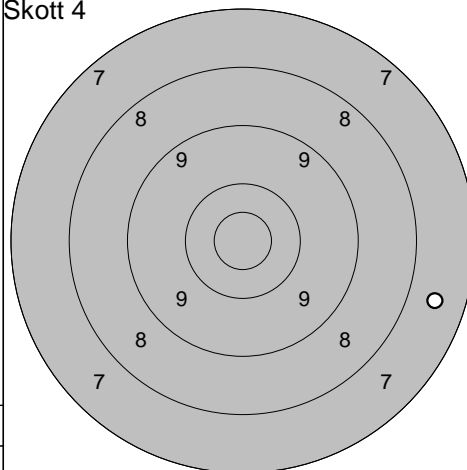
Totalt 291,0

Skott 3



1: 5,7 →

Skott 4



1: 7,6 →

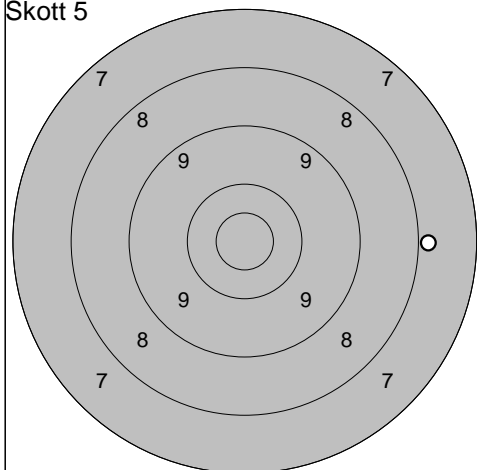
Serie 5,0

Totalt 296,0

Serie 7,0

Totalt 303,0

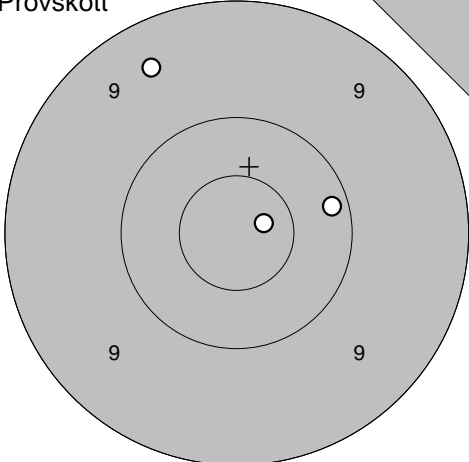
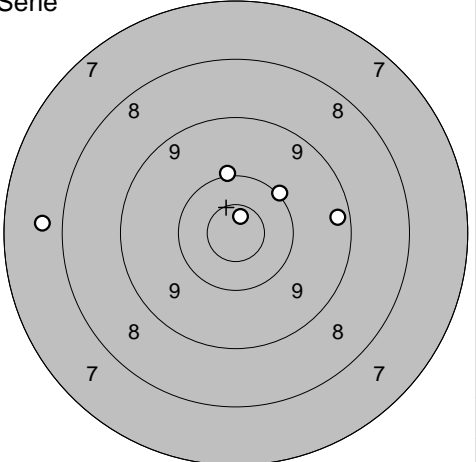
Skott 5

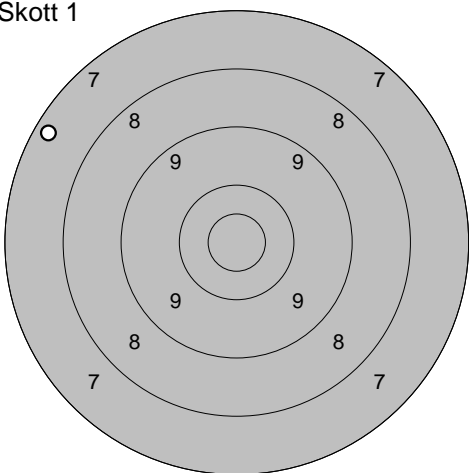
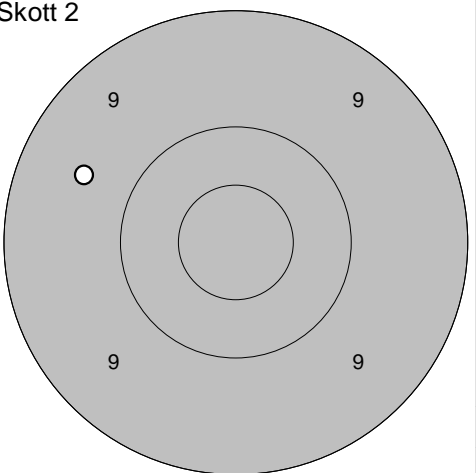


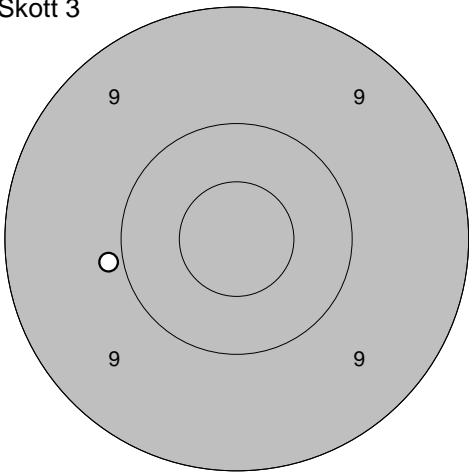
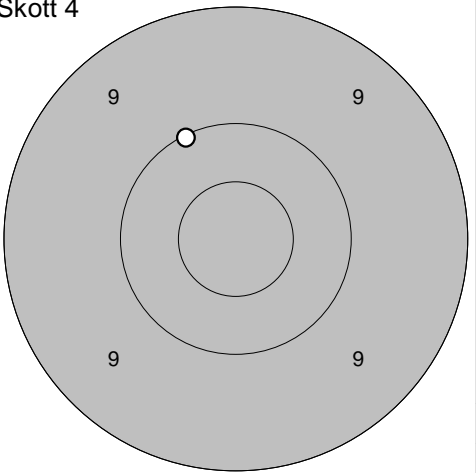
1: 7,9 →

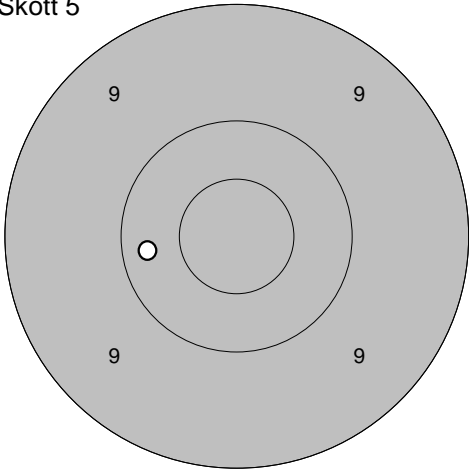
Serie 7,0

Totalt 310,0

<p>Provskott</p> 	<p>1: 9,4 ↖ 2: 10,8* → 3: 10,2 →</p> <table border="1" style="width:100%; border-collapse: collapse;"> <tr><td>Serie</td><td style="text-align: right;">29,0</td></tr> <tr><td>Totalt</td><td style="text-align: right;">229,0</td></tr> </table>	Serie	29,0	Totalt	229,0	<p>Serie</p>  <p>1: 9,3 → 2: 7,8 ← 3: 10,0 ↑ 4: 10,1 ↗ 5: 10,8* ↑</p> <table border="1" style="width:100%; border-collapse: collapse;"> <tr><td>Serie</td><td style="text-align: right;">46,0</td></tr> <tr><td>Totalt</td><td style="text-align: right;">275,0</td></tr> </table>	Serie	46,0	Totalt	275,0
Serie	29,0									
Totalt	229,0									
Serie	46,0									
Totalt	275,0									

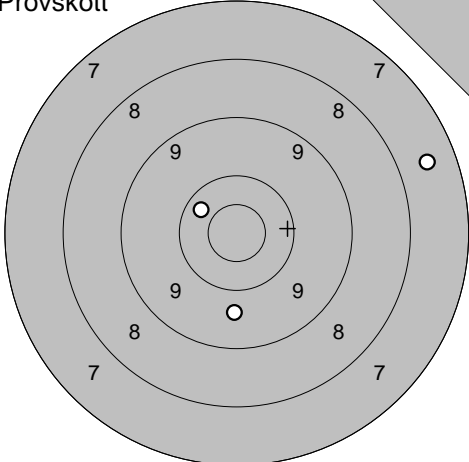
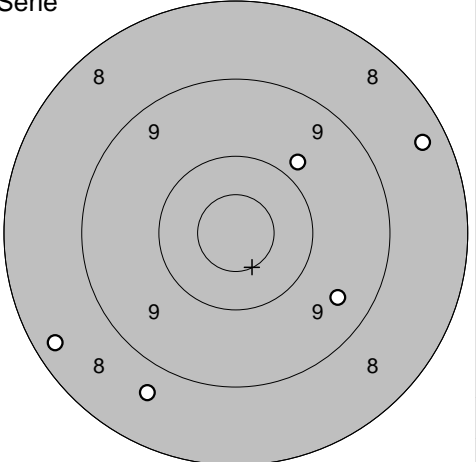
<p>Skott 1</p>  <table border="1" style="width:100%; border-collapse: collapse;"> <tr><td>Serie</td><td style="text-align: right;">7,0</td></tr> <tr><td>Totalt</td><td style="text-align: right;">282,0</td></tr> </table>	Serie	7,0	Totalt	282,0	<p>1: 7,3 ↖</p> <p>Skott 2</p>  <table border="1" style="width:100%; border-collapse: collapse;"> <tr><td>Serie</td><td style="text-align: right;">9,0</td></tr> <tr><td>Totalt</td><td style="text-align: right;">291,0</td></tr> </table>	Serie	9,0	Totalt	291,0	<p>1: 9,6 ↖</p>
Serie	7,0									
Totalt	282,0									
Serie	9,0									
Totalt	291,0									

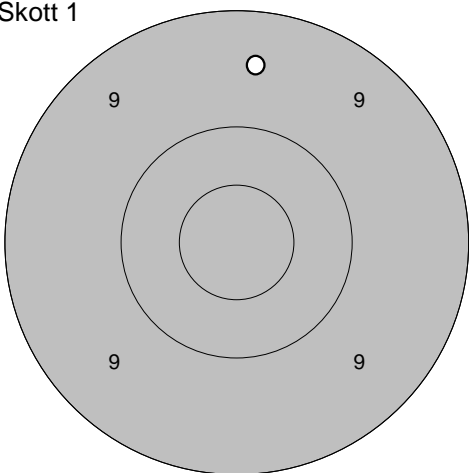
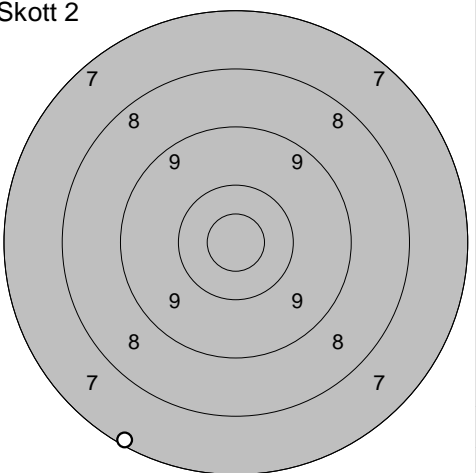
<p>Skott 3</p>  <table border="1" style="width:100%; border-collapse: collapse;"> <tr><td>Serie</td><td style="text-align: right;">9,0</td></tr> <tr><td>Totalt</td><td style="text-align: right;">300,0</td></tr> </table>	Serie	9,0	Totalt	300,0	<p>1: 9,9 ←</p> <p>Skott 4</p>  <table border="1" style="width:100%; border-collapse: collapse;"> <tr><td>Serie</td><td style="text-align: right;">10,0</td></tr> <tr><td>Totalt</td><td style="text-align: right;">310,0</td></tr> </table>	Serie	10,0	Totalt	310,0	<p>1: 10,1 ↖</p>
Serie	9,0									
Totalt	300,0									
Serie	10,0									
Totalt	310,0									

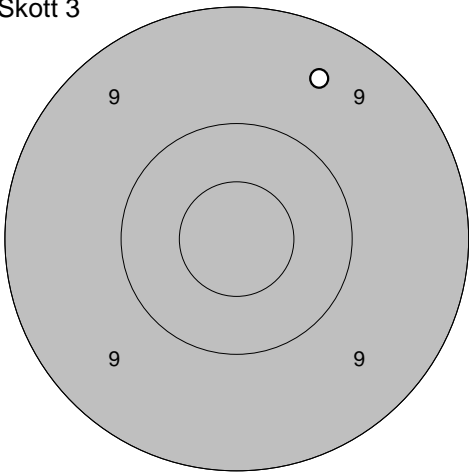
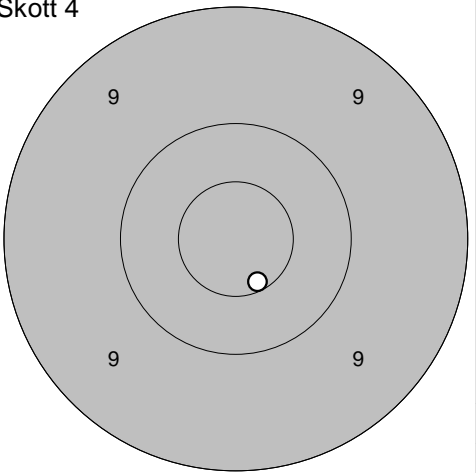
<p>Skott 5</p>  <table border="1" style="width:100%; border-collapse: collapse;"> <tr><td>Serie</td><td style="text-align: right;">10,0</td></tr> <tr><td>Totalt</td><td style="text-align: right;">320,0</td></tr> </table>	Serie	10,0	Totalt	320,0	<p>1: 10,3 ←</p>	
Serie	10,0					
Totalt	320,0					

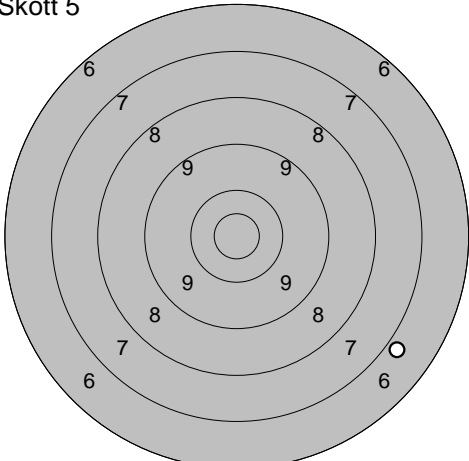
S 3

2010-07-20	Björkskottet 2010 Final	Ramselefors SKF
------------	-------------------------	-----------------

<p>Provskott</p> 	<p>1: 10,4 ↖ 2: 9,7 ↓ 3: 7,6 →</p>	<p>Serie</p> 	<p>1: 9,5 ↘ 2: 9,8 ↗ 3: 8,4 → 4: 8,7 ↓ 5: 8,3 ↙</p>
Serie 26,0		Serie 42,0	
Totalt 228,0		Totalt 270,0	

<p>Skott 1</p> 	<p>1: 9,5 ↑</p>	<p>Skott 2</p> 	<p>1: 7,2 ↓</p>
Serie 9,0		Serie 7,0	
Totalt 279,0		Totalt 286,0	

<p>Skott 3</p> 	<p>1: 9,5 ↑</p>	<p>Skott 4</p> 	<p>1: 10,6* ↓</p>
Serie 9,0		Serie 10,0	
Totalt 295,0		Totalt 305,0	

<p>Skott 5</p> 	<p>1: 6,9 ↘</p>		
Serie 6,0			
Totalt 311,0			

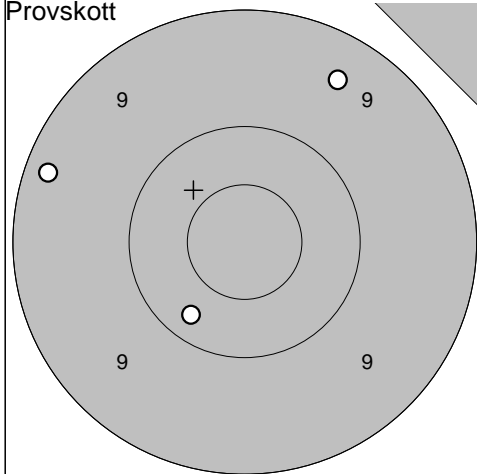
Moälven-Modo

2010-07-20

Björkskottet 2010 Final

Ramselefors SKF

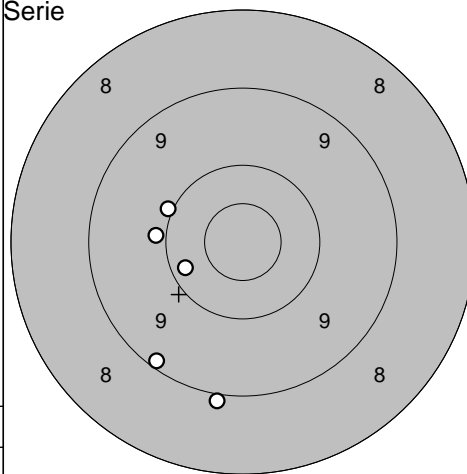
Provskott



1: 10,3 ↙  
2: 9,2 ←  
3: 9,4 ↗

Serie	28,0
Totalt	228,0

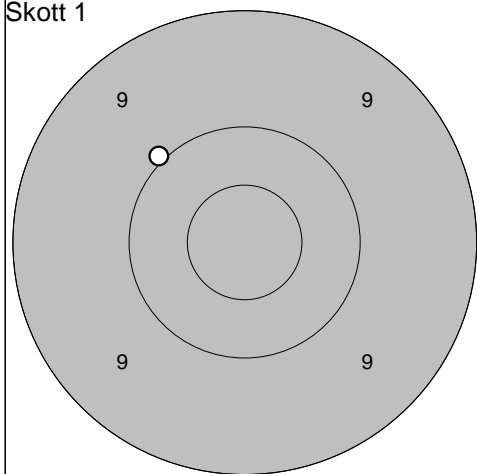
Serie



1: 10,2 ←  
2: 10,0 ↙  
3: 9,9 ←  
4: 9,0 ↓  
5: 9,2 ↘

Serie	47,0
Totalt	275,0

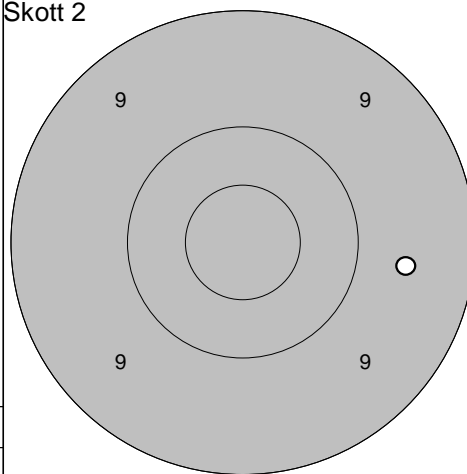
Skott 1



1: 10,0 ↖

Serie	10,0
Totalt	285,0

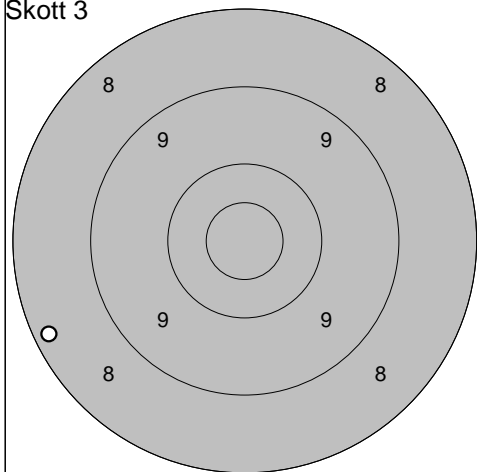
Skott 2



1: 9,6 →

Serie	9,0
Totalt	294,0

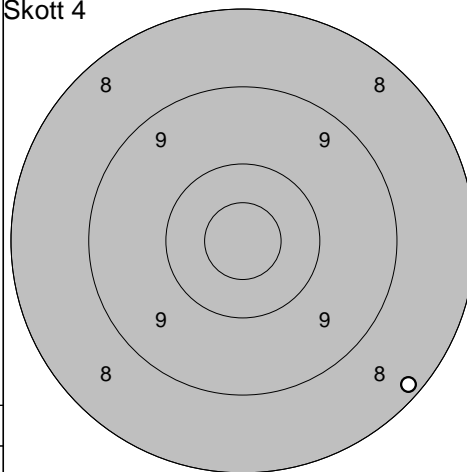
Skott 3



1: 8,2 ↙

Serie	8,0
Totalt	302,0

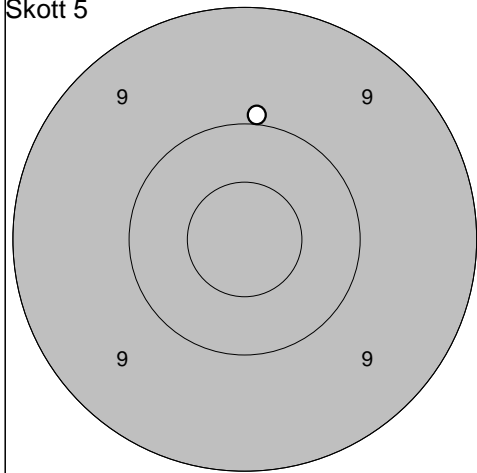
Skott 4



1: 8,2 ↘

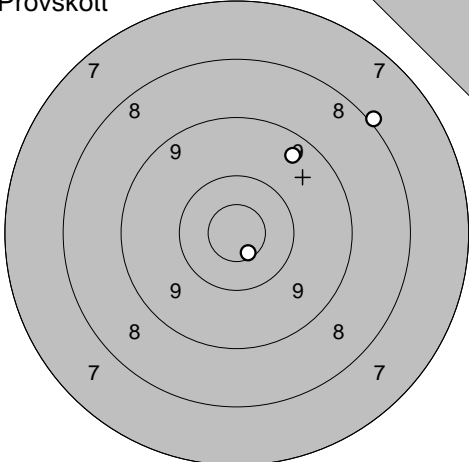
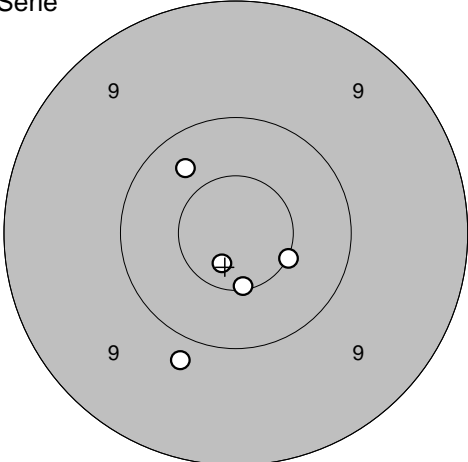
Serie	8,0
Totalt	310,0

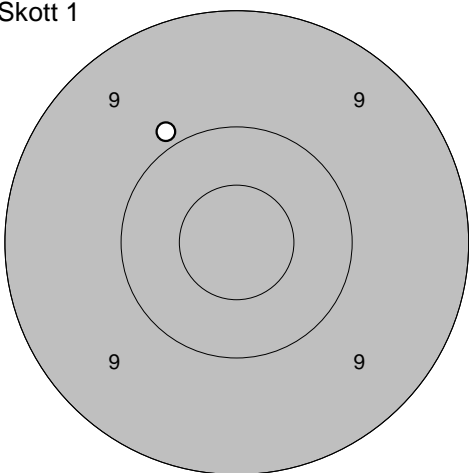
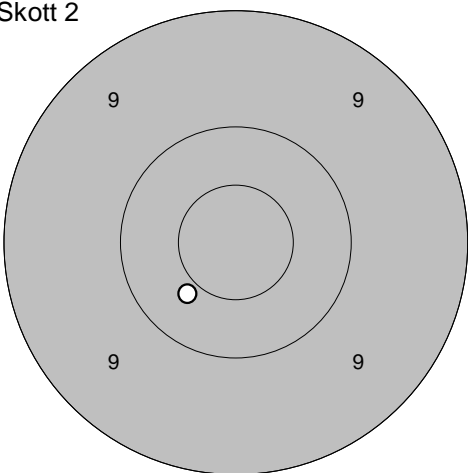
Skott 5

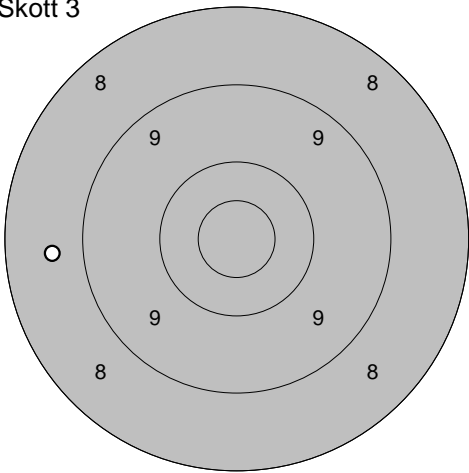
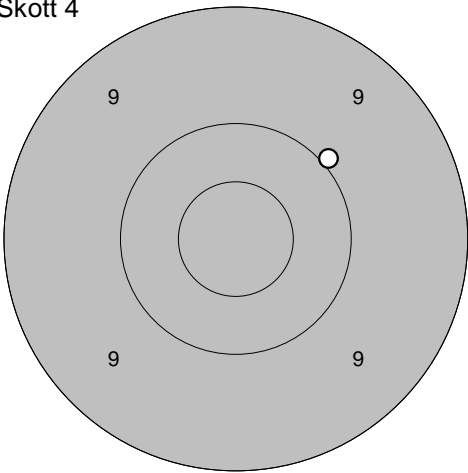


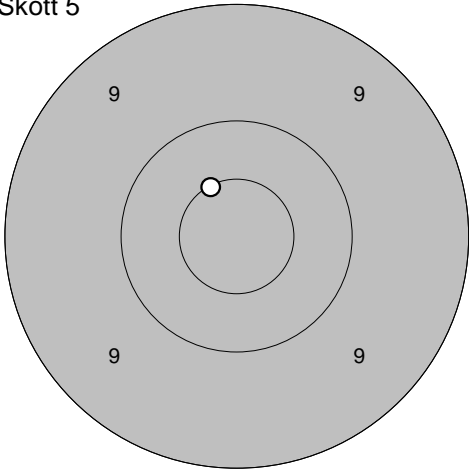
1: 10,0 ↑

Serie	10,0
Totalt	320,0

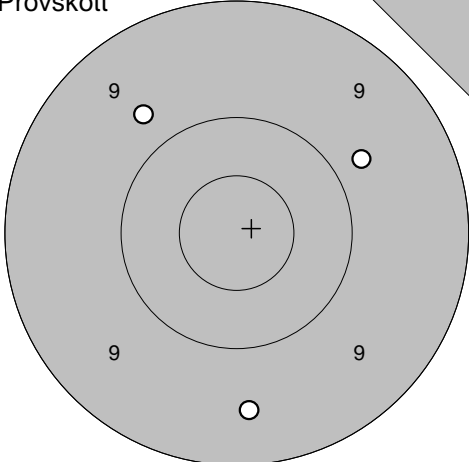
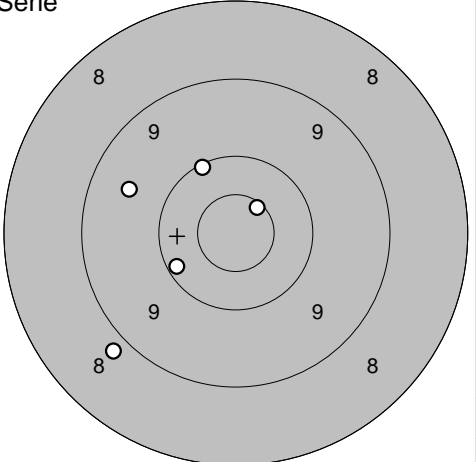
<b>Provskott</b> 	1: 10,7* ↘ 2: 8,0 ↗ 3: 9,4 ↗ <hr/> Serie 27,0 Totalt 224,0	<b>Serie</b> 	1: 9,8 ↘ 2: 10,5* ↘ 3: 10,3 ↗ 4: 10,6* ↘ 5: 10,7* ↘ <hr/> Serie 49,0 Totalt 273,0
--	--	--	---

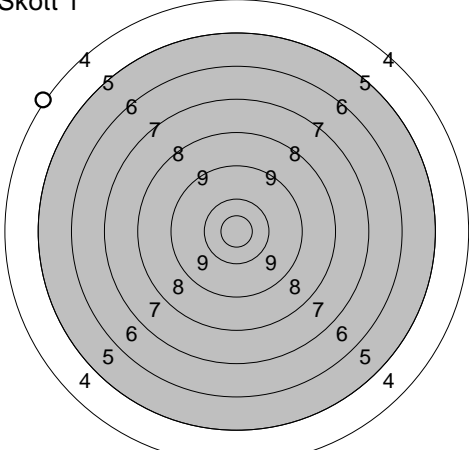
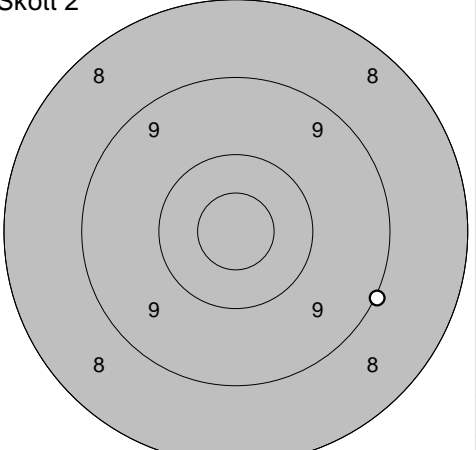
<b>Skott 1</b> 	1: 9,9 ↖ <hr/> Serie 9,0 Totalt 282,0	<b>Skott 2</b> 	1: 10,4 ↙ <hr/> Serie 10,0 Totalt 292,0
---	---	---	---

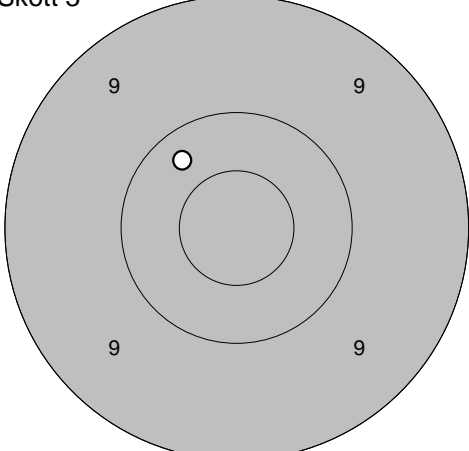
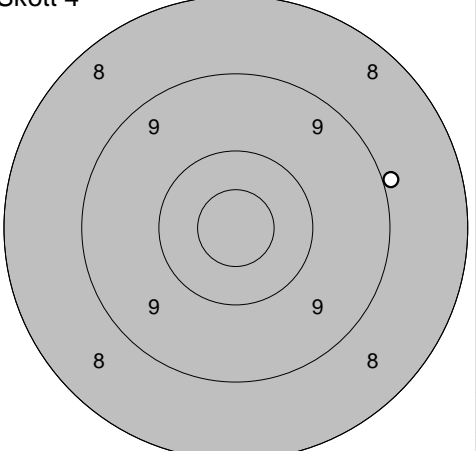
<b>Skott 3</b> 	1: 8,7 ← <hr/> Serie 8,0 Totalt 300,0	<b>Skott 4</b> 	1: 10,0 ↗ <hr/> Serie 10,0 Totalt 310,0
--	---	--	---

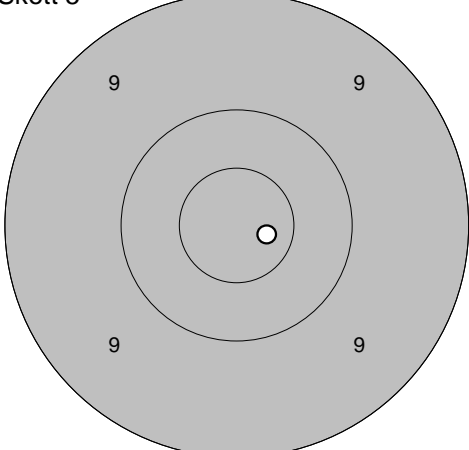
<b>Skott 5</b> 	1: 10,6* ↖ <hr/> Serie 10,0 Totalt 320,0		
--	--	--	--



<b>Provskott</b> 	1: 9,5 ↓ 2: 9,7 ↖ 3: 9,8 → <hr/> Serie 27,0 Totalt 221,0	<b>Serie</b> 	1: 10,6* ↗ 2: 10,1 ↖ 3: 8,9 ↙ 4: 9,6 ↖ 5: 10,2 ↙ <hr/> Serie 47,0 Totalt 268,0
--	--	--	--

<b>Skott 1</b> 	1: 4,1 ↖ <hr/> Serie 4,0 Totalt 272,0	<b>Skott 2</b> 	1: 9,0 → <hr/> Serie 9,0 Totalt 281,0
---	---	---	---

<b>Skott 3</b> 	1: 10,3 ↖ <hr/> Serie 10,0 Totalt 291,0	<b>Skott 4</b> 	1: 8,9 → <hr/> Serie 8,0 Totalt 299,0
--	---	--	---

<b>Skott 5</b> 	1: 10,8* → <hr/> Serie 10,0 Totalt 309,0		
--	--	--	--