

Skjutlag

1

Tavla

1

Therese Karlsson

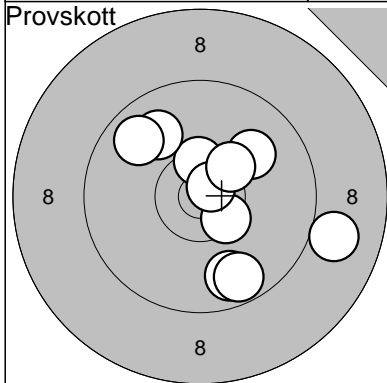
Drängsmark

2010-07-23

Tavelträffen 2010 Final

Ramselefors SKF

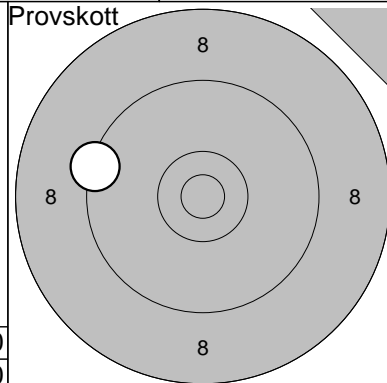
Provskott



1: 9,0  
2: 9,7  
3: 10,5\*  
4: 10,5\*  
5: 9,7  
6: 10,7\*  
7: 9,9  
8: 9,8  
9: 10,0  
10: 10,3\*

Serie 95,0  
Totalt 191,0

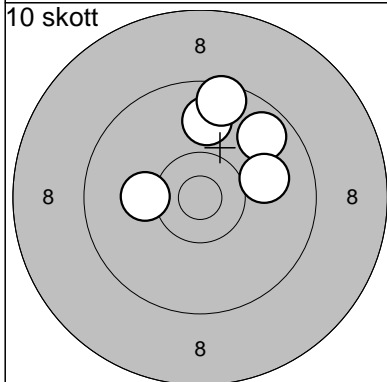
Provskott



11: 9,4

Serie 9,0  
Totalt 191,0

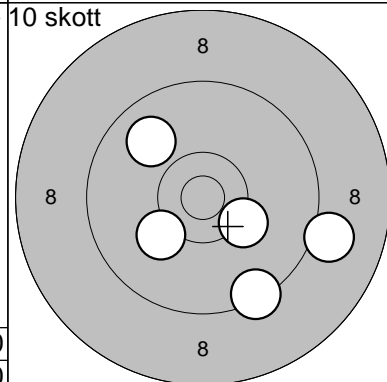
10 skott



1: 10,2  
2: 9,9  
3: 9,6  
4: 9,7  
5: 10,0

Serie 47,0  
Totalt 238,0

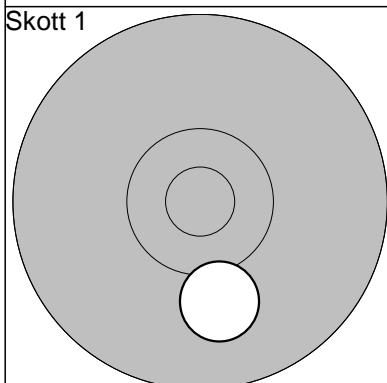
10 skott



6: 9,1  
7: 10,3  
8: 9,4  
9: 10,2  
10: 9,9

Serie 47,0  
Totalt 285,0

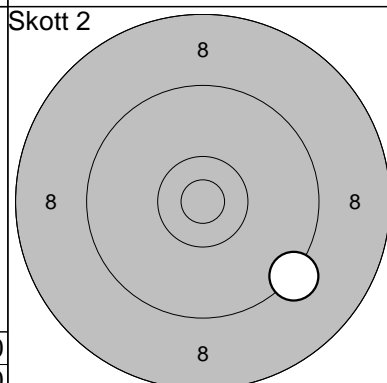
Skott 1



1: 10,1

Serie 10,0  
Totalt 295,0

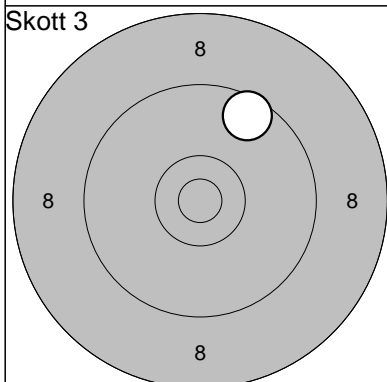
Skott 2



1: 9,3

Serie 9,0  
Totalt 304,0

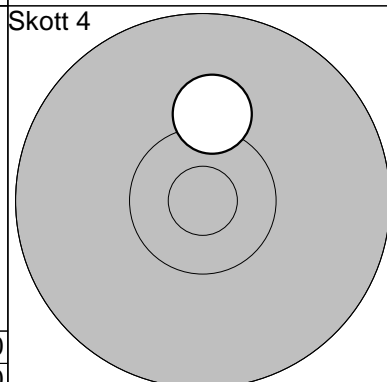
Skott 3



1: 9,6

Serie 9,0  
Totalt 313,0

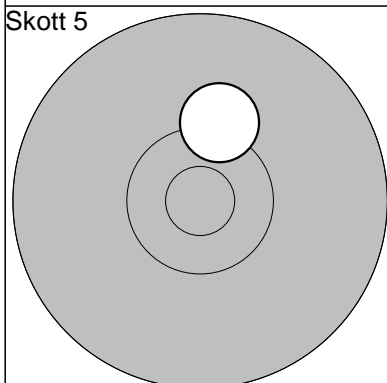
Skott 4



1: 10,2

Serie 10,0  
Totalt 323,0

Skott 5



1: 10,2

Serie 10,0  
Totalt 333,0

Ununge

2010-07-23	Tavelträffen 2010 Final	Ramselefors SKF
------------	-------------------------	-----------------

<p>Provskott</p>	<p>1: 6,8 → 2: 9,9 ↘ 3: 9,5 ↗ 4: 9,6 ↘ 5: 9,7 ↘ 6: 10,7* ↗ 7: 10,7* ↗ 8: 10,2 ↗ 9: 9,5 ↘ 10: 10,8* ↘</p>	<p>Provskott</p>	<p>11: 9,2 ↑ 12: 10,7* ↘ 13: 9,8 ↗</p>
Serie 91,0	Totalt 189,0	Serie 28,0	Totalt 189,0

<p>10 skott</p>	<p>1: 9,1 → 2: 10,1 ↘ 3: 9,5 ↗ 4: 10,2 ↗ 5: 9,2 ↗</p>	<p>10 skott</p>	<p>6: 10,4* → 7: 9,2 ← 8: 9,6 ↘ 9: 10,3* ← 10: 10,2 ↗</p>
Serie 47,0	Totalt 236,0	Serie 48,0	Totalt 284,0

<p>Skott 1</p>	<p>1: 9,9 →</p>	<p>Skott 2</p>	<p>1: 10,1 →</p>
Serie 9,0	Totalt 293,0	Serie 10,0	Totalt 303,0

<p>Skott 3</p>	<p>1: 10,0 ↖</p>	<p>Skott 4</p>	<p>1: 10,3 ↘</p>
Serie 10,0	Totalt 313,0	Serie 10,0	Totalt 323,0

<p>Skott 5</p>	<p>1: 8,3 ↗</p>		
Serie 8,0	Totalt 331,0		

Provsnitt		Provsnitt	
	1: 9,8 ↗ 2: 10,9* ↘ 3: 10,9* ← 4: 9,0 ↘ 5: 9,2 ← 6: 9,9 ↘ 7: 10,7* ↘ 8: 10,2 ↘ 9: 9,4 ↘ 10: 10,3* ↘		11: 10,3 ↗ 12: 9,8 ← 13: 9,8 ↘ 14: 10,7* →
Serie 95,0		Serie 38,0	
Totalt 187,0		Totalt 187,0	

10 skott		10 skott	
	1: 10,0 ↘ 2: 9,3 ← 3: 9,2 ↘ 4: 10,0 ↗ 5: 8,8 ↘		6: 8,6 ↘ 7: 9,1 ↗ 8: 9,6 ↘ 9: 9,0 ← 10: 10,2 ↘
Serie 46,0		Serie 45,0	
Totalt 233,0		Totalt 278,0	

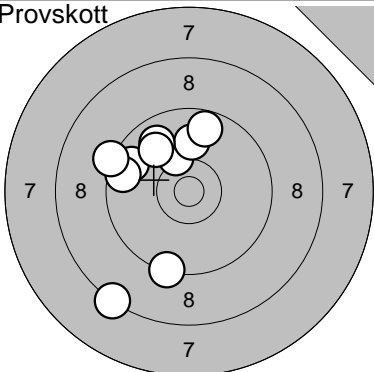
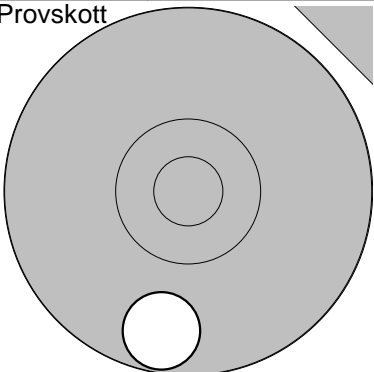
Skott 1		Skott 2	
	1: 10,0 ↑		1: 9,6 ↓
Serie 10,0		Serie 9,0	
Totalt 288,0		Totalt 297,0	

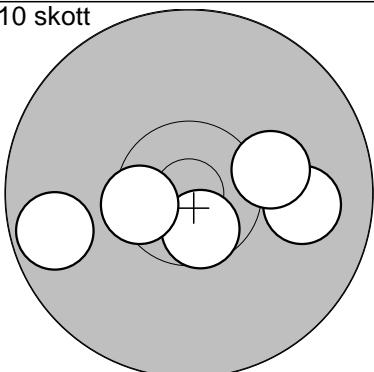
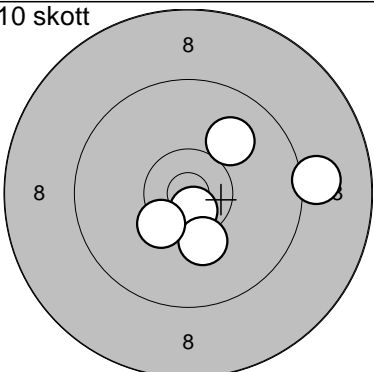
Skott 3		Skott 4	
	1: 10,2 ↗		1: 9,6 ↓
Serie 10,0		Serie 9,0	
Totalt 307,0		Totalt 316,0	

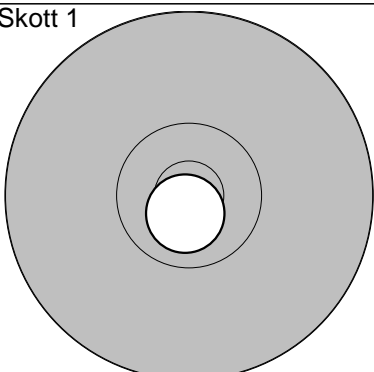
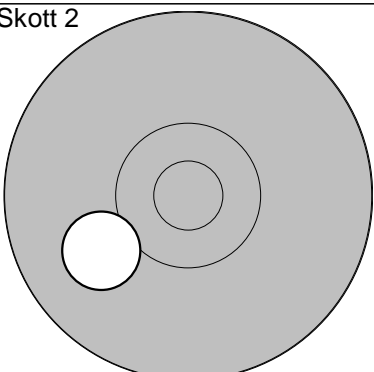
Skott 5			
	1: 9,8 →		
Serie 9,0			
Totalt 325,0			

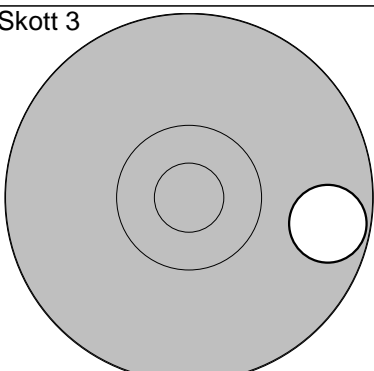
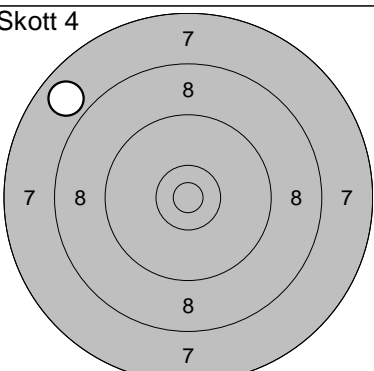
Bälunge-Jumkil

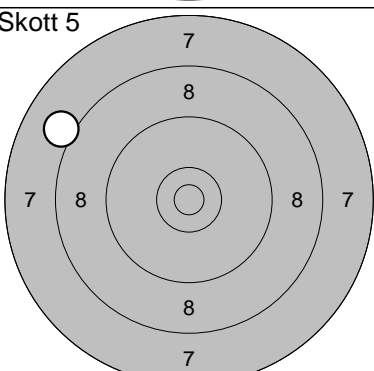
2010-07-23	Tavelträffen 2010 Final	Ramselefors SKF
------------	-------------------------	-----------------

Provsnitt 	1: 10,2 2: 10,0 3: 9,3 4: 9,7 5: 8,3 6: 9,6 7: 9,8 8: 9,7 9: 9,3 10: 9,9 <hr/> Serie 91,0 Totalt 186,0	Provsnitt 	11: 9,7 <hr/> Serie 9,0 Totalt 186,0
---	---	---	--

10 skott 	1: 10,6* 2: 9,7 3: 10,5* 4: 9,9 5: 10,2 <hr/> Serie 48,0 Totalt 234,0	10 skott 	6: 9,1 7: 10,7* 8: 10,0 9: 10,2 10: 10,4* <hr/> Serie 49,0 Totalt 283,0
--	---	--	---

Skott 1 	1: 10,8* <hr/> Serie 10,0 Totalt 293,0	Skott 2 	1: 10,0 <hr/> Serie 10,0 Totalt 303,0
--	--	--	---

Skott 3 	1: 9,7 <hr/> Serie 9,0 Totalt 312,0	Skott 4 	1: 7,9 <hr/> Serie 7,0 Totalt 319,0
---	---	---	---

Skott 5 	1: 8,1 <hr/> Serie 8,0 Totalt 327,0		
---	---	--	--

Djurö

2010-07-23	Tavelträffen 2010 Final	Ramselefors SKF
------------	-------------------------	-----------------

<p>Provskott</p>	<p>1: 10,5* ↙                  2: 8,2 ↗                  3: 9,7 ↘                  4: 10,1 ↑                  5: 9,5 ↗                  6: 10,6* ↗                  7: 10,2 ↘                  8: 9,4 ↗                  9: 10,6* ↙</p> <table border="1" style="width:100%; border-collapse: collapse;"> <tr><td>Serie</td><td style="text-align: right;">85,0</td></tr> <tr><td>Totalt</td><td style="text-align: right;">185,0</td></tr> </table>	Serie	85,0	Totalt	185,0	<p>10 skott</p>	<p>1: 9,6 ↗                  2: 10,7* ↘                  3: 10,0 ↙                  4: 10,4* ↗                  5: 9,4 ↗</p> <table border="1" style="width:100%; border-collapse: collapse;"> <tr><td>Serie</td><td style="text-align: right;">48,0</td></tr> <tr><td>Totalt</td><td style="text-align: right;">233,0</td></tr> </table>	Serie	48,0	Totalt	233,0
Serie	85,0										
Totalt	185,0										
Serie	48,0										
Totalt	233,0										

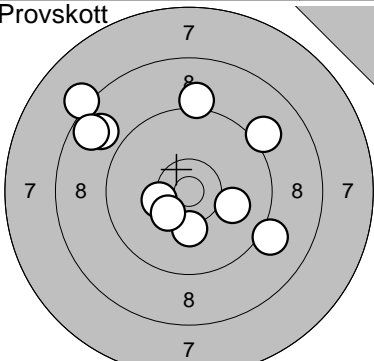
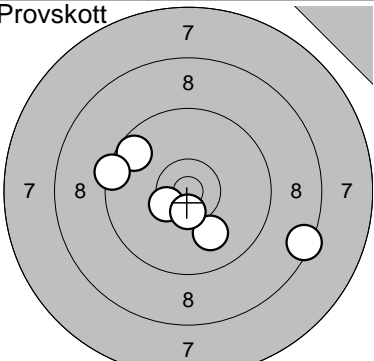
<p>10 skott</p>	<p>6: 10,4* ←                  7: 10,2 ↗                  8: 9,3 ↘                  9: 10,7* ↙                  10: 10,9* ↗</p> <table border="1" style="width:100%; border-collapse: collapse;"> <tr><td>Serie</td><td style="text-align: right;">49,0</td></tr> <tr><td>Totalt</td><td style="text-align: right;">282,0</td></tr> </table>	Serie	49,0	Totalt	282,0	<p>Skott 1</p>	<p>1: 10,5* ↙</p> <table border="1" style="width:100%; border-collapse: collapse;"> <tr><td>Serie</td><td style="text-align: right;">10,0</td></tr> <tr><td>Totalt</td><td style="text-align: right;">292,0</td></tr> </table>	Serie	10,0	Totalt	292,0
Serie	49,0										
Totalt	282,0										
Serie	10,0										
Totalt	292,0										

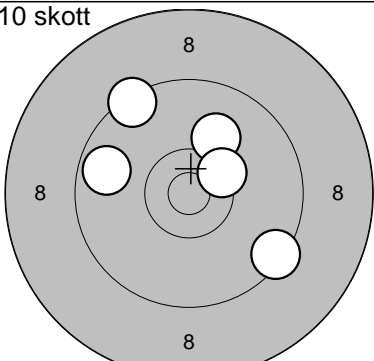
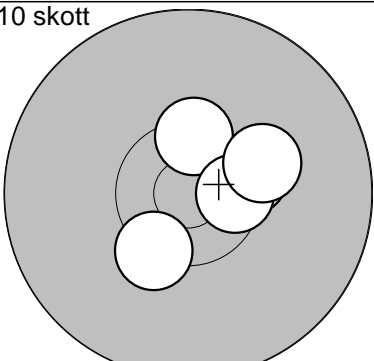
<p>Skott 2</p>	<p>1: 10,2 ↘</p> <table border="1" style="width:100%; border-collapse: collapse;"> <tr><td>Serie</td><td style="text-align: right;">10,0</td></tr> <tr><td>Totalt</td><td style="text-align: right;">302,0</td></tr> </table>	Serie	10,0	Totalt	302,0	<p>Skott 3</p>	<p>1: 10,4* ↗</p> <table border="1" style="width:100%; border-collapse: collapse;"> <tr><td>Serie</td><td style="text-align: right;">10,0</td></tr> <tr><td>Totalt</td><td style="text-align: right;">312,0</td></tr> </table>	Serie	10,0	Totalt	312,0
Serie	10,0										
Totalt	302,0										
Serie	10,0										
Totalt	312,0										

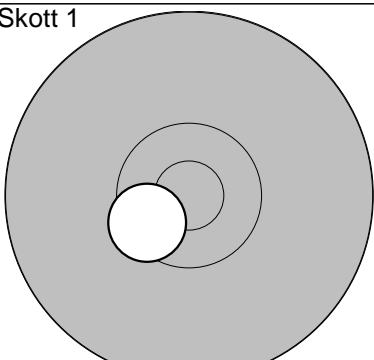
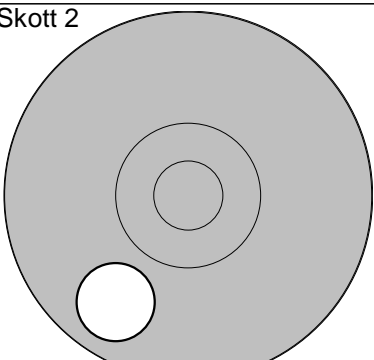
<p>Skott 4</p>	<p>1: 9,6 ↗</p> <table border="1" style="width:100%; border-collapse: collapse;"> <tr><td>Serie</td><td style="text-align: right;">9,0</td></tr> <tr><td>Totalt</td><td style="text-align: right;">321,0</td></tr> </table>	Serie	9,0	Totalt	321,0	<p>Skott 5</p>	<p>1: 9,4 ↗</p> <table border="1" style="width:100%; border-collapse: collapse;"> <tr><td>Serie</td><td style="text-align: right;">9,0</td></tr> <tr><td>Totalt</td><td style="text-align: right;">330,0</td></tr> </table>	Serie	9,0	Totalt	330,0
Serie	9,0										
Totalt	321,0										
Serie	9,0										
Totalt	330,0										

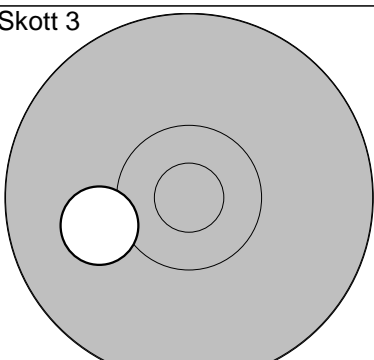
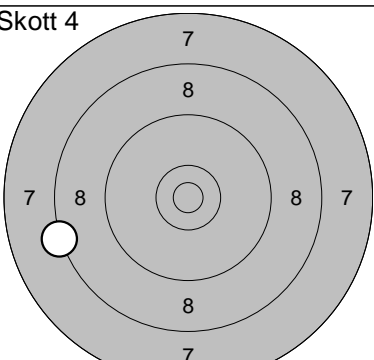
Kalix

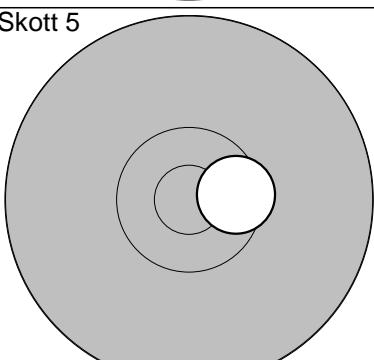
2010-07-23	Tavelträffen 2010 Final	Ramselefors SKF
------------	-------------------------	-----------------

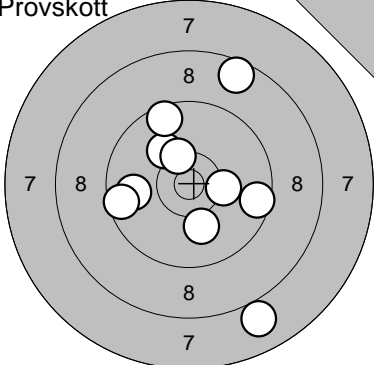
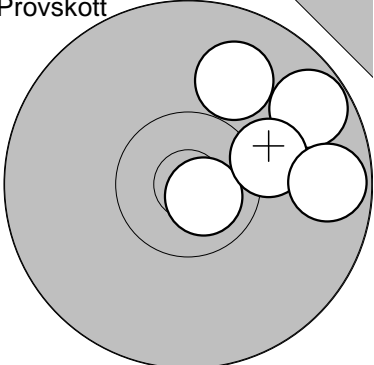
Provsnitt 	1: 10,3* ← 2: 9,1 ↗ 3: 8,9 ↗ 4: 10,2 ↓ 5: 9,1 ↓ 6: 10,0 ↓ 7: 10,4* ↖ 8: 8,2 ↗ 9: 9,2 ↗ 10: 8,7 ↗ <hr/> Serie 91,0 Totalt 185,0	Provsnitt 	11: 9,7 ↗ 12: 10,0 ↓ 13: 10,5* ↖ 14: 9,4 ↖ 15: 10,5* ↓ 16: 8,4 ↓ <hr/> Serie 56,0 Totalt 185,0
---	---	---	---

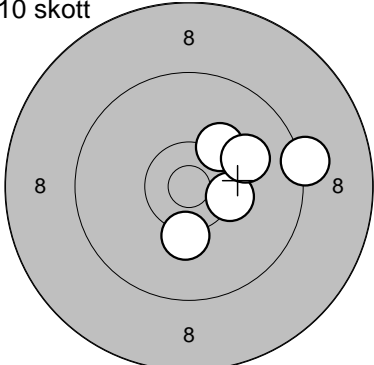
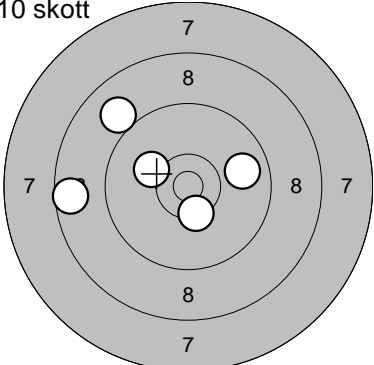
10 skott 	1: 9,4 ↗ 2: 10,1 ↗ 3: 9,7 ↗ 4: 9,4 ↓ 5: 10,4* ↗ <hr/> Serie 47,0 Totalt 232,0	10 skott 	6: 10,3* ↓ 7: 10,4* → 8: 10,4* ↑ 9: 10,5* → 10: 10,2 → <hr/> Serie 50,0 Totalt 282,0
--	---	--	--

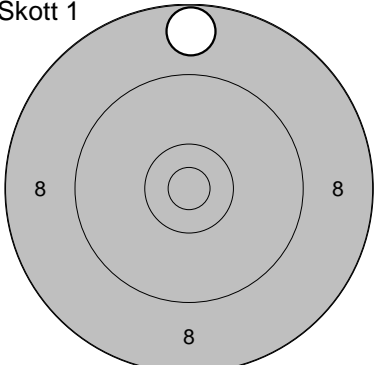
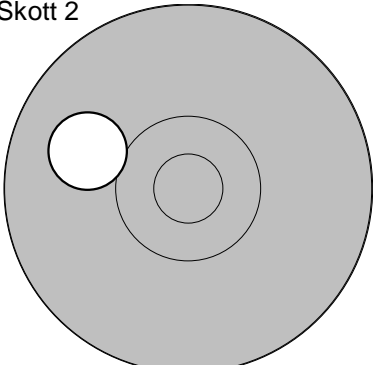
Skott 1 	1: 10,5* ↖ <hr/> Serie 10,0 Totalt 292,0	Skott 2 	1: 9,8 ↓ <hr/> Serie 9,0 Totalt 301,0
--	--	--	---

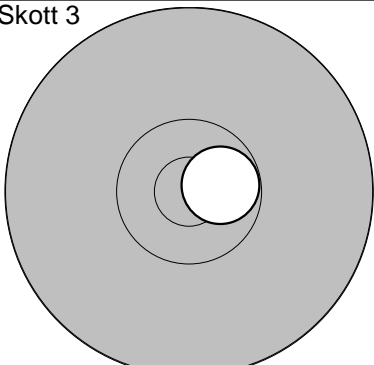
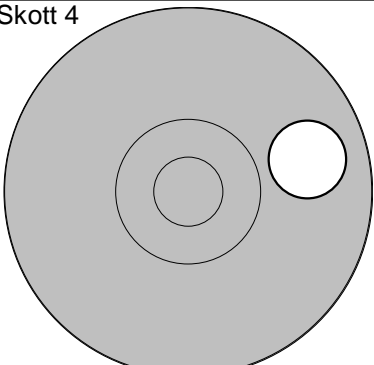
Skott 3 	1: 10,1 ↖ <hr/> Serie 10,0 Totalt 311,0	Skott 4 	1: 8,3 ↖ <hr/> Serie 8,0 Totalt 319,0
---	---	---	---

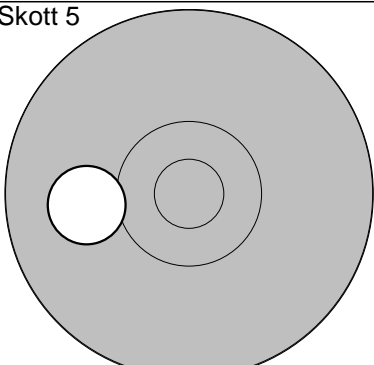
Skott 5 	1: 10,5* → <hr/> Serie 10,0 Totalt 329,0	
---	--	--

Provskott		Provskott	
	1: 9,8 ← 2: 10,1 ↙ 3: 10,1 ↗ 4: 7,9 ↘ 5: 9,6 → 6: 10,3 → 7: 10,4* ↗ 8: 9,6 ↗ 9: 8,6 ↗ 10: 9,6 ↖		11: 10,8* ↘ 12: 9,7 ↗ 13: 10,2 → 14: 9,7 → 15: 9,9 ↗
Serie	91,0	Serie	47,0
Totalt	184,0	Totalt	184,0

10 skott		10 skott	
	1: 10,3* → 2: 9,2 → 3: 10,2 ↓ 4: 10,2 ↗ 5: 10,0 →		6: 10,4* ↓ 7: 10,2 ↖ 8: 9,8 → 9: 9,0 ↗ 10: 8,6 ←
Serie	49,0	Serie	46,0
Totalt	233,0	Totalt	279,0

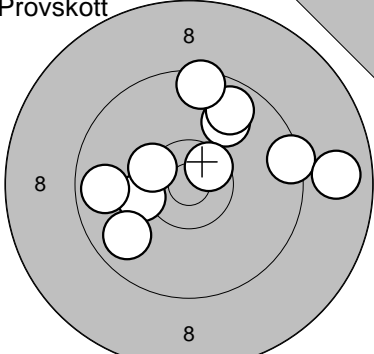
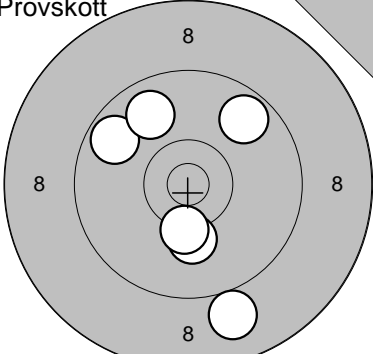
Skott 1		Skott 2	
	1: 8,7 ↑		1: 10,0 ←
Serie	8,0	Serie	10,0
Totalt	287,0	Totalt	297,0

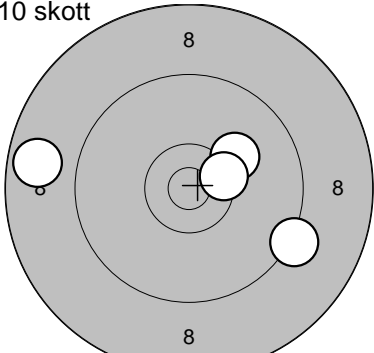
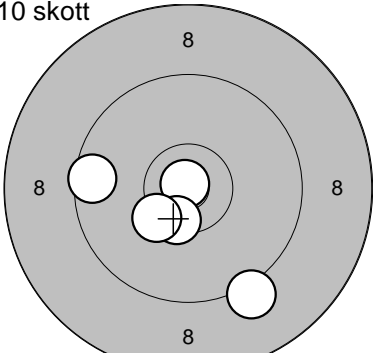
Skott 3		Skott 4	
	1: 10,7* →		1: 9,8 →
Serie	10,0	Serie	9,0
Totalt	307,0	Totalt	316,0

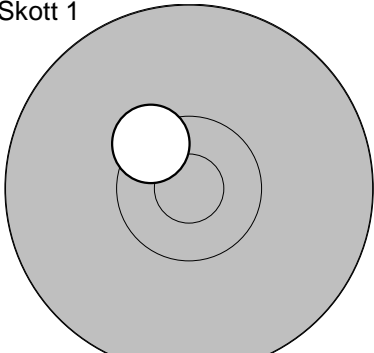
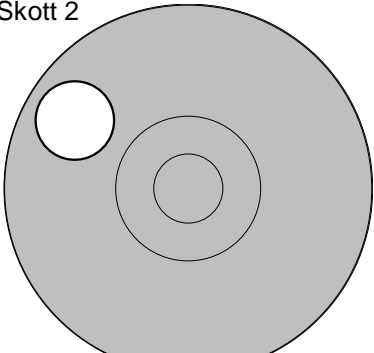
Skott 5			
	1: 10,0 ←		
Serie	10,0		
Totalt	326,0		

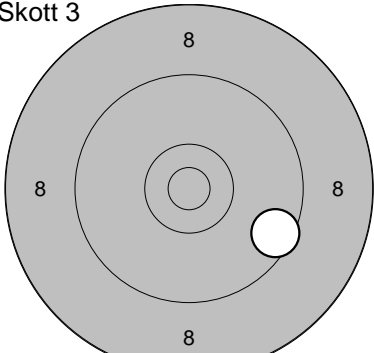
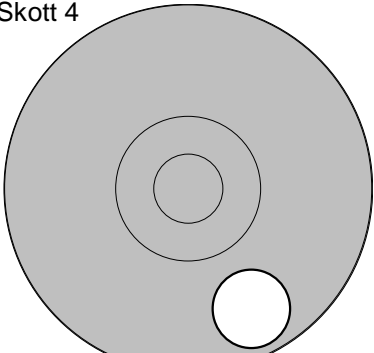
Ramselefors

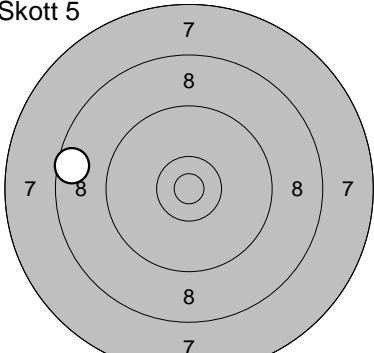
2010-07-23	Tavelträffen 2010 Final	Ramselefors SKF
------------	-------------------------	-----------------

Provsnitt 	1: 9,9 ↗ 2: 9,7 ↗ 3: 9,5 ↑ 4: 9,4 → 5: 8,8 → 6: 10,2 ← 7: 10,6* ↗ 8: 9,7 ← 9: 10,4* ↖ 10: 9,8 ↙ <hr/> Serie 92,0 Totalt 176,0	Provsnitt 	11: 9,7 ↖ 12: 9,7 ↗ 13: 9,8 ↗ 14: 10,2 ↓ 15: 9,0 ↓ 16: 10,3* ↓ <hr/> Serie 56,0 Totalt 176,0
---	--	---	---

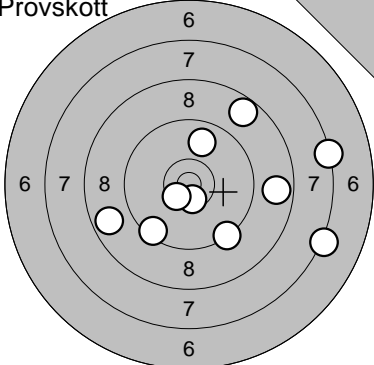
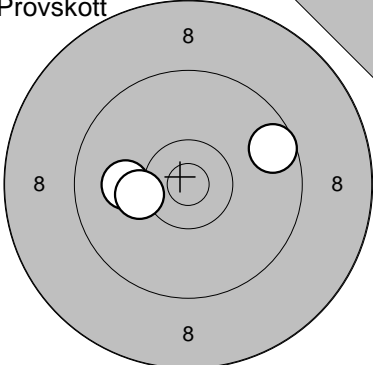
10 skott 	1: 10,1 ↗ 2: 8,7 ← 3: 10,4* → 4: 9,2 ↘ 0,0 ↙ <hr/> Serie 37,0 Totalt 213,0	10 skott 	6: 10,9* ↗ 7: 10,5* ↓ 8: 9,2 ↓ 9: 9,6 ← 10: 10,3* ↙ <hr/> Serie 48,0 Totalt 261,0
--	--	--	---

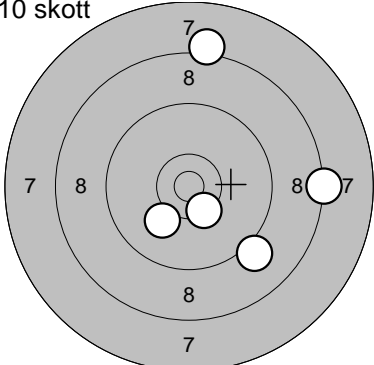
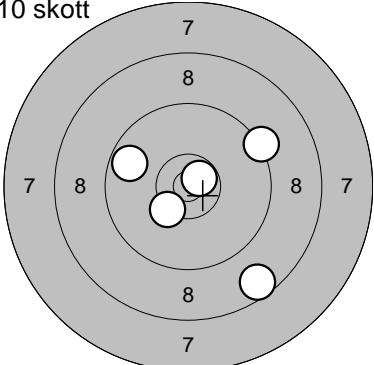
Skott 1 	1: 10,4* ↖ <hr/> Serie 10,0 Totalt 271,0	Skott 2 	1: 9,8 ↖ <hr/> Serie 9,0 Totalt 280,0
--	--	--	---

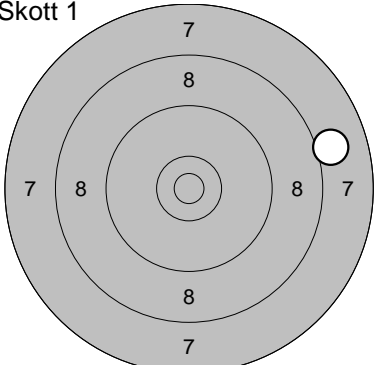
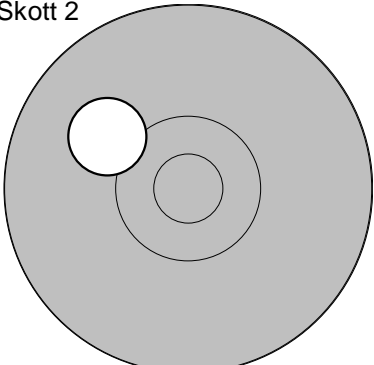
Skott 3 	1: 9,5 ↘ <hr/> Serie 9,0 Totalt 289,0	Skott 4 	1: 9,7 ↓ <hr/> Serie 9,0 Totalt 298,0
---	---	---	---

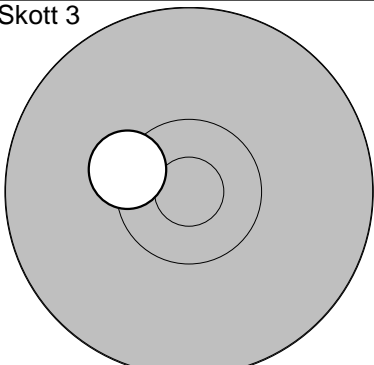
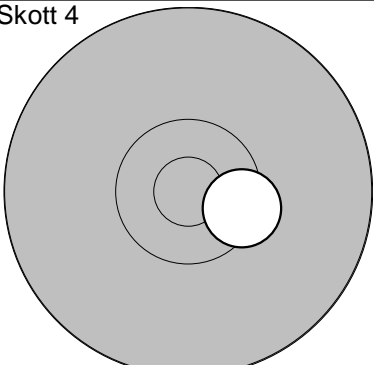
Skott 5 	1: 8,6 ← <hr/> Serie 8,0 Totalt 306,0	
---	---	--

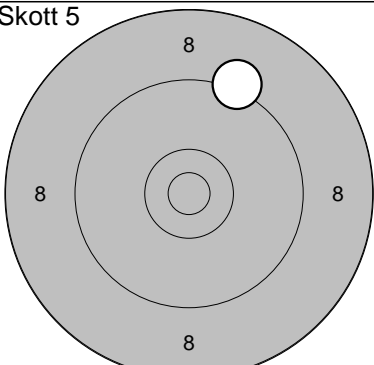


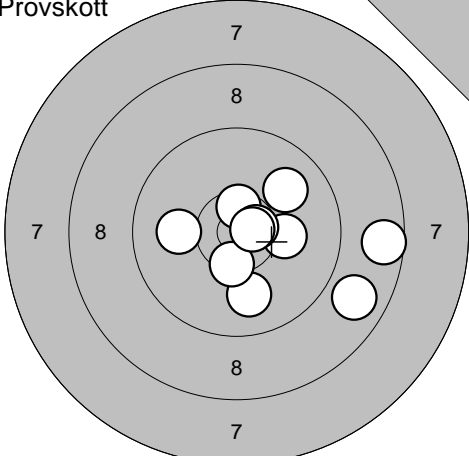
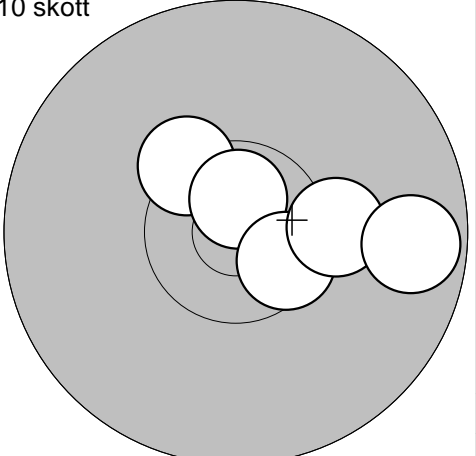
Provskott	1: 7,3 → 2: 9,5 ↘ 3: 8,7 → 4: 7,2 → 5: 9,3 ↘ 6: 10,6* ↘ 7: 9,8 ↗ 8: 10,5* ↘ 9: 8,7 ↘ 10: 8,7 ↗	Provskott	11: 9,6 → 12: 10,1 ← 13: 10,2 ←
	Serie 85,0 Totalt 175,0		Serie 29,0 Totalt 175,0

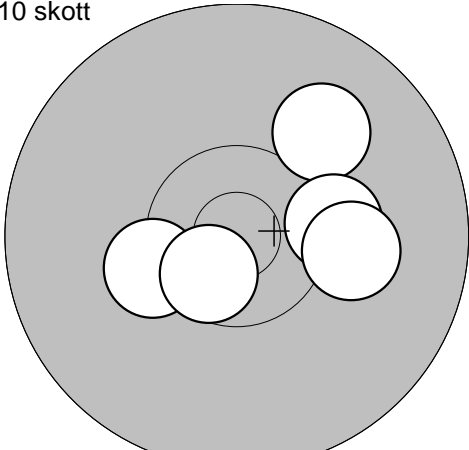
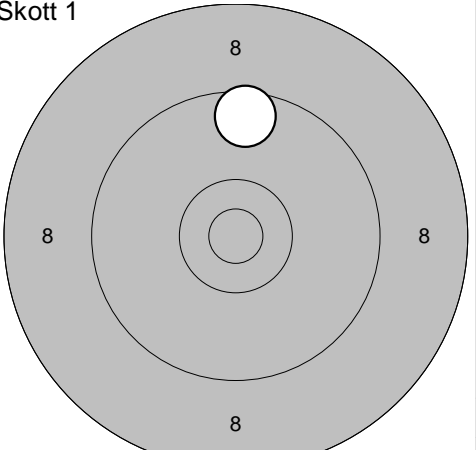
10 skott	1: 8,2 ↑ 2: 9,1 ↘ 3: 10,1 ↘ 4: 10,4* ↘ 5: 8,3 →	10 skott	6: 9,3 → 7: 10,7* → 8: 8,6 ↘ 9: 10,3* ↘ 10: 9,7 ←
	Serie 45,0 Totalt 220,0		Serie 46,0 Totalt 266,0

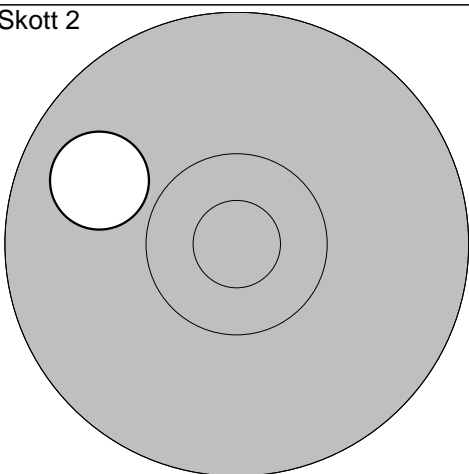
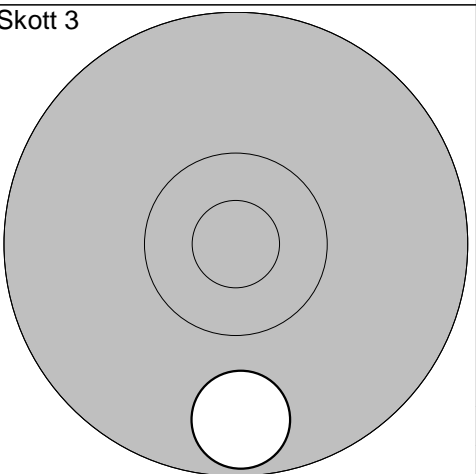
Skott 1	1: 8,0 →	Skott 2	1: 10,1 ←
	Serie 8,0 Totalt 274,0		Serie 10,0 Totalt 284,0

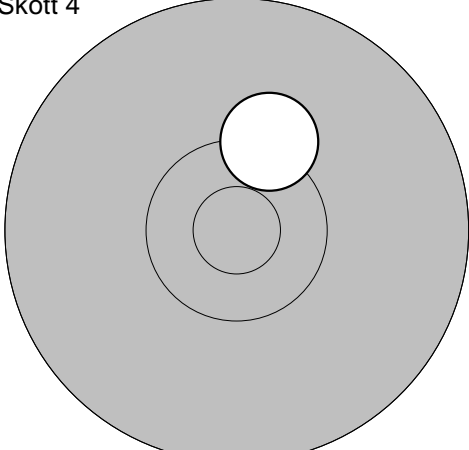
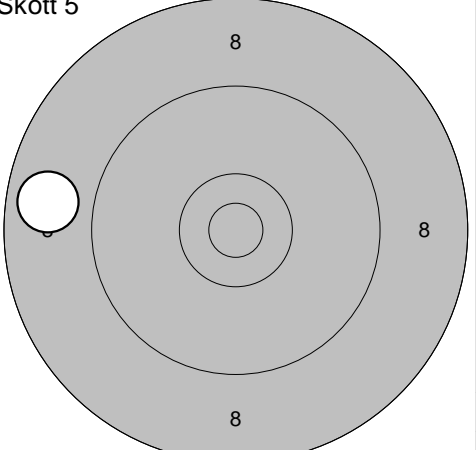
Skott 3	1: 10,4* ←	Skott 4	1: 10,4* →
	Serie 10,0 Totalt 294,0		Serie 10,0 Totalt 304,0

Skott 5	1: 9,2 ↑		
	Serie 9,0 Totalt 313,0		

Provs skott 	1: 9,9 ↗ 2: 10,0 ← 3: 8,8 ↘ 4: 10,2 → 5: 8,6 → 6: 9,9 ↓ 7: 10,4* ↓ 8: 10,6* ↑ 9: 10,6* → 10: 10,7* → Serie 94,0 Totalt 192,0	10 skott 	1: 10,4* ↗ 2: 10,7* ↑ 3: 10,5* ↘ 4: 10,2 → 5: 9,7 → Serie 49,0 Totalt 241,0
---	---	--	---

10 skott 	6: 10,0 ↗ 7: 10,3* ← 8: 10,3 → 9: 10,6* ↘ 10: 10,1 → Serie 50,0 Totalt 291,0	Skott 1 	1: 9,6 ↑ Serie 9,0 Totalt 300,0
---	--	--	---------------------------------------

Skott 2 	1: 9,9 ← Serie 9,0 Totalt 309,0	Skott 3 	1: 9,7 ↓ Serie 9,0 Totalt 318,0
---	---------------------------------------	---	---------------------------------------

Skott 4 	1: 10,3 ↗ Serie 10,0 Totalt 328,0	Skott 5 	1: 8,8 ← Serie 8,0 Totalt 336,0
---	---	---	---------------------------------------

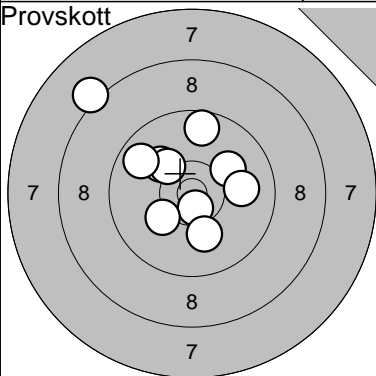
Niemisel

2010-07-23

Tavelträffen 2010 Final

Ramselefors SKF

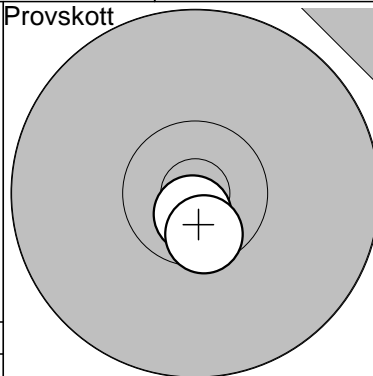
Provsnitt



- 1: 10,1 ↗
- 2: 8,2 ↗
- 3: 10,6\* ↘
- 4: 10,1 ↘
- 5: 10,1 ↗
- 6: 10,2 ↗
- 7: 9,8 ↗
- 8: 10,2 ↘
- 9: 10,0 →
- 10: 9,7 ↑

Serie 96,0  
Totalt 190,0

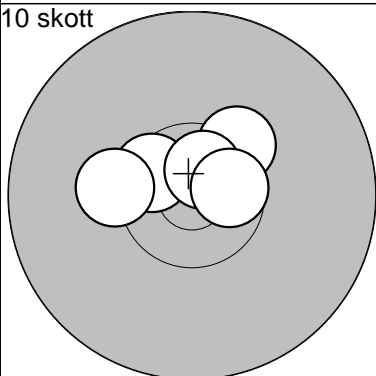
Provsnitt



- 11: 10,8\* ↓
- 12: 10,6\* ↓

Serie 20,0  
Totalt 190,0

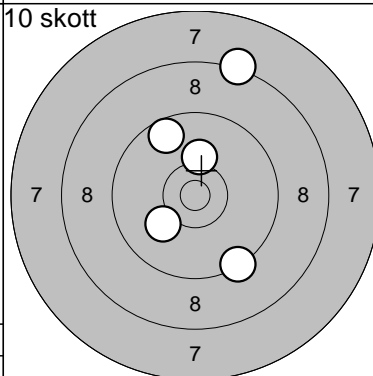
10 skott



- 1: 10,5\* ↗
- 2: 10,3 ↖
- 3: 10,3\* ↗
- 4: 10,7\* ↗
- 5: 10,6\* →

Serie 50,0  
Totalt 240,0

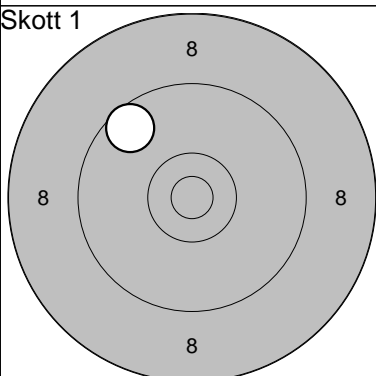
10 skott



- 6: 8,3 ↑
- 7: 9,6 ↗
- 8: 10,2 ↑
- 9: 9,3 ↓
- 10: 10,1 ↖

Serie 46,0  
Totalt 286,0

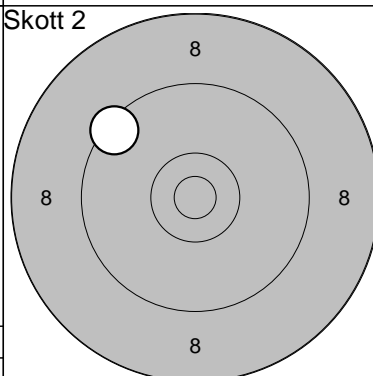
Skott 1



- 1: 9,6 ↖

Serie 9,0  
Totalt 295,0

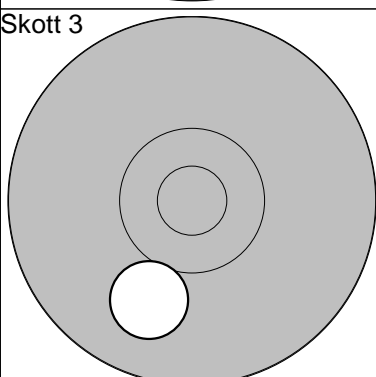
Skott 2



- 1: 9,4 ↖

Serie 9,0  
Totalt 304,0

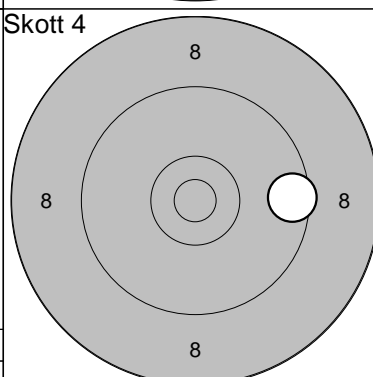
Skott 3



- 1: 10,0 ↓

Serie 10,0  
Totalt 314,0

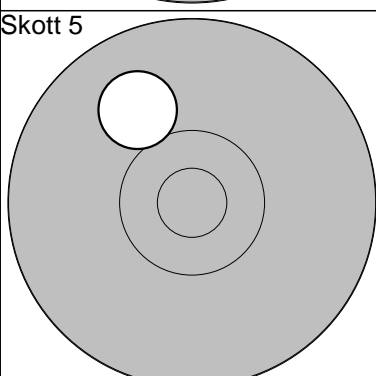
Skott 4



- 1: 9,5 →

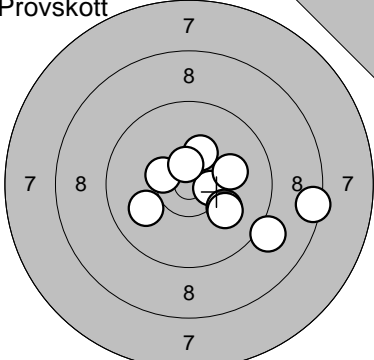
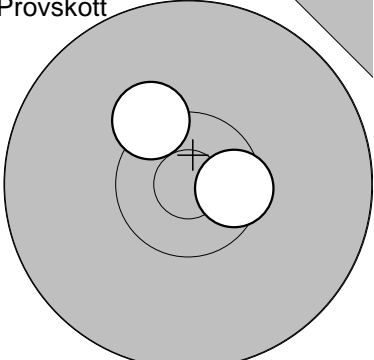
Serie 9,0  
Totalt 323,0

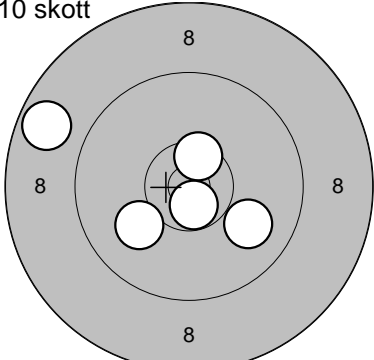
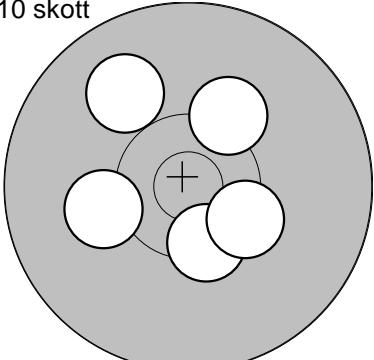
Skott 5

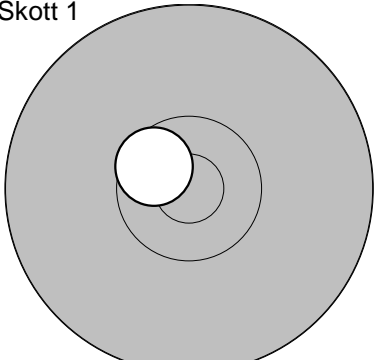
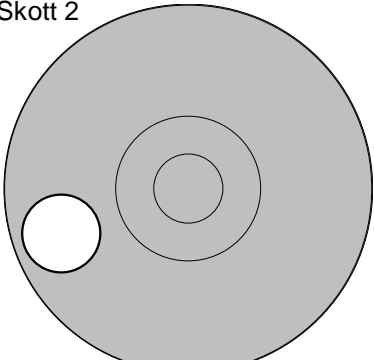


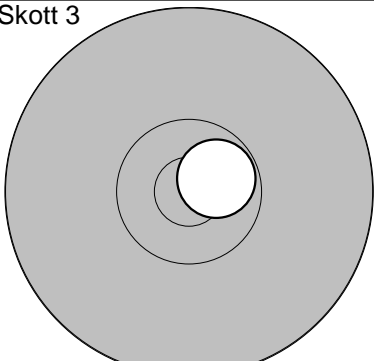
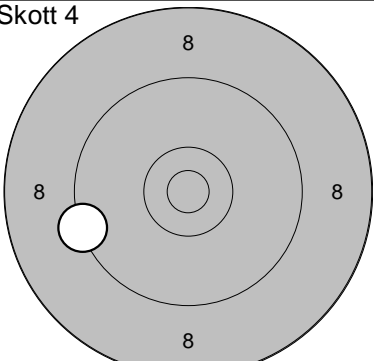
- 1: 10,0 ↗

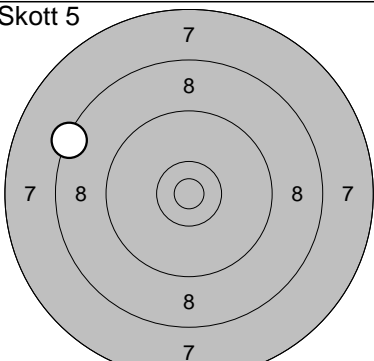
Serie 10,0  
Totalt 333,0

Provskott		Provskott	
	1: 10,5* → 2: 10,0 ← 3: 9,1 ↘ 4: 8,5 → 5: 10,3* → 6: 10,4* → 7: 10,1 ↘ 8: 10,1 → 9: 10,6* → 10: 10,1 →		11: 10,3* ↗ 12: 10,5* →
Serie 97,0		Serie 20,0	
Totalt 189,0		Totalt 189,0	

10 skott		10 skott	
	1: 8,7 ↗ 2: 10,0 ← 3: 10,5* → 4: 9,9 ↘ 5: 10,7* ↘		6: 10,4* ↓ 7: 10,4* ↘ 8: 9,9 ↗ 9: 10,2 ← 10: 10,2 ↗
Serie 47,0		Serie 49,0	
Totalt 236,0		Totalt 285,0	

Skott 1		Skott 2	
	1: 10,6* ↗		1: 9,7 ←
Serie 10,0		Serie 9,0	
Totalt 295,0		Totalt 304,0	

Skott 3		Skott 4	
	1: 10,7* →		1: 9,3 ←
Serie 10,0		Serie 9,0	
Totalt 314,0		Totalt 323,0	

Skott 5			
	1: 8,4 ↗		
Serie 8,0			
Totalt 331,0			

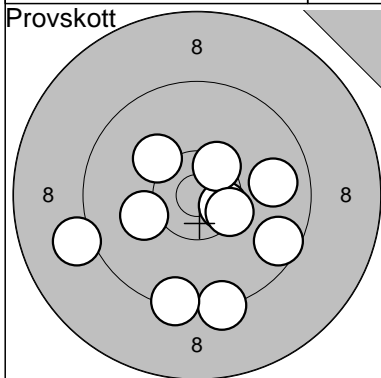
Ramselefors

2010-07-23

Tavelträffen 2010 Final

Ramselefors SKF

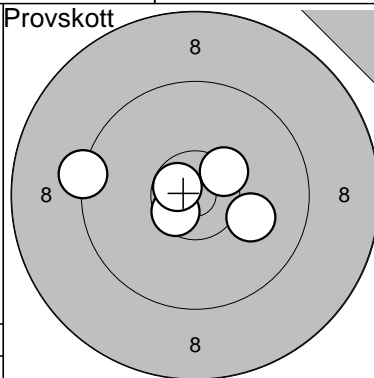
Provskott



- 1: 9,1 ←
- 2: 9,3 ↙
- 3: 9,8 →
- 4: 9,6 ↘
- 5: 10,5\* ↘
- 6: 10,1 ↙
- 7: 10,4\* ↗
- 8: 10,2 ↗
- 9: 10,4\* ↘
- 10: 9,4 ↓

Serie 95,0  
Totalt 187,0

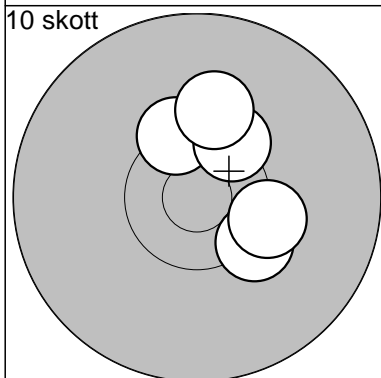
Provskott



- 11: 10,4\* ↗
- 12: 9,3 ←
- 13: 10,6\* ↙
- 14: 10,7\* ↗
- 15: 10,1 ↘

Serie 49,0  
Totalt 187,0

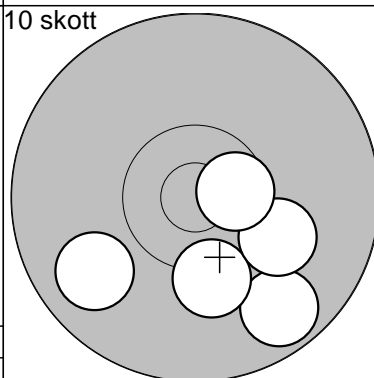
10 skott



- 1: 10,3\* ↘
- 2: 10,4\* ↗
- 3: 10,4\* ↗
- 4: 10,3\* ↘
- 5: 10,2 ↗

Serie 50,0  
Totalt 237,0

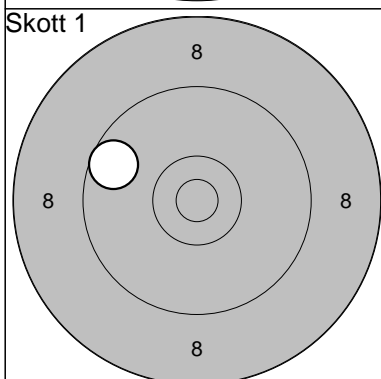
10 skott



- 6: 9,7 ↘
- 7: 10,2 ↓
- 8: 10,1 ↘
- 9: 9,8 ↙
- 10: 10,6\* →

Serie 48,0  
Totalt 285,0

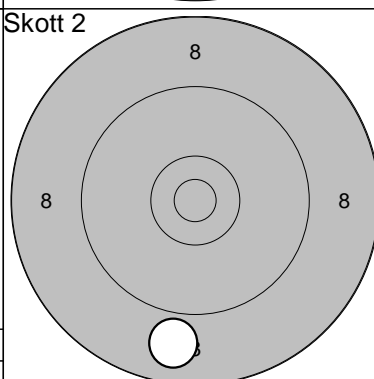
Skott 1



- 1: 9,6 ←

Serie 9,0  
Totalt 294,0

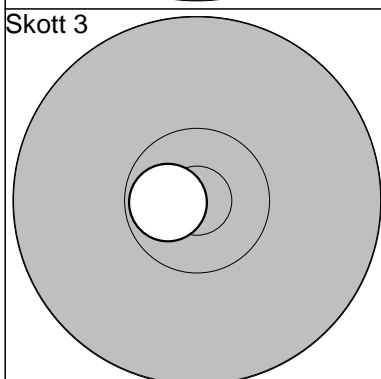
Skott 2



- 1: 8,9 ↓

Serie 8,0  
Totalt 302,0

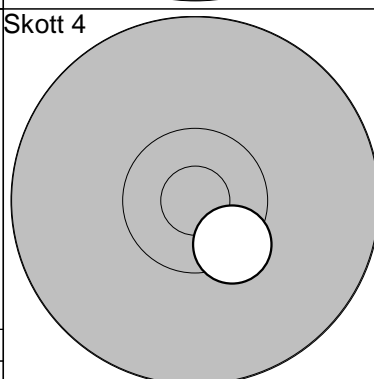
Skott 3



- 1: 10,7\* ←

Serie 10,0  
Totalt 312,0

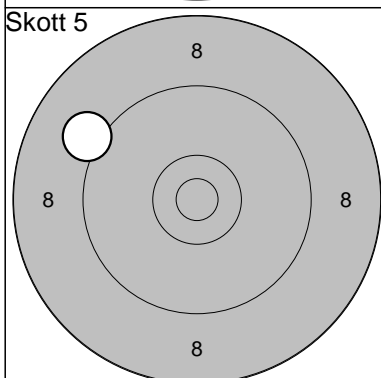
Skott 4



- 1: 10,4\* ↘

Serie 10,0  
Totalt 322,0

Skott 5



- 1: 9,1 ↙

Serie 9,0  
Totalt 331,0

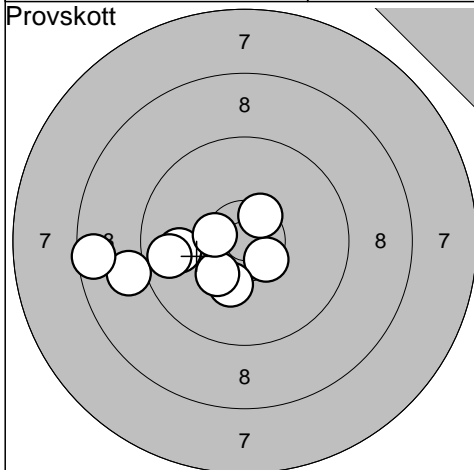
Ununge

2010-07-23

Tavelträffen 2010 Final

Ramselefors SKF

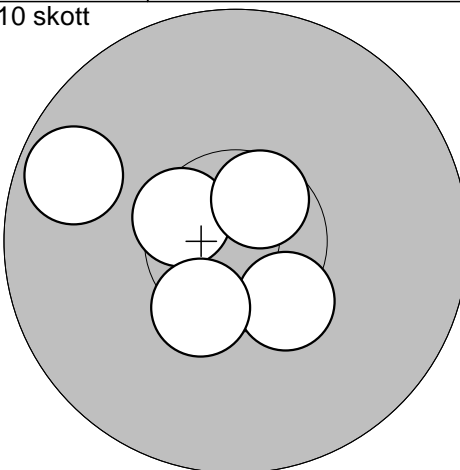
Provskott



- 1: 9,1 ←
- 2: 8,6 ←
- 3: 9,9 ←
- 4: 10,5\* ↘
- 5: 10,2 ↓
- 6: 9,7 ←
- 7: 10,3 ↘
- 8: 10,5\* ←
- 9: 10,5\* ↗

Serie 85,0  
Totalt 187,0

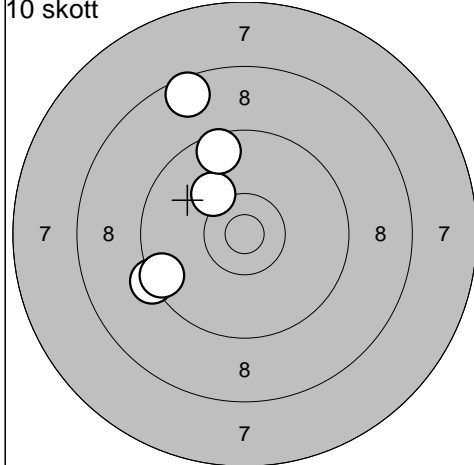
10 skott



- 1: 9,7 ←
- 2: 10,4\* ↘
- 3: 10,5\* ↗
- 4: 10,4\* ↓
- 5: 10,6\* ↗

Serie 49,0  
Totalt 236,0

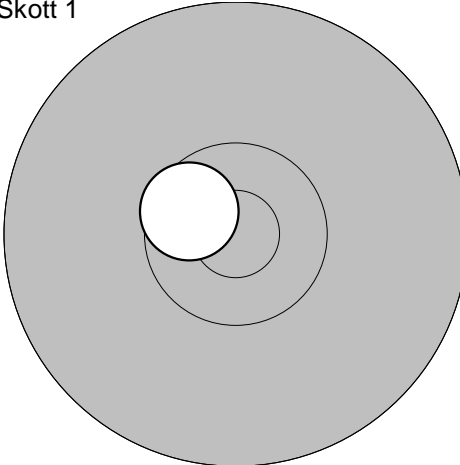
10 skott



- 6: 8,6 ↑
- 7: 9,3 ←
- 8: 10,2 ↗
- 9: 9,6 ↑
- 10: 9,5 ←

Serie 45,0  
Totalt 281,0

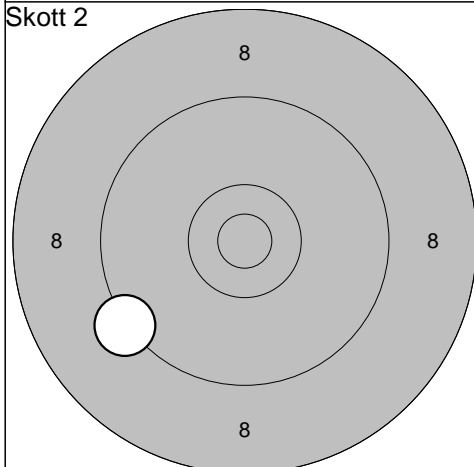
Skott 1



- 1: 10,6\* ←

Serie 10,0  
Totalt 291,0

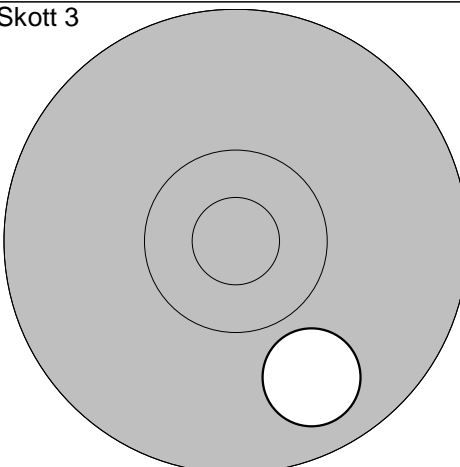
Skott 2



- 1: 9,3 ←

Serie 9,0  
Totalt 300,0

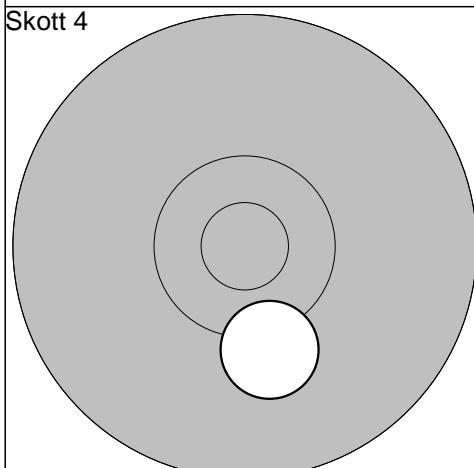
Skott 3



- 1: 9,8 ↘

Serie 9,0  
Totalt 309,0

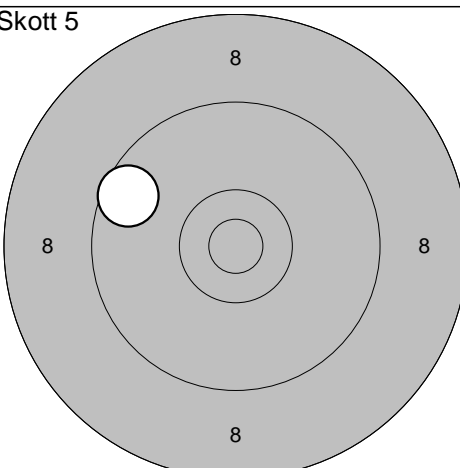
Skott 4



- 1: 10,2 ↓

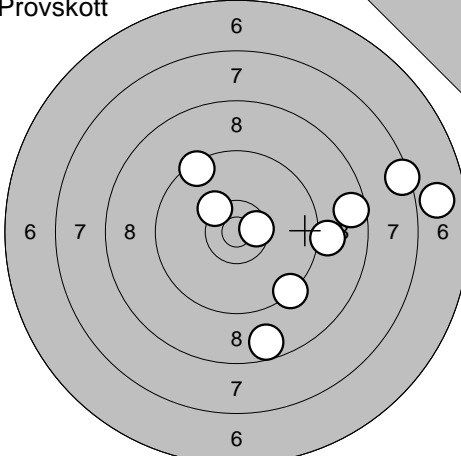
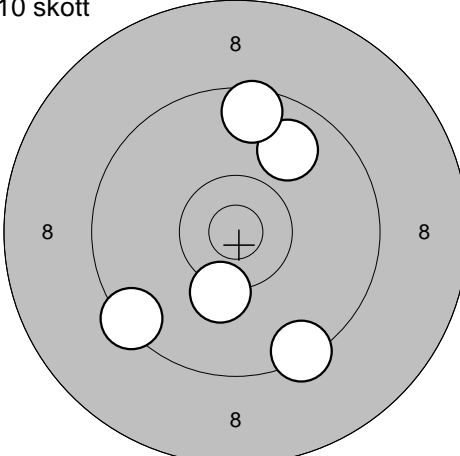
Serie 10,0  
Totalt 319,0

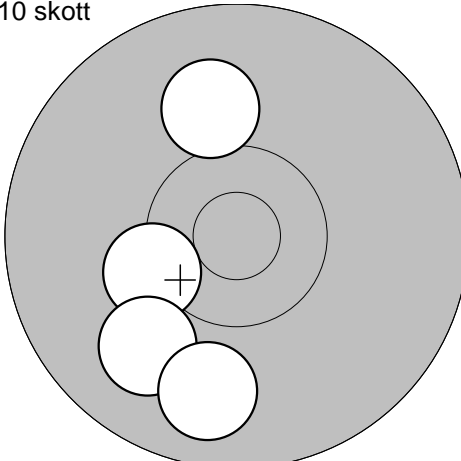
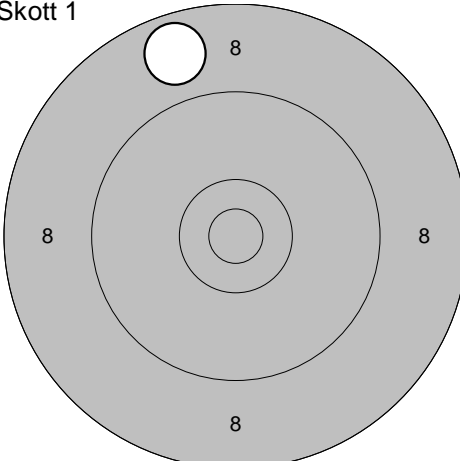
Skott 5

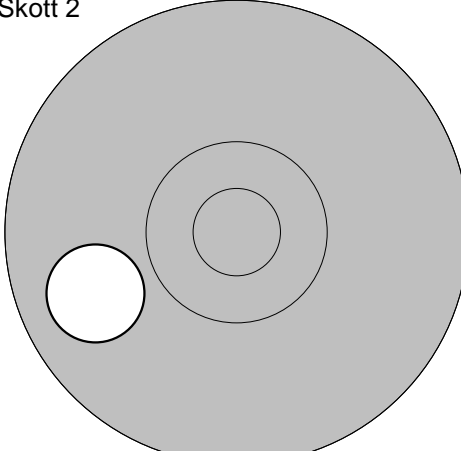
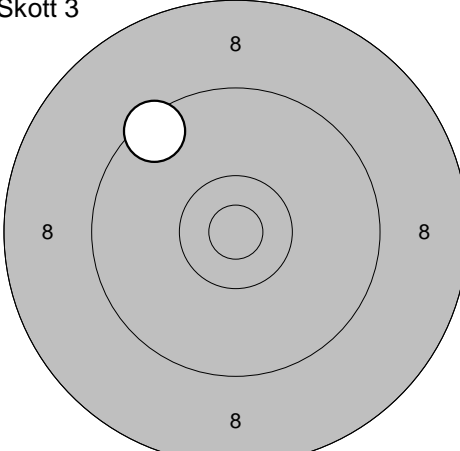


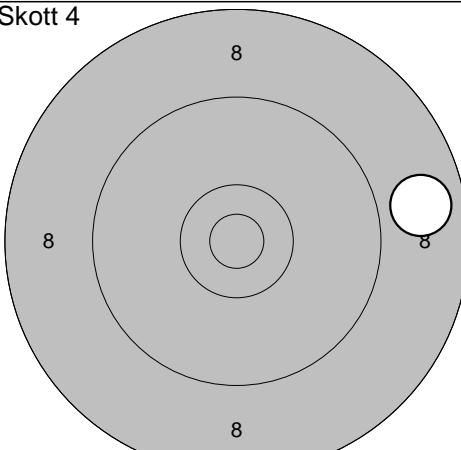
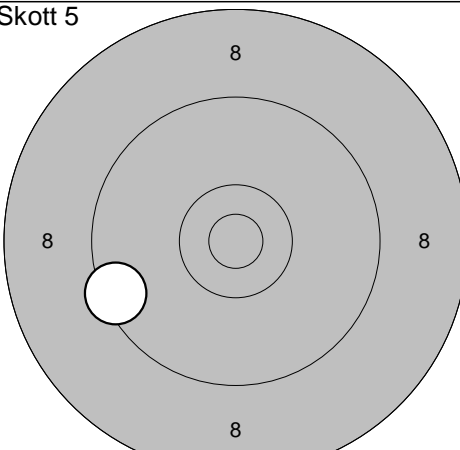
- 1: 9,6 ←

Serie 9,0  
Totalt 328,0

Provs skott 	1: 8,6 → 2: 9,3 ↘ 3: 8,7 ↘ 4: 10,3* ↗ 5: 6,9 → 6: 7,5 → 7: 9,5 ↗ 8: 9,1 → 9: 10,5* → <hr/> Serie 76,0 Totalt 184,0	10 skott 	1: 9,8 ↗ 2: 9,4 ↘ 3: 10,2 ↘ 4: 9,6 ↑ 5: 9,4 ↙ <hr/> Serie 46,0 Totalt 230,0
---	--	--	---

10 skott 	6: 10,3* ← 7: 10,0 ↑ 8: 9,9 ↘ 9: 9,8 ↘ 0,0 ↙ <hr/> Serie 38,0 Totalt 268,0	Skott 1 	1: 8,8 ↑ <hr/> Serie 8,0 Totalt 276,0
---	--	--	---

Skott 2 	1: 9,9 ← <hr/> Serie 9,0 Totalt 285,0	Skott 3 	1: 9,5 ↗ <hr/> Serie 9,0 Totalt 294,0
---	---	---	---

Skott 4 	1: 8,8 → <hr/> Serie 8,0 Totalt 302,0	Skott 5 	1: 9,5 ← <hr/> Serie 9,0 Totalt 311,0
---	---	---	---

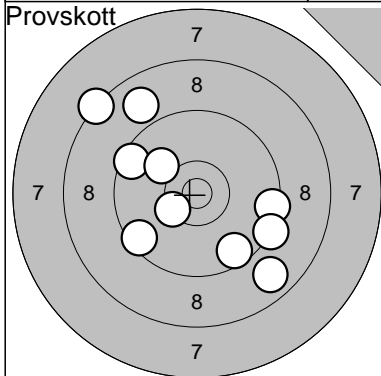
Ramselefors

2010-07-23

Tavelträffen 2010 Final

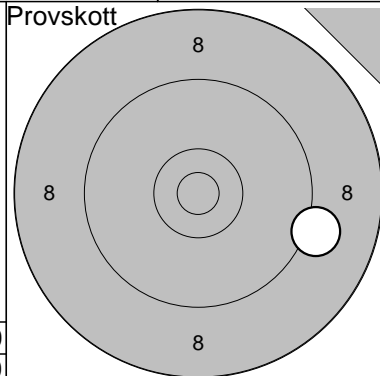
Ramselefors SKF

Provsnitt



1:	8,9	↗
2:	9,5	↗
3:	8,3	↗
4:	8,8	↘
5:	9,4	↘
6:	9,3	↘
7:	9,5	↖
8:	10,4*	↖
9:	10,1	↖
10:	9,6	↘

Provsnitt

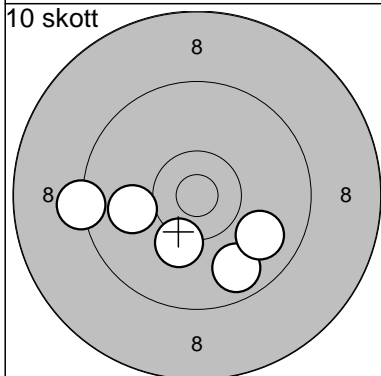


11: 9,2 →

Serie	89,0
Totalt	183,0

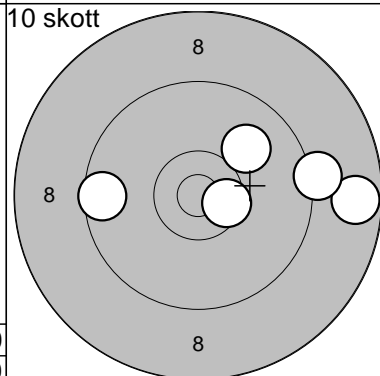
Serie	9,0
Totalt	183,0

10 skott



1:	9,3	←
2:	10,0	←
3:	9,8	↘
4:	10,2	↘
5:	9,9	↘

10 skott

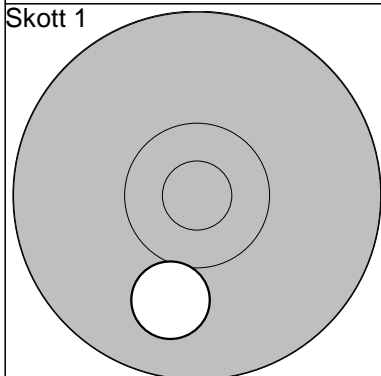


6:	10,5*	→
7:	10,0	↗
8:	8,7	→
9:	9,2	→
10:	9,6	←

Serie	47,0
Totalt	230,0

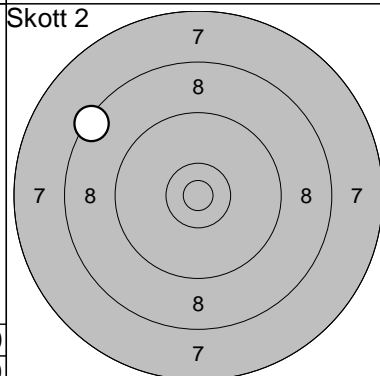
Serie	46,0
Totalt	276,0

Skott 1



1: 10,0 ↓

Skott 2

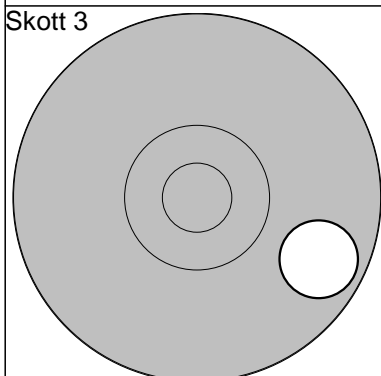


1: 8,4 ↖

Serie	10,0
Totalt	286,0

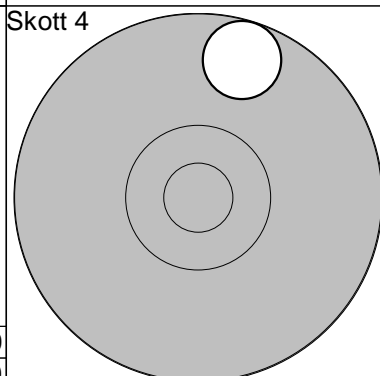
Serie	8,0
Totalt	294,0

Skott 3



1: 9,7 →

Skott 4

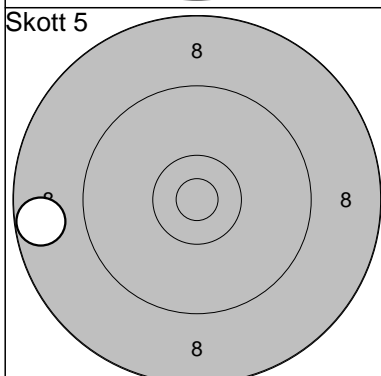


1: 9,7 ↑

Serie	9,0
Totalt	303,0

Serie	9,0
Totalt	312,0

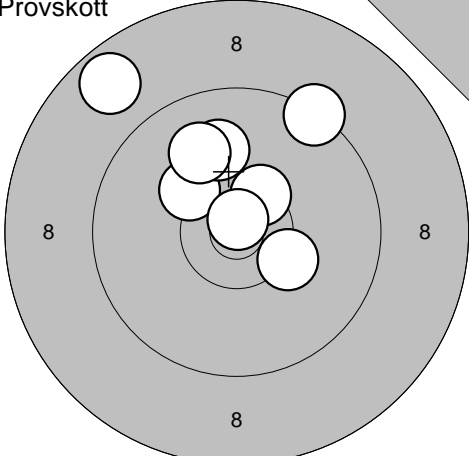
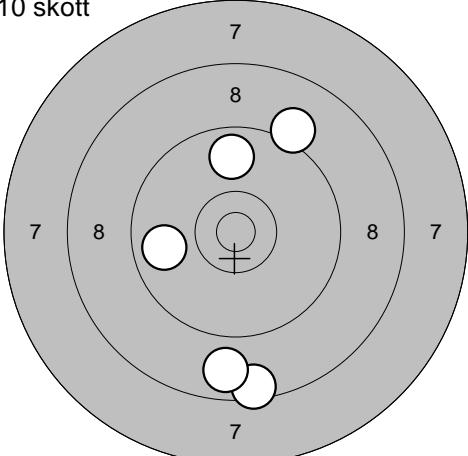
Skott 5

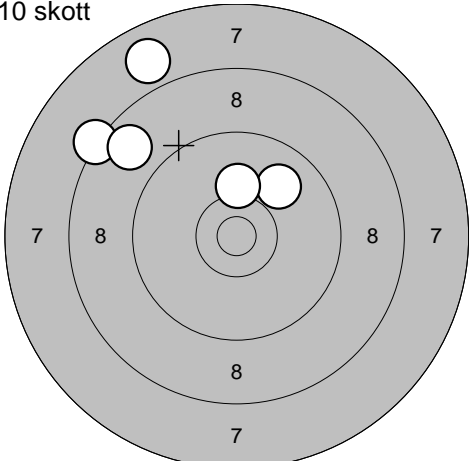
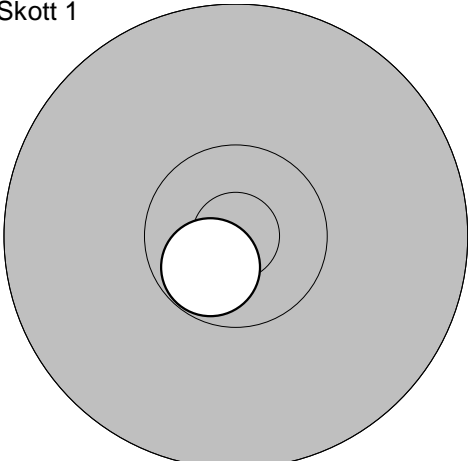


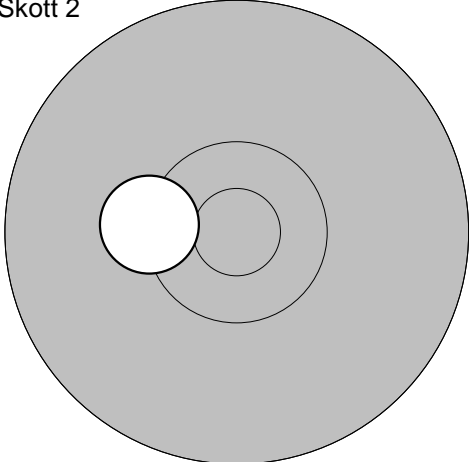
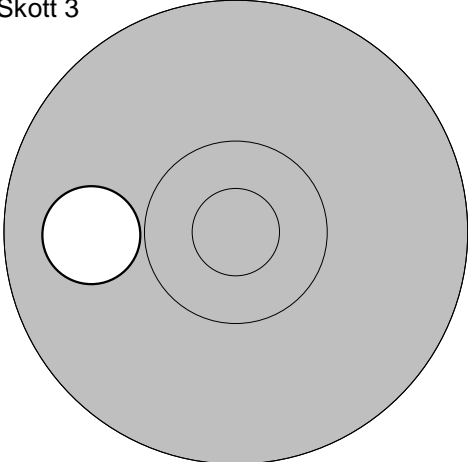
1: 8,7 ←

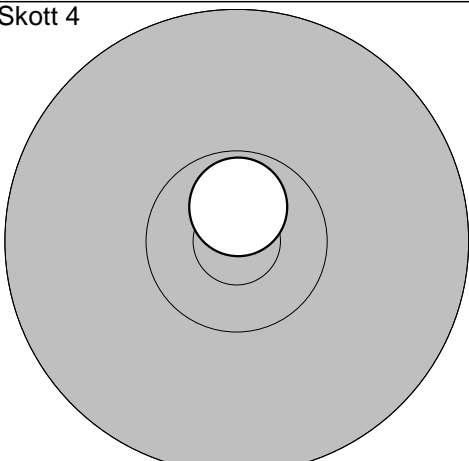
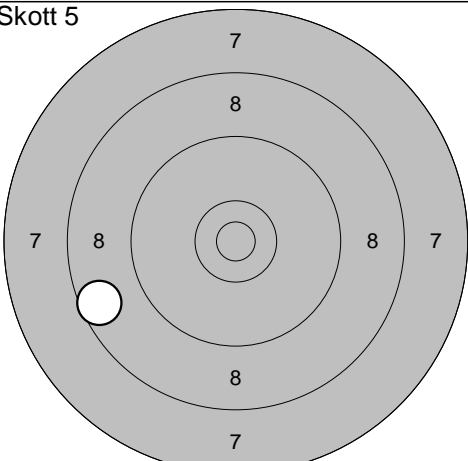
Serie	8,0
Totalt	320,0



<p>Provskott</p> 	<p>1: 10,5* ↗                  2: 10,2 ↖                  3: 10,0 ↑                  4: 9,3 ↗                  5: 10,0 ↗                  6: 10,3 →                  7: 8,7 ↗                  8: 10,8* ↑</p>	<p>10 skott</p> 	<p>1: 9,8 ←                  2: 8,5 ↓                  3: 9,1 ↗                  4: 9,8 ↑                  5: 8,8 ↓</p>
Serie 77,0		Serie 43,0	
Totalt 175,0		Totalt 218,0	

<p>10 skott</p> 	<p>6: 9,9 ↗                  7: 8,3 ↖                  8: 8,8 ↖                  9: 10,2 ↑                  10: 7,9 ↖</p>	<p>Skott 1</p> 	<p>1: 10,7* ↖</p>
Serie 42,0		Serie 10,0	
Totalt 260,0		Totalt 270,0	

<p>Skott 2</p> 	<p>1: 10,3* ←</p>	<p>Skott 3</p> 	<p>1: 9,9 ←</p>
Serie 10,0		Serie 9,0	
Totalt 280,0		Totalt 289,0	

<p>Skott 4</p> 	<p>1: 10,7* ↑</p>	<p>Skott 5</p> 	<p>1: 8,6 ←</p>
Serie 10,0		Serie 8,0	
Totalt 299,0		Totalt 307,0	

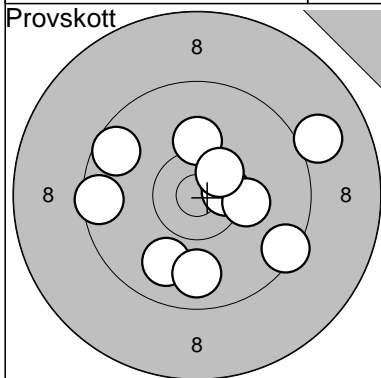
Ramselefors

2010-07-23

Tavelträffen 2010 Final

Ramselefors SKF

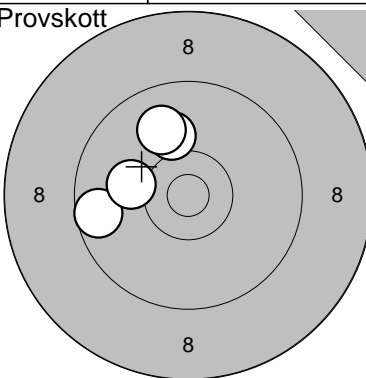
Provskott



1:	9,9	↘
2:	9,6	↗
3:	10,5*	→
4:	9,8	↓
5:	9,5	↘
6:	9,0	↗
7:	10,2	→
8:	9,5	←
9:	10,2	↑
10:	10,5*	↗

Serie	94,0
Totalt	186,0

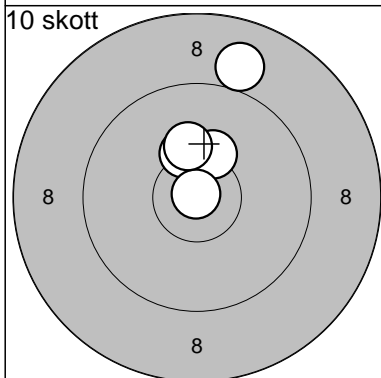
Provskott



11:	10,1	↑
12:	9,9	↗
13:	9,6	←
14:	10,1	←

Serie	38,0
Totalt	186,0

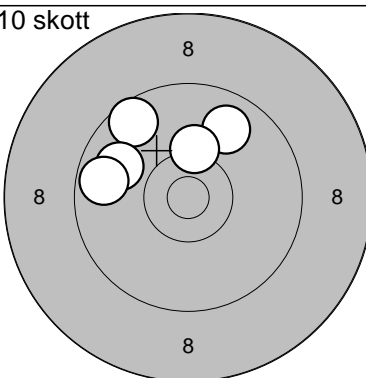
10 skott



1:	9,0	↑
2:	10,3*	↑
3:	10,3*	↑
4:	10,9*	↑
5:	10,2	↑

Serie	49,0
Totalt	235,0

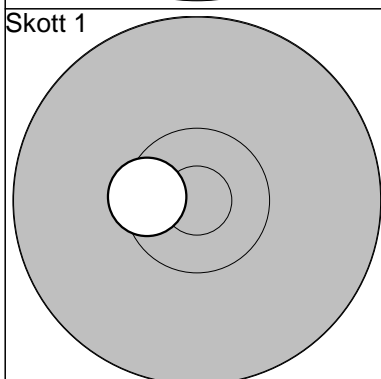
10 skott



6:	9,6	↖
7:	9,9	↖
8:	9,8	↗
9:	10,3	↑
10:	9,7	←

Serie	46,0
Totalt	281,0

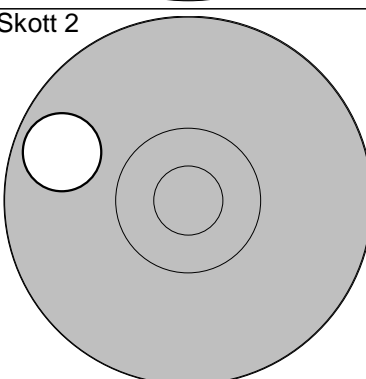
Skott 1



1:	10,5*	←
----	-------	---

Serie	10,0
Totalt	291,0

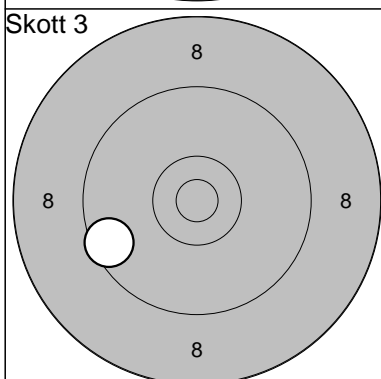
Skott 2



1:	9,7	←
----	-----	---

Serie	9,0
Totalt	300,0

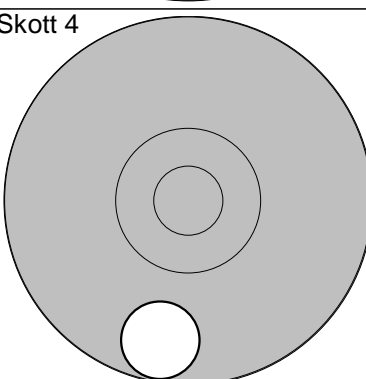
Skott 3



1:	9,6	←
----	-----	---

Serie	9,0
Totalt	309,0

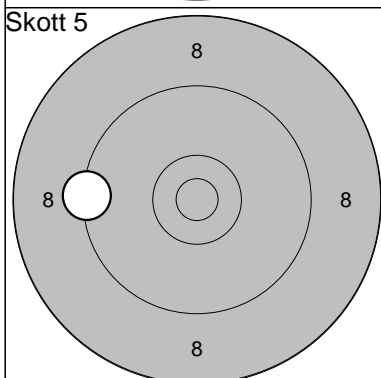
Skott 4



1:	9,7	↓
----	-----	---

Serie	9,0
Totalt	318,0

Skott 5

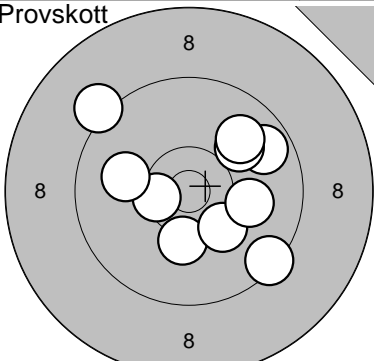
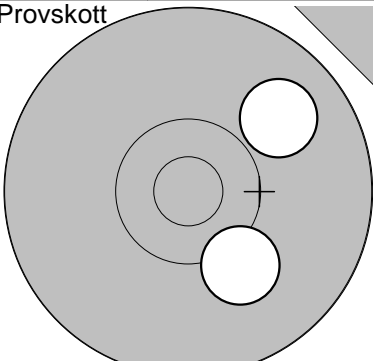


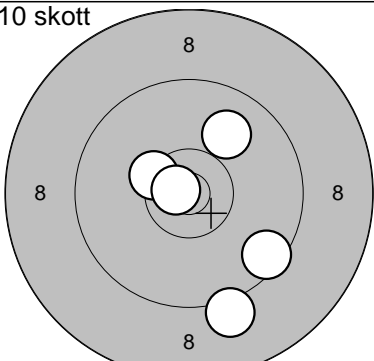
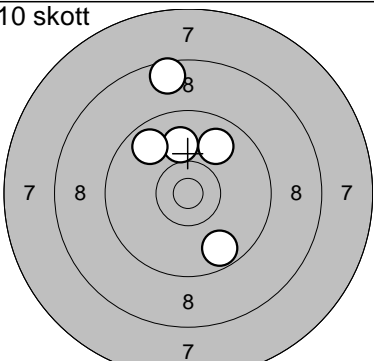
1:	9,4	←
----	-----	---

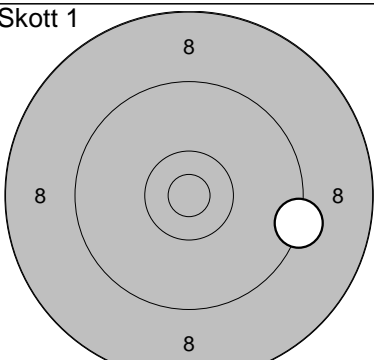
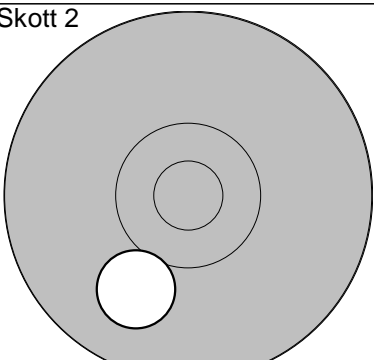
Serie	9,0
Totalt	327,0

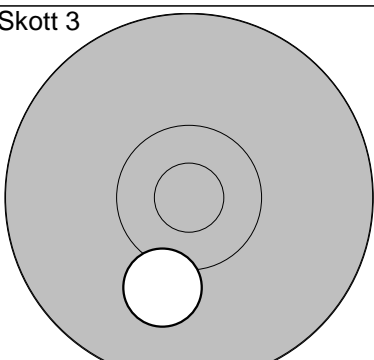
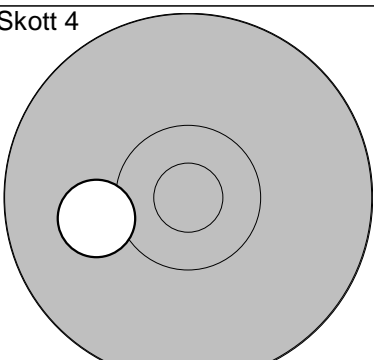
Ununge

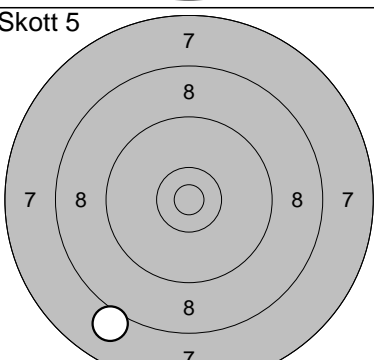
2010-07-23	Tavelträffen 2010 Final	Ramselefors SKF
------------	-------------------------	-----------------

Provskott		Provskott	
	1: 9,7 → 2: 10,2 ↓ 3: 10,5* ← 4: 10,0 ↗ 5: 10,2 ↓ 6: 9,9 ↗ 7: 10,1 → 8: 10,0 ↗ 9: 9,2 ↗ 10: 9,4 ↓		11: 10,1 ↓ 12: 9,9 ↗
	Serie 96,0		Serie 19,0
	Totalt 186,0		Totalt 186,0

10 skott		10 skott	
	1: 10,4* → 2: 9,9 ↗ 3: 9,5 ↓ 4: 9,1 ← 5: 10,8* ↗		6: 10,0 ↑ 7: 8,6 ↑ 8: 9,7 ↓ 9: 9,9 ↗ 10: 9,8 ↗
	Serie 47,0		Serie 45,0
	Totalt 233,0		Totalt 278,0

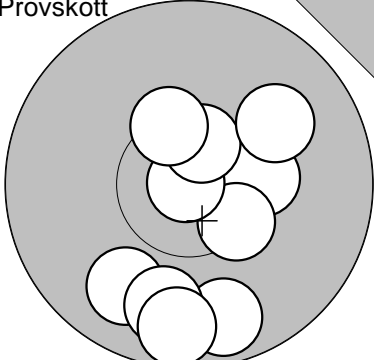
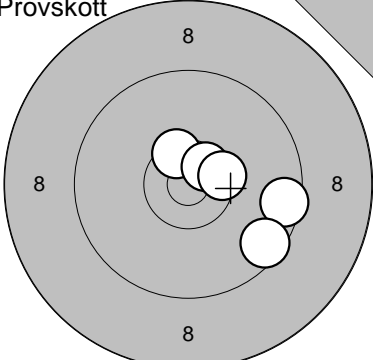
Skott 1		Skott 2	
	1: 9,3 →		1: 10,0 ↓
	Serie 9,0		Serie 10,0
	Totalt 287,0		Totalt 297,0

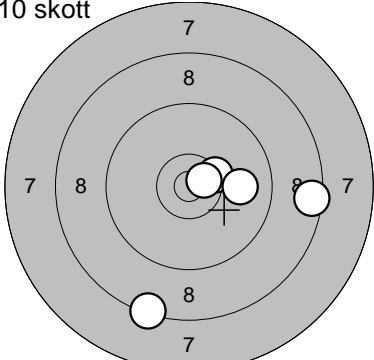
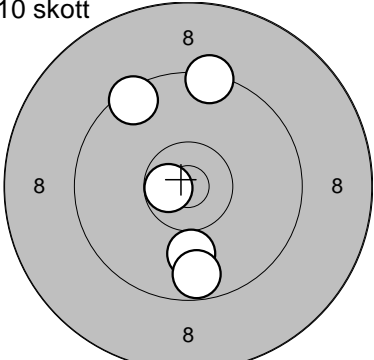
Skott 3		Skott 4	
	1: 10,1 ↓		1: 10,1 ←
	Serie 10,0		Serie 10,0
	Totalt 307,0		Totalt 317,0

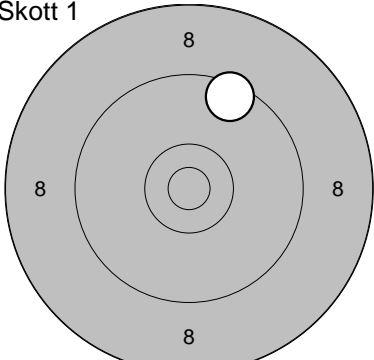
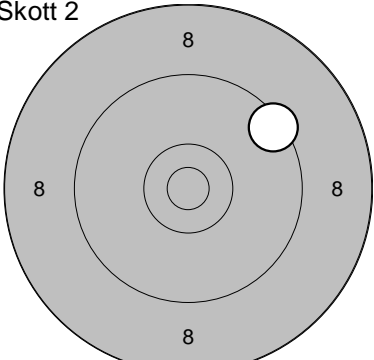
Skott 5			
	1: 8,0 ↓		
	Serie 8,0		
	Totalt 325,0		

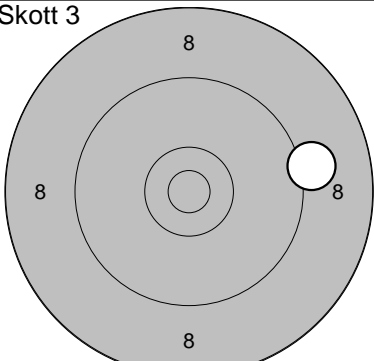
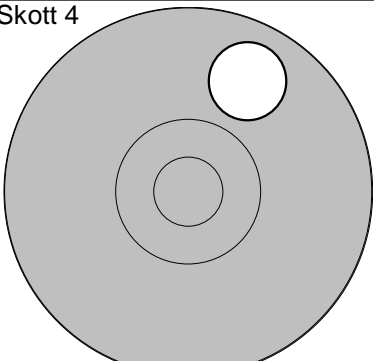
Umeå

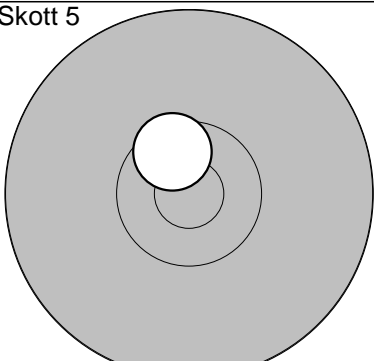
2010-07-23	Tavelträffen 2010 Final	Ramselefors SKF
------------	-------------------------	-----------------

Provsnitt 	1: 10,3* → 2: 10,4* ↘ 3: 9,9 ↙ 4: 9,7 ↙ 5: 10,9* ↗ 6: 10,6* ↗ 7: 10,0 → 8: 9,8 ↘ 9: 10,4* ↗ 10: 9,7 ↘ <hr/> Serie 96,0 Totalt 182,0	Provsnitt 	11: 10,5* ↗ 12: 9,5 → 13: 10,6* ↗ 14: 10,4* → 15: 9,6 ↘ <hr/> Serie 48,0 Totalt 182,0
---	--	---	---

10 skott 	1: 8,5 → 2: 8,4 ↘ 3: 10,4* → 4: 10,6* → 5: 9,9 → <hr/> Serie 45,0 Totalt 227,0	10 skott 	6: 9,4 ↑ 7: 9,5 ↘ 8: 10,0 ↘ 9: 9,7 ↘ 10: 10,7* ← <hr/> Serie 47,0 Totalt 274,0
--	--	--	--

Skott 1 	1: 9,5 ↑ <hr/> Serie 9,0 Totalt 283,0	Skott 2 	1: 9,4 ↗ <hr/> Serie 9,0 Totalt 292,0
--	---	--	---

Skott 3 	1: 9,1 → <hr/> Serie 9,0 Totalt 301,0	Skott 4 	1: 9,8 ↗ <hr/> Serie 9,0 Totalt 310,0
---	---	---	---

Skott 5 	1: 10,6* ↑ <hr/> Serie 10,0 Totalt 320,0	
---	--	--

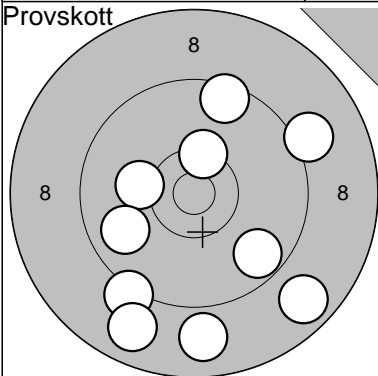
Ramselefors

2010-07-23

Tavelträffen 2010 Final

Ramselefors SKF

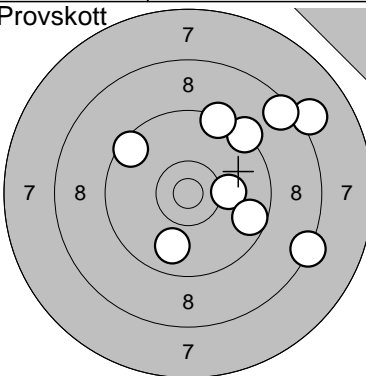
Provskott



1: 8,9	↓
2: 9,2	↓
3: 10,2	←
4: 9,8	←
5: 9,1	→
6: 10,4*	↑
7: 8,8	↓
8: 8,8	↓
9: 9,7	↓
10: 9,5	↑

Serie	89,0
Totalt	179,0

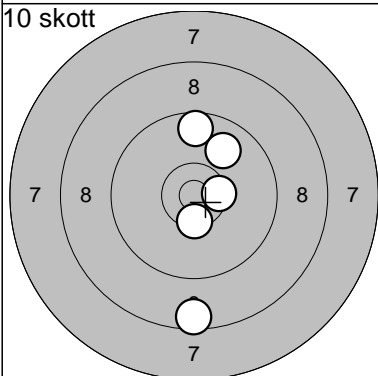
Provskott



11: 8,3	→
12: 10,1	→
13: 9,5	↖
14: 9,9	↓
15: 9,3	↗
16: 9,6	→
17: 8,1	↗
18: 9,4	↑
19: 8,5	↗

Serie	79,0
Totalt	179,0

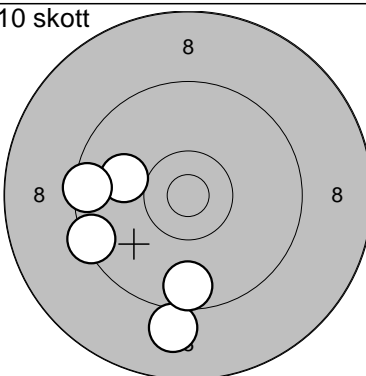
10 skott



1: 9,9	↗
2: 9,6	↑
3: 8,5	↓
4: 10,4*	→
5: 10,4*	↓

Serie	46,0
Totalt	225,0

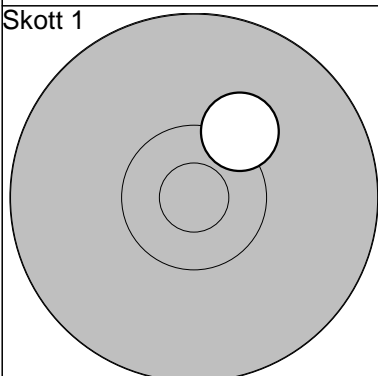
10 skott



6: 9,0	↓
7: 10,0	←
8: 9,4	←
9: 9,5	←
10: 9,6	↓

Serie	46,0
Totalt	271,0

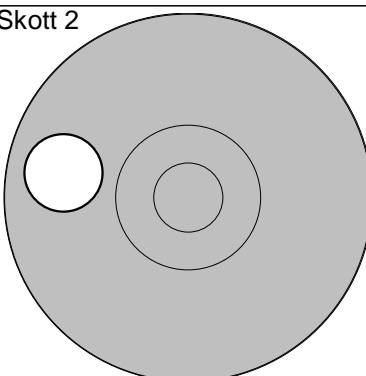
Skott 1



1: 10,2	↗
---------	---

Serie	10,0
Totalt	281,0

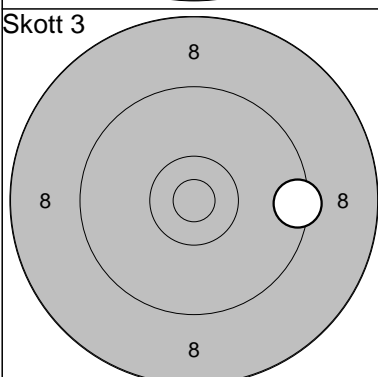
Skott 2



1: 9,8	←
--------	---

Serie	9,0
Totalt	290,0

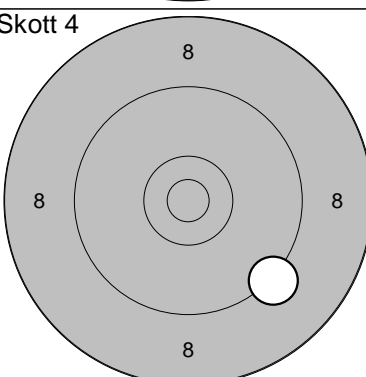
Skott 3



1: 9,5	→
--------	---

Serie	9,0
Totalt	299,0

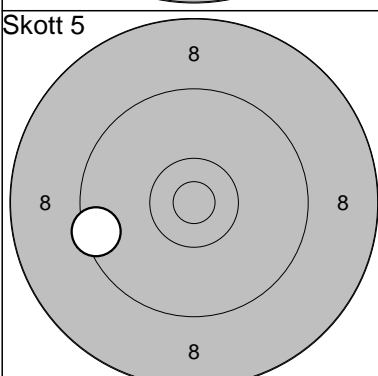
Skott 4



1: 9,3	↘
--------	---

Serie	9,0
Totalt	308,0

Skott 5



1: 9,5	←
--------	---

Serie	9,0
Totalt	317,0

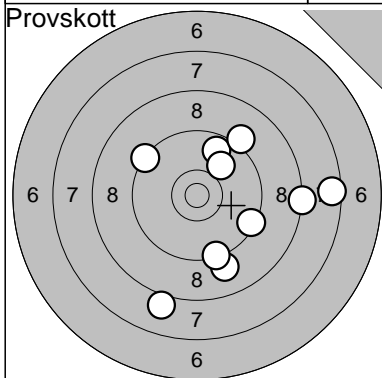
Umeå

2010-07-23

Tavelträffen 2010 Final

Ramselefors SKF

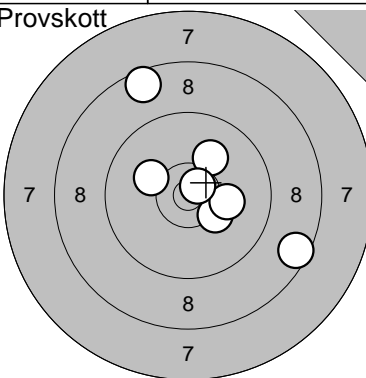
Provsnitt



1:	9,0	↘
2:	8,0	↘
3:	9,3	↘
4:	8,3	→
5:	9,7	↗
6:	7,5	→
7:	9,4	↘
8:	9,4	↗
9:	9,2	↗
10:	10,0	↗

Serie	87,0
Totalt	177,0

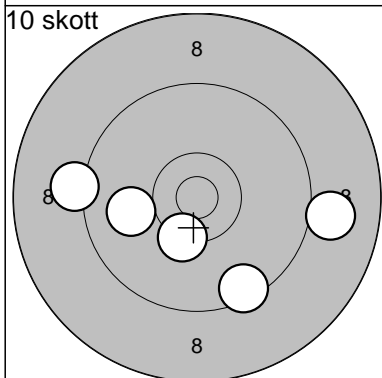
Provsnitt



11:	10,3*	↘
12:	10,1	↗
13:	8,6	↘
14:	8,6	↗
15:	10,2	→
16:	10,7*	↗
17:	10,1	↖

Serie	66,0
Totalt	177,0

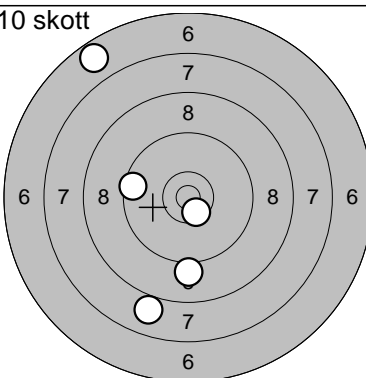
10 skott



1:	10,3*	↘
2:	9,0	→
3:	10,0	←
4:	9,5	↘
5:	9,2	←

Serie	47,0
Totalt	224,0

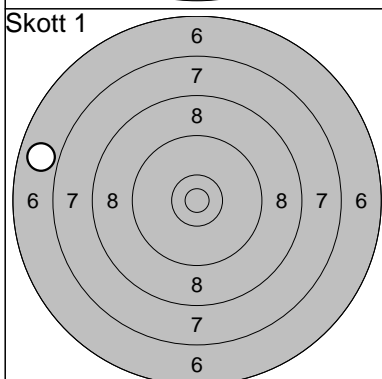
10 skott



6:	9,1	↓
7:	10,5*	↘
8:	7,9	↘
9:	6,7	↗
10:	9,5	←

Serie	41,0
Totalt	265,0

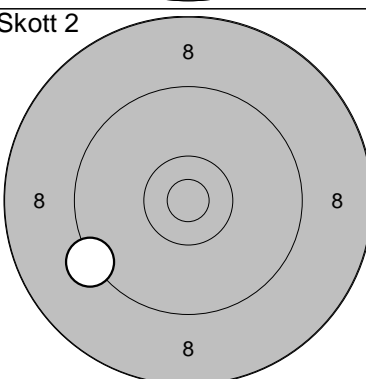
Skott 1



1:	6,9	←
----	-----	---

Serie	6,0
Totalt	271,0

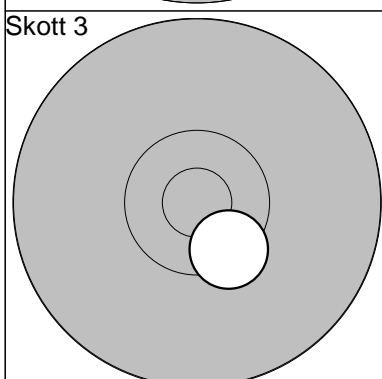
Skott 2



1:	9,3	↖
----	-----	---

Serie	9,0
Totalt	280,0

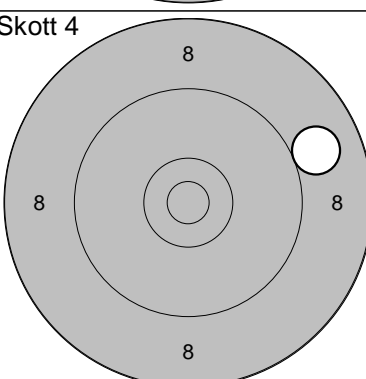
Skott 3



1:	10,4*	↘
----	-------	---

Serie	10,0
Totalt	290,0

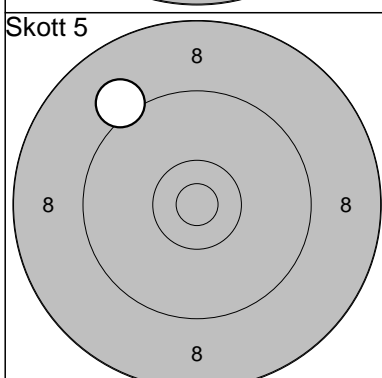
Skott 4



1:	9,0	↗
----	-----	---

Serie	9,0
Totalt	299,0

Skott 5



1:	9,1	↗
----	-----	---

Serie	9,0
Totalt	308,0

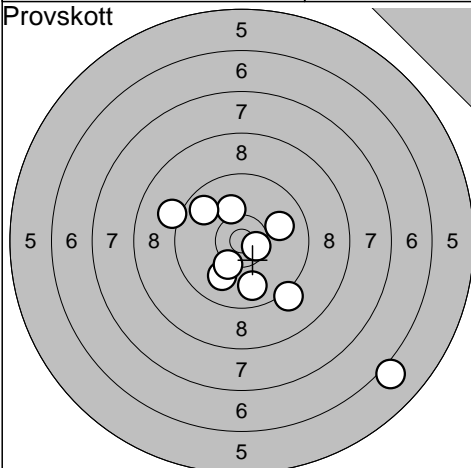
Piteå

2010-07-23

Tavelträffen 2010 Final

Ramselefors SKF

Provskott

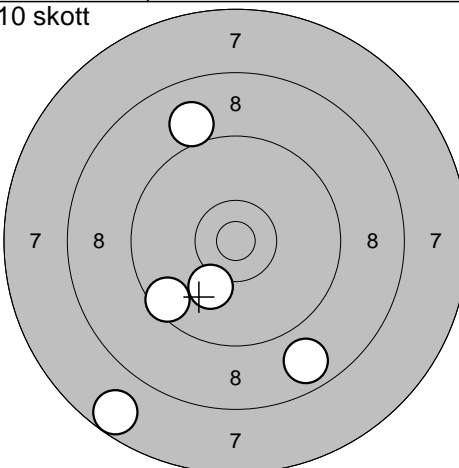


1: 9,1 ↙  
 2: 10,1 ↗  
 3: 10,0 ↘  
 4: 6,1 ↘  
 5: 9,8 ↗  
 6: 10,6\* ↘  
 7: 9,2 ↘  
 8: 9,9 →  
 9: 9,8 ↘  
 10: 10,3 ↘

Serie 91,0

Totalt 173,0

10 skott

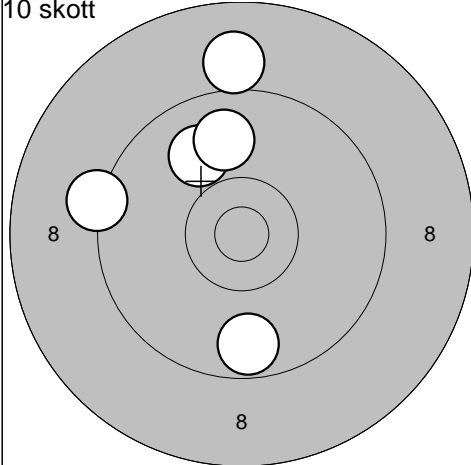


1: 7,7 ↘  
 2: 9,5 ↘  
 3: 8,8 ↘  
 4: 10,1 ↘  
 5: 9,0 ↗

Serie 43,0

Totalt 216,0

10 skott

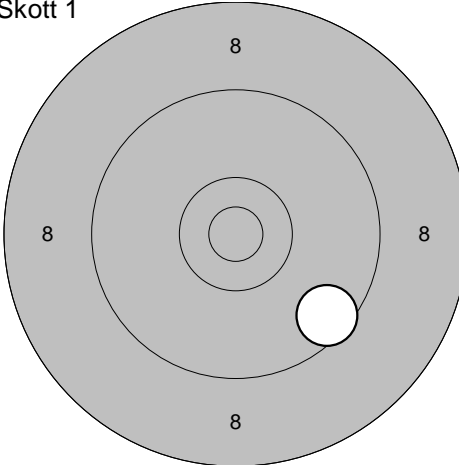


6: 9,3 ↙  
 7: 9,9 ↗  
 8: 9,7 ↘  
 9: 9,0 ↗  
 10: 9,9 ↗

Serie 45,0

Totalt 261,0

Skott 1

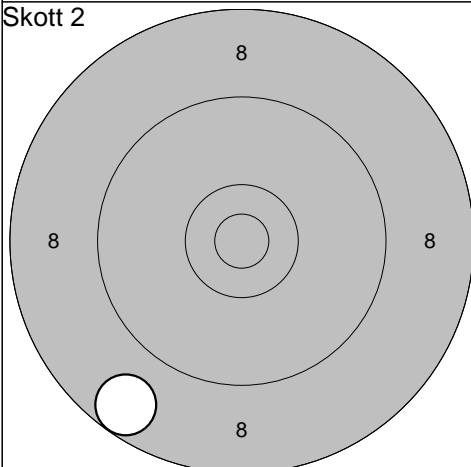


1: 9,6 ↘

Serie 9,0

Totalt 270,0

Skott 2

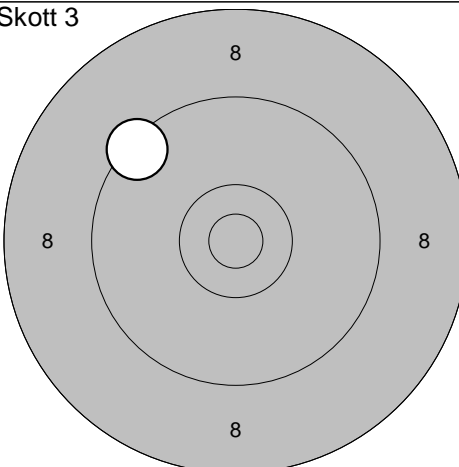


1: 8,7 ↘

Serie 8,0

Totalt 278,0

Skott 3

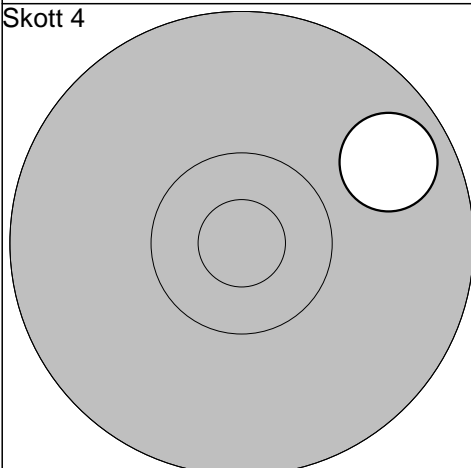


1: 9,4 ↗

Serie 9,0

Totalt 287,0

Skott 4

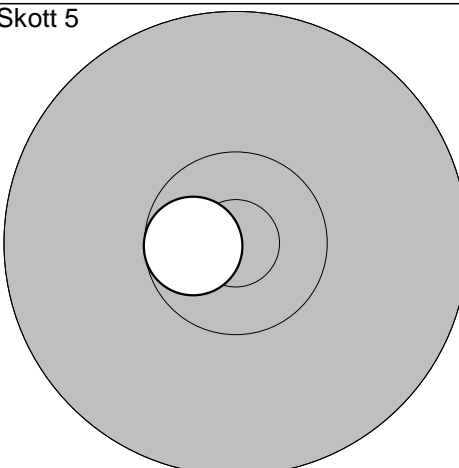


1: 9,8 ↗

Serie 9,0

Totalt 296,0

Skott 5



1: 10,6\* ↙

Serie 10,0

Totalt 306,0

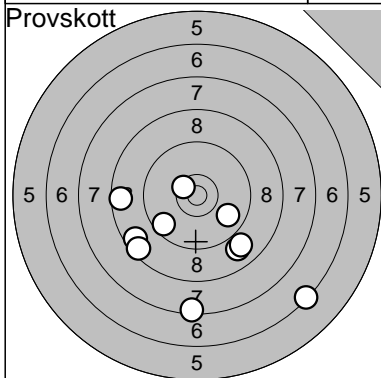
Ramselefors

2010-07-23

Tavelträffen 2010 Final

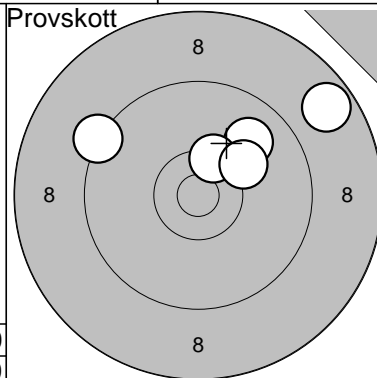
Ramselefors SKF

Provsnitt



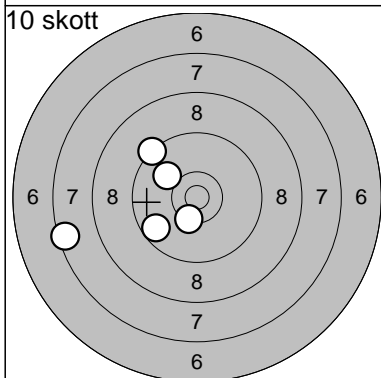
1:	8,9	↘
2:	6,4	↘
3:	8,9	↘
4:	9,6	↘
5:	10,5*	↗
6:	8,6	↖
7:	7,4	↘
8:	8,7	↘
9:	8,5	↘
10:	9,8	↘
<b>Serie</b>		<b>81,0</b>
<b>Totalt</b>		<b>151,0</b>

Provsnitt



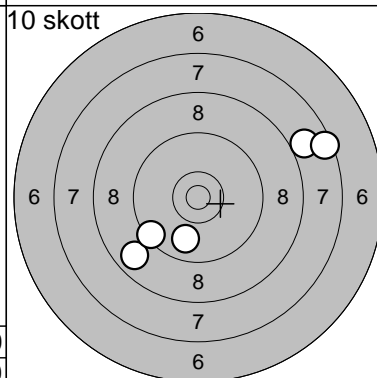
11:	9,3	↖
12:	9,9	↗
13:	10,4*	↑
14:	10,2	↗
15:	8,7	↗
<b>Serie</b>		<b>46,0</b>
<b>Totalt</b>		<b>151,0</b>

10 skott



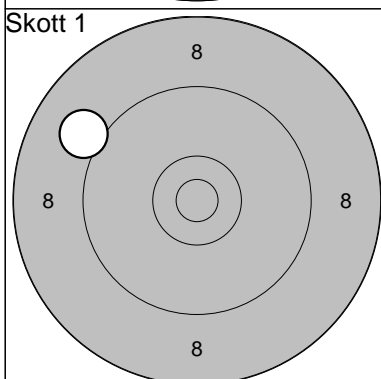
1:	10,4*	↘
2:	10,0	↗
3:	9,7	↘
4:	7,5	↖
5:	9,3	↗
<b>Serie</b>		<b>45,0</b>
<b>Totalt</b>		<b>196,0</b>

10 skott



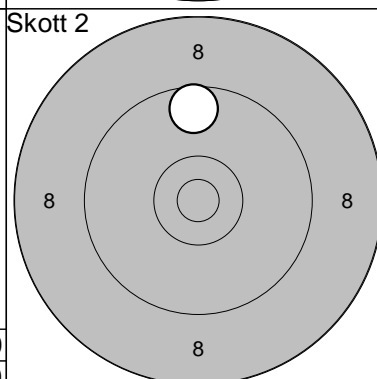
6:	8,8	↖
7:	9,9	↘
8:	9,4	↖
9:	7,9	↗
10:	7,5	↗
<b>Serie</b>		<b>40,0</b>
<b>Totalt</b>		<b>236,0</b>

Skott 1



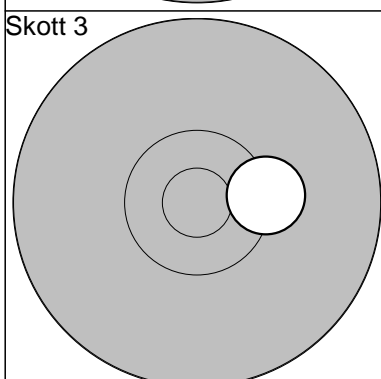
1:	9,1	↖
<b>Serie</b>		<b>9,0</b>
<b>Totalt</b>		<b>245,0</b>

Skott 2



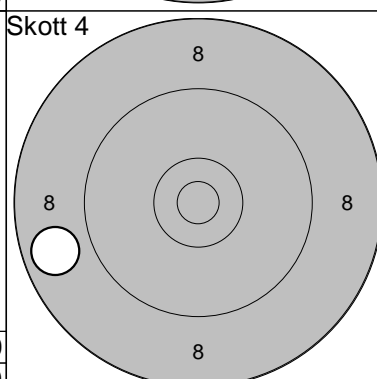
1:	9,6	↑
<b>Serie</b>		<b>9,0</b>
<b>Totalt</b>		<b>254,0</b>

Skott 3



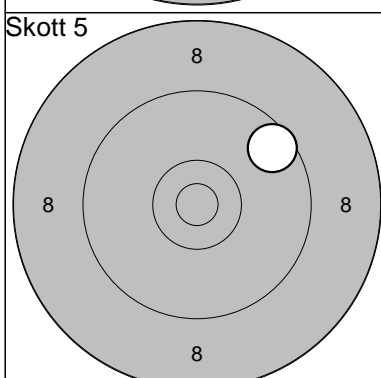
1:	10,3*	→
<b>Serie</b>		<b>10,0</b>
<b>Totalt</b>		<b>264,0</b>

Skott 4



1:	8,8	↖
<b>Serie</b>		<b>8,0</b>
<b>Totalt</b>		<b>272,0</b>

Skott 5



1:	9,6	↗
<b>Serie</b>		<b>9,0</b>
<b>Totalt</b>		<b>281,0</b>



Ale

2010-07-23	Tavelträffen 2010 Final	Ramselefors SKF
------------	-------------------------	-----------------

Provs skott 	1: 10,6* ↘ 2: 9,8 ↘ 3: 8,6 ↘ 4: 8,8 ↘ 5: 10,6* ↘ 6: 9,4 ↗ 7: 10,4* ↗ 8: 10,1 ↘ 9: 10,7* ↘ 10: 10,4* ↗	Provs skott 	11: 9,4 ↗ 12: 10,5* ↘ 13: 9,3 ↘
Serie 94,0		Serie 28,0	
Totalt 190,0		Totalt 190,0	

10 skott 	1: 10,6* → 2: 9,6 ↘ 3: 9,0 ↘ 4: 10,0 ↗ 5: 10,7* ↘	10 skott 	6: 10,7* ↘ 7: 10,0 → 8: 10,1 ↘ 9: 9,8 ↙ 10: 10,5* ↑
Serie 48,0		Serie 49,0	
Totalt 238,0		Totalt 287,0	

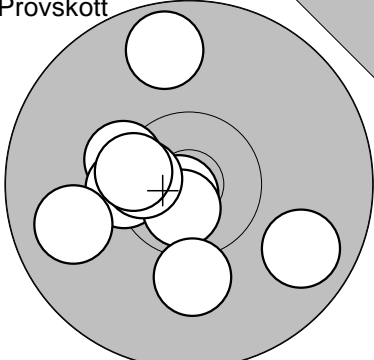
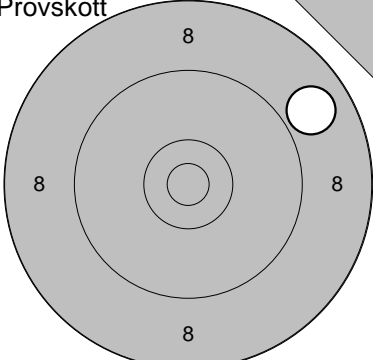
Skott 1 	1: 10,2 ↗	Skott 2 	1: 9,6 ←
Serie 10,0		Serie 9,0	
Totalt 297,0		Totalt 306,0	

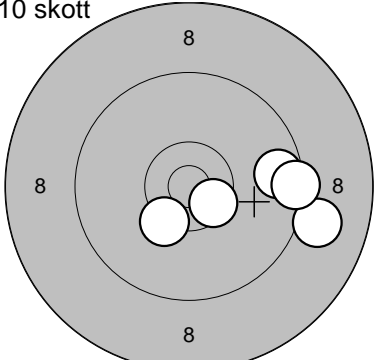
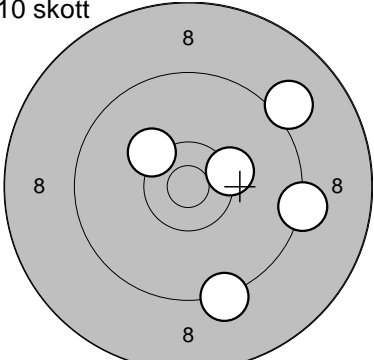
Skott 3 	1: 10,0 ↗	Skott 4 	1: 10,6* ↘
Serie 10,0		Serie 10,0	
Totalt 316,0		Totalt 326,0	

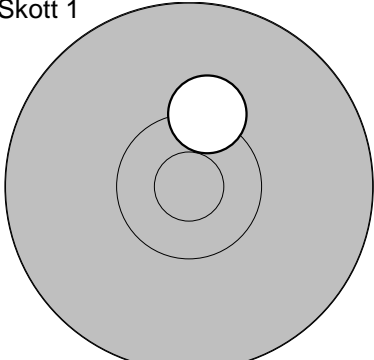
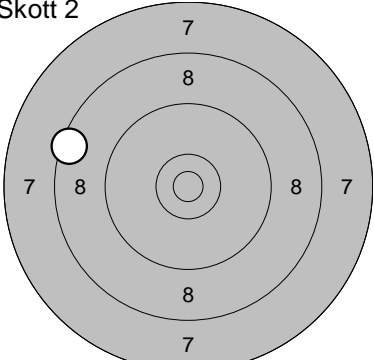
Skott 5 	1: 10,3* ↘	Extra 1 	1: 9,1 ↘
Serie 10,0		Serie 9,0	
Totalt 336,0		Totalt 336,0	

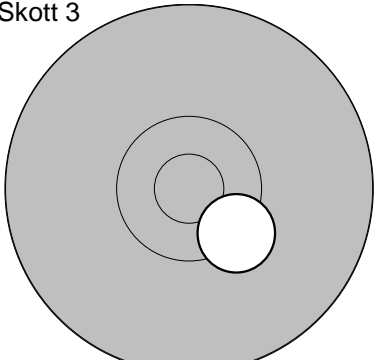
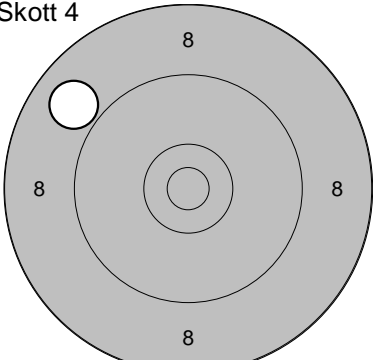
Göteborg

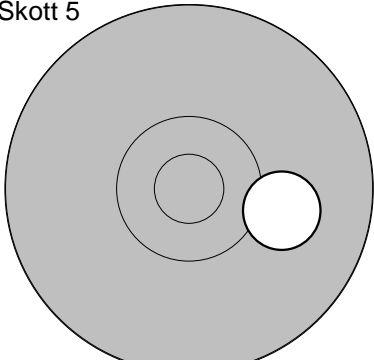
2010-07-23	Tavelträffen 2010 Final	Ramselefors SKF
------------	-------------------------	-----------------

Provsnitt 	1: 10,8* ↙ 2: 10,3* ↗ 3: 10,4* ← 4: 9,8 ↘ 5: 10,7* ↘ 6: 9,7 ↗ 7: 10,1 ↘ 8: 10,5* ← 9: 9,9 ← 10: 10,4* ↗	Provsnitt 	11: 8,9 ↗
Serie 97,0 Totalt 190,0		Serie 8,0 Totalt 190,0	

10 skott 	1: 9,7 → 2: 9,0 → 3: 10,5* ↘ 4: 9,4 → 5: 10,3* ↘	10 skott 	6: 9,3 → 7: 9,3 ↘ 8: 10,2 ↗ 9: 10,3* → 10: 9,1 ↗
Serie 47,0 Totalt 237,0		Serie 47,0 Totalt 284,0	

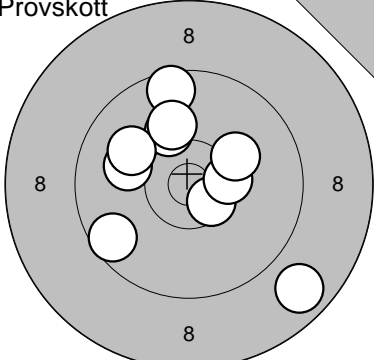
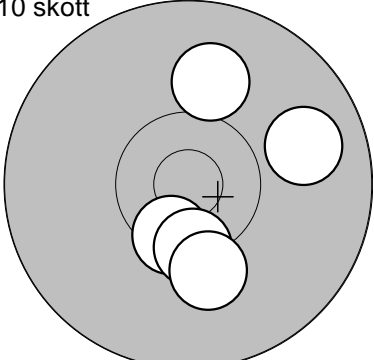
Skott 1 	1: 10,3* ↑	Skott 2 	1: 8,5 ←
Serie 10,0 Totalt 294,0		Serie 8,0 Totalt 302,0	

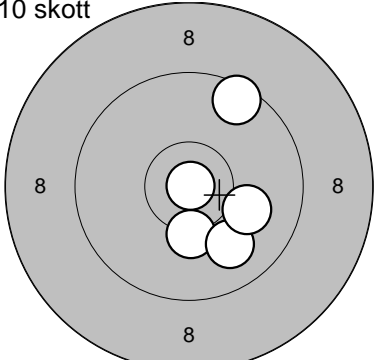
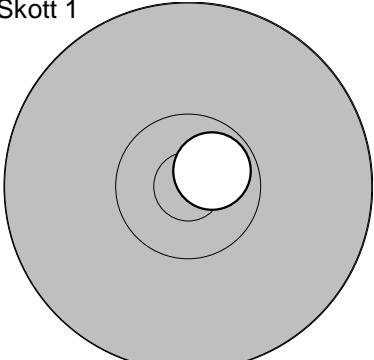
Skott 3 	1: 10,4* ↘	Skott 4 	1: 8,9 ↗
Serie 10,0 Totalt 312,0		Serie 8,0 Totalt 320,0	

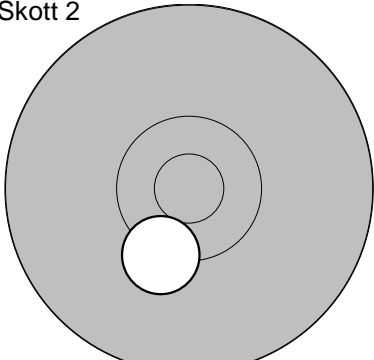
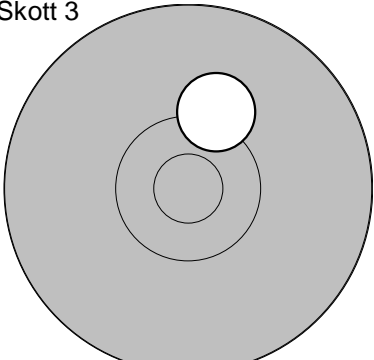
Skott 5 	1: 10,1 →		
Serie 10,0 Totalt 330,0			

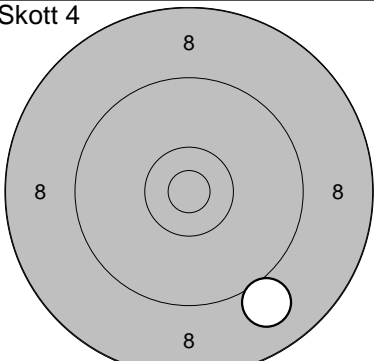
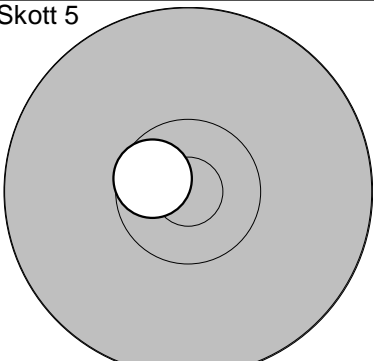
Skellefteå

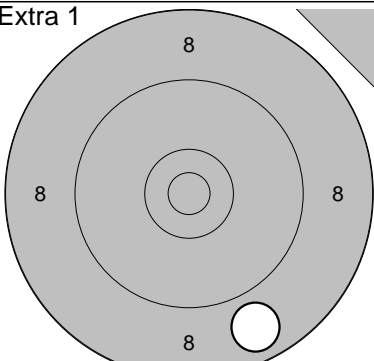
2010-07-23	Tavelträffen 2010 Final	Ramselefors SKF
------------	-------------------------	-----------------

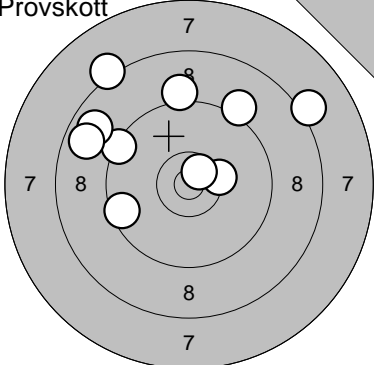
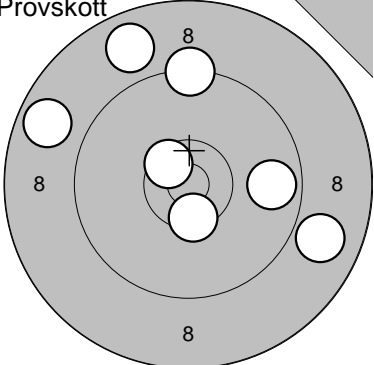
<b>Provskott</b> 	1: 8,8 ↘ 2: 10,5* ↘ 3: 10,0 ↗ 4: 10,2 → 5: 10,4* → 6: 10,2 → 7: 9,6 ↗ 8: 10,0 ↗ 9: 9,6 ↘ 10: 10,1 ↗	<b>10 skott</b> 	1: 10,5* ↘ 2: 10,0 ↑ 3: 9,9 → 4: 10,4* ↘ 5: 10,2 ↘
	Serie 96,0		Serie 49,0
	Totalt 190,0		Totalt 239,0

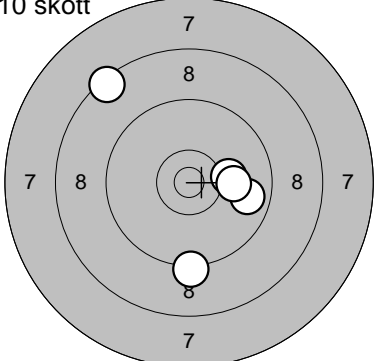
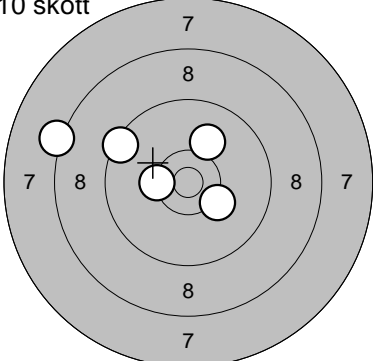
<b>10 skott</b> 	6: 10,3 ↘ 7: 9,9 ↘ 8: 9,5 ↗ 9: 10,0 ↘ 10: 10,9* →	<b>Skott 1</b> 	1: 10,7* →
	Serie 48,0		Serie 10,0
	Totalt 287,0		Totalt 297,0

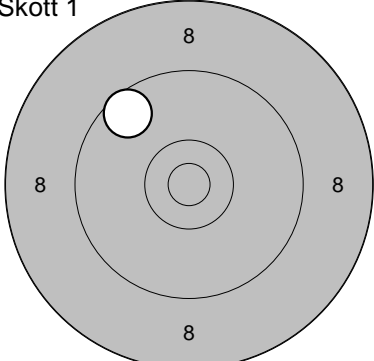
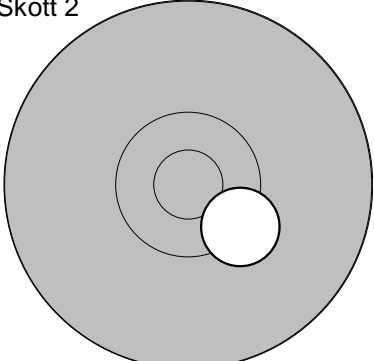
<b>Skott 2</b> 	1: 10,3* ↘	<b>Skott 3</b> 	1: 10,2 ↑
	Serie 10,0		Serie 10,0
	Totalt 307,0		Totalt 317,0

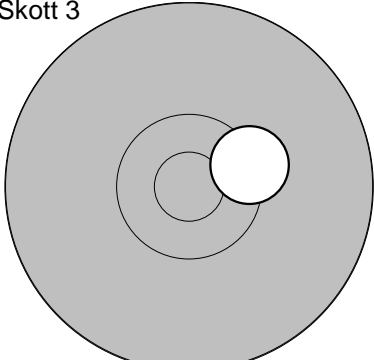
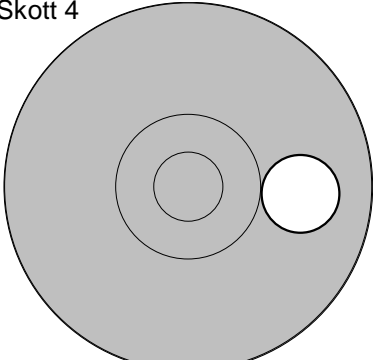
<b>Skott 4</b> 	1: 9,0 ↘	<b>Skott 5</b> 	1: 10,6* ←
	Serie 9,0		Serie 10,0
	Totalt 326,0		Totalt 336,0

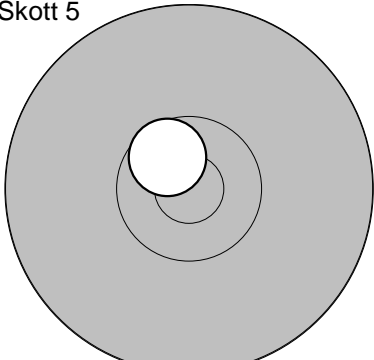
<b>Extra 1</b> 	1: 8,8 ↘		
	Serie 8,0		
	Totalt 336,0		

Provsnitt 	1: 9,1 ↑ 2: 9,4 ↗ 3: 8,2 ↗ 4: 10,3* → 5: 8,1 ↗ 6: 9,1 ↗ 7: 10,6* ↗ 8: 9,5 ↖ 9: 8,8 ↗ 10: 8,8 ↗ <hr/> Serie 88,0 Totalt 189,0	Provsnitt 	11: 10,5* ↓ 12: 8,8 ↗ 13: 10,5* ↗ 14: 8,8 ↖ 15: 9,3 ↑ 16: 8,9 ↓ 17: 9,7 → <hr/> Serie 62,0 Totalt 189,0
---	---	---	---

10 skott 	1: 8,4 ↗ 2: 10,2 → 3: 9,8 → 4: 9,2 ↓ 5: 10,1 → <hr/> Serie 46,0 Totalt 235,0	10 skott 	6: 10,1 ↑ 7: 10,2 ↓ 8: 8,2 ↖ 9: 10,3* ↖ 10: 9,4 ↗ <hr/> Serie 47,0 Totalt 282,0
--	--	--	---

Skott 1 	1: 9,6 ↖ <hr/> Serie 9,0 Totalt 291,0	Skott 2 	1: 10,3* ↘ <hr/> Serie 10,0 Totalt 301,0
--	---	--	--

Skott 3 	1: 10,4* → <hr/> Serie 10,0 Totalt 311,0	Skott 4 	1: 9,9 → <hr/> Serie 9,0 Totalt 320,0
---	--	---	---

Skott 5 	1: 10,6* ↗ <hr/> Serie 10,0 Totalt 330,0		
---	--	--	--

I 19 / A 9

2010-07-23	Tavelträffen 2010 Final	Ramselefors SKF
------------	-------------------------	-----------------

<p>Provskott</p>	<p>1: 8,1 →                  2: 9,4 ↘                  3: 9,4 →                  4: 10,0 ↓                  5: 9,3 →                  6: 10,8* ↖                  7: 9,0 ↑                  8: 9,6 ↑                  9: 9,8 ↑                  10: 10,6* ↙</p> <table border="1" style="width:100%; border-collapse: collapse;"> <tr><td>Serie</td><td style="text-align: right;">92,0</td></tr> <tr><td>Totalt</td><td style="text-align: right;">187,0</td></tr> </table>	Serie	92,0	Totalt	187,0	<p>10 skott</p>	<p>1: 9,7 ←                  2: 9,1 ←                  3: 9,3 ↘                  4: 8,7 ↘                  5: 10,3* ↓</p> <table border="1" style="width:100%; border-collapse: collapse;"> <tr><td>Serie</td><td style="text-align: right;">45,0</td></tr> <tr><td>Totalt</td><td style="text-align: right;">232,0</td></tr> </table>	Serie	45,0	Totalt	232,0
Serie	92,0										
Totalt	187,0										
Serie	45,0										
Totalt	232,0										

<p>10 skott</p>	<p>6: 10,0 ↘                  7: 9,9 ←                  8: 9,0 →                  9: 9,1 ↑                  10: 10,3* ↙</p> <table border="1" style="width:100%; border-collapse: collapse;"> <tr><td>Serie</td><td style="text-align: right;">47,0</td></tr> <tr><td>Totalt</td><td style="text-align: right;">279,0</td></tr> </table>	Serie	47,0	Totalt	279,0	<p>Skott 1</p>	<p>1: 9,8 →</p> <table border="1" style="width:100%; border-collapse: collapse;"> <tr><td>Serie</td><td style="text-align: right;">9,0</td></tr> <tr><td>Totalt</td><td style="text-align: right;">288,0</td></tr> </table>	Serie	9,0	Totalt	288,0
Serie	47,0										
Totalt	279,0										
Serie	9,0										
Totalt	288,0										

<p>Skott 2</p>	<p>1: 7,8 ↑</p> <table border="1" style="width:100%; border-collapse: collapse;"> <tr><td>Serie</td><td style="text-align: right;">7,0</td></tr> <tr><td>Totalt</td><td style="text-align: right;">295,0</td></tr> </table>	Serie	7,0	Totalt	295,0	<p>Skott 3</p>	<p>1: 9,7 ↘</p> <table border="1" style="width:100%; border-collapse: collapse;"> <tr><td>Serie</td><td style="text-align: right;">9,0</td></tr> <tr><td>Totalt</td><td style="text-align: right;">304,0</td></tr> </table>	Serie	9,0	Totalt	304,0
Serie	7,0										
Totalt	295,0										
Serie	9,0										
Totalt	304,0										

<p>Skott 4</p>	<p>1: 10,4* ↖</p> <table border="1" style="width:100%; border-collapse: collapse;"> <tr><td>Serie</td><td style="text-align: right;">10,0</td></tr> <tr><td>Totalt</td><td style="text-align: right;">314,0</td></tr> </table>	Serie	10,0	Totalt	314,0	<p>Skott 5</p>	<p>1: 10,1 ↓</p> <table border="1" style="width:100%; border-collapse: collapse;"> <tr><td>Serie</td><td style="text-align: right;">10,0</td></tr> <tr><td>Totalt</td><td style="text-align: right;">324,0</td></tr> </table>	Serie	10,0	Totalt	324,0
Serie	10,0										
Totalt	314,0										
Serie	10,0										
Totalt	324,0										

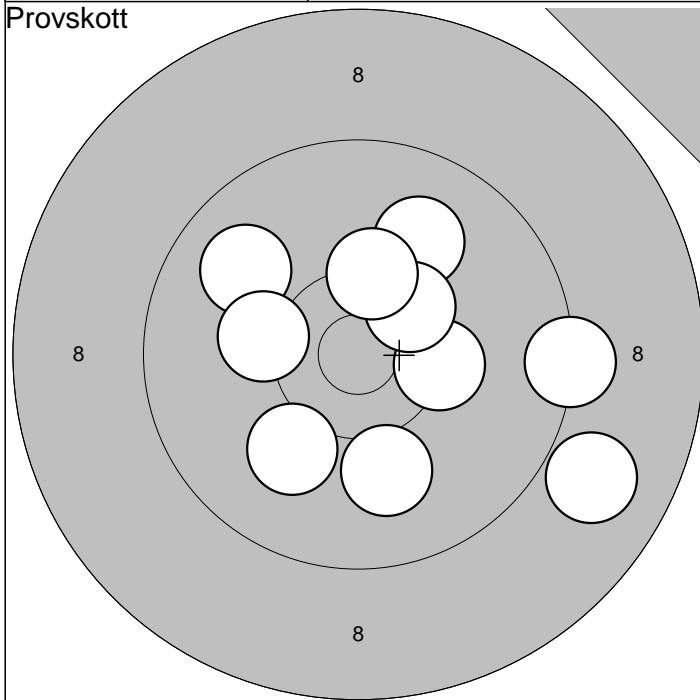
I 19 / A 9

2010-07-23

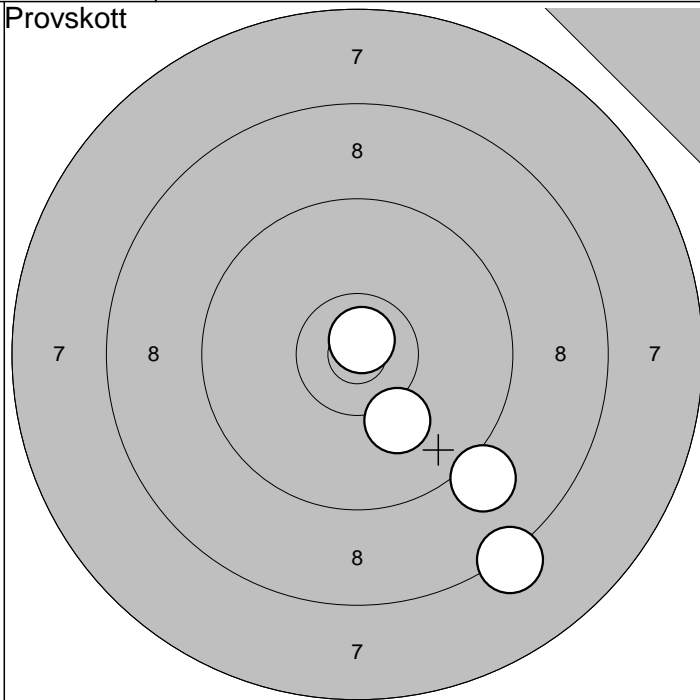
Tavelträffen 2010 Final

Ramselefors SKF

Provskott

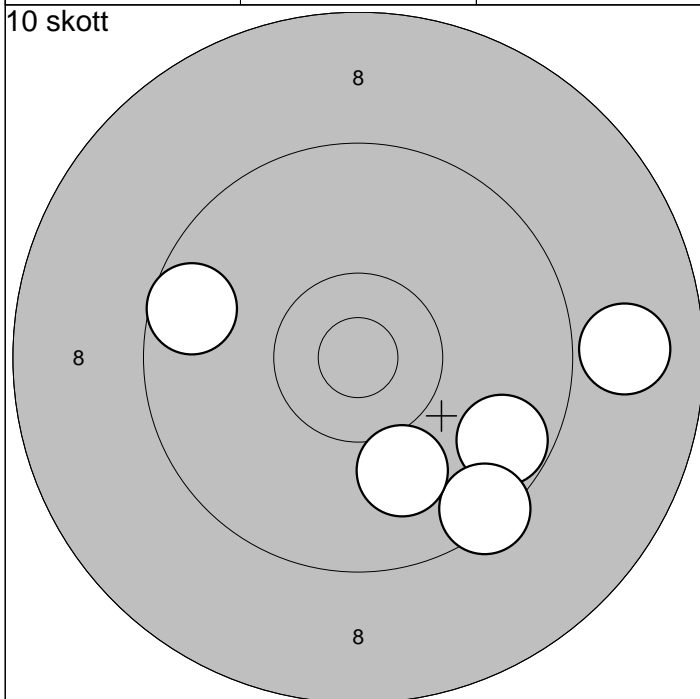


Provskott

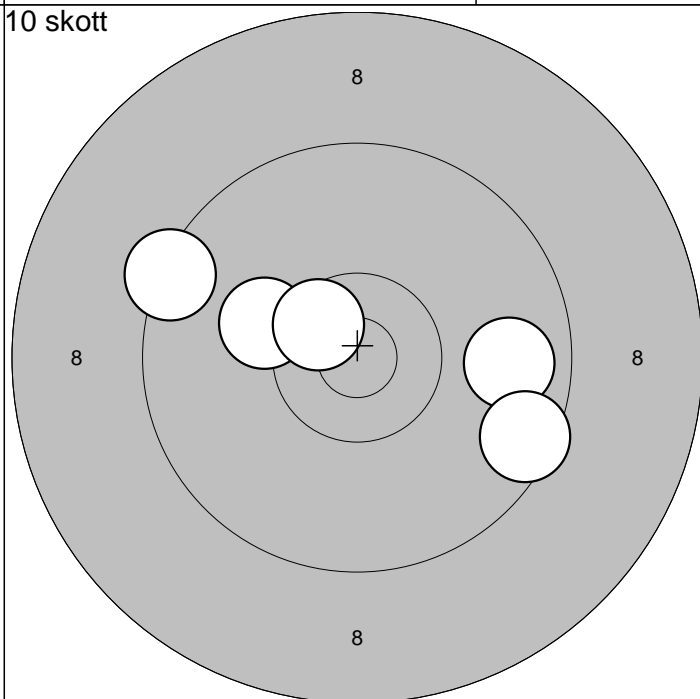


1: 8,9 ↘	6:10,4* ↗			11:10,8* ↗			
2:10,0 ↓	7:10,3* ↑	Serie	96,0	12:10,1 ↓	Serie	37,0	
3:10,0 ↗	8: 9,9 ↖			13: 8,2 ↓			
4: 9,3 →	9:10,2 ←	Totalt	187,0	14: 9,1 ↓	Totalt	187,0	
5:10,3* →	10:10,1 ↙						

10 skott



10 skott



1: 9,6 ↖				6: 9,8 →			
2: 8,9 →		Serie	45,0	7: 9,4 ↖	Serie	47,0	
3: 9,7 ↓				8:10,2 ↖			
4: 9,4 ↓		Totalt	232,0	9:10,6* ↗	Totalt	279,0	
5:10,0 ↓				10: 9,5 ↓			

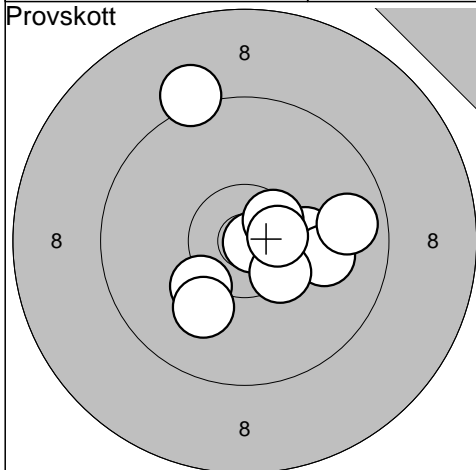
Ramselefors

2010-07-23

Tavelträffen 2010 Final

Ramselefors SKF

Provskott

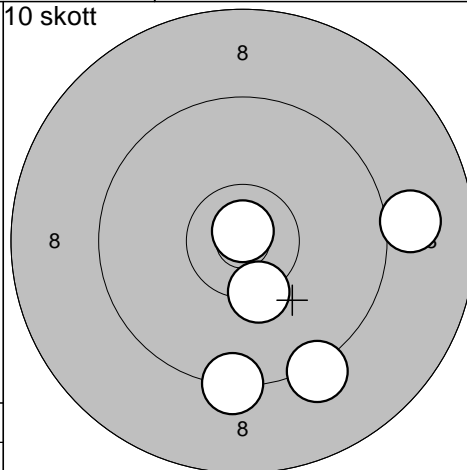


1: 10,8\* →  
 2: 10,2 ↘  
 3: 10,1 ↘  
 4: 9,2 ↗  
 5: 10,3 →  
 6: 10,5\* ↗  
 7: 10,0 →  
 8: 10,4\* ↘  
 9: 10,6\* →  
 10: 9,8 →

Serie 98,0

Totalt 187,0

10 skott

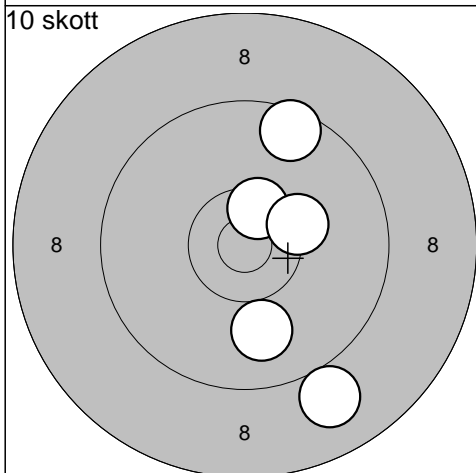


1: 9,3 ↓  
 2: 9,2 ↓  
 3: 10,3\* ↓  
 4: 10,8\* ↑  
 5: 9,0 →

Serie 47,0

Totalt 234,0

10 skott

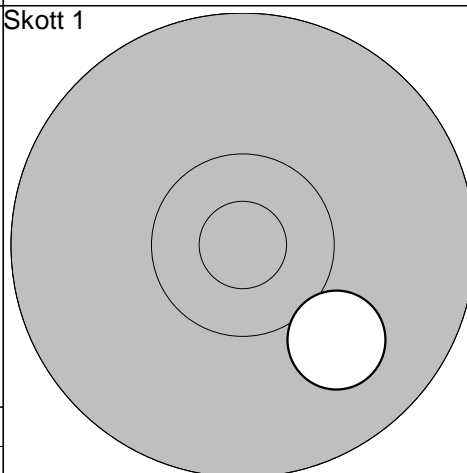


6: 10,0 ↓  
 7: 9,5 ↑  
 8: 9,0 ↓  
 9: 10,5\* ↑  
 10: 10,3\* →

Serie 48,0

Totalt 282,0

Skott 1

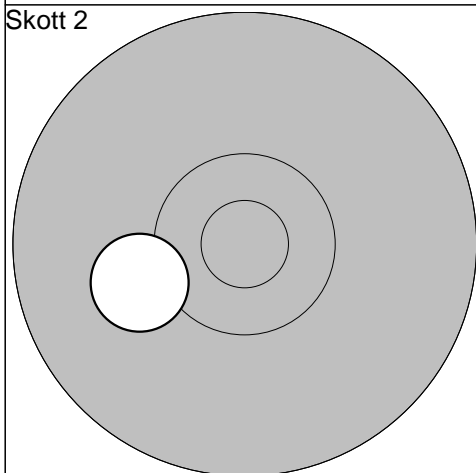


1: 10,0 ↘

Serie 10,0

Totalt 292,0

Skott 2

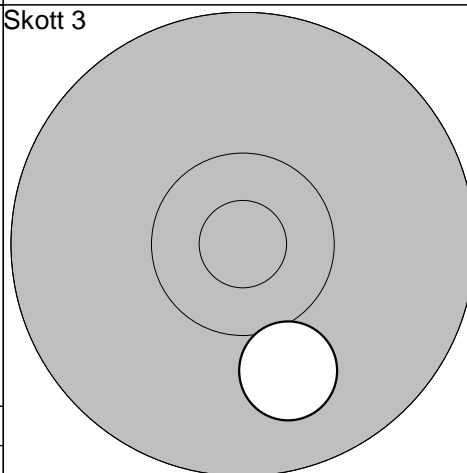


1: 10,2 ←

Serie 10,0

Totalt 302,0

Skott 3

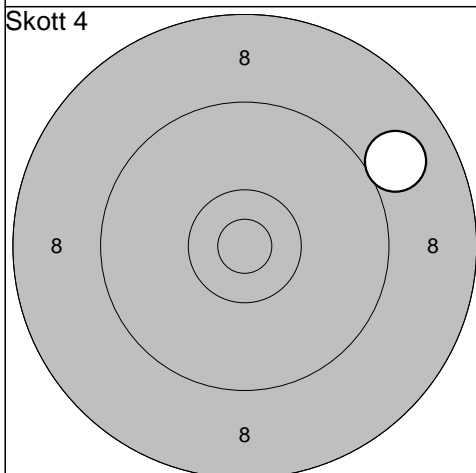


1: 10,0 ↓

Serie 10,0

Totalt 312,0

Skott 4

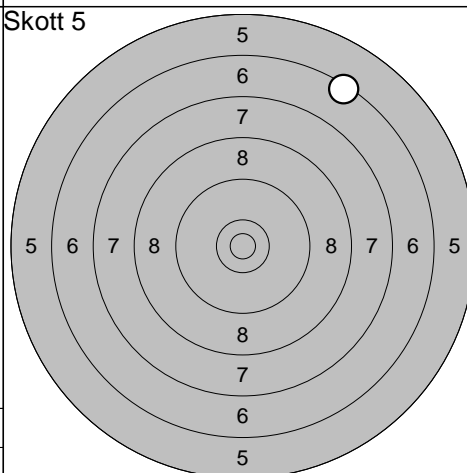


1: 9,0 ↗

Serie 9,0

Totalt 321,0

Skott 5



1: 6,4 ↗

Serie 6,0

Totalt 327,0

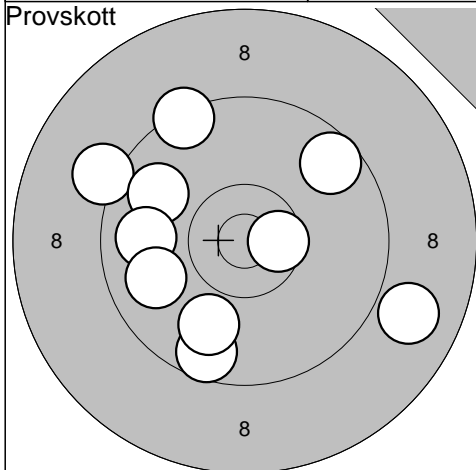
Umeå

2010-07-23

Tavelträffen 2010 Final

Ramselefors SKF

Provskott

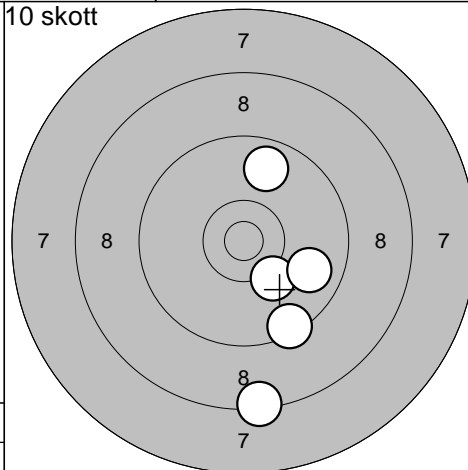


1: 8,9 →  
 2: 9,6 ↗  
 3: 9,6 ↓  
 4: 10,6\* →  
 5: 9,9 ↓  
 6: 9,2 ↖  
 7: 9,8 ↖  
 8: 9,4 ↗  
 9: 9,8 ←  
 10: 9,9 ↙

Serie 90,0

Totalt 186,0

10 skott

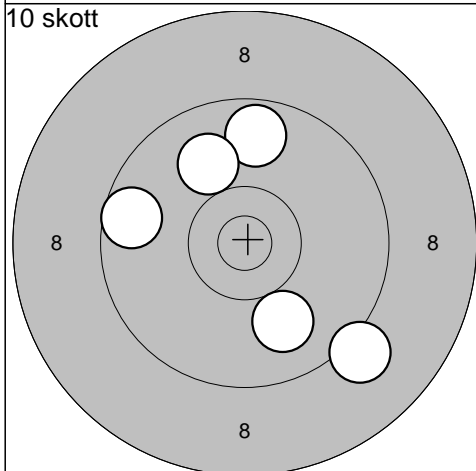


1: 8,4 ↓  
 2: 9,8 ↑  
 3: 10,2 ↓  
 4: 9,4 ↓  
 5: 9,8 ↘

Serie 45,0

Totalt 231,0

10 skott

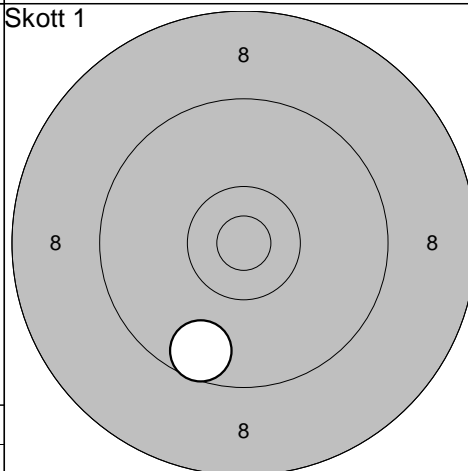


6: 9,1 ↘  
 7: 9,7 ↑  
 8: 10,0 ↗  
 9: 9,6 ←  
 10: 10,0 ↓

Serie 47,0

Totalt 278,0

Skott 1

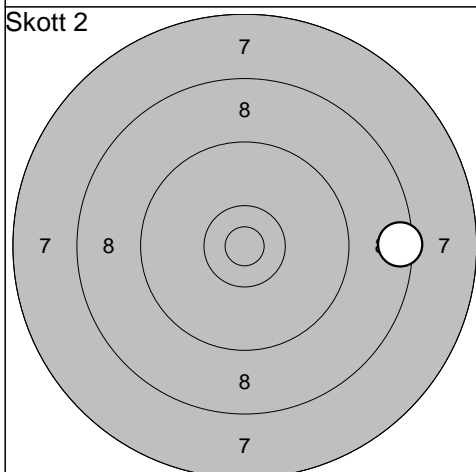


1: 9,6 ↓

Serie 9,0

Totalt 287,0

Skott 2

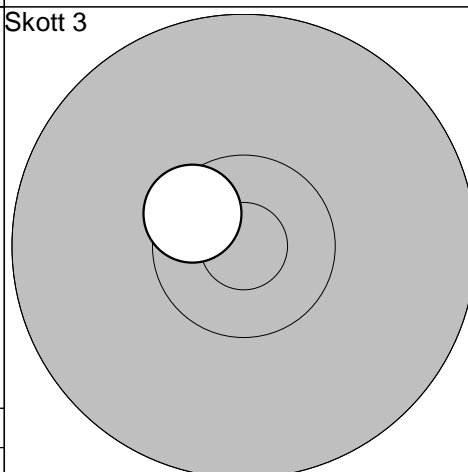


1: 8,5 →

Serie 8,0

Totalt 295,0

Skott 3

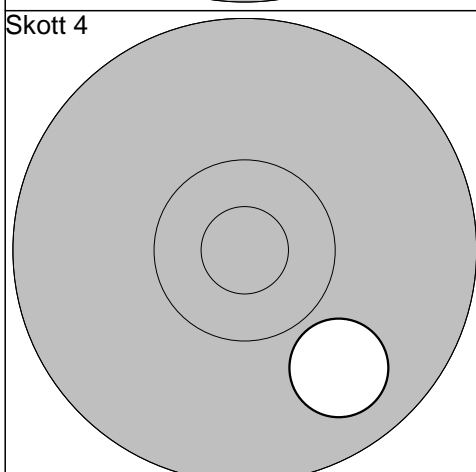


1: 10,5\* ↖

Serie 10,0

Totalt 305,0

Skott 4

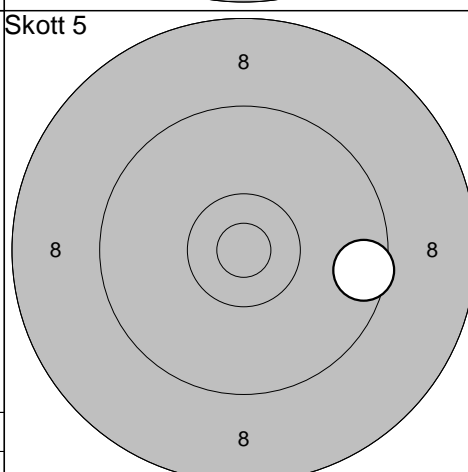


1: 9,9 ↓

Serie 9,0

Totalt 314,0

Skott 5



1: 9,6 →

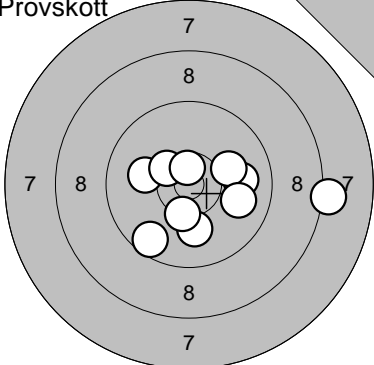
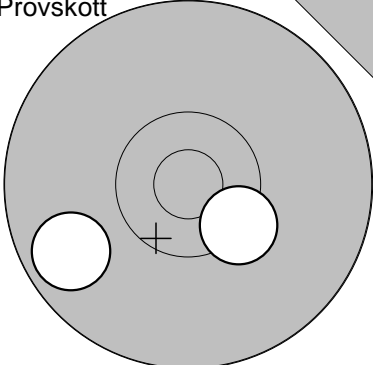
Serie 9,0

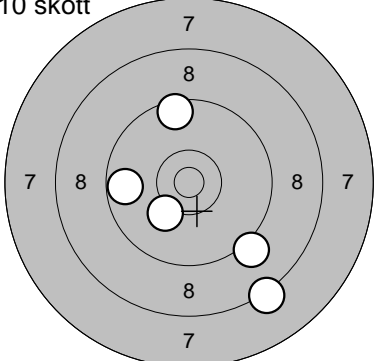
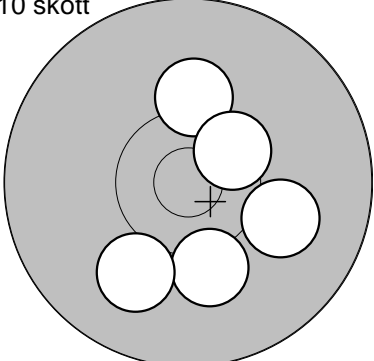
Totalt 323,0

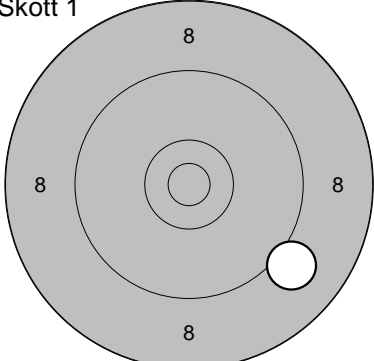
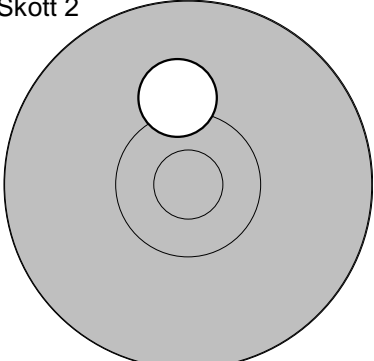


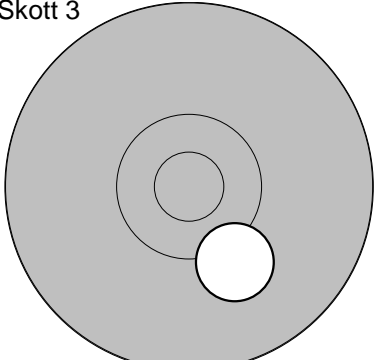
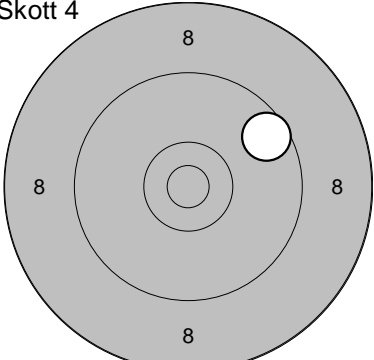
S 3

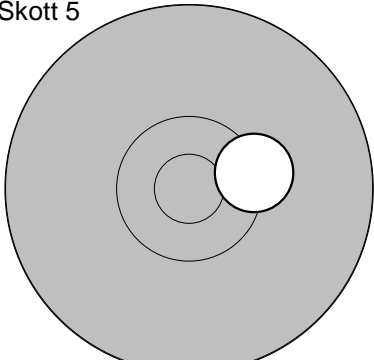
2010-07-23	Tavelträffen 2010 Final	Ramselefors SKF
------------	-------------------------	-----------------

Provsjott 	1: 8,2 → 2: 9,9 → 3: 10,1 → 4: 10,1 ↓ 5: 9,9 ↓ 6: 10,3* ↓ 7: 10,1 ↑ 8: 10,4* ↑ 9: 10,6* ↑ 10: 9,6 ↓	Provsjott 	11: 9,7 ← 12: 10,4* ↓
Serie 95,0		Serie 19,0	
Totalt 185,0		Totalt 185,0	

10 skott 	1: 9,7 ← 2: 9,1 ↓ 3: 8,2 ↓ 4: 9,5 ↑ 5: 10,2 ↓	10 skott 	6: 10,1 → 7: 10,2 ↓ 8: 10,2 ↑ 9: 10,5* ↗ 10: 10,0 ↓
Serie 45,0		Serie 50,0	
Totalt 230,0		Totalt 280,0	

Skott 1 	1: 9,1 ↓	Skott 2 	1: 10,2 ↑
Serie 9,0		Serie 10,0	
Totalt 289,0		Totalt 299,0	

Skott 3 	1: 10,2 ↓	Skott 4 	1: 9,6 ↗
Serie 10,0		Serie 9,0	
Totalt 309,0		Totalt 318,0	

Skott 5 	1: 10,3* →		
Serie 10,0			
Totalt 328,0			

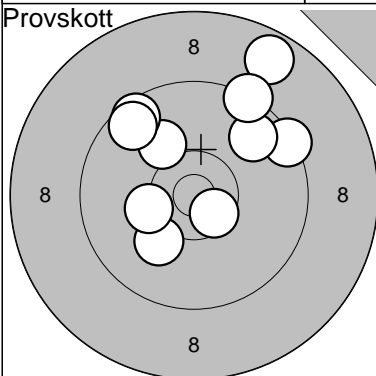
Ramselefors

2010-07-23

Tavelträffen 2010 Final

Ramselefors SKF

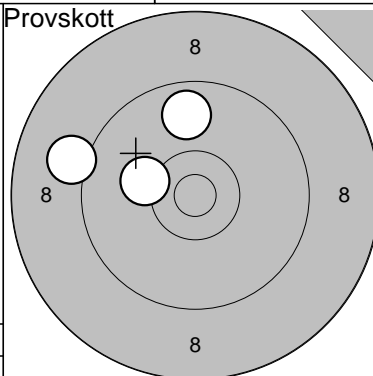
Provskott



1: 8,7 ↗  
 2: 9,4 →  
 3: 10,1 ↗  
 4: 10,6\* ↘  
 5: 9,8 ↗  
 6: 9,6 ↗  
 7: 9,4 ↗  
 8: 10,1 ↘  
 9: 10,3 ↘  
 10: 9,6 ↗

Serie 93,0  
 Totalt 182,0

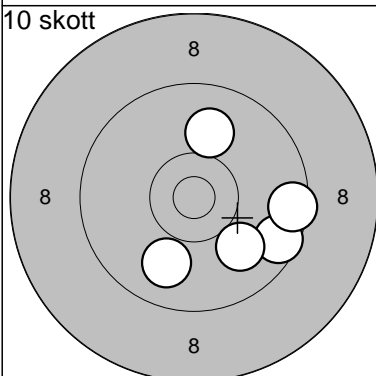
Provskott



11: 9,1 ↖  
 12: 10,2 ↖  
 13: 9,8 ↑

Serie 28,0  
 Totalt 182,0

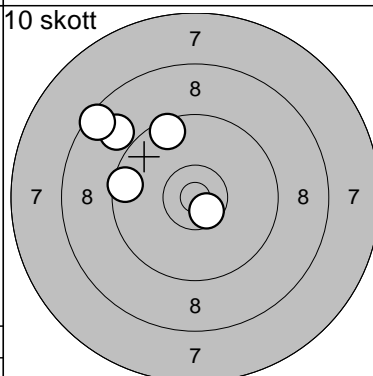
10 skott



1: 10,0 ↑  
 2: 9,6 ↘  
 3: 9,5 →  
 4: 10,0 ↘  
 5: 9,9 ↘

Serie 47,0  
 Totalt 229,0

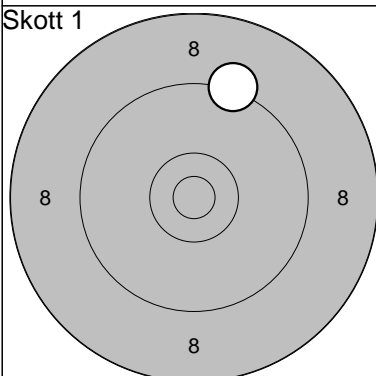
10 skott



6: 8,9 ↗  
 7: 9,6 ↖  
 8: 8,5 ↗  
 9: 9,5 ↗  
 10: 10,6\* ↘

Serie 44,0  
 Totalt 273,0

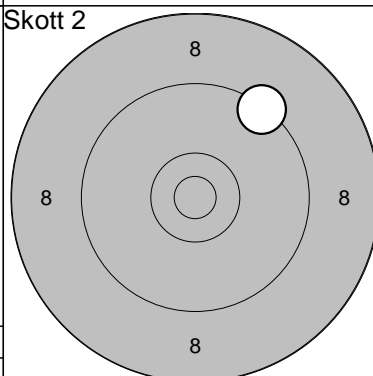
Skott 1



1: 9,3 ↑

Serie 9,0  
 Totalt 282,0

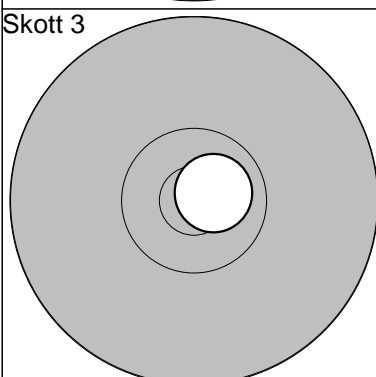
Skott 2



1: 9,4 ↗

Serie 9,0  
 Totalt 291,0

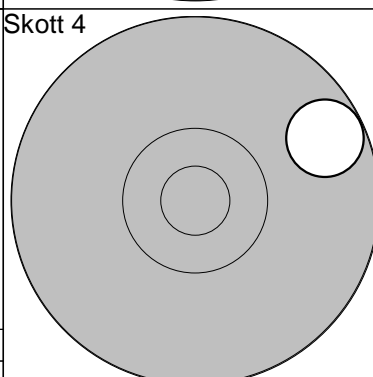
Skott 3



1: 10,8\* →

Serie 10,0  
 Totalt 301,0

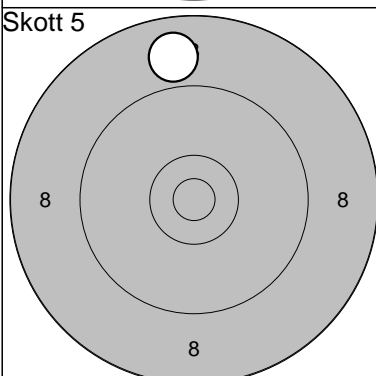
Skott 4



1: 9,7 →

Serie 9,0  
 Totalt 310,0

Skott 5

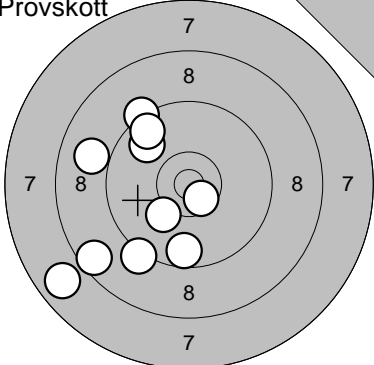
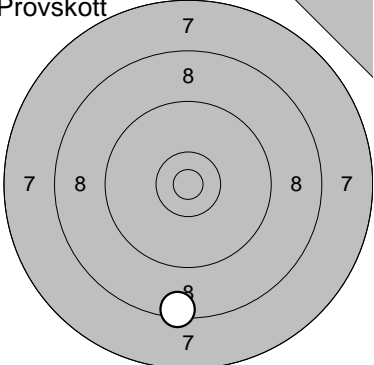


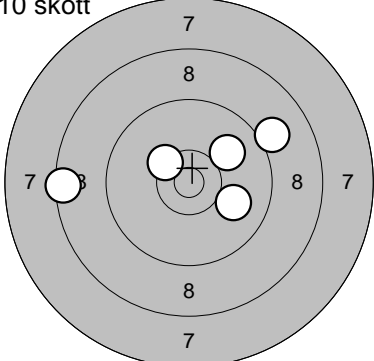
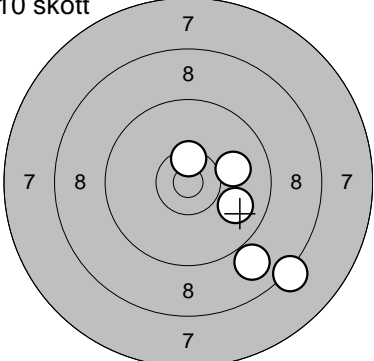
1: 8,9 ↑

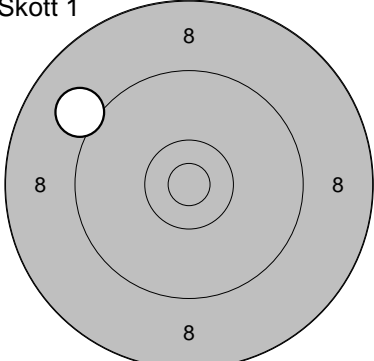
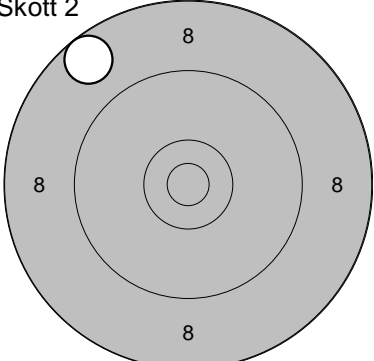
Serie 8,0  
 Totalt 318,0

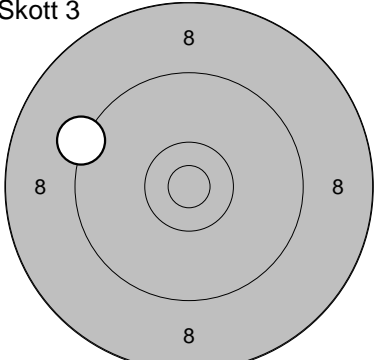
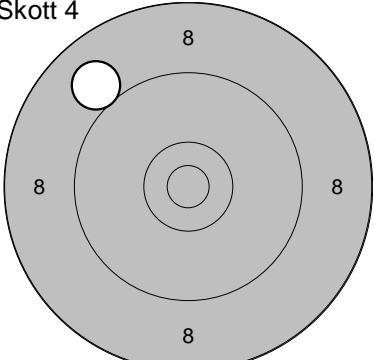
Rundvik

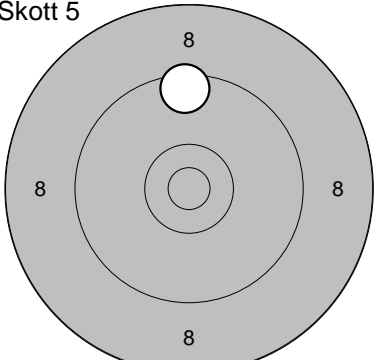
2010-07-23	Tavelträffen 2010 Final	Ramselefors SKF
------------	-------------------------	-----------------

Provsnitt 	1: 9,6 ↓ 2: 7,8 ↙ 3: 8,6 ↙ 4: 9,2 ↙ 5: 8,9 ↗ 6: 10,6* ↓ 7: 9,8 ↗ 8: 10,2 ↗ 9: 9,3 ↗ 10: 9,6 ↗ <hr/> Serie 88,0 Totalt 182,0	Provsnitt 	11: 8,5 ↓ <hr/> Serie 8,0 Totalt 182,0
---	--	---	--

10 skott 	1: 10,3* ↗ 2: 10,0 ↘ 3: 8,5 ↙ 4: 10,0 ↗ 5: 9,1 ↗ <hr/> Serie 47,0 Totalt 229,0	10 skott 	6: 10,5* ↑ 7: 10,0 → 8: 9,9 ↘ 9: 8,9 ↘ 10: 8,2 ↘ <hr/> Serie 45,0 Totalt 274,0
--	--	--	--

Skott 1 	1: 9,1 ↙ <hr/> Serie 9,0 Totalt 283,0	Skott 2 	1: 8,7 ↖ <hr/> Serie 8,0 Totalt 291,0
--	---	--	---

Skott 3 	1: 9,3 ↙ <hr/> Serie 9,0 Totalt 300,0	Skott 4 	1: 9,0 ↖ <hr/> Serie 9,0 Totalt 309,0
---	---	---	---

Skott 5 	1: 9,5 ↑ <hr/> Serie 9,0 Totalt 318,0		
---	---	--	--

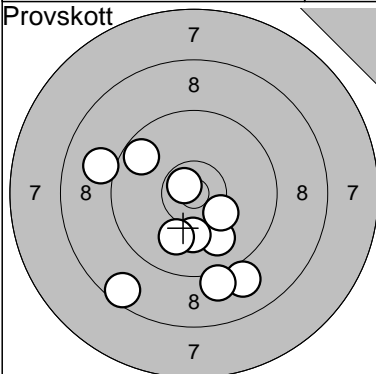
Piteå

2010-07-23

Tavelträffen 2010 Final

Ramselefors SKF

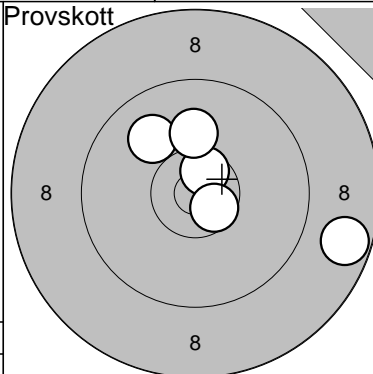
Provsnitt



1: 8,6 ↘  
 2: 10,0 ↘  
 3: 10,3 ↘  
 4: 10,7\* ↗  
 5: 9,0 ↘  
 6: 9,1 ↘  
 7: 10,1 ↘  
 8: 10,0 ↘  
 9: 9,0 ↗  
 10: 9,7 ↗

Serie 94,0  
 Totalt 181,0

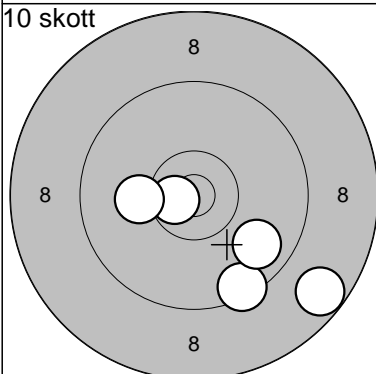
Provsnitt



11: 10,6\* ↗  
 12: 10,0 ↗  
 13: 8,7 →  
 14: 10,6\* ↘  
 15: 10,1 ↑

Serie 48,0  
 Totalt 181,0

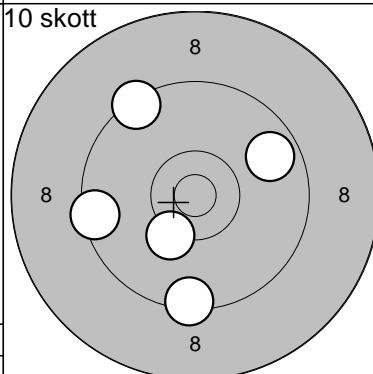
10 skott



1: 10,7\* ←  
 2: 9,5 ↘  
 3: 10,2 ↗  
 4: 8,7 ↘  
 5: 9,8 ↘

Serie 46,0  
 Totalt 227,0

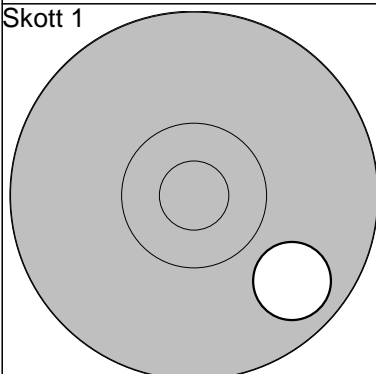
10 skott



6: 9,4 ↓  
 7: 9,4 ↗  
 8: 10,3 ↘  
 9: 9,7 →  
 10: 9,5 ←

Serie 46,0  
 Totalt 273,0

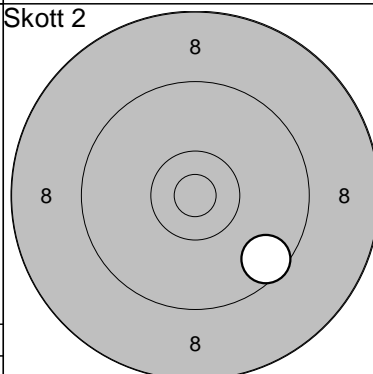
Skott 1



1: 9,8 ↘

Serie 9,0  
 Totalt 282,0

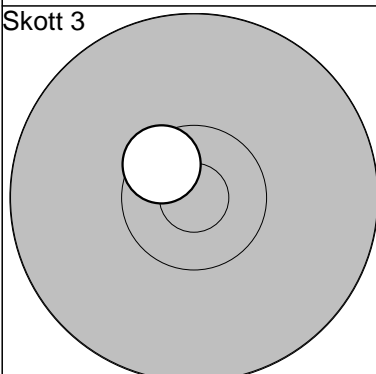
Skott 2



1: 9,6 ↘

Serie 9,0  
 Totalt 291,0

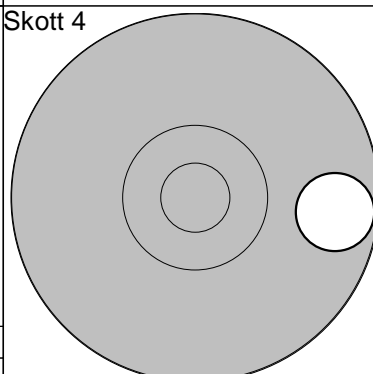
Skott 3



1: 10,5\* ↗

Serie 10,0  
 Totalt 301,0

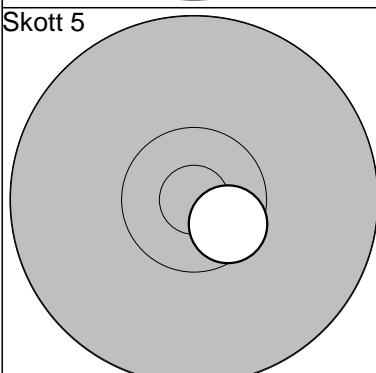
Skott 4



1: 9,7 →

Serie 9,0  
 Totalt 310,0

Skott 5



1: 10,6\* ↘

Serie 10,0  
 Totalt 320,0

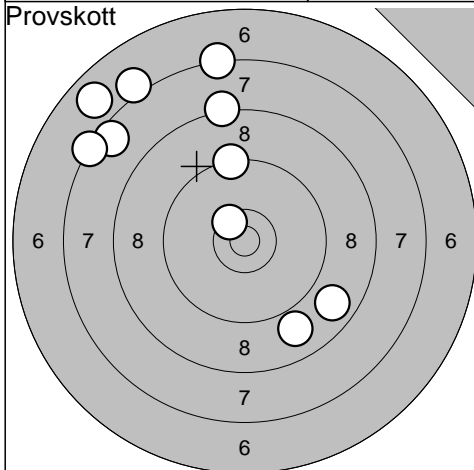
Bälinge-Jumkil

2010-07-23

Tavelträffen 2010 Final

Ramselefors SKF

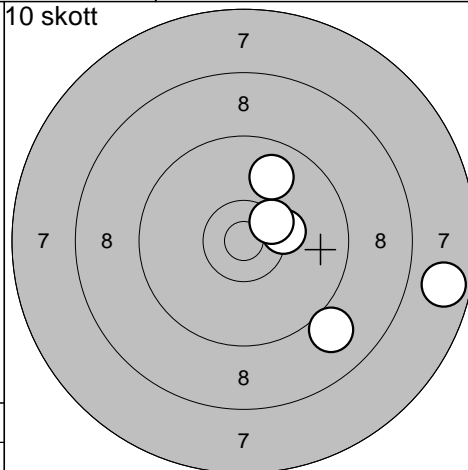
Provskott



1: 8,8 ↘  
 2: 7,6 ↗  
 3: 9,3 ↑  
 4: 10,5\* ↗  
 5: 8,3 ↑  
 6: 7,3 ↗  
 7: 7,3 ↑  
 8: 6,8 ↗  
 9: 7,1 ↗  
 10: 8,9 ↘

Serie 77,0  
 Totalt 177,0

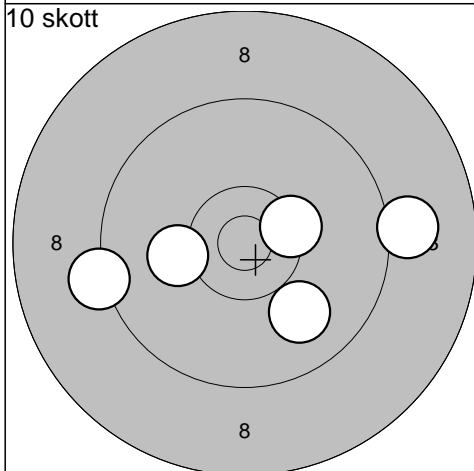
10 skott



1: 9,0 ↘  
 2: 10,3\* →  
 3: 7,7 →  
 4: 10,4\* ↗  
 5: 9,9 ↑

Serie 45,0  
 Totalt 222,0

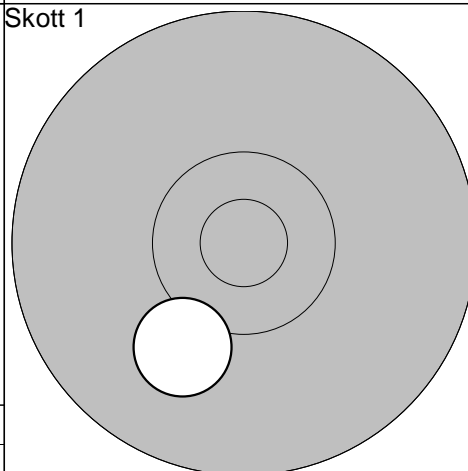
10 skott



6: 9,1 →  
 7: 9,9 ↘  
 8: 10,4\* →  
 9: 10,2 ←  
 10: 9,2 ←

Serie 47,0  
 Totalt 269,0

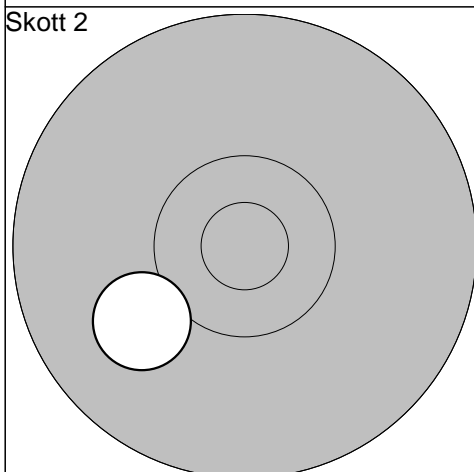
Skott 1



1: 10,1 ↘

Serie 10,0  
 Totalt 279,0

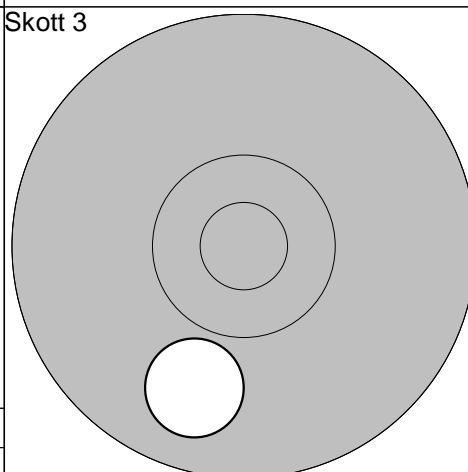
Skott 2



1: 10,0 ↙

Serie 10,0  
 Totalt 289,0

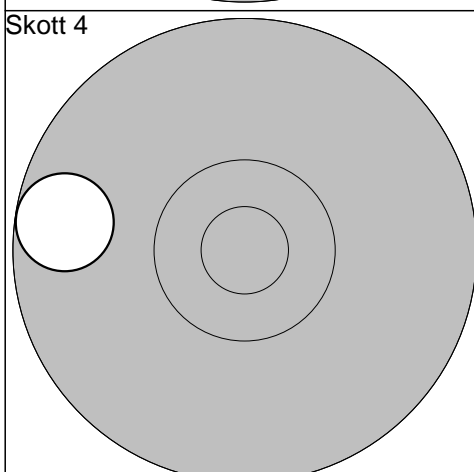
Skott 3



1: 9,9 ↘

Serie 9,0  
 Totalt 298,0

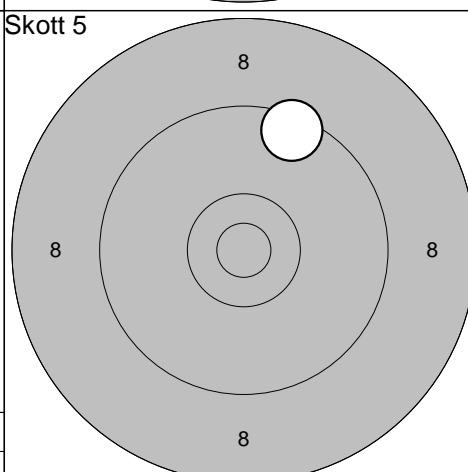
Skott 4



1: 9,7 ←

Serie 9,0  
 Totalt 307,0

Skott 5

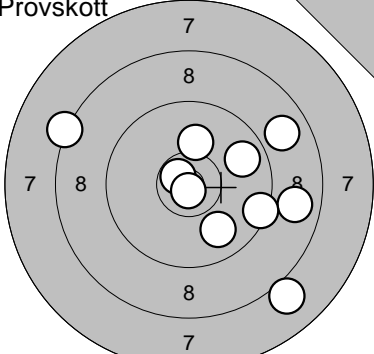
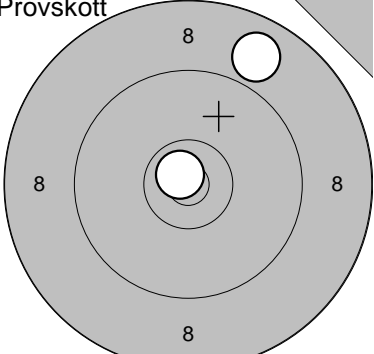


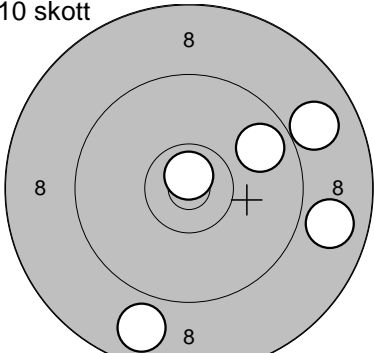
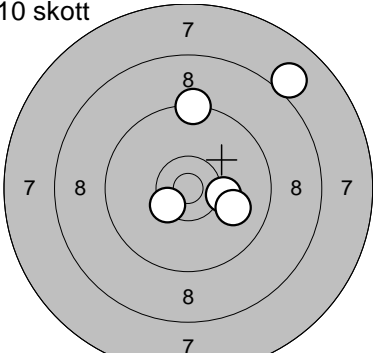
1: 9,5 ↑

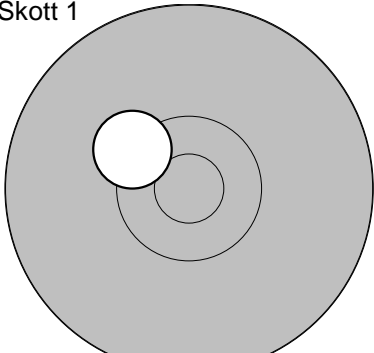
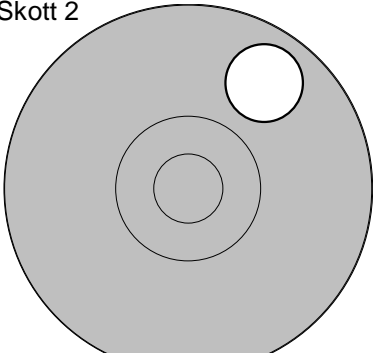
Serie 9,0  
 Totalt 316,0

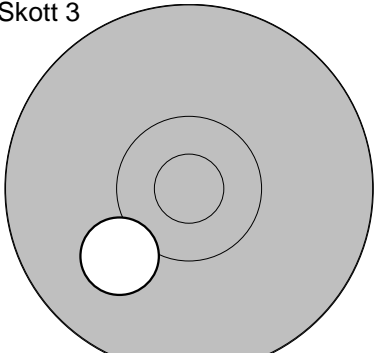
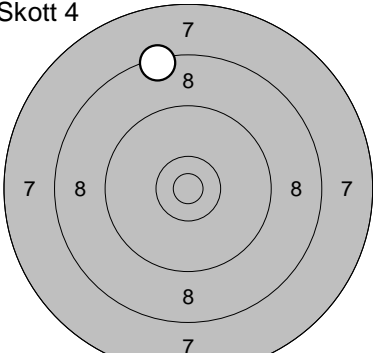
Ramselefors

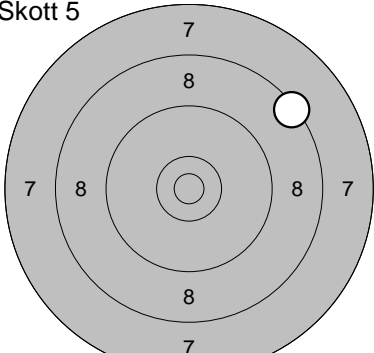
2010-07-23	Tavelträffen 2010 Final	Ramselefors SKF
------------	-------------------------	-----------------

Provskott	1: 8,0 ↘ 2: 8,3 ↗ 3: 9,8 → 4: 10,7* ↗ 5: 8,8 → 6: 9,9 ↘ 7: 9,4 ↘ 8: 10,1 ↗ 9: 10,8* ↘ 10: 8,8 ↗	Provskott	11: 10,8* ↗ 12: 8,9 ↗
	Serie 89,0 Totalt 174,0		Serie 18,0 Totalt 174,0

10 skott	1: 8,9 → 2: 9,8 → 3: 8,9 → 4: 8,8 ↘ 5: 10,8* ↑	10 skott	6: 10,2 → 7: 10,0 → 8: 10,4* ↘ 9: 8,0 ↗ 10: 9,3 ↑
	Serie 43,0 Totalt 217,0		Serie 47,0 Totalt 264,0

Skott 1	1: 10,3* ↘	Skott 2	1: 9,8 ↗
	Serie 10,0 Totalt 274,0		Serie 9,0 Totalt 283,0

Skott 3	1: 10,1 ↘	Skott 4	1: 8,4 ↑
	Serie 10,0 Totalt 293,0		Serie 8,0 Totalt 301,0

Skott 5	1: 8,4 ↗		
	Serie 8,0 Totalt 309,0		

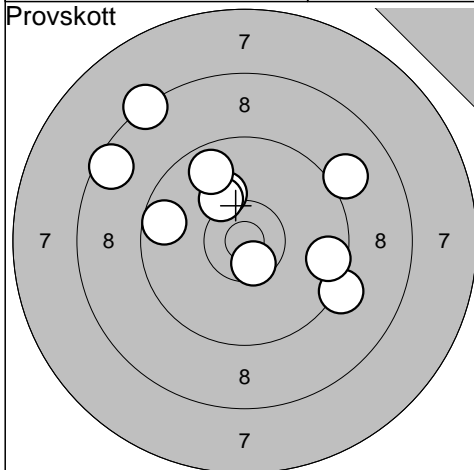
Ramselefors

2010-07-23

Tavelträffen 2010 Final

Ramselefors SKF

Provskott

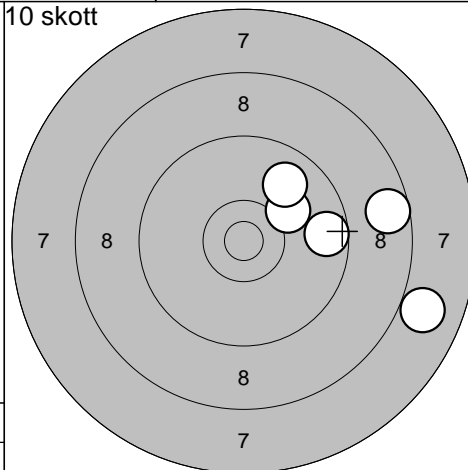


1: 10,1 ↗  
 2: 8,6 ↗  
 3: 8,3 ↗  
 4: 10,2 ↗  
 5: 9,2 ↘  
 6: 9,6 →  
 7: 9,1 ↗  
 8: 10,6\* ↘  
 9: 9,7 ↗  
 10: 9,7 ←

Serie 91,0

Totalt 173,0

10 skott

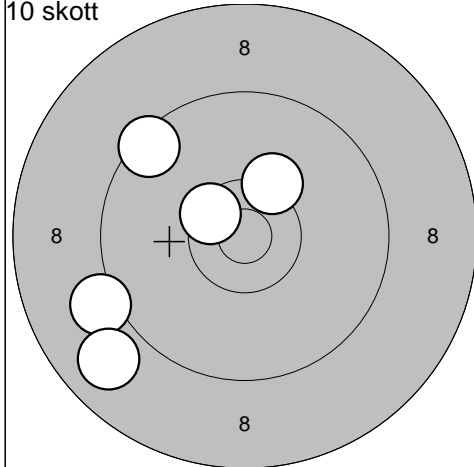


1: 8,6 →  
 2: 10,1 ↗  
 3: 9,6 →  
 4: 7,9 →  
 5: 9,9 ↗

Serie 43,0

Totalt 216,0

10 skott

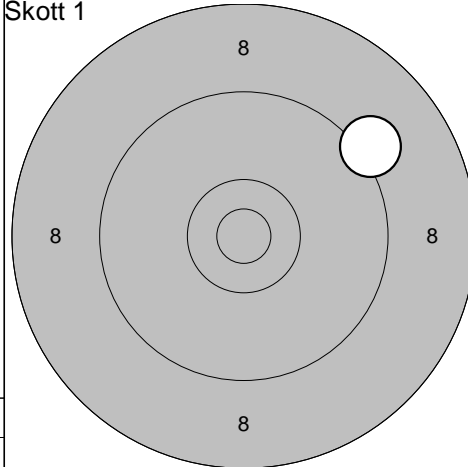


6: 9,1 ←  
 7: 8,9 ←  
 8: 10,5\* ↗  
 9: 9,5 ↗  
 10: 10,3 ↗

Serie 46,0

Totalt 262,0

Skott 1

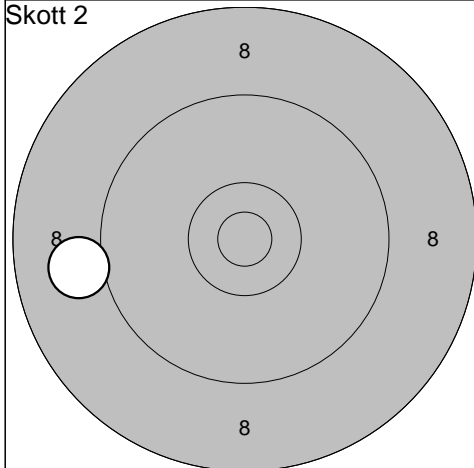


1: 9,2 ↗

Serie 9,0

Totalt 271,0

Skott 2

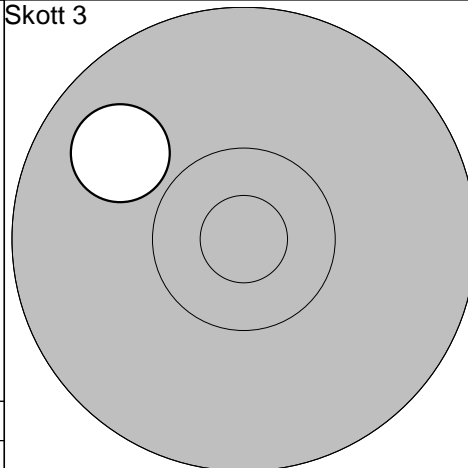


1: 9,0 ←

Serie 9,0

Totalt 280,0

Skott 3

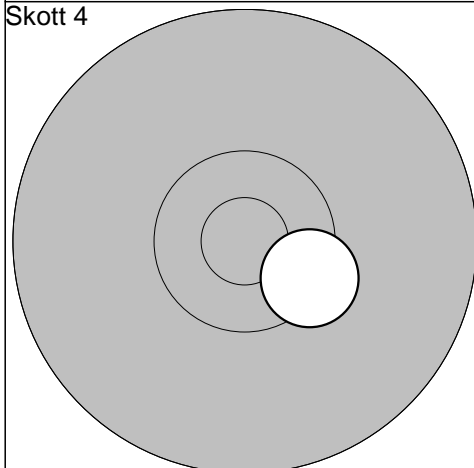


1: 9,9 ↗

Serie 9,0

Totalt 289,0

Skott 4

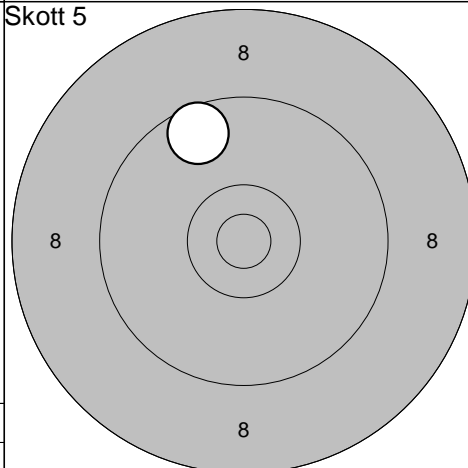


1: 10,4\* ↘

Serie 10,0

Totalt 299,0

Skott 5



1: 9,6 ↗

Serie 9,0

Totalt 308,0

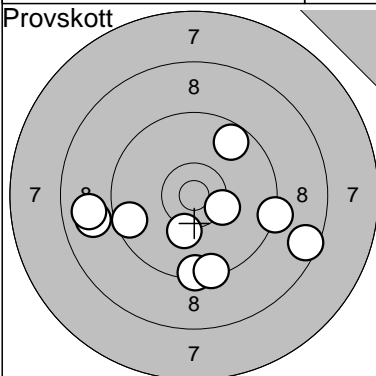
Ramselefors

2010-07-23

Tavelträffen 2010 Final

Ramselefors SKF

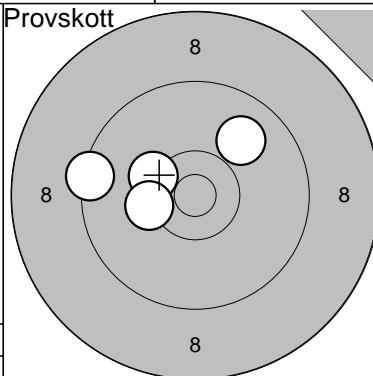
Provskott



1: 9,7 ↗  
 2: 9,4 ↓  
 3: 9,3 →  
 4: 8,5 →  
 5: 9,4 ↓  
 6: 8,9 ←  
 7: 10,2 ↓  
 8: 8,9 ←  
 9: 9,6 ←  
 10: 10,3\* ↗

Serie 89,0  
 Totalt 183,0

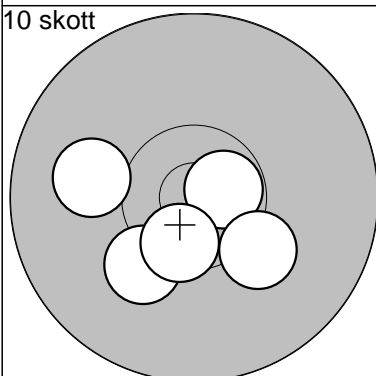
Provskott



11: 10,3\* ↖  
 12: 10,3 ←  
 13: 9,4 ←  
 14: 9,9 ↗

Serie 38,0  
 Totalt 183,0

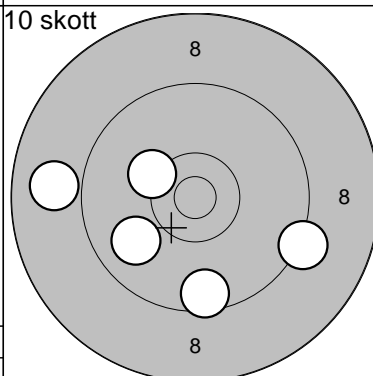
10 skott



1: 10,2 ↖  
 2: 10,7\* →  
 3: 10,0 ←  
 4: 10,5\* ↓  
 5: 10,2 ↓

Serie 50,0  
 Totalt 233,0

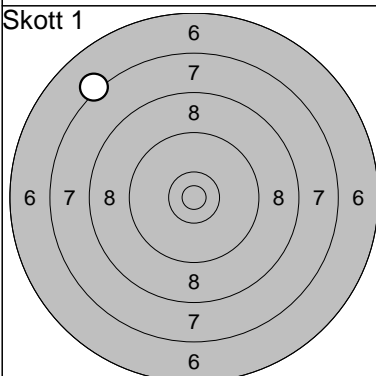
10 skott



6: 9,9 ←  
 7: 8,9 ←  
 8: 9,6 ↓  
 9: 9,2 →  
 10: 10,3 ↗

Serie 45,0  
 Totalt 278,0

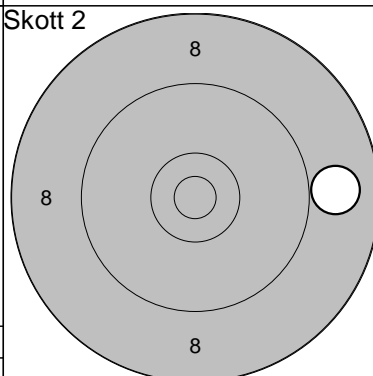
Skott 1



1: 7,2 ↖

Serie 7,0  
 Totalt 285,0

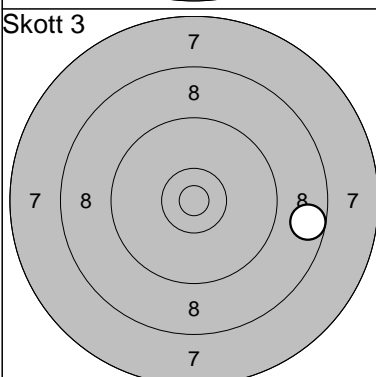
Skott 2



1: 8,9 →

Serie 8,0  
 Totalt 293,0

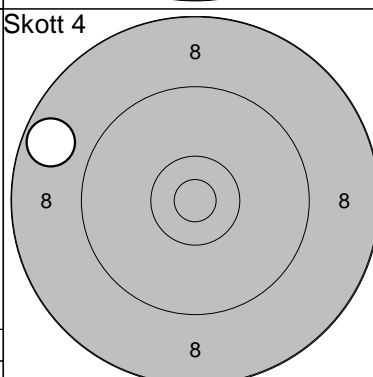
Skott 3



1: 8,6 →

Serie 8,0  
 Totalt 301,0

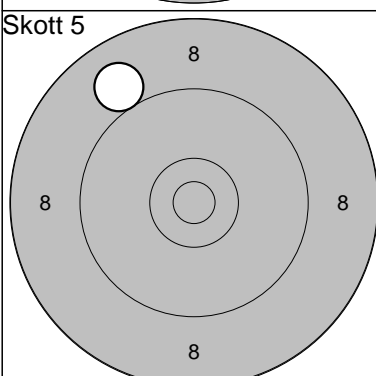
Skott 4



1: 8,7 ↖

Serie 8,0  
 Totalt 309,0

Skott 5



1: 9,0 ↗

Serie 9,0  
 Totalt 318,0

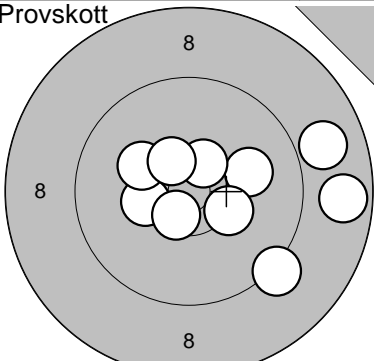
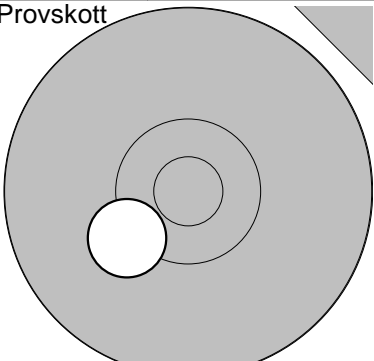


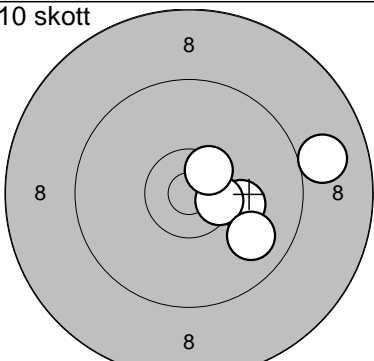
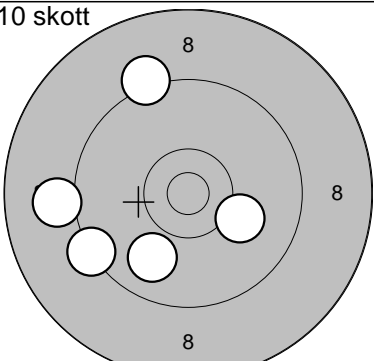
Niemisel

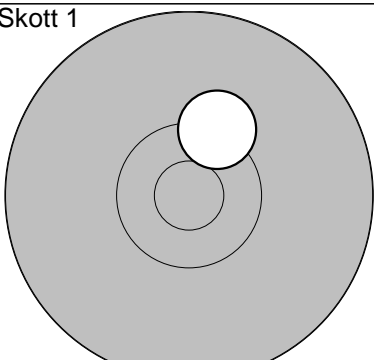
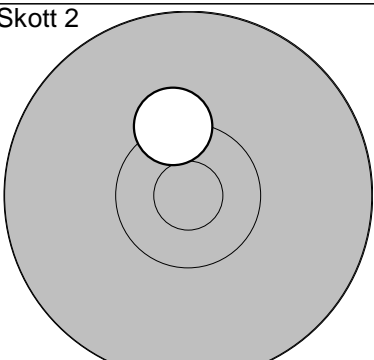
2010-07-23

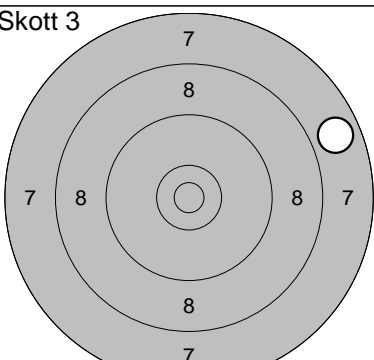
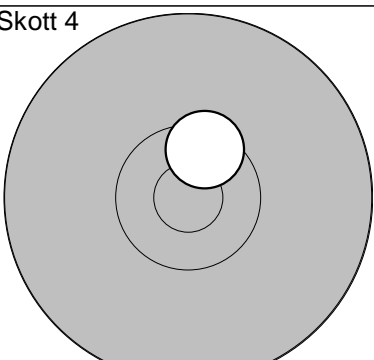
Tavelträffen 2010 Final

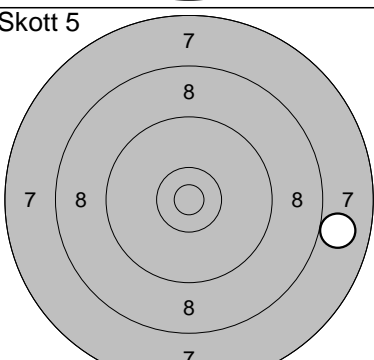
Ramselefors SKF

Provsnitt 	1: 8,7 → 2: 10,0 → 3: 10,3* ← 4: 8,9 → 5: 10,2 ↗ 6: 10,5* ↗ 7: 10,5* ↗ 8: 10,6* ↘ 9: 10,3* ↘ 10: 9,2 ↘ <hr/> Serie 95,0 Totalt 182,0	Provsnitt 	11: 10,3 ← <hr/> Serie 10,0 Totalt 182,0
---	---	---	--

10 skott 	1: 10,2 → 2: 9,0 → 3: 10,5* → 4: 9,9 ↘ 5: 10,5* ↗ <hr/> Serie 48,0 Totalt 230,0	10 skott 	6: 9,2 ↑ 7: 9,9 ↓ 8: 9,1 ← 9: 9,3 ← 10: 10,1 ↘ <hr/> Serie 46,0 Totalt 276,0
--	---	--	--

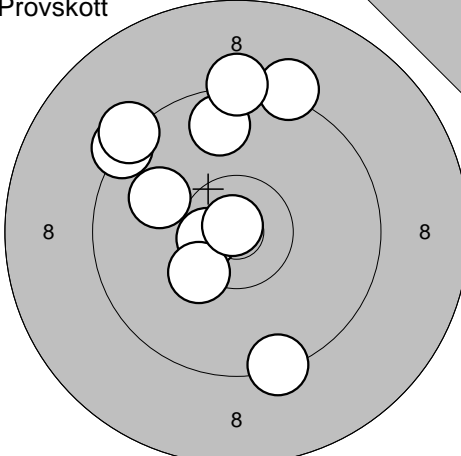
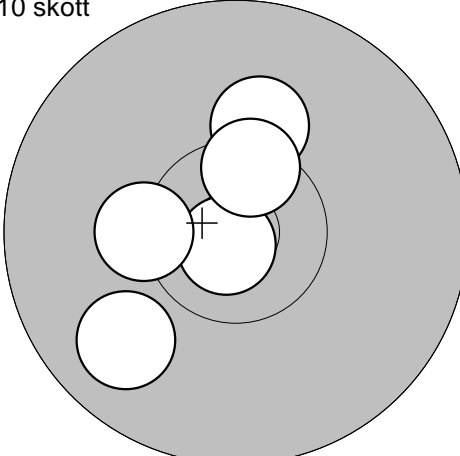
Skott 1 	1: 10,3* ↑ <hr/> Serie 10,0 Totalt 286,0	Skott 2 	1: 10,3* ↑ <hr/> Serie 10,0 Totalt 296,0
--	--	--	--

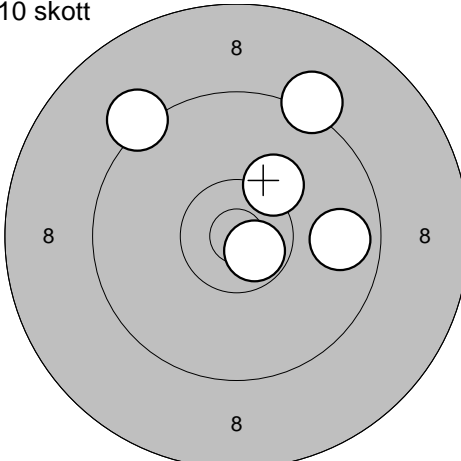
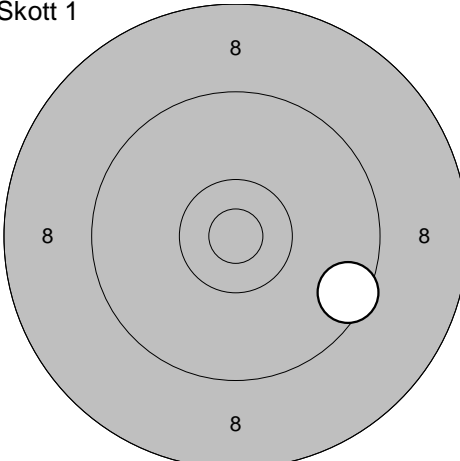
Skott 3 	1: 7,8 → <hr/> Serie 7,0 Totalt 303,0	Skott 4 	1: 10,5* ↑ <hr/> Serie 10,0 Totalt 313,0
---	---	---	--

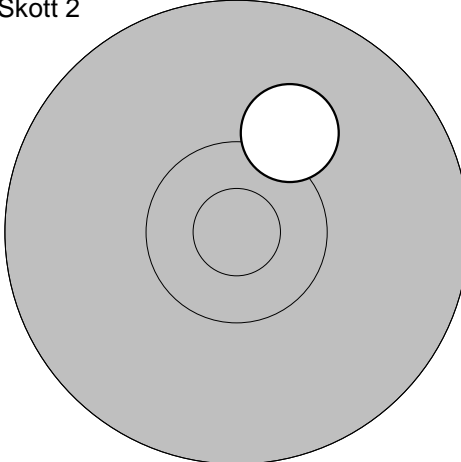
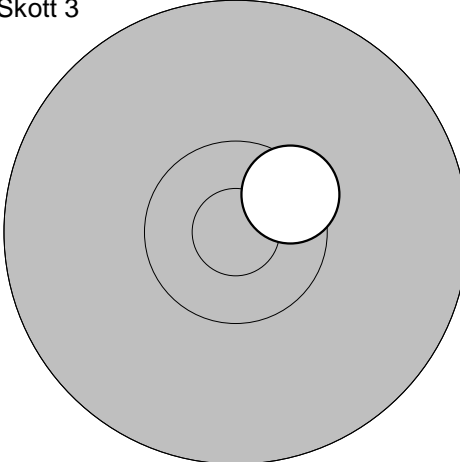
Skott 5 	1: 7,9 → <hr/> Serie 7,0 Totalt 320,0		
---	---	--	--

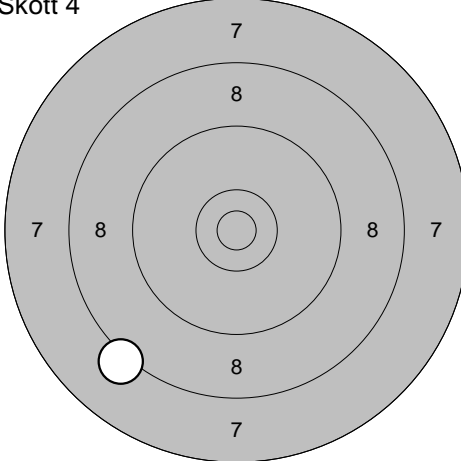
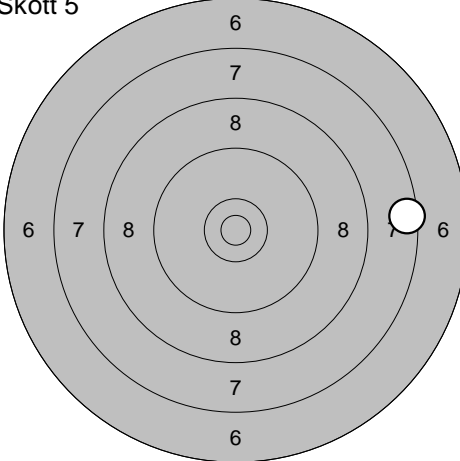
Ununge

2010-07-23	Tavelträffen 2010 Final	Ramselefors SKF
------------	-------------------------	-----------------

<p>Provskott</p> 	<p>10 skott</p> <p>1: 9,2 ↗                  2: 9,7 ↑                  3: 9,4 ↓                  4: 9,3 ↑                  5: 10,6* ←                  6: 10,3* ↘                  7: 9,3 ↗                  8: 9,3 ↗                  9: 10,9* ↗                  10: 10,0 ↖</p> <table border="1" style="width:100%; border-collapse: collapse;"> <tr><td>Serie</td><td style="text-align: right;">94,0</td></tr> <tr><td>Totalt</td><td style="text-align: right;">179,0</td></tr> </table>	Serie	94,0	Totalt	179,0	 <p>1: 10,8* ↘                  2: 9,9 ↘                  3: 10,2 ↑                  4: 10,5* ↑                  5: 10,3* ←</p> <table border="1" style="width:100%; border-collapse: collapse;"> <tr><td>Serie</td><td style="text-align: right;">49,0</td></tr> <tr><td>Totalt</td><td style="text-align: right;">228,0</td></tr> </table>	Serie	49,0	Totalt	228,0
Serie	94,0									
Totalt	179,0									
Serie	49,0									
Totalt	228,0									

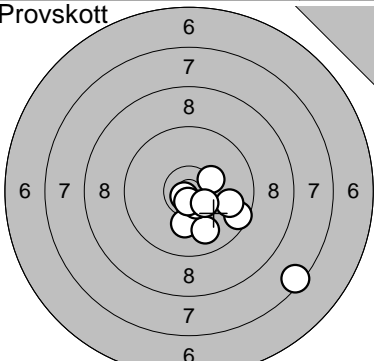
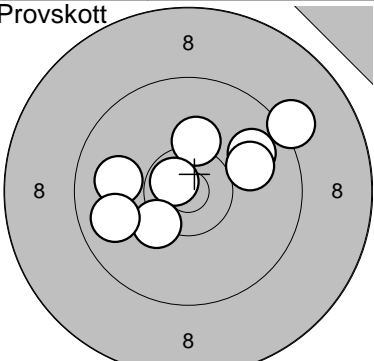
<p>10 skott</p> 	<p>Skott 1</p> <p>6: 9,2 ↗                  7: 10,2 ↗                  8: 9,2 ↑                  9: 10,7* ↘                  10: 9,8 →</p> <table border="1" style="width:100%; border-collapse: collapse;"> <tr><td>Serie</td><td style="text-align: right;">47,0</td></tr> <tr><td>Totalt</td><td style="text-align: right;">275,0</td></tr> </table>	Serie	47,0	Totalt	275,0	 <p>1: 9,5 ➤</p> <table border="1" style="width:100%; border-collapse: collapse;"> <tr><td>Serie</td><td style="text-align: right;">9,0</td></tr> <tr><td>Totalt</td><td style="text-align: right;">284,0</td></tr> </table>	Serie	9,0	Totalt	284,0
Serie	47,0									
Totalt	275,0									
Serie	9,0									
Totalt	284,0									

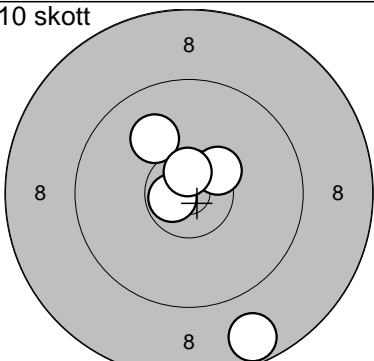
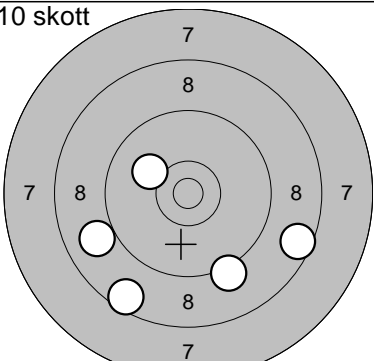
<p>Skott 2</p> 	<p>Skott 3</p> <p>1: 10,2 ↗</p> <table border="1" style="width:100%; border-collapse: collapse;"> <tr><td>Serie</td><td style="text-align: right;">10,0</td></tr> <tr><td>Totalt</td><td style="text-align: right;">294,0</td></tr> </table>	Serie	10,0	Totalt	294,0	 <p>1: 10,5* ↗</p> <table border="1" style="width:100%; border-collapse: collapse;"> <tr><td>Serie</td><td style="text-align: right;">10,0</td></tr> <tr><td>Totalt</td><td style="text-align: right;">304,0</td></tr> </table>	Serie	10,0	Totalt	304,0
Serie	10,0									
Totalt	294,0									
Serie	10,0									
Totalt	304,0									

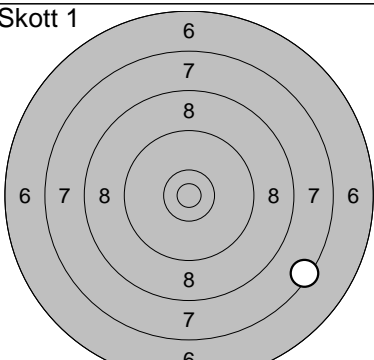
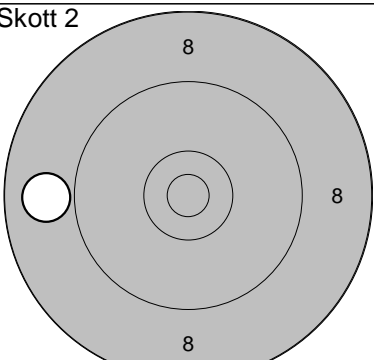
<p>Skott 4</p> 	<p>Skott 5</p> <p>1: 8,2 ↘</p> <table border="1" style="width:100%; border-collapse: collapse;"> <tr><td>Serie</td><td style="text-align: right;">8,0</td></tr> <tr><td>Totalt</td><td style="text-align: right;">312,0</td></tr> </table>	Serie	8,0	Totalt	312,0	 <p>1: 7,5 ➤</p> <table border="1" style="width:100%; border-collapse: collapse;"> <tr><td>Serie</td><td style="text-align: right;">7,0</td></tr> <tr><td>Totalt</td><td style="text-align: right;">319,0</td></tr> </table>	Serie	7,0	Totalt	319,0
Serie	8,0									
Totalt	312,0									
Serie	7,0									
Totalt	319,0									

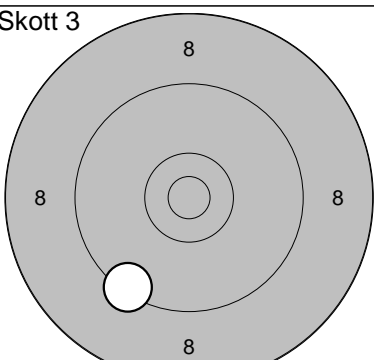
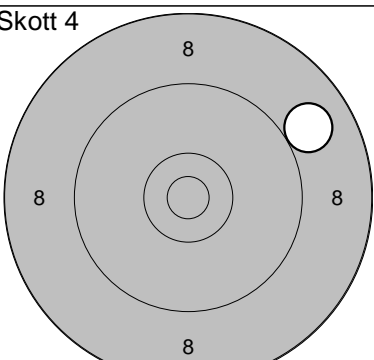
Ramselefors

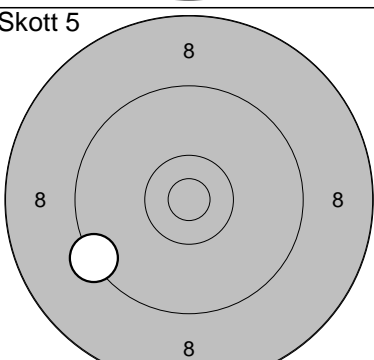
2010-07-23	Tavelträffen 2010 Final	Ramselefors SKF
------------	-------------------------	-----------------

<b>Provskott</b> 	1: 10,1 ↓ 2: 7,5 ↓↓ 3: 9,9 ↓↓ 4: 10,3* → 5: 9,6 ↓↓ 6: 9,9 ↓↓ 7: 10,6* → 8: 10,8* ↓ 9: 10,7* ↓ 10: 10,4* ↓ <hr/> Serie 94,0 Totalt 179,0	<b>Provskott</b> 	11: 9,9 ← 12: 10,2 ↑ 13: 9,2 ↗ 14: 9,9 ↗ 15: 10,7* ↖ 16: 10,3* ↓ 17: 10,0 → 18: 9,8 ← <hr/> Serie 76,0 Totalt 179,0
--	--	--	--

<b>10 skott</b> 	1: 8,7 ↓ 2: 10,4* → 3: 10,7* ← 4: 10,0 → 5: 10,6* ↑ <hr/> Serie 48,0 Totalt 227,0	<b>10 skott</b> 	6: 8,6 ↓ 7: 8,9 ← 8: 10,1 ↖ 9: 9,2 ↓ 10: 8,6 → <hr/> Serie 43,0 Totalt 270,0
---	---	---	--

<b>Skott 1</b> 	1: 7,4 ↘ <hr/> Serie 7,0 Totalt 277,0	<b>Skott 2</b> 	1: 8,9 ← <hr/> Serie 8,0 Totalt 285,0
---	---	---	---

<b>Skott 3</b> 	1: 9,4 ↓ <hr/> Serie 9,0 Totalt 294,0	<b>Skott 4</b> 	1: 9,0 ↗ <hr/> Serie 9,0 Totalt 303,0
--	---	--	---

<b>Skott 5</b> 	1: 9,3 ← <hr/> Serie 9,0 Totalt 312,0		
--	---	--	--

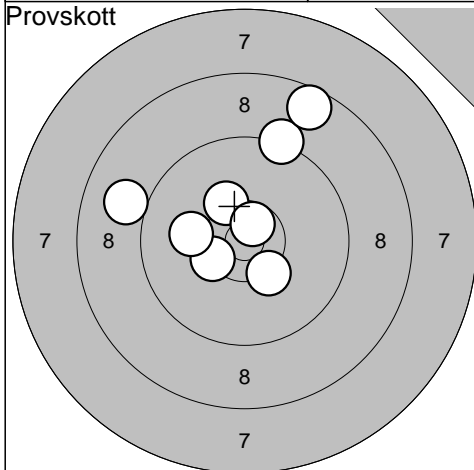
Ramselefors

2010-07-23

Tavelträffen 2010 Final

Ramselefors SKF

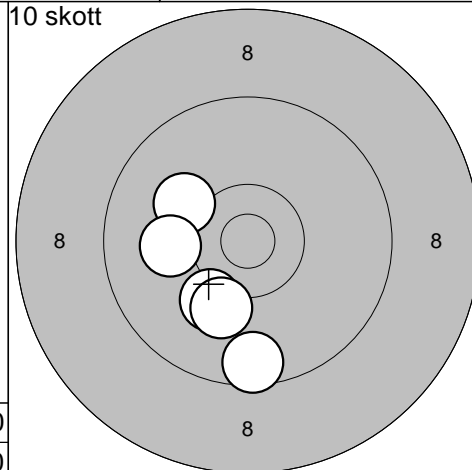
Provskott



1: 9,3 ↗  
 2: 8,6 ↗  
 3: 10,3\* ↗  
 4: 10,4\* ↖  
 5: 10,3\* ↘  
 6: 9,0 ↖  
 7: 10,1 ↖  
 8: 10,7\* ↗

Serie 76,0  
 Totalt 169,0

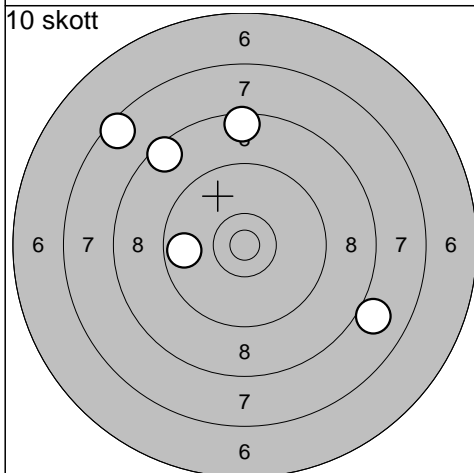
10 skott



1: 10,2 ↘  
 2: 10,1 ↖  
 3: 10,1 ↘  
 4: 9,6 ↘  
 5: 10,1 ←

Serie 49,0  
 Totalt 218,0

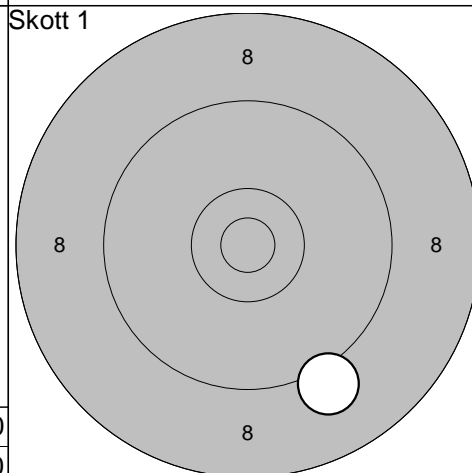
10 skott



6: 9,7 ←  
 7: 8,5 ↑  
 8: 7,5 ↗  
 9: 8,5 ↗  
 10: 8,0 ↘

Serie 40,0  
 Totalt 258,0

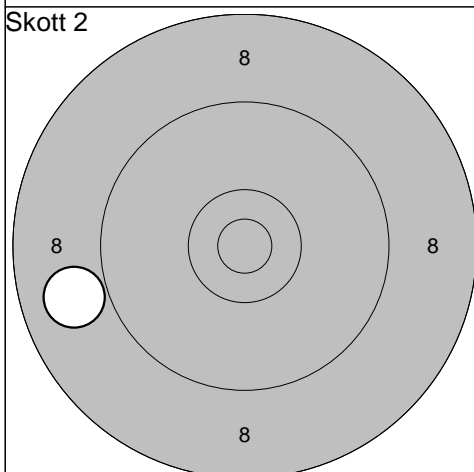
Skott 1



1: 9,1 ↘

Serie 9,0  
 Totalt 267,0

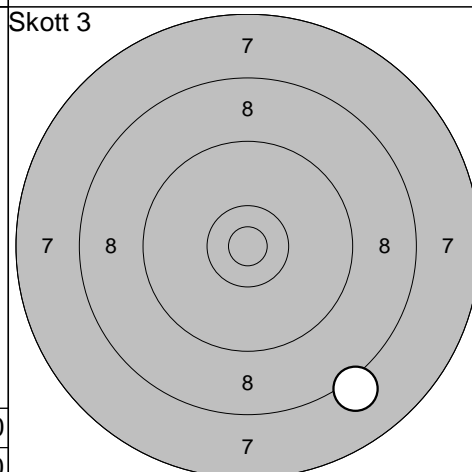
Skott 2



1: 8,9 ←

Serie 8,0  
 Totalt 275,0

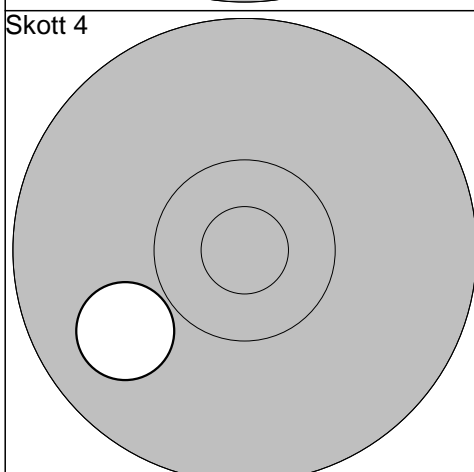
Skott 3



1: 8,1 ↘

Serie 8,0  
 Totalt 283,0

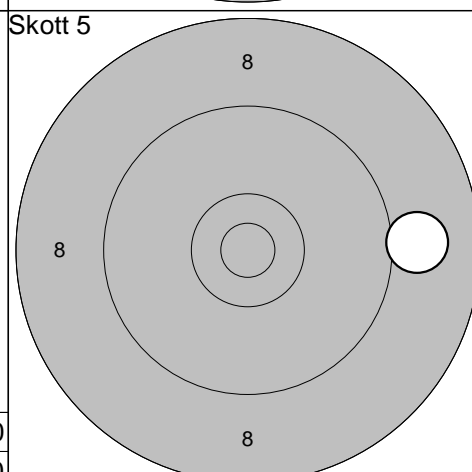
Skott 4



1: 9,9 ↖

Serie 9,0  
 Totalt 292,0

Skott 5



1: 9,0 →

Serie 9,0  
 Totalt 301,0

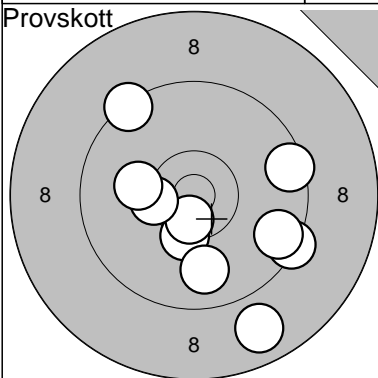
Drängsmark

2010-07-23

Tavelträffen 2010 Final

Ramselefors SKF

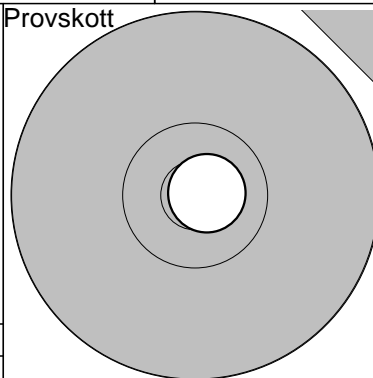
Provskott



1: 9,4 ↘  
 2: 8,8 ↘  
 3: 10,3\* ↘  
 4: 9,6 ↘  
 5: 10,6\* ↘  
 6: 10,4\* ←  
 7: 9,9 ↘  
 8: 10,1 ↗  
 9: 9,4 ↗  
 10: 9,5 ↗

Serie 93,0  
 Totalt 181,0

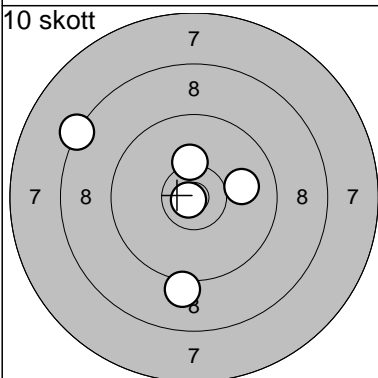
Provskott



11: 10,8\* →

Serie 10,0  
 Totalt 181,0

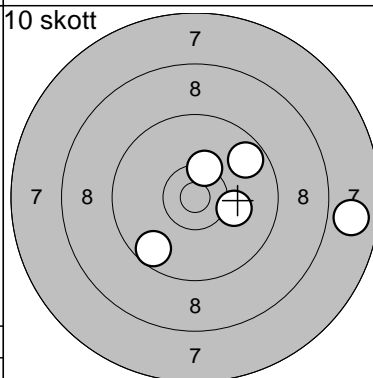
10 skott



1: 10,3 ↑  
 2: 10,0 →  
 3: 10,8\* ←  
 4: 9,1 ↘  
 5: 8,3 ↗

Serie 47,0  
 Totalt 228,0

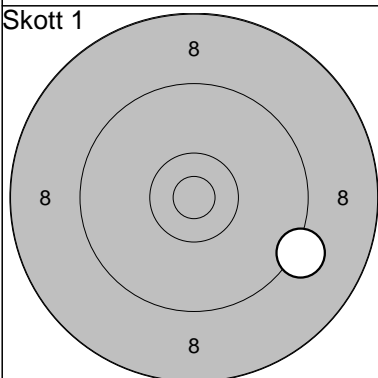
10 skott



6: 9,7 ↗  
 7: 10,3\* ↑  
 8: 10,1 →  
 9: 7,8 →  
 10: 9,6 ↘

Serie 45,0  
 Totalt 273,0

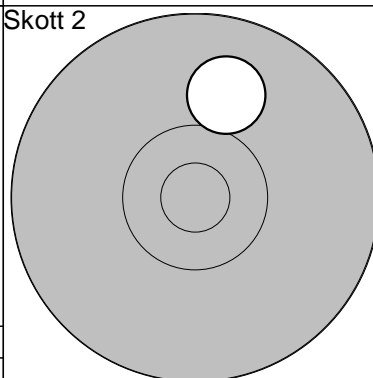
Skott 1



1: 9,2 ↘

Serie 9,0  
 Totalt 282,0

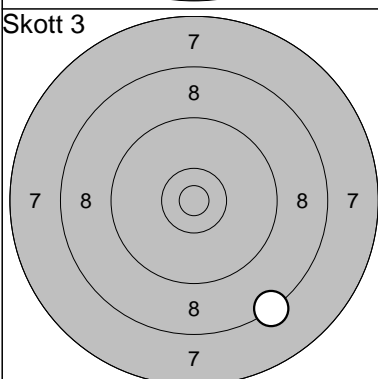
Skott 2



1: 10,0 ↑

Serie 10,0  
 Totalt 292,0

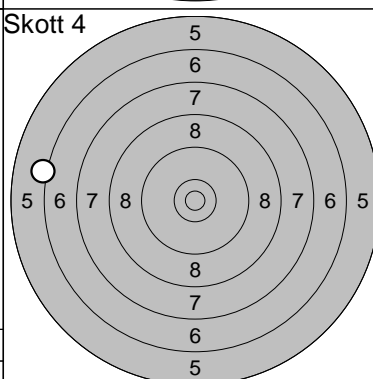
Skott 3



1: 8,3 ↘

Serie 8,0  
 Totalt 300,0

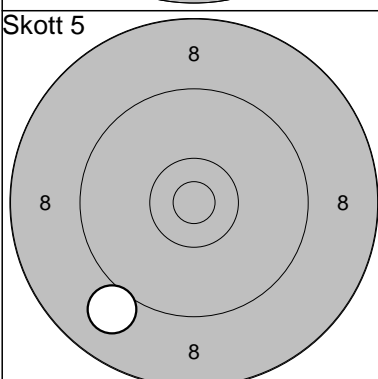
Skott 4



1: 6,2 ←

Serie 6,0  
 Totalt 306,0

Skott 5



1: 9,0 ↘

Serie 9,0  
 Totalt 315,0

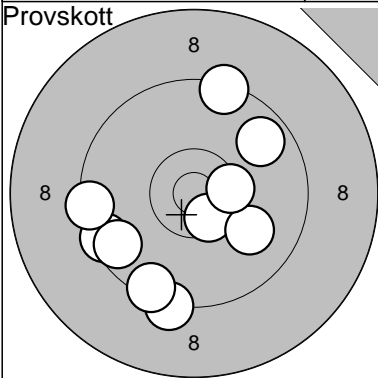
Bälunge-Jumkil

2010-07-23

Tavelträffen 2010 Final

Ramselefors SKF

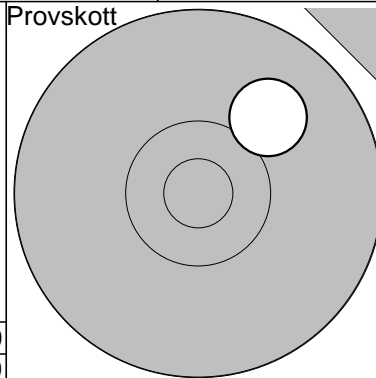
Provskott



1: 9,5 ↙  
 2: 9,4 ↗  
 3: 9,3 ↓  
 4: 10,5\* ↓  
 5: 10,0 ↓  
 6: 9,7 ↗  
 7: 9,6 ↙  
 8: 10,4\* →  
 9: 9,4 ←  
 10: 9,5 ↓

Serie 93,0  
 Totalt 180,0

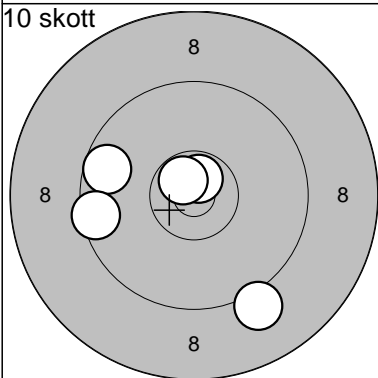
Provskott



11: 10,0 ↗

Serie 10,0  
 Totalt 180,0

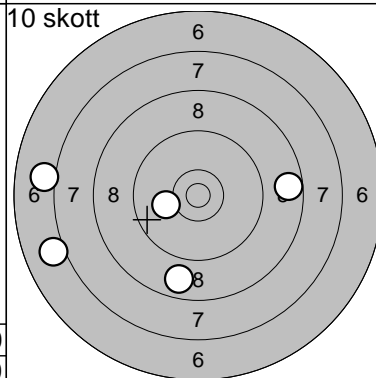
10 skott



1: 9,7 ↙  
 2: 9,5 ←  
 3: 9,1 ↓  
 4: 10,7\* ↓  
 5: 10,7\* ↗

Serie 47,0  
 Totalt 227,0

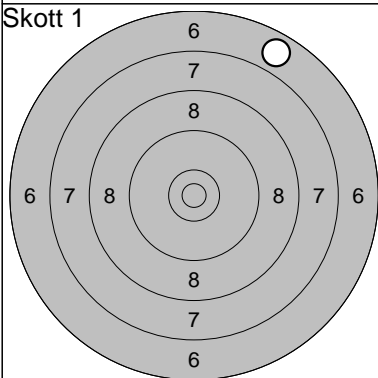
10 skott



6: 8,8 ↓  
 7: 7,0 ←  
 8: 7,1 ←  
 9: 10,1 ←  
 10: 8,7 →

Serie 40,0  
 Totalt 267,0

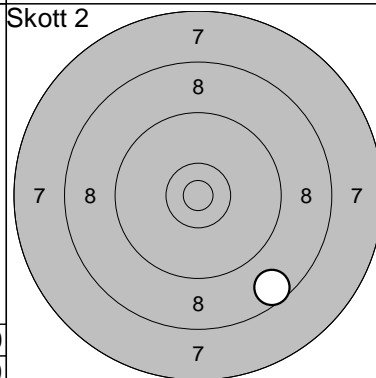
Skott 1



1: 6,8 ↗

Serie 6,0  
 Totalt 273,0

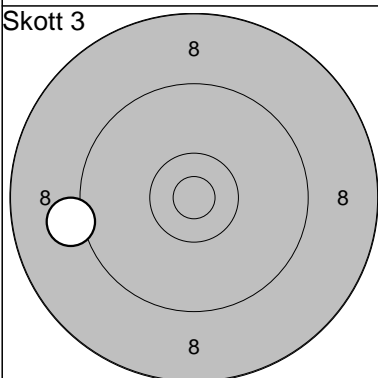
Skott 2



1: 8,6 ↘

Serie 8,0  
 Totalt 281,0

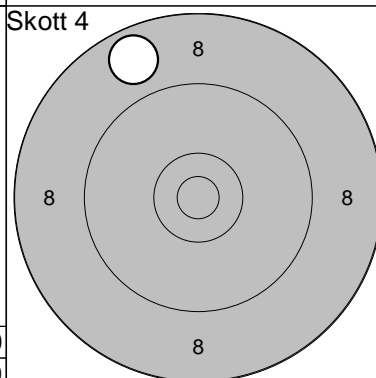
Skott 3



1: 9,1 ←

Serie 9,0  
 Totalt 290,0

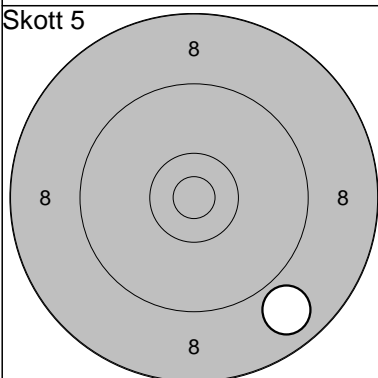
Skott 4



1: 8,8 ↗

Serie 8,0  
 Totalt 298,0

Skott 5



1: 8,9 ↘

Serie 8,0  
 Totalt 306,0

Skjutlag

3

Tavla

3

Dennis Trouin

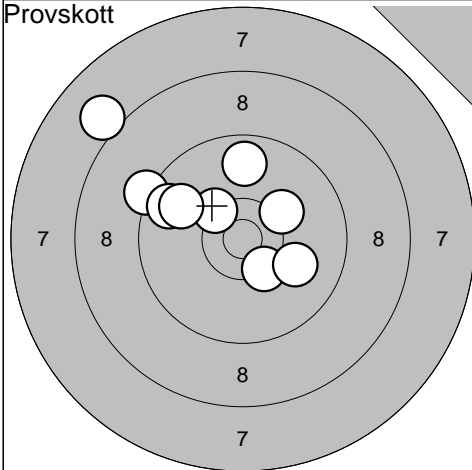
Djurö

2010-07-23

Tavelträffen 2010 Final

Ramselefors SKF

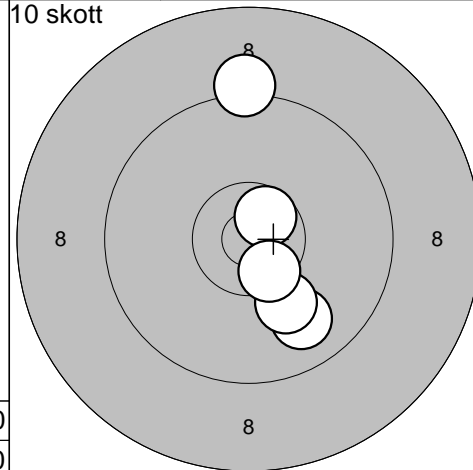
Provskott



1: 10,2 ↗  
 2: 9,8 ↑  
 3: 10,4\* ↘  
 4: 9,3 ↗  
 5: 10,3\* ↗  
 6: 8,0 ↗  
 7: 9,7 ↗  
 8: 9,9 ↗  
 9: 10,0 ↘

Serie 84,0  
 Totalt 176,0

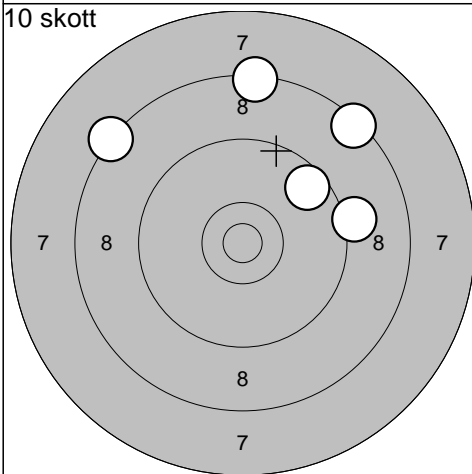
10 skott



1: 9,9 ↘  
 2: 10,1 ↘  
 3: 9,2 ↑  
 4: 10,6\* ↗  
 5: 10,5\* ↘

Serie 48,0  
 Totalt 224,0

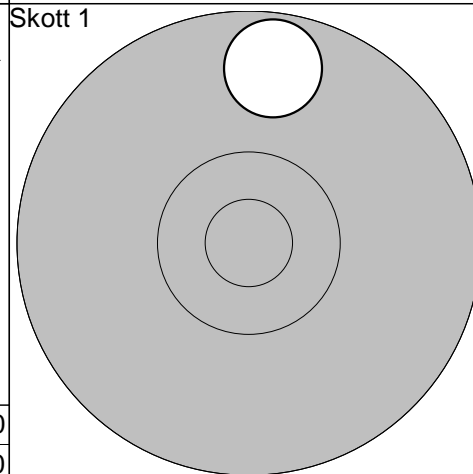
10 skott



6: 8,4 ↑  
 7: 9,2 →  
 8: 9,6 ↗  
 9: 8,4 ↗  
 10: 8,3 ↗

Serie 42,0  
 Totalt 266,0

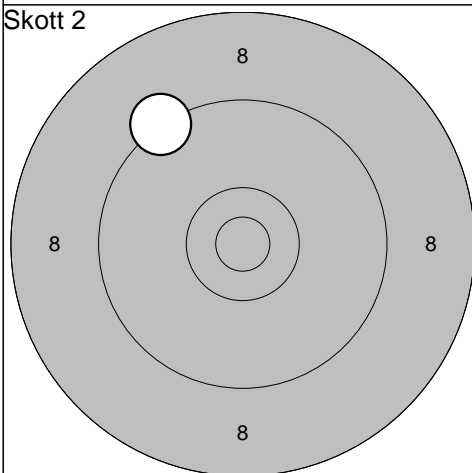
Skott 1



1: 9,7 ↑

Serie 9,0  
 Totalt 275,0

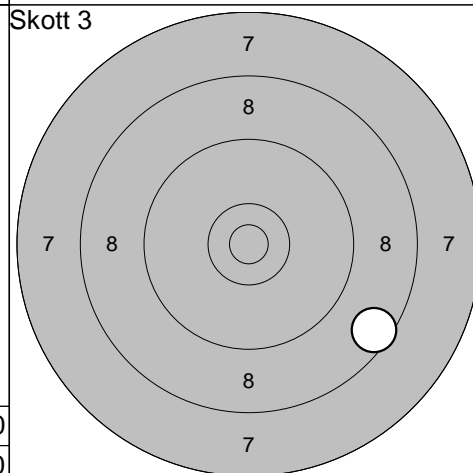
Skott 2



1: 9,3 ↗

Serie 9,0  
 Totalt 284,0

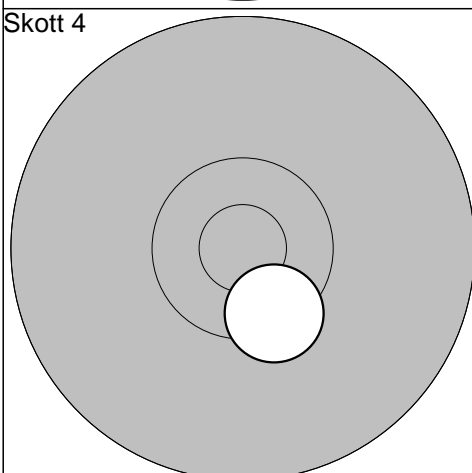
Skott 3



1: 8,6 ↘

Serie 8,0  
 Totalt 292,0

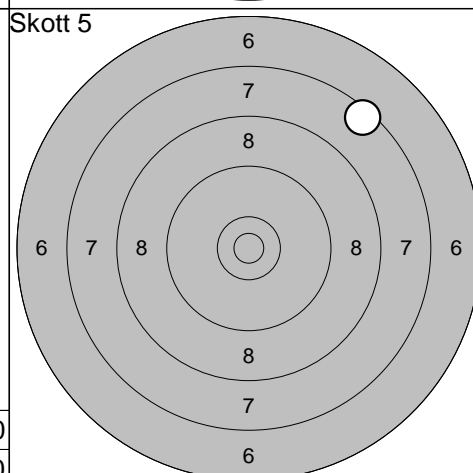
Skott 4



1: 10,4\* ↘

Serie 10,0  
 Totalt 302,0

Skott 5



1: 7,5 ↗

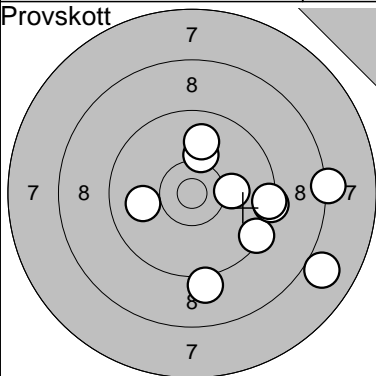
Serie 7,0  
 Totalt 309,0

2010-07-23

Tavelträffen 2010 Final

Ramselefors SKF

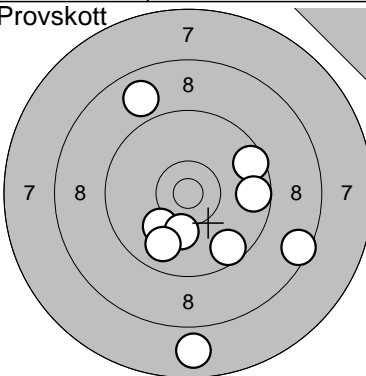
Provskott



1: 9,1  
2: 8,0  
3: 9,4  
4: 10,2  
5: 9,4  
6: 8,2  
7: 10,2  
8: 9,9  
9: 10,0  
10: 9,4

Serie 91,0  
Totalt 170,0

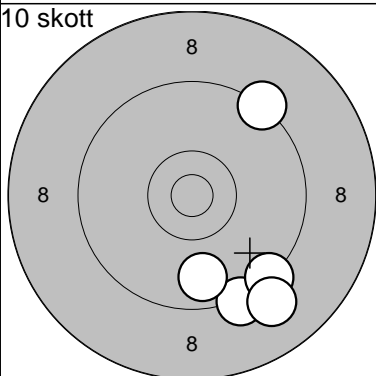
Provskott



11: 10,1  
12: 8,5  
13: 10,2  
14: 9,8  
15: 9,6  
16: 7,8  
17: 8,9  
18: 9,6  
19: 9,6

Serie 79,0  
Totalt 170,0

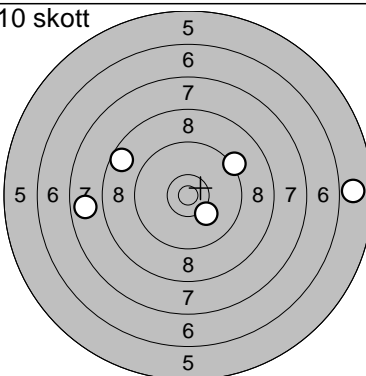
10 skott



1: 9,3  
2: 9,8  
3: 9,3  
4: 9,0  
5: 9,3

Serie 45,0  
Totalt 215,0

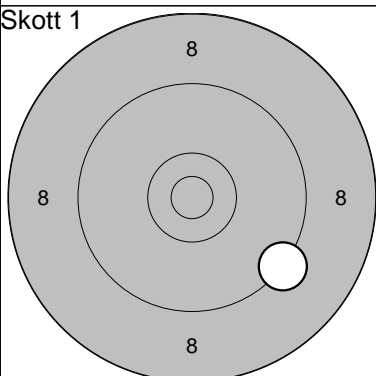
10 skott



6: 8,6  
7: 10,1  
8: 9,2  
9: 5,9  
10: 7,8

Serie 39,0  
Totalt 254,0

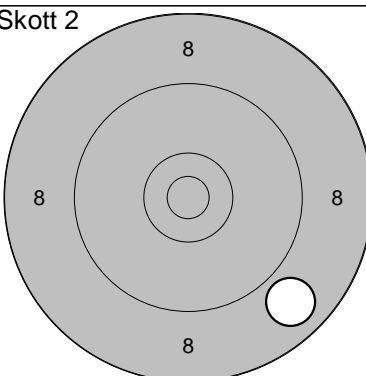
Skott 1



1: 9,3

Serie 9,0  
Totalt 263,0

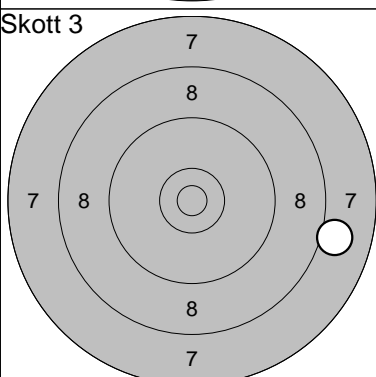
Skott 2



1: 8,8

Serie 8,0  
Totalt 271,0

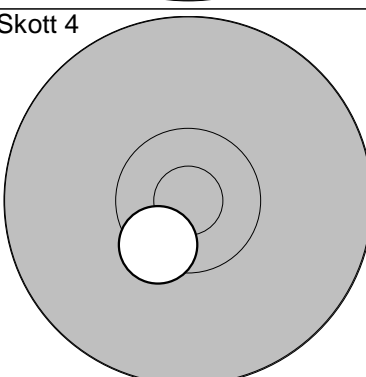
Skott 3



1: 8,0

Serie 8,0  
Totalt 279,0

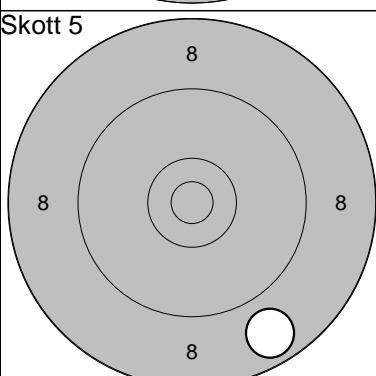
Skott 4



1: 10,5\*

Serie 10,0  
Totalt 289,0

Skott 5



1: 8,8

Serie 8,0  
Totalt 297,0



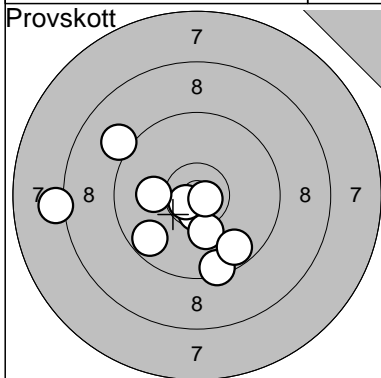
Ramselefors

2010-07-23

Tavelträffen 2010 Final

Ramselefors SKF

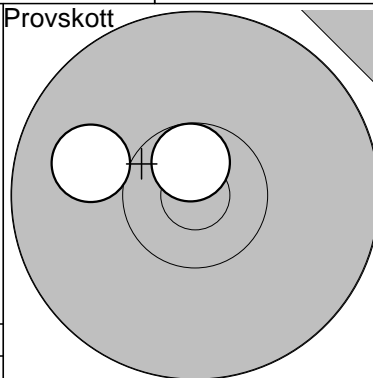
Provskott



1: 10,6\* ↓  
 2: 9,5 ↓↓  
 3: 10,2 ↓↓  
 4: 10,7\* ↓↓  
 5: 9,7 ↓↓  
 6: 10,8\* ↓↓  
 7: 9,1 ↗↗  
 8: 10,1 ←  
 9: 9,7 ↓  
 10: 8,2 ←

Serie 94,0  
 Totalt 167,0

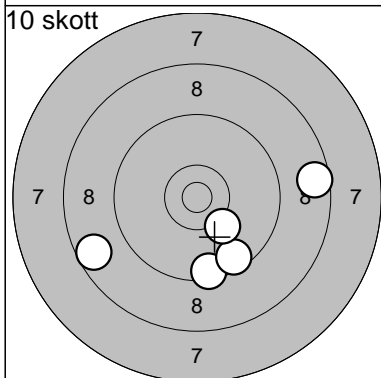
Provskott



11: 10,0 ←  
 12: 10,7\* ↑

Serie 20,0  
 Totalt 167,0

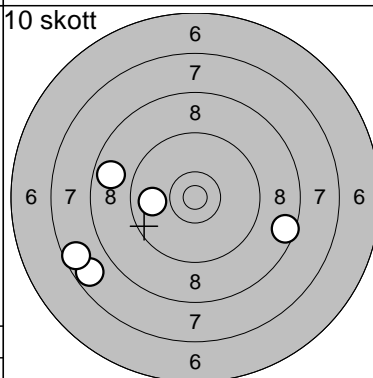
10 skott



1: 9,5 ↓  
 2: 9,6 ↓↓  
 3: 8,6 →  
 4: 8,6 ←  
 5: 10,2 ↓

Serie 44,0  
 Totalt 211,0

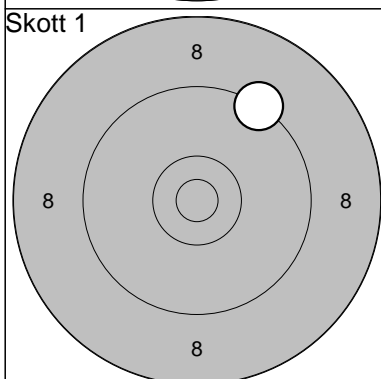
10 skott



6: 7,7 ←  
 7: 7,6 ←  
 8: 8,8 ←  
 9: 9,9 ←  
 10: 8,5 →

Serie 39,0  
 Totalt 250,0

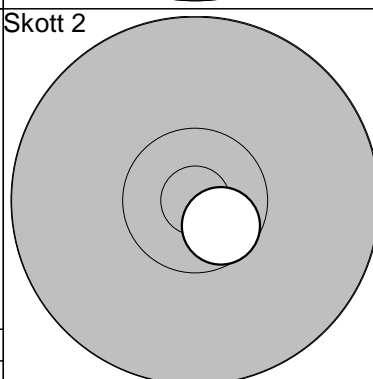
Skott 1



1: 9,3 ↗

Serie 9,0  
 Totalt 259,0

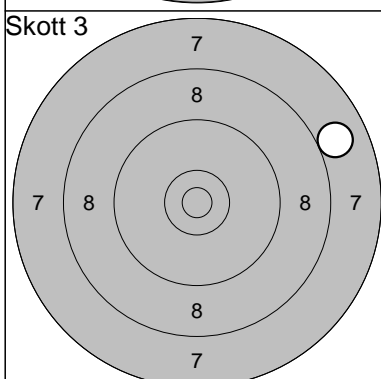
Skott 2



1: 10,6\* ↓

Serie 10,0  
 Totalt 269,0

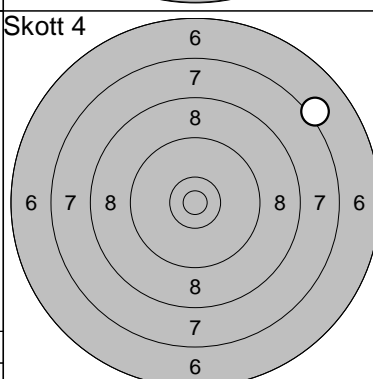
Skott 3



1: 7,9 →

Serie 7,0  
 Totalt 276,0

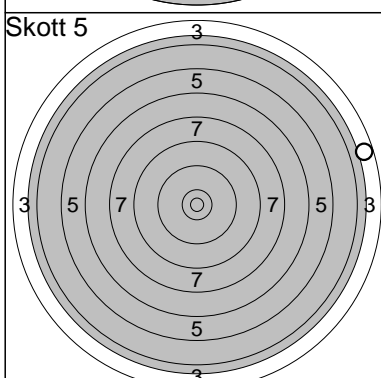
Skott 4



1: 7,2 ↗

Serie 7,0  
 Totalt 283,0

Skott 5



1: 3,7 →

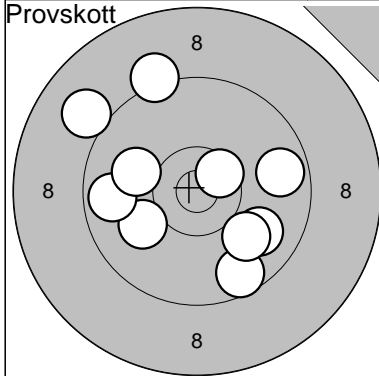
Serie 3,0  
 Totalt 286,0

2010-07-23

Tavelträffen 2010 Final

Ramselefors SKF

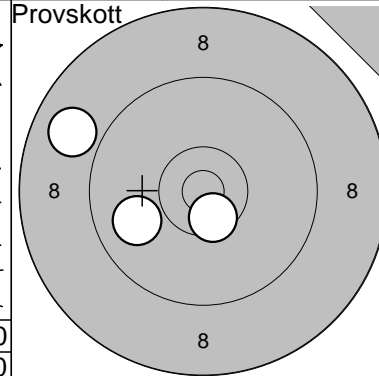
Provskott



1: 9,2 ↗  
 2: 9,7 →  
 3: 9,9 ↘  
 4: 9,6 ↘  
 5: 10,0 ↘  
 6: 10,5\* ↗  
 7: 10,0 ↖  
 8: 9,0 ↖  
 9: 9,7 ↖  
 10: 10,0 ↖

Serie 94,0  
 Totalt 160,0

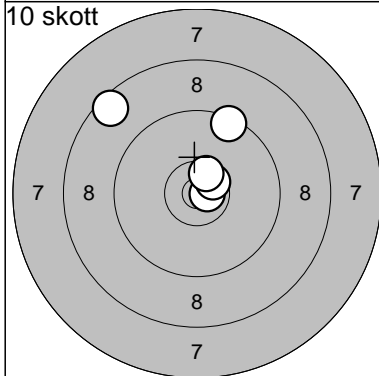
Provskott



11: 8,9 ↖  
 12: 10,5\* ↘  
 13: 9,9 ↖

Serie 27,0  
 Totalt 160,0

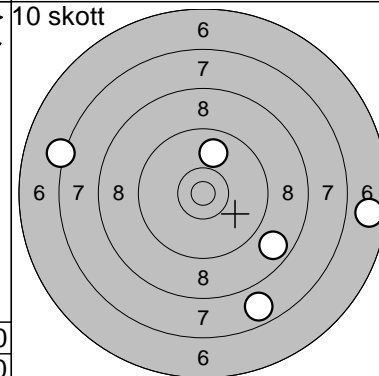
10 skott



1: 10,7\* →  
 2: 10,6\* ↗  
 3: 9,4 ↗  
 4: 10,5\* ↗  
 5: 8,6 ↗

Serie 47,0  
 Totalt 207,0

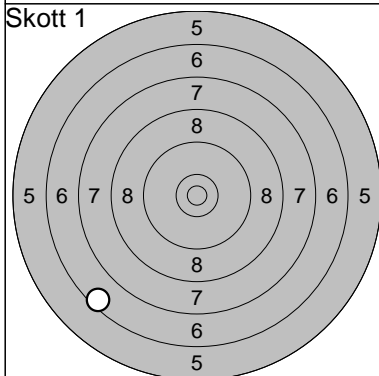
10 skott



6: 7,8 ↘  
 7: 6,7 →  
 8: 7,2 ↖  
 9: 9,9 ↗  
 10: 8,8 ↘

Serie 37,0  
 Totalt 244,0

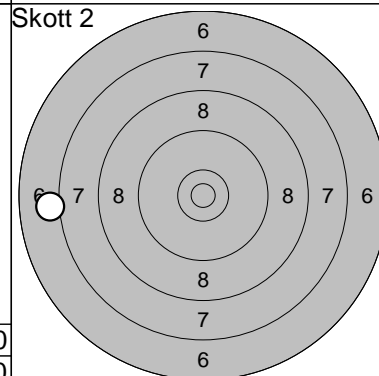
Skott 1



1: 6,5 ↘

Serie 6,0  
 Totalt 250,0

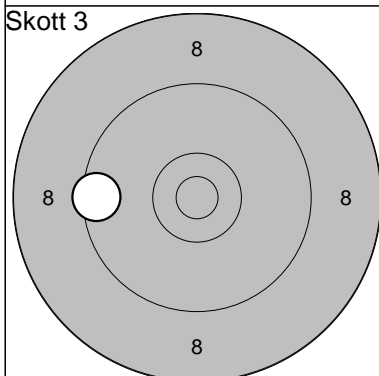
Skott 2



1: 7,1 ↖

Serie 7,0  
 Totalt 257,0

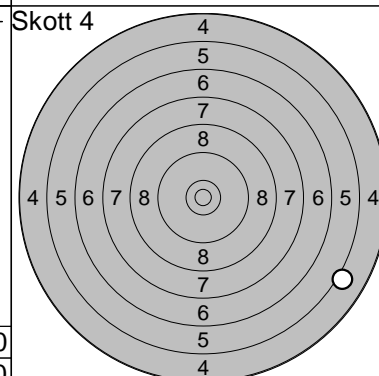
Skott 3



1: 9,5 ↖

Serie 9,0  
 Totalt 266,0

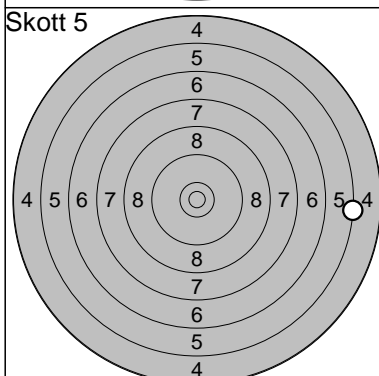
Skott 4



1: 5,1 ↗

Serie 5,0  
 Totalt 271,0

Skott 5



1: 5,3 →

Serie 5,0  
 Totalt 276,0

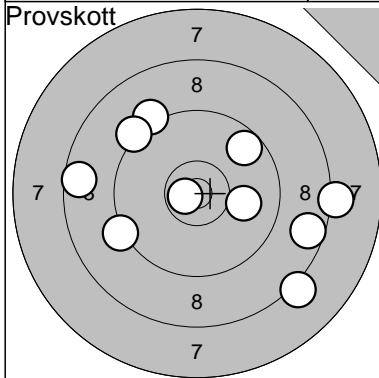
Kalix

2010-07-23

Tavelträffen 2010 Final

Ramselefors SKF

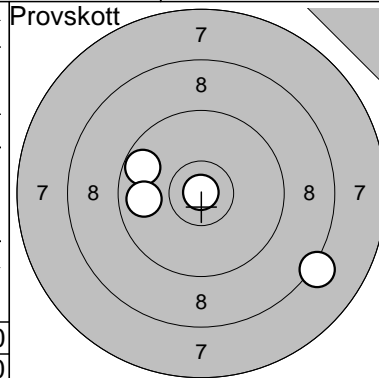
Provskott



1: 8,6 ↘  
 2: 10,7\* ↙  
 3: 9,2 ↗  
 4: 8,6 ↗  
 5: 10,0 ↘  
 6: 8,2 ↘  
 7: 9,7 ↗  
 8: 8,2 ↗  
 9: 9,2 ↙  
 10: 9,2 ↗

Serie 88,0  
 Totalt 153,0

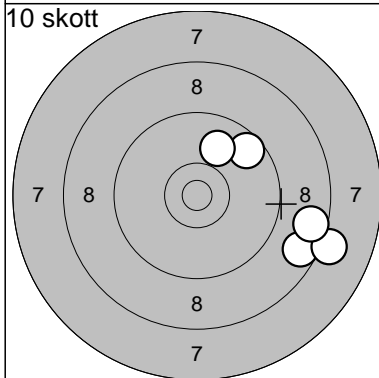
Provskott



11: 10,9\* ↑  
 12: 9,7 ↖  
 13: 9,8 ↖  
 14: 8,2 ↘

Serie 36,0  
 Totalt 153,0

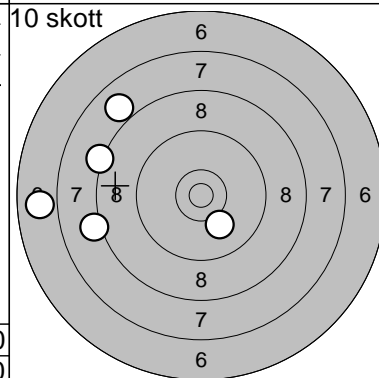
10 skott



1: 8,6 ↘  
 2: 8,1 ↘  
 3: 8,6 ↘  
 4: 9,6 ↗  
 5: 9,9 ↗

Serie 42,0  
 Totalt 195,0

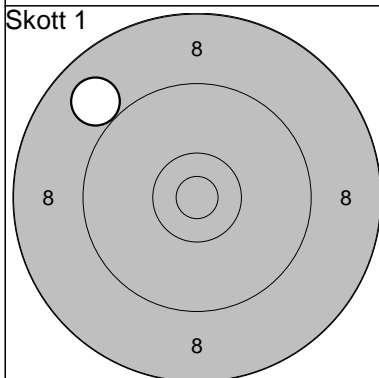
10 skott



6: 7,9 ↗  
 7: 10,1 ↘  
 8: 8,2 ↗  
 9: 6,9 ↖  
 10: 8,1 ↖

Serie 39,0  
 Totalt 234,0

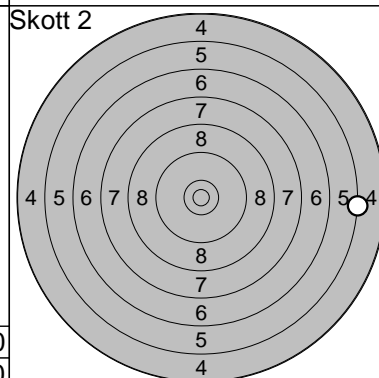
Skott 1



1: 8,9 ↖

Serie 8,0  
 Totalt 242,0

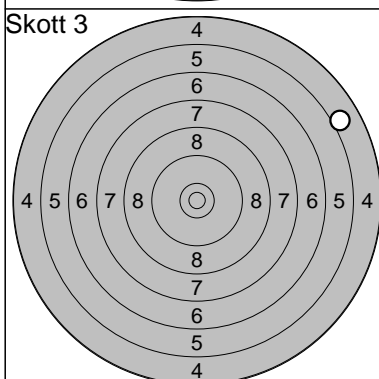
Skott 2



1: 5,3 →

Serie 5,0  
 Totalt 247,0

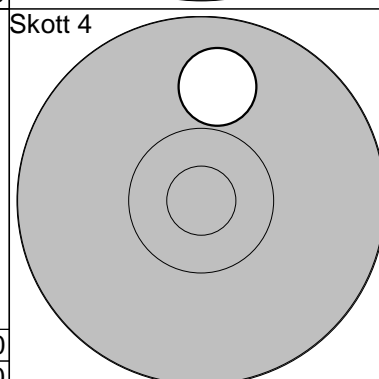
Skott 3



1: 5,0 ↗

Serie 5,0  
 Totalt 252,0

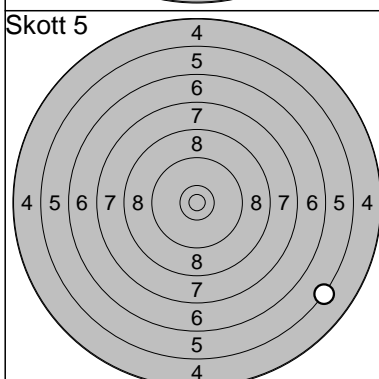
Skott 4



1: 9,9 ↑

Serie 9,0  
 Totalt 261,0

Skott 5



1: 5,3 ↘

Serie 5,0  
 Totalt 266,0

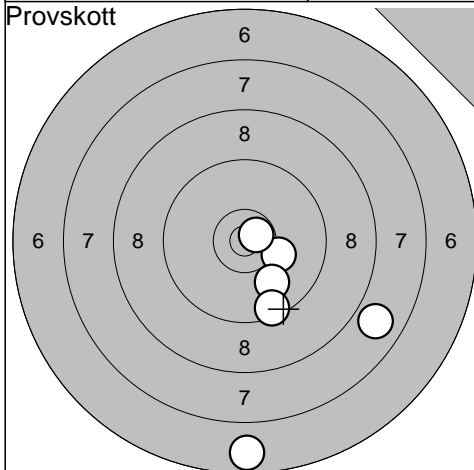
Ramselefors

2010-07-23

Tavelträffen 2010 Final

Ramselefors SKF

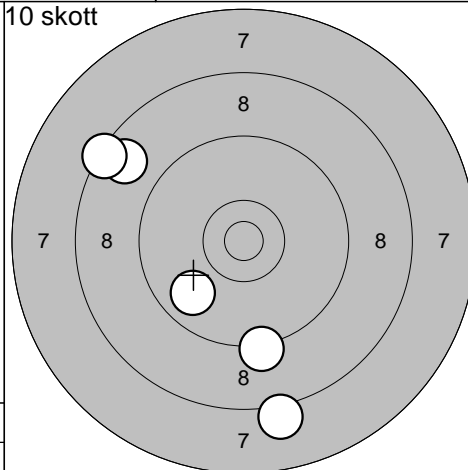
Provskott



1: 10,2 →  
 2: 10,7\* →  
 3: 7,9 ↘  
 4: 10,0 ↘  
 5: 9,5 ↘  
 6: 6,7 ↓

Serie 52,0  
 Totalt 145,0

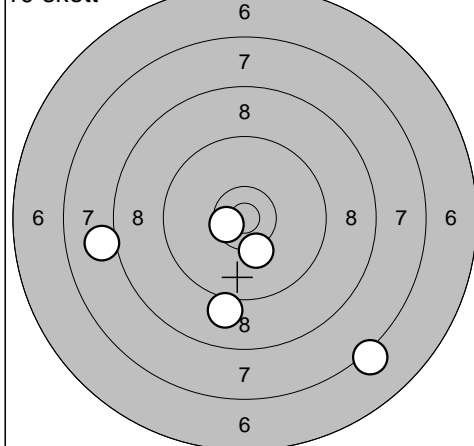
10 skott



1: 9,8 ↙  
 2: 9,2 ↓  
 3: 8,1 ↓  
 4: 8,7 ↗  
 5: 8,4 ↗

Serie 42,0  
 Totalt 187,0

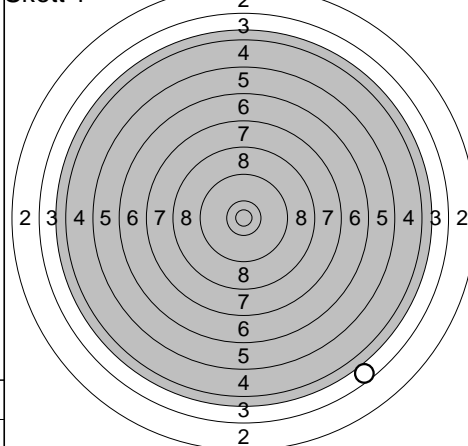
10 skott



6: 10,6\* ←  
 7: 7,2 ↘  
 8: 10,3 ↘  
 9: 9,1 ↓  
 10: 8,1 ←

Serie 44,0  
 Totalt 231,0

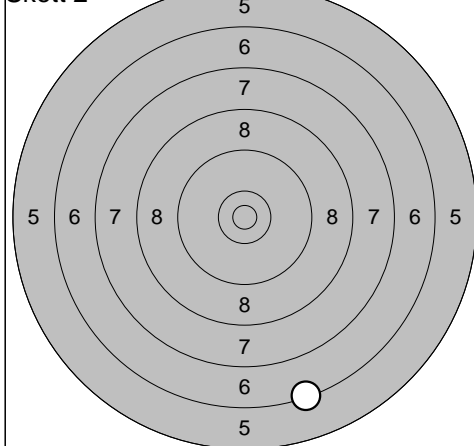
Skott 1



1: 3,6 ↘

Serie 3,0  
 Totalt 234,0

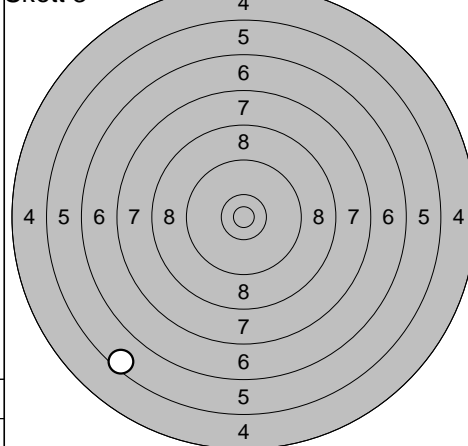
Skott 2



1: 6,3 ↓

Serie 6,0  
 Totalt 240,0

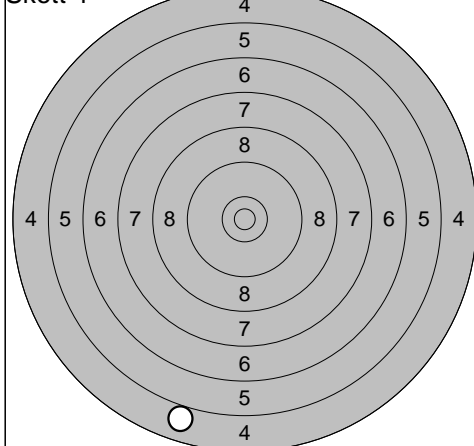
Skott 3



1: 5,5 ↙

Serie 5,0  
 Totalt 245,0

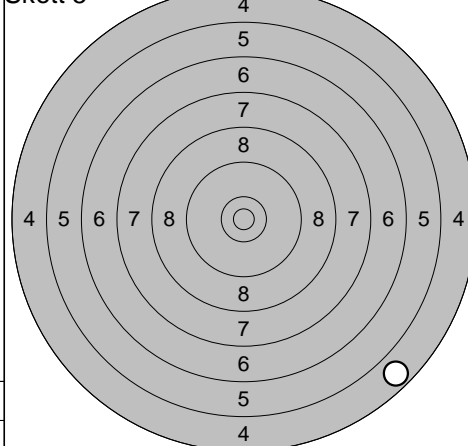
Skott 4



1: 4,9 ↘

Serie 4,0  
 Totalt 249,0

Skott 5



1: 4,7 ↘

Serie 4,0  
 Totalt 253,0

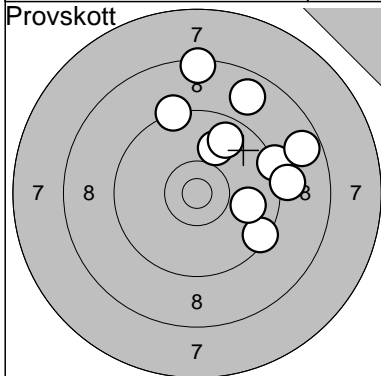
I 19 / A 9

2010-07-23

Tavelträffen 2010 Final

Ramselefors SKF

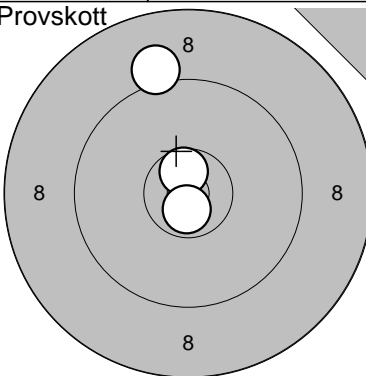
Provskott



1:	9,3	→
2:	10,0	↑
3:	9,4	↘
4:	8,7	→
5:	9,9	→
6:	9,1	→
7:	8,8	↑
8:	9,8	↑
9:	8,4	↑
10:	9,3	↑

Serie	88,0
Totalt	187,0

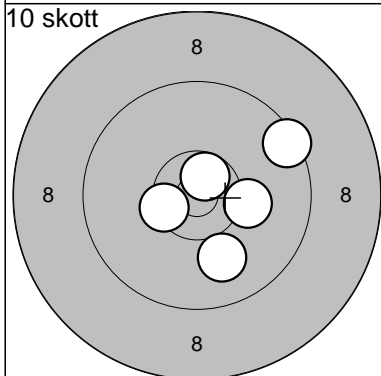
Provskott



11:	9,1	↑
12:	10,6*	↑
13:	10,7*	↓

Serie	29,0
Totalt	187,0

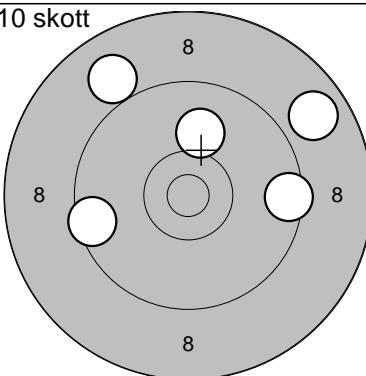
10 skott



1:	10,0	↓
2:	9,5	↗
3:	10,5*	←
4:	10,2	→
5:	10,7*	↑

Serie	49,0
Totalt	236,0

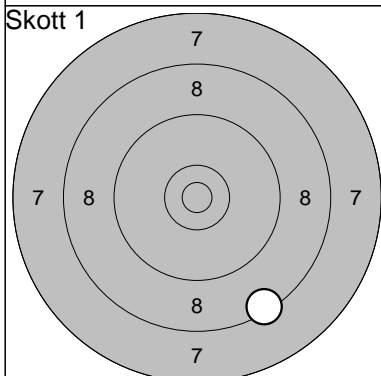
10 skott



6:	9,5	→
7:	8,8	↗
8:	9,5	←
9:	10,0	↑
10:	9,0	↖

Serie	45,0
Totalt	281,0

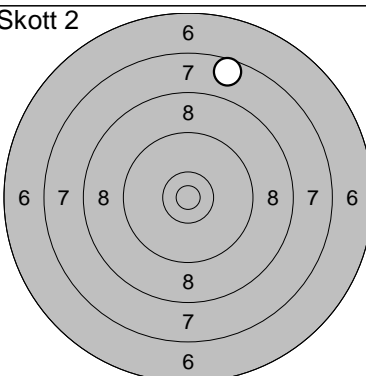
Skott 1



1:	8,4	↓
----	-----	---

Serie	8,0
Totalt	289,0

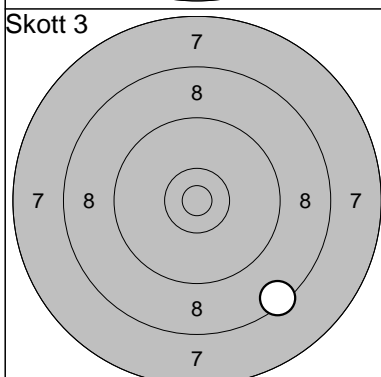
Skott 2



1:	7,6	↑
----	-----	---

Serie	7,0
Totalt	296,0

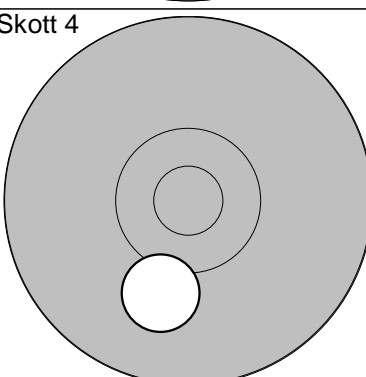
Skott 3



1:	8,4	↓
----	-----	---

Serie	8,0
Totalt	304,0

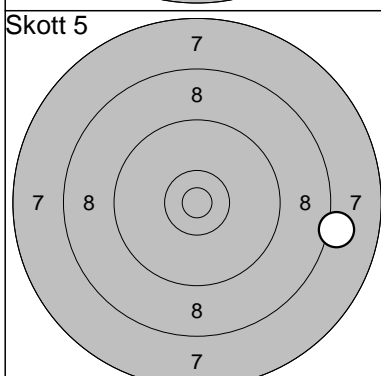
Skott 4



1:	10,1	↓
----	------	---

Serie	10,0
Totalt	314,0

Skott 5



1:	8,1	→
----	-----	---

Serie	8,0
Totalt	322,0

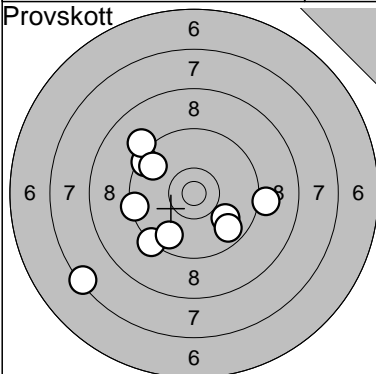
Ramselefors

2010-07-23

Tavelträffen 2010 Final

Ramselefors SKF

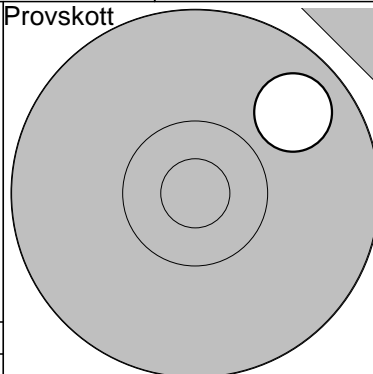
Provskott



1: 9,9 ↘  
 2: 7,4 ↙  
 3: 9,3 ↙  
 4: 9,7 ↙  
 5: 9,4 ←  
 6: 9,7 ↘  
 7: 9,5 ↗  
 8: 9,1 ↗  
 9: 9,7 ↗  
 10: 9,1 →

Serie 88,0  
 Totalt 179,0

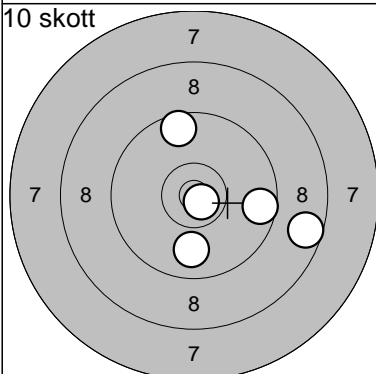
Provskott



11: 9,8 ↗

Serie 9,0  
 Totalt 179,0

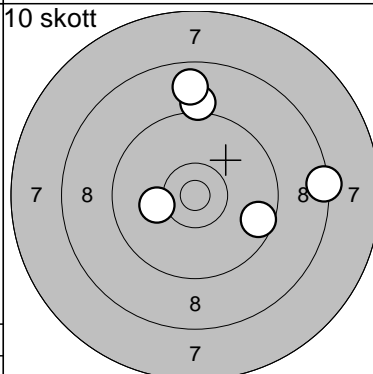
10 skott



1: 10,8\* ↘  
 2: 8,6 ↘  
 3: 9,9 ↙  
 4: 9,6 →  
 5: 9,6 →

Serie 45,0  
 Totalt 224,0

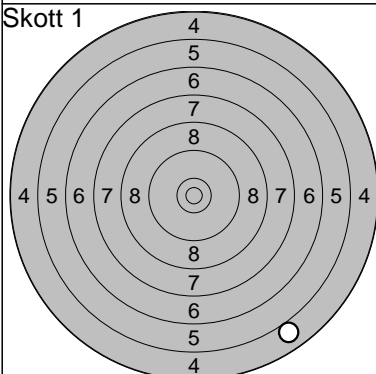
10 skott



6: 10,2 ←  
 7: 9,1 ↑  
 8: 8,8 ↑  
 9: 8,4 →  
 10: 9,6 →

Serie 44,0  
 Totalt 268,0

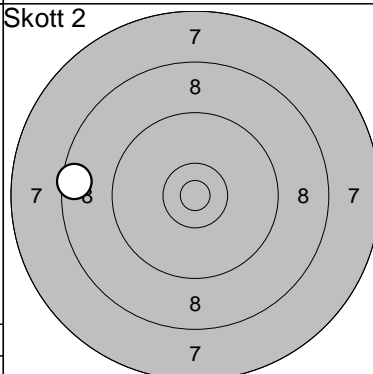
Skott 1



1: 4,9 ↘

Serie 4,0  
 Totalt 272,0

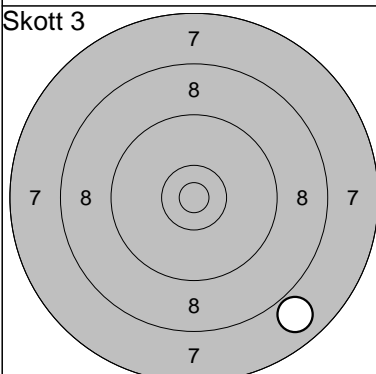
Skott 2



1: 8,5 ←

Serie 8,0  
 Totalt 280,0

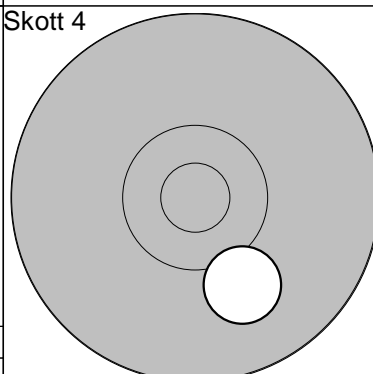
Skott 3



1: 7,9 ↘

Serie 7,0  
 Totalt 287,0

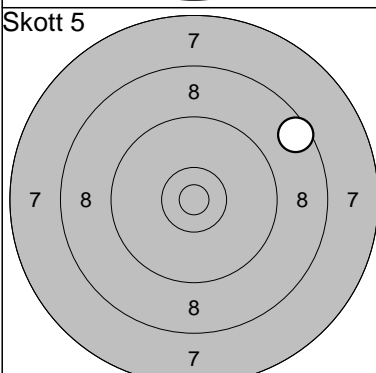
Skott 4



1: 10,1 ↘

Serie 10,0  
 Totalt 297,0

Skott 5



1: 8,6 ↗

Serie 8,0  
 Totalt 305,0

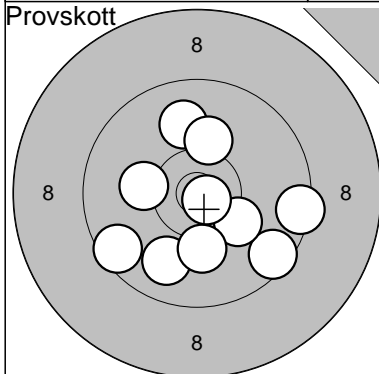
Ale

2010-07-23

Tavelträffen 2010 Final

Ramselefors SKF

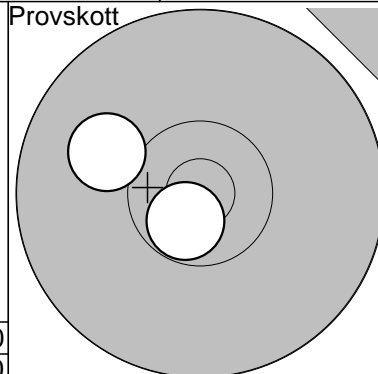
Provskott



1: 9,5 ↘  
 2: 9,9 ↘  
 3: 9,9 ↗  
 4: 10,2 ↗  
 5: 10,2 ↘  
 6: 10,1 ↘  
 7: 9,6 ↖  
 8: 9,4 ↖  
 9: 10,8\* ↘  
 10: 10,2 ↖

Serie 95,0  
 Totalt 179,0

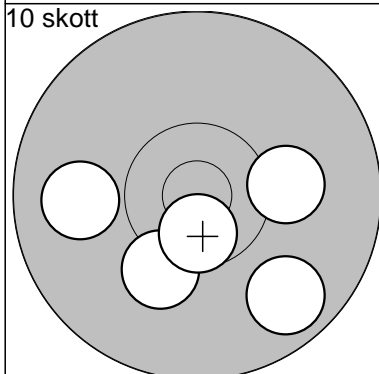
Provskott



11: 10,0 ↖  
 12: 10,7\* ↘

Serie 20,0  
 Totalt 179,0

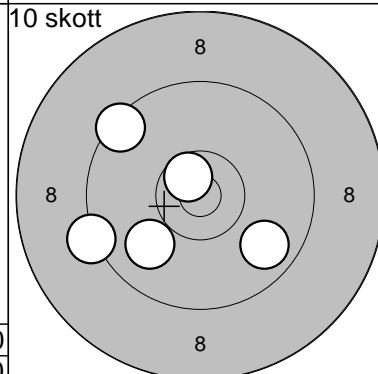
10 skott



1: 10,2 ↘  
 2: 9,9 ↖  
 3: 10,6\* ↘  
 4: 9,8 ↘  
 5: 10,1 →

Serie 48,0  
 Totalt 227,0

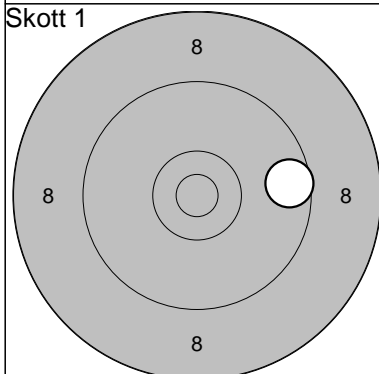
10 skott



6: 10,6\* ↗  
 7: 9,3 ↖  
 8: 9,5 ↗  
 9: 9,8 ↘  
 10: 9,9 ↘

Serie 46,0  
 Totalt 273,0

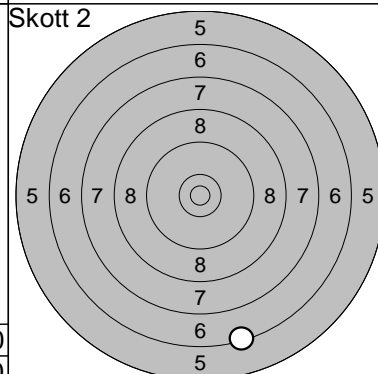
Skott 1



1: 9,6 →

Serie 9,0  
 Totalt 282,0

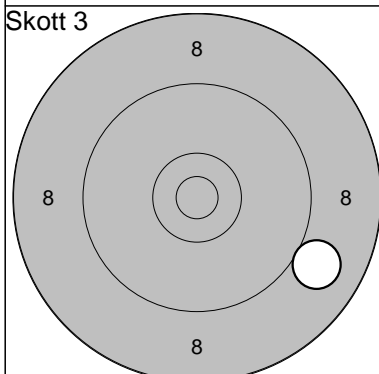
Skott 2



1: 6,4 ↘

Serie 6,0  
 Totalt 288,0

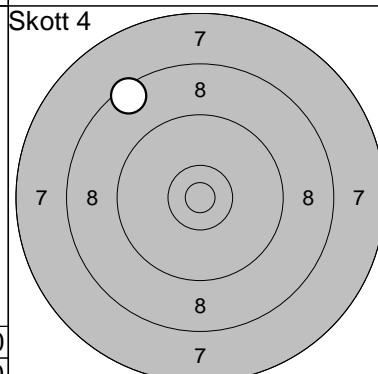
Skott 3



1: 9,0 ↘

Serie 9,0  
 Totalt 297,0

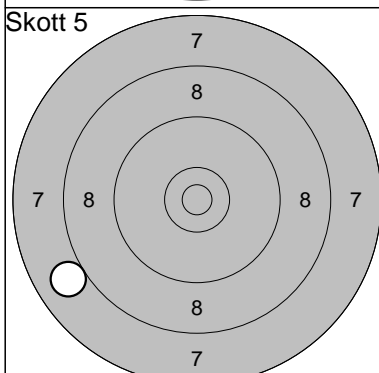
Skott 4



1: 8,5 ↗

Serie 8,0  
 Totalt 305,0

Skott 5



1: 8,0 ↖

Serie 8,0  
 Totalt 313,0

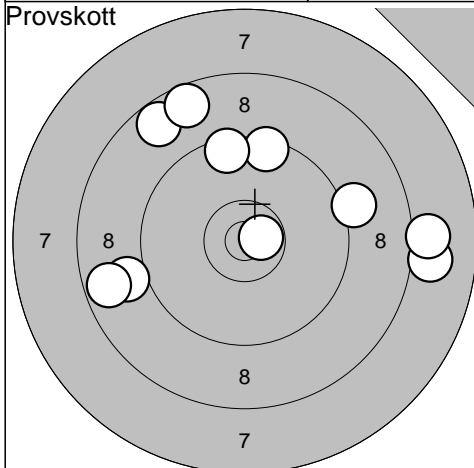
Bälunge-Jumkil

2010-07-23

Tavelträffen 2010 Final

Ramselefors SKF

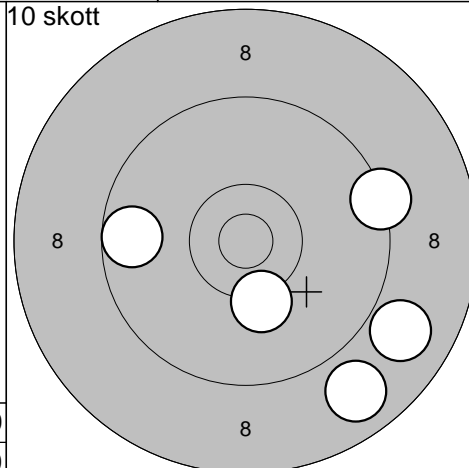
Provskott



1: 8,0 →  
 2: 8,1 →  
 3: 9,1 →  
 4: 10,7\* →  
 5: 9,5 ↑  
 6: 8,7 ↗  
 7: 9,5 ↑  
 8: 9,0 ←  
 9: 8,7 ←  
 10: 8,6 ↗

Serie 86,0  
 Totalt 172,0

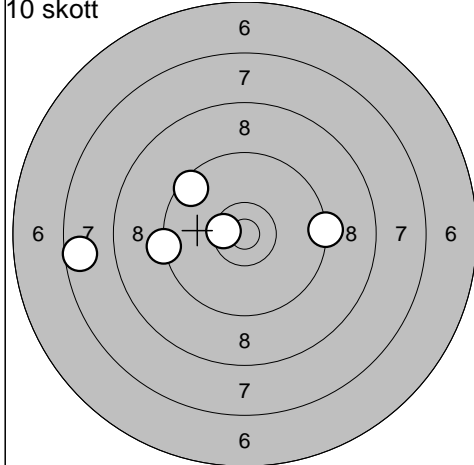
10 skott



1: 10,2 ↓  
 2: 8,8 ↓  
 3: 8,9 ↘  
 4: 9,3 →  
 5: 9,7 ←

Serie 44,0  
 Totalt 216,0

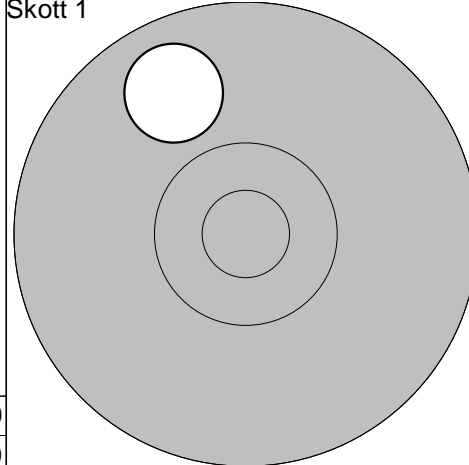
10 skott



6: 9,3 ←  
 7: 7,6 ←  
 8: 9,3 →  
 9: 10,5\* ←  
 10: 9,5 ↗

Serie 44,0  
 Totalt 260,0

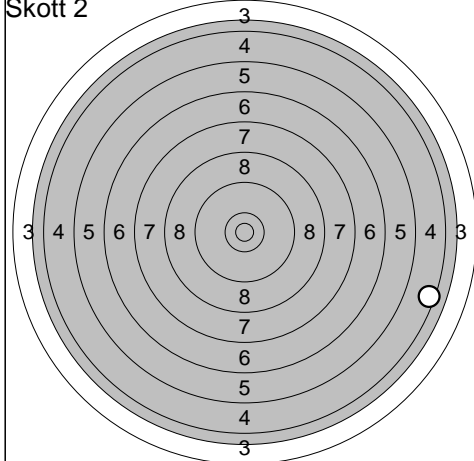
Skott 1



1: 9,8 ↖

Serie 9,0  
 Totalt 269,0

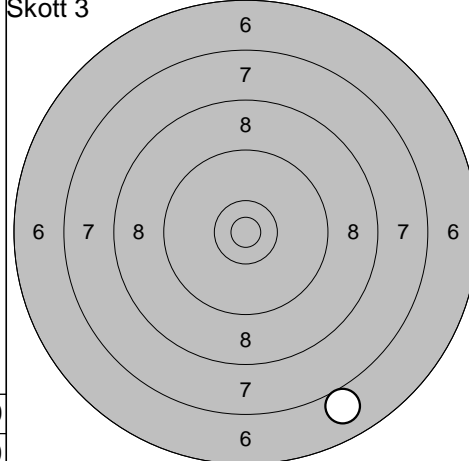
Skott 2



1: 4,5 →

Serie 4,0  
 Totalt 273,0

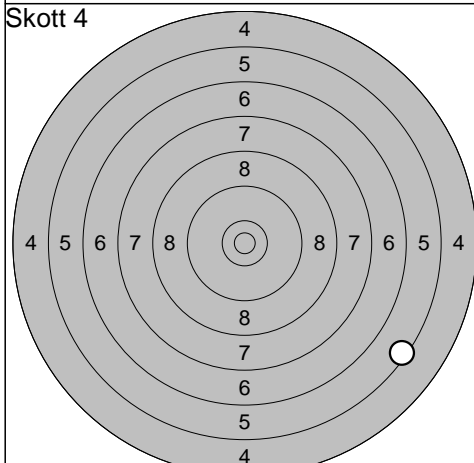
Skott 3



1: 7,0 ↓

Serie 7,0  
 Totalt 280,0

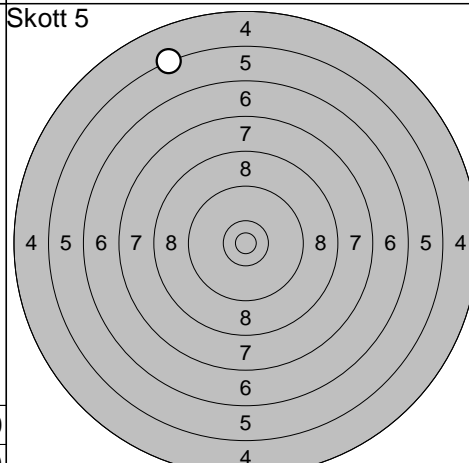
Skott 4



1: 5,4 ↘

Serie 5,0  
 Totalt 285,0

Skott 5



1: 5,3 ↖

Serie 5,0  
 Totalt 290,0



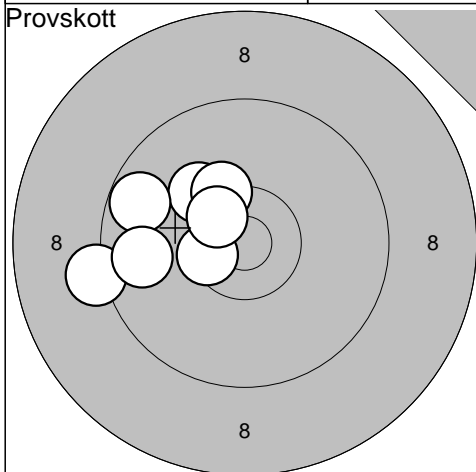
Umeå

2010-07-23

Tavelträffen 2010 Final

Ramselefors SKF

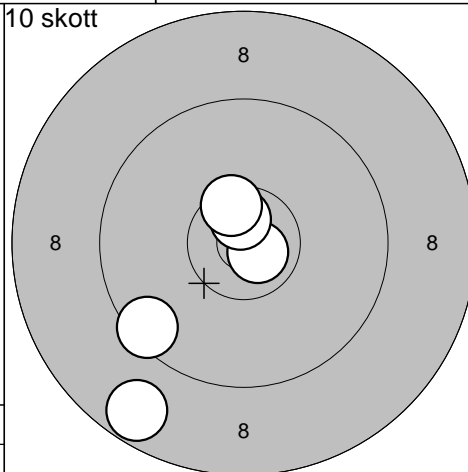
Provskott



1: 10,5\* ←  
 2: 9,2 ←  
 3: 10,2 ↗  
 4: 9,7 ↖  
 5: 9,8 ←  
 6: 10,3\* ↗  
 7: 10,5\* ↗

Serie 67,0  
 Totalt 171,0

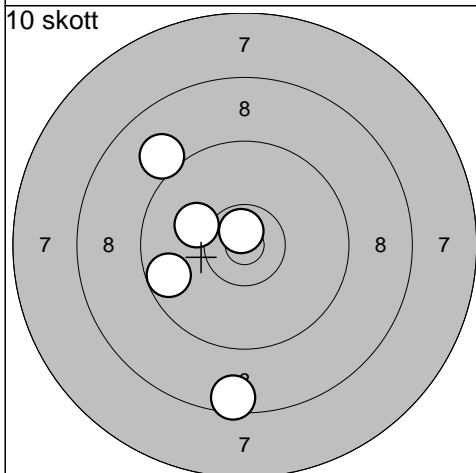
10 skott



1: 10,8\* ↘  
 2: 9,5 ↙  
 3: 10,7\* ↑  
 4: 8,7 ↙  
 5: 10,5\* ↑

Serie 47,0  
 Totalt 218,0

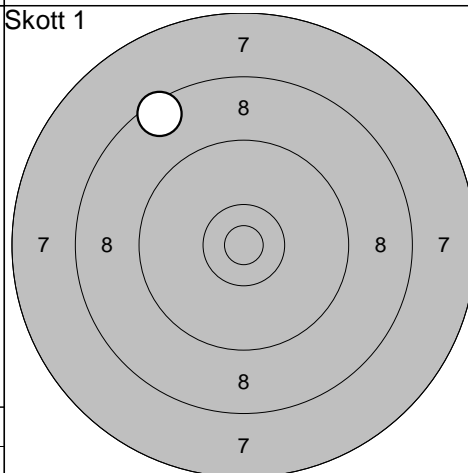
10 skott



6: 9,7 ←  
 7: 10,7\* ↑  
 8: 9,1 ↗  
 9: 10,1 ↖  
 10: 8,5 ↓

Serie 46,0  
 Totalt 264,0

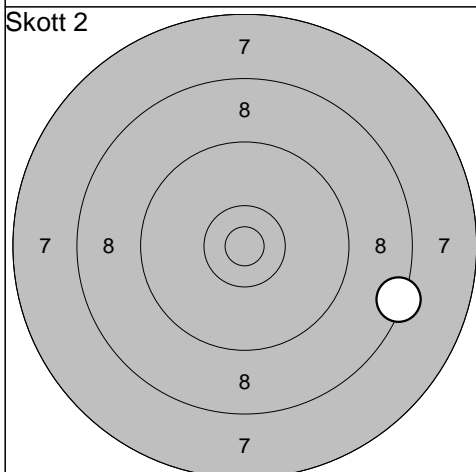
Skott 1



1: 8,5 ↖

Serie 8,0  
 Totalt 272,0

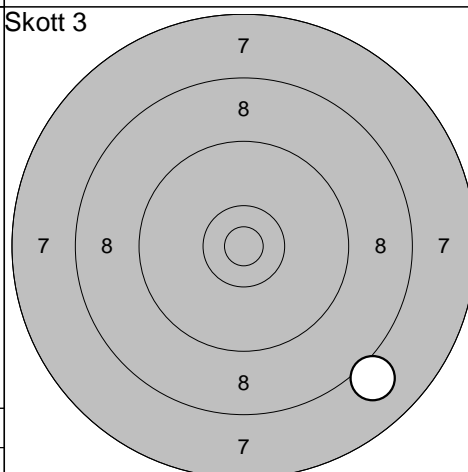
Skott 2



1: 8,4 →

Serie 8,0  
 Totalt 280,0

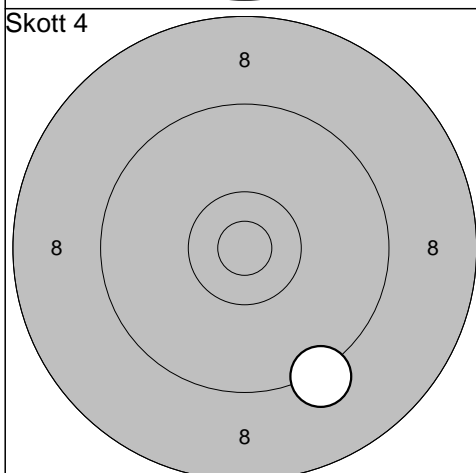
Skott 3



1: 8,0 ↘

Serie 8,0  
 Totalt 288,0

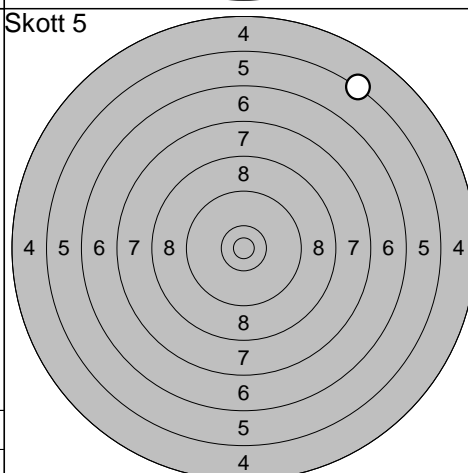
Skott 4



1: 9,2 ↓

Serie 9,0  
 Totalt 297,0

Skott 5

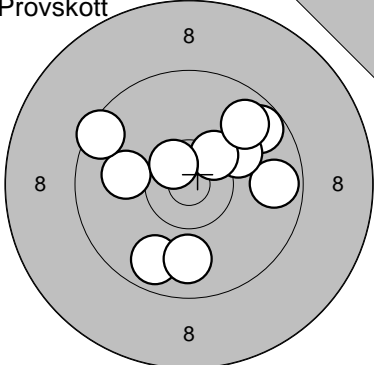
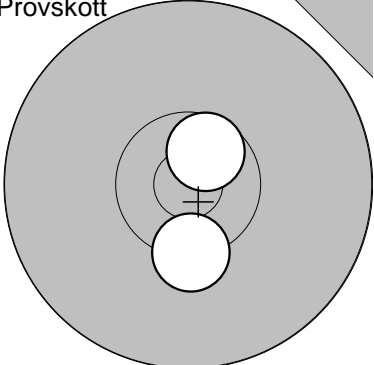


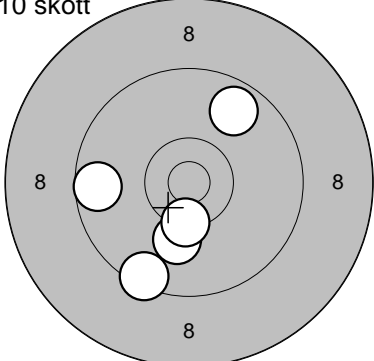
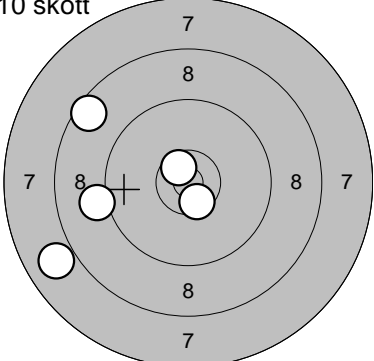
1: 5,3 ↗

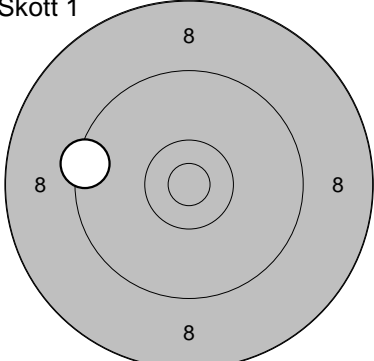
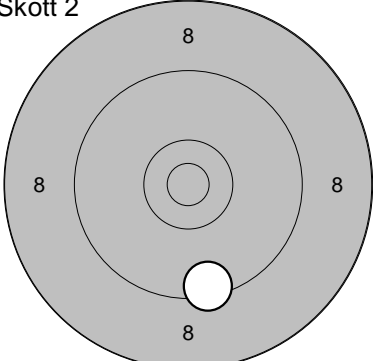
Serie 5,0  
 Totalt 302,0

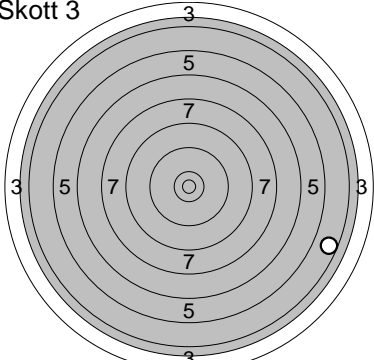
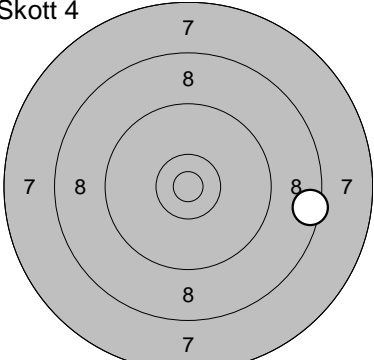
S 3

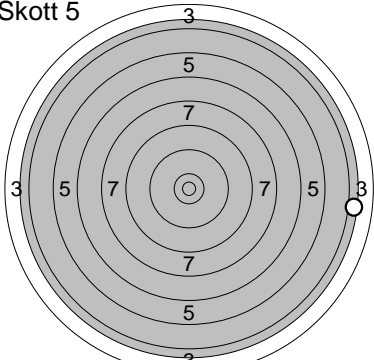
2010-07-23	Tavelträffen 2010 Final	Ramselefors SKF
------------	-------------------------	-----------------

Provsjott 	1: 9,7 ↗ 2: 9,7 → 3: 10,1 ↗ 4: 9,8 ↓ 5: 10,4* ↗ 6: 9,8 ↗ 7: 10,0 ← 8: 9,5 ↗ 9: 9,9 ↓ 10: 10,6* ↗	Provsjott 	11: 10,6* ↗ 12: 10,3* ↓
Serie 94,0		Serie 20,0	
Totalt 170,0		Totalt 170,0	

10 skott 	1: 10,1 ↓ 2: 9,6 ← 3: 10,4* ↓ 4: 9,5 ↓ 5: 9,7 ↗	10 skott 	6: 8,6 ↖ 7: 10,5* ↓ 8: 7,9 ← 9: 10,6* ↗ 10: 9,1 ←
Serie 47,0		Serie 44,0	
Totalt 217,0		Totalt 261,0	

Skott 1 	1: 9,4 ←	Skott 2 	1: 9,5 ↓
Serie 9,0		Serie 9,0	
Totalt 270,0		Totalt 279,0	

Skott 3 	1: 4,6 →	Skott 4 	1: 8,5 →
Serie 4,0		Serie 8,0	
Totalt 283,0		Totalt 291,0	

Skott 5 	1: 4,1 →		
Serie 4,0			
Totalt 295,0			

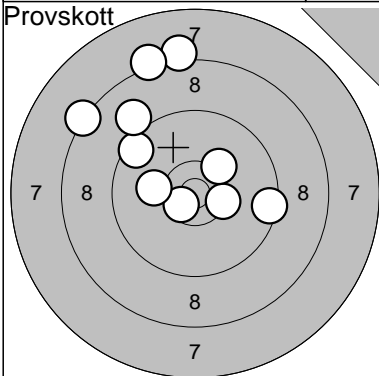
Piteå

2010-07-23

Tavelträffen 2010 Final

Ramselefors SKF

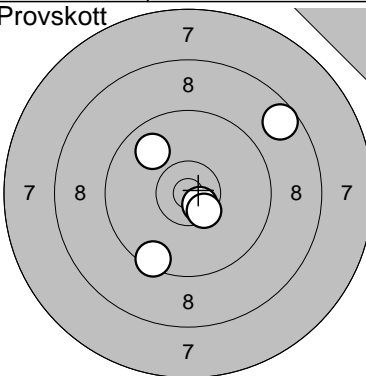
Provskott



1: 10,4\* →  
 2: 8,2 →  
 3: 10,2 ↗  
 4: 10,6\* ↖  
 5: 9,5 ↗  
 6: 9,0 ↗  
 7: 8,3 ↗  
 8: 9,4 →  
 9: 10,1 ↖  
 10: 8,2 ↗

Serie 91,0  
 Totalt 168,0

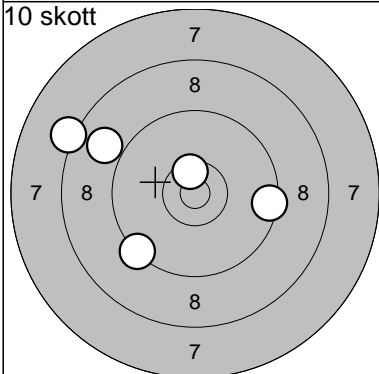
Provskott



11: 10,6\* ↘  
 12: 9,9 ↗  
 13: 9,5 ↖  
 14: 10,5\* ↖  
 15: 8,6 ↗

Serie 46,0  
 Totalt 168,0

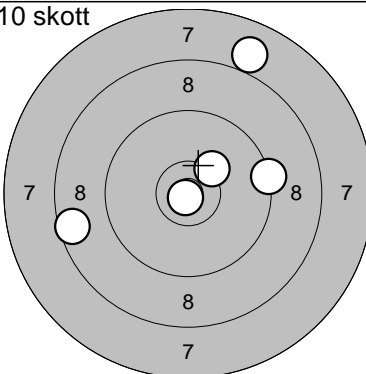
10 skott



1: 9,5 →  
 2: 10,5\* →  
 3: 9,3 ↖  
 4: 8,2 ↗  
 5: 8,9 ↗

Serie 44,0  
 Totalt 212,0

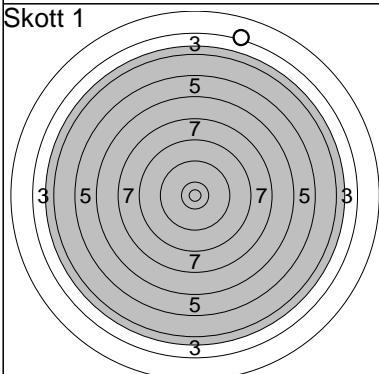
10 skott



6: 9,3 →  
 7: 10,3 ↗  
 8: 8,6 ↖  
 9: 8,0 ↗  
 10: 10,8\* ↘

Serie 45,0  
 Totalt 257,0

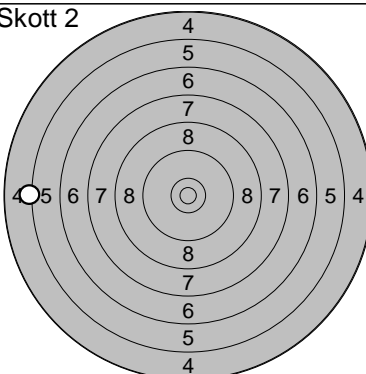
Skott 1



1: 3,3 ↗

Serie 3,0  
 Totalt 260,0

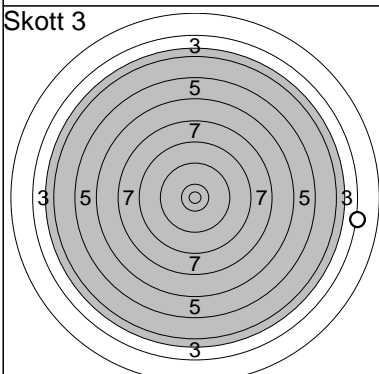
Skott 2



1: 5,2 ↖

Serie 5,0  
 Totalt 265,0

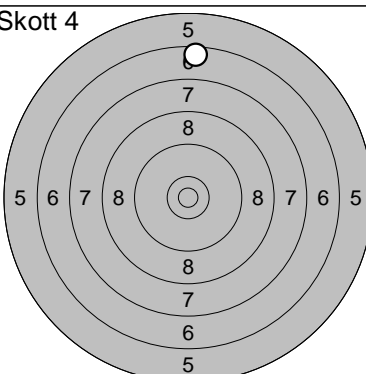
Skott 3



1: 3,2 →

Serie 3,0  
 Totalt 268,0

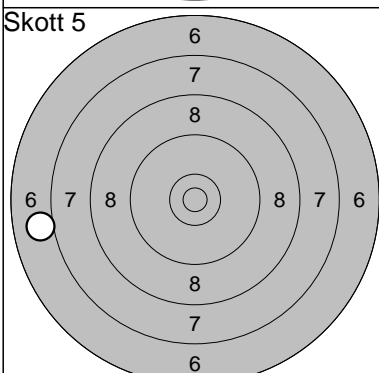
Skott 4



1: 6,6 ↗

Serie 6,0  
 Totalt 274,0

Skott 5



1: 7,0 ↖

Serie 7,0  
 Totalt 281,0

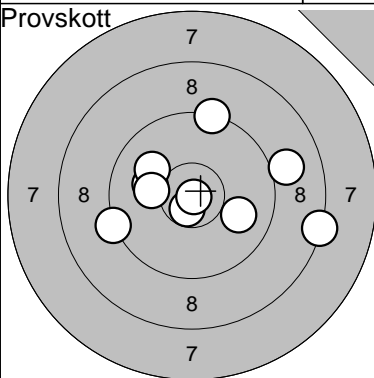
Göteborg

2010-07-23

Tavelträffen 2010 Final

Ramselefors SKF

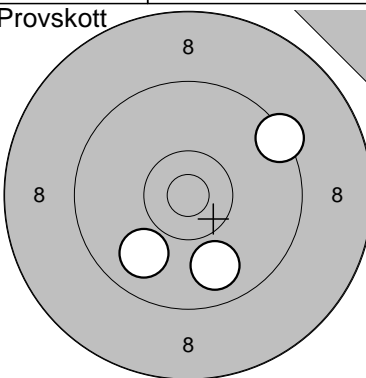
Provskott



- 1: 8,3 →
- 2: 9,3 ↗
- 3: 10,7\* ↓
- 4: 10,9\* ↓
- 5: 9,9 ↓
- 6: 10,1 ↗
- 7: 9,0 →
- 8: 10,0 ↗
- 9: 10,2 ←
- 10: 9,3 ↙

Serie 94,0  
Totalt 168,0

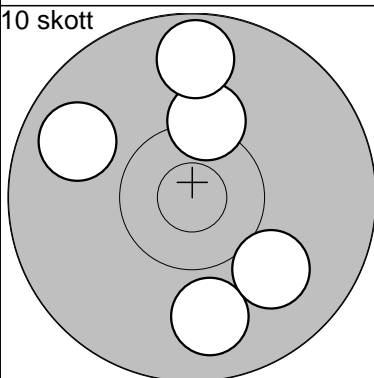
Provskott



- 11: 9,9 ↓
- 12: 9,9 ↙
- 13: 9,4 →

Serie 27,0  
Totalt 168,0

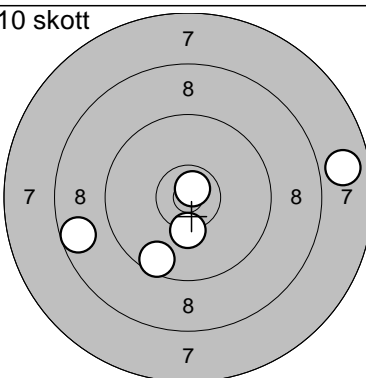
10 skott



- 1: 9,9 ↓
- 2: 10,3 ↗
- 3: 10,0 ↓
- 4: 9,7 ↗
- 5: 9,8 ↗

Serie 47,0  
Totalt 215,0

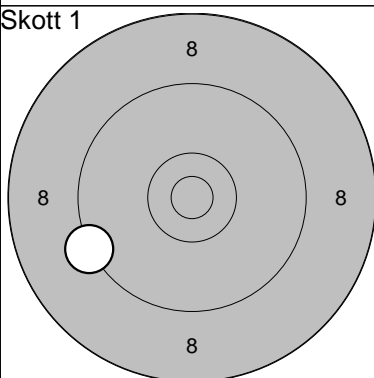
10 skott



- 6: 7,8 →
- 7: 9,6 ↓
- 8: 10,8\* ↗
- 9: 8,7 ←
- 10: 10,3\* ↓

Serie 44,0  
Totalt 259,0

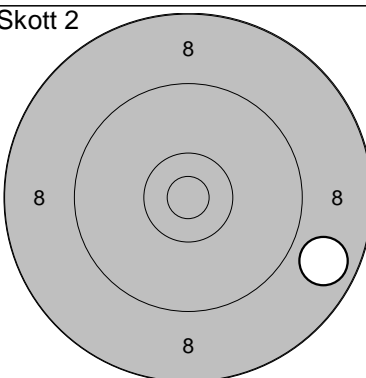
Skott 1



- 1: 9,3 ↙

Serie 9,0  
Totalt 268,0

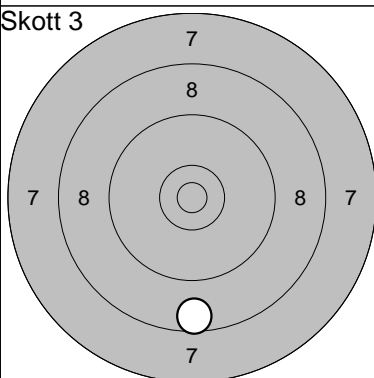
Skott 2



- 1: 8,8 →

Serie 8,0  
Totalt 276,0

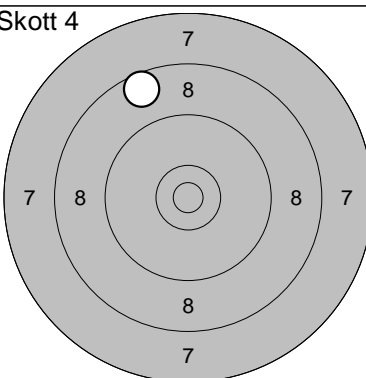
Skott 3



- 1: 8,6 ↓

Serie 8,0  
Totalt 284,0

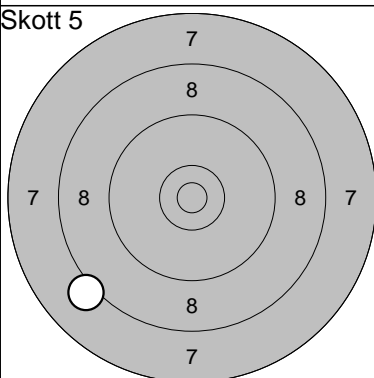
Skott 4



- 1: 8,6 ↗

Serie 8,0  
Totalt 292,0

Skott 5

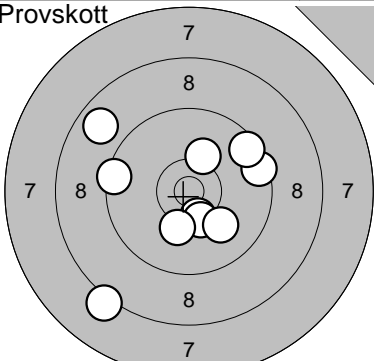
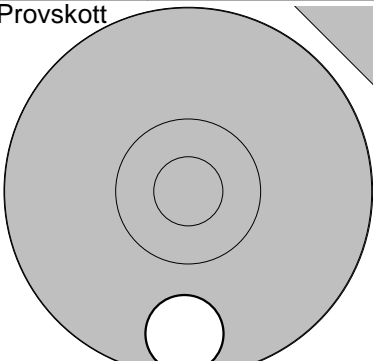


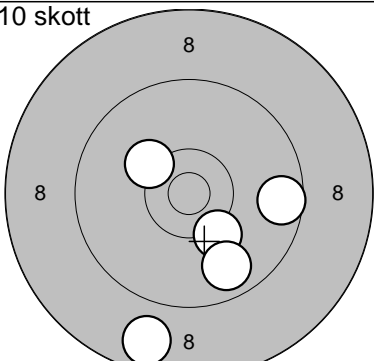
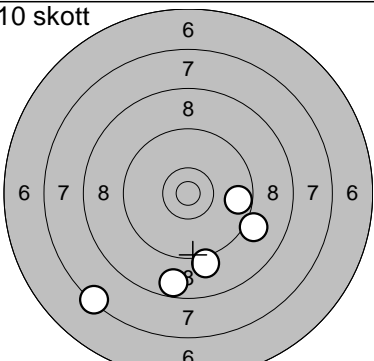
- 1: 8,1 ↙

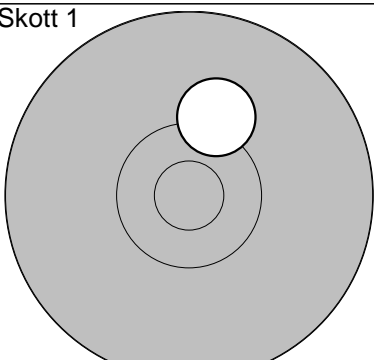
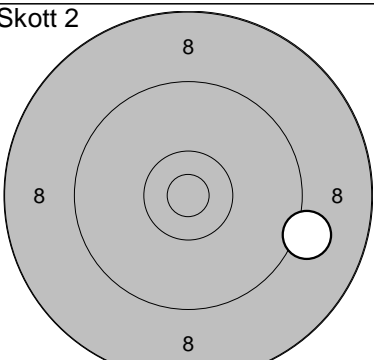
Serie 8,0  
Totalt 300,0

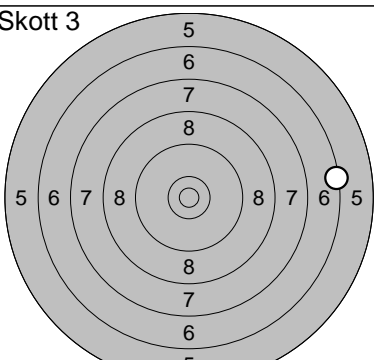
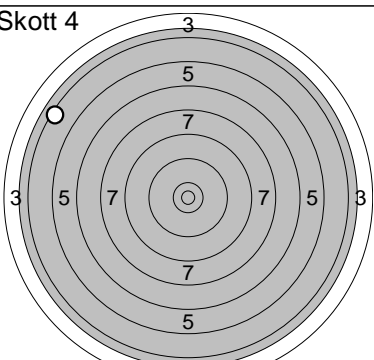
Hajom

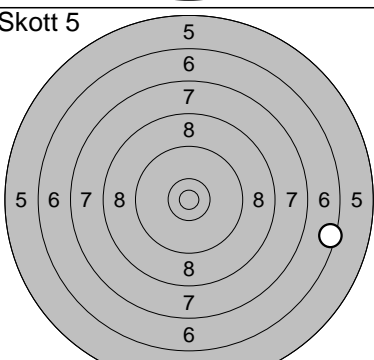
2010-07-23	Tavelträffen 2010 Final	Ramselefors SKF
------------	-------------------------	-----------------

Provsnitt 	1: 9,5 → 2: 10,2 ↗ 3: 8,2 ↘ 4: 10,4* ↘ 5: 10,3* ↘ 6: 10,2 ↘ 7: 8,8 ↗ 8: 10,0 ↘ 9: 9,5 ↗ 10: 9,5 ↗	Provsnitt 	11: 9,7 ↓
Serie 93,0 Totalt 163,0		Serie 9,0 Totalt 163,0	

10 skott 	1: 10,2 ↗ 2: 10,2 ↘ 3: 9,8 ↘ 4: 9,6 → 5: 8,7 ↘	10 skott 	6: 7,4 ↘ 7: 9,7 → 8: 9,1 ↘ 9: 8,7 ↘ 10: 9,1 →
Serie 46,0 Totalt 209,0		Serie 42,0 Totalt 251,0	

Skott 1 	1: 10,2 ↑	Skott 2 	1: 9,1 →
Serie 10,0 Totalt 261,0		Serie 9,0 Totalt 270,0	

Skott 3 	1: 6,4 →	Skott 4 	1: 4,5 ↖
Serie 6,0 Totalt 276,0		Serie 4,0 Totalt 280,0	

Skott 5 	1: 6,5 →		
Serie 6,0 Totalt 286,0			

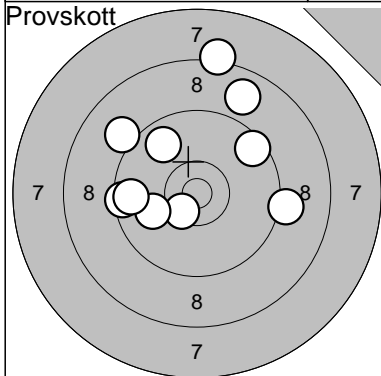
Ramselefors

2010-07-23

Tavelträffen 2010 Final

Ramselefors SKF

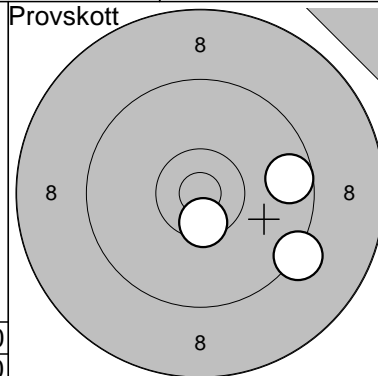
Provskott



1: 8,8 ↗  
 2: 9,2 →  
 3: 8,2 ↗  
 4: 9,5 ↗  
 5: 9,1 ↗  
 6: 9,5 ↖  
 7: 9,8 ↗  
 8: 10,5\* ↘  
 9: 10,0 ↖  
 10: 9,6 ↖

Serie 90,0  
 Totalt 162,0

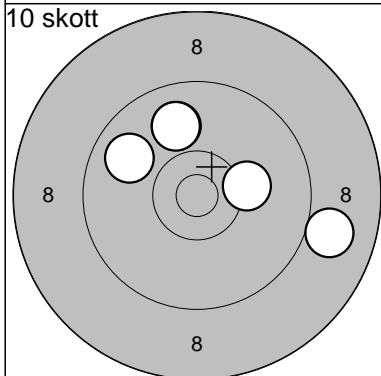
Provskott



11: 9,6 →  
 12: 10,5\* ↓  
 13: 9,3 ↘

Serie 28,0  
 Totalt 162,0

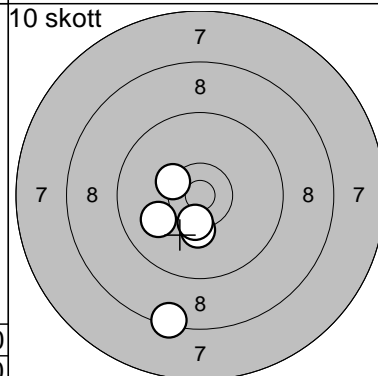
10 skott



1: 9,9 ↗  
 2: 10,2 →  
 3: 9,8 ↗  
 4: 9,9 ↗  
 5: 9,0 ↘

Serie 46,0  
 Totalt 208,0

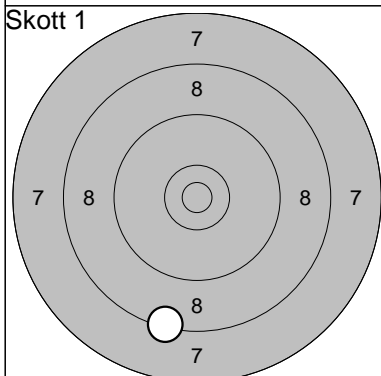
10 skott



6: 10,4\* ↖  
 7: 8,4 ↓  
 8: 10,3 ↓  
 9: 10,4\* ↓  
 10: 10,0 ↖

Serie 48,0  
 Totalt 256,0

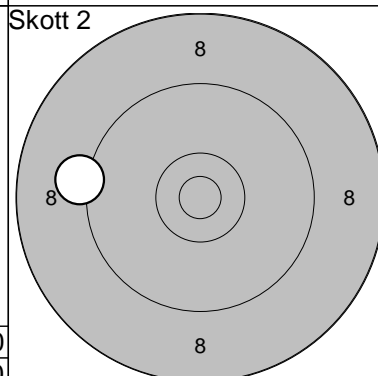
Skott 1



1: 8,4 ↓

Serie 8,0  
 Totalt 264,0

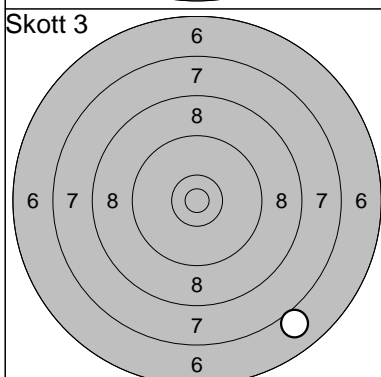
Skott 2



1: 9,2 ↖

Serie 9,0  
 Totalt 273,0

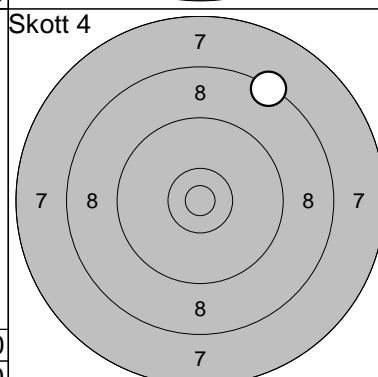
Skott 3



1: 7,0 ↘

Serie 7,0  
 Totalt 280,0

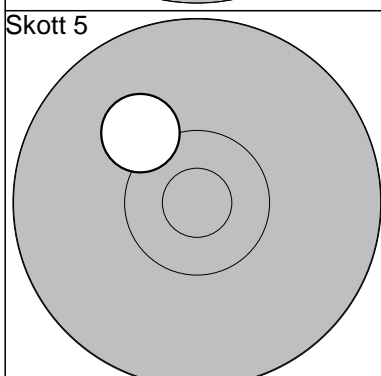
Skott 4



1: 8,4 ↗

Serie 8,0  
 Totalt 288,0

Skott 5



1: 10,2 ↗

Serie 10,0  
 Totalt 298,0

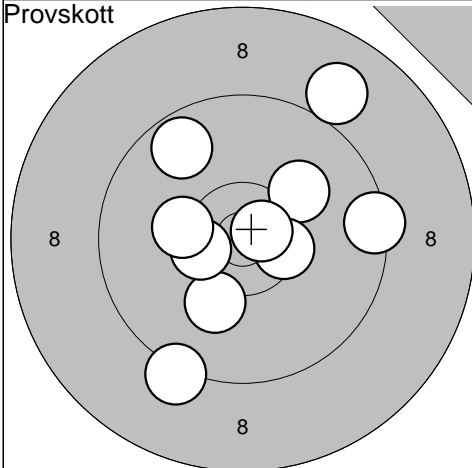
Skellefteå

2010-07-23

Tavelträffen 2010 Final

Ramselefors SKF

Provskott

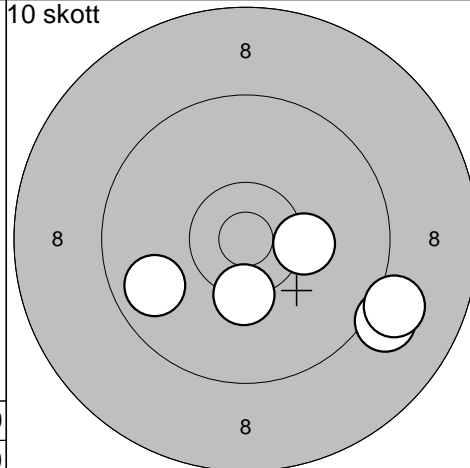


1: 9,2 ↘  
 2: 10,2 ↘  
 3: 10,5\* ←  
 4: 10,1 ↗  
 5: 10,3 ←  
 6: 9,7 ↗  
 7: 9,4 →  
 8: 10,5\* →  
 9: 10,7\* →  
 10: 9,0 ↗

Serie 96,0

Totalt 161,0

10 skott

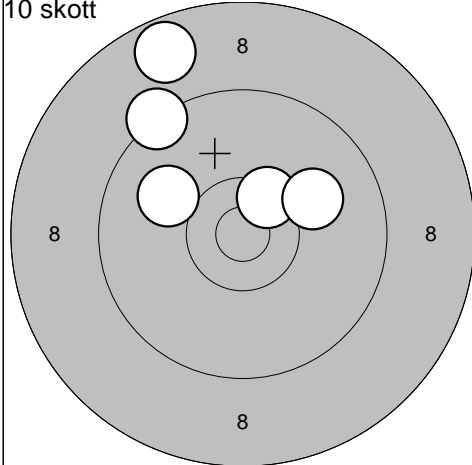


1: 9,1 ↗  
 2: 9,1 ↗  
 3: 10,3\* ↓  
 4: 10,3 →  
 5: 9,8 ←

Serie 47,0

Totalt 208,0

10 skott

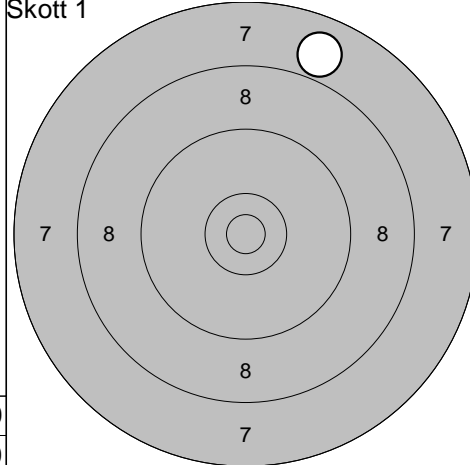


6: 8,7 ↗  
 7: 10,4\* ↗  
 8: 10,1 →  
 9: 9,3 ↗  
 10: 10,0 ←

Serie 47,0

Totalt 255,0

Skott 1

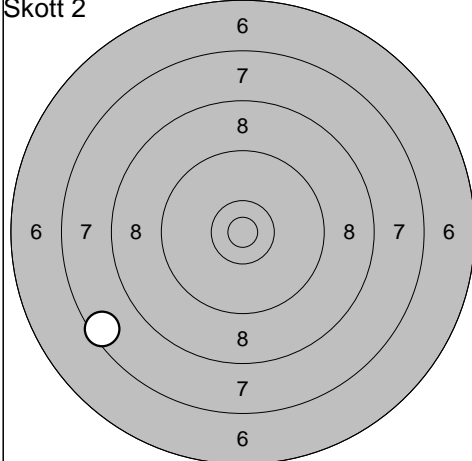


1: 7,9 ↗

Serie 7,0

Totalt 262,0

Skott 2

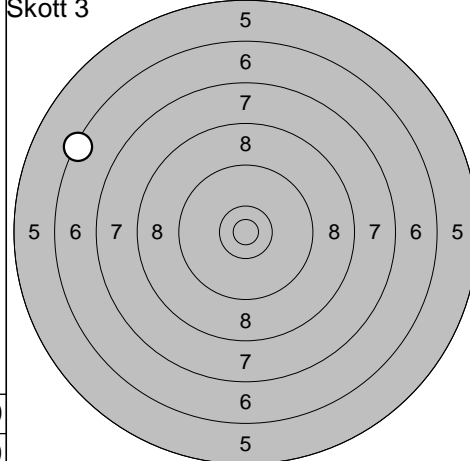


1: 7,5 ←

Serie 7,0

Totalt 269,0

Skott 3

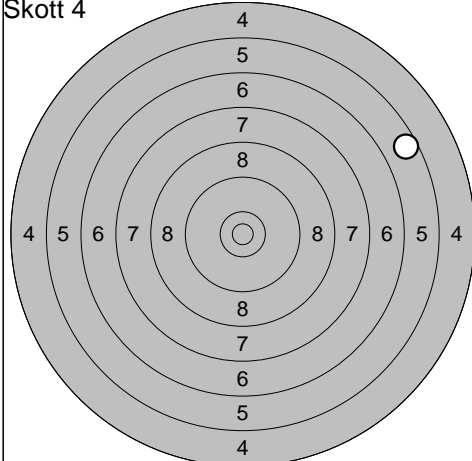


1: 6,4 ↗

Serie 6,0

Totalt 275,0

Skott 4

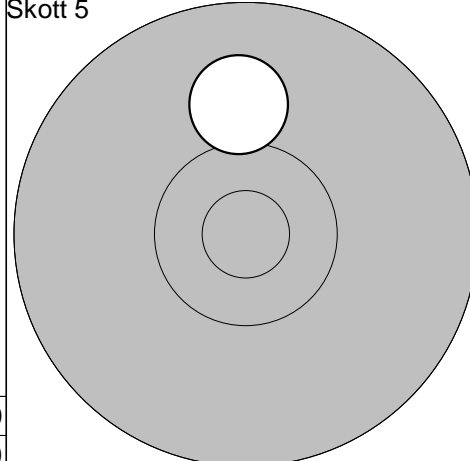


1: 5,6 ↗

Serie 5,0

Totalt 280,0

Skott 5



1: 10,0 ↗

Serie 10,0

Totalt 290,0

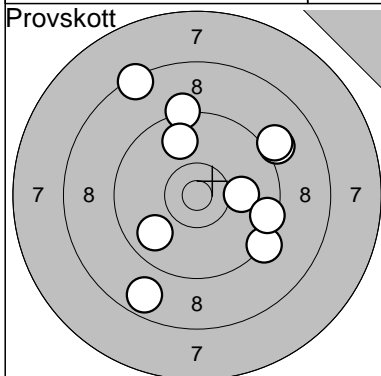
Rundvik

2010-07-23

Tavelträffen 2010 Final

Ramselefors SKF

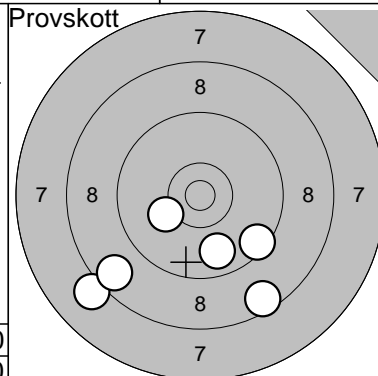
Provskott



1: 9,1 →  
 2: 9,8 ↙  
 3: 10,1 →  
 4: 9,3 ↘  
 5: 9,1 →  
 6: 9,5 →  
 7: 9,3 ↗  
 8: 8,7 ↘  
 9: 8,4 ↘  
 10: 9,8 ↗

Serie 89,0  
 Totalt 157,0

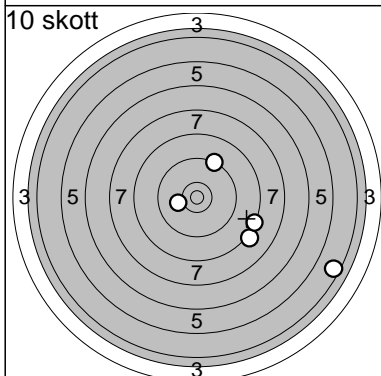
Provskott



11: 10,2 ↙  
 12: 8,1 ↙  
 13: 8,7 ↙  
 14: 8,6 ↘  
 15: 9,8 ↘  
 16: 9,5 ↘

Serie 52,0  
 Totalt 157,0

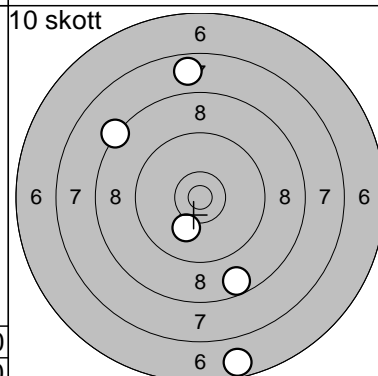
10 skott



1: 8,2 ↘  
 2: 10,2 ↙  
 3: 4,5 ↘  
 4: 8,3 ↘  
 5: 9,3 ↗

Serie 39,0  
 Totalt 196,0

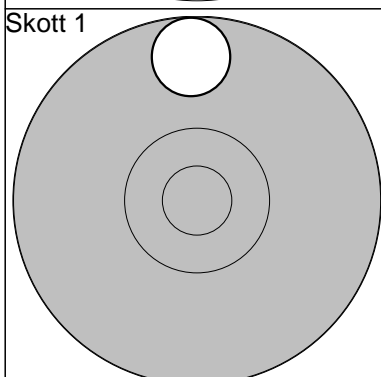
10 skott



6: 8,6 ↘  
 7: 10,1 ↘  
 8: 8,3 ↗  
 9: 6,7 ↘  
 10: 7,8 ↑

Serie 39,0  
 Totalt 235,0

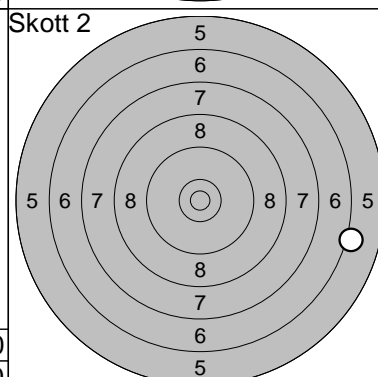
Skott 1



1: 9,7 ↑

Serie 9,0  
 Totalt 244,0

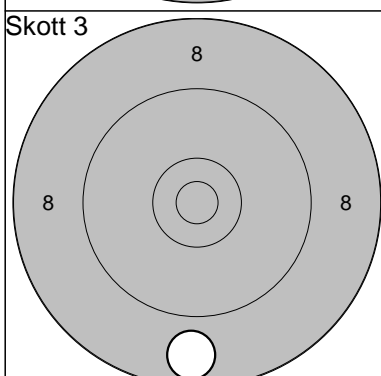
Skott 2



1: 6,2 →

Serie 6,0  
 Totalt 250,0

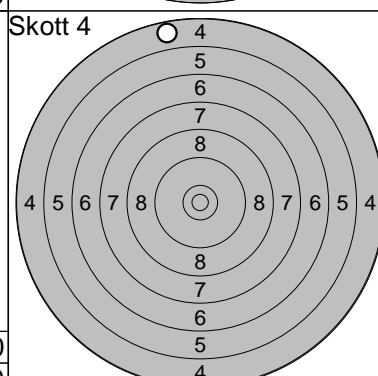
Skott 3



1: 8,8 ↘

Serie 8,0  
 Totalt 258,0

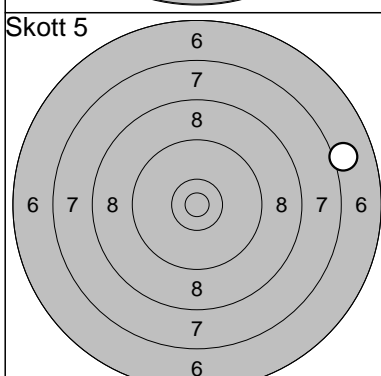
Skott 4



1: 4,7 ↑

Serie 4,0  
 Totalt 262,0

Skott 5



1: 7,1 →

Serie 7,0  
 Totalt 269,0