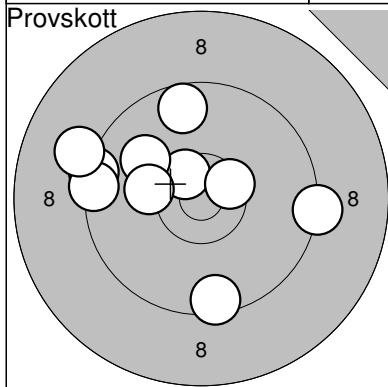


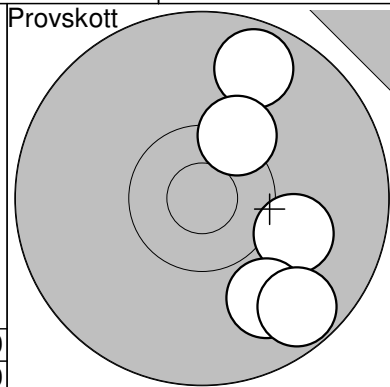
Umeå

2010-09-04	Höstträffen 2010 Final	Ramselefors SKF
------------	------------------------	-----------------



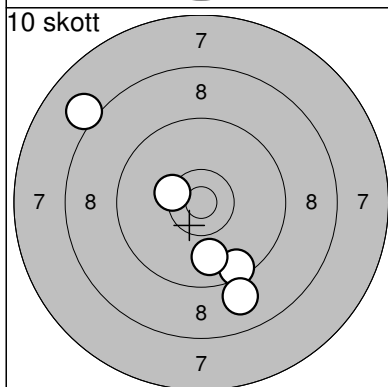
1:	9,4	←
2:	9,7	↑↑
3:	10,5*	↑↑
4:	10,0	↑↑
5:	9,4	←
6:	9,3	→
7:	9,5	←
8:	10,2	←
9:	9,1	↑↑
10:	10,5*	→

Serie	94,0
Totalt	195,0



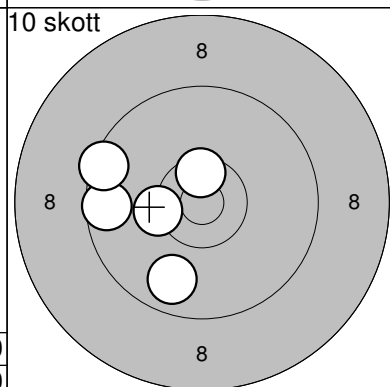
11:	9,7	↑
12:	10,1	→
13:	10,3*	↑
14:	9,9	↓
15:	9,7	↓

Serie	47,0
Totalt	195,0



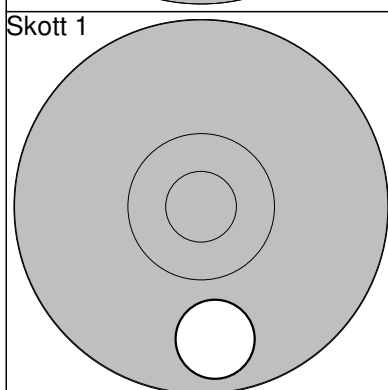
1:	10,4*	←
2:	9,5	↓
3:	9,0	↓
4:	8,1	↑
5:	9,9	↓

Serie	45,0
Totalt	240,0

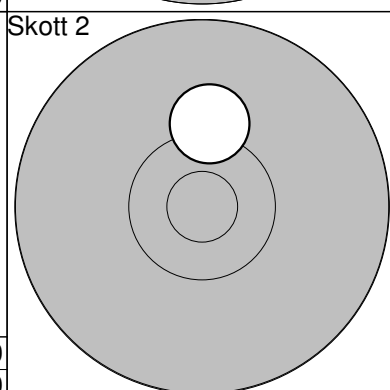


6:	9,8	↓
7:	10,5*	↑
8:	9,6	←
9:	9,5	←
10:	10,3*	←

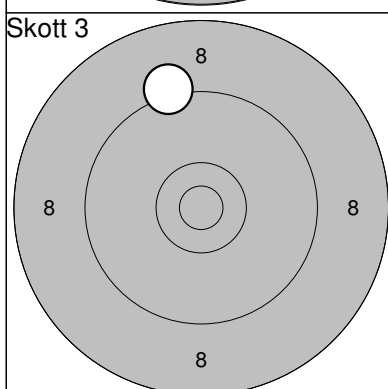
Serie	47,0
Totalt	287,0



Serie	9,0
Totalt	296,0

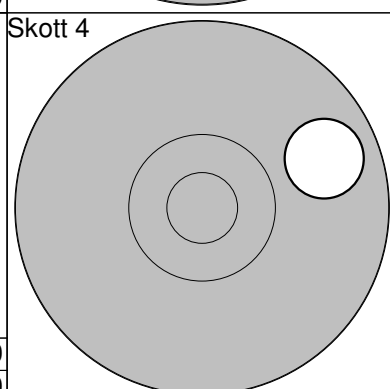


Serie	10,0
Totalt	306,0



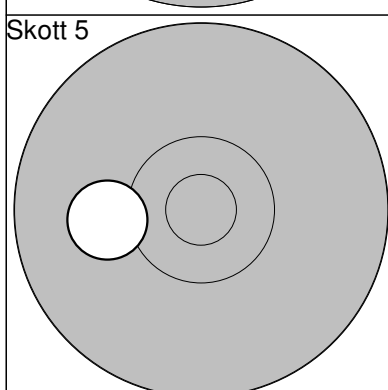
1:	9,2	↑
----	-----	---

Serie	9,0
Totalt	315,0



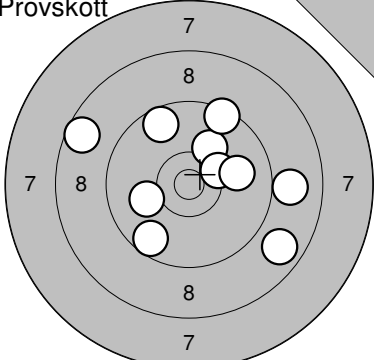
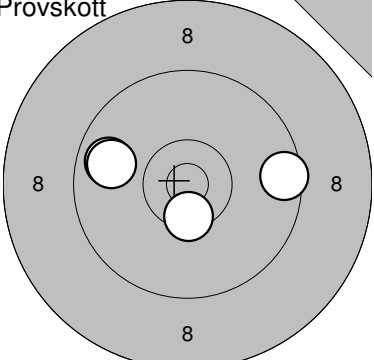
1:	9,8	→
----	-----	---

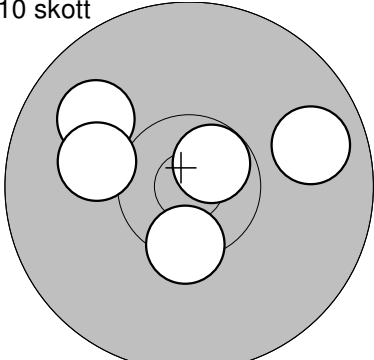
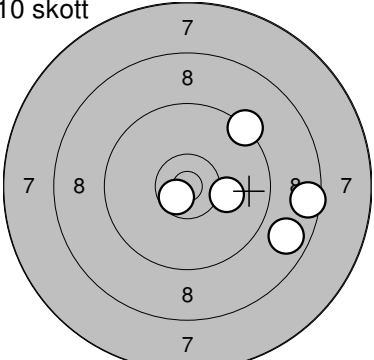
Serie	9,0
Totalt	324,0

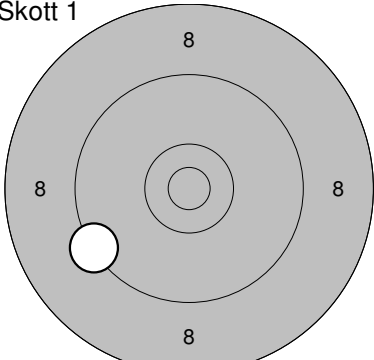
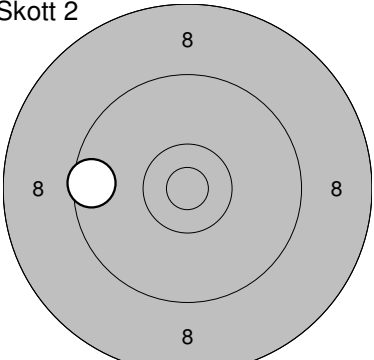


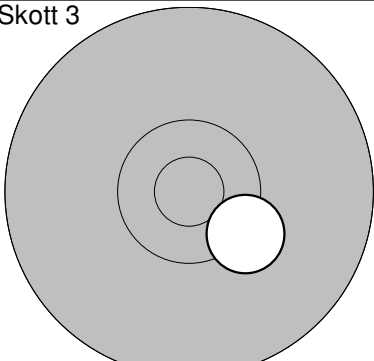
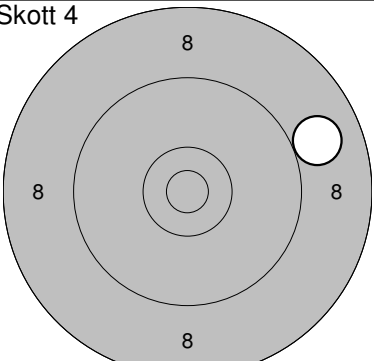
1:	10,1	←
----	------	---

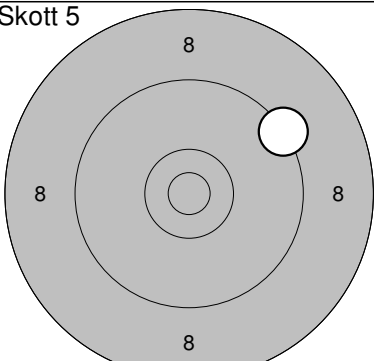
Serie	10,0
Totalt	334,0

Provskott	1: 10,1 ↗ 2: 8,9 → 3: 8,6 ↗ 4: 10,3* → 5: 9,5 ↗ 6: 9,6 ↗ 7: 9,6 ↘ 8: 10,1 ↘ 9: 8,8 ↘ 10: 10,0 →	Provskott	11: 9,8 ↖ 12: 9,5 → 13: 10,5* ↓ 14: 9,8 ↖
	Serie 91,0 Totalt 184,0		Serie 37,0 Totalt 184,0

10 skott	1: 10,4* ↓ 2: 9,9 ↗ 3: 10,1 ↖ 4: 10,7* ↗ 5: 9,8 →	10 skott	6: 10,1 → 7: 8,5 → 8: 10,6* ↘ 9: 9,3 ↗ 10: 8,8 ↘
	Serie 48,0 Totalt 232,0		Serie 45,0 Totalt 277,0

Skott 1	1: 9,3 ↖	Skott 2	1: 9,6 ↖
	Serie 9,0 Totalt 286,0		Serie 9,0 Totalt 295,0

Skott 3	1: 10,3* ↘	Skott 4	1: 8,9 →
	Serie 10,0 Totalt 305,0		Serie 8,0 Totalt 313,0

Skott 5	1: 9,3 ↗		
	Serie 9,0 Totalt 322,0		

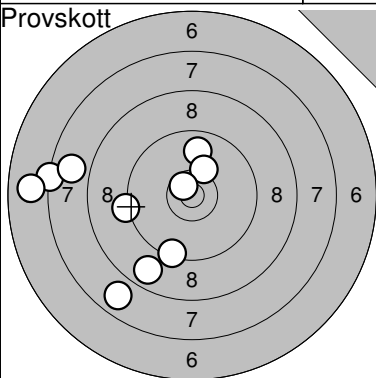
Ramselefors

2010-09-04

Höstträffen 2010 Final

Ramselefors SKF

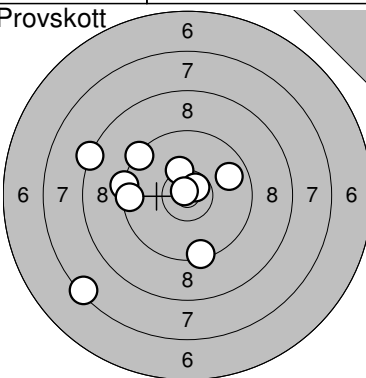
Provskott



1: 9,8 ↑
 2: 9,4 ↓
 3: 7,3 ←
 4: 6,9 ←
 5: 10,2 ↑
 6: 7,8 ↓
 7: 10,6* ↑
 8: 9,3 ←
 9: 8,8 ↓
 10: 7,8 ↓

Serie 82,0
 Totalt 159,0

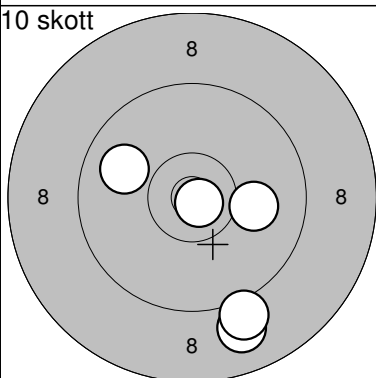
Provskott



11: 9,4 ←
 12: 9,4 ↗
 13: 10,3* ↑
 14: 9,5 ←
 15: 10,7* ↗
 16: 8,3 ↖
 17: 9,4 ↓
 18: 10,8* ↗
 19: 7,4 ↓
 20: 9,8 ↘

Serie 90,0
 Totalt 159,0

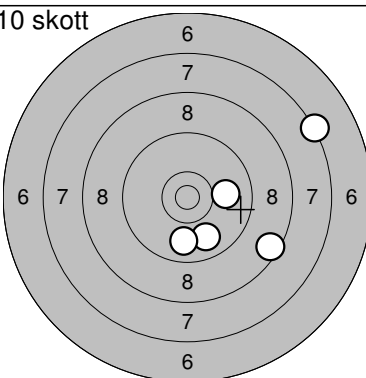
10 skott



1: 8,9 ↓
 2: 10,8* ↓
 3: 10,1 ↗
 4: 9,9 ↗
 5: 9,1 ↓

Serie 46,0
 Totalt 205,0

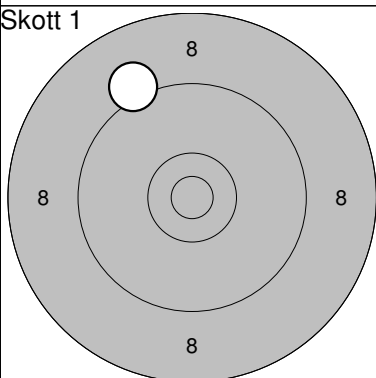
10 skott



6: 7,3 ↗
 7: 9,8 ↓
 8: 9,8 ↓
 9: 10,0 →
 10: 8,5 ↘

Serie 43,0
 Totalt 248,0

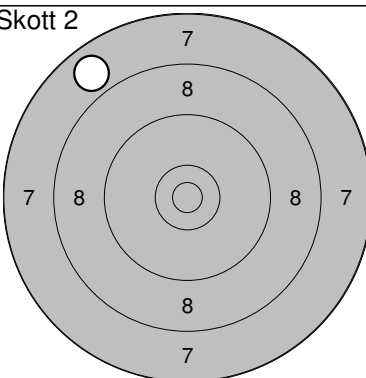
Skott 1



1: 9,2 ↑

Serie 9,0
 Totalt 257,0

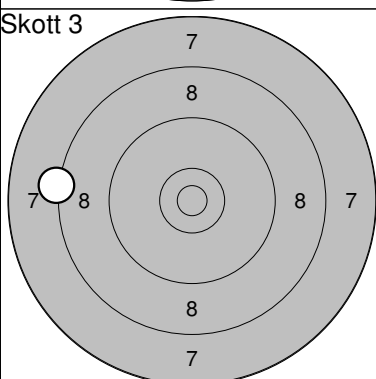
Skott 2



1: 7,8 ↖

Serie 7,0
 Totalt 264,0

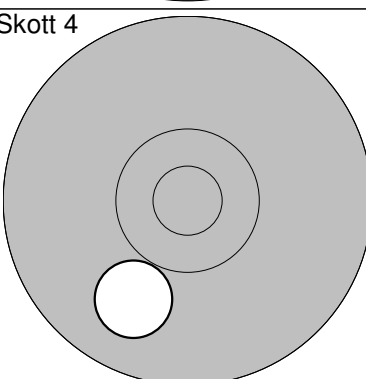
Skott 3



1: 8,3 ←

Serie 8,0
 Totalt 272,0

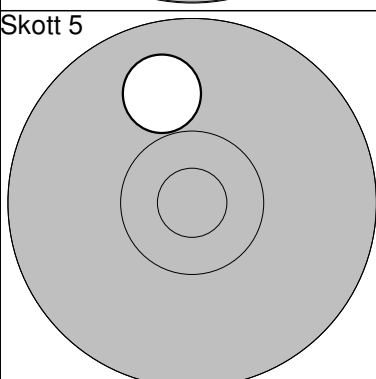
Skott 4



1: 9,9 ↓

Serie 9,0
 Totalt 281,0

Skott 5

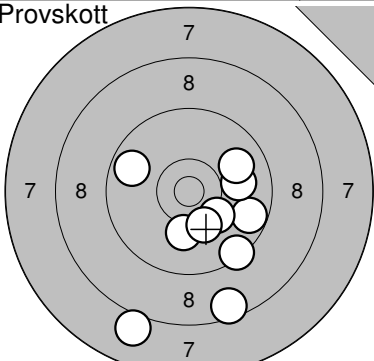
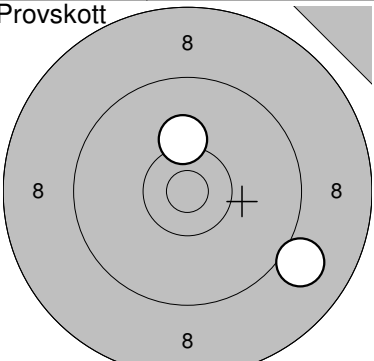


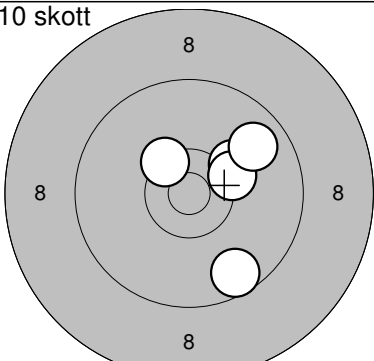
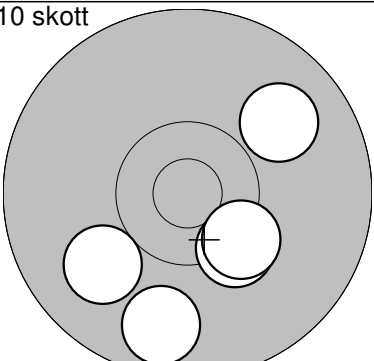
1: 9,9 ↑

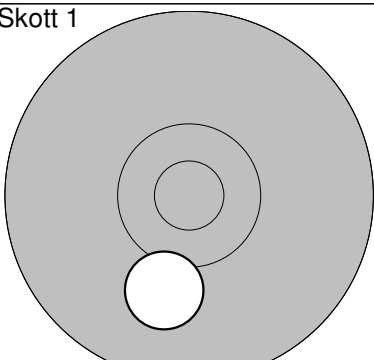
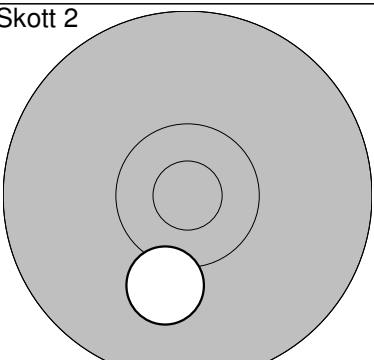
Serie 9,0
 Totalt 290,0

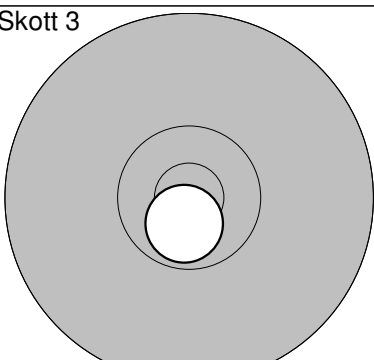
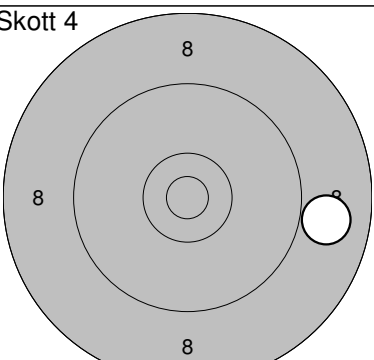
Umeå

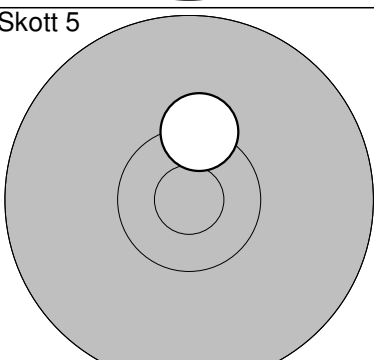
2010-09-04	Höstträffen 2010 Final	Ramselefors SKF
------------	------------------------	-----------------

Provsnitt 	1: 8,5 ↓ 2: 9,7 ↘ 3: 8,0 ↘ 4: 10,0 → 5: 10,1 ↘ 6: 9,7 ↗ 7: 10,2 ↘ 8: 10,2 ↘ 9: 9,4 ↘ 10: 9,9 →	Provsnitt 	11: 9,0 → 12: 10,2 ↑
Serie 92,0 Totalt 185,0		Serie 19,0 Totalt 185,0	

10 skott 	1: 10,4* ↗ 2: 10,2 → 3: 10,3 → 4: 9,6 ↘ 5: 9,8 ↗	10 skott 	6: 9,7 ↓ 7: 9,9 → 8: 10,0 ↘ 9: 10,3* ↘ 10: 10,3* ↘
Serie 48,0 Totalt 233,0		Serie 48,0 Totalt 281,0	

Skott 1 	1: 10,1 ↓	Skott 2 	1: 10,1 ↓
Serie 10,0 Totalt 291,0		Serie 10,0 Totalt 301,0	

Skott 3 	1: 10,7* ↓	Skott 4 	1: 8,9 →
Serie 10,0 Totalt 311,0		Serie 8,0 Totalt 319,0	

Skott 5 	1: 10,3* ↑		
Serie 10,0 Totalt 329,0			

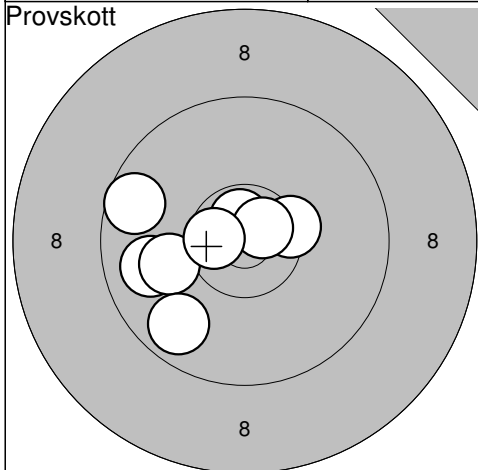
Umeå

2010-09-04

Höstträffen 2010 Final

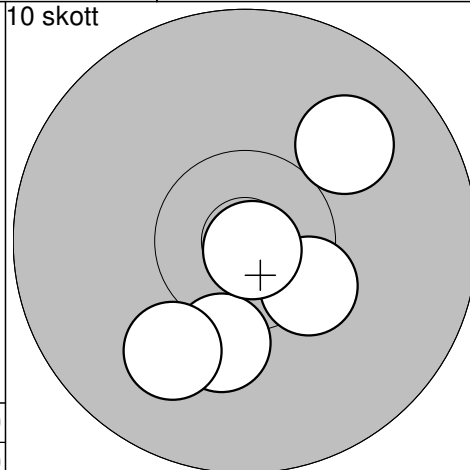
Ramselefors SKF

Provskott



- 1: 10,4* →
- 2: 9,8 ←
- 3: 10,1 ←
- 4: 9,7 ↙
- 5: 10,7* ↑
- 6: 9,6 ←
- 7: 10,7* ↗
- 8: 10,6* ←

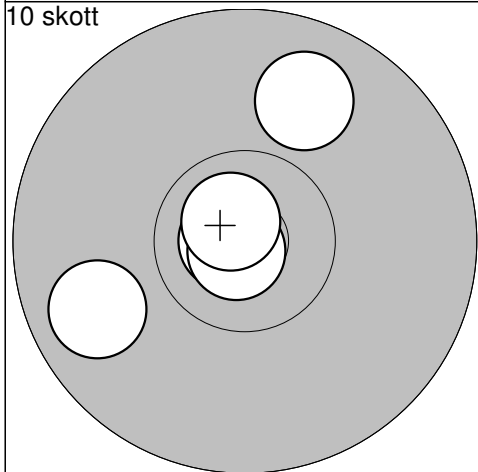
Serie 77,0
Totalt 197,0



- 1: 10,2 ↓
- 2: 10,4* ↘
- 3: 10,9* ↘
- 4: 10,0 ↙
- 5: 10,0 ↗

Serie 50,0
Totalt 247,0

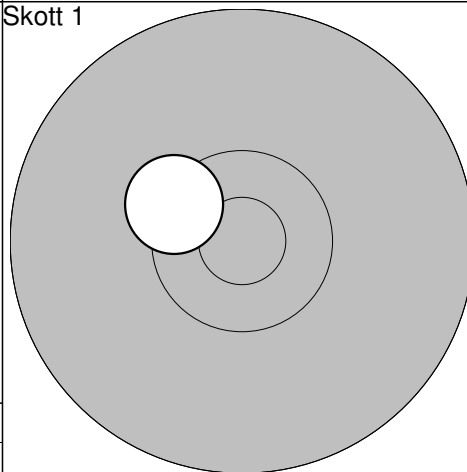
10 skott



- 6: 9,8 ←
- 7: 9,9 ↑
- 8: 10,8* ←
- 9: 10,9* ↙
- 10: 10,8* ↗

Serie 48,0
Totalt 295,0

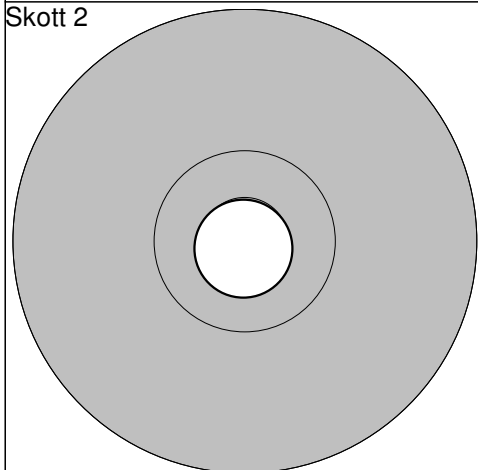
Skott 1



- 1: 10,4* ↗

Serie 10,0
Totalt 305,0

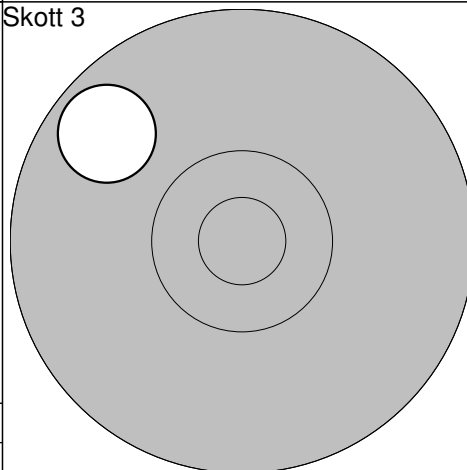
Skott 2



- 1: 10,9* ↓

Serie 10,0
Totalt 315,0

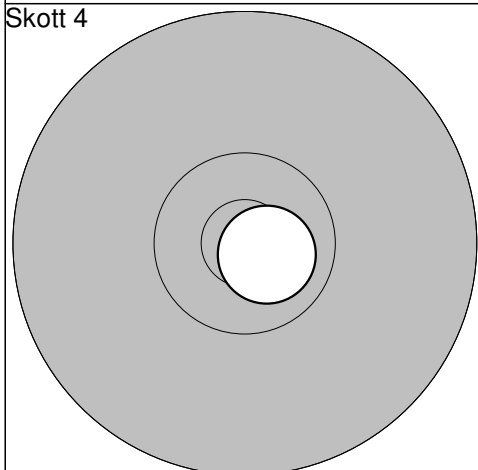
Skott 3



- 1: 9,7 ↗

Serie 9,0
Totalt 324,0

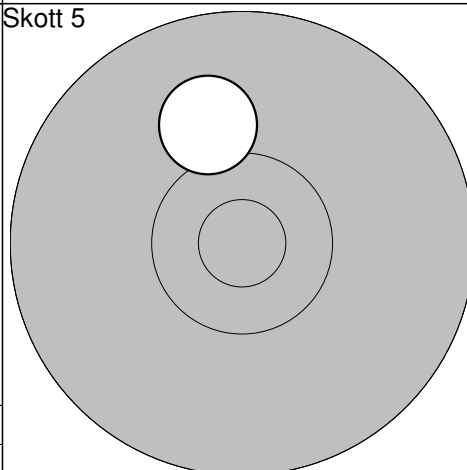
Skott 4



- 1: 10,8* ↘

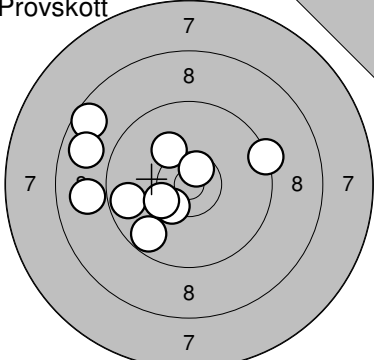
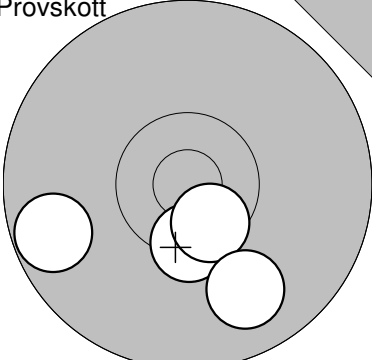
Serie 10,0
Totalt 334,0

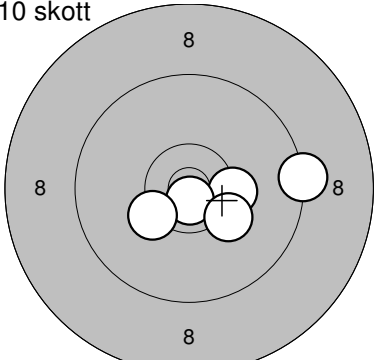
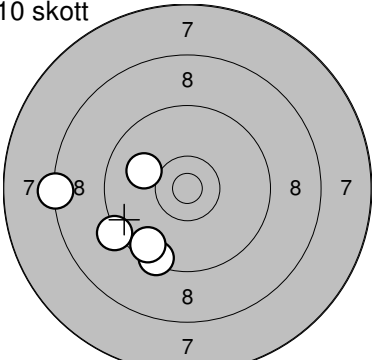
Skott 5

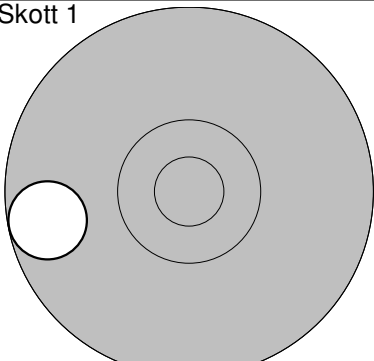
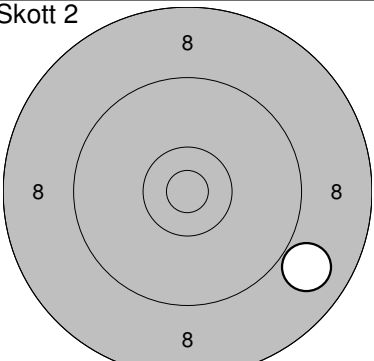


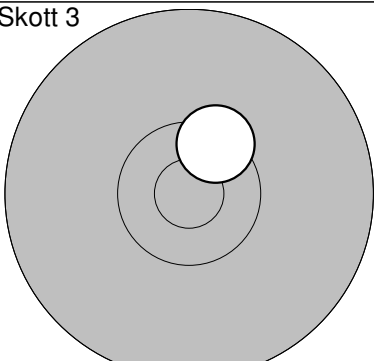
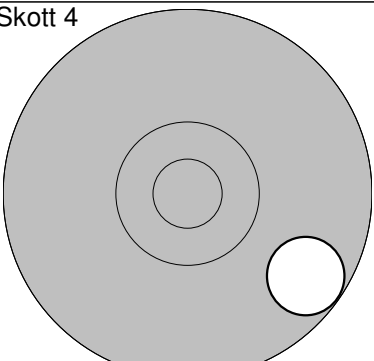
- 1: 10,1 ↑

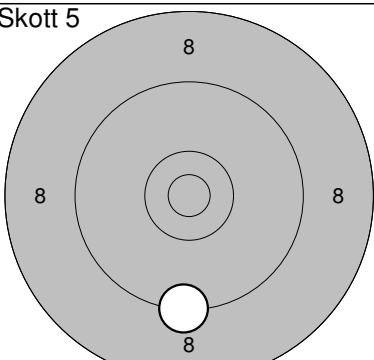
Serie 10,0
Totalt 344,0

Provsnitt 	1: 10,2 ↗ 2: 8,6 ↗ 3: 8,8 ↗ 4: 9,3 → 5: 9,7 ← 6: 10,4* ↓ 7: 8,9 ← 8: 9,7 ↓ 9: 10,6* ↗ 10: 10,3* ↗ <hr/> Serie 91,0 Totalt 192,0	Provsnitt 	11: 9,7 ← 12: 10,4* ↓ 13: 10,5* ↓ 14: 9,9 ↓ <hr/> Serie 38,0 Totalt 192,0
---	--	---	--

10 skott 	1: 10,3* → 2: 10,8* ↓ 3: 10,2 ↓ 4: 10,3* ↓ 5: 9,3 → <hr/> Serie 49,0 Totalt 241,0	10 skott 	6: 9,3 ← 7: 10,0 ← 8: 8,3 ← 9: 9,4 ↓ 10: 9,6 ↓ <hr/> Serie 45,0 Totalt 286,0
--	---	--	--

Skott 1 	1: 9,7 ← <hr/> Serie 9,0 Totalt 295,0	Skott 2 	1: 8,9 → <hr/> Serie 8,0 Totalt 303,0
--	---	--	---

Skott 3 	1: 10,5* ↗ <hr/> Serie 10,0 Totalt 313,0	Skott 4 	1: 9,7 → <hr/> Serie 9,0 Totalt 322,0
---	--	---	---

Skott 5 	1: 9,3 ↓ <hr/> Serie 9,0 Totalt 331,0		
---	---	--	--

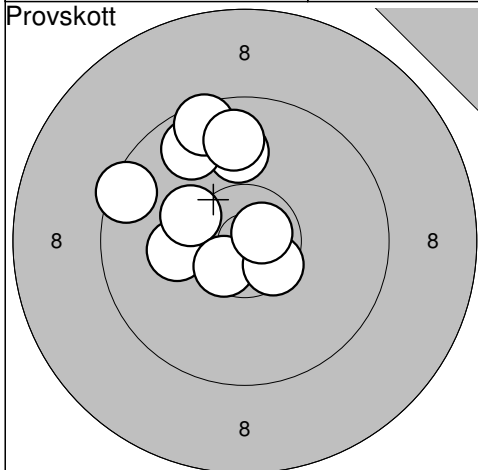
Umeå

2010-09-04

Höstträffen 2010 Final

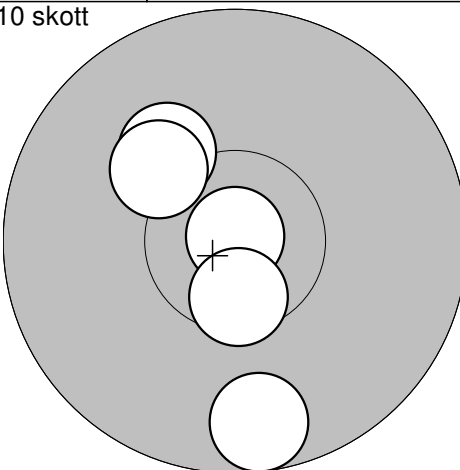
Ramselefors SKF

Provskott



- 1: 9,5 ←
- 2: 10,2 ←
- 3: 10,3 ↖
- 4: 9,9 ↑
- 5: 9,7 ↗
- 6: 9,6 ↗
- 7: 9,8 ↑
- 8: 10,6* ↘
- 9: 10,5* ↘
- 10: 10,7* →

10 skott

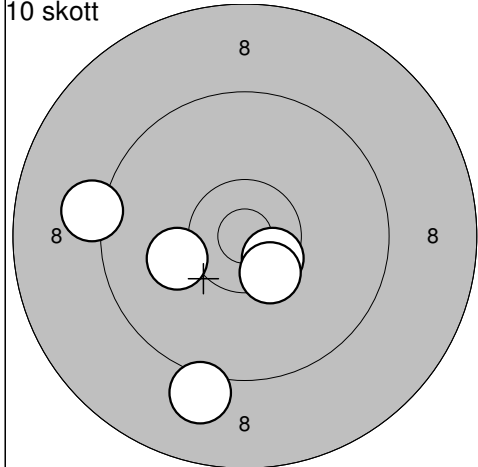


- 1: 10,2 ↗
- 2: 9,7 ↓
- 3: 10,2 ↗
- 4: 10,9* ↑
- 5: 10,6* ↓

Serie	95,0
Totalt	191,0

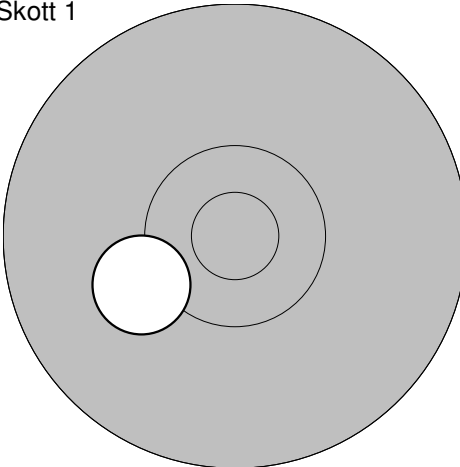
Serie	49,0
Totalt	240,0

10 skott



- 6: 10,5* ↘
- 7: 10,1 ←
- 8: 10,4* ↘
- 9: 9,2 ←
- 10: 9,1 ↓

Skott 1

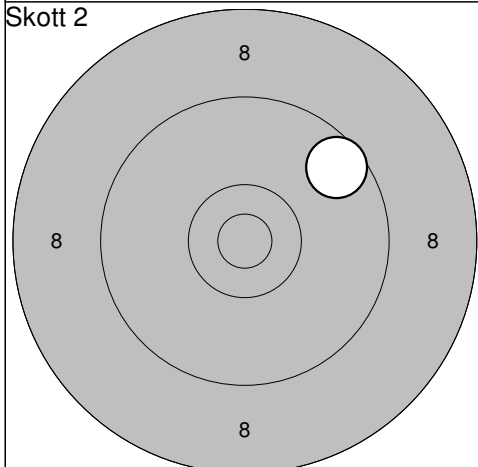


- 1: 10,2 ←

Serie	48,0
Totalt	288,0

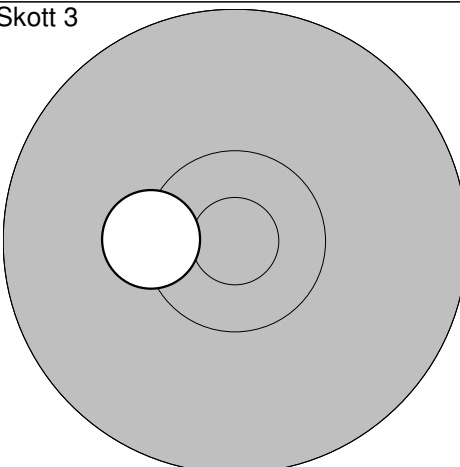
Serie	10,0
Totalt	298,0

Skott 2



- 1: 9,6 ↗

Skott 3

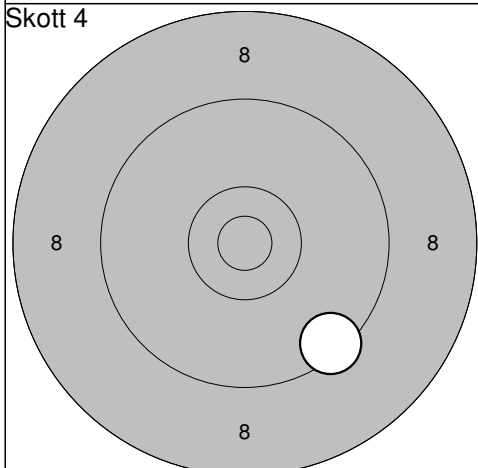


- 1: 10,4* ←

Serie	9,0
Totalt	307,0

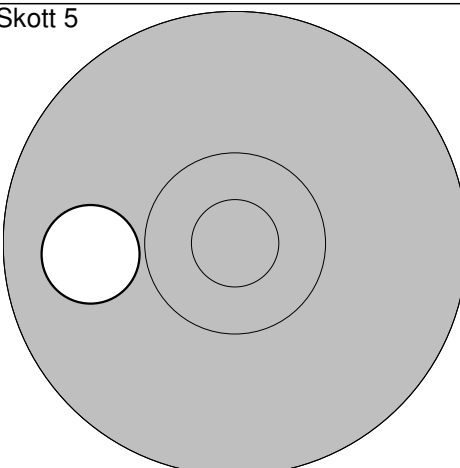
Serie	10,0
Totalt	317,0

Skott 4



- 1: 9,4 ↘

Skott 5



- 1: 9,9 ←

Serie	9,0
Totalt	326,0

Serie	9,0
Totalt	335,0

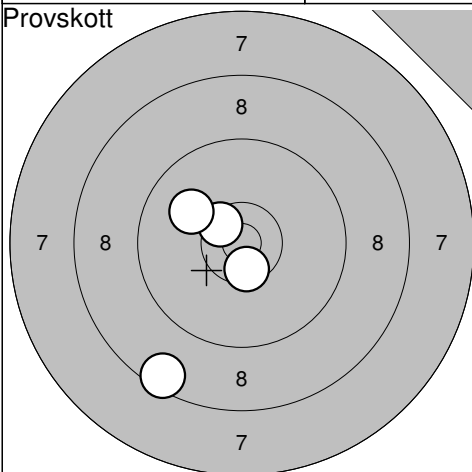
Ramselefors

2010-09-04

Höstträffen 2010 Final

Ramselefors SKF

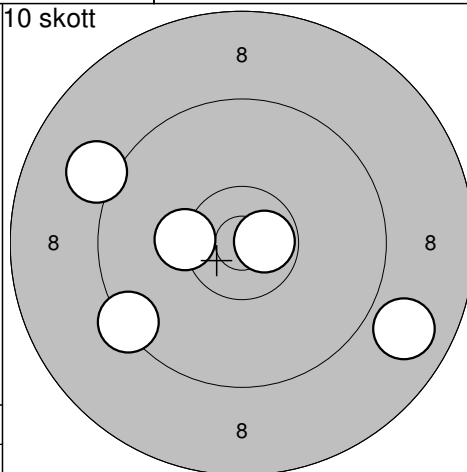
Provskott



- 1: 8,5 ↘
- 2: 10,5* ↗
- 3: 10,0 ↗
- 4: 10,5* ↓

Serie 38,0
Totalt 188,0

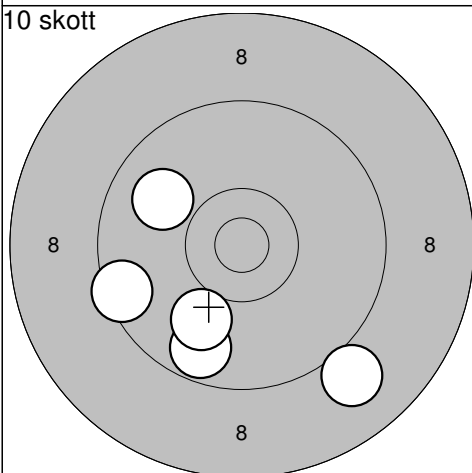
10 skott



- 1: 9,1 ↖
- 2: 8,9 ↘
- 3: 10,7* →
- 4: 10,3* ←
- 5: 9,4 ↖

Serie 46,0
Totalt 234,0

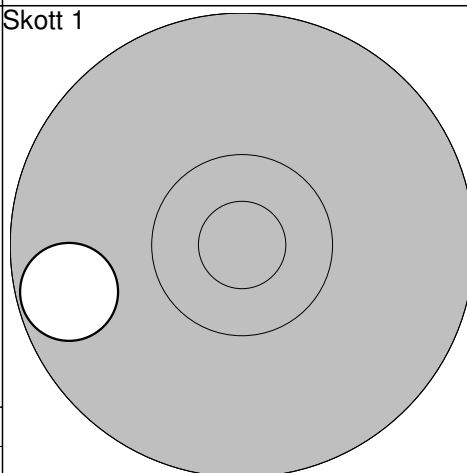
10 skott



- 6: 9,0 ↘
- 7: 9,7 ↓
- 8: 10,0 ↓
- 9: 9,9 ↖
- 10: 9,5 ←

Serie 46,0
Totalt 280,0

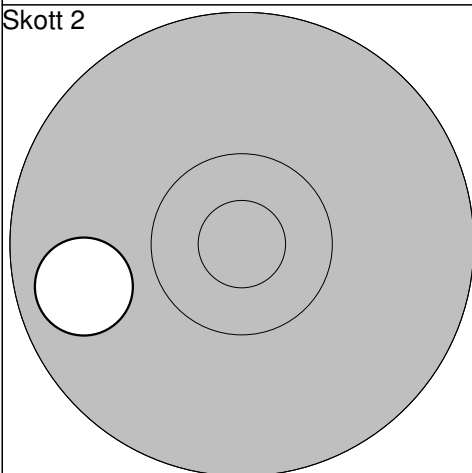
Skott 1



- 1: 9,7 ←

Serie 9,0
Totalt 289,0

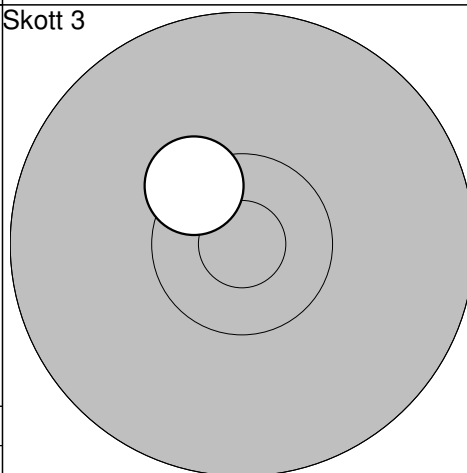
Skott 2



- 1: 9,8 ←

Serie 9,0
Totalt 298,0

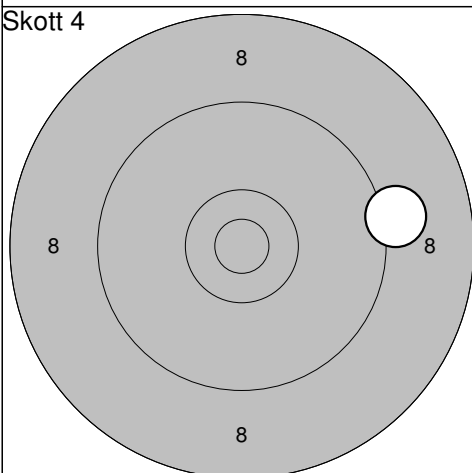
Skott 3



- 1: 10,4* ↗

Serie 10,0
Totalt 308,0

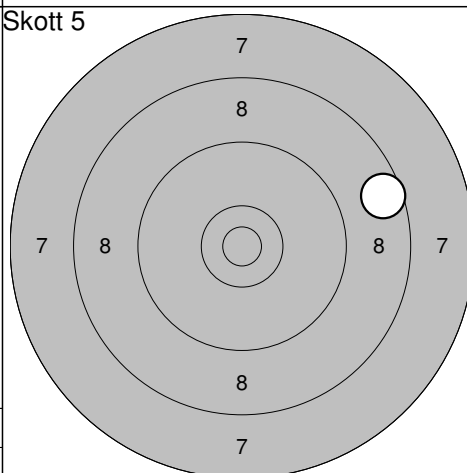
Skott 4



- 1: 9,2 →

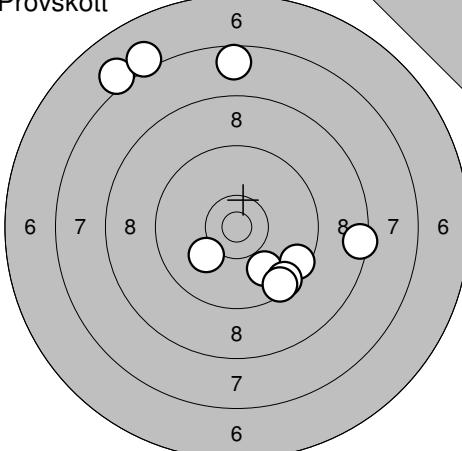
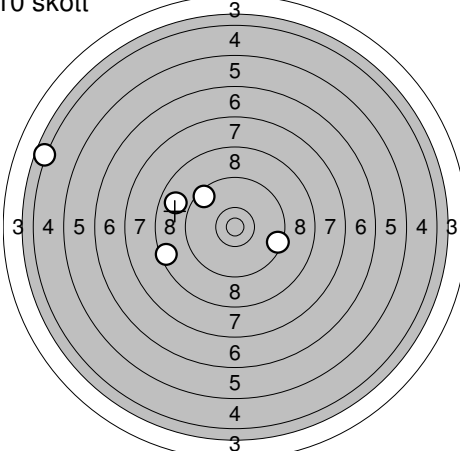
Serie 9,0
Totalt 317,0

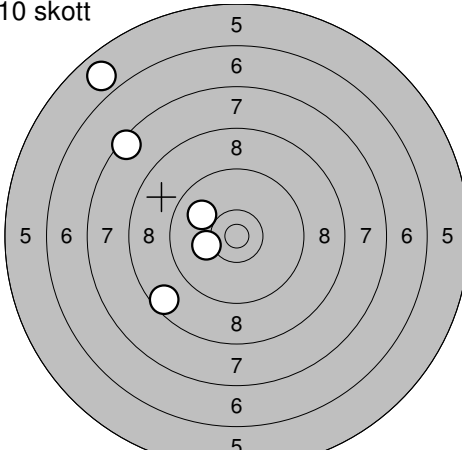
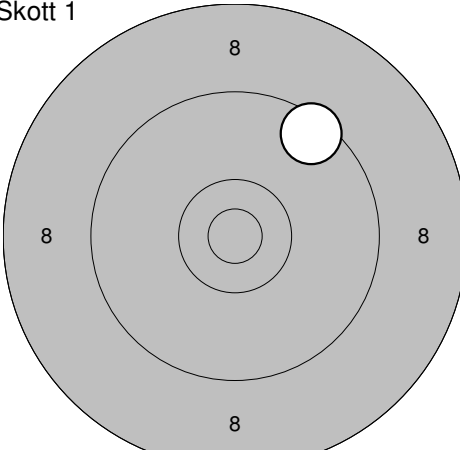
Skott 5

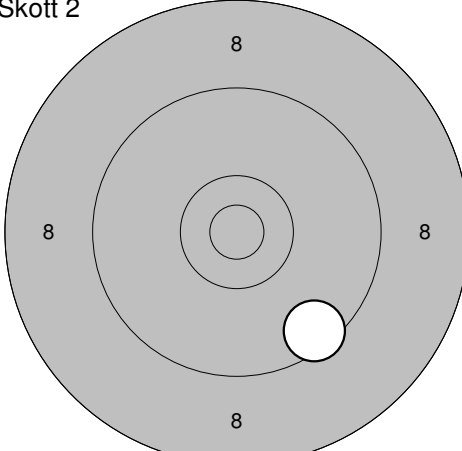
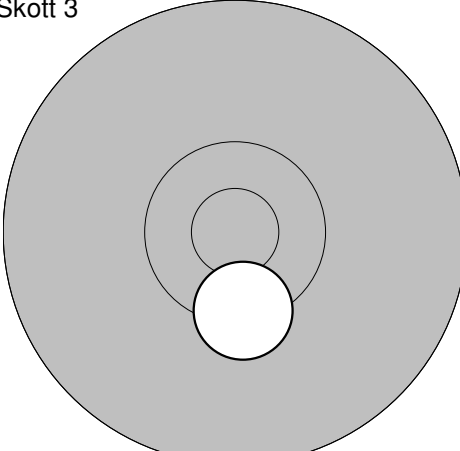


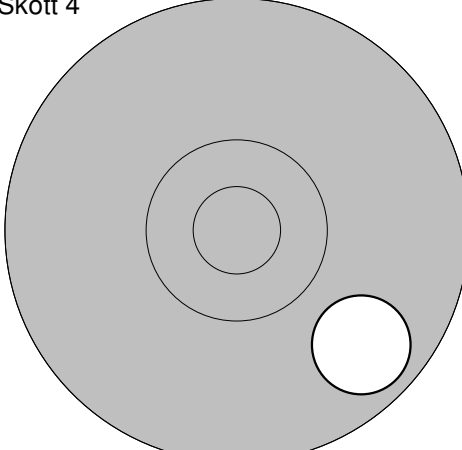
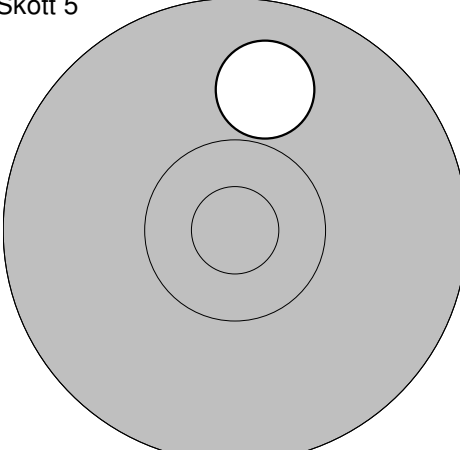
- 1: 8,6 →

Serie 8,0
Totalt 325,0

<p>Provskott</p> 	<p>1: 7,7 ↑ 2: 7,1 ↗ 3: 7,1 ↗ 4: 9,9 ↓ 5: 10,1 ↓ 6: 9,5 ↓ 7: 9,5 ↓ 8: 9,5 ↓ 9: 8,5 →</p> <table border="1" style="width:100%; border-collapse: collapse;"> <tr><td>Serie</td><td style="text-align: right;">75,0</td></tr> <tr><td>Totalt</td><td style="text-align: right;">187,0</td></tr> </table>	Serie	75,0	Totalt	187,0	<p>10 skott</p> 	<p>1: 8,5 ← 2: 8,9 ↖ 3: 9,4 → 4: 9,5 ↗ 5: 4,3 ↖</p> <table border="1" style="width:100%; border-collapse: collapse;"> <tr><td>Serie</td><td style="text-align: right;">38,0</td></tr> <tr><td>Totalt</td><td style="text-align: right;">225,0</td></tr> </table>	Serie	38,0	Totalt	225,0
Serie	75,0										
Totalt	187,0										
Serie	38,0										
Totalt	225,0										

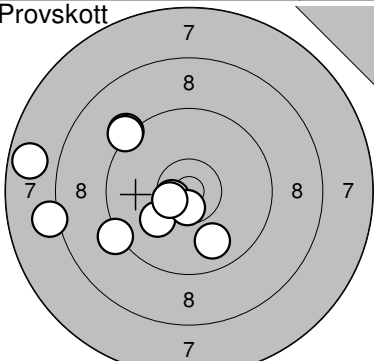
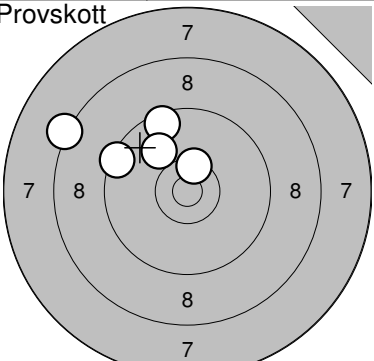
<p>10 skott</p> 	<p>6: 10,0 ↗ 7: 8,6 ↓ 8: 5,9 ↗ 9: 7,5 ↗ 10: 10,2 ←</p> <table border="1" style="width:100%; border-collapse: collapse;"> <tr><td>Serie</td><td style="text-align: right;">40,0</td></tr> <tr><td>Totalt</td><td style="text-align: right;">265,0</td></tr> </table>	Serie	40,0	Totalt	265,0	<p>Skott 1</p> 	<p>1: 9,5 ↗</p> <table border="1" style="width:100%; border-collapse: collapse;"> <tr><td>Serie</td><td style="text-align: right;">9,0</td></tr> <tr><td>Totalt</td><td style="text-align: right;">274,0</td></tr> </table>	Serie	9,0	Totalt	274,0
Serie	40,0										
Totalt	265,0										
Serie	9,0										
Totalt	274,0										

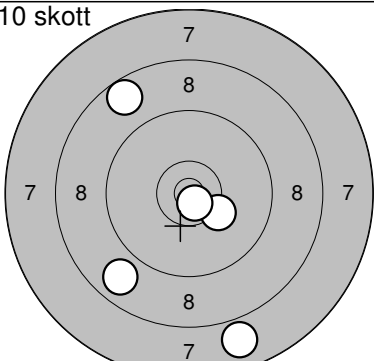
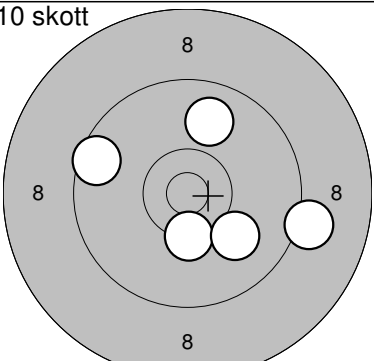
<p>Skott 2</p> 	<p>1: 9,5 ↓</p> <table border="1" style="width:100%; border-collapse: collapse;"> <tr><td>Serie</td><td style="text-align: right;">9,0</td></tr> <tr><td>Totalt</td><td style="text-align: right;">283,0</td></tr> </table>	Serie	9,0	Totalt	283,0	<p>Skott 3</p> 	<p>1: 10,4* ↓</p> <table border="1" style="width:100%; border-collapse: collapse;"> <tr><td>Serie</td><td style="text-align: right;">10,0</td></tr> <tr><td>Totalt</td><td style="text-align: right;">293,0</td></tr> </table>	Serie	10,0	Totalt	293,0
Serie	9,0										
Totalt	283,0										
Serie	10,0										
Totalt	293,0										

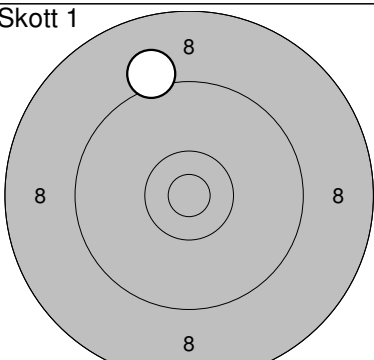
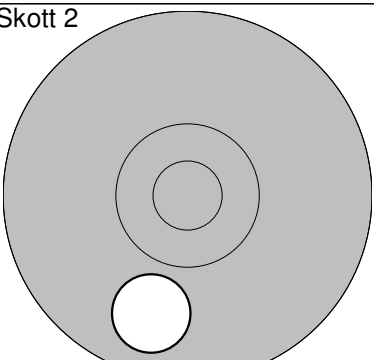
<p>Skott 4</p> 	<p>1: 9,7 ↓</p> <table border="1" style="width:100%; border-collapse: collapse;"> <tr><td>Serie</td><td style="text-align: right;">9,0</td></tr> <tr><td>Totalt</td><td style="text-align: right;">302,0</td></tr> </table>	Serie	9,0	Totalt	302,0	<p>Skott 5</p> 	<p>1: 9,9 ↑</p> <table border="1" style="width:100%; border-collapse: collapse;"> <tr><td>Serie</td><td style="text-align: right;">9,0</td></tr> <tr><td>Totalt</td><td style="text-align: right;">311,0</td></tr> </table>	Serie	9,0	Totalt	311,0
Serie	9,0										
Totalt	302,0										
Serie	9,0										
Totalt	311,0										

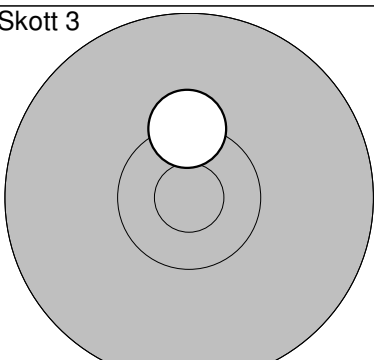
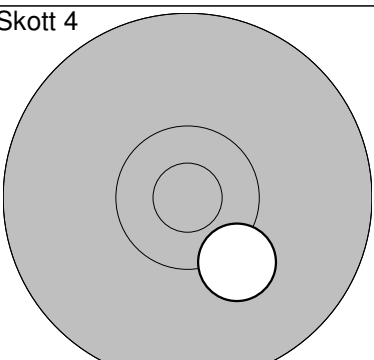
Drängsmark

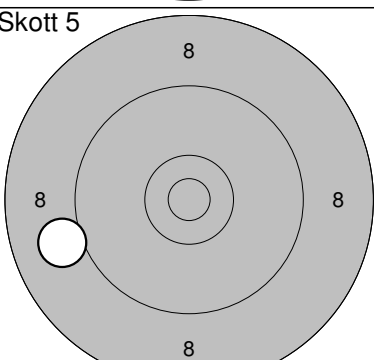
2010-09-04	Höstträffen 2010 Final	Ramselefors SKF
------------	------------------------	-----------------

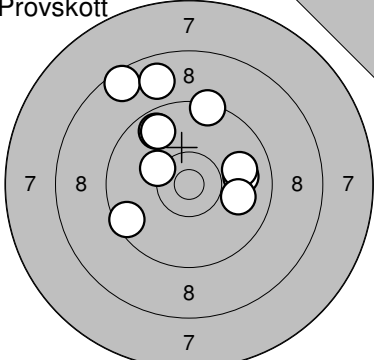
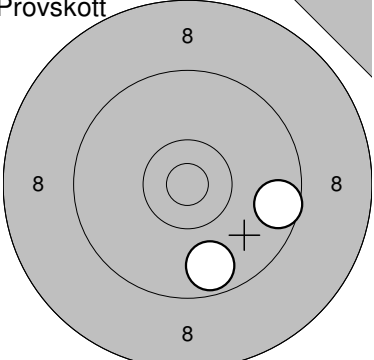
<p>Provskott</p> 	<p>1: 9,9 ↘ 2: 10,1 ↘ 3: 10,6* ← 4: 9,2 ↗ 5: 8,1 ← 6: 10,6* ↘ 7: 10,5* ← 8: 7,8 ↗ 9: 9,3 ↗ 10: 9,2 ↗</p> <p>Serie 91,0 Totalt 185,0</p>	<p>Provskott</p> 	<p>11: 8,3 ↗ 12: 9,5 ↗ 13: 10,4* ↑ 14: 10,0 ↗ 15: 9,4 ↗</p> <p>Serie 46,0 Totalt 185,0</p>
---	---	---	---

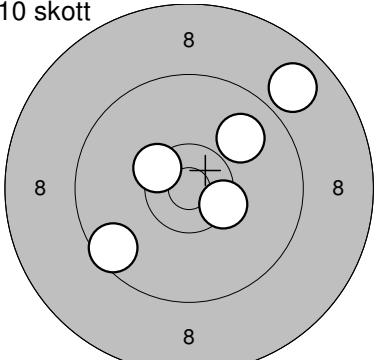
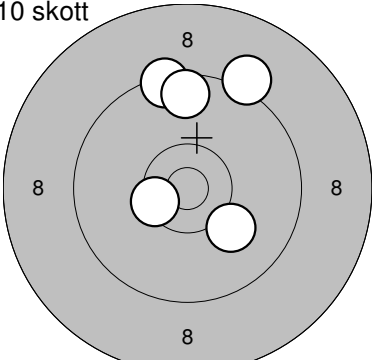
<p>10 skott</p> 	<p>1: 7,9 ↘ 2: 10,2 ↘ 3: 8,8 ↘ 4: 10,7* ↘ 5: 8,7 ↗</p> <p>Serie 43,0 Totalt 228,0</p>	<p>10 skott</p> 	<p>6: 9,9 ↑ 7: 9,1 → 8: 10,3* ↓ 9: 10,0 ↓ 10: 9,6 ↗</p> <p>Serie 47,0 Totalt 275,0</p>
--	--	--	---

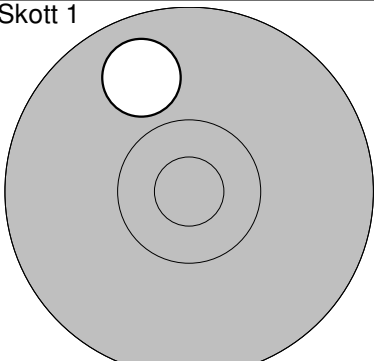
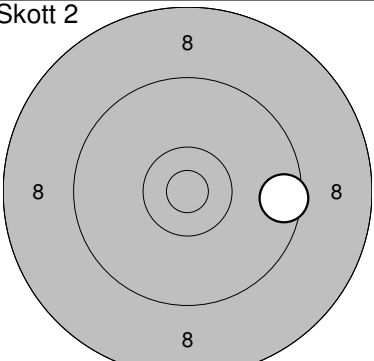
<p>Skott 1</p> 	<p>1: 9,1 ↑</p> <p>Serie 9,0 Totalt 284,0</p>	<p>Skott 2</p> 	<p>1: 9,8 ↓</p> <p>Serie 9,0 Totalt 293,0</p>
--	--	--	--

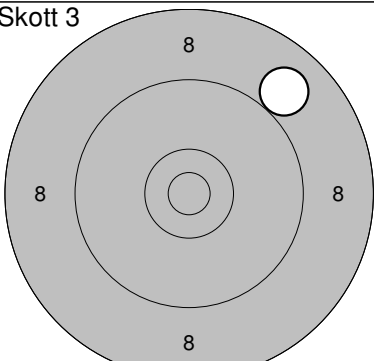
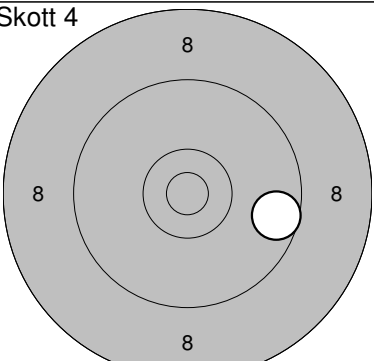
<p>Skott 3</p> 	<p>1: 10,3* ↑</p> <p>Serie 10,0 Totalt 303,0</p>	<p>Skott 4</p> 	<p>1: 10,2 ↓</p> <p>Serie 10,0 Totalt 313,0</p>
---	---	---	--

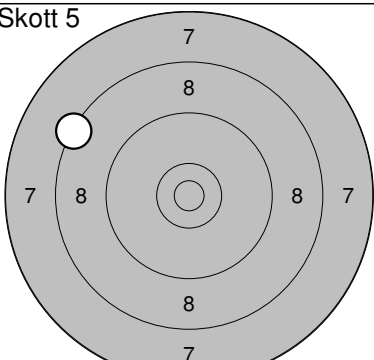
<p>Skott 5</p> 	<p>1: 9,0 ←</p> <p>Serie 9,0 Totalt 322,0</p>		
---	--	--	--

Provsnitt 	1: 8,6 ↗ 2: 9,9 → 3: 9,9 → 4: 9,7 ↗ 5: 9,9 → 6: 8,8 ↗ 7: 9,4 ↗ 8: 9,5 ↖ 9: 10,3 ↖ 10: 9,7 ↗	Provsnitt 	11: 9,7 ↓ 12: 9,6 →
Serie 89,0		Serie 18,0	
Totalt 183,0		Totalt 183,0	

10 skott 	1: 9,9 ↗ 2: 10,4* ↘ 3: 9,6 ↖ 4: 8,9 ↗ 5: 10,4* ↗	10 skott 	6: 10,1 ↘ 7: 9,4 ↑ 8: 10,5* ↖ 9: 9,6 ↑ 10: 9,2 ↗
Serie 46,0		Serie 47,0	
Totalt 229,0		Totalt 276,0	

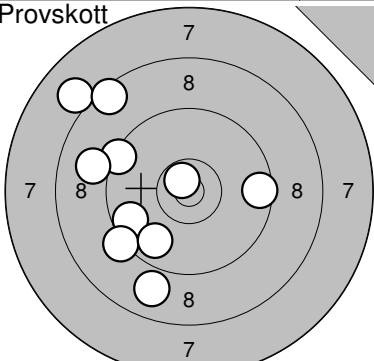
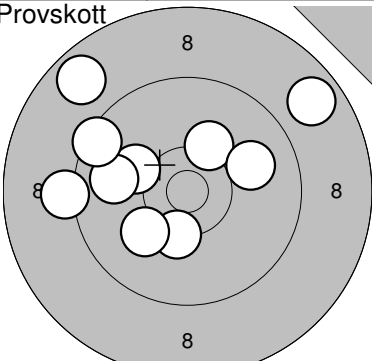
Skott 1 	1: 9,9 ↑	Skott 2 	1: 9,6 →
Serie 9,0		Serie 9,0	
Totalt 285,0		Totalt 294,0	

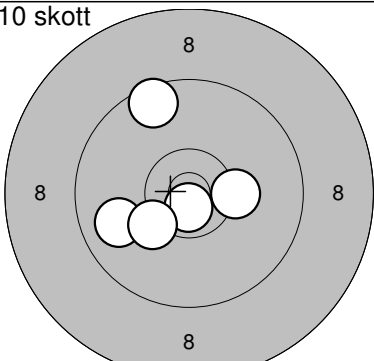
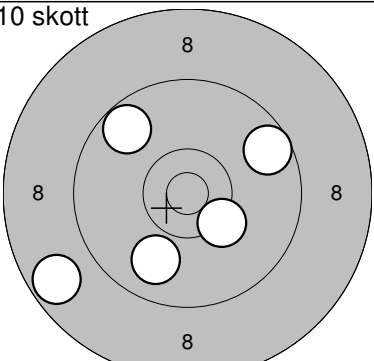
Skott 3 	1: 9,0 ↗	Skott 4 	1: 9,6 →
Serie 9,0		Serie 9,0	
Totalt 303,0		Totalt 312,0	

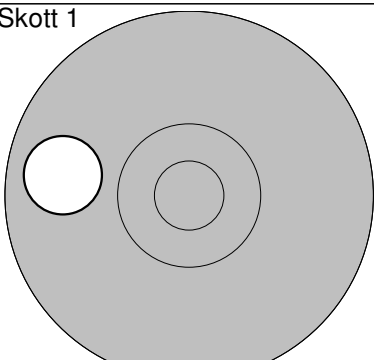
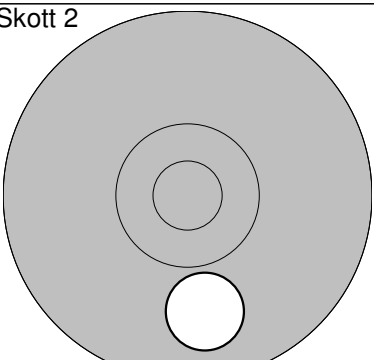
Skott 5 	1: 8,3 ↖		
Serie 8,0			
Totalt 320,0			

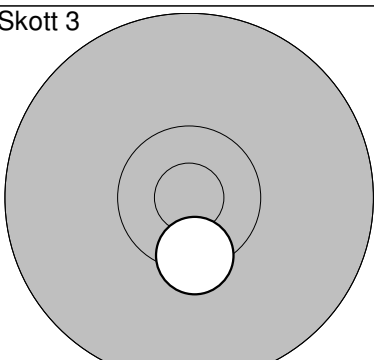
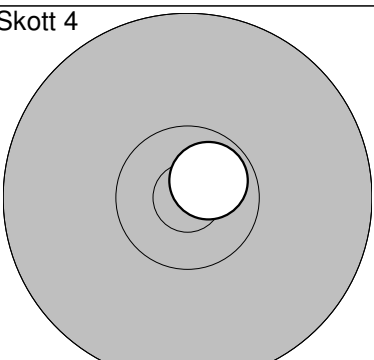
Umeå

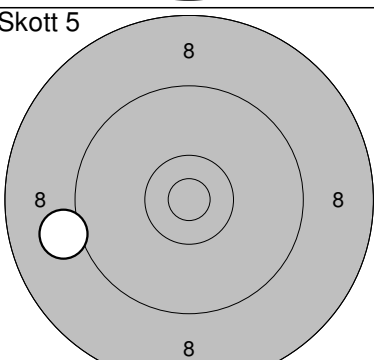
2010-09-04	Höstträffen 2010 Final	Ramselefors SKF
------------	------------------------	-----------------

<p>Provskott</p> 	<p>1: 8,9 ↓</p> <p>2: 9,5 →</p> <p>3: 10,7* ↗</p> <p>4: 8,0 ↗</p> <p>5: 9,4 ↗</p> <p>6: 9,7 ↗</p> <p>7: 9,3 ↖</p> <p>8: 9,0 ↖</p> <p>9: 8,5 ↖</p> <p>10: 9,8 ↘</p> <hr/> <p>Serie 88,0</p> <p>Totalt 189,0</p>	<p>Provskott</p> 	<p>11: 10,2 ↗</p> <p>12: 10,1 ↖</p> <p>13: 9,9 ↖</p> <p>14: 8,7 ↗</p> <p>15: 10,3* ↓</p> <p>16: 10,0 →</p> <p>17: 10,1 ↖</p> <p>18: 9,2 ↖</p> <p>19: 9,5 ↗</p> <p>20: 8,7 ↗</p> <hr/> <p>Serie 93,0</p> <p>Totalt 189,0</p>
---	--	---	---

<p>10 skott</p> 	<p>1: 10,7* ↓</p> <p>2: 9,9 ↖</p> <p>3: 10,3 ↖</p> <p>4: 10,3 →</p> <p>5: 9,6 ↗</p> <hr/> <p>Serie 48,0</p> <p>Totalt 237,0</p>	<p>10 skott</p> 	<p>6: 10,3* ↓</p> <p>7: 8,7 ↖</p> <p>8: 9,7 ↗</p> <p>9: 9,9 ↓</p> <p>10: 9,6 ↗</p> <hr/> <p>Serie 45,0</p> <p>Totalt 282,0</p>
--	---	--	--

<p>Skott 1</p> 	<p>1: 9,8 ↖</p> <hr/> <p>Serie 9,0</p> <p>Totalt 291,0</p>	<p>Skott 2</p> 	<p>1: 9,9 ↓</p> <hr/> <p>Serie 9,0</p> <p>Totalt 300,0</p>
--	--	--	--

<p>Skott 3</p> 	<p>1: 10,4* ↓</p> <hr/> <p>Serie 10,0</p> <p>Totalt 310,0</p>	<p>Skott 4</p> 	<p>1: 10,7* ↗</p> <hr/> <p>Serie 10,0</p> <p>Totalt 320,0</p>
---	---	---	---

<p>Skott 5</p> 	<p>1: 9,1 ↖</p> <hr/> <p>Serie 9,0</p> <p>Totalt 329,0</p>		
---	--	--	--

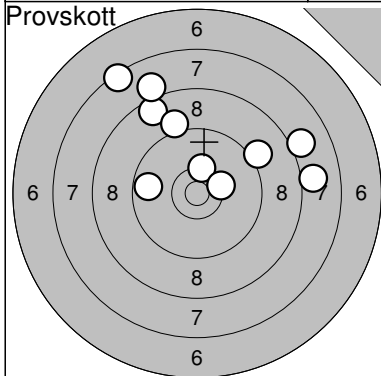
Umeå

2010-09-04

Höstträffen 2010 Final

Ramselefors SKF

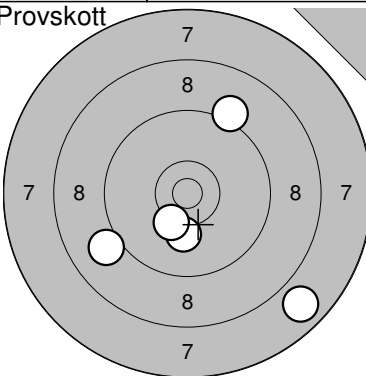
Provskott



- 1: 10,3* ↗
- 2: 8,0 →
- 3: 10,3* →
- 4: 7,4 ↗
- 5: 8,0 ↗
- 6: 9,7 ←
- 7: 9,1 ↗
- 8: 8,6 ↗
- 9: 9,1 ↗
- 10: 8,1 ↗

Serie 86,0
Totalt 189,0

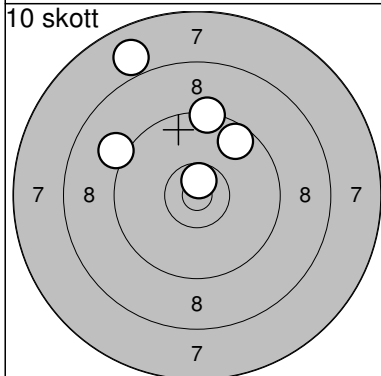
Provskott



- 11: 9,2 ↗
- 12: 10,1 ↓
- 13: 7,8 ↘
- 14: 9,0 ↖
- 15: 10,3 ↓

Serie 45,0
Totalt 189,0

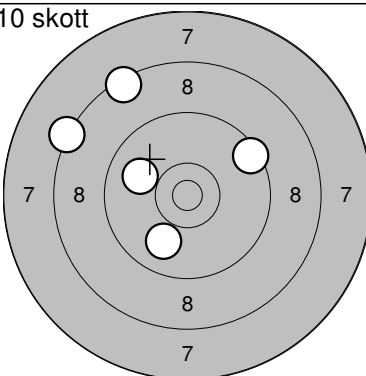
10 skott



- 1: 7,9 ↗
- 2: 9,3 ↗
- 3: 10,7* ↗
- 4: 9,1 ↖
- 5: 9,6 ↗

Serie 44,0
Totalt 233,0

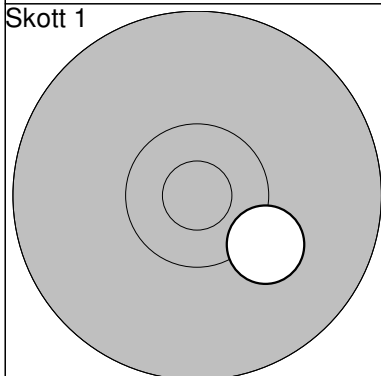
10 skott



- 6: 9,9 ↓
- 7: 9,5 →
- 8: 8,4 ↗
- 9: 10,0 ↖
- 10: 8,3 ↖

Serie 44,0
Totalt 277,0

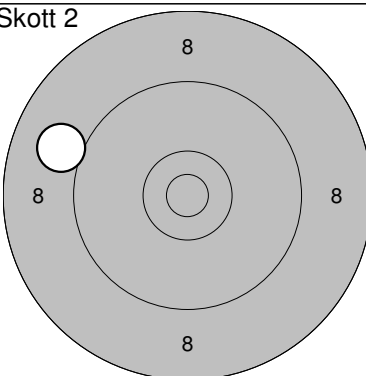
Skott 1



- 1: 10,2 ↘

Serie 10,0
Totalt 287,0

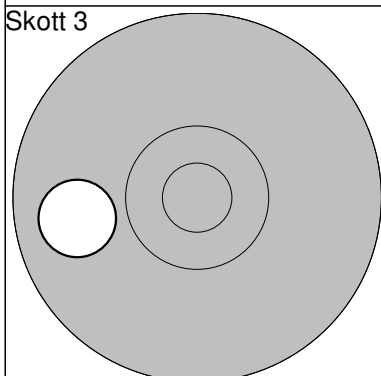
Skott 2



- 1: 9,0 ←

Serie 9,0
Totalt 296,0

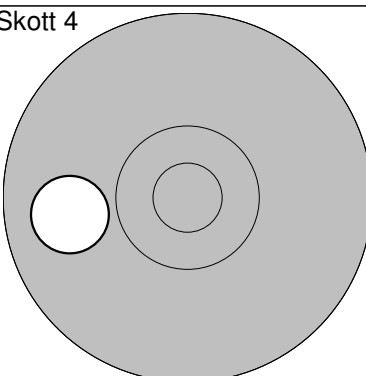
Skott 3



- 1: 9,9 ←

Serie 9,0
Totalt 305,0

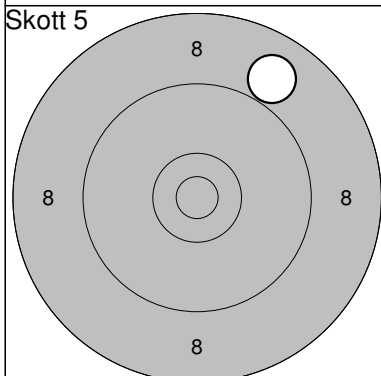
Skott 4



- 1: 9,9 ←

Serie 9,0
Totalt 314,0

Skott 5



- 1: 8,9 ↗

Serie 8,0
Totalt 322,0

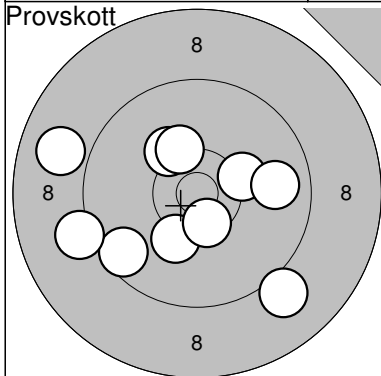
Ramselefors

2010-09-04

Höstträffen 2010 Final

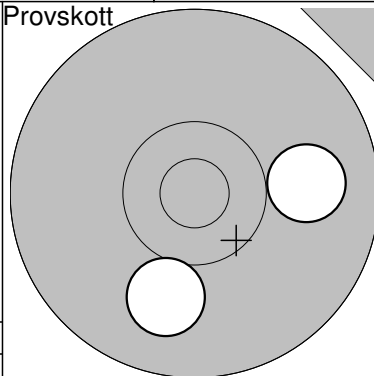
Ramselefors SKF

Provskott



1:	10,2	↗
2:	9,6	↖
3:	9,2	←
4:	10,3	↗
5:	10,2	↖
6:	10,5*	↖
7:	8,9	↗
8:	10,3	↗
9:	9,8	→
10:	9,1	↓

Provskott

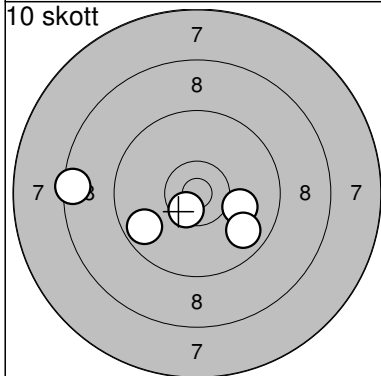


11:	9,9	→
12:	10,0	↓

Serie	94,0
Totalt	185,0

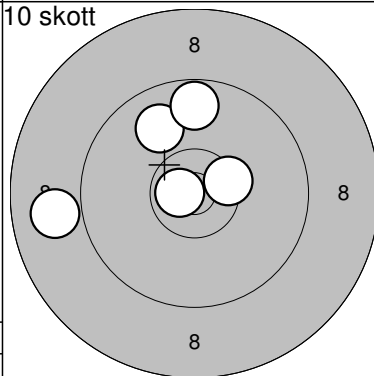
Serie	19,0
Totalt	185,0

10 skott



1:	10,1	→
2:	9,7	↖
3:	8,5	←
4:	10,6*	↖
5:	9,8	↓

10 skott

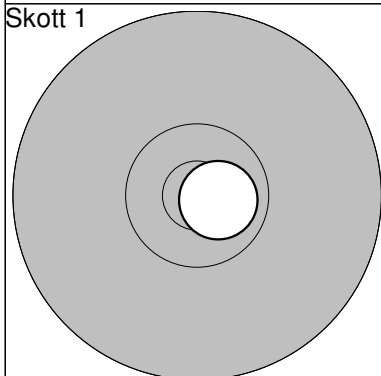


6:	8,9	←
7:	9,9	↖
8:	9,7	↑
9:	10,4*	→
10:	10,7*	←

Serie	46,0
Totalt	231,0

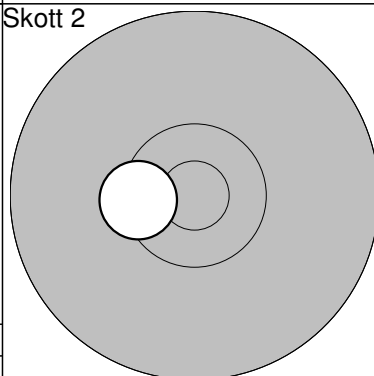
Serie	46,0
Totalt	277,0

Skott 1



1:	10,8*	→
----	-------	---

Skott 2

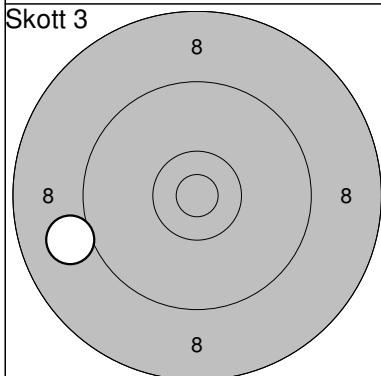


1:	10,4*	←
----	-------	---

Serie	10,0
Totalt	287,0

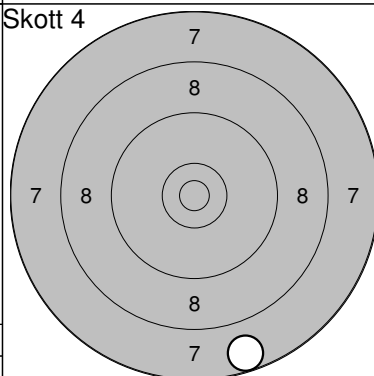
Serie	10,0
Totalt	297,0

Skott 3



1:	9,0	←
----	-----	---

Skott 4

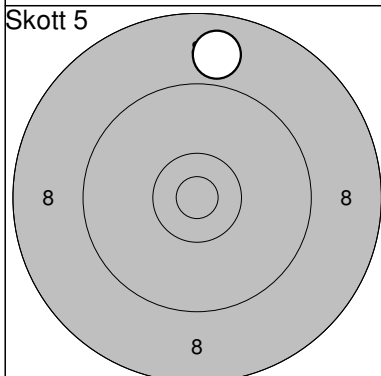


1:	7,7	↓
----	-----	---

Serie	9,0
Totalt	306,0

Serie	7,0
Totalt	313,0

Skott 5



1:	8,9	↑
----	-----	---

Serie	8,0
Totalt	321,0

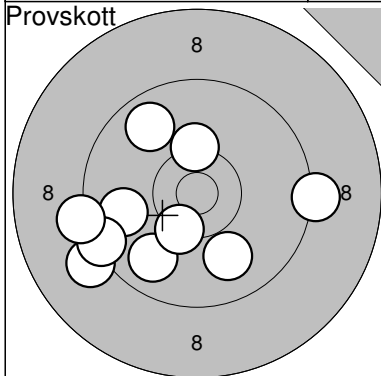
Skellefteå

2010-09-04

Höstträffen 2010 Final

Ramselefors SKF

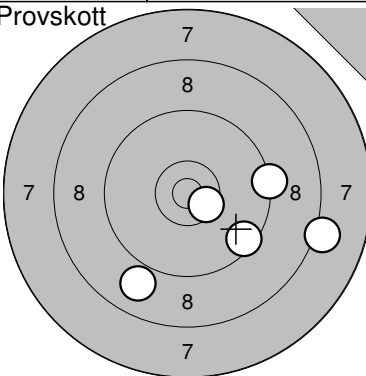
Provskott



- 1: 9,9 ←
- 2: 9,2 →
- 3: 9,8 ↗
- 4: 10,3* ↑
- 5: 9,8 ↘
- 6: 9,9 ↘
- 7: 10,4* ↘
- 8: 9,1 ↘
- 9: 9,4 ↘
- 10: 9,2 ←

Serie 92,0
Totalt 183,0

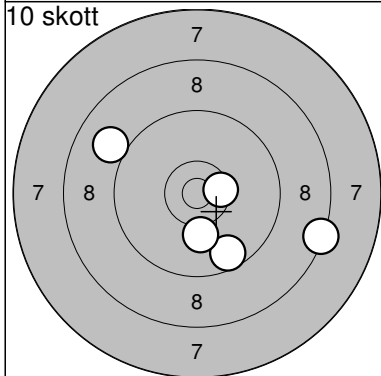
Provskott



- 11: 8,9 ↘
- 12: 9,3 →
- 13: 10,5* ↘
- 14: 9,5 ↘
- 15: 8,1 →

Serie 44,0
Totalt 183,0

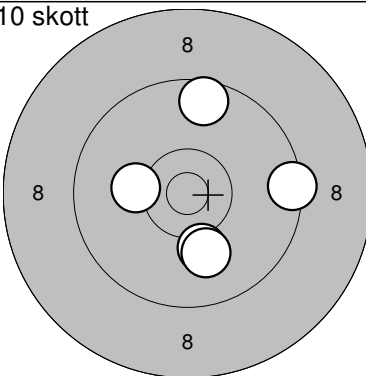
10 skott



- 1: 8,4 →
- 2: 10,5* →
- 3: 9,6 ↘
- 4: 10,1 ↘
- 5: 9,0 ↗

Serie 46,0
Totalt 229,0

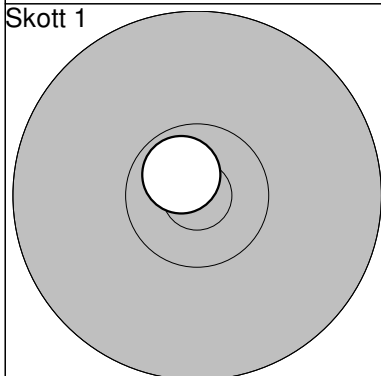
10 skott



- 6: 10,2 ←
- 7: 9,4 →
- 8: 10,1 ↘
- 9: 9,6 ↑
- 10: 10,0 ↘

Serie 48,0
Totalt 277,0

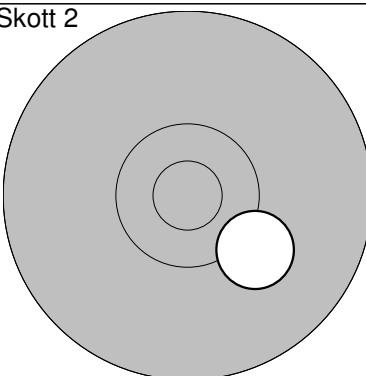
Skott 1



- 1: 10,7* ↘

Serie 10,0
Totalt 287,0

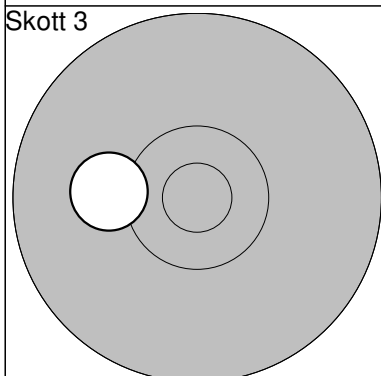
Skott 2



- 1: 10,2 ↘

Serie 10,0
Totalt 297,0

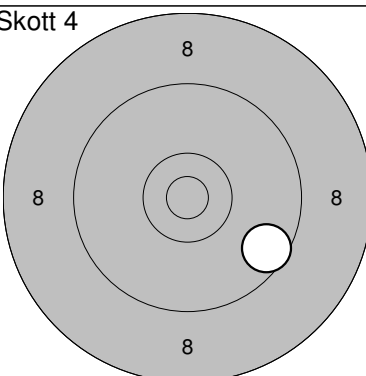
Skott 3



- 1: 10,2 ←

Serie 10,0
Totalt 307,0

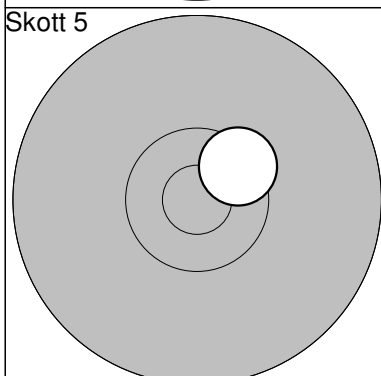
Skott 4



- 1: 9,6 →

Serie 9,0
Totalt 316,0

Skott 5

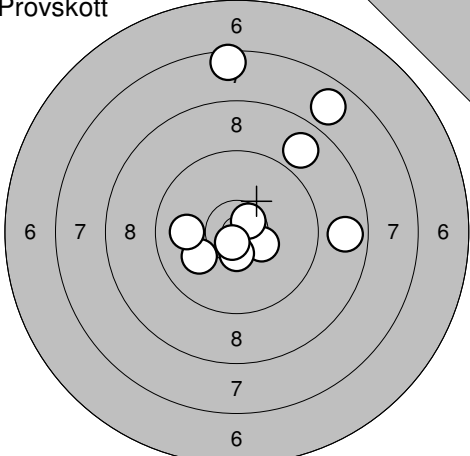
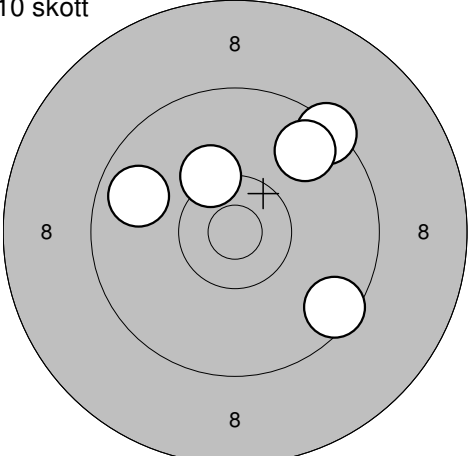


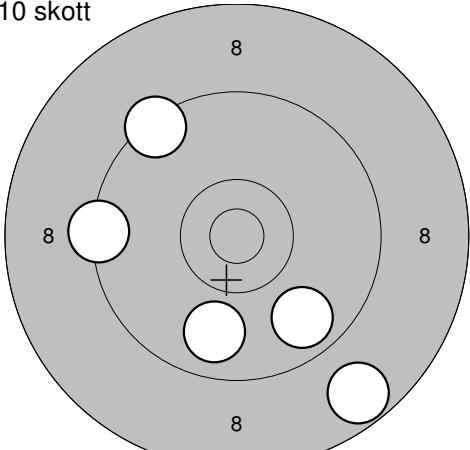
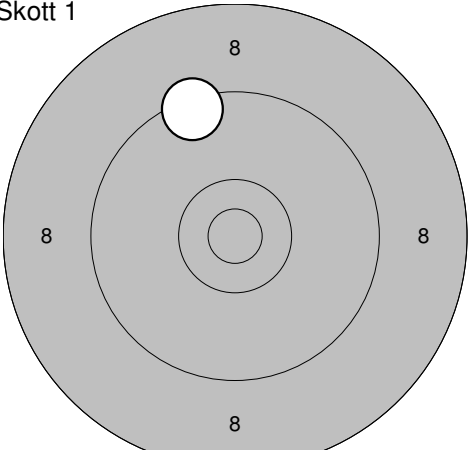
- 1: 10,5* ↗

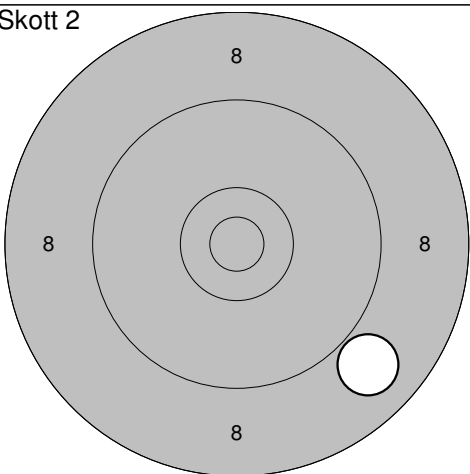
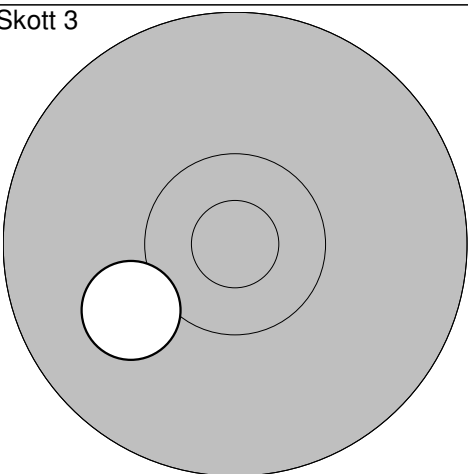
Serie 10,0
Totalt 326,0

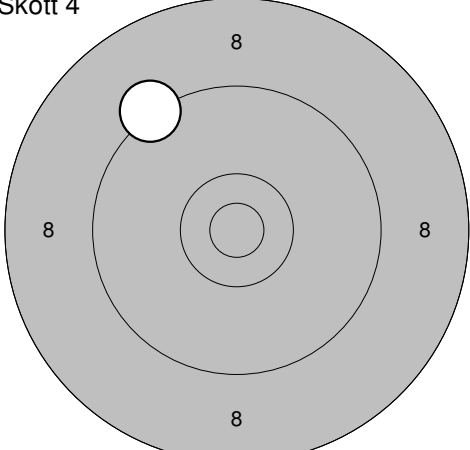
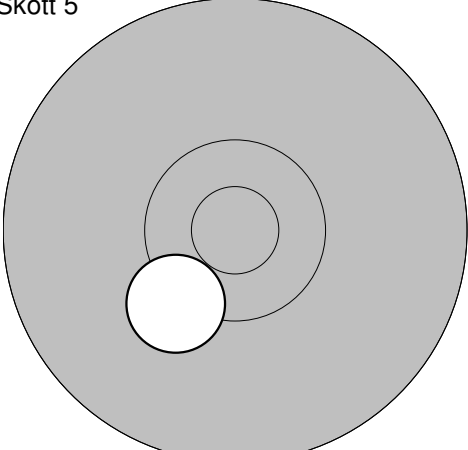
Drängsmark

2010-09-04	Höstträffen 2010 Final	Ramselefors SKF
------------	------------------------	-----------------

<p>Provskott</p> 	<p>1: 7,8 ↗ 2: 8,8 → 3: 7,6 ↑ 4: 10,4* → 5: 8,9 ↗ 6: 10,1 ← 7: 10,0 ← 8: 10,6* ↗ 9: 10,5* ↓ 10: 10,7* ↓</p> <table border="1" style="width:100%; border-collapse: collapse;"> <tr><td>Serie</td><td style="text-align: right;">90,0</td></tr> <tr><td>Totalt</td><td style="text-align: right;">180,0</td></tr> </table>	Serie	90,0	Totalt	180,0	<p>10 skott</p>  <table border="1" style="width:100%; border-collapse: collapse;"> <tr><td>1: 9,4 ↗</td></tr> <tr><td>2: 9,7 ↗</td></tr> <tr><td>3: 10,3 ↗</td></tr> <tr><td>4: 9,8 ←</td></tr> <tr><td>5: 9,5 ↓</td></tr> </table> <table border="1" style="width:100%; border-collapse: collapse;"> <tr><td>Serie</td><td style="text-align: right;">46,0</td></tr> <tr><td>Totalt</td><td style="text-align: right;">226,0</td></tr> </table>	1: 9,4 ↗	2: 9,7 ↗	3: 10,3 ↗	4: 9,8 ←	5: 9,5 ↓	Serie	46,0	Totalt	226,0
Serie	90,0														
Totalt	180,0														
1: 9,4 ↗															
2: 9,7 ↗															
3: 10,3 ↗															
4: 9,8 ←															
5: 9,5 ↓															
Serie	46,0														
Totalt	226,0														

<p>10 skott</p>  <table border="1" style="width:100%; border-collapse: collapse;"> <tr><td>6: 9,8 ↓</td></tr> <tr><td>7: 9,8 ↓</td></tr> <tr><td>8: 9,4 ←</td></tr> <tr><td>9: 8,7 ↓</td></tr> <tr><td>10: 9,4 ↗</td></tr> </table> <table border="1" style="width:100%; border-collapse: collapse;"> <tr><td>Serie</td><td style="text-align: right;">44,0</td></tr> <tr><td>Totalt</td><td style="text-align: right;">270,0</td></tr> </table>	6: 9,8 ↓	7: 9,8 ↓	8: 9,4 ←	9: 8,7 ↓	10: 9,4 ↗	Serie	44,0	Totalt	270,0	<p>Skott 1</p>  <table border="1" style="width:100%; border-collapse: collapse;"> <tr><td>1: 9,4 ↑</td></tr> </table> <table border="1" style="width:100%; border-collapse: collapse;"> <tr><td>Serie</td><td style="text-align: right;">9,0</td></tr> <tr><td>Totalt</td><td style="text-align: right;">279,0</td></tr> </table>	1: 9,4 ↑	Serie	9,0	Totalt	279,0
6: 9,8 ↓															
7: 9,8 ↓															
8: 9,4 ←															
9: 8,7 ↓															
10: 9,4 ↗															
Serie	44,0														
Totalt	270,0														
1: 9,4 ↑															
Serie	9,0														
Totalt	279,0														

<p>Skott 2</p>  <table border="1" style="width:100%; border-collapse: collapse;"> <tr><td>1: 8,9 ↓</td></tr> </table> <table border="1" style="width:100%; border-collapse: collapse;"> <tr><td>Serie</td><td style="text-align: right;">8,0</td></tr> <tr><td>Totalt</td><td style="text-align: right;">287,0</td></tr> </table>	1: 8,9 ↓	Serie	8,0	Totalt	287,0	<p>Skott 3</p>  <table border="1" style="width:100%; border-collapse: collapse;"> <tr><td>1: 10,1 ←</td></tr> </table> <table border="1" style="width:100%; border-collapse: collapse;"> <tr><td>Serie</td><td style="text-align: right;">10,0</td></tr> <tr><td>Totalt</td><td style="text-align: right;">297,0</td></tr> </table>	1: 10,1 ←	Serie	10,0	Totalt	297,0
1: 8,9 ↓											
Serie	8,0										
Totalt	287,0										
1: 10,1 ←											
Serie	10,0										
Totalt	297,0										

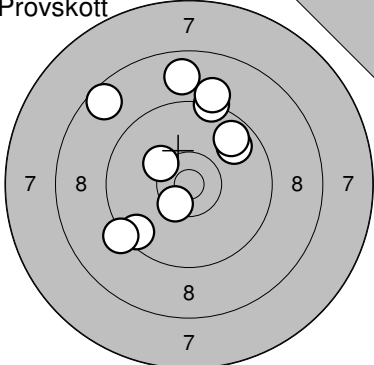
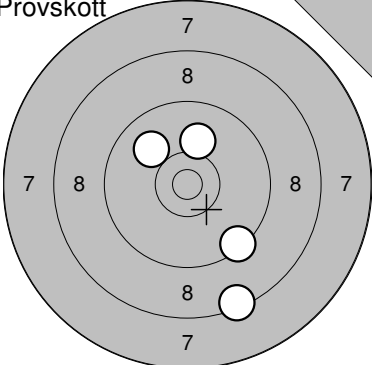
<p>Skott 4</p>  <table border="1" style="width:100%; border-collapse: collapse;"> <tr><td>1: 9,3 ↗</td></tr> </table> <table border="1" style="width:100%; border-collapse: collapse;"> <tr><td>Serie</td><td style="text-align: right;">9,0</td></tr> <tr><td>Totalt</td><td style="text-align: right;">306,0</td></tr> </table>	1: 9,3 ↗	Serie	9,0	Totalt	306,0	<p>Skott 5</p>  <table border="1" style="width:100%; border-collapse: collapse;"> <tr><td>1: 10,3 ↓</td></tr> </table> <table border="1" style="width:100%; border-collapse: collapse;"> <tr><td>Serie</td><td style="text-align: right;">10,0</td></tr> <tr><td>Totalt</td><td style="text-align: right;">316,0</td></tr> </table>	1: 10,3 ↓	Serie	10,0	Totalt	316,0
1: 9,3 ↗											
Serie	9,0										
Totalt	306,0										
1: 10,3 ↓											
Serie	10,0										
Totalt	316,0										

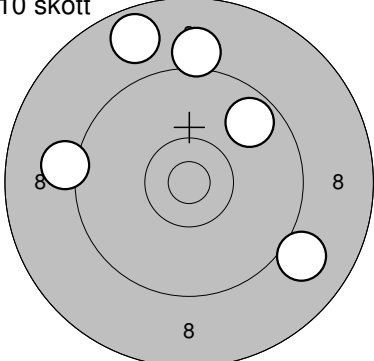
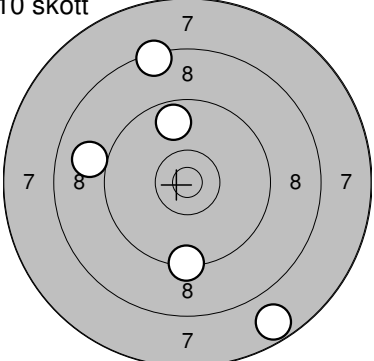
<p>Provskott</p>	<p>1: 4,1 ↘ 2: 5,0 ↘ 3: 9,1 → 4: 9,2 → 5: 10,4* ↑ 6: 10,2 ↑ 7: 9,8 → 8: 9,2 ↗ 9: 9,9 ← 10: 10,5* ↗</p> <table border="1" style="width:100%; border-collapse: collapse;"> <tr><td>Serie</td><td style="text-align: right;">84,0</td></tr> <tr><td>Totalt</td><td style="text-align: right;">175,0</td></tr> </table>	Serie	84,0	Totalt	175,0	<p>10 skott</p>	<p>1: 9,4 → 2: 8,8 ↘ 3: 10,3* ↑ 4: 9,7 ← 5: 9,8 ↘</p> <table border="1" style="width:100%; border-collapse: collapse;"> <tr><td>Serie</td><td style="text-align: right;">45,0</td></tr> <tr><td>Totalt</td><td style="text-align: right;">220,0</td></tr> </table>	Serie	45,0	Totalt	220,0
Serie	84,0										
Totalt	175,0										
Serie	45,0										
Totalt	220,0										

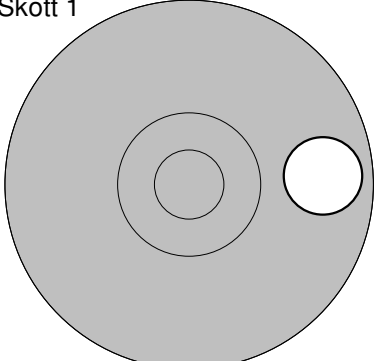
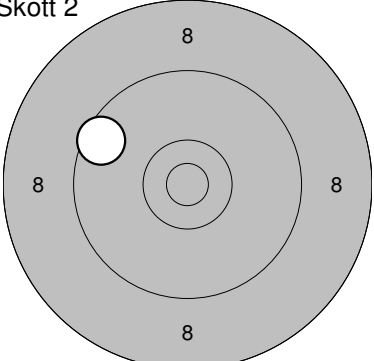
<p>10 skott</p>	<p>6: 9,8 ↘ 7: 8,8 ← 8: 9,5 ↘ 9: 9,6 ↘ 10: 8,8 ↘</p> <table border="1" style="width:100%; border-collapse: collapse;"> <tr><td>Serie</td><td style="text-align: right;">43,0</td></tr> <tr><td>Totalt</td><td style="text-align: right;">263,0</td></tr> </table>	Serie	43,0	Totalt	263,0	<p>Skott 1</p>	<p>1: 9,5 ←</p> <table border="1" style="width:100%; border-collapse: collapse;"> <tr><td>Serie</td><td style="text-align: right;">9,0</td></tr> <tr><td>Totalt</td><td style="text-align: right;">272,0</td></tr> </table>	Serie	9,0	Totalt	272,0
Serie	43,0										
Totalt	263,0										
Serie	9,0										
Totalt	272,0										

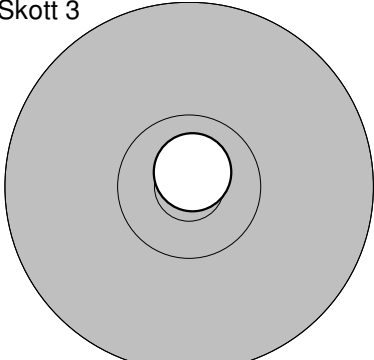
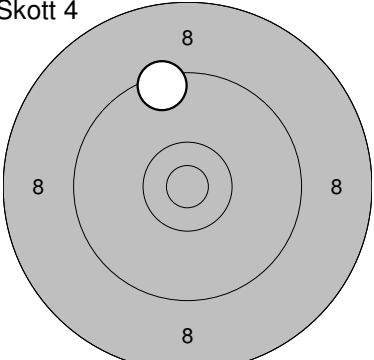
<p>Skott 2</p>	<p>1: 9,4 ↘</p> <table border="1" style="width:100%; border-collapse: collapse;"> <tr><td>Serie</td><td style="text-align: right;">9,0</td></tr> <tr><td>Totalt</td><td style="text-align: right;">281,0</td></tr> </table>	Serie	9,0	Totalt	281,0	<p>Skott 3</p>	<p>1: 10,2 →</p> <table border="1" style="width:100%; border-collapse: collapse;"> <tr><td>Serie</td><td style="text-align: right;">10,0</td></tr> <tr><td>Totalt</td><td style="text-align: right;">291,0</td></tr> </table>	Serie	10,0	Totalt	291,0
Serie	9,0										
Totalt	281,0										
Serie	10,0										
Totalt	291,0										

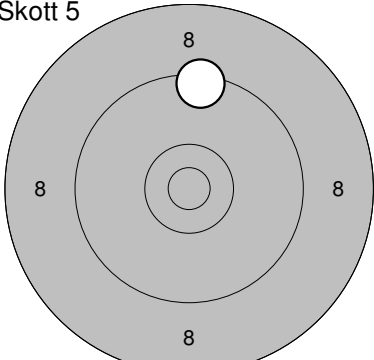
<p>Skott 4</p>	<p>1: 9,8 ↘</p> <table border="1" style="width:100%; border-collapse: collapse;"> <tr><td>Serie</td><td style="text-align: right;">9,0</td></tr> <tr><td>Totalt</td><td style="text-align: right;">300,0</td></tr> </table>	Serie	9,0	Totalt	300,0	<p>Skott 5</p>	<p>1: 9,9 ↗</p> <table border="1" style="width:100%; border-collapse: collapse;"> <tr><td>Serie</td><td style="text-align: right;">9,0</td></tr> <tr><td>Totalt</td><td style="text-align: right;">309,0</td></tr> </table>	Serie	9,0	Totalt	309,0
Serie	9,0										
Totalt	300,0										
Serie	9,0										
Totalt	309,0										

Provsnitt 	1: 9,8 ↗ 2: 9,3 ↗ 3: 10,3 ↗ 4: 8,6 ↗ 5: 10,5* ↘ 6: 9,5 ↘ 7: 9,3 ↘ 8: 9,1 ↗ 9: 9,7 ↗ 10: 8,8 ↗ <hr/> Serie 90,0 Totalt 174,0	Provsnitt 	11: 9,4 ↘ 12: 10,0 ↗ 13: 10,1 ↗ 14: 8,4 ↘ <hr/> Serie 37,0 Totalt 174,0
---	--	---	--

10 skott 	1: 9,0 ↘ 2: 8,8 ↗ 3: 9,1 ↗ 4: 9,7 ↗ 5: 9,2 ↖ <hr/> Serie 44,0 Totalt 218,0	10 skott 	6: 7,7 ↘ 7: 9,3 ↘ 8: 9,7 ↗ 9: 9,0 ↖ 10: 8,4 ↗ <hr/> Serie 42,0 Totalt 260,0
--	--	--	---

Skott 1 	1: 9,7 → <hr/> Serie 9,0 Totalt 269,0	Skott 2 	1: 9,6 ← <hr/> Serie 9,0 Totalt 278,0
--	---	--	---

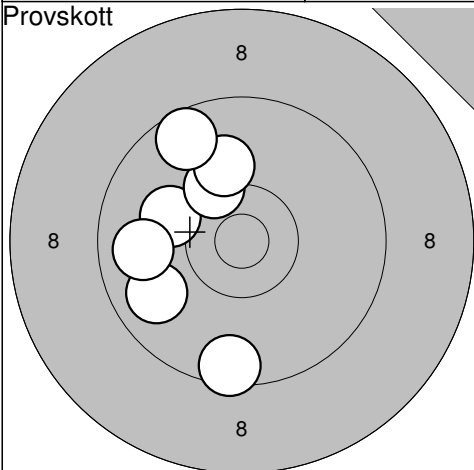
Skott 3 	1: 10,8* ↗ <hr/> Serie 10,0 Totalt 288,0	Skott 4 	1: 9,5 ↗ <hr/> Serie 9,0 Totalt 297,0
---	--	---	---

Skott 5 	1: 9,4 ↗ <hr/> Serie 9,0 Totalt 306,0		
---	---	--	--

Umeå

2010-09-04	Höstträffen 2010 Final	Ramselefors SKF
------------	------------------------	-----------------

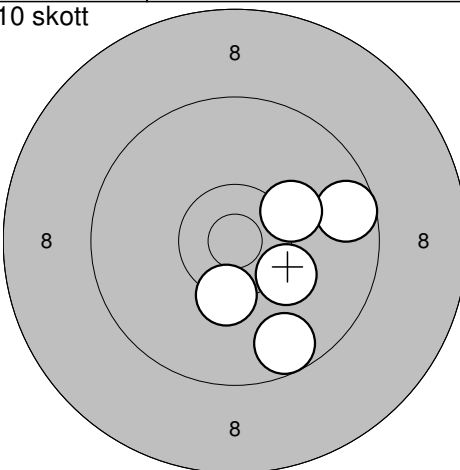
Provskott



- 1: 10,1 ←
- 2: 10,3 ↗
- 3: 9,5 ↓
- 4: 10,1 ↑
- 5: 9,8 ←
- 6: 9,8 ←
- 7: 9,6 ↗

Serie	66,0
Totalt	186,0

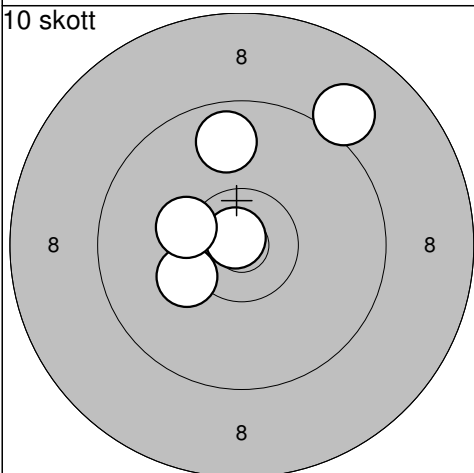
10 skott



- 1: 10,2 ↘
- 2: 9,6 ↓
- 3: 10,3* ↓
- 4: 9,6 →
- 5: 10,2 ↗

Serie	48,0
Totalt	234,0

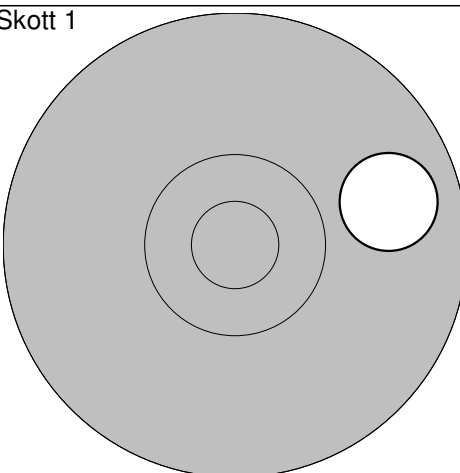
10 skott



- 6: 10,2 ←
- 7: 9,1 ↗
- 8: 10,8* ↗
- 9: 10,3 ←
- 10: 9,8 ↑

Serie	48,0
Totalt	282,0

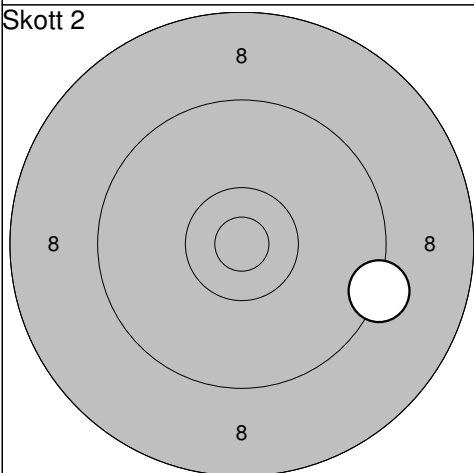
Skott 1



- 1: 9,8 →

Serie	9,0
Totalt	291,0

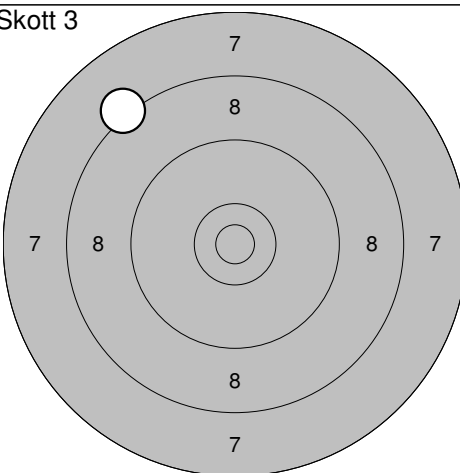
Skott 2



- 1: 9,3 →

Serie	9,0
Totalt	300,0

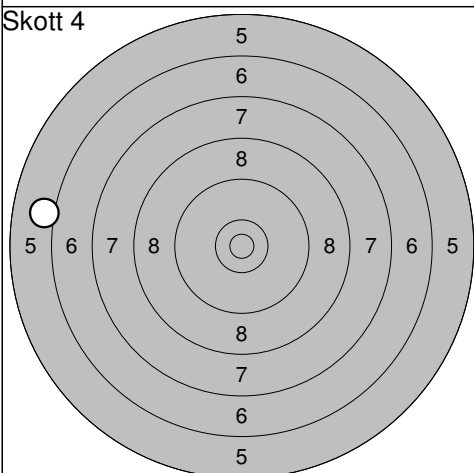
Skott 3



- 1: 8,2 ↖

Serie	8,0
Totalt	308,0

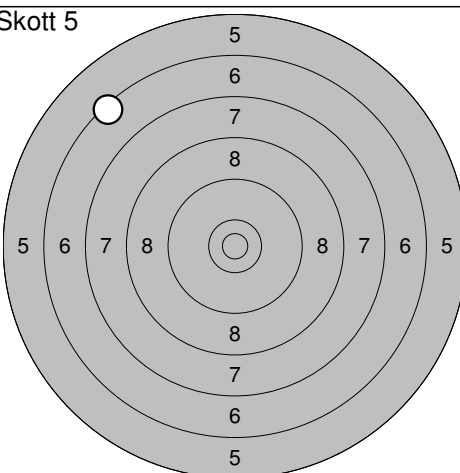
Skott 4



- 1: 6,1 ←

Serie	6,0
Totalt	314,0

Skott 5



- 1: 6,4 ↖

Serie	6,0
Totalt	320,0

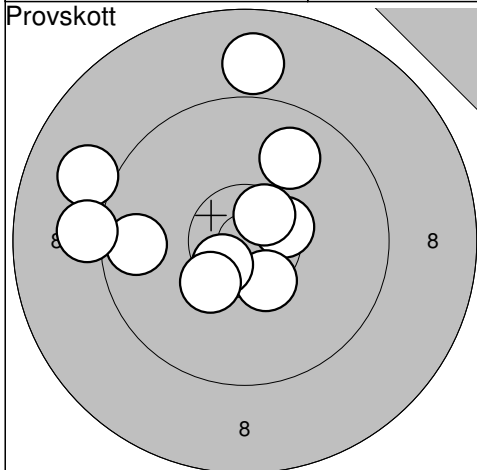
Umeå

2010-09-04

Höstträffen 2010 Final

Ramselefors SKF

Provskott

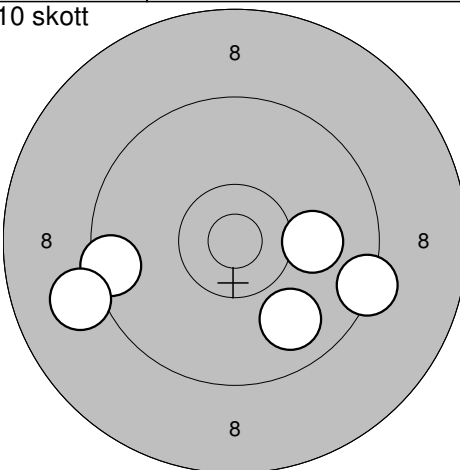


1: 8,9 ↑
 2: 10,5* →
 3: 9,9 ↗
 4: 10,4* ↓
 5: 10,6* ↘
 6: 10,3* ↘
 7: 10,6* ↗
 8: 9,0 ↖
 9: 9,7 ←
 10: 9,1 ←

Serie 94,0

Totalt 184,0

10 skott

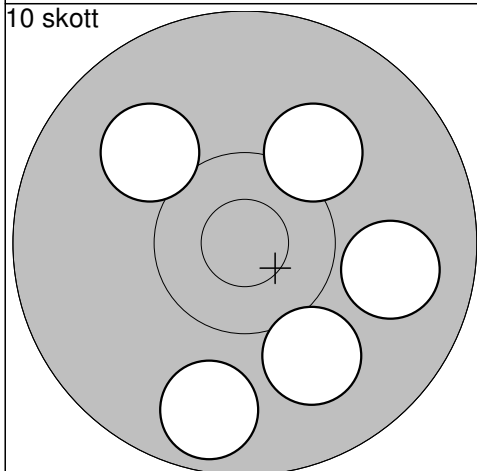


1: 10,1 →
 2: 9,9 ↘
 3: 9,5 ←
 4: 9,1 ←
 5: 9,4 →

Serie 46,0

Totalt 230,0

10 skott

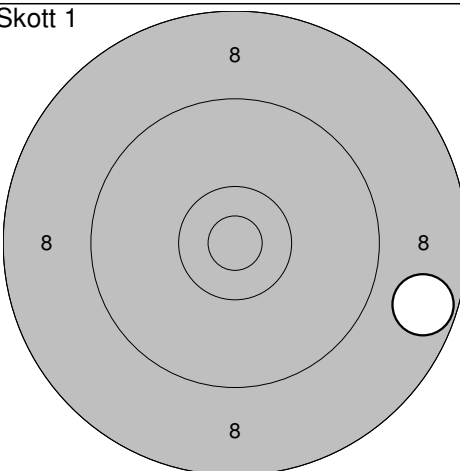


6: 10,1 ↗
 7: 10,0 ↓
 8: 10,0 ↗
 9: 9,9 →
 10: 9,7 ↓

Serie 48,0

Totalt 278,0

Skott 1

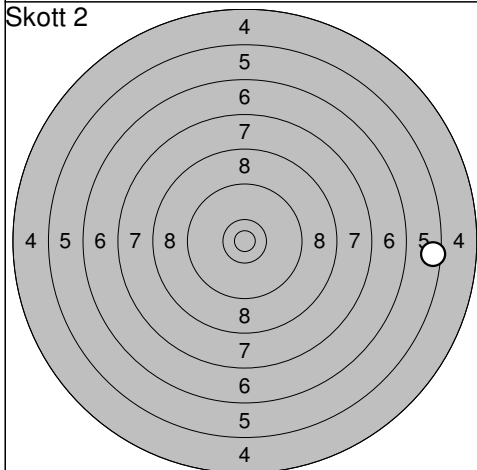


1: 8,7 →

Serie 8,0

Totalt 286,0

Skott 2

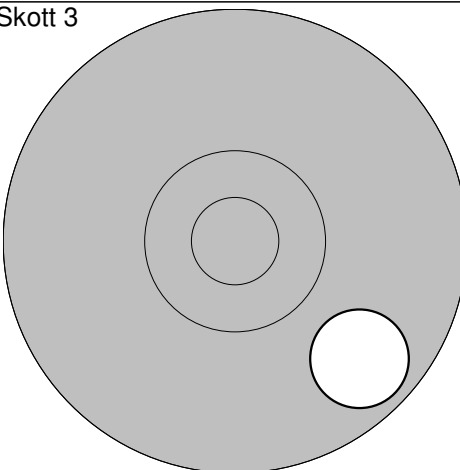


1: 5,5 →

Serie 5,0

Totalt 291,0

Skott 3

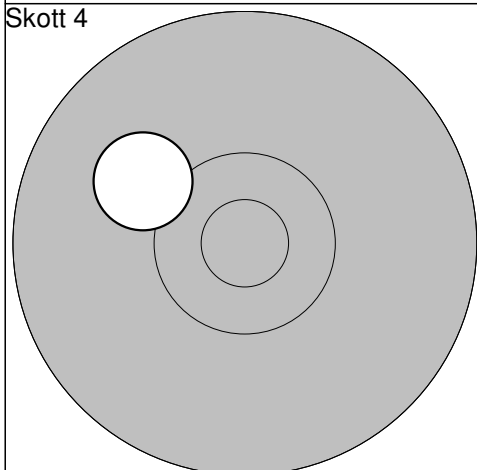


1: 9,7 ↘

Serie 9,0

Totalt 300,0

Skott 4

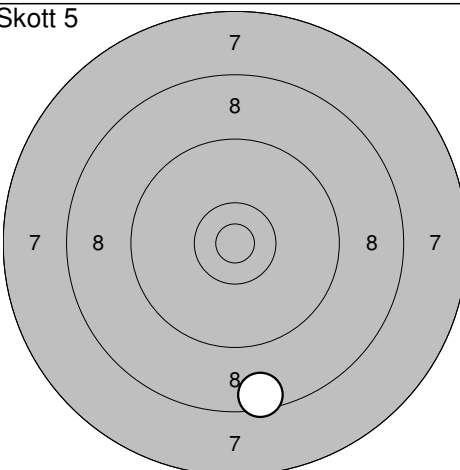


1: 10,1 ↖

Serie 10,0

Totalt 310,0

Skott 5



1: 8,5 ↓

Serie 8,0

Totalt 318,0

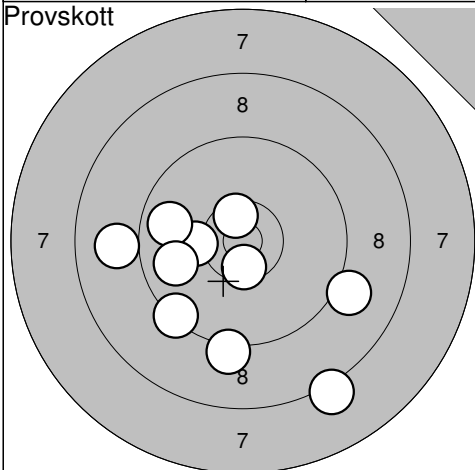
Umeå

2010-09-04

Höstträffen 2010 Final

Ramselefors SKF

Provskott

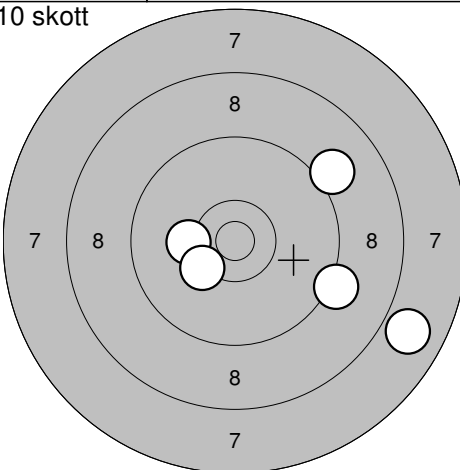


1: 9,1 ↘
 2: 8,2 ↘
 3: 10,5* ↓
 4: 10,5* ↑
 5: 10,2 ←
 6: 9,8 ←
 7: 9,0 ←
 8: 9,8 ←
 9: 9,4 ↙
 10: 9,2 ↓

Serie 92,0

Totalt 182,0

10 skott

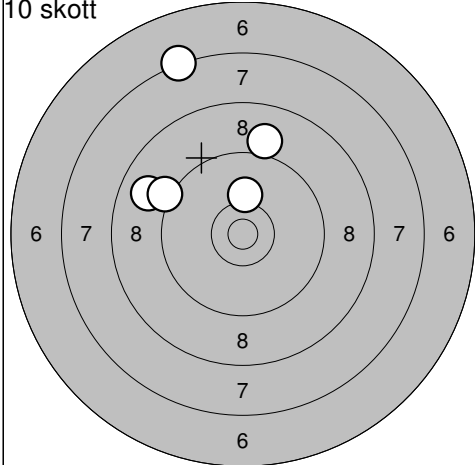


1: 9,1 ↗
 2: 7,9 ↘
 3: 9,2 ↘
 4: 10,2 ←
 5: 10,3 ↙

Serie 45,0

Totalt 227,0

10 skott

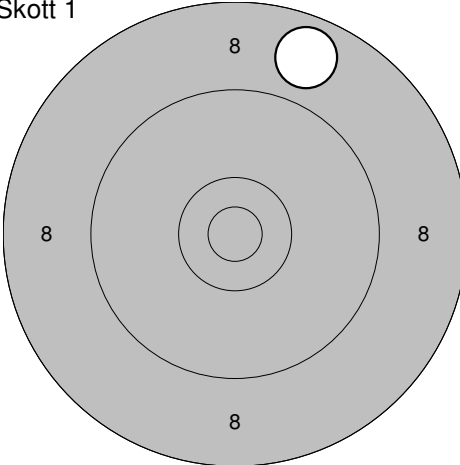


6: 7,3 ↑
 7: 9,0 ↑
 8: 8,9 ←
 9: 9,2 ↙
 10: 10,2 ↑

Serie 43,0

Totalt 270,0

Skott 1

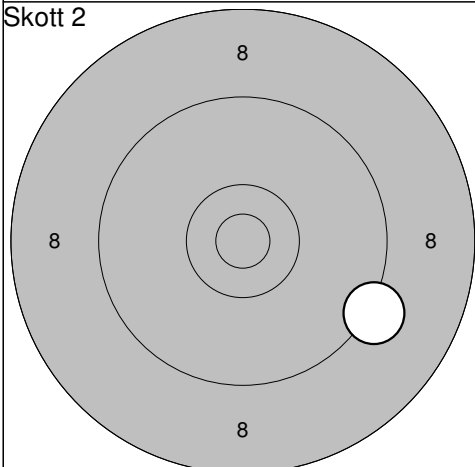


1: 8,8 ↑

Serie 8,0

Totalt 278,0

Skott 2

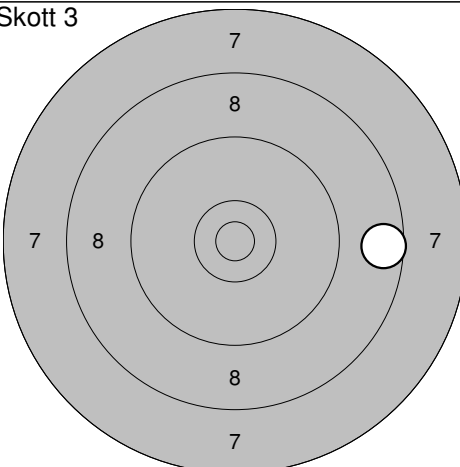


1: 9,2 ↘

Serie 9,0

Totalt 287,0

Skott 3

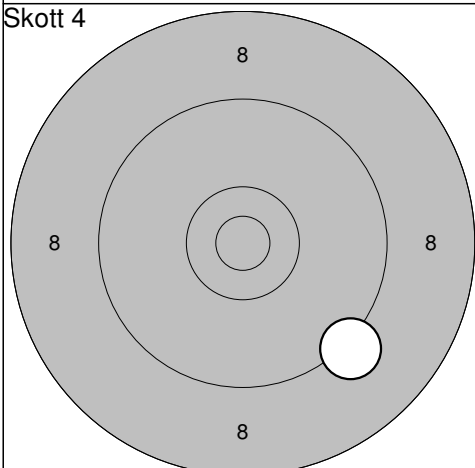


1: 8,6 →

Serie 8,0

Totalt 295,0

Skott 4

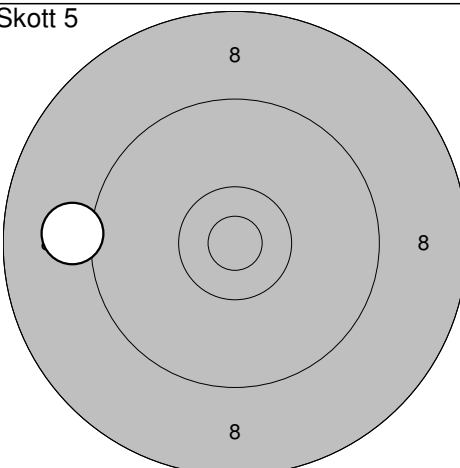


1: 9,2 ↘

Serie 9,0

Totalt 304,0

Skott 5



1: 9,1 ←

Serie 9,0

Totalt 313,0

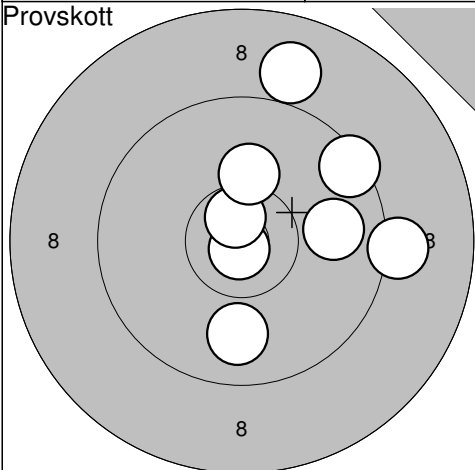
Umeå

2010-09-04

Höstträffen 2010 Final

Ramselefors SKF

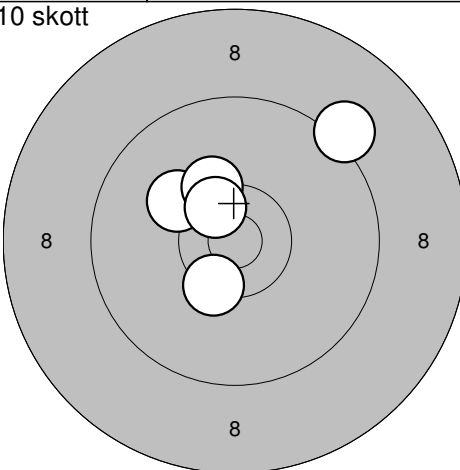
Provskott



- 1: 9,9 →
- 2: 9,9 ↓
- 3: 9,5 ↗
- 4: 9,2 →
- 5: 10,9* ↓
- 6: 9,0 ↑
- 7: 10,7* ↑
- 8: 10,2 ↑

Serie 75,0
Totalt 181,0

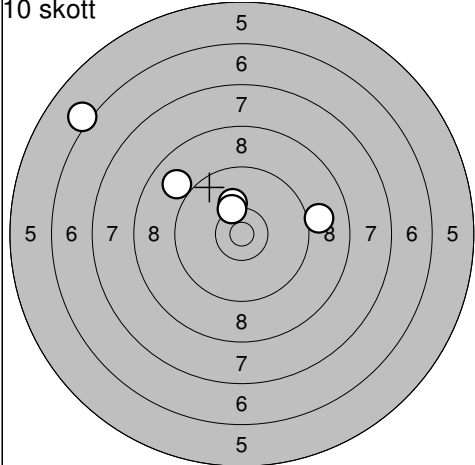
10 skott



- 1: 9,2 ↗
- 2: 10,2 ↖
- 3: 10,4* ↓
- 4: 10,3 ↗
- 5: 10,5* ↗

Serie 49,0
Totalt 230,0

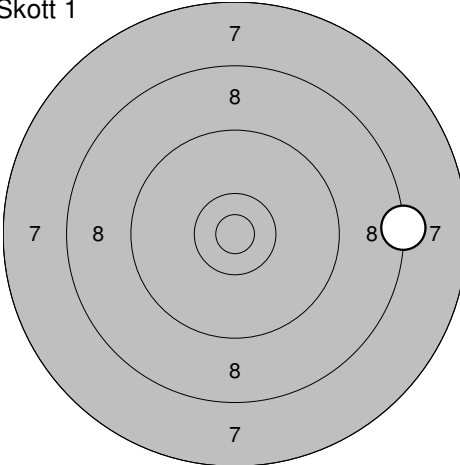
10 skott



- 6: 10,2 ↑
- 7: 6,1 ↖
- 8: 9,0 ↗
- 9: 10,3* ↑
- 10: 9,0 →

Serie 44,0
Totalt 274,0

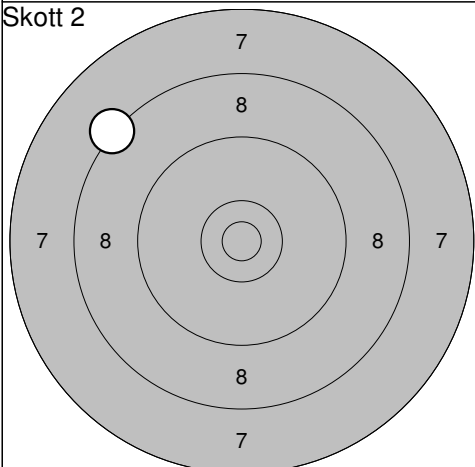
Skott 1



- 1: 8,3 →

Serie 8,0
Totalt 282,0

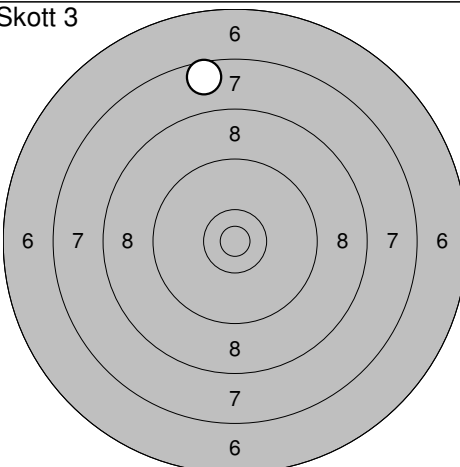
Skott 2



- 1: 8,3 ↖

Serie 8,0
Totalt 290,0

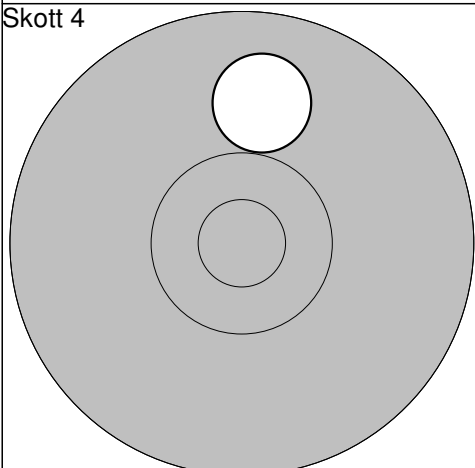
Skott 3



- 1: 7,6 ↑

Serie 7,0
Totalt 297,0

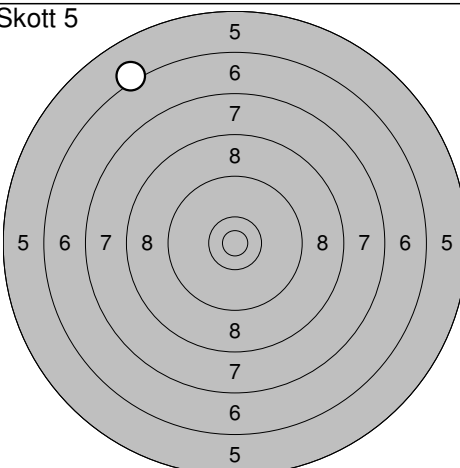
Skott 4



- 1: 9,9 ↑

Serie 9,0
Totalt 306,0

Skott 5



- 1: 6,2 ↖

Serie 6,0
Totalt 312,0

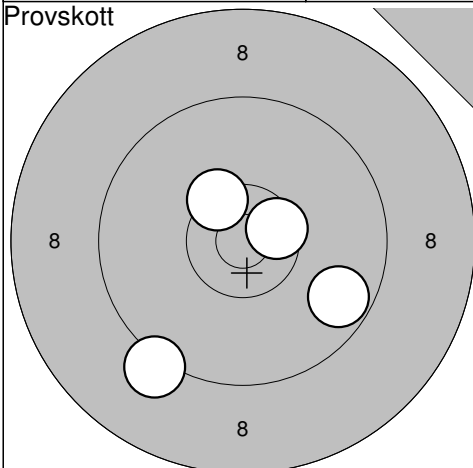
Umeå

2010-09-04

Höstträffen 2010 Final

Ramselefors SKF

Provskott

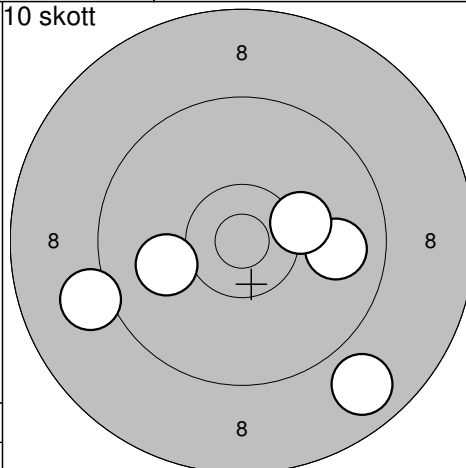


1: 10,4* ↗
 2: 10,5* →
 3: 9,7 ↘
 4: 9,2 ↙

Serie 38,0

Totalt 175,0

10 skott

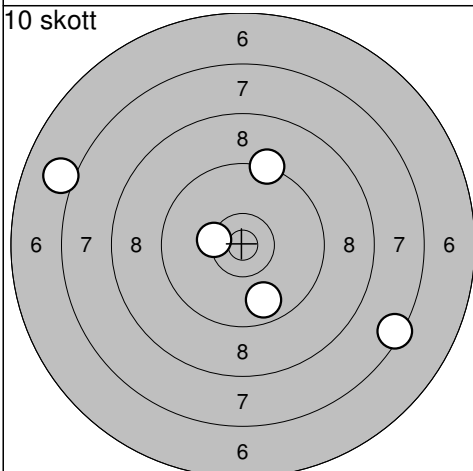


1: 8,8 ↘
 2: 9,9 →
 3: 10,2 →
 4: 9,1 ←
 5: 10,1 ←

Serie 46,0

Totalt 221,0

10 skott

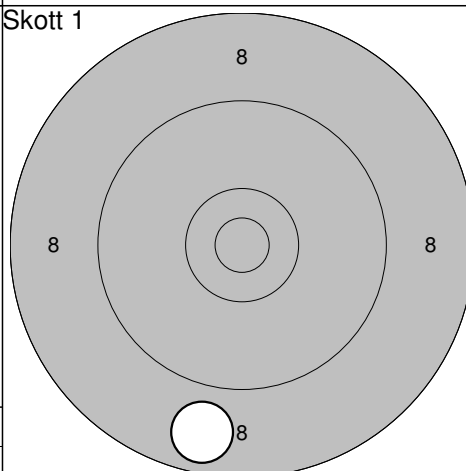


6: 7,4 ↘
 7: 9,3 ↑
 8: 10,4* ←
 9: 7,1 ↙
 10: 9,8 ↘

Serie 42,0

Totalt 263,0

Skott 1

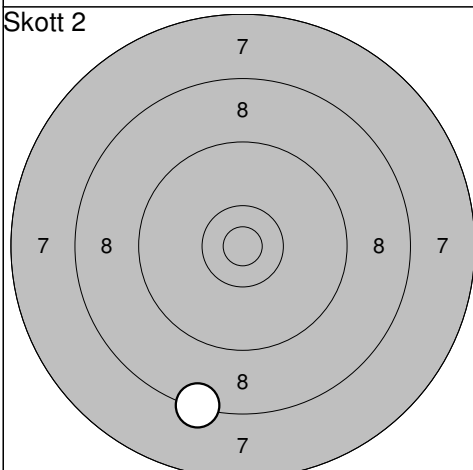


1: 8,8 ↘

Serie 8,0

Totalt 271,0

Skott 2

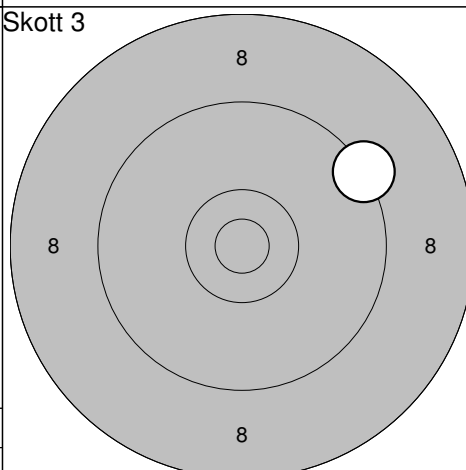


1: 8,3 ↘

Serie 8,0

Totalt 279,0

Skott 3

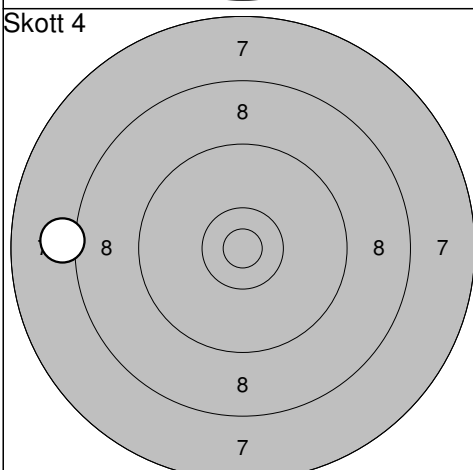


1: 9,3 ↗

Serie 9,0

Totalt 288,0

Skott 4

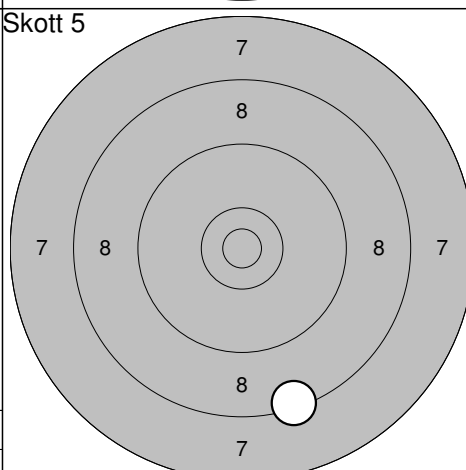


1: 8,1 ←

Serie 8,0

Totalt 296,0

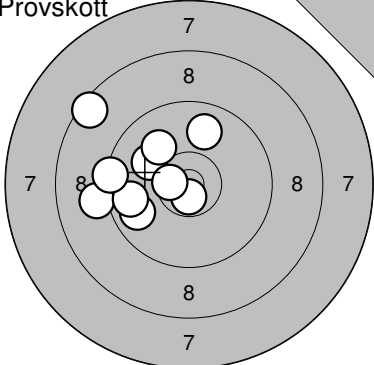
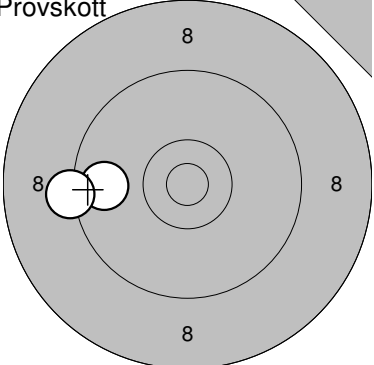
Skott 5

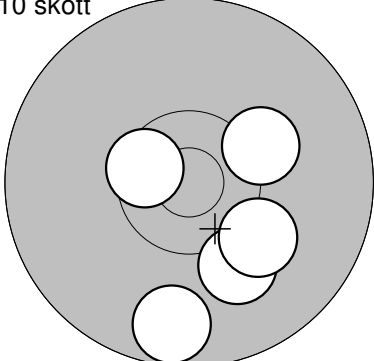
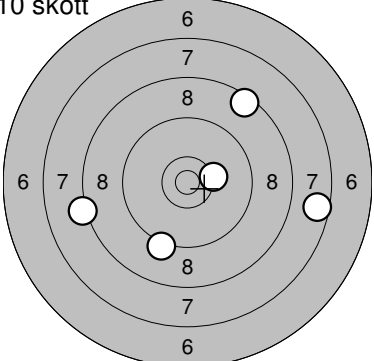


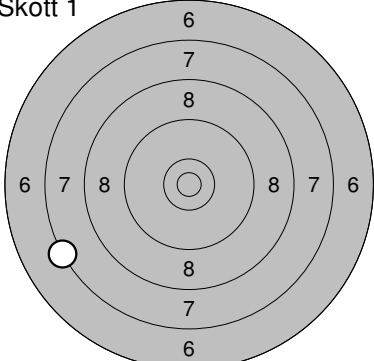
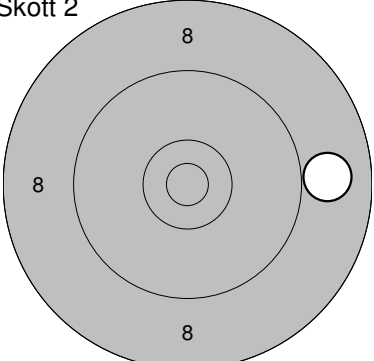
1: 8,4 ↘

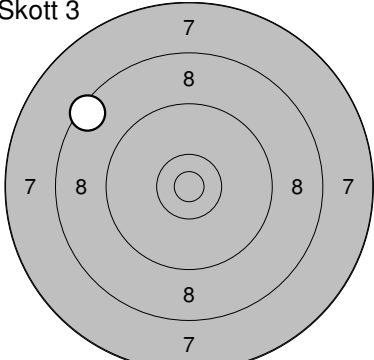
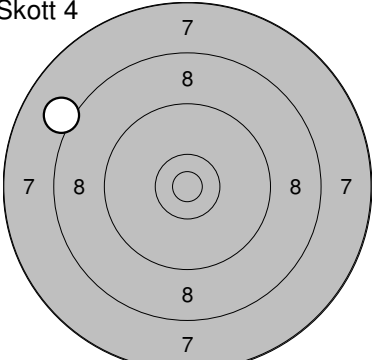
Serie 8,0

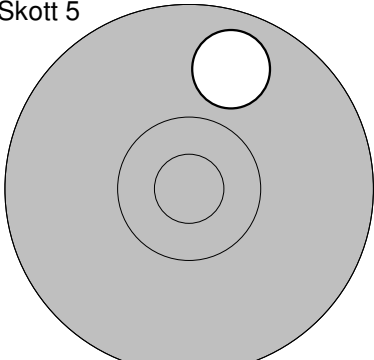
Totalt 304,0

Provsnitt 	1: 9,1 ← 2: 10,7* ↓ 3: 10,1 ↗ 4: 9,8 ↖ 5: 8,5 ↗ 6: 9,8 ↖ 7: 10,6* ↗ 8: 9,9 ↖ 9: 10,0 ↗ 10: 9,4 ↖	Provsnitt 	11: 9,8 ← 12: 9,3 ←
Serie 93,0		Serie 18,0	
Totalt 168,0		Totalt 168,0	

10 skott 	1: 10,2 → 2: 10,1 ↓ 3: 9,7 ↓ 4: 10,2 ↓ 5: 10,5* ↖	10 skott 	6: 9,2 ↓ 7: 8,2 ← 8: 7,6 → 9: 8,5 ↗ 10: 10,3 →
Serie 49,0		Serie 42,0	
Totalt 217,0		Totalt 259,0	

Skott 1 	1: 7,3 ↖	Skott 2 	1: 8,9 →
Serie 7,0		Serie 8,0	
Totalt 266,0		Totalt 274,0	

Skott 3 	1: 8,5 ↖	Skott 4 	1: 8,1 ↖
Serie 8,0		Serie 8,0	
Totalt 282,0		Totalt 290,0	

Skott 5 	1: 9,8 ↗		
Serie 9,0			
Totalt 299,0			

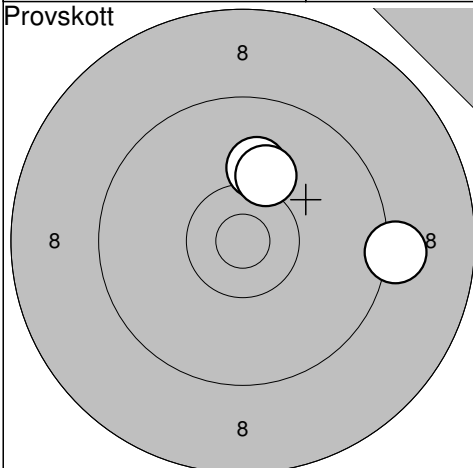
Ramselefors

2010-09-04

Höstträffen 2010 Final

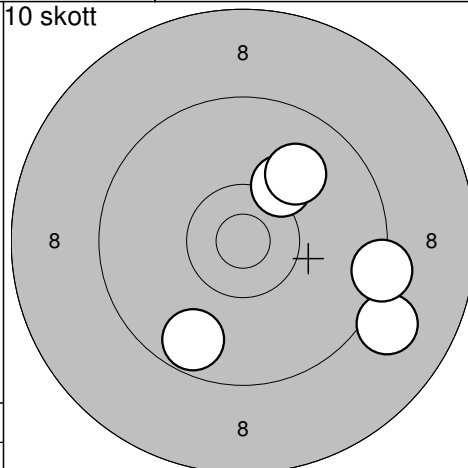
Ramselefors SKF

Provskott



1: 9,2 →
2: 10,1 ↑
3: 10,2 ↑

10 skott



1: 10,2 ↗
2: 10,0 ↗
3: 9,1 ↘
4: 9,3 →
5: 9,7 ↓

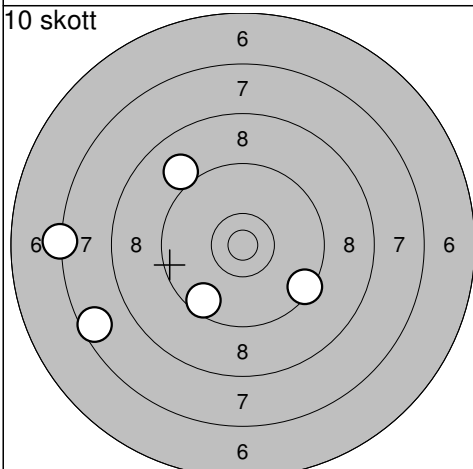
Serie 29,0

Totalt 179,0

Serie 47,0

Totalt 226,0

10 skott

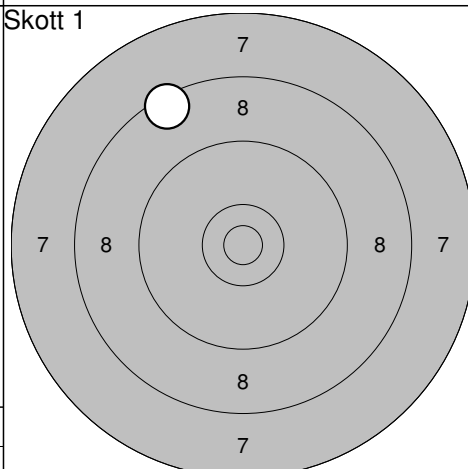


6: 9,4 ↘
7: 7,3 ←
8: 7,6 ←
9: 9,6 ↘
10: 9,0 ↗

Serie 41,0

Totalt 267,0

Skott 1

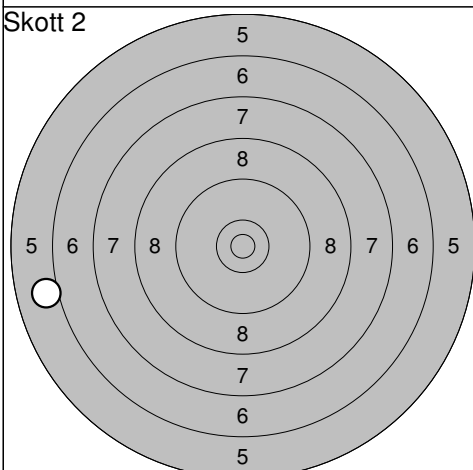


1: 8,5 ↖

Serie 8,0

Totalt 275,0

Skott 2

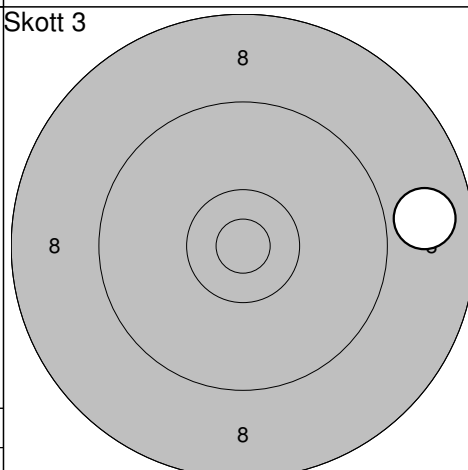


1: 6,0 ←

Serie 6,0

Totalt 281,0

Skott 3

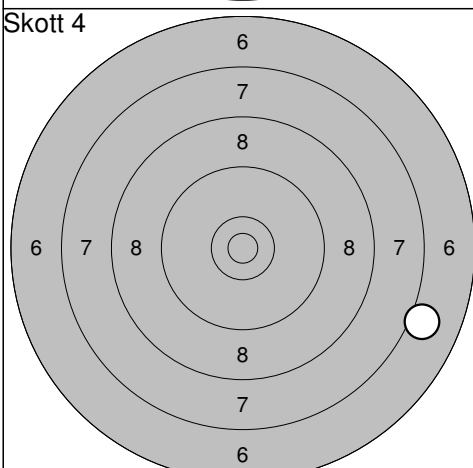


1: 8,9 →

Serie 8,0

Totalt 289,0

Skott 4

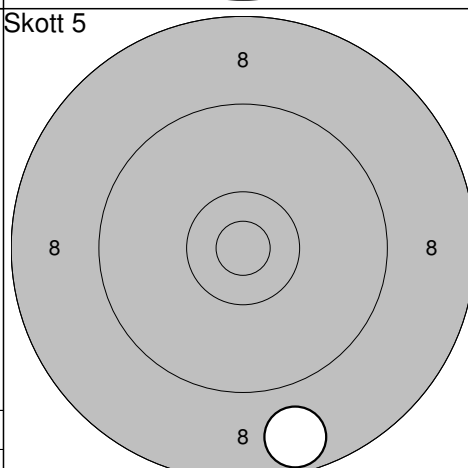


1: 7,1 →

Serie 7,0

Totalt 296,0

Skott 5



1: 8,7 ↓

Serie 8,0

Totalt 304,0

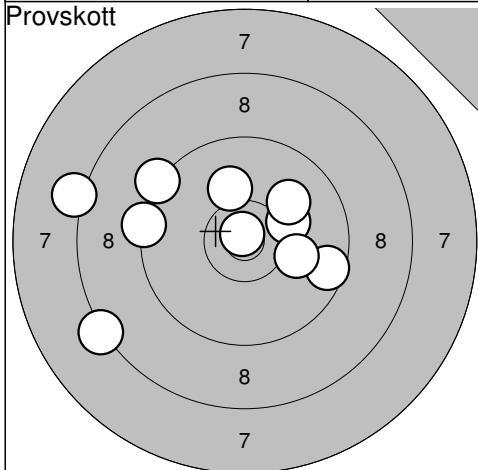
Ramselefors

2010-09-04

Höstträffen 2010 Final

Ramselefors SKF

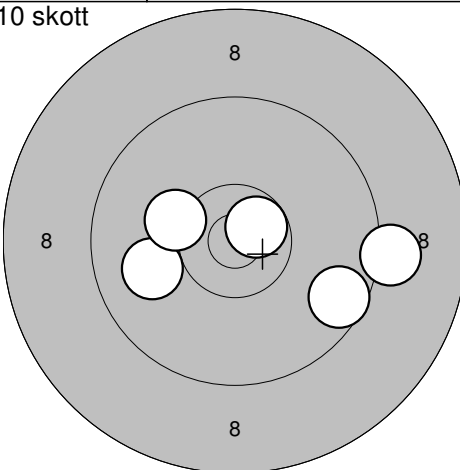
Provskott



- 1: 8,3 ↙
- 2: 9,3 ←
- 3: 8,2 ←
- 4: 10,2 →
- 5: 9,3 ↗
- 6: 10,1 ↑
- 7: 10,0 ↗
- 8: 9,6 →
- 9: 10,8* ↑
- 10: 10,1 →

Serie	93,0
Totalt	178,0

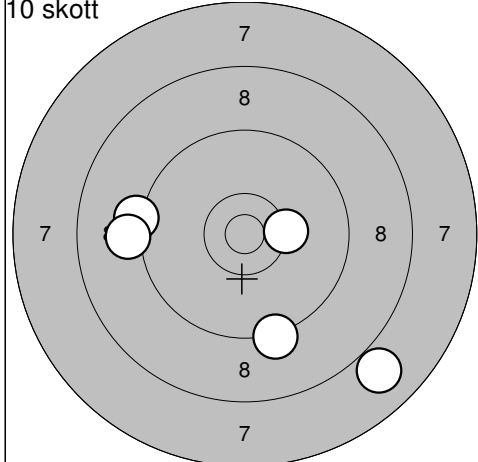
10 skott



- 1: 10,7* ↗
- 2: 9,6 →
- 3: 9,2 →
- 4: 10,0 ←
- 5: 10,2 ←

Serie	48,0
Totalt	226,0

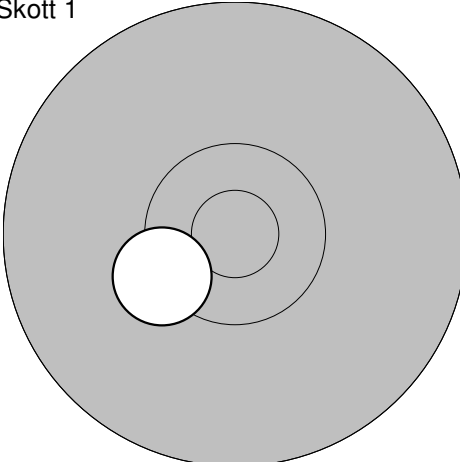
10 skott



- 6: 7,9 ↘
- 7: 9,2 ←
- 8: 9,1 ←
- 9: 9,3 ↘
- 10: 10,3* →

Serie	44,0
Totalt	270,0

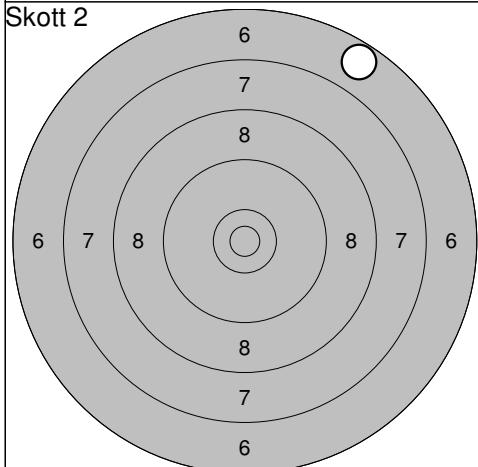
Skott 1



- 1: 10,4* ↙

Serie	10,0
Totalt	280,0

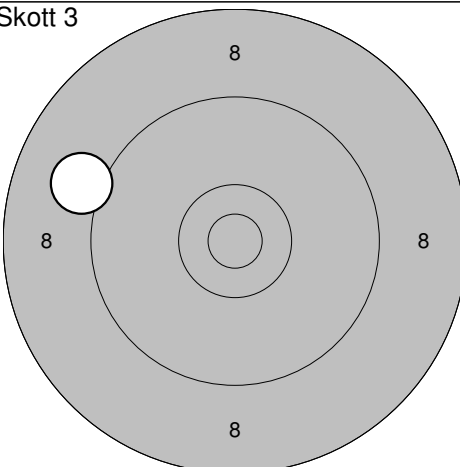
Skott 2



- 1: 6,7 ↗

Serie	6,0
Totalt	286,0

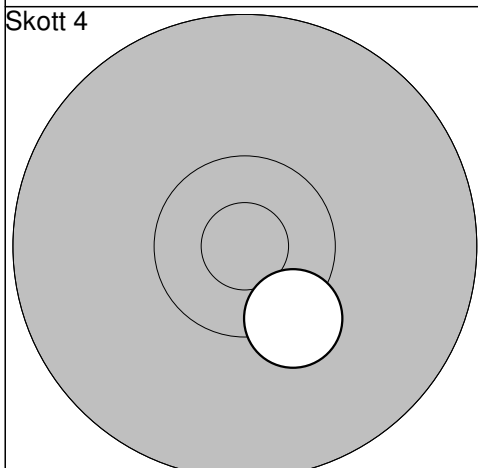
Skott 3



- 1: 9,1 ←

Serie	9,0
Totalt	295,0

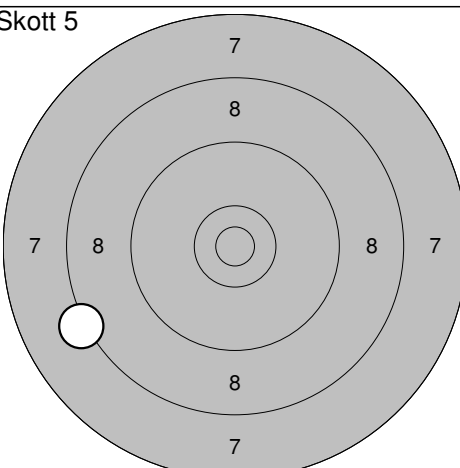
Skott 4



- 1: 10,3* ↘

Serie	10,0
Totalt	305,0

Skott 5



- 1: 8,2 ←

Serie	8,0
Totalt	313,0

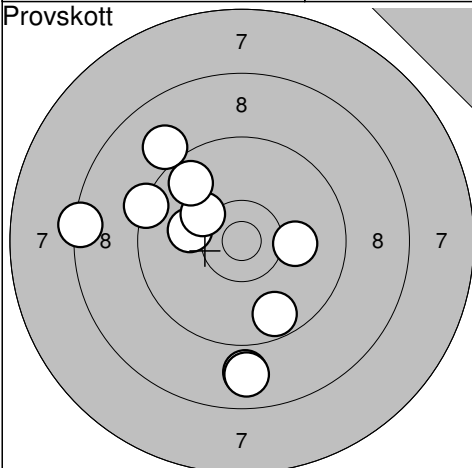
Rundvik

2010-09-04

Höstträffen 2010 Final

Ramselefors SKF

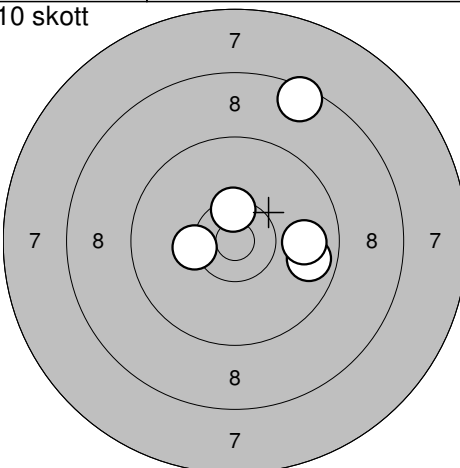
Provskott



1: 8,4 ←
 2: 10,1 ←
 3: 10,2 ↗
 4: 9,1 ↗
 5: 8,9 ↓
 6: 9,4 ↗
 7: 9,7 ↗
 8: 10,1 →
 9: 9,7 ↓
 10: 8,8 ↓

Serie 90,0
 Totalt 164,0

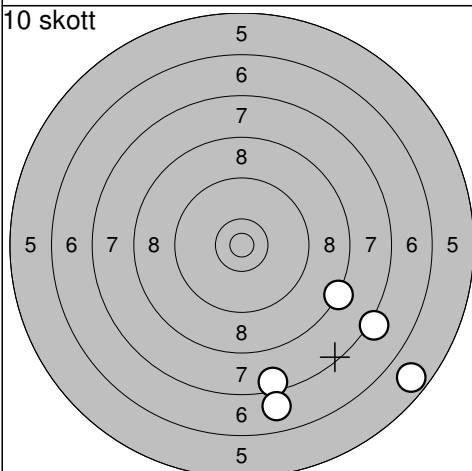
10 skott



1: 10,5* ↑
 2: 8,5 ↗
 3: 9,7 →
 4: 9,9 →
 5: 10,3* ←

Serie 46,0
 Totalt 210,0

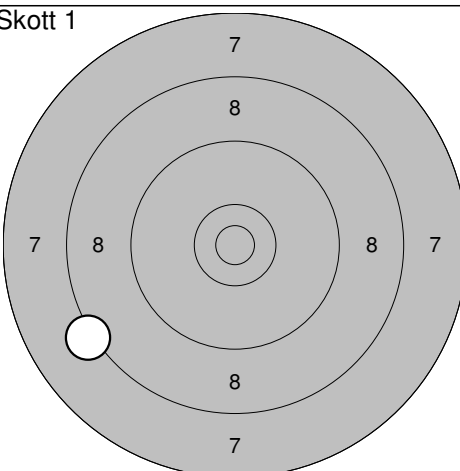
10 skott



6: 8,3 ↘
 7: 7,5 ↓
 8: 5,7 ↘
 9: 6,9 ↓
 10: 7,2 ↘

Serie 33,0
 Totalt 243,0

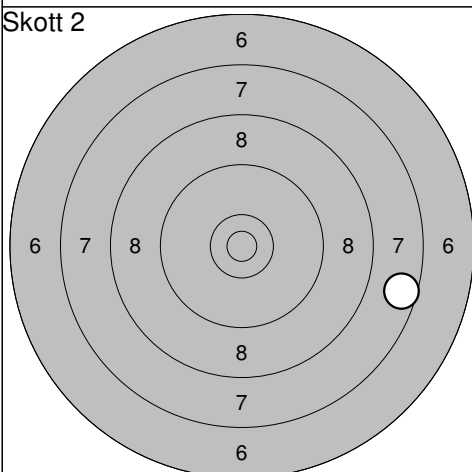
Skott 1



1: 8,2 ←

Serie 8,0
 Totalt 251,0

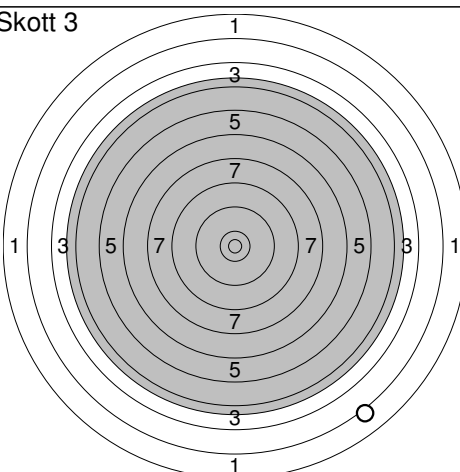
Skott 2



1: 7,6 →

Serie 7,0
 Totalt 258,0

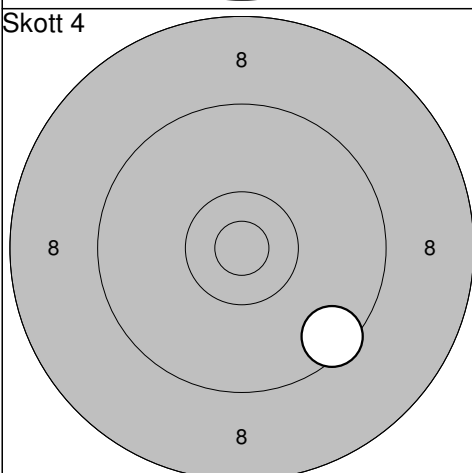
Skott 3



1: 2,1 ↘

Serie 2,0
 Totalt 260,0

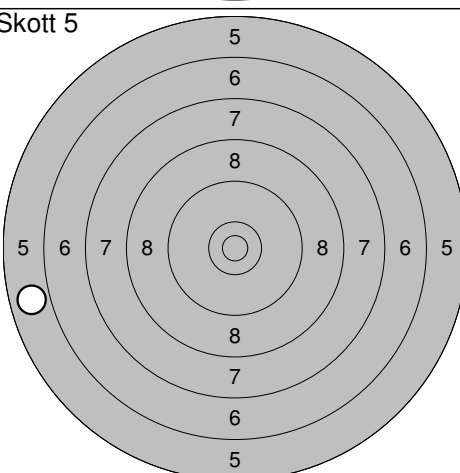
Skott 4



1: 9,5 ↘

Serie 9,0
 Totalt 269,0

Skott 5



1: 5,9 ←

Serie 5,0
 Totalt 274,0

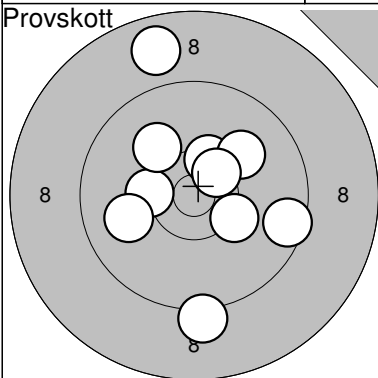
Skellefteå

2010-09-04

Höstträffen 2010 Final

Ramselefors SKF

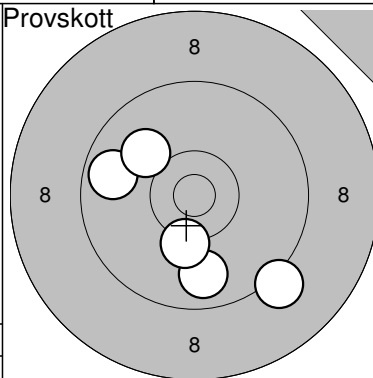
Provskott



1: 9,2 ↓
 2: 10,3* ←
 3: 10,4* ↗
 4: 10,0 ←
 5: 10,3 ↓
 6: 10,1 ↗
 7: 10,1 ↗
 8: 8,8 ↗
 9: 10,5* ↗
 10: 9,5 ↓

Serie 96,0
 Totalt 160,0

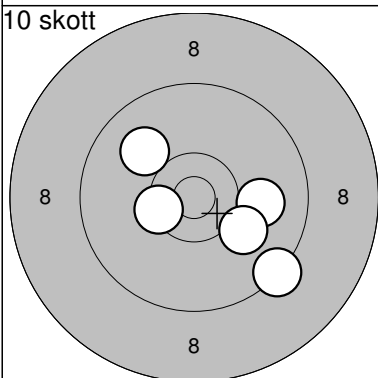
Provskott



11: 9,8 ↓
 12: 9,8 ←
 13: 10,0 ↗
 14: 9,2 ↓
 15: 10,2 ↓

Serie 47,0
 Totalt 160,0

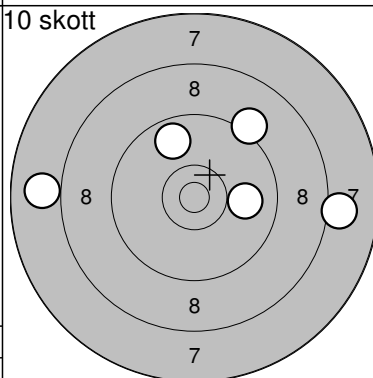
10 skott



1: 9,3 ↓
 2: 10,0 →
 3: 10,1 ↓
 4: 10,4* ←
 5: 10,0 ↗

Serie 49,0
 Totalt 209,0

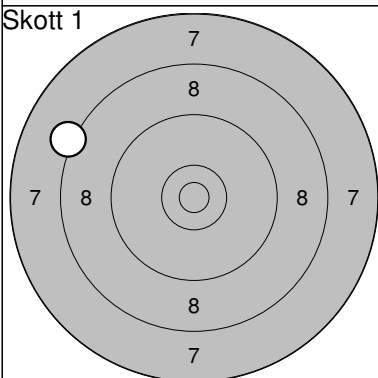
10 skott



6: 8,1 →
 7: 9,9 →
 8: 9,8 ↗
 9: 7,9 ←
 10: 9,2 ↗

Serie 42,0
 Totalt 251,0

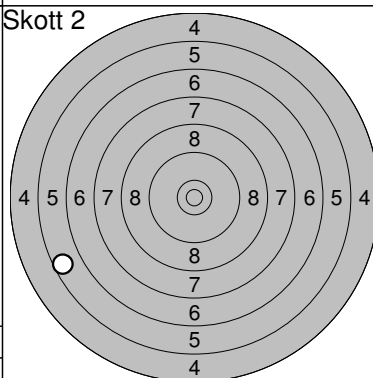
Skott 1



1: 8,2 ←

Serie 8,0
 Totalt 259,0

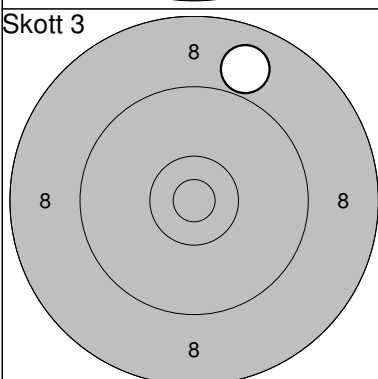
Skott 2



1: 5,6 ←

Serie 5,0
 Totalt 264,0

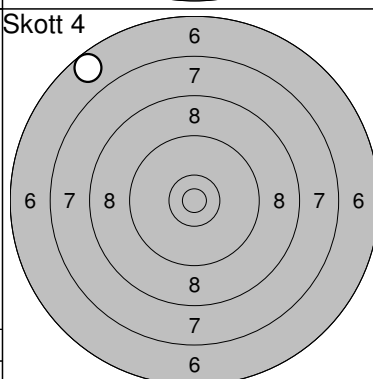
Skott 3



1: 8,9 ↗

Serie 8,0
 Totalt 272,0

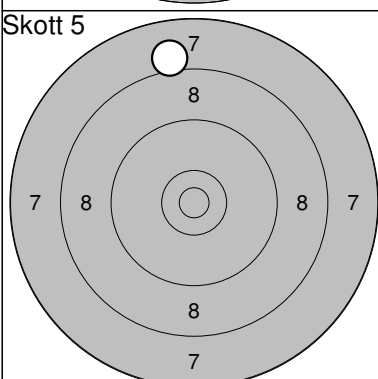
Skott 4



1: 6,7 ↗

Serie 6,0
 Totalt 278,0

Skott 5



1: 8,0 ↑

Serie 8,0
 Totalt 286,0

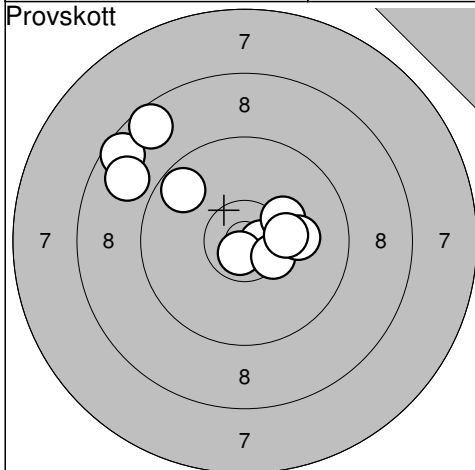
Drängsmark

2010-09-04

Höstträffen 2010 Final

Ramselefors SKF

Provskott

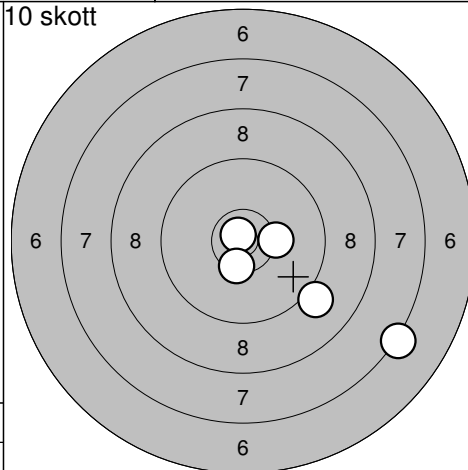


1: 8,6 ↗
 2: 8,6 ↗
 3: 10,7* →
 4: 10,3 ↗
 5: 10,7* ↓
 6: 8,9 ↗
 7: 10,4* ↘
 8: 10,1 →
 9: 10,3* →
 10: 9,7 ↖

Serie 93,0

Totalt 159,0

10 skott

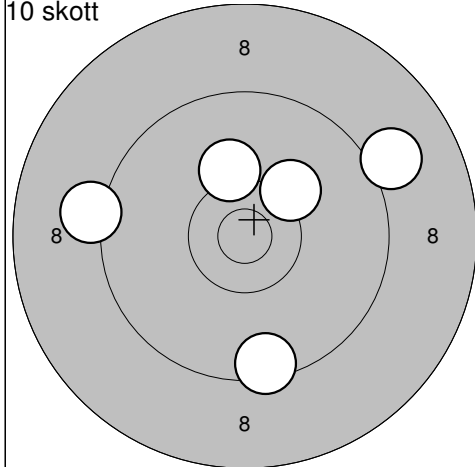


1: 10,8* ↗
 2: 7,3 ↘
 3: 10,3 →
 4: 10,4* ↓
 5: 9,1 ↘

Serie 46,0

Totalt 205,0

10 skott

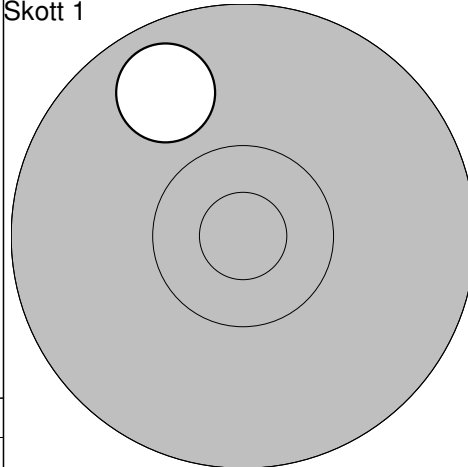


6: 9,1 ↗
 7: 10,2 ↗
 8: 9,5 ↓
 9: 10,2 ↑
 10: 9,2 ←

Serie 47,0

Totalt 252,0

Skott 1

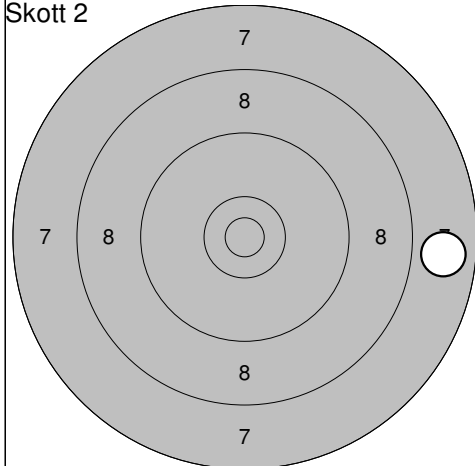


1: 9,8 ↖

Serie 9,0

Totalt 261,0

Skott 2

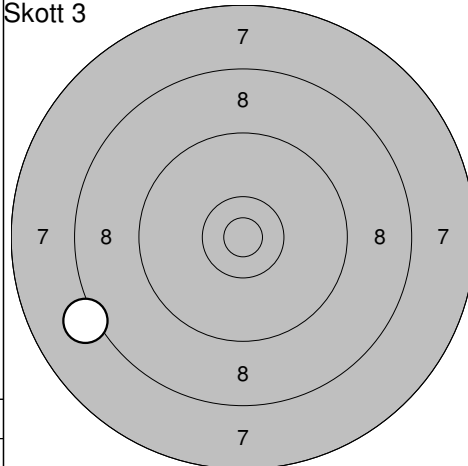


1: 7,8 →

Serie 7,0

Totalt 268,0

Skott 3

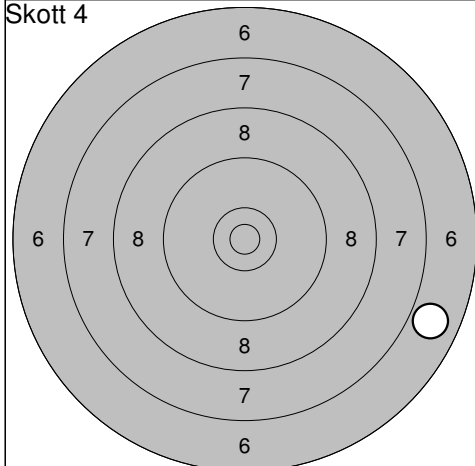


1: 8,2 ↖

Serie 8,0

Totalt 276,0

Skott 4

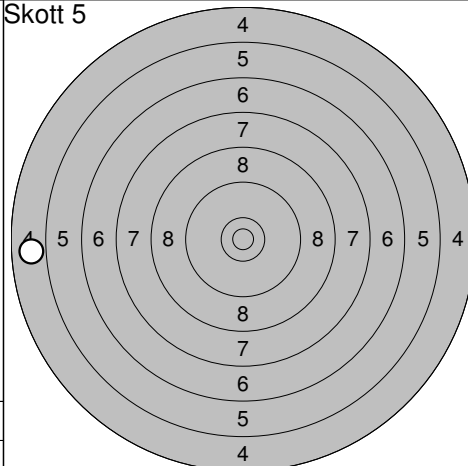


1: 6,9 ↘

Serie 6,0

Totalt 282,0

Skott 5



1: 4,9 ←

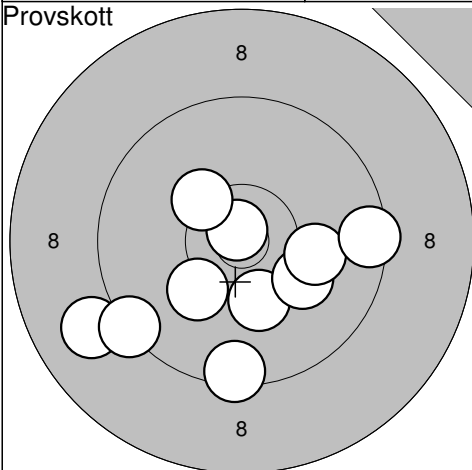
Serie 4,0

Totalt 286,0

Umeå

2010-09-04	Höstträffen 2010 Final	Ramselefors SKF
------------	------------------------	-----------------

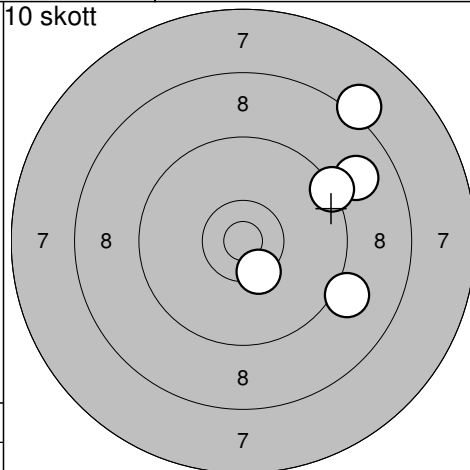
Provskott



- 1: 10,8* ↗
- 2: 9,0 ↙
- 3: 10,2 ↘
- 4: 10,1 ↘
- 5: 10,3* ↗
- 6: 10,1 →
- 7: 9,5 ↘
- 8: 10,2 ↙
- 9: 9,5 →
- 10: 9,3 ↙

Serie	96,0
Totalt	153,0

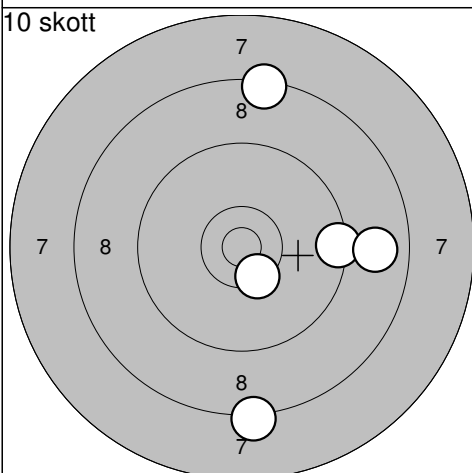
10 skott



- 1: 10,4* ↘
- 2: 9,1 →
- 3: 8,9 →
- 4: 8,2 ↗
- 5: 9,3 →

Serie	44,0
Totalt	197,0

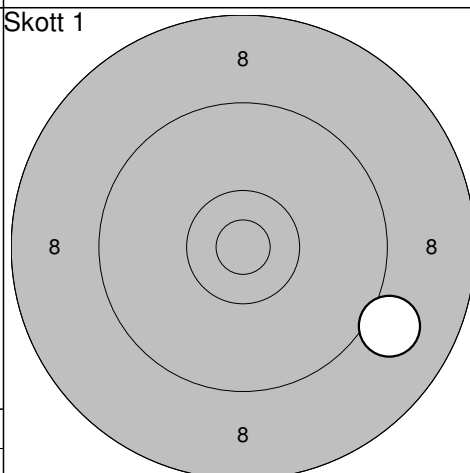
10 skott



- 6: 9,4 →
- 7: 8,2 ↘
- 8: 8,8 →
- 9: 8,4 ↑
- 10: 10,4* ↘

Serie	43,0
Totalt	240,0

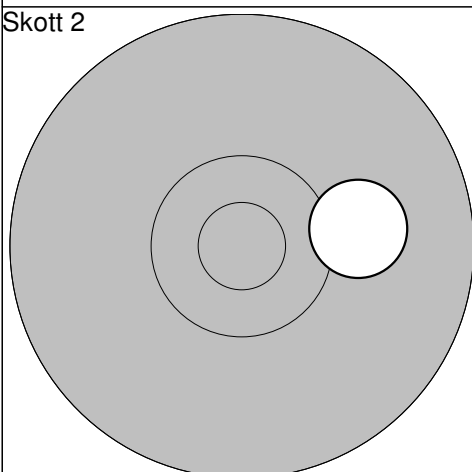
Skott 1



- 1: 9,1 →

Serie	9,0
Totalt	249,0

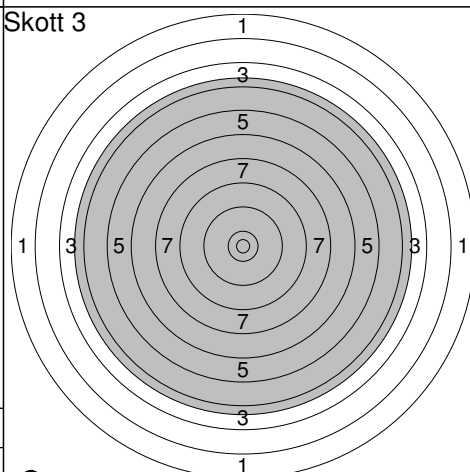
Skott 2



- 1: 10,1 →

Serie	10,0
Totalt	259,0

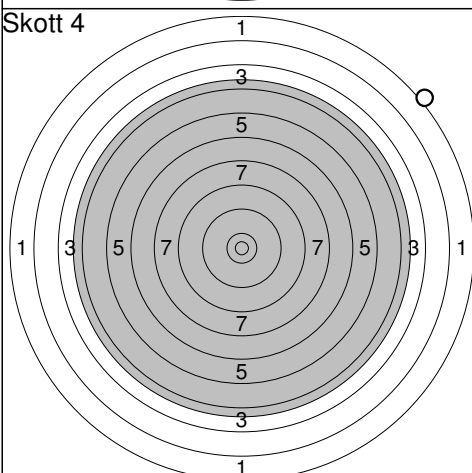
Skott 3



- 1: 0,0 ↙

Serie	0,0
Totalt	259,0

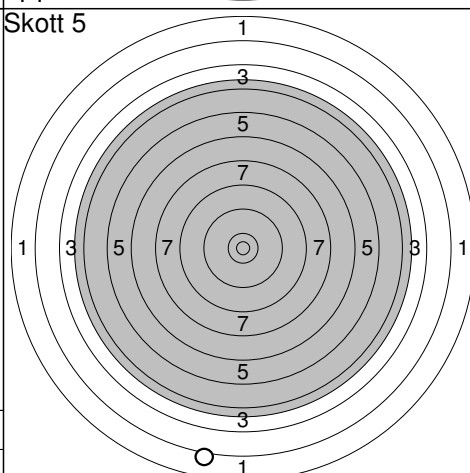
Skott 4



- 1: 1,1 ↗

Serie	1,0
Totalt	260,0

Skott 5



- 1: 2,1 ↘

Serie	2,0
Totalt	262,0

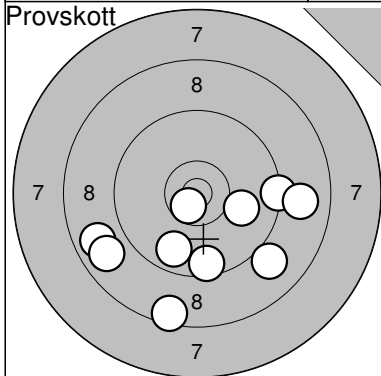
Rundvik

2010-09-04

Höstträffen 2010 Final

Ramselefors SKF

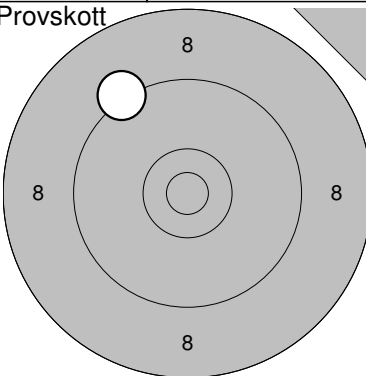
Provskott



1: 10,0 →
 2: 8,5 ↓
 3: 9,3 →
 4: 9,8 ↓
 5: 9,6 ↓
 6: 8,9 →
 7: 9,0 ↓
 8: 8,8 ←
 9: 10,7* ↓
 10: 8,8 ←

Serie 88,0
 Totalt 147,0

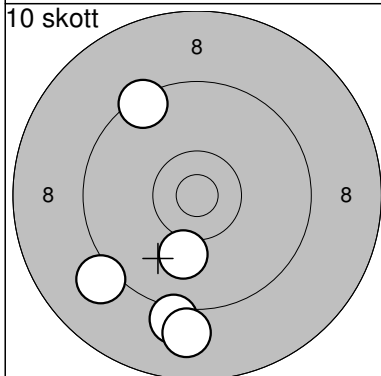
Provskott



11: 9,3 ↗

Serie 9,0
 Totalt 147,0

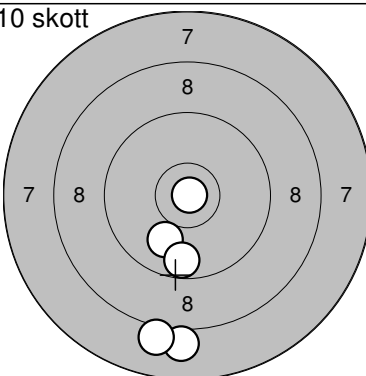
10 skott



1: 10,1 ↓
 2: 9,1 ↓
 3: 9,0 ↓
 4: 9,1 ↓
 5: 9,4 ↗

Serie 46,0
 Totalt 193,0

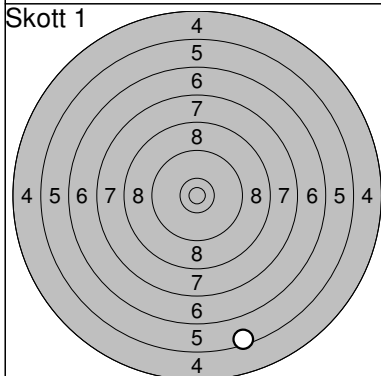
10 skott



6: 8,0 ↓
 7: 8,1 ↓
 8: 10,0 ↓
 9: 10,9* →
 10: 9,7 ↓

Serie 45,0
 Totalt 238,0

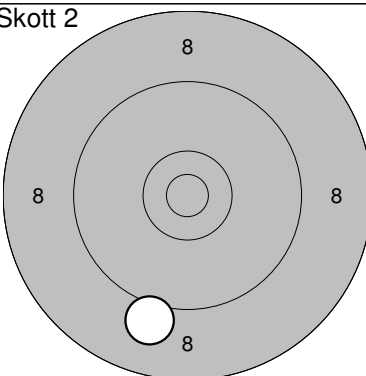
Skott 1



1: 5,5 ↓

Serie 5,0
 Totalt 243,0

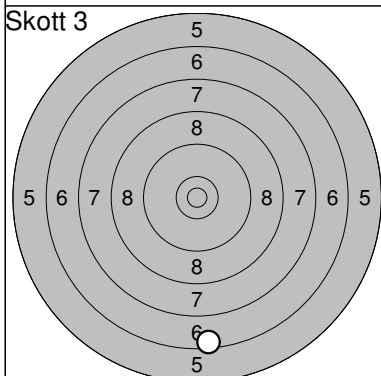
Skott 2



1: 9,1 ↓

Serie 9,0
 Totalt 252,0

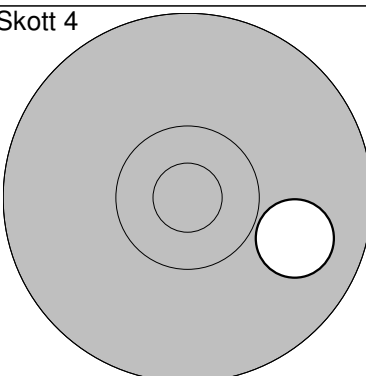
Skott 3



1: 6,5 ↓

Serie 6,0
 Totalt 258,0

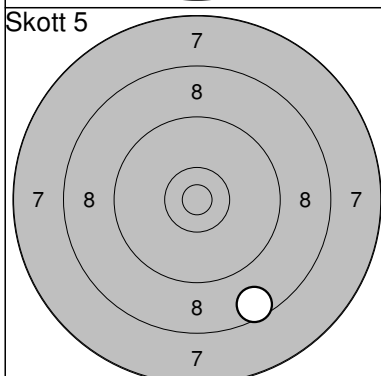
Skott 4



1: 9,9 →

Serie 9,0
 Totalt 267,0

Skott 5



1: 8,6 ↓

Serie 8,0
 Totalt 275,0