

Skjutlag

1

Tavla

2

## Maria Hägglund

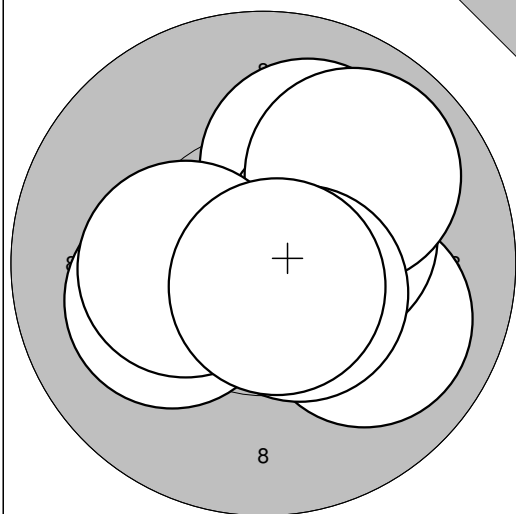
Ramselefors

2011-01-15

Skyttiaden 2010

Umeå skytteallians

Sight

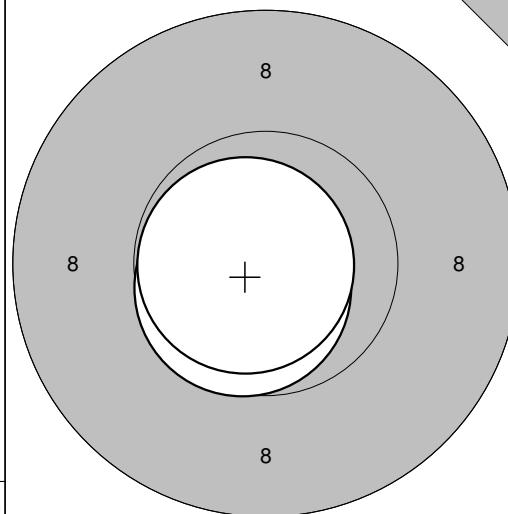


1: 10,7\* →  
 2: 10,7\* →  
 3: 10,0 ↘  
 4: 10,1 ←  
 5: 10,1 ↗  
 6: 10,4\* →  
 7: 9,9 ↗  
 8: 10,6\* ↘  
 9: 10,3\* ←  
 10: 10,7\* ↘

Serie 99,0

Totalt 0,0

Sight

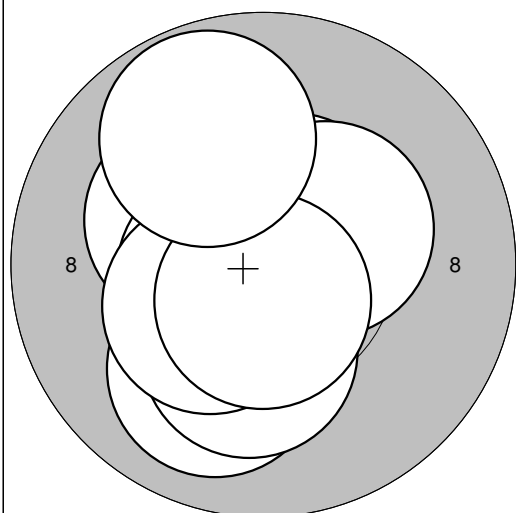


11: 10,7\* ↘  
 12: 10,8\* ←

Serie 20,0

Totalt 0,0

40 shot

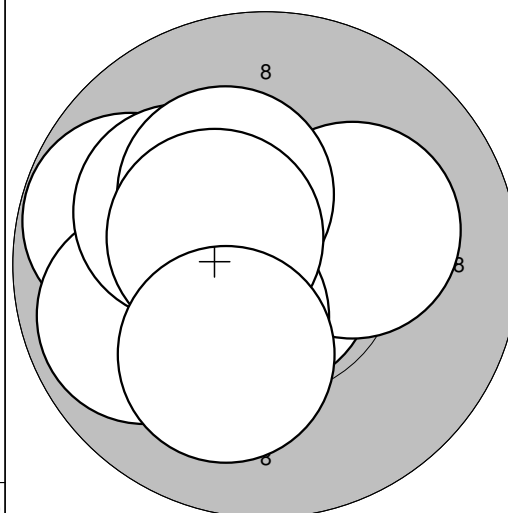


1: 10,3\* ↖  
 2: 10,0 ↘  
 3: 10,6\* ←  
 4: 10,2\* ↘  
 5: 10,7\* ↖  
 6: 10,4\* ↖  
 7: 10,5\* ↗  
 8: 10,4\* →  
 9: 10,6\* ↘  
 10: 9,8 ↗

Serie 99,0

Totalt 99,0

40 shot

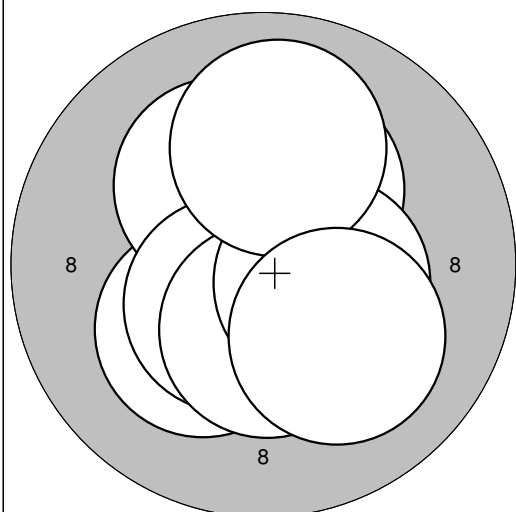


11: 10,8\* ↓  
 12: 10,2\* ←  
 13: 9,8 ←  
 14: 10,2\* →  
 15: 10,4\* ↘  
 16: 9,9 ←  
 17: 10,1 ↖  
 18: 10,3\* ↗  
 19: 10,5\* ↖  
 20: 10,1 ↓

Serie 98,0

Totalt 197,0

40 shot

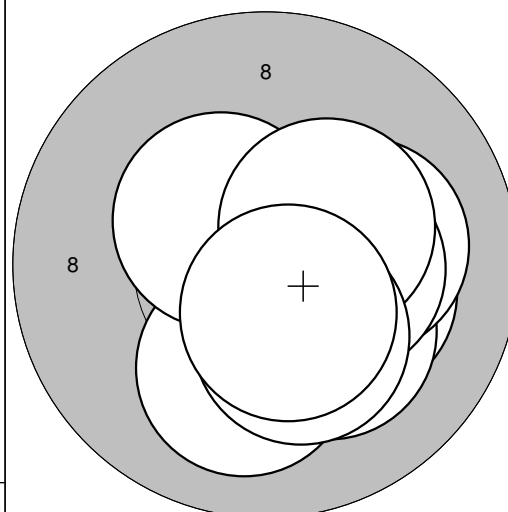


21: 10,6\* ↘  
 22: 10,3\* ↘  
 23: 10,3\* ↗  
 24: 10,2\* ↖  
 25: 10,2\* ↗  
 26: 10,5\* ↖  
 27: 10,4\* ↘  
 28: 10,4\* →  
 29: 10,0 ↗  
 30: 10,1 ↘

Serie 100,0

Totalt 297,0

40 shot



31: 10,2\* →  
 32: 10,1 ↓  
 33: 10,2\* ↘  
 34: 10,1 →  
 35: 10,4\* →  
 36: 10,9\* ↗  
 37: 10,4\* ↖  
 38: 10,4\* →  
 39: 10,3\* ↘  
 40: 10,5\* ↘

Serie 100,0

Totalt 397,0

Skjutlag

1

Tavla

5

Johan Nilsson

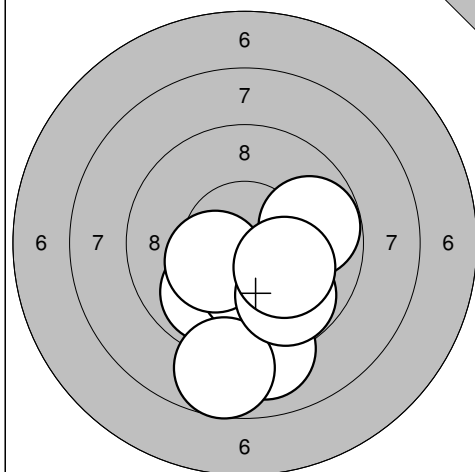
Ramselefors

2011-01-15

Skyttiaden 2010

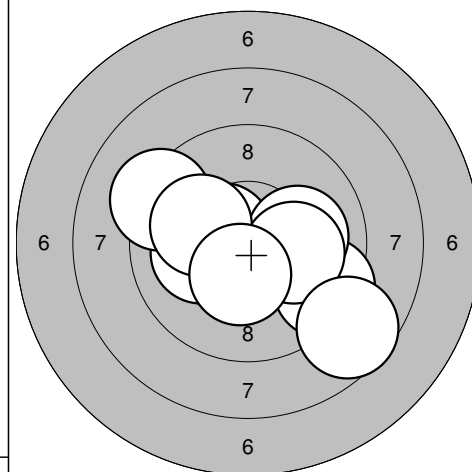
Umeå skytteallians

Sight



1: 9,0 ↘  
 2: 9,9 ↙  
 3: 10,2\* ↘  
 4: 8,7 ↘  
 5: 9,8 →  
 6: 10,3\* ↙  
 7: 9,8 ↘  
 8: 10,1 ↘

40 shot



1: 9,4 ↘  
 2: 10,4\* ↙  
 3: 10,5\* ↙  
 4: 10,1 →  
 5: 10,1 ←  
 6: 10,1 →  
 7: 9,2 ↙  
 8: 10,1 ↙  
 9: 10,4\* ↘  
 10: 8,6 ↘

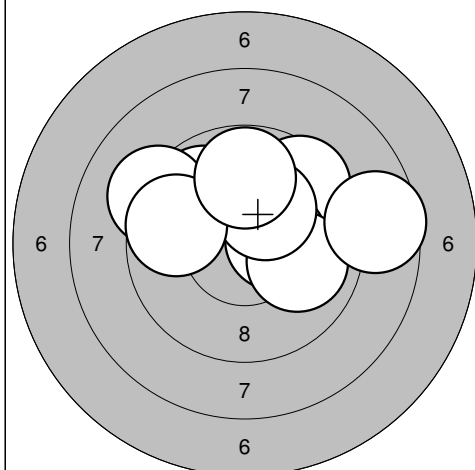
Serie 74,0

Totalt 0,0

Serie 96,0

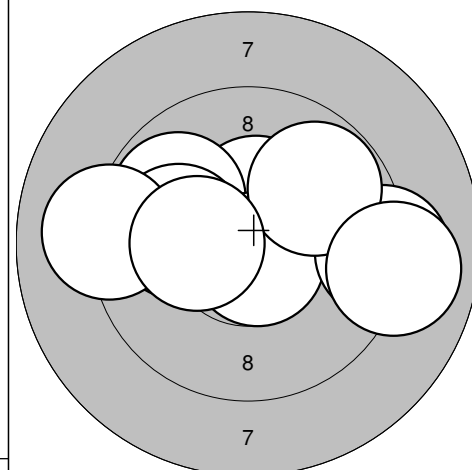
Totalt 96,0

40 shot



11: 9,8 ↙  
 12: 10,2\* →  
 13: 9,5 ↗  
 14: 10,4\* →  
 15: 9,2 ↙  
 16: 10,0 →  
 17: 8,6 →  
 18: 10,2\* ↗  
 19: 9,7 ←  
 20: 9,8 ↑

40 shot



21: 10,5\* ↗  
 22: 10,4\* ↑  
 23: 9,9 ↙  
 24: 10,7\* ↘  
 25: 10,0 ←  
 26: 9,2 →  
 27: 9,1 ←  
 28: 9,8 ↗  
 29: 10,3\* ←  
 30: 9,0 →

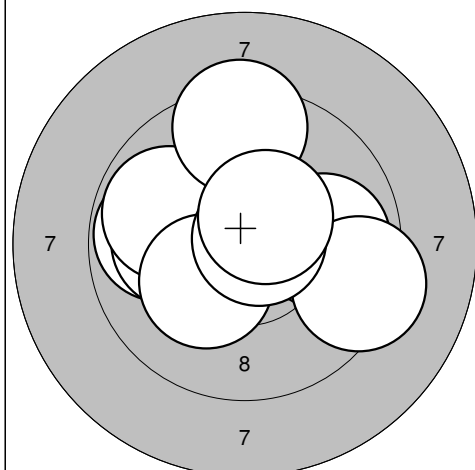
Serie 93,0

Totalt 189,0

Serie 95,0

Totalt 284,0

40 shot



31: 9,9 →  
 32: 10,4\* ↑  
 33: 9,8 ←  
 34: 9,3 →  
 35: 10,1 ←  
 36: 9,9 ↙  
 37: 10,2\* ↙  
 38: 9,4 ↑  
 39: 10,7\* →  
 40: 10,5\* ↗

Serie 95,0

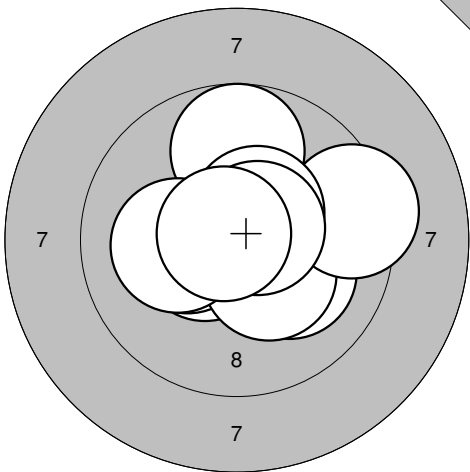
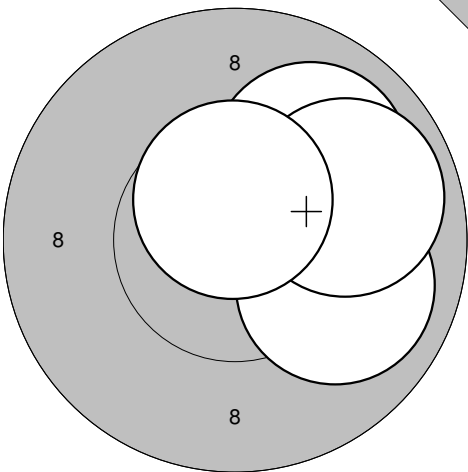
Totalt 379,0

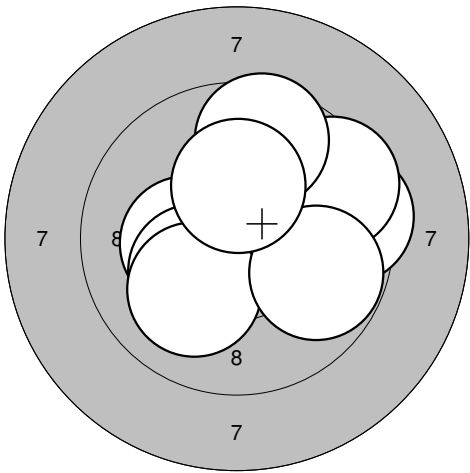
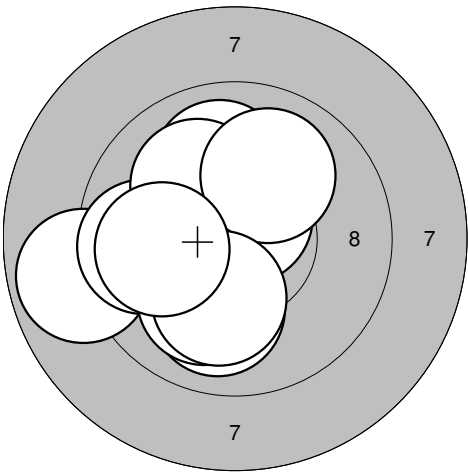
Ramselefors

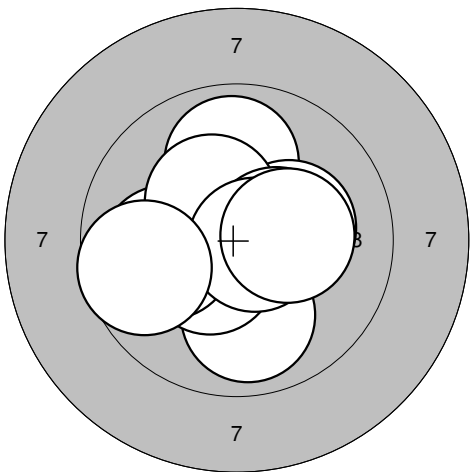
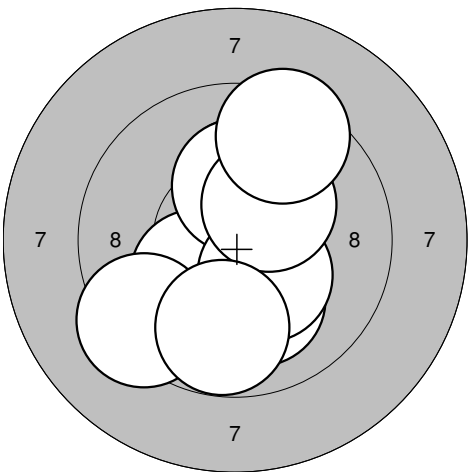
2011-01-15

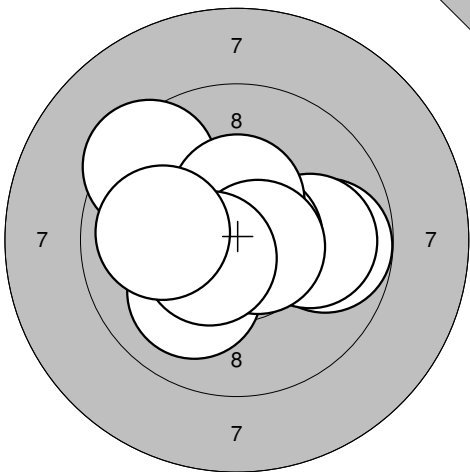
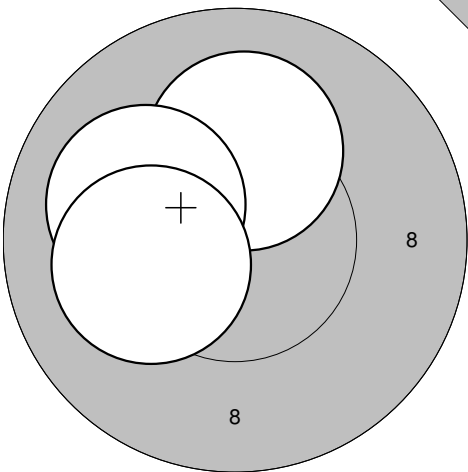
Skyttiaden 2010

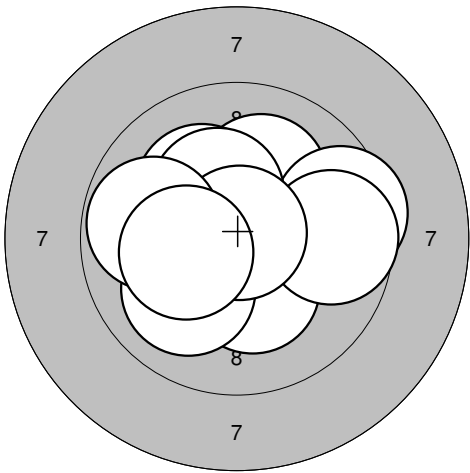
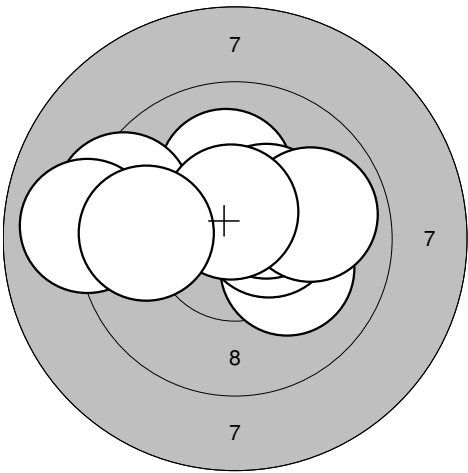
Umeå skytteallians

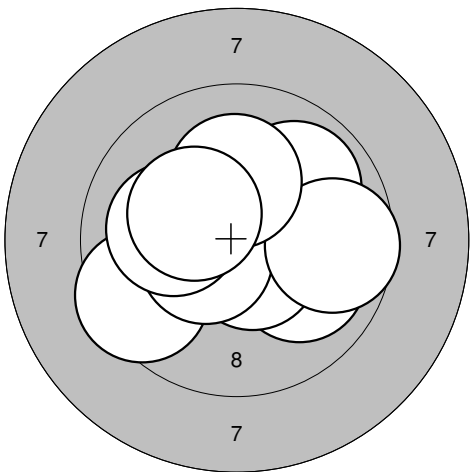
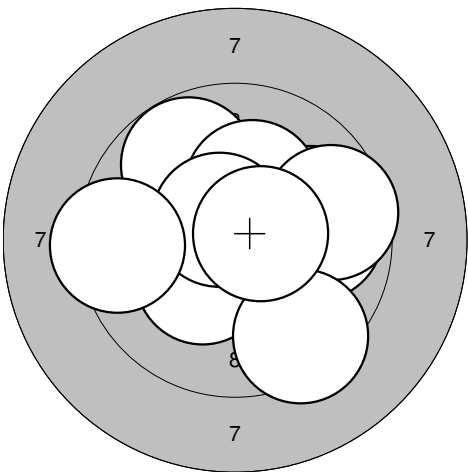
<p>Sight</p> 	<p>1: 10,1 ↘                  2: 10,5* ←                  3: 10,3* ←                  4: 10,3* ↘                  5: 9,4 →                  6: 9,8 ↑                  7: 10,5* ↗                  8: 10,6* ↗                  9: 10,2* ←                  10: 10,8* ↖</p> <table border="1" style="width:100%; border-collapse: collapse;"> <tr> <td style="text-align: right;">Serie</td> <td style="text-align: right;">98,0</td> </tr> <tr> <td style="text-align: right;">Totalt</td> <td style="text-align: right;">0,0</td> </tr> </table>	Serie	98,0	Totalt	0,0	<p>Sight</p> 	<p>11: 10,0 ↗                  12: 10,0 ↘                  13: 9,9 →                  14: 10,6* ↑</p> <table border="1" style="width:100%; border-collapse: collapse;"> <tr> <td style="text-align: right;">Serie</td> <td style="text-align: right;">39,0</td> </tr> <tr> <td style="text-align: right;">Totalt</td> <td style="text-align: right;">0,0</td> </tr> </table>	Serie	39,0	Totalt	0,0
Serie	98,0										
Totalt	0,0										
Serie	39,0										
Totalt	0,0										

<p>40 shot</p> 	<p>1: 10,3* ←                  2: 10,4* →                  3: 9,5 →                  4: 10,2* ↖                  5: 10,2* ↗                  6: 9,5 →                  7: 9,6 ↑                  8: 10,1 ↖                  9: 9,8 →                  10: 10,2* ↑</p> <table border="1" style="width:100%; border-collapse: collapse;"> <tr> <td style="text-align: right;">Serie</td> <td style="text-align: right;">96,0</td> </tr> <tr> <td style="text-align: right;">Totalt</td> <td style="text-align: right;">96,0</td> </tr> </table>	Serie	96,0	Totalt	96,0	<p>40 shot</p> 	<p>11: 8,9 ←                  12: 10,6* ↗                  13: 9,7 ←                  14: 10,0 ↘                  15: 10,1 ↘                  16: 10,0 ↑                  17: 10,1 ↖                  18: 10,0 ↗                  19: 10,1 ↘                  20: 10,0 ←</p> <table border="1" style="width:100%; border-collapse: collapse;"> <tr> <td style="text-align: right;">Serie</td> <td style="text-align: right;">97,0</td> </tr> <tr> <td style="text-align: right;">Totalt</td> <td style="text-align: right;">193,0</td> </tr> </table>	Serie	97,0	Totalt	193,0
Serie	96,0										
Totalt	96,0										
Serie	97,0										
Totalt	193,0										

<p>40 shot</p> 	<p>21: 9,9 ↘                  22: 10,4* ↖                  23: 10,0 ←                  24: 9,9 ↑                  25: 10,2* →                  26: 10,3* ↗                  27: 10,4* →                  28: 10,7* →                  29: 10,3* →                  30: 9,7 ←</p> <table border="1" style="width:100%; border-collapse: collapse;"> <tr> <td style="text-align: right;">Serie</td> <td style="text-align: right;">97,0</td> </tr> <tr> <td style="text-align: right;">Totalt</td> <td style="text-align: right;">290,0</td> </tr> </table>	Serie	97,0	Totalt	290,0	<p>40 shot</p> 	<p>31: 10,1 ↘                  32: 10,3* ↘                  33: 10,2* ↑                  34: 10,3* ↖                  35: 9,3 ↖                  36: 10,2* ↑                  37: 10,3* ↘                  38: 10,3* ↗                  39: 9,8 ↘                  40: 9,4 ↗</p> <table border="1" style="width:100%; border-collapse: collapse;"> <tr> <td style="text-align: right;">Serie</td> <td style="text-align: right;">97,0</td> </tr> <tr> <td style="text-align: right;">Totalt</td> <td style="text-align: right;">387,0</td> </tr> </table>	Serie	97,0	Totalt	387,0
Serie	97,0										
Totalt	290,0										
Serie	97,0										
Totalt	387,0										

<p>Sight</p> 	<p>1: 9,4 ↖ 2: 10,4* → 3: 10,1 ↙ 4: 9,8 → 5: 10,0 → 6: 10,7* → 7: 10,4* ↑ 8: 10,6* → 9: 10,5* ↙ 10: 10,0 ←</p> <table border="1" style="width:100%; border-collapse: collapse;"> <tr><td style="text-align: right;">Serie</td><td style="text-align: right;">98,0</td></tr> <tr><td style="text-align: right;">Totalt</td><td style="text-align: right;">0,0</td></tr> </table>	Serie	98,0	Totalt	0,0	<p>Sight</p> 	<p>11: 10,1 ↑ 12: 10,1 ↖ 13: 10,2* ↖</p> <table border="1" style="width:100%; border-collapse: collapse;"> <tr><td style="text-align: right;">Serie</td><td style="text-align: right;">30,0</td></tr> <tr><td style="text-align: right;">Totalt</td><td style="text-align: right;">0,0</td></tr> </table>	Serie	30,0	Totalt	0,0
Serie	98,0										
Totalt	0,0										
Serie	30,0										
Totalt	0,0										

<p>40 shot</p> 	<p>1: 10,3* ↓ 2: 10,1 ↑ 3: 9,5 → 4: 10,2* ↑ 5: 9,7 → 6: 10,3* ↑ 7: 10,0 ↙ 8: 10,9* ↑ 9: 9,8 ← 10: 10,3* ←</p> <table border="1" style="width:100%; border-collapse: collapse;"> <tr><td style="text-align: right;">Serie</td><td style="text-align: right;">97,0</td></tr> <tr><td style="text-align: right;">Totalt</td><td style="text-align: right;">97,0</td></tr> </table>	Serie	97,0	Totalt	97,0	<p>40 shot</p> 	<p>11: 10,3* → 12: 10,1 ↑ 13: 9,4 ↖ 14: 10,1 ↘ 15: 9,0 ← 16: 10,5* → 17: 10,4* ↗ 18: 9,9 → 19: 10,6* ↑ 20: 9,8 ←</p> <table border="1" style="width:100%; border-collapse: collapse;"> <tr><td style="text-align: right;">Serie</td><td style="text-align: right;">96,0</td></tr> <tr><td style="text-align: right;">Totalt</td><td style="text-align: right;">193,0</td></tr> </table>	Serie	96,0	Totalt	193,0
Serie	97,0										
Totalt	97,0										
Serie	96,0										
Totalt	193,0										

<p>40 shot</p> 	<p>21: 10,1 ← 22: 9,5 ↖ 23: 9,9 ↗ 24: 10,0 ↘ 25: 10,6* ↓ 26: 10,5* ↖ 27: 9,7 → 28: 10,1 ← 29: 10,2* ↑ 30: 10,3* ↖</p> <table border="1" style="width:100%; border-collapse: collapse;"> <tr><td style="text-align: right;">Serie</td><td style="text-align: right;">97,0</td></tr> <tr><td style="text-align: right;">Totalt</td><td style="text-align: right;">290,0</td></tr> </table>	Serie	97,0	Totalt	290,0	<p>40 shot</p> 	<p>31: 9,8 ↖ 32: 9,9 → 33: 10,2* ↑ 34: 9,9 → 35: 9,6 → 36: 10,3* ↙ 37: 9,4 ↘ 38: 10,6* ↗ 39: 9,4 ← 40: 10,6* →</p> <table border="1" style="width:100%; border-collapse: collapse;"> <tr><td style="text-align: right;">Serie</td><td style="text-align: right;">94,0</td></tr> <tr><td style="text-align: right;">Totalt</td><td style="text-align: right;">384,0</td></tr> </table>	Serie	94,0	Totalt	384,0
Serie	97,0										
Totalt	290,0										
Serie	94,0										
Totalt	384,0										

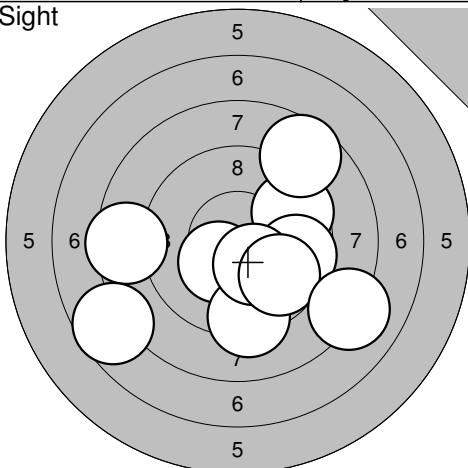
Bjurholm-Balsjö

2011-01-15

Skyttiaden 2010

Umeå skytteallians

Sight

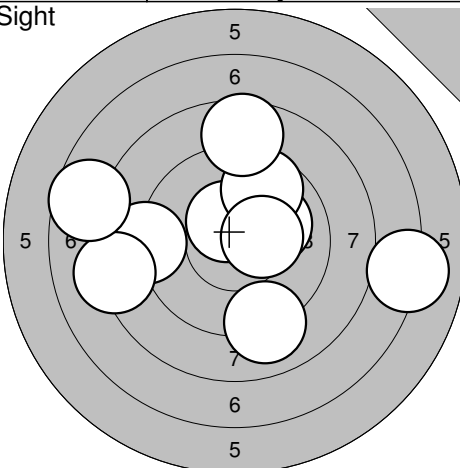


1: 10,3\* ↙  
 2: 8,5 ←  
 3: 9,3 ↓  
 4: 9,6 →  
 5: 8,6 ↗  
 6: 9,6 →  
 7: 10,3\* ↘  
 8: 9,8 ↘  
 9: 8,1 ↘  
 10: 7,7 ↙

Serie 87,0

Totalt 0,0

Sight

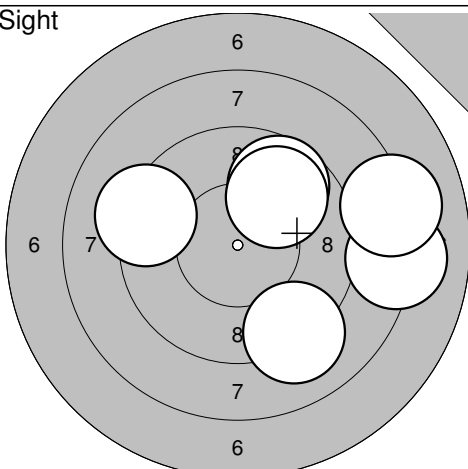


11: 10,5\* ↗  
 12: 9,0 ←  
 13: 10,1 →  
 14: 9,7 ↗  
 15: 8,2 ←  
 16: 7,6 ←  
 17: 10,4\* →  
 18: 8,6 ↑  
 19: 9,0 ↓  
 20: 7,1 →

Serie 87,0

Totalt 0,0

Sight

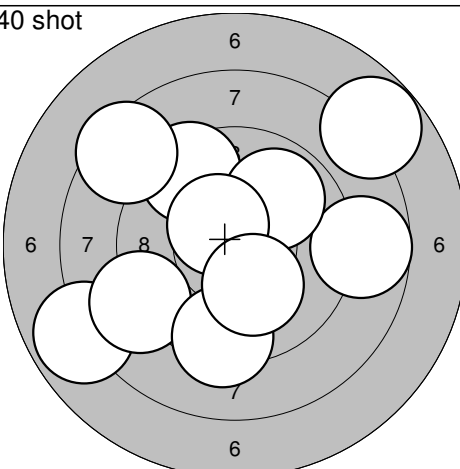


21: 8,1 →  
 22: 9,7 ↗  
 23: 9,2 ←  
 24: 8,2 →  
 25: 9,9 ↗  
 26: 9,1 ↓

Serie 52,0

Totalt 0,0

40 shot

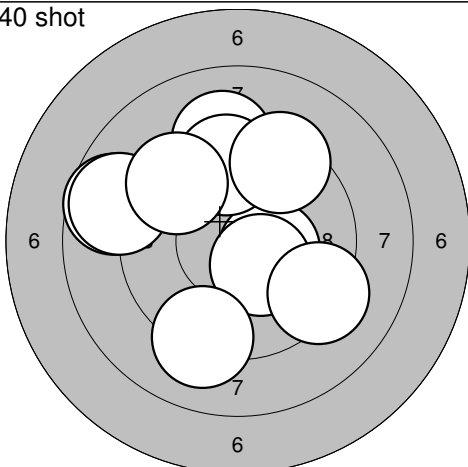


1: 8,7 →  
 2: 7,9 ↙  
 3: 9,5 ↗  
 4: 9,9 ↗  
 5: 8,4 ↗  
 6: 9,0 ↙  
 7: 10,5\* ↗  
 8: 9,3 ↓  
 9: 7,8 ↗  
 10: 10,2\* ↓

Serie 86,0

Totalt 86,0

40 shot

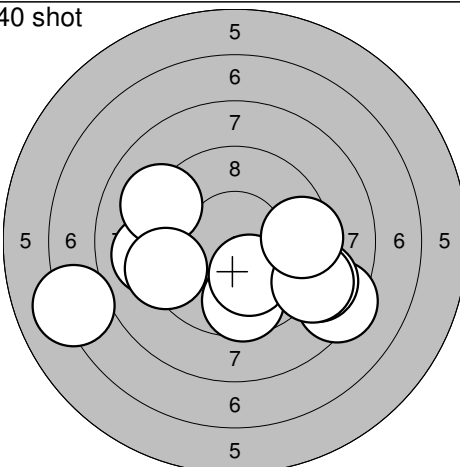


11: 8,7 ←  
 12: 10,4\* →  
 13: 8,8 ←  
 14: 9,2 ↑  
 15: 10,4\* ↘  
 16: 9,6 ↑  
 17: 9,4 ↗  
 18: 9,1 ↓  
 19: 9,5 ↗  
 20: 9,3 ↓

Serie 90,0

Totalt 176,0

40 shot

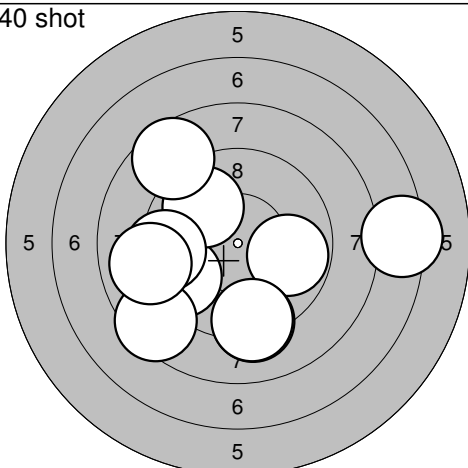


21: 9,6 ↓  
 22: 8,3 ↘  
 23: 8,9 ↘  
 24: 10,1 ↓  
 25: 7,1 ←  
 26: 9,1 ←  
 27: 9,0 ↘  
 28: 9,5 →  
 29: 9,2 ↗  
 30: 9,3 ←

Serie 87,0

Totalt 263,0

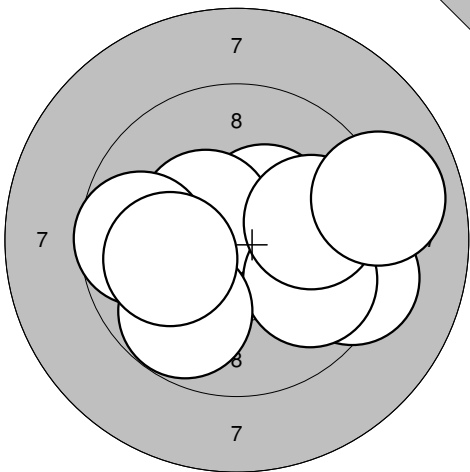
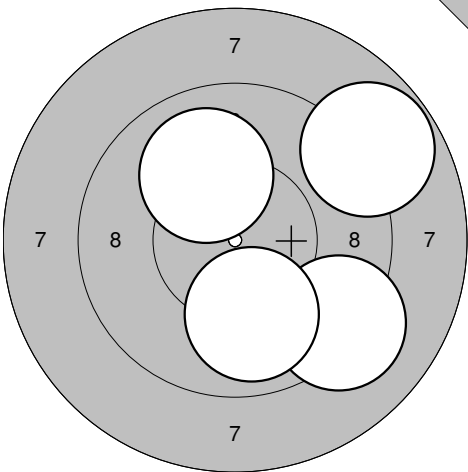
40 shot

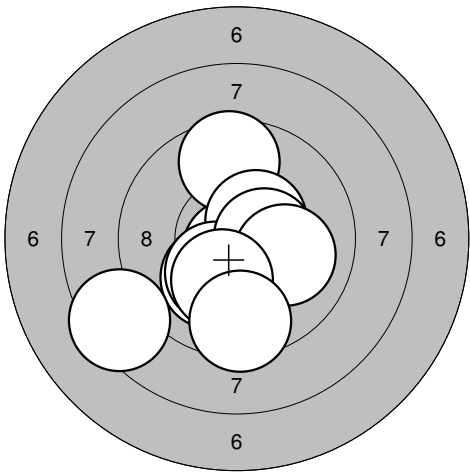
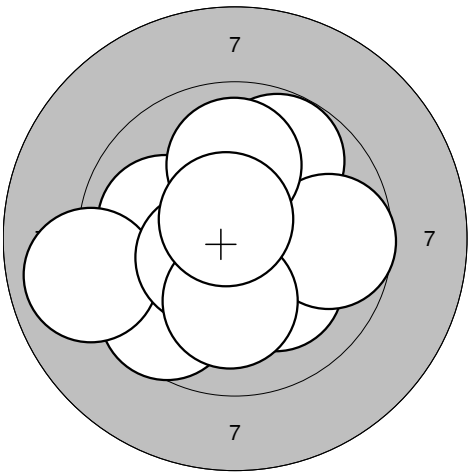


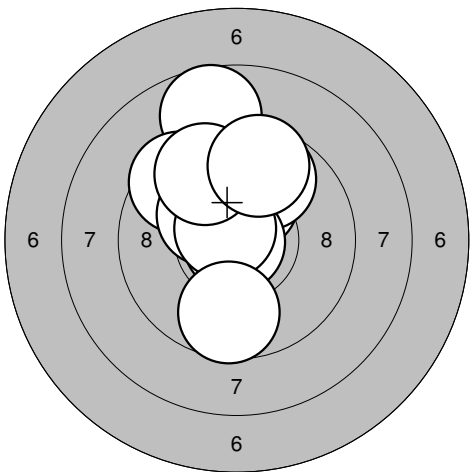
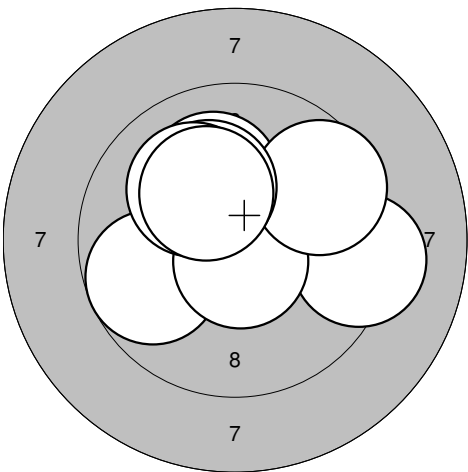
31: 9,8 →  
 32: 7,3 →  
 33: 9,5 ←  
 34: 9,2 ↓  
 35: 9,9 ↗  
 36: 9,3 ←  
 37: 9,2 ↓  
 38: 8,6 ↗  
 39: 8,5 ↙  
 40: 9,0 ←

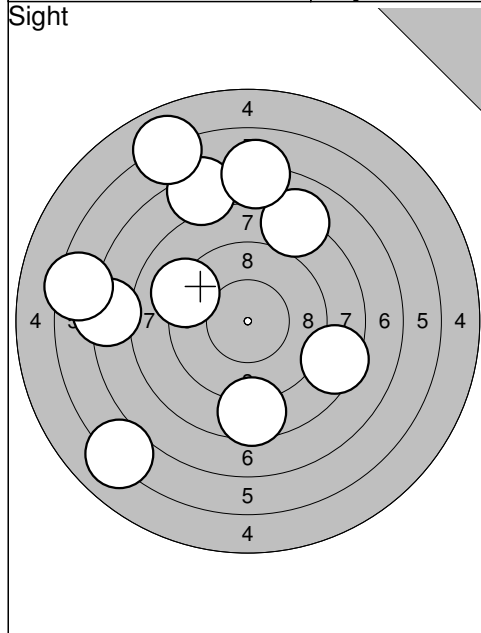
Serie 86,0

Totalt 349,0

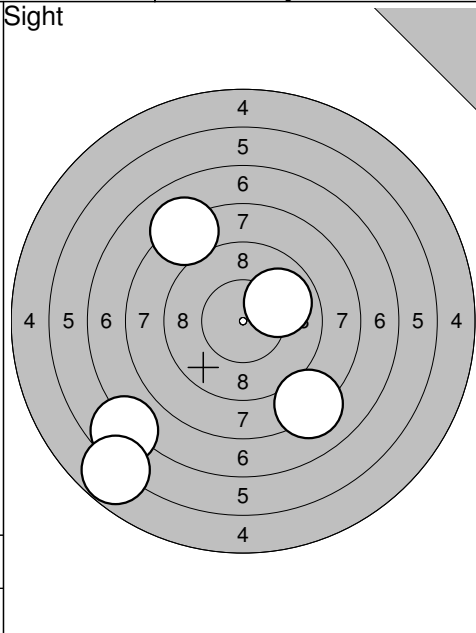
<p>Sight</p> 	<p>1: 10,4* ↗</p> <p>2: 10,4* ←</p> <p>3: 9,3 →</p> <p>4: 10,4* ↗</p> <p>5: 9,8 ↘</p> <p>6: 9,7 ←</p> <p>7: 9,8 ↓</p> <p>8: 9,9 →</p> <p>9: 10,0 ←</p> <p>10: 9,0 →</p> <table border="1" style="width:100%; border-collapse: collapse;"> <tr> <td style="width:50%;">Serie</td> <td style="width:50%; text-align: right;">94,0</td> </tr> <tr> <td>Totalt</td> <td style="text-align: right;">0,0</td> </tr> </table>	Serie	94,0	Totalt	0,0	<p>Sight</p> 	<p>11: 9,2 ↘</p> <p>12: 9,9 ↓</p> <p>13: 8,8 ↗</p> <p>14: 10,0 ↗</p> <table border="1" style="width:100%; border-collapse: collapse;"> <tr> <td style="width:50%;">Serie</td> <td style="width:50%; text-align: right;">36,0</td> </tr> <tr> <td>Totalt</td> <td style="text-align: right;">0,0</td> </tr> </table>	Serie	36,0	Totalt	0,0
Serie	94,0										
Totalt	0,0										
Serie	36,0										
Totalt	0,0										

<p>40 shot</p> 	<p>1: 10,7* ↓</p> <p>2: 9,6 ↑</p> <p>3: 10,5* ↗</p> <p>4: 10,1 ↓</p> <p>5: 10,2* ↓</p> <p>6: 8,4 ←</p> <p>7: 10,5* →</p> <p>8: 10,0 →</p> <p>9: 10,2* ↓</p> <p>10: 9,5 ↓</p> <table border="1" style="width:100%; border-collapse: collapse;"> <tr> <td style="width:50%;">Serie</td> <td style="width:50%; text-align: right;">96,0</td> </tr> <tr> <td>Totalt</td> <td style="text-align: right;">96,0</td> </tr> </table>	Serie	96,0	Totalt	96,0	<p>40 shot</p> 	<p>11: 9,6 ↙</p> <p>12: 10,0 ←</p> <p>13: 10,1 ↘</p> <p>14: 9,0 ←</p> <p>15: 9,8 ↗</p> <p>16: 9,7 →</p> <p>17: 10,5* ↙</p> <p>18: 10,1 ↓</p> <p>19: 10,0 ↑</p> <p>20: 10,7* ↗</p> <table border="1" style="width:100%; border-collapse: collapse;"> <tr> <td style="width:50%;">Serie</td> <td style="width:50%; text-align: right;">96,0</td> </tr> <tr> <td>Totalt</td> <td style="text-align: right;">192,0</td> </tr> </table>	Serie	96,0	Totalt	192,0
Serie	96,0										
Totalt	96,0										
Serie	96,0										
Totalt	192,0										

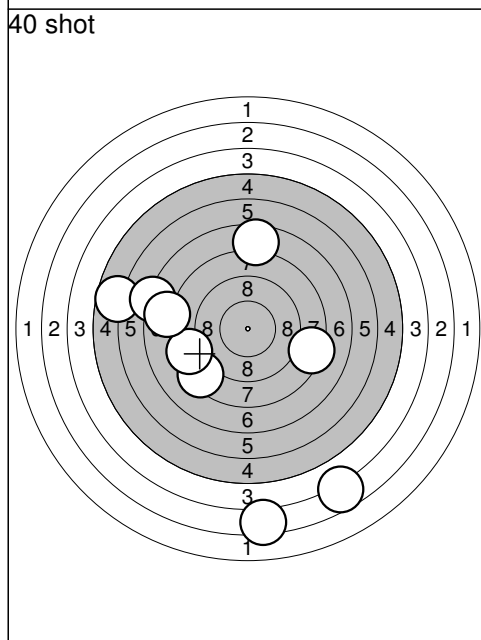
<p>40 shot</p> 	<p>21: 8,7 ↑</p> <p>22: 10,2* ↑</p> <p>23: 9,5 ↗</p> <p>24: 10,3* ↗</p> <p>25: 9,8 ↗</p> <p>26: 10,9* ↙</p> <p>27: 10,7* ↗</p> <p>28: 9,7 ↓</p> <p>29: 9,7 ↗</p> <p>30: 9,6 ↑</p> <table border="1" style="width:100%; border-collapse: collapse;"> <tr> <td style="width:50%;">Serie</td> <td style="width:50%; text-align: right;">93,0</td> </tr> <tr> <td>Totalt</td> <td style="text-align: right;">285,0</td> </tr> </table>	Serie	93,0	Totalt	285,0	<p>40 shot</p> 	<p>31: 9,9 ↗</p> <p>32: 9,8 ←</p> <p>33: 10,5* ↑</p> <p>34: 9,3 →</p> <p>35: 10,1 ↗</p> <p>36: 10,7* ↓</p> <p>37: 9,6 ↗</p> <p>38: 10,2* ↗</p> <p>39: 10,1 ↗</p> <p>40: 10,2* ↗</p> <table border="1" style="width:100%; border-collapse: collapse;"> <tr> <td style="width:50%;">Serie</td> <td style="width:50%; text-align: right;">96,0</td> </tr> <tr> <td>Totalt</td> <td style="text-align: right;">381,0</td> </tr> </table>	Serie	96,0	Totalt	381,0
Serie	93,0										
Totalt	285,0										
Serie	96,0										
Totalt	381,0										



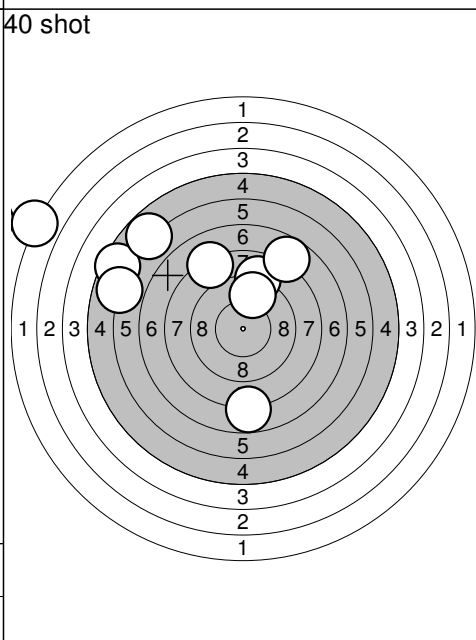
1: 7,3	↖
2: 8,6	↓
3: 8,1	↗
4: 6,1	↙
5: 7,3	←
6: 6,0	↖
7: 7,1	↑
8: 9,2	↖
9: 6,4	←
10: 8,4	↘
Serie	72,0
Totalt	0,0



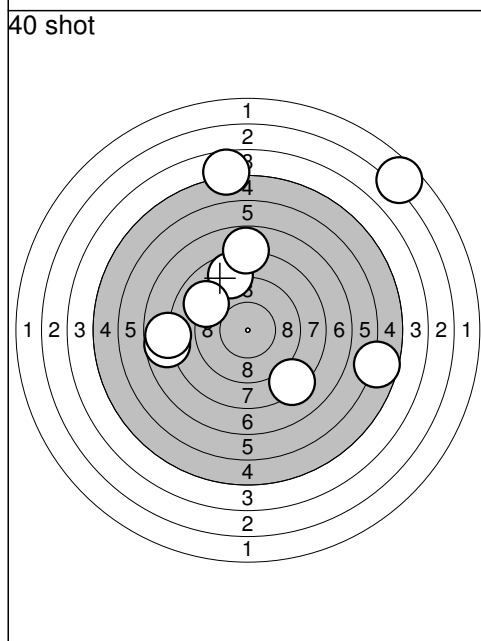
11: 8,2	↘
12: 9,9	↗
13: 6,7	↙
14: 8,1	↖
15: 5,8	↘
Serie	36,0
Totalt	0,0



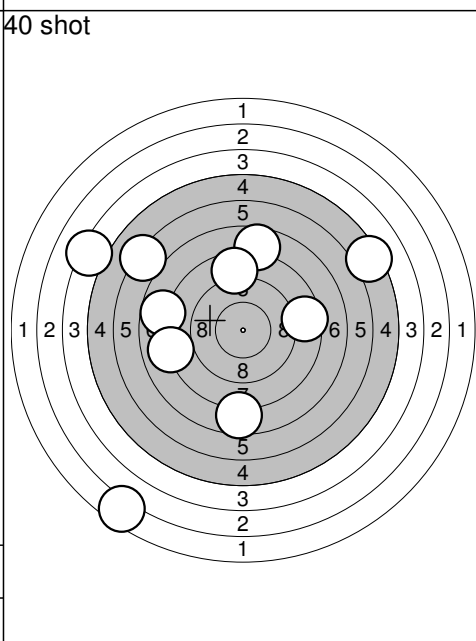
1: 5,7	←
2: 7,6	↑
3: 8,4	↙
4: 8,5	←
5: 0,0	←
6: 7,1	←
7: 8,3	↘
8: 7,8	←
9: 3,6	↘
10: 3,3	↓
Serie	56,0
Totalt	56,0



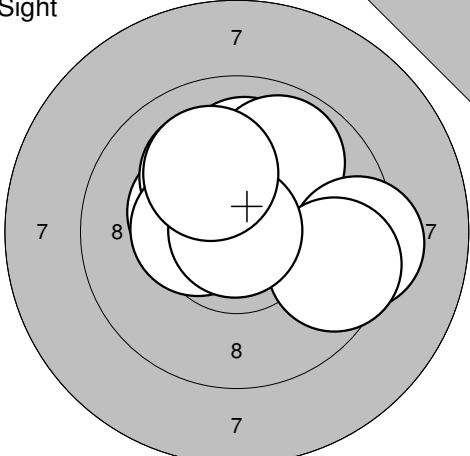
11: 8,9	↑
12: 8,2	↖
13: 5,5	↙
14: 7,8	↓
15: 7,7	↗
16: 5,9	←
17: 9,6	↑
18: 0,0	←
19: 1,8	↙
20: 5,8	↖
Serie	55,0
Totalt	111,0

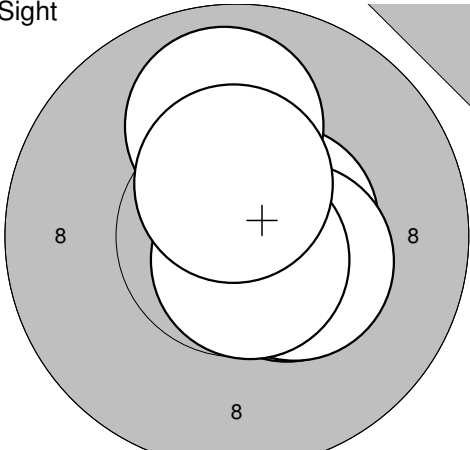


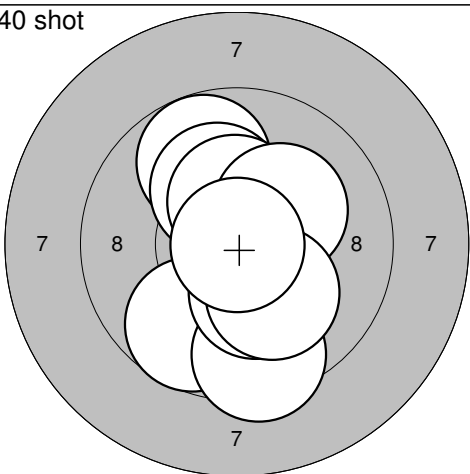
21: 2,6	↗
22: 7,8	←
23: 8,7	↑
24: 7,8	↑
25: 5,7	↘
26: 7,8	←
27: 9,0	↗
28: 4,7	↑
29: 0,0	↖
30: 8,3	↘
Serie	57,0
Totalt	168,0

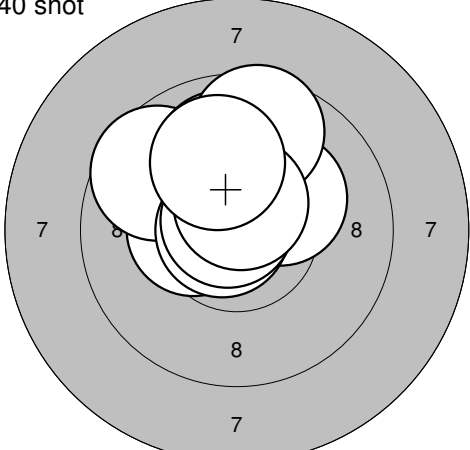


31: 7,7	↑
32: 8,5	→
33: 5,3	↗
34: 7,8	←
35: 8,6	↑
36: 4,2	↙
37: 2,5	↘
38: 6,1	↖
39: 8,0	←
40: 7,6	↓
Serie	62,0
Totalt	230,0

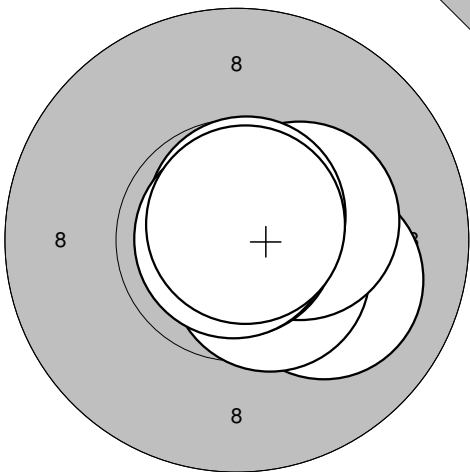
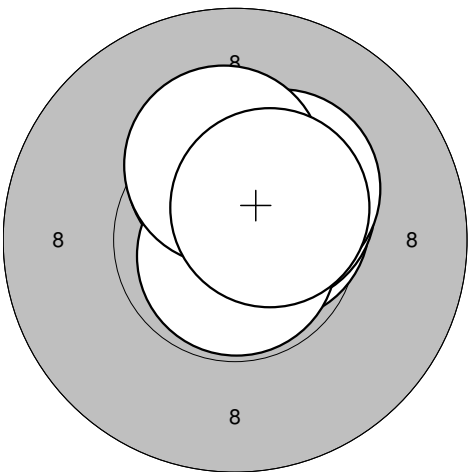
Sight		Sight																																																
	<table style="width:100%; border-collapse: collapse;"> <tr><td>1: 10,0</td><td style="text-align: right;">↑</td></tr> <tr><td>2: 9,9</td><td style="text-align: right;">↗</td></tr> <tr><td>3: 9,3</td><td style="text-align: right;">→</td></tr> <tr><td>4: 10,4*</td><td style="text-align: right;">↗</td></tr> <tr><td>5: 10,3*</td><td style="text-align: right;">↖</td></tr> <tr><td>6: 9,6</td><td style="text-align: right;">↘</td></tr> <tr><td>7: 10,1</td><td style="text-align: right;">↗</td></tr> <tr><td>8: 10,4*</td><td style="text-align: right;">←</td></tr> <tr><td>9: 10,9*</td><td style="text-align: right;">↗</td></tr> <tr><td>10: 10,1</td><td style="text-align: right;">↗</td></tr> <tr><td colspan="2" style="border-top: 1px solid black;">Serie 97,0</td></tr> <tr><td colspan="2" style="border-top: 1px solid black;">Totalt 0,0</td></tr> </table>	1: 10,0	↑	2: 9,9	↗	3: 9,3	→	4: 10,4*	↗	5: 10,3*	↖	6: 9,6	↘	7: 10,1	↗	8: 10,4*	←	9: 10,9*	↗	10: 10,1	↗	Serie 97,0		Totalt 0,0		<table style="width:100%; border-collapse: collapse;"> <tr><td>11: 9,6</td><td style="text-align: right;">↗</td></tr> <tr><td>12: 10,7*</td><td style="text-align: right;">↗</td></tr> <tr><td>13: 10,5*</td><td style="text-align: right;">↘</td></tr> <tr><td>14: 10,1</td><td style="text-align: right;">↗</td></tr> <tr><td>15: 10,7*</td><td style="text-align: right;">↘</td></tr> <tr><td>16: 9,9</td><td style="text-align: right;">→</td></tr> <tr><td>17: 9,9</td><td style="text-align: right;">←</td></tr> <tr><td>18: 10,0</td><td style="text-align: right;">↗</td></tr> <tr><td>19: 10,8*</td><td style="text-align: right;">↗</td></tr> <tr><td>20: 9,9</td><td style="text-align: right;">↗</td></tr> <tr><td colspan="2" style="border-top: 1px solid black;">Serie 96,0</td></tr> <tr><td colspan="2" style="border-top: 1px solid black;">Totalt 0,0</td></tr> </table>	11: 9,6	↗	12: 10,7*	↗	13: 10,5*	↘	14: 10,1	↗	15: 10,7*	↘	16: 9,9	→	17: 9,9	←	18: 10,0	↗	19: 10,8*	↗	20: 9,9	↗	Serie 96,0		Totalt 0,0	
1: 10,0	↑																																																	
2: 9,9	↗																																																	
3: 9,3	→																																																	
4: 10,4*	↗																																																	
5: 10,3*	↖																																																	
6: 9,6	↘																																																	
7: 10,1	↗																																																	
8: 10,4*	←																																																	
9: 10,9*	↗																																																	
10: 10,1	↗																																																	
Serie 97,0																																																		
Totalt 0,0																																																		
11: 9,6	↗																																																	
12: 10,7*	↗																																																	
13: 10,5*	↘																																																	
14: 10,1	↗																																																	
15: 10,7*	↘																																																	
16: 9,9	→																																																	
17: 9,9	←																																																	
18: 10,0	↗																																																	
19: 10,8*	↗																																																	
20: 9,9	↗																																																	
Serie 96,0																																																		
Totalt 0,0																																																		

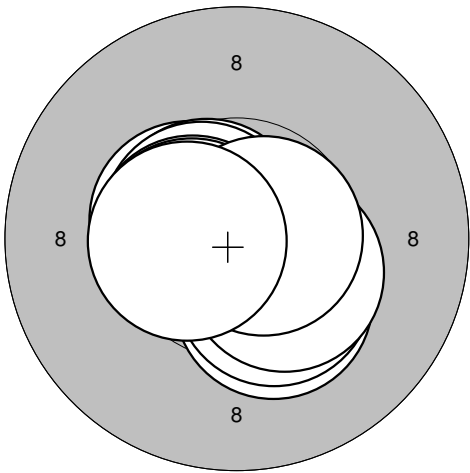
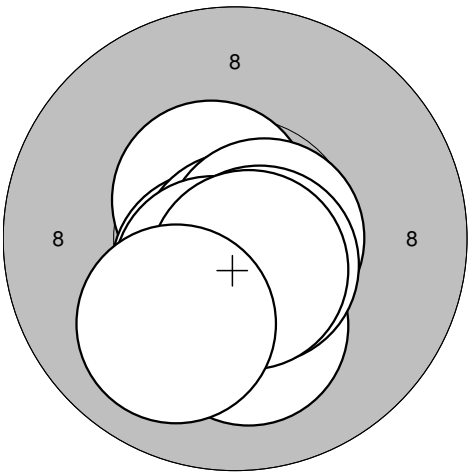
Sight		40 shot																																								
	<table style="width:100%; border-collapse: collapse;"> <tr><td>21: 10,5*</td><td style="text-align: right;">→</td></tr> <tr><td>22: 9,9</td><td style="text-align: right;">↑</td></tr> <tr><td>23: 10,4*</td><td style="text-align: right;">↘</td></tr> <tr><td>24: 10,4*</td><td style="text-align: right;">↘</td></tr> <tr><td>25: 10,7*</td><td style="text-align: right;">↘</td></tr> <tr><td>26: 10,5*</td><td style="text-align: right;">↑</td></tr> <tr><td colspan="2" style="border-top: 1px solid black;">Serie 59,0</td></tr> <tr><td colspan="2" style="border-top: 1px solid black;">Totalt 0,0</td></tr> </table>	21: 10,5*	→	22: 9,9	↑	23: 10,4*	↘	24: 10,4*	↘	25: 10,7*	↘	26: 10,5*	↑	Serie 59,0		Totalt 0,0		<table style="width:100%; border-collapse: collapse;"> <tr><td>1: 10,3*</td><td style="text-align: right;">↗</td></tr> <tr><td>2: 10,5*</td><td style="text-align: right;">↘</td></tr> <tr><td>3: 10,8*</td><td style="text-align: right;">←</td></tr> <tr><td>4: 9,0</td><td style="text-align: right;">↘</td></tr> <tr><td>5: 9,6</td><td style="text-align: right;">↘</td></tr> <tr><td>6: 9,9</td><td style="text-align: right;">←</td></tr> <tr><td>7: 9,8</td><td style="text-align: right;">←</td></tr> <tr><td>8: 9,9</td><td style="text-align: right;">↗</td></tr> <tr><td>9: 10,0</td><td style="text-align: right;">→</td></tr> <tr><td>10: 10,4*</td><td style="text-align: right;">↗</td></tr> <tr><td colspan="2" style="border-top: 1px solid black;">Serie 95,0</td></tr> <tr><td colspan="2" style="border-top: 1px solid black;">Totalt 95,0</td></tr> </table>	1: 10,3*	↗	2: 10,5*	↘	3: 10,8*	←	4: 9,0	↘	5: 9,6	↘	6: 9,9	←	7: 9,8	←	8: 9,9	↗	9: 10,0	→	10: 10,4*	↗	Serie 95,0		Totalt 95,0	
21: 10,5*	→																																									
22: 9,9	↑																																									
23: 10,4*	↘																																									
24: 10,4*	↘																																									
25: 10,7*	↘																																									
26: 10,5*	↑																																									
Serie 59,0																																										
Totalt 0,0																																										
1: 10,3*	↗																																									
2: 10,5*	↘																																									
3: 10,8*	←																																									
4: 9,0	↘																																									
5: 9,6	↘																																									
6: 9,9	←																																									
7: 9,8	←																																									
8: 9,9	↗																																									
9: 10,0	→																																									
10: 10,4*	↗																																									
Serie 95,0																																										
Totalt 95,0																																										

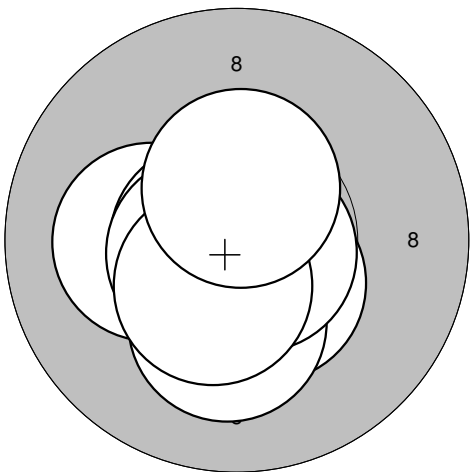
40 shot		40 shot																																																
	<table style="width:100%; border-collapse: collapse;"> <tr><td>11: 9,8</td><td style="text-align: right;">↑</td></tr> <tr><td>12: 10,2*</td><td style="text-align: right;">↗</td></tr> <tr><td>13: 10,8*</td><td style="text-align: right;">↗</td></tr> <tr><td>14: 10,4*</td><td style="text-align: right;">↑</td></tr> <tr><td>15: 9,7</td><td style="text-align: right;">↘</td></tr> <tr><td>16: 9,4</td><td style="text-align: right;">↘</td></tr> <tr><td>17: 10,3*</td><td style="text-align: right;">↘</td></tr> <tr><td>18: 10,2*</td><td style="text-align: right;">↗</td></tr> <tr><td>19: 10,1</td><td style="text-align: right;">↘</td></tr> <tr><td>20: 10,9*</td><td style="text-align: right;">↘</td></tr> <tr><td colspan="2" style="border-top: 1px solid black;">Serie 97,0</td></tr> <tr><td colspan="2" style="border-top: 1px solid black;">Totalt 192,0</td></tr> </table>	11: 9,8	↑	12: 10,2*	↗	13: 10,8*	↗	14: 10,4*	↑	15: 9,7	↘	16: 9,4	↘	17: 10,3*	↘	18: 10,2*	↗	19: 10,1	↘	20: 10,9*	↘	Serie 97,0		Totalt 192,0		<table style="width:100%; border-collapse: collapse;"> <tr><td>21: 9,7</td><td style="text-align: right;">↘</td></tr> <tr><td>22: 10,1</td><td style="text-align: right;">↑</td></tr> <tr><td>23: 10,0</td><td style="text-align: right;">↗</td></tr> <tr><td>24: 10,6*</td><td style="text-align: right;">↑</td></tr> <tr><td>25: 9,6</td><td style="text-align: right;">↘</td></tr> <tr><td>26: 10,5*</td><td style="text-align: right;">↘</td></tr> <tr><td>27: 9,9</td><td style="text-align: right;">→</td></tr> <tr><td>28: 9,3</td><td style="text-align: right;">↗</td></tr> <tr><td>29: 10,6*</td><td style="text-align: right;">↑</td></tr> <tr><td>30: 9,4</td><td style="text-align: right;">→</td></tr> <tr><td colspan="2" style="border-top: 1px solid black;">Serie 95,0</td></tr> <tr><td colspan="2" style="border-top: 1px solid black;">Totalt 287,0</td></tr> </table>	21: 9,7	↘	22: 10,1	↑	23: 10,0	↗	24: 10,6*	↑	25: 9,6	↘	26: 10,5*	↘	27: 9,9	→	28: 9,3	↗	29: 10,6*	↑	30: 9,4	→	Serie 95,0		Totalt 287,0	
11: 9,8	↑																																																	
12: 10,2*	↗																																																	
13: 10,8*	↗																																																	
14: 10,4*	↑																																																	
15: 9,7	↘																																																	
16: 9,4	↘																																																	
17: 10,3*	↘																																																	
18: 10,2*	↗																																																	
19: 10,1	↘																																																	
20: 10,9*	↘																																																	
Serie 97,0																																																		
Totalt 192,0																																																		
21: 9,7	↘																																																	
22: 10,1	↑																																																	
23: 10,0	↗																																																	
24: 10,6*	↑																																																	
25: 9,6	↘																																																	
26: 10,5*	↘																																																	
27: 9,9	→																																																	
28: 9,3	↗																																																	
29: 10,6*	↑																																																	
30: 9,4	→																																																	
Serie 95,0																																																		
Totalt 287,0																																																		

40 shot																										
	<table style="width:100%; border-collapse: collapse;"> <tr><td>31: 10,4*</td><td style="text-align: right;">←</td></tr> <tr><td>32: 9,6</td><td style="text-align: right;">↗</td></tr> <tr><td>33: 10,2*</td><td style="text-align: right;">↗</td></tr> <tr><td>34: 10,8*</td><td style="text-align: right;">←</td></tr> <tr><td>35: 10,3*</td><td style="text-align: right;">↑</td></tr> <tr><td>36: 10,8*</td><td style="text-align: right;">↗</td></tr> <tr><td>37: 10,0</td><td style="text-align: right;">↑</td></tr> <tr><td>38: 9,6</td><td style="text-align: right;">↑</td></tr> <tr><td>39: 10,6*</td><td style="text-align: right;">↑</td></tr> <tr><td>40: 10,0</td><td style="text-align: right;">↗</td></tr> <tr><td colspan="2" style="border-top: 1px solid black;">Serie 98,0</td></tr> <tr><td colspan="2" style="border-top: 1px solid black;">Totalt 385,0</td></tr> </table>	31: 10,4*	←	32: 9,6	↗	33: 10,2*	↗	34: 10,8*	←	35: 10,3*	↑	36: 10,8*	↗	37: 10,0	↑	38: 9,6	↑	39: 10,6*	↑	40: 10,0	↗	Serie 98,0		Totalt 385,0		
31: 10,4*	←																									
32: 9,6	↗																									
33: 10,2*	↗																									
34: 10,8*	←																									
35: 10,3*	↑																									
36: 10,8*	↗																									
37: 10,0	↑																									
38: 9,6	↑																									
39: 10,6*	↑																									
40: 10,0	↗																									
Serie 98,0																										
Totalt 385,0																										



Sight 	40 shot 1: 10,1 → 2: 10,5* ↓ 3: 10,4* → 4: 10,7* ↑ 5: 10,9* ↑ 6: 10,9* ← 7: 10,8* ↑		1: 10,5* ↑ 2: 10,6* ↗ 3: 10,6* ↗ 4: 10,3* ↑ 5: 10,6* ↗ 6: 10,5* ↗ 7: 10,8* ↓ 8: 10,3* ↗ 9: 10,3* ↑ 10: 10,5* ↗
	Serie 70,0		Serie 100,0
	Totalt 0,0		Totalt 100,0

40 shot 	11: 10,5* ← 12: 10,6* ↗ 13: 10,6* ↗ 14: 10,3* ↓ 15: 10,4* ↓ 16: 10,4* ↓ 17: 10,6* ← 18: 10,5* ← 19: 10,7* → 20: 10,5* ←	40 shot 	21: 10,5* ↖ 22: 10,6* ↙ 23: 10,8* ↓ 24: 10,5* ↓ 25: 10,7* → 26: 10,6* ↙ 27: 10,2* ↓ 28: 10,6* ↙ 29: 10,6* ↓ 30: 10,0 ↙
	Serie 100,0		Serie 100,0
	Totalt 200,0		Totalt 300,0

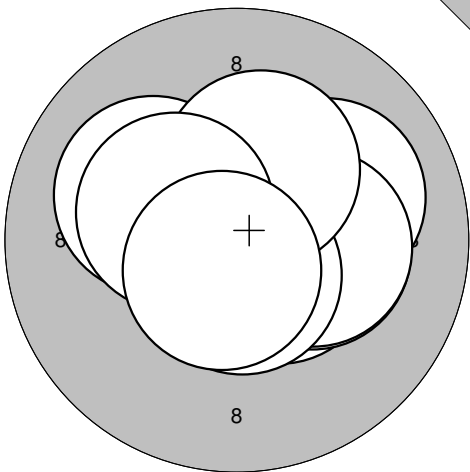
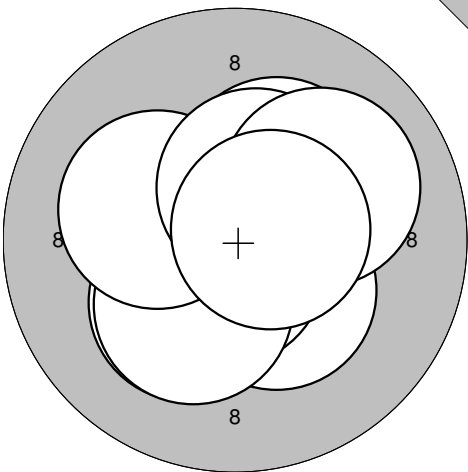
40 shot 	31: 10,5* ↓ 32: 10,2* ↓ 33: 10,2* ← 34: 10,7* ← 35: 10,9* ↗ 36: 10,8* ↖ 37: 10,7* ↘ 38: 10,6* ← 39: 10,5* ↙ 40: 10,5* ↑		
	Serie 100,0		
	Totalt 400,0		

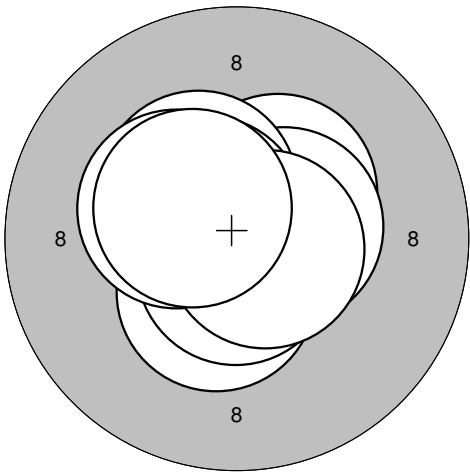
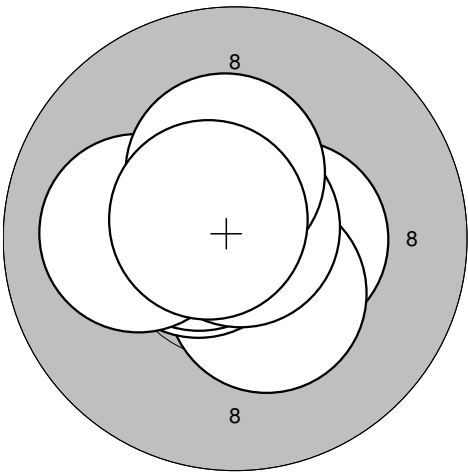
Umeå

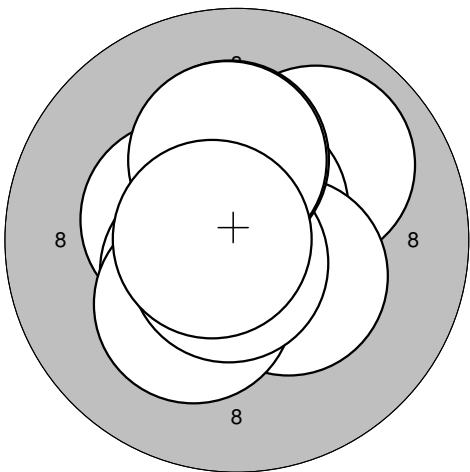
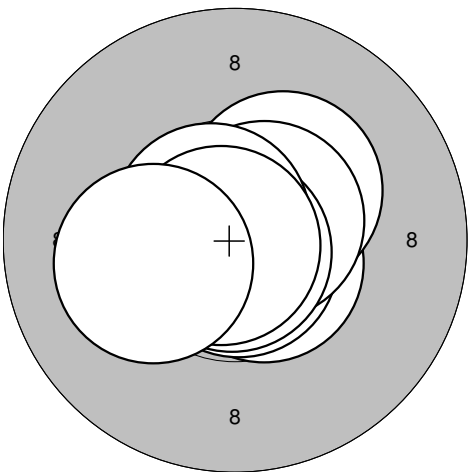
2011-01-15

Skyttiaden 2010

Umeå skytteallians

<p>Sight</p> 	<p>1: 10,5* ↘                  2: 10,3* →                  3: 10,0 →                  4: 10,3* →                  5: 10,6* ↗                  6: 10,6* ↓                  7: 10,1 ↗                  8: 10,3* ↗                  9: 10,3* ↗                  10: 10,6* ↓</p> <table border="1" style="width:100%; border-collapse: collapse;"> <tr><td style="text-align: right;">Serie</td><td style="text-align: right;">100,0</td></tr> <tr><td style="text-align: right;">Totalt</td><td style="text-align: right;">0,0</td></tr> </table>	Serie	100,0	Totalt	0,0	<p>Sight</p> 	<p>11: 10,5* ↓                  12: 10,2* ↓                  13: 10,4* ↓                  14: 10,7* ↓                  15: 10,3* ↓                  16: 10,2* ↖                  17: 10,3* ↗                  18: 10,4* ↗                  19: 10,0 ↗                  20: 10,6* →</p> <table border="1" style="width:100%; border-collapse: collapse;"> <tr><td style="text-align: right;">Serie</td><td style="text-align: right;">100,0</td></tr> <tr><td style="text-align: right;">Totalt</td><td style="text-align: right;">0,0</td></tr> </table>	Serie	100,0	Totalt	0,0
Serie	100,0										
Totalt	0,0										
Serie	100,0										
Totalt	0,0										

<p>40 shot</p> 	<p>1: 10,8* →                  2: 10,4* ↗                  3: 10,5* →                  4: 10,4* ↗                  5: 10,4* ↓                  6: 10,6* ↗                  7: 10,7* ↓                  8: 10,3* ↗                  9: 10,7* →                  10: 10,5* ↗</p> <table border="1" style="width:100%; border-collapse: collapse;"> <tr><td style="text-align: right;">Serie</td><td style="text-align: right;">100,0</td></tr> <tr><td style="text-align: right;">Totalt</td><td style="text-align: right;">100,0</td></tr> </table>	Serie	100,0	Totalt	100,0	<p>40 shot</p> 	<p>11: 10,7* ←                  12: 10,6* →                  13: 10,5* →                  14: 10,4* ↓                  15: 10,6* ←                  16: 10,6* ←                  17: 10,8* ↗                  18: 10,1 ←                  19: 10,4* ↑                  20: 10,7* ↖</p> <table border="1" style="width:100%; border-collapse: collapse;"> <tr><td style="text-align: right;">Serie</td><td style="text-align: right;">100,0</td></tr> <tr><td style="text-align: right;">Totalt</td><td style="text-align: right;">200,0</td></tr> </table>	Serie	100,0	Totalt	200,0
Serie	100,0										
Totalt	100,0										
Serie	100,0										
Totalt	200,0										

<p>40 shot</p> 	<p>21: 10,4* ↖                  22: 10,0 ↗                  23: 10,5* ↖                  24: 10,6* ↗                  25: 10,4* ↘                  26: 10,3* ↖                  27: 10,7* ↓                  28: 10,2* ↑                  29: 10,2* ↑                  30: 10,7* ←</p> <table border="1" style="width:100%; border-collapse: collapse;"> <tr><td style="text-align: right;">Serie</td><td style="text-align: right;">100,0</td></tr> <tr><td style="text-align: right;">Totalt</td><td style="text-align: right;">300,0</td></tr> </table>	Serie	100,0	Totalt	300,0	<p>40 shot</p> 	<p>31: 10,6* ↘                  32: 10,3* ↗                  33: 10,8* ↓                  34: 10,7* ←                  35: 10,6* ↗                  36: 10,7* ←                  37: 10,8* ↓                  38: 10,7* ↖                  39: 10,8* ←                  40: 10,2* ←</p> <table border="1" style="width:100%; border-collapse: collapse;"> <tr><td style="text-align: right;">Serie</td><td style="text-align: right;">100,0</td></tr> <tr><td style="text-align: right;">Totalt</td><td style="text-align: right;">400,0</td></tr> </table>	Serie	100,0	Totalt	400,0
Serie	100,0										
Totalt	300,0										
Serie	100,0										
Totalt	400,0										

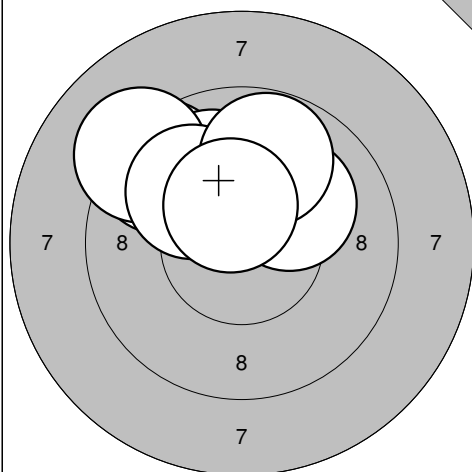
Rönnskär

2011-01-15

Skyttiaden 2010

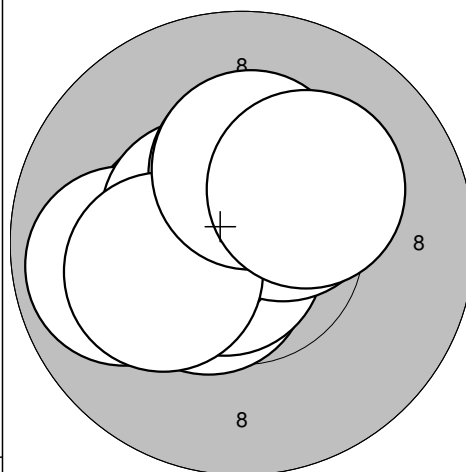
Umeå skytteallians

Sight



1: 10,1 ↑  
 2: 9,5 ↗  
 3: 10,0 ↑  
 4: 10,1 ↗  
 5: 9,2 ↗  
 6: 10,0 ↗  
 7: 9,8 ↑  
 8: 10,4\* ↑

40 shot



1: 10,5\* ↘  
 2: 10,8\* ↘  
 3: 10,4\* ←  
 4: 9,9 ←  
 5: 10,5\* ↘  
 6: 10,3\* ↑  
 7: 10,4\* ↗  
 8: 10,2\* ←  
 9: 10,3\* ↑  
 10: 10,2\* ↗

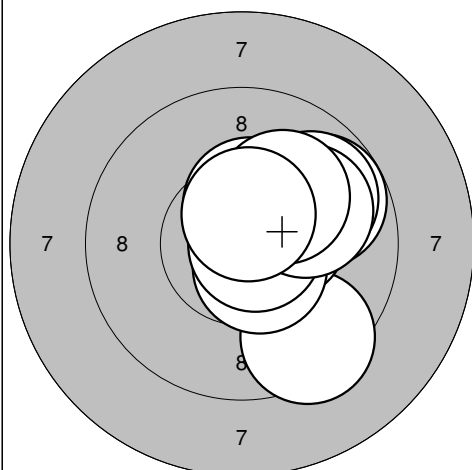
Serie 77,0

Totalt 0,0

Serie 99,0

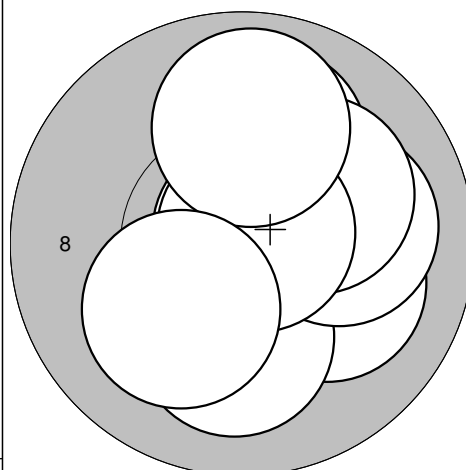
Totalt 99,0

40 shot



11: 9,4 ↘  
 12: 10,4\* ↑  
 13: 10,4\* →  
 14: 9,8 ↗  
 15: 10,6\* ↘  
 16: 10,8\* →  
 17: 9,8 ↗  
 18: 10,0 ↗  
 19: 10,1 ↗  
 20: 10,6\* ↑

40 shot



21: 10,1 ↘  
 22: 10,0 ↑  
 23: 10,5\* ↗  
 24: 10,8\* ↗  
 25: 10,1 ↓  
 26: 10,1 →  
 27: 10,2\* ↗  
 28: 10,8\* ↗  
 29: 9,9 ↑  
 30: 10,1 ↘

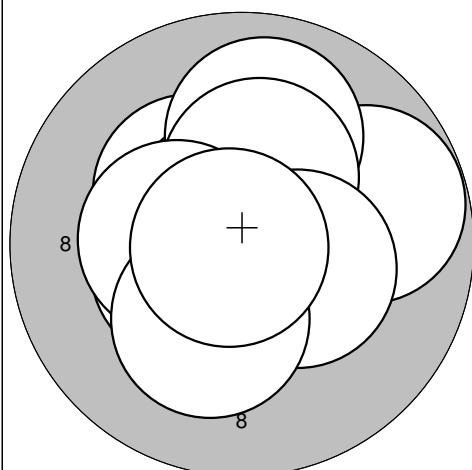
Serie 97,0

Totalt 196,0

Serie 99,0

Totalt 295,0

40 shot



31: 10,4\* ←  
 32: 9,8 →  
 33: 10,3\* ↗  
 34: 10,7\* ↑  
 35: 10,0 ↑  
 36: 10,3\* ↑  
 37: 10,4\* →  
 38: 10,4\* ←  
 39: 10,2\* ↘  
 40: 10,8\* ←

Serie 99,0

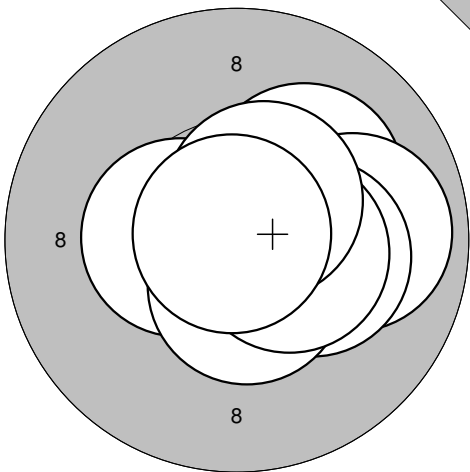
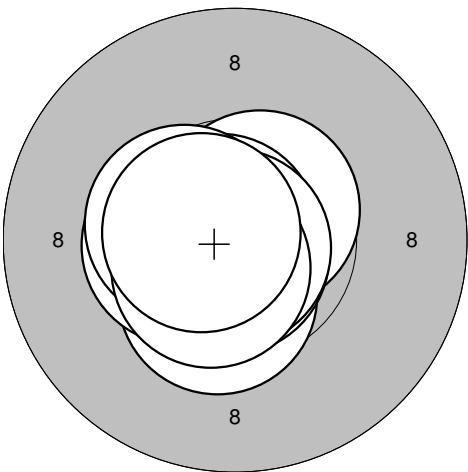
Totalt 394,0

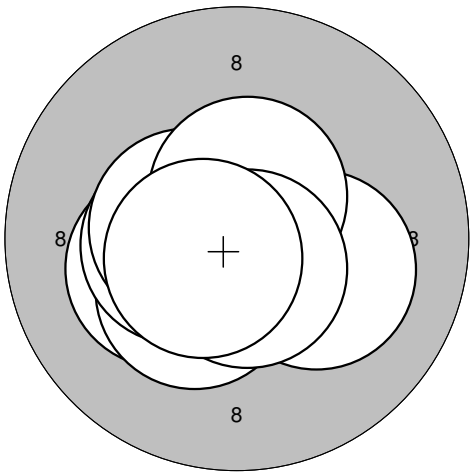
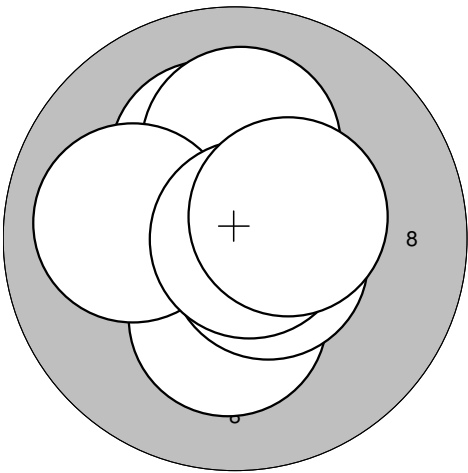
Umeå

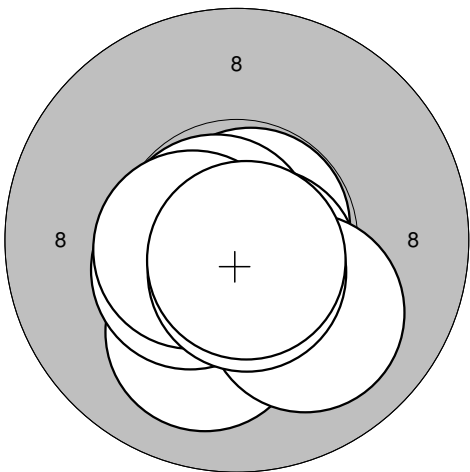
2011-01-15

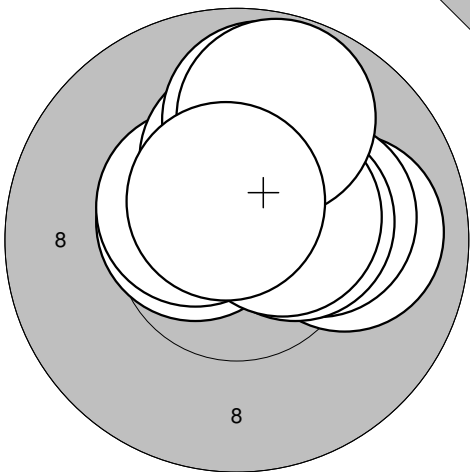
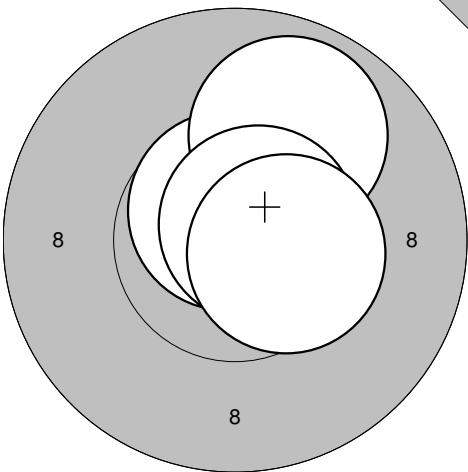
Skyttiaden 2010

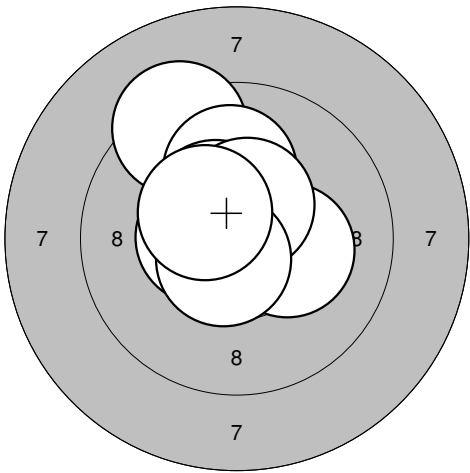
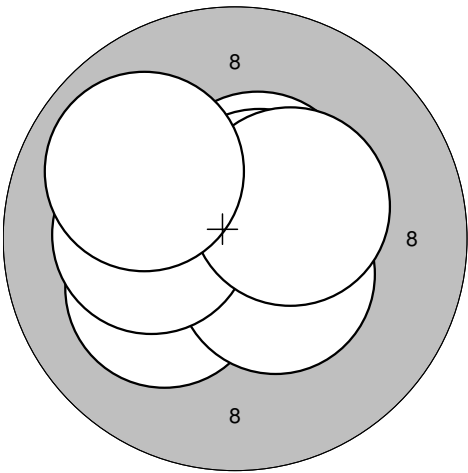
Umeå skytteallians

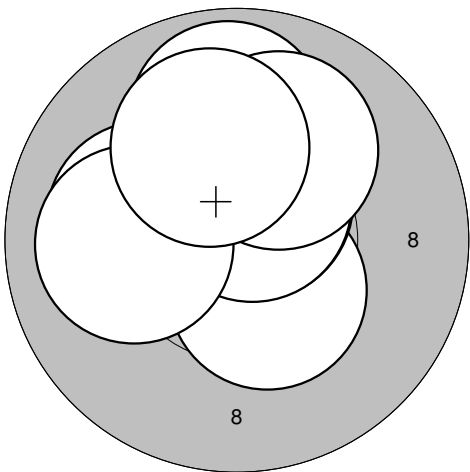
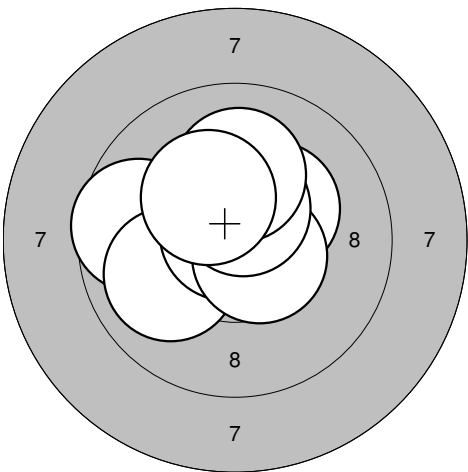
<p>Sight</p> 	<p>40 shot</p> <table style="width:100%;"> <tr><td>1: 10,1</td><td>↗</td></tr> <tr><td>2: 10,4*</td><td>←</td></tr> <tr><td>3: 10,6*</td><td>→</td></tr> <tr><td>4: 9,9</td><td>→</td></tr> <tr><td>5: 10,2*</td><td>→</td></tr> <tr><td>6: 10,5*</td><td>↗</td></tr> <tr><td>7: 10,5*</td><td>↓</td></tr> <tr><td>8: 10,5*</td><td>→</td></tr> <tr><td>9: 10,5*</td><td>↗</td></tr> <tr><td>10: 10,9*</td><td>↖</td></tr> </table> <table style="width:100%; border-top: 1px solid black;"> <tr><td>Serie</td><td style="text-align: right;">99,0</td></tr> <tr><td>Totalt</td><td style="text-align: right;">0,0</td></tr> </table>	1: 10,1	↗	2: 10,4*	←	3: 10,6*	→	4: 9,9	→	5: 10,2*	→	6: 10,5*	↗	7: 10,5*	↓	8: 10,5*	→	9: 10,5*	↗	10: 10,9*	↖	Serie	99,0	Totalt	0,0	 <table style="width:100%;"> <tr><td>1: 10,4*</td><td>↓</td></tr> <tr><td>2: 10,5*</td><td>←</td></tr> <tr><td>3: 10,6*</td><td>↖</td></tr> <tr><td>4: 10,6*</td><td>↗</td></tr> <tr><td>5: 10,8*</td><td>↖</td></tr> <tr><td>6: 10,8*</td><td>↓</td></tr> <tr><td>7: 10,9*</td><td>↓</td></tr> <tr><td>8: 10,5*</td><td>↖</td></tr> <tr><td>9: 10,6*</td><td>↘</td></tr> <tr><td>10: 10,6*</td><td>←</td></tr> </table> <table style="width:100%; border-top: 1px solid black;"> <tr><td>Serie</td><td style="text-align: right;">100,0</td></tr> <tr><td>Totalt</td><td style="text-align: right;">100,0</td></tr> </table>	1: 10,4*	↓	2: 10,5*	←	3: 10,6*	↖	4: 10,6*	↗	5: 10,8*	↖	6: 10,8*	↓	7: 10,9*	↓	8: 10,5*	↖	9: 10,6*	↘	10: 10,6*	←	Serie	100,0	Totalt	100,0
1: 10,1	↗																																																	
2: 10,4*	←																																																	
3: 10,6*	→																																																	
4: 9,9	→																																																	
5: 10,2*	→																																																	
6: 10,5*	↗																																																	
7: 10,5*	↓																																																	
8: 10,5*	→																																																	
9: 10,5*	↗																																																	
10: 10,9*	↖																																																	
Serie	99,0																																																	
Totalt	0,0																																																	
1: 10,4*	↓																																																	
2: 10,5*	←																																																	
3: 10,6*	↖																																																	
4: 10,6*	↗																																																	
5: 10,8*	↖																																																	
6: 10,8*	↓																																																	
7: 10,9*	↓																																																	
8: 10,5*	↖																																																	
9: 10,6*	↘																																																	
10: 10,6*	←																																																	
Serie	100,0																																																	
Totalt	100,0																																																	

<p>40 shot</p> 	<p>40 shot</p> <table style="width:100%;"> <tr><td>11: 10,2*</td><td>←</td></tr> <tr><td>12: 10,7*</td><td>↘</td></tr> <tr><td>13: 10,3*</td><td>↘</td></tr> <tr><td>14: 10,4*</td><td>←</td></tr> <tr><td>15: 10,7*</td><td>→</td></tr> <tr><td>16: 10,5*</td><td>←</td></tr> <tr><td>17: 10,2*</td><td>→</td></tr> <tr><td>18: 10,6*</td><td>↑</td></tr> <tr><td>19: 10,7*</td><td>↓</td></tr> <tr><td>20: 10,6*</td><td>↖</td></tr> </table> <table style="width:100%; border-top: 1px solid black;"> <tr><td>Serie</td><td style="text-align: right;">100,0</td></tr> <tr><td>Totalt</td><td style="text-align: right;">200,0</td></tr> </table>	11: 10,2*	←	12: 10,7*	↘	13: 10,3*	↘	14: 10,4*	←	15: 10,7*	→	16: 10,5*	←	17: 10,2*	→	18: 10,6*	↑	19: 10,7*	↓	20: 10,6*	↖	Serie	100,0	Totalt	200,0	 <table style="width:100%;"> <tr><td>21: 10,7*</td><td>↑</td></tr> <tr><td>22: 10,9*</td><td>↓</td></tr> <tr><td>23: 10,9*</td><td>→</td></tr> <tr><td>24: 10,2*</td><td>↑</td></tr> <tr><td>25: 10,2*</td><td>↓</td></tr> <tr><td>26: 10,1</td><td>↑</td></tr> <tr><td>27: 10,0</td><td>←</td></tr> <tr><td>28: 10,6*</td><td>↘</td></tr> <tr><td>29: 10,8*</td><td>→</td></tr> <tr><td>30: 10,4*</td><td>↗</td></tr> </table> <table style="width:100%; border-top: 1px solid black;"> <tr><td>Serie</td><td style="text-align: right;">100,0</td></tr> <tr><td>Totalt</td><td style="text-align: right;">300,0</td></tr> </table>	21: 10,7*	↑	22: 10,9*	↓	23: 10,9*	→	24: 10,2*	↑	25: 10,2*	↓	26: 10,1	↑	27: 10,0	←	28: 10,6*	↘	29: 10,8*	→	30: 10,4*	↗	Serie	100,0	Totalt	300,0
11: 10,2*	←																																																	
12: 10,7*	↘																																																	
13: 10,3*	↘																																																	
14: 10,4*	←																																																	
15: 10,7*	→																																																	
16: 10,5*	←																																																	
17: 10,2*	→																																																	
18: 10,6*	↑																																																	
19: 10,7*	↓																																																	
20: 10,6*	↖																																																	
Serie	100,0																																																	
Totalt	200,0																																																	
21: 10,7*	↑																																																	
22: 10,9*	↓																																																	
23: 10,9*	→																																																	
24: 10,2*	↑																																																	
25: 10,2*	↓																																																	
26: 10,1	↑																																																	
27: 10,0	←																																																	
28: 10,6*	↘																																																	
29: 10,8*	→																																																	
30: 10,4*	↗																																																	
Serie	100,0																																																	
Totalt	300,0																																																	

<p>40 shot</p> 	<table style="width:100%;"> <tr><td>31: 10,8*</td><td>←</td></tr> <tr><td>32: 10,1</td><td>↓</td></tr> <tr><td>33: 10,8*</td><td>↗</td></tr> <tr><td>34: 10,6*</td><td>↘</td></tr> <tr><td>35: 10,8*</td><td>↖</td></tr> <tr><td>36: 10,4*</td><td>↖</td></tr> <tr><td>37: 10,5*</td><td>←</td></tr> <tr><td>38: 10,0</td><td>↘</td></tr> <tr><td>39: 10,6*</td><td>↓</td></tr> <tr><td>40: 10,7*</td><td>↓</td></tr> </table> <table style="width:100%; border-top: 1px solid black;"> <tr><td>Serie</td><td style="text-align: right;">100,0</td></tr> <tr><td>Totalt</td><td style="text-align: right;">400,0</td></tr> </table>	31: 10,8*	←	32: 10,1	↓	33: 10,8*	↗	34: 10,6*	↘	35: 10,8*	↖	36: 10,4*	↖	37: 10,5*	←	38: 10,0	↘	39: 10,6*	↓	40: 10,7*	↓	Serie	100,0	Totalt	400,0	
31: 10,8*	←																									
32: 10,1	↓																									
33: 10,8*	↗																									
34: 10,6*	↘																									
35: 10,8*	↖																									
36: 10,4*	↖																									
37: 10,5*	←																									
38: 10,0	↘																									
39: 10,6*	↓																									
40: 10,7*	↓																									
Serie	100,0																									
Totalt	400,0																									

<p>Sight</p> 	<p>1: 10,0 →</p> <p>2: 10,2* →</p> <p>3: 10,4* →</p> <p>4: 10,5* ←</p> <p>5: 10,5* ↖</p> <p>6: 10,2* ↑</p> <p>7: 10,5* ↗</p> <p>8: 9,8 ↑</p> <p>9: 9,8 ↑</p> <p>10: 10,6* ↑</p>	<p>Sight</p> 	<p>11: 10,7* ↑</p> <p>12: 9,9 ↗</p> <p>13: 10,7* ↗</p> <p>14: 10,5* →</p>
Serie 98,0	Totalt 0,0	Serie 39,0	Totalt 0,0

<p>40 shot</p> 	<p>1: 9,3 ↖</p> <p>2: 10,2* →</p> <p>3: 10,5* ←</p> <p>4: 10,1 ↑</p> <p>5: 10,7* ↙</p> <p>6: 10,5* ↑</p> <p>7: 10,4* ↖</p> <p>8: 10,5* ↑</p> <p>9: 10,6* ↙</p> <p>10: 10,4* ↖</p>	<p>40 shot</p> 	<p>11: 10,6* ←</p> <p>12: 10,2* ↙</p> <p>13: 10,5* ↗</p> <p>14: 10,6* ↗</p> <p>15: 10,8* →</p> <p>16: 10,8* ↖</p> <p>17: 10,5* ↘</p> <p>18: 10,2* ←</p> <p>19: 10,4* ↗</p> <p>20: 9,9 ↖</p>
Serie 99,0	Totalt 99,0	Serie 99,0	Totalt 198,0

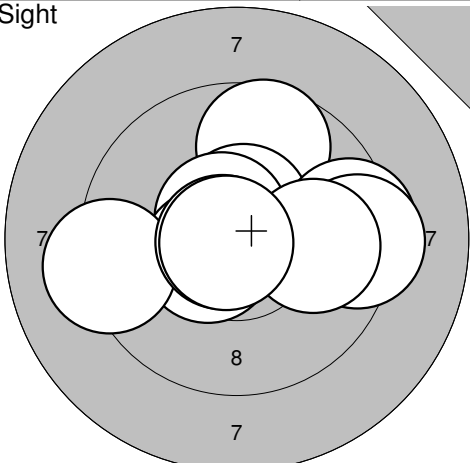
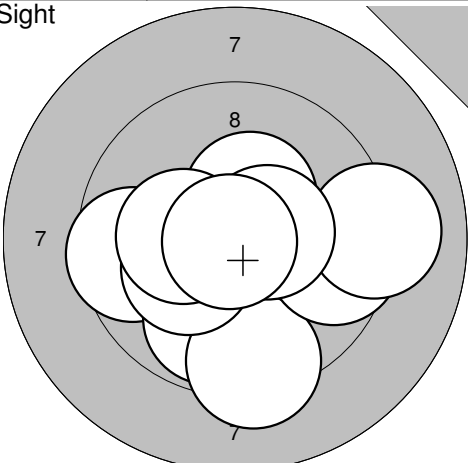
<p>40 shot</p> 	<p>21: 10,5* ↙</p> <p>22: 10,5* ↙</p> <p>23: 10,1 ←</p> <p>24: 10,4* ↘</p> <p>25: 9,9 ↑</p> <p>26: 10,6* ↗</p> <p>27: 10,6* ↗</p> <p>28: 10,0 ←</p> <p>29: 10,1 ↗</p> <p>30: 10,1 ↑</p>	<p>40 shot</p> 	<p>31: 10,3* ↗</p> <p>32: 9,7 ←</p> <p>33: 10,0 ↙</p> <p>34: 10,7* ↑</p> <p>35: 10,7* ↗</p> <p>36: 10,8* ↖</p> <p>37: 10,6* ↘</p> <p>38: 10,5* ↑</p> <p>39: 10,1 ↑</p> <p>40: 10,3* ↖</p>
Serie 99,0	Totalt 297,0	Serie 99,0	Totalt 396,0

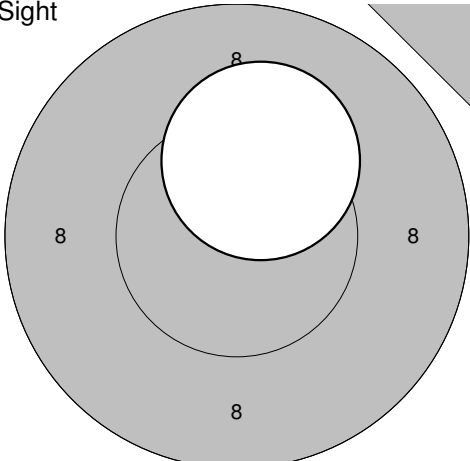
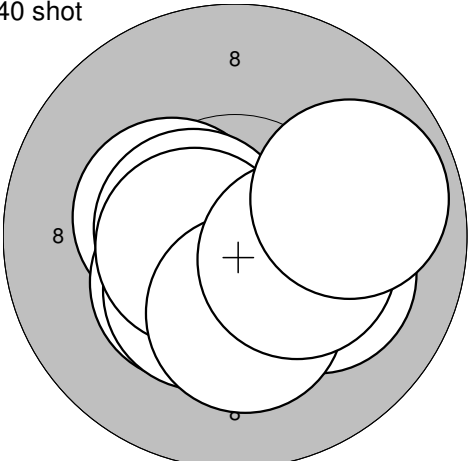
Ramselefors

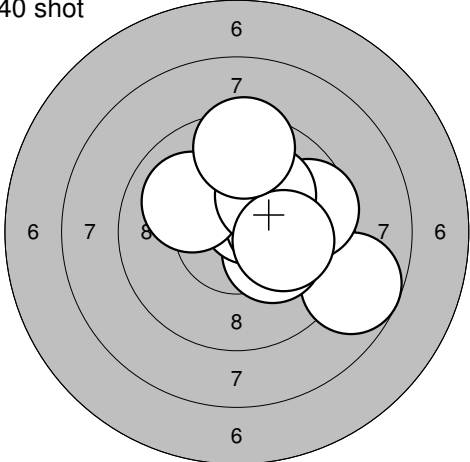
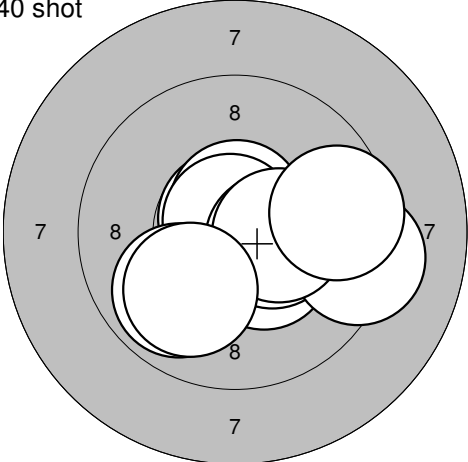
2011-01-15

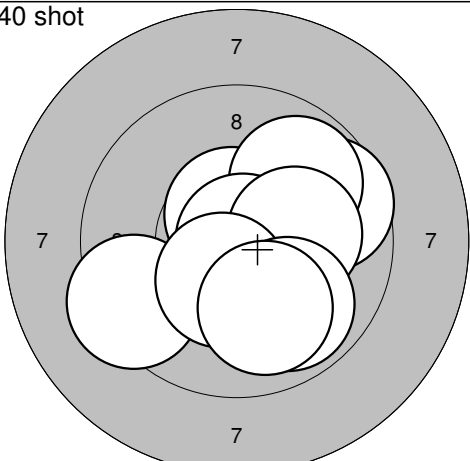
Skyttiaden 2010

Umeå skytteallians

<p>Sight</p>  <p style="text-align: center;">7 8 7</p>	<p>1: 9,7 ↗ 2: 10,6* ↑ 3: 10,6* ↗ 4: 10,5* ↙ 5: 9,4 → 6: 9,3 → 7: 9,9 → 8: 9,2 ← 9: 10,8* ← 10: 10,8* ↙</p> <p>Serie 95,0 Totalt 0,0</p>	<p>Sight</p>  <p style="text-align: center;">7 8 7</p>	<p>11: 9,6 ← 12: 9,8 ↓ 13: 10,4* ↑ 14: 9,3 ↓ 15: 9,6 → 16: 9,1 → 17: 10,2* ↙ 18: 10,5* → 19: 10,3* ← 20: 10,9* ↙</p> <p>Serie 95,0 Totalt 0,0</p>
--	--	--	---

<p>Sight</p>  <p style="text-align: center;">8 8 8</p>	<p>21: 10,2* ↑</p> <p>Serie 10,0 Totalt 0,0</p>	<p>40 shot</p>  <p style="text-align: center;">8 8</p>	<p>1: 10,4* ← 2: 10,6* ← 3: 10,7* ↓ 4: 10,1 → 5: 10,4* ↙ 6: 10,4* ↙ 7: 10,6* ← 8: 10,2* ↓ 9: 10,3* → 10: 9,9 →</p> <p>Serie 99,0 Totalt 99,0</p>
---	---	---	--

<p>40 shot</p>  <p style="text-align: center;">6 7 8 7 6</p>	<p>11: 8,7 → 12: 10,2* ↘ 13: 10,5* ↗ 14: 10,2* → 15: 9,6 → 16: 10,0 ↑ 17: 10,0 ↗ 18: 10,1 ↗ 19: 10,1 → 20: 9,5 ↑</p> <p>Serie 96,0 Totalt 195,0</p>	<p>40 shot</p>  <p style="text-align: center;">7 8 7</p>	<p>21: 10,4* ↘ 22: 10,7* ↗ 23: 10,6* ↑ 24: 10,8* ↗ 25: 10,4* → 26: 9,3 → 27: 10,4* → 28: 9,6 → 29: 9,9 ↙ 30: 10,0 ↙</p> <p>Serie 97,0 Totalt 292,0</p>
--	---	--	--

<p>40 shot</p>  <p style="text-align: center;">7 8 7</p>	<p>31: 10,5* → 32: 9,7 → 33: 9,4 ↙ 34: 10,6* ↑ 35: 9,8 ↗ 36: 10,9* → 37: 10,2* → 38: 10,4* ↓ 39: 9,9 ↘ 40: 10,0 ↓</p> <p>Serie 96,0 Totalt 388,0</p>		
--	--	--	--

Drängsmark

2011-01-15	Skyttiaden 2010	Umeå skytteallians
------------	-----------------	--------------------

Sight

1: 10,4*	↙
2: 10,2*	↑
3: 10,5*	↗
4: 10,8*	→
5: 10,4*	↑
6: 10,0	→
7: 10,5*	→
8: 10,2*	↑
9: 10,4*	↑
10: 10,6*	↓
Serie 100,0	
Totalt 0,0	

Sight

11: 10,6*	↓
12: 10,4*	↓
13: 10,7*	↗
14: 10,7*	↓
Serie 40,0	
Totalt 0,0	

40 shot

1: 10,5*	↑
2: 10,5*	↓
3: 10,8*	↙
4: 10,5*	←
5: 10,4*	↓
6: 10,6*	↑
7: 10,4*	→
8: 10,5*	→
9: 10,6*	←
10: 10,8*	↓
Serie 100,0	
Totalt 100,0	

40 shot

11: 10,8*	↘
12: 10,8*	←
13: 10,8*	↗
14: 10,7*	←
15: 10,5*	↓
16: 10,5*	→
17: 10,7*	↓
18: 10,8*	↘
19: 10,7*	→
20: 10,5*	↙
Serie 100,0	
Totalt 200,0	

40 shot

21: 10,5*	↗
22: 10,4*	↑
23: 10,5*	↓
24: 10,4*	←
25: 10,5*	←
26: 10,5*	↗
27: 10,5*	↙
28: 10,5*	↓
29: 10,8*	↗
30: 10,9*	↓
Serie 100,0	
Totalt 300,0	

40 shot

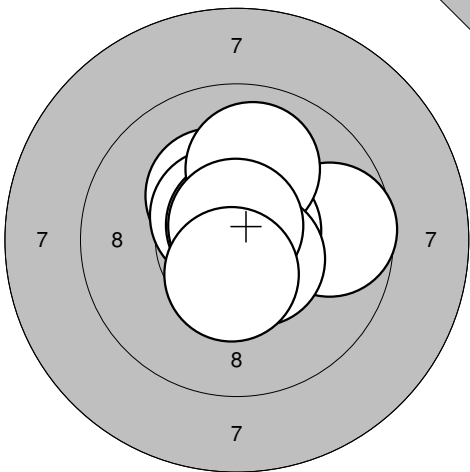
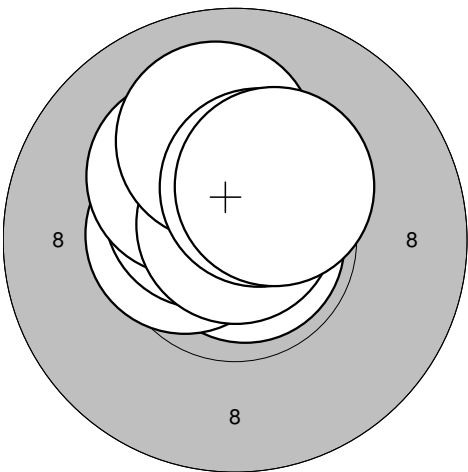
31: 10,7*	↓
32: 10,7*	→
33: 10,3*	↗
34: 10,6*	→
35: 10,3*	↑
36: 10,4*	→
37: 10,4*	↓
38: 10,4*	↗
39: 10,4*	↓
40: 10,4*	↗
Serie 100,0	
Totalt 400,0	

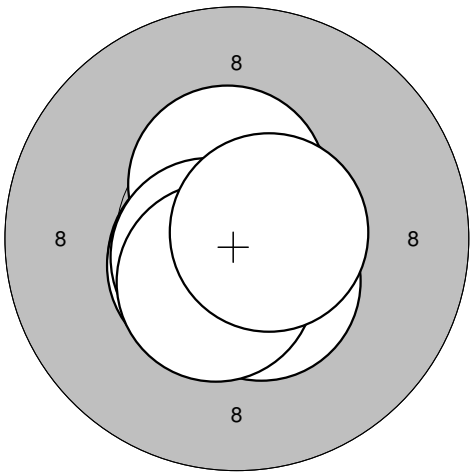
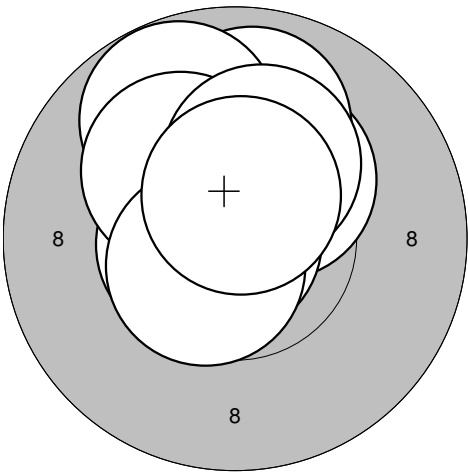
Umeå

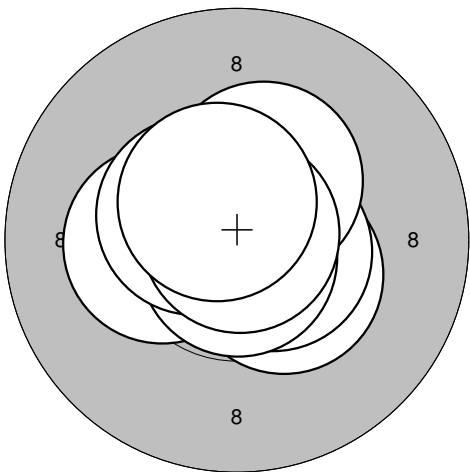
2011-01-15

Skyttiaden 2010

Umeå skytteallians

<p>Sight</p> 	<p>40 shot</p> <table style="width:100%;"> <tr><td>1: 9,7</td><td>→</td></tr> <tr><td>2: 10,3*</td><td>↖</td></tr> <tr><td>3: 10,9*</td><td>↑</td></tr> <tr><td>4: 10,7*</td><td>→</td></tr> <tr><td>5: 10,5*</td><td>↖</td></tr> <tr><td>6: 10,7*</td><td>↑</td></tr> <tr><td>7: 10,0</td><td>↑</td></tr> <tr><td>8: 10,6*</td><td>↘</td></tr> <tr><td>9: 10,8*</td><td>↑</td></tr> <tr><td>10: 10,5*</td><td>↓</td></tr> <tr><td colspan="2"><b>Serie 99,0</b></td></tr> <tr><td colspan="2"><b>Totalt 0,0</b></td></tr> </table>	1: 9,7	→	2: 10,3*	↖	3: 10,9*	↑	4: 10,7*	→	5: 10,5*	↖	6: 10,7*	↑	7: 10,0	↑	8: 10,6*	↘	9: 10,8*	↑	10: 10,5*	↓	<b>Serie 99,0</b>		<b>Totalt 0,0</b>		 <table style="width:100%;"> <tr><td>1: 10,8*</td><td>→</td></tr> <tr><td>2: 10,3*</td><td>↑</td></tr> <tr><td>3: 10,5*</td><td>←</td></tr> <tr><td>4: 10,5*</td><td>↖</td></tr> <tr><td>5: 10,6*</td><td>↖</td></tr> <tr><td>6: 10,2*</td><td>↖</td></tr> <tr><td>7: 10,8*</td><td>↑</td></tr> <tr><td>8: 10,0</td><td>↑</td></tr> <tr><td>9: 10,4*</td><td>↗</td></tr> <tr><td>10: 10,4*</td><td>↗</td></tr> <tr><td colspan="2"><b>Serie 100,0</b></td></tr> <tr><td colspan="2"><b>Totalt 100,0</b></td></tr> </table>	1: 10,8*	→	2: 10,3*	↑	3: 10,5*	←	4: 10,5*	↖	5: 10,6*	↖	6: 10,2*	↖	7: 10,8*	↑	8: 10,0	↑	9: 10,4*	↗	10: 10,4*	↗	<b>Serie 100,0</b>		<b>Totalt 100,0</b>	
1: 9,7	→																																																	
2: 10,3*	↖																																																	
3: 10,9*	↑																																																	
4: 10,7*	→																																																	
5: 10,5*	↖																																																	
6: 10,7*	↑																																																	
7: 10,0	↑																																																	
8: 10,6*	↘																																																	
9: 10,8*	↑																																																	
10: 10,5*	↓																																																	
<b>Serie 99,0</b>																																																		
<b>Totalt 0,0</b>																																																		
1: 10,8*	→																																																	
2: 10,3*	↑																																																	
3: 10,5*	←																																																	
4: 10,5*	↖																																																	
5: 10,6*	↖																																																	
6: 10,2*	↖																																																	
7: 10,8*	↑																																																	
8: 10,0	↑																																																	
9: 10,4*	↗																																																	
10: 10,4*	↗																																																	
<b>Serie 100,0</b>																																																		
<b>Totalt 100,0</b>																																																		

<p>40 shot</p> 	<p>40 shot</p> <table style="width:100%;"> <tr><td>11: 10,7*</td><td>↗</td></tr> <tr><td>12: 10,7*</td><td>→</td></tr> <tr><td>13: 10,6*</td><td>↖</td></tr> <tr><td>14: 10,5*</td><td>↘</td></tr> <tr><td>15: 10,7*</td><td>↖</td></tr> <tr><td>16: 10,6*</td><td>↖</td></tr> <tr><td>17: 10,5*</td><td>↑</td></tr> <tr><td>18: 10,7*</td><td>↖</td></tr> <tr><td>19: 10,5*</td><td>↘</td></tr> <tr><td>20: 10,6*</td><td>→</td></tr> <tr><td colspan="2"><b>Serie 100,0</b></td></tr> <tr><td colspan="2"><b>Totalt 200,0</b></td></tr> </table>	11: 10,7*	↗	12: 10,7*	→	13: 10,6*	↖	14: 10,5*	↘	15: 10,7*	↖	16: 10,6*	↖	17: 10,5*	↑	18: 10,7*	↖	19: 10,5*	↘	20: 10,6*	→	<b>Serie 100,0</b>		<b>Totalt 200,0</b>		 <table style="width:100%;"> <tr><td>21: 10,3*</td><td>↗</td></tr> <tr><td>22: 9,9</td><td>↑</td></tr> <tr><td>23: 9,8</td><td>↖</td></tr> <tr><td>24: 10,6*</td><td>←</td></tr> <tr><td>25: 10,5*</td><td>↑</td></tr> <tr><td>26: 10,8*</td><td>←</td></tr> <tr><td>27: 10,2*</td><td>↖</td></tr> <tr><td>28: 10,6*</td><td>↖</td></tr> <tr><td>29: 10,2*</td><td>↑</td></tr> <tr><td>30: 10,6*</td><td>↑</td></tr> <tr><td colspan="2"><b>Serie 98,0</b></td></tr> <tr><td colspan="2"><b>Totalt 298,0</b></td></tr> </table>	21: 10,3*	↗	22: 9,9	↑	23: 9,8	↖	24: 10,6*	←	25: 10,5*	↑	26: 10,8*	←	27: 10,2*	↖	28: 10,6*	↖	29: 10,2*	↑	30: 10,6*	↑	<b>Serie 98,0</b>		<b>Totalt 298,0</b>	
11: 10,7*	↗																																																	
12: 10,7*	→																																																	
13: 10,6*	↖																																																	
14: 10,5*	↘																																																	
15: 10,7*	↖																																																	
16: 10,6*	↖																																																	
17: 10,5*	↑																																																	
18: 10,7*	↖																																																	
19: 10,5*	↘																																																	
20: 10,6*	→																																																	
<b>Serie 100,0</b>																																																		
<b>Totalt 200,0</b>																																																		
21: 10,3*	↗																																																	
22: 9,9	↑																																																	
23: 9,8	↖																																																	
24: 10,6*	←																																																	
25: 10,5*	↑																																																	
26: 10,8*	←																																																	
27: 10,2*	↖																																																	
28: 10,6*	↖																																																	
29: 10,2*	↑																																																	
30: 10,6*	↑																																																	
<b>Serie 98,0</b>																																																		
<b>Totalt 298,0</b>																																																		

<p>40 shot</p> 	<table style="width:100%;"> <tr><td>31: 10,4*</td><td>↘</td></tr> <tr><td>32: 10,5*</td><td>↑</td></tr> <tr><td>33: 10,9*</td><td>↑</td></tr> <tr><td>34: 10,6*</td><td>→</td></tr> <tr><td>35: 10,3*</td><td>←</td></tr> <tr><td>36: 10,8*</td><td>↓</td></tr> <tr><td>37: 10,4*</td><td>↑</td></tr> <tr><td>38: 10,5*</td><td>↖</td></tr> <tr><td>39: 10,9*</td><td>↗</td></tr> <tr><td>40: 10,6*</td><td>↖</td></tr> <tr><td colspan="2"><b>Serie 100,0</b></td></tr> <tr><td colspan="2"><b>Totalt 398,0</b></td></tr> </table>	31: 10,4*	↘	32: 10,5*	↑	33: 10,9*	↑	34: 10,6*	→	35: 10,3*	←	36: 10,8*	↓	37: 10,4*	↑	38: 10,5*	↖	39: 10,9*	↗	40: 10,6*	↖	<b>Serie 100,0</b>		<b>Totalt 398,0</b>		
31: 10,4*	↘																									
32: 10,5*	↑																									
33: 10,9*	↑																									
34: 10,6*	→																									
35: 10,3*	←																									
36: 10,8*	↓																									
37: 10,4*	↑																									
38: 10,5*	↖																									
39: 10,9*	↗																									
40: 10,6*	↖																									
<b>Serie 100,0</b>																										
<b>Totalt 398,0</b>																										

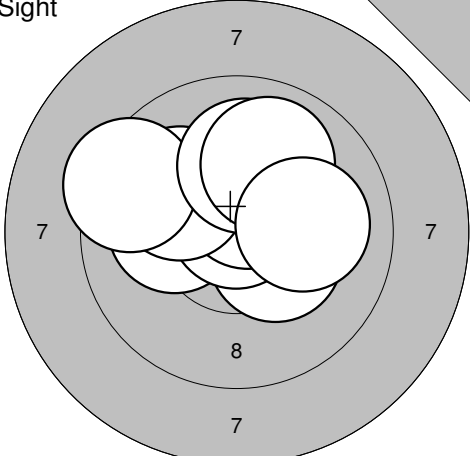
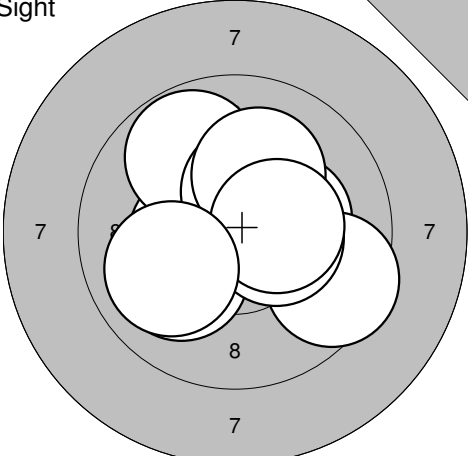


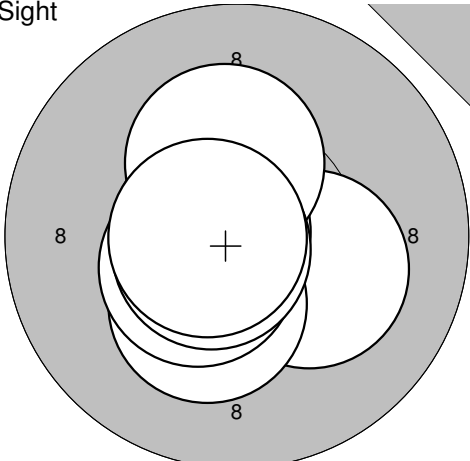
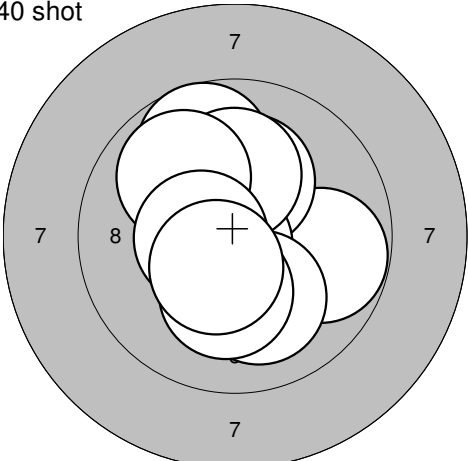
Ramselefors

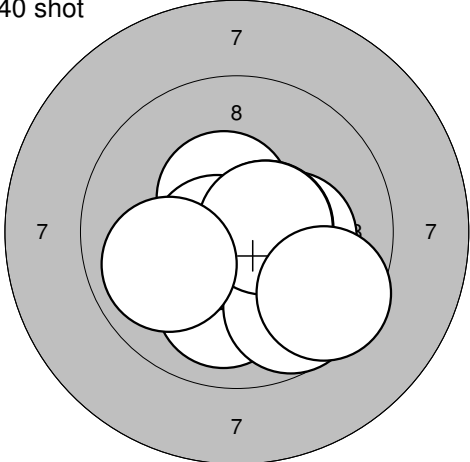
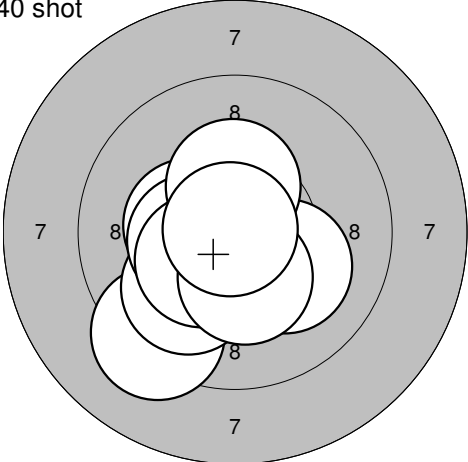
2011-01-15

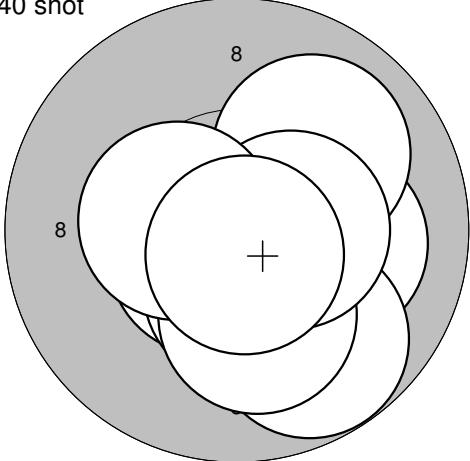
Skyttiaden 2010

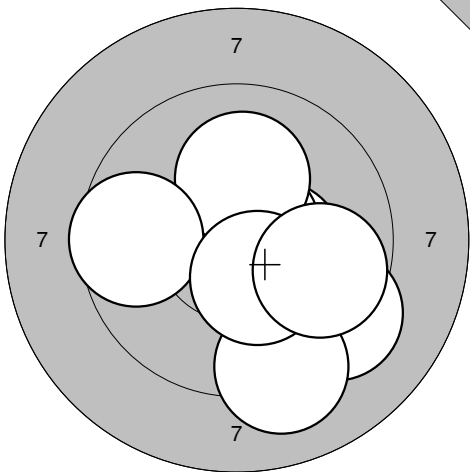
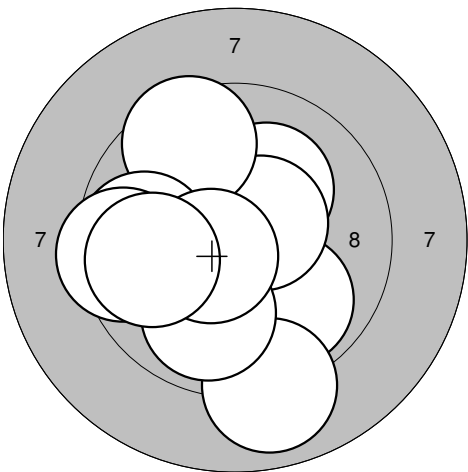
Umeå skytteallians

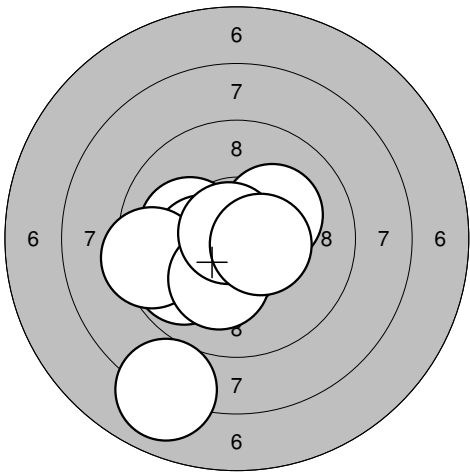
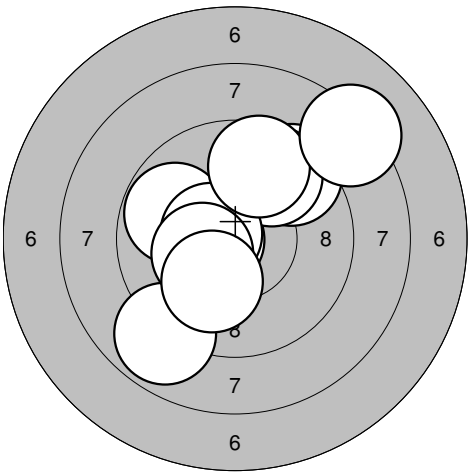
<p>Sight</p> 	<p>1: 10,3* →                  2: 10,7* ↗                  3: 10,1 ←                  4: 10,8* ↑                  5: 10,5* ↑                  6: 10,0 ↗                  7: 9,4 ←                  8: 10,1 ↑                  9: 10,0 ↑                  10: 10,1 →</p> <p>Serie 99,0 Totalt 0,0</p>	<p>Sight</p> 	<p>11: 10,0 ↙                  12: 10,4* ←                  13: 10,3* →                  14: 9,8 ↗                  15: 10,4* ↑                  16: 10,1 ↑                  17: 9,5 →                  18: 10,4* →                  19: 10,4* →                  20: 10,0 ↙</p> <p>Serie 98,0 Totalt 0,0</p>
---	--	---	---

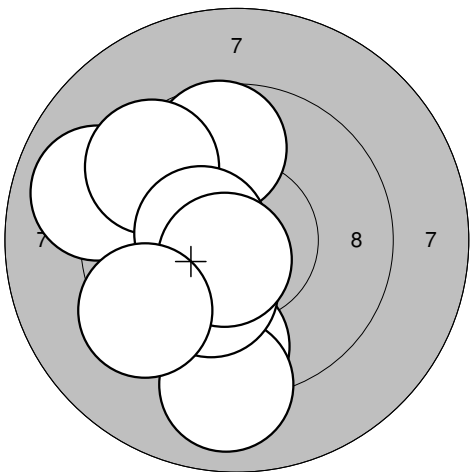
<p>Sight</p> 	<p>21: 10,2* →                  22: 10,3* ↓                  23: 10,5* ←                  24: 10,7* ←                  25: 10,3* ↑                  26: 10,7* ←                  27: 10,7* ←</p> <p>Serie 70,0 Totalt 0,0</p>	<p>40 shot</p> 	<p>1: 9,8 →                  2: 9,7 ↗                  3: 10,2* ↑                  4: 10,8* ↙                  5: 10,1 ↑                  6: 9,9 ↗                  7: 10,1 ↓                  8: 10,2* ↓                  9: 10,5* ←                  10: 10,5* ↓</p> <p>Serie 97,0 Totalt 97,0</p>
--	---	--	--

<p>40 shot</p> 	<p>11: 10,2* →                  12: 10,5* ↓                  13: 10,5* ↗                  14: 10,0 ↓                  15: 10,7* ←                  16: 10,6* →                  17: 9,7 ↓                  18: 10,6* →                  19: 9,5 ↓                  20: 10,0 ←</p> <p>Serie 98,0 Totalt 195,0</p>	<p>40 shot</p> 	<p>21: 10,4* ←                  22: 10,4* ←                  23: 9,3 ↙                  24: 10,0 ↙                  25: 10,4* ←                  26: 10,4* ↙                  27: 10,1 →                  28: 10,3* ↓                  29: 10,3* ↑                  30: 10,9* ↗</p> <p>Serie 99,0 Totalt 294,0</p>
---	--	---	--

<p>40 shot</p> 	<p>31: 10,1 →                  32: 10,6* ↙                  33: 10,6* ↓                  34: 9,8 ↓                  35: 10,0 ↗                  36: 10,4* ↓                  37: 10,2* ↓                  38: 10,5* →                  39: 10,4* ←                  40: 10,7* ↓</p> <p>Serie 99,0 Totalt 393,0</p>		
---	--	--	--

Sight 	40 shot 1: 10,3* → 2: 10,4* → 3: 9,3 ↓ 4: 9,2 ↓ 5: 10,7* ↗ 6: 10,1 ↑ 7: 9,6 ← 8: 10,4* ↓ 9: 9,8 → <hr/> Serie 86,0 Totalt 0,0	 1: 10,2* ↗ 2: 9,9 ↓ 3: 9,0 ↓ 4: 10,5* ↗ 5: 9,5 ↗ 6: 9,9 ↓ 7: 9,7 ← 8: 10,6* ↙ 9: 9,4 ← 10: 9,8 ← <hr/> Serie 93,0 Totalt 93,0
---	--	---

40 shot 	40 shot 11: 10,1 ← 12: 10,6* ↓ 13: 10,3* ← 14: 10,2* ↗ 15: 9,8 ← 16: 9,4 ← 17: 10,2* ↓ 18: 10,8* ↗ 19: 8,0 ↓ 20: 10,5* → <hr/> Serie 96,0 Totalt 189,0	 21: 9,8 ↙ 22: 10,6* ← 23: 9,5 ↗ 24: 9,7 ↗ 25: 10,5* ← 26: 8,9 ↓ 27: 10,3* ↙ 28: 10,1 ↓ 29: 9,6 ↑ 30: 8,2 ↗ <hr/> Serie 92,0 Totalt 281,0
--	--	---

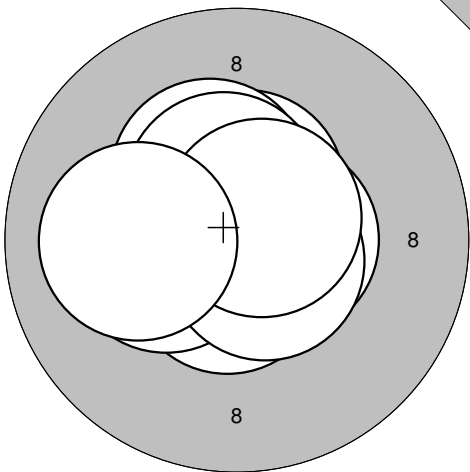
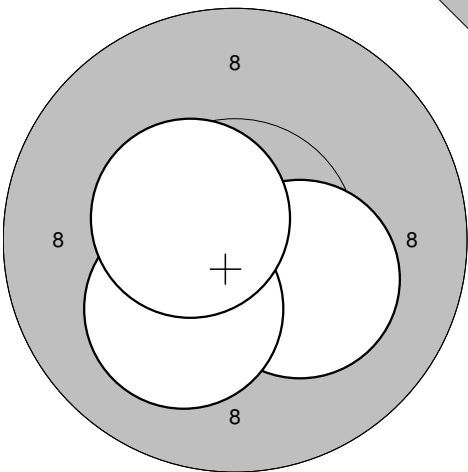
40 shot 	31: 10,2* ↙ 32: 9,5 ↓ 33: 9,0 ↓ 34: 9,7 ↑ 35: 9,0 ← 36: 10,2* ↓ 37: 9,5 ↗ 38: 10,5* ← 39: 10,6* ↓ 40: 9,4 ↙ <hr/> Serie 94,0 Totalt 375,0	
---	--	--

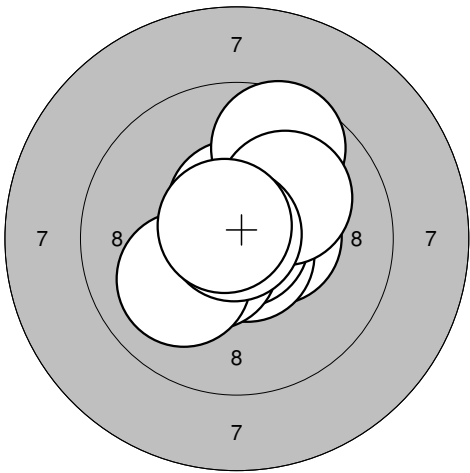
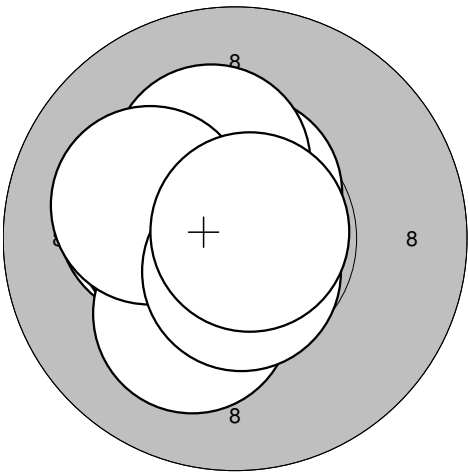
Ramselefors

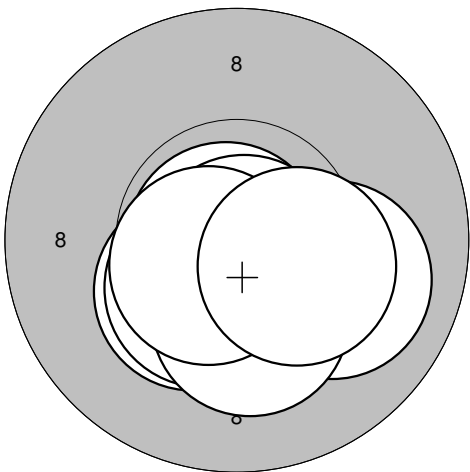
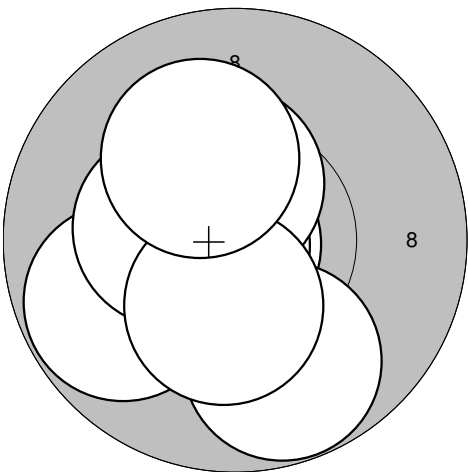
2011-01-15

Skyttiaden 2010

Umeå skytteallians

<p>Sight</p> 	<p>1: 10,6* ↖                  2: 10,6* →                  3: 10,6* ↓                  4: 10,5* ↑                  5: 10,3* ←                  6: 10,6* ↓                  7: 10,3* ↑                  8: 10,5* ↑                  9: 10,6* ↗                  10: 10,1 ←</p> <table border="1" style="width:100%; border-collapse: collapse;"> <tr> <td>Serie</td> <td style="text-align: right;">100,0</td> </tr> <tr> <td>Totalt</td> <td style="text-align: right;">0,0</td> </tr> </table>	Serie	100,0	Totalt	0,0	<p>Sight</p> 	<p>11: 10,3* ↘                  12: 10,2* ↙                  13: 10,5* ↖</p> <table border="1" style="width:100%; border-collapse: collapse;"> <tr> <td>Serie</td> <td style="text-align: right;">30,0</td> </tr> <tr> <td>Totalt</td> <td style="text-align: right;">0,0</td> </tr> </table>	Serie	30,0	Totalt	0,0
Serie	100,0										
Totalt	0,0										
Serie	30,0										
Totalt	0,0										

<p>40 shot</p> 	<p>1: 10,4* →                  2: 10,7* ↓                  3: 10,5* ↑                  4: 9,6 ↑                  5: 10,9* →                  6: 10,1 ↗                  7: 10,5* ↙                  8: 10,1 ↙                  9: 10,9* ↑                  10: 10,7* ↖</p> <table border="1" style="width:100%; border-collapse: collapse;"> <tr> <td>Serie</td> <td style="text-align: right;">99,0</td> </tr> <tr> <td>Totalt</td> <td style="text-align: right;">99,0</td> </tr> </table>	Serie	99,0	Totalt	99,0	<p>40 shot</p> 	<p>11: 10,5* ↑                  12: 10,2* ↑                  13: 10,8* ↙                  14: 10,4* ←                  15: 10,2* ←                  16: 10,4* ←                  17: 10,2* ↓                  18: 10,1 ↖                  19: 10,6* ↓                  20: 10,8* ↗</p> <table border="1" style="width:100%; border-collapse: collapse;"> <tr> <td>Serie</td> <td style="text-align: right;">100,0</td> </tr> <tr> <td>Totalt</td> <td style="text-align: right;">199,0</td> </tr> </table>	Serie	100,0	Totalt	199,0
Serie	99,0										
Totalt	99,0										
Serie	100,0										
Totalt	199,0										

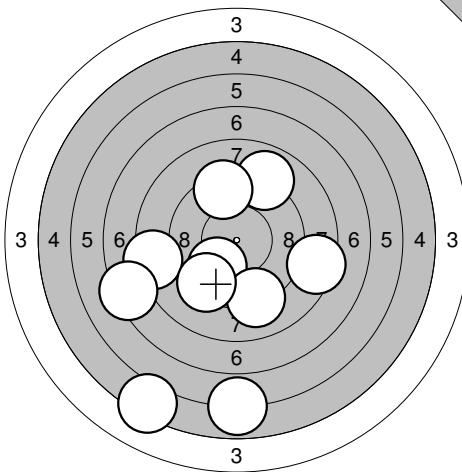
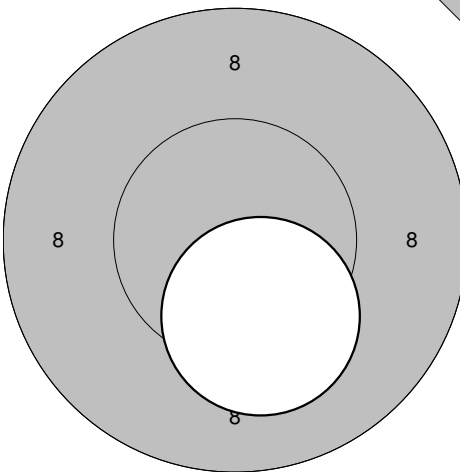
<p>40 shot</p> 	<p>21: 10,6* ↓                  22: 10,4* ↓                  23: 10,9* ←                  24: 10,3* ↙                  25: 10,0 →                  26: 10,4* ↙                  27: 10,8* ↓                  28: 10,2* ↓                  29: 10,6* ↙                  30: 10,4* →</p> <table border="1" style="width:100%; border-collapse: collapse;"> <tr> <td>Serie</td> <td style="text-align: right;">100,0</td> </tr> <tr> <td>Totalt</td> <td style="text-align: right;">299,0</td> </tr> </table>	Serie	100,0	Totalt	299,0	<p>40 shot</p> 	<p>31: 10,4* ↖                  32: 10,6* ↑                  33: 10,8* ←                  34: 9,8 ↙                  35: 10,7* ←                  36: 10,4* ↑                  37: 10,4* ←                  38: 9,8 ↓                  39: 10,3* ↓                  40: 10,1 ↑</p> <table border="1" style="width:100%; border-collapse: collapse;"> <tr> <td>Serie</td> <td style="text-align: right;">98,0</td> </tr> <tr> <td>Totalt</td> <td style="text-align: right;">397,0</td> </tr> </table>	Serie	98,0	Totalt	397,0
Serie	100,0										
Totalt	299,0										
Serie	98,0										
Totalt	397,0										

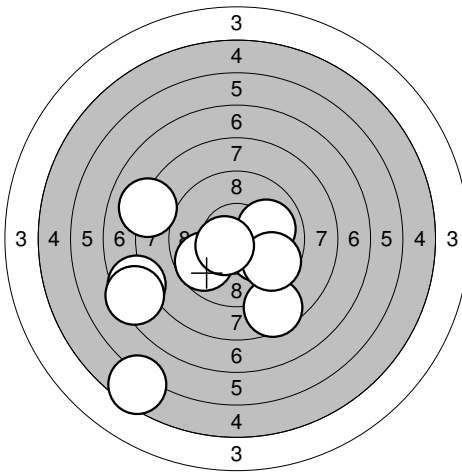
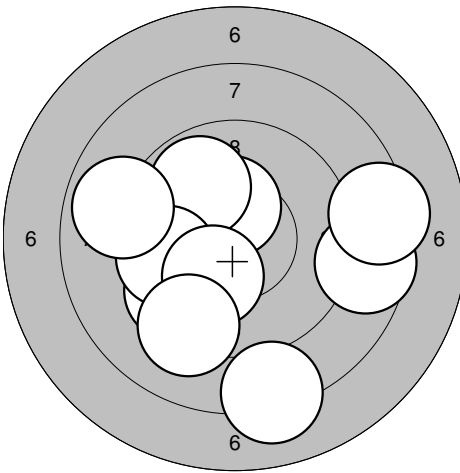
Umeå

2011-01-15

Skyttiaden 2010

Umeå skytteallians

<p>Sight</p> 	<p>1: 8,4 →</p> <p>2: 5,9 ↓</p> <p>3: 8,9 ↗</p> <p>4: 5,2 ↓</p> <p>5: 8,3 ←</p> <p>6: 9,9 ↙</p> <p>7: 9,1 ↓</p> <p>8: 9,4 ↑</p> <p>9: 9,4 ↙</p> <p>10: 7,3 ←</p> <hr/> <p>Serie 77,0</p> <p>Totalt 0,0</p>	<p>Sight</p>  <p style="text-align: right;">11: 10,2* ↓</p> <hr/> <p>Serie 10,0</p> <p>Totalt 0,0</p>
---	--	---

<p>40 shot</p> 	<p>1: 10,1 →</p> <p>2: 7,6 ←</p> <p>3: 7,4 ←</p> <p>4: 8,6 ↓</p> <p>5: 9,7 ↙</p> <p>6: 5,5 ↙</p> <p>7: 10,0 →</p> <p>8: 9,7 →</p> <p>9: 10,5* ←</p> <p>10: 8,1 ←</p> <hr/> <p>Serie 83,0</p> <p>Totalt 83,0</p>	<p>40 shot</p>  <p style="text-align: right;">11: 9,6 ↙</p> <p style="text-align: right;">12: 10,4* ↑</p> <p style="text-align: right;">13: 9,9 ↗</p> <p style="text-align: right;">14: 9,7 ←</p> <p style="text-align: right;">15: 8,2 ↓</p> <p style="text-align: right;">16: 8,6 →</p> <p style="text-align: right;">17: 10,2* ↙</p> <p style="text-align: right;">18: 8,4 →</p> <p style="text-align: right;">19: 8,9 ←</p> <p style="text-align: right;">20: 9,2 ↙</p> <hr/> <p>Serie 88,0</p> <p>Totalt 171,0</p>
--	---	--

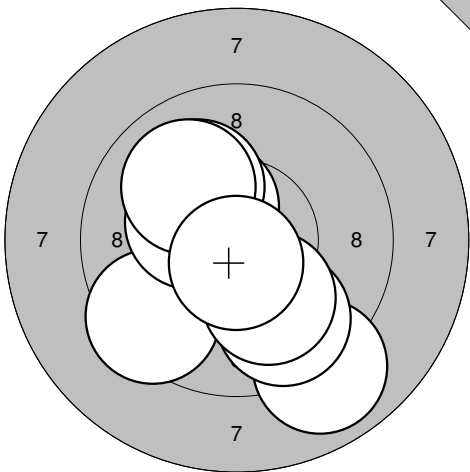
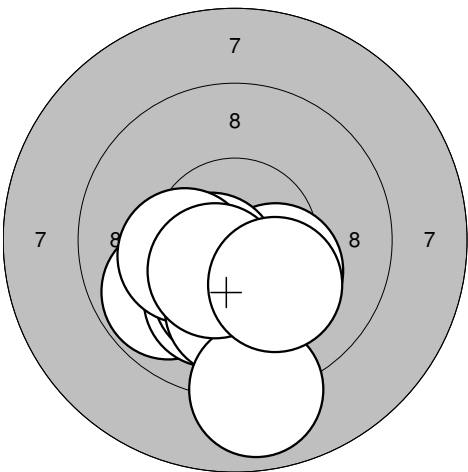
<p>40 shot</p> 	<p>21: 9,3 ↓</p> <p>22: 10,5* ↓</p> <p>23: 8,7 ↙</p> <p>24: 8,0 →</p> <p>25: 8,9 ←</p> <p>26: 7,8 ←</p> <p>27: 8,6 ↓</p> <p>28: 8,4 ↓</p> <p>29: 9,2 ↙</p> <p>30: 10,7* ↗</p> <hr/> <p>Serie 85,0</p> <p>Totalt 256,0</p>	<p>40 shot</p>  <p style="text-align: right;">31: 8,2 ↙</p> <p style="text-align: right;">32: 9,8 ↓</p> <p style="text-align: right;">33: 10,1 →</p> <p style="text-align: right;">34: 10,4* ↙</p> <p style="text-align: right;">35: 8,2 ↗</p> <p style="text-align: right;">36: 10,0 ↓</p> <p style="text-align: right;">37: 9,4 ↓</p> <p style="text-align: right;">38: 6,4 ↓</p> <p style="text-align: right;">39: 6,5 ↗</p> <p style="text-align: right;">40: 6,8 ↓</p> <hr/> <p>Serie 82,0</p> <p>Totalt 338,0</p>
---	---	---

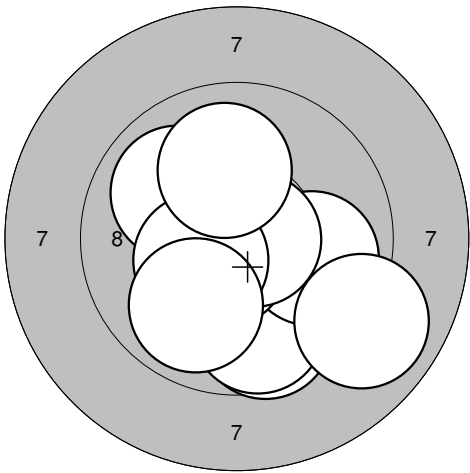
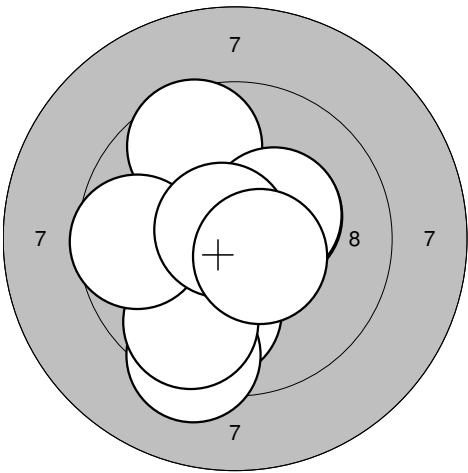
Umeå

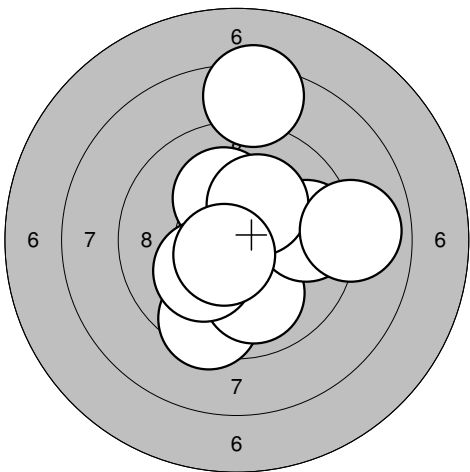
2011-01-15

Skyttiaden 2010

Umeå skytteallians

<p>Sight</p> 	<p>40 shot</p> <table style="width:100%;"> <tr><td>1: 10,4*</td><td>↗</td></tr> <tr><td>2: 8,9</td><td>↘</td></tr> <tr><td>3: 9,4</td><td>↙</td></tr> <tr><td>4: 10,3*</td><td>↖</td></tr> <tr><td>5: 10,1</td><td>↗</td></tr> <tr><td>6: 9,7</td><td>↘</td></tr> <tr><td>7: 10,1</td><td>↘</td></tr> <tr><td>8: 10,0</td><td>↗</td></tr> <tr><td>9: 10,6*</td><td>↘</td></tr> </table>	1: 10,4*	↗	2: 8,9	↘	3: 9,4	↙	4: 10,3*	↖	5: 10,1	↗	6: 9,7	↘	7: 10,1	↘	8: 10,0	↗	9: 10,6*	↘	 <table style="width:100%;"> <tr><td>1: 9,8</td><td>↙</td></tr> <tr><td>2: 10,1</td><td>↘</td></tr> <tr><td>3: 10,3*</td><td>↘</td></tr> <tr><td>4: 10,5*</td><td>↙</td></tr> <tr><td>5: 10,2*</td><td>↘</td></tr> <tr><td>6: 10,3*</td><td>←</td></tr> <tr><td>7: 10,0</td><td>↓</td></tr> <tr><td>8: 8,9</td><td>↓</td></tr> <tr><td>9: 10,5*</td><td>↘</td></tr> <tr><td>10: 10,1</td><td>↘</td></tr> </table>	1: 9,8	↙	2: 10,1	↘	3: 10,3*	↘	4: 10,5*	↙	5: 10,2*	↘	6: 10,3*	←	7: 10,0	↓	8: 8,9	↓	9: 10,5*	↘	10: 10,1	↘
1: 10,4*	↗																																							
2: 8,9	↘																																							
3: 9,4	↙																																							
4: 10,3*	↖																																							
5: 10,1	↗																																							
6: 9,7	↘																																							
7: 10,1	↘																																							
8: 10,0	↗																																							
9: 10,6*	↘																																							
1: 9,8	↙																																							
2: 10,1	↘																																							
3: 10,3*	↘																																							
4: 10,5*	↙																																							
5: 10,2*	↘																																							
6: 10,3*	←																																							
7: 10,0	↓																																							
8: 8,9	↓																																							
9: 10,5*	↘																																							
10: 10,1	↘																																							
Serie 86,0	Serie 97,0																																							
Totalt 0,0	Totalt 97,0																																							

<p>40 shot</p> 	<p>40 shot</p> <table style="width:100%;"> <tr><td>11: 9,6</td><td>↘</td></tr> <tr><td>12: 9,7</td><td>↘</td></tr> <tr><td>13: 9,9</td><td>→</td></tr> <tr><td>14: 10,0</td><td>↗</td></tr> <tr><td>15: 10,6*</td><td>↘</td></tr> <tr><td>16: 10,7*</td><td>→</td></tr> <tr><td>17: 10,4*</td><td>↙</td></tr> <tr><td>18: 9,9</td><td>↘</td></tr> <tr><td>19: 10,0</td><td>↑</td></tr> <tr><td>20: 8,9</td><td>↘</td></tr> </table>	11: 9,6	↘	12: 9,7	↘	13: 9,9	→	14: 10,0	↗	15: 10,6*	↘	16: 10,7*	→	17: 10,4*	↙	18: 9,9	↘	19: 10,0	↑	20: 8,9	↘	 <table style="width:100%;"> <tr><td>21: 9,9</td><td>↓</td></tr> <tr><td>22: 10,3*</td><td>↗</td></tr> <tr><td>23: 9,6</td><td>↗</td></tr> <tr><td>24: 9,3</td><td>↘</td></tr> <tr><td>25: 10,6*</td><td>↙</td></tr> <tr><td>26: 10,3*</td><td>↗</td></tr> <tr><td>27: 9,7</td><td>↘</td></tr> <tr><td>28: 9,6</td><td>←</td></tr> <tr><td>29: 10,7*</td><td>↖</td></tr> <tr><td>30: 10,5*</td><td>↘</td></tr> </table>	21: 9,9	↓	22: 10,3*	↗	23: 9,6	↗	24: 9,3	↘	25: 10,6*	↙	26: 10,3*	↗	27: 9,7	↘	28: 9,6	←	29: 10,7*	↖	30: 10,5*	↘
11: 9,6	↘																																									
12: 9,7	↘																																									
13: 9,9	→																																									
14: 10,0	↗																																									
15: 10,6*	↘																																									
16: 10,7*	→																																									
17: 10,4*	↙																																									
18: 9,9	↘																																									
19: 10,0	↑																																									
20: 8,9	↘																																									
21: 9,9	↓																																									
22: 10,3*	↗																																									
23: 9,6	↗																																									
24: 9,3	↘																																									
25: 10,6*	↙																																									
26: 10,3*	↗																																									
27: 9,7	↘																																									
28: 9,6	←																																									
29: 10,7*	↖																																									
30: 10,5*	↘																																									
Serie 94,0	Serie 95,0																																									
Totalt 191,0	Totalt 286,0																																									

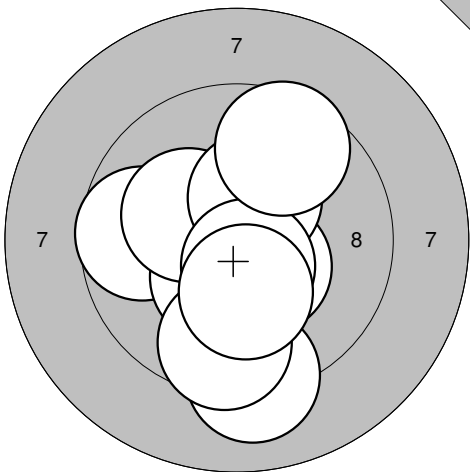
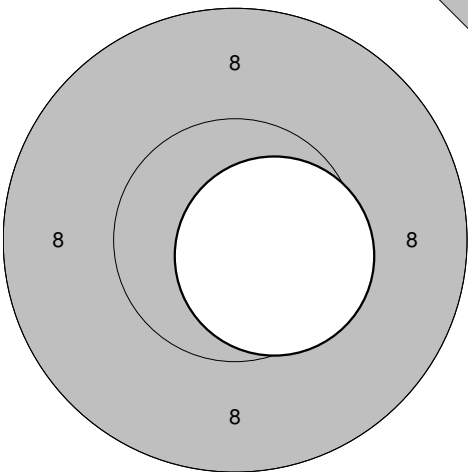
<p>40 shot</p> 	<table style="width:100%;"> <tr><td>31: 10,8*</td><td>↙</td></tr> <tr><td>32: 10,2*</td><td>↗</td></tr> <tr><td>33: 8,4</td><td>↑</td></tr> <tr><td>34: 9,5</td><td>↘</td></tr> <tr><td>35: 10,0</td><td>↘</td></tr> <tr><td>36: 9,7</td><td>→</td></tr> <tr><td>37: 10,2*</td><td>↙</td></tr> <tr><td>38: 10,2*</td><td>↗</td></tr> <tr><td>39: 8,9</td><td>→</td></tr> <tr><td>40: 10,6*</td><td>↙</td></tr> </table>	31: 10,8*	↙	32: 10,2*	↗	33: 8,4	↑	34: 9,5	↘	35: 10,0	↘	36: 9,7	→	37: 10,2*	↙	38: 10,2*	↗	39: 8,9	→	40: 10,6*	↙	
31: 10,8*	↙																					
32: 10,2*	↗																					
33: 8,4	↑																					
34: 9,5	↘																					
35: 10,0	↘																					
36: 9,7	→																					
37: 10,2*	↙																					
38: 10,2*	↗																					
39: 8,9	→																					
40: 10,6*	↙																					
Serie 94,0																						
Totalt 380,0																						

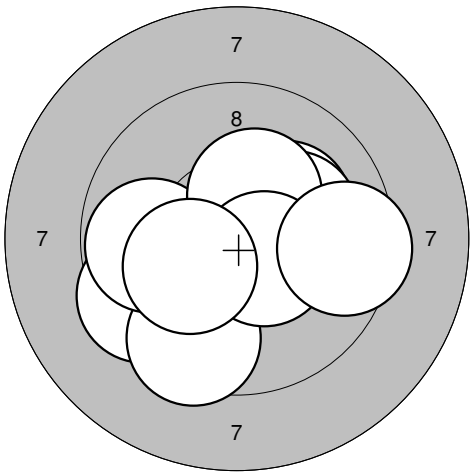
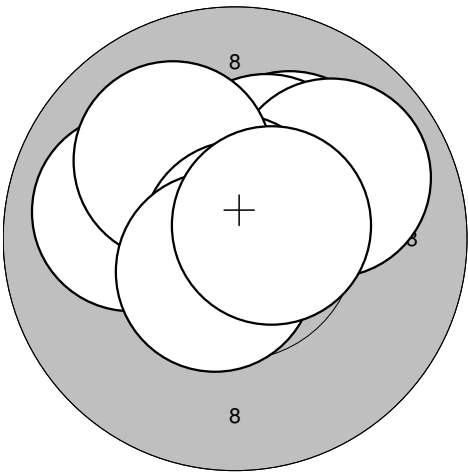
Bjurholm-Balsjö

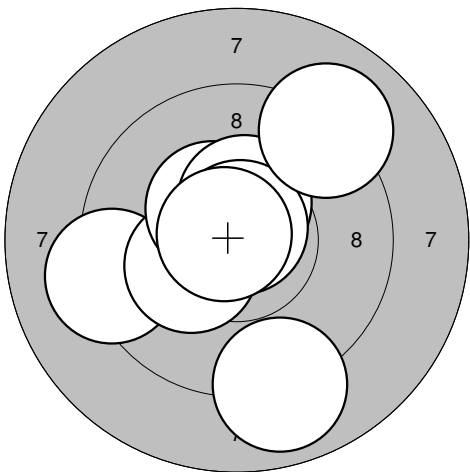
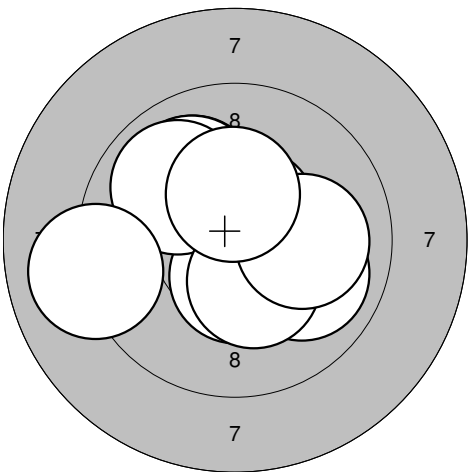
2011-01-15

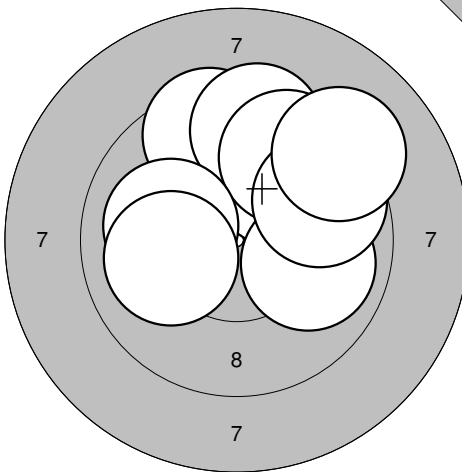
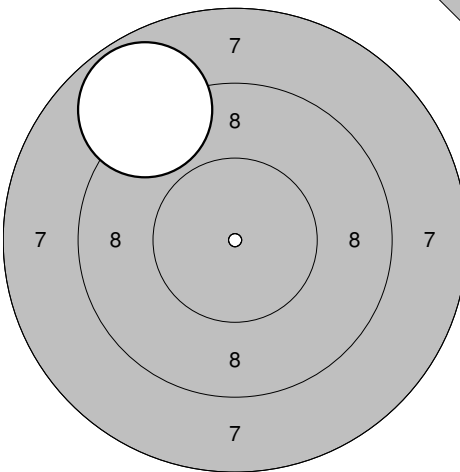
Skyttiaden 2010

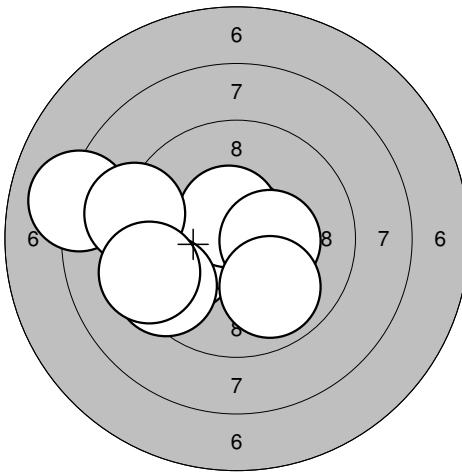
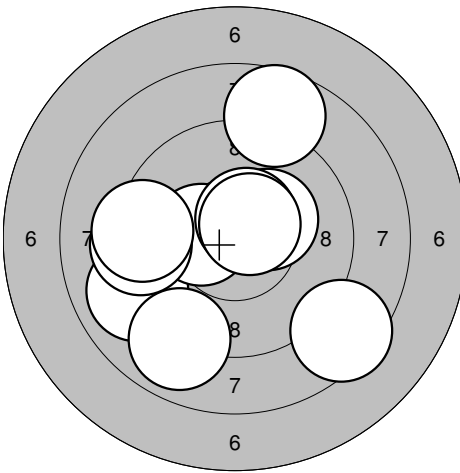
Umeå skytteallians

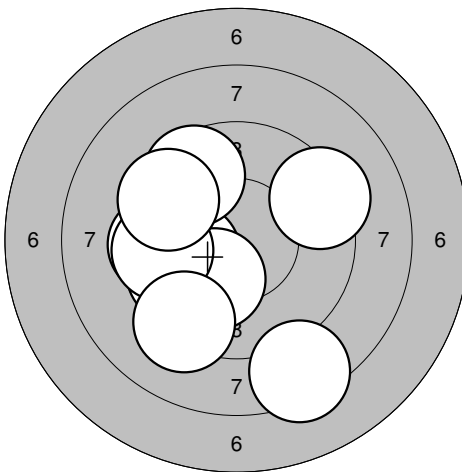
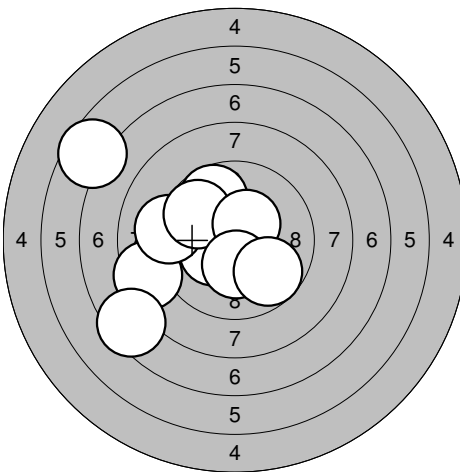
<p>Sight</p> 	<p>Sight</p> 	<p>11: 10,6* →</p>
<p>1: 9,7 ←</p> <p>2: 10,4* ↘</p> <p>3: 9,1 ↓</p> <p>4: 10,4* ↙</p> <p>5: 10,2* ↗</p> <p>6: 10,3* ↗</p> <p>7: 10,6* ↓</p> <p>8: 9,6 ↓</p> <p>9: 9,6 ↗</p> <p>10: 10,2* ↓</p>	<p>Serie 96,0</p> <p>Totalt 0,0</p>	<p>Serie 10,0</p> <p>Totalt 0,0</p>

<p>40 shot</p> 	<p>40 shot</p> 	<p>11: 10,2* ↗</p> <p>12: 10,0 ←</p> <p>13: 10,9* ↓</p> <p>14: 10,3* ↗</p> <p>15: 9,9 ↗</p> <p>16: 10,7* ↑</p> <p>17: 10,1 ↗</p> <p>18: 10,9* →</p> <p>19: 10,6* ↙</p> <p>20: 10,6* →</p>
<p>1: 10,2* ↗</p> <p>2: 9,5 ←</p> <p>3: 10,2* →</p> <p>4: 10,5* →</p> <p>5: 9,5 ↓</p> <p>6: 9,8 ←</p> <p>7: 10,3* ↗</p> <p>8: 10,5* ↘</p> <p>9: 10,2* ←</p> <p>10: 9,5 →</p>	<p>Serie 96,0</p> <p>Totalt 96,0</p>	<p>Serie 99,0</p> <p>Totalt 195,0</p>

<p>40 shot</p> 	<p>40 shot</p> 	<p>31: 9,9 →</p> <p>32: 10,0 ↗</p> <p>33: 10,6* ↗</p> <p>34: 10,5* ↓</p> <p>35: 10,0 ↗</p> <p>36: 9,9 ↗</p> <p>37: 9,1 ←</p> <p>38: 10,3* ↓</p> <p>39: 10,0 →</p> <p>40: 10,3* ↑</p>
<p>21: 10,6* ↙</p> <p>22: 9,2 ←</p> <p>23: 10,6* ↗</p> <p>24: 10,3* ↙</p> <p>25: 8,9 ↓</p> <p>26: 10,4* ↗</p> <p>27: 10,4* ↗</p> <p>28: 10,8* ↗</p> <p>29: 9,1 ↗</p> <p>30: 10,8* ↙</p>	<p>Serie 96,0</p> <p>Totalt 291,0</p>	<p>Serie 97,0</p> <p>Totalt 388,0</p>

<p>Sight</p> 	<p>1: 9,9 ↗                  2: 9,5 ↑                  3: 10,0 ↗                  4: 9,5 ↑                  5: 9,7 ↗                  6: 9,9 →                  7: 9,7 →                  8: 9,2 ↗                  9: 10,1 ←                  10: 10,0 ←</p> <p>Serie 93,0                  Totalt 0,0</p>	<p>Sight</p> 	<p>11: 8,8 ↖</p> <p>Serie 8,0                  Totalt 0,0</p>
---	---	---	---

<p>40 shot</p> 	<p>1: 10,0 ←                  2: 10,7* ↖                  3: 10,7* ←                  4: 8,1 ←                  5: 10,5* ↑                  6: 10,4* →                  7: 9,5 ←                  8: 9,9 ↓                  9: 9,1 ←                  10: 9,3 ←</p> <p>Serie 94,0                  Totalt 94,0</p>	<p>40 shot</p> 	<p>11: 9,0 ←                  12: 10,3* ↗                  13: 8,5 ↘                  14: 10,4* ←                  15: 10,6* ↗                  16: 8,7 ↑                  17: 10,6* ↗                  18: 8,9 ↓                  19: 9,3 ←                  20: 9,3 ←</p> <p>Serie 91,0                  Totalt 185,0</p>
--	--	--	---

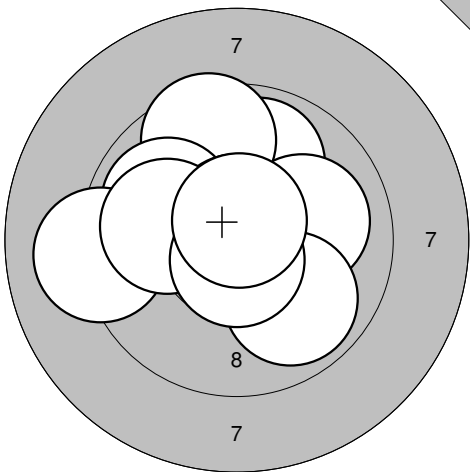
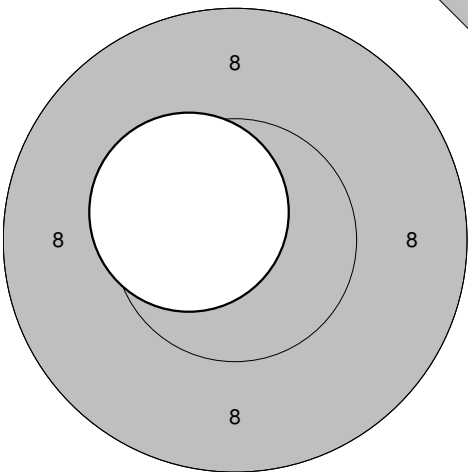
<p>40 shot</p> 	<p>21: 9,6 ←                  22: 9,8 ←                  23: 8,4 ↓                  24: 10,1 ←                  25: 10,2* ↓                  26: 9,6 ↑                  27: 9,6 ←                  28: 9,3 →                  29: 9,6 ↖                  30: 9,2 ↓</p> <p>Serie 91,0                  Totalt 276,0</p>	<p>40 shot</p> 	<p>31: 10,3* ←                  32: 8,5 ←                  33: 9,7 ↗                  34: 9,2 ←                  35: 9,8 ↖                  36: 10,4* ↗                  37: 7,5 ←                  38: 10,3* ↓                  39: 9,8 ↘                  40: 6,6 ↖</p> <p>Serie 87,0                  Totalt 363,0</p>
---	--	---	---

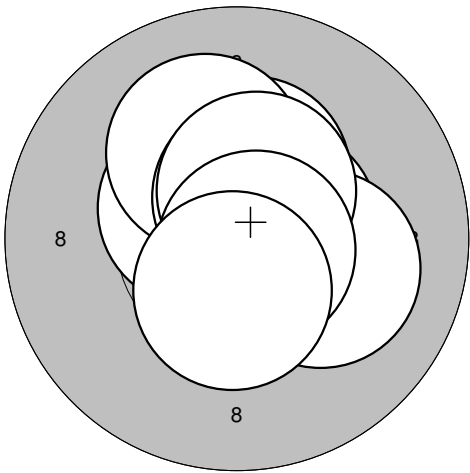
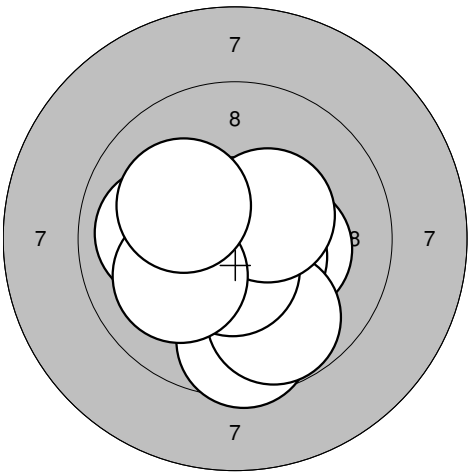
Drängsmark

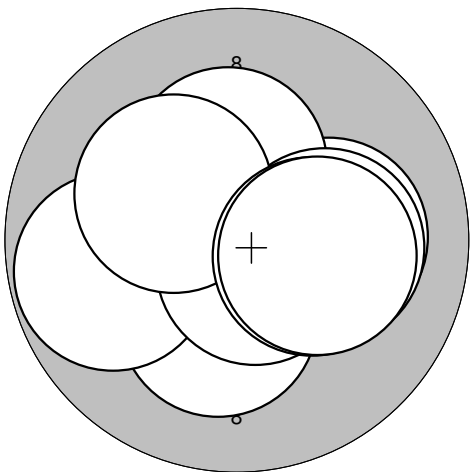
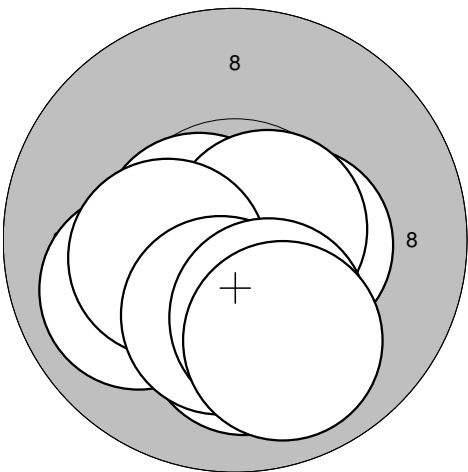
2011-01-15

Skyttiaden 2010

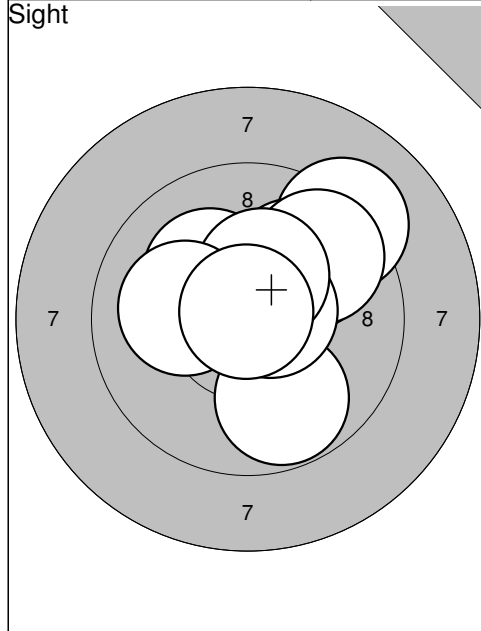
Umeå skytteallians

<p>Sight</p>  <p style="text-align: center;">7 7 8 7</p>	<p>1: 9,9    ↗</p> <p>2: 10,0    →</p> <p>3: 9,6     ↗</p> <p>4: 9,9     ↘</p> <p>5: 9,9     ↗</p> <p>6: 10,7*    ↑</p> <p>7: 9,1     ←</p> <p>8: 10,0    ←</p> <p>9: 10,7*   ↓</p> <p>10: 10,7*   ↑</p> <table border="1" style="width:100%; border-collapse: collapse;"> <tr> <td style="text-align: right;">Serie</td> <td style="text-align: right;">95,0</td> </tr> <tr> <td style="text-align: right;">Totalt</td> <td style="text-align: right;">0,0</td> </tr> </table>	Serie	95,0	Totalt	0,0	<p>Sight</p>  <p style="text-align: center;">8 8 8</p>	<p>11: 10,5*   ↖</p> <table border="1" style="width:100%; border-collapse: collapse;"> <tr> <td style="text-align: right;">Serie</td> <td style="text-align: right;">10,0</td> </tr> <tr> <td style="text-align: right;">Totalt</td> <td style="text-align: right;">0,0</td> </tr> </table>	Serie	10,0	Totalt	0,0
Serie	95,0										
Totalt	0,0										
Serie	10,0										
Totalt	0,0										

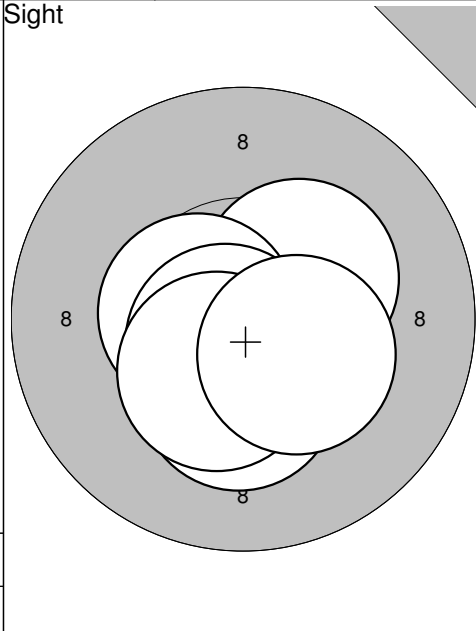
<p>40 shot</p>  <p style="text-align: center;">8 8</p>	<p>1: 10,4*    ↗</p> <p>2: 10,5*    →</p> <p>3: 10,5*    ↗</p> <p>4: 10,1     ↗</p> <p>5: 10,7*    ↘</p> <p>6: 10,1     →</p> <p>7: 10,6*    ↗</p> <p>8: 10,5*    ↗</p> <p>9: 10,7*    ↘</p> <p>10: 10,5*   ↓</p> <table border="1" style="width:100%; border-collapse: collapse;"> <tr> <td style="text-align: right;">Serie</td> <td style="text-align: right;">100,0</td> </tr> <tr> <td style="text-align: right;">Totalt</td> <td style="text-align: right;">100,0</td> </tr> </table>	Serie	100,0	Totalt	100,0	<p>40 shot</p>  <p style="text-align: center;">7 8 7 7</p>	<p>11: 10,2*   ↓</p> <p>12: 10,3*   →</p> <p>13: 9,6     ↓</p> <p>14: 10,0    ←</p> <p>15: 10,5*   ↘</p> <p>16: 9,8     ↓</p> <p>17: 10,5*   ↓</p> <p>18: 10,4*   ↗</p> <p>19: 10,1    ←</p> <p>20: 10,1    ↖</p> <table border="1" style="width:100%; border-collapse: collapse;"> <tr> <td style="text-align: right;">Serie</td> <td style="text-align: right;">98,0</td> </tr> <tr> <td style="text-align: right;">Totalt</td> <td style="text-align: right;">198,0</td> </tr> </table>	Serie	98,0	Totalt	198,0
Serie	100,0										
Totalt	100,0										
Serie	98,0										
Totalt	198,0										

<p>40 shot</p>  <p style="text-align: center;">8</p>	<p>21: 10,7*   ↓</p> <p>22: 10,1    →</p> <p>23: 10,2*   ↓</p> <p>24: 9,8     ←</p> <p>25: 10,7*   ↘</p> <p>26: 10,3*   ↑</p> <p>27: 10,1    →</p> <p>28: 10,2*   ↗</p> <p>29: 10,2*   →</p> <p>30: 10,2*   →</p> <table border="1" style="width:100%; border-collapse: collapse;"> <tr> <td style="text-align: right;">Serie</td> <td style="text-align: right;">99,0</td> </tr> <tr> <td style="text-align: right;">Totalt</td> <td style="text-align: right;">297,0</td> </tr> </table>	Serie	99,0	Totalt	297,0	<p>40 shot</p>  <p style="text-align: center;">8 8</p>	<p>31: 10,0    ↖</p> <p>32: 10,6*   ←</p> <p>33: 10,4*   →</p> <p>34: 10,1    ↓</p> <p>35: 10,3*   ↘</p> <p>36: 10,6*   →</p> <p>37: 10,3*   ←</p> <p>38: 10,3*   ↓</p> <p>39: 10,2*   ↓</p> <p>40: 9,9     ↓</p> <table border="1" style="width:100%; border-collapse: collapse;"> <tr> <td style="text-align: right;">Serie</td> <td style="text-align: right;">99,0</td> </tr> <tr> <td style="text-align: right;">Totalt</td> <td style="text-align: right;">396,0</td> </tr> </table>	Serie	99,0	Totalt	396,0
Serie	99,0										
Totalt	297,0										
Serie	99,0										
Totalt	396,0										

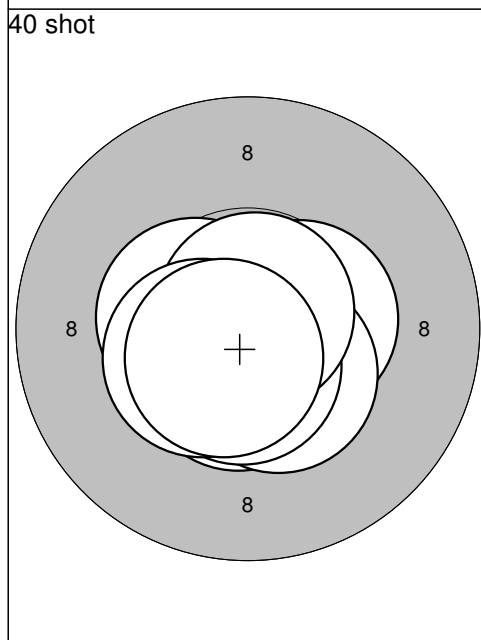




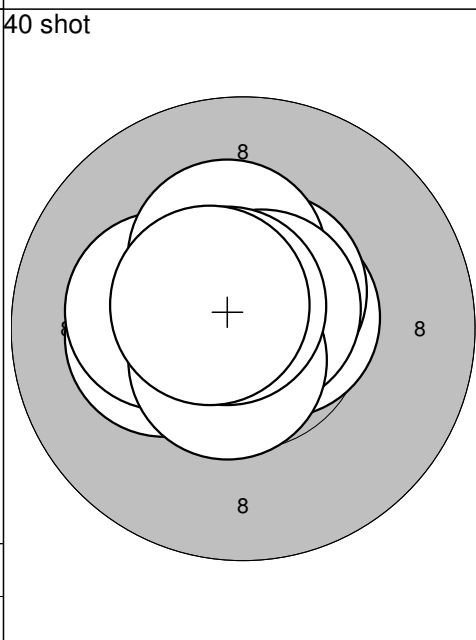
1: 9,2	↗
2: 9,9	↗
3: 10,0	↗
4: 9,7	↗
5: 10,2*	↖
6: 9,8	↘
7: 10,6*	→
8: 10,3*	↗
9: 10,1	←
10: 10,9*	↗
<hr/>	
Serie	96,0
<hr/>	
Totalt	0,0



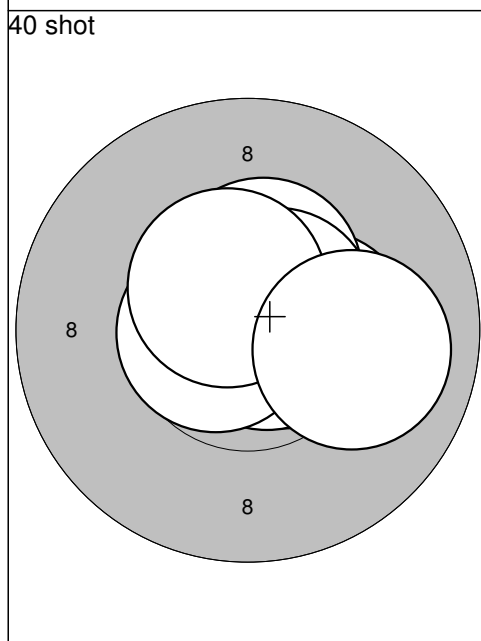
11: 10,3*	↗
12: 10,5*	←
13: 10,7*	↘
14: 10,3*	↘
15: 10,4*	↘
16: 10,4*	↘
<hr/>	
Serie	60,0
<hr/>	
Totalt	0,0



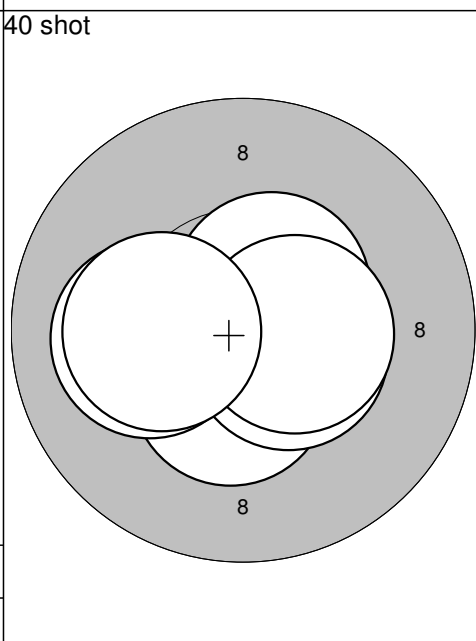
1: 10,5*	↘
2: 10,6*	↘
3: 10,5*	→
4: 10,5*	↘
5: 10,5*	←
6: 10,5*	←
7: 10,6*	↘
8: 10,8*	↗
9: 10,5*	←
10: 10,6*	↘
<hr/>	
Serie	100,0
<hr/>	
Totalt	100,0



11: 10,2*	←
12: 10,6*	→
13: 10,9*	↗
14: 10,6*	↗
15: 10,2*	←
16: 10,3*	↗
17: 10,7*	↗
18: 10,6*	↘
19: 10,7*	↗
20: 10,6*	↘
<hr/>	
Serie	100,0
<hr/>	
Totalt	200,0



21: 10,6*	→
22: 10,7*	↗
23: 10,3*	→
24: 10,7*	↖
25: 10,4*	↗
26: 10,8*	→
27: 10,6*	↗
28: 10,7*	←
29: 10,5*	↗
30: 10,0	→
<hr/>	
Serie	100,0
<hr/>	
Totalt	300,0



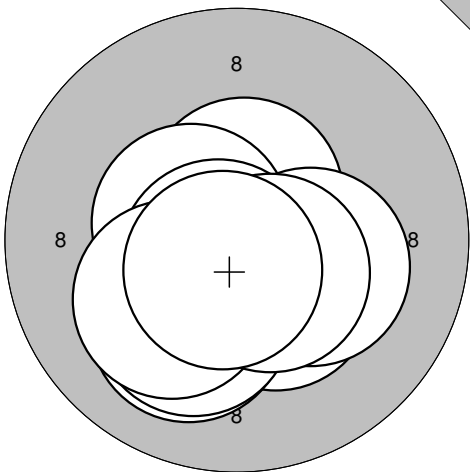
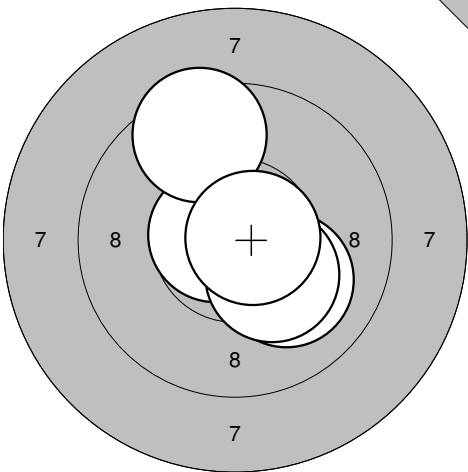
31: 10,8*	↗
32: 10,7*	←
33: 10,3*	←
34: 10,9*	↗
35: 10,5*	↗
36: 10,4*	↘
37: 10,5*	↘
38: 10,1	←
39: 10,5*	→
40: 10,2*	←
<hr/>	
Serie	100,0
<hr/>	
Totalt	400,0

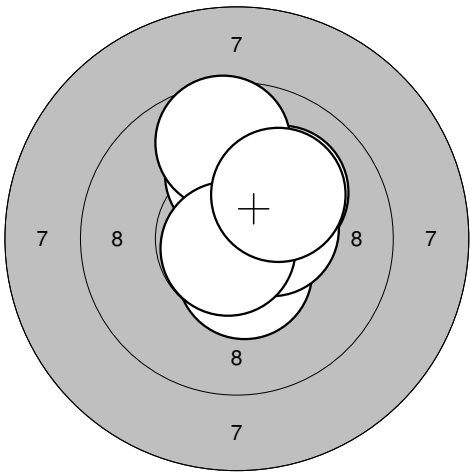
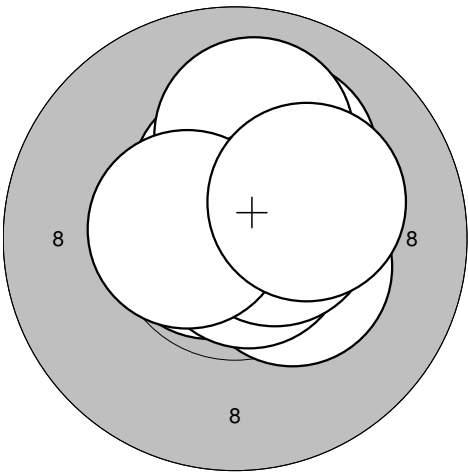
Ramselefors

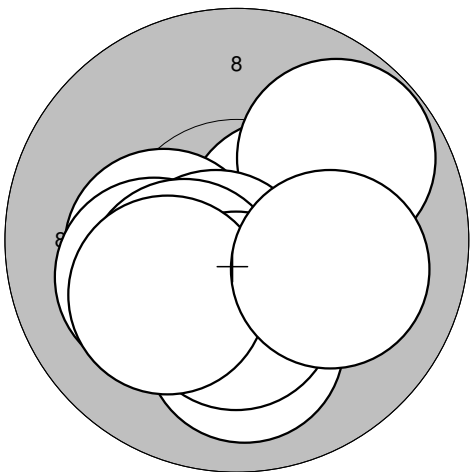
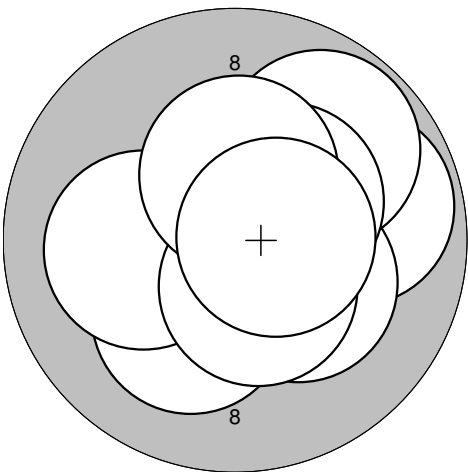
2011-01-15

Skyttiaden 2010

Umeå skytteallians

<p>Sight</p> 	<p>1: 10,6* ↑                  2: 10,5* ←                  3: 10,7* ↙                  4: 10,4* ↘                  5: 10,2* →                  6: 10,1 ↓                  7: 10,2* ↙                  8: 10,2* ↙                  9: 10,5* ↘                  10: 10,6* ↘</p> <table border="1" style="width:100%; border-collapse: collapse;"> <tr> <td style="width:50%;">Serie</td> <td style="width:50%; text-align: right;">100,0</td> </tr> <tr> <td>Totalt</td> <td style="text-align: right;">0,0</td> </tr> </table>	Serie	100,0	Totalt	0,0	<p>Sight</p> 	<p>11: 10,7* ←                  12: 10,2* ↘                  13: 10,1 ↘                  14: 10,3* ↘                  15: 9,5 ↑                  16: 10,7* →</p> <table border="1" style="width:100%; border-collapse: collapse;"> <tr> <td style="width:50%;">Serie</td> <td style="width:50%; text-align: right;">59,0</td> </tr> <tr> <td>Totalt</td> <td style="text-align: right;">0,0</td> </tr> </table>	Serie	59,0	Totalt	0,0
Serie	100,0										
Totalt	0,0										
Serie	59,0										
Totalt	0,0										

<p>40 shot</p> 	<p>1: 10,9* ↑                  2: 10,2* ↗                  3: 10,1 ↗                  4: 10,5* ↘                  5: 10,5* →                  6: 10,3* ↗                  7: 10,1 ↑                  8: 9,7 ↑                  9: 10,8* ↙                  10: 10,1 ↗</p> <table border="1" style="width:100%; border-collapse: collapse;"> <tr> <td style="width:50%;">Serie</td> <td style="width:50%; text-align: right;">99,0</td> </tr> <tr> <td>Totalt</td> <td style="text-align: right;">99,0</td> </tr> </table>	Serie	99,0	Totalt	99,0	<p>40 shot</p> 	<p>11: 10,5* ↑                  12: 10,8* ↑                  13: 10,4* ↘                  14: 10,7* ←                  15: 10,8* ↘                  16: 10,1 ↗                  17: 10,0 ↑                  18: 10,6* →                  19: 10,5* ←                  20: 10,2* ↗</p> <table border="1" style="width:100%; border-collapse: collapse;"> <tr> <td style="width:50%;">Serie</td> <td style="width:50%; text-align: right;">100,0</td> </tr> <tr> <td>Totalt</td> <td style="text-align: right;">199,0</td> </tr> </table>	Serie	100,0	Totalt	199,0
Serie	99,0										
Totalt	99,0										
Serie	100,0										
Totalt	199,0										

<p>40 shot</p> 	<p>21: 10,5* →                  22: 9,8 ↗                  23: 10,3* ←                  24: 10,1 ←                  25: 10,0 ↓                  26: 10,6* ↙                  27: 10,4* ↙                  28: 10,3* ↓                  29: 10,2* ↙                  30: 10,1 →</p> <table border="1" style="width:100%; border-collapse: collapse;"> <tr> <td style="width:50%;">Serie</td> <td style="width:50%; text-align: right;">99,0</td> </tr> <tr> <td>Totalt</td> <td style="text-align: right;">298,0</td> </tr> </table>	Serie	99,0	Totalt	298,0	<p>40 shot</p> 	<p>31: 9,8 →                  32: 10,5* ↓                  33: 10,3* ↘                  34: 10,2* ↘                  35: 10,1 ←                  36: 9,8 ↗                  37: 10,4* ↗                  38: 10,5* ↘                  39: 10,4* ↑                  40: 10,6* →</p> <table border="1" style="width:100%; border-collapse: collapse;"> <tr> <td style="width:50%;">Serie</td> <td style="width:50%; text-align: right;">98,0</td> </tr> <tr> <td>Totalt</td> <td style="text-align: right;">396,0</td> </tr> </table>	Serie	98,0	Totalt	396,0
Serie	99,0										
Totalt	298,0										
Serie	98,0										
Totalt	396,0										

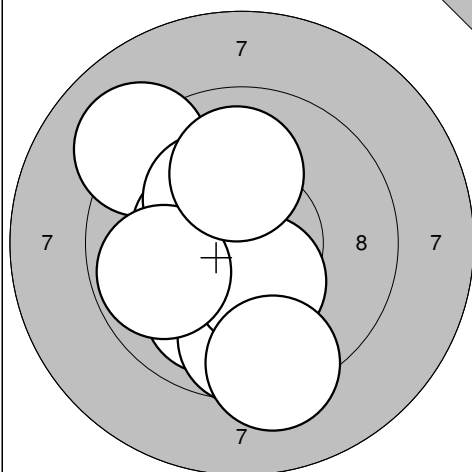
Ramselefors

2011-01-15

Skyttiaden 2010

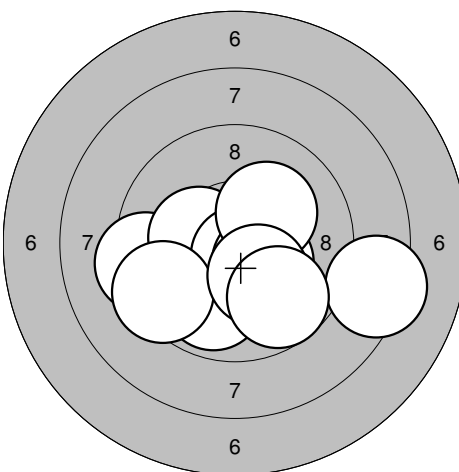
Umeå skytteallians

Sight



1: 10,0 ↘  
 2: 9,1 ↗  
 3: 10,4\* ←  
 4: 9,7 ↓  
 5: 10,2\* ↗  
 6: 10,4\* ↓  
 7: 9,3 ↓  
 8: 9,8 ←  
 9: 10,0 ↑

40 shot



1: 9,3 ←  
 2: 9,9 ↓  
 3: 10,3\* ←  
 4: 10,7\* ↓  
 5: 10,3\* ↘  
 6: 8,3 →  
 7: 9,4 ←  
 8: 10,2\* ↗  
 9: 10,2\* ↓  
 10: 9,7 ↓

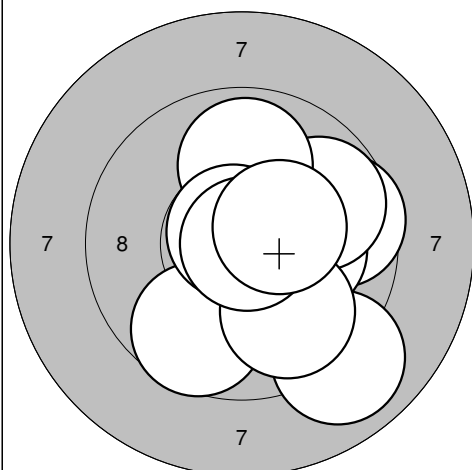
Serie 86,0

Totalt 0,0

Serie 94,0

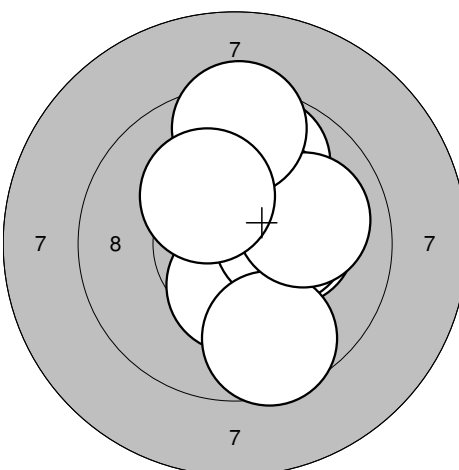
Totalt 94,0

40 shot



11: 9,6 →  
 12: 10,2\* →  
 13: 9,8 →  
 14: 9,7 ↓  
 15: 9,0 ↓  
 16: 9,9 ↑  
 17: 9,9 ↓  
 18: 10,8\* ↗  
 19: 10,9\* →  
 20: 10,4\* →

40 shot



21: 10,3\* ↗  
 22: 10,4\* ↓  
 23: 10,2\* →  
 24: 9,8 ↑  
 25: 10,3\* ↗  
 26: 10,3\* →  
 27: 9,6 ↓  
 28: 10,0 →  
 29: 9,4 ↑  
 30: 10,2\* ↗

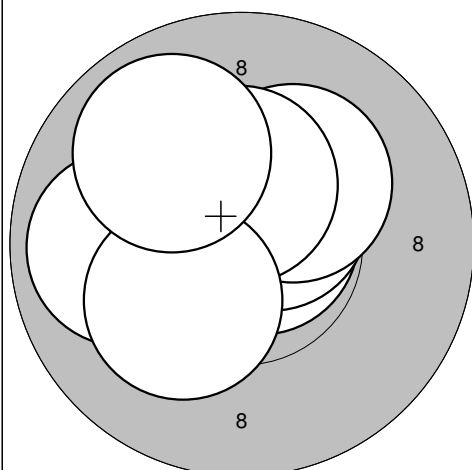
Serie 94,0

Totalt 188,0

Serie 97,0

Totalt 285,0

40 shot



31: 10,6\* ↑  
 32: 10,6\* ←  
 33: 10,8\* →  
 34: 9,9 ←  
 35: 10,6\* ↗  
 36: 10,3\* ↗  
 37: 10,2\* ↗  
 38: 10,4\* ↑  
 39: 10,2\* ↘  
 40: 9,9 ↗

Serie 98,0

Totalt 383,0

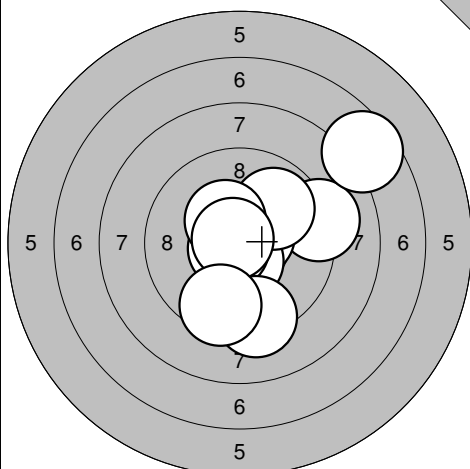
Umeå

2011-01-15

Skyttiaden 2010

Umeå skytteallians

Sight

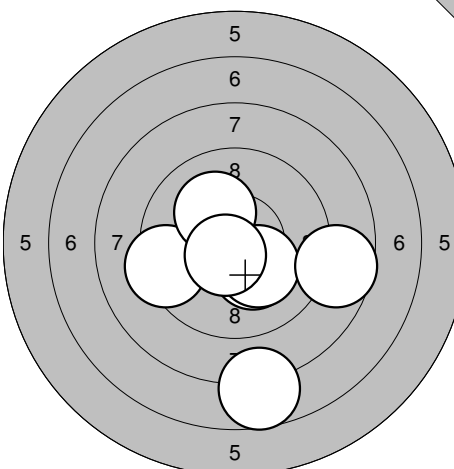


1: 9,1 →  
 2: 10,6\* →  
 3: 10,5\* ↓  
 4: 9,9 ↗  
 5: 10,7\* ←  
 6: 9,3 ↓  
 7: 7,6 ↗  
 8: 10,4\* ↗  
 9: 10,8\* ↗  
 10: 9,5 ↓

Serie 93,0

Totalt 0,0

Sight

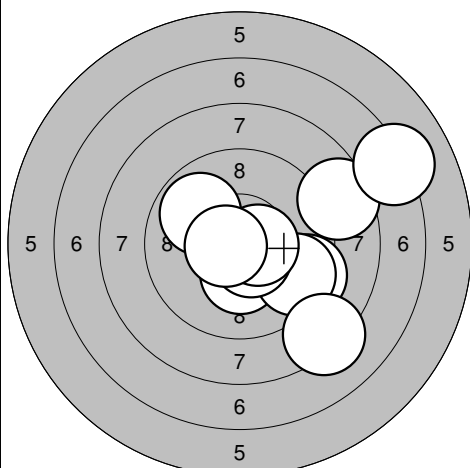


11: 10,3\* ↓  
 12: 10,2\* ↓  
 13: 9,4 ←  
 14: 8,7 →  
 15: 10,2\* ↗  
 16: 10,6\* ↓  
 17: 7,7 ↓

Serie 64,0

Totalt 0,0

40 shot

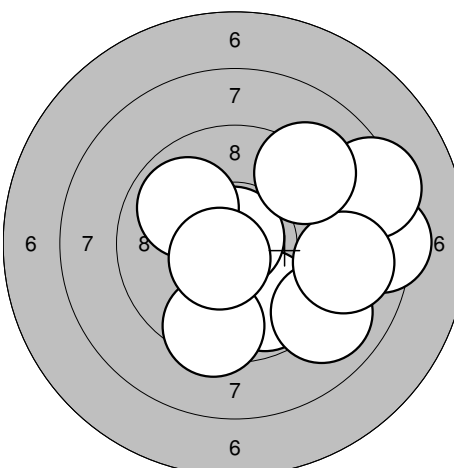


1: 10,3\* ↓  
 2: 8,6 →  
 3: 9,3 →  
 4: 9,6 ↓  
 5: 9,9 ↗  
 6: 10,6\* ↓  
 7: 10,5\* →  
 8: 8,2 ↓  
 9: 7,1 →  
 10: 10,6\* ←

Serie 90,0

Totalt 90,0

40 shot

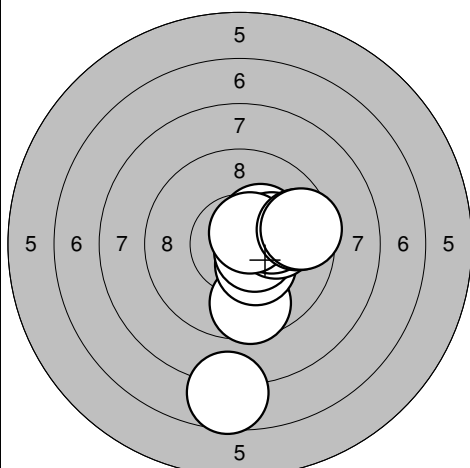


11: 9,8 ↓  
 12: 9,4 ↓  
 13: 8,4 →  
 14: 9,0 ↓  
 15: 10,8\* ↑  
 16: 8,4 →  
 17: 9,9 ↗  
 18: 9,0 →  
 19: 10,6\* ↓  
 20: 9,2 ↗

Serie 90,0

Totalt 180,0

40 shot

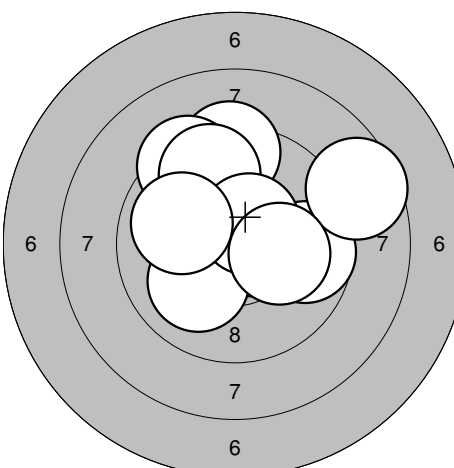


21: 10,3\* ↗  
 22: 9,6 ↓  
 23: 10,4\* ↓  
 24: 10,6\* →  
 25: 10,1 →  
 26: 10,2\* →  
 27: 7,7 ↓  
 28: 10,6\* ↗  
 29: 9,6 →  
 30: 9,6 →

Serie 94,0

Totalt 274,0

40 shot



31: 9,3 ↑  
 32: 9,4 ↗  
 33: 9,7 →  
 34: 10,7\* →  
 35: 8,6 →  
 36: 10,0 ↓  
 37: 9,7 ↗  
 38: 10,5\* ↗  
 39: 10,1 →  
 40: 9,9 ←

Serie 93,0

Totalt 367,0

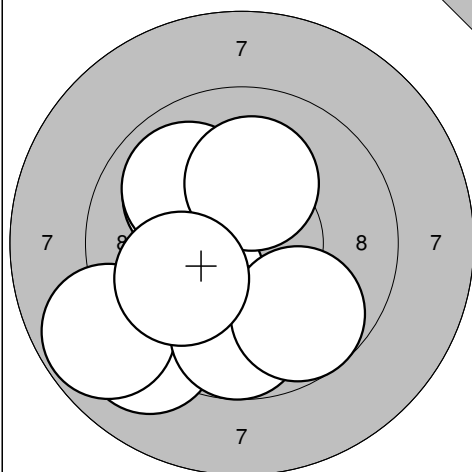
Bastuträsk

2011-01-15

Skyttiaden 2010

Umeå skytteallians

Sight

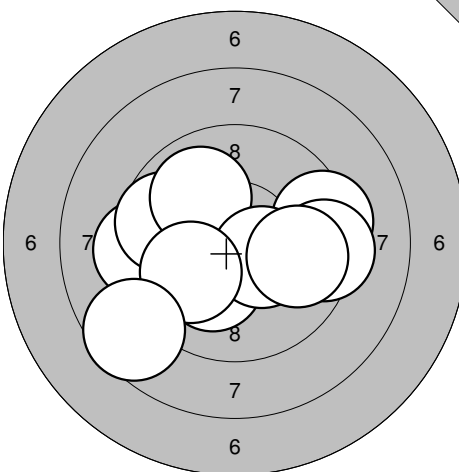


1: 10,3\* ↖  
 2: 9,1 ↘  
 3: 10,2\* ↙  
 4: 10,0 ↗  
 5: 8,8 ↙  
 6: 9,9 ↗  
 7: 9,8 ↓  
 8: 9,7 ↘  
 9: 10,1 ↑  
 10: 10,0 ↙

Serie 94,0

Totalt 0,0

Sight

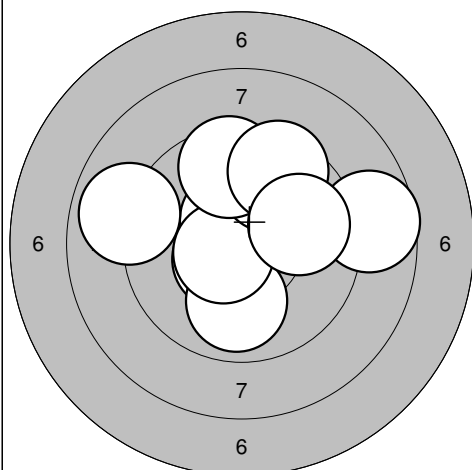


11: 10,2\* ↘  
 12: 9,3 ←  
 13: 9,7 ↙  
 14: 9,4 →  
 15: 9,4 →  
 16: 9,9 ↗  
 17: 10,4\* ↘  
 18: 9,8 →  
 19: 10,0 ↙  
 20: 8,6 ↙

Serie 92,0

Totalt 0,0

40 shot

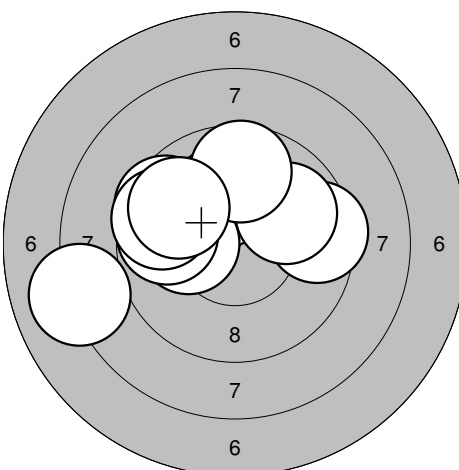


1: 10,5\* ↖  
 2: 10,5\* ↘  
 3: 8,7 →  
 4: 9,9 ↓  
 5: 8,9 ↙  
 6: 10,6\* ↙  
 7: 9,7 ↗  
 8: 9,6 ↑  
 9: 9,5 ↗  
 10: 9,9 →

Serie 91,0

Totalt 91,0

40 shot

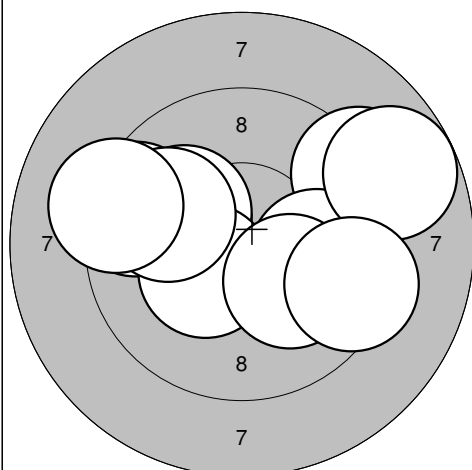


11: 10,1 ↑  
 12: 10,1 ←  
 13: 9,5 →  
 14: 9,8 ←  
 15: 8,1 ←  
 16: 9,6 ↖  
 17: 9,9 ↗  
 18: 9,6 ←  
 19: 9,7 ↑  
 20: 9,8 ↖

Serie 91,0

Totalt 182,0

40 shot

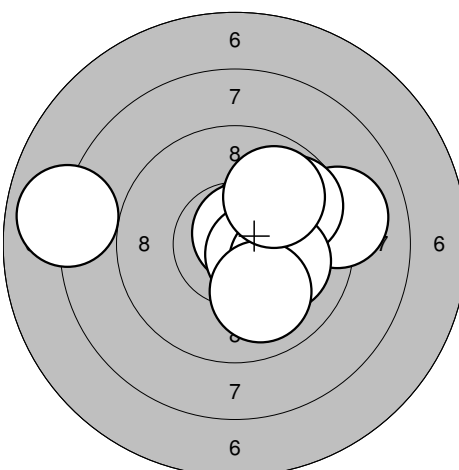


21: 9,5 ←  
 22: 10,1 ↖  
 23: 10,4\* ↙  
 24: 9,1 ↗  
 25: 9,9 ↙  
 26: 9,9 →  
 27: 9,2 ↙  
 28: 10,1 ↘  
 29: 8,8 →  
 30: 9,4 →

Serie 92,0

Totalt 274,0

40 shot



31: 9,1 →  
 32: 8,0 ←  
 33: 9,7 ↗  
 34: 10,3\* ↘  
 35: 10,2\* ↗  
 36: 10,7\* ↗  
 37: 10,5\* ↘  
 38: 10,1 →  
 39: 10,0 ↓  
 40: 9,9 ↗

Serie 95,0

Totalt 369,0

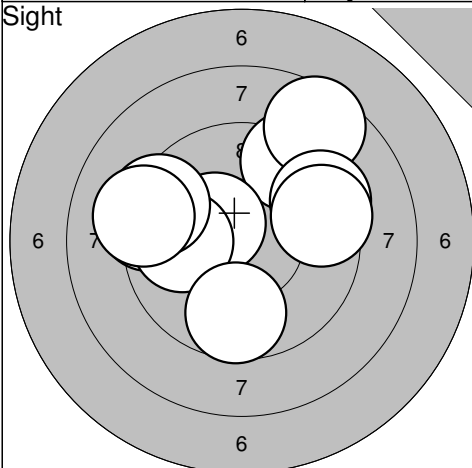
Umeå

2011-01-15

Skyttiaden 2010

Umeå skytteallians

Sight

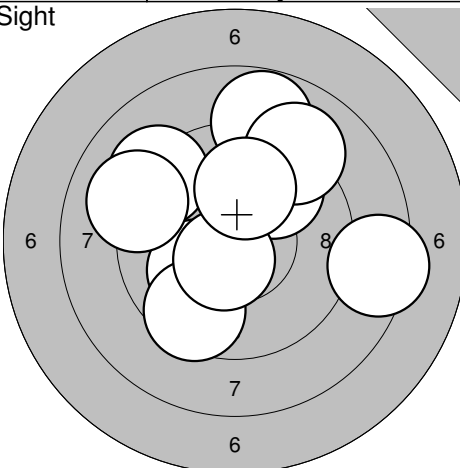


1: 9,3 ←  
 2: 9,3 ↗  
 3: 8,6 ↗  
 4: 9,4 →  
 5: 10,4\* ↖  
 6: 9,5 →  
 7: 9,9 ←  
 8: 9,4 ↖  
 9: 9,7 ↓  
 10: 9,2 ←

Serie 90,0

Totalt 0,0

Sight

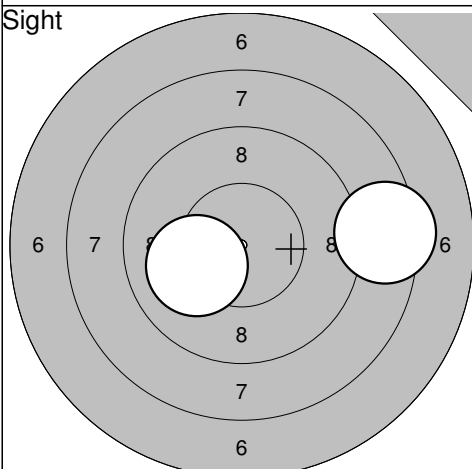


11: 10,1 ↖  
 12: 8,8 ↗  
 13: 9,5 ↘  
 14: 9,8 ↗  
 15: 9,1 ↗  
 16: 9,2 ↖  
 17: 9,1 ↖  
 18: 10,6\* ↘  
 19: 10,0 ↗  
 20: 8,4 →

Serie 91,0

Totalt 0,0

Sight

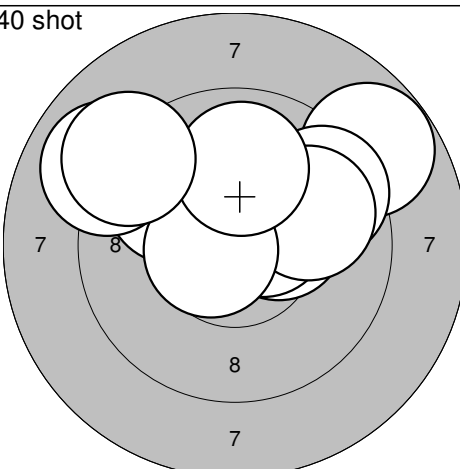


21: 8,4 →  
 22: 10,1 ←

Serie 18,0

Totalt 0,0

40 shot

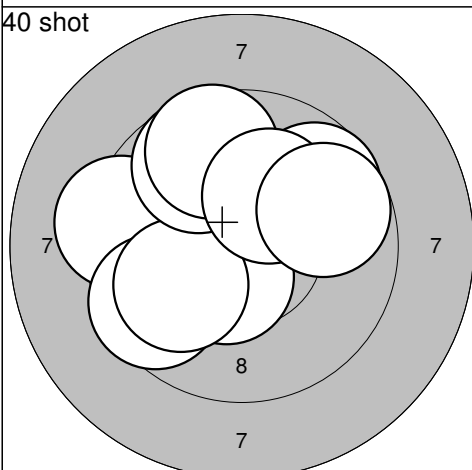


1: 9,9 ↖  
 2: 8,8 ↗  
 3: 10,3\* →  
 4: 10,5\* →  
 5: 9,6 →  
 6: 9,9 →  
 7: 10,6\* ←  
 8: 9,0 ↖  
 9: 9,9 ↗  
 10: 9,1 ↖

Serie 92,0

Totalt 92,0

40 shot

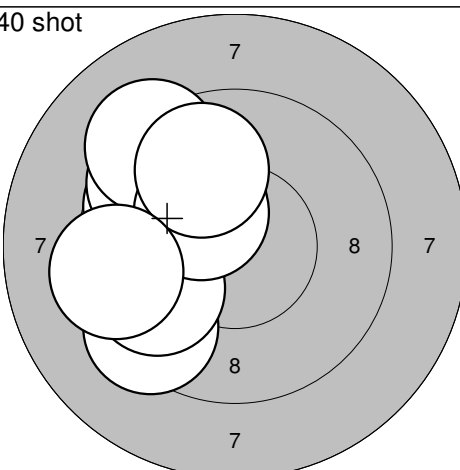


11: 10,3\* ↖  
 12: 10,5\* ↘  
 13: 9,3 ←  
 14: 9,6 ↖  
 15: 9,7 ↗  
 16: 10,0 ←  
 17: 9,7 ↗  
 18: 9,6 ↗  
 19: 10,2\* ↗  
 20: 9,8 →

Serie 94,0

Totalt 186,0

40 shot

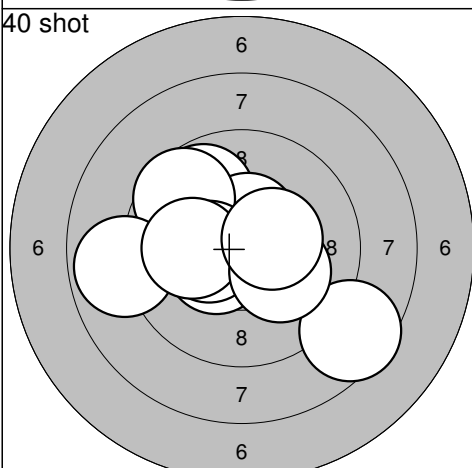


21: 9,7 ↗  
 22: 10,2\* ↗  
 23: 9,7 ↖  
 24: 9,4 ↖  
 25: 9,6 ↗  
 26: 9,8 ↖  
 27: 9,2 ↗  
 28: 10,3\* ↗  
 29: 9,9 ↗  
 30: 9,3 ←

Serie 92,0

Totalt 278,0

40 shot



31: 9,8 ↗  
 32: 10,5\* ↗  
 33: 10,4\* ↖  
 34: 9,6 ↗  
 35: 8,5 ↘  
 36: 10,4\* ←  
 37: 8,9 ←  
 38: 10,1 ←  
 39: 10,2\* ↘  
 40: 10,4\* →

Serie 94,0

Totalt 372,0

Bjurholm-Balsjö

2011-01-15

Skyttiaden 2010

Umeå skytteallians

<p>Sight</p>	<p>1: 10,4* →</p> <p>2: 10,0 ↙</p> <p>3: 9,3 ←</p> <p>4: 10,3* ←</p> <p>5: 8,5 →</p> <p>6: 10,3* →</p> <p>7: 10,5* ↗</p> <p>8: 9,8 ↗</p> <p>9: 9,6 ←</p> <p>10: 10,1 ↗</p> <table border="1" style="width:100%; border-collapse: collapse;"> <tr> <td>Serie</td> <td style="text-align: right;">95,0</td> </tr> <tr> <td>Totalt</td> <td style="text-align: right;">0,0</td> </tr> </table>	Serie	95,0	Totalt	0,0	<p>Sight</p>	<p>11: 8,8 →</p> <p>12: 9,3 ↗</p> <p>13: 9,9 ↗</p> <p>14: 10,2* ↘</p> <p>15: 9,3 ↗</p> <p>16: 10,4* ←</p> <table border="1" style="width:100%; border-collapse: collapse;"> <tr> <td>Serie</td> <td style="text-align: right;">55,0</td> </tr> <tr> <td>Totalt</td> <td style="text-align: right;">0,0</td> </tr> </table>	Serie	55,0	Totalt	0,0
Serie	95,0										
Totalt	0,0										
Serie	55,0										
Totalt	0,0										

<p>40 shot</p>	<p>1: 8,9 ←</p> <p>2: 9,9 ↗</p> <p>3: 9,7 ↗</p> <p>4: 8,8 ↗</p> <p>5: 9,1 ↘</p> <p>6: 9,8 →</p> <p>7: 10,4* ←</p> <p>8: 10,2* ←</p> <p>9: 9,9 →</p> <p>10: 9,8 ↗</p> <table border="1" style="width:100%; border-collapse: collapse;"> <tr> <td>Serie</td> <td style="text-align: right;">90,0</td> </tr> <tr> <td>Totalt</td> <td style="text-align: right;">90,0</td> </tr> </table>	Serie	90,0	Totalt	90,0	<p>40 shot</p>	<p>11: 9,3 ↗</p> <p>12: 9,9 ↗</p> <p>13: 8,7 ↗</p> <p>14: 10,1 ↗</p> <p>15: 8,5 ←</p> <p>16: 9,4 ↗</p> <p>17: 9,4 ←</p> <p>18: 10,0 →</p> <p>19: 10,0 ↘</p> <p>20: 10,0 ↗</p> <table border="1" style="width:100%; border-collapse: collapse;"> <tr> <td>Serie</td> <td style="text-align: right;">92,0</td> </tr> <tr> <td>Totalt</td> <td style="text-align: right;">182,0</td> </tr> </table>	Serie	92,0	Totalt	182,0
Serie	90,0										
Totalt	90,0										
Serie	92,0										
Totalt	182,0										

<p>40 shot</p>	<p>21: 10,3* ↗</p> <p>22: 9,7 ↗</p> <p>23: 10,1 ↗</p> <p>24: 9,6 ←</p> <p>25: 9,5 ↗</p> <p>26: 9,9 ↗</p> <p>27: 9,7 ↘</p> <p>28: 9,6 ↘</p> <p>29: 8,9 →</p> <p>30: 9,5 →</p> <table border="1" style="width:100%; border-collapse: collapse;"> <tr> <td>Serie</td> <td style="text-align: right;">91,0</td> </tr> <tr> <td>Totalt</td> <td style="text-align: right;">273,0</td> </tr> </table>	Serie	91,0	Totalt	273,0	<p>40 shot</p>	<p>31: 10,3* ↗</p> <p>32: 9,6 ↘</p> <p>33: 10,3* →</p> <p>34: 9,6 ↗</p> <p>35: 10,2* ←</p> <p>36: 9,9 →</p> <p>37: 9,9 ↗</p> <p>38: 9,1 ←</p> <p>39: 8,0 ↘</p> <p>40: 9,8 ↗</p> <table border="1" style="width:100%; border-collapse: collapse;"> <tr> <td>Serie</td> <td style="text-align: right;">92,0</td> </tr> <tr> <td>Totalt</td> <td style="text-align: right;">365,0</td> </tr> </table>	Serie	92,0	Totalt	365,0
Serie	91,0										
Totalt	273,0										
Serie	92,0										
Totalt	365,0										

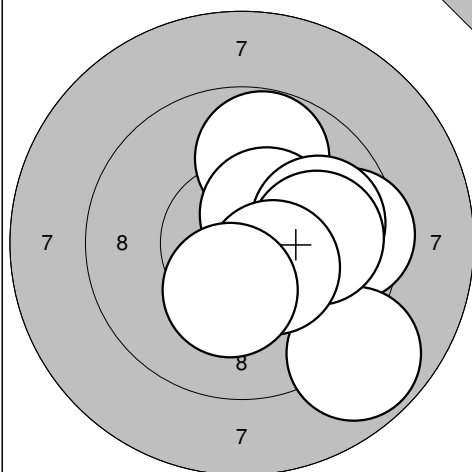
Umeå

2011-01-15

Skyttiaden 2010

Umeå skytteallians

Sight

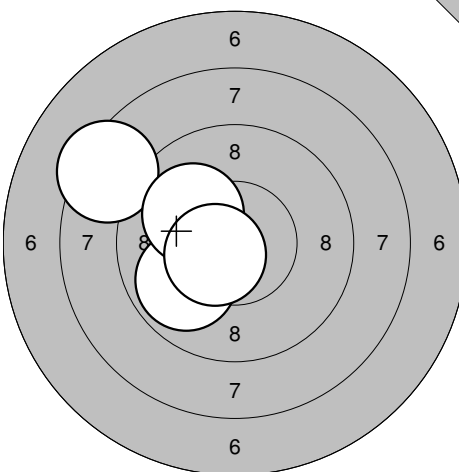


1: 10,1 →  
 2: 10,3\* ↗  
 3: 9,5 →  
 4: 8,8 ↘  
 5: 9,8 ↑  
 6: 10,4\* ↗  
 7: 9,9 →  
 8: 9,9 →  
 9: 10,4\* ↘  
 10: 10,3\* ↓

Serie 94,0

Totalt 0,0

Sight

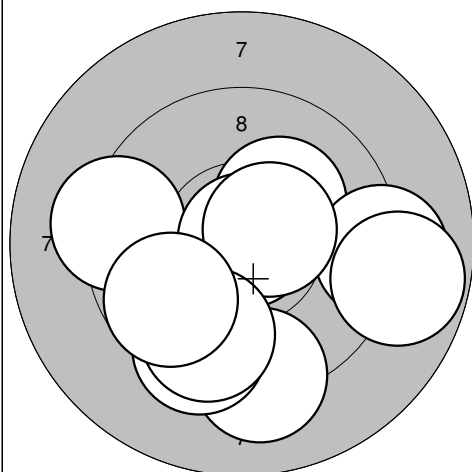


11: 9,9 ↙  
 12: 8,4 ↖  
 13: 10,1 ↖  
 14: 10,5\* ↙

Serie 37,0

Totalt 0,0

40 shot

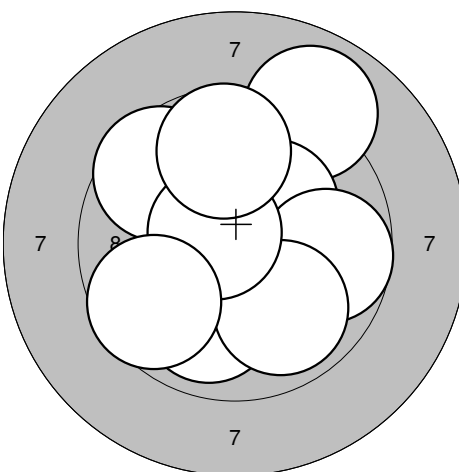


1: 9,2 ↓  
 2: 9,3 ←  
 3: 9,5 ↓  
 4: 10,2\* ↗  
 5: 9,1 →  
 6: 10,9\* ↗  
 7: 10,5\* →  
 8: 9,7 ↓  
 9: 8,8 →  
 10: 9,7 ↙

Serie 92,0

Totalt 92,0

40 shot

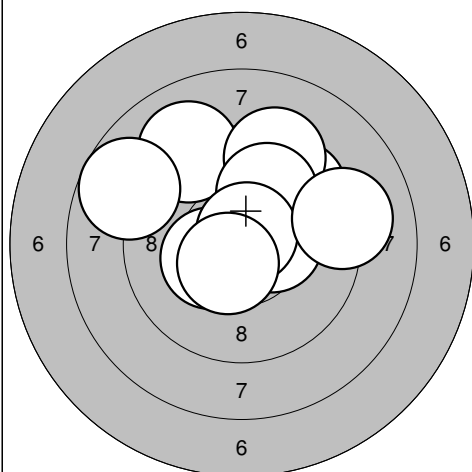


11: 10,0 ↗  
 12: 8,9 ↗  
 13: 10,3\* ↗  
 14: 9,9 ↓  
 15: 9,6 ↖  
 16: 9,7 →  
 17: 9,9 ↓  
 18: 10,6\* ↖  
 19: 9,7 ↑  
 20: 9,6 ↙

Serie 92,0

Totalt 184,0

40 shot

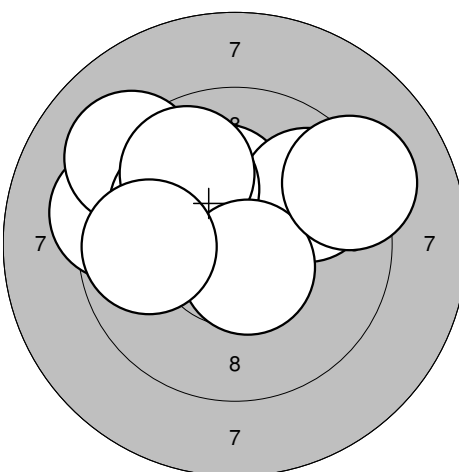


21: 9,1 ↗  
 22: 8,7 ↖  
 23: 10,4\* →  
 24: 10,4\* ↖  
 25: 9,6 ↗  
 26: 9,3 ↑  
 27: 10,0 ↗  
 28: 10,7\* ↗  
 29: 9,1 →  
 30: 10,5\* ↙

Serie 94,0

Totalt 278,0

40 shot



31: 10,2\* ↑  
 32: 9,3 ←  
 33: 9,2 ↖  
 34: 9,8 ↗  
 35: 10,0 ↗  
 36: 10,0 ↖  
 37: 9,8 ↗  
 38: 10,6\* ↓  
 39: 9,8 ←  
 40: 9,2 ↗

Serie 94,0

Totalt 372,0

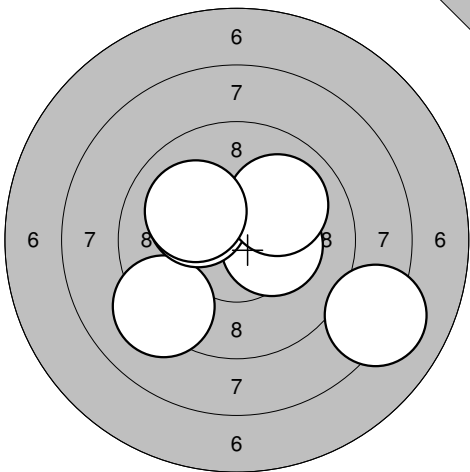
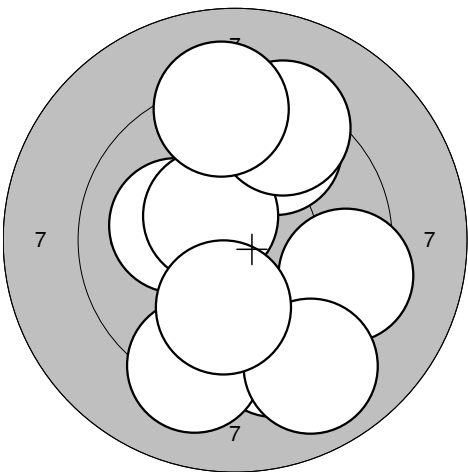


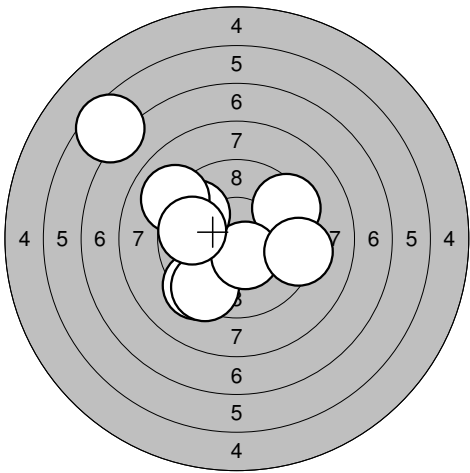
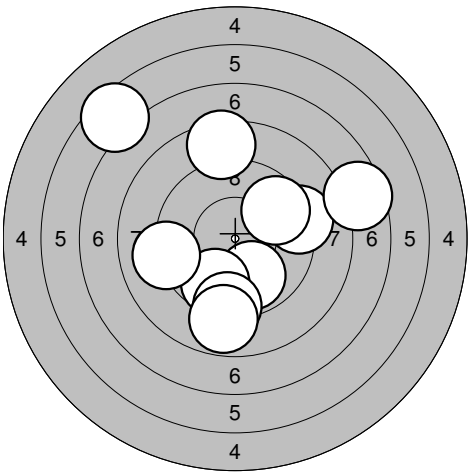
Bjurholm-Balsjö

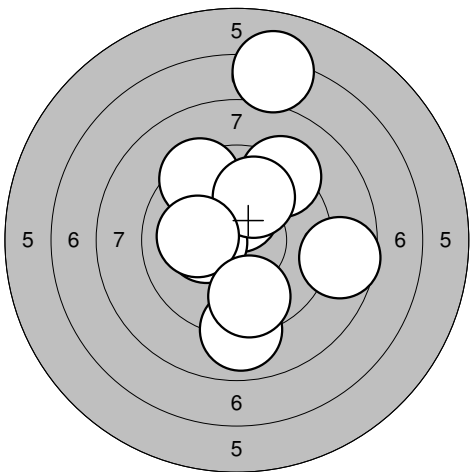
2011-01-15

Skyttiaden 2010

Umeå skytteallians

<p>Sight</p> 	<p>40 shot</p> <table style="width:100%;"> <tr><td>1: 9,2</td><td>↙</td></tr> <tr><td>2: 10,3*</td><td>→</td></tr> <tr><td>3: 10,2*</td><td>↗</td></tr> <tr><td>4: 10,0</td><td>↗</td></tr> <tr><td>5: 8,1</td><td>↘</td></tr> <tr><td>6: 10,1</td><td>↗</td></tr> </table>	1: 9,2	↙	2: 10,3*	→	3: 10,2*	↗	4: 10,0	↗	5: 8,1	↘	6: 10,1	↗	 <table style="width:100%;"> <tr><td>1: 9,4</td><td>↓</td></tr> <tr><td>2: 9,6</td><td>↗</td></tr> <tr><td>3: 10,1</td><td>←</td></tr> <tr><td>4: 9,2</td><td>↓</td></tr> <tr><td>5: 9,4</td><td>→</td></tr> <tr><td>6: 9,0</td><td>↓</td></tr> <tr><td>7: 10,5*</td><td>↗</td></tr> <tr><td>8: 9,3</td><td>↗</td></tr> <tr><td>9: 9,2</td><td>↑</td></tr> <tr><td>10: 10,0</td><td>↓</td></tr> </table>	1: 9,4	↓	2: 9,6	↗	3: 10,1	←	4: 9,2	↓	5: 9,4	→	6: 9,0	↓	7: 10,5*	↗	8: 9,3	↗	9: 9,2	↑	10: 10,0	↓
1: 9,2	↙																																	
2: 10,3*	→																																	
3: 10,2*	↗																																	
4: 10,0	↗																																	
5: 8,1	↘																																	
6: 10,1	↗																																	
1: 9,4	↓																																	
2: 9,6	↗																																	
3: 10,1	←																																	
4: 9,2	↓																																	
5: 9,4	→																																	
6: 9,0	↓																																	
7: 10,5*	↗																																	
8: 9,3	↗																																	
9: 9,2	↑																																	
10: 10,0	↓																																	
Serie	57,0	Serie	93,0																															
Totalt	0,0	Totalt	93,0																															

<p>40 shot</p> 	<p>40 shot</p> <table style="width:100%;"> <tr><td>11: 10,2*</td><td>↙</td></tr> <tr><td>12: 9,4</td><td>↗</td></tr> <tr><td>13: 9,3</td><td>↙</td></tr> <tr><td>14: 9,4</td><td>↙</td></tr> <tr><td>15: 10,4*</td><td>↘</td></tr> <tr><td>16: 9,7</td><td>↗</td></tr> <tr><td>17: 9,0</td><td>↗</td></tr> <tr><td>18: 6,6</td><td>↗</td></tr> <tr><td>19: 9,8</td><td>←</td></tr> <tr><td>20: 9,3</td><td>→</td></tr> </table>	11: 10,2*	↙	12: 9,4	↗	13: 9,3	↙	14: 9,4	↙	15: 10,4*	↘	16: 9,7	↗	17: 9,0	↗	18: 6,6	↗	19: 9,8	←	20: 9,3	→	 <table style="width:100%;"> <tr><td>21: 9,2</td><td>→</td></tr> <tr><td>22: 9,9</td><td>↓</td></tr> <tr><td>23: 9,7</td><td>↓</td></tr> <tr><td>24: 9,2</td><td>↓</td></tr> <tr><td>25: 7,5</td><td>→</td></tr> <tr><td>26: 8,8</td><td>↓</td></tr> <tr><td>27: 8,5</td><td>↑</td></tr> <tr><td>28: 9,7</td><td>↗</td></tr> <tr><td>29: 9,1</td><td>←</td></tr> <tr><td>30: 6,5</td><td>↖</td></tr> </table>	21: 9,2	→	22: 9,9	↓	23: 9,7	↓	24: 9,2	↓	25: 7,5	→	26: 8,8	↓	27: 8,5	↑	28: 9,7	↗	29: 9,1	←	30: 6,5	↖
11: 10,2*	↙																																									
12: 9,4	↗																																									
13: 9,3	↙																																									
14: 9,4	↙																																									
15: 10,4*	↘																																									
16: 9,7	↗																																									
17: 9,0	↗																																									
18: 6,6	↗																																									
19: 9,8	←																																									
20: 9,3	→																																									
21: 9,2	→																																									
22: 9,9	↓																																									
23: 9,7	↓																																									
24: 9,2	↓																																									
25: 7,5	→																																									
26: 8,8	↓																																									
27: 8,5	↑																																									
28: 9,7	↗																																									
29: 9,1	←																																									
30: 6,5	↖																																									
Serie	89,0	Serie	83,0																																							
Totalt	182,0	Totalt	265,0																																							

<p>40 shot</p> 	<table style="width:100%;"> <tr><td>31: 10,3*</td><td>↑</td></tr> <tr><td>32: 10,3*</td><td>←</td></tr> <tr><td>33: 9,3</td><td>↗</td></tr> <tr><td>34: 7,2</td><td>↑</td></tr> <tr><td>35: 9,0</td><td>↓</td></tr> <tr><td>36: 9,4</td><td>↗</td></tr> <tr><td>37: 9,9</td><td>↗</td></tr> <tr><td>38: 10,1</td><td>←</td></tr> <tr><td>39: 9,7</td><td>↓</td></tr> <tr><td>40: 8,7</td><td>→</td></tr> </table>	31: 10,3*	↑	32: 10,3*	←	33: 9,3	↗	34: 7,2	↑	35: 9,0	↓	36: 9,4	↗	37: 9,9	↗	38: 10,1	←	39: 9,7	↓	40: 8,7	→	
31: 10,3*	↑																					
32: 10,3*	←																					
33: 9,3	↗																					
34: 7,2	↑																					
35: 9,0	↓																					
36: 9,4	↗																					
37: 9,9	↗																					
38: 10,1	←																					
39: 9,7	↓																					
40: 8,7	→																					
Serie	90,0																					
Totalt	355,0																					

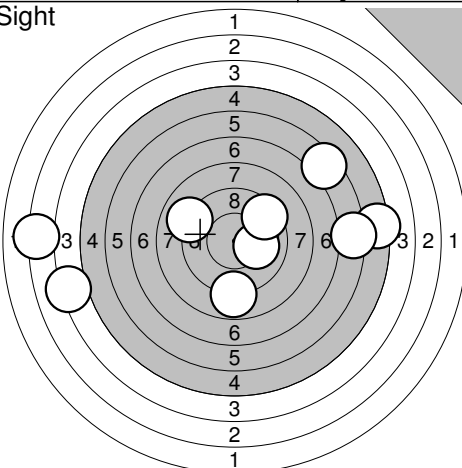
Umeå

2011-01-15

Skyttiaden 2010

Umeå skytteallians

Sight

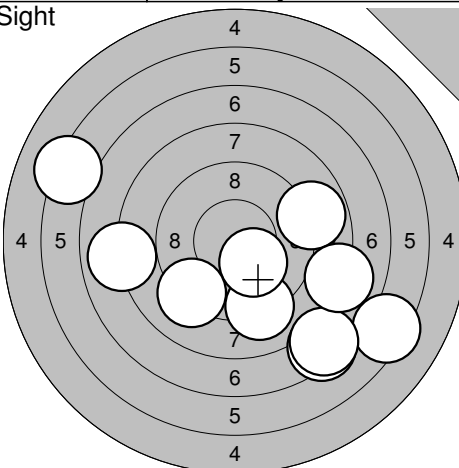


1: 9,0 ←  
 2: 4,2 ←  
 3: 10,1 →  
 4: 5,3 →  
 5: 0,0 ←  
 6: 8,8 ↓  
 7: 6,3 →  
 8: 3,2 ←  
 9: 6,4 ↗  
 10: 9,4 ↗

Serie 60,0

Totalt 0,0

Sight

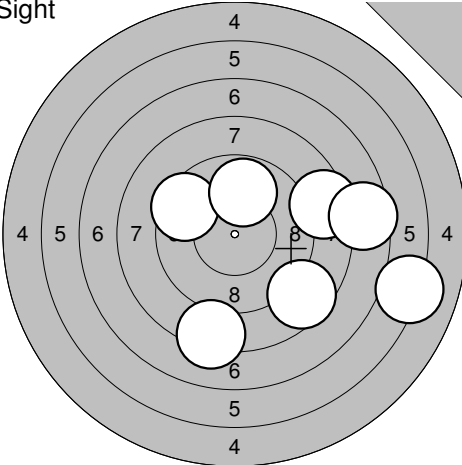


11: 8,0 ←  
 12: 7,4 ↓  
 13: 6,4 ↓  
 14: 7,4 ↓  
 15: 9,1 ↓  
 16: 6,2 ↗  
 17: 10,2\* ↓  
 18: 8,8 →  
 19: 8,0 →  
 20: 9,2 ↓

Serie 78,0

Totalt 0,0

Sight

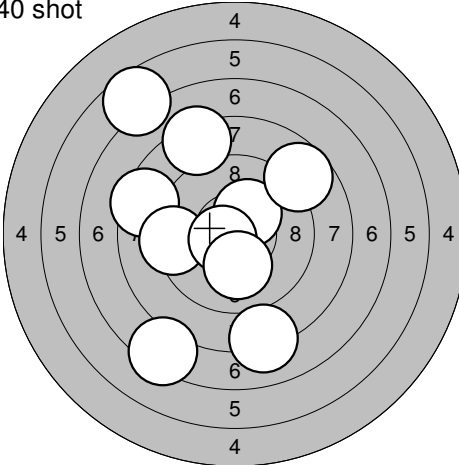


21: 8,6 ↓  
 22: 9,5 ↗  
 23: 6,1 →  
 24: 8,2 ↓  
 25: 8,5 →  
 26: 7,5 →  
 27: 9,8 ↑

Serie 55,0

Totalt 0,0

40 shot

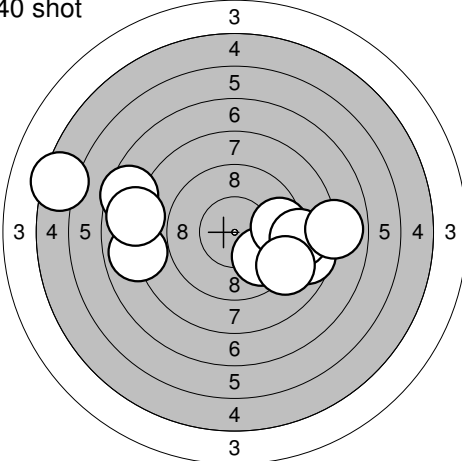


1: 8,5 ←  
 2: 8,1 ↓  
 3: 10,3\* ↗  
 4: 9,3 ←  
 5: 7,3 ↓  
 6: 8,7 ↗  
 7: 10,6\* ←  
 8: 8,3 ↗  
 9: 6,6 ↗  
 10: 10,1 ↓

Serie 84,0

Totalt 84,0

40 shot

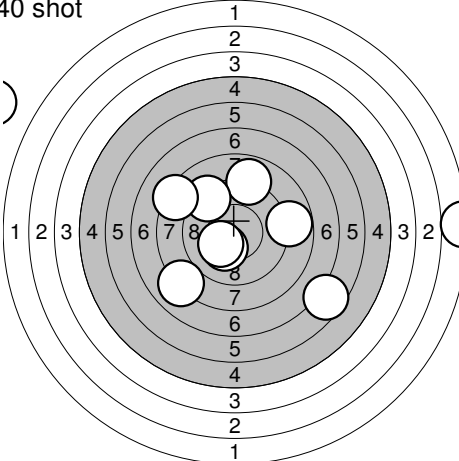


11: 7,5 ←  
 12: 8,6 →  
 13: 9,8 ↓  
 14: 9,6 →  
 15: 7,9 ←  
 16: 9,0 →  
 17: 5,4 ←  
 18: 7,9 →  
 19: 7,9 ←  
 20: 9,1 ↓

Serie 77,0

Totalt 161,0

40 shot

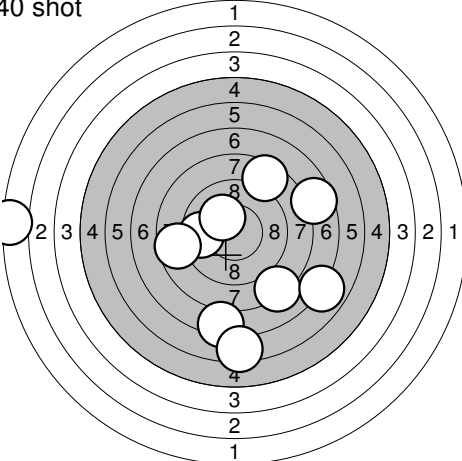


21: 2,0 →  
 22: 0,0 ↗  
 23: 10,2\* ↓  
 24: 8,9 ↑  
 25: 10,2\* ↓  
 26: 6,6 ↓  
 27: 8,8 →  
 28: 8,0 ↓  
 29: 9,3 ↗  
 30: 8,3 ↗

Serie 69,0

Totalt 230,0

40 shot



31: 7,3 ↓  
 32: 2,1 ←  
 33: 6,4 ↓  
 34: 7,6 →  
 35: 9,6 ←  
 36: 8,5 ↗  
 37: 8,1 ↓  
 38: 10,2\* ↗  
 39: 6,9 ↓  
 40: 8,7 ←

Serie 71,0

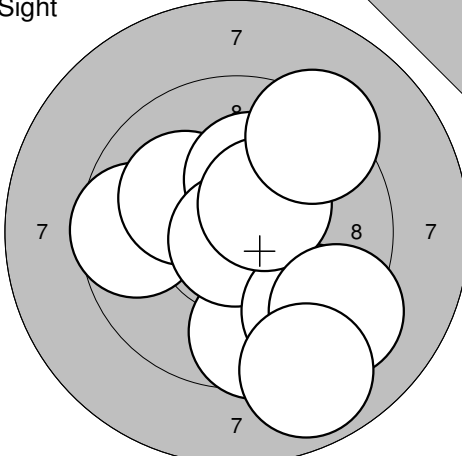
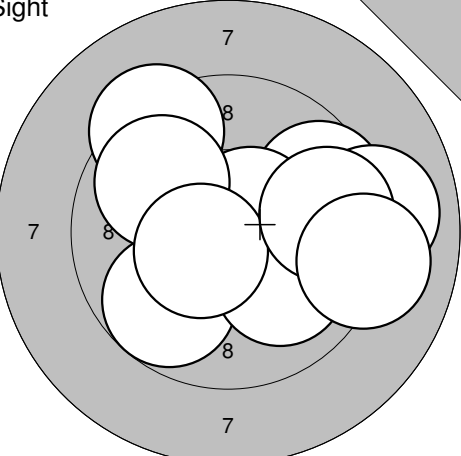
Totalt 301,0

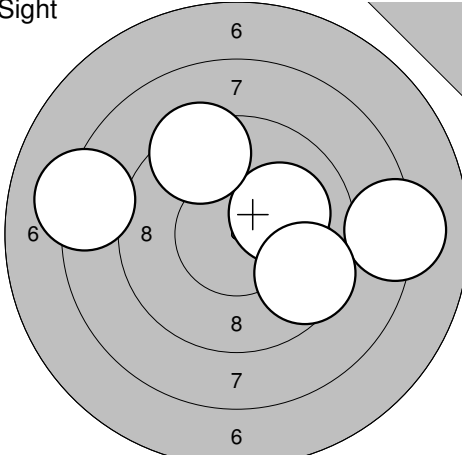
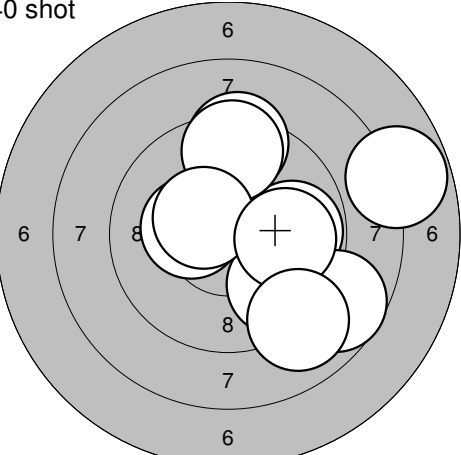
Umeå

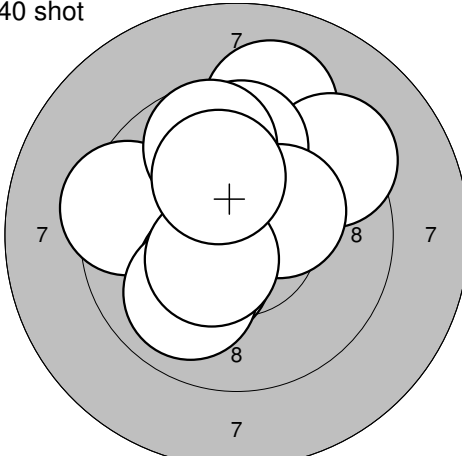
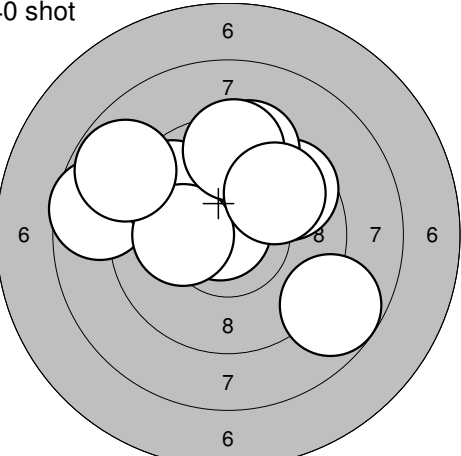
2011-01-15

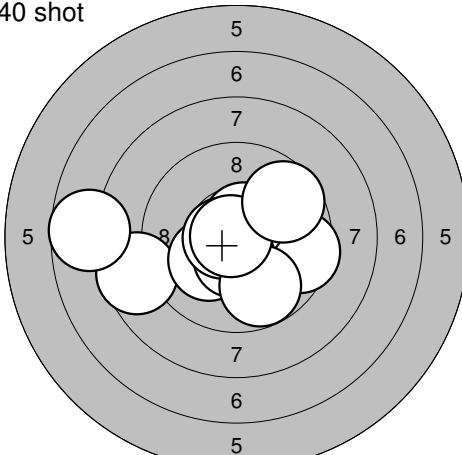
Skyttiaden 2010

Umeå skytteallians

<p>Sight</p> 	<table style="width:100%; border-collapse: collapse;"> <tr><td>1: 9,6</td><td style="text-align: right;">↓</td></tr> <tr><td>2: 9,6</td><td style="text-align: right;">←</td></tr> <tr><td>3: 10,1</td><td style="text-align: right;">↗</td></tr> <tr><td>4: 10,2*</td><td style="text-align: right;">↑</td></tr> <tr><td>5: 10,8*</td><td style="text-align: right;">↓</td></tr> <tr><td>6: 9,5</td><td style="text-align: right;">↓</td></tr> <tr><td>7: 10,4*</td><td style="text-align: right;">↗</td></tr> <tr><td>8: 9,2</td><td style="text-align: right;">↓</td></tr> <tr><td>9: 9,3</td><td style="text-align: right;">↗</td></tr> <tr><td>10: 8,9</td><td style="text-align: right;">↓</td></tr> <tr><td colspan="2"><hr/></td></tr> <tr><td>Serie</td><td style="text-align: right;">93,0</td></tr> <tr><td>Totalt</td><td style="text-align: right;">0,0</td></tr> </table>	1: 9,6	↓	2: 9,6	←	3: 10,1	↗	4: 10,2*	↑	5: 10,8*	↓	6: 9,5	↓	7: 10,4*	↗	8: 9,2	↓	9: 9,3	↗	10: 8,9	↓	<hr/>		Serie	93,0	Totalt	0,0	<p>Sight</p> 	<table style="width:100%; border-collapse: collapse;"> <tr><td>11: 9,6</td><td style="text-align: right;">↗</td></tr> <tr><td>12: 10,6*</td><td style="text-align: right;">↗</td></tr> <tr><td>13: 9,0</td><td style="text-align: right;">→</td></tr> <tr><td>14: 9,3</td><td style="text-align: right;">↗</td></tr> <tr><td>15: 9,8</td><td style="text-align: right;">↓</td></tr> <tr><td>16: 9,9</td><td style="text-align: right;">↗</td></tr> <tr><td>17: 10,0</td><td style="text-align: right;">↓</td></tr> <tr><td>18: 10,5*</td><td style="text-align: right;">↙</td></tr> <tr><td>19: 9,6</td><td style="text-align: right;">→</td></tr> <tr><td>20: 9,1</td><td style="text-align: right;">→</td></tr> <tr><td colspan="2"><hr/></td></tr> <tr><td>Serie</td><td style="text-align: right;">93,0</td></tr> <tr><td>Totalt</td><td style="text-align: right;">0,0</td></tr> </table>	11: 9,6	↗	12: 10,6*	↗	13: 9,0	→	14: 9,3	↗	15: 9,8	↓	16: 9,9	↗	17: 10,0	↓	18: 10,5*	↙	19: 9,6	→	20: 9,1	→	<hr/>		Serie	93,0	Totalt	0,0
1: 9,6	↓																																																						
2: 9,6	←																																																						
3: 10,1	↗																																																						
4: 10,2*	↑																																																						
5: 10,8*	↓																																																						
6: 9,5	↓																																																						
7: 10,4*	↗																																																						
8: 9,2	↓																																																						
9: 9,3	↗																																																						
10: 8,9	↓																																																						
<hr/>																																																							
Serie	93,0																																																						
Totalt	0,0																																																						
11: 9,6	↗																																																						
12: 10,6*	↗																																																						
13: 9,0	→																																																						
14: 9,3	↗																																																						
15: 9,8	↓																																																						
16: 9,9	↗																																																						
17: 10,0	↓																																																						
18: 10,5*	↙																																																						
19: 9,6	→																																																						
20: 9,1	→																																																						
<hr/>																																																							
Serie	93,0																																																						
Totalt	0,0																																																						

<p>Sight</p> 	<table style="width:100%; border-collapse: collapse;"> <tr><td>21: 8,2</td><td style="text-align: right;">←</td></tr> <tr><td>22: 10,1</td><td style="text-align: right;">↗</td></tr> <tr><td>23: 9,4</td><td style="text-align: right;">↗</td></tr> <tr><td>24: 8,1</td><td style="text-align: right;">→</td></tr> <tr><td>25: 9,6</td><td style="text-align: right;">↓</td></tr> <tr><td colspan="2"><hr/></td></tr> <tr><td>Serie</td><td style="text-align: right;">44,0</td></tr> <tr><td>Totalt</td><td style="text-align: right;">0,0</td></tr> </table>	21: 8,2	←	22: 10,1	↗	23: 9,4	↗	24: 8,1	→	25: 9,6	↓	<hr/>		Serie	44,0	Totalt	0,0	<p>40 shot</p> 	<table style="width:100%; border-collapse: collapse;"> <tr><td>1: 9,7</td><td style="text-align: right;">↓</td></tr> <tr><td>2: 9,8</td><td style="text-align: right;">→</td></tr> <tr><td>3: 10,3*</td><td style="text-align: right;">←</td></tr> <tr><td>4: 9,3</td><td style="text-align: right;">↑</td></tr> <tr><td>5: 7,8</td><td style="text-align: right;">→</td></tr> <tr><td>6: 9,5</td><td style="text-align: right;">↑</td></tr> <tr><td>7: 10,4*</td><td style="text-align: right;">↗</td></tr> <tr><td>8: 8,7</td><td style="text-align: right;">↓</td></tr> <tr><td>9: 9,9</td><td style="text-align: right;">→</td></tr> <tr><td>10: 9,0</td><td style="text-align: right;">↓</td></tr> <tr><td colspan="2"><hr/></td></tr> <tr><td>Serie</td><td style="text-align: right;">89,0</td></tr> <tr><td>Totalt</td><td style="text-align: right;">89,0</td></tr> </table>	1: 9,7	↓	2: 9,8	→	3: 10,3*	←	4: 9,3	↑	5: 7,8	→	6: 9,5	↑	7: 10,4*	↗	8: 8,7	↓	9: 9,9	→	10: 9,0	↓	<hr/>		Serie	89,0	Totalt	89,0
21: 8,2	←																																												
22: 10,1	↗																																												
23: 9,4	↗																																												
24: 8,1	→																																												
25: 9,6	↓																																												
<hr/>																																													
Serie	44,0																																												
Totalt	0,0																																												
1: 9,7	↓																																												
2: 9,8	→																																												
3: 10,3*	←																																												
4: 9,3	↑																																												
5: 7,8	→																																												
6: 9,5	↑																																												
7: 10,4*	↗																																												
8: 8,7	↓																																												
9: 9,9	→																																												
10: 9,0	↓																																												
<hr/>																																													
Serie	89,0																																												
Totalt	89,0																																												

<p>40 shot</p> 	<table style="width:100%; border-collapse: collapse;"> <tr><td>11: 9,2</td><td style="text-align: right;">↑</td></tr> <tr><td>12: 9,5</td><td style="text-align: right;">←</td></tr> <tr><td>13: 9,3</td><td style="text-align: right;">↗</td></tr> <tr><td>14: 9,8</td><td style="text-align: right;">↑</td></tr> <tr><td>15: 10,3*</td><td style="text-align: right;">↗</td></tr> <tr><td>16: 10,3*</td><td style="text-align: right;">↙</td></tr> <tr><td>17: 10,0</td><td style="text-align: right;">↓</td></tr> <tr><td>18: 9,7</td><td style="text-align: right;">↑</td></tr> <tr><td>19: 10,5*</td><td style="text-align: right;">↙</td></tr> <tr><td>20: 10,1</td><td style="text-align: right;">↑</td></tr> <tr><td colspan="2"><hr/></td></tr> <tr><td>Serie</td><td style="text-align: right;">95,0</td></tr> <tr><td>Totalt</td><td style="text-align: right;">184,0</td></tr> </table>	11: 9,2	↑	12: 9,5	←	13: 9,3	↗	14: 9,8	↑	15: 10,3*	↗	16: 10,3*	↙	17: 10,0	↓	18: 9,7	↑	19: 10,5*	↙	20: 10,1	↑	<hr/>		Serie	95,0	Totalt	184,0	<p>40 shot</p> 	<table style="width:100%; border-collapse: collapse;"> <tr><td>21: 10,8*</td><td style="text-align: right;">↗</td></tr> <tr><td>22: 8,7</td><td style="text-align: right;">←</td></tr> <tr><td>23: 9,7</td><td style="text-align: right;">↗</td></tr> <tr><td>24: 8,7</td><td style="text-align: right;">↓</td></tr> <tr><td>25: 9,6</td><td style="text-align: right;">↗</td></tr> <tr><td>26: 10,2*</td><td style="text-align: right;">←</td></tr> <tr><td>27: 9,4</td><td style="text-align: right;">↑</td></tr> <tr><td>28: 9,5</td><td style="text-align: right;">↑</td></tr> <tr><td>29: 8,8</td><td style="text-align: right;">↗</td></tr> <tr><td>30: 9,8</td><td style="text-align: right;">↗</td></tr> <tr><td colspan="2"><hr/></td></tr> <tr><td>Serie</td><td style="text-align: right;">89,0</td></tr> <tr><td>Totalt</td><td style="text-align: right;">273,0</td></tr> </table>	21: 10,8*	↗	22: 8,7	←	23: 9,7	↗	24: 8,7	↓	25: 9,6	↗	26: 10,2*	←	27: 9,4	↑	28: 9,5	↑	29: 8,8	↗	30: 9,8	↗	<hr/>		Serie	89,0	Totalt	273,0
11: 9,2	↑																																																						
12: 9,5	←																																																						
13: 9,3	↗																																																						
14: 9,8	↑																																																						
15: 10,3*	↗																																																						
16: 10,3*	↙																																																						
17: 10,0	↓																																																						
18: 9,7	↑																																																						
19: 10,5*	↙																																																						
20: 10,1	↑																																																						
<hr/>																																																							
Serie	95,0																																																						
Totalt	184,0																																																						
21: 10,8*	↗																																																						
22: 8,7	←																																																						
23: 9,7	↗																																																						
24: 8,7	↓																																																						
25: 9,6	↗																																																						
26: 10,2*	←																																																						
27: 9,4	↑																																																						
28: 9,5	↑																																																						
29: 8,8	↗																																																						
30: 9,8	↗																																																						
<hr/>																																																							
Serie	89,0																																																						
Totalt	273,0																																																						

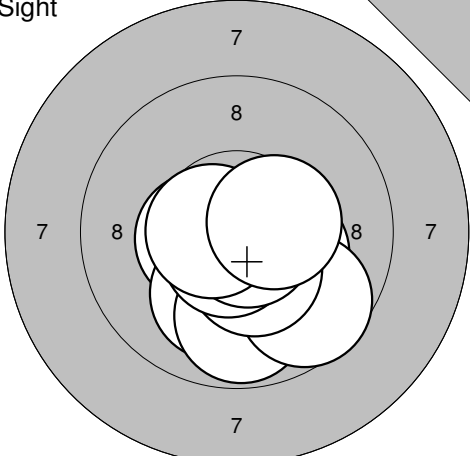
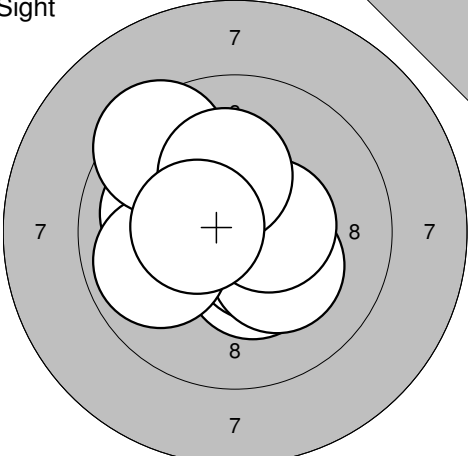
<p>40 shot</p> 	<table style="width:100%; border-collapse: collapse;"> <tr><td>31: 9,5</td><td style="text-align: right;">→</td></tr> <tr><td>32: 8,6</td><td style="text-align: right;">←</td></tr> <tr><td>33: 7,7</td><td style="text-align: right;">←</td></tr> <tr><td>34: 10,2*</td><td style="text-align: right;">↙</td></tr> <tr><td>35: 10,6*</td><td style="text-align: right;">↗</td></tr> <tr><td>36: 10,5*</td><td style="text-align: right;">↓</td></tr> <tr><td>37: 10,7*</td><td style="text-align: right;">←</td></tr> <tr><td>38: 9,8</td><td style="text-align: right;">↓</td></tr> <tr><td>39: 10,8*</td><td style="text-align: right;">←</td></tr> <tr><td>40: 9,7</td><td style="text-align: right;">↗</td></tr> <tr><td colspan="2"><hr/></td></tr> <tr><td>Serie</td><td style="text-align: right;">92,0</td></tr> <tr><td>Totalt</td><td style="text-align: right;">365,0</td></tr> </table>	31: 9,5	→	32: 8,6	←	33: 7,7	←	34: 10,2*	↙	35: 10,6*	↗	36: 10,5*	↓	37: 10,7*	←	38: 9,8	↓	39: 10,8*	←	40: 9,7	↗	<hr/>		Serie	92,0	Totalt	365,0		
31: 9,5	→																												
32: 8,6	←																												
33: 7,7	←																												
34: 10,2*	↙																												
35: 10,6*	↗																												
36: 10,5*	↓																												
37: 10,7*	←																												
38: 9,8	↓																												
39: 10,8*	←																												
40: 9,7	↗																												
<hr/>																													
Serie	92,0																												
Totalt	365,0																												

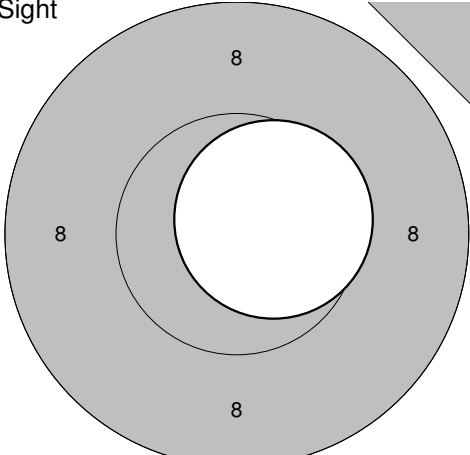
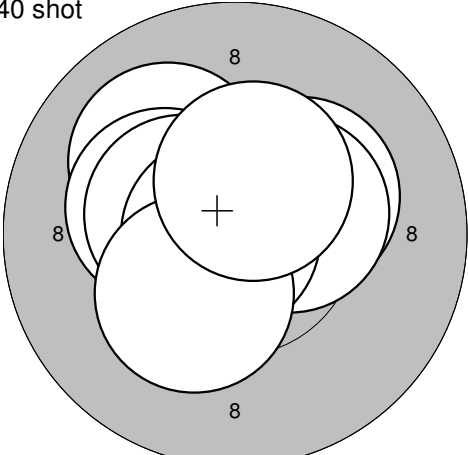
Rönnskär

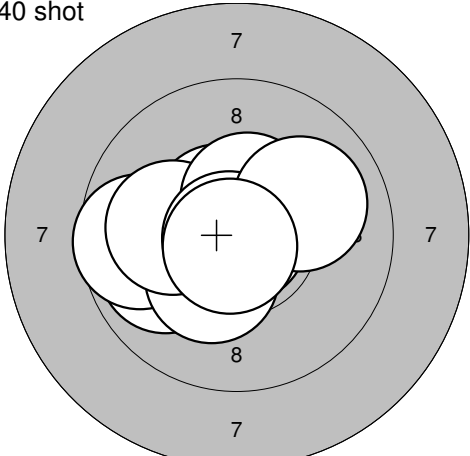
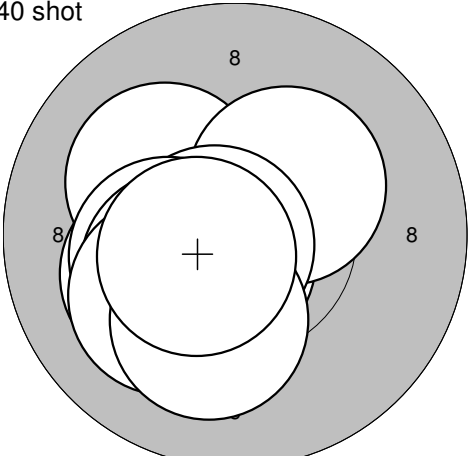
2011-01-15

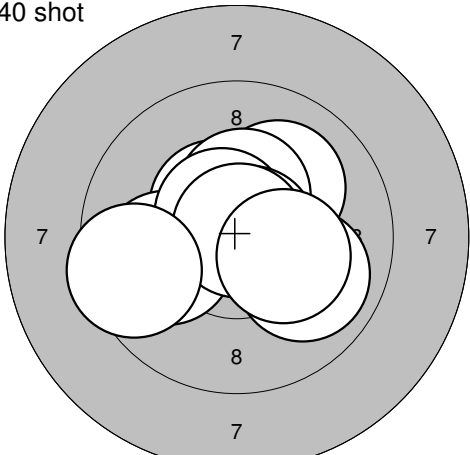
Skyttiaden 2010

Umeå skytteallians

Sight	Sight		
			
	1: 10,3* → 2: 10,5* ← 3: 10,1 ↓ 4: 9,8 ↓ 5: 9,7 ↓ 6: 10,4* ↓ 7: 10,7* ↓ 8: 10,8* ↓ 9: 10,6* ← 10: 10,4* →		11: 10,4* ↓ 12: 10,5* ↓ 13: 10,2* ↓ 14: 10,5* → 15: 10,0 ← 16: 10,3* ← 17: 9,9 ← 18: 9,5 ↗ 19: 10,2* ↑ 20: 10,4* ←
	Serie 98,0 Totalt 0,0		Serie 98,0 Totalt 0,0

Sight	40 shot		
			
	21: 10,6* →		1: 10,3* ↗ 2: 10,6* ↗ 3: 10,3* → 4: 10,1 ↗ 5: 10,4* → 6: 10,3* ← 7: 10,5* ↗ 8: 10,8* ← 9: 10,3* ↓ 10: 10,4* ↑
	Serie 10,0 Totalt 0,0		Serie 100,0 Totalt 100,0

40 shot	40 shot		
			
	11: 10,6* ↗ 12: 9,9 ← 13: 10,9* → 14: 9,7 ← 15: 10,3* ↓ 16: 10,1 ← 17: 10,5* ↑ 18: 10,8* ← 19: 10,0 → 20: 10,8* ↓		21: 10,7* ↓ 22: 10,2* ← 23: 10,2* ↗ 24: 10,3* ↗ 25: 10,7* ← 26: 10,3* ← 27: 10,4* ← 28: 10,1 ↓ 29: 10,1 ↓ 30: 10,6* ←
	Serie 98,0 Totalt 198,0		Serie 100,0 Totalt 298,0

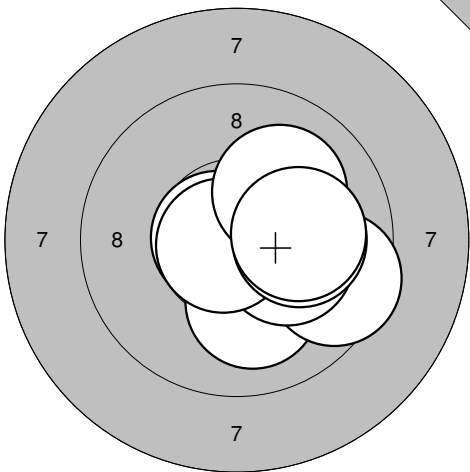
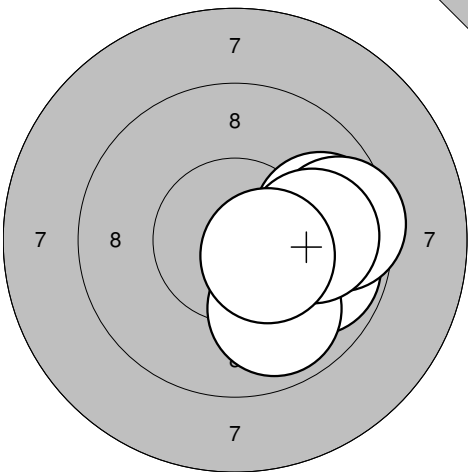
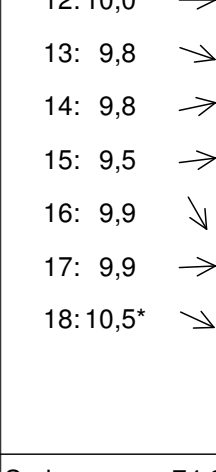
40 shot			
			
	31: 10,5* ↗ 32: 10,0 ← 33: 10,1 ↗ 34: 10,4* ↑ 35: 10,6* ↗ 36: 10,8* → 37: 10,9* ↗ 38: 9,9 ↘ 39: 9,5 ← 40: 10,3* →		
	Serie 98,0 Totalt 396,0		

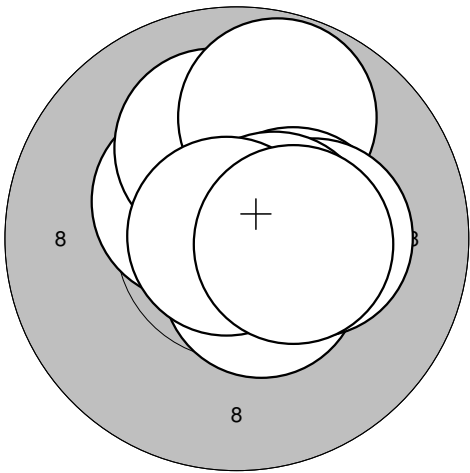
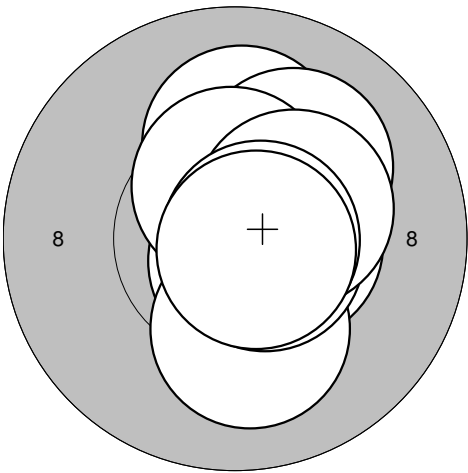
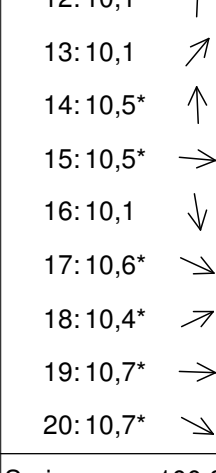
Bastuträsk

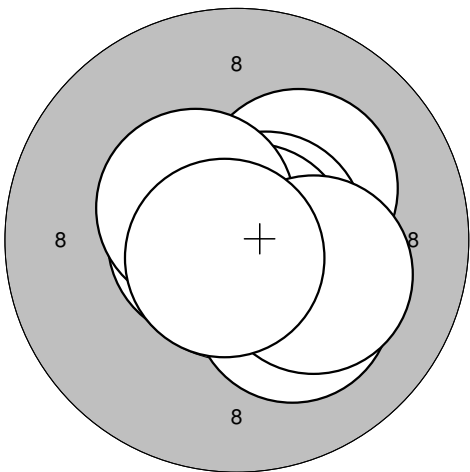
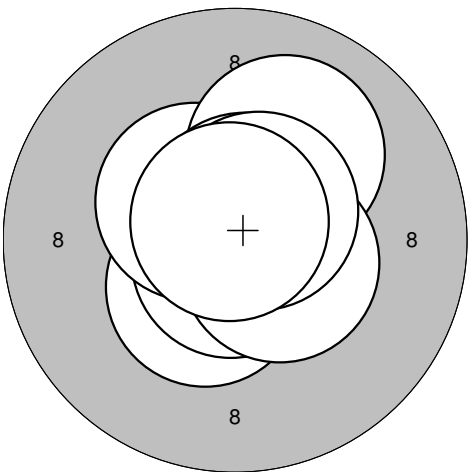
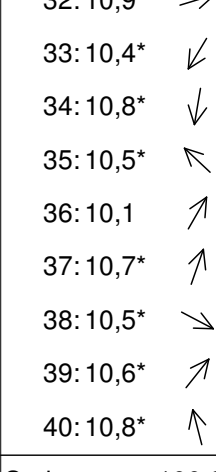
2011-01-15

Skyttiaden 2010

Umeå skytteallians

<p>Sight</p> 	<p>Sight</p> 	<p>Sight</p> 
<p>1: 10,1 ↘ 2: 10,0 → 3: 10,7* ← 4: 9,5 → 5: 10,7* → 6: 10,2* → 7: 10,8* ← 8: 10,1 ↗ 9: 10,1 → 10: 10,1 →</p>	<p>11: 9,8 → 12: 10,0 → 13: 9,8 → 14: 9,8 → 15: 9,5 → 16: 9,9 ↘ 17: 9,9 → 18: 10,5* ↘</p>	<p>Serie 99,0 Totalt 0,0</p>
<p>Serie 99,0 Totalt 0,0</p>	<p>Serie 74,0 Totalt 0,0</p>	

<p>40 shot</p> 	<p>40 shot</p> 	<p>40 shot</p> 
<p>1: 10,6* ↗ 2: 10,4* ↗ 3: 10,5* ↘ 4: 10,1 ↗ 5: 9,8 ↗ 6: 10,4* → 7: 10,3* → 8: 10,6* → 9: 10,9* ← 10: 10,4* →</p>	<p>11: 10,7* ↘ 12: 10,1 ↑ 13: 10,1 ↗ 14: 10,5* ↑ 15: 10,5* → 16: 10,1 ↘ 17: 10,6* ↘ 18: 10,4* ↗ 19: 10,7* → 20: 10,7* ↘</p>	<p>Serie 99,0 Totalt 99,0</p>
<p>Serie 99,0 Totalt 99,0</p>	<p>Serie 100,0 Totalt 199,0</p>	

<p>40 shot</p> 	<p>40 shot</p> 	<p>40 shot</p> 
<p>21: 10,2* ↘ 22: 10,7* ↗ 23: 10,5* ↗ 24: 10,2* ↗ 25: 10,7* → 26: 10,7* ← 27: 10,8* → 28: 10,5* ↗ 29: 10,2* ↘ 30: 10,8* ↘</p>	<p>31: 10,8* ↘ 32: 10,9* → 33: 10,4* ↘ 34: 10,8* ↘ 35: 10,5* ↗ 36: 10,1 ↗ 37: 10,7* ↗ 38: 10,5* ↘ 39: 10,6* ↗ 40: 10,8* ↑</p>	<p>Serie 100,0 Totalt 299,0</p>
<p>Serie 100,0 Totalt 299,0</p>	<p>Serie 100,0 Totalt 399,0</p>	

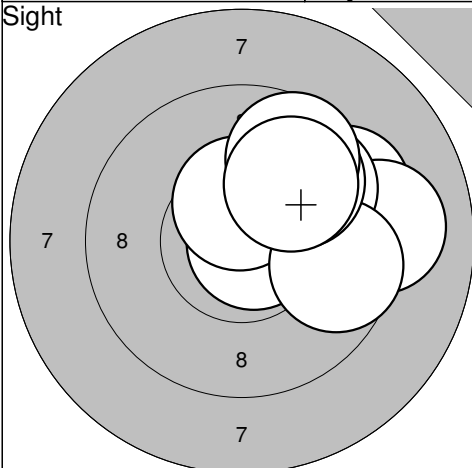
Bastuträsk

2011-01-15

Skyttiaden 2010

Umeå skytteallians

Sight

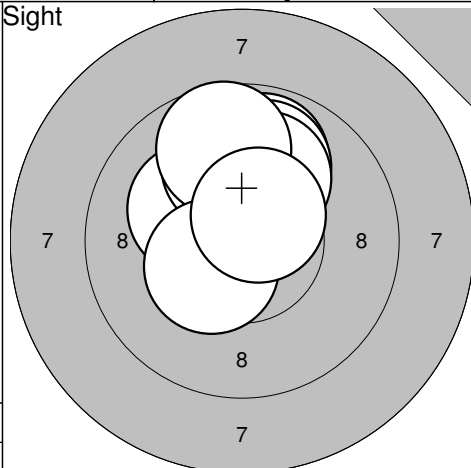


1: 9,4 →  
 2: 9,1 →  
 3: 10,3\* ↗  
 4: 10,8\* →  
 5: 10,5\* ↑  
 6: 9,8 ↗  
 7: 9,6 →  
 8: 9,9 ↗  
 9: 9,7 ↗  
 10: 9,9 ↗

Serie 93,0

Totalt 0,0

Sight

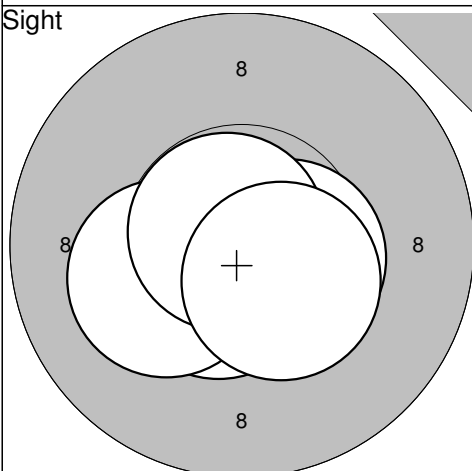


11: 10,2\* ↖  
 12: 9,8 ↑  
 13: 9,9 ↑  
 14: 9,9 ↑  
 15: 10,4\* ↗  
 16: 9,9 ↑  
 17: 10,1 ↗  
 18: 9,7 ↑  
 19: 10,4\* ↖  
 20: 10,5\* ↗

Serie 95,0

Totalt 0,0

Sight

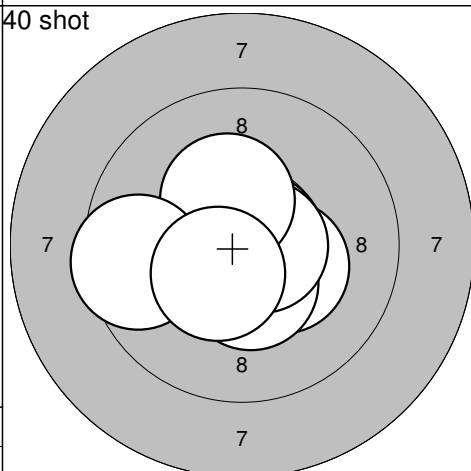


21: 10,6\* ↘  
 22: 10,2\* ←  
 23: 10,5\* →  
 24: 10,8\* ↗  
 25: 10,5\* ↘

Serie 50,0

Totalt 0,0

40 shot

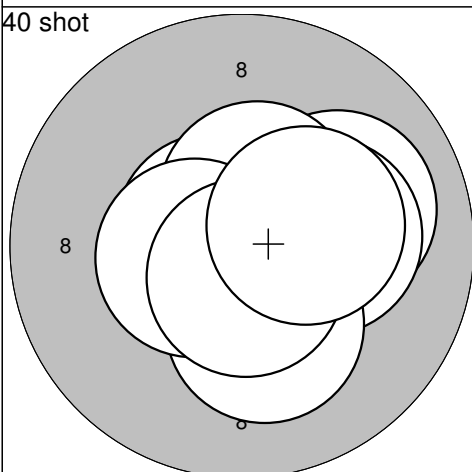


1: 10,8\* ↓  
 2: 10,5\* ↗  
 3: 10,7\* →  
 4: 10,3\* →  
 5: 10,4\* ↓  
 6: 10,5\* ←  
 7: 10,7\* →  
 8: 10,3\* ↑  
 9: 9,6 ←  
 10: 10,4\* ↘

Serie 99,0

Totalt 99,0

40 shot

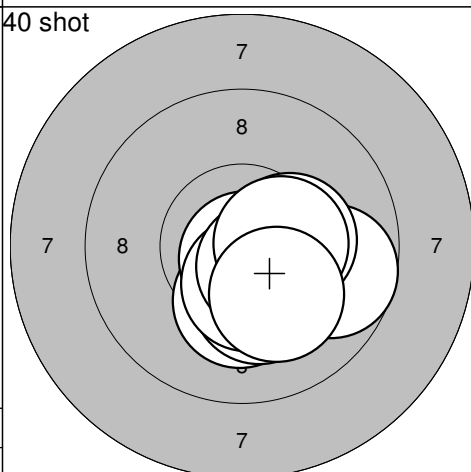


11: 10,7\* ↖  
 12: 10,5\* →  
 13: 10,0 →  
 14: 10,8\* ↗  
 15: 10,5\* ↗  
 16: 10,2\* →  
 17: 10,2\* ↓  
 18: 10,5\* ←  
 19: 10,7\* ↓  
 20: 10,3\* →

Serie 100,0

Totalt 199,0

40 shot

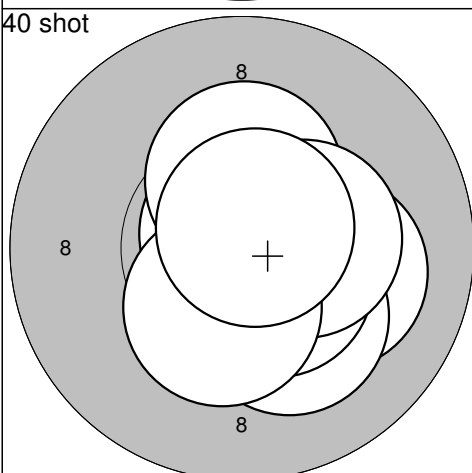


21: 10,2\* ↓  
 22: 10,2\* ↓  
 23: 10,5\* ↓  
 24: 10,8\* ↓  
 25: 9,7 →  
 26: 10,4\* ↓  
 27: 10,3\* →  
 28: 10,5\* ↓  
 29: 10,4\* →  
 30: 10,2\* ↓

Serie 99,0

Totalt 298,0

40 shot



31: 10,1 →  
 32: 10,2\* ↓  
 33: 10,8\* ↑  
 34: 10,7\* →  
 35: 10,7\* ↓  
 36: 10,5\* ↓  
 37: 10,3\* ↑  
 38: 10,4\* →  
 39: 10,4\* ↓  
 40: 10,7\* ↗

Serie 100,0

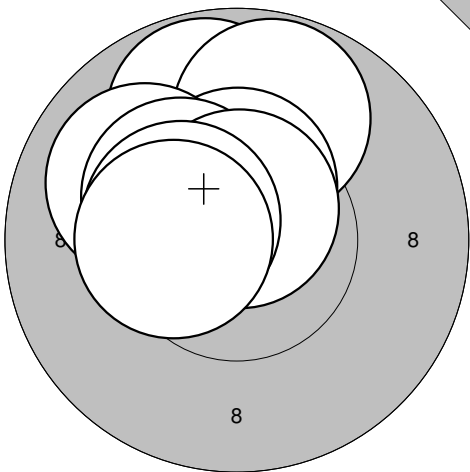
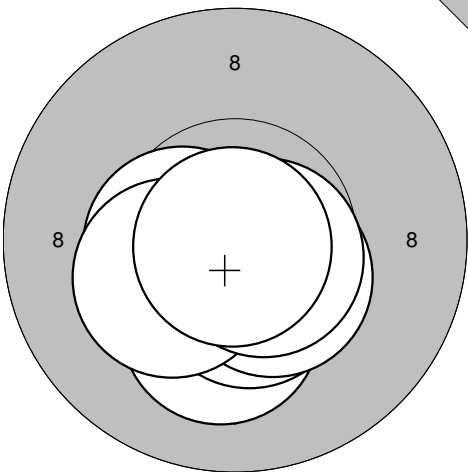
Totalt 398,0

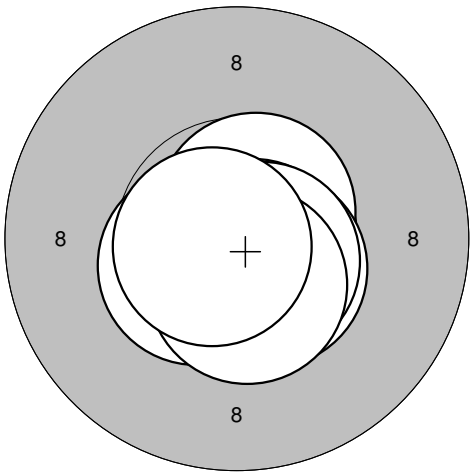
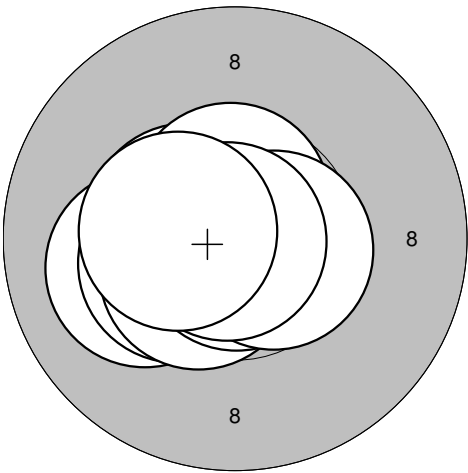
Umeå

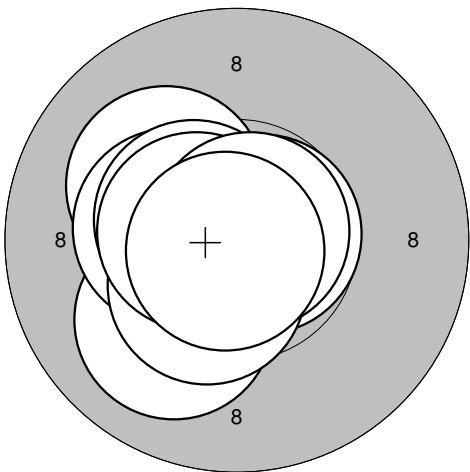
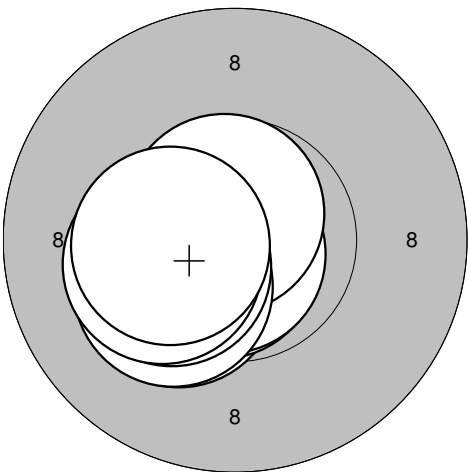
2011-01-15

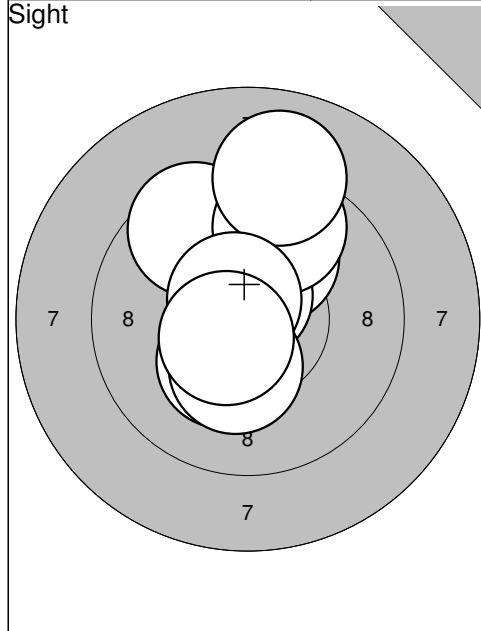
Skyttiaden 2010

Umeå skytteallians

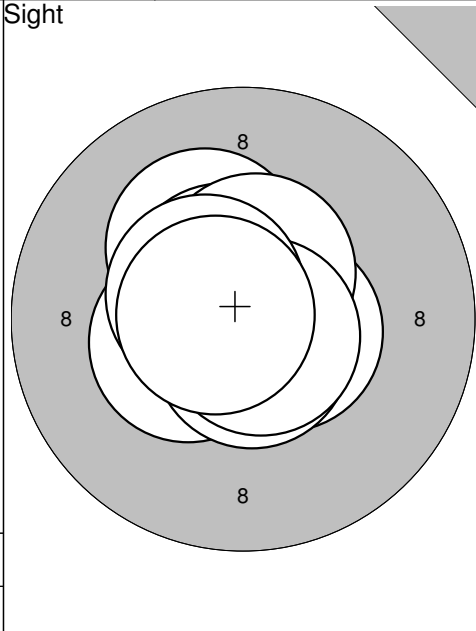
<p>Sight</p> 	<p>Sight</p> 	
<p>1: 9,8 ↗</p> <p>2: 10,3* ↗</p> <p>3: 9,8 ↗</p> <p>4: 10,5* ↗</p> <p>5: 10,6* ↗</p> <p>6: 10,0 ↗</p> <p>7: 10,3* ↗</p> <p>8: 10,7* ↗</p> <p>9: 10,4* ↗</p> <p>10: 10,4* ←</p>	<p>11: 10,8* ↓</p> <p>12: 10,6* ↓</p> <p>13: 10,2* ↓</p> <p>14: 10,5* ←</p> <p>15: 10,5* ←</p> <p>16: 10,5* ↓</p> <p>17: 10,5* ↓</p> <p>18: 10,3* ←</p> <p>19: 10,6* ↘</p> <p>20: 10,9* ↓</p>	
Serie 98,0	Serie 100,0	
Totalt 0,0	Totalt 0,0	

<p>40 shot</p> 	<p>40 shot</p> 	
<p>1: 10,5* ↙</p> <p>2: 10,8* →</p> <p>3: 10,8* →</p> <p>4: 10,8* →</p> <p>5: 10,7* ↗</p> <p>6: 10,7* ↓</p> <p>7: 10,6* ↓</p> <p>8: 10,7* ↓</p> <p>9: 10,5* ↓</p> <p>10: 10,7* ←</p>	<p>11: 10,5* ←</p> <p>12: 10,1 ←</p> <p>13: 10,7* ←</p> <p>14: 10,4* ←</p> <p>15: 10,5* ↙</p> <p>16: 10,6* ↑</p> <p>17: 10,8* ↓</p> <p>18: 10,6* →</p> <p>19: 10,9* ←</p> <p>20: 10,4* ←</p>	
Serie 100,0	Serie 100,0	
Totalt 100,0	Totalt 200,0	

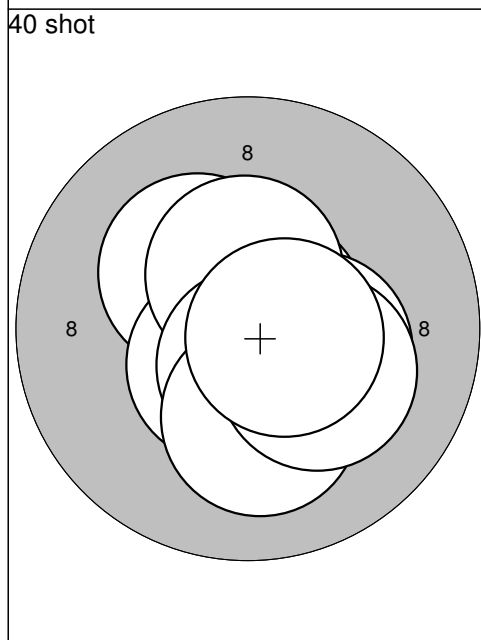
<p>40 shot</p> 	<p>40 shot</p> 	
<p>21: 10,0 ↙</p> <p>22: 10,1 ↗</p> <p>23: 10,4* ←</p> <p>24: 10,6* ←</p> <p>25: 10,7* →</p> <p>26: 10,5* ↓</p> <p>27: 10,5* ↙</p> <p>28: 10,6* ←</p> <p>29: 10,8* →</p> <p>30: 10,8* ↙</p>	<p>31: 10,3* ←</p> <p>32: 10,3* ↙</p> <p>33: 10,7* ↙</p> <p>34: 10,4* ←</p> <p>35: 10,8* ↓</p> <p>36: 10,7* ↗</p> <p>37: 10,2* ↙</p> <p>38: 10,3* ←</p> <p>39: 10,3* ←</p> <p>40: 10,4* ←</p>	
Serie 100,0	Serie 100,0	
Totalt 300,0	Totalt 400,0	



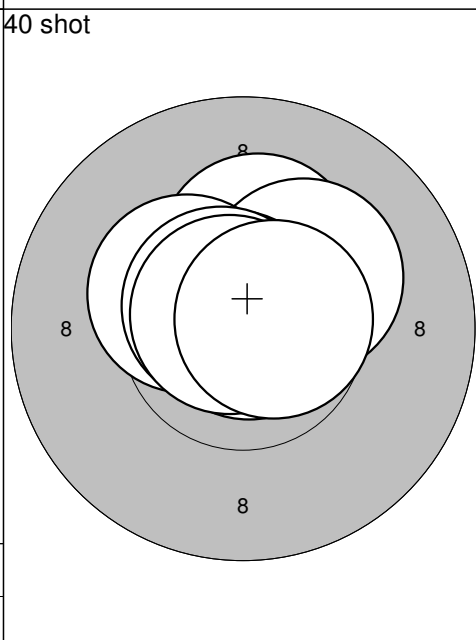
1: 10,4*	↗
2: 10,1	↗
3: 10,6*	↗
4: 9,6	↖
5: 9,7	↗
6: 9,0	↗
7: 10,3*	↘
8: 10,3*	↘
9: 10,6*	↗
10: 10,6*	↙
Serie	97,0
Totalt	0,0



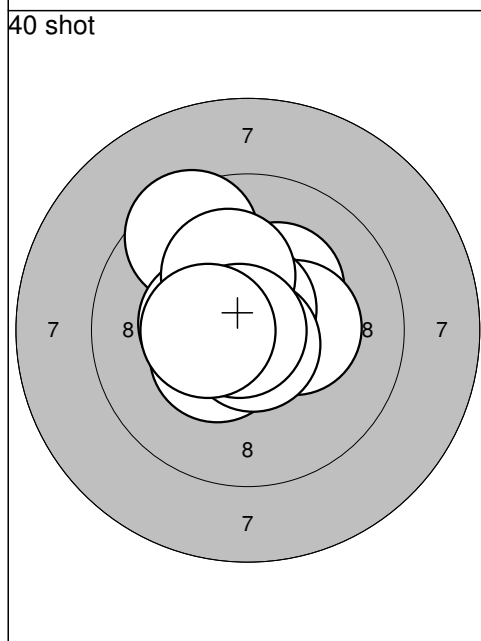
11: 10,2*	↗
12: 10,6*	→
13: 10,4*	↖
14: 10,6*	↗
15: 10,6*	↗
16: 10,5*	↗
17: 10,7*	↘
18: 10,7*	↘
19: 10,5*	↖
20: 10,7*	↖
Serie	100,0
Totalt	0,0



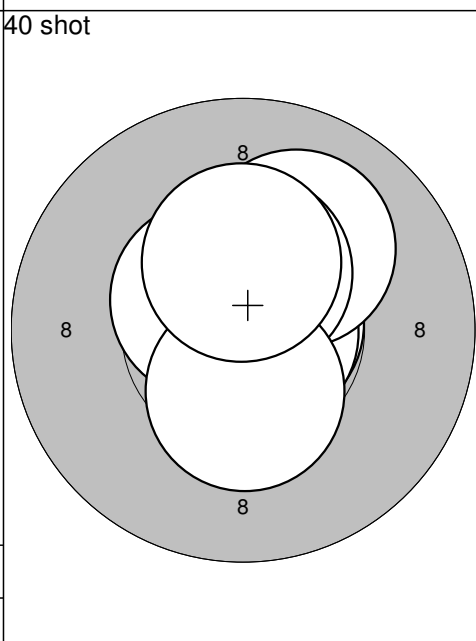
1: 10,8*	↖
2: 10,3*	↗
3: 10,7*	↗
4: 10,6*	↘
5: 10,3*	→
6: 10,5*	↗
7: 10,6*	↘
8: 10,1	↘
9: 10,2*	↘
10: 10,6*	→
Serie	100,0
Totalt	100,0



11: 10,6*	↗
12: 10,3*	↗
13: 10,6*	↗
14: 10,2*	↗
15: 10,4*	↖
16: 10,8*	↗
17: 10,9*	↗
18: 10,7*	↖
19: 10,8*	↗
20: 10,7*	→
Serie	100,0
Totalt	200,0



21: 10,3*	↗
22: 10,4*	↖
23: 9,5	↖
24: 10,4*	↖
25: 10,3*	→
26: 10,7*	↗
27: 10,7*	↘
28: 10,2*	↗
29: 10,8*	↖
30: 10,4*	↖
Serie	99,0
Totalt	299,0



31: 10,8*	↗
32: 10,7*	→
33: 10,8*	→
34: 10,6*	↖
35: 10,6*	↗
36: 10,5*	↖
37: 10,1	↗
38: 10,4*	↗
39: 10,4*	↘
40: 10,3*	↗
Serie	100,0
Totalt	399,0

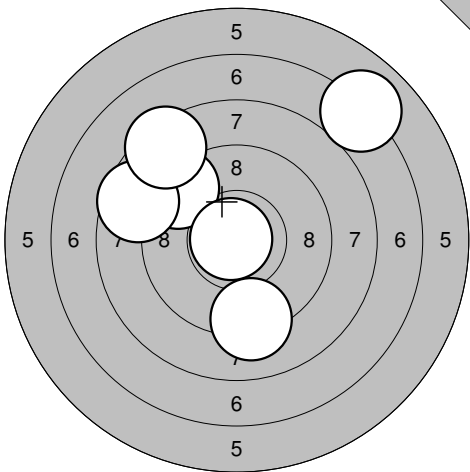
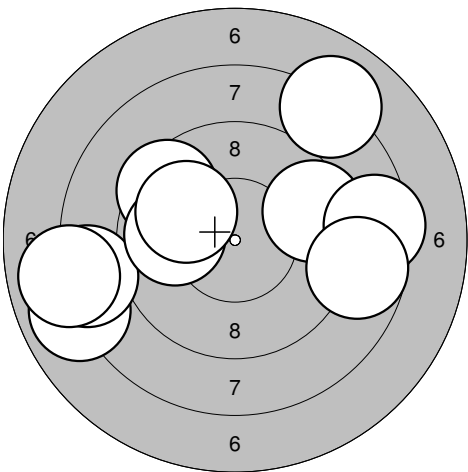


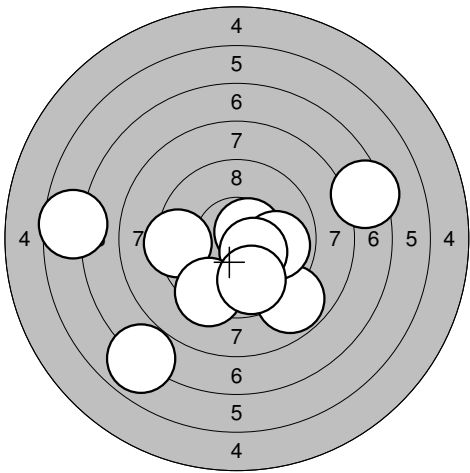
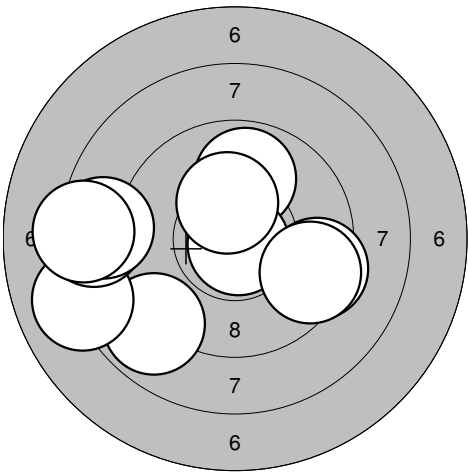
Ramselefors

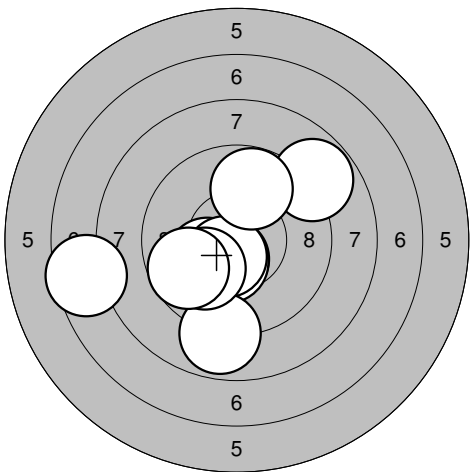
2011-01-15

Skyttiaden 2010

Umeå skytteallians

<p>Sight</p> 	<p>40 shot</p> 	
<p>1: 9,2 ↘                  2: 9,2 ↗                  3: 7,0 ↗                  4: 8,6 ↖                  5: 10,8* ←                  6: 8,4 ↗</p>	<p>1: 9,5 ↖                  2: 7,9 ↖                  3: 8,1 ↗                  4: 9,5 →                  5: 8,3 ←                  6: 9,9 ←                  7: 8,0 ←                  8: 8,5 →                  9: 10,0 ↖                  10: 8,7 →</p>	
Serie 51,0	Serie 84,0	
Totalt 0,0	Totalt 84,0	

<p>40 shot</p> 	<p>40 shot</p> 	
<p>11: 9,4 ←                  12: 10,6* ↗                  13: 6,6 ←                  14: 8,8 ↘                  15: 7,4 →                  16: 9,9 →                  17: 10,4* ↘                  18: 6,9 ↘                  19: 9,4 ↘                  20: 9,8 ↘</p>	<p>21: 8,9 ↖                  22: 9,9 ↑                  23: 9,4 →                  24: 8,1 ↖                  25: 10,8* ↘                  26: 8,5 ←                  27: 9,5 ↘                  28: 10,3* ↑                  29: 8,6 ←                  30: 8,3 ←</p>	
Serie 83,0	Serie 87,0	
Totalt 167,0	Totalt 254,0	

<p>40 shot</p> 		
<p>31: 10,5* ↘                  32: 10,4* ↘                  33: 10,2* ↖                  34: 10,5* ↘                  35: 8,9 ↘                  36: 8,8 ↗                  37: 10,0 ↖                  38: 7,6 ←                  39: 9,8 ↑                  40: 9,7 ↖</p>		
Serie 91,0		
Totalt 345,0		

Skjutlag

Tavla

2

30

Alfred Holm

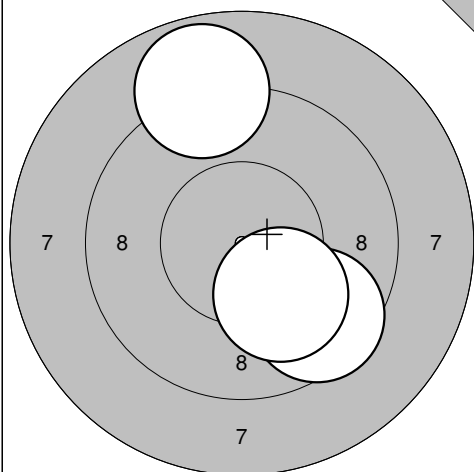
Umeå

2011-01-15

Skyttiaden 2010

Umeå skytteallians

Sight

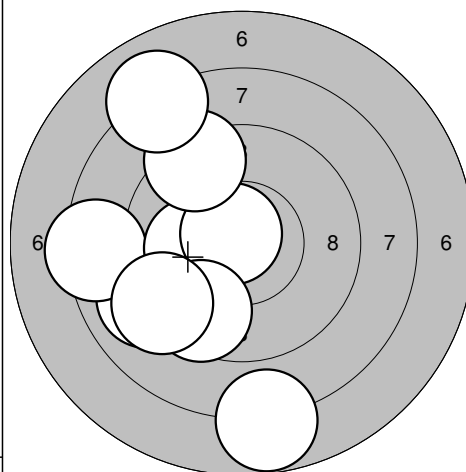


1: 8,9 ↗

2: 9,6 ↘

3: 10,1 ↘

40 shot



1: 10,5\* ←

2: 9,0 ↙

3: 7,8 ↓

4: 8,4 ←

5: 10,1 ←

6: 10,7\* ↗

7: 9,6 ↘

8: 9,3 ↗

9: 8,0 ↗

10: 9,2 ↙

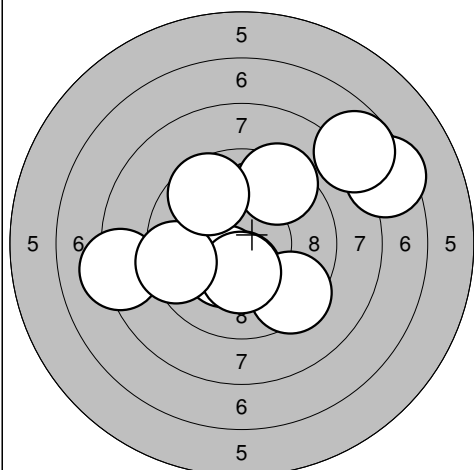
Serie 27,0

Totalt 0,0

Serie 89,0

Totalt 89,0

40 shot



11: 10,3\* ↓

12: 10,3\* ↙

13: 9,4 ↘

14: 7,5 →

15: 8,2 ←

16: 7,7 ↗

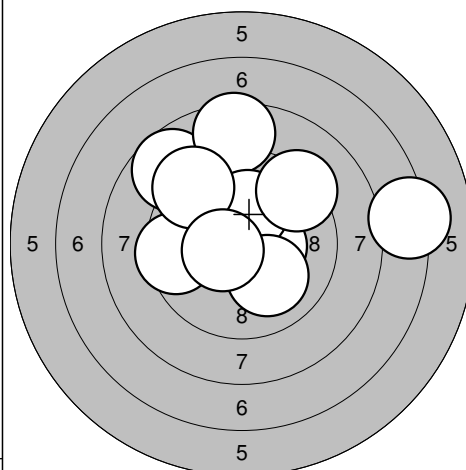
17: 10,3\* ↓

18: 9,5 ←

19: 9,4 ↗

20: 9,7 ↗

40 shot



21: 8,7 ↖

22: 7,2 →

23: 10,4\* →

24: 9,5 ←

25: 8,5 ↑

26: 10,2\* ↑

27: 10,0 ↘

28: 9,3 ↖

29: 10,5\* ←

30: 9,3 ↗

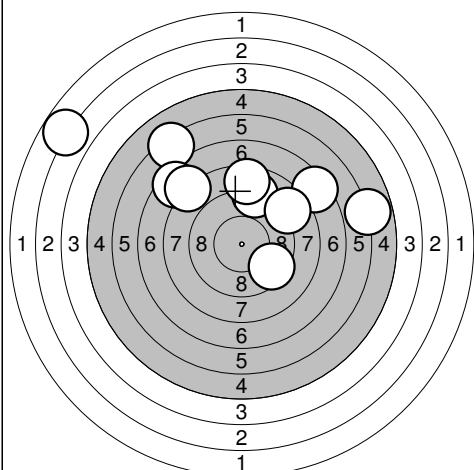
Serie 88,0

Totalt 177,0

Serie 90,0

Totalt 267,0

40 shot



31: 6,2 ↖

32: 9,0 ↑

33: 8,5 ↑

34: 7,4 ↗

35: 7,5 ↖

36: 5,8 →

37: 9,5 ↘

38: 8,7 ↗

39: 7,9 ↗

40: 2,8 ↖

Serie 68,0

Totalt 335,0

www.AC-Skytte.com

http://www.megalink.no

MLRemotelSSF 10m Luftgevär

19:27 - 17.01.2011

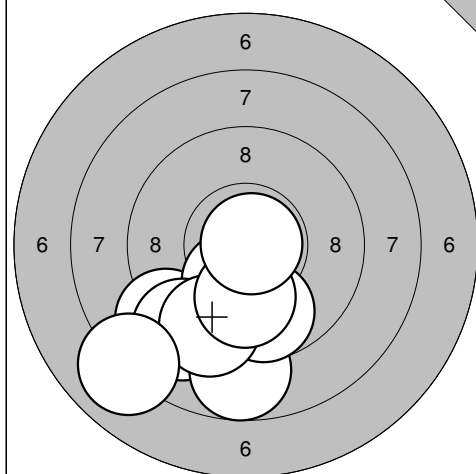
Ramselefors

2011-01-15

Skyttiaden 2010

Umeå skytteallians

Sight

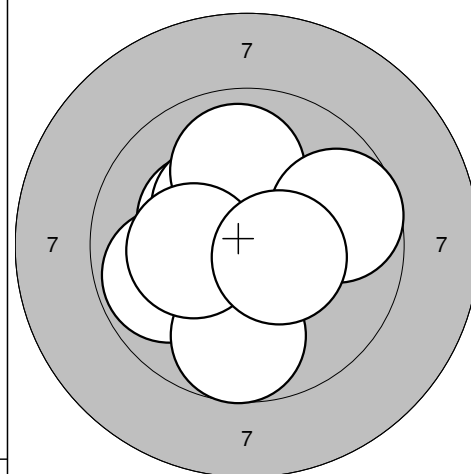


1: 9,2 ↙  
 2: 9,0 ↙  
 3: 10,3\* ↓  
 4: 9,1 ↙  
 5: 8,7 ↓  
 6: 9,7 ↓  
 7: 9,4 ↓  
 8: 8,0 ↙  
 9: 10,0 ↓  
 10: 10,8\* →

Serie 91,0

Totalt 0,0

40 shot

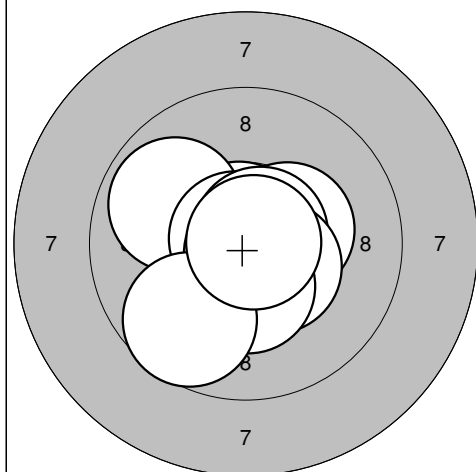


1: 10,3\* ↖  
 2: 10,9\* ↖  
 3: 10,3\* ↑  
 4: 9,8 ↖  
 5: 10,3\* ↗  
 6: 10,0 ↑  
 7: 9,7 →  
 8: 9,7 ↓  
 9: 10,2\* ←  
 10: 10,5\* →

Serie 97,0

Totalt 97,0

40 shot

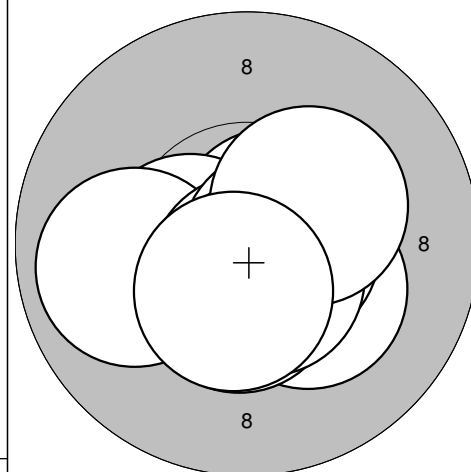


11: 10,4\* →  
 12: 10,7\* ↗  
 13: 9,9 ↗  
 14: 10,8\* ↗  
 15: 10,8\* ↓  
 16: 10,7\* ↗  
 17: 10,5\* ↓  
 18: 10,4\* ↓  
 19: 9,7 ↙  
 20: 10,8\* →

Serie 98,0

Totalt 195,0

40 shot

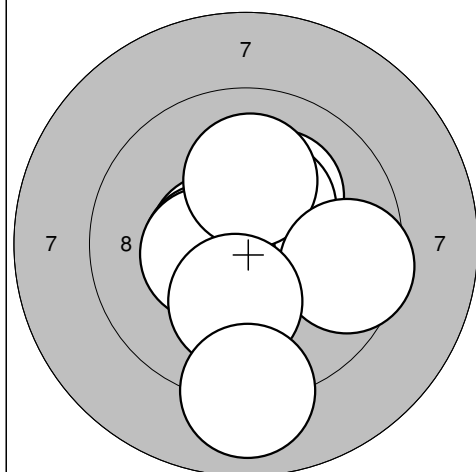


21: 10,7\* ↗  
 22: 10,4\* ↖  
 23: 10,3\* ↘  
 24: 9,9 ↖  
 25: 10,5\* ↓  
 26: 10,7\* ↓  
 27: 10,6\* →  
 28: 10,6\* ↓  
 29: 10,3\* ↗  
 30: 10,5\* ↓

Serie 99,0

Totalt 294,0

40 shot



31: 10,2\* ↗  
 32: 10,6\* ↖  
 33: 10,5\* ↖  
 34: 10,5\* ↖  
 35: 10,4\* ↗  
 36: 10,4\* ↖  
 37: 10,1 ↑  
 38: 9,6 →  
 39: 10,2\* ↓  
 40: 9,0 ↓

Serie 98,0

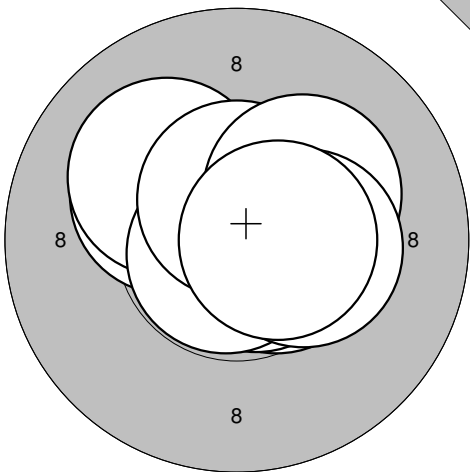
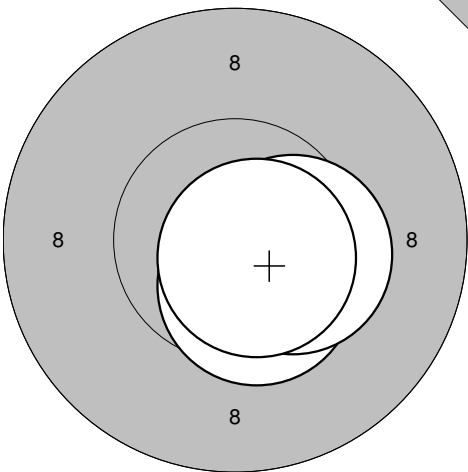
Totalt 392,0

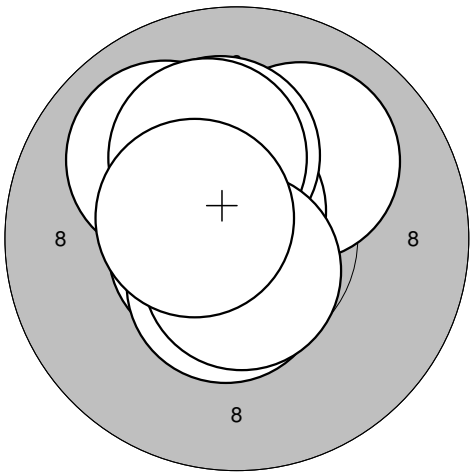
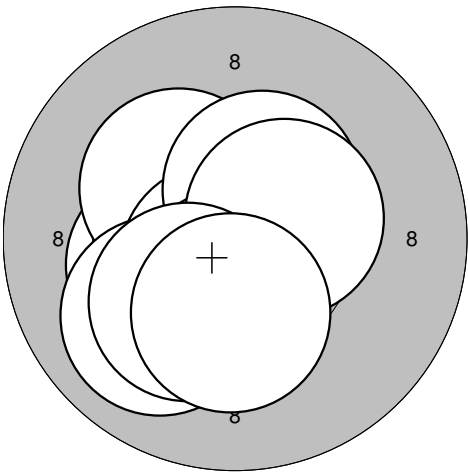
Bastuträsk

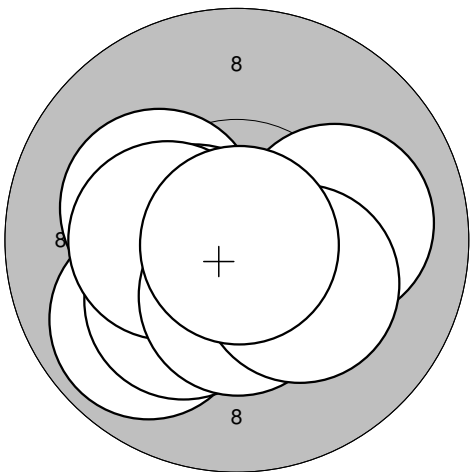
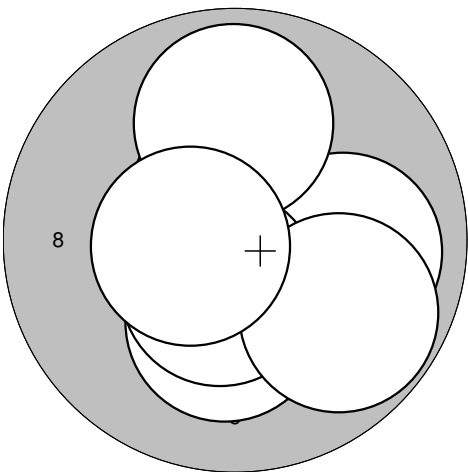
2011-01-15

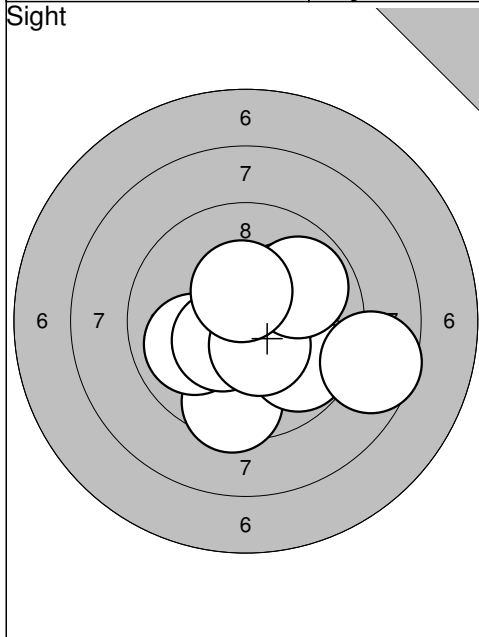
Skyttiaden 2010

Umeå skytteallians

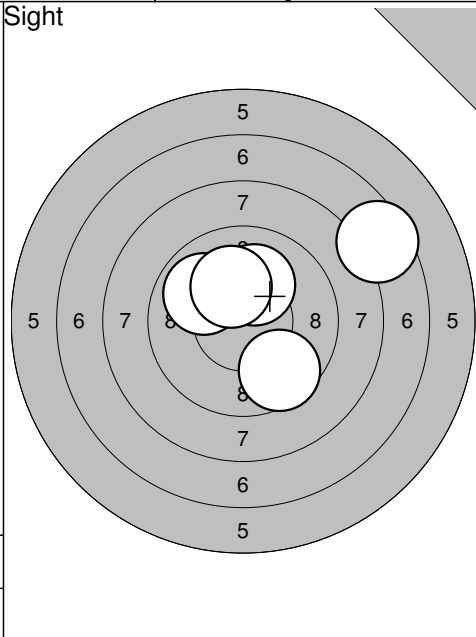
<p>Sight</p> 	<p>1: 10,2* ↖ 2: 10,1 ↗ 3: 10,7* ↗ 4: 10,6* → 5: 10,7* ↘ 6: 10,8* ↘ 7: 10,6* ↗ 8: 10,2* ↗ 9: 10,3* → 10: 10,6* →</p> <table border="1" style="width:100%; border-collapse: collapse;"> <tr><td>Serie</td><td style="text-align: right;">100,0</td></tr> <tr><td>Totalt</td><td style="text-align: right;">0,0</td></tr> </table>	Serie	100,0	Totalt	0,0	<p>Sight</p> 	<p>11: 10,5* ↘ 12: 10,4* → 13: 10,7* ↘</p> <table border="1" style="width:100%; border-collapse: collapse;"> <tr><td>Serie</td><td style="text-align: right;">30,0</td></tr> <tr><td>Totalt</td><td style="text-align: right;">0,0</td></tr> </table>	Serie	30,0	Totalt	0,0
Serie	100,0										
Totalt	0,0										
Serie	30,0										
Totalt	0,0										

<p>40 shot</p> 	<p>1: 10,7* ← 2: 10,0 ↗ 3: 10,4* ↗ 4: 10,7* ↗ 5: 10,2* ↗ 6: 10,0 ↗ 7: 10,5* ↘ 8: 10,2* ↗ 9: 10,7* ↘ 10: 10,5* ↖</p> <table border="1" style="width:100%; border-collapse: collapse;"> <tr><td>Serie</td><td style="text-align: right;">100,0</td></tr> <tr><td>Totalt</td><td style="text-align: right;">100,0</td></tr> </table>	Serie	100,0	Totalt	100,0	<p>40 shot</p> 	<p>11: 10,3* ← 12: 10,6* ← 13: 10,3* ↗ 14: 10,7* ↘ 15: 10,4* ↗ 16: 10,0 ↘ 17: 10,5* ↘ 18: 10,5* → 19: 10,2* ↘ 20: 10,3* ↘</p> <table border="1" style="width:100%; border-collapse: collapse;"> <tr><td>Serie</td><td style="text-align: right;">100,0</td></tr> <tr><td>Totalt</td><td style="text-align: right;">200,0</td></tr> </table>	Serie	100,0	Totalt	200,0
Serie	100,0										
Totalt	100,0										
Serie	100,0										
Totalt	200,0										

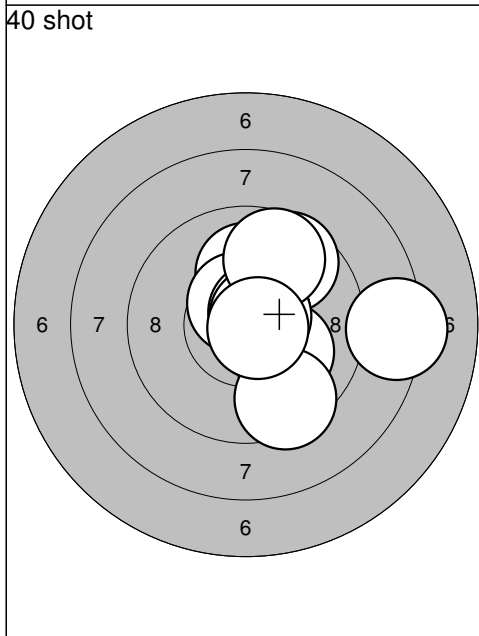
<p>40 shot</p> 	<p>21: 10,7* ← 22: 10,2* ← 23: 10,6* ← 24: 9,9 ↘ 25: 10,2* ↘ 26: 10,3* ← 27: 10,1 → 28: 10,4* ↘ 29: 10,3* ↘ 30: 10,9* ↘</p> <table border="1" style="width:100%; border-collapse: collapse;"> <tr><td>Serie</td><td style="text-align: right;">99,0</td></tr> <tr><td>Totalt</td><td style="text-align: right;">299,0</td></tr> </table>	Serie	99,0	Totalt	299,0	<p>40 shot</p> 	<p>31: 10,5* → 32: 10,6* ↑ 33: 10,2* ↘ 34: 10,7* ↗ 35: 10,0 → 36: 10,2* ↘ 37: 10,5* ↘ 38: 9,8 ↘ 39: 9,9 ↑ 40: 10,5* ←</p> <table border="1" style="width:100%; border-collapse: collapse;"> <tr><td>Serie</td><td style="text-align: right;">98,0</td></tr> <tr><td>Totalt</td><td style="text-align: right;">397,0</td></tr> </table>	Serie	98,0	Totalt	397,0
Serie	99,0										
Totalt	299,0										
Serie	98,0										
Totalt	397,0										



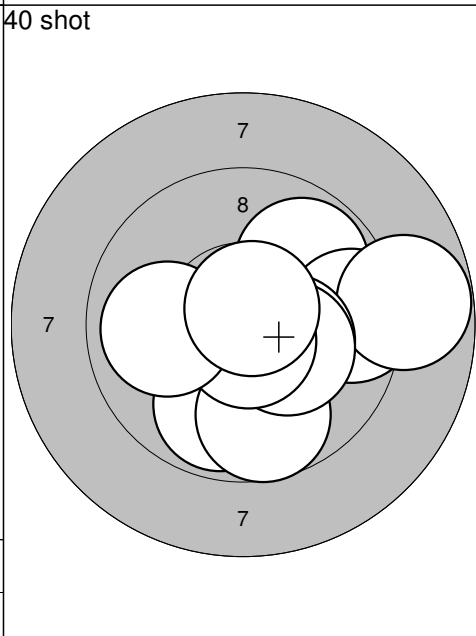
1: 10,2*	↘
2: 9,5	↓
3: 10,0	←
4: 10,4*	↙
5: 9,8	↘
6: 8,6	→
7: 10,1	↗
8: 10,5*	↓
9: 9,8	↗
10: 10,4*	↑
Serie	95,0
Totalt	0,0



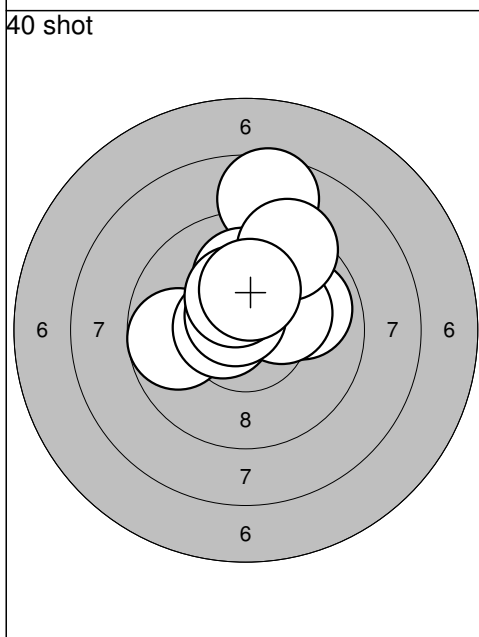
11: 9,9	↖
12: 10,1	↑
13: 10,2*	↑
14: 9,6	↘
15: 7,5	↗
Serie	45,0
Totalt	0,0



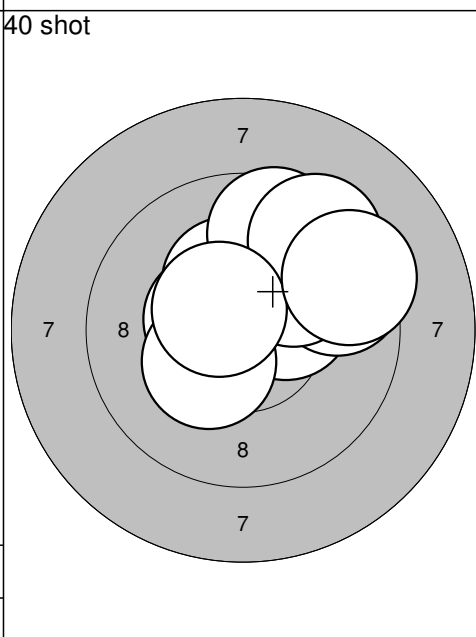
1: 10,1	↑
2: 8,3	→
3: 10,1	↘
4: 9,6	↗
5: 10,6*	↑
6: 10,6*	↗
7: 10,6*	↗
8: 9,5	↘
9: 9,7	↑
10: 10,7*	→
Serie	95,0
Totalt	95,0



11: 9,8	↗
12: 9,5	→
13: 9,8	↓
14: 9,7	↓
15: 8,8	→
16: 10,3*	↘
17: 10,3*	↘
18: 10,7*	↓
19: 9,9	←
20: 10,7*	↗
Serie	93,0
Totalt	188,0



21: 8,6	↑
22: 9,8	←
23: 10,6*	←
24: 9,9	→
25: 10,0	↑
26: 10,2*	↗
27: 10,7*	↖
28: 9,4	↗
29: 10,3*	↑
30: 10,2*	↑
Serie	95,0
Totalt	283,0



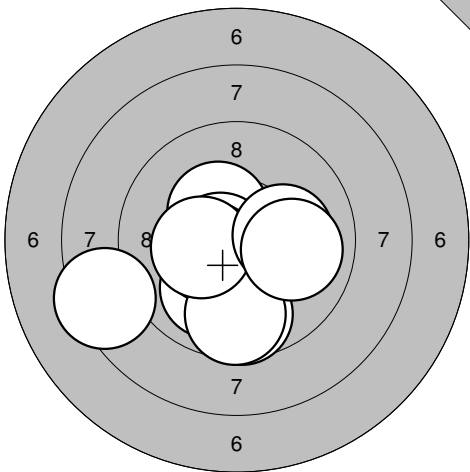
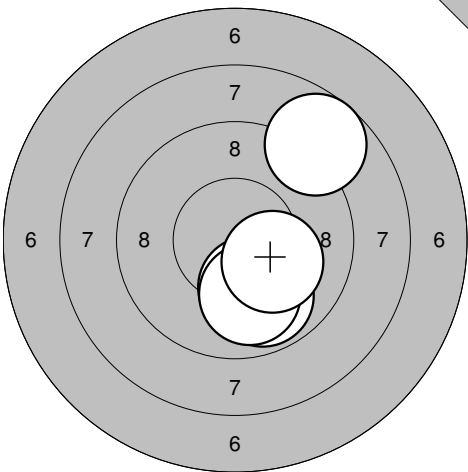
31: 10,3*	↗
32: 10,3*	↑
33: 9,6	→
34: 10,0	↗
35: 10,5*	←
36: 9,6	↑
37: 9,4	↗
38: 10,3*	↙
39: 10,5*	↖
40: 9,4	↗
Serie	96,0
Totalt	379,0

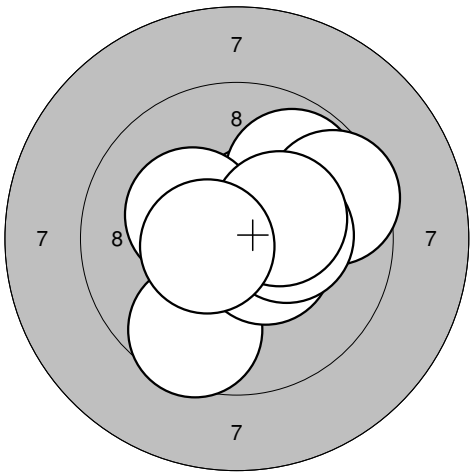
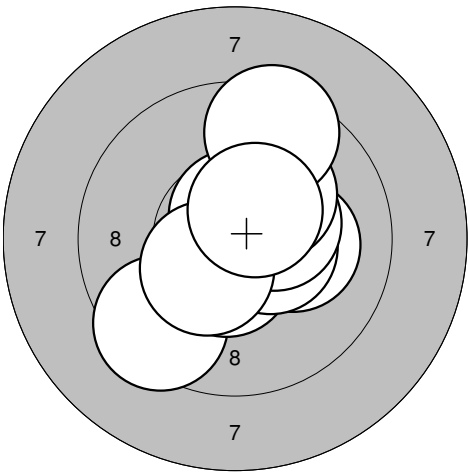
Bjurholm-Balsjö

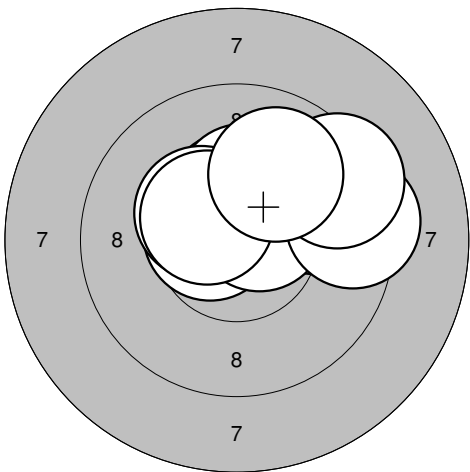
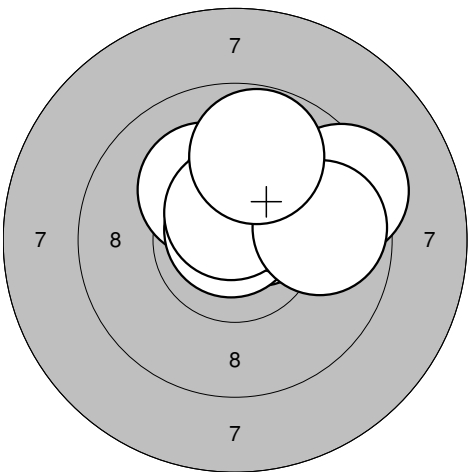
2011-01-15

Skyttiaden 2010

Umeå skytteallians

<p>Sight</p> 	<p>Sight</p> 	<p>11: 9,9 ↘ 12: 8,7 ↗ 13: 10,1 ↓ 14: 10,0 ↓ 15: 10,2* ↘</p>
<p>1: 8,4 ↙ 2: 10,0 ↓ 3: 10,4* ↗ 4: 10,7* ↙ 5: 9,6 ↓ 6: 10,4* ↙ 7: 9,6 ↓ 8: 10,3* ↙ 9: 10,1 → 10: 10,0 →</p>	<p>Serie 96,0 Totalt 0,0</p>	<p>Serie 47,0 Totalt 0,0</p>

<p>40 shot</p> 	<p>40 shot</p> 	<p>11: 9,4 ↙ 12: 10,2* → 13: 10,5* ↓ 14: 10,5* → 15: 10,4* → 16: 10,7* ↑ 17: 10,4* ↙ 18: 10,2* ↗ 19: 9,5 ↑ 20: 10,5* ↗</p>
<p>1: 10,6* ↙ 2: 10,5* ↗ 3: 9,8 ↗ 4: 10,3* ↙ 5: 9,6 → 6: 9,6 ↓ 7: 10,5* ↘ 8: 10,3* → 9: 10,3* → 10: 10,6* ↙</p>	<p>Serie 97,0 Totalt 97,0</p>	<p>Serie 98,0 Totalt 195,0</p>

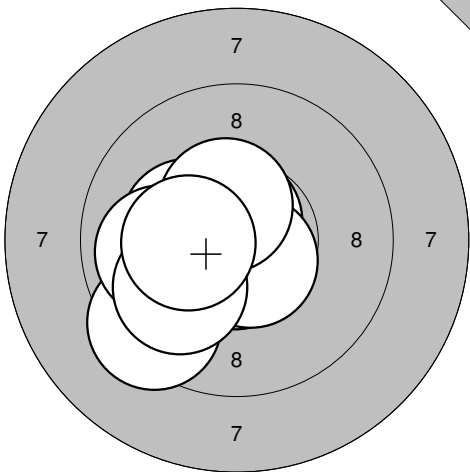
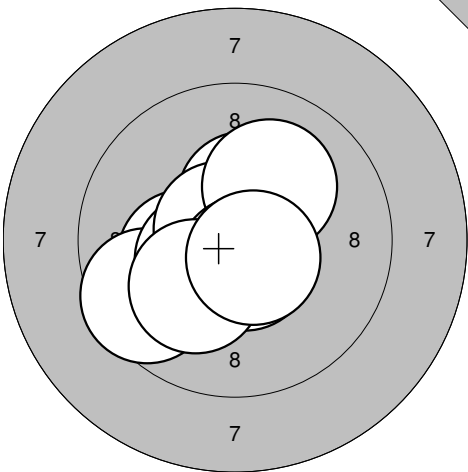
<p>40 shot</p> 	<p>40 shot</p> 	<p>31: 10,2* ↖ 32: 10,5* ↗ 33: 10,8* ↖ 34: 10,1 ↗ 35: 10,2* ↗ 36: 10,1 ↑ 37: 9,4 → 38: 10,6* ↑ 39: 9,8 → 40: 9,8 ↑</p>
<p>21: 9,8 → 22: 10,4* ↑ 23: 10,6* ↙ 24: 10,3* ↑ 25: 10,4* ↖ 26: 10,6* ↗ 27: 9,4 → 28: 10,5* ↖ 29: 9,4 → 30: 9,9 ↗</p>	<p>Serie 96,0 Totalt 291,0</p>	<p>Serie 97,0 Totalt 388,0</p>

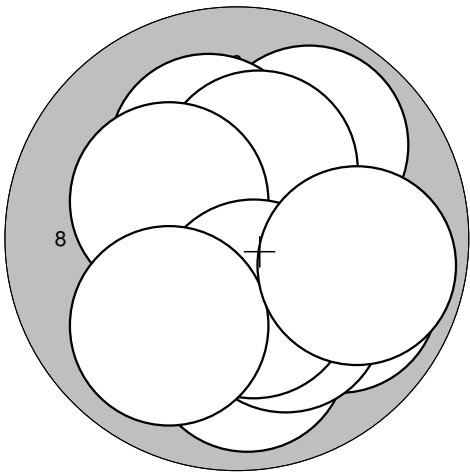
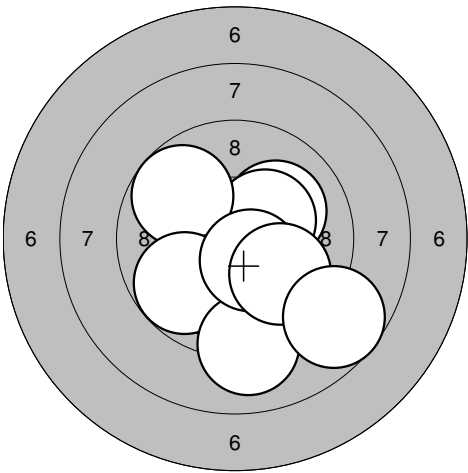
Ramselefors

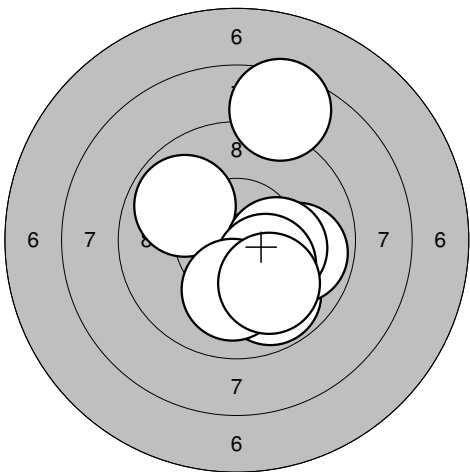
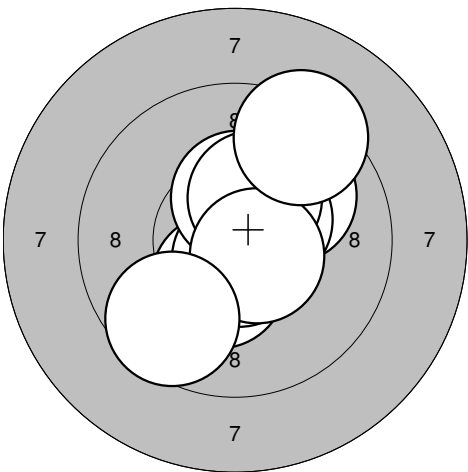
2011-01-15

Skyttiaden 2010

Umeå skytteallians

<p>Sight</p> 	<p>Sight</p> 	
<p>1: 9,4 ↙</p> <p>2: 10,7* ↑</p> <p>3: 10,7* ↓</p> <p>4: 10,3* ↖</p> <p>5: 10,7* ↓</p> <p>6: 9,9 ←</p> <p>7: 10,6* ↓</p> <p>8: 10,0 ↙</p> <p>9: 10,5* ↑</p> <p>10: 10,3* ←</p>	<p>11: 10,2* ↖</p> <p>12: 10,4* ↑</p> <p>13: 9,6 ↖</p> <p>14: 10,4* ↖</p> <p>15: 10,7* ↖</p> <p>16: 10,1 ↗</p> <p>17: 10,6* ↓</p> <p>18: 10,1 ↙</p> <p>19: 10,6* ↘</p>	
Serie 98,0	Serie 89,0	
Totalt 0,0	Totalt 0,0	

<p>40 shot</p> 	<p>40 shot</p> 	
<p>1: 9,9 ↗</p> <p>2: 9,9 ↓</p> <p>3: 9,9 →</p> <p>4: 10,1 ↗</p> <p>5: 10,3* ↗</p> <p>6: 10,3* ↗</p> <p>7: 10,1 ↓</p> <p>8: 10,4* ↓</p> <p>9: 10,0 ↙</p> <p>10: 9,8 →</p>	<p>11: 10,1 ↗</p> <p>12: 10,0 ↖</p> <p>13: 10,3* ↗</p> <p>14: 9,8 ↖</p> <p>15: 10,1 ↓</p> <p>16: 9,8 ↖</p> <p>17: 9,1 ↓</p> <p>18: 10,5* ↓</p> <p>19: 9,9 ↘</p> <p>20: 8,7 ↘</p>	
Serie 96,0	Serie 94,0	
Totalt 96,0	Totalt 190,0	

<p>40 shot</p> 	<p>40 shot</p> 	
<p>21: 10,5* ↓</p> <p>22: 9,8 ↓</p> <p>23: 9,9 ↗</p> <p>24: 10,1 →</p> <p>25: 9,9 →</p> <p>26: 10,2* →</p> <p>27: 10,3* ↓</p> <p>28: 10,1 ↓</p> <p>29: 8,5 ↑</p> <p>30: 10,0 ↓</p>	<p>31: 10,4* ↓</p> <p>32: 10,0 ↗</p> <p>33: 10,7* ↗</p> <p>34: 10,5* ↗</p> <p>35: 10,7* ↓</p> <p>36: 10,4* ↑</p> <p>37: 10,3* ↗</p> <p>38: 10,6* ↘</p> <p>39: 9,6 ↖</p> <p>40: 9,3 ↗</p>	
Serie 95,0	Serie 98,0	
Totalt 285,0	Totalt 383,0	

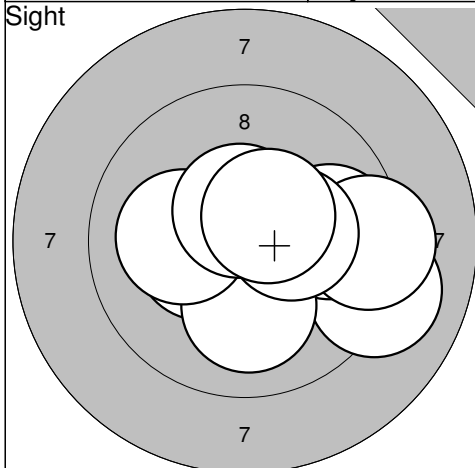
Drängsmark

2011-01-15

Skyttiaden 2010

Umeå skytteallians

Sight

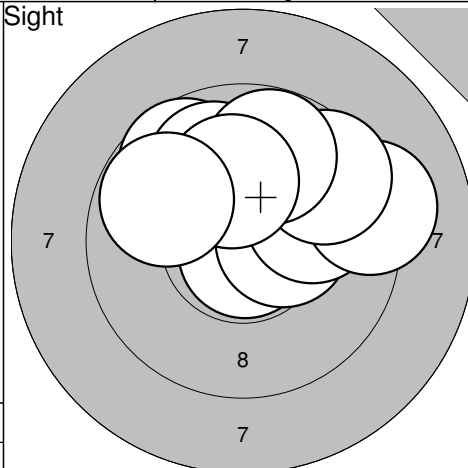


1: 9,1 →  
 2: 10,8\* ↗  
 3: 9,8 →  
 4: 9,3 →  
 5: 10,4\* ←  
 6: 10,1 ↓  
 7: 10,3\* →  
 8: 10,1 ←  
 9: 10,5\* ↑  
 10: 10,5\* ↗

Serie 97,0

Totalt 0,0

Sight

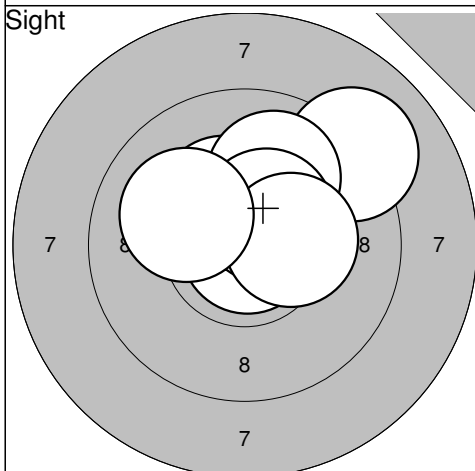


11: 9,7 ↖  
 12: 9,9 ↖  
 13: 10,8\* ↓  
 14: 10,4\* →  
 15: 10,0 →  
 16: 9,2 →  
 17: 9,6 ↗  
 18: 9,8 ↑  
 19: 10,1 ↑  
 20: 9,8 ↖

Serie 94,0

Totalt 0,0

Sight

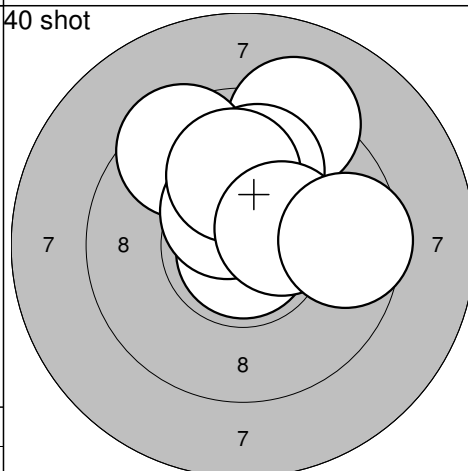


21: 9,1 ↗  
 22: 10,9\* →  
 23: 10,3\* ↖  
 24: 10,0 ↑  
 25: 10,5\* ↗  
 26: 10,3\* →  
 27: 10,1 ↖

Serie 69,0

Totalt 0,0

40 shot

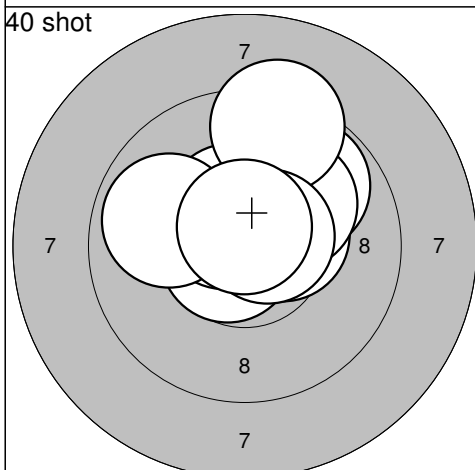


1: 10,4\* ↑  
 2: 10,9\* ↓  
 3: 10,1 ↑  
 4: 9,2 ↑  
 5: 9,5 ↖  
 6: 9,9 ↑  
 7: 10,5\* ↖  
 8: 10,0 ↑  
 9: 10,4\* →  
 10: 9,6 →

Serie 96,0

Totalt 96,0

40 shot

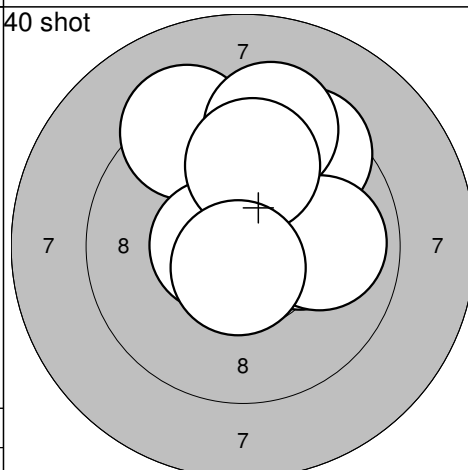


11: 10,7\* ←  
 12: 10,4\* →  
 13: 10,5\* ↖  
 14: 10,5\* ↖  
 15: 9,8 ↗  
 16: 10,1 ↗  
 17: 9,9 ←  
 18: 9,3 ↑  
 19: 10,6\* →  
 20: 10,7\* ↑

Serie 97,0

Totalt 193,0

40 shot

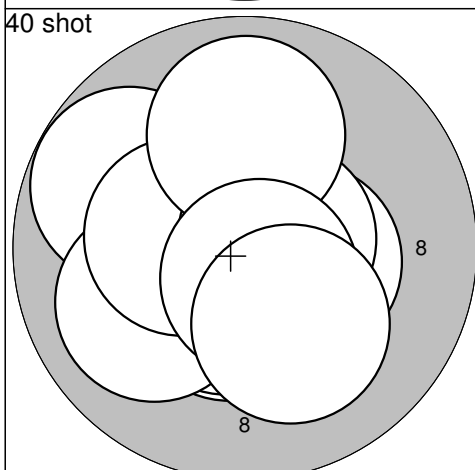


21: 10,8\* ↖  
 22: 9,3 ↖  
 23: 9,5 ↗  
 24: 10,2\* →  
 25: 10,7\* ↗  
 26: 9,4 ↑  
 27: 10,6\* ←  
 28: 9,9 →  
 29: 9,9 ↑  
 30: 10,7\* ↓

Serie 95,0

Totalt 288,0

40 shot



31: 10,4\* ↓  
 32: 9,8 ↖  
 33: 10,5\* ↓  
 34: 10,0 ↖  
 35: 10,4\* →  
 36: 10,4\* ←  
 37: 10,6\* →  
 38: 9,9 ↑  
 39: 10,6\* ↓  
 40: 10,1 ↓

Serie 98,0

Totalt 386,0



Skjutlag

3

Tavla

21

Mirjam Nilsson

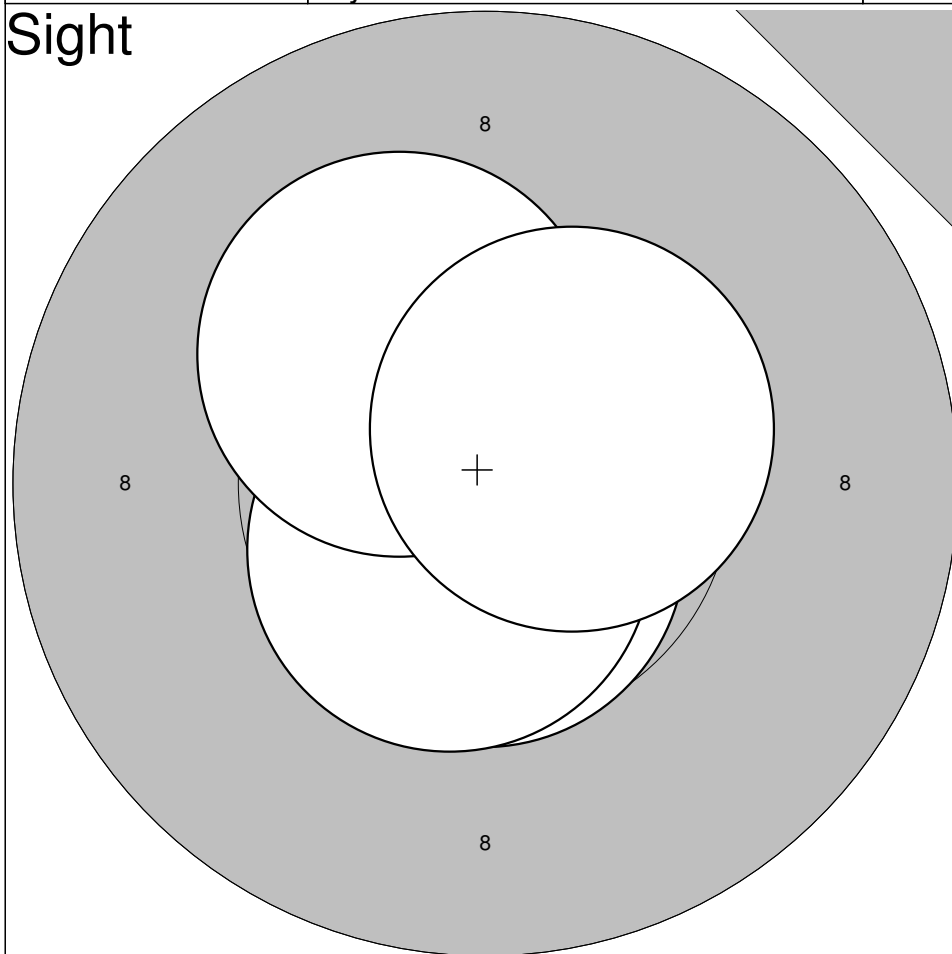
Ramselefors

2011-01-15

Skyttiaden 2010

Umeå skytteallians

Sight



1: 10,7\*



2: 10,6\*



3: 10,3\*



4: 10,5\*



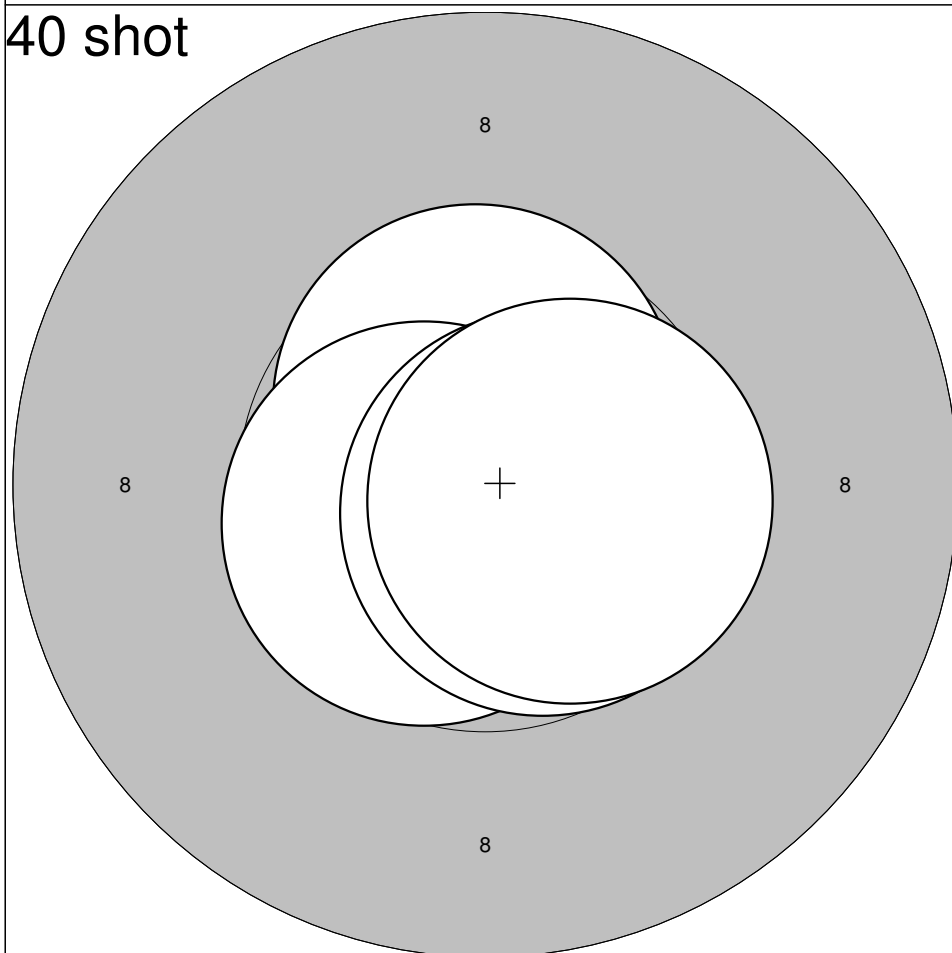
Serie

42,1

Totalt

0,0

40 shot



1: 10,9\*



2: 10,6\*



3: 10,6\*



4: 10,7\*



5: 10,6\*

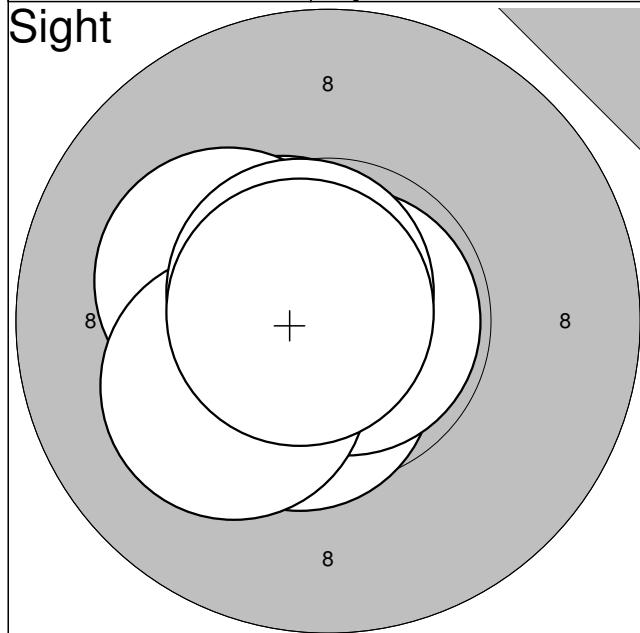


Serie

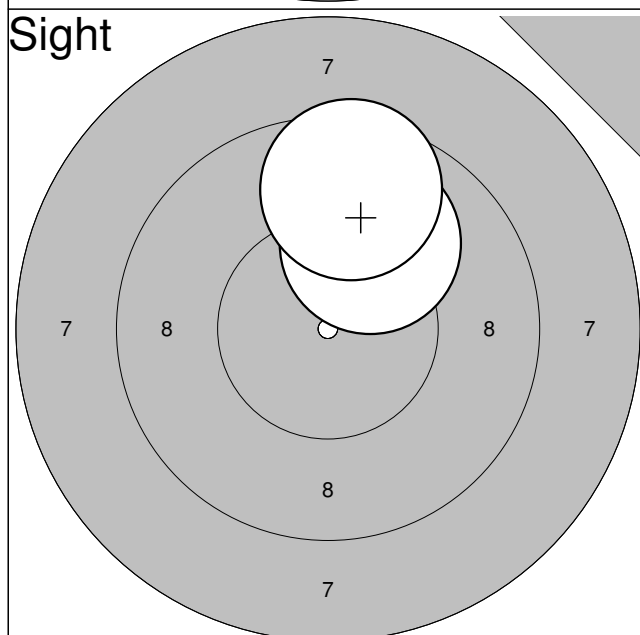
53,4

Totalt

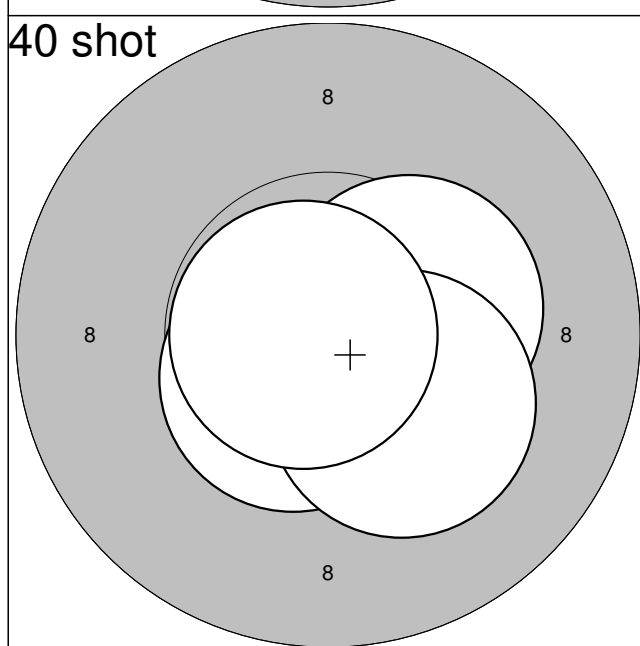
53,4



1:	10,9*	←
2:	10,6*	←
3:	10,6*	↘
4:	10,5*	↘
5:	10,8*	→
6:	10,6*	↗
7:	10,2*	←
8:	10,2*	←
9:	10,7*	↗
10:	10,8*	←
<b>Serie</b>	<b>105,9</b>	
<b>Totalt</b>	<b>0,0</b>	



11:	10,0	↗
12:	9,6	↑
<b>Serie</b>	<b>19,6</b>	
<b>Totalt</b>	<b>0,0</b>	



1:	10,8*	↘
2:	10,6*	↘
3:	10,4*	→
4:	10,3*	↘
5:	10,8*	←
<b>Serie</b>	<b>52,9</b>	
<b>Totalt</b>	<b>52,9</b>	

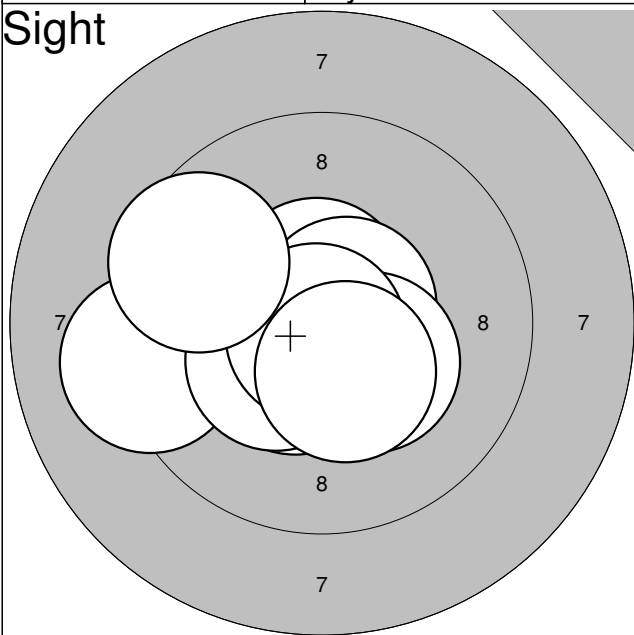
Umeå

2011-01-15

Skyttiaden 2010

Umeå skytteallians

**Sight**

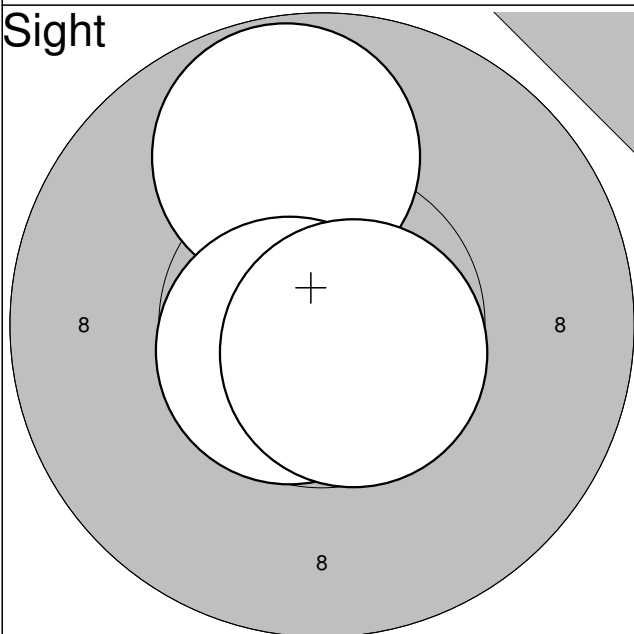


1:	10,6*	↑
2:	10,7*	↗
3:	9,2	←
4:	10,5*	↘
5:	10,5*	←
6:	10,3*	↘
7:	10,4*	←
8:	10,8*	↘
9:	9,6	↖
10:	10,4*	↘

**Serie 103,0**

**Totalt 0,0**

**Sight**

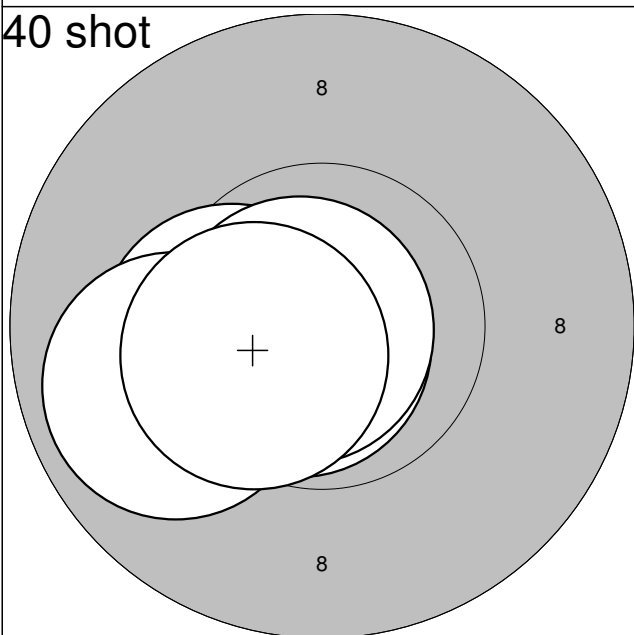


11:	9,8	↑
12:	10,7*	←
13:	10,7*	↘

**Serie 31,2**

**Totalt 0,0**

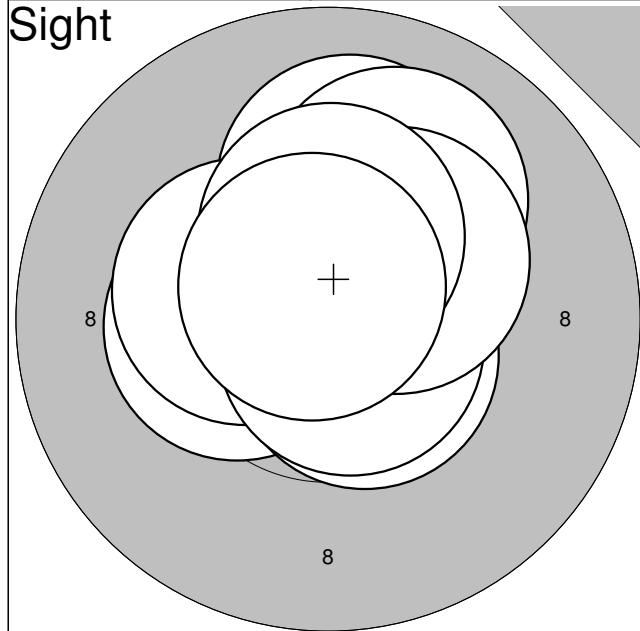
**40 shot**



1:	10,8*	↖
2:	10,3*	←
3:	10,8*	←
4:	9,9	↖
5:	10,5*	↖

**Serie 52,3**

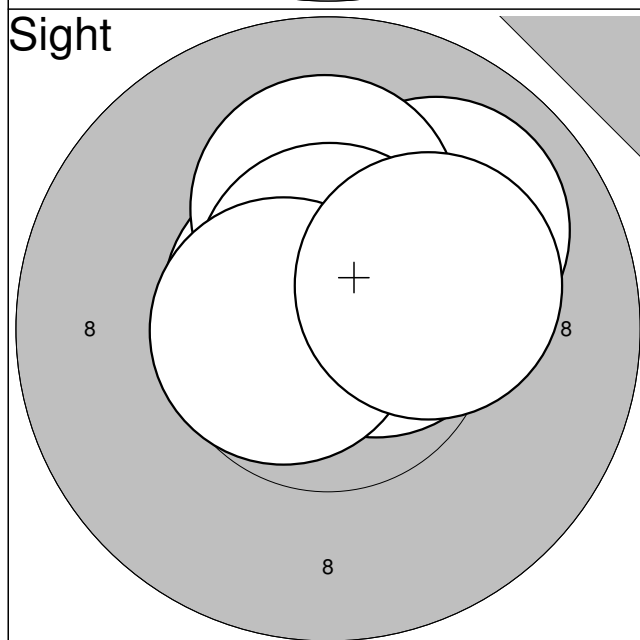
**Totalt 52,3**



1:	10,3*	←
2:	10,1	↑
3:	10,4*	←
4:	10,7*	↗
5:	10,6*	↘
6:	10,0	↗
7:	10,7*	↘
8:	10,3*	↗
9:	10,4*	↑
10:	10,7*	↗

<b>Serie</b>	<b>104,2</b>
--------------	--------------

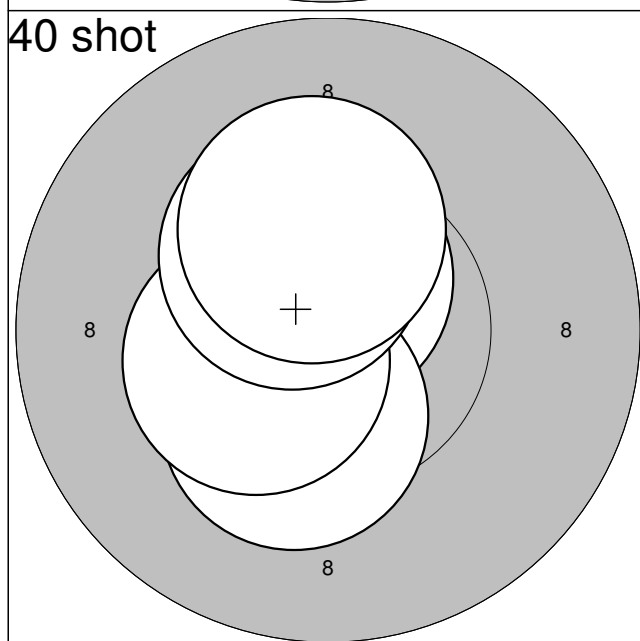
<b>Totalt</b>	<b>0,0</b>
---------------	------------



11:	10,0	↗
12:	10,7*	↖
13:	10,6*	↗
14:	10,1	↑
15:	10,6*	↑
16:	10,7*	←
17:	10,2*	→

<b>Serie</b>	<b>72,9</b>
--------------	-------------

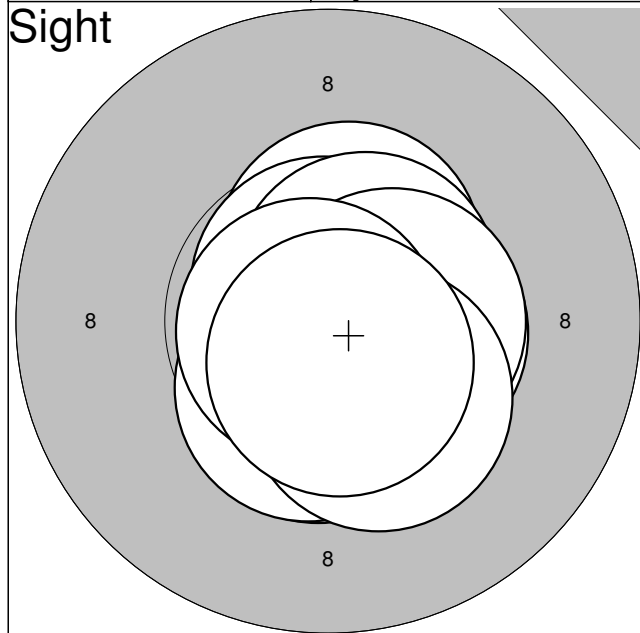
<b>Totalt</b>	<b>0,0</b>
---------------	------------



1:	10,6*	↑
2:	10,3*	↘
3:	10,4*	←
4:	10,4*	↗
5:	10,3*	↑

<b>Serie</b>	<b>52,0</b>
--------------	-------------

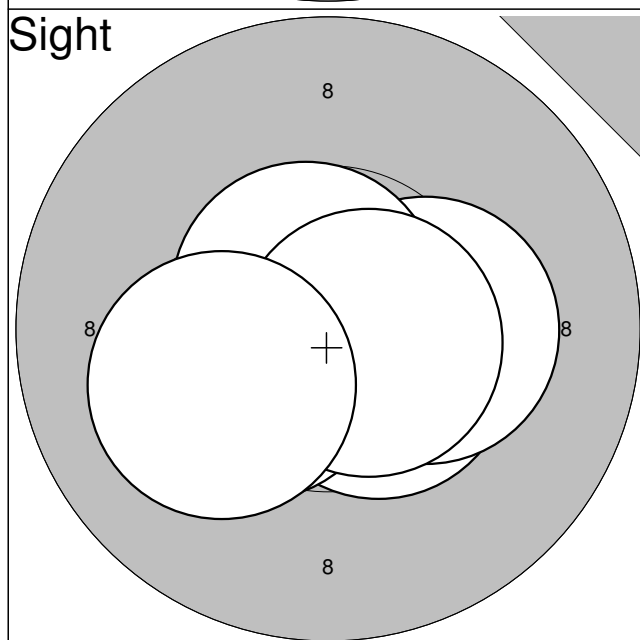
<b>Totalt</b>	<b>52,0</b>
---------------	-------------



1:	10,5*	↓
2:	10,5*	↓
3:	10,5*	→
4:	10,5*	↑
5:	10,7*	↑
6:	10,6*	↗
7:	10,5*	→
8:	10,3*	↓
9:	10,8*	↖
10:	10,7*	↓

<b>Serie</b>	<b>105,6</b>
--------------	--------------

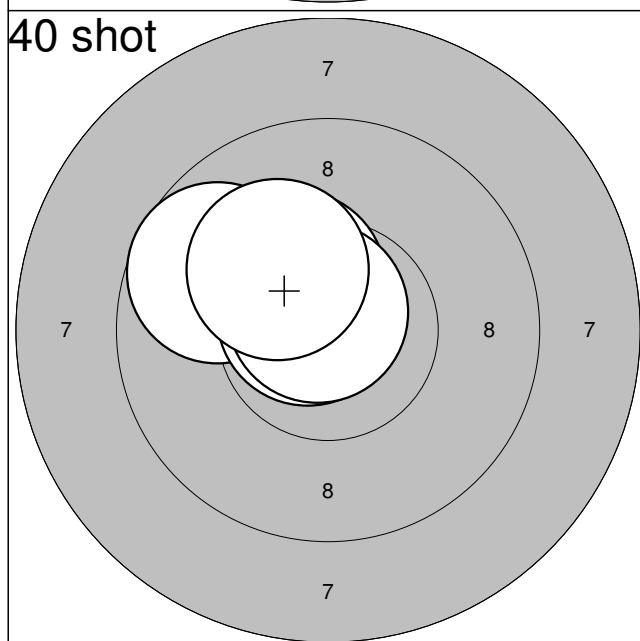
<b>Totalt</b>	<b>0,0</b>
---------------	------------



11:	10,5*	↘
12:	10,4*	↖
13:	10,3*	→
14:	10,7*	↗
15:	10,7*	↘
16:	10,1	↖

<b>Serie</b>	<b>62,7</b>
--------------	-------------

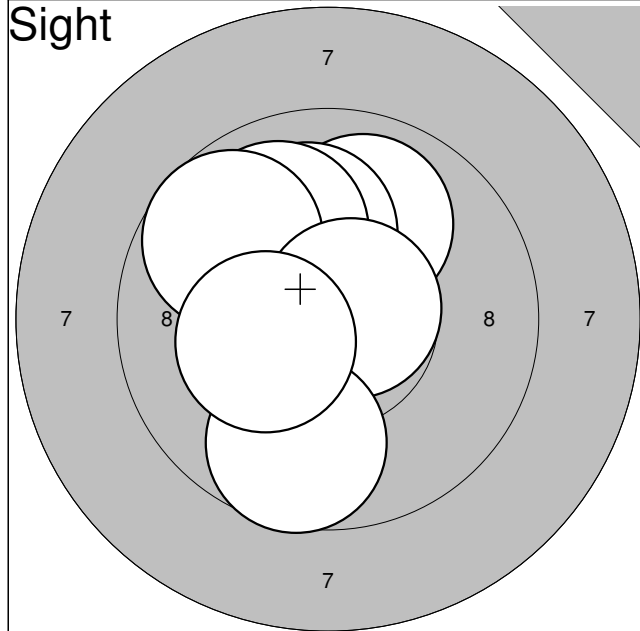
<b>Totalt</b>	<b>0,0</b>
---------------	------------



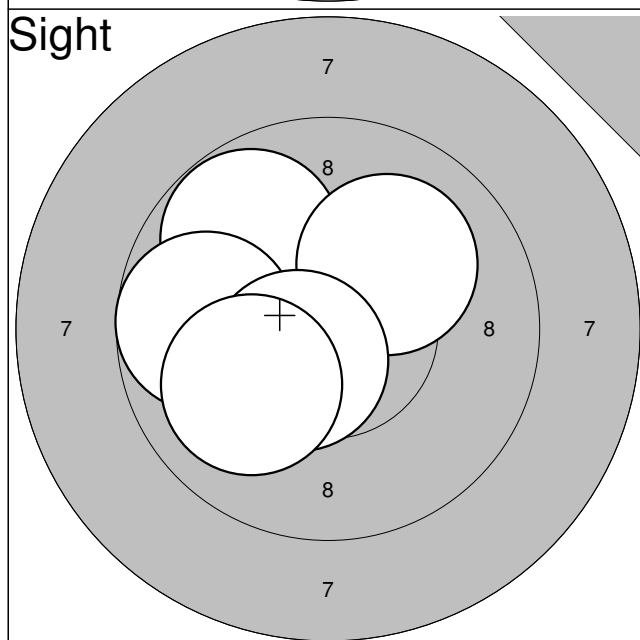
1:	10,4*	↗
2:	9,7	↖
3:	10,7*	↗
4:	10,7*	↗
5:	10,2*	↗

<b>Serie</b>	<b>51,7</b>
--------------	-------------

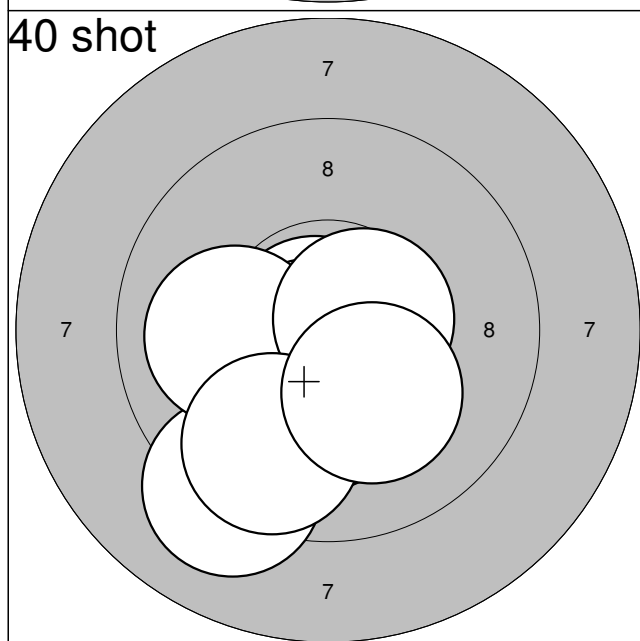
<b>Totalt</b>	<b>51,7</b>
---------------	-------------



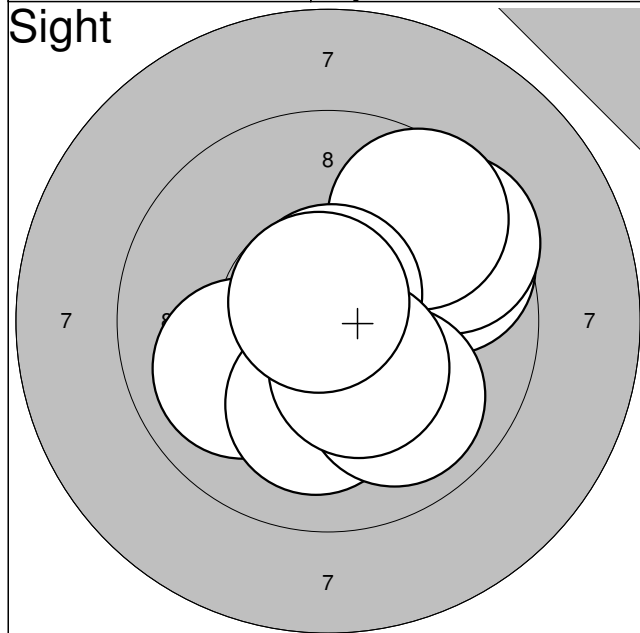
1:	10,8*	←
2:	9,9	↑
3:	10,4*	↗
4:	10,3*	↗
5:	10,1	↑
6:	10,0	↗
7:	9,7	↖
8:	10,7*	→
9:	9,7	↓
10:	10,3*	←
<b>Serie</b>		<b>101,9</b>
<b>Totalt</b>		<b>0,0</b>



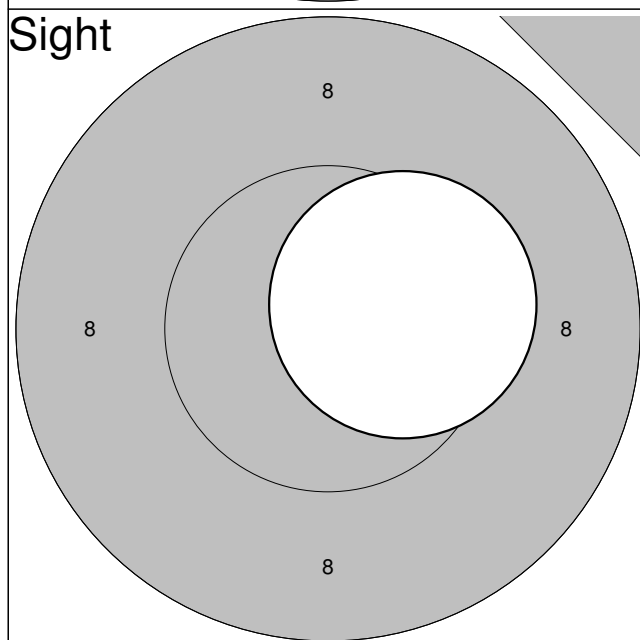
11:	9,8	↖
12:	10,1	↗
13:	9,7	←
14:	10,5*	↘
15:	10,0	↘
<b>Serie</b>		<b>50,1</b>
<b>Totalt</b>		<b>0,0</b>



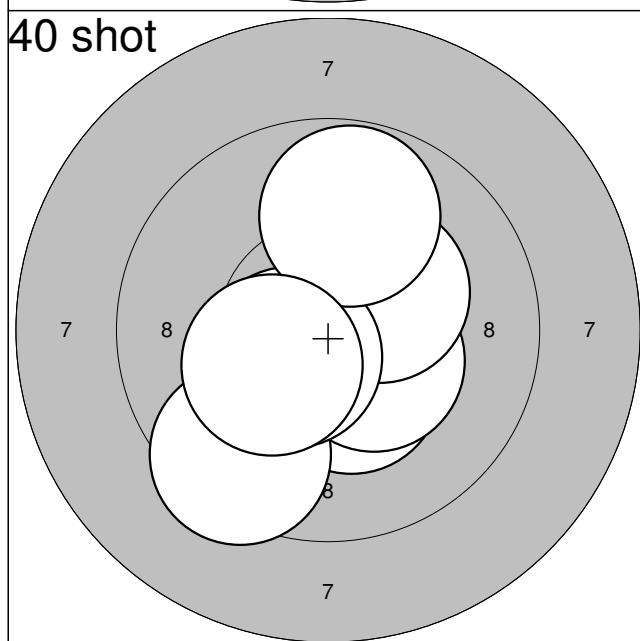
1:	10,8*	←
2:	10,2*	↓
3:	9,1	↘
4:	10,7*	↘
5:	10,0	←
6:	10,6*	→
7:	9,7	↘
8:	10,2*	↘
<b>Serie</b>		<b>81,3</b>
<b>Totalt</b>		<b>81,3</b>



1:	9,7	→
2:	9,5	→
3:	9,6	↗
4:	10,3*	↘
5:	10,0	↙
6:	10,1	↘
7:	9,9	↘
8:	10,7*	↑
9:	10,4*	↘
10:	10,7*	↗
<b>Serie</b>	<b>100,9</b>	
<b>Totalt</b>	<b>0,0</b>	



11:	10,4*	→
<b>Serie</b>	<b>10,4</b>	
<b>Totalt</b>	<b>0,0</b>	



1:	10,4*	↘
2:	9,4	↘
3:	10,4*	↘
4:	10,3*	↗
5:	10,3*	↗
6:	10,5*	↙
7:	9,8	↑
8:	10,3*	↙
<b>Serie</b>	<b>81,4</b>	
<b>Totalt</b>	<b>81,4</b>	