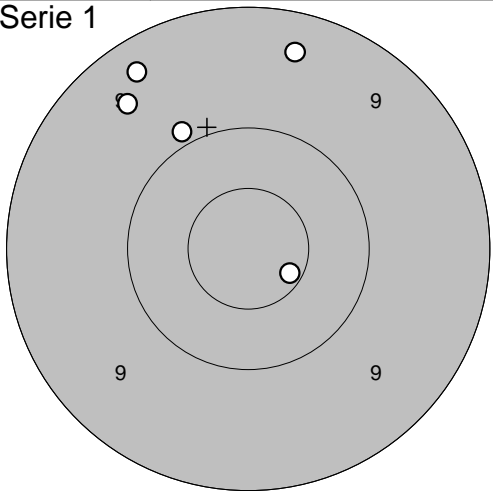
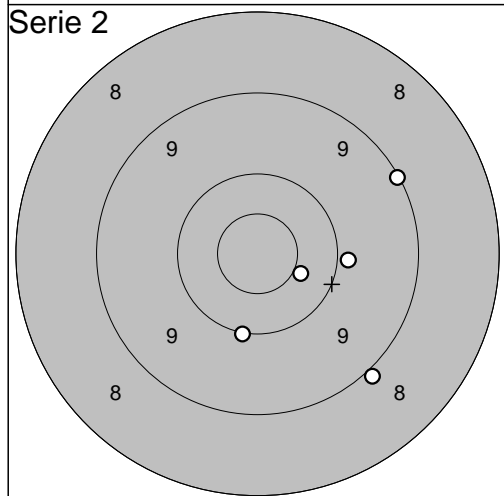


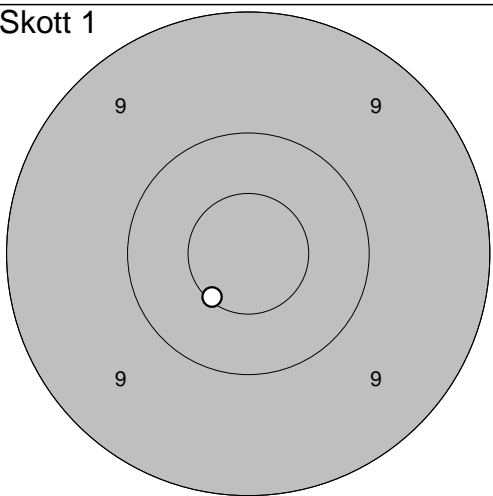
1: 9,6	↘
2: 10,6*	↑
3: 10,5*	➔
<hr/>	
Serie	29,0
Totalt	145,0



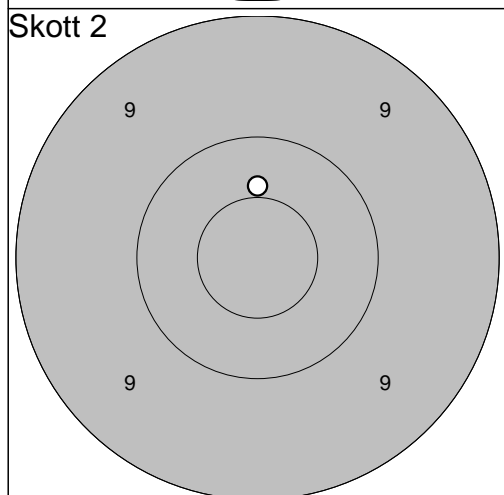
1: 10,6*	➔
2: 9,5	↗
3: 9,4	↑
4: 9,3	↗
5: 9,9	↗
<hr/>	
Serie	46,0
Totalt	191,0



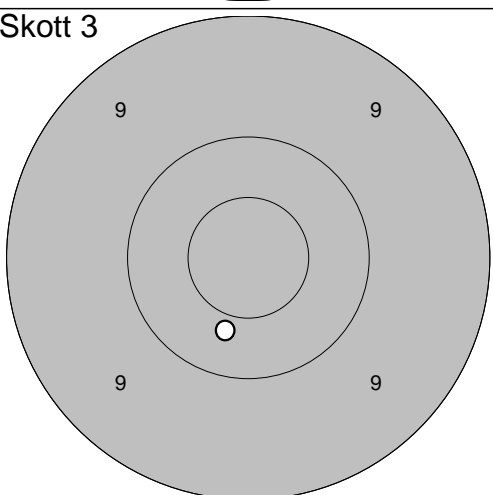
1: 9,0	↘
2: 10,4	➔
3: 9,9	➔
4: 10,0	↘
5: 9,1	↗
<hr/>	
Serie	47,0
Totalt	238,0



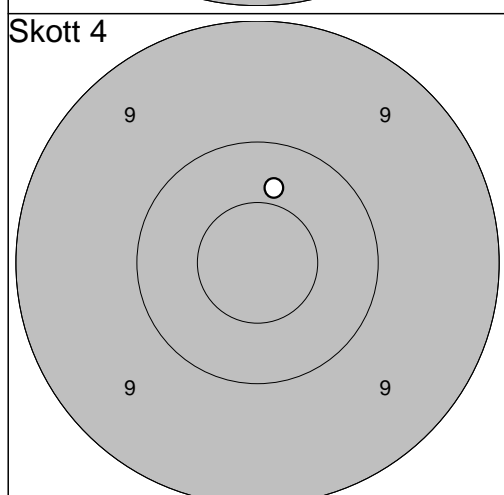
1: 10,6*	↘
<hr/>	
Serie	10,0
Totalt	248,0



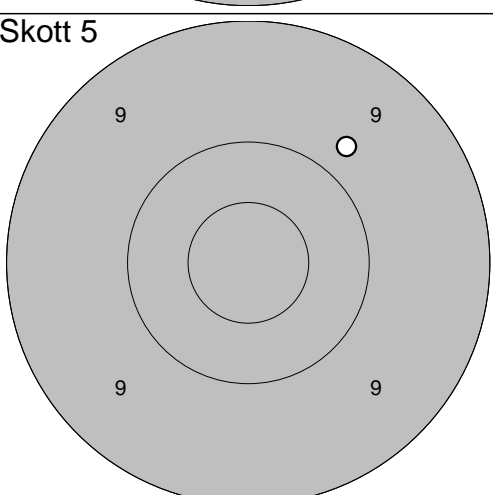
1: 10,4	↑
<hr/>	
Serie	10,0
Totalt	258,0



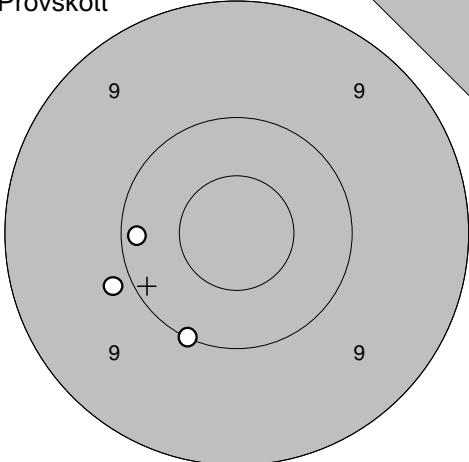
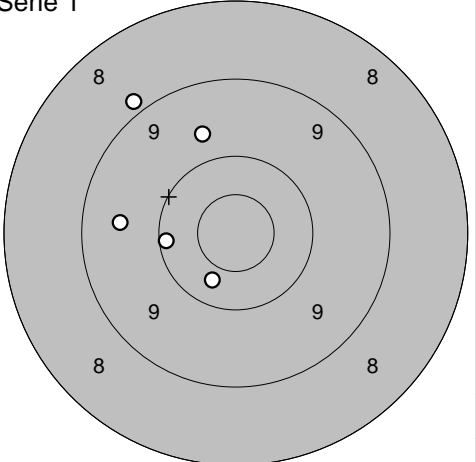
1: 10,4	↘
<hr/>	
Serie	10,0
Totalt	268,0

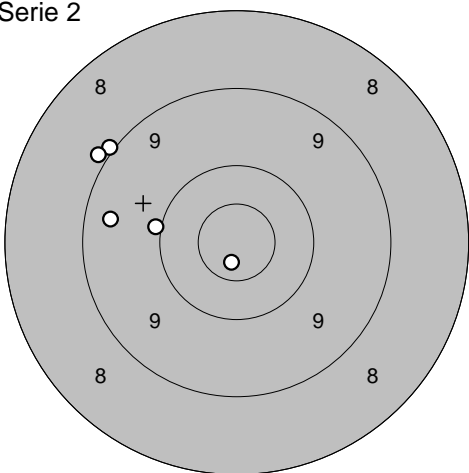
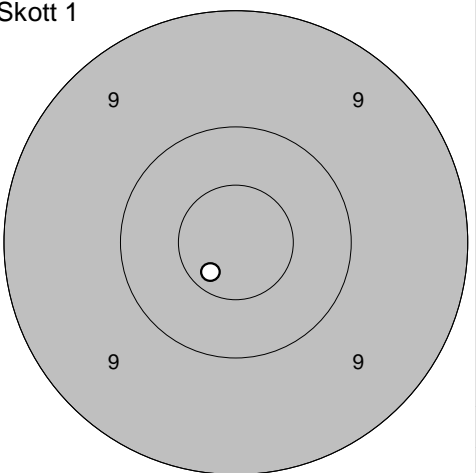


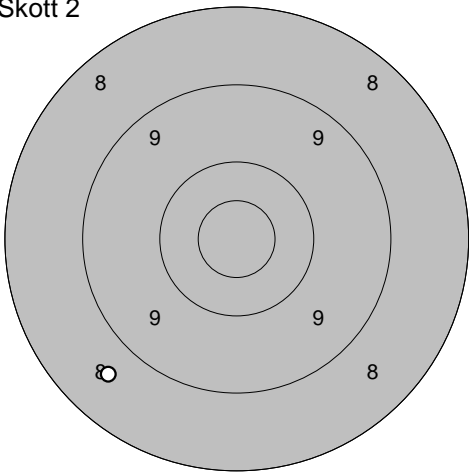
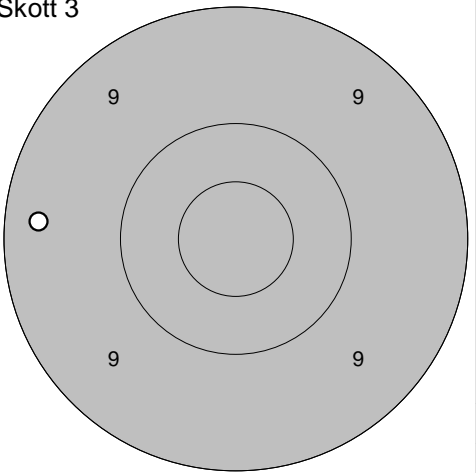
1: 10,4	↑
<hr/>	
Serie	10,0
Totalt	278,0

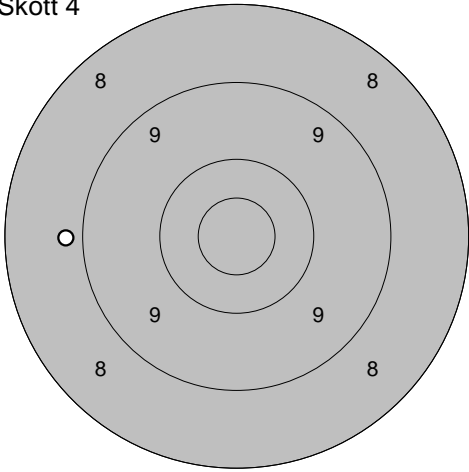
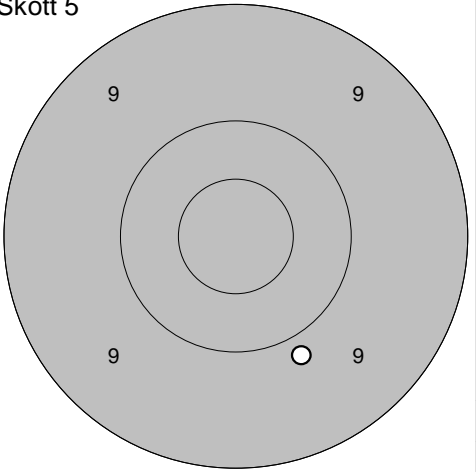


1: 9,8	↗
<hr/>	
Serie	9,0
Totalt	287,0

<p>Provskott</p> 	<p>1: 9,9 ← 2: 10,2 ← 3: 10,0 ↓</p> <table border="1" style="width:100%; border-collapse: collapse;"> <tr><td>Serie</td><td style="text-align: right;">29,0</td></tr> <tr><td>Totalt</td><td style="text-align: right;">144,0</td></tr> </table>	Serie	29,0	Totalt	144,0	<p>Serie 1</p> 	<p>1: 10,4 ↓ 2: 8,9 ↗ 3: 9,6 ← 4: 9,7 ↗ 5: 10,1 ←</p> <table border="1" style="width:100%; border-collapse: collapse;"> <tr><td>Serie</td><td style="text-align: right;">46,0</td></tr> <tr><td>Totalt</td><td style="text-align: right;">190,0</td></tr> </table>	Serie	46,0	Totalt	190,0
Serie	29,0										
Totalt	144,0										
Serie	46,0										
Totalt	190,0										

<p>Serie 2</p> 	<p>1: 9,4 ← 2: 10,8* ↓ 3: 10,0 ← 4: 9,0 ↗ 5: 8,9 ↗</p> <table border="1" style="width:100%; border-collapse: collapse;"> <tr><td>Serie</td><td style="text-align: right;">46,0</td></tr> <tr><td>Totalt</td><td style="text-align: right;">236,0</td></tr> </table>	Serie	46,0	Totalt	236,0	<p>Skott 1</p> 	<p>1: 10,7* ↓</p> <table border="1" style="width:100%; border-collapse: collapse;"> <tr><td>Serie</td><td style="text-align: right;">10,0</td></tr> <tr><td>Totalt</td><td style="text-align: right;">246,0</td></tr> </table>	Serie	10,0	Totalt	246,0
Serie	46,0										
Totalt	236,0										
Serie	10,0										
Totalt	246,0										

<p>Skott 2</p> 	<p>1: 8,6 ↓</p> <table border="1" style="width:100%; border-collapse: collapse;"> <tr><td>Serie</td><td style="text-align: right;">8,0</td></tr> <tr><td>Totalt</td><td style="text-align: right;">254,0</td></tr> </table>	Serie	8,0	Totalt	254,0	<p>Skott 3</p> 	<p>1: 9,3 ←</p> <table border="1" style="width:100%; border-collapse: collapse;"> <tr><td>Serie</td><td style="text-align: right;">9,0</td></tr> <tr><td>Totalt</td><td style="text-align: right;">263,0</td></tr> </table>	Serie	9,0	Totalt	263,0
Serie	8,0										
Totalt	254,0										
Serie	9,0										
Totalt	263,0										

<p>Skott 4</p> 	<p>1: 8,8 ←</p> <table border="1" style="width:100%; border-collapse: collapse;"> <tr><td>Serie</td><td style="text-align: right;">8,0</td></tr> <tr><td>Totalt</td><td style="text-align: right;">271,0</td></tr> </table>	Serie	8,0	Totalt	271,0	<p>Skott 5</p> 	<p>1: 9,9 ↓</p> <table border="1" style="width:100%; border-collapse: collapse;"> <tr><td>Serie</td><td style="text-align: right;">9,0</td></tr> <tr><td>Totalt</td><td style="text-align: right;">280,0</td></tr> </table>	Serie	9,0	Totalt	280,0
Serie	8,0										
Totalt	271,0										
Serie	9,0										
Totalt	280,0										

Skjutlag

Tavla

4

4

Jörgen Åström

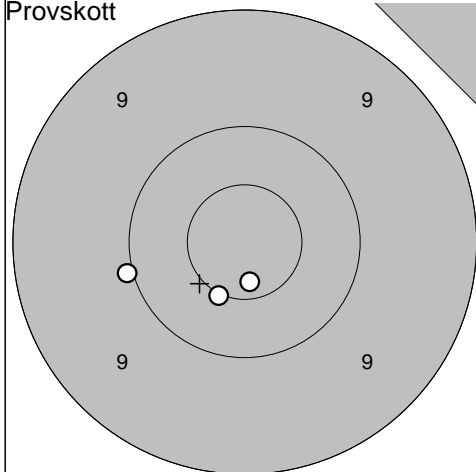
Brattby

2011-07-10

Tavelträffen 2011 A Final

Ramselefors SKF

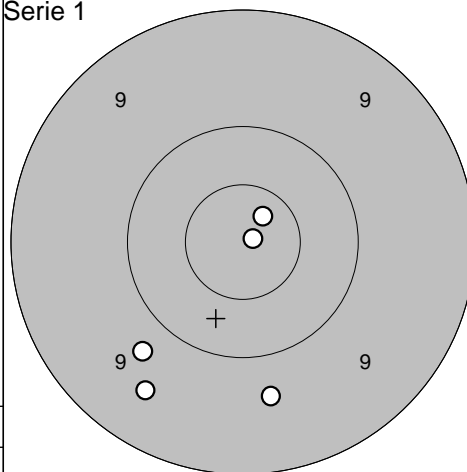
Provskott



1: 10,0 ←
 2: 10,5* ↘
 3: 10,7* ↓

Serie 30,0
 Totalt 144,0

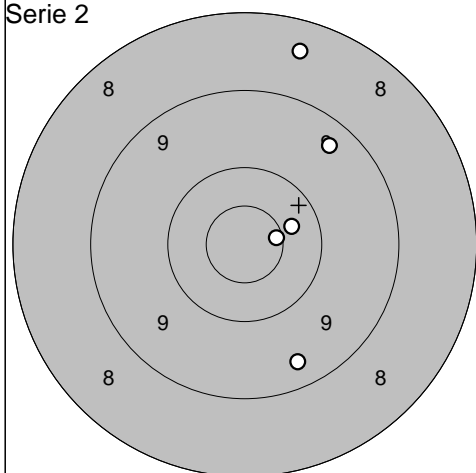
Serie 1



1: 9,7 ↓
 2: 10,9* →
 3: 9,8 ↙
 4: 10,7* ↗
 5: 9,5 ↘

Serie 47,0
 Totalt 191,0

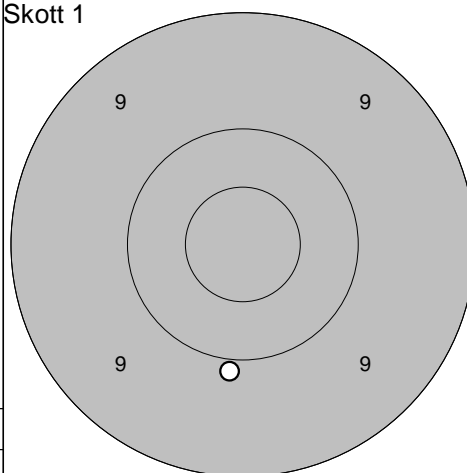
Serie 2



1: 10,6* →
 2: 10,4 →
 3: 8,4 ↑
 4: 9,4 ↗
 5: 9,4 ↓

Serie 46,0
 Totalt 237,0

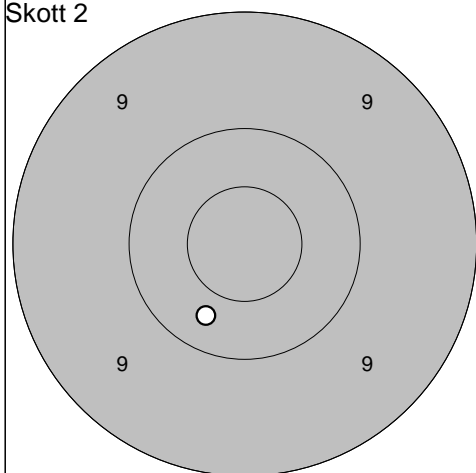
Skott 1



1: 9,9 ↓

Serie 9,0
 Totalt 246,0

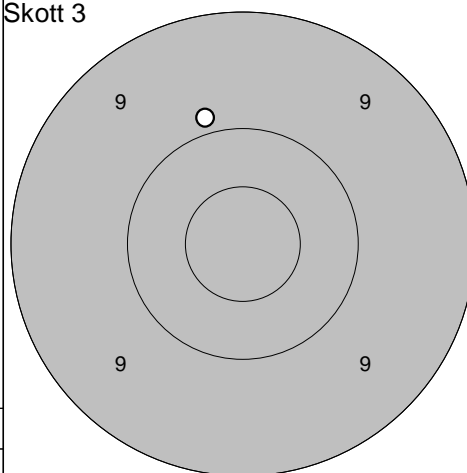
Skott 2



1: 10,3 ↘

Serie 10,0
 Totalt 256,0

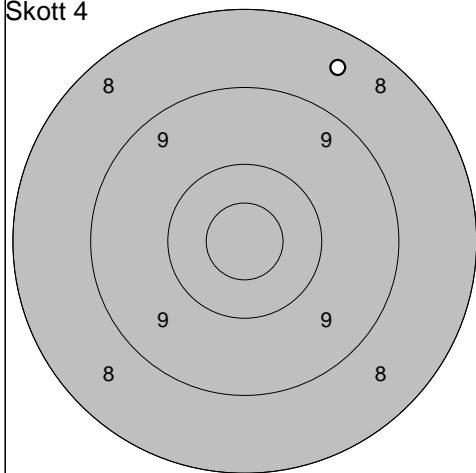
Skott 3



1: 9,9 ↗

Serie 9,0
 Totalt 265,0

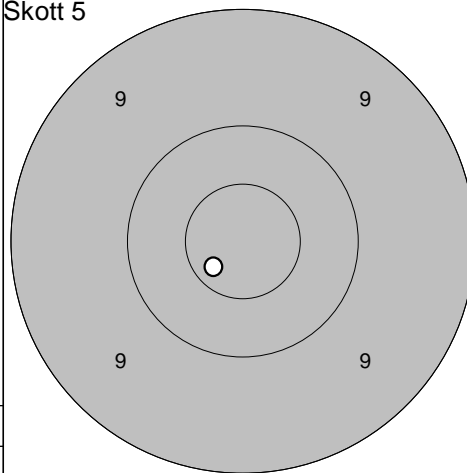
Skott 4



1: 8,5 ↗

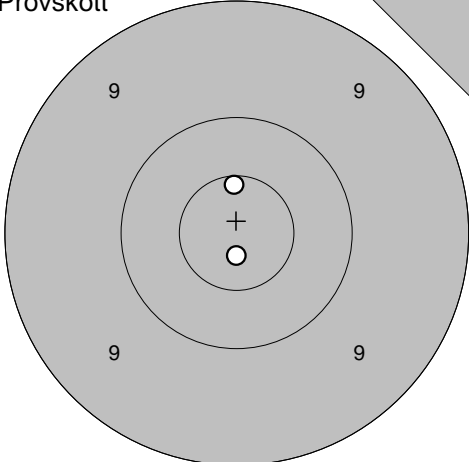
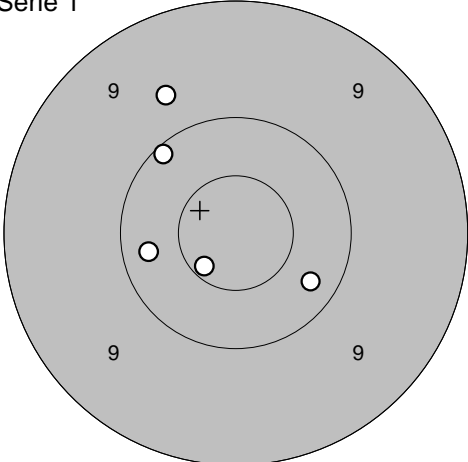
Serie 8,0
 Totalt 273,0

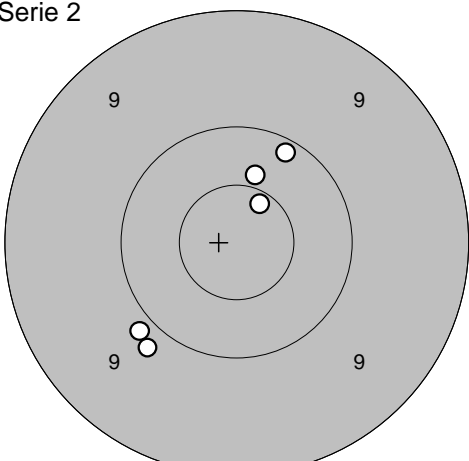
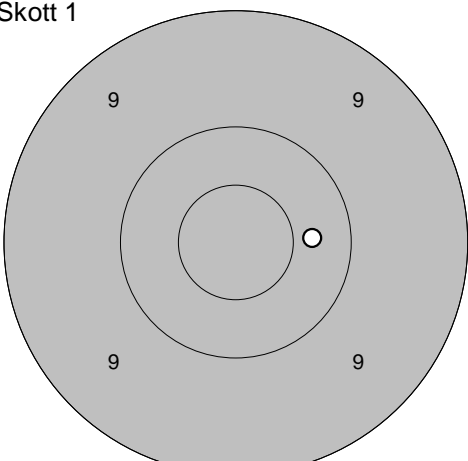
Skott 5

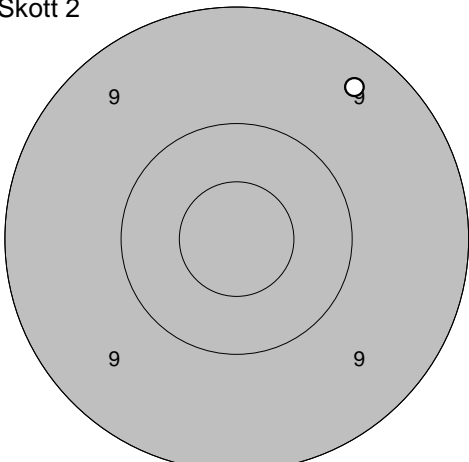
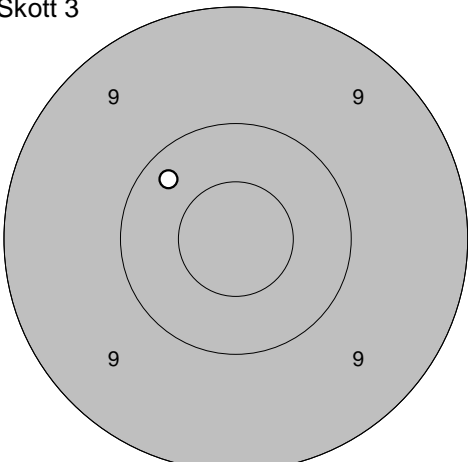


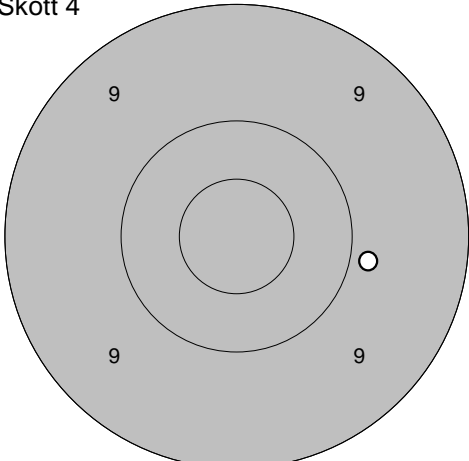
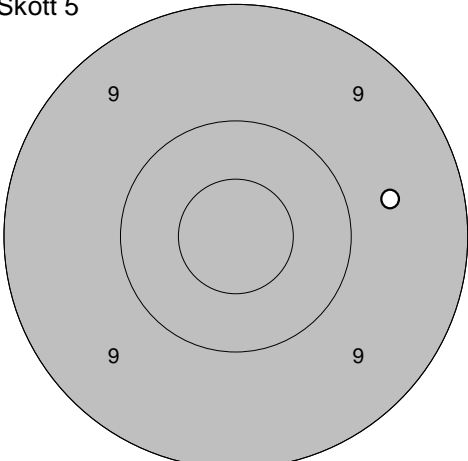
1: 10,7* ↙

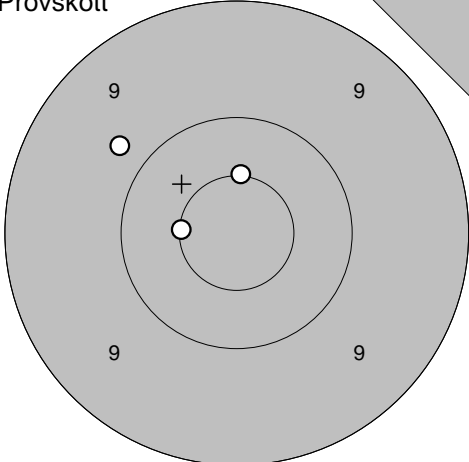
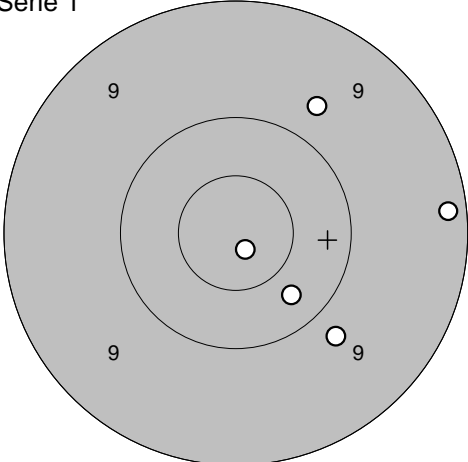
Serie 10,0
 Totalt 283,0

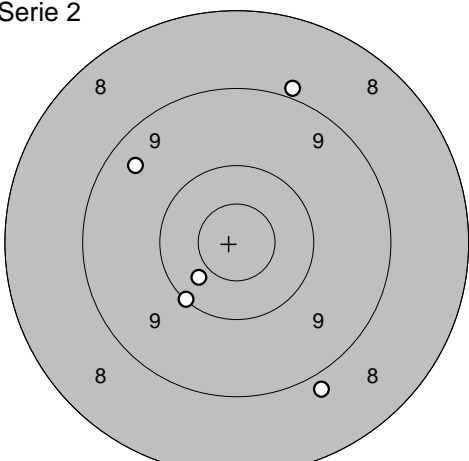
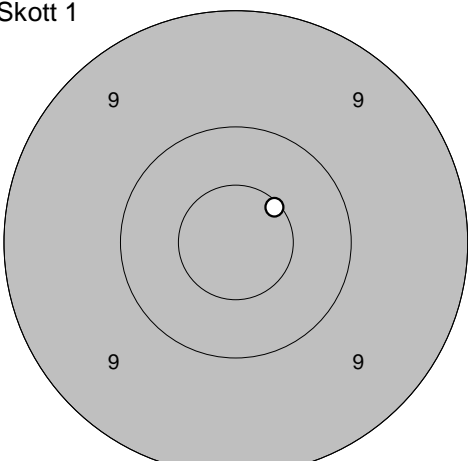
<p>Provs-kott</p> 	<p>1: 10,8* ↓ 2: 10,6* ↑</p>	<p>Serie 1</p> 	<p>1: 9,7 ↗ 2: 10,6* ↘ 3: 10,1 ↗ 4: 10,3 ← 5: 10,3 ↘</p>
Serie 20,0		Serie 49,0	
Totalt 142,0		Totalt 191,0	

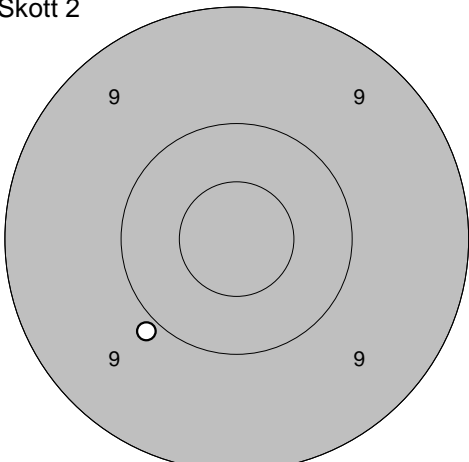
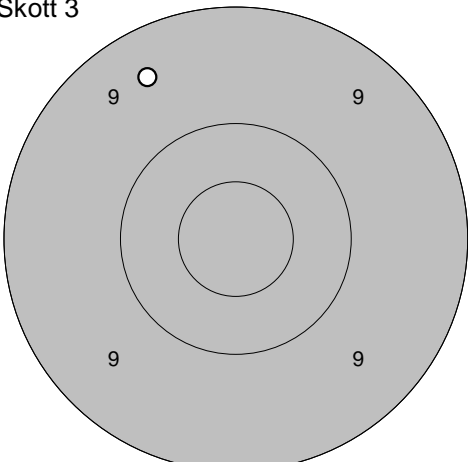
<p>Serie 2</p> 	<p>1: 10,1 ↗ 2: 9,8 ↘ 3: 9,9 ↘ 4: 10,4 ↑ 5: 10,6* ↗</p>	<p>Skott 1</p> 	<p>1: 10,4 →</p>
Serie 48,0		Serie 10,0	
Totalt 239,0		Totalt 249,0	

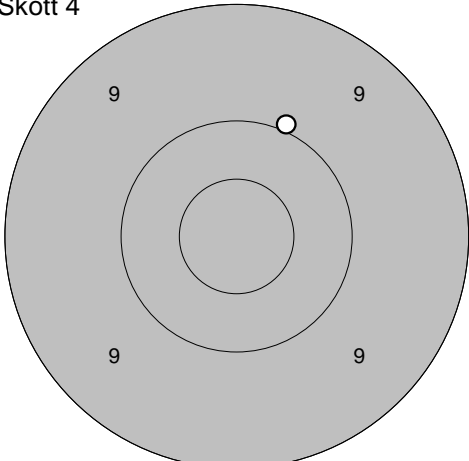
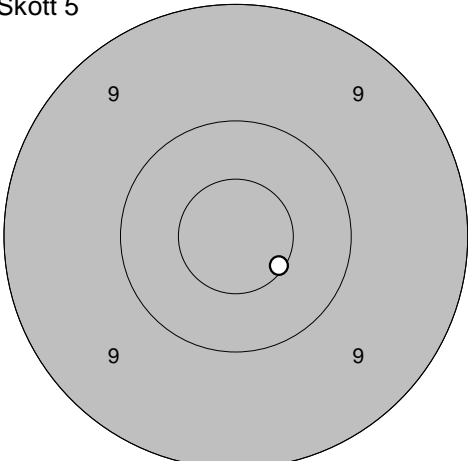
<p>Skott 2</p> 	<p>1: 9,4 ↗</p>	<p>Skott 3</p> 	<p>1: 10,3 ↖</p>
Serie 9,0		Serie 10,0	
Totalt 258,0		Totalt 268,0	

<p>Skott 4</p> 	<p>1: 9,9 →</p>	<p>Skott 5</p> 	<p>1: 9,7 →</p>
Serie 9,0		Serie 9,0	
Totalt 277,0		Totalt 286,0	

<p>Provsnitt</p> 	<p>1: 9,8 ↙ 2: 10,5* ↑ 3: 10,6* ←</p>	<p>Serie 1</p> 	<p>1: 9,7 ↗ 2: 9,2 → 3: 10,3 ↘ 4: 10,9* ↘ 5: 9,8 ↘</p>
Serie 29,0	Totalt 145,0	Serie 47,0	Totalt 192,0

<p>Serie 2</p> 	<p>1: 10,4 ↙ 2: 8,9 ↑ 3: 9,4 ↗ 4: 10,1 ↘ 5: 8,9 ↘</p>	<p>Skott 1</p> 	<p>1: 10,6* ↗</p>
Serie 45,0	Totalt 237,0	Serie 10,0	Totalt 247,0

<p>Skott 2</p> 	<p>1: 9,9 ↙</p>	<p>Skott 3</p> 	<p>1: 9,4 ↗</p>
Serie 9,0	Totalt 256,0	Serie 9,0	Totalt 265,0

<p>Skott 4</p> 	<p>1: 10,0 ↑</p>	<p>Skott 5</p> 	<p>1: 10,6* ↘</p>
Serie 10,0	Totalt 275,0	Serie 10,0	Totalt 285,0

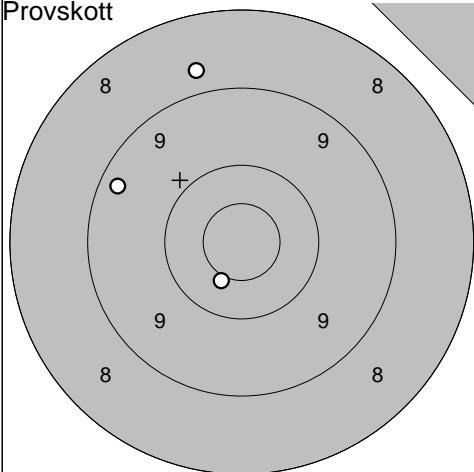
Ununge

2011-07-10

Tavelträffen 2011 A Final

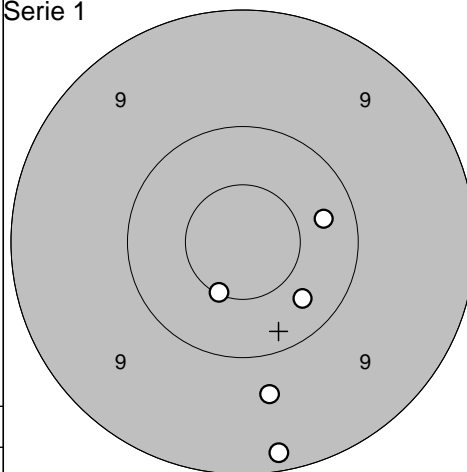
Ramselefors SKF

Provsrott



1: 9,3 ↙
2: 8,8 ↑
3: 10,5* ↓

Serie 1

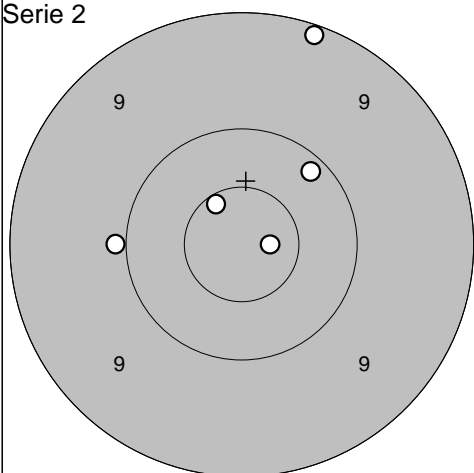


1: 10,3 ↘
2: 10,3 →
3: 9,7 ↓
4: 10,5* ↘
5: 9,2 ↓

Serie 27,0
Totalt 143,0

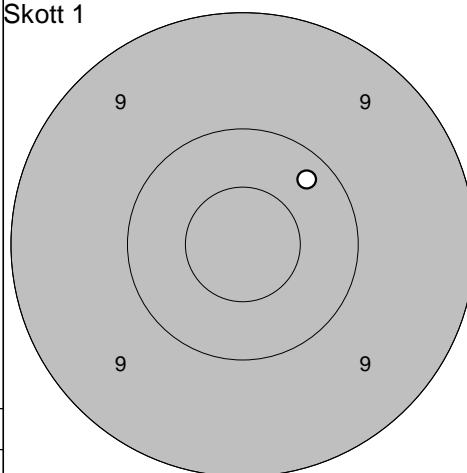
Serie 48,0
Totalt 191,0

Serie 2



1: 9,9 ←
2: 9,1 ↑
3: 10,6* ↖
4: 10,2 ↗
5: 10,8* →

Skott 1

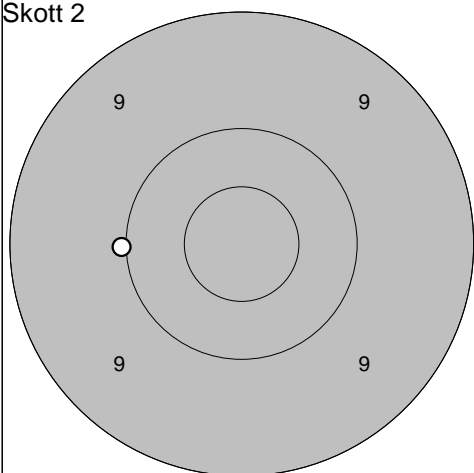


1: 10,2 ↗

Serie 48,0
Totalt 239,0

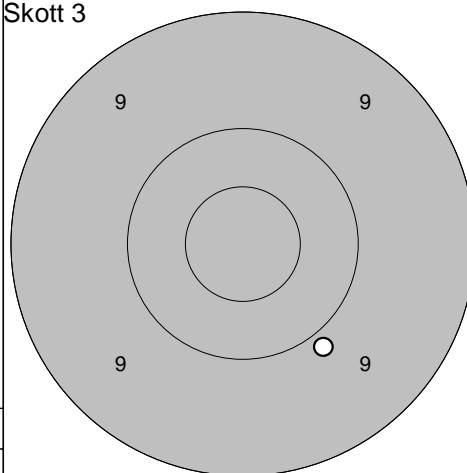
Serie 10,0
Totalt 249,0

Skott 2



1: 10,0 ←

Skott 3

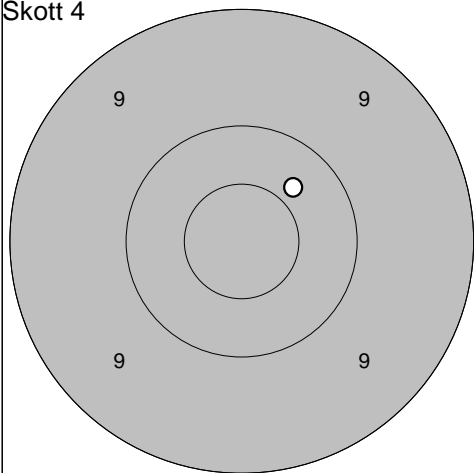


1: 9,9 ↘

Serie 10,0
Totalt 259,0

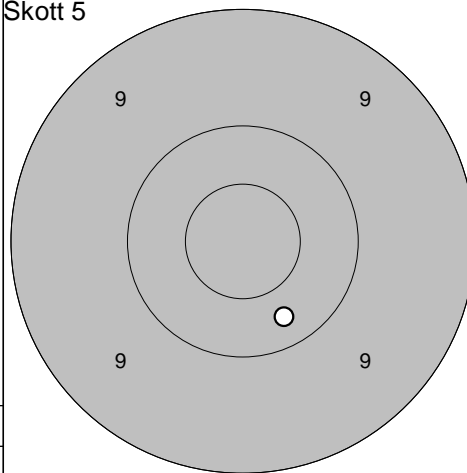
Serie 9,0
Totalt 268,0

Skott 4



1: 10,4 ↗

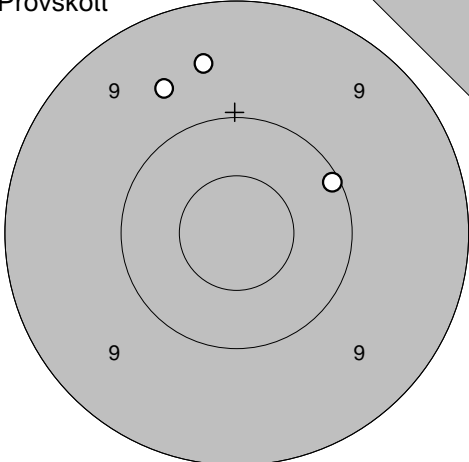
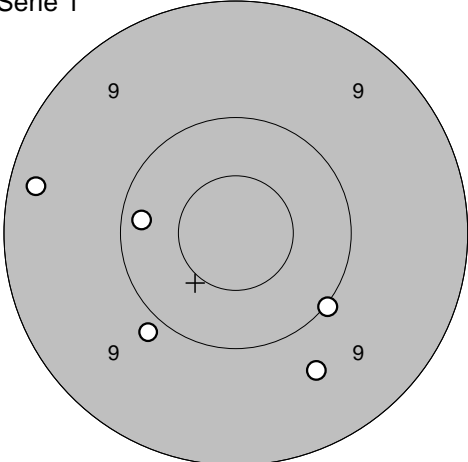
Skott 5

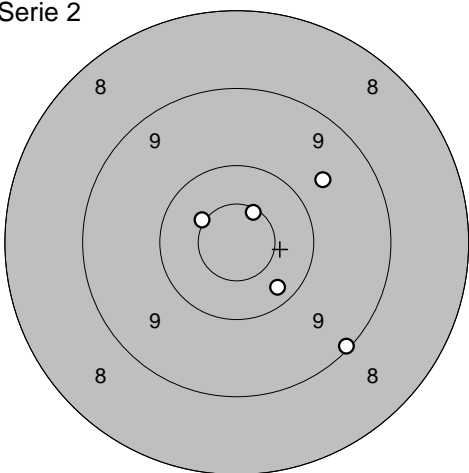
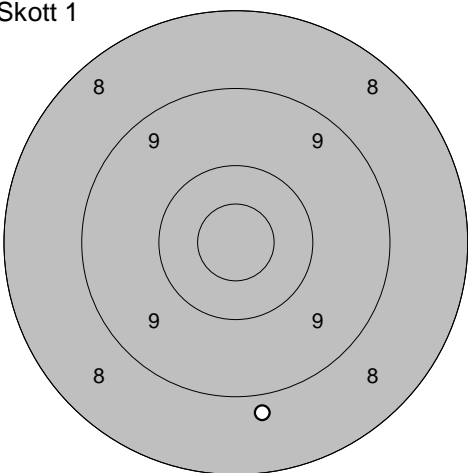


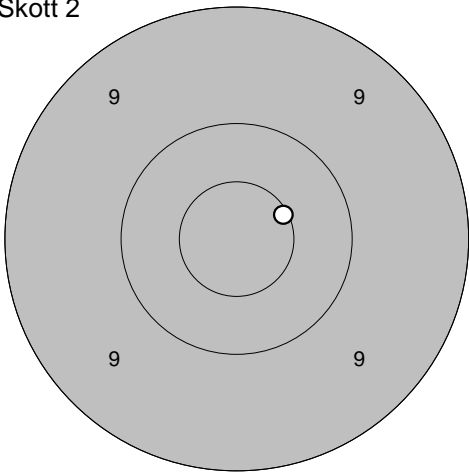
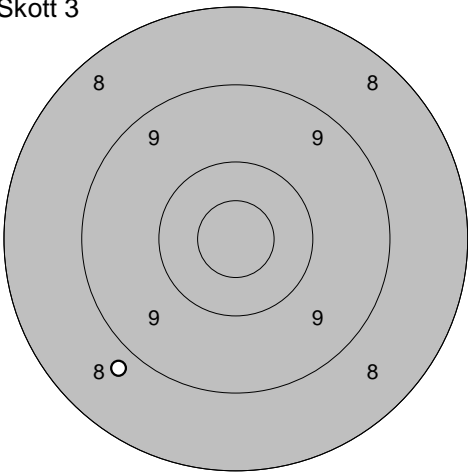
1: 10,3 ↘

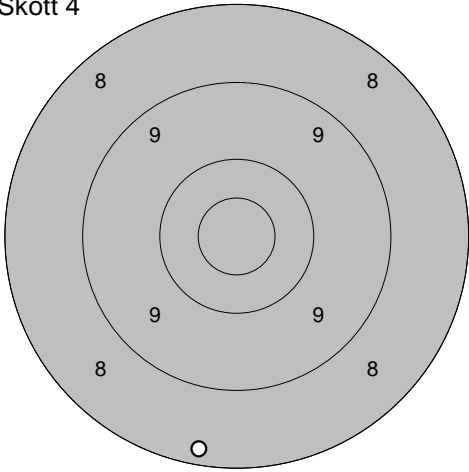
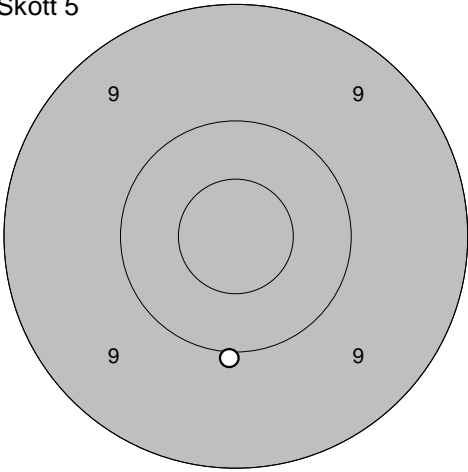
Serie 10,0
Totalt 278,0

Serie 10,0
Totalt 288,0

<p>Provskott</p> 	<p>1: 10,1 → 2: 9,5 ↑ 3: 9,6 ↗</p>	<p>Serie 1</p> 	<p>1: 9,3 ← 2: 10,2 ← 3: 10,0 ↘ 4: 9,9 ↙ 5: 9,7 ↘</p>
Serie 28,0		Serie 47,0	
Totalt 143,0		Totalt 190,0	

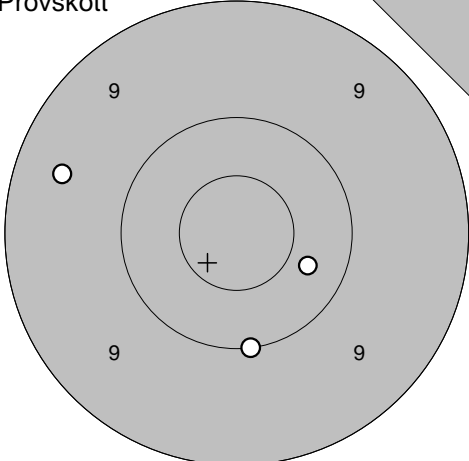
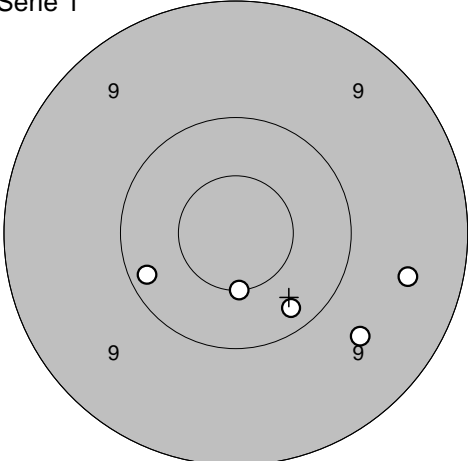
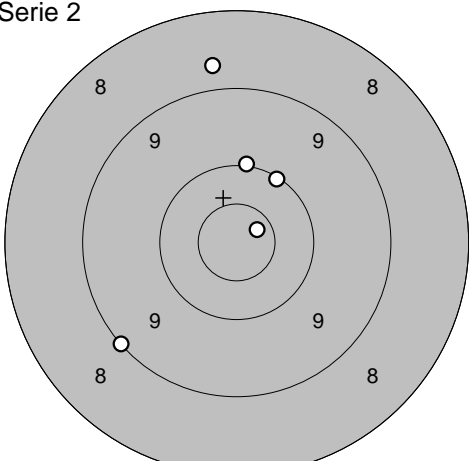
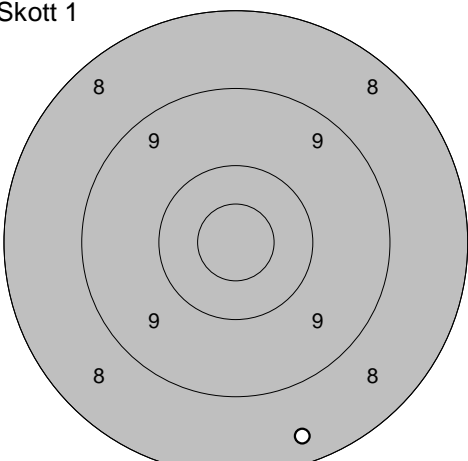
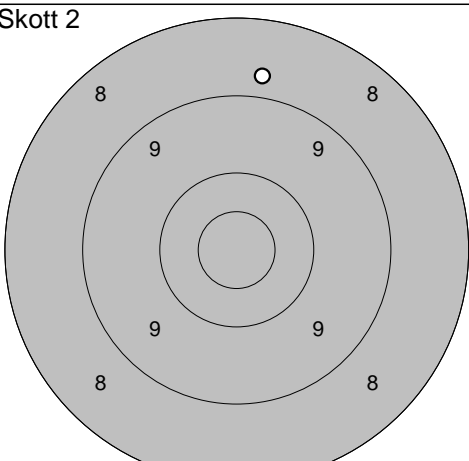
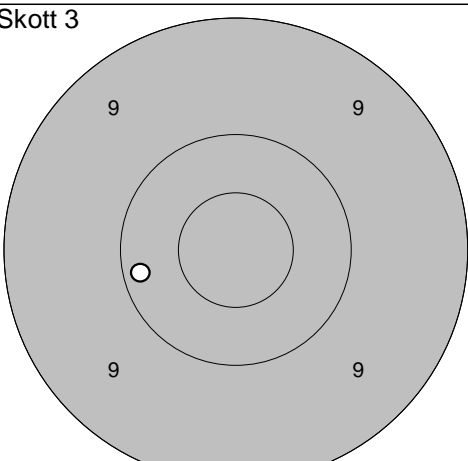
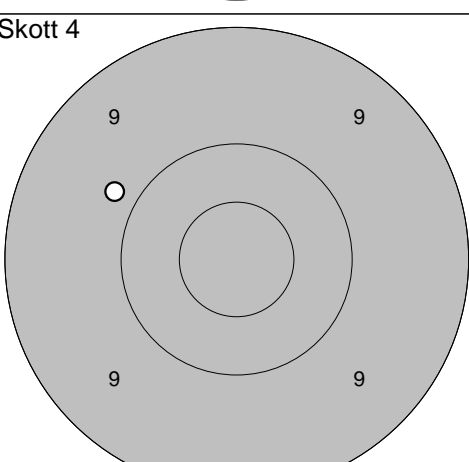
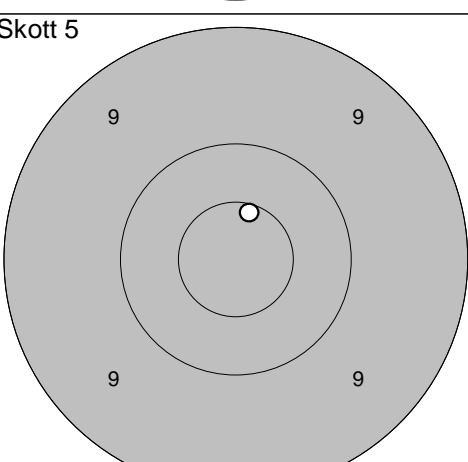
<p>Serie 2</p> 	<p>1: 9,1 ↘ 2: 9,7 ↗ 3: 10,5* ↗ 4: 10,6* ↗ 5: 10,3 ↘</p>	<p>Skott 1</p> 	<p>1: 8,8 ↓</p>
Serie 48,0		Serie 8,0	
Totalt 238,0		Totalt 246,0	

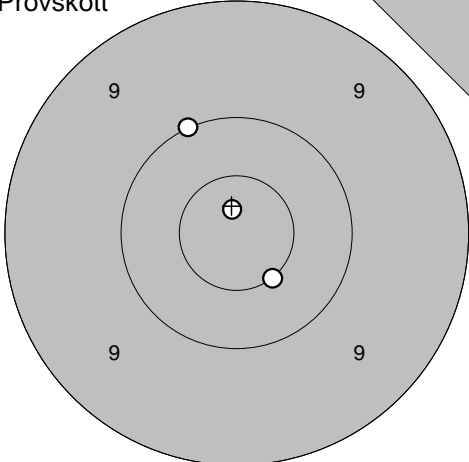
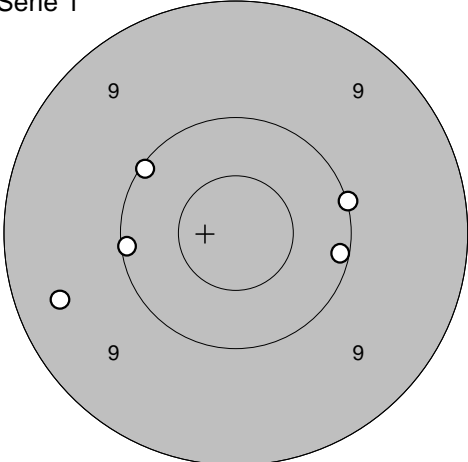
<p>Skott 2</p> 	<p>1: 10,6* →</p>	<p>Skott 3</p> 	<p>1: 8,8 ↙</p>
Serie 10,0		Serie 8,0	
Totalt 256,0		Totalt 264,0	

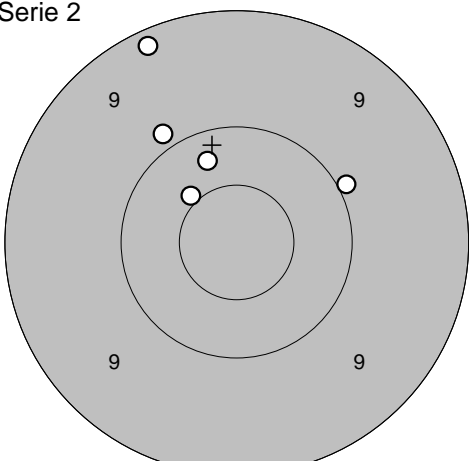
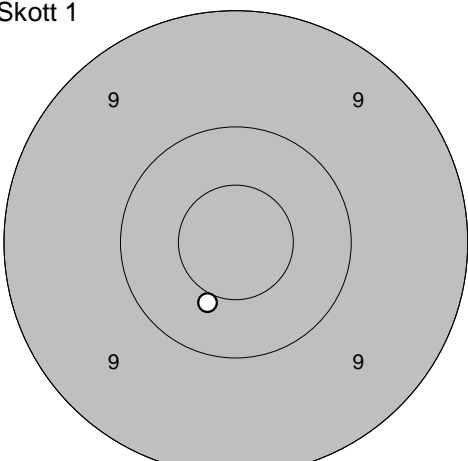
<p>Skott 4</p> 	<p>1: 8,3 ↓</p>	<p>Skott 5</p> 	<p>1: 10,0 ↓</p>
Serie 8,0		Serie 10,0	
Totalt 272,0		Totalt 282,0	

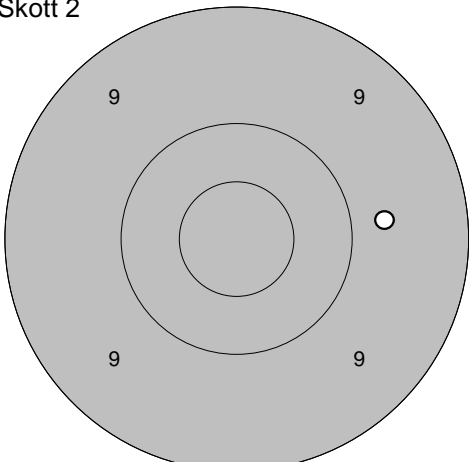
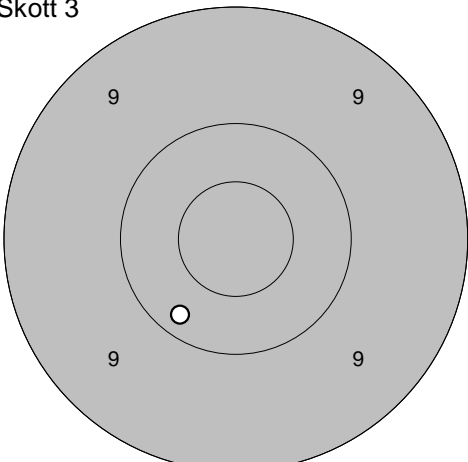
Piteå

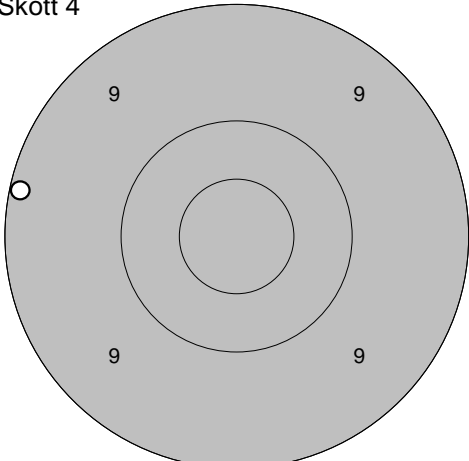
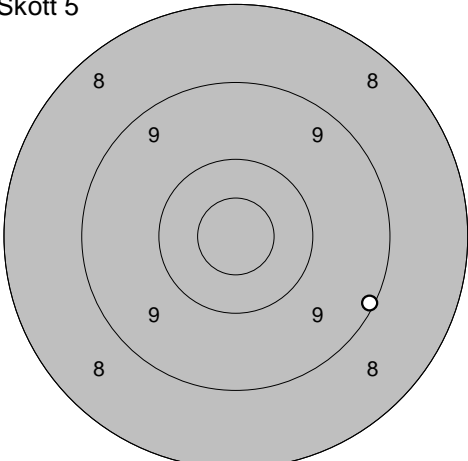
2011-07-10	Tavelträffen 2011 A Final	Ramselefors SKF
------------	---------------------------	-----------------

<p>Provsjott</p> 	<p>1: 10,0 ↓ 2: 9,4 ← 3: 10,4 →</p> <table border="1" style="width: 100%; border-collapse: collapse;"> <tr><td>Serie</td><td style="text-align: right;">29,0</td></tr> <tr><td>Totalt</td><td style="text-align: right;">142,0</td></tr> </table>	Serie	29,0	Totalt	142,0	<p>Serie 1</p> 	<p>1: 9,6 ↓ 2: 10,2 ↓ 3: 10,5* ↓ 4: 10,2 ← 5: 9,5 →</p> <table border="1" style="width: 100%; border-collapse: collapse;"> <tr><td>Serie</td><td style="text-align: right;">48,0</td></tr> <tr><td>Totalt</td><td style="text-align: right;">190,0</td></tr> </table>	Serie	48,0	Totalt	190,0
Serie	29,0										
Totalt	142,0										
Serie	48,0										
Totalt	190,0										
<p>Serie 2</p> 	<p>1: 9,1 ↙ 2: 8,7 ↑ 3: 10,7* → 4: 10,0 ↑ 5: 10,1 ↗</p> <table border="1" style="width: 100%; border-collapse: collapse;"> <tr><td>Serie</td><td style="text-align: right;">47,0</td></tr> <tr><td>Totalt</td><td style="text-align: right;">237,0</td></tr> </table>	Serie	47,0	Totalt	237,0	<p>Skott 1</p> 	<p>1: 8,4 ↓</p> <table border="1" style="width: 100%; border-collapse: collapse;"> <tr><td>Serie</td><td style="text-align: right;">8,0</td></tr> <tr><td>Totalt</td><td style="text-align: right;">245,0</td></tr> </table>	Serie	8,0	Totalt	245,0
Serie	47,0										
Totalt	237,0										
Serie	8,0										
Totalt	245,0										
<p>Skott 2</p> 	<p>1: 8,8 ↑</p> <table border="1" style="width: 100%; border-collapse: collapse;"> <tr><td>Serie</td><td style="text-align: right;">8,0</td></tr> <tr><td>Totalt</td><td style="text-align: right;">253,0</td></tr> </table>	Serie	8,0	Totalt	253,0	<p>Skott 3</p> 	<p>1: 10,2 ←</p> <table border="1" style="width: 100%; border-collapse: collapse;"> <tr><td>Serie</td><td style="text-align: right;">10,0</td></tr> <tr><td>Totalt</td><td style="text-align: right;">263,0</td></tr> </table>	Serie	10,0	Totalt	263,0
Serie	8,0										
Totalt	253,0										
Serie	10,0										
Totalt	263,0										
<p>Skott 4</p> 	<p>1: 9,8 ←</p> <table border="1" style="width: 100%; border-collapse: collapse;"> <tr><td>Serie</td><td style="text-align: right;">9,0</td></tr> <tr><td>Totalt</td><td style="text-align: right;">272,0</td></tr> </table>	Serie	9,0	Totalt	272,0	<p>Skott 5</p> 	<p>1: 10,6* ↑</p> <table border="1" style="width: 100%; border-collapse: collapse;"> <tr><td>Serie</td><td style="text-align: right;">10,0</td></tr> <tr><td>Totalt</td><td style="text-align: right;">282,0</td></tr> </table>	Serie	10,0	Totalt	282,0
Serie	9,0										
Totalt	272,0										
Serie	10,0										
Totalt	282,0										

<p>Provsrott</p> 	<p>1: 10,8* ↑ 2: 10,0 ↗ 3: 10,5* ↘</p> <table border="1" style="width:100%; border-collapse: collapse;"> <tr><td style="text-align: right;">Serie</td><td style="text-align: right;">30,0</td></tr> <tr><td style="text-align: right;">Totalt</td><td style="text-align: right;">142,0</td></tr> </table>	Serie	30,0	Totalt	142,0	<p>Serie 1</p> 	<p>1: 10,0 → 2: 10,1 → 3: 10,1 ← 4: 9,4 ← 5: 10,1 ↖</p> <table border="1" style="width:100%; border-collapse: collapse;"> <tr><td style="text-align: right;">Serie</td><td style="text-align: right;">49,0</td></tr> <tr><td style="text-align: right;">Totalt</td><td style="text-align: right;">191,0</td></tr> </table>	Serie	49,0	Totalt	191,0
Serie	30,0										
Totalt	142,0										
Serie	49,0										
Totalt	191,0										

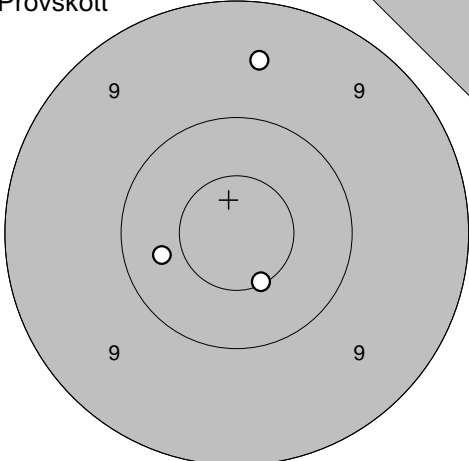
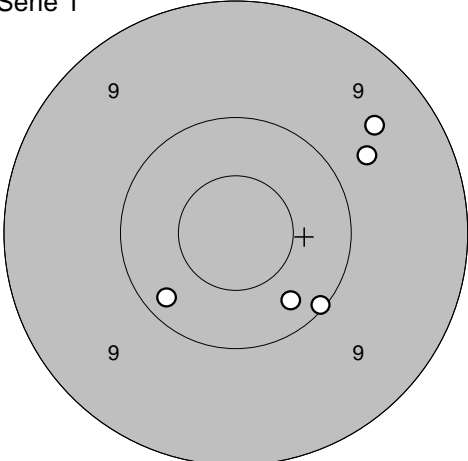
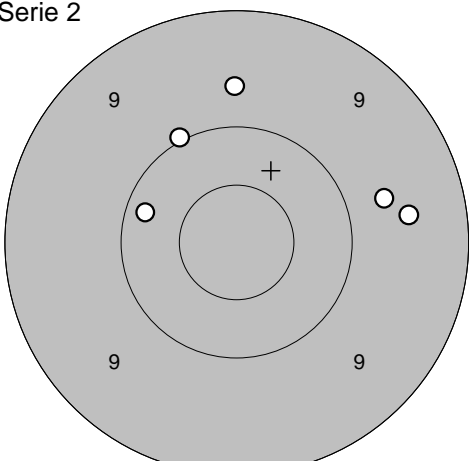
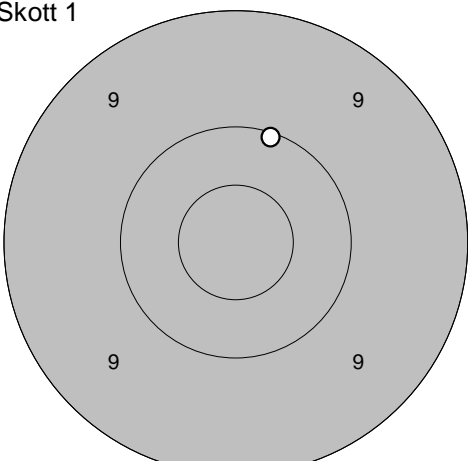
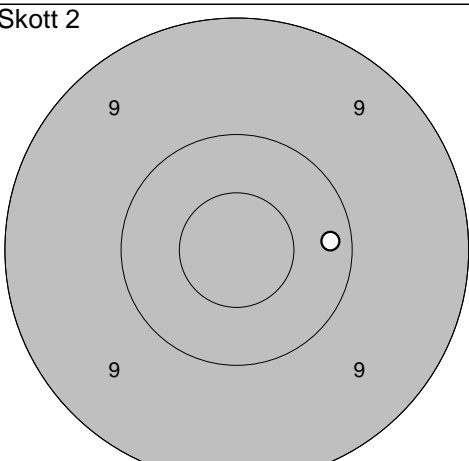
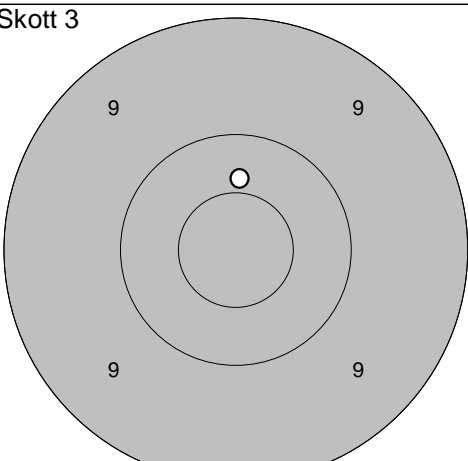
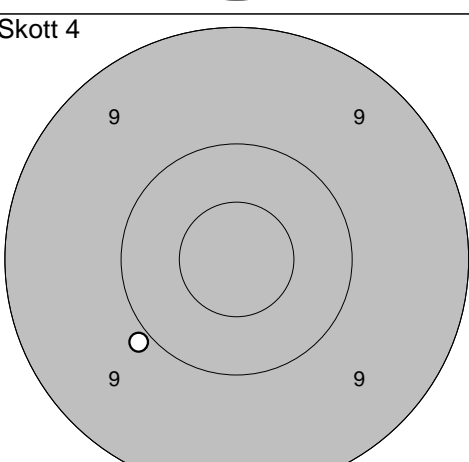
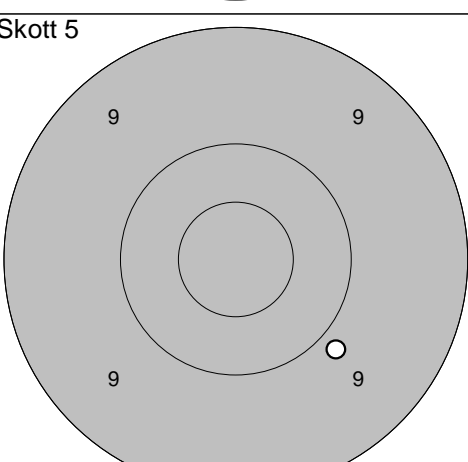
<p>Serie 2</p> 	<p>1: 9,2 ↑ 2: 10,0 → 3: 9,9 ↗ 4: 10,3 ↗ 5: 10,5* ↗</p> <table border="1" style="width:100%; border-collapse: collapse;"> <tr><td style="text-align: right;">Serie</td><td style="text-align: right;">48,0</td></tr> <tr><td style="text-align: right;">Totalt</td><td style="text-align: right;">239,0</td></tr> </table>	Serie	48,0	Totalt	239,0	<p>Skott 1</p> 	<p>1: 10,5* ↓</p> <table border="1" style="width:100%; border-collapse: collapse;"> <tr><td style="text-align: right;">Serie</td><td style="text-align: right;">10,0</td></tr> <tr><td style="text-align: right;">Totalt</td><td style="text-align: right;">249,0</td></tr> </table>	Serie	10,0	Totalt	249,0
Serie	48,0										
Totalt	239,0										
Serie	10,0										
Totalt	249,0										

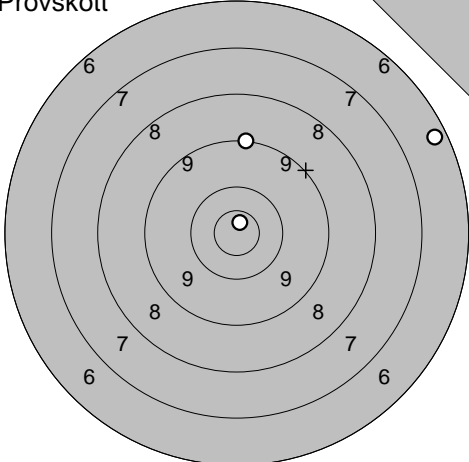
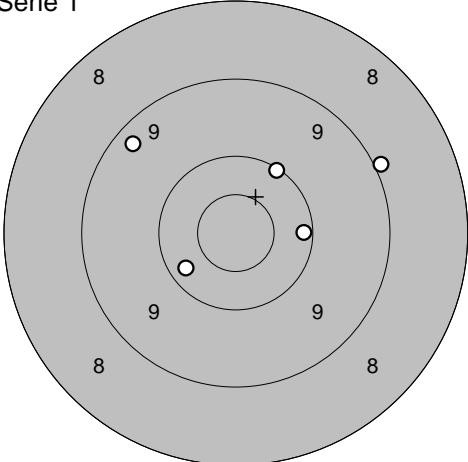
<p>Skott 2</p> 	<p>1: 9,7 →</p> <table border="1" style="width:100%; border-collapse: collapse;"> <tr><td style="text-align: right;">Serie</td><td style="text-align: right;">9,0</td></tr> <tr><td style="text-align: right;">Totalt</td><td style="text-align: right;">258,0</td></tr> </table>	Serie	9,0	Totalt	258,0	<p>Skott 3</p> 	<p>1: 10,2 ↘</p> <table border="1" style="width:100%; border-collapse: collapse;"> <tr><td style="text-align: right;">Serie</td><td style="text-align: right;">10,0</td></tr> <tr><td style="text-align: right;">Totalt</td><td style="text-align: right;">268,0</td></tr> </table>	Serie	10,0	Totalt	268,0
Serie	9,0										
Totalt	258,0										
Serie	10,0										
Totalt	268,0										

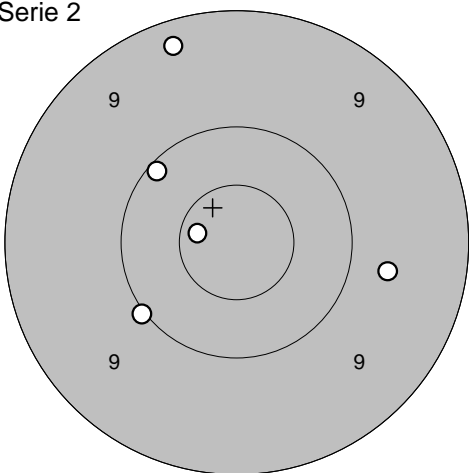
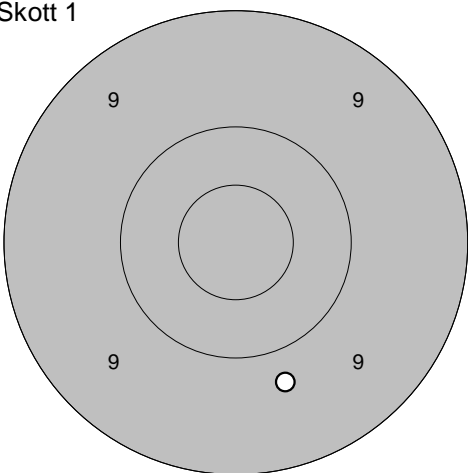
<p>Skott 4</p> 	<p>1: 9,1 ←</p> <table border="1" style="width:100%; border-collapse: collapse;"> <tr><td style="text-align: right;">Serie</td><td style="text-align: right;">9,0</td></tr> <tr><td style="text-align: right;">Totalt</td><td style="text-align: right;">277,0</td></tr> </table>	Serie	9,0	Totalt	277,0	<p>Skott 5</p> 	<p>1: 9,1 →</p> <table border="1" style="width:100%; border-collapse: collapse;"> <tr><td style="text-align: right;">Serie</td><td style="text-align: right;">9,0</td></tr> <tr><td style="text-align: right;">Totalt</td><td style="text-align: right;">286,0</td></tr> </table>	Serie	9,0	Totalt	286,0
Serie	9,0										
Totalt	277,0										
Serie	9,0										
Totalt	286,0										

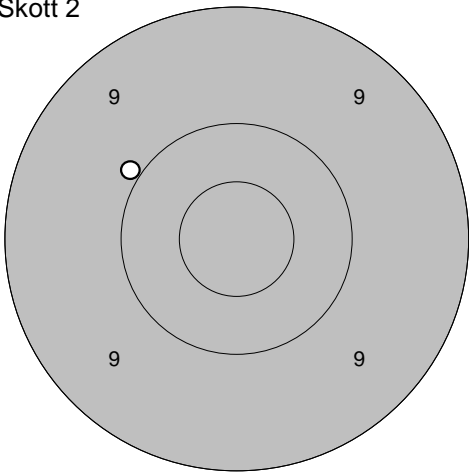
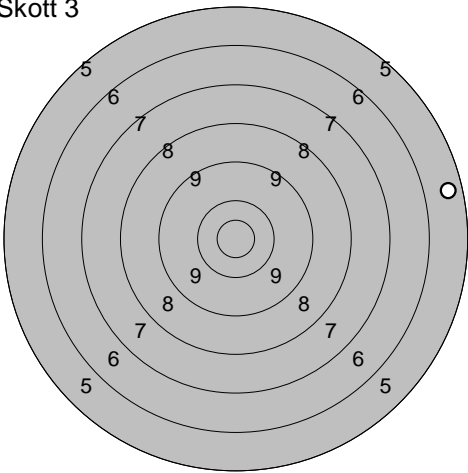
S 3

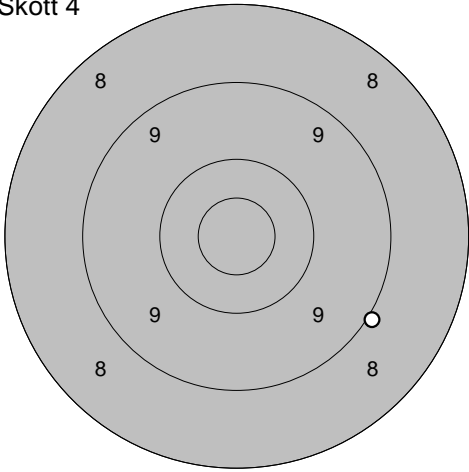
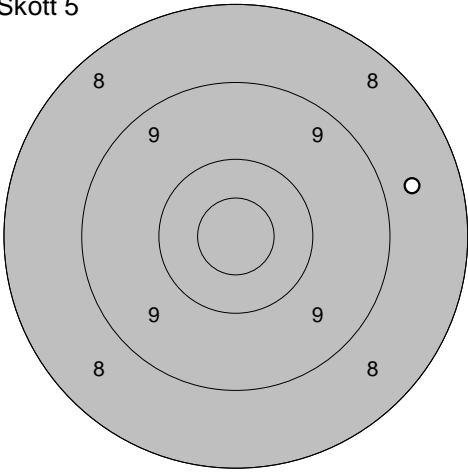
2011-07-10	Tavelträffen 2011 A Final	Ramselefors SKF
------------	---------------------------	-----------------

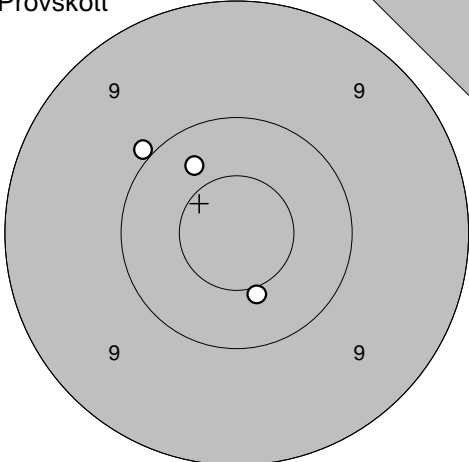
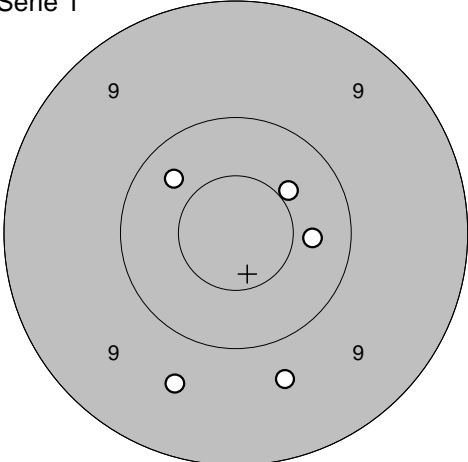
Provsrott 	1: 10,6* ↘ 2: 9,5 ↑ 3: 10,4 ←	Serie 1 	1: 10,1 ↘ 2: 9,7 ↗ 3: 9,5 ↗ 4: 10,3 ↘ 5: 10,2 ↙
	Serie 29,0		Serie 48,0
	Totalt 137,0		Totalt 185,0
Serie 2 	1: 10,2 ← 2: 9,5 → 3: 9,7 → 4: 9,7 ↑ 5: 10,0 ↗	Skott 1 	1: 10,1 ↑
	Serie 47,0		Serie 10,0
	Totalt 232,0		Totalt 242,0
Skott 2 	1: 10,2 →	Skott 3 	1: 10,4 ↑
	Serie 10,0		Serie 10,0
	Totalt 252,0		Totalt 262,0
Skott 4 	1: 9,9 ↙	Skott 5 	1: 9,9 ↘
	Serie 9,0		Serie 9,0
	Totalt 271,0		Totalt 280,0

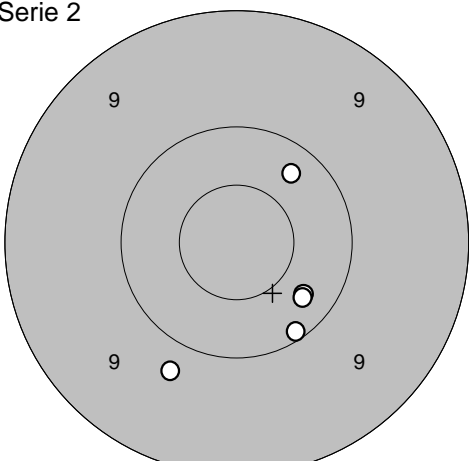
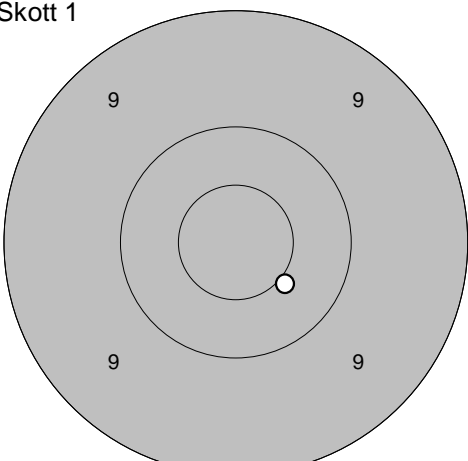
<p>Provskott</p> 	<p>1: 9,1 ↑ 2: 6,4 → 3: 10,9* ↑</p> <table border="1" style="width:100%; border-collapse: collapse;"> <tr><td>Serie</td><td style="text-align: right;">25,0</td></tr> <tr><td>Totalt</td><td style="text-align: right;">127,0</td></tr> </table>	Serie	25,0	Totalt	127,0	<p>Serie 1</p> 	<p>1: 9,3 ↖ 2: 9,0 → 3: 10,1 ↗ 4: 10,2 → 5: 10,3 ↙</p> <table border="1" style="width:100%; border-collapse: collapse;"> <tr><td>Serie</td><td style="text-align: right;">48,0</td></tr> <tr><td>Totalt</td><td style="text-align: right;">175,0</td></tr> </table>	Serie	48,0	Totalt	175,0
Serie	25,0										
Totalt	127,0										
Serie	48,0										
Totalt	175,0										

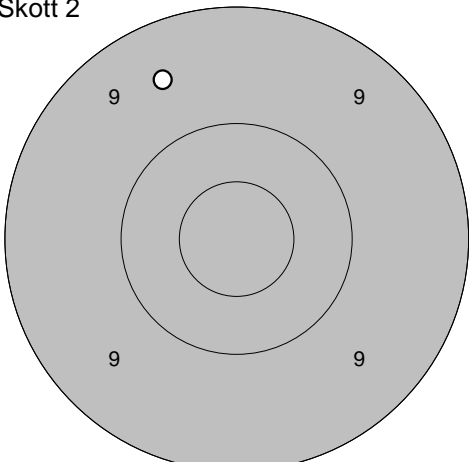
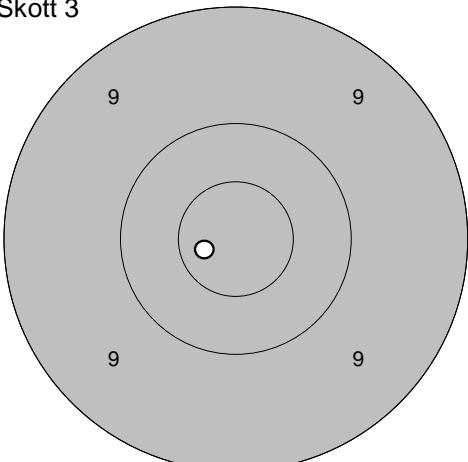
<p>Serie 2</p> 	<p>1: 9,3 ↑ 2: 10,1 ↖ 3: 10,7* ← 4: 10,0 ↙ 5: 9,7 →</p> <table border="1" style="width:100%; border-collapse: collapse;"> <tr><td>Serie</td><td style="text-align: right;">48,0</td></tr> <tr><td>Totalt</td><td style="text-align: right;">223,0</td></tr> </table>	Serie	48,0	Totalt	223,0	<p>Skott 1</p> 	<p>1: 9,8 ↓</p> <table border="1" style="width:100%; border-collapse: collapse;"> <tr><td>Serie</td><td style="text-align: right;">9,0</td></tr> <tr><td>Totalt</td><td style="text-align: right;">232,0</td></tr> </table>	Serie	9,0	Totalt	232,0
Serie	48,0										
Totalt	223,0										
Serie	9,0										
Totalt	232,0										

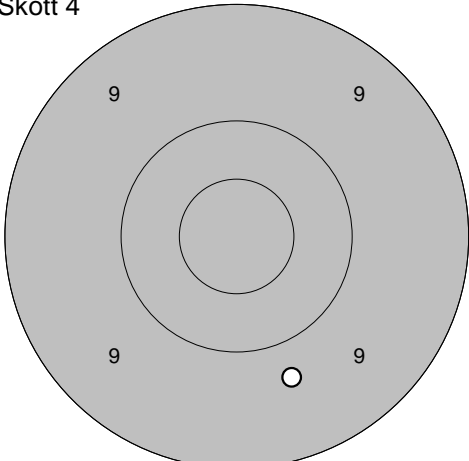
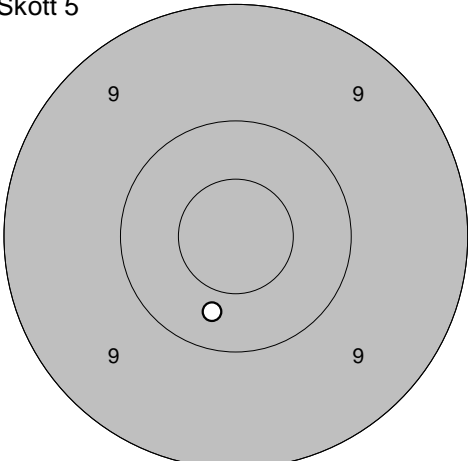
<p>Skott 2</p> 	<p>1: 9,9 ↖</p> <table border="1" style="width:100%; border-collapse: collapse;"> <tr><td>Serie</td><td style="text-align: right;">9,0</td></tr> <tr><td>Totalt</td><td style="text-align: right;">241,0</td></tr> </table>	Serie	9,0	Totalt	241,0	<p>Skott 3</p> 	<p>1: 5,5 →</p> <table border="1" style="width:100%; border-collapse: collapse;"> <tr><td>Serie</td><td style="text-align: right;">5,0</td></tr> <tr><td>Totalt</td><td style="text-align: right;">246,0</td></tr> </table>	Serie	5,0	Totalt	246,0
Serie	9,0										
Totalt	241,0										
Serie	5,0										
Totalt	246,0										

<p>Skott 4</p> 	<p>1: 9,0 ↘</p> <table border="1" style="width:100%; border-collapse: collapse;"> <tr><td>Serie</td><td style="text-align: right;">9,0</td></tr> <tr><td>Totalt</td><td style="text-align: right;">255,0</td></tr> </table>	Serie	9,0	Totalt	255,0	<p>Skott 5</p> 	<p>1: 8,7 →</p> <table border="1" style="width:100%; border-collapse: collapse;"> <tr><td>Serie</td><td style="text-align: right;">8,0</td></tr> <tr><td>Totalt</td><td style="text-align: right;">263,0</td></tr> </table>	Serie	8,0	Totalt	263,0
Serie	9,0										
Totalt	255,0										
Serie	8,0										
Totalt	263,0										

<p>Provsrott</p> 	<p>1: 10,3 ↗ 2: 10,0 ↗ 3: 10,5* ↓</p> <table border="1" style="width:100%; border-collapse: collapse;"> <tr><td style="text-align: right;">Serie</td><td style="text-align: right;">30,0</td></tr> <tr><td style="text-align: right;">Totalt</td><td style="text-align: right;">149,0</td></tr> </table>	Serie	30,0	Totalt	149,0	<p>Serie 1</p> 	<p>1: 9,6 ↓ 2: 10,3 ↖ 3: 10,4 ↗ 4: 10,4 → 5: 9,7 ↓</p> <table border="1" style="width:100%; border-collapse: collapse;"> <tr><td style="text-align: right;">Serie</td><td style="text-align: right;">48,0</td></tr> <tr><td style="text-align: right;">Totalt</td><td style="text-align: right;">197,0</td></tr> </table>	Serie	48,0	Totalt	197,0
Serie	30,0										
Totalt	149,0										
Serie	48,0										
Totalt	197,0										

<p>Serie 2</p> 	<p>1: 10,3 ↓ 2: 10,3 ↗ 3: 10,1 ↓ 4: 9,8 ↓ 5: 10,3 ↓</p> <table border="1" style="width:100%; border-collapse: collapse;"> <tr><td style="text-align: right;">Serie</td><td style="text-align: right;">49,0</td></tr> <tr><td style="text-align: right;">Totalt</td><td style="text-align: right;">246,0</td></tr> </table>	Serie	49,0	Totalt	246,0	<p>Skott 1</p> 	<p>1: 10,5* ↓</p> <table border="1" style="width:100%; border-collapse: collapse;"> <tr><td style="text-align: right;">Serie</td><td style="text-align: right;">10,0</td></tr> <tr><td style="text-align: right;">Totalt</td><td style="text-align: right;">256,0</td></tr> </table>	Serie	10,0	Totalt	256,0
Serie	49,0										
Totalt	246,0										
Serie	10,0										
Totalt	256,0										

<p>Skott 2</p> 	<p>1: 9,5 ↖</p> <table border="1" style="width:100%; border-collapse: collapse;"> <tr><td style="text-align: right;">Serie</td><td style="text-align: right;">9,0</td></tr> <tr><td style="text-align: right;">Totalt</td><td style="text-align: right;">265,0</td></tr> </table>	Serie	9,0	Totalt	265,0	<p>Skott 3</p> 	<p>1: 10,7* ←</p> <table border="1" style="width:100%; border-collapse: collapse;"> <tr><td style="text-align: right;">Serie</td><td style="text-align: right;">10,0</td></tr> <tr><td style="text-align: right;">Totalt</td><td style="text-align: right;">275,0</td></tr> </table>	Serie	10,0	Totalt	275,0
Serie	9,0										
Totalt	265,0										
Serie	10,0										
Totalt	275,0										

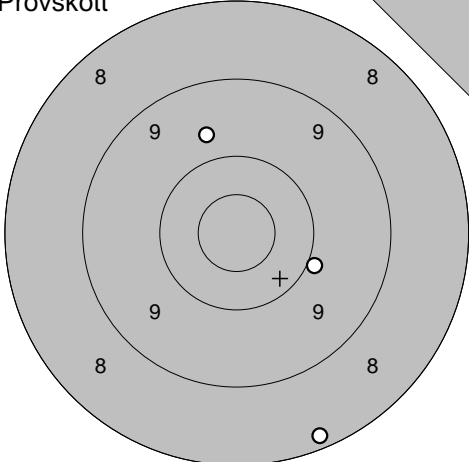
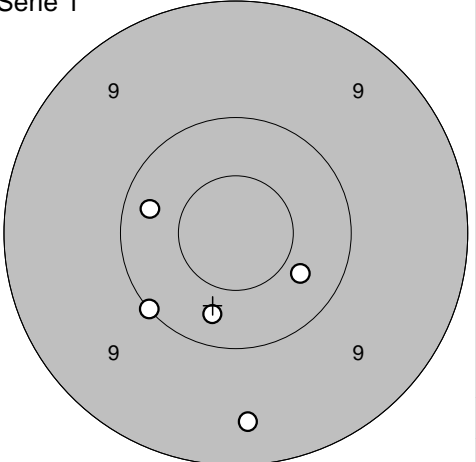
<p>Skott 4</p> 	<p>1: 9,7 ↓</p> <table border="1" style="width:100%; border-collapse: collapse;"> <tr><td style="text-align: right;">Serie</td><td style="text-align: right;">9,0</td></tr> <tr><td style="text-align: right;">Totalt</td><td style="text-align: right;">284,0</td></tr> </table>	Serie	9,0	Totalt	284,0	<p>Skott 5</p> 	<p>1: 10,3 ↓</p> <table border="1" style="width:100%; border-collapse: collapse;"> <tr><td style="text-align: right;">Serie</td><td style="text-align: right;">10,0</td></tr> <tr><td style="text-align: right;">Totalt</td><td style="text-align: right;">294,0</td></tr> </table>	Serie	10,0	Totalt	294,0
Serie	9,0										
Totalt	284,0										
Serie	10,0										
Totalt	294,0										

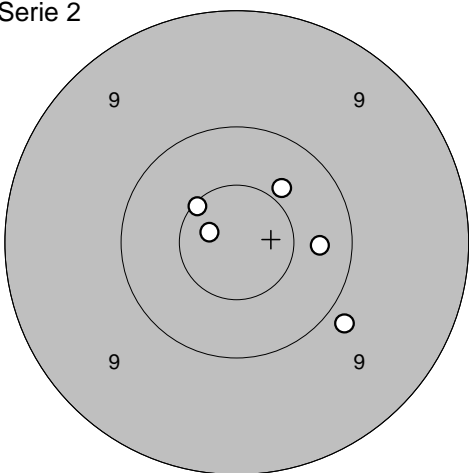
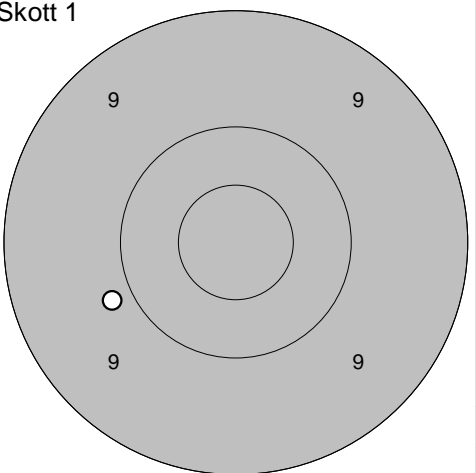
<p>Provs-kott</p>	<p>Serie 1</p>	
1: 10,1 ← 2: 10,6* → 3: 10,8* →	1: 10,6* ↑ 2: 10,2 ↑ 3: 9,3 ← 4: 10,4 ↑ 5: 9,9 ←	
Serie 30,0 Totalt 146,0	Serie 48,0 Totalt 194,0	

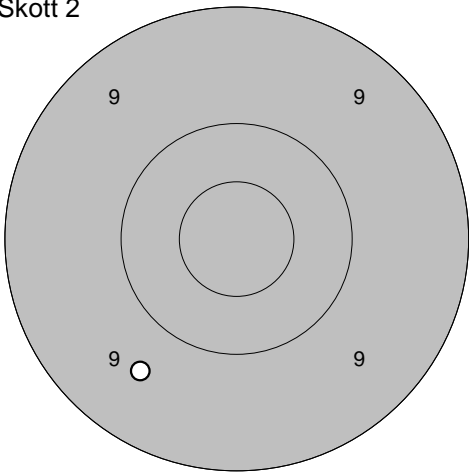
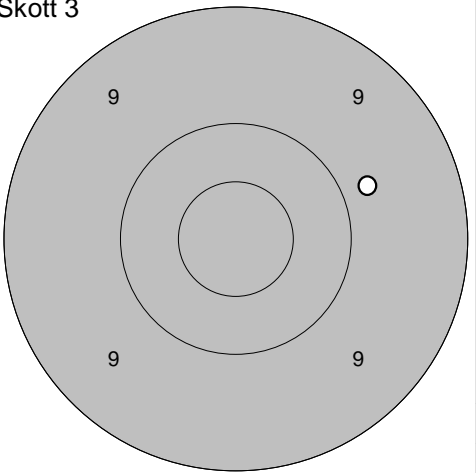
<p>Serie 2</p>	<p>Skott 1</p>	
1: 10,2 ↓ 2: 10,0 ↓ 3: 10,4 ← 4: 10,2 ← 5: 9,3 ↓	1: 9,9 →	
Serie 49,0 Totalt 243,0	Serie 9,0 Totalt 252,0	

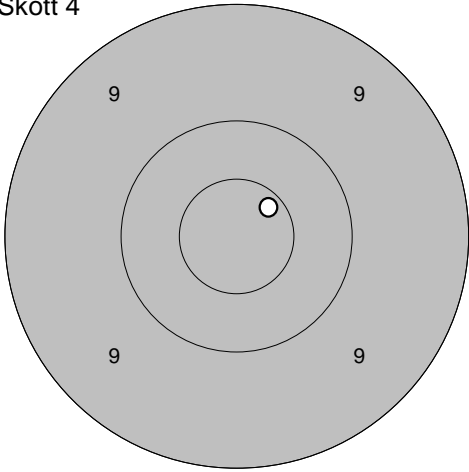
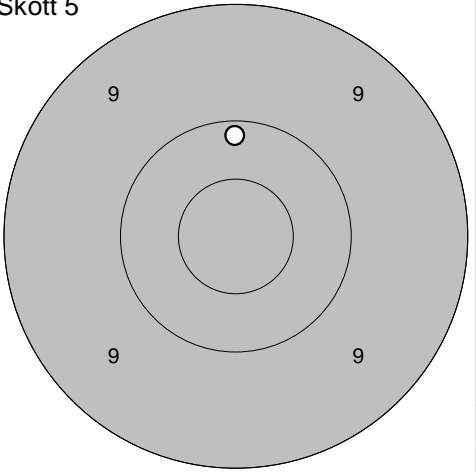
<p>Skott 2</p>	<p>Skott 3</p>	
1: 9,1 ↑	1: 9,7 ↑	
Serie 9,0 Totalt 261,0	Serie 9,0 Totalt 270,0	

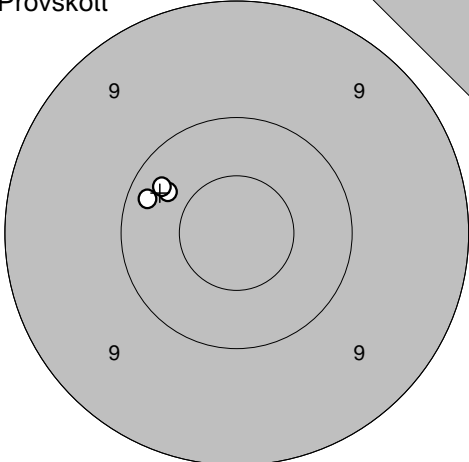
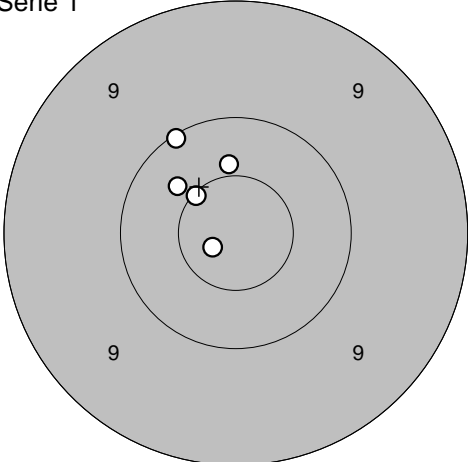
<p>Skott 4</p>	<p>Skott 5</p>	
1: 10,4 ↓	1: 10,7* →	
Serie 10,0 Totalt 280,0	Serie 10,0 Totalt 290,0	

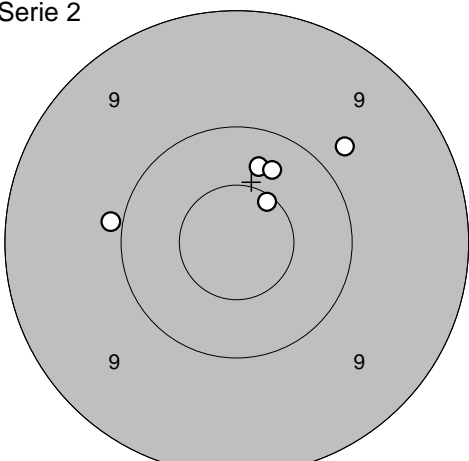
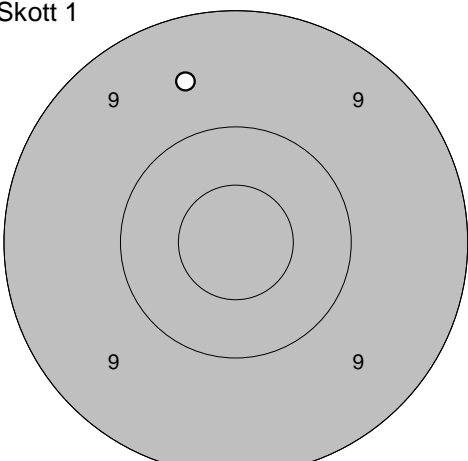
<p>Provs-kott</p> 	<p>1: 8,2 ↘ 2: 9,9 → 3: 9,7 ↑</p>	<p>Serie 1</p> 	<p>1: 10,0 ↙ 2: 10,3 ← 3: 10,4 ↘ 4: 10,3 ↓ 5: 9,4 ↓</p>
Serie 26,0		Serie 49,0	
Totalt 145,0		Totalt 194,0	

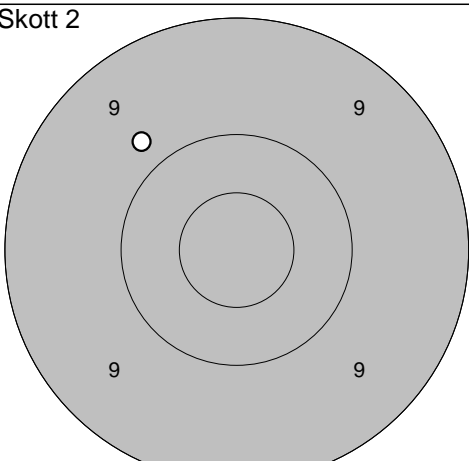
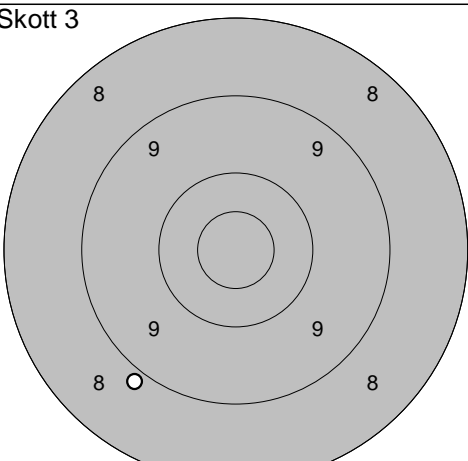
<p>Serie 2</p> 	<p>1: 10,8* ← 2: 10,6* ↗ 3: 10,3 → 4: 9,9 ↘ 5: 10,4 ↗</p>	<p>Skott 1</p> 	<p>1: 9,9 ↙</p>
Serie 49,0		Serie 9,0	
Totalt 243,0		Totalt 252,0	

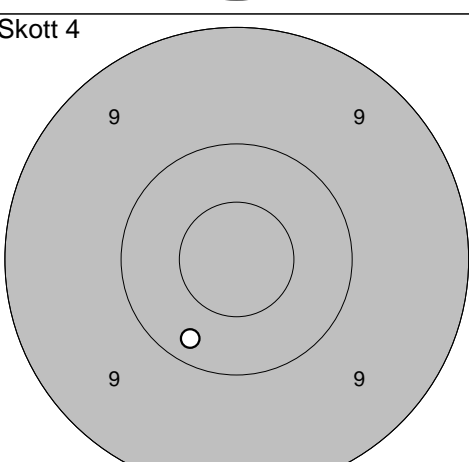
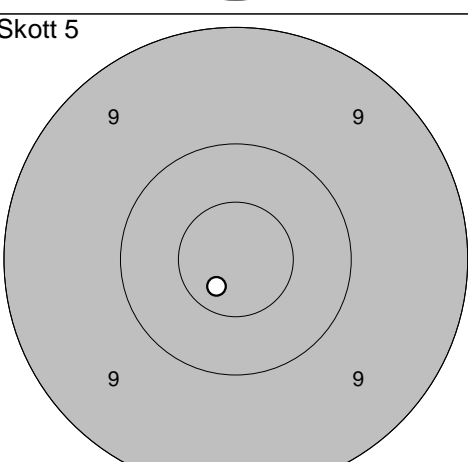
<p>Skott 2</p> 	<p>1: 9,6 ↘</p>	<p>Skott 3</p> 	<p>1: 9,8 →</p>
Serie 9,0		Serie 9,0	
Totalt 261,0		Totalt 270,0	

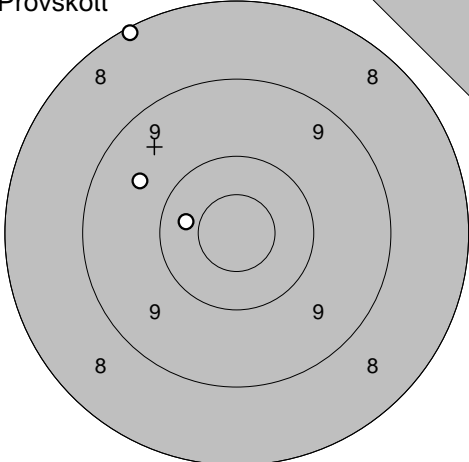
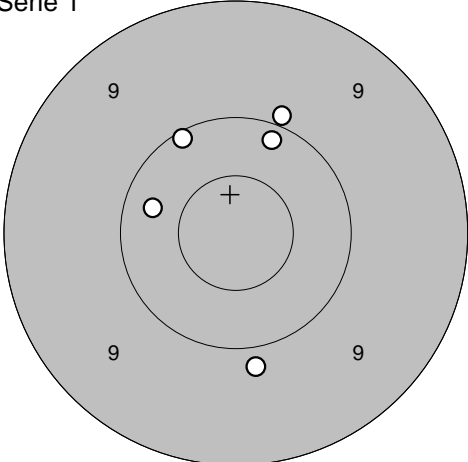
<p>Skott 4</p> 	<p>1: 10,7* ↗</p>	<p>Skott 5</p> 	<p>1: 10,2 ↑</p>
Serie 10,0		Serie 10,0	
Totalt 280,0		Totalt 290,0	

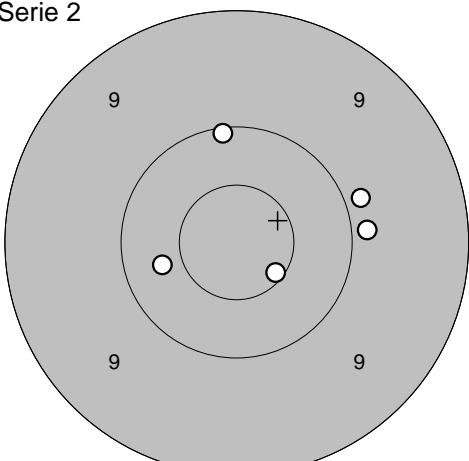
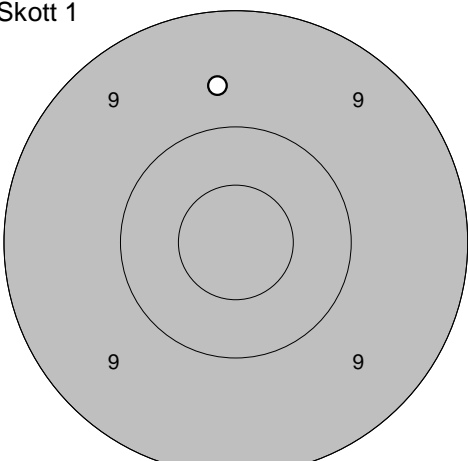
Provs-kott 	1: 10,2 ← 2: 10,3 ↗ 3: 10,3 ↖ <hr/> Serie 30,0 Totalt 144,0	Serie 1 	1: 10,4 ↑ 2: 10,6* ↗ 3: 10,1 ↗ 4: 10,4 ↗ 5: 10,8* ↙ <hr/> Serie 50,0 Totalt 194,0
---	---	--	---

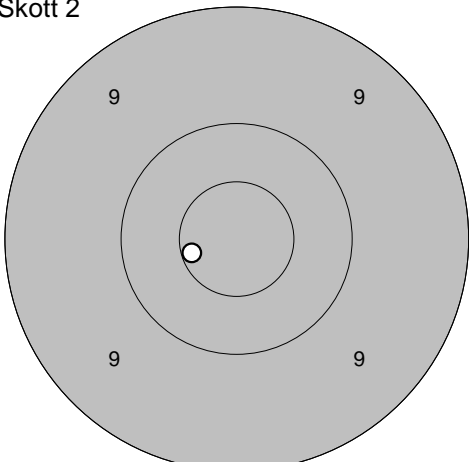
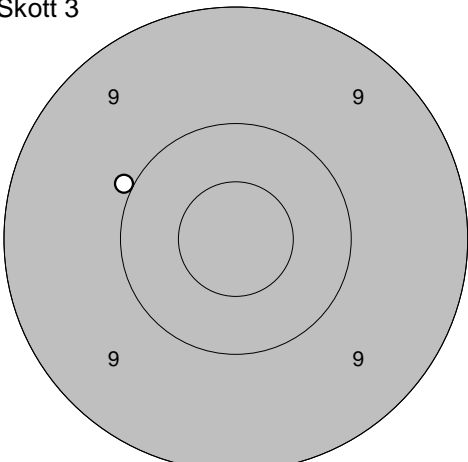
Serie 2 	1: 10,3 ↑ 2: 9,8 ↗ 3: 10,3 ↑ 4: 9,9 ← 5: 10,6* ↗ <hr/> Serie 48,0 Totalt 242,0	Skott 1 	1: 9,6 ↑ <hr/> Serie 9,0 Totalt 251,0
---	--	---	---

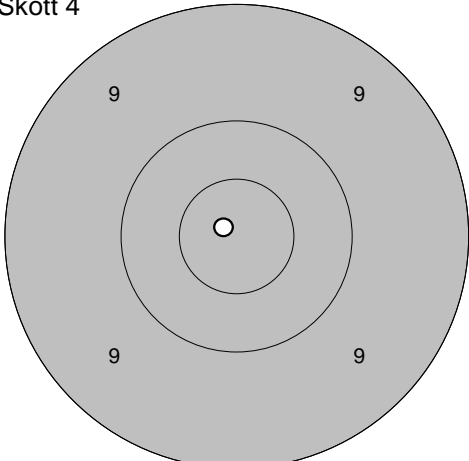
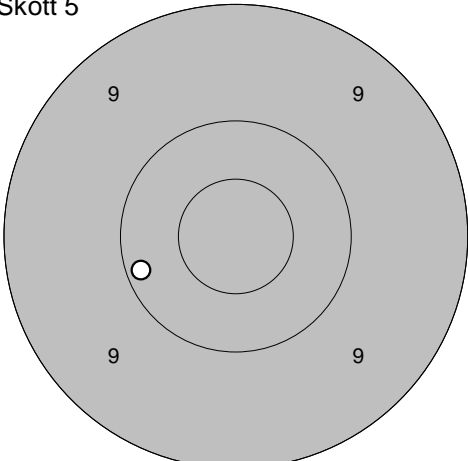
Skott 2 	1: 9,8 ↖ <hr/> Serie 9,0 Totalt 260,0	Skott 3 	1: 8,9 ↙ <hr/> Serie 8,0 Totalt 268,0
--	---	--	---

Skott 4 	1: 10,2 ↘ <hr/> Serie 10,0 Totalt 278,0	Skott 5 	1: 10,7* ↘ <hr/> Serie 10,0 Totalt 288,0
--	---	--	--

Provs-kott 	1: 9,6 ↙ 2: 8,1 ↗ 3: 10,4 ↖ <hr/> Serie 27,0 Totalt 143,0	Serie 1 	1: 9,9 ↗ 2: 10,1 ↖ 3: 10,2 ↗ 4: 10,3 ↖ 5: 9,9 ↘ <hr/> Serie 48,0 Totalt 191,0
---	---	--	---

Serie 2 	1: 10,1 ↑ 2: 9,9 → 3: 9,9 → 4: 10,4 ↖ 5: 10,6* ↘ <hr/> Serie 48,0 Totalt 239,0	Skott 1 	1: 9,7 ↑ <hr/> Serie 9,0 Totalt 248,0
---	--	---	---

Skott 2 	1: 10,6* ↖ <hr/> Serie 10,0 Totalt 258,0	Skott 3 	1: 10,0 ↖ <hr/> Serie 10,0 Totalt 268,0
--	--	--	---

Skott 4 	1: 10,9* ↖ <hr/> Serie 10,0 Totalt 278,0	Skott 5 	1: 10,2 ↖ <hr/> Serie 10,0 Totalt 288,0
--	--	--	---

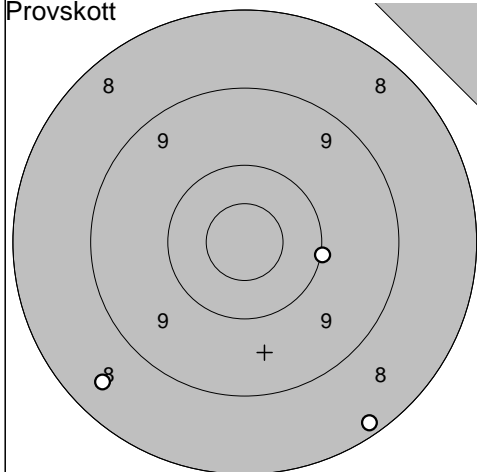
Dals Ed

2011-07-10

Tavelträffen 2011 A Final

Ramselefors SKF

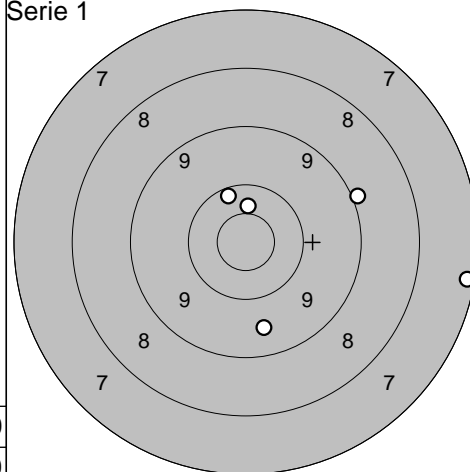
Provskott



1: 8,2 ↘
 2: 10,0 →
 3: 8,5 ↙

Serie 26,0
 Totalt 133,0

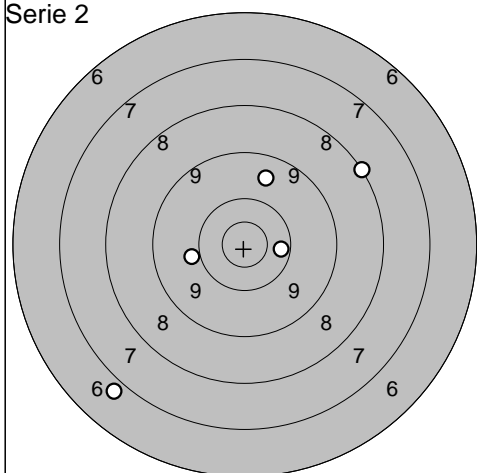
Serie 1



1: 10,2 ↗
 2: 9,0 →
 3: 9,6 ↓
 4: 10,5* ↑
 5: 7,2 →

Serie 45,0
 Totalt 178,0

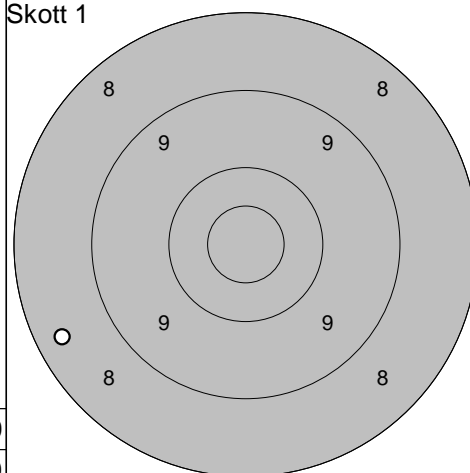
Serie 2



1: 8,1 ↗
 2: 10,3 →
 3: 6,9 ↙
 4: 9,6 ↑
 5: 9,9 ←

Serie 42,0
 Totalt 220,0

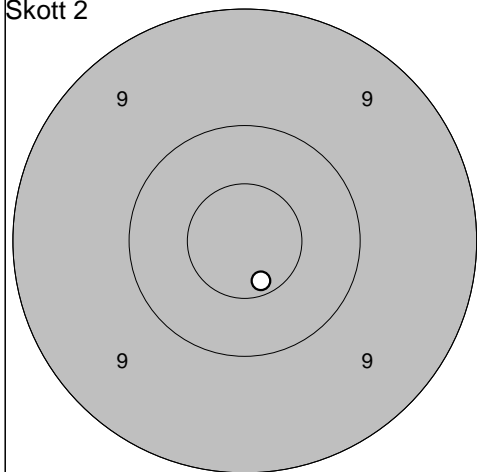
Skott 1



1: 8,4 ↙

Serie 8,0
 Totalt 228,0

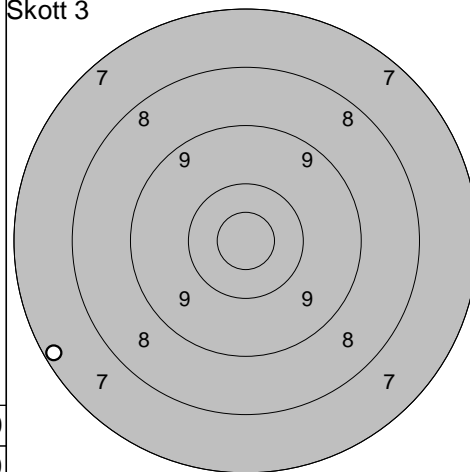
Skott 2



1: 10,7* ↘

Serie 10,0
 Totalt 238,0

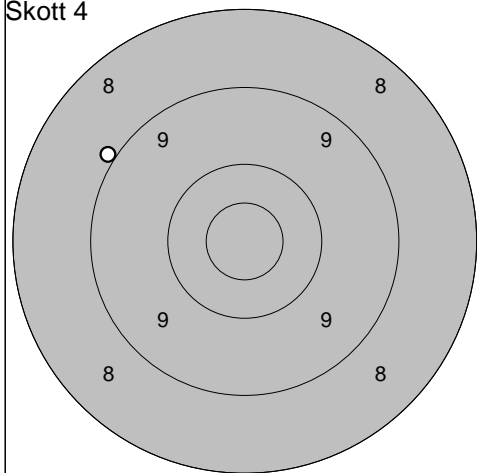
Skott 3



1: 7,3 ↙

Serie 7,0
 Totalt 245,0

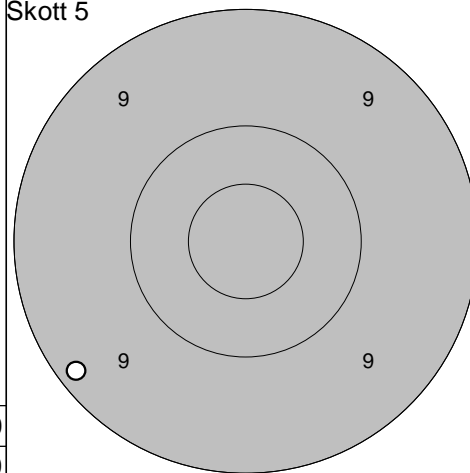
Skott 4



1: 9,0 ↙

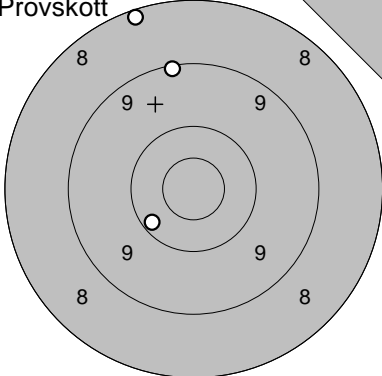
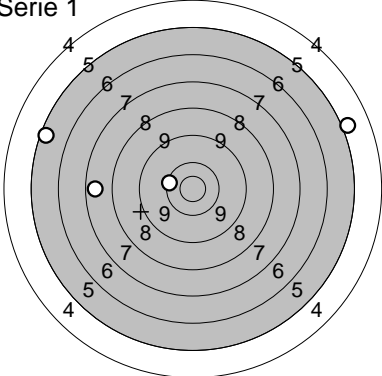
Serie 9,0
 Totalt 254,0

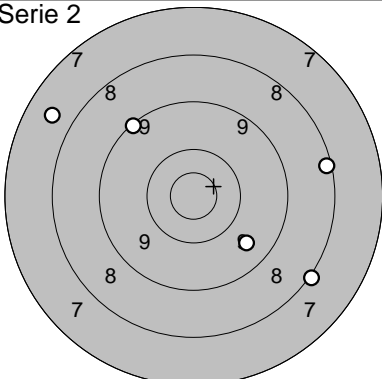
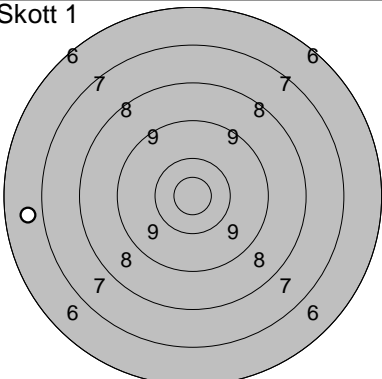
Skott 5

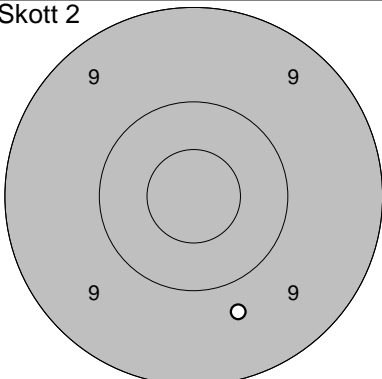
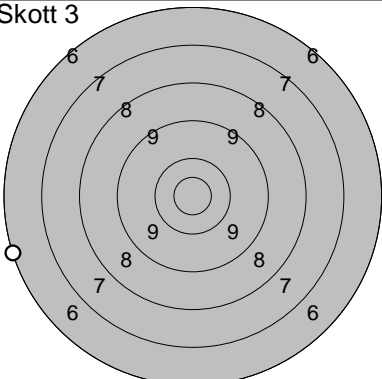


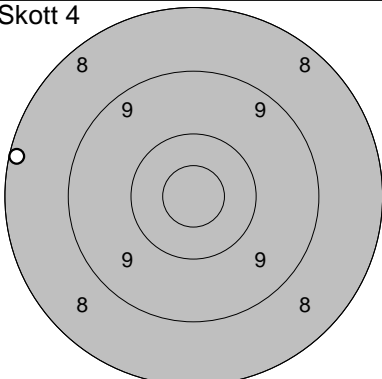
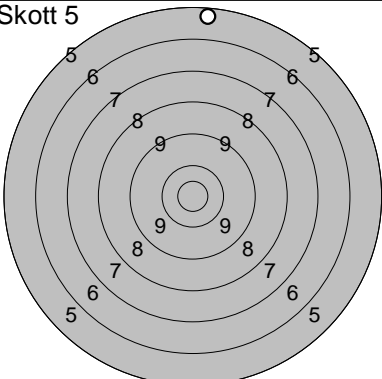
1: 9,2 ↙

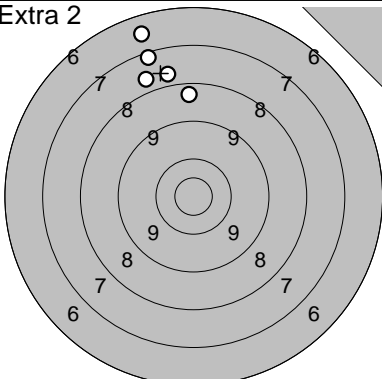
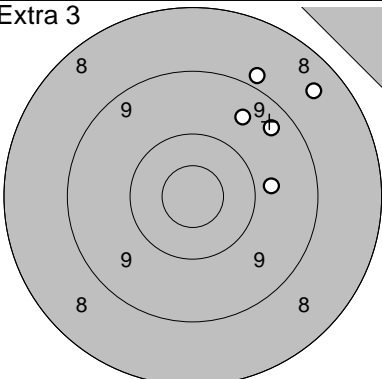
Serie 9,0
 Totalt 263,0

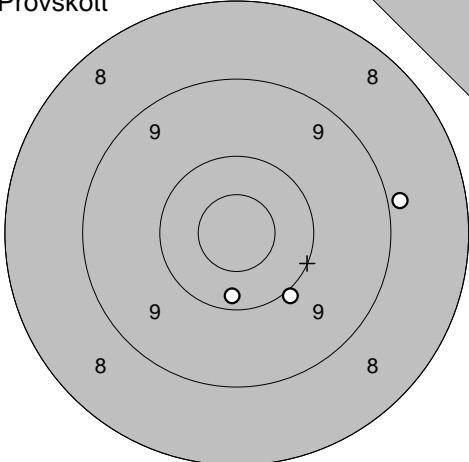
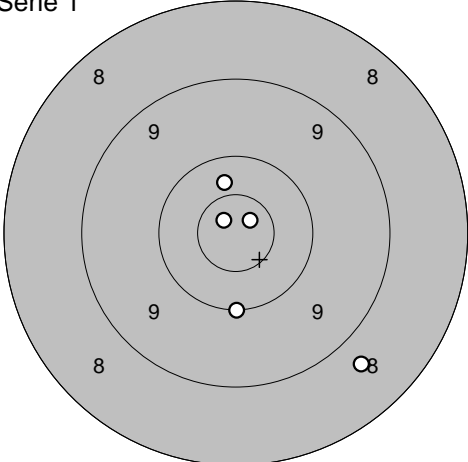
Provsnitt 	1: 8,2 ↑ 2: 9,1 ↑ 3: 10,2 ↙	Serie 1 	1: 10,3 ← 2: 5,5 ← 3: 0,0 ↓ 4: 5,0 → 5: 7,6 ←
Serie 27,0		Serie 27,0	
Totalt 103,0		Totalt 130,0	

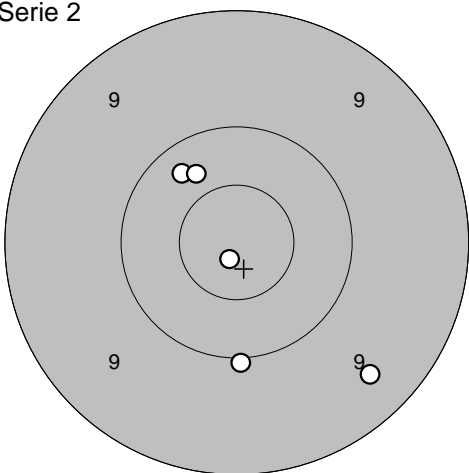
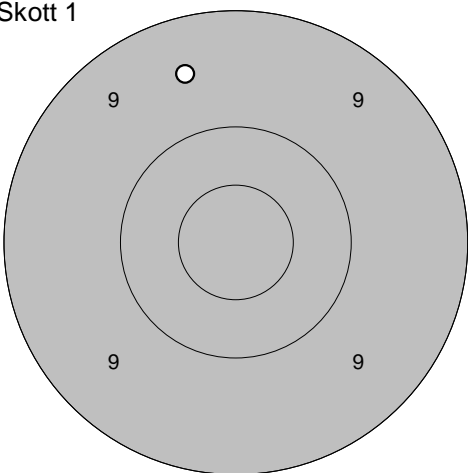
Serie 2 	1: 8,1 ↘ 2: 8,2 → 3: 7,7 ↗ 4: 9,2 ↗ 5: 9,6 ↓	Skott 1 	1: 6,8 ←
Serie 41,0		Serie 6,0	
Totalt 171,0		Totalt 177,0	

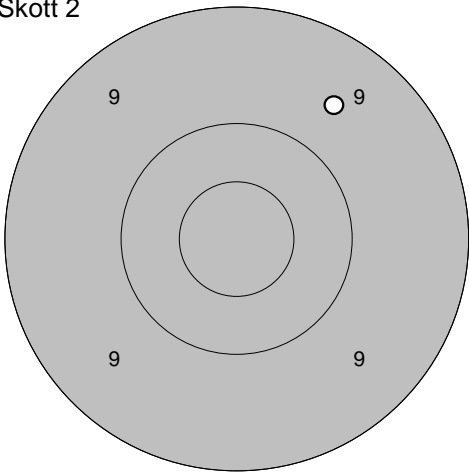
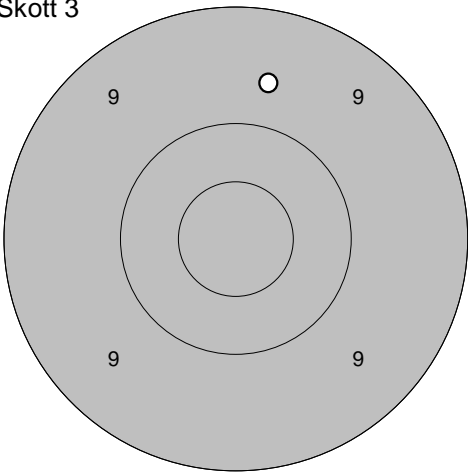
Skott 2 	1: 9,7 ↓	Skott 3 	1: 6,2 ←
Serie 9,0		Serie 6,0	
Totalt 186,0		Totalt 192,0	

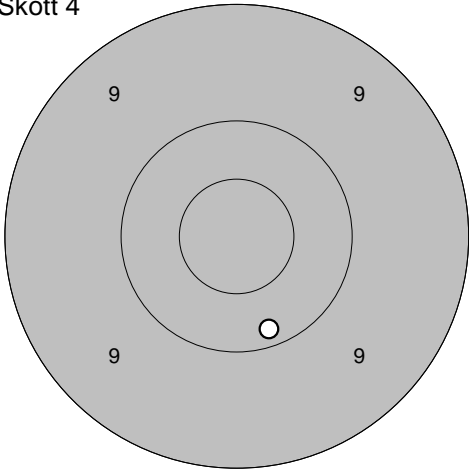
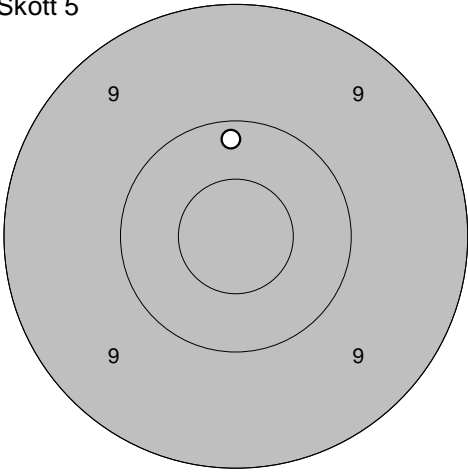
Skott 4 	1: 8,2 ←	Skott 5 	1: 5,5 ↑
Serie 8,0		Serie 5,0	
Totalt 200,0		Totalt 205,0	

Extra 2 	1: 7,3 ↑ 2: 8,5 ↑ 3: 7,8 ↑ 4: 6,6 ↑ 5: 7,8 ↑	Extra 3 	1: 9,8 → 2: 8,5 ↗ 3: 9,6 ↗ 4: 8,9 ↗ 5: 9,4 ↗
Serie 35,0		Serie 43,0	
Totalt 205,0		Totalt 205,0	

Provsnitt 	1: 8,9 → 2: 10,2 ↓ 3: 10,0 ↓ <hr/> Serie 28,0 Totalt 146,0	Serie 1 	1: 8,7 ↘ 2: 10,8* ↗ 3: 10,4 ↑ 4: 10,8* ↗ 5: 10,0 ↓ <hr/> Serie 48,0 Totalt 194,0
--	--	--	--

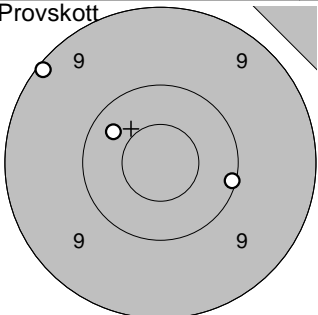
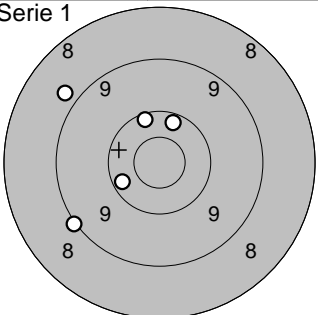
Serie 2 	1: 10,0 ↓ 2: 10,3 ↗ 3: 10,3 ↗ 4: 10,9* ↓ 5: 9,4 ↓ <hr/> Serie 49,0 Totalt 243,0	Skott 1 	1: 9,5 ↑ <hr/> Serie 9,0 Totalt 252,0
---	---	---	---

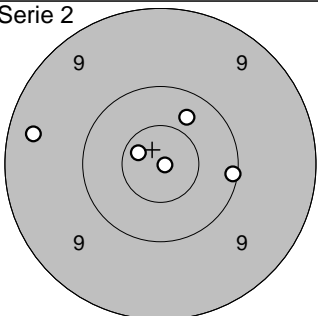
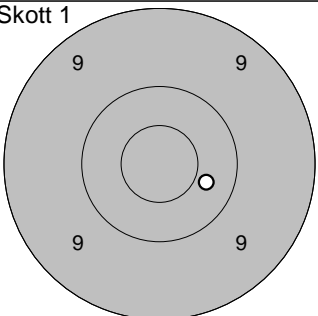
Skott 2 	1: 9,6 ↗ <hr/> Serie 9,0 Totalt 261,0	Skott 3 	1: 9,7 ↑ <hr/> Serie 9,0 Totalt 270,0
--	---	--	---

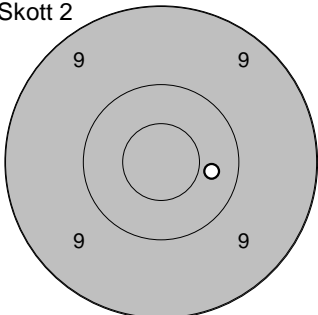
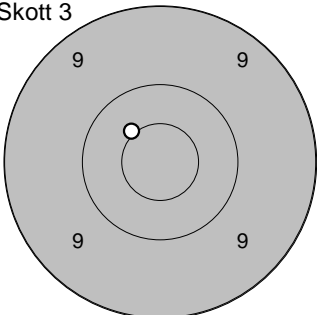
Skott 4 	1: 10,2 ↓ <hr/> Serie 10,0 Totalt 280,0	Skott 5 	1: 10,2 ↑ <hr/> Serie 10,0 Totalt 290,0
--	---	--	---

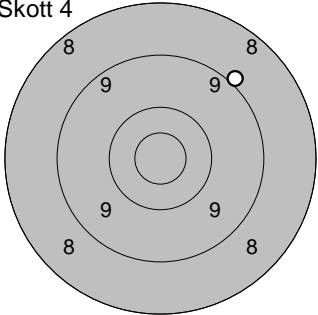
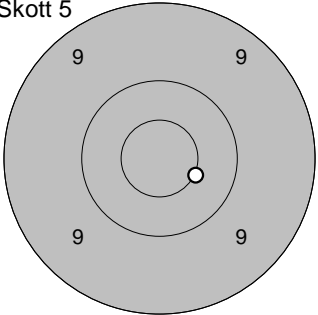
Loos

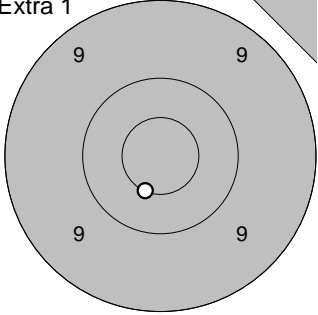
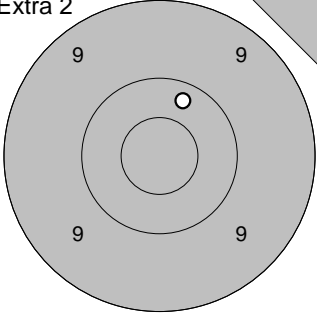
2011-07-10	Tavelträffen 2011 A Final	Ramselefors SKF
------------	---------------------------	-----------------

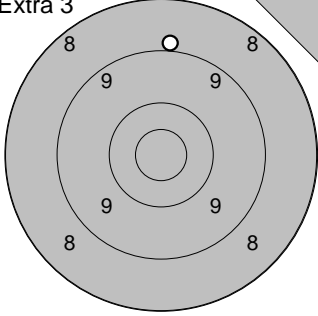
<p>Provskott</p> 	<p>1: 10,3 ↗ 2: 9,1 ↘ 3: 10,1 ↗</p>	<p>Serie 1</p> 	<p>1: 9,1 ↖ 2: 10,3 ↖ 3: 10,3 ↗ 4: 8,9 ↖ 5: 10,2 ↗</p>
<p>Serie 29,0</p>		<p>Serie 47,0</p>	
<p>Totalt 146,0</p>		<p>Totalt 193,0</p>	

<p>Serie 2</p> 	<p>1: 9,4 ↖ 2: 10,4 ↗ 3: 10,9* ↘ 4: 10,1 ↗ 5: 10,7* ↗</p>	<p>Skott 1</p> 	<p>1: 10,4 ↗</p>
<p>Serie 49,0</p>		<p>Serie 10,0</p>	
<p>Totalt 242,0</p>		<p>Totalt 252,0</p>	

<p>Skott 2</p> 	<p>1: 10,4 ↗</p>	<p>Skott 3</p> 	<p>1: 10,5* ↖</p>
<p>Serie 10,0</p>		<p>Serie 10,0</p>	
<p>Totalt 262,0</p>		<p>Totalt 272,0</p>	

<p>Skott 4</p> 	<p>1: 9,0 ↗</p>	<p>Skott 5</p> 	<p>1: 10,5* ↗</p>
<p>Serie 9,0</p>		<p>Serie 10,0</p>	
<p>Totalt 281,0</p>		<p>Totalt 291,0</p>	

<p>Extra 1</p> 	<p>1: 10,6* ↖</p>	<p>Extra 2</p> 	<p>1: 10,3 ↗</p>
<p>Serie 10,0</p>		<p>Serie 10,0</p>	
<p>Totalt 291,0</p>		<p>Totalt 291,0</p>	

<p>Extra 3</p> 	<p>1: 8,9 ↗</p>		
<p>Serie 8,0</p>			
<p>Totalt 291,0</p>			

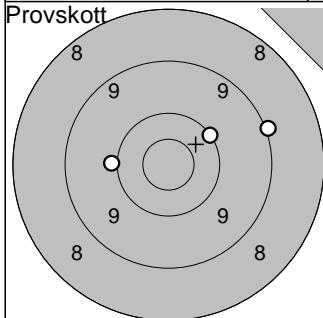
Dals Ed

2011-07-10

Tavelträffen 2011 A Final

Ramselefors SKF

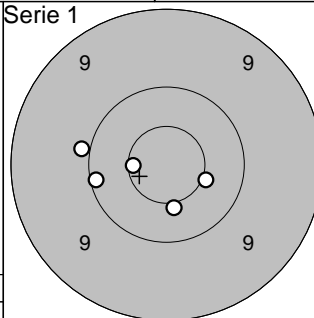
Provskott



1: 9,0 →
 2: 10,1 ↗
 3: 10,0 ←

Serie 29,0
 Totalt 145,0

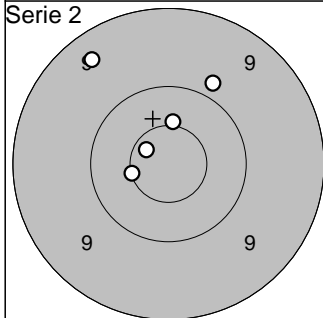
Serie 1



1: 10,6* ←
 2: 10,5* ↓
 3: 10,5* →
 4: 10,1 ←
 5: 9,9 ↖

Serie 49,0
 Totalt 194,0

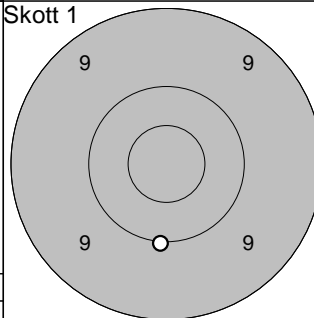
Serie 2



1: 10,6* ←
 2: 10,7* ↗
 3: 9,4 ↗
 4: 9,9 ↗
 5: 10,5* ↑

Serie 48,0
 Totalt 242,0

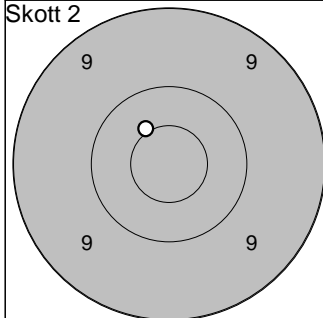
Skott 1



1: 10,0 ↓

Serie 10,0
 Totalt 252,0

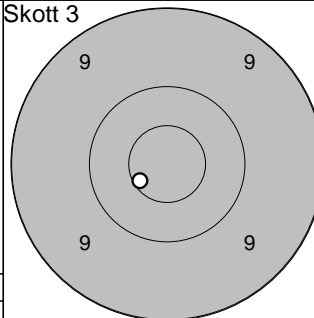
Skott 2



1: 10,5* ↖

Serie 10,0
 Totalt 262,0

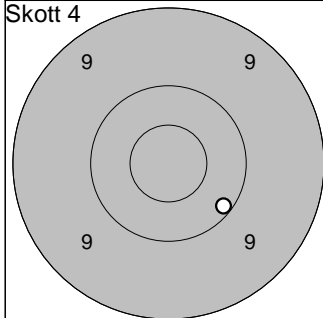
Skott 3



1: 10,6* ←

Serie 10,0
 Totalt 272,0

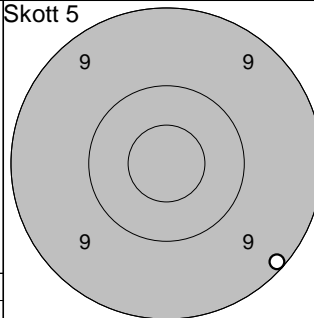
Skott 4



1: 10,1 →

Serie 10,0
 Totalt 282,0

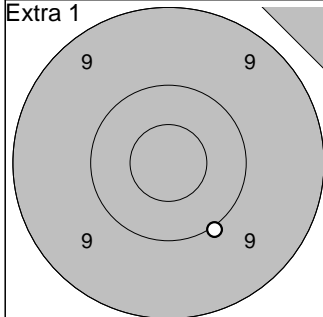
Skott 5



1: 9,1 ↘

Serie 9,0
 Totalt 291,0

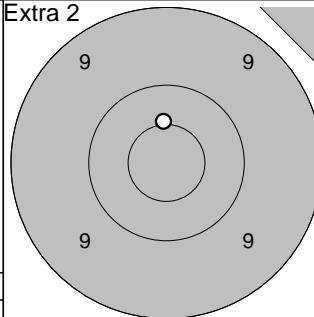
Extra 1



1: 10,0 ↘

Serie 10,0
 Totalt 291,0

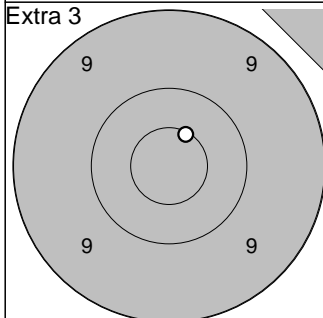
Extra 2



1: 10,5* ↑

Serie 10,0
 Totalt 291,0

Extra 3

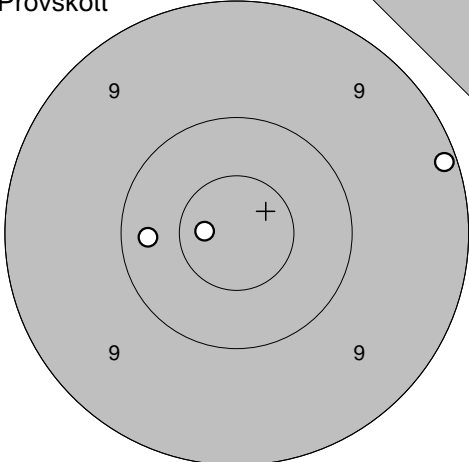
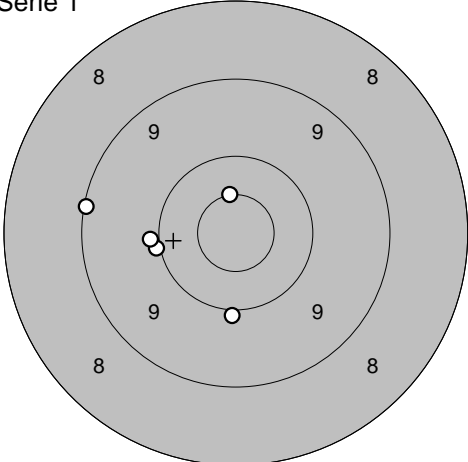


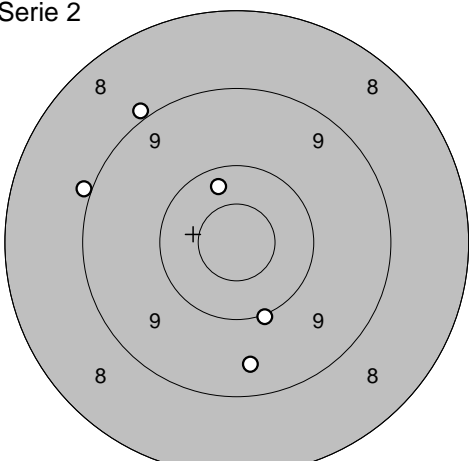
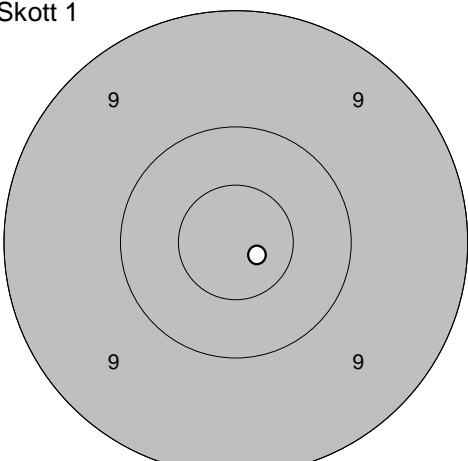
1: 10,6* ↗

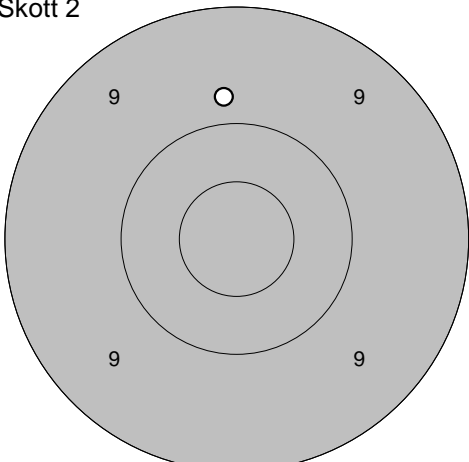
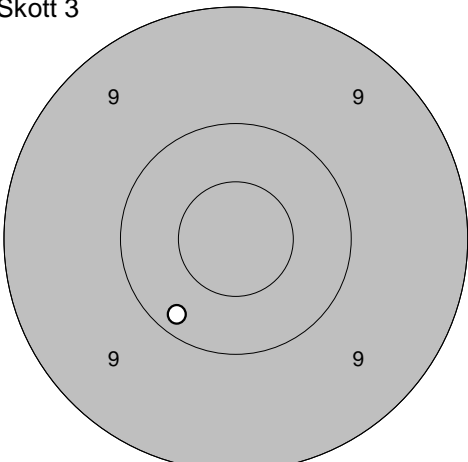
Serie 10,0
 Totalt 291,0

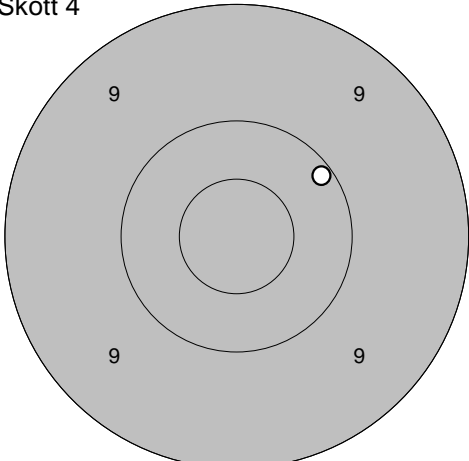
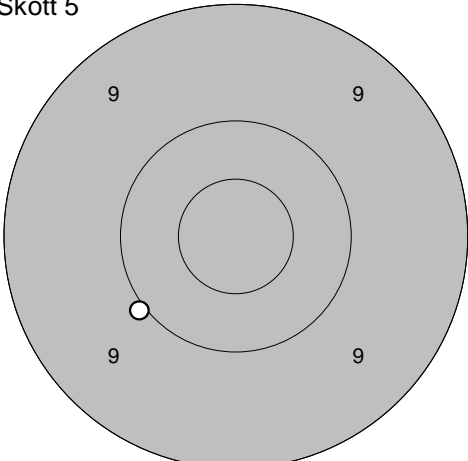
Ale

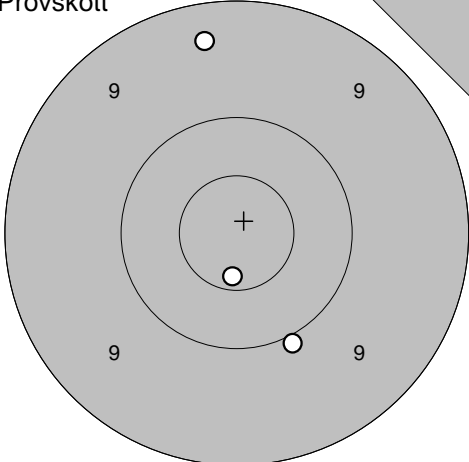
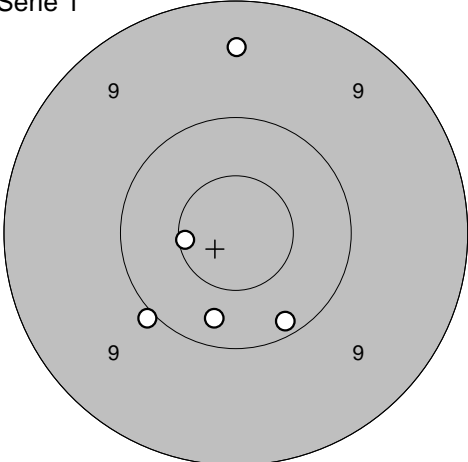
2011-07-10	Tavelträffen 2011 A Final	Ramselefors SKF
------------	---------------------------	-----------------

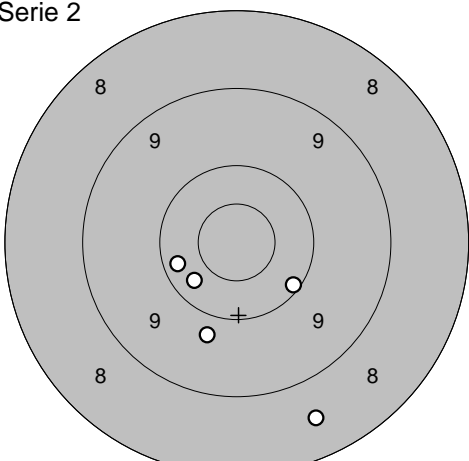
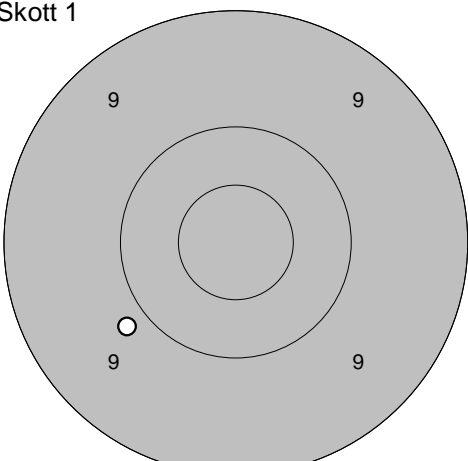
<p>Provs skott</p> 	<p>1: 9,1 → 2: 10,8* ← 3: 10,3 ←</p>	<p>Serie 1</p> 	<p>1: 10,5* ↑ 2: 10,0 ← 3: 10,0 ↓ 4: 9,1 ← 5: 9,9 ←</p>
	Serie 29,0		Serie 48,0
	Totalt 143,0		Totalt 191,0

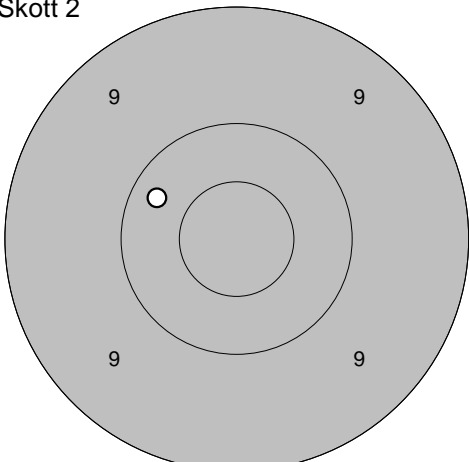
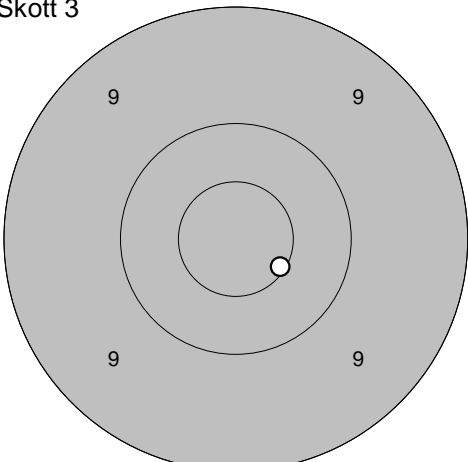
<p>Serie 2</p> 	<p>1: 10,3 ↑ 2: 9,0 ↗ 3: 9,5 ↓ 4: 9,0 ↖ 5: 10,0 ↓</p>	<p>Skott 1</p> 	<p>1: 10,8* ↘</p>
	Serie 47,0		Serie 10,0
	Totalt 238,0		Totalt 248,0

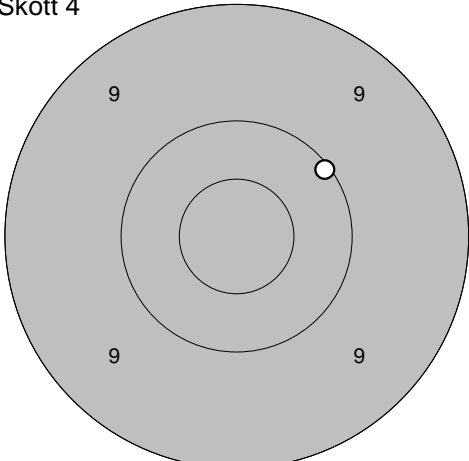
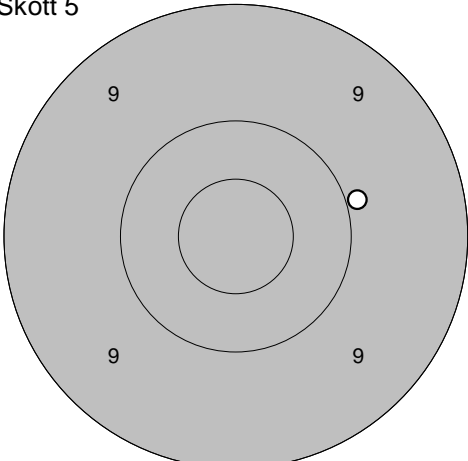
<p>Skott 2</p> 	<p>1: 9,8 ↑</p>	<p>Skott 3</p> 	<p>1: 10,2 ↙</p>
	Serie 9,0		Serie 10,0
	Totalt 257,0		Totalt 267,0

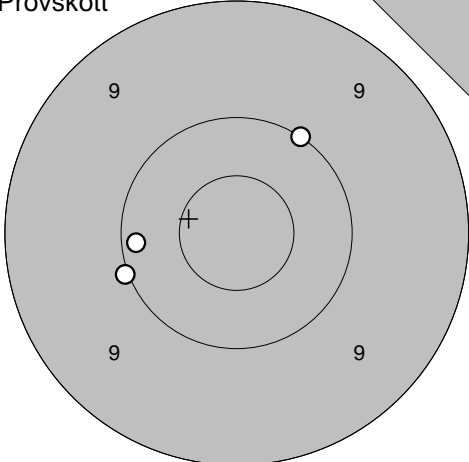
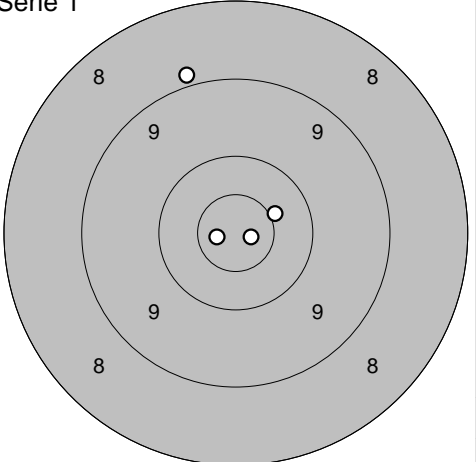
<p>Skott 4</p> 	<p>1: 10,1 ↗</p>	<p>Skott 5</p> 	<p>1: 10,0 ↖</p>
	Serie 10,0		Serie 10,0
	Totalt 277,0		Totalt 287,0

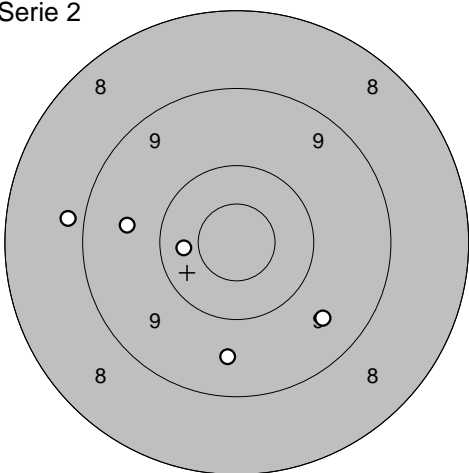
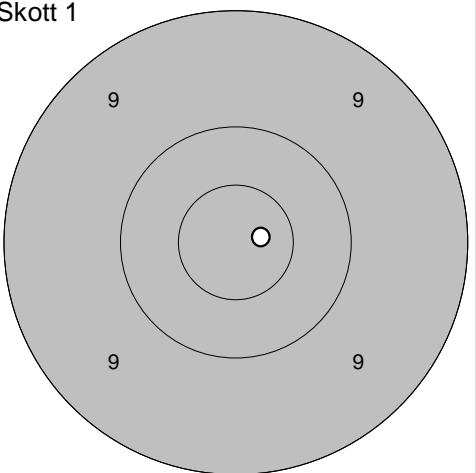
<p>Provsnitt</p> 	<p>1: 10,0 ↘ 2: 9,4 ↑ 3: 10,7* ↓</p> <table border="1" style="width:100%; border-collapse: collapse;"> <tr><td style="text-align: right;">Serie</td><td style="text-align: right;">29,0</td></tr> <tr><td style="text-align: right;">Totalt</td><td style="text-align: right;">142,0</td></tr> </table>	Serie	29,0	Totalt	142,0	<p>Serie 1</p> 	<p>1: 10,3 ↓ 2: 9,4 ↑ 3: 10,6* ← 4: 10,0 ↙ 5: 10,2 ↓</p> <table border="1" style="width:100%; border-collapse: collapse;"> <tr><td style="text-align: right;">Serie</td><td style="text-align: right;">49,0</td></tr> <tr><td style="text-align: right;">Totalt</td><td style="text-align: right;">191,0</td></tr> </table>	Serie	49,0	Totalt	191,0
Serie	29,0										
Totalt	142,0										
Serie	49,0										
Totalt	191,0										

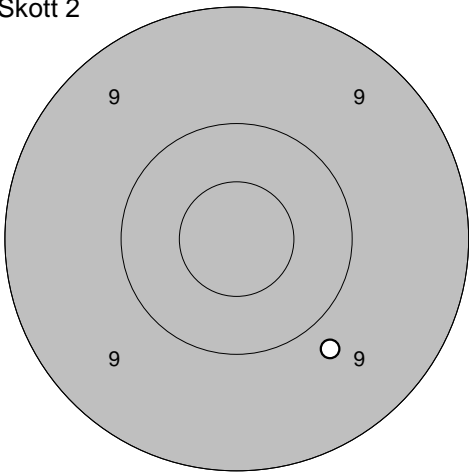
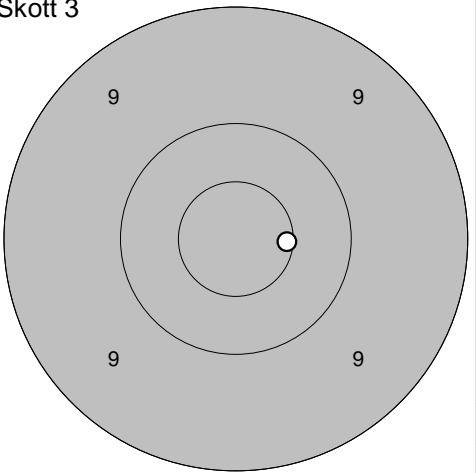
<p>Serie 2</p> 	<p>1: 10,3 ↙ 2: 9,8 ↓ 3: 8,6 ↓ 4: 10,1 ↘ 5: 10,2 ←</p> <table border="1" style="width:100%; border-collapse: collapse;"> <tr><td style="text-align: right;">Serie</td><td style="text-align: right;">47,0</td></tr> <tr><td style="text-align: right;">Totalt</td><td style="text-align: right;">238,0</td></tr> </table>	Serie	47,0	Totalt	238,0	<p>Skott 1</p> 	<p>1: 9,8 ↙</p> <table border="1" style="width:100%; border-collapse: collapse;"> <tr><td style="text-align: right;">Serie</td><td style="text-align: right;">9,0</td></tr> <tr><td style="text-align: right;">Totalt</td><td style="text-align: right;">247,0</td></tr> </table>	Serie	9,0	Totalt	247,0
Serie	47,0										
Totalt	238,0										
Serie	9,0										
Totalt	247,0										

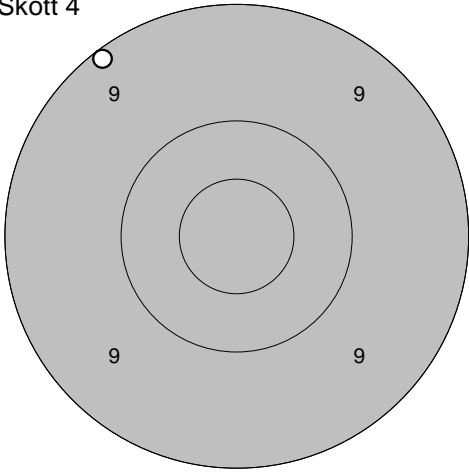
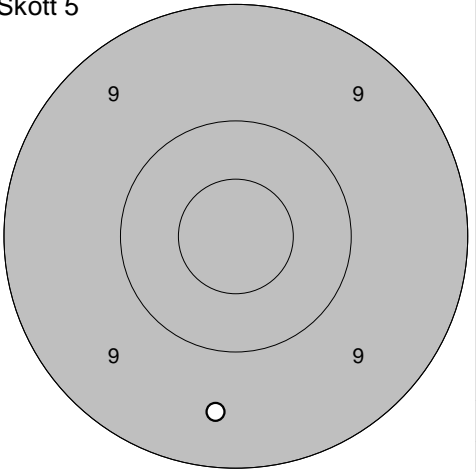
<p>Skott 2</p> 	<p>1: 10,3 ↖</p> <table border="1" style="width:100%; border-collapse: collapse;"> <tr><td style="text-align: right;">Serie</td><td style="text-align: right;">10,0</td></tr> <tr><td style="text-align: right;">Totalt</td><td style="text-align: right;">257,0</td></tr> </table>	Serie	10,0	Totalt	257,0	<p>Skott 3</p> 	<p>1: 10,6* ↗</p> <table border="1" style="width:100%; border-collapse: collapse;"> <tr><td style="text-align: right;">Serie</td><td style="text-align: right;">10,0</td></tr> <tr><td style="text-align: right;">Totalt</td><td style="text-align: right;">267,0</td></tr> </table>	Serie	10,0	Totalt	267,0
Serie	10,0										
Totalt	257,0										
Serie	10,0										
Totalt	267,0										

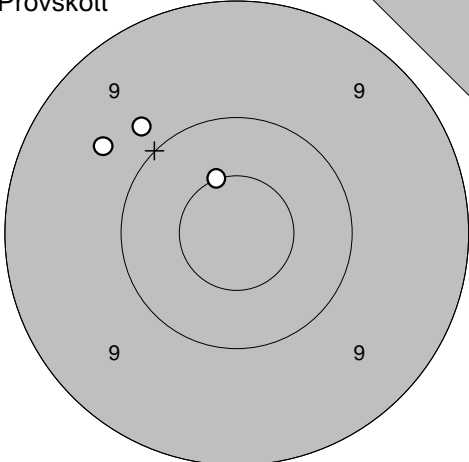
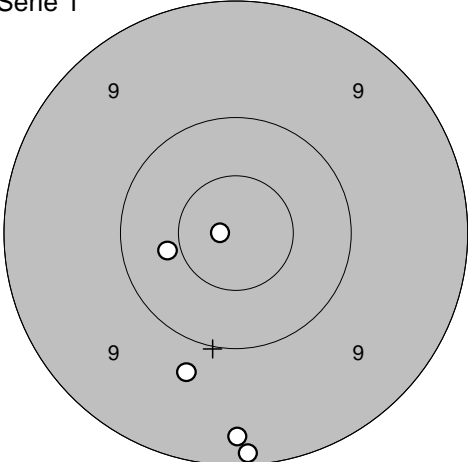
<p>Skott 4</p> 	<p>1: 10,1 ↗</p> <table border="1" style="width:100%; border-collapse: collapse;"> <tr><td style="text-align: right;">Serie</td><td style="text-align: right;">10,0</td></tr> <tr><td style="text-align: right;">Totalt</td><td style="text-align: right;">277,0</td></tr> </table>	Serie	10,0	Totalt	277,0	<p>Skott 5</p> 	<p>1: 9,9 →</p> <table border="1" style="width:100%; border-collapse: collapse;"> <tr><td style="text-align: right;">Serie</td><td style="text-align: right;">9,0</td></tr> <tr><td style="text-align: right;">Totalt</td><td style="text-align: right;">286,0</td></tr> </table>	Serie	9,0	Totalt	286,0
Serie	10,0										
Totalt	277,0										
Serie	9,0										
Totalt	286,0										

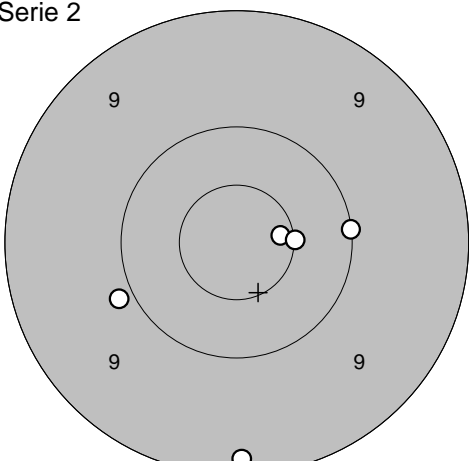
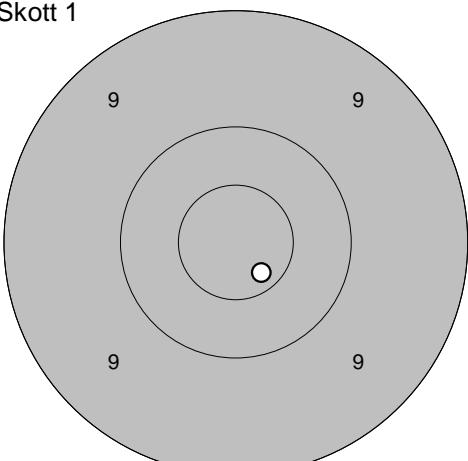
Provsrott 	1: 10,2 ← 2: 10,0 ↗ 3: 10,0 ← <hr/> Serie 30,0 Totalt 141,0	Serie 1 	1: 8,9 ↗ 2: 0,0 ↑ 3: 10,5* → 4: 10,8* → 5: 10,8* ← <hr/> Serie 38,0 Totalt 179,0
--	---	--	--

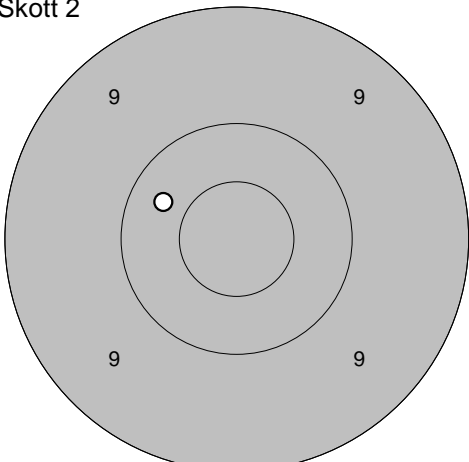
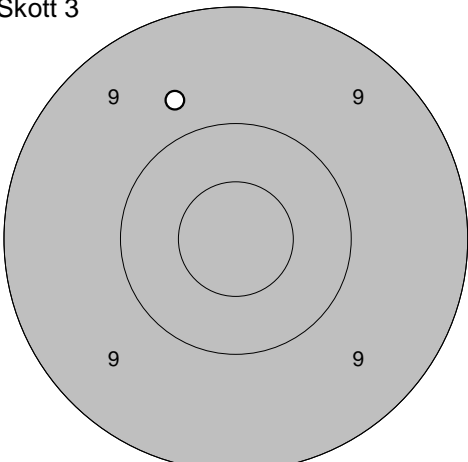
Serie 2 	1: 8,8 ← 2: 9,6 ↘ 3: 9,6 ← 4: 9,6 ↘ 5: 10,4 ← <hr/> Serie 45,0 Totalt 224,0	Skott 1 	1: 10,8* → <hr/> Serie 10,0 Totalt 234,0
---	---	---	--

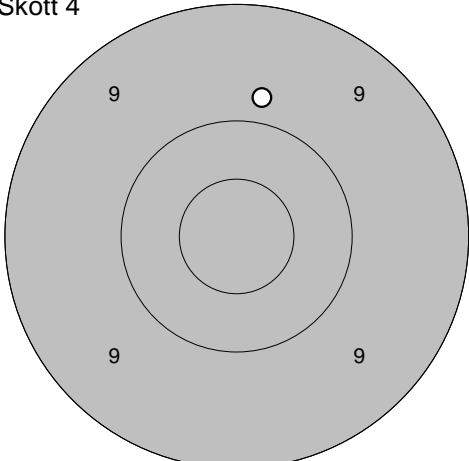
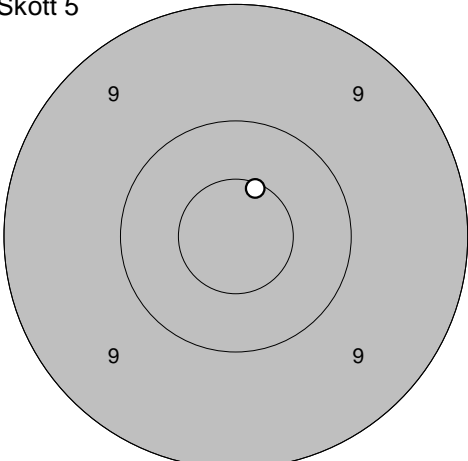
Skott 2 	1: 9,8 ↘ <hr/> Serie 9,0 Totalt 243,0	Skott 3 	1: 10,6* → <hr/> Serie 10,0 Totalt 253,0
--	---	--	--

Skott 4 	1: 9,1 ↗ <hr/> Serie 9,0 Totalt 262,0	Skott 5 	1: 9,5 ↘ <hr/> Serie 9,0 Totalt 271,0
--	---	--	---

<p>Provsrott</p> 	<p>1: 10,5* ↗ 2: 9,7 ↗ 3: 9,8 ↗</p> <table border="1" style="width:100%; border-collapse: collapse;"> <tr><td style="text-align: right;">Serie</td><td style="text-align: right;">28,0</td></tr> <tr><td style="text-align: right;">Totalt</td><td style="text-align: right;">141,0</td></tr> </table>	Serie	28,0	Totalt	141,0	<p>Serie 1</p> 	<p>1: 10,9* ← 2: 9,8 ↓ 3: 9,3 ↓ 4: 9,1 ↓ 5: 10,4 ←</p> <table border="1" style="width:100%; border-collapse: collapse;"> <tr><td style="text-align: right;">Serie</td><td style="text-align: right;">47,0</td></tr> <tr><td style="text-align: right;">Totalt</td><td style="text-align: right;">188,0</td></tr> </table>	Serie	47,0	Totalt	188,0
Serie	28,0										
Totalt	141,0										
Serie	47,0										
Totalt	188,0										

<p>Serie 2</p> 	<p>1: 9,9 ↙ 2: 10,6* → 3: 9,2 ↓ 4: 10,5* → 5: 10,0 →</p> <table border="1" style="width:100%; border-collapse: collapse;"> <tr><td style="text-align: right;">Serie</td><td style="text-align: right;">48,0</td></tr> <tr><td style="text-align: right;">Totalt</td><td style="text-align: right;">236,0</td></tr> </table>	Serie	48,0	Totalt	236,0	<p>Skott 1</p> 	<p>1: 10,7* ↘</p> <table border="1" style="width:100%; border-collapse: collapse;"> <tr><td style="text-align: right;">Serie</td><td style="text-align: right;">10,0</td></tr> <tr><td style="text-align: right;">Totalt</td><td style="text-align: right;">246,0</td></tr> </table>	Serie	10,0	Totalt	246,0
Serie	48,0										
Totalt	236,0										
Serie	10,0										
Totalt	246,0										

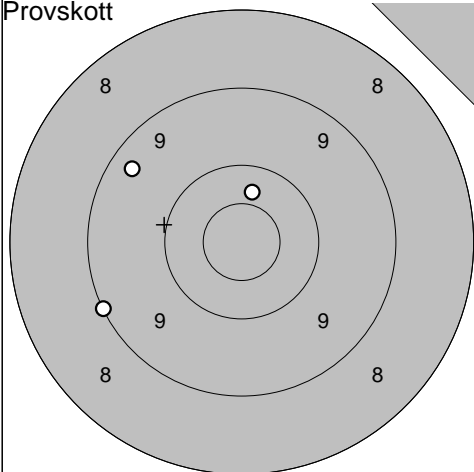
<p>Skott 2</p> 	<p>1: 10,3 ↙</p> <table border="1" style="width:100%; border-collapse: collapse;"> <tr><td style="text-align: right;">Serie</td><td style="text-align: right;">10,0</td></tr> <tr><td style="text-align: right;">Totalt</td><td style="text-align: right;">256,0</td></tr> </table>	Serie	10,0	Totalt	256,0	<p>Skott 3</p> 	<p>1: 9,7 ↗</p> <table border="1" style="width:100%; border-collapse: collapse;"> <tr><td style="text-align: right;">Serie</td><td style="text-align: right;">9,0</td></tr> <tr><td style="text-align: right;">Totalt</td><td style="text-align: right;">265,0</td></tr> </table>	Serie	9,0	Totalt	265,0
Serie	10,0										
Totalt	256,0										
Serie	9,0										
Totalt	265,0										

<p>Skott 4</p> 	<p>1: 9,8 ↗</p> <table border="1" style="width:100%; border-collapse: collapse;"> <tr><td style="text-align: right;">Serie</td><td style="text-align: right;">9,0</td></tr> <tr><td style="text-align: right;">Totalt</td><td style="text-align: right;">274,0</td></tr> </table>	Serie	9,0	Totalt	274,0	<p>Skott 5</p> 	<p>1: 10,6* ↗</p> <table border="1" style="width:100%; border-collapse: collapse;"> <tr><td style="text-align: right;">Serie</td><td style="text-align: right;">10,0</td></tr> <tr><td style="text-align: right;">Totalt</td><td style="text-align: right;">284,0</td></tr> </table>	Serie	10,0	Totalt	284,0
Serie	9,0										
Totalt	274,0										
Serie	10,0										
Totalt	284,0										

Ununge

2011-07-10	Tavelträffen 2011 A Final	Ramselefors SKF
------------	---------------------------	-----------------

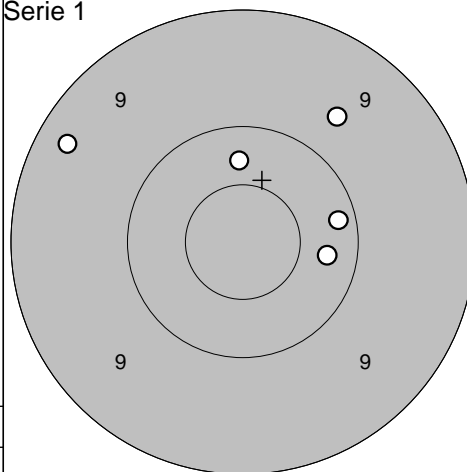
Provskott



1: 9,4 ↖
2: 10,4 ↑
3: 9,1 ↙

Serie	28,0
Totalt	141,0

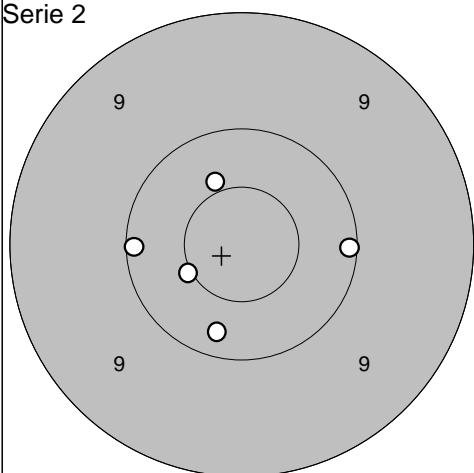
Serie 1



1: 9,3 ↖
2: 10,3 ↑
3: 9,7 ↗
4: 10,2 →
5: 10,3 →

Serie	48,0
Totalt	189,0

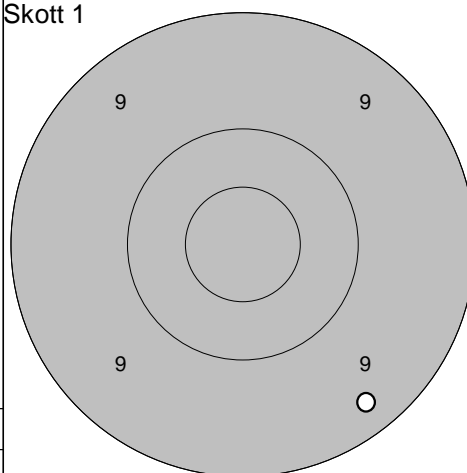
Serie 2



1: 10,1 ←
2: 10,2 ↓
3: 10,1 →
4: 10,4 ↗
5: 10,5* ↙

Serie	50,0
Totalt	239,0

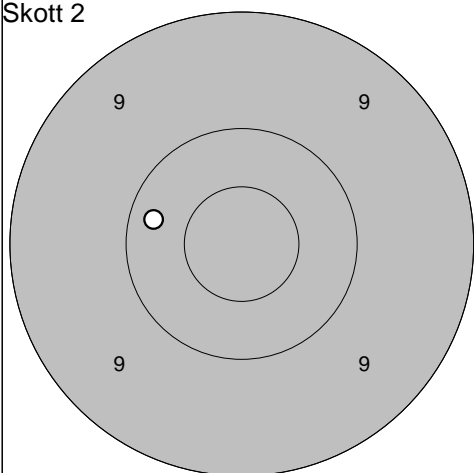
Skott 1



1: 9,3 ↘

Serie	9,0
Totalt	248,0

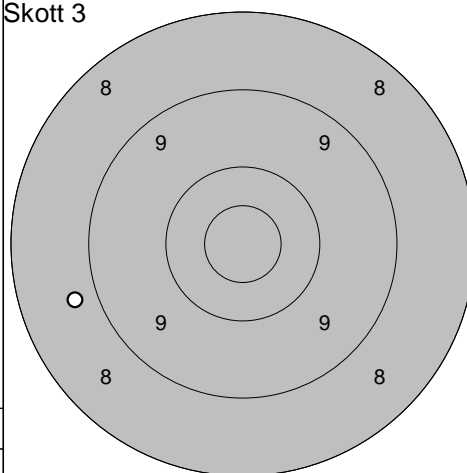
Skott 2



1: 10,2 ↖

Serie	10,0
Totalt	258,0

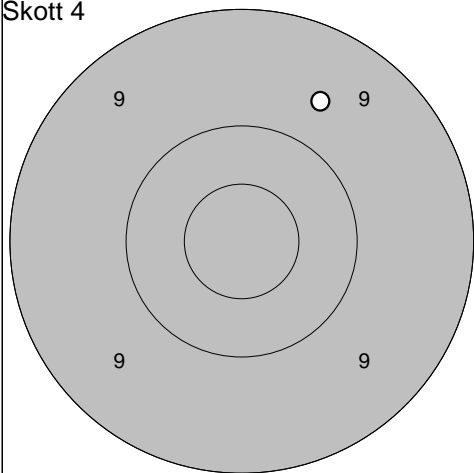
Skott 3



1: 8,8 ↖

Serie	8,0
Totalt	266,0

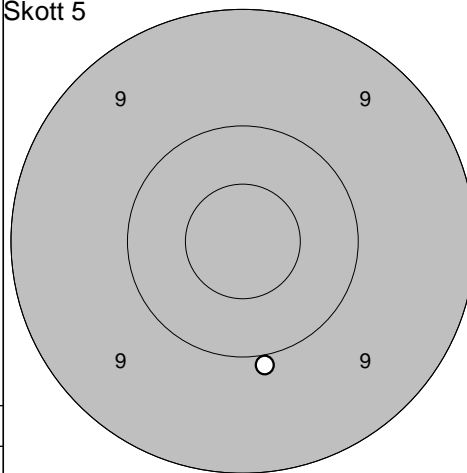
Skott 4



1: 9,6 ↗

Serie	9,0
Totalt	275,0

Skott 5



1: 9,9 ↓

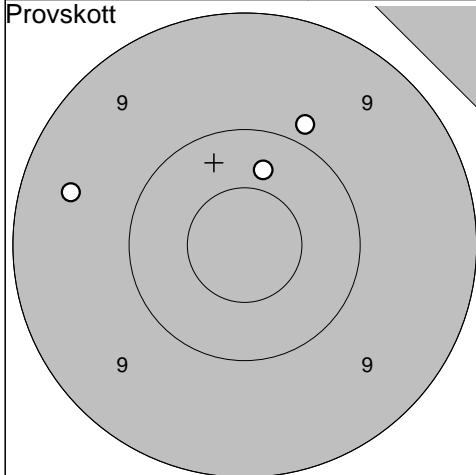
Serie	9,0
Totalt	284,0

2011-07-10

Tavelträffen 2011 A Final

Ramselefors SKF

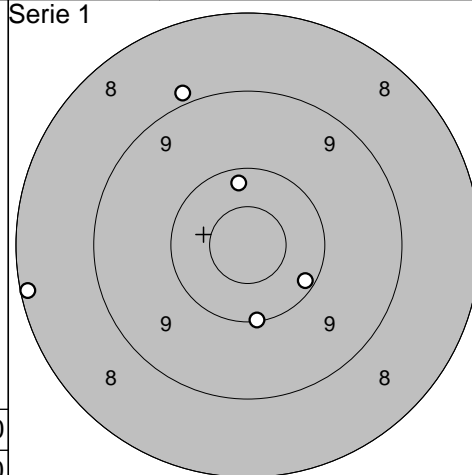
Provsnitt



1: 9,5 ←
 2: 10,4 ↑
 3: 9,9 ↗

Serie 28,0
 Totalt 140,0

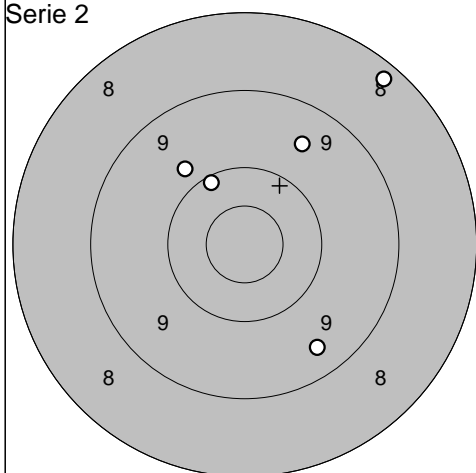
Serie 1



1: 10,2 ↑
 2: 10,2 ↘
 3: 10,1 ↓
 4: 8,2 ←
 5: 8,9 ↗

Serie 46,0
 Totalt 186,0

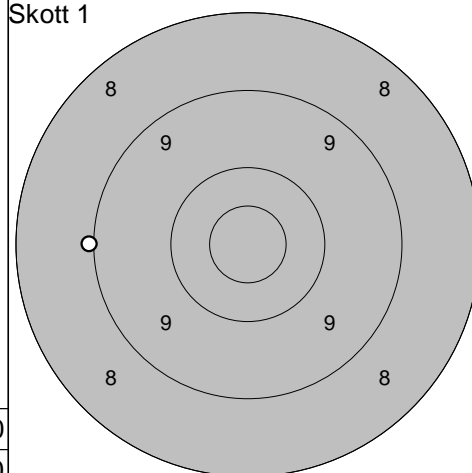
Serie 2



1: 9,4 ↘
 2: 9,8 ↗
 3: 10,1 ↗
 4: 8,3 ↗
 5: 9,5 ↗

Serie 45,0
 Totalt 231,0

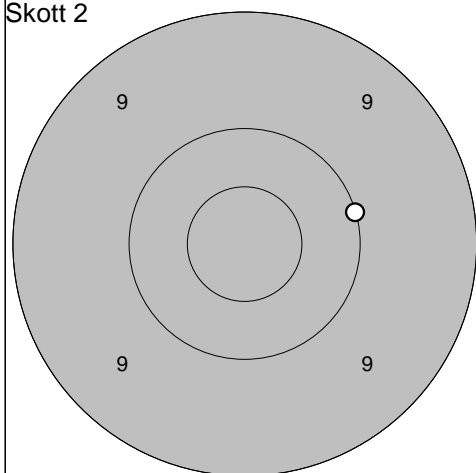
Skott 1



1: 9,0 ←

Serie 9,0
 Totalt 240,0

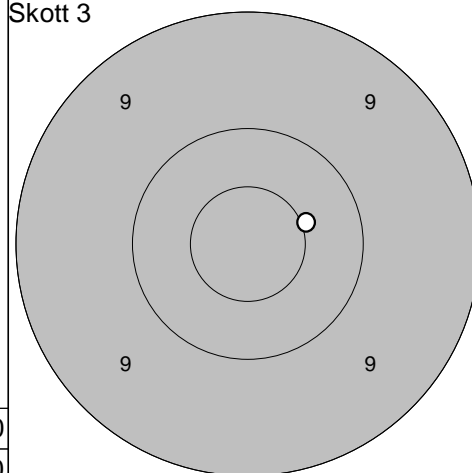
Skott 2



1: 10,0 →

Serie 10,0
 Totalt 250,0

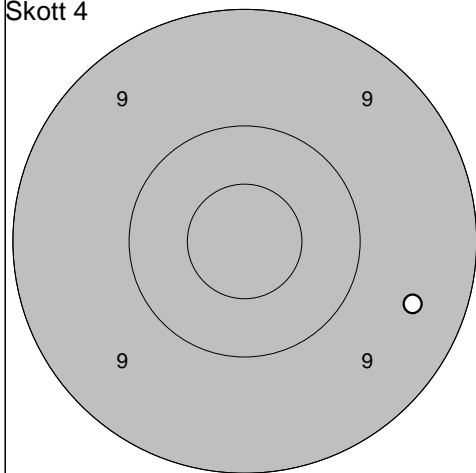
Skott 3



1: 10,5* →

Serie 10,0
 Totalt 260,0

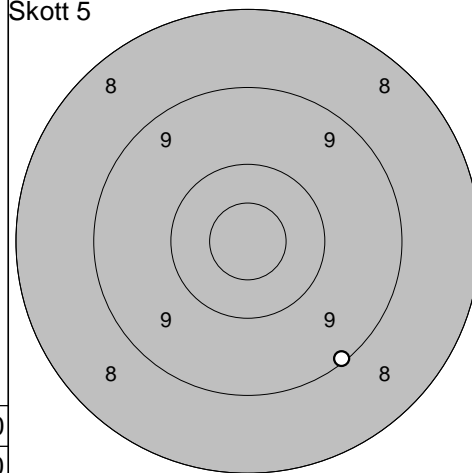
Skott 4



1: 9,5 →

Serie 9,0
 Totalt 269,0

Skott 5



1: 9,1 ↘

Serie 9,0
 Totalt 278,0

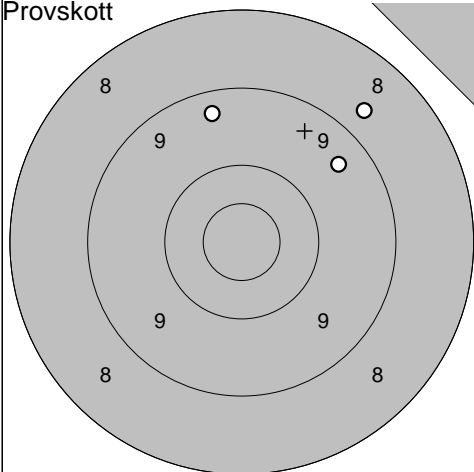
Ununge

2011-07-10

Tavelträffen 2011 A Final

Ramselefors SKF

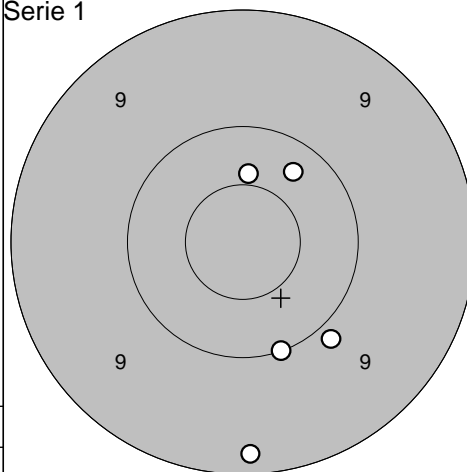
Provsrott



1: 9,4 ↗
2: 8,7 ↗
3: 9,3 ↑

Serie 26,0
Totalt 139,0

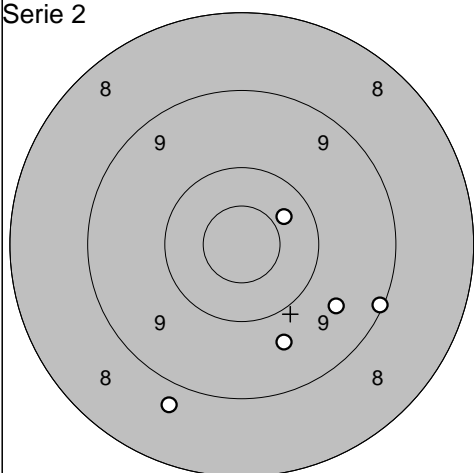
Serie 1



1: 10,3 ↗
2: 9,9 ↘
3: 9,2 ↓
4: 10,4 ↑
5: 10,0 ↓

Serie 48,0
Totalt 187,0

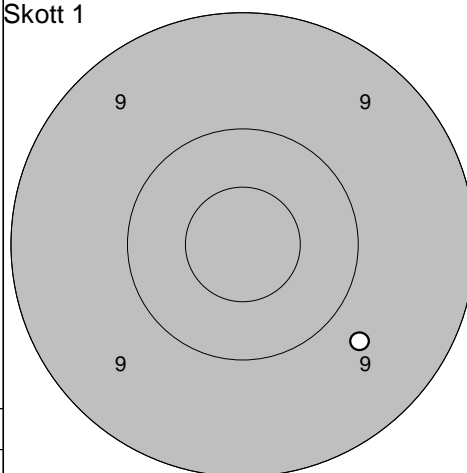
Serie 2



1: 9,6 ↘
2: 8,8 ↓
3: 9,7 ↓
4: 10,4 ↗
5: 9,1 ↘

Serie 45,0
Totalt 232,0

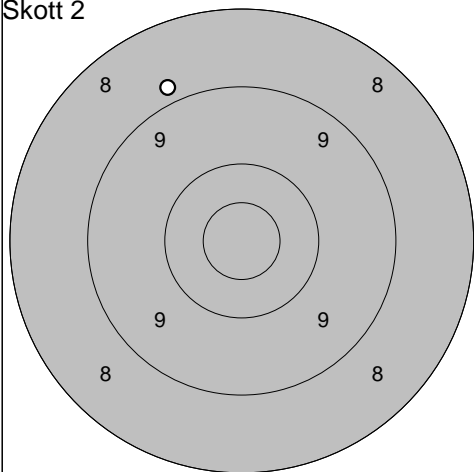
Skott 1



1: 9,7 ↘

Serie 9,0
Totalt 241,0

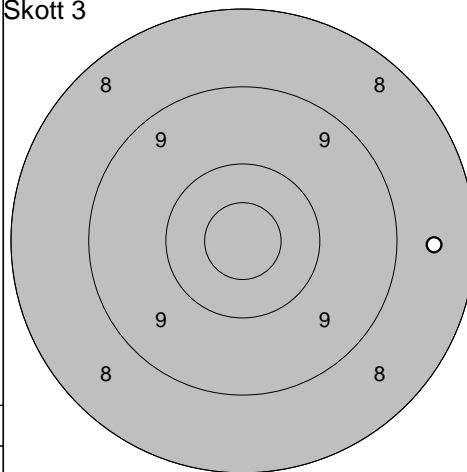
Skott 2



1: 8,9 ↖

Serie 8,0
Totalt 249,0

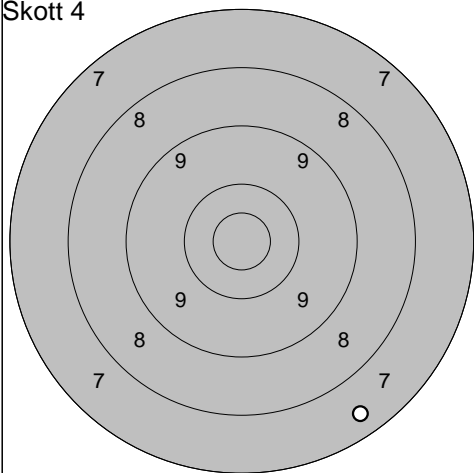
Skott 3



1: 8,6 →

Serie 8,0
Totalt 257,0

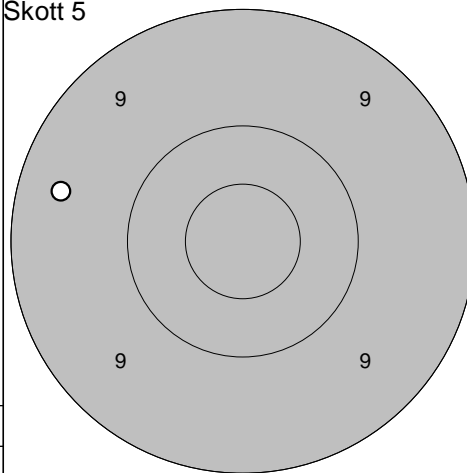
Skott 4



1: 7,5 ↓

Serie 7,0
Totalt 264,0

Skott 5

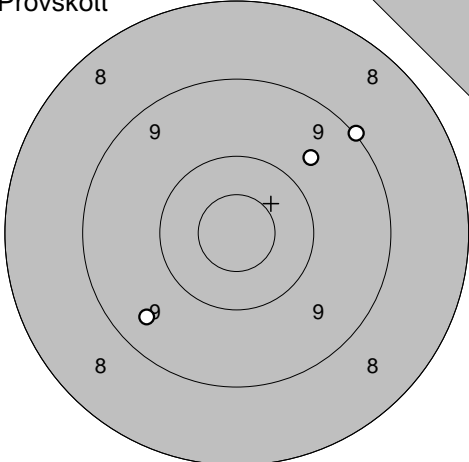
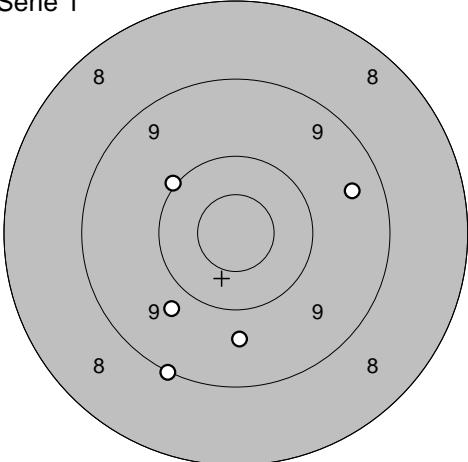


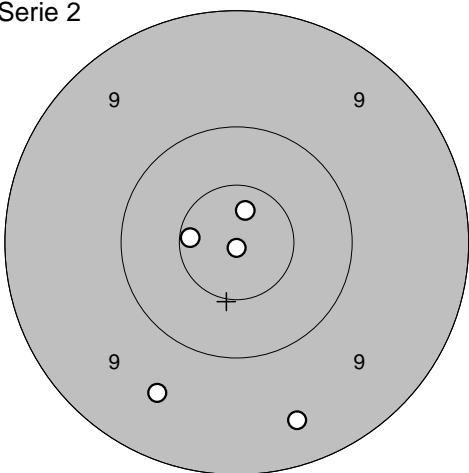
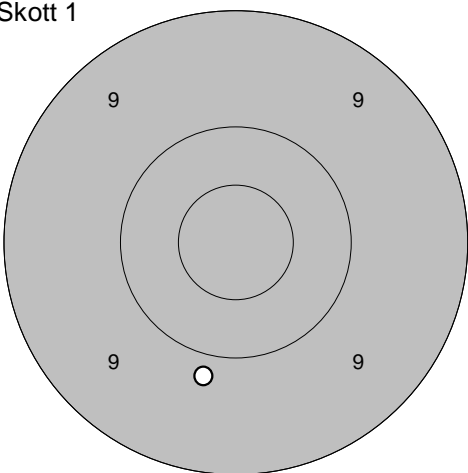
1: 9,4 ←

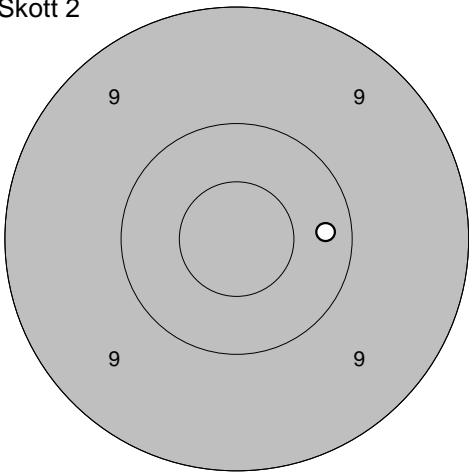
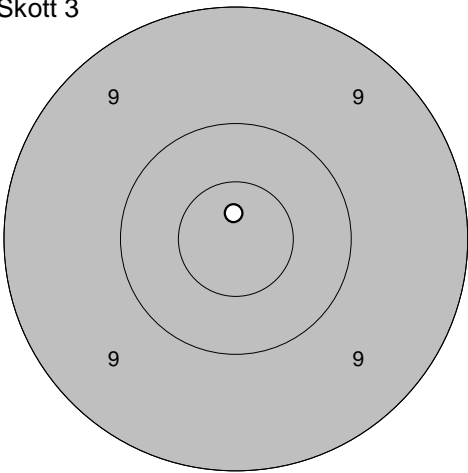
Serie 9,0
Totalt 273,0

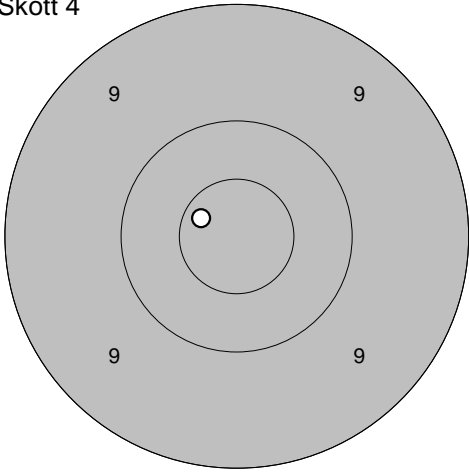
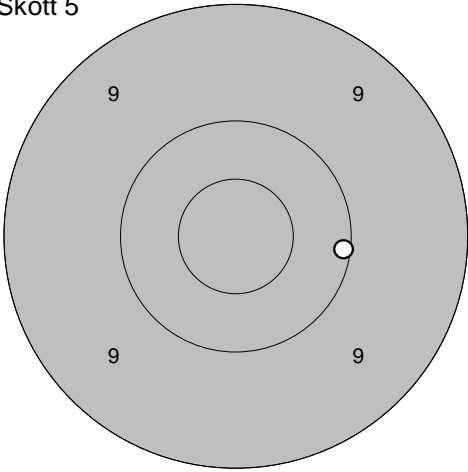
Frötuna

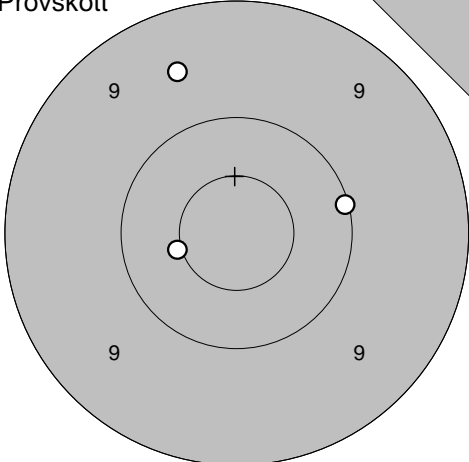
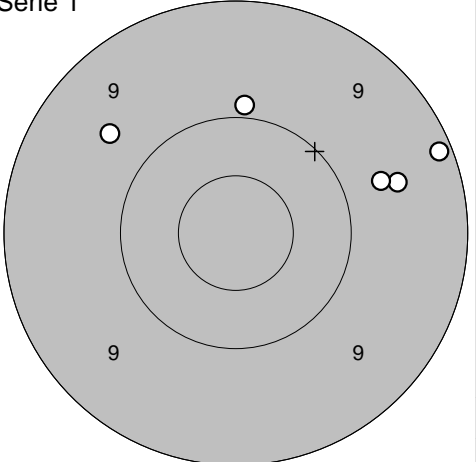
2011-07-10	Tavelträffen 2011 A Final	Ramselefors SKF
------------	---------------------------	-----------------

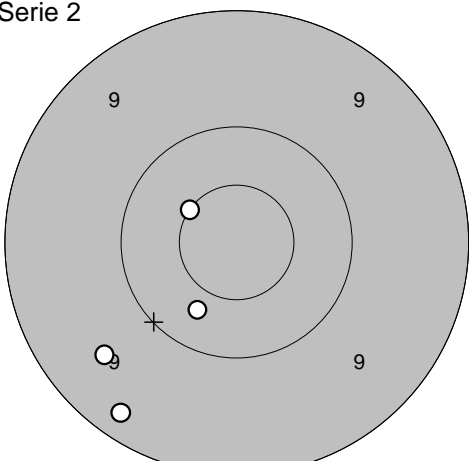
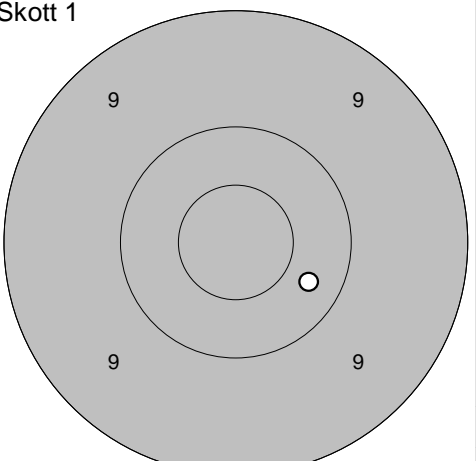
<p>Provs-kott</p> 	<p>Serie 1</p> <p>1: 9,0 ↗ 2: 9,7 ↗ 3: 9,5 ↙</p> <table border="1" style="width: 100%; border-collapse: collapse;"> <tr><td>Serie</td><td style="text-align: right;">27,0</td></tr> <tr><td>Totalt</td><td style="text-align: right;">139,0</td></tr> </table>	Serie	27,0	Totalt	139,0	 <p>1: 10,0 ↖ 2: 9,4 → 3: 9,0 ↓ 4: 9,8 ↙ 5: 9,7 ↓</p> <table border="1" style="width: 100%; border-collapse: collapse;"> <tr><td>Serie</td><td style="text-align: right;">46,0</td></tr> <tr><td>Totalt</td><td style="text-align: right;">185,0</td></tr> </table>	Serie	46,0	Totalt	185,0
Serie	27,0									
Totalt	139,0									
Serie	46,0									
Totalt	185,0									

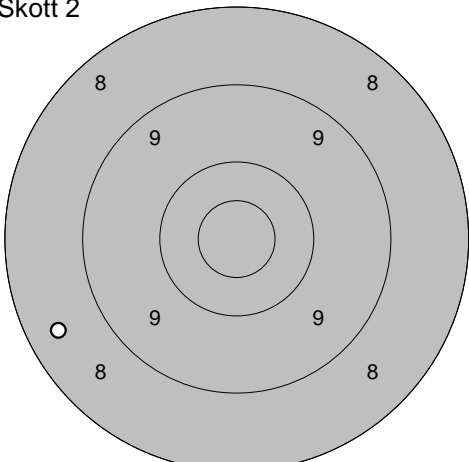
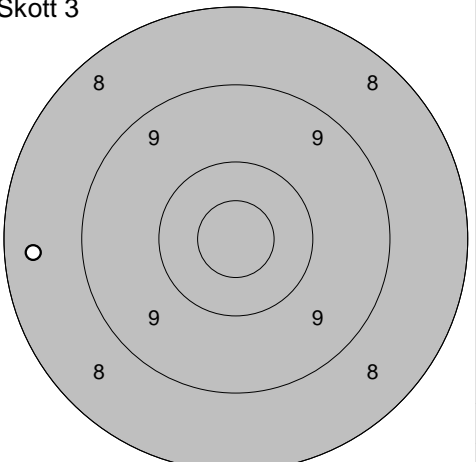
<p>Serie 2</p> 	<p>Skott 1</p> <p>1: 10,9* ↓ 2: 9,6 ↓ 3: 10,6* ← 4: 10,7* ↑ 5: 9,4 ↓</p> <table border="1" style="width: 100%; border-collapse: collapse;"> <tr><td>Serie</td><td style="text-align: right;">48,0</td></tr> <tr><td>Totalt</td><td style="text-align: right;">233,0</td></tr> </table>	Serie	48,0	Totalt	233,0	 <p>1: 9,8 ↓</p> <table border="1" style="width: 100%; border-collapse: collapse;"> <tr><td>Serie</td><td style="text-align: right;">9,0</td></tr> <tr><td>Totalt</td><td style="text-align: right;">242,0</td></tr> </table>	Serie	9,0	Totalt	242,0
Serie	48,0									
Totalt	233,0									
Serie	9,0									
Totalt	242,0									

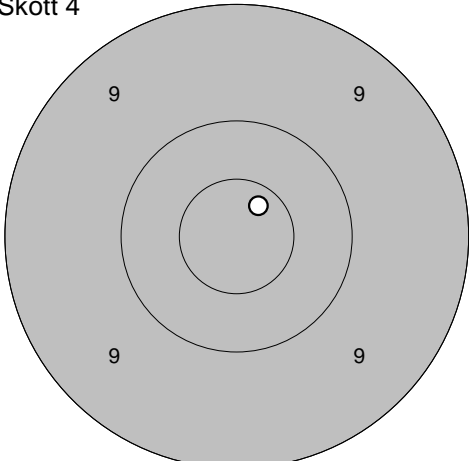
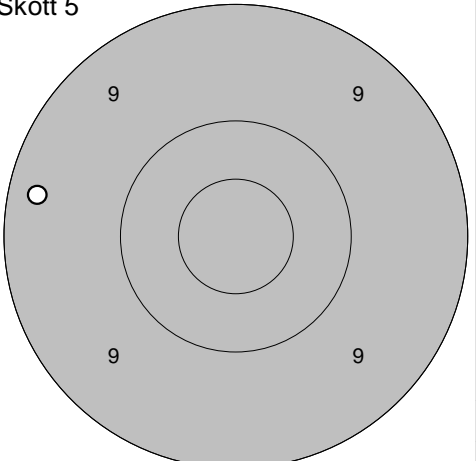
<p>Skott 2</p> 	<p>Skott 3</p> <p>1: 10,3 →</p> <table border="1" style="width: 100%; border-collapse: collapse;"> <tr><td>Serie</td><td style="text-align: right;">10,0</td></tr> <tr><td>Totalt</td><td style="text-align: right;">252,0</td></tr> </table>	Serie	10,0	Totalt	252,0	 <p>1: 10,8* ↑</p> <table border="1" style="width: 100%; border-collapse: collapse;"> <tr><td>Serie</td><td style="text-align: right;">10,0</td></tr> <tr><td>Totalt</td><td style="text-align: right;">262,0</td></tr> </table>	Serie	10,0	Totalt	262,0
Serie	10,0									
Totalt	252,0									
Serie	10,0									
Totalt	262,0									

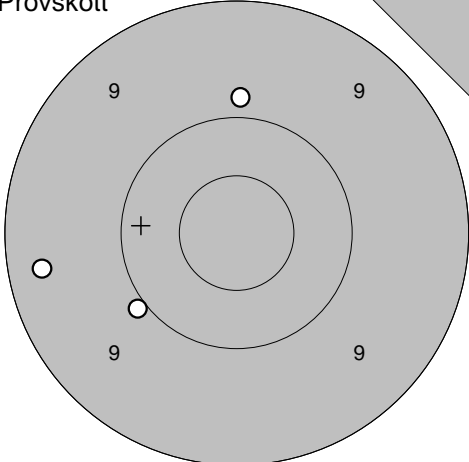
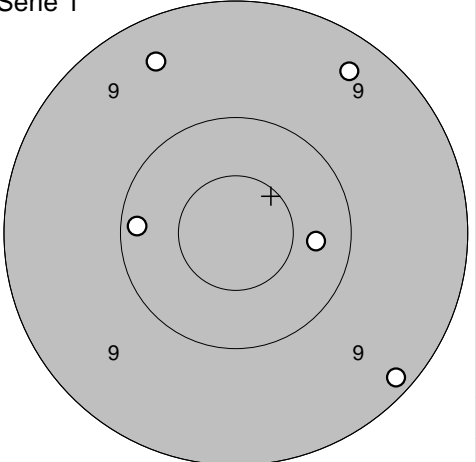
<p>Skott 4</p> 	<p>Skott 5</p> <p>1: 10,7* ←</p> <table border="1" style="width: 100%; border-collapse: collapse;"> <tr><td>Serie</td><td style="text-align: right;">10,0</td></tr> <tr><td>Totalt</td><td style="text-align: right;">272,0</td></tr> </table>	Serie	10,0	Totalt	272,0	 <p>1: 10,1 →</p> <table border="1" style="width: 100%; border-collapse: collapse;"> <tr><td>Serie</td><td style="text-align: right;">10,0</td></tr> <tr><td>Totalt</td><td style="text-align: right;">282,0</td></tr> </table>	Serie	10,0	Totalt	282,0
Serie	10,0									
Totalt	272,0									
Serie	10,0									
Totalt	282,0									

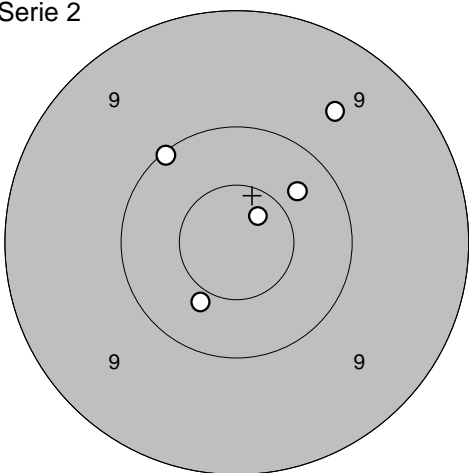
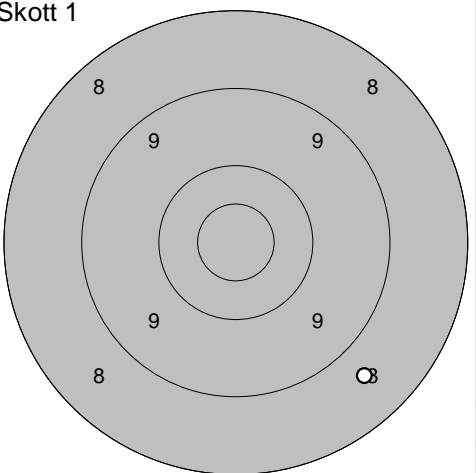
Provsrott 	1: 10,5* ← 2: 10,1 → 3: 9,6 ↗	Serie 1 	1: 9,6 → 2: 9,9 ↑ 3: 9,1 → 4: 9,7 → 5: 9,7 ↖
	Serie 29,0 Totalt 138,0		Serie 45,0 Totalt 183,0

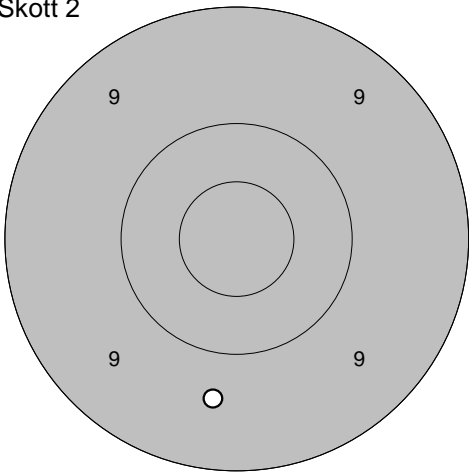
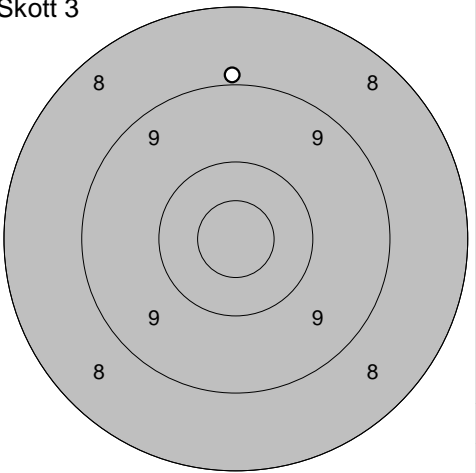
Serie 2 	1: 10,4 ↘ 2: 9,3 ↘ 3: 10,5* ↖ 4: 9,5 ↘ 0,0 ↘	Skott 1 	1: 10,3 →
	Serie 38,0 Totalt 221,0		Serie 10,0 Totalt 231,0

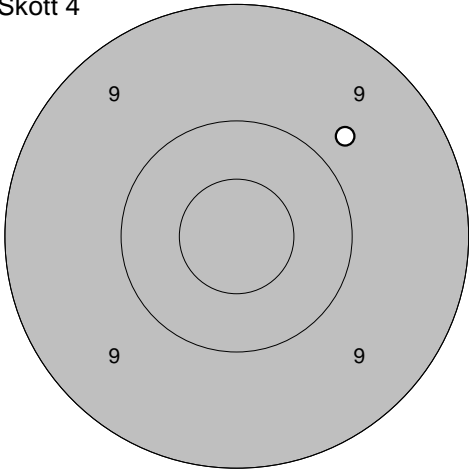
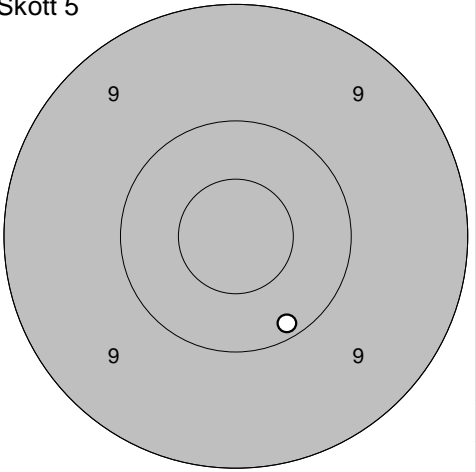
Skott 2 	1: 8,5 ↖	Skott 3 	1: 8,4 ←
	Serie 8,0 Totalt 239,0		Serie 8,0 Totalt 247,0

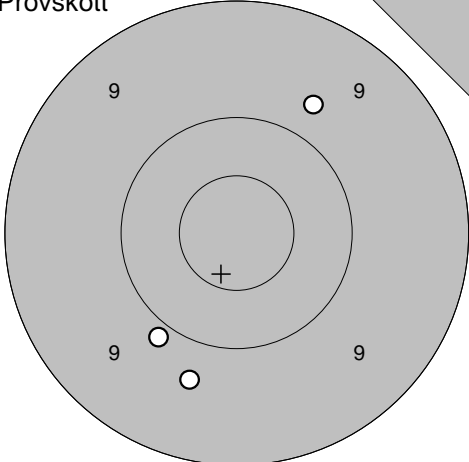
Skott 4 	1: 10,7* ↗	Skott 5 	1: 9,3 ←
	Serie 10,0 Totalt 257,0		Serie 9,0 Totalt 266,0

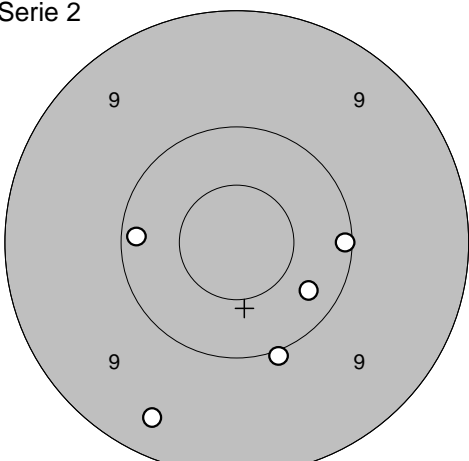
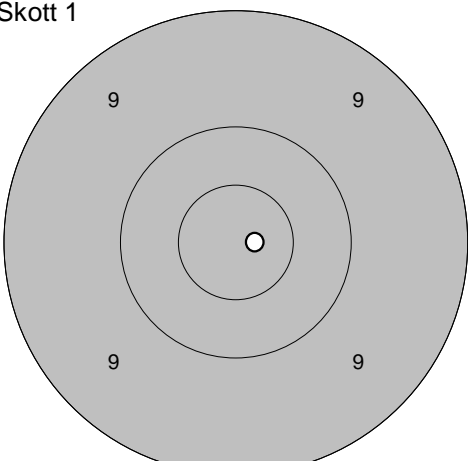
Provs-kott 	1: 10,0 ↙ 2: 9,9 ↑ 3: 9,3 ←	Serie 1 	1: 10,3 → 2: 9,3 ↗ 3: 9,4 ↗ 4: 9,2 ↘ 5: 10,2 ←
Serie 28,0		Serie 47,0	
Totalt 138,0		Totalt 185,0	

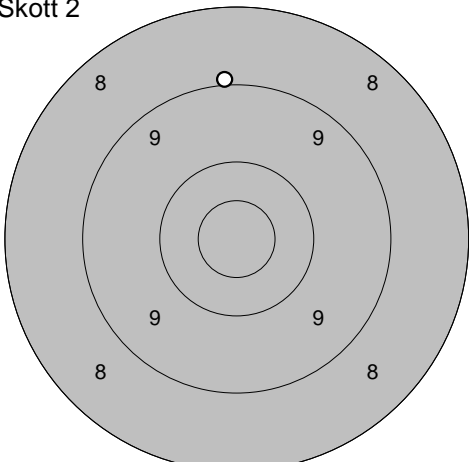
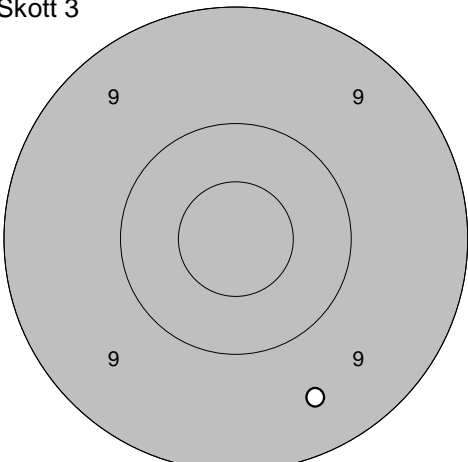
Serie 2 	1: 10,4 ↘ 2: 10,1 ↖ 3: 10,3 ↗ 4: 9,6 ↗ 5: 10,7* ↗	Skott 1 	1: 8,7 ↘
Serie 49,0		Serie 8,0	
Totalt 234,0		Totalt 242,0	

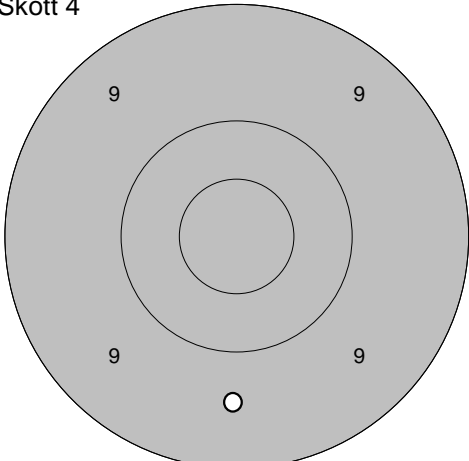
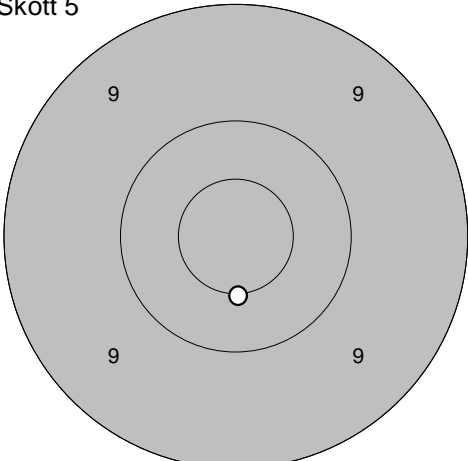
Skott 2 	1: 9,6 ↓	Skott 3 	1: 8,9 ↑
Serie 9,0		Serie 8,0	
Totalt 251,0		Totalt 259,0	

Skott 4 	1: 9,8 ↗	Skott 5 	1: 10,2 ↘
Serie 9,0		Serie 10,0	
Totalt 268,0		Totalt 278,0	

<p>Provsnitt</p> 	<p>1: 9,7 ↗ 2: 9,7 ↓ 3: 9,9 ↘</p>	<p>Serie 1</p> 	<p>1: 10,4 → 2: 10,0 ↘ 3: 7,2 ← 4: 10,0 → 5: 9,9 ↘</p>
Serie 27,0		Serie 46,0	
Totalt 134,0		Totalt 180,0	

<p>Serie 2</p> 	<p>1: 10,3 ↘ 2: 10,0 ↓ 3: 9,4 ↘ 4: 10,2 ← 5: 10,1 →</p>	<p>Skott 1</p> 	<p>1: 10,9* →</p>
Serie 49,0		Serie 10,0	
Totalt 229,0		Totalt 239,0	

<p>Skott 2</p> 	<p>1: 9,0 ↑</p>	<p>Skott 3</p> 	<p>1: 9,5 ↘</p>
Serie 9,0		Serie 9,0	
Totalt 248,0		Totalt 257,0	

<p>Skott 4</p> 	<p>1: 9,6 ↓</p>	<p>Skott 5</p> 	<p>1: 10,5* ↓</p>
Serie 9,0		Serie 10,0	
Totalt 266,0		Totalt 276,0	

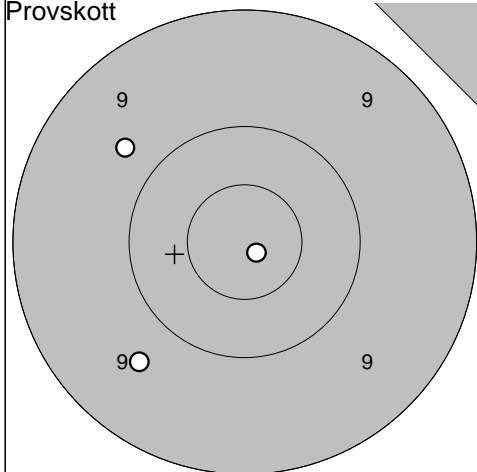
Kvistbro

2011-07-10

Tavelträffen 2011 A Final

Ramselefors SKF

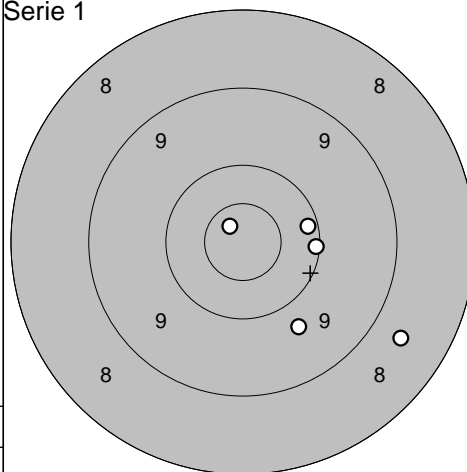
Provsrott



1: 9,7 ↗
2: 10,9* ↘
3: 9,7 ↙

Serie	28,0
Totalt	147,0

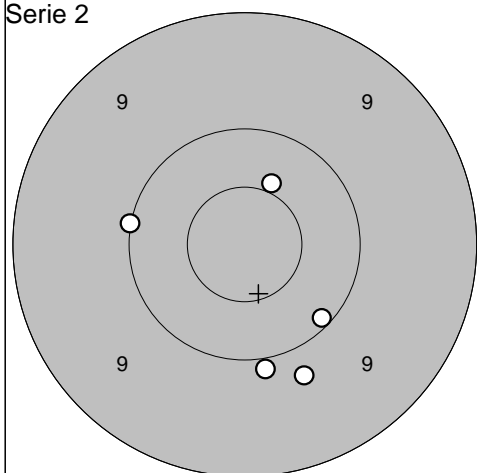
Serie 1



1: 10,8* ↗
2: 9,7 ↘
3: 8,7 ↙
4: 10,1 →
5: 10,2 →

Serie	47,0
Totalt	194,0

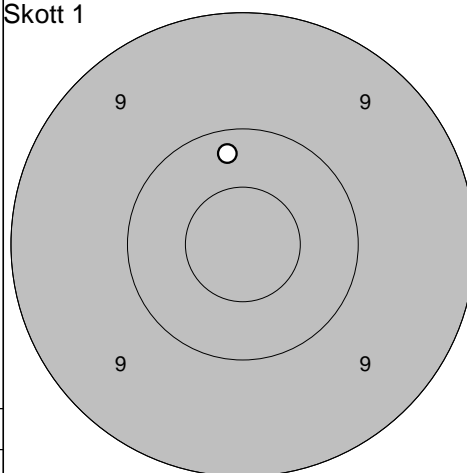
Serie 2



1: 10,1 ↘
2: 10,0 ←
3: 9,9 ↘
4: 10,5* ↗
5: 9,8 ↘

Serie	48,0
Totalt	242,0

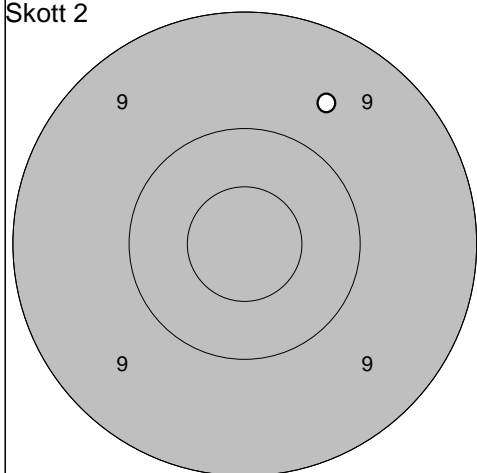
Skott 1



1: 10,2 ↑

Serie	10,0
Totalt	252,0

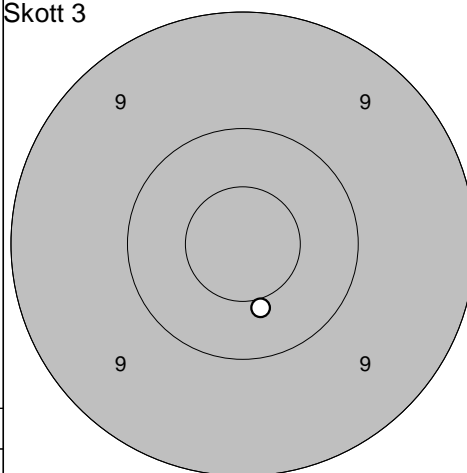
Skott 2



1: 9,6 ↗

Serie	9,0
Totalt	261,0

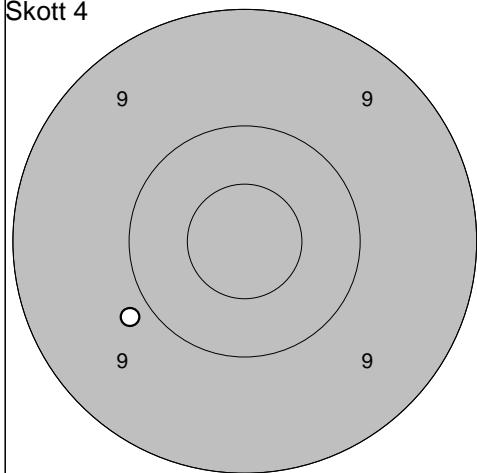
Skott 3



1: 10,5* ↘

Serie	10,0
Totalt	271,0

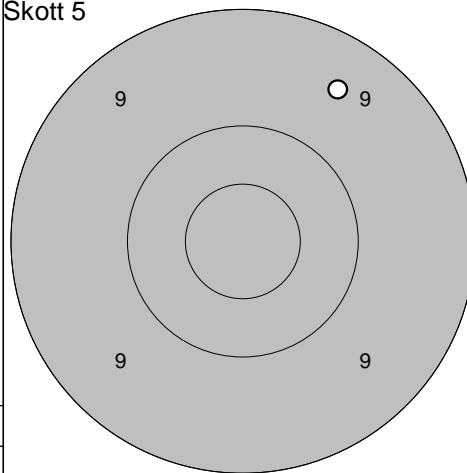
Skott 4



1: 9,8 ↙

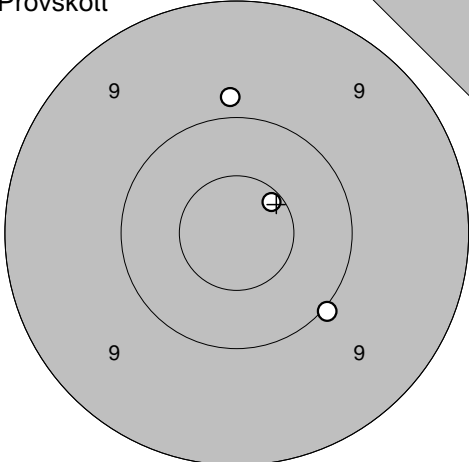
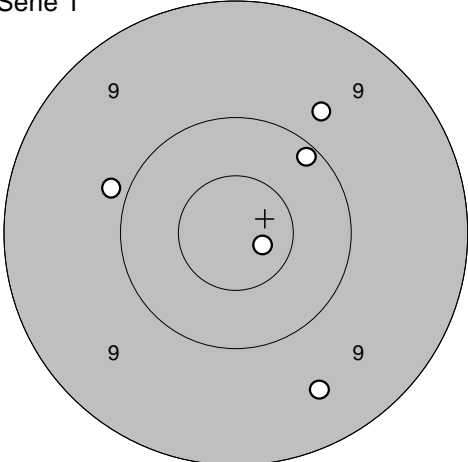
Serie	9,0
Totalt	280,0

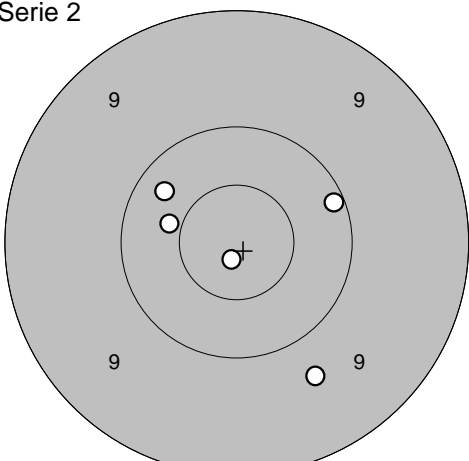
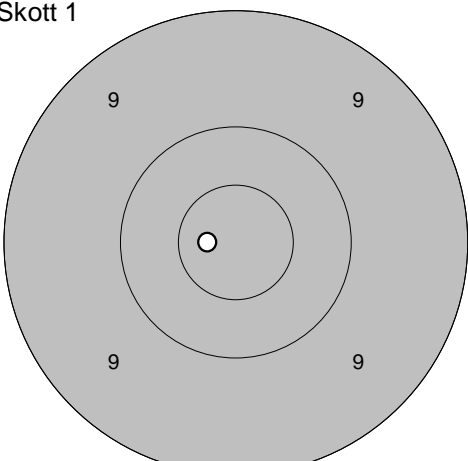
Skott 5

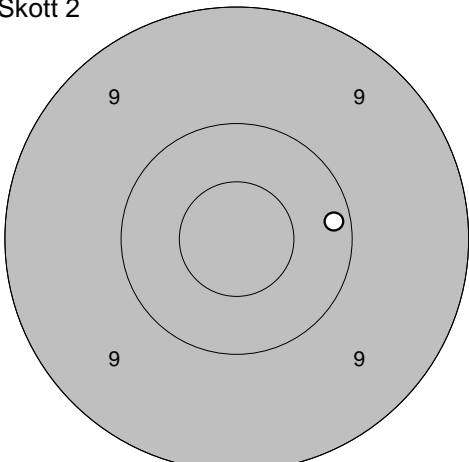
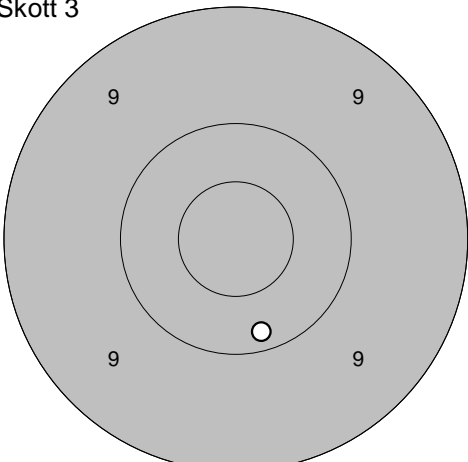


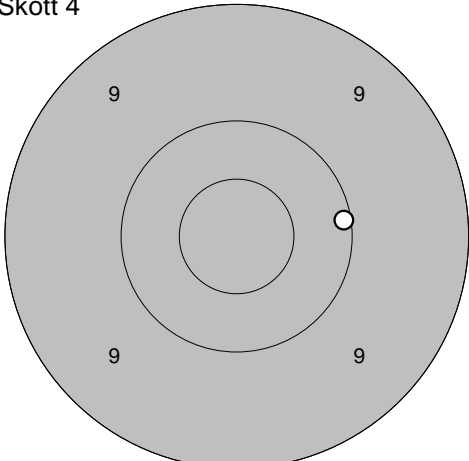
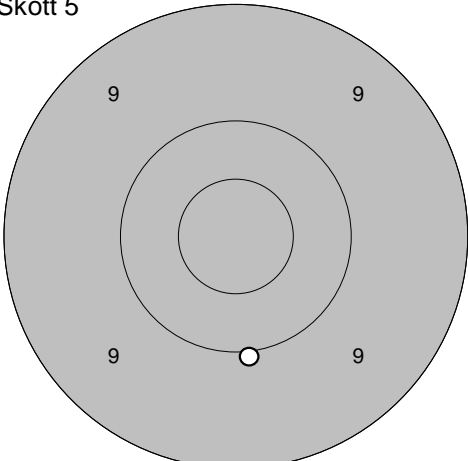
1: 9,5 ↗

Serie	9,0
Totalt	289,0

<p>Provsnitt</p> 	<p>1: 9,9 ↑ 2: 10,0 ↘ 3: 10,6* ↗</p>	<p>Serie 1</p> 	<p>1: 9,8 ↗ 2: 9,9 ↖ 3: 9,5 ↘ 4: 10,1 ↗ 5: 10,8* ↘</p>
Serie 29,0		Serie 47,0	
Totalt 146,0		Totalt 193,0	

<p>Serie 2</p> 	<p>1: 10,4 ← 2: 10,1 → 3: 9,7 ↘ 4: 10,9* ↘ 5: 10,3 ↗</p>	<p>Skott 1</p> 	<p>1: 10,8* ←</p>
Serie 49,0		Serie 10,0	
Totalt 242,0		Totalt 252,0	

<p>Skott 2</p> 	<p>1: 10,2 →</p>	<p>Skott 3</p> 	<p>1: 10,2 ↓</p>
Serie 10,0		Serie 10,0	
Totalt 262,0		Totalt 272,0	

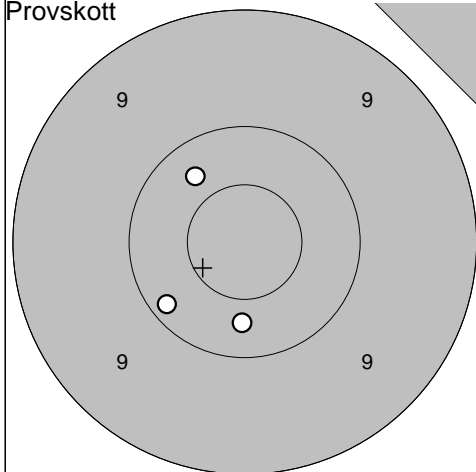
<p>Skott 4</p> 	<p>1: 10,1 →</p>	<p>Skott 5</p> 	<p>1: 10,0 ↓</p>
Serie 10,0		Serie 10,0	
Totalt 282,0		Totalt 292,0	

2011-07-10

Tavelträffen 2011 A Final

Ramselefors SKF

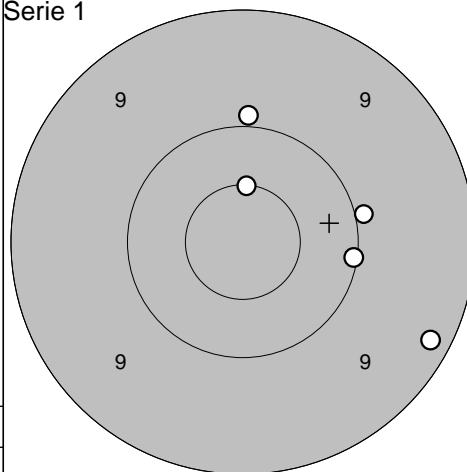
Provs-kott



1: 10,3 ↓
 2: 10,3 ↗
 3: 10,2 ↙

Serie 30,0
 Totalt 146,0

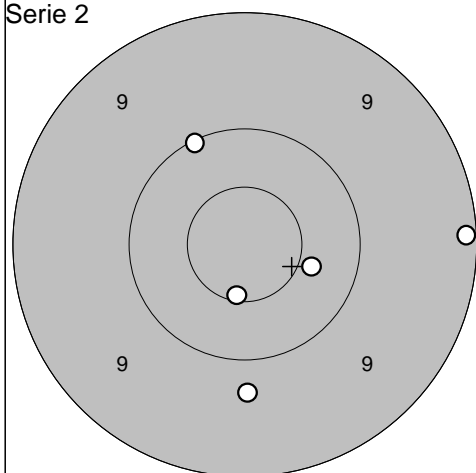
Serie 1



1: 10,5* ↑
 2: 9,9 ↑
 3: 10,1 →
 4: 9,2 ↘
 5: 10,0 →

Serie 48,0
 Totalt 194,0

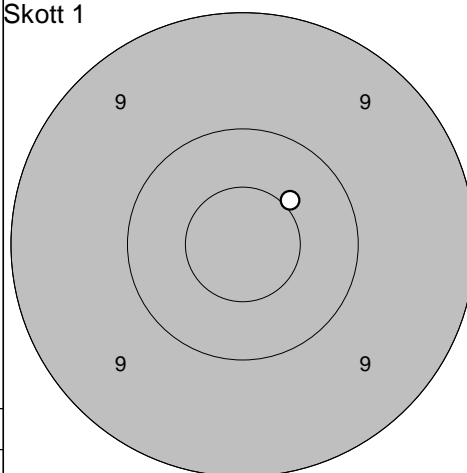
Serie 2



1: 9,1 →
 2: 10,1 ↗
 3: 10,4 →
 4: 10,6* ↓
 5: 9,7 ↓

Serie 48,0
 Totalt 242,0

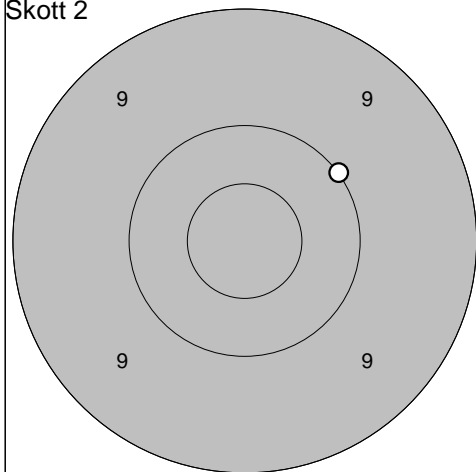
Skott 1



1: 10,5* ↗

Serie 10,0
 Totalt 252,0

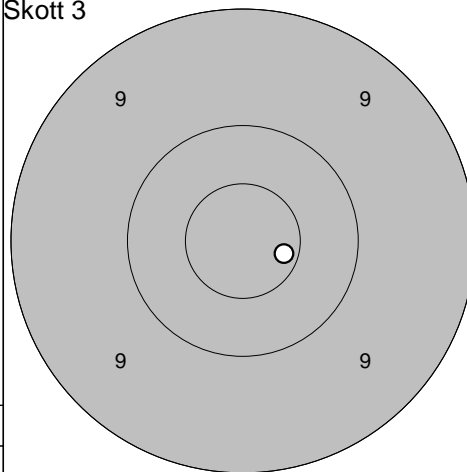
Skott 2



1: 10,0 ↗

Serie 10,0
 Totalt 262,0

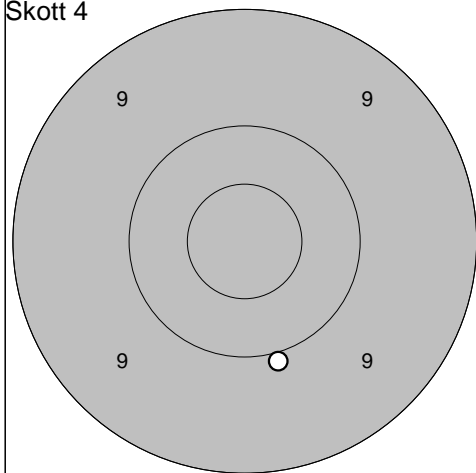
Skott 3



1: 10,7* →

Serie 10,0
 Totalt 272,0

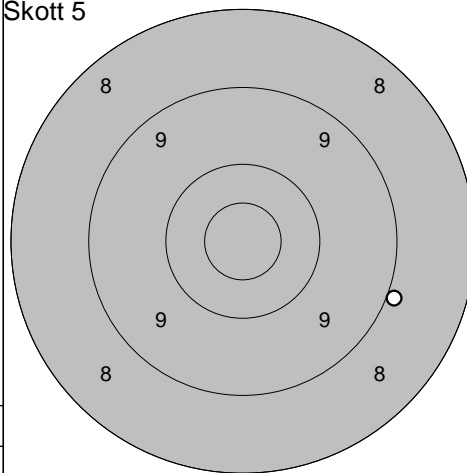
Skott 4



1: 10,0 ↓

Serie 10,0
 Totalt 282,0

Skott 5



1: 9,0 ↘

Serie 9,0
 Totalt 291,0

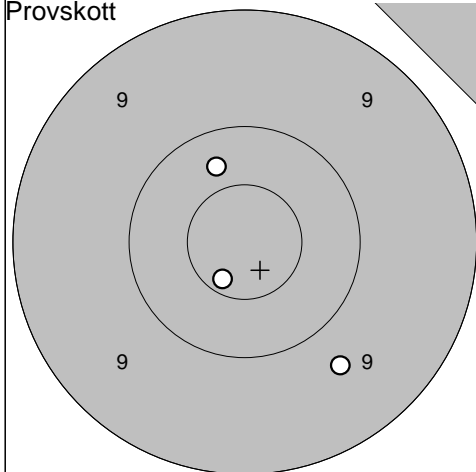
Ale

2011-07-10

Tavelträffen 2011 A Final

Ramselefors SKF

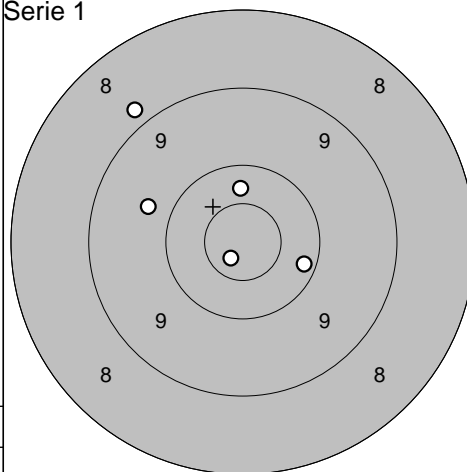
Provskott



1: 10,7* ↘
 2: 10,3 ↗
 3: 9,7 ↘

Serie 29,0
 Totalt 145,0

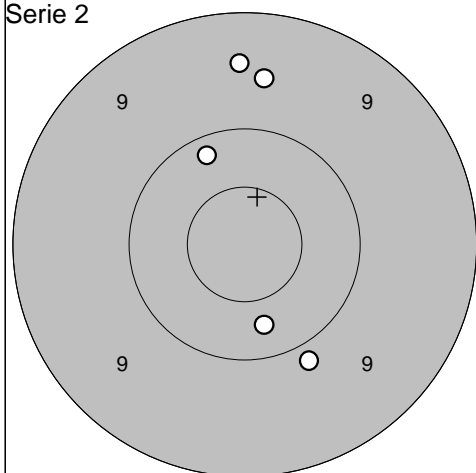
Serie 1



1: 10,4 ↑
 2: 8,9 ↗
 3: 10,2 →
 4: 10,8* ↘
 5: 9,7 ↖

Serie 47,0
 Totalt 192,0

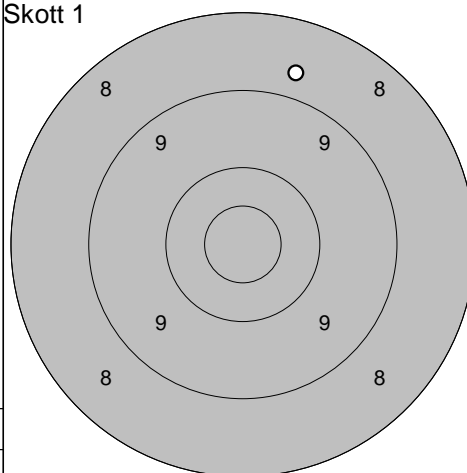
Serie 2



1: 9,6 ↑
 2: 10,3 ↓
 3: 9,9 ↘
 4: 10,2 ↗
 5: 9,5 ↑

Serie 47,0
 Totalt 239,0

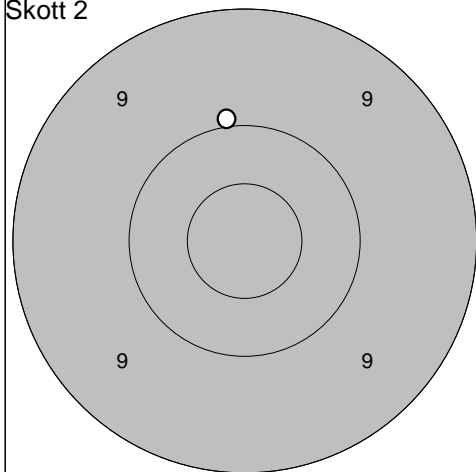
Skott 1



1: 8,7 ↑

Serie 8,0
 Totalt 247,0

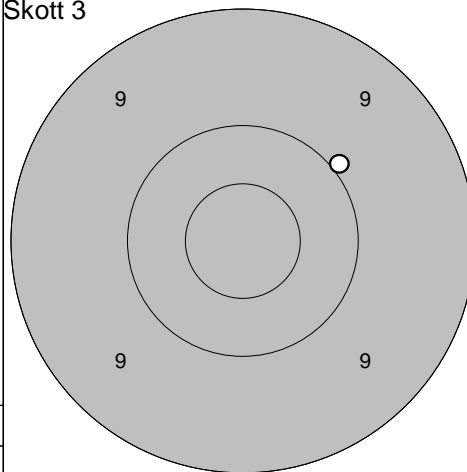
Skott 2



1: 10,0 ↑

Serie 10,0
 Totalt 257,0

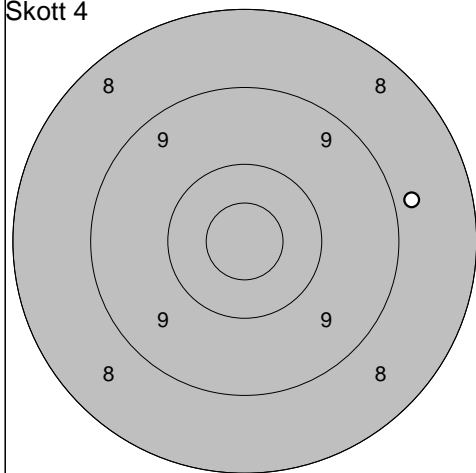
Skott 3



1: 10,0 ↗

Serie 10,0
 Totalt 267,0

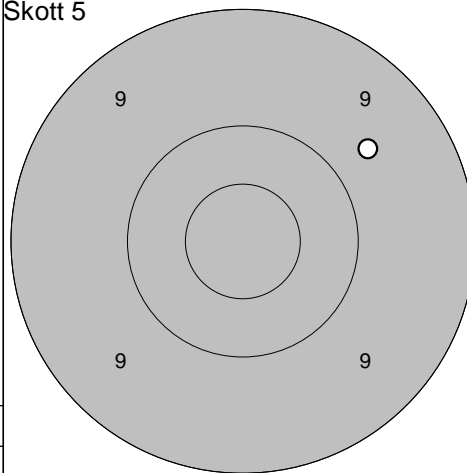
Skott 4



1: 8,8 →

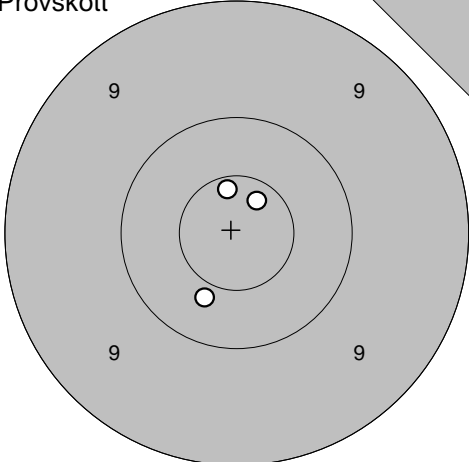
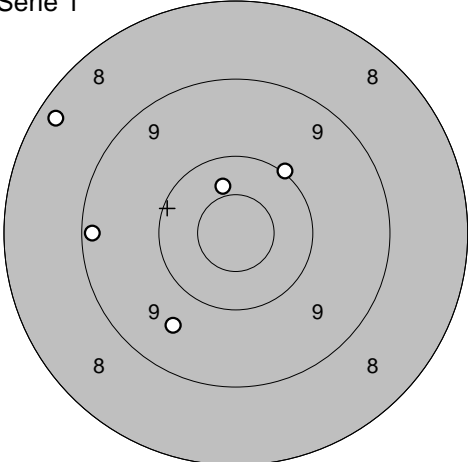
Serie 8,0
 Totalt 275,0

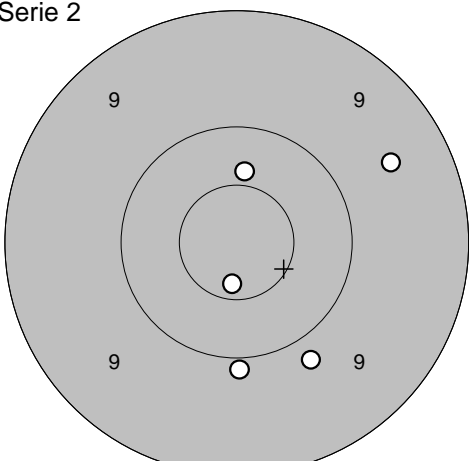
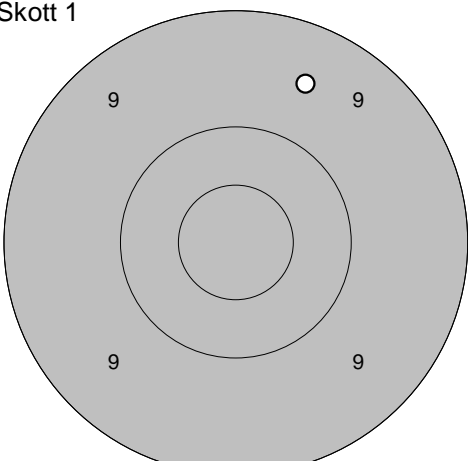
Skott 5

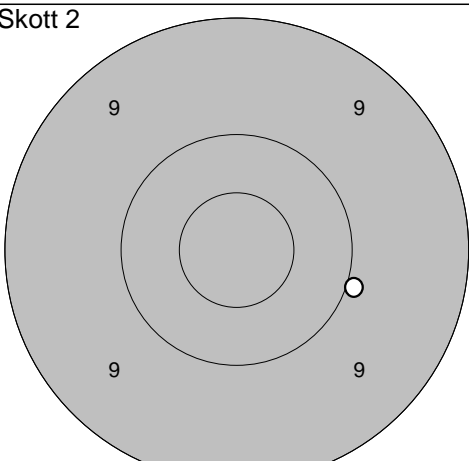
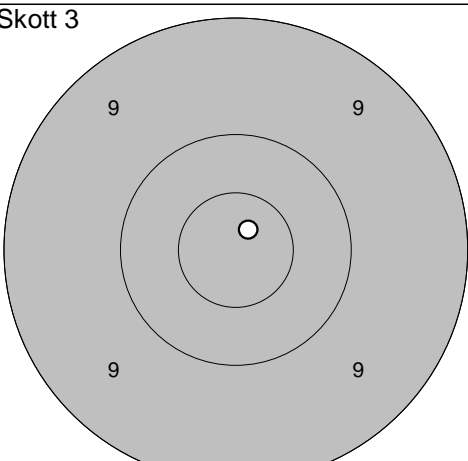


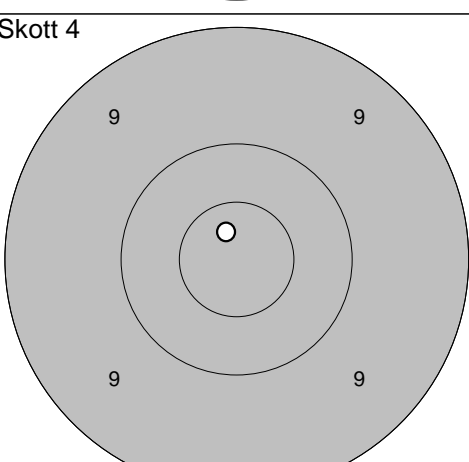
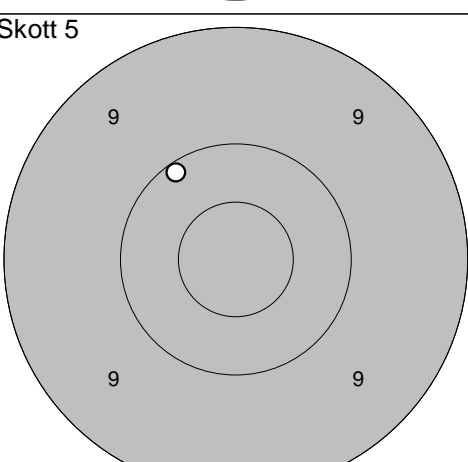
1: 9,7 ↗

Serie 9,0
 Totalt 284,0

<p>Provsrott</p> 	<p>1: 10,7* ↗ 2: 10,4 ↘ 3: 10,6* ↑</p>	<p>Serie 1</p> 	<p>1: 8,3 ↖ 2: 9,2 ← 3: 10,4 ↑ 4: 9,6 ↘ 5: 10,0 ↗</p>
Serie 30,0		Serie 46,0	
Totalt 144,0		Totalt 190,0	

<p>Serie 2</p> 	<p>1: 10,4 ↑ 2: 9,5 → 3: 10,7* ↓ 4: 9,9 ↓ 5: 9,8 ↘</p>	<p>Skott 1</p> 	<p>1: 9,5 ↑</p>
Serie 47,0		Serie 9,0	
Totalt 237,0		Totalt 246,0	

<p>Skott 2</p> 	<p>1: 10,0 →</p>	<p>Skott 3</p> 	<p>1: 10,8* ↗</p>
Serie 10,0		Serie 10,0	
Totalt 256,0		Totalt 266,0	

<p>Skott 4</p> 	<p>1: 10,8* ↗</p>	<p>Skott 5</p> 	<p>1: 10,1 ↖</p>
Serie 10,0		Serie 10,0	
Totalt 276,0		Totalt 286,0	

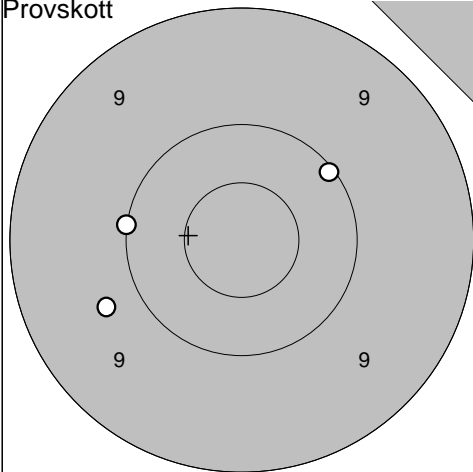
S 3

2011-07-10

Tavelträffen 2011 A Final

Ramselefors SKF

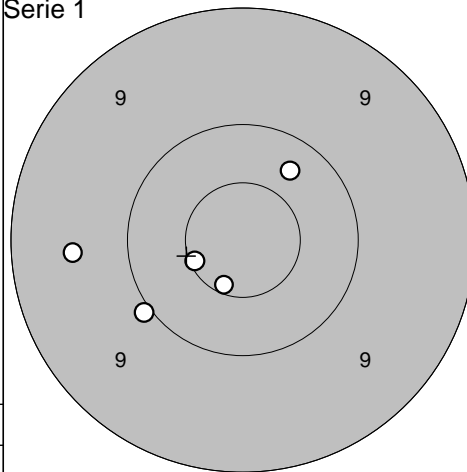
Provskott



1: 9,7 ↙
 2: 10,0 ←
 3: 10,1 ↗

Serie 29,0
 Totalt 144,0

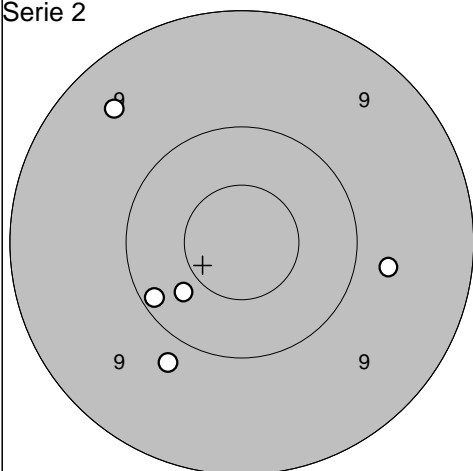
Serie 1



1: 10,3 ↗
 2: 10,0 ←
 3: 9,6 ←
 4: 10,6* ↓
 5: 10,6* ←

Serie 49,0
 Totalt 193,0

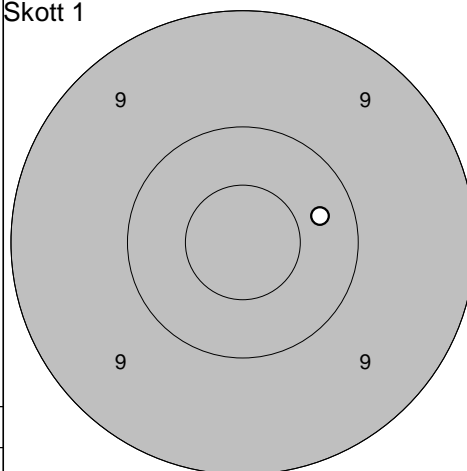
Serie 2



1: 9,8 ↘
 2: 9,4 ↖
 3: 10,1 ←
 4: 10,4 ↘
 5: 9,7 →

Serie 47,0
 Totalt 240,0

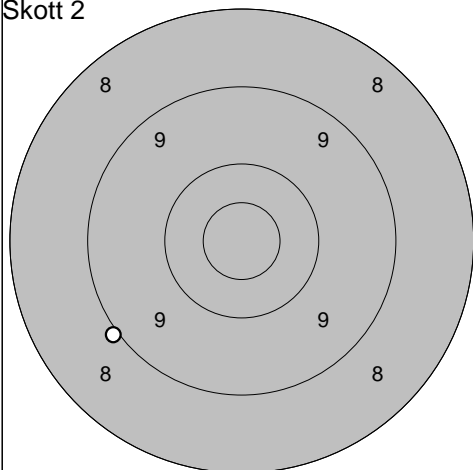
Skott 1



1: 10,3 →

Serie 10,0
 Totalt 250,0

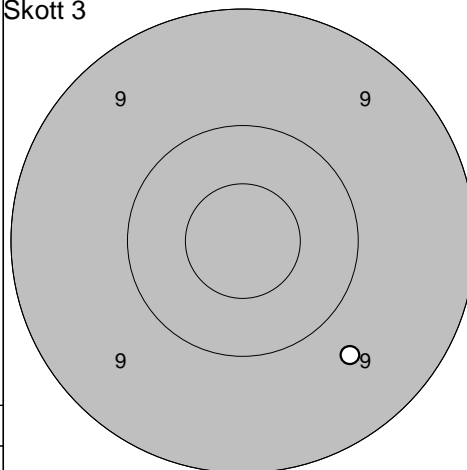
Skott 2



1: 9,0 ↙

Serie 9,0
 Totalt 259,0

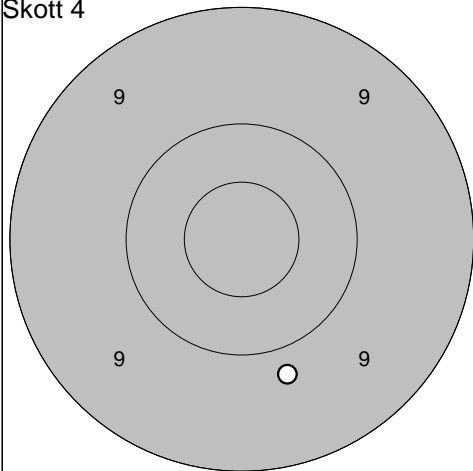
Skott 3



1: 9,7 ↘

Serie 9,0
 Totalt 268,0

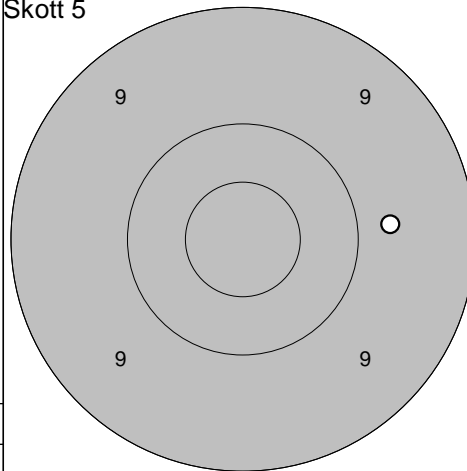
Skott 4



1: 9,8 ↘

Serie 9,0
 Totalt 277,0

Skott 5



1: 9,8 →

Serie 9,0
 Totalt 286,0

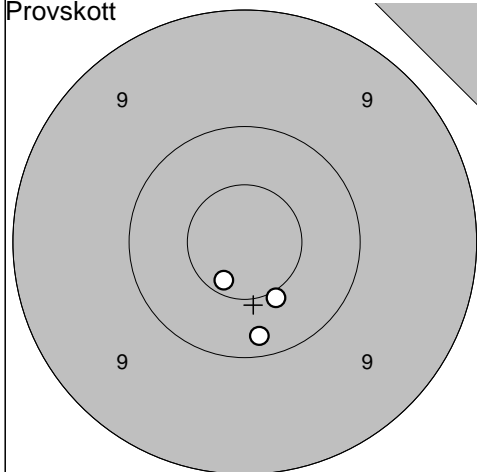
Ununge

2011-07-10

Tavelträffen 2011 A Final

Ramselefors SKF

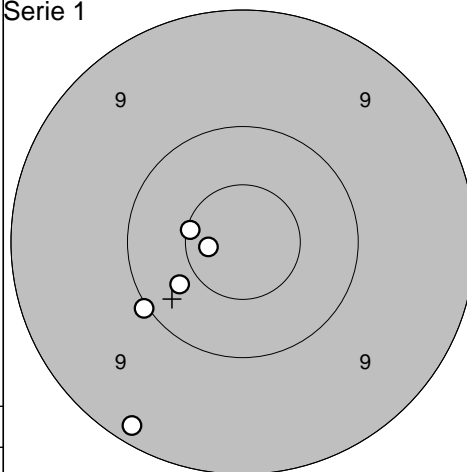
Provsnitt



1: 10,5* ↘
2: 10,7* ↘
3: 10,2 ↘

Serie	30,0
Totalt	142,0

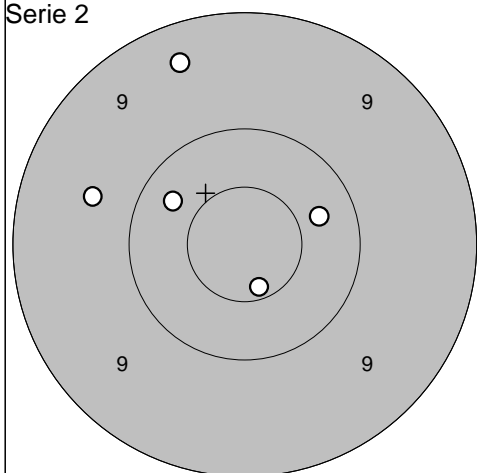
Serie 1



1: 10,0 ↙
2: 10,7* ←
3: 10,4 ↙
4: 10,6* ←
5: 9,2 ↘

Serie	49,0
Totalt	191,0

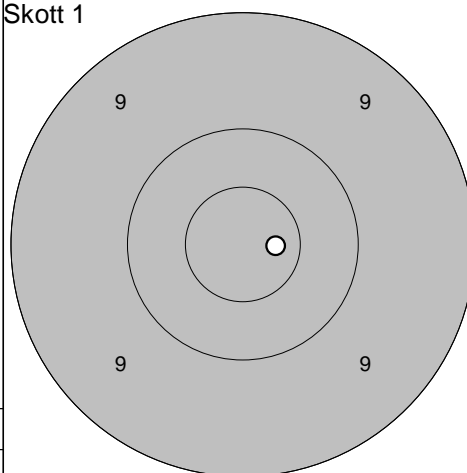
Serie 2



1: 10,3 →
2: 9,4 ↗
3: 10,3 ↗
4: 9,7 ←
5: 10,6* ↘

Serie	48,0
Totalt	239,0

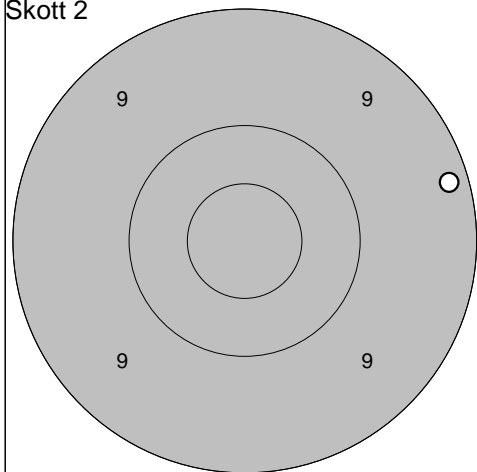
Skott 1



1: 10,7* →

Serie	10,0
Totalt	249,0

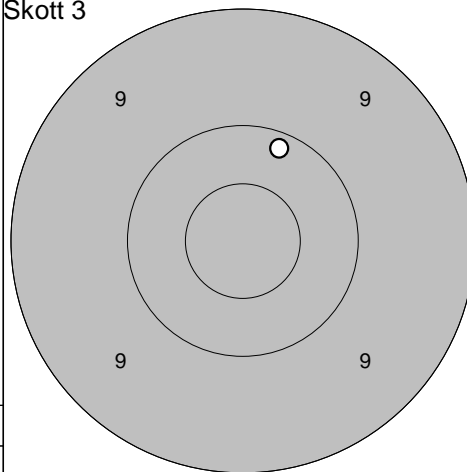
Skott 2



1: 9,2 →

Serie	9,0
Totalt	258,0

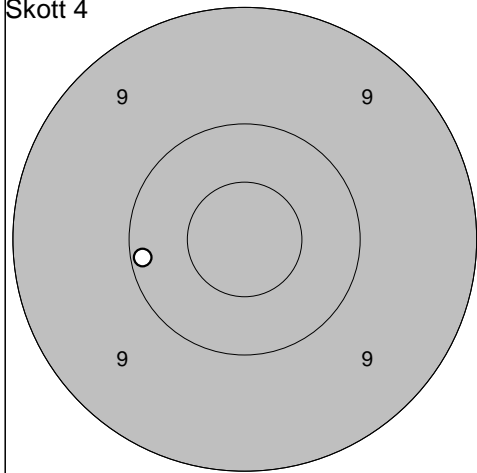
Skott 3



1: 10,2 ↗

Serie	10,0
Totalt	268,0

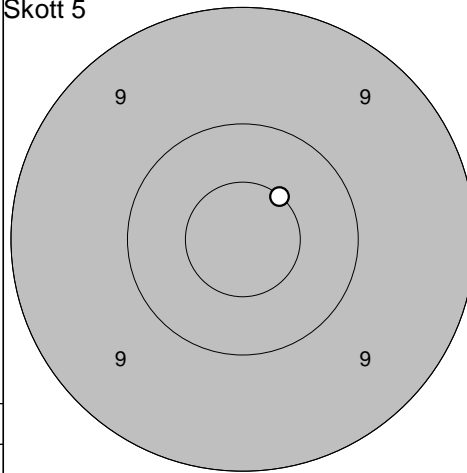
Skott 4



1: 10,1 ←

Serie	10,0
Totalt	278,0

Skott 5



1: 10,5* ↗

Serie	10,0
Totalt	288,0

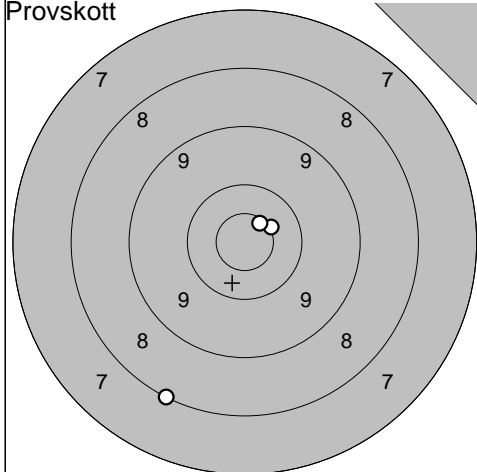
Ununge

2011-07-10

Tavelträffen 2011 A Final

Ramselefors SKF

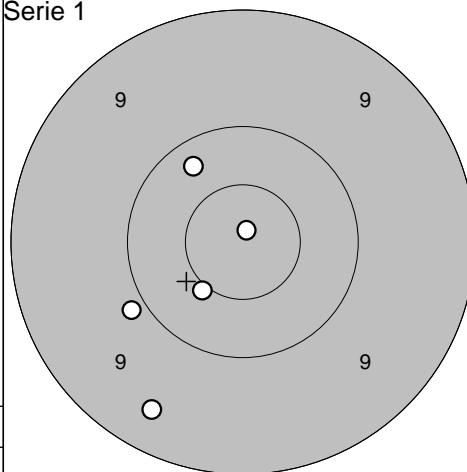
Provskott



1: 10,6* ↗
2: 8,1 ↘
3: 10,7* ↗

Serie	28,0
Totalt	141,0

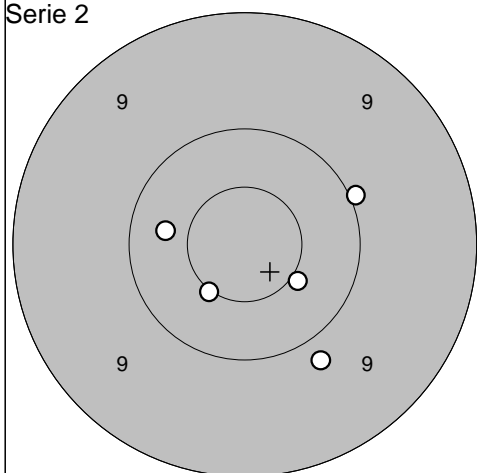
Serie 1



1: 9,9 ↙
2: 10,3 ↖
3: 9,4 ↘
4: 10,5* ↙
5: 10,9* ↗

Serie	48,0
Totalt	189,0

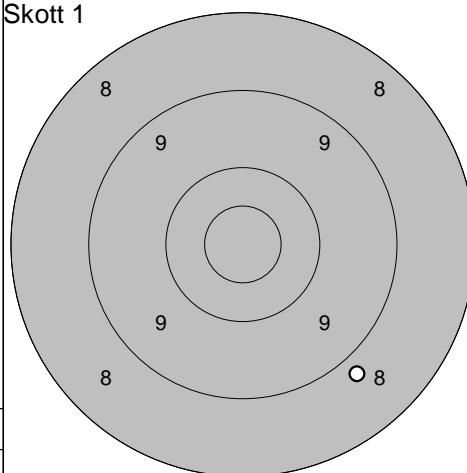
Serie 2



1: 10,0 ↗
2: 10,5* ↘
3: 10,3 ↖
4: 9,8 ↘
5: 10,5* ↘

Serie	49,0
Totalt	238,0

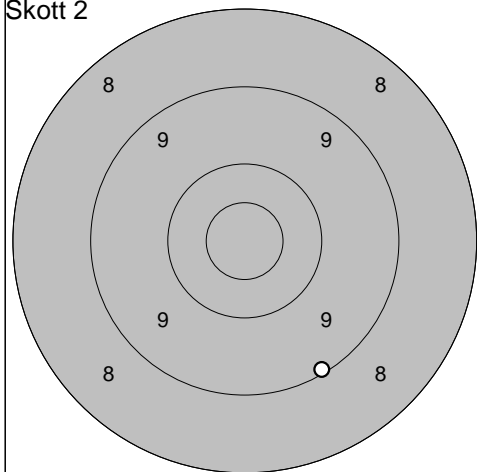
Skott 1



1: 8,8 ↘

Serie	8,0
Totalt	246,0

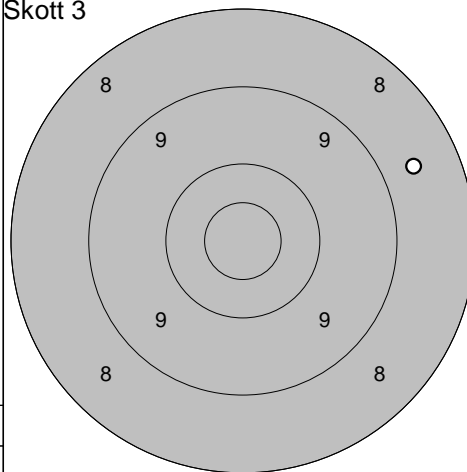
Skott 2



1: 9,1 ↘

Serie	9,0
Totalt	255,0

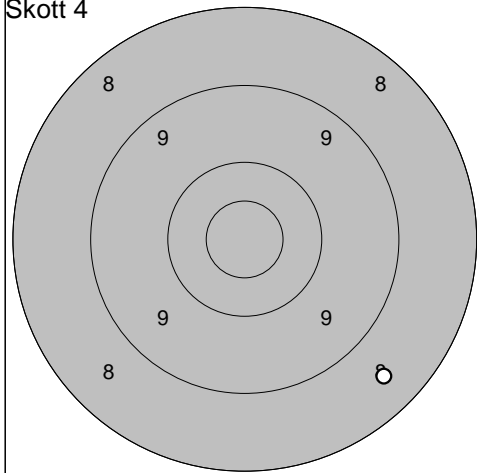
Skott 3



1: 8,6 ↗

Serie	8,0
Totalt	263,0

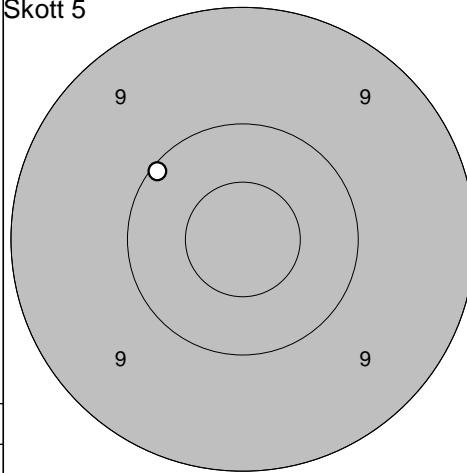
Skott 4



1: 8,5 ↘

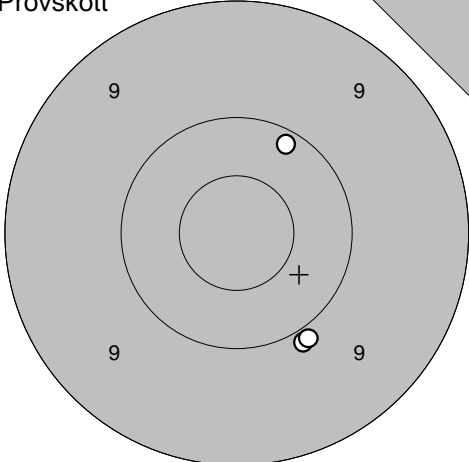
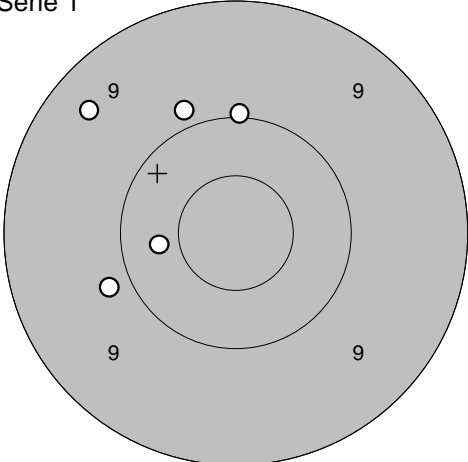
Serie	8,0
Totalt	271,0

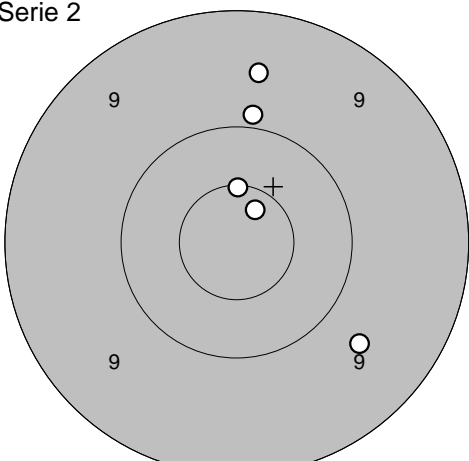
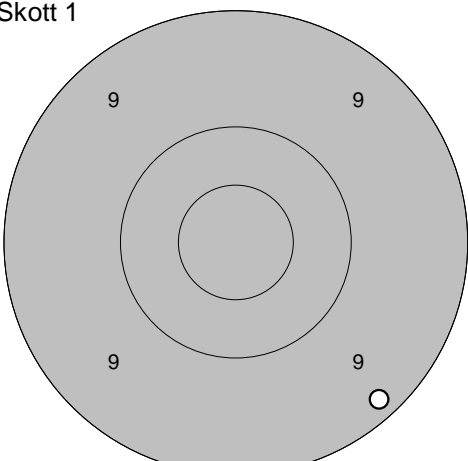
Skott 5

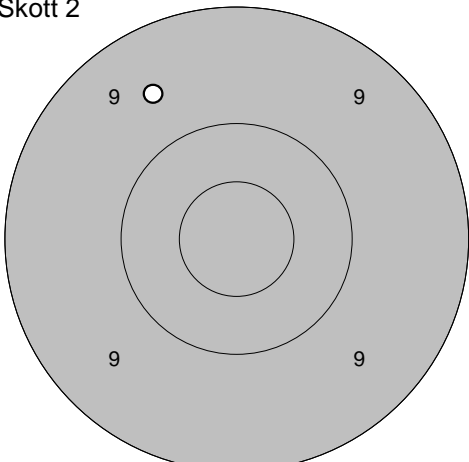
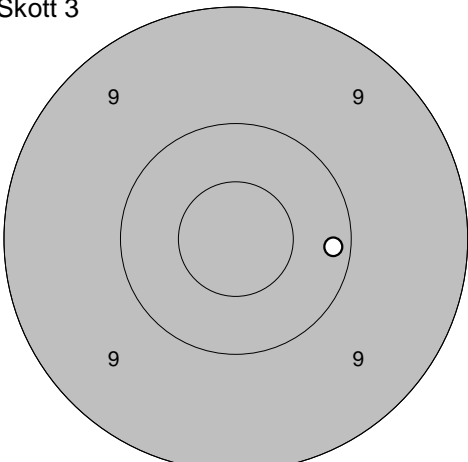


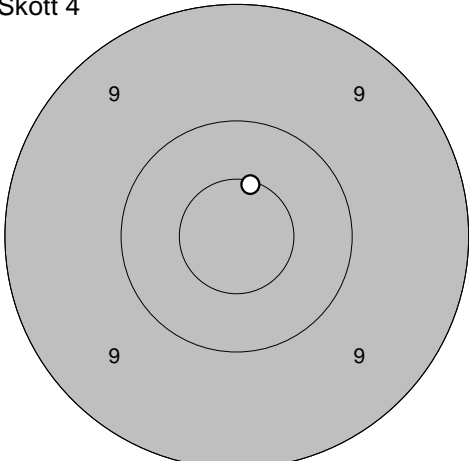
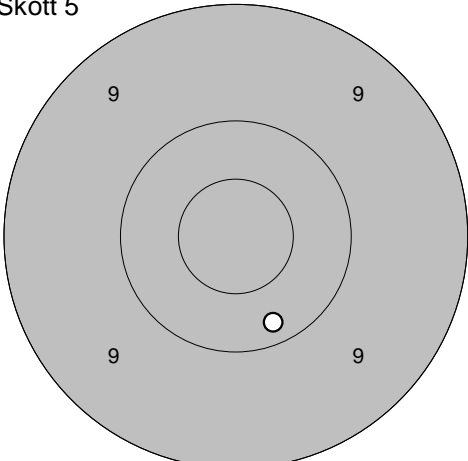
1: 10,1 ↖

Serie	10,0
Totalt	281,0

Provsrott 	1: 10,2 ↗ 2: 9,9 ↘ 3: 9,9 ↘ <hr/> Serie 28,0 Totalt 140,0	Serie 1 	1: 9,8 ← 2: 9,9 ↗ 3: 9,4 ↗ 4: 10,4 ← 5: 10,0 ↑ <hr/> Serie 47,0 Totalt 187,0
--	---	--	--

Serie 2 	1: 9,7 ↘ 2: 10,7* ↗ 3: 9,9 ↑ 4: 10,6* ↑ 5: 9,6 ↑ <hr/> Serie 47,0 Totalt 234,0	Skott 1 	1: 9,2 ↘ <hr/> Serie 9,0 Totalt 243,0
---	--	---	---

Skott 2 	1: 9,6 ↖ <hr/> Serie 9,0 Totalt 252,0	Skott 3 	1: 10,2 → <hr/> Serie 10,0 Totalt 262,0
--	---	--	---

Skott 4 	1: 10,6* ↑ <hr/> Serie 10,0 Totalt 272,0	Skott 5 	1: 10,2 ↘ <hr/> Serie 10,0 Totalt 282,0
--	--	--	---

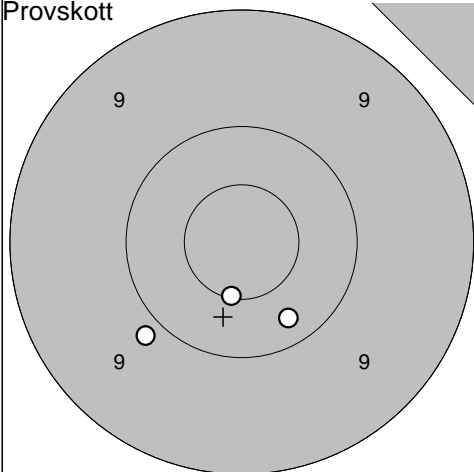
Söderala

2011-07-10

Tavelträffen 2011 A Final

Ramselefors SKF

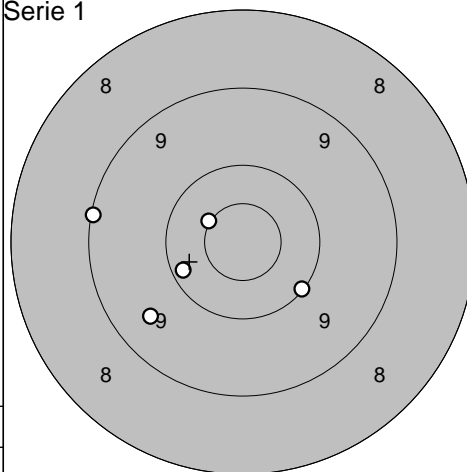
Provs-kott



1: 9,9 ↙
2: 10,3 ↓
3: 10,6* ↓

Serie	29,0
Totalt	140,0

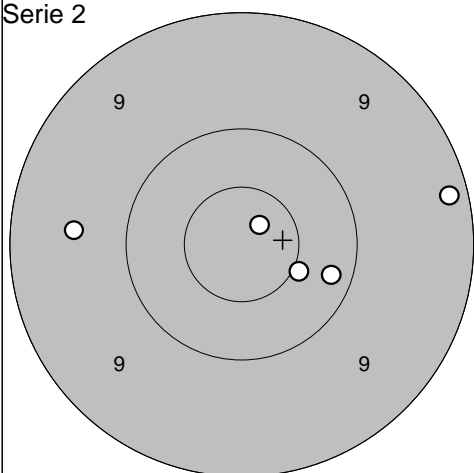
Serie 1



1: 10,5* ↗
2: 9,1 ←
3: 10,1 ↓
4: 10,2 ←
5: 9,5 ↙

Serie	48,0
Totalt	188,0

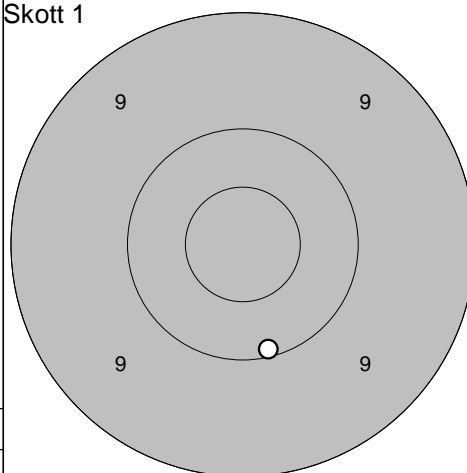
Serie 2



1: 9,2 →
2: 9,6 ←
3: 10,2 →
4: 10,8* ↗
5: 10,5* ↘

Serie	48,0
Totalt	236,0

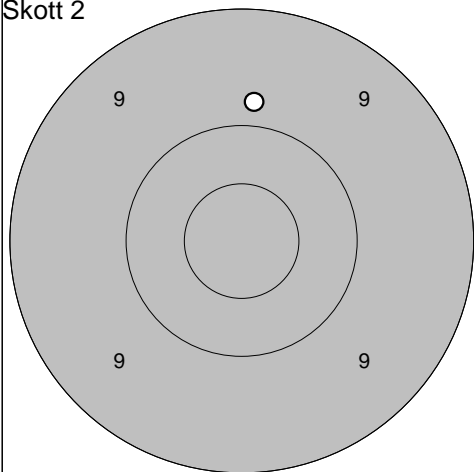
Skott 1



1: 10,1 ↓

Serie	10,0
Totalt	246,0

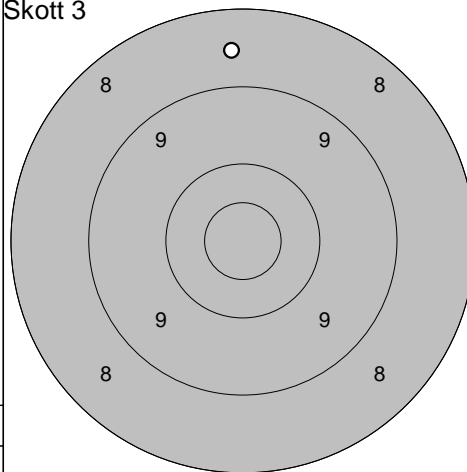
Skott 2



1: 9,8 ↑

Serie	9,0
Totalt	255,0

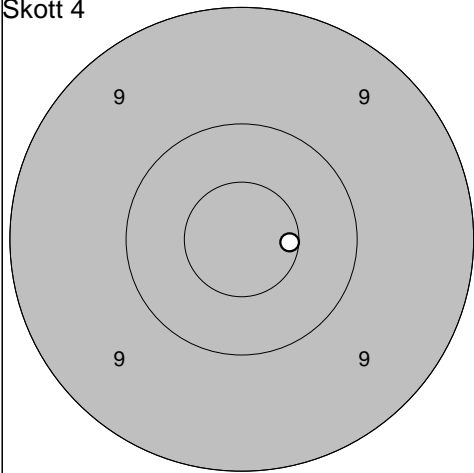
Skott 3



1: 8,6 ↑

Serie	8,0
Totalt	263,0

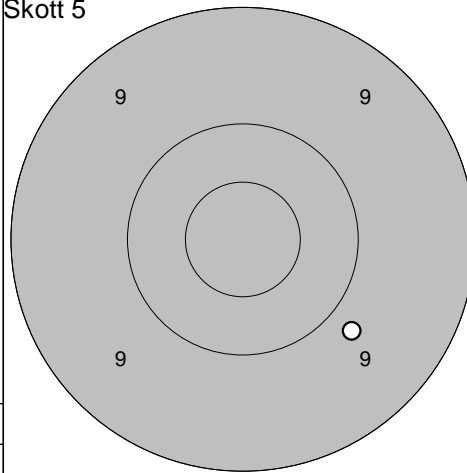
Skott 4



1: 10,6* →

Serie	10,0
Totalt	273,0

Skott 5



1: 9,8 ↘

Serie	9,0
Totalt	282,0

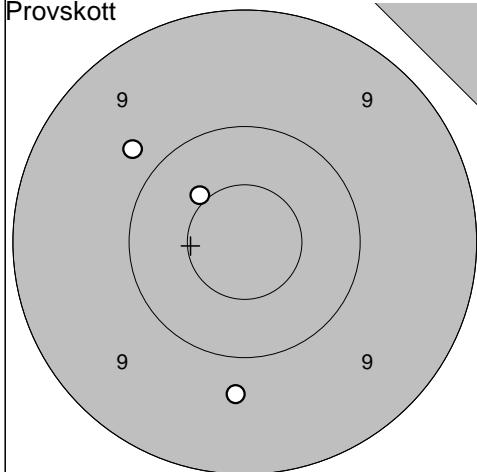
Moälven-Modo

2011-07-10

Tavelträffen 2011 A Final

Ramselefors SKF

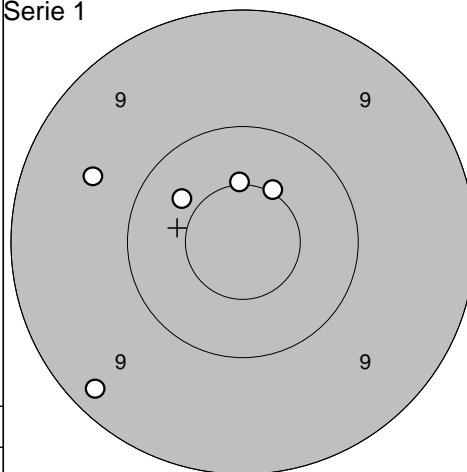
Provsnitt



1: 10,5* ↗
2: 9,8 ↗
3: 9,7 ↓

Serie	28,0
Totalt	140,0

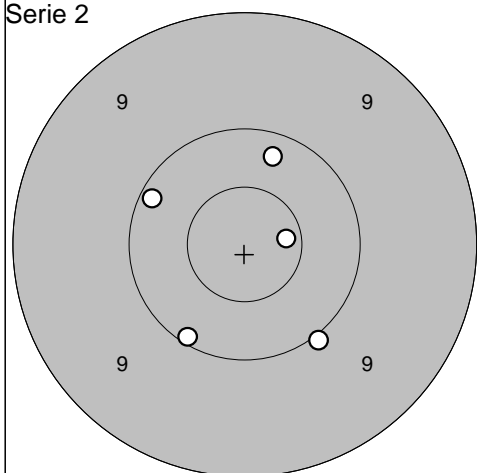
Serie 1



1: 10,5* ↑
2: 10,4 ↖
3: 10,5* ↗
4: 9,2 ↙
5: 9,6 ↖

Serie	48,0
Totalt	188,0

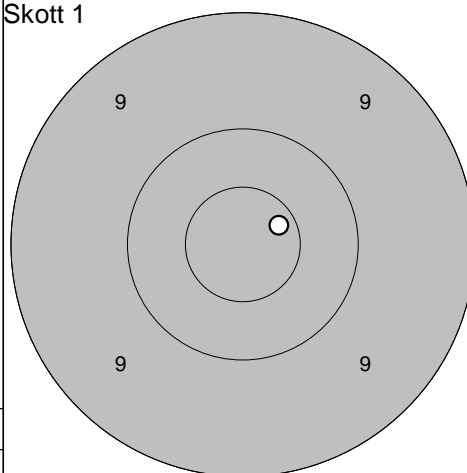
Serie 2



1: 10,2 ↑
2: 10,0 ↓
3: 10,1 ↗
4: 10,7* →
5: 10,1 ↓

Serie	50,0
Totalt	238,0

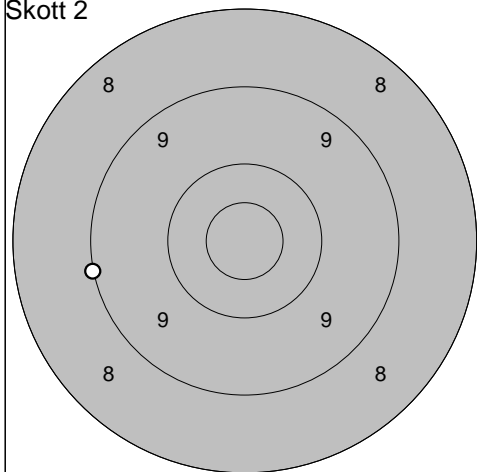
Skott 1



1: 10,7* ↗

Serie	10,0
Totalt	248,0

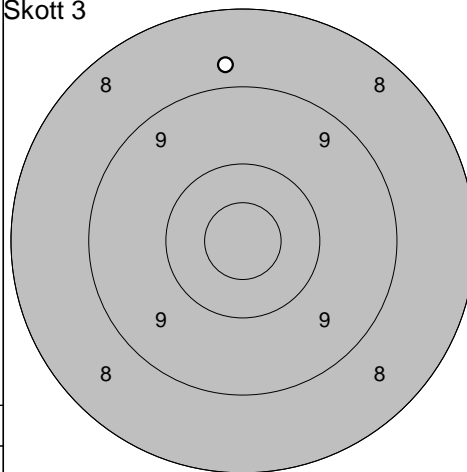
Skott 2



1: 9,0 ←

Serie	9,0
Totalt	257,0

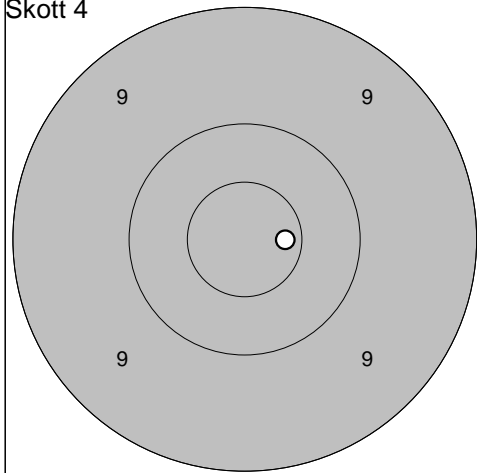
Skott 3



1: 8,8 ↑

Serie	8,0
Totalt	265,0

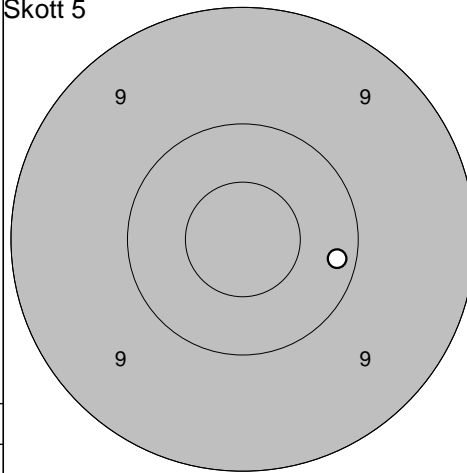
Skott 4



1: 10,7* →

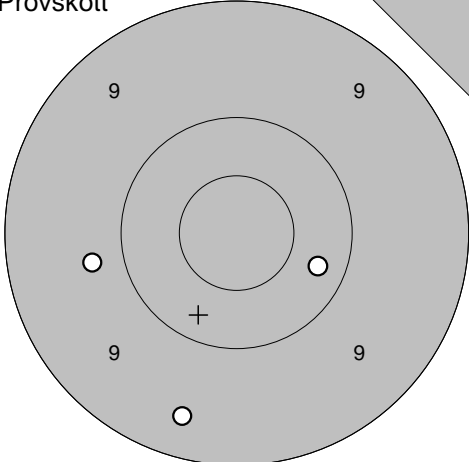
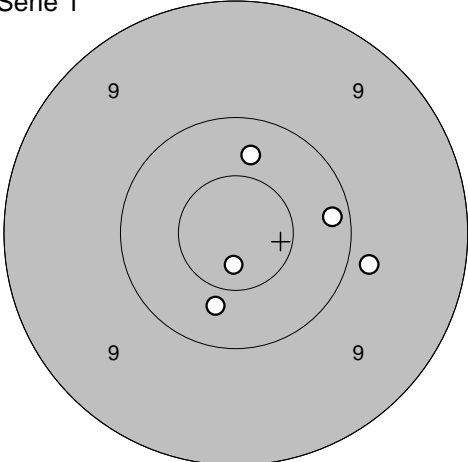
Serie	10,0
Totalt	275,0

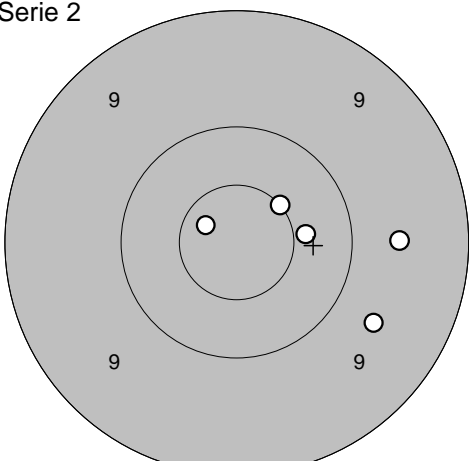
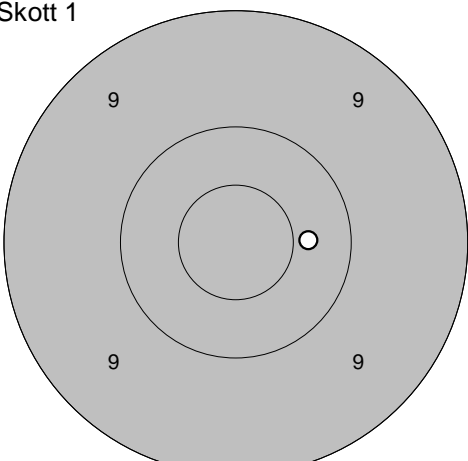
Skott 5

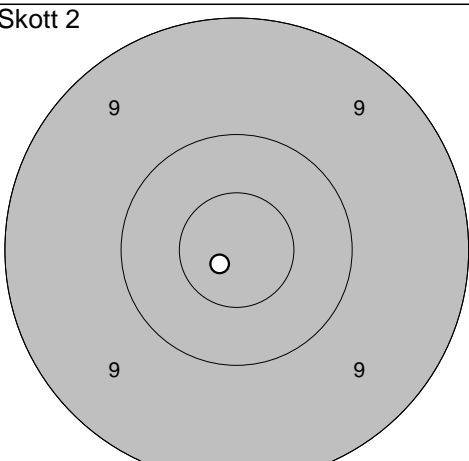
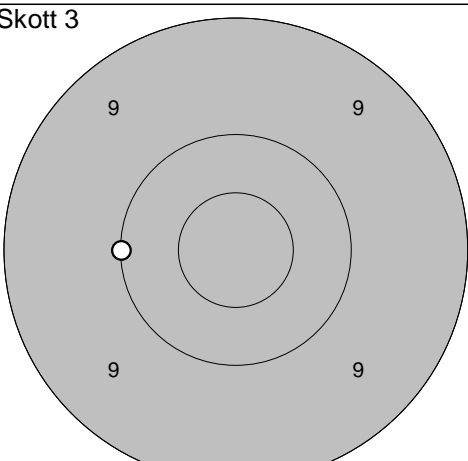


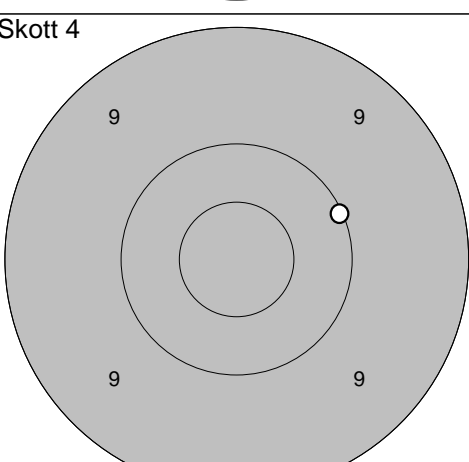
1: 10,2 →

Serie	10,0
Totalt	285,0

<p>Provs-kott</p> 	<p>1: 9,4 ↘ 2: 9,8 ← 3: 10,3 ↗</p>	<p>Serie 1</p> 	<p>1: 9,8 → 2: 10,2 → 3: 10,4 ↓ 4: 10,8* ↓ 5: 10,3 ↑</p>
Serie 28,0		Serie 49,0	
Totalt 139,0		Totalt 188,0	

<p>Serie 2</p> 	<p>1: 9,6 → 2: 10,5* ↗ 3: 10,7* ↖ 4: 10,4 → 5: 9,7 ↘</p>	<p>Skott 1</p> 	<p>1: 10,4 →</p>
Serie 48,0		Serie 10,0	
Totalt 236,0		Totalt 246,0	

<p>Skott 2</p> 	<p>1: 10,8* ↙</p>	<p>Skott 3</p> 	<p>1: 10,0 ←</p>
Serie 10,0		Serie 10,0	
Totalt 256,0		Totalt 266,0	

<p>Skott 4</p> 	<p>1: 10,1 →</p>	<p>Skott 5</p> 	<p>1: 10,9* ↖</p>
Serie 10,0		Serie 10,0	
Totalt 276,0		Totalt 286,0	

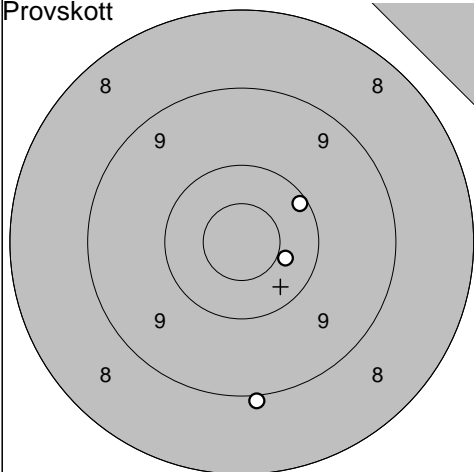
Bälinge-Jumkil

2011-07-10

Tavelträffen 2011 A Final

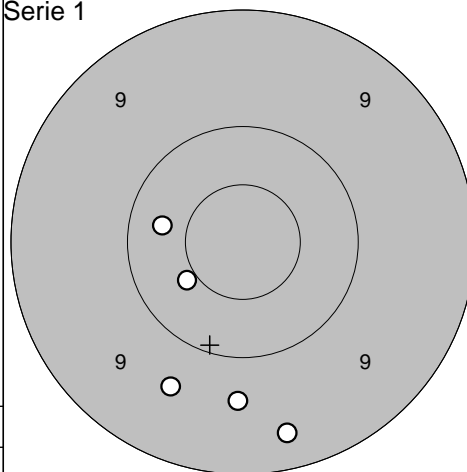
Ramselefors SKF

Provskott



1: 9,0 ↓
2: 10,4 →
3: 10,1 ↗

Serie 1

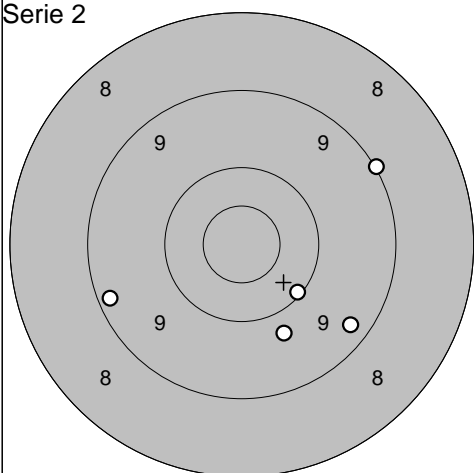


1: 10,4 ↙
2: 9,7 ↓
3: 9,6 ↘
4: 10,3 ←
5: 9,3 ↓

Serie 29,0
Totalt 145,0

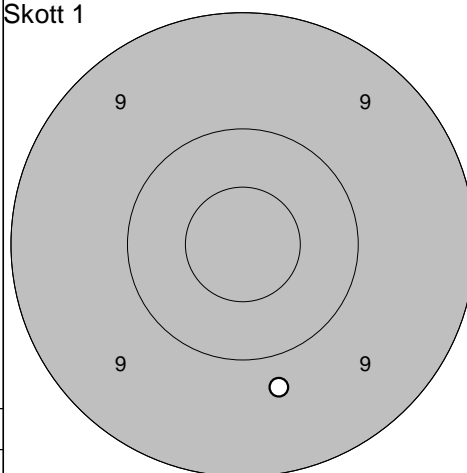
Serie 47,0
Totalt 192,0

Serie 2



1: 9,0 ↗
2: 10,1 ↓
3: 9,2 ←
4: 9,8 ↘
5: 9,3 ↓

Skott 1

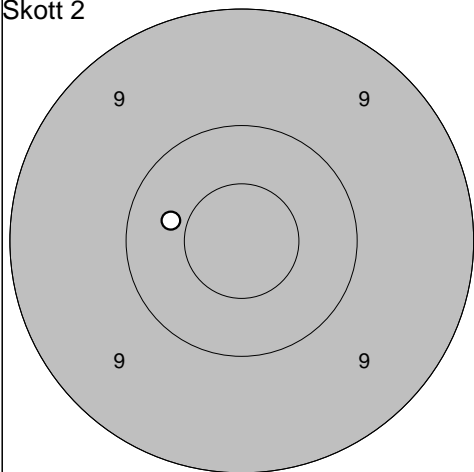


1: 9,8 ↓

Serie 46,0
Totalt 238,0

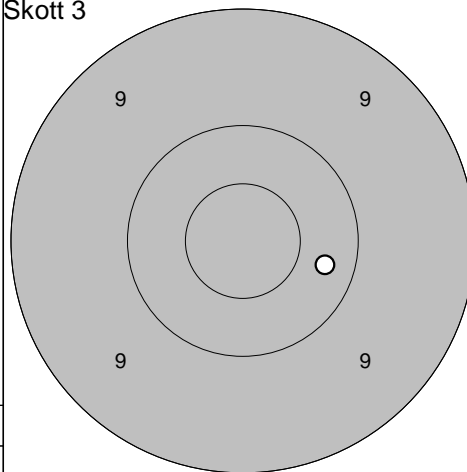
Serie 9,0
Totalt 247,0

Skott 2



1: 10,4 ←

Skott 3

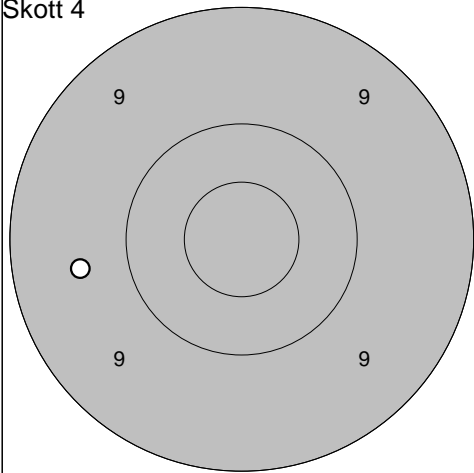


1: 10,3 →

Serie 10,0
Totalt 257,0

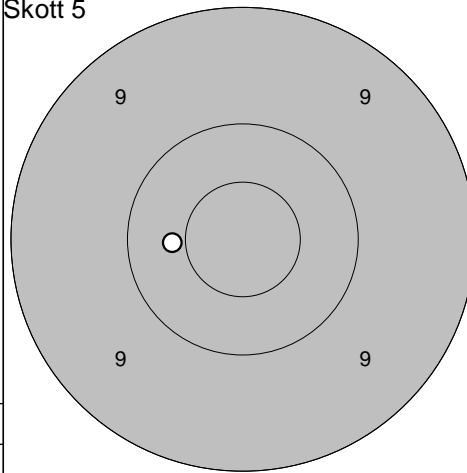
Serie 10,0
Totalt 267,0

Skott 4



1: 9,6 ←

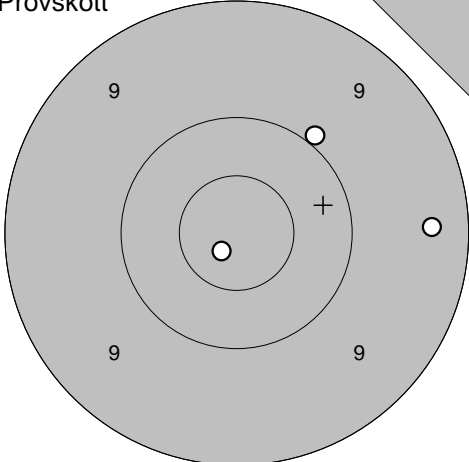
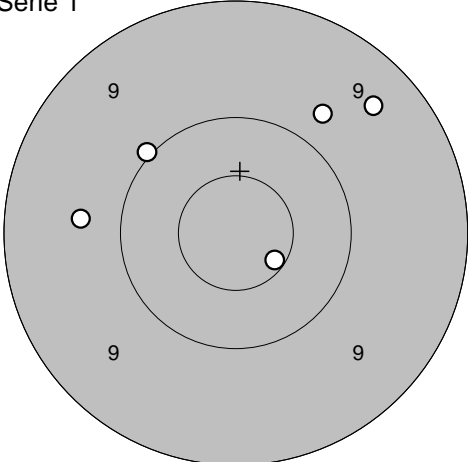
Skott 5

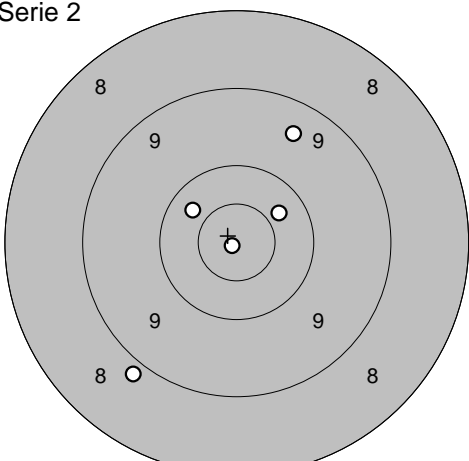
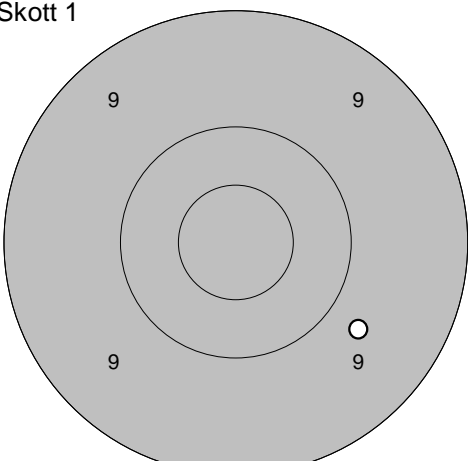


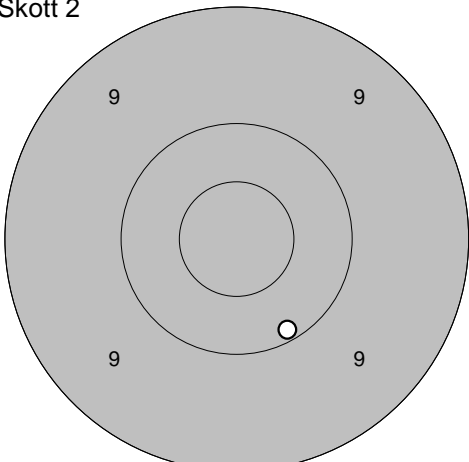
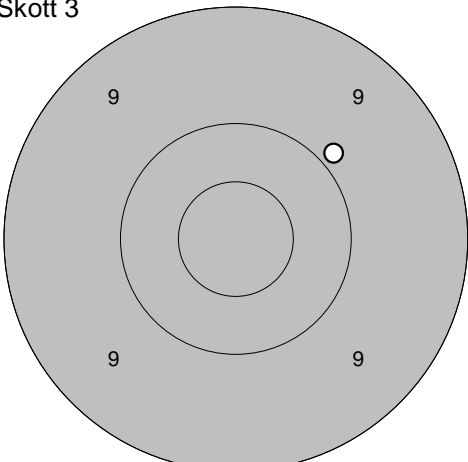
1: 10,4 ←

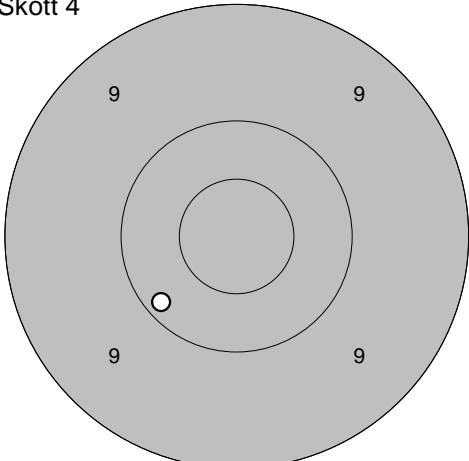
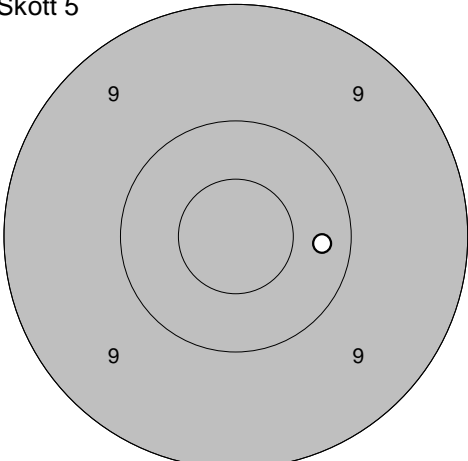
Serie 9,0
Totalt 276,0

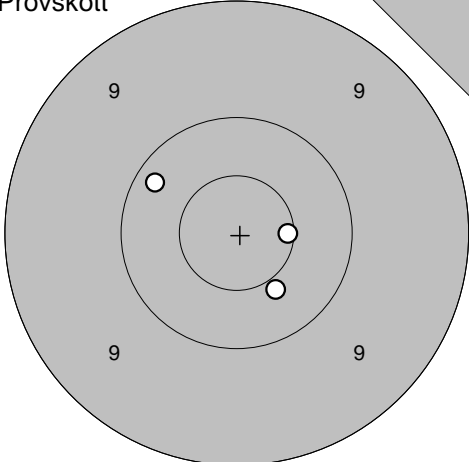
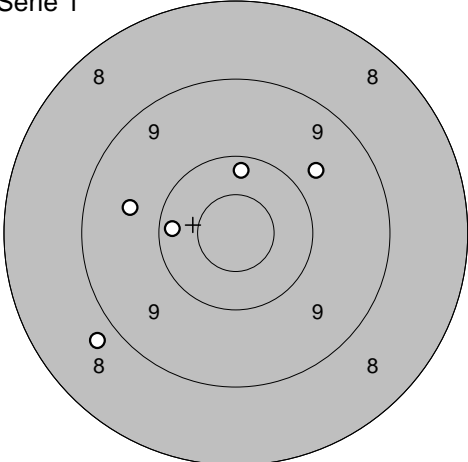
Serie 10,0
Totalt 286,0

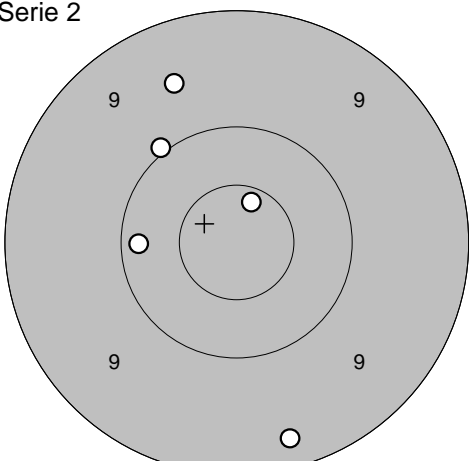
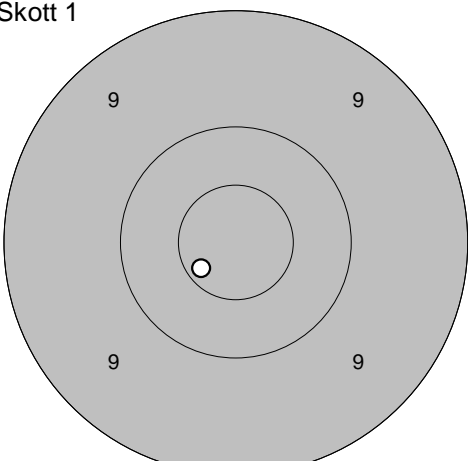
Provsnitt 	1: 10,0 ↗ 2: 10,8* ↘ 3: 9,3 →	Serie 1 	1: 9,4 ↗ 2: 9,7 ← 3: 9,8 ↗ 4: 10,6* ↘ 5: 10,0 ↗
Serie 29,0		Serie 47,0	
Totalt 143,0		Totalt 190,0	

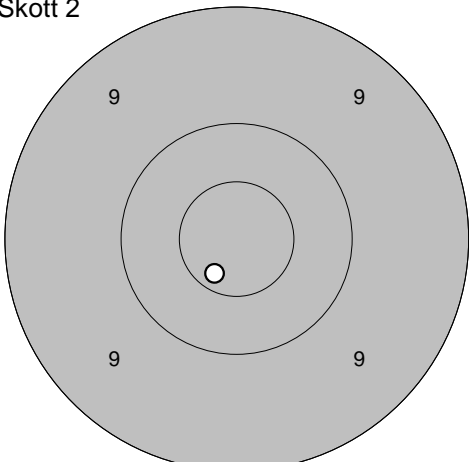
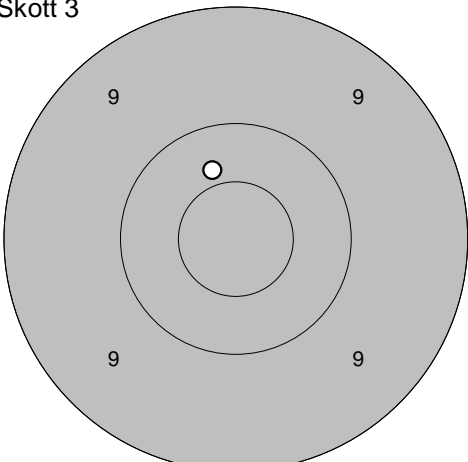
Serie 2 	1: 9,5 ↗ 2: 10,4 ↖ 3: 8,9 ↘ 4: 10,4 ↗ 5: 10,9* ↖	Skott 1 	1: 9,7 ↘
Serie 47,0		Serie 9,0	
Totalt 237,0		Totalt 246,0	

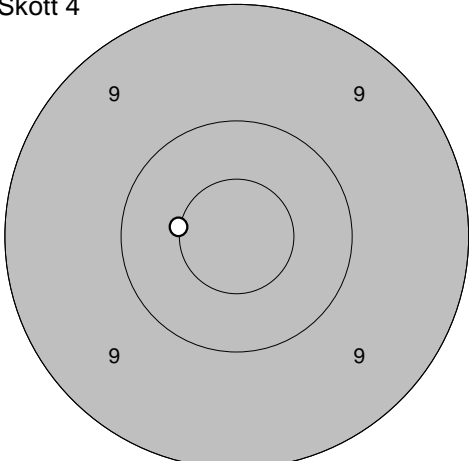
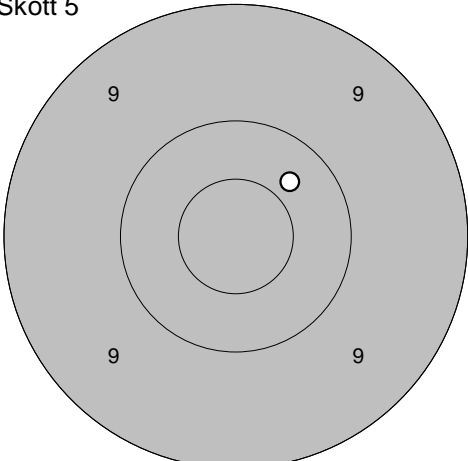
Skott 2 	1: 10,1 ↘	Skott 3 	1: 9,9 ↗
Serie 10,0		Serie 9,0	
Totalt 256,0		Totalt 265,0	

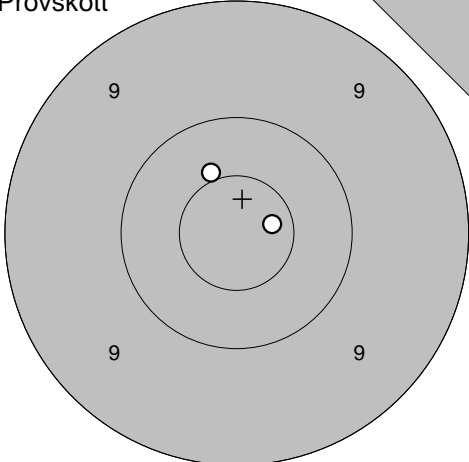
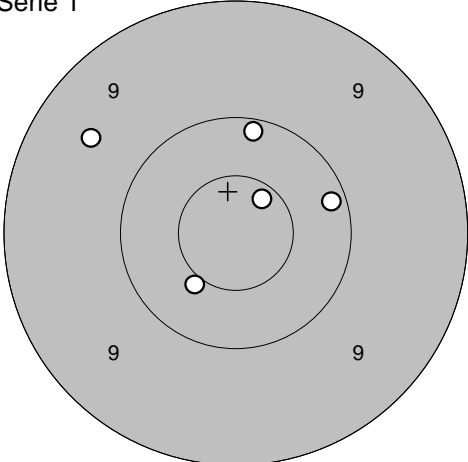
Skott 4 	1: 10,2 ↖	Skott 5 	1: 10,3 →
Serie 10,0		Serie 10,0	
Totalt 275,0		Totalt 285,0	

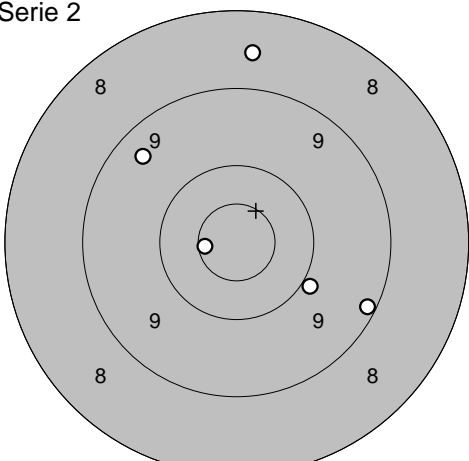
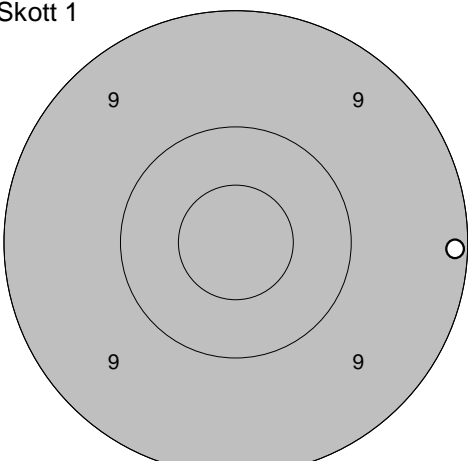
Provsnitt 	1: 10,4 ↘ 2: 10,2 ↗ 3: 10,6* →	Serie 1 	1: 8,8 ↙ 2: 10,2 ← 3: 9,6 ← 4: 10,2 ↑ 5: 9,7 ↗
	Serie 30,0		Serie 46,0
	Totalt 142,0		Totalt 188,0

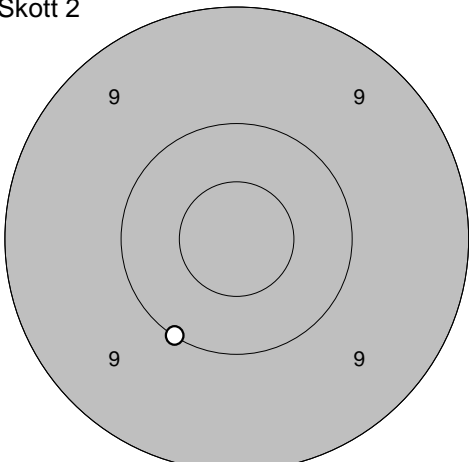
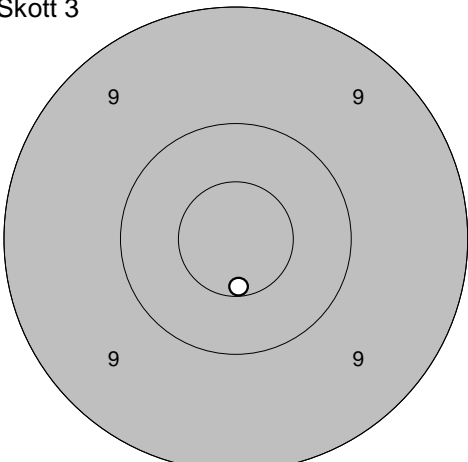
Serie 2 	1: 9,3 ↓ 2: 10,2 ← 3: 10,0 ↗ 4: 10,7* ↗ 5: 9,6 ↗	Skott 1 	1: 10,7* ↙
	Serie 48,0		Serie 10,0
	Totalt 236,0		Totalt 246,0

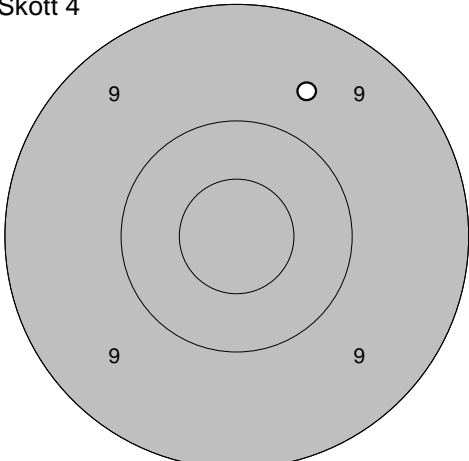
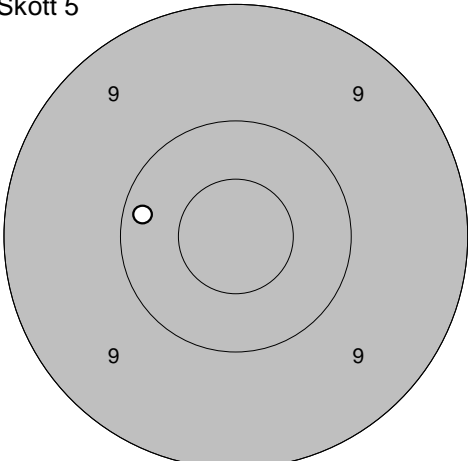
Skott 2 	1: 10,7* ↘	Skott 3 	1: 10,4 ↗
	Serie 10,0		Serie 10,0
	Totalt 256,0		Totalt 266,0

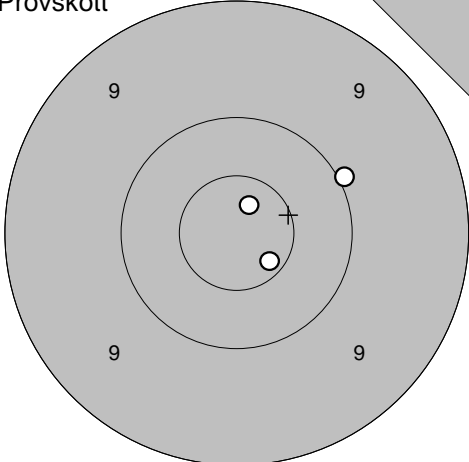
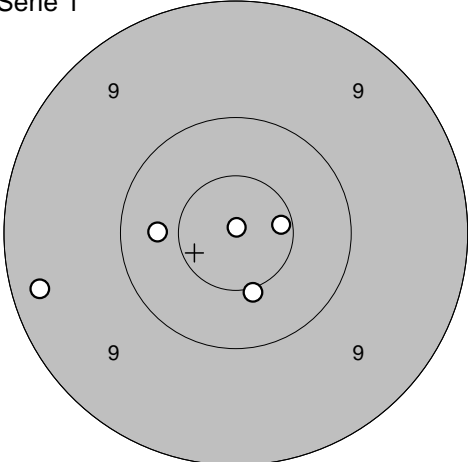
Skott 4 	1: 10,5* ←	Skott 5 	1: 10,4 ↗
	Serie 10,0		Serie 10,0
	Totalt 276,0		Totalt 286,0

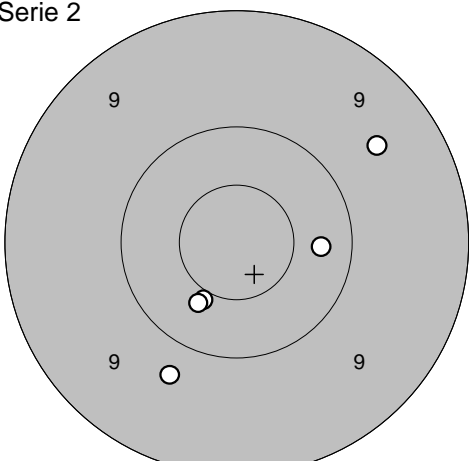
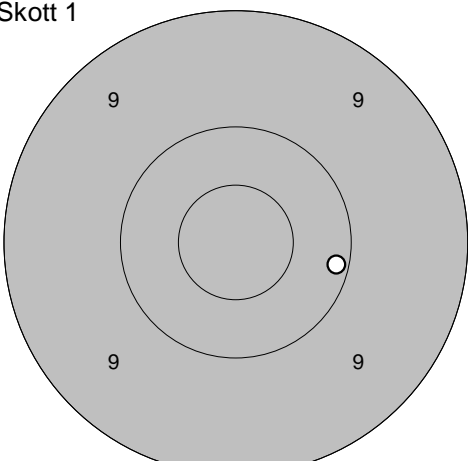
<p>Provsrott</p> 	<p>1: 10,7* → 2: 10,5* ↗</p>	<p>Serie 1</p> 	<p>1: 10,2 → 2: 9,5 ↖ 3: 10,7* ↗ 4: 10,1 ↑ 5: 10,5* ↘</p>
Serie 20,0		Serie 49,0	
Totalt 141,0		Totalt 190,0	

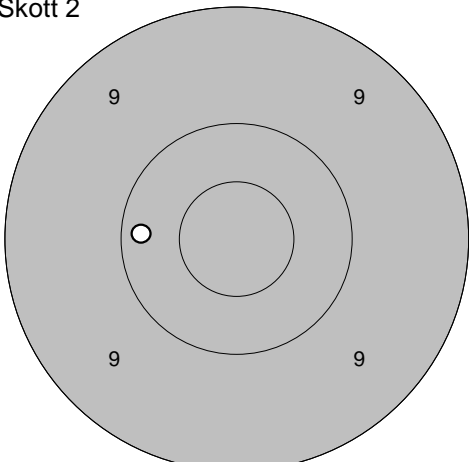
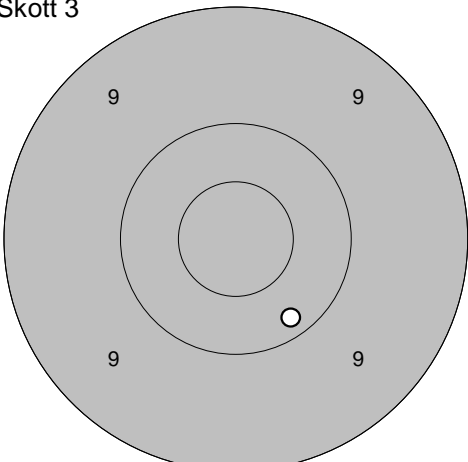
<p>Serie 2</p> 	<p>1: 9,9 ↘ 2: 10,6* ← 3: 9,4 ↗ 4: 8,6 ↑ 5: 9,2 ↘</p>	<p>Skott 1</p> 	<p>1: 9,1 →</p>
Serie 45,0		Serie 9,0	
Totalt 235,0		Totalt 244,0	

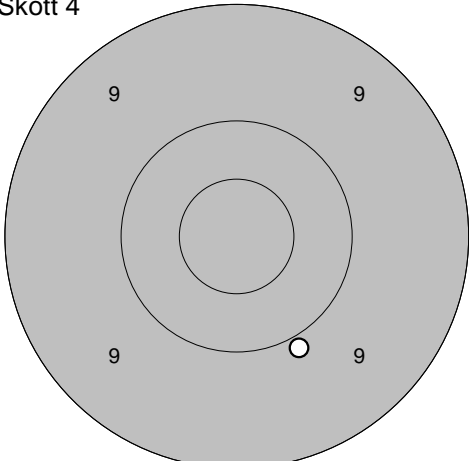
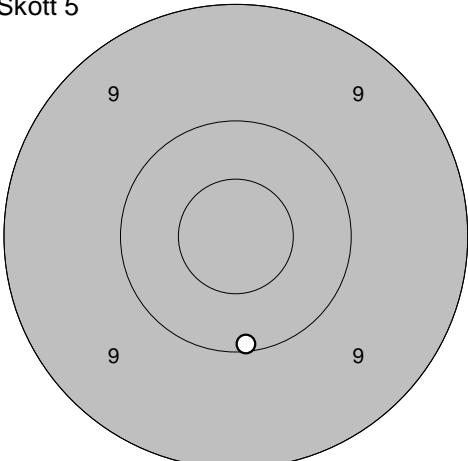
<p>Skott 2</p> 	<p>1: 10,0 ↘</p>	<p>Skott 3</p> 	<p>1: 10,6* ↓</p>
Serie 10,0		Serie 10,0	
Totalt 254,0		Totalt 264,0	

<p>Skott 4</p> 	<p>1: 9,6 ↗</p>	<p>Skott 5</p> 	<p>1: 10,2 ←</p>
Serie 9,0		Serie 10,0	
Totalt 273,0		Totalt 283,0	

Provs-kott 	1: 10,0 → 2: 10,7* ↘ 3: 10,8* ↗	Serie 1 	1: 10,6* → 2: 9,3 ← 3: 10,5* ↓ 4: 10,9* ↑ 5: 10,4 ←
	Serie 30,0		Serie 49,0
	Totalt 141,0		Totalt 190,0

Serie 2 	1: 9,6 → 2: 10,5* ↓ 3: 10,3 → 4: 10,4 ↓ 5: 9,8 ↓	Skott 1 	1: 10,1 →
	Serie 48,0		Serie 10,0
	Totalt 238,0		Totalt 248,0

Skott 2 	1: 10,2 ←	Skott 3 	1: 10,2 ↓
	Serie 10,0		Serie 10,0
	Totalt 258,0		Totalt 268,0

Skott 4 	1: 9,9 ↓	Skott 5 	1: 10,1 ↓
	Serie 9,0		Serie 10,0
	Totalt 277,0		Totalt 287,0

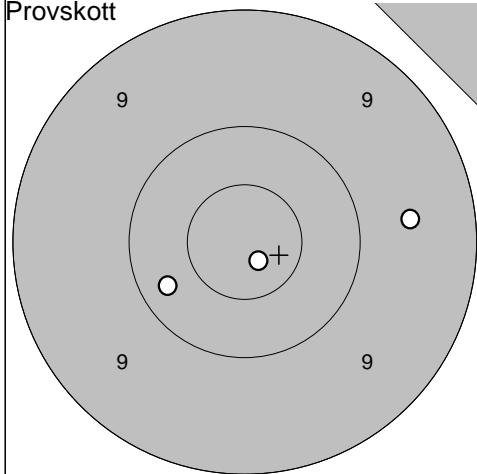
Ramselefors

2011-07-10

Tavelträffen 2011 A Final

Ramselefors SKF

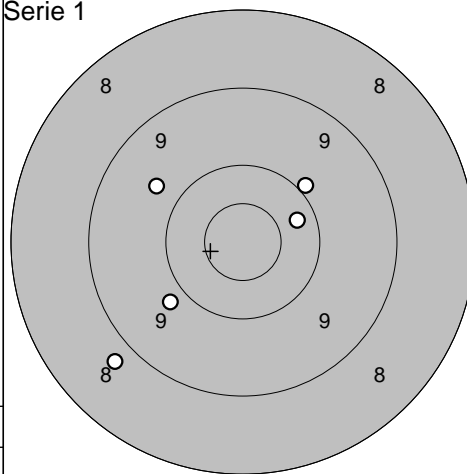
Provsnitt



1: 10,8* ↘
2: 9,6 →
3: 10,3 ↙

Serie	29,0
Totalt	140,0

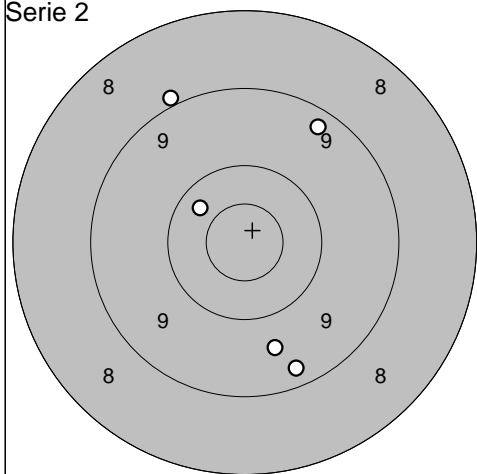
Serie 1



1: 10,3 →
2: 10,0 ↗
3: 9,7 ↖
4: 9,8 ↙
5: 8,8 ↘

Serie	46,0
Totalt	186,0

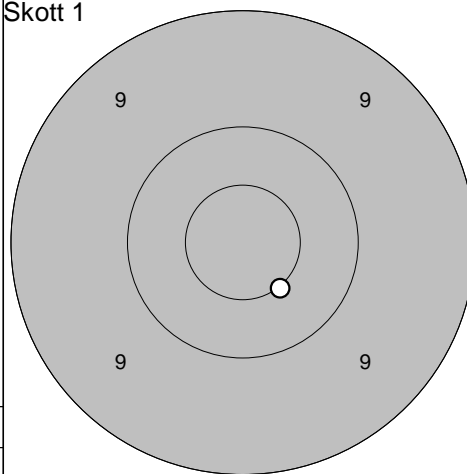
Serie 2



1: 9,6 ↘
2: 9,3 ↘
3: 10,3 ↗
4: 9,3 ↗
5: 9,0 ↗

Serie	46,0
Totalt	232,0

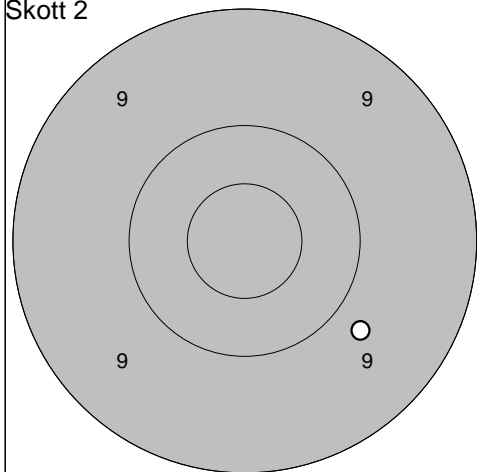
Skott 1



1: 10,5* ↘

Serie	10,0
Totalt	242,0

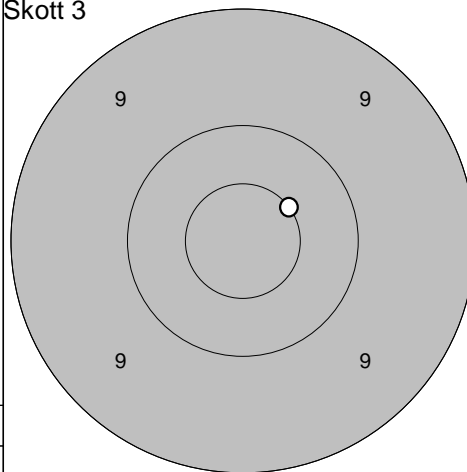
Skott 2



1: 9,8 ↘

Serie	9,0
Totalt	251,0

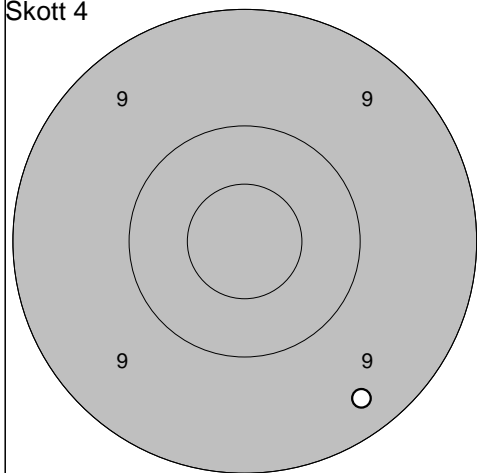
Skott 3



1: 10,5* ↗

Serie	10,0
Totalt	261,0

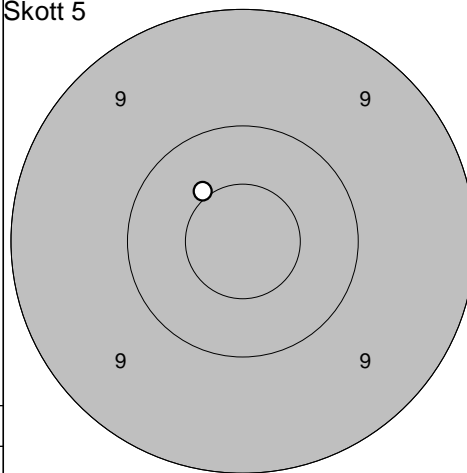
Skott 4



1: 9,3 ↘

Serie	9,0
Totalt	270,0

Skott 5



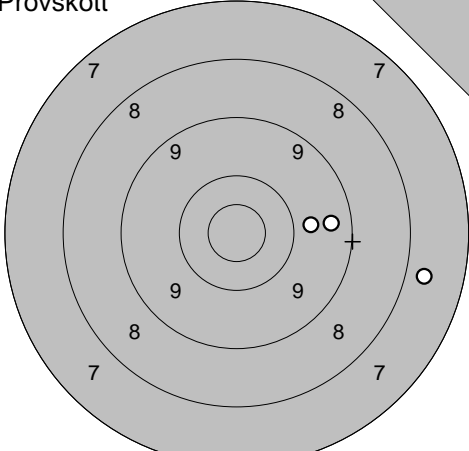
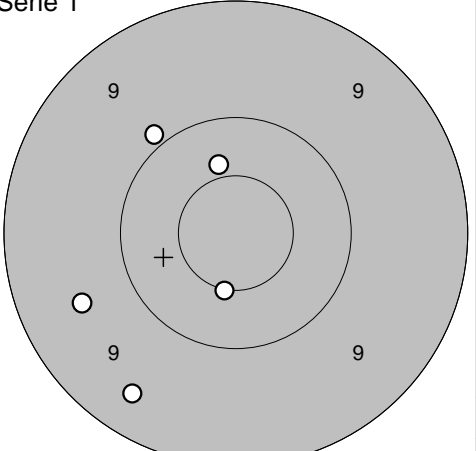
1: 10,5* ↖

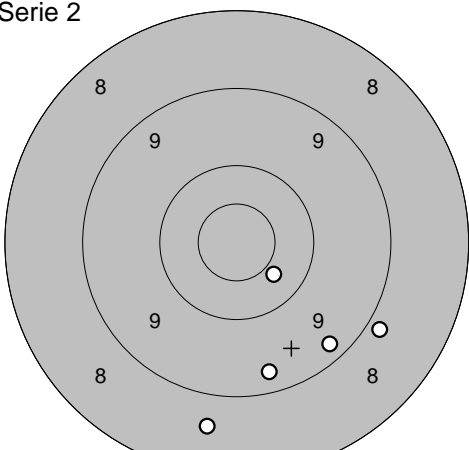
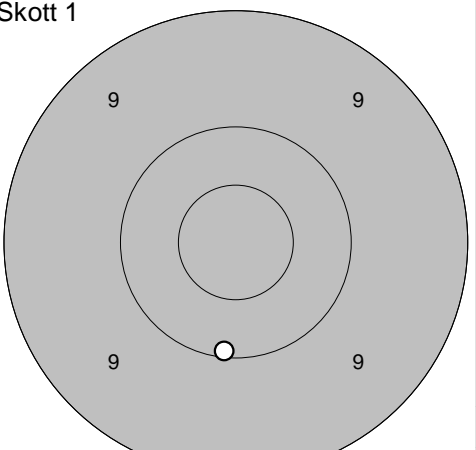
Serie	10,0
Totalt	280,0

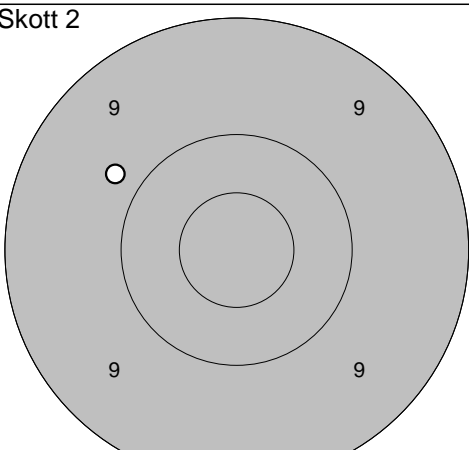
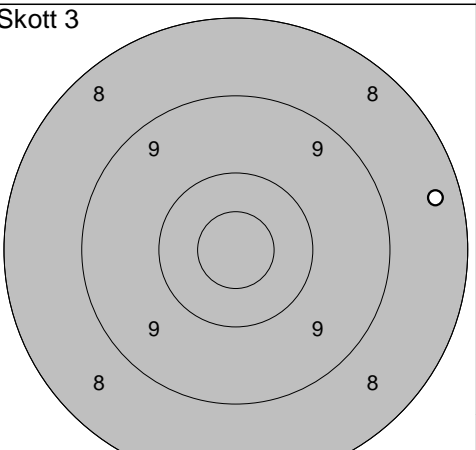
Ramselefors

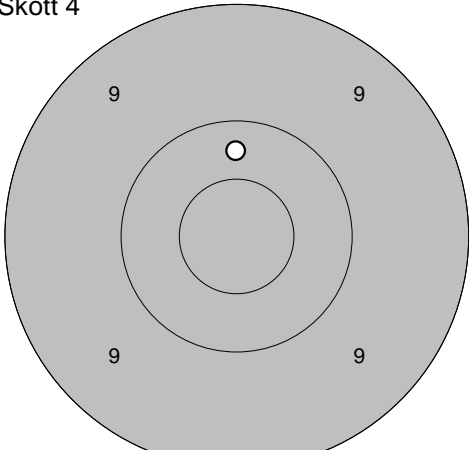
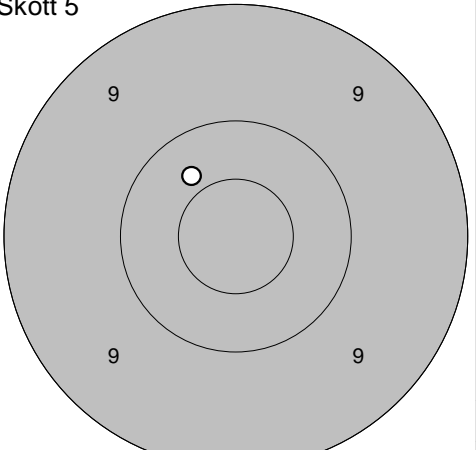
2011-07-10	Tavelträffen 2011 A Final	Ramselefors SKF
------------	---------------------------	-----------------

<p>Provsnitt</p>	<p>1: 9,9 ↗ 2: 9,4 ← 3: 9,3 ↙</p> <table border="1" style="width: 100%; border-collapse: collapse;"> <tr> <td style="text-align: right;">Serie</td> <td style="text-align: right;">27,0</td> </tr> <tr> <td style="text-align: right;">Totalt</td> <td style="text-align: right;">139,0</td> </tr> </table>	Serie	27,0	Totalt	139,0	<p>Serie 1</p>	<p>1: 10,4 → 2: 10,7* ↓ 3: 10,5* ↓ 4: 10,8* ↗ 5: 10,1 ↘</p> <table border="1" style="width: 100%; border-collapse: collapse;"> <tr> <td style="text-align: right;">Serie</td> <td style="text-align: right;">50,0</td> </tr> <tr> <td style="text-align: right;">Totalt</td> <td style="text-align: right;">189,0</td> </tr> </table>	Serie	50,0	Totalt	189,0
Serie	27,0										
Totalt	139,0										
Serie	50,0										
Totalt	189,0										
<p>Serie 2</p>	<p>1: 10,4 ↘ 2: 10,1 ← 3: 10,1 ↘ 4: 9,1 ↓ 5: 9,5 ↘</p> <table border="1" style="width: 100%; border-collapse: collapse;"> <tr> <td style="text-align: right;">Serie</td> <td style="text-align: right;">48,0</td> </tr> <tr> <td style="text-align: right;">Totalt</td> <td style="text-align: right;">237,0</td> </tr> </table>	Serie	48,0	Totalt	237,0	<p>Skott 1</p>	<p>1: 9,9 ↓</p> <table border="1" style="width: 100%; border-collapse: collapse;"> <tr> <td style="text-align: right;">Serie</td> <td style="text-align: right;">9,0</td> </tr> <tr> <td style="text-align: right;">Totalt</td> <td style="text-align: right;">246,0</td> </tr> </table>	Serie	9,0	Totalt	246,0
Serie	48,0										
Totalt	237,0										
Serie	9,0										
Totalt	246,0										
<p>Skott 2</p>	<p>1: 10,0 ↑</p> <table border="1" style="width: 100%; border-collapse: collapse;"> <tr> <td style="text-align: right;">Serie</td> <td style="text-align: right;">10,0</td> </tr> <tr> <td style="text-align: right;">Totalt</td> <td style="text-align: right;">256,0</td> </tr> </table>	Serie	10,0	Totalt	256,0	<p>Skott 3</p>	<p>1: 9,3 ←</p> <table border="1" style="width: 100%; border-collapse: collapse;"> <tr> <td style="text-align: right;">Serie</td> <td style="text-align: right;">9,0</td> </tr> <tr> <td style="text-align: right;">Totalt</td> <td style="text-align: right;">265,0</td> </tr> </table>	Serie	9,0	Totalt	265,0
Serie	10,0										
Totalt	256,0										
Serie	9,0										
Totalt	265,0										
<p>Skott 4</p>	<p>1: 10,4 ↙</p> <table border="1" style="width: 100%; border-collapse: collapse;"> <tr> <td style="text-align: right;">Serie</td> <td style="text-align: right;">10,0</td> </tr> <tr> <td style="text-align: right;">Totalt</td> <td style="text-align: right;">275,0</td> </tr> </table>	Serie	10,0	Totalt	275,0	<p>Skott 5</p>	<p>1: 9,1 ←</p> <table border="1" style="width: 100%; border-collapse: collapse;"> <tr> <td style="text-align: right;">Serie</td> <td style="text-align: right;">9,0</td> </tr> <tr> <td style="text-align: right;">Totalt</td> <td style="text-align: right;">284,0</td> </tr> </table>	Serie	9,0	Totalt	284,0
Serie	10,0										
Totalt	275,0										
Serie	9,0										
Totalt	284,0										

<p>Provskott</p> 	<p>1: 9,8 → 2: 7,8 → 3: 9,4 →</p>	<p>Serie 1</p> 	<p>1: 10,4 ↑ 2: 10,5* ↓ 3: 9,4 ↙ 4: 9,9 ↖ 5: 9,6 ←</p>
Serie 25,0		Serie 47,0	
Totalt 139,0		Totalt 186,0	

<p>Serie 2</p> 	<p>1: 8,6 ↓ 2: 9,3 ↓ 3: 10,4 ↓ 4: 9,3 ↓ 5: 8,9 ↓</p>	<p>Skott 1</p> 	<p>1: 10,1 ↓</p>
Serie 44,0		Serie 10,0	
Totalt 230,0		Totalt 240,0	

<p>Skott 2</p> 	<p>1: 9,8 ↖</p>	<p>Skott 3</p> 	<p>1: 8,4 →</p>
Serie 9,0		Serie 8,0	
Totalt 249,0		Totalt 257,0	

<p>Skott 4</p> 	<p>1: 10,3 ↑</p>	<p>Skott 5</p> 	<p>1: 10,4 ↖</p>
Serie 10,0		Serie 10,0	
Totalt 267,0		Totalt 277,0	