

Skjutlag

4

Tavla

1

Joakim Nordlund

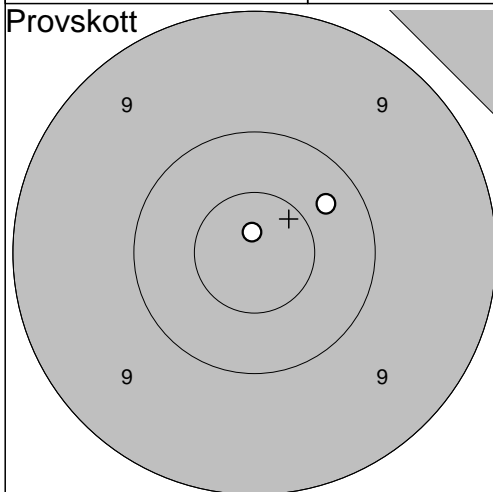
S 3

2011-07-11

Tavelträffen B 2011 Final

Ramselefors SKF

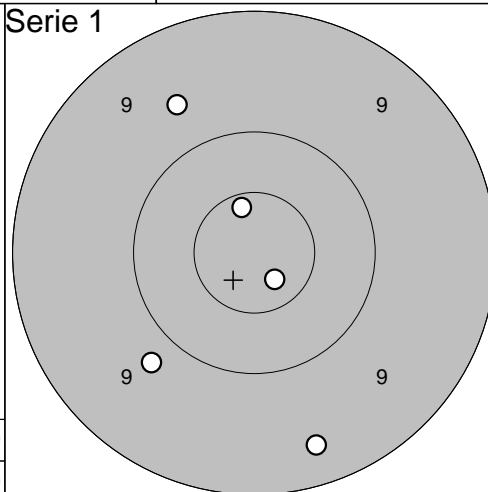
Provskott



1:10,3 ↗

2:10,9* ↑

Serie 1



1: 9,7 ↗

2: 9,4 ↓

3:10,6* ↑

4: 9,8 ↘

5:10,7* ↓

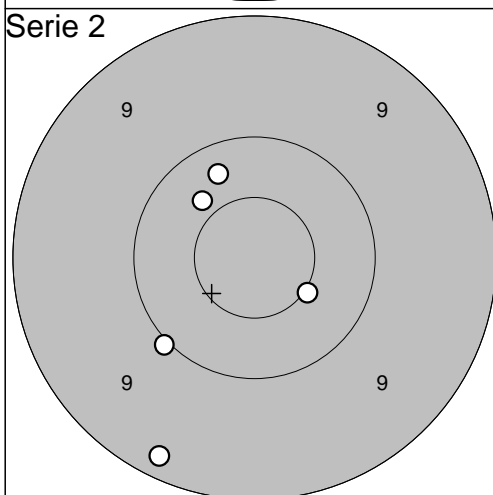
Serie 20,0

Totalt 290,0

Serie 47,0

Totalt 337,0

Serie 2



1:10,4 ↗

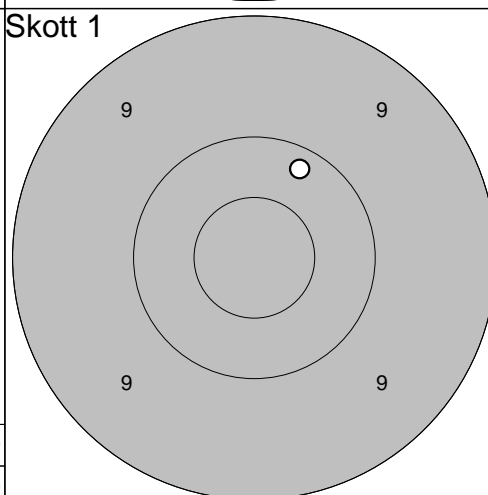
2:10,5* ↘

3:10,0 ↘

4: 9,2 ↘

5:10,3 ↗

Skott 1



1:10,2 ↑

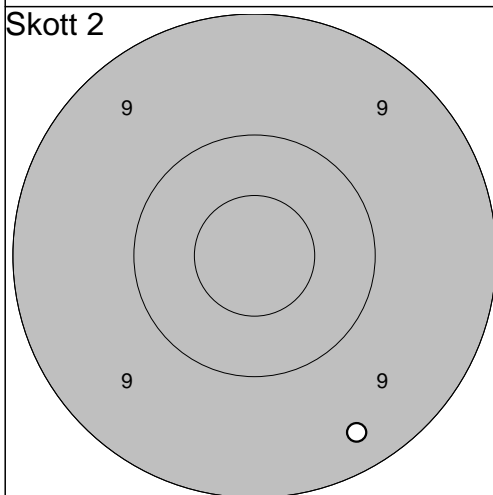
Serie 49,0

Totalt 386,0

Serie 10,0

Totalt 396,0

Skott 2

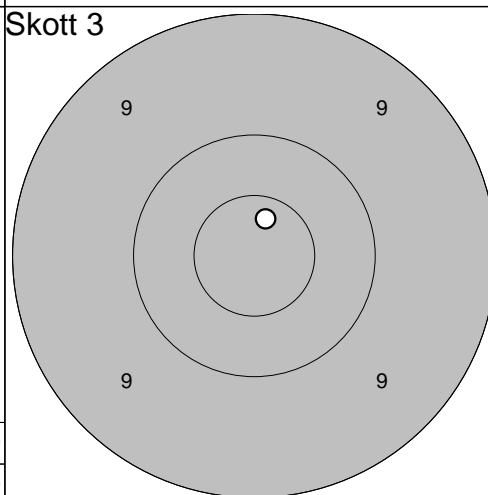


1: 9,3 ↓

Serie 9,0

Totalt 405,0

Skott 3

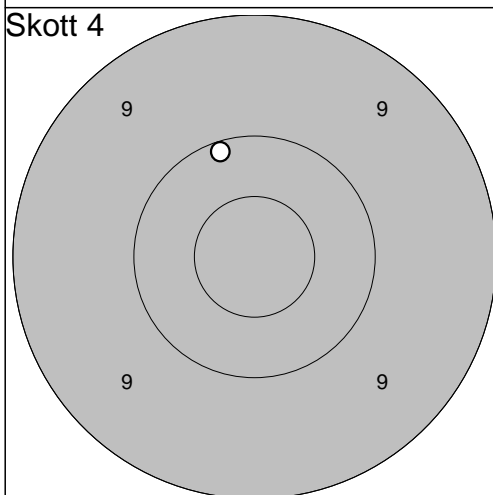


1:10,7* ↑

Serie 10,0

Totalt 415,0

Skott 4

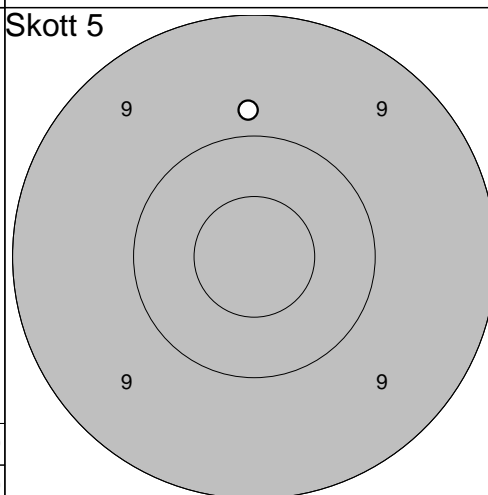


1:10,1 ↑

Serie 10,0

Totalt 425,0

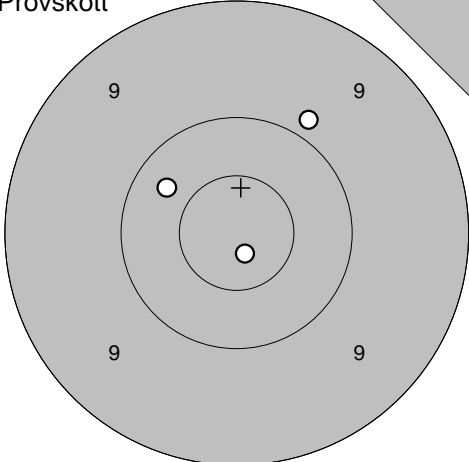
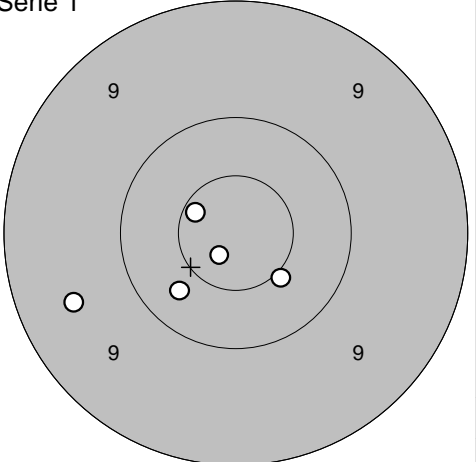
Skott 5

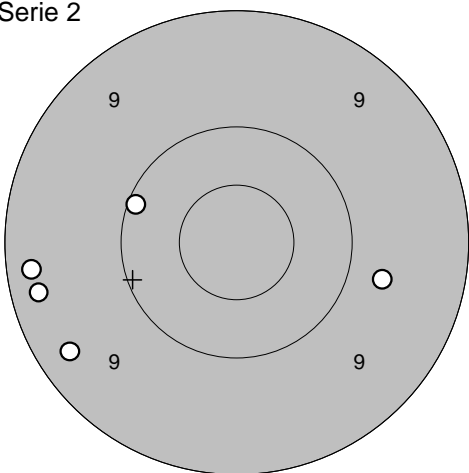
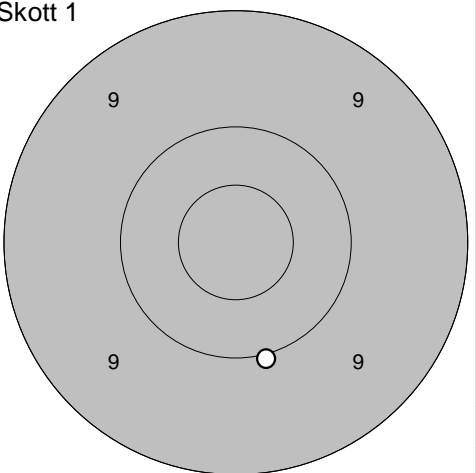


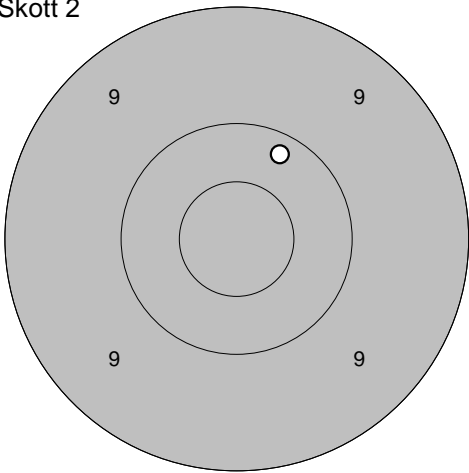
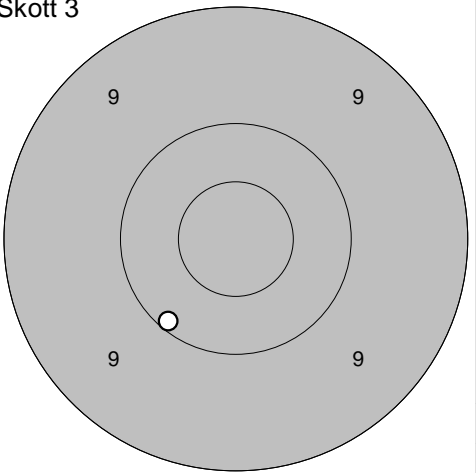
1: 9,8 ↑

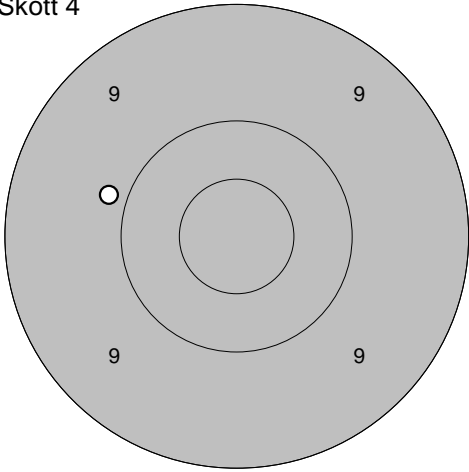
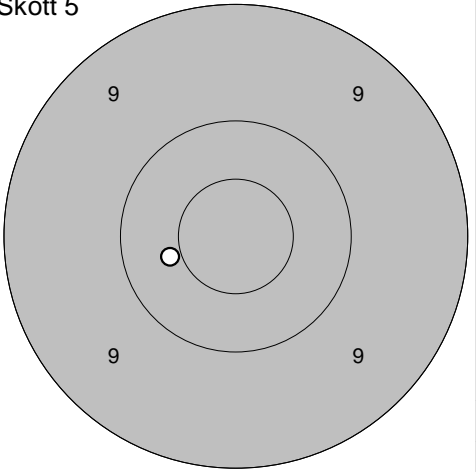
Serie 9,0

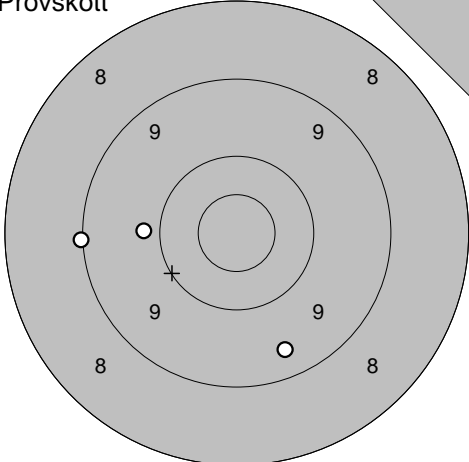
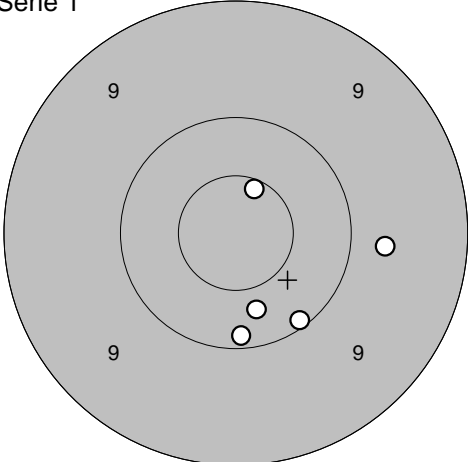
Totalt 434,0

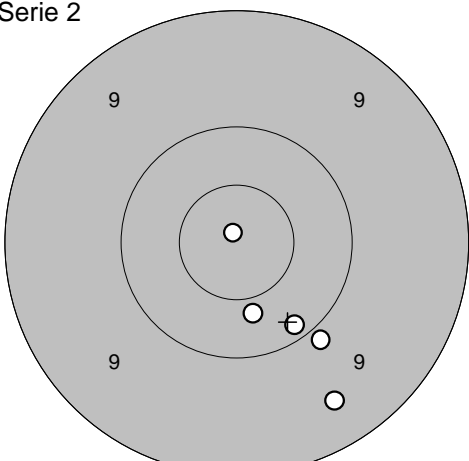
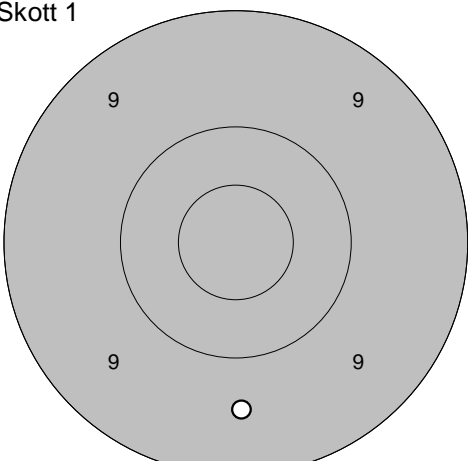
<p>Provskott</p> 	<p>Serie 1</p> 	
1: 10,8* ↘ 2: 9,9 ↗ 3: 10,3 ↖	1: 10,3 ↙ 2: 10,5* ↘ 3: 10,8* ↙ 4: 10,6* ↖ 5: 9,5 ↖	
Serie 29,0 Totalt 287,0	Serie 49,0 Totalt 336,0	

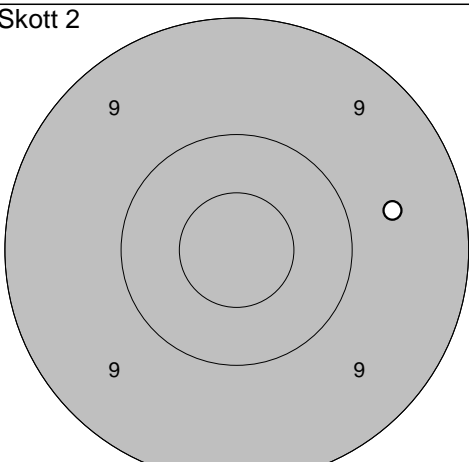
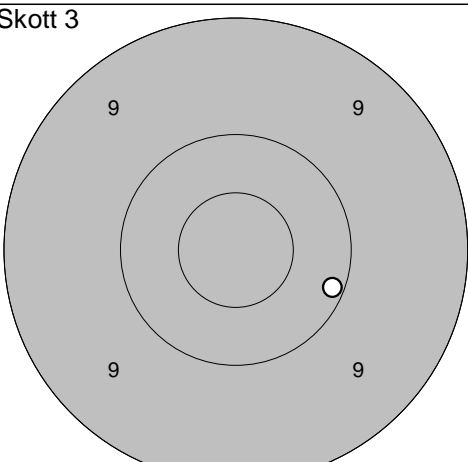
<p>Serie 2</p> 	<p>Skott 1</p> 	
1: 9,7 → 2: 9,2 ← 3: 10,1 ↖ 4: 9,3 ↙ 5: 9,3 ←	1: 10,0 ↓	
Serie 46,0 Totalt 382,0	Serie 10,0 Totalt 392,0	

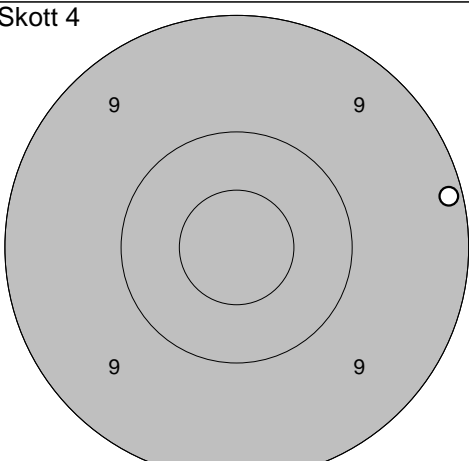
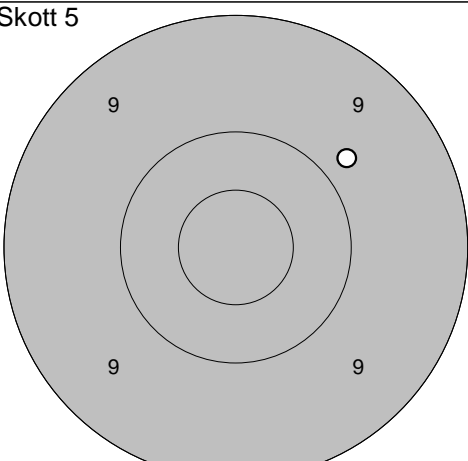
<p>Skott 2</p> 	<p>Skott 3</p> 	
1: 10,2 ↗	1: 10,1 ↙	
Serie 10,0 Totalt 402,0	Serie 10,0 Totalt 412,0	

<p>Skott 4</p> 	<p>Skott 5</p> 	
1: 9,9 ←	1: 10,4 ←	
Serie 9,0 Totalt 421,0	Serie 10,0 Totalt 431,0	

<p>Provs-kott</p> 	<p>1: 9,0 ← 2: 9,8 ← 3: 9,4 ↘</p> <hr/> <p>Serie 27,0 Totalt 285,0</p>	<p>Serie 1</p> 	<p>1: 10,1 ↓ 2: 10,3 ↓ 3: 9,7 → 4: 10,1 ↘ 5: 10,6* ↗</p> <hr/> <p>Serie 49,0 Totalt 334,0</p>
--	--	---	---

<p>Serie 2</p> 	<p>1: 10,9* ↗ 2: 9,4 ↘ 3: 10,4 ↘ 4: 9,9 ↘ 5: 10,2 ↘</p> <hr/> <p>Serie 48,0 Totalt 382,0</p>	<p>Skott 1</p> 	<p>1: 9,6 ↓</p> <hr/> <p>Serie 9,0 Totalt 391,0</p>
--	--	--	---

<p>Skott 2</p> 	<p>1: 9,6 →</p> <hr/> <p>Serie 9,0 Totalt 400,0</p>	<p>Skott 3</p> 	<p>1: 10,1 →</p> <hr/> <p>Serie 10,0 Totalt 410,0</p>
---	---	---	---

<p>Skott 4</p> 	<p>1: 9,1 →</p> <hr/> <p>Serie 9,0 Totalt 419,0</p>	<p>Skott 5</p> 	<p>1: 9,8 ↗</p> <hr/> <p>Serie 9,0 Totalt 428,0</p>
---	---	---	---

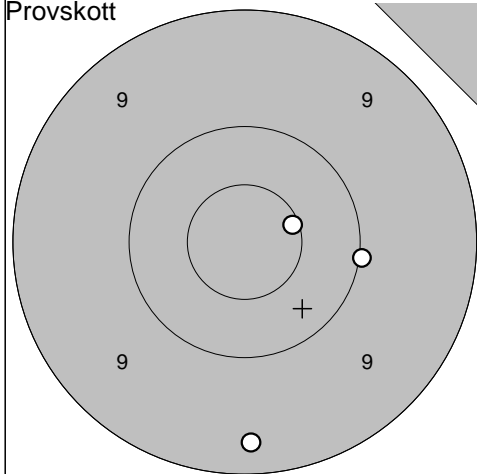
Ununge

2011-07-11

Tavelträffen B 2011 Final

Ramselefors SKF

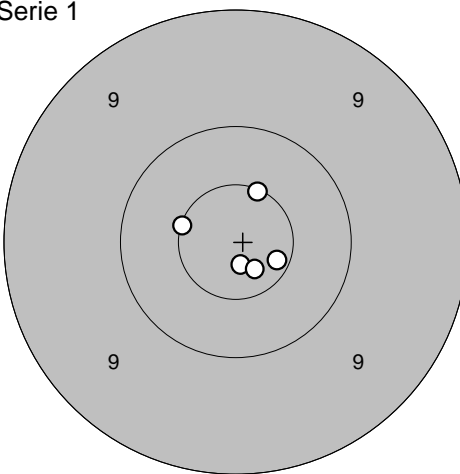
Provsnitt



1: 9,3 ↓
2: 10,0 →
3: 10,6* →

Serie 29,0
Totalt 290,0

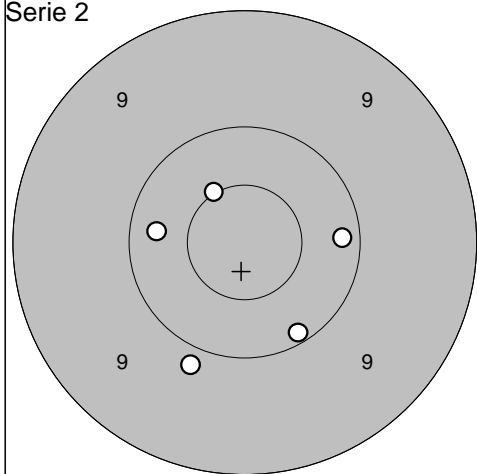
Serie 1



1: 10,6* →
2: 10,6* ↗
3: 10,8* ↓
4: 10,6* ↖
5: 10,7* ↘

Serie 50,0
Totalt 340,0

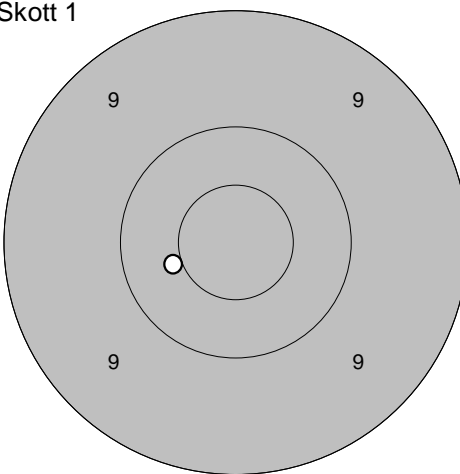
Serie 2



1: 10,3 ←
2: 9,9 ↓
3: 10,2 →
4: 10,1 ↓
5: 10,5* ↗

Serie 49,0
Totalt 389,0

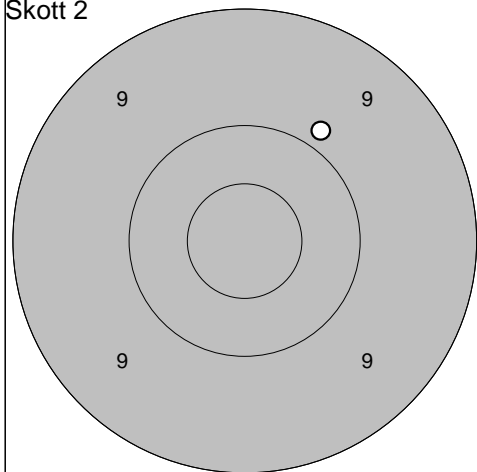
Skott 1



1: 10,5* ←

Serie 10,0
Totalt 399,0

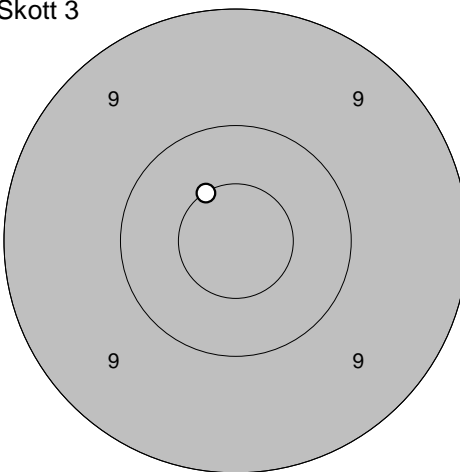
Skott 2



1: 9,9 ↗

Serie 9,0
Totalt 408,0

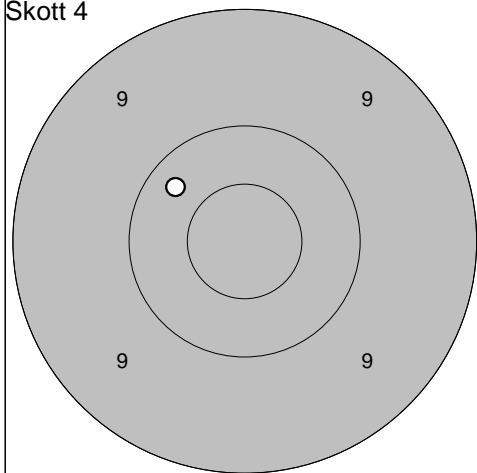
Skott 3



1: 10,5* ↖

Serie 10,0
Totalt 418,0

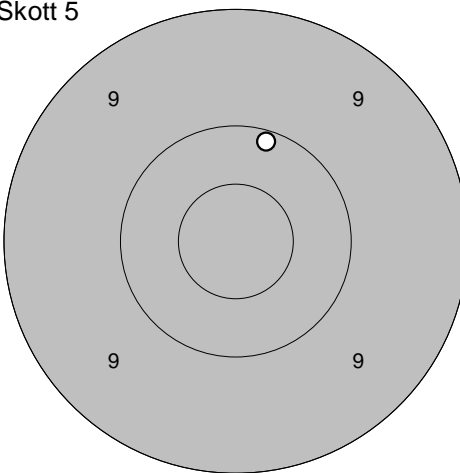
Skott 4



1: 10,3 ↖

Serie 10,0
Totalt 428,0

Skott 5



1: 10,1 ↗

Serie 10,0
Totalt 438,0

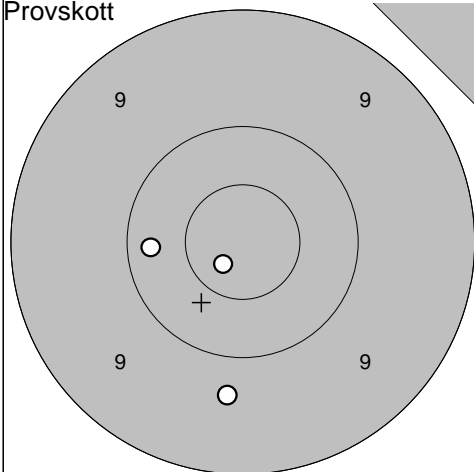
Lindesberg

2011-07-11

Tavelträffen B 2011 Final

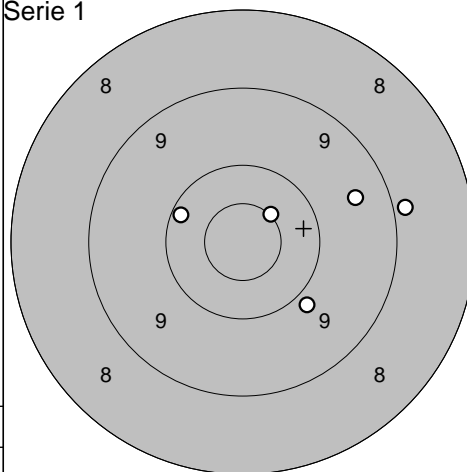
Ramselefors SKF

Provsnitt



1: 10,2 ←
2: 10,8* ↙
3: 9,7 ↓

Serie 1

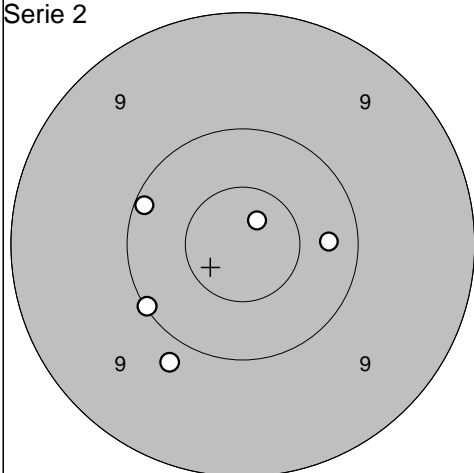


1: 10,5* ↗
2: 9,9 ↘
3: 9,5 →
4: 10,2 ←
5: 8,9 →

Serie 29,0
Totalt 289,0

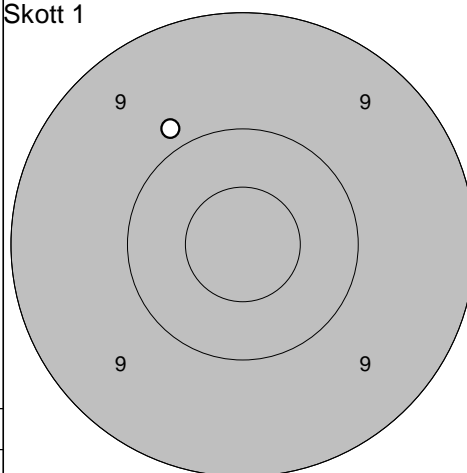
Serie 46,0
Totalt 335,0

Serie 2



1: 9,8 ↙
2: 10,1 ←
3: 10,8* ↗
4: 10,1 ←
5: 10,3 →

Skott 1

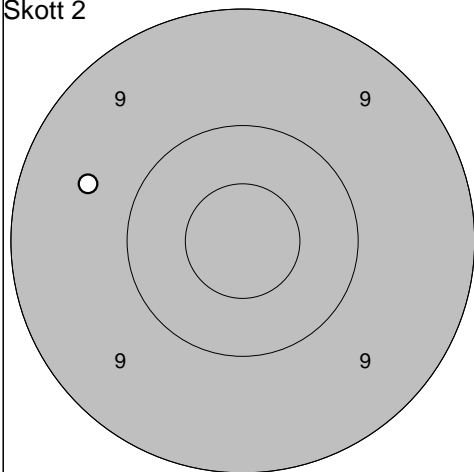


1: 9,9 ↖

Serie 49,0
Totalt 384,0

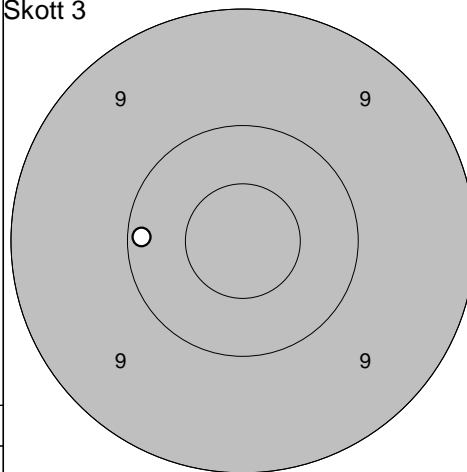
Serie 9,0
Totalt 393,0

Skott 2



1: 9,6 ←

Skott 3

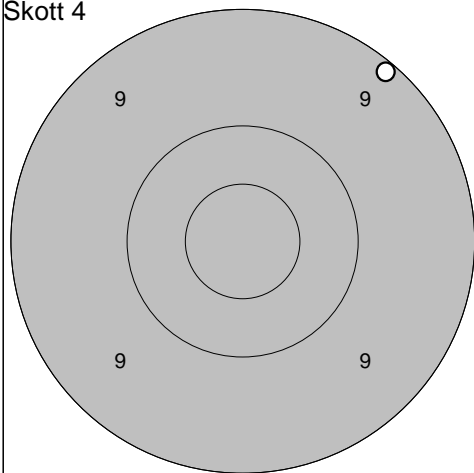


1: 10,2 ←

Serie 9,0
Totalt 402,0

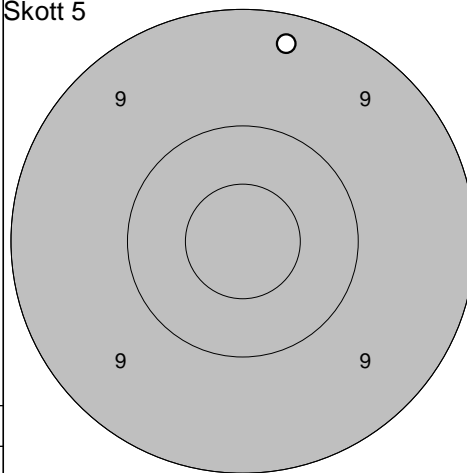
Serie 10,0
Totalt 412,0

Skott 4



1: 9,1 ↗

Skott 5



1: 9,3 ↗

Serie 9,0
Totalt 421,0

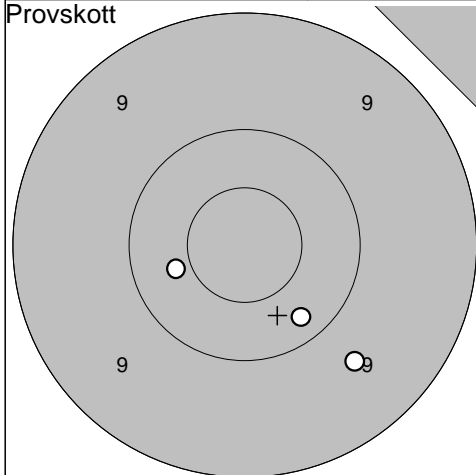
Serie 9,0
Totalt 430,0

2011-07-11

Tavelträffen B 2011 Final

Ramselefors SKF

Provsrott

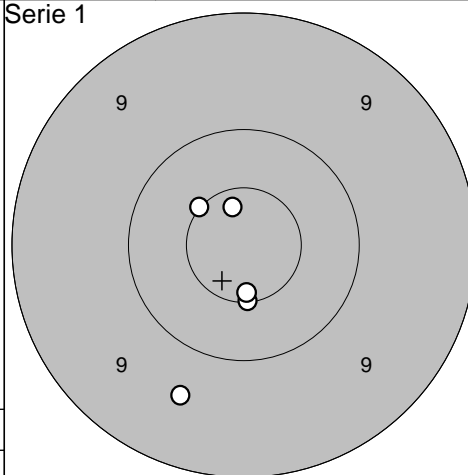


1: 10,4 ←
2: 9,6 ↘
3: 10,2 ↘

Serie 29,0

Totalt 286,0

Serie 1

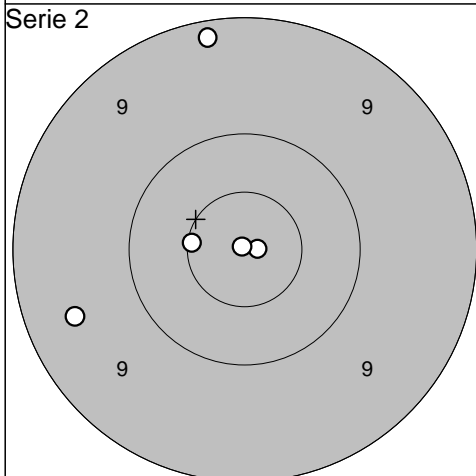


1: 10,5* ↓
2: 10,6* ↓
3: 10,7* ↑
4: 10,5* ↗
5: 9,6 ↓

Serie 49,0

Totalt 335,0

Serie 2

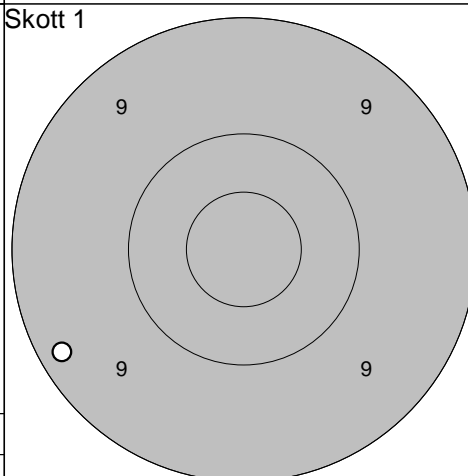


1: 9,2 ↑
2: 10,9* →
3: 10,9* ↗
4: 10,6* ←
5: 9,5 ←

Serie 48,0

Totalt 383,0

Skott 1

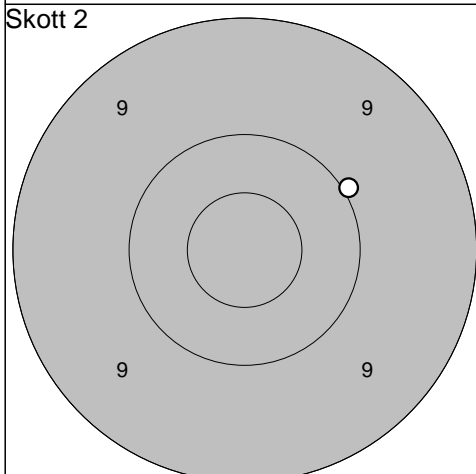


1: 9,2 ←

Serie 9,0

Totalt 392,0

Skott 2

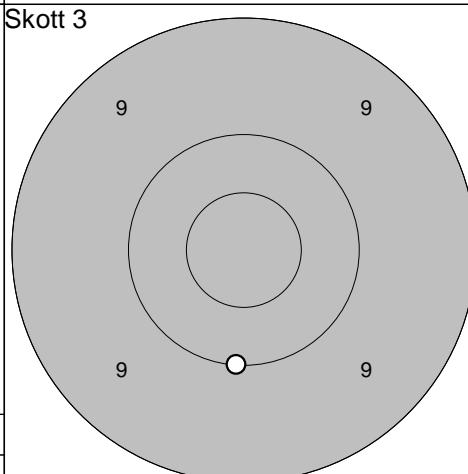


1: 10,0 ↗

Serie 10,0

Totalt 402,0

Skott 3

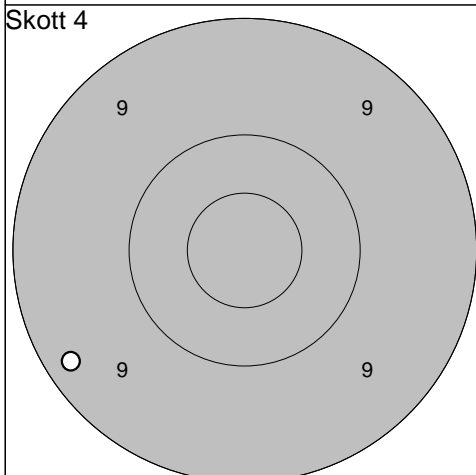


1: 10,0 ↓

Serie 10,0

Totalt 412,0

Skott 4

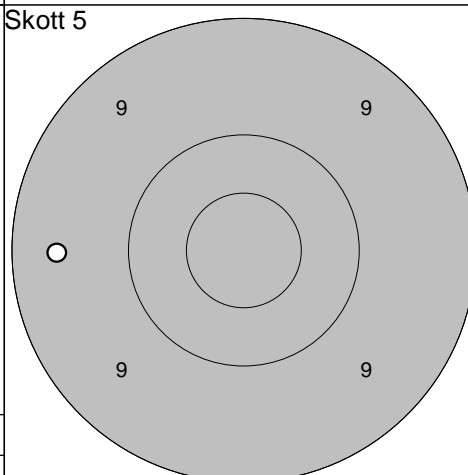


1: 9,3 ←

Serie 9,0

Totalt 421,0

Skott 5



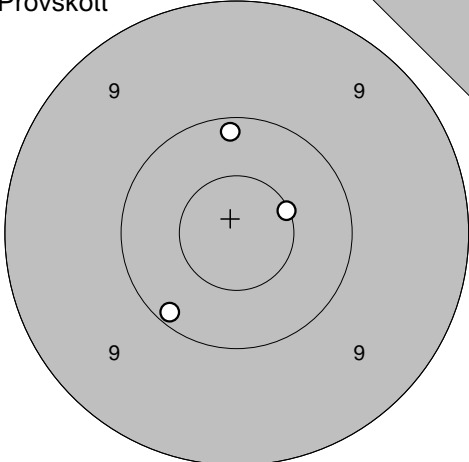
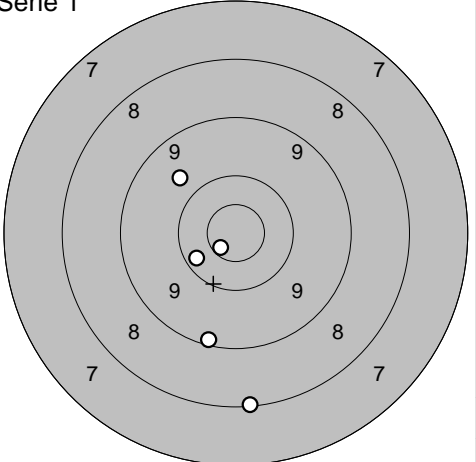
1: 9,4 ←

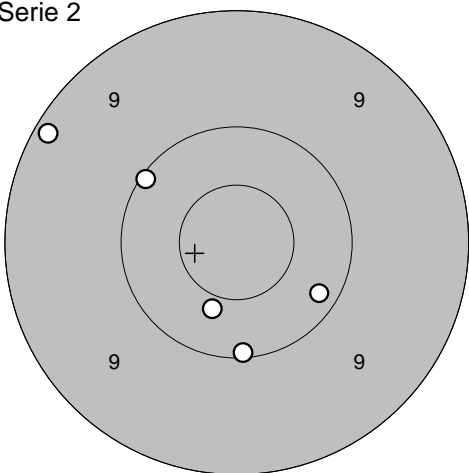
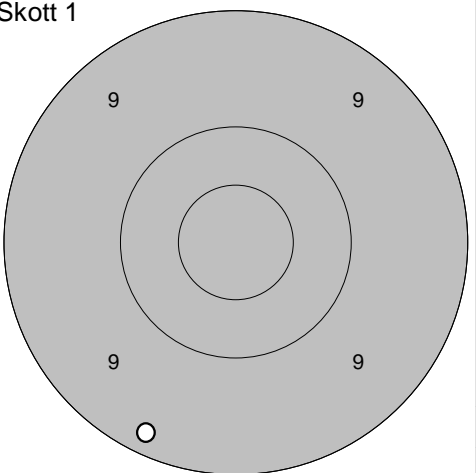
Serie 9,0

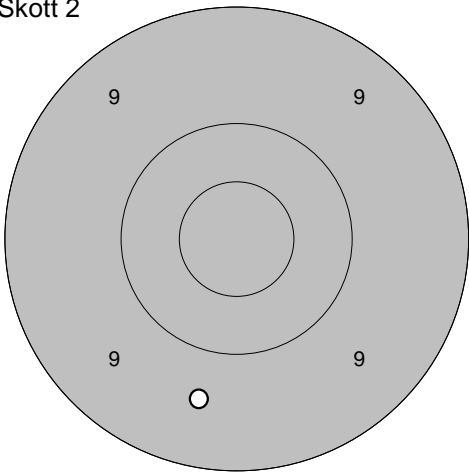
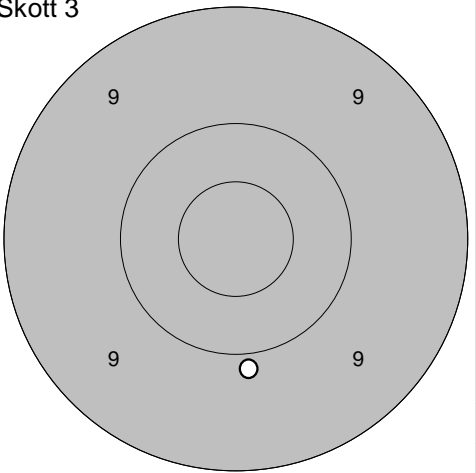
Totalt 430,0

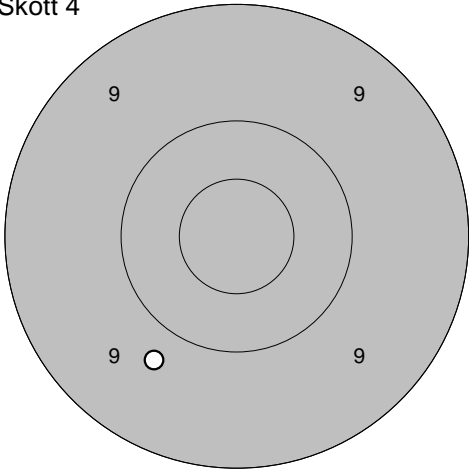
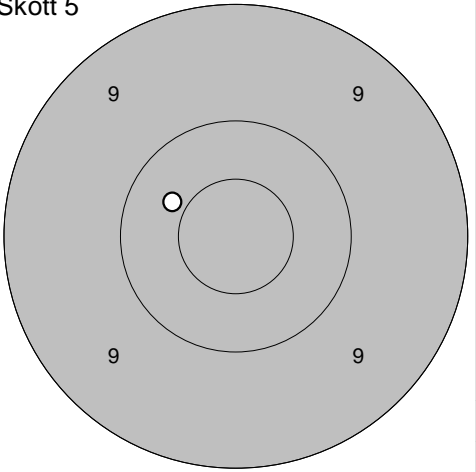
Skellefteå

2011-07-11	Tavelträffen B 2011 Final	Ramselefors SKF
------------	---------------------------	-----------------

<p>Provsrott</p> 	<p>1: 10,6* →</p> <p>2: 10,2 ↑</p> <p>3: 10,1 ↘</p>	<p>Serie 1</p> 	<p>1: 9,2 ↓</p> <p>2: 10,3 ↙</p> <p>3: 8,1 ↓</p> <p>4: 9,7 ↗</p> <p>5: 10,7* ↘</p>
Serie 30,0		Serie 46,0	
Totalt 286,0		Totalt 332,0	

<p>Serie 2</p> 	<p>1: 10,4 ↓</p> <p>2: 9,2 ↖</p> <p>3: 10,2 →</p> <p>4: 10,1 ↓</p> <p>5: 10,1 ↗</p>	<p>Skott 1</p> 	<p>1: 9,2 ↓</p>
Serie 49,0		Serie 9,0	
Totalt 381,0		Totalt 390,0	

<p>Skott 2</p> 	<p>1: 9,6 ↓</p>	<p>Skott 3</p> 	<p>1: 9,9 ↓</p>
Serie 9,0		Serie 9,0	
Totalt 399,0		Totalt 408,0	

<p>Skott 4</p> 	<p>1: 9,7 ↘</p>	<p>Skott 5</p> 	<p>1: 10,4 ↖</p>
Serie 9,0		Serie 10,0	
Totalt 417,0		Totalt 427,0	

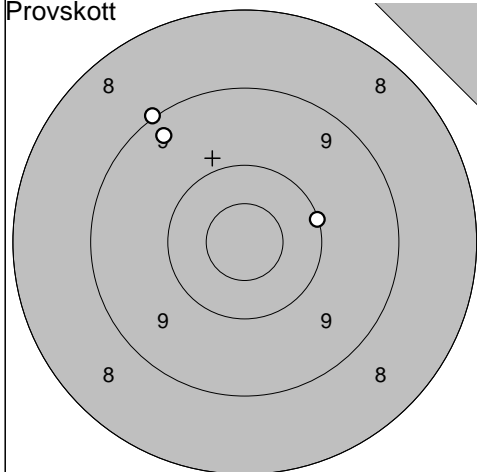
Ramselefors

2011-07-11

Tavelträffen B 2011 Final

Ramselefors SKF

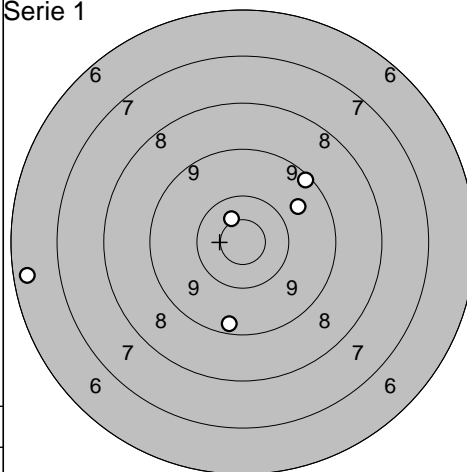
Provskott



1: 9,3 ↗
2: 9,0 ↗
3: 10,1 →

Serie 28,0
Totalt 279,0

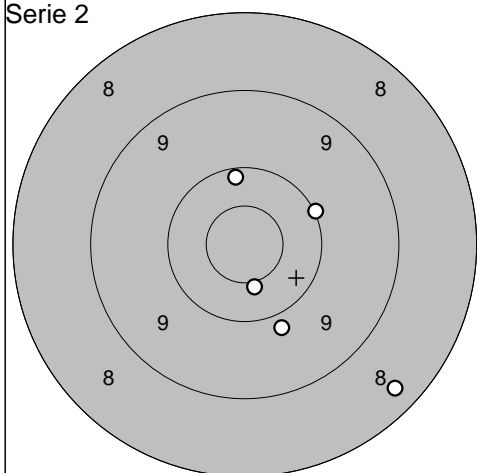
Serie 1



1: 10,6* ↖
2: 9,3 ↓
3: 9,7 ↗
4: 6,4 ←
5: 9,2 ↗

Serie 43,0
Totalt 322,0

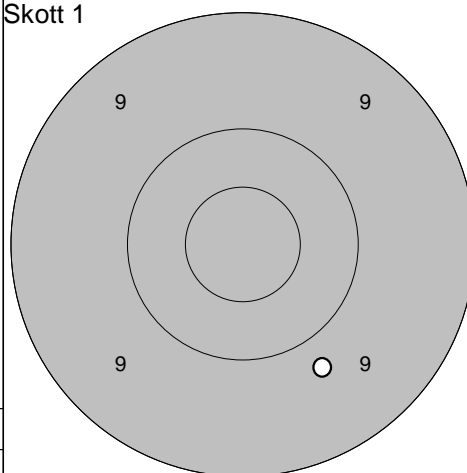
Serie 2



1: 10,5* ↓
2: 10,0 →
3: 10,2 ↑
4: 9,9 ↓
5: 8,4 ↓

Serie 47,0
Totalt 369,0

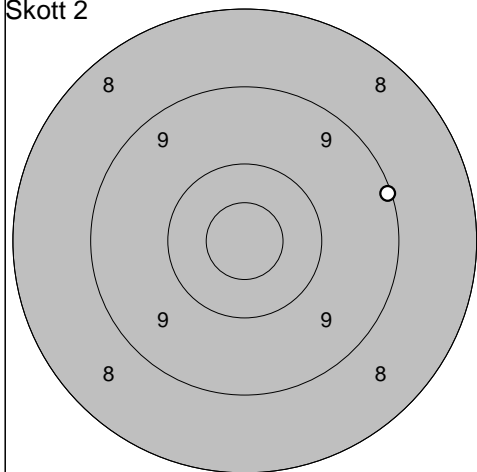
Skott 1



1: 9,8 ↓

Serie 9,0
Totalt 378,0

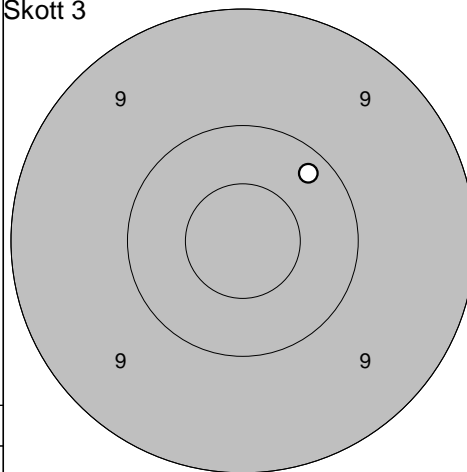
Skott 2



1: 9,1 →

Serie 9,0
Totalt 387,0

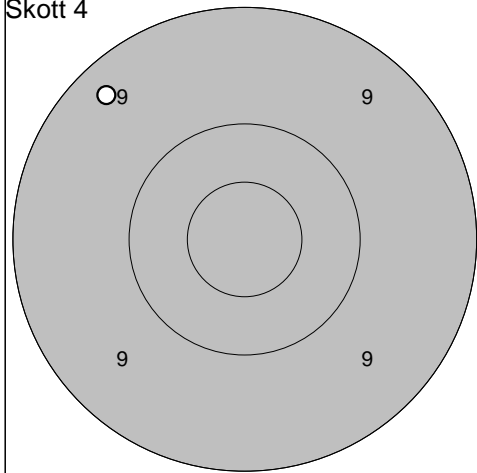
Skott 3



1: 10,2 ↗

Serie 10,0
Totalt 397,0

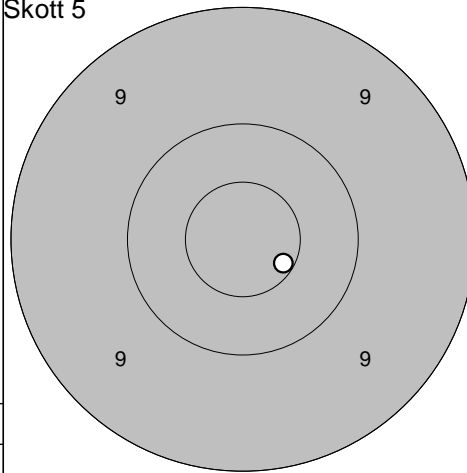
Skott 4



1: 9,3 ↖

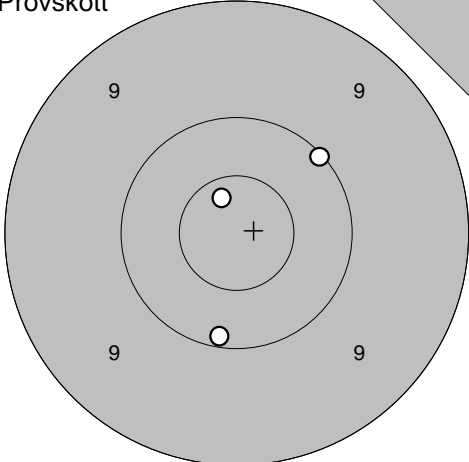
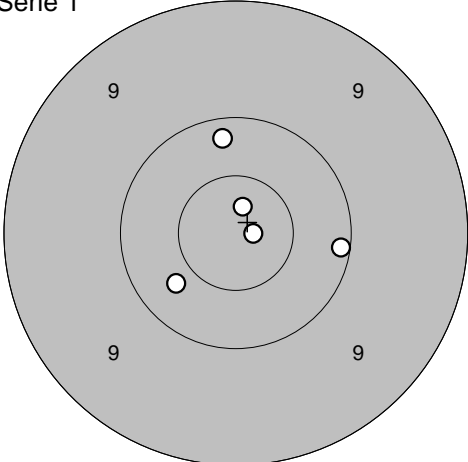
Serie 9,0
Totalt 406,0

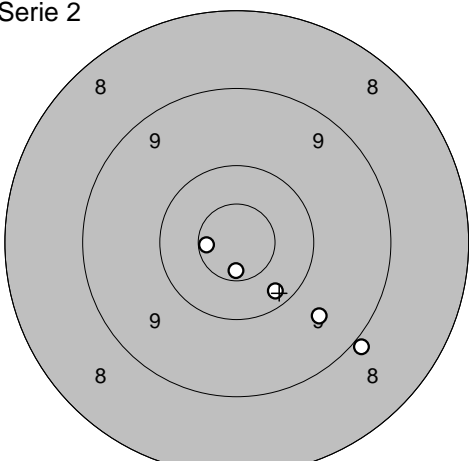
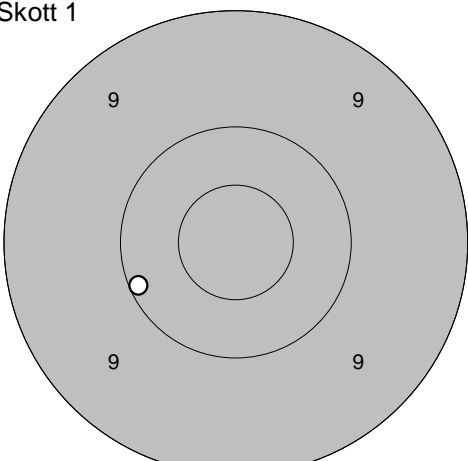
Skott 5

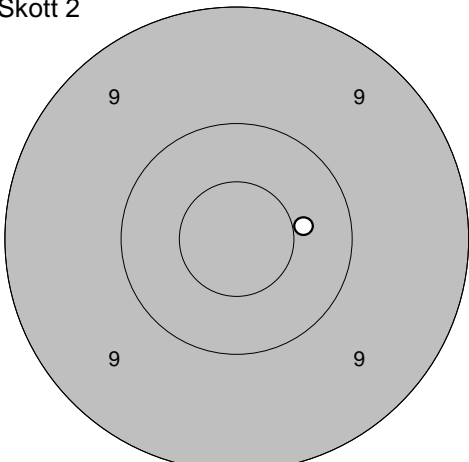
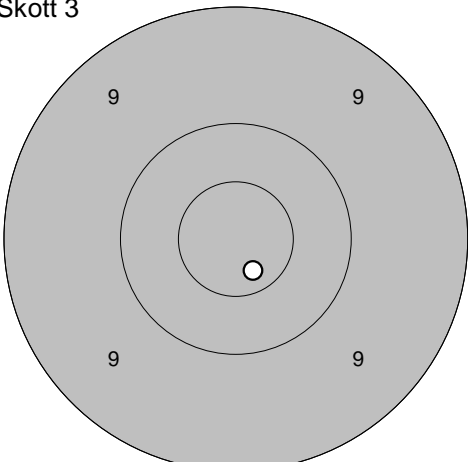


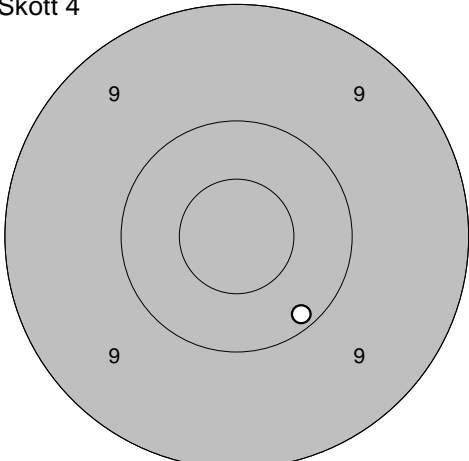
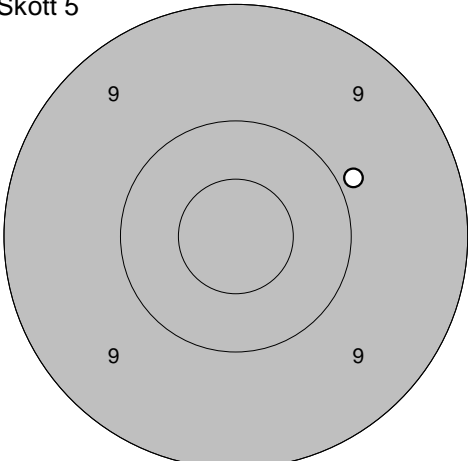
1: 10,6* ↗

Serie 10,0
Totalt 416,0

Provs-kott 	Serie 1 1: 10,1 ↘ 2: 10,7* ↗ 3: 10,1 ↗ Serie 30,0 Totalt 278,0	Serie 1  1: 10,4 ↙ 2: 10,9* → 3: 10,2 ↑ 4: 10,8* ↑ 5: 10,1 → Serie 50,0 Totalt 328,0
--	---	--

Serie 2  Serie 47,0 Totalt 375,0	Skott 1  Serie 10,0 Totalt 385,0	1: 10,1 ↙ Serie 10,0 Totalt 385,0
--	--	---

Skott 2  Serie 10,0 Totalt 395,0	Skott 3  Serie 10,0 Totalt 405,0	1: 10,4 → Serie 10,0 Totalt 405,0
---	---	---

Skott 4  Serie 10,0 Totalt 415,0	Skott 5  Serie 9,0 Totalt 424,0	1: 10,2 ↘ Serie 9,0 Totalt 424,0
---	--	--

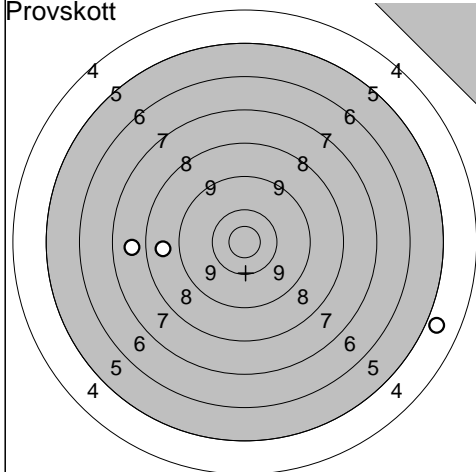
Ramselefors

2011-07-11

Tavelträffen B 2011 Final

Ramselefors SKF

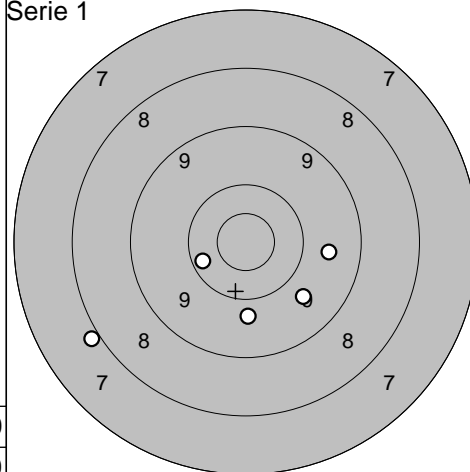
Provskott



1: 4,8 →
 2: 7,8 ←
 3: 8,7 ←

Serie 19,0
 Totalt 264,0

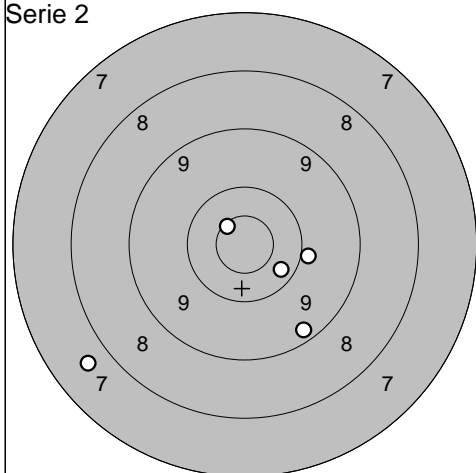
Serie 1



1: 10,3 ←
 2: 7,9 ←
 3: 9,7 ↘
 4: 9,6 →
 5: 9,8 ↓

Serie 44,0
 Totalt 308,0

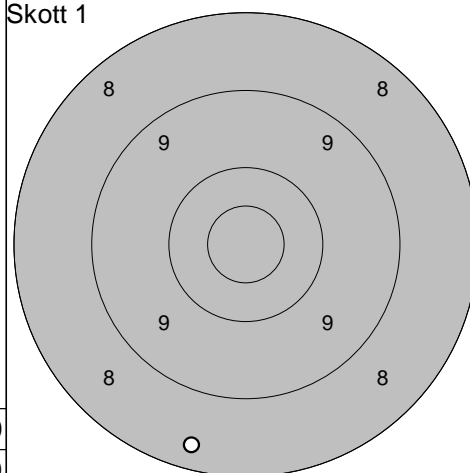
Serie 2



1: 9,3 ↓
 2: 10,0 →
 3: 10,3 ↘
 4: 10,7* ↗
 5: 7,7 ←

Serie 46,0
 Totalt 354,0

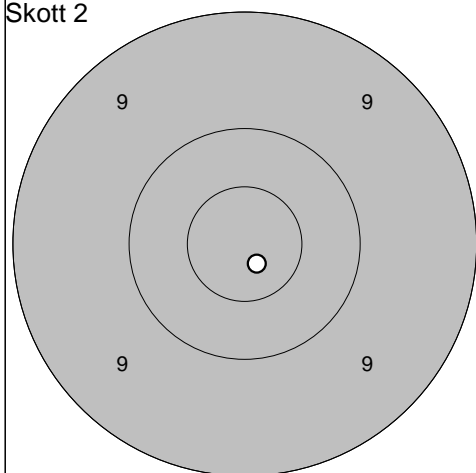
Skott 1



1: 8,4 ↓

Serie 8,0
 Totalt 362,0

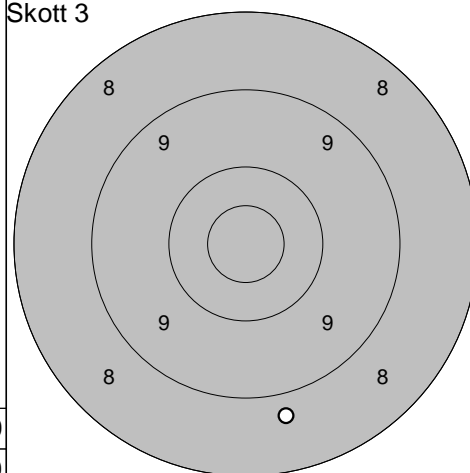
Skott 2



1: 10,8* ↓

Serie 10,0
 Totalt 372,0

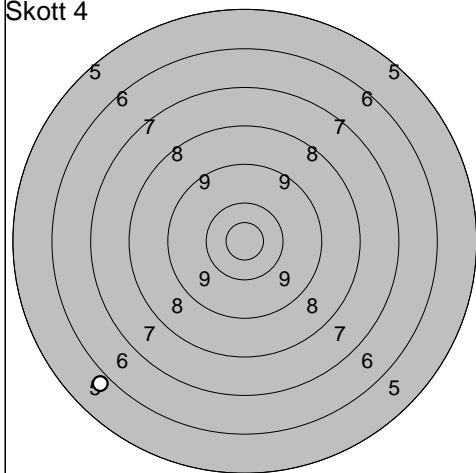
Skott 3



1: 8,8 ↓

Serie 8,0
 Totalt 380,0

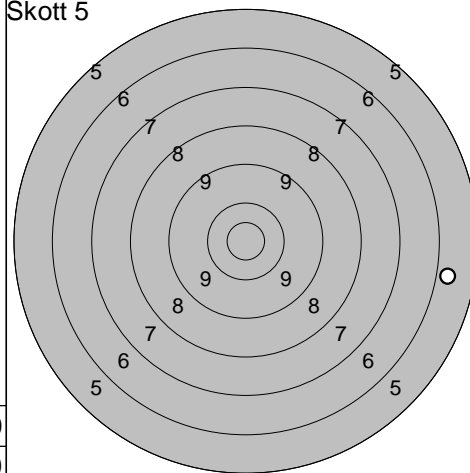
Skott 4



1: 5,9 ↙

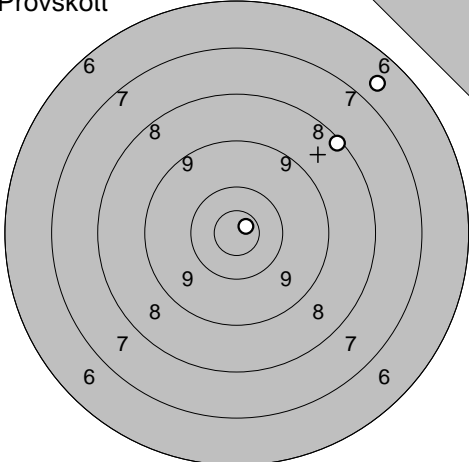
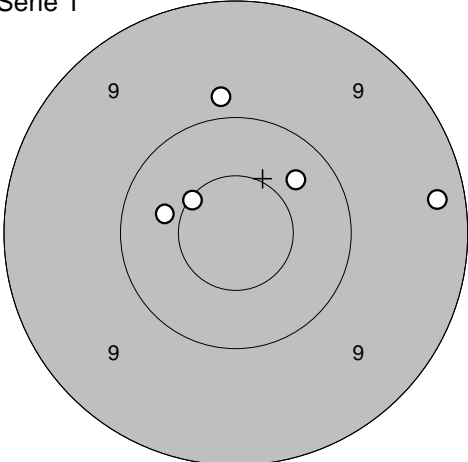
Serie 5,0
 Totalt 385,0

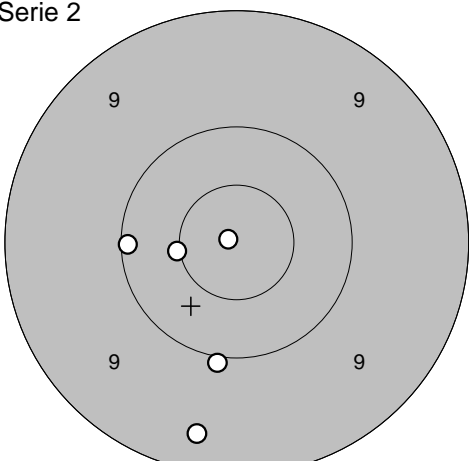
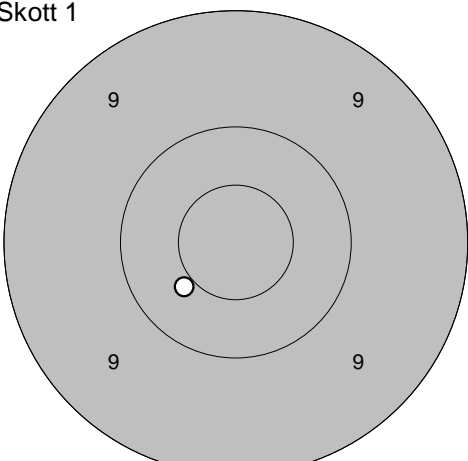
Skott 5

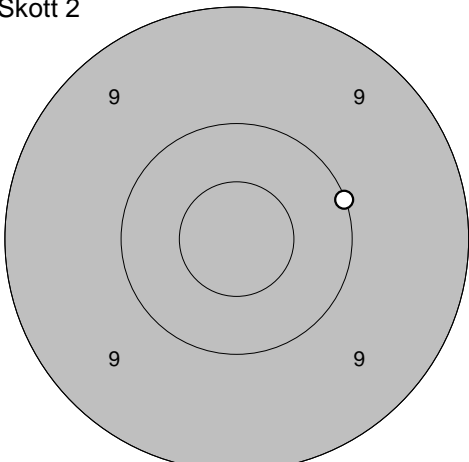
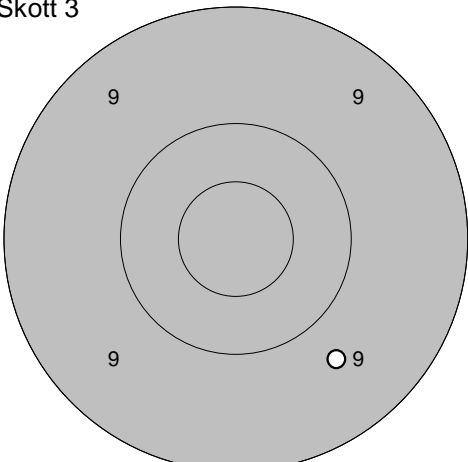


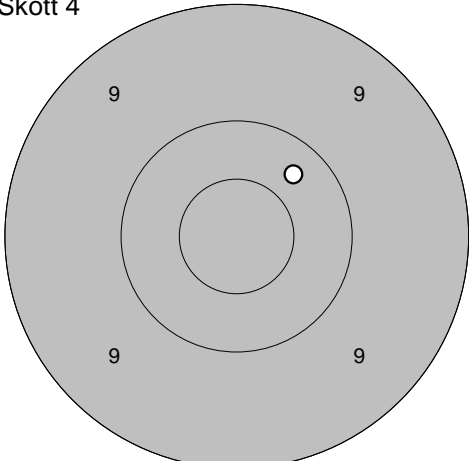
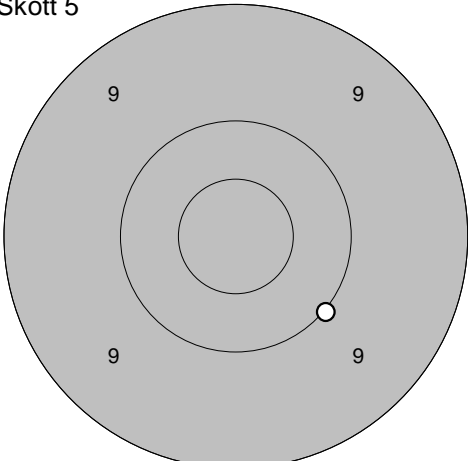
1: 5,9 →

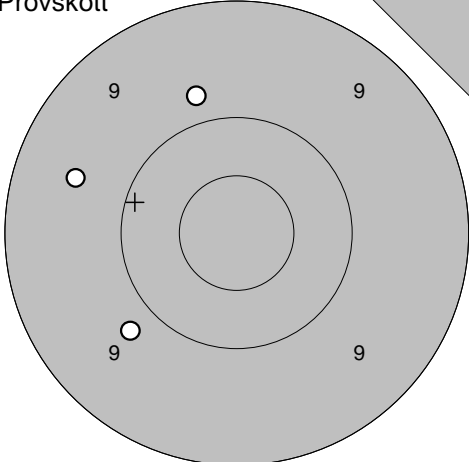
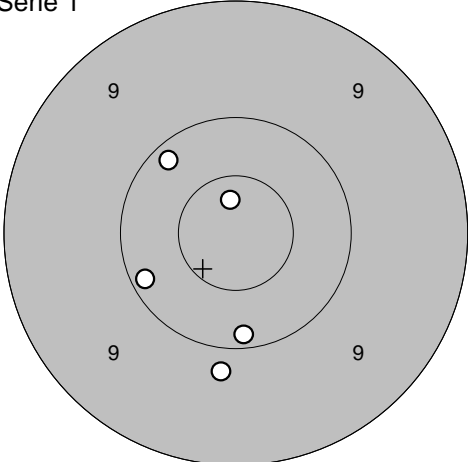
Serie 5,0
 Totalt 390,0

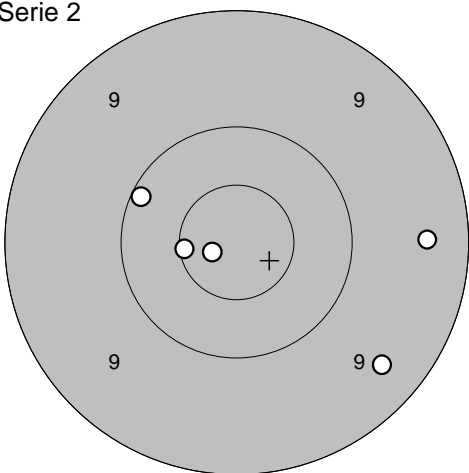
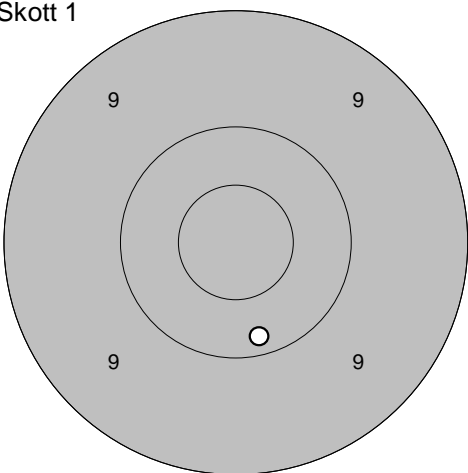
<p>Provskott</p> 	<p>1: 8,2 ↗ 2: 6,7 ↗ 3: 10,9* ↗</p> <table border="1" style="width:100%; border-collapse: collapse;"> <tr><td>Serie</td><td style="text-align: right;">24,0</td></tr> <tr><td>Totalt</td><td style="text-align: right;">293,0</td></tr> </table>	Serie	24,0	Totalt	293,0	<p>Serie 1</p> 	<p>1: 9,3 → 2: 9,9 ↑ 3: 10,3 ↗ 4: 10,6* ↖ 5: 10,4 ←</p> <table border="1" style="width:100%; border-collapse: collapse;"> <tr><td>Serie</td><td style="text-align: right;">48,0</td></tr> <tr><td>Totalt</td><td style="text-align: right;">341,0</td></tr> </table>	Serie	48,0	Totalt	341,0
Serie	24,0										
Totalt	293,0										
Serie	48,0										
Totalt	341,0										

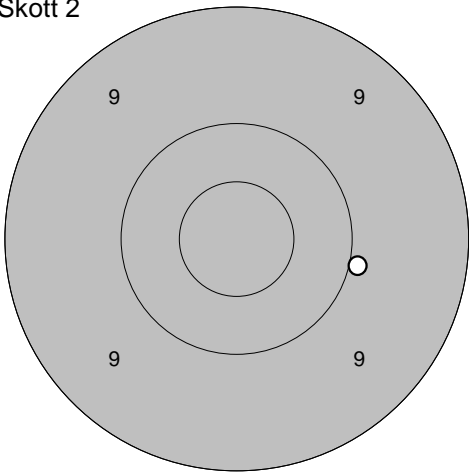
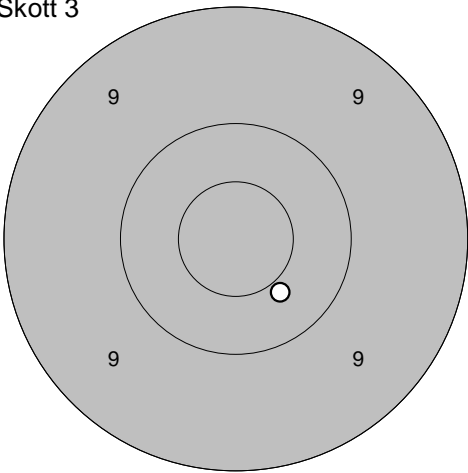
<p>Serie 2</p> 	<p>1: 10,5* ← 2: 10,9* ← 3: 10,1 ← 4: 9,3 ↓ 5: 10,0 ↓</p> <table border="1" style="width:100%; border-collapse: collapse;"> <tr><td>Serie</td><td style="text-align: right;">49,0</td></tr> <tr><td>Totalt</td><td style="text-align: right;">390,0</td></tr> </table>	Serie	49,0	Totalt	390,0	<p>Skott 1</p> 	<p>1: 10,4 ↙</p> <table border="1" style="width:100%; border-collapse: collapse;"> <tr><td>Serie</td><td style="text-align: right;">10,0</td></tr> <tr><td>Totalt</td><td style="text-align: right;">400,0</td></tr> </table>	Serie	10,0	Totalt	400,0
Serie	49,0										
Totalt	390,0										
Serie	10,0										
Totalt	400,0										

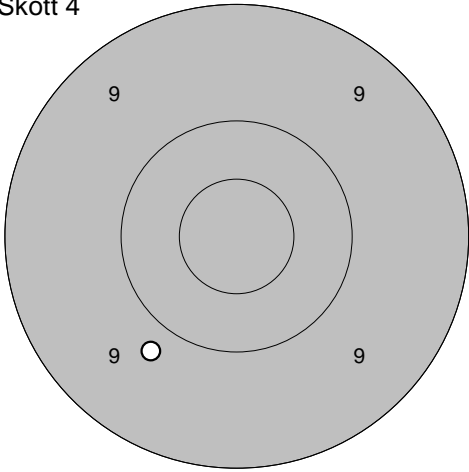
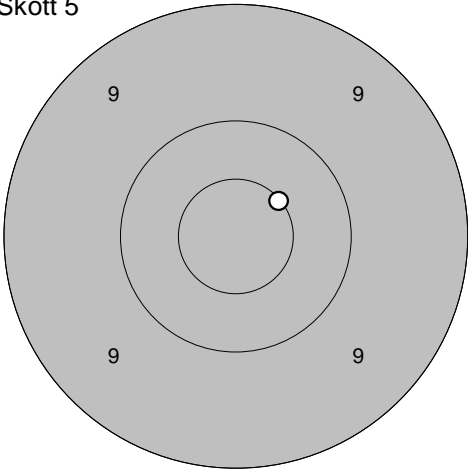
<p>Skott 2</p> 	<p>1: 10,0 →</p> <table border="1" style="width:100%; border-collapse: collapse;"> <tr><td>Serie</td><td style="text-align: right;">10,0</td></tr> <tr><td>Totalt</td><td style="text-align: right;">410,0</td></tr> </table>	Serie	10,0	Totalt	410,0	<p>Skott 3</p> 	<p>1: 9,7 ↘</p> <table border="1" style="width:100%; border-collapse: collapse;"> <tr><td>Serie</td><td style="text-align: right;">9,0</td></tr> <tr><td>Totalt</td><td style="text-align: right;">419,0</td></tr> </table>	Serie	9,0	Totalt	419,0
Serie	10,0										
Totalt	410,0										
Serie	9,0										
Totalt	419,0										

<p>Skott 4</p> 	<p>1: 10,3 ↗</p> <table border="1" style="width:100%; border-collapse: collapse;"> <tr><td>Serie</td><td style="text-align: right;">10,0</td></tr> <tr><td>Totalt</td><td style="text-align: right;">429,0</td></tr> </table>	Serie	10,0	Totalt	429,0	<p>Skott 5</p> 	<p>1: 10,0 ↘</p> <table border="1" style="width:100%; border-collapse: collapse;"> <tr><td>Serie</td><td style="text-align: right;">10,0</td></tr> <tr><td>Totalt</td><td style="text-align: right;">439,0</td></tr> </table>	Serie	10,0	Totalt	439,0
Serie	10,0										
Totalt	429,0										
Serie	10,0										
Totalt	439,0										

<p>Provs-kott</p> 	<p>1: 9,8 ↙ 2: 9,8 ↑ 3: 9,6 ↖</p>	<p>Serie 1</p> 	<p>1: 10,2 ↗ 2: 10,2 ↓ 3: 9,8 ↓ 4: 10,7* ↑ 5: 10,2 ↖</p>
Serie 27,0		Serie 49,0	
Totalt 291,0		Totalt 340,0	

<p>Serie 2</p> 	<p>1: 10,8* ↖ 2: 10,1 ↗ 3: 10,6* ← 4: 9,4 ↘ 5: 9,4 →</p>	<p>Skott 1</p> 	<p>1: 10,2 ↓</p>
Serie 48,0		Serie 10,0	
Totalt 388,0		Totalt 398,0	

<p>Skott 2</p> 	<p>1: 10,0 →</p>	<p>Skott 3</p> 	<p>1: 10,4 ↘</p>
Serie 10,0		Serie 10,0	
Totalt 408,0		Totalt 418,0	

<p>Skott 4</p> 	<p>1: 9,8 ↙</p>	<p>Skott 5</p> 	<p>1: 10,6* ↗</p>
Serie 9,0		Serie 10,0	
Totalt 427,0		Totalt 437,0	

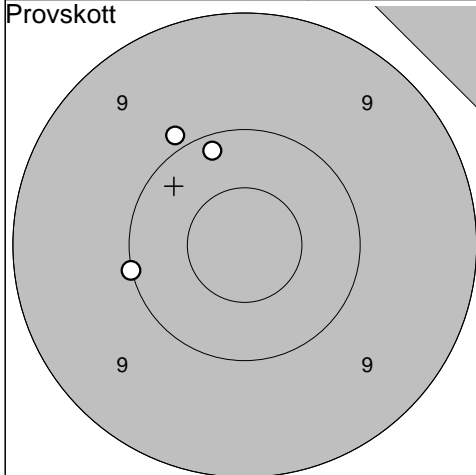
Ununge

2011-07-11

Tavelträffen B 2011 Final

Ramselefors SKF

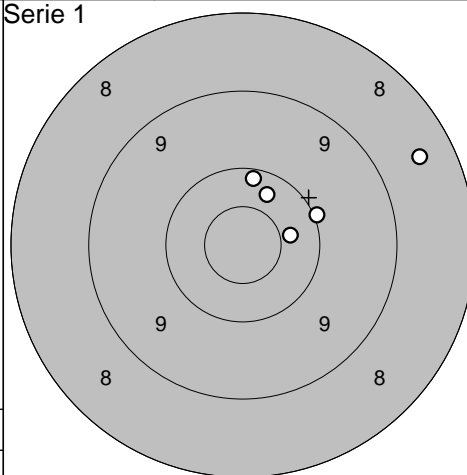
Provsnitt



1: 9,9 ↖
 2: 10,0 ←
 3: 10,2 ↗

Serie 29,0
 Totalt 289,0

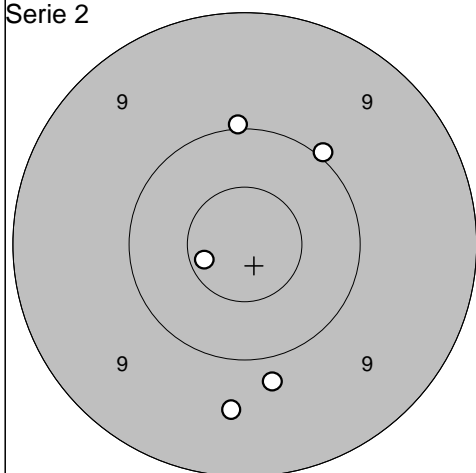
Serie 1



1: 10,4 →
 2: 8,5 ↗
 3: 10,0 →
 4: 10,3 ↗
 5: 10,2 ↗

Serie 48,0
 Totalt 337,0

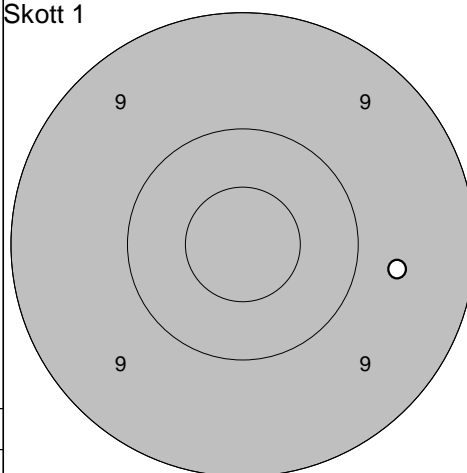
Serie 2



1: 10,0 ↑
 2: 10,0 ↗
 3: 9,8 ↓
 4: 9,6 ↓
 5: 10,7* ←

Serie 48,0
 Totalt 385,0

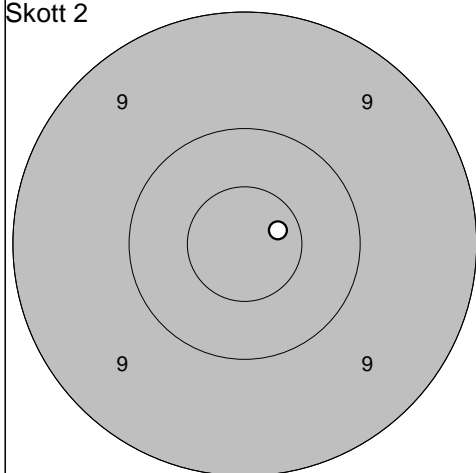
Skott 1



1: 9,7 →

Serie 9,0
 Totalt 394,0

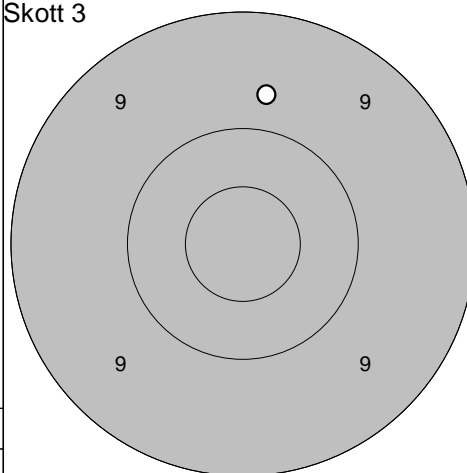
Skott 2



1: 10,7* →

Serie 10,0
 Totalt 404,0

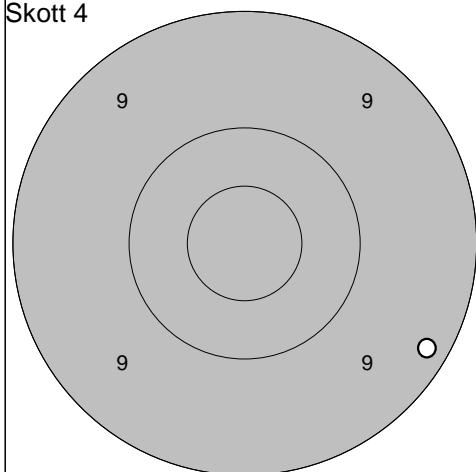
Skott 3



1: 9,7 ↑

Serie 9,0
 Totalt 413,0

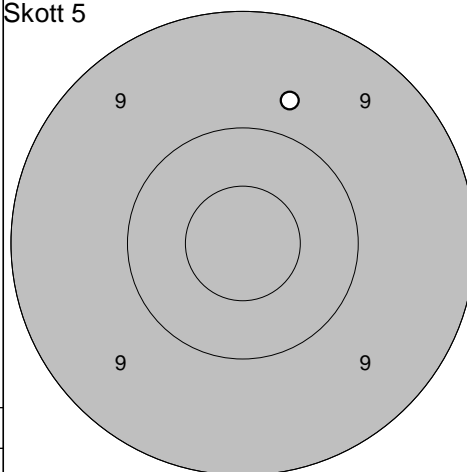
Skott 4



1: 9,2 ↘

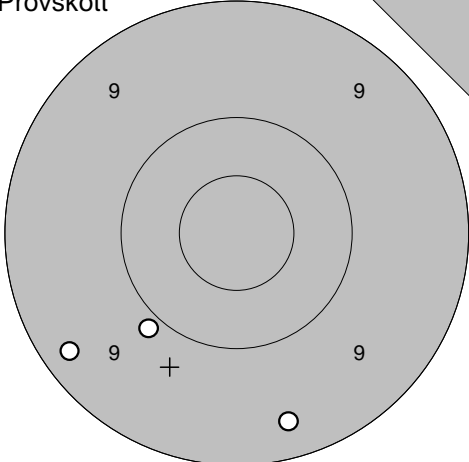
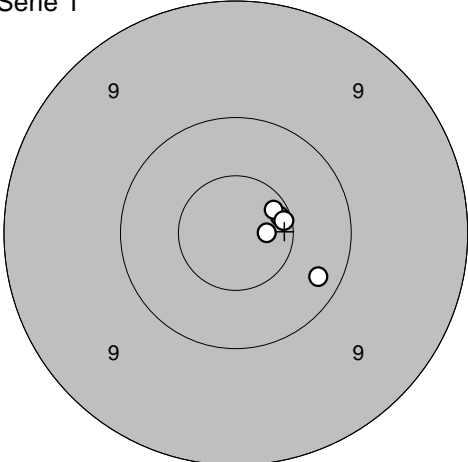
Serie 9,0
 Totalt 422,0

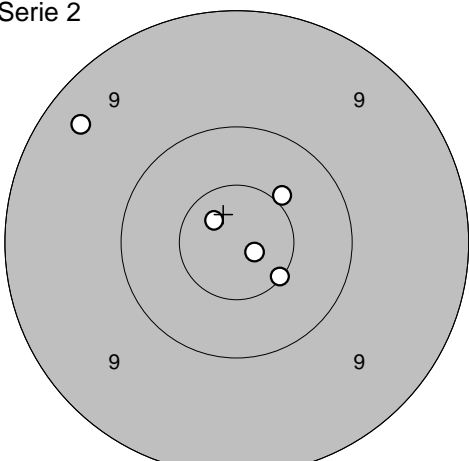
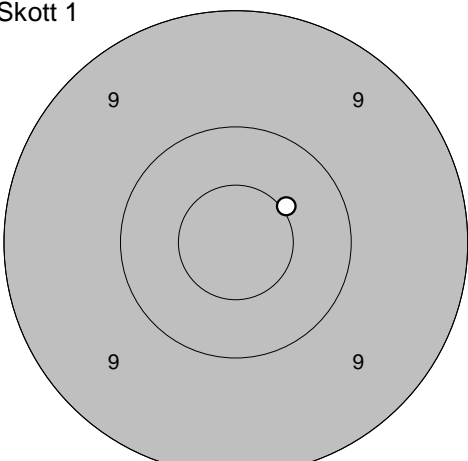
Skott 5

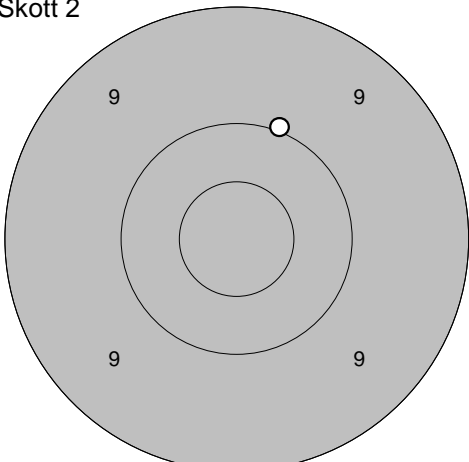
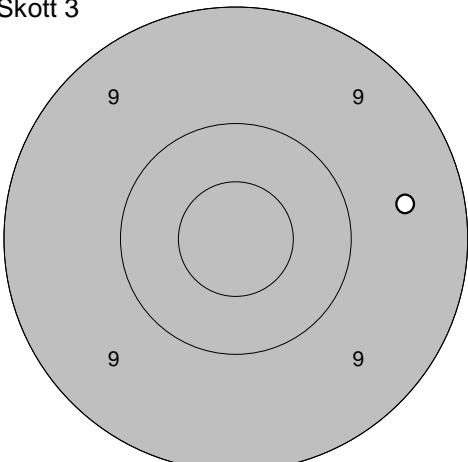


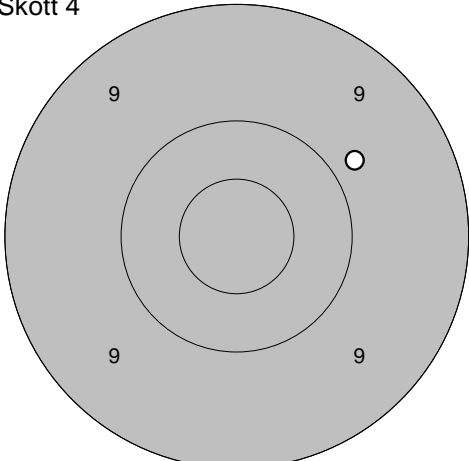
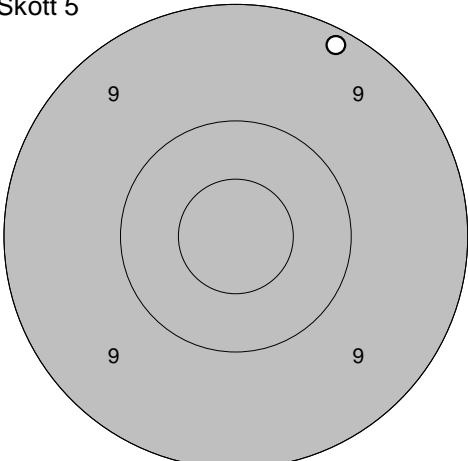
1: 9,7 ↗

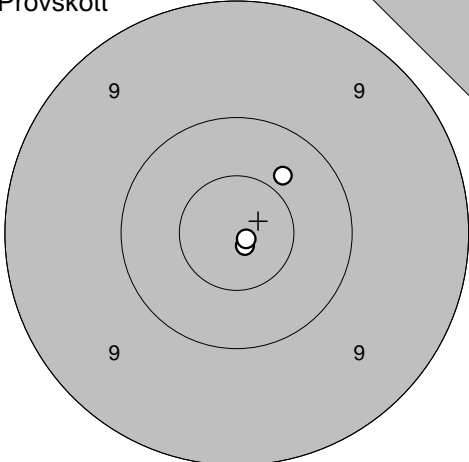
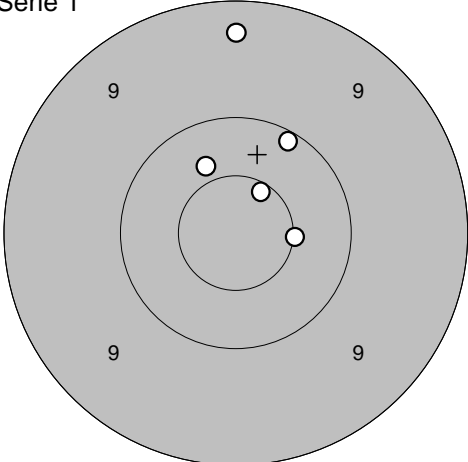
Serie 9,0
 Totalt 431,0

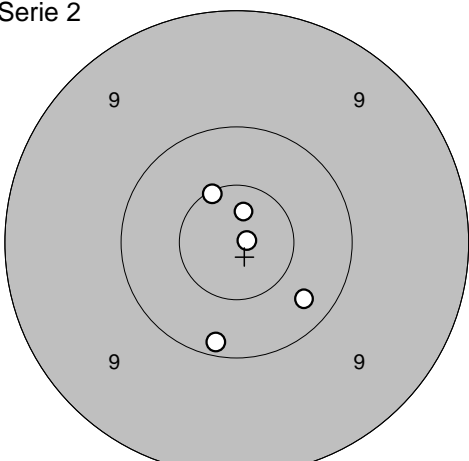
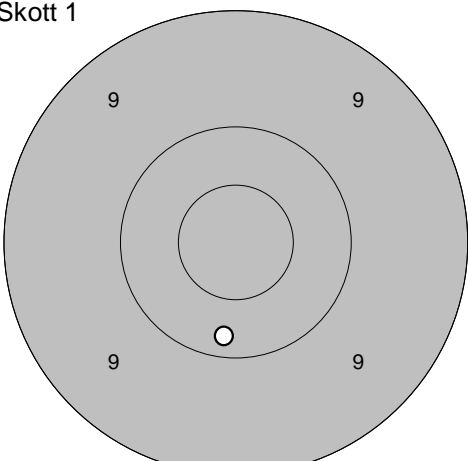
Provsrott 	1: 9,9 ↙ 2: 9,3 ↙ 3: 9,3 ↓	Serie 1 	1: 10,6* → 2: 10,8* → 3: 10,2 → 4: 10,6* → 5: 10,6* →
Serie 27,0		Serie 50,0	
Totalt 289,0		Totalt 339,0	

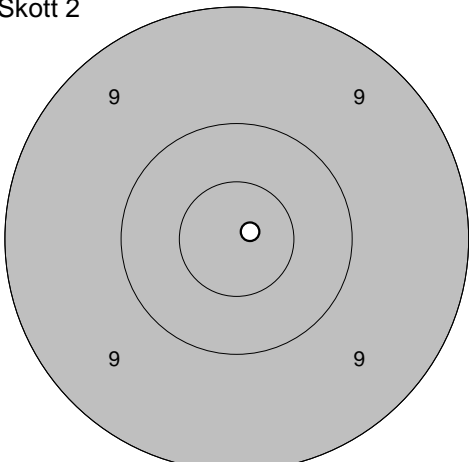
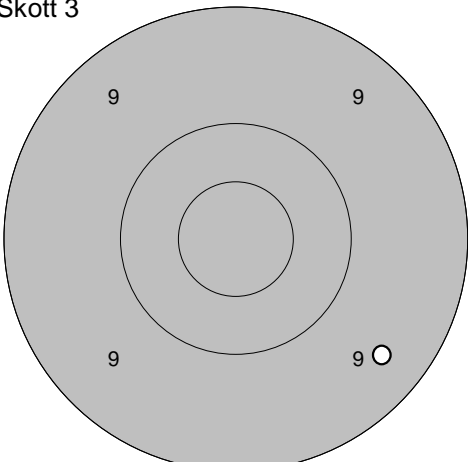
Serie 2 	1: 10,5* ↗ 2: 10,6* ↘ 3: 9,3 ↗ 4: 10,9* ↘ 5: 10,8* ↗	Skott 1 	1: 10,5* ↗
Serie 49,0		Serie 10,0	
Totalt 388,0		Totalt 398,0	

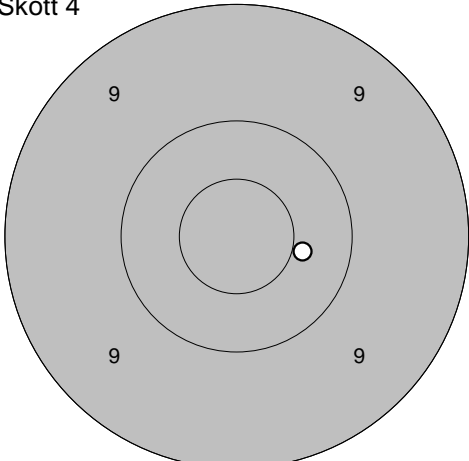
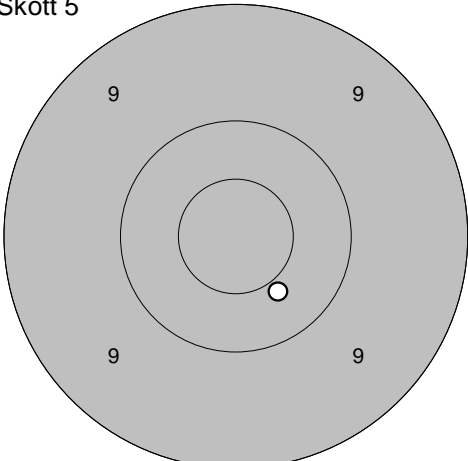
Skott 2 	1: 10,0 ↑	Skott 3 	1: 9,5 →
Serie 10,0		Serie 9,0	
Totalt 408,0		Totalt 417,0	

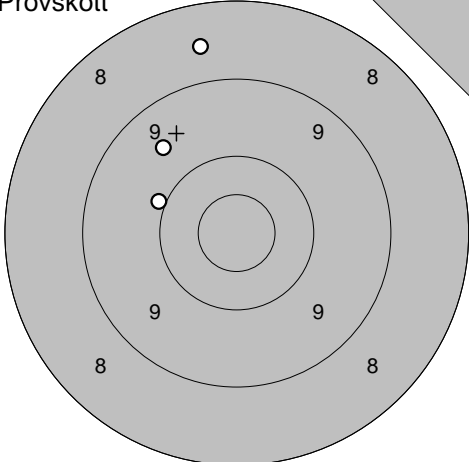
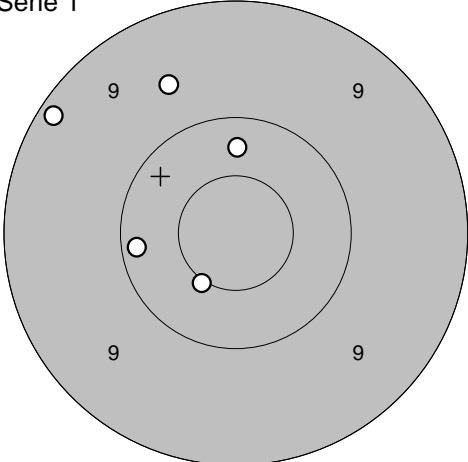
Skott 4 	1: 9,8 ↗	Skott 5 	1: 9,2 ↗
Serie 9,0		Serie 9,0	
Totalt 426,0		Totalt 435,0	

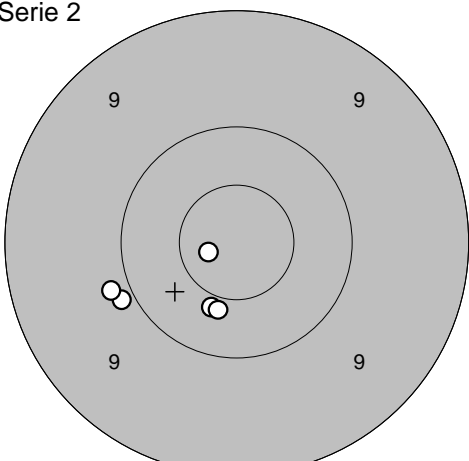
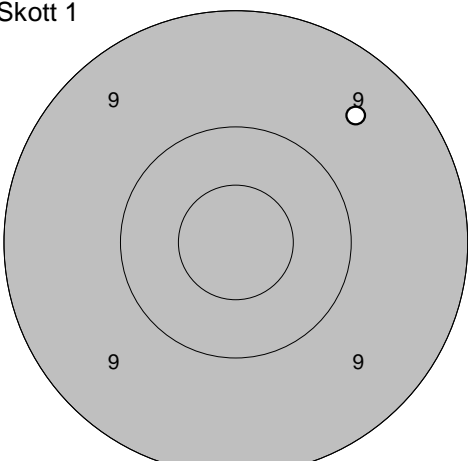
<p>Provs-kott</p> 	<p>1: 10,4 ↗ 2: 10,9* ↓ 3: 10,9* ↘</p>	<p>Serie 1</p> 	<p>1: 10,4 ↖ 2: 10,6* ↗ 3: 9,3 ↑ 4: 10,1 ↗ 5: 10,5* →</p>
Serie 30,0		Serie 49,0	
Totalt 288,0		Totalt 337,0	

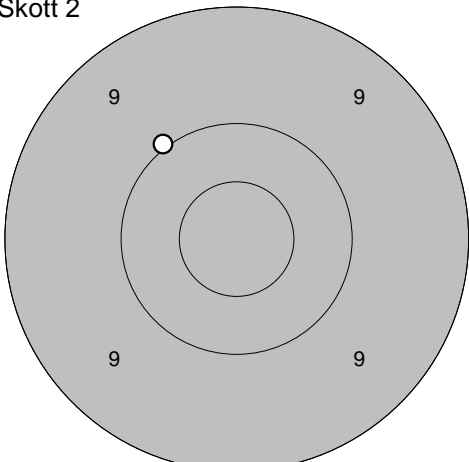
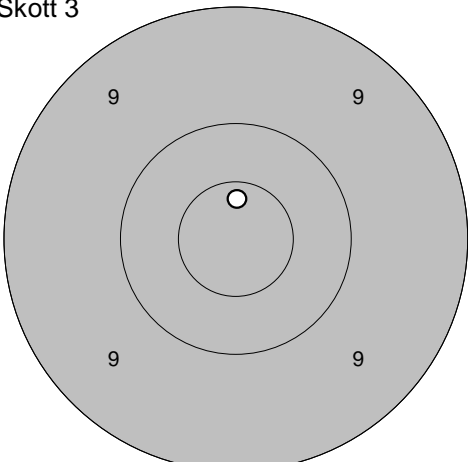
<p>Serie 2</p> 	<p>1: 10,3 ↘ 2: 10,9* → 3: 10,2 ↓ 4: 10,8* ↑ 5: 10,6* ↗</p>	<p>Skott 1</p> 	<p>1: 10,2 ↓</p>
Serie 50,0		Serie 10,0	
Totalt 387,0		Totalt 397,0	

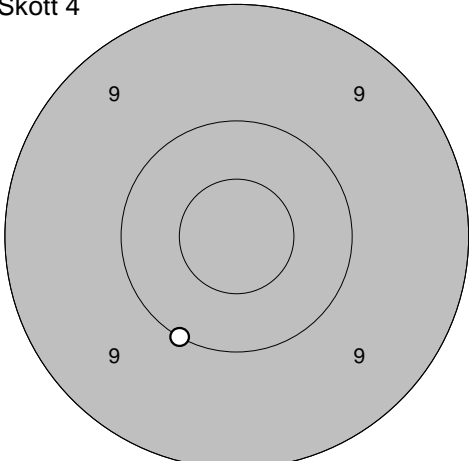
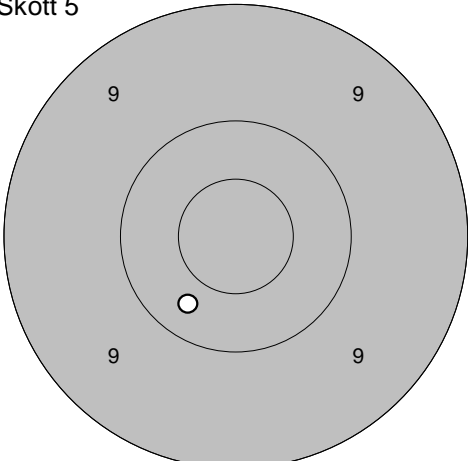
<p>Skott 2</p> 	<p>1: 10,9* ↗</p>	<p>Skott 3</p> 	<p>1: 9,4 ↘</p>
Serie 10,0		Serie 9,0	
Totalt 407,0		Totalt 416,0	

<p>Skott 4</p> 	<p>1: 10,4 →</p>	<p>Skott 5</p> 	<p>1: 10,4 ↘</p>
Serie 10,0		Serie 10,0	
Totalt 426,0		Totalt 436,0	

<p>Provsrott</p> 	<p>1: 9,6 ↗ 2: 8,6 ↑ 3: 10,0 ↖</p> <table border="1" style="width:100%; border-collapse: collapse;"> <tr><td>Serie</td><td style="text-align: right;">27,0</td></tr> <tr><td>Totalt</td><td style="text-align: right;">269,0</td></tr> </table>	Serie	27,0	Totalt	269,0	<p>Serie 1</p> 	<p>1: 10,5* ↘ 2: 10,2 ← 3: 10,3 ↑ 4: 9,6 ↗ 5: 9,2 ↖</p> <table border="1" style="width:100%; border-collapse: collapse;"> <tr><td>Serie</td><td style="text-align: right;">48,0</td></tr> <tr><td>Totalt</td><td style="text-align: right;">317,0</td></tr> </table>	Serie	48,0	Totalt	317,0
Serie	27,0										
Totalt	269,0										
Serie	48,0										
Totalt	317,0										

<p>Serie 2</p> 	<p>1: 9,9 ↖ 2: 10,4 ↓ 3: 9,9 ← 4: 10,8* ← 5: 10,4 ↓</p> <table border="1" style="width:100%; border-collapse: collapse;"> <tr><td>Serie</td><td style="text-align: right;">48,0</td></tr> <tr><td>Totalt</td><td style="text-align: right;">365,0</td></tr> </table>	Serie	48,0	Totalt	365,0	<p>Skott 1</p> 	<p>1: 9,5 ↗</p> <table border="1" style="width:100%; border-collapse: collapse;"> <tr><td>Serie</td><td style="text-align: right;">9,0</td></tr> <tr><td>Totalt</td><td style="text-align: right;">374,0</td></tr> </table>	Serie	9,0	Totalt	374,0
Serie	48,0										
Totalt	365,0										
Serie	9,0										
Totalt	374,0										

<p>Skott 2</p> 	<p>1: 10,0 ↖</p> <table border="1" style="width:100%; border-collapse: collapse;"> <tr><td>Serie</td><td style="text-align: right;">10,0</td></tr> <tr><td>Totalt</td><td style="text-align: right;">384,0</td></tr> </table>	Serie	10,0	Totalt	384,0	<p>Skott 3</p> 	<p>1: 10,7* ↑</p> <table border="1" style="width:100%; border-collapse: collapse;"> <tr><td>Serie</td><td style="text-align: right;">10,0</td></tr> <tr><td>Totalt</td><td style="text-align: right;">394,0</td></tr> </table>	Serie	10,0	Totalt	394,0
Serie	10,0										
Totalt	384,0										
Serie	10,0										
Totalt	394,0										

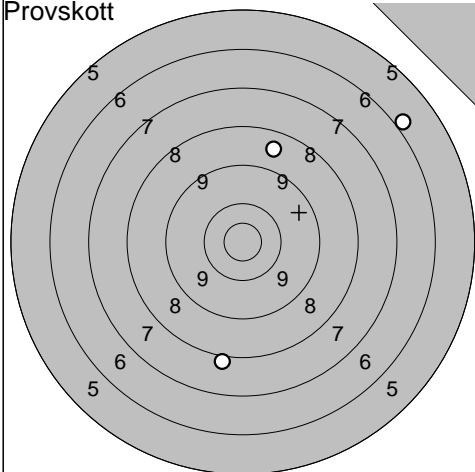
<p>Skott 4</p> 	<p>1: 10,0 ↘</p> <table border="1" style="width:100%; border-collapse: collapse;"> <tr><td>Serie</td><td style="text-align: right;">10,0</td></tr> <tr><td>Totalt</td><td style="text-align: right;">404,0</td></tr> </table>	Serie	10,0	Totalt	404,0	<p>Skott 5</p> 	<p>1: 10,3 ↘</p> <table border="1" style="width:100%; border-collapse: collapse;"> <tr><td>Serie</td><td style="text-align: right;">10,0</td></tr> <tr><td>Totalt</td><td style="text-align: right;">414,0</td></tr> </table>	Serie	10,0	Totalt	414,0
Serie	10,0										
Totalt	404,0										
Serie	10,0										
Totalt	414,0										

2011-07-11

Tavelträffen B 2011 Final

Ramselefors SKF

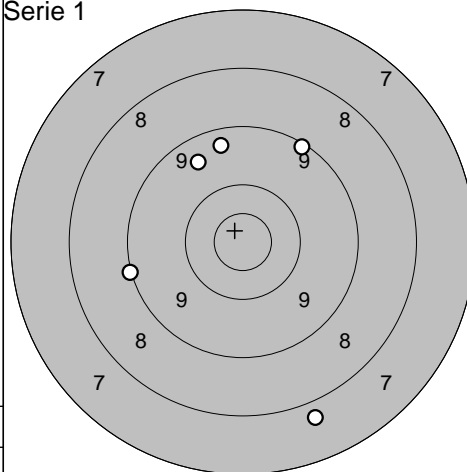
Provskott



1: 6,0 ↗
 2: 8,6 ↑
 3: 8,0 ↓

Serie 22,0
 Totalt 265,0

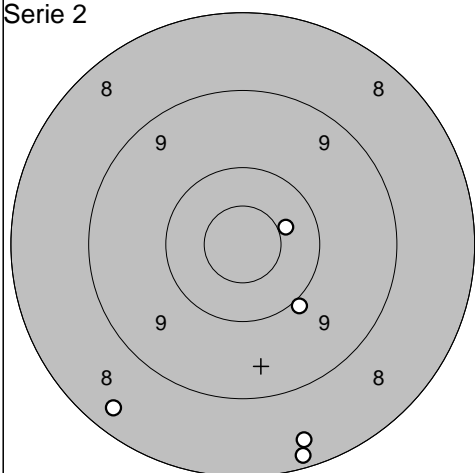
Serie 1



1: 9,4 ↑
 2: 9,5 ↖
 3: 9,2 ↗
 4: 7,8 ↓
 5: 9,1 ←

Serie 43,0
 Totalt 308,0

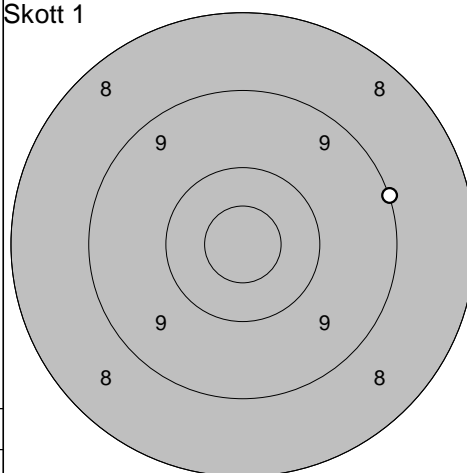
Serie 2



1: 8,2 ↓
 2: 8,4 ↓
 3: 8,4 ↘
 4: 10,4 →
 5: 10,0 ↘

Serie 44,0
 Totalt 352,0

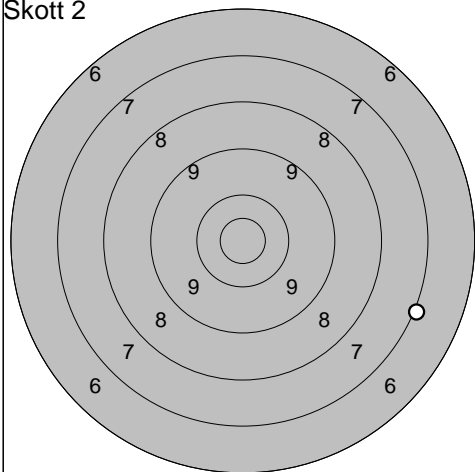
Skott 1



1: 9,0 →

Serie 9,0
 Totalt 361,0

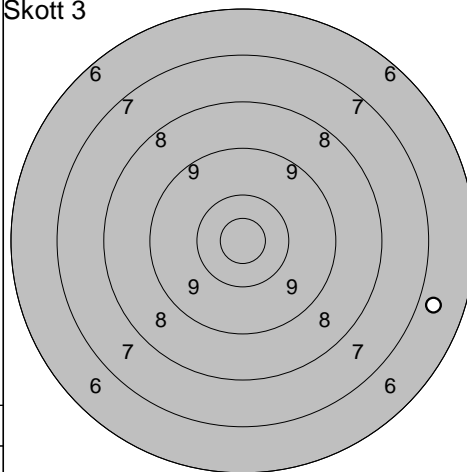
Skott 2



1: 7,1 →

Serie 7,0
 Totalt 368,0

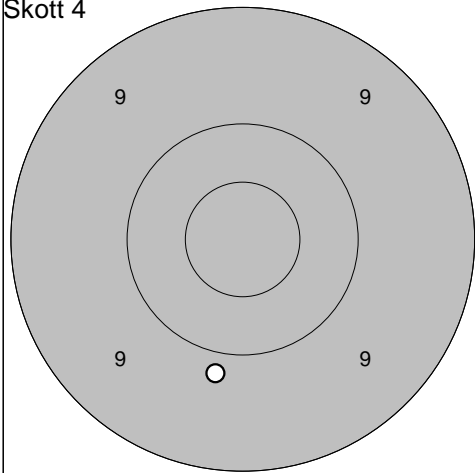
Skott 3



1: 6,8 →

Serie 6,0
 Totalt 374,0

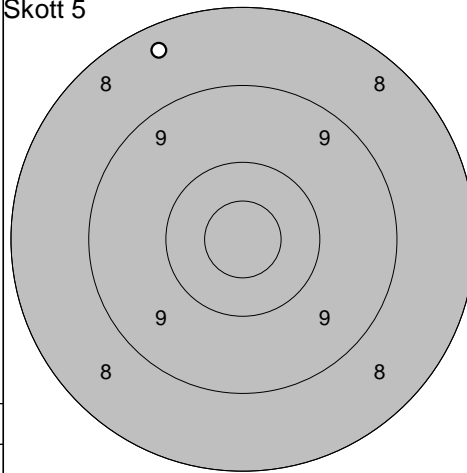
Skott 4



1: 9,9 ↓

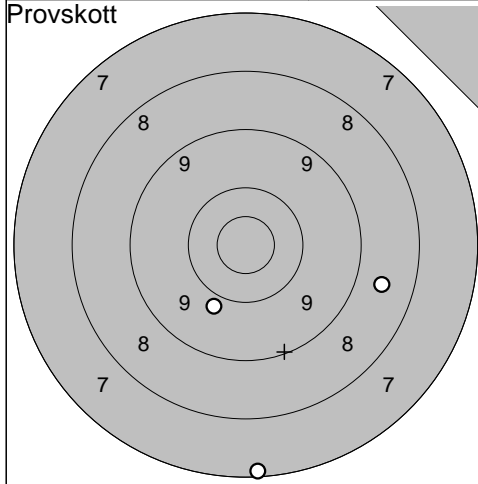
Serie 9,0
 Totalt 383,0

Skott 5

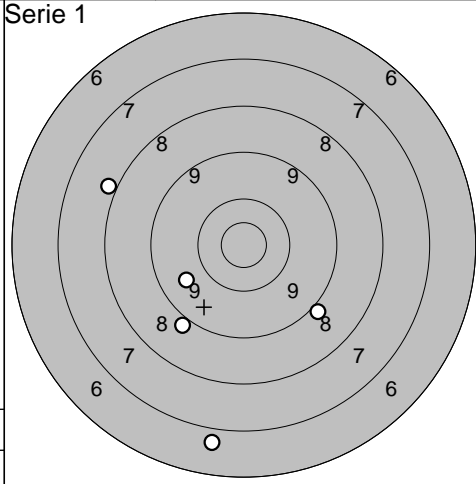


1: 8,4 ↖

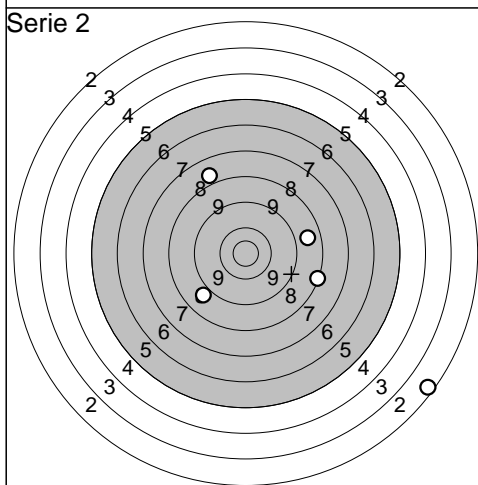
Serie 8,0
 Totalt 391,0



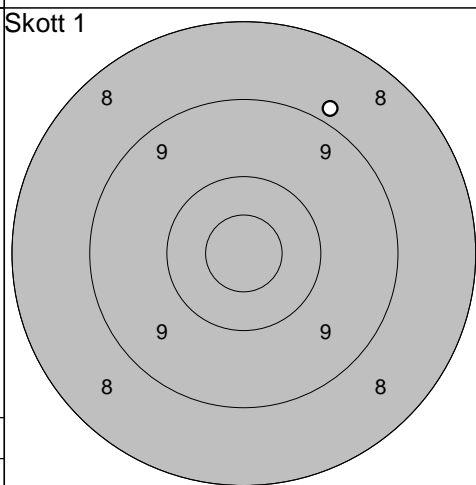
1: 8,6 →
2: 7,2 ↓
3: 9,9 ↙
Serie 24,0
Totalt 222,0



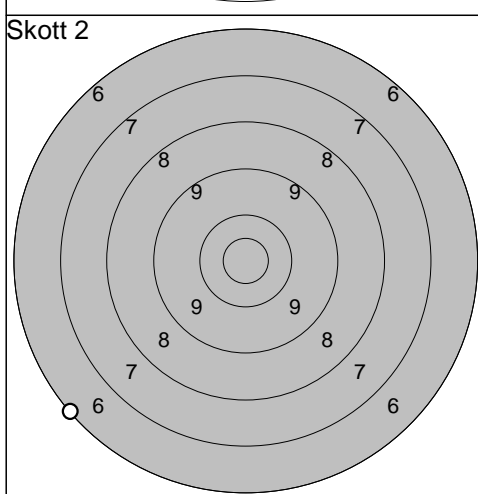
1: 9,7 ↖
2: 7,9 ↗
3: 6,8 ↓
4: 9,0 ↘
5: 8,9 ↙
Serie 39,0
Totalt 261,0



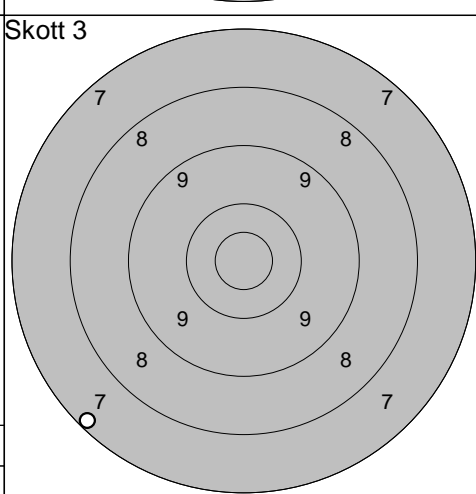
1: 8,3 →
2: 7,9 ↗
3: 9,0 ↘
4: 8,8 →
5: 2,5 ↘
Serie 34,0
Totalt 295,0



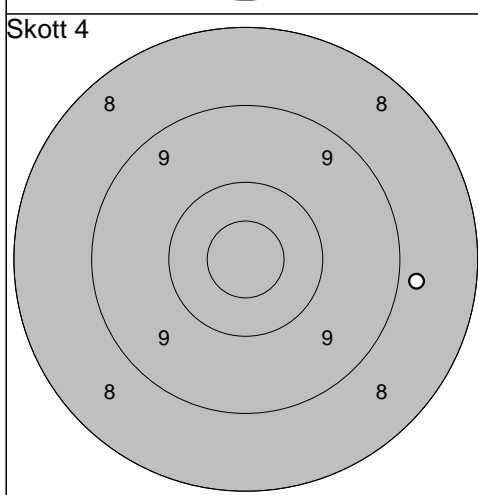
1: 8,9 ↗
Serie 8,0
Totalt 303,0



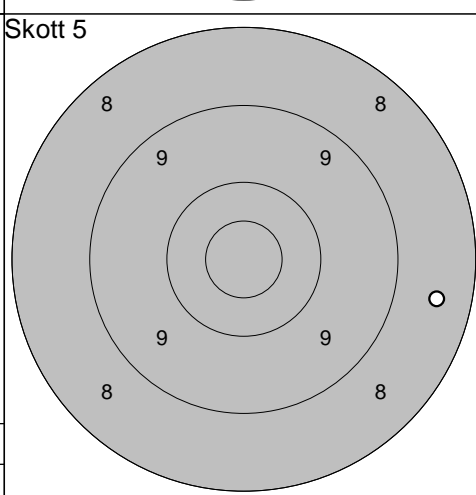
1: 6,1 ↙
Serie 6,0
Totalt 309,0



1: 7,2 ↙
Serie 7,0
Totalt 316,0



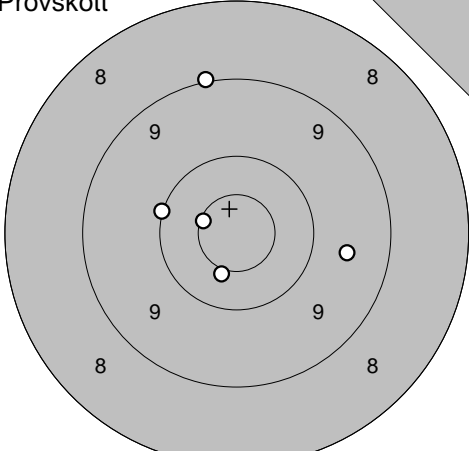
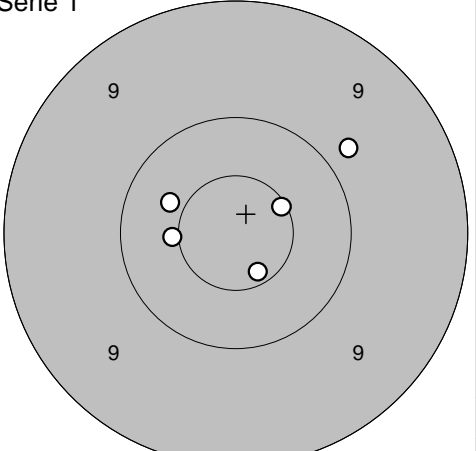
1: 8,8 →
Serie 8,0
Totalt 324,0

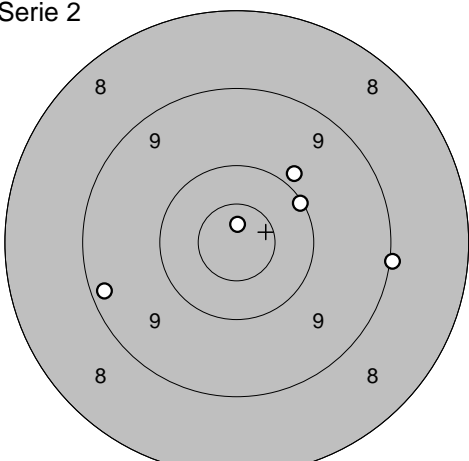
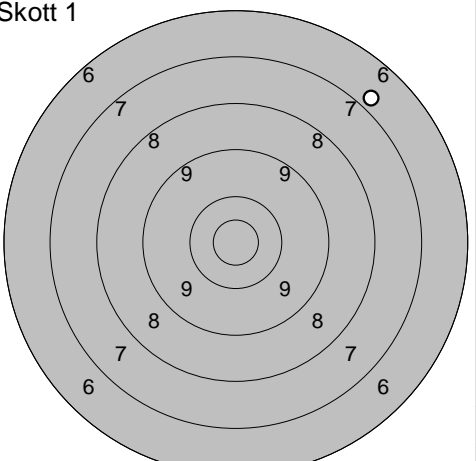


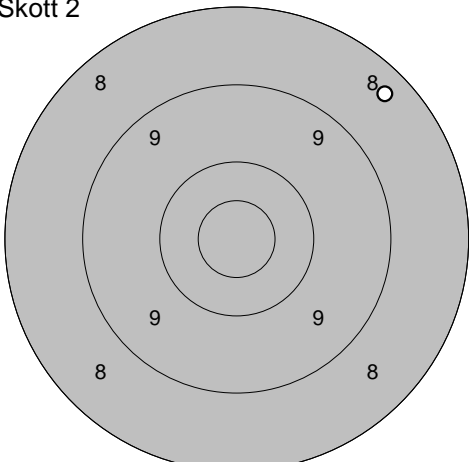
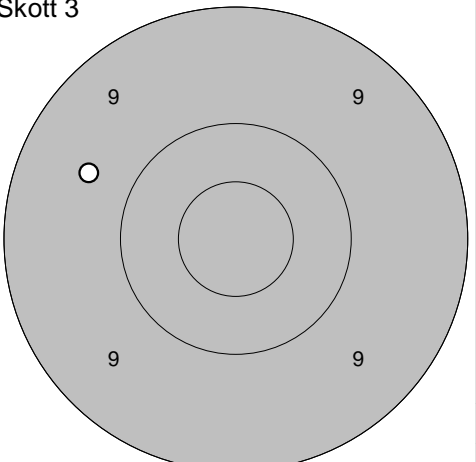
1: 8,5 →
Serie 8,0
Totalt 332,0

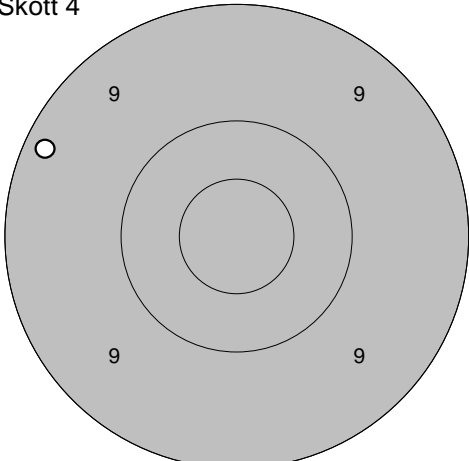
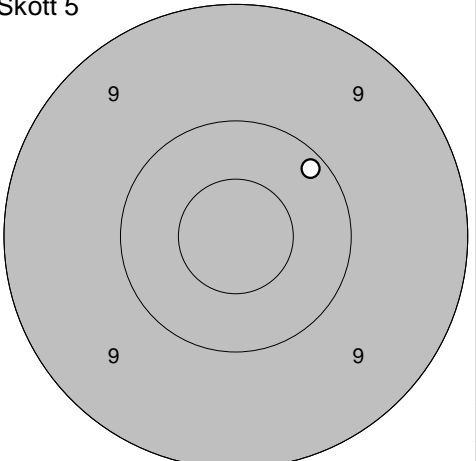
Loos

2011-07-11	Tavelträffen B 2011 Final	Ramselefors SKF
------------	---------------------------	-----------------

<p>Provs-kott</p> 	<p>Serie 1</p> <p>1: 10,6* ← 2: 9,6 → 3: 10,0 ← 4: 10,5* ↓ 5: 9,0 ↑</p>	 <p>1: 10,5* ← 2: 9,8 ↗ 3: 10,6* ↗ 4: 10,4 ← 5: 10,6* ↓</p>
Serie 48,0	Serie 49,0	
Totalt 280,0	Totalt 329,0	

<p>Serie 2</p> 	<p>Skott 1</p> <p>1: 9,0 → 2: 9,9 ↗ 3: 10,1 ↗ 4: 9,2 ← 5: 10,8* ↑</p>	 <p>1: 6,9 ↗</p>
Serie 47,0	Serie 6,0	
Totalt 376,0	Totalt 382,0	

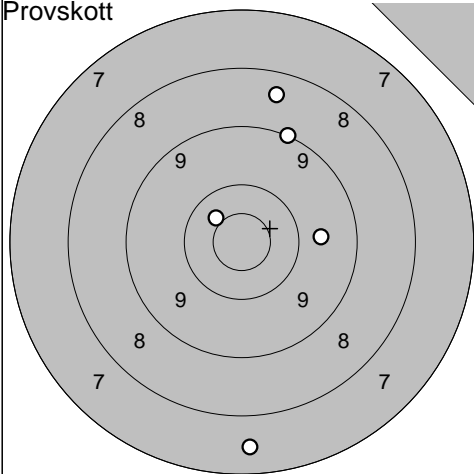
<p>Skott 2</p> 	<p>Skott 3</p> <p>1: 8,4 ↗</p> 	<p>1: 9,6 ←</p>
Serie 8,0	Serie 9,0	
Totalt 390,0	Totalt 399,0	

<p>Skott 4</p> 	<p>Skott 5</p> 	<p>1: 10,2 ↗</p>
Serie 9,0	Serie 10,0	
Totalt 408,0	Totalt 418,0	

Hammerdal

2011-07-11	Tavelträffen B 2011 Final	Ramselefors SKF
------------	---------------------------	-----------------

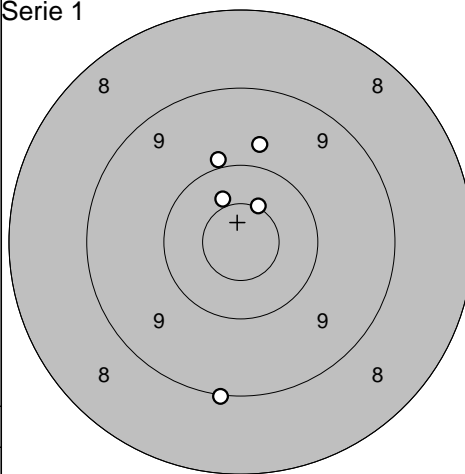
Provs-kott



- 1: 9,7 →
- 2: 9,1 ↗
- 3: 8,5 ↑
- 4: 10,5* ↗
- 5: 7,5 ↓

Serie	43,0
Totalt	278,0

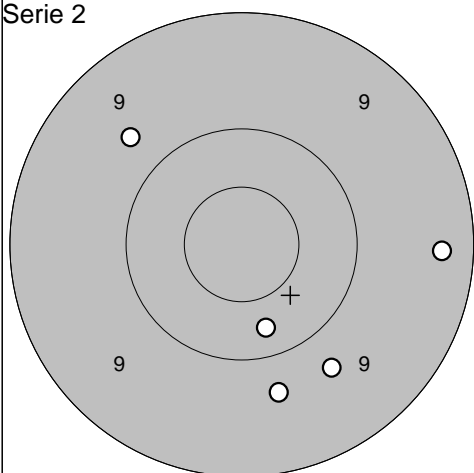
Serie 1



- 1: 9,8 ↑
- 2: 10,0 ↑
- 3: 10,5* ↑
- 4: 10,5* ↓
- 5: 9,0 ↓

Serie	48,0
Totalt	326,0

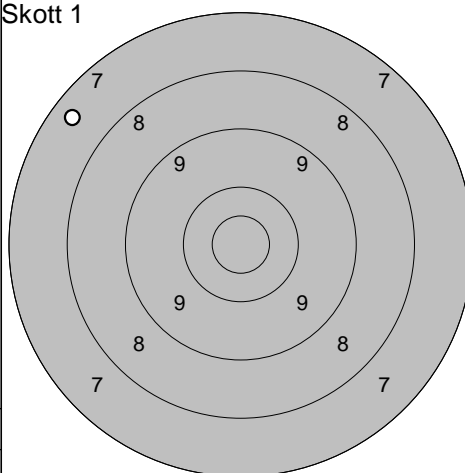
Serie 2



- 1: 10,3 ↓
- 2: 9,7 ↓
- 3: 9,3 →
- 4: 9,7 ↗
- 5: 9,7 ↓

Serie	46,0
Totalt	372,0

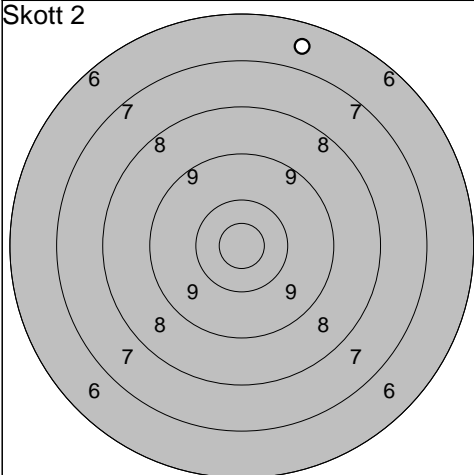
Skott 1



- 1: 7,5 ↙

Serie	7,0
Totalt	379,0

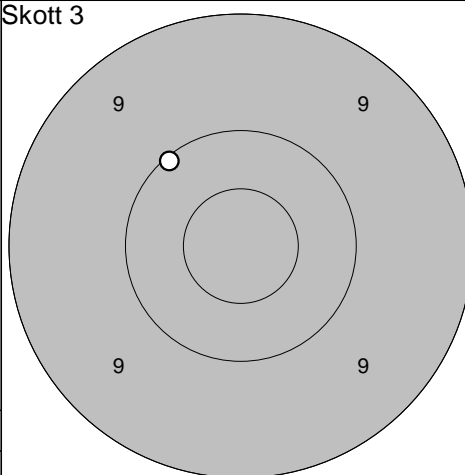
Skott 2



- 1: 6,6 ↑

Serie	6,0
Totalt	385,0

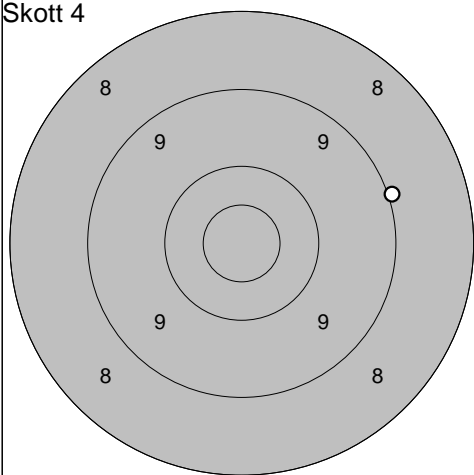
Skott 3



- 1: 10,1 ↙

Serie	10,0
Totalt	395,0

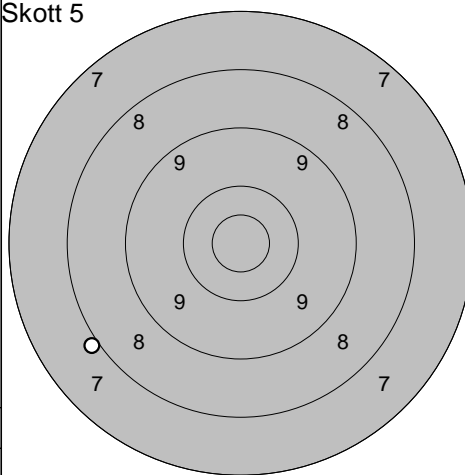
Skott 4



- 1: 9,0 →

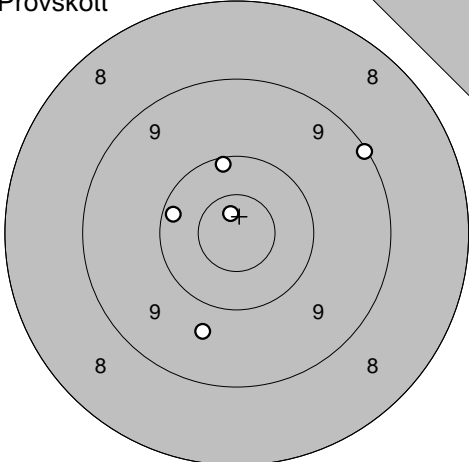
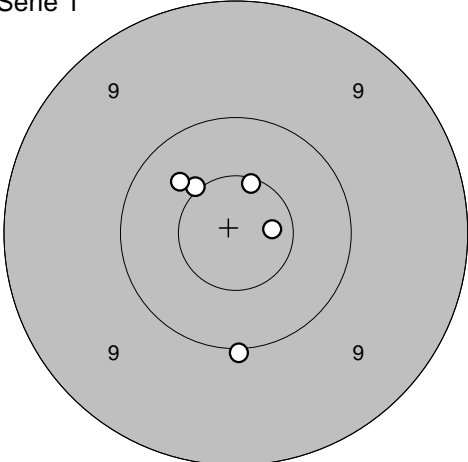
Serie	9,0
Totalt	404,0

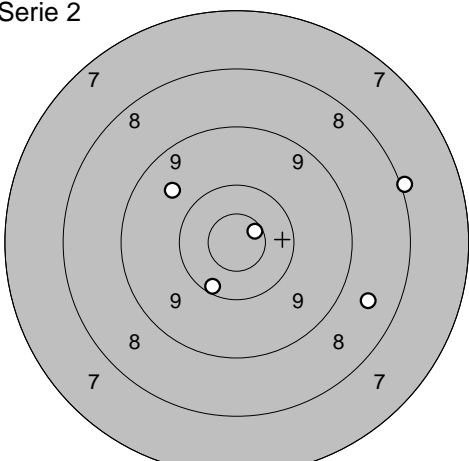
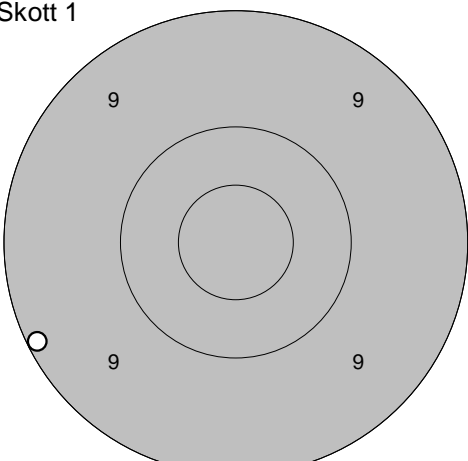
Skott 5

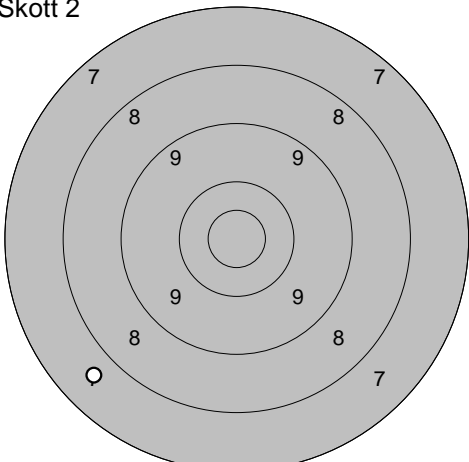
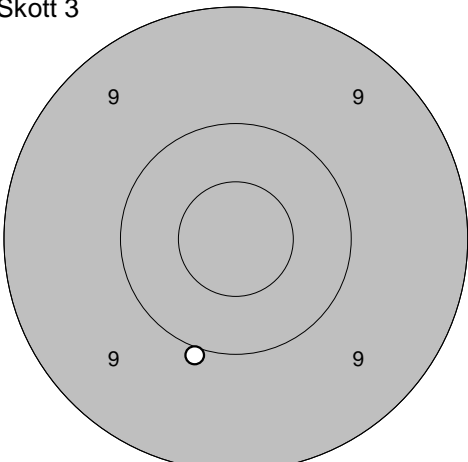


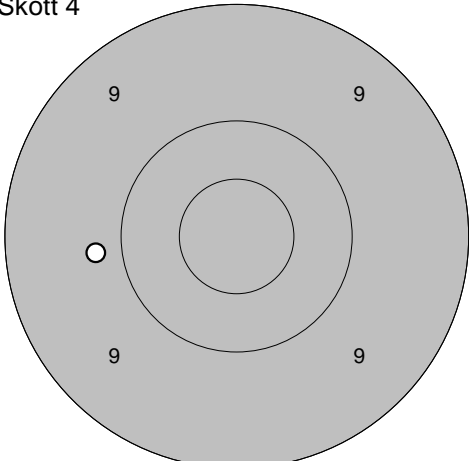
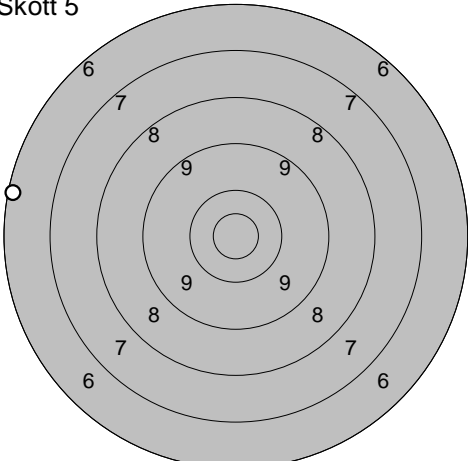
- 1: 8,0 ↙

Serie	8,0
Totalt	412,0

<p>Provskott</p> 	<p>Serie 1</p> <p>1: 9,1 ↗ 2: 10,2 ← 3: 9,7 ↓ 4: 10,1 ↑ 5: 10,8* ↑</p>	
Serie 48,0		Serie 50,0
Totalt 277,0		Totalt 327,0

<p>Serie 2</p> 	<p>Skott 1</p> <p>1: 9,7 ↖ 2: 8,6 → 3: 10,7* ↗ 4: 10,2 ↓ 5: 8,0 →</p>	
Serie 45,0		Serie 9,0
Totalt 372,0		Totalt 381,0

<p>Skott 2</p> 	<p>Skott 3</p> <p>1: 7,7 ↙</p>	
Serie 7,0		Serie 10,0
Totalt 388,0		Totalt 398,0

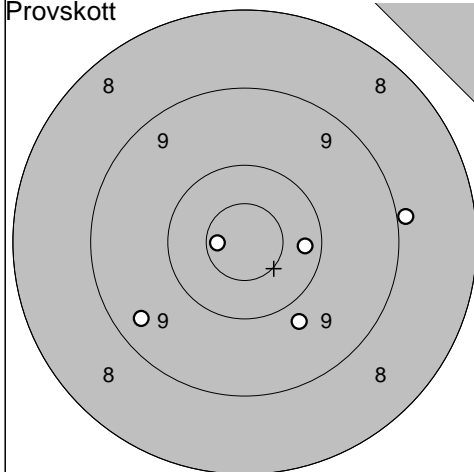
<p>Skott 4</p> 	<p>Skott 5</p> <p>1: 9,8 ←</p>	
Serie 9,0		Serie 6,0
Totalt 407,0		Totalt 413,0

2011-07-11

Tavelträffen B 2011 Final

Ramselefors SKF

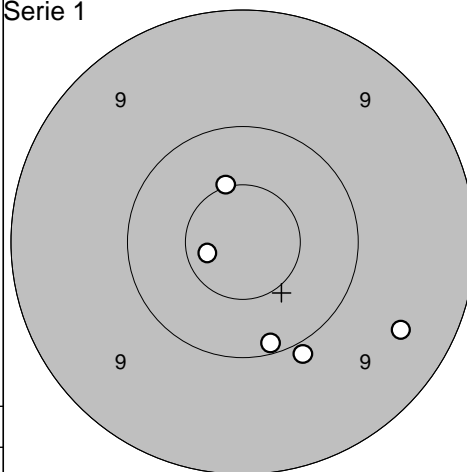
Provskott



1: 10,3 →
 2: 10,7* ←
 3: 9,4 ↙
 4: 8,9 →
 5: 9,8 ↘

Serie 46,0
 Totalt 276,0

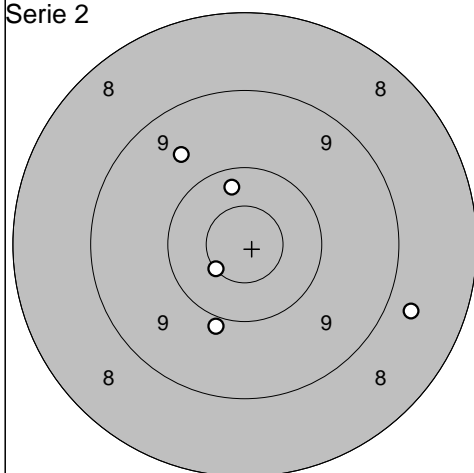
Serie 1



1: 10,5* ↑
 2: 10,7* ←
 3: 9,9 ↘
 4: 10,1 ↘
 5: 9,5 ↘

Serie 48,0
 Totalt 324,0

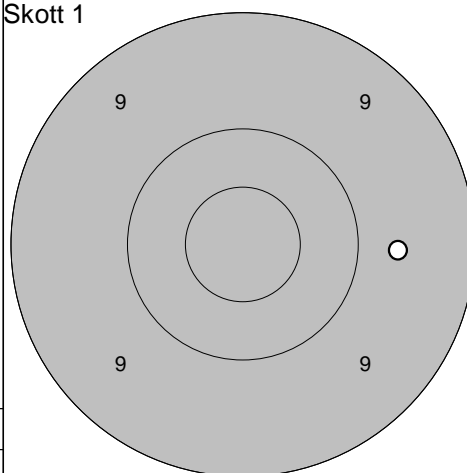
Serie 2



1: 9,6 ↗
 2: 10,6* ↙
 3: 10,3 ↑
 4: 8,7 →
 5: 9,9 ↘

Serie 46,0
 Totalt 370,0

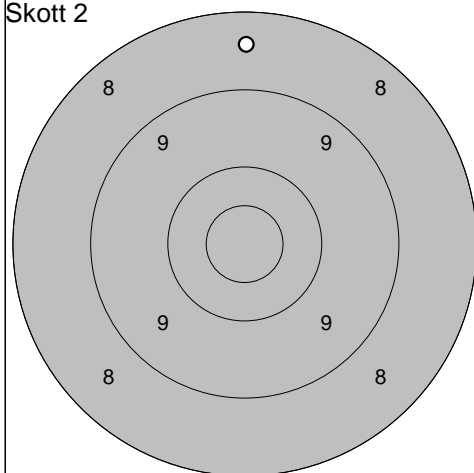
Skott 1



1: 9,7 →

Serie 9,0
 Totalt 379,0

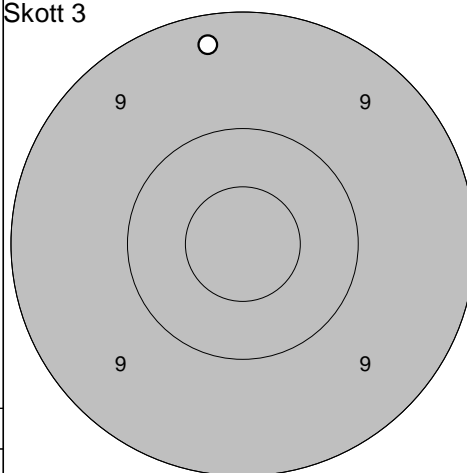
Skott 2



1: 8,5 ↑

Serie 8,0
 Totalt 387,0

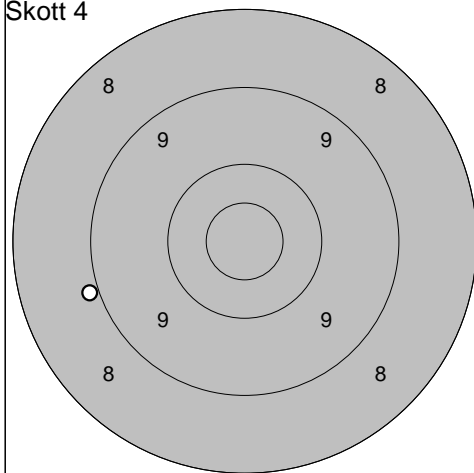
Skott 3



1: 9,3 ↑

Serie 9,0
 Totalt 396,0

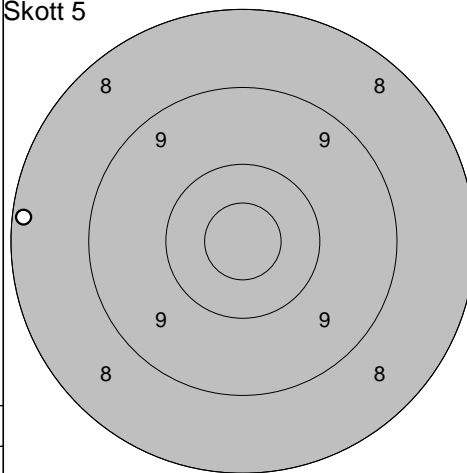
Skott 4



1: 8,9 ←

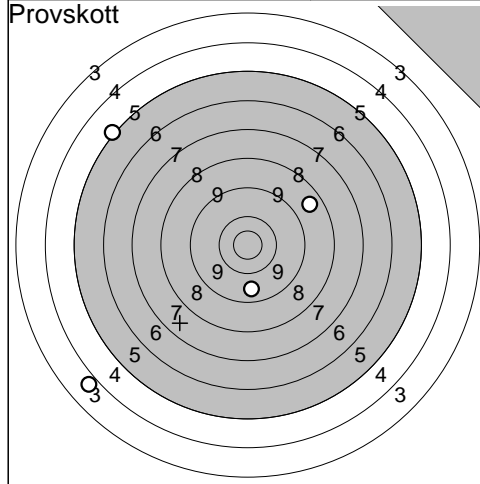
Serie 8,0
 Totalt 404,0

Skott 5

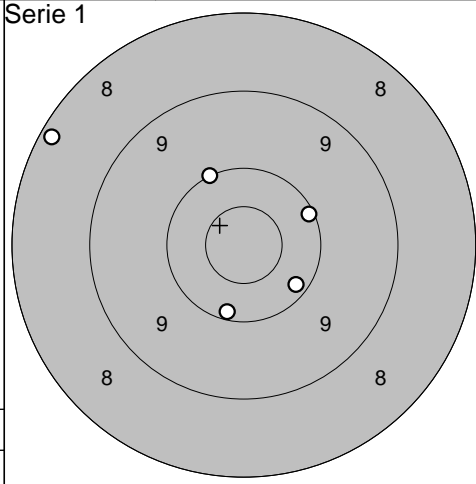


1: 8,2 ←

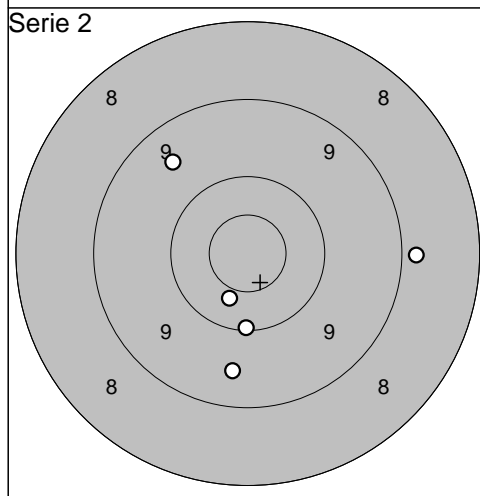
Serie 8,0
 Totalt 412,0



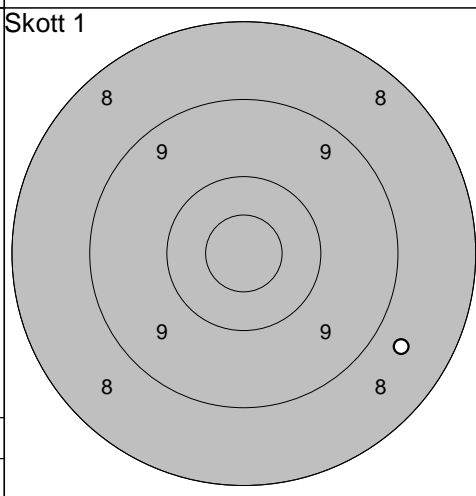
1: 0,0	↘
2: 3,9	↙
3: 5,2	↖
4: 8,7	↗
5: 9,7	↓
Serie 25,0	
Totalt 274,0	



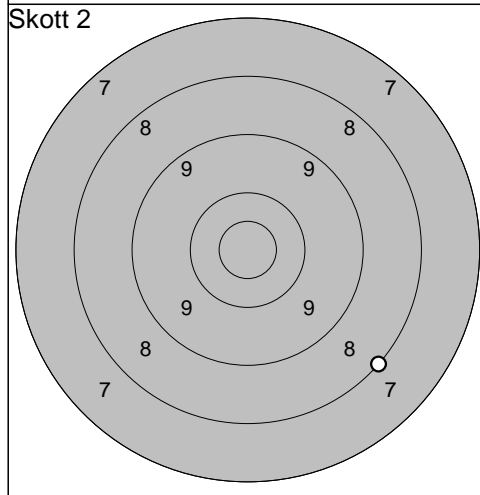
1: 8,2	↖
2: 10,2	↓
3: 10,1	↗
4: 10,2	↘
5: 10,1	↖
Serie 48,0	
Totalt 322,0	



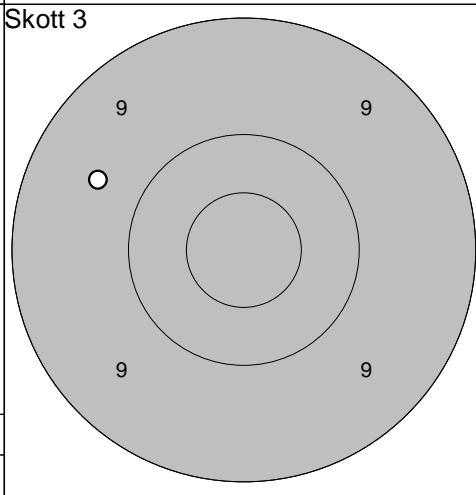
1: 9,5	↖
2: 10,4	↓
3: 9,5	↓
4: 10,1	↓
5: 8,9	→
Serie 46,0	
Totalt 368,0	



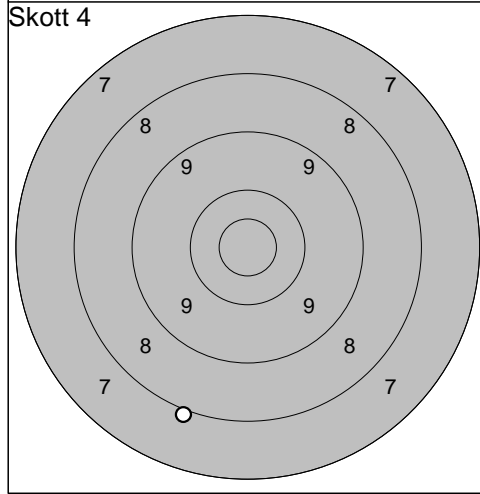
1: 8,7	↗
Serie 8,0	
Totalt 376,0	



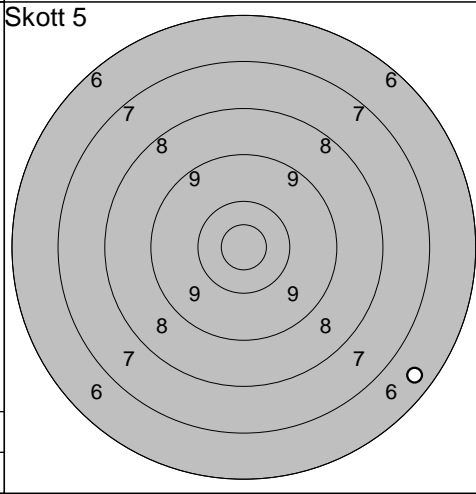
1: 8,1	↘
Serie 8,0	
Totalt 384,0	



1: 9,6	↖
Serie 9,0	
Totalt 393,0	



1: 8,0	↓
Serie 8,0	
Totalt 401,0	



1: 6,5	↘
Serie 6,0	
Totalt 407,0	

Skjutlag

Tavla

5

6

Roger Hjalström

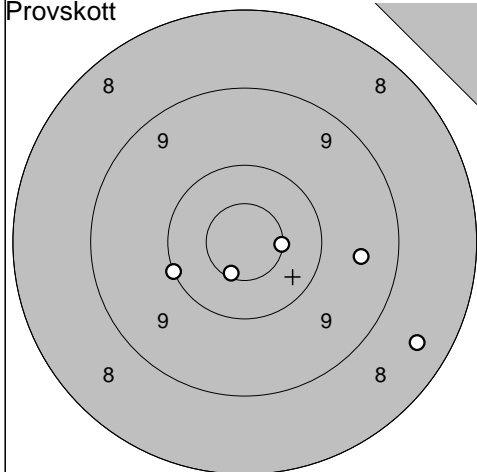
Ununge

2011-07-11

Tavelträffen B 2011 Final

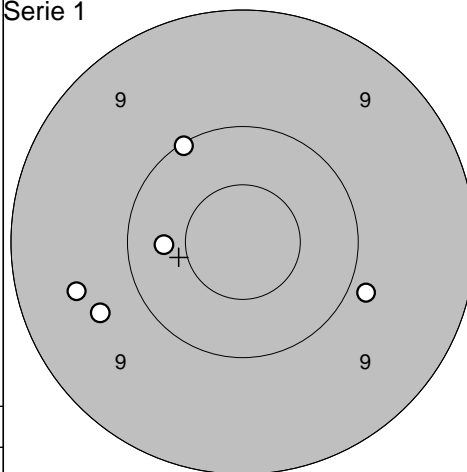
Ramselefors SKF

Provskott



1: 10,6* →
 2: 10,6* ↓
 3: 10,1 ←
 4: 9,5 →
 5: 8,5 ↓

Serie 1



1: 10,4 ←
 2: 9,9 →
 3: 9,5 ←
 4: 10,1 ↗
 5: 9,7 ←

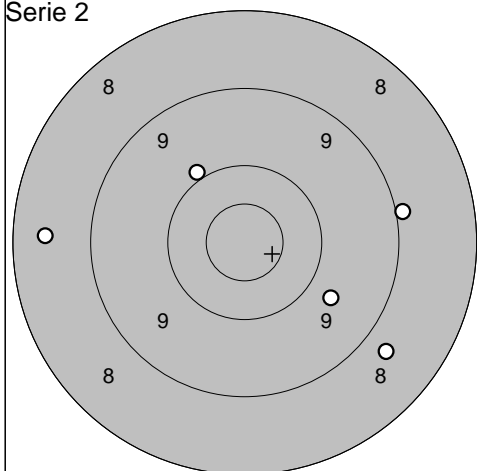
Serie 47,0

Totalt 271,0

Serie 47,0

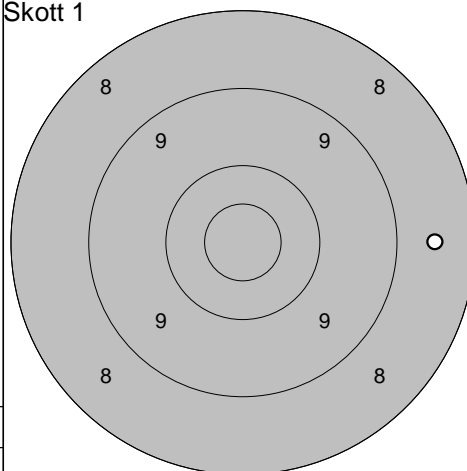
Totalt 318,0

Serie 2



1: 8,5 ←
 2: 9,0 →
 3: 8,7 ↓
 4: 9,7 ↓
 5: 10,0 ↗

Skott 1



1: 8,6 →

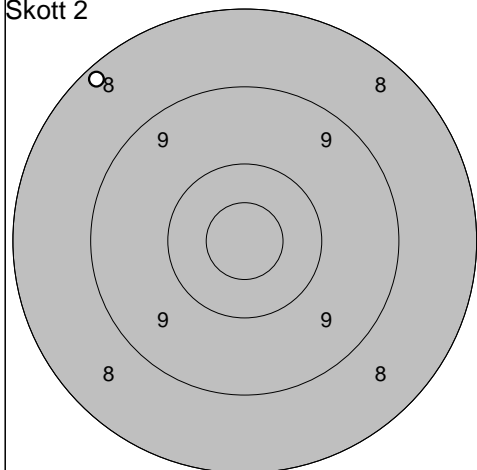
Serie 44,0

Totalt 362,0

Serie 8,0

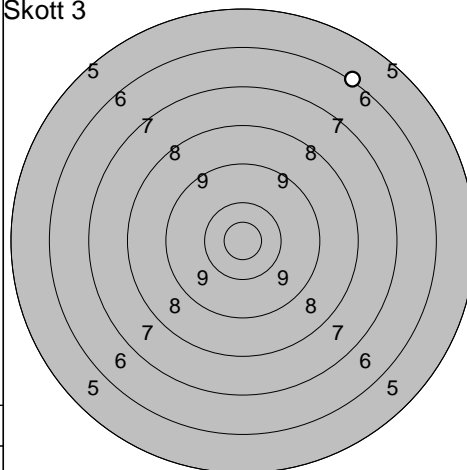
Totalt 370,0

Skott 2



1: 8,2 ↖

Skott 3



1: 6,1 ↗

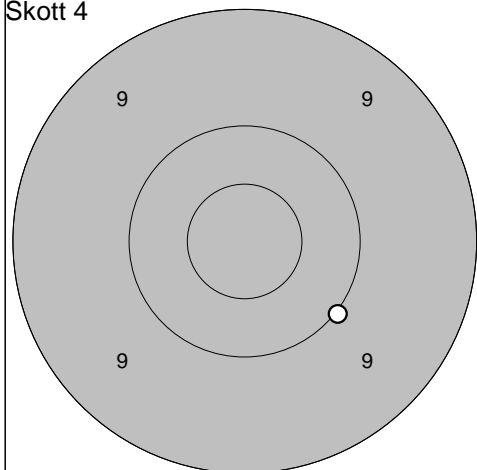
Serie 8,0

Totalt 378,0

Serie 6,0

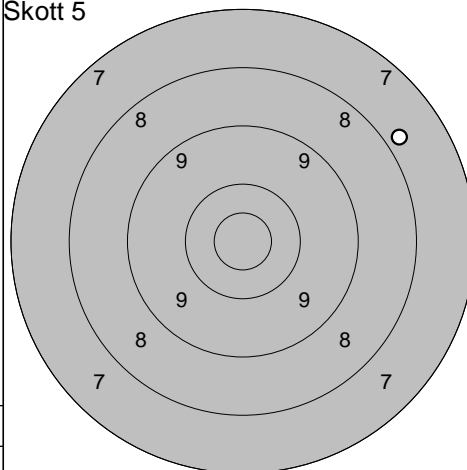
Totalt 384,0

Skott 4



1: 10,0 ↓

Skott 5



1: 7,8 ↗

Serie 10,0

Totalt 394,0

Serie 7,0

Totalt 401,0

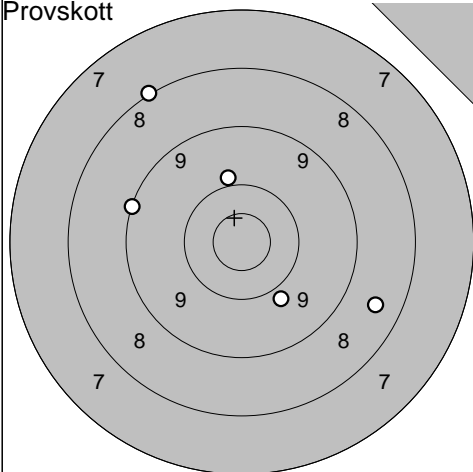
Ale

2011-07-11

Tavelträffen B 2011 Final

Ramselefors SKF

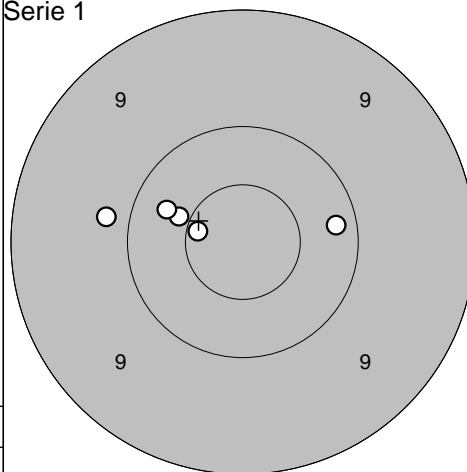
Provskott



1: 8,1 ↗
 2: 10,0 ↑
 3: 9,1 ↖
 4: 9,9 ↘
 5: 8,5 ↙

Serie 44,0
 Totalt 270,0

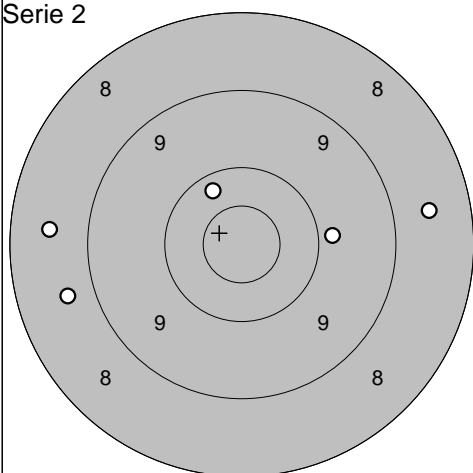
Serie 1



1: 10,2 →
 2: 10,6* ←
 3: 9,8 ←
 4: 10,4 ↖
 5: 10,3 ↖

Serie 49,0
 Totalt 319,0

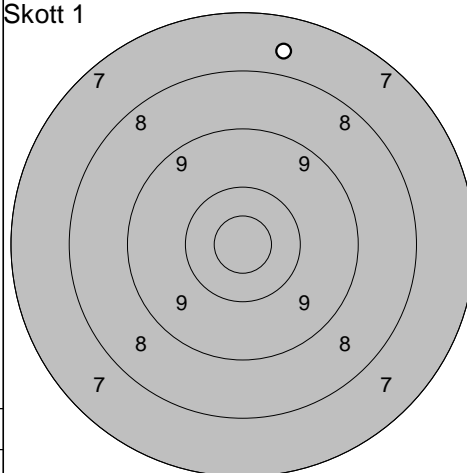
Serie 2



1: 8,6 →
 2: 8,7 ←
 3: 10,3 ↗
 4: 8,6 ←
 5: 9,9 →

Serie 43,0
 Totalt 362,0

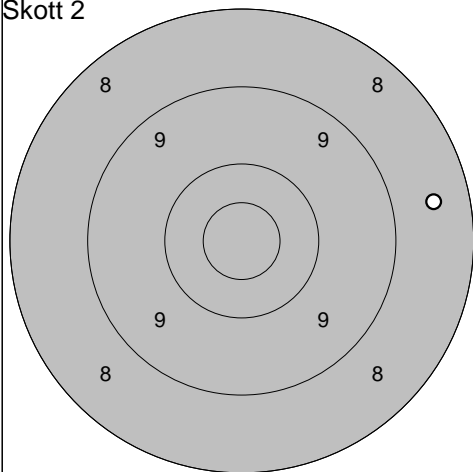
Skott 1



1: 7,7 ↑

Serie 7,0
 Totalt 369,0

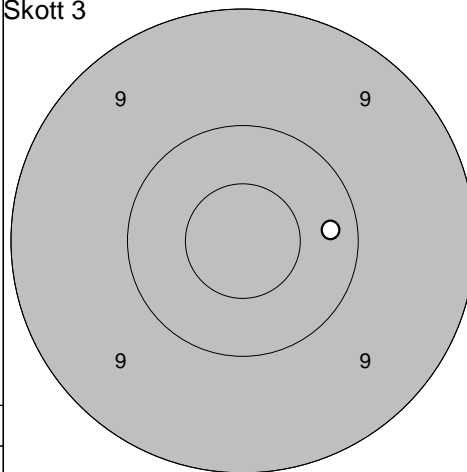
Skott 2



1: 8,5 →

Serie 8,0
 Totalt 377,0

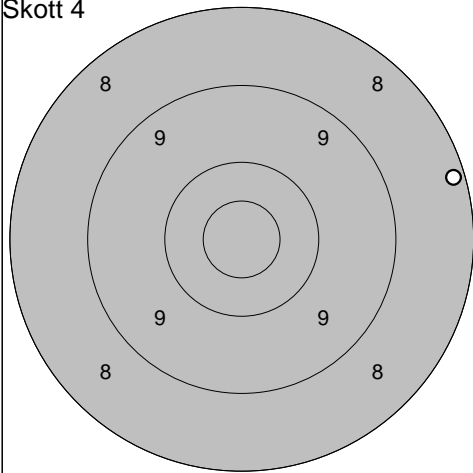
Skott 3



1: 10,3 →

Serie 10,0
 Totalt 387,0

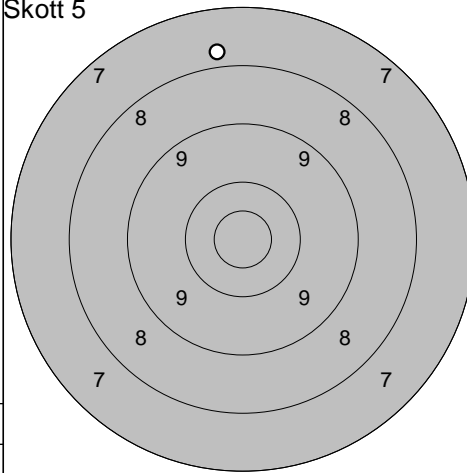
Skott 4



1: 8,2 →

Serie 8,0
 Totalt 395,0

Skott 5



1: 7,8 ↑

Serie 7,0
 Totalt 402,0

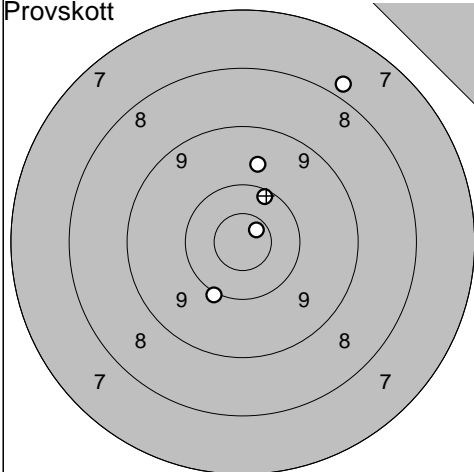
Ununge

2011-07-11

Tavelträffen B 2011 Final

Ramselefors SKF

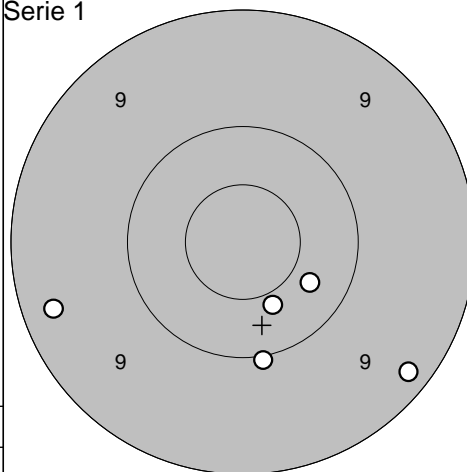
Provskott



1: 10,2 ↗
 2: 10,0 ↓
 3: 10,8* ↗
 4: 7,9 ↗
 5: 9,7 ↑

Serie 46,0
 Totalt 269,0

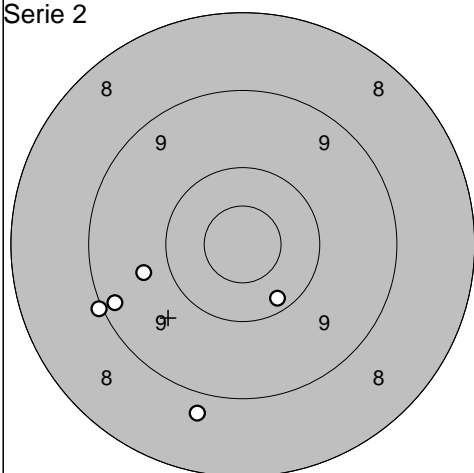
Serie 1



1: 10,4 ↓
 2: 10,4 ↓
 3: 9,2 ↓
 4: 9,3 ←
 5: 10,0 ↓

Serie 48,0
 Totalt 317,0

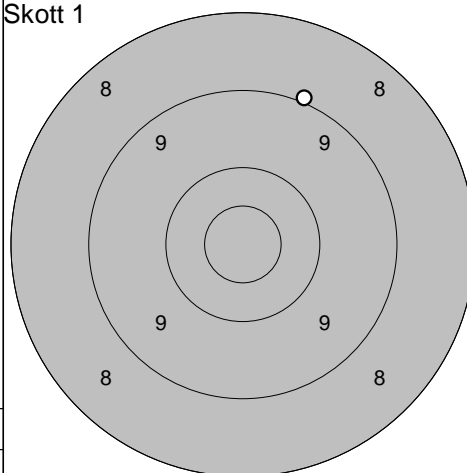
Serie 2



1: 9,0 ←
 2: 9,2 ←
 3: 10,2 ↓
 4: 9,7 ←
 5: 8,8 ↓

Serie 45,0
 Totalt 362,0

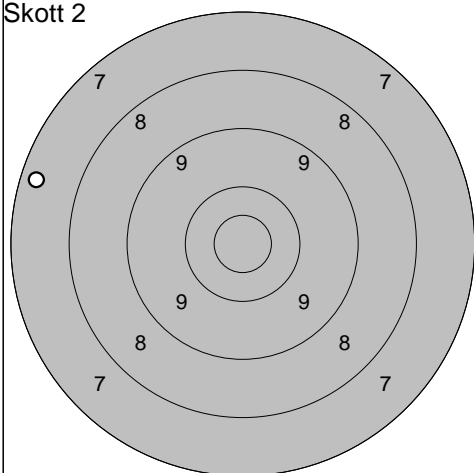
Skott 1



1: 9,0 ↗

Serie 9,0
 Totalt 371,0

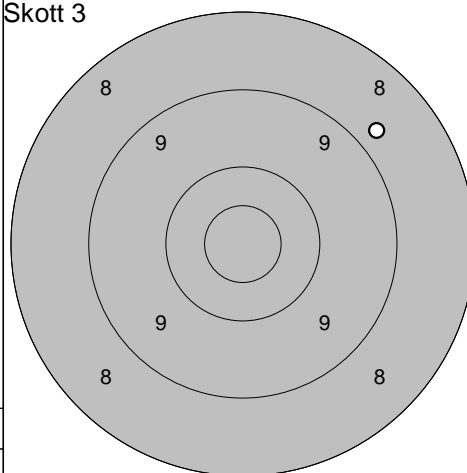
Skott 2



1: 7,4 ←

Serie 7,0
 Totalt 378,0

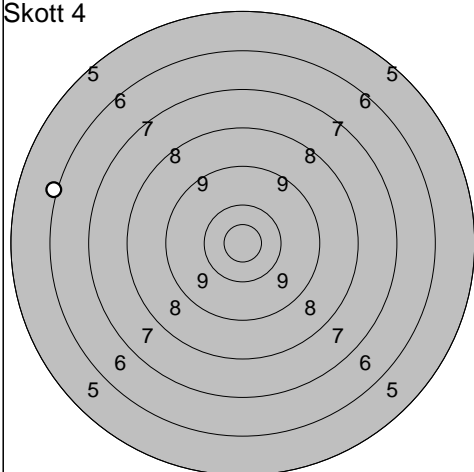
Skott 3



1: 8,8 ↗

Serie 8,0
 Totalt 386,0

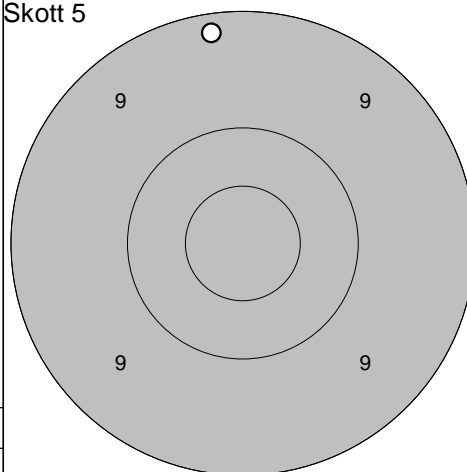
Skott 4



1: 6,1 ←

Serie 6,0
 Totalt 392,0

Skott 5



1: 9,2 ↑

Serie 9,0
 Totalt 401,0

Skjutlag

5

Tavla

9

Tomas Johannesson

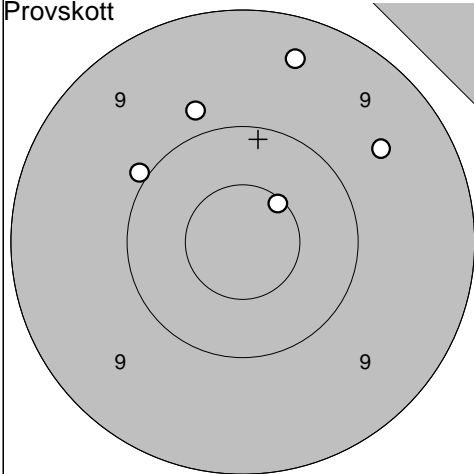
Dals Ed

2011-07-11

Tavelträffen B 2011 Final

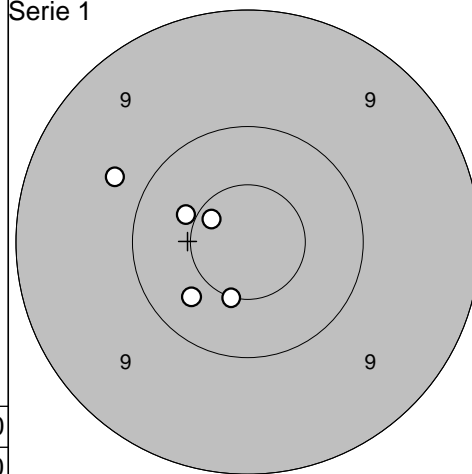
Ramselefors SKF

Provskott



1: 10,6* ↗
 2: 9,8 ↗
 3: 10,0 ↖
 4: 9,4 ↗
 5: 9,6 ↗

Serie 1



1: 10,4 ↖
 2: 10,7* ↖
 3: 9,8 ↖
 4: 10,5* ↖
 5: 10,5* ↓

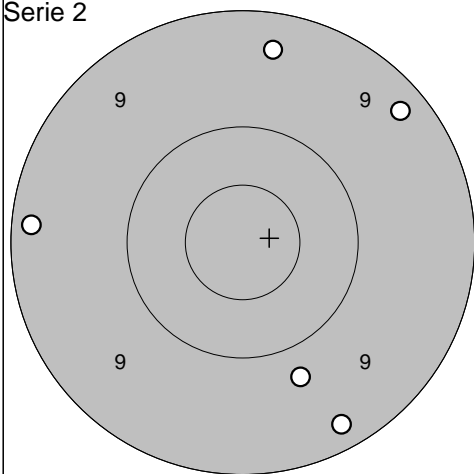
Serie 47,0

Totalt 269,0

Serie 49,0

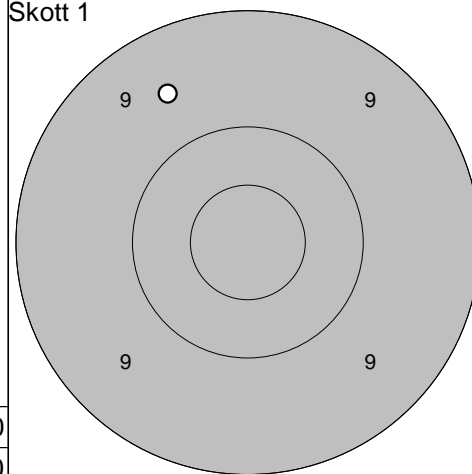
Totalt 318,0

Serie 2



1: 9,2 ←
 2: 9,2 ↓
 3: 9,8 ↓
 4: 9,4 ↑
 5: 9,3 ↗

Skott 1



1: 9,6 ↗

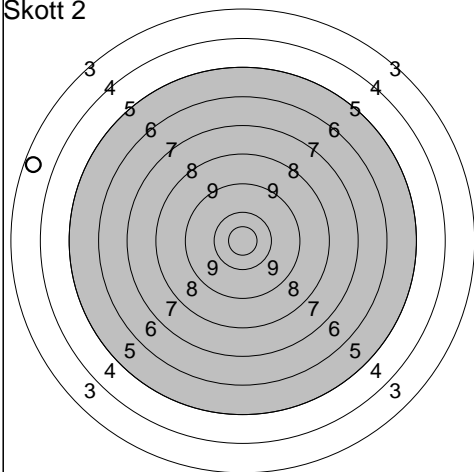
Serie 45,0

Totalt 363,0

Serie 9,0

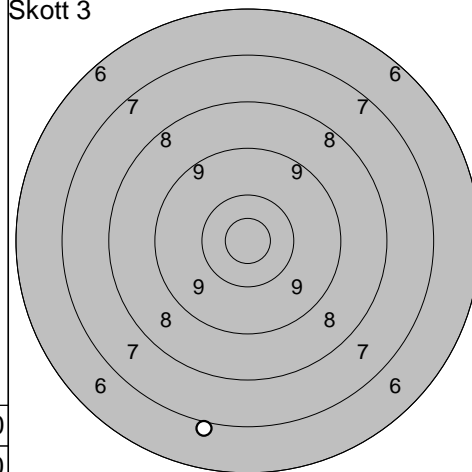
Totalt 372,0

Skott 2



1: 3,5 ←

Skott 3



1: 7,0 ↓

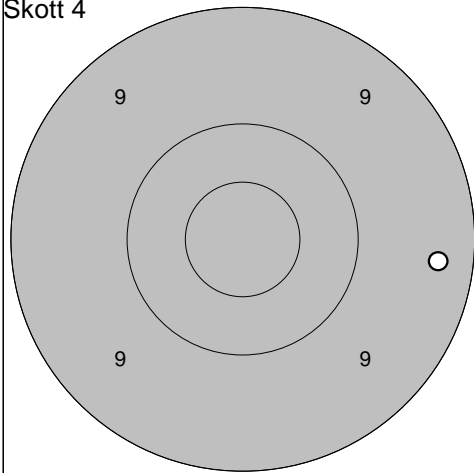
Serie 3,0

Totalt 375,0

Serie 7,0

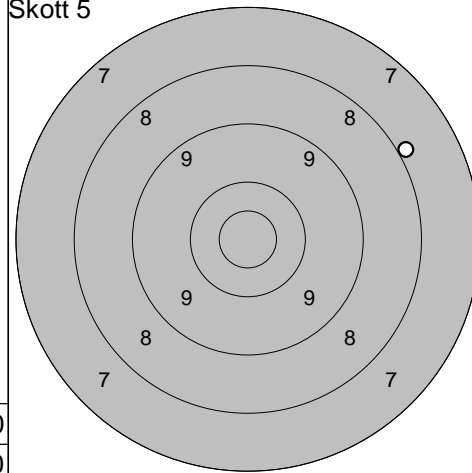
Totalt 382,0

Skott 4



1: 9,3 →

Skott 5



1: 7,9 ↗

Serie 9,0

Totalt 391,0

Serie 7,0

Totalt 398,0

Skjutlag

5

Tavla

10

Torvald Andersson

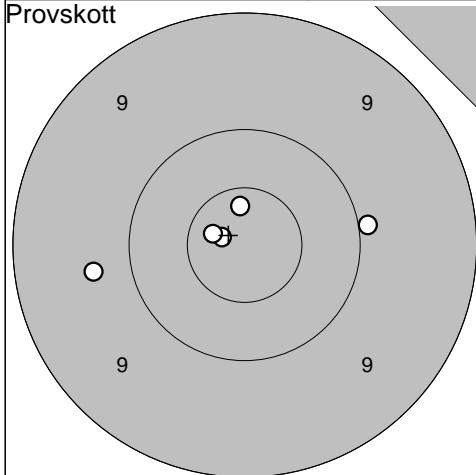
Bälinge-Jumkil

2011-07-11

Tavelträffen B 2011 Final

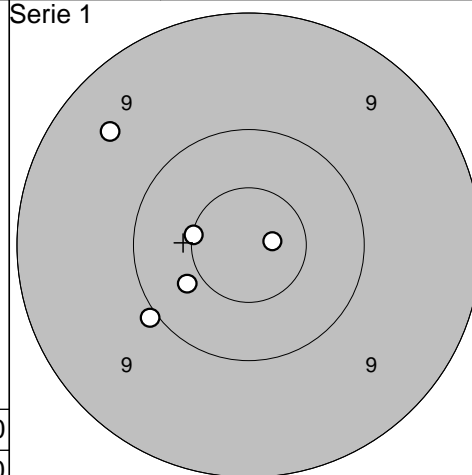
Ramselefors SKF

Provskott



1: 10,7* ↑
 2: 10,0 →
 3: 10,8* ↖
 4: 9,7 ←
 5: 10,7* ↖

Serie 1



1: 10,6* ↖
 2: 10,4 ↙
 3: 10,8* →
 4: 10,0 ↙
 5: 9,5 ↖

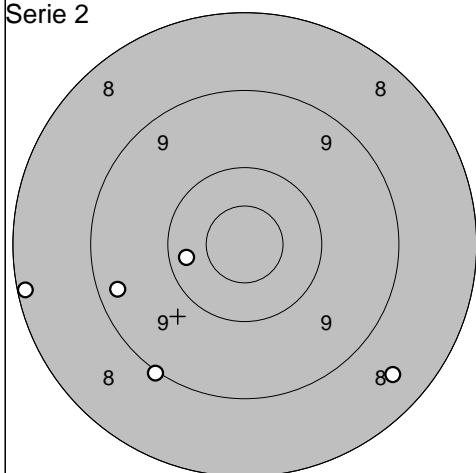
Serie 49,0

Totalt 268,0

Serie 49,0

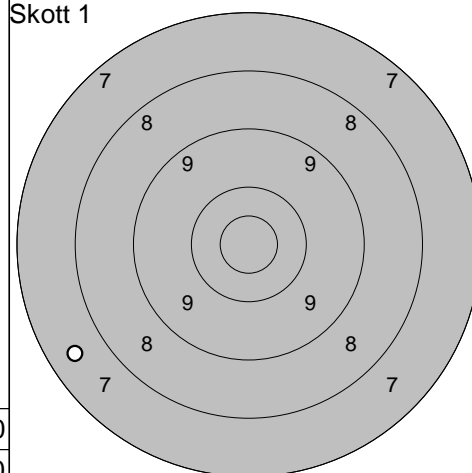
Totalt 317,0

Serie 2



1: 10,3 ↖
 2: 9,3 ↖
 3: 9,0 ↘
 4: 8,5 ↘
 5: 8,2 ←

Skott 1



1: 7,6 ↙

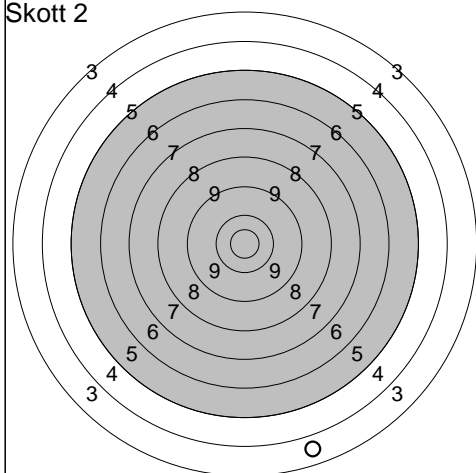
Serie 44,0

Totalt 361,0

Serie 7,0

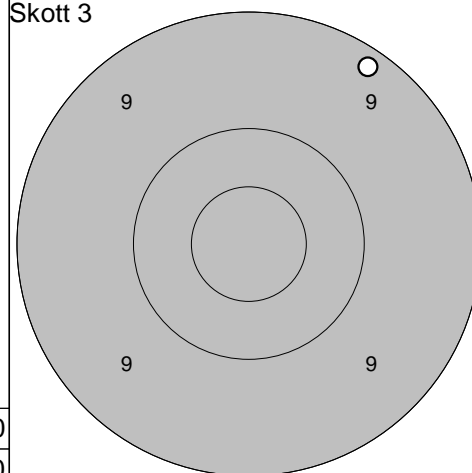
Totalt 368,0

Skott 2



1: 3,8 ↓

Skott 3



1: 9,2 ↗

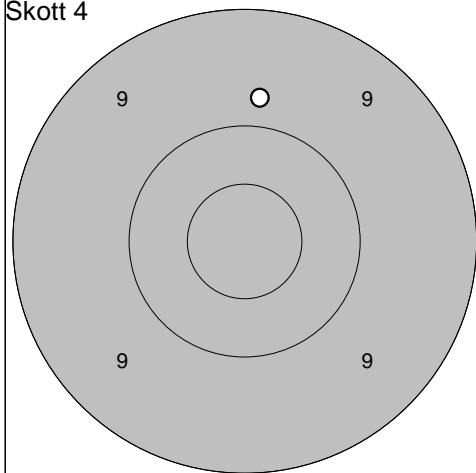
Serie 3,0

Totalt 371,0

Serie 9,0

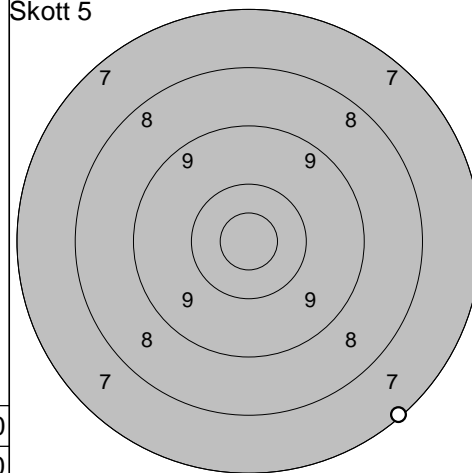
Totalt 380,0

Skott 4



1: 9,8 ↑

Skott 5



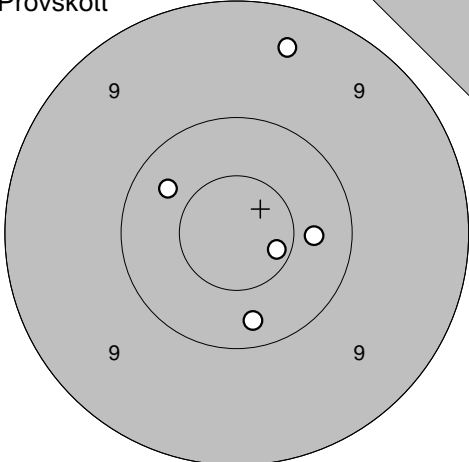
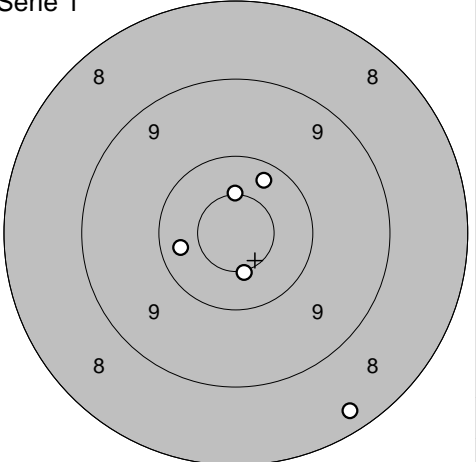
1: 7,1 ↘

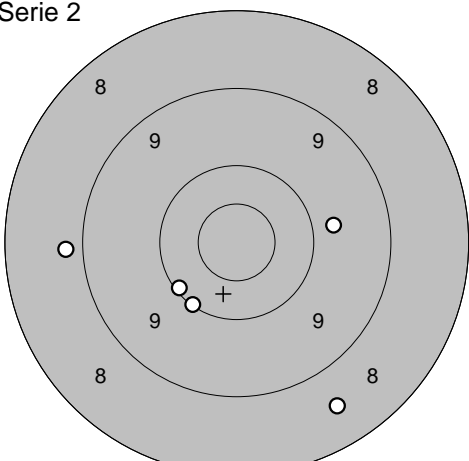
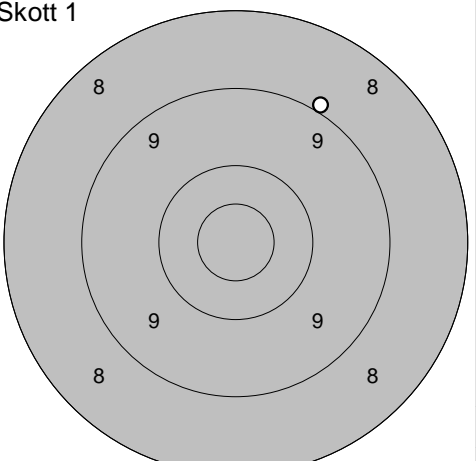
Serie 9,0

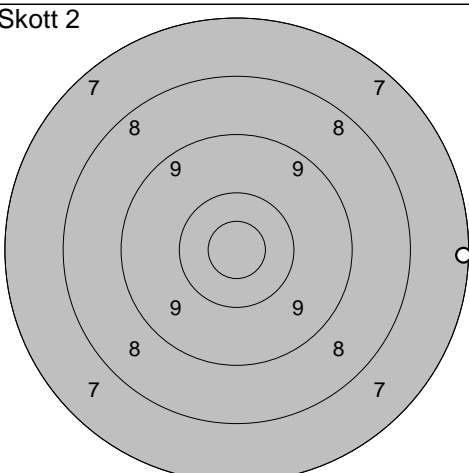
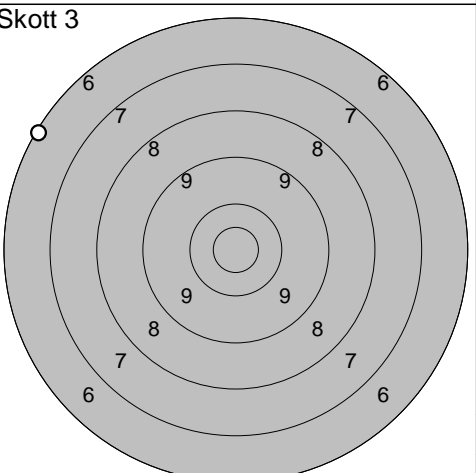
Totalt 389,0

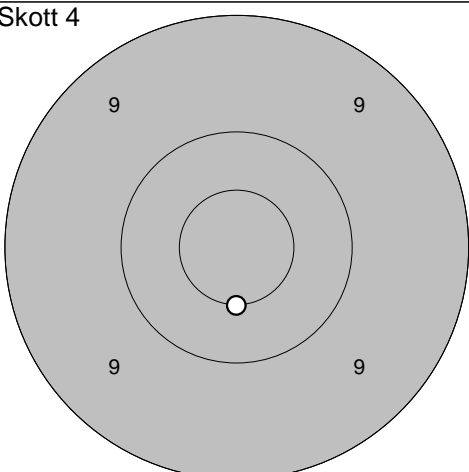
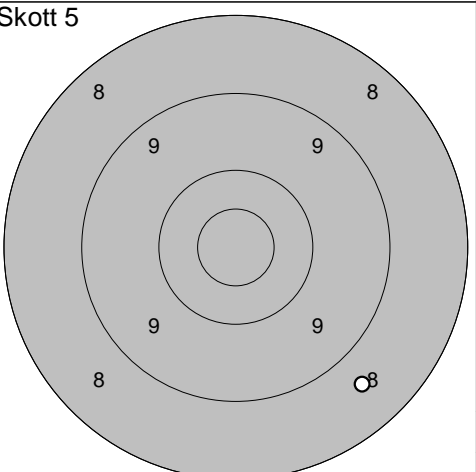
Serie 7,0

Totalt 396,0

Provsnitt 	<table style="width:100%;"> <tr><td>1: 10,4 →</td></tr> <tr><td>2: 10,3 ↓</td></tr> <tr><td>3: 10,7* →</td></tr> <tr><td>4: 10,3 ↗</td></tr> <tr><td>5: 9,4 ↑</td></tr> </table> <table style="width:100%; margin-top: 10px;"> <tr><td>Serie</td><td style="text-align: right;">49,0</td></tr> <tr><td>Totalt</td><td style="text-align: right;">267,0</td></tr> </table>	1: 10,4 →	2: 10,3 ↓	3: 10,7* →	4: 10,3 ↗	5: 9,4 ↑	Serie	49,0	Totalt	267,0	Serie 1 	<table style="width:100%;"> <tr><td>1: 10,5* ↑</td></tr> <tr><td>2: 8,3 ↓</td></tr> <tr><td>3: 10,3 ←</td></tr> <tr><td>4: 10,3 ↗</td></tr> <tr><td>5: 10,5* ↓</td></tr> </table> <table style="width:100%; margin-top: 10px;"> <tr><td>Serie</td><td style="text-align: right;">48,0</td></tr> <tr><td>Totalt</td><td style="text-align: right;">315,0</td></tr> </table>	1: 10,5* ↑	2: 8,3 ↓	3: 10,3 ←	4: 10,3 ↗	5: 10,5* ↓	Serie	48,0	Totalt	315,0
1: 10,4 →																					
2: 10,3 ↓																					
3: 10,7* →																					
4: 10,3 ↗																					
5: 9,4 ↑																					
Serie	49,0																				
Totalt	267,0																				
1: 10,5* ↑																					
2: 8,3 ↓																					
3: 10,3 ←																					
4: 10,3 ↗																					
5: 10,5* ↓																					
Serie	48,0																				
Totalt	315,0																				

Serie 2 	<table style="width:100%;"> <tr><td>1: 9,8 →</td></tr> <tr><td>2: 8,6 ↓</td></tr> <tr><td>3: 10,1 ↓</td></tr> <tr><td>4: 10,1 ←</td></tr> <tr><td>5: 8,8 ←</td></tr> </table> <table style="width:100%; margin-top: 10px;"> <tr><td>Serie</td><td style="text-align: right;">45,0</td></tr> <tr><td>Totalt</td><td style="text-align: right;">360,0</td></tr> </table>	1: 9,8 →	2: 8,6 ↓	3: 10,1 ↓	4: 10,1 ←	5: 8,8 ←	Serie	45,0	Totalt	360,0	Skott 1 	<table style="width:100%;"> <tr><td>1: 9,0 ↗</td></tr> </table> <table style="width:100%; margin-top: 10px;"> <tr><td>Serie</td><td style="text-align: right;">9,0</td></tr> <tr><td>Totalt</td><td style="text-align: right;">369,0</td></tr> </table>	1: 9,0 ↗	Serie	9,0	Totalt	369,0
1: 9,8 →																	
2: 8,6 ↓																	
3: 10,1 ↓																	
4: 10,1 ←																	
5: 8,8 ←																	
Serie	45,0																
Totalt	360,0																
1: 9,0 ↗																	
Serie	9,0																
Totalt	369,0																

Skott 2 	<table style="width:100%;"> <tr><td>1: 7,2 →</td></tr> </table> <table style="width:100%; margin-top: 10px;"> <tr><td>Serie</td><td style="text-align: right;">7,0</td></tr> <tr><td>Totalt</td><td style="text-align: right;">376,0</td></tr> </table>	1: 7,2 →	Serie	7,0	Totalt	376,0	Skott 3 	<table style="width:100%;"> <tr><td>1: 6,2 ←</td></tr> </table> <table style="width:100%; margin-top: 10px;"> <tr><td>Serie</td><td style="text-align: right;">6,0</td></tr> <tr><td>Totalt</td><td style="text-align: right;">382,0</td></tr> </table>	1: 6,2 ←	Serie	6,0	Totalt	382,0
1: 7,2 →													
Serie	7,0												
Totalt	376,0												
1: 6,2 ←													
Serie	6,0												
Totalt	382,0												

Skott 4 	<table style="width:100%;"> <tr><td>1: 10,5* ↓</td></tr> </table> <table style="width:100%; margin-top: 10px;"> <tr><td>Serie</td><td style="text-align: right;">10,0</td></tr> <tr><td>Totalt</td><td style="text-align: right;">392,0</td></tr> </table>	1: 10,5* ↓	Serie	10,0	Totalt	392,0	Skott 5 	<table style="width:100%;"> <tr><td>1: 8,6 ↓</td></tr> </table> <table style="width:100%; margin-top: 10px;"> <tr><td>Serie</td><td style="text-align: right;">8,0</td></tr> <tr><td>Totalt</td><td style="text-align: right;">400,0</td></tr> </table>	1: 8,6 ↓	Serie	8,0	Totalt	400,0
1: 10,5* ↓													
Serie	10,0												
Totalt	392,0												
1: 8,6 ↓													
Serie	8,0												
Totalt	400,0												

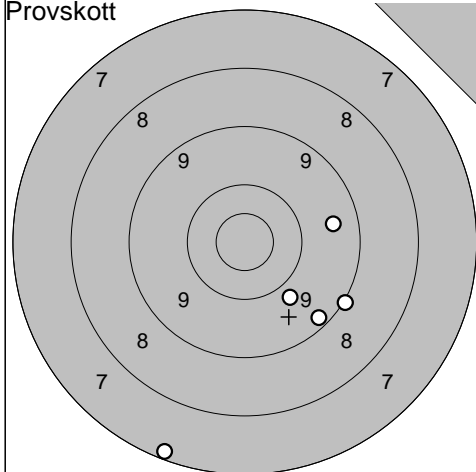
Hogdal

2011-07-11

Tavelträffen B 2011 Final

Ramselefors SKF

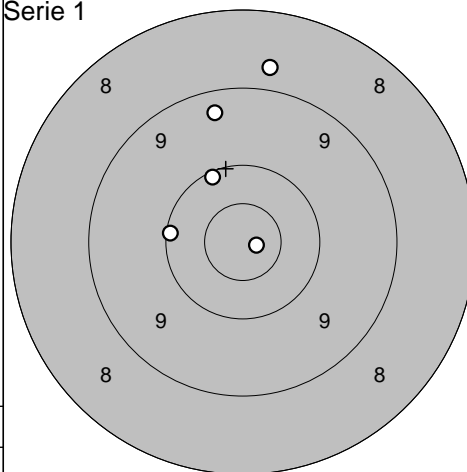
Provskott



1: 9,1 →
 2: 9,5 →
 3: 9,2 ↘
 4: 9,8 ↘
 5: 7,2 ↘

Serie 43,0
 Totalt 267,0

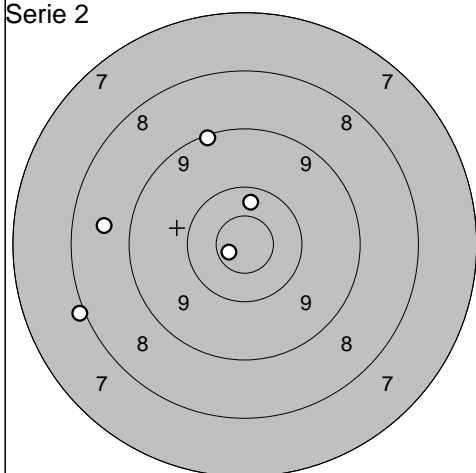
Serie 1



1: 10,1 ←
 2: 8,8 ↑
 3: 10,1 ↗
 4: 10,9* →
 5: 9,3 ↑

Serie 47,0
 Totalt 314,0

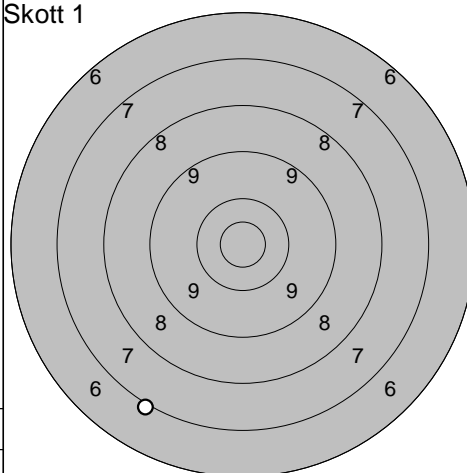
Serie 2



1: 8,6 ←
 2: 8,0 ←
 3: 9,1 ↑
 4: 10,4 ↑
 5: 10,8* ←

Serie 45,0
 Totalt 359,0

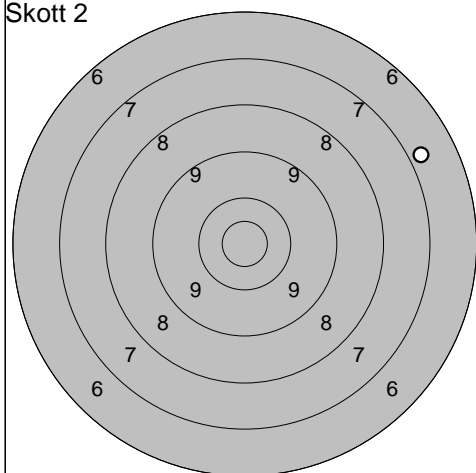
Skott 1



1: 7,0 ↘

Serie 7,0
 Totalt 366,0

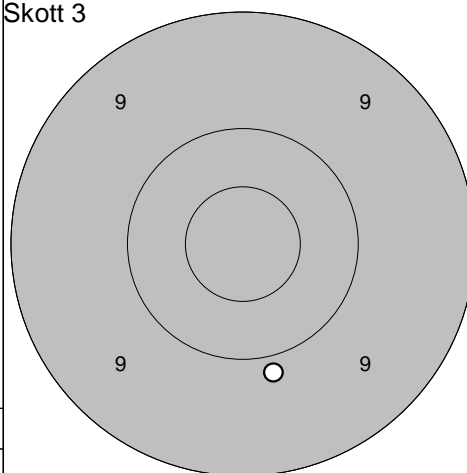
Skott 2



1: 6,8 →

Serie 6,0
 Totalt 372,0

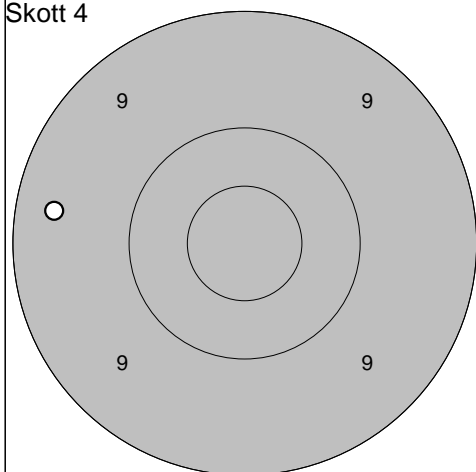
Skott 3



1: 9,9 ↓

Serie 9,0
 Totalt 381,0

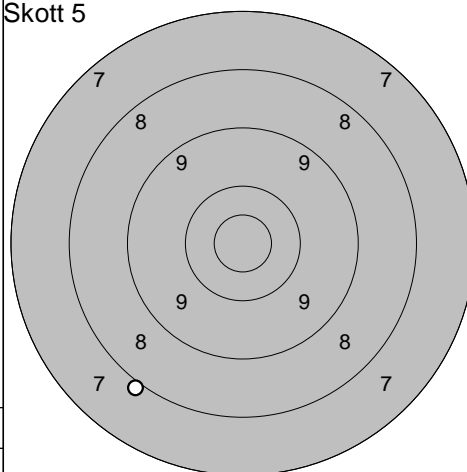
Skott 4



1: 9,4 ←

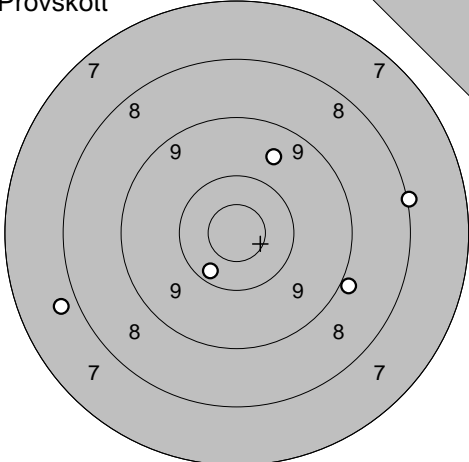
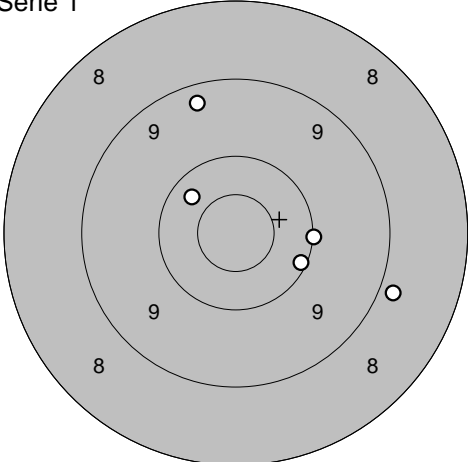
Serie 9,0
 Totalt 390,0

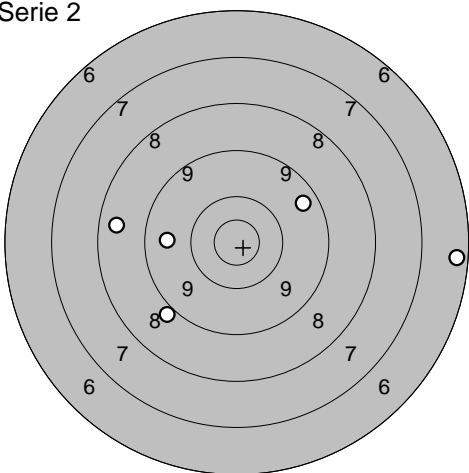
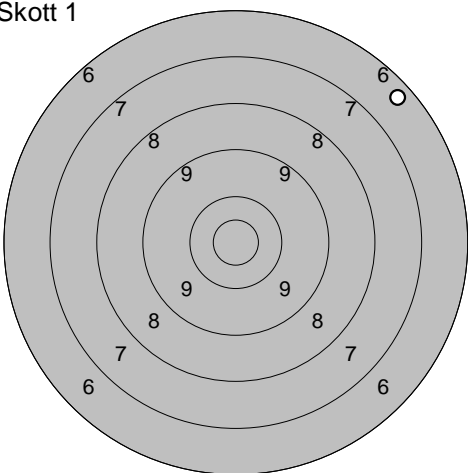
Skott 5

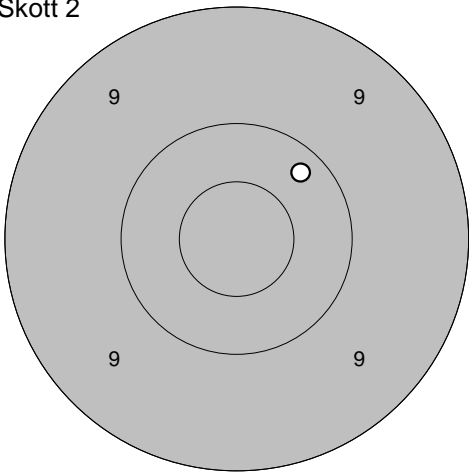
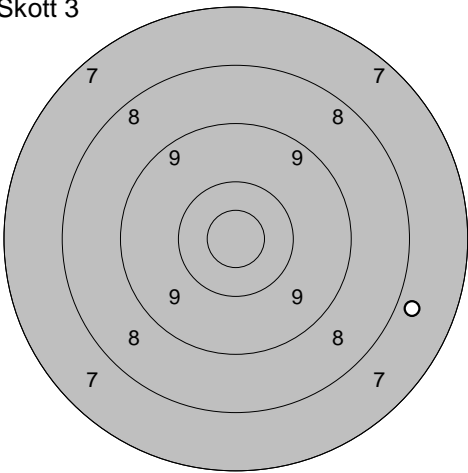


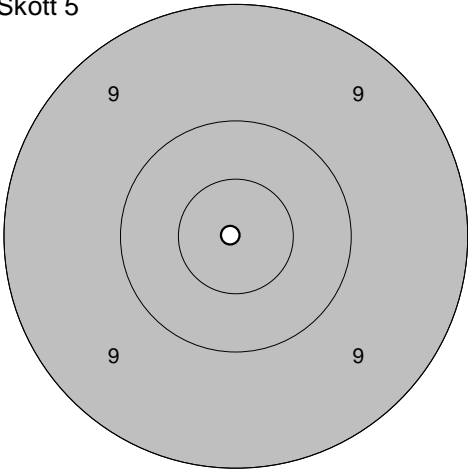
1: 8,0 ↘

Serie 8,0
 Totalt 398,0

<p>Provsrott</p> 	<p>1: 10,3 ↘ 2: 9,6 ↗ 3: 8,0 → 4: 7,8 ← 5: 8,9 ↘</p> <table border="1" style="width:100%; border-collapse: collapse;"> <tr><td>Serie</td><td style="text-align: right;">42,0</td></tr> <tr><td>Totalt</td><td style="text-align: right;">265,0</td></tr> </table>	Serie	42,0	Totalt	265,0	<p>Serie 1</p> 	<p>1: 10,1 → 2: 10,3 ↗ 3: 9,3 ↗ 4: 10,0 → 5: 8,9 ↘</p> <table border="1" style="width:100%; border-collapse: collapse;"> <tr><td>Serie</td><td style="text-align: right;">47,0</td></tr> <tr><td>Totalt</td><td style="text-align: right;">312,0</td></tr> </table>	Serie	47,0	Totalt	312,0
Serie	42,0										
Totalt	265,0										
Serie	47,0										
Totalt	312,0										

<p>Serie 2</p> 	<p>1: 9,6 ← 2: 8,5 ← 3: 9,5 ↗ 4: 6,4 → 5: 9,0 ↘</p> <table border="1" style="width:100%; border-collapse: collapse;"> <tr><td>Serie</td><td style="text-align: right;">41,0</td></tr> <tr><td>Totalt</td><td style="text-align: right;">353,0</td></tr> </table>	Serie	41,0	Totalt	353,0	<p>Skott 1</p> 	<p>1: 6,4 ↗</p> <table border="1" style="width:100%; border-collapse: collapse;"> <tr><td>Serie</td><td style="text-align: right;">6,0</td></tr> <tr><td>Totalt</td><td style="text-align: right;">359,0</td></tr> </table>	Serie	6,0	Totalt	359,0
Serie	41,0										
Totalt	353,0										
Serie	6,0										
Totalt	359,0										

<p>Skott 2</p> 	<p>1: 10,2 ↗</p> <table border="1" style="width:100%; border-collapse: collapse;"> <tr><td>Serie</td><td style="text-align: right;">10,0</td></tr> <tr><td>Totalt</td><td style="text-align: right;">369,0</td></tr> </table>	Serie	10,0	Totalt	369,0	<p>Skott 3</p> 	<p>1: 7,8 →</p> <table border="1" style="width:100%; border-collapse: collapse;"> <tr><td>Serie</td><td style="text-align: right;">7,0</td></tr> <tr><td>Totalt</td><td style="text-align: right;">376,0</td></tr> </table>	Serie	7,0	Totalt	376,0
Serie	10,0										
Totalt	369,0										
Serie	7,0										
Totalt	376,0										

<p>Skott 4</p> 	<p>1: 8,1 ↘</p> <table border="1" style="width:100%; border-collapse: collapse;"> <tr><td>Serie</td><td style="text-align: right;">8,0</td></tr> <tr><td>Totalt</td><td style="text-align: right;">384,0</td></tr> </table>	Serie	8,0	Totalt	384,0	<p>Skott 5</p> 	<p>1: 10,9* ←</p> <table border="1" style="width:100%; border-collapse: collapse;"> <tr><td>Serie</td><td style="text-align: right;">10,0</td></tr> <tr><td>Totalt</td><td style="text-align: right;">394,0</td></tr> </table>	Serie	10,0	Totalt	394,0
Serie	8,0										
Totalt	384,0										
Serie	10,0										
Totalt	394,0										

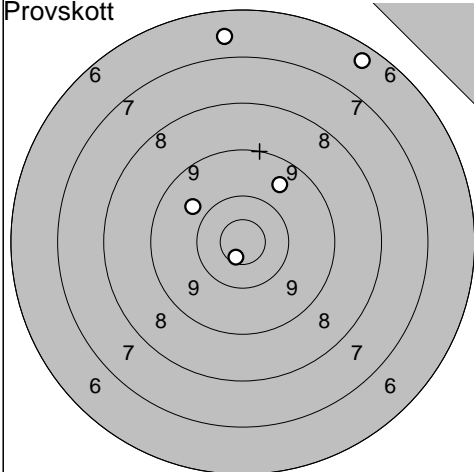
Frötuna

2011-07-11

Tavelträffen B 2011 Final

Ramselefors SKF

Provskott

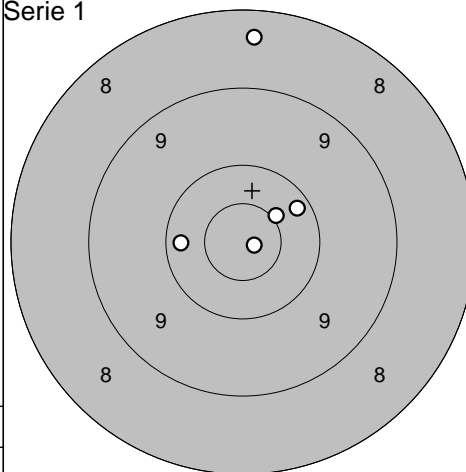


1: 10,8* ↘
 2: 9,6 ↗
 3: 9,8 ↖
 4: 6,4 ↗
 5: 6,7 ↑

Serie 40,0

Totalt 258,0

Serie 1

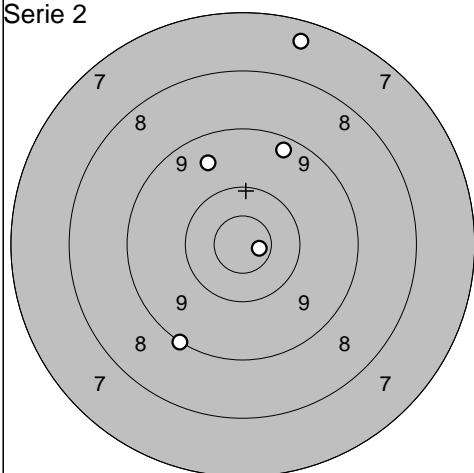


1: 8,4 ↑
 2: 10,2 ↗
 3: 10,5* ↗
 4: 10,9* →
 5: 10,3 ←

Serie 48,0

Totalt 306,0

Serie 2

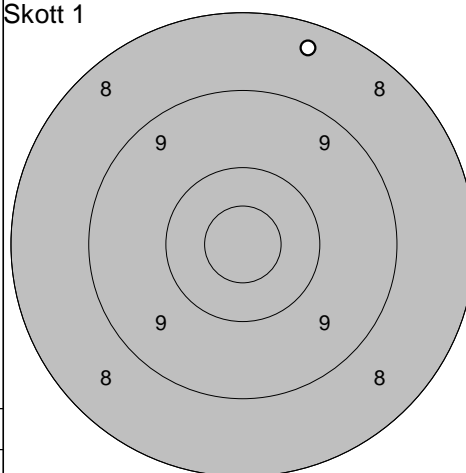


1: 9,3 ↗
 2: 7,4 ↑
 3: 9,6 ↖
 4: 10,8* →
 5: 9,1 ↘

Serie 44,0

Totalt 350,0

Skott 1

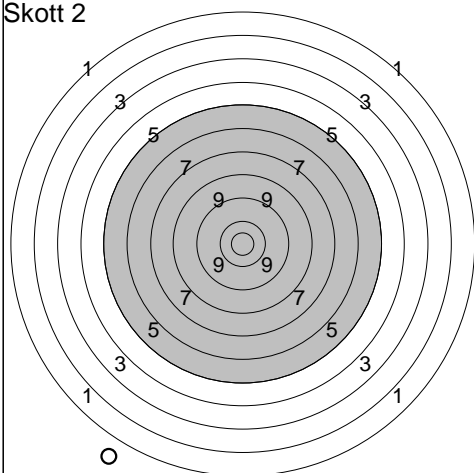


1: 8,4 ↑

Serie 8,0

Totalt 358,0

Skott 2

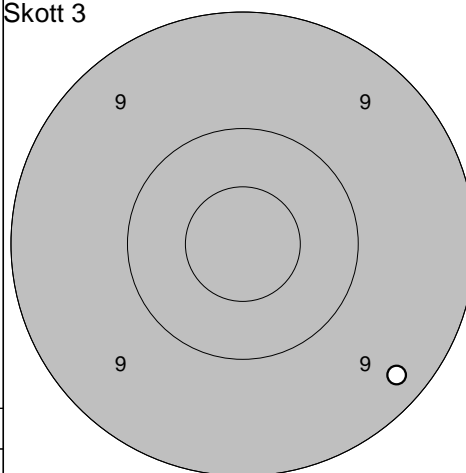


1: 0,0 ↘

Serie 0,0

Totalt 358,0

Skott 3

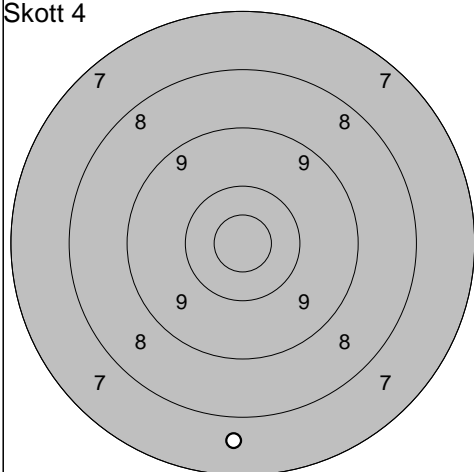


1: 9,3 ↘

Serie 9,0

Totalt 367,0

Skott 4

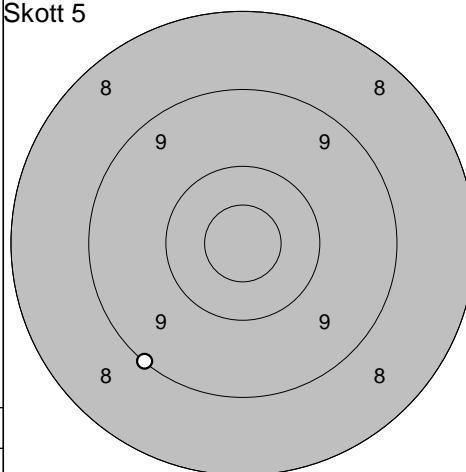


1: 7,7 ↓

Serie 7,0

Totalt 374,0

Skott 5



1: 9,1 ↘

Serie 9,0

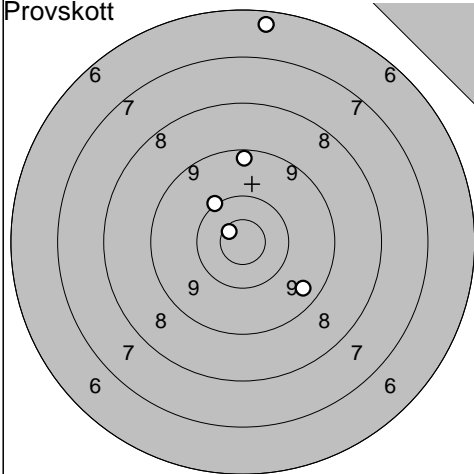
Totalt 383,0

2011-07-11

Tavelträffen B 2011 Final

Ramselefors SKF

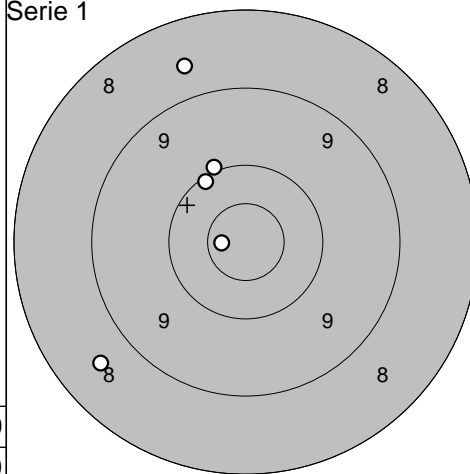
Provskott



1: 10,1 ↗
 2: 9,5 ↘
 3: 9,3 ↑
 4: 6,4 ↑
 5: 10,8* ↖

Serie 44,0
 Totalt 258,0

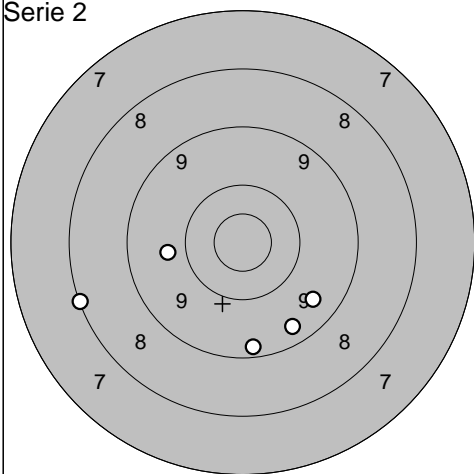
Serie 1



1: 8,6 ↗
 2: 10,0 ↗
 3: 8,6 ↘
 4: 10,1 ↗
 5: 10,7* ←

Serie 46,0
 Totalt 304,0

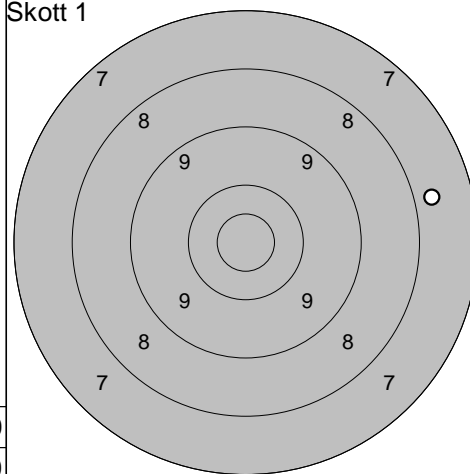
Serie 2



1: 9,8 ←
 2: 9,3 ↓
 3: 9,4 ↓
 4: 8,1 ←
 5: 9,5 ↘

Serie 44,0
 Totalt 348,0

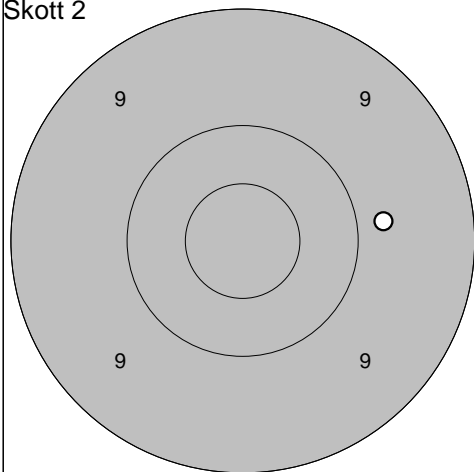
Skott 1



1: 7,8 →

Serie 7,0
 Totalt 355,0

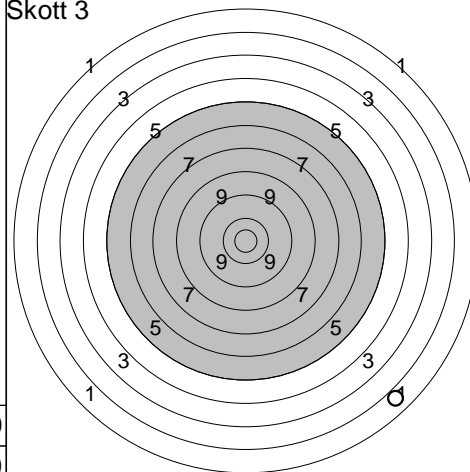
Skott 2



1: 9,8 →

Serie 9,0
 Totalt 364,0

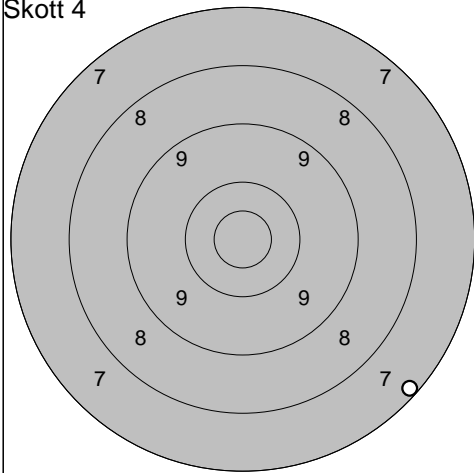
Skott 3



1: 1,9 ↘

Serie 1,0
 Totalt 365,0

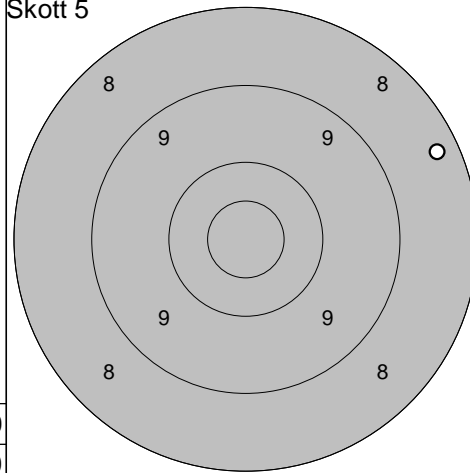
Skott 4



1: 7,2 ↘

Serie 7,0
 Totalt 372,0

Skott 5



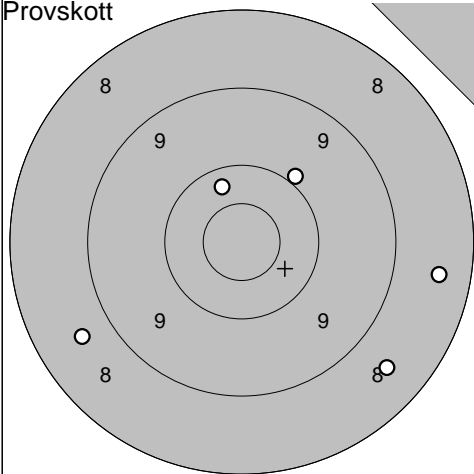
1: 8,3 →

Serie 8,0
 Totalt 380,0

Ununge

2011-07-11	Tavelträffen B 2011 Final	Ramselefors SKF
------------	---------------------------	-----------------

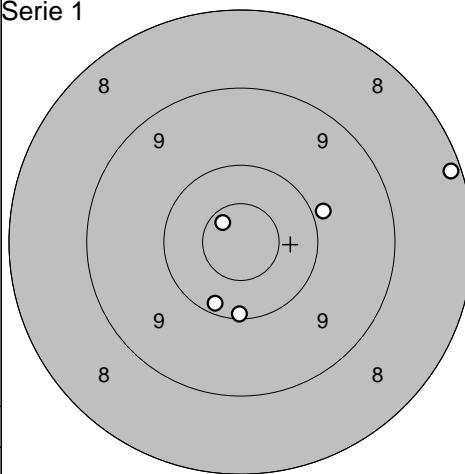
Provskott



- 1: 8,5 →
- 2: 10,0 ↗
- 3: 8,6 ↘
- 4: 10,3 ↖
- 5: 8,7 ↙

Serie	44,0
Totalt	255,0

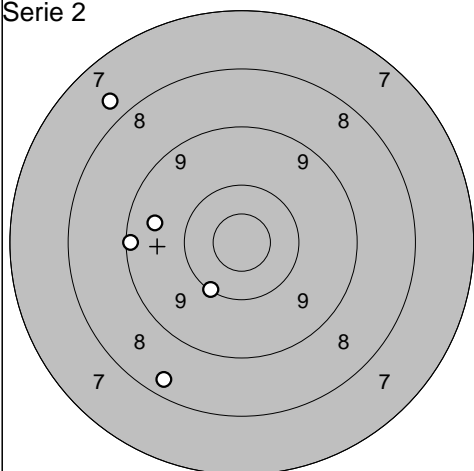
Serie 1



- 1: 8,2 →
- 2: 10,7* ↖
- 3: 9,9 →
- 4: 10,2 ↓
- 5: 10,1 ↓

Serie	47,0
Totalt	302,0

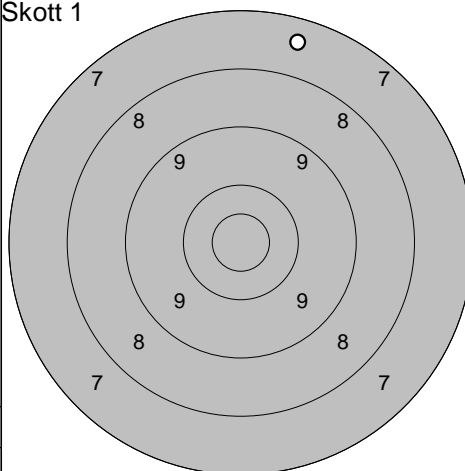
Serie 2



- 1: 7,8 ↖
- 2: 9,2 ←
- 3: 9,5 ←
- 4: 8,4 ↓
- 5: 10,1 ↓

Serie	43,0
Totalt	345,0

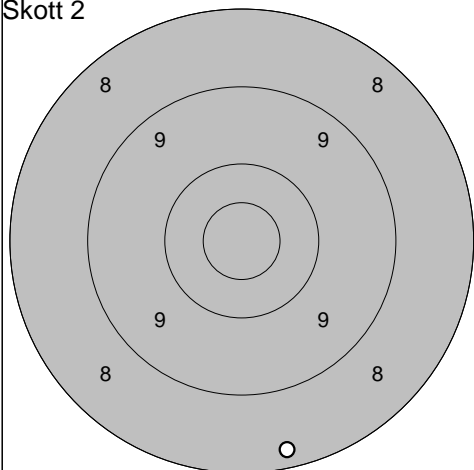
Skott 1



- 1: 7,5 ↗

Serie	7,0
Totalt	352,0

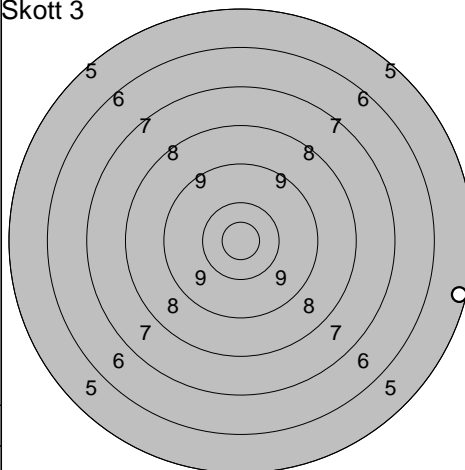
Skott 2



- 1: 8,3 ↓

Serie	8,0
Totalt	360,0

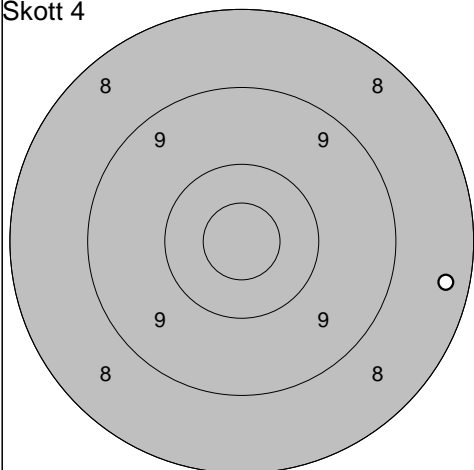
Skott 3



- 1: 5,3 →

Serie	5,0
Totalt	365,0

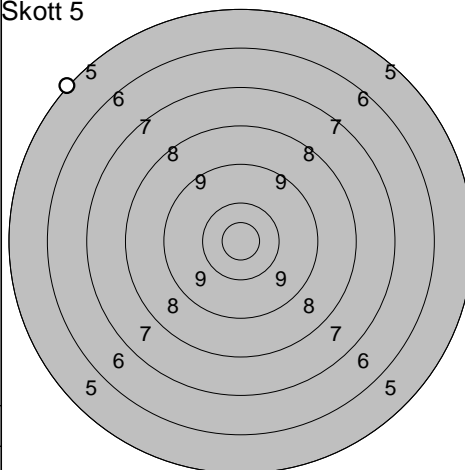
Skott 4



- 1: 8,4 →

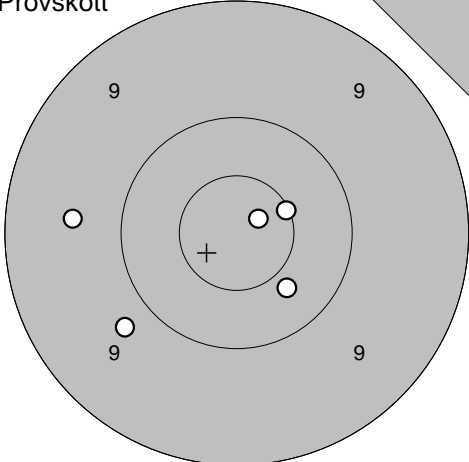
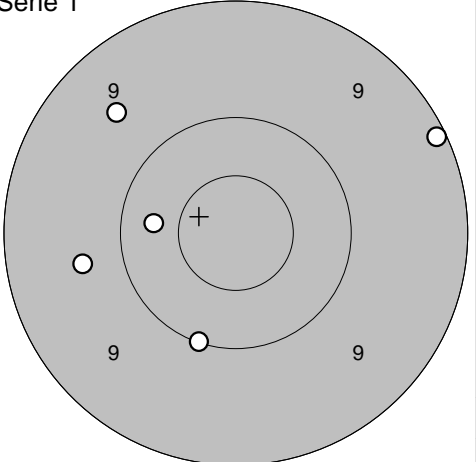
Serie	8,0
Totalt	373,0

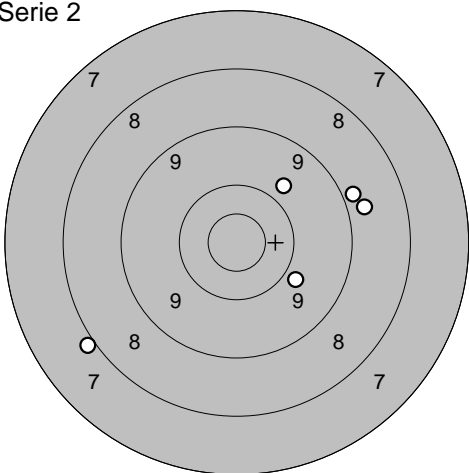
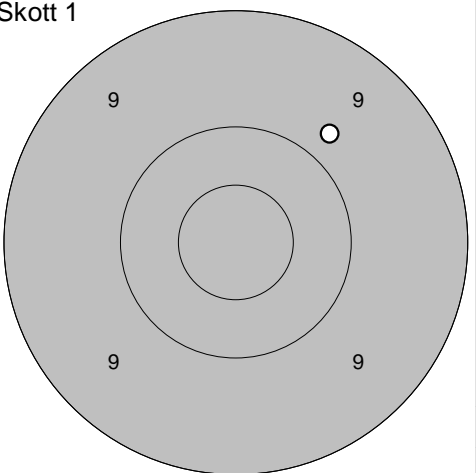
Skott 5

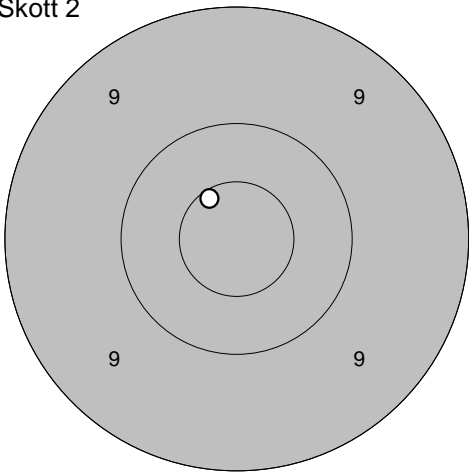
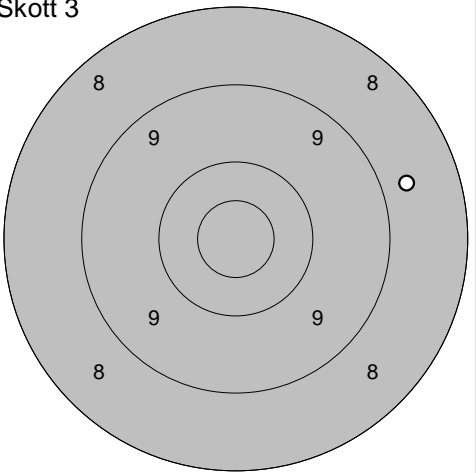


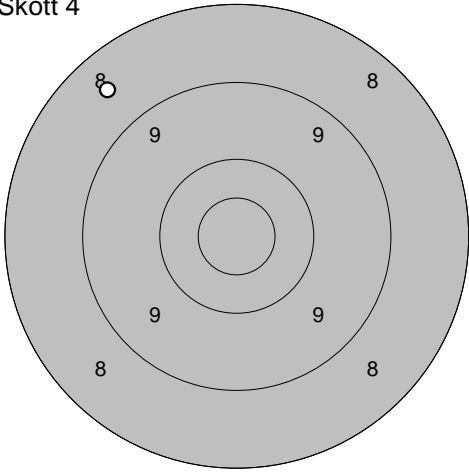
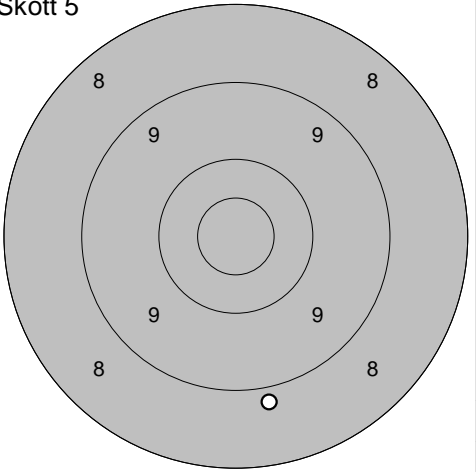
- 1: 5,1 ↖

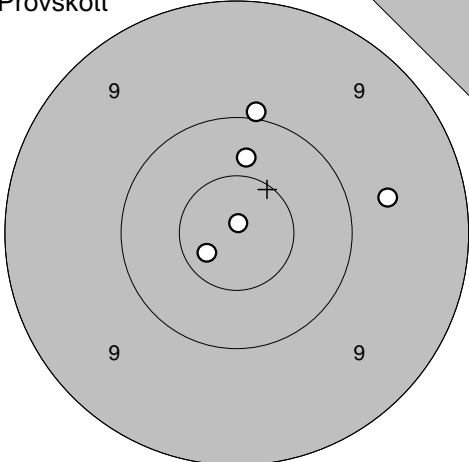
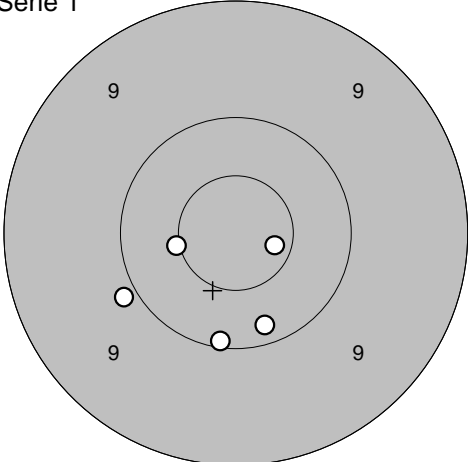
Serie	5,0
Totalt	378,0

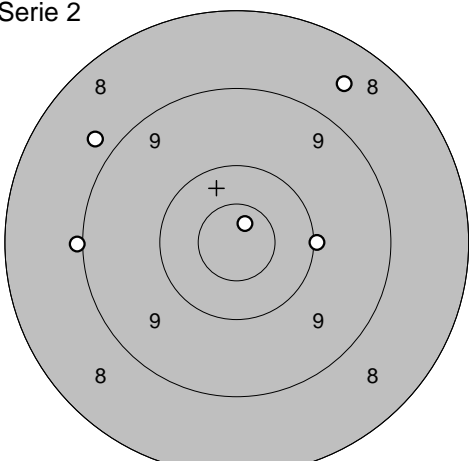
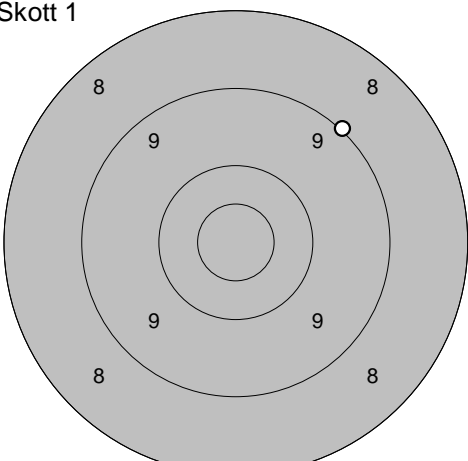
Provskott 	1: 10,6* → 2: 10,4 ↘ 3: 10,8* ↗ 4: 9,6 ← 5: 9,8 ↙ <hr/> Serie 48,0 Totalt 133,0	Serie 1 	1: 9,7 ← 2: 10,0 ↓ 3: 9,6 ↗ 4: 10,3 ← 5: 9,1 → <hr/> Serie 47,0 Totalt 180,0
--	---	--	--

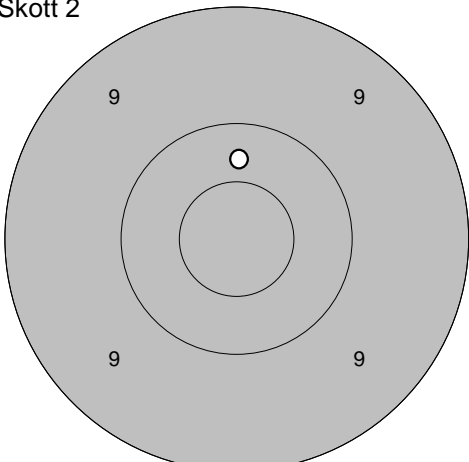
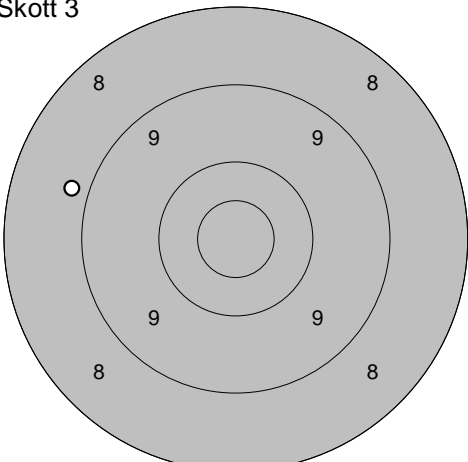
Serie 2 	1: 8,8 → 2: 8,0 ← 3: 9,8 ↗ 4: 9,9 ↘ 5: 8,9 → <hr/> Serie 42,0 Totalt 222,0	Skott 1 	1: 9,8 ↗ <hr/> Serie 9,0 Totalt 231,0
---	--	---	---

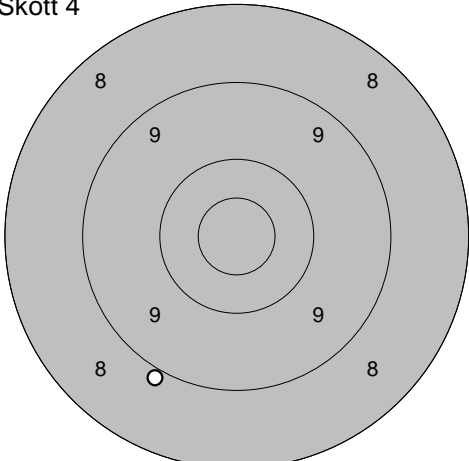
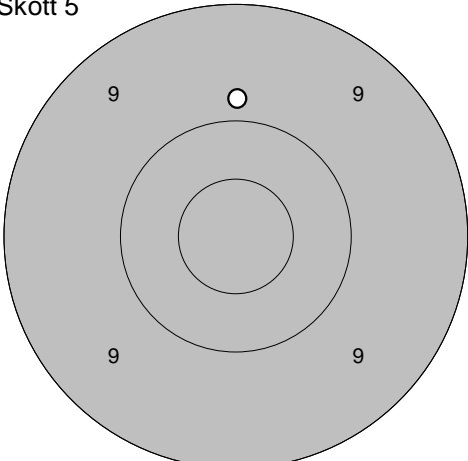
Skott 2 	1: 10,6* ↖ <hr/> Serie 10,0 Totalt 241,0	Skott 3 	1: 8,7 → <hr/> Serie 8,0 Totalt 249,0
--	--	--	---

Skott 4 	1: 8,5 ↖ <hr/> Serie 8,0 Totalt 257,0	Skott 5 	1: 8,9 ↓ <hr/> Serie 8,0 Totalt 265,0
--	---	--	---

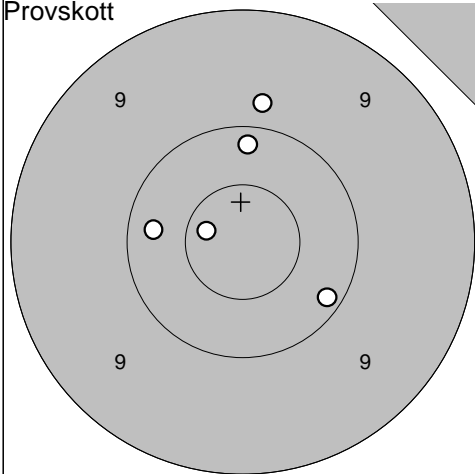
<p>Provskott</p> 	<p>Serie 1</p> <p>1: 10,9* ↑ 2: 10,0 ↑ 3: 9,7 → 4: 10,7* ↙ 5: 10,4 ↑</p>	 <p>Serie 1</p> <p>1: 10,5* ← 2: 10,2 ↓ 3: 10,7* → 4: 10,1 ↓ 5: 9,9 ↙</p>
Serie 49,0	Serie 49,0	Serie 49,0
Totalt 288,0	Totalt 337,0	Totalt 337,0

<p>Serie 2</p> 	<p>Skott 1</p> <p>1: 10,0 → 2: 10,8* ↗ 3: 8,6 ↗ 4: 8,8 ↖ 5: 9,0 ←</p>	 <p>Skott 1</p> <p>1: 9,0 ↗</p>
Serie 45,0	Serie 9,0	Serie 9,0
Totalt 382,0	Totalt 391,0	Totalt 391,0

<p>Skott 2</p> 	<p>Skott 3</p> <p>1: 10,3 ↑</p>	 <p>Skott 3</p> <p>1: 8,8 ←</p>
Serie 10,0	Serie 8,0	Serie 8,0
Totalt 401,0	Totalt 409,0	Totalt 409,0

<p>Skott 4</p> 	<p>Skott 5</p> <p>1: 8,9 ↘</p>	 <p>Skott 5</p> <p>1: 9,8 ↑</p>
Serie 8,0	Serie 9,0	Serie 9,0
Totalt 417,0	Totalt 426,0	Totalt 426,0

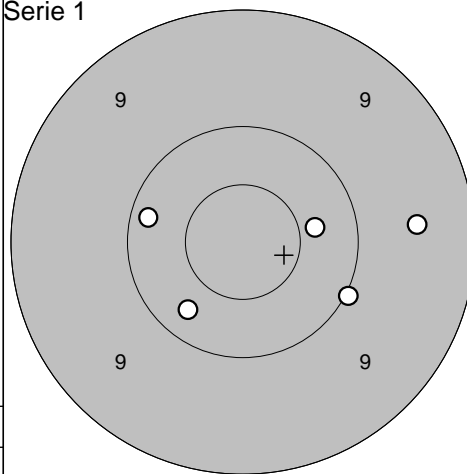
Provsnitt



- 1: 9,8 ↑
- 2: 10,3 ←
- 3: 10,7* ←
- 4: 10,2 ↑
- 5: 10,2 ↘

Serie 49,0
Totalt 288,0

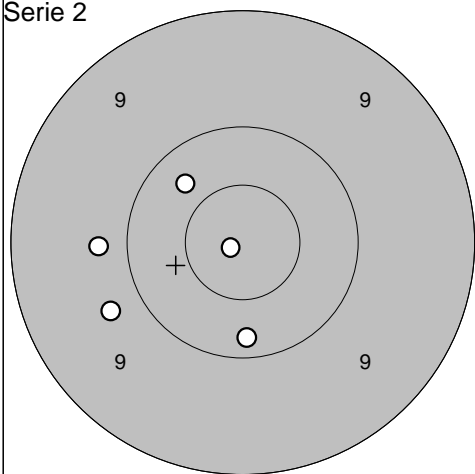
Serie 1



- 1: 10,4 →
- 2: 9,5 →
- 3: 10,0 ↘
- 4: 10,2 ←
- 5: 10,3 ↙

Serie 49,0
Totalt 337,0

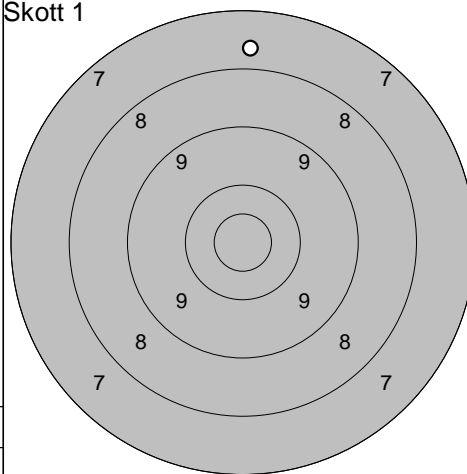
Serie 2



- 1: 10,3 ↖
- 2: 9,8 ←
- 3: 9,8 ←
- 4: 10,9* ←
- 5: 10,2 ↓

Serie 48,0
Totalt 385,0

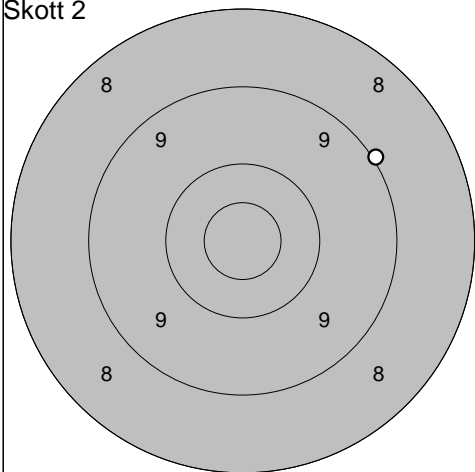
Skott 1



- 1: 7,7 ↑

Serie 7,0
Totalt 392,0

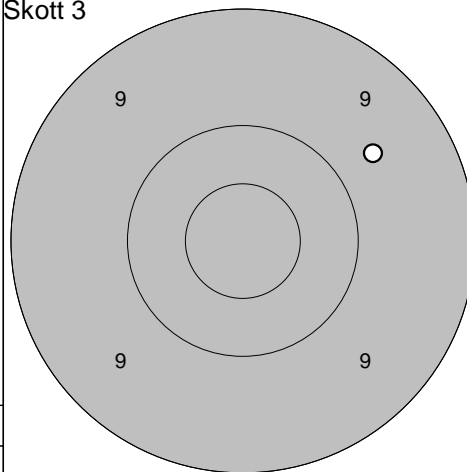
Skott 2



- 1: 9,0 ↗

Serie 9,0
Totalt 401,0

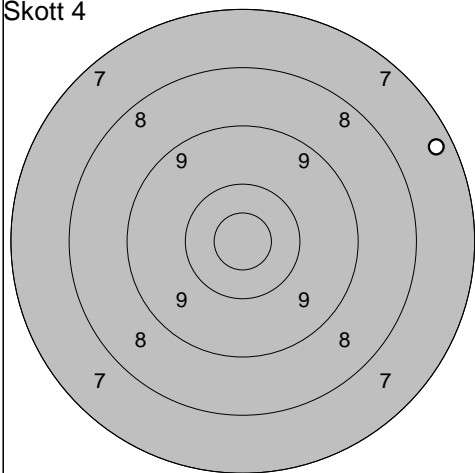
Skott 3



- 1: 9,7 ↗

Serie 9,0
Totalt 410,0

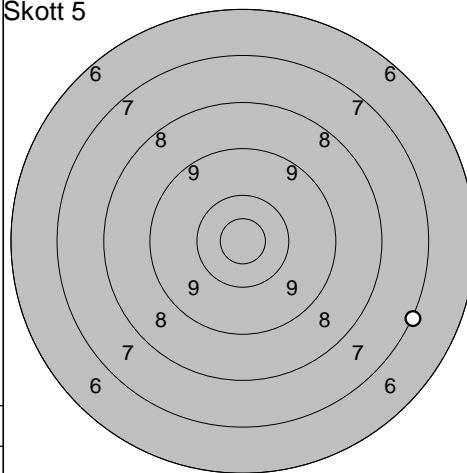
Skott 4



- 1: 7,4 ↗

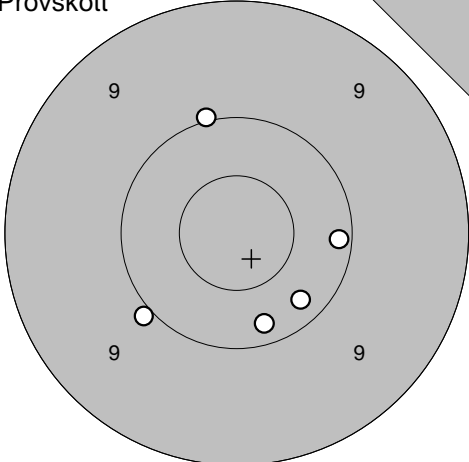
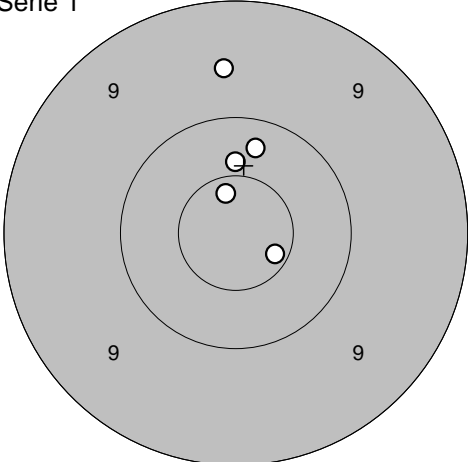
Serie 7,0
Totalt 417,0

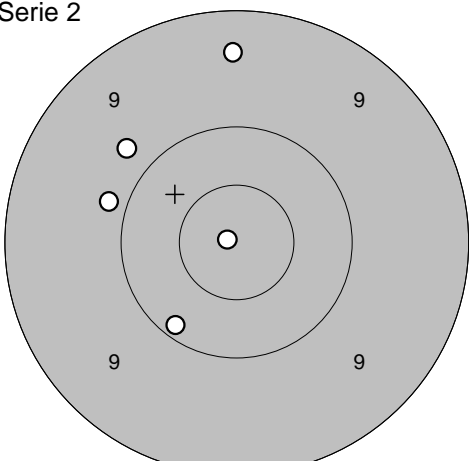
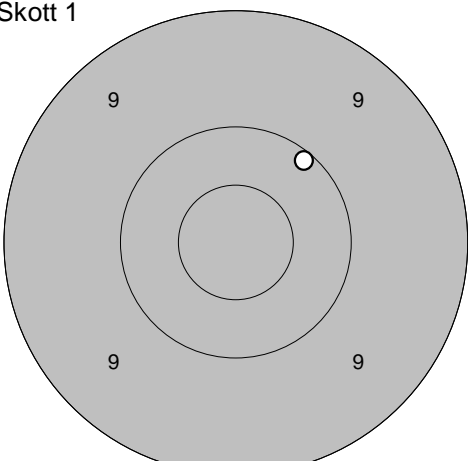
Skott 5

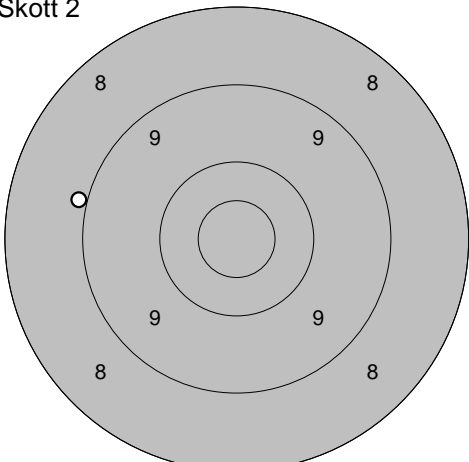
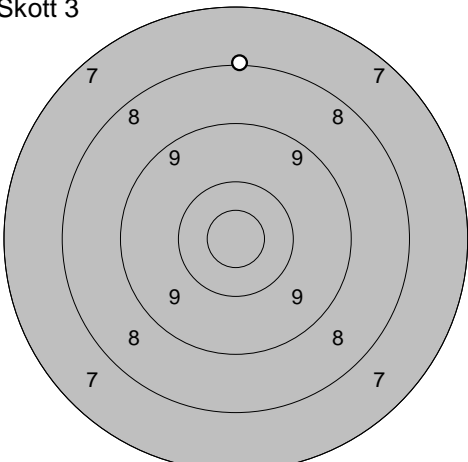


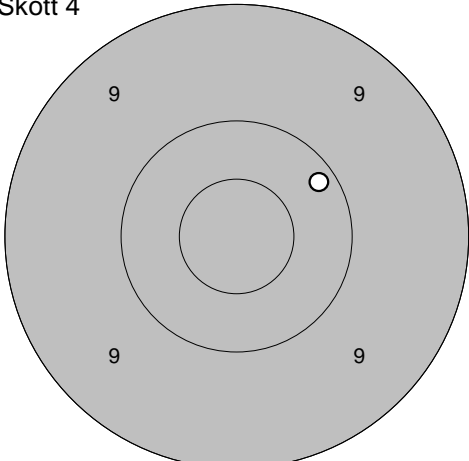
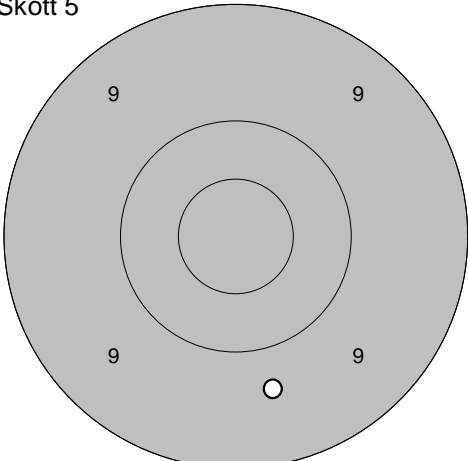
- 1: 7,1 ↘

Serie 7,0
Totalt 424,0

<p>Provsnitt</p> 	<p>1: 10,0 ↙ 2: 10,2 ↘ 3: 10,1 → 4: 10,2 ↘ 5: 10,0 ↑</p> <table border="1" style="width:100%; border-collapse: collapse;"> <tr><td>Serie</td><td style="text-align: right;">50,0</td></tr> <tr><td>Totalt</td><td style="text-align: right;">287,0</td></tr> </table>	Serie	50,0	Totalt	287,0	<p>Serie 1</p> 	<p>1: 9,6 ↑ 2: 10,7* ↑ 3: 10,3 ↑ 4: 10,4 ↑ 5: 10,6* ⇒</p> <table border="1" style="width:100%; border-collapse: collapse;"> <tr><td>Serie</td><td style="text-align: right;">49,0</td></tr> <tr><td>Totalt</td><td style="text-align: right;">336,0</td></tr> </table>	Serie	49,0	Totalt	336,0
Serie	50,0										
Totalt	287,0										
Serie	49,0										
Totalt	336,0										

<p>Serie 2</p> 	<p>1: 10,9* ← 2: 10,1 ↘ 3: 9,9 ← 4: 9,4 ↑ 5: 9,8 ↗</p> <table border="1" style="width:100%; border-collapse: collapse;"> <tr><td>Serie</td><td style="text-align: right;">47,0</td></tr> <tr><td>Totalt</td><td style="text-align: right;">383,0</td></tr> </table>	Serie	47,0	Totalt	383,0	<p>Skott 1</p> 	<p>1: 10,1 ↗</p> <table border="1" style="width:100%; border-collapse: collapse;"> <tr><td>Serie</td><td style="text-align: right;">10,0</td></tr> <tr><td>Totalt</td><td style="text-align: right;">393,0</td></tr> </table>	Serie	10,0	Totalt	393,0
Serie	47,0										
Totalt	383,0										
Serie	10,0										
Totalt	393,0										

<p>Skott 2</p> 	<p>1: 9,0 ←</p> <table border="1" style="width:100%; border-collapse: collapse;"> <tr><td>Serie</td><td style="text-align: right;">9,0</td></tr> <tr><td>Totalt</td><td style="text-align: right;">402,0</td></tr> </table>	Serie	9,0	Totalt	402,0	<p>Skott 3</p> 	<p>1: 8,0 ↑</p> <table border="1" style="width:100%; border-collapse: collapse;"> <tr><td>Serie</td><td style="text-align: right;">8,0</td></tr> <tr><td>Totalt</td><td style="text-align: right;">410,0</td></tr> </table>	Serie	8,0	Totalt	410,0
Serie	9,0										
Totalt	402,0										
Serie	8,0										
Totalt	410,0										

<p>Skott 4</p> 	<p>1: 10,2 ↗</p> <table border="1" style="width:100%; border-collapse: collapse;"> <tr><td>Serie</td><td style="text-align: right;">10,0</td></tr> <tr><td>Totalt</td><td style="text-align: right;">420,0</td></tr> </table>	Serie	10,0	Totalt	420,0	<p>Skott 5</p> 	<p>1: 9,7 ↓</p> <table border="1" style="width:100%; border-collapse: collapse;"> <tr><td>Serie</td><td style="text-align: right;">9,0</td></tr> <tr><td>Totalt</td><td style="text-align: right;">429,0</td></tr> </table>	Serie	9,0	Totalt	429,0
Serie	10,0										
Totalt	420,0										
Serie	9,0										
Totalt	429,0										

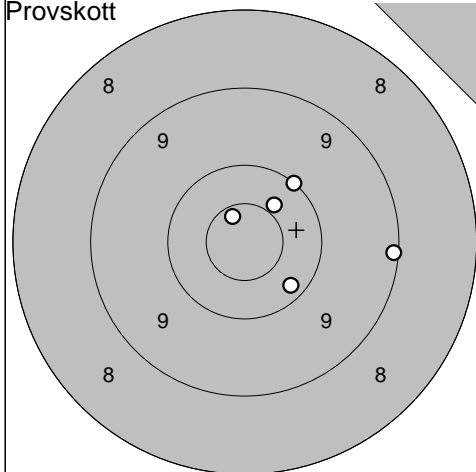
Ale

2011-07-11

Tavelträffen B 2011 Final

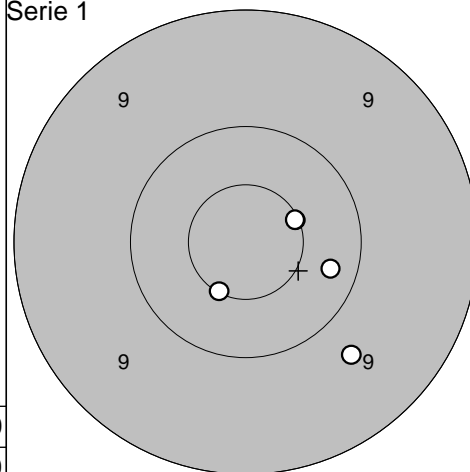
Ramselefors SKF

Provsnitt



1: 10,7* ↗
 2: 10,4 ↗
 3: 10,2 ↘
 4: 9,1 →
 5: 10,1 ↗

Serie 1



1: 10,6* →
 2: 9,7 ↘
 3: 10,6* →
 4: 10,3 →
 5: 10,5* ↘

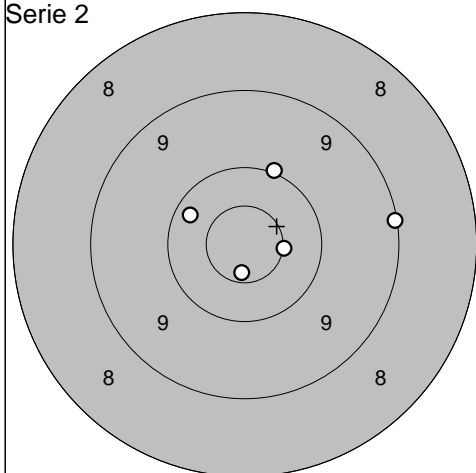
Serie 49,0

Totalt 284,0

Serie 49,0

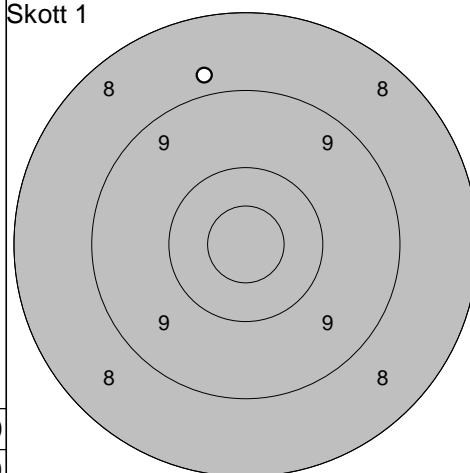
Totalt 333,0

Serie 2



1: 10,0 ↗
 2: 10,7* ↓
 3: 9,1 →
 4: 10,2 ↖
 5: 10,5* →

Skott 1



1: 8,8 ↗

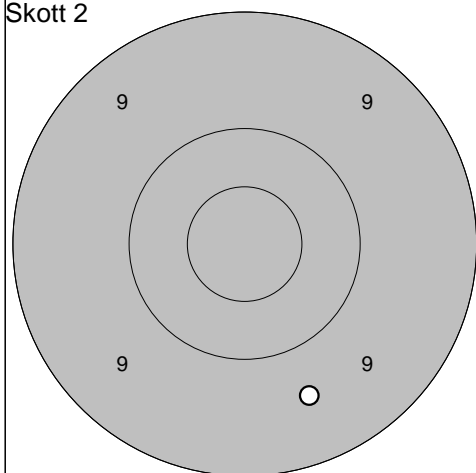
Serie 49,0

Totalt 382,0

Serie 8,0

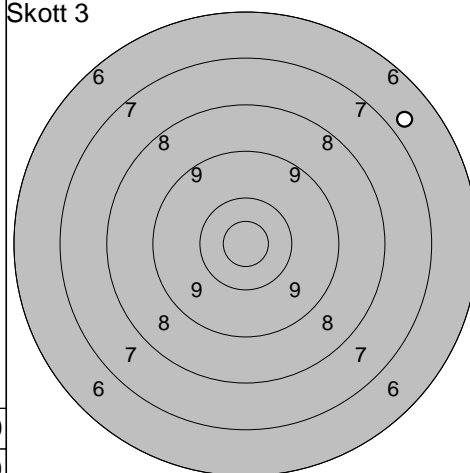
Totalt 390,0

Skott 2



1: 9,6 ↘

Skott 3



1: 6,8 ↗

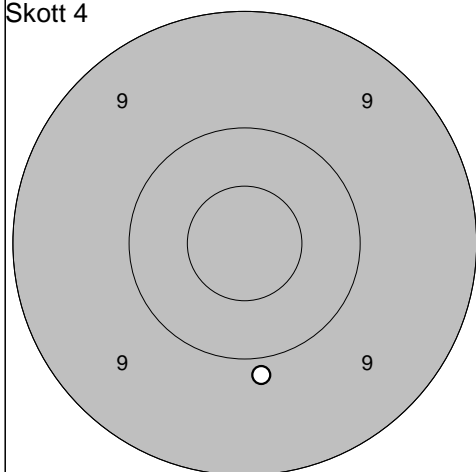
Serie 9,0

Totalt 399,0

Serie 6,0

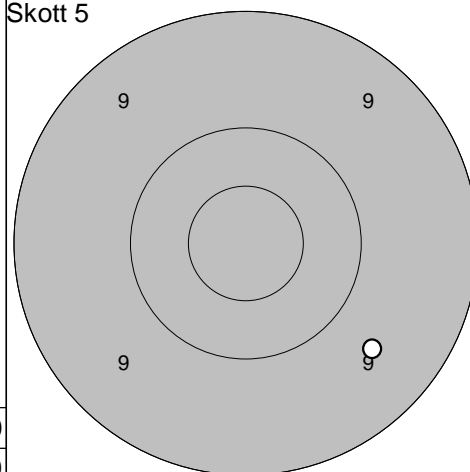
Totalt 405,0

Skott 4



1: 9,9 ↘

Skott 5



1: 9,6 ↘

Serie 9,0

Totalt 414,0

Serie 9,0

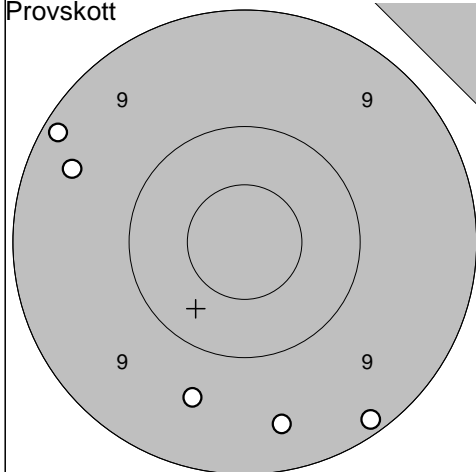
Totalt 423,0

2011-07-11

Tavelträffen B 2011 Final

Ramselefors SKF

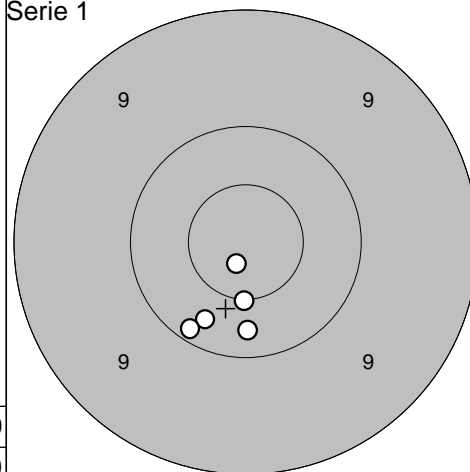
Provskott



1: 9,4 ↙
 2: 9,2 ↓
 3: 9,4 ↓
 4: 9,6 ↓
 5: 9,2 ↗

Serie 45,0
 Totalt 283,0

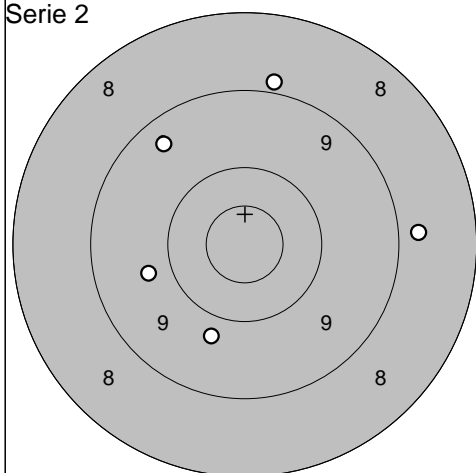
Serie 1



1: 10,3 ↙
 2: 10,3 ↓
 3: 10,5* ↓
 4: 10,8* ↓
 5: 10,1 ↙

Serie 50,0
 Totalt 333,0

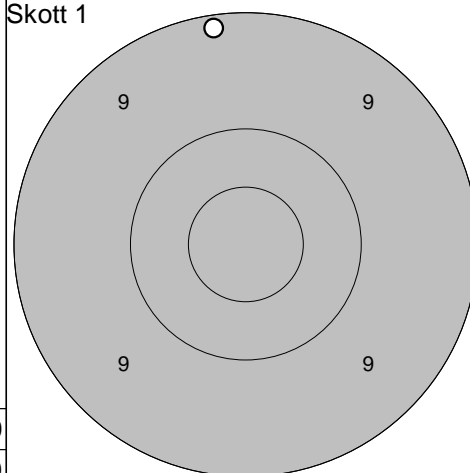
Serie 2



1: 9,8 ←
 2: 8,8 →
 3: 8,9 ↑
 4: 9,4 ↗
 5: 9,8 ↓

Serie 43,0
 Totalt 376,0

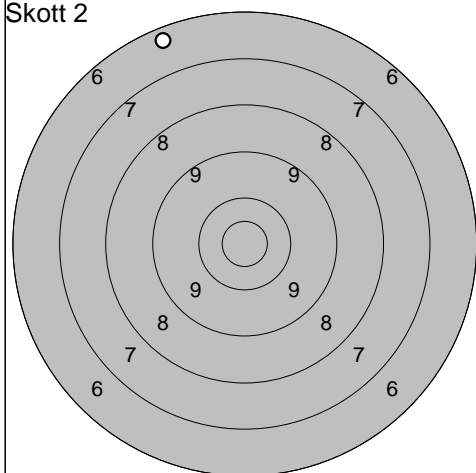
Skott 1



1: 9,2 ↑

Serie 9,0
 Totalt 385,0

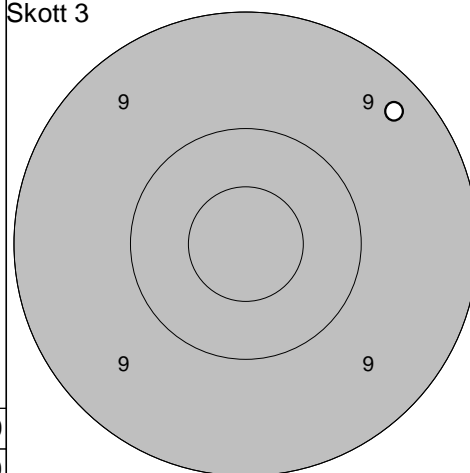
Skott 2



1: 6,4 ↗

Serie 6,0
 Totalt 391,0

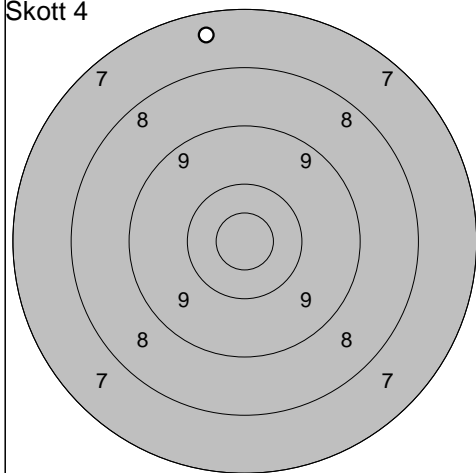
Skott 3



1: 9,3 ↗

Serie 9,0
 Totalt 400,0

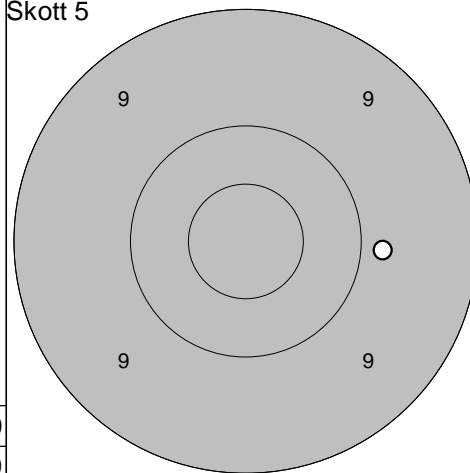
Skott 4



1: 7,5 ↑

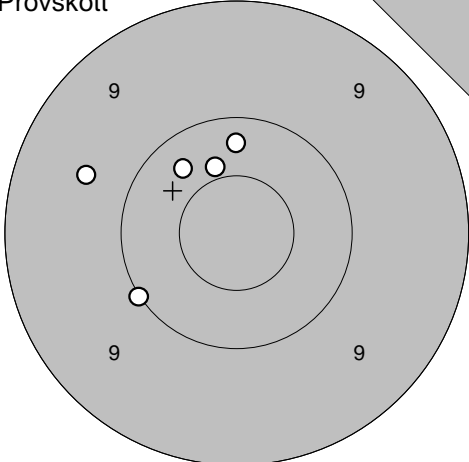
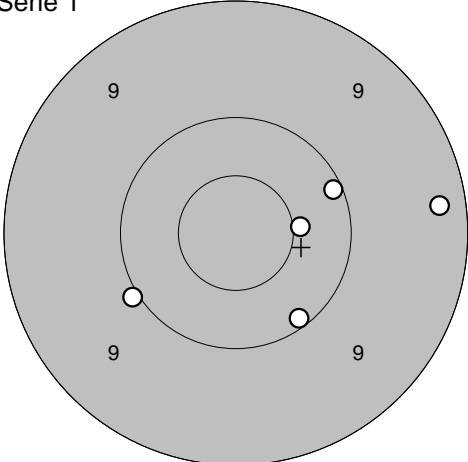
Serie 7,0
 Totalt 407,0

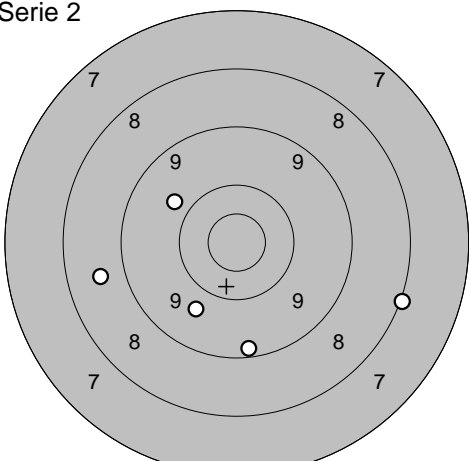
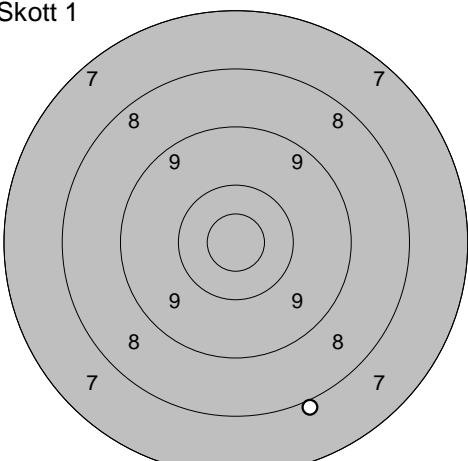
Skott 5

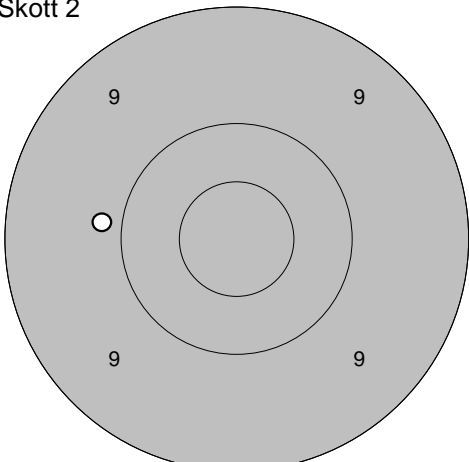
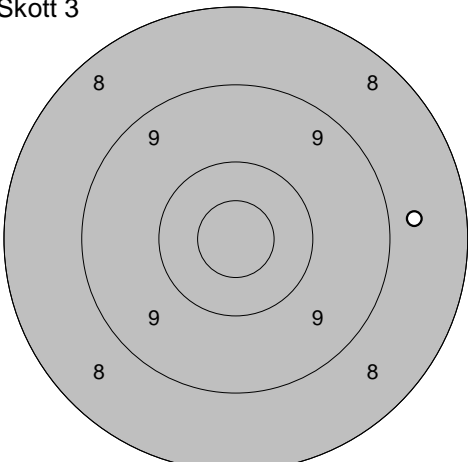


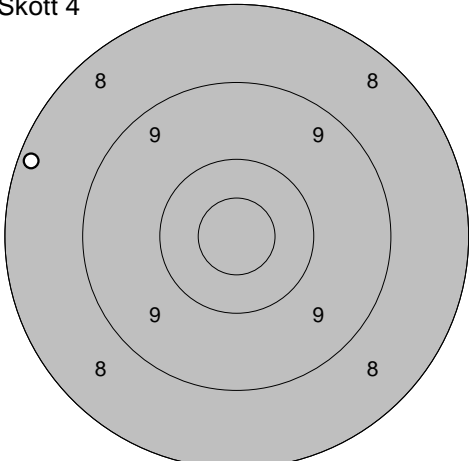
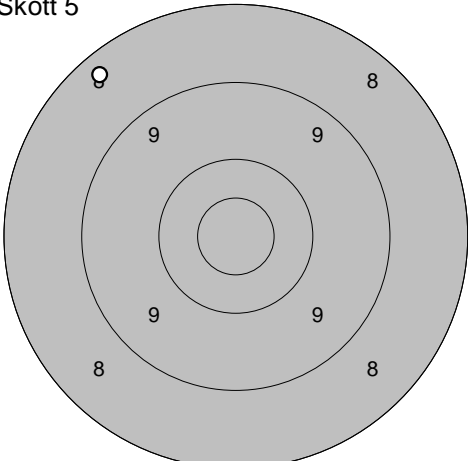
1: 9,8 →

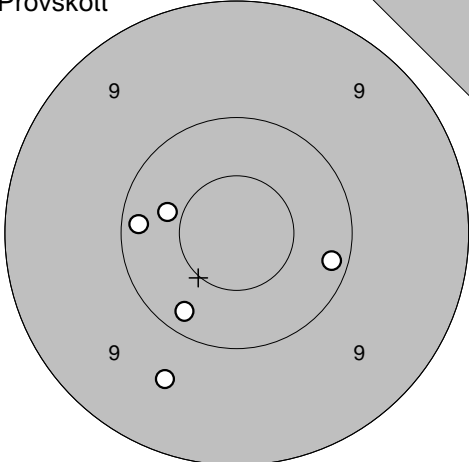
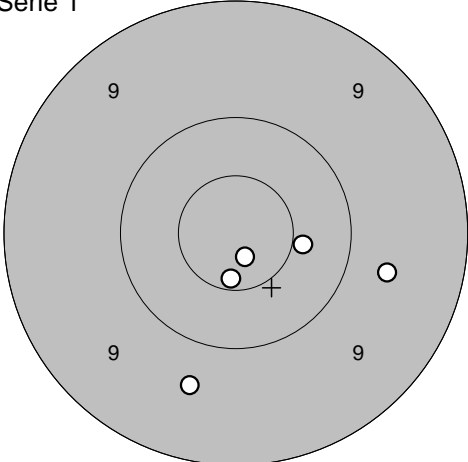
Serie 9,0
 Totalt 416,0

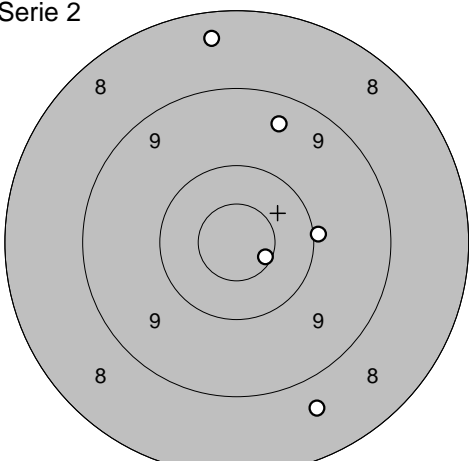
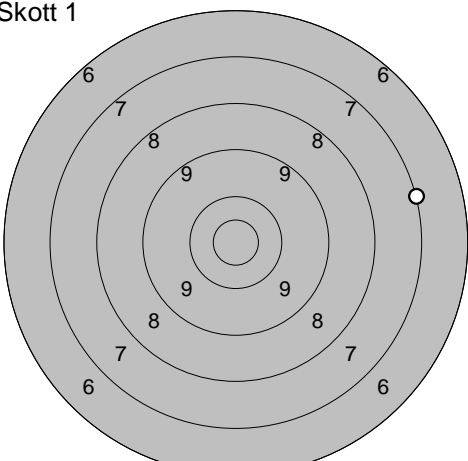
Provsrott 	1: 10,3 ↗ 2: 10,0 ↙ 3: 10,4 ↗ 4: 10,3 ↗ 5: 9,6 ↙	Serie 1 	1: 10,1 ↗ 2: 9,3 → 3: 10,5* → 4: 10,1 ↘ 5: 10,0 ↙
Serie 49,0		Serie 49,0	
Totalt 282,0		Totalt 331,0	

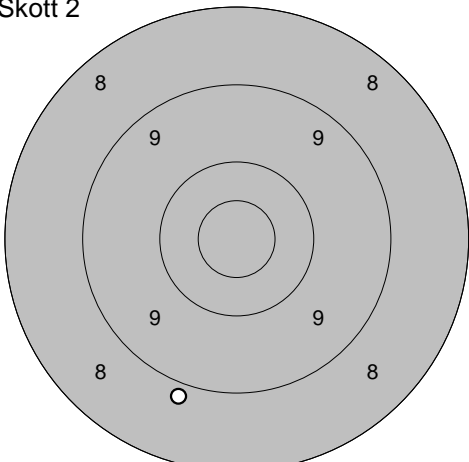
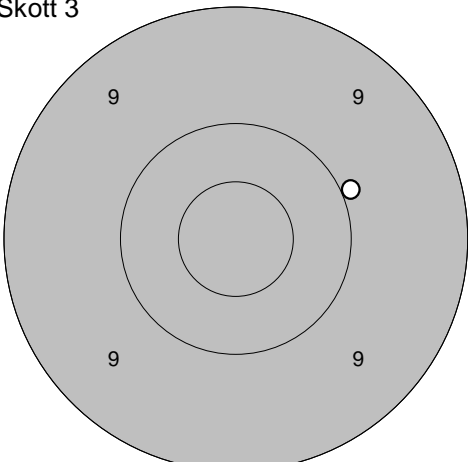
Serie 2 	1: 8,0 → 2: 9,2 ↓ 3: 9,8 ↗ 4: 9,7 ↘ 5: 8,7 ←	Skott 1 	1: 8,0 ↓
Serie 43,0		Serie 8,0	
Totalt 374,0		Totalt 382,0	

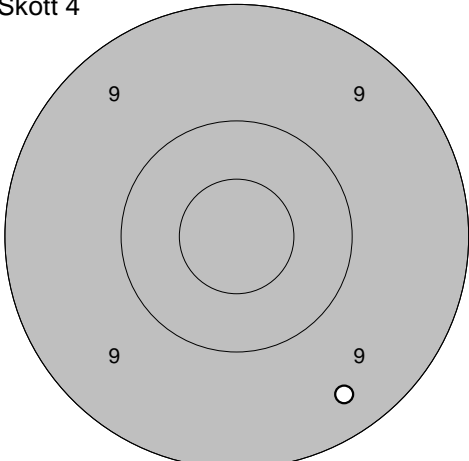
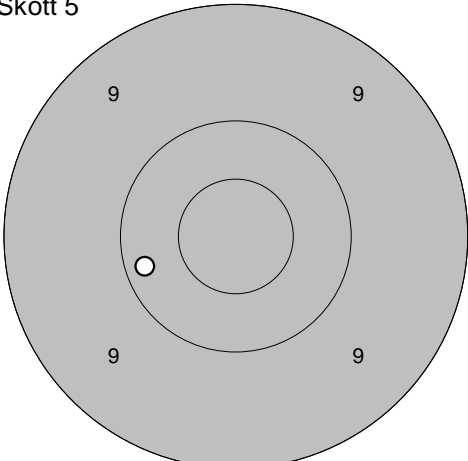
Skott 2 	1: 9,9 ←	Skott 3 	1: 8,7 →
Serie 9,0		Serie 8,0	
Totalt 391,0		Totalt 399,0	

Skott 4 	1: 8,2 ←	Skott 5 	1: 8,3 ↗
Serie 8,0		Serie 8,0	
Totalt 407,0		Totalt 415,0	

Provsrott 	1: 9,6 ↘ 2: 10,2 ← 3: 10,2 ↘ 4: 10,2 → 5: 10,4 ↖	Serie 1 	1: 10,6* ↓ 2: 10,4 → 3: 9,7 ↘ 4: 9,7 → 5: 10,8* ↓
Serie 49,0		Serie 48,0	
Totalt 279,0		Totalt 327,0	

Serie 2 	1: 9,4 ↗ 2: 8,4 ↑ 3: 10,6* ↘ 4: 10,0 → 5: 8,7 ↘	Skott 1 	1: 7,1 →
Serie 45,0		Serie 7,0	
Totalt 372,0		Totalt 379,0	

Skott 2 	1: 8,9 ↘	Skott 3 	1: 10,0 →
Serie 8,0		Serie 10,0	
Totalt 387,0		Totalt 397,0	

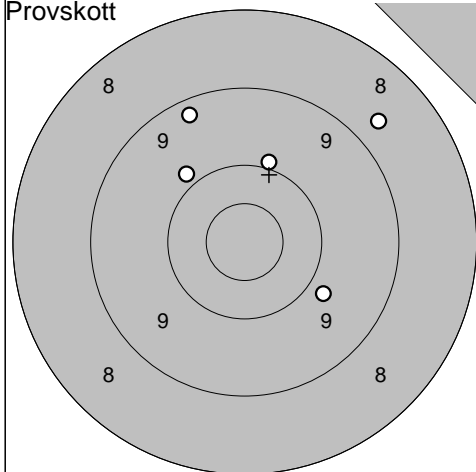
Skott 4 	1: 9,4 ↘	Skott 5 	1: 10,2 ←
Serie 9,0		Serie 10,0	
Totalt 406,0		Totalt 416,0	

2011-07-11

Tavelträffen B 2011 Final

Ramselefors SKF

Provskott

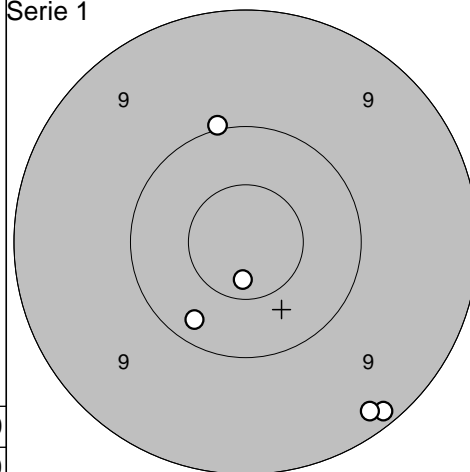


1: 9,3 ↗
 2: 10,0 ↑
 3: 9,9 ↗
 4: 8,7 ↗
 5: 9,8 ↘

Serie 45,0

Totalt 276,0

Serie 1

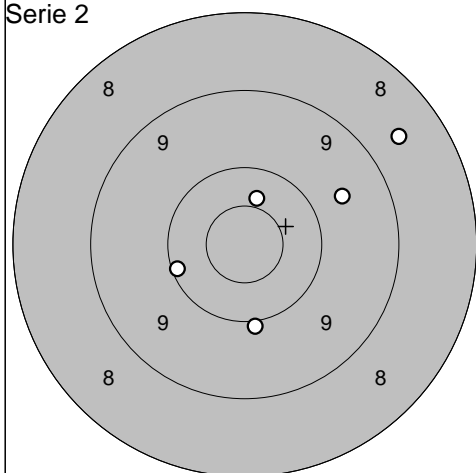


1: 10,0 ↑
 2: 10,7* ↓
 3: 10,2 ↓
 4: 9,2 ↓
 5: 9,2 ↓

Serie 48,0

Totalt 324,0

Serie 2

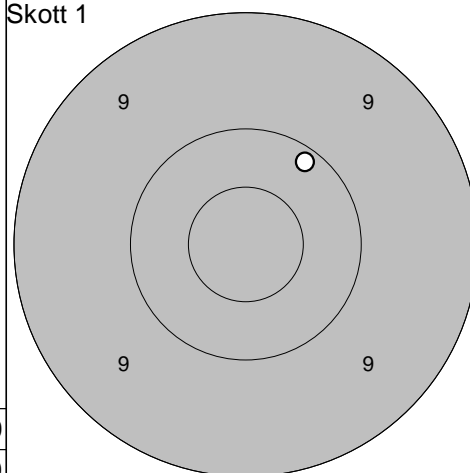


1: 8,6 ↗
 2: 10,0 ↓
 3: 10,4 ↑
 4: 9,6 ↗
 5: 10,1 ←

Serie 47,0

Totalt 371,0

Skott 1

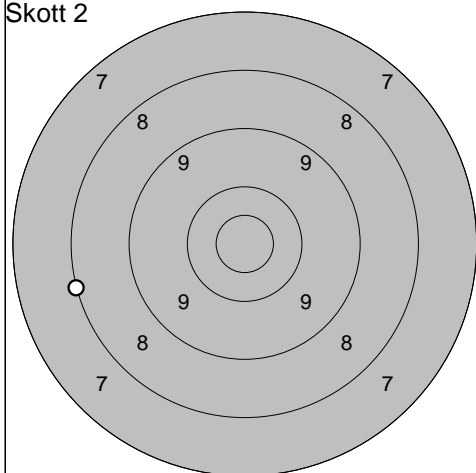


1: 10,2 ↗

Serie 10,0

Totalt 381,0

Skott 2

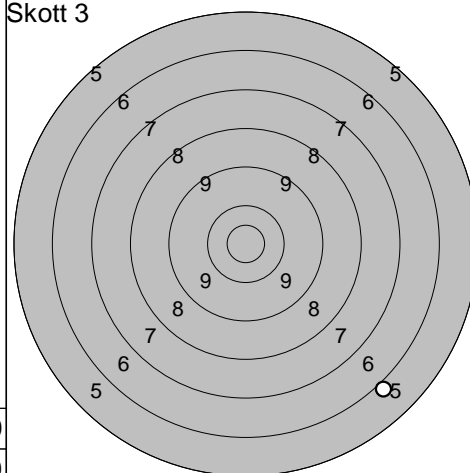


1: 8,1 ←

Serie 8,0

Totalt 389,0

Skott 3

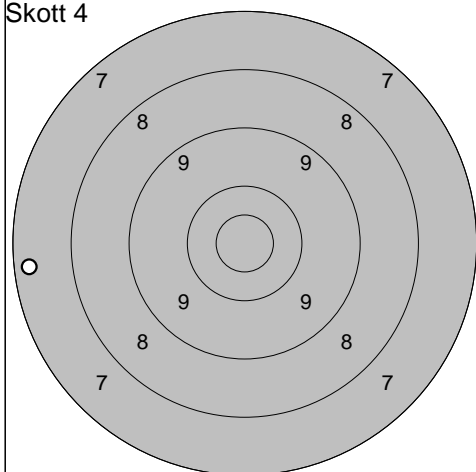


1: 6,0 ↘

Serie 6,0

Totalt 395,0

Skott 4

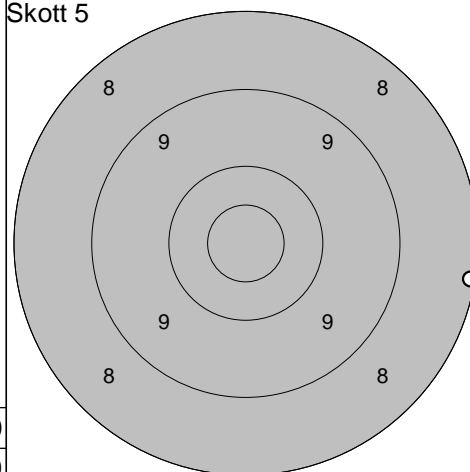


1: 7,4 ←

Serie 7,0

Totalt 402,0

Skott 5



1: 8,1 →

Serie 8,0

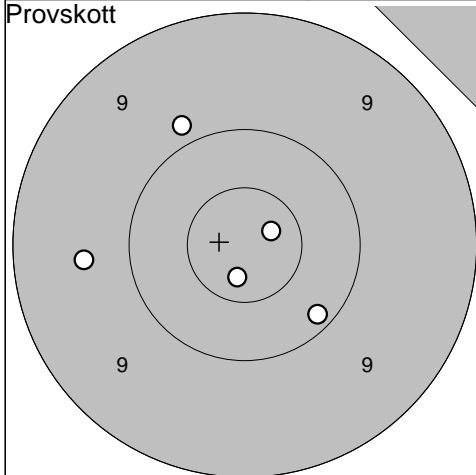
Totalt 410,0

2011-07-11

Tavelträffen B 2011 Final

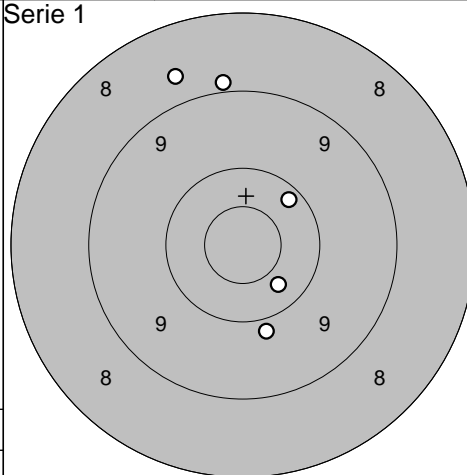
Ramselefors SKF

Provskott



1: 10,7* ↘
 2: 9,9 ↗
 3: 10,8* →
 4: 9,6 ←
 5: 10,2 ↘

Serie 1



1: 8,7 ↗
 2: 8,9 ↗
 3: 9,9 ↘
 4: 10,2 ↗
 5: 10,4 ↘

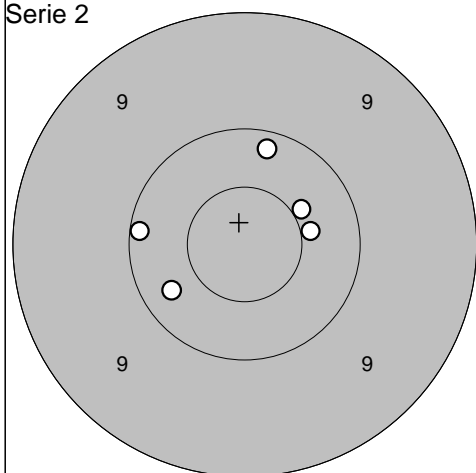
Serie 48,0

Totalt 275,0

Serie 45,0

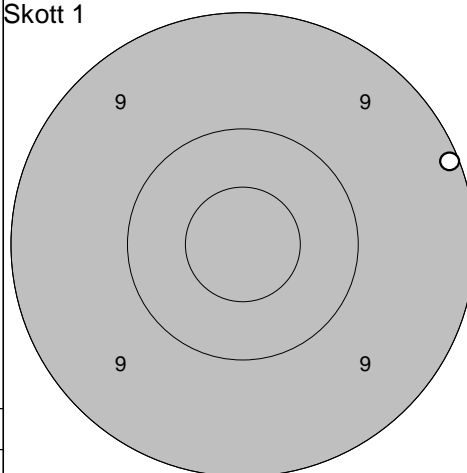
Totalt 320,0

Serie 2



1: 10,4 →
 2: 10,5* ↗
 3: 10,2 ↑
 4: 10,1 ←
 5: 10,3 ↙

Skott 1



1: 9,1 →

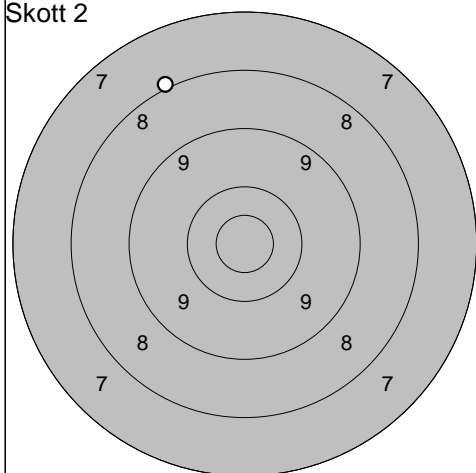
Serie 50,0

Totalt 370,0

Serie 9,0

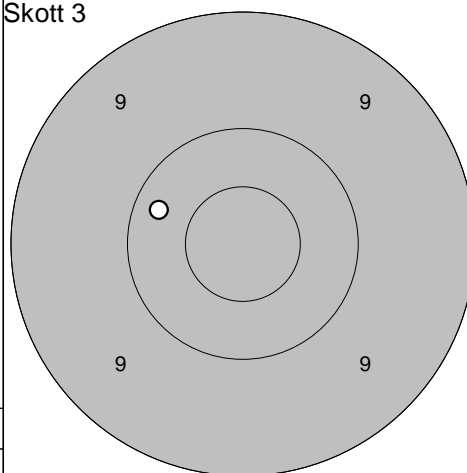
Totalt 379,0

Skott 2



1: 8,0 ↖

Skott 3



1: 10,3 ↖

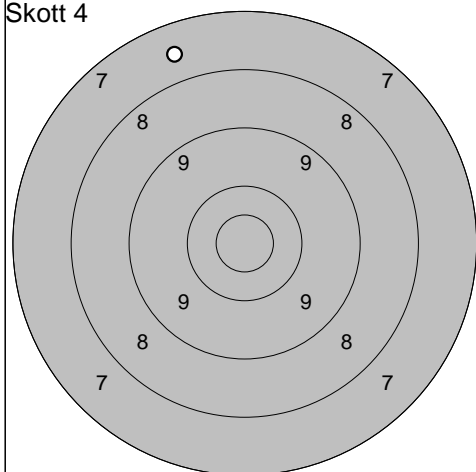
Serie 8,0

Totalt 387,0

Serie 10,0

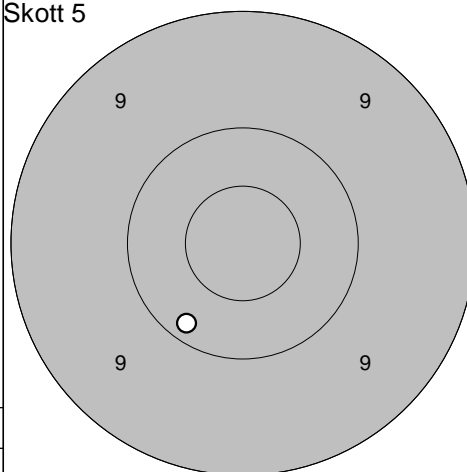
Totalt 397,0

Skott 4



1: 7,6 ↗

Skott 5



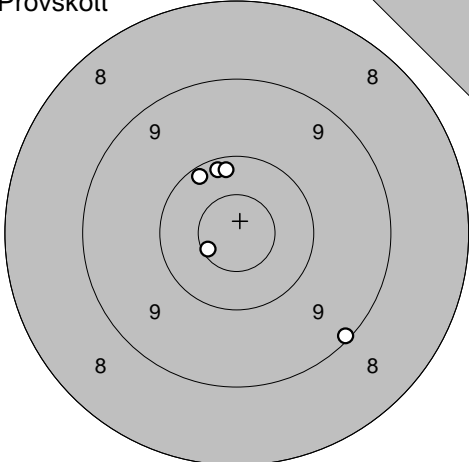
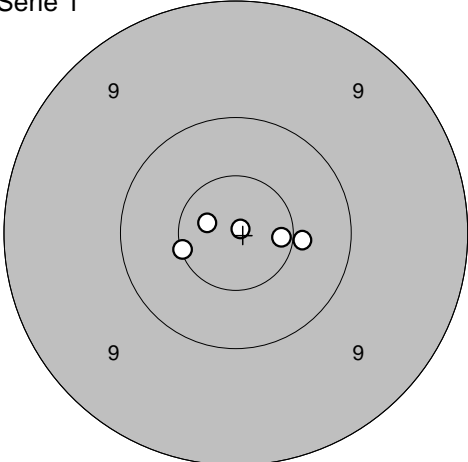
1: 10,2 ↘

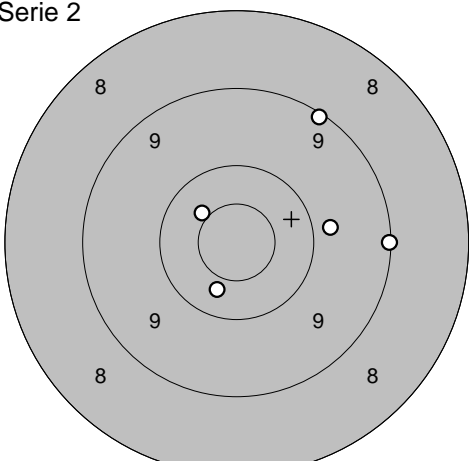
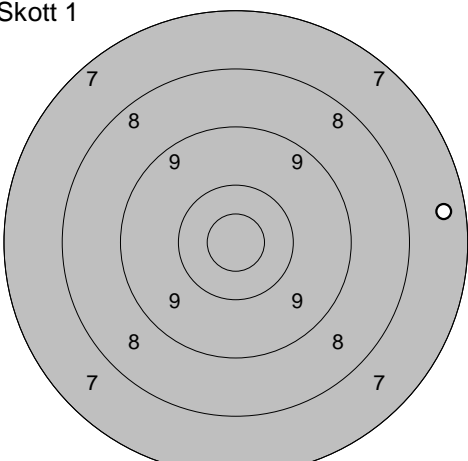
Serie 7,0

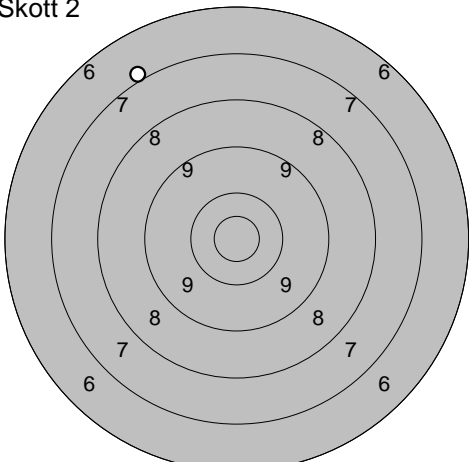
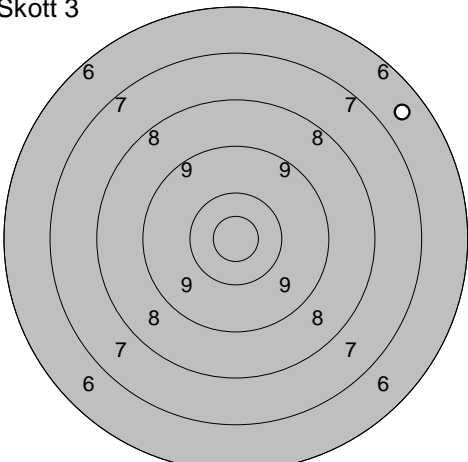
Totalt 404,0

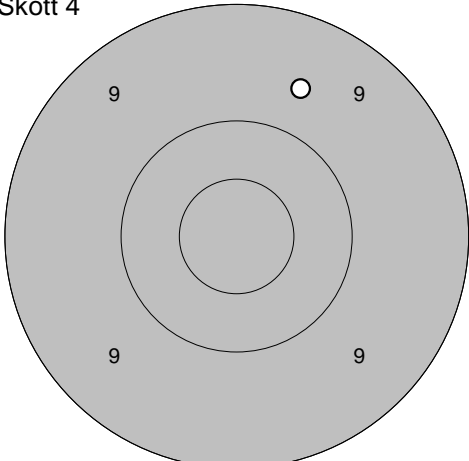
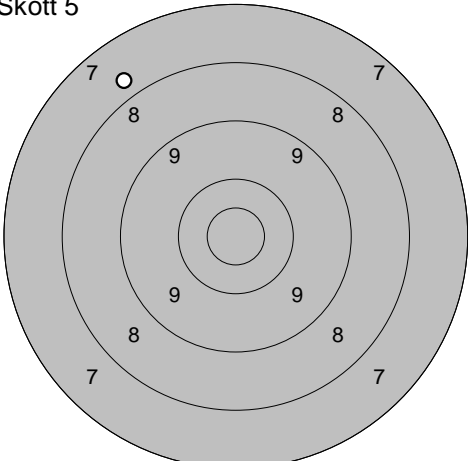
Serie 10,0

Totalt 414,0

Provs-kott 	1: 10,6* ↙ 2: 10,2 ↑ 3: 10,2 ↗ 4: 10,2 ↑ 5: 9,1 ↘	Serie 1 	1: 10,9* ↗ 2: 10,8* ↖ 3: 10,6* → 4: 10,5* → 5: 10,6* ↖
Serie 49,0		Serie 50,0	
Totalt 275,0		Totalt 325,0	

Serie 2 	1: 10,5* ↖ 2: 9,8 → 3: 9,1 ↗ 4: 10,4 ↘ 5: 9,1 →	Skott 1 	1: 7,5 →
Serie 47,0		Serie 7,0	
Totalt 372,0		Totalt 379,0	

Skott 2 	1: 7,0 ↖	Skott 3 	1: 6,6 ↗
Serie 7,0		Serie 6,0	
Totalt 386,0		Totalt 392,0	

Skott 4 	1: 9,6 ↑	Skott 5 	1: 7,8 ↖
Serie 9,0		Serie 7,0	
Totalt 401,0		Totalt 408,0	

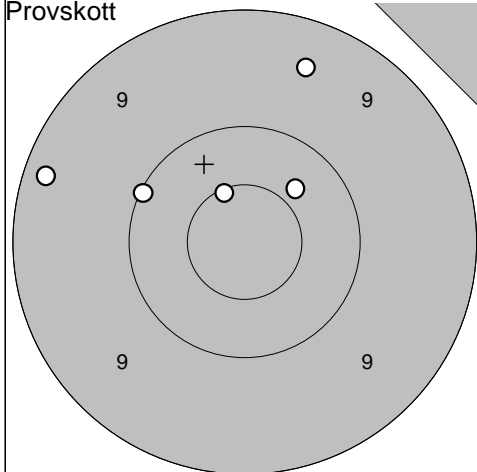
Ununge

2011-07-11

Tavelträffen B 2011 Final

Ramselefors SKF

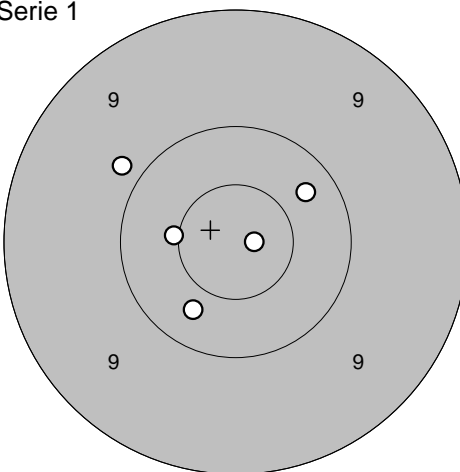
Provskott



1: 10,6* ↗
 2: 9,2 ←
 3: 9,4 ↗
 4: 10,1 ←
 5: 10,4 ↗

Serie 48,0
 Totalt 273,0

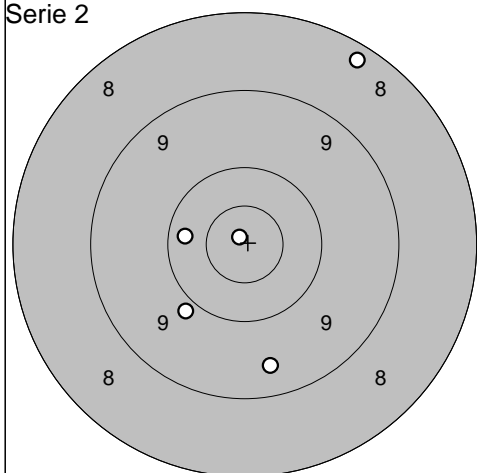
Serie 1



1: 10,5* ←
 2: 10,3 ↘
 3: 9,9 ↗
 4: 10,9* →
 5: 10,3 ↗

Serie 49,0
 Totalt 322,0

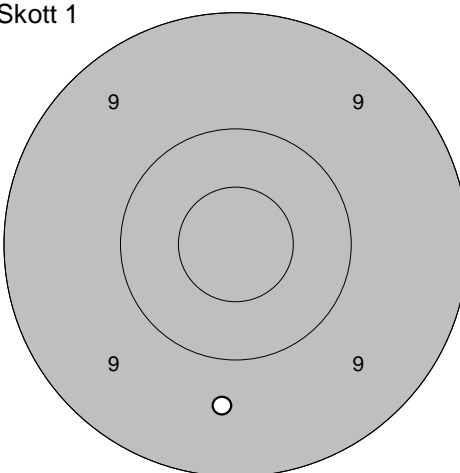
Serie 2



1: 8,3 ↗
 2: 9,4 ↘
 3: 10,3 ←
 4: 10,9* ↗
 5: 9,9 ↘

Serie 46,0
 Totalt 368,0

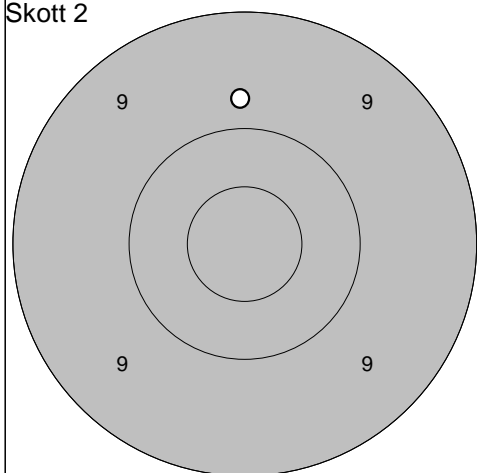
Skott 1



1: 9,6 ↘

Serie 9,0
 Totalt 377,0

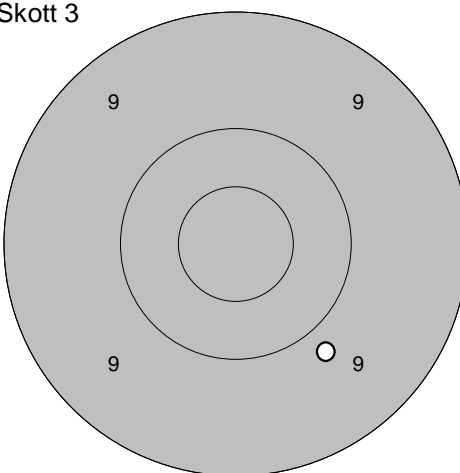
Skott 2



1: 9,8 ↑

Serie 9,0
 Totalt 386,0

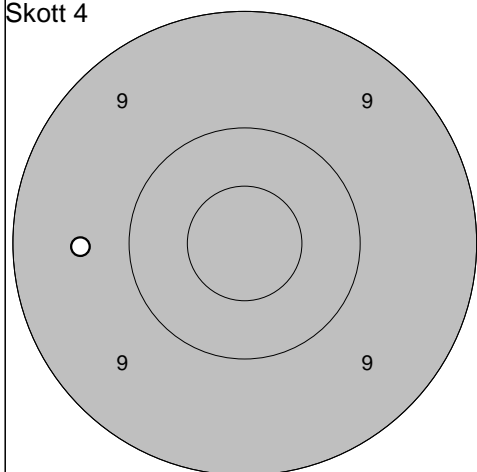
Skott 3



1: 9,8 ↘

Serie 9,0
 Totalt 395,0

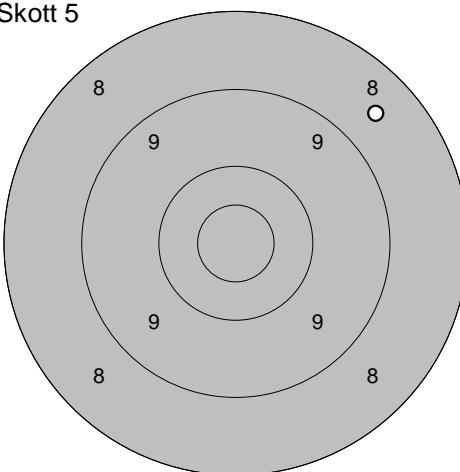
Skott 4



1: 9,6 ←

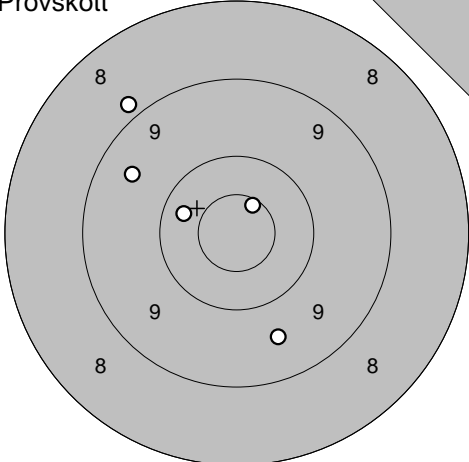
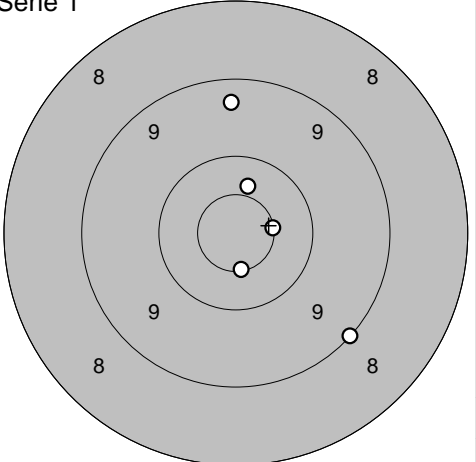
Serie 9,0
 Totalt 404,0

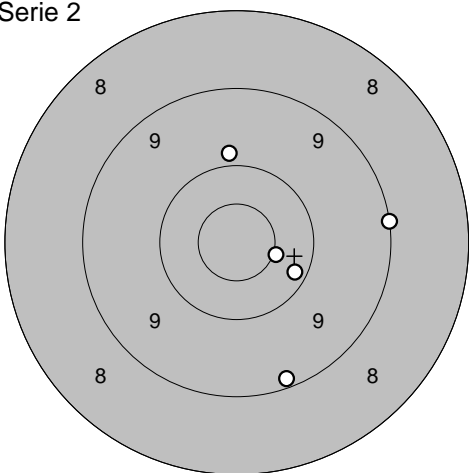
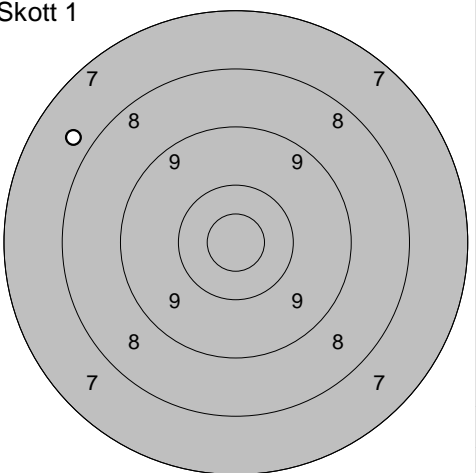
Skott 5

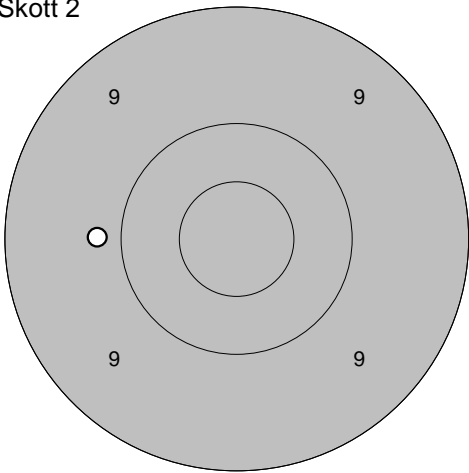
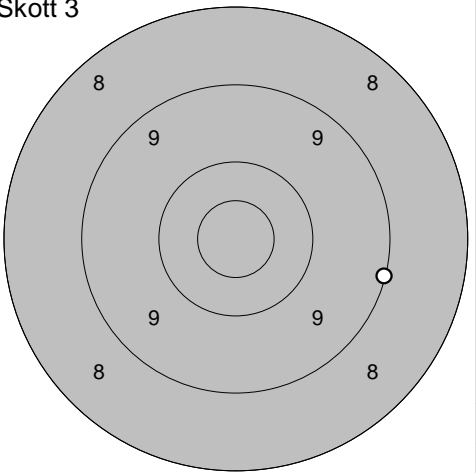


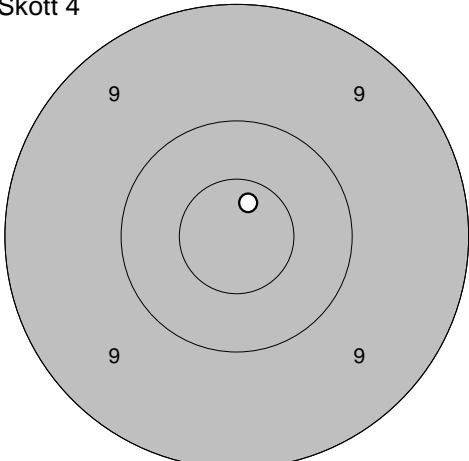
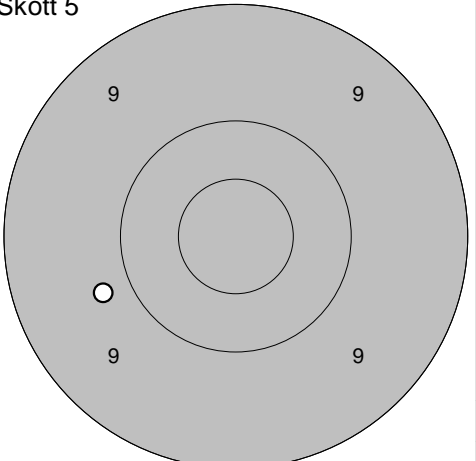
1: 8,6 ↗

Serie 8,0
 Totalt 412,0

<p>Provsrott</p> 	<p>1: 9,5 ↖ 2: 10,6* ↗ 3: 10,3 ↖ 4: 8,9 ↗ 5: 9,6 ↘</p> <table border="1" style="width: 100%; border-collapse: collapse;"> <tr><td>Serie</td><td style="text-align: right;">46,0</td></tr> <tr><td>Totalt</td><td style="text-align: right;">271,0</td></tr> </table>	Serie	46,0	Totalt	271,0	<p>Serie 1</p> 	<p>1: 9,4 ↑ 2: 10,4 ↑ 3: 10,6* ↓ 4: 10,6* → 5: 9,1 ↘</p> <table border="1" style="width: 100%; border-collapse: collapse;"> <tr><td>Serie</td><td style="text-align: right;">48,0</td></tr> <tr><td>Totalt</td><td style="text-align: right;">319,0</td></tr> </table>	Serie	48,0	Totalt	319,0
Serie	46,0										
Totalt	271,0										
Serie	48,0										
Totalt	319,0										

<p>Serie 2</p> 	<p>1: 9,0 → 2: 9,9 ↑ 3: 10,5* → 4: 10,2 ↘ 5: 9,2 ↘</p> <table border="1" style="width: 100%; border-collapse: collapse;"> <tr><td>Serie</td><td style="text-align: right;">47,0</td></tr> <tr><td>Totalt</td><td style="text-align: right;">366,0</td></tr> </table>	Serie	47,0	Totalt	366,0	<p>Skott 1</p> 	<p>1: 7,8 ↖</p> <table border="1" style="width: 100%; border-collapse: collapse;"> <tr><td>Serie</td><td style="text-align: right;">7,0</td></tr> <tr><td>Totalt</td><td style="text-align: right;">373,0</td></tr> </table>	Serie	7,0	Totalt	373,0
Serie	47,0										
Totalt	366,0										
Serie	7,0										
Totalt	373,0										

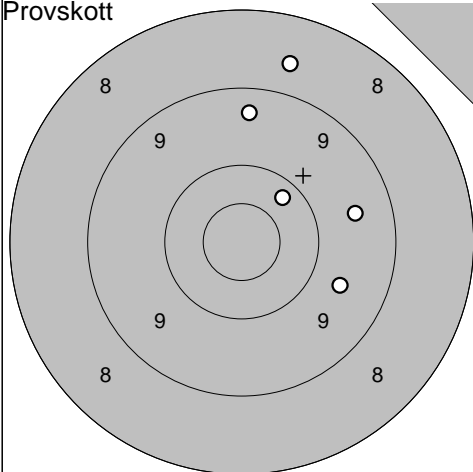
<p>Skott 2</p> 	<p>1: 9,8 ←</p> <table border="1" style="width: 100%; border-collapse: collapse;"> <tr><td>Serie</td><td style="text-align: right;">9,0</td></tr> <tr><td>Totalt</td><td style="text-align: right;">382,0</td></tr> </table>	Serie	9,0	Totalt	382,0	<p>Skott 3</p> 	<p>1: 9,1 →</p> <table border="1" style="width: 100%; border-collapse: collapse;"> <tr><td>Serie</td><td style="text-align: right;">9,0</td></tr> <tr><td>Totalt</td><td style="text-align: right;">391,0</td></tr> </table>	Serie	9,0	Totalt	391,0
Serie	9,0										
Totalt	382,0										
Serie	9,0										
Totalt	391,0										

<p>Skott 4</p> 	<p>1: 10,7* ↗</p> <table border="1" style="width: 100%; border-collapse: collapse;"> <tr><td>Serie</td><td style="text-align: right;">10,0</td></tr> <tr><td>Totalt</td><td style="text-align: right;">401,0</td></tr> </table>	Serie	10,0	Totalt	401,0	<p>Skott 5</p> 	<p>1: 9,8 ↖</p> <table border="1" style="width: 100%; border-collapse: collapse;"> <tr><td>Serie</td><td style="text-align: right;">9,0</td></tr> <tr><td>Totalt</td><td style="text-align: right;">410,0</td></tr> </table>	Serie	9,0	Totalt	410,0
Serie	10,0										
Totalt	401,0										
Serie	9,0										
Totalt	410,0										

Ununge

2011-07-11	Tavelträffen B 2011 Final	Ramselefors SKF
------------	---------------------------	-----------------

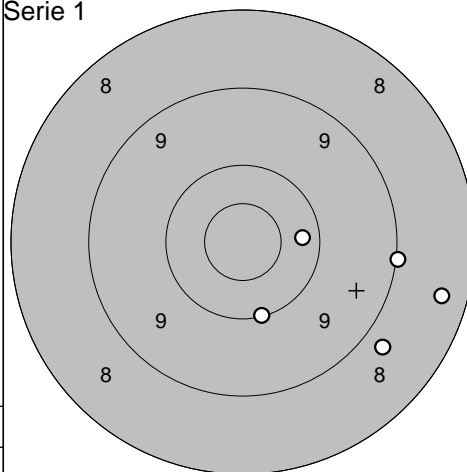
Provskott



- 1: 9,7 →
- 2: 9,5 →
- 3: 10,3 ↗
- 4: 9,4 ↑
- 5: 8,7 ↑

Serie	45,0
Totalt	270,0

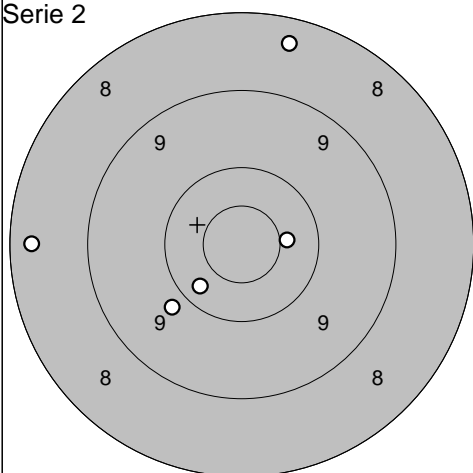
Serie 1



- 1: 10,1 ↓
- 2: 8,4 →
- 3: 8,8 ↘
- 4: 10,3 →
- 5: 9,0 →

Serie	45,0
Totalt	315,0

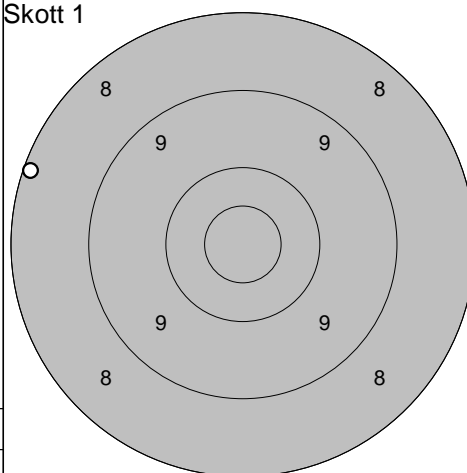
Serie 2



- 1: 8,4 ↑
- 2: 10,3 ↙
- 3: 10,4 →
- 4: 8,3 ←
- 5: 9,8 ↙

Serie	45,0
Totalt	360,0

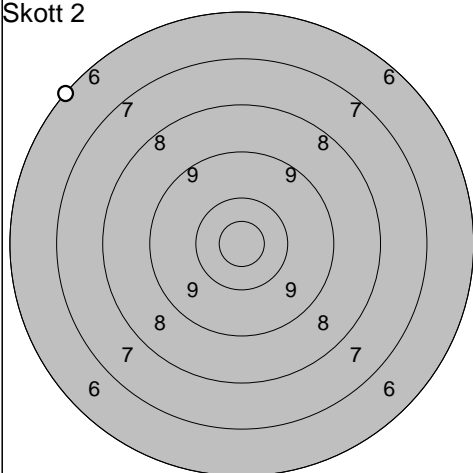
Skott 1



- 1: 8,2 ←

Serie	8,0
Totalt	368,0

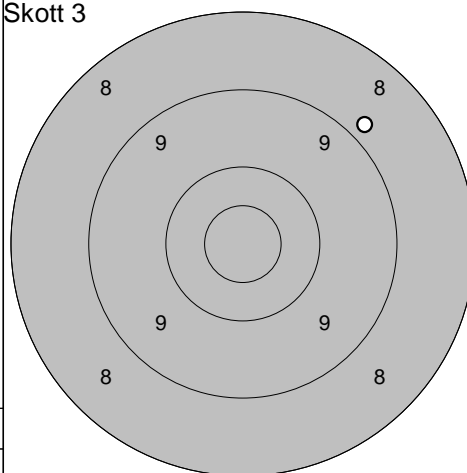
Skott 2



- 1: 6,1 ↖

Serie	6,0
Totalt	374,0

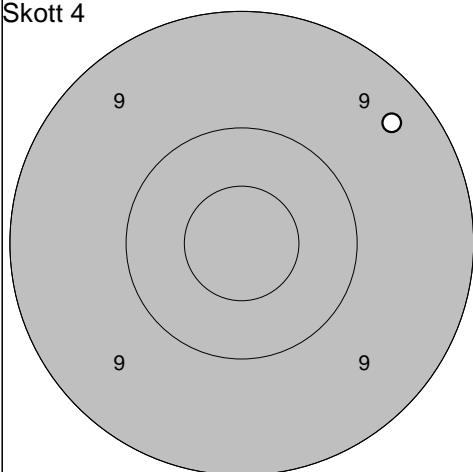
Skott 3



- 1: 8,8 ↗

Serie	8,0
Totalt	382,0

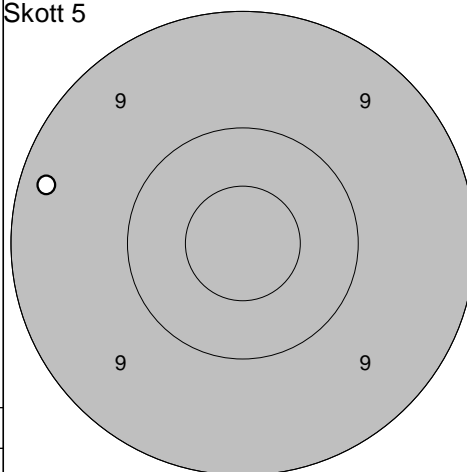
Skott 4



- 1: 9,4 ↗

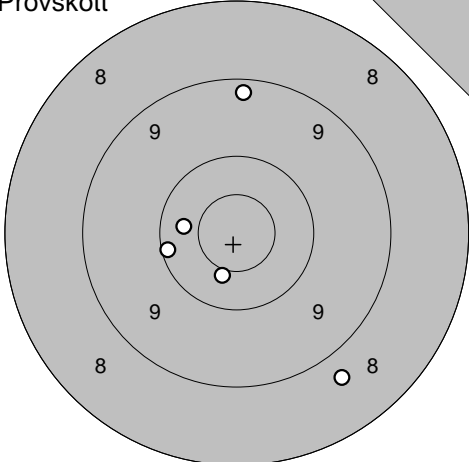
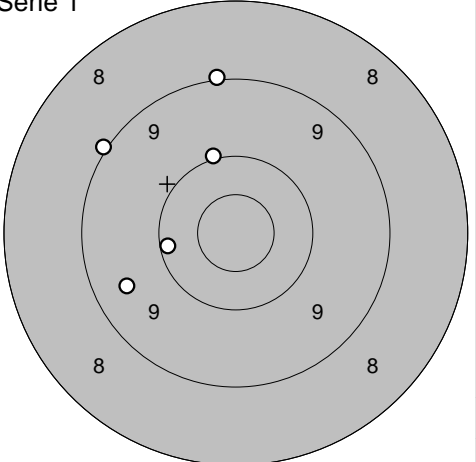
Serie	9,0
Totalt	391,0

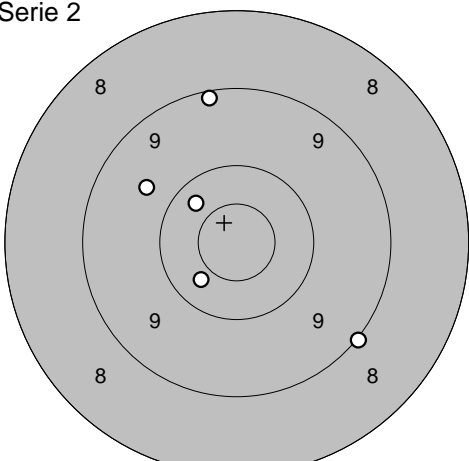
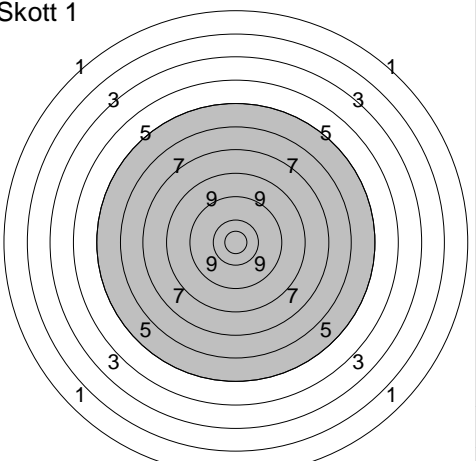
Skott 5

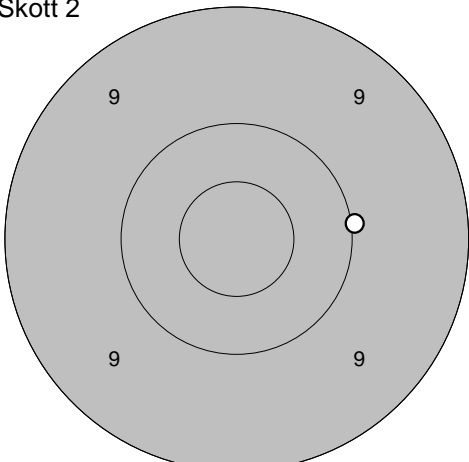
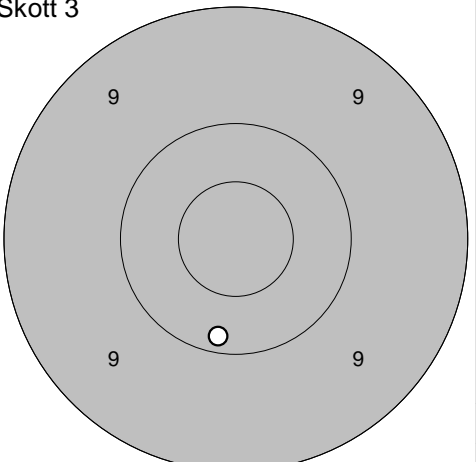


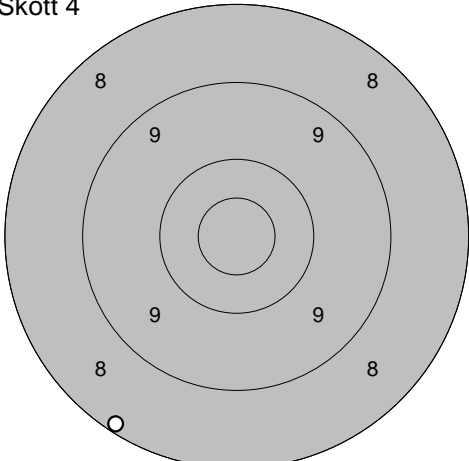
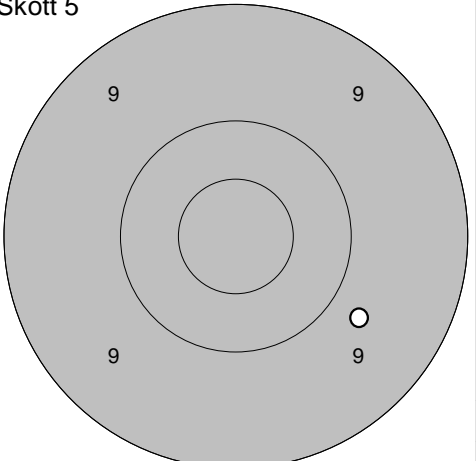
- 1: 9,3 ←

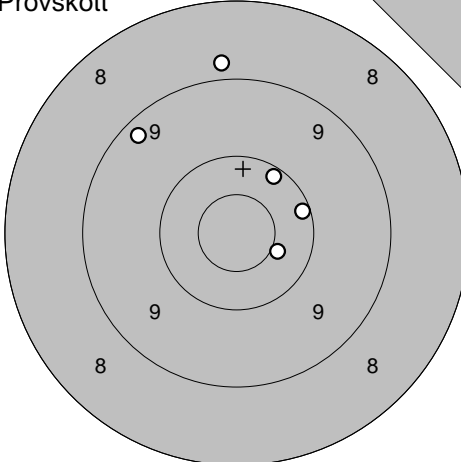
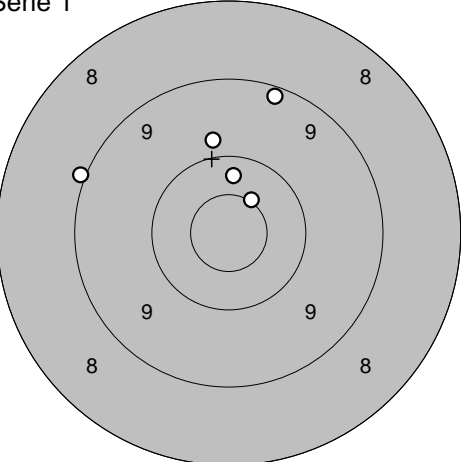
Serie	9,0
Totalt	400,0

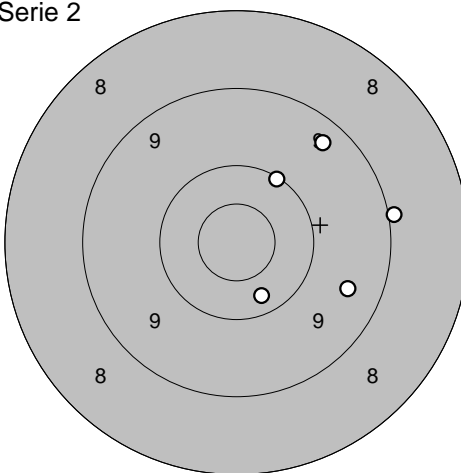
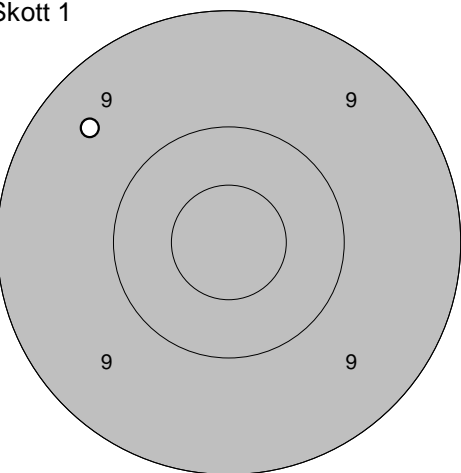
<p>Provskott</p> 	<p>1: 8,7 ↘ 2: 9,2 ↑ 3: 10,4 ← 4: 10,5* ↓ 5: 10,1 ←</p> <table border="1" style="width:100%; border-collapse: collapse;"> <tr><td>Serie</td><td style="text-align: right;">47,0</td></tr> <tr><td>Totalt</td><td style="text-align: right;">263,0</td></tr> </table>	Serie	47,0	Totalt	263,0	<p>Serie 1</p> 	<p>1: 10,0 ↗ 2: 10,2 ← 3: 9,0 ↖ 4: 9,0 ↑ 5: 9,5 ↙</p> <table border="1" style="width:100%; border-collapse: collapse;"> <tr><td>Serie</td><td style="text-align: right;">47,0</td></tr> <tr><td>Totalt</td><td style="text-align: right;">310,0</td></tr> </table>	Serie	47,0	Totalt	310,0
Serie	47,0										
Totalt	263,0										
Serie	47,0										
Totalt	310,0										

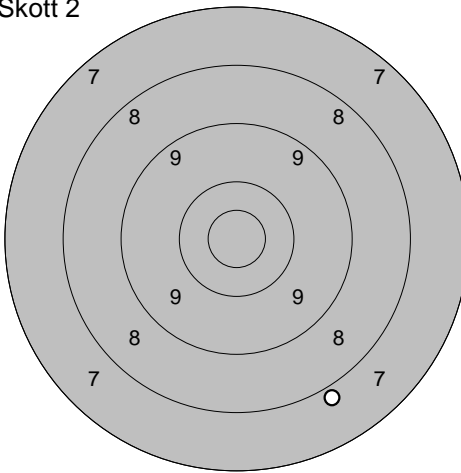
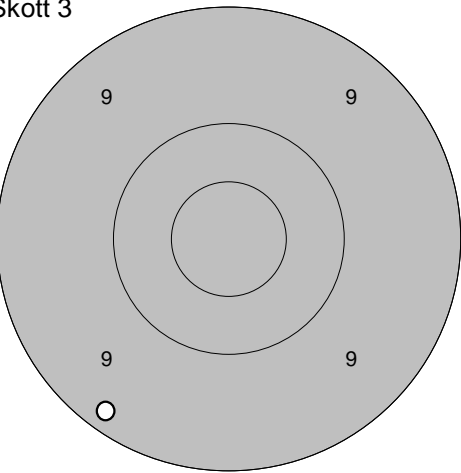
<p>Serie 2</p> 	<p>1: 9,0 ↘ 2: 10,3 ↗ 3: 9,2 ↑ 4: 9,7 ↖ 5: 10,4 ↙</p> <table border="1" style="width:100%; border-collapse: collapse;"> <tr><td>Serie</td><td style="text-align: right;">47,0</td></tr> <tr><td>Totalt</td><td style="text-align: right;">357,0</td></tr> </table>	Serie	47,0	Totalt	357,0	<p>Skott 1</p> 	<p>0,0</p> <table border="1" style="width:100%; border-collapse: collapse;"> <tr><td>Serie</td><td style="text-align: right;">0,0</td></tr> <tr><td>Totalt</td><td style="text-align: right;">357,0</td></tr> </table>	Serie	0,0	Totalt	357,0
Serie	47,0										
Totalt	357,0										
Serie	0,0										
Totalt	357,0										

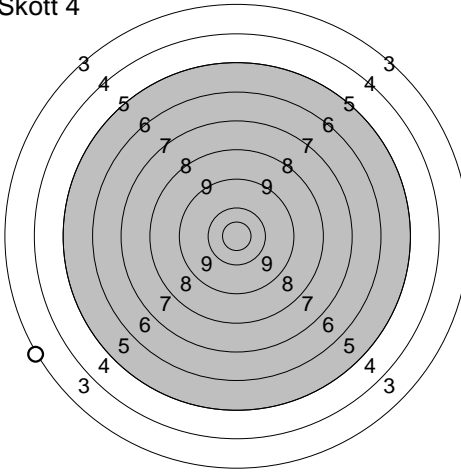
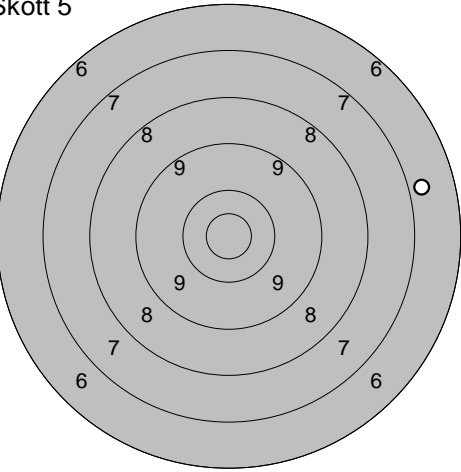
<p>Skott 2</p> 	<p>1: 10,0 →</p> <table border="1" style="width:100%; border-collapse: collapse;"> <tr><td>Serie</td><td style="text-align: right;">10,0</td></tr> <tr><td>Totalt</td><td style="text-align: right;">367,0</td></tr> </table>	Serie	10,0	Totalt	367,0	<p>Skott 3</p> 	<p>1: 10,2 ↓</p> <table border="1" style="width:100%; border-collapse: collapse;"> <tr><td>Serie</td><td style="text-align: right;">10,0</td></tr> <tr><td>Totalt</td><td style="text-align: right;">377,0</td></tr> </table>	Serie	10,0	Totalt	377,0
Serie	10,0										
Totalt	367,0										
Serie	10,0										
Totalt	377,0										

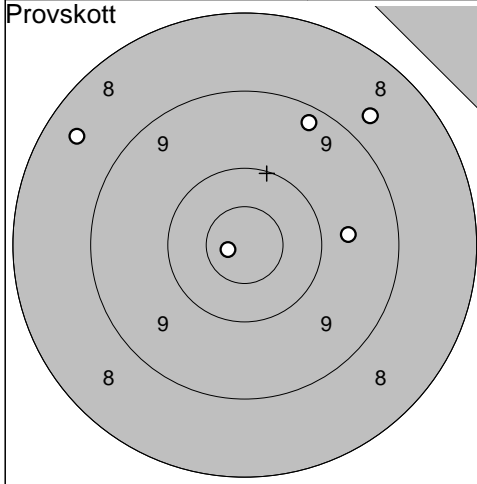
<p>Skott 4</p> 	<p>1: 8,2 ↘</p> <table border="1" style="width:100%; border-collapse: collapse;"> <tr><td>Serie</td><td style="text-align: right;">8,0</td></tr> <tr><td>Totalt</td><td style="text-align: right;">385,0</td></tr> </table>	Serie	8,0	Totalt	385,0	<p>Skott 5</p> 	<p>1: 9,8 ↘</p> <table border="1" style="width:100%; border-collapse: collapse;"> <tr><td>Serie</td><td style="text-align: right;">9,0</td></tr> <tr><td>Totalt</td><td style="text-align: right;">394,0</td></tr> </table>	Serie	9,0	Totalt	394,0
Serie	8,0										
Totalt	385,0										
Serie	9,0										
Totalt	394,0										

<p>Provskott</p> 	<p>1: 10,1 → 2: 8,8 ↑ 3: 10,5* → 4: 9,3 ↗ 5: 10,2 ↗</p>	<p>Serie 1</p> 	<p>1: 9,8 ↑ 2: 9,0 ↖ 3: 10,5* ↗ 4: 10,3 ↑ 5: 9,2 ↑</p>
Serie 47,0		Serie 47,0	
Totalt 272,0		Totalt 319,0	

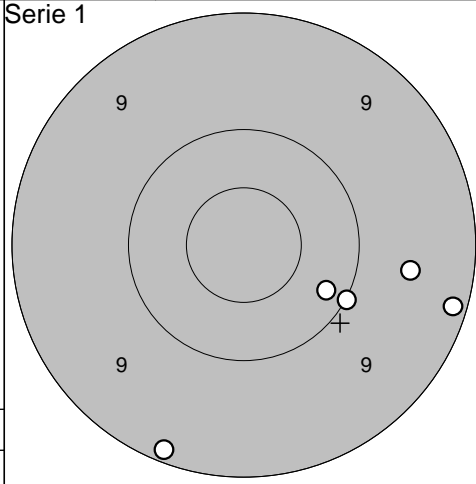
<p>Serie 2</p> 	<p>1: 10,3 ↓ 2: 10,1 ↗ 3: 9,3 ↗ 4: 9,0 → 5: 9,5 →</p>	<p>Skott 1</p> 	<p>1: 9,5 ↖</p>
Serie 47,0		Serie 9,0	
Totalt 366,0		Totalt 375,0	

<p>Skott 2</p> 	<p>1: 7,9 ↓</p>	<p>Skott 3</p> 	<p>1: 9,2 ↘</p>
Serie 7,0		Serie 9,0	
Totalt 382,0		Totalt 391,0	

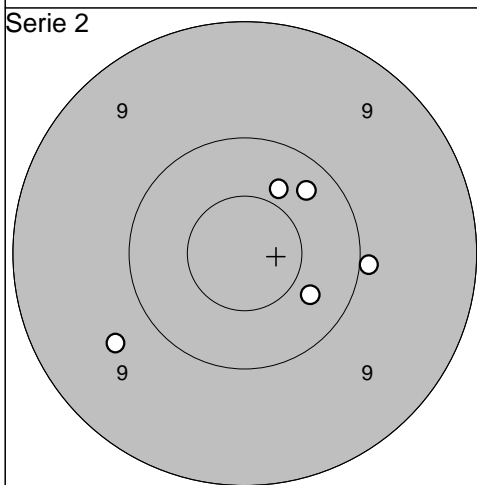
<p>Skott 4</p> 	<p>1: 3,2 ↖</p>	<p>Skott 5</p> 	<p>1: 6,8 →</p>
Serie 3,0		Serie 6,0	
Totalt 394,0		Totalt 400,0	



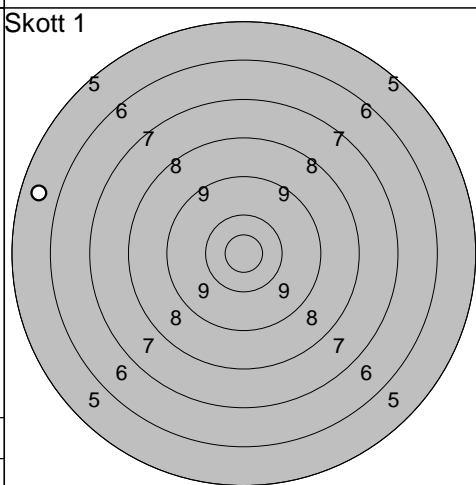
1: 8,5	↖
2: 10,8*	←
3: 9,7	→
4: 9,3	↗
5: 8,7	↗
Serie 44,0	
Totalt 271,0	



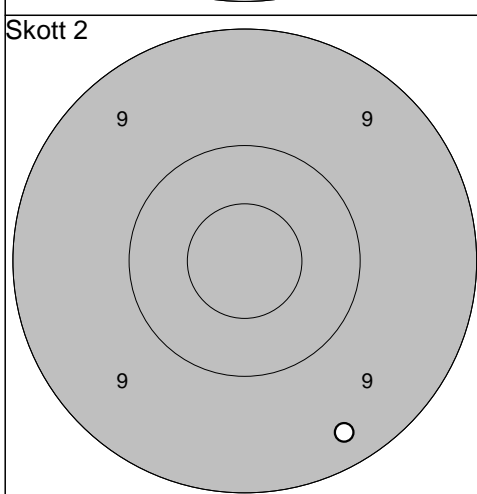
1: 9,1	↘
2: 10,2	↘
3: 9,2	→
4: 10,0	↘
5: 9,6	→
Serie 47,0	
Totalt 318,0	



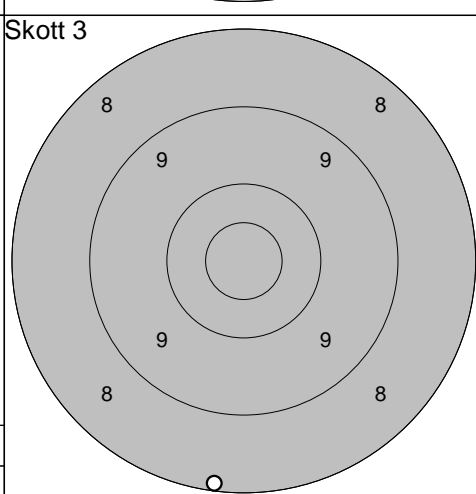
1: 10,0	→
2: 9,7	↙
3: 10,4	↘
4: 10,3	↗
5: 10,4	↗
Serie 49,0	
Totalt 367,0	



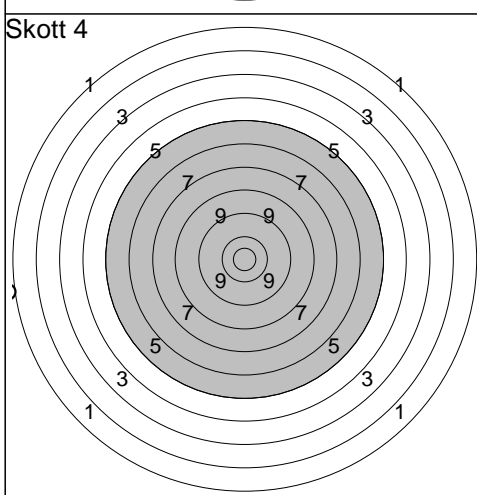
1: 5,6	←
Serie 5,0	
Totalt 372,0	



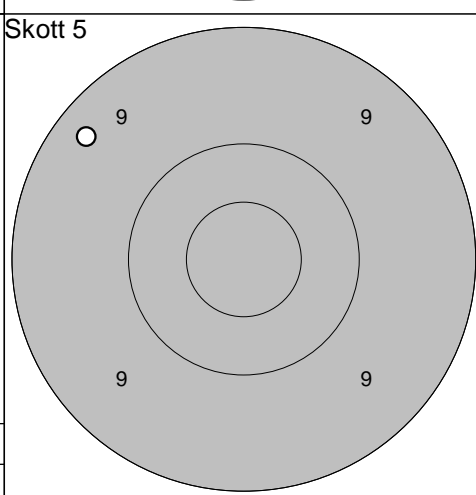
1: 9,3	↘
Serie 9,0	
Totalt 381,0	



1: 8,1	↘
Serie 8,0	
Totalt 389,0	



1: 1,0	←
Serie 1,0	
Totalt 390,0	



1: 9,3	↗
Serie 9,0	
Totalt 399,0	

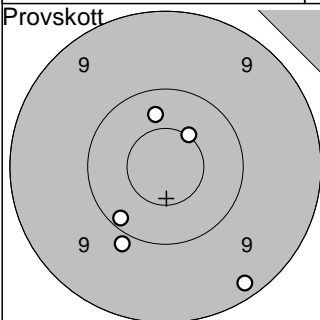
Bälinge-Jumkil

2011-07-11

Tavelträffen B 2011 Final

Ramselefors SKF

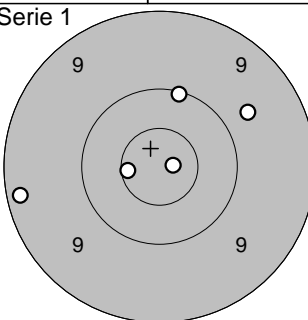
Provskott



1: 9,9 ↘
 2: 9,2 ↘
 3: 10,4 ↗
 4: 10,5* ↗
 5: 10,2 ↘

Serie 48,0
 Totalt 271,0

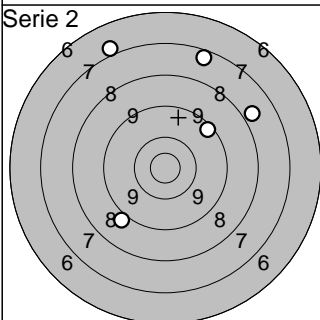
Serie 1



1: 9,2 ←
 2: 10,9* →
 3: 9,7 ↗
 4: 10,1 ↑
 5: 10,6* ←

Serie 48,0
 Totalt 319,0

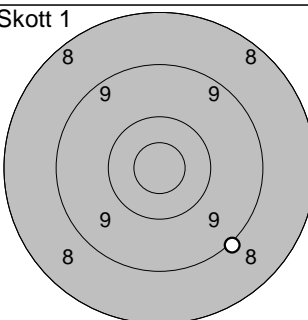
Serie 2



1: 7,9 ↗
 2: 7,0 ↗
 3: 7,5 ↗
 4: 9,0 ↘
 5: 9,4 ↗

Serie 39,0
 Totalt 358,0

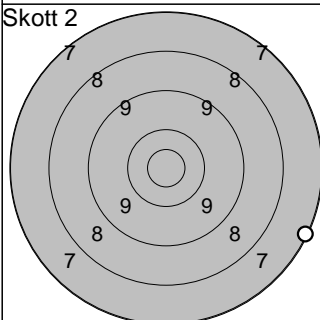
Skott 1



1: 9,1 ↘

Serie 9,0
 Totalt 367,0

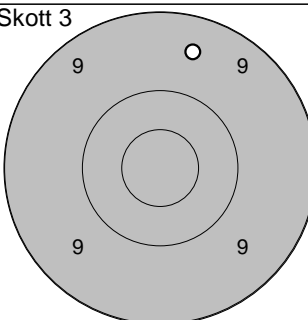
Skott 2



1: 7,2 →

Serie 7,0
 Totalt 374,0

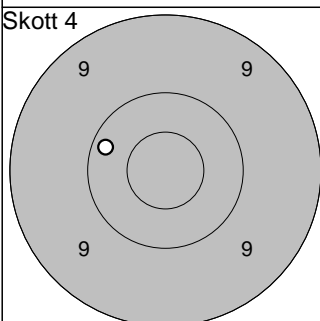
Skott 3



1: 9,5 ↑

Serie 9,0
 Totalt 383,0

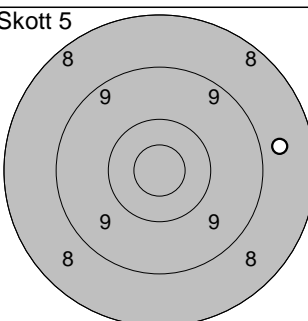
Skott 4



1: 10,2 ←

Serie 10,0
 Totalt 393,0

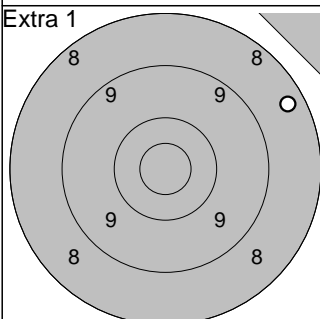
Skott 5



1: 8,7 →

Serie 8,0
 Totalt 401,0

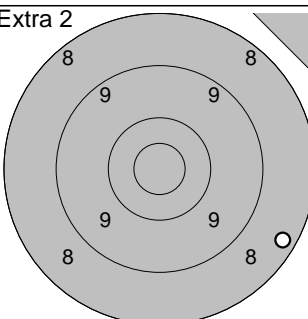
Extra 1



1: 8,4 →

Serie 8,0
 Totalt 401,0

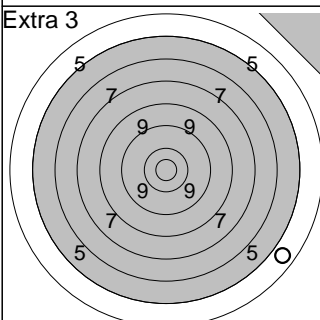
Extra 2



1: 8,4 →

Serie 8,0
 Totalt 401,0

Extra 3



1: 4,8 ↘

Serie 4,0
 Totalt 401,0

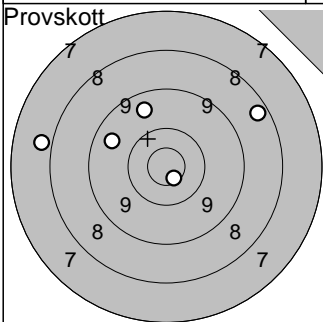
Gideå

2011-07-11

Tavelträffen B 2011 Final

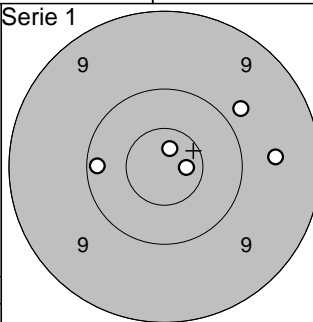
Ramselefors SKF

Provskott



1: 10,8*
2: 9,6
3: 8,4
4: 7,9
5: 9,6

Serie 1

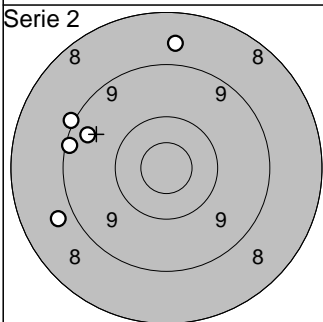


1: 9,8
2: 10,2
3: 10,8*
4: 10,8*
5: 9,6

Serie 43,0
Totalt 271,0

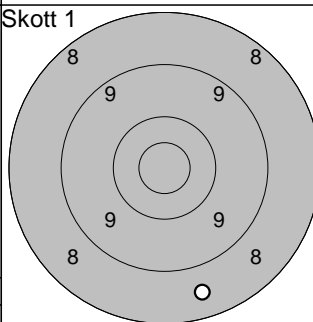
Serie 48,0
Totalt 319,0

Serie 2



1: 8,7
2: 8,8
3: 9,2
4: 9,5
5: 9,1

Skott 1

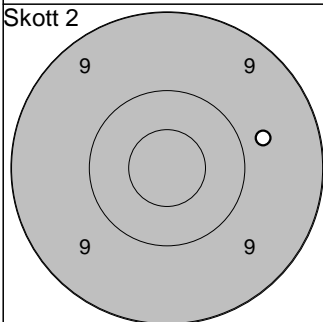


1: 8,6

Serie 43,0
Totalt 362,0

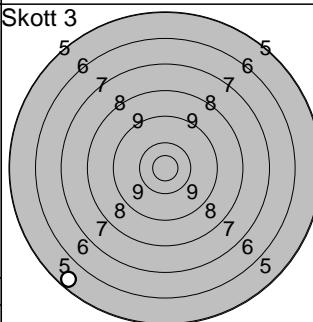
Serie 8,0
Totalt 370,0

Skott 2



1: 9,8

Skott 3

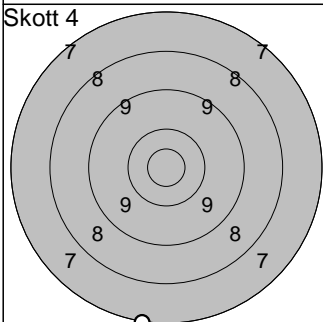


1: 5,6

Serie 9,0
Totalt 379,0

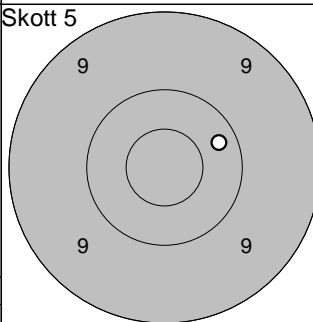
Serie 5,0
Totalt 384,0

Skott 4



1: 7,1

Skott 5

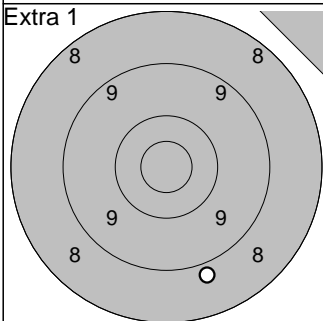


1: 10,3

Serie 7,0
Totalt 391,0

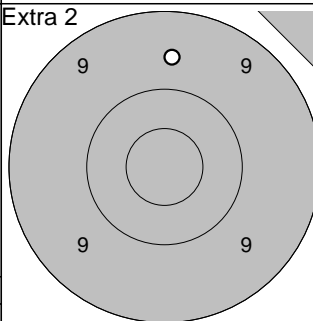
Serie 10,0
Totalt 401,0

Extra 1



1: 8,9

Extra 2

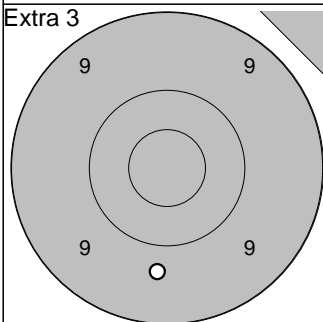


1: 9,6

Serie 8,0
Totalt 401,0

Serie 9,0
Totalt 401,0

Extra 3



1: 9,7

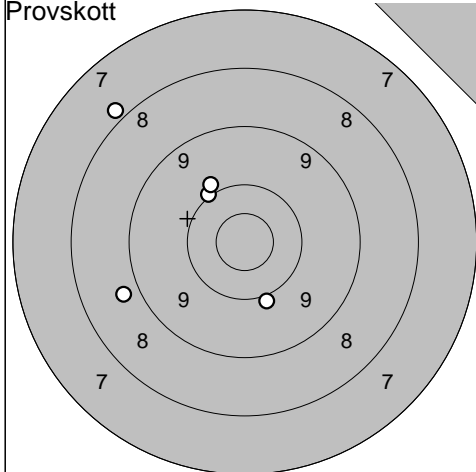
Serie 9,0
Totalt 401,0

2011-07-11

Tavelträffen B 2011 Final

Ramselefors SKF

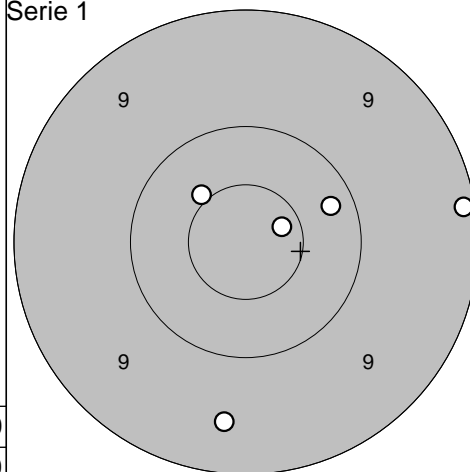
Provskott



1: 10,1 ↗
 2: 9,9 ↗
 3: 8,8 ←
 4: 10,0 ↓
 5: 7,9 ↗

Serie 44,0
 Totalt 264,0

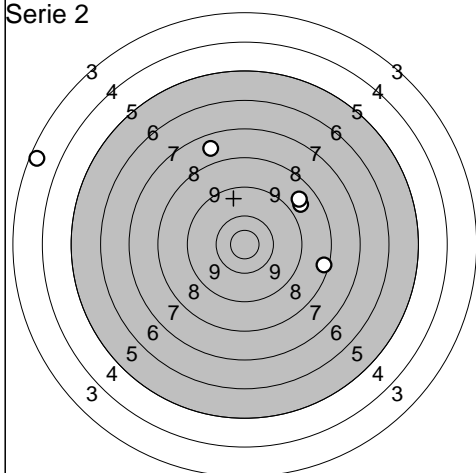
Serie 1



1: 10,7* →
 2: 10,5* ↖
 3: 9,1 →
 4: 10,2 →
 5: 9,5 ↓

Serie 48,0
 Totalt 312,0

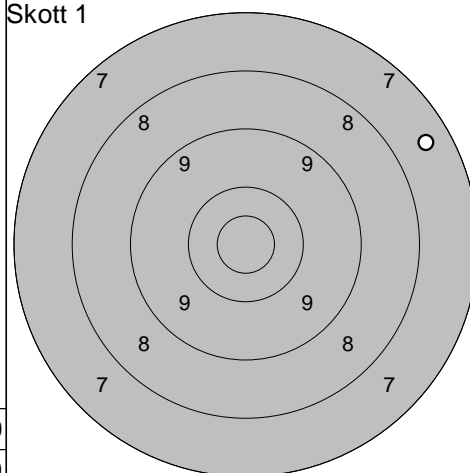
Serie 2



1: 8,8 ↗
 2: 8,4 →
 3: 8,8 ↗
 4: 7,7 ↗
 5: 3,5 ↖

Serie 34,0
 Totalt 346,0

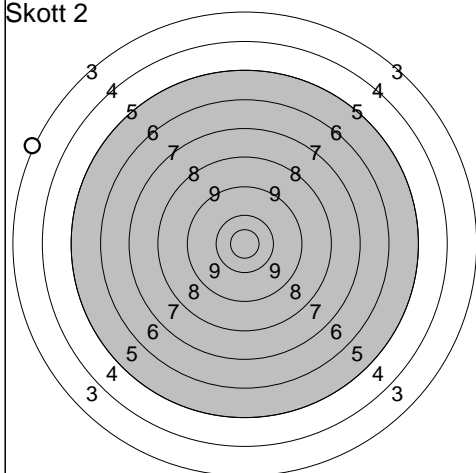
Skott 1



1: 7,5 ↗

Serie 7,0
 Totalt 353,0

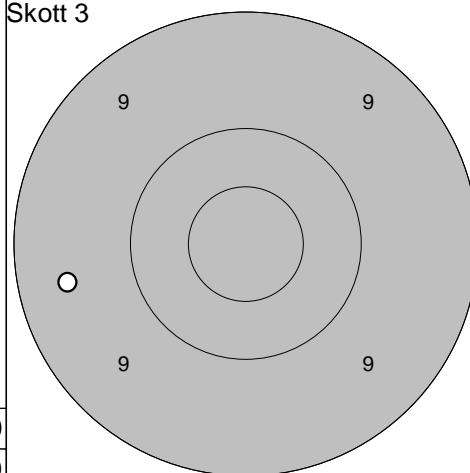
Skott 2



1: 3,2 ↖

Serie 3,0
 Totalt 356,0

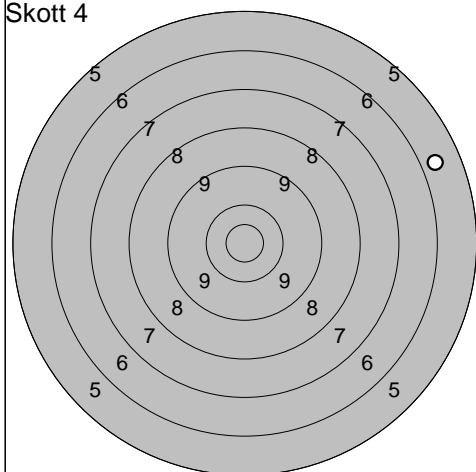
Skott 3



1: 9,5 ↖

Serie 9,0
 Totalt 365,0

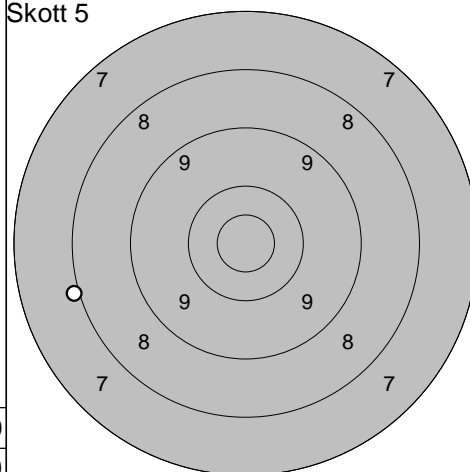
Skott 4



1: 5,8 →

Serie 5,0
 Totalt 370,0

Skott 5



1: 8,0 ↖

Serie 8,0
 Totalt 378,0

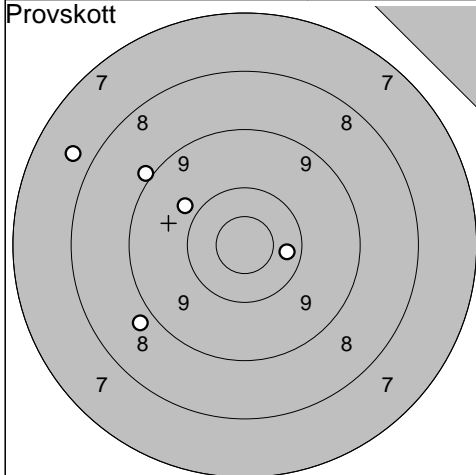
Ramselefors

2011-07-11

Tavelträffen B 2011 Final

Ramselefors SKF

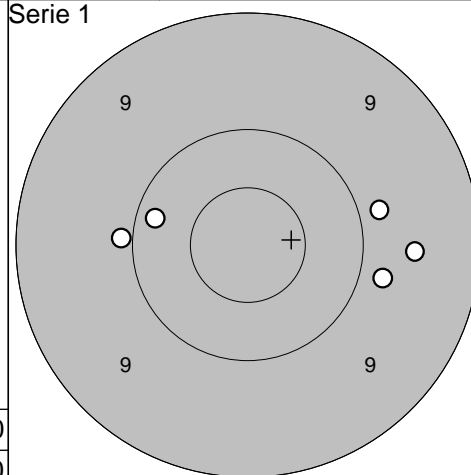
Provskott



1: 9,0 ↖
 2: 9,9 ↗
 3: 8,8 ↙
 4: 10,3 →
 5: 7,7 ↖

Serie 43,0
 Totalt 259,0

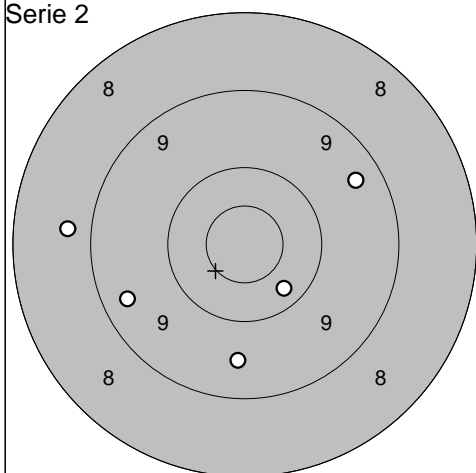
Serie 1



1: 9,9 ←
 2: 10,2 ←
 3: 9,6 →
 4: 9,9 →
 5: 9,8 →

Serie 46,0
 Totalt 305,0

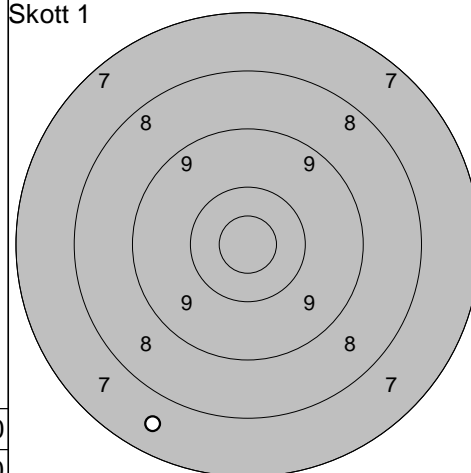
Serie 2



1: 8,8 ←
 2: 9,4 ←
 3: 9,4 ↗
 4: 10,3 ↘
 5: 9,5 ↓

Serie 45,0
 Totalt 350,0

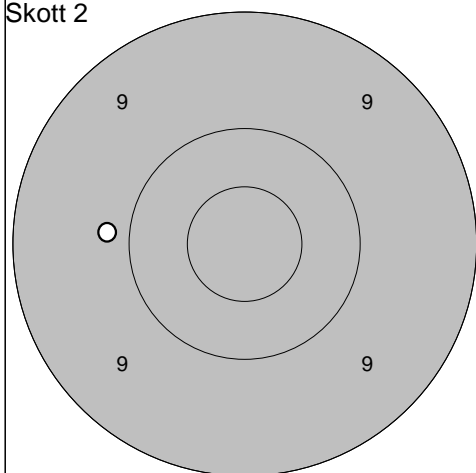
Skott 1



1: 7,6 ↙

Serie 7,0
 Totalt 357,0

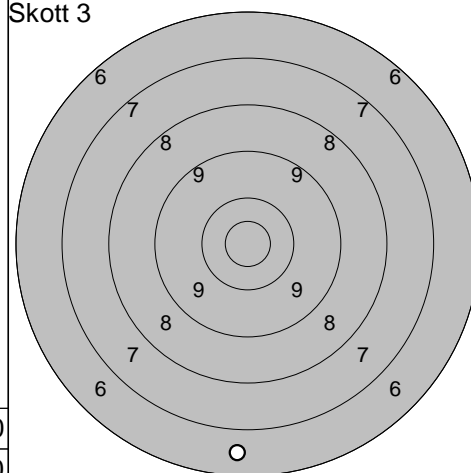
Skott 2



1: 9,8 ←

Serie 9,0
 Totalt 366,0

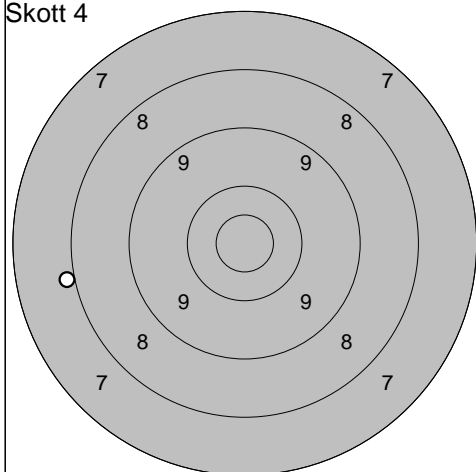
Skott 3



1: 6,6 ↓

Serie 6,0
 Totalt 372,0

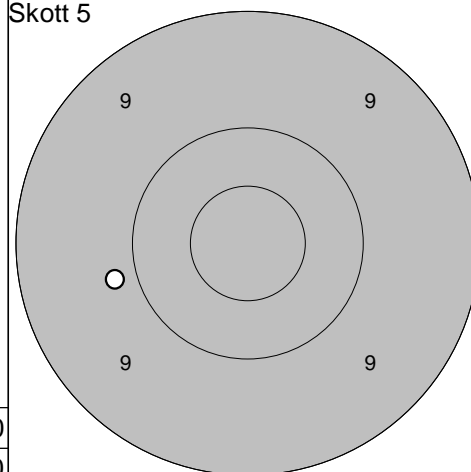
Skott 4



1: 8,0 ←

Serie 8,0
 Totalt 380,0

Skott 5



1: 9,8 ←

Serie 9,0
 Totalt 389,0

<p>Provs-kott</p>	<p>1: 9,0 ↖ 2: 8,6 ← 3: 8,5 ↗ 4: 5,9 → 5: 5,0 →</p>	<p>Serie 1</p>	<p>1: 8,2 ← 2: 7,0 ↓ 3: 9,2 ↑ 4: 10,5* ↖ 5: 10,4 ↗</p>
Serie 35,0		Serie 44,0	
Totalt 254,0		Totalt 298,0	

<p>Serie 2</p>	<p>1: 6,1 → 2: 9,3 → 3: 8,6 ↓ 4: 7,1 ↗ 5: 5,8 ↓</p>	<p>Skott 1</p>	<p>1: 1,8 ↗</p>
Serie 35,0		Serie 1,0	
Totalt 333,0		Totalt 334,0	

<p>Skott 2</p>	<p>1: 8,7 ↖</p>	<p>Skott 3</p>	<p>1: 3,4 ↗</p>
Serie 8,0		Serie 3,0	
Totalt 342,0		Totalt 345,0	

<p>Skott 4</p>	<p>1: 6,1 ↓</p>	<p>Skott 5</p>	<p>1: 7,4 ↖</p>
Serie 6,0		Serie 7,0	
Totalt 351,0		Totalt 358,0	