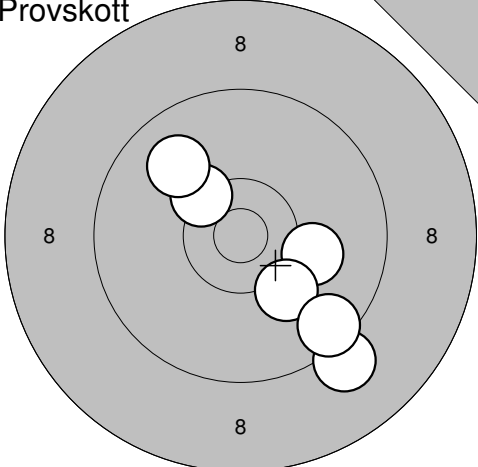
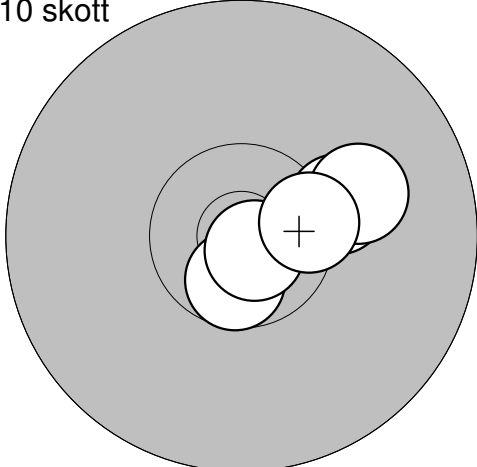
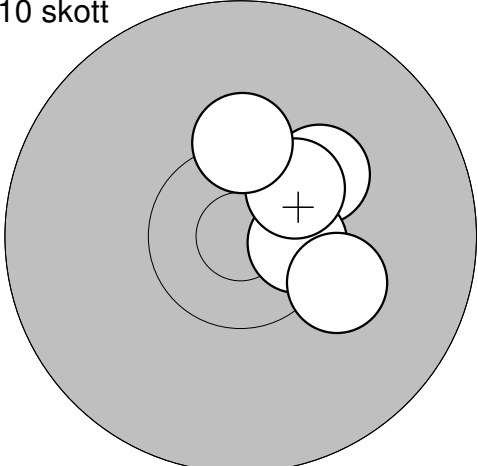
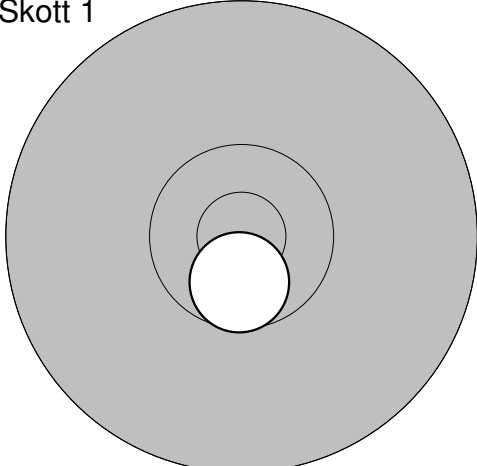
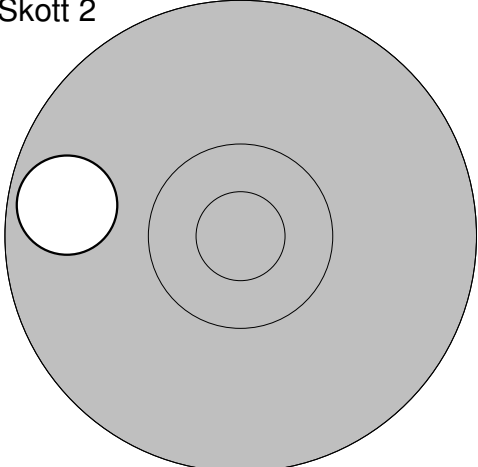
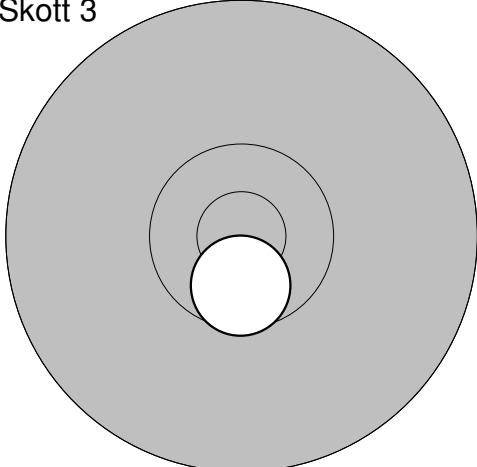
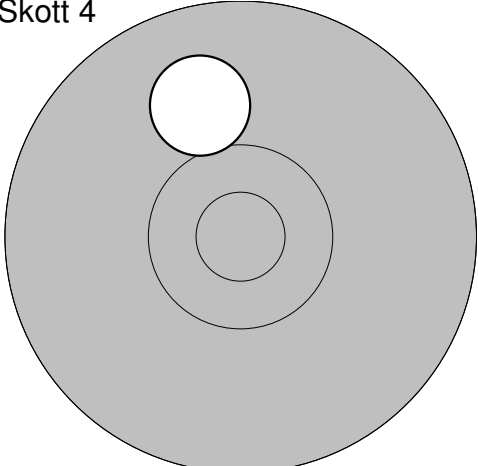
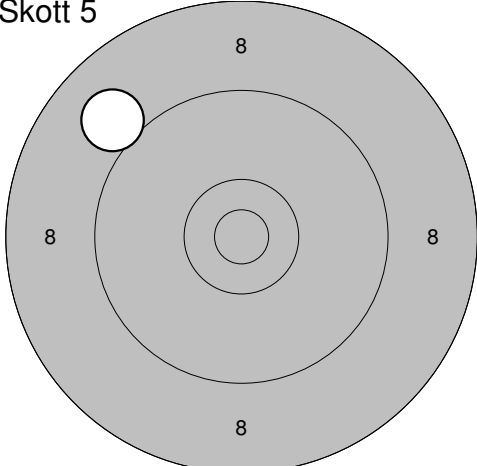
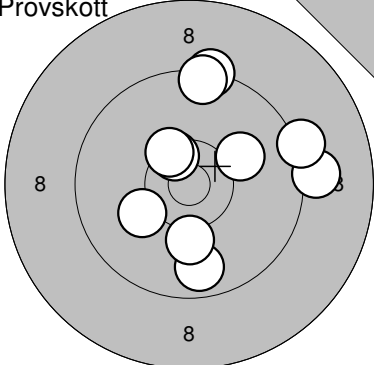
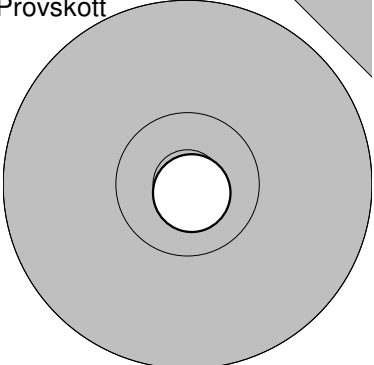


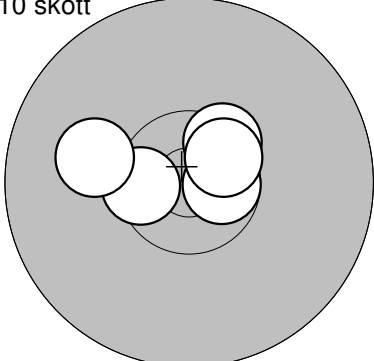
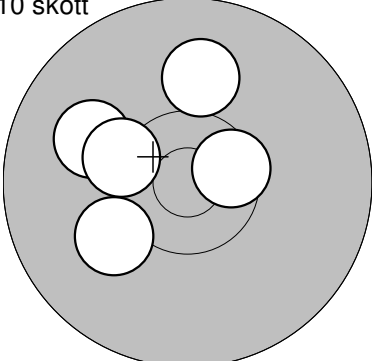
Provskott 	1: 9,1 ↘ 2: 10,3* ↗ 3: 10,1 → 4: 10,1 ↘ 5: 9,5 ↘ 6: 9,9 ↗	10 skott 	1: 10,6* ↓ 2: 10,2 → 3: 10,1 → 4: 10,8* ↘ 5: 10,5* →
Serie 57,0 Totalt 196,0		Serie 50,0 Totalt 246,0	

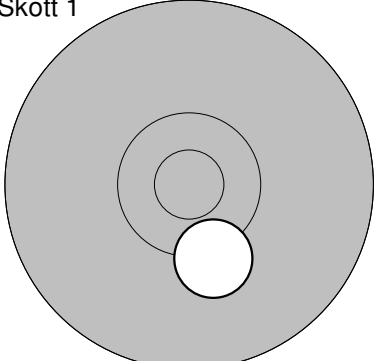
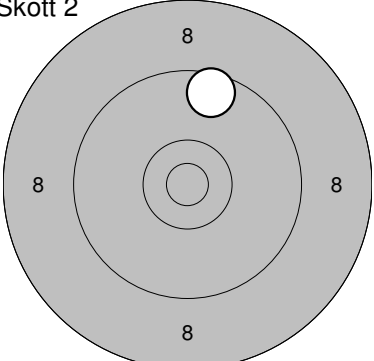
10 skott 	6: 10,3 ↗ 7: 10,5* → 8: 10,4* ↗ 9: 10,3* ↑ 10: 10,2 ↘	Skott 1 	1: 10,6* ↓
Serie 50,0 Totalt 296,0		Serie 10,0 Totalt 306,0	

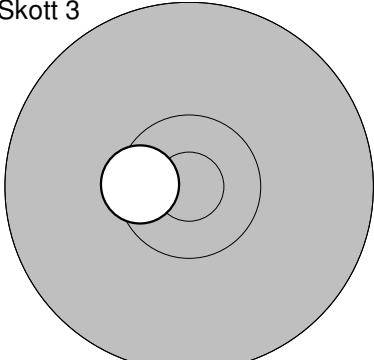
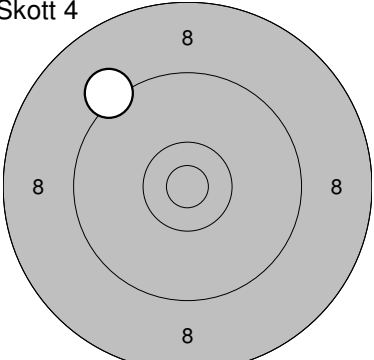
Skott 2 	1: 9,7 ←	Skott 3 	1: 10,6* ↓
Serie 9,0 Totalt 315,0		Serie 10,0 Totalt 325,0	

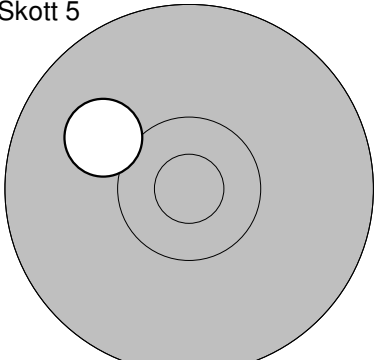
Skott 4 	1: 10,0 ↑	Skott 5 	1: 9,0 ↗
Serie 10,0 Totalt 335,0		Serie 9,0 Totalt 344,0	

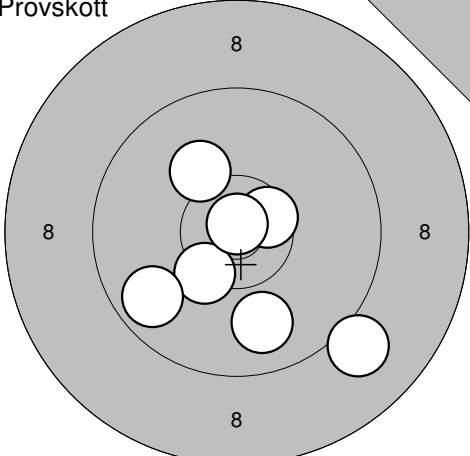
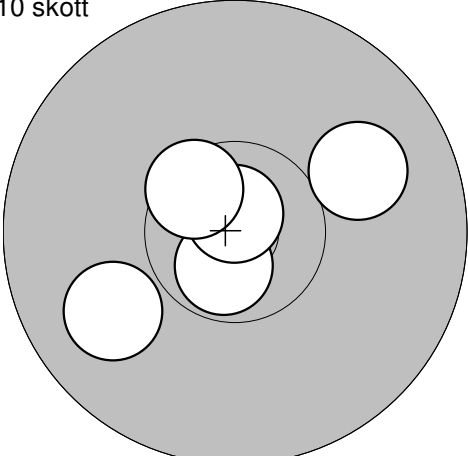
Provsnitt 	1: 9,1 → 2: 9,3 ↑ 3: 9,2 → 4: 9,4 ↑ 5: 10,1 → 6: 10,5* ↑ 7: 9,7 ↓ 8: 10,1 ↓ 9: 10,2 ↓ 10: 10,4* ↑	Provsnitt 	11: 10,9* ↓
Serie 95,0 Totalt 192,0		Serie 10,0 Totalt 192,0	

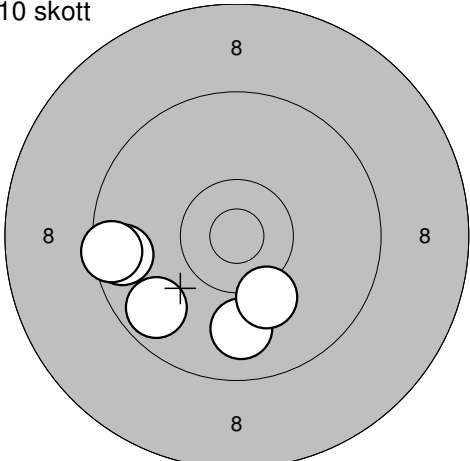
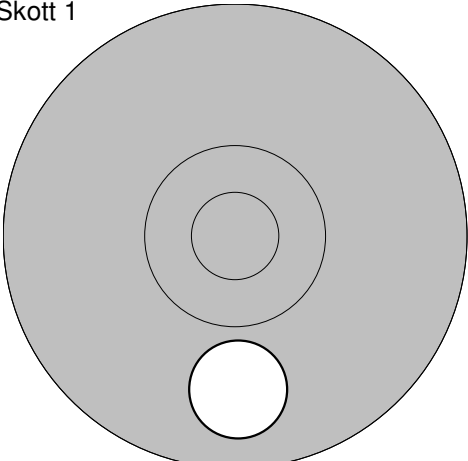
10 skott 	1: 10,5* ← 2: 10,7* → 3: 10,1 ← 4: 10,5* ↑ 5: 10,6* →	10 skott 	6: 10,0 ← 7: 10,5* → 8: 10,3* ← 9: 10,1 ← 10: 10,0 ↑
Serie 50,0 Totalt 242,0		Serie 50,0 Totalt 292,0	

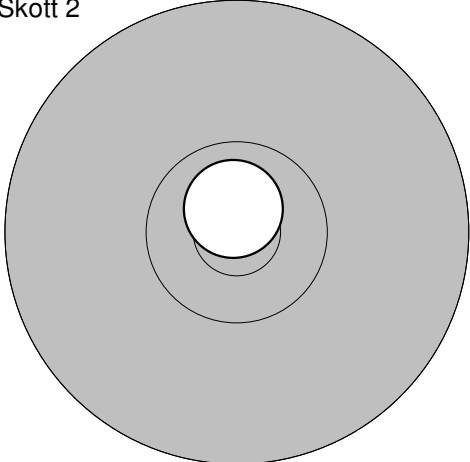
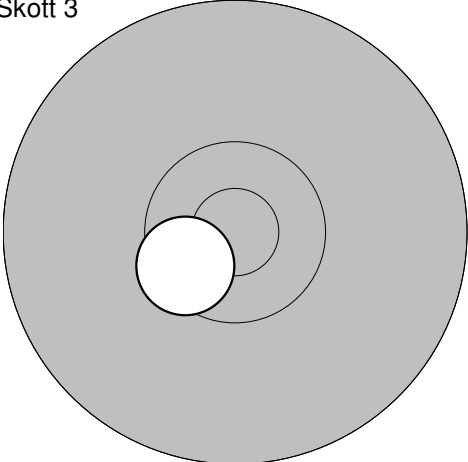
Skott 1 	1: 10,2 ↓	Skott 2 	1: 9,6 ↑
Serie 10,0 Totalt 302,0		Serie 9,0 Totalt 311,0	

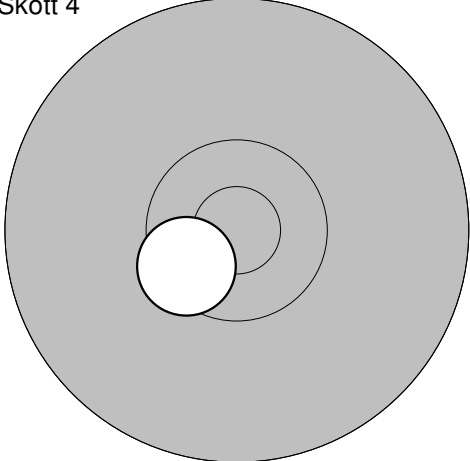
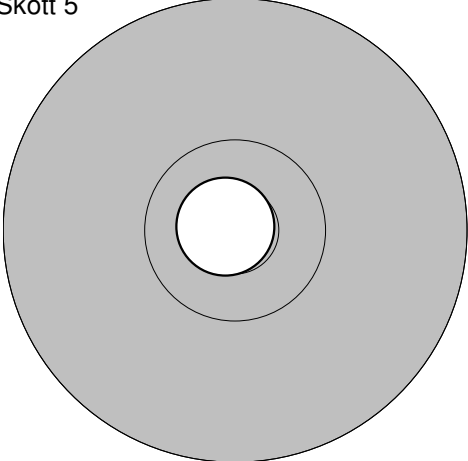
Skott 3 	1: 10,5* ←	Skott 4 	1: 9,2 ↖
Serie 10,0 Totalt 321,0		Serie 9,0 Totalt 330,0	

Skott 5 	1: 10,1 ↖		
Serie 10,0 Totalt 340,0			

Provs skott 	1: 10,4* ↙ 2: 9,7 ↙ 3: 10,6* → 4: 9,0 ↘ 5: 9,9 ↘ 6: 10,9* ↑ 7: 10,1 ↗ Serie 67,0 Totalt 191,0	10 skott 	1: 9,9 ↙ 2: 10,0 → 3: 10,7* ↘ 4: 10,8* ↑ 5: 10,5* ↗ Serie 49,0 Totalt 240,0
---	---	--	---

10 skott 	6: 9,9 ↓ 7: 9,6 ← 8: 10,2 ↘ 9: 9,5 ← 10: 9,7 ↙ Serie 46,0 Totalt 286,0	Skott 1 	1: 9,9 ↓ Serie 9,0 Totalt 295,0
---	--	--	---------------------------------------

Skott 2 	1: 10,8* ↑ Serie 10,0 Totalt 305,0	Skott 3 	1: 10,5* ↙ Serie 10,0 Totalt 315,0
---	--	---	--

Skott 4 	1: 10,5* ↙ Serie 10,0 Totalt 325,0	Skott 5 	1: 10,9* ↙ Serie 10,0 Totalt 335,0
---	--	---	--

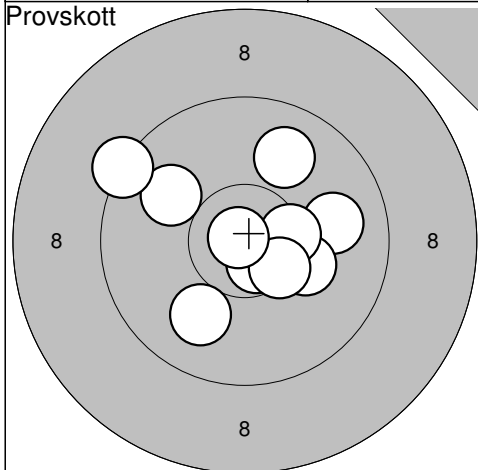
Umeå

2011-09-03

Höstträffen 2011 Final

Ramselefors SKF

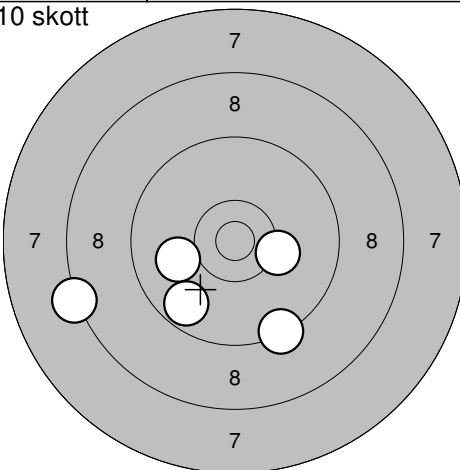
Provskott



- 1: 9,9 ↗
- 2: 10,0 ↗
- 3: 9,9 →
- 4: 10,7* ↓
- 5: 10,2 →
- 6: 10,4* →
- 7: 9,3 ↗
- 8: 10,4* ↓
- 9: 10,9* ↗
- 10: 10,0 ↓

Serie 97,0
Totalt 190,0

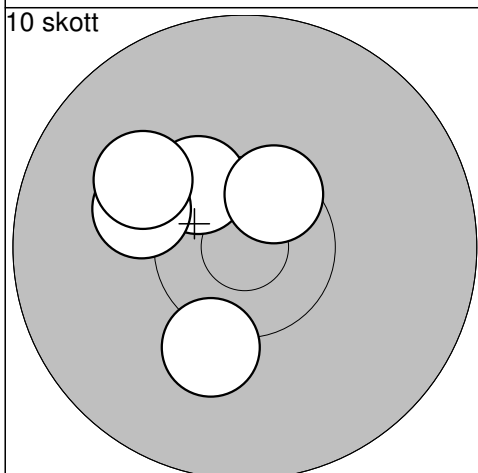
10 skott



- 1: 10,0 ←
- 2: 8,3 ←
- 3: 10,2 →
- 4: 9,4 ↓
- 5: 9,7 ↓

Serie 46,0
Totalt 236,0

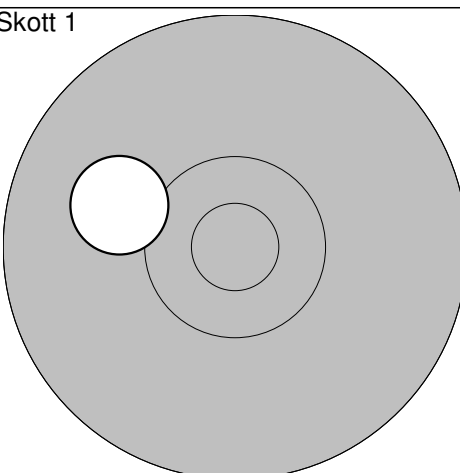
10 skott



- 6: 10,4* ↗
- 7: 10,2 ↓
- 8: 10,2 ↗
- 9: 10,1 ↗
- 10: 10,5* ↗

Serie 50,0
Totalt 286,0

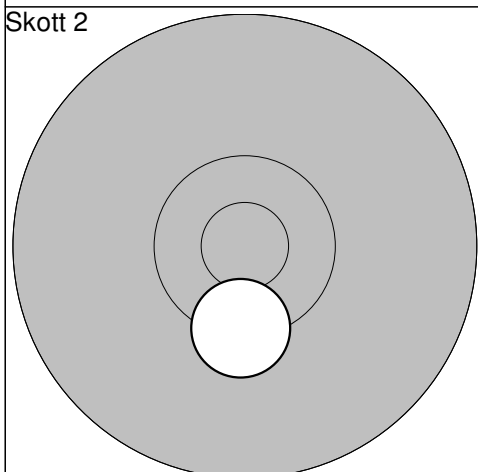
Skott 1



- 1: 10,1 ←

Serie 10,0
Totalt 296,0

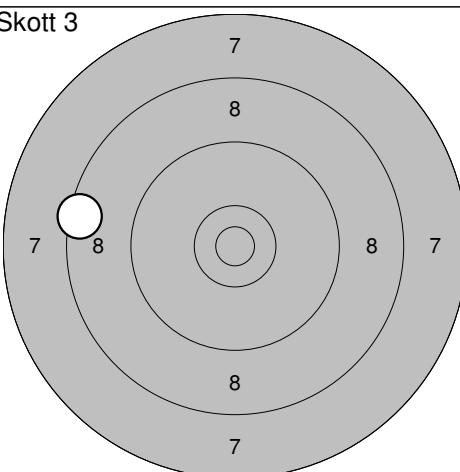
Skott 2



- 1: 10,4* ↓

Serie 10,0
Totalt 306,0

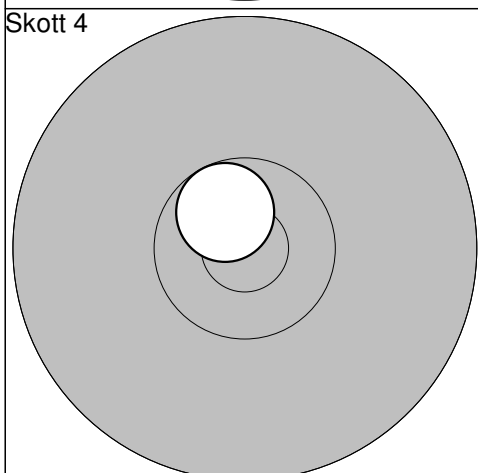
Skott 3



- 1: 8,5 ←

Serie 8,0
Totalt 314,0

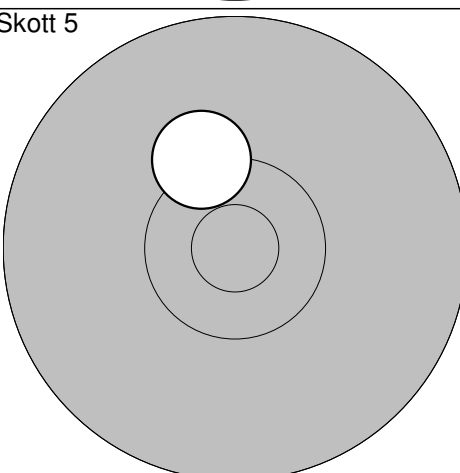
Skott 4



- 1: 10,7* ↗

Serie 10,0
Totalt 324,0

Skott 5



- 1: 10,3 ↗

Serie 10,0
Totalt 334,0

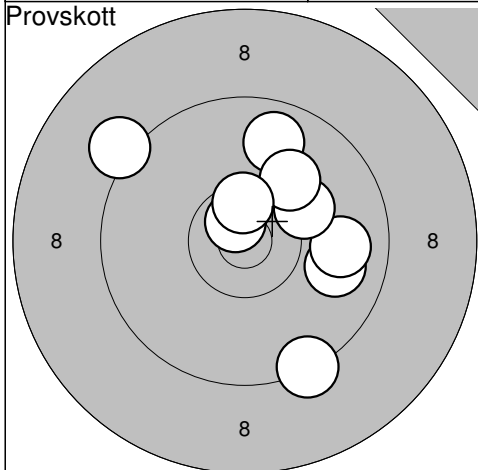
Ramselefors

2011-09-03

Höstträffen 2011 Final

Ramselefors SKF

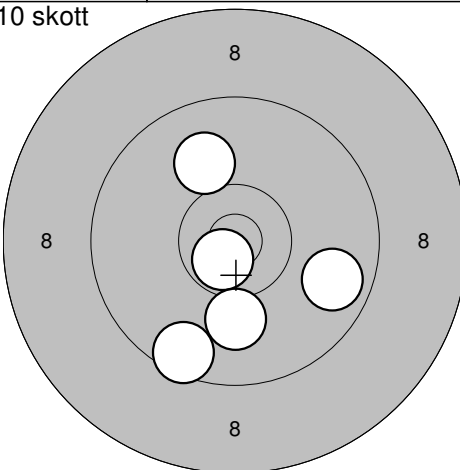
Provskott



- 1: 10,7* ↗
- 2: 9,8 ↗
- 3: 9,9 →
- 4: 9,3 ↘
- 5: 9,9 →
- 6: 10,2 ↗
- 7: 9,2 ↗
- 8: 10,1 ↗
- 9: 10,5* ↑

Serie 85,0
Totalt 191,0

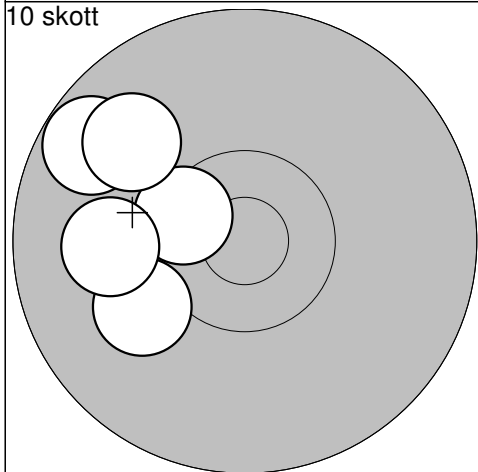
10 skott



- 1: 10,7* ↘
- 2: 9,8 →
- 3: 10,0 ↗
- 4: 9,5 ↘
- 5: 10,1 ↓

Serie 48,0
Totalt 239,0

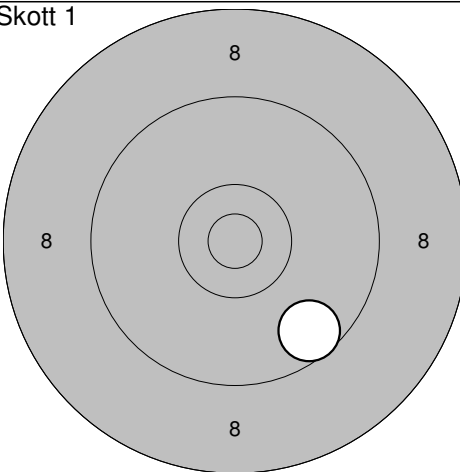
10 skott



- 6: 10,5* ←
- 7: 9,7 ↗
- 8: 9,9 ↗
- 9: 10,1 ↘
- 10: 10,0 ←

Serie 48,0
Totalt 287,0

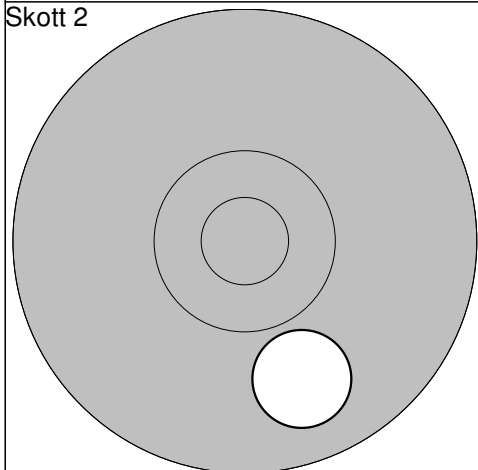
Skott 1



- 1: 9,6 ↘

Serie 9,0
Totalt 296,0

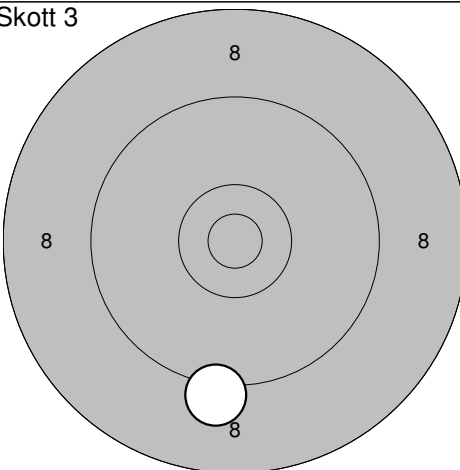
Skott 2



- 1: 9,9 ↘

Serie 9,0
Totalt 305,0

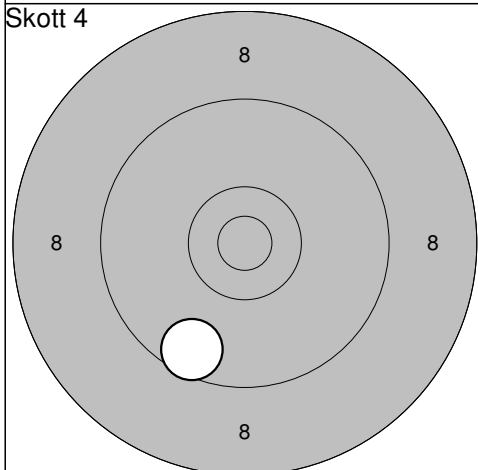
Skott 3



- 1: 9,2 ↓

Serie 9,0
Totalt 314,0

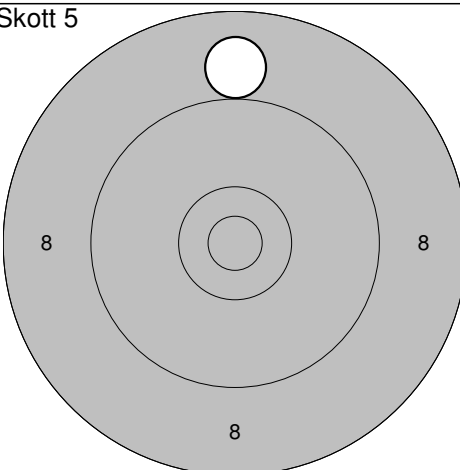
Skott 4



- 1: 9,6 ↘

Serie 9,0
Totalt 323,0

Skott 5



- 1: 9,0 ↑

Serie 9,0
Totalt 332,0

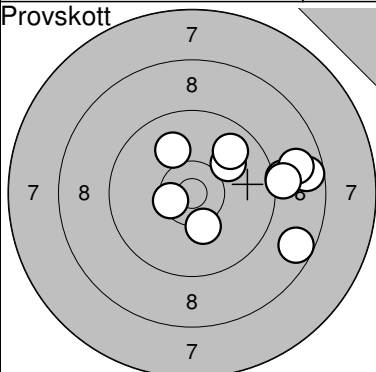
Umeå

2011-09-03

Höstträffen 2011 Final

Ramselefors SKF

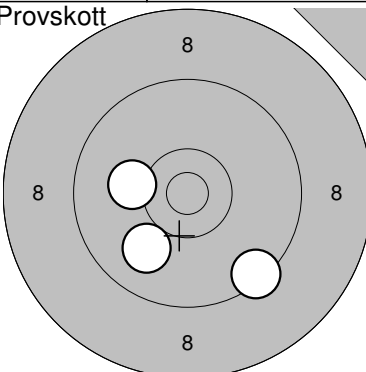
Provsnitt



1:	10,5*	←
2:	10,3	↓
3:	10,0	↗
4:	8,6	→
5:	9,8	↗
6:	10,0	↗
7:	9,1	→
8:	8,8	→
9:	8,6	→
10:	9,1	→

Serie	91,0
Totalt	188,0

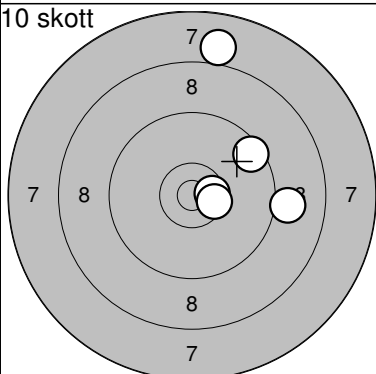
Provsnitt



11:	9,4	↓
12:	10,0	↖
13:	10,2	←

Serie	29,0
Totalt	188,0

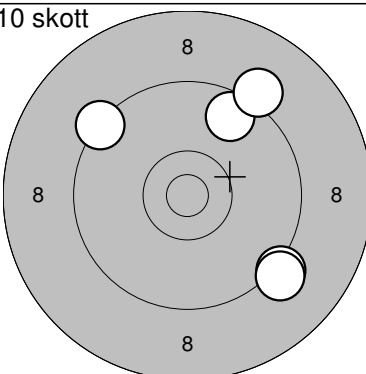
10 skott



1:	8,0	↑
2:	10,5*	→
3:	9,5	↗
4:	10,5*	↘
5:	9,0	→

Serie	46,0
Totalt	234,0

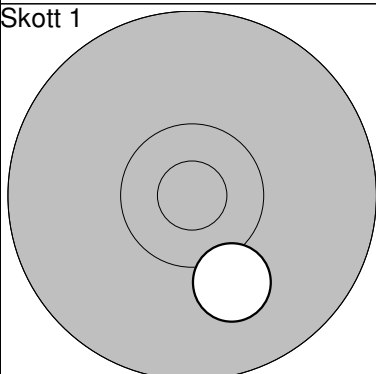
10 skott



6:	9,2	↓
7:	9,2	↓
8:	9,7	↗
9:	9,2	↗
10:	9,3	↗

Serie	45,0
Totalt	279,0

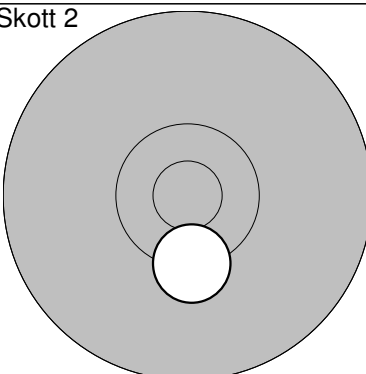
Skott 1



1:	10,1	↓
----	------	---

Serie	10,0
Totalt	289,0

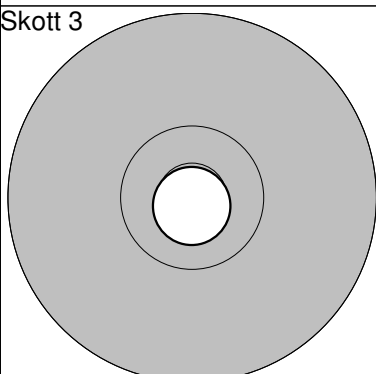
Skott 2



1:	10,3*	↓
----	-------	---

Serie	10,0
Totalt	299,0

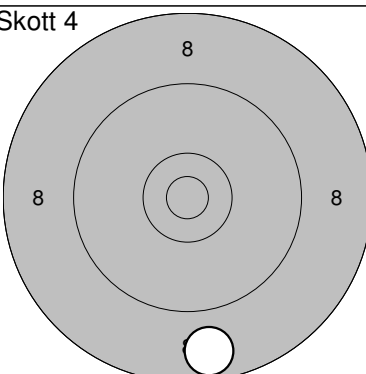
Skott 3



1:	10,9*	↓
----	-------	---

Serie	10,0
Totalt	309,0

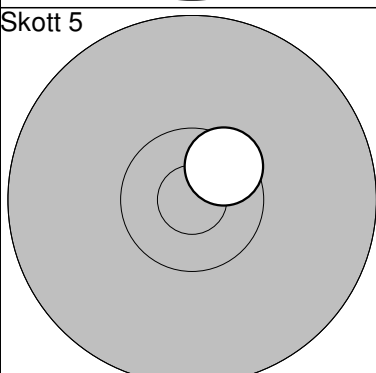
Skott 4



1:	8,7	↓
----	-----	---

Serie	8,0
Totalt	317,0

Skott 5



1:	10,5*	↗
----	-------	---

Serie	10,0
Totalt	327,0

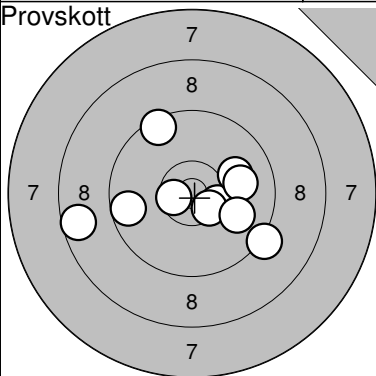
Skellefteå

2011-09-03

Höstträffen 2011 Final

Ramselefors SKF

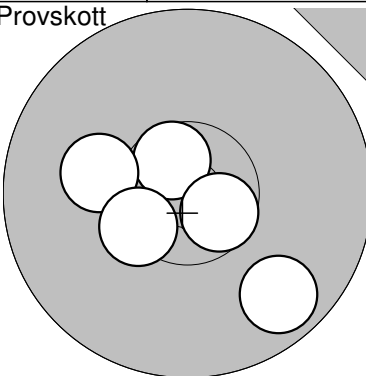
Provskott



- 1: 10,4* ↘
- 2: 10,5* ↘
- 3: 9,7 ←
- 4: 10,0 →
- 5: 10,0 →
- 6: 8,6 ←
- 7: 9,5 ↗
- 8: 10,0 ↘
- 9: 10,6* ←
- 10: 9,2 ↘

Serie 95,0
Totalt 188,0

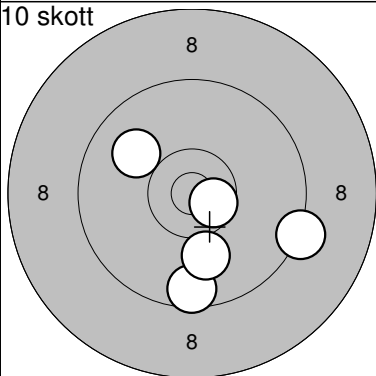
Provskott



- 11: 10,6* ↗
- 12: 10,1 ←
- 13: 10,4* ←
- 14: 9,7 ↘
- 15: 10,6* ↘

Serie 49,0
Totalt 188,0

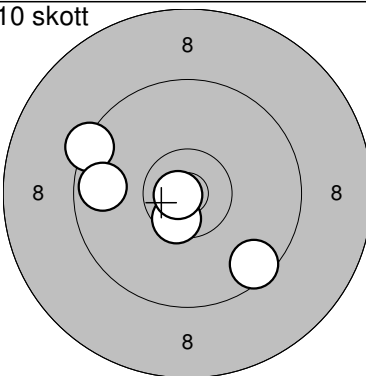
10 skott



- 1: 9,3 ↘
- 2: 9,6 ↘
- 3: 10,0 ↗
- 4: 10,6* ↘
- 5: 10,0 ↘

Serie 48,0
Totalt 236,0

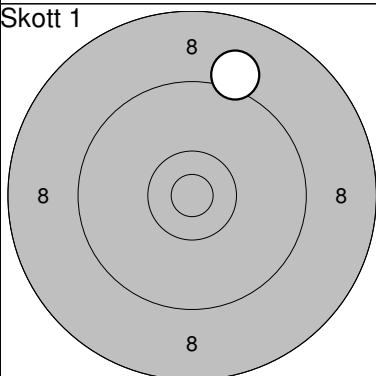
10 skott



- 6: 10,5* ↘
- 7: 9,4 ↗
- 8: 10,8* ←
- 9: 9,7 ←
- 10: 9,6 ↘

Serie 47,0
Totalt 283,0

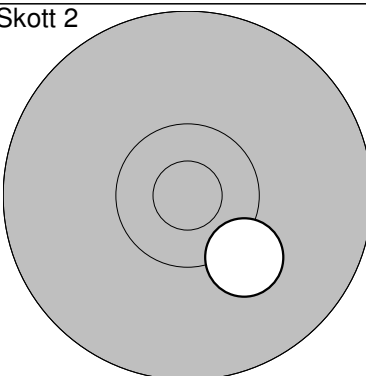
Skott 1



- 1: 9,1 ↗

Serie 9,0
Totalt 292,0

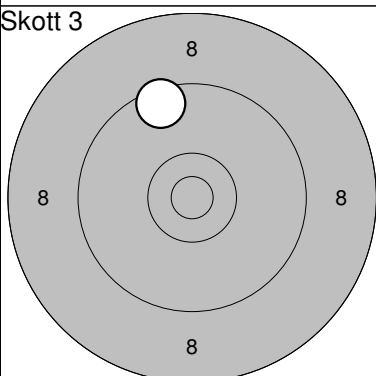
Skott 2



- 1: 10,2 ↘

Serie 10,0
Totalt 302,0

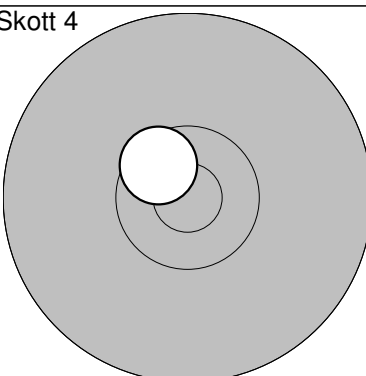
Skott 3



- 1: 9,5 ↗

Serie 9,0
Totalt 311,0

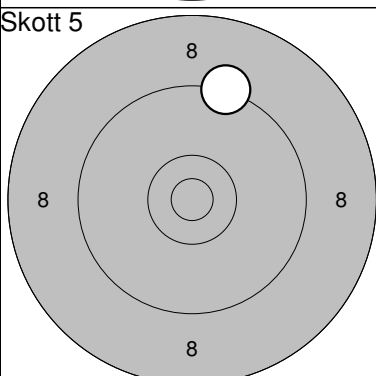
Skott 4



- 1: 10,6* ↗

Serie 10,0
Totalt 321,0

Skott 5



- 1: 9,3 ↗

Serie 9,0
Totalt 330,0

Vännäs

2011-09-03	Höstträffen 2011 Final	Ramselefors SKF
------------	------------------------	-----------------

<p>Provskott</p>	<p>10 skott</p>	<p>1: 10,5* ↖ 2: 9,8 → 3: 8,2 ← 4: 9,8 ↓ 5: 7,8 ↗ 6: 9,5 ↓ 7: 9,6 → 8: 10,2 ↖ 9: 9,5 ← 10: 9,5 ↘</p> <table border="1" style="width:100%; border-collapse: collapse;"> <tr><td>Serie</td><td style="text-align: right;">89,0</td></tr> <tr><td>Totalt</td><td style="text-align: right;">187,0</td></tr> </table>	Serie	89,0	Totalt	187,0
Serie	89,0					
Totalt	187,0					
		<p>1: 10,6* ↓ 2: 10,3 → 3: 7,6 ↗ 4: 8,5 ↗ 5: 10,5* ←</p> <table border="1" style="width:100%; border-collapse: collapse;"> <tr><td>Serie</td><td style="text-align: right;">45,0</td></tr> <tr><td>Totalt</td><td style="text-align: right;">232,0</td></tr> </table>	Serie	45,0	Totalt	232,0
Serie	45,0					
Totalt	232,0					

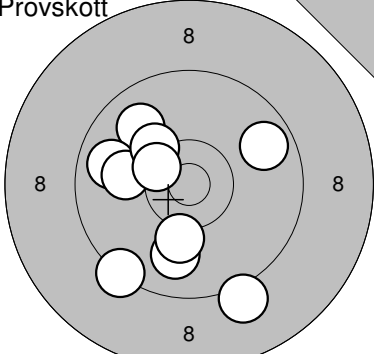
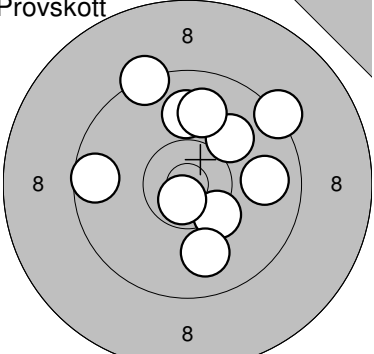
<p>10 skott</p>	<p>Skott 1</p>	<p>6: 9,6 ← 7: 10,1 ↖ 8: 10,5* ↓ 9: 10,1 ← 10: 8,7 ←</p> <table border="1" style="width:100%; border-collapse: collapse;"> <tr><td>Serie</td><td style="text-align: right;">47,0</td></tr> <tr><td>Totalt</td><td style="text-align: right;">279,0</td></tr> </table>	Serie	47,0	Totalt	279,0
Serie	47,0					
Totalt	279,0					
		<p>1: 10,1 ↖</p> <table border="1" style="width:100%; border-collapse: collapse;"> <tr><td>Serie</td><td style="text-align: right;">10,0</td></tr> <tr><td>Totalt</td><td style="text-align: right;">289,0</td></tr> </table>	Serie	10,0	Totalt	289,0
Serie	10,0					
Totalt	289,0					

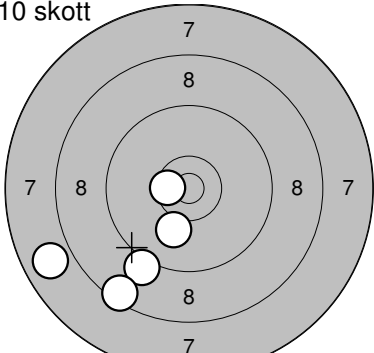
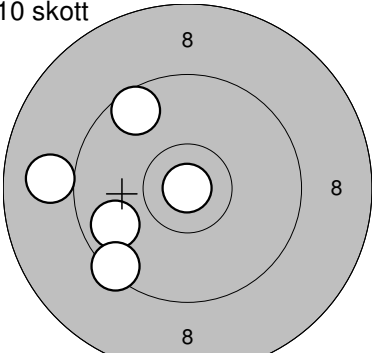
<p>Skott 2</p>	<p>Skott 3</p>	<p>1: 8,7 ←</p> <table border="1" style="width:100%; border-collapse: collapse;"> <tr><td>Serie</td><td style="text-align: right;">8,0</td></tr> <tr><td>Totalt</td><td style="text-align: right;">297,0</td></tr> </table>	Serie	8,0	Totalt	297,0
Serie	8,0					
Totalt	297,0					
		<p>1: 9,0 ↖</p> <table border="1" style="width:100%; border-collapse: collapse;"> <tr><td>Serie</td><td style="text-align: right;">9,0</td></tr> <tr><td>Totalt</td><td style="text-align: right;">306,0</td></tr> </table>	Serie	9,0	Totalt	306,0
Serie	9,0					
Totalt	306,0					

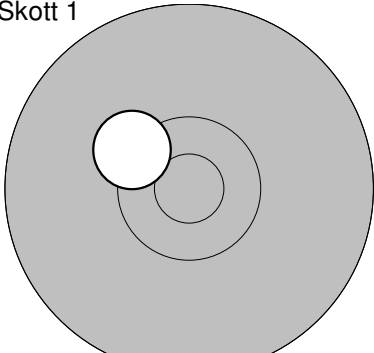
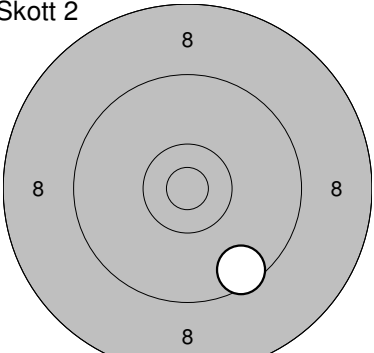
<p>Skott 4</p>	<p>Skott 5</p>	<p>0,0 ↖</p> <table border="1" style="width:100%; border-collapse: collapse;"> <tr><td>Serie</td><td style="text-align: right;">0,0</td></tr> <tr><td>Totalt</td><td style="text-align: right;">306,0</td></tr> </table>	Serie	0,0	Totalt	306,0
Serie	0,0					
Totalt	306,0					
		<p>1: 8,9 ↓</p> <table border="1" style="width:100%; border-collapse: collapse;"> <tr><td>Serie</td><td style="text-align: right;">8,0</td></tr> <tr><td>Totalt</td><td style="text-align: right;">314,0</td></tr> </table>	Serie	8,0	Totalt	314,0
Serie	8,0					
Totalt	314,0					

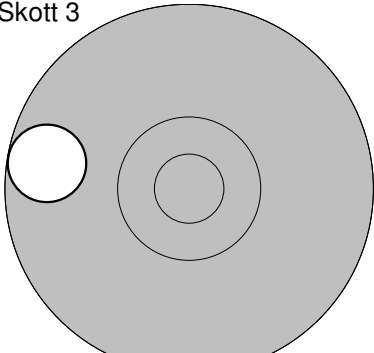
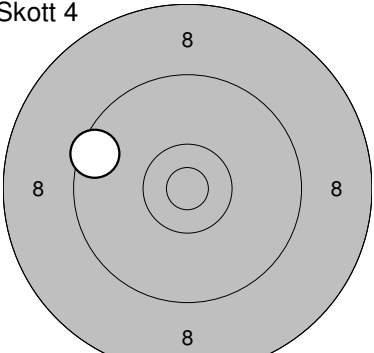
Umeå

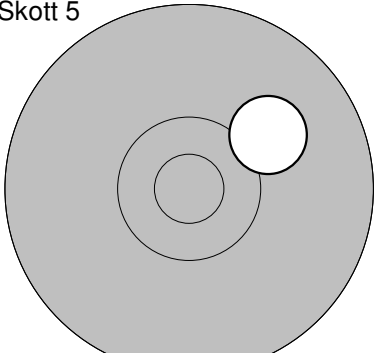
2011-09-03	Höstträffen 2011 Final	Ramselefors SKF
------------	------------------------	-----------------

Provsnitt 	1: 9,9 ↗ 2: 9,8 ↗ 3: 9,1 ↘ 4: 9,9 ↘ 5: 9,7 ↗ 6: 10,0 ↗ 7: 10,2 ↘ 8: 9,3 ↘ 9: 10,2 ↗ 10: 10,4* ↗ <hr/> Serie 94,0 Totalt 183,0	Provsnitt 	11: 9,6 ← 12: 10,3* ↘ 13: 9,9 ↘ 14: 9,8 → 15: 10,7* ↘ 16: 10,0 ↗ 17: 9,3 ↗ 18: 9,3 ↗ 19: 9,9 ↗ 20: 9,9 ↗ <hr/> Serie 93,0 Totalt 183,0
---	--	---	---

10 skott 	1: 9,1 ↘ 2: 10,5* ← 3: 10,1 ↘ 4: 8,5 ↘ 5: 7,9 ← <hr/> Serie 44,0 Totalt 227,0	10 skott 	6: 0,0 · 7: 9,8 ← 8: 9,4 ← 9: 9,0 ← 10: 9,6 ↗ <hr/> Serie 36,0 Totalt 263,0
--	---	--	---

Skott 1 	1: 10,3* ↘ <hr/> Serie 10,0 Totalt 273,0	Skott 2 	1: 9,5 ↘ <hr/> Serie 9,0 Totalt 282,0
--	--	--	---

Skott 3 	1: 9,7 ← <hr/> Serie 9,0 Totalt 291,0	Skott 4 	1: 9,5 ← <hr/> Serie 9,0 Totalt 300,0
---	---	---	---

Skott 5 	1: 10,1 ↗ <hr/> Serie 10,0 Totalt 310,0		
---	---	--	--

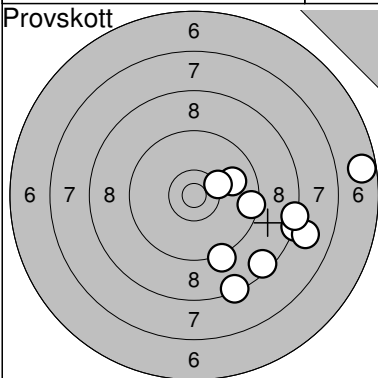
Drängsmark

2011-09-03

Höstträffen 2011 Final

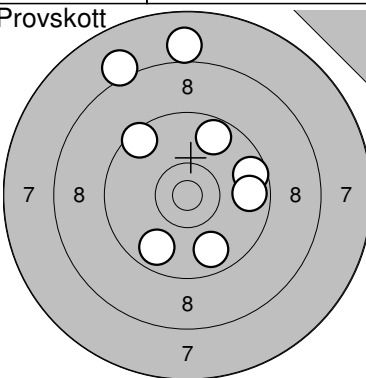
Ramselefors SKF

Provskott



1:	6,7	→
2:	8,3	↘
3:	8,4	↘
4:	8,0	↘
5:	9,9	→
6:	8,4	→
7:	10,3	→
8:	9,2	↘
9:	9,5	↘
10:	8,5	↘

Provskott

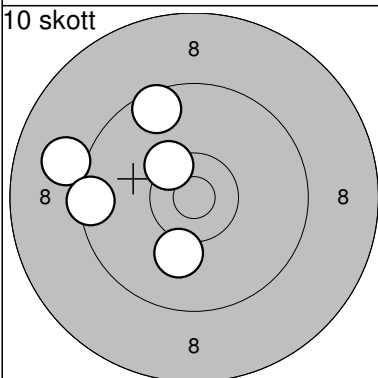


11:	9,8	↘
12:	8,1	↗
13:	9,5	↗
14:	9,6	→
15:	8,0	↑
16:	9,7	→
17:	9,7	↗
18:	9,8	↘

Serie	83,0
Totalt	181,0

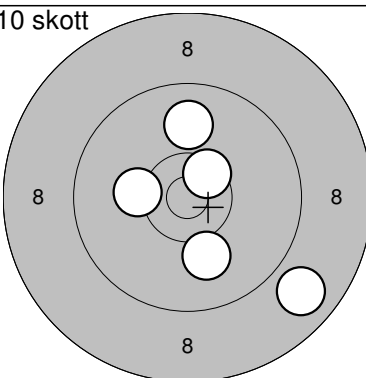
Serie	70,0
Totalt	181,0

10 skott



1:	10,1	↘
2:	9,6	↗
3:	10,4*	↗
4:	9,0	↗
5:	9,5	↑

10 skott

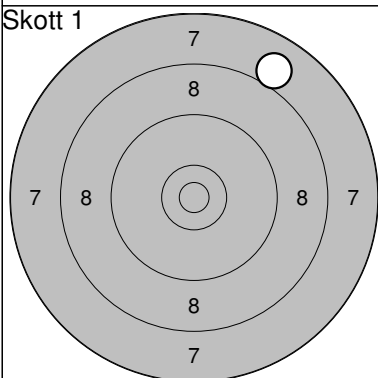


6:	8,8	↘
7:	10,1	↘
8:	10,2	←
9:	10,5*	↗
10:	9,9	↑

Serie	47,0
Totalt	228,0

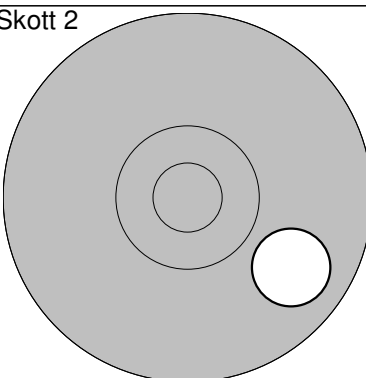
Serie	47,0
Totalt	275,0

Skott 1



1:	8,0	↗
----	-----	---

Skott 2

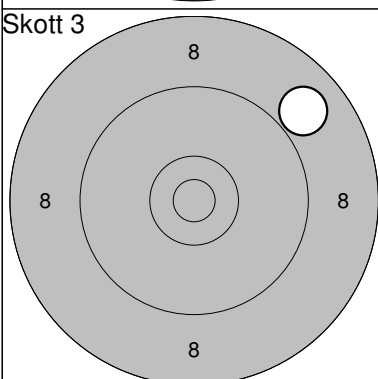


1:	9,8	↘
----	-----	---

Serie	8,0
Totalt	283,0

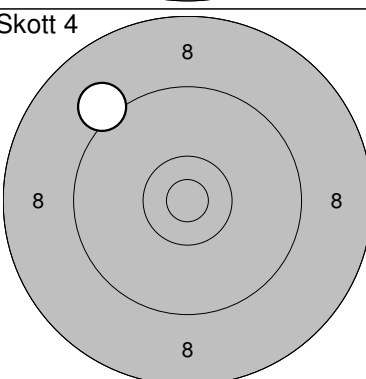
Serie	9,0
Totalt	292,0

Skott 3



1:	8,9	↗
----	-----	---

Skott 4

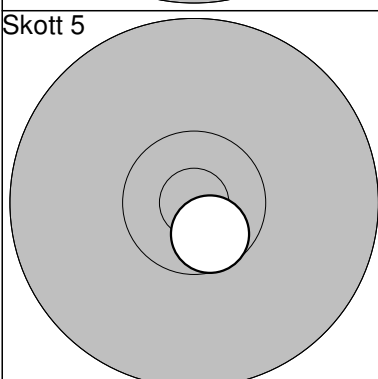


1:	9,1	↖
----	-----	---

Serie	8,0
Totalt	300,0

Serie	9,0
Totalt	309,0

Skott 5

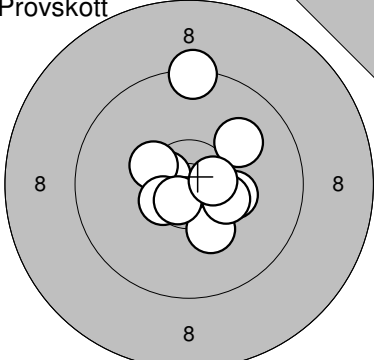
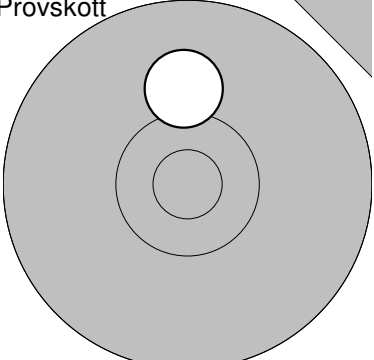


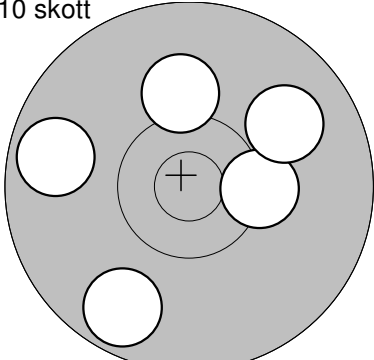
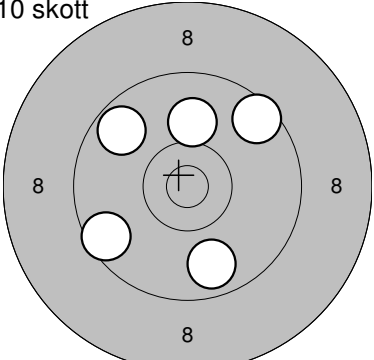
1:	10,6*	↘
----	-------	---

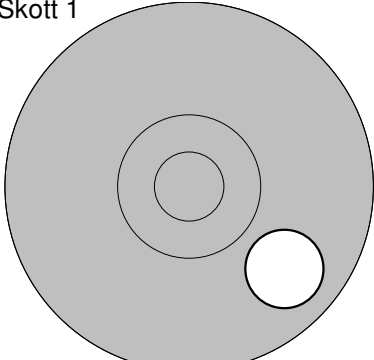
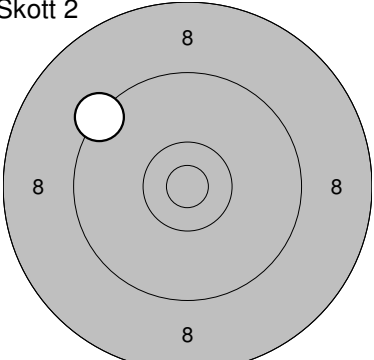
Serie	10,0
Totalt	319,0

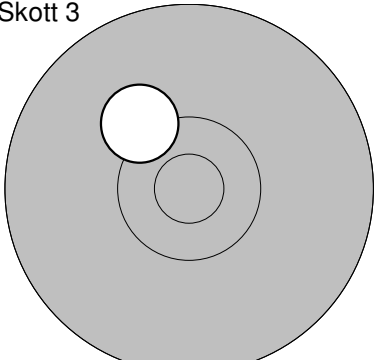
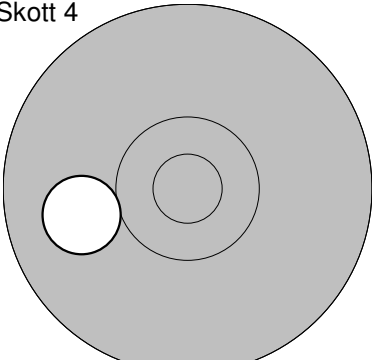
Umeå

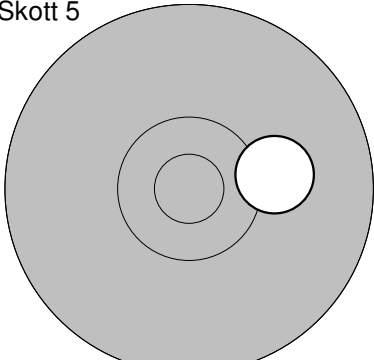
2011-09-03	Höstträffen 2011 Final	Ramselefors SKF
------------	------------------------	-----------------

Provsnitt 	1: 10,6* ↗ 2: 10,0 ↘ 3: 10,3 → 4: 10,4* ↗ 5: 10,2 ↘ 6: 10,5* ↖ 7: 10,4* ↘ 8: 10,7* ↖ 9: 9,4 → 10: 10,6* →	Provsnitt 	11: 10,1 ↑
Serie 99,0 Totalt 197,0		Serie 10,0 Totalt 197,0	

10 skott 	1: 10,3* → 2: 9,7 ← 3: 10,1 ↑ 4: 9,9 ↗ 5: 9,7 ↘	10 skott 	6: 9,7 ↖ 7: 9,6 ↖ 8: 9,6 ↗ 9: 10,0 ↑ 10: 9,8 ↓
Serie 47,0 Totalt 244,0		Serie 46,0 Totalt 290,0	

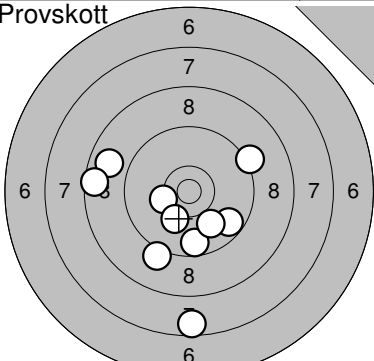
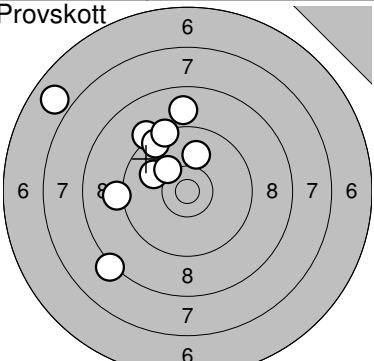
Skott 1 	1: 9,8 ↘	Skott 2 	1: 9,3 ↖
Serie 9,0 Totalt 299,0		Serie 9,0 Totalt 308,0	

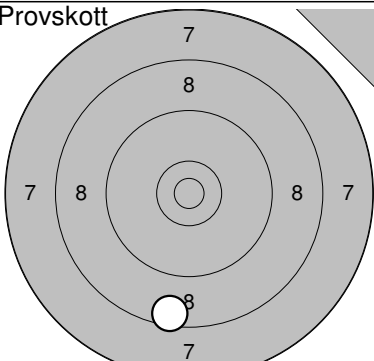
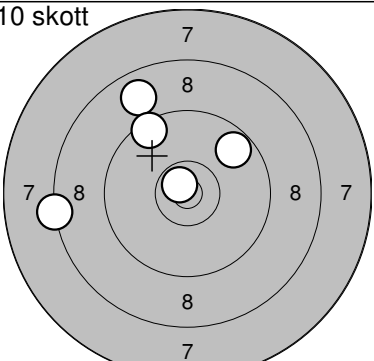
Skott 3 	1: 10,2 ↖	Skott 4 	1: 10,0 ←
Serie 10,0 Totalt 318,0		Serie 10,0 Totalt 328,0	

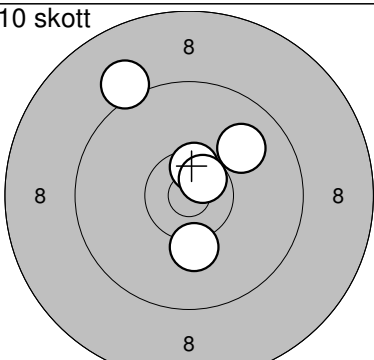
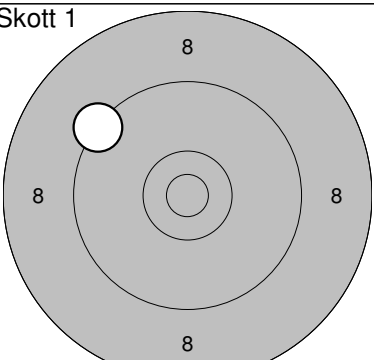
Skott 5 	1: 10,2 →		
Serie 10,0 Totalt 338,0			

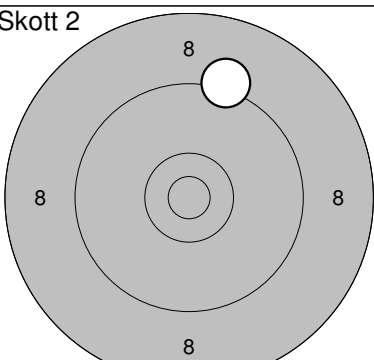
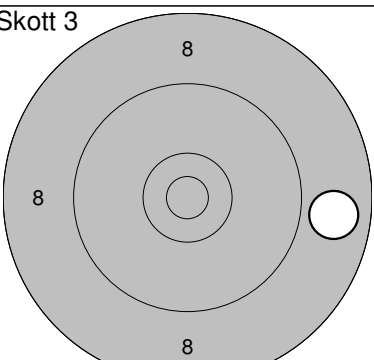
Umeå

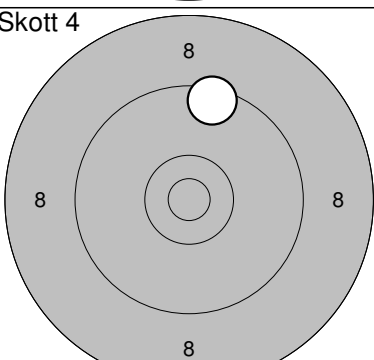
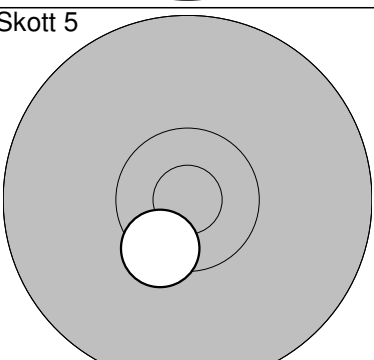
2011-09-03	Höstträffen 2011 Final	Ramselefors SKF
------------	------------------------	-----------------

Provsnitt		Provsnitt																																																	
	<table style="width:100%; border-collapse: collapse;"> <tr><td>1: 9,7</td><td style="text-align: right;">↘</td></tr> <tr><td>2: 7,6</td><td style="text-align: right;">↘</td></tr> <tr><td>3: 9,2</td><td style="text-align: right;">→</td></tr> <tr><td>4: 9,6</td><td style="text-align: right;">↘</td></tr> <tr><td>5: 9,1</td><td style="text-align: right;">↘</td></tr> <tr><td>6: 10,3</td><td style="text-align: right;">←</td></tr> <tr><td>7: 8,8</td><td style="text-align: right;">↗</td></tr> <tr><td>8: 10,0</td><td style="text-align: right;">↘</td></tr> <tr><td>9: 8,6</td><td style="text-align: right;">←</td></tr> <tr><td>10: 10,2</td><td style="text-align: right;">↘</td></tr> <tr><td colspan="2" style="border-top: 1px solid black;">Serie 89,0</td></tr> <tr><td colspan="2" style="border-top: 1px solid black;">Totalt 189,0</td></tr> </table>	1: 9,7	↘	2: 7,6	↘	3: 9,2	→	4: 9,6	↘	5: 9,1	↘	6: 10,3	←	7: 8,8	↗	8: 10,0	↘	9: 8,6	←	10: 10,2	↘	Serie 89,0		Totalt 189,0			<table style="width:100%; border-collapse: collapse;"> <tr><td>11: 8,2</td><td style="text-align: right;">↙</td></tr> <tr><td>12: 10,0</td><td style="text-align: right;">↑</td></tr> <tr><td>13: 9,2</td><td style="text-align: right;">↗</td></tr> <tr><td>14: 10,0</td><td style="text-align: right;">↗</td></tr> <tr><td>15: 6,9</td><td style="text-align: right;">↗</td></tr> <tr><td>16: 8,9</td><td style="text-align: right;">↑</td></tr> <tr><td>17: 10,2</td><td style="text-align: right;">↗</td></tr> <tr><td>18: 9,5</td><td style="text-align: right;">↗</td></tr> <tr><td>19: 9,2</td><td style="text-align: right;">←</td></tr> <tr><td>20: 9,4</td><td style="text-align: right;">↗</td></tr> <tr><td colspan="2" style="border-top: 1px solid black;">Serie 88,0</td></tr> <tr><td colspan="2" style="border-top: 1px solid black;">Totalt 189,0</td></tr> </table>	11: 8,2	↙	12: 10,0	↑	13: 9,2	↗	14: 10,0	↗	15: 6,9	↗	16: 8,9	↑	17: 10,2	↗	18: 9,5	↗	19: 9,2	←	20: 9,4	↗	Serie 88,0		Totalt 189,0	
1: 9,7	↘																																																		
2: 7,6	↘																																																		
3: 9,2	→																																																		
4: 9,6	↘																																																		
5: 9,1	↘																																																		
6: 10,3	←																																																		
7: 8,8	↗																																																		
8: 10,0	↘																																																		
9: 8,6	←																																																		
10: 10,2	↘																																																		
Serie 89,0																																																			
Totalt 189,0																																																			
11: 8,2	↙																																																		
12: 10,0	↑																																																		
13: 9,2	↗																																																		
14: 10,0	↗																																																		
15: 6,9	↗																																																		
16: 8,9	↑																																																		
17: 10,2	↗																																																		
18: 9,5	↗																																																		
19: 9,2	←																																																		
20: 9,4	↗																																																		
Serie 88,0																																																			
Totalt 189,0																																																			

Provsnitt	21: 8,5	10 skott																			
	<table style="width:100%; border-collapse: collapse;"> <tr><td colspan="2" style="border-top: 1px solid black;">Serie 8,0</td></tr> <tr><td colspan="2" style="border-top: 1px solid black;">Totalt 189,0</td></tr> </table>	Serie 8,0		Totalt 189,0			<table style="width:100%; border-collapse: collapse;"> <tr><td>1: 9,7</td><td style="text-align: right;">↗</td></tr> <tr><td>2: 8,3</td><td style="text-align: right;">←</td></tr> <tr><td>3: 8,8</td><td style="text-align: right;">↗</td></tr> <tr><td>4: 9,5</td><td style="text-align: right;">↗</td></tr> <tr><td>5: 10,7*</td><td style="text-align: right;">↗</td></tr> <tr><td colspan="2" style="border-top: 1px solid black;">Serie 44,0</td></tr> <tr><td colspan="2" style="border-top: 1px solid black;">Totalt 233,0</td></tr> </table>	1: 9,7	↗	2: 8,3	←	3: 8,8	↗	4: 9,5	↗	5: 10,7*	↗	Serie 44,0		Totalt 233,0	
Serie 8,0																					
Totalt 189,0																					
1: 9,7	↗																				
2: 8,3	←																				
3: 8,8	↗																				
4: 9,5	↗																				
5: 10,7*	↗																				
Serie 44,0																					
Totalt 233,0																					

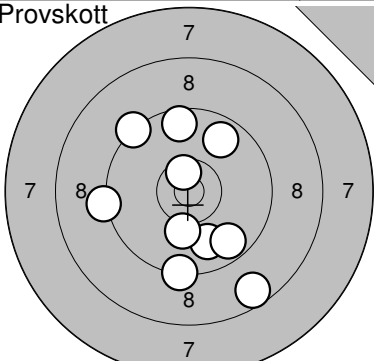
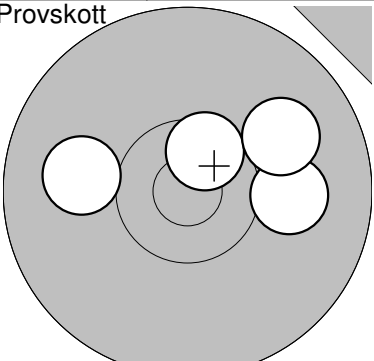
10 skott		Skott 1																					
	<table style="width:100%; border-collapse: collapse;"> <tr><td>6: 10,5*</td><td style="text-align: right;">↑</td></tr> <tr><td>7: 9,1</td><td style="text-align: right;">↗</td></tr> <tr><td>8: 9,9</td><td style="text-align: right;">↗</td></tr> <tr><td>9: 10,6*</td><td style="text-align: right;">↗</td></tr> <tr><td>10: 10,2</td><td style="text-align: right;">↘</td></tr> <tr><td colspan="2" style="border-top: 1px solid black;">Serie 48,0</td></tr> <tr><td colspan="2" style="border-top: 1px solid black;">Totalt 281,0</td></tr> </table>	6: 10,5*	↑	7: 9,1	↗	8: 9,9	↗	9: 10,6*	↗	10: 10,2	↘	Serie 48,0		Totalt 281,0			<table style="width:100%; border-collapse: collapse;"> <tr><td>1: 9,3</td><td style="text-align: right;">↖</td></tr> <tr><td colspan="2" style="border-top: 1px solid black;">Serie 9,0</td></tr> <tr><td colspan="2" style="border-top: 1px solid black;">Totalt 290,0</td></tr> </table>	1: 9,3	↖	Serie 9,0		Totalt 290,0	
6: 10,5*	↑																						
7: 9,1	↗																						
8: 9,9	↗																						
9: 10,6*	↗																						
10: 10,2	↘																						
Serie 48,0																							
Totalt 281,0																							
1: 9,3	↖																						
Serie 9,0																							
Totalt 290,0																							

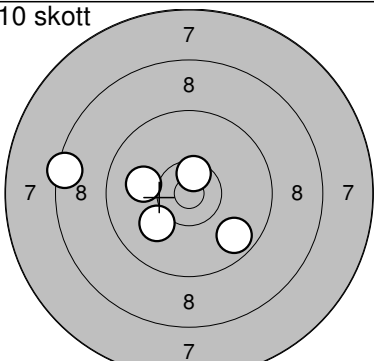
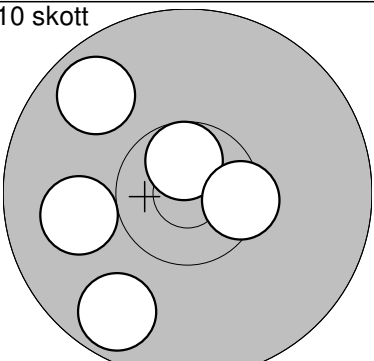
Skott 2	1: 9,2	Skott 3	1: 8,8								
	<table style="width:100%; border-collapse: collapse;"> <tr><td colspan="2" style="border-top: 1px solid black;">Serie 9,0</td></tr> <tr><td colspan="2" style="border-top: 1px solid black;">Totalt 299,0</td></tr> </table>	Serie 9,0		Totalt 299,0			<table style="width:100%; border-collapse: collapse;"> <tr><td colspan="2" style="border-top: 1px solid black;">Serie 8,0</td></tr> <tr><td colspan="2" style="border-top: 1px solid black;">Totalt 307,0</td></tr> </table>	Serie 8,0		Totalt 307,0	
Serie 9,0											
Totalt 299,0											
Serie 8,0											
Totalt 307,0											

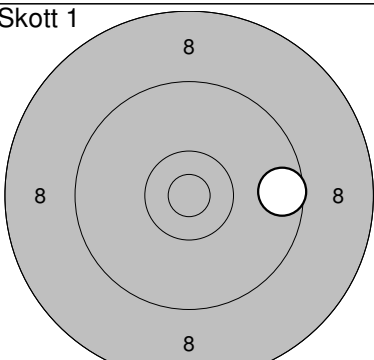
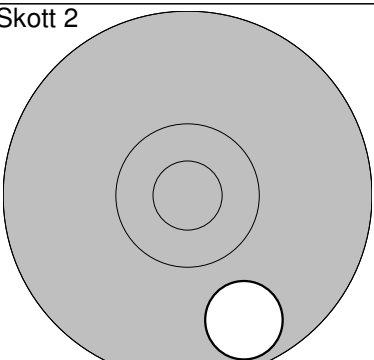
Skott 4	1: 9,5	Skott 5	1: 10,5*								
	<table style="width:100%; border-collapse: collapse;"> <tr><td colspan="2" style="border-top: 1px solid black;">Serie 9,0</td></tr> <tr><td colspan="2" style="border-top: 1px solid black;">Totalt 316,0</td></tr> </table>	Serie 9,0		Totalt 316,0			<table style="width:100%; border-collapse: collapse;"> <tr><td colspan="2" style="border-top: 1px solid black;">Serie 10,0</td></tr> <tr><td colspan="2" style="border-top: 1px solid black;">Totalt 326,0</td></tr> </table>	Serie 10,0		Totalt 326,0	
Serie 9,0											
Totalt 316,0											
Serie 10,0											
Totalt 326,0											

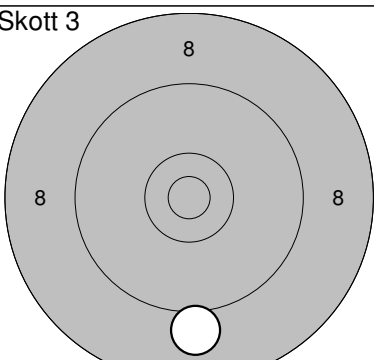
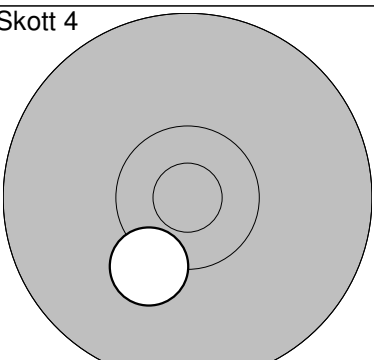
Ramselefors

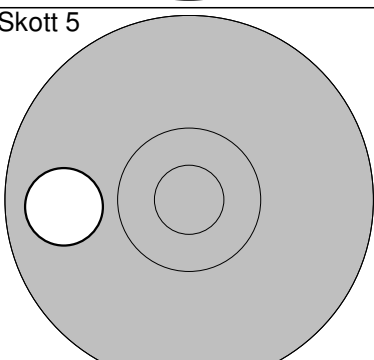
2011-09-03	Höstträffen 2011 Final	Ramselefors SKF
------------	------------------------	-----------------

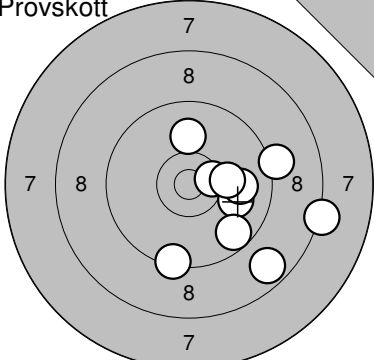
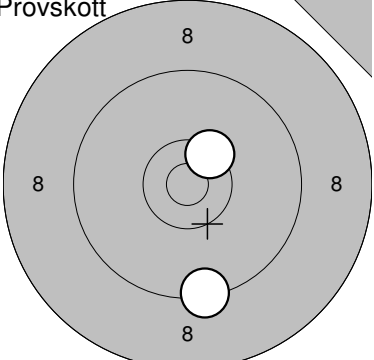
<p>Provskott</p> 	<p>1: 9,8 ↗ 2: 9,9 ↘ 3: 9,7 ↘ 4: 8,6 ↘ 5: 10,1 ↖ 6: 9,3 ↖ 7: 9,6 ↗ 8: 9,2 ↖ 9: 9,3 ↘ 10: 10,6* ↗</p> <p>Serie 91,0 Totalt 188,0</p>	<p>Provskott</p> 	<p>11: 10,6* ↗ 12: 10,0 ↖ 13: 10,0 → 14: 10,0 ↗</p> <p>Serie 40,0 Totalt 188,0</p>
---	---	---	--

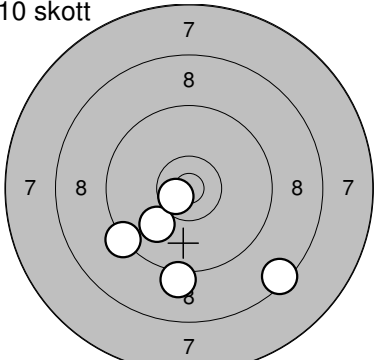
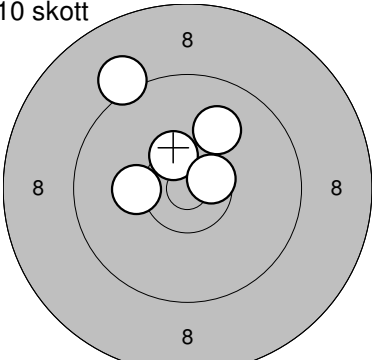
<p>10 skott</p> 	<p>1: 9,7 ↘ 2: 8,5 ↖ 3: 10,5* ↗ 4: 10,1 ↘ 5: 10,0 ↖</p> <p>Serie 47,0 Totalt 235,0</p>	<p>10 skott</p> 	<p>6: 10,7* ↗ 7: 9,7 ↘ 8: 10,0 ↖ 9: 9,8 ↗ 10: 10,5* →</p> <p>Serie 48,0 Totalt 283,0</p>
--	---	--	---

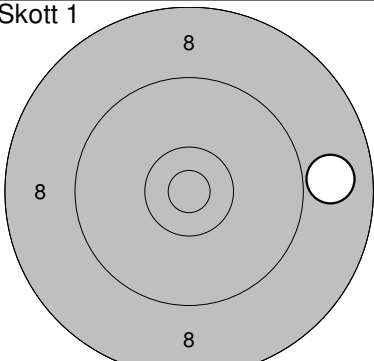
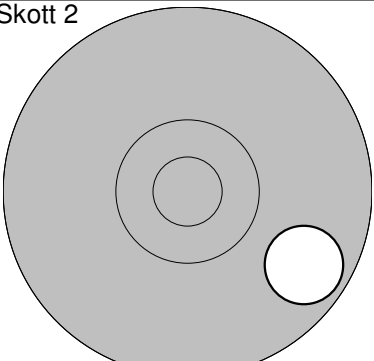
<p>Skott 1</p> 	<p>1: 9,6 →</p> <p>Serie 9,0 Totalt 292,0</p>	<p>Skott 2</p> 	<p>1: 9,7 ↘</p> <p>Serie 9,0 Totalt 301,0</p>
--	--	--	--

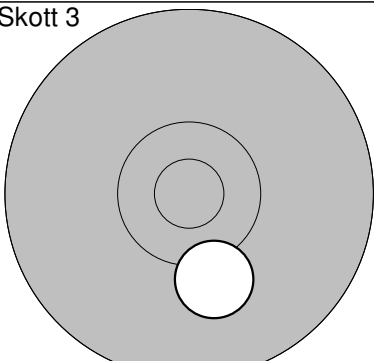
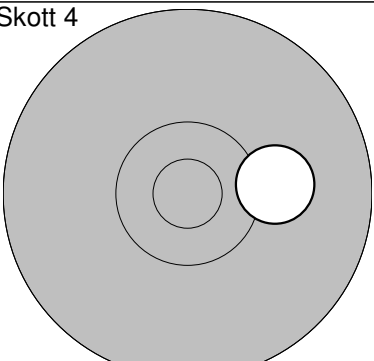
<p>Skott 3</p> 	<p>1: 9,0 ↘</p> <p>Serie 9,0 Totalt 310,0</p>	<p>Skott 4</p> 	<p>1: 10,2 ↘</p> <p>Serie 10,0 Totalt 320,0</p>
---	--	---	--

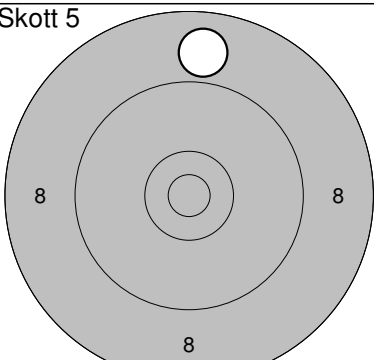
<p>Skott 5</p> 	<p>1: 9,8 ↖</p> <p>Serie 9,0 Totalt 329,0</p>		
---	--	--	--

Provsnitt 	1: 8,2 → 2: 9,4 ↓ 3: 10,5* → 4: 9,2 → 5: 10,0 ↑ 6: 10,0 → 7: 8,7 ↓ 8: 9,9 → 9: 10,2 → 10: 9,7 ↓ <hr/> Serie 92,0 Totalt 194,0	Provsnitt 	11: 9,4 ↓ 12: 10,4* ↗ <hr/> Serie 19,0 Totalt 194,0
---	--	---	--

10 skott 	1: 8,5 ↓ 2: 10,0 ↓ 3: 9,3 ↓ 4: 9,1 ↓ 5: 10,7* ← <hr/> Serie 46,0 Totalt 240,0	10 skott 	6: 10,2 ← 7: 10,4* ↑ 8: 10,0 ↑ 9: 10,6* → 10: 9,1 ↖ <hr/> Serie 49,0 Totalt 289,0
--	---	--	---

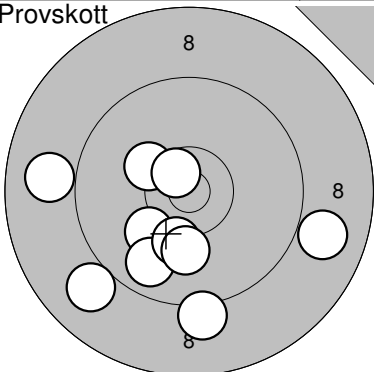
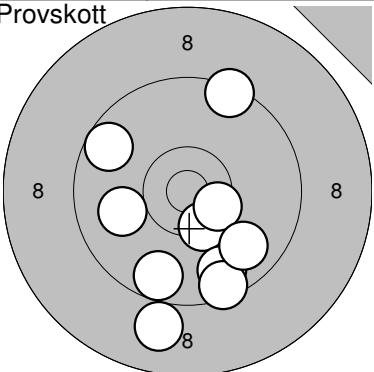
Skott 1 	1: 8,9 → <hr/> Serie 8,0 Totalt 297,0	Skott 2 	1: 9,7 → <hr/> Serie 9,0 Totalt 306,0
--	---	--	---

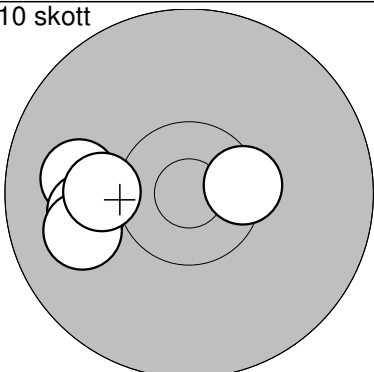
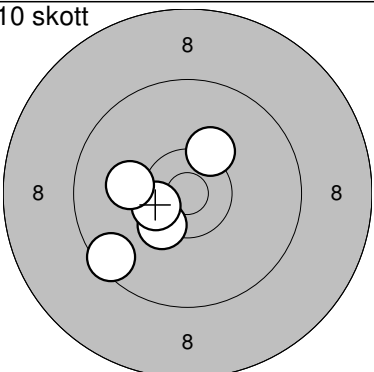
Skott 3 	1: 10,1 ↓ <hr/> Serie 10,0 Totalt 316,0	Skott 4 	1: 10,2 → <hr/> Serie 10,0 Totalt 326,0
---	---	---	---

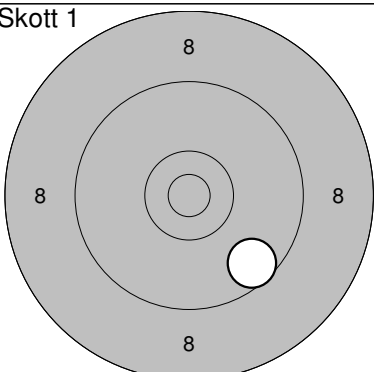
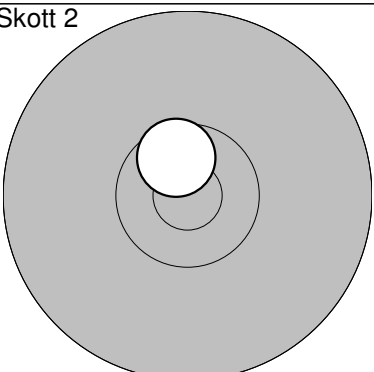
Skott 5 	1: 8,9 ↑ <hr/> Serie 8,0 Totalt 334,0		
---	---	--	--

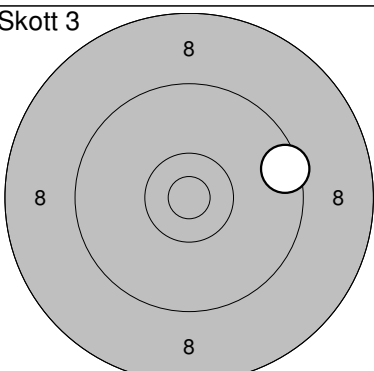
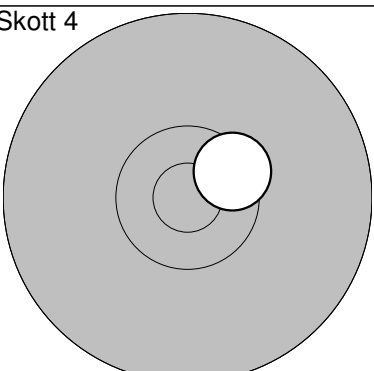
Umeå

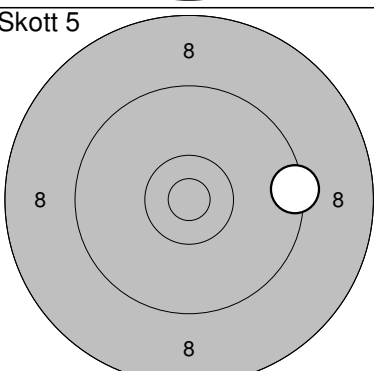
2011-09-03	Höstträffen 2011 Final	Ramselefors SKF
------------	------------------------	-----------------

Provsnitt 	1: 10,1 ↘ 2: 10,3 ↗ 3: 9,2 ↘ 4: 9,8 ↘ 5: 10,2 ↘ 6: 8,9 ↘ 7: 10,1 ↘ 8: 10,6* ↗ 9: 9,0 ↘ 10: 8,9 ↖	Provsnitt 	11: 10,4* ↘ 12: 9,7 ↘ 13: 10,5* ↗ 14: 9,7 ↘ 15: 9,4 ↗ 16: 9,0 ↘ 17: 10,0 ↖ 18: 9,7 ↗ 19: 9,5 ↘ 20: 9,8 ↘
Serie 93,0		Serie 93,0	
Totalt 193,0		Totalt 193,0	

10 skott 	1: 10,0 ← 2: 10,0 ← 3: 10,5* → 4: 9,9 ← 5: 10,2 ←	10 skott 	6: 9,5 ↖ 7: 10,4* ↖ 8: 10,5* ↖ 9: 10,1 ↖ 10: 10,3 ↗
Serie 49,0		Serie 49,0	
Totalt 242,0		Totalt 291,0	

Skott 1 	1: 9,6 ↘	Skott 2 	1: 10,6* ↗
Serie 9,0		Serie 10,0	
Totalt 300,0		Totalt 310,0	

Skott 3 	1: 9,5 →	Skott 4 	1: 10,5* ↗
Serie 9,0		Serie 10,0	
Totalt 319,0		Totalt 329,0	

Skott 5 	1: 9,4 →		
Serie 9,0			
Totalt 338,0			

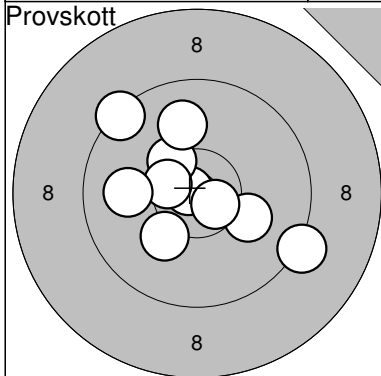
Umeå

2011-09-03

Höstträffen 2011 Final

Ramselefors SKF

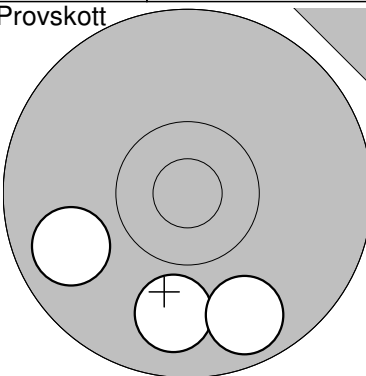
Provskott



- 1: 10,8* ↗
- 2: 10,1 ↘
- 3: 10,4* ↗
- 4: 10,2 ↖
- 5: 9,2 ↘
- 6: 10,5* ↗
- 7: 10,0 →
- 8: 10,6* ↘
- 9: 9,4 ↗
- 10: 10,0 ↖

Serie 98,0
Totalt 190,0

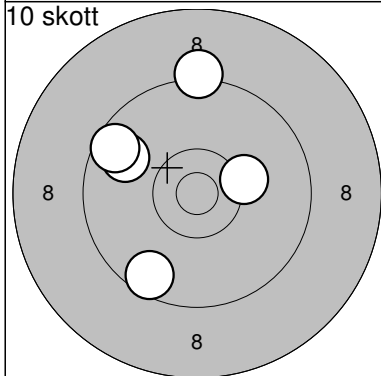
Provskott



- 11: 9,9 ↓
- 12: 9,7 ↘
- 13: 9,8 ↖

Serie 27,0
Totalt 190,0

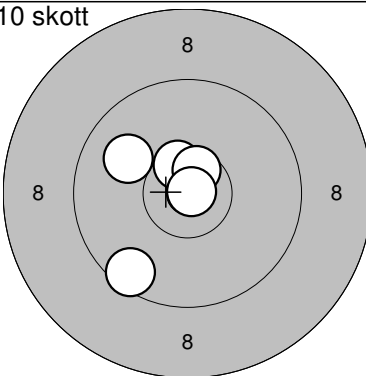
10 skott



- 1: 9,2 ↑
- 2: 10,2 →
- 3: 9,8 ↗
- 4: 9,6 ↖
- 5: 9,6 ↗

Serie 46,0
Totalt 236,0

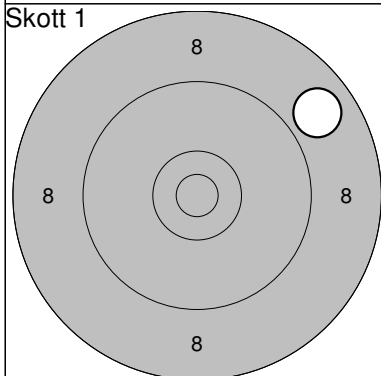
10 skott



- 6: 10,5* ↑
- 7: 9,6 ↘
- 8: 10,0 ↖
- 9: 10,6* ↗
- 10: 10,9* →

Serie 49,0
Totalt 285,0

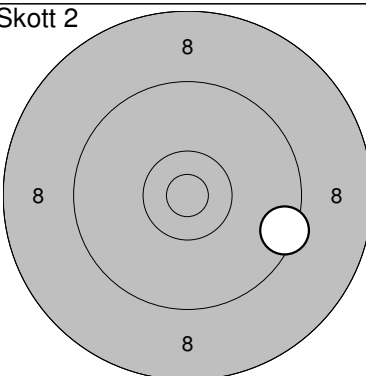
Skott 1



- 1: 8,9 ↗

Serie 8,0
Totalt 293,0

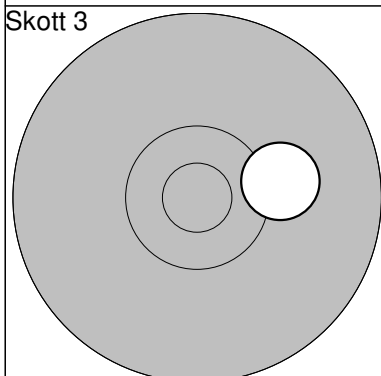
Skott 2



- 1: 9,5 →

Serie 9,0
Totalt 302,0

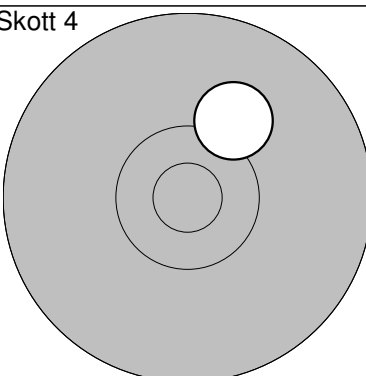
Skott 3



- 1: 10,2 →

Serie 10,0
Totalt 312,0

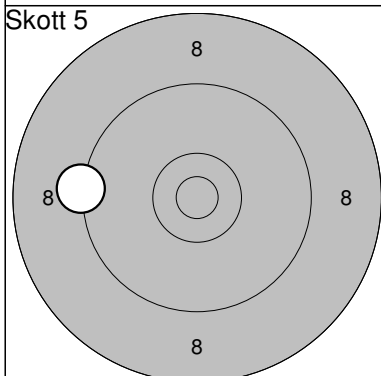
Skott 4



- 1: 10,2 ↗

Serie 10,0
Totalt 322,0

Skott 5



- 1: 9,3 ↖

Serie 9,0
Totalt 331,0

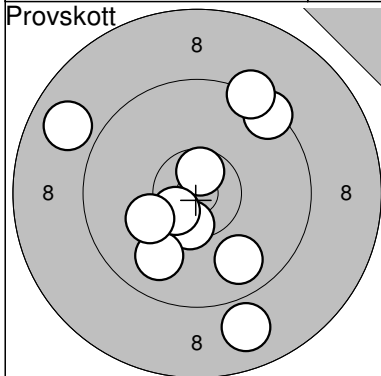
Ramselefors

2011-09-03

Höstträffen 2011 Final

Ramselefors SKF

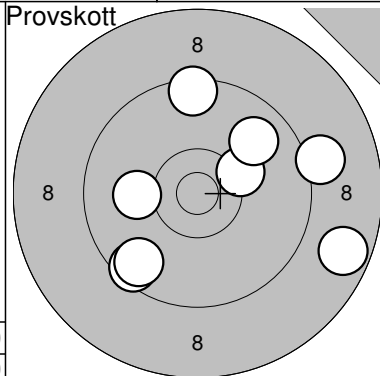
Provskott



- 1: 9,4 ↗
- 2: 10,5* ↓
- 3: 9,3 ↗
- 4: 9,8 ↓
- 5: 9,9 ↓
- 6: 10,6* ↗
- 7: 10,6* ↖
- 8: 8,9 ↓
- 9: 8,9 ↓
- 10: 10,2 ↗

Serie 92,0
Totalt 185,0

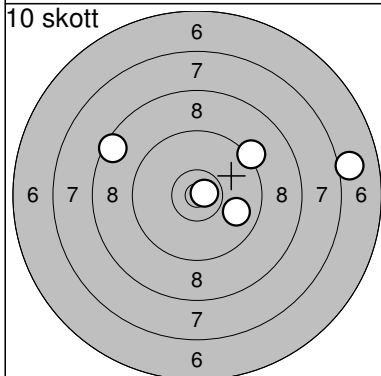
Provskott



- 11: 8,7 →
- 12: 9,5 ↑
- 13: 10,3 →
- 14: 10,1 ←
- 15: 9,8 ↗
- 16: 9,5 ↓
- 17: 9,7 ↓
- 18: 9,1 →

Serie 73,0
Totalt 185,0

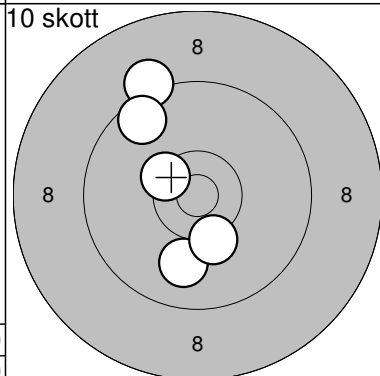
10 skott



- 1: 9,2 ↗
- 2: 10,8* →
- 3: 9,9 ↘
- 4: 7,0 →
- 5: 8,5 ↗

Serie 43,0
Totalt 228,0

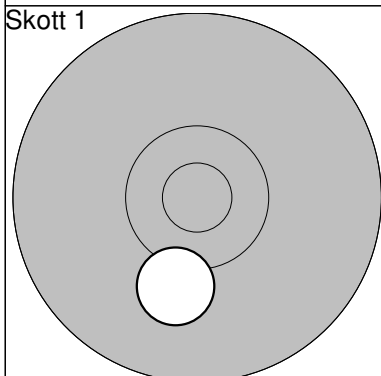
10 skott



- 6: 9,2 ↑
- 7: 10,0 ↓
- 8: 10,4* ↖
- 9: 9,6 ↗
- 10: 10,3 ↓

Serie 48,0
Totalt 276,0

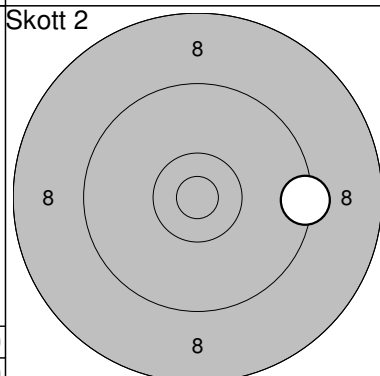
Skott 1



- 1: 10,1 ↓

Serie 10,0
Totalt 286,0

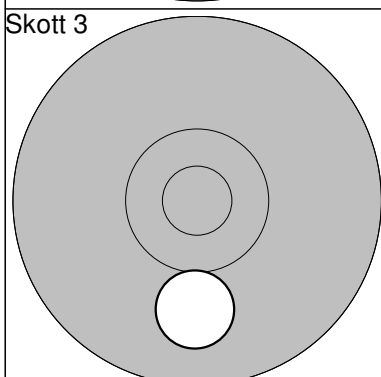
Skott 2



- 1: 9,4 →

Serie 9,0
Totalt 295,0

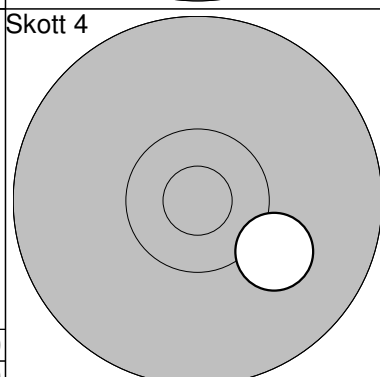
Skott 3



- 1: 10,0 ↓

Serie 10,0
Totalt 305,0

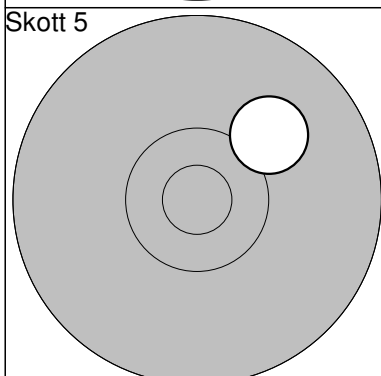
Skott 4



- 1: 10,1 ↘

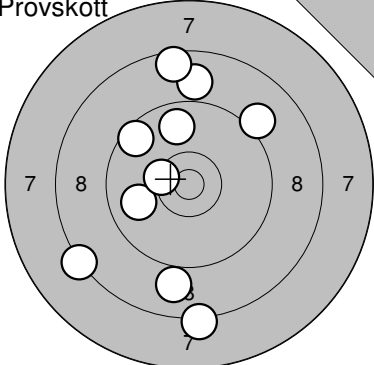
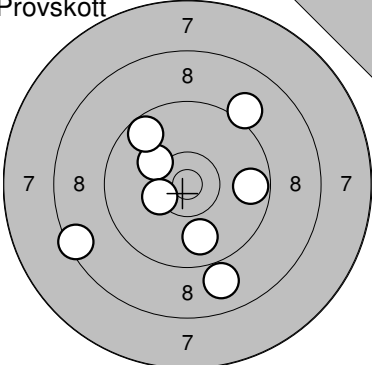
Serie 10,0
Totalt 315,0

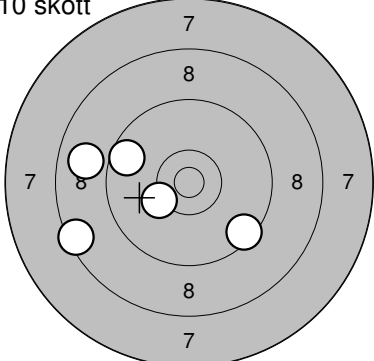
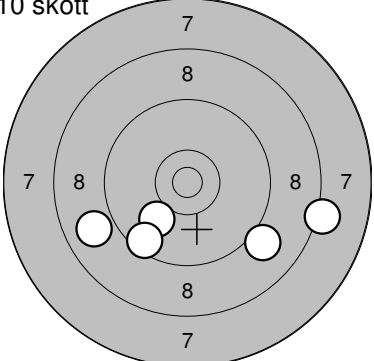
Skott 5

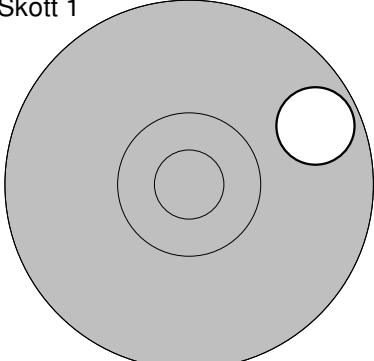
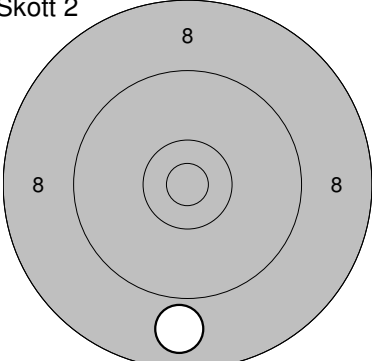


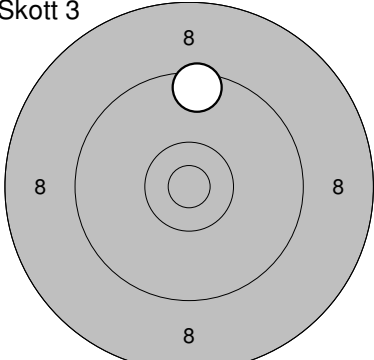
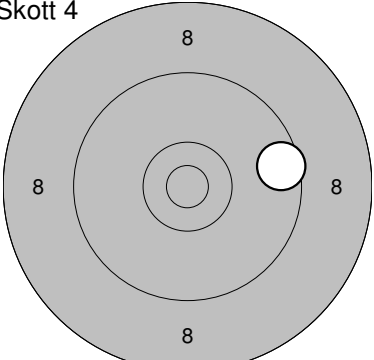
- 1: 10,1 ↗

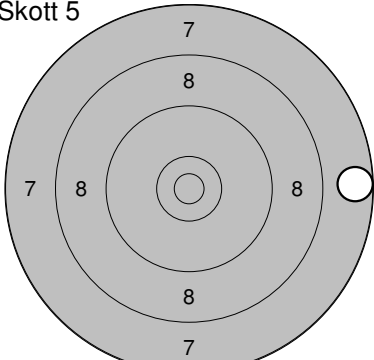
Serie 10,0
Totalt 325,0

Provsnitt 	1: 8,9 ↑ 2: 8,3 ↙ 3: 9,9 ← 4: 9,6 ↖ 5: 8,2 ↓ 6: 8,9 ↓ 7: 9,1 ↗ 8: 8,6 ↗ 9: 10,4* ↖ 10: 9,8 ↑ <hr/> Serie 86,0 Totalt 181,0	Provsnitt 	11: 9,1 ↗ 12: 10,2 ↖ 13: 8,9 ↓ 14: 9,7 → 15: 9,9 ↓ 16: 8,5 ← 17: 9,7 ↗ 18: 10,4* ↖ <hr/> Serie 72,0 Totalt 181,0
---	---	---	---

10 skott 	1: 10,3 ↙ 2: 9,5 ↘ 3: 8,5 ↖ 4: 9,6 ↖ 5: 8,9 ↗ <hr/> Serie 44,0 Totalt 225,0	10 skott 	6: 10,0 ↘ 7: 8,9 ← 8: 9,5 ↘ 9: 8,2 → 10: 9,0 ↘ <hr/> Serie 44,0 Totalt 269,0
--	---	--	--

Skott 1 	1: 9,7 ↗ <hr/> Serie 9,0 Totalt 278,0	Skott 2 	1: 8,9 ↓ <hr/> Serie 8,0 Totalt 286,0
--	---	--	---

Skott 3 	1: 9,5 ↑ <hr/> Serie 9,0 Totalt 295,0	Skott 4 	1: 9,6 → <hr/> Serie 9,0 Totalt 304,0
---	---	---	---

Skott 5 	1: 7,7 → <hr/> Serie 7,0 Totalt 311,0		
---	---	--	--

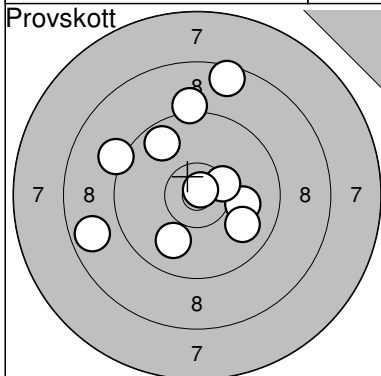
Ramselefors

2011-09-03

Höstträffen 2011 Final

Ramselefors SKF

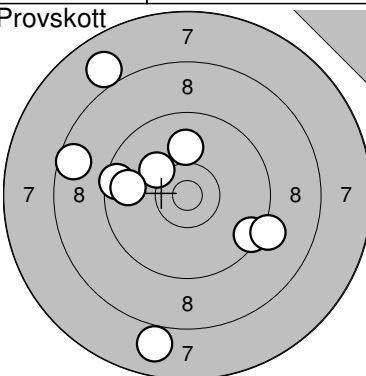
Provskott



1:	10,0	→
2:	8,7	←
3:	9,9	↘
4:	10,4*	→
5:	9,7	↗
6:	8,6	↗
7:	9,2	↗
8:	10,8*	↗
9:	9,9	↘
10:	9,2	↘

Serie	91,0
Totalt	177,0

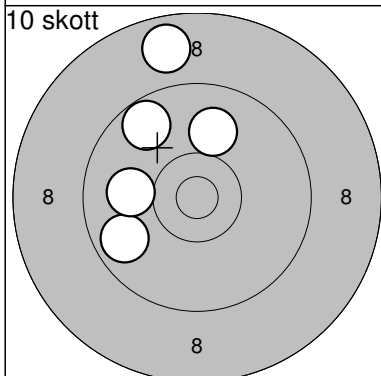
Provskott



11:	10,2	↗
12:	9,5	←
13:	8,0	↗
14:	9,5	↘
15:	9,2	↘
16:	9,8	←
17:	10,0	↑
18:	7,9	↓
19:	8,6	←

Serie	79,0
Totalt	177,0

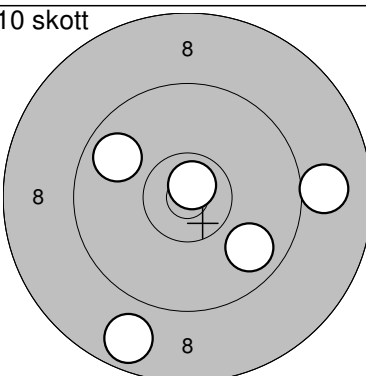
10 skott



1:	9,8	←
2:	8,8	↑
3:	10,0	←
4:	9,7	↗
5:	10,0	↑

Serie	46,0
Totalt	223,0

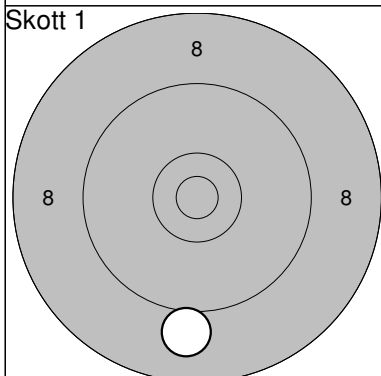
10 skott



6:	9,0	→
7:	9,8	↗
8:	10,8*	↑
9:	9,8	↘
10:	8,8	↓

Serie	45,0
Totalt	268,0

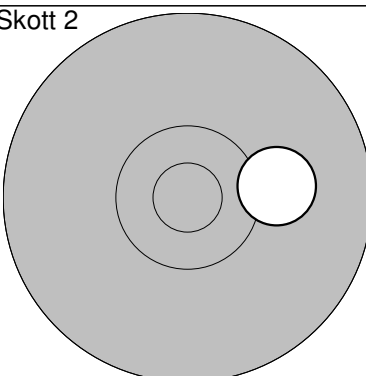
Skott 1



1:	9,0	↓
----	-----	---

Serie	9,0
Totalt	277,0

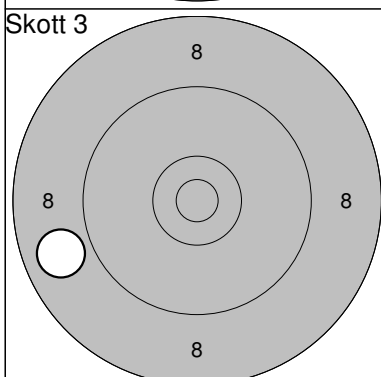
Skott 2



1:	10,1	→
----	------	---

Serie	10,0
Totalt	287,0

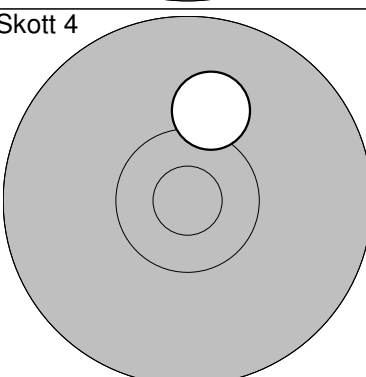
Skott 3



1:	8,9	←
----	-----	---

Serie	8,0
Totalt	295,0

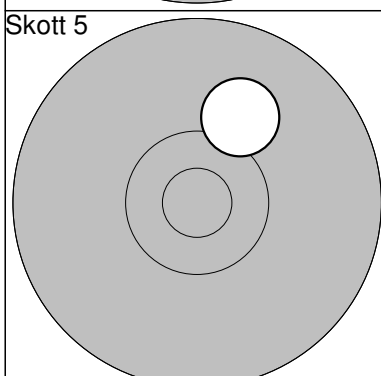
Skott 4



1:	10,1	↑
----	------	---

Serie	10,0
Totalt	305,0

Skott 5



1:	10,1	↑
----	------	---

Serie	10,0
Totalt	315,0

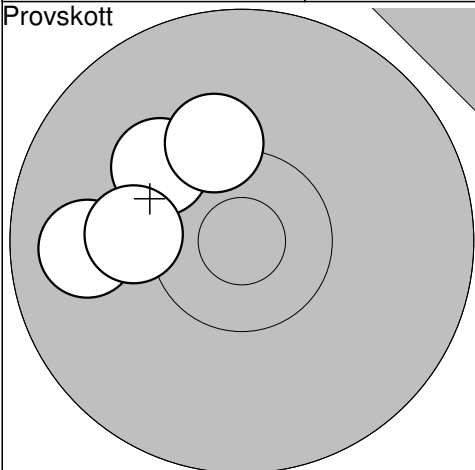
Umeå

2011-09-03

Höstträffen 2011 Final

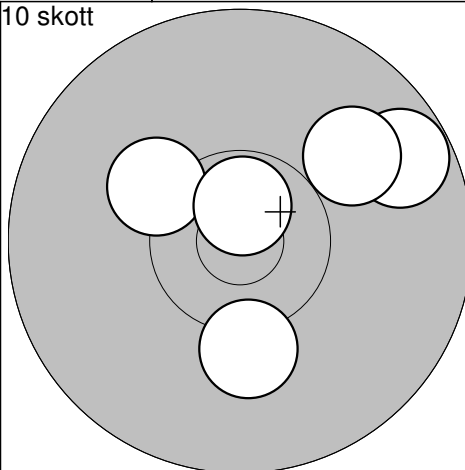
Ramselefors SKF

Provskott



1: 9,9 ←
2: 10,2 ↗
3: 10,2 ↑
4: 10,2 ←

10 skott

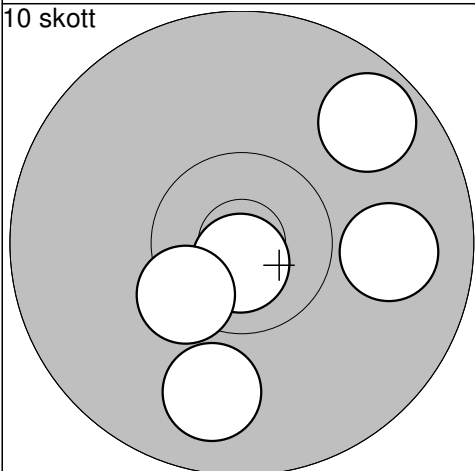


1: 9,7 ↗
2: 10,2 ↓
3: 10,2 ↗
4: 10,0 ↗
5: 10,7* ↑

Serie 39,0
Totalt 187,0

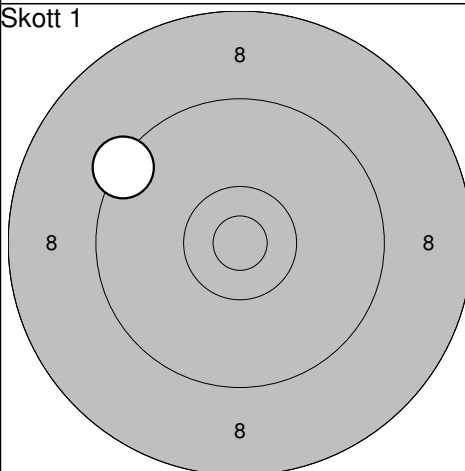
Serie 49,0
Totalt 236,0

10 skott



6: 9,7 ↗
7: 9,9 ↓
8: 9,9 →
9: 10,8* ↓
10: 10,4* ↙

Skott 1

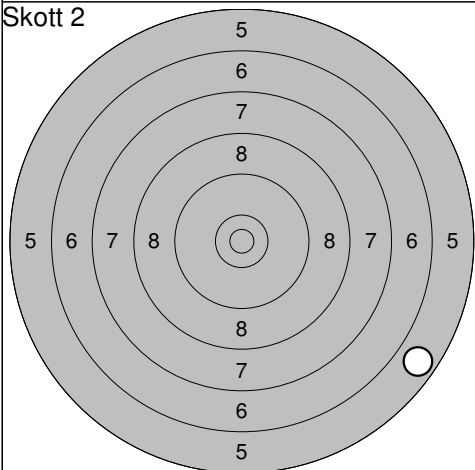


1: 9,4 ↗

Serie 47,0
Totalt 283,0

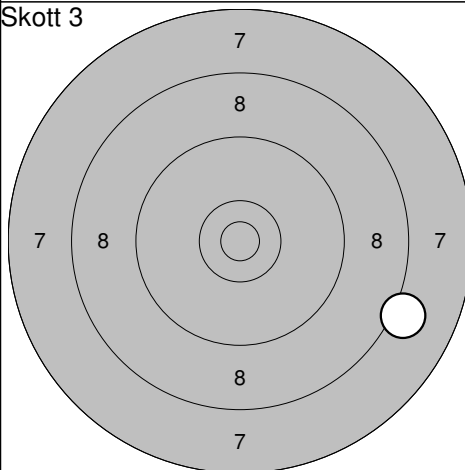
Serie 9,0
Totalt 292,0

Skott 2



1: 5,7 ↘

Skott 3

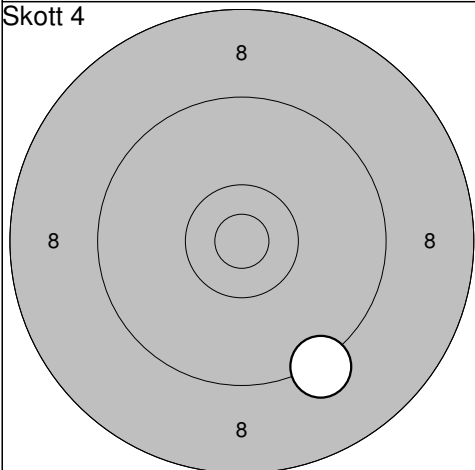


1: 8,1 ↘

Serie 5,0
Totalt 297,0

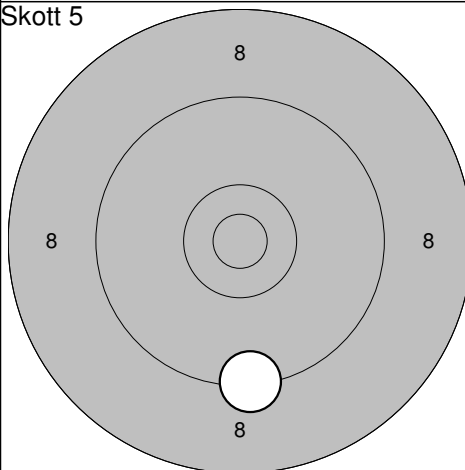
Serie 8,0
Totalt 305,0

Skott 4



1: 9,3 ↓

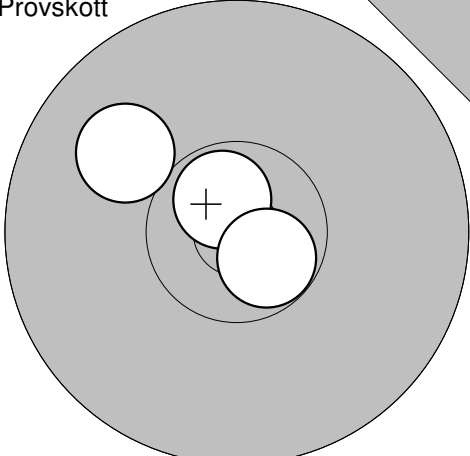
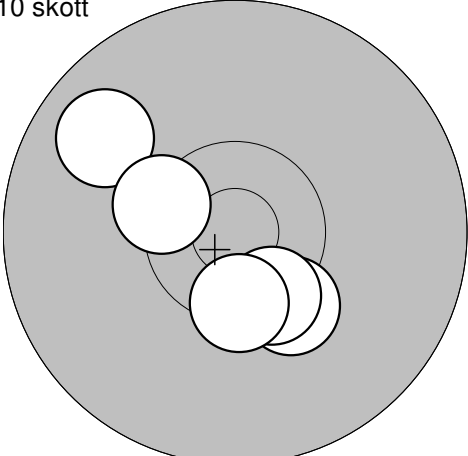
Skott 5

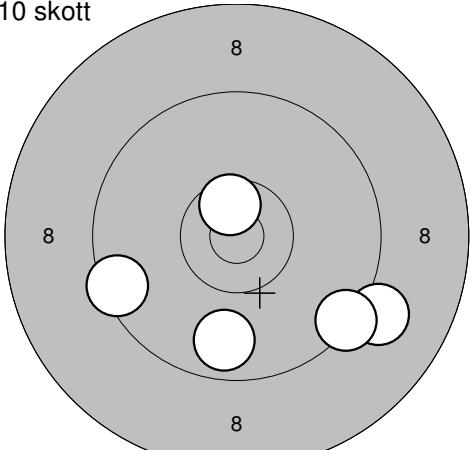
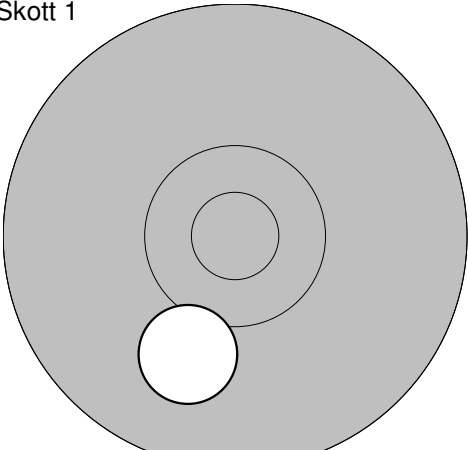


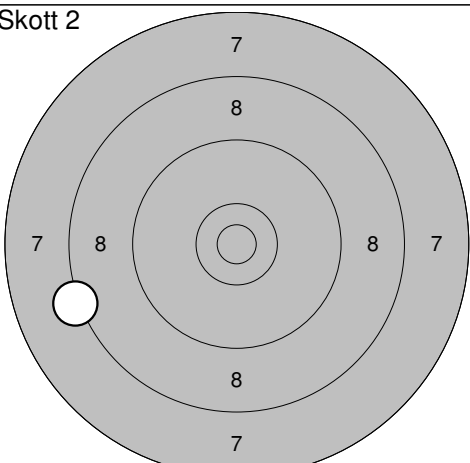
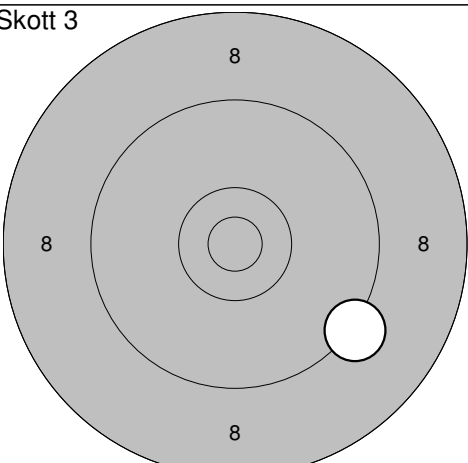
1: 9,3 ↓

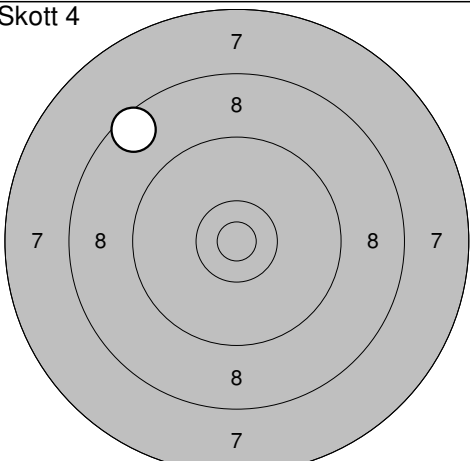
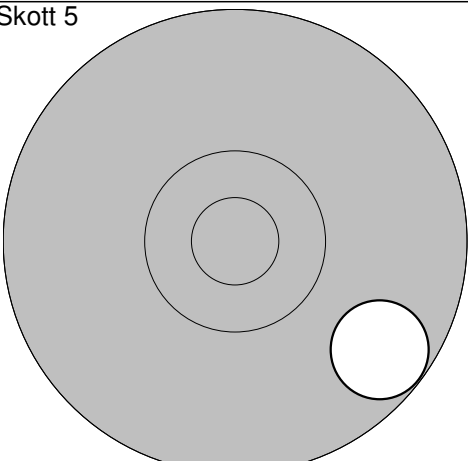
Serie 9,0
Totalt 314,0

Serie 9,0
Totalt 323,0

Provsnitt 	1: 10,0 ↗ 2: 10,7* ↗ 3: 10,7* ↘ Serie 30,0 Totalt 178,0	10 skott 	1: 10,3* ↘ 2: 10,4* ↘ 3: 9,8 ↗ 4: 10,4* ↗ 5: 10,4* ↘ Serie 49,0 Totalt 227,0
---	---	--	--

10 skott 	6: 9,1 ↘ 7: 10,6* ↑ 8: 9,7 ↘ 9: 9,4 ↘ 10: 9,5 ← Serie 46,0 Totalt 273,0	Skott 1 	1: 10,0 ↘ Serie 10,0 Totalt 283,0
---	---	--	---

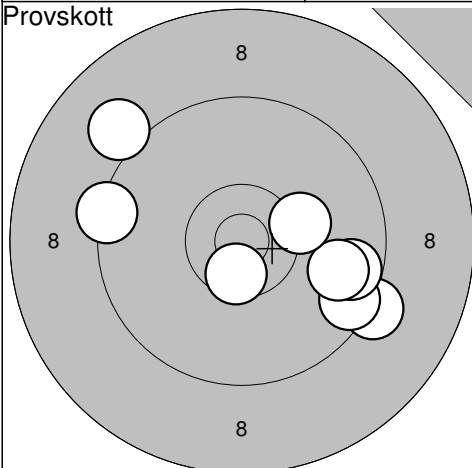
Skott 2 	1: 8,3 ← Serie 8,0 Totalt 291,0	Skott 3 	1: 9,3 ↘ Serie 9,0 Totalt 300,0
---	---	---	---

Skott 4 	1: 8,6 ↗ Serie 8,0 Totalt 308,0	Skott 5 	1: 9,7 ↘ Serie 9,0 Totalt 317,0
---	---	---	---

Ramselefors

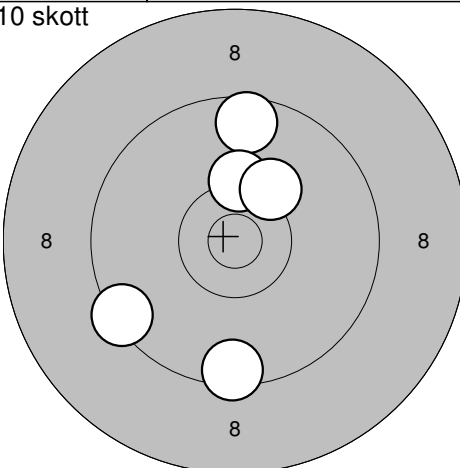
2011-09-03	Höstträffen 2011 Final	Ramselefors SKF
------------	------------------------	-----------------

Provskott



- 1: 9,3 →
- 2: 9,5 →
- 3: 9,7 →
- 4: 9,8 →
- 5: 9,4 ←
- 6: 9,1 ↗
- 7: 10,6* ↓
- 8: 10,3 →

10 skott

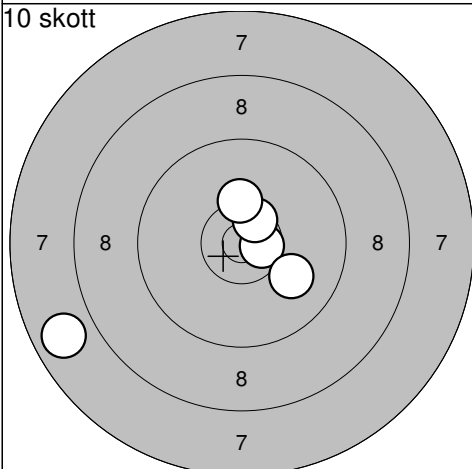


- 1: 9,6 ↑
- 2: 9,4 ↙
- 3: 10,3 ↑
- 4: 10,2 ↗
- 5: 9,5 ↓

Serie 74,0
Totalt 178,0

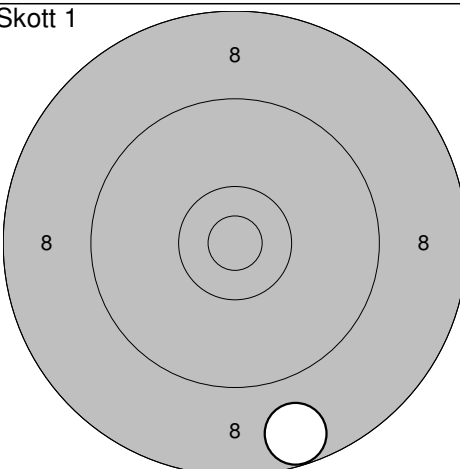
Serie 47,0
Totalt 225,0

10 skott



- 6: 10,6* →
- 7: 10,5* ↗
- 8: 7,8 ←
- 9: 10,3* ↑
- 10: 10,0 ↓

Skott 1

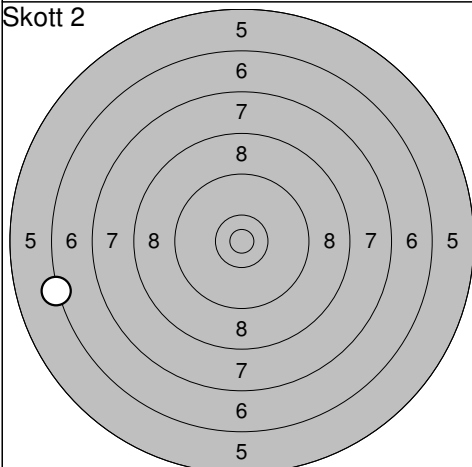


- 1: 8,7 ↓

Serie 47,0
Totalt 272,0

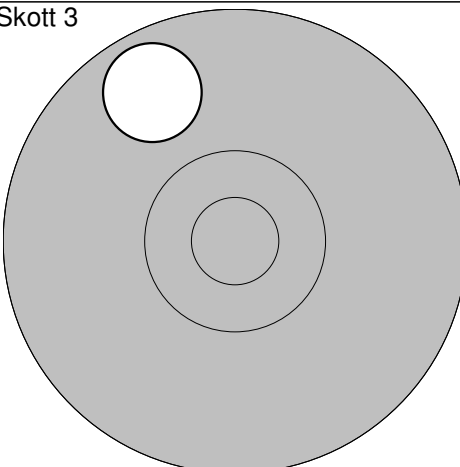
Serie 8,0
Totalt 280,0

Skott 2



- 1: 6,3 ←

Skott 3

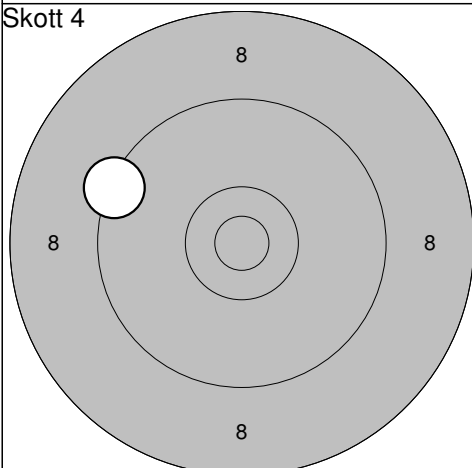


- 1: 9,7 ↖

Serie 6,0
Totalt 286,0

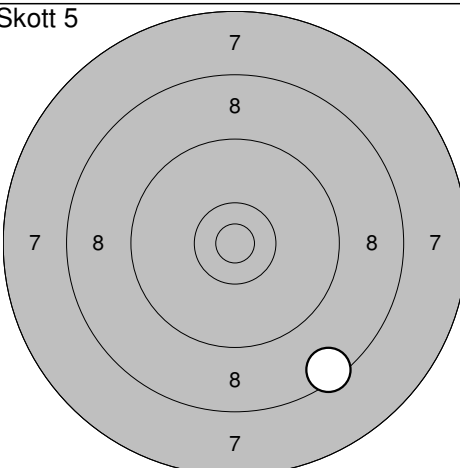
Serie 9,0
Totalt 295,0

Skott 4



- 1: 9,4 ↙

Skott 5



- 1: 8,5 ↓

Serie 9,0
Totalt 304,0

Serie 8,0
Totalt 312,0

Skjutlag

2

Tavla

4

Stefan Thorin

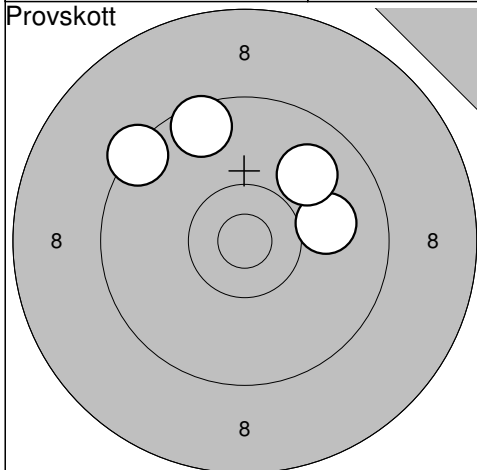
Umeå

2011-09-03

Höstträffen 2011 Final

Ramselefors SKF

Provskott

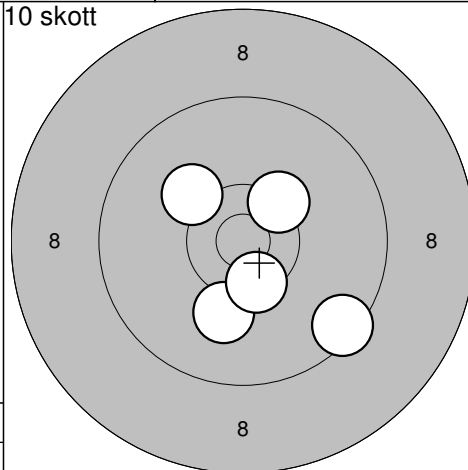


1: 9,4 ↖
 2: 9,6 ↗
 3: 10,0 →
 4: 9,9 ↗

Serie 37,0

Totalt 173,0

10 skott

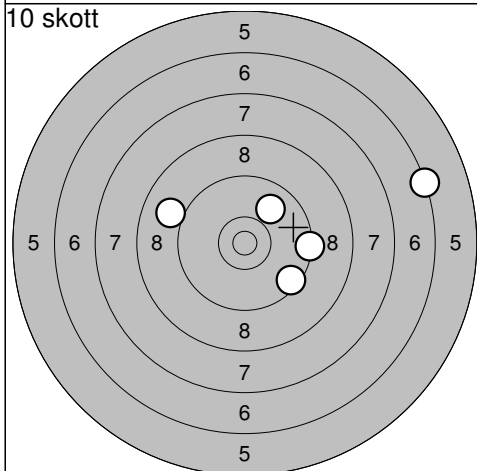


1: 10,1 ↓
 2: 10,5* ↓
 3: 10,4* ↗
 4: 9,5 ↓
 5: 10,2 ↗

Serie 49,0

Totalt 222,0

10 skott

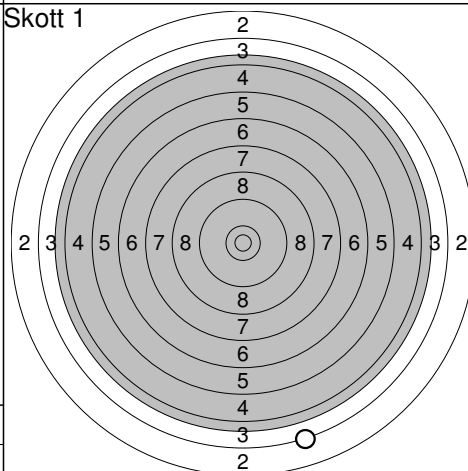


6: 6,3 →
 7: 9,5 ↓
 8: 9,4 →
 9: 9,9 ↗
 10: 9,0 ↖

Serie 42,0

Totalt 264,0

Skott 1

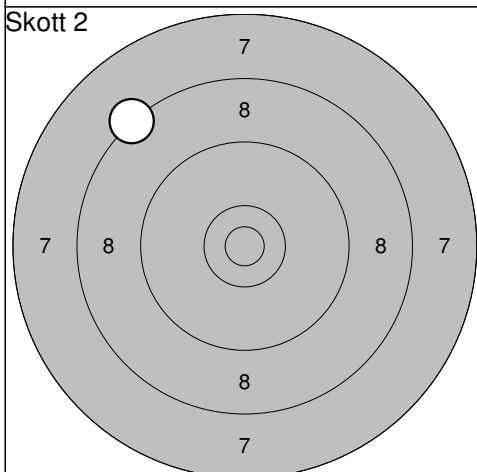


1: 3,3 ↓

Serie 3,0

Totalt 267,0

Skott 2

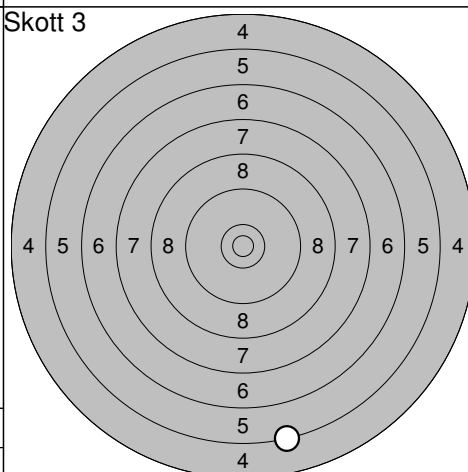


1: 8,3 ↖

Serie 8,0

Totalt 275,0

Skott 3

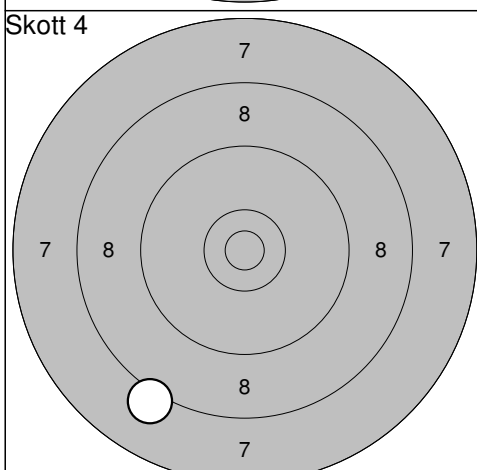


1: 5,3 ↓

Serie 5,0

Totalt 280,0

Skott 4

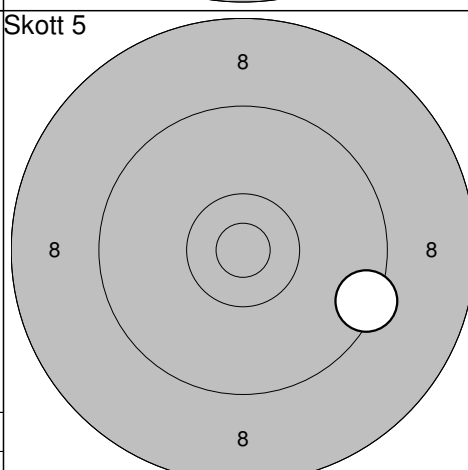


1: 8,2 ↓

Serie 8,0

Totalt 288,0

Skott 5



1: 9,4 →

Serie 9,0

Totalt 297,0

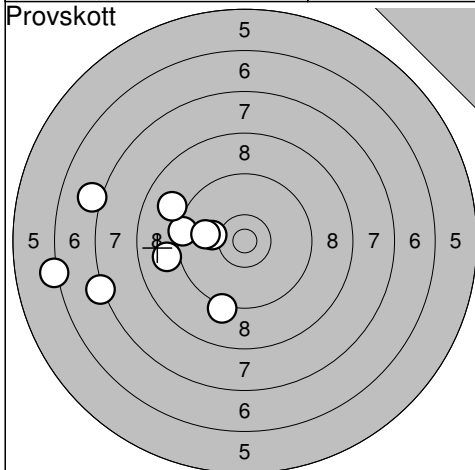
Ramselefors

2011-09-03

Höstträffen 2011 Final

Ramselefors SKF

Provskott

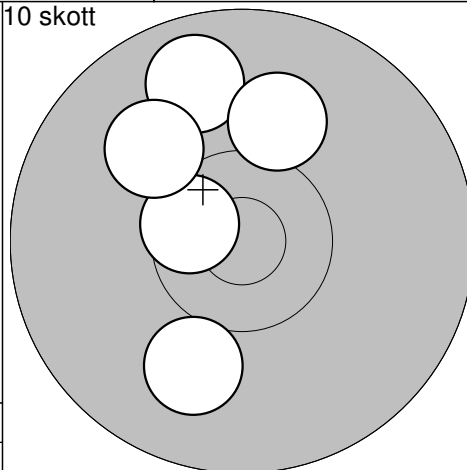


1: 7,2 ←
 2: 6,3 ←
 3: 7,1 ←
 4: 9,4 ←
 5: 9,0 ←
 6: 9,0 ↖
 7: 9,2 ↓
 8: 10,2 ←
 9: 10,0 ←

Serie 76,0

Totalt 179,0

10 skott

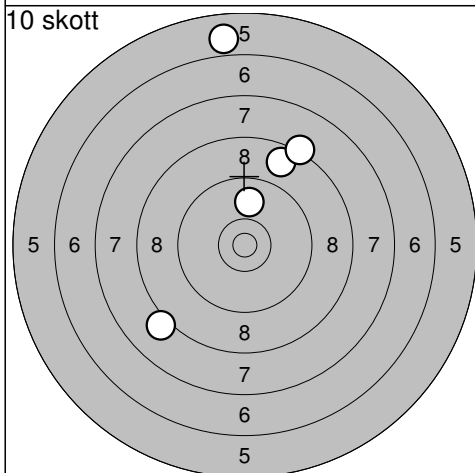


1: 9,8 ↑
 2: 10,6* ↖
 3: 10,0 ↓
 4: 10,1 ↗
 5: 10,1 ↑

Serie 49,0

Totalt 228,0

10 skott

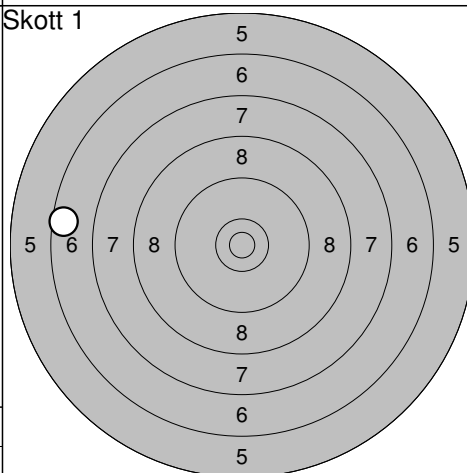


6: 8,7 ↗
 7: 9,9 ↑
 8: 8,1 ↖
 9: 5,9 ↑
 10: 8,3 ↗

Serie 38,0

Totalt 266,0

Skott 1

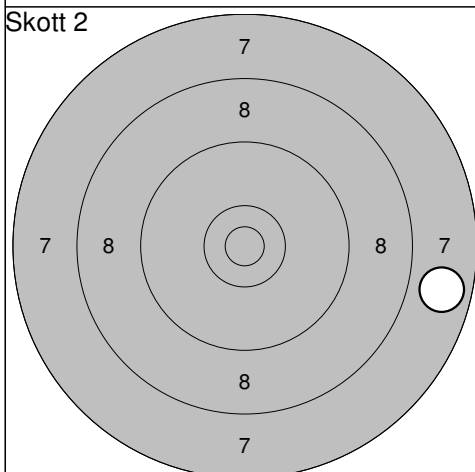


1: 6,6 ←

Serie 6,0

Totalt 272,0

Skott 2

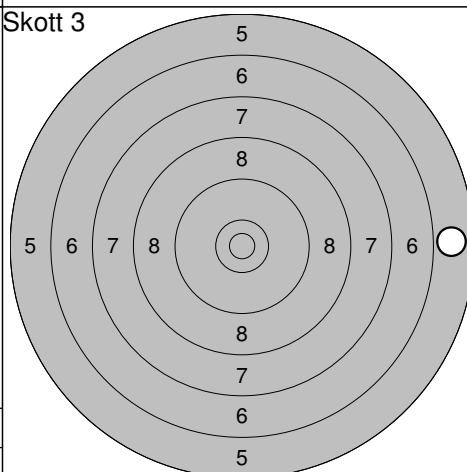


1: 7,8 →

Serie 7,0

Totalt 279,0

Skott 3

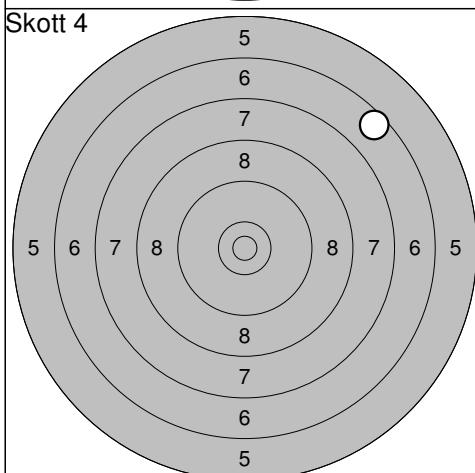


1: 5,9 →

Serie 5,0

Totalt 284,0

Skott 4

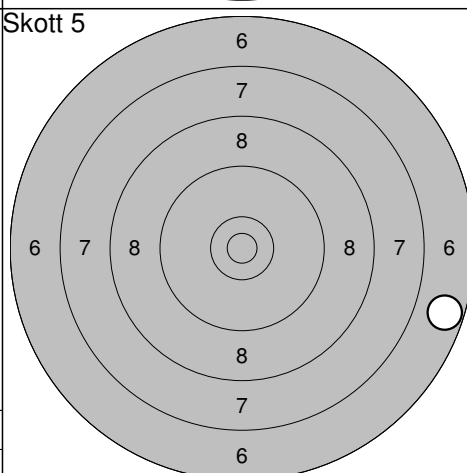


1: 6,6 ↗

Serie 6,0

Totalt 290,0

Skott 5



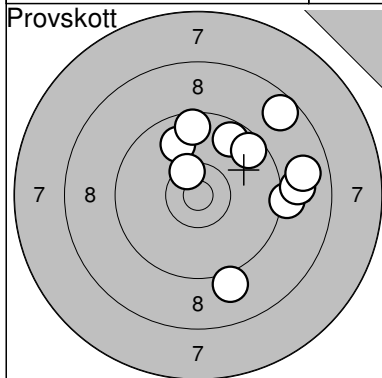
1: 6,7 →

Serie 6,0

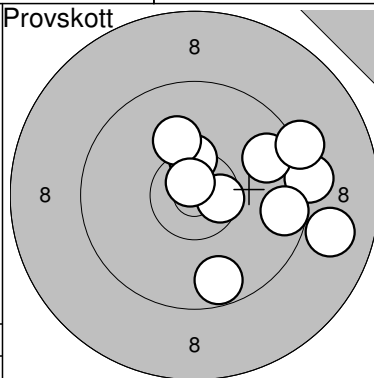
Totalt 296,0

Umeå

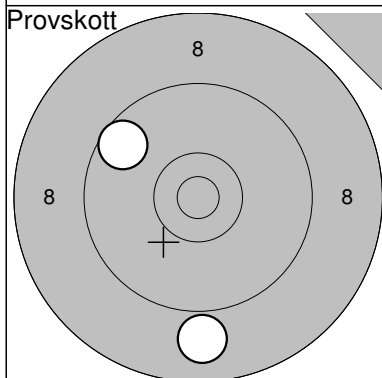
2011-09-03	Höstträffen 2011 Final	Ramselefors SKF
------------	------------------------	-----------------



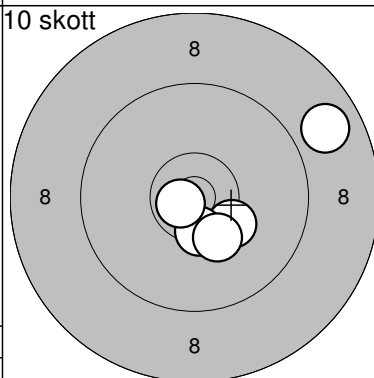
1:	8,6	↗
2:	9,2	→
3:	9,0	→
4:	9,7	↗
5:	9,6	↗
6:	8,8	→
7:	9,9	↗
8:	9,6	↗
9:	10,4*	↗
10:	9,1	↘
Serie		89,0
Totalt		170,0



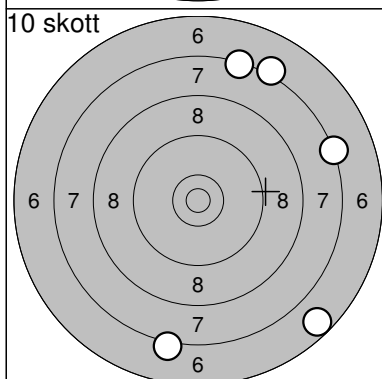
11:	10,6*	→
12:	9,7	↘
13:	9,3	→
14:	10,4*	↑
15:	10,1	↑
16:	8,9	→
17:	9,6	→
18:	9,8	↗
19:	10,8*	↗
20:	9,3	↘
Serie		93,0
Totalt		170,0



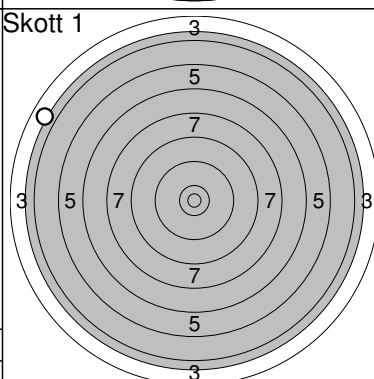
21:	9,6	↗
22:	8,9	↘
Serie		17,0
Totalt		170,0



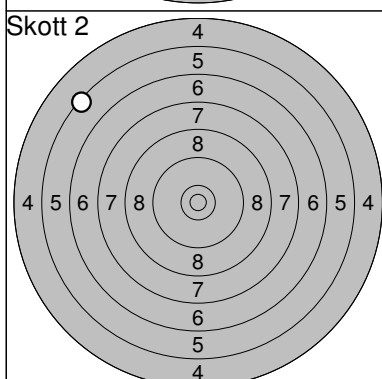
1:	8,8	↗
2:	10,3	↘
3:	10,5*	↘
4:	10,7*	↖
5:	10,3	↘
Serie		48,0
Totalt		218,0



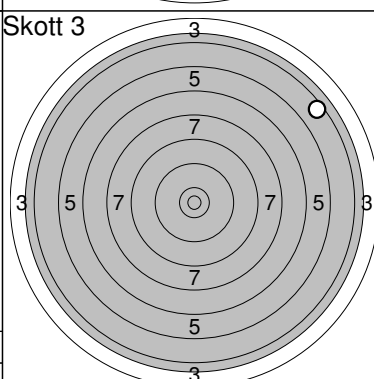
6:	7,2	↗
7:	7,4	↑
8:	6,7	↘
9:	7,2	↘
10:	7,3	↗
Serie		34,0
Totalt		252,0



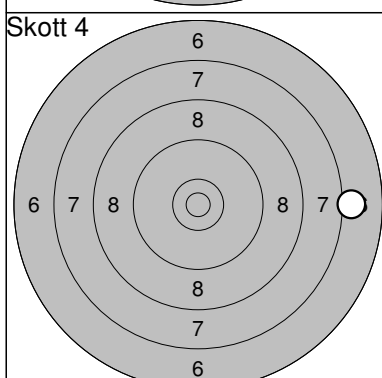
1:	3,9	↖
Serie		3,0
Totalt		255,0



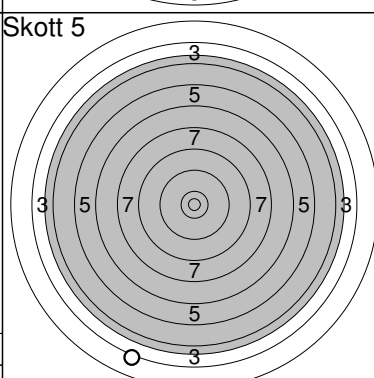
1:	5,4	↖
Serie		5,0
Totalt		260,0



1:	4,6	↗
Serie		4,0
Totalt		264,0



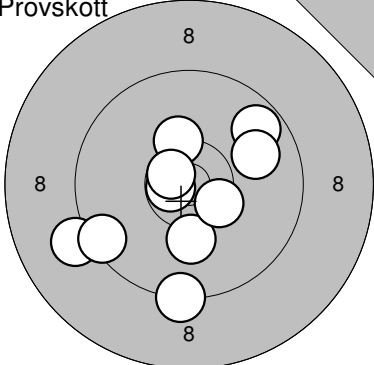
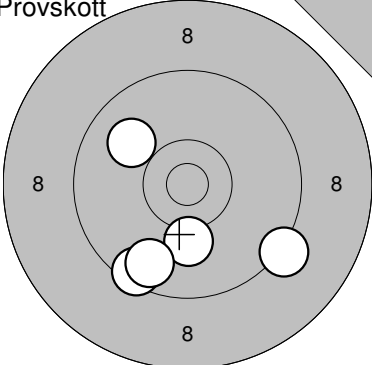
1:	7,1	→
Serie		7,0
Totalt		271,0

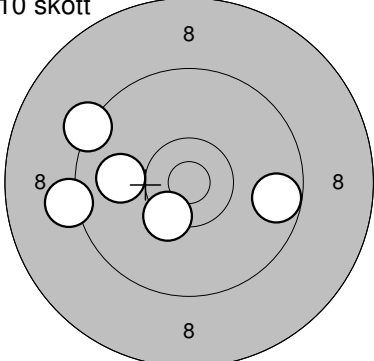
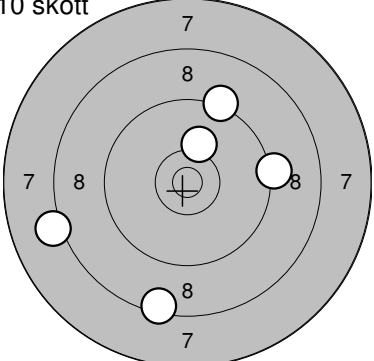


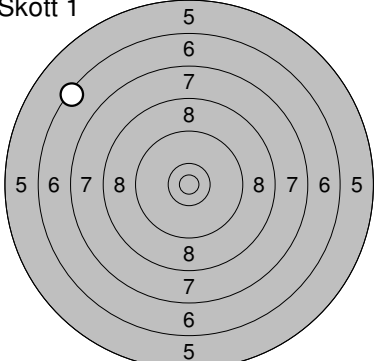
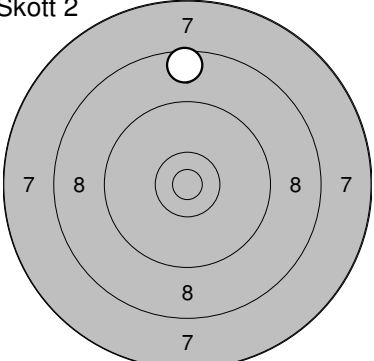
1:	3,2	↘
Serie		3,0
Totalt		274,0

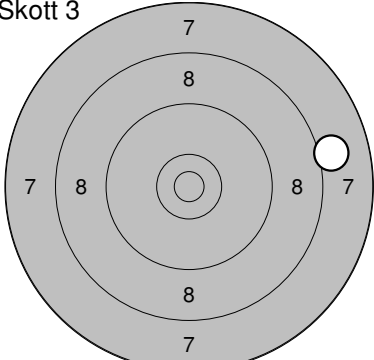
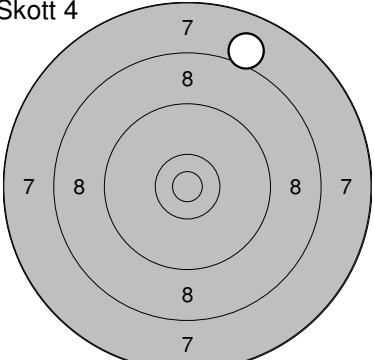
Skellefteå

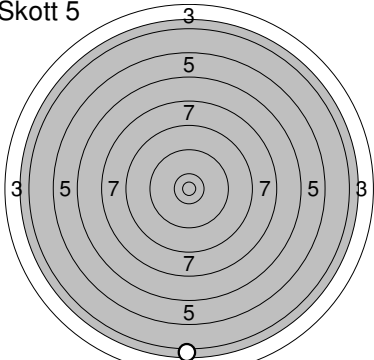
2011-09-03	Höstträffen 2011 Final	Ramselefors SKF
------------	------------------------	-----------------

Provsnitt 	1: 9,7 ↗ 2: 10,3* ↑ 3: 9,3 ↓ 4: 10,2 ↓ 5: 9,1 ← 6: 10,7* ← 7: 9,9 → 8: 10,4* → 9: 10,7* ↗ 10: 9,5 ↘	Provsnitt 	11: 9,5 ↓ 12: 10,1 ↓ 13: 10,0 ↗ 14: 9,7 ↓ 15: 9,3 ↓
Serie 95,0		Serie 47,0	
Totalt 163,0		Totalt 163,0	

10 skott 	1: 9,3 ↗ 2: 10,4* ↓ 3: 10,0 ← 4: 9,7 → 5: 9,2 ←	10 skott 	6: 9,2 → 7: 8,4 ↓ 8: 10,2 ↑ 9: 9,3 ↑ 10: 8,1 ←
Serie 47,0		Serie 44,0	
Totalt 210,0		Totalt 254,0	

Skott 1 	1: 6,4 ↘	Skott 2 	1: 8,6 ↑
Serie 6,0		Serie 8,0	
Totalt 260,0		Totalt 268,0	

Skott 3 	1: 8,1 →	Skott 4 	1: 8,0 ↑
Serie 8,0		Serie 8,0	
Totalt 276,0		Totalt 284,0	

Skott 5 	1: 4,1 ↓		
Serie 4,0			
Totalt 288,0			

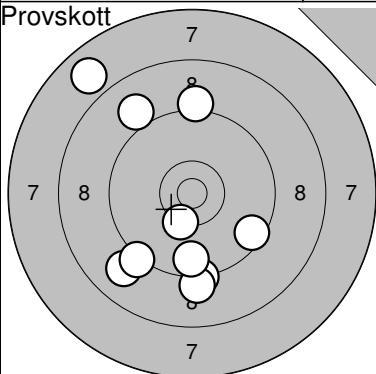
Drängsmark

2011-09-03

Höstträffen 2011 Final

Ramselefors SKF

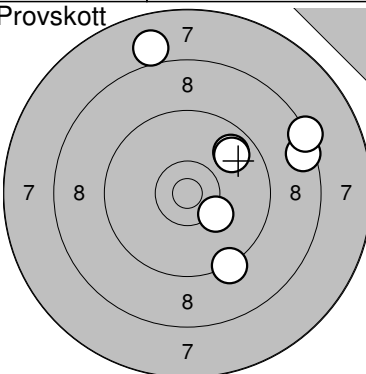
Provskott



1:	8,9	↙
2:	9,5	↘
3:	9,3	↙
4:	7,9	↗
5:	10,3*	↙
6:	9,2	↗
7:	9,0	↗
8:	9,2	↙
9:	9,1	↙
10:	9,7	↘

Serie	88,0
Totalt	153,0

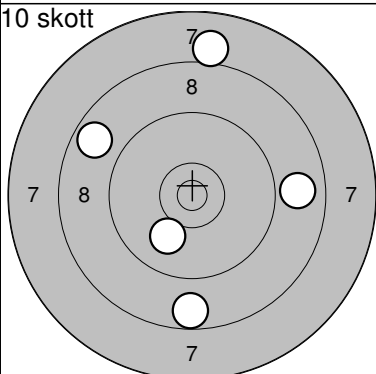
Provskott



11:	9,3	↘
12:	9,8	↗
13:	10,2	↘
14:	9,8	↗
15:	8,0	↗
16:	8,5	→
17:	8,3	↗

Serie	61,0
Totalt	153,0

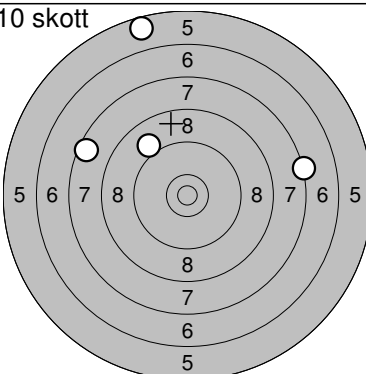
10 skott



1:	8,0	↑
2:	8,9	→
3:	10,0	↙
4:	8,7	↘
5:	8,7	↗

Serie	42,0
Totalt	195,0

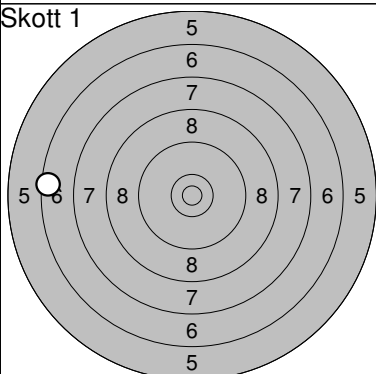
10 skott



6:	9,0	↖
7:	7,3	→
8:	7,6	↖
9:	5,7	↑
	0,0	↙

Serie	28,0
Totalt	223,0

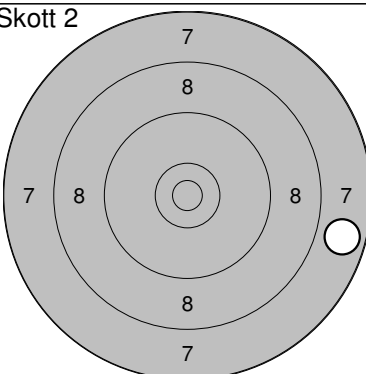
Skott 1



1:	6,5	←
----	-----	---

Serie	6,0
Totalt	229,0

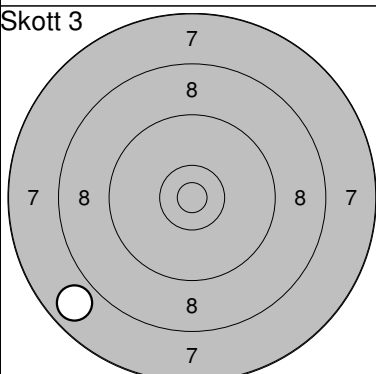
Skott 2



1:	7,8	→
----	-----	---

Serie	7,0
Totalt	236,0

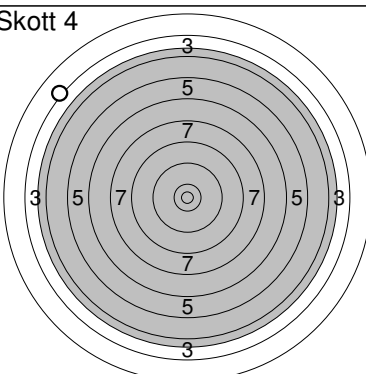
Skott 3



1:	7,8	↙
----	-----	---

Serie	7,0
Totalt	243,0

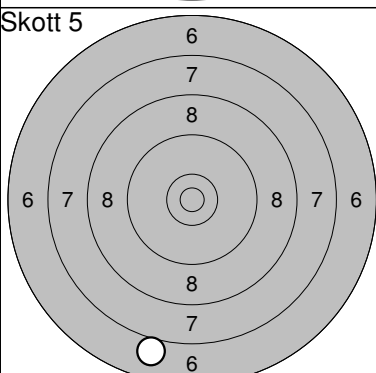
Skott 4



1:	3,2	↖
----	-----	---

Serie	3,0
Totalt	246,0

Skott 5



1:	7,0	↘
----	-----	---

Serie	7,0
Totalt	253,0

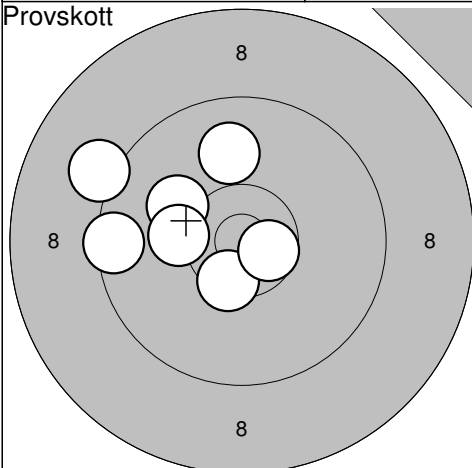
Umeå

2011-09-03

Höstträffen 2011 Final

Ramselefors SKF

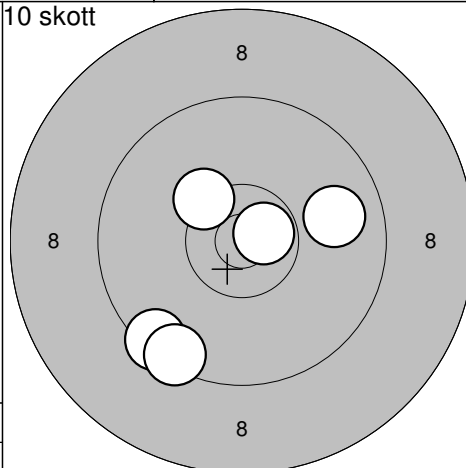
Provskott



1: 9,1 ↖
 2: 9,5 ←
 3: 9,9 ↑
 4: 10,1 ↗
 5: 10,5* ↓
 6: 10,2 ←
 7: 10,6* →

Serie 67,0
 Totalt 161,0

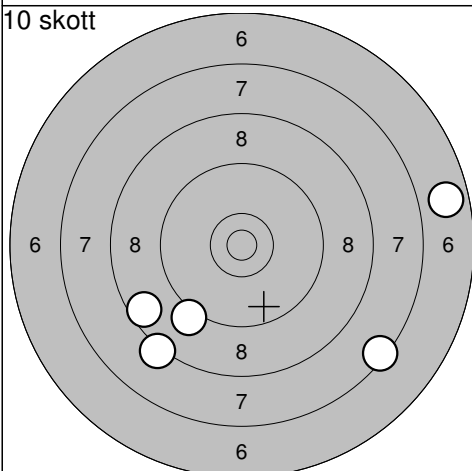
10 skott



1: 9,5 ↖
 2: 10,3* ↗
 3: 10,7* →
 4: 9,9 →
 5: 9,4 ↓

Serie 47,0
 Totalt 208,0

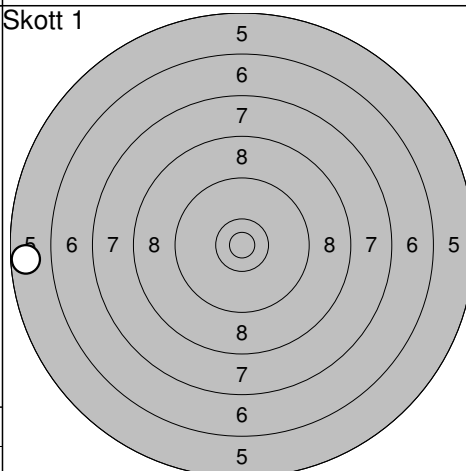
10 skott



6: 6,8 →
 7: 7,4 ↘
 8: 8,6 ←
 9: 8,2 ↙
 10: 9,2 ↓

Serie 38,0
 Totalt 246,0

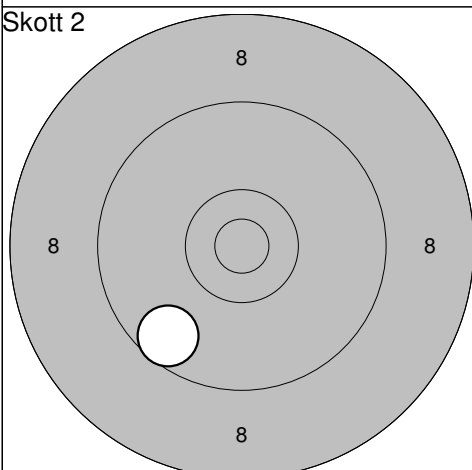
Skott 1



1: 5,7 ←

Serie 5,0
 Totalt 251,0

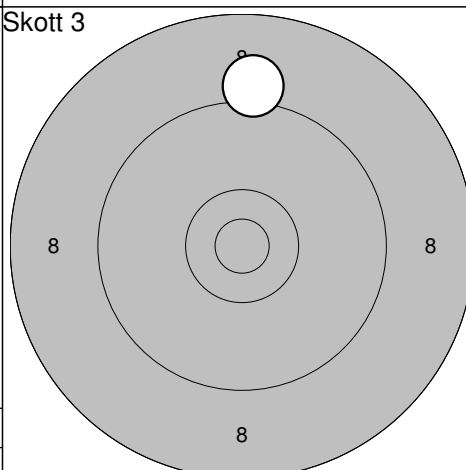
Skott 2



1: 9,6 ↙

Serie 9,0
 Totalt 260,0

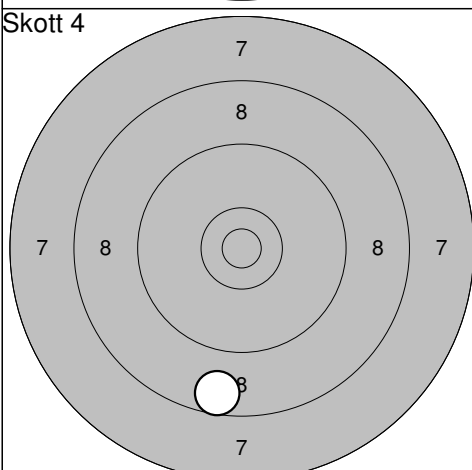
Skott 3



1: 9,1 ↑

Serie 9,0
 Totalt 269,0

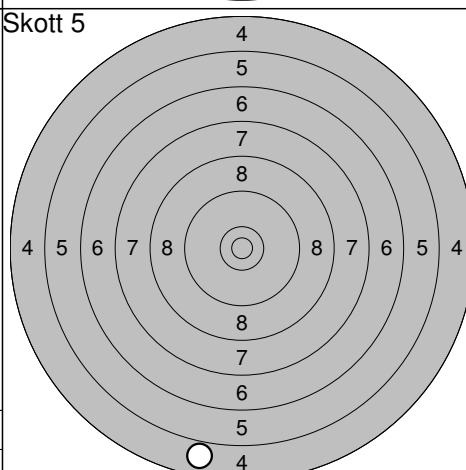
Skott 4



1: 8,6 ↓

Serie 8,0
 Totalt 277,0

Skott 5



1: 4,9 ↓

Serie 4,0
 Totalt 281,0

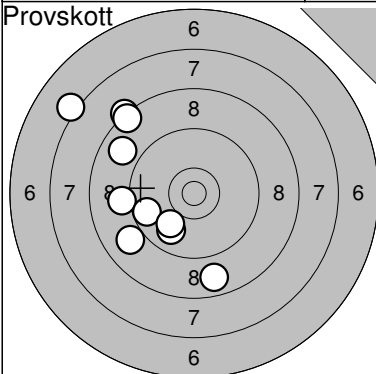
Ramselefors

2011-09-03

Höstträffen 2011 Final

Ramselefors SKF

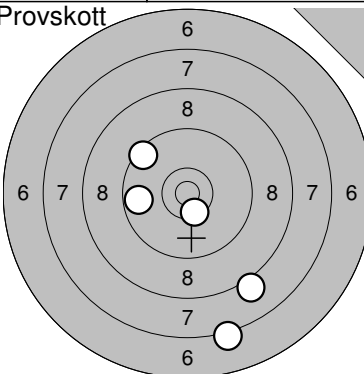
Provskott



1: 8,9 ↗
 2: 9,1 ←
 3: 9,0 ↙
 4: 9,7 ←
 5: 9,9 ↙
 6: 10,0 ↙
 7: 8,3 ↗
 8: 8,8 ↙
 9: 8,4 ↗
 10: 7,2 ↗

Serie 85,0
 Totalt 156,0

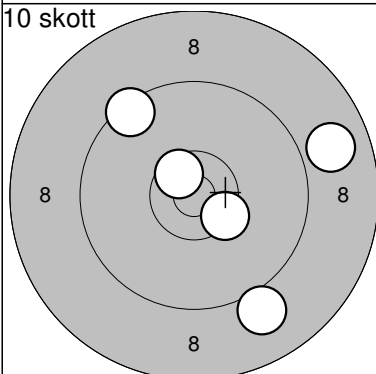
Provskott



11: 7,2 ↓
 12: 9,7 ←
 13: 8,1 ↙
 14: 10,4* ↙
 15: 9,5 ↗

Serie 43,0
 Totalt 156,0

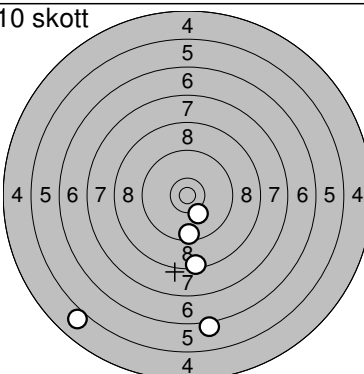
10 skott



1: 9,0 ↓
 2: 8,9 →
 3: 9,5 ↗
 4: 10,4* ↙
 5: 10,6* ↗

Serie 46,0
 Totalt 202,0

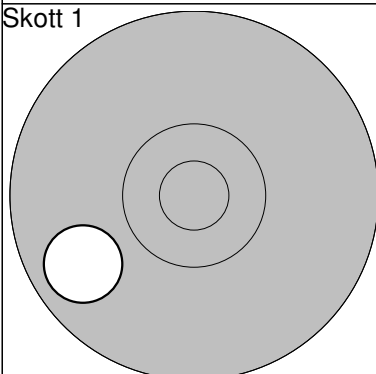
10 skott



6: 10,2 ↓
 7: 6,1 ↓
 8: 9,5 ↓
 9: 5,0 ↓
 10: 8,4 ↓

Serie 38,0
 Totalt 240,0

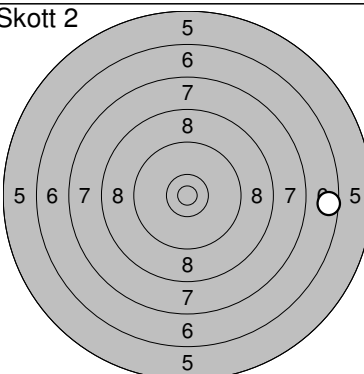
Skott 1



1: 9,8 ↙

Serie 9,0
 Totalt 249,0

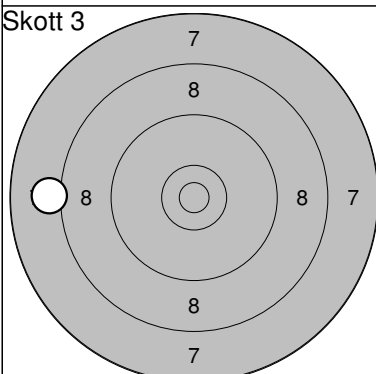
Skott 2



1: 6,6 →

Serie 6,0
 Totalt 255,0

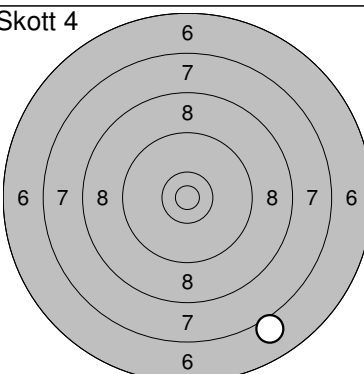
Skott 3



1: 8,1 ←

Serie 8,0
 Totalt 263,0

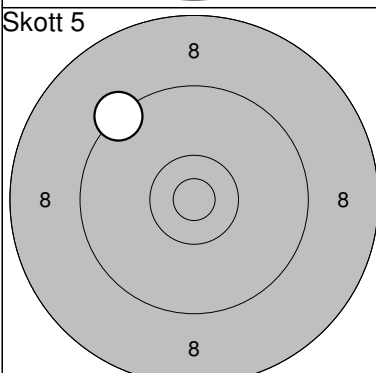
Skott 4



1: 7,0 ↓

Serie 7,0
 Totalt 270,0

Skott 5



1: 9,3 ↗

Serie 9,0
 Totalt 279,0