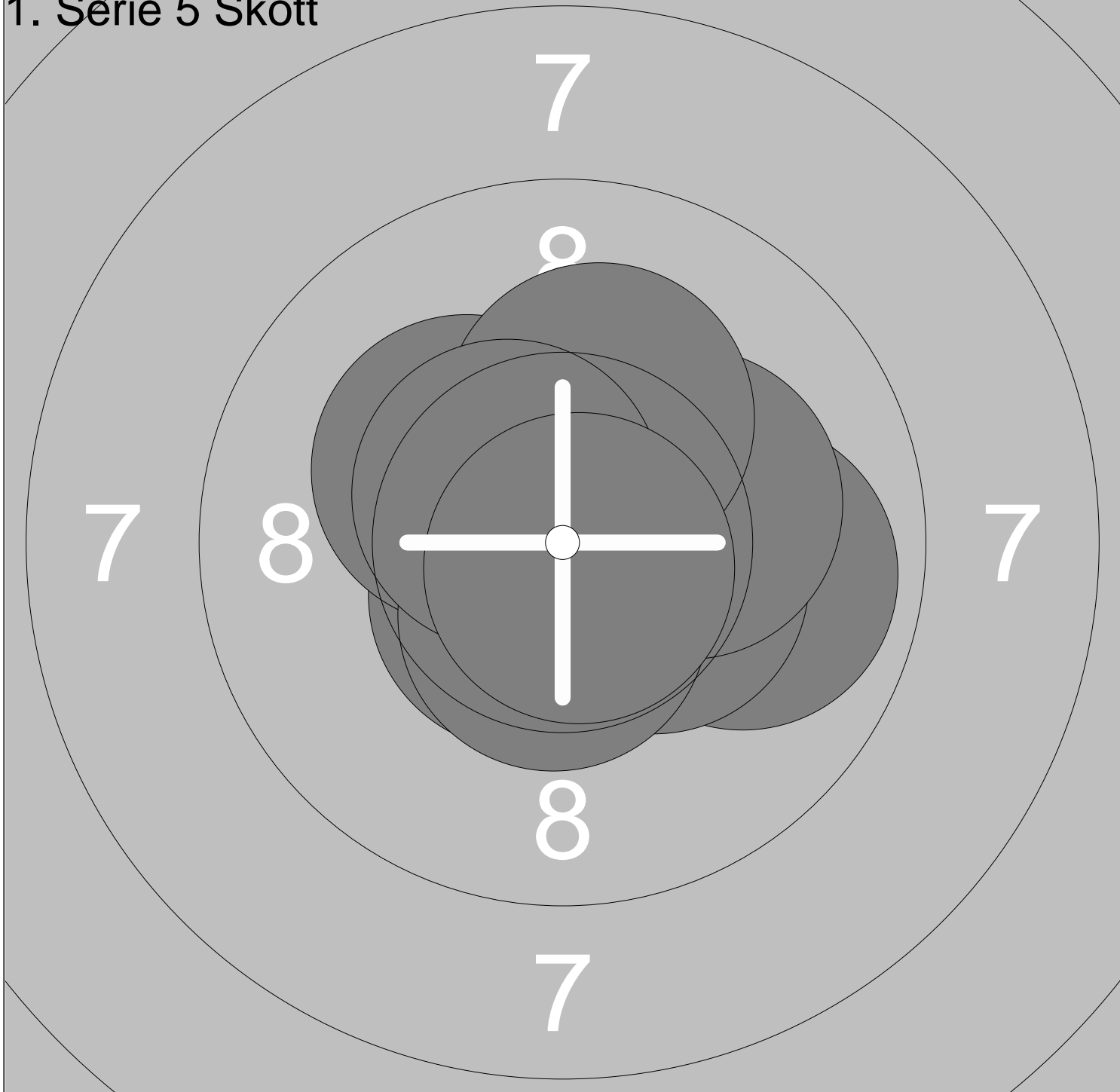


# 1. Serie 5 Skott



1: 9.9 →	6: *10.2 →	Serie 104.1
2: *10.7 ↘	7: *10.2 ↗	
3: *10.6 ↙	8: *10.5 ↓	Total 526.1
4: *10.3 ↗	9: *10.5 ↗	
5: *10.4 ↘	10: *10.8 ↘	

Skjutlag

Tavla

9

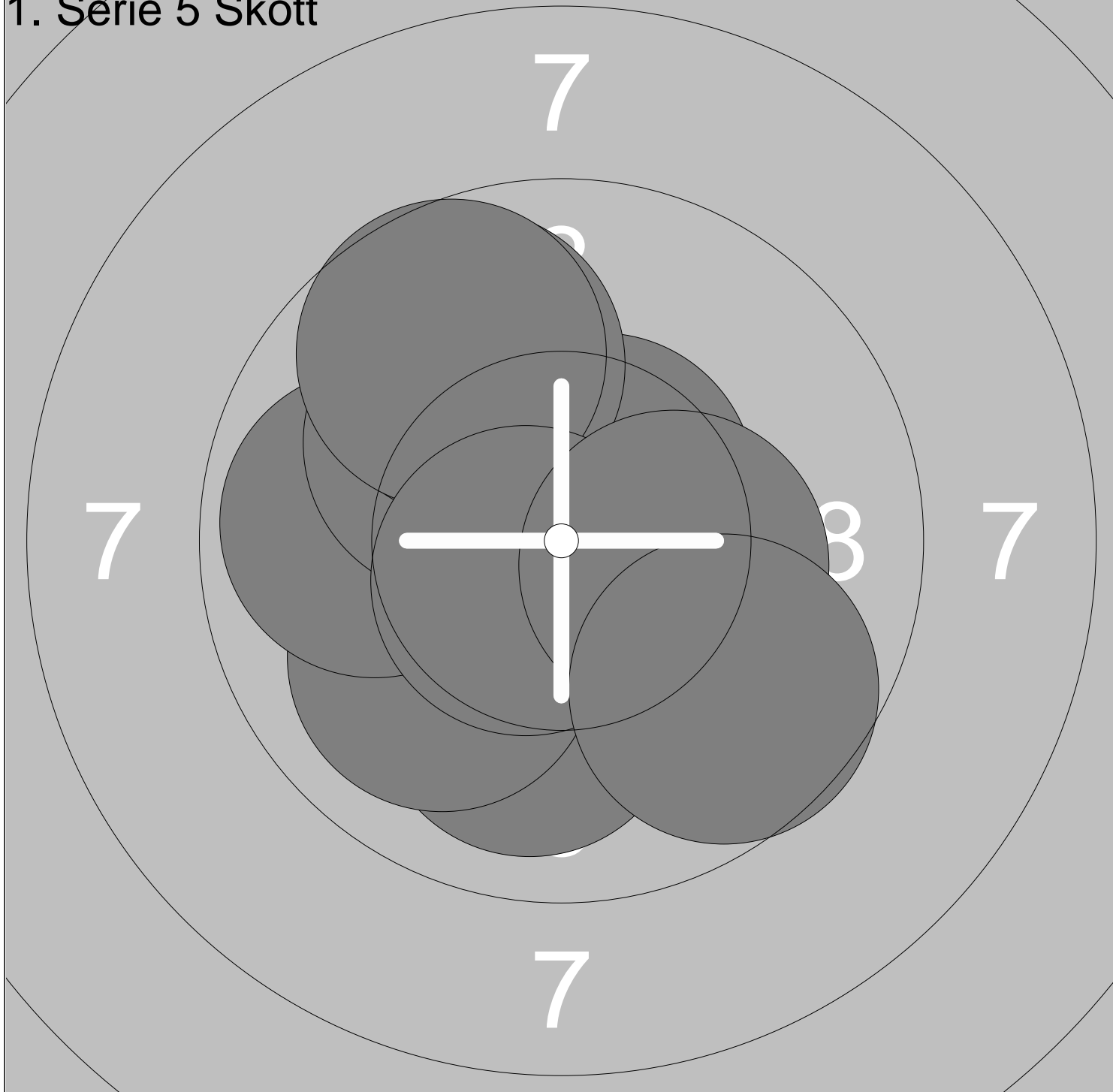
8

Johan Christensson

Vellinge Ssk

Sen Sim

## 1. Serie 5 Skott



1: 10.0



2: 10.0



3: \*10.6



4: 9.9



5: 10.1



6: 9.8



7: 9.7



8: \*10.6



9: \*10.3



10: 9.7



Serie

100.7

Total

521.0

Skjutlag

Tavla

9

9

Emma Ellberg

Åkarps Sportskyttar

Sen Sim

## 1. Serie 5 Skott



1: \*10.5



6: \*10.4



2: \*10.3



7: \*10.5



3: \*10.5



8: 10.0



4: \*10.5



9: \*10.5



5: \*10.8



10: \*10.3



Serie

104.3

Total

523.3

Skjutlag

Tavla

9

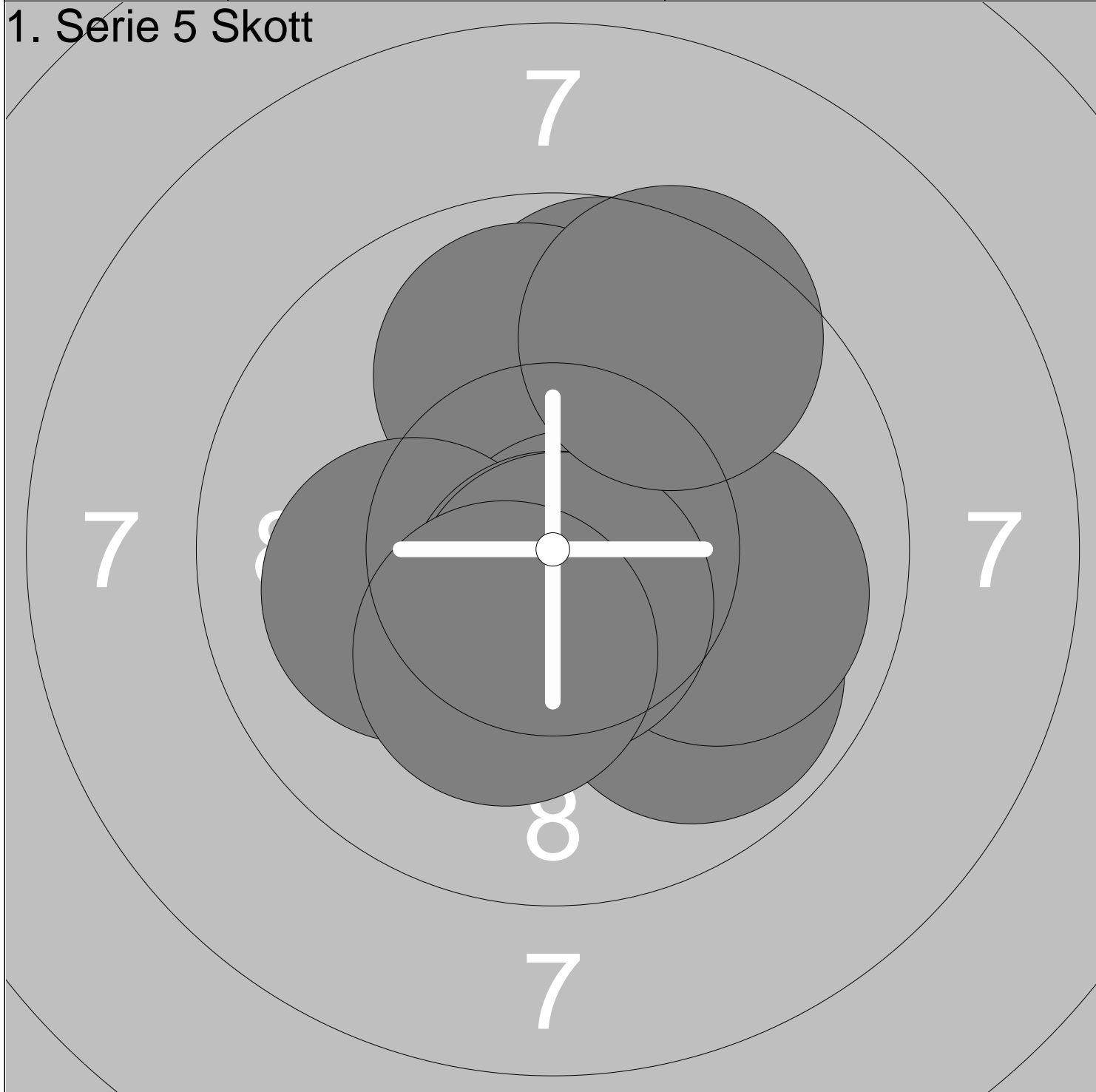
10

Stefan Håkansson

Eringsboda/Backaryd Skf

Sen Sim

## 1. Serie 5 Skott



1: 9.7



6: 10.1



2: 9.9



7: \*10.6



3: 9.9



8: \*10.6



4: \*10.7



9: \*10.3



5: 10.0



10: 9.5



Serie

101.3

Total

520.0

Skjutlag

Tavla

9

11

Sven Holgersson

Eringsboda/Backaryd Skf

Sen Sim

## 1. Serie 5 Skott



1: \*10.3



6: \*10.3



2: \*10.6



7: \*10.3



3: \*10.6



8: \*10.4



4: \*10.4



9: \*10.4



5: \*10.4



10: 10.1



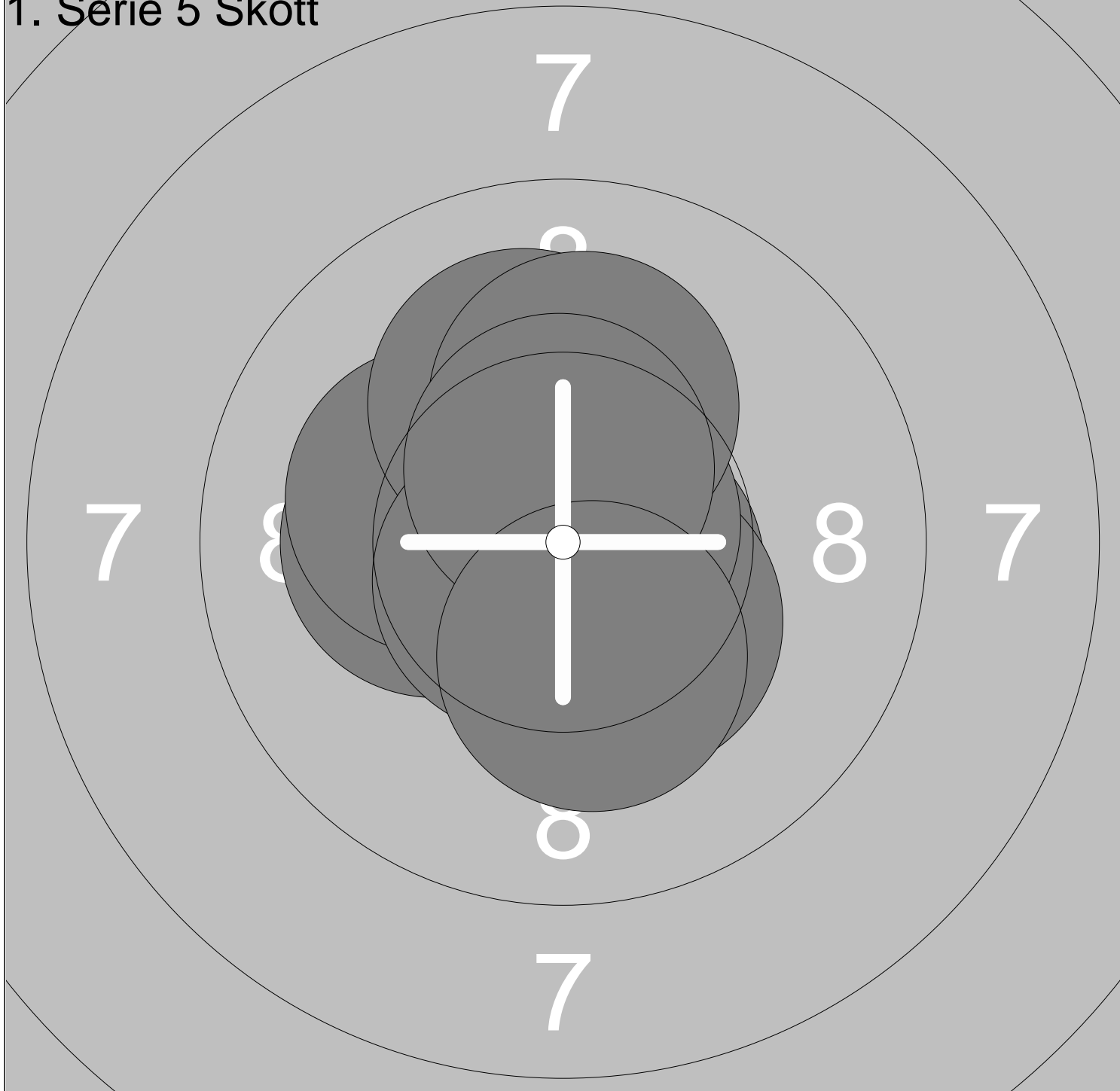
Serie

103.8

Total

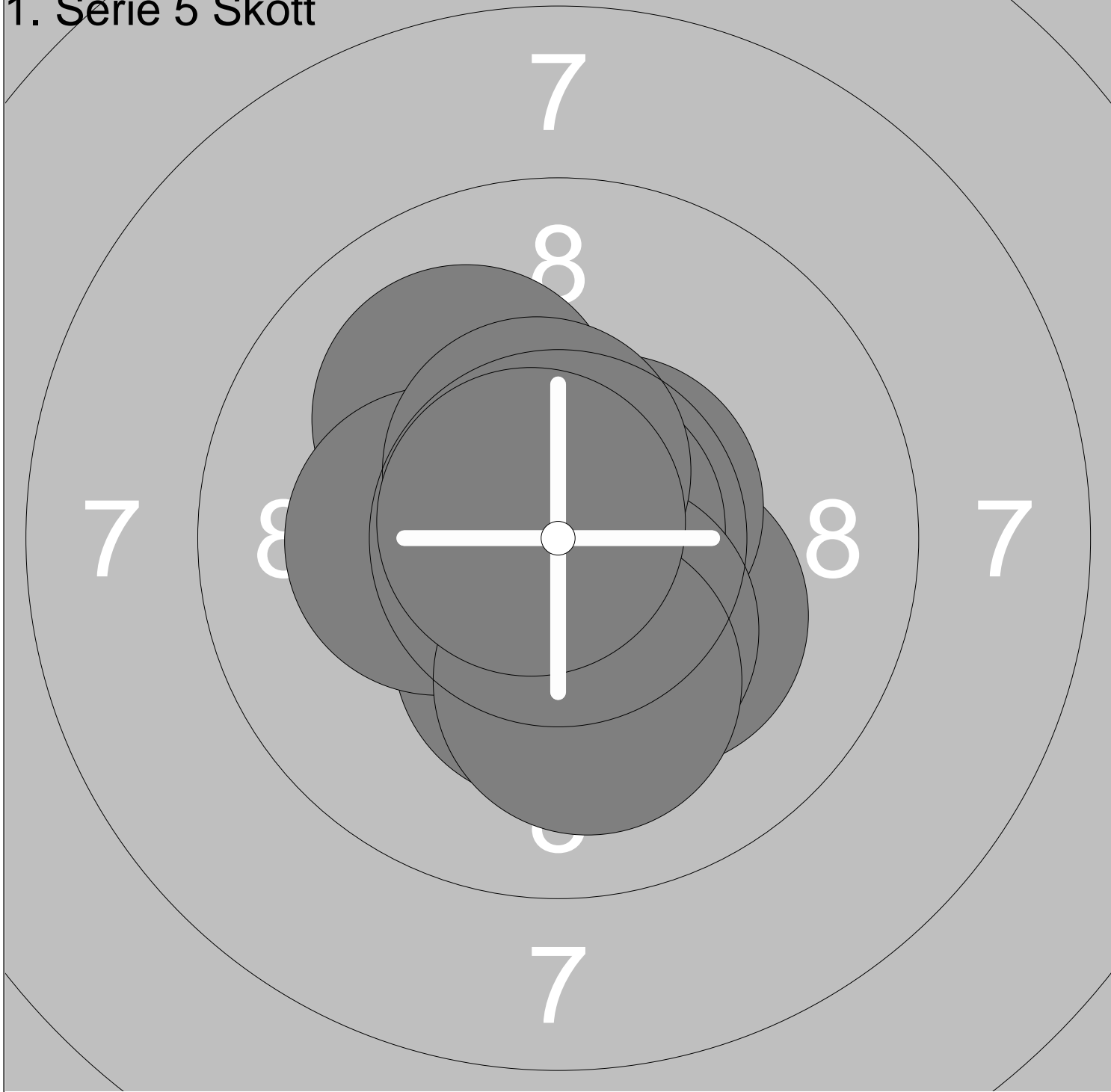
522.4

# 1. Serie 5 Skott



1: *10.6 ↘	6: 10.1 ↗	Serie 104.0
2: *10.4 ↘	7: *10.7 ↙	
3: *10.2 ←	8: *10.2 ↑	Total 520.5
4: *10.2 ↙	9: *10.5 ↑	
5: *10.8 ↗	10: *10.3 ↓	

# 1. Serie 5 Skott



1: *10.2 ↘	6: *10.3 ←	Serie	104.1
2: *10.6 ↗	7: *10.3 ↘		
3: *10.3 ↓	8: 10.1 ↓	Total	520.4
4: *10.9 ↗	9: *10.5 ↗		
5: 10.1 ↗	10: *10.8 ↗		

Skjutlag

9

Tavla

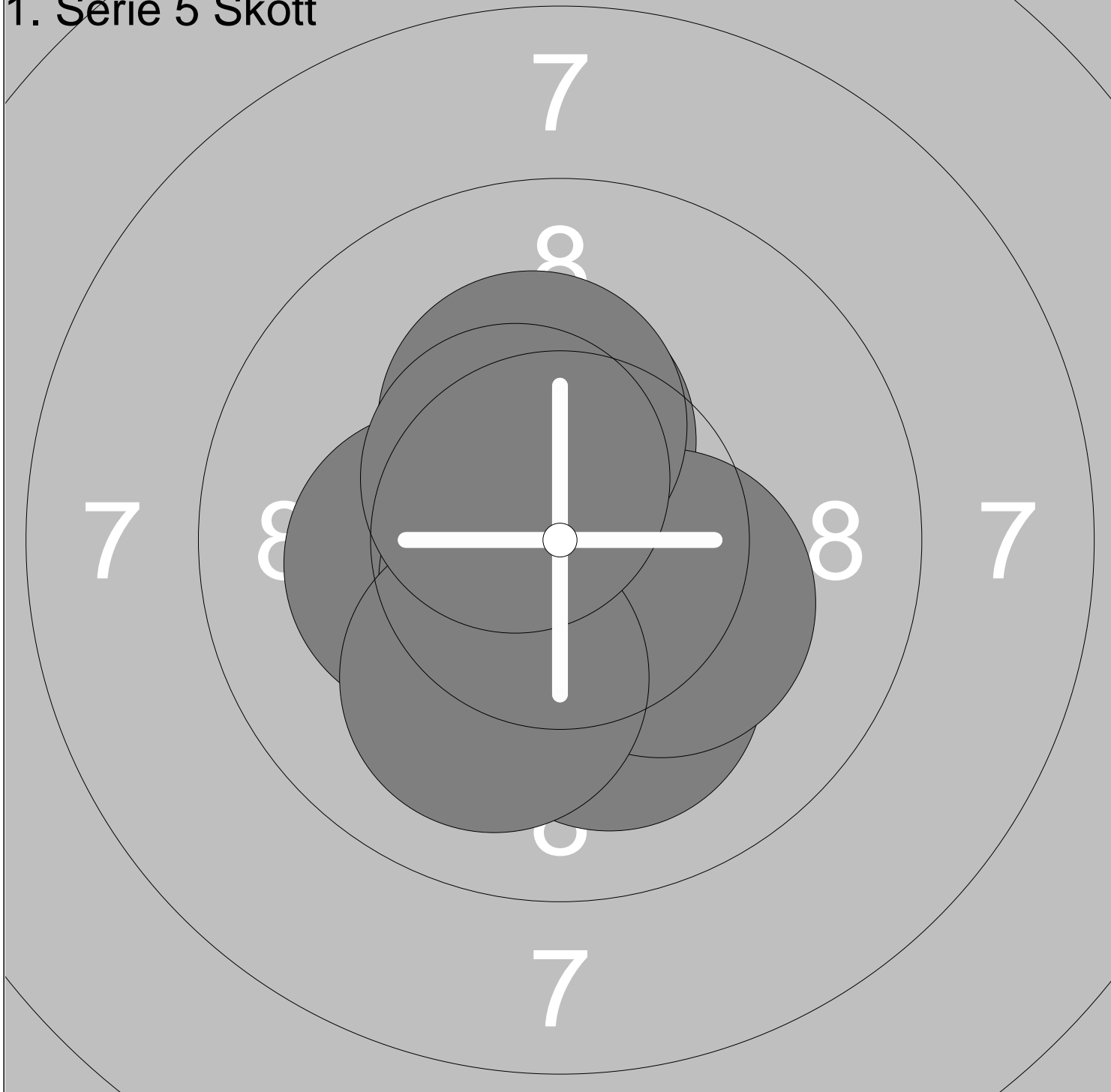
14

Joel Gustafsson

Alvesta Skf

Sen Sim

## 1. Serie 5 Skott



1: \*10.4



6: 10.1



2: \*10.7



7: \*10.3



3: \*10.2



8: 10.1



4: \*10.7



9: \*10.3



5: \*10.4



10: \*10.5



Serie

103.7

Total

519.6



Skjutlag

9

Tavla

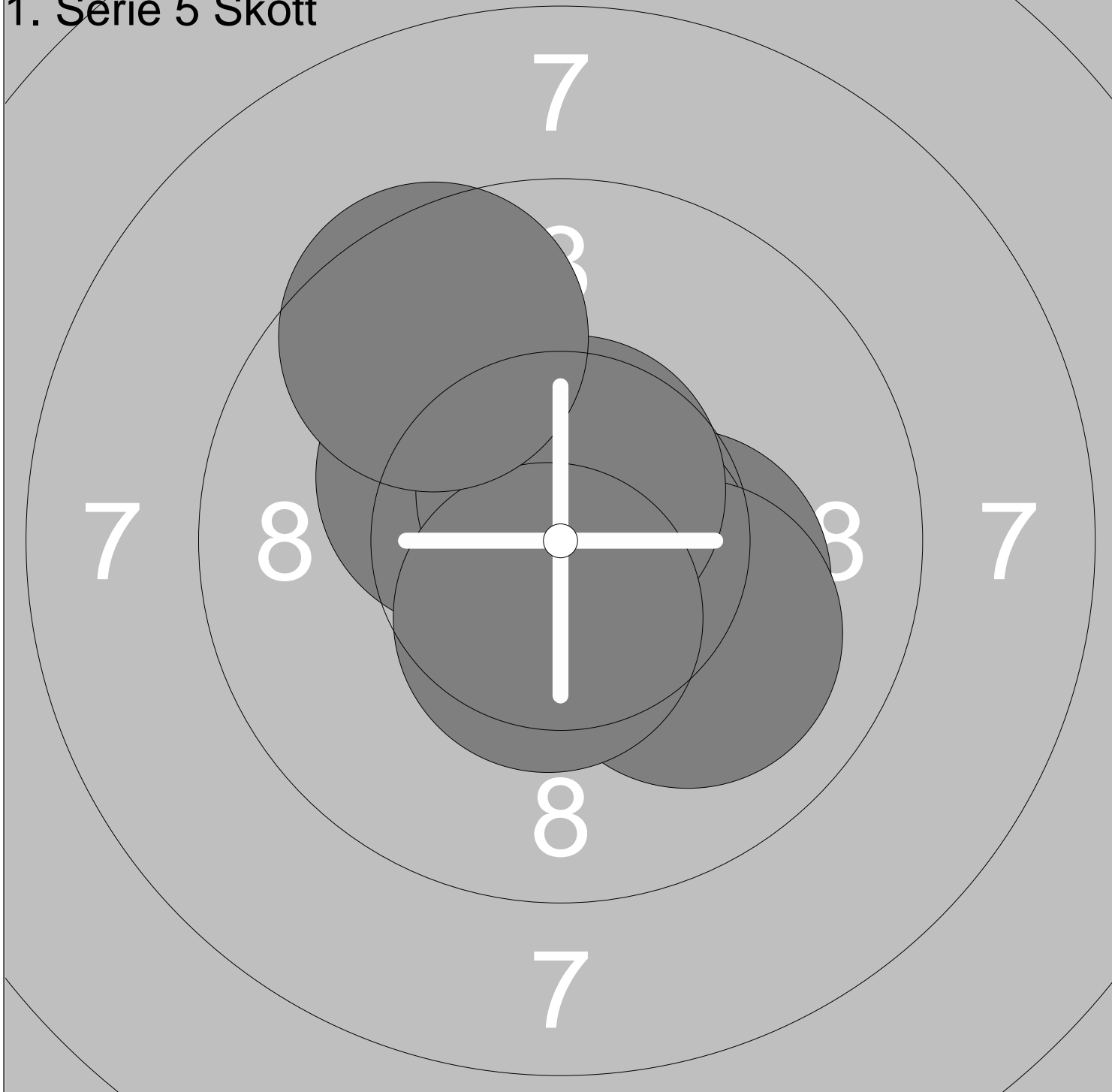
15

Petter Major

Trollhättans SkarpSkf

Sen Sim

## 1. Serie 5 Skott



1: \*10.2



6: \*10.3



2: \*10.7



7: 10.0



3: \*10.9



8: \*10.7



4: \*10.5



9: \*10.5



5: \*10.5



10: 9.6



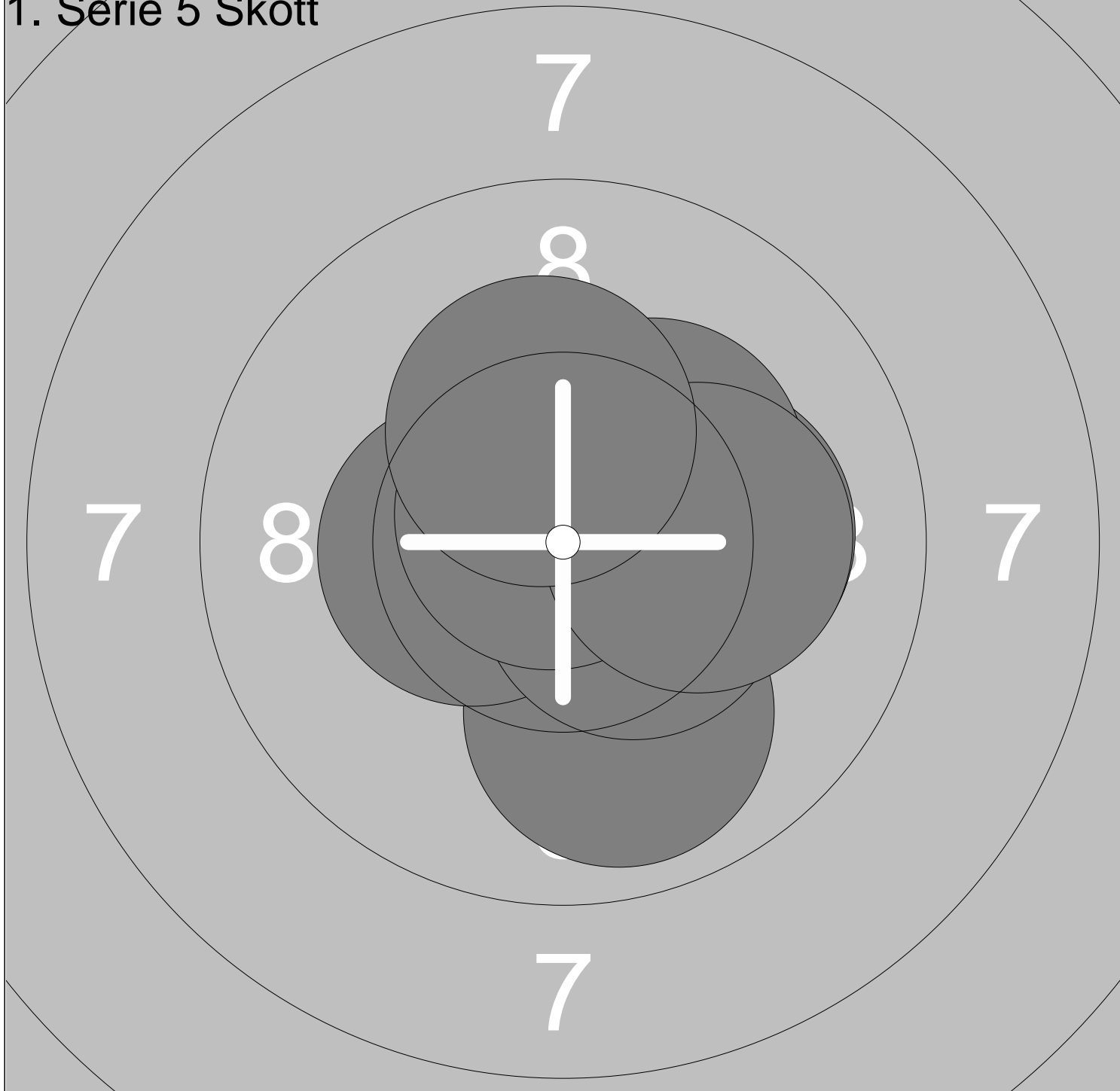
Serie

103.9

Total

519.6

# 1. Serie 5 Skott



1: *10.6 ↗	6: *10.2 →	Serie 103.7
2: *10.5 ↗	7: *10.3 ↗	
3: 9.9 ↓	8: *10.8 ↖	Total 519.0
4: *10.4 ←	9: *10.2 →	
5: *10.5 ↘	10: *10.3 ↖	

Skjutlag

Tavla

9

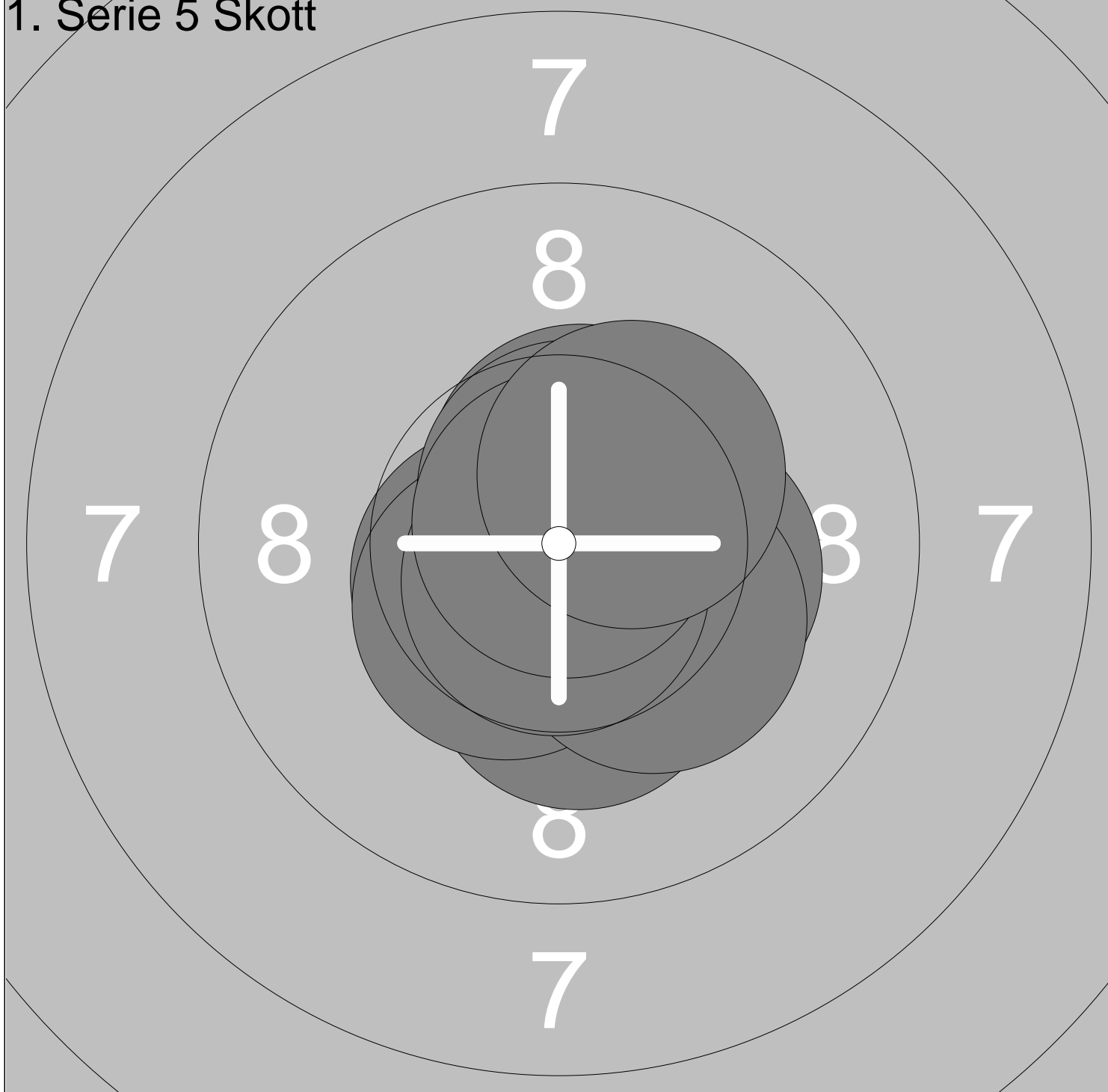
17

Hanna Gadd

Trollhättans SkarpSkf

Sen Sim

## 1. Serie 5 Skott



1: \*10.6



6: \*10.2



2: \*10.3



7: \*10.7



3: \*10.3



8: \*10.7



4: \*10.6



9: \*10.8



5: \*10.5



10: \*10.4



Serie

105.1

Total

520.4

Skjutlag

Tavla

9

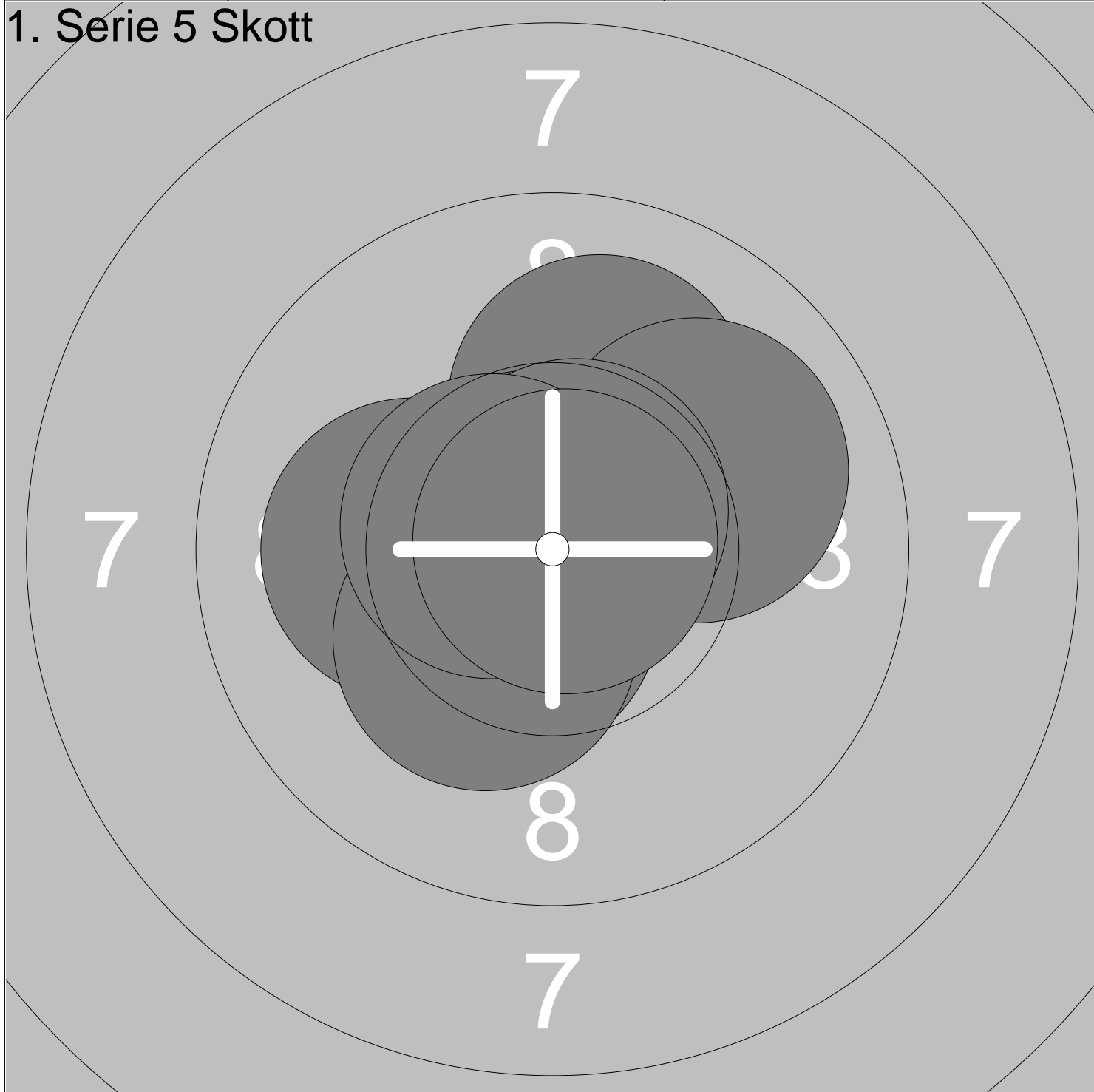
21

Ingemar Månsson

Helsingborgs Luftvapenskyttar

Vet Sim

## 1. Serie 5 Skott



1: \*10.5



6: 10.1



2: \*10.9



7: \*10.3



3: 10.1



8: \*10.7



4: 10.0



9: \*10.6



5: \*10.8



10: \*10.9



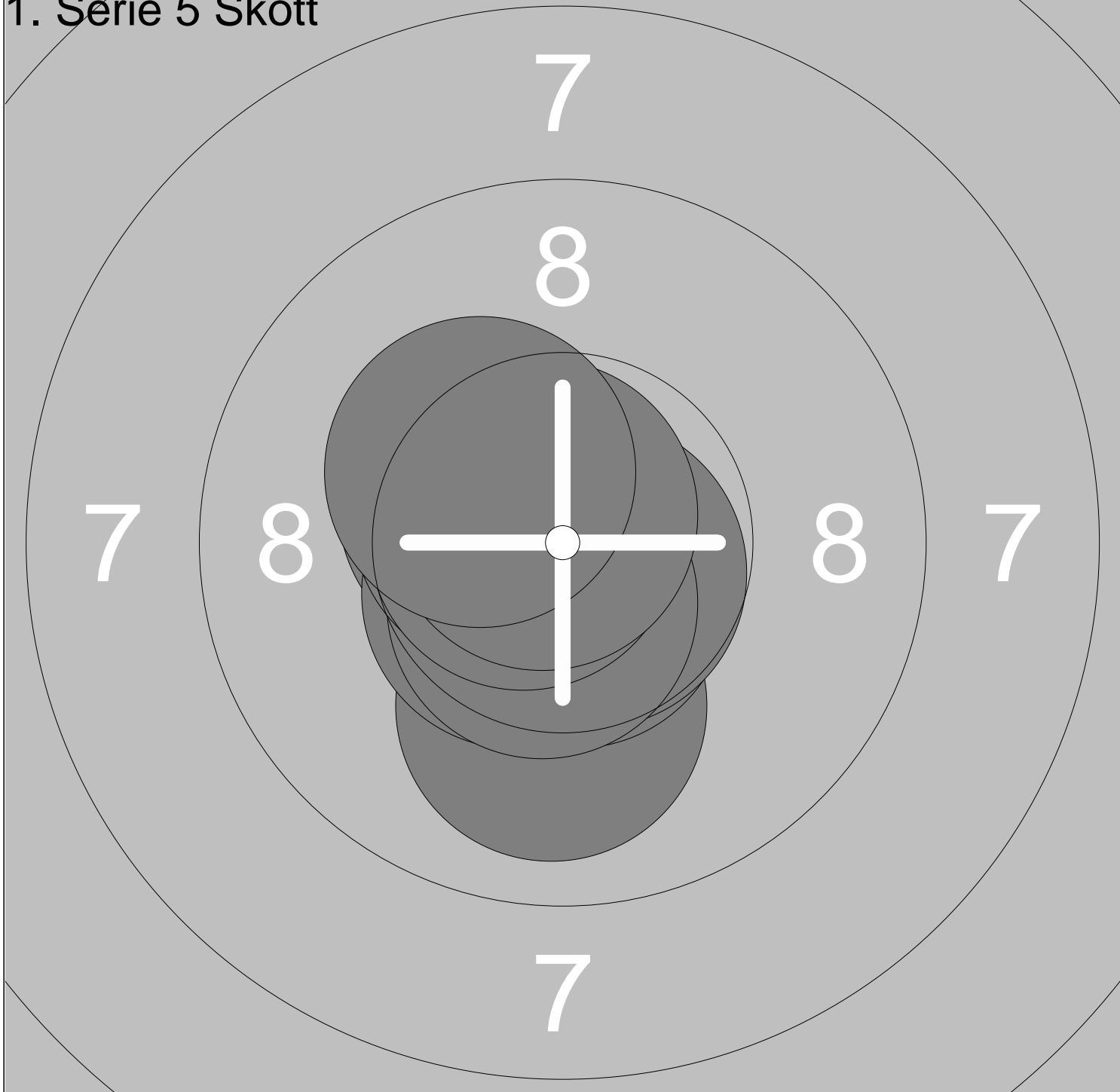
Serie

104.9

Total

525.4

# 1. Serie 5 Skott



1: 10.0	↓	6: *10.6	↙	Serie	105.5
2: *10.5	↖	7: *10.6	↖		
3: *10.6	↙	8: *10.7	↖	Total	524.7
4: *10.7	↓	9: *10.8	↖		
5: *10.7	↙	10: *10.3	↖		

Skjutlag

9

Tavla

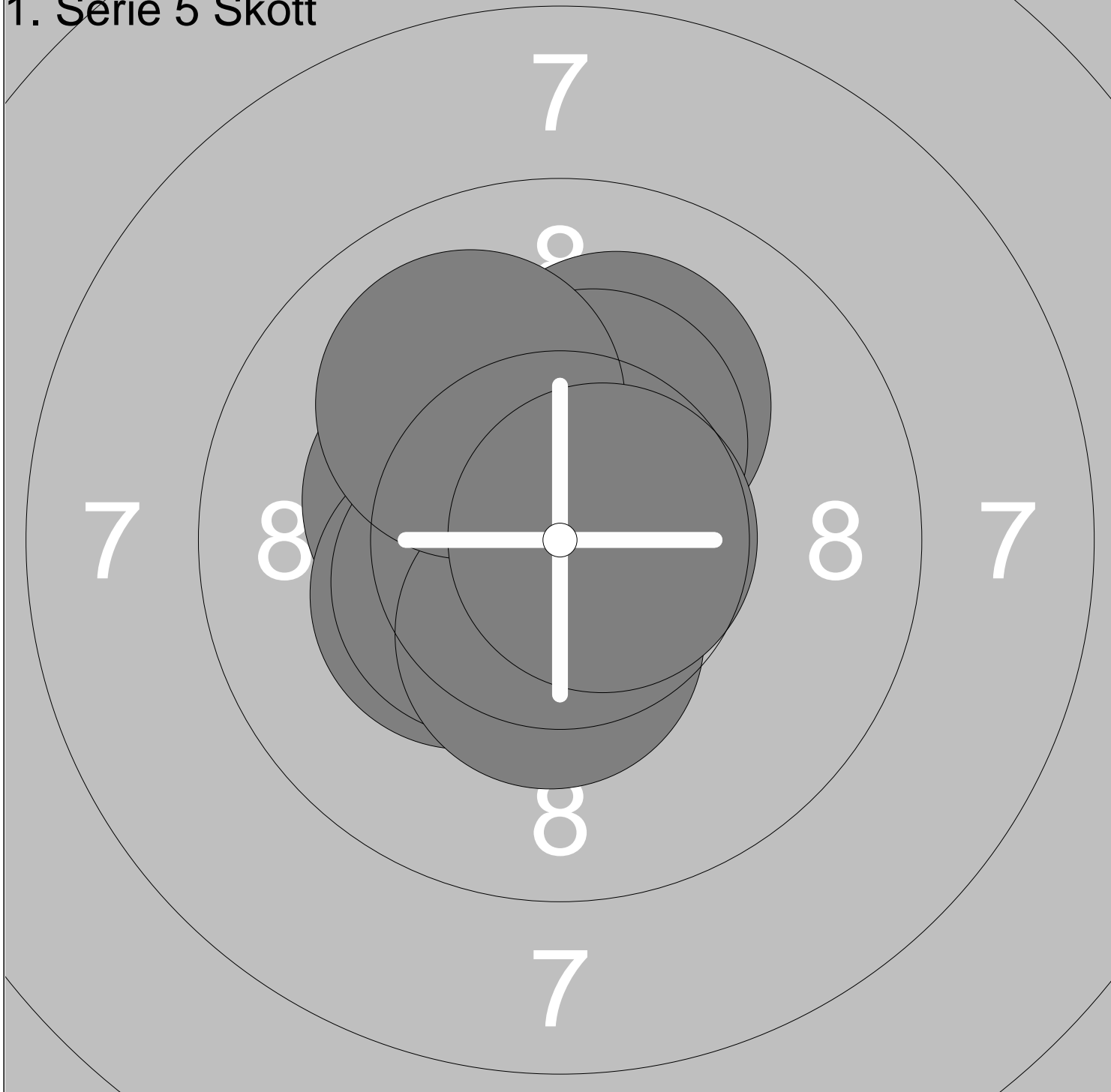
23

Franco Filippi-Farmar

Eslövs Skg

Vet Sim

## 1. Serie 5 Skott



1: \*10.6



6: \*10.3



2: 10.1



7: \*10.5



3: \*10.3



8: \*10.4



4: \*10.5



9: 10.0



5: \*10.4



10: \*10.7



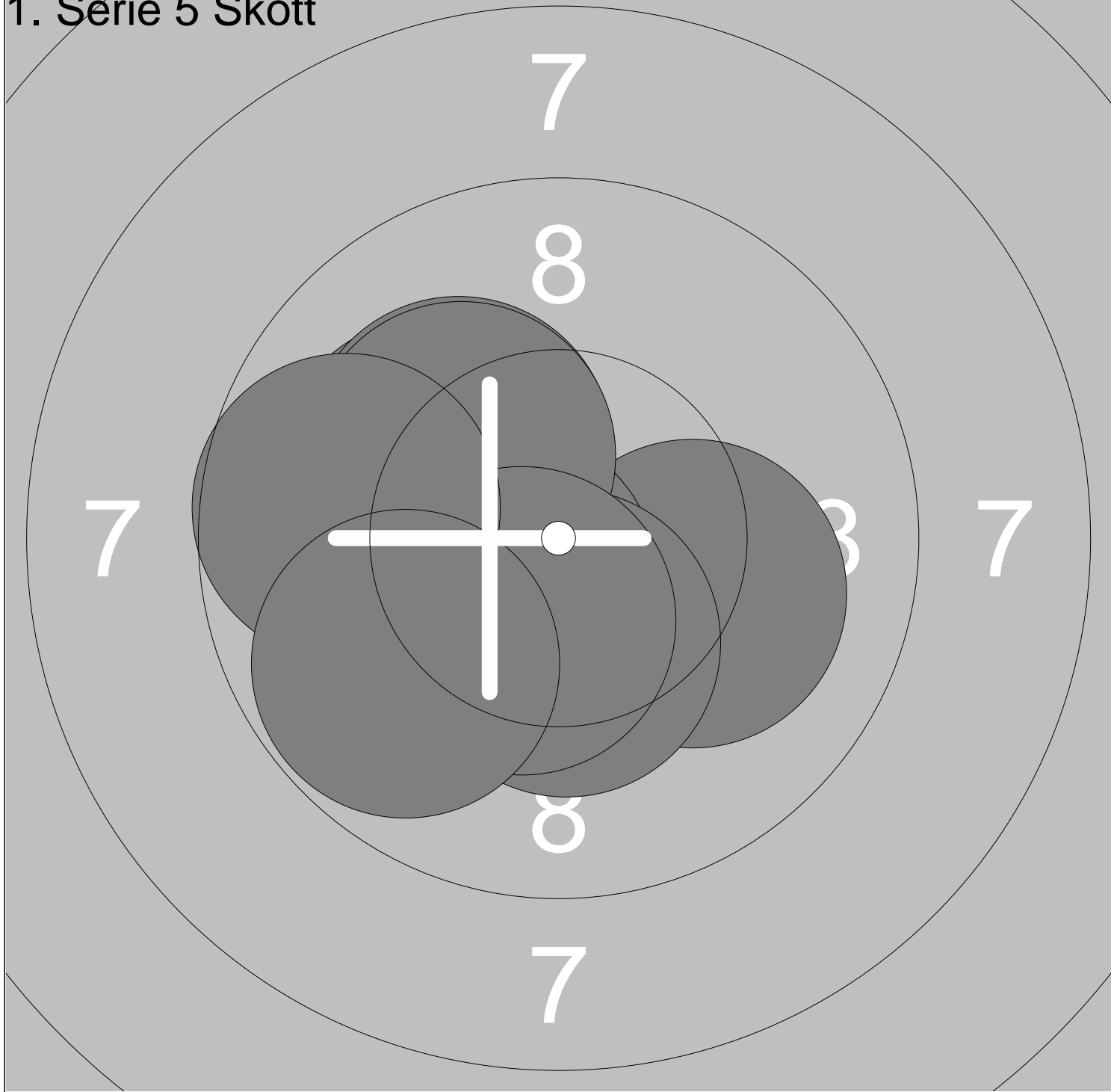
Serie

103.8

Total

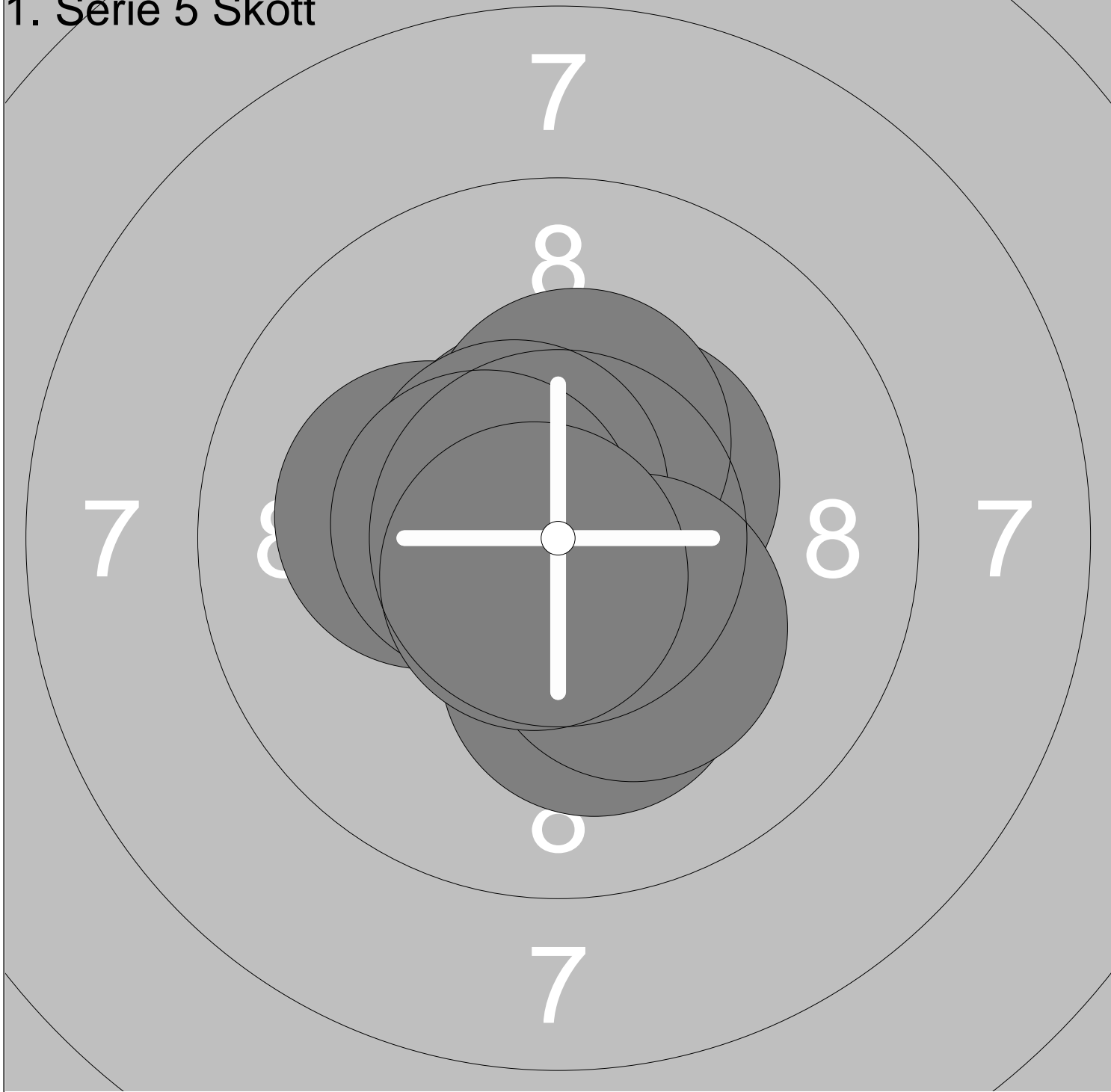
522.9

# 1. Serie 5 Skott



1: 10.1 ↗	6: *10.2 ↗	Serie 101.7
2: *10.4 ↘	7: *10.3 ↓	
3: *10.2 ↗	8: *10.4 ↘	Total 520.7
4: 10.1 ↘	9: 9.7 ←	
5: *10.5 ↘	10: 9.8 ↘	

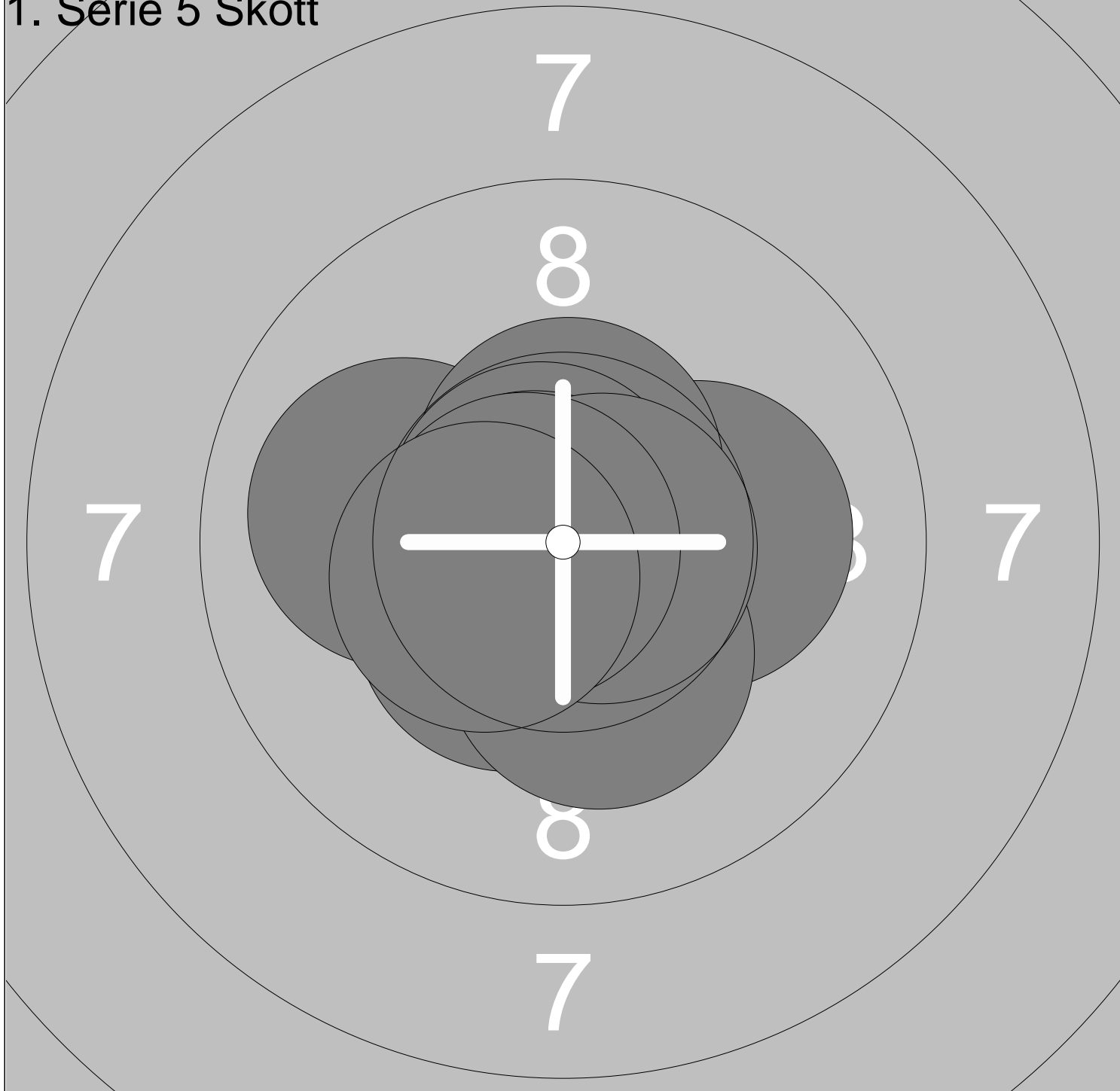
# 1. Serie 5 Skott



1: *10.2 ←	6: *10.4 ↑	Serie	104.5
2: *10.6 ↗	7: *10.6 ↗		
3: *10.6 ↗	8: *10.3 ↘	Total	522.9
4: *10.4 ↗	9: *10.5 ←		
5: *10.2 ↓	10: *10.7 ↘		

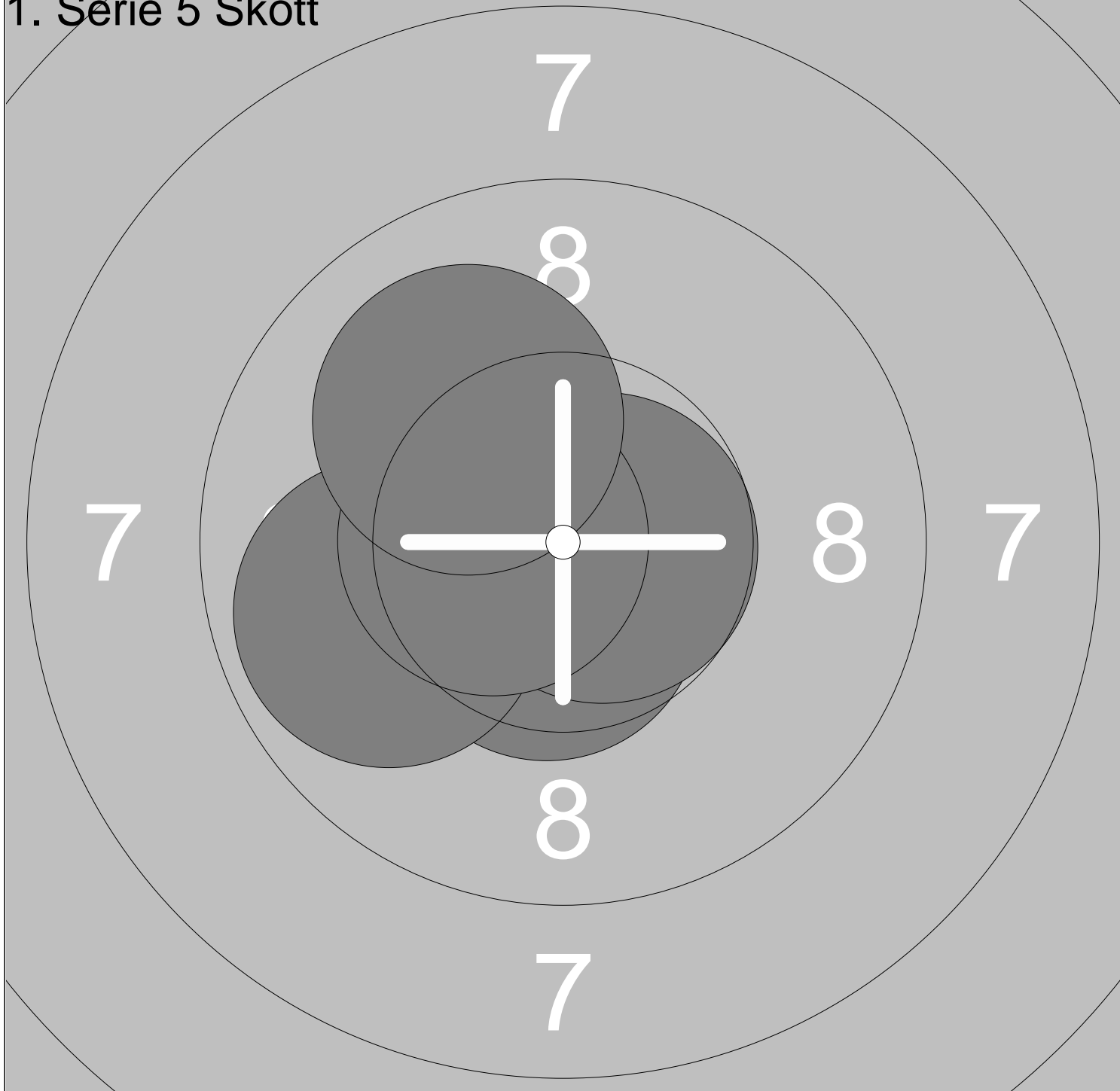


# 1. Serie 5 Skott



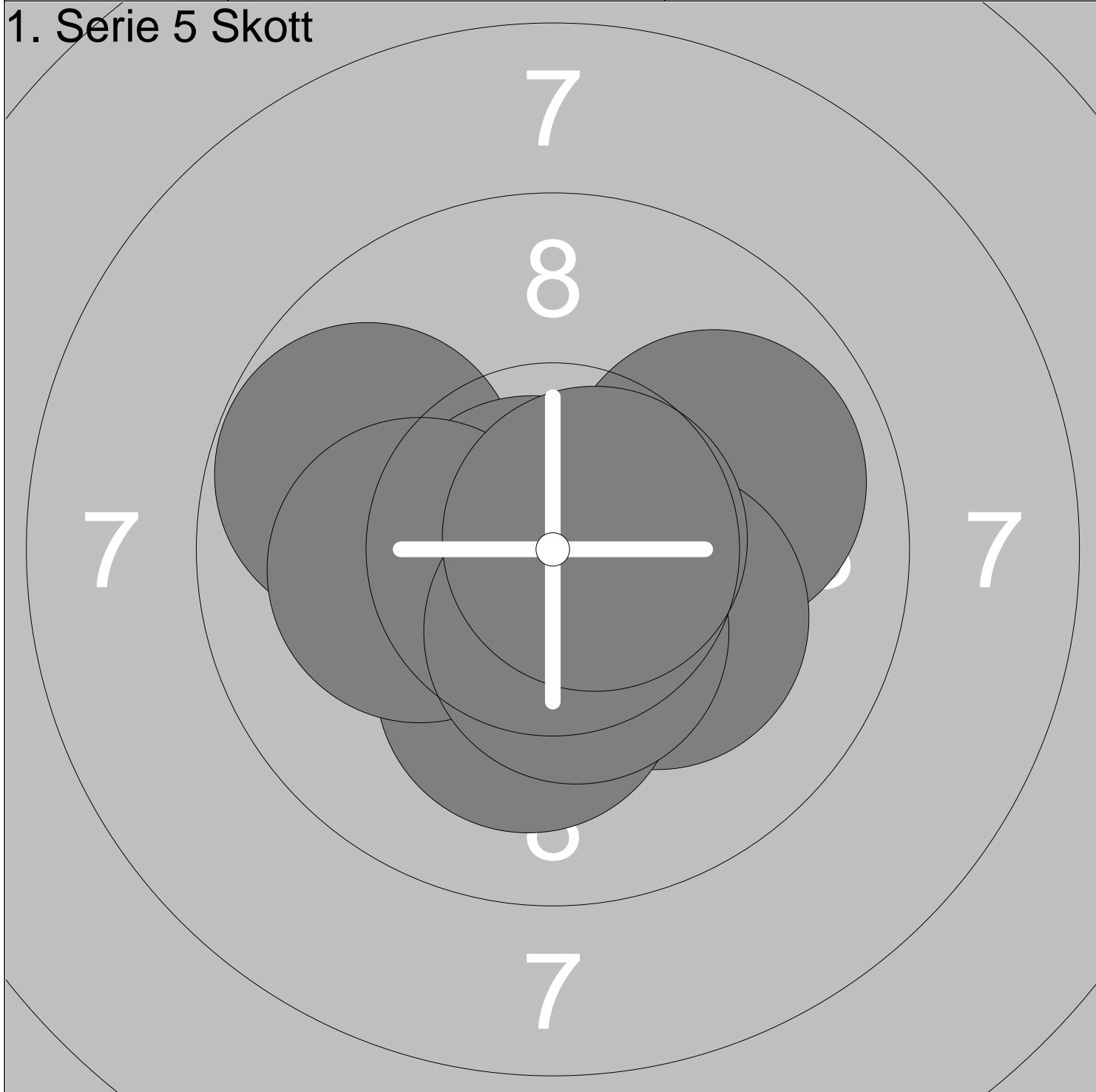
1: 10.0 ←	6: *10.3 ↓	Serie 104.9
2: *10.2 →	7: *10.8 ←	
3: *10.4 ↙	8: *10.7 →	Total 522.9
4: *10.5 ↑	9: *10.7 ←	
5: *10.8 ↗	10: *10.5 ↙	

# 1. Serie 5 Skott



1: *10.7 ←	6: *10.6 ↓	Serie 105.2
2: *10.7 ↘	7: *10.7 →	
3: *10.6 ↖	8: 9.9 ←	Total 523.1
4: *10.9 ↓	9: *10.5 ←	
5: *10.5 ↙	10: 10.1 ↗	

## 1. Serie 5 Skott



1: 9.9 ↗

2: \*10.4 ←

3: 9.8 ↖

4: \*10.2 ↘

5: \*10.5 ↙

6: \*10.2 ↓

7: \*10.8 ←

8: \*10.2 ↖

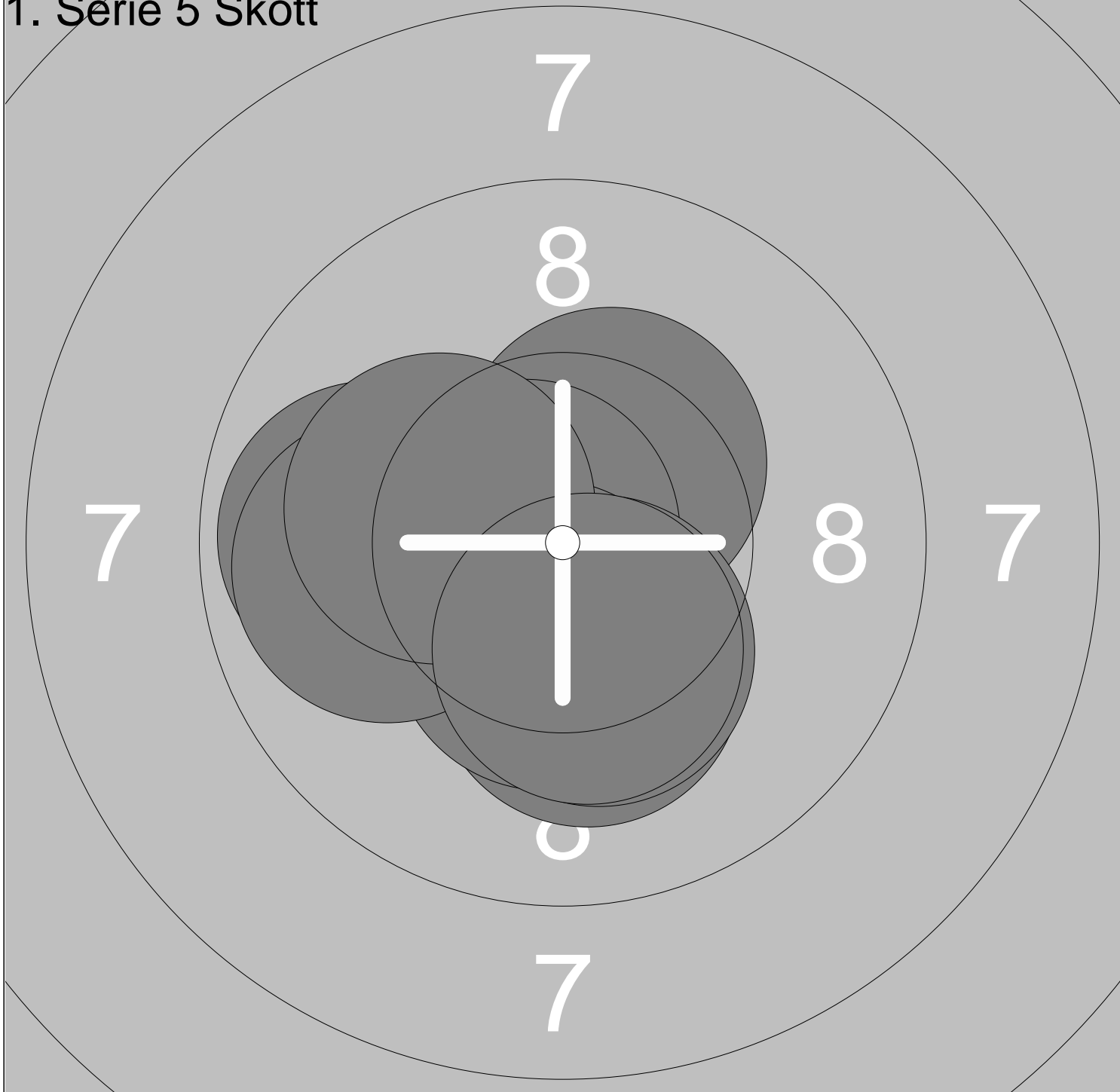
9: \*10.4 ↘

10: \*10.7 ↗

Serie 103.1

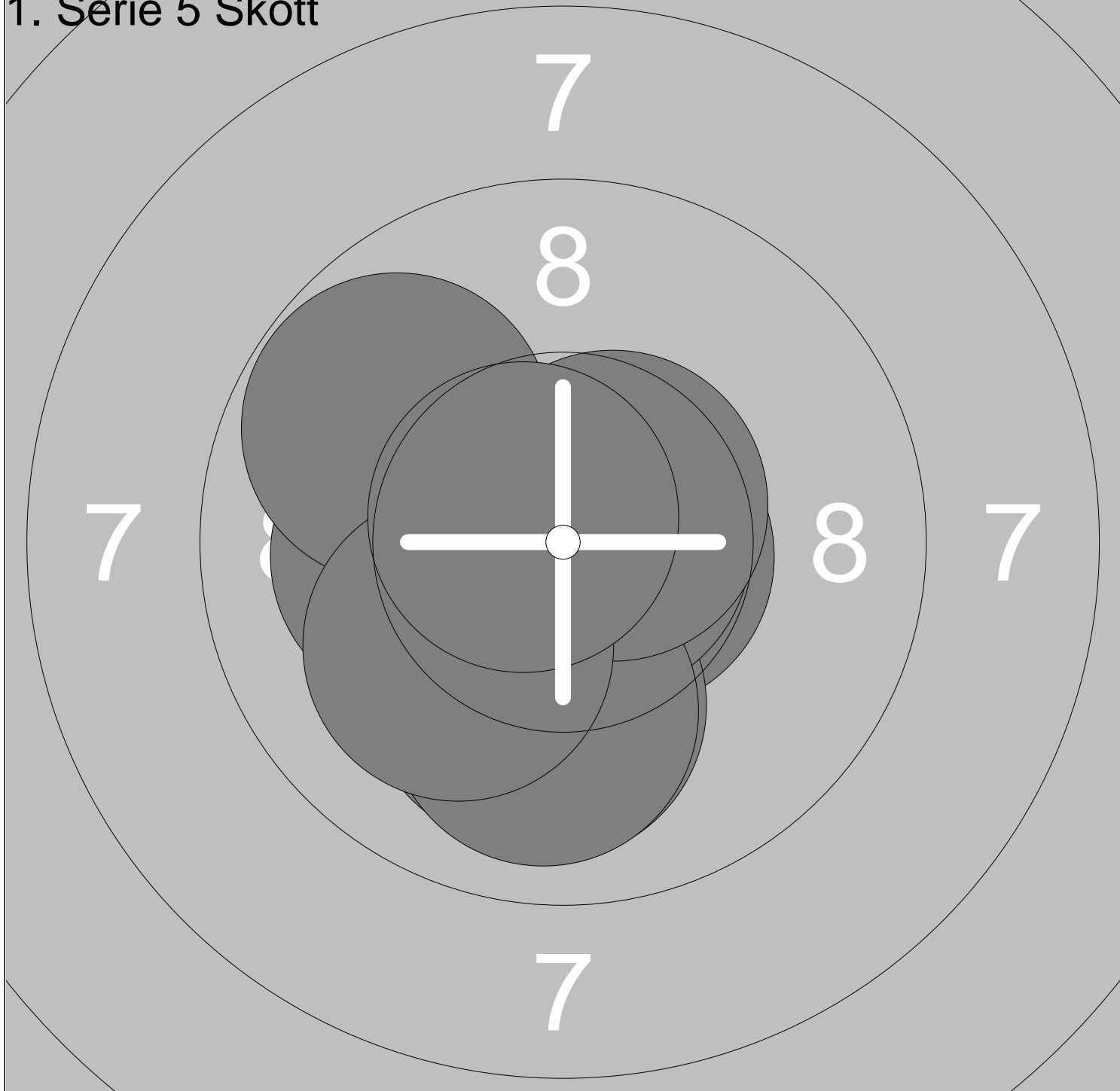
Total 520.3

# 1. Serie 5 Skott



1: *10.4 ↗	6: *10.4 ↓	Serie	103.0
2: *10.7 ←	7: 9.9 ←		
3: *10.7 ←	8: *10.3 ↓	Total	519.6
4: 9.9 ←	9: *10.2 ←		
5: *10.2 ↓	10: *10.3 ↓		

# 1. Serie 5 Skott



1: *10.6 →	6: 9.8 ↖	Serie	102.9
2: 10.1 ↘	7: 10.0 ↓		
3: *10.2 ←	8: *10.6 ↗	Total	519.5
4: 10.0 ↓	9: 10.1 ↙		
5: *10.8 →	10: *10.7 ↖		

Skjutlag

Tavla

9

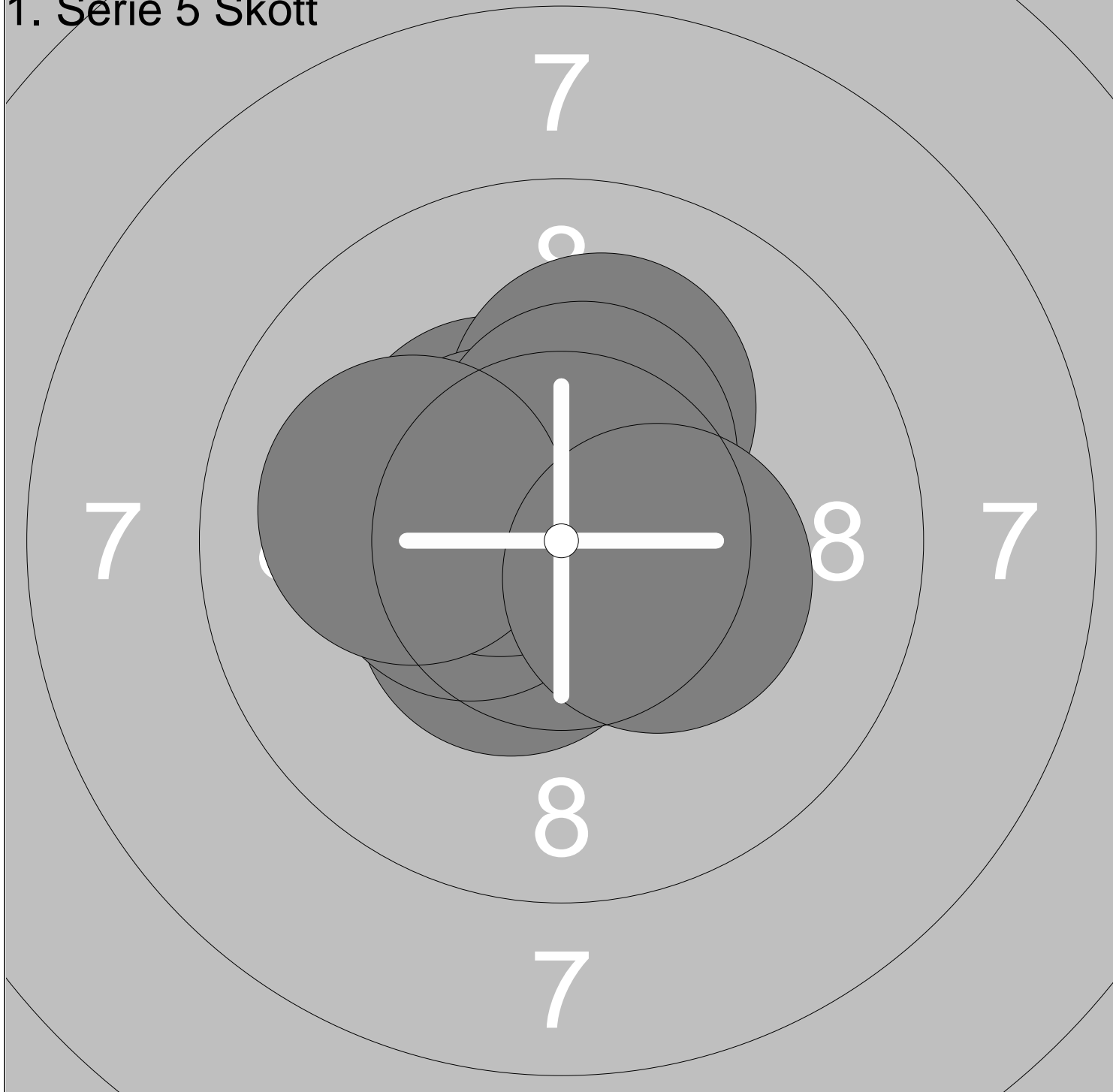
31

Anneli Welander

Virso Uskf

Vet Sim

## 1. Serie 5 Skott



1: \*10.5



6: 10.1



2: \*10.4



7: \*10.5



3: \*10.4



8: \*10.4



4: \*10.6



9: 10.1



5: \*10.4



10: \*10.4



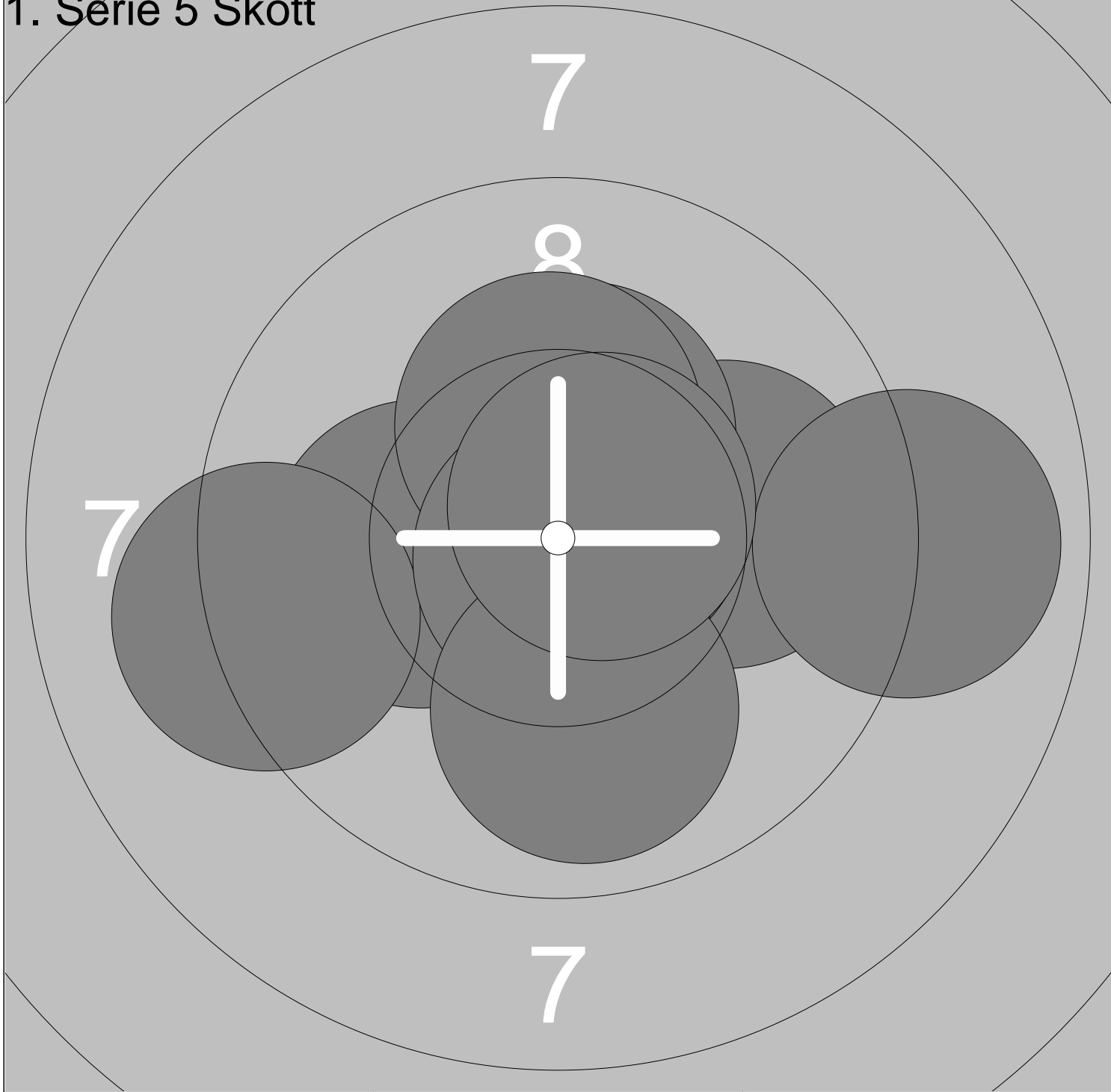
Serie

103.8

Total

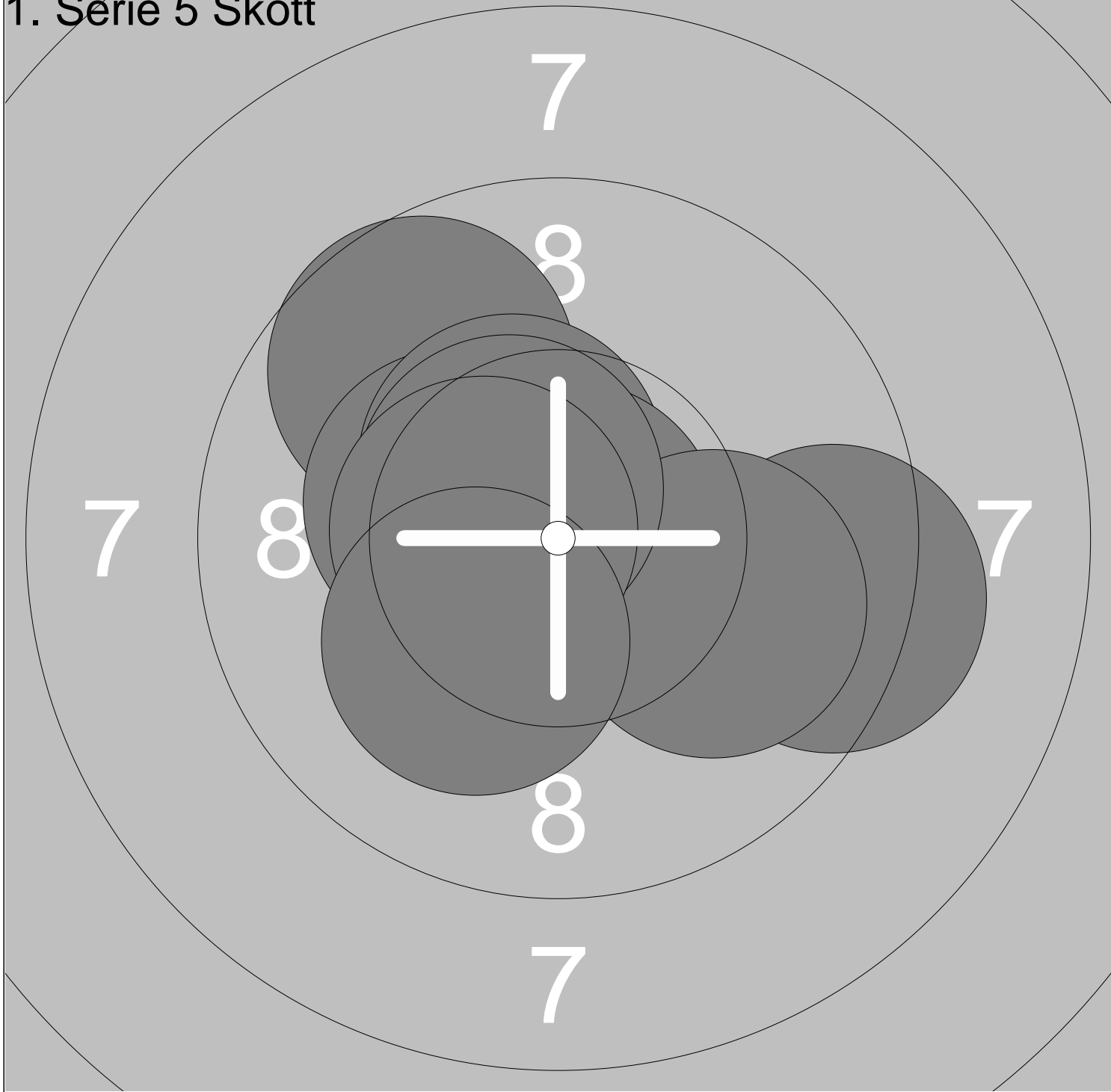
520.4

# 1. Serie 5 Skott



1: 10.0 →	6: *10.7 ↗	Serie	100.8
2: 10.1 ←	7: *10.3 ↑		
3: *10.3 ↗	8: *10.8 ↘	Total	486.8
4: 8.9 →	9: 9.9 ↓		
5: 9.2 ←	10: *10.6 ↗		

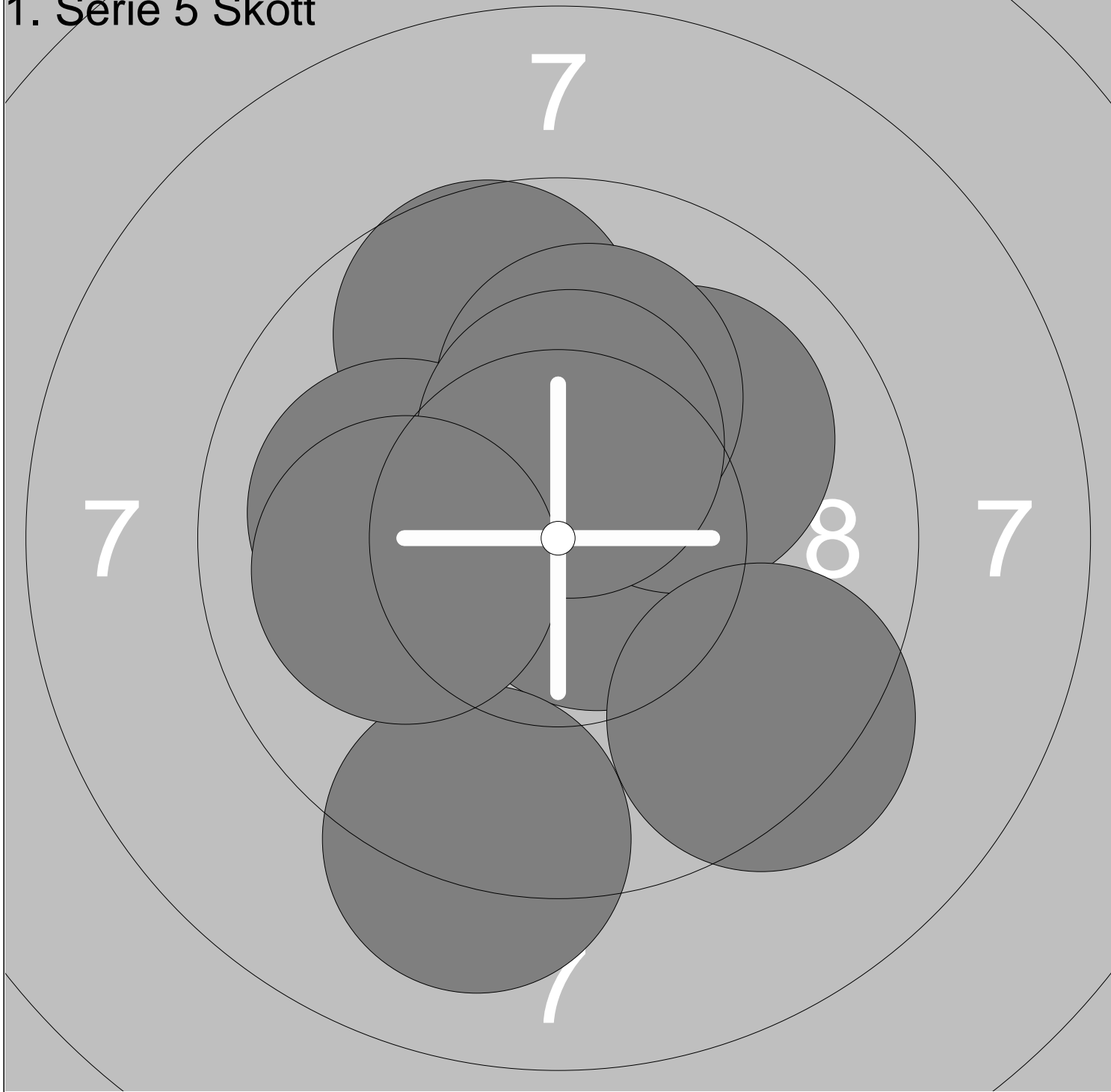
# 1. Serie 5 Skott



1: 9.7 ↗	6: *10.9 ↘	Serie 102.4
2: *10.3 ↗	7: 10.0 ↘	
3: 9.3 ↘	8: *10.5 ↗	Total 488.4
4: *10.5 ↙	9: *10.5 ←	
5: *10.5 ↗	10: *10.2 ↙	

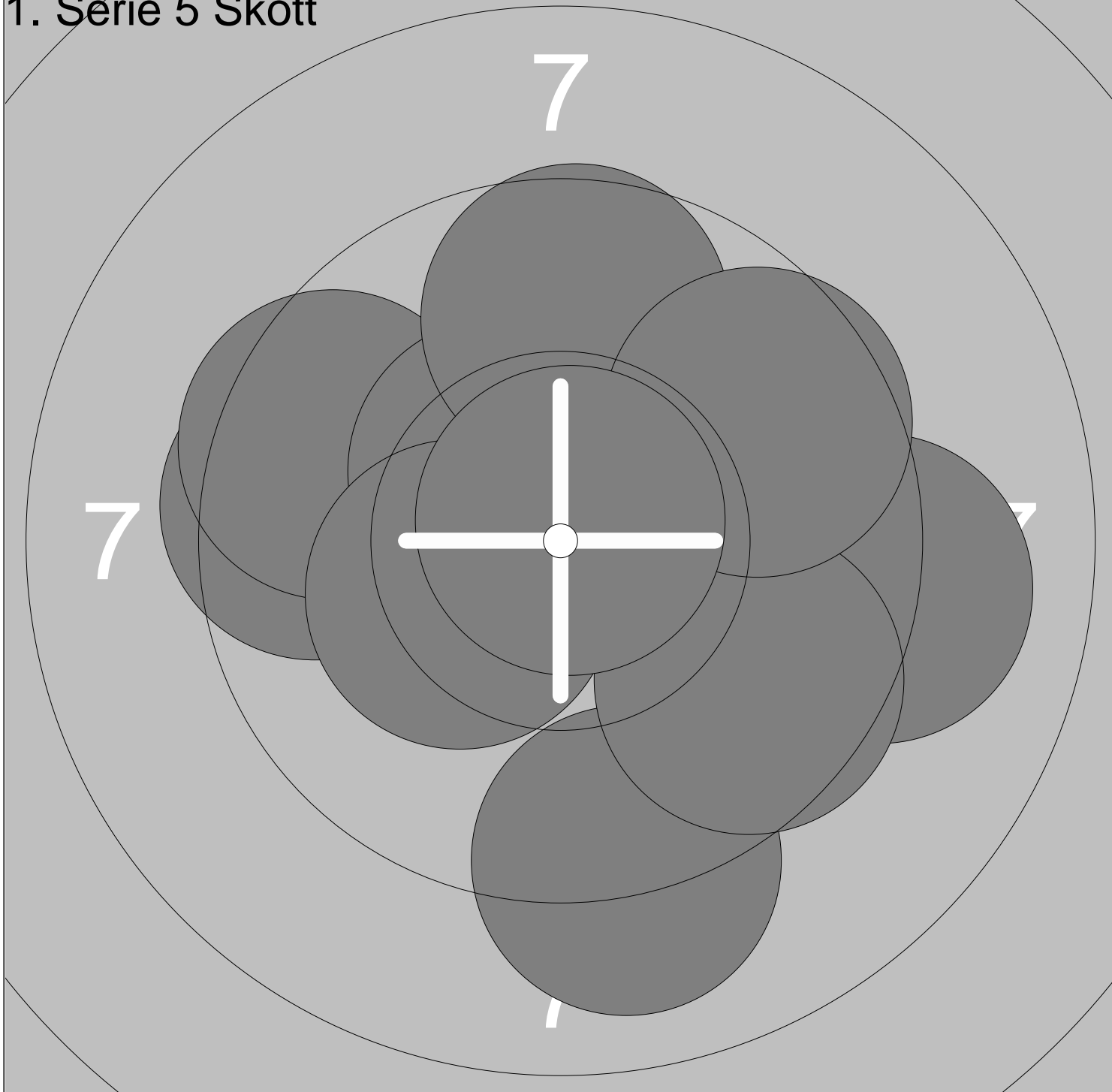


# 1. Serie 5 Skott



1: *10.2	↗	6: 9.1	↘	Serie	99.6
2: 9.7	↗	7: 9.4	↘		
3: *10.7	↘	8: 10.0	↖	Total	485.6
4: 10.0	↗	9: *10.4	↗		
5: 10.1	↗	10: 10.0	↖		

## 1. Serie 5 Skott



1: 9.5



6: 9.1



2: 9.1



7: 9.6



3: 9.5



8: \*10.3



4: \*10.4



9: 9.6



5: 9.7



10: \*10.8



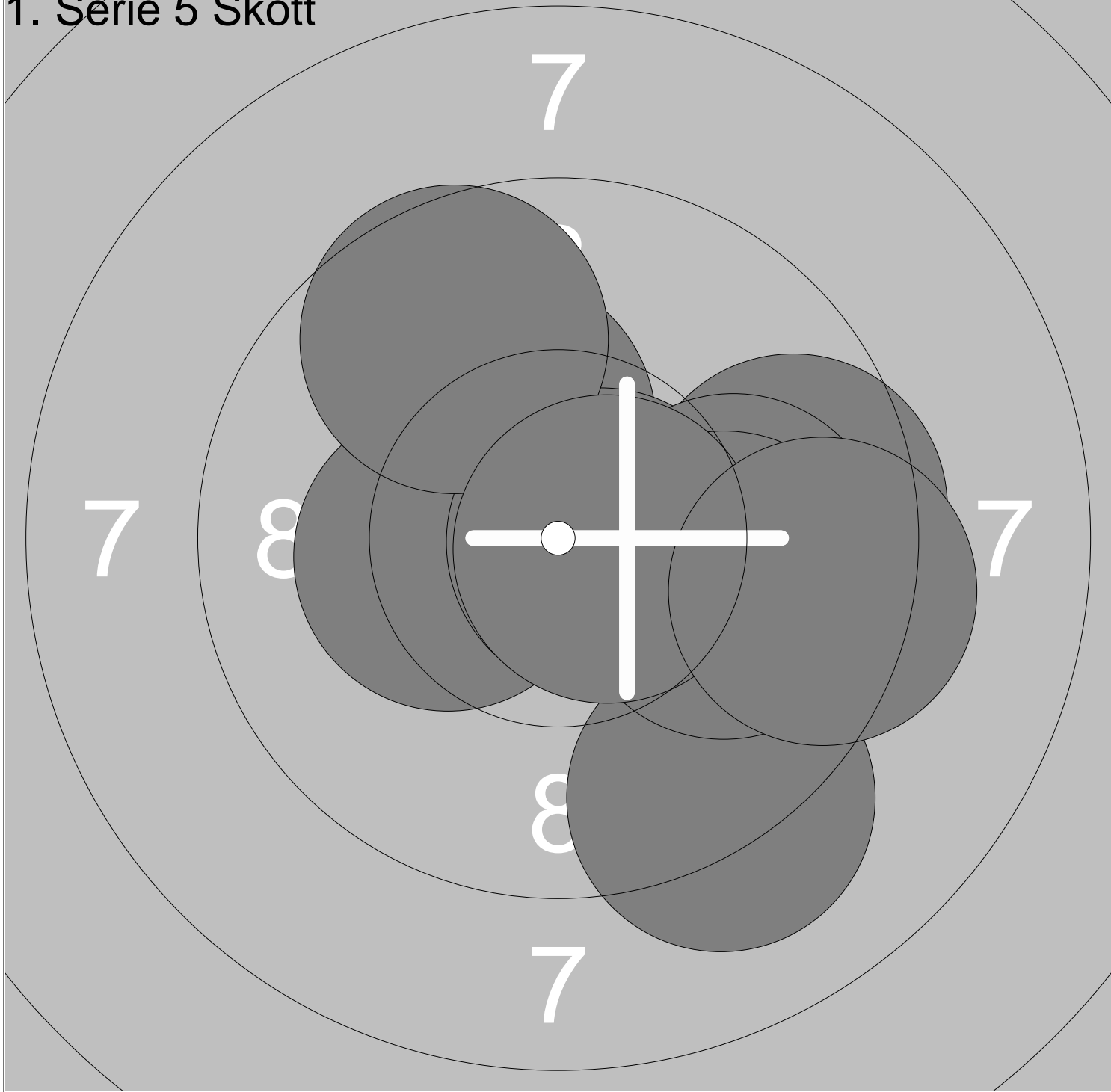
Serie

97.6

Total

481.6

# 1. Serie 5 Skott



1: *10.2 ↗	6: 9.6 ↗	Serie	99.5
2: *10.3 ←	7: 9.2 ↘		
3: *10.7 →	8: 9.9 ↘	Total	482.5
4: 9.6 →	9: *10.7 ↘		
5: 9.9 →	10: 9.4 ↘		

Skjutlag  
10

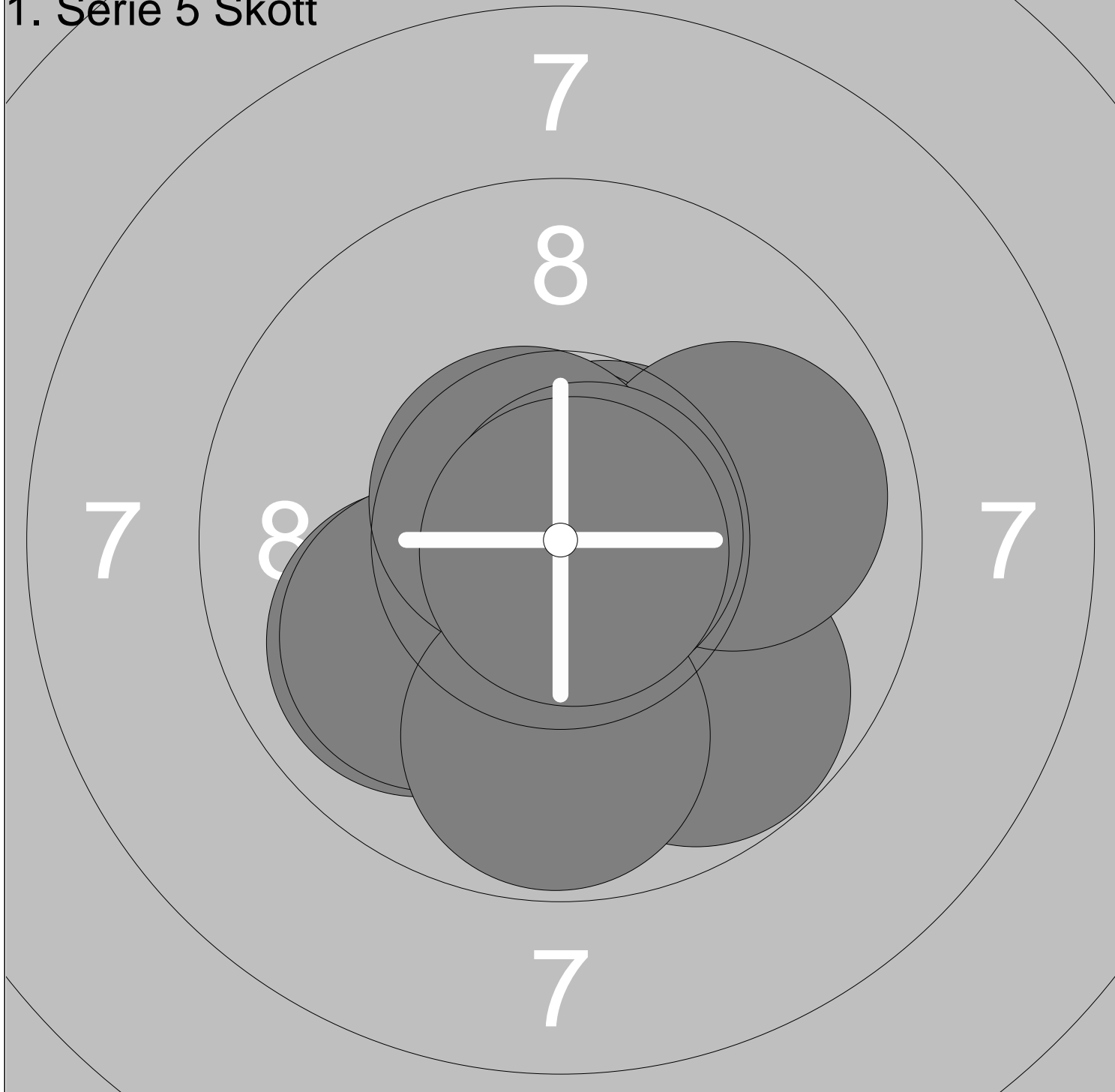
Tavla  
26

Annie Andersson

Dalstorps Skf

Jun Stå

# 1. Serie 5 Skott



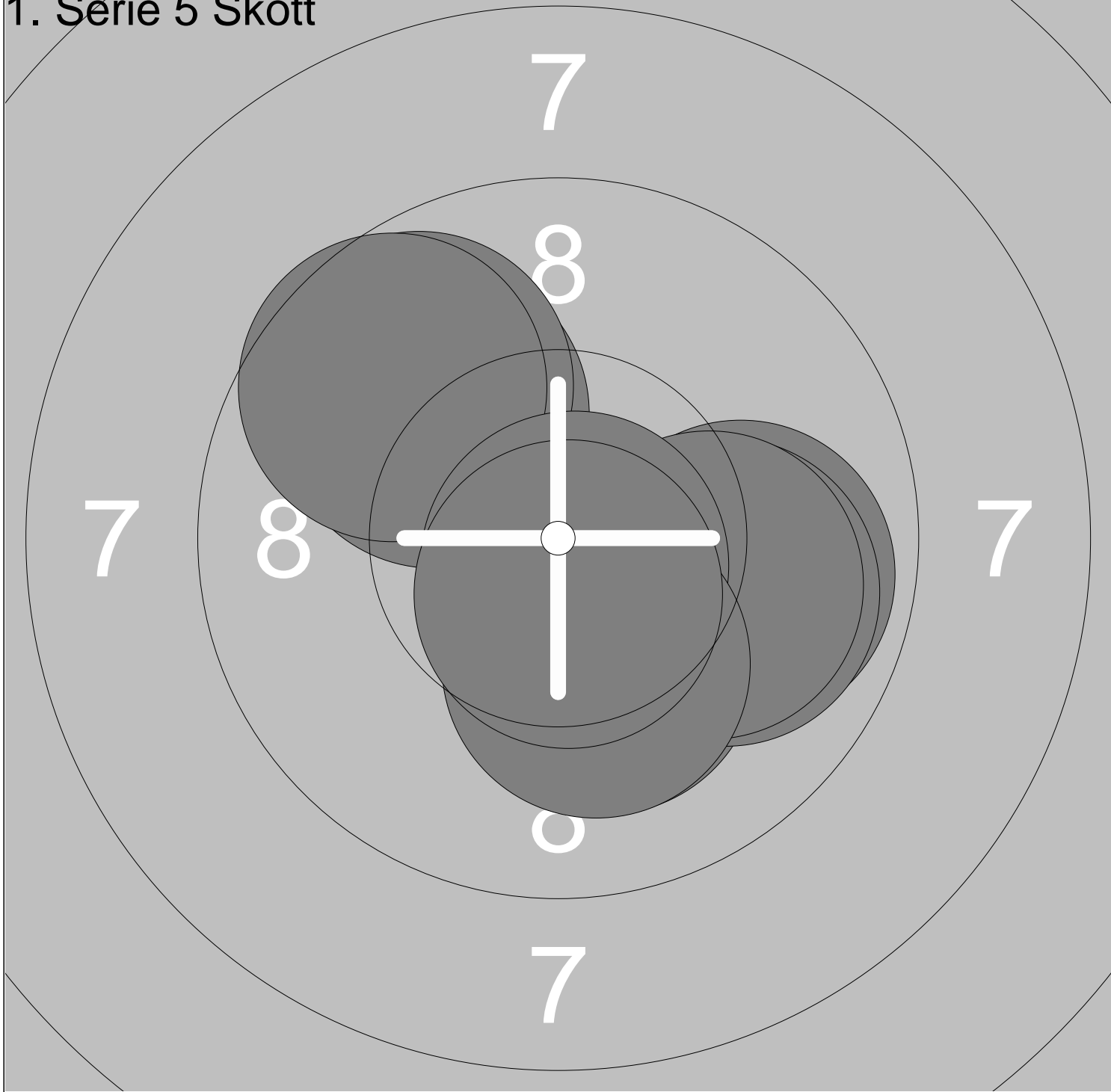
1:	*10.7	↗
2:	*10.8	↖
3:	9.9	↙
4:	9.8	↘
5:	10.0	↙

6:	9.9	↗
7:	*10.6	↖
8:	*10.8	→
9:	9.8	↓
10:	*10.8	↘

Serie 103.1

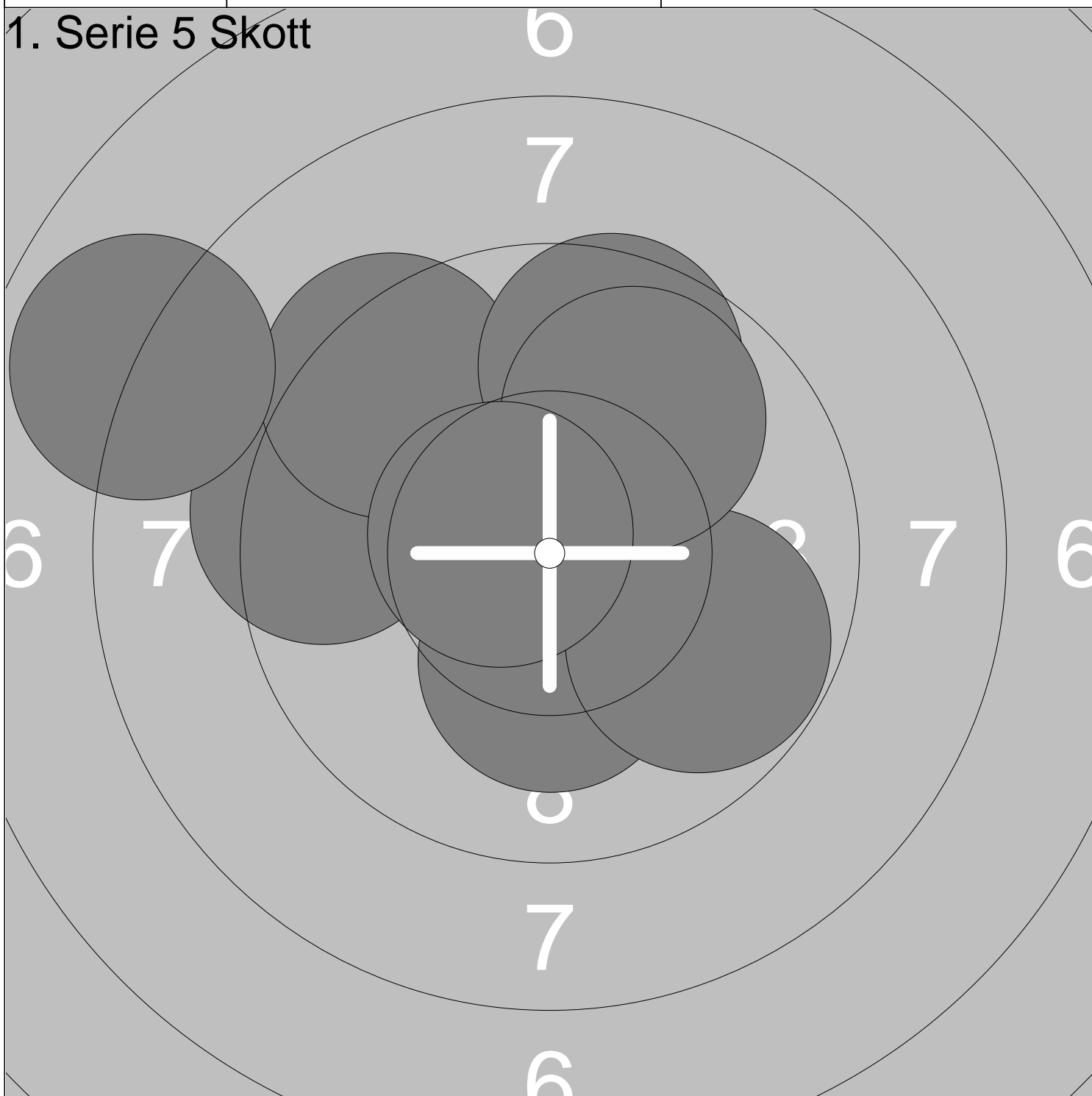
Total 486.1

# 1. Serie 5 Skott



1: 9.9 ↗	6: 10.0 ↘	Serie	100.8
2: 9.7 ↗	7: 9.6 ↗		
3: 9.9 ↘	8: *10.8 ↘	Total	482.8
4: *10.2 ↙	9: *10.2 ↙		
5: 9.9 ↘	10: *10.6 ↘		

## 1. Serie 5 Skott



1: \*10.6



6: 9.6



2: 9.4



7: 9.8



3: 9.4



8: 9.9



4: \*10.8



9: \*10.6



5: \*10.2



10: 7.9



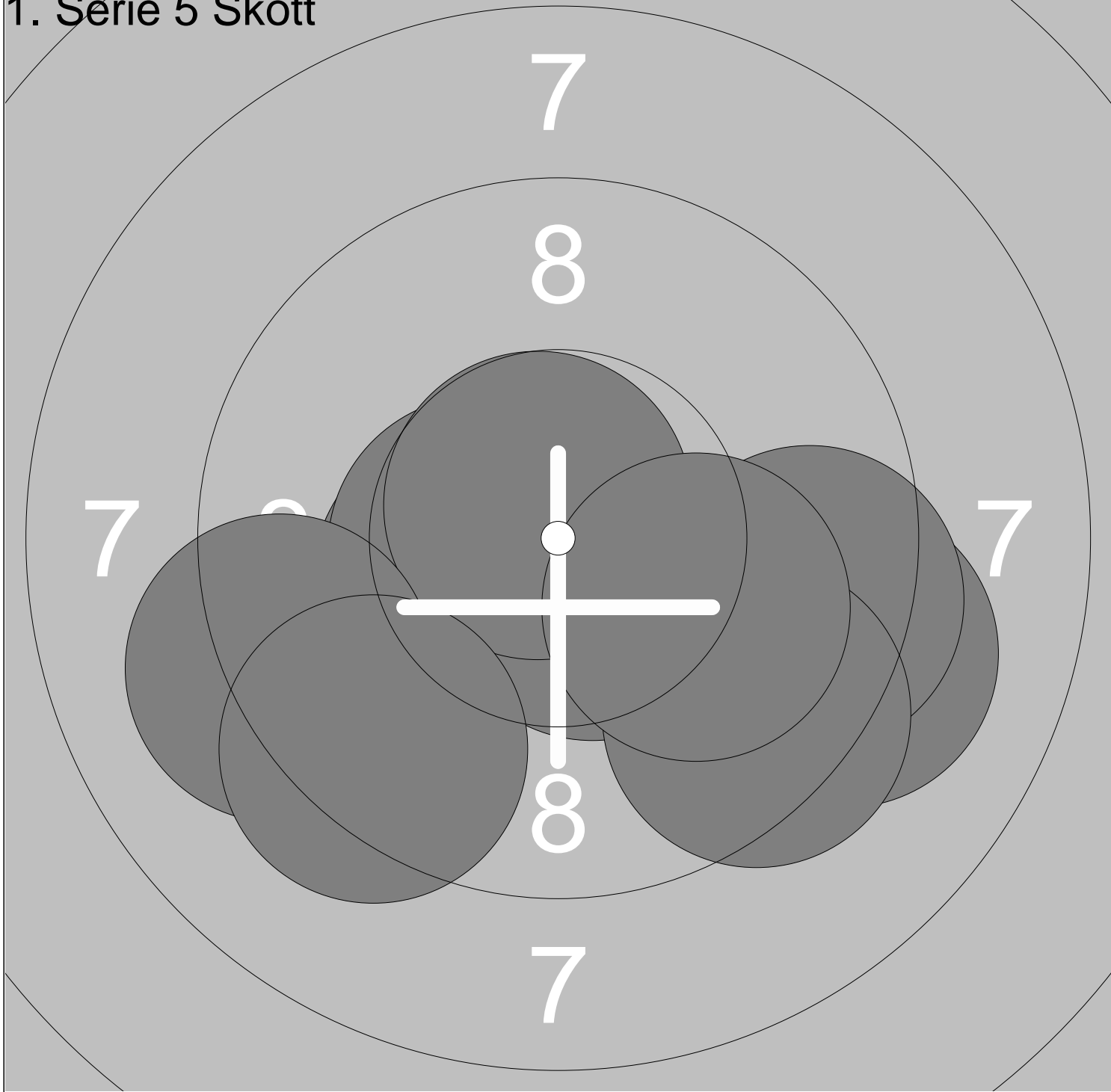
Serie

98.2

Total

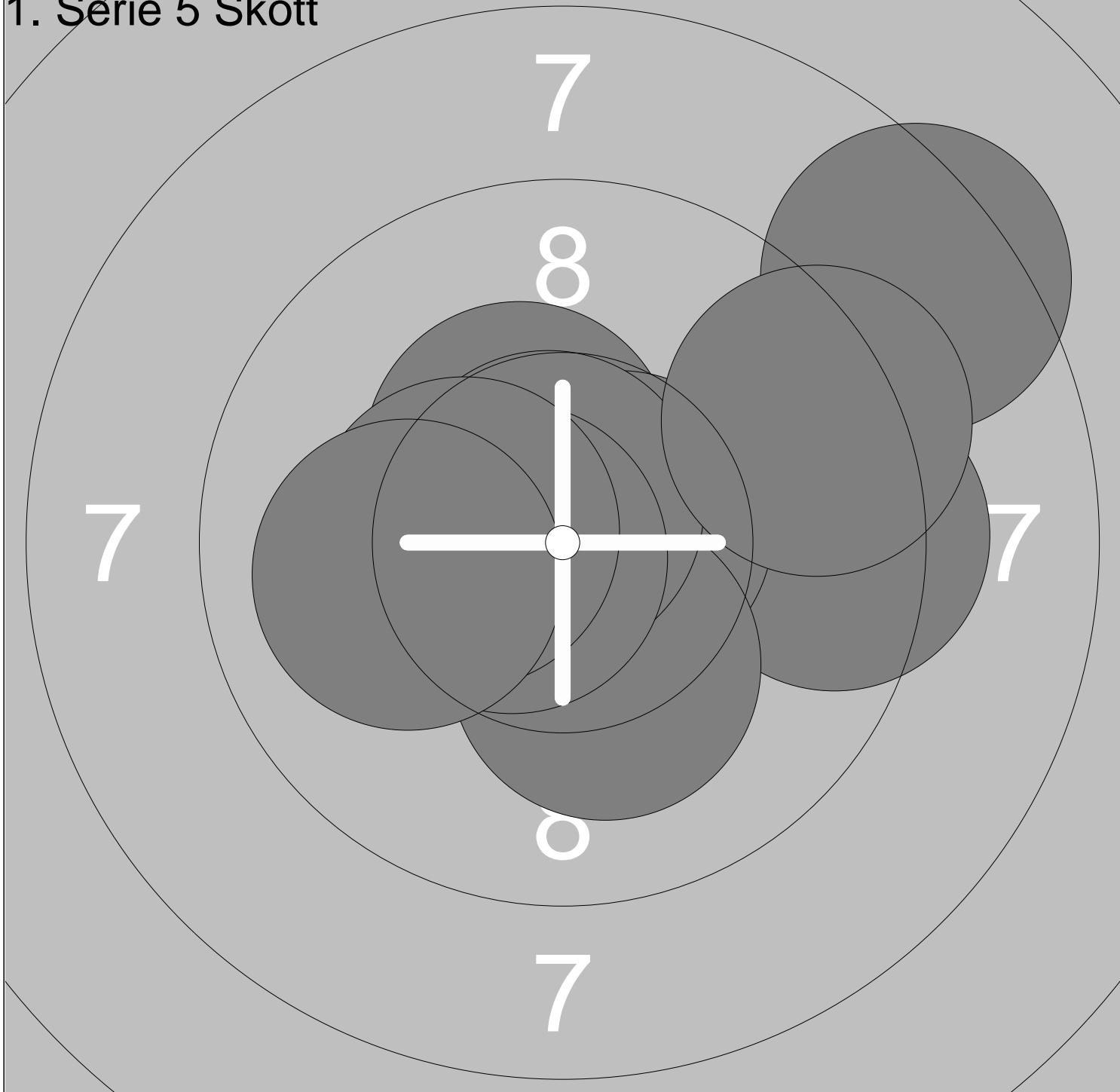
480.2

# 1. Serie 5 Skott



1: 9.2	→	6: *10.7	↗	Serie	98.8
2: 9.4	→	7: 9.4	↘		
3: *10.4	←	8: 10.1	↘	Total	480.8
4: *10.5	←	9: 9.2	↙		
5: *10.6	↘	10: 9.3	↙		

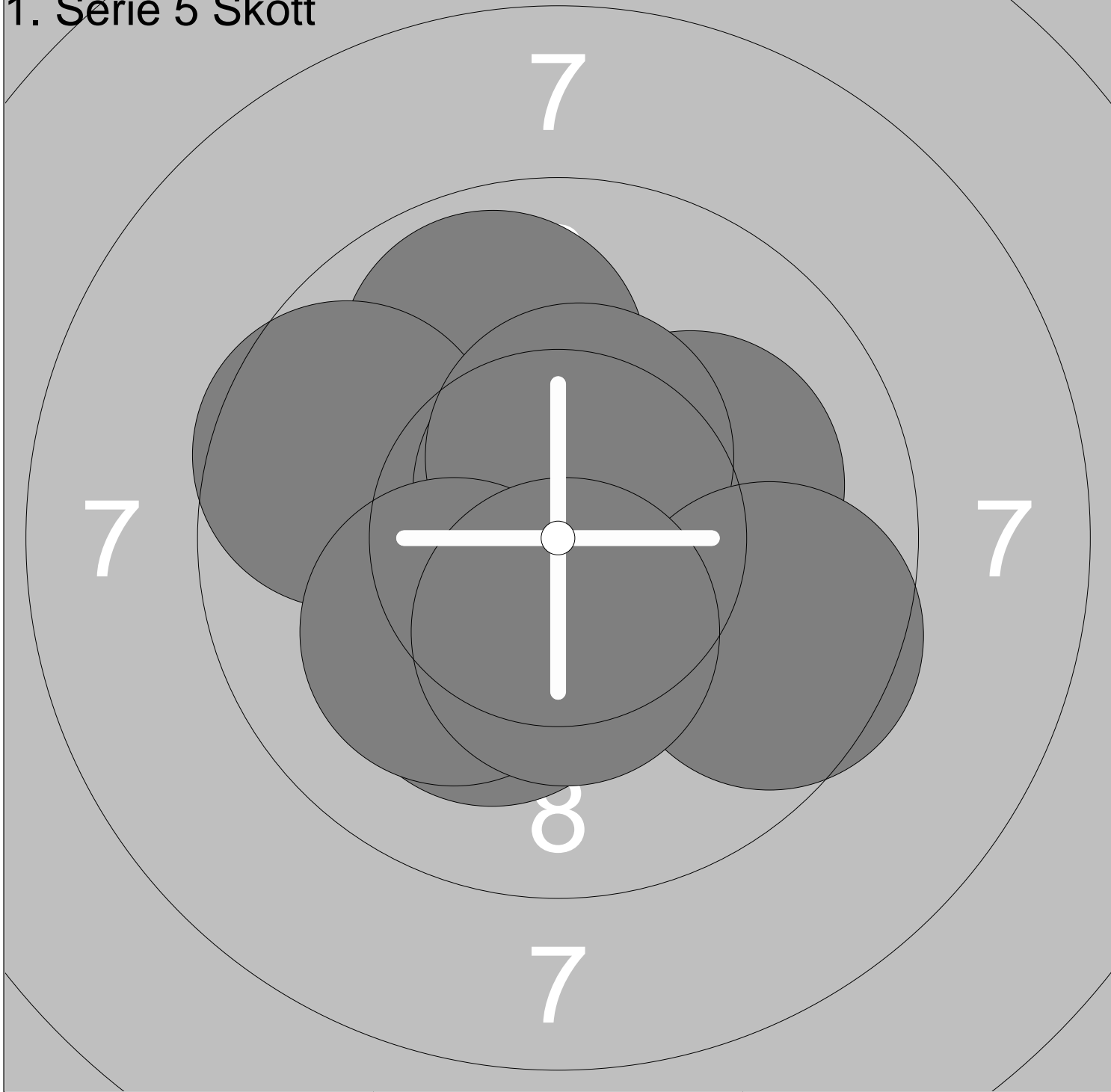
# 1. Serie 5 Skott



1: *10.4 ↗	6: 8.4 ↗	Serie 100.0
2: 9.4 →	7: *10.6 ←	
3: *10.6 ↗	8: 9.3 ↗	
4: *10.2 ↘	9: *10.4 ←	
5: *10.7 ↗	10: 10.0 ←	
		Total 481.0

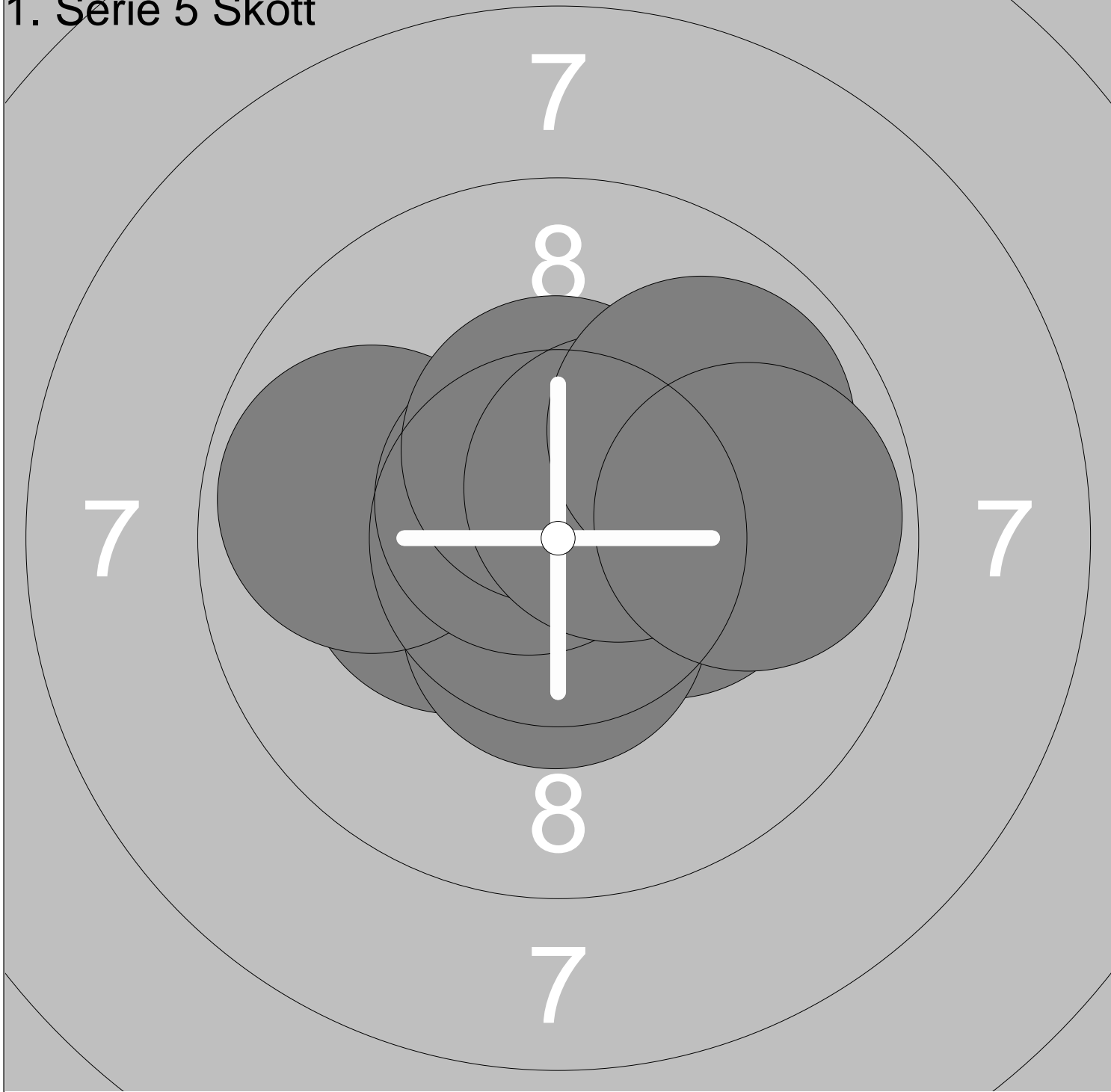


# 1. Serie 5 Skott



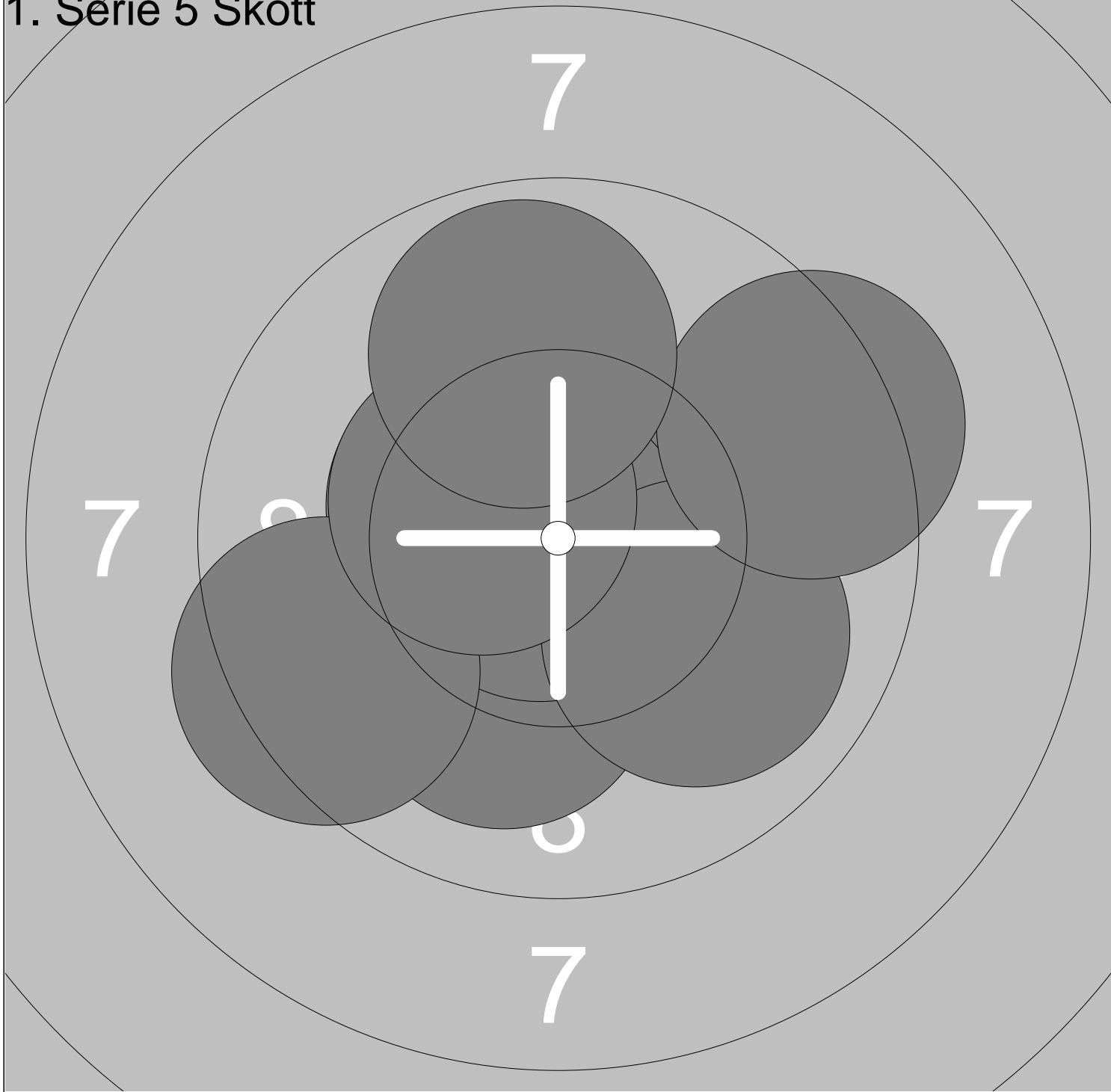
1: *10.2 ↙	6: *10.7 ↑	Serie	101.6
2: 9.9 ↗	7: *10.5 ↗		
3: *10.5 ↙	8: 9.6 ↘	Total	497.6
4: 10.1 ↗	9: 10.1 ↙		
5: 9.6 ↖	10: *10.4 ↓		

# 1. Serie 5 Skott



1: *10.3 ←	6: *10.7 ↖	Serie 102.7
2: *10.5 ↑	7: *10.4 ↑	
3: *10.3 →	8: *10.5 ↗	Total 497.7
4: *10.5 ↓	9: 9.9 ↗	
5: 9.8 ←	10: 9.8 →	

# 1. Serie 5 Skott



1: *10.5 ↙	6: 9.4 ↙	Serie	101.3
2: *10.6 ↗	7: 10.0 ↘		
3: 10.1 ↘	8: *10.5 ↗	Total	494.3
4: *10.2 →	9: 9.3 ↗		
5: *10.8 ↙	10: 9.9 ↗		

Skjutlag

11

Tavla

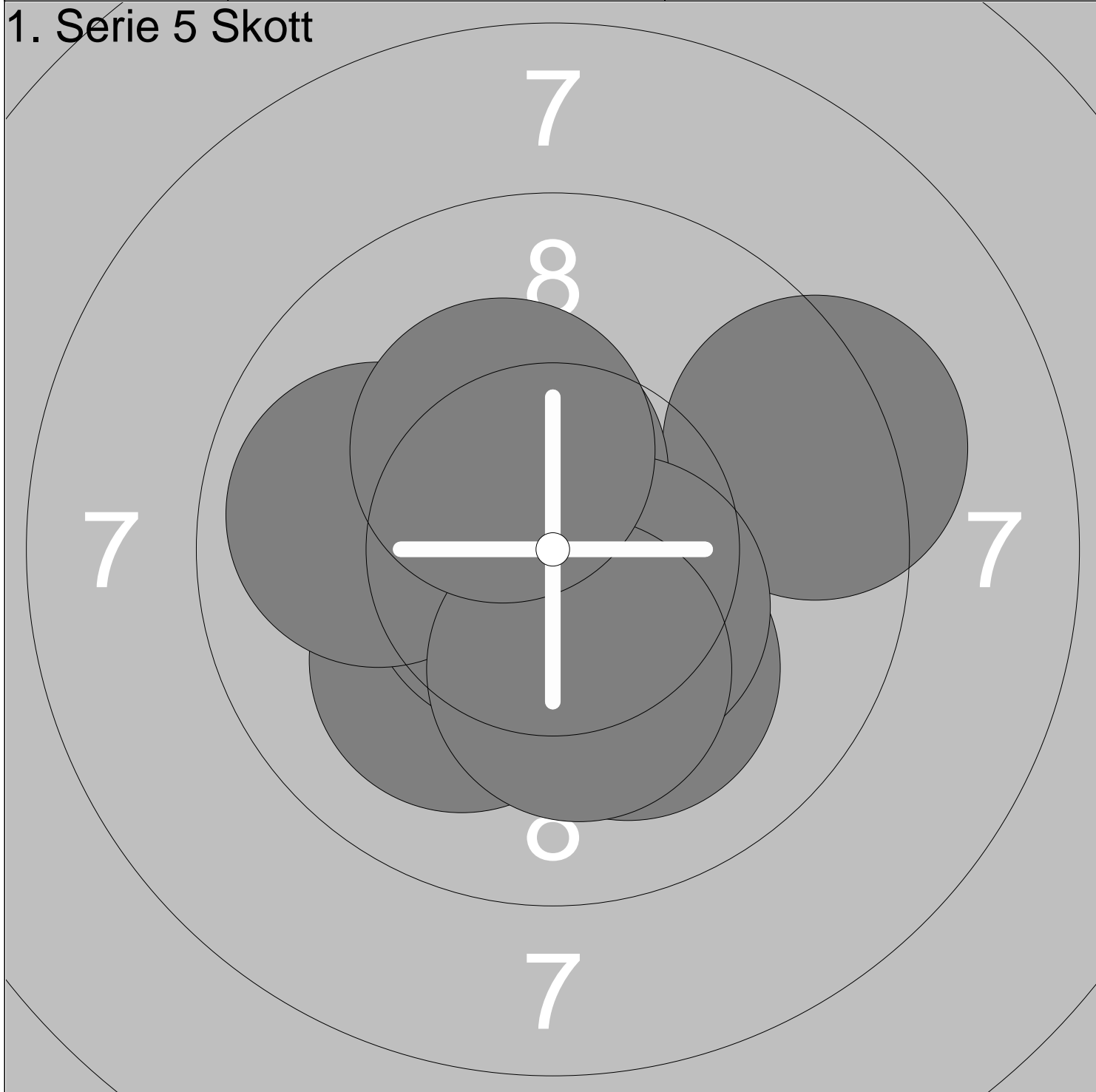
11

Mimmi Steen

Halmstad/Snöstorps Skf

Sen Stå

## 1. Serie 5 Skott



1: 9.3



6: \*10.5



2: 10.1



7: 9.9



3: \*10.7



8: \*10.4



4: \*10.3



9: \*10.2



5: 10.1



10: \*10.3



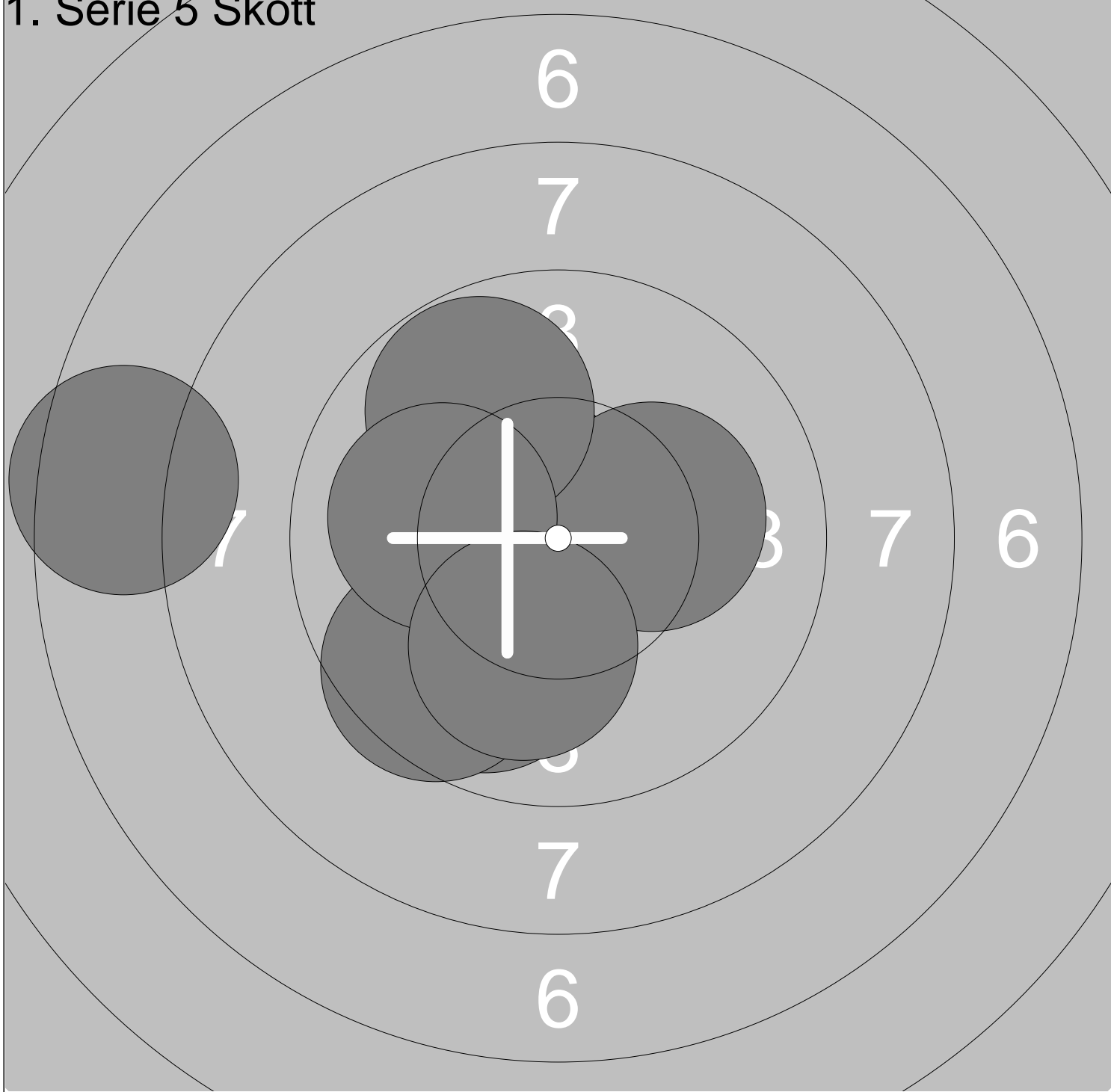
Serie

101.8

Total

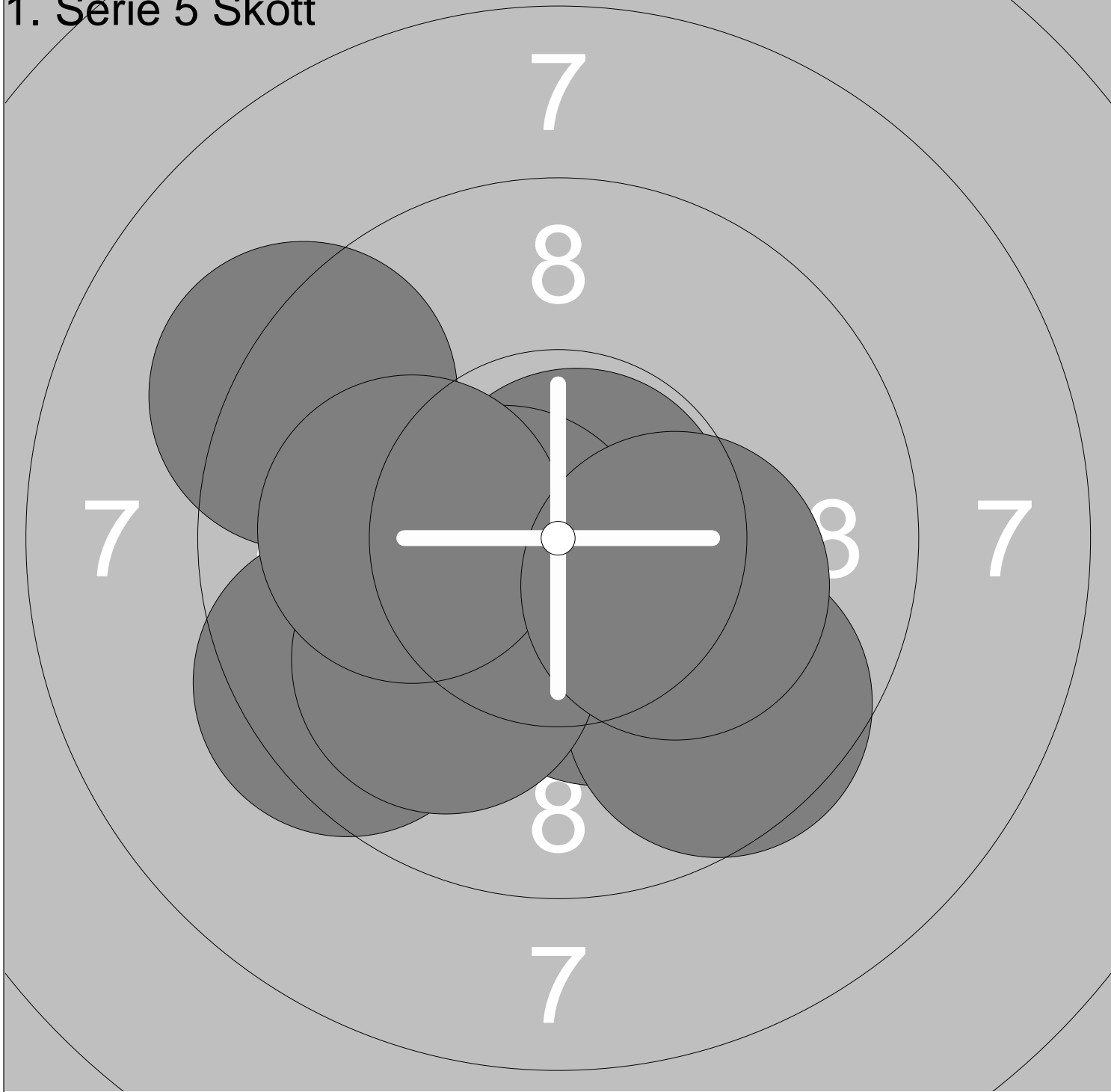
494.8

# 1. Serie 5 Skott



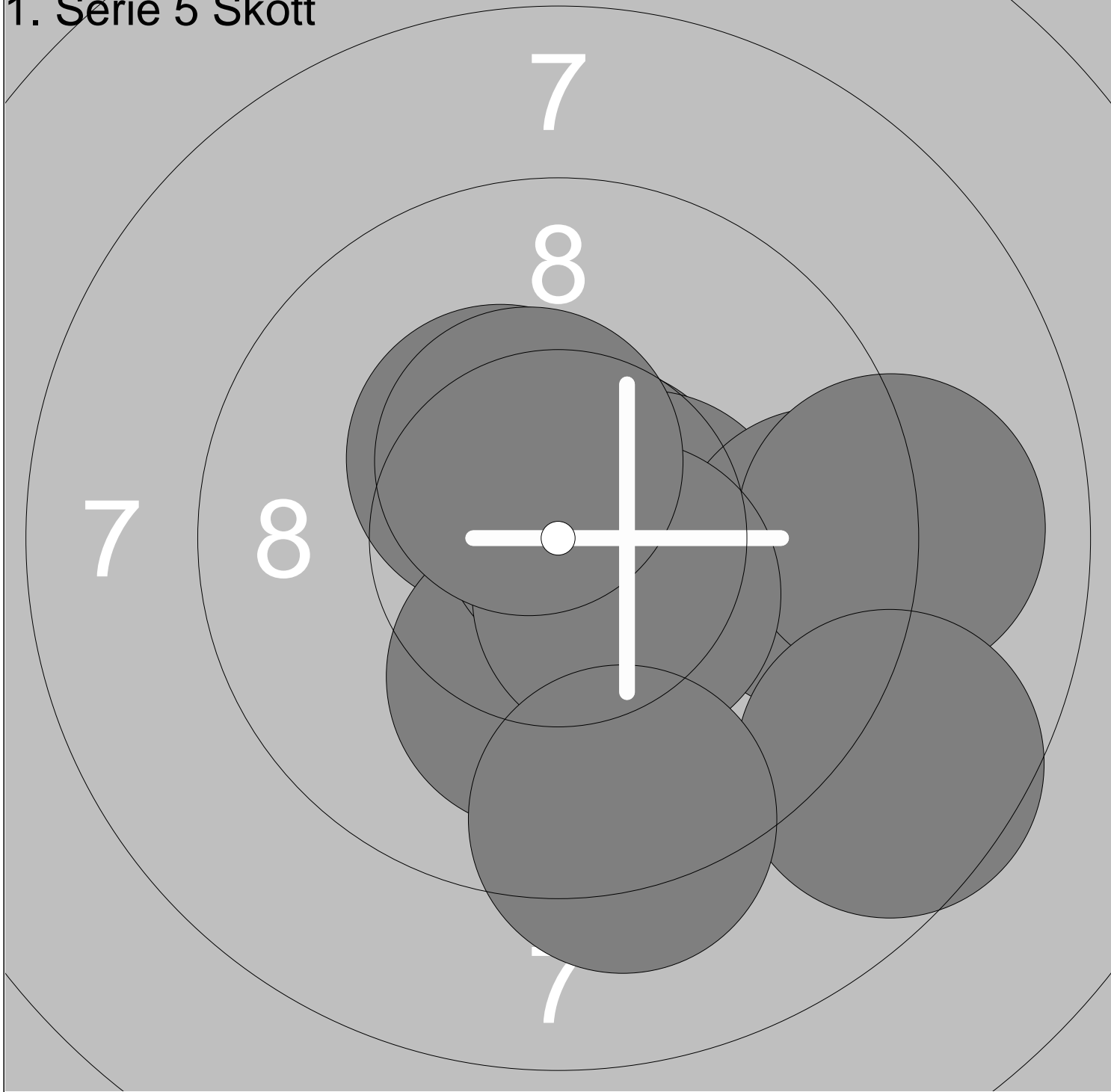
1: 7.5 ←	6: 9.9 ↘	Serie 98.6
2: *10.8 ↙	7: 9.6 ↙	
3: *10.5 ↗	8: 9.8 ↗	Total 491.6
4: *10.2 ←	9: 10.0 ←	
5: *10.2 →	10: 10.1 ↘	

# 1. Serie 5 Skott



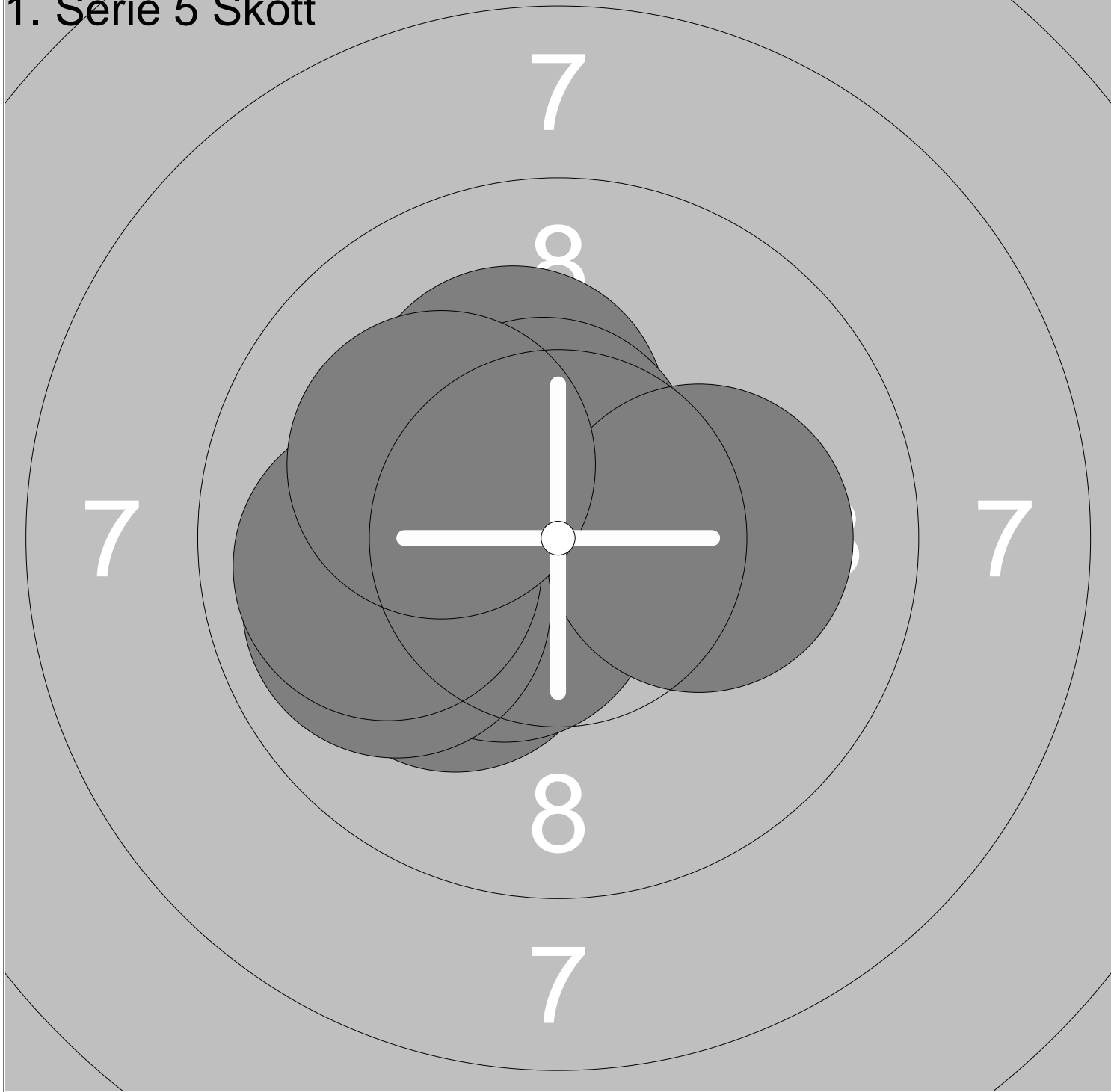
1: 10.1	←	6: 9.2	↖	Serie	100.5
2: *10.8	↗	7: 9.5	↙		
3: *10.6	↖	8: 10.0	↙	Total	492.5
4: *10.4	↘	9: 10.1	←		
5: 9.6	↘	10: *10.2	↘		

# 1. Serie 5 Skott



1: *10.4	↗	6: 9.0	→	Serie	98.9
2: 10.1	↘	7: 8.6	↘		
3: *10.7	↗	8: *10.4	↘	Total	490.9
4: *10.5	→	9: *10.5	↗		
5: 9.4	→	10: 9.3	↘		

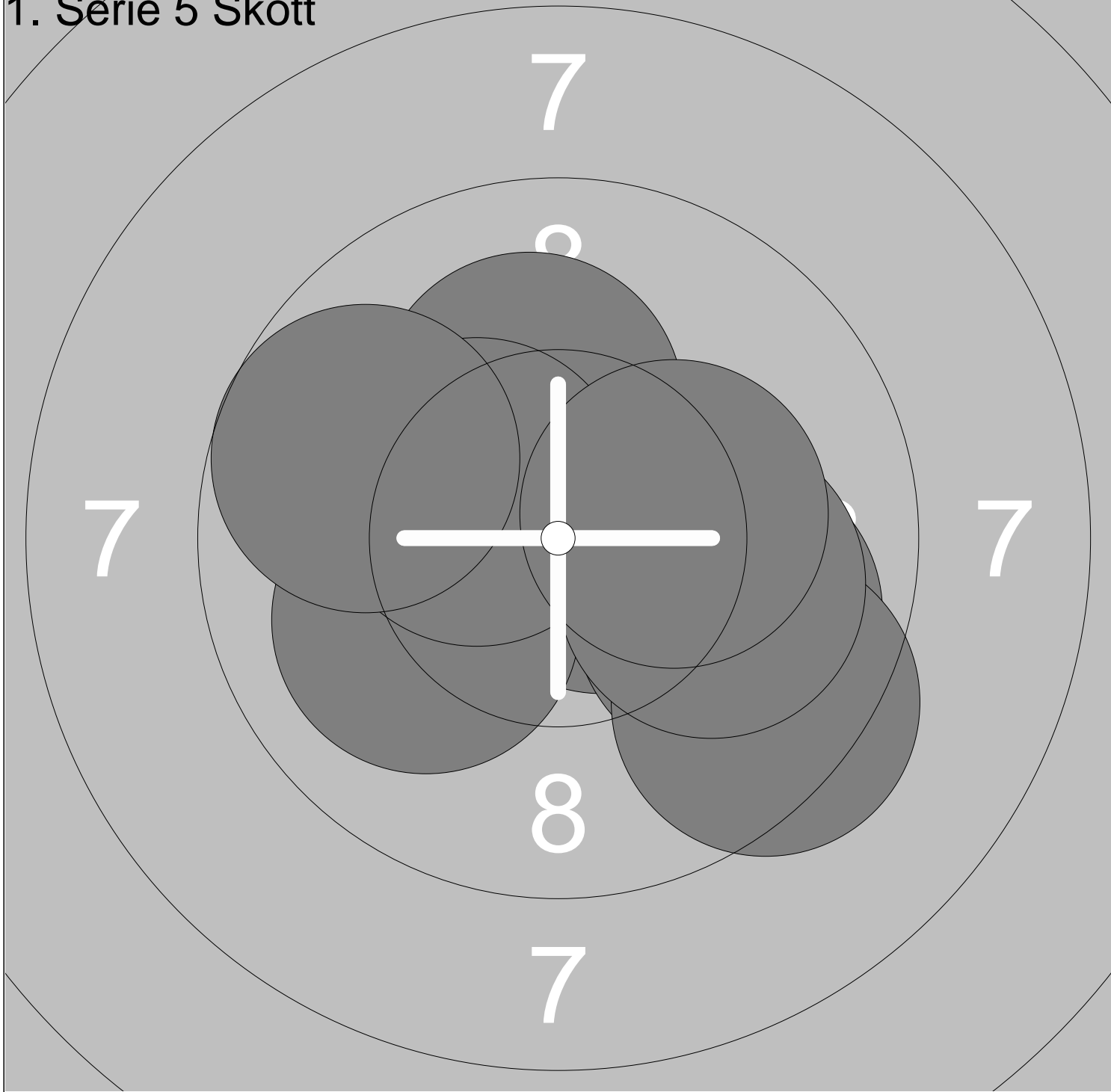
# 1. Serie 5 Skott



1: *10.2	↗	6: *10.5	↙	Serie	102.6
2: *10.8	↗	7: 9.9	↙		
3: *10.6	↗	8: 10.1	→	Total	492.6
4: *10.3	↙	9: 9.9	↙		
5: *10.2	↙	10: 10.1	↗		

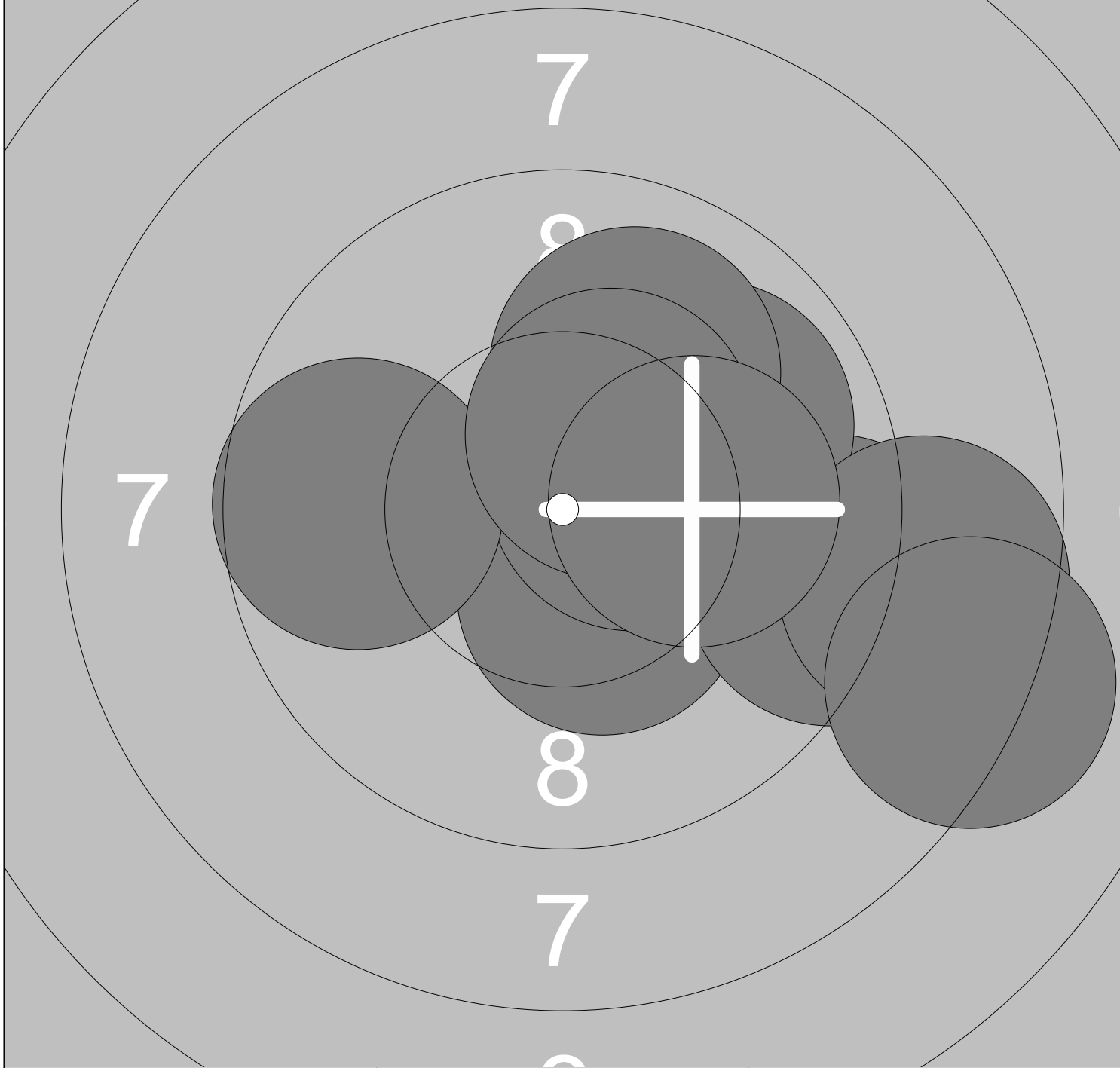


# 1. Serie 5 Skott



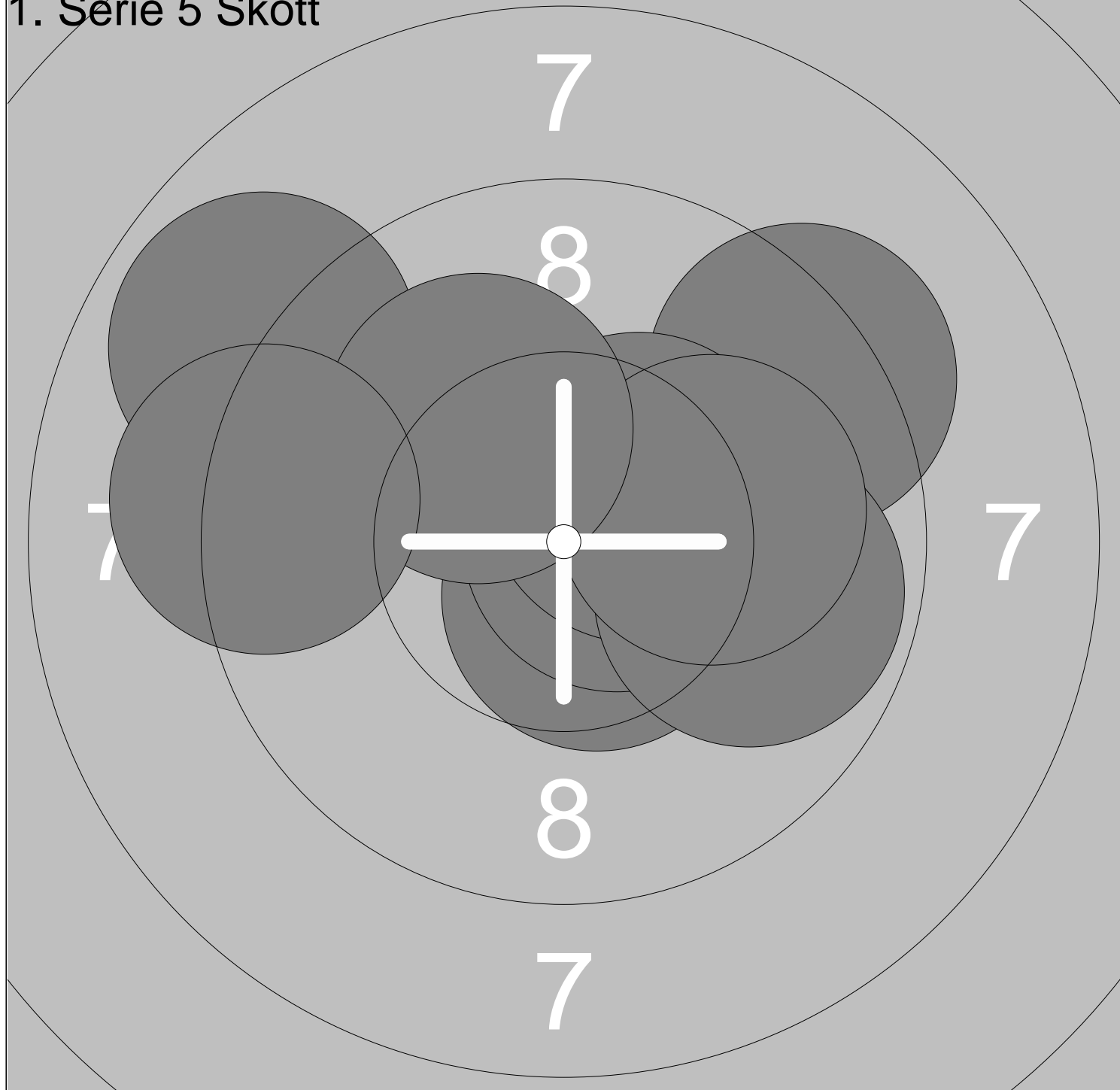
1: 10.0	↖	6: 10.0	↖	Serie	100.6
2: *10.7	→	7: *10.4	↗		
3: *10.2	↗	8: 10.0	↘	Total	490.6
4: 9.9	↘	9: 9.7	↖		
5: 9.4	↘	10: *10.3	→		

# 1. Serie 5 Skott



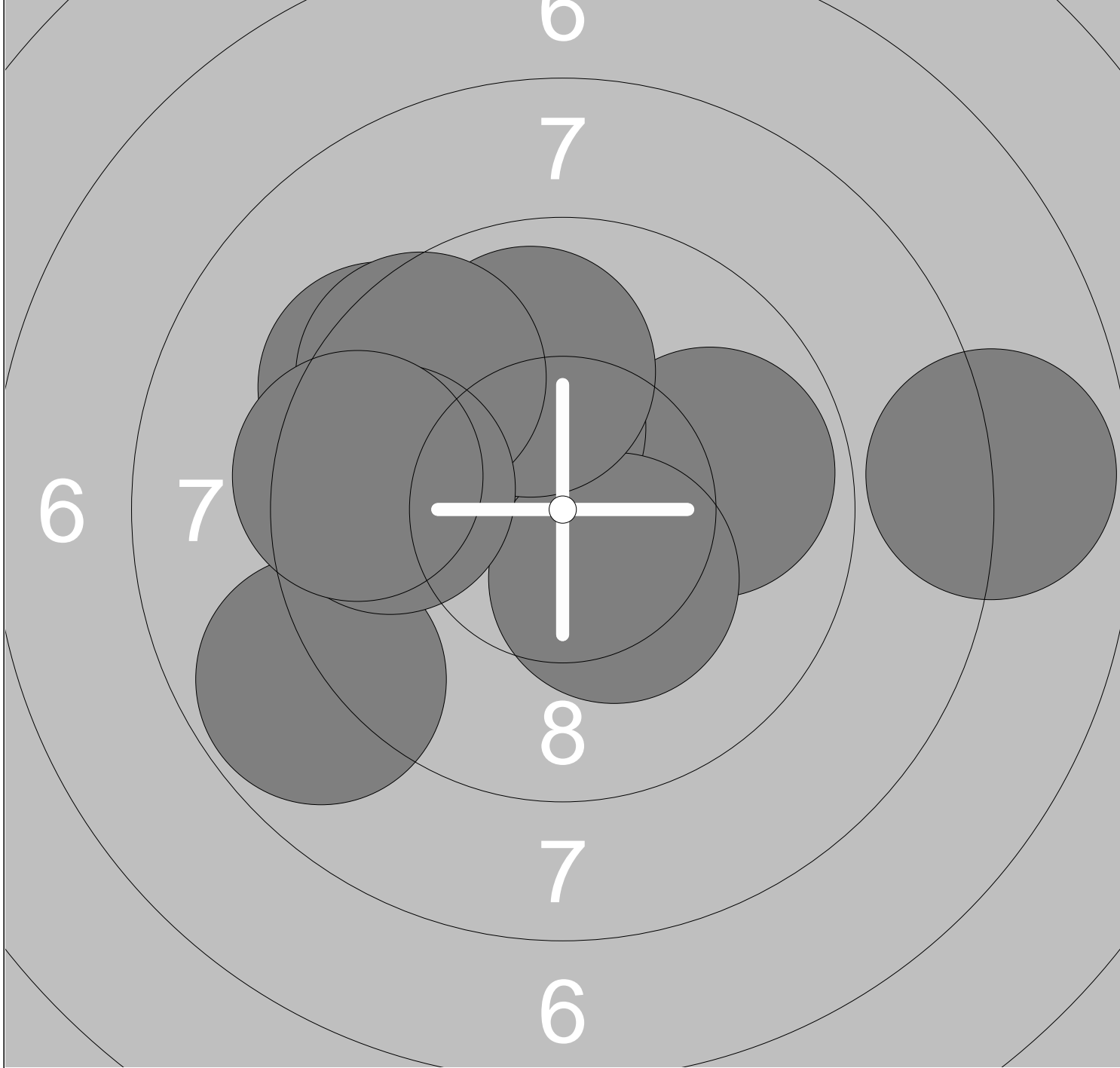
1: *10.4	↘	6: 8.2	↗	Serie	97.1
2: *10.5	↗	7: 10.0	↗		
3: 9.2	↘	8: 9.7	↖	Total	482.1
4: 9.9	↗	9: *10.4	↗		
5: 8.7	↘	10: 10.1	→		

# 1. Serie 5 Skott



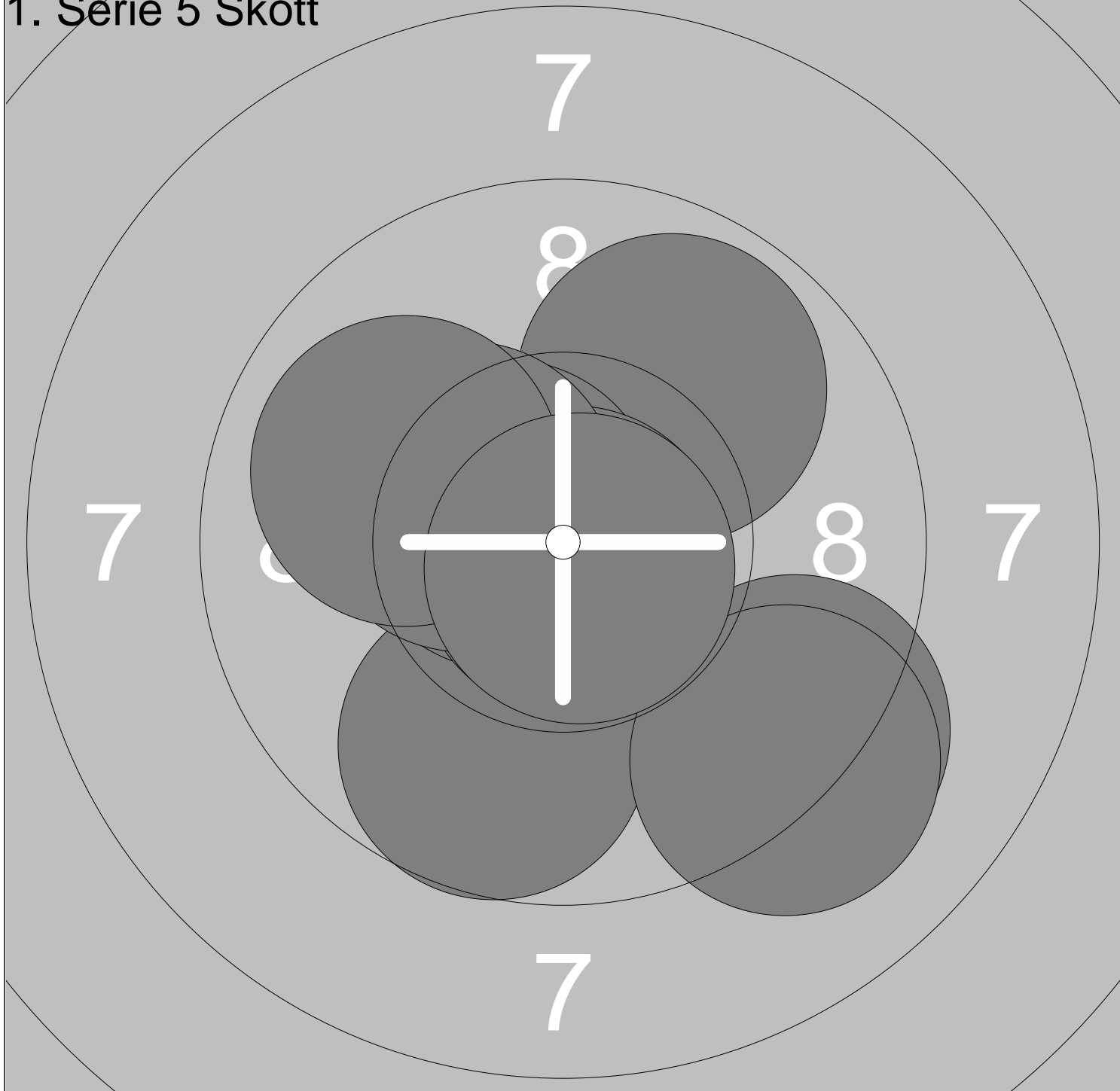
1: 9.3 ↗	6: *10.4 ↗	Serie 99.6
2: *10.6 ↗	7: 9.8 →	
3: 8.9 ↗	8: 10.1 →	
4: *10.6 ↘	9: 10.1 ↗	
5: *10.6 →	10: 9.2 ←	
		Total 481.6

# 1. Serie 5 Skott



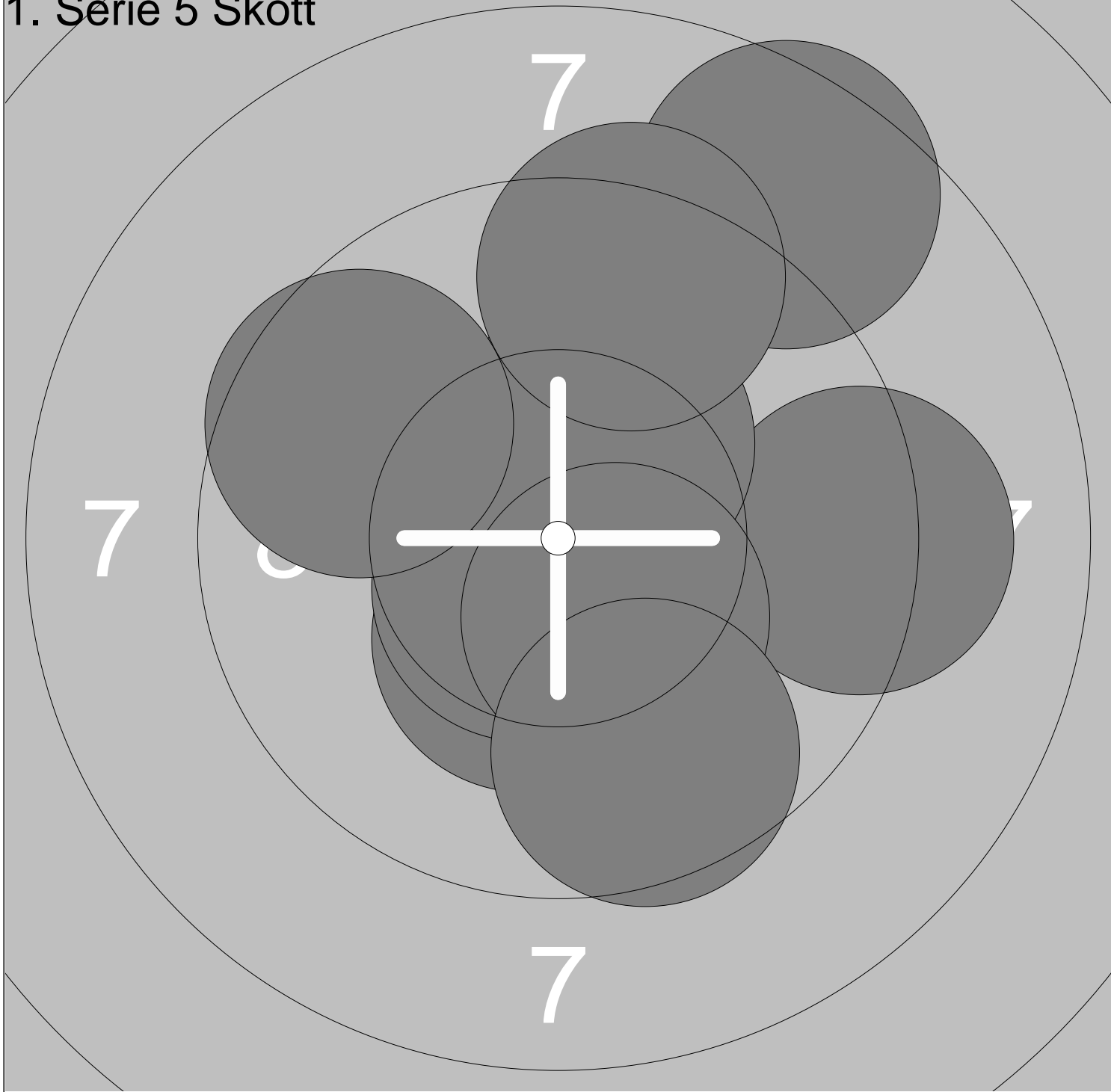
1: 9.4 ↗	6: *10.3 ↘	Serie 95.3
2: 8.8 ↙	7: 9.9 ↗	
3: 9.9 ↗	8: 9.6 ↗	Total 476.3
4: *10.3 ↗	9: 9.7 ↙	
5: 7.9 →	10: 9.5 ↙	

# 1. Serie 5 Skott



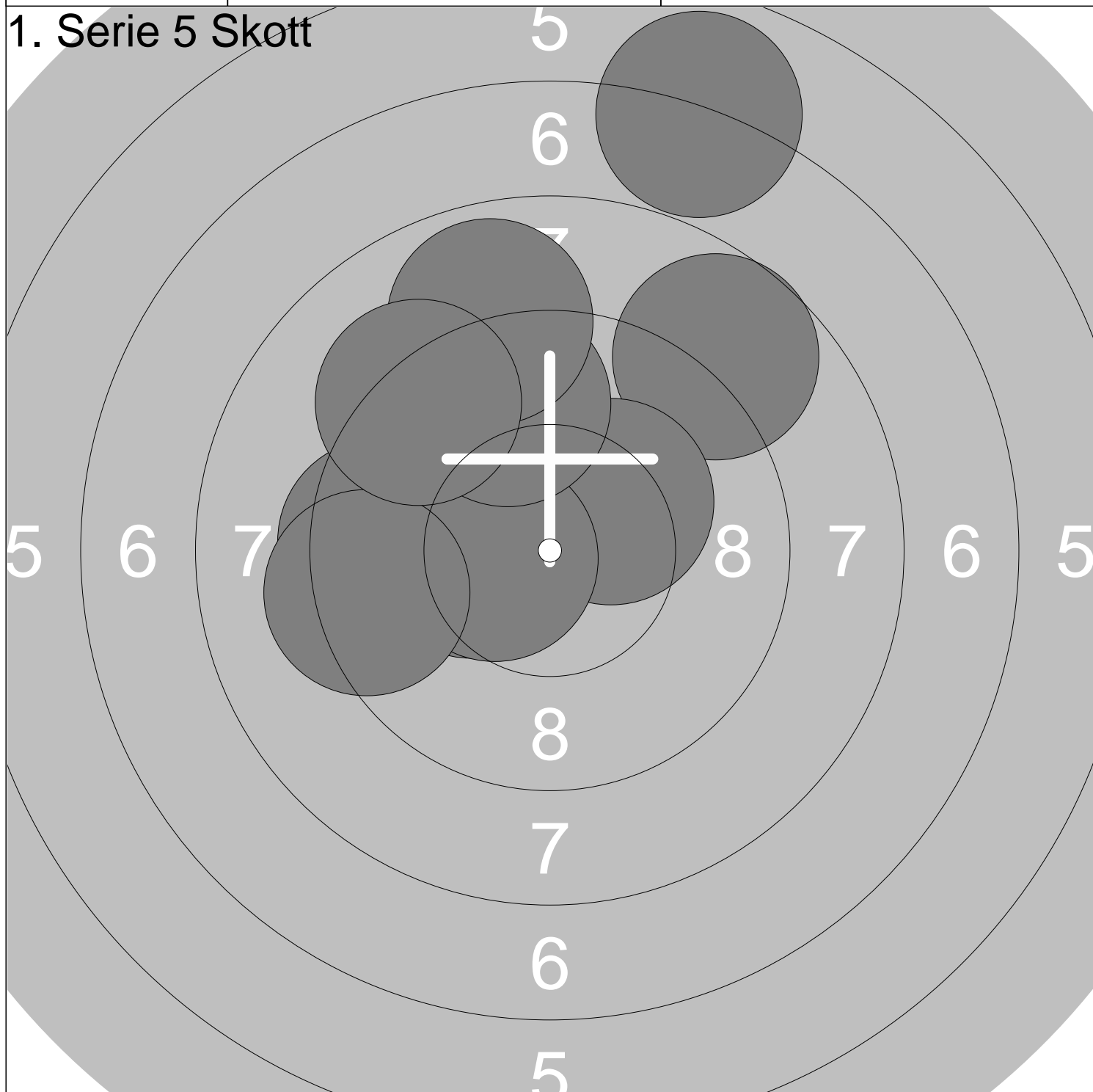
1: *10.6 ←	6: *10.3 ↗	Serie 101.0
2: 9.7 ↘	7: 9.2 ↘	
3: 9.9 ↗	8: 10.0 ↗	
4: *10.6 ↖	9: 9.1 ↘	
5: *10.8 ↘	10: *10.8 ↘	
		Total 480.0

# 1. Serie 5 Skott



1: *10.3	↓	6: *10.3	↗	Serie	98.3
2: *10.6	↙	7: 9.6	↖		
3: *10.4	↘	8: *10.4	↘		
4: 8.5	↗	9: 9.4	↗		
5: 9.2	→	10: 9.6	↘		
				Total	477.3

## 1. Serie 5 Skott



1: 8.7



6: \*10.5



2: 9.5



7: 9.6



3: \*10.3



8: 9.3



4: \*10.3



9: 8.9



5: 6.9



10: 9.2



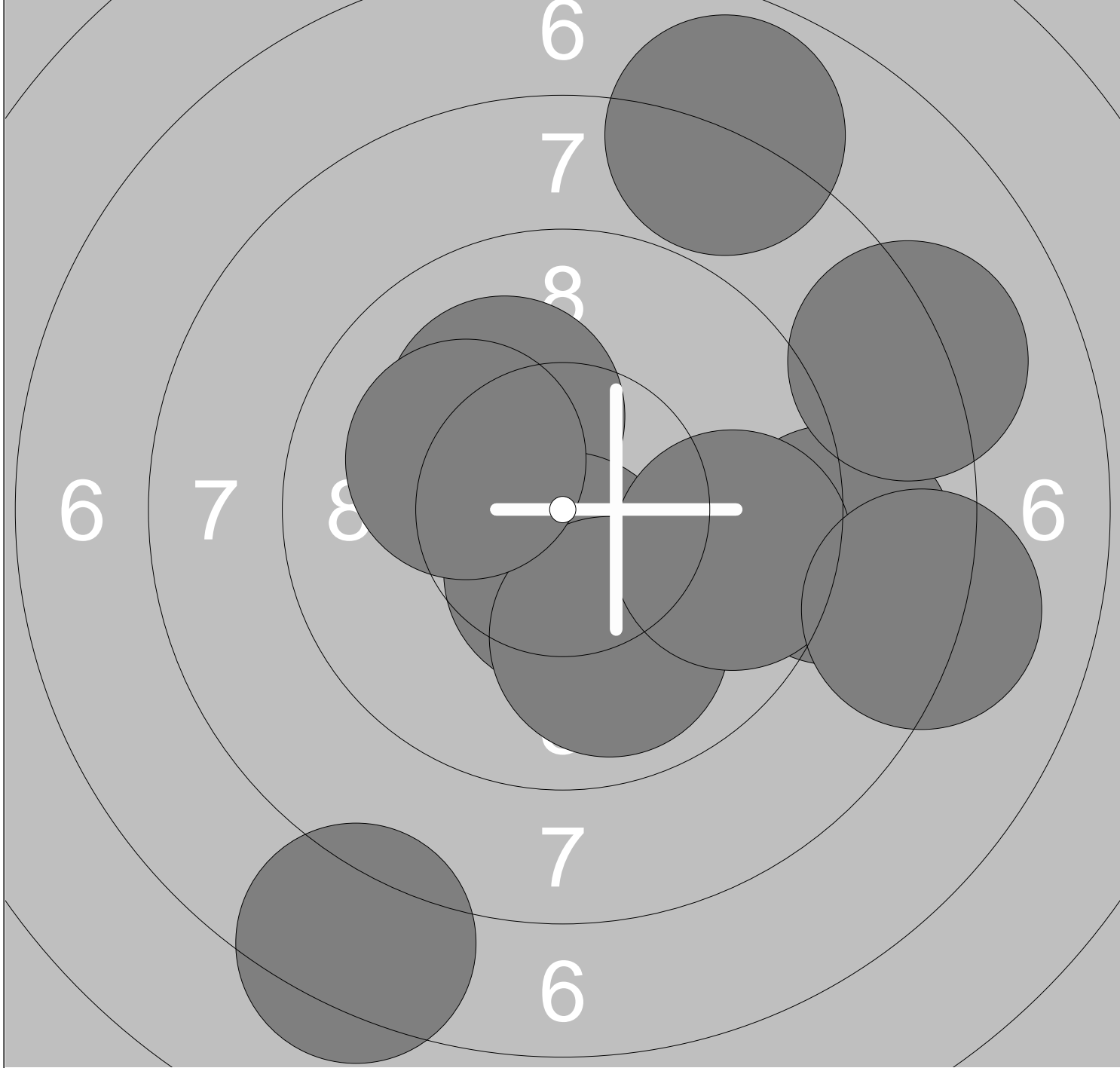
Serie

93.2

Total

470.2

# 1. Serie 5 Skott



1: 10.1 ↗	6: 7.9 ↗	Serie 90.7
2: *10.5 ↓	7: 9.6 →	
3: 7.4 ↘	8: 10.1 ↗	Total 460.7
4: 8.9 →	9: 8.2 →	
5: 9.9 ↘	10: 8.1 ↗	