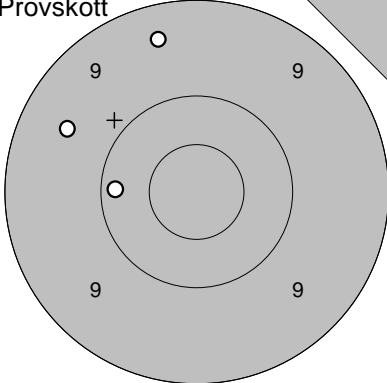
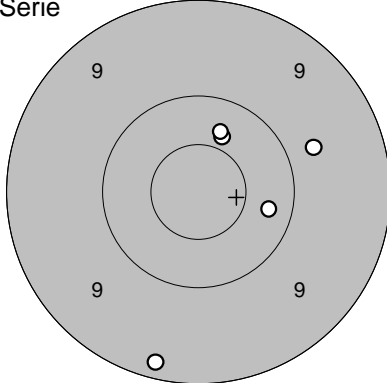
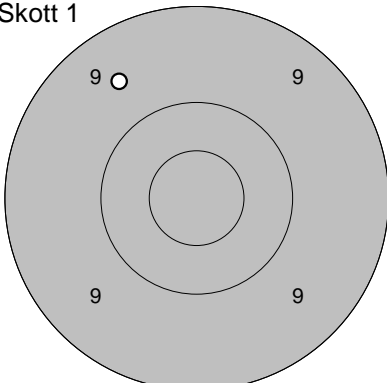
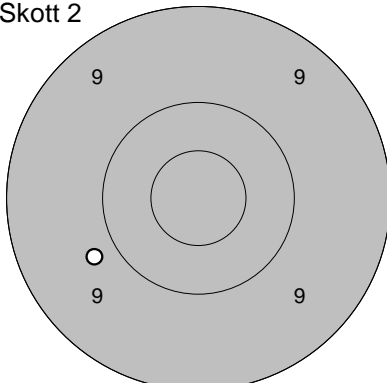
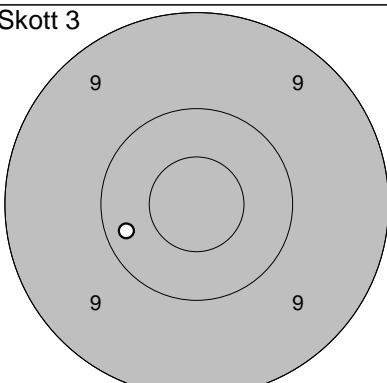
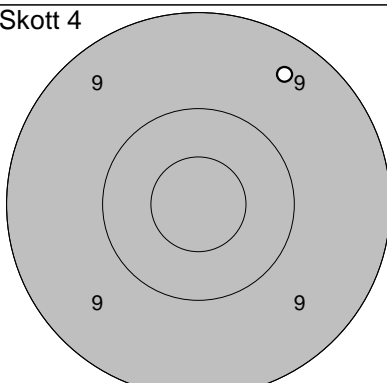
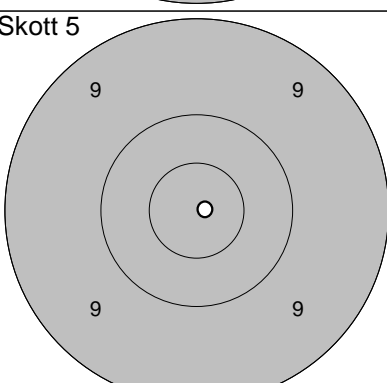
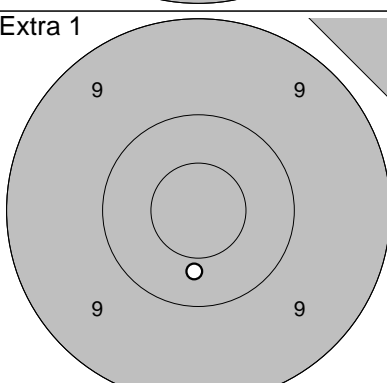
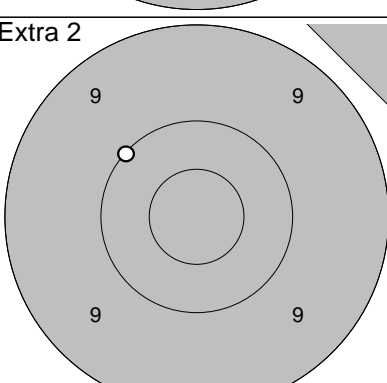
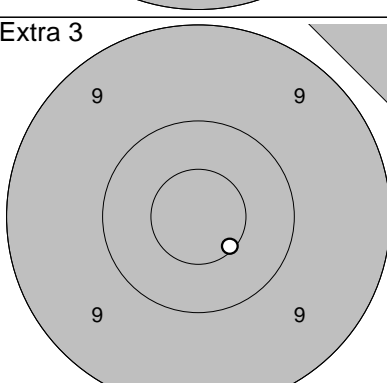


Provs-kott 	1: 10,2 2: 9,4 3: 9,5 < Serie ↑ ↖	Serie 	1: 9,7 2: 10,3 3: 10,4 4: 10,4 5: 9,2 → → ↑ ↑ ↓
Serie 28,0		Serie 48,0	
Totalt 243,0		Totalt 291,0	

Skott 1 	1: 9,6 ↖	Skott 2 	1: 9,8 ↖
Serie 9,0		Serie 9,0	
Totalt 300,0		Totalt 309,0	

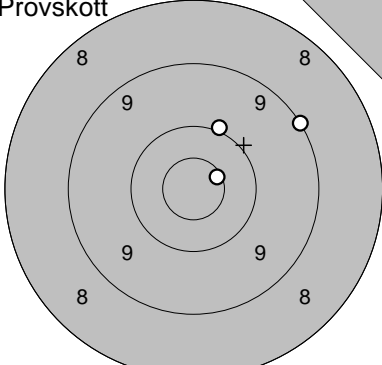
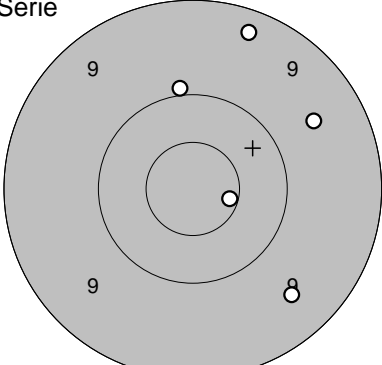
Skott 3 	1: 10,2 <	Skott 4 	1: 9,4 ↗
Serie 10,0		Serie 9,0	
Totalt 319,0		Totalt 328,0	

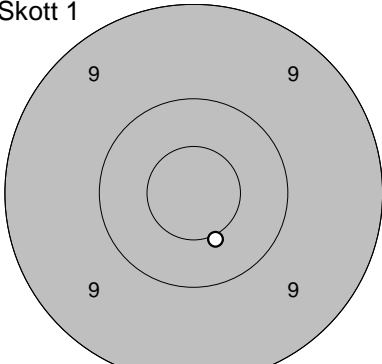
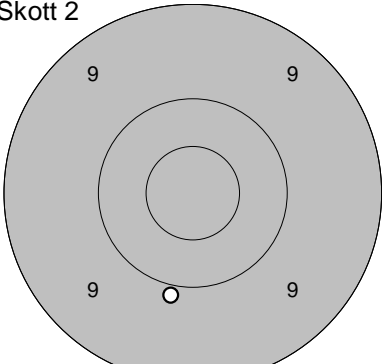
Skott 5 	1: 10,9* →	Extra 1 	1: 10,4 ↓
Serie 10,0		Serie 10,0	
Totalt 338,0		Totalt 338,0	

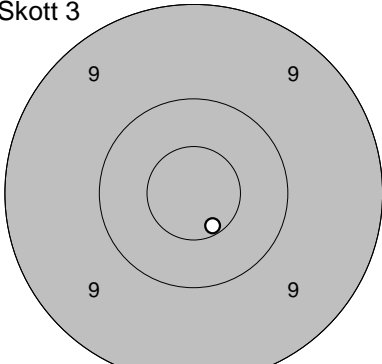
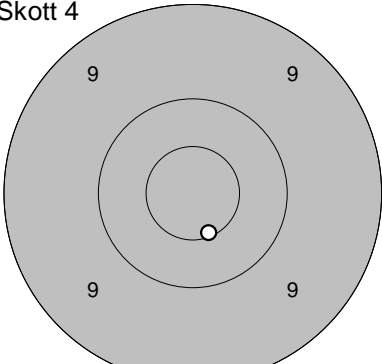
Extra 2 	1: 10,1 ↖	Extra 3 	1: 10,6* ↘
Serie 10,0		Serie 10,0	
Totalt 338,0		Totalt 338,0	

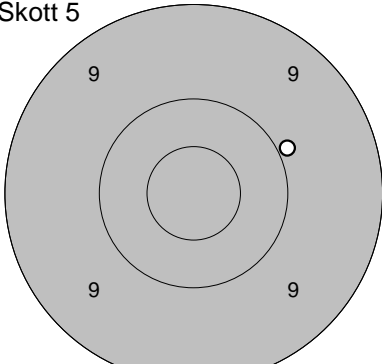
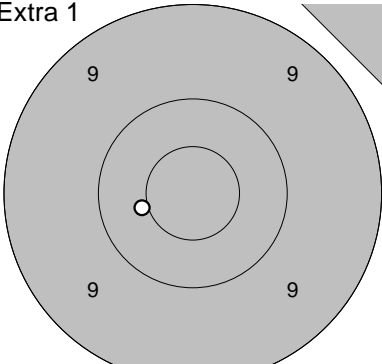
Loos

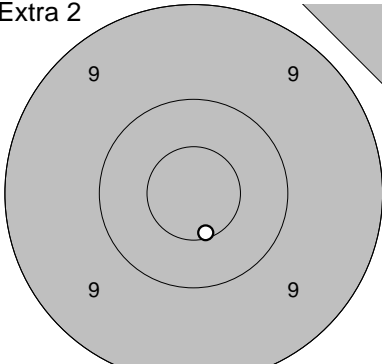
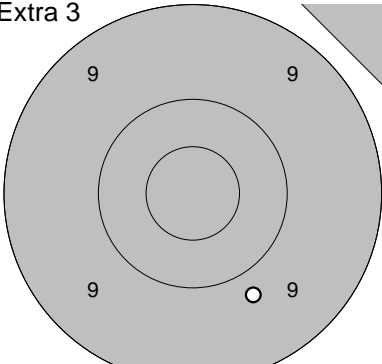
2012-07-07	Björskottet 2012 Final	Ramselefors SKF
------------	------------------------	-----------------

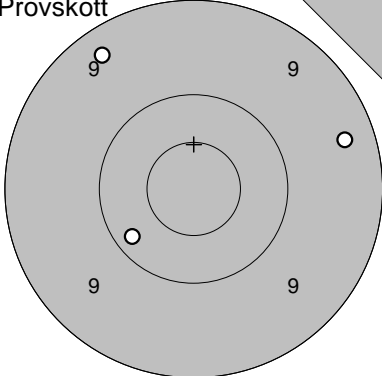
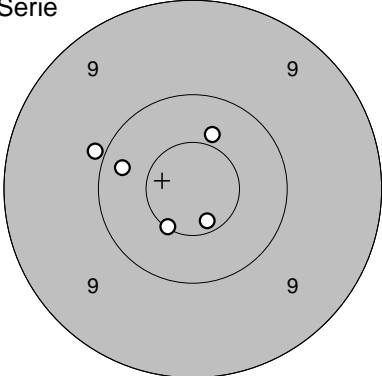
Provs-kott 	1: 10,0 ↗ 2: 10,7* → 3: 9,1 →	Serie 	1: 9,6 ↗ 2: 9,3 ↑ 3: 10,0 ↑ 4: 10,6* → 5: 9,5 ↓
	Serie 29,0		Serie 47,0
	Totalt 243,0		Totalt 290,0

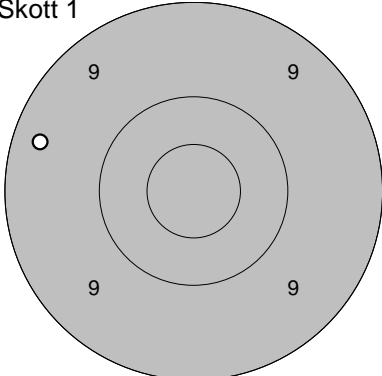
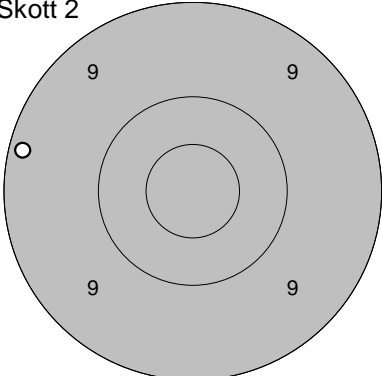
Skott 1 	1: 10,5* ↓	Skott 2 	1: 9,9 ↓
	Serie 10,0		Serie 9,0
	Totalt 300,0		Totalt 309,0

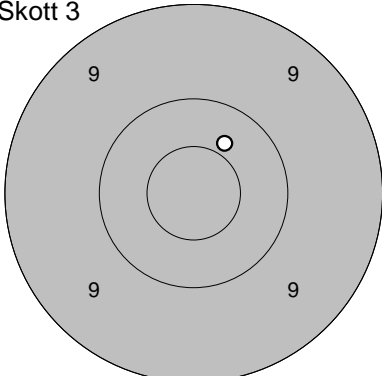
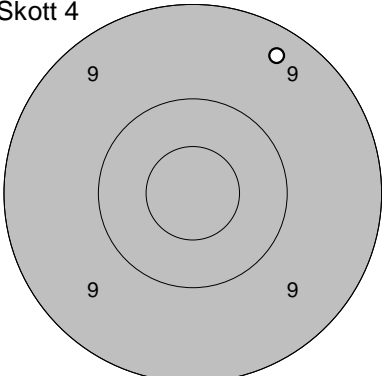
Skott 3 	1: 10,6* ↓	Skott 4 	1: 10,6* ↓
	Serie 10,0		Serie 10,0
	Totalt 319,0		Totalt 329,0

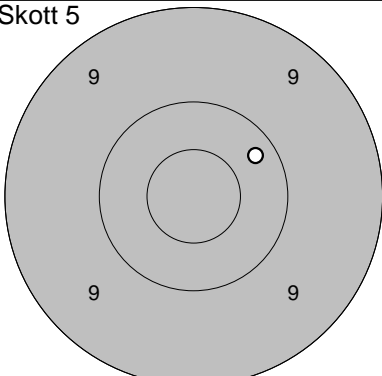
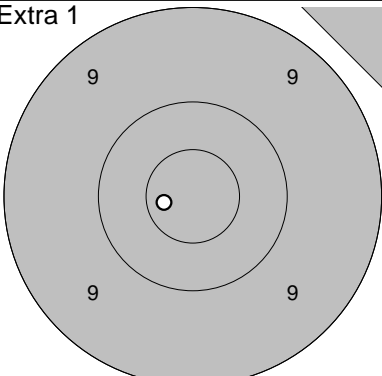
Skott 5 	1: 9,9 →	Extra 1 	1: 10,5* ←
	Serie 9,0		Serie 10,0
	Totalt 338,0		Totalt 338,0

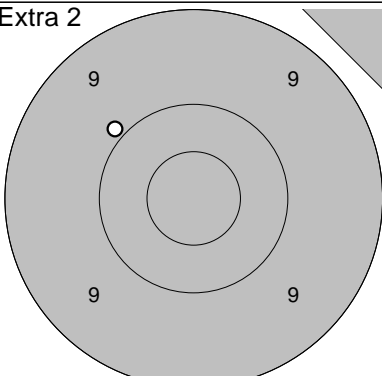
Extra 2 	1: 10,6* ↓	Extra 3 	1: 9,8 ↓
	Serie 10,0		Serie 9,0
	Totalt 338,0		Totalt 338,0

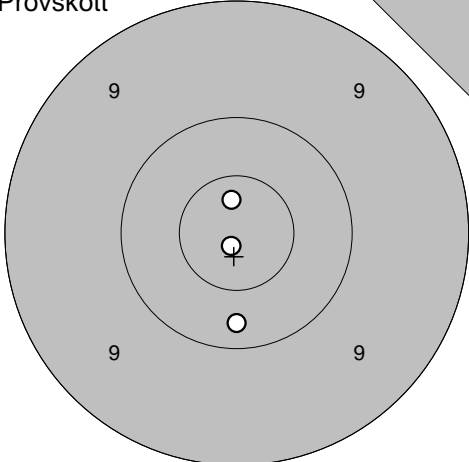
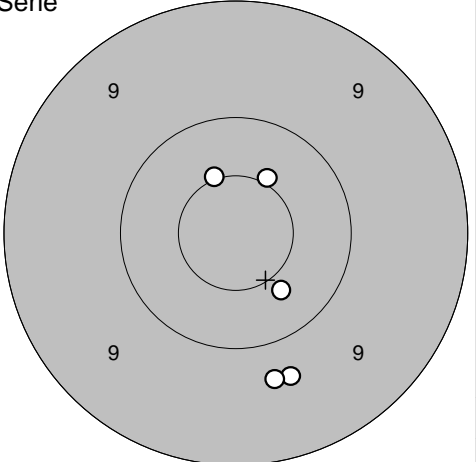
Provskott 	1: 10,2 ↙ 2: 9,3 ↗ 3: 9,3 →	Serie 	1: 10,7* ↓ 2: 10,6* ↓ 3: 10,3 ← 4: 10,4 ↑ 5: 9,9 ←
Serie 28,0		Serie 49,0	
Totalt 242,0		Totalt 291,0	

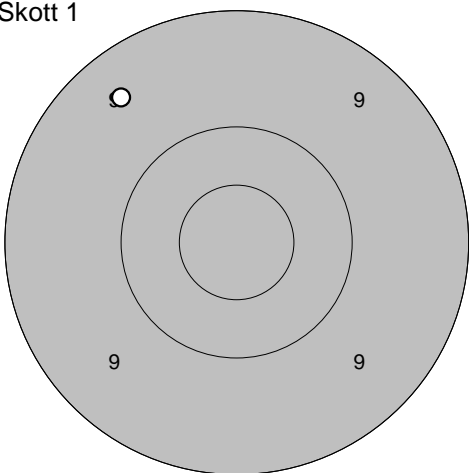
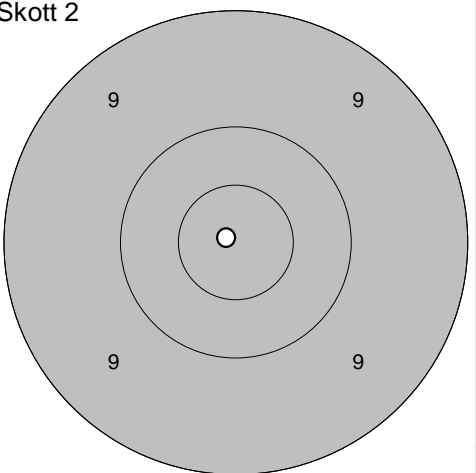
Skott 1 	1: 9,3 ←	Skott 2 	1: 9,2 ←
Serie 9,0		Serie 9,0	
Totalt 300,0		Totalt 309,0	

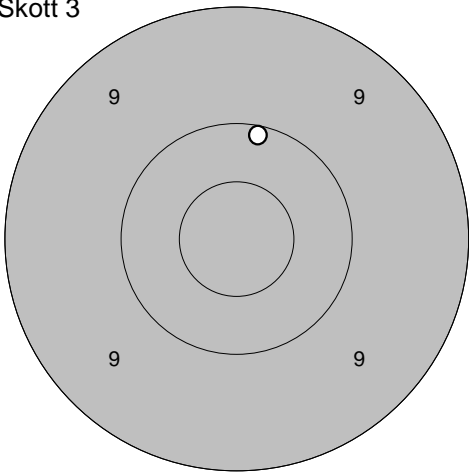
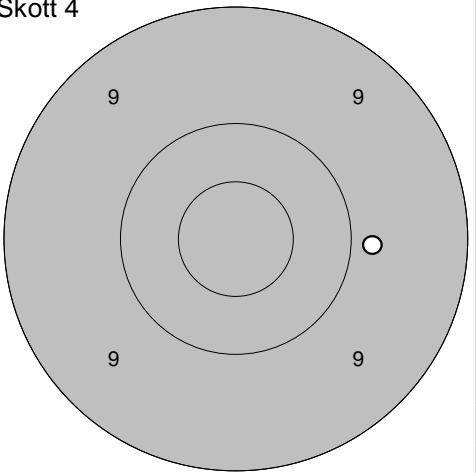
Skott 3 	1: 10,4 ↗	Skott 4 	1: 9,3 ↗
Serie 10,0		Serie 9,0	
Totalt 319,0		Totalt 328,0	

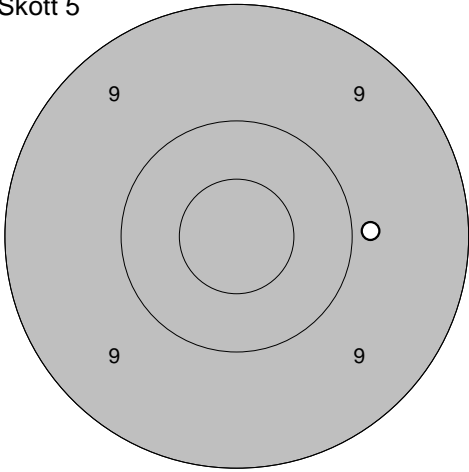
Skott 5 	1: 10,2 ↗	Extra 1 	1: 10,7* ←
Serie 10,0		Serie 10,0	
Totalt 338,0		Totalt 338,0	

Extra 2 	1: 9,9 ↗		
Serie 9,0			
Totalt 338,0			

Provskott 	1: 10,9* ↓ 2: 10,7* ↑ 3: 10,3 ↓ Serie 30,0 Totalt 240,0	Serie 	1: 10,5* ↗ 2: 10,4 ↓ 3: 9,7 ↓ 4: 10,5* ↑ 5: 9,7 ↓ Serie 48,0 Totalt 288,0
--	---	--	---

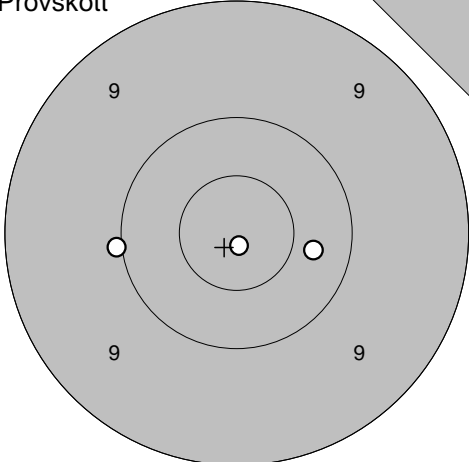
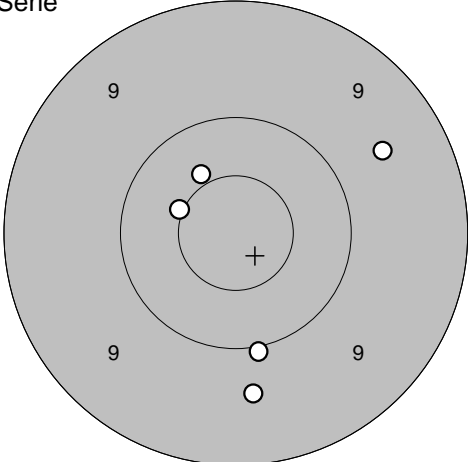
Skott 1 	1: 9,4 ↖ Serie 9,0 Totalt 297,0	Skott 2 	1: 10,9* ↖ Serie 10,0 Totalt 307,0
---	---	---	--

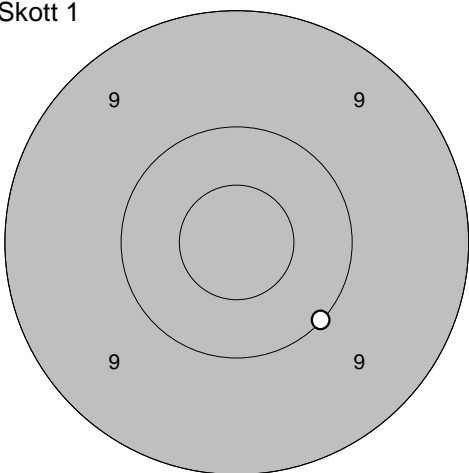
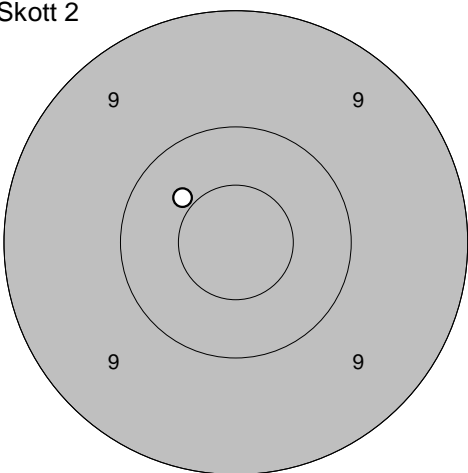
Skott 3 	1: 10,1 ↑ Serie 10,0 Totalt 317,0	Skott 4 	1: 9,8 → Serie 9,0 Totalt 326,0
--	---	--	---

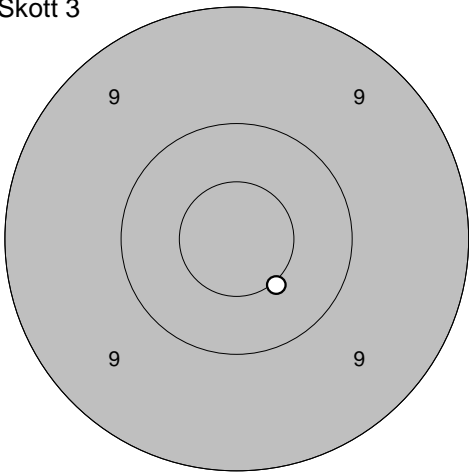
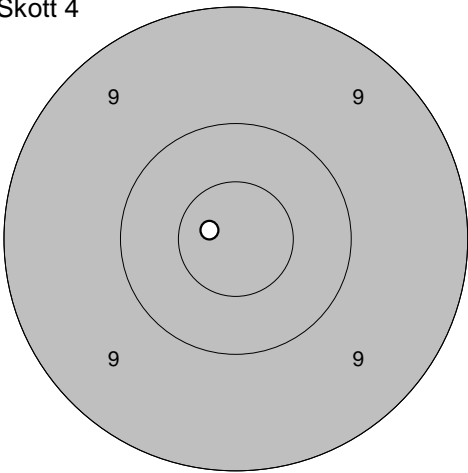
Skott 5 	1: 9,9 → Serie 9,0 Totalt 335,0		
--	---	--	--

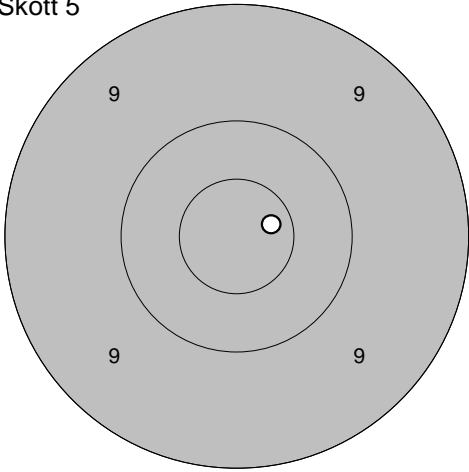
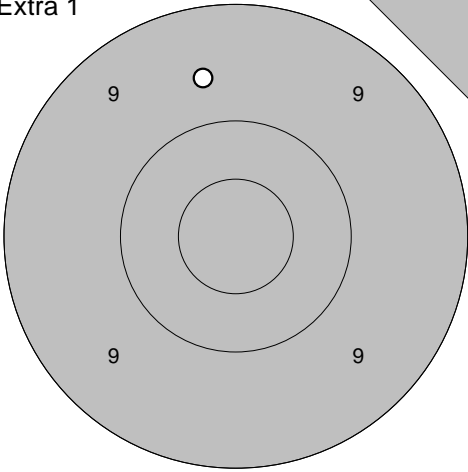
Skellefteå	
------------	--

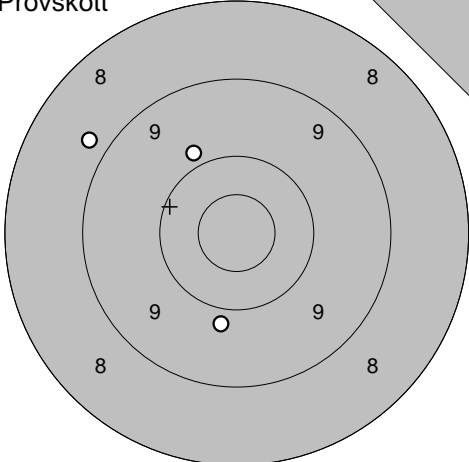
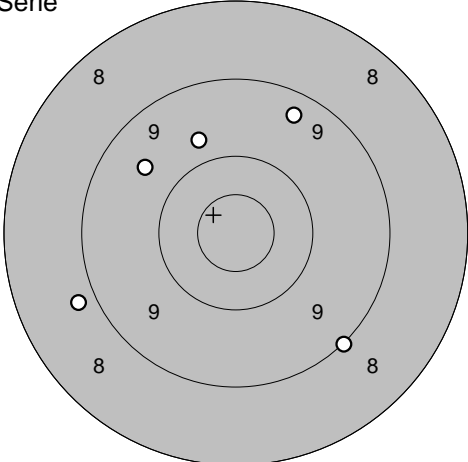
2012-07-07	Björkskottet 2012 Final	Ramselefors SKF
------------	-------------------------	-----------------

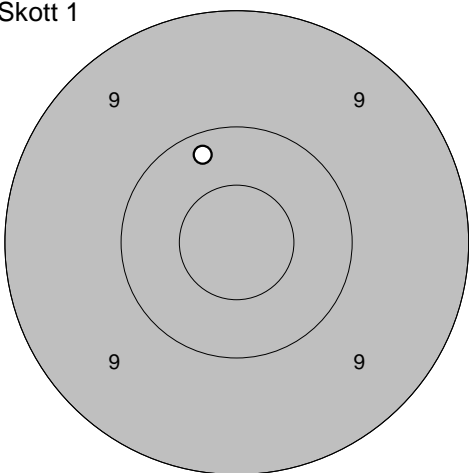
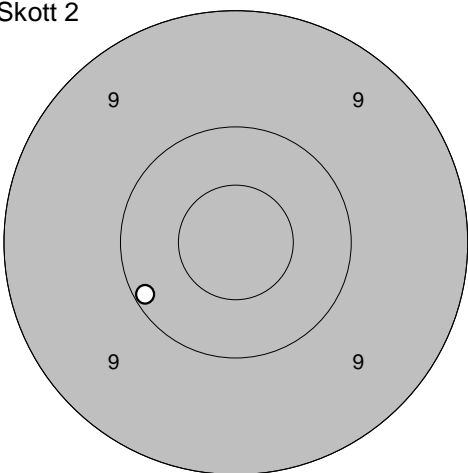
Provskott 	<p>1: 10,0 ← 2: 10,9* ↓ 3: 10,3 →</p> <hr/> <p>Serie 30,0 Totalt 240,0</p>	Serie 	<p>1: 9,6 ↓ 2: 9,6 → 3: 10,4 ↗ 4: 10,0 ↓ 5: 10,5* ↖</p> <hr/> <p>Serie 48,0 Totalt 288,0</p>
--	---	--	---

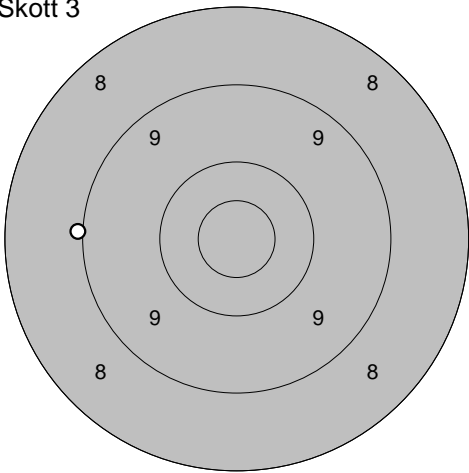
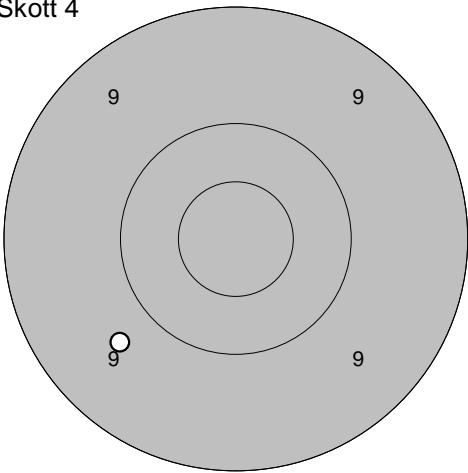
Skott 1 	<p>1: 10,0 ↘</p> <hr/> <p>Serie 10,0 Totalt 298,0</p>	Skott 2 	<p>1: 10,4 ↖</p> <hr/> <p>Serie 10,0 Totalt 308,0</p>
---	--	---	--

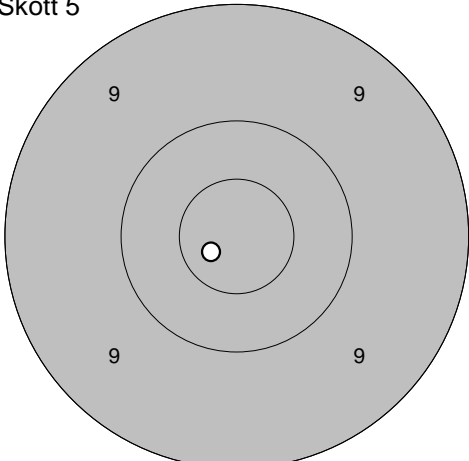
Skott 3 	<p>1: 10,5* ↘</p> <hr/> <p>Serie 10,0 Totalt 318,0</p>	Skott 4 	<p>1: 10,8* ↖</p> <hr/> <p>Serie 10,0 Totalt 328,0</p>
--	---	--	---

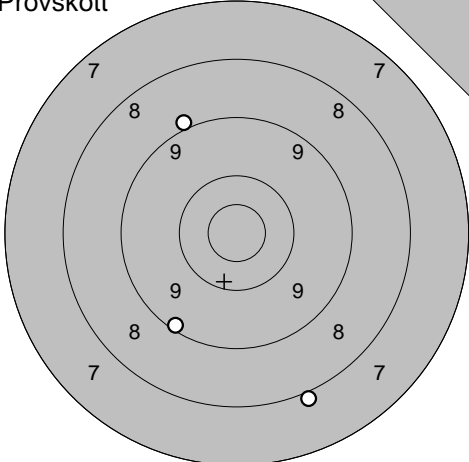
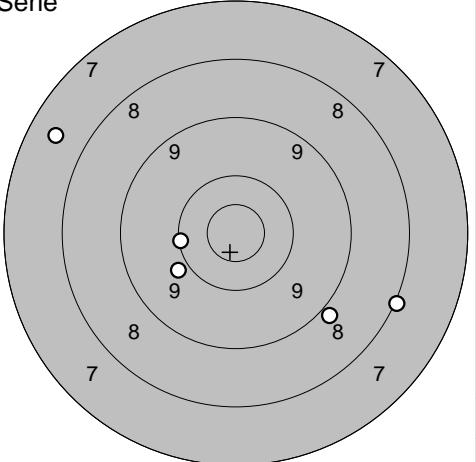
Skott 5 	<p>1: 10,7* →</p> <hr/> <p>Serie 10,0 Totalt 338,0</p>	Extra 1 	<p>1: 9,6 ↑</p> <hr/> <p>Serie 9,0 Totalt 338,0</p>
--	---	--	--

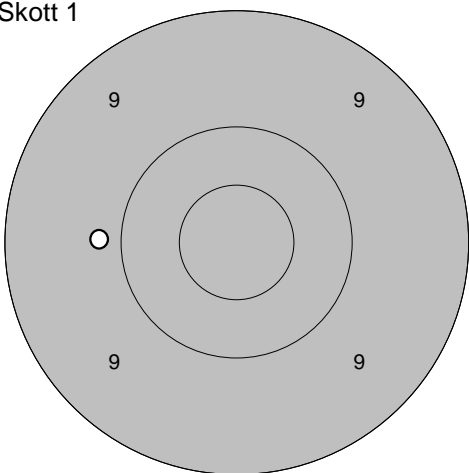
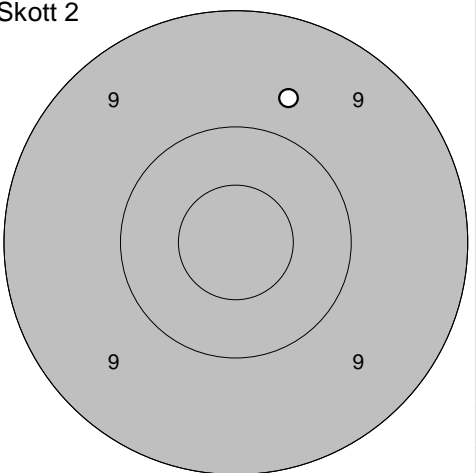
<p>Provskott</p> 	<p>1: 9,9 ↗ 2: 9,9 ↓ 3: 8,8 ↖</p> <p style="text-align: right;">Serie 26,0 Totalt 235,0</p>	<p>Serie</p>  <p style="text-align: right;">1: 9,0 ↘ 2: 9,8 ↗ 3: 9,6 ↗ 4: 8,8 ← 5: 9,3 ↗</p> <p style="text-align: right;">Serie 44,0 Totalt 279,0</p>
---	---	--

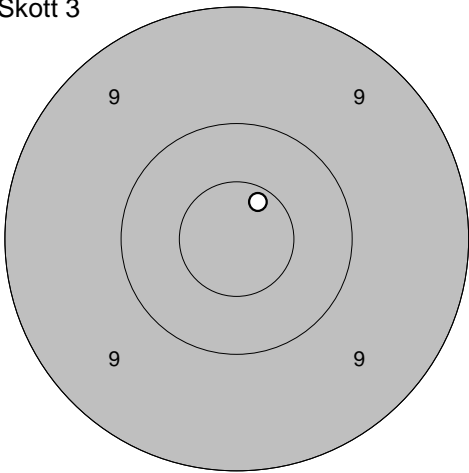
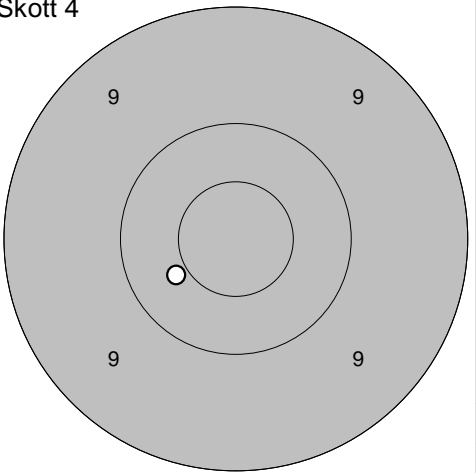
<p>Skott 1</p>  <p style="text-align: right;">Serie 10,0 Totalt 289,0</p>	<p>1: 10,2 ↗</p> <p>Skott 2</p>  <p style="text-align: right;">Serie 10,0 Totalt 299,0</p>	<p>1: 10,1 ←</p>
--	---	------------------

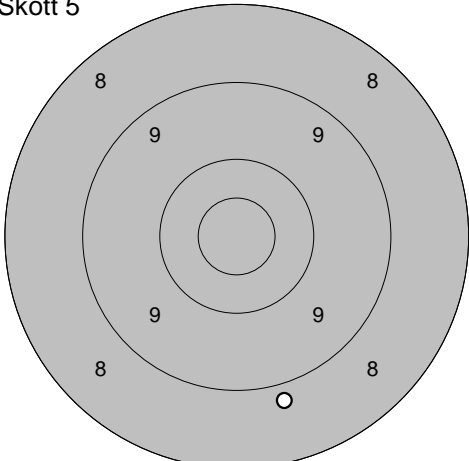
<p>Skott 3</p>  <p style="text-align: right;">Serie 9,0 Totalt 308,0</p>	<p>1: 9,0 ←</p> <p>Skott 4</p>  <p style="text-align: right;">Serie 9,0 Totalt 317,0</p>	<p>1: 9,7 ↘</p>
--	--	-----------------

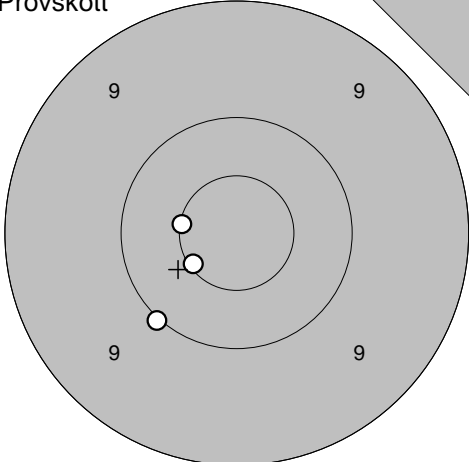
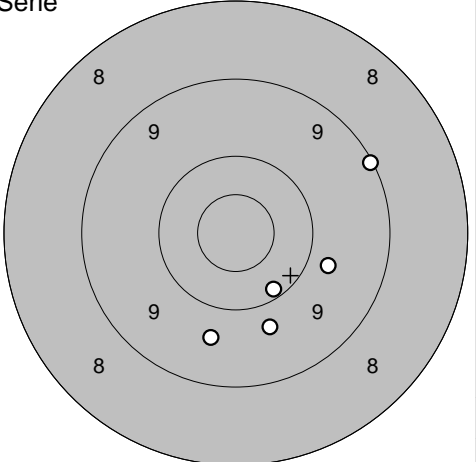
<p>Skott 5</p>  <p style="text-align: right;">Serie 10,0 Totalt 327,0</p>	<p>1: 10,8* ↖</p>	
---	-------------------	--

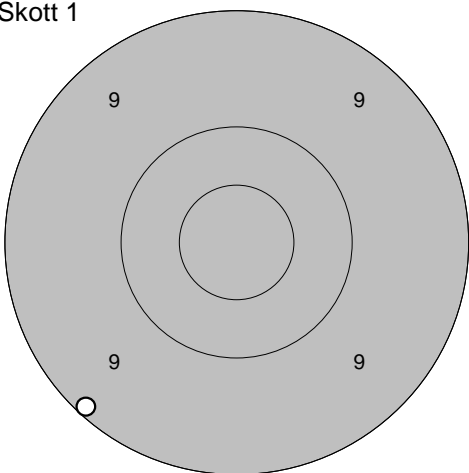
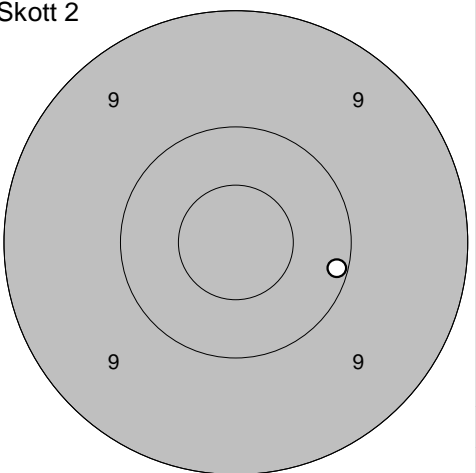
Provskott 	1: 9,0 ↗ 2: 9,2 ↘ 3: 8,0 ↓ Serie 26,0 Totalt 227,0	Serie 	1: 7,6 ↖ 2: 8,9 ↘ 3: 10,1 ← 4: 9,9 ↖ 5: 8,0 ↘ Serie 42,0 Totalt 269,0
--	--	--	---

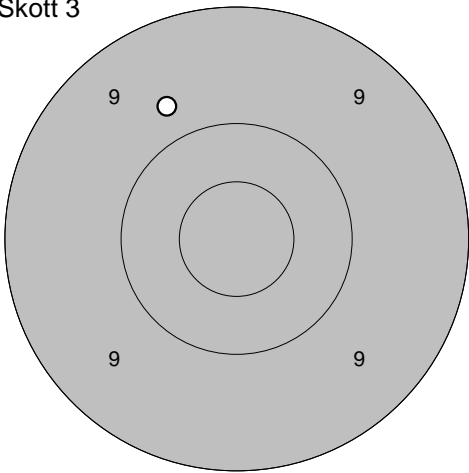
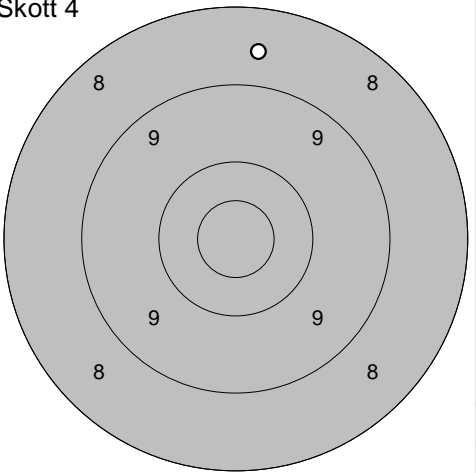
Skott 1 	1: 9,8 ← Serie 9,0 Totalt 278,0	Skott 2 	1: 9,7 ↗ Serie 9,0 Totalt 287,0
---	---	---	---

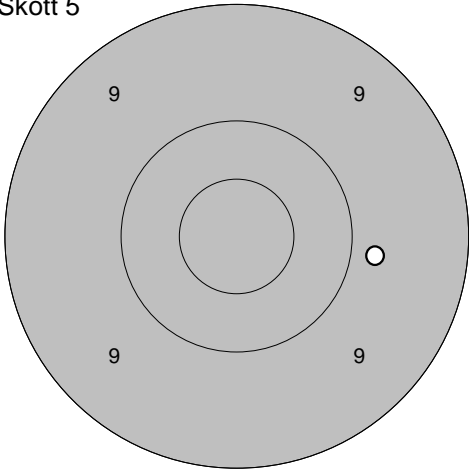
Skott 3 	1: 10,7* ↗ Serie 10,0 Totalt 297,0	Skott 4 	1: 10,4 ↖ Serie 10,0 Totalt 307,0
--	--	--	---

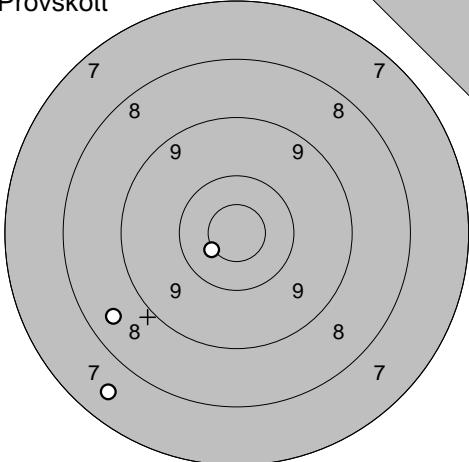
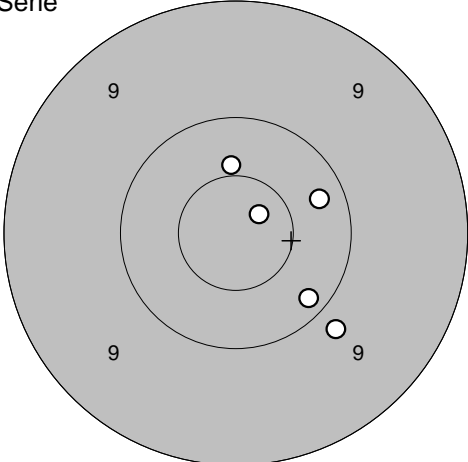
Skott 5 	1: 8,8 ↓ Serie 8,0 Totalt 315,0		
--	---	--	--

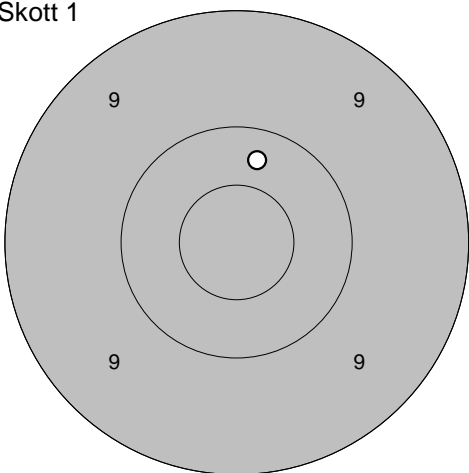
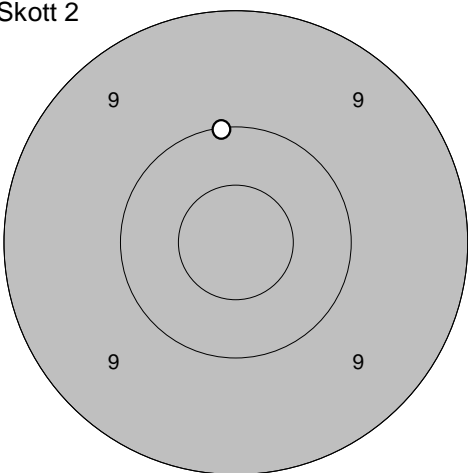
Provskott 	1: 10,6* ← 2: 10,6* ↙ 3: 10,0 ↘ <hr/> Serie 30,0 Totalt 227,0	Serie 	1: 9,1 → 2: 9,8 → 3: 10,2 ↘ 4: 9,7 ↓ 5: 9,7 ↓ <hr/> Serie 46,0 Totalt 273,0
--	---	--	---

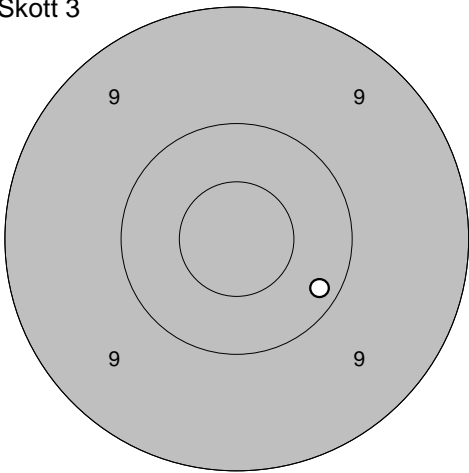
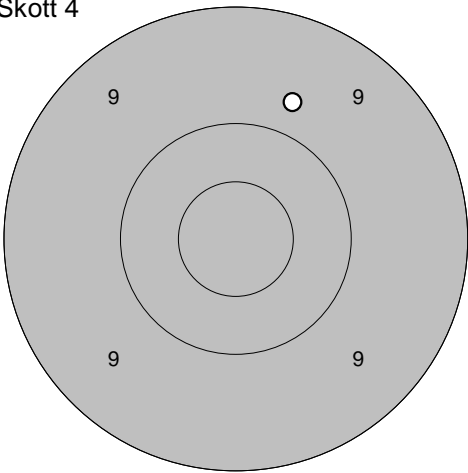
Skott 1 	1: 9,1 ↙ <hr/> Serie 9,0 Totalt 282,0	Skott 2 	1: 10,1 → <hr/> Serie 10,0 Totalt 292,0
---	---	---	---

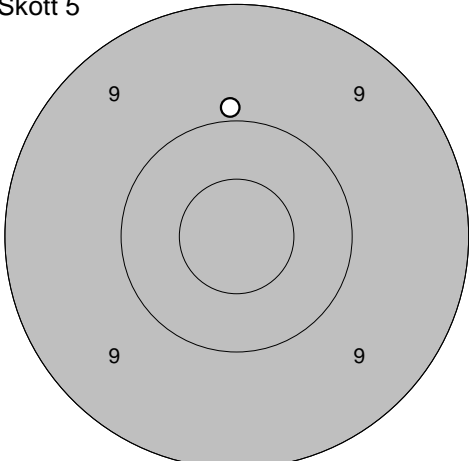
Skott 3 	1: 9,7 ↖ <hr/> Serie 9,0 Totalt 301,0	Skott 4 	1: 8,6 ↑ <hr/> Serie 8,0 Totalt 309,0
--	---	--	---

Skott 5 	1: 9,8 → <hr/> Serie 9,0 Totalt 318,0		
--	---	--	--

Provsjött 	Serie 1: 10,6* ↙ 2: 7,6 ↘ 3: 8,5 ↙ <hr/> Serie 25,0 Totalt 226,0		Serie 1: 9,8 ↘ 2: 10,2 ↘ 3: 10,3 → 4: 10,4 ↑ 5: 10,8* ↗ <hr/> Serie 49,0 Totalt 275,0
--	--	--	---

Skott 1 	Skott 2 
1: 10,3 ↑ <hr/> Serie 10,0 Totalt 285,0	1: 10,1 ↑ <hr/> Serie 10,0 Totalt 295,0

Skott 3 	Skott 4 
1: 10,2 ↘ <hr/> Serie 10,0 Totalt 305,0	1: 9,8 ↑ <hr/> Serie 9,0 Totalt 314,0

Skott 5 	1: 9,9 ↑ <hr/> Serie 9,0 Totalt 323,0
--	---

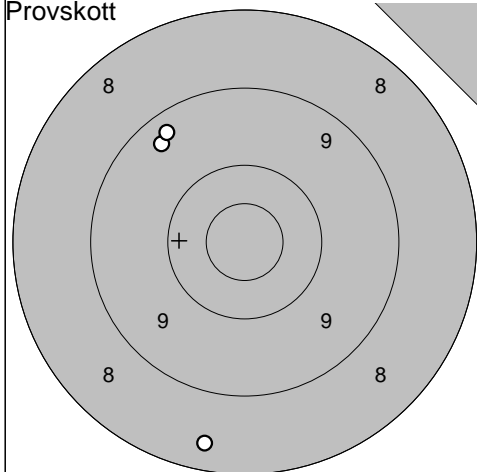
Söderala

2012-07-07

Björksskottet 2012 Final

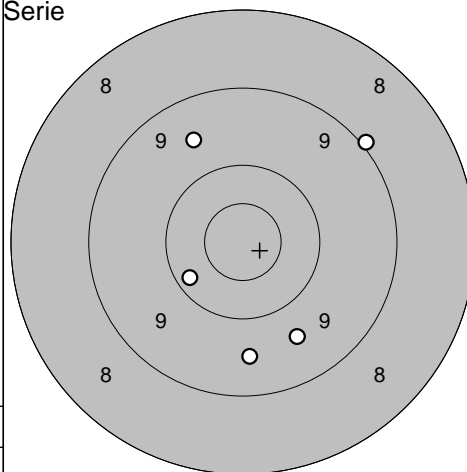
Ramselefors SKF

Provskott



1: 9,4 ↗
2: 9,3 ↗
3: 8,4 ↓

Serie



1: 9,6 ↓
2: 9,6 ↓
3: 9,0 ↗
4: 9,6 ↗
5: 10,2 ↙

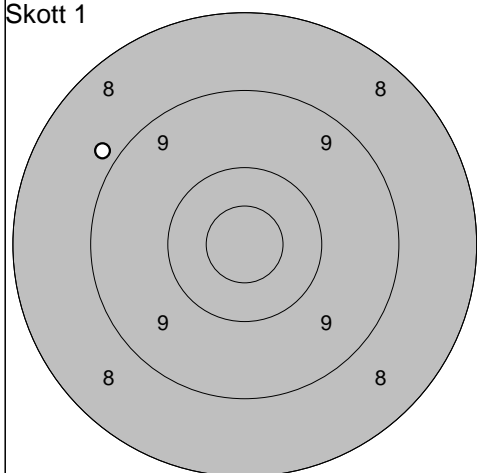
Serie 26,0

Totalt 225,0

Serie 46,0

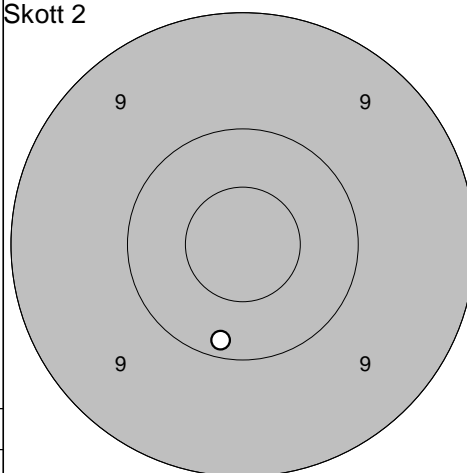
Totalt 271,0

Skott 1



1: 8,9 ↖

Skott 2



1: 10,2 ↓

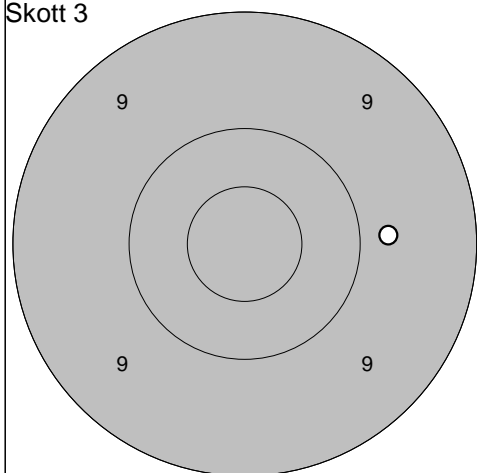
Serie 8,0

Totalt 279,0

Serie 10,0

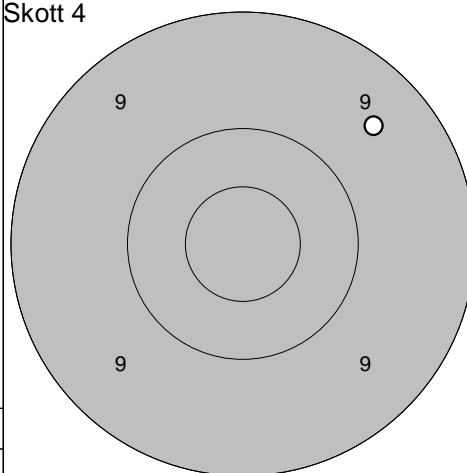
Totalt 289,0

Skott 3



1: 9,8 →

Skott 4



1: 9,5 ↗

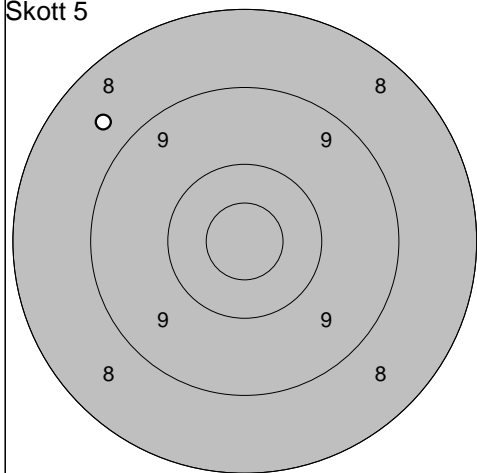
Serie 9,0

Totalt 298,0

Serie 9,0

Totalt 307,0

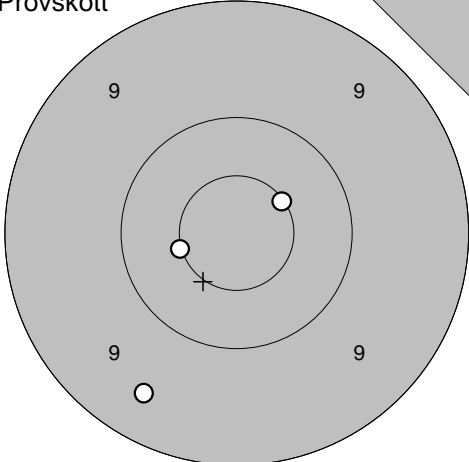
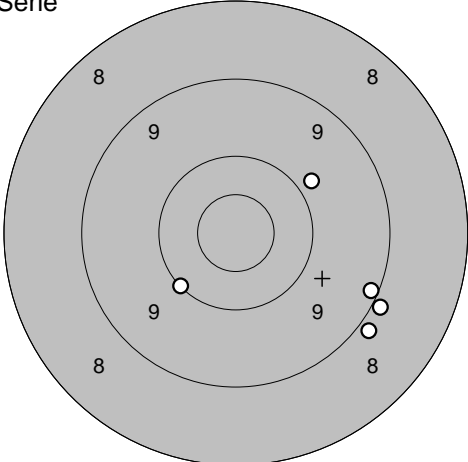
Skott 5

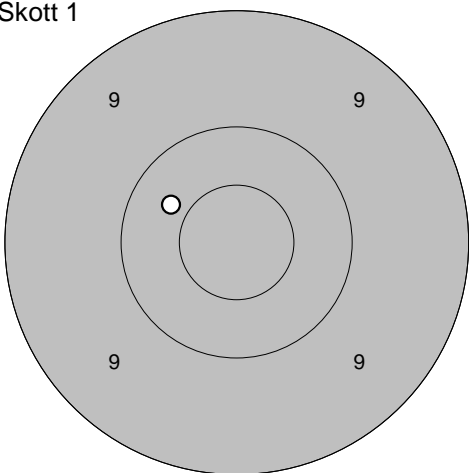
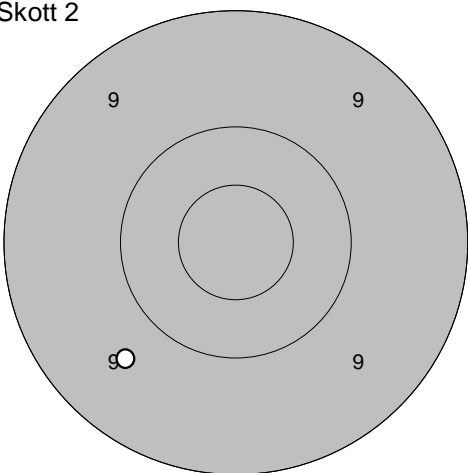


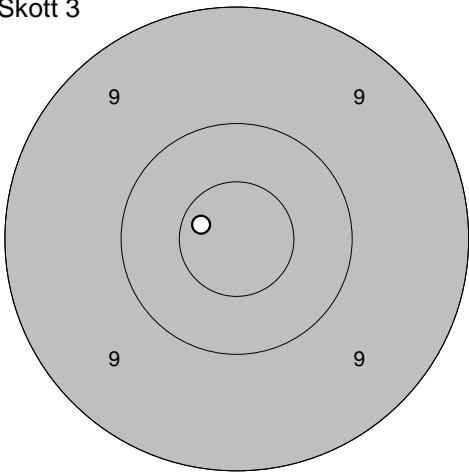
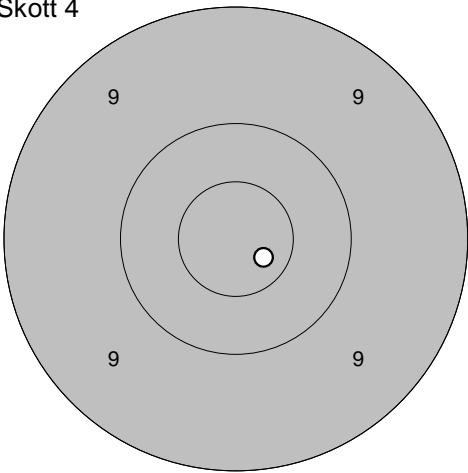
1: 8,7 ↖

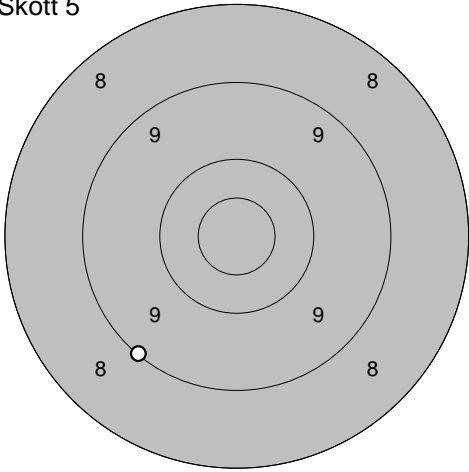
Serie 8,0

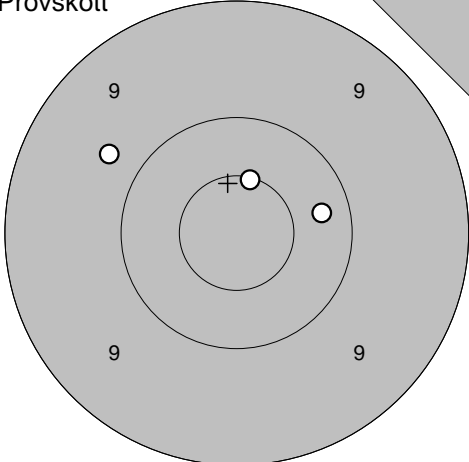
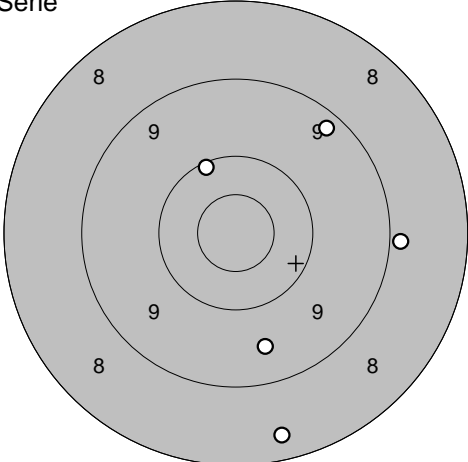
Totalt 315,0

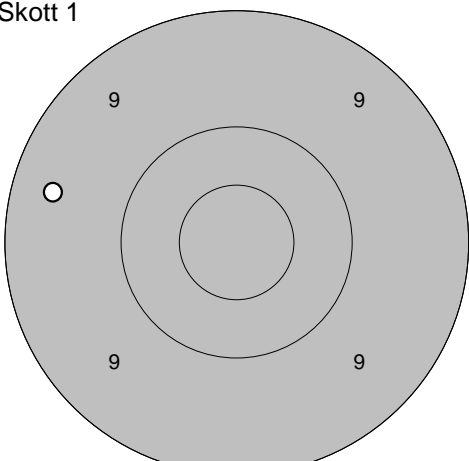
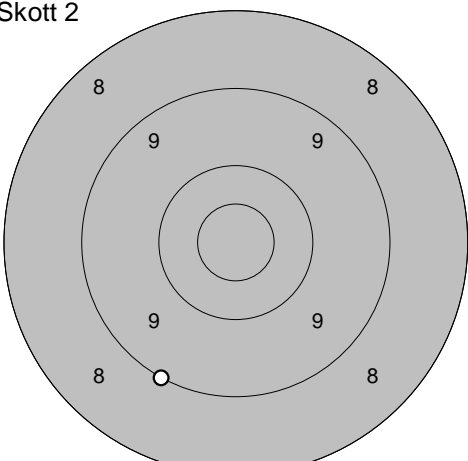
Provskott 	1: 9,4 ↙ 2: 10,5* ← 3: 10,6* → <hr/> Serie 29,0 Totalt 225,0	Serie 	1: 8,9 ↘ 2: 10,1 ↙ 3: 8,9 ↘ 4: 9,1 ↘ 5: 9,9 ↗ <hr/> Serie 44,0 Totalt 269,0
--	--	--	---

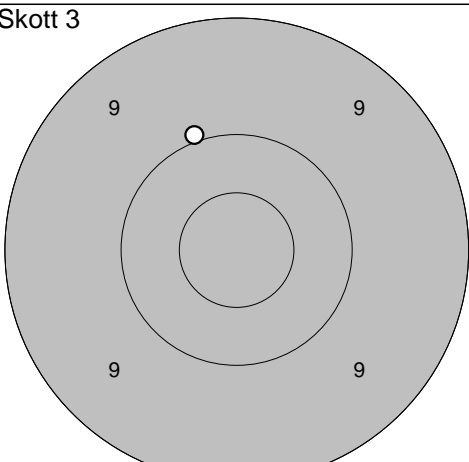
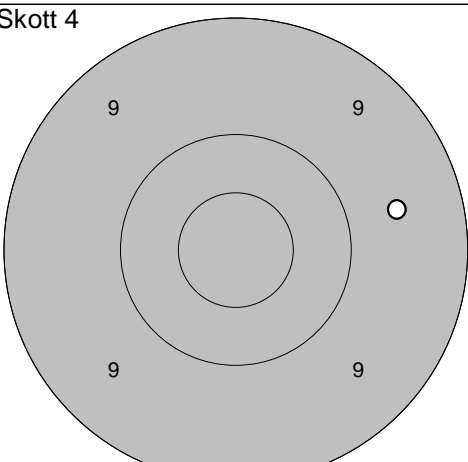
Skott 1 	1: 10,4 ← <hr/> Serie 10,0 Totalt 279,0	Skott 2 	1: 9,7 ↙ <hr/> Serie 9,0 Totalt 288,0
---	---	---	---

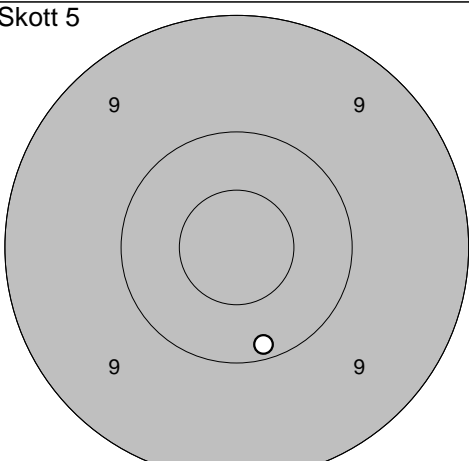
Skott 3 	1: 10,7* ← <hr/> Serie 10,0 Totalt 298,0	Skott 4 	1: 10,7* ↘ <hr/> Serie 10,0 Totalt 308,0
--	--	--	--

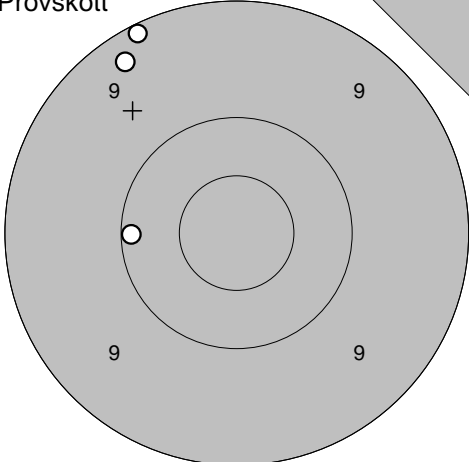
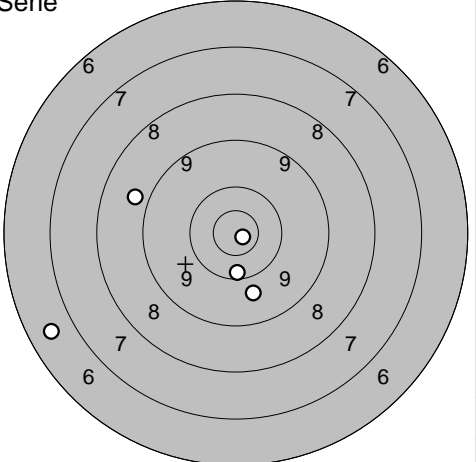
Skott 5 	1: 9,1 ↙ <hr/> Serie 9,0 Totalt 317,0
--	---

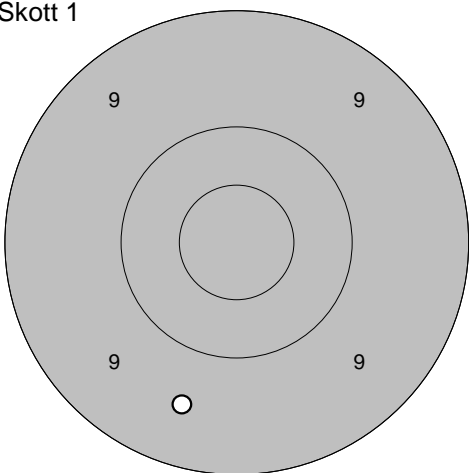
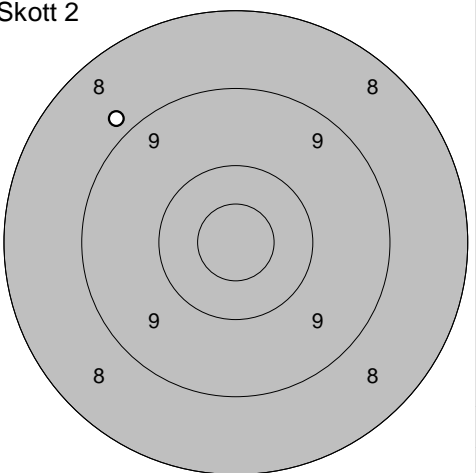
Provskott 	1: 10,3 → 2: 9,7 ↖ 3: 10,6* ↑ <table border="1" style="width:100%; border-collapse: collapse;"> <tr><td style="padding: 2px;">Serie</td><td style="text-align: right; padding: 2px;">29,0</td></tr> <tr><td style="padding: 2px;">Totalt</td><td style="text-align: right; padding: 2px;">222,0</td></tr> </table>	Serie	29,0	Totalt	222,0	Serie  <table border="1" style="width:100%; border-collapse: collapse;"> <tr><td style="padding: 2px;">Serie</td><td style="text-align: right; padding: 2px;">44,0</td></tr> <tr><td style="padding: 2px;">Totalt</td><td style="text-align: right; padding: 2px;">266,0</td></tr> </table>	Serie	44,0	Totalt	266,0
Serie	29,0									
Totalt	222,0									
Serie	44,0									
Totalt	266,0									

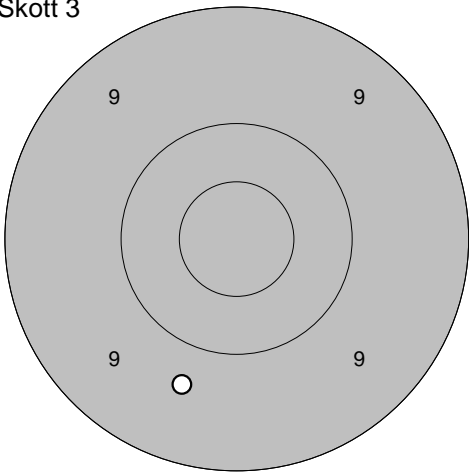
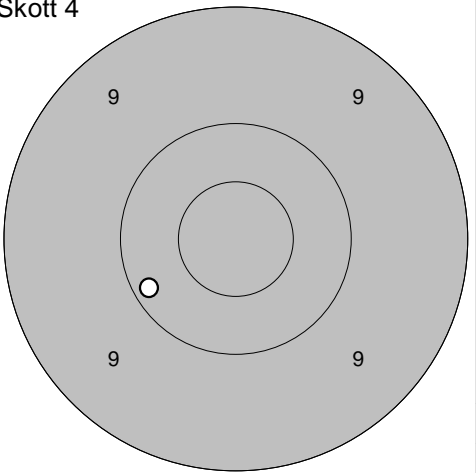
Skott 1  <table border="1" style="width:100%; border-collapse: collapse;"> <tr><td style="padding: 2px;">Serie</td><td style="text-align: right; padding: 2px;">9,0</td></tr> <tr><td style="padding: 2px;">Totalt</td><td style="text-align: right; padding: 2px;">275,0</td></tr> </table>	Serie	9,0	Totalt	275,0	1: 9,4 ← Skott 2  <table border="1" style="width:100%; border-collapse: collapse;"> <tr><td style="padding: 2px;">Serie</td><td style="text-align: right; padding: 2px;">9,0</td></tr> <tr><td style="padding: 2px;">Totalt</td><td style="text-align: right; padding: 2px;">284,0</td></tr> </table>	Serie	9,0	Totalt	284,0	1: 9,1 ↙
Serie	9,0									
Totalt	275,0									
Serie	9,0									
Totalt	284,0									

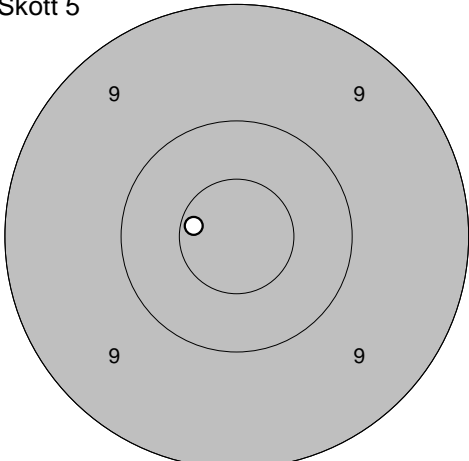
Skott 3  <table border="1" style="width:100%; border-collapse: collapse;"> <tr><td style="padding: 2px;">Serie</td><td style="text-align: right; padding: 2px;">10,0</td></tr> <tr><td style="padding: 2px;">Totalt</td><td style="text-align: right; padding: 2px;">294,0</td></tr> </table>	Serie	10,0	Totalt	294,0	1: 10,0 ↗ Skott 4  <table border="1" style="width:100%; border-collapse: collapse;"> <tr><td style="padding: 2px;">Serie</td><td style="text-align: right; padding: 2px;">9,0</td></tr> <tr><td style="padding: 2px;">Totalt</td><td style="text-align: right; padding: 2px;">303,0</td></tr> </table>	Serie	9,0	Totalt	303,0	1: 9,6 →
Serie	10,0									
Totalt	294,0									
Serie	9,0									
Totalt	303,0									

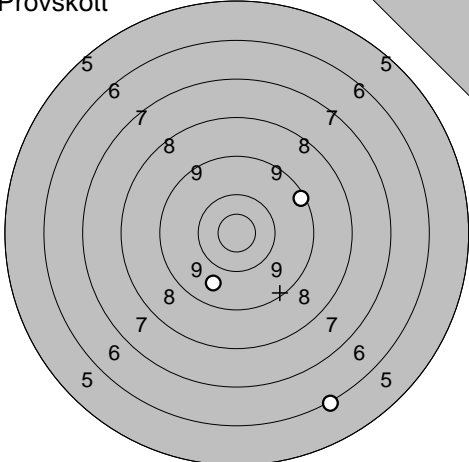
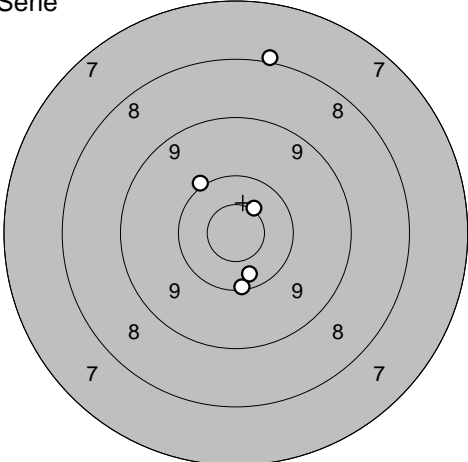
Skott 5  <table border="1" style="width:100%; border-collapse: collapse;"> <tr><td style="padding: 2px;">Serie</td><td style="text-align: right; padding: 2px;">10,0</td></tr> <tr><td style="padding: 2px;">Totalt</td><td style="text-align: right; padding: 2px;">313,0</td></tr> </table>	Serie	10,0	Totalt	313,0	1: 10,2 ↓	
Serie	10,0					
Totalt	313,0					

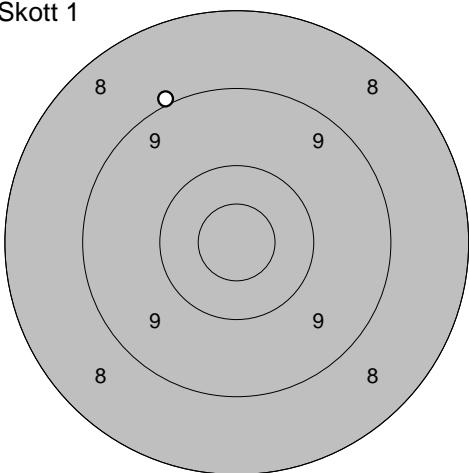
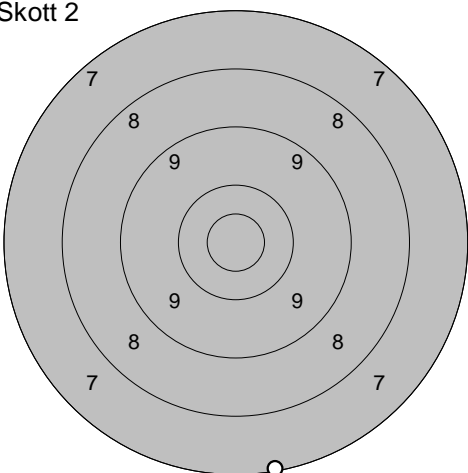
Provs-kott 	1: 10,1 ← 2: 9,1 ↗ 3: 9,3 ↗ <hr/> Serie 28,0 Totalt 218,0	Serie 	1: 8,8 ↖ 2: 10,3 ↓ 3: 9,8 ↓ 4: 6,6 ↖ 5: 10,9* ↘ <hr/> Serie 43,0 Totalt 261,0
---	---	--	---

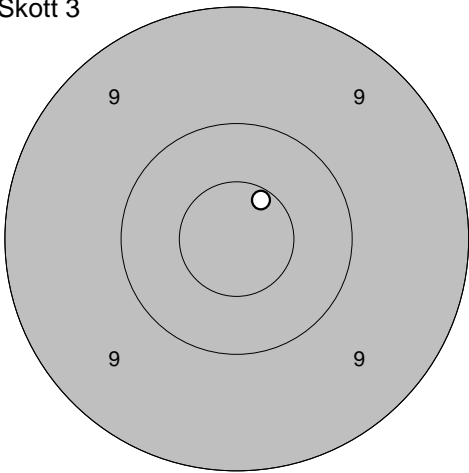
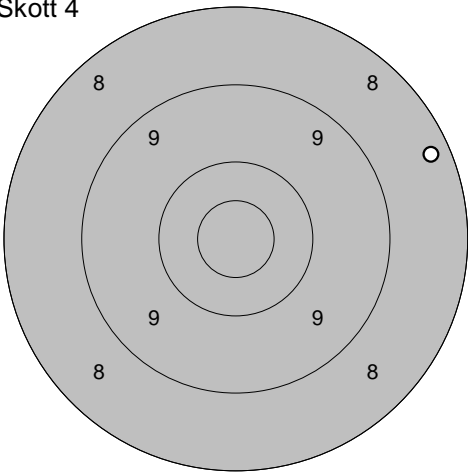
Skott 1 	1: 9,6 ↓ <hr/> Serie 9,0 Totalt 270,0	Skott 2 	1: 8,8 ↖ <hr/> Serie 8,0 Totalt 278,0
---	---	---	---

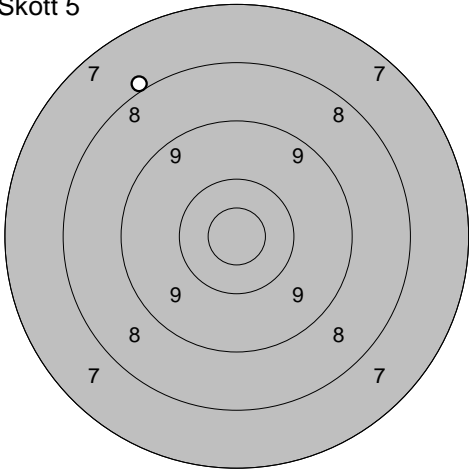
Skott 3 	1: 9,7 ↓ <hr/> Serie 9,0 Totalt 287,0	Skott 4 	1: 10,2 ↖ <hr/> Serie 10,0 Totalt 297,0
--	---	--	---

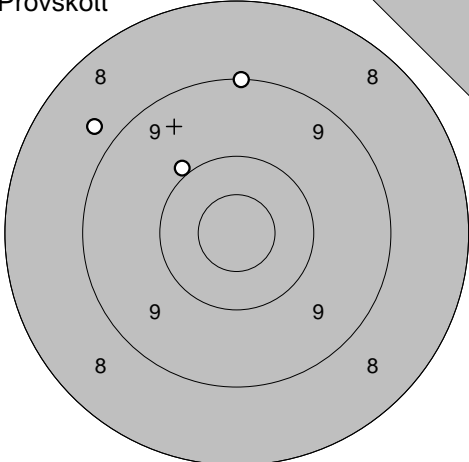
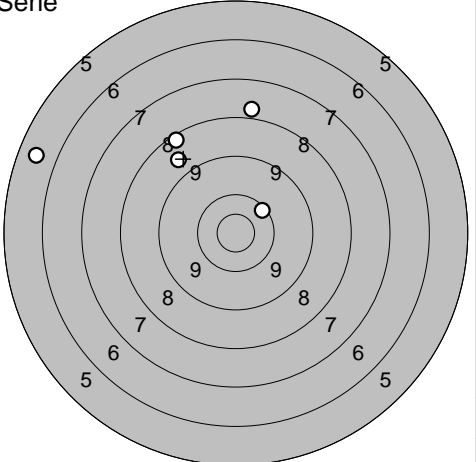
Skott 5 	1: 10,7* ← <hr/> Serie 10,0 Totalt 307,0		
--	--	--	--

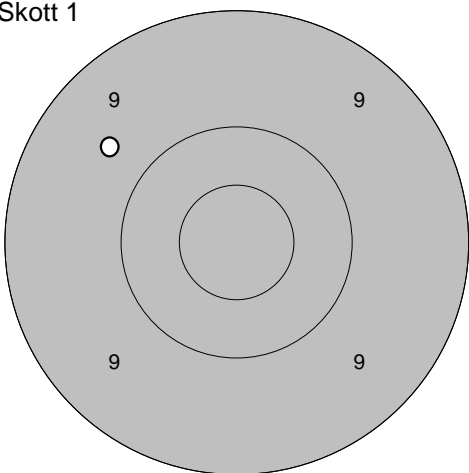
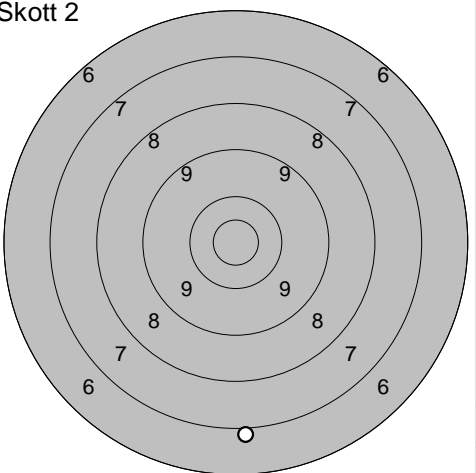
Provskott 	1: 6,1 ↘ 2: 9,7 ↓ 3: 9,3 →	Serie 	1: 8,0 ↑ 2: 10,1 ↓ 3: 10,5* ↗ 4: 10,3 ↓ 5: 10,0 ↖
	Serie 24,0		Serie 48,0
	Totalt 207,0		Totalt 255,0

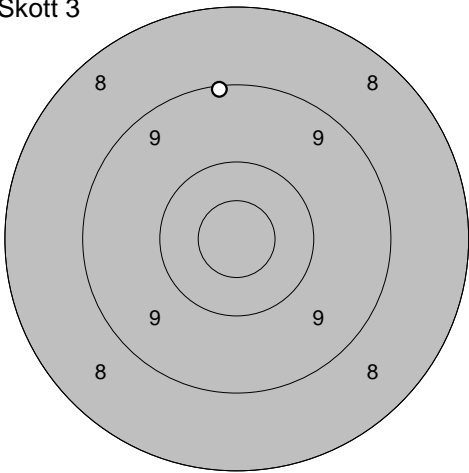
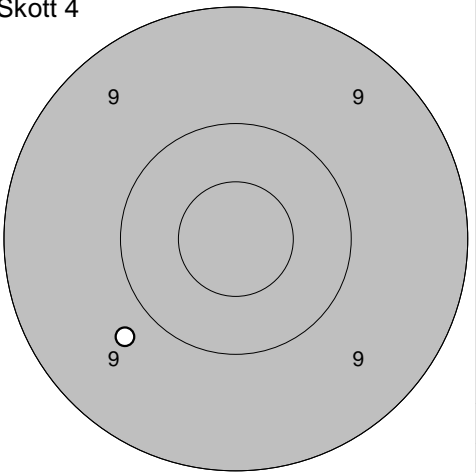
Skott 1 	1: 9,0 ↖	Skott 2 	1: 7,1 ↓
	Serie 9,0		Serie 7,0
	Totalt 264,0		Totalt 271,0

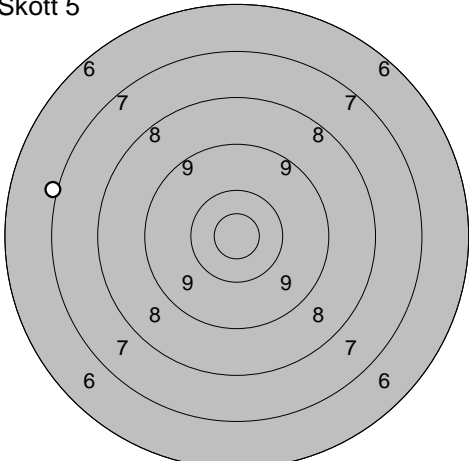
Skott 3 	1: 10,6* ↗	Skott 4 	1: 8,3 →
	Serie 10,0		Serie 8,0
	Totalt 281,0		Totalt 289,0

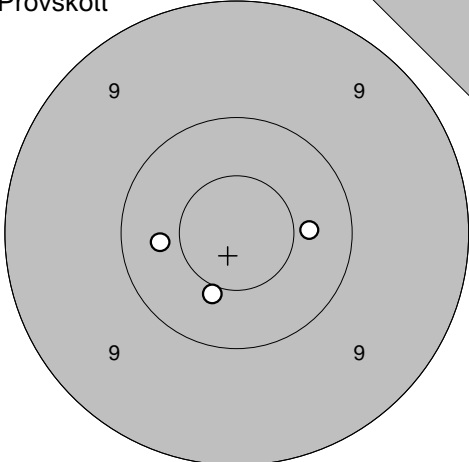
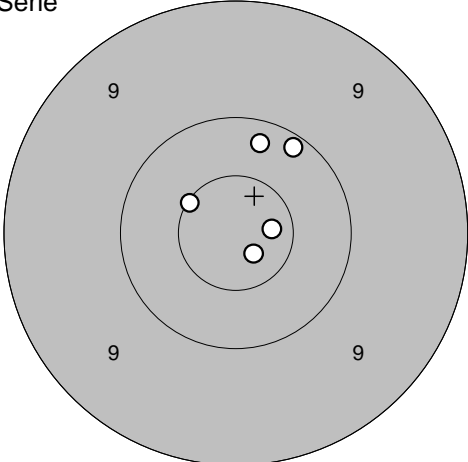
Skott 5 	1: 8,0 ↖		
	Serie 8,0		
	Totalt 297,0		

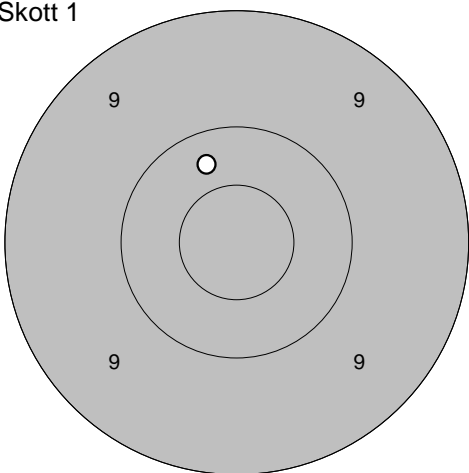
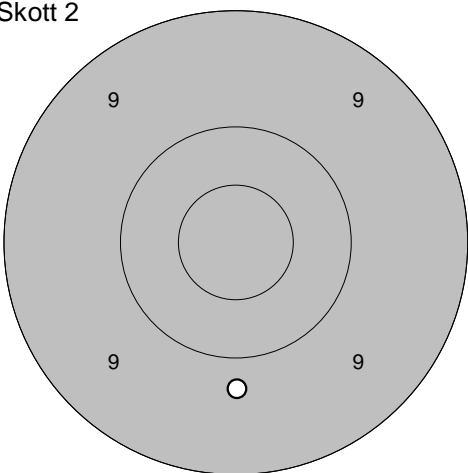
Provskott 	1: 8,8 ↖ 2: 10,0 ↗ 3: 9,1 ↑ <table border="1" style="width:100%; border-collapse: collapse;"> <tr><td style="text-align: right;">Serie</td><td style="text-align: right;">27,0</td></tr> <tr><td style="text-align: right;">Totalt</td><td style="text-align: right;">200,0</td></tr> </table>	Serie	27,0	Totalt	200,0	Serie 	1: 10,2 ↗ 2: 8,3 ↗ 3: 8,7 ↗ 4: 5,6 ↖ 5: 7,9 ↑ <table border="1" style="width:100%; border-collapse: collapse;"> <tr><td style="text-align: right;">Serie</td><td style="text-align: right;">38,0</td></tr> <tr><td style="text-align: right;">Totalt</td><td style="text-align: right;">238,0</td></tr> </table>	Serie	38,0	Totalt	238,0
Serie	27,0										
Totalt	200,0										
Serie	38,0										
Totalt	238,0										

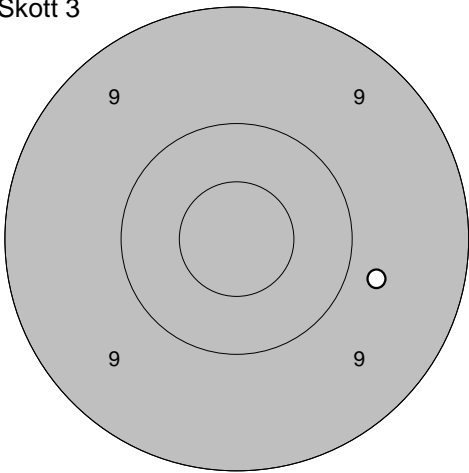
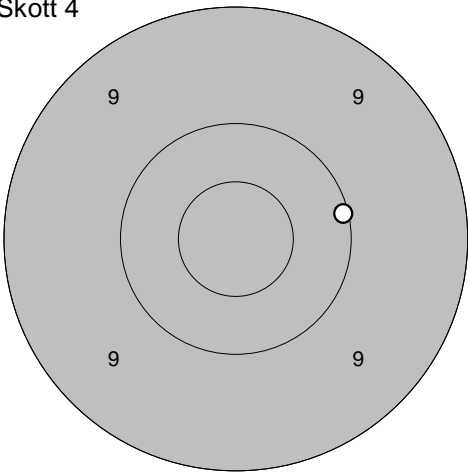
Skott 1 	1: 9,7 ↖ <table border="1" style="width:100%; border-collapse: collapse;"> <tr><td style="text-align: right;">Serie</td><td style="text-align: right;">9,0</td></tr> <tr><td style="text-align: right;">Totalt</td><td style="text-align: right;">247,0</td></tr> </table>	Serie	9,0	Totalt	247,0	Skott 2 	1: 7,0 ↓ <table border="1" style="width:100%; border-collapse: collapse;"> <tr><td style="text-align: right;">Serie</td><td style="text-align: right;">7,0</td></tr> <tr><td style="text-align: right;">Totalt</td><td style="text-align: right;">254,0</td></tr> </table>	Serie	7,0	Totalt	254,0
Serie	9,0										
Totalt	247,0										
Serie	7,0										
Totalt	254,0										

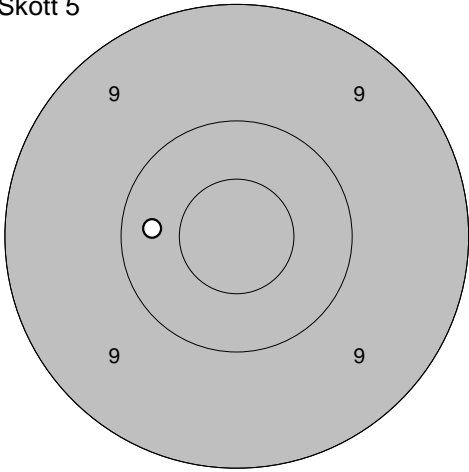
Skott 3 	1: 9,1 ↑ <table border="1" style="width:100%; border-collapse: collapse;"> <tr><td style="text-align: right;">Serie</td><td style="text-align: right;">9,0</td></tr> <tr><td style="text-align: right;">Totalt</td><td style="text-align: right;">263,0</td></tr> </table>	Serie	9,0	Totalt	263,0	Skott 4 	1: 9,8 ↖ <table border="1" style="width:100%; border-collapse: collapse;"> <tr><td style="text-align: right;">Serie</td><td style="text-align: right;">9,0</td></tr> <tr><td style="text-align: right;">Totalt</td><td style="text-align: right;">272,0</td></tr> </table>	Serie	9,0	Totalt	272,0
Serie	9,0										
Totalt	263,0										
Serie	9,0										
Totalt	272,0										

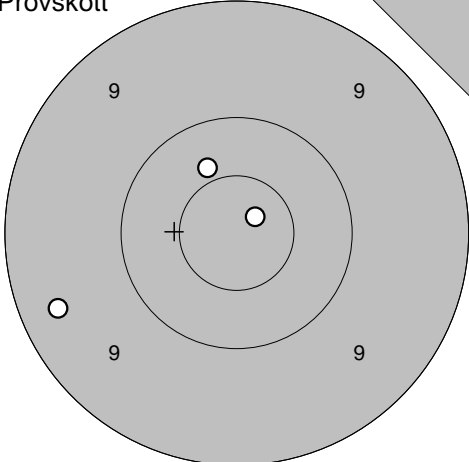
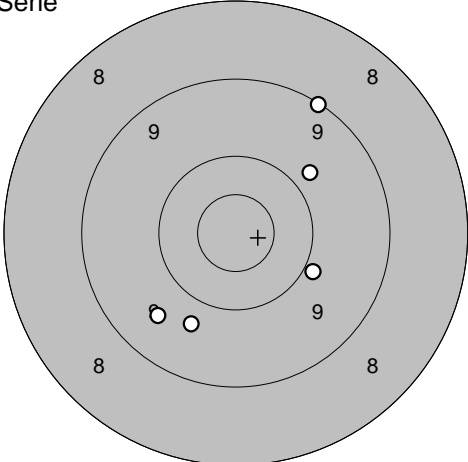
Skott 5 	1: 7,0 ↖ <table border="1" style="width:100%; border-collapse: collapse;"> <tr><td style="text-align: right;">Serie</td><td style="text-align: right;">7,0</td></tr> <tr><td style="text-align: right;">Totalt</td><td style="text-align: right;">279,0</td></tr> </table>	Serie	7,0	Totalt	279,0		
Serie	7,0						
Totalt	279,0						

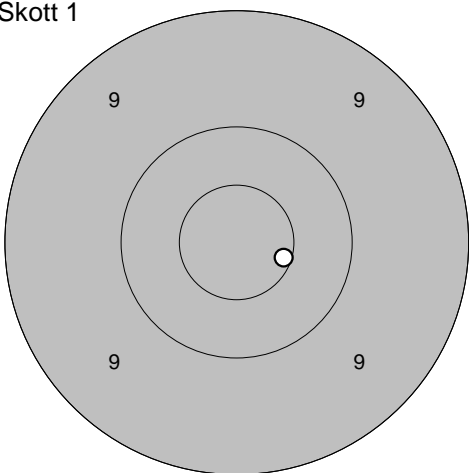
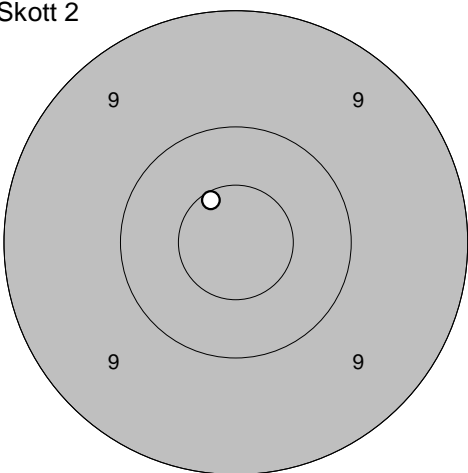
Provskott 	1: 10,4 ← 2: 10,5* ↓ 3: 10,4 →	Serie 	1: 10,2 ↑ 2: 10,1 ↗ 3: 10,7* → 4: 10,6* ↖ 5: 10,8* ↓
	Serie 30,0		Serie 50,0
	Totalt 241,0		Totalt 291,0

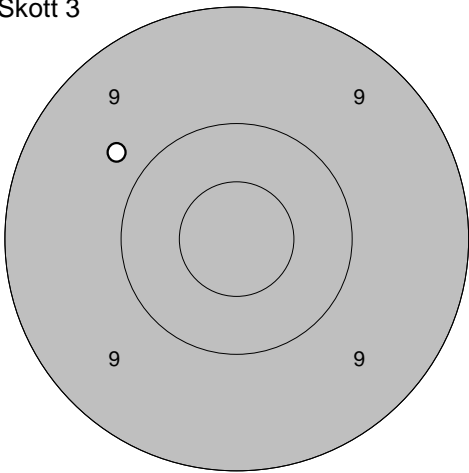
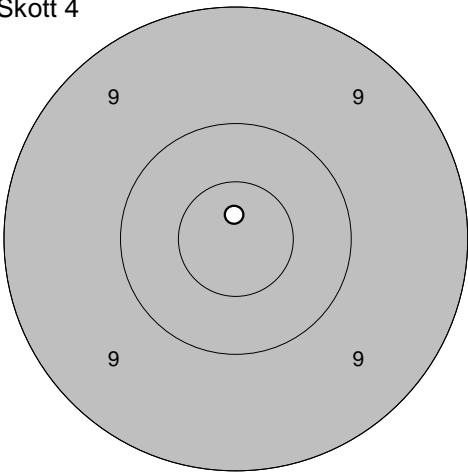
Skott 1 	1: 10,3 ↖	Skott 2 	1: 9,8 ↓
	Serie 10,0		Serie 9,0
	Totalt 301,0		Totalt 310,0

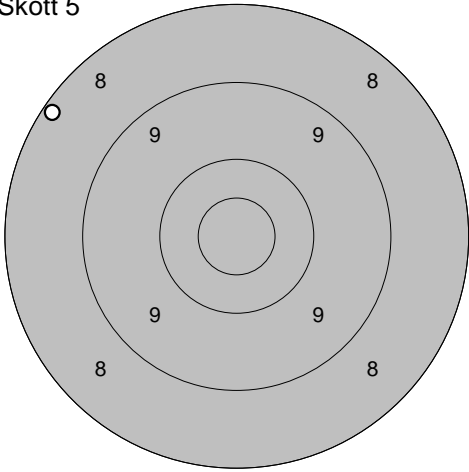
Skott 3 	1: 9,8 →	Skott 4 	1: 10,1 →
	Serie 9,0		Serie 10,0
	Totalt 319,0		Totalt 329,0

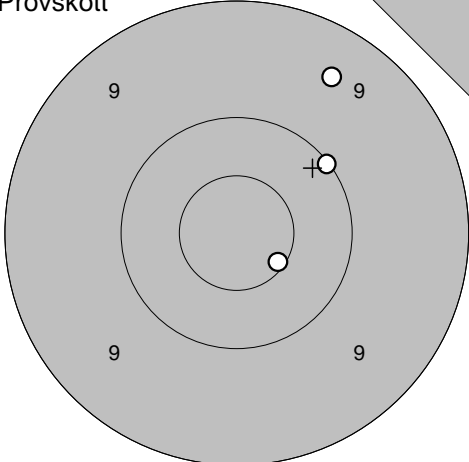
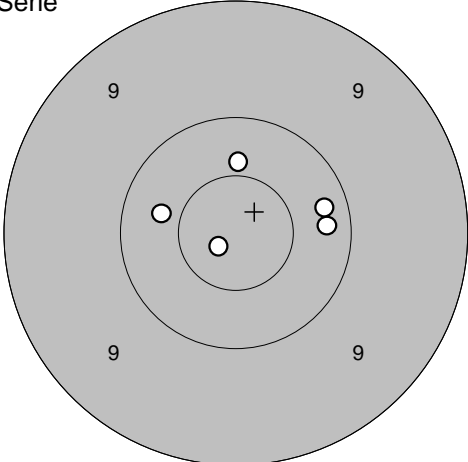
Skott 5 	1: 10,3 ←		
	Serie 10,0		
	Totalt 339,0		

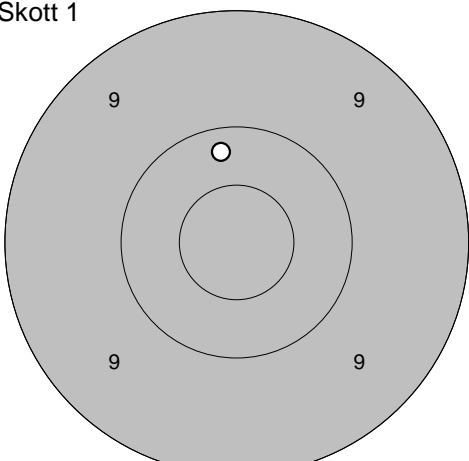
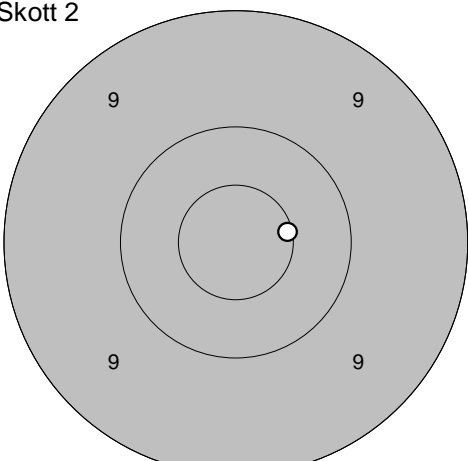
Provs-kott 	1: 10,4 ↗ 2: 9,4 ↖ 3: 10,8* ↗ Serie 29,0 Totalt 240,0	Serie 	1: 9,1 ↗ 2: 9,9 ↘ 3: 9,8 ↗ 4: 9,7 ↘ 5: 9,6 ↘ Serie 45,0 Totalt 285,0
--	---	---	--

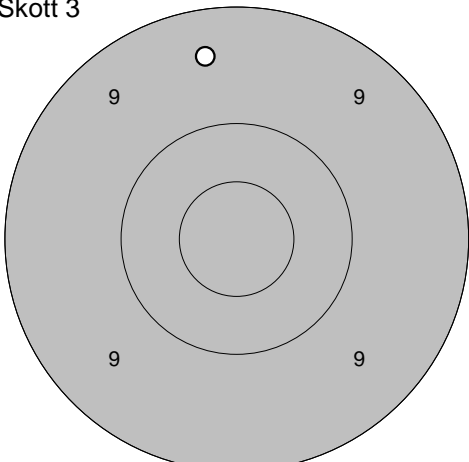
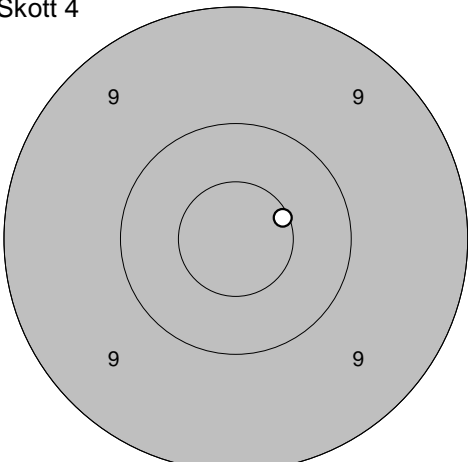
Skott 1 	1: 10,6* → Serie 10,0 Totalt 295,0	Skott 2 	1: 10,6* ↖ Serie 10,0 Totalt 305,0
--	--	--	--

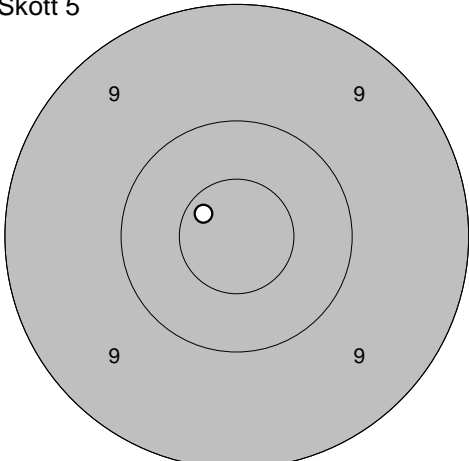
Skott 3 	1: 9,8 ↖ Serie 9,0 Totalt 314,0	Skott 4 	1: 10,8* ↑ Serie 10,0 Totalt 324,0
---	---	---	--

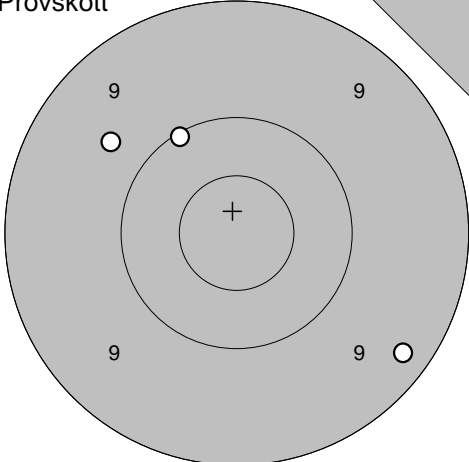
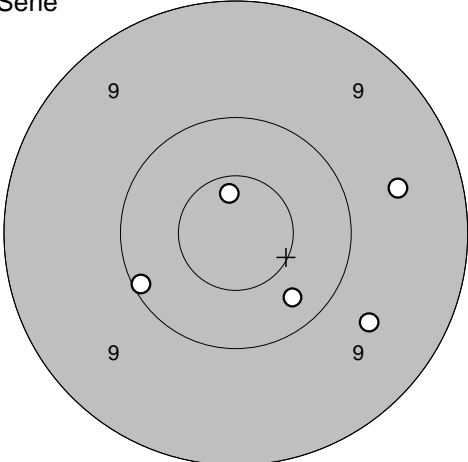
Skott 5 	1: 8,2 ↖ Serie 8,0 Totalt 332,0		
---	---	--	--

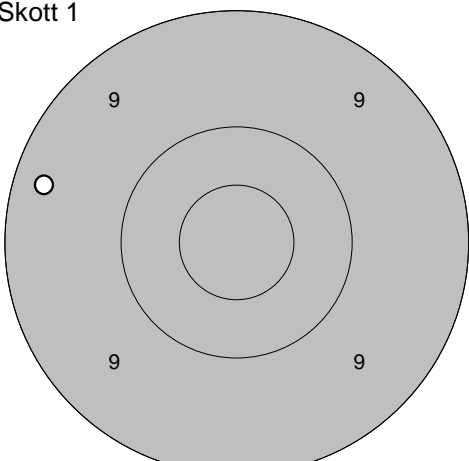
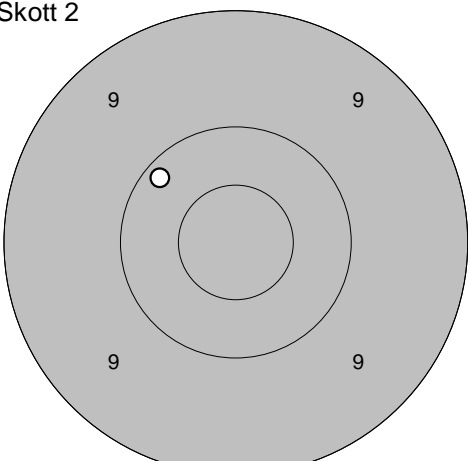
Provskott 	1: 9,5 ↗ 2: 10,1 ↗ 3: 10,6* ↘ <hr/> Serie 29,0 <hr/> Totalt 238,0	Serie 	1: 10,2 → 2: 10,2 → 3: 10,4 ↑ 4: 10,8* ↙ 5: 10,4 ← <hr/> Serie 50,0 <hr/> Totalt 288,0
--	---	--	--

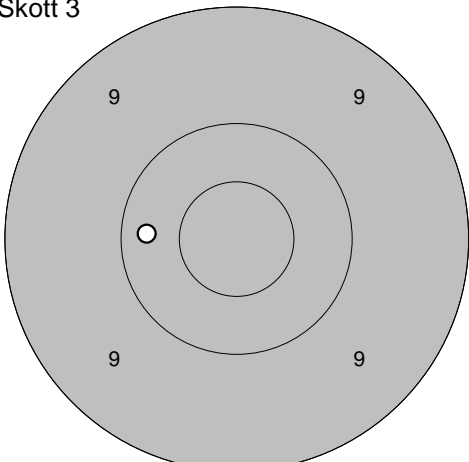
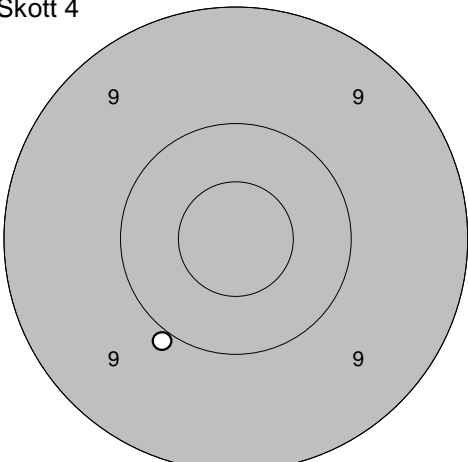
Skott 1 	1: 10,2 ↑ <hr/> Serie 10,0 <hr/> Totalt 298,0	Skott 2 	1: 10,6* → <hr/> Serie 10,0 <hr/> Totalt 308,0
---	---	---	--

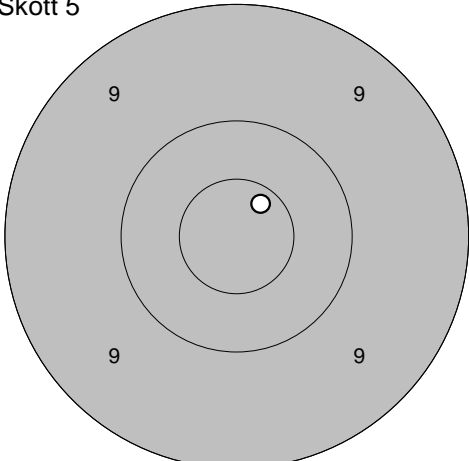
Skott 3 	1: 9,4 ↑ <hr/> Serie 9,0 <hr/> Totalt 317,0	Skott 4 	1: 10,6* → <hr/> Serie 10,0 <hr/> Totalt 327,0
--	---	--	--

Skott 5 	1: 10,7* ↙ <hr/> Serie 10,0 <hr/> Totalt 337,0		
--	--	--	--

<p>Provskott</p> 	<p>1: 10,1 ↗ 2: 9,7 ↗ 3: 9,3 ↘</p>	<p>Serie</p> 	<p>1: 10,1 ↙ 2: 10,7* ↑ 3: 9,6 → 4: 10,3 ↘ 5: 9,6 ↘</p>
<p>Serie 28,0</p>		<p>Serie 48,0</p>	
<p>Totalt 236,0</p>		<p>Totalt 284,0</p>	

<p>Skott 1</p> 	<p>1: 9,3 ←</p>	<p>Skott 2</p> 	<p>1: 10,2 ↙</p>
<p>Serie 9,0</p>		<p>Serie 10,0</p>	
<p>Totalt 293,0</p>		<p>Totalt 303,0</p>	

<p>Skott 3</p> 	<p>1: 10,3 ←</p>	<p>Skott 4</p> 	<p>1: 9,9 ↘</p>
<p>Serie 10,0</p>		<p>Serie 9,0</p>	
<p>Totalt 313,0</p>		<p>Totalt 322,0</p>	

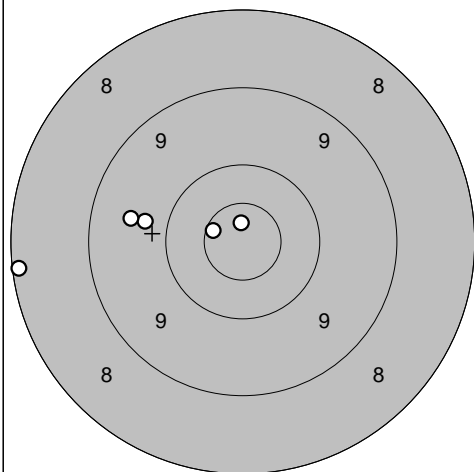
<p>Skott 5</p> 	<p>1: 10,7* ↗</p>		
<p>Serie 10,0</p>			
<p>Totalt 332,0</p>			

2012-07-07

Björkskottet 2012 Final

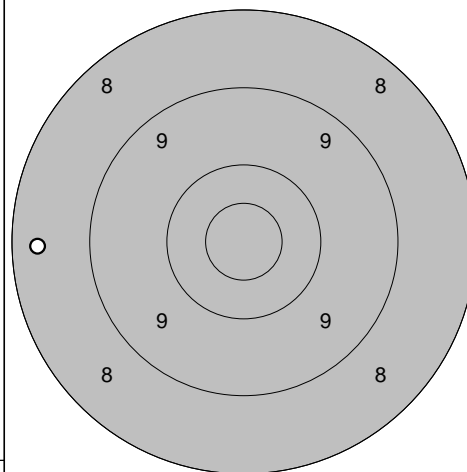
Ramselefors SKF

Serie



1: 10,8* ↑
 2: 10,7* ←
 3: 9,8 ←
 4: 8,1 ←
 5: 9,6 ←

Skott 1



1: 8,4 ←

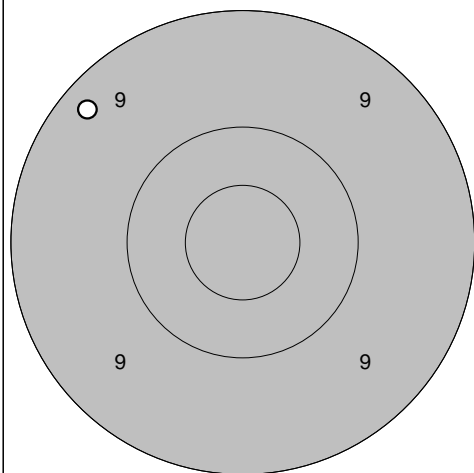
Serie 46,0

Totalt 274,0

Serie 8,0

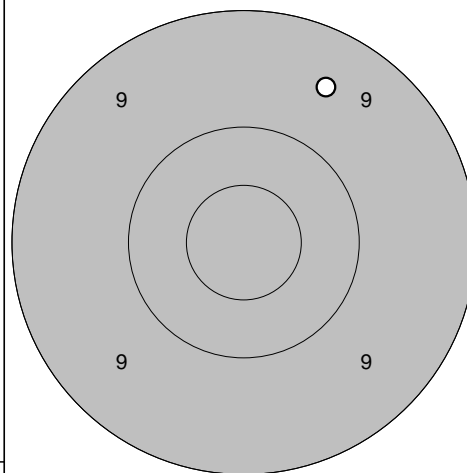
Totalt 282,0

Skott 2



1: 9,3 ↖

Skott 3



1: 9,5 ↗

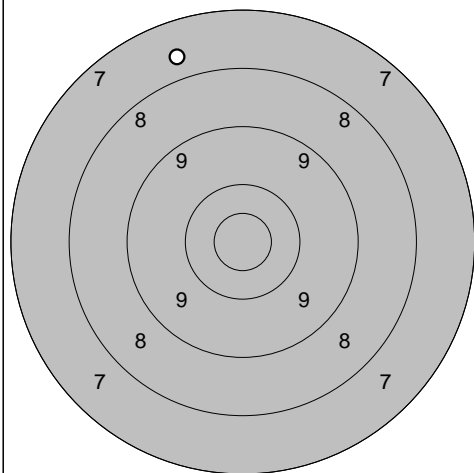
Serie 9,0

Totalt 291,0

Serie 9,0

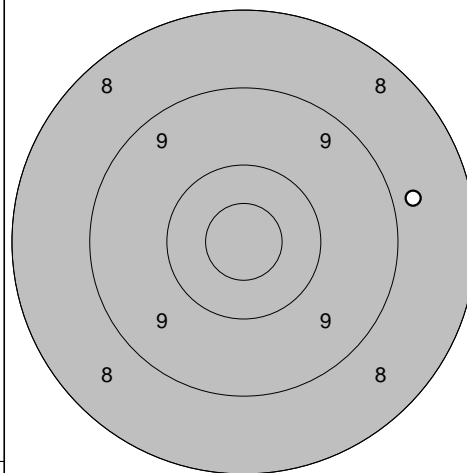
Totalt 300,0

Skott 4



1: 7,7 ↖

Skott 5



1: 8,8 →

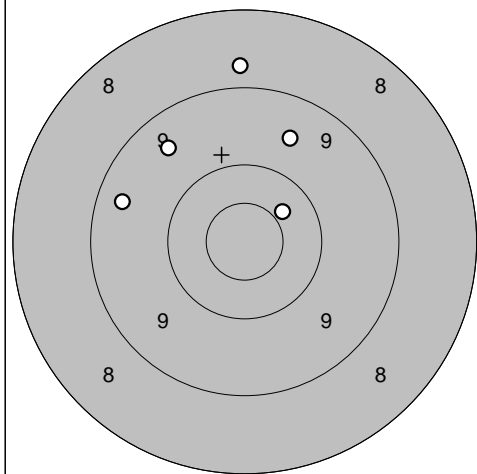
Serie 7,0

Totalt 307,0

Serie 8,0

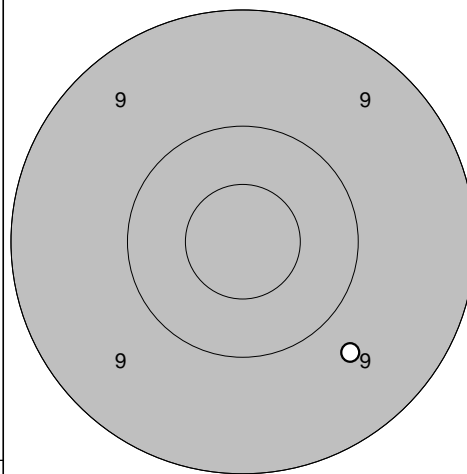
Totalt 315,0

Serie



- 1: 9,5 ↖
- 2: 10,4 ↗
- 3: 8,8 ↑
- 4: 9,6 ↗
- 5: 9,4 ←

Skott 1

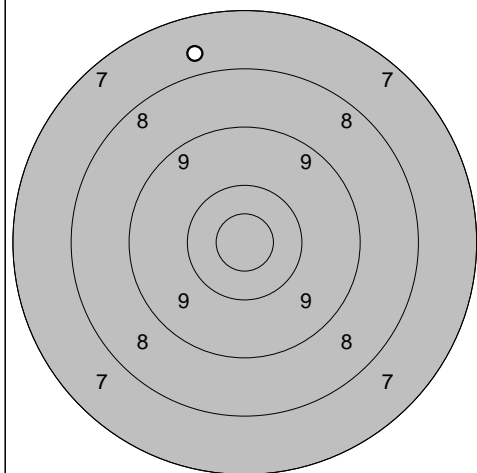


- 1: 9,7 ↘

Serie 45,0
Totalt 269,0

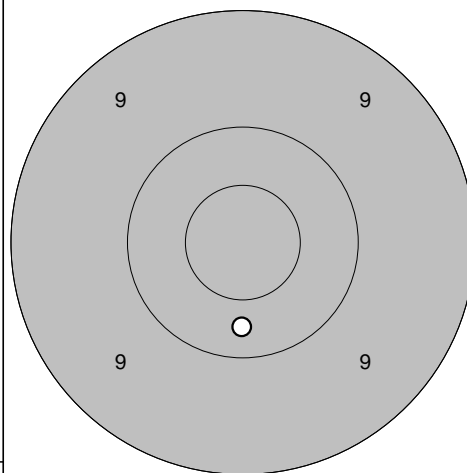
Serie 9,0
Totalt 278,0

Skott 2



- 1: 7,7 ↖

Skott 3

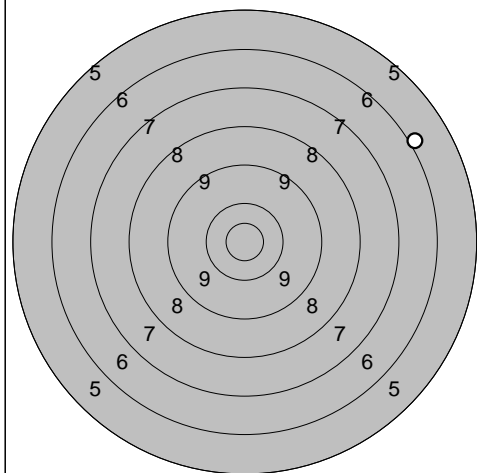


- 1: 10,3 ↓

Serie 7,0
Totalt 285,0

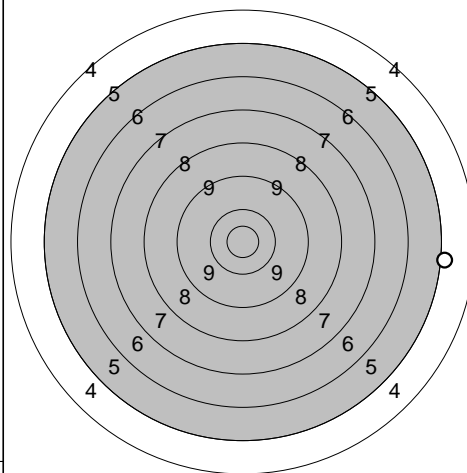
Serie 10,0
Totalt 295,0

Skott 4



- 1: 6,0 ↗

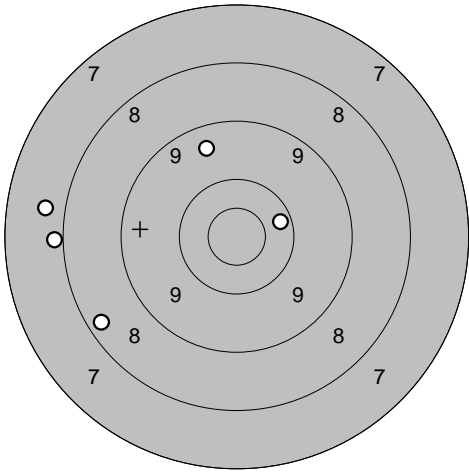
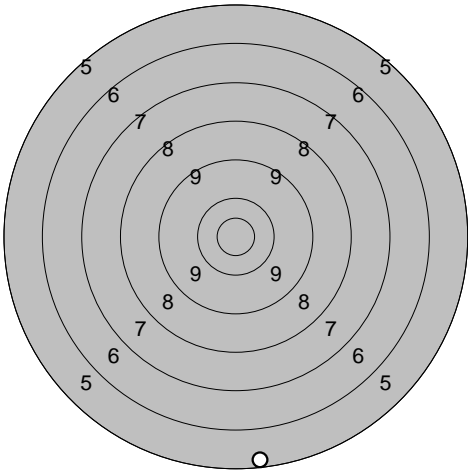
Skott 5

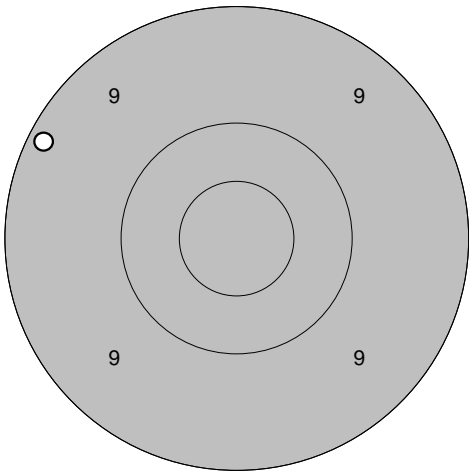
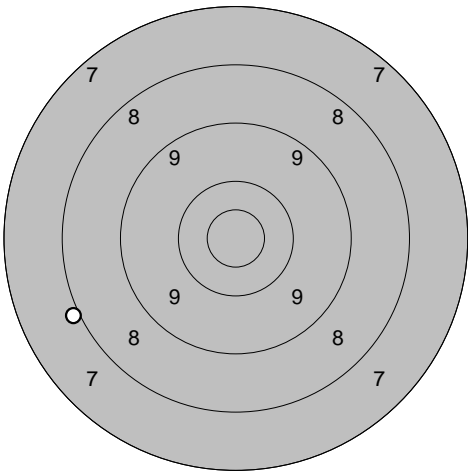


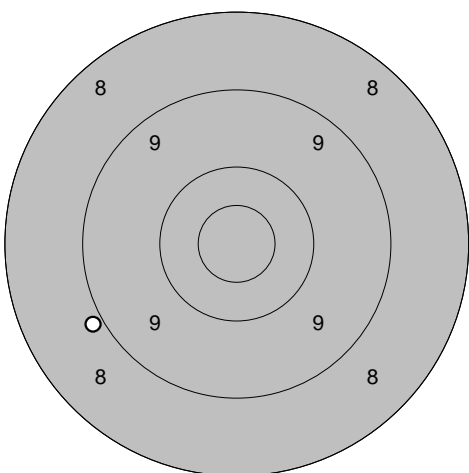
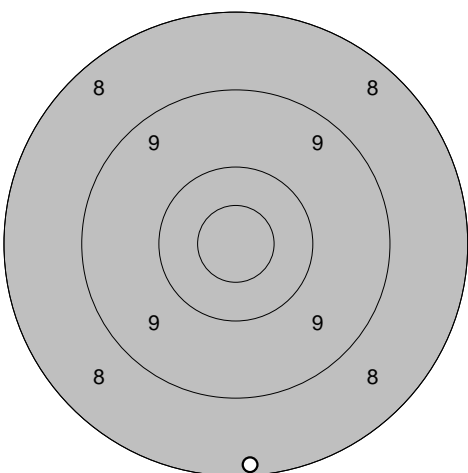
- 1: 5,1 →

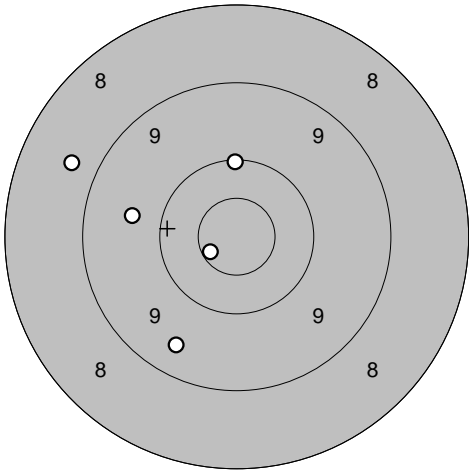
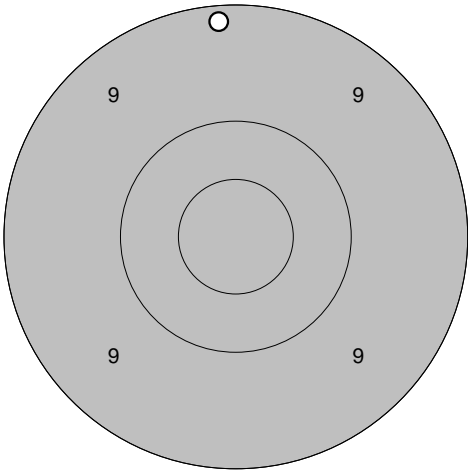
Serie 6,0
Totalt 301,0

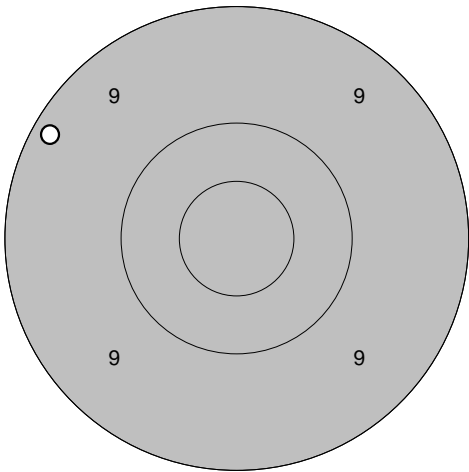
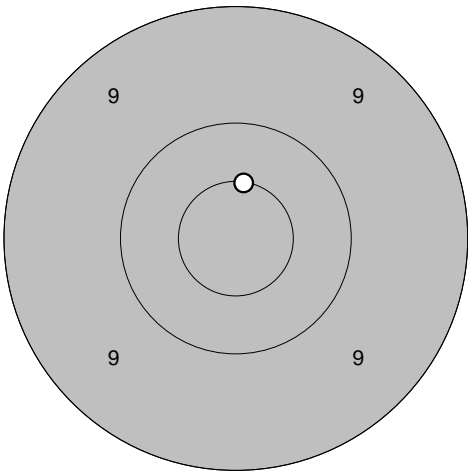
Serie 5,0
Totalt 306,0

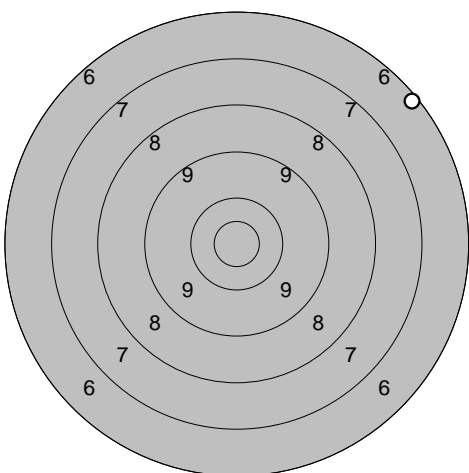
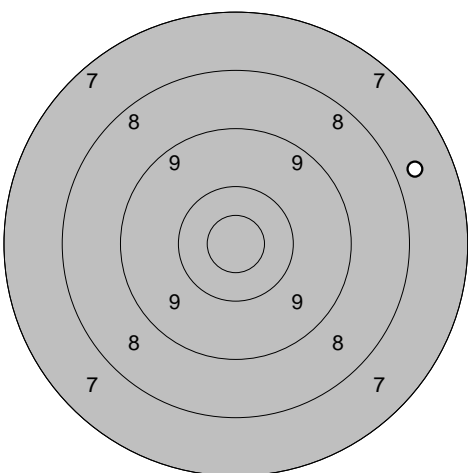
<p>Serie</p> 	<p>Skott 1</p> <p>1: 10,3 →</p> <p>2: 9,5 ↑</p> <p>3: 8,3 ↙</p> <p>4: 7,9 ←</p> <p>5: 7,8 ←</p> 	<p>1: 5,4 ↓</p>
Serie 41,0	Serie 5,0	
Totalt 265,0	Totalt 270,0	

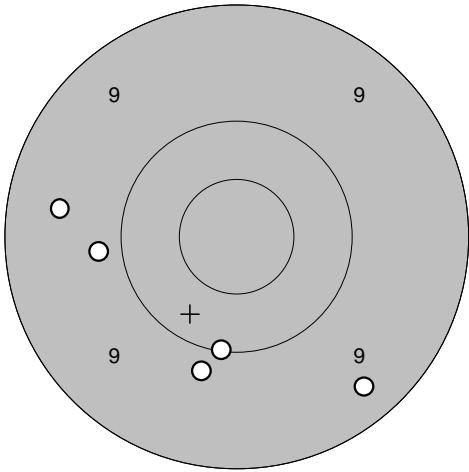
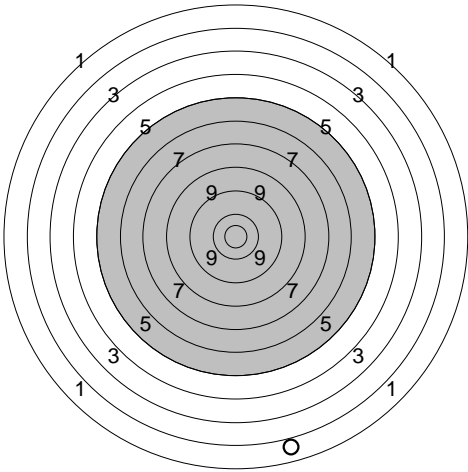
<p>Skott 2</p> 	<p>Skott 3</p> <p>1: 9,2 ↙</p> 	<p>1: 8,0 ↙</p>
Serie 9,0	Serie 8,0	
Totalt 279,0	Totalt 287,0	

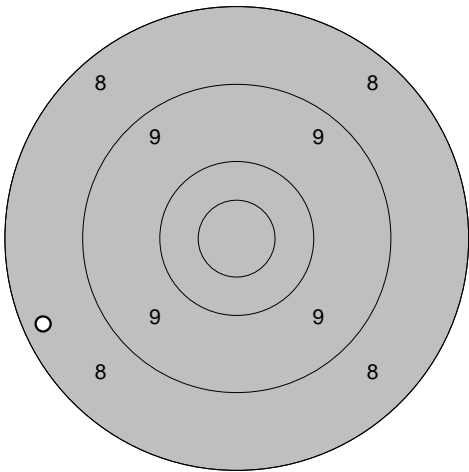
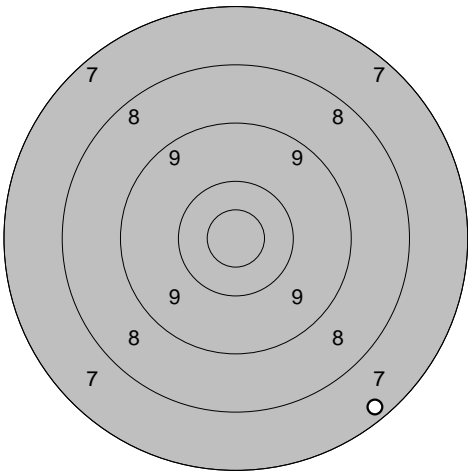
<p>Skott 4</p> 	<p>Skott 5</p> <p>1: 8,9 ↙</p> 	<p>1: 8,2 ↓</p>
Serie 8,0	Serie 8,0	
Totalt 295,0	Totalt 303,0	

<p>Serie</p> 	<p>Skott 1</p> <p>1: 10,7* ↙ 2: 9,7 ← 3: 8,7 ↖ 4: 10,1 ↑ 5: 9,4 ↘</p> 	<p>1: 9,2 ↑</p>
Serie 46,0	Serie 9,0	
Totalt 269,0	Totalt 278,0	

<p>Skott 2</p> 	<p>Skott 3</p> <p>1: 9,2 ↖</p> 	<p>1: 10,6* ↑</p>
Serie 9,0	Serie 10,0	
Totalt 287,0	Totalt 297,0	

<p>Skott 4</p> 	<p>Skott 5</p> <p>1: 6,2 ↗</p> 	<p>1: 7,7 →</p>
Serie 6,0	Serie 7,0	
Totalt 303,0	Totalt 310,0	

<p>Serie</p> 	<p>Skott 1</p> <p>1: 9,3 ↘ 2: 10,0 ↓ 3: 9,8 ↘ 4: 9,5 ← 5: 9,8 ←</p> 	<p>1: 1,9 ↘</p>
Serie 46,0		Serie 1,0
Totalt 267,0		Totalt 268,0

<p>Skott 2</p> 	<p>Skott 3</p> <p>1: 8,3 ←</p> 	<p>1: 7,3 ↘</p>
Serie 8,0		Serie 7,0
Totalt 276,0		Totalt 283,0

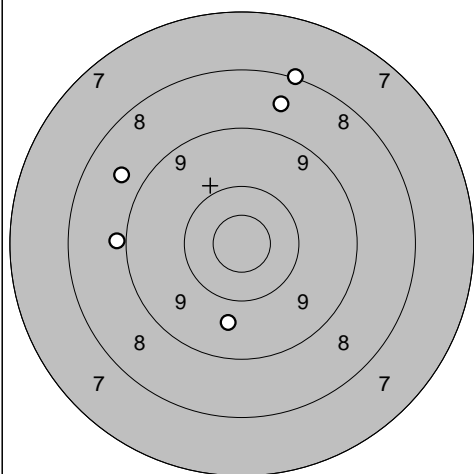
<p>Skott 4</p> 	<p>Skott 5</p> <p>1: 5,3 ←</p> 	<p>1: 2,6 ↘</p>
Serie 5,0		Serie 2,0
Totalt 288,0		Totalt 290,0

2012-07-07

Björkskottet 2012 Final

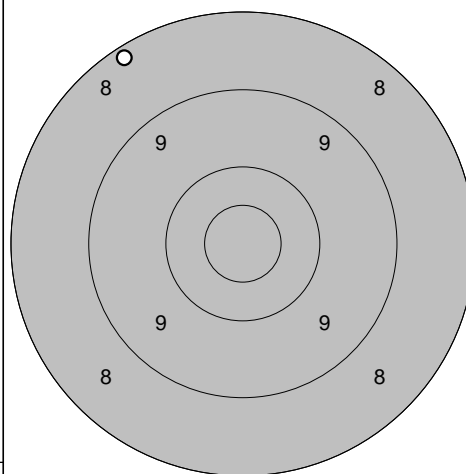
Ramselefors SKF

Serie



1: 9,7 ↓
 2: 8,6 ↑
 3: 8,7 ↖
 4: 8,9 ←
 5: 8,1 ↑

Skott 1



1: 8,2 ↗

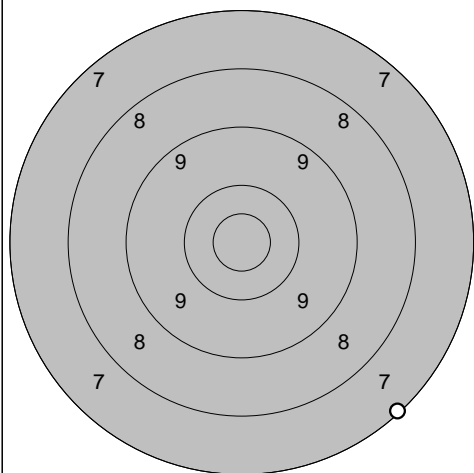
Serie 41,0

Totalt 262,0

Serie 8,0

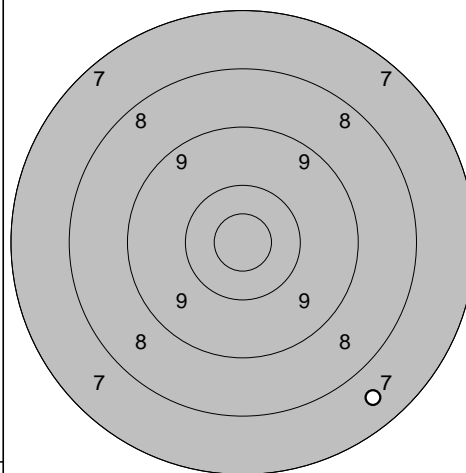
Totalt 270,0

Skott 2



1: 7,1 ↘

Skott 3



1: 7,6 ↘

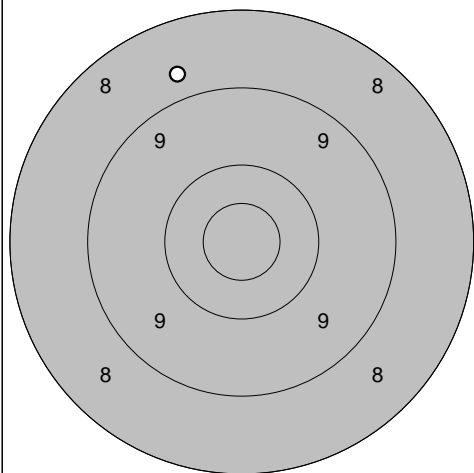
Serie 7,0

Totalt 277,0

Serie 7,0

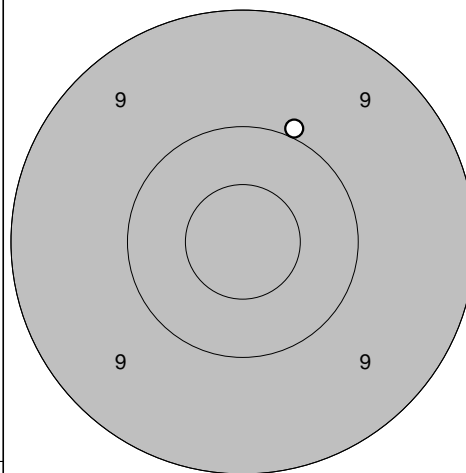
Totalt 284,0

Skott 4



1: 8,7 ↗

Skott 5



1: 10,0 ↗

Serie 8,0

Totalt 292,0

Serie 10,0

Totalt 302,0

Skjutlag

Tavla

5

8

Jan-Olof Lampinen

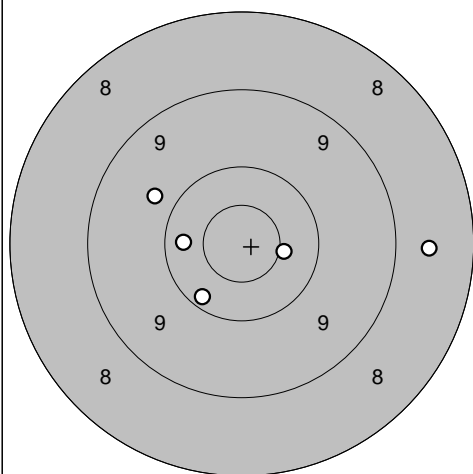
S 3

2012-07-07

Björkskottet 2012 Final

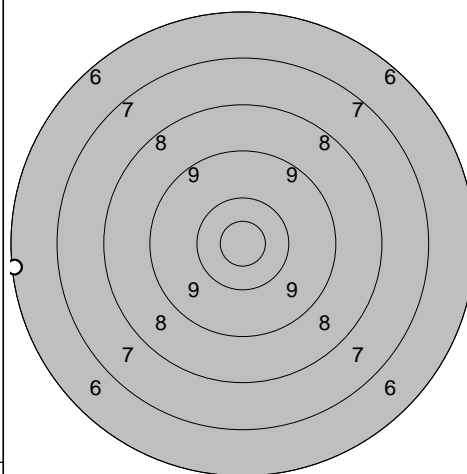
Ramselefors SKF

Serie



1: 9,8 ↖
 2: 10,3 ←
 3: 8,6 →
 4: 10,5* →
 5: 10,2 ↙

Skott 1



1: 6,2 ←

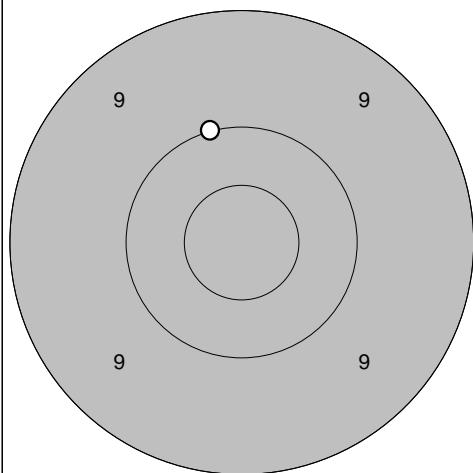
Serie 47,0

Totalt 267,0

Serie 6,0

Totalt 273,0

Skott 2

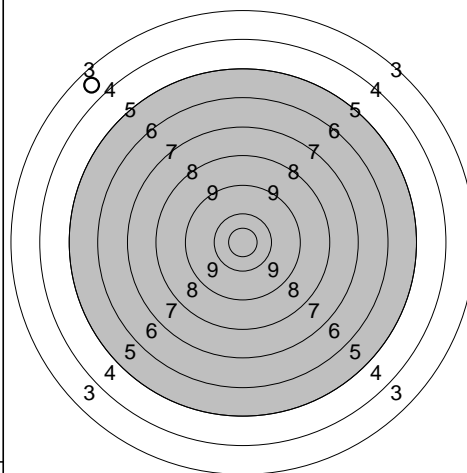


1: 10,0 ↗

Serie 10,0

Totalt 283,0

Skott 3

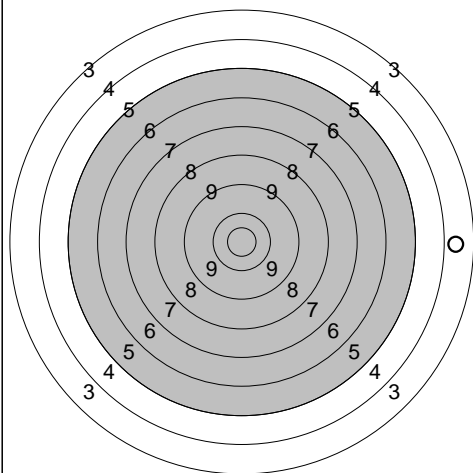


1: 3,7 ↖

Serie 3,0

Totalt 286,0

Skott 4

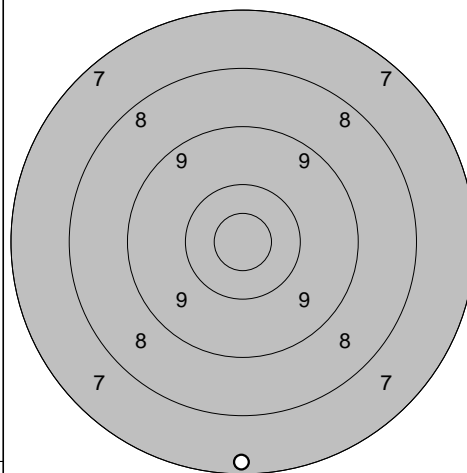


1: 3,8 →

Serie 3,0

Totalt 289,0

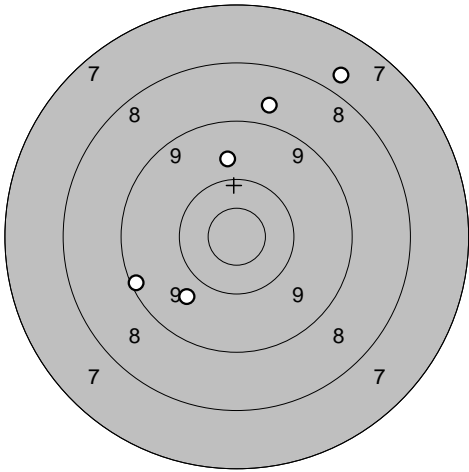
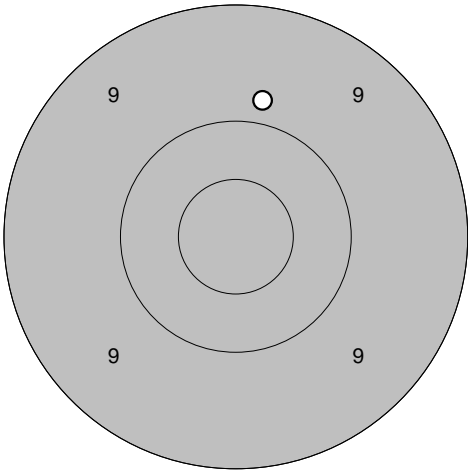
Skott 5

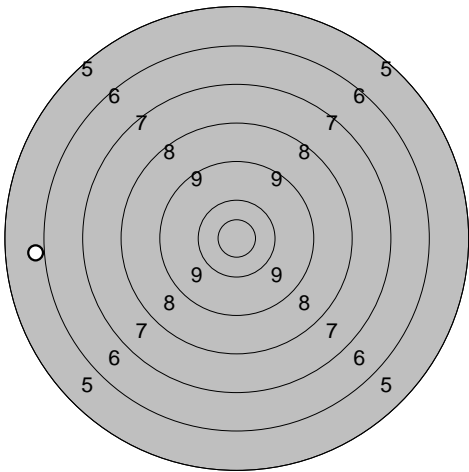
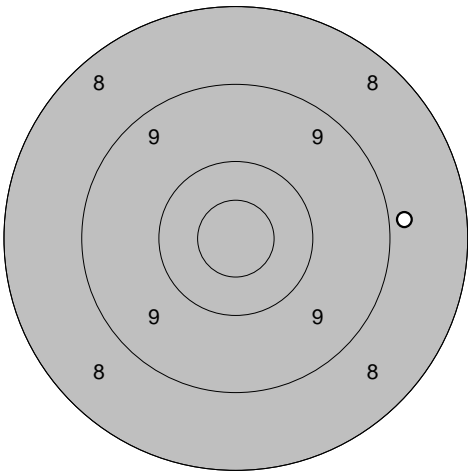


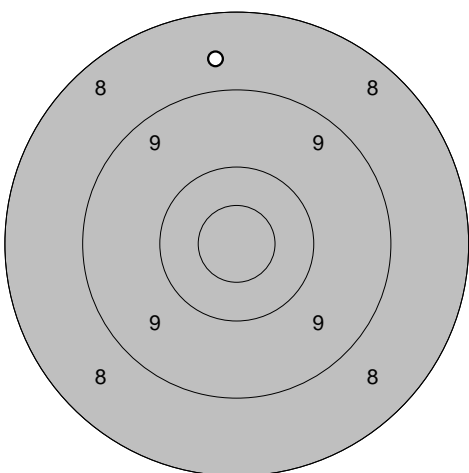
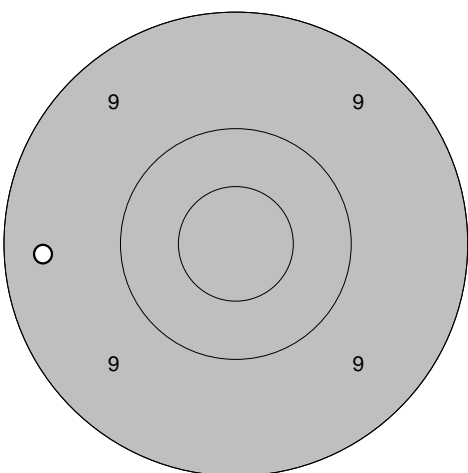
1: 7,3 ↓

Serie 7,0

Totalt 296,0

<p>Serie</p> 	<p>Skott 1</p> <p>1: 9,7 ↙ 2: 7,8 ↗ 3: 9,7 ↑ 4: 8,8 ↑ 5: 9,2 ↙</p> 	<p>1: 9,8 ↑</p>
Serie 42,0	Serie 9,0	
Totalt 261,0	Totalt 270,0	

<p>Skott 2</p> 	<p>Skott 3</p> <p>1: 5,9 ←</p> 	<p>1: 8,9 →</p>
Serie 5,0	Serie 8,0	
Totalt 275,0	Totalt 283,0	

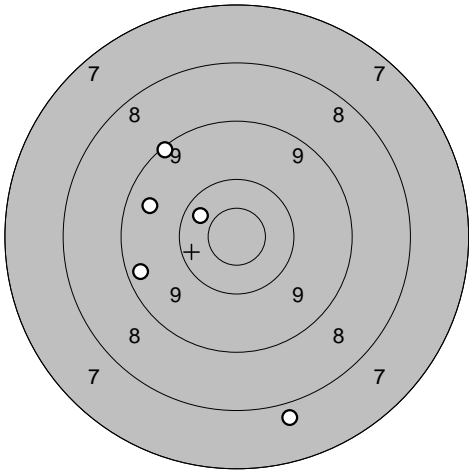
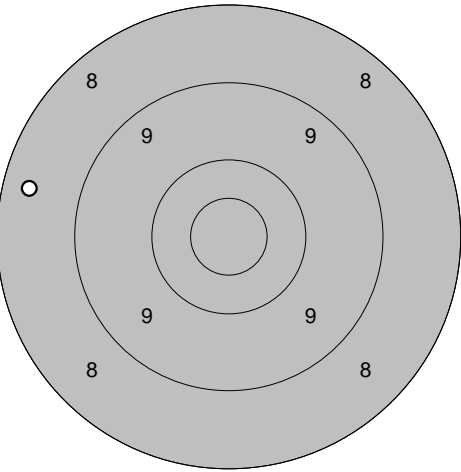
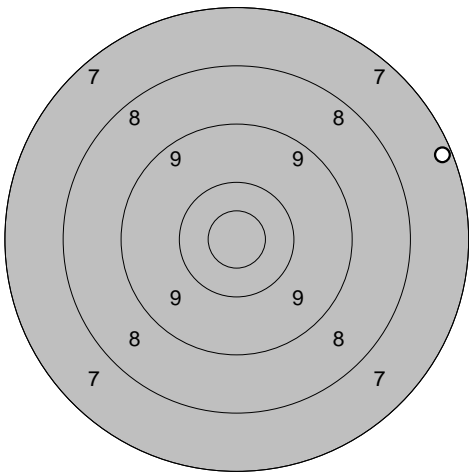
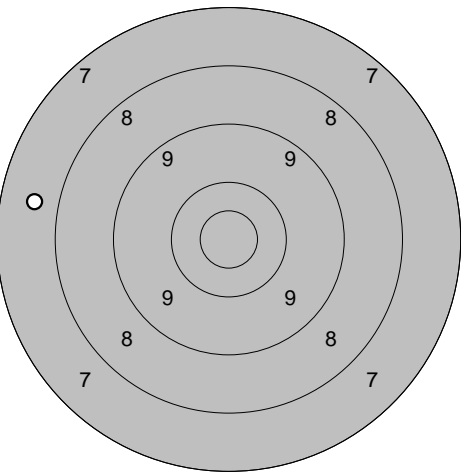
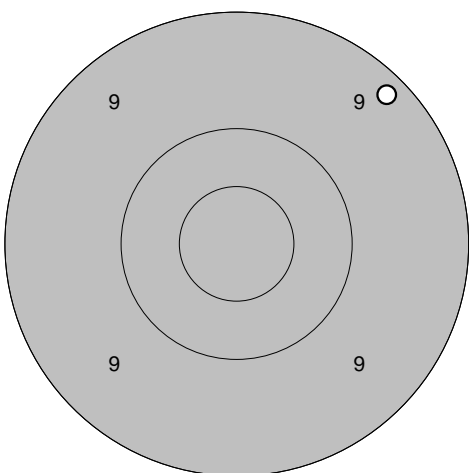
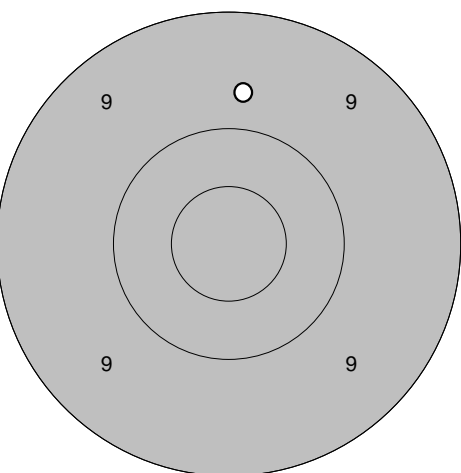


<p>Skott 4</p> 	<p>Skott 5</p> <p>1: 8,6 ↑</p> 	<p>1: 9,4 ←</p>
Serie 8,0	Serie 9,0	
Totalt 291,0	Totalt 300,0	

Ununge

2012-07-07

Björkskottet 2012 Final

Ramselefors SKF

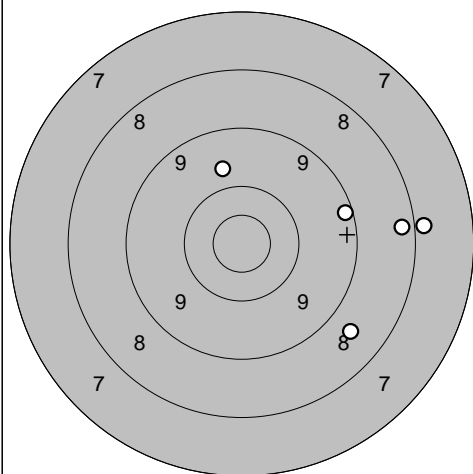
Serie	Skott 1	Skott 2	Skott 3
			
<p>1: 10,4 ↖ 2: 7,8 ↓ 3: 9,1 ↗ 4: 9,3 ← 5: 9,5 ↖</p>	<p>1: 8,4 ←</p>	<p>1: 7,2 →</p>	<p>1: 7,7 ←</p>
<p>Serie 44,0 Totalt 263,0</p>	<p>Serie 8,0 Totalt 271,0</p>	<p>Serie 7,0 Totalt 278,0</p>	<p>Serie 7,0 Totalt 285,0</p>
			
<p>1: 9,2 ↗</p>	<p>1: 9,7 ↑</p>	<p>Serie 9,0 Totalt 294,0</p>	<p>Serie 9,0 Totalt 303,0</p>

2012-07-07

Björkskottet 2012 Final

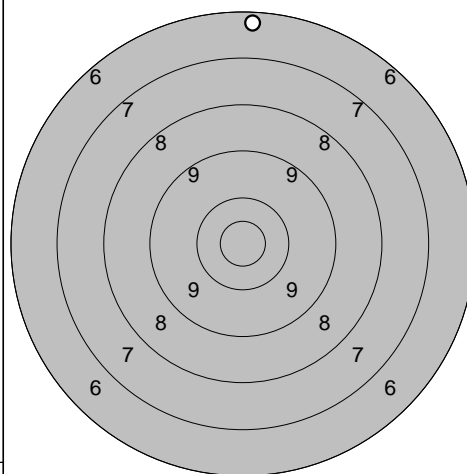
Ramselefors SKF

Serie



1: 9,2 →
 2: 8,3 →
 3: 8,7 ↘
 4: 9,8 ↗
 5: 7,9 →

Skott 1



1: 6,4 ↑

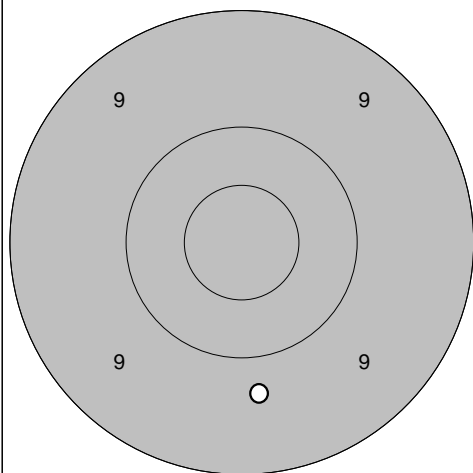
Serie 41,0

Totalt 258,0

Serie 6,0

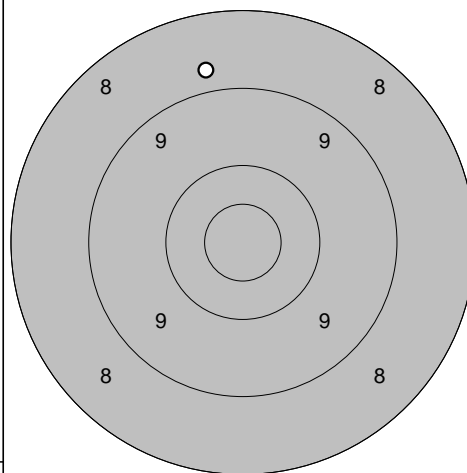
Totalt 264,0

Skott 2



1: 9,7 ↓

Skott 3



1: 8,8 ↑

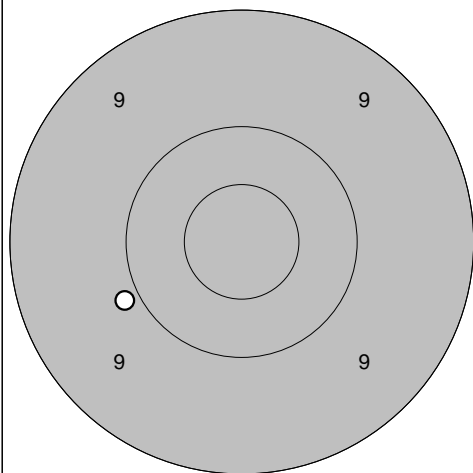
Serie 9,0

Totalt 273,0

Serie 8,0

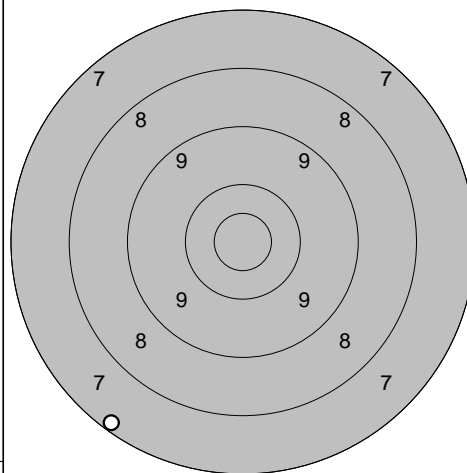
Totalt 281,0

Skott 4



1: 9,9 ↙

Skott 5



1: 7,2 ↘

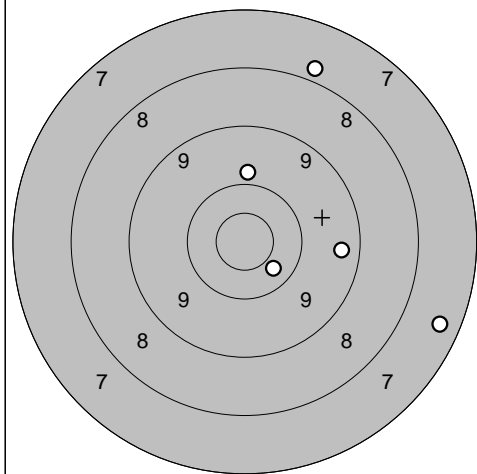
Serie 9,0

Totalt 290,0

Serie 7,0

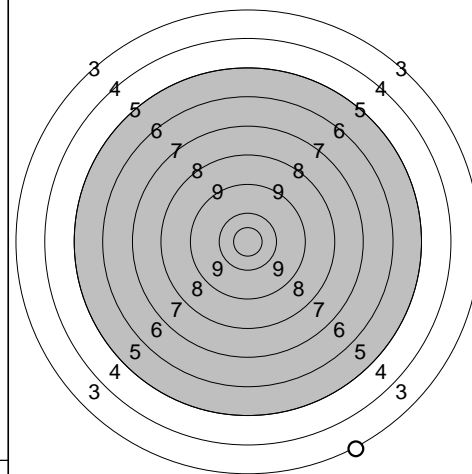
Totalt 297,0

Serie



- 1: 9,4 →
- 2: 7,4 →
- 3: 9,9 ↑
- 4: 10,4 ↘
- 5: 7,9 ↗

Skott 1



- 1: 3,2 ↘

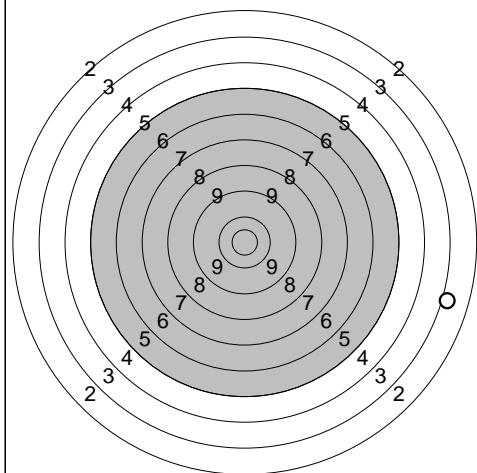
Serie 42,0

Totalt 248,0

Serie 3,0

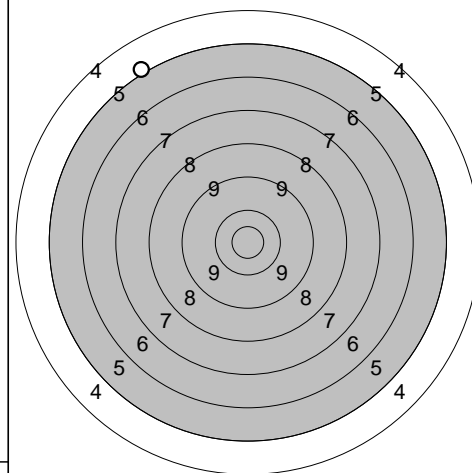
Totalt 251,0

Skott 2



- 1: 3,1 →

Skott 3



- 1: 5,1 ↗

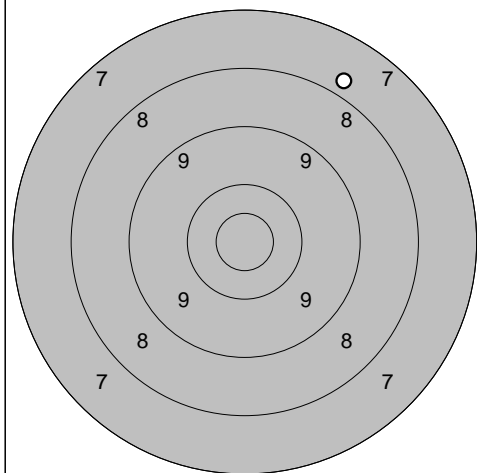
Serie 3,0

Totalt 254,0

Serie 5,0

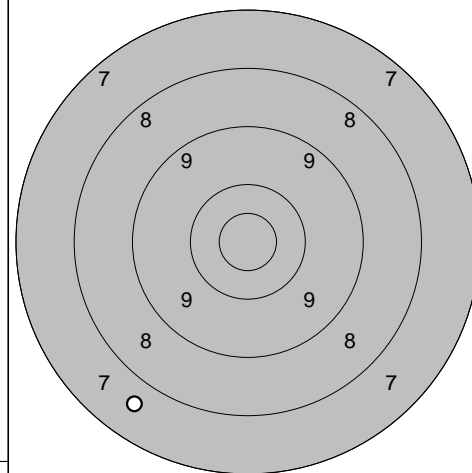
Totalt 259,0

Skott 4



- 1: 7,8 ↗

Skott 5



- 1: 7,7 ↘

Serie 7,0

Totalt 266,0

Serie 7,0

Totalt 273,0

Skjutlag

Tavla

5

13

Robert Jonsson

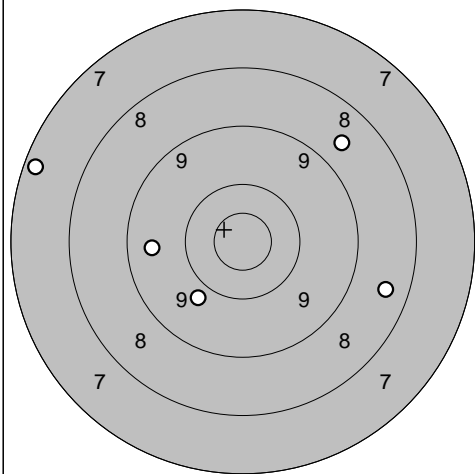
Kvistbro

2012-07-07

Björkskottet 2012 Final

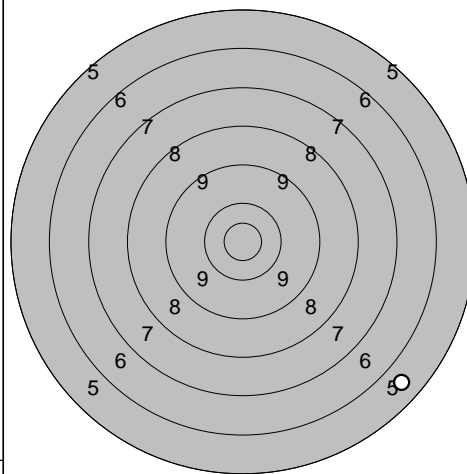
Ramselefors SKF

Serie



1: 9,5 ←
 2: 7,3 ↙
 3: 8,7 ↗
 4: 8,5 →
 5: 9,8 ↘

Skott 1



1: 5,7 ↘

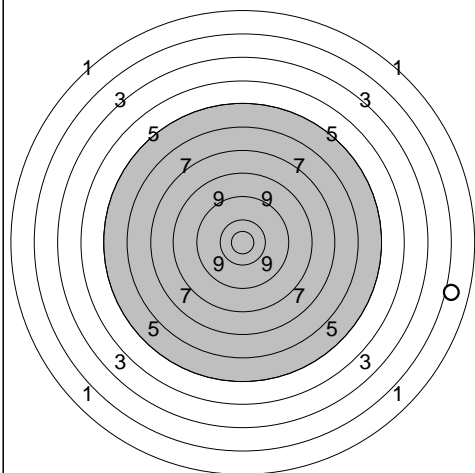
Serie 41,0

Totalt 245,0

Serie 5,0

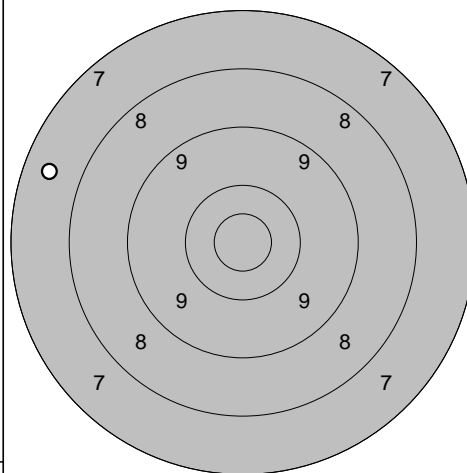
Totalt 250,0

Skott 2



1: 2,0 →

Skott 3



1: 7,5 ↙

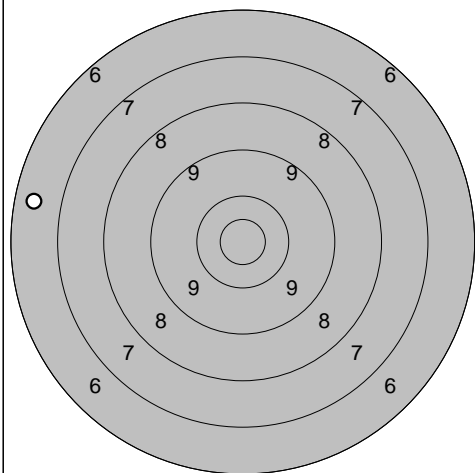
Serie 2,0

Totalt 252,0

Serie 7,0

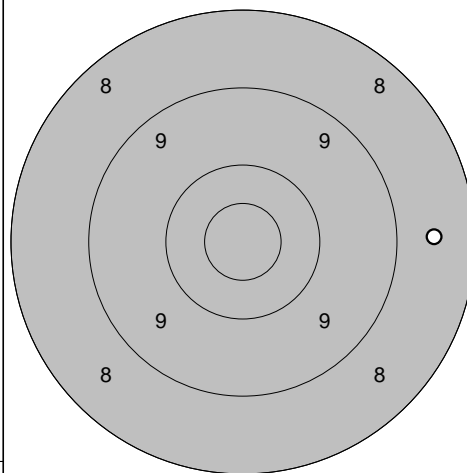
Totalt 259,0

Skott 4



1: 6,5 ←

Skott 5



1: 8,6 →

Serie 6,0

Totalt 265,0

Serie 8,0

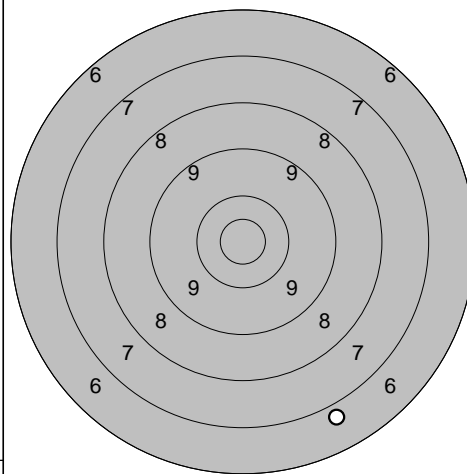
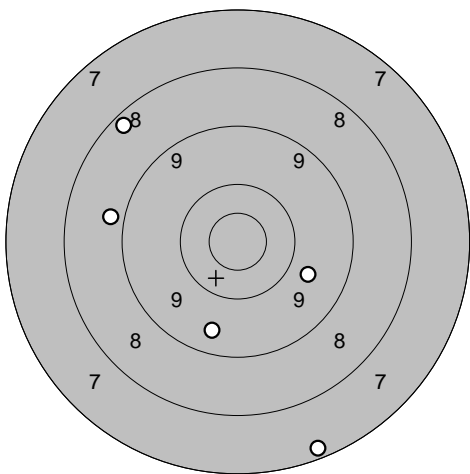
Totalt 273,0

Serie

- 1: 8,9 ←
- 2: 8,3 ↗
- 3: 9,7 →
- 4: 7,3 ↓
- 5: 9,5 ↓

Skott 1

- 1: 6,8 ↓



Serie 41,0
Totalt 227,0

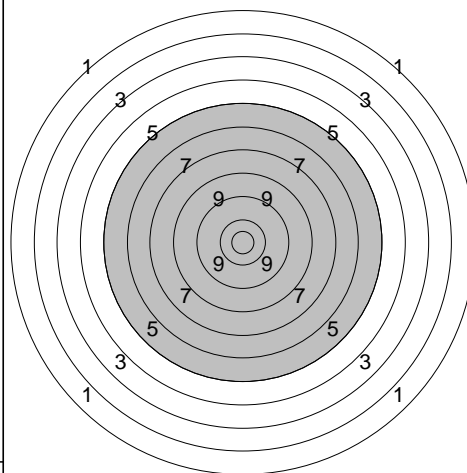
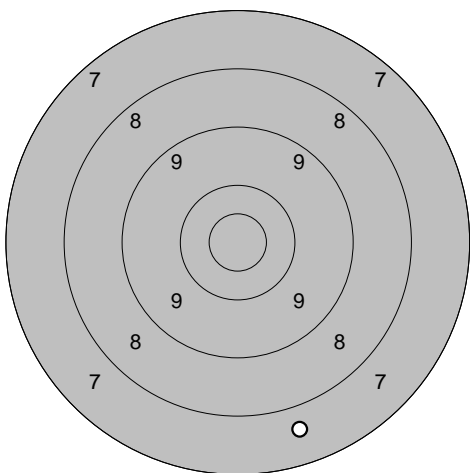
Serie 6,0
Totalt 233,0

Skott 2

- 1: 7,7 ↓

Skott 3

0,0



Serie 7,0
Totalt 240,0

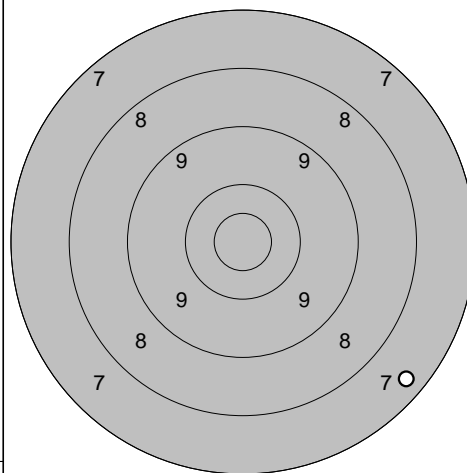
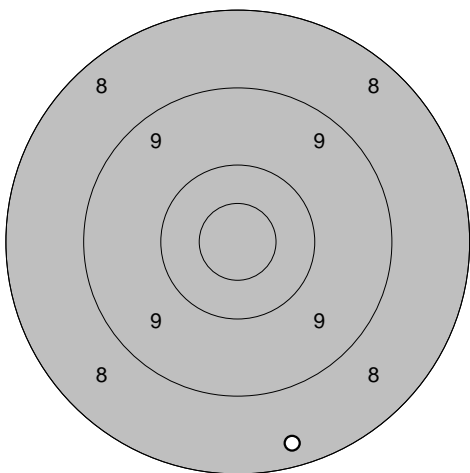
Serie 0,0
Totalt 240,0

Skott 4

- 1: 8,3 ↓

Skott 5

- 1: 7,4 ↓

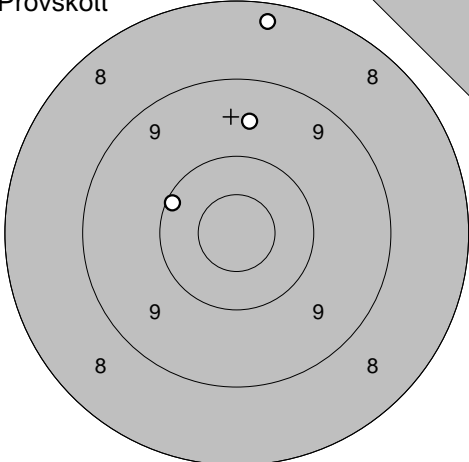
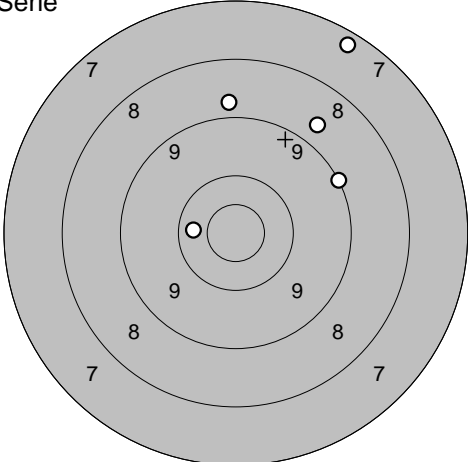


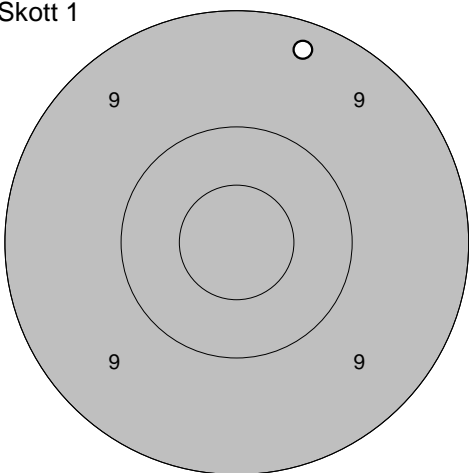
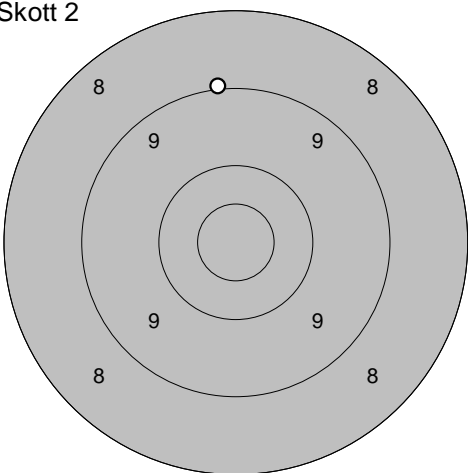
Serie 8,0
Totalt 248,0

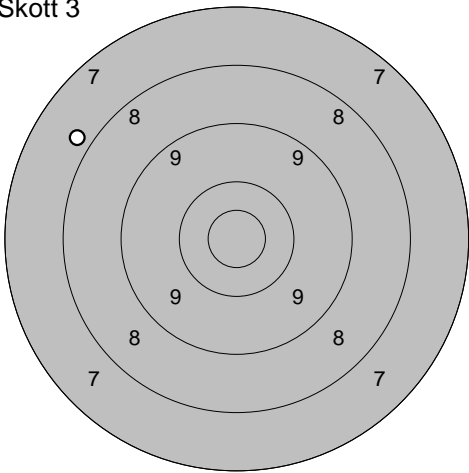
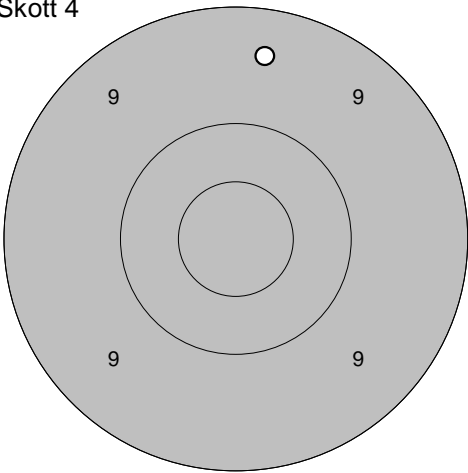
Serie 7,0
Totalt 255,0

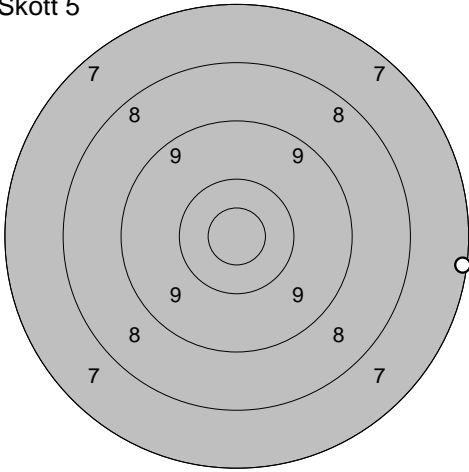
Niemisel

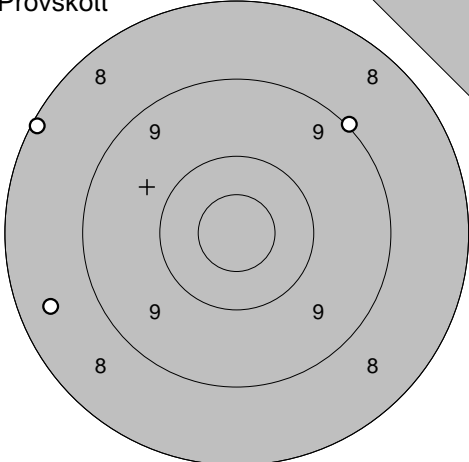
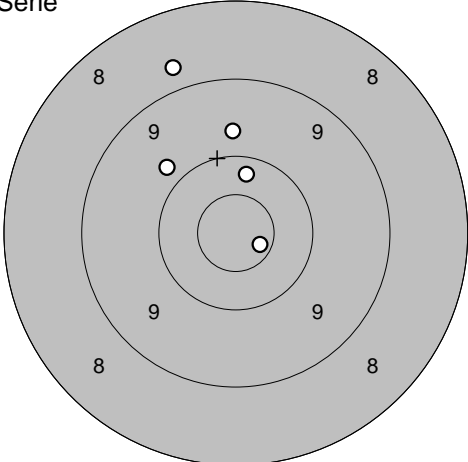
2012-07-07	Björkskottet 2012 Final	Ramselefors SKF
------------	-------------------------	-----------------

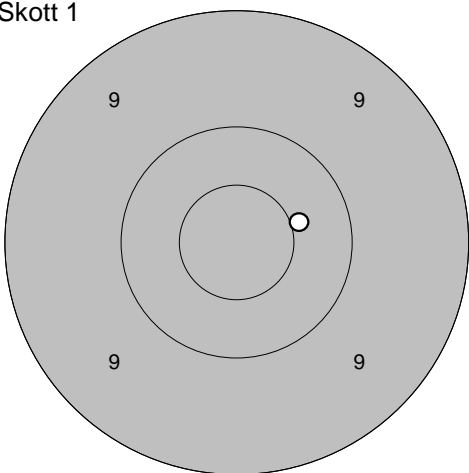
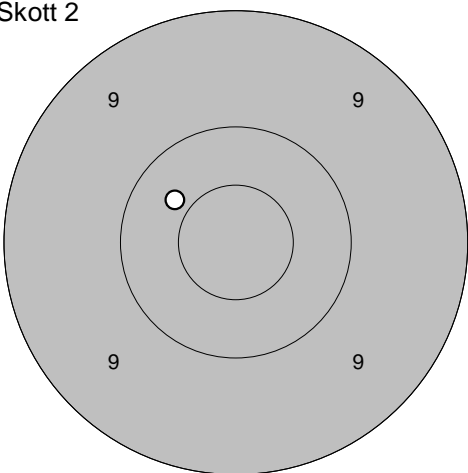
<p>Provskott</p> 	<p>1: 10,1 ↙ 2: 8,3 ↑ 3: 9,6 ↑</p>	<p>Serie</p> 	<p>1: 10,4 ← 2: 9,1 → 3: 7,3 ↗ 4: 8,8 ↗ 5: 8,8 ↑</p>
Serie 27,0		Serie 42,0	
Totalt 234,0		Totalt 276,0	

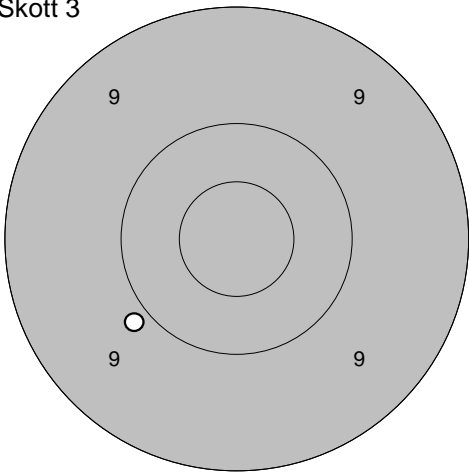
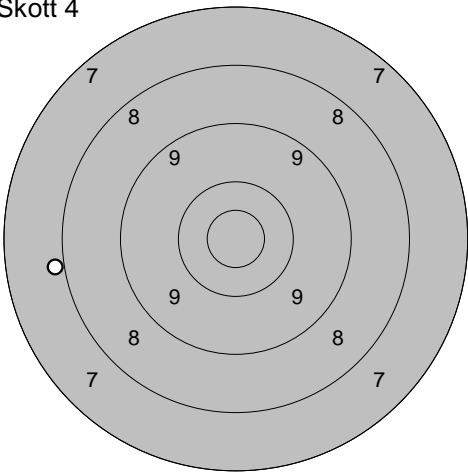
<p>Skott 1</p> 	<p>1: 9,3 ↗</p>	<p>Skott 2</p> 	<p>1: 9,0 ↑</p>
Serie 9,0		Serie 9,0	
Totalt 285,0		Totalt 294,0	

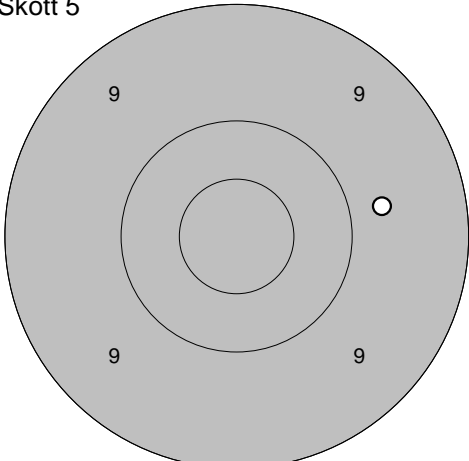
<p>Skott 3</p> 	<p>1: 7,8 ↙</p>	<p>Skott 4</p> 	<p>1: 9,4 ↑</p>
Serie 7,0		Serie 9,0	
Totalt 301,0		Totalt 310,0	

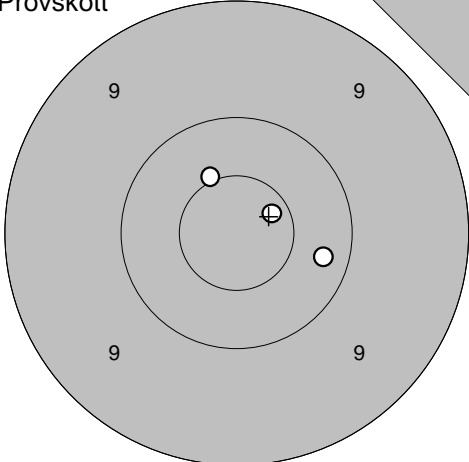
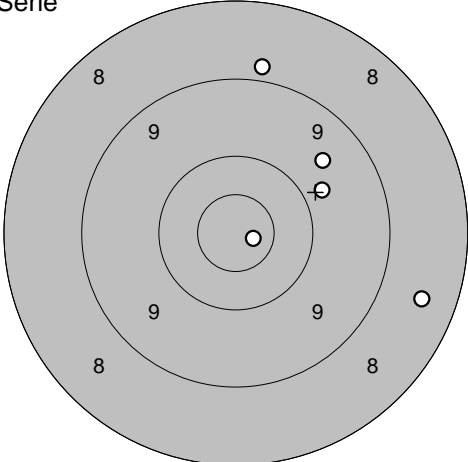
<p>Skott 5</p> 	<p>1: 7,1 →</p>		
Serie 7,0			
Totalt 317,0			

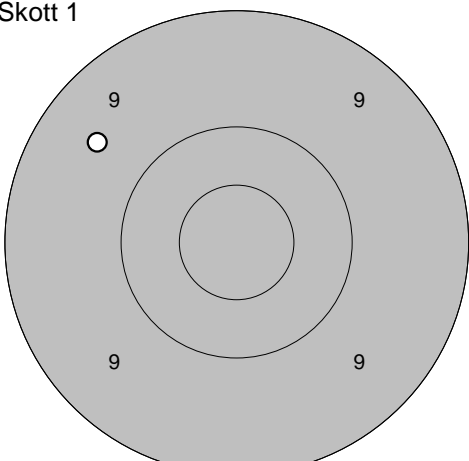
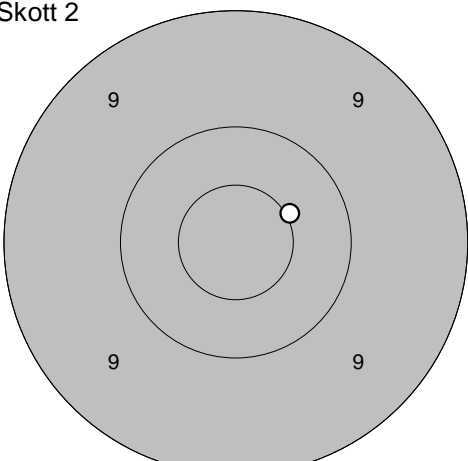
Provs-kott 	1: 8,1 ↖ 2: 9,0 ↗ 3: 8,5 ↖	Serie 	1: 10,7* → 2: 10,3 ↑ 3: 8,8 ↗ 4: 9,8 ↗ 5: 9,7 ↑
Serie 25,0		Serie 46,0	
Totalt 233,0		Totalt 279,0	

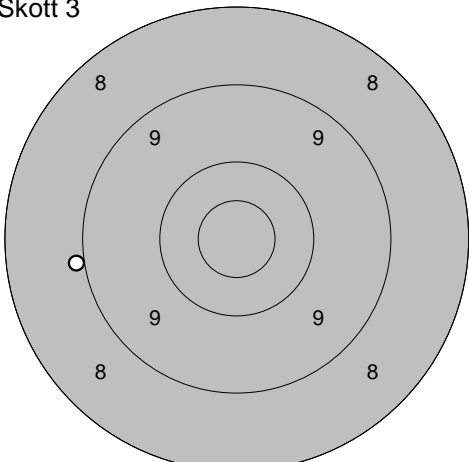
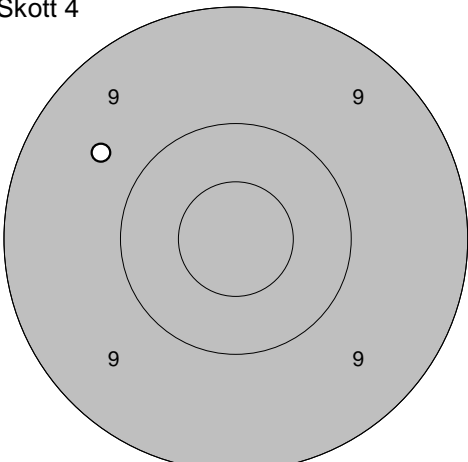
Skott 1 	1: 10,5* →	Skott 2 	1: 10,4 ↖
Serie 10,0		Serie 10,0	
Totalt 289,0		Totalt 299,0	

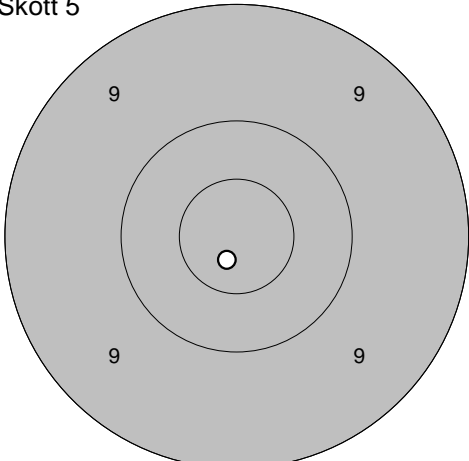
Skott 3 	1: 9,9 ↖	Skott 4 	1: 7,9 ↖
Serie 9,0		Serie 7,0	
Totalt 308,0		Totalt 315,0	

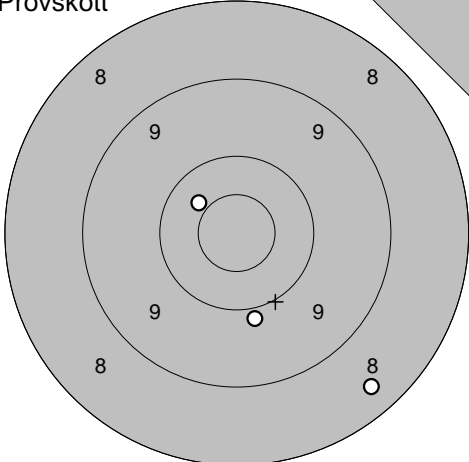
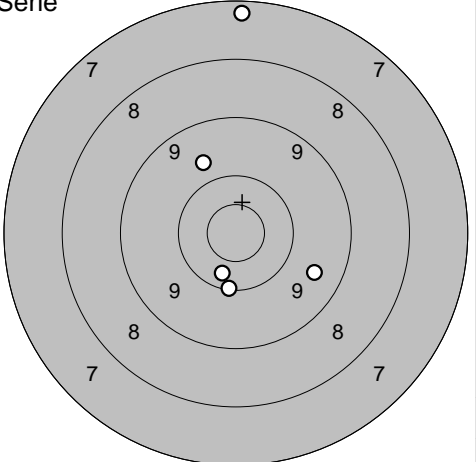
Skott 5 	1: 9,7 →		
Serie 9,0			
Totalt 324,0			

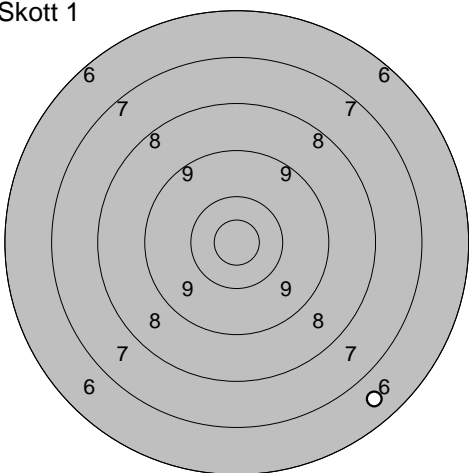
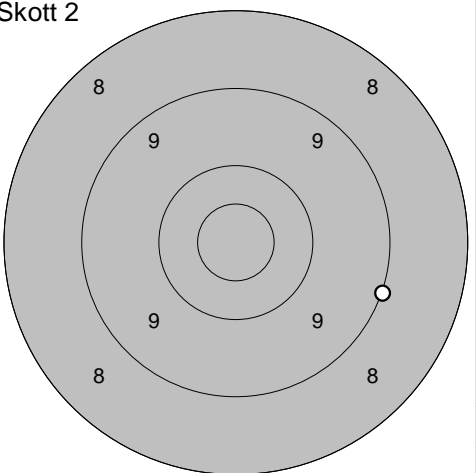
Provskott 	1: 10,3 → 2: 10,5* ↗ 3: 10,7* → <hr/> Serie 30,0 Totalt 231,0	Serie 	1: 9,6 ↗ 2: 8,9 ↑ 3: 10,8* → 4: 9,8 → 5: 8,5 → <hr/> Serie 44,0 Totalt 275,0
--	---	--	--

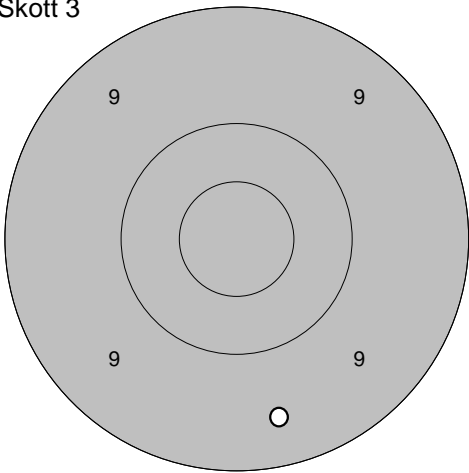
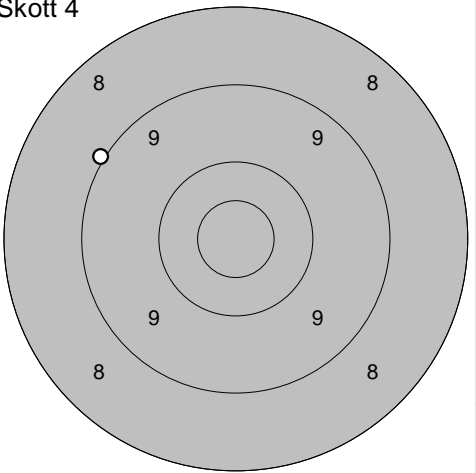
Skott 1 	1: 9,6 ↖ <hr/> Serie 9,0 Totalt 284,0	Skott 2 	1: 10,5* → <hr/> Serie 10,0 Totalt 294,0
---	---	---	--

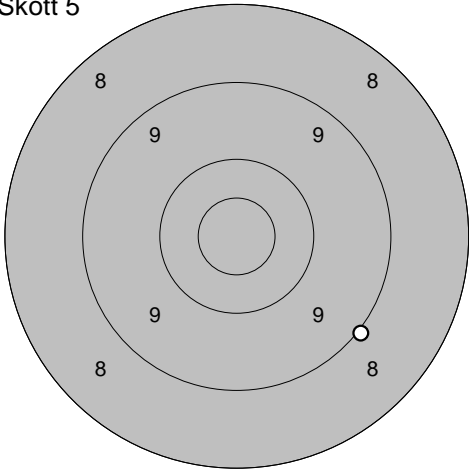
Skott 3 	1: 9,0 ← <hr/> Serie 9,0 Totalt 303,0	Skott 4 	1: 9,7 ↖ <hr/> Serie 9,0 Totalt 312,0
--	---	--	---

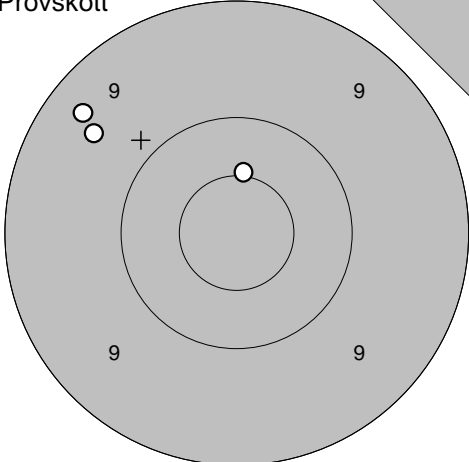
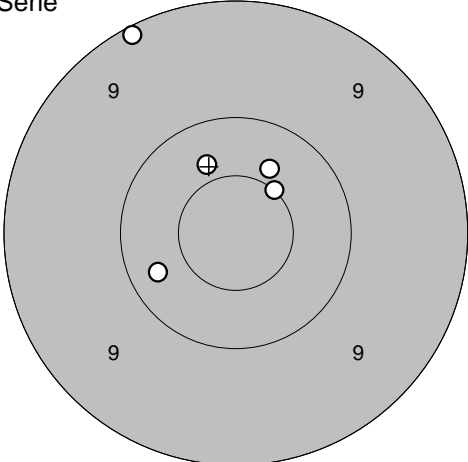
Skott 5 	1: 10,8* ↘ <hr/> Serie 10,0 Totalt 322,0		
--	--	--	--

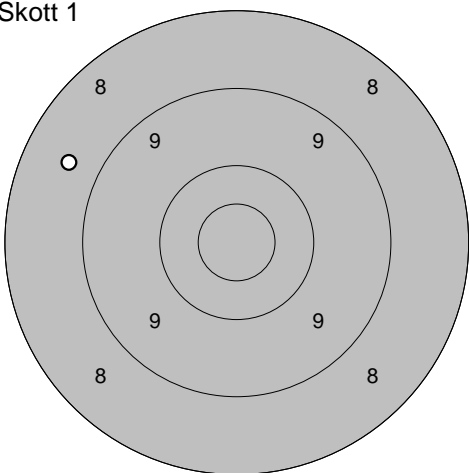
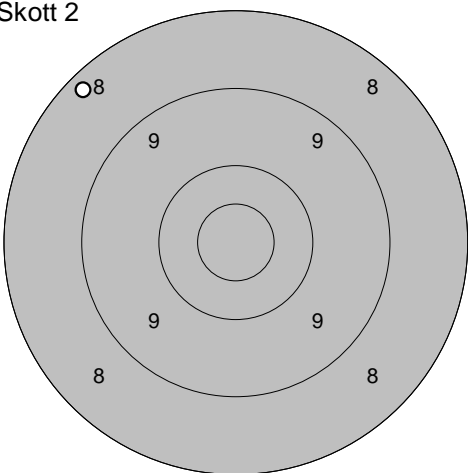
Provskott 	1: 10,4 ↗ 2: 8,4 ↘ 3: 9,9 ↓ Serie 27,0 Totalt 231,0	Serie 	1: 7,3 ↑ 2: 10,3 ↓ 3: 10,1 ↓ 4: 9,8 ↗ 5: 9,6 ↘ Serie 45,0 Totalt 276,0
--	---	--	--

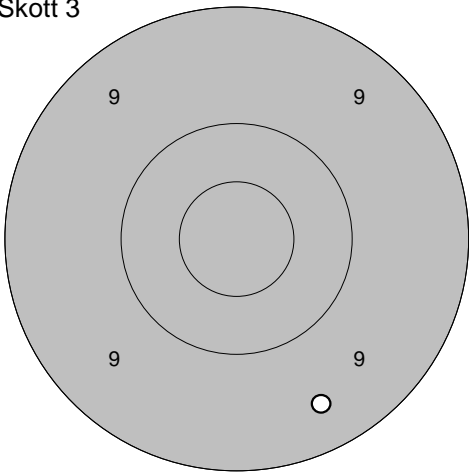
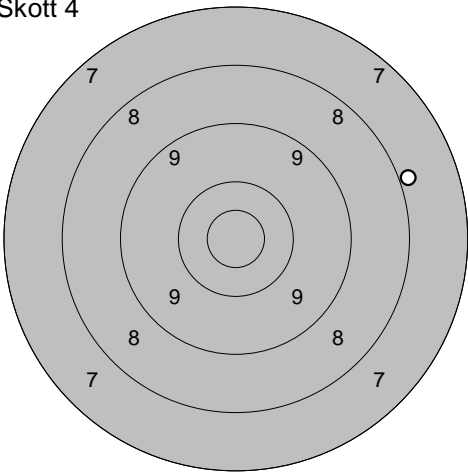
Skott 1 	1: 6,6 ↘ Serie 6,0 Totalt 282,0	Skott 2 	1: 9,0 ➡ Serie 9,0 Totalt 291,0
---	---	---	---

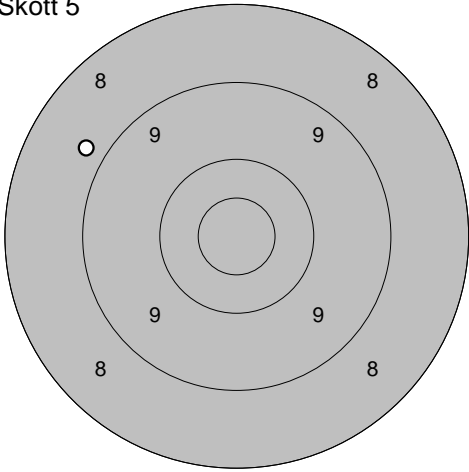
Skott 3 	1: 9,4 ↓ Serie 9,0 Totalt 300,0	Skott 4 	1: 9,0 ↖ Serie 9,0 Totalt 309,0
--	---	--	---

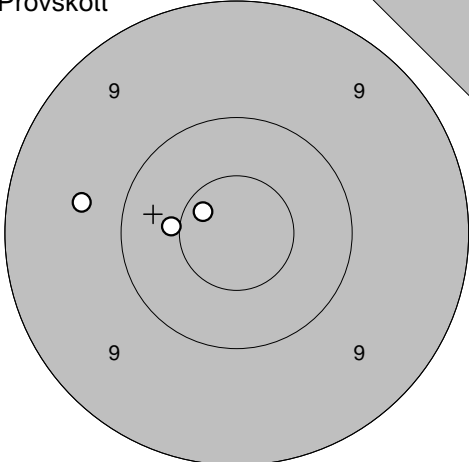
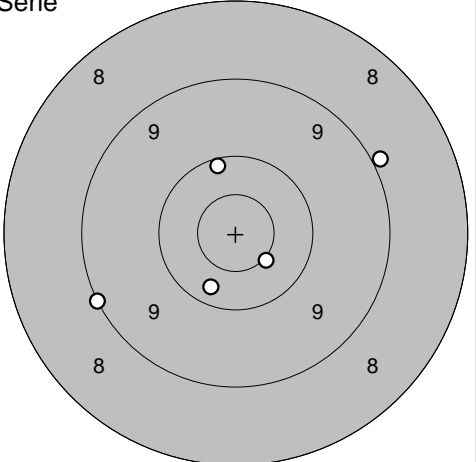
Skott 5 	1: 9,0 ↘ Serie 9,0 Totalt 318,0		
--	---	--	--

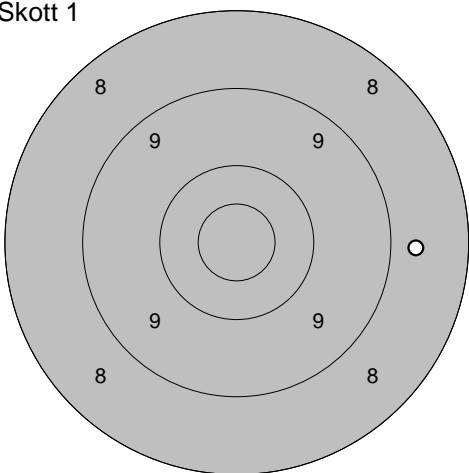
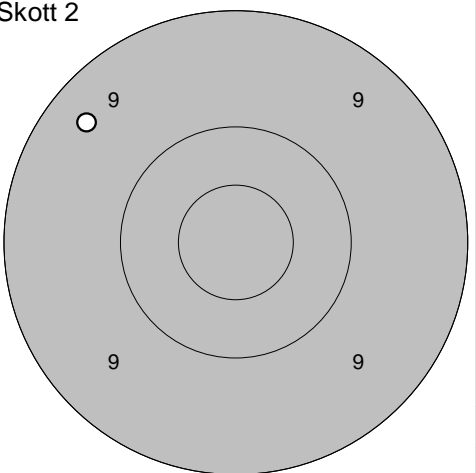
<p>Provskott</p> 	<p>1: 10,5* ↑</p> <p>2: 9,4 ↖</p> <p>3: 9,5 ↖</p>	<p>Serie</p> 	<p>1: 10,3 ↙</p> <p>2: 10,4 ↖</p> <p>3: 9,1 ↖</p> <p>4: 10,5* ↗</p> <p>5: 10,4 ↗</p>
Serie 28,0	Serie 49,0		
Totalt 231,0	Totalt 280,0		

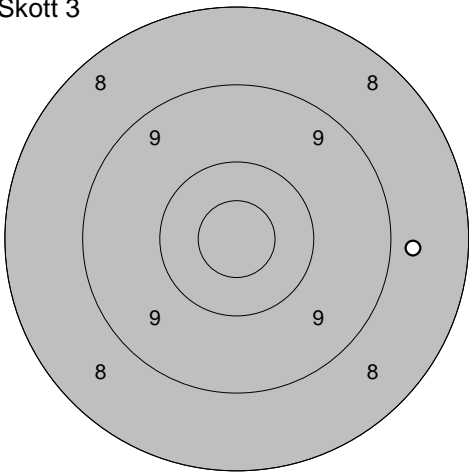
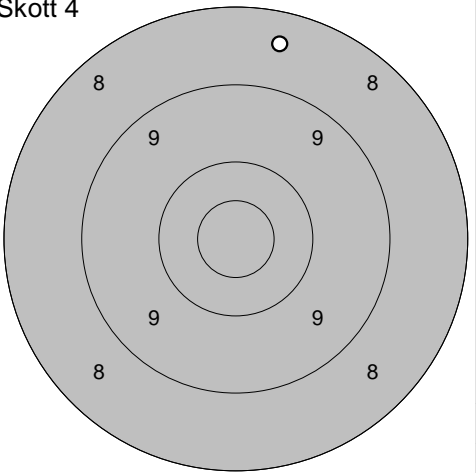
<p>Skott 1</p> 	<p>1: 8,6 ↙</p>	<p>Skott 2</p> 	<p>1: 8,3 ↙</p>
Serie 8,0	Serie 8,0		
Totalt 288,0	Totalt 296,0		

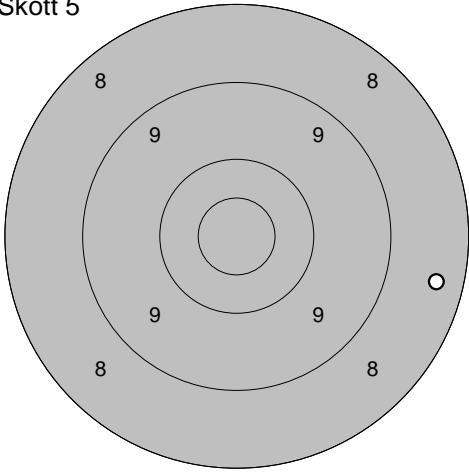
<p>Skott 3</p> 	<p>1: 9,4 ↘</p>	<p>Skott 4</p> 	<p>1: 7,9 →</p>
Serie 9,0	Serie 7,0		
Totalt 305,0	Totalt 312,0		

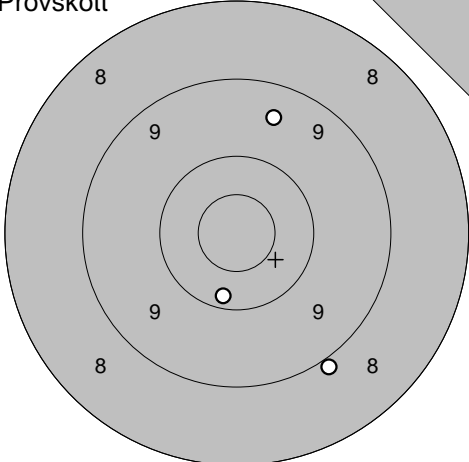
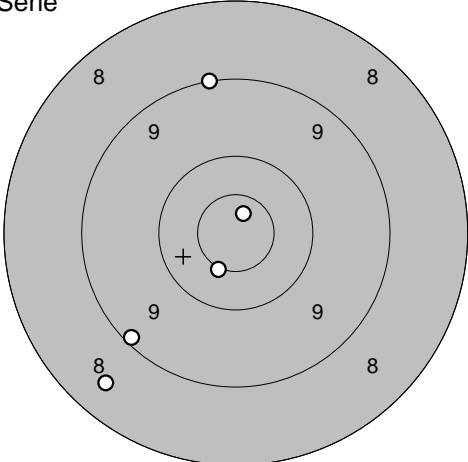
<p>Skott 5</p> 	<p>1: 8,8 ↖</p>		
Serie 8,0			
Totalt 320,0			

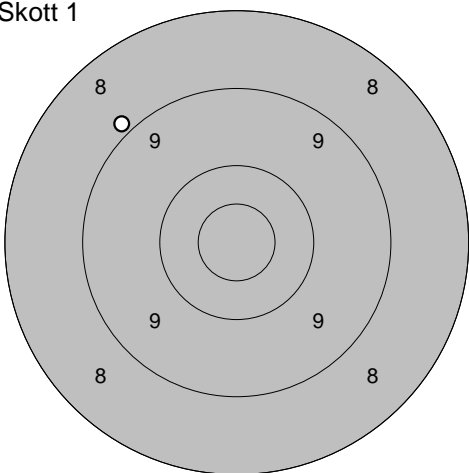
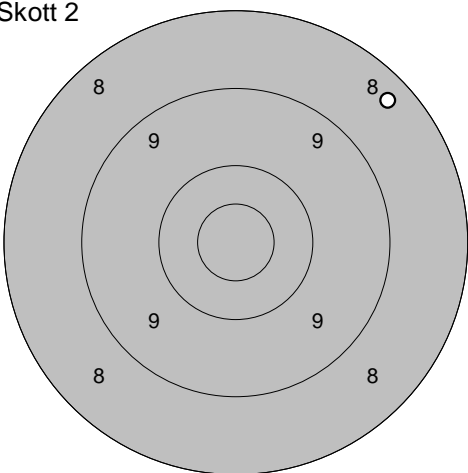
<p>Provskott</p> 	<p>Serie</p> <p>1: 10,5* ← 2: 9,7 ← 3: 10,7* ↖</p>	<p>Serie</p> 
Serie 29,0		Serie 47,0
Totalt 229,0		Totalt 276,0

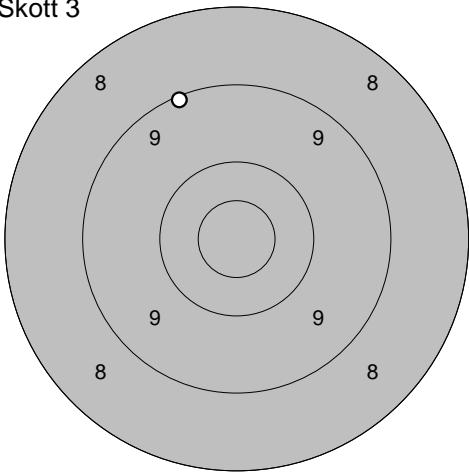
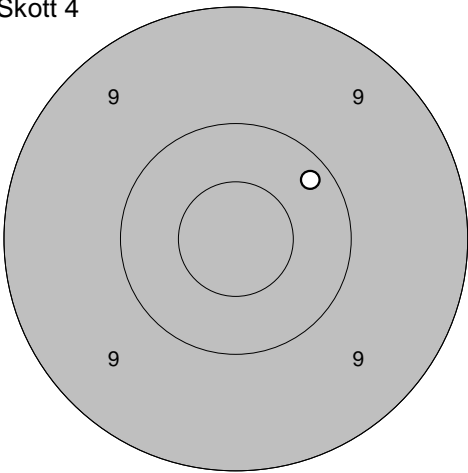
<p>Skott 1</p> 	<p>1: 8,7 →</p>	<p>Skott 2</p> 
Serie 8,0		Serie 9,0
Totalt 284,0		Totalt 293,0

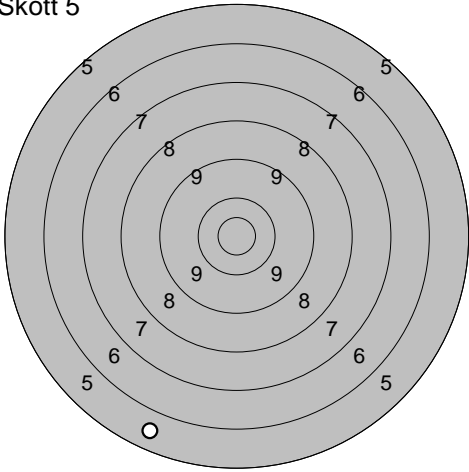
<p>Skott 3</p> 	<p>1: 8,8 →</p>	<p>Skott 4</p> 
Serie 8,0		Serie 8,0
Totalt 301,0		Totalt 309,0

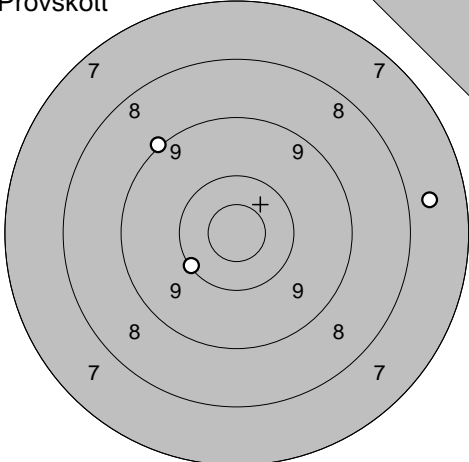
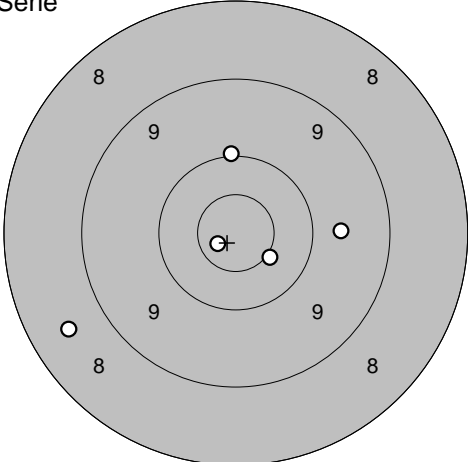
<p>Skott 5</p> 	<p>1: 8,4 →</p>	
Serie 8,0		
Totalt 317,0		

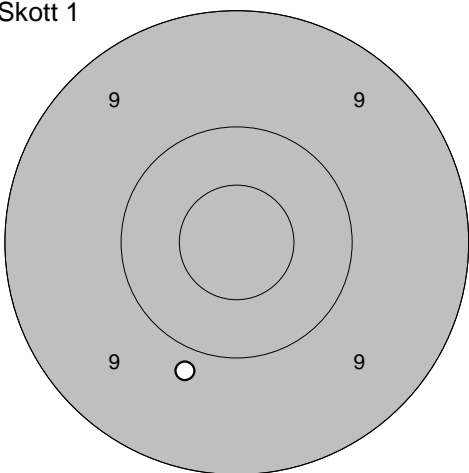
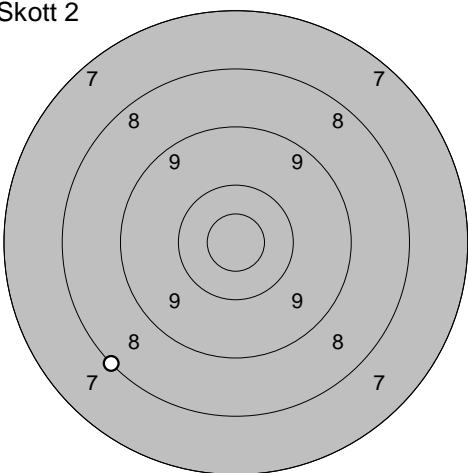
<p>Provskott</p> 	<p>1: 9,5 ↗ 2: 10,2 ↓ 3: 8,9 ↓</p> <p>Serie 27,0 Totalt 228,0</p>	<p>Serie</p>  <p>1: 10,5* ↓ 2: 8,5 ↓ 3: 9,1 ↗ 4: 10,8* ↗ 5: 9,1 ↓</p> <p>Serie 46,0 Totalt 274,0</p>
---	---	--

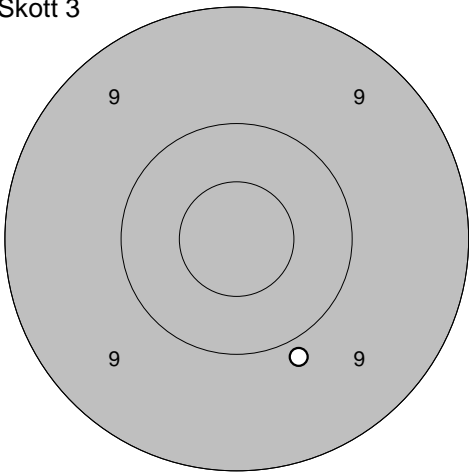
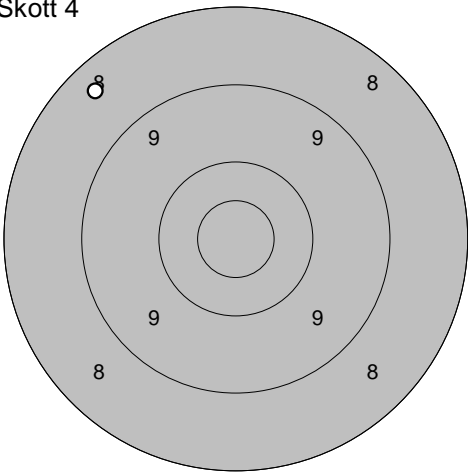
<p>Skott 1</p>  <p>Serie 8,0 Totalt 282,0</p>	<p>Skott 2</p>  <p>1: 8,4 ↗</p> <p>Serie 8,0 Totalt 290,0</p>
--	--

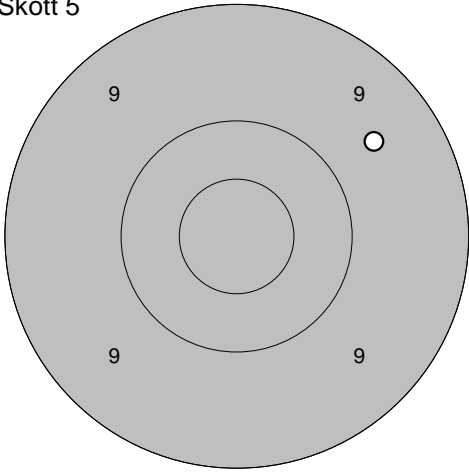
<p>Skott 3</p>  <p>1: 9,1 ↗</p> <p>Serie 9,0 Totalt 299,0</p>	<p>Skott 4</p>  <p>1: 10,2 ↗</p> <p>Serie 10,0 Totalt 309,0</p>
---	---

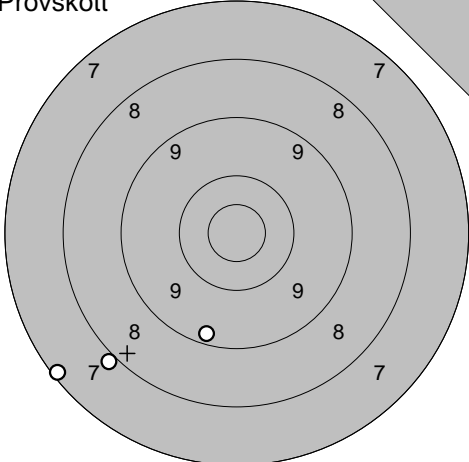
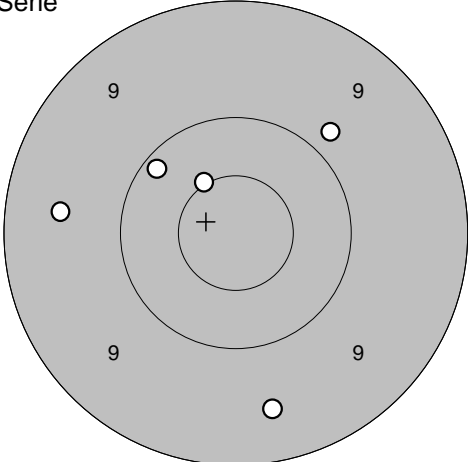
<p>Skott 5</p>  <p>1: 5,6 ↓</p> <p>Serie 5,0 Totalt 314,0</p>	
---	--

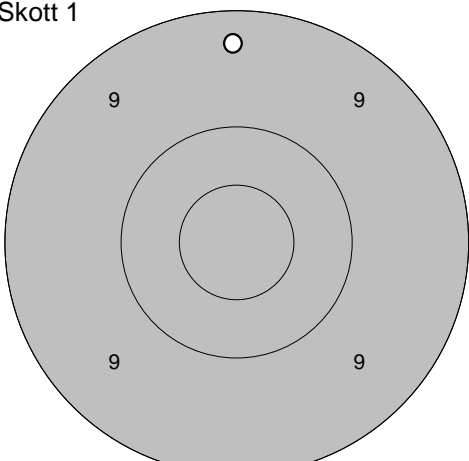
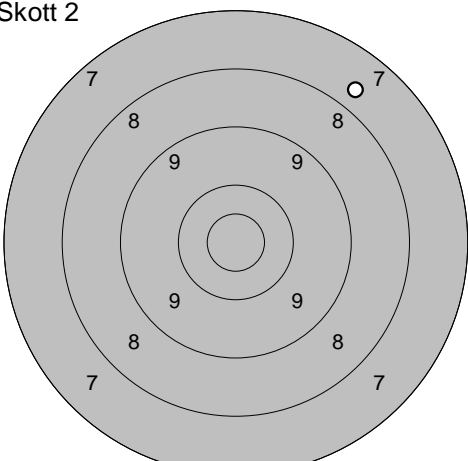
Provskott 	1: 7,7 → 2: 10,1 ↙ 3: 9,0 ↗ Serie 26,0 Totalt 227,0	Serie 	1: 10,5* ↘ 2: 9,7 → 3: 8,6 ↙ 4: 10,0 ↑ 5: 10,8* ↙ Serie 47,0 Totalt 274,0
--	---	--	---

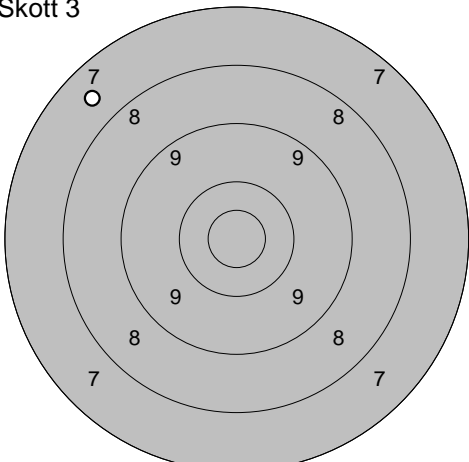
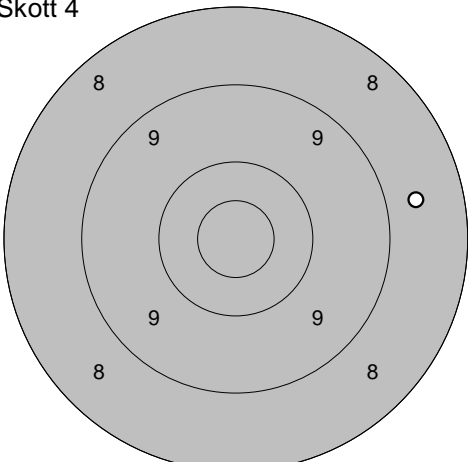
Skott 1 	1: 9,8 ↘ Serie 9,0 Totalt 283,0	Skott 2 	1: 8,1 ↙ Serie 8,0 Totalt 291,0
---	---	---	---

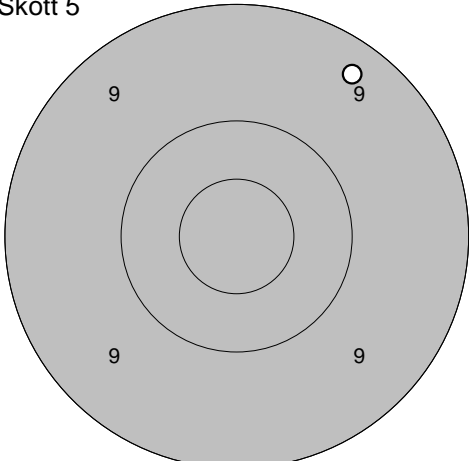
Skott 3 	1: 9,9 ↘ Serie 9,0 Totalt 300,0	Skott 4 	1: 8,4 ↗ Serie 8,0 Totalt 308,0
--	---	--	---

Skott 5 	1: 9,6 ↗ Serie 9,0 Totalt 317,0		
--	---	--	--

<p>Provskott</p> 	<p>1: 7,2 ↙ 2: 8,0 ↙ 3: 9,3 ↓</p> <p>Serie 24,0 Totalt 226,0</p>	<p>Serie</p>  <p>1: 10,2 ↗ 2: 10,5* ↗ 3: 9,8 ↗ 4: 9,5 ← 5: 9,5 ↓</p> <p>Serie 47,0 Totalt 273,0</p>
---	--	---

<p>Skott 1</p>  <p>Serie 9,0 Totalt 282,0</p>	<p>Skott 2</p>  <p>1: 7,7 ↗</p> <p>Serie 7,0 Totalt 289,0</p>
--	--

<p>Skott 3</p>  <p>1: 7,6 ↖</p> <p>Serie 7,0 Totalt 296,0</p>	<p>Skott 4</p>  <p>1: 8,7 →</p> <p>Serie 8,0 Totalt 304,0</p>
---	---

<p>Skott 5</p>  <p>1: 9,3 ↗</p> <p>Serie 9,0 Totalt 313,0</p>

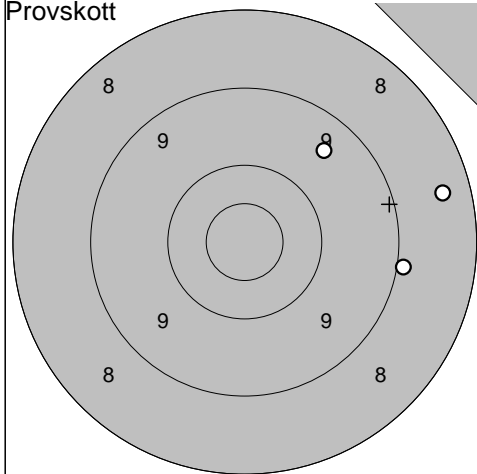
Umeå

2012-07-07

Björkskottet 2012 Final

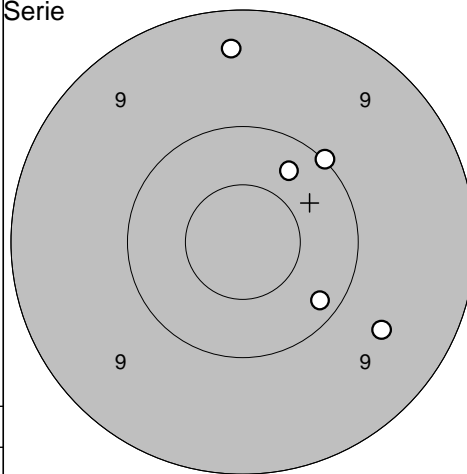
Ramselefors SKF

Provskott



1: 9,5 ↗
2: 9,0 →
3: 8,4 →

Serie

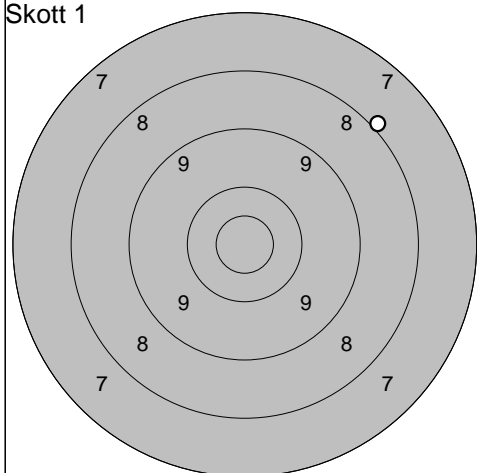


1: 10,3 ↗
2: 9,6 ↘
3: 9,4 ↑
4: 10,0 ↗
5: 10,2 ↘

Serie 26,0
Totalt 225,0

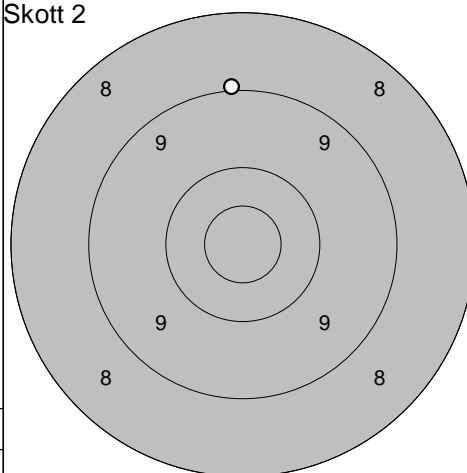
Serie 48,0
Totalt 273,0

Skott 1



1: 8,0 ↗

Skott 2

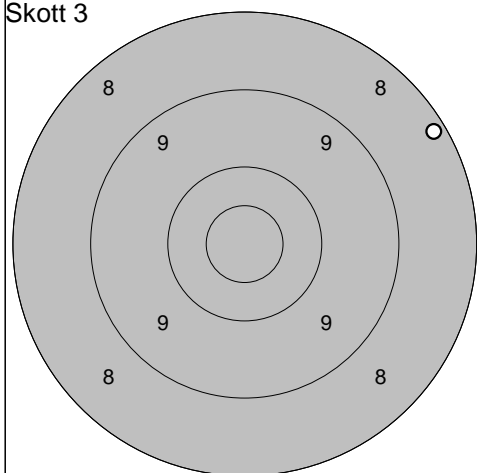


1: 9,0 ↑

Serie 8,0
Totalt 281,0

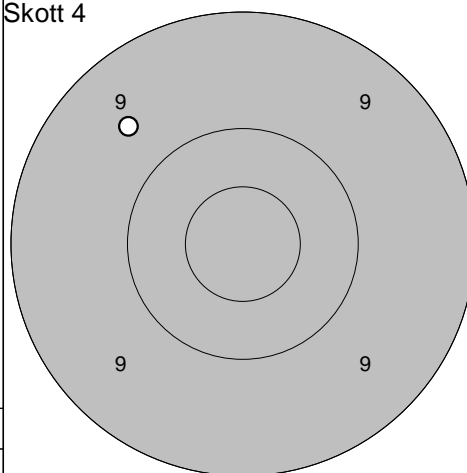
Serie 9,0
Totalt 290,0

Skott 3



1: 8,2 ↗

Skott 4

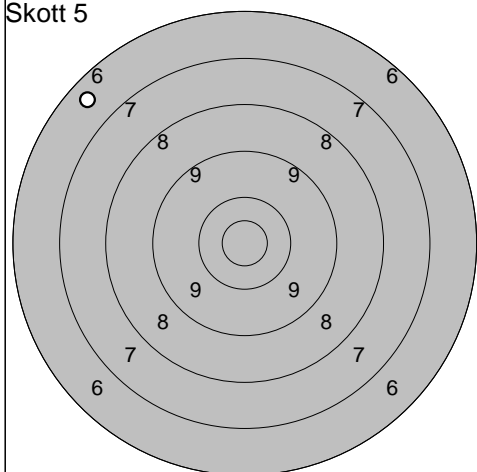


1: 9,6 ↖

Serie 8,0
Totalt 298,0

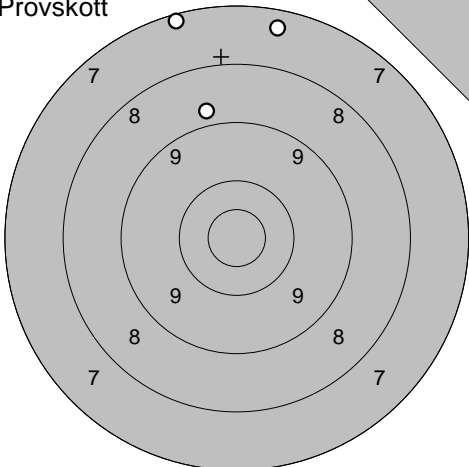
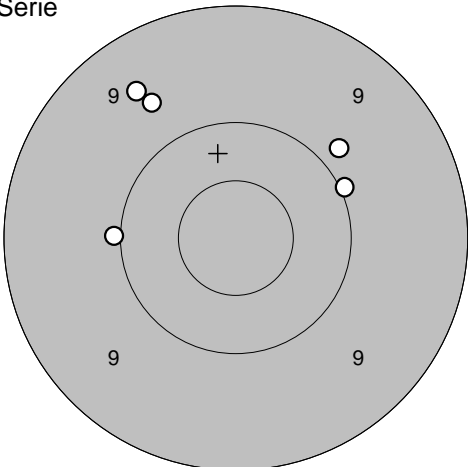
Serie 9,0
Totalt 307,0

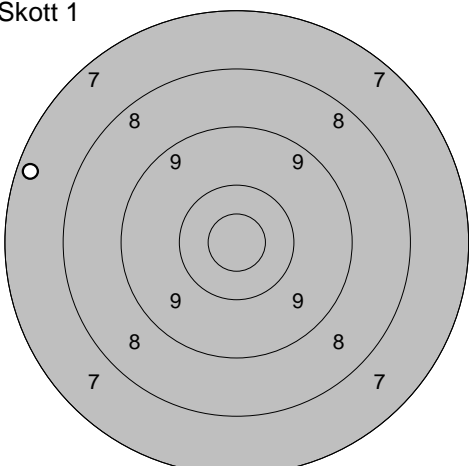
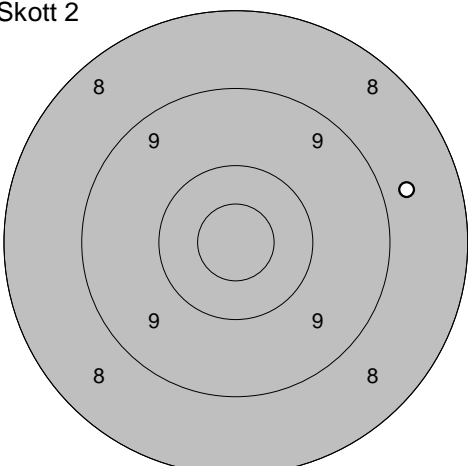
Skott 5

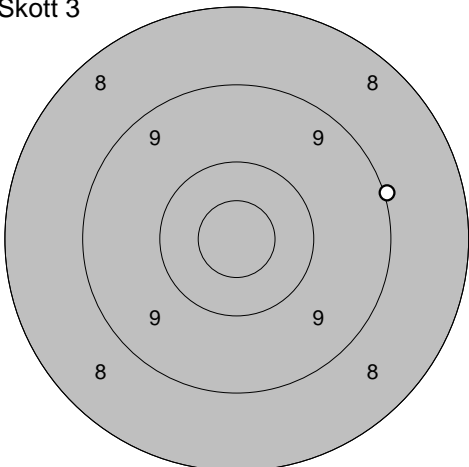
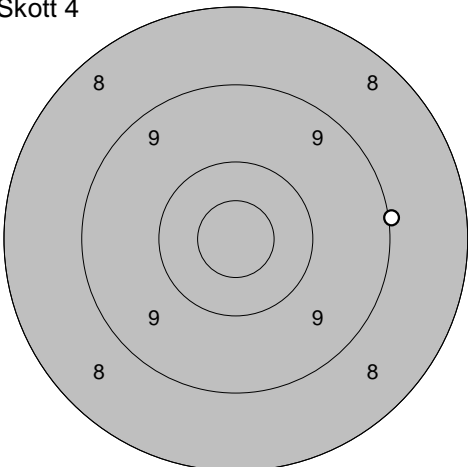


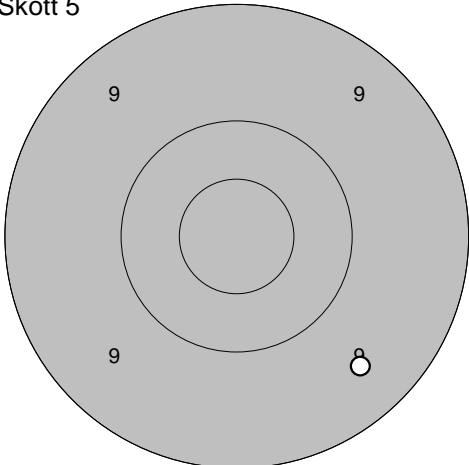
1: 6,5 ↖

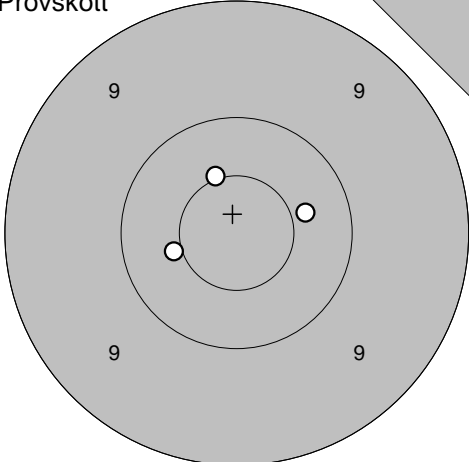
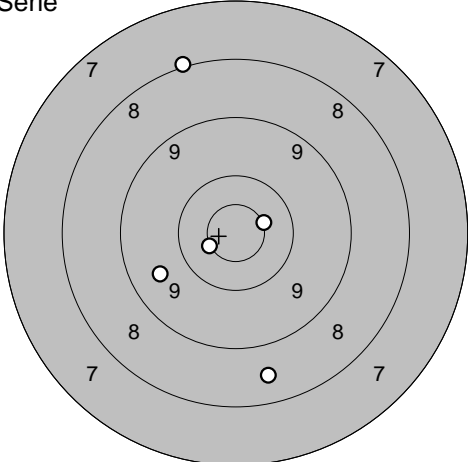
Serie 6,0
Totalt 313,0

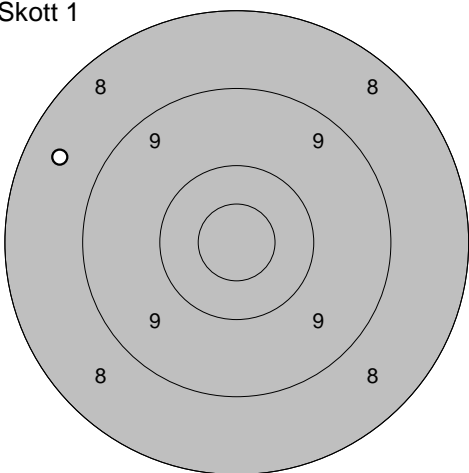
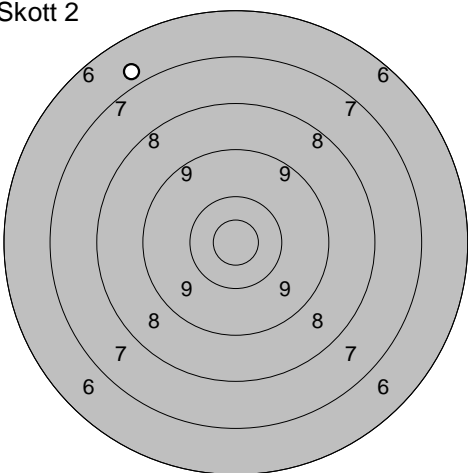
Provsjott 	1: 7,2 ↑ 2: 7,4 ↑ 3: 8,8 ↑	Serie 	1: 10,0 ← 2: 9,7 ↖ 3: 9,9 ↗ 4: 9,5 ↖ 5: 10,0 →
Serie 22,0		Serie 47,0	
Totalt 223,0		Totalt 270,0	

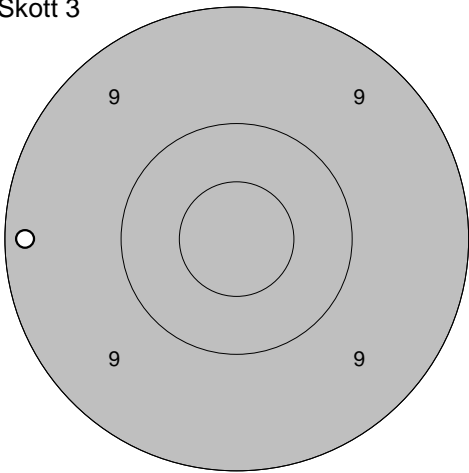
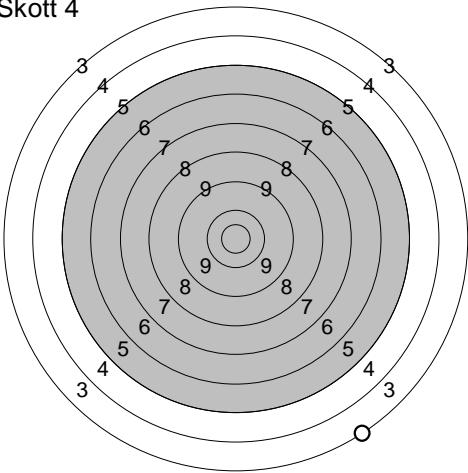
Skott 1 	1: 7,3 ←	Skott 2 	1: 8,7 →
Serie 7,0		Serie 8,0	
Totalt 277,0		Totalt 285,0	

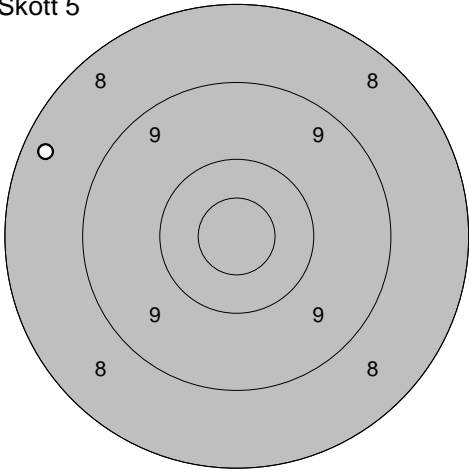
Skott 3 	1: 9,0 →	Skott 4 	1: 9,0 →
Serie 9,0		Serie 9,0	
Totalt 294,0		Totalt 303,0	

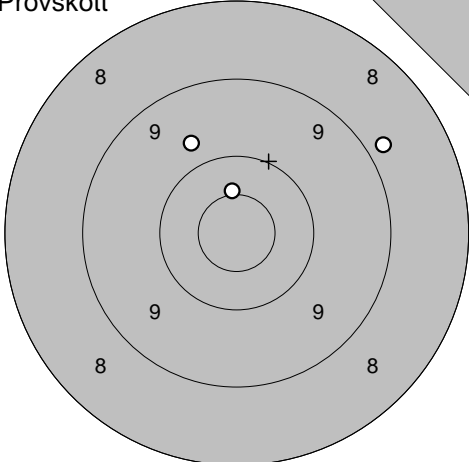
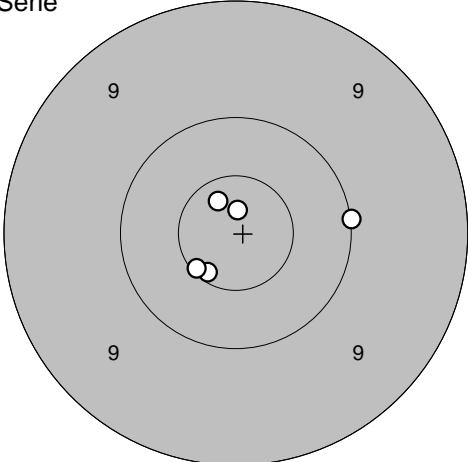
Skott 5 	1: 9,5 ↘		
Serie 9,0			
Totalt 312,0			

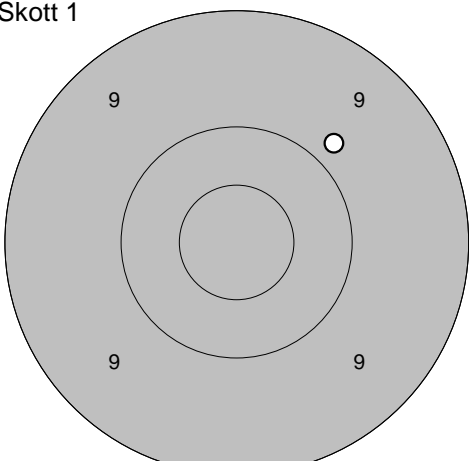
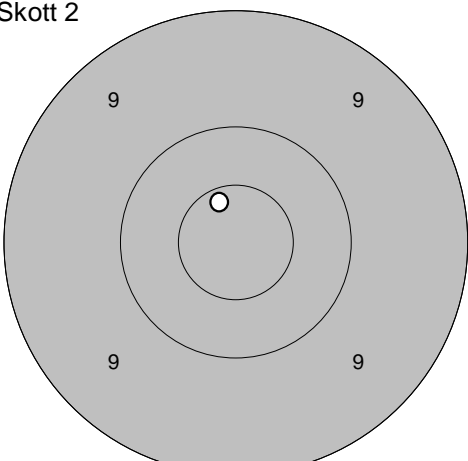
Provskott 	1: 10,5* ↖ 2: 10,4 → 3: 10,5* ← Serie 30,0 Totalt 233,0	Serie 	1: 8,0 ↖ 2: 8,6 ↓ 3: 10,6* ↙ 4: 9,6 ← 5: 10,6* → Serie 45,0 Totalt 278,0
--	---	--	--

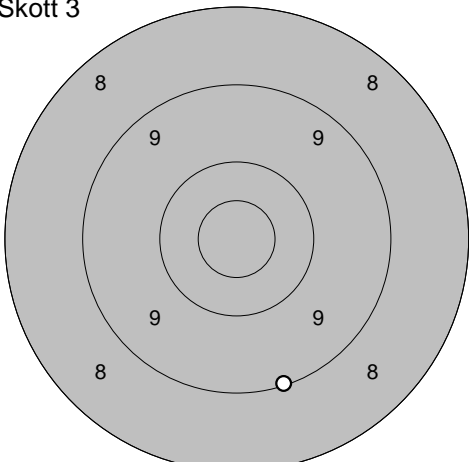
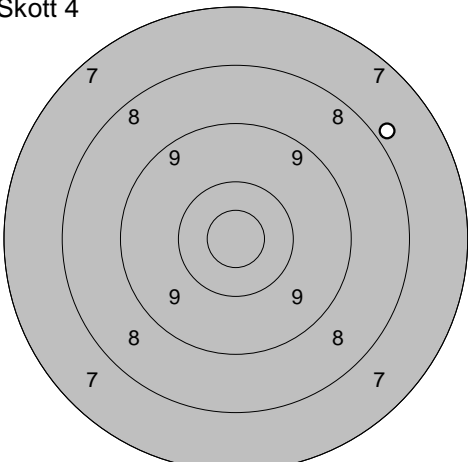
Skott 1 	1: 8,5 ↙ Serie 8,0 Totalt 286,0	Skott 2 	1: 6,8 ↖ Serie 6,0 Totalt 292,0
---	---	---	---

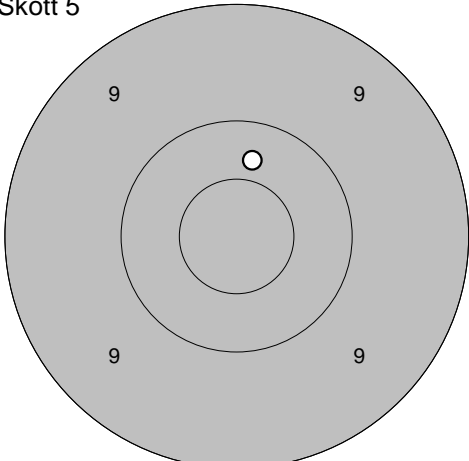
Skott 3 	1: 9,2 ← Serie 9,0 Totalt 301,0	Skott 4 	1: 3,2 ↓ Serie 3,0 Totalt 304,0
--	---	--	---

Skott 5 	1: 8,3 ↙ Serie 8,0 Totalt 312,0		
--	---	--	--

Provs-kott 	1: 8,8 ↗ 2: 10,5* ↑ 3: 9,8 ↖ Serie 27,0 Totalt 233,0	Serie 	1: 10,6* ↙ 2: 10,7* ↖ 3: 10,6* ↙ 4: 10,0 → 5: 10,8* ↑ Serie 50,0 Totalt 283,0
---	--	--	---

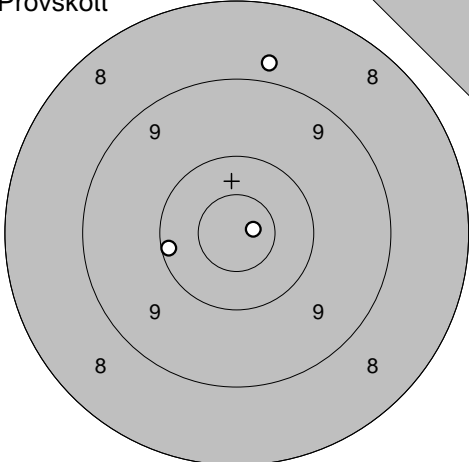
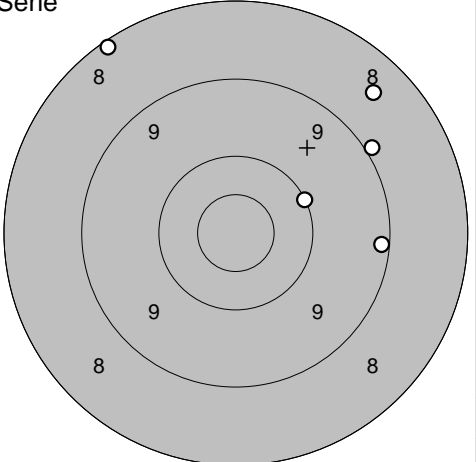
Skott 1 	1: 9,8 ↗ Serie 9,0 Totalt 292,0	Skott 2 	1: 10,7* ↖ Serie 10,0 Totalt 302,0
---	---	---	--

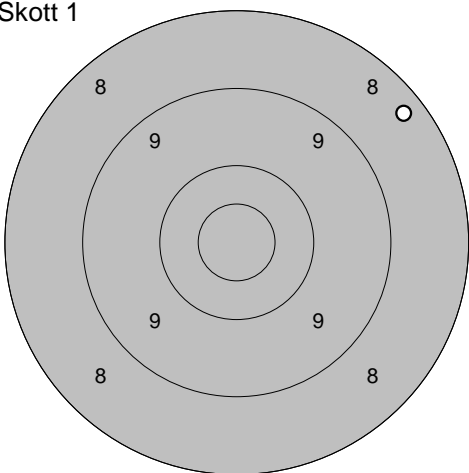
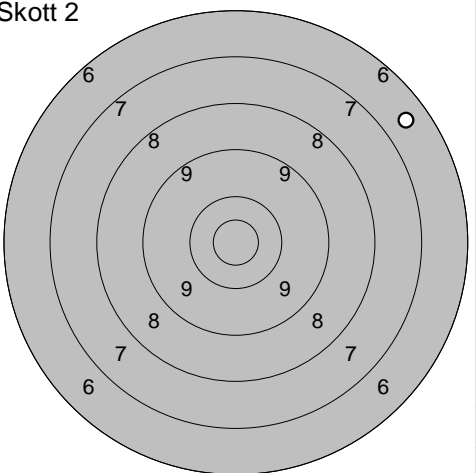
Skott 3 	1: 9,1 ↓ Serie 9,0 Totalt 311,0	Skott 4 	1: 7,9 ↗ Serie 7,0 Totalt 318,0
--	---	--	---

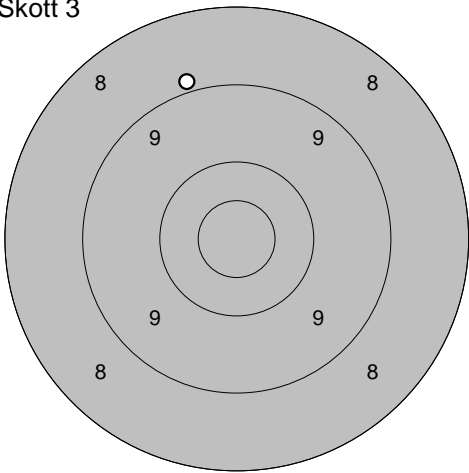
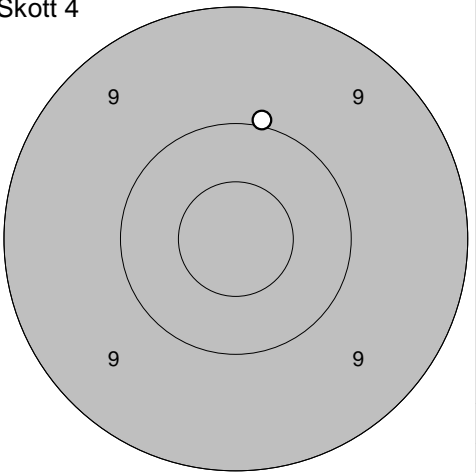
Skott 5 	1: 10,4 ↑ Serie 10,0 Totalt 328,0		
--	---	--	--

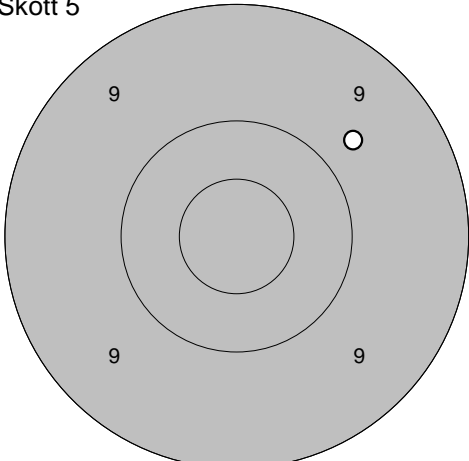
I 19 / A 9

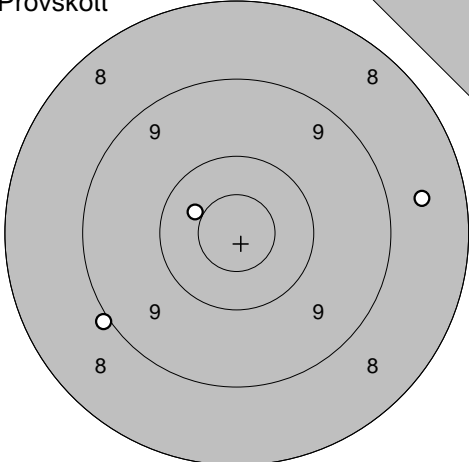
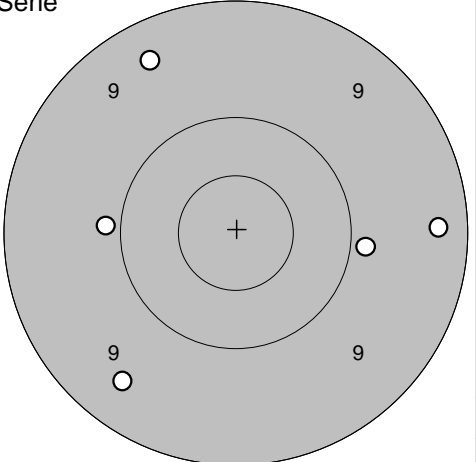
2012-07-07	Björkskottet 2012 Final	Ramselefors SKF
------------	-------------------------	-----------------

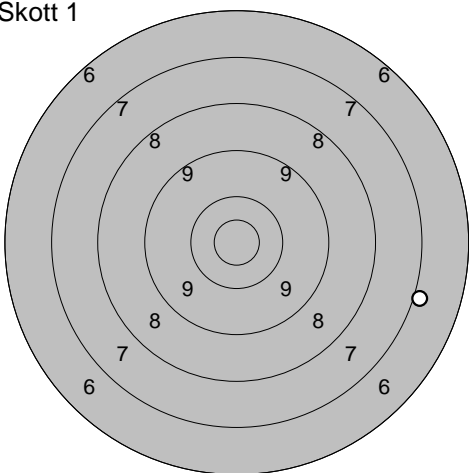
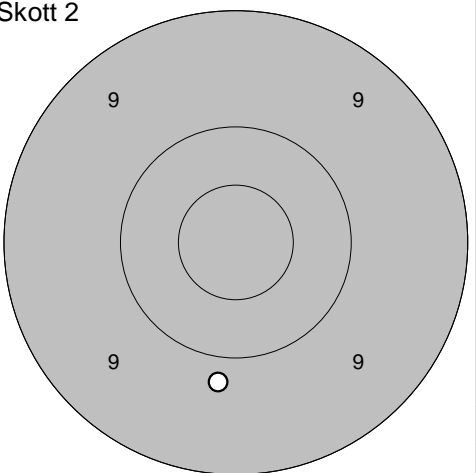
Provsjött 	1: 8,8 ↑ 2: 10,2 ← 3: 10,8* →	Serie 	1: 8,5 ↗ 2: 9,0 ↗ 3: 8,1 ↖ 4: 9,2 → 5: 10,1 ↗
Serie 28,0		Serie 44,0	
Totalt 231,0		Totalt 275,0	

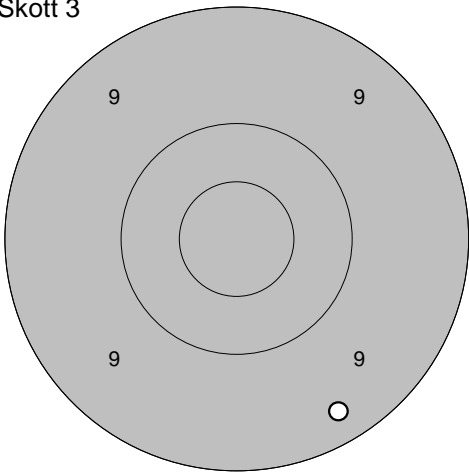
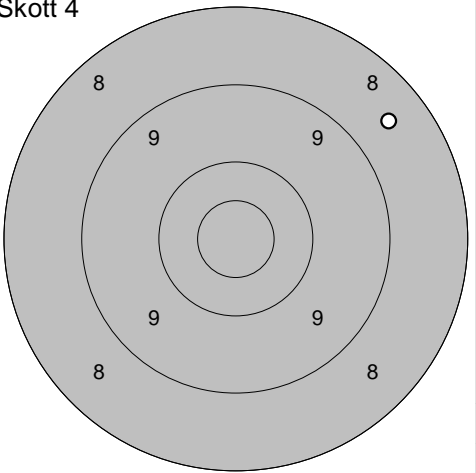
Skott 1 	1: 8,3 ↗	Skott 2 	1: 6,6 ↗
Serie 8,0		Serie 6,0	
Totalt 283,0		Totalt 289,0	

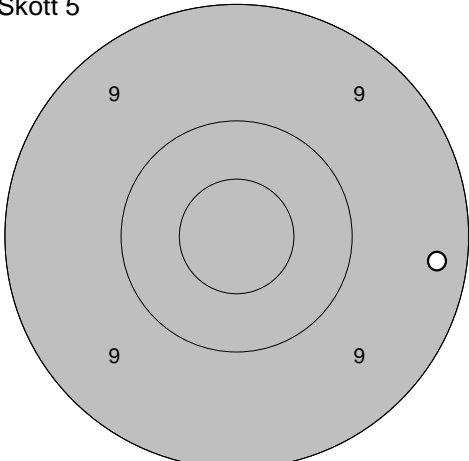
Skott 3 	1: 8,9 ↑	Skott 4 	1: 10,0 ↑
Serie 8,0		Serie 10,0	
Totalt 297,0		Totalt 307,0	

Skott 5 	1: 9,7 ↗		
Serie 9,0			
Totalt 316,0			

<p>Provs-kott</p> 	<p>1: 8,6 → 2: 10,4 ↖ 3: 9,0 ↙</p> <p>Serie 27,0 Totalt 226,0</p>	<p>Serie</p>  <p>1: 9,4 ↗ 2: 9,9 → 3: 9,3 → 4: 9,4 ↙ 5: 9,9 ←</p> <p>Serie 45,0 Totalt 271,0</p>
--	---	--

<p>Skott 1</p> 	<p>1: 7,0 →</p> <p>Serie 7,0 Totalt 278,0</p>	<p>Skott 2</p>  <p>1: 9,8 ↓</p> <p>Serie 9,0 Totalt 287,0</p>
--	---	--

<p>Skott 3</p> 	<p>1: 9,3 ↘</p> <p>Serie 9,0 Totalt 296,0</p>	<p>Skott 4</p>  <p>1: 8,6 ↗</p> <p>Serie 8,0 Totalt 304,0</p>
---	---	---

<p>Skott 5</p> 	<p>1: 9,3 →</p> <p>Serie 9,0 Totalt 313,0</p>	
---	---	--

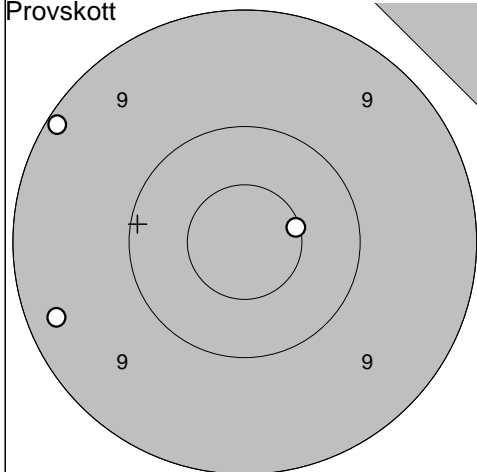
Frötuna

2012-07-07

Björkskottet 2012 Final

Ramselefors SKF

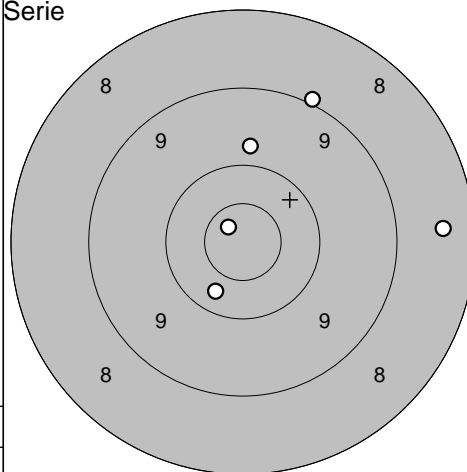
Provskott



1: 9,1 ↖
2: 10,6* →
3: 9,3 ←

Serie 28,0
Totalt 225,0

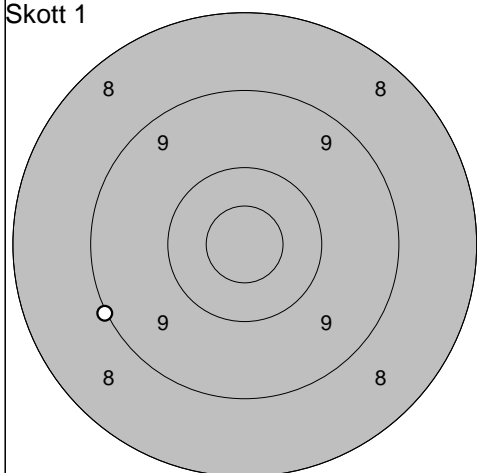
Serie



1: 9,0 ↗
2: 10,3 ↘
3: 10,8* ↖
4: 8,4 →
5: 9,8 ↑

Serie 46,0
Totalt 271,0

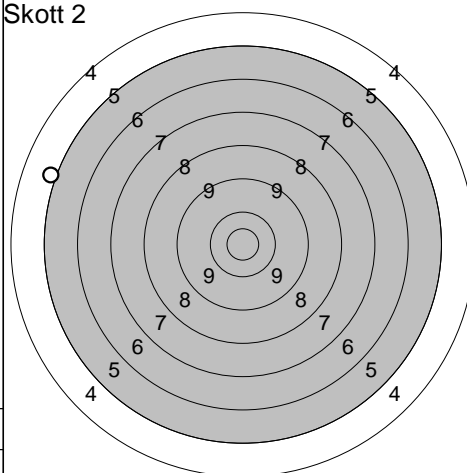
Skott 1



1: 9,0 ↖

Serie 9,0
Totalt 280,0

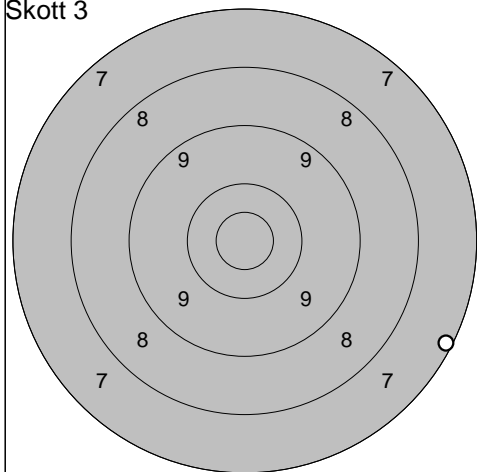
Skott 2



1: 5,0 ↖

Serie 5,0
Totalt 285,0

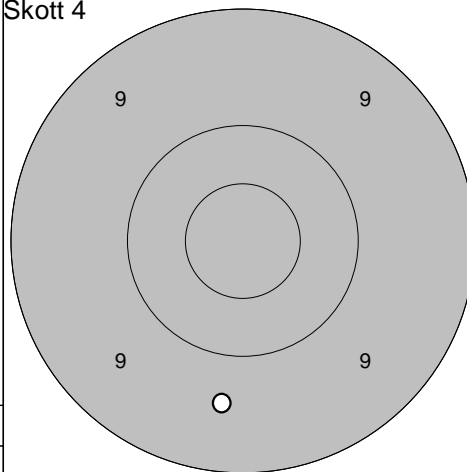
Skott 3



1: 7,2 →

Serie 7,0
Totalt 292,0

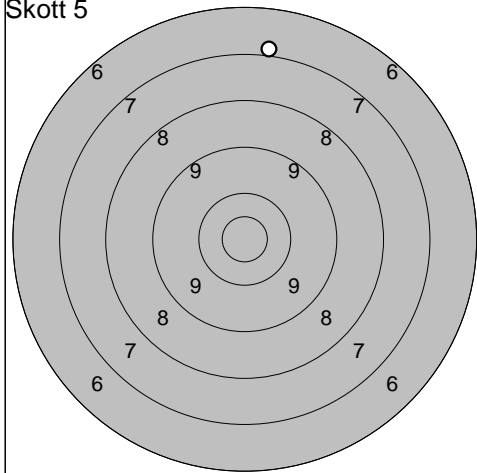
Skott 4



1: 9,6 ↓

Serie 9,0
Totalt 301,0

Skott 5



1: 7,0 ↑

Serie 7,0
Totalt 308,0

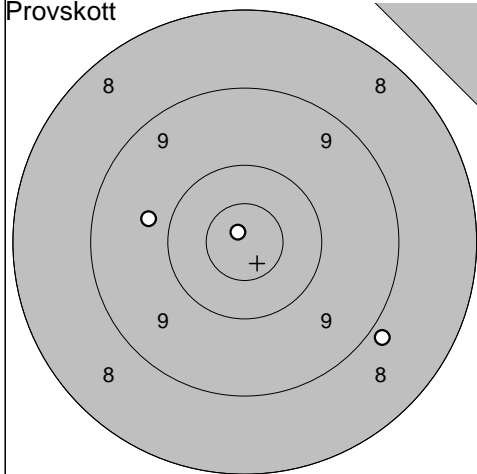
Ramselefors

2012-07-07

Björkskottet 2012 Final

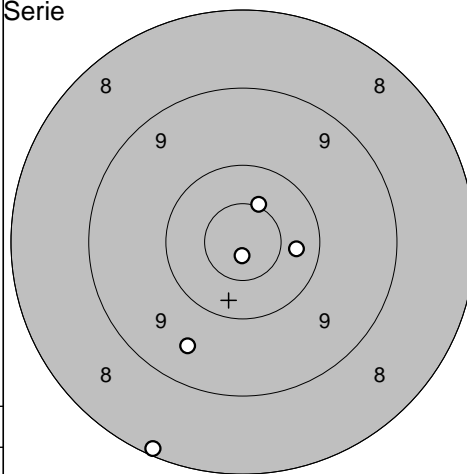
Ramselefors SKF

Provskott



1: 9,8 ←
2: 10,9* ↗
3: 8,9 ↘

Serie

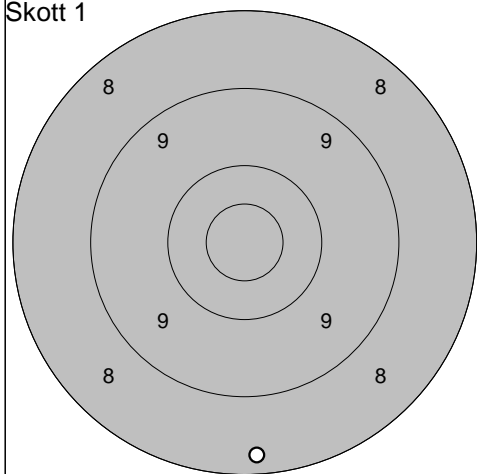


1: 9,5 ↙
2: 10,3 →
3: 10,9* ↓
4: 8,1 ↙
5: 10,5* ↗

Serie 27,0
Totalt 224,0

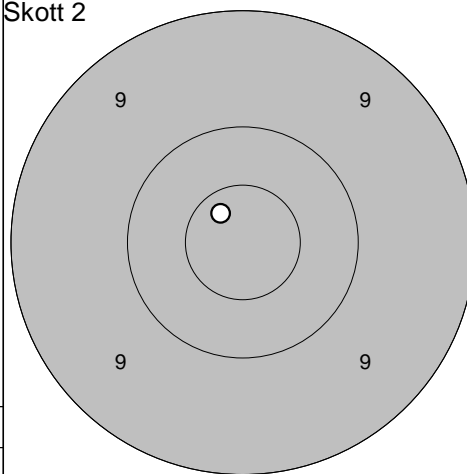
Serie 47,0
Totalt 271,0

Skott 1



1: 8,3 ↓

Skott 2

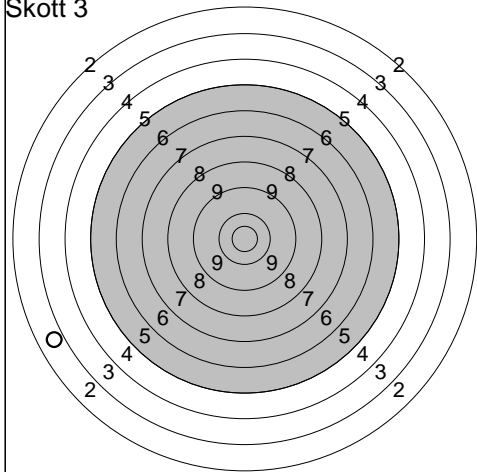


1: 10,7* ↖

Serie 8,0
Totalt 279,0

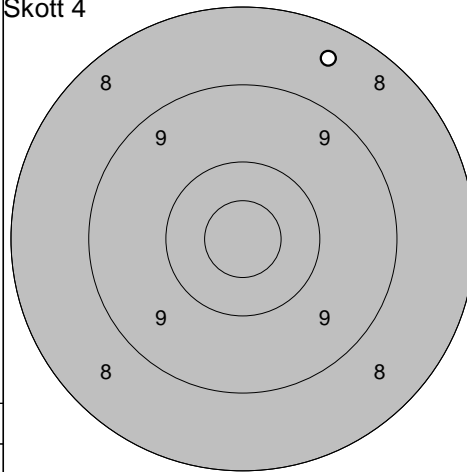
Serie 10,0
Totalt 289,0

Skott 3



1: 2,9 ↙

Skott 4

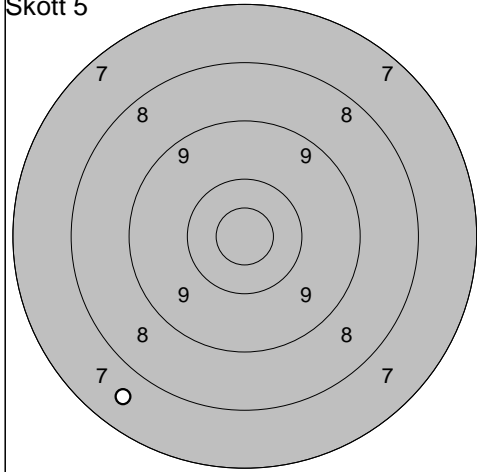


1: 8,5 ↗

Serie 2,0
Totalt 291,0

Serie 8,0
Totalt 299,0

Skott 5



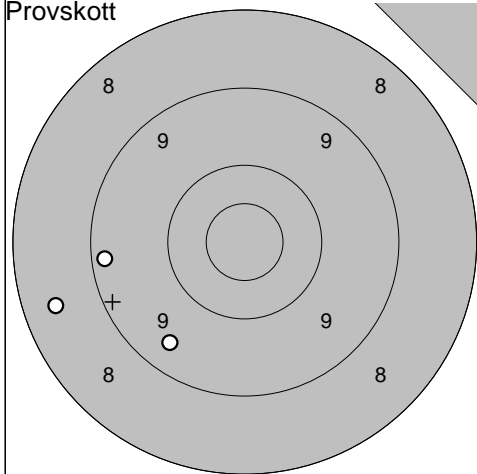
1: 7,6 ↙

Serie 7,0
Totalt 306,0

Ramselefors

2012-07-07	Björkskottet 2012 Final	Ramselefors SKF
------------	-------------------------	-----------------

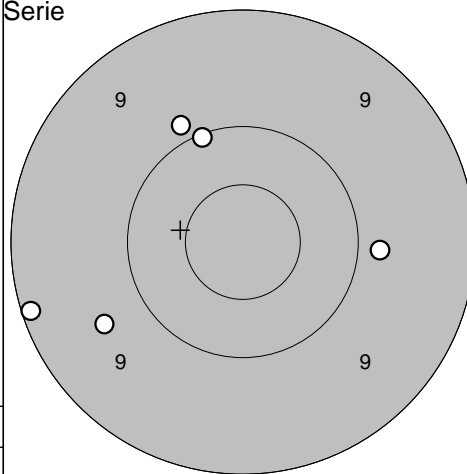
Provskott



1: 8,5 ←
2: 9,2 ←
3: 9,4 ↘

Serie	26,0
Totalt	220,0

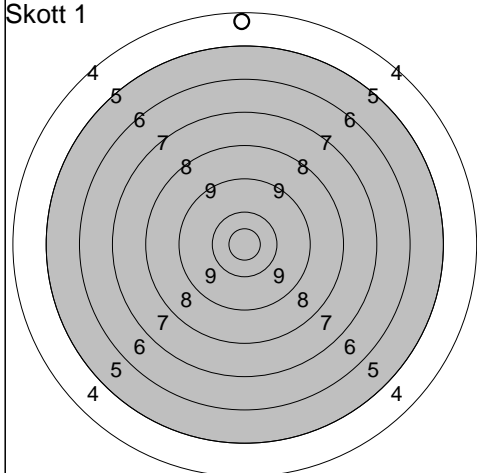
Serie



1: 10,1 ↗
2: 9,9 ↗
3: 9,6 ↘
4: 9,1 ←
5: 9,8 →

Serie	46,0
Totalt	266,0

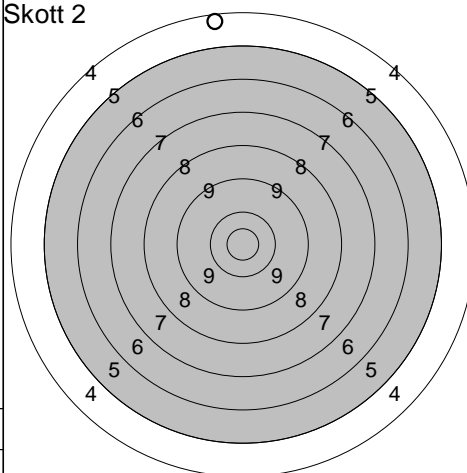
Skott 1



1: 4,5 ↑

Serie	4,0
Totalt	270,0

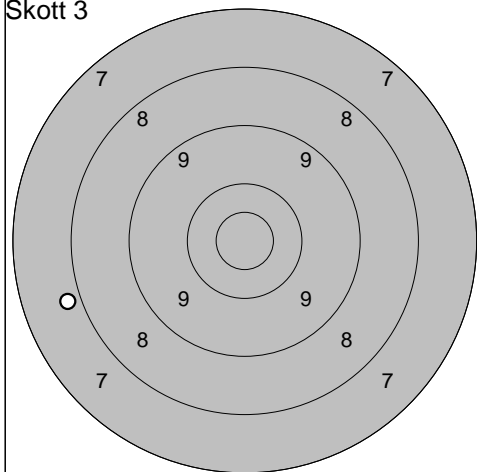
Skott 2



1: 4,4 ↑

Serie	4,0
Totalt	274,0

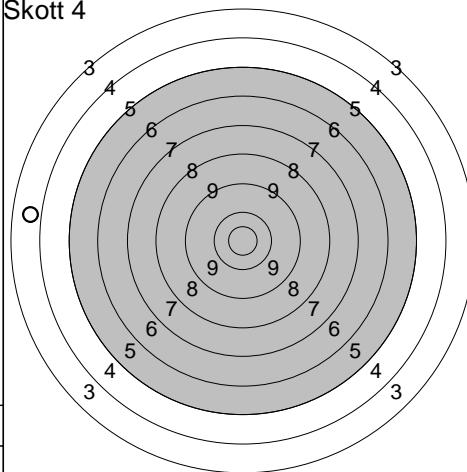
Skott 3



1: 7,9 ←

Serie	7,0
Totalt	281,0

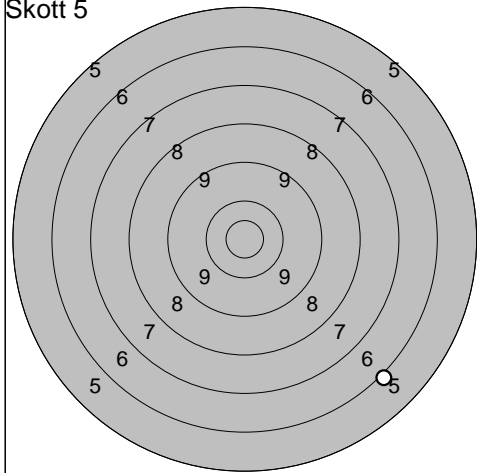
Skott 4



1: 3,8 ←

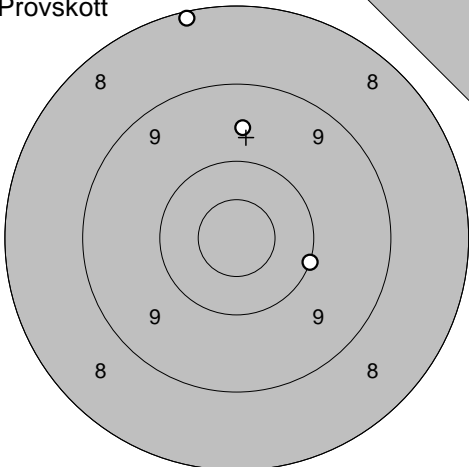
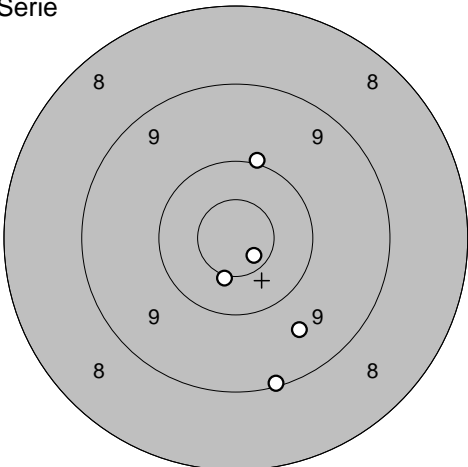
Serie	3,0
Totalt	284,0

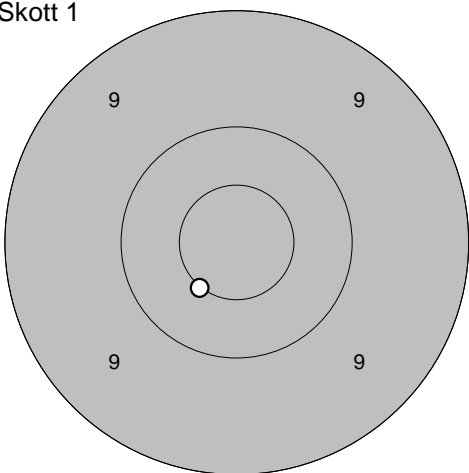
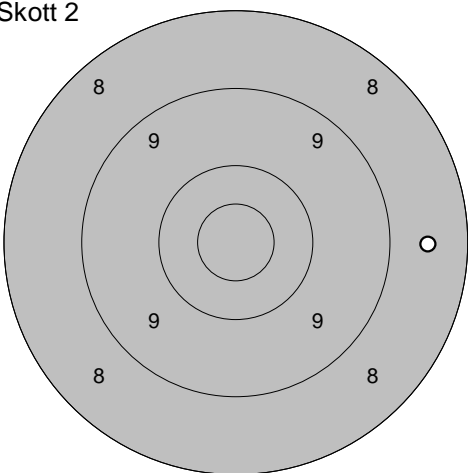
Skott 5

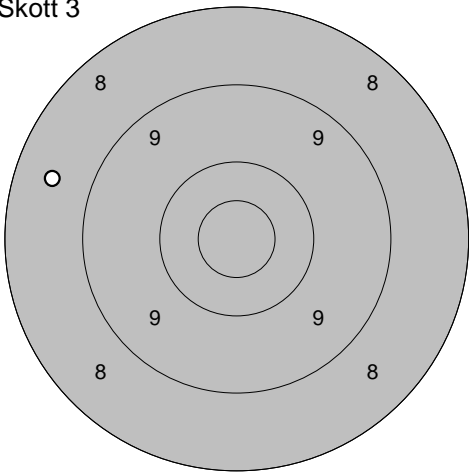
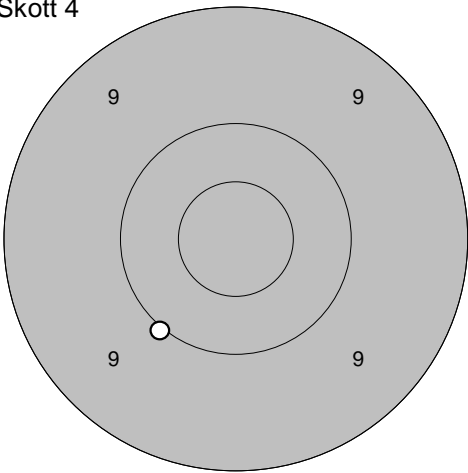


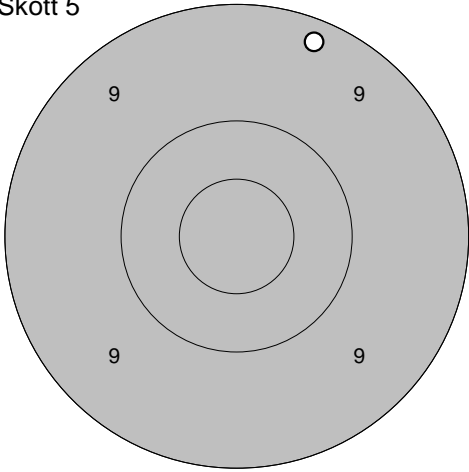
1: 6,1 ↘

Serie	6,0
Totalt	290,0

Provs-kott 	1: 10,0 → 2: 9,6 ↑ 3: 8,1 ↑ <hr/> Serie 27,0 Totalt 218,0	Serie 	1: 9,6 ↓ 2: 10,0 ↑ 3: 10,5* ↓ 4: 10,7* ↓ 5: 9,1 ↓ <hr/> Serie 48,0 Totalt 266,0
---	---	--	---

Skott 1 	1: 10,5* ↘ <hr/> Serie 10,0 Totalt 276,0	Skott 2 	1: 8,6 → <hr/> Serie 8,0 Totalt 284,0
---	--	---	---

Skott 3 	1: 8,5 ← <hr/> Serie 8,0 Totalt 292,0	Skott 4 	1: 10,0 ↙ <hr/> Serie 10,0 Totalt 302,0
--	---	--	---

Skott 5 	1: 9,2 ↑ <hr/> Serie 9,0 Totalt 311,0		
--	---	--	--

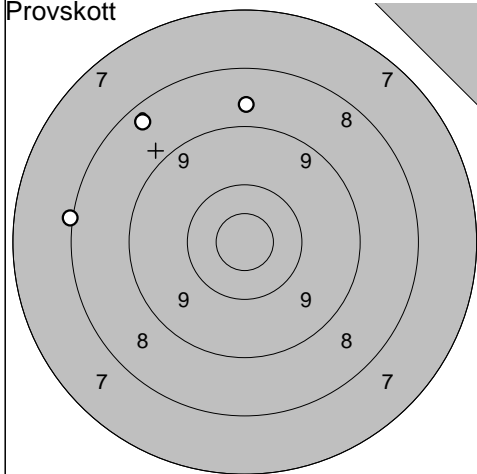
Bälunge-Jumkil

2012-07-07

Björkskottet 2012 Final

Ramselefors SKF

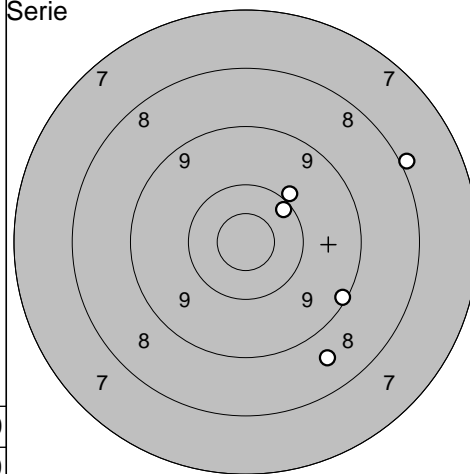
Provskott



1: 8,1 ←
2: 8,7 ↑
3: 8,4 ↗

Serie 24,0
Totalt 217,0

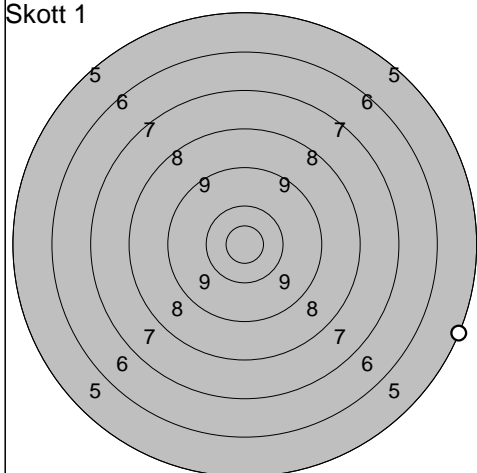
Serie



1: 10,2 ↗
2: 10,0 ↗
3: 9,2 ↘
4: 8,0 ↗
5: 8,6 ↘

Serie 45,0
Totalt 262,0

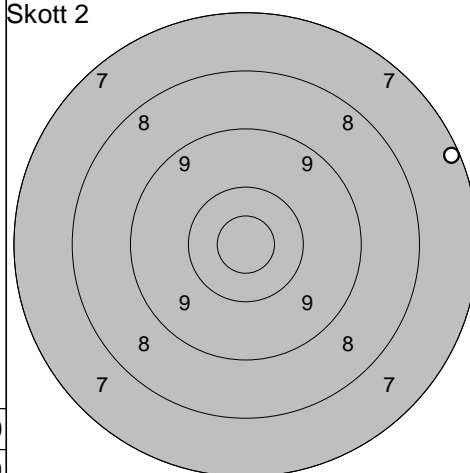
Skott 1



1: 5,1 ↘

Serie 5,0
Totalt 267,0

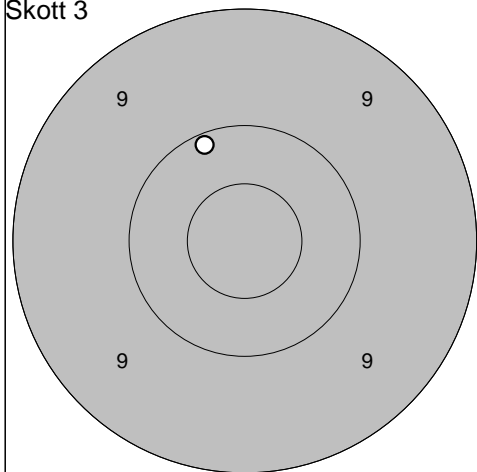
Skott 2



1: 7,2 ↗

Serie 7,0
Totalt 274,0

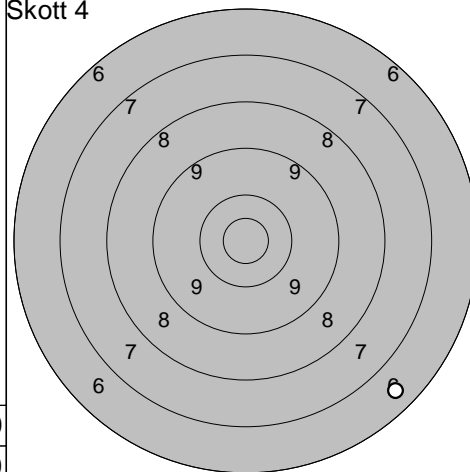
Skott 3



1: 10,1 ↖

Serie 10,0
Totalt 284,0

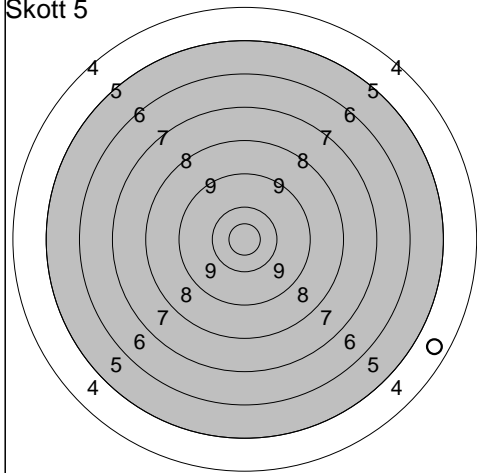
Skott 4



1: 6,5 ↘

Serie 6,0
Totalt 290,0

Skott 5



1: 4,6 ↘

Serie 4,0
Totalt 294,0