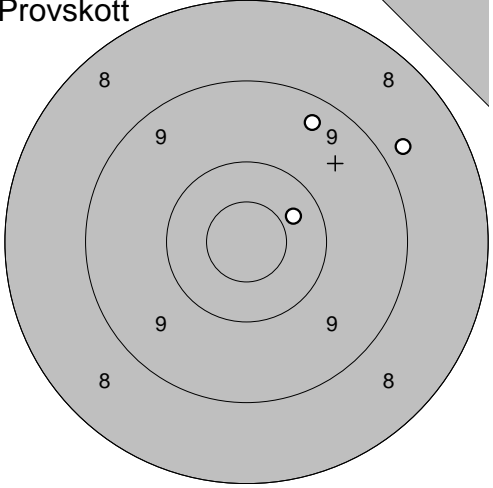
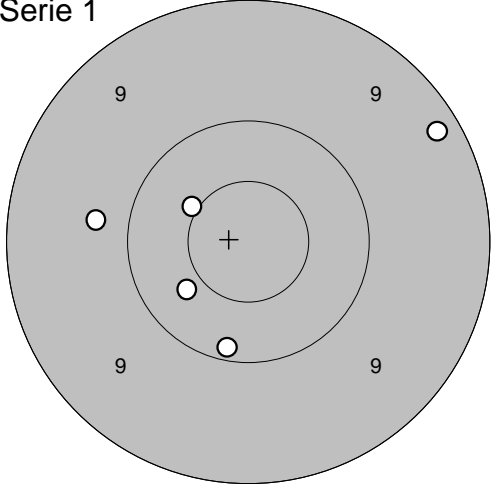
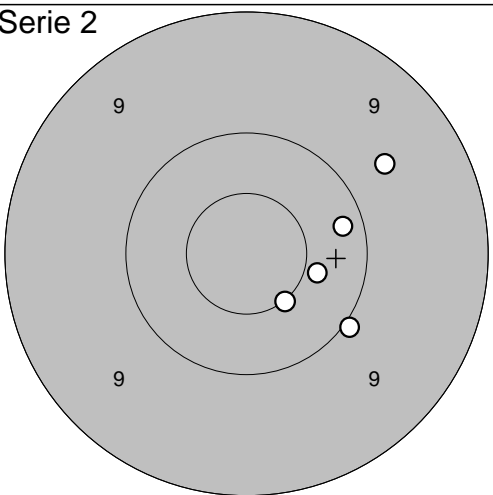
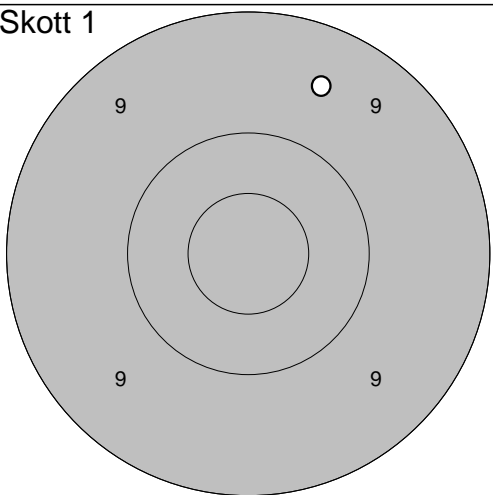
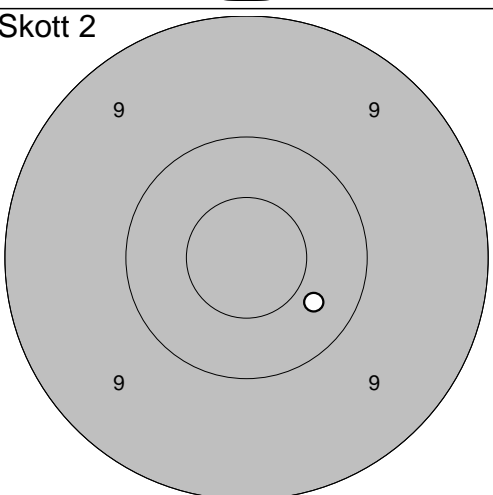
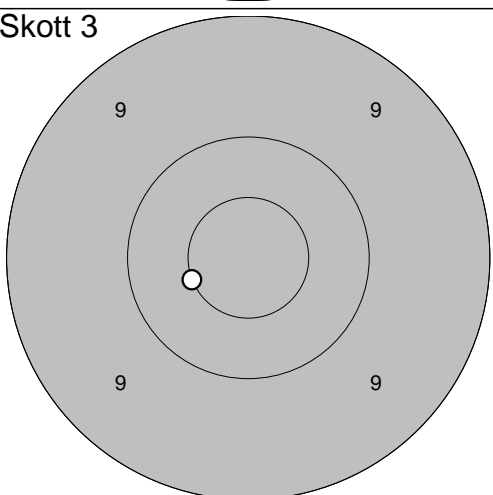
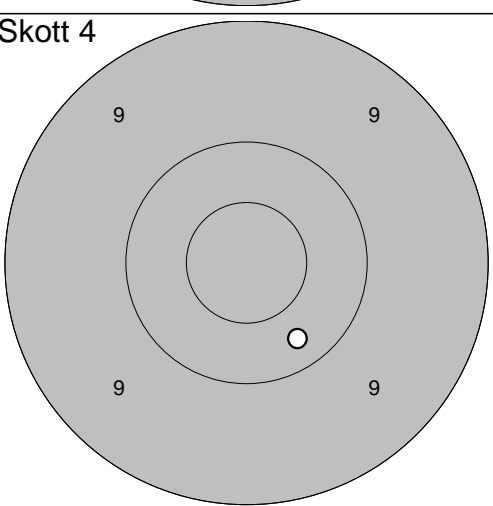
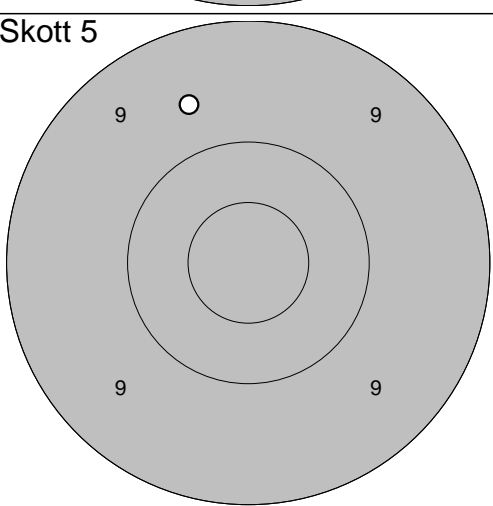
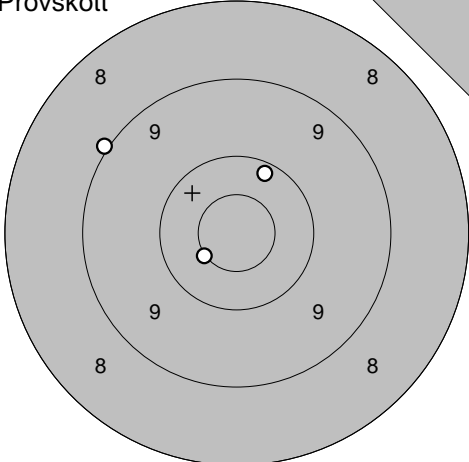
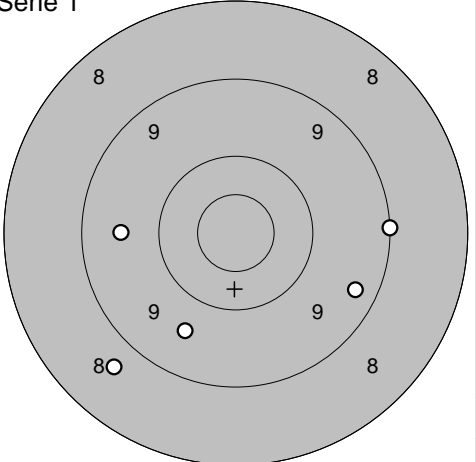


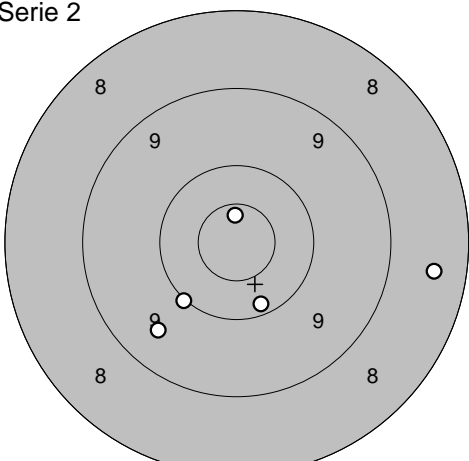
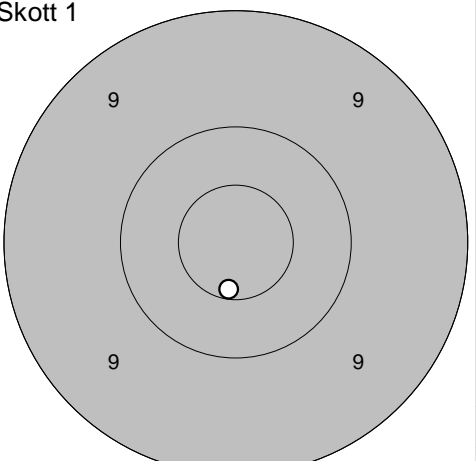
Provsnitt 	Serie 1 	
1: 9,4 ↗ 2: 10,4 → 3: 8,8 →	1: 9,8 ← 2: 9,2 → 3: 10,1 ↓ 4: 10,5* ↖ 5: 10,4 ↙	
Serie 27,0 Totalt 146,0	Serie 48,0 Totalt 194,0	

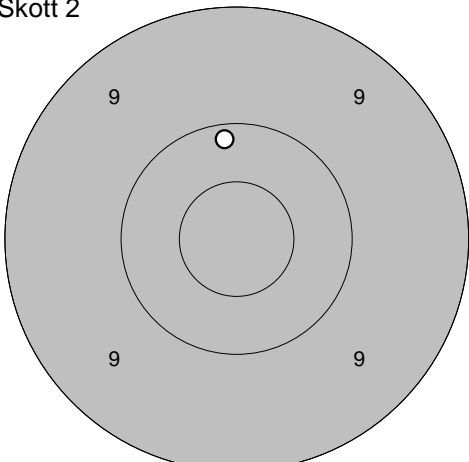
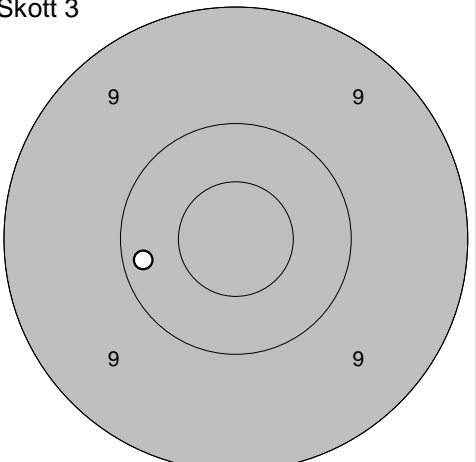
Serie 2 	Skott 1 	
1: 9,7 → 2: 10,2 → 3: 10,4 → 4: 10,0 ↘ 5: 10,5* ↘	1: 9,5 ↗	
Serie 49,0 Totalt 243,0	Serie 9,0 Totalt 252,0	

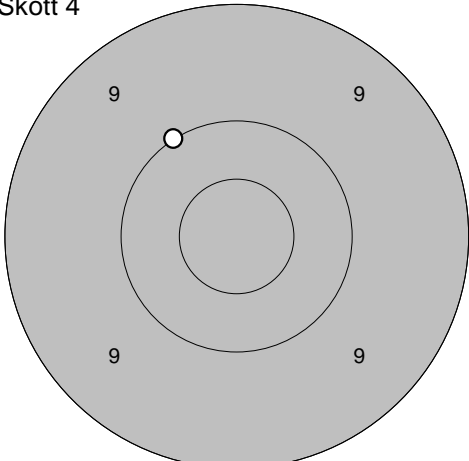
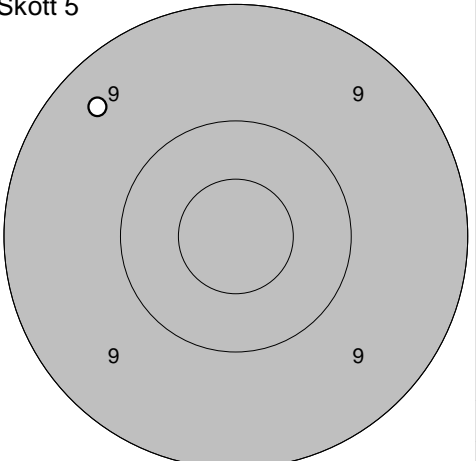
Skott 2 	Skott 3 	
1: 10,4 ↘	1: 10,5* ←	
Serie 10,0 Totalt 262,0	Serie 10,0 Totalt 272,0	

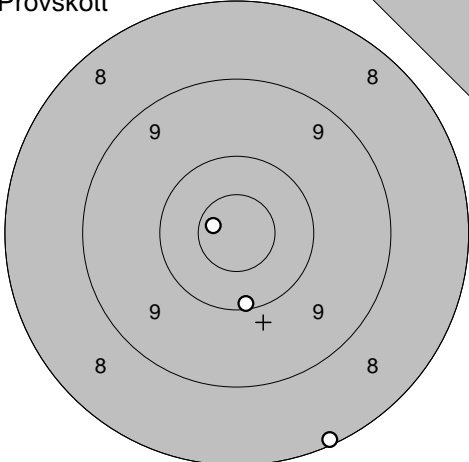
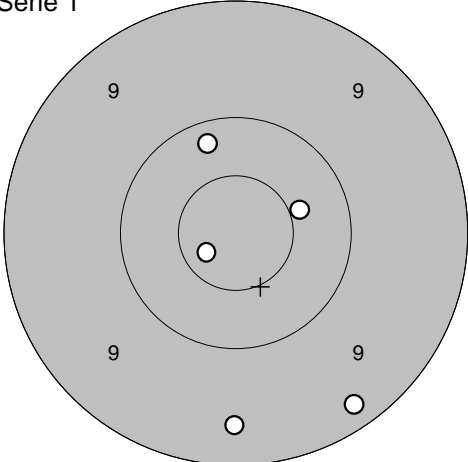
Skott 4 	Skott 5 	
1: 10,3 ↘	1: 9,6 ↗	
Serie 10,0 Totalt 282,0	Serie 9,0 Totalt 291,0	

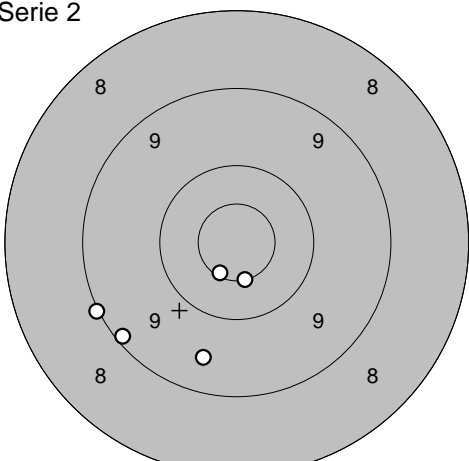
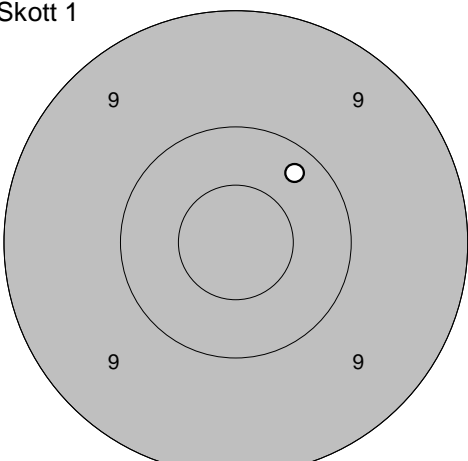
<p>Provsnitt</p> 	<p>1: 9,0 ↖ 2: 10,5* ↙ 3: 10,2 ↗</p> <table border="1" style="width:100%; border-collapse: collapse;"> <tr><td style="text-align: right;">Serie</td><td style="text-align: right;">29,0</td></tr> <tr><td style="text-align: right;">Totalt</td><td style="text-align: right;">146,0</td></tr> </table>	Serie	29,0	Totalt	146,0	<p>Serie 1</p> 	<p>1: 9,6 ← 2: 9,6 ↙ 3: 8,7 ↘ 4: 9,1 → 5: 9,3 ↘</p> <table border="1" style="width:100%; border-collapse: collapse;"> <tr><td style="text-align: right;">Serie</td><td style="text-align: right;">44,0</td></tr> <tr><td style="text-align: right;">Totalt</td><td style="text-align: right;">190,0</td></tr> </table>	Serie	44,0	Totalt	190,0
Serie	29,0										
Totalt	146,0										
Serie	44,0										
Totalt	190,0										

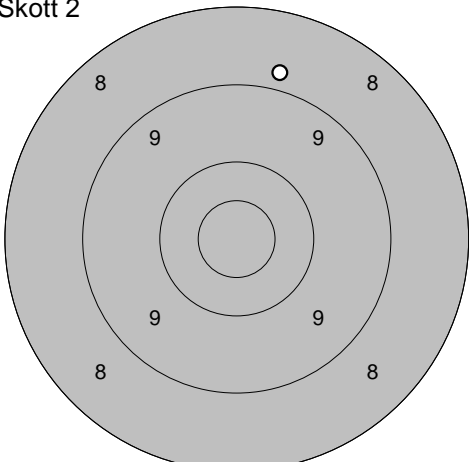
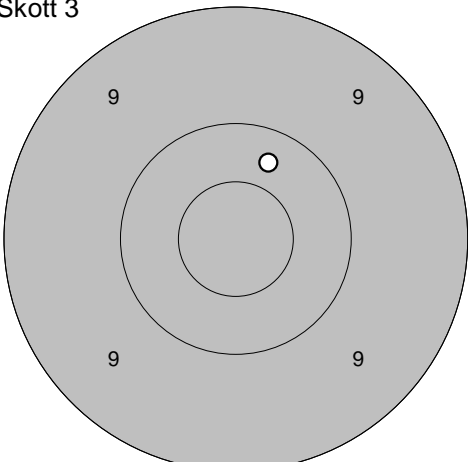
<p>Serie 2</p> 	<p>1: 9,5 ↙ 2: 10,0 ↘ 3: 10,7* ↑ 4: 8,5 → 5: 10,2 ↘</p> <table border="1" style="width:100%; border-collapse: collapse;"> <tr><td style="text-align: right;">Serie</td><td style="text-align: right;">47,0</td></tr> <tr><td style="text-align: right;">Totalt</td><td style="text-align: right;">237,0</td></tr> </table>	Serie	47,0	Totalt	237,0	<p>Skott 1</p> 	<p>1: 10,6* ↓</p> <table border="1" style="width:100%; border-collapse: collapse;"> <tr><td style="text-align: right;">Serie</td><td style="text-align: right;">10,0</td></tr> <tr><td style="text-align: right;">Totalt</td><td style="text-align: right;">247,0</td></tr> </table>	Serie	10,0	Totalt	247,0
Serie	47,0										
Totalt	237,0										
Serie	10,0										
Totalt	247,0										

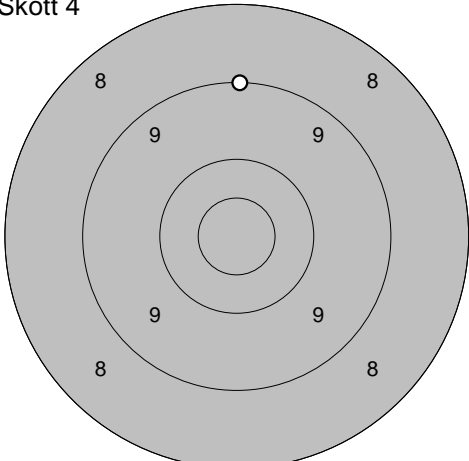
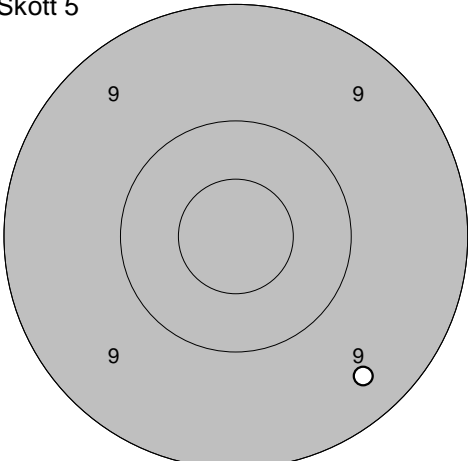
<p>Skott 2</p> 	<p>1: 10,2 ↑</p> <table border="1" style="width:100%; border-collapse: collapse;"> <tr><td style="text-align: right;">Serie</td><td style="text-align: right;">10,0</td></tr> <tr><td style="text-align: right;">Totalt</td><td style="text-align: right;">257,0</td></tr> </table>	Serie	10,0	Totalt	257,0	<p>Skott 3</p> 	<p>1: 10,2 ←</p> <table border="1" style="width:100%; border-collapse: collapse;"> <tr><td style="text-align: right;">Serie</td><td style="text-align: right;">10,0</td></tr> <tr><td style="text-align: right;">Totalt</td><td style="text-align: right;">267,0</td></tr> </table>	Serie	10,0	Totalt	267,0
Serie	10,0										
Totalt	257,0										
Serie	10,0										
Totalt	267,0										

<p>Skott 4</p> 	<p>1: 10,0 ↖</p> <table border="1" style="width:100%; border-collapse: collapse;"> <tr><td style="text-align: right;">Serie</td><td style="text-align: right;">10,0</td></tr> <tr><td style="text-align: right;">Totalt</td><td style="text-align: right;">277,0</td></tr> </table>	Serie	10,0	Totalt	277,0	<p>Skott 5</p> 	<p>1: 9,4 ↖</p> <table border="1" style="width:100%; border-collapse: collapse;"> <tr><td style="text-align: right;">Serie</td><td style="text-align: right;">9,0</td></tr> <tr><td style="text-align: right;">Totalt</td><td style="text-align: right;">286,0</td></tr> </table>	Serie	9,0	Totalt	286,0
Serie	10,0										
Totalt	277,0										
Serie	9,0										
Totalt	286,0										

<p>Provskott</p> 	<p>1: 10,7* ← 2: 10,1 ↓ 3: 8,1 ↓</p>	<p>Serie 1</p> 	<p>1: 10,4 → 2: 10,7* ← 3: 9,4 ↓ 4: 10,2 ↑ 5: 9,2 ↓</p>
Serie 28,0	Totalt 143,0	Serie 48,0	Totalt 191,0

<p>Serie 2</p> 	<p>1: 9,5 ↓ 2: 9,1 ← 3: 9,0 ← 4: 10,6* ↓ 5: 10,6* ↓</p>	<p>Skott 1</p> 	<p>1: 10,2 ↗</p>
Serie 47,0	Totalt 238,0	Serie 10,0	Totalt 248,0

<p>Skott 2</p> 	<p>1: 8,8 ↑</p>	<p>Skott 3</p> 	<p>1: 10,3 ↑</p>
Serie 8,0	Totalt 256,0	Serie 10,0	Totalt 266,0

<p>Skott 4</p> 	<p>1: 9,1 ↑</p>	<p>Skott 5</p> 	<p>1: 9,4 ↓</p>
Serie 9,0	Totalt 275,0	Serie 9,0	Totalt 284,0

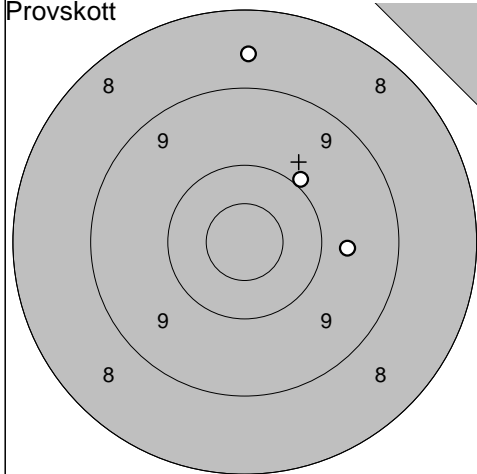
Skellefteå

2012-07-08

Tavelträffen 2012 A Final

Ramselefors SKF

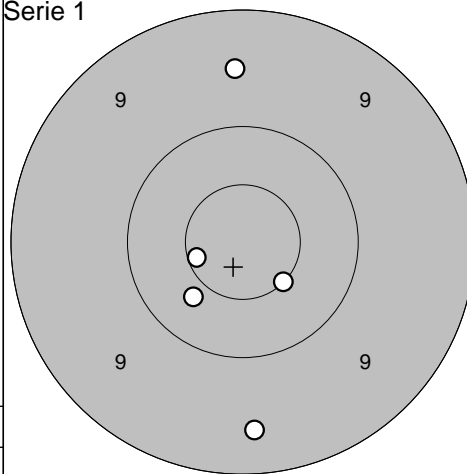
Provsnitt



1: 8,6 ↑
2: 10,0 ↗
3: 9,7 →

Serie	27,0
Totalt	149,0

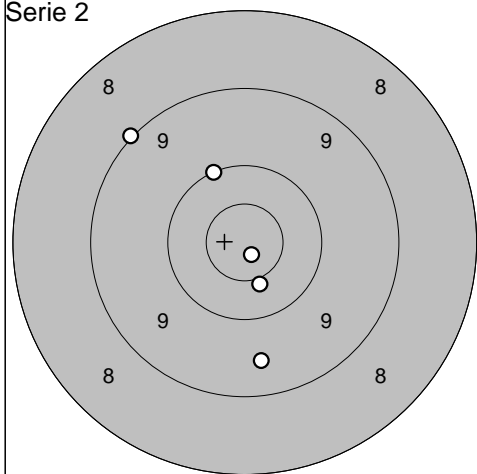
Serie 1



1: 10,6* ←
2: 10,5* ↘
3: 9,4 ↓
4: 10,4 ↙
5: 9,5 ↑

Serie	48,0
Totalt	197,0

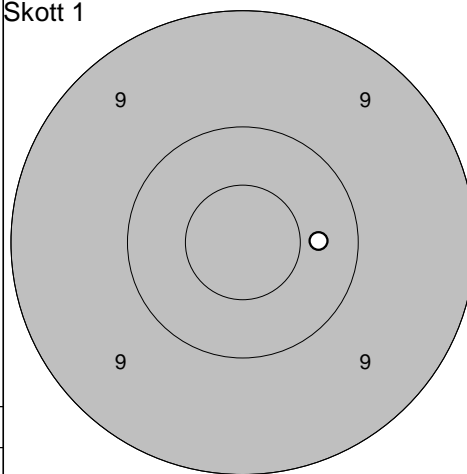
Serie 2



1: 10,5* ↓
2: 10,1 ↗
3: 9,0 ↗
4: 9,5 ↓
5: 10,9* ↓

Serie	48,0
Totalt	245,0

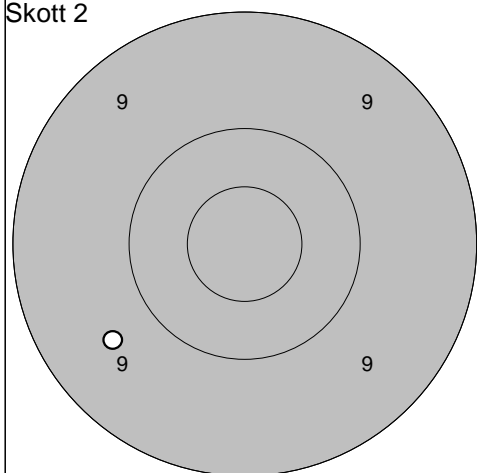
Skott 1



1: 10,4 →

Serie	10,0
Totalt	255,0

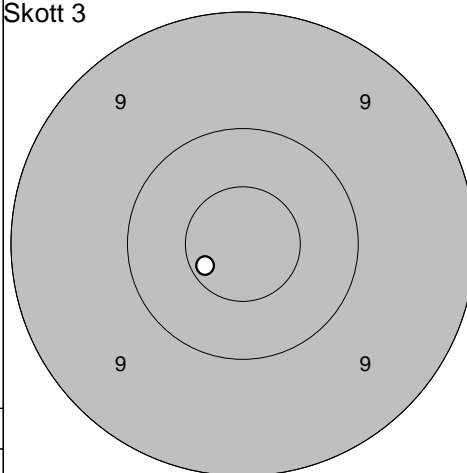
Skott 2



1: 9,6 ↙

Serie	9,0
Totalt	264,0

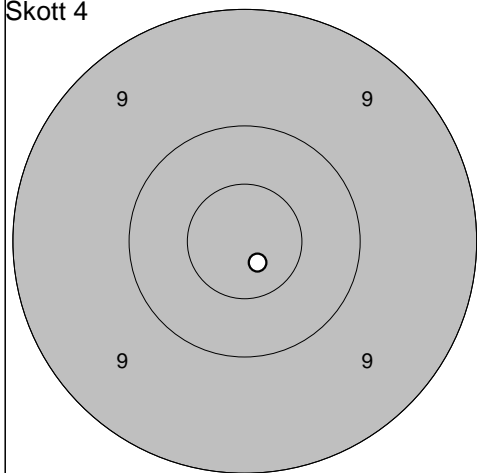
Skott 3



1: 10,7* ↙

Serie	10,0
Totalt	274,0

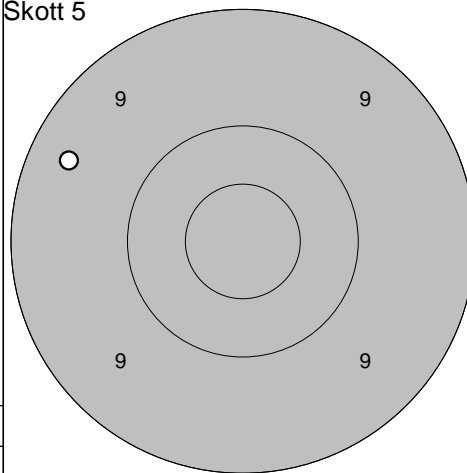
Skott 4



1: 10,8* ↓

Serie	10,0
Totalt	284,0

Skott 5



1: 9,4 ↙

Serie	9,0
Totalt	293,0

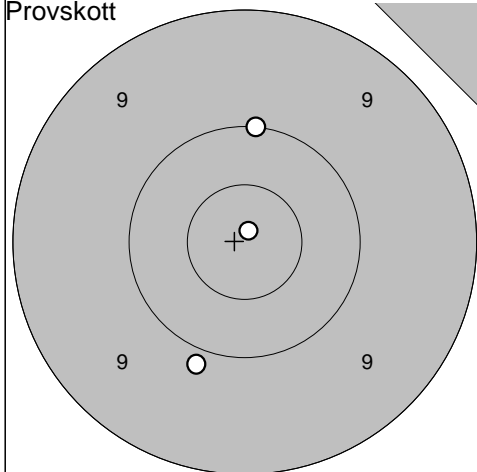
S 3

2012-07-08

Tavelträffen 2012 A Final

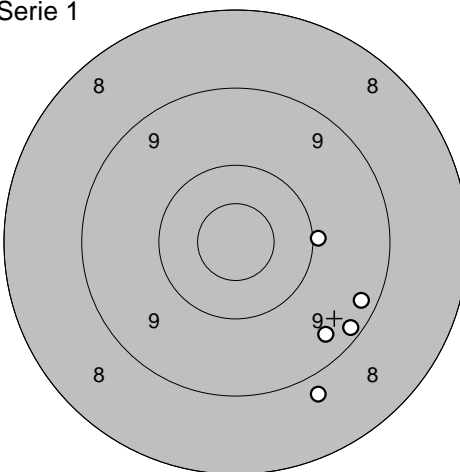
Ramselefors SKF

Provsrott



- 1: 10,9* ↗
- 2: 9,9 ↘
- 3: 10,0 ↑

Serie 1

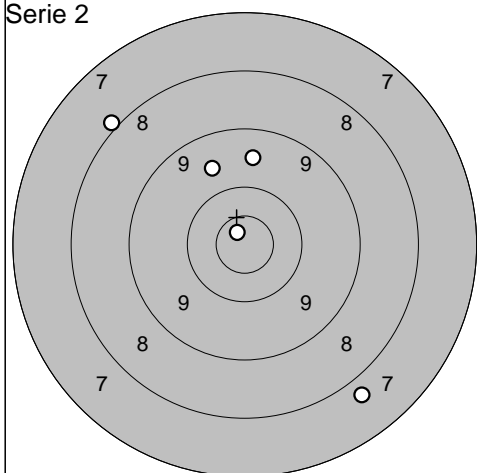


- 1: 8,8 ↘
- 2: 9,2 ↘
- 3: 9,3 →
- 4: 10,0 →
- 5: 9,4 ↘

Serie	29,0
Totalt	144,0

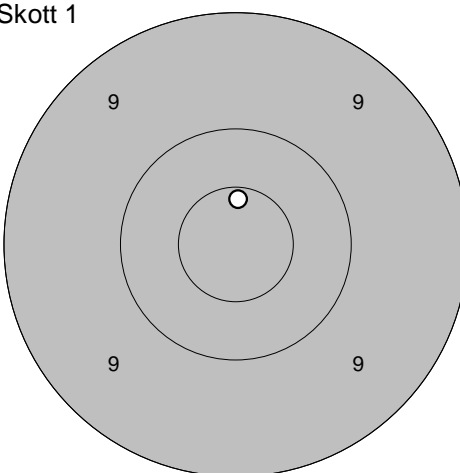
Serie	45,0
Totalt	189,0

Serie 2



- 1: 7,8 ↘
- 2: 8,0 ↗
- 3: 9,6 ↑
- 4: 10,8* ↗
- 5: 9,7 ↗

Skott 1

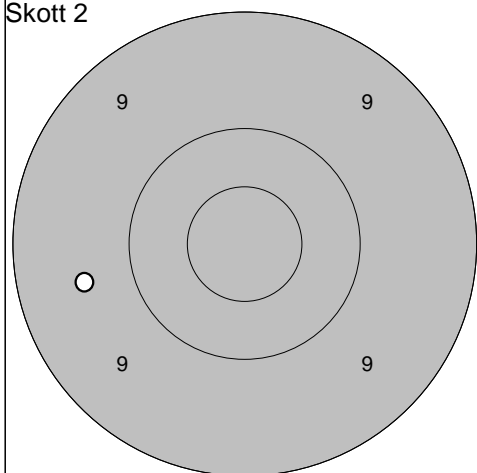


- 1: 10,6* ↑

Serie	43,0
Totalt	232,0

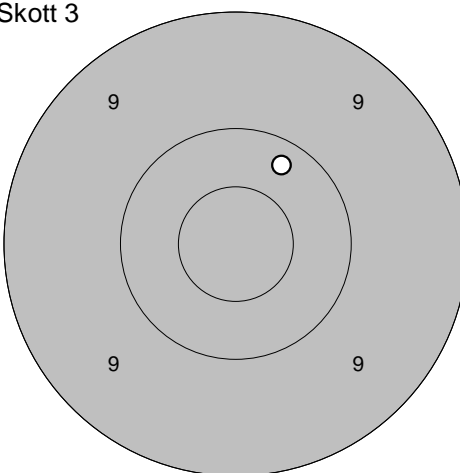
Serie	10,0
Totalt	242,0

Skott 2



- 1: 9,6 ←

Skott 3

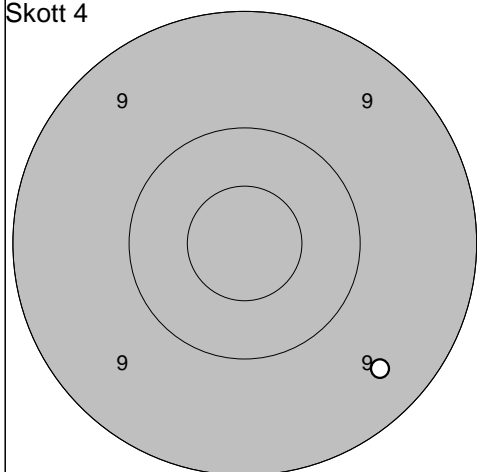


- 1: 10,2 ↗

Serie	9,0
Totalt	251,0

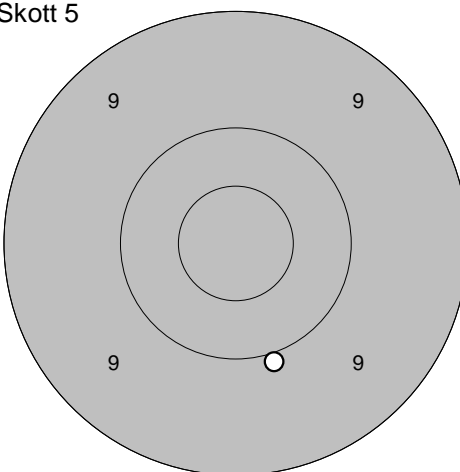
Serie	10,0
Totalt	261,0

Skott 4



- 1: 9,4 ↘

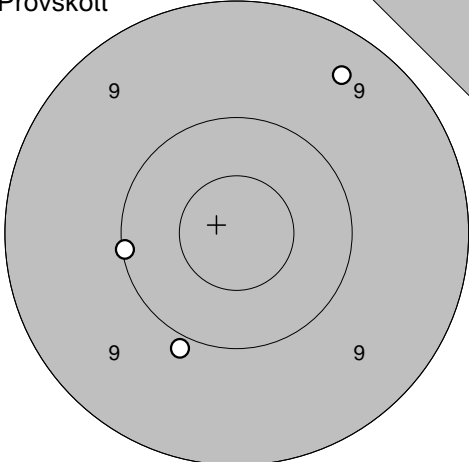
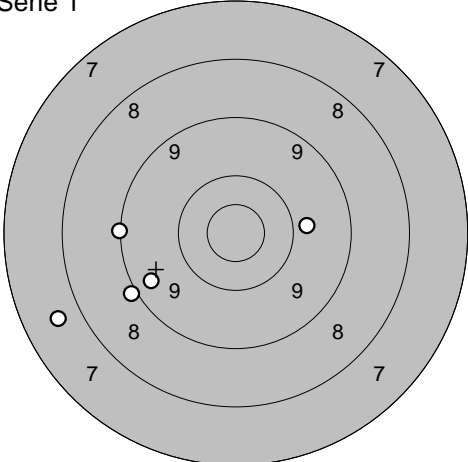
Skott 5

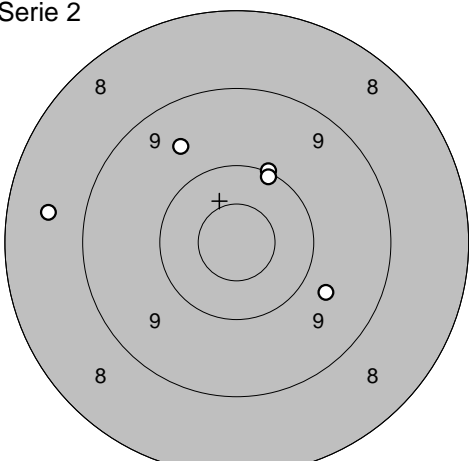
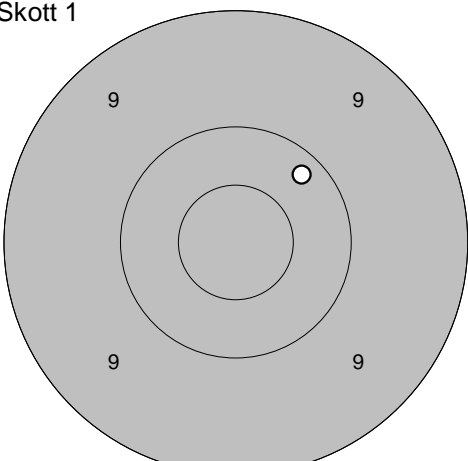


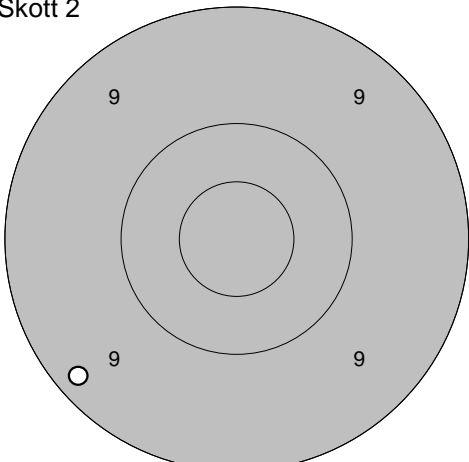
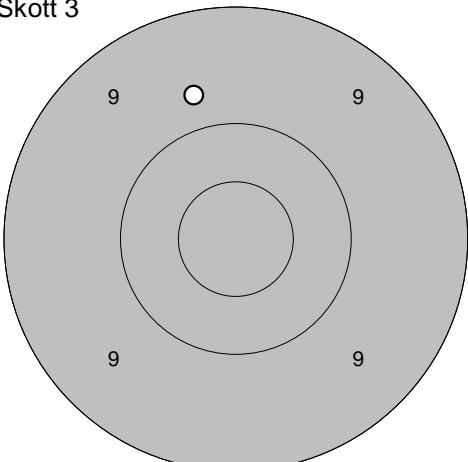
- 1: 10,0 ↘

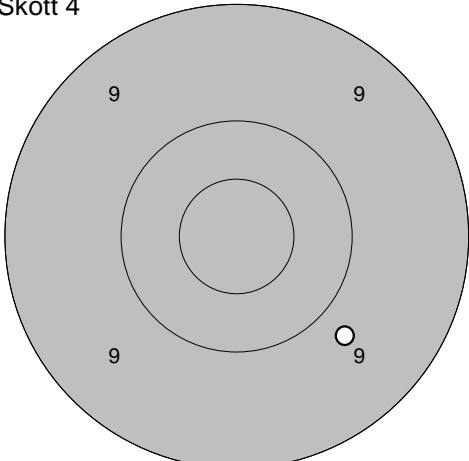
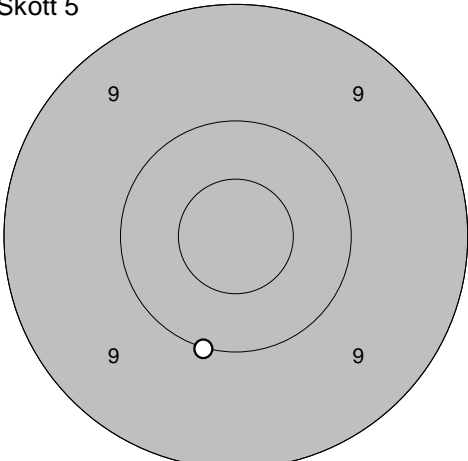
Serie	9,0
Totalt	270,0

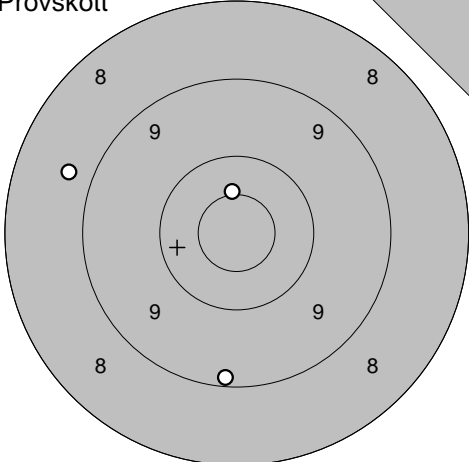
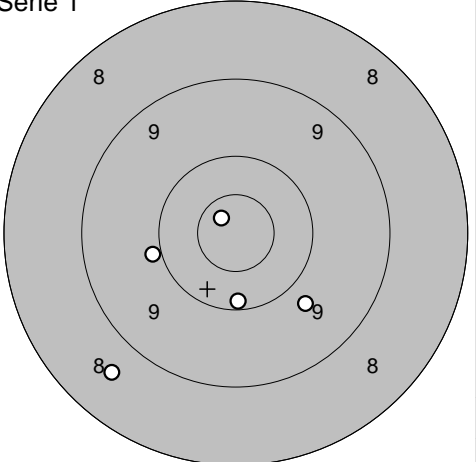
Serie	10,0
Totalt	280,0

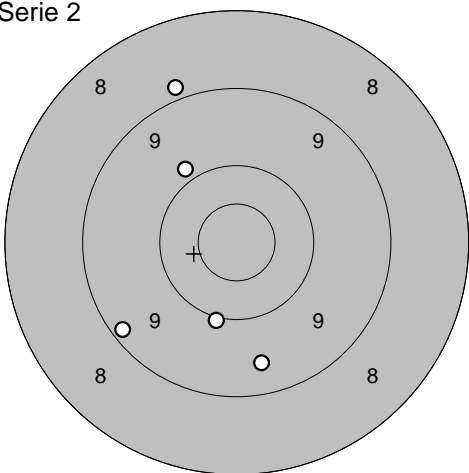
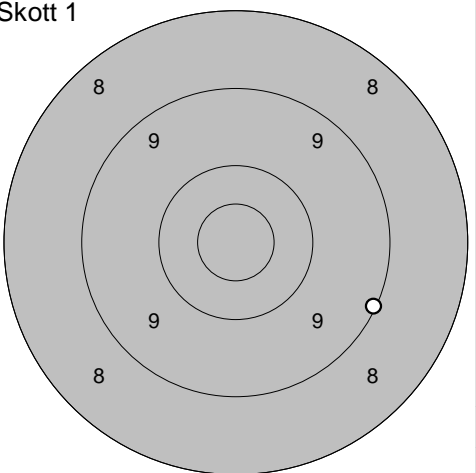
<p>Provsrott</p> 	<p>1: 9,9 ↘ 2: 10,1 ← 3: 9,4 ↗</p> <table border="1" style="width:100%; border-collapse: collapse;"> <tr><td style="text-align: right;">Serie</td><td style="text-align: right;">28,0</td></tr> <tr><td style="text-align: right;">Totalt</td><td style="text-align: right;">139,0</td></tr> </table>	Serie	28,0	Totalt	139,0	<p>Serie 1</p> 	<p>1: 9,1 ← 2: 9,4 ↙ 3: 9,0 ↙ 4: 9,8 → 5: 7,7 ↙</p> <table border="1" style="width:100%; border-collapse: collapse;"> <tr><td style="text-align: right;">Serie</td><td style="text-align: right;">43,0</td></tr> <tr><td style="text-align: right;">Totalt</td><td style="text-align: right;">182,0</td></tr> </table>	Serie	43,0	Totalt	182,0
Serie	28,0										
Totalt	139,0										
Serie	43,0										
Totalt	182,0										

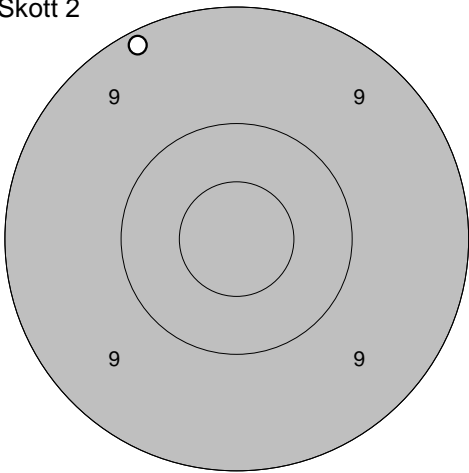
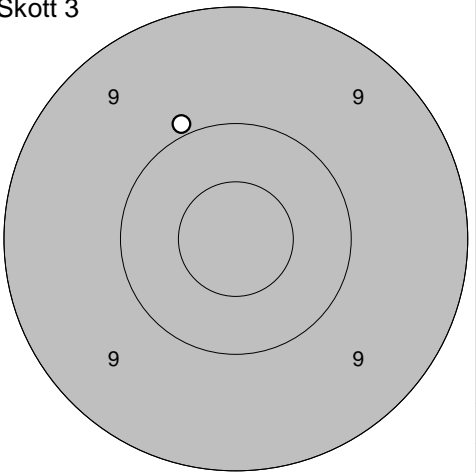
<p>Serie 2</p> 	<p>1: 9,6 ↗ 2: 8,6 ← 3: 10,0 ↗ 4: 9,7 ↘ 5: 10,1 ↗</p> <table border="1" style="width:100%; border-collapse: collapse;"> <tr><td style="text-align: right;">Serie</td><td style="text-align: right;">46,0</td></tr> <tr><td style="text-align: right;">Totalt</td><td style="text-align: right;">228,0</td></tr> </table>	Serie	46,0	Totalt	228,0	<p>Skott 1</p> 	<p>1: 10,2 ↗</p> <table border="1" style="width:100%; border-collapse: collapse;"> <tr><td style="text-align: right;">Serie</td><td style="text-align: right;">10,0</td></tr> <tr><td style="text-align: right;">Totalt</td><td style="text-align: right;">238,0</td></tr> </table>	Serie	10,0	Totalt	238,0
Serie	46,0										
Totalt	228,0										
Serie	10,0										
Totalt	238,0										

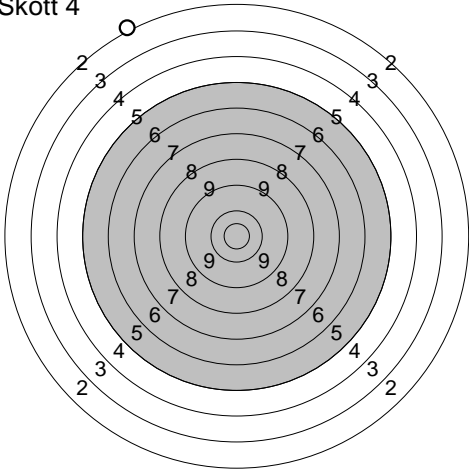
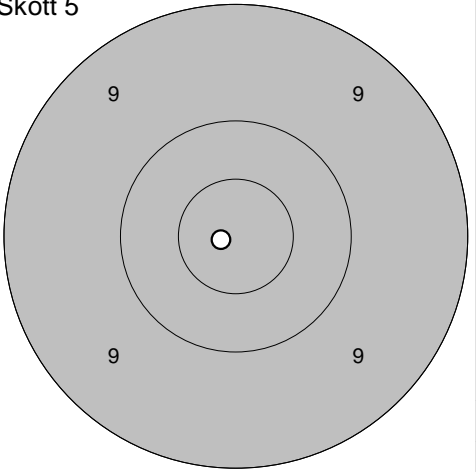
<p>Skott 2</p> 	<p>1: 9,2 ↙</p> <table border="1" style="width:100%; border-collapse: collapse;"> <tr><td style="text-align: right;">Serie</td><td style="text-align: right;">9,0</td></tr> <tr><td style="text-align: right;">Totalt</td><td style="text-align: right;">247,0</td></tr> </table>	Serie	9,0	Totalt	247,0	<p>Skott 3</p> 	<p>1: 9,7 ↗</p> <table border="1" style="width:100%; border-collapse: collapse;"> <tr><td style="text-align: right;">Serie</td><td style="text-align: right;">9,0</td></tr> <tr><td style="text-align: right;">Totalt</td><td style="text-align: right;">256,0</td></tr> </table>	Serie	9,0	Totalt	256,0
Serie	9,0										
Totalt	247,0										
Serie	9,0										
Totalt	256,0										

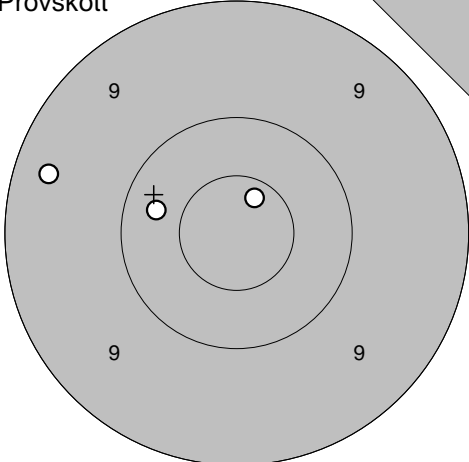
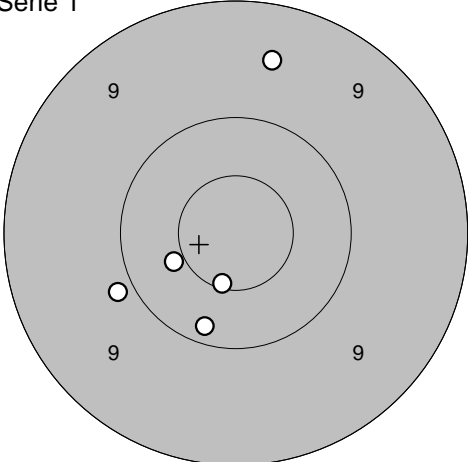
<p>Skott 4</p> 	<p>1: 9,8 ↘</p> <table border="1" style="width:100%; border-collapse: collapse;"> <tr><td style="text-align: right;">Serie</td><td style="text-align: right;">9,0</td></tr> <tr><td style="text-align: right;">Totalt</td><td style="text-align: right;">265,0</td></tr> </table>	Serie	9,0	Totalt	265,0	<p>Skott 5</p> 	<p>1: 10,0 ↘</p> <table border="1" style="width:100%; border-collapse: collapse;"> <tr><td style="text-align: right;">Serie</td><td style="text-align: right;">10,0</td></tr> <tr><td style="text-align: right;">Totalt</td><td style="text-align: right;">275,0</td></tr> </table>	Serie	10,0	Totalt	275,0
Serie	9,0										
Totalt	265,0										
Serie	10,0										
Totalt	275,0										

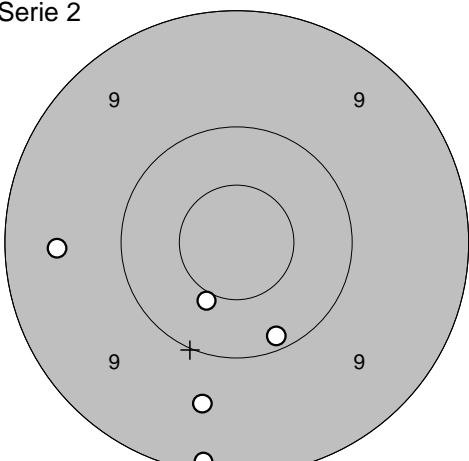
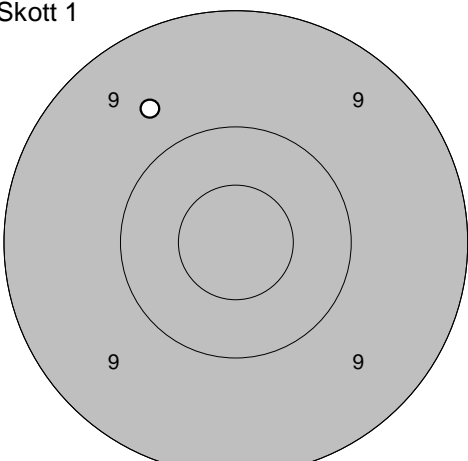
<p>Provskott</p> 	<p>1: 8,7 ↙ 2: 10,5* ↑ 3: 9,2 ↓</p>	<p>Serie 1</p> 	<p>1: 10,8* ↗ 2: 9,9 ← 3: 9,8 ↘ 4: 10,2 ↓ 5: 8,6 ↙</p>
Serie 27,0	Totalt 135,0	Serie 46,0	Totalt 181,0

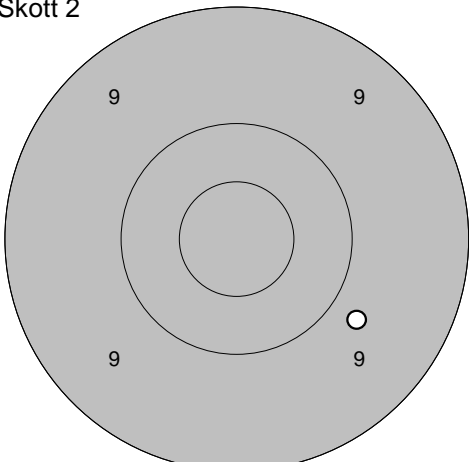
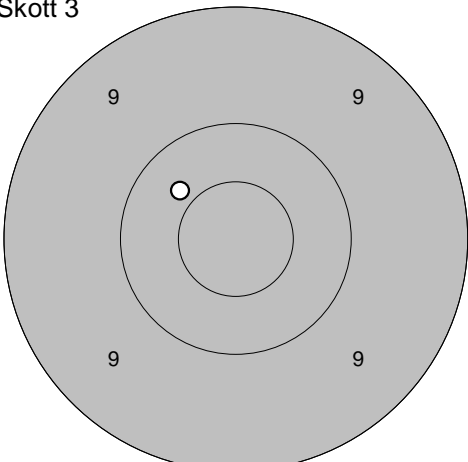
<p>Serie 2</p> 	<p>1: 9,9 ↗ 2: 9,4 ↓ 3: 10,0 ↓ 4: 8,9 ↗ 5: 9,2 ↙</p>	<p>Skott 1</p> 	<p>1: 9,1 →</p>
Serie 45,0	Totalt 226,0	Serie 9,0	Totalt 235,0

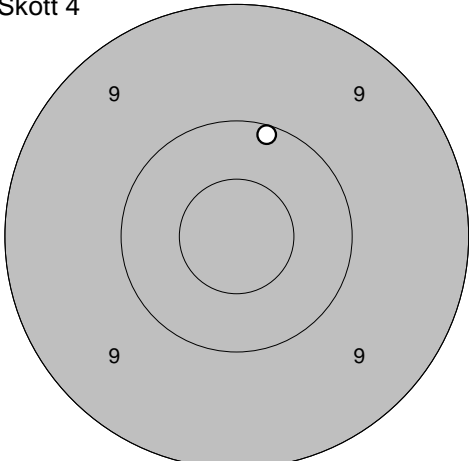
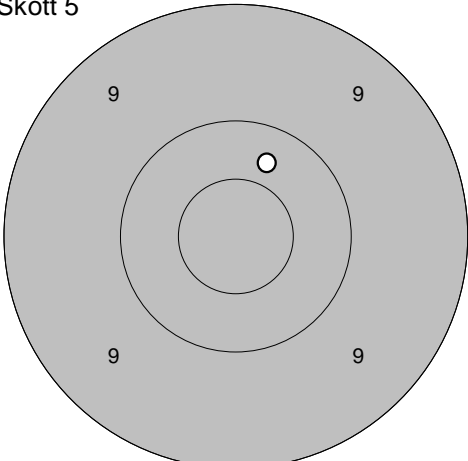
<p>Skott 2</p> 	<p>1: 9,2 ↗</p>	<p>Skott 3</p> 	<p>1: 9,9 ↗</p>
Serie 9,0	Totalt 244,0	Serie 9,0	Totalt 253,0

<p>Skott 4</p> 	<p>1: 2,1 ↗</p>	<p>Skott 5</p> 	<p>1: 10,9* ←</p>
Serie 2,0	Totalt 255,0	Serie 10,0	Totalt 265,0

<p>Provsnitt</p> 	<p>Serie 1</p> <p>1: 10,7* ↗ 2: 10,3 ← 3: 9,3 ←</p>	 <p>1: 9,9 ↙ 2: 9,5 ↑ 3: 10,2 ↓ 4: 10,6* ↓ 5: 10,4 ↙</p>
Serie 29,0		Serie 48,0
Totalt 148,0		Totalt 196,0

<p>Serie 2</p> 	<p>Skott 1</p> <p>1: 9,6 ↓ 2: 10,5* ↓ 3: 9,1 ↓ 4: 10,2 ↓ 5: 9,5 ←</p>	 <p>1: 9,7 ↖</p>
Serie 47,0		Serie 9,0
Totalt 243,0		Totalt 252,0

<p>Skott 2</p> 	<p>Skott 3</p> <p>1: 9,8 ↘</p>	 <p>1: 10,4 ↖</p>
Serie 9,0		Serie 10,0
Totalt 261,0		Totalt 271,0

<p>Skott 4</p> 	<p>Skott 5</p> <p>1: 10,1 ↑</p>	 <p>1: 10,3 ↑</p>
Serie 10,0		Serie 10,0
Totalt 281,0		Totalt 291,0

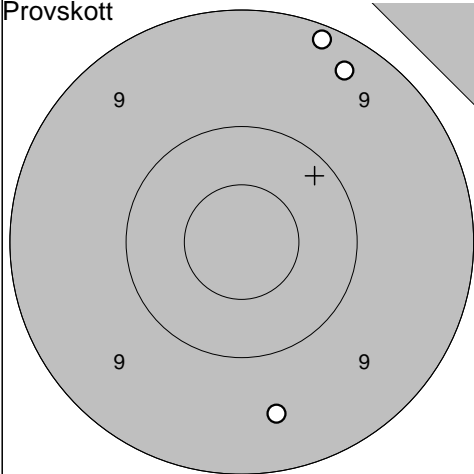
Ununge

2012-07-08

Tavelträffen 2012 A Final

Ramselefors SKF

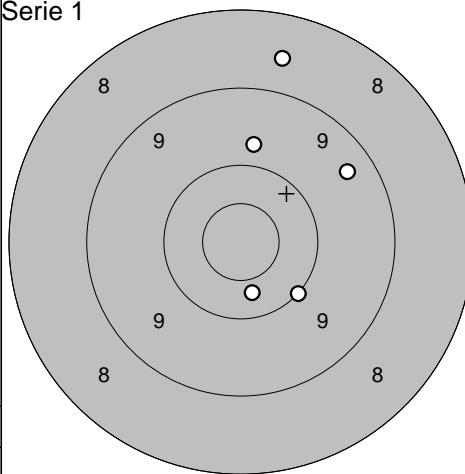
Provs-kott



- 1: 9,3 ↗
- 2: 9,2 ↑
- 3: 9,5 ↓

Serie	27,0
Totalt	147,0

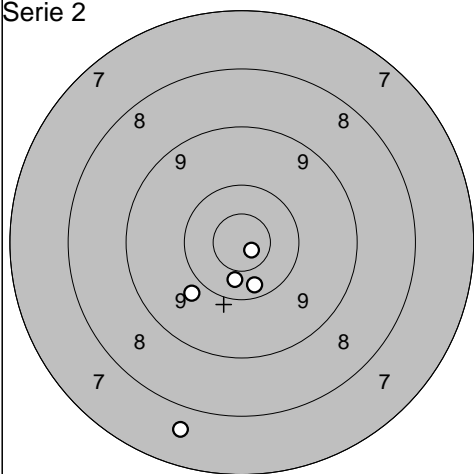
Serie 1



- 1: 10,0 ↘
- 2: 8,6 ↑
- 3: 9,8 ↑
- 4: 9,4 ↗
- 5: 10,4 ↓

Serie	46,0
Totalt	193,0

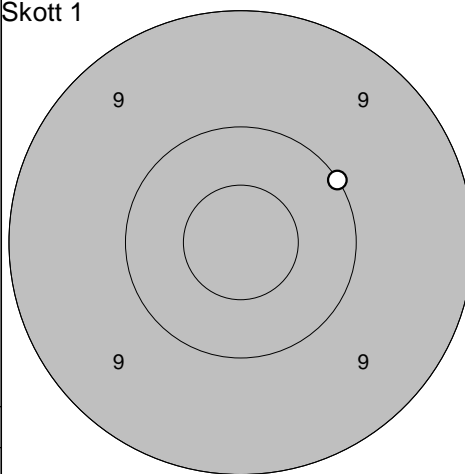
Serie 2



- 1: 10,3 ↓
- 2: 10,9* ↘
- 3: 10,4 ↓
- 4: 9,9 ↙
- 5: 7,7 ↓

Serie	46,0
Totalt	239,0

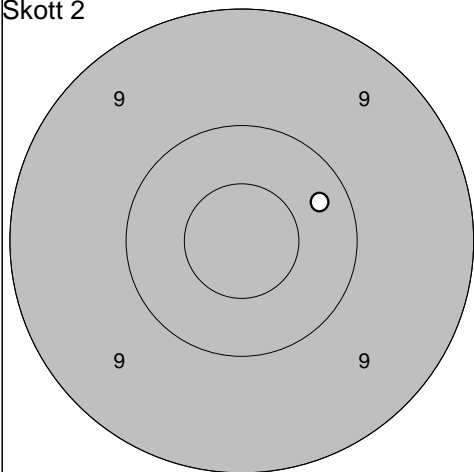
Skott 1



- 1: 10,0 ↗

Serie	10,0
Totalt	249,0

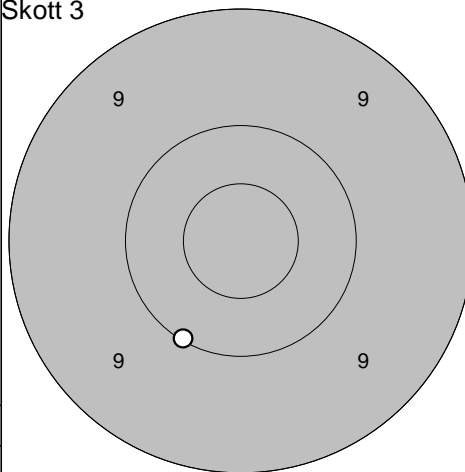
Skott 2



- 1: 10,3 ↗

Serie	10,0
Totalt	259,0

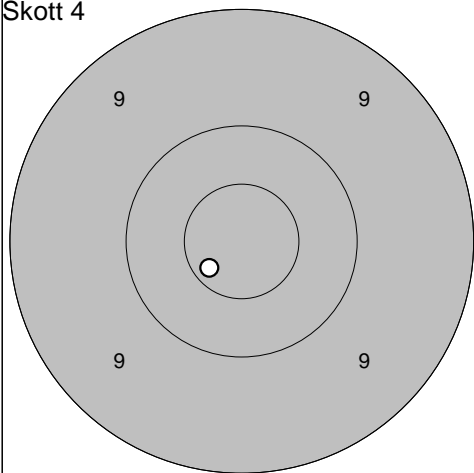
Skott 3



- 1: 10,1 ↓

Serie	10,0
Totalt	269,0

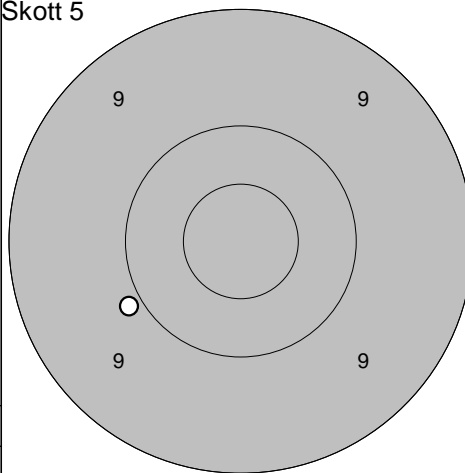
Skott 4



- 1: 10,7* ↙

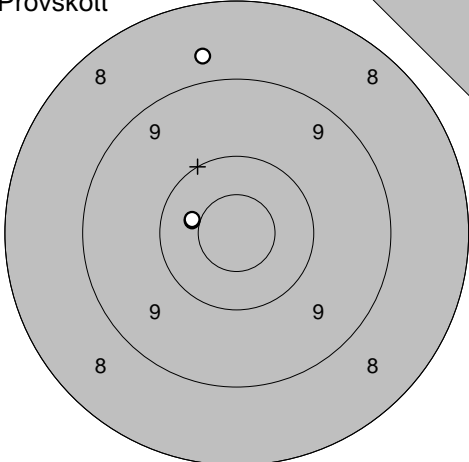
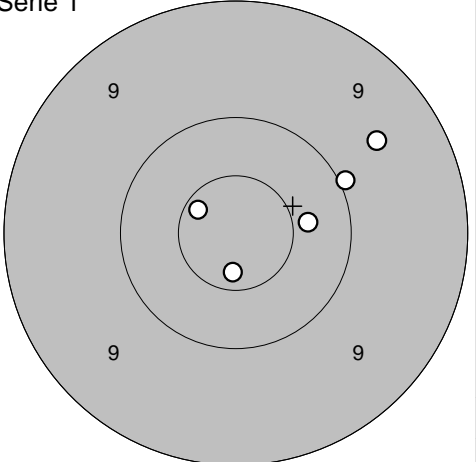
Serie	10,0
Totalt	279,0

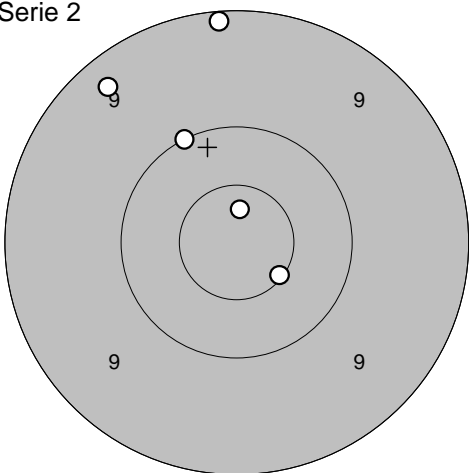
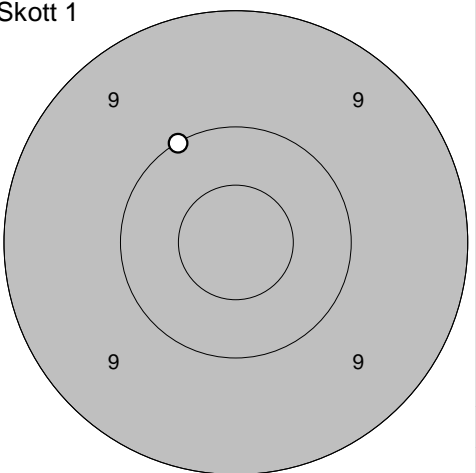
Skott 5

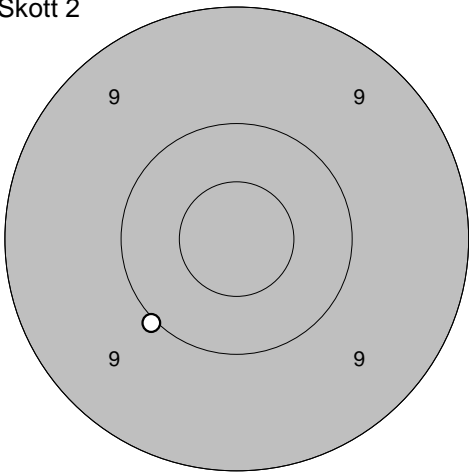
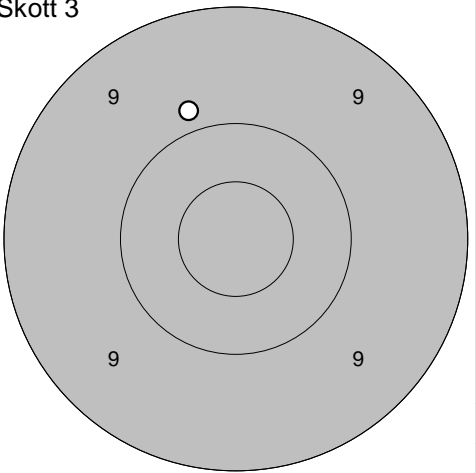


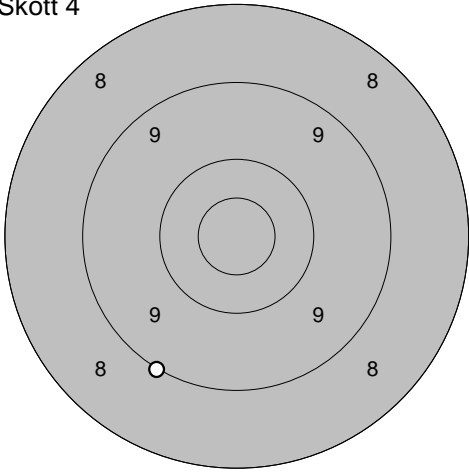
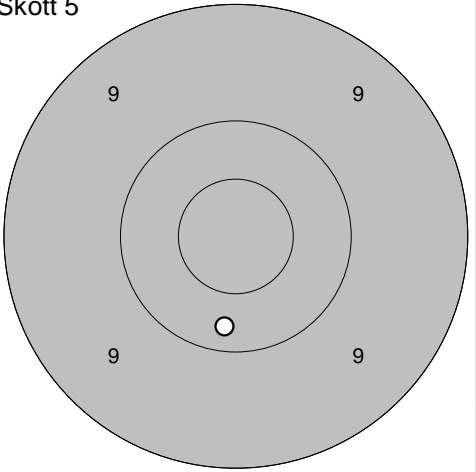
- 1: 9,9 ↙

Serie	9,0
Totalt	288,0

<p>Provskott</p> 	<p>1: 8,7 ↑ 2: 10,5* ← 3: 10,5* ←</p> <table border="1" style="width:100%; border-collapse: collapse;"> <tr><td>Serie</td><td style="text-align: right;">28,0</td></tr> <tr><td>Totalt</td><td style="text-align: right;">145,0</td></tr> </table>	Serie	28,0	Totalt	145,0	<p>Serie 1</p> 	<p>1: 10,7* ↖ 2: 10,4 → 3: 9,6 ↗ 4: 10,0 ↗ 5: 10,7* ↓</p> <table border="1" style="width:100%; border-collapse: collapse;"> <tr><td>Serie</td><td style="text-align: right;">49,0</td></tr> <tr><td>Totalt</td><td style="text-align: right;">194,0</td></tr> </table>	Serie	49,0	Totalt	194,0
Serie	28,0										
Totalt	145,0										
Serie	49,0										
Totalt	194,0										

<p>Serie 2</p> 	<p>1: 9,1 ↑ 2: 9,3 ↗ 3: 10,6* ↘ 4: 10,0 ↗ 5: 10,7* ↑</p> <table border="1" style="width:100%; border-collapse: collapse;"> <tr><td>Serie</td><td style="text-align: right;">48,0</td></tr> <tr><td>Totalt</td><td style="text-align: right;">242,0</td></tr> </table>	Serie	48,0	Totalt	242,0	<p>Skott 1</p> 	<p>1: 10,0 ↖</p> <table border="1" style="width:100%; border-collapse: collapse;"> <tr><td>Serie</td><td style="text-align: right;">10,0</td></tr> <tr><td>Totalt</td><td style="text-align: right;">252,0</td></tr> </table>	Serie	10,0	Totalt	252,0
Serie	48,0										
Totalt	242,0										
Serie	10,0										
Totalt	252,0										

<p>Skott 2</p> 	<p>1: 10,0 ↘</p> <table border="1" style="width:100%; border-collapse: collapse;"> <tr><td>Serie</td><td style="text-align: right;">10,0</td></tr> <tr><td>Totalt</td><td style="text-align: right;">262,0</td></tr> </table>	Serie	10,0	Totalt	262,0	<p>Skott 3</p> 	<p>1: 9,9 ↖</p> <table border="1" style="width:100%; border-collapse: collapse;"> <tr><td>Serie</td><td style="text-align: right;">9,0</td></tr> <tr><td>Totalt</td><td style="text-align: right;">271,0</td></tr> </table>	Serie	9,0	Totalt	271,0
Serie	10,0										
Totalt	262,0										
Serie	9,0										
Totalt	271,0										

<p>Skott 4</p> 	<p>1: 9,0 ↘</p> <table border="1" style="width:100%; border-collapse: collapse;"> <tr><td>Serie</td><td style="text-align: right;">9,0</td></tr> <tr><td>Totalt</td><td style="text-align: right;">280,0</td></tr> </table>	Serie	9,0	Totalt	280,0	<p>Skott 5</p> 	<p>1: 10,2 ↓</p> <table border="1" style="width:100%; border-collapse: collapse;"> <tr><td>Serie</td><td style="text-align: right;">10,0</td></tr> <tr><td>Totalt</td><td style="text-align: right;">290,0</td></tr> </table>	Serie	10,0	Totalt	290,0
Serie	9,0										
Totalt	280,0										
Serie	10,0										
Totalt	290,0										

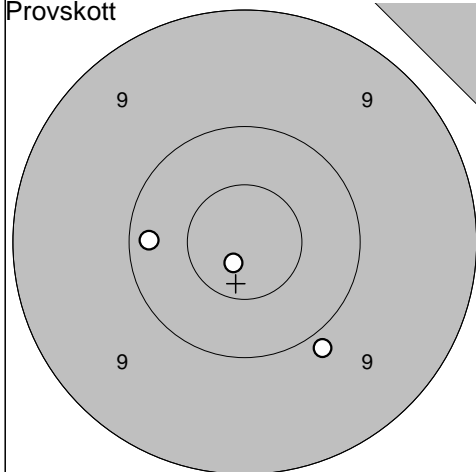
Loos

2012-07-08

Tavelträffen 2012 A Final

Ramselefors SKF

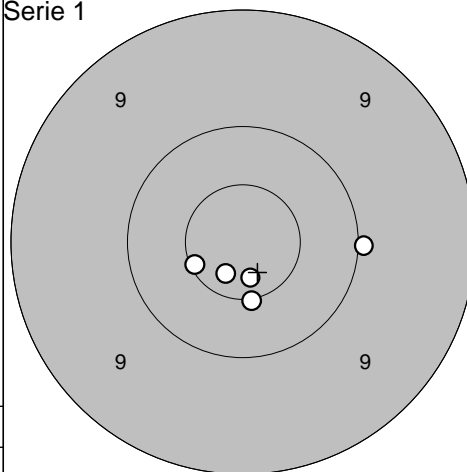
Provs-kott



1: 9,9 ↘
 2: 10,8* ↘
 3: 10,2 ←

Serie 29,0
 Totalt 145,0

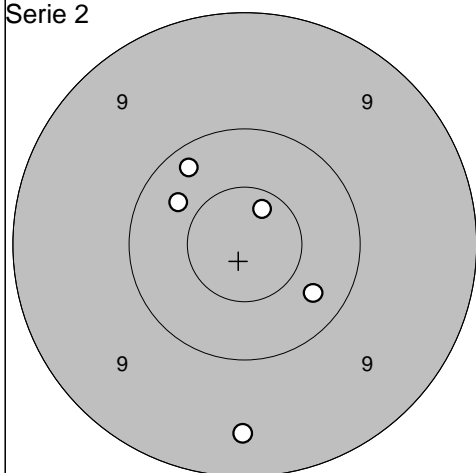
Serie 1



1: 10,0 →
 2: 10,7* ↓
 3: 10,5* ↓
 4: 10,7* ↓
 5: 10,6* ↙

Serie 50,0
 Totalt 195,0

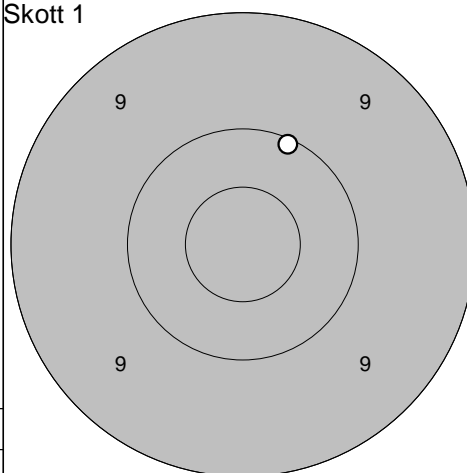
Serie 2



1: 10,4 ↗
 2: 9,4 ↓
 3: 10,3 ↘
 4: 10,7* ↗
 5: 10,2 ↗

Serie 49,0
 Totalt 244,0

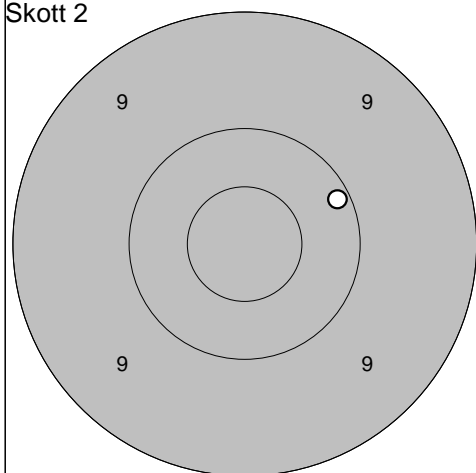
Skott 1



1: 10,1 ↗

Serie 10,0
 Totalt 254,0

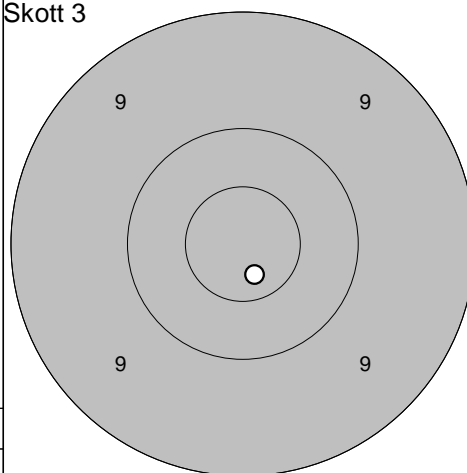
Skott 2



1: 10,1 ↗

Serie 10,0
 Totalt 264,0

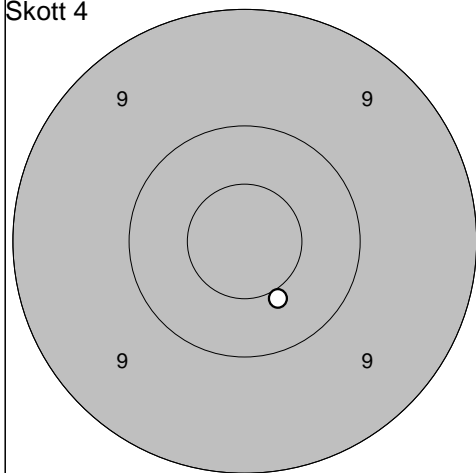
Skott 3



1: 10,7* ↓

Serie 10,0
 Totalt 274,0

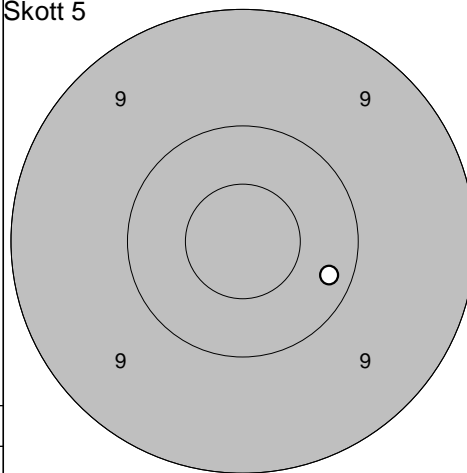
Skott 4



1: 10,5* ↓

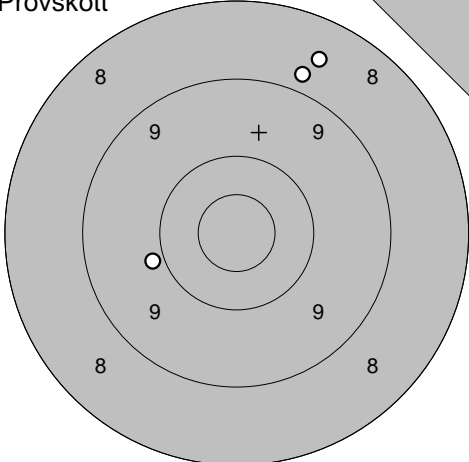
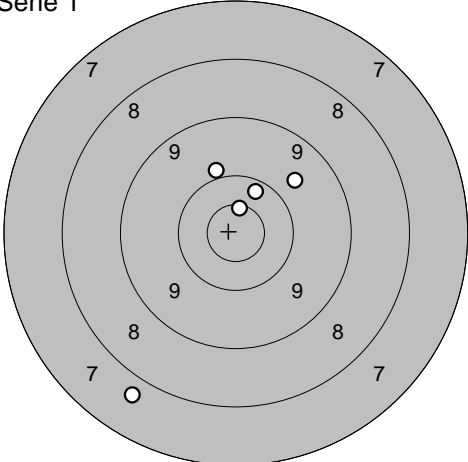
Serie 10,0
 Totalt 284,0

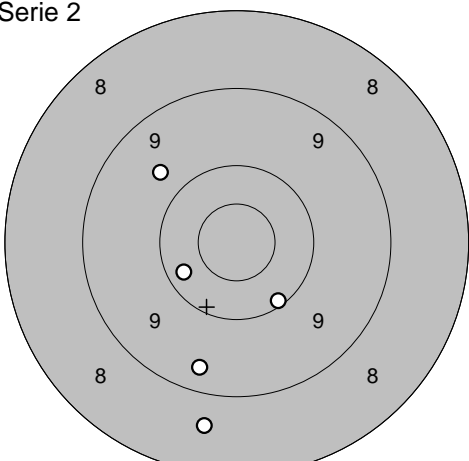
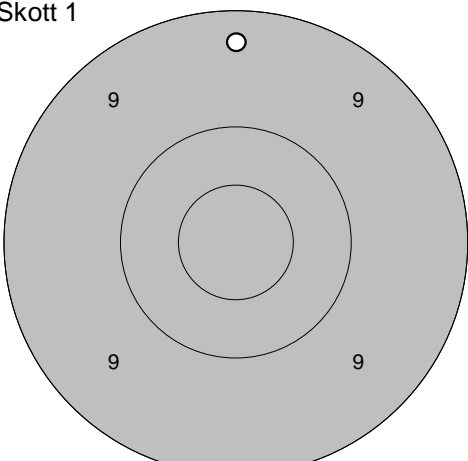
Skott 5

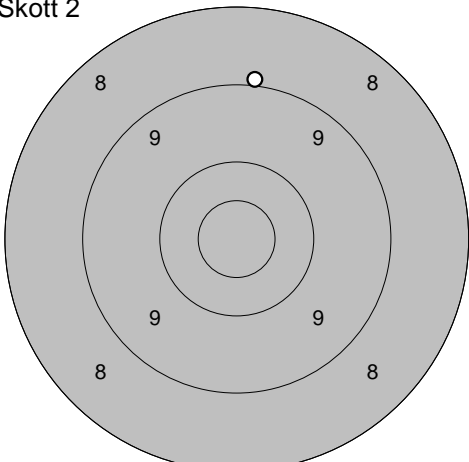
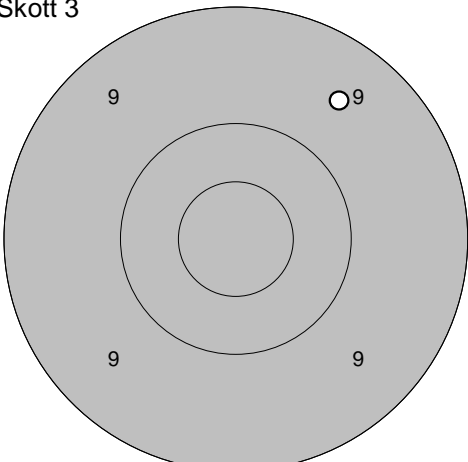


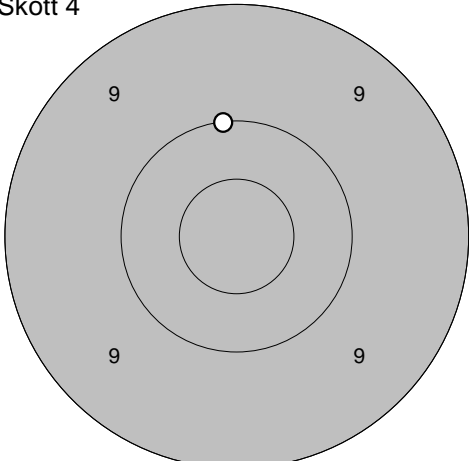
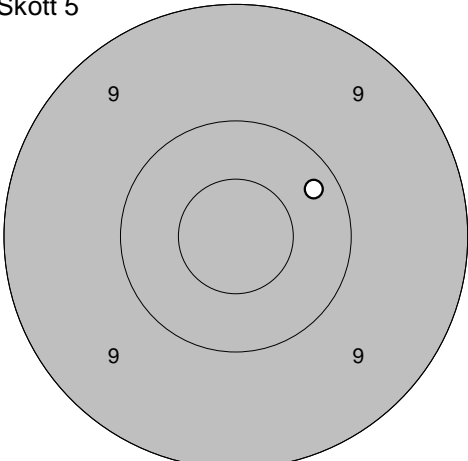
1: 10,2 ↗

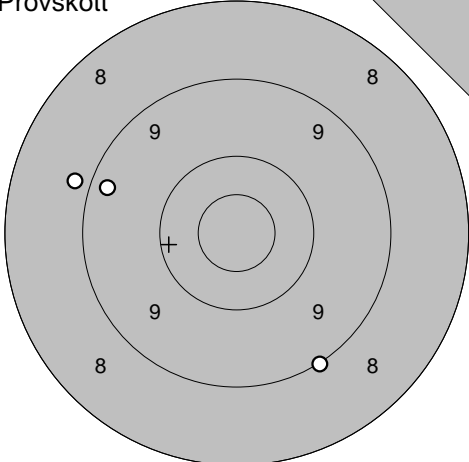
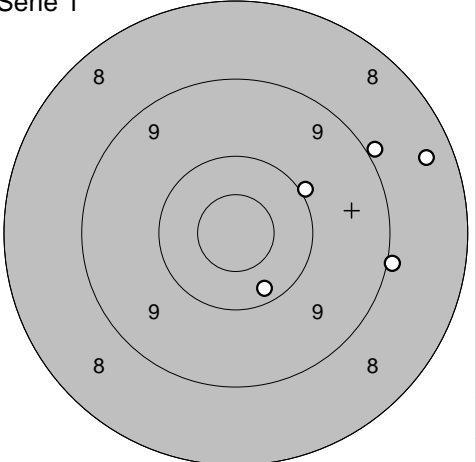
Serie 10,0
 Totalt 294,0

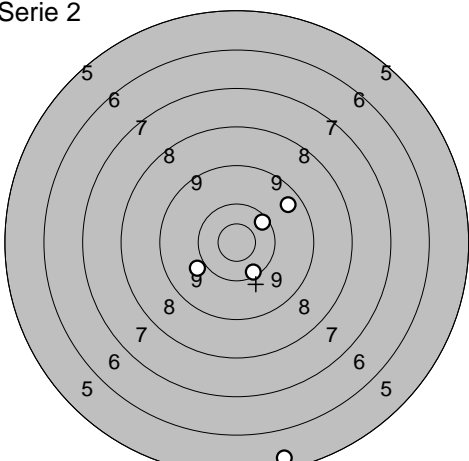
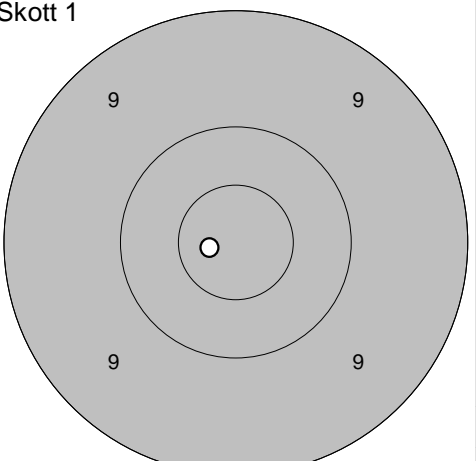
Provsnitt 	1: 9,9 ← 2: 8,8 ↑ 3: 8,6 ↑	Serie 1 	1: 9,7 ↗ 2: 10,7* ↑ 3: 10,0 ↖ 4: 10,3 ↑ 5: 7,8 ↘
Serie 25,0		Serie 46,0	
Totalt 141,0		Totalt 187,0	

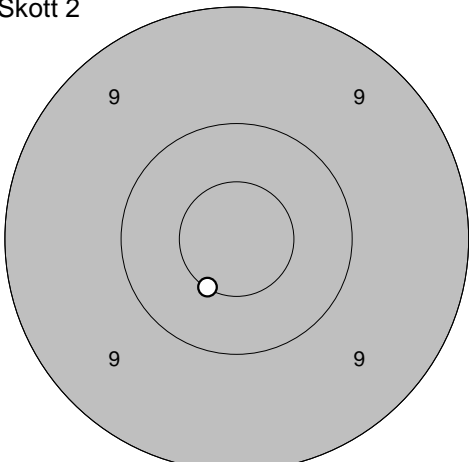
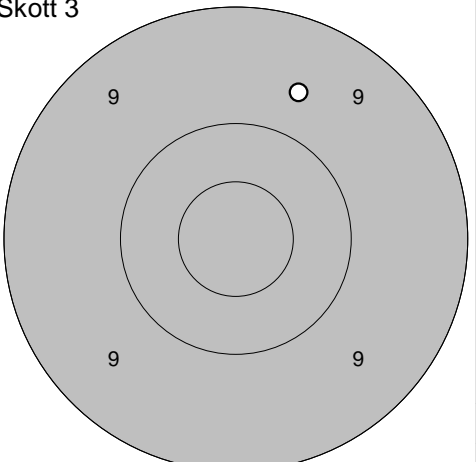
Serie 2 	1: 10,1 ↘ 2: 9,7 ↗ 3: 8,6 ↓ 4: 10,3 ↙ 5: 9,4 ↓	Skott 1 	1: 9,3 ↑
Serie 46,0		Serie 9,0	
Totalt 233,0		Totalt 242,0	

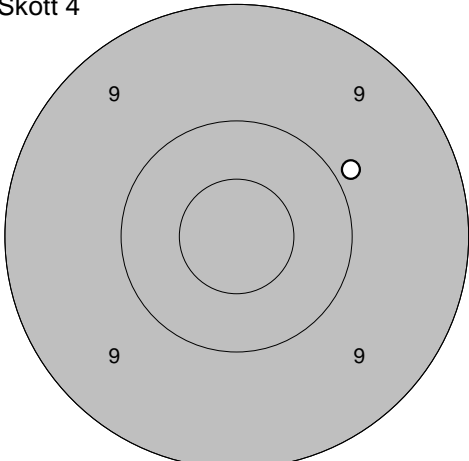
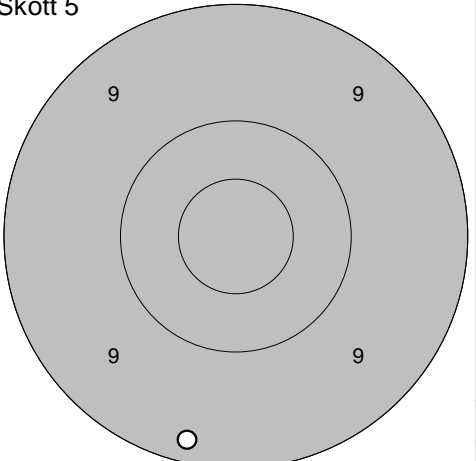
Skott 2 	1: 9,0 ↑	Skott 3 	1: 9,5 ↗
Serie 9,0		Serie 9,0	
Totalt 251,0		Totalt 260,0	

Skott 4 	1: 10,0 ↑	Skott 5 	1: 10,2 ↗
Serie 10,0		Serie 10,0	
Totalt 270,0		Totalt 280,0	

Provsnitt 	1: 8,9 ← 2: 9,3 ↖ 3: 9,0 ↘ Serie 26,0 Totalt 140,0	Serie 1 	1: 10,0 ↗ 2: 8,4 → 3: 9,0 ↗ 4: 9,0 → 5: 10,2 ↓ Serie 46,0 Totalt 186,0
--	--	--	--

Serie 2 	1: 9,9 ↖ 2: 9,5 ↗ 3: 5,4 ↓ 4: 10,3 ↓ 5: 10,3 ↗ Serie 43,0 Totalt 229,0	Skott 1 	1: 10,8* ← Serie 10,0 Totalt 239,0
---	--	---	--

Skott 2 	1: 10,5* ↘ Serie 10,0 Totalt 249,0	Skott 3 	1: 9,7 ↗ Serie 9,0 Totalt 258,0
--	--	--	---

Skott 4 	1: 9,9 ↗ Serie 9,0 Totalt 267,0	Skott 5 	1: 9,2 ↓ Serie 9,0 Totalt 276,0
--	---	--	---

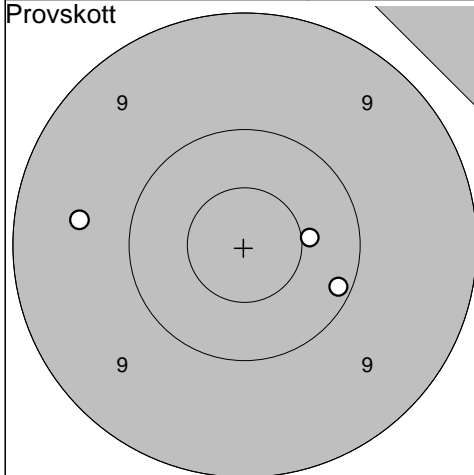
Bälunge-Jumkil

2012-07-08

Tavelträffen 2012 A Final

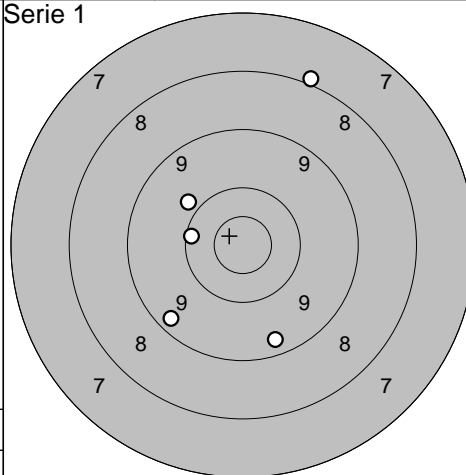
Ramselefors SKF

Provsrott



1: 10,1 →
 2: 9,6 ←
 3: 10,5* →

Serie 1

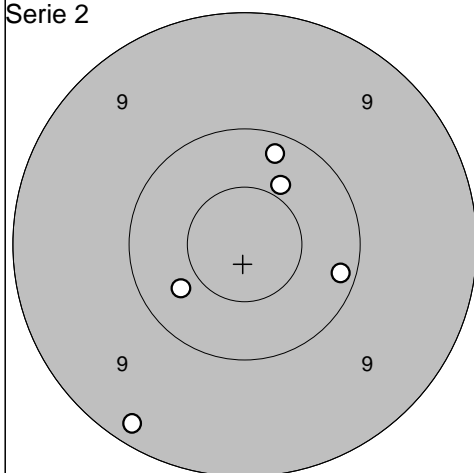


1: 10,2 ←
 2: 8,0 ↑
 3: 9,9 ↖
 4: 9,3 ↙
 5: 9,4 ↓

Serie 29,0
 Totalt 139,0

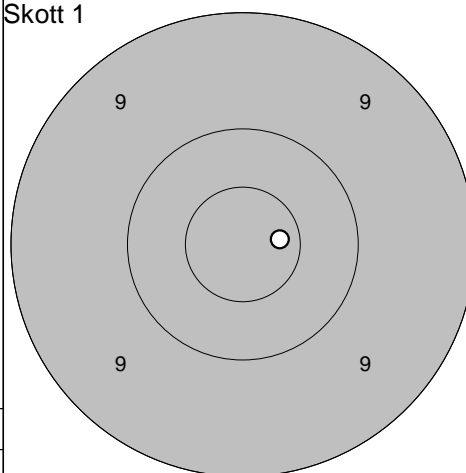
Serie 45,0
 Totalt 184,0

Serie 2



1: 10,2 →
 2: 9,2 ↙
 3: 10,2 ↑
 4: 10,4 ←
 5: 10,4 ↗

Skott 1

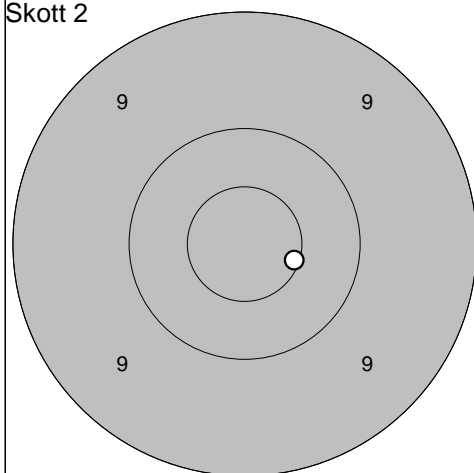


1: 10,7* →

Serie 49,0
 Totalt 233,0

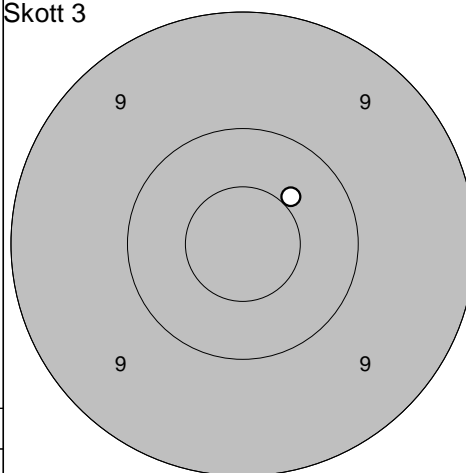
Serie 10,0
 Totalt 243,0

Skott 2



1: 10,6* →

Skott 3

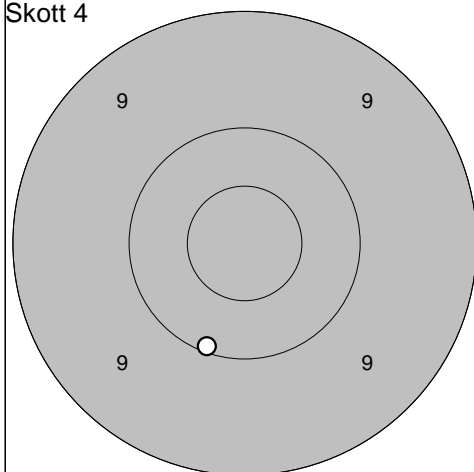


1: 10,4 ↗

Serie 10,0
 Totalt 253,0

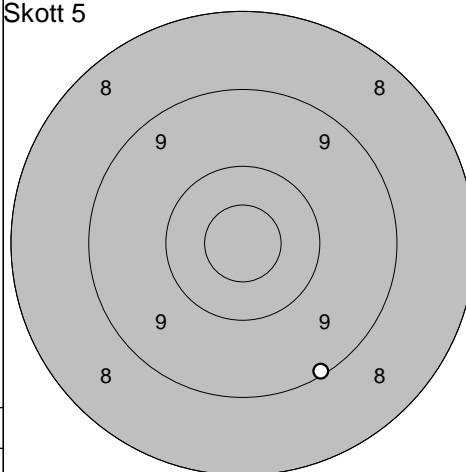
Serie 10,0
 Totalt 263,0

Skott 4



1: 10,1 ↓

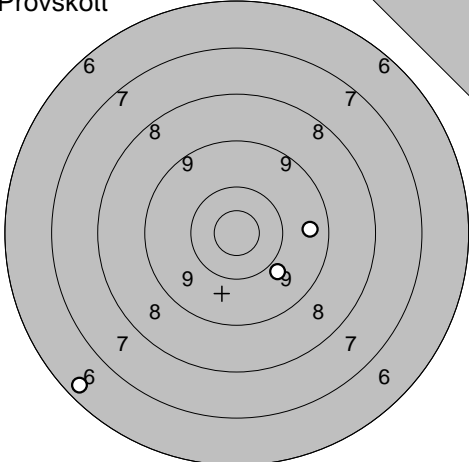
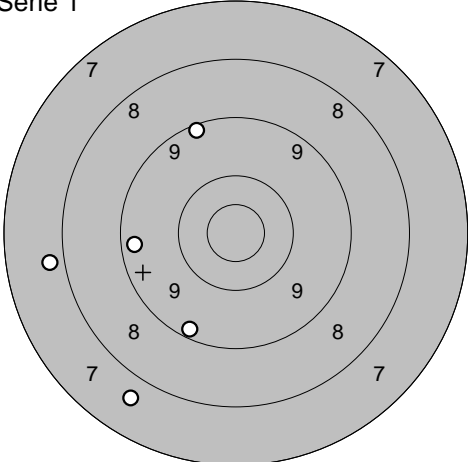
Skott 5

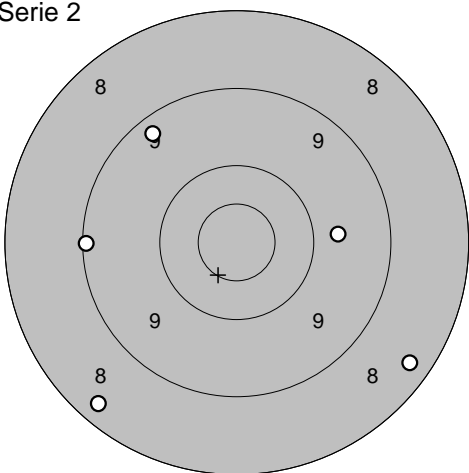
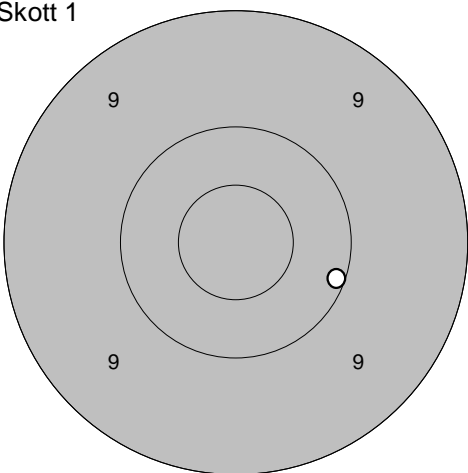


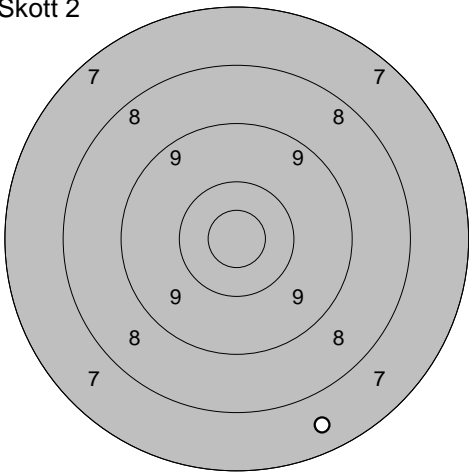
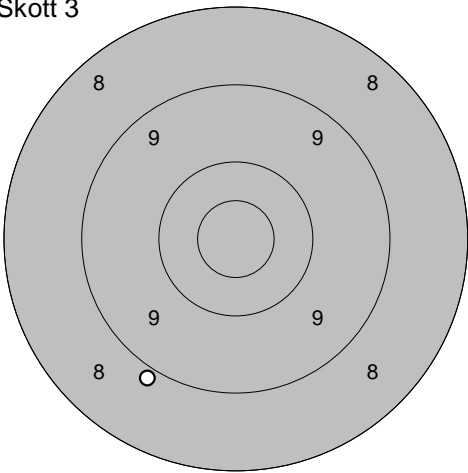
1: 9,1 ↓

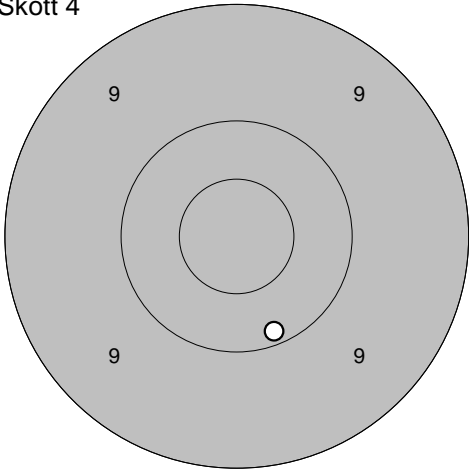
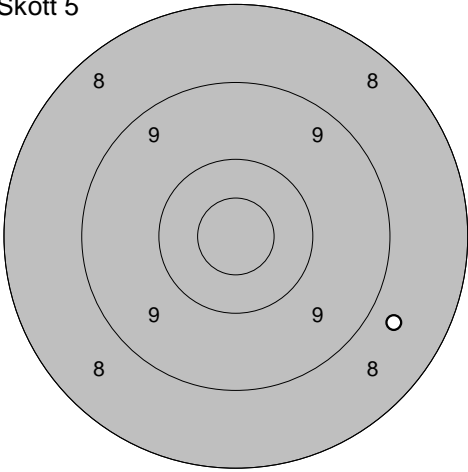
Serie 10,0
 Totalt 273,0

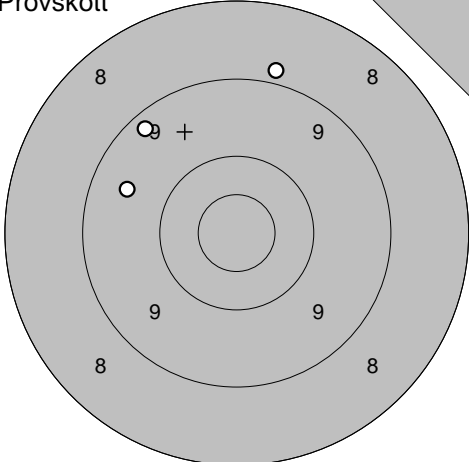
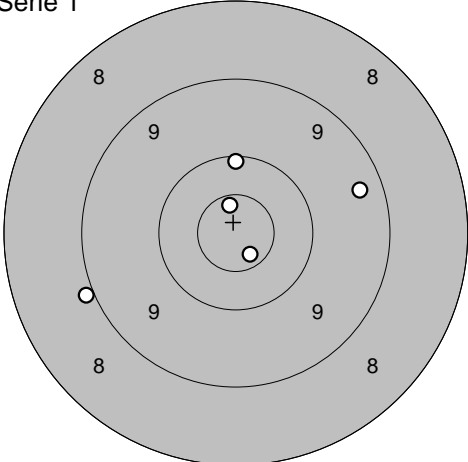
Serie 9,0
 Totalt 282,0

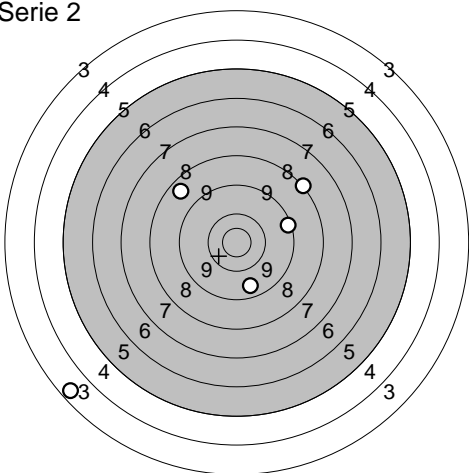
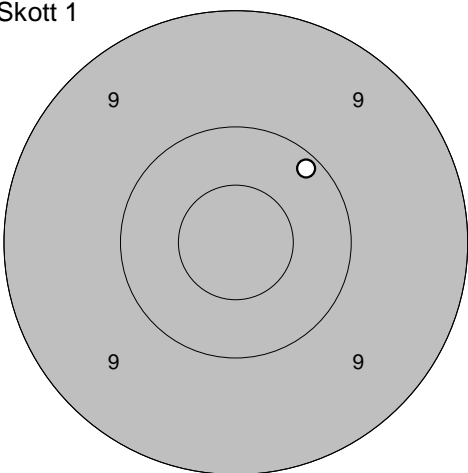
<p>Provsjött</p> 	<p>1: 9,5 → 2: 9,9 ↘ 3: 6,4 ↙</p> <table border="1" style="width:100%; border-collapse: collapse;"> <tr><td style="text-align: right;">Serie</td><td style="text-align: right;">24,0</td></tr> <tr><td style="text-align: right;">Totalt</td><td style="text-align: right;">135,0</td></tr> </table>	Serie	24,0	Totalt	135,0	<p>Serie 1</p> 	<p>1: 7,8 ← 2: 7,7 ↙ 3: 9,2 ↘ 4: 9,3 ← 5: 9,2 ↗</p> <table border="1" style="width:100%; border-collapse: collapse;"> <tr><td style="text-align: right;">Serie</td><td style="text-align: right;">41,0</td></tr> <tr><td style="text-align: right;">Totalt</td><td style="text-align: right;">176,0</td></tr> </table>	Serie	41,0	Totalt	176,0
Serie	24,0										
Totalt	135,0										
Serie	41,0										
Totalt	176,0										

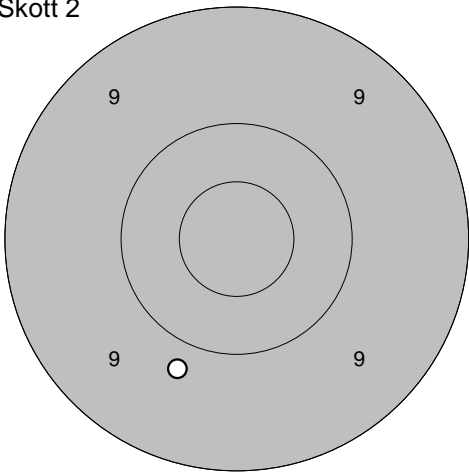
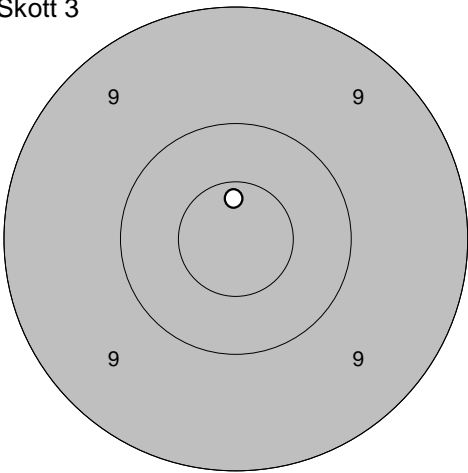
<p>Serie 2</p> 	<p>1: 9,3 ↗ 2: 9,1 ← 3: 8,3 ↘ 4: 8,3 ↘ 5: 9,7 →</p> <table border="1" style="width:100%; border-collapse: collapse;"> <tr><td style="text-align: right;">Serie</td><td style="text-align: right;">43,0</td></tr> <tr><td style="text-align: right;">Totalt</td><td style="text-align: right;">219,0</td></tr> </table>	Serie	43,0	Totalt	219,0	<p>Skott 1</p> 	<p>1: 10,1 →</p> <table border="1" style="width:100%; border-collapse: collapse;"> <tr><td style="text-align: right;">Serie</td><td style="text-align: right;">10,0</td></tr> <tr><td style="text-align: right;">Totalt</td><td style="text-align: right;">229,0</td></tr> </table>	Serie	10,0	Totalt	229,0
Serie	43,0										
Totalt	219,0										
Serie	10,0										
Totalt	229,0										

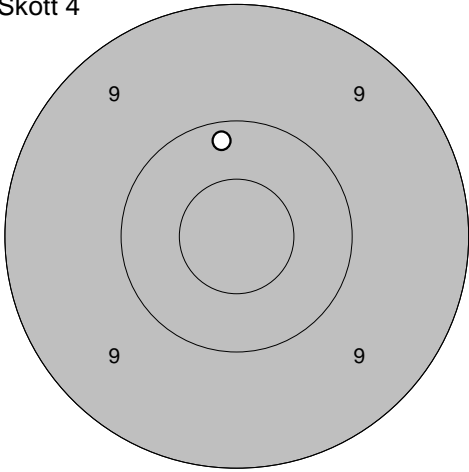
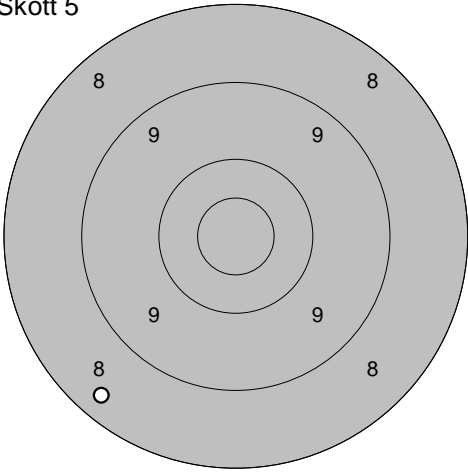
<p>Skott 2</p> 	<p>1: 7,5 ↘</p> <table border="1" style="width:100%; border-collapse: collapse;"> <tr><td style="text-align: right;">Serie</td><td style="text-align: right;">7,0</td></tr> <tr><td style="text-align: right;">Totalt</td><td style="text-align: right;">236,0</td></tr> </table>	Serie	7,0	Totalt	236,0	<p>Skott 3</p> 	<p>1: 8,9 ↘</p> <table border="1" style="width:100%; border-collapse: collapse;"> <tr><td style="text-align: right;">Serie</td><td style="text-align: right;">8,0</td></tr> <tr><td style="text-align: right;">Totalt</td><td style="text-align: right;">244,0</td></tr> </table>	Serie	8,0	Totalt	244,0
Serie	7,0										
Totalt	236,0										
Serie	8,0										
Totalt	244,0										

<p>Skott 4</p> 	<p>1: 10,1 ↘</p> <table border="1" style="width:100%; border-collapse: collapse;"> <tr><td style="text-align: right;">Serie</td><td style="text-align: right;">10,0</td></tr> <tr><td style="text-align: right;">Totalt</td><td style="text-align: right;">254,0</td></tr> </table>	Serie	10,0	Totalt	254,0	<p>Skott 5</p> 	<p>1: 8,7 →</p> <table border="1" style="width:100%; border-collapse: collapse;"> <tr><td style="text-align: right;">Serie</td><td style="text-align: right;">8,0</td></tr> <tr><td style="text-align: right;">Totalt</td><td style="text-align: right;">262,0</td></tr> </table>	Serie	8,0	Totalt	262,0
Serie	10,0										
Totalt	254,0										
Serie	8,0										
Totalt	262,0										

<p>Provsrott</p> 	<p>1: 9,3 ↗ 2: 8,9 ↑ 3: 9,5 ↖</p> <table border="1" style="width:100%; border-collapse: collapse;"> <tr><td>Serie</td><td style="text-align: right;">26,0</td></tr> <tr><td>Totalt</td><td style="text-align: right;">134,0</td></tr> </table>	Serie	26,0	Totalt	134,0	<p>Serie 1</p> 	<p>1: 9,4 → 2: 10,1 ↑ 3: 10,7* ↘ 4: 10,7* ↑ 5: 9,0 ↖</p> <table border="1" style="width:100%; border-collapse: collapse;"> <tr><td>Serie</td><td style="text-align: right;">48,0</td></tr> <tr><td>Totalt</td><td style="text-align: right;">182,0</td></tr> </table>	Serie	48,0	Totalt	182,0
Serie	26,0										
Totalt	134,0										
Serie	48,0										
Totalt	182,0										

<p>Serie 2</p> 	<p>1: 9,6 ↓ 2: 8,2 ↗ 3: 9,3 → 4: 8,6 ↖ 5: 3,5 ↙</p> <table border="1" style="width:100%; border-collapse: collapse;"> <tr><td>Serie</td><td style="text-align: right;">37,0</td></tr> <tr><td>Totalt</td><td style="text-align: right;">219,0</td></tr> </table>	Serie	37,0	Totalt	219,0	<p>Skott 1</p> 	<p>1: 10,2 ↗</p> <table border="1" style="width:100%; border-collapse: collapse;"> <tr><td>Serie</td><td style="text-align: right;">10,0</td></tr> <tr><td>Totalt</td><td style="text-align: right;">229,0</td></tr> </table>	Serie	10,0	Totalt	229,0
Serie	37,0										
Totalt	219,0										
Serie	10,0										
Totalt	229,0										

<p>Skott 2</p> 	<p>1: 9,8 ↓</p> <table border="1" style="width:100%; border-collapse: collapse;"> <tr><td>Serie</td><td style="text-align: right;">9,0</td></tr> <tr><td>Totalt</td><td style="text-align: right;">238,0</td></tr> </table>	Serie	9,0	Totalt	238,0	<p>Skott 3</p> 	<p>1: 10,7* ↑</p> <table border="1" style="width:100%; border-collapse: collapse;"> <tr><td>Serie</td><td style="text-align: right;">10,0</td></tr> <tr><td>Totalt</td><td style="text-align: right;">248,0</td></tr> </table>	Serie	10,0	Totalt	248,0
Serie	9,0										
Totalt	238,0										
Serie	10,0										
Totalt	248,0										

<p>Skott 4</p> 	<p>1: 10,2 ↑</p> <table border="1" style="width:100%; border-collapse: collapse;"> <tr><td>Serie</td><td style="text-align: right;">10,0</td></tr> <tr><td>Totalt</td><td style="text-align: right;">258,0</td></tr> </table>	Serie	10,0	Totalt	258,0	<p>Skott 5</p> 	<p>1: 8,4 ↙</p> <table border="1" style="width:100%; border-collapse: collapse;"> <tr><td>Serie</td><td style="text-align: right;">8,0</td></tr> <tr><td>Totalt</td><td style="text-align: right;">266,0</td></tr> </table>	Serie	8,0	Totalt	266,0
Serie	10,0										
Totalt	258,0										
Serie	8,0										
Totalt	266,0										

Ale

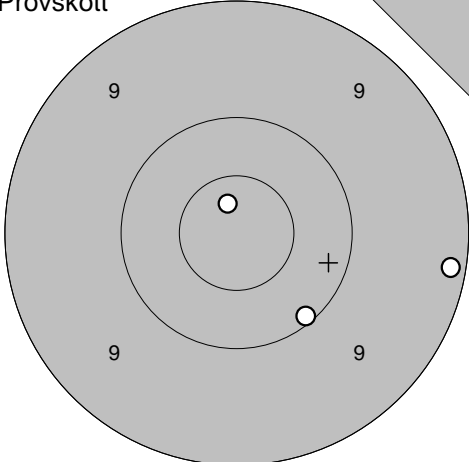
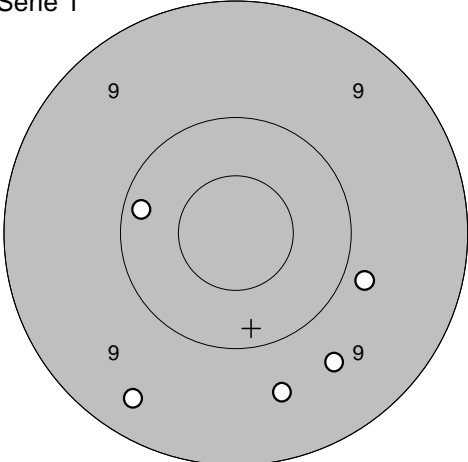
2012-07-08	Tavelträffen 2012 A Final	Ramselefors SKF
------------	---------------------------	-----------------

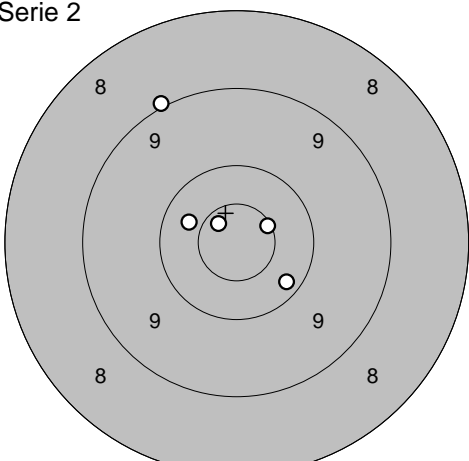
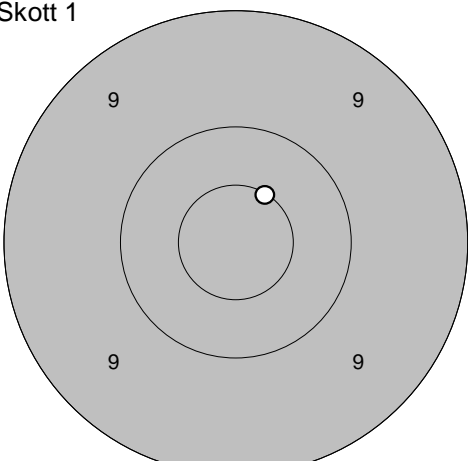
<p>Provsrott</p>	<p>1: 9,2 ↘ 2: 10,4 → 3: 10,2 →</p> <hr/> <p>Serie 29,0</p> <hr/> <p>Totalt 147,0</p>	<p>Serie 1</p>	<p>1: 10,4 ↘ 2: 10,6* → 3: 10,6* ↙ 4: 10,0 ↗ 5: 9,8 ←</p> <hr/> <p>Serie 49,0</p> <hr/> <p>Totalt 196,0</p>
------------------	---	----------------	---

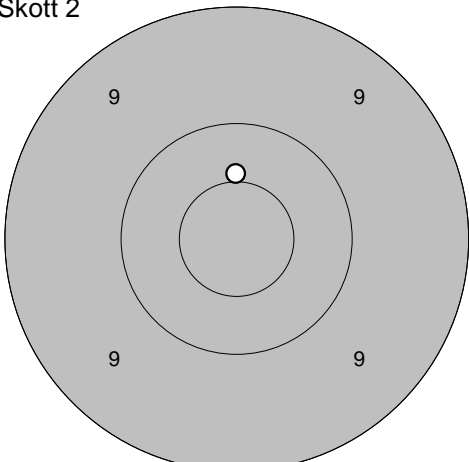
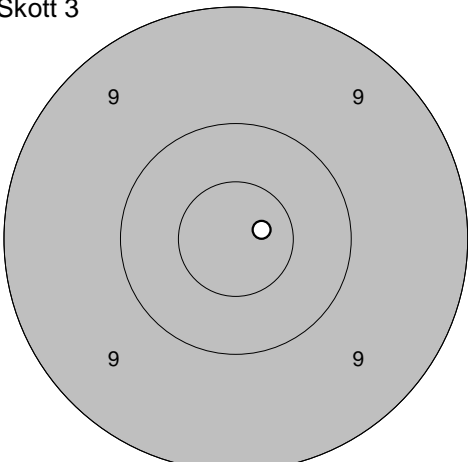
<p>Serie 2</p>	<p>1: 10,2 ↙ 2: 10,8* ↘ 3: 10,5* ↗ 4: 10,7* ← 5: 10,6* ↘</p> <hr/> <p>Serie 50,0</p> <hr/> <p>Totalt 246,0</p>	<p>Skott 1</p>	<p>1: 10,1 ↙</p> <hr/> <p>Serie 10,0</p> <hr/> <p>Totalt 256,0</p>
----------------	--	----------------	--

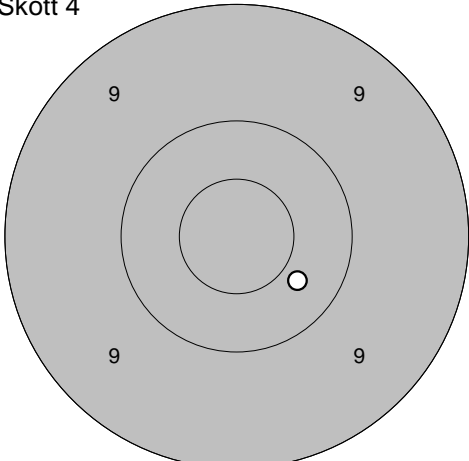
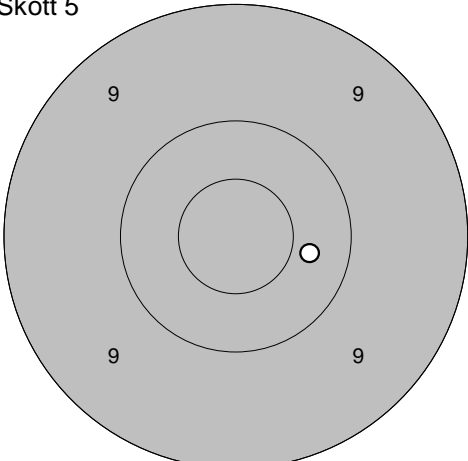
<p>Skott 2</p>	<p>1: 10,4 ↗</p> <hr/> <p>Serie 10,0</p> <hr/> <p>Totalt 266,0</p>	<p>Skott 3</p>	<p>1: 10,4 ↑</p> <hr/> <p>Serie 10,0</p> <hr/> <p>Totalt 276,0</p>
----------------	--	----------------	--

<p>Skott 4</p>	<p>1: 10,7* ↑</p> <hr/> <p>Serie 10,0</p> <hr/> <p>Totalt 286,0</p>	<p>Skott 5</p>	<p>1: 10,5* ↗</p> <hr/> <p>Serie 10,0</p> <hr/> <p>Totalt 296,0</p>
----------------	---	----------------	---

Provsnitt 	1: 9,2 → 2: 10,8* ↗ 3: 10,1 ↘ <hr/> Serie 29,0 Totalt 146,0	Serie 1 	1: 9,8 → 2: 9,4 ↘ 3: 9,6 ↘ 4: 9,6 ↘ 5: 10,2 ← <hr/> Serie 46,0 Totalt 192,0
---	---	---	---

Serie 2 	1: 9,0 ↗ 2: 10,7* ↗ 3: 10,6* → 4: 10,2 ↘ 5: 10,4 ↖ <hr/> Serie 49,0 Totalt 241,0	Skott 1 	1: 10,5* ↗ <hr/> Serie 10,0 Totalt 251,0
--	--	--	--

Skott 2 	1: 10,5* ↑ <hr/> Serie 10,0 Totalt 261,0	Skott 3 	1: 10,8* → <hr/> Serie 10,0 Totalt 271,0
---	--	---	--

Skott 4 	1: 10,4 ↘ <hr/> Serie 10,0 Totalt 281,0	Skott 5 	1: 10,4 → <hr/> Serie 10,0 Totalt 291,0
---	---	---	---

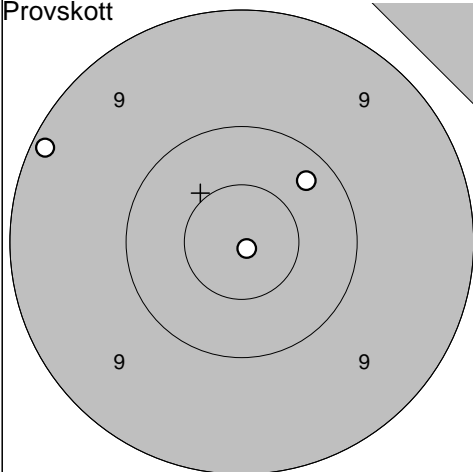
Frötuna

2012-07-08

Tavelträffen 2012 A Final

Ramselefors SKF

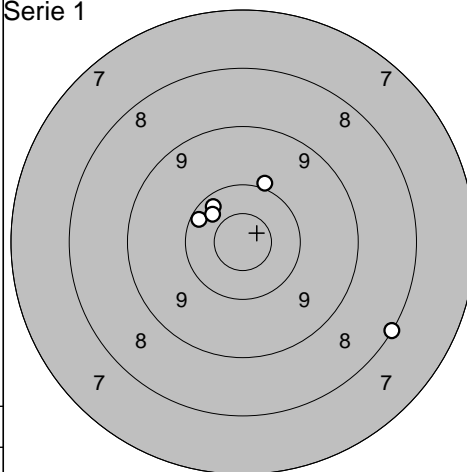
Provs-kott



1: 10,3 ↗
 2: 9,2 ↖
 3: 10,9* ↘

Serie 29,0
 Totalt 146,0

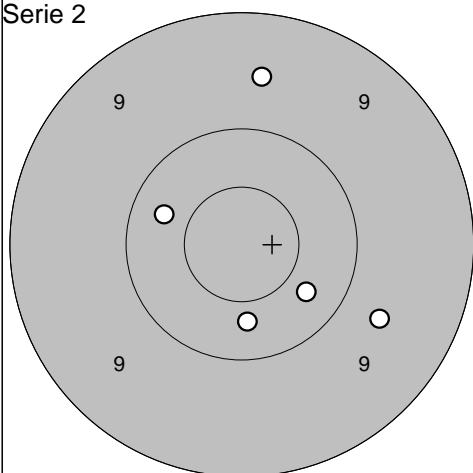
Serie 1



1: 10,3 ↗
 2: 10,0 ↗
 3: 8,1 ↘
 4: 10,2 ↗
 5: 10,4 ↗

Serie 48,0
 Totalt 194,0

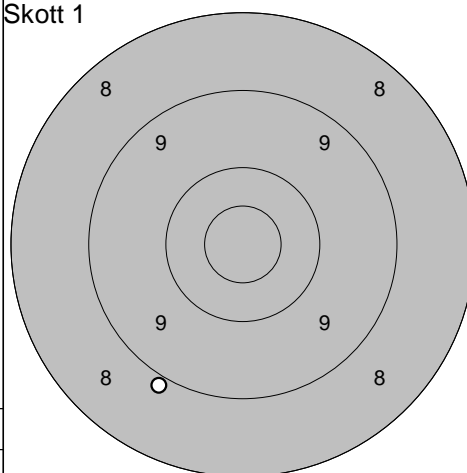
Serie 2



1: 9,6 ↑
 2: 9,7 ↘
 3: 10,3 ↘
 4: 10,4 ↓
 5: 10,3 ↖

Serie 48,0
 Totalt 242,0

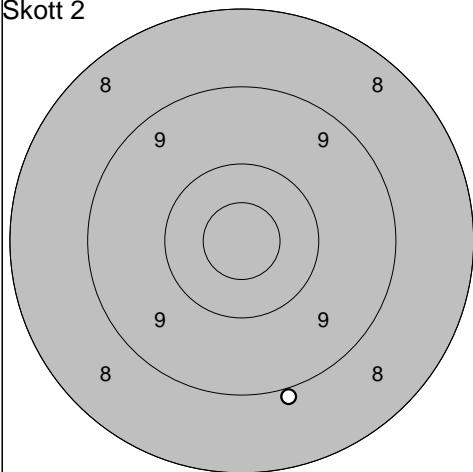
Skott 1



1: 8,9 ↘

Serie 8,0
 Totalt 250,0

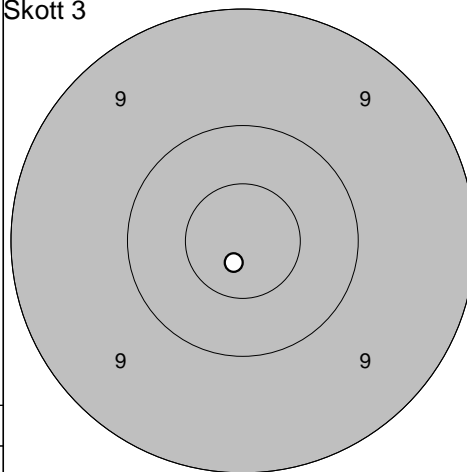
Skott 2



1: 8,9 ↓

Serie 8,0
 Totalt 258,0

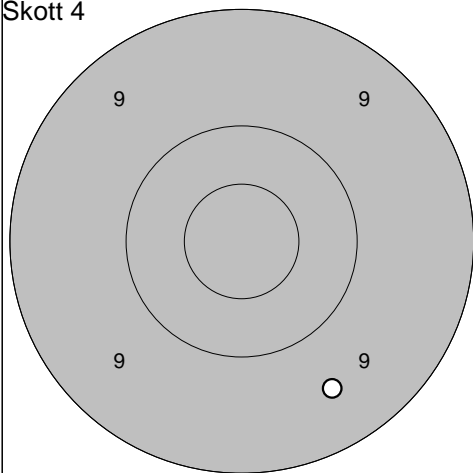
Skott 3



1: 10,8* ↘

Serie 10,0
 Totalt 268,0

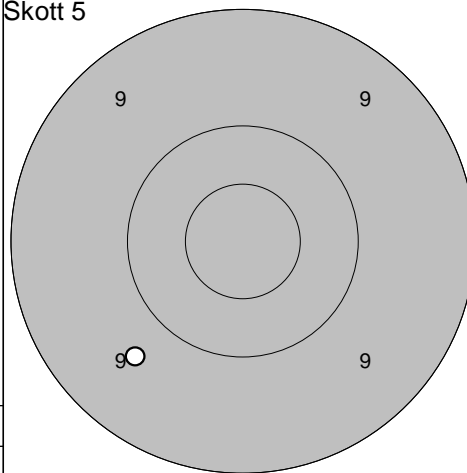
Skott 4



1: 9,5 ↘

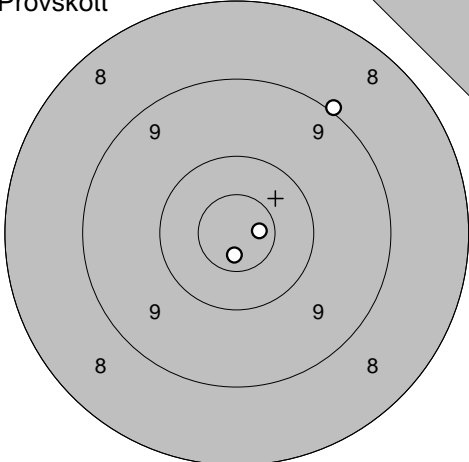
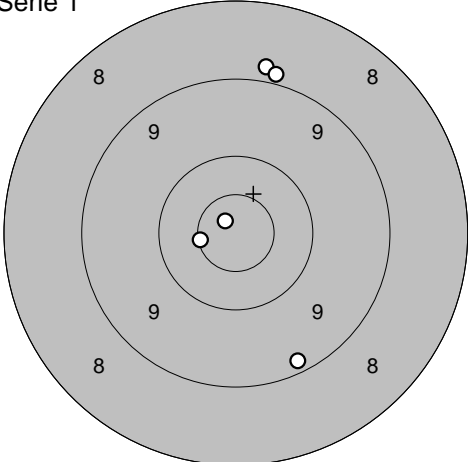
Serie 9,0
 Totalt 277,0

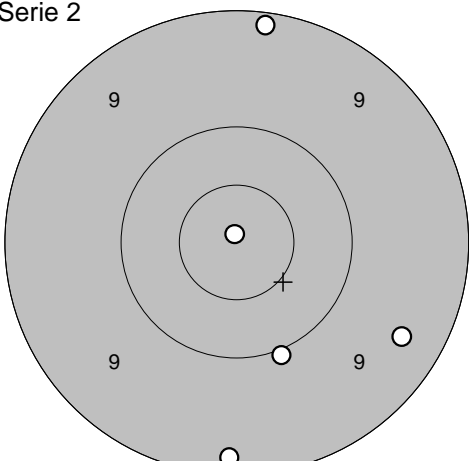
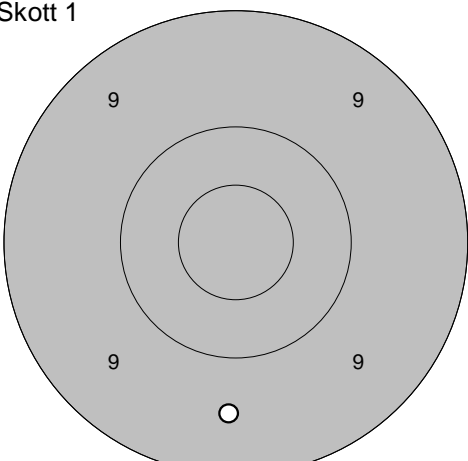
Skott 5

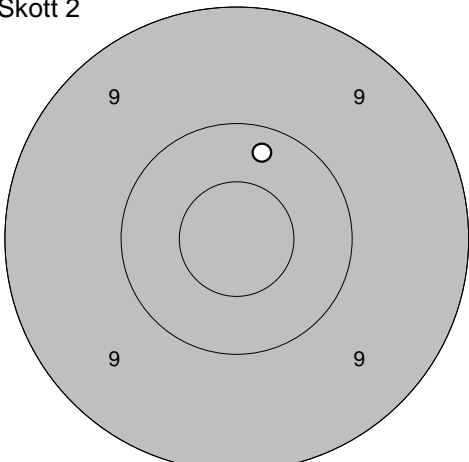
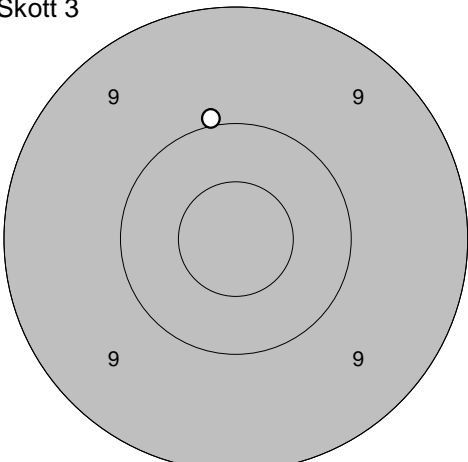


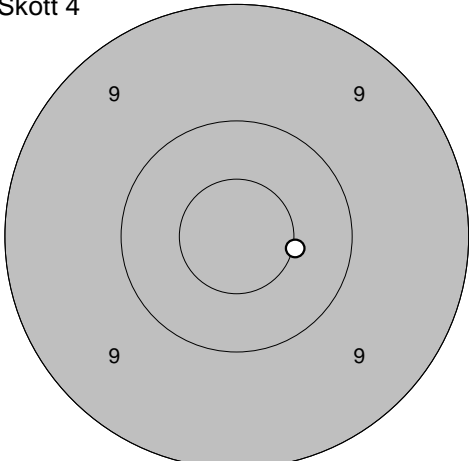
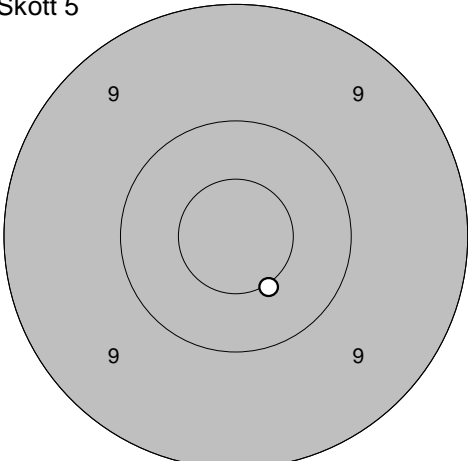
1: 9,7 ↘

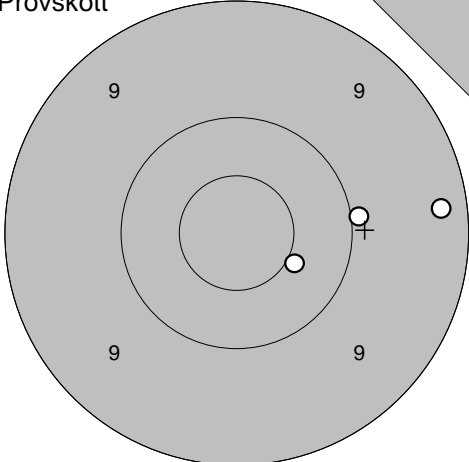
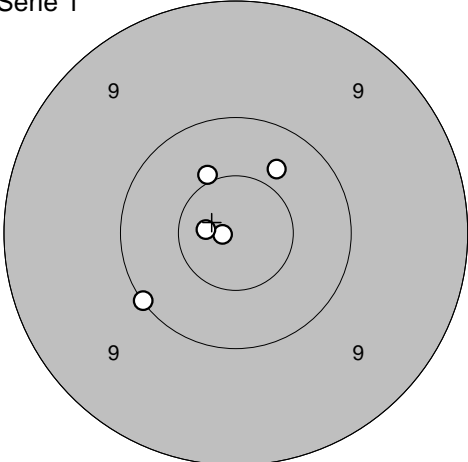
Serie 9,0
 Totalt 286,0

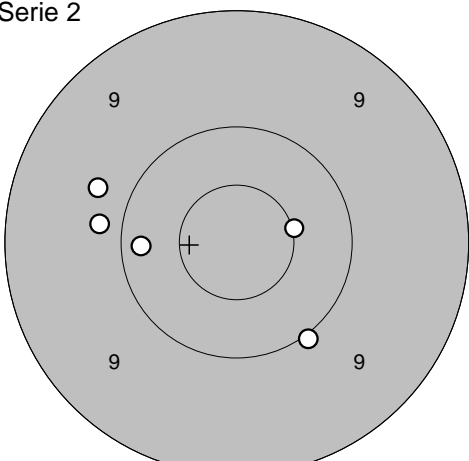
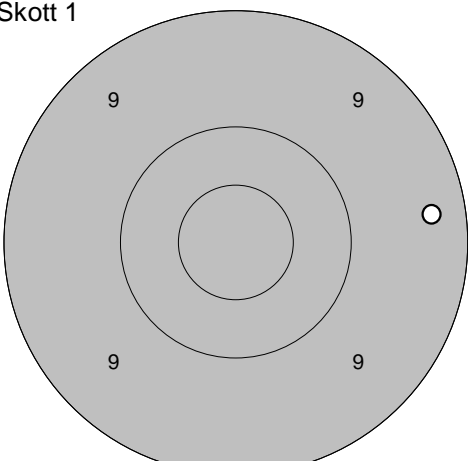
<p>Provsrott</p> 	<p>1: 9,0 ↗ 2: 10,7* → 3: 10,8* ↓</p> <table border="1" style="width:100%; border-collapse: collapse;"> <tr><td style="text-align: right;">Serie</td><td style="text-align: right;">29,0</td></tr> <tr><td style="text-align: right;">Totalt</td><td style="text-align: right;">145,0</td></tr> </table>	Serie	29,0	Totalt	145,0	<p>Serie 1</p> 	<p>1: 8,9 ↑ 2: 8,9 ↑ 3: 10,8* ↗ 4: 10,6* ← 5: 9,2 ↓</p> <table border="1" style="width:100%; border-collapse: collapse;"> <tr><td style="text-align: right;">Serie</td><td style="text-align: right;">45,0</td></tr> <tr><td style="text-align: right;">Totalt</td><td style="text-align: right;">190,0</td></tr> </table>	Serie	45,0	Totalt	190,0
Serie	29,0										
Totalt	145,0										
Serie	45,0										
Totalt	190,0										

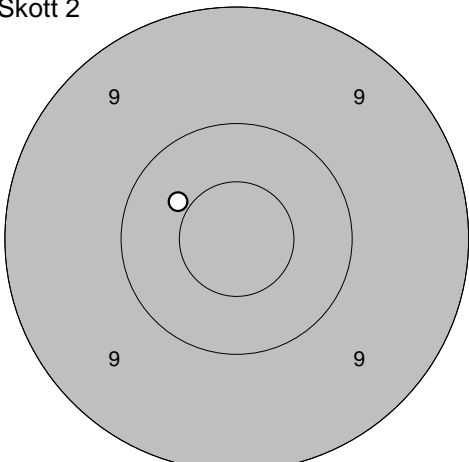
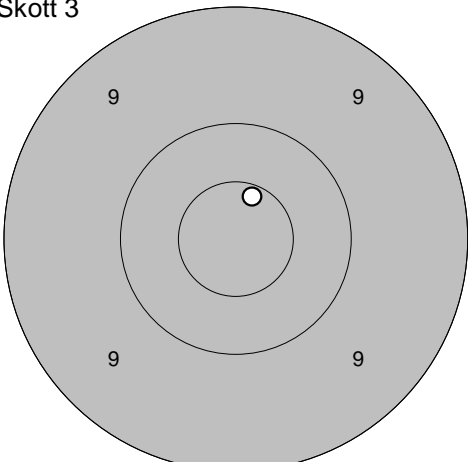
<p>Serie 2</p> 	<p>1: 9,2 ↓ 2: 9,4 ↘ 3: 10,0 ↓ 4: 10,9* ↑ 5: 9,1 ↑</p> <table border="1" style="width:100%; border-collapse: collapse;"> <tr><td style="text-align: right;">Serie</td><td style="text-align: right;">47,0</td></tr> <tr><td style="text-align: right;">Totalt</td><td style="text-align: right;">237,0</td></tr> </table>	Serie	47,0	Totalt	237,0	<p>Skott 1</p> 	<p>1: 9,6 ↓</p> <table border="1" style="width:100%; border-collapse: collapse;"> <tr><td style="text-align: right;">Serie</td><td style="text-align: right;">9,0</td></tr> <tr><td style="text-align: right;">Totalt</td><td style="text-align: right;">246,0</td></tr> </table>	Serie	9,0	Totalt	246,0
Serie	47,0										
Totalt	237,0										
Serie	9,0										
Totalt	246,0										

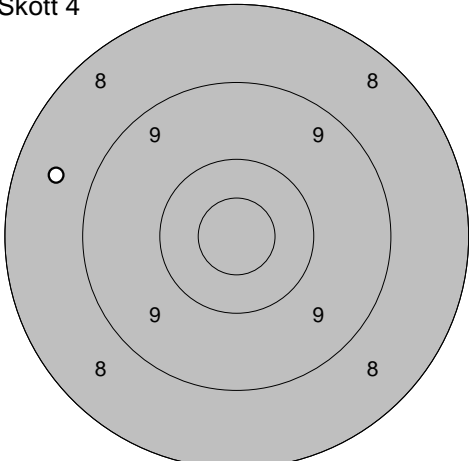
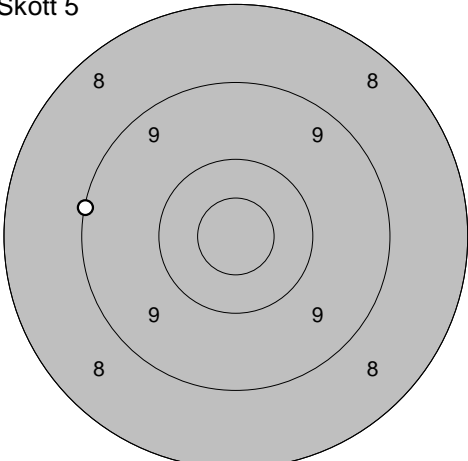
<p>Skott 2</p> 	<p>1: 10,3 ↑</p> <table border="1" style="width:100%; border-collapse: collapse;"> <tr><td style="text-align: right;">Serie</td><td style="text-align: right;">10,0</td></tr> <tr><td style="text-align: right;">Totalt</td><td style="text-align: right;">256,0</td></tr> </table>	Serie	10,0	Totalt	256,0	<p>Skott 3</p> 	<p>1: 10,0 ↑</p> <table border="1" style="width:100%; border-collapse: collapse;"> <tr><td style="text-align: right;">Serie</td><td style="text-align: right;">10,0</td></tr> <tr><td style="text-align: right;">Totalt</td><td style="text-align: right;">266,0</td></tr> </table>	Serie	10,0	Totalt	266,0
Serie	10,0										
Totalt	256,0										
Serie	10,0										
Totalt	266,0										

<p>Skott 4</p> 	<p>1: 10,5* →</p> <table border="1" style="width:100%; border-collapse: collapse;"> <tr><td style="text-align: right;">Serie</td><td style="text-align: right;">10,0</td></tr> <tr><td style="text-align: right;">Totalt</td><td style="text-align: right;">276,0</td></tr> </table>	Serie	10,0	Totalt	276,0	<p>Skott 5</p> 	<p>1: 10,5* ↓</p> <table border="1" style="width:100%; border-collapse: collapse;"> <tr><td style="text-align: right;">Serie</td><td style="text-align: right;">10,0</td></tr> <tr><td style="text-align: right;">Totalt</td><td style="text-align: right;">286,0</td></tr> </table>	Serie	10,0	Totalt	286,0
Serie	10,0										
Totalt	276,0										
Serie	10,0										
Totalt	286,0										

<p>Provskott</p> 	<p>1: 9,3 → 2: 10,0 → 3: 10,5* ↘</p> <table border="1" style="width:100%; border-collapse: collapse;"> <tr><td>Serie</td><td style="text-align: right;">29,0</td></tr> <tr><td>Totalt</td><td style="text-align: right;">144,0</td></tr> </table>	Serie	29,0	Totalt	144,0	<p>Serie 1</p>  <p>1: 10,4 ↗ 2: 10,5* ↖ 3: 10,0 ↙ 4: 10,9* ← 5: 10,8* ←</p> <table border="1" style="width:100%; border-collapse: collapse;"> <tr><td>Serie</td><td style="text-align: right;">50,0</td></tr> <tr><td>Totalt</td><td style="text-align: right;">194,0</td></tr> </table>	Serie	50,0	Totalt	194,0
Serie	29,0									
Totalt	144,0									
Serie	50,0									
Totalt	194,0									

<p>Serie 2</p> 	<p>1: 9,8 ← 2: 9,8 ↖ 3: 10,0 ↙ 4: 10,5* → 5: 10,2 ←</p> <table border="1" style="width:100%; border-collapse: collapse;"> <tr><td>Serie</td><td style="text-align: right;">48,0</td></tr> <tr><td>Totalt</td><td style="text-align: right;">242,0</td></tr> </table>	Serie	48,0	Totalt	242,0	<p>Skott 1</p>  <p>1: 9,3 →</p> <table border="1" style="width:100%; border-collapse: collapse;"> <tr><td>Serie</td><td style="text-align: right;">9,0</td></tr> <tr><td>Totalt</td><td style="text-align: right;">251,0</td></tr> </table>	Serie	9,0	Totalt	251,0
Serie	48,0									
Totalt	242,0									
Serie	9,0									
Totalt	251,0									

<p>Skott 2</p> 	<p>1: 10,4 ↖</p> <table border="1" style="width:100%; border-collapse: collapse;"> <tr><td>Serie</td><td style="text-align: right;">10,0</td></tr> <tr><td>Totalt</td><td style="text-align: right;">261,0</td></tr> </table>	Serie	10,0	Totalt	261,0	<p>Skott 3</p>  <p>1: 10,6* ↗</p> <table border="1" style="width:100%; border-collapse: collapse;"> <tr><td>Serie</td><td style="text-align: right;">10,0</td></tr> <tr><td>Totalt</td><td style="text-align: right;">271,0</td></tr> </table>	Serie	10,0	Totalt	271,0
Serie	10,0									
Totalt	261,0									
Serie	10,0									
Totalt	271,0									

<p>Skott 4</p> 	<p>1: 8,6 ←</p> <table border="1" style="width:100%; border-collapse: collapse;"> <tr><td>Serie</td><td style="text-align: right;">8,0</td></tr> <tr><td>Totalt</td><td style="text-align: right;">279,0</td></tr> </table>	Serie	8,0	Totalt	279,0	<p>Skott 5</p>  <p>1: 9,1 ←</p> <table border="1" style="width:100%; border-collapse: collapse;"> <tr><td>Serie</td><td style="text-align: right;">9,0</td></tr> <tr><td>Totalt</td><td style="text-align: right;">288,0</td></tr> </table>	Serie	9,0	Totalt	288,0
Serie	8,0									
Totalt	279,0									
Serie	9,0									
Totalt	288,0									

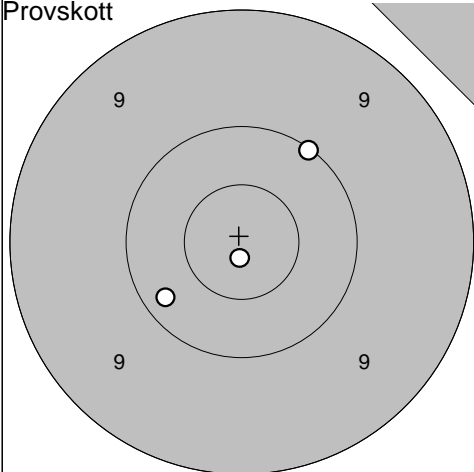
S 3

2012-07-08

Tavelträffen 2012 A Final

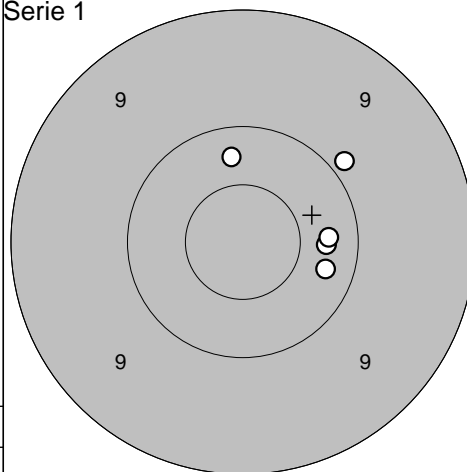
Ramselefors SKF

Provskott



1: 10,1 ↗
2: 10,2 ↙
3: 10,9* ↓

Serie 1

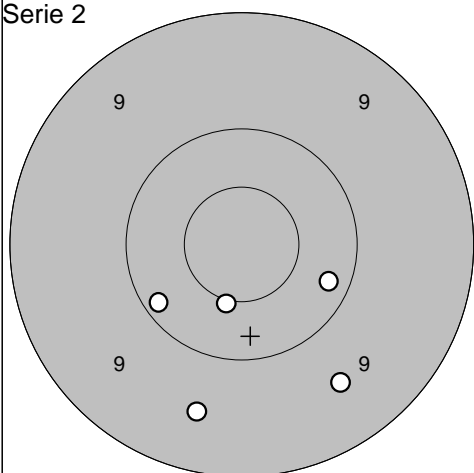


1: 9,9 ↗
2: 10,3 →
3: 10,3 →
4: 10,3 →
5: 10,3 ↑

Serie	30,0
Totalt	144,0

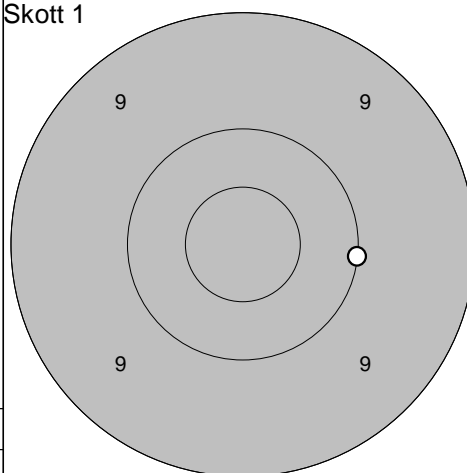
Serie	49,0
Totalt	193,0

Serie 2



1: 10,2 ↙
2: 10,2 →
3: 9,6 ↘
4: 10,5* ↓
5: 9,5 ↓

Skott 1

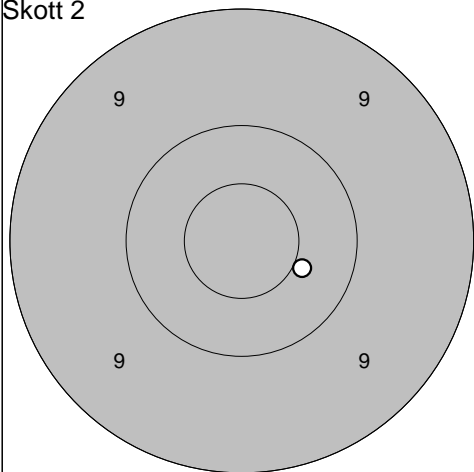


1: 10,0 →

Serie	48,0
Totalt	241,0

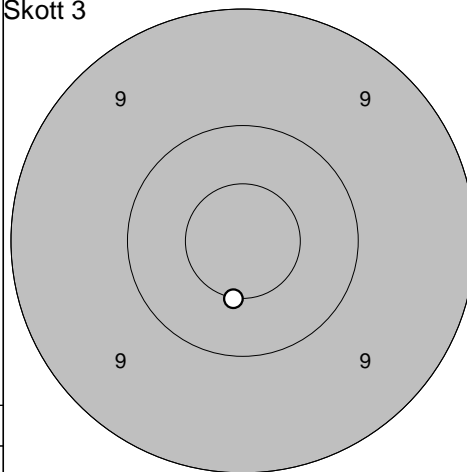
Serie	10,0
Totalt	251,0

Skott 2



1: 10,5* →

Skott 3

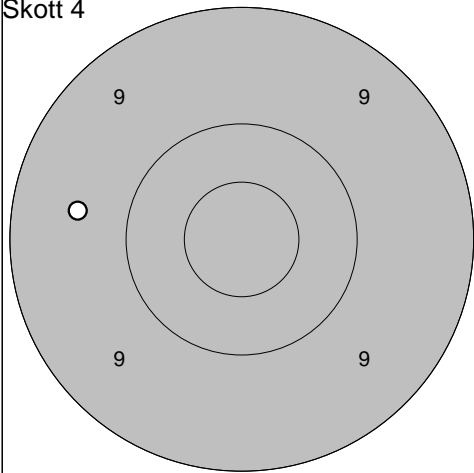


1: 10,5* ↓

Serie	10,0
Totalt	261,0

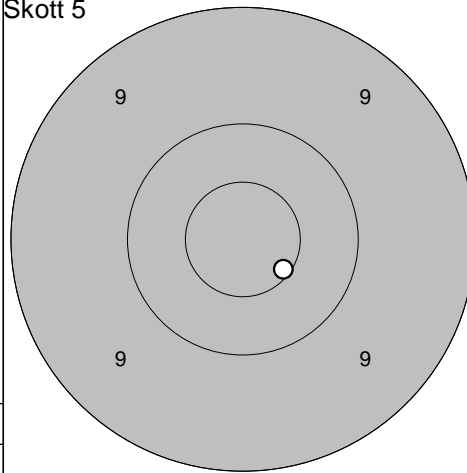
Serie	10,0
Totalt	271,0

Skott 4



1: 9,6 ↙

Skott 5



1: 10,6* ↘

Serie	9,0
Totalt	280,0

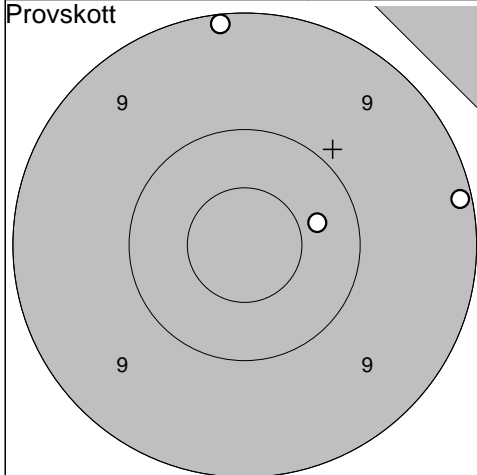
Serie	10,0
Totalt	290,0

2012-07-08

Tavelträffen 2012 A Final

Ramselefors SKF

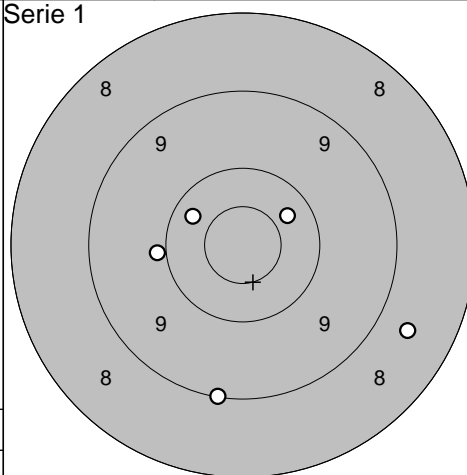
Provskott



1: 9,1 →
 2: 9,1 ↑
 3: 10,4 →

Serie 28,0
 Totalt 143,0

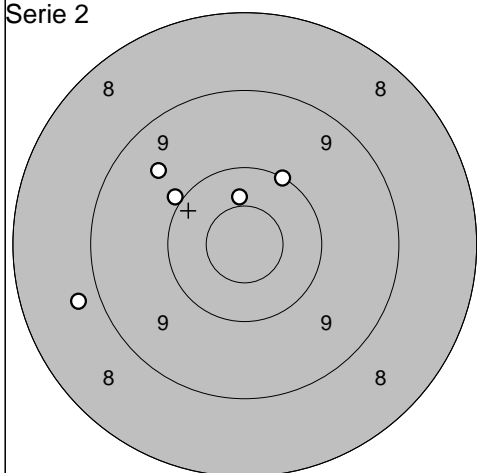
Serie 1



1: 10,4 ↗
 2: 9,1 ↓
 3: 9,9 ←
 4: 10,3 ↖
 5: 8,6 ↘

Serie 46,0
 Totalt 189,0

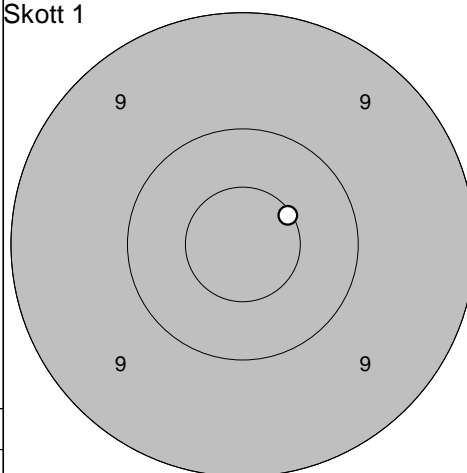
Serie 2



1: 10,1 ↗
 2: 10,0 ↖
 3: 10,4 ↑
 4: 8,8 ←
 5: 9,6 ↖

Serie 47,0
 Totalt 236,0

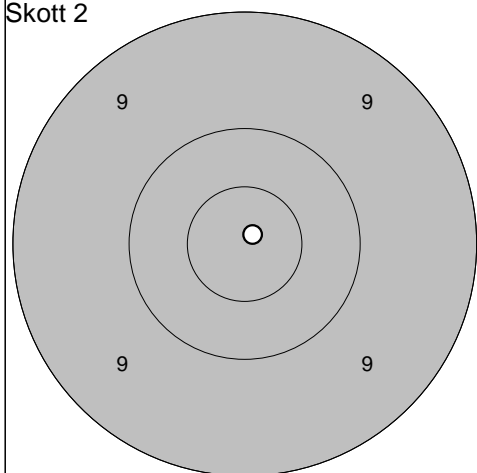
Skott 1



1: 10,6* ↗

Serie 10,0
 Totalt 246,0

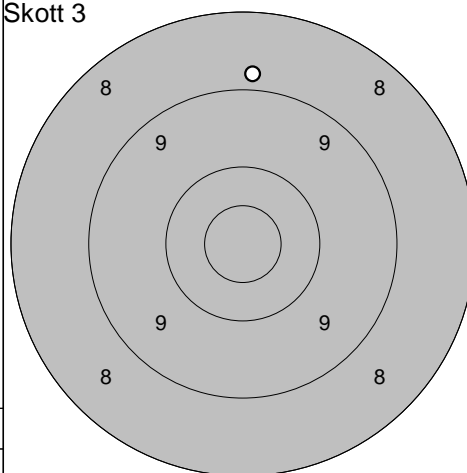
Skott 2



1: 10,9* ↗

Serie 10,0
 Totalt 256,0

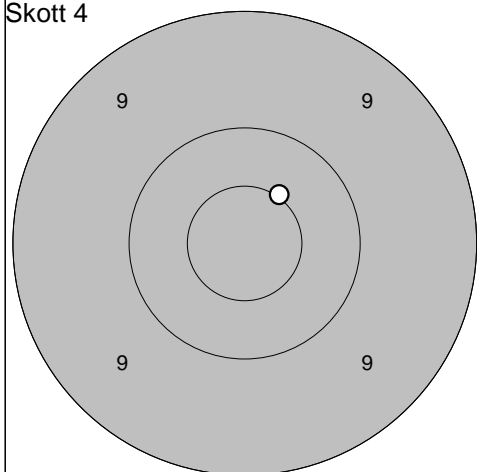
Skott 3



1: 8,8 ↑

Serie 8,0
 Totalt 264,0

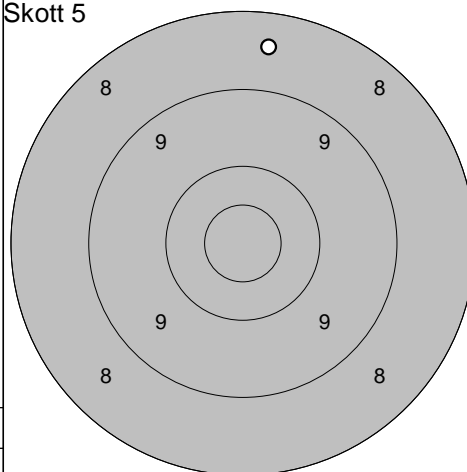
Skott 4



1: 10,5* ↗

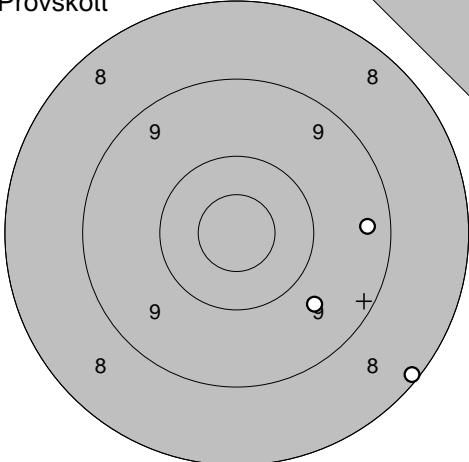
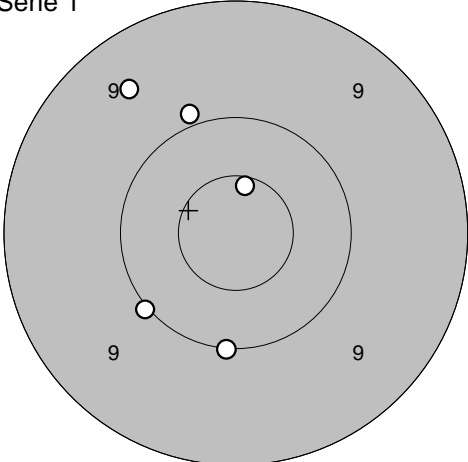
Serie 10,0
 Totalt 274,0

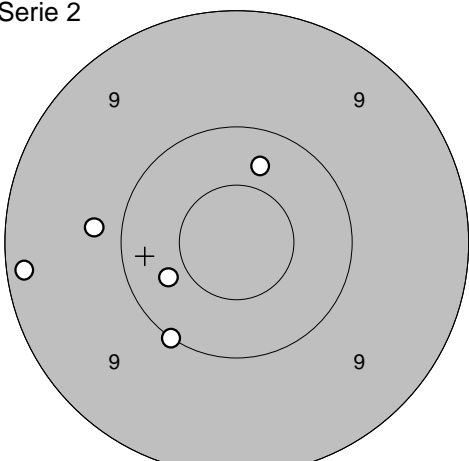
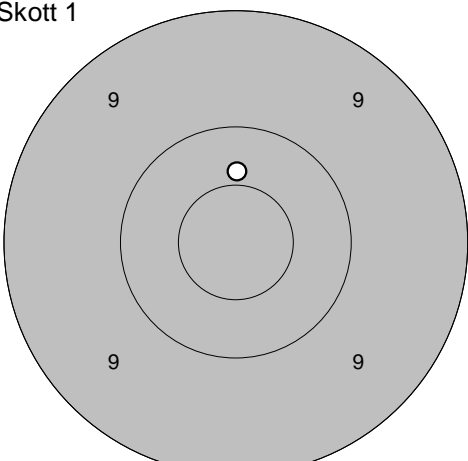
Skott 5

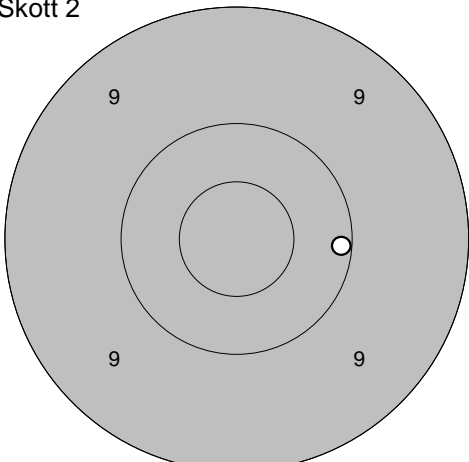
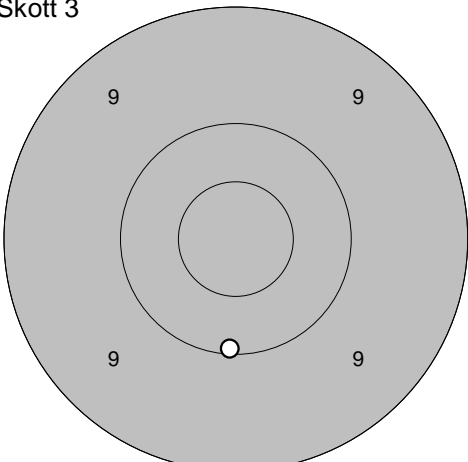


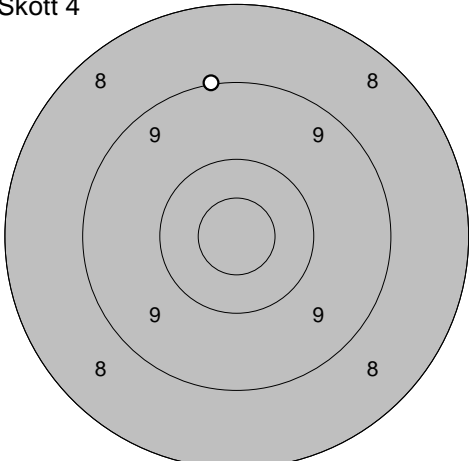
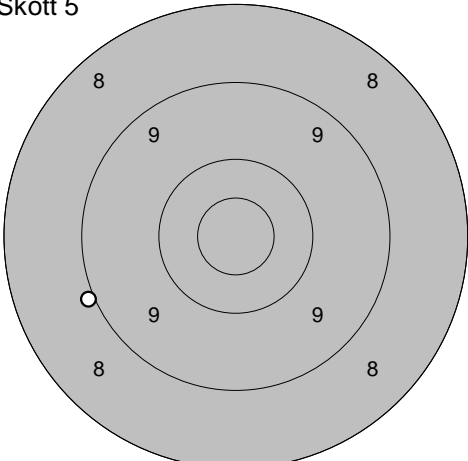
1: 8,5 ↑

Serie 8,0
 Totalt 282,0

Provskott 	1: 8,1 ↘ 2: 9,7 ↘ 3: 9,3 →	Serie 1 	1: 9,5 ↗ 2: 9,9 ↗ 3: 10,0 ↘ 4: 10,0 ↓ 5: 10,6* ↑
	Serie 26,0		Serie 48,0
	Totalt 143,0		Totalt 191,0

Serie 2 	1: 9,8 ← 2: 9,2 ← 3: 10,0 ↘ 4: 10,3 ↑ 5: 10,4 ←	Skott 1 	1: 10,4 ↑
	Serie 48,0		Serie 10,0
	Totalt 239,0		Totalt 249,0

Skott 2 	1: 10,1 →	Skott 3 	1: 10,1 ↓
	Serie 10,0		Serie 10,0
	Totalt 259,0		Totalt 269,0

Skott 4 	1: 9,0 ↑	Skott 5 	1: 9,0 ←
	Serie 9,0		Serie 9,0
	Totalt 278,0		Totalt 287,0

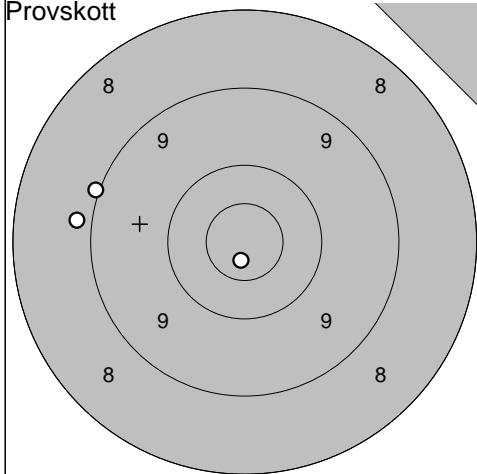
Bälinge-Jumkil

2012-07-08

Tavelträffen 2012 A Final

Ramselefors SKF

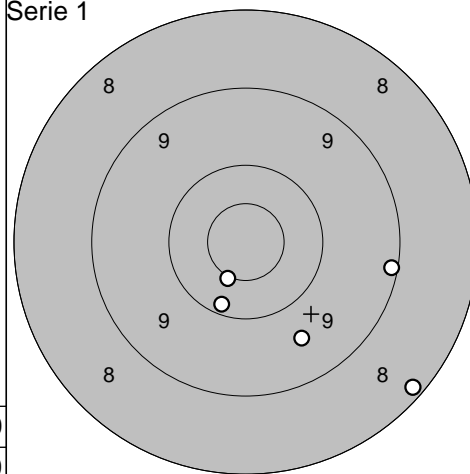
Provsnitt



1: 9,0 ←
2: 10,8* ↓
3: 8,9 ←

Serie 27,0
Totalt 143,0

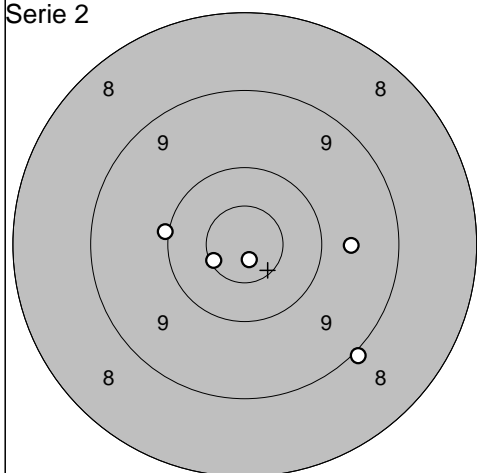
Serie 1



1: 10,5* ↙
2: 9,1 →
3: 9,6 ↘
4: 10,2 ↓
5: 8,2 ↘

Serie 46,0
Totalt 189,0

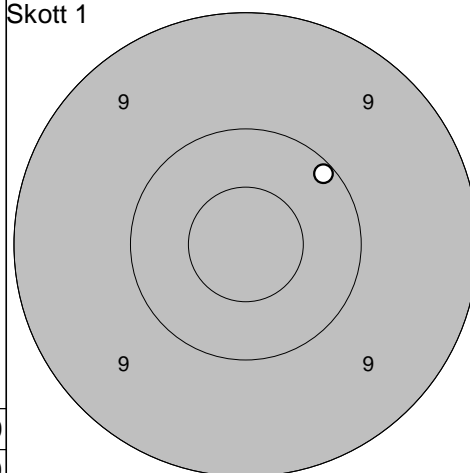
Serie 2



1: 9,7 →
2: 9,0 ↓
3: 10,6* ←
4: 10,8* ↓
5: 10,0 ←

Serie 48,0
Totalt 237,0

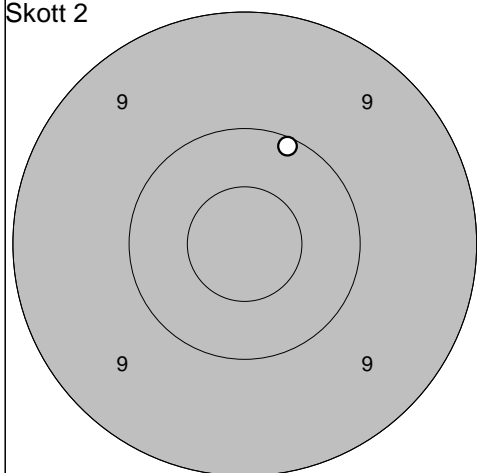
Skott 1



1: 10,1 ↗

Serie 10,0
Totalt 247,0

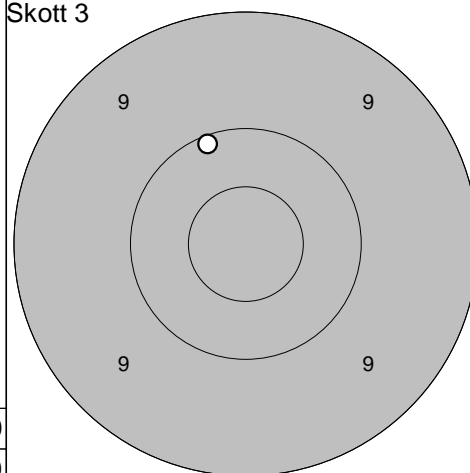
Skott 2



1: 10,1 ↗

Serie 10,0
Totalt 257,0

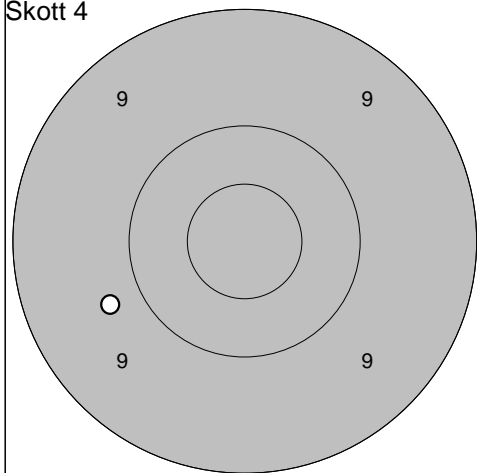
Skott 3



1: 10,1 ↖

Serie 10,0
Totalt 267,0

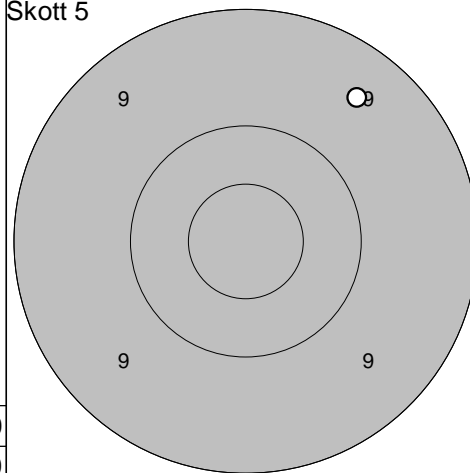
Skott 4



1: 9,8 ←

Serie 9,0
Totalt 276,0

Skott 5



1: 9,5 ↗

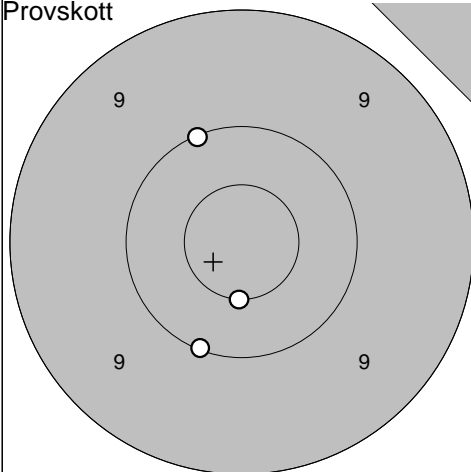
Serie 9,0
Totalt 285,0

2012-07-08

Tavelträffen 2012 A Final

Ramselefors SKF

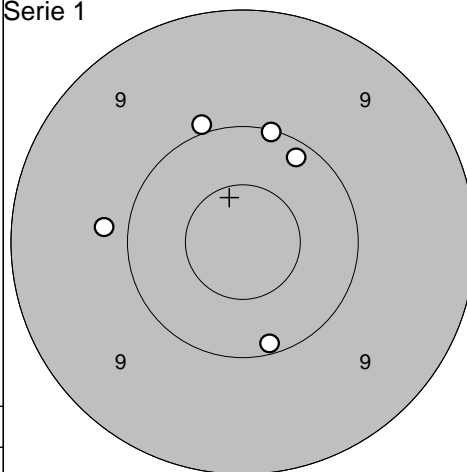
Provskott



1: 10,1 ↗
 2: 10,5* ↓
 3: 10,0 ↓

Serie 30,0
 Totalt 143,0

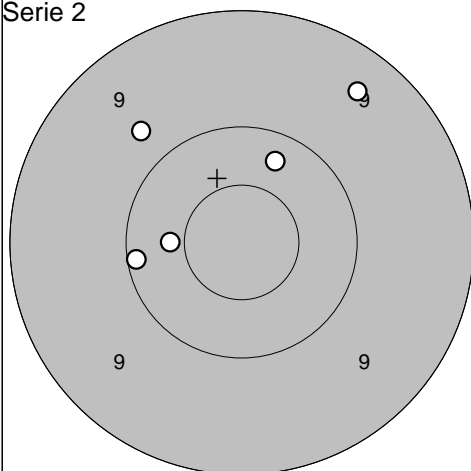
Serie 1



1: 10,2 ↗
 2: 10,1 ↑
 3: 10,0 ↗
 4: 10,1 ↓
 5: 9,8 ←

Serie 49,0
 Totalt 192,0

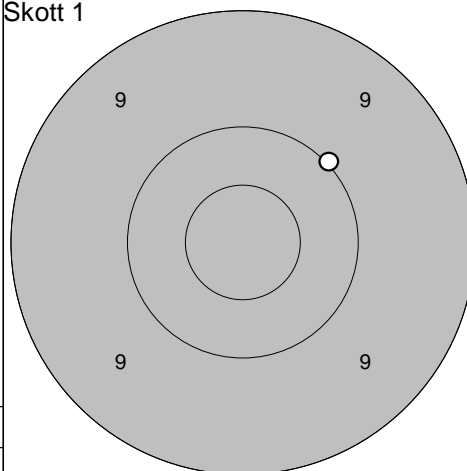
Serie 2



1: 9,4 ↗
 2: 10,3 ↑
 3: 9,7 ↗
 4: 10,1 ←
 5: 10,4 ←

Serie 48,0
 Totalt 240,0

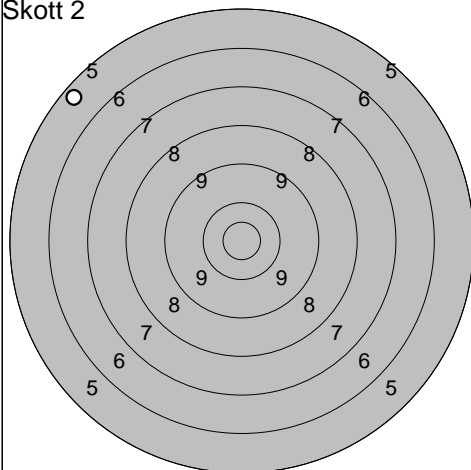
Skott 1



1: 10,0 ↗

Serie 10,0
 Totalt 250,0

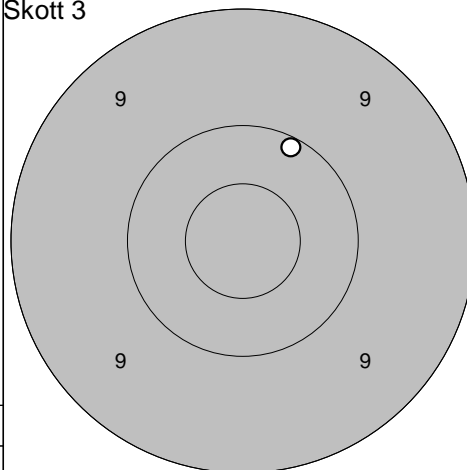
Skott 2



1: 5,4 ↖

Serie 5,0
 Totalt 255,0

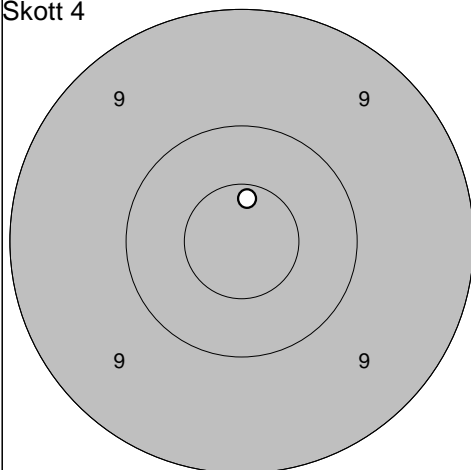
Skott 3



1: 10,1 ↑

Serie 10,0
 Totalt 265,0

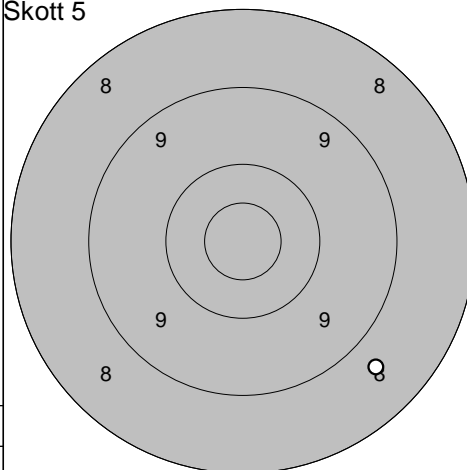
Skott 4



1: 10,7* ↑

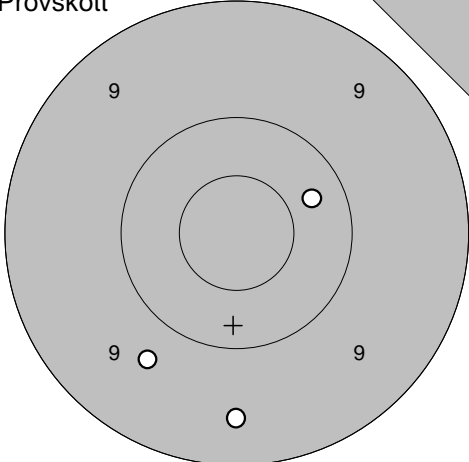
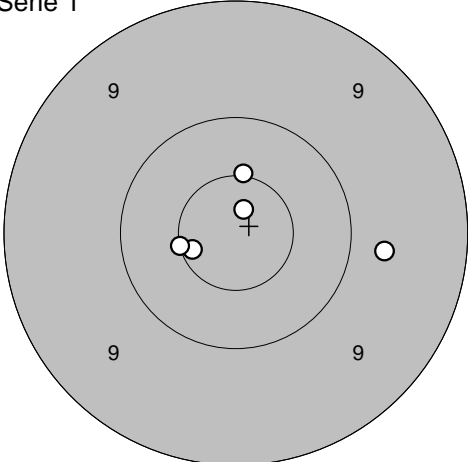
Serie 10,0
 Totalt 275,0

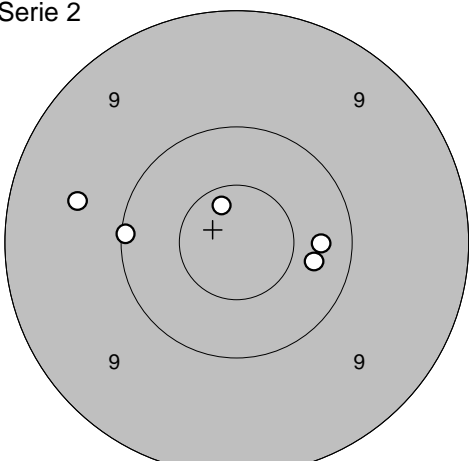
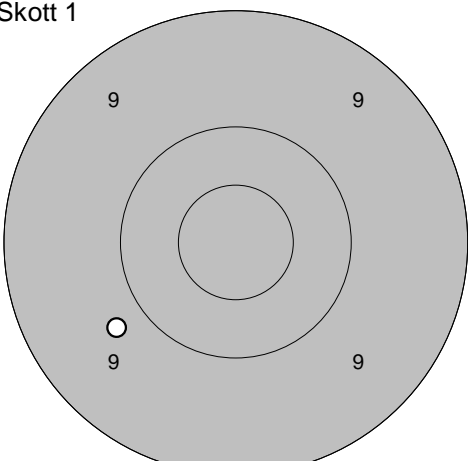
Skott 5

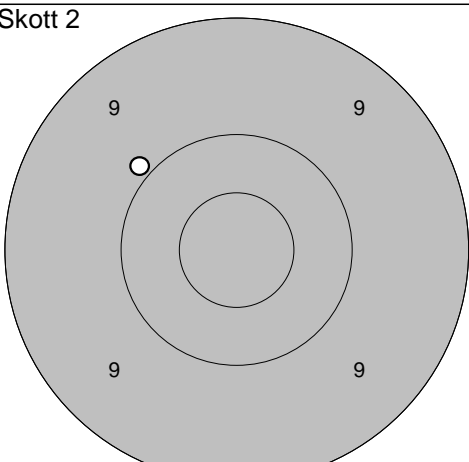
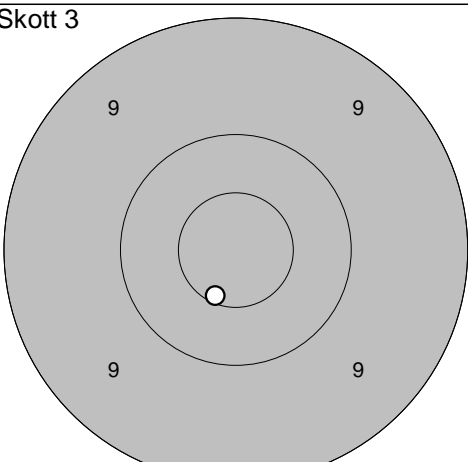


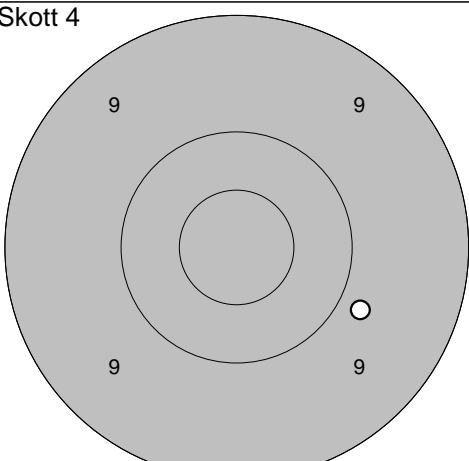
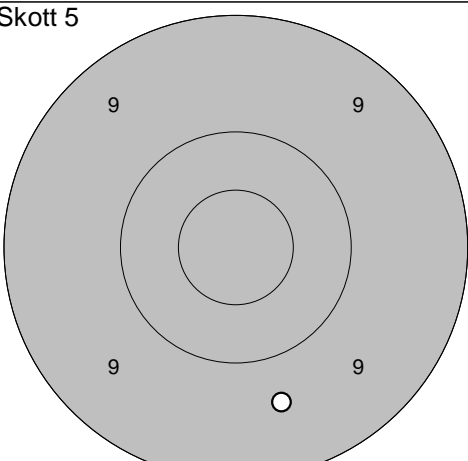
1: 8,7 ↘

Serie 8,0
 Totalt 283,0

<p>Provsrott</p> 	<p>1: 9,4 ↓ 2: 10,3 → 3: 9,7 ↘</p> <table border="1" style="width: 100%; border-collapse: collapse;"> <tr><td>Serie</td><td style="text-align: right;">28,0</td></tr> <tr><td>Totalt</td><td style="text-align: right;">143,0</td></tr> </table>	Serie	28,0	Totalt	143,0	<p>Serie 1</p> 	<p>1: 9,7 → 2: 10,6* ← 3: 10,5* ← 4: 10,5* ↑ 5: 10,8* ↑</p> <table border="1" style="width: 100%; border-collapse: collapse;"> <tr><td>Serie</td><td style="text-align: right;">49,0</td></tr> <tr><td>Totalt</td><td style="text-align: right;">192,0</td></tr> </table>	Serie	49,0	Totalt	192,0
Serie	28,0										
Totalt	143,0										
Serie	49,0										
Totalt	192,0										

<p>Serie 2</p> 	<p>1: 10,3 → 2: 10,3 → 3: 10,1 ← 4: 9,6 ← 5: 10,7* ↑</p> <table border="1" style="width: 100%; border-collapse: collapse;"> <tr><td>Serie</td><td style="text-align: right;">49,0</td></tr> <tr><td>Totalt</td><td style="text-align: right;">241,0</td></tr> </table>	Serie	49,0	Totalt	241,0	<p>Skott 1</p> 	<p>1: 9,8 ↙</p> <table border="1" style="width: 100%; border-collapse: collapse;"> <tr><td>Serie</td><td style="text-align: right;">9,0</td></tr> <tr><td>Totalt</td><td style="text-align: right;">250,0</td></tr> </table>	Serie	9,0	Totalt	250,0
Serie	49,0										
Totalt	241,0										
Serie	9,0										
Totalt	250,0										

<p>Skott 2</p> 	<p>1: 9,9 ↖</p> <table border="1" style="width: 100%; border-collapse: collapse;"> <tr><td>Serie</td><td style="text-align: right;">9,0</td></tr> <tr><td>Totalt</td><td style="text-align: right;">259,0</td></tr> </table>	Serie	9,0	Totalt	259,0	<p>Skott 3</p> 	<p>1: 10,6* ↘</p> <table border="1" style="width: 100%; border-collapse: collapse;"> <tr><td>Serie</td><td style="text-align: right;">10,0</td></tr> <tr><td>Totalt</td><td style="text-align: right;">269,0</td></tr> </table>	Serie	10,0	Totalt	269,0
Serie	9,0										
Totalt	259,0										
Serie	10,0										
Totalt	269,0										

<p>Skott 4</p> 	<p>1: 9,8 →</p> <table border="1" style="width: 100%; border-collapse: collapse;"> <tr><td>Serie</td><td style="text-align: right;">9,0</td></tr> <tr><td>Totalt</td><td style="text-align: right;">278,0</td></tr> </table>	Serie	9,0	Totalt	278,0	<p>Skott 5</p> 	<p>1: 9,6 ↓</p> <table border="1" style="width: 100%; border-collapse: collapse;"> <tr><td>Serie</td><td style="text-align: right;">9,0</td></tr> <tr><td>Totalt</td><td style="text-align: right;">287,0</td></tr> </table>	Serie	9,0	Totalt	287,0
Serie	9,0										
Totalt	278,0										
Serie	9,0										
Totalt	287,0										

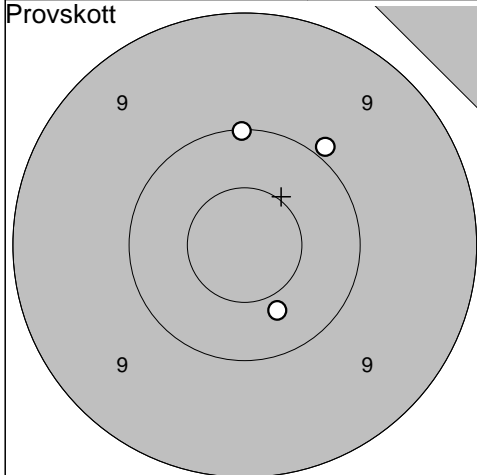
I 19 / A 9

2012-07-08

Tavelträffen 2012 A Final

Ramselefors SKF

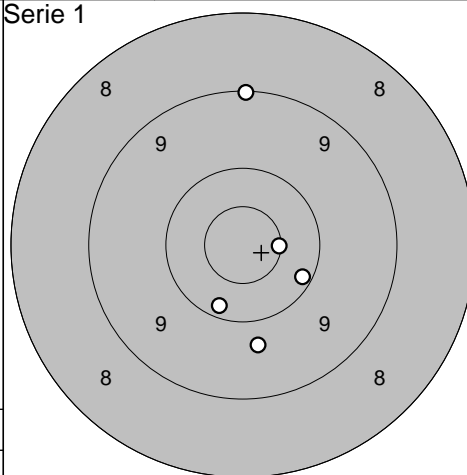
Provsnitt



1: 9,9 ↗
2: 10,4 ↓
3: 10,0 ↑

Serie 29,0
Totalt 143,0

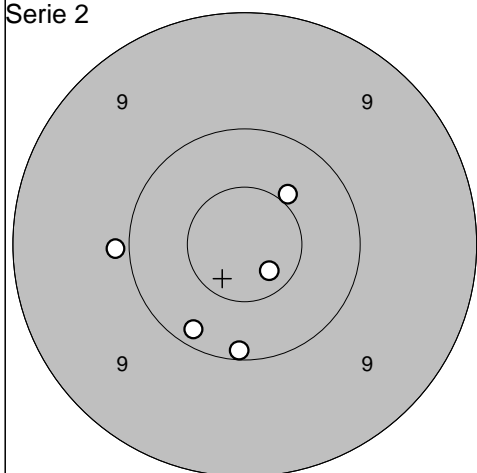
Serie 1



1: 9,1 ↑
2: 10,2 ↓
3: 10,6* →
4: 10,2 ↘
5: 9,7 ↓

Serie 48,0
Totalt 191,0

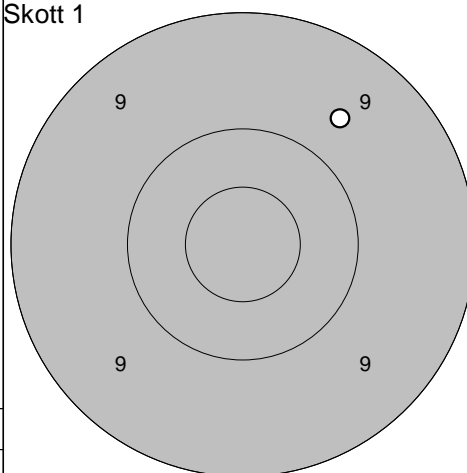
Serie 2



1: 10,5* ↗
2: 10,1 ↓
3: 9,9 ←
4: 10,7* ↘
5: 10,2 ↓

Serie 49,0
Totalt 240,0

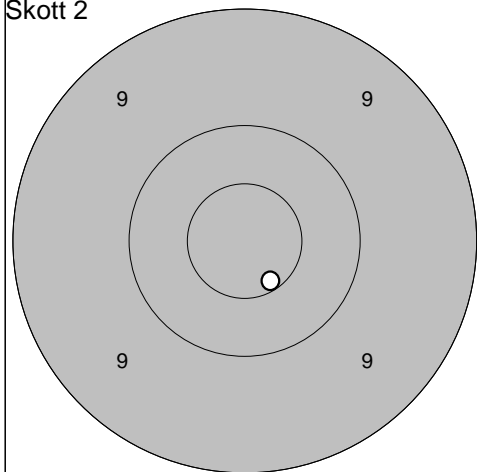
Skott 1



1: 9,7 ↗

Serie 9,0
Totalt 249,0

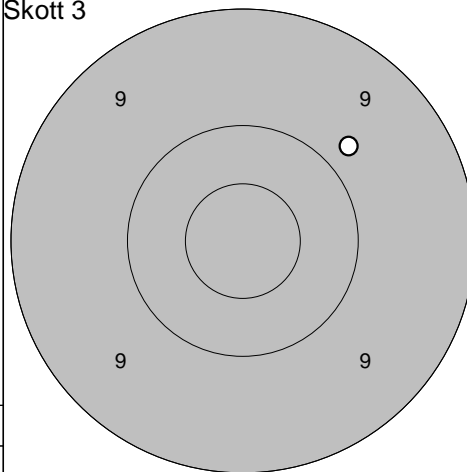
Skott 2



1: 10,6* ↓

Serie 10,0
Totalt 259,0

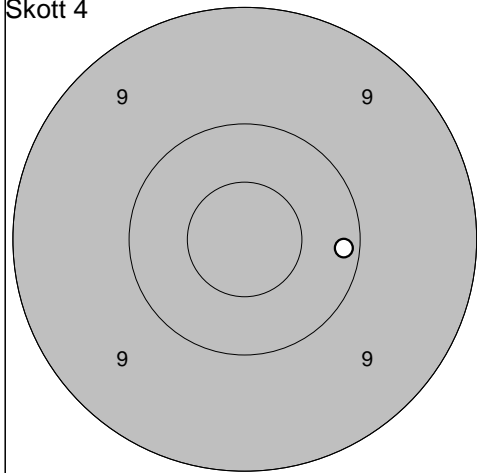
Skott 3



1: 9,8 ↗

Serie 9,0
Totalt 268,0

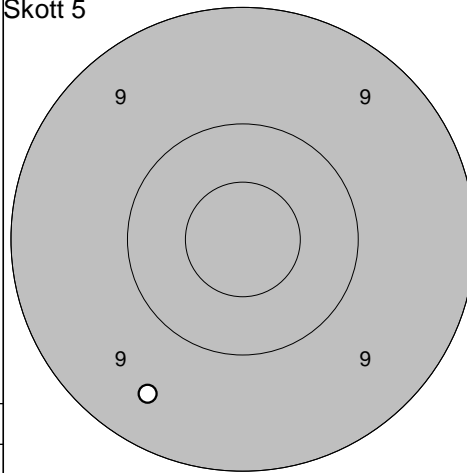
Skott 4



1: 10,2 →

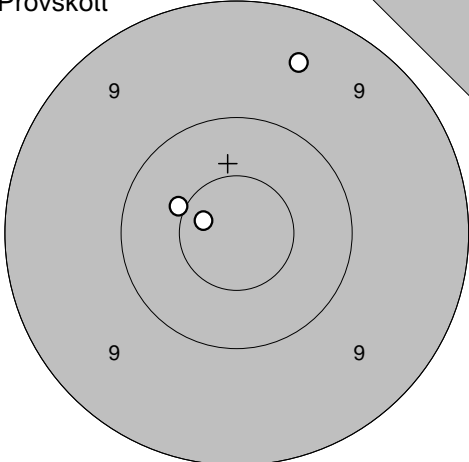
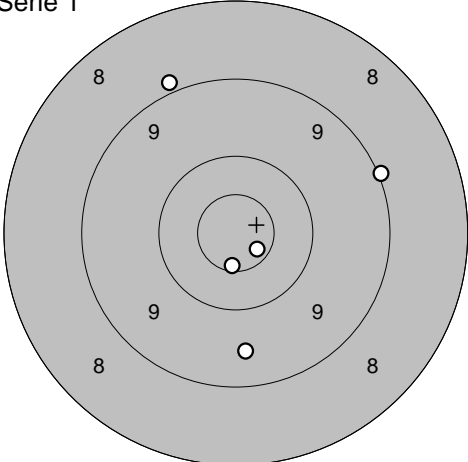
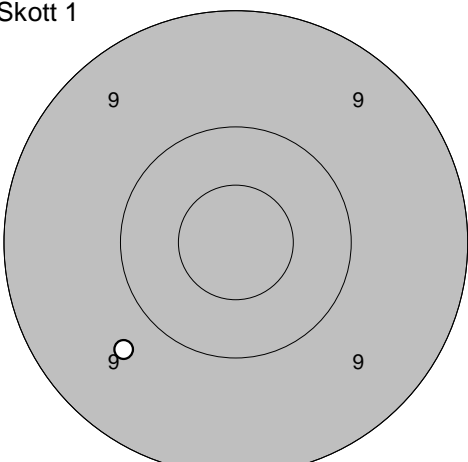
Serie 10,0
Totalt 278,0

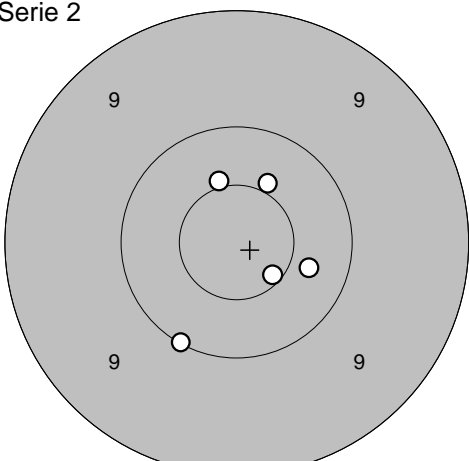
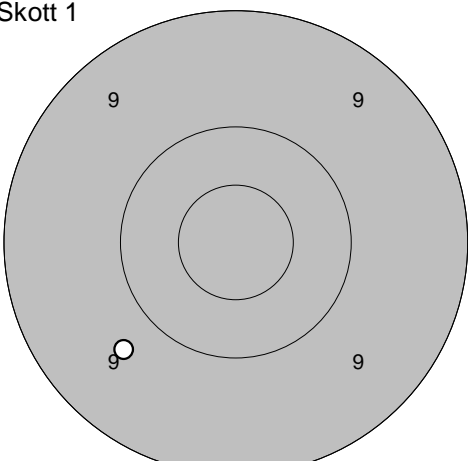
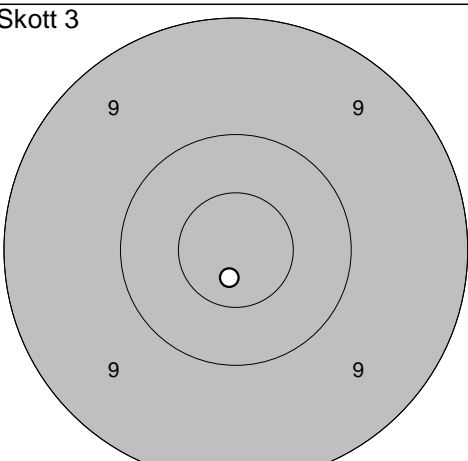
Skott 5

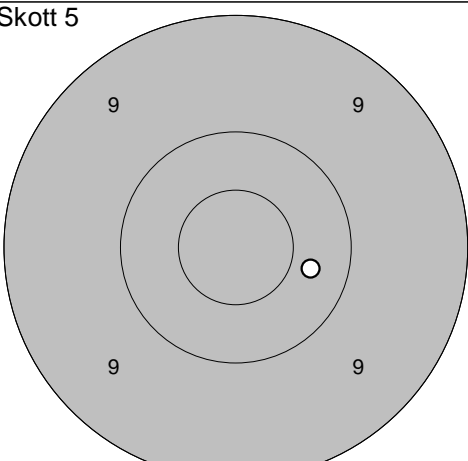


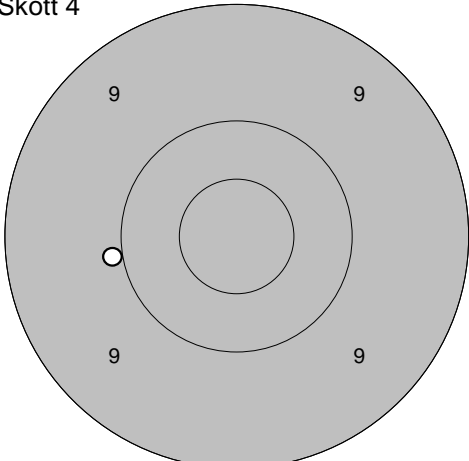
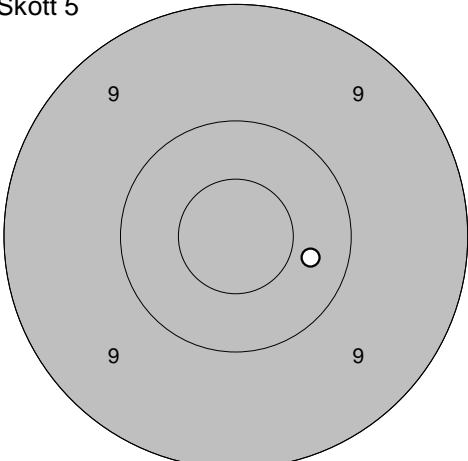

1: 9,5 ↓

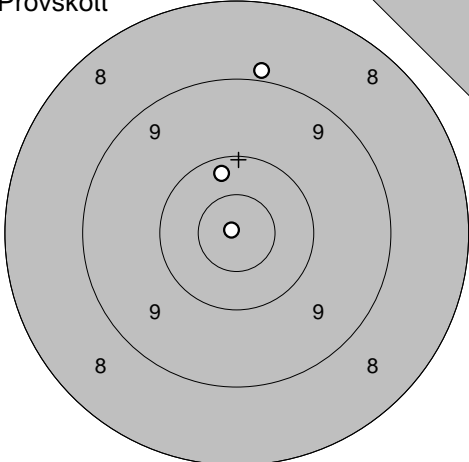
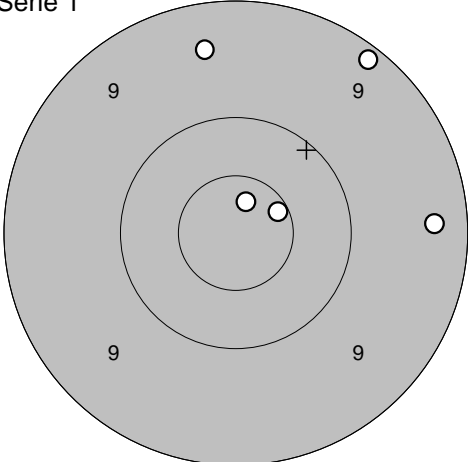
Serie 9,0
Totalt 287,0

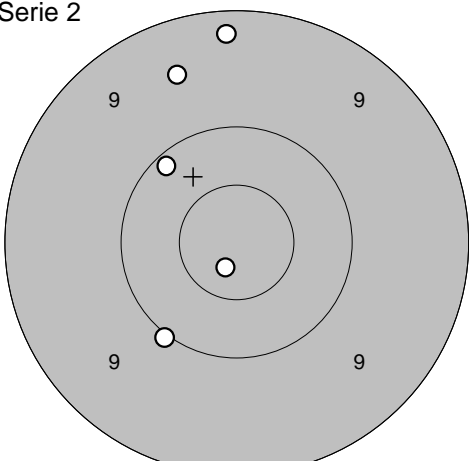
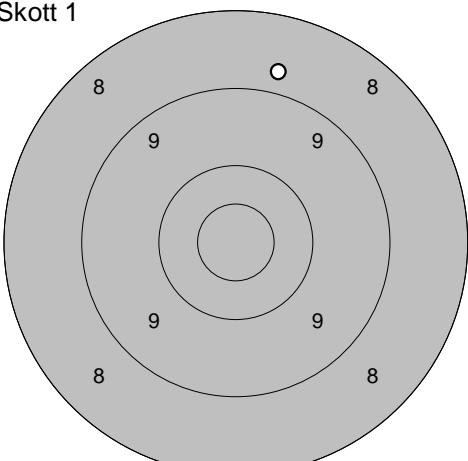
Provsrott 	Serie 1 1: 10,7* ↙ 2: 9,5 ↗ 3: 10,5* ↖ 	1: 8,9 ↗ 2: 10,7* ↘ 3: 9,0 → 4: 9,5 ↓ 5: 10,6* ↓ 
Serie 29,0	Serie 46,0	Serie 46,0
Totalt 141,0	Totalt 187,0	Totalt 187,0

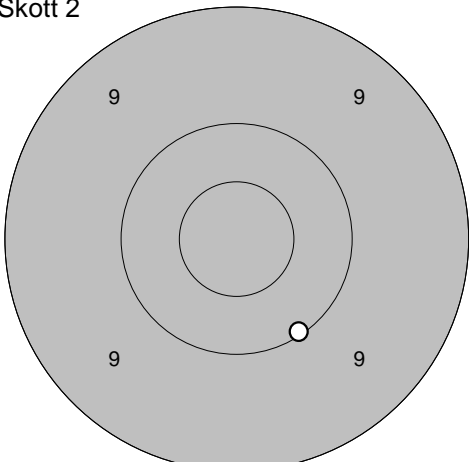
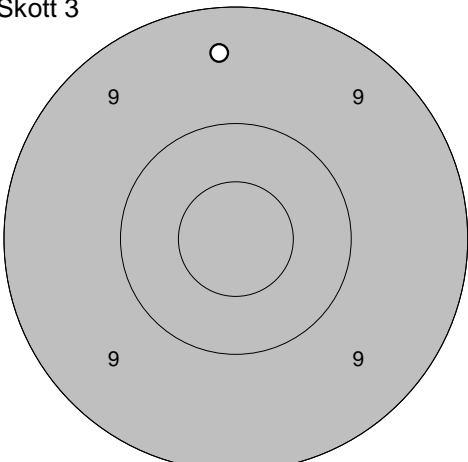
Serie 2 	Skott 1 1: 10,5* ↗ 2: 10,6* ↘ 3: 10,4 → 4: 10,0 ↘ 5: 10,5* ↗ 	1: 9,7 ↖ 
Serie 50,0	Serie 9,0	Serie 9,0
Totalt 237,0	Totalt 246,0	Totalt 246,0

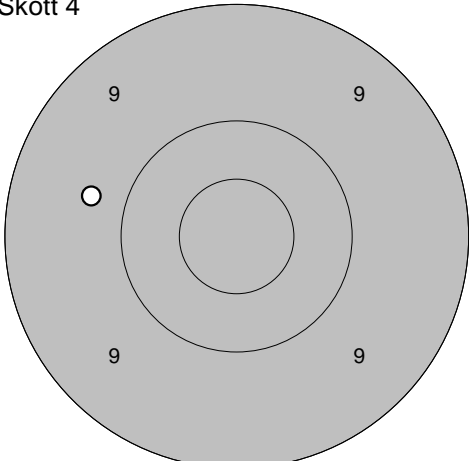
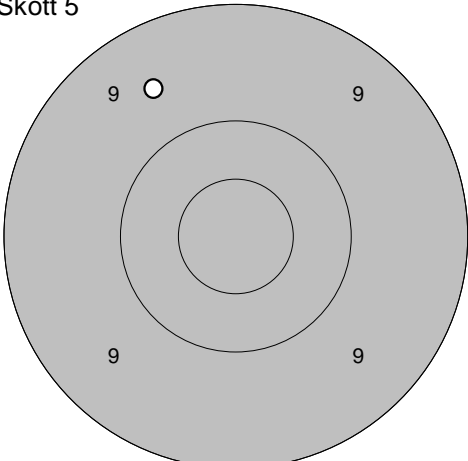
Skott 2 	Skott 3 1: 9,3 ↗ 	1: 10,8* ↓ 
Serie 9,0	Serie 10,0	Serie 10,0
Totalt 255,0	Totalt 265,0	Totalt 265,0

Skott 4 	Skott 5 1: 9,9 ← 	1: 10,4 → 
Serie 9,0	Serie 10,0	Serie 10,0
Totalt 274,0	Totalt 284,0	Totalt 284,0

Provskott 	1: 10,9* ↙ 2: 10,3 ↑ 3: 8,9 ↑	Serie 1 	1: 9,3 → 2: 9,4 ↑ 3: 9,2 ↗ 4: 10,6* ↗ 5: 10,7* ↑
	Serie 28,0 Totalt 140,0		Serie 47,0 Totalt 187,0

Serie 2 	1: 10,8* ↘ 2: 9,2 ↑ 3: 10,1 ↗ 4: 9,5 ↑ 5: 10,0 ↘	Skott 1 	1: 8,8 ↑
	Serie 48,0 Totalt 235,0		Serie 8,0 Totalt 243,0

Skott 2 	1: 10,1 ↘	Skott 3 	1: 9,4 ↑
	Serie 10,0 Totalt 253,0		Serie 9,0 Totalt 262,0

Skott 4 	1: 9,7 ↙	Skott 5 	1: 9,6 ↖
	Serie 9,0 Totalt 271,0		Serie 9,0 Totalt 280,0

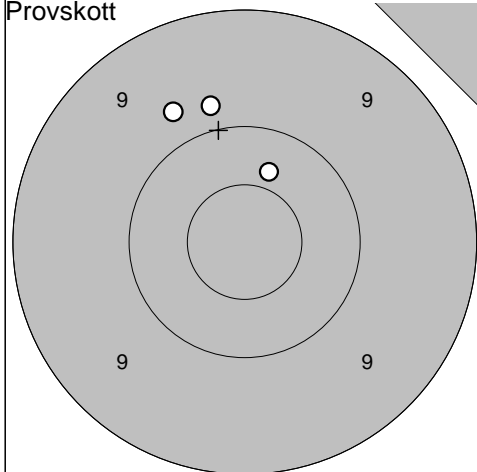
Ununge

2012-07-08

Tavelträffen 2012 A Final

Ramselefors SKF

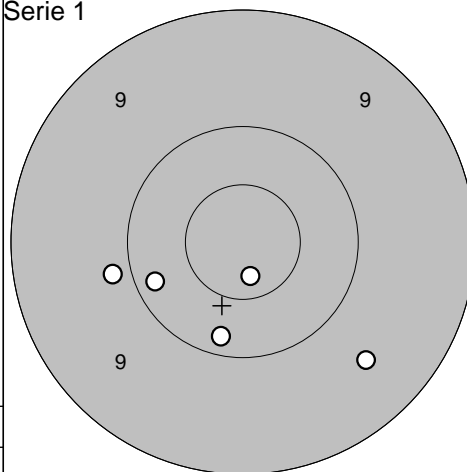
Provs-kott



1: 10,4 ↗
2: 9,8 ↑
3: 9,8 ↖

Serie	28,0
Totalt	138,0

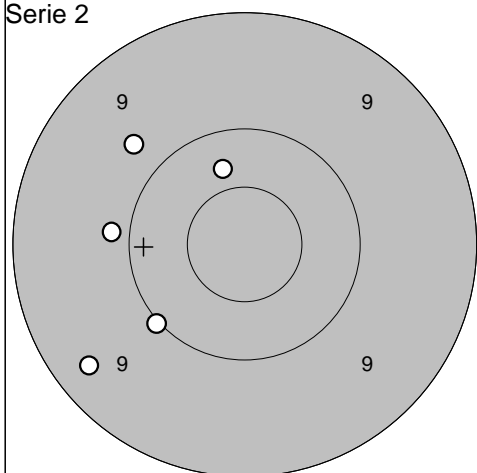
Serie 1



1: 9,6 ↘
2: 10,2 ↙
3: 10,7* ↓
4: 9,9 ←
5: 10,2 ↓

Serie	48,0
Totalt	186,0

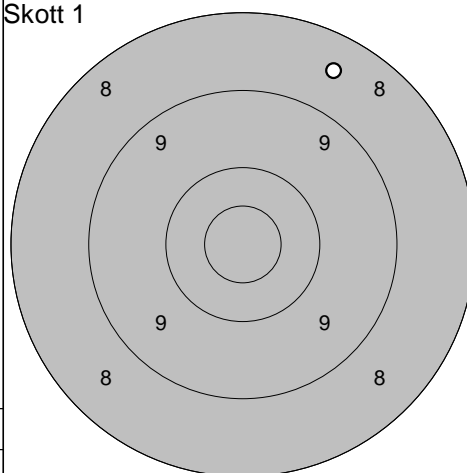
Serie 2



1: 10,4 ↑
2: 9,3 ↙
3: 9,9 ←
4: 9,7 ↖
5: 10,0 ↙

Serie	47,0
Totalt	233,0

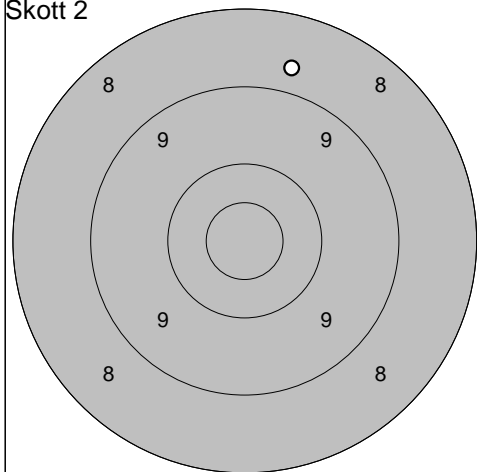
Skott 1



1: 8,5 ↗

Serie	8,0
Totalt	241,0

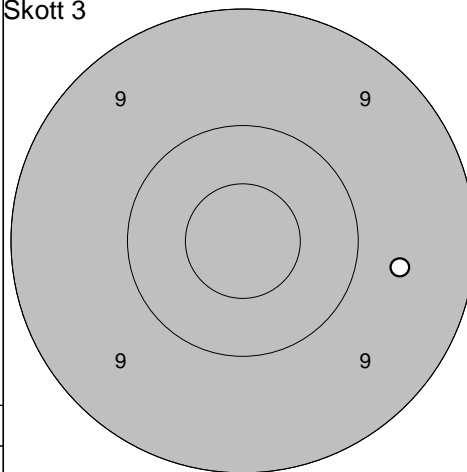
Skott 2



1: 8,7 ↑

Serie	8,0
Totalt	249,0

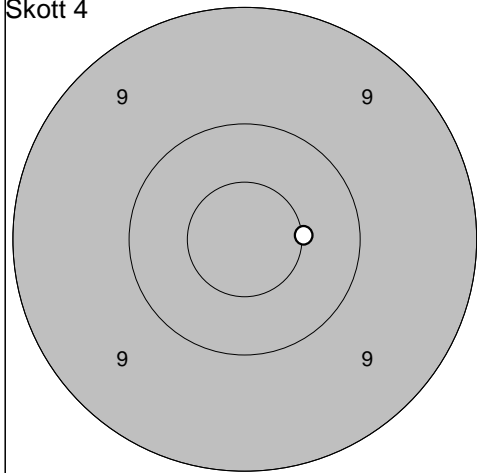
Skott 3



1: 9,7 →

Serie	9,0
Totalt	258,0

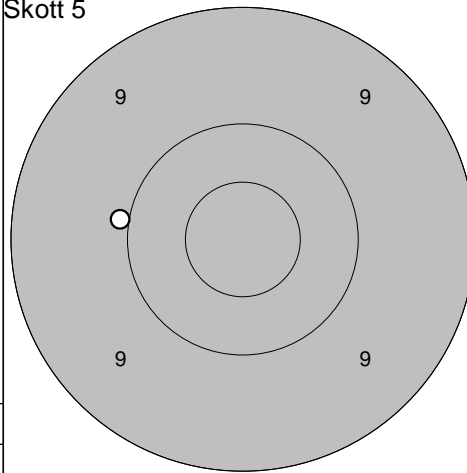
Skott 4



1: 10,5* →

Serie	10,0
Totalt	268,0

Skott 5



1: 10,0 ←

Serie	10,0
Totalt	278,0

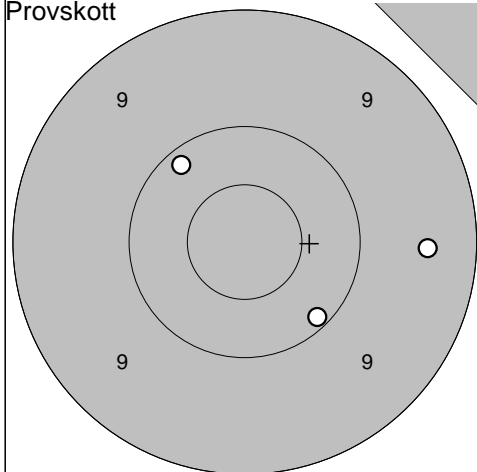
Kvistbro

2012-07-08

Tavelträffen 2012 A Final

Ramselefors SKF

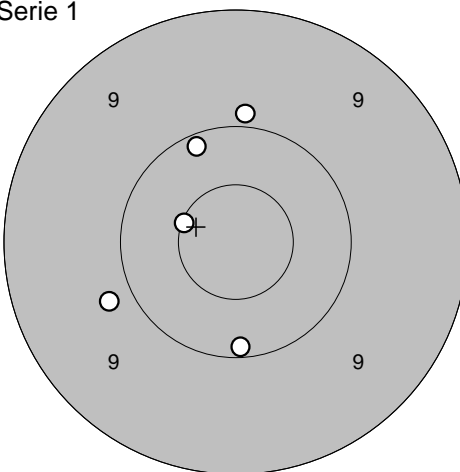
Provs-kott



1: 10,2 ↗
2: 9,4 →
3: 10,1 ↘

Serie 29,0
Totalt 149,0

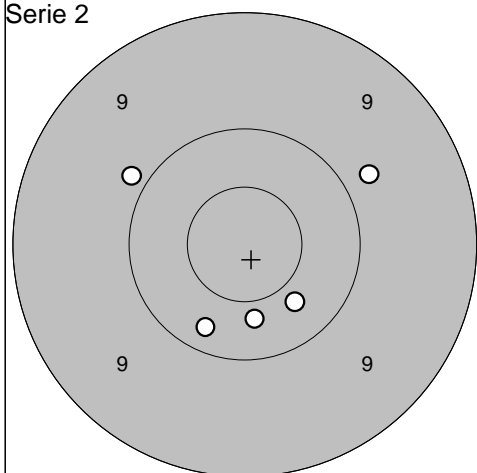
Serie 1



1: 9,9 ↑
2: 9,8 ↙
3: 10,6* ←
4: 10,1 ↗
5: 10,1 ↓

Serie 48,0
Totalt 197,0

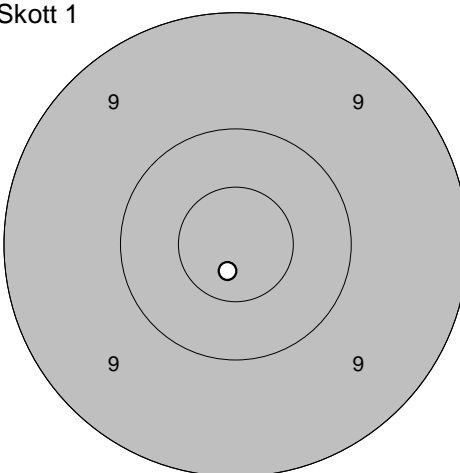
Serie 2



1: 9,9 ↙
2: 10,4 ↘
3: 9,8 ↗
4: 10,4 ↓
5: 10,2 ↘

Serie 48,0
Totalt 245,0

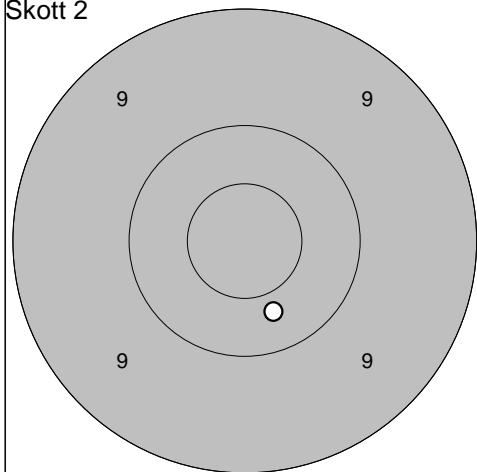
Skott 1



1: 10,8* ↓

Serie 10,0
Totalt 255,0

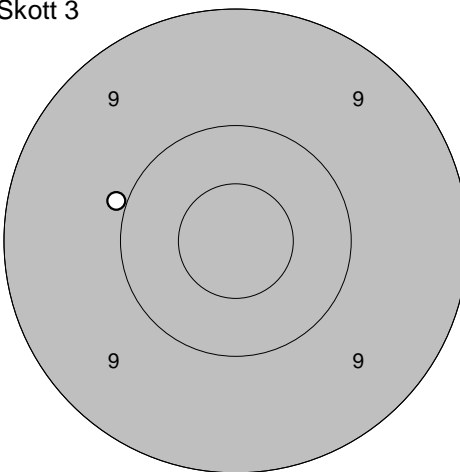
Skott 2



1: 10,4 ↓

Serie 10,0
Totalt 265,0

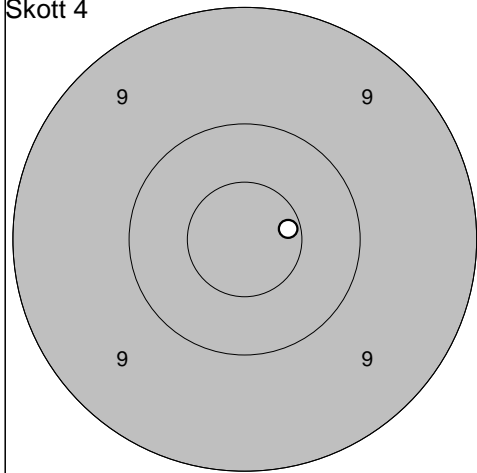
Skott 3



1: 9,9 ←

Serie 9,0
Totalt 274,0

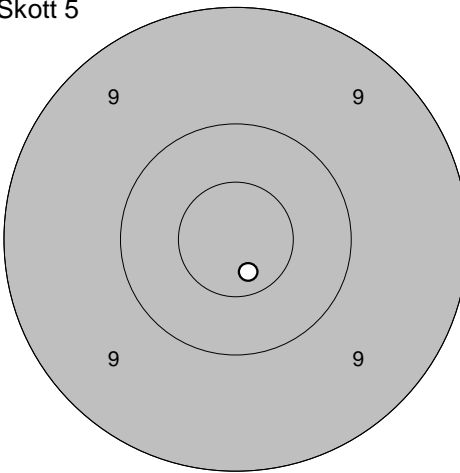
Skott 4



1: 10,6* →

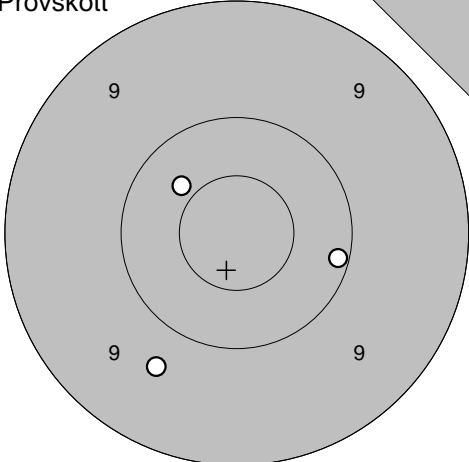
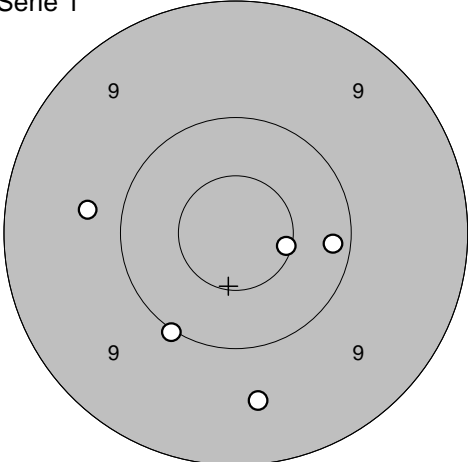
Serie 10,0
Totalt 284,0

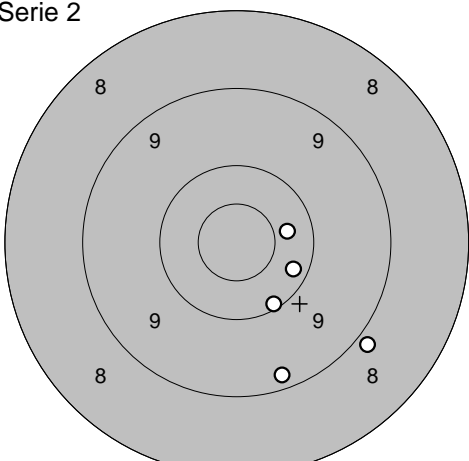
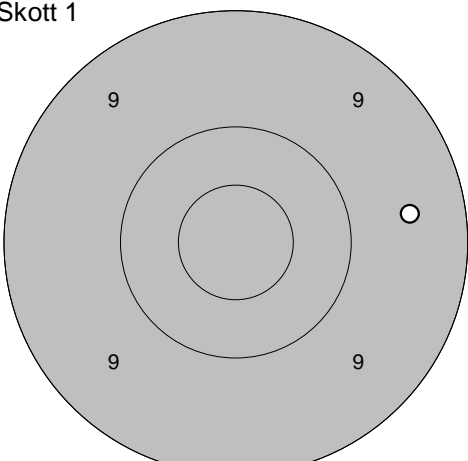
Skott 5

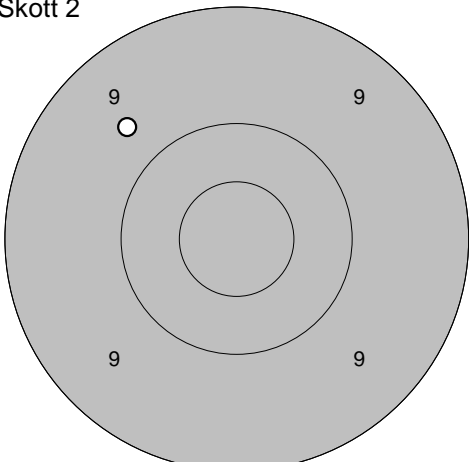
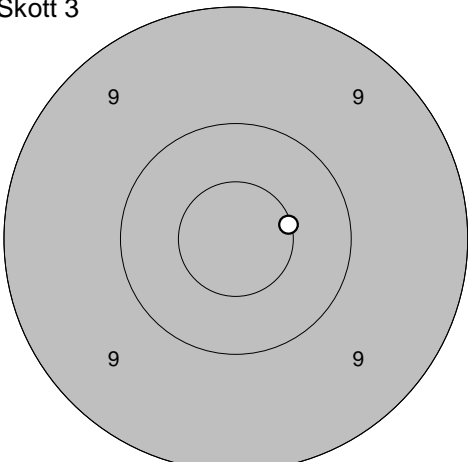


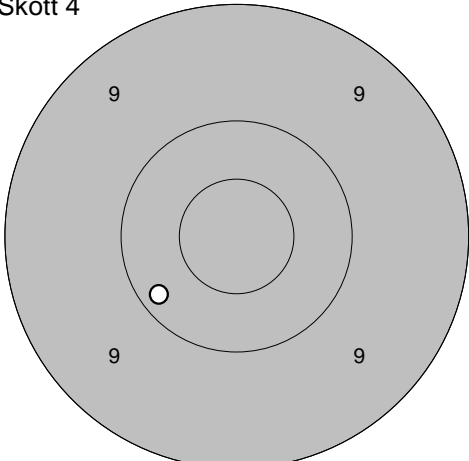
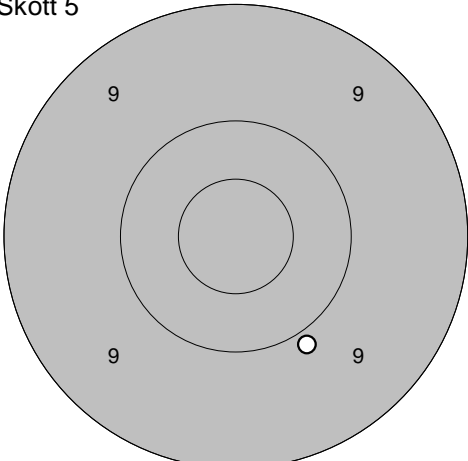
1: 10,7* ↓

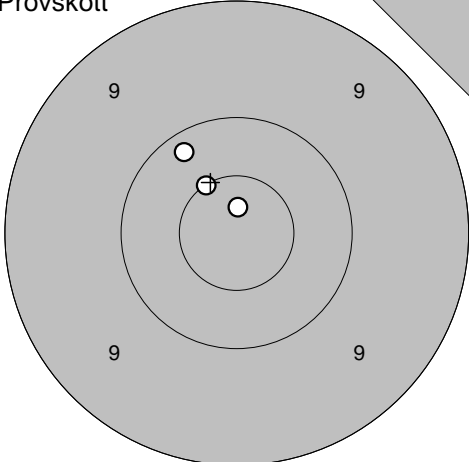
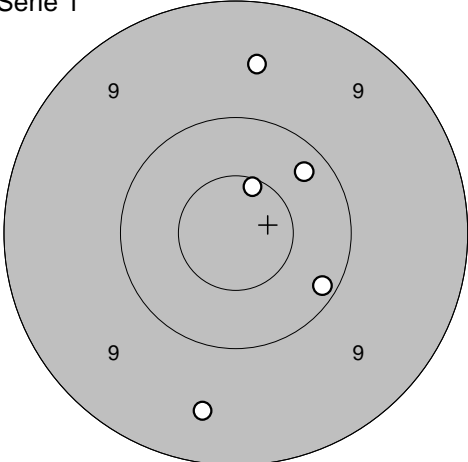
Serie 10,0
Totalt 294,0

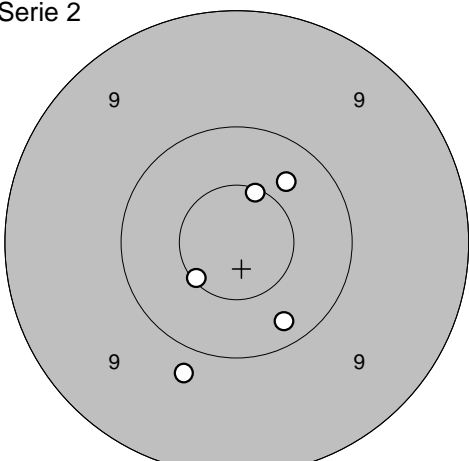
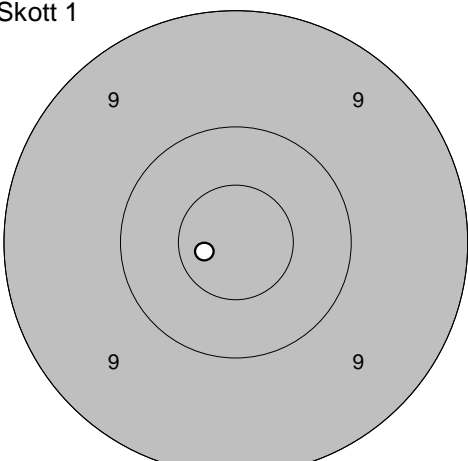
<p>Provsrott</p> 	<p>1: 9,7 ↘ 2: 10,4 ↗ 3: 10,1 →</p> <table border="1" style="width:100%; border-collapse: collapse;"> <tr><td>Serie</td><td style="text-align: right;">29,0</td></tr> <tr><td>Totalt</td><td style="text-align: right;">148,0</td></tr> </table>	Serie	29,0	Totalt	148,0	<p>Serie 1</p> 	<p>1: 10,0 ↘ 2: 9,7 ← 3: 9,6 ↓ 4: 10,2 → 5: 10,6* →</p> <table border="1" style="width:100%; border-collapse: collapse;"> <tr><td>Serie</td><td style="text-align: right;">48,0</td></tr> <tr><td>Totalt</td><td style="text-align: right;">196,0</td></tr> </table>	Serie	48,0	Totalt	196,0
Serie	29,0										
Totalt	148,0										
Serie	48,0										
Totalt	196,0										

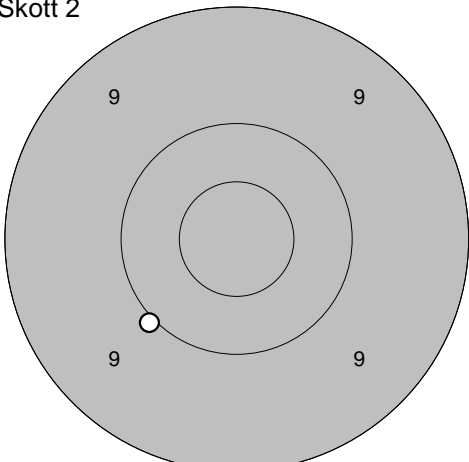
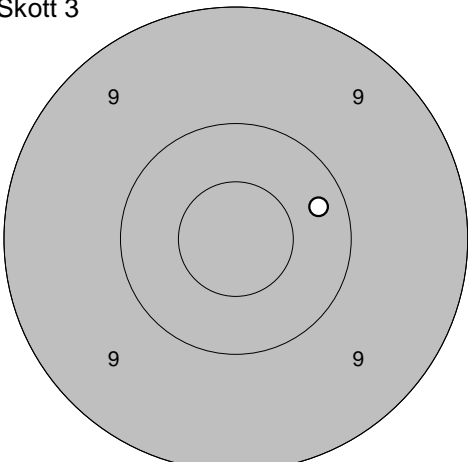
<p>Serie 2</p> 	<p>1: 10,4 → 2: 10,1 ↘ 3: 8,9 ↘ 4: 10,2 ↘ 5: 9,2 ↘</p> <table border="1" style="width:100%; border-collapse: collapse;"> <tr><td>Serie</td><td style="text-align: right;">47,0</td></tr> <tr><td>Totalt</td><td style="text-align: right;">243,0</td></tr> </table>	Serie	47,0	Totalt	243,0	<p>Skott 1</p> 	<p>1: 9,5 →</p> <table border="1" style="width:100%; border-collapse: collapse;"> <tr><td>Serie</td><td style="text-align: right;">9,0</td></tr> <tr><td>Totalt</td><td style="text-align: right;">252,0</td></tr> </table>	Serie	9,0	Totalt	252,0
Serie	47,0										
Totalt	243,0										
Serie	9,0										
Totalt	252,0										

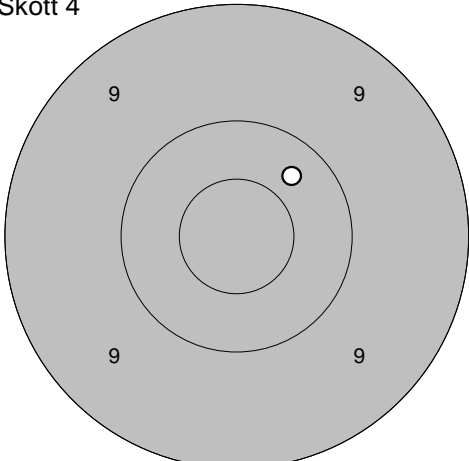
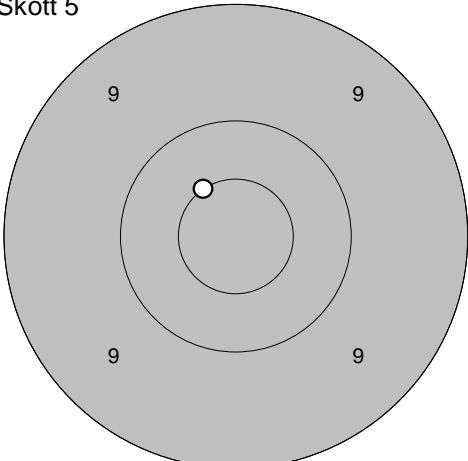
<p>Skott 2</p> 	<p>1: 9,7 ↗</p> <table border="1" style="width:100%; border-collapse: collapse;"> <tr><td>Serie</td><td style="text-align: right;">9,0</td></tr> <tr><td>Totalt</td><td style="text-align: right;">261,0</td></tr> </table>	Serie	9,0	Totalt	261,0	<p>Skott 3</p> 	<p>1: 10,6* →</p> <table border="1" style="width:100%; border-collapse: collapse;"> <tr><td>Serie</td><td style="text-align: right;">10,0</td></tr> <tr><td>Totalt</td><td style="text-align: right;">271,0</td></tr> </table>	Serie	10,0	Totalt	271,0
Serie	9,0										
Totalt	261,0										
Serie	10,0										
Totalt	271,0										

<p>Skott 4</p> 	<p>1: 10,2 ↘</p> <table border="1" style="width:100%; border-collapse: collapse;"> <tr><td>Serie</td><td style="text-align: right;">10,0</td></tr> <tr><td>Totalt</td><td style="text-align: right;">281,0</td></tr> </table>	Serie	10,0	Totalt	281,0	<p>Skott 5</p> 	<p>1: 9,9 ↘</p> <table border="1" style="width:100%; border-collapse: collapse;"> <tr><td>Serie</td><td style="text-align: right;">9,0</td></tr> <tr><td>Totalt</td><td style="text-align: right;">290,0</td></tr> </table>	Serie	9,0	Totalt	290,0
Serie	10,0										
Totalt	281,0										
Serie	9,0										
Totalt	290,0										

Provsnitt 	1: 10,8* ↑ 2: 10,5* ↗ 3: 10,2 ↖	Serie 1 	1: 9,6 ↑ 2: 9,5 ↓ 3: 10,6* ↑ 4: 10,2 ↗ 5: 10,2 ↘
Serie 30,0		Serie 48,0	
Totalt 147,0		Totalt 195,0	

Serie 2 	1: 10,2 ↓ 2: 10,6* ↑ 3: 10,4 ↗ 4: 10,6* ↙ 5: 9,8 ↓	Skott 1 	1: 10,7* ←
Serie 49,0		Serie 10,0	
Totalt 244,0		Totalt 254,0	

Skott 2 	1: 10,0 ↙	Skott 3 	1: 10,3 →
Serie 10,0		Serie 10,0	
Totalt 264,0		Totalt 274,0	

Skott 4 	1: 10,3 ↗	Skott 5 	1: 10,5* ↖
Serie 10,0		Serie 10,0	
Totalt 284,0		Totalt 294,0	

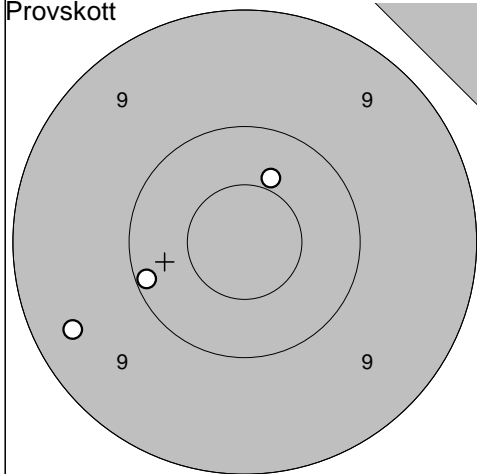
Niemisel

2012-07-08

Tavelträffen 2012 A Final

Ramselefors SKF

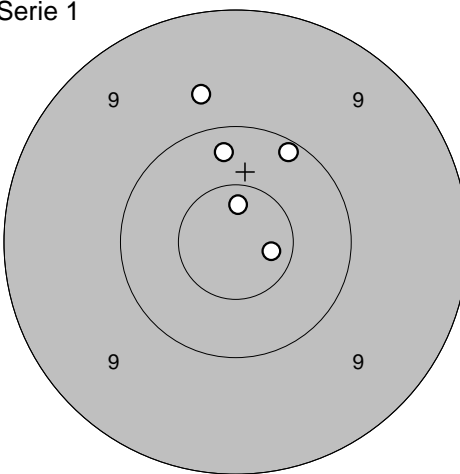
Provs-kott



1: 9,4 ←
2: 10,1 ←
3: 10,4 ↑

Serie	29,0
Totalt	147,0

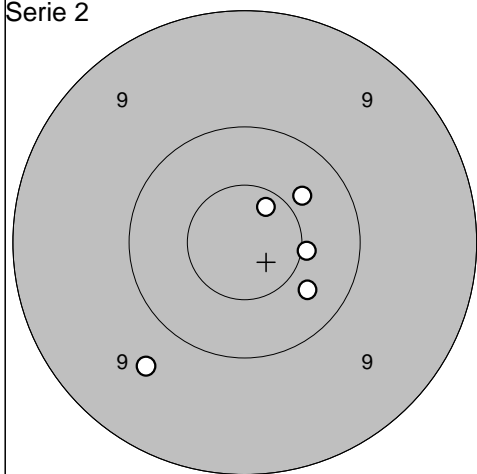
Serie 1



1: 10,7* →
2: 10,3 ↑
3: 10,1 ↗
4: 10,7* ↑
5: 9,7 ↑

Serie	49,0
Totalt	196,0

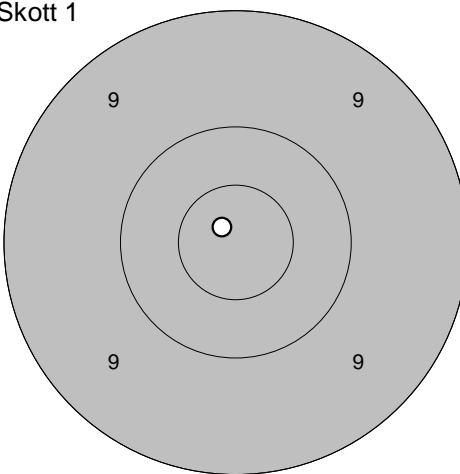
Serie 2



1: 10,7* ↗
2: 10,5* →
3: 10,4 ↗
4: 10,3 ↘
5: 9,7 ↘

Serie	49,0
Totalt	245,0

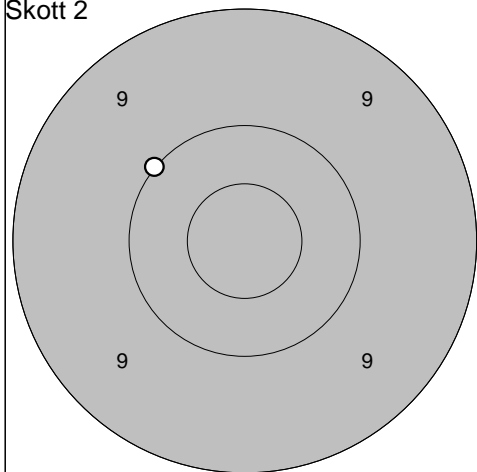
Skott 1



1: 10,9* ↖

Serie	10,0
Totalt	255,0

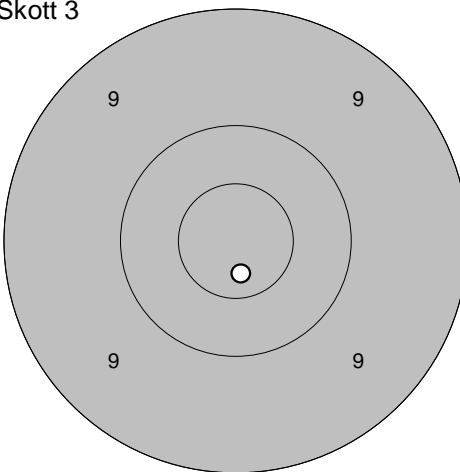
Skott 2



1: 10,0 ↖

Serie	10,0
Totalt	265,0

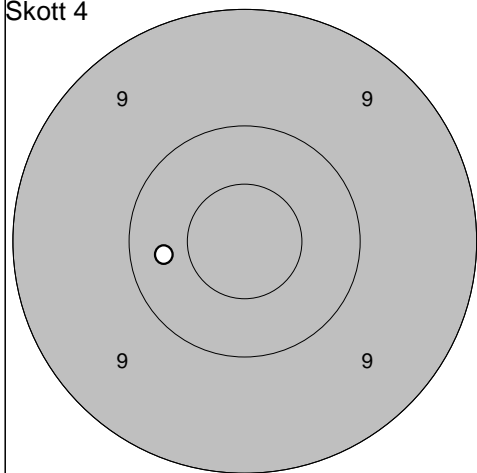
Skott 3



1: 10,7* ↓

Serie	10,0
Totalt	275,0

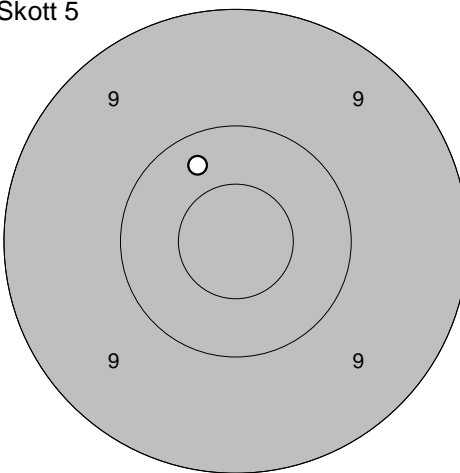
Skott 4



1: 10,3 ←

Serie	10,0
Totalt	285,0

Skott 5



1: 10,3 ↖

Serie	10,0
Totalt	295,0

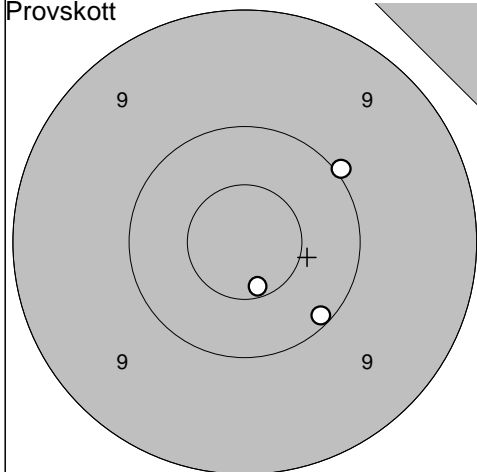
Ununge

2012-07-08

Tavelträffen 2012 A Final

Ramselefors SKF

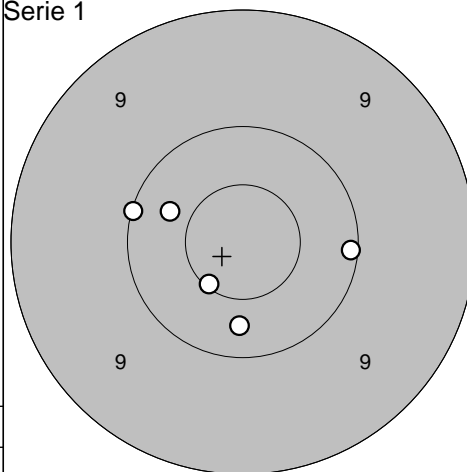
Provsrott



1: 10,1 ↘
2: 10,0 ↗
3: 10,6* ↓

Serie 30,0
Totalt 147,0

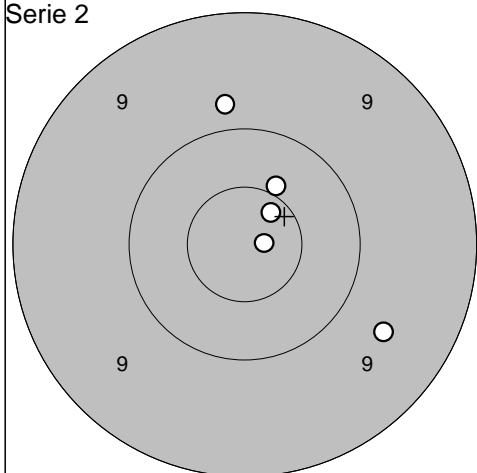
Serie 1



1: 10,1 ←
2: 10,1 →
3: 10,4 ↖
4: 10,6* ↙
5: 10,3 ↓

Serie 50,0
Totalt 197,0

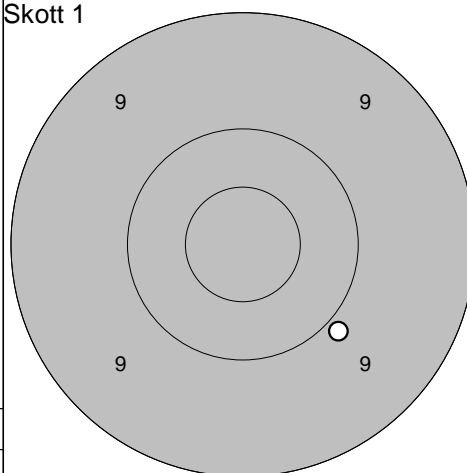
Serie 2



1: 10,5* ↗
2: 10,9* →
3: 9,8 ↑
4: 9,6 ↘
5: 10,7* ↗

Serie 48,0
Totalt 245,0

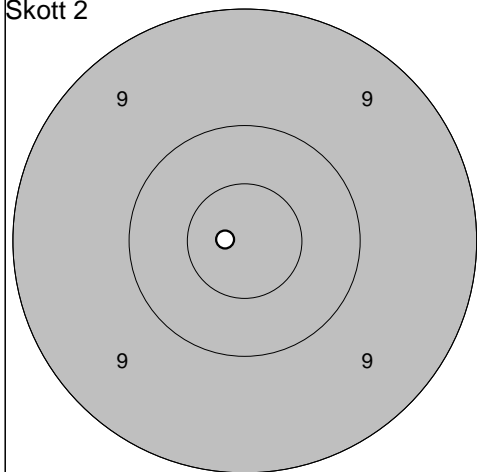
Skott 1



1: 9,9 ↘

Serie 9,0
Totalt 254,0

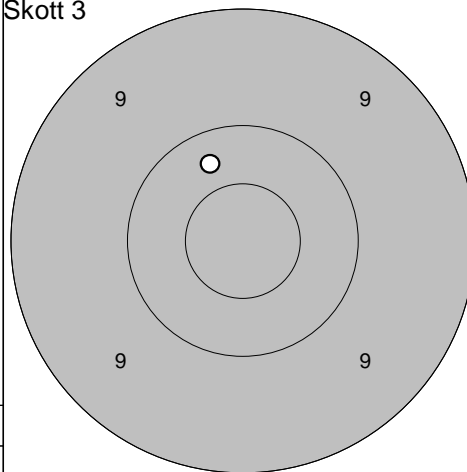
Skott 2



1: 10,9* ←

Serie 10,0
Totalt 264,0

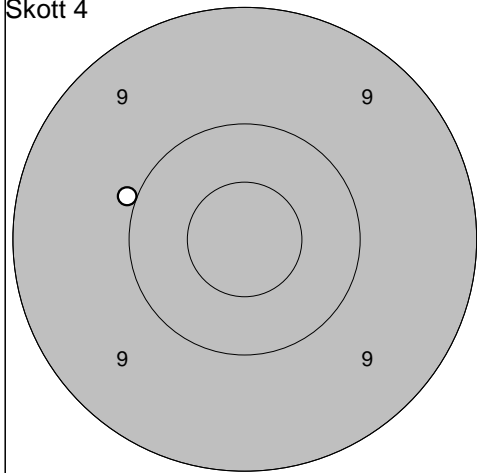
Skott 3



1: 10,3 ↗

Serie 10,0
Totalt 274,0

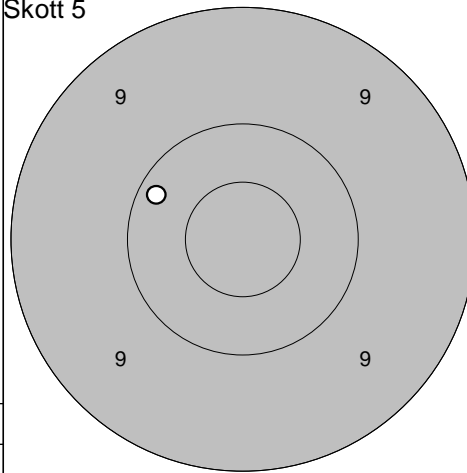
Skott 4



1: 10,0 ←

Serie 10,0
Totalt 284,0

Skott 5



1: 10,2 ↖

Serie 10,0
Totalt 294,0

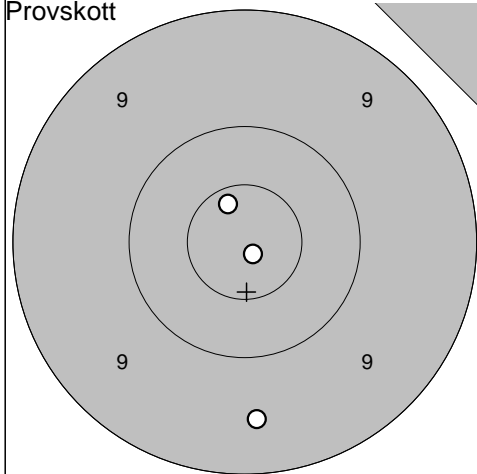
Moälven-Modo

2012-07-08

Tavelträffen 2012 A Final

Ramselefors SKF

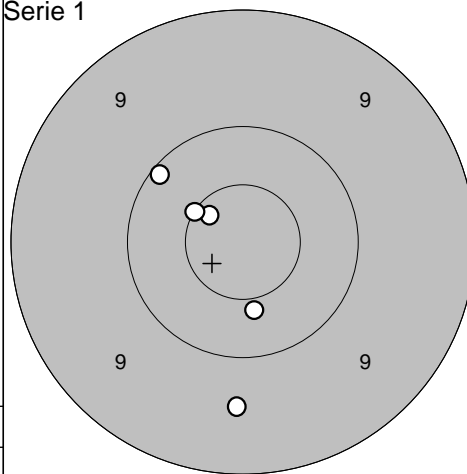
Provsnitt



1: 9,5 ↓
2: 10,9* ↘
3: 10,7* ↗

Serie	29,0
Totalt	145,0

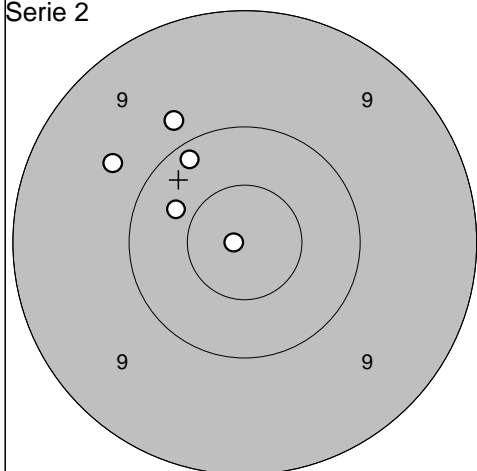
Serie 1



1: 10,7* ↗
2: 10,4 ↓
3: 9,6 ↓
4: 10,1 ↗
5: 10,5* ↗

Serie	49,0
Totalt	194,0

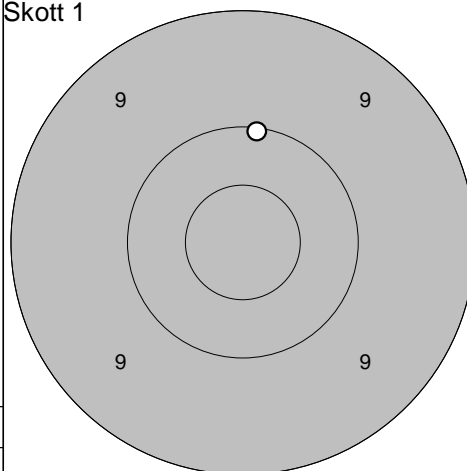
Serie 2



1: 9,8 ↗
2: 9,7 ↗
3: 10,9* ←
4: 10,4 ↗
5: 10,2 ↗

Serie	48,0
Totalt	242,0

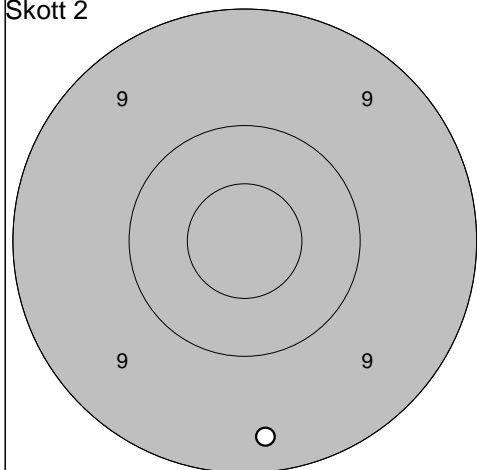
Skott 1



1: 10,1 ↑

Serie	10,0
Totalt	252,0

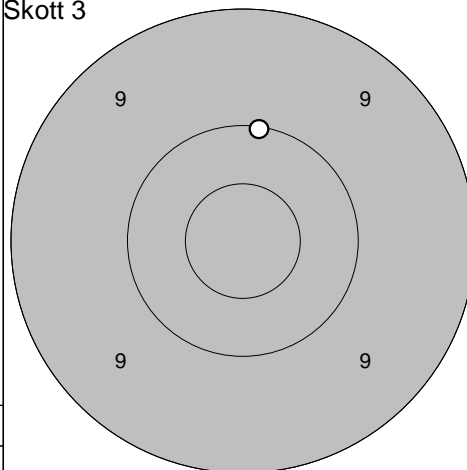
Skott 2



1: 9,3 ↓

Serie	9,0
Totalt	261,0

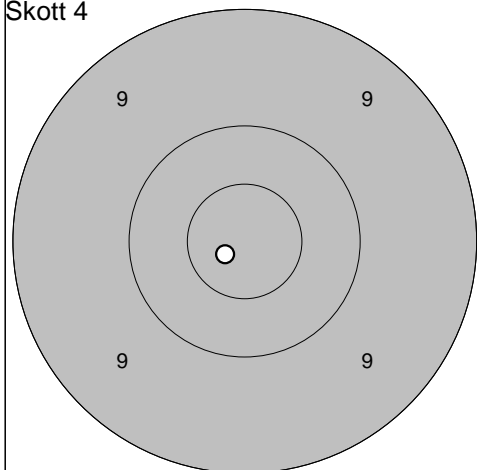
Skott 3



1: 10,1 ↑

Serie	10,0
Totalt	271,0

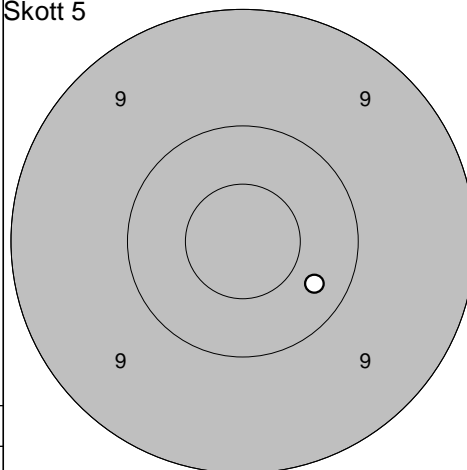
Skott 4



1: 10,8* ↖

Serie	10,0
Totalt	281,0

Skott 5



1: 10,3 ↘

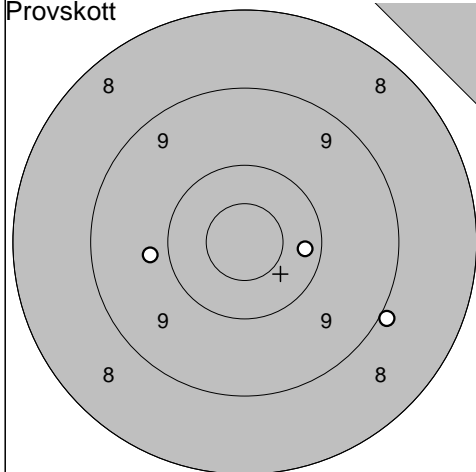
Serie	10,0
Totalt	291,0

2012-07-08

Tavelträffen 2012 A Final

Ramselefors SKF

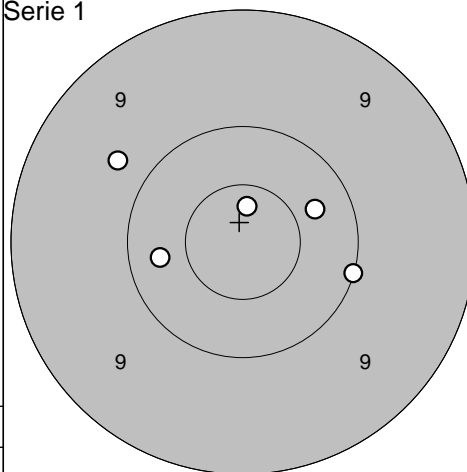
Provs-kott



1: 10,3 →
 2: 9,8 ←
 3: 9,0 ↘

Serie 28,0
 Totalt 143,0

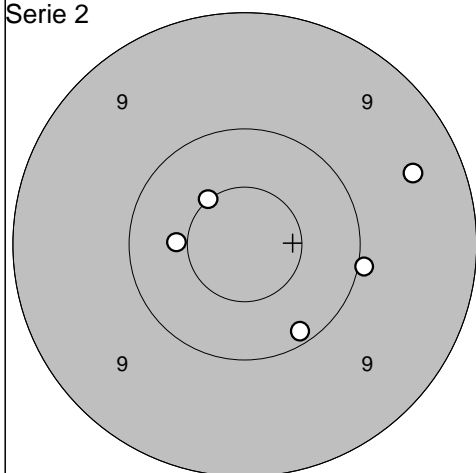
Serie 1



1: 10,7* ↑
 2: 9,7 ↖
 3: 10,0 →
 4: 10,3 →
 5: 10,3 ←

Serie 49,0
 Totalt 192,0

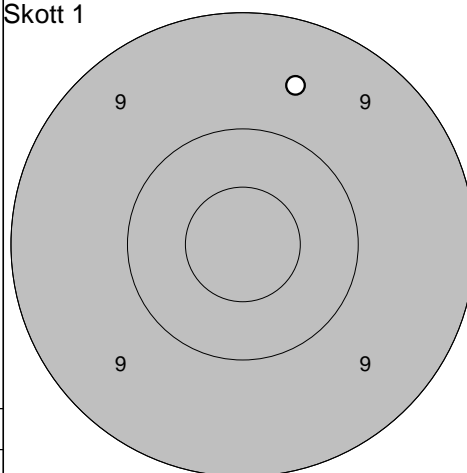
Serie 2



1: 9,5 →
 2: 10,0 →
 3: 10,1 ↘
 4: 10,4 ←
 5: 10,5* ↗

Serie 49,0
 Totalt 241,0

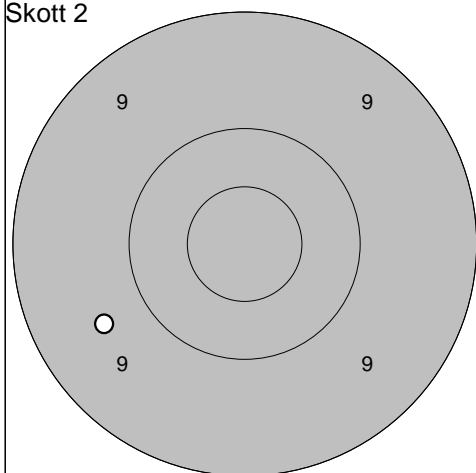
Skott 1



1: 9,6 ↑

Serie 9,0
 Totalt 250,0

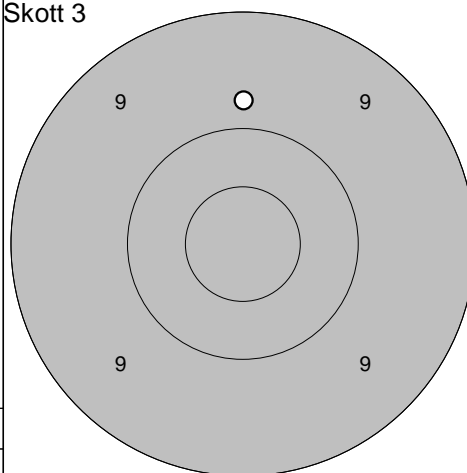
Skott 2



1: 9,6 ↙

Serie 9,0
 Totalt 259,0

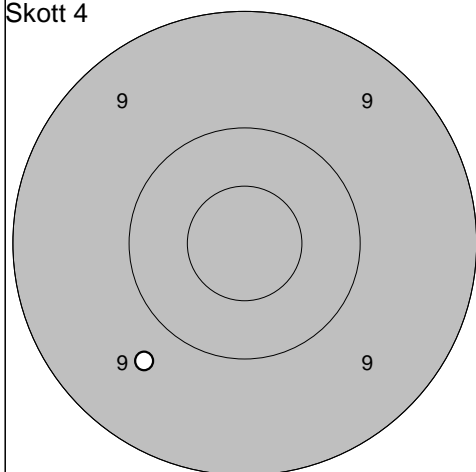
Skott 3



1: 9,8 ↑

Serie 9,0
 Totalt 268,0

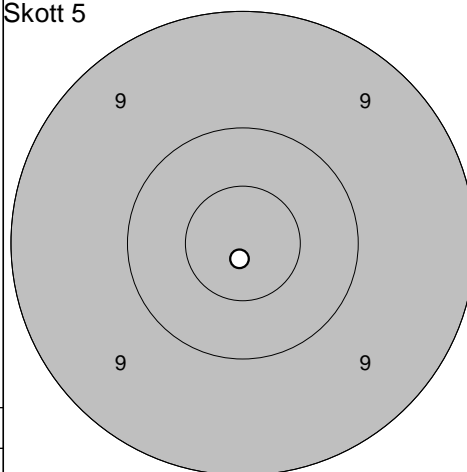
Skott 4



1: 9,7 ↘

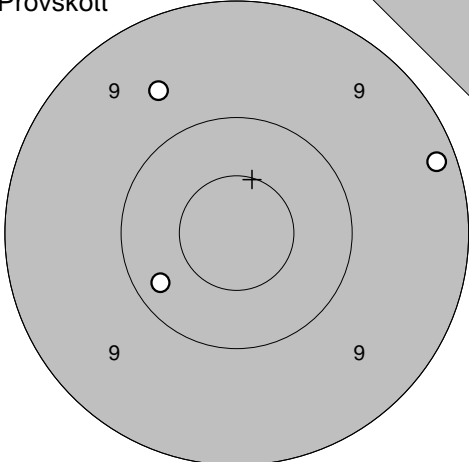
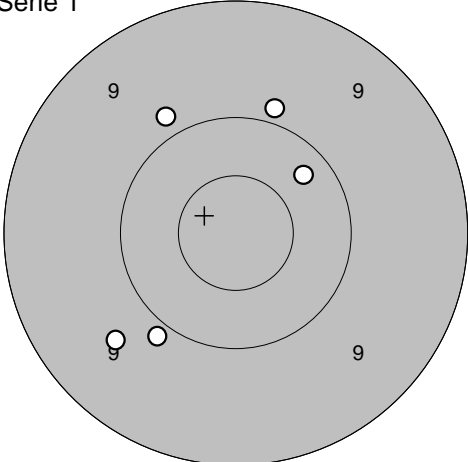
Serie 9,0
 Totalt 277,0

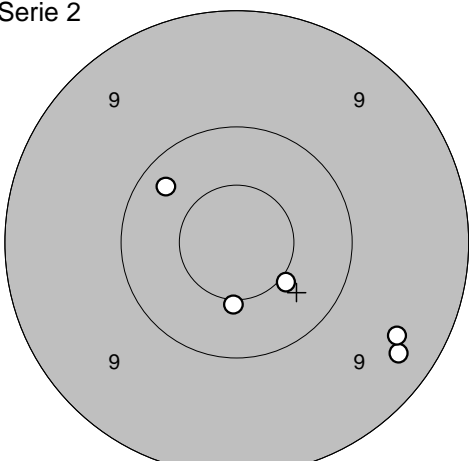
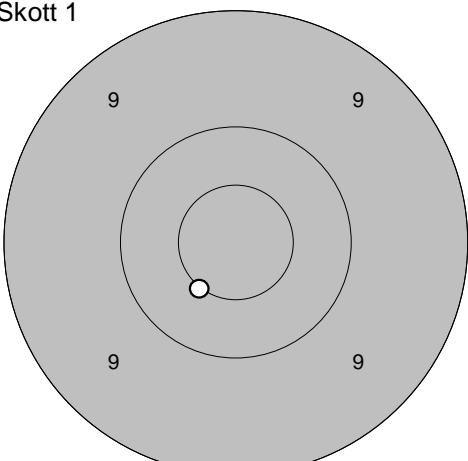
Skott 5

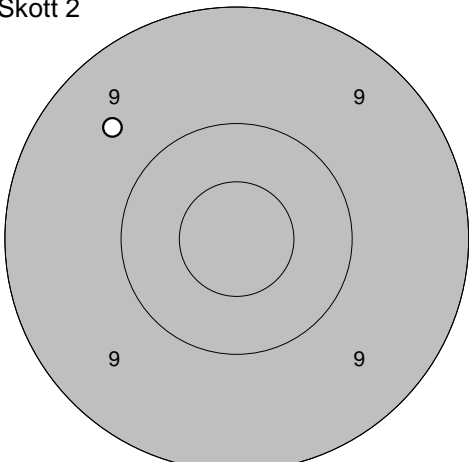
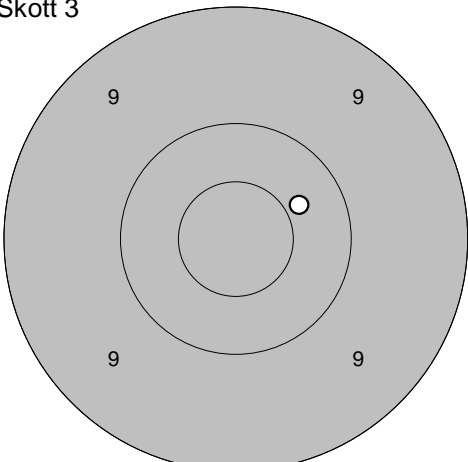


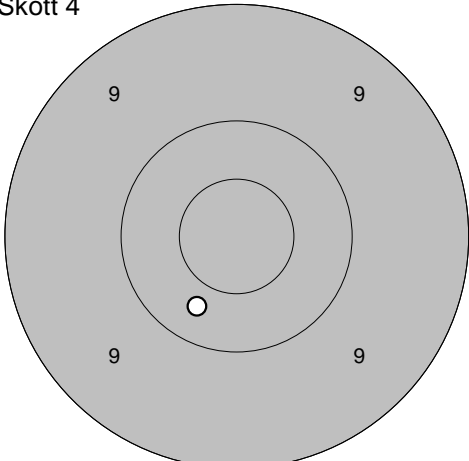
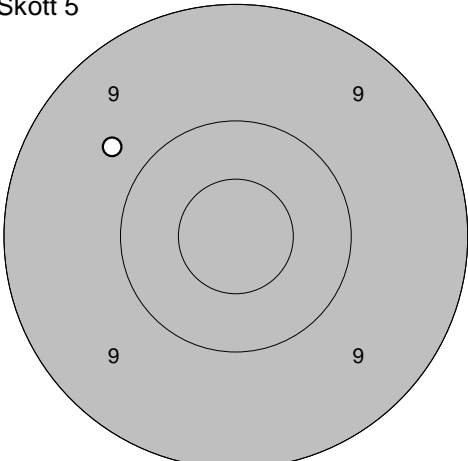
1: 10,9* ↓

Serie 10,0
 Totalt 287,0

Provsnitt 	1: 9,2 → 2: 10,2 ↙ 3: 9,6 ↗	Serie 1 	1: 9,6 ↙ 2: 9,9 ↙ 3: 9,9 ↗ 4: 9,9 ↑ 5: 10,3 ↗
Serie 28,0		Serie 46,0	
Totalt 143,0		Totalt 189,0	

Serie 2 	1: 10,3 ↗ 2: 9,3 ↘ 3: 9,4 ↘ 4: 10,5* ↘ 5: 10,5* ↘	Skott 1 	1: 10,5* ↙
Serie 48,0		Serie 10,0	
Totalt 237,0		Totalt 247,0	

Skott 2 	1: 9,6 ↖	Skott 3 	1: 10,4 ↗
Serie 9,0		Serie 10,0	
Totalt 256,0		Totalt 266,0	

Skott 4 	1: 10,3 ↘	Skott 5 	1: 9,7 ↗
Serie 10,0		Serie 9,0	
Totalt 276,0		Totalt 285,0	

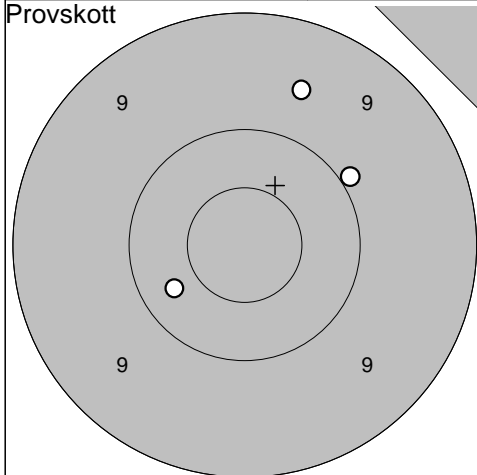
Kvistbro

2012-07-08

Tavelträffen 2012 A Final

Ramselefors SKF

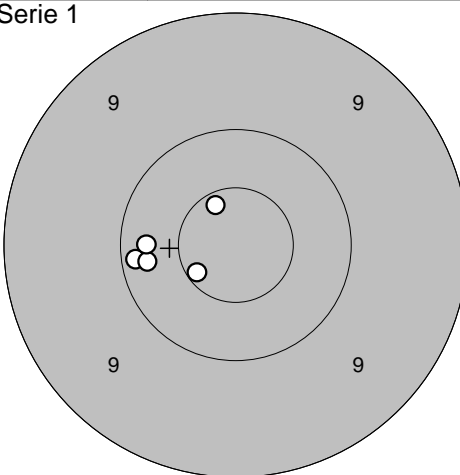
Provsrott



1: 10,3 ↙
2: 9,6 ↑
3: 9,9 ↗

Serie 28,0
Totalt 142,0

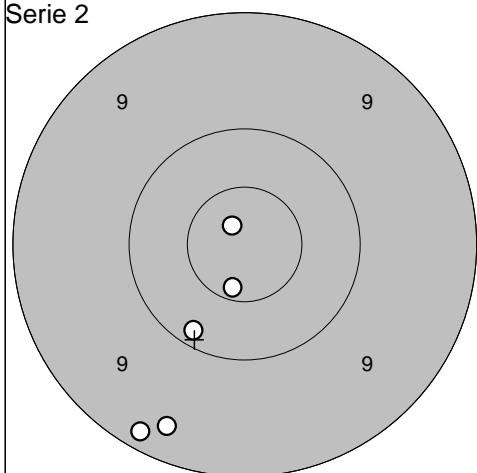
Serie 1



1: 10,2 ←
2: 10,6* ↗
3: 10,3 ←
4: 10,6* ↙
5: 10,3 ←

Serie 50,0
Totalt 192,0

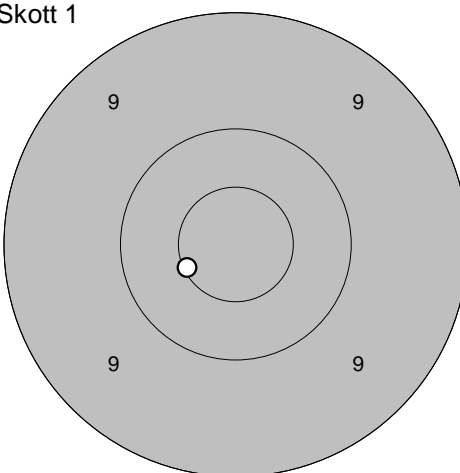
Serie 2



1: 10,8* ↖
2: 9,2 ↘
3: 10,6* ↘
4: 10,2 ↘
5: 9,3 ↘

Serie 48,0
Totalt 240,0

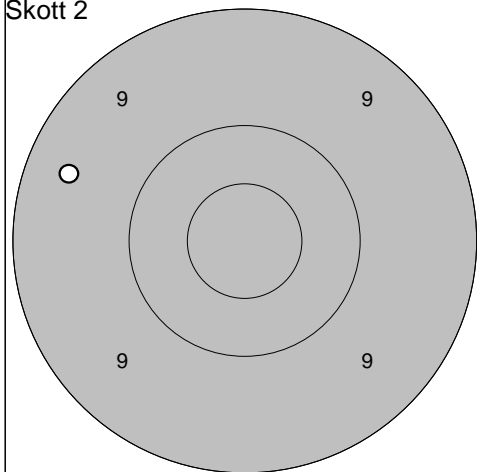
Skott 1



1: 10,6* ←

Serie 10,0
Totalt 250,0

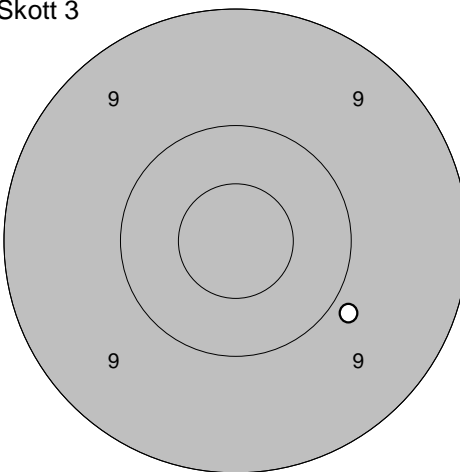
Skott 2



1: 9,4 ←

Serie 9,0
Totalt 259,0

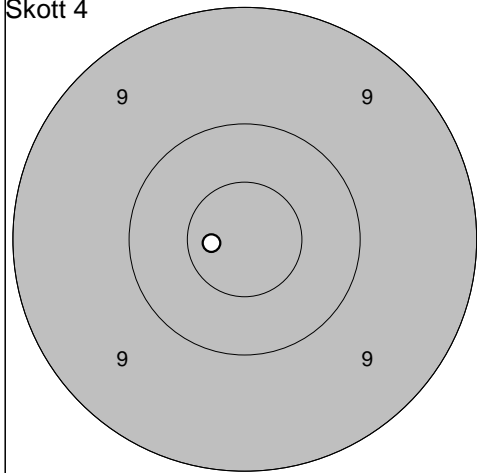
Skott 3



1: 9,9 ↘

Serie 9,0
Totalt 268,0

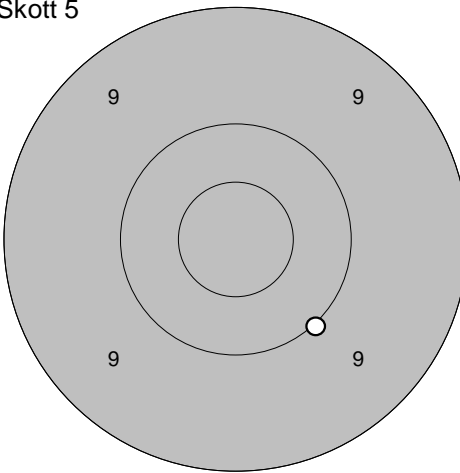
Skott 4



1: 10,7* ←

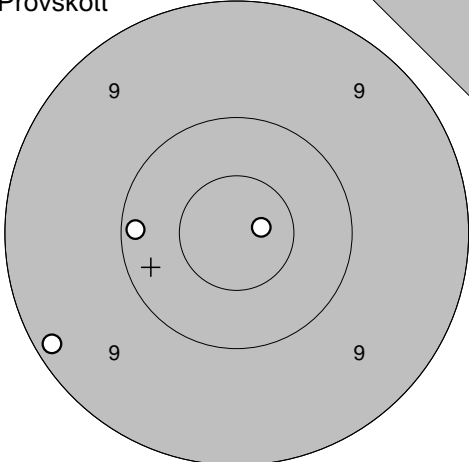
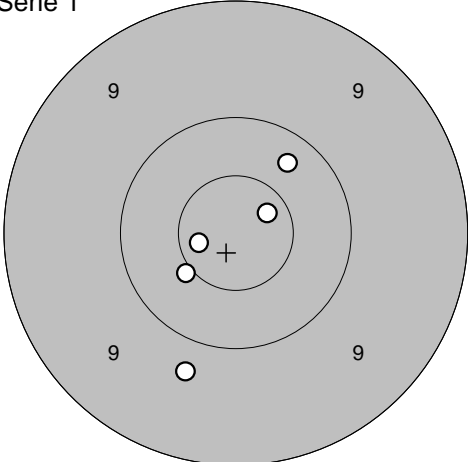
Serie 10,0
Totalt 278,0

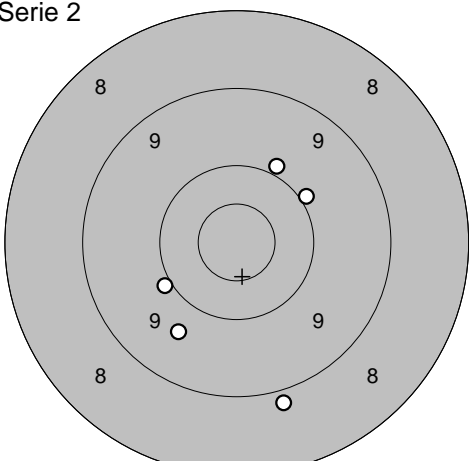
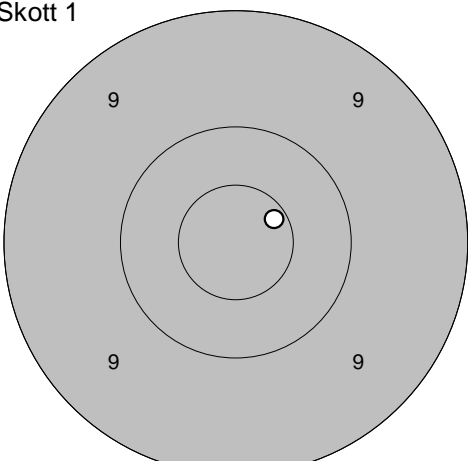
Skott 5

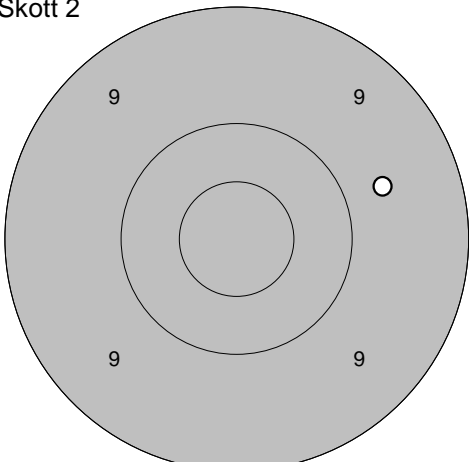
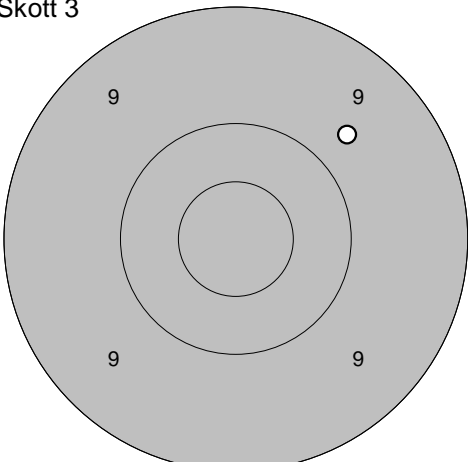


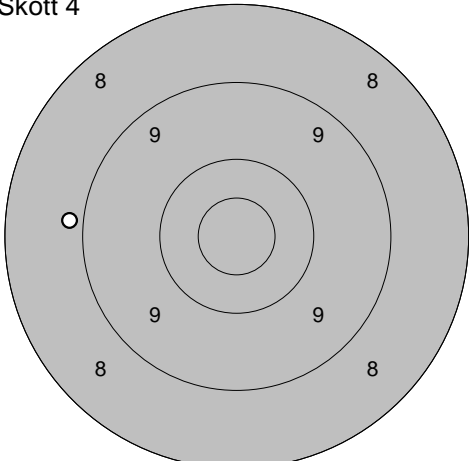
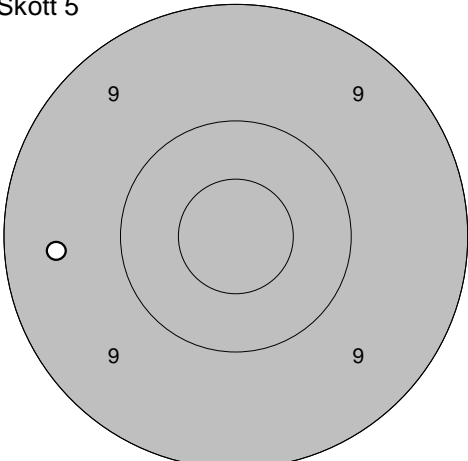
1: 10,0 ↘

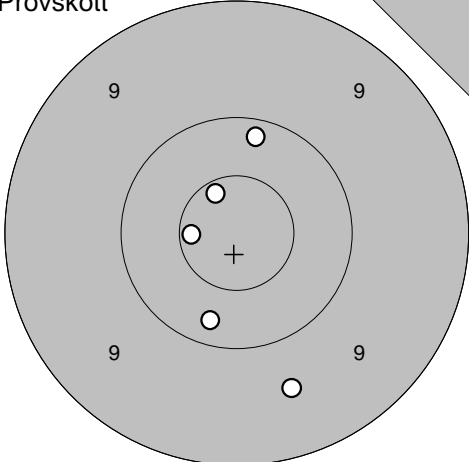
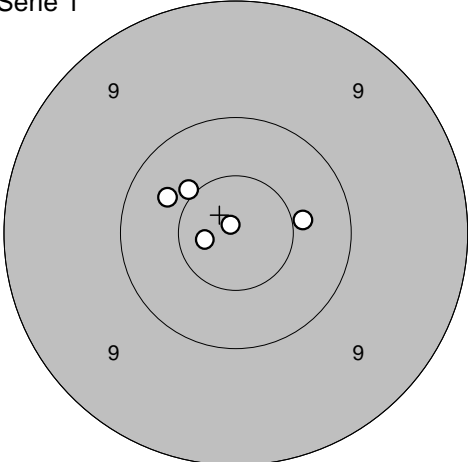
Serie 10,0
Totalt 288,0

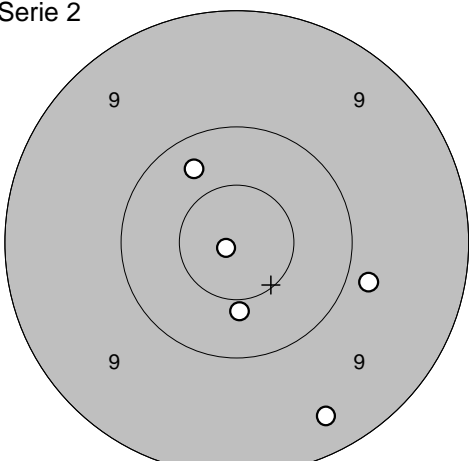
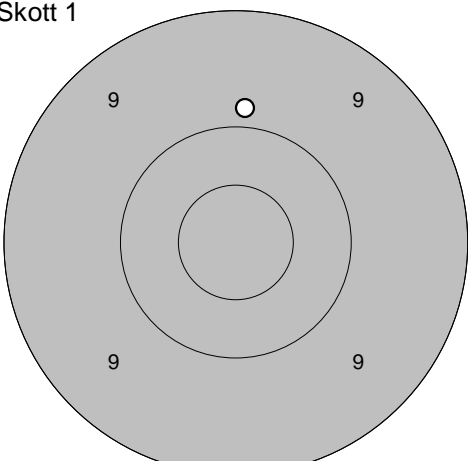
<p>Provskott</p> 	<p>1: 9,2 ← 2: 10,2 ← 3: 10,8* →</p> <table border="1" style="width:100%; border-collapse: collapse;"> <tr><td>Serie</td><td style="text-align: right;">29,0</td></tr> <tr><td>Totalt</td><td style="text-align: right;">141,0</td></tr> </table>	Serie	29,0	Totalt	141,0	<p>Serie 1</p> 	<p>1: 10,7* ← 2: 10,7* → 3: 10,3 ↗ 4: 9,8 ↓ 5: 10,5* ↙</p> <table border="1" style="width:100%; border-collapse: collapse;"> <tr><td>Serie</td><td style="text-align: right;">49,0</td></tr> <tr><td>Totalt</td><td style="text-align: right;">190,0</td></tr> </table>	Serie	49,0	Totalt	190,0
Serie	29,0										
Totalt	141,0										
Serie	49,0										
Totalt	190,0										

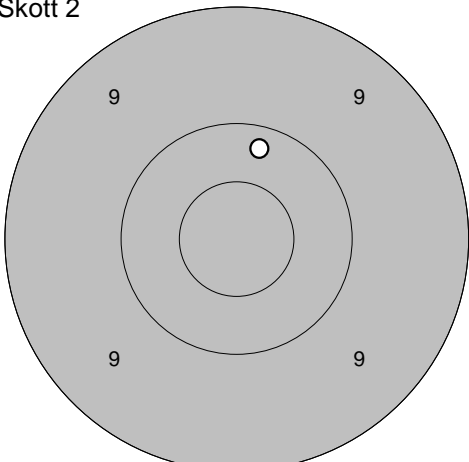
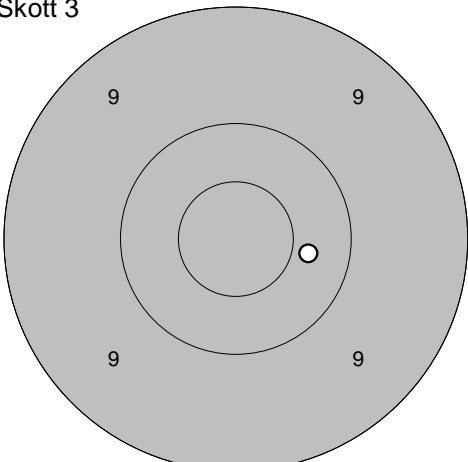
<p>Serie 2</p> 	<p>1: 10,0 ← 2: 10,0 → 3: 9,9 ↗ 4: 9,7 ↓ 5: 8,9 ↓</p> <table border="1" style="width:100%; border-collapse: collapse;"> <tr><td>Serie</td><td style="text-align: right;">46,0</td></tr> <tr><td>Totalt</td><td style="text-align: right;">236,0</td></tr> </table>	Serie	46,0	Totalt	236,0	<p>Skott 1</p> 	<p>1: 10,6* →</p> <table border="1" style="width:100%; border-collapse: collapse;"> <tr><td>Serie</td><td style="text-align: right;">10,0</td></tr> <tr><td>Totalt</td><td style="text-align: right;">246,0</td></tr> </table>	Serie	10,0	Totalt	246,0
Serie	46,0										
Totalt	236,0										
Serie	10,0										
Totalt	246,0										

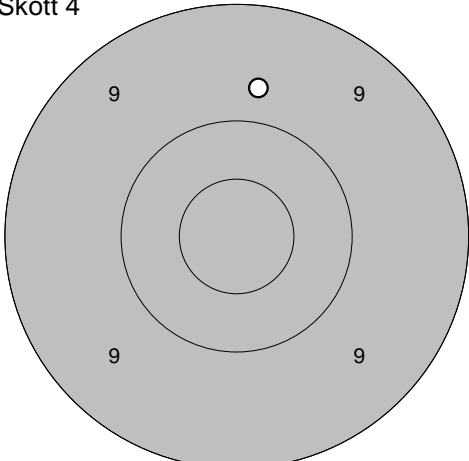
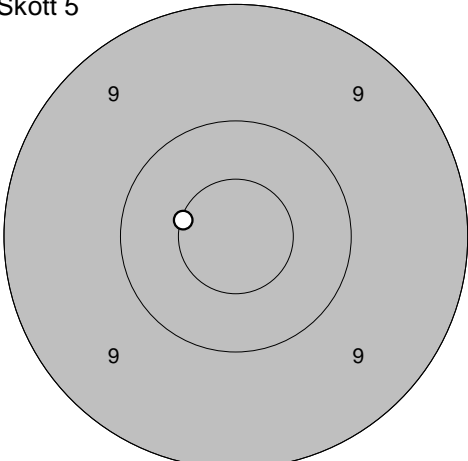
<p>Skott 2</p> 	<p>1: 9,7 →</p> <table border="1" style="width:100%; border-collapse: collapse;"> <tr><td>Serie</td><td style="text-align: right;">9,0</td></tr> <tr><td>Totalt</td><td style="text-align: right;">255,0</td></tr> </table>	Serie	9,0	Totalt	255,0	<p>Skott 3</p> 	<p>1: 9,7 ↗</p> <table border="1" style="width:100%; border-collapse: collapse;"> <tr><td>Serie</td><td style="text-align: right;">9,0</td></tr> <tr><td>Totalt</td><td style="text-align: right;">264,0</td></tr> </table>	Serie	9,0	Totalt	264,0
Serie	9,0										
Totalt	255,0										
Serie	9,0										
Totalt	264,0										

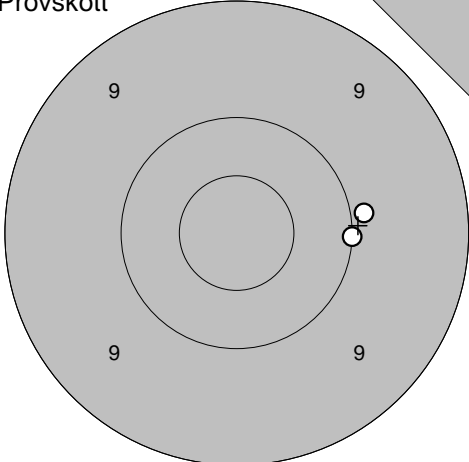
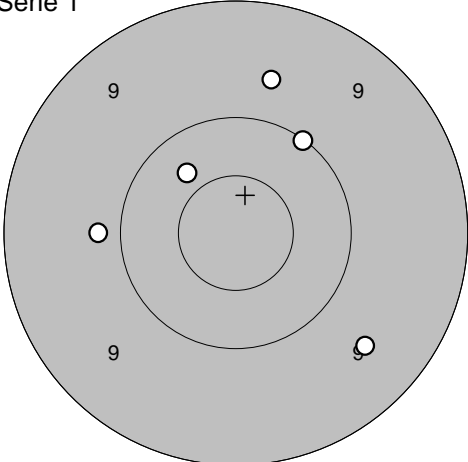
<p>Skott 4</p> 	<p>1: 8,9 ←</p> <table border="1" style="width:100%; border-collapse: collapse;"> <tr><td>Serie</td><td style="text-align: right;">8,0</td></tr> <tr><td>Totalt</td><td style="text-align: right;">272,0</td></tr> </table>	Serie	8,0	Totalt	272,0	<p>Skott 5</p> 	<p>1: 9,5 ←</p> <table border="1" style="width:100%; border-collapse: collapse;"> <tr><td>Serie</td><td style="text-align: right;">9,0</td></tr> <tr><td>Totalt</td><td style="text-align: right;">281,0</td></tr> </table>	Serie	9,0	Totalt	281,0
Serie	8,0										
Totalt	272,0										
Serie	9,0										
Totalt	281,0										

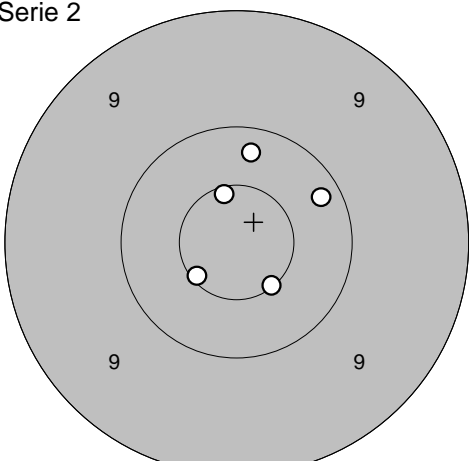
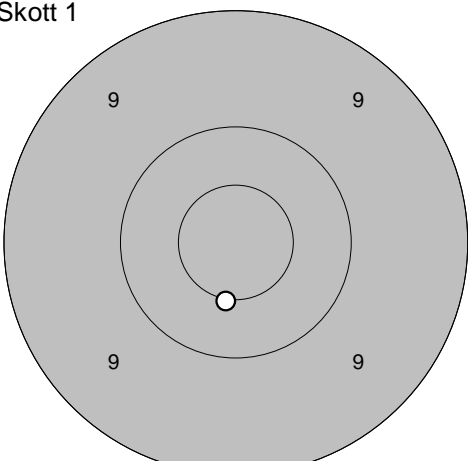
Provsrott 	Serie 1 	1: 10,6* ↗ 2: 10,2 ↑ 3: 10,2 ↓ 4: 9,6 ↓ 5: 10,6* ←
Serie 49,0	Serie 50,0	
Totalt 148,0	Totalt 198,0	

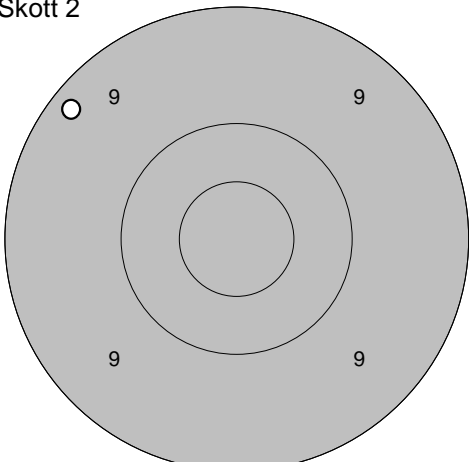
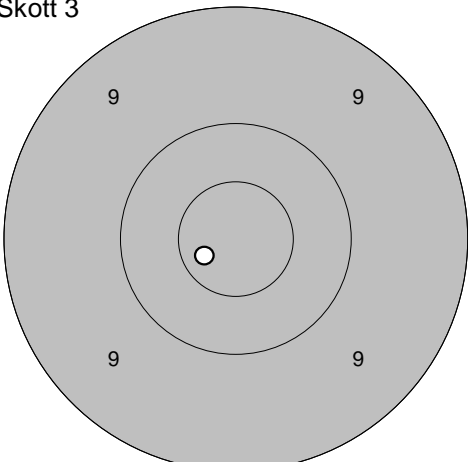
Serie 2 	Skott 1 	1: 10,3 ↗ 2: 10,9* ← 3: 9,8 → 4: 9,3 ↓ 5: 10,4 ↓
Serie 48,0	Serie 9,0	
Totalt 246,0	Totalt 255,0	

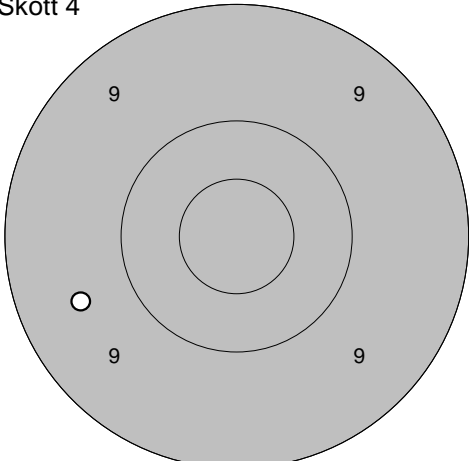
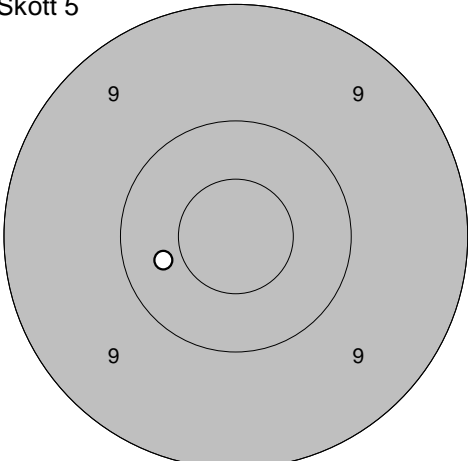
Skott 2 	Skott 3 	1: 10,2 ↑
Serie 10,0	Serie 10,0	
Totalt 265,0	Totalt 275,0	

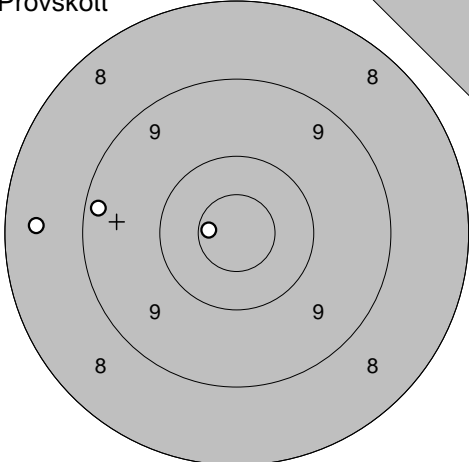
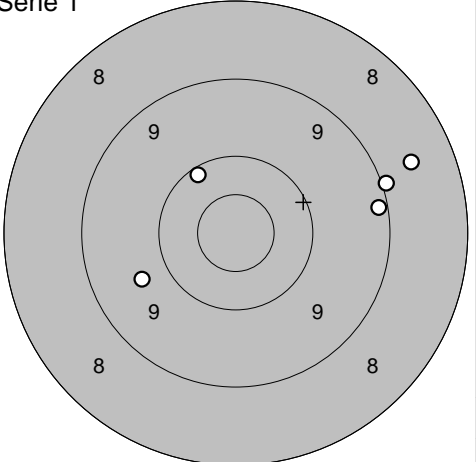
Skott 4 	Skott 5 	1: 9,7 ↑
Serie 9,0	Serie 10,0	
Totalt 284,0	Totalt 294,0	

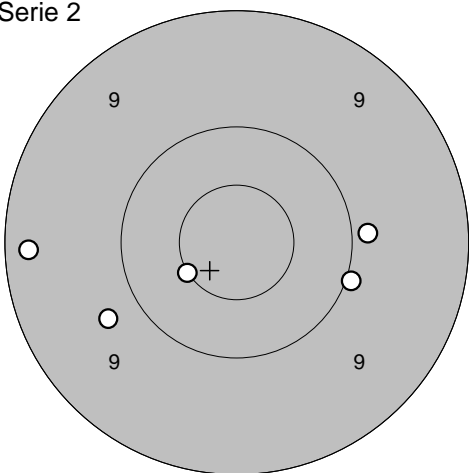
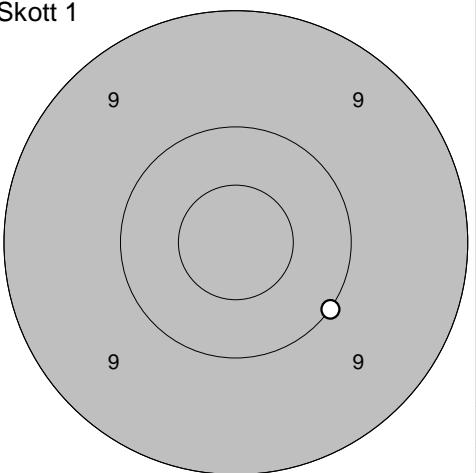
<p>Provskott</p> 	<p>1: 9,9 → 2: 10,0 →</p> <p>Serie 19,0 Totalt 147,0</p>	<p>Serie 1</p>  <p>1: 9,8 ← 2: 10,0 ↗ 3: 10,4 ↗ 4: 9,5 ↘ 5: 9,7 ↑</p> <p>Serie 47,0 Totalt 194,0</p>
---	--	--

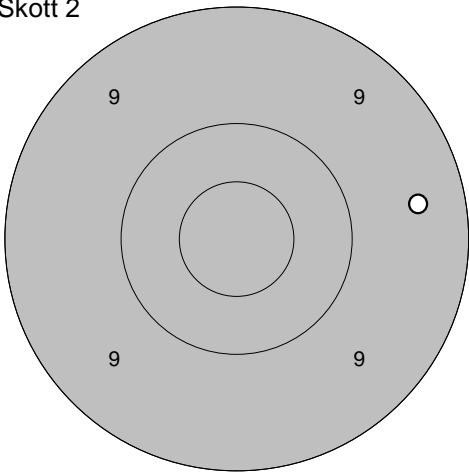
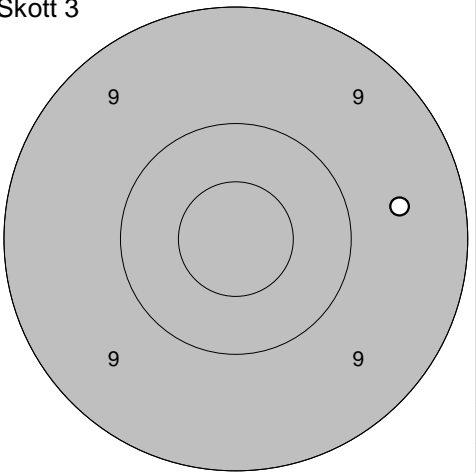
<p>Serie 2</p> 	<p>1: 10,6* ↙ 2: 10,6* ↑ 3: 10,2 ↗ 4: 10,2 ↑ 5: 10,5* ↘</p> <p>Serie 50,0 Totalt 244,0</p>	<p>Skott 1</p>  <p>1: 10,5* ↓</p> <p>Serie 10,0 Totalt 254,0</p>
--	--	---

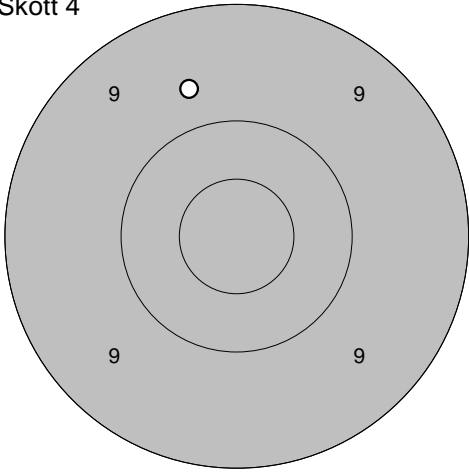
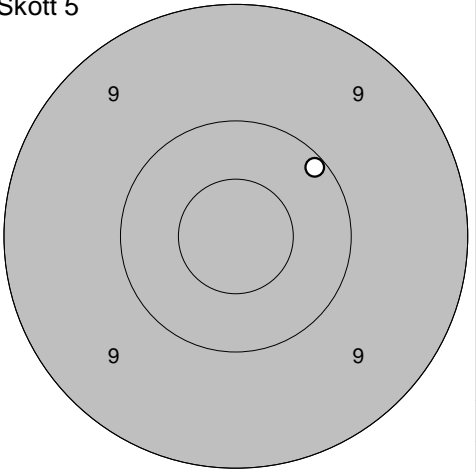
<p>Skott 2</p> 	<p>1: 9,2 ↖</p> <p>Serie 9,0 Totalt 263,0</p>	<p>Skott 3</p>  <p>1: 10,7* ↖</p> <p>Serie 10,0 Totalt 273,0</p>
---	---	--

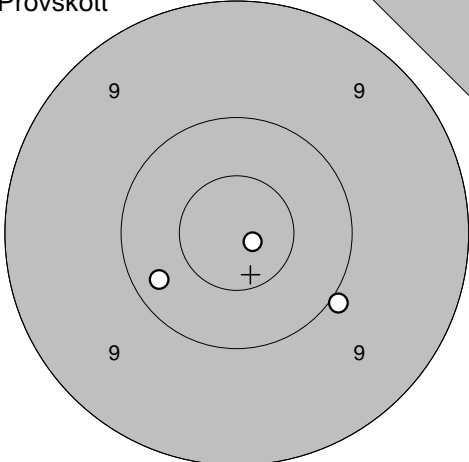
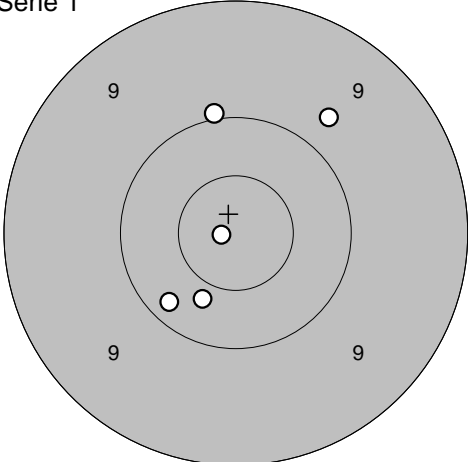
<p>Skott 4</p> 	<p>1: 9,6 ←</p> <p>Serie 9,0 Totalt 282,0</p>	<p>Skott 5</p>  <p>1: 10,4 ←</p> <p>Serie 10,0 Totalt 292,0</p>
---	---	---

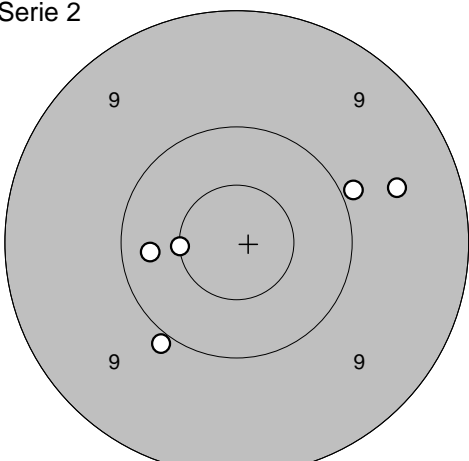
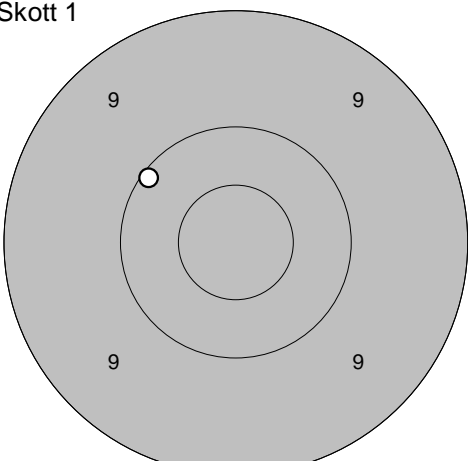
<p>Provsrott</p> 	<p>1: 8,5 ← 2: 10,7* ← 3: 9,2 ←</p> <table border="1" style="width:100%; border-collapse: collapse;"> <tr><td>Serie</td><td style="text-align: right;">27,0</td></tr> <tr><td>Totalt</td><td style="text-align: right;">144,0</td></tr> </table>	Serie	27,0	Totalt	144,0	<p>Serie 1</p> 	<p>1: 9,7 ↙ 2: 9,0 → 3: 9,2 → 4: 8,6 → 5: 10,2 ↗</p> <table border="1" style="width:100%; border-collapse: collapse;"> <tr><td>Serie</td><td style="text-align: right;">45,0</td></tr> <tr><td>Totalt</td><td style="text-align: right;">189,0</td></tr> </table>	Serie	45,0	Totalt	189,0
Serie	27,0										
Totalt	144,0										
Serie	45,0										
Totalt	189,0										

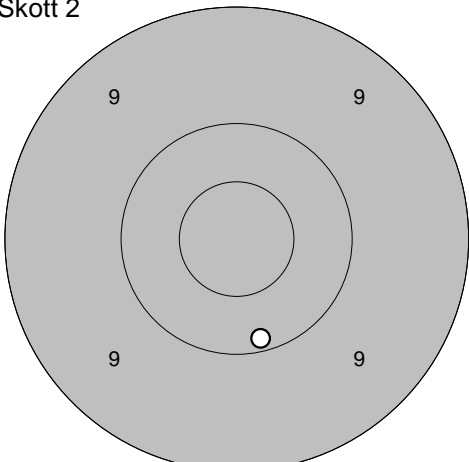
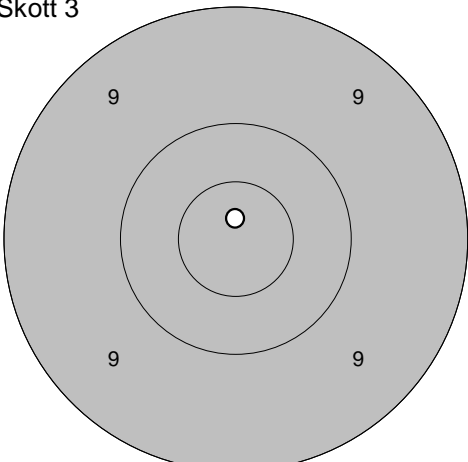
<p>Serie 2</p> 	<p>1: 9,7 ↙ 2: 9,2 ← 3: 10,0 → 4: 9,9 → 5: 10,5* ↙</p> <table border="1" style="width:100%; border-collapse: collapse;"> <tr><td>Serie</td><td style="text-align: right;">47,0</td></tr> <tr><td>Totalt</td><td style="text-align: right;">236,0</td></tr> </table>	Serie	47,0	Totalt	236,0	<p>Skott 1</p> 	<p>1: 10,0 ↘</p> <table border="1" style="width:100%; border-collapse: collapse;"> <tr><td>Serie</td><td style="text-align: right;">10,0</td></tr> <tr><td>Totalt</td><td style="text-align: right;">246,0</td></tr> </table>	Serie	10,0	Totalt	246,0
Serie	47,0										
Totalt	236,0										
Serie	10,0										
Totalt	246,0										

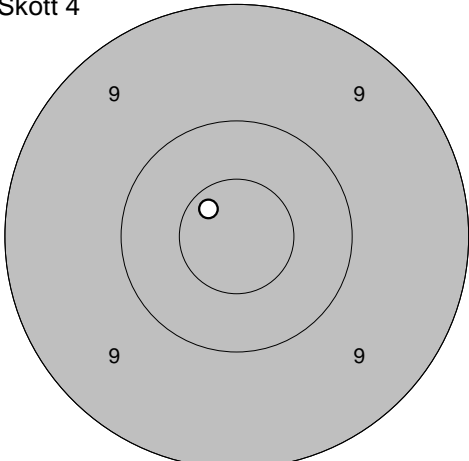
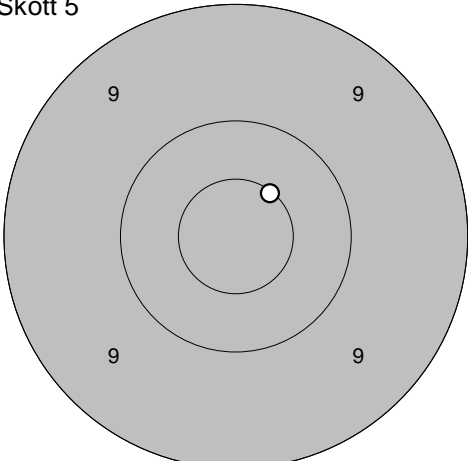
<p>Skott 2</p> 	<p>1: 9,4 →</p> <table border="1" style="width:100%; border-collapse: collapse;"> <tr><td>Serie</td><td style="text-align: right;">9,0</td></tr> <tr><td>Totalt</td><td style="text-align: right;">255,0</td></tr> </table>	Serie	9,0	Totalt	255,0	<p>Skott 3</p> 	<p>1: 9,6 →</p> <table border="1" style="width:100%; border-collapse: collapse;"> <tr><td>Serie</td><td style="text-align: right;">9,0</td></tr> <tr><td>Totalt</td><td style="text-align: right;">264,0</td></tr> </table>	Serie	9,0	Totalt	264,0
Serie	9,0										
Totalt	255,0										
Serie	9,0										
Totalt	264,0										

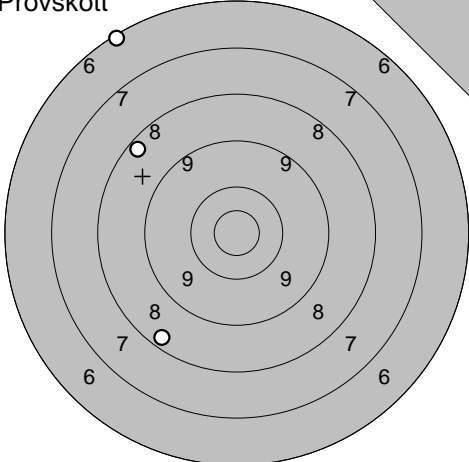
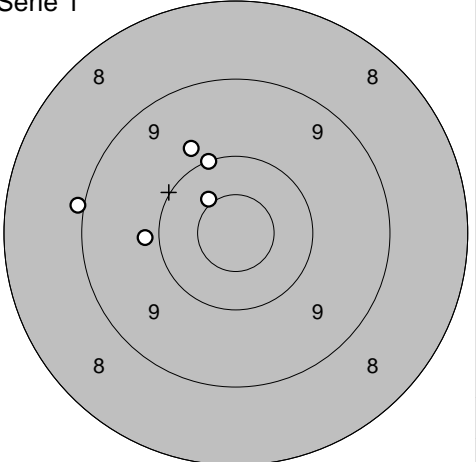
<p>Skott 4</p> 	<p>1: 9,7 ↗</p> <table border="1" style="width:100%; border-collapse: collapse;"> <tr><td>Serie</td><td style="text-align: right;">9,0</td></tr> <tr><td>Totalt</td><td style="text-align: right;">273,0</td></tr> </table>	Serie	9,0	Totalt	273,0	<p>Skott 5</p> 	<p>1: 10,1 ↗</p> <table border="1" style="width:100%; border-collapse: collapse;"> <tr><td>Serie</td><td style="text-align: right;">10,0</td></tr> <tr><td>Totalt</td><td style="text-align: right;">283,0</td></tr> </table>	Serie	10,0	Totalt	283,0
Serie	9,0										
Totalt	273,0										
Serie	10,0										
Totalt	283,0										

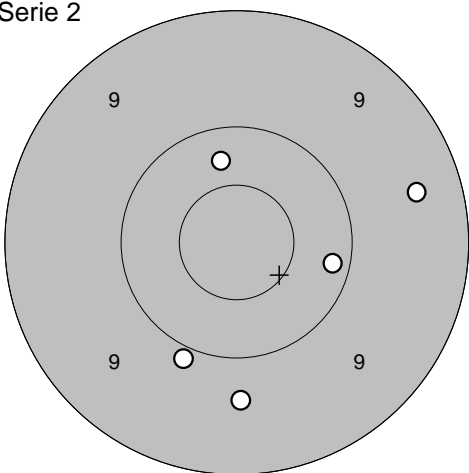
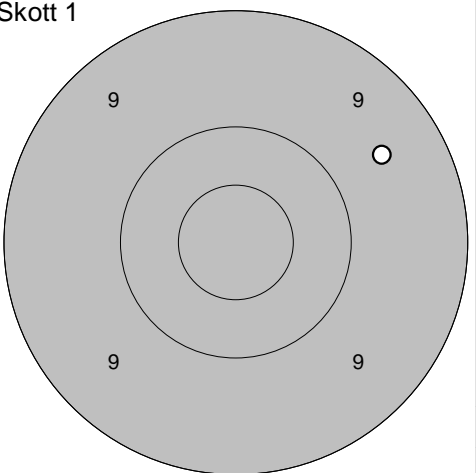
Provs-kott 	1: 10,9* → 2: 10,3 ← 3: 10,0 → <hr/> Serie 30,0 Totalt 143,0	Serie 1 	1: 10,0 ↑ 2: 10,4 ↓ 3: 10,2 ↙ 4: 10,9* ← 5: 9,8 ↗ <hr/> Serie 49,0 Totalt 192,0
--	--	---	---

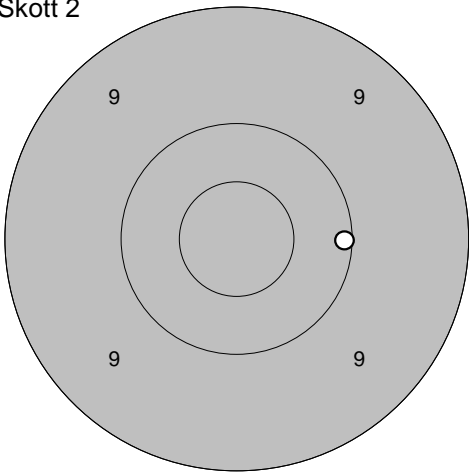
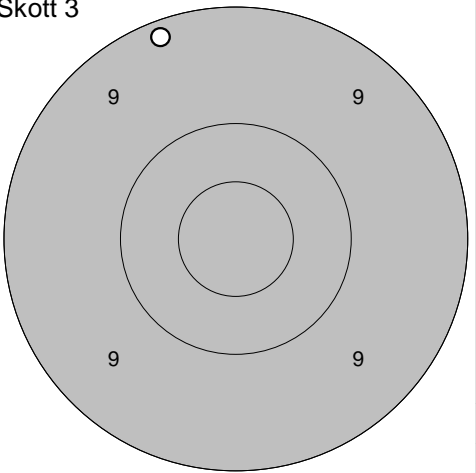
Serie 2 	1: 10,3 ← 2: 9,9 ↘ 3: 10,5* ← 4: 9,9 → 5: 9,6 → <hr/> Serie 47,0 Totalt 239,0	Skott 1 	1: 10,1 ↖ <hr/> Serie 10,0 Totalt 249,0
--	---	--	---

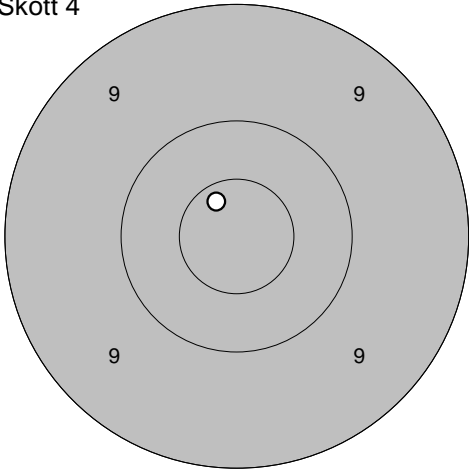
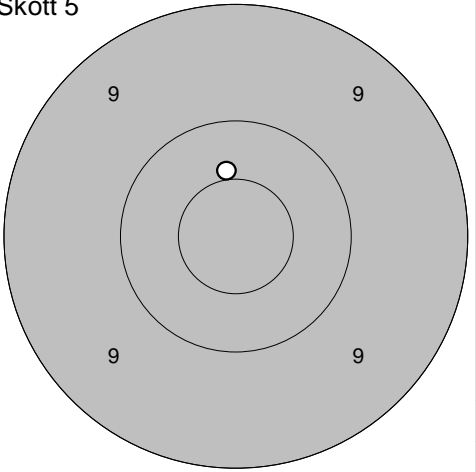
Skott 2 	1: 10,1 ↓ <hr/> Serie 10,0 Totalt 259,0	Skott 3 	1: 10,9* ↑ <hr/> Serie 10,0 Totalt 269,0
---	---	---	--

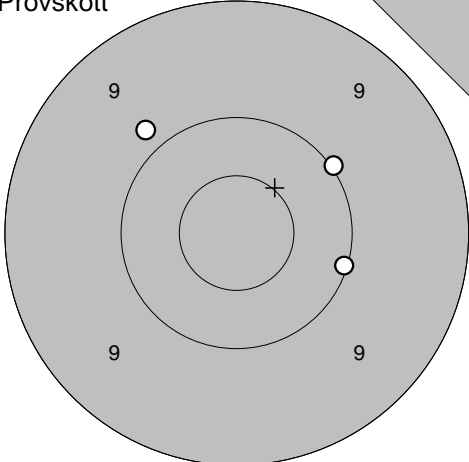
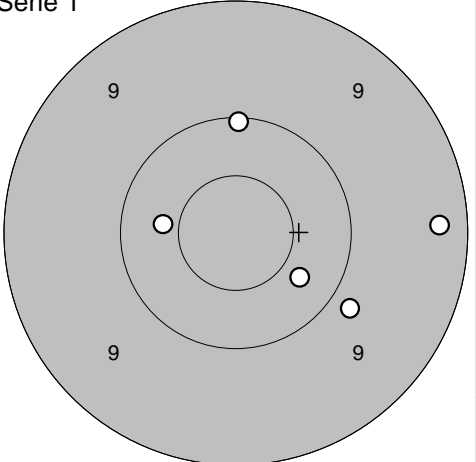
Skott 4 	1: 10,7* ↖ <hr/> Serie 10,0 Totalt 279,0	Skott 5 	1: 10,6* ↗ <hr/> Serie 10,0 Totalt 289,0
---	--	---	--

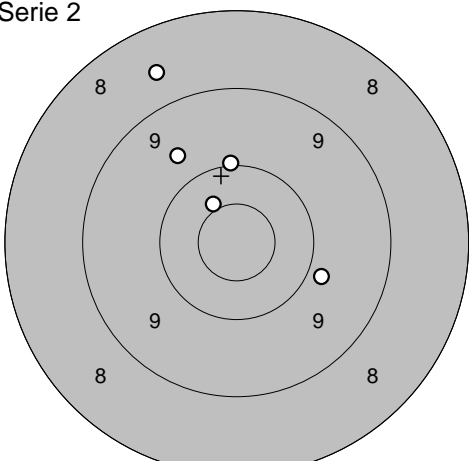
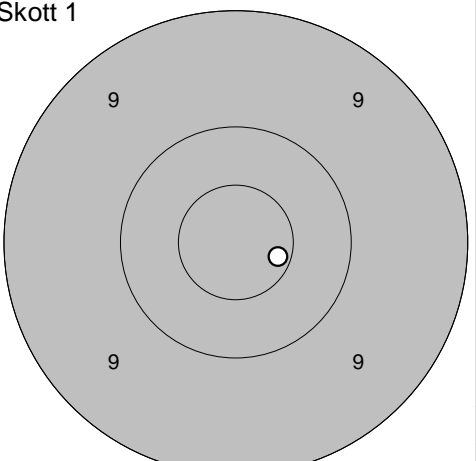
Provsnitt 	1: 8,3 ↗ 2: 6,2 ↗ 3: 8,3 ↘ <hr/> Serie 22,0 Totalt 141,0	Serie 1 	1: 10,5* ↗ 2: 9,8 ↗ 3: 9,9 ← 4: 9,0 ← 5: 10,1 ↗ <hr/> Serie 47,0 Totalt 188,0
--	--	--	---

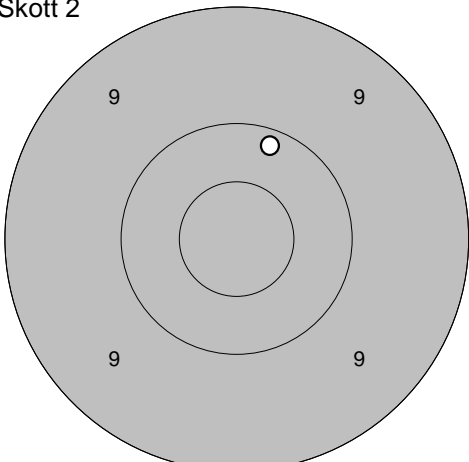
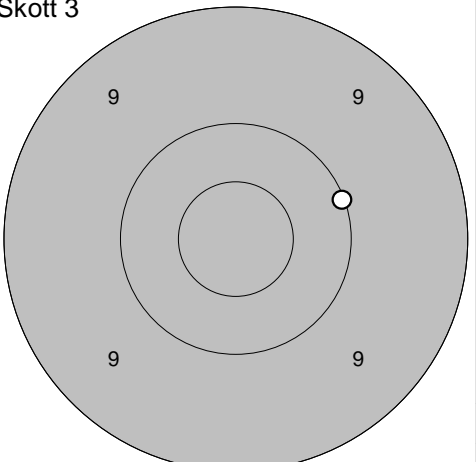
Serie 2 	1: 10,3 ↑ 2: 9,7 ↓ 3: 9,4 → 4: 10,2 → 5: 9,9 ↘ <hr/> Serie 47,0 Totalt 235,0	Skott 1 	1: 9,6 ↗ <hr/> Serie 9,0 Totalt 244,0
---	--	---	---

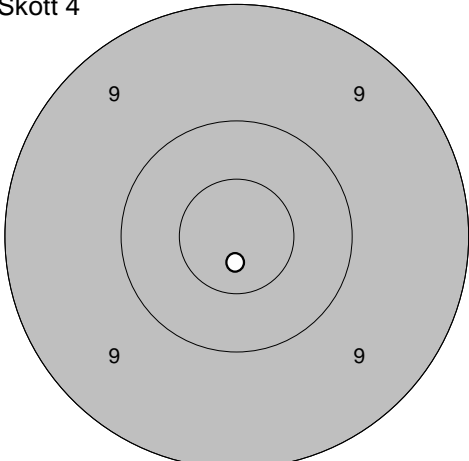
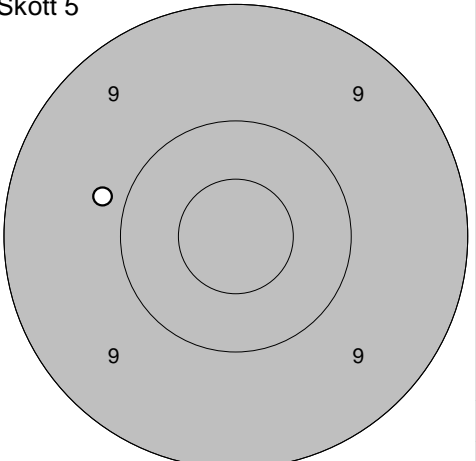
Skott 2 	1: 10,1 → <hr/> Serie 10,0 Totalt 254,0	Skott 3 	1: 9,2 ↗ <hr/> Serie 9,0 Totalt 263,0
--	---	--	---

Skott 4 	1: 10,7* ↗ <hr/> Serie 10,0 Totalt 273,0	Skott 5 	1: 10,5* ↑ <hr/> Serie 10,0 Totalt 283,0
--	--	--	--

Provsrott 	1: 10,0 → 2: 10,1 → 3: 9,8 ↗ Serie 29,0 Totalt 141,0	Serie 1 	1: 9,3 → 2: 10,4 ↘ 3: 9,8 ↘ 4: 10,4 ← 5: 10,1 ↑ Serie 48,0 Totalt 189,0
---	--	---	---

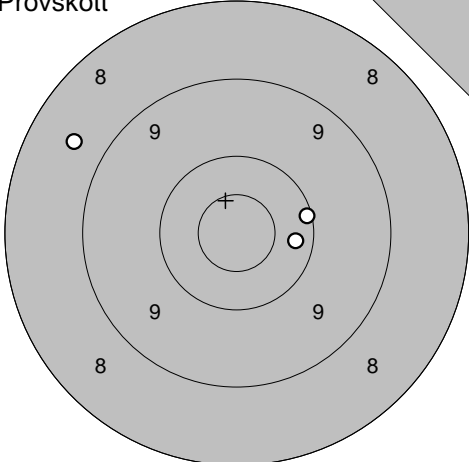
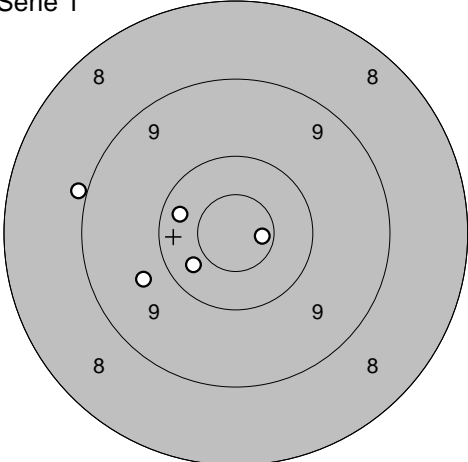
Serie 2 	1: 9,9 → 2: 8,6 ↗ 3: 9,7 ↗ 4: 10,0 ↑ 5: 10,5* ↗ Serie 46,0 Totalt 235,0	Skott 1 	1: 10,6* → Serie 10,0 Totalt 245,0
--	---	--	--

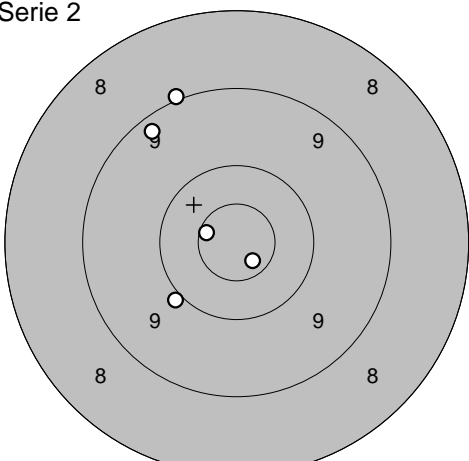
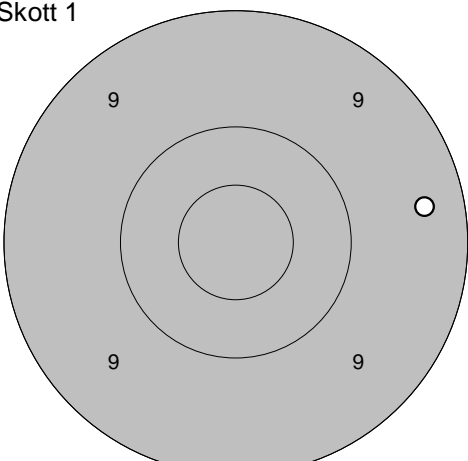
Skott 2 	1: 10,2 ↑ Serie 10,0 Totalt 255,0	Skott 3 	1: 10,1 → Serie 10,0 Totalt 265,0
---	---	---	---

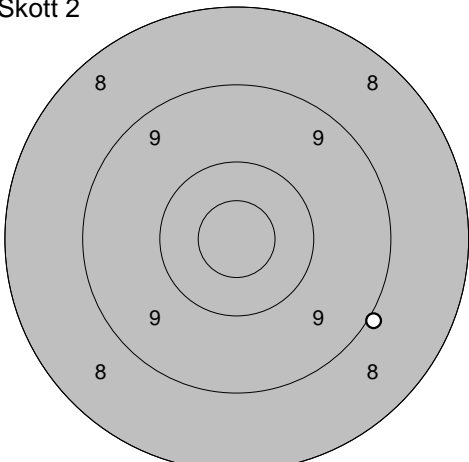
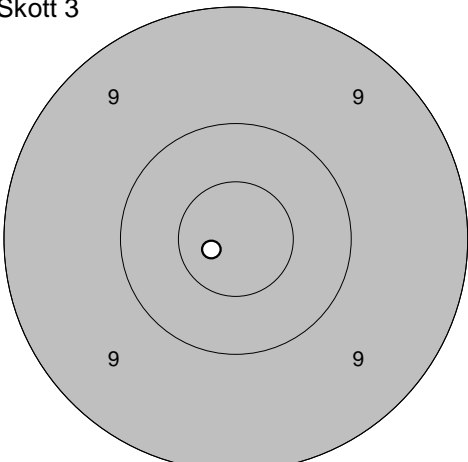
Skott 4 	1: 10,8* ↓ Serie 10,0 Totalt 275,0	Skott 5 	1: 9,8 ← Serie 9,0 Totalt 284,0
---	--	---	---------------------------------------

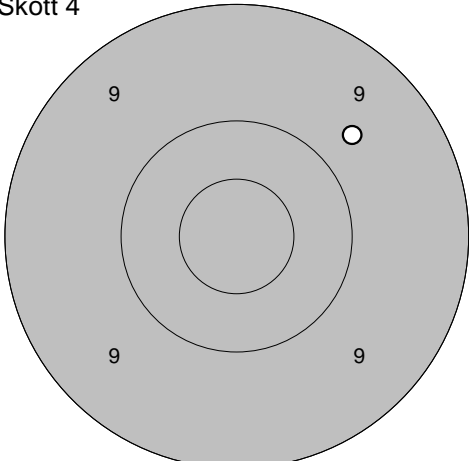
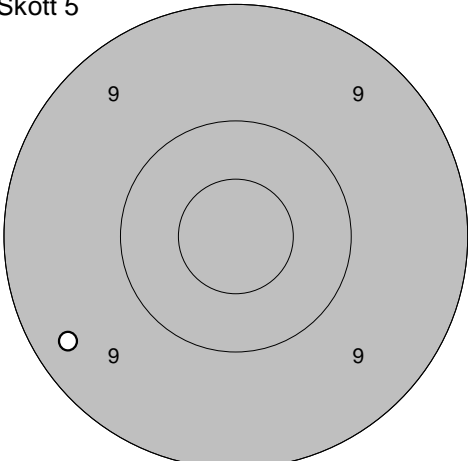
Loos

2012-07-08	Tavelträffen 2012 A Final	Ramselefors SKF
------------	---------------------------	-----------------

<p>Provsjott</p> 	<p>1: 8,6 ↙ 2: 10,1 → 3: 10,3 →</p> <table border="1" style="width:100%; border-collapse: collapse;"> <tr><td>Serie</td><td style="text-align: right;">28,0</td></tr> <tr><td>Totalt</td><td style="text-align: right;">140,0</td></tr> </table>	Serie	28,0	Totalt	140,0	<p>Serie 1</p> 	<p>1: 10,7* → 2: 9,0 ← 3: 10,3 ← 4: 9,7 ← 5: 10,4 ↙</p> <table border="1" style="width:100%; border-collapse: collapse;"> <tr><td>Serie</td><td style="text-align: right;">48,0</td></tr> <tr><td>Totalt</td><td style="text-align: right;">188,0</td></tr> </table>	Serie	48,0	Totalt	188,0
Serie	28,0										
Totalt	140,0										
Serie	48,0										
Totalt	188,0										

<p>Serie 2</p> 	<p>1: 10,6* ← 2: 9,2 ↗ 3: 9,0 ↗ 4: 10,0 ↙ 5: 10,7* ↘</p> <table border="1" style="width:100%; border-collapse: collapse;"> <tr><td>Serie</td><td style="text-align: right;">48,0</td></tr> <tr><td>Totalt</td><td style="text-align: right;">236,0</td></tr> </table>	Serie	48,0	Totalt	236,0	<p>Skott 1</p> 	<p>1: 9,4 →</p> <table border="1" style="width:100%; border-collapse: collapse;"> <tr><td>Serie</td><td style="text-align: right;">9,0</td></tr> <tr><td>Totalt</td><td style="text-align: right;">245,0</td></tr> </table>	Serie	9,0	Totalt	245,0
Serie	48,0										
Totalt	236,0										
Serie	9,0										
Totalt	245,0										

<p>Skott 2</p> 	<p>1: 9,0 ↘</p> <table border="1" style="width:100%; border-collapse: collapse;"> <tr><td>Serie</td><td style="text-align: right;">9,0</td></tr> <tr><td>Totalt</td><td style="text-align: right;">254,0</td></tr> </table>	Serie	9,0	Totalt	254,0	<p>Skott 3</p> 	<p>1: 10,8* ←</p> <table border="1" style="width:100%; border-collapse: collapse;"> <tr><td>Serie</td><td style="text-align: right;">10,0</td></tr> <tr><td>Totalt</td><td style="text-align: right;">264,0</td></tr> </table>	Serie	10,0	Totalt	264,0
Serie	9,0										
Totalt	254,0										
Serie	10,0										
Totalt	264,0										

<p>Skott 4</p> 	<p>1: 9,7 ↗</p> <table border="1" style="width:100%; border-collapse: collapse;"> <tr><td>Serie</td><td style="text-align: right;">9,0</td></tr> <tr><td>Totalt</td><td style="text-align: right;">273,0</td></tr> </table>	Serie	9,0	Totalt	273,0	<p>Skott 5</p> 	<p>1: 9,3 ←</p> <table border="1" style="width:100%; border-collapse: collapse;"> <tr><td>Serie</td><td style="text-align: right;">9,0</td></tr> <tr><td>Totalt</td><td style="text-align: right;">282,0</td></tr> </table>	Serie	9,0	Totalt	282,0
Serie	9,0										
Totalt	273,0										
Serie	9,0										
Totalt	282,0										

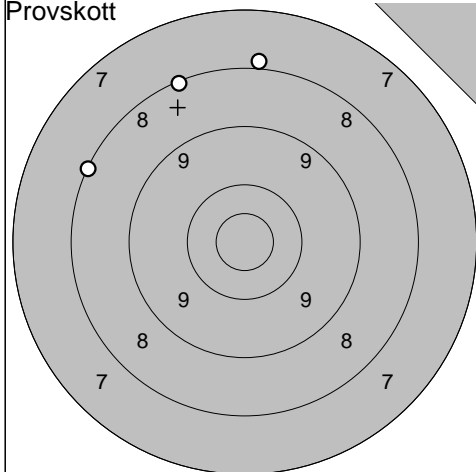
Ramselefors

2012-07-08

Tavelträffen 2012 A Final

Ramselefors SKF

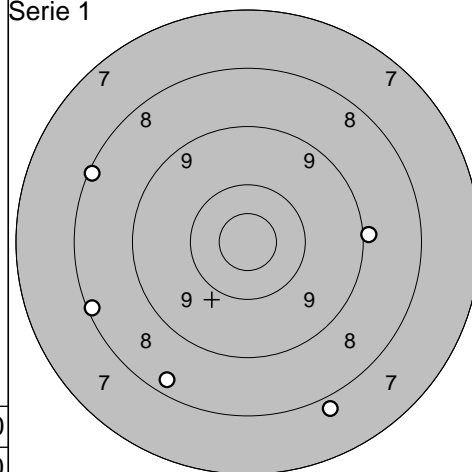
Provsnitt



1: 8,0 ↑
 2: 8,1 ↗
 3: 8,1 ↖

Serie 24,0
 Totalt 139,0

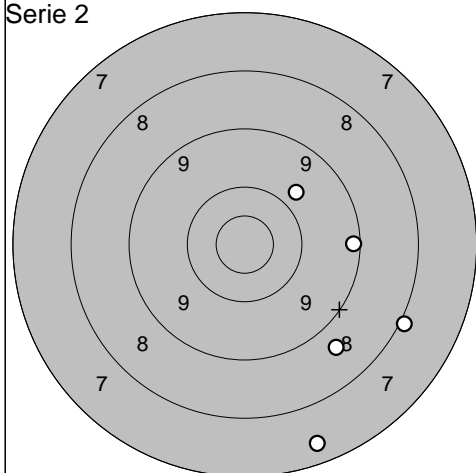
Serie 1



1: 8,2 ↖
 2: 8,2 ↙
 3: 7,9 ↓
 4: 8,3 ↘
 5: 9,0 →

Serie 40,0
 Totalt 179,0

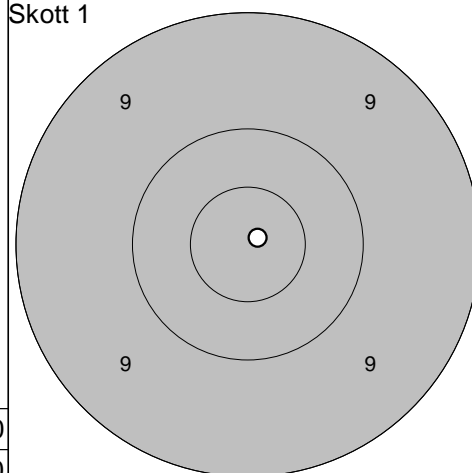
Serie 2



1: 8,7 ↘
 2: 7,4 ↓
 3: 8,0 ↘
 4: 9,8 ↗
 5: 9,2 →

Serie 41,0
 Totalt 220,0

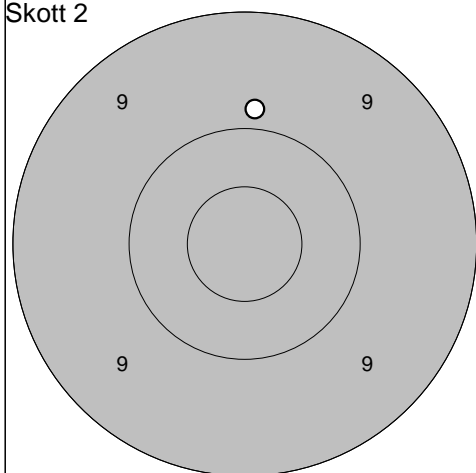
Skott 1



1: 10,9* ↗

Serie 10,0
 Totalt 230,0

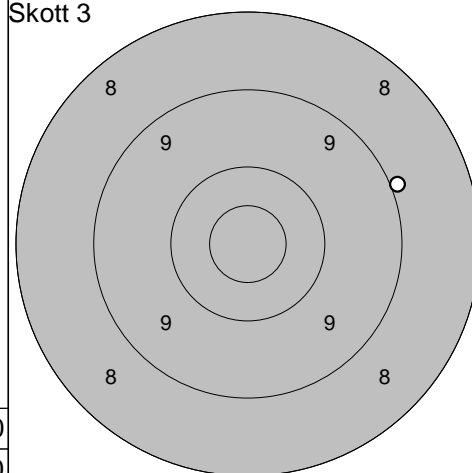
Skott 2



1: 9,9 ↑

Serie 9,0
 Totalt 239,0

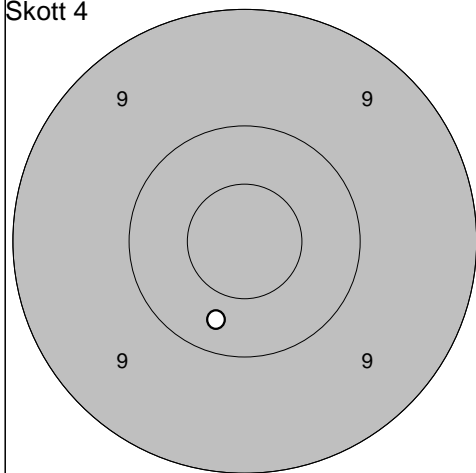
Skott 3



1: 9,0 →

Serie 9,0
 Totalt 248,0

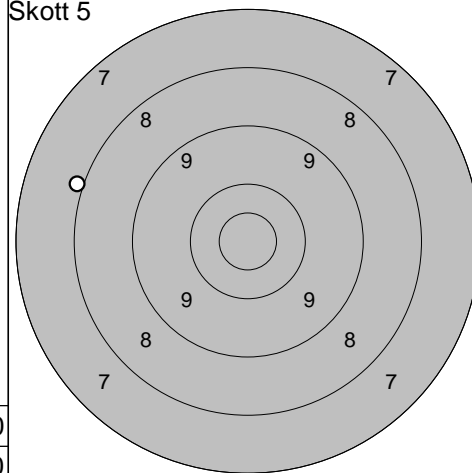
Skott 4



1: 10,3 ↘

Serie 10,0
 Totalt 258,0

Skott 5



1: 8,0 ↖

Serie 8,0
 Totalt 266,0

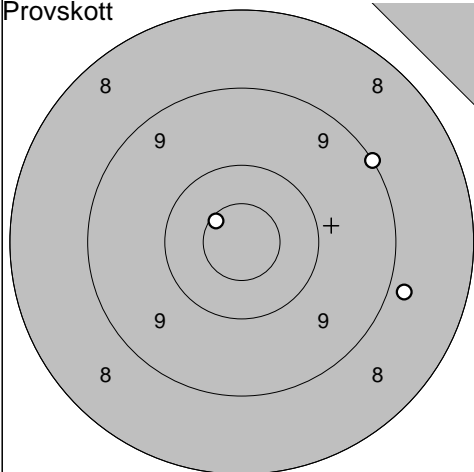
Kvistbro

2012-07-08

Tavelträffen 2012 A Final

Ramselefors SKF

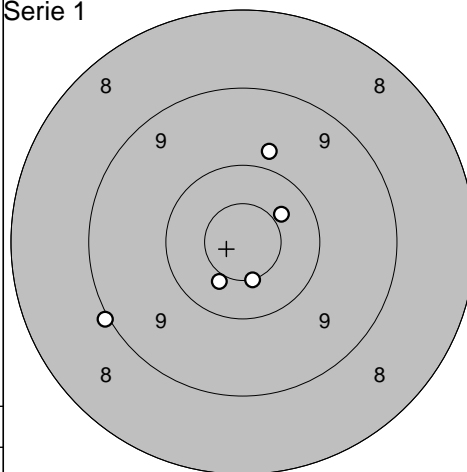
Provskott



- 1: 9,1 ↗
- 2: 8,8 →
- 3: 10,6* ↖

Serie	27,0
Totalt	135,0

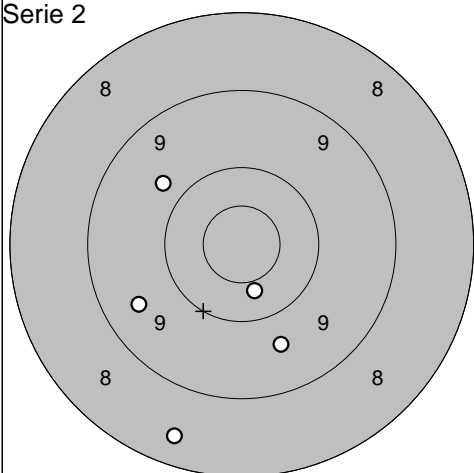
Serie 1



- 1: 9,8 ↗
- 2: 10,5* ↘
- 3: 10,5* ↘
- 4: 10,4 ↗
- 5: 9,0 ↖

Serie	48,0
Totalt	183,0

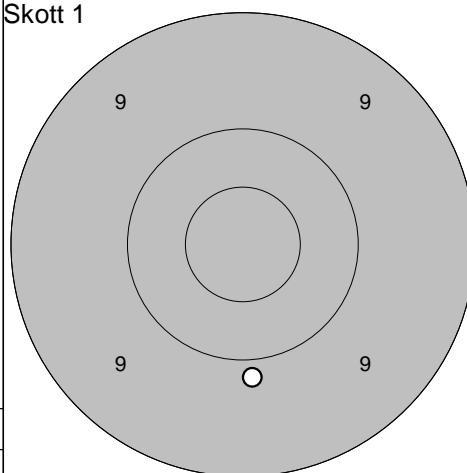
Serie 2



- 1: 10,4 ↓
- 2: 9,7 ↓
- 3: 9,8 ↗
- 4: 9,5 ↖
- 5: 8,4 ↓

Serie	45,0
Totalt	228,0

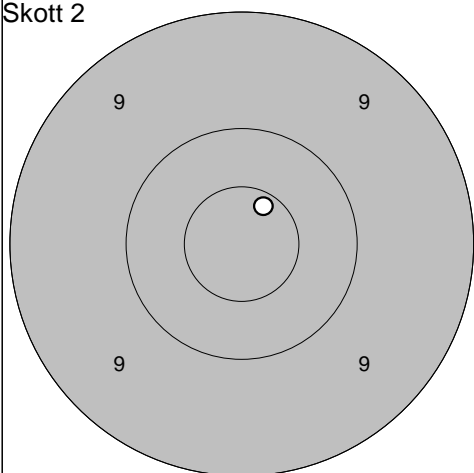
Skott 1



- 1: 9,9 ↓

Serie	9,0
Totalt	237,0

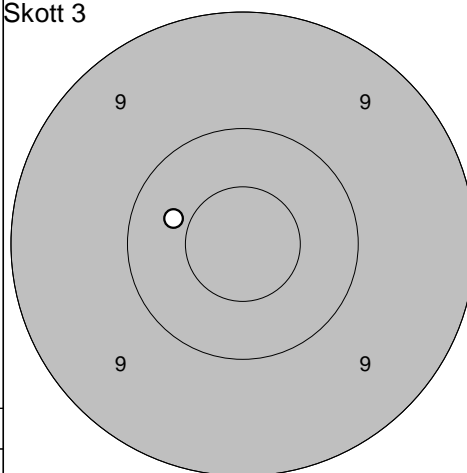
Skott 2



- 1: 10,7* ↗

Serie	10,0
Totalt	247,0

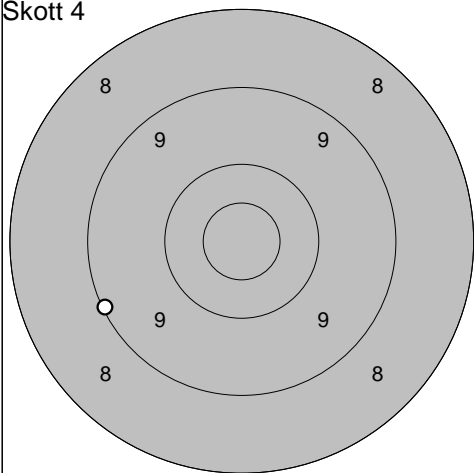
Skott 3



- 1: 10,4 ↖

Serie	10,0
Totalt	257,0

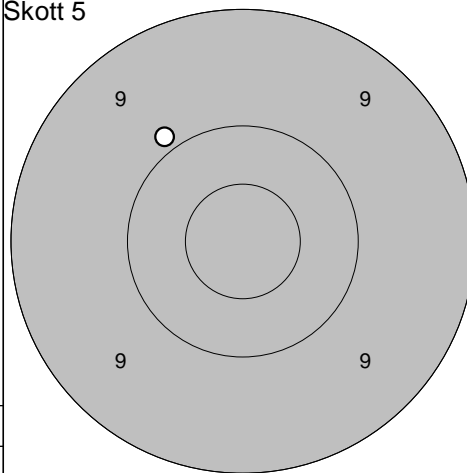
Skott 4



- 1: 9,1 ↖

Serie	9,0
Totalt	266,0

Skott 5



- 1: 9,9 ↗

Serie	9,0
Totalt	275,0

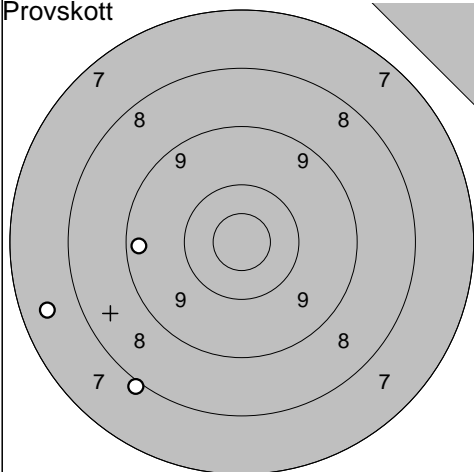
Kvistbro

2012-07-08

Tavelträffen 2012 A Final

Ramselefors SKF

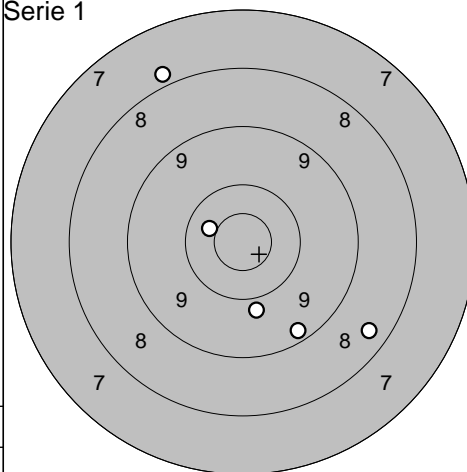
Provskott



1: 8,0 ↘
 2: 9,3 ←
 3: 7,5 ←

Serie 24,0
 Totalt 120,0

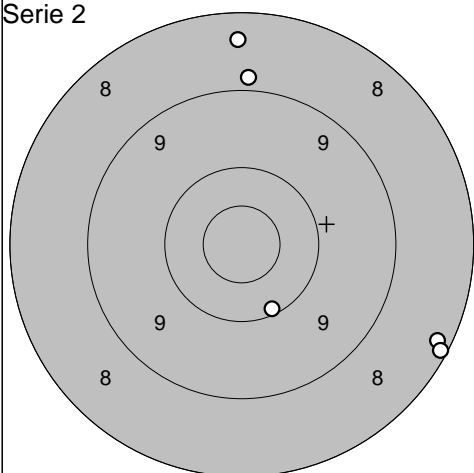
Serie 1



1: 9,9 ↓
 2: 8,4 ↘
 3: 7,9 ↗
 4: 9,3 ↘
 5: 10,5* ↖

Serie 43,0
 Totalt 163,0

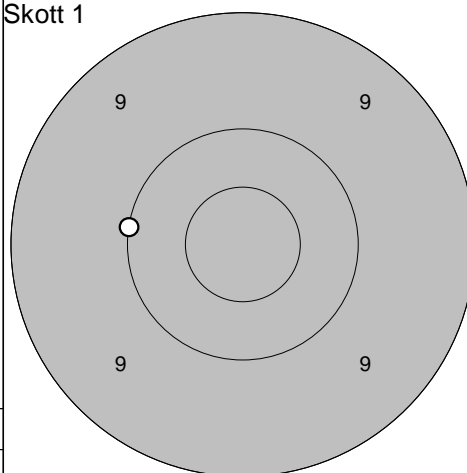
Serie 2



1: 8,2 ↘
 2: 8,9 ↑
 3: 10,1 ↘
 4: 8,4 ↑
 5: 8,1 ↘

Serie 42,0
 Totalt 205,0

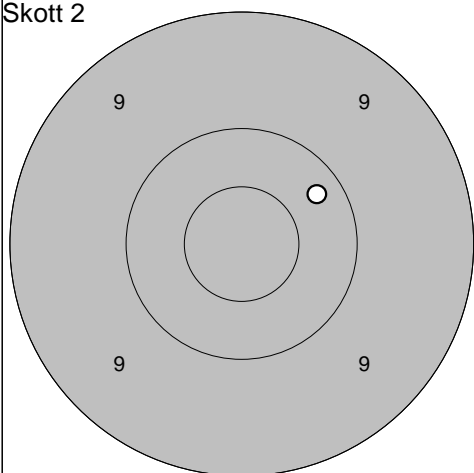
Skott 1



1: 10,0 ←

Serie 10,0
 Totalt 215,0

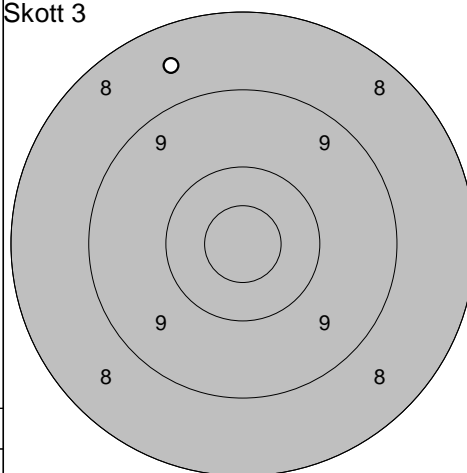
Skott 2



1: 10,3 ↗

Serie 10,0
 Totalt 225,0

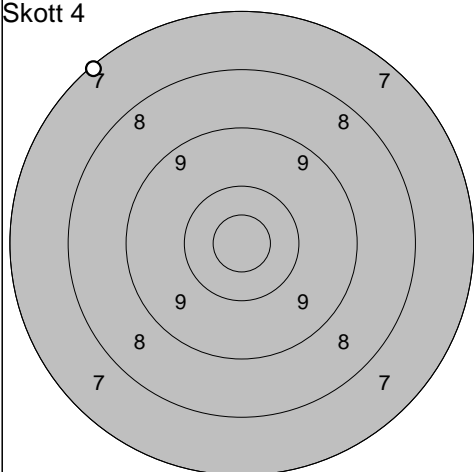
Skott 3



1: 8,6 ↗

Serie 8,0
 Totalt 233,0

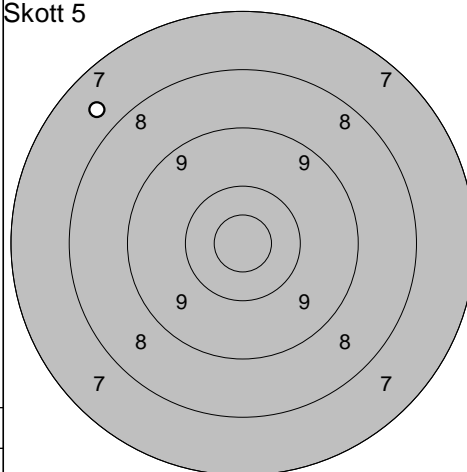
Skott 4



1: 7,1 ↖

Serie 7,0
 Totalt 240,0

Skott 5



1: 7,7 ↖

Serie 7,0
 Totalt 247,0