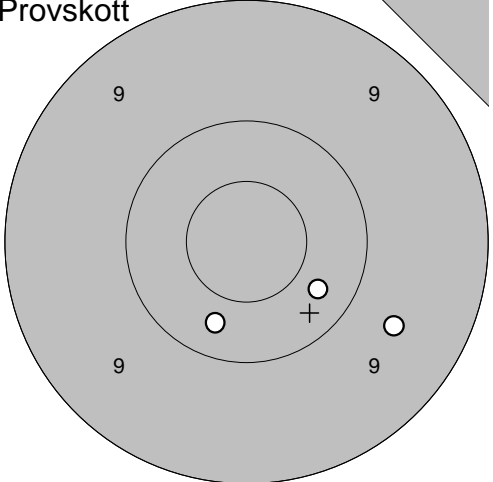
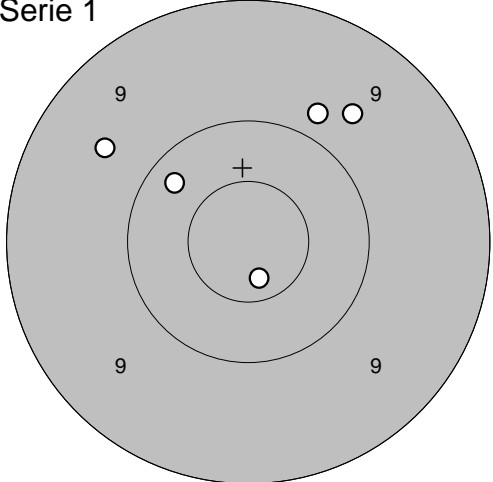
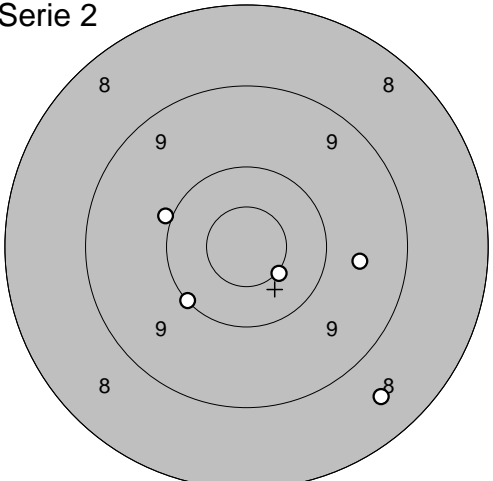
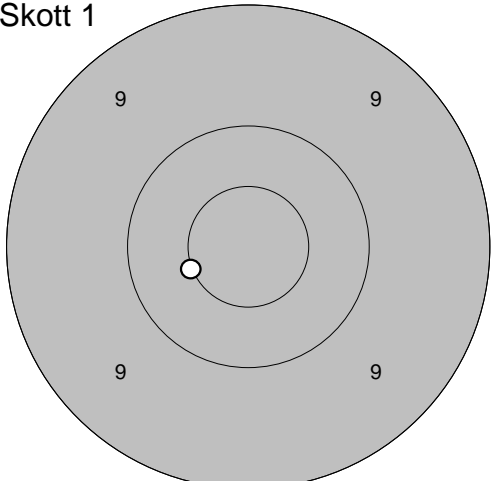
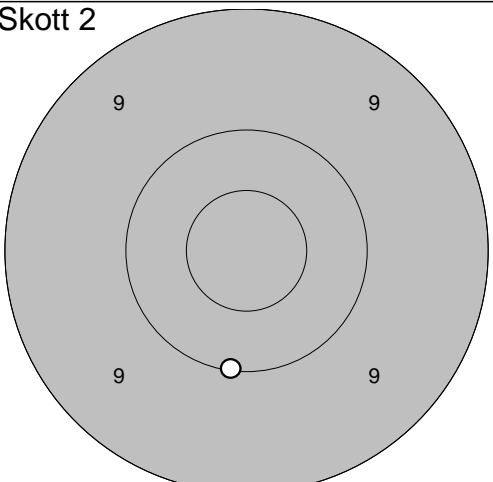
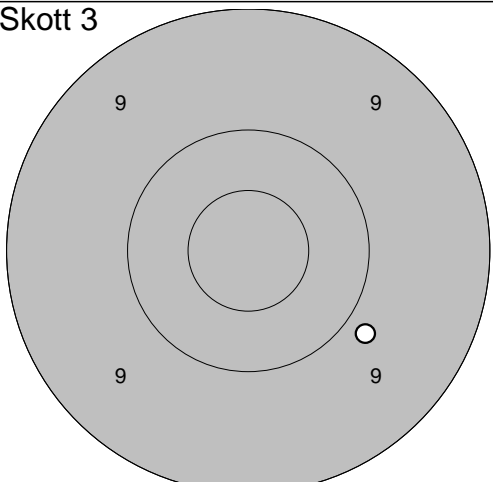
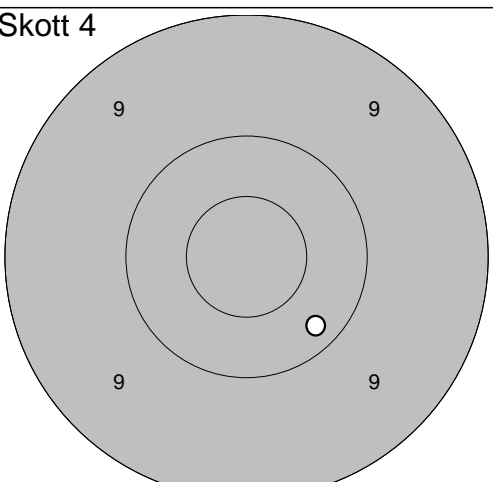
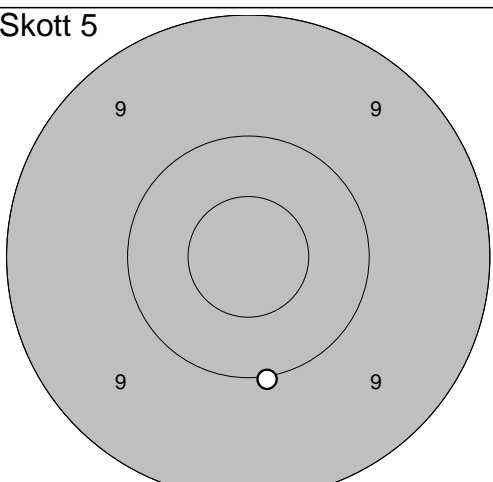


Provsnitt 	1: 9,6 ↘ 2: 10,3 ↓ 3: 10,3 ↘ <hr/> Serie 29,0 Totalt 289,0	Serie 1 	1: 10,3 ↖ 2: 9,8 ↗ 3: 10,7* ↓ 4: 9,7 ↗ 5: 9,6 ↖ <hr/> Serie 47,0 Totalt 336,0
--	--	--	---

Serie 2 	1: 10,0 ← 2: 10,1 ↙ 3: 9,6 → 4: 10,5* ↘ 5: 8,5 ↘ <hr/> Serie 47,0 Totalt 383,0	Skott 1 	1: 10,5* ← <hr/> Serie 10,0 Totalt 393,0
---	--	---	--

Skott 2 	1: 10,0 ↓ <hr/> Serie 10,0 Totalt 403,0	Skott 3 	1: 9,8 ↘ <hr/> Serie 9,0 Totalt 412,0
--	---	--	---

Skott 4 	1: 10,2 ↘ <hr/> Serie 10,0 Totalt 422,0	Skott 5 	1: 10,0 ↓ <hr/> Serie 10,0 Totalt 432,0
--	---	--	---

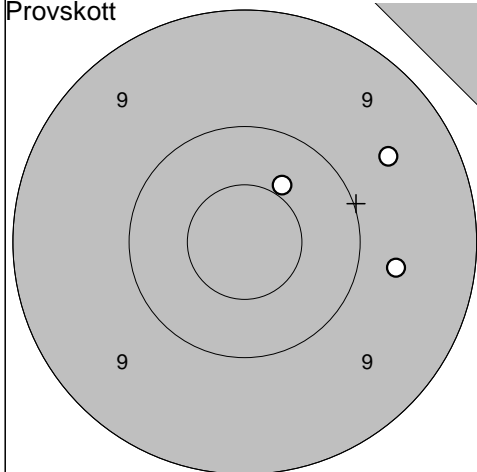
Skellefteå

08.07.2012

Tavelträffen 2012 B Final

Ramselefors SKF

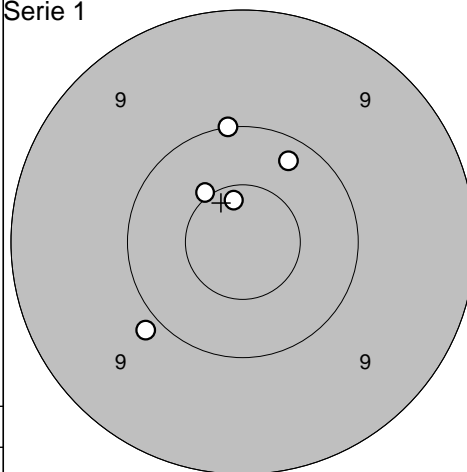
Provskott



1: 9,7 →
2: 9,6 ↗
3: 10,4 ↗

Serie 28,0
Totalt 295,0

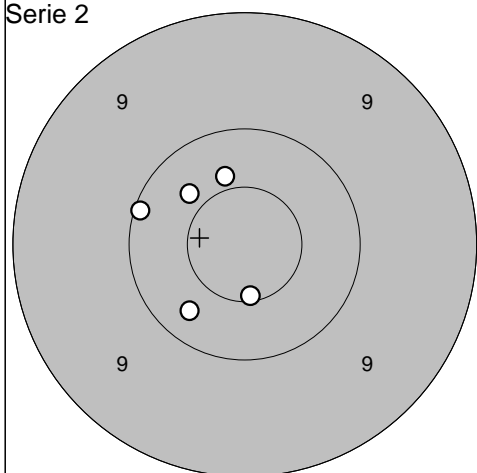
Serie 1



1: 10,0 ↑
2: 10,5* ↖
3: 10,2 ↗
4: 9,9 ↙
5: 10,7* ↑

Serie 49,0
Totalt 344,0

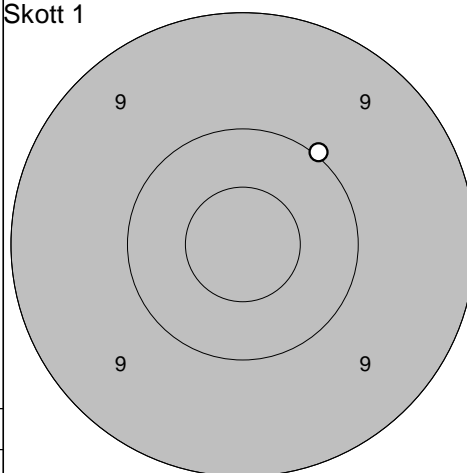
Serie 2



1: 10,4 ↖
2: 10,1 ←
3: 10,3 ↙
4: 10,4 ↑
5: 10,6* ↓

Serie 50,0
Totalt 394,0

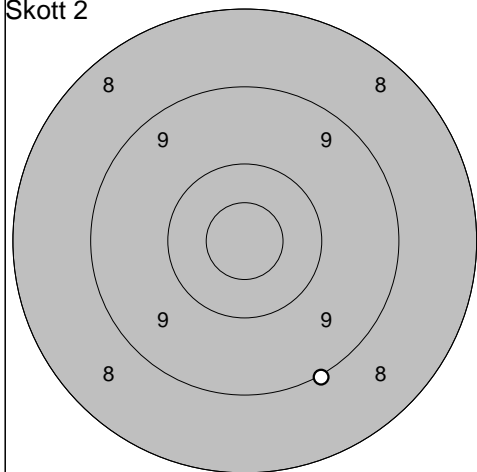
Skott 1



1: 10,0 ↗

Serie 10,0
Totalt 404,0

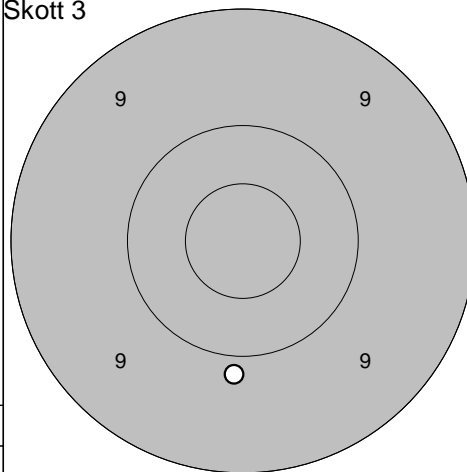
Skott 2



1: 9,0 ↘

Serie 9,0
Totalt 413,0

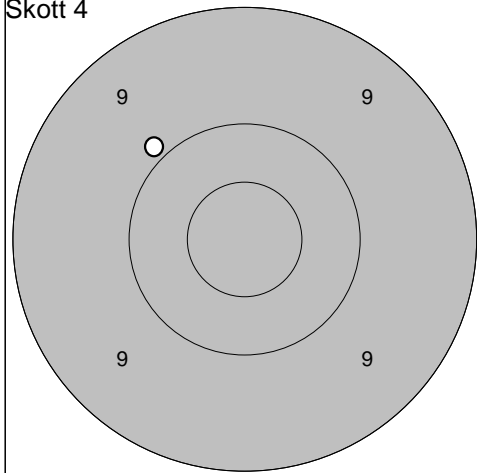
Skott 3



1: 9,9 ↓

Serie 9,0
Totalt 422,0

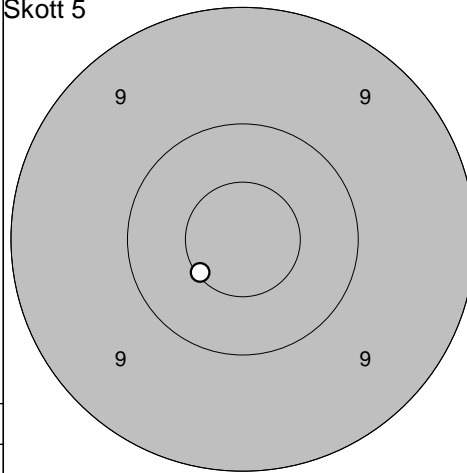
Skott 4



1: 9,9 ↖

Serie 9,0
Totalt 431,0

Skott 5



1: 10,6* ↙

Serie 10,0
Totalt 441,0

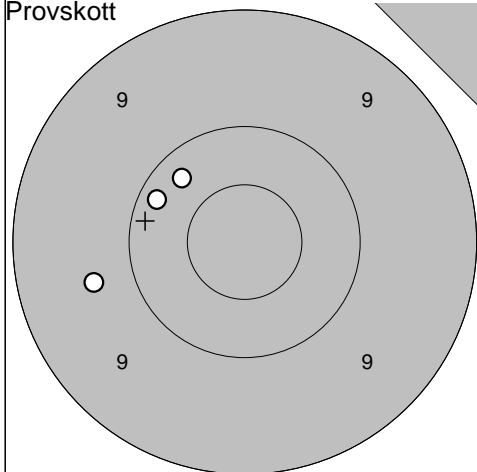
S 3

08.07.2012

Tavelträffen 2012 B Final

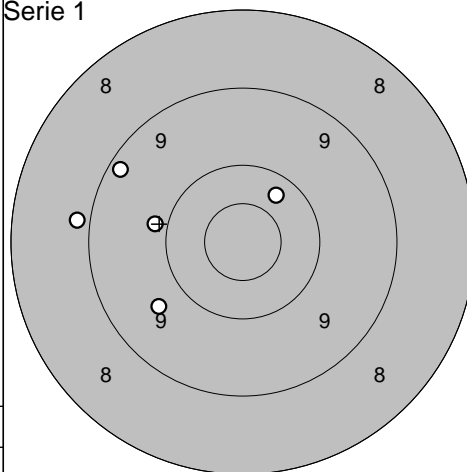
Ramselefors SKF

Provs-kott



1: 10,2 ↙
2: 9,7 ←
3: 10,3 ↗

Serie 1

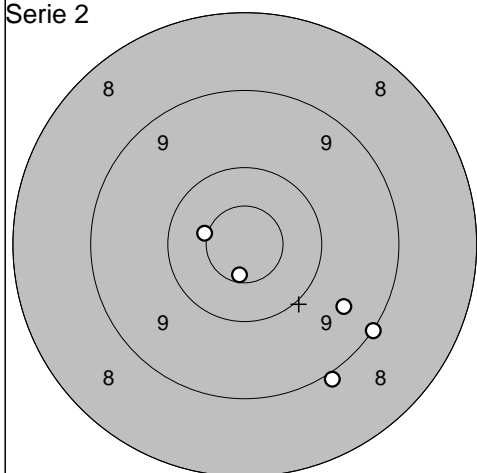


1: 9,9 ←
2: 10,3 ↗
3: 8,9 ←
4: 9,2 ↗
5: 9,7 ↙

Serie 29,0
Totalt 287,0

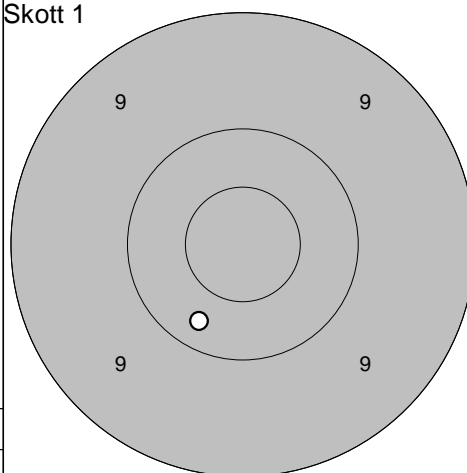
Serie 45,0
Totalt 332,0

Serie 2



1: 9,0 ↘
2: 9,5 ↘
3: 10,6* ↓
4: 10,5* ↖
5: 9,0 ↘

Skott 1

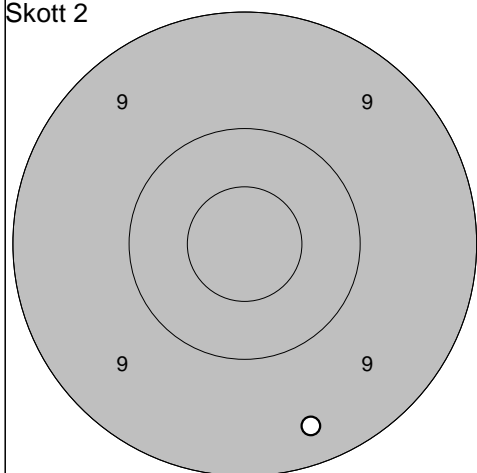


1: 10,3 ↘

Serie 47,0
Totalt 379,0

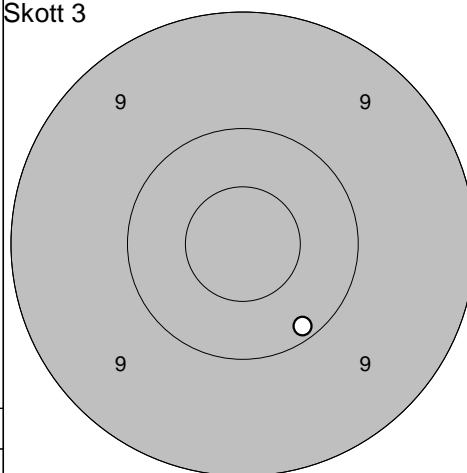
Serie 10,0
Totalt 389,0

Skott 2



1: 9,4 ↘

Skott 3

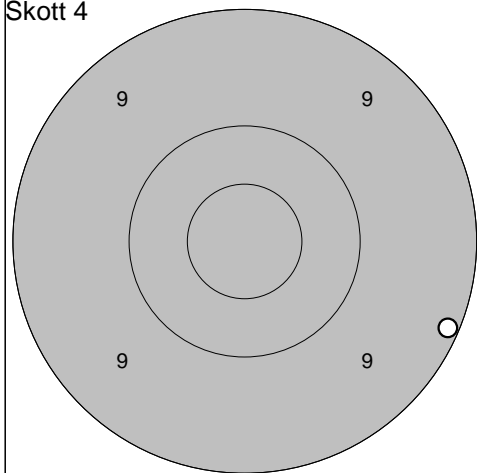


1: 10,2 ↘

Serie 9,0
Totalt 398,0

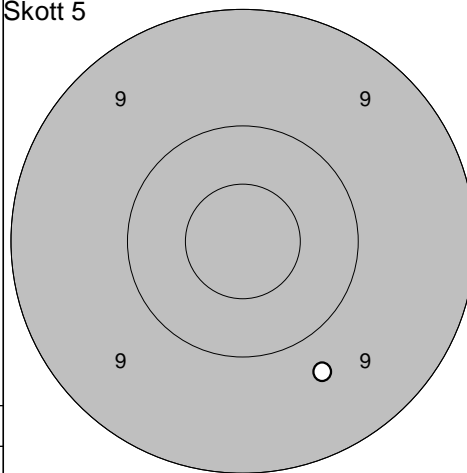
Serie 10,0
Totalt 408,0

Skott 4



1: 9,1 ↗

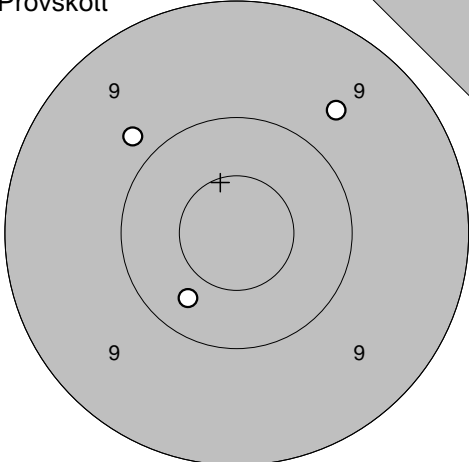
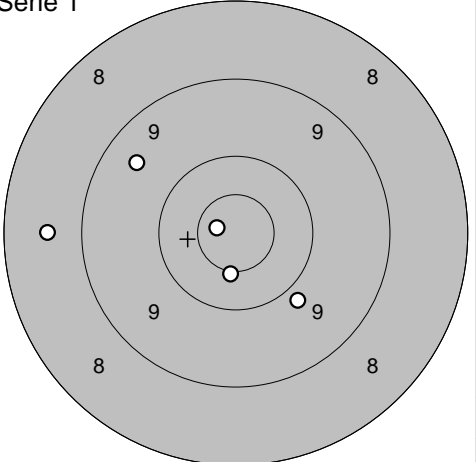
Skott 5

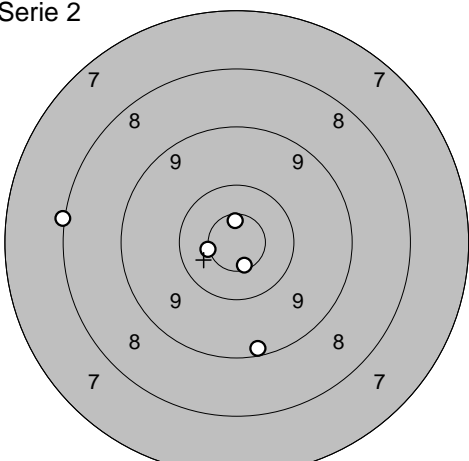
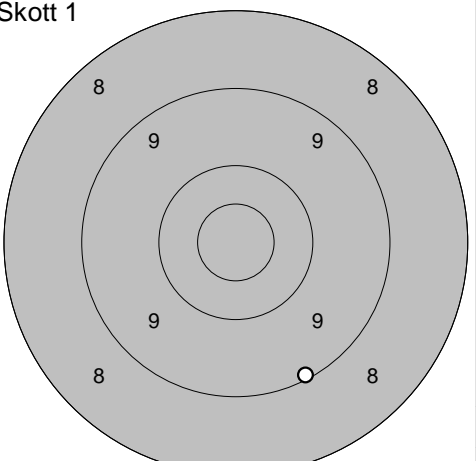


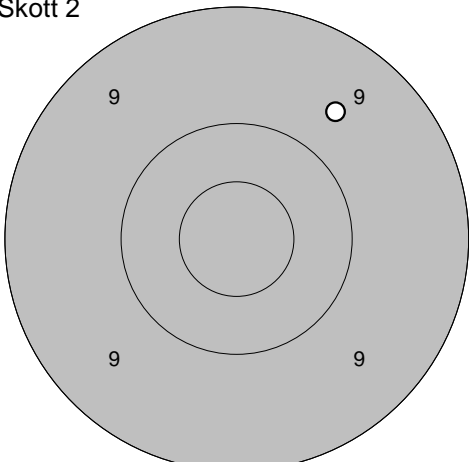
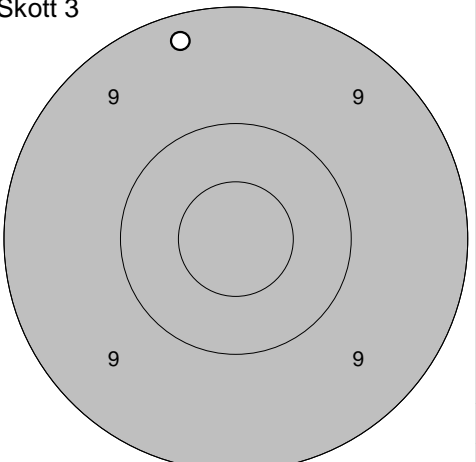
1: 9,7 ↘

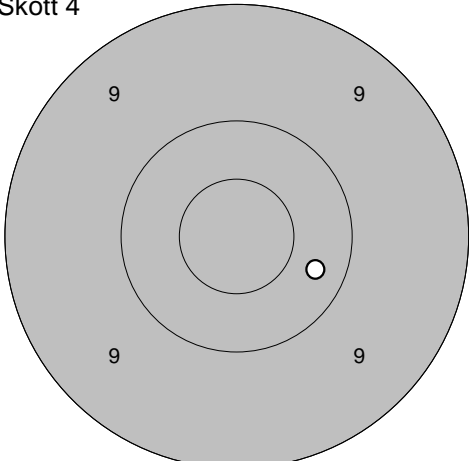
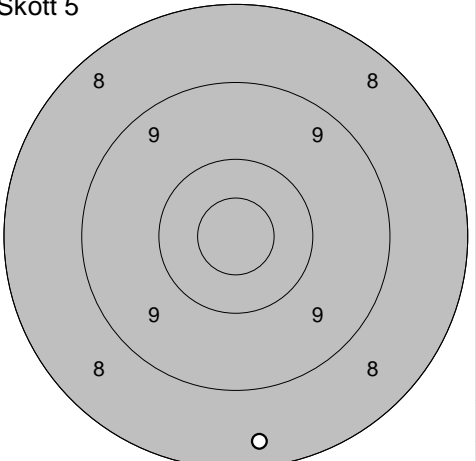
Serie 9,0
Totalt 417,0

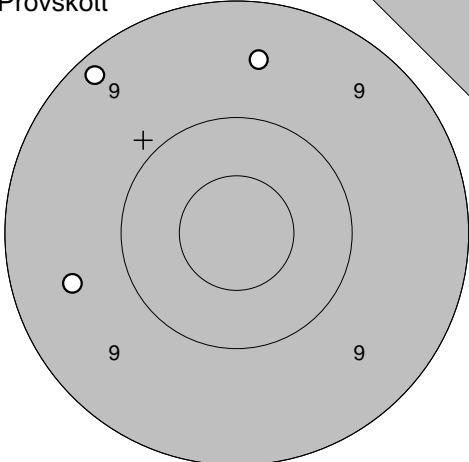
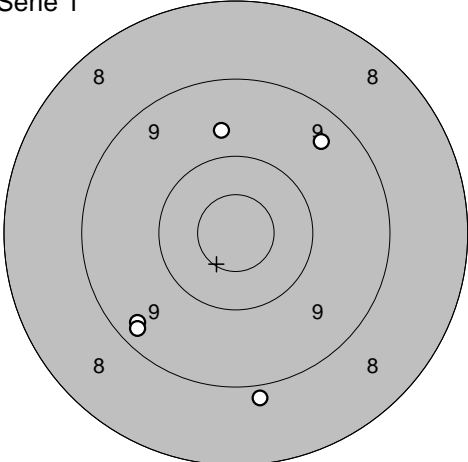
Serie 9,0
Totalt 426,0

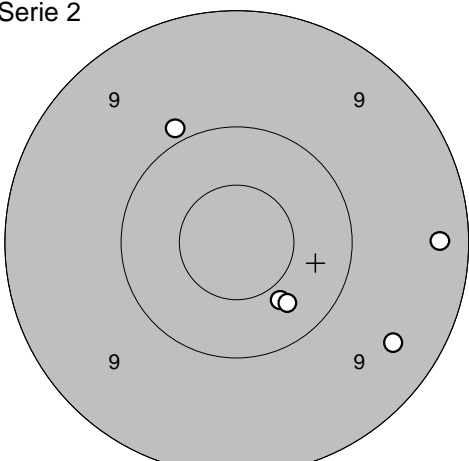
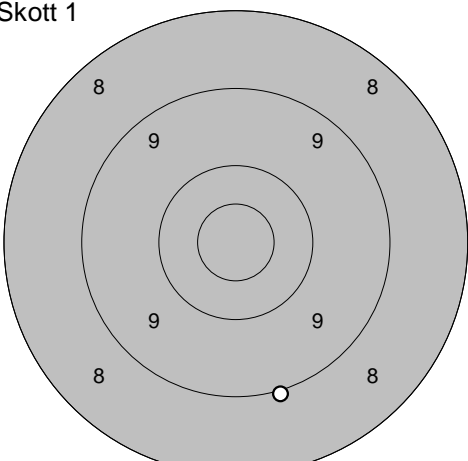
<p>Provsrott</p> 	<p>1: 10,3 ↙ 2: 9,8 ↖ 3: 9,7 ↗</p> <table border="1" style="width:100%; border-collapse: collapse;"> <tr><td>Serie</td><td style="text-align: right;">28,0</td></tr> <tr><td>Totalt</td><td style="text-align: right;">275,0</td></tr> </table>	Serie	28,0	Totalt	275,0	<p>Serie 1</p>  <table border="1" style="width:100%; border-collapse: collapse;"> <tr><td>Serie</td><td style="text-align: right;">46,0</td></tr> <tr><td>Totalt</td><td style="text-align: right;">321,0</td></tr> </table>	Serie	46,0	Totalt	321,0
Serie	28,0									
Totalt	275,0									
Serie	46,0									
Totalt	321,0									

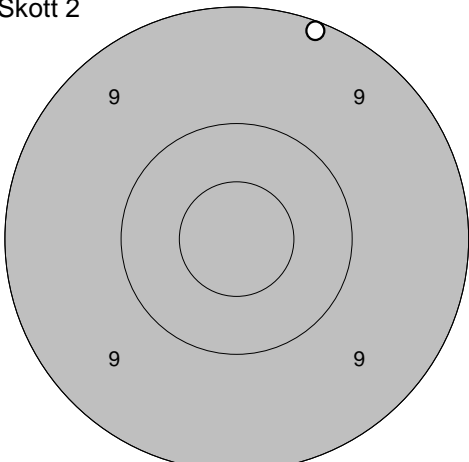
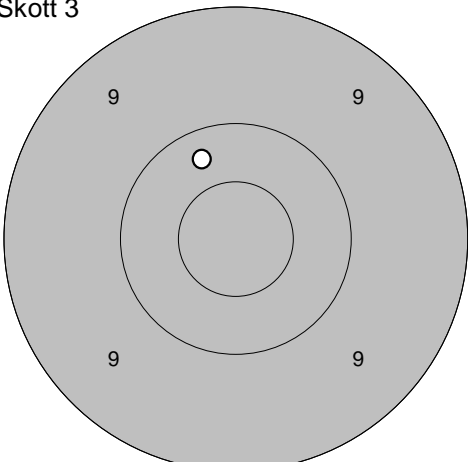
<p>Serie 2</p>  <table border="1" style="width:100%; border-collapse: collapse;"> <tr><td>Serie</td><td style="text-align: right;">47,0</td></tr> <tr><td>Totalt</td><td style="text-align: right;">368,0</td></tr> </table>	Serie	47,0	Totalt	368,0	<p>Skott 1</p>  <table border="1" style="width:100%; border-collapse: collapse;"> <tr><td>Serie</td><td style="text-align: right;">9,0</td></tr> <tr><td>Totalt</td><td style="text-align: right;">377,0</td></tr> </table>	Serie	9,0	Totalt	377,0	<p>1: 9,1 ↘</p>
Serie	47,0									
Totalt	368,0									
Serie	9,0									
Totalt	377,0									

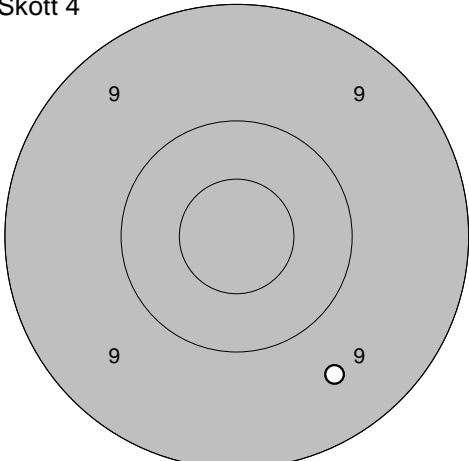
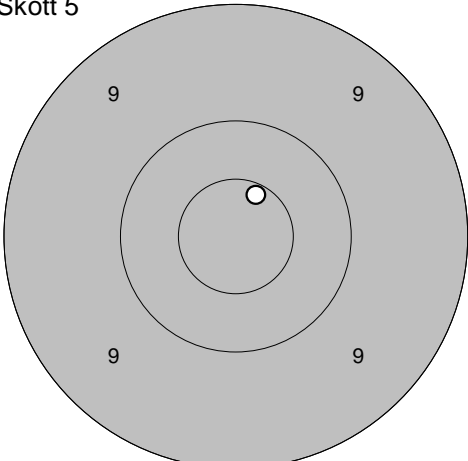
<p>Skott 2</p>  <table border="1" style="width:100%; border-collapse: collapse;"> <tr><td>Serie</td><td style="text-align: right;">9,0</td></tr> <tr><td>Totalt</td><td style="text-align: right;">386,0</td></tr> </table>	Serie	9,0	Totalt	386,0	<p>Skott 3</p>  <table border="1" style="width:100%; border-collapse: collapse;"> <tr><td>Serie</td><td style="text-align: right;">9,0</td></tr> <tr><td>Totalt</td><td style="text-align: right;">395,0</td></tr> </table>	Serie	9,0	Totalt	395,0	<p>1: 9,6 ↗</p> <p>1: 9,3 ↖</p>
Serie	9,0									
Totalt	386,0									
Serie	9,0									
Totalt	395,0									

<p>Skott 4</p>  <table border="1" style="width:100%; border-collapse: collapse;"> <tr><td>Serie</td><td style="text-align: right;">10,0</td></tr> <tr><td>Totalt</td><td style="text-align: right;">405,0</td></tr> </table>	Serie	10,0	Totalt	405,0	<p>Skott 5</p>  <table border="1" style="width:100%; border-collapse: collapse;"> <tr><td>Serie</td><td style="text-align: right;">8,0</td></tr> <tr><td>Totalt</td><td style="text-align: right;">413,0</td></tr> </table>	Serie	8,0	Totalt	413,0	<p>1: 10,3 →</p> <p>1: 8,4 ↓</p>
Serie	10,0									
Totalt	405,0									
Serie	8,0									
Totalt	413,0									

Provs-kott 	1: 9,2 ↗ 2: 9,5 ↑ 3: 9,5 ← <hr/> Serie 27,0 Totalt 269,0	Serie 1 	1: 9,7 ↑ 2: 9,4 ↗ 3: 9,3 ↙ 4: 9,3 ↙ 5: 8,9 ↓ <hr/> Serie 44,0 Totalt 313,0
--	--	---	--

Serie 2 	1: 9,9 ↗ 2: 10,4 ↘ 3: 10,3 ↘ 4: 9,4 ↘ 5: 9,3 → <hr/> Serie 47,0 Totalt 360,0	Skott 1 	1: 9,0 ↓ <hr/> Serie 9,0 Totalt 369,0
--	--	--	---

Skott 2 	1: 9,1 ↑ <hr/> Serie 9,0 Totalt 378,0	Skott 3 	1: 10,3 ↗ <hr/> Serie 10,0 Totalt 388,0
---	---	---	---

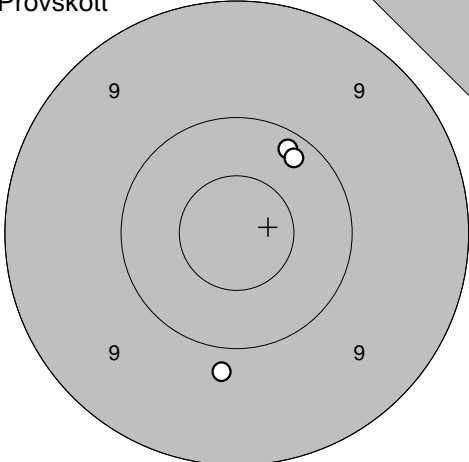
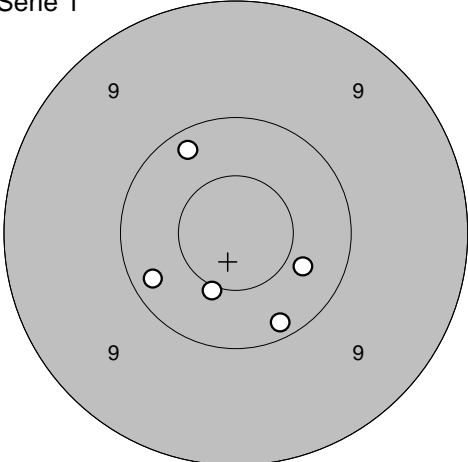
Skott 4 	1: 9,6 ↘ <hr/> Serie 9,0 Totalt 397,0	Skott 5 	1: 10,6* ↗ <hr/> Serie 10,0 Totalt 407,0
---	---	---	--

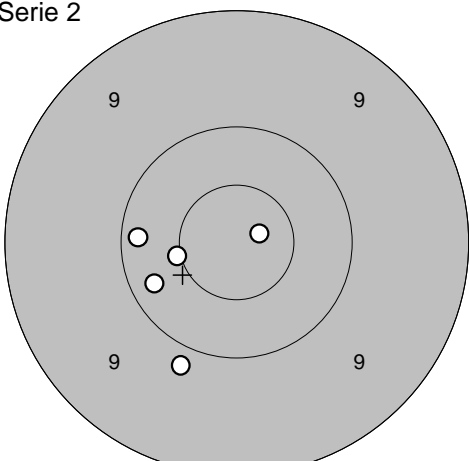
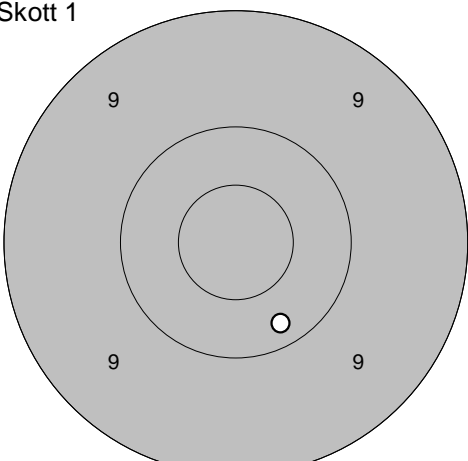
Provsrott 	1: 9,9 ↓ 2: 9,6 ↙ 3: 9,8 ↘ <hr/> Serie 27,0 Totalt 292,0	Serie 1 	1: 10,4 ↑ 2: 10,4 ↓ 3: 10,4 ↙ 4: 10,8* ➤ 5: 10,1 ➔ <hr/> Serie 50,0 Totalt 342,0
---------------	--	-------------	--

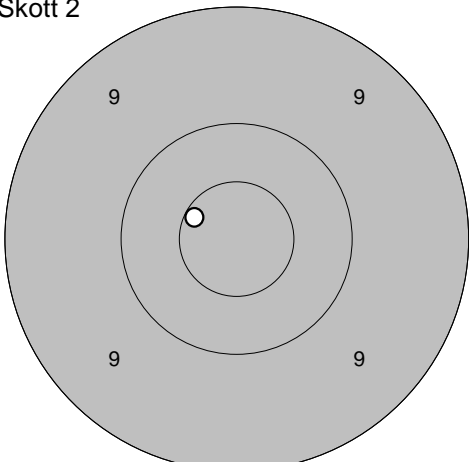
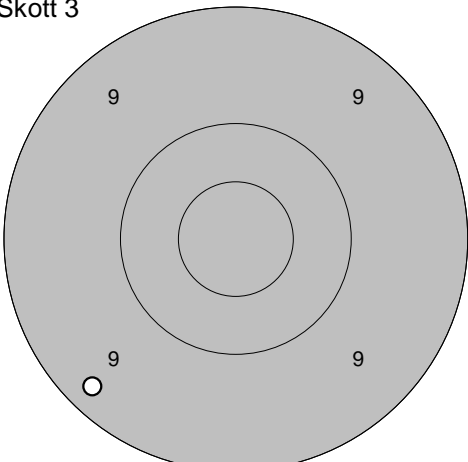
Serie 2 	1: 10,2 ↖ 2: 9,7 ↙ 3: 10,6* ↓ 4: 10,0 ↑ 5: 10,6* ↘ <hr/> Serie 49,0 Totalt 391,0	Skott 1 	1: 10,7* ↓ <hr/> Serie 10,0 Totalt 401,0
-------------	--	-------------	--

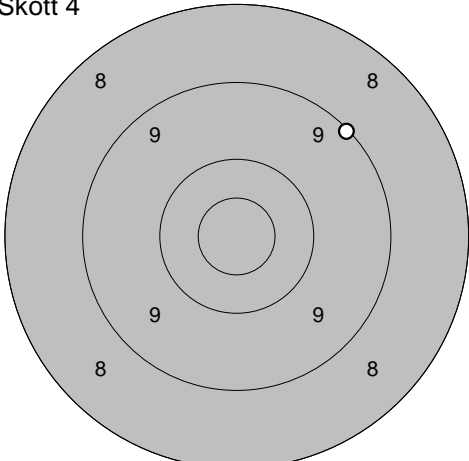
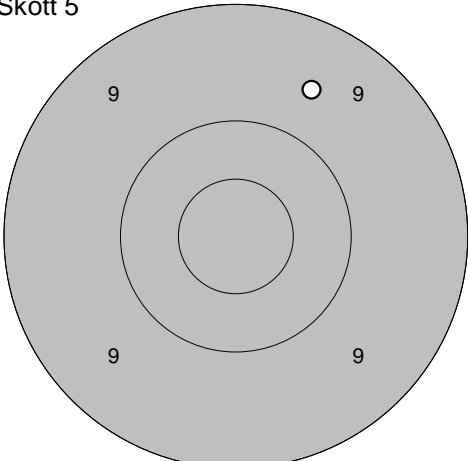
Skott 2 	1: 10,9* ↓ <hr/> Serie 10,0 Totalt 411,0	Skott 3 	1: 10,6* ↖ <hr/> Serie 10,0 Totalt 421,0
-------------	--	-------------	--

Skott 4 	1: 10,4 ↗ <hr/> Serie 10,0 Totalt 431,0	Skott 5 	1: 10,4 ↓ <hr/> Serie 10,0 Totalt 441,0
-------------	---	-------------	---

<p>Provskott</p> 	<p>1: 10,2 ↗ 2: 10,2 ↗ 3: 9,8 ↓</p> <table border="1" style="width:100%; border-collapse: collapse;"> <tr><td>Serie</td><td style="text-align: right;">29,0</td></tr> <tr><td>Totalt</td><td style="text-align: right;">292,0</td></tr> </table>	Serie	29,0	Totalt	292,0	<p>Serie 1</p> 	<p>1: 10,4 ↘ 2: 10,5* ↓ 3: 10,2 ↙ 4: 10,2 ↓ 5: 10,2 ↗</p> <table border="1" style="width:100%; border-collapse: collapse;"> <tr><td>Serie</td><td style="text-align: right;">50,0</td></tr> <tr><td>Totalt</td><td style="text-align: right;">342,0</td></tr> </table>	Serie	50,0	Totalt	342,0
Serie	29,0										
Totalt	292,0										
Serie	50,0										
Totalt	342,0										

<p>Serie 2</p> 	<p>1: 10,2 ← 2: 10,2 ← 3: 10,8* → 4: 9,9 ↓ 5: 10,5* ←</p> <table border="1" style="width:100%; border-collapse: collapse;"> <tr><td>Serie</td><td style="text-align: right;">49,0</td></tr> <tr><td>Totalt</td><td style="text-align: right;">391,0</td></tr> </table>	Serie	49,0	Totalt	391,0	<p>Skott 1</p> 	<p>1: 10,2 ↓</p> <table border="1" style="width:100%; border-collapse: collapse;"> <tr><td>Serie</td><td style="text-align: right;">10,0</td></tr> <tr><td>Totalt</td><td style="text-align: right;">401,0</td></tr> </table>	Serie	10,0	Totalt	401,0
Serie	49,0										
Totalt	391,0										
Serie	10,0										
Totalt	401,0										

<p>Skott 2</p> 	<p>1: 10,6* ↙</p> <table border="1" style="width:100%; border-collapse: collapse;"> <tr><td>Serie</td><td style="text-align: right;">10,0</td></tr> <tr><td>Totalt</td><td style="text-align: right;">411,0</td></tr> </table>	Serie	10,0	Totalt	411,0	<p>Skott 3</p> 	<p>1: 9,3 ↙</p> <table border="1" style="width:100%; border-collapse: collapse;"> <tr><td>Serie</td><td style="text-align: right;">9,0</td></tr> <tr><td>Totalt</td><td style="text-align: right;">420,0</td></tr> </table>	Serie	9,0	Totalt	420,0
Serie	10,0										
Totalt	411,0										
Serie	9,0										
Totalt	420,0										

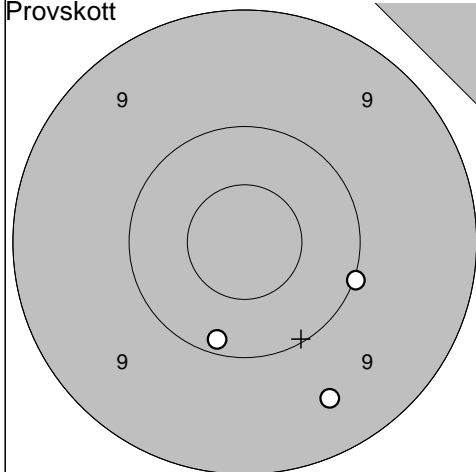
<p>Skott 4</p> 	<p>1: 9,1 ↗</p> <table border="1" style="width:100%; border-collapse: collapse;"> <tr><td>Serie</td><td style="text-align: right;">9,0</td></tr> <tr><td>Totalt</td><td style="text-align: right;">429,0</td></tr> </table>	Serie	9,0	Totalt	429,0	<p>Skott 5</p> 	<p>1: 9,6 ↗</p> <table border="1" style="width:100%; border-collapse: collapse;"> <tr><td>Serie</td><td style="text-align: right;">9,0</td></tr> <tr><td>Totalt</td><td style="text-align: right;">438,0</td></tr> </table>	Serie	9,0	Totalt	438,0
Serie	9,0										
Totalt	429,0										
Serie	9,0										
Totalt	438,0										

08.07.2012

Tavelträffen 2012 B Final

Ramselefors SKF

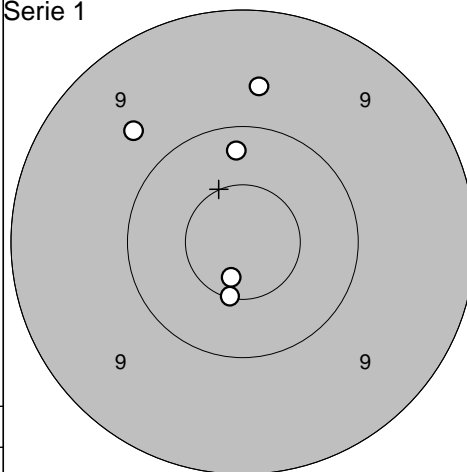
Provskott



1: 9,5 ↓
 2: 10,0 →
 3: 10,2 ↓

Serie 29,0
 Totalt 290,0

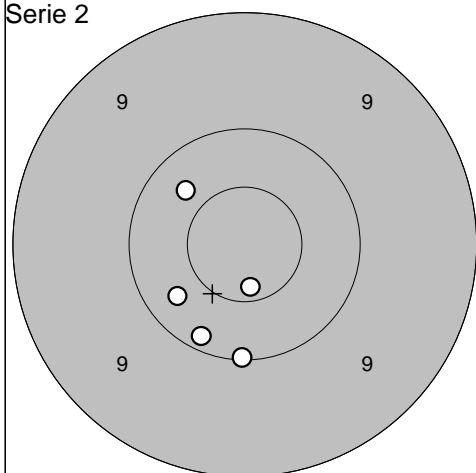
Serie 1



1: 10,2 ↑
 2: 10,5* ↓
 3: 9,7 ↑
 4: 9,7 ↙
 5: 10,7* ↓

Serie 48,0
 Totalt 338,0

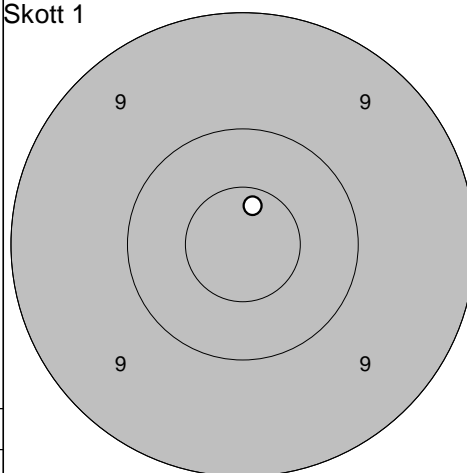
Serie 2



1: 10,3 ↙
 2: 10,2 ↓
 3: 10,1 ↓
 4: 10,7* ↓
 5: 10,3 ↙

Serie 50,0
 Totalt 388,0

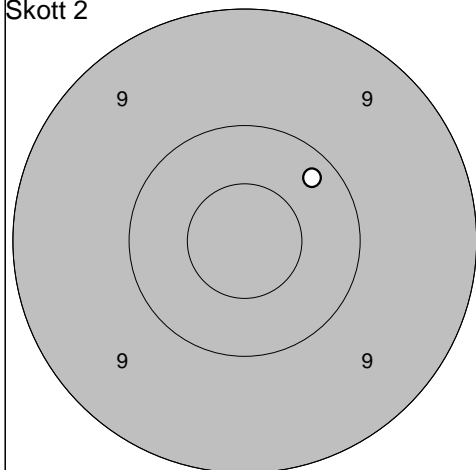
Skott 1



1: 10,7* ↑

Serie 10,0
 Totalt 398,0

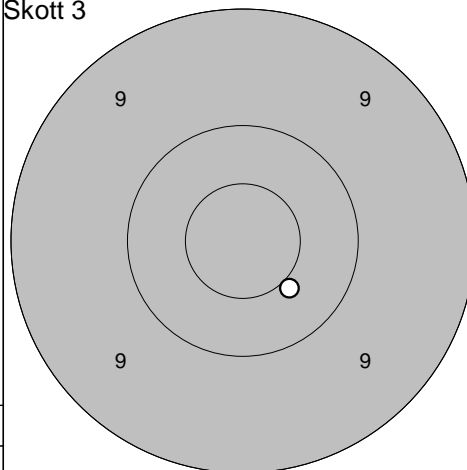
Skott 2



1: 10,2 ↗

Serie 10,0
 Totalt 408,0

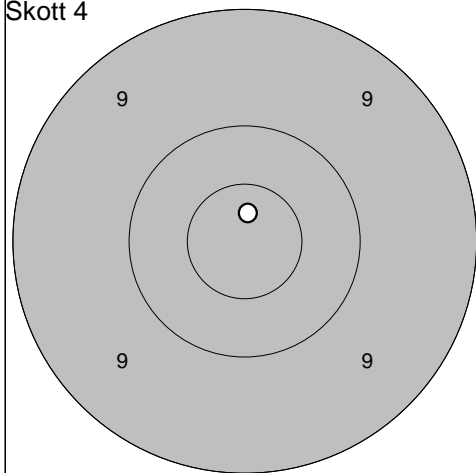
Skott 3



1: 10,5* ↓

Serie 10,0
 Totalt 418,0

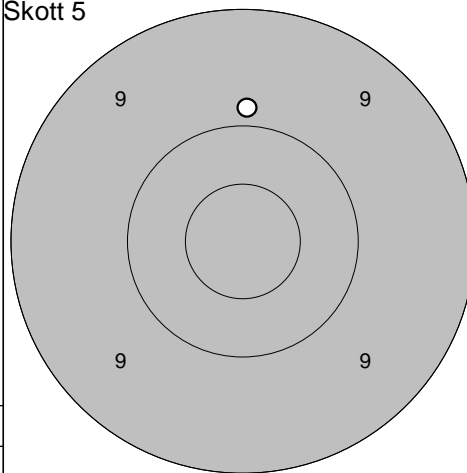
Skott 4



1: 10,8* ↑

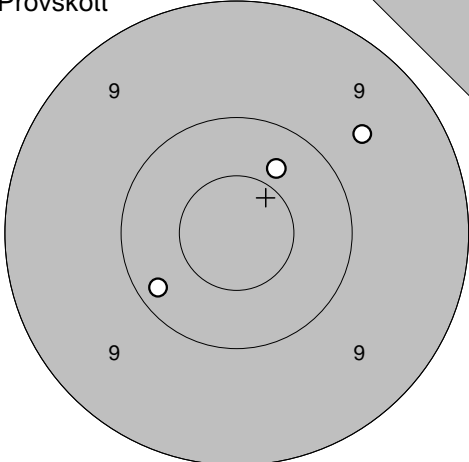
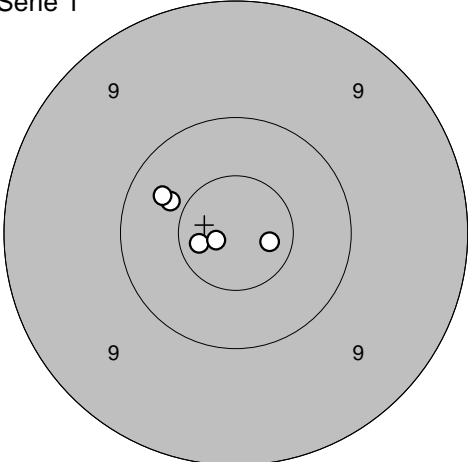
Serie 10,0
 Totalt 428,0

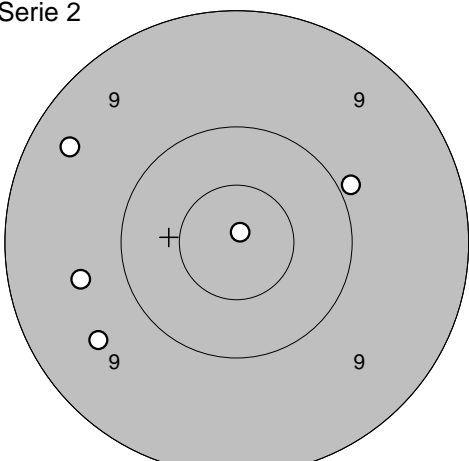
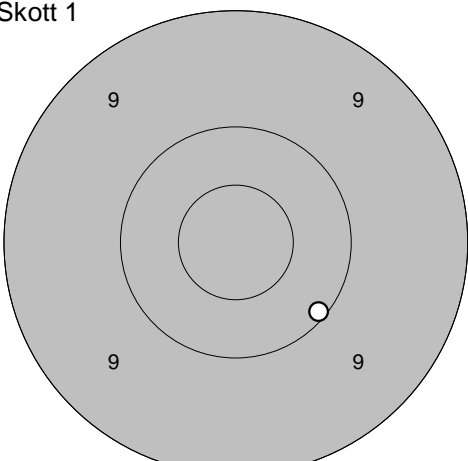
Skott 5

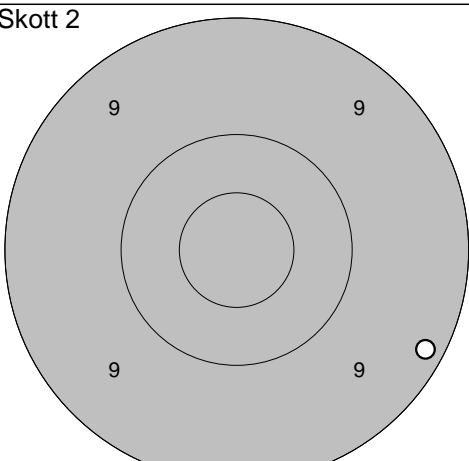
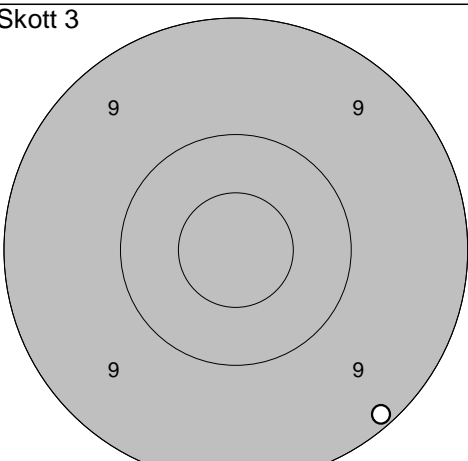


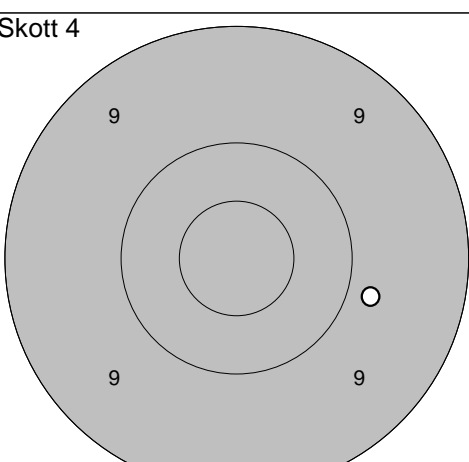
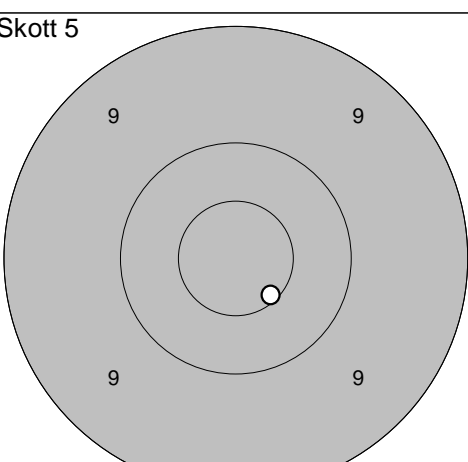
1: 9,9 ↑

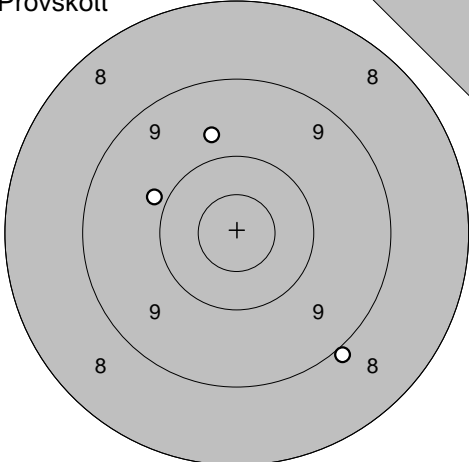
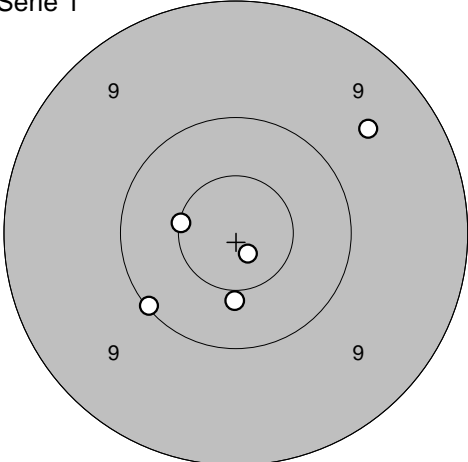
Serie 9,0
 Totalt 437,0

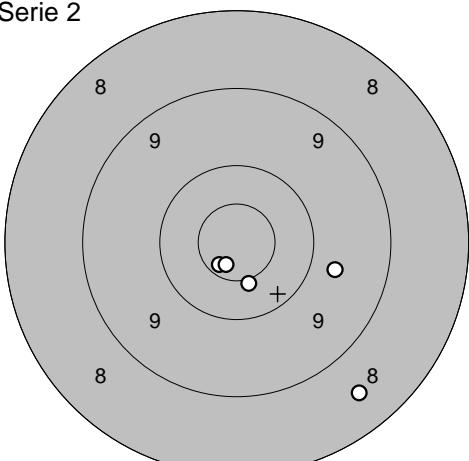
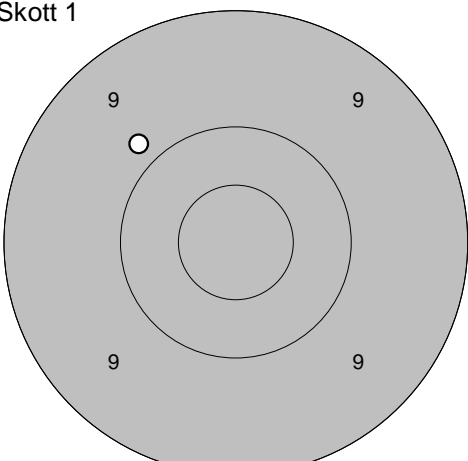
Provsrott 	1: 9,7 ↗ 2: 10,4 ↗ 3: 10,2 ↖ Serie 29,0 Totalt 288,0	Serie 1 	1: 10,4 ↖ 2: 10,7* ➔ 3: 10,7* ↖ 4: 10,3 ↗ 5: 10,9* ↖ Serie 50,0 Totalt 338,0
---	--	---	--

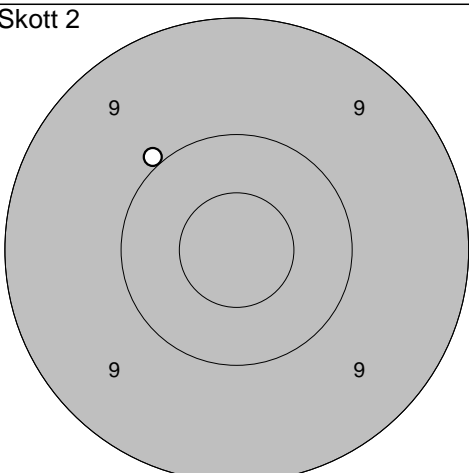
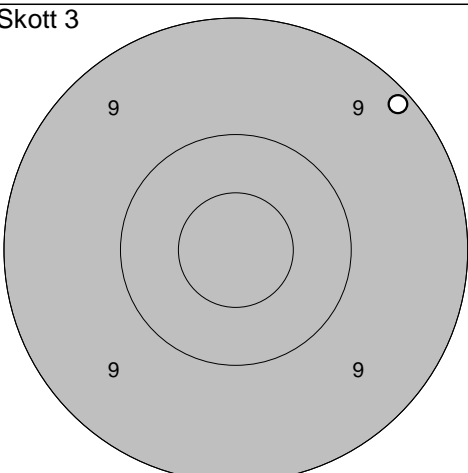
Serie 2 	1: 9,6 ↖ 2: 9,4 ↖ 3: 9,6 ↖ 4: 9,9 ↗ 5: 10,9* ↗ Serie 46,0 Totalt 384,0	Skott 1 	1: 10,1 ↘ Serie 10,0 Totalt 394,0
--	--	--	---

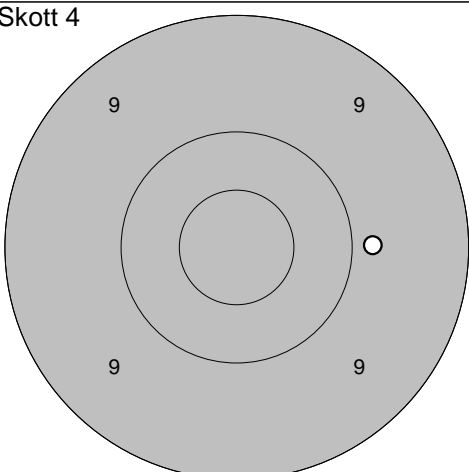
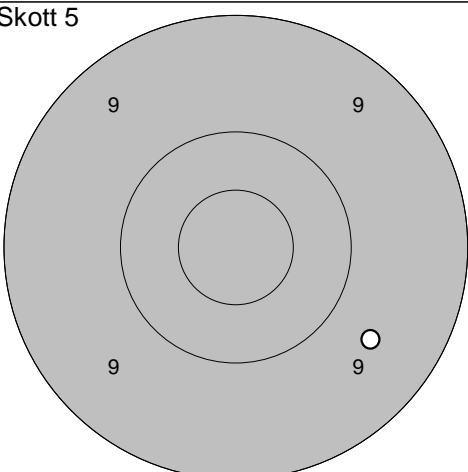
Skott 2 	1: 9,2 ➔ Serie 9,0 Totalt 403,0	Skott 3 	1: 9,1 ↘ Serie 9,0 Totalt 412,0
---	---	---	---

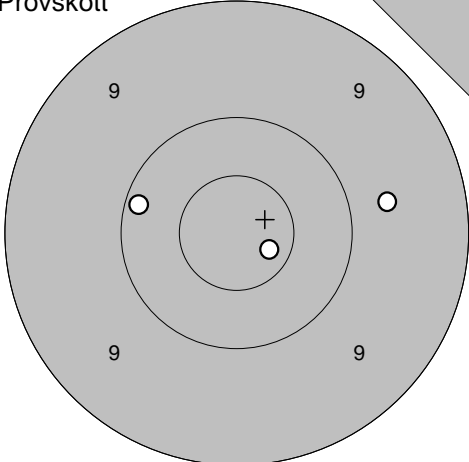
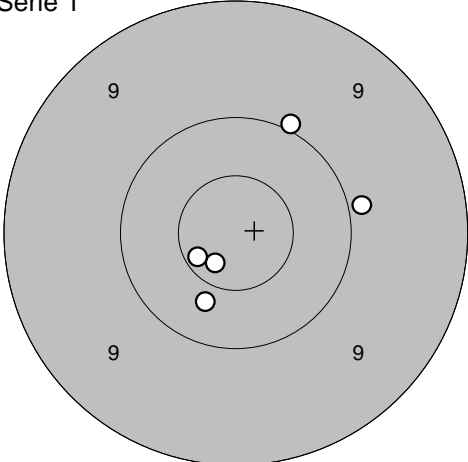
Skott 4 	1: 9,8 ➔ Serie 9,0 Totalt 421,0	Skott 5 	1: 10,6* ↘ Serie 10,0 Totalt 431,0
---	---	---	--

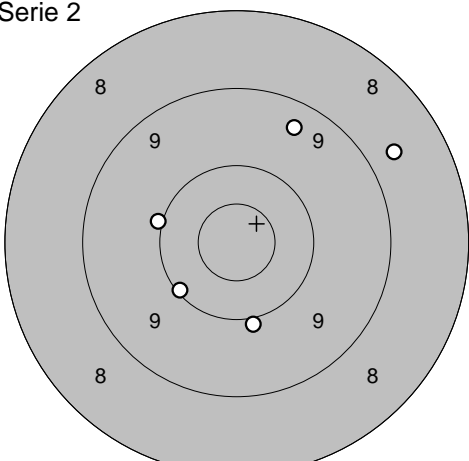
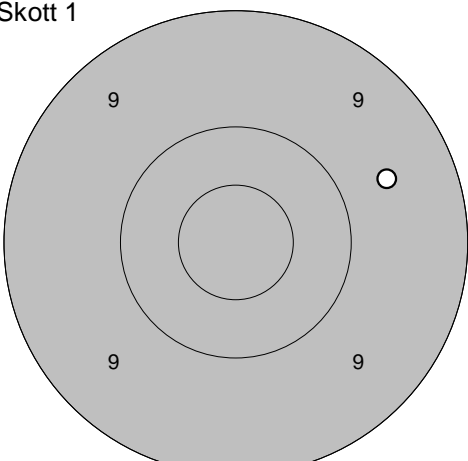
Provsrott 	1: 9,7 ↗ 2: 9,9 ↖ 3: 9,0 ↘ <table border="1" style="width:100%; border-collapse: collapse;"> <tr><td style="padding: 2px;">Serie</td><td style="text-align: right; padding: 2px;">27,0</td></tr> <tr><td style="padding: 2px;">Totalt</td><td style="text-align: right; padding: 2px;">283,0</td></tr> </table>	Serie	27,0	Totalt	283,0	Serie 1  <table border="1" style="width:100%; border-collapse: collapse;"> <tr><td style="padding: 2px;">Serie</td><td style="text-align: right; padding: 2px;">49,0</td></tr> <tr><td style="padding: 2px;">Totalt</td><td style="text-align: right; padding: 2px;">332,0</td></tr> </table>	Serie	49,0	Totalt	332,0
Serie	27,0									
Totalt	283,0									
Serie	49,0									
Totalt	332,0									

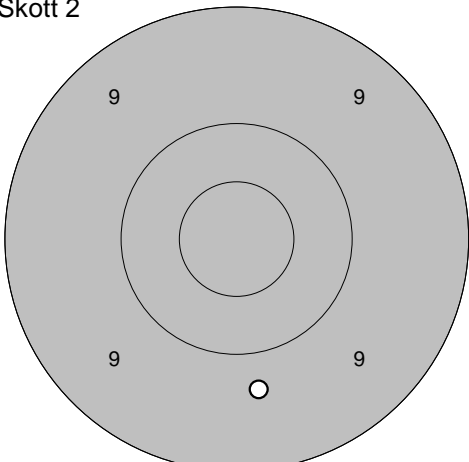
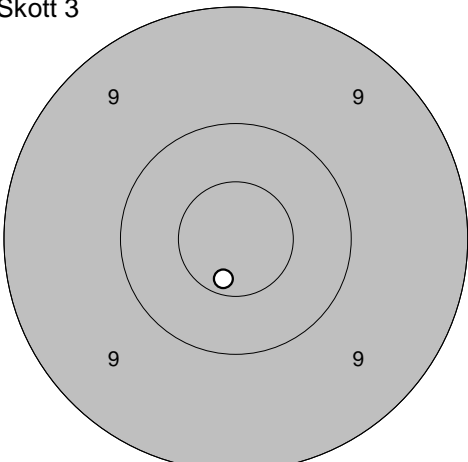
Serie 2  <table border="1" style="width:100%; border-collapse: collapse;"> <tr><td style="padding: 2px;">Serie</td><td style="text-align: right; padding: 2px;">47,0</td></tr> <tr><td style="padding: 2px;">Totalt</td><td style="text-align: right; padding: 2px;">379,0</td></tr> </table>	Serie	47,0	Totalt	379,0	Skott 1  <table border="1" style="width:100%; border-collapse: collapse;"> <tr><td style="padding: 2px;">Serie</td><td style="text-align: right; padding: 2px;">9,0</td></tr> <tr><td style="padding: 2px;">Totalt</td><td style="text-align: right; padding: 2px;">388,0</td></tr> </table>	Serie	9,0	Totalt	388,0	1: 9,8 ↖ <table border="1" style="width:100%; border-collapse: collapse;"> <tr><td style="padding: 2px;">Serie</td><td style="text-align: right; padding: 2px;">9,0</td></tr> <tr><td style="padding: 2px;">Totalt</td><td style="text-align: right; padding: 2px;">388,0</td></tr> </table>	Serie	9,0	Totalt	388,0
Serie	47,0													
Totalt	379,0													
Serie	9,0													
Totalt	388,0													
Serie	9,0													
Totalt	388,0													

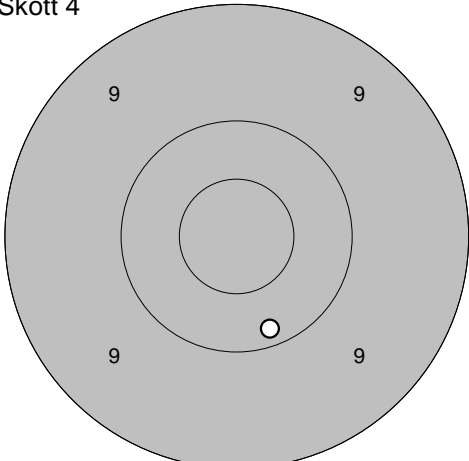
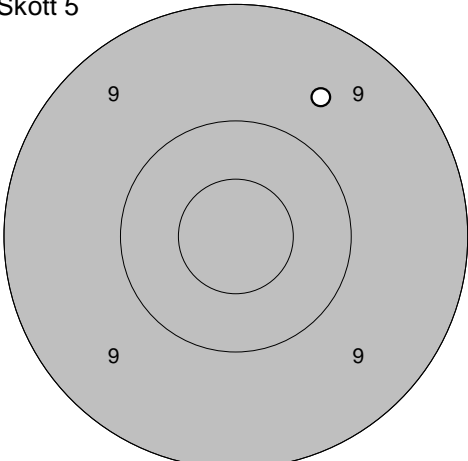
Skott 2  <table border="1" style="width:100%; border-collapse: collapse;"> <tr><td style="padding: 2px;">Serie</td><td style="text-align: right; padding: 2px;">10,0</td></tr> <tr><td style="padding: 2px;">Totalt</td><td style="text-align: right; padding: 2px;">398,0</td></tr> </table>	Serie	10,0	Totalt	398,0	Skott 3  <table border="1" style="width:100%; border-collapse: collapse;"> <tr><td style="padding: 2px;">Serie</td><td style="text-align: right; padding: 2px;">9,0</td></tr> <tr><td style="padding: 2px;">Totalt</td><td style="text-align: right; padding: 2px;">407,0</td></tr> </table>	Serie	9,0	Totalt	407,0	1: 10,0 ↖ <table border="1" style="width:100%; border-collapse: collapse;"> <tr><td style="padding: 2px;">Serie</td><td style="text-align: right; padding: 2px;">9,0</td></tr> <tr><td style="padding: 2px;">Totalt</td><td style="text-align: right; padding: 2px;">407,0</td></tr> </table>	Serie	9,0	Totalt	407,0
Serie	10,0													
Totalt	398,0													
Serie	9,0													
Totalt	407,0													
Serie	9,0													
Totalt	407,0													

Skott 4  <table border="1" style="width:100%; border-collapse: collapse;"> <tr><td style="padding: 2px;">Serie</td><td style="text-align: right; padding: 2px;">9,0</td></tr> <tr><td style="padding: 2px;">Totalt</td><td style="text-align: right; padding: 2px;">416,0</td></tr> </table>	Serie	9,0	Totalt	416,0	Skott 5  <table border="1" style="width:100%; border-collapse: collapse;"> <tr><td style="padding: 2px;">Serie</td><td style="text-align: right; padding: 2px;">9,0</td></tr> <tr><td style="padding: 2px;">Totalt</td><td style="text-align: right; padding: 2px;">425,0</td></tr> </table>	Serie	9,0	Totalt	425,0	1: 9,9 → <table border="1" style="width:100%; border-collapse: collapse;"> <tr><td style="padding: 2px;">Serie</td><td style="text-align: right; padding: 2px;">9,0</td></tr> <tr><td style="padding: 2px;">Totalt</td><td style="text-align: right; padding: 2px;">425,0</td></tr> </table>	Serie	9,0	Totalt	425,0
Serie	9,0													
Totalt	416,0													
Serie	9,0													
Totalt	425,0													
Serie	9,0													
Totalt	425,0													

<p>Provskott</p> 	<p>1: 9,7 → 2: 10,2 ← 3: 10,7* →</p>	<p>Serie 1</p> 	<p>1: 10,0 ↗ 2: 10,4 ↓ 3: 10,7* ↓ 4: 10,6* ← 5: 9,9 →</p>
Serie 29,0		Serie 49,0	
Totalt 283,0		Totalt 332,0	

<p>Serie 2</p> 	<p>1: 10,0 ← 2: 10,1 ↙ 3: 10,0 ↓ 4: 8,7 ↗ 5: 9,4 ↗</p>	<p>Skott 1</p> 	<p>1: 9,6 →</p>
Serie 47,0		Serie 9,0	
Totalt 379,0		Totalt 388,0	

<p>Skott 2</p> 	<p>1: 9,7 ↓</p>	<p>Skott 3</p> 	<p>1: 10,7* ↓</p>
Serie 9,0		Serie 10,0	
Totalt 397,0		Totalt 407,0	

<p>Skott 4</p> 	<p>1: 10,2 ↓</p>	<p>Skott 5</p> 	<p>1: 9,6 ↗</p>
Serie 10,0		Serie 9,0	
Totalt 417,0		Totalt 426,0	

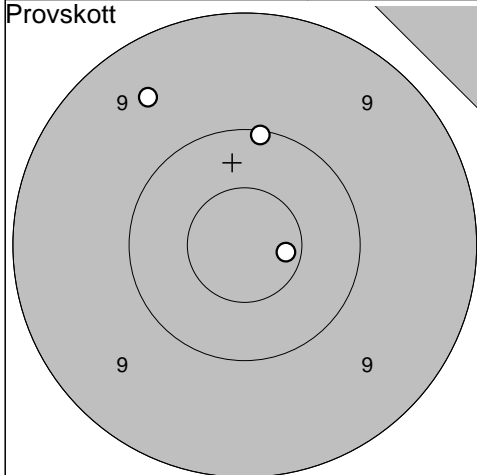
Ramselefors

08.07.2012

Tavelträffen 2012 B Final

Ramselefors SKF

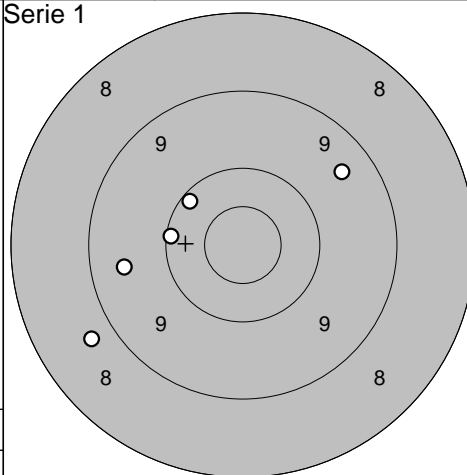
Provsrott



1: 10,1 ↑
2: 9,5 ↗
3: 10,7* →

Serie 29,0
Totalt 278,0

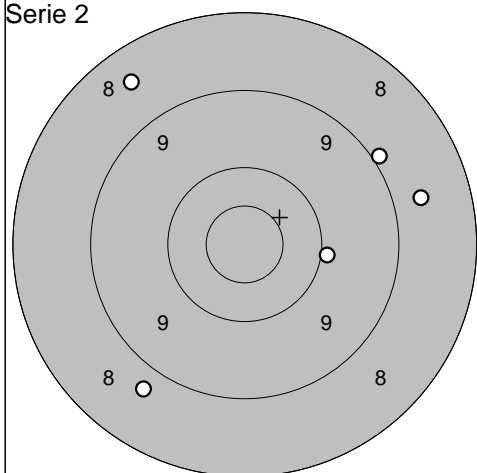
Serie 1



1: 8,8 ↙
2: 9,5 ←
3: 10,1 ←
4: 9,5 ↗
5: 10,2 ↖

Serie 46,0
Totalt 324,0

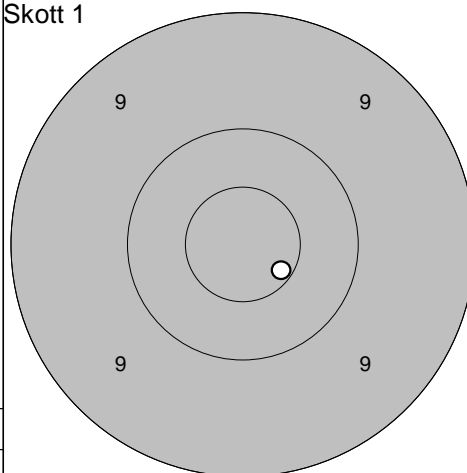
Serie 2



1: 9,0 ↗
2: 8,8 ↘
3: 8,5 ↖
4: 10,0 →
5: 8,7 →

Serie 43,0
Totalt 367,0

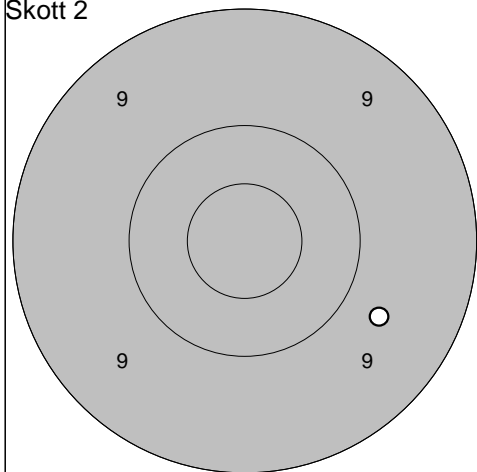
Skott 1



1: 10,6* ↘

Serie 10,0
Totalt 377,0

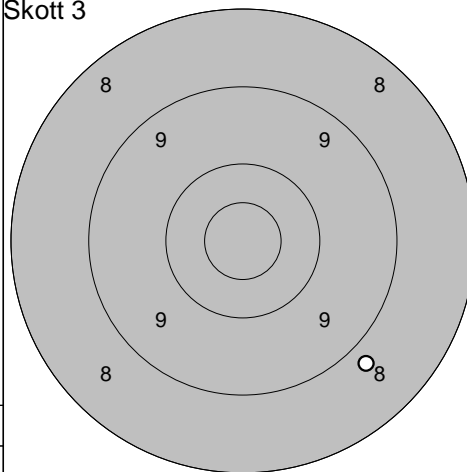
Skott 2



1: 9,7 ↘

Serie 9,0
Totalt 386,0

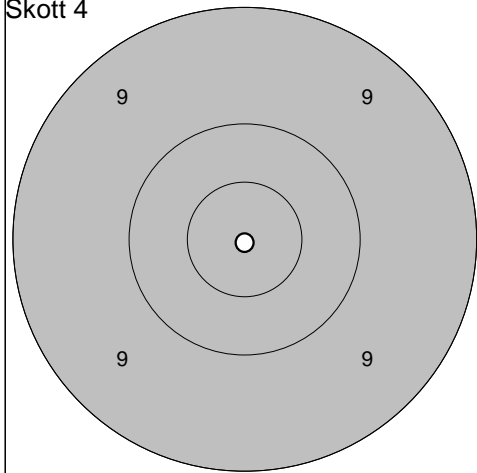
Skott 3



1: 8,8 ↘

Serie 8,0
Totalt 394,0

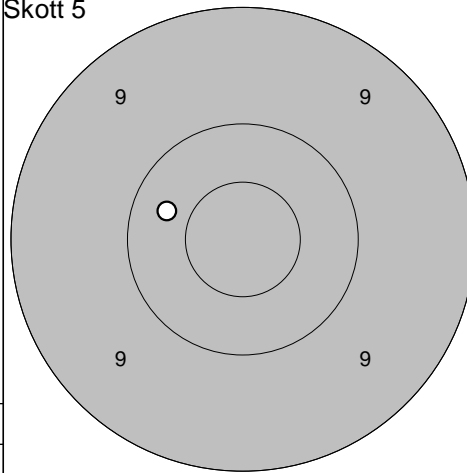
Skott 4



1: 10,9* ↓

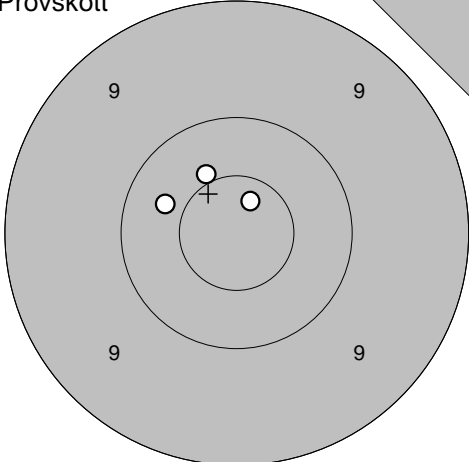
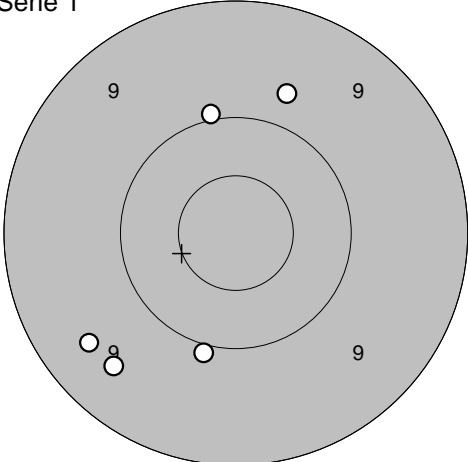
Serie 10,0
Totalt 404,0

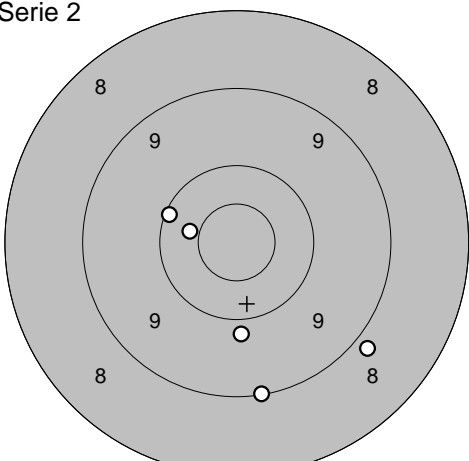
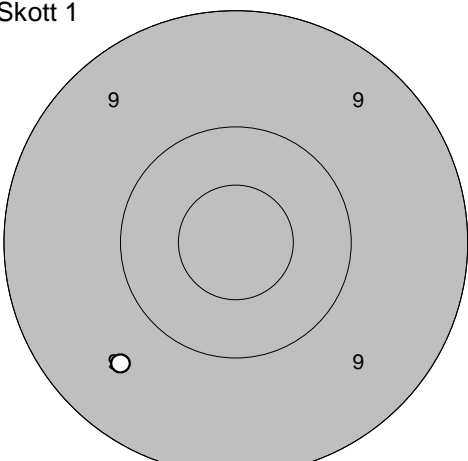
Skott 5

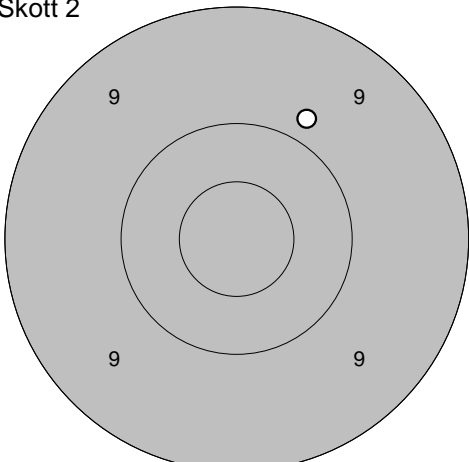
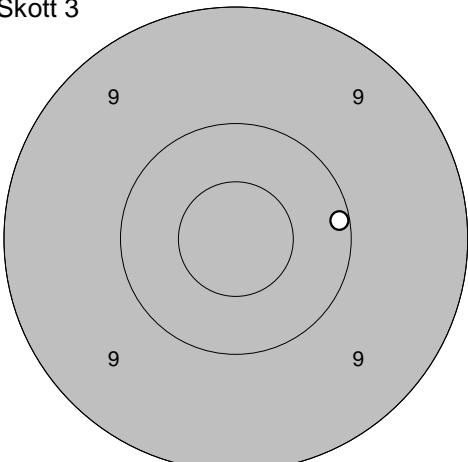


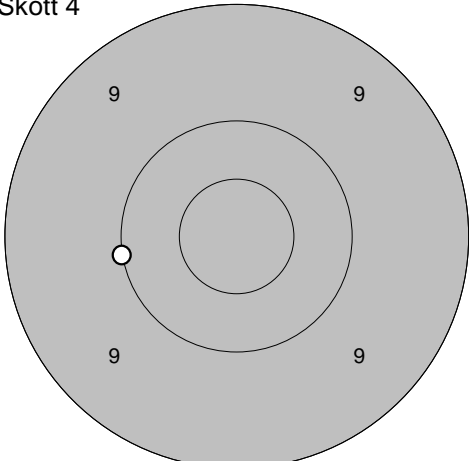
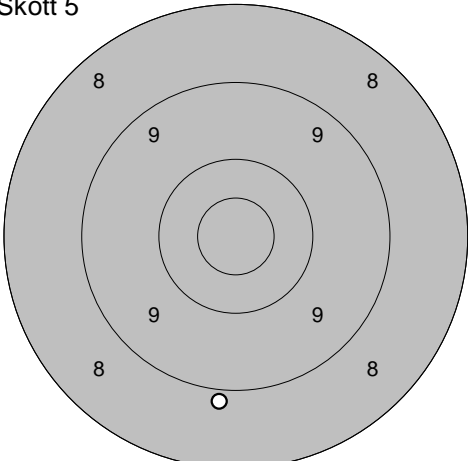
1: 10,3 ↖

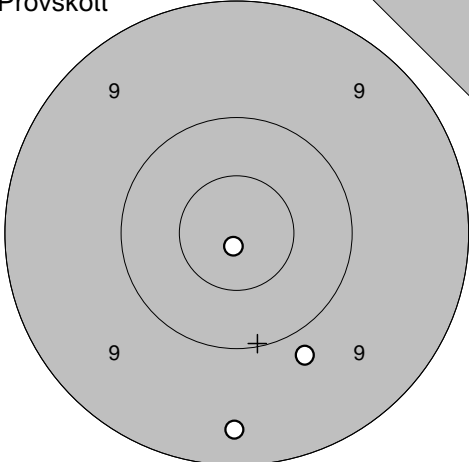
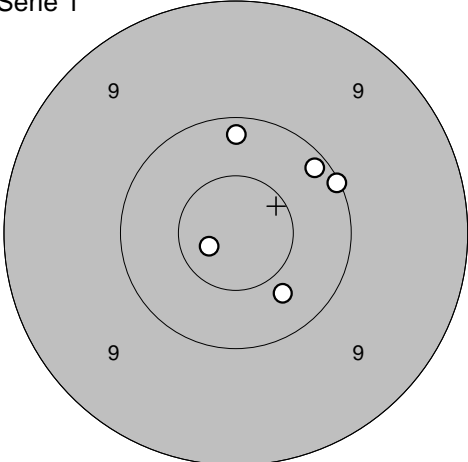
Serie 10,0
Totalt 414,0

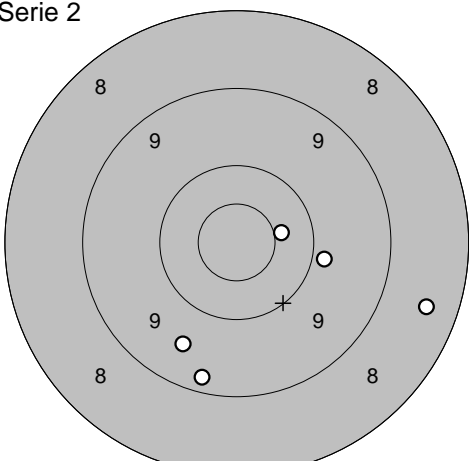
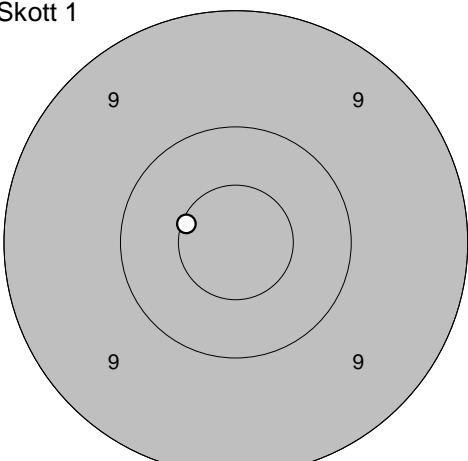
<p>Provsrott</p> 	<p>1: 10,4 ↙ 2: 10,7* ↗ 3: 10,5* ↗</p>	<p>Serie 1</p> 	<p>1: 9,5 ↙ 2: 10,0 ↗ 3: 9,8 ↗ 4: 9,5 ↙ 5: 10,0 ↓</p>
Serie 30,0		Serie 47,0	
Totalt 277,0		Totalt 324,0	

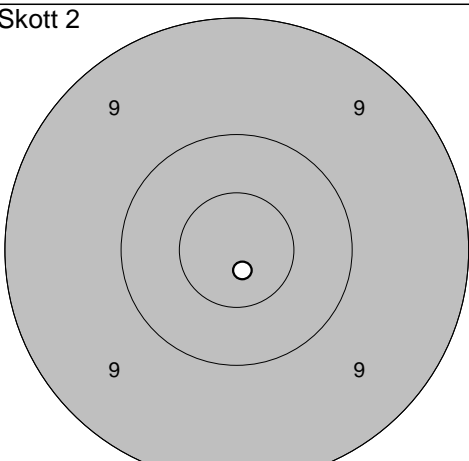
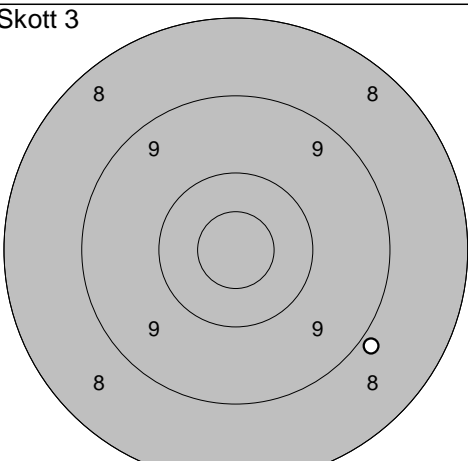
<p>Serie 2</p> 	<p>1: 8,9 ↘ 2: 10,1 ↖ 3: 10,4 ↖ 4: 9,9 ↓ 5: 9,1 ↓</p>	<p>Skott 1</p> 	<p>1: 9,6 ↙</p>
Serie 46,0		Serie 9,0	
Totalt 370,0		Totalt 379,0	

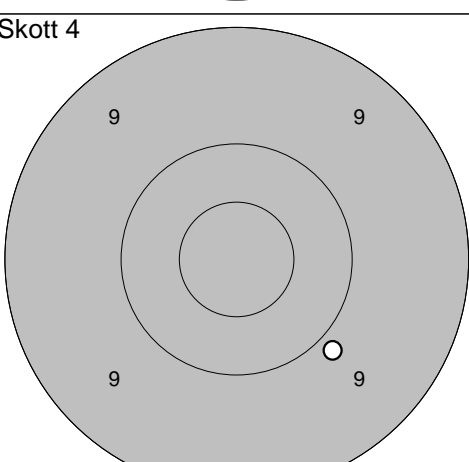
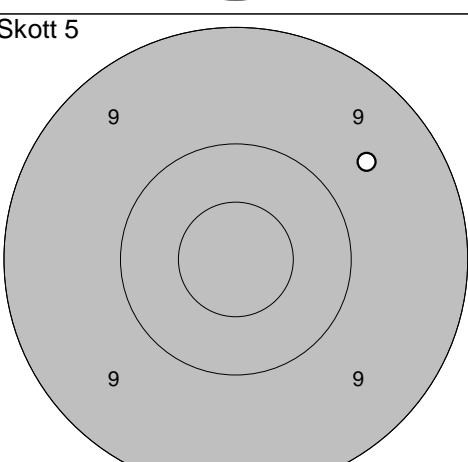
<p>Skott 2</p> 	<p>1: 9,8 ↗</p>	<p>Skott 3</p> 	<p>1: 10,1 →</p>
Serie 9,0		Serie 10,0	
Totalt 388,0		Totalt 398,0	

<p>Skott 4</p> 	<p>1: 10,0 ↖</p>	<p>Skott 5</p> 	<p>1: 8,9 ↓</p>
Serie 10,0		Serie 8,0	
Totalt 408,0		Totalt 416,0	

<p>Provsrott</p> 	<p>1: 10,9* ↓ 2: 9,8 ↓ 3: 9,3 ↓</p> <table border="1" style="width:100%; border-collapse: collapse;"> <tr><td style="text-align: right;">Serie</td><td style="text-align: right;">28,0</td></tr> <tr><td style="text-align: right;">Totalt</td><td style="text-align: right;">276,0</td></tr> </table>	Serie	28,0	Totalt	276,0	<p>Serie 1</p> 	<p>1: 10,8* ← 2: 10,1 ↗ 3: 10,1 ↗ 4: 10,2 ↑ 5: 10,4 ↓</p> <table border="1" style="width:100%; border-collapse: collapse;"> <tr><td style="text-align: right;">Serie</td><td style="text-align: right;">50,0</td></tr> <tr><td style="text-align: right;">Totalt</td><td style="text-align: right;">326,0</td></tr> </table>	Serie	50,0	Totalt	326,0
Serie	28,0										
Totalt	276,0										
Serie	50,0										
Totalt	326,0										

<p>Serie 2</p> 	<p>1: 9,6 ↓ 2: 8,5 → 3: 9,9 → 4: 10,5* → 5: 9,2 ↓</p> <table border="1" style="width:100%; border-collapse: collapse;"> <tr><td style="text-align: right;">Serie</td><td style="text-align: right;">45,0</td></tr> <tr><td style="text-align: right;">Totalt</td><td style="text-align: right;">371,0</td></tr> </table>	Serie	45,0	Totalt	371,0	<p>Skott 1</p> 	<p>1: 10,6* ←</p> <table border="1" style="width:100%; border-collapse: collapse;"> <tr><td style="text-align: right;">Serie</td><td style="text-align: right;">10,0</td></tr> <tr><td style="text-align: right;">Totalt</td><td style="text-align: right;">381,0</td></tr> </table>	Serie	10,0	Totalt	381,0
Serie	45,0										
Totalt	371,0										
Serie	10,0										
Totalt	381,0										

<p>Skott 2</p> 	<p>1: 10,8* ↓</p> <table border="1" style="width:100%; border-collapse: collapse;"> <tr><td style="text-align: right;">Serie</td><td style="text-align: right;">10,0</td></tr> <tr><td style="text-align: right;">Totalt</td><td style="text-align: right;">391,0</td></tr> </table>	Serie	10,0	Totalt	391,0	<p>Skott 3</p> 	<p>1: 8,9 ↘</p> <table border="1" style="width:100%; border-collapse: collapse;"> <tr><td style="text-align: right;">Serie</td><td style="text-align: right;">8,0</td></tr> <tr><td style="text-align: right;">Totalt</td><td style="text-align: right;">399,0</td></tr> </table>	Serie	8,0	Totalt	399,0
Serie	10,0										
Totalt	391,0										
Serie	8,0										
Totalt	399,0										

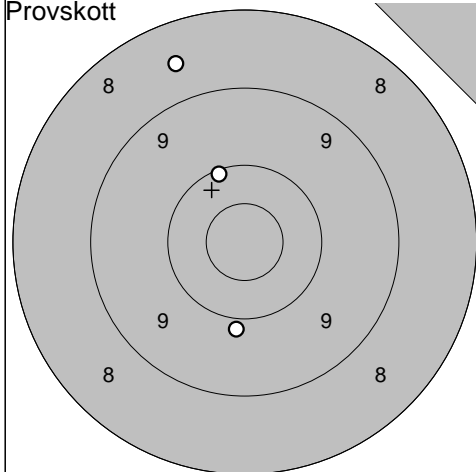
<p>Skott 4</p> 	<p>1: 9,9 ↓</p> <table border="1" style="width:100%; border-collapse: collapse;"> <tr><td style="text-align: right;">Serie</td><td style="text-align: right;">9,0</td></tr> <tr><td style="text-align: right;">Totalt</td><td style="text-align: right;">408,0</td></tr> </table>	Serie	9,0	Totalt	408,0	<p>Skott 5</p> 	<p>1: 9,6 ↗</p> <table border="1" style="width:100%; border-collapse: collapse;"> <tr><td style="text-align: right;">Serie</td><td style="text-align: right;">9,0</td></tr> <tr><td style="text-align: right;">Totalt</td><td style="text-align: right;">417,0</td></tr> </table>	Serie	9,0	Totalt	417,0
Serie	9,0										
Totalt	408,0										
Serie	9,0										
Totalt	417,0										

08.07.2012

Tavelträffen 2012 B Final

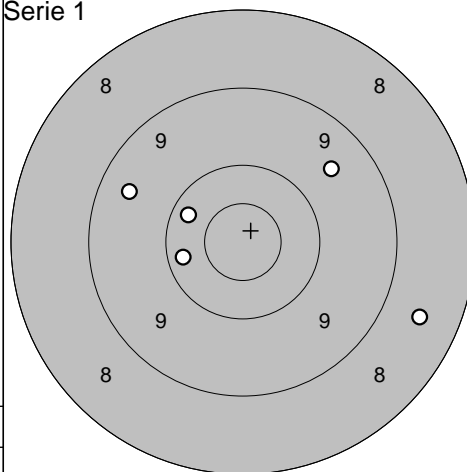
Ramselefors SKF

Provskott



1: 9,9 ↓
 2: 10,1 ↗
 3: 8,6 ↗

Serie 1



1: 9,5 ↖
 2: 10,3 ↗
 3: 10,3 ←
 4: 8,6 →
 5: 9,6 ↗

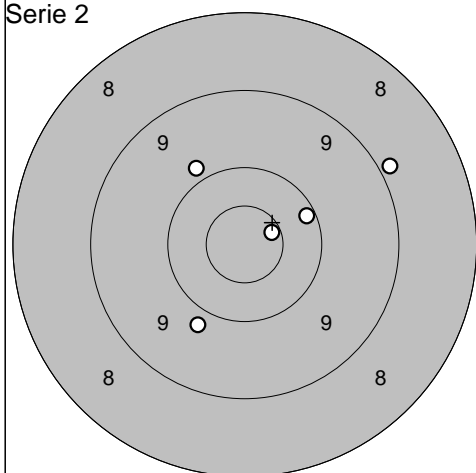
Serie 27,0

Totalt 267,0

Serie 46,0

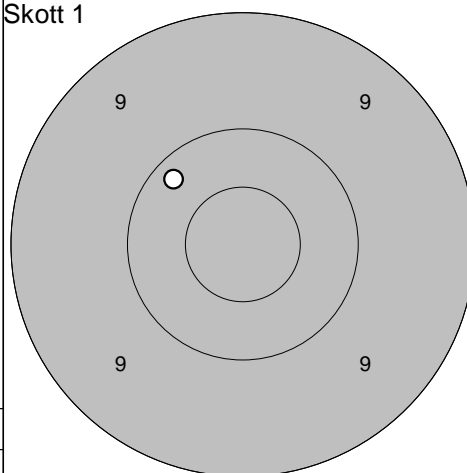
Totalt 313,0

Serie 2



1: 9,9 ↖
 2: 8,9 →
 3: 9,8 ↓
 4: 10,7* →
 5: 10,2 →

Skott 1



1: 10,2 ↖

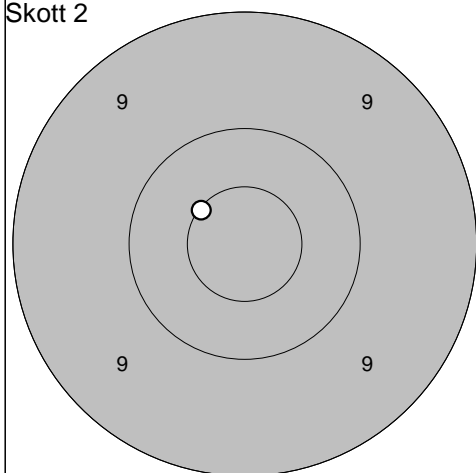
Serie 46,0

Totalt 359,0

Serie 10,0

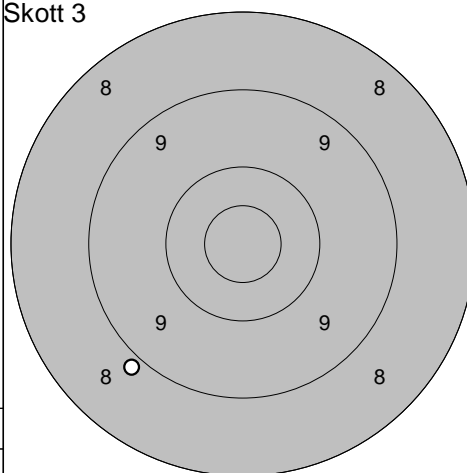
Totalt 369,0

Skott 2



1: 10,6* ↖

Skott 3



1: 8,9 ↙

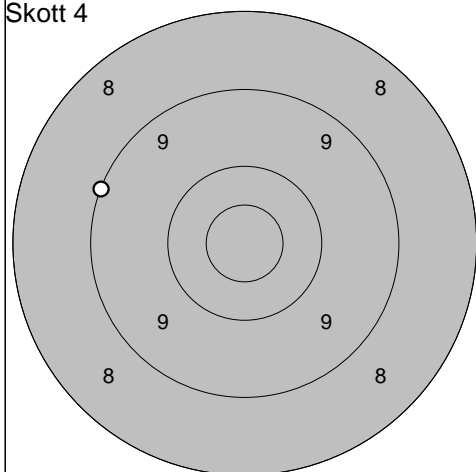
Serie 10,0

Totalt 379,0

Serie 8,0

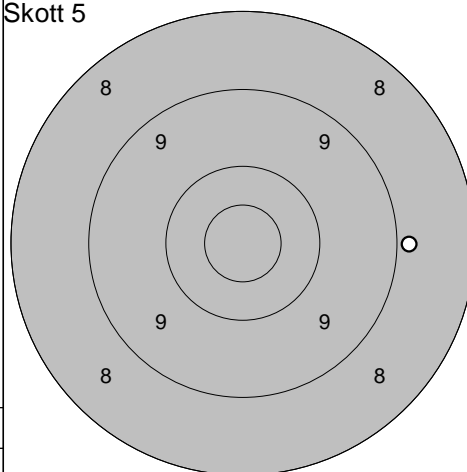
Totalt 387,0

Skott 4



1: 9,1 ←

Skott 5



1: 8,9 →

Serie 9,0

Totalt 396,0

Serie 8,0

Totalt 404,0

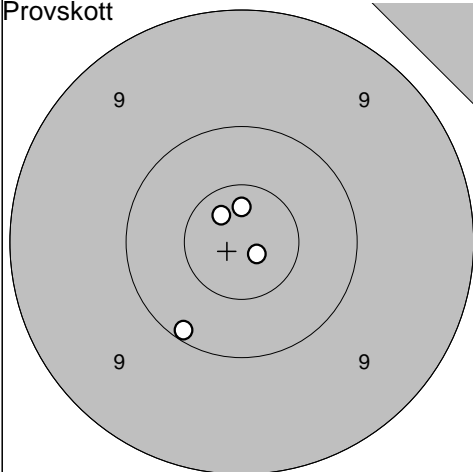
Ale

08.07.2012

Tavelträffen 2012 B Final

Ramselefors SKF

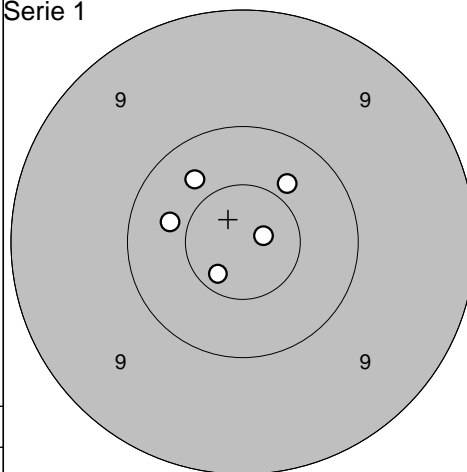
Provskott



1: 10,9* ↘
 2: 10,7* ↗
 3: 10,1 ↙
 4: 10,7* ↑

Serie 40,0
 Totalt 290,0

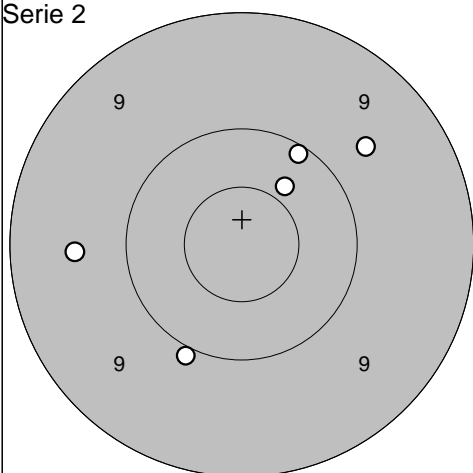
Serie 1



1: 10,4 ←
 2: 10,4 ↖
 3: 10,4 ↗
 4: 10,8* →
 5: 10,7* ↙

Serie 50,0
 Totalt 340,0

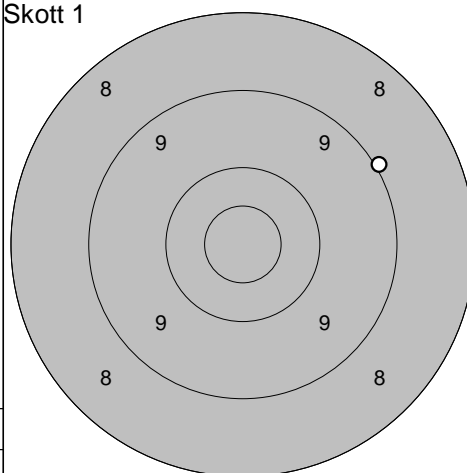
Serie 2



1: 10,1 ↗
 2: 9,6 ←
 3: 10,4 ↗
 4: 9,7 ↗
 5: 10,0 ↙

Serie 48,0
 Totalt 388,0

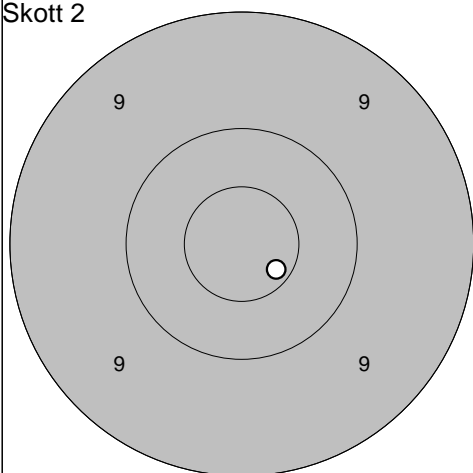
Skott 1



1: 9,0 ↗

Serie 9,0
 Totalt 397,0

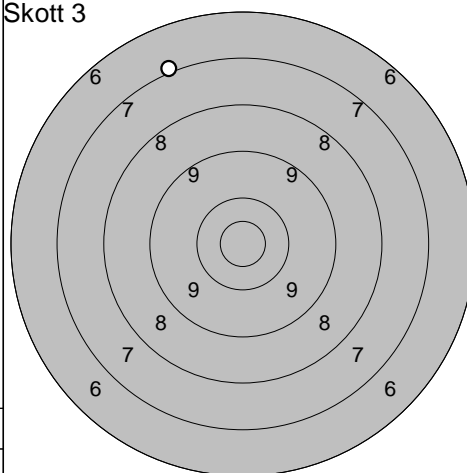
Skott 2



1: 10,7* ↘

Serie 10,0
 Totalt 407,0

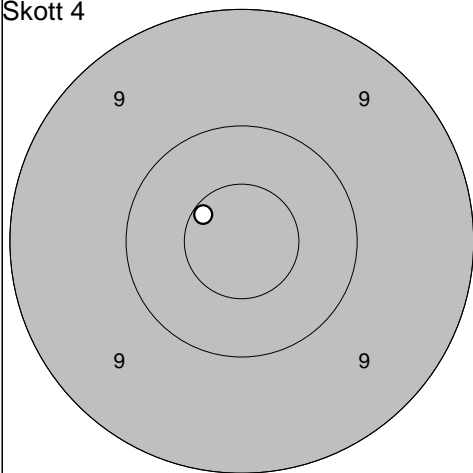
Skott 3



1: 7,0 ↖

Serie 7,0
 Totalt 414,0

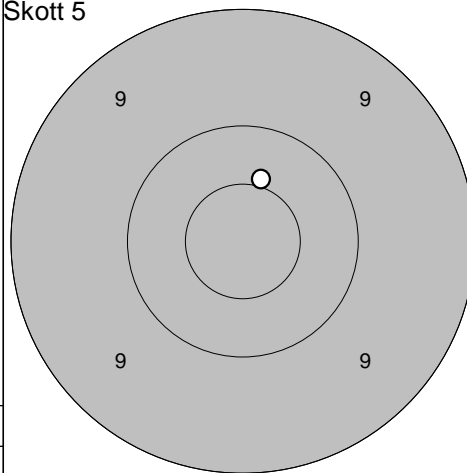
Skott 4



1: 10,6* ↖

Serie 10,0
 Totalt 424,0

Skott 5



1: 10,5* ↑

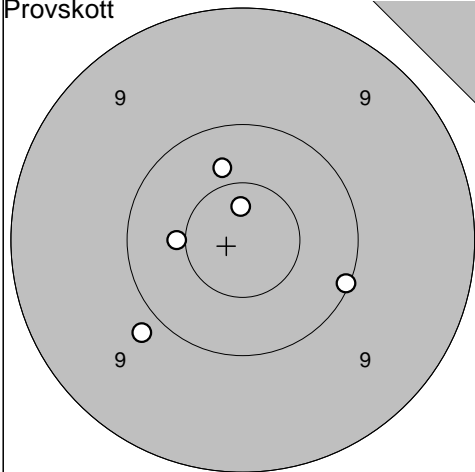
Serie 10,0
 Totalt 434,0

08.07.2012

Tavelträffen 2012 B Final

Ramselefors SKF

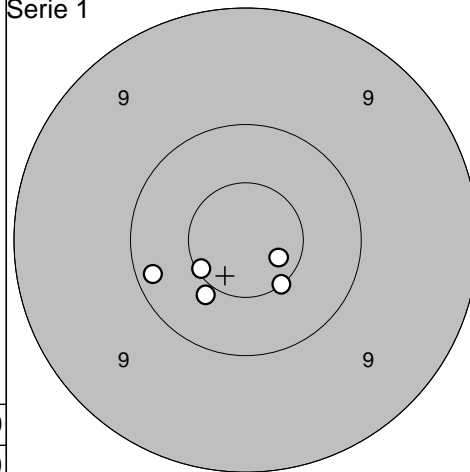
Provskott



1: 10,4 ↗
 2: 10,1 →
 3: 10,5* ←
 4: 9,8 ↙
 5: 10,7* ↑

Serie 49,0
 Totalt 282,0

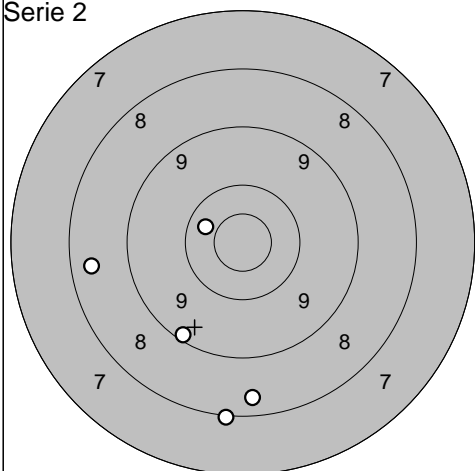
Serie 1



1: 10,2 ↙
 2: 10,4 ↘
 3: 10,5* ↘
 4: 10,7* →
 5: 10,6* ↙

Serie 50,0
 Totalt 332,0

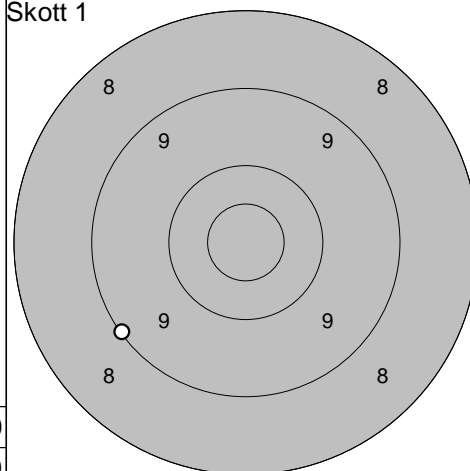
Serie 2



1: 10,4 ↙
 2: 8,4 ←
 3: 9,2 ↘
 4: 8,4 ↓
 5: 8,0 ↓

Serie 43,0
 Totalt 375,0

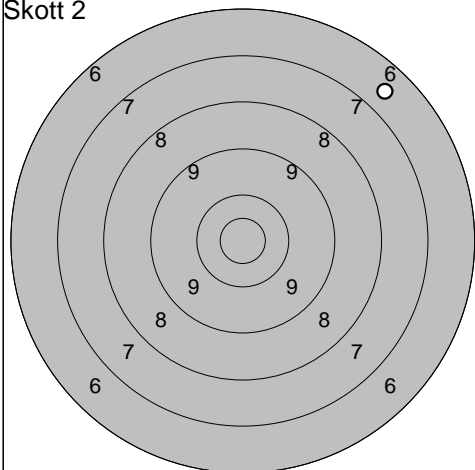
Skott 1



1: 9,1 ↙

Serie 9,0
 Totalt 384,0

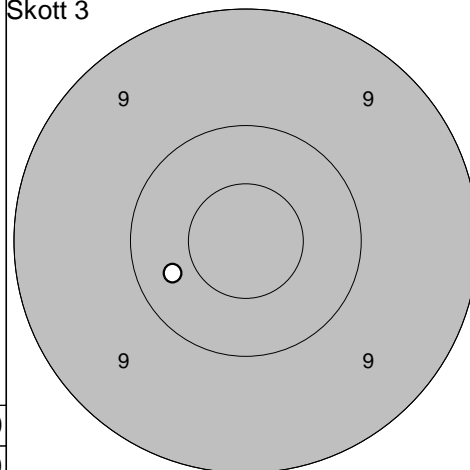
Skott 2



1: 6,7 ↗

Serie 6,0
 Totalt 390,0

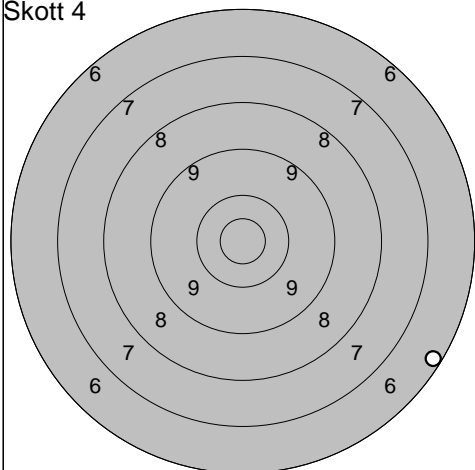
Skott 3



1: 10,3 ↙

Serie 10,0
 Totalt 400,0

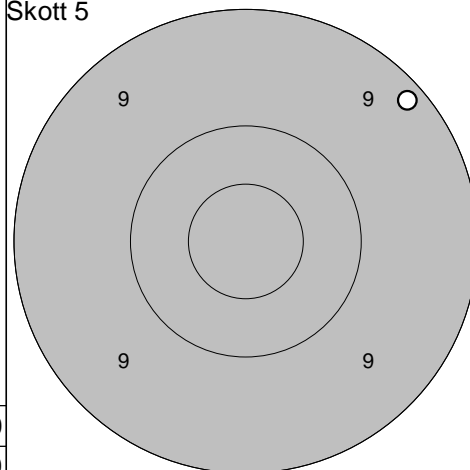
Skott 4



1: 6,3 →

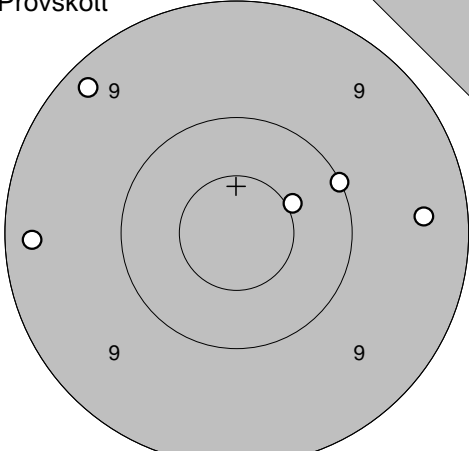
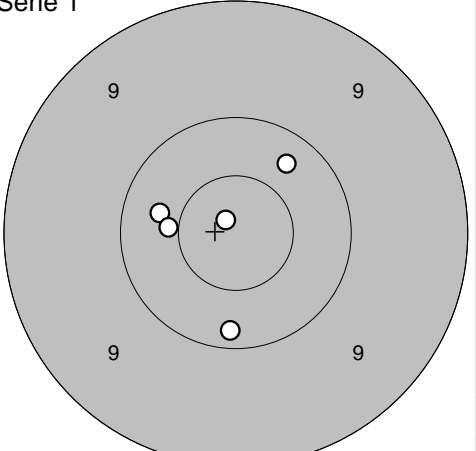
Serie 6,0
 Totalt 406,0

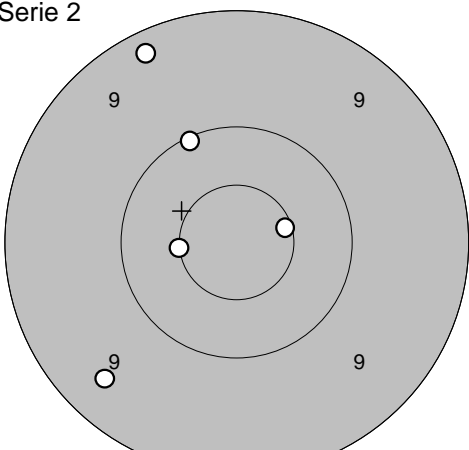
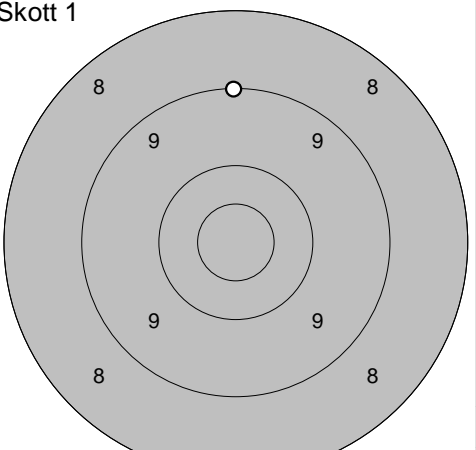
Skott 5

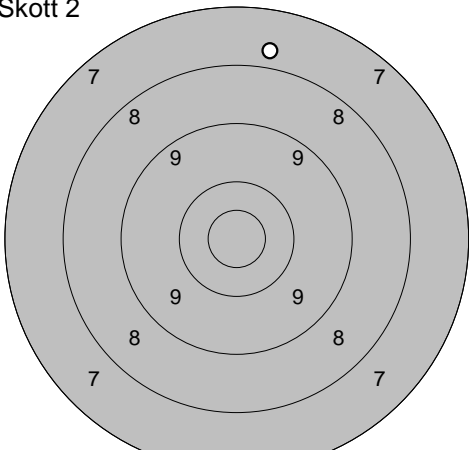
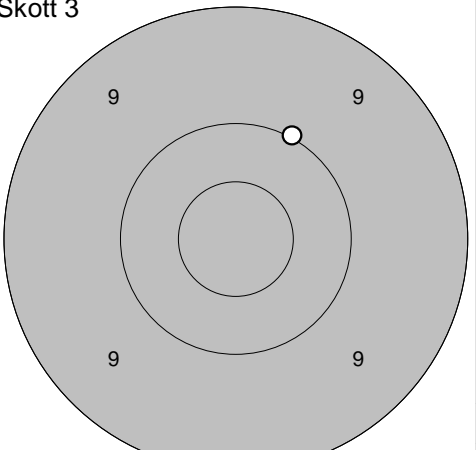


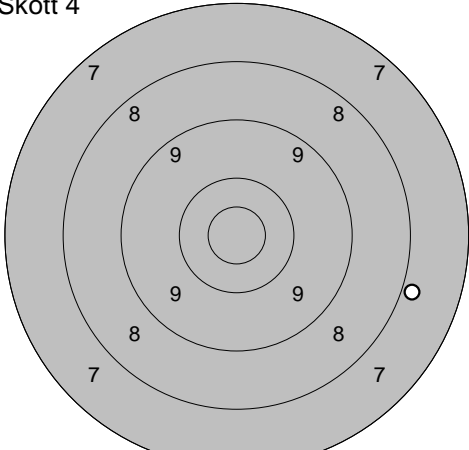
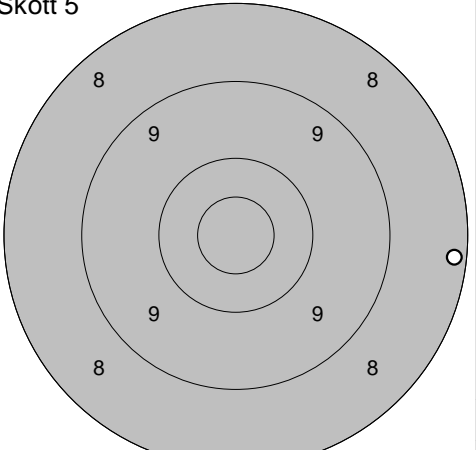
1: 9,2 ↗

Serie 9,0
 Totalt 415,0

Provsnitt 	1: 9,4 → 2: 10,5* ↗ 3: 10,0 ↗ 4: 9,3 ← 5: 9,2 ↖ <hr/> Serie 47,0 Totalt 282,0	Serie 1 	1: 10,3 ↗ 2: 10,9* ↖ 3: 10,4 ← 4: 10,2 ↓ 5: 10,5* ← <hr/> Serie 50,0 Totalt 332,0
---	---	---	---

Serie 2 	1: 10,1 ↖ 2: 9,2 ↖ 3: 10,5* ← 4: 9,4 ↙ 5: 10,6* → <hr/> Serie 48,0 Totalt 380,0	Skott 1 	1: 9,1 ↑ <hr/> Serie 9,0 Totalt 389,0
--	---	--	---

Skott 2 	1: 7,8 ↑ <hr/> Serie 7,0 Totalt 396,0	Skott 3 	1: 10,0 ↗ <hr/> Serie 10,0 Totalt 406,0
---	---	---	---

Skott 4 	1: 7,9 → <hr/> Serie 7,0 Totalt 413,0	Skott 5 	1: 8,2 → <hr/> Serie 8,0 Totalt 421,0
---	---	---	---

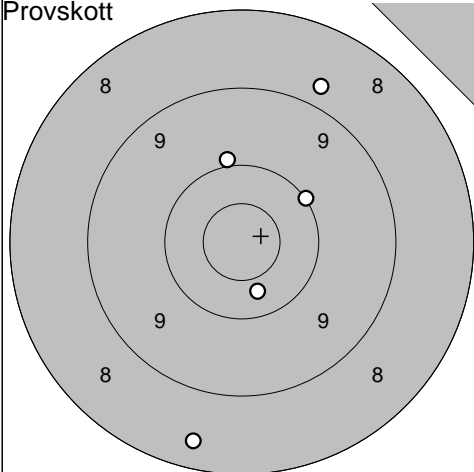
S 3

08.07.2012

Tavelträffen 2012 B Final

Ramselefors SKF

Provskott

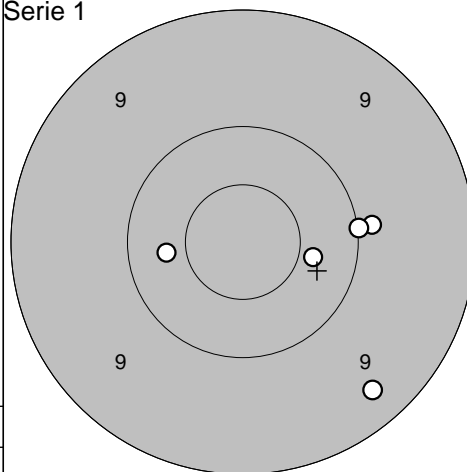


1: 10,0 ↑
 2: 10,0 ↗
 3: 10,4 ↓
 4: 8,8 ↗
 5: 8,4 ↓

Serie 46,0

Totalt 281,0

Serie 1

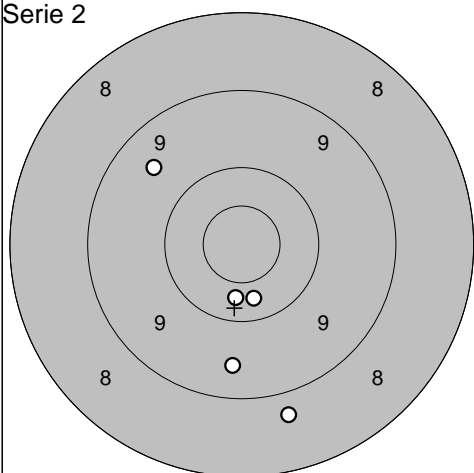


1: 9,9 →
 2: 10,0 →
 3: 9,3 ↘
 4: 10,4 →
 5: 10,4 ←

Serie 48,0

Totalt 329,0

Serie 2

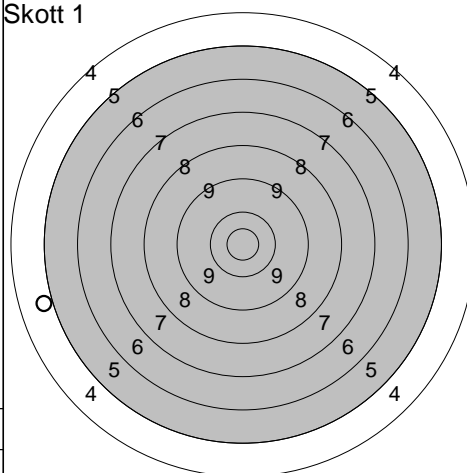


1: 10,3 ↓
 2: 9,5 ↓
 3: 8,8 ↓
 4: 9,5 ↖
 5: 10,4 ↓

Serie 46,0

Totalt 375,0

Skott 1

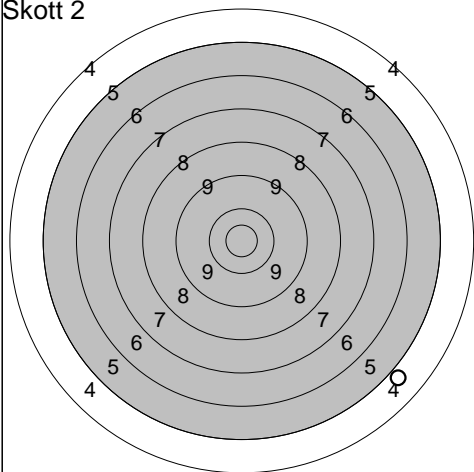


1: 4,9 ←

Serie 4,0

Totalt 379,0

Skott 2

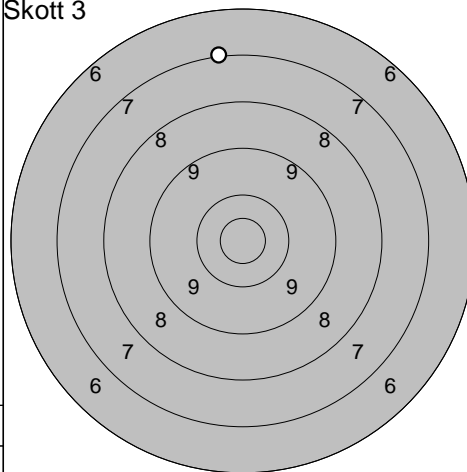


1: 4,9 ↘

Serie 4,0

Totalt 383,0

Skott 3

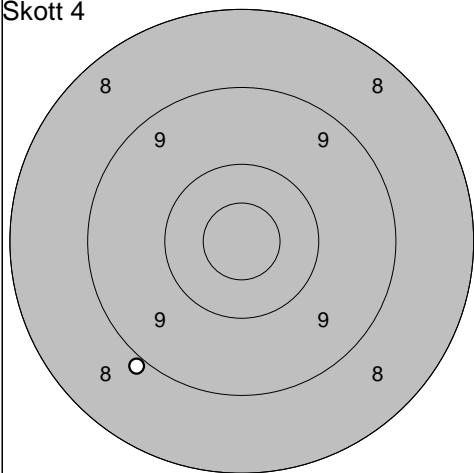


1: 7,1 ↑

Serie 7,0

Totalt 390,0

Skott 4

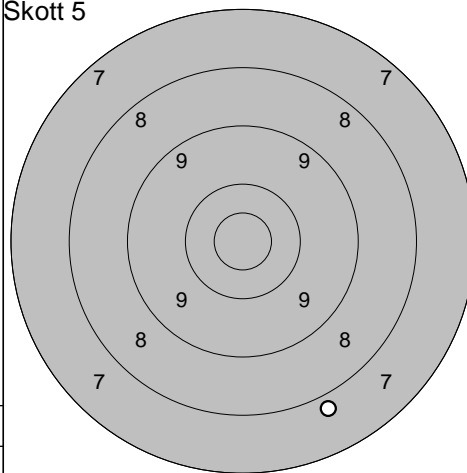


1: 8,9 ↘

Serie 8,0

Totalt 398,0

Skott 5



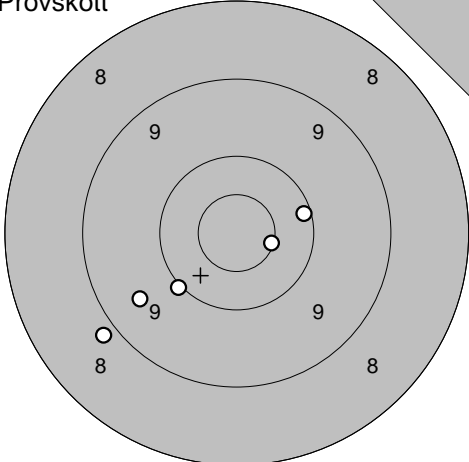
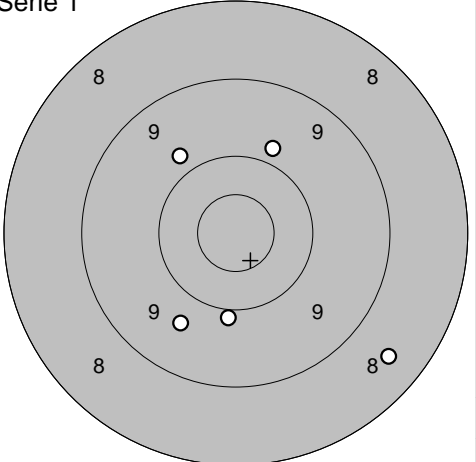
1: 7,8 ↘

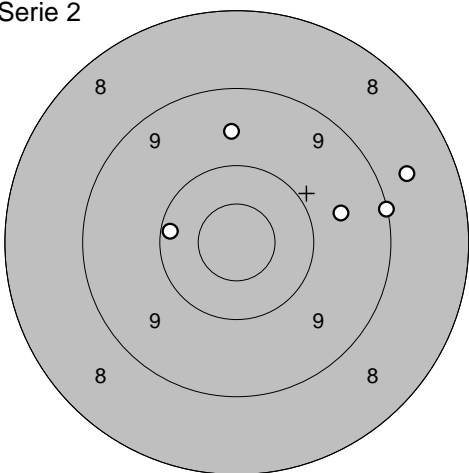
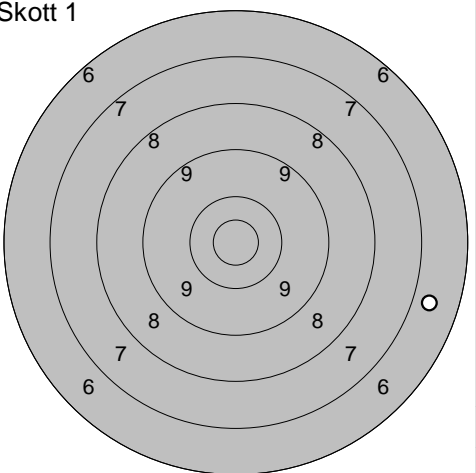
Serie 7,0

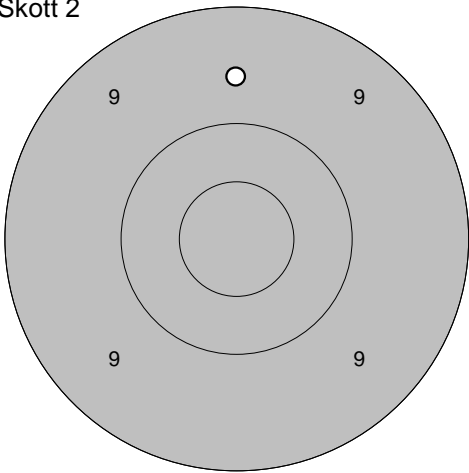
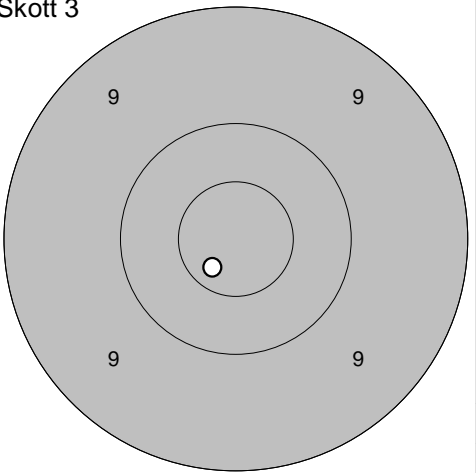
Totalt 405,0

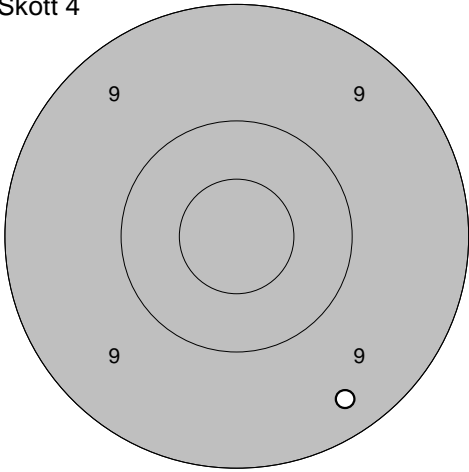
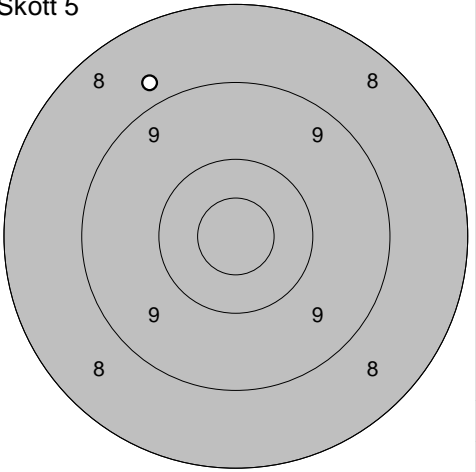
Loos

08.07.2012	Tavelträffen 2012 B Final	Ramselefors SKF
------------	---------------------------	-----------------

<p>Provsnitt</p> 	<p>Serie 1</p> <p>1: 8,9 ↙ 2: 9,5 ↙ 3: 10,1 → 4: 10,0 ↙ 5: 10,6* →</p>	
Serie 47,0		Serie 44,0
Totalt 279,0		Totalt 323,0

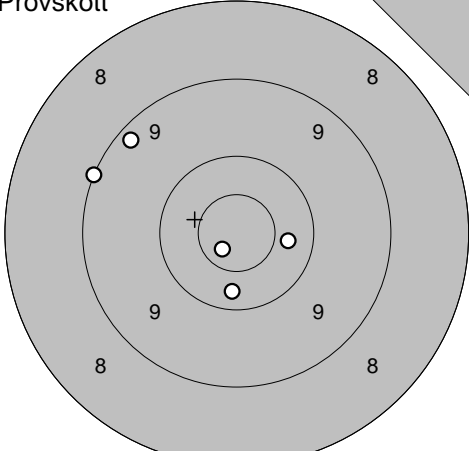
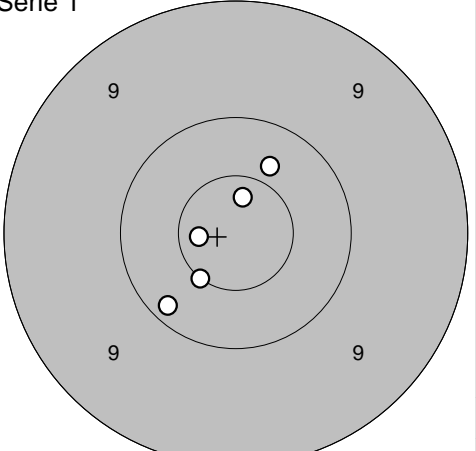
<p>Serie 2</p> 	<p>Skott 1</p> <p>1: 9,6 ↑ 2: 8,7 → 3: 9,1 → 4: 9,6 → 5: 10,2 ←</p>	
Serie 45,0		Serie 6,0
Totalt 368,0		Totalt 374,0

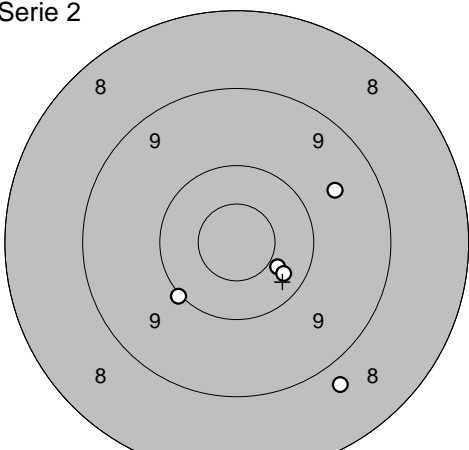
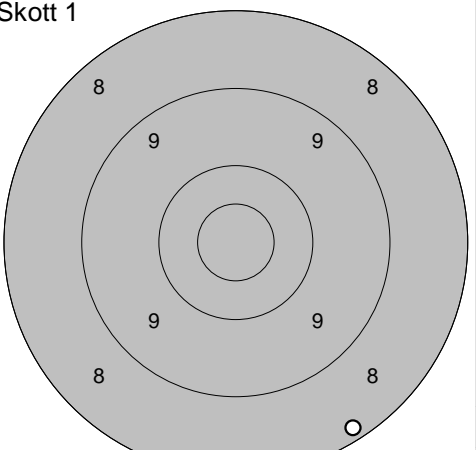
<p>Skott 2</p> 	<p>Skott 3</p> <p>1: 9,6 ↑</p>	
Serie 9,0		Serie 10,0
Totalt 383,0		Totalt 393,0

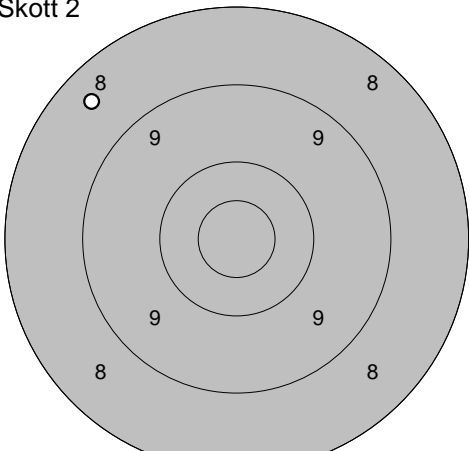
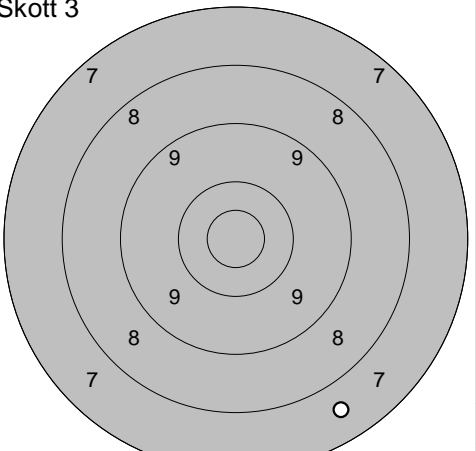
<p>Skott 4</p> 	<p>Skott 5</p> <p>1: 9,3 ↘</p>	
Serie 9,0		Serie 8,0
Totalt 402,0		Totalt 410,0

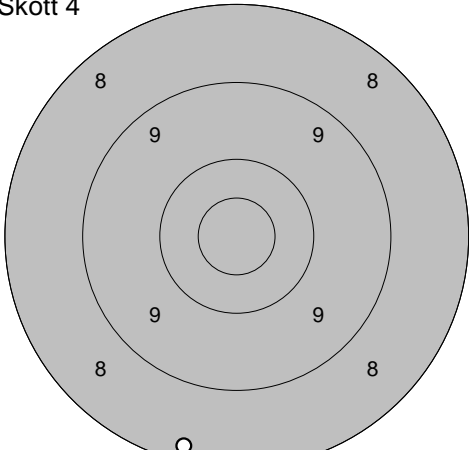
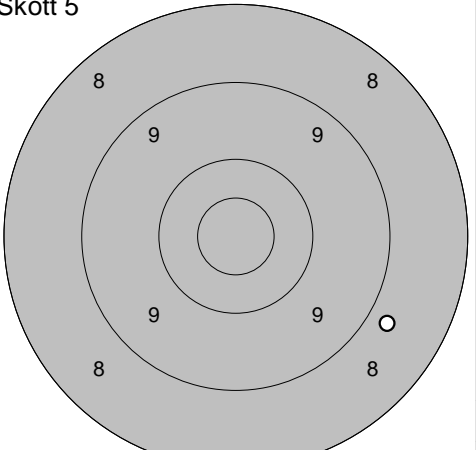
I 19 / A 9

08.07.2012	Tavelträffen 2012 B Final	Ramselefors SKF
------------	---------------------------	-----------------

<p>Provskott</p> 	<p>1: 9,2 ↗ 2: 9,1 ↖ 3: 10,8* ↘ 4: 10,3 ↓ 5: 10,4 →</p>	<p>Serie 1</p> 	<p>1: 10,7* ↑ 2: 10,7* ← 3: 10,5* ↘ 4: 10,4 ↗ 5: 10,2 ↙</p>
Serie 48,0		Serie 50,0	
Totalt 276,0		Totalt 326,0	

<p>Serie 2</p> 	<p>1: 9,6 → 2: 10,0 ↘ 3: 10,4 ↘ 4: 10,3 ↘ 5: 8,8 ↘</p>	<p>Skott 1</p> 	<p>1: 8,2 ↘</p>
Serie 47,0		Serie 8,0	
Totalt 373,0		Totalt 381,0	

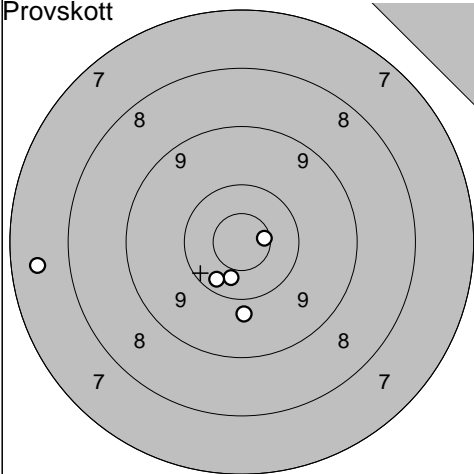
<p>Skott 2</p> 	<p>1: 8,5 ↖</p>	<p>Skott 3</p> 	<p>1: 7,6 ↘</p>
Serie 8,0		Serie 7,0	
Totalt 389,0		Totalt 396,0	

<p>Skott 4</p> 	<p>1: 8,3 ↓</p>	<p>Skott 5</p> 	<p>1: 8,8 →</p>
Serie 8,0		Serie 8,0	
Totalt 404,0		Totalt 412,0	

Ununge

08.07.2012	Tavelträffen 2012 B Final	Ramselefors SKF
------------	---------------------------	-----------------

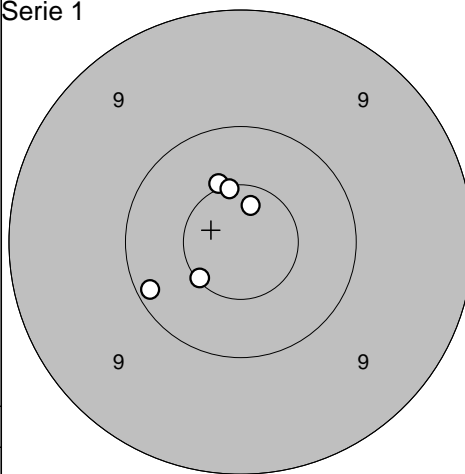
Provskott



- 1: 9,8 ↓
- 2: 10,4 ↓
- 3: 10,3 ↓
- 4: 7,5 ←
- 5: 10,7* →

Serie	46,0
Totalt	276,0

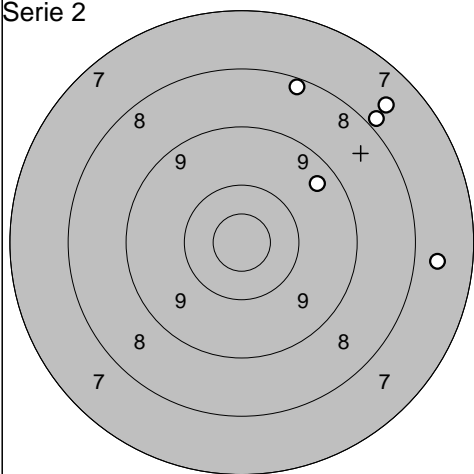
Serie 1



- 1: 10,6* ↙
- 2: 10,2 ↙
- 3: 10,7* ↑
- 4: 10,5* ↑
- 5: 10,6* ↑

Serie	50,0
Totalt	326,0

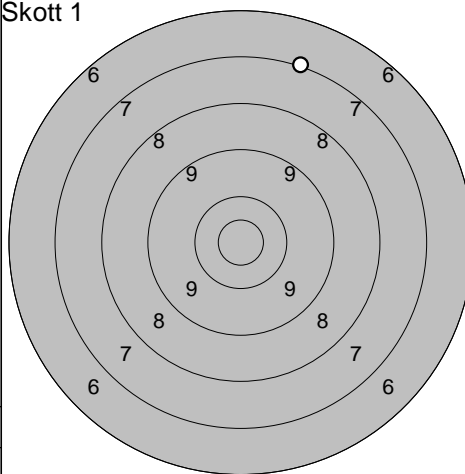
Serie 2



- 1: 8,2 ↑
- 2: 7,6 ↗
- 3: 9,4 ↗
- 4: 7,9 ↗
- 5: 7,7 →

Serie	38,0
Totalt	364,0

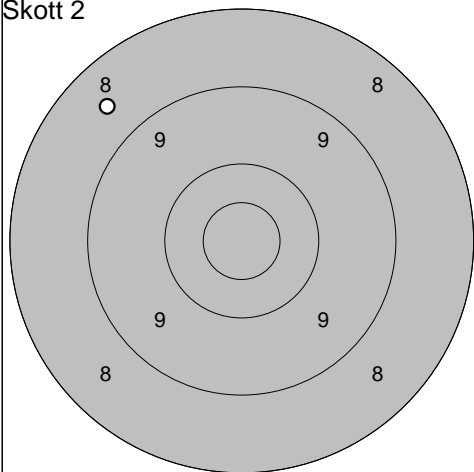
Skott 1



- 1: 7,1 ↑

Serie	7,0
Totalt	371,0

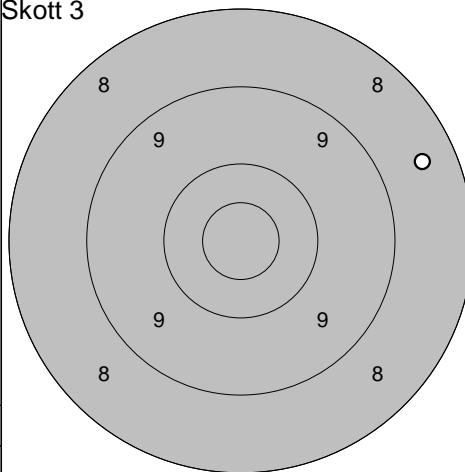
Skott 2



- 1: 8,6 ↖

Serie	8,0
Totalt	379,0

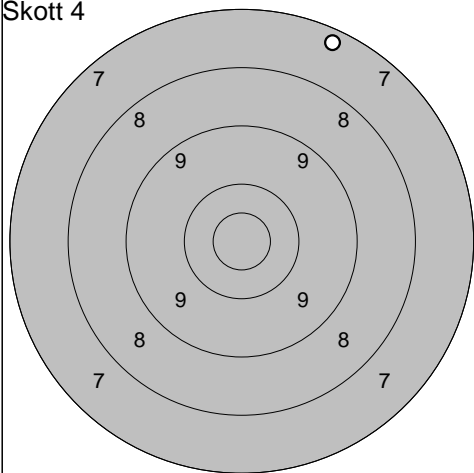
Skott 3



- 1: 8,5 →

Serie	8,0
Totalt	387,0

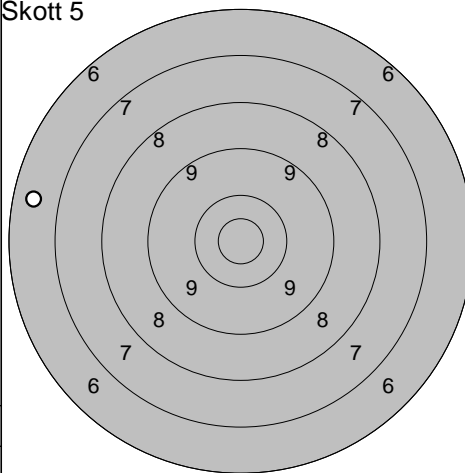
Skott 4



- 1: 7,3 ↑

Serie	7,0
Totalt	394,0

Skott 5



- 1: 6,6 ←

Serie	6,0
Totalt	400,0

Skjutlag

5

Tavla

8

Stefan Jonasson

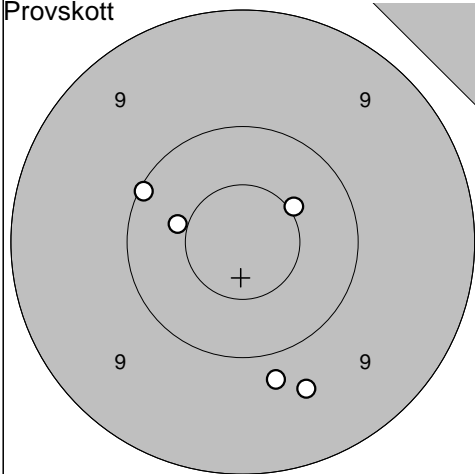
Hogdal

08.07.2012

Tavelträffen 2012 B Final

Ramselefors SKF

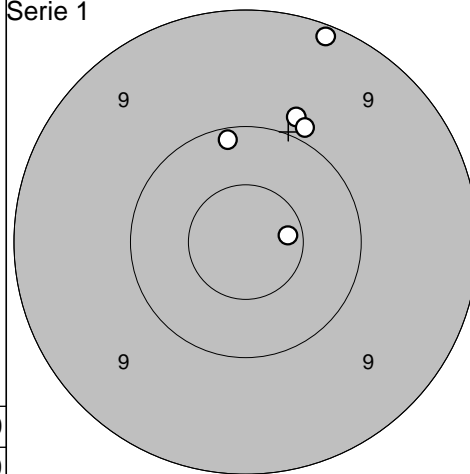
Provskott



1: 9,8 ↓
 2: 10,1 ↗
 3: 10,5* ←
 4: 9,6 ↓
 5: 10,5* ↗

Serie 48,0
 Totalt 275,0

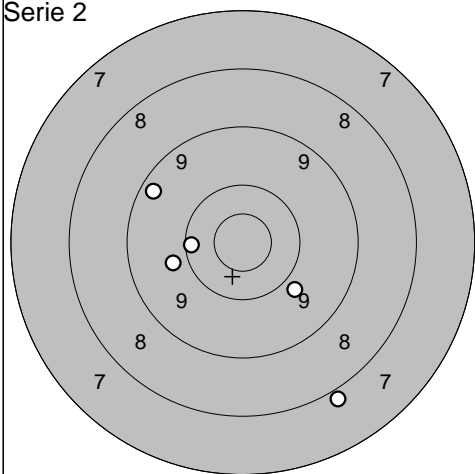
Serie 1



1: 10,1 ↑
 2: 10,7* →
 3: 9,9 ↑
 4: 9,1 ↑
 5: 9,9 ↑

Serie 47,0
 Totalt 322,0

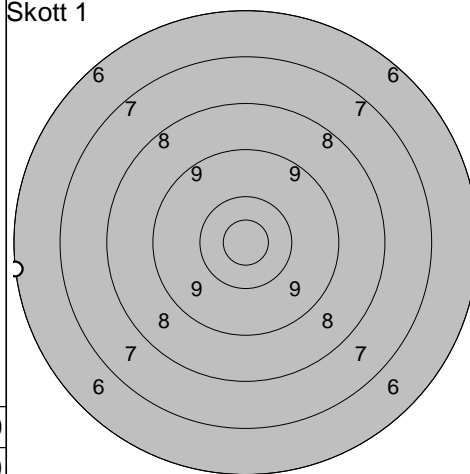
Serie 2



1: 7,9 ↓
 2: 9,8 ←
 3: 9,9 ↓
 4: 10,2 ←
 5: 9,3 ↗

Serie 44,0
 Totalt 366,0

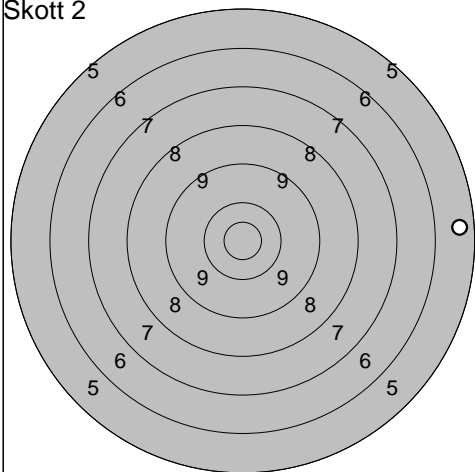
Skott 1



1: 6,1 ←

Serie 6,0
 Totalt 372,0

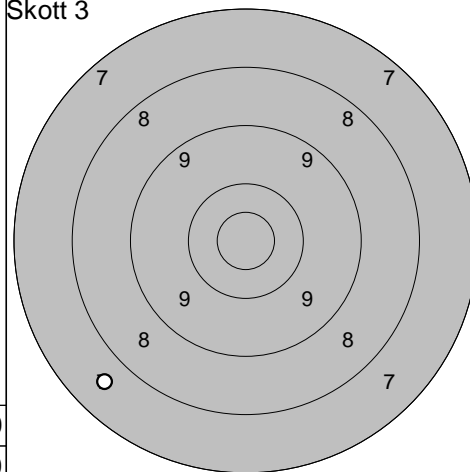
Skott 2



1: 5,5 →

Serie 5,0
 Totalt 377,0

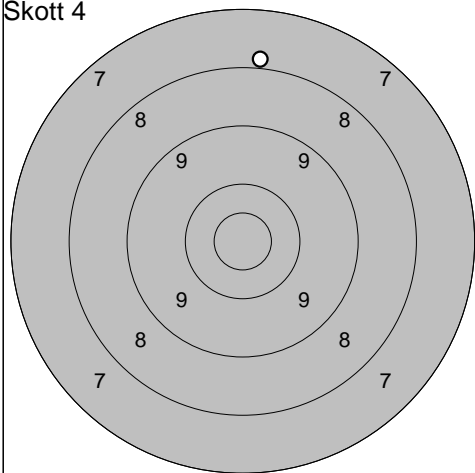
Skott 3



1: 7,6 ↙

Serie 7,0
 Totalt 384,0

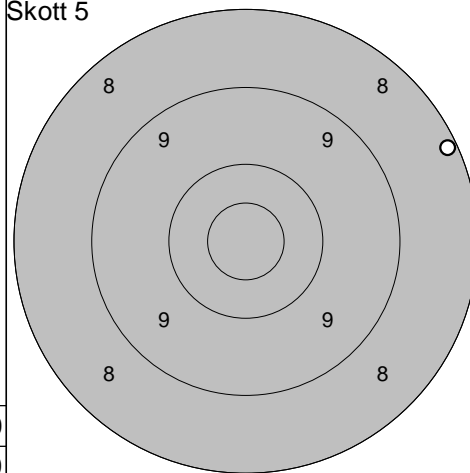
Skott 4



1: 7,9 ↑

Serie 7,0
 Totalt 391,0

Skott 5



1: 8,2 →

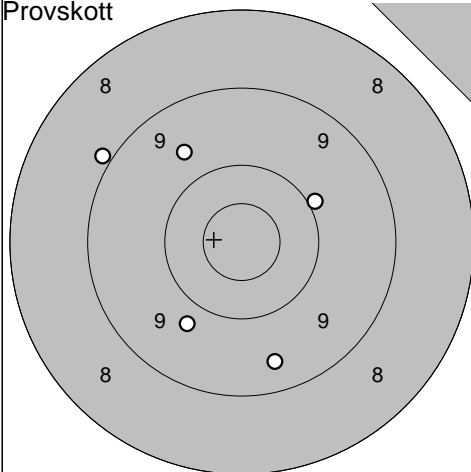
Serie 8,0
 Totalt 399,0

08.07.2012

Tavelträffen 2012 B Final

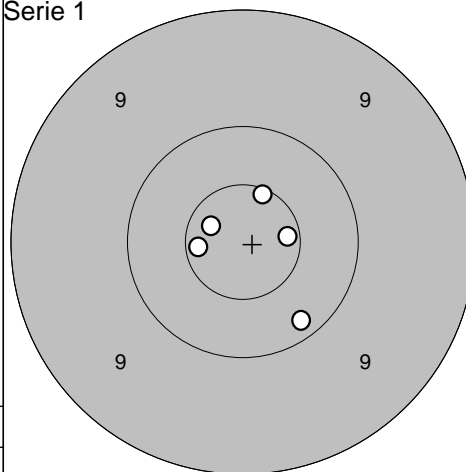
Ramselefors SKF

Provskott



1: 10,0 ↗
 2: 9,7 ↗
 3: 9,8 ↘
 4: 9,4 ↘
 5: 8,9 ↖

Serie 1



1: 10,6* ←
 2: 10,7* ↖
 3: 10,6* →
 4: 10,6* ↑
 5: 10,2 ↘

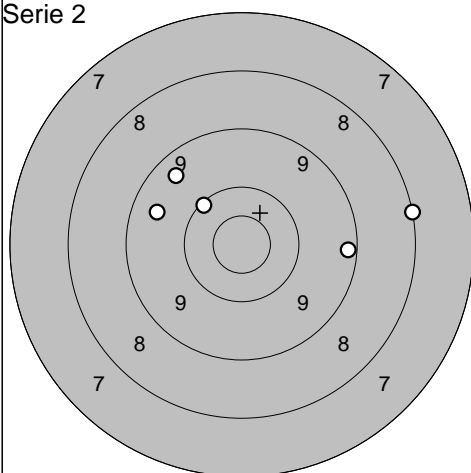
Serie 45,0

Totalt 275,0

Serie 50,0

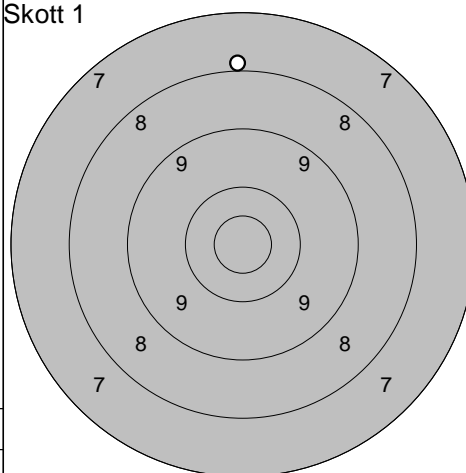
Totalt 325,0

Serie 2



1: 9,5 ↗
 2: 8,1 →
 3: 10,1 ↗
 4: 9,5 ↖
 5: 9,2 →

Skott 1



1: 8,0 ↑

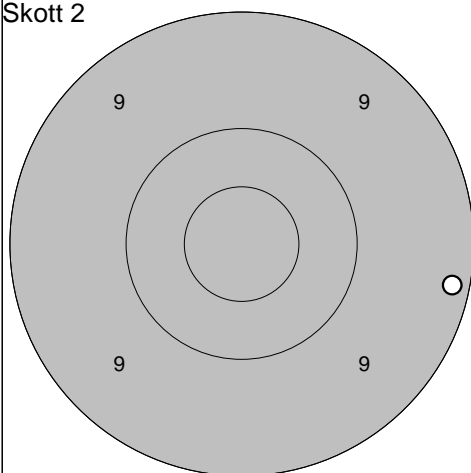
Serie 45,0

Totalt 370,0

Serie 8,0

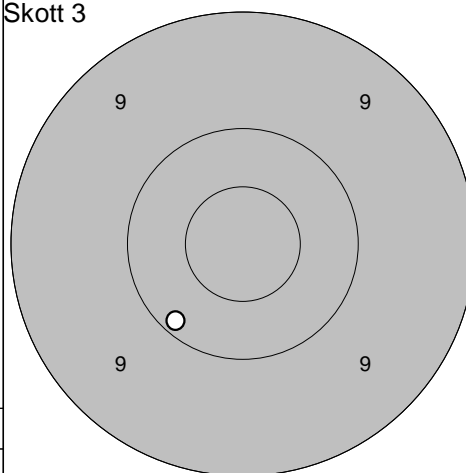
Totalt 378,0

Skott 2



1: 9,2 →

Skott 3



1: 10,2 ↘

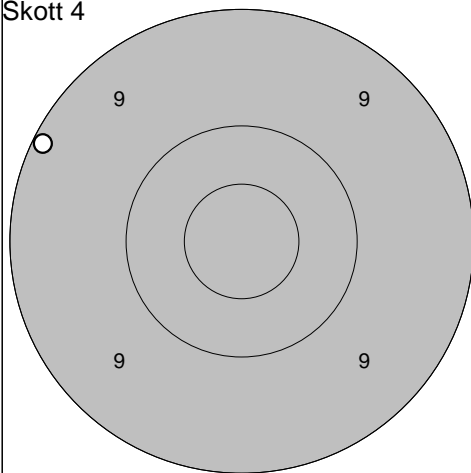
Serie 9,0

Totalt 387,0

Serie 10,0

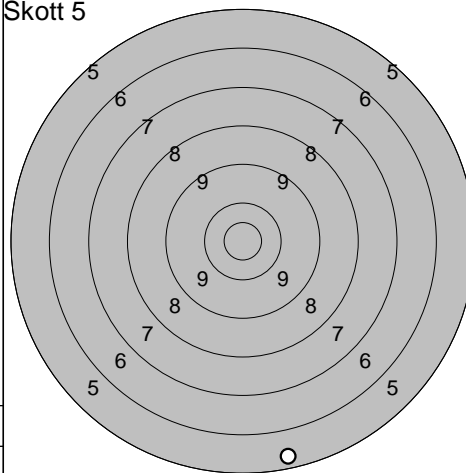
Totalt 397,0

Skott 4



1: 9,1 ↖

Skott 5



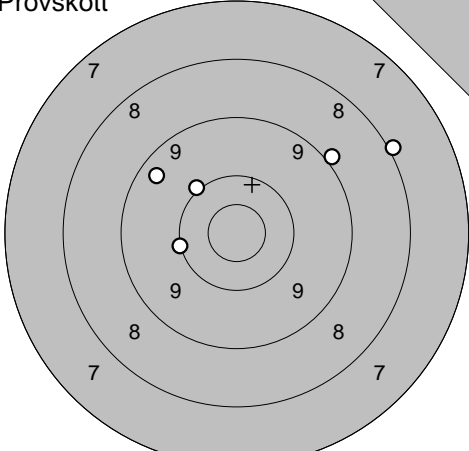
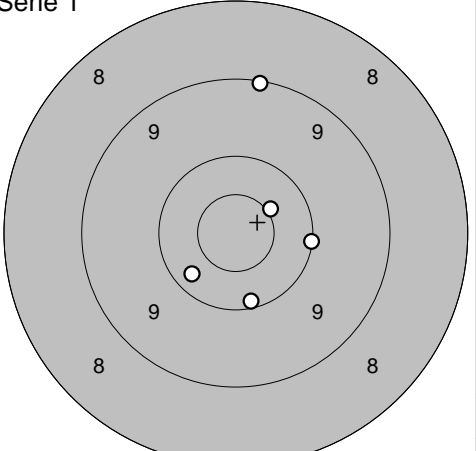
1: 5,5 ↓

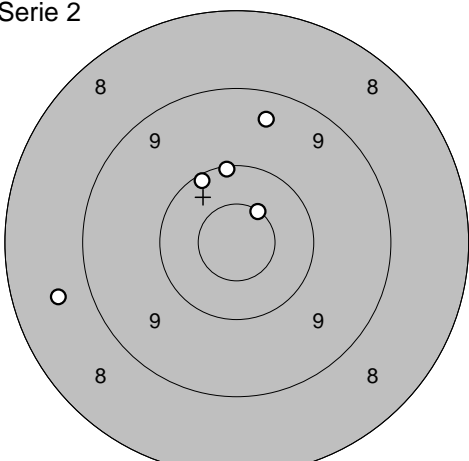
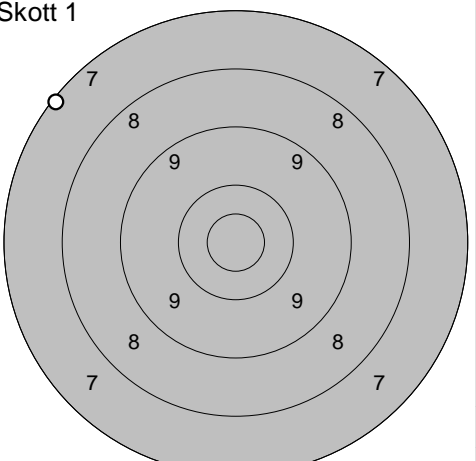
Serie 9,0

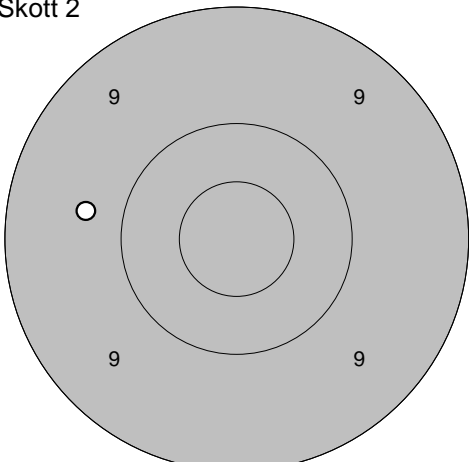
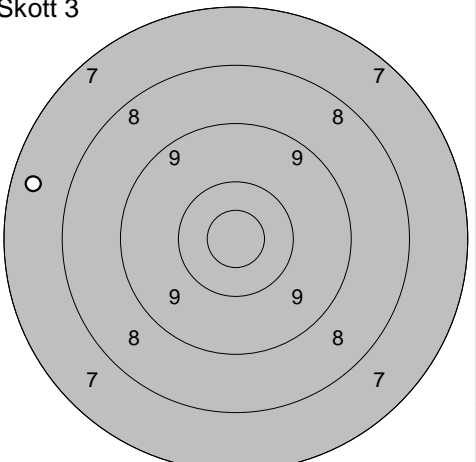
Totalt 406,0

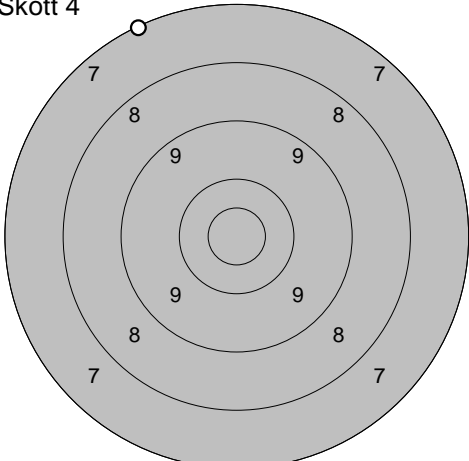
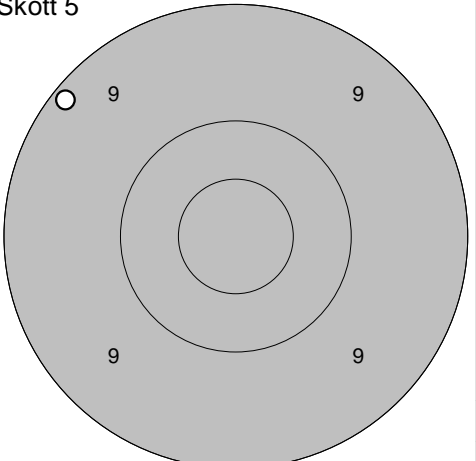
Serie 5,0

Totalt 411,0

<p>Provskott</p> 	<p>1: 10,0 ↗ 2: 9,4 ↘ 3: 10,1 ← 4: 8,0 ↗ 5: 9,0 ↗</p>	<p>Serie 1</p> 	<p>1: 9,1 ↑ 2: 10,1 ↓ 3: 10,1 → 4: 10,5* ↗ 5: 10,3 ↘</p>
Serie 46,0		Serie 49,0	
Totalt 275,0		Totalt 324,0	

<p>Serie 2</p> 	<p>1: 8,6 ← 2: 9,4 ↑ 3: 10,6* ↗ 4: 10,1 ↘ 5: 10,1 ↑</p>	<p>Skott 1</p> 	<p>1: 7,2 ↖</p>
Serie 47,0		Serie 7,0	
Totalt 371,0		Totalt 378,0	

<p>Skott 2</p> 	<p>1: 9,7 ←</p>	<p>Skott 3</p> 	<p>1: 7,5 ←</p>
Serie 9,0		Serie 7,0	
Totalt 387,0		Totalt 394,0	

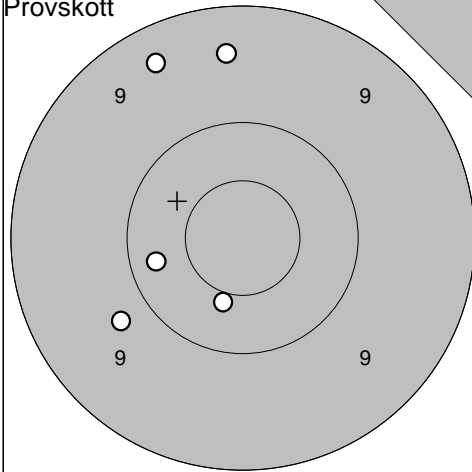
<p>Skott 4</p> 	<p>1: 7,1 ↗</p>	<p>Skott 5</p> 	<p>1: 9,2 ↗</p>
Serie 7,0		Serie 9,0	
Totalt 401,0		Totalt 410,0	

08.07.2012

Tavelträffen 2012 B Final

Ramselefors SKF

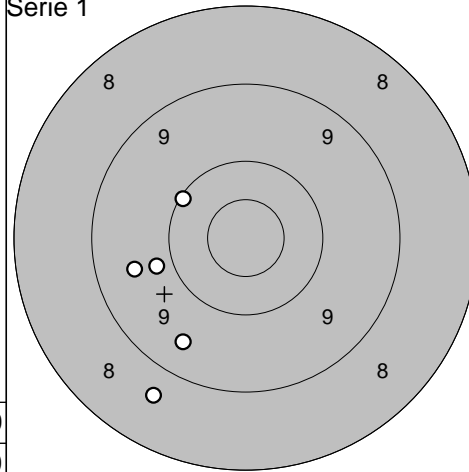
Provskott



1: 9,8 ↙
 2: 9,4 ↑
 3: 9,4 ↗
 4: 10,5* ↓
 5: 10,3 ←

Serie 47,0
 Totalt 272,0

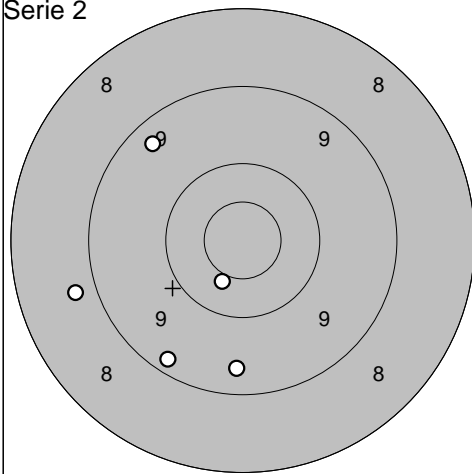
Serie 1



1: 9,6 ↙
 2: 9,8 ←
 3: 8,7 ↘
 4: 9,5 ↘
 5: 10,1 ↖

Serie 45,0
 Totalt 317,0

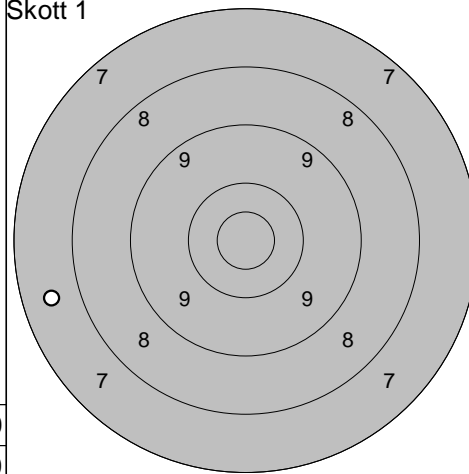
Serie 2



1: 8,8 ↙
 2: 9,4 ↓
 3: 9,2 ↘
 4: 10,5* ↘
 5: 9,3 ↗

Serie 45,0
 Totalt 362,0

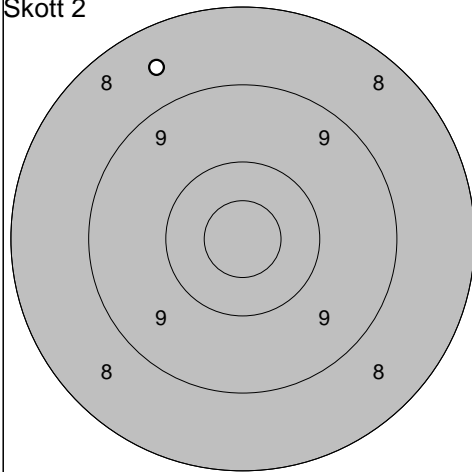
Skott 1



1: 7,6 ←

Serie 7,0
 Totalt 369,0

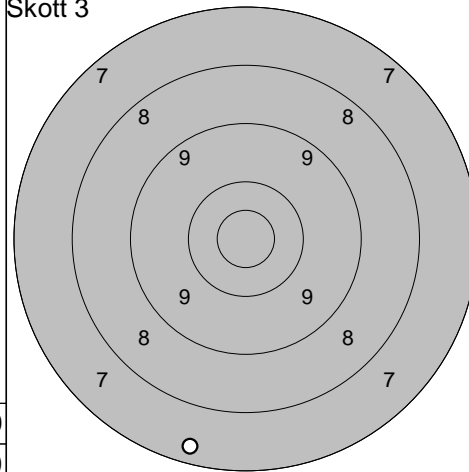
Skott 2



1: 8,6 ↖

Serie 8,0
 Totalt 377,0

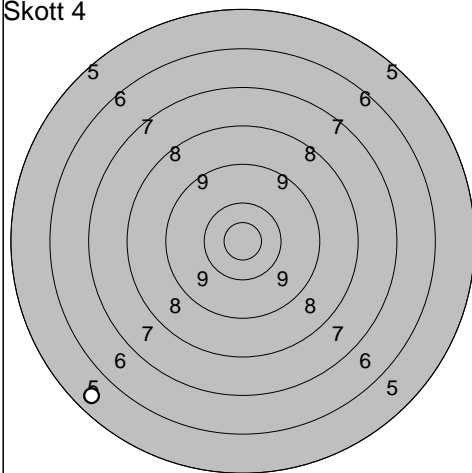
Skott 3



1: 7,4 ↓

Serie 7,0
 Totalt 384,0

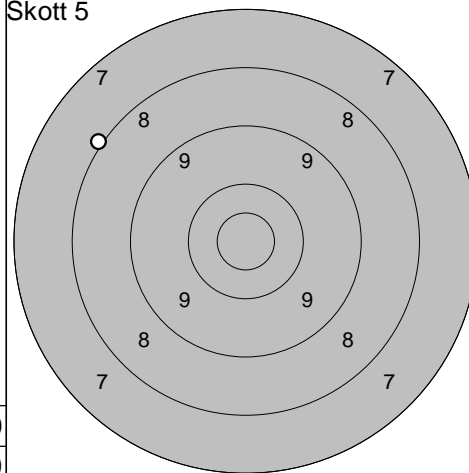
Skott 4



1: 5,6 ↘

Serie 5,0
 Totalt 389,0

Skott 5



1: 8,0 ↖

Serie 8,0
 Totalt 397,0

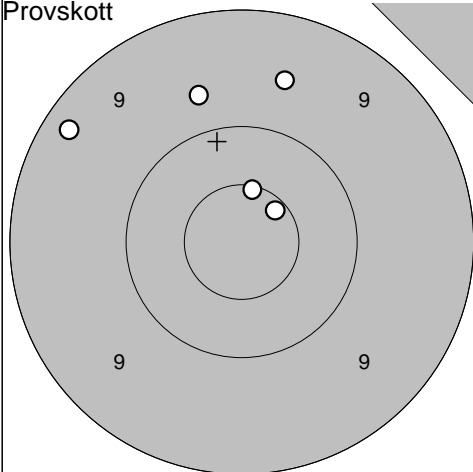
Kalix

08.07.2012

Tavelträffen 2012 B Final

Ramselefors SKF

Provskott

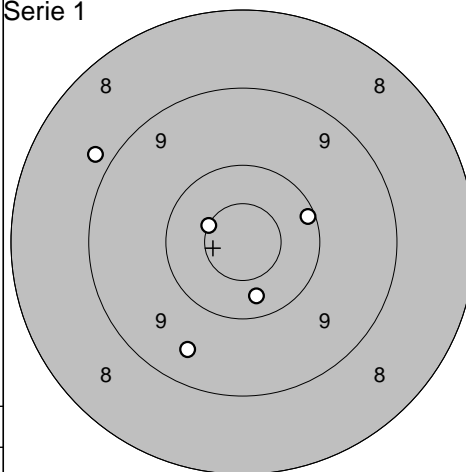


1: 9,7 ↗
2: 9,3 ↖
3: 10,6* ↗
4: 10,6* ↑
5: 9,6 ↑

Serie 47,0

Totalt 270,0

Serie 1

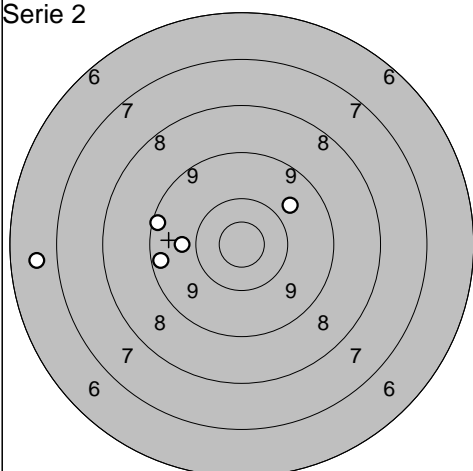


1: 10,6* ↖
2: 10,3 ↓
3: 10,1 →
4: 9,5 ↖
5: 8,8 ↖

Serie 47,0

Totalt 317,0

Serie 2

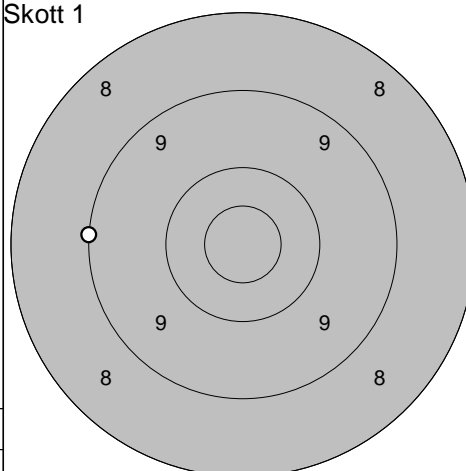


1: 6,7 ←
2: 9,2 ←
3: 9,8 ↗
4: 9,3 ←
5: 9,8 ←

Serie 42,0

Totalt 359,0

Skott 1

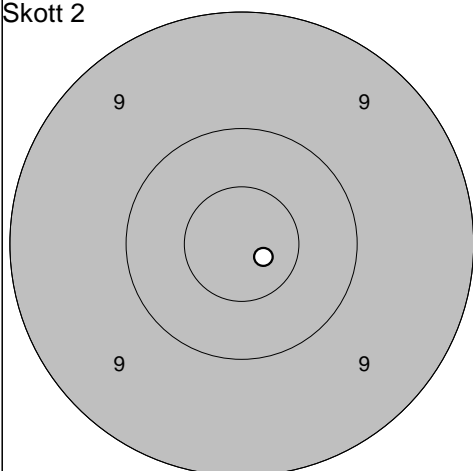


1: 9,1 ←

Serie 9,0

Totalt 368,0

Skott 2

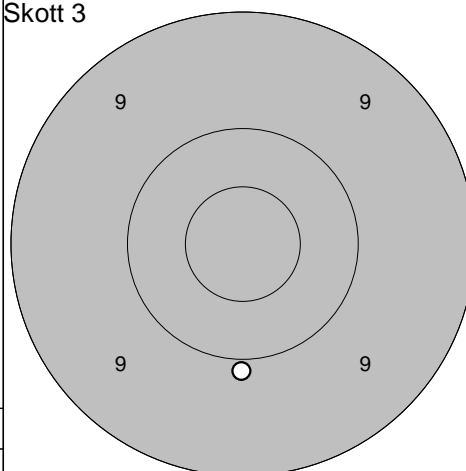


1: 10,8* ↘

Serie 10,0

Totalt 378,0

Skott 3

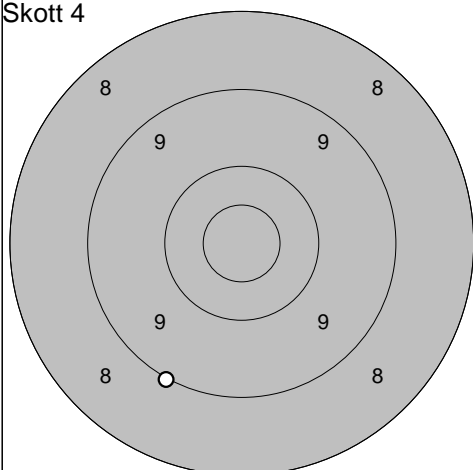


1: 9,9 ↓

Serie 9,0

Totalt 387,0

Skott 4

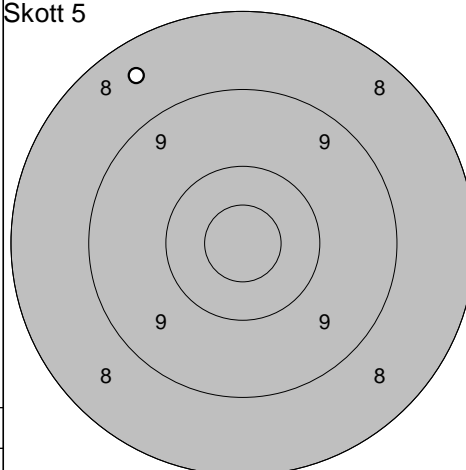


1: 9,0 ↘

Serie 9,0

Totalt 396,0

Skott 5



1: 8,5 ↖

Serie 8,0

Totalt 404,0

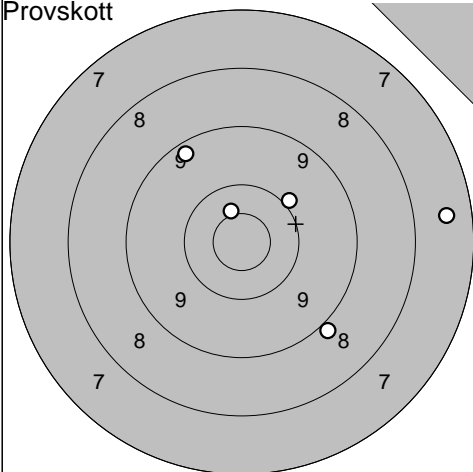
Frötuna

08.07.2012

Tavelträffen 2012 B Final

Ramselefors SKF

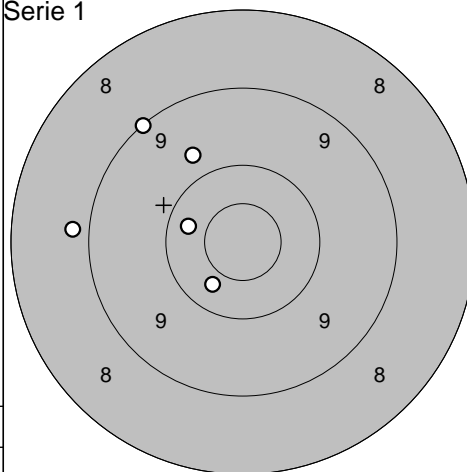
Provskott



1: 10,0 ↗
 2: 9,3 ↗
 3: 10,5* ↗
 4: 7,5 →
 5: 8,9 ↘

Serie 44,0
 Totalt 270,0

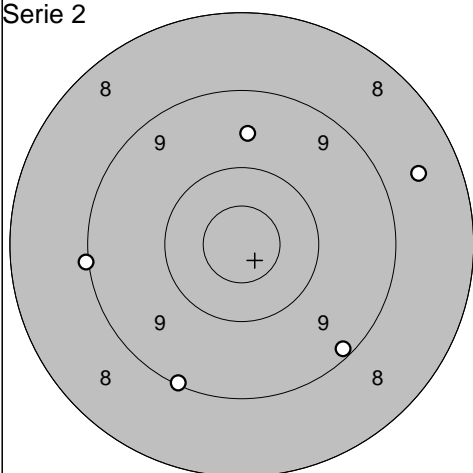
Serie 1



1: 8,8 ←
 2: 10,4 ↘
 3: 10,3 ←
 4: 9,1 ↗
 5: 9,8 ↗

Serie 46,0
 Totalt 316,0

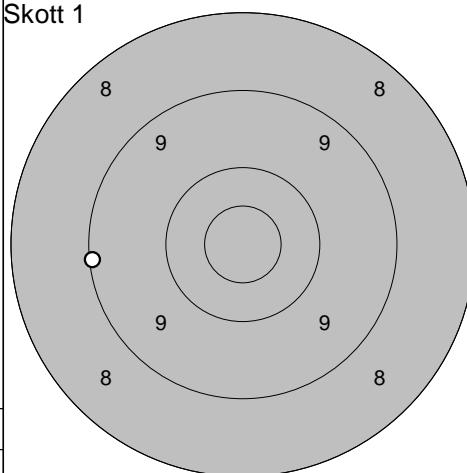
Serie 2



1: 9,0 ←
 2: 9,6 ↑
 3: 8,6 →
 4: 9,1 ↘
 5: 9,2 ↘

Serie 44,0
 Totalt 360,0

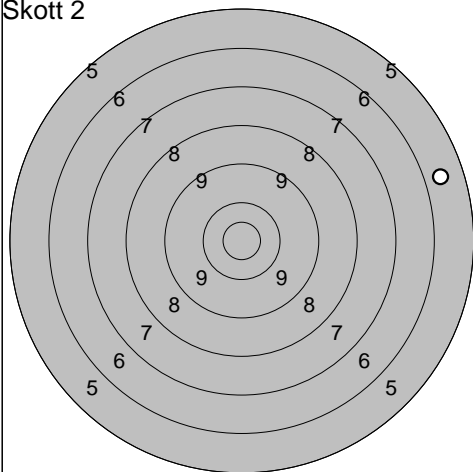
Skott 1



1: 9,1 ←

Serie 9,0
 Totalt 369,0

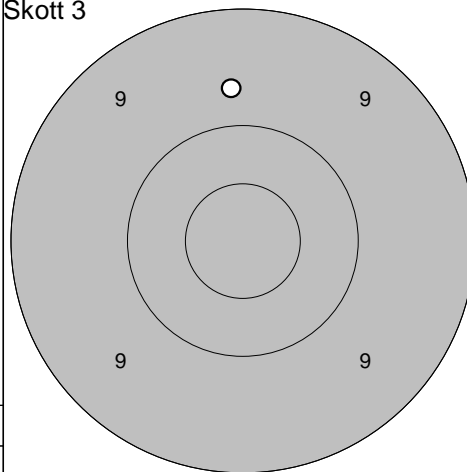
Skott 2



1: 5,7 →

Serie 5,0
 Totalt 374,0

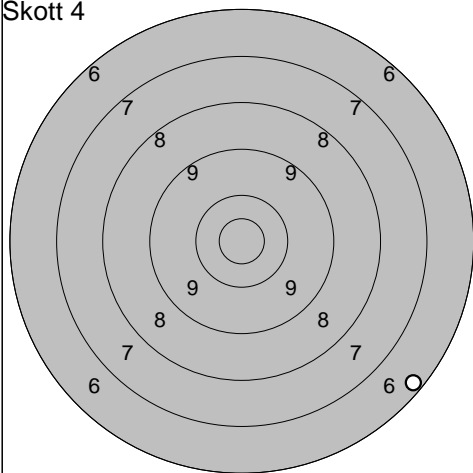
Skott 3



1: 9,7 ↑

Serie 9,0
 Totalt 383,0

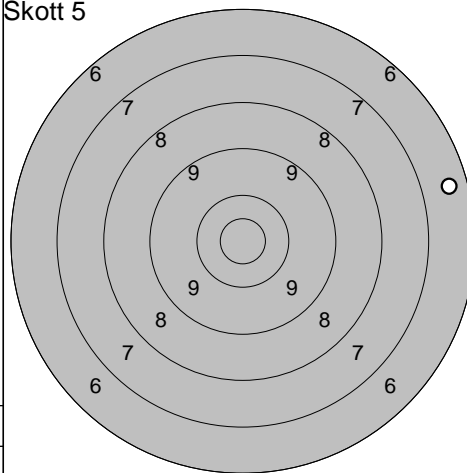
Skott 4



1: 6,3 ↘

Serie 6,0
 Totalt 389,0

Skott 5



1: 6,5 →

Serie 6,0
 Totalt 395,0

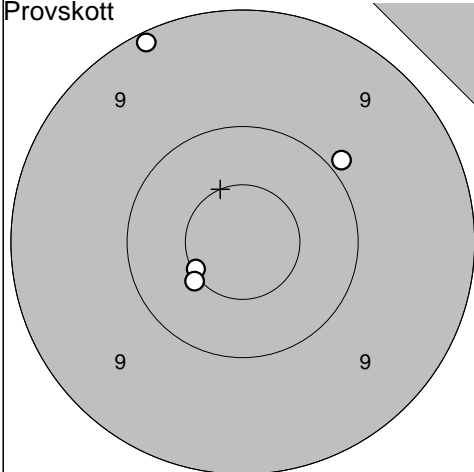
Ununge

08.07.2012

Tavelträffen 2012 B Final

Ramselefors SKF

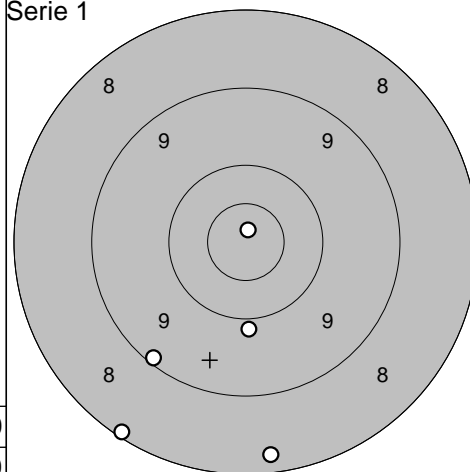
Provskott



1: 10,6* ↙
 2: 9,9 ↗
 3: 10,5* ↙
 4: 9,1 ↗

Serie 38,0
 Totalt 264,0

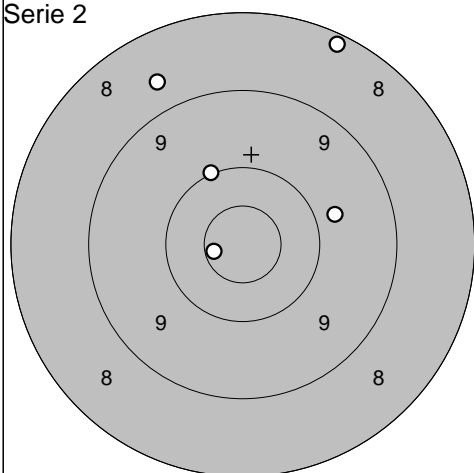
Serie 1



1: 8,3 ↓
 2: 9,1 ↙
 3: 8,1 ↙
 4: 9,9 ↓
 5: 10,9* ↑

Serie 44,0
 Totalt 308,0

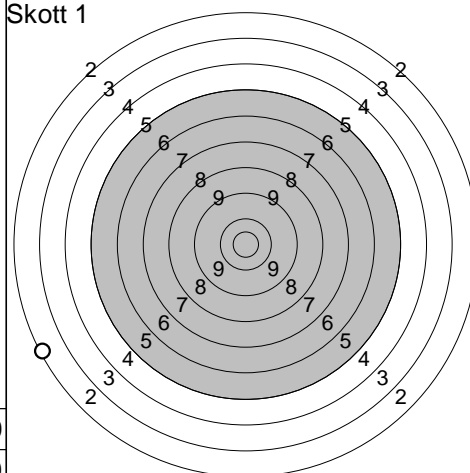
Serie 2



1: 8,2 ↗
 2: 8,7 ↗
 3: 9,8 →
 4: 10,7* ←
 5: 10,0 ↗

Serie 45,0
 Totalt 353,0

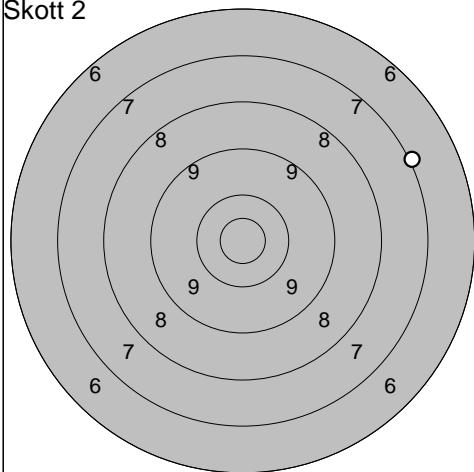
Skott 1



1: 2,4 ↙

Serie 2,0
 Totalt 355,0

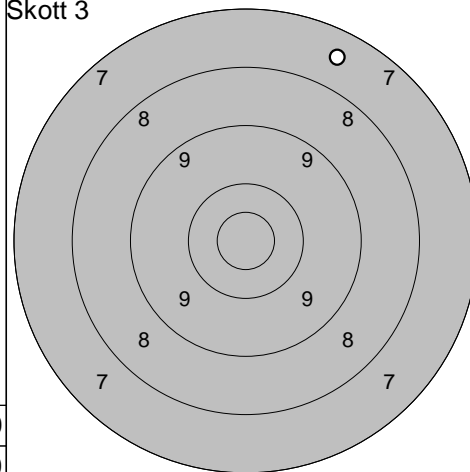
Skott 2



1: 7,1 ↗

Serie 7,0
 Totalt 362,0

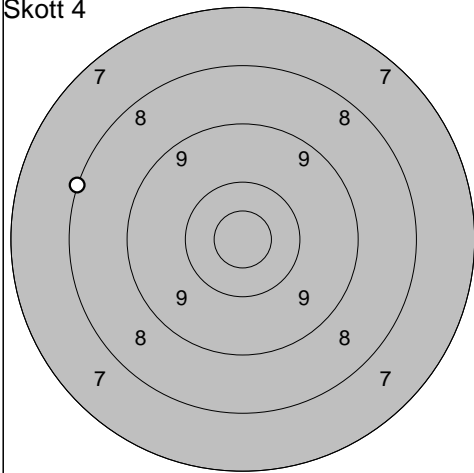
Skott 3



1: 7,5 ↗

Serie 7,0
 Totalt 369,0

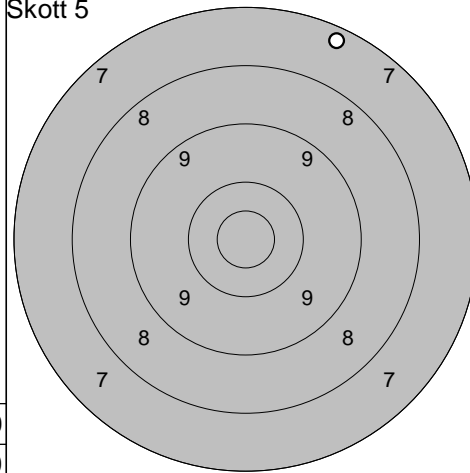
Skott 4



1: 8,1 ↙

Serie 8,0
 Totalt 377,0

Skott 5



1: 7,3 ↗

Serie 7,0
 Totalt 384,0

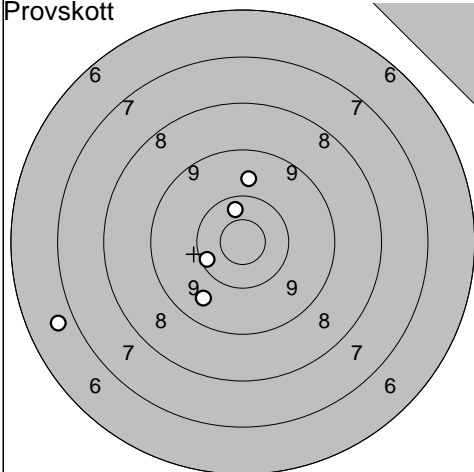
Bälinge-Jumkil

08.07.2012

Tavelträffen 2012 B Final

Ramselefors SKF

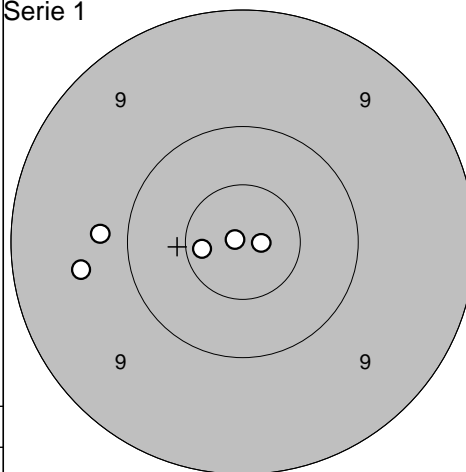
Provskott



1: 9,8 ↑
 2: 10,4 ↑
 3: 9,6 ↘
 4: 6,8 ←
 5: 10,3 ↙

Serie 44,0
 Totalt 263,0

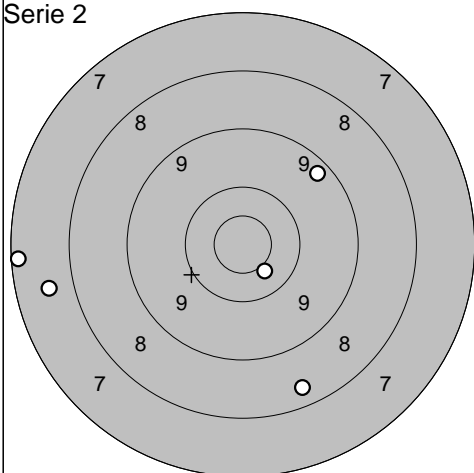
Serie 1



1: 9,6 ←
 2: 9,8 ←
 3: 10,9* ←
 4: 10,9* →
 5: 10,7* ←

Serie 48,0
 Totalt 311,0

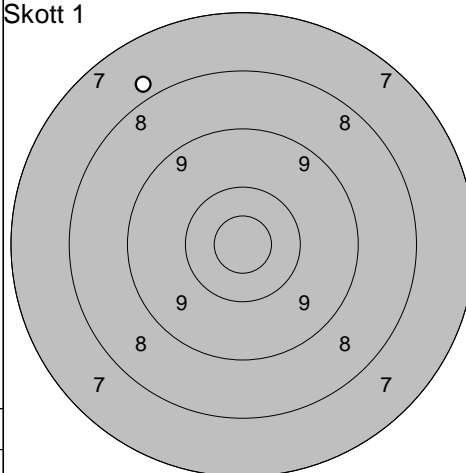
Serie 2



1: 7,2 ←
 2: 10,5* ↘
 3: 7,7 ←
 4: 8,4 ↘
 5: 9,3 ↗

Serie 41,0
 Totalt 352,0

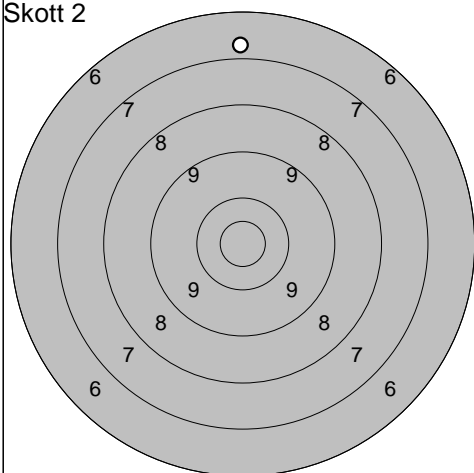
Skott 1



1: 7,8 ↖

Serie 7,0
 Totalt 359,0

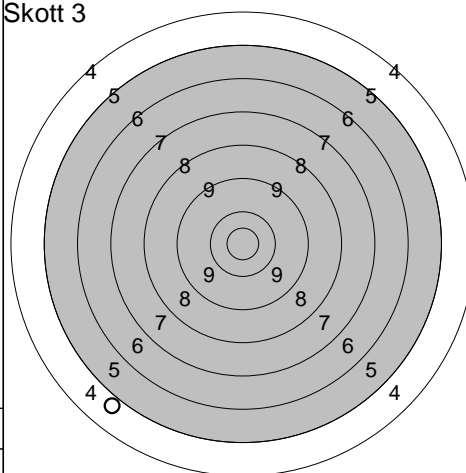
Skott 2



1: 6,8 ↑

Serie 6,0
 Totalt 365,0

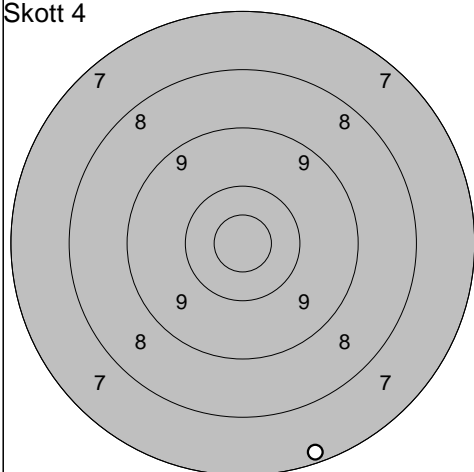
Skott 3



1: 4,9 ↘

Serie 4,0
 Totalt 369,0

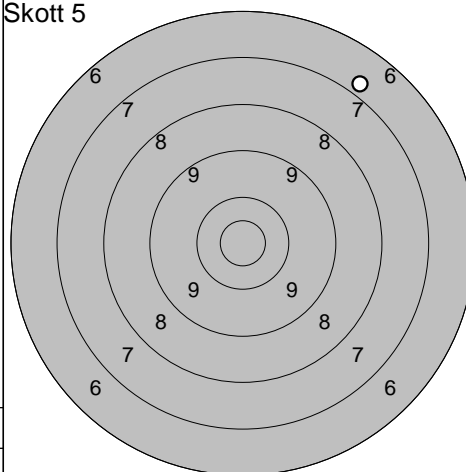
Skott 4



1: 7,3 ↘

Serie 7,0
 Totalt 376,0

Skott 5

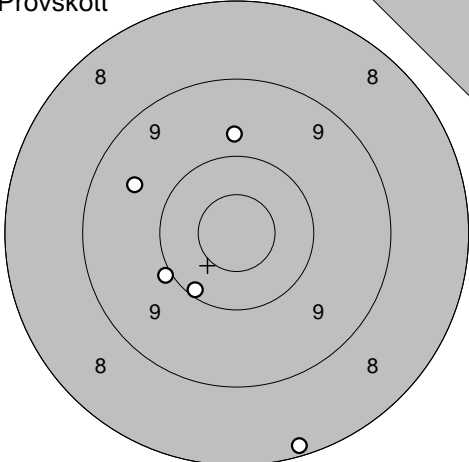
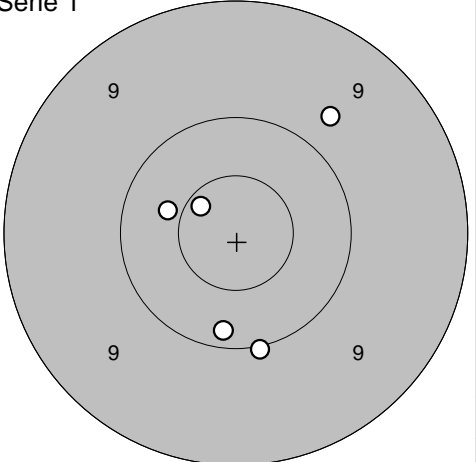


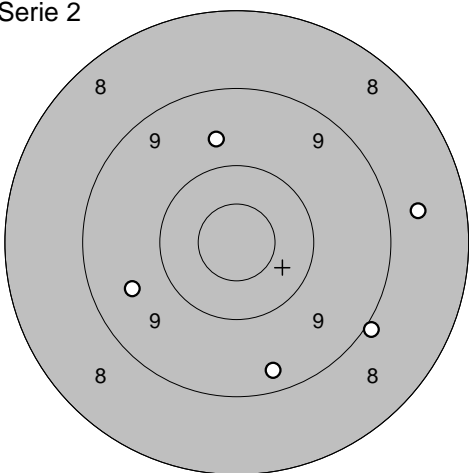
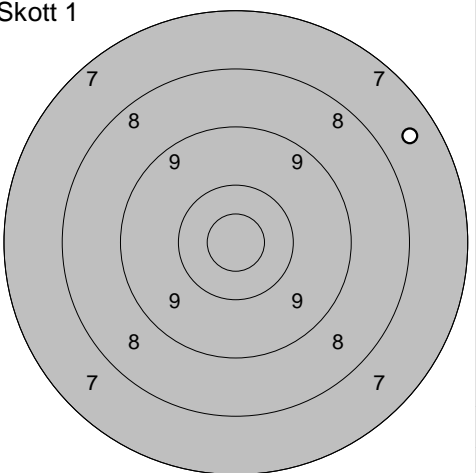
1: 6,9 ↗

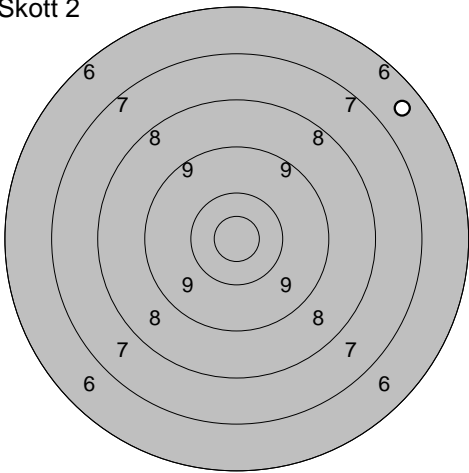
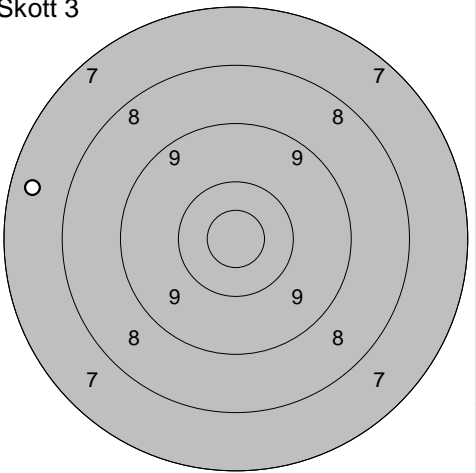
Serie 6,0
 Totalt 382,0

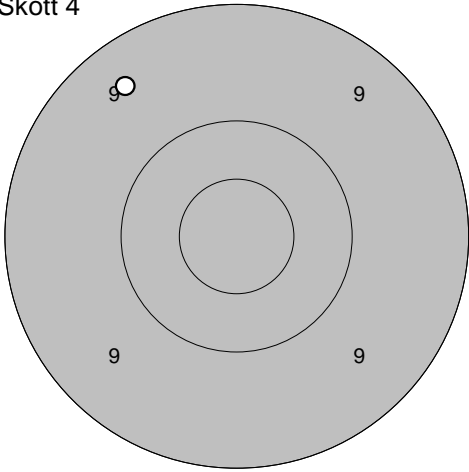
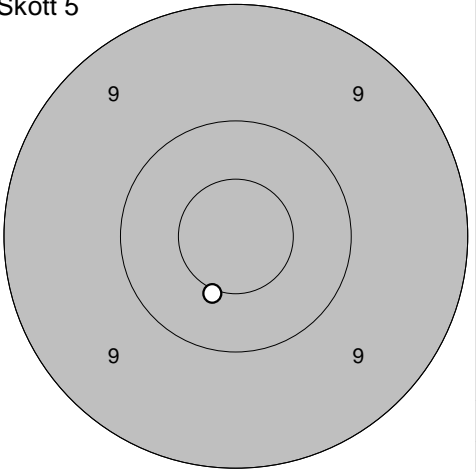
Ununge

08.07.2012	Tavelträffen 2012 B Final	Ramselefors SKF
------------	---------------------------	-----------------

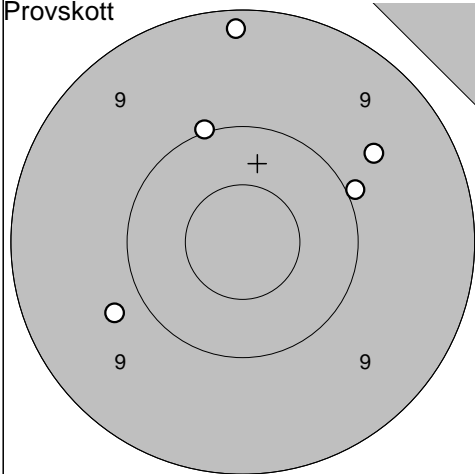
<p>Provskott</p> 	<p>1: 9,8 ↑ 2: 10,1 ↓ 3: 10,0 ↙ 4: 9,6 ↖ 5: 8,2 ↓</p> <table border="1" style="width: 100%; border-collapse: collapse;"> <tr><td>Serie</td><td style="text-align: right;">46,0</td></tr> <tr><td>Totalt</td><td style="text-align: right;">262,0</td></tr> </table>	Serie	46,0	Totalt	262,0	<p>Serie 1</p>  <p>1: 9,7 ↗ 2: 10,4 ↖ 3: 10,2 ↓ 4: 10,0 ↓ 5: 10,7* ↖</p> <table border="1" style="width: 100%; border-collapse: collapse;"> <tr><td>Serie</td><td style="text-align: right;">49,0</td></tr> <tr><td>Totalt</td><td style="text-align: right;">311,0</td></tr> </table>	Serie	49,0	Totalt	311,0
Serie	46,0									
Totalt	262,0									
Serie	49,0									
Totalt	311,0									

<p>Serie 2</p> 	<p>1: 9,6 ↖ 2: 9,3 ↓ 3: 8,7 → 4: 9,7 ↑ 5: 9,0 ↘</p> <table border="1" style="width: 100%; border-collapse: collapse;"> <tr><td>Serie</td><td style="text-align: right;">44,0</td></tr> <tr><td>Totalt</td><td style="text-align: right;">355,0</td></tr> </table>	Serie	44,0	Totalt	355,0	<p>Skott 1</p>  <p>1: 7,6 ↗</p> <table border="1" style="width: 100%; border-collapse: collapse;"> <tr><td>Serie</td><td style="text-align: right;">7,0</td></tr> <tr><td>Totalt</td><td style="text-align: right;">362,0</td></tr> </table>	Serie	7,0	Totalt	362,0
Serie	44,0									
Totalt	355,0									
Serie	7,0									
Totalt	362,0									

<p>Skott 2</p> 	<p>1: 6,6 ↗</p> <table border="1" style="width: 100%; border-collapse: collapse;"> <tr><td>Serie</td><td style="text-align: right;">6,0</td></tr> <tr><td>Totalt</td><td style="text-align: right;">368,0</td></tr> </table>	Serie	6,0	Totalt	368,0	<p>Skott 3</p>  <p>1: 7,5 ↖</p> <table border="1" style="width: 100%; border-collapse: collapse;"> <tr><td>Serie</td><td style="text-align: right;">7,0</td></tr> <tr><td>Totalt</td><td style="text-align: right;">375,0</td></tr> </table>	Serie	7,0	Totalt	375,0
Serie	6,0									
Totalt	368,0									
Serie	7,0									
Totalt	375,0									

<p>Skott 4</p> 	<p>1: 9,4 ↖</p> <table border="1" style="width: 100%; border-collapse: collapse;"> <tr><td>Serie</td><td style="text-align: right;">9,0</td></tr> <tr><td>Totalt</td><td style="text-align: right;">384,0</td></tr> </table>	Serie	9,0	Totalt	384,0	<p>Skott 5</p>  <p>1: 10,5* ↓</p> <table border="1" style="width: 100%; border-collapse: collapse;"> <tr><td>Serie</td><td style="text-align: right;">10,0</td></tr> <tr><td>Totalt</td><td style="text-align: right;">394,0</td></tr> </table>	Serie	10,0	Totalt	394,0
Serie	9,0									
Totalt	384,0									
Serie	10,0									
Totalt	394,0									

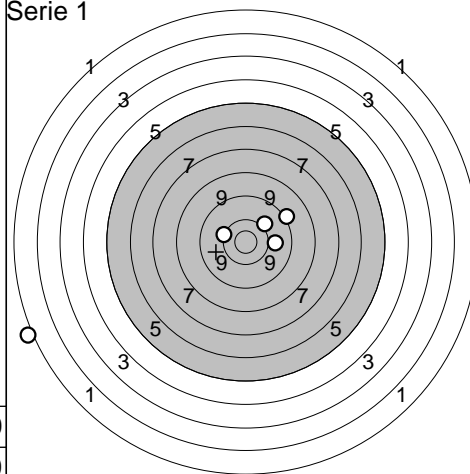
Provskott



- 1: 10,0 ↗
- 2: 9,8 ↙
- 3: 10,0 →
- 4: 9,7 ↗
- 5: 9,2 ↑

Serie 47,0
Totalt 256,0

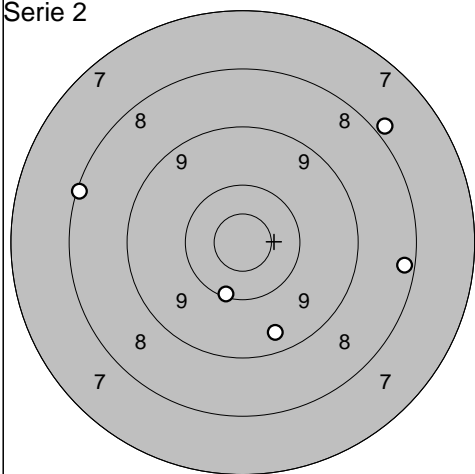
Serie 1



- 1: 9,2 ↗
- 2: 10,0 →
- 3: 10,2 ↗
- 4: 1,1 ↙
- 5: 10,3 ↙

Serie 40,0
Totalt 296,0

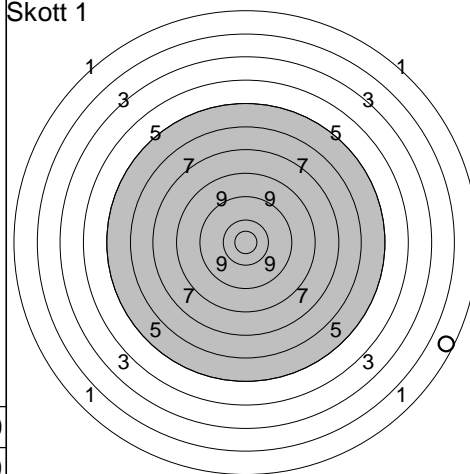
Serie 2



- 1: 7,9 ↗
- 2: 10,1 ↓
- 3: 9,4 ↓
- 4: 8,3 →
- 5: 8,1 ↙

Serie 42,0
Totalt 338,0

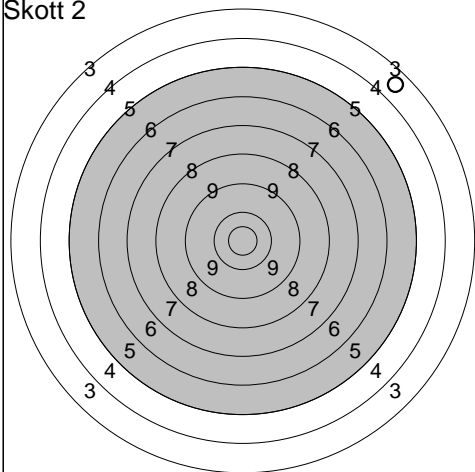
Skott 1



- 1: 1,6 →

Serie 1,0
Totalt 339,0

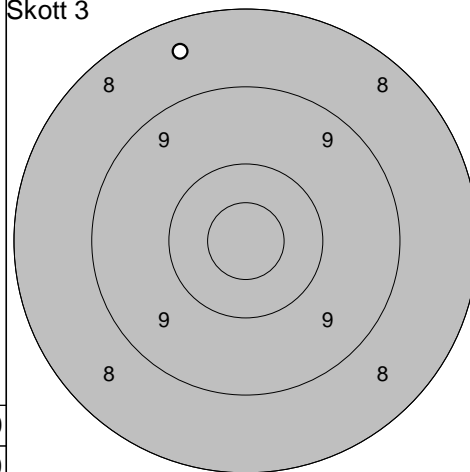
Skott 2



- 1: 3,7 ↗

Serie 3,0
Totalt 342,0

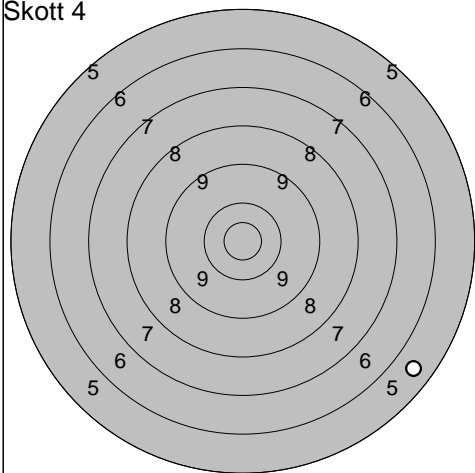
Skott 3



- 1: 8,5 ↗

Serie 8,0
Totalt 350,0

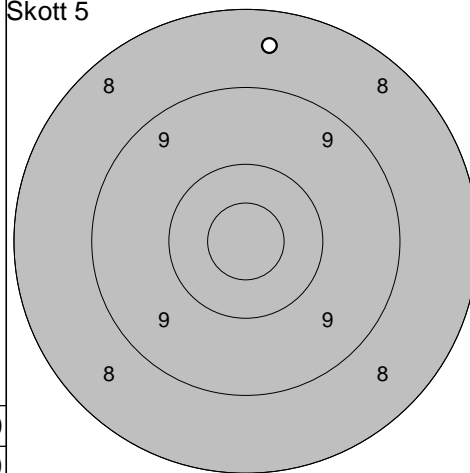
Skott 4



- 1: 5,6 ↘

Serie 5,0
Totalt 355,0

Skott 5



- 1: 8,5 ↑

Serie 8,0
Totalt 363,0

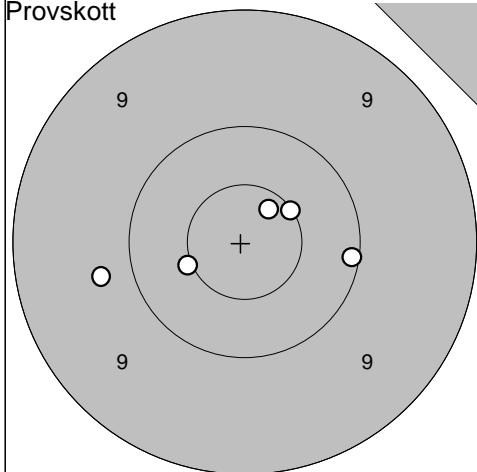
Ununge

08.07.2012

Tavelträffen 2012 B Final

Ramselefors SKF

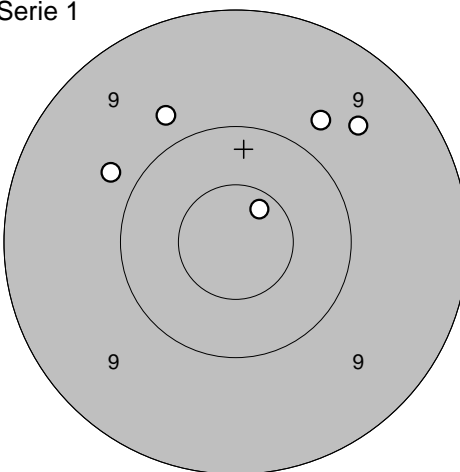
Provskott



- 1: 10,1 →
- 2: 10,5* ←
- 3: 10,6* ↗
- 4: 9,8 ←
- 5: 10,7* ↗

Serie	49,0
Totalt	288,0

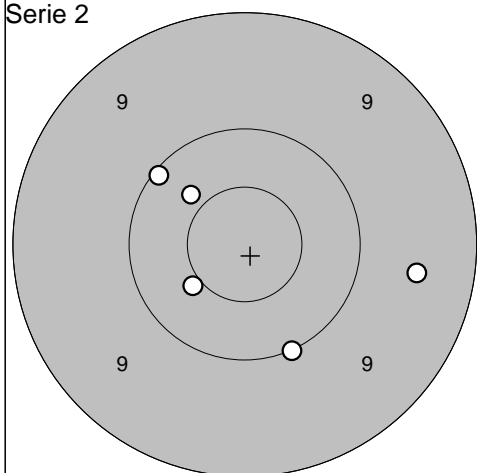
Serie 1



- 1: 9,8 ↗
- 2: 10,7* ↗
- 3: 9,6 ↗
- 4: 9,8 ↗
- 5: 9,8 ↖

Serie	46,0
Totalt	334,0

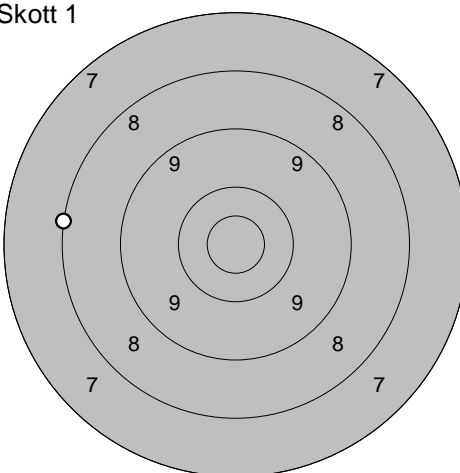
Serie 2



- 1: 10,0 ↓
- 2: 10,4 ↗
- 3: 10,1 ↗
- 4: 9,5 →
- 5: 10,5* ↖

Serie	49,0
Totalt	383,0

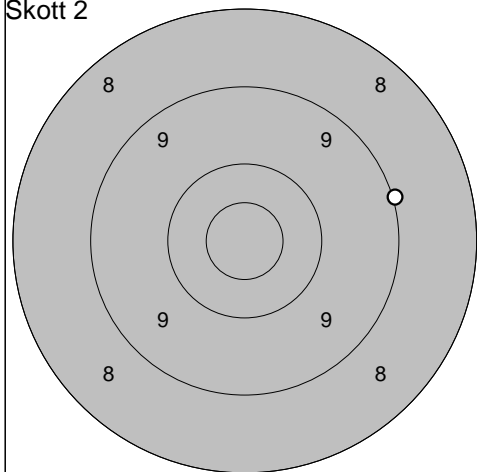
Skott 1



- 1: 8,1 ←

Serie	8,0
Totalt	391,0

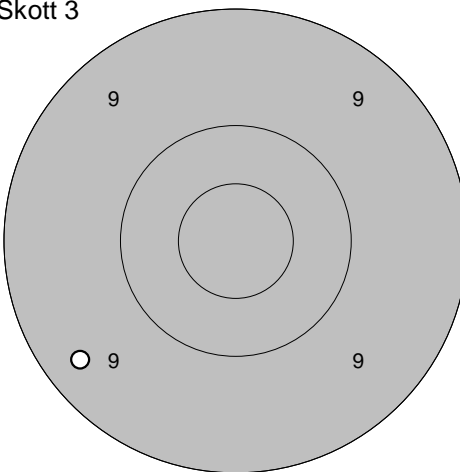
Skott 2



- 1: 9,0 →

Serie	9,0
Totalt	400,0

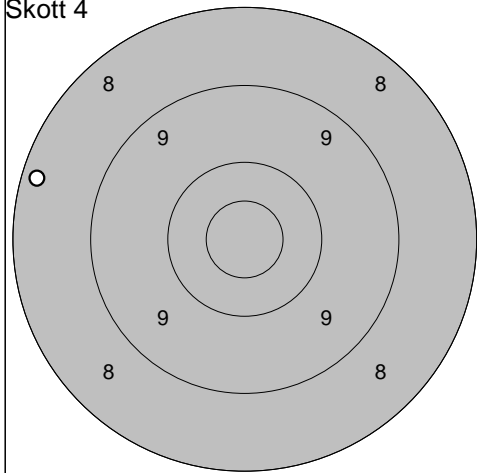
Skott 3



- 1: 9,3 ↖

Serie	9,0
Totalt	409,0

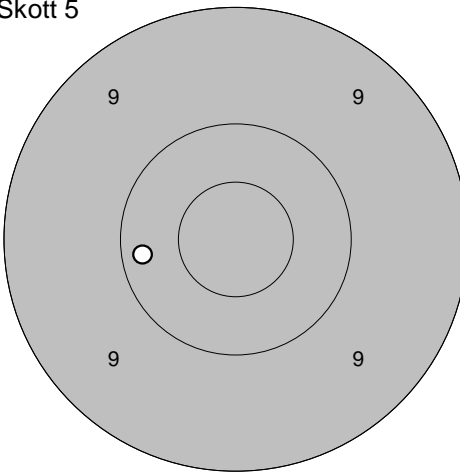
Skott 4



- 1: 8,2 ←

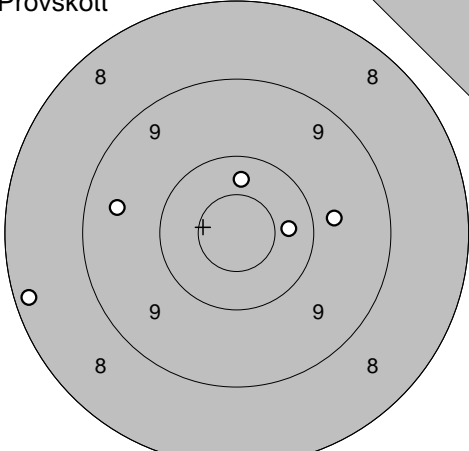
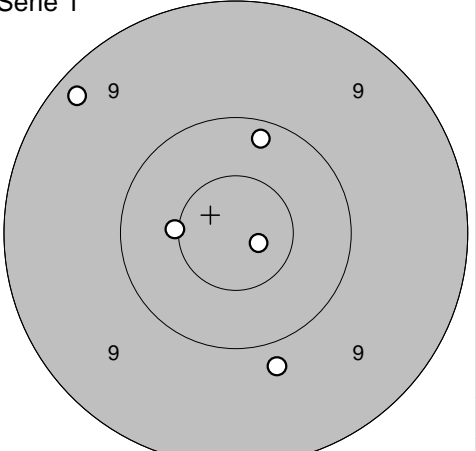
Serie	8,0
Totalt	417,0

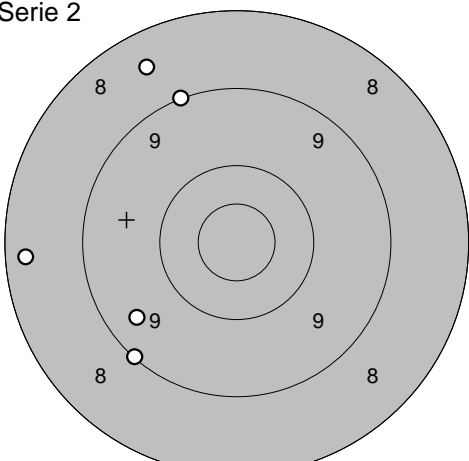
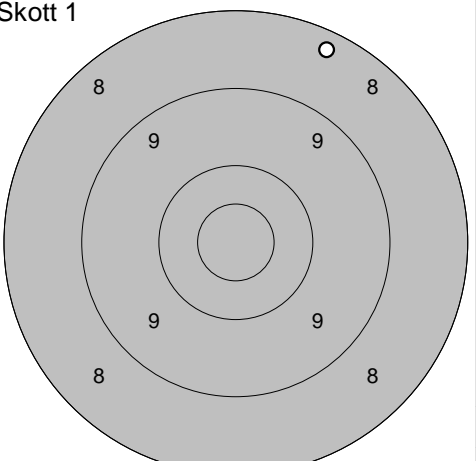
Skott 5

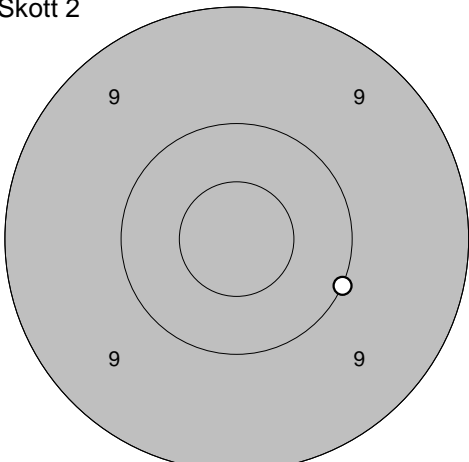
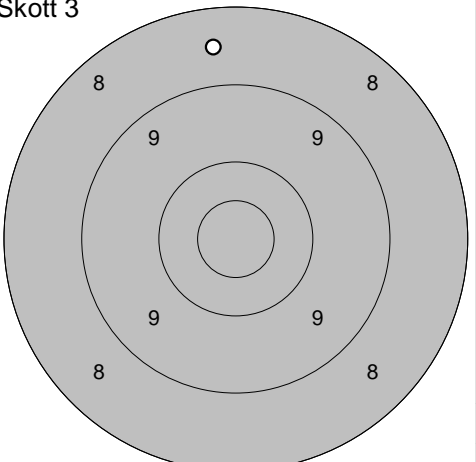


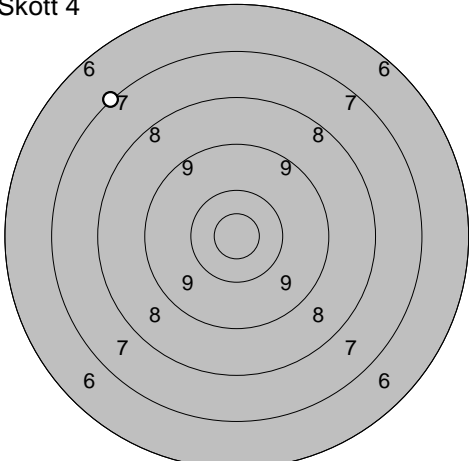
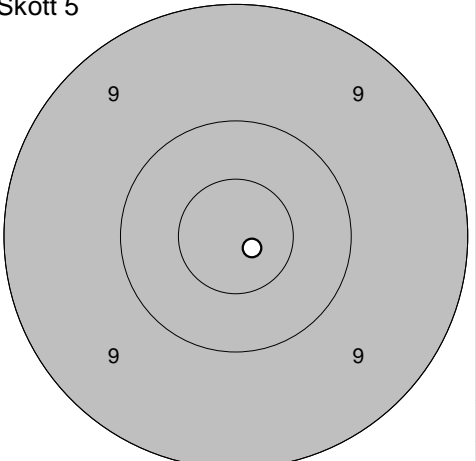
- 1: 10,2 ←

Serie	10,0
Totalt	427,0

Provskott 	<table style="width:100%;"> <tr> <td>1: 10,4</td><td>→</td></tr> <tr> <td>2: 9,8</td><td>→</td></tr> <tr> <td>3: 10,4</td><td>↑</td></tr> <tr> <td>4: 8,2</td><td>←</td></tr> <tr> <td>5: 9,5</td><td>←</td></tr> </table> <table style="width:100%; margin-top: 10px;"> <tr><td>Serie</td><td style="text-align: right;">46,0</td></tr> <tr><td>Totalt</td><td style="text-align: right;">284,0</td></tr> </table>	1: 10,4	→	2: 9,8	→	3: 10,4	↑	4: 8,2	←	5: 9,5	←	Serie	46,0	Totalt	284,0	Serie 1  <table style="width:100%; margin-top: 10px;"> <tr><td>Serie</td><td style="text-align: right;">48,0</td></tr> <tr><td>Totalt</td><td style="text-align: right;">332,0</td></tr> </table>	Serie	48,0	Totalt	332,0
1: 10,4	→																			
2: 9,8	→																			
3: 10,4	↑																			
4: 8,2	←																			
5: 9,5	←																			
Serie	46,0																			
Totalt	284,0																			
Serie	48,0																			
Totalt	332,0																			

Serie 2  <table style="width:100%; margin-top: 10px;"> <tr><td>Serie</td><td style="text-align: right;">43,0</td></tr> <tr><td>Totalt</td><td style="text-align: right;">375,0</td></tr> </table>	Serie	43,0	Totalt	375,0	Skott 1  <table style="width:100%; margin-top: 10px;"> <tr><td>Serie</td><td style="text-align: right;">8,0</td></tr> <tr><td>Totalt</td><td style="text-align: right;">383,0</td></tr> </table>	Serie	8,0	Totalt	383,0
Serie	43,0								
Totalt	375,0								
Serie	8,0								
Totalt	383,0								

Skott 2  <table style="width:100%; margin-top: 10px;"> <tr><td>Serie</td><td style="text-align: right;">10,0</td></tr> <tr><td>Totalt</td><td style="text-align: right;">393,0</td></tr> </table>	Serie	10,0	Totalt	393,0	Skott 3  <table style="width:100%; margin-top: 10px;"> <tr><td>Serie</td><td style="text-align: right;">8,0</td></tr> <tr><td>Totalt</td><td style="text-align: right;">401,0</td></tr> </table>	Serie	8,0	Totalt	401,0
Serie	10,0								
Totalt	393,0								
Serie	8,0								
Totalt	401,0								

Skott 4  <table style="width:100%; margin-top: 10px;"> <tr><td>Serie</td><td style="text-align: right;">7,0</td></tr> <tr><td>Totalt</td><td style="text-align: right;">408,0</td></tr> </table>	Serie	7,0	Totalt	408,0	Skott 5  <table style="width:100%; margin-top: 10px;"> <tr><td>Serie</td><td style="text-align: right;">10,0</td></tr> <tr><td>Totalt</td><td style="text-align: right;">418,0</td></tr> </table>	Serie	10,0	Totalt	418,0
Serie	7,0								
Totalt	408,0								
Serie	10,0								
Totalt	418,0								

Skjutlag

Tavla

6

3

Linda Gustavsson

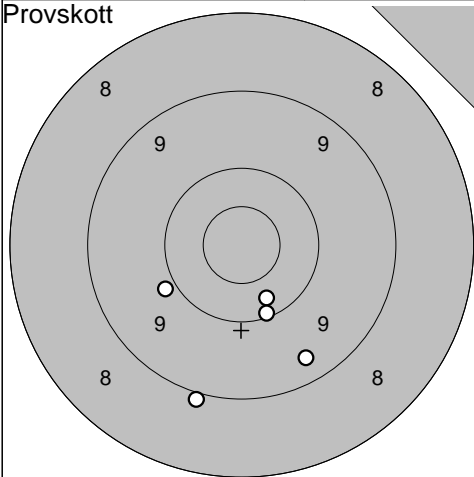
Moälven-Modo

08.07.2012

Tavelträffen 2012 B Final

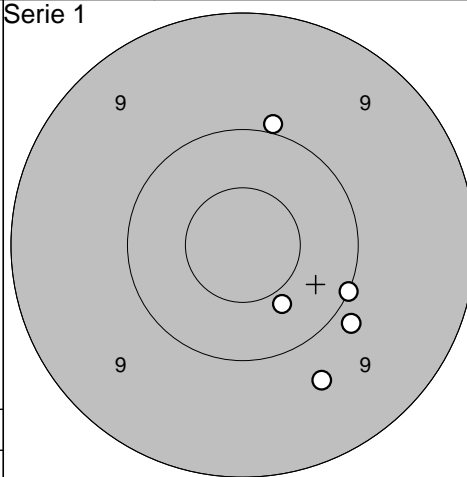
Ramselefors SKF

Provskott



1: 9,0 ↘
 2: 10,3 ↘
 3: 10,1 ↘
 4: 9,9 ↙
 5: 9,4 ↘

Serie 1



1: 10,0 ↗
 2: 9,7 ↘
 3: 10,4 ↘
 4: 9,9 ↘
 5: 10,0 ↘

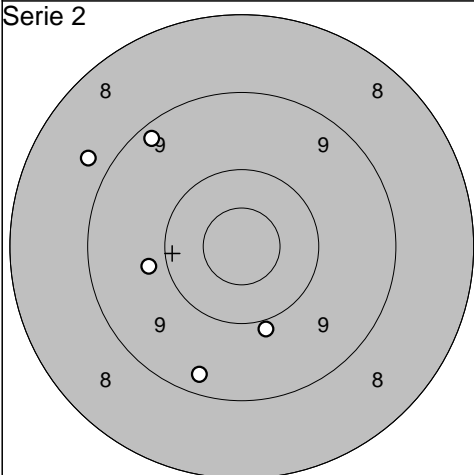
Serie 47,0

Totalt 283,0

Serie 48,0

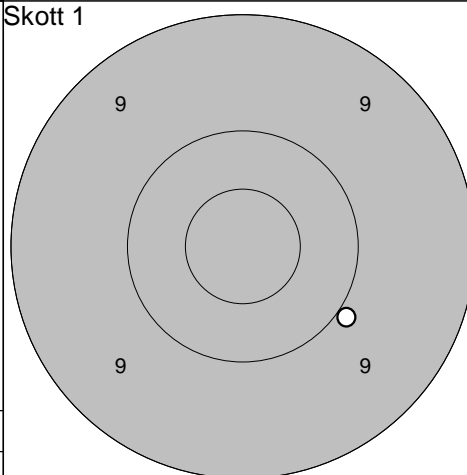
Totalt 331,0

Serie 2



1: 8,8 ↙
 2: 9,8 ↙
 3: 9,2 ↗
 4: 9,3 ↘
 5: 9,9 ↘

Skott 1



1: 9,9 ↘

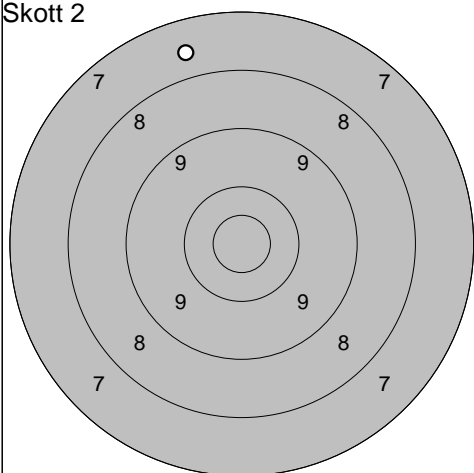
Serie 44,0

Totalt 375,0

Serie 9,0

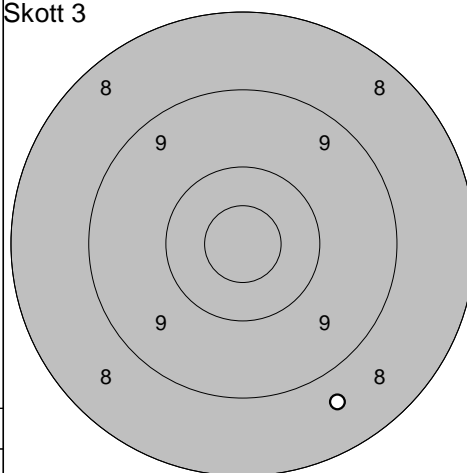
Totalt 384,0

Skott 2



1: 7,7 ↗

Skott 3



1: 8,7 ↘

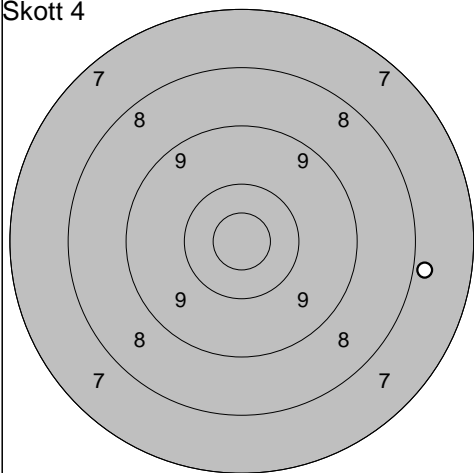
Serie 7,0

Totalt 391,0

Serie 8,0

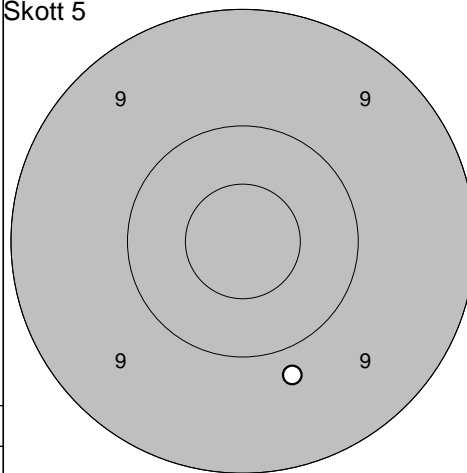
Totalt 399,0

Skott 4



1: 7,9 →

Skott 5



1: 9,8 ↘

Serie 7,0

Totalt 406,0

Serie 9,0

Totalt 415,0

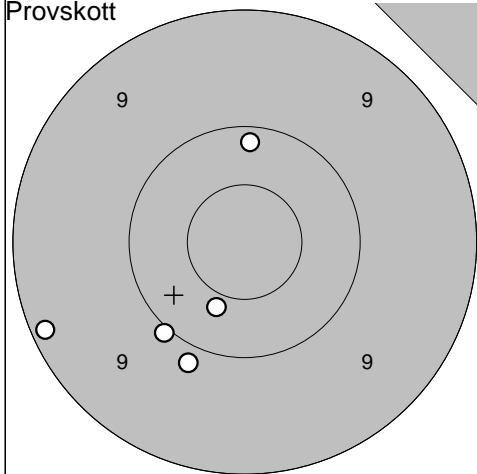
Niemisel

08.07.2012

Tavelträffen 2012 B Final

Ramselefors SKF

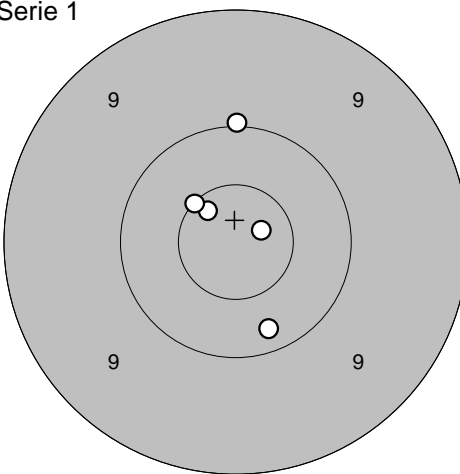
Provs-kott



- 1: 10,4 ↘
- 2: 10,0 ↘
- 3: 9,9 ↘
- 4: 10,2 ↑
- 5: 9,2 ←

Serie	48,0
Totalt	283,0

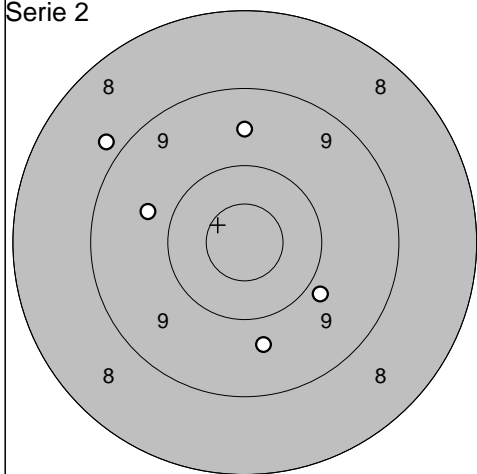
Serie 1



- 1: 10,7* ↖
- 2: 10,5* ↖
- 3: 10,0 ↑
- 4: 10,8* →
- 5: 10,2 ↓

Serie	50,0
Totalt	333,0

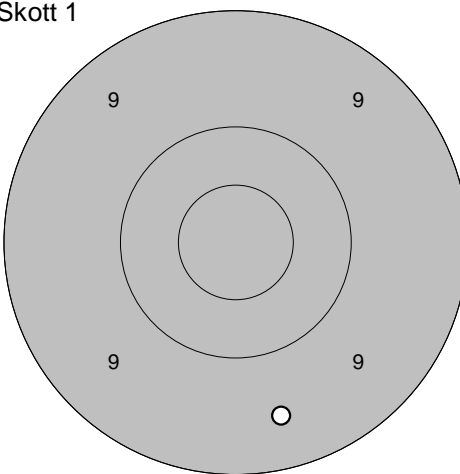
Serie 2



- 1: 9,9 ↘
- 2: 9,7 ↓
- 3: 9,7 ←
- 4: 9,6 ↑
- 5: 8,8 ↗

Serie	44,0
Totalt	377,0

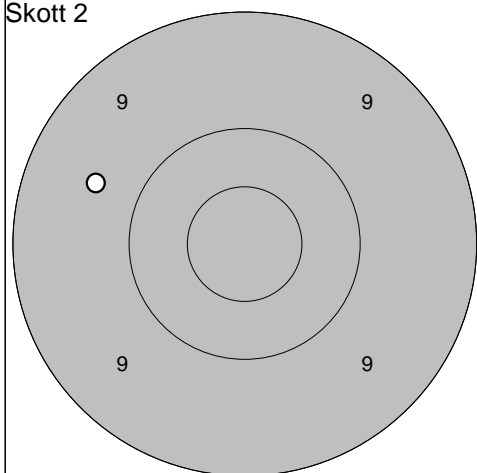
Skott 1



- 1: 9,5 ↓

Serie	9,0
Totalt	386,0

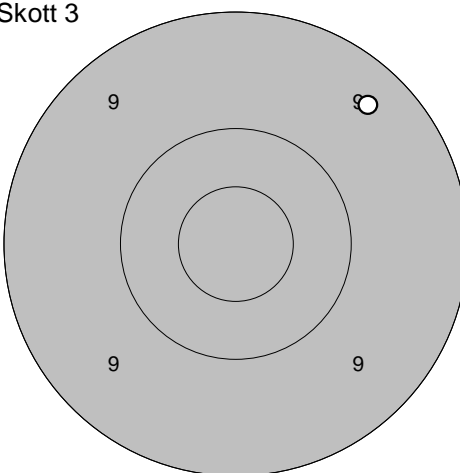
Skott 2



- 1: 9,6 ←

Serie	9,0
Totalt	395,0

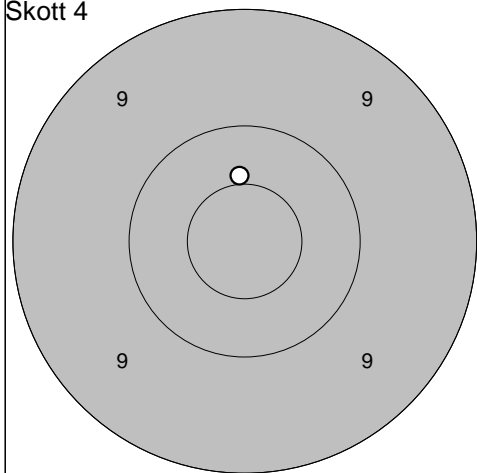
Skott 3



- 1: 9,4 ↗

Serie	9,0
Totalt	404,0

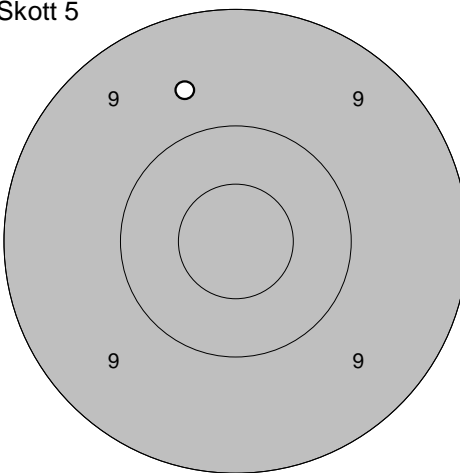
Skott 4



- 1: 10,5* ↑

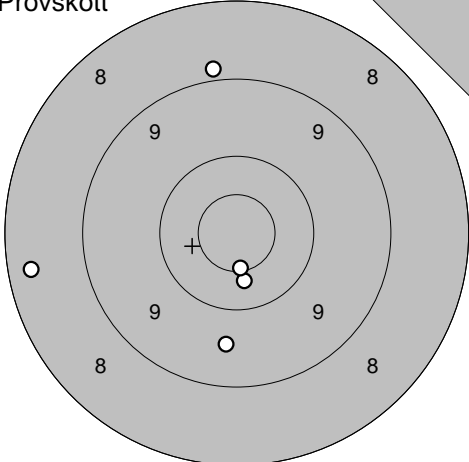
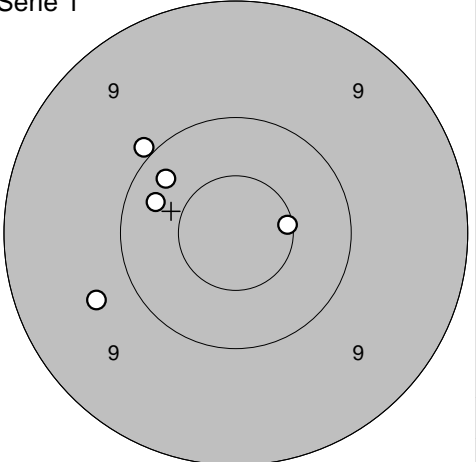
Serie	10,0
Totalt	414,0

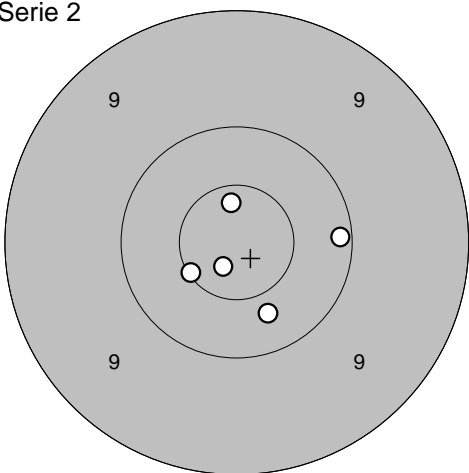
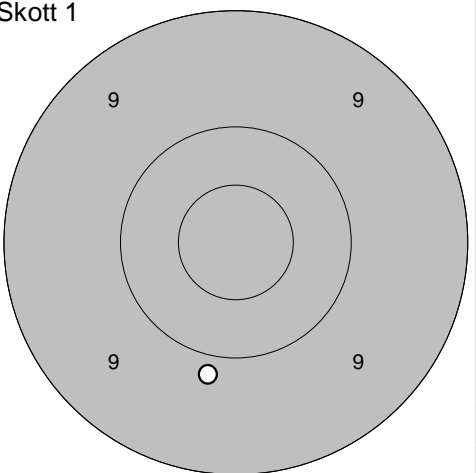
Skott 5

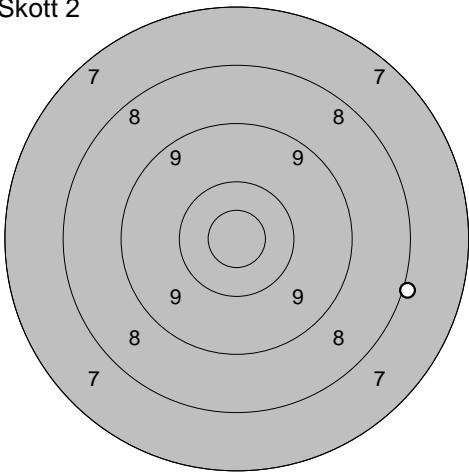
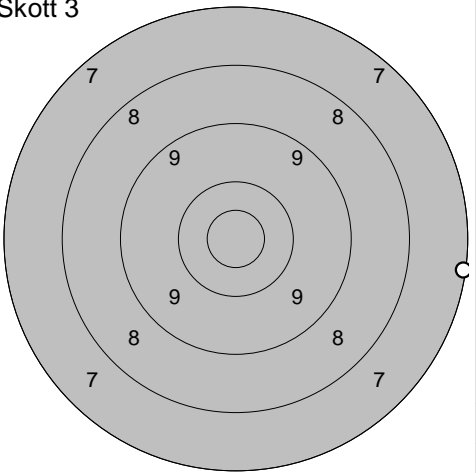


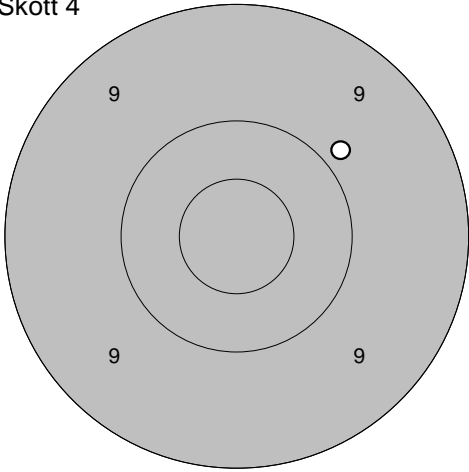
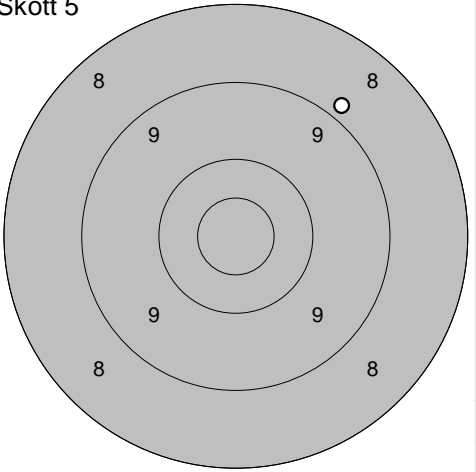
- 1: 9,7 ↖

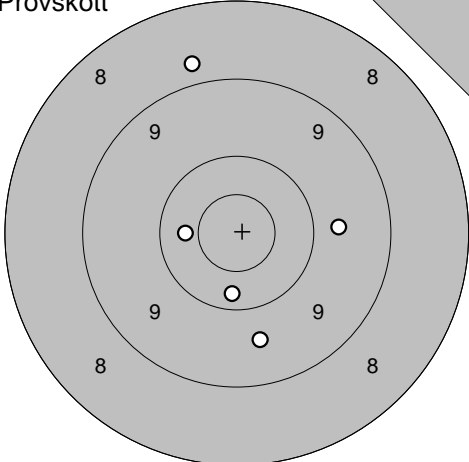
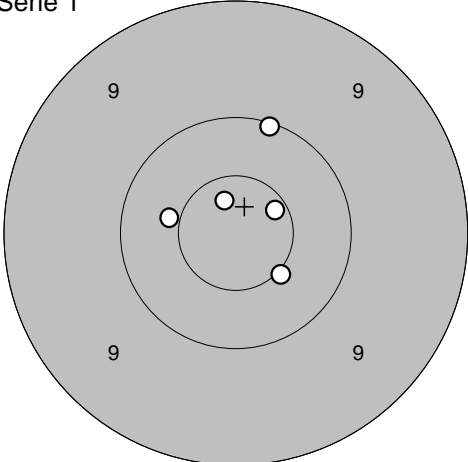
Serie	9,0
Totalt	423,0

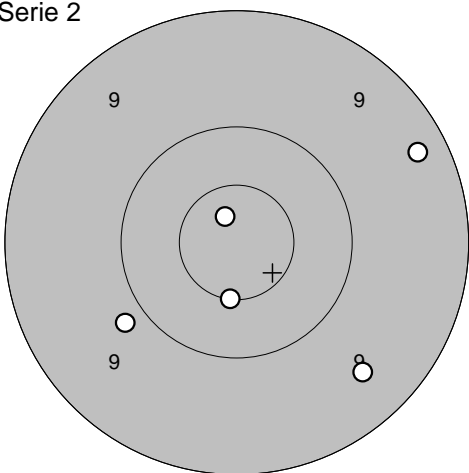
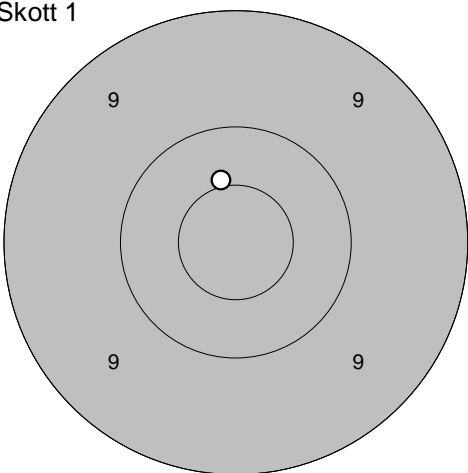
<p>Provskott</p> 	<p>1: 10,4 ↓ 2: 10,6* ↓ 3: 8,9 ↑ 4: 8,4 ← 5: 9,6 ↓</p>	<p>Serie 1</p> 	<p>1: 10,0 ↗ 2: 10,6* → 3: 10,3 ← 4: 10,3 ↗ 5: 9,7 ↙</p>
Serie 45,0		Serie 49,0	
Totalt 283,0		Totalt 332,0	

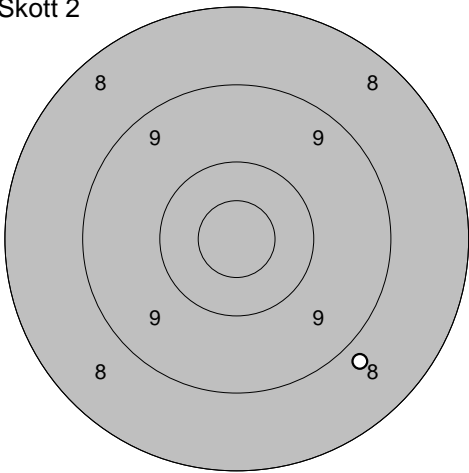
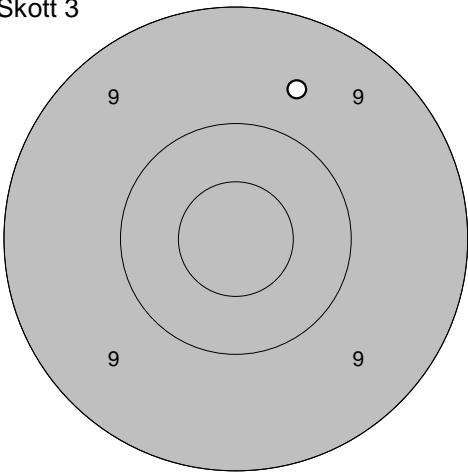
<p>Serie 2</p> 	<p>1: 10,1 → 2: 10,4 ↓ 3: 10,8* ↘ 4: 10,6* ↙ 5: 10,7* ↑</p>	<p>Skott 1</p> 	<p>1: 9,9 ↓</p>
Serie 50,0		Serie 9,0	
Totalt 382,0		Totalt 391,0	

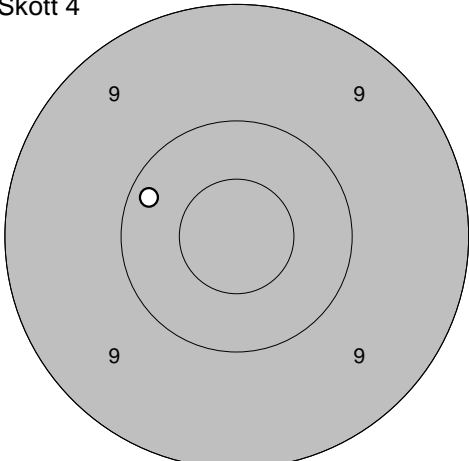
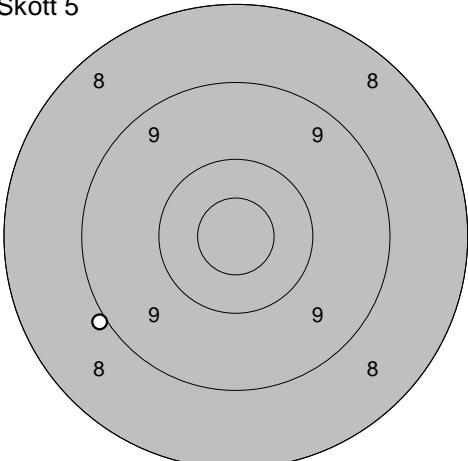
<p>Skott 2</p> 	<p>1: 8,0 →</p>	<p>Skott 3</p> 	<p>1: 7,1 →</p>
Serie 8,0		Serie 7,0	
Totalt 399,0		Totalt 406,0	

<p>Skott 4</p> 	<p>1: 9,9 ↗</p>	<p>Skott 5</p> 	<p>1: 8,9 ↗</p>
Serie 9,0		Serie 8,0	
Totalt 415,0		Totalt 423,0	

Provskott 	1: 9,6 ↓ 2: 8,8 ↑ 3: 10,4 ← 4: 10,3 ↓ 5: 9,7 →	Serie 1 	1: 10,7* ↑ 2: 10,1 ↑ 3: 10,4 ← 4: 10,6* ↗ 5: 10,5* ↘
Serie 46,0		Serie 50,0	
Totalt 282,0		Totalt 332,0	

Serie 2 	1: 9,5 ↘ 2: 10,8* ↑ 3: 9,8 ↙ 4: 9,3 ↗ 5: 10,5* ↓	Skott 1 	1: 10,5* ↑
Serie 47,0		Serie 10,0	
Totalt 379,0		Totalt 389,0	

Skott 2 	1: 8,8 ↘	Skott 3 	1: 9,6 ↑
Serie 8,0		Serie 9,0	
Totalt 397,0		Totalt 406,0	

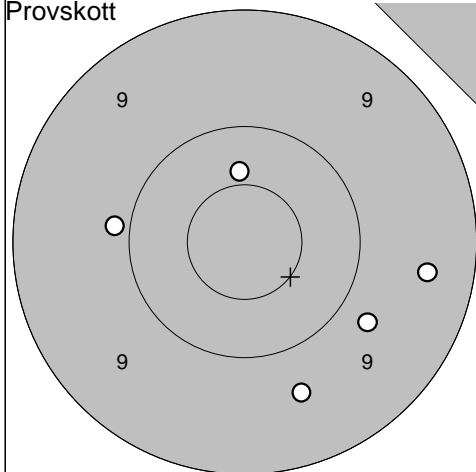
Skott 4 	1: 10,2 ←	Skott 5 	1: 9,0 ↙
Serie 10,0		Serie 9,0	
Totalt 416,0		Totalt 425,0	

08.07.2012

Tavelträffen 2012 B Final

Ramselefors SKF

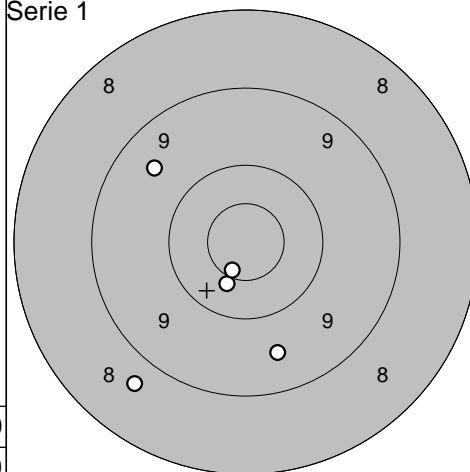
Provskott



1: 9,9 ←
 2: 9,6 ↙
 3: 9,8 ↘
 4: 10,4 ↑
 5: 9,4 →

Serie 46,0
 Totalt 279,0

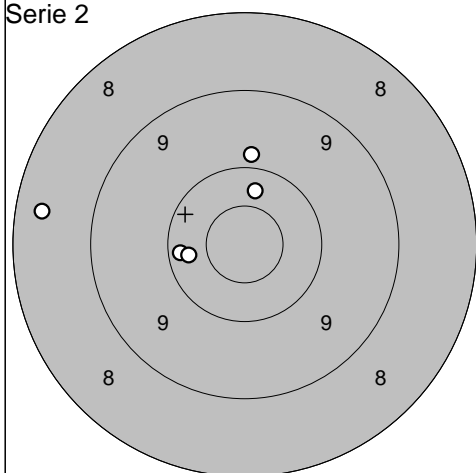
Serie 1



1: 9,5 ↗
 2: 8,7 ↙
 3: 10,5* ↘
 4: 10,6* ↘
 5: 9,6 ↘

Serie 46,0
 Totalt 325,0

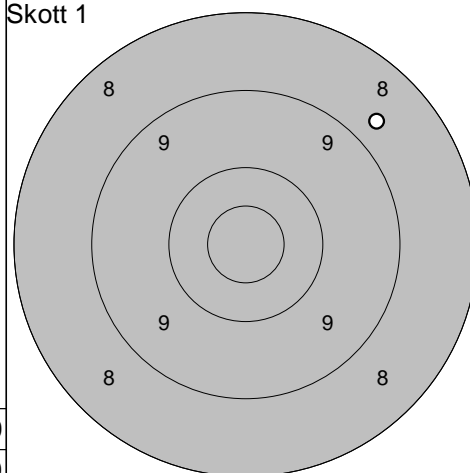
Serie 2



1: 10,3 ↑
 2: 9,9 ↑
 3: 8,4 ←
 4: 10,2 ←
 5: 10,3 ←

Serie 47,0
 Totalt 372,0

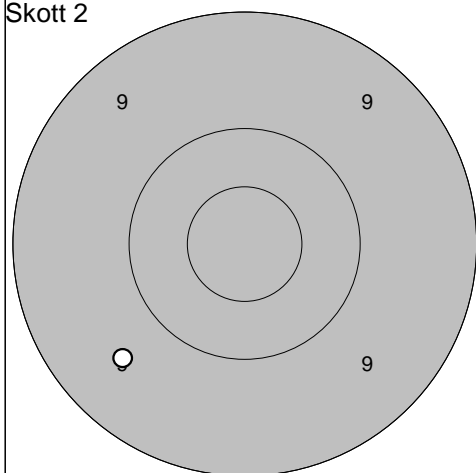
Skott 1



1: 8,7 ↗

Serie 8,0
 Totalt 380,0

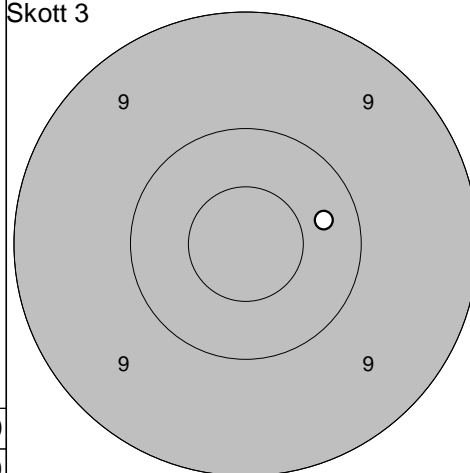
Skott 2



1: 9,6 ↙

Serie 9,0
 Totalt 389,0

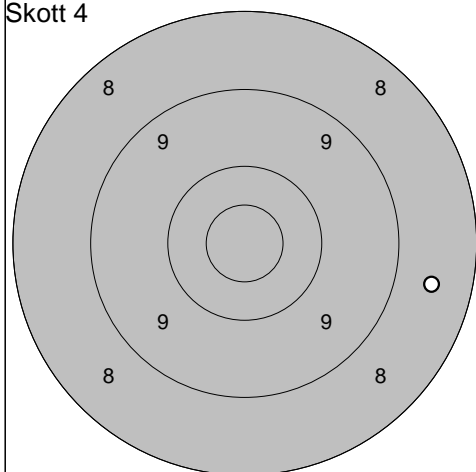
Skott 3



1: 10,3 →

Serie 10,0
 Totalt 399,0

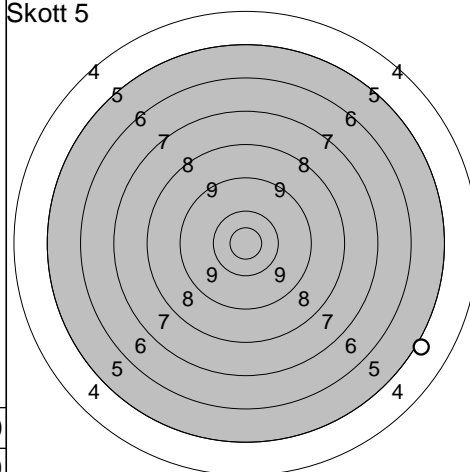
Skott 4



1: 8,6 →

Serie 8,0
 Totalt 407,0

Skott 5



1: 5,0 ↘

Serie 5,0
 Totalt 412,0

Skjutlag

6

Tavla

8

Martin Gustavsson

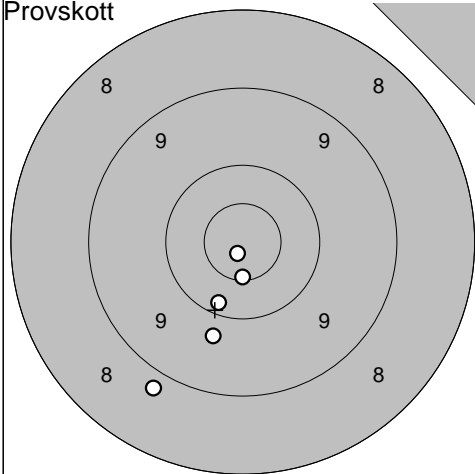
Sörby Odensberg

08.07.2012

Tavelträffen 2012 B Final

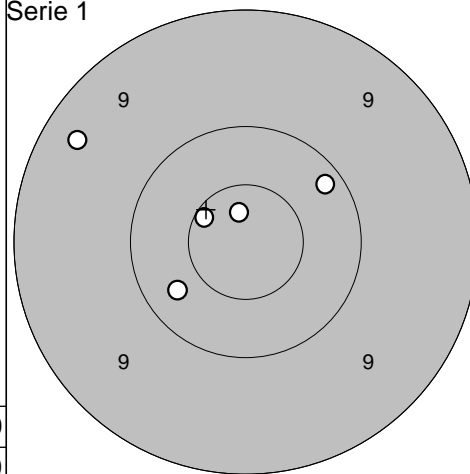
Ramselefors SKF

Provskott



1: 9,8 ↘
 2: 10,2 ↘
 3: 10,9* ↘
 4: 10,6* ↘
 5: 8,8 ↘

Serie 1



1: 9,3 ↖
 2: 10,6* ↖
 3: 10,3 ↙
 4: 10,8* ↗
 5: 10,2 ↗

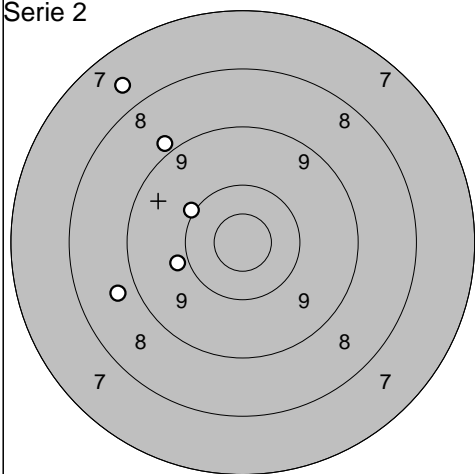
Serie 47,0

Totalt 275,0

Serie 49,0

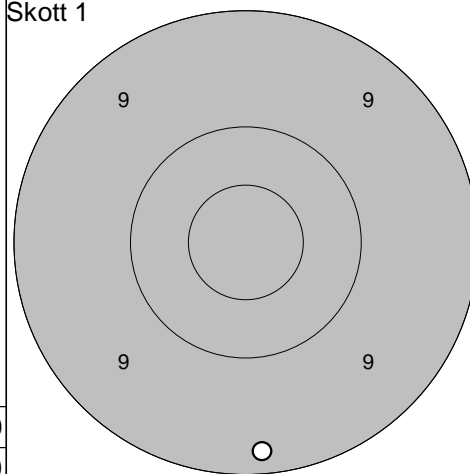
Totalt 324,0

Serie 2



1: 8,8 ↙
 2: 7,7 ↗
 3: 10,0 ↗
 4: 8,9 ↗
 5: 9,9 ↙

Skott 1



1: 9,2 ↓

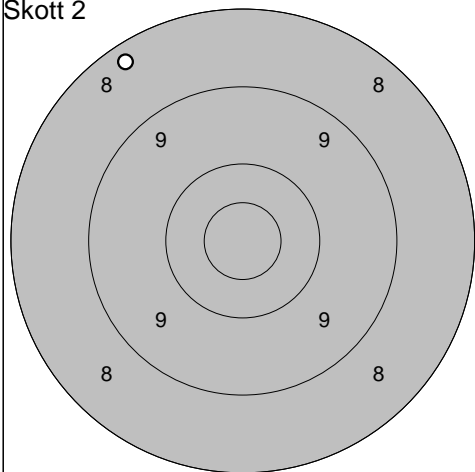
Serie 42,0

Totalt 366,0

Serie 9,0

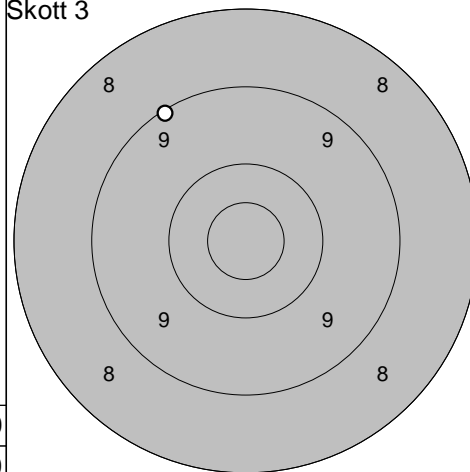
Totalt 375,0

Skott 2



1: 8,3 ↖

Skott 3



1: 9,1 ↖

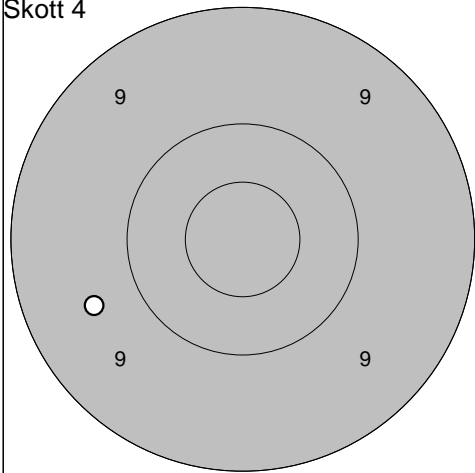
Serie 8,0

Totalt 383,0

Serie 9,0

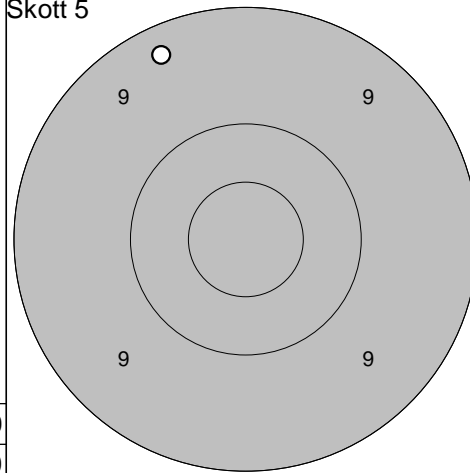
Totalt 392,0

Skott 4



1: 9,6 ↙

Skott 5



1: 9,3 ↖

Serie 9,0

Totalt 401,0

Serie 9,0

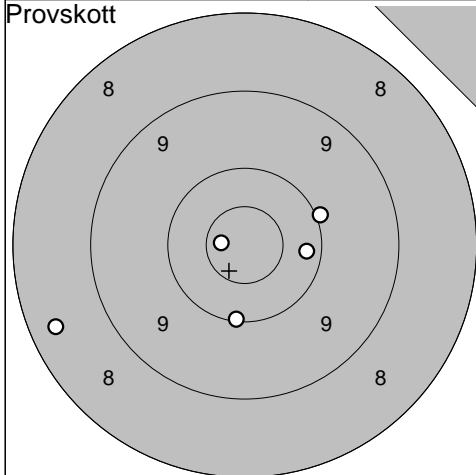
Totalt 410,0

08.07.2012

Tavelträffen 2012 B Final

Ramselefors SKF

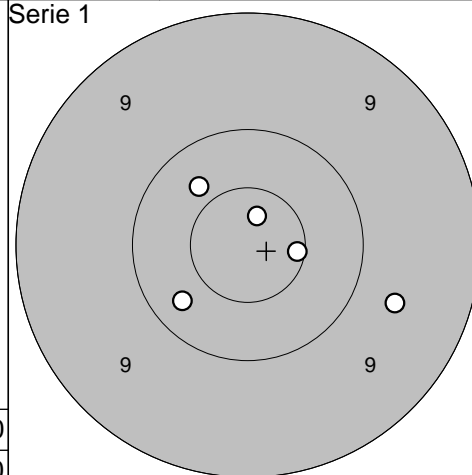
Provskott



1: 10,1 ↓
 2: 10,7* ←
 3: 10,2 →
 4: 8,4 ←
 5: 10,0 →

Serie 48,0
 Totalt 274,0

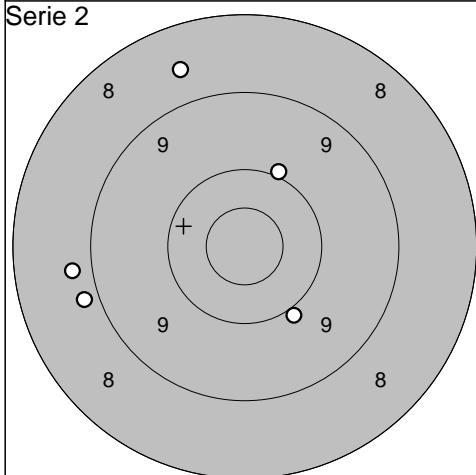
Serie 1



1: 10,4 ↗
 2: 9,7 →
 3: 10,6* →
 4: 10,3 ↙
 5: 10,8* ↑

Serie 49,0
 Totalt 323,0

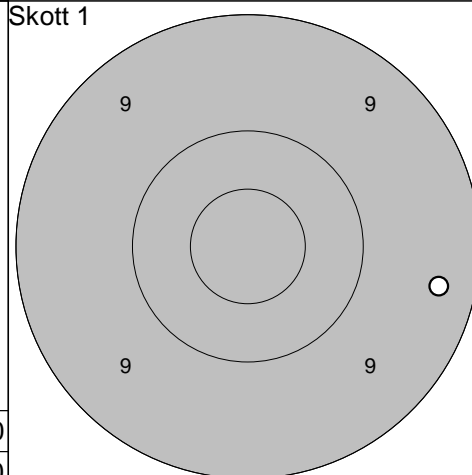
Serie 2



1: 8,6 ↑
 2: 8,9 ←
 3: 10,0 ↑
 4: 8,8 ←
 5: 9,9 ↓

Serie 43,0
 Totalt 366,0

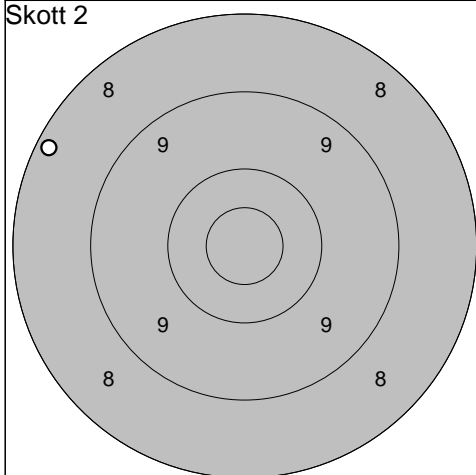
Skott 1



1: 9,3 →

Serie 9,0
 Totalt 375,0

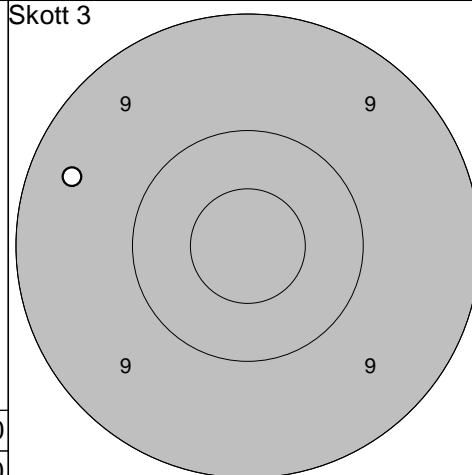
Skott 2



1: 8,2 ←

Serie 8,0
 Totalt 383,0

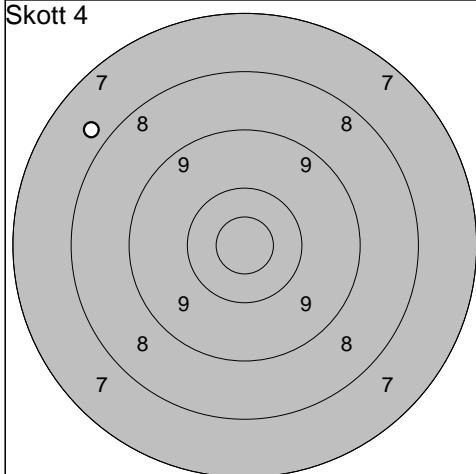
Skott 3



1: 9,4 ←

Serie 9,0
 Totalt 392,0

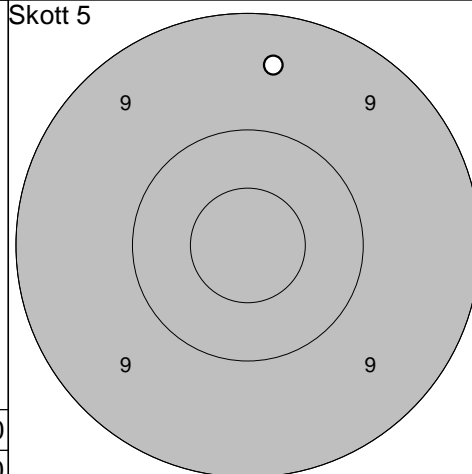
Skott 4



1: 7,8 ↙

Serie 7,0
 Totalt 399,0

Skott 5



1: 9,5 ↑

Serie 9,0
 Totalt 408,0

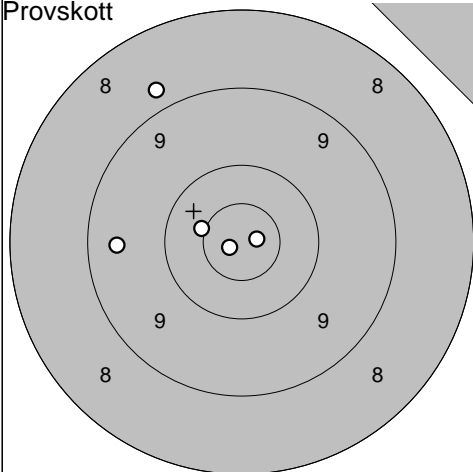
Bälinge-Jumkil

08.07.2012

Tavelträffen 2012 B Final

Ramselefors SKF

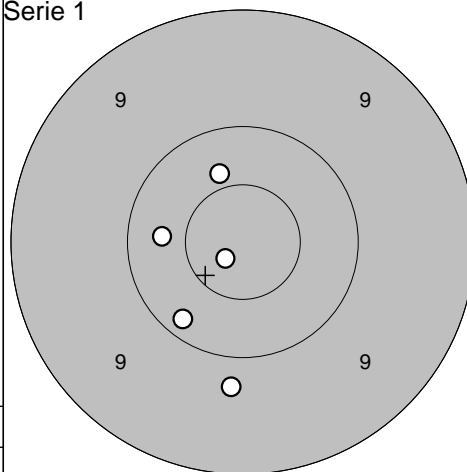
Provskott



- 1: 10,5* ←
- 2: 10,8* →
- 3: 10,9* ←
- 4: 8,8 ↗
- 5: 9,4 ←

Serie	47,0
Totalt	283,0

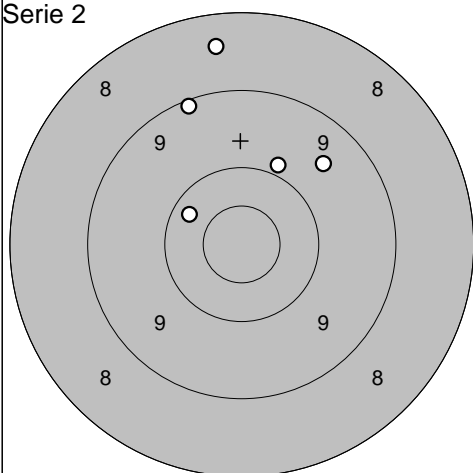
Serie 1



- 1: 9,8 ↓
- 2: 10,8* ↙
- 3: 10,3 ←
- 4: 10,4 ↗
- 5: 10,2 ↙

Serie	49,0
Totalt	332,0

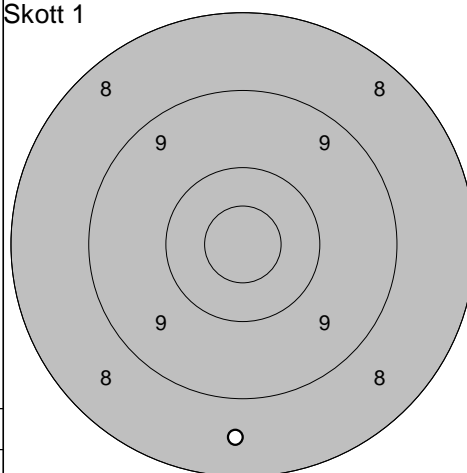
Serie 2



- 1: 9,1 ↗
- 2: 9,6 ↗
- 3: 8,5 ↑
- 4: 10,3 ↙
- 5: 9,9 ↗

Serie	45,0
Totalt	377,0

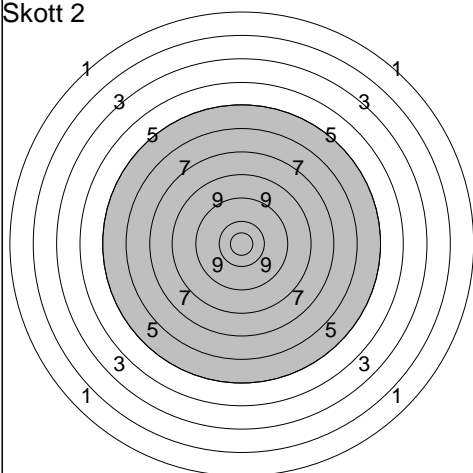
Skott 1



- 1: 8,6 ↓

Serie	8,0
Totalt	385,0

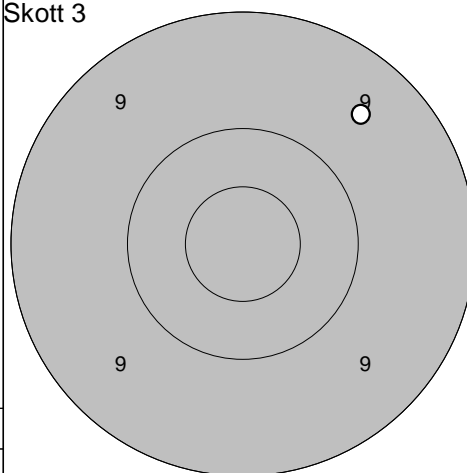
Skott 2



0,0

Serie	0,0
Totalt	385,0

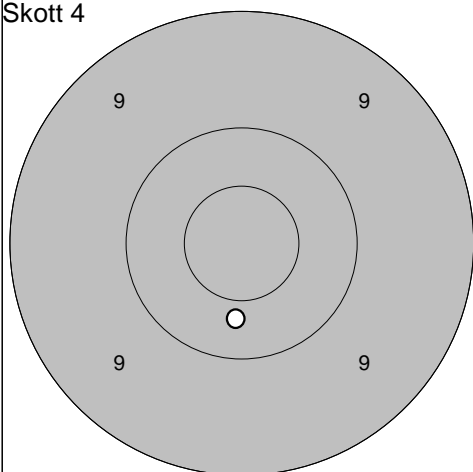
Skott 3



- 1: 9,5 ↗

Serie	9,0
Totalt	394,0

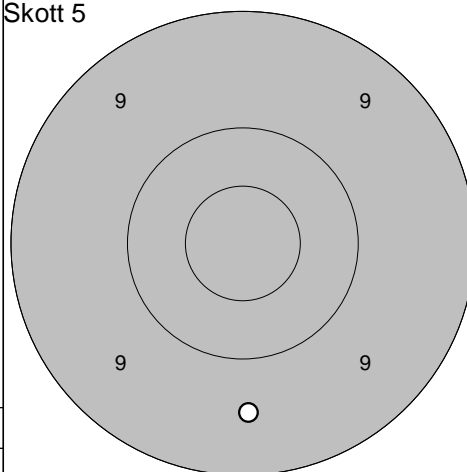
Skott 4



- 1: 10,4 ↓

Serie	10,0
Totalt	404,0

Skott 5



- 1: 9,6 ↓

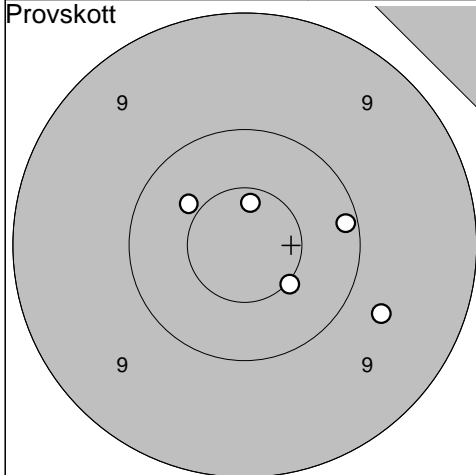
Serie	9,0
Totalt	413,0

08.07.2012

Tavelträffen 2012 B Final

Ramselefors SKF

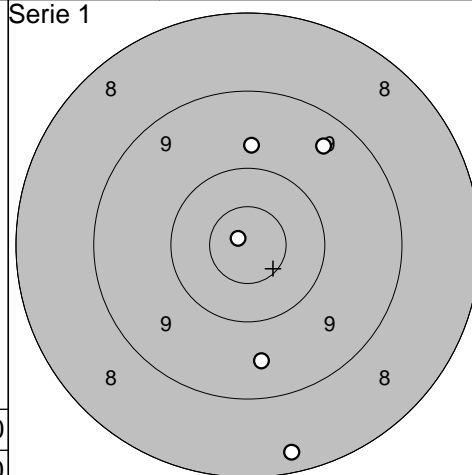
Provskott



1: 10,4 ↖
 2: 10,7* ↑
 3: 10,1 →
 4: 10,5* ↘
 5: 9,7 ↘

Serie 49,0
 Totalt 275,0

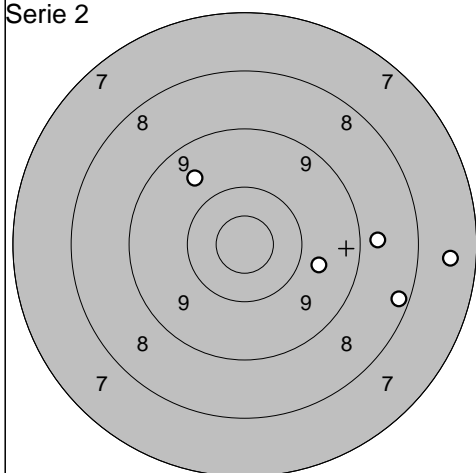
Serie 1



1: 10,9* ↖
 2: 9,8 ↑
 3: 9,4 ↗
 4: 9,5 ↓
 5: 8,3 ↓

Serie 45,0
 Totalt 320,0

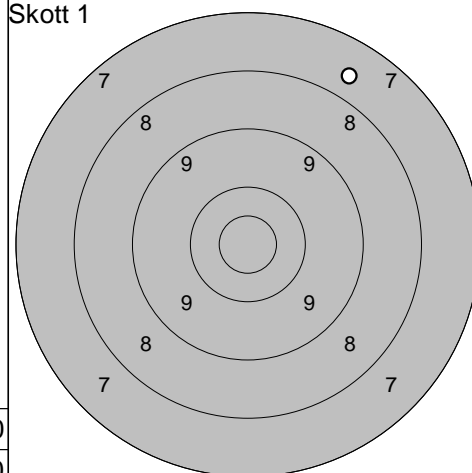
Serie 2



1: 9,8 →
 2: 8,3 →
 3: 9,7 ↗
 4: 8,8 →
 5: 7,5 →

Serie 41,0
 Totalt 361,0

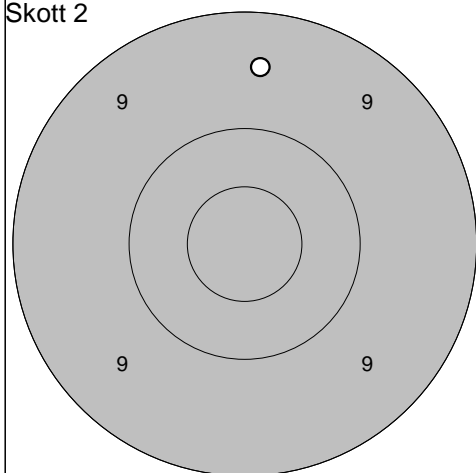
Skott 1



1: 7,7 ↗

Serie 7,0
 Totalt 368,0

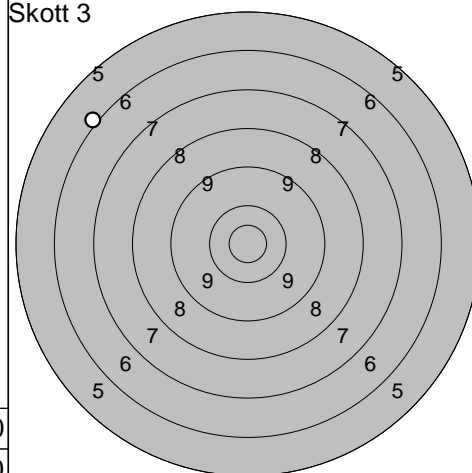
Skott 2



1: 9,5 ↑

Serie 9,0
 Totalt 377,0

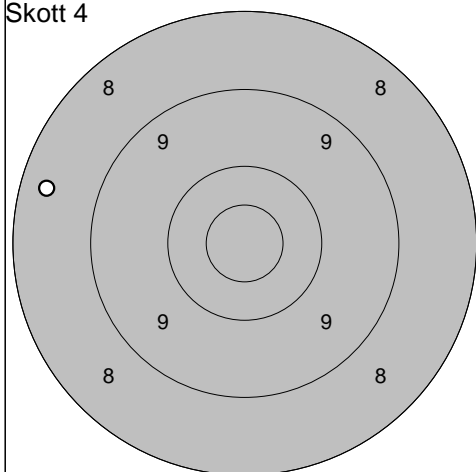
Skott 3



1: 6,0 ↖

Serie 6,0
 Totalt 383,0

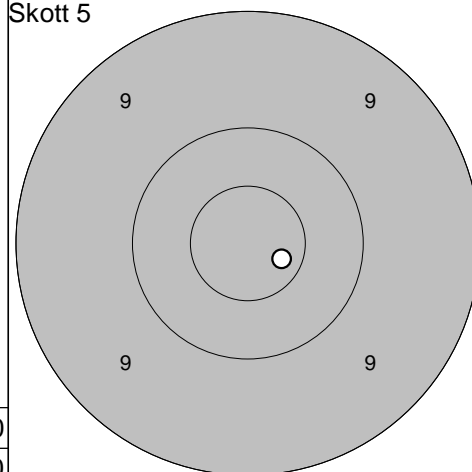
Skott 4



1: 8,4 ↖

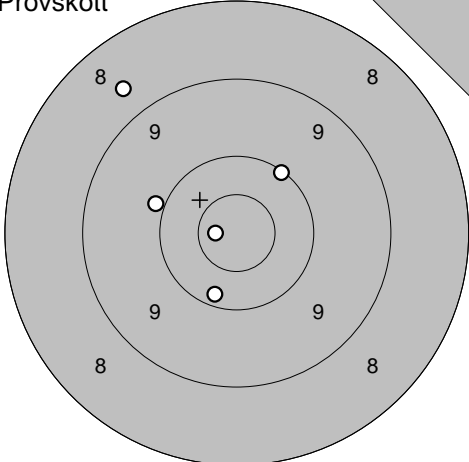
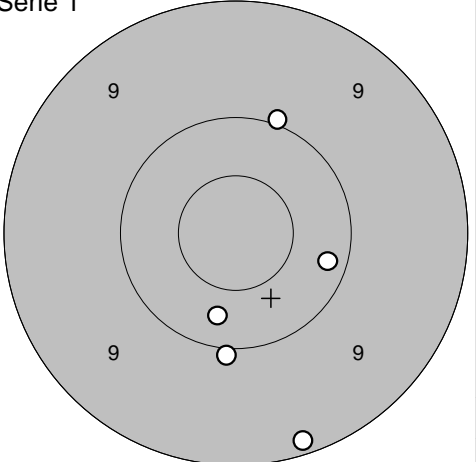
Serie 8,0
 Totalt 391,0

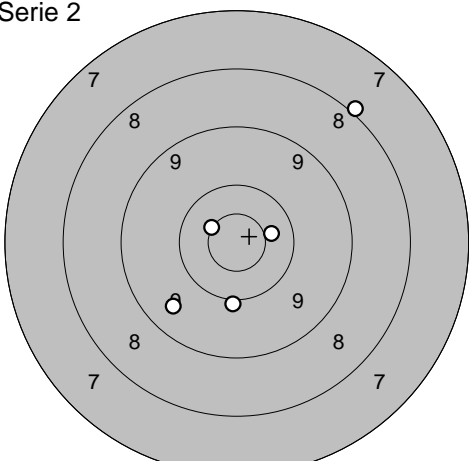
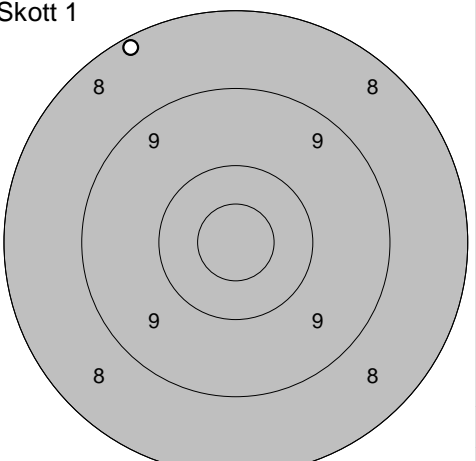
Skott 5

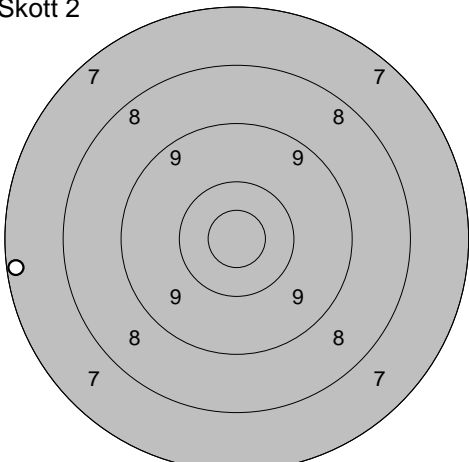
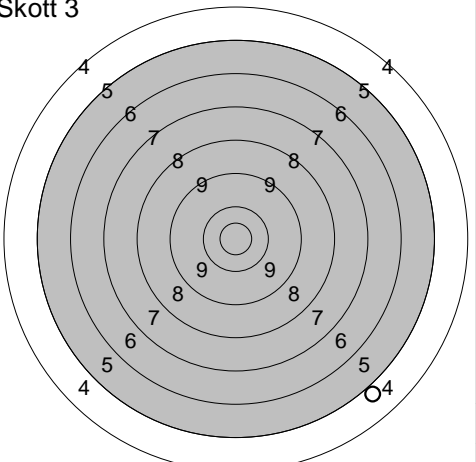


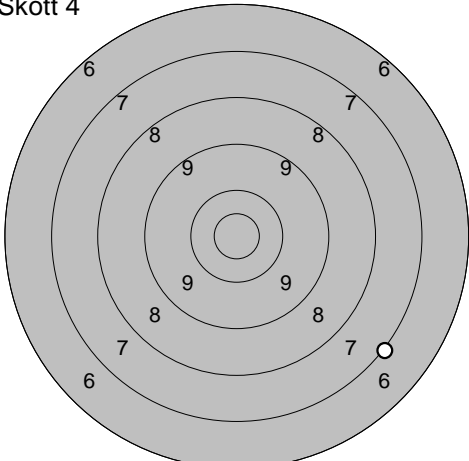
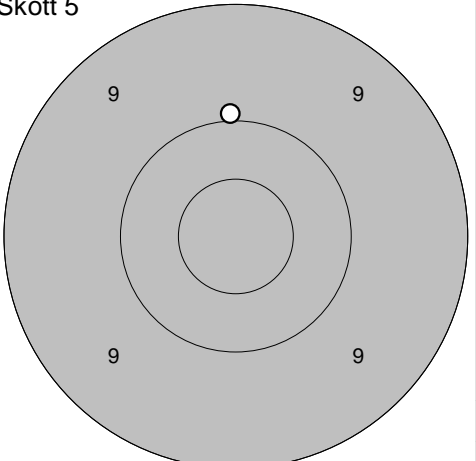
1: 10,7* →

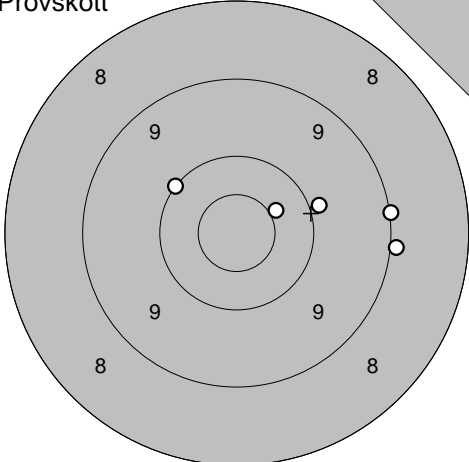
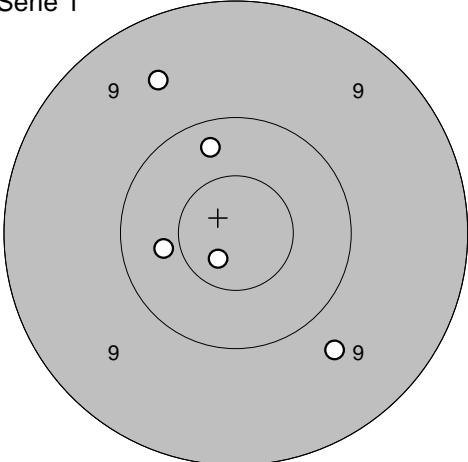
Serie 10,0
 Totalt 401,0

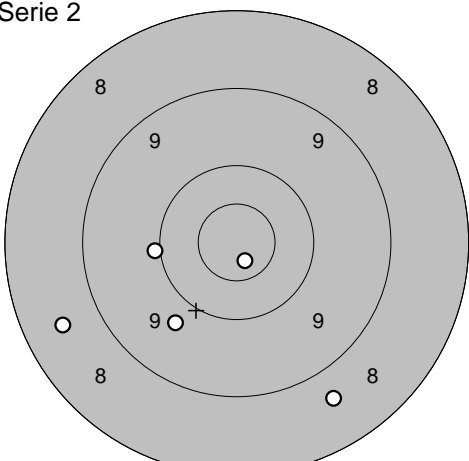
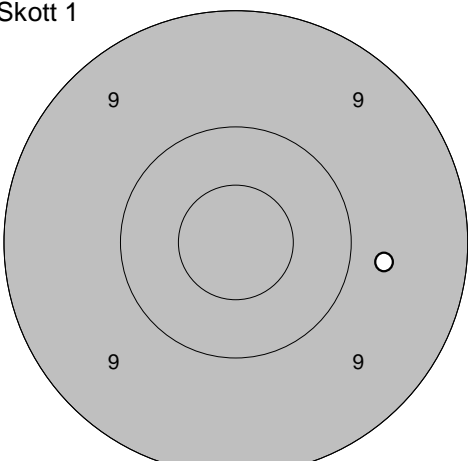
<p>Provskott</p> 	<p>1: 9,9 ← 2: 10,2 ↓ 3: 10,8* ← 4: 10,1 ↗ 5: 8,7 ↖</p>	<p>Serie 1</p> 	<p>1: 9,1 ↓ 2: 10,3 ↓ 3: 10,0 ↓ 4: 10,2 → 5: 10,0 ↗</p>
Serie 47,0		Serie 49,0	
Totalt 273,0		Totalt 322,0	

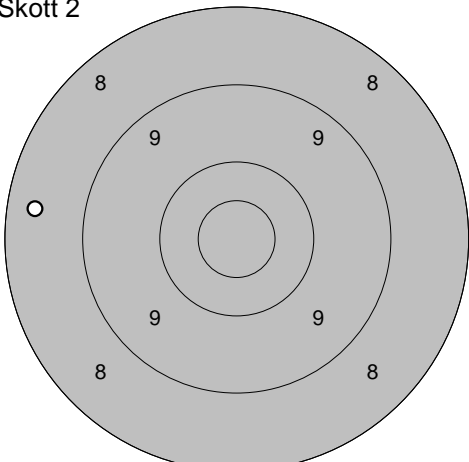
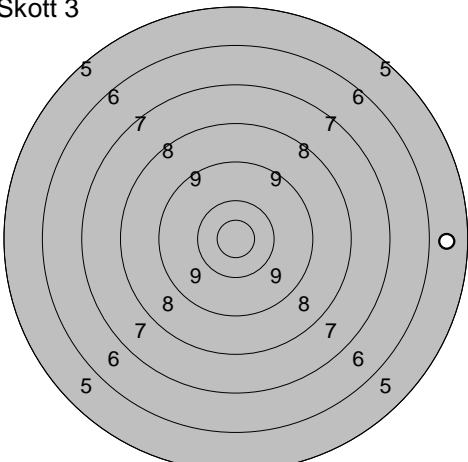
<p>Serie 2</p> 	<p>1: 8,0 ↗ 2: 9,5 ↘ 3: 10,6* ← 4: 10,0 ↓ 5: 10,5* →</p>	<p>Skott 1</p> 	<p>1: 8,2 ↖</p>
Serie 47,0		Serie 8,0	
Totalt 369,0		Totalt 377,0	

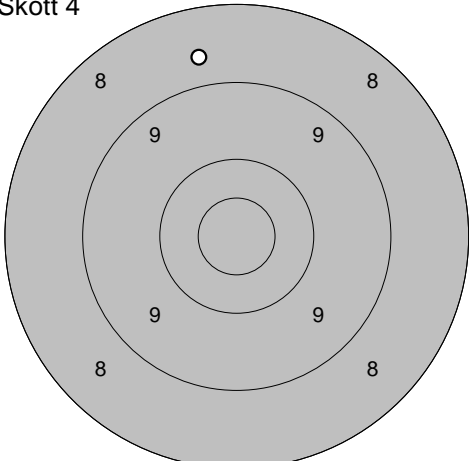
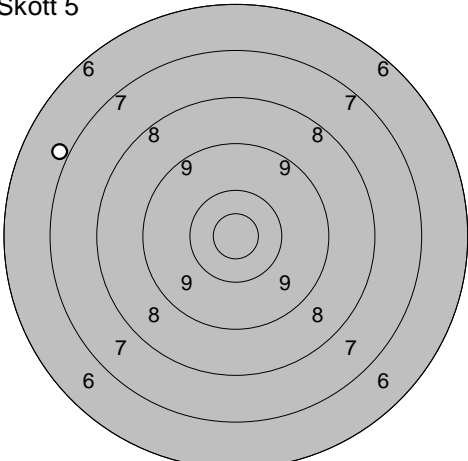
<p>Skott 2</p> 	<p>1: 7,3 ←</p>	<p>Skott 3</p> 	<p>1: 4,9 ↓</p>
Serie 7,0		Serie 4,0	
Totalt 384,0		Totalt 388,0	

<p>Skott 4</p> 	<p>1: 7,1 ↘</p>	<p>Skott 5</p> 	<p>1: 10,0 ↑</p>
Serie 7,0		Serie 10,0	
Totalt 395,0		Totalt 405,0	

Provskott 	1: 10,5* → 2: 9,0 → 3: 10,1 ↖ 4: 9,9 → 5: 9,0 → <hr/> Serie 47,0 Totalt 271,0	Serie 1 	1: 9,6 ↗ 2: 9,7 ↘ 3: 10,3 ↗ 4: 10,8* ↘ 5: 10,4 ← <hr/> Serie 48,0 Totalt 319,0
--	---	--	--

Serie 2 	1: 9,7 ↘ 2: 8,6 ← 3: 10,0 ← 4: 10,8* ↘ 5: 8,7 ↘ <hr/> Serie 45,0 Totalt 364,0	Skott 1 	1: 9,7 → <hr/> Serie 9,0 Totalt 373,0
---	---	---	---

Skott 2 	1: 8,4 ← <hr/> Serie 8,0 Totalt 381,0	Skott 3 	1: 5,7 → <hr/> Serie 5,0 Totalt 386,0
--	---	--	---

Skott 4 	1: 8,7 ↑ <hr/> Serie 8,0 Totalt 394,0	Skott 5 	1: 6,9 ↖ <hr/> Serie 6,0 Totalt 400,0
--	---	--	---

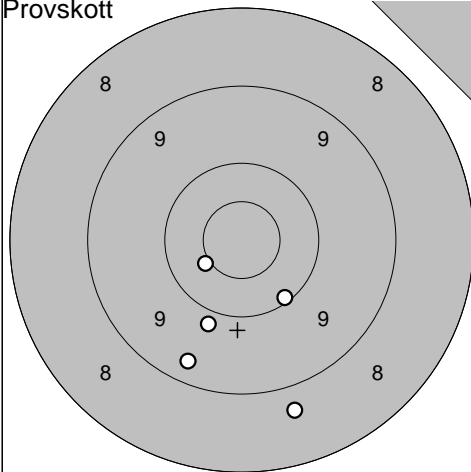
Ununge

08.07.2012

Tavelträffen 2012 B Final

Ramselefors SKF

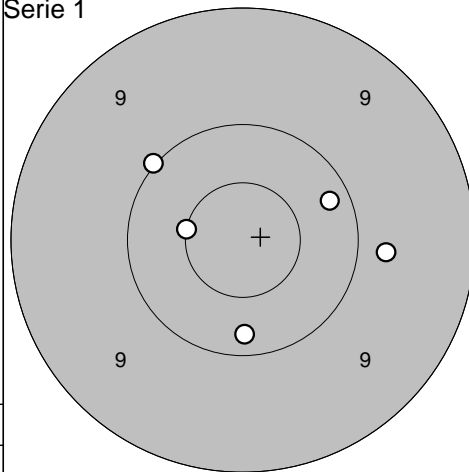
Provskott



1: 9,3 ↘
2: 9,9 ↓
3: 10,5* ↙
4: 10,1 ↘
5: 8,7 ↓

Serie	46,0
Totalt	270,0

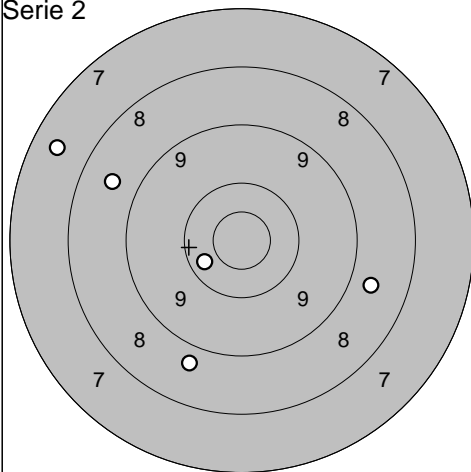
Serie 1



1: 9,8 →
2: 10,0 ↗
3: 10,5* ←
4: 10,2 ↗
5: 10,2 ↓

Serie	49,0
Totalt	319,0

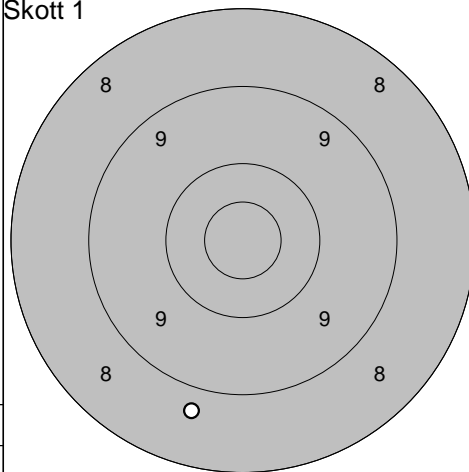
Serie 2



1: 8,7 →
2: 7,5 ↙
3: 8,6 ↙
4: 10,4 ↙
5: 8,8 ↓

Serie	41,0
Totalt	360,0

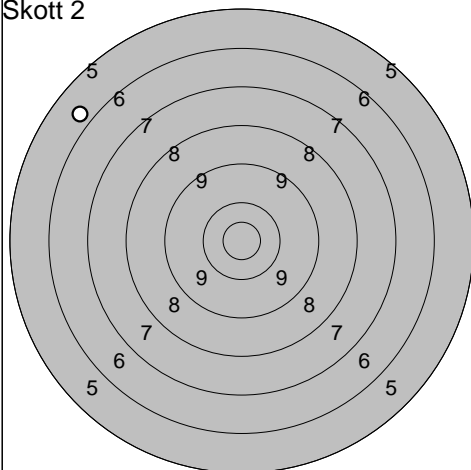
Skott 1



1: 8,7 ↓

Serie	8,0
Totalt	368,0

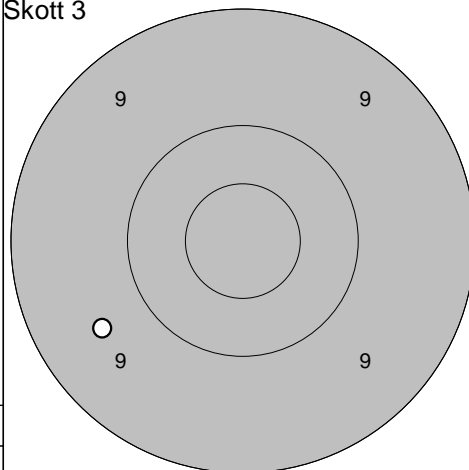
Skott 2



1: 5,8 ↙

Serie	5,0
Totalt	373,0

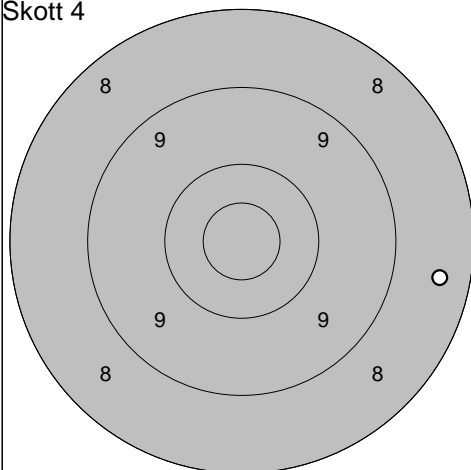
Skott 3



1: 9,6 ↙

Serie	9,0
Totalt	382,0

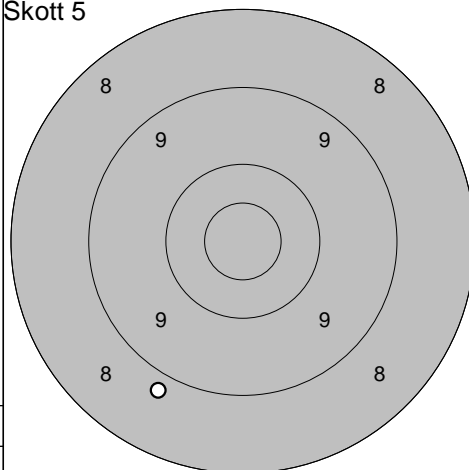
Skott 4



1: 8,4 →

Serie	8,0
Totalt	390,0

Skott 5



1: 8,8 ↓

Serie	8,0
Totalt	398,0

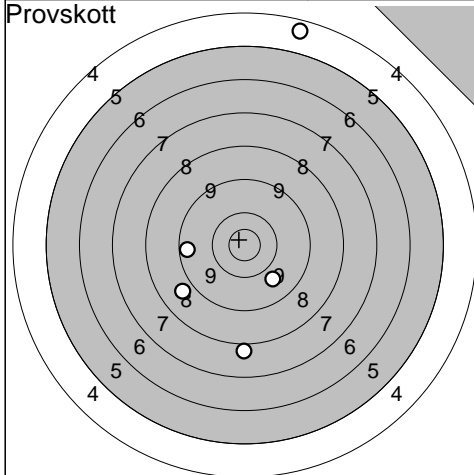
Ramselefors

08.07.2012

Tavelträffen 2012 B Final

Ramselefors SKF

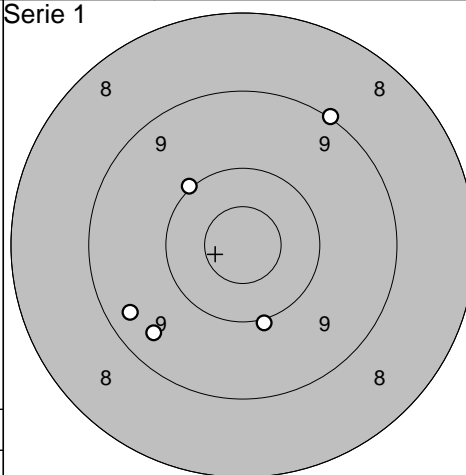
Provskott



1: 9,8 ↘
 2: 9,5 ←
 3: 8,0 ↓
 4: 4,5 ↑
 5: 8,9 ↙

Serie 38,0
 Totalt 270,0

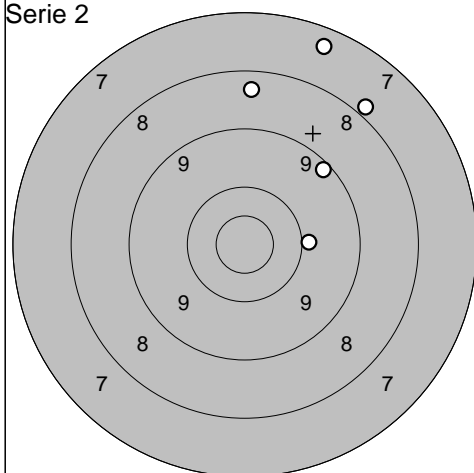
Serie 1



1: 9,4 ↙
 2: 9,4 ↙
 3: 10,0 ↓
 4: 9,0 ↗
 5: 10,0 ↖

Serie 47,0
 Totalt 317,0

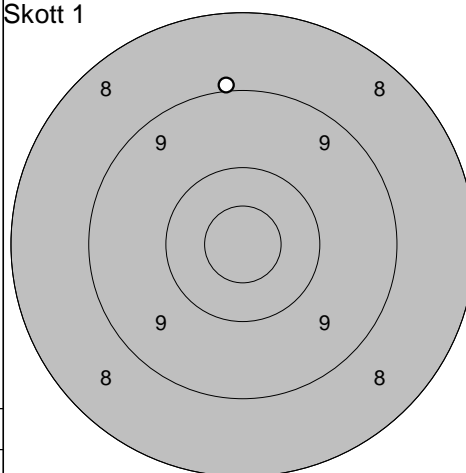
Serie 2



1: 8,4 ↑
 2: 7,4 ↑
 3: 7,9 ↗
 4: 10,0 →
 5: 9,2 ↗

Serie 41,0
 Totalt 358,0

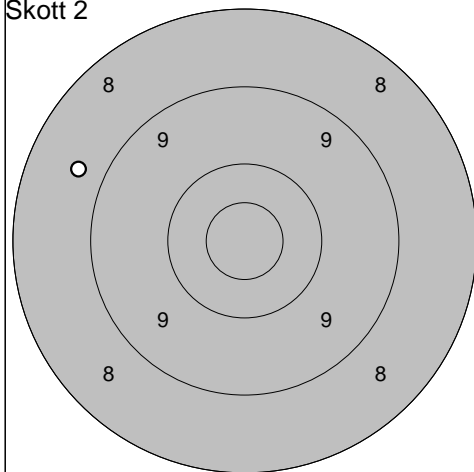
Skott 1



1: 9,0 ↑

Serie 9,0
 Totalt 367,0

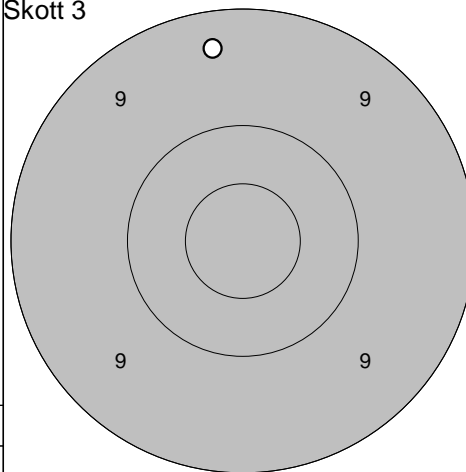
Skott 2



1: 8,7 ↙

Serie 8,0
 Totalt 375,0

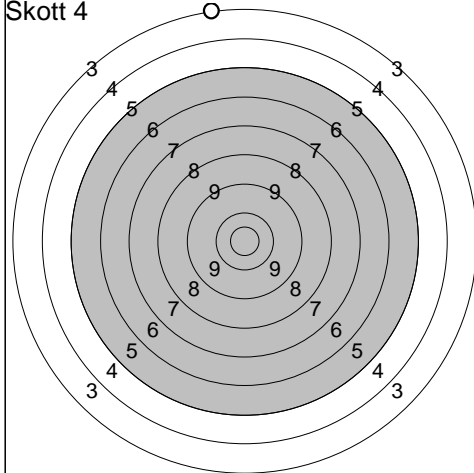
Skott 3



1: 9,4 ↑

Serie 9,0
 Totalt 384,0

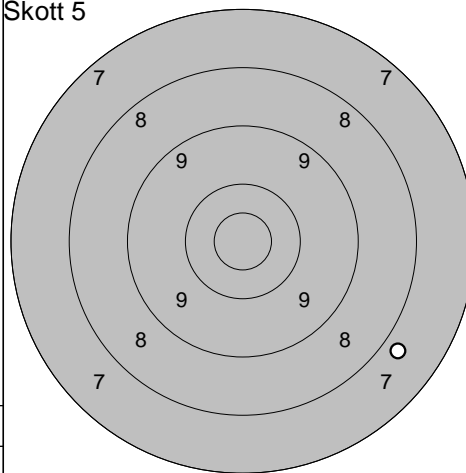
Skott 4



1: 3,2 ↑

Serie 3,0
 Totalt 387,0

Skott 5



1: 7,8 ↘

Serie 7,0
 Totalt 394,0

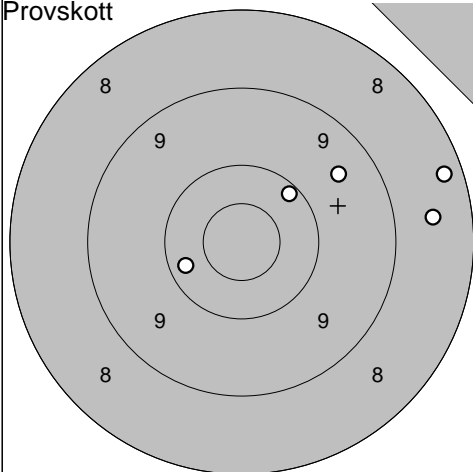
Loos

08.07.2012

Tavelträffen 2012 B Final

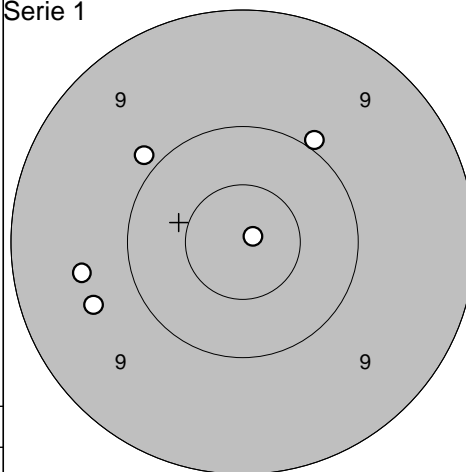
Ramselefors SKF

Provskott



1: 8,3 →
 2: 9,5 ↗
 3: 10,3 ←
 4: 8,6 →
 5: 10,2 ↗

Serie 1



1: 10,0 ↗
 2: 9,9 ↖
 3: 10,9* →
 4: 9,6 ←
 5: 9,6 ←

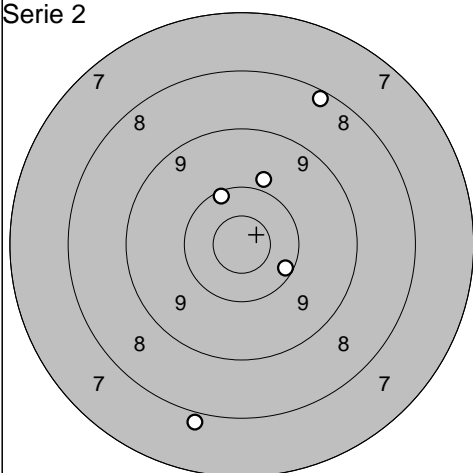
Serie 45,0

Totalt 269,0

Serie 47,0

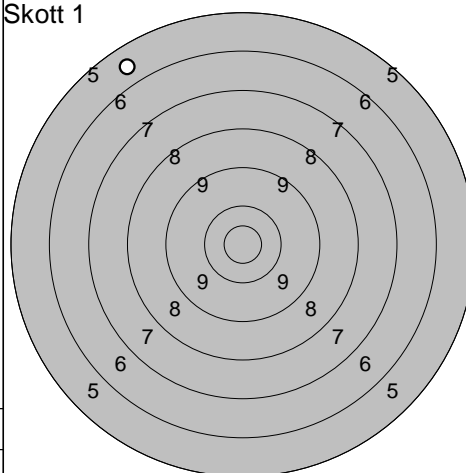
Totalt 316,0

Serie 2



1: 9,9 ↗
 2: 10,2 ↖
 3: 7,9 ↓
 4: 10,2 ↘
 5: 8,2 ↗

Skott 1



1: 5,7 ↖

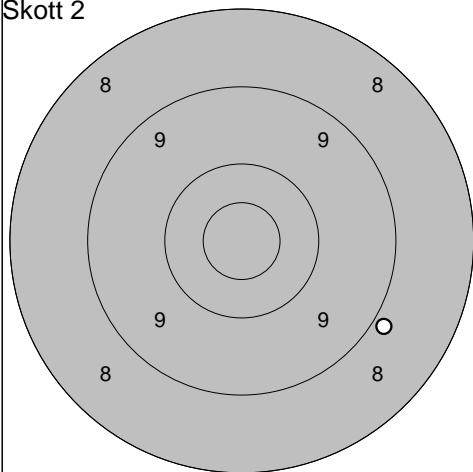
Serie 44,0

Totalt 360,0

Serie 5,0

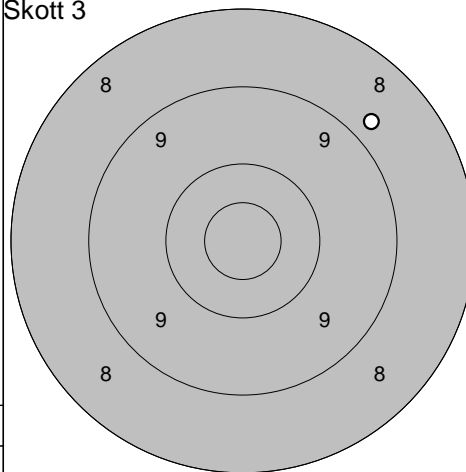
Totalt 365,0

Skott 2



1: 8,9 ↘

Skott 3



1: 8,8 ↗

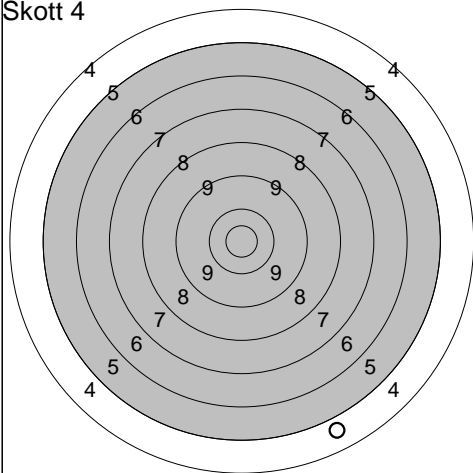
Serie 8,0

Totalt 373,0

Serie 8,0

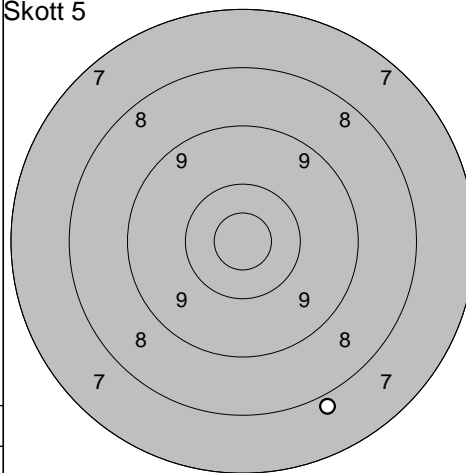
Totalt 381,0

Skott 4



1: 4,8 ↓

Skott 5



1: 7,9 ↓

Serie 4,0

Totalt 385,0

Serie 7,0

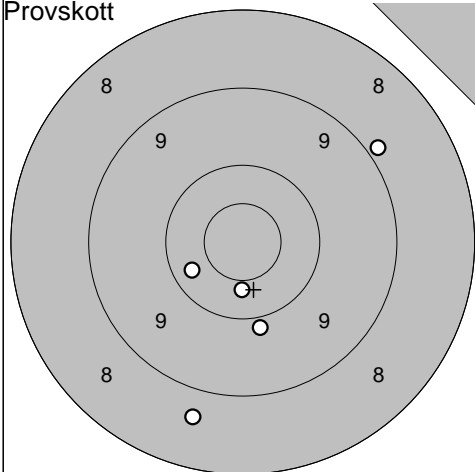
Totalt 392,0

08.07.2012

Tavelträffen 2012 B Final

Ramselefors SKF

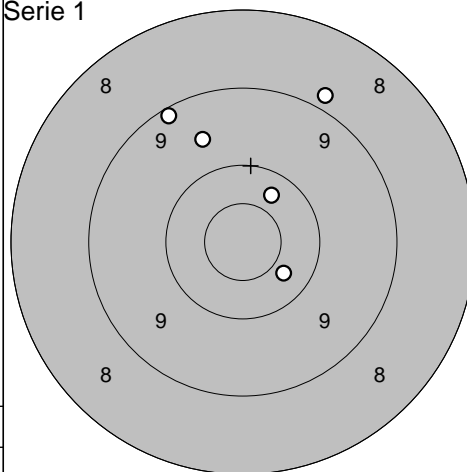
Provskott



- 1: 10,4 ↓
- 2: 10,3 ↙
- 3: 8,9 ↗
- 4: 8,7 ↓
- 5: 9,9 ↓

Serie 45,0
Totalt 264,0

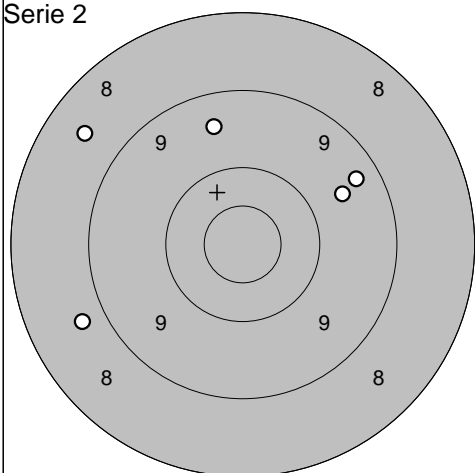
Serie 1



- 1: 10,3 ↗
- 2: 10,4 ↘
- 3: 9,6 ↗
- 4: 8,9 ↗
- 5: 9,2 ↖

Serie 46,0
Totalt 310,0

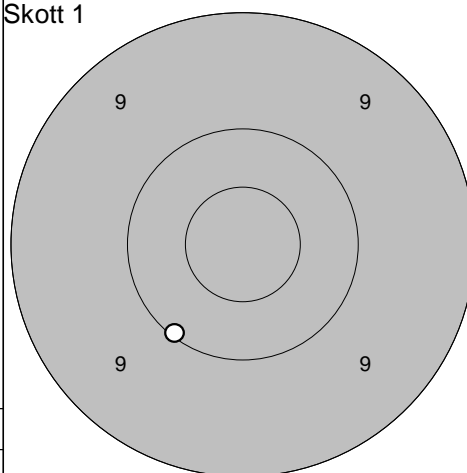
Serie 2



- 1: 8,6 ↖
- 2: 9,6 ↗
- 3: 9,4 ↗
- 4: 8,8 ↖
- 5: 9,5 ↑

Serie 43,0
Totalt 353,0

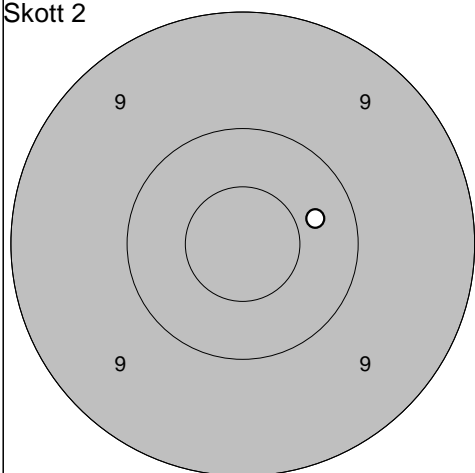
Skott 1



- 1: 10,1 ↘

Serie 10,0
Totalt 363,0

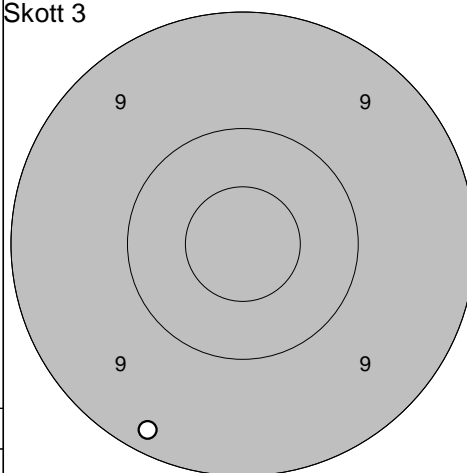
Skott 2



- 1: 10,4 ↗

Serie 10,0
Totalt 373,0

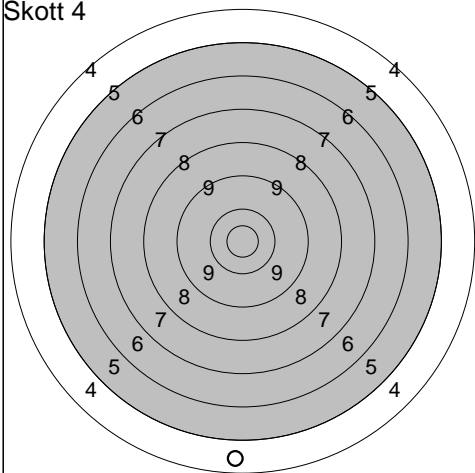
Skott 3



- 1: 9,2 ↘

Serie 9,0
Totalt 382,0

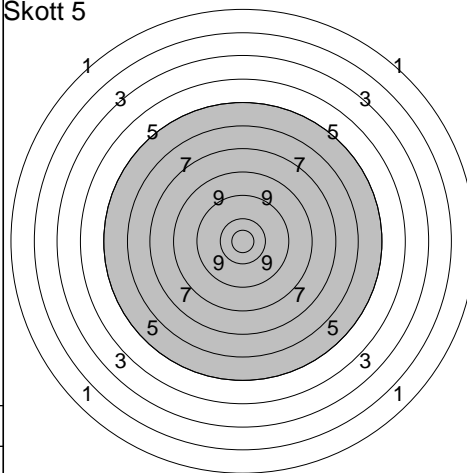
Skott 4



- 1: 4,6 ↓

Serie 4,0
Totalt 386,0

Skott 5



0,0

Serie 0,0
Totalt 386,0

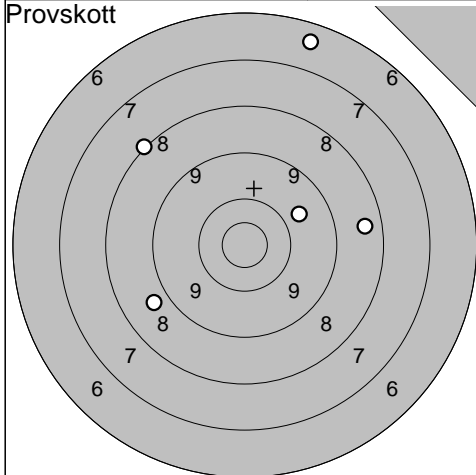
Ramselefors

08.07.2012

Tavelträffen 2012 B Final

Ramselefors SKF

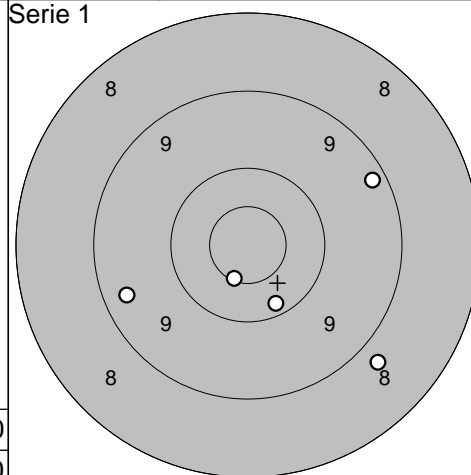
Provskott



1: 8,1 ↖
 2: 9,8 →
 3: 8,5 →
 4: 6,5 ↑
 5: 8,8 ↙

Serie 39,0
 Totalt 250,0

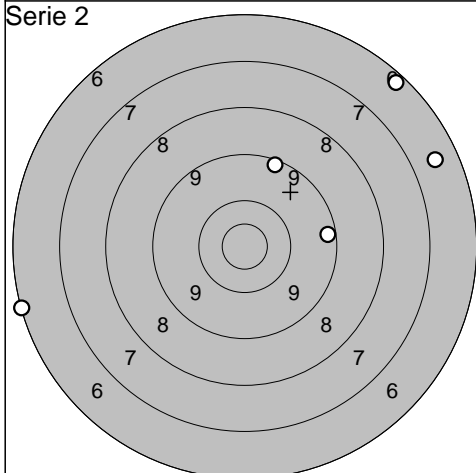
Serie 1



1: 9,2 →
 2: 8,8 ↘
 3: 9,4 ↙
 4: 10,2 ↘
 5: 10,6* ↘

Serie 46,0
 Totalt 296,0

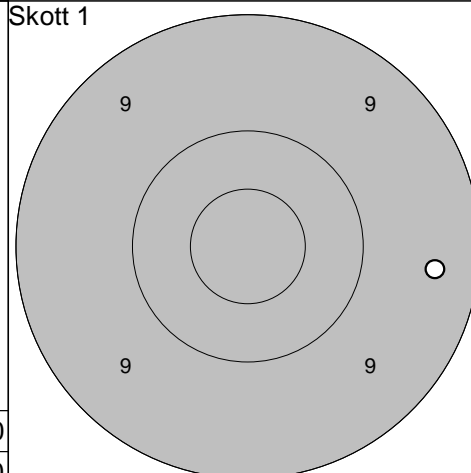
Serie 2



1: 9,2 ↑
 2: 9,3 →
 3: 6,1 ←
 4: 6,3 ↗
 5: 6,6 →

Serie 36,0
 Totalt 332,0

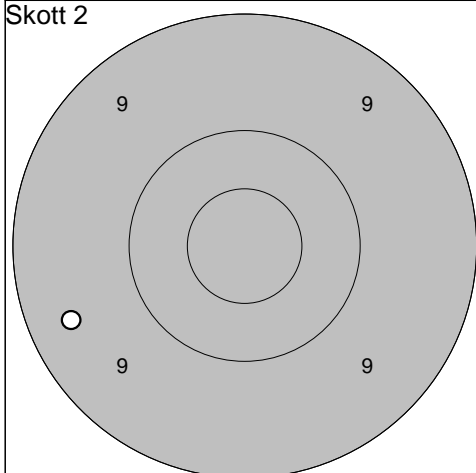
Skott 1



1: 9,4 →

Serie 9,0
 Totalt 341,0

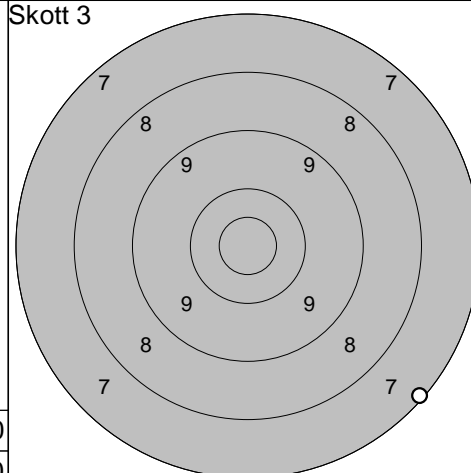
Skott 2



1: 9,4 ↙

Serie 9,0
 Totalt 350,0

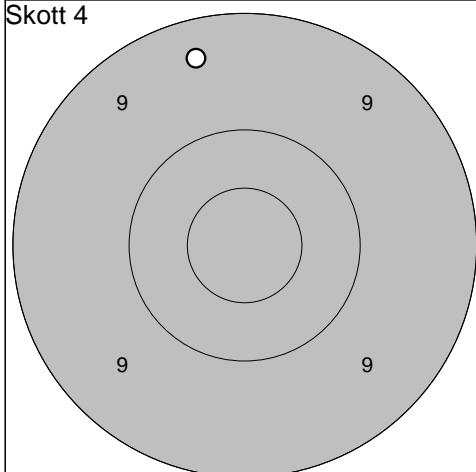
Skott 3



1: 7,2 ↘

Serie 7,0
 Totalt 357,0

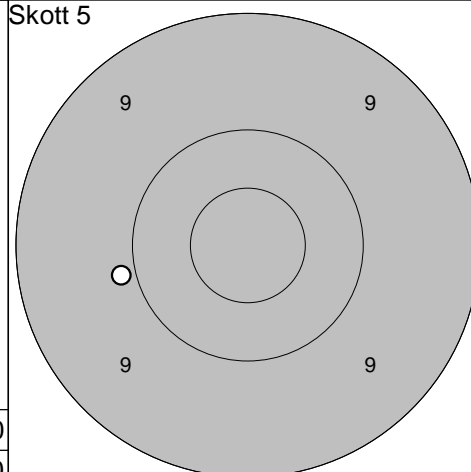
Skott 4



1: 9,4 ↑

Serie 9,0
 Totalt 366,0

Skott 5



1: 9,9 ←

Serie 9,0
 Totalt 375,0

<p>Provs skott</p>	<p>1: 9,9 ← 2: 9,3 ← 3: 8,3 ↗ 4: 5,3 ↓ 5: 6,5 →</p> <table border="1" style="width:100%; border-collapse: collapse;"> <tr><td>Serie</td><td style="text-align: right;">37,0</td></tr> <tr><td>Totalt</td><td style="text-align: right;">250,0</td></tr> </table>	Serie	37,0	Totalt	250,0	<p>Serie 1</p> <table border="1" style="width:100%; border-collapse: collapse;"> <tr><td>Serie</td><td style="text-align: right;">48,0</td></tr> <tr><td>Totalt</td><td style="text-align: right;">298,0</td></tr> </table>	Serie	48,0	Totalt	298,0
Serie	37,0									
Totalt	250,0									
Serie	48,0									
Totalt	298,0									

<p>Serie 2</p> <table border="1" style="width:100%; border-collapse: collapse;"> <tr><td>Serie</td><td style="text-align: right;">37,0</td></tr> <tr><td>Totalt</td><td style="text-align: right;">335,0</td></tr> </table>	Serie	37,0	Totalt	335,0	<p>Skott 1</p> <table border="1" style="width:100%; border-collapse: collapse;"> <tr><td>Serie</td><td style="text-align: right;">8,0</td></tr> <tr><td>Totalt</td><td style="text-align: right;">343,0</td></tr> </table>	Serie	8,0	Totalt	343,0	<p>1: 4,2 ↗ 2: 10,8* ↘ 3: 7,2 ↗ 4: 8,4 ↘ 5: 8,9 ↓</p> <p>1: 8,9 ↗</p>
Serie	37,0									
Totalt	335,0									
Serie	8,0									
Totalt	343,0									

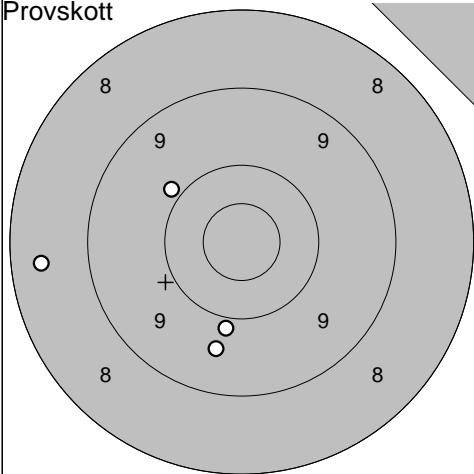
<p>Skott 2</p> <table border="1" style="width:100%; border-collapse: collapse;"> <tr><td>Serie</td><td style="text-align: right;">3,0</td></tr> <tr><td>Totalt</td><td style="text-align: right;">346,0</td></tr> </table>	Serie	3,0	Totalt	346,0	<p>Skott 3</p> <table border="1" style="width:100%; border-collapse: collapse;"> <tr><td>Serie</td><td style="text-align: right;">8,0</td></tr> <tr><td>Totalt</td><td style="text-align: right;">354,0</td></tr> </table>	Serie	8,0	Totalt	354,0	<p>1: 3,8 ←</p> <p>1: 8,5 ↘</p>
Serie	3,0									
Totalt	346,0									
Serie	8,0									
Totalt	354,0									

<p>Skott 4</p> <table border="1" style="width:100%; border-collapse: collapse;"> <tr><td>Serie</td><td style="text-align: right;">4,0</td></tr> <tr><td>Totalt</td><td style="text-align: right;">358,0</td></tr> </table>	Serie	4,0	Totalt	358,0	<p>Skott 5</p> <table border="1" style="width:100%; border-collapse: collapse;"> <tr><td>Serie</td><td style="text-align: right;">7,0</td></tr> <tr><td>Totalt</td><td style="text-align: right;">365,0</td></tr> </table>	Serie	7,0	Totalt	365,0	<p>1: 4,9 ↗</p> <p>1: 7,1 ↓</p>
Serie	4,0									
Totalt	358,0									
Serie	7,0									
Totalt	365,0									

Kvistbro

08.07.2012	Tavelträffen 2012 B Final	Ramselefors SKF
------------	---------------------------	-----------------

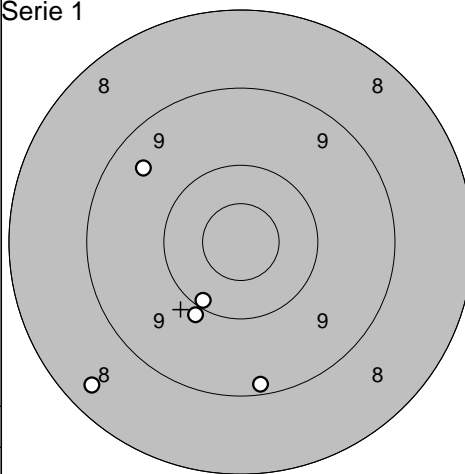
Provskott



- 1: 9,6 ↓
- 2: 9,9 ↓
- 3: 9,9 ↗
- 4: 8,4 ←

Serie	35,0
Totalt	248,0

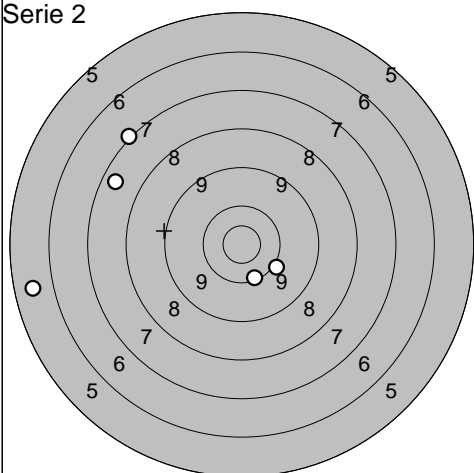
Serie 1



- 1: 9,5 ↗
- 2: 9,2 ↓
- 3: 8,4 ↙
- 4: 9,9 ↓
- 5: 10,2 ↓

Serie	45,0
Totalt	293,0

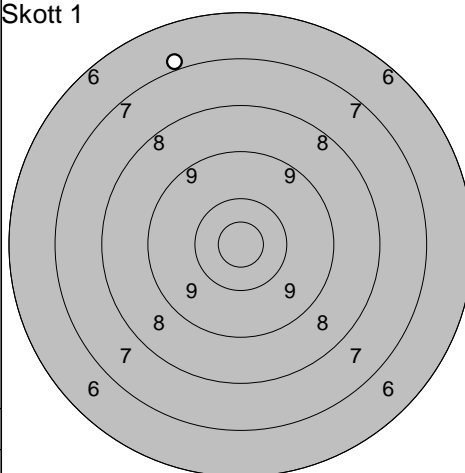
Serie 2



- 1: 5,6 ←
- 2: 10,2 ↓
- 3: 10,0 ↘
- 4: 7,5 ↗
- 5: 7,1 ↗

Serie	39,0
Totalt	332,0

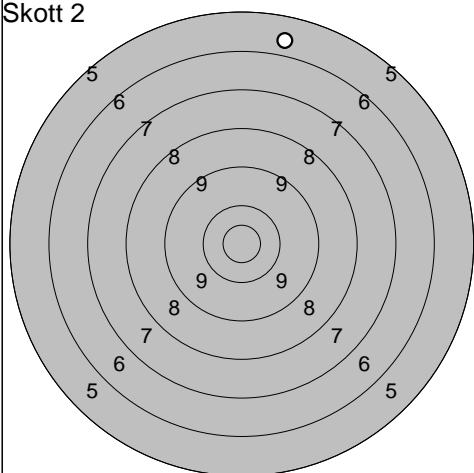
Skott 1



- 1: 6,9 ↗

Serie	6,0
Totalt	338,0

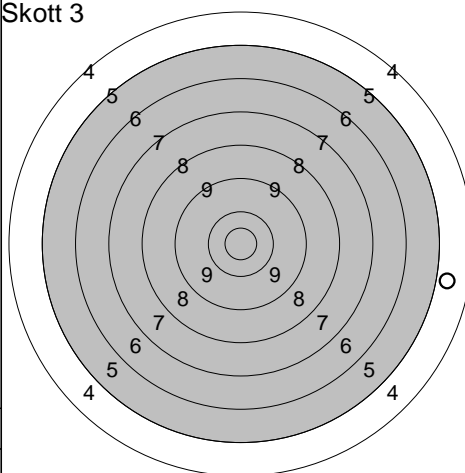
Skott 2



- 1: 5,8 ↑

Serie	5,0
Totalt	343,0

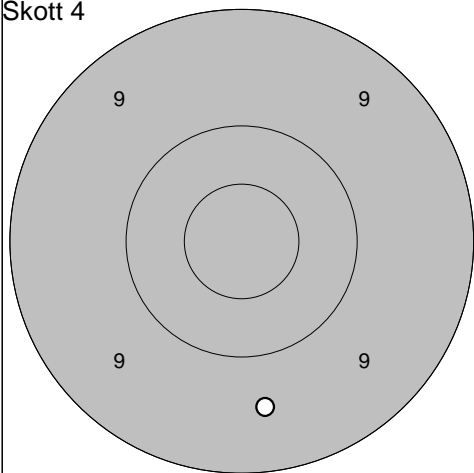
Skott 3



- 1: 4,8 →

Serie	4,0
Totalt	347,0

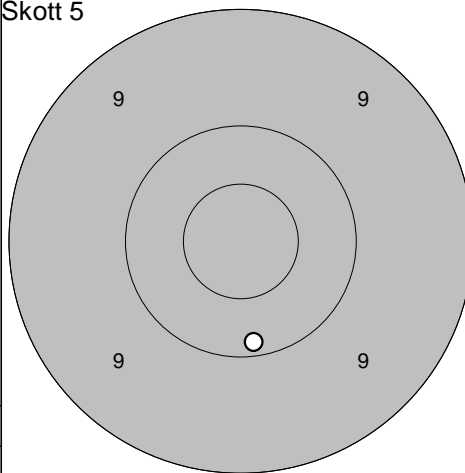
Skott 4



- 1: 9,6 ↓

Serie	9,0
Totalt	356,0

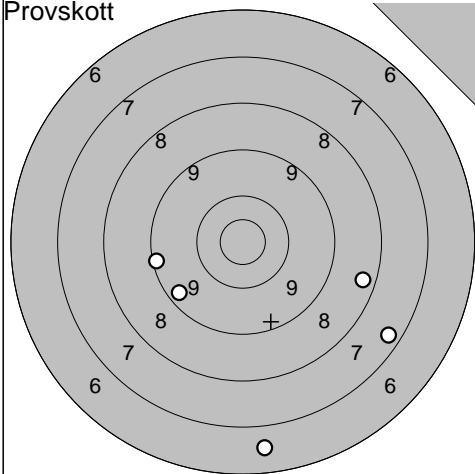
Skott 5



- 1: 10,2 ↓

Serie	10,0
Totalt	366,0

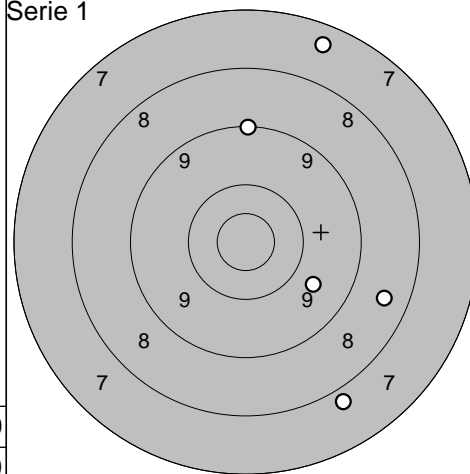
Provs-kott



- 1: 8,4 →
- 2: 7,4 ↘
- 3: 6,6 ↓
- 4: 9,2 ←
- 5: 9,4 ↙

Serie 39,0
Totalt 211,0

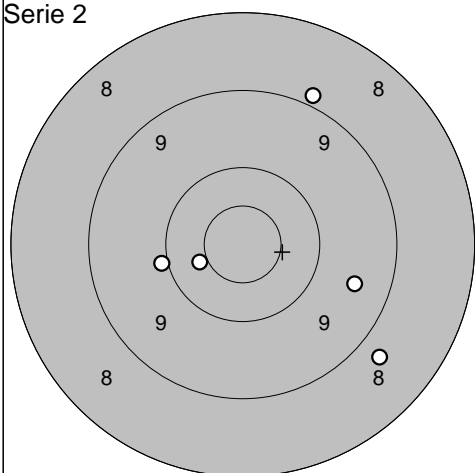
Serie 1



- 1: 7,4 ↑
- 2: 9,1 ↑
- 3: 8,5 →
- 4: 9,7 ↘
- 5: 7,8 ↓

Serie 40,0
Totalt 251,0

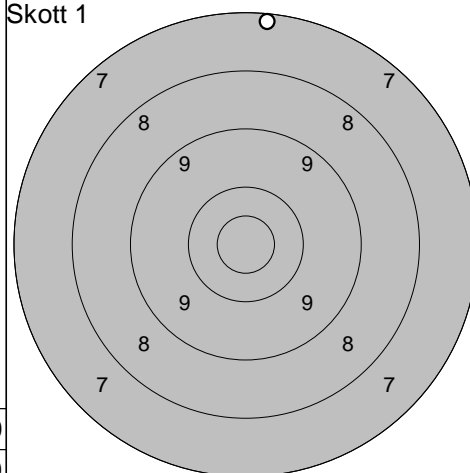
Serie 2



- 1: 8,7 ↘
- 2: 8,9 ↑
- 3: 9,5 →
- 4: 10,0 ←
- 5: 10,5* ←

Serie 45,0
Totalt 296,0

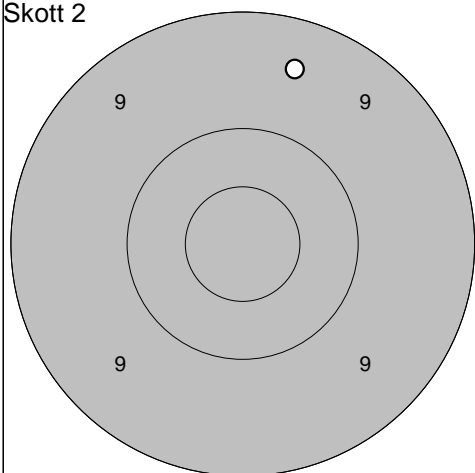
Skott 1



- 1: 7,2 ↑

Serie 7,0
Totalt 303,0

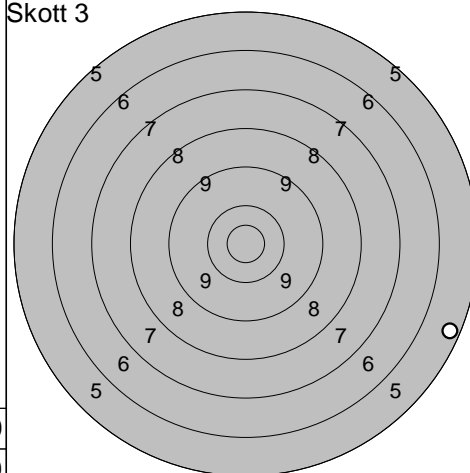
Skott 2



- 1: 9,5 ↑

Serie 9,0
Totalt 312,0

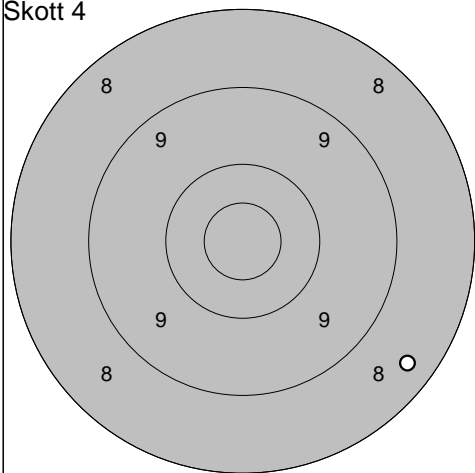
Skott 3



- 1: 5,4 →

Serie 5,0
Totalt 317,0

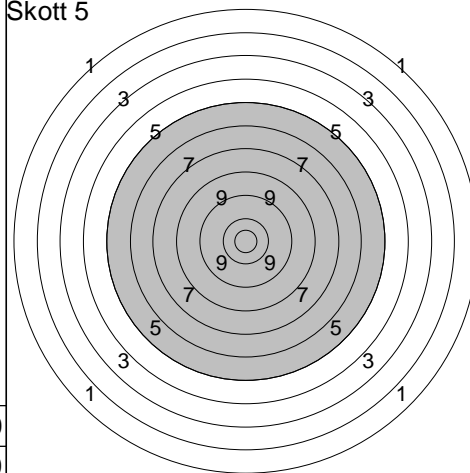
Skott 4



- 1: 8,4 ↘

Serie 8,0
Totalt 325,0

Skott 5



- 1: 0,0 ↓

Serie 0,0
Totalt 325,0