

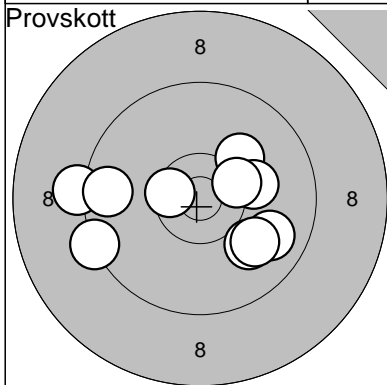
Kvistbro

2012-07-10

Tavelträffen 2012 Final

Ramselefors SKF

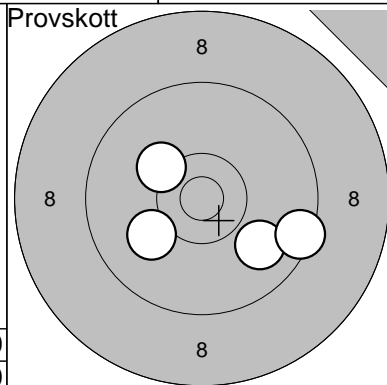
Provskott



1: 10,2 ↗  
 2: 9,3 ←  
 3: 9,2 ←  
 4: 10,5\* ←  
 5: 9,8 ↘  
 6: 10,2 →  
 7: 10,4\* →  
 8: 9,6 ←  
 9: 10,0 ↘  
 10: 10,0 ↘

Serie 96,0  
 Totalt 197,0

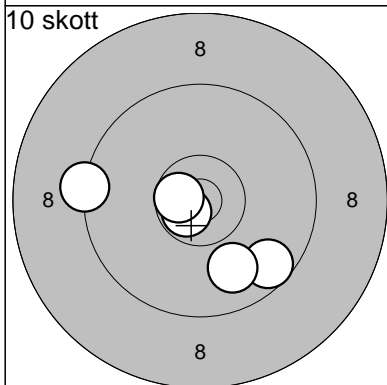
Provskott



11: 9,9 ↘  
 12: 10,2 ↗  
 13: 9,5 ↘  
 14: 10,1 ↘

Serie 38,0  
 Totalt 197,0

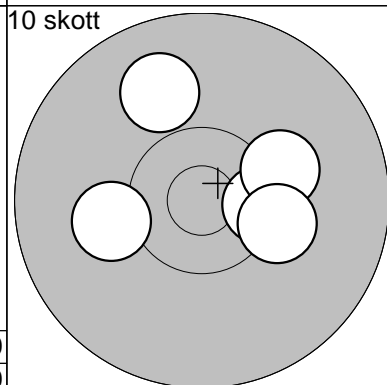
10 skott



1: 10,7\* ↘  
 2: 10,7\* ←  
 3: 9,3 ←  
 4: 9,6 ↘  
 5: 9,9 ↘

Serie 47,0  
 Totalt 244,0

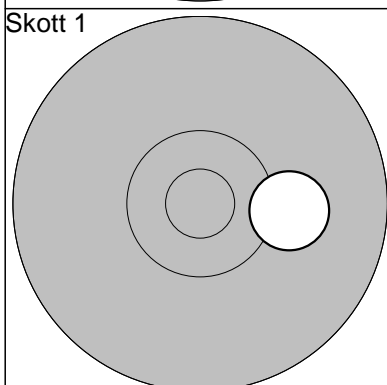
10 skott



6: 10,1 ←  
 7: 10,4\* →  
 8: 10,2 →  
 9: 9,9 ↗  
 10: 10,3 →

Serie 49,0  
 Totalt 293,0

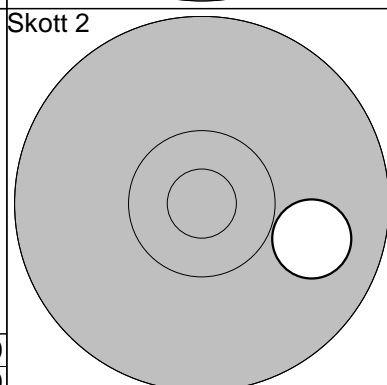
Skott 1



1: 10,2 →

Serie 10,0  
 Totalt 303,0

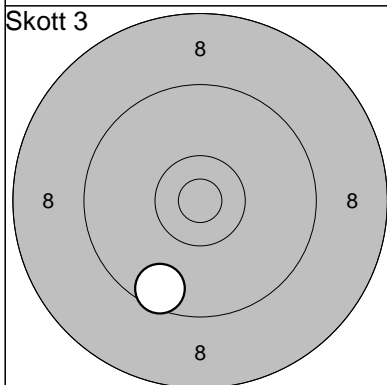
Skott 2



1: 9,9 →

Serie 9,0  
 Totalt 312,0

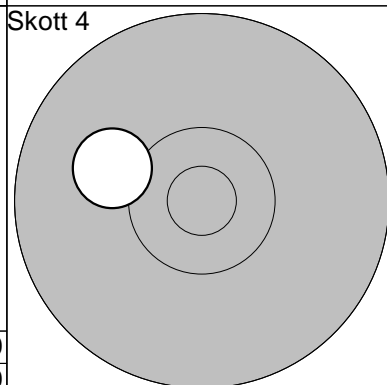
Skott 3



1: 9,6 ↘

Serie 9,0  
 Totalt 321,0

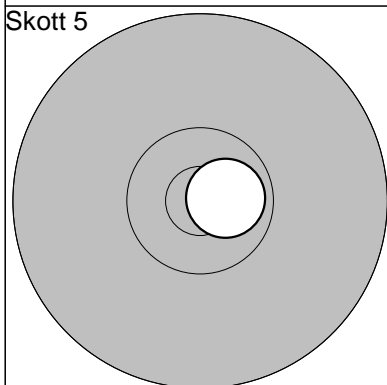
Skott 4



1: 10,1 ←

Serie 10,0  
 Totalt 331,0

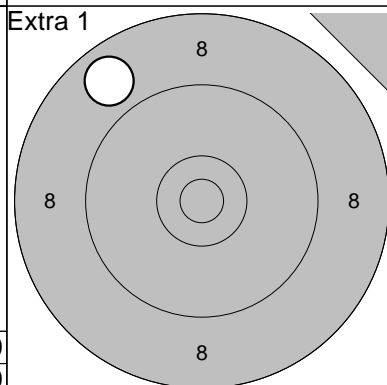
Skott 5



1: 10,7\* →

Serie 10,0  
 Totalt 341,0

Extra 1



1: 8,8 ↗

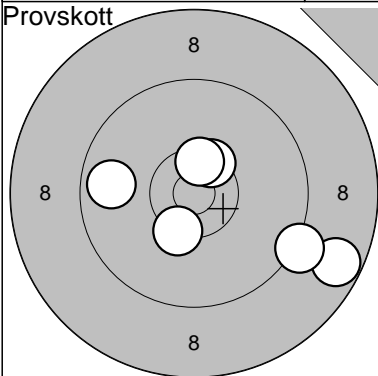
Serie 8,0  
 Totalt 341,0

2012-07-10

Tavelträffen 2012 Final

Ramselefors SKF

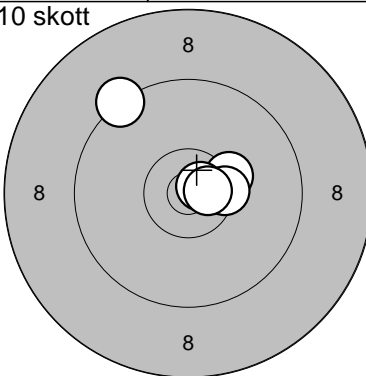
Provskott



1: 9,8 ←  
 2: 10,5\* ↗  
 3: 8,7 ↘  
 4: 10,5\* ↗  
 5: 9,2 ↘  
 6: 10,4\* ↘

Serie 56,0  
 Totalt 196,0

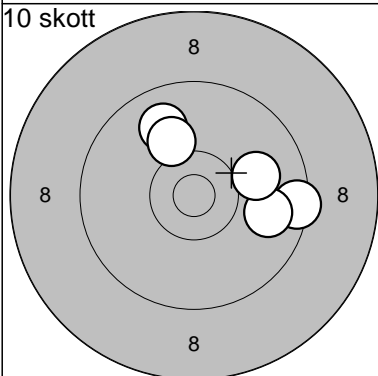
10 skott



1: 9,3 ↖  
 2: 10,3\* →  
 3: 10,7\* →  
 4: 10,4\* →  
 5: 10,7\* →

Serie 49,0  
 Totalt 245,0

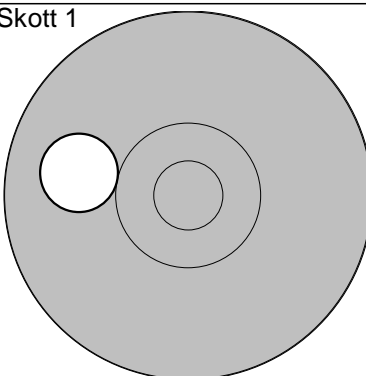
10 skott



6: 9,5 →  
 7: 9,9 →  
 8: 10,0 →  
 9: 9,9 ↗  
 10: 10,1 ↗

Serie 47,0  
 Totalt 292,0

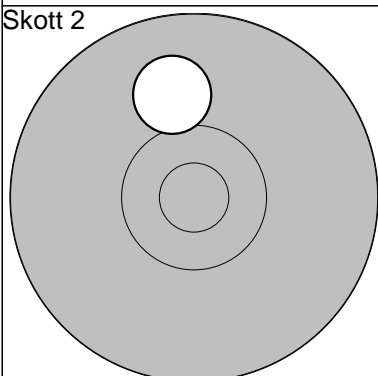
Skott 1



1: 10,0 ←

Serie 10,0  
 Totalt 302,0

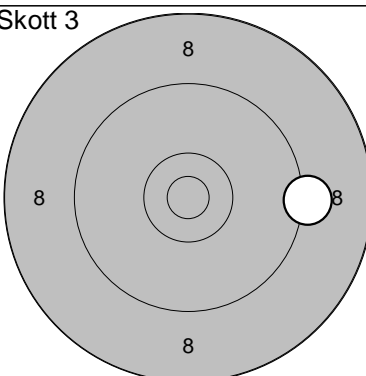
Skott 2



1: 10,0 ↑

Serie 10,0  
 Totalt 312,0

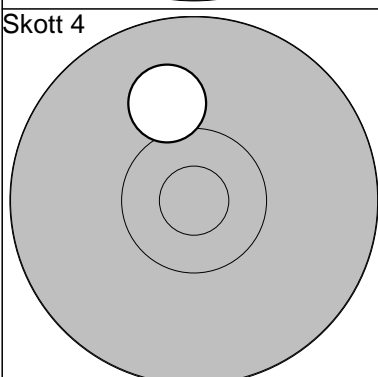
Skott 3



1: 9,2 →

Serie 9,0  
 Totalt 321,0

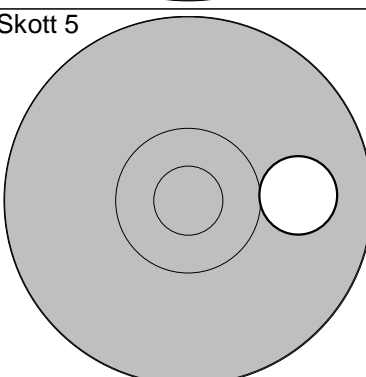
Skott 4



1: 10,1 ↑

Serie 10,0  
 Totalt 331,0

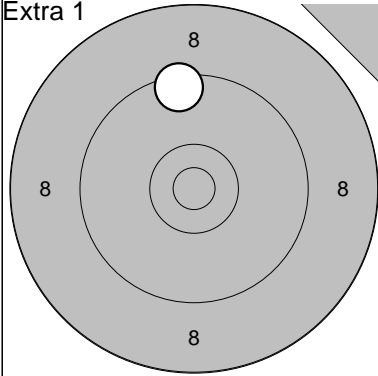
Skott 5



1: 10,0 →

Serie 10,0  
 Totalt 341,0

Extra 1

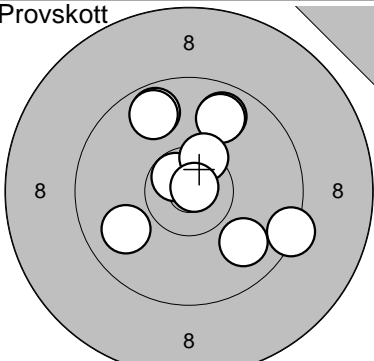
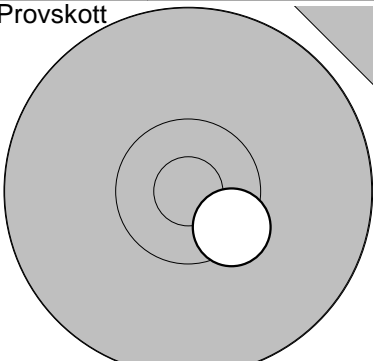


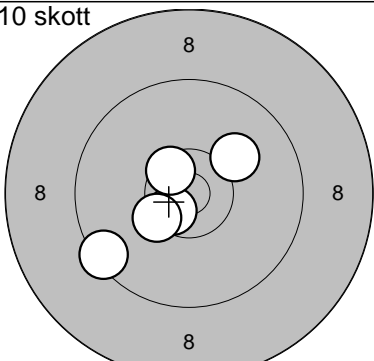
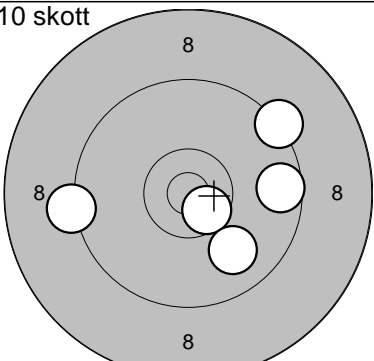
1: 9,5 ↑

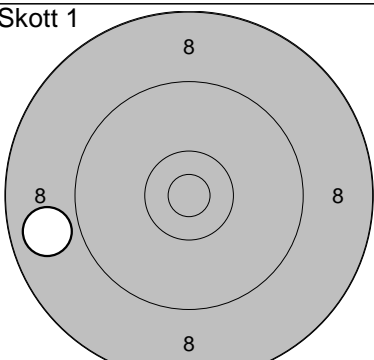
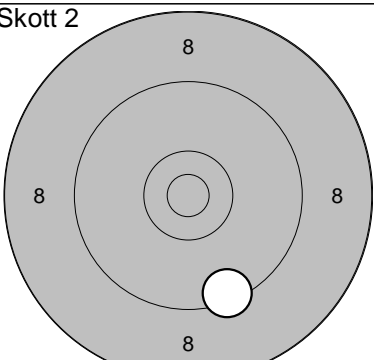
Serie 9,0  
 Totalt 341,0

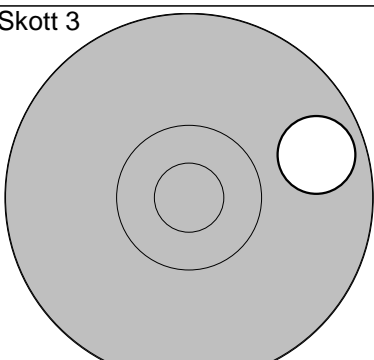
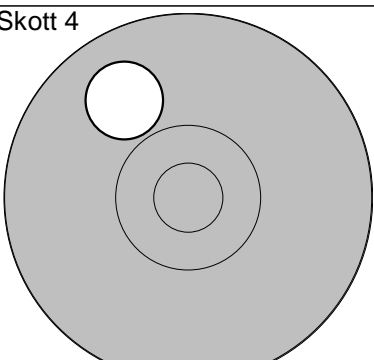
Kvistbro

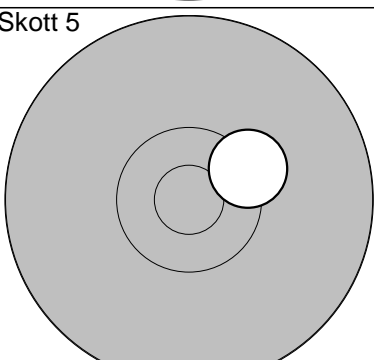
|            |                         |                 |
|------------|-------------------------|-----------------|
| 2012-07-10 | Tavelträffen 2012 Final | Ramselefors SKF |
|------------|-------------------------|-----------------|

|   |   |   |             |
|---|---|---|-------------|
| Provsnitt<br> | 1: 9,9 ↘<br>2: 9,7 ↗<br>3: 9,9 ↖<br>4: 9,4 ↘<br>5: 10,7* ↗<br>6: 9,8 ↗<br>7: 9,8 ↗<br>8: 10,4* ↗<br>9: 9,7 ↗<br>10: 10,9* ↗ | Provsnitt<br> | 11: 10,4* ↘ |
| Serie 93,0<br>Totalt 195,0  |   | Serie 10,0<br>Totalt 195,0  |             |

|  |   |  |   |
|--|---|--|---|
| 10 skott<br> | 1: 10,1 ↗<br>2: 10,6* ↖<br>3: 10,4* ↖<br>4: 9,4 ↖<br>5: 10,5* ↗ | 10 skott<br> | 6: 9,3 ↗<br>7: 10,6* ↘<br>8: 9,3 ←<br>9: 9,6 →<br>10: 9,9 ↘ |
| Serie 49,0<br>Totalt 244,0   |   | Serie 46,0<br>Totalt 290,0   |   |

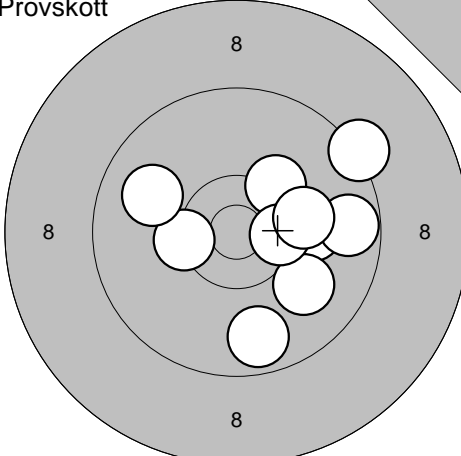
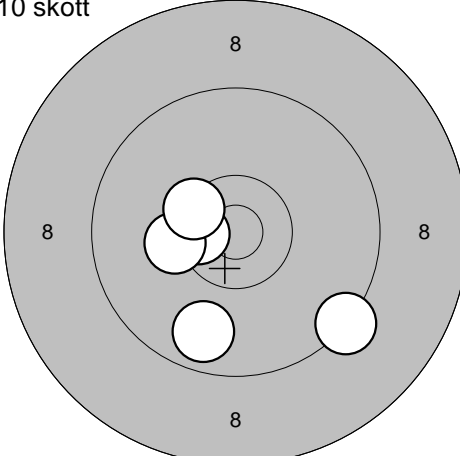
|  |          |  |          |
|--|----------|--|----------|
| Skott 1<br> | 1: 8,9 ← | Skott 2<br> | 1: 9,4 ↘ |
| Serie 8,0<br>Totalt 298,0  |          | Serie 9,0<br>Totalt 307,0  |          |

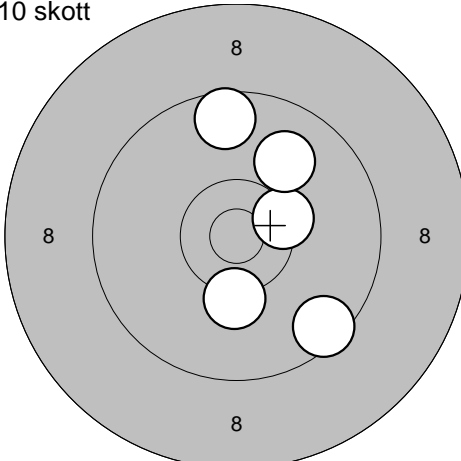
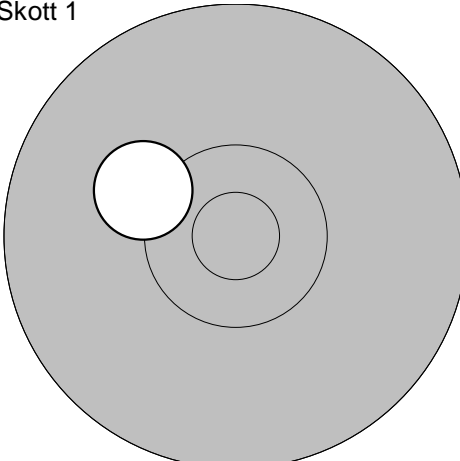
|   |          |   |          |
|---|----------|---|----------|
| Skott 3<br> | 1: 9,7 → | Skott 4<br> | 1: 9,9 ↗ |
| Serie 9,0<br>Totalt 316,0   |          | Serie 9,0<br>Totalt 325,0   |          |

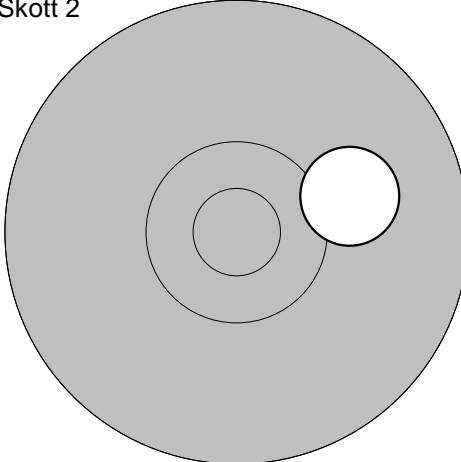
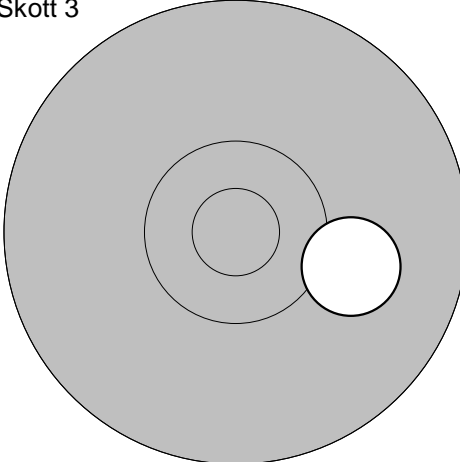
|   |            |  |  |
|---|------------|--|--|
| Skott 5<br> | 1: 10,4* → |  |  |
| Serie 10,0<br>Totalt 335,0  |            |  |  |

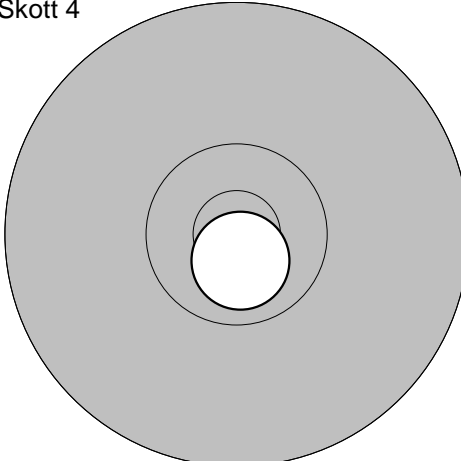
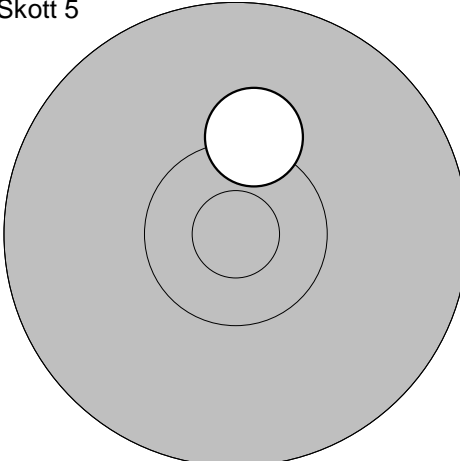
Ununge

|            |                         |                 |
|------------|-------------------------|-----------------|
| 2012-07-10 | Tavelträffen 2012 Final | Ramselefors SKF |
|------------|-------------------------|-----------------|

|   |   |       |      |        |       |  |       |      |        |       |
|---|---|-------|------|--------|-------|--|-------|------|--------|-------|
| <p>Provsnitt</p>  | <p>10 skott</p> <p>1: 10,3* ←<br/>                 2: 9,9 ↙<br/>                 3: 9,7 ↓<br/>                 4: 9,3 ↗<br/>                 5: 10,1 →<br/>                 6: 9,7 →<br/>                 7: 10,3 ↗<br/>                 8: 10,0 ↘<br/>                 9: 10,4* →<br/>                 10: 10,2 →</p> <table border="1" style="width:100%; border-collapse: collapse;"> <tr><td>Serie</td><td style="text-align: right;">96,0</td></tr> <tr><td>Totalt</td><td style="text-align: right;">194,0</td></tr> </table> | Serie | 96,0 | Totalt | 194,0 |  <p>1: 10,5* ←<br/>                 2: 10,3 ←<br/>                 3: 9,3 ↘<br/>                 4: 9,8 ↓<br/>                 5: 10,4* ↗</p> <table border="1" style="width:100%; border-collapse: collapse;"> <tr><td>Serie</td><td style="text-align: right;">48,0</td></tr> <tr><td>Totalt</td><td style="text-align: right;">242,0</td></tr> </table> | Serie | 48,0 | Totalt | 242,0 |
| Serie   | 96,0  |       |      |        |       |  |       |      |        |       |
| Totalt  | 194,0   |       |      |        |       |  |       |      |        |       |
| Serie   | 48,0  |       |      |        |       |  |       |      |        |       |
| Totalt  | 242,0   |       |      |        |       |  |       |      |        |       |

|   |   |       |      |        |       |   |       |      |        |       |
|---|---|-------|------|--------|-------|---|-------|------|--------|-------|
| <p>10 skott</p>  | <p>Skott 1</p> <p>6: 10,4* →<br/>                 7: 9,6 ↑<br/>                 8: 9,5 ↘<br/>                 9: 10,2 ↓<br/>                 10: 9,9 ↗</p> <table border="1" style="width:100%; border-collapse: collapse;"> <tr><td>Serie</td><td style="text-align: right;">47,0</td></tr> <tr><td>Totalt</td><td style="text-align: right;">289,0</td></tr> </table> | Serie | 47,0 | Totalt | 289,0 |  <p>1: 10,2 ↙</p> <table border="1" style="width:100%; border-collapse: collapse;"> <tr><td>Serie</td><td style="text-align: right;">10,0</td></tr> <tr><td>Totalt</td><td style="text-align: right;">299,0</td></tr> </table> | Serie | 10,0 | Totalt | 299,0 |
| Serie   | 47,0  |       |      |        |       |   |       |      |        |       |
| Totalt  | 289,0   |       |      |        |       |   |       |      |        |       |
| Serie   | 10,0  |       |      |        |       |   |       |      |        |       |
| Totalt  | 299,0   |       |      |        |       |   |       |      |        |       |

|   |  |       |      |        |       |  |       |      |        |       |
|---|--|-------|------|--------|-------|--|-------|------|--------|-------|
| <p>Skott 2</p>  | <p>Skott 3</p> <p>1: 10,1 →</p> <table border="1" style="width:100%; border-collapse: collapse;"> <tr><td>Serie</td><td style="text-align: right;">10,0</td></tr> <tr><td>Totalt</td><td style="text-align: right;">309,0</td></tr> </table> | Serie | 10,0 | Totalt | 309,0 |  <p>1: 10,1 →</p> <table border="1" style="width:100%; border-collapse: collapse;"> <tr><td>Serie</td><td style="text-align: right;">10,0</td></tr> <tr><td>Totalt</td><td style="text-align: right;">319,0</td></tr> </table> | Serie | 10,0 | Totalt | 319,0 |
| Serie   | 10,0   |       |      |        |       |  |       |      |        |       |
| Totalt  | 309,0  |       |      |        |       |  |       |      |        |       |
| Serie   | 10,0   |       |      |        |       |  |       |      |        |       |
| Totalt  | 319,0  |       |      |        |       |  |       |      |        |       |

|   |   |       |      |        |       |  |       |      |        |       |
|---|---|-------|------|--------|-------|--|-------|------|--------|-------|
| <p>Skott 4</p>  | <p>Skott 5</p> <p>1: 10,8* ↓</p> <table border="1" style="width:100%; border-collapse: collapse;"> <tr><td>Serie</td><td style="text-align: right;">10,0</td></tr> <tr><td>Totalt</td><td style="text-align: right;">329,0</td></tr> </table> | Serie | 10,0 | Totalt | 329,0 |  <p>1: 10,3 ↑</p> <table border="1" style="width:100%; border-collapse: collapse;"> <tr><td>Serie</td><td style="text-align: right;">10,0</td></tr> <tr><td>Totalt</td><td style="text-align: right;">339,0</td></tr> </table> | Serie | 10,0 | Totalt | 339,0 |
| Serie   | 10,0  |       |      |        |       |  |       |      |        |       |
| Totalt  | 329,0   |       |      |        |       |  |       |      |        |       |
| Serie   | 10,0  |       |      |        |       |  |       |      |        |       |
| Totalt  | 339,0   |       |      |        |       |  |       |      |        |       |

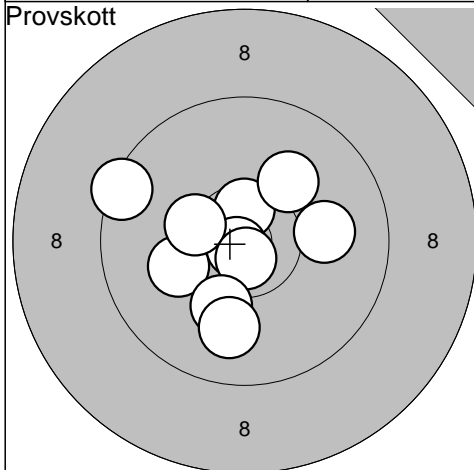
Niemisel

2012-07-10

Tavelträffen 2012 Final

Ramselefors SKF

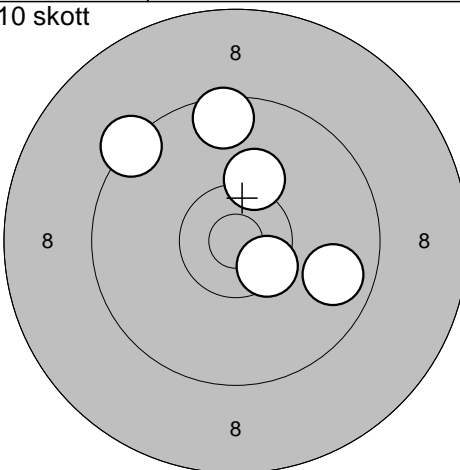
Provskott



- 1: 10,6\* ↑
- 2: 10,1 ↗
- 3: 9,4 ↖
- 4: 10,8\* ↘
- 5: 10,1 ←
- 6: 10,4\* ↙
- 7: 10,7\* ↓
- 8: 10,0 →
- 9: 10,2 ↘
- 10: 9,9 ↓

|        |       |
|--------|-------|
| Serie  | 98,0  |
| Totalt | 193,0 |

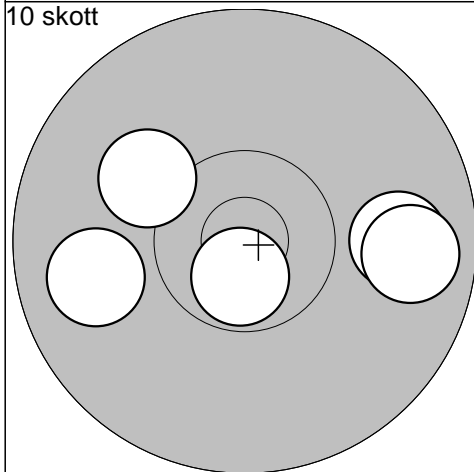
10 skott



- 1: 9,3 ↖
- 2: 9,5 ↑
- 3: 9,8 →
- 4: 10,2 ↑
- 5: 10,5\* ↘

|        |       |
|--------|-------|
| Serie  | 47,0  |
| Totalt | 240,0 |

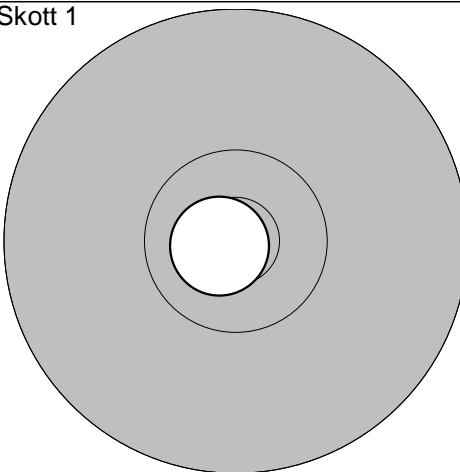
10 skott



- 6: 9,9 →
- 7: 10,1 ↖
- 8: 10,7\* ↓
- 9: 9,9 ←
- 10: 9,8 →

|        |       |
|--------|-------|
| Serie  | 47,0  |
| Totalt | 287,0 |

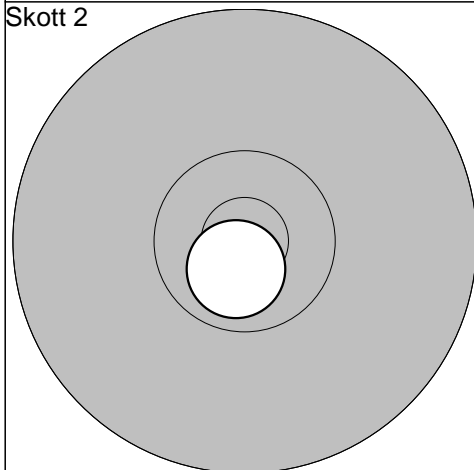
Skott 1



- 1: 10,8\* ←

|        |       |
|--------|-------|
| Serie  | 10,0  |
| Totalt | 297,0 |

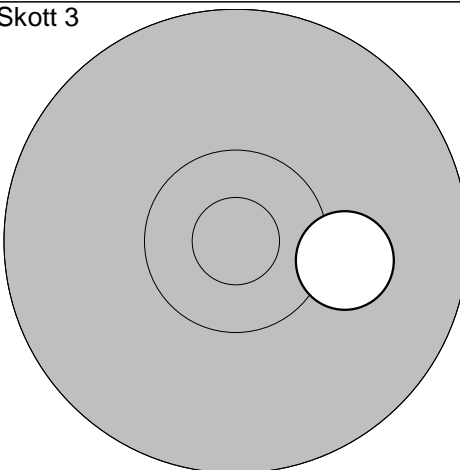
Skott 2



- 1: 10,7\* ↓

|        |       |
|--------|-------|
| Serie  | 10,0  |
| Totalt | 307,0 |

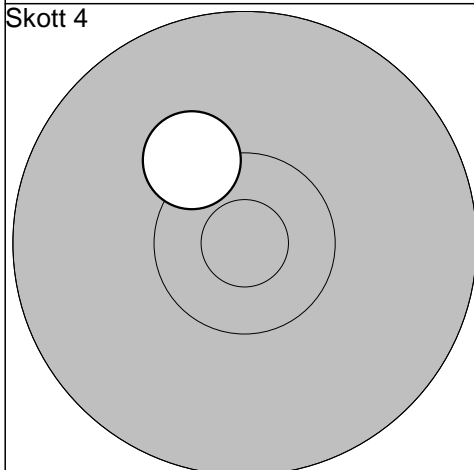
Skott 3



- 1: 10,2 →

|        |       |
|--------|-------|
| Serie  | 10,0  |
| Totalt | 317,0 |

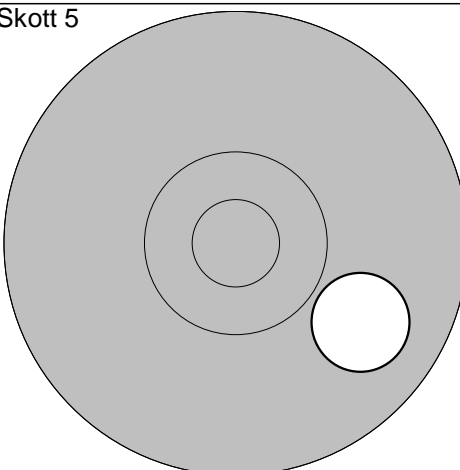
Skott 4



- 1: 10,3 ↖

|        |       |
|--------|-------|
| Serie  | 10,0  |
| Totalt | 327,0 |

Skott 5



- 1: 9,9 ↘

|        |       |
|--------|-------|
| Serie  | 9,0   |
| Totalt | 336,0 |

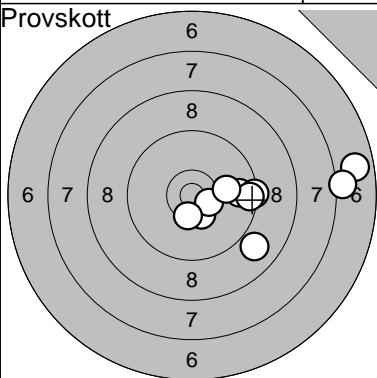
Kvistbro

2012-07-10

Tavelträffen 2012 Final

Ramselefors SKF

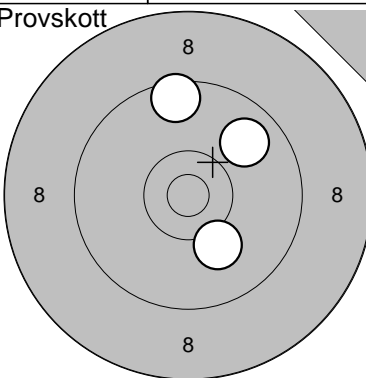
Provsnitt



- 1: 6,8 →
- 2: 7,1 →
- 3: 9,8 →
- 4: 8,9 ↘
- 5: 9,4 →
- 6: 9,5 →
- 7: 10,4\* ↘
- 8: 10,5\* ↘
- 9: 10,4\* ↘
- 10: 10,1 →

Serie 88,0  
Totalt 193,0

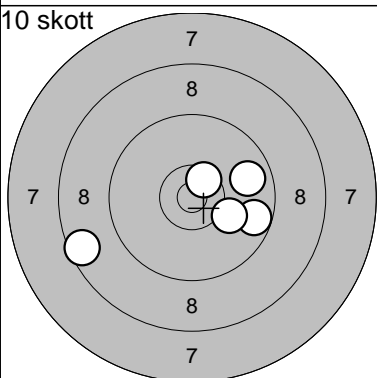
Provsnitt



- 11: 9,5 ↑
- 12: 9,8 ↗
- 13: 10,1 ↓

Serie 28,0  
Totalt 193,0

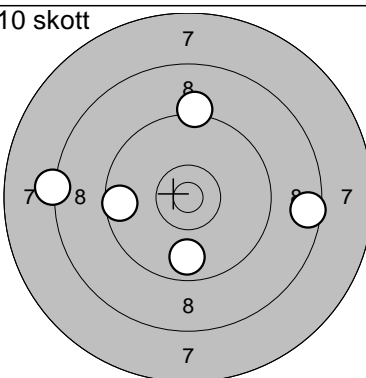
10 skott



- 1: 9,8 →
- 2: 9,7 →
- 3: 10,5\* ↗
- 4: 10,1 ↘
- 5: 8,6 ←

Serie 46,0  
Totalt 239,0

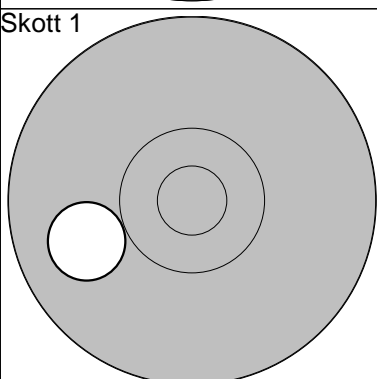
10 skott



- 6: 9,6 ←
- 7: 8,3 ←
- 8: 8,6 →
- 9: 9,2 ↑
- 10: 9,8 ↓

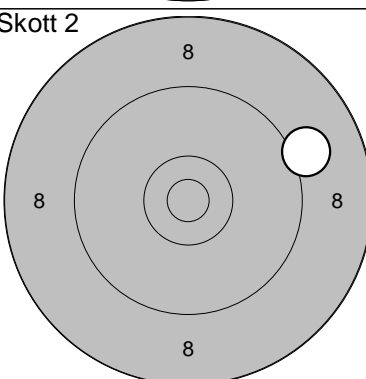
Serie 43,0  
Totalt 282,0

Skott 1



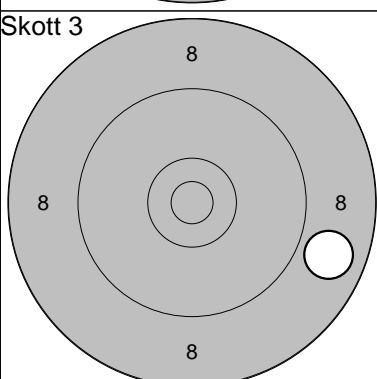
1: 9,9 ←  
Serie 9,0  
Totalt 291,0

Skott 2



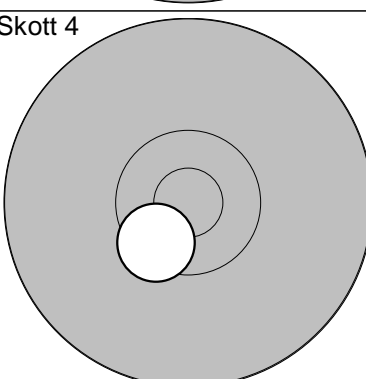
1: 9,1 →  
Serie 9,0  
Totalt 300,0

Skott 3



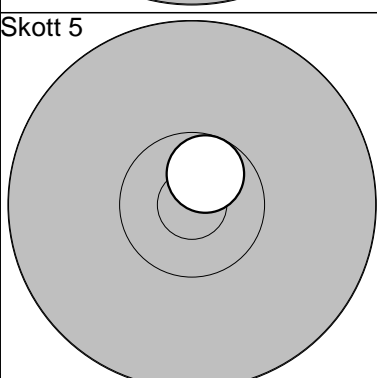
1: 8,8 →  
Serie 8,0  
Totalt 308,0

Skott 4



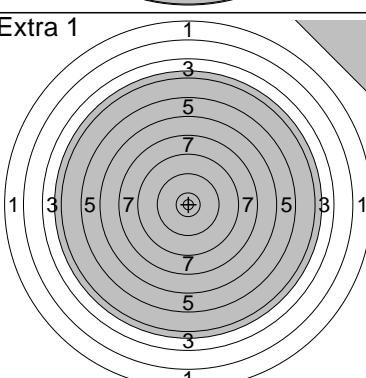
1: 10,5\* ↘  
Serie 10,0  
Totalt 318,0

Skott 5



1: 10,7\* ↑  
Serie 10,0  
Totalt 328,0

Extra 1



1: 0,0  
2: 0,0  
Serie 0,0  
Totalt 328,0

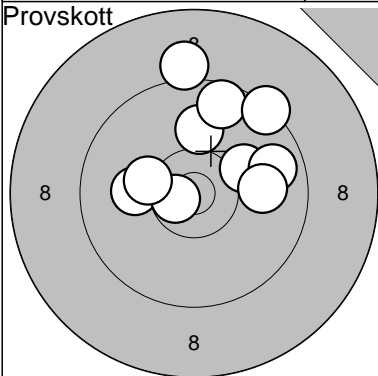
Ramselefors

2012-07-10

Tavelträffen 2012 Final

Ramselefors SKF

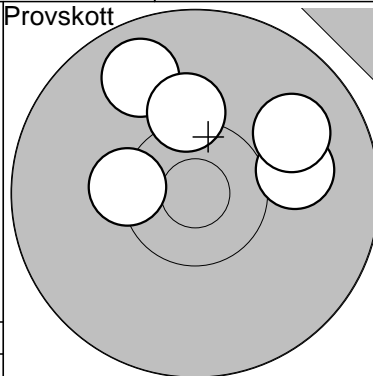
Provskott



- 1: 9,1    ↑
- 2: 10,0    ↑
- 3: 10,1    ←
- 4: 10,1    →
- 5: 9,8    →
- 6: 9,6    ↑
- 7: 9,4    ↗
- 8: 10,7\*    ←
- 9: 10,3    ←
- 10: 10,0    →

Serie 96,0  
Totalt 192,0

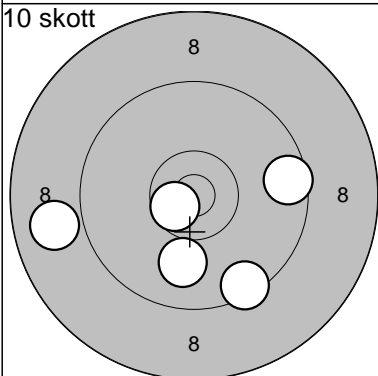
Provskott



- 11: 10,3\*    ←
- 12: 9,8    ↗
- 13: 10,2    ↑
- 14: 10,0    →
- 15: 9,9    ↗

Serie 48,0  
Totalt 192,0

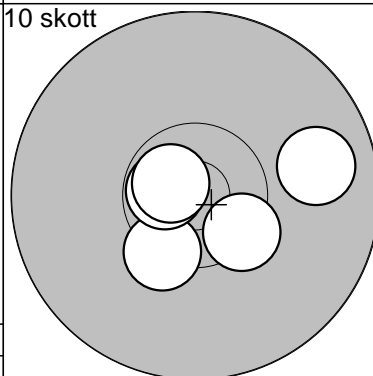
10 skott



- 1: 9,5    ↓
- 2: 8,9    ←
- 3: 10,0    ↓
- 4: 10,6\*    ←
- 5: 9,6    →

Serie 46,0  
Totalt 238,0

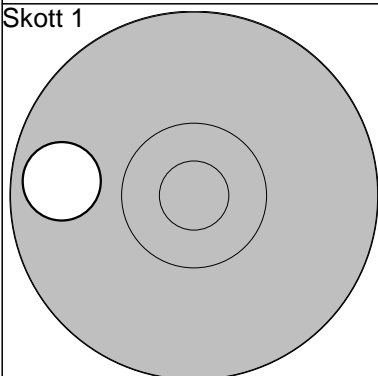
10 skott



- 6: 10,4\*    ↓
- 7: 9,8    →
- 8: 10,7\*    ←
- 9: 10,7\*    ↗
- 10: 10,4\*    ↓

Serie 49,0  
Totalt 287,0

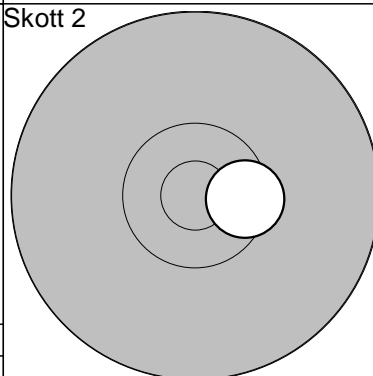
Skott 1



- 1: 9,8    ←

Serie 9,0  
Totalt 296,0

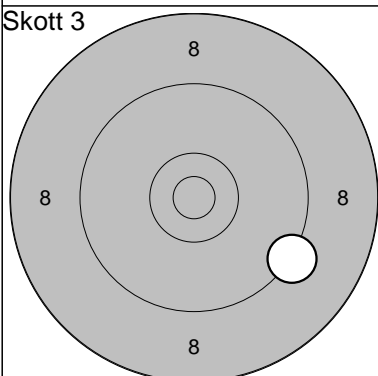
Skott 2



- 1: 10,5\*    →

Serie 10,0  
Totalt 306,0

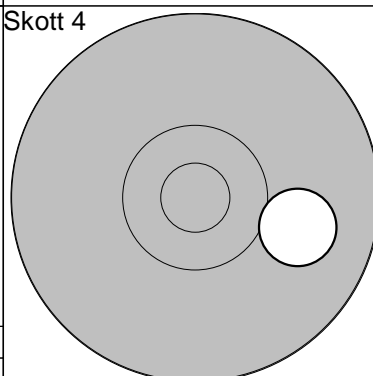
Skott 3



- 1: 9,3    ↘

Serie 9,0  
Totalt 315,0

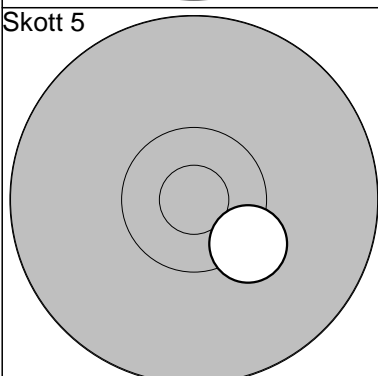
Skott 4



- 1: 10,0    →

Serie 10,0  
Totalt 325,0

Skott 5

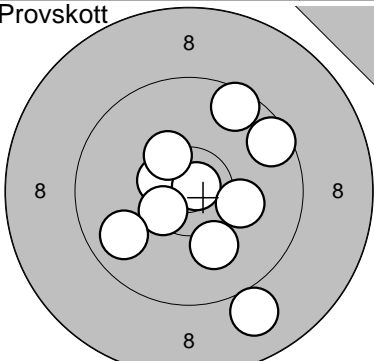
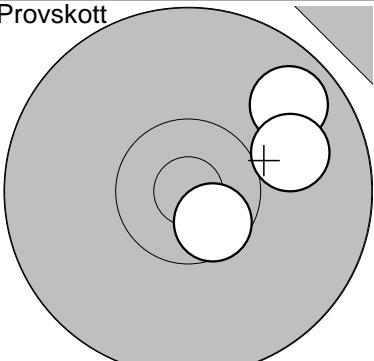


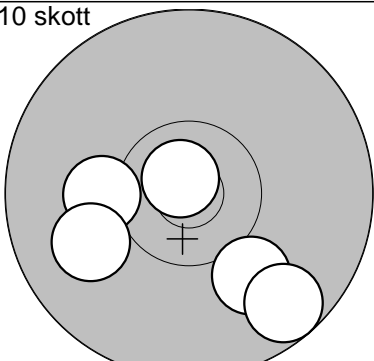
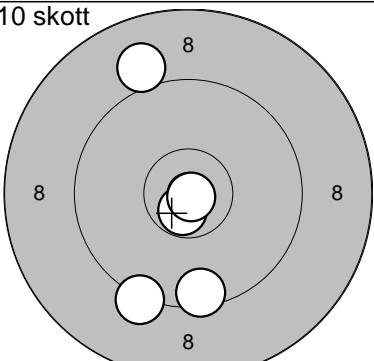
- 1: 10,3\*    ↘

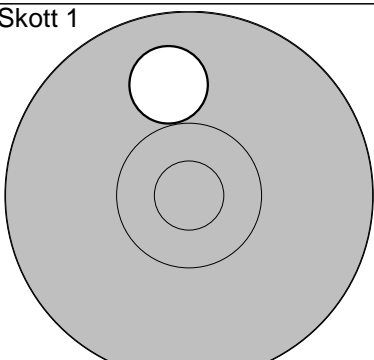
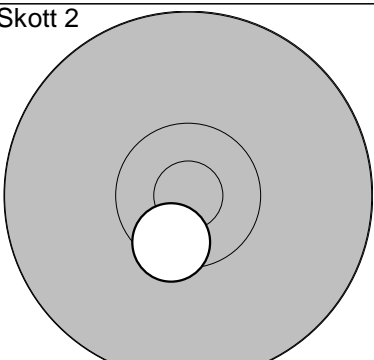
Serie 10,0  
Totalt 335,0

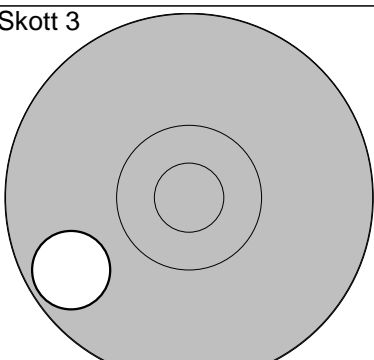
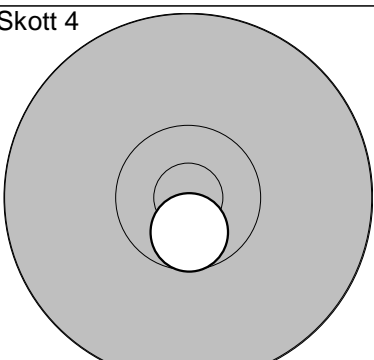
Ramselefors

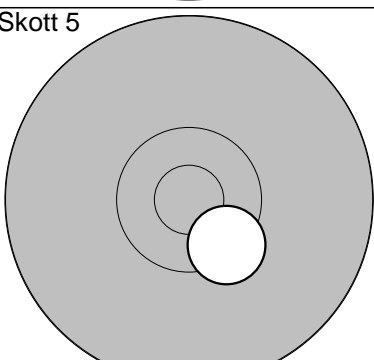
|            |                         |                 |
|------------|-------------------------|-----------------|
| 2012-07-10 | Tavelträffen 2012 Final | Ramselefors SKF |
|------------|-------------------------|-----------------|

|  |   |  |  |
|--|---|--|--|
| Provsrott  |   | Provsrott  |  |
|  | 1: 9,6 ↗<br>2: 9,0 ↘<br>3: 10,5* ↗<br>4: 10,8* ↗<br>5: 10,4* ↗<br>6: 10,5* ↘<br>7: 9,6 ↗<br>8: 10,2 ↘<br>9: 9,8 ↘<br>10: 10,1 ↘ |  | 11: 9,8 ↗<br>12: 10,0 ↗<br>13: 10,6* ↘ |
| Serie 96,0   |   | Serie 29,0   |  |
| Totalt 191,0   |   | Totalt 191,0   |  |

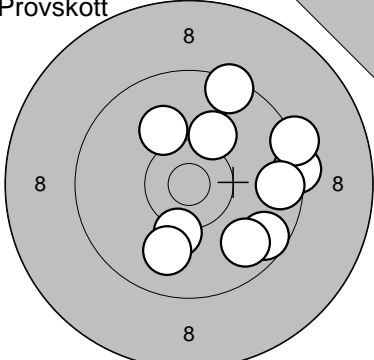
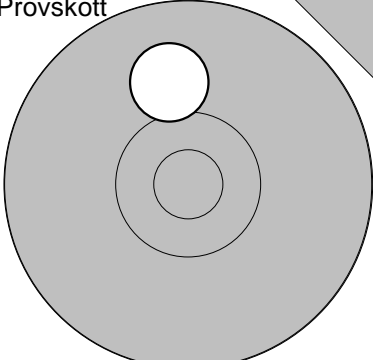
|  |   |  |   |
|--|---|--|---|
| 10 skott   |   | 10 skott   |   |
|  | 1: 10,0 ↘<br>2: 10,2 ↖<br>3: 9,7 ↘<br>4: 10,0 ↖<br>5: 10,8* ↗ |  | 6: 9,0 ↖<br>7: 10,7* ↘<br>8: 9,5 ↘<br>9: 9,3 ↘<br>10: 10,9* ↘ |
| Serie 49,0   |   | Serie 47,0   |   |
| Totalt 240,0   |   | Totalt 287,0   |   |

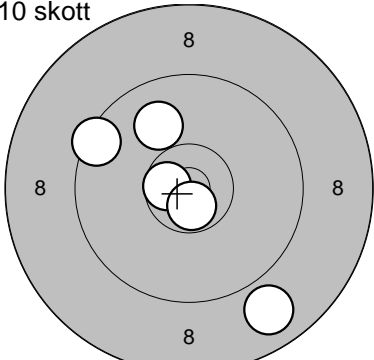
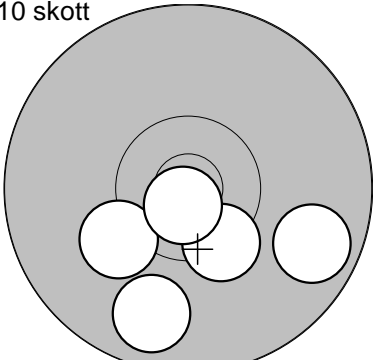
|   |          |   |            |
|---|----------|---|------------|
| Skott 1   |          | Skott 2   |            |
|  | 1: 9,9 ↖ |  | 1: 10,5* ↘ |
| Serie 9,0   |          | Serie 10,0  |            |
| Totalt 296,0  |          | Totalt 306,0  |            |

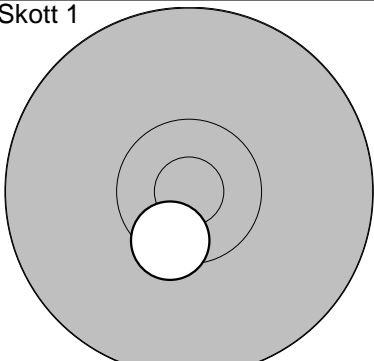
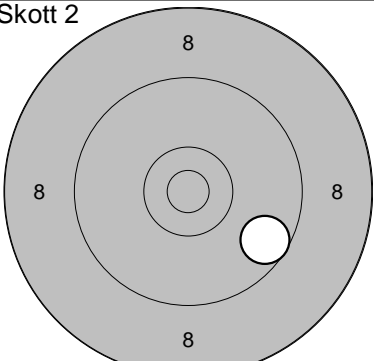
|  |          |  |            |
|--|----------|--|------------|
| Skott 3  |          | Skott 4  |            |
|  | 1: 9,7 ↖ |  | 1: 10,6* ↘ |
| Serie 9,0  |          | Serie 10,0   |            |
| Totalt 315,0   |          | Totalt 325,0   |            |

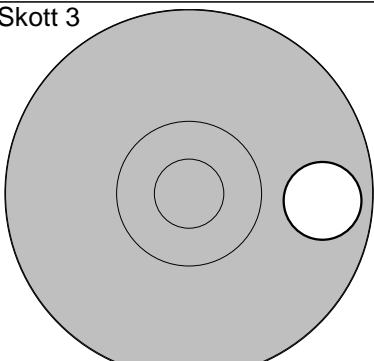
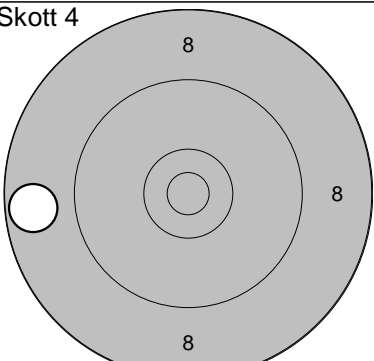
|  |            |  |  |
|--|------------|--|--|
| Skott 5  |            |  |  |
|  | 1: 10,4* ↘ |  |  |
| Serie 10,0   |            |  |  |
| Totalt 335,0   |            |  |  |

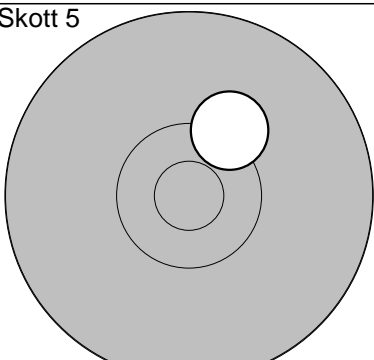


|   |  |   |            |
|---|--|---|------------|
| Provsnitt<br> | 1: 9,5 ↑<br>2: 10,2 ↑↑<br>3: 9,4 →<br>4: 9,6 ↓<br>5: 10,1 ↑↑<br>6: 10,2 ↓<br>7: 9,3 →<br>8: 9,9 ↓<br>9: 9,8 ↓<br>10: 9,6 → | Provsnitt<br> | 11: 10,0 ↑ |
| Serie 93,0<br>Totalt 191,0  |  | Serie 10,0<br>Totalt 191,0  |            |

|  |   |  |  |
|--|---|--|--|
| 10 skott<br> | 1: 10,0 ↑<br>2: 9,5 ↑↑<br>3: 10,6* ↑↑<br>4: 10,7* ↓<br>5: 8,9 ↓ | 10 skott<br> | 6: 10,4* ↓<br>7: 9,7 →<br>8: 9,8 ↓<br>9: 10,2 ↓<br>10: 10,8* ↓ |
| Serie 47,0<br>Totalt 238,0   |   | Serie 48,0<br>Totalt 286,0   |  |

|  |            |  |          |
|--|------------|--|----------|
| Skott 1<br> | 1: 10,5* ↓ | Skott 2<br> | 1: 9,6 → |
| Serie 10,0<br>Totalt 296,0   |            | Serie 9,0<br>Totalt 305,0  |          |

|   |          |   |          |
|---|----------|---|----------|
| Skott 3<br> | 1: 9,7 → | Skott 4<br> | 1: 8,7 ← |
| Serie 9,0<br>Totalt 314,0   |          | Serie 8,0<br>Totalt 322,0   |          |

|   |           |  |  |
|---|-----------|--|--|
| Skott 5<br> | 1: 10,3 ↑ |  |  |
| Serie 10,0<br>Totalt 332,0  |           |  |  |

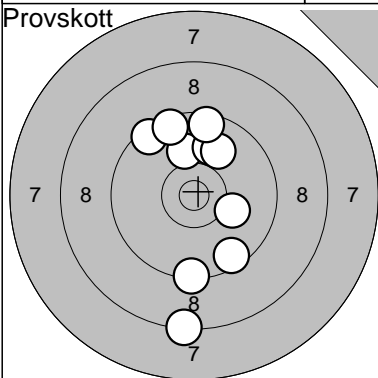
Ramselefors

2012-07-10

Tavelträffen 2012 Final

Ramselefors SKF

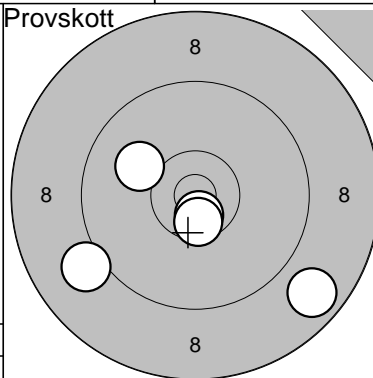
Provskott



|     |      |   |
|-----|------|---|
| 1:  | 9,5  | ↗ |
| 2:  | 10,1 | ↗ |
| 3:  | 10,0 | ↗ |
| 4:  | 9,5  | ↗ |
| 5:  | 10,0 | ↗ |
| 6:  | 9,5  | ↗ |
| 7:  | 10,1 | ↘ |
| 8:  | 8,3  | ↘ |
| 9:  | 9,5  | ↘ |
| 10: | 9,4  | ↘ |

|        |       |
|--------|-------|
| Serie  | 93,0  |
| Totalt | 190,0 |

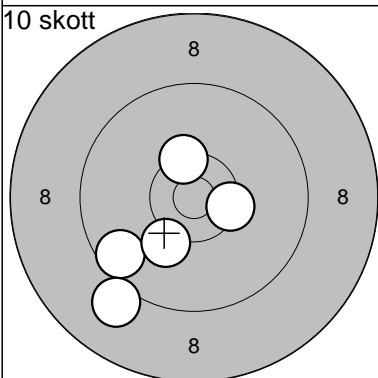
Provskott



|     |       |   |
|-----|-------|---|
| 11: | 10,1  | ↖ |
| 12: | 10,7* | ↓ |
| 13: | 10,6* | ↓ |
| 14: | 8,8   | ↘ |
| 15: | 9,1   | ↖ |

|        |       |
|--------|-------|
| Serie  | 47,0  |
| Totalt | 190,0 |

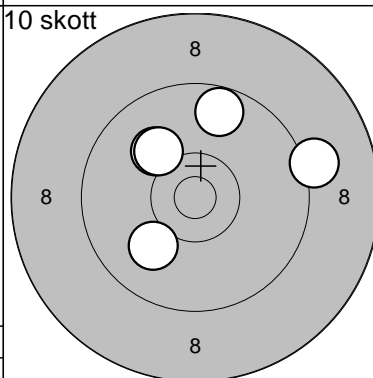
10 skott



|    |       |   |
|----|-------|---|
| 1: | 9,6   | ↘ |
| 2: | 10,4* | ↗ |
| 3: | 10,4* | → |
| 4: | 9,1   | ↘ |
| 5: | 10,2  | ↘ |

|        |       |
|--------|-------|
| Serie  | 48,0  |
| Totalt | 238,0 |

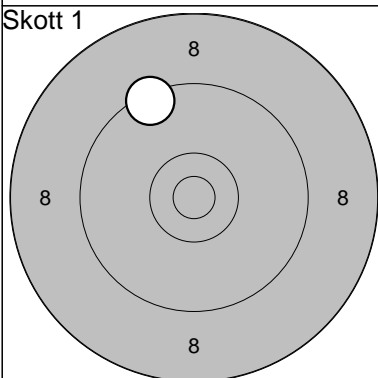
10 skott



|     |      |   |
|-----|------|---|
| 6:  | 10,0 | ↘ |
| 7:  | 10,1 | ↗ |
| 8:  | 10,1 | ↗ |
| 9:  | 9,2  | → |
| 10: | 9,7  | ↗ |

|        |       |
|--------|-------|
| Serie  | 48,0  |
| Totalt | 286,0 |

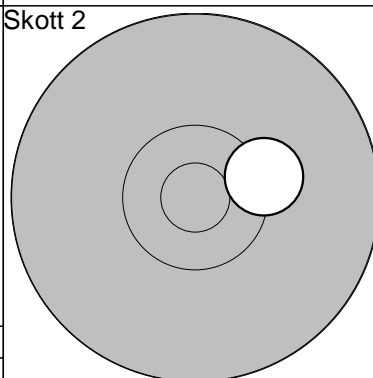
Skott 1



|    |     |   |
|----|-----|---|
| 1: | 9,4 | ↖ |
|----|-----|---|

|        |       |
|--------|-------|
| Serie  | 9,0   |
| Totalt | 295,0 |

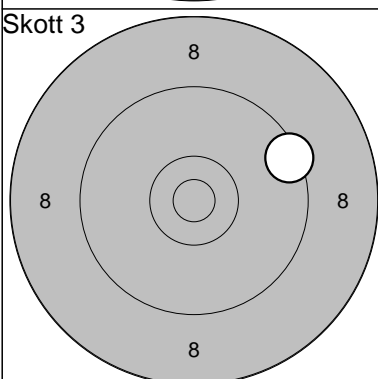
Skott 2



|    |       |   |
|----|-------|---|
| 1: | 10,3* | → |
|----|-------|---|

|        |       |
|--------|-------|
| Serie  | 10,0  |
| Totalt | 305,0 |

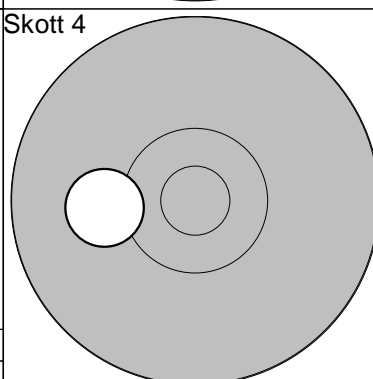
Skott 3



|    |     |   |
|----|-----|---|
| 1: | 9,4 | → |
|----|-----|---|

|        |       |
|--------|-------|
| Serie  | 9,0   |
| Totalt | 314,0 |

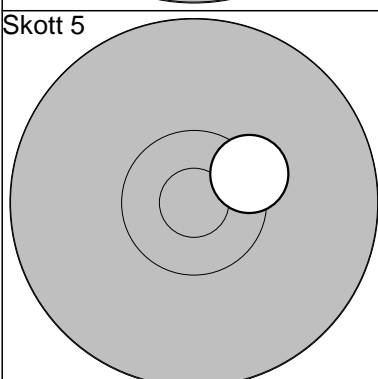
Skott 4



|    |      |   |
|----|------|---|
| 1: | 10,1 | ← |
|----|------|---|

|        |       |
|--------|-------|
| Serie  | 10,0  |
| Totalt | 324,0 |

Skott 5



|    |       |   |
|----|-------|---|
| 1: | 10,4* | → |
|----|-------|---|

|        |       |
|--------|-------|
| Serie  | 10,0  |
| Totalt | 334,0 |

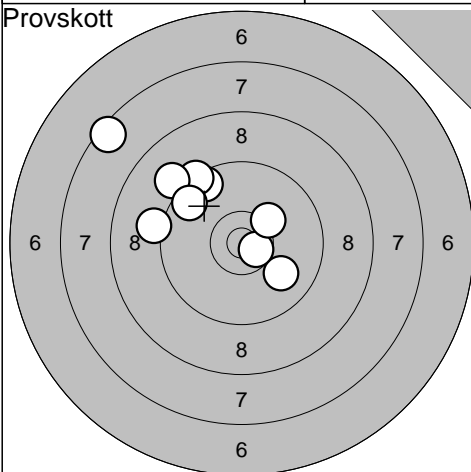
Ununge

2012-07-10

Tavelträffen 2012 Final

Ramselefors SKF

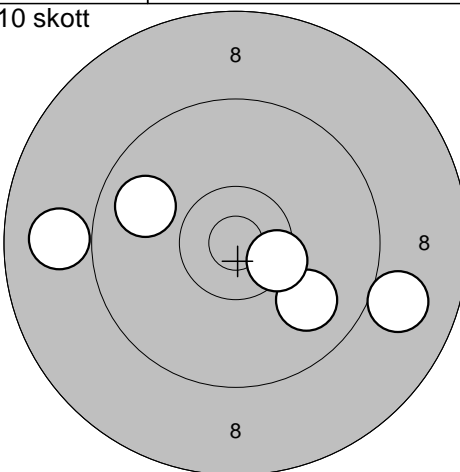
Provskott



- 1: 10,0 ↘
- 2: 9,6 ↗
- 3: 7,5 ↗
- 4: 10,6\* ↘
- 5: 9,4 ↗
- 6: 9,2 ←
- 7: 9,1 ↗
- 8: 9,6 ↗
- 9: 10,3 ↗

Serie 82,0  
Totalt 190,0

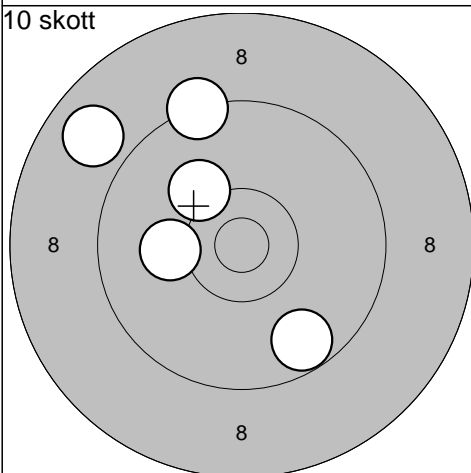
10 skott



- 1: 8,9 ←
- 2: 9,0 ↘
- 3: 9,9 ↘
- 4: 10,4\* ↘
- 5: 9,8 ↗

Serie 45,0  
Totalt 235,0

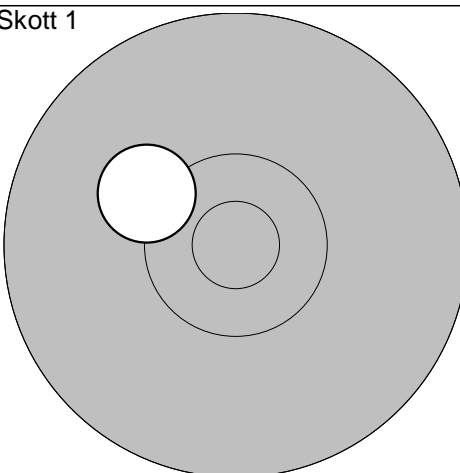
10 skott



- 6: 10,2 ↗
- 7: 8,9 ↗
- 8: 9,3 ↗
- 9: 10,1 ←
- 10: 9,7 ↘

Serie 46,0  
Totalt 281,0

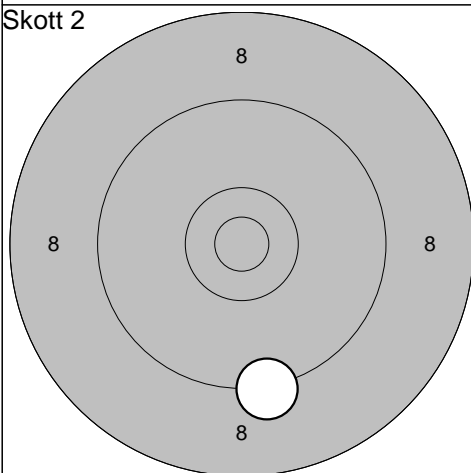
Skott 1



- 1: 10,2 ↗

Serie 10,0  
Totalt 291,0

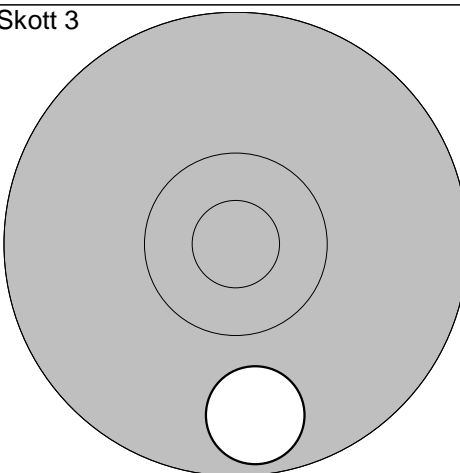
Skott 2



- 1: 9,3 ↓

Serie 9,0  
Totalt 300,0

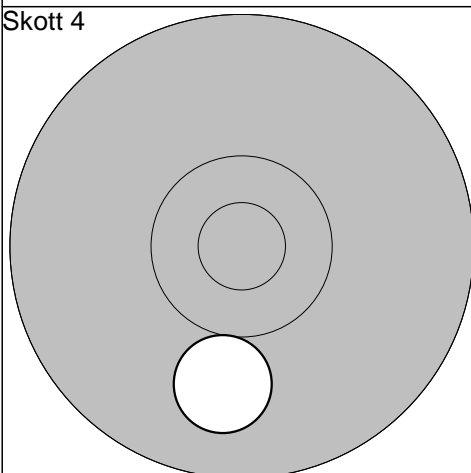
Skott 3



- 1: 9,7 ↓

Serie 9,0  
Totalt 309,0

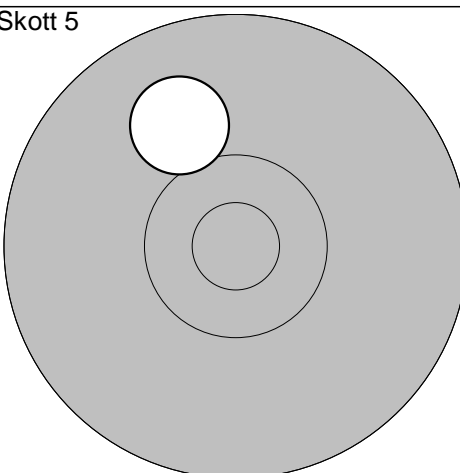
Skott 4



- 1: 10,0 ↓

Serie 10,0  
Totalt 319,0

Skott 5



- 1: 10,0 ↗

Serie 10,0  
Totalt 329,0

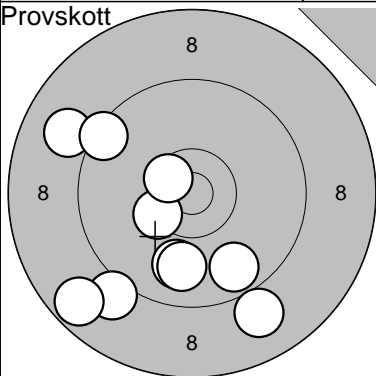
Ununge

2012-07-10

Tavelträffen 2012 Final

Ramselefors SKF

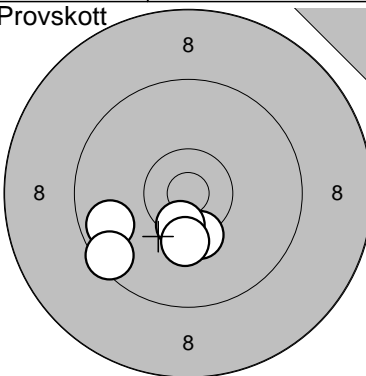
Provsnitt



|     |       |   |
|-----|-------|---|
| 1:  | 9,0   | ↗ |
| 2:  | 9,4   | ↗ |
| 3:  | 10,4* | ↖ |
| 4:  | 10,6* | ↗ |
| 5:  | 9,9   | ↘ |
| 6:  | 9,1   | ↘ |
| 7:  | 9,7   | ↘ |
| 8:  | 8,7   | ↘ |
| 9:  | 9,0   | ↘ |
| 10: | 9,9   | ↘ |

|        |       |
|--------|-------|
| Serie  | 91,0  |
| Totalt | 189,0 |

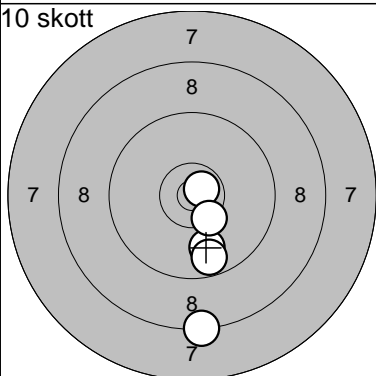
Provsnitt



|     |       |   |
|-----|-------|---|
| 11: | 10,3* | ↓ |
| 12: | 10,5* | ↓ |
| 13: | 10,3  | ↓ |
| 14: | 9,7   | ↖ |
| 15: | 9,5   | ↖ |

|        |       |
|--------|-------|
| Serie  | 48,0  |
| Totalt | 189,0 |

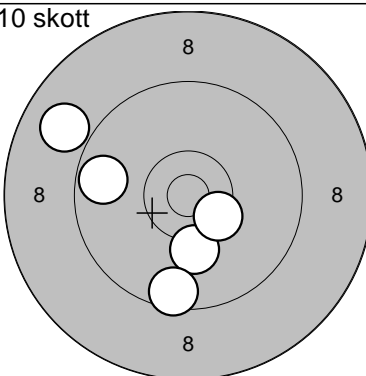
10 skott



|    |       |   |
|----|-------|---|
| 1: | 9,9   | ↓ |
| 2: | 10,7* | → |
| 3: | 8,3   | ↓ |
| 4: | 9,7   | ↓ |
| 5: | 10,4* | ↓ |

|        |       |
|--------|-------|
| Serie  | 46,0  |
| Totalt | 235,0 |

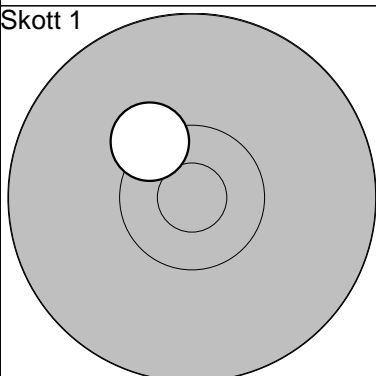
10 skott



|     |       |   |
|-----|-------|---|
| 6:  | 10,2  | ↓ |
| 7:  | 8,9   | ↖ |
| 8:  | 10,4* | ↘ |
| 9:  | 9,5   | ↓ |
| 10: | 9,7   | ↖ |

|        |       |
|--------|-------|
| Serie  | 46,0  |
| Totalt | 281,0 |

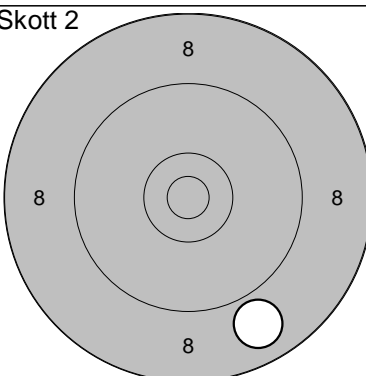
Skott 1



1: 10,3\* ↗

|        |       |
|--------|-------|
| Serie  | 10,0  |
| Totalt | 291,0 |

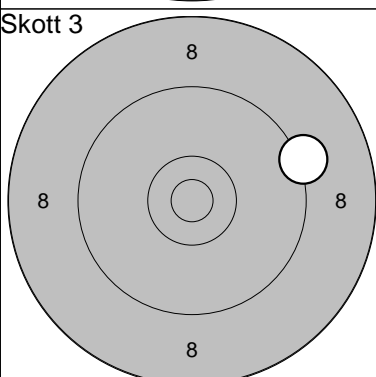
Skott 2



1: 8,9 ↓

|        |       |
|--------|-------|
| Serie  | 8,0   |
| Totalt | 299,0 |

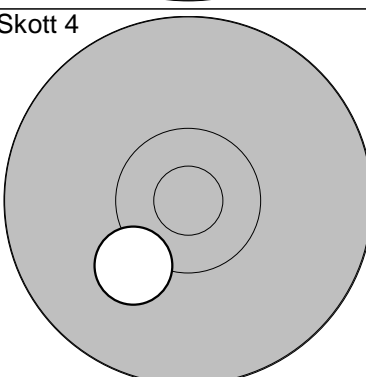
Skott 3



1: 9,2 →

|        |       |
|--------|-------|
| Serie  | 9,0   |
| Totalt | 308,0 |

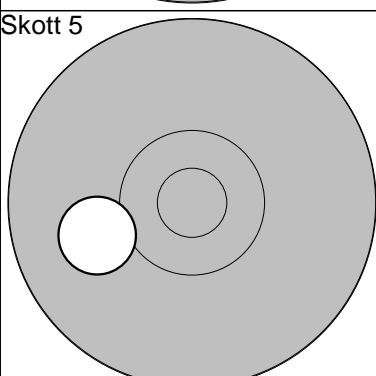
Skott 4



1: 10,2 ↘

|        |       |
|--------|-------|
| Serie  | 10,0  |
| Totalt | 318,0 |

Skott 5



1: 10,1 ←

|        |       |
|--------|-------|
| Serie  | 10,0  |
| Totalt | 328,0 |

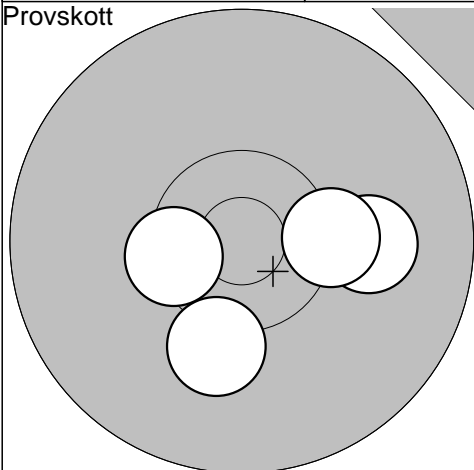
Ramselefors

2012-07-10

Tavelträffen 2012 Final

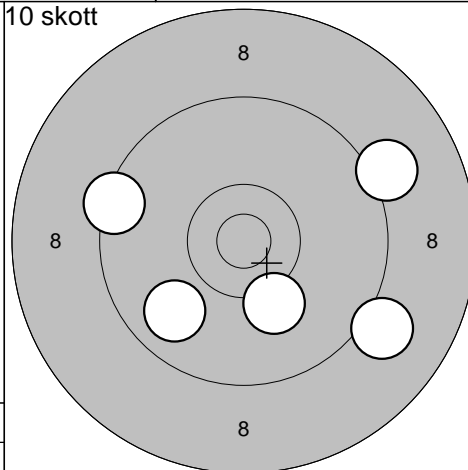
Ramselefors SKF

Provskott



1: 10,0 →  
2: 10,2 ↓  
3: 10,3\* →  
4: 10,5\* ←

10 skott

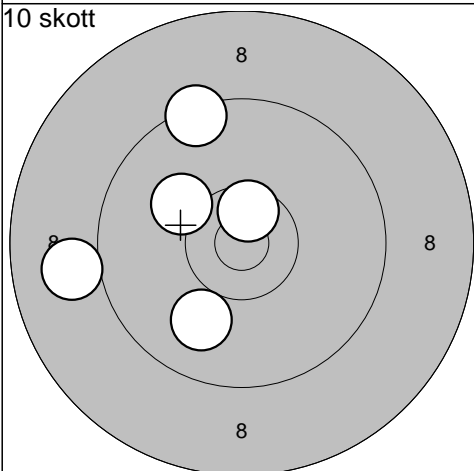


1: 9,4 ←  
2: 9,1 →  
3: 9,8 ↙  
4: 9,1 ↘  
5: 10,2 ↓

|        |       |
|--------|-------|
| Serie  | 40,0  |
| Totalt | 189,0 |

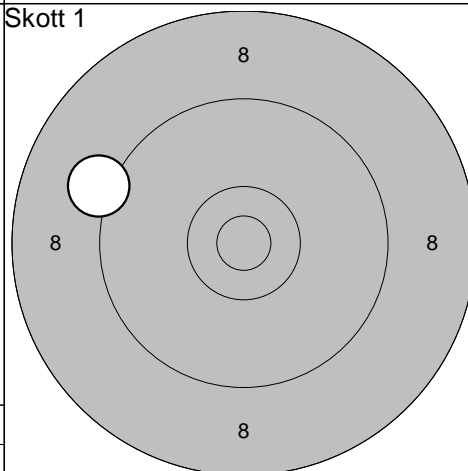
|        |       |
|--------|-------|
| Serie  | 46,0  |
| Totalt | 235,0 |

10 skott



6: 9,4 ↑  
7: 9,0 ←  
8: 10,0 ↓  
9: 10,1 ↙  
10: 10,6\* ↑

Skott 1

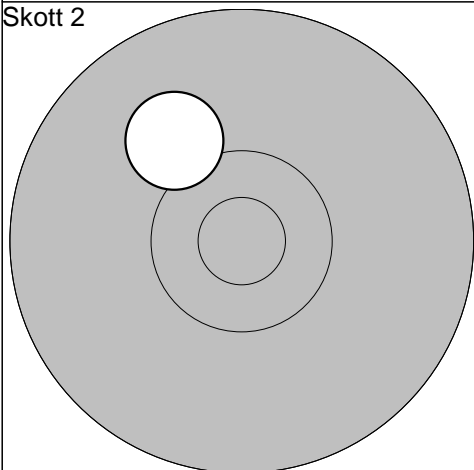


1: 9,2 ←

|        |       |
|--------|-------|
| Serie  | 48,0  |
| Totalt | 283,0 |

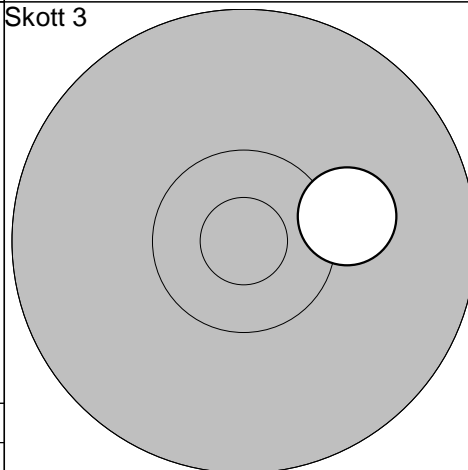
|        |       |
|--------|-------|
| Serie  | 9,0   |
| Totalt | 292,0 |

Skott 2



1: 10,1 ↖

Skott 3

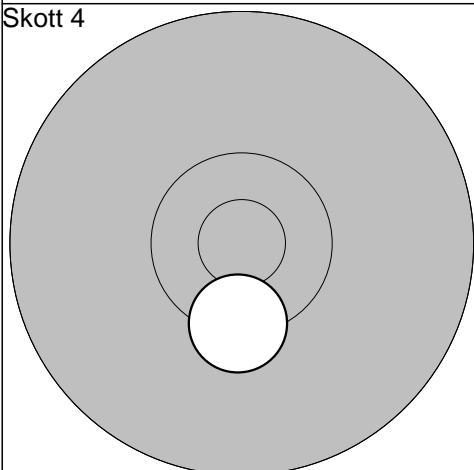


1: 10,2 →

|        |       |
|--------|-------|
| Serie  | 10,0  |
| Totalt | 302,0 |

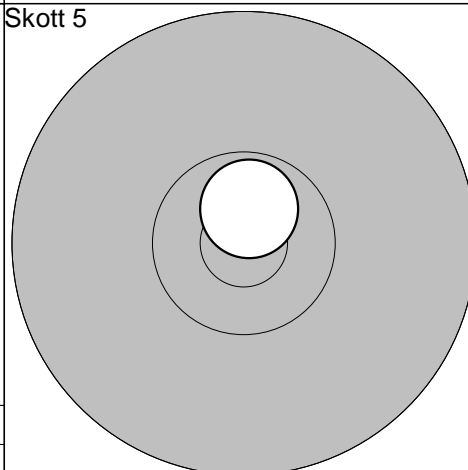
|        |       |
|--------|-------|
| Serie  | 10,0  |
| Totalt | 312,0 |

Skott 4



1: 10,4\* ↓

Skott 5



1: 10,7\* ↑

|        |       |
|--------|-------|
| Serie  | 10,0  |
| Totalt | 322,0 |

|        |       |
|--------|-------|
| Serie  | 10,0  |
| Totalt | 332,0 |

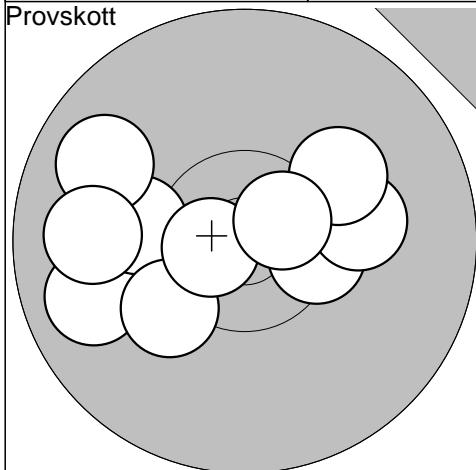
Ale

2012-07-10

Tavelträffen 2012 Final

Ramselefors SKF

Provskott

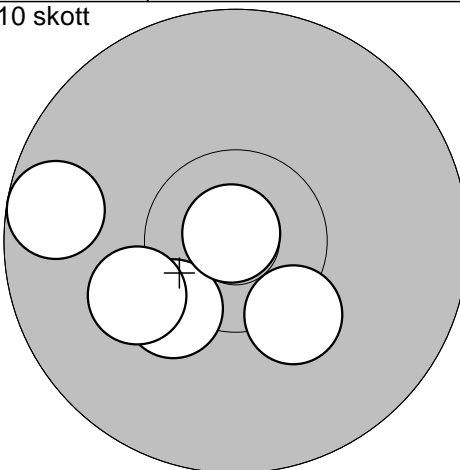


1: 9,8 ←  
 2: 10,2 ←  
 3: 10,2 ↙  
 4: 9,8 ↖  
 5: 10,7\* ←  
 6: 9,9 ←  
 7: 10,4\* →  
 8: 10,1 →  
 9: 10,1 ↗  
 10: 10,6\* ↗

Serie 97,0

Totalt 194,0

10 skott

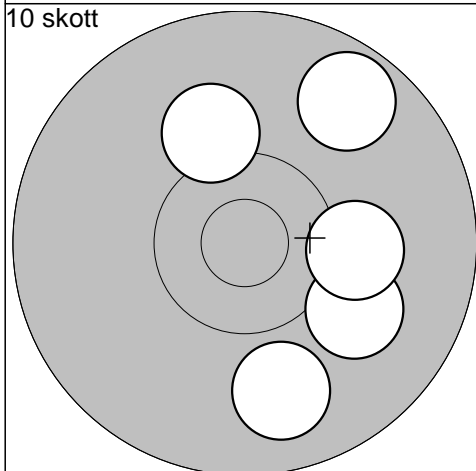


1: 9,7 ←  
 2: 10,3\* ↙  
 3: 10,3 ↘  
 4: 10,2 ↖  
 5: 10,9\* ↗

Serie 49,0

Totalt 243,0

10 skott

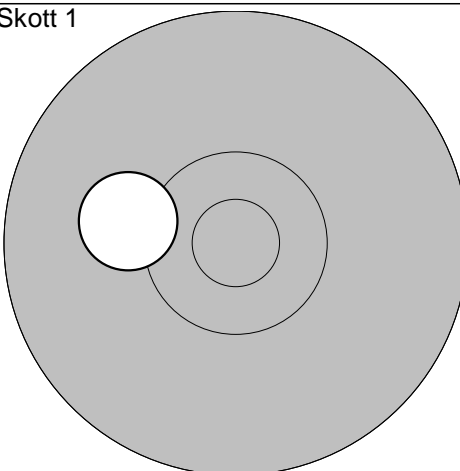


6: 10,0 ↘  
 7: 9,7 ↗  
 8: 10,1 ↑  
 9: 9,9 ↓  
 10: 10,2 →

Serie 48,0

Totalt 291,0

Skott 1

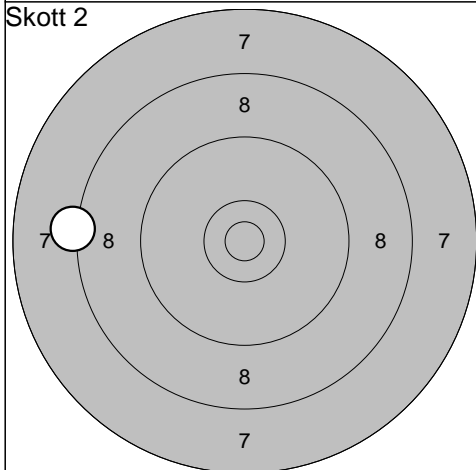


1: 10,2 ←

Serie 10,0

Totalt 301,0

Skott 2

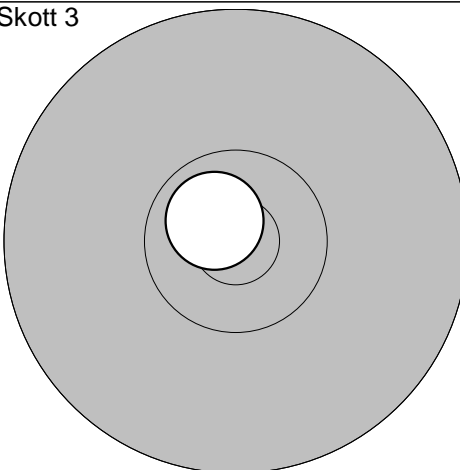


1: 8,2 ←

Serie 8,0

Totalt 309,0

Skott 3

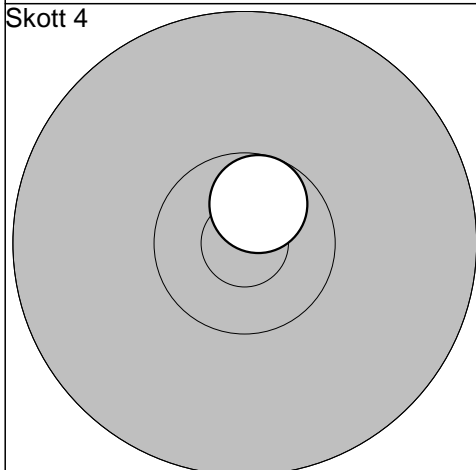


1: 10,7\* ↗

Serie 10,0

Totalt 319,0

Skott 4

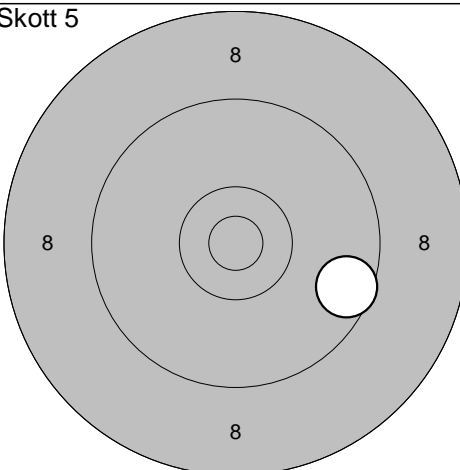


1: 10,7\* ↗

Serie 10,0

Totalt 329,0

Skott 5



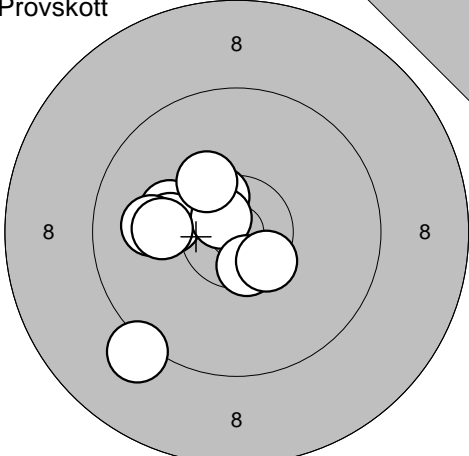
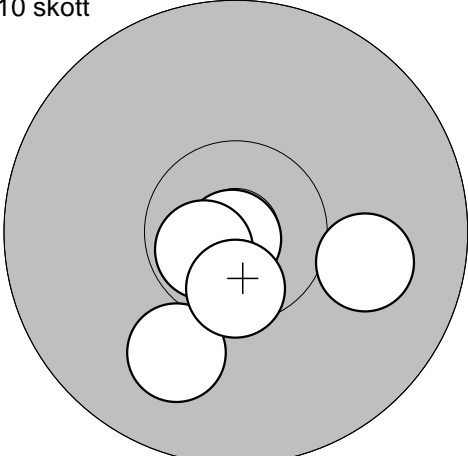
1: 9,6 →

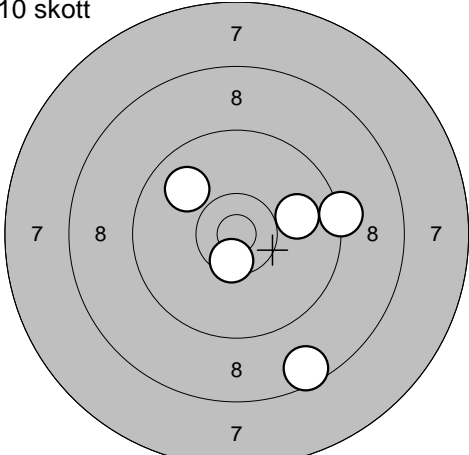
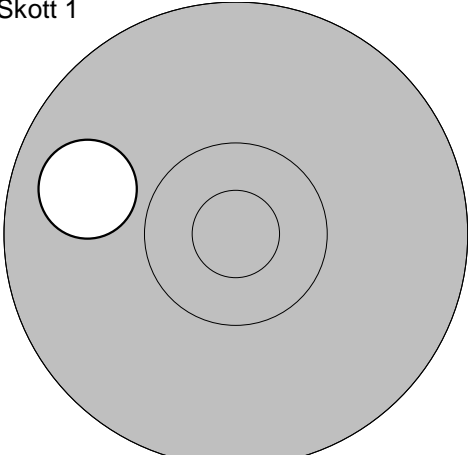
Serie 9,0

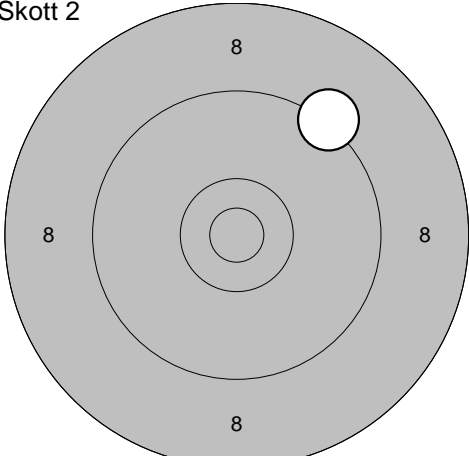
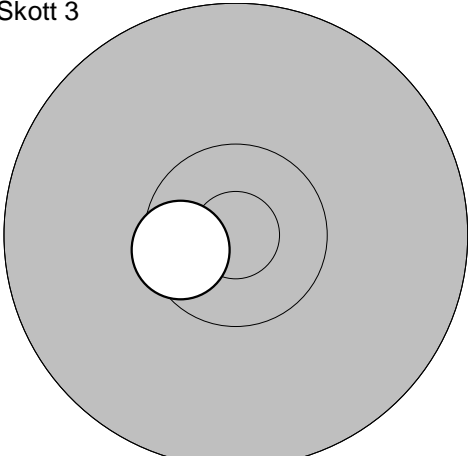
Totalt 338,0

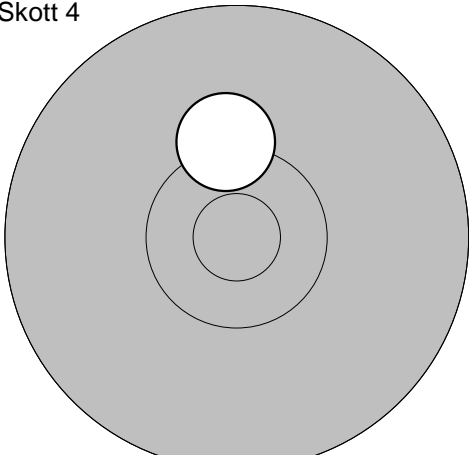
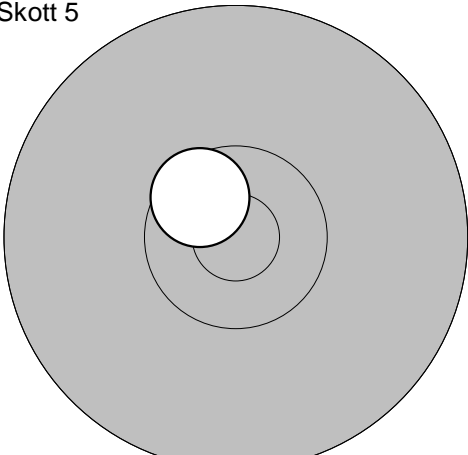
I 19 / A 9

|            |                         |                 |
|------------|-------------------------|-----------------|
| 2012-07-10 | Tavelträffen 2012 Final | Ramselefors SKF |
|------------|-------------------------|-----------------|

|   |  |   |
|---|--|---|
| <p>Provskott</p>  | <p>10 skott</p>  | <p>1: 10,0 ↘<br/>2: 10,9* ↘<br/>3: 10,0 →<br/>4: 10,7* ↙<br/>5: 10,5* ↓</p> |
| Serie 99,0  | Serie 50,0   |   |
| Totalt 193,0  | Totalt 243,0   |   |

|   |  |                 |
|---|--|-----------------|
| <p>10 skott</p>  | <p>Skott 1</p>  | <p>1: 9,9 ←</p> |
| Serie 46,0  | Serie 9,0  |                 |
| Totalt 289,0  | Totalt 298,0   |                 |

|   |   |                   |
|---|---|-------------------|
| <p>Skott 2</p>  | <p>Skott 3</p>  | <p>1: 10,5* ←</p> |
| Serie 9,0   | Serie 10,0  |                   |
| Totalt 307,0  | Totalt 317,0  |                   |

|   |   |                   |
|---|---|-------------------|
| <p>Skott 4</p>  | <p>Skott 5</p>  | <p>1: 10,6* ↖</p> |
| Serie 10,0  | Serie 10,0  |                   |
| Totalt 327,0  | Totalt 337,0  |                   |

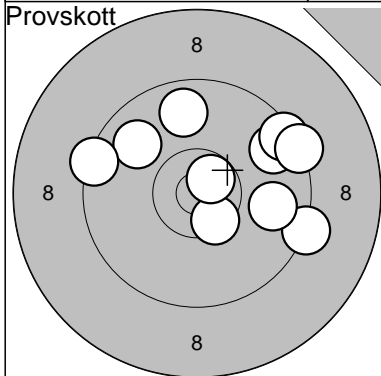
Ununge

2012-07-10

Tavelträffen 2012 Final

Ramselefors SKF

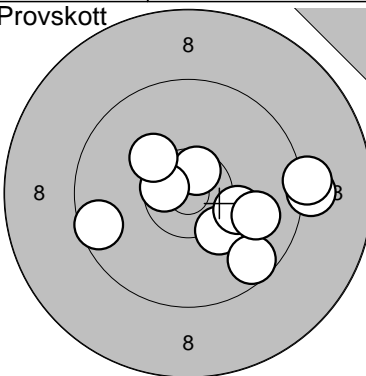
Provsnitt



- 1: 10,5\* ↘
- 2: 9,7 →
- 3: 9,8 ↗
- 4: 9,3 ↘
- 5: 9,4 ↗
- 6: 9,5 ↗
- 7: 9,8 →
- 8: 9,8 →
- 9: 9,3 ↗
- 10: 10,7\* ↗

Serie 92,0  
Totalt 193,0

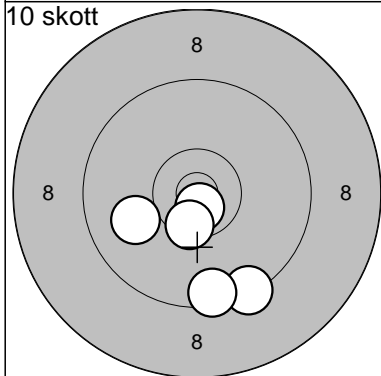
Provsnitt



- 11: 10,6\* ↑
- 12: 9,2 →
- 13: 9,2 →
- 14: 10,3 ↘
- 15: 10,6\* ↖
- 16: 10,2 ↘
- 17: 9,6 ↘
- 18: 9,9 →
- 19: 10,2 ↗
- 20: 9,6 ←

Serie 95,0  
Totalt 193,0

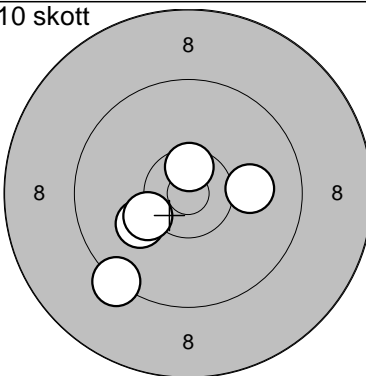
10 skott



- 1: 10,7\* ↘
- 2: 10,5\* ↘
- 3: 9,4 ↘
- 4: 9,5 ↘
- 5: 10,0 ↖

Serie 48,0  
Totalt 241,0

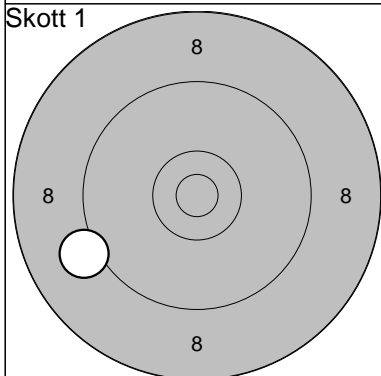
10 skott



- 6: 10,1 →
- 7: 10,6\* ↑
- 8: 10,1 ↖
- 9: 10,3 ↖
- 10: 9,3 ↖

Serie 49,0  
Totalt 290,0

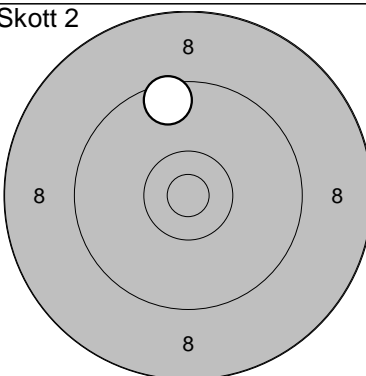
Skott 1



- 1: 9,1 ↖

Serie 9,0  
Totalt 299,0

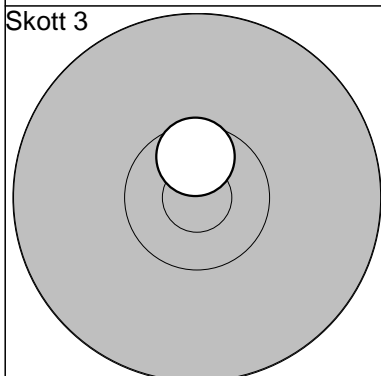
Skott 2



- 1: 9,6 ↑

Serie 9,0  
Totalt 308,0

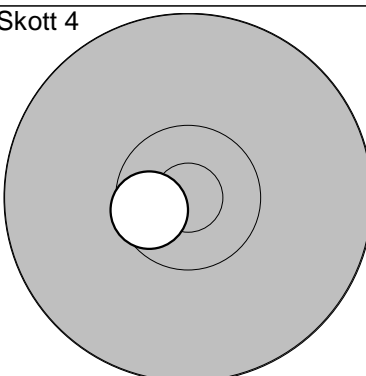
Skott 3



- 1: 10,6\* ↑

Serie 10,0  
Totalt 318,0

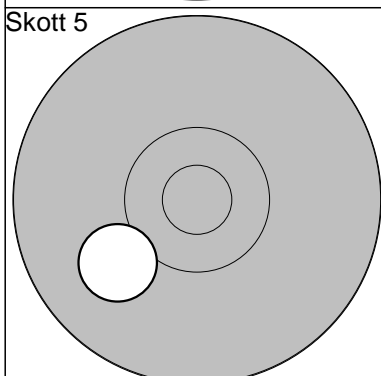
Skott 4



- 1: 10,6\* ↖

Serie 10,0  
Totalt 328,0

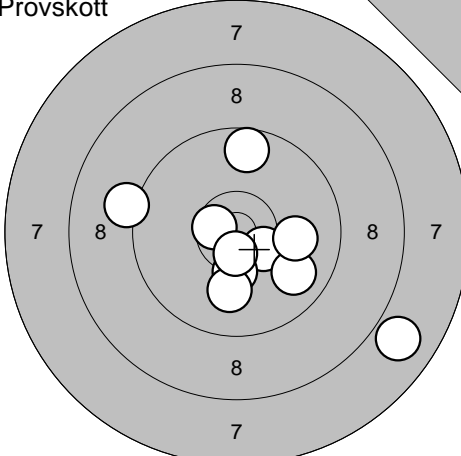
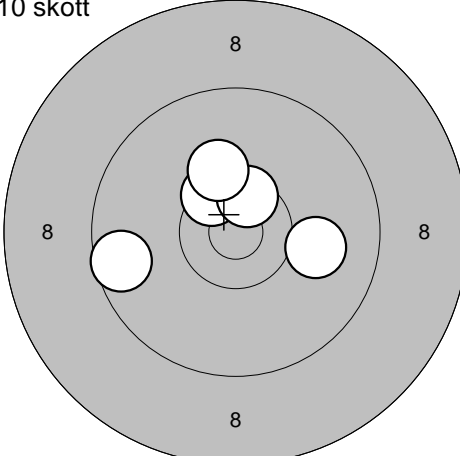
Skott 5

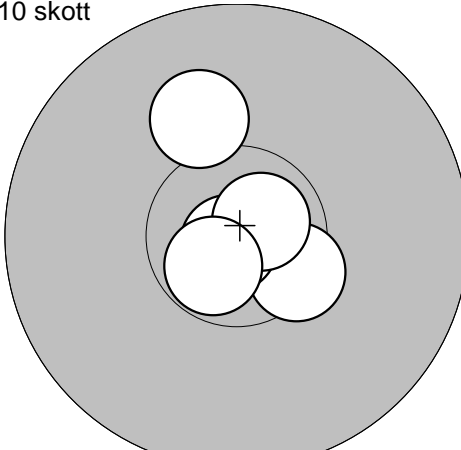
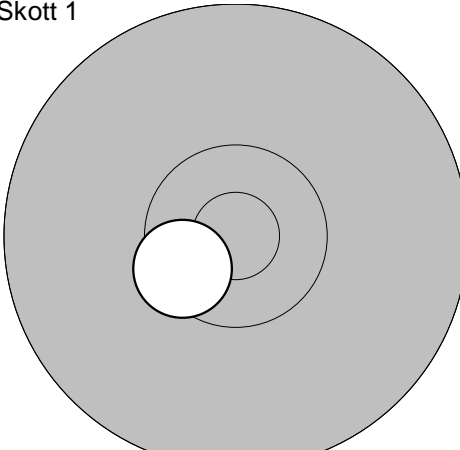


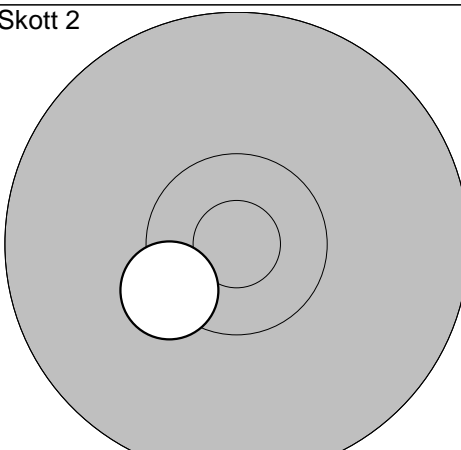
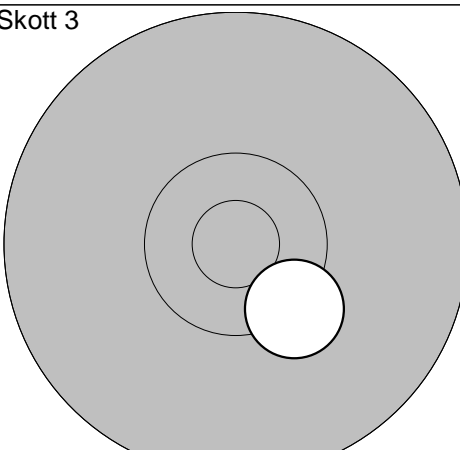
- 1: 10,0 ↖

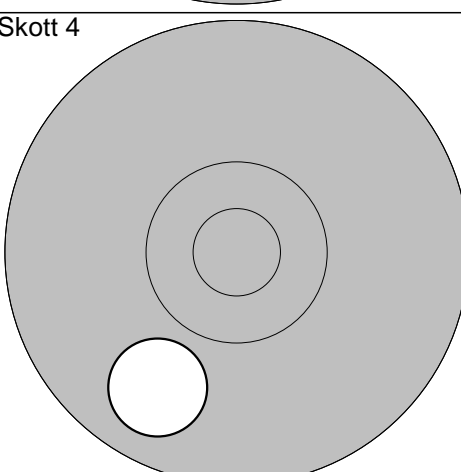
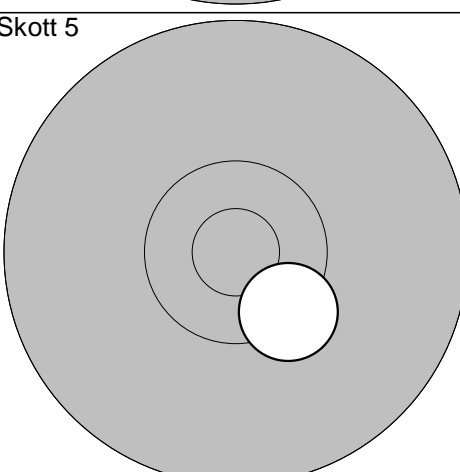
Serie 10,0  
Totalt 338,0



|   |   |  |  |
|---|---|--|--|
| Provs skott<br> | 1: 7,9 ↘<br>2: 10,4* ↘<br>3: 10,6* ←<br>4: 10,3* ↓<br>5: 9,7 ↑<br>6: 9,8 ↘<br>7: 10,0 →<br>8: 10,0 ↓<br>9: 10,6* ↓<br>10: 9,2 ←<br><hr/> Serie 94,0<br>Totalt 192,0 | 10 skott<br> | 1: 10,5* ↗<br>2: 10,5* ↑<br>3: 9,6 ←<br>4: 10,2 ↑<br>5: 10,0 →<br><hr/> Serie 49,0<br>Totalt 241,0 |
|---|---|--|--|

|   |  |  |  |
|---|--|--|--|
| 10 skott<br> | 6: 10,5* ↘<br>7: 10,1 ↑<br>8: 10,9* ↘<br>9: 10,8* ↗<br>10: 10,7* ↘<br><hr/> Serie 50,0<br>Totalt 291,0 | Skott 1<br> | 1: 10,5* ↙<br><hr/> Serie 10,0<br>Totalt 301,0 |
|---|--|--|--|

|   |  |   |  |
|---|--|---|--|
| Skott 2<br> | 1: 10,4* ↙<br><hr/> Serie 10,0<br>Totalt 311,0 | Skott 3<br> | 1: 10,3* ↘<br><hr/> Serie 10,0<br>Totalt 321,0 |
|---|--|---|--|

|   |   |   |  |
|---|---|---|--|
| Skott 4<br> | 1: 9,8 ↘<br><hr/> Serie 9,0<br>Totalt 330,0 | Skott 5<br> | 1: 10,4* ↘<br><hr/> Serie 10,0<br>Totalt 340,0 |
|---|---|---|--|

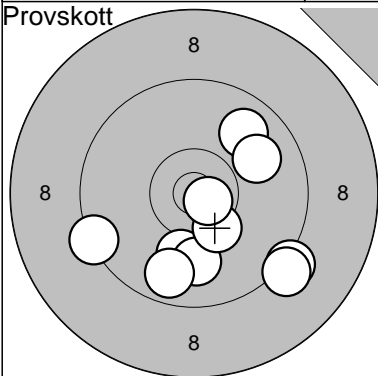
Frötuna

2012-07-10

Tavelträffen 2012 Final

Ramselefors SKF

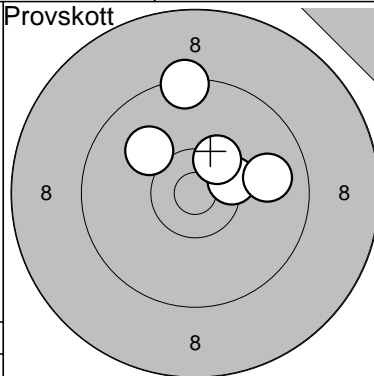
Provskott



|     |       |   |
|-----|-------|---|
| 1:  | 9,2   | ↘ |
| 2:  | 10,1  | ↓ |
| 3:  | 10,0  | ↓ |
| 4:  | 9,4   | ← |
| 5:  | 9,2   | ↘ |
| 6:  | 9,7   | ↘ |
| 7:  | 9,8   | ↗ |
| 8:  | 10,3* | ↓ |
| 9:  | 9,9   | ↘ |
| 10: | 10,7* | ↘ |

|        |       |
|--------|-------|
| Serie  | 94,0  |
| Totalt | 191,0 |

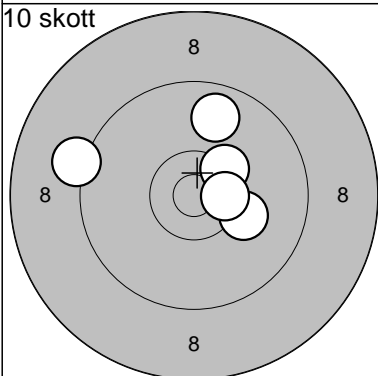
Provskott



|     |       |   |
|-----|-------|---|
| 11: | 10,4* | → |
| 12: | 9,4   | ↑ |
| 13: | 10,4* | ↗ |
| 14: | 10,1  | ↖ |
| 15: | 9,9   | → |

|        |       |
|--------|-------|
| Serie  | 48,0  |
| Totalt | 191,0 |

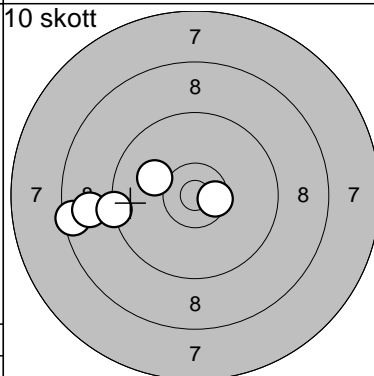
10 skott



|    |       |   |
|----|-------|---|
| 1: | 9,2   | ← |
| 2: | 9,8   | ↑ |
| 3: | 10,2  | ↘ |
| 4: | 10,4* | ↗ |
| 5: | 10,5* | → |

|        |       |
|--------|-------|
| Serie  | 48,0  |
| Totalt | 239,0 |

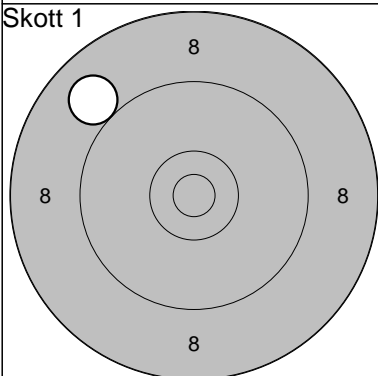
10 skott



|     |       |   |
|-----|-------|---|
| 6:  | 8,5   | ← |
| 7:  | 8,8   | ← |
| 8:  | 10,5* | → |
| 9:  | 9,3   | ← |
| 10: | 10,1  | ↖ |

|        |       |
|--------|-------|
| Serie  | 45,0  |
| Totalt | 284,0 |

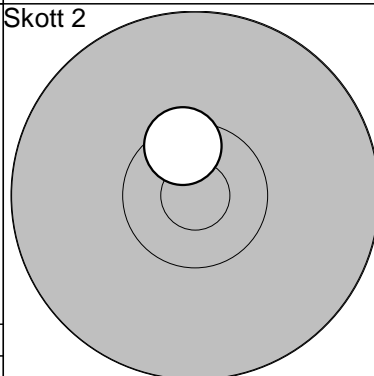
Skott 1



|    |     |   |
|----|-----|---|
| 1: | 9,0 | ↖ |
|----|-----|---|

|        |       |
|--------|-------|
| Serie  | 9,0   |
| Totalt | 293,0 |

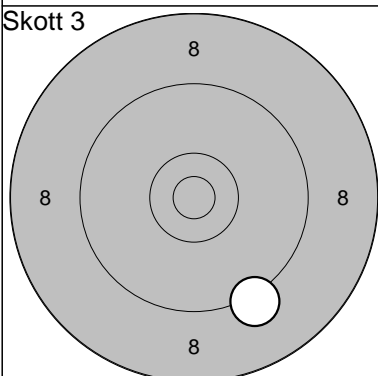
Skott 2



|    |       |   |
|----|-------|---|
| 1: | 10,5* | ↑ |
|----|-------|---|

|        |       |
|--------|-------|
| Serie  | 10,0  |
| Totalt | 303,0 |

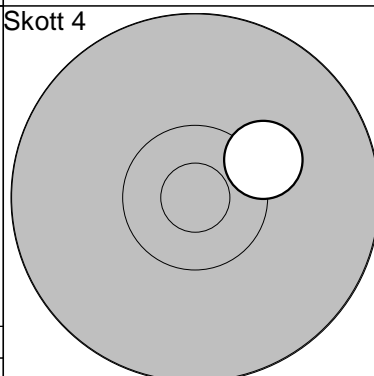
Skott 3



|    |     |   |
|----|-----|---|
| 1: | 9,2 | ↘ |
|----|-----|---|

|        |       |
|--------|-------|
| Serie  | 9,0   |
| Totalt | 312,0 |

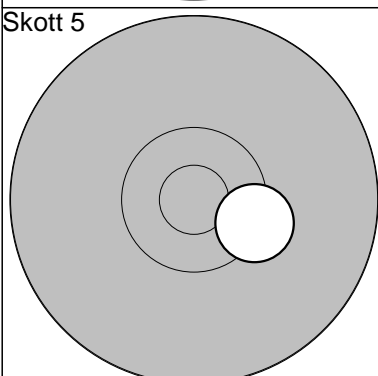
Skott 4



|    |      |   |
|----|------|---|
| 1: | 10,3 | ↗ |
|----|------|---|

|        |       |
|--------|-------|
| Serie  | 10,0  |
| Totalt | 322,0 |

Skott 5



|    |       |   |
|----|-------|---|
| 1: | 10,4* | ↘ |
|----|-------|---|

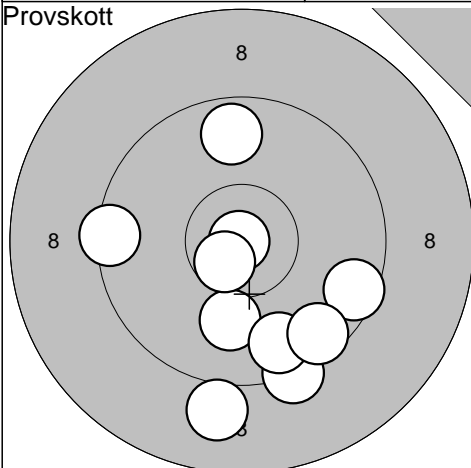
|        |       |
|--------|-------|
| Serie  | 10,0  |
| Totalt | 332,0 |

2012-07-10

Tavelträffen 2012 Final

Ramselefors SKF

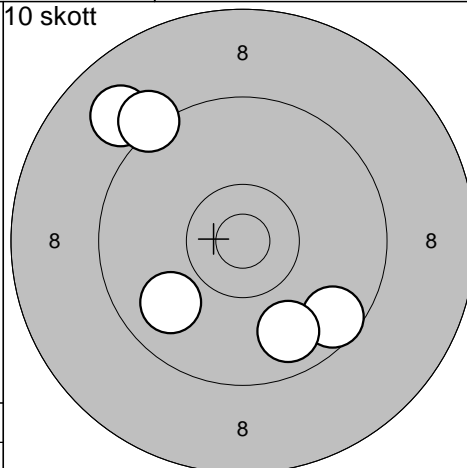
Provskott



1: 9,3 ↘  
 2: 10,0 ↓  
 3: 10,9\* ←  
 4: 9,5 →  
 5: 9,7 ↘  
 6: 9,6 ↘  
 7: 9,7 ↑  
 8: 9,0 ↓  
 9: 10,6\* ↘  
 10: 9,5 ←

Serie 93,0  
 Totalt 190,0

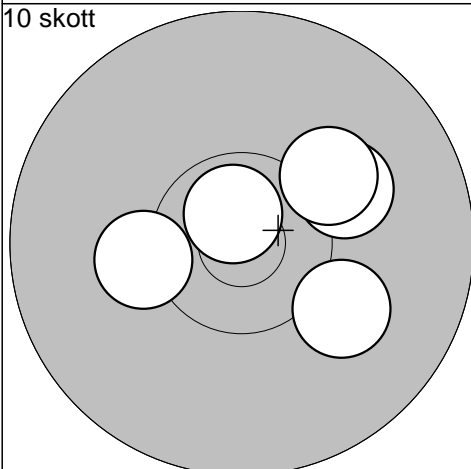
10 skott



1: 9,6 ↘  
 2: 9,9 ↙  
 3: 9,8 ↘  
 4: 9,0 ↗  
 5: 9,2 ↗

Serie 45,0  
 Totalt 235,0

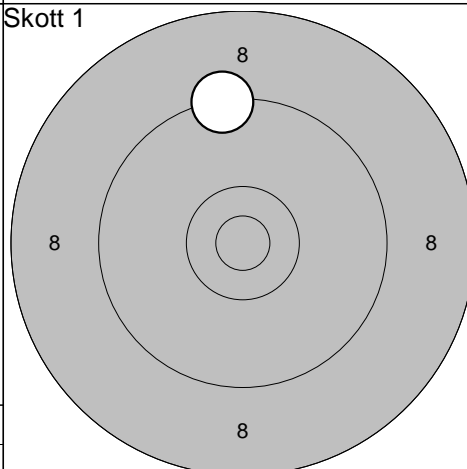
10 skott



6: 10,1 ↗  
 7: 10,2 ↗  
 8: 10,2 ←  
 9: 10,7\* ↑  
 10: 10,1 ↘

Serie 50,0  
 Totalt 285,0

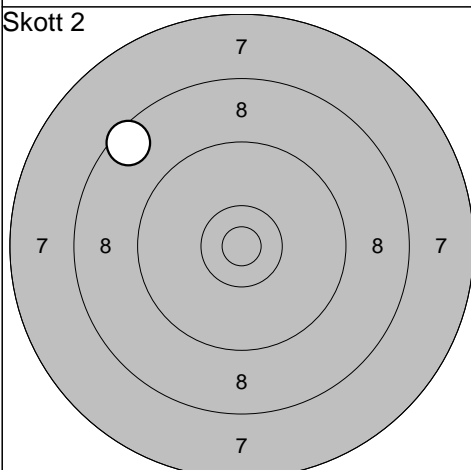
Skott 1



1: 9,3 ↑

Serie 9,0  
 Totalt 294,0

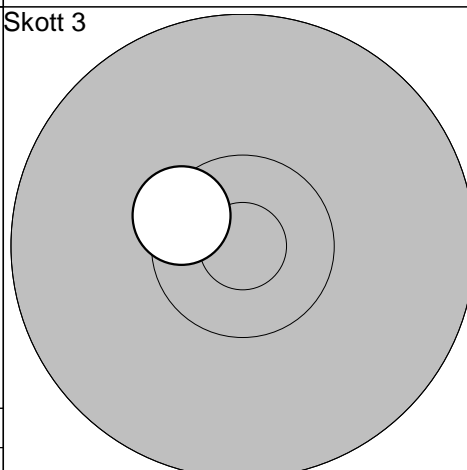
Skott 2



1: 8,5 ↗

Serie 8,0  
 Totalt 302,0

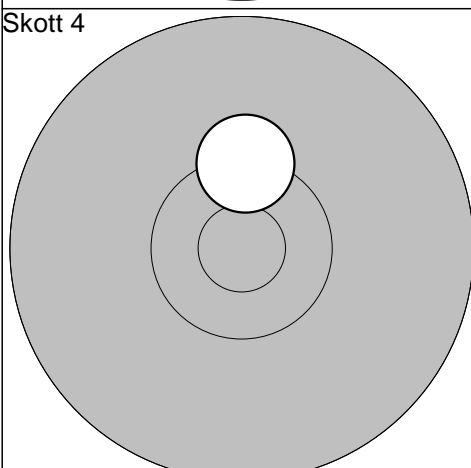
Skott 3



1: 10,5\* ↗

Serie 10,0  
 Totalt 312,0

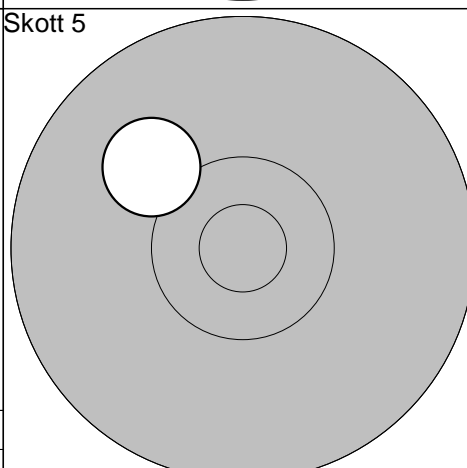
Skott 4



1: 10,3\* ↑

Serie 10,0  
 Totalt 322,0

Skott 5



1: 10,1 ↗

Serie 10,0  
 Totalt 332,0

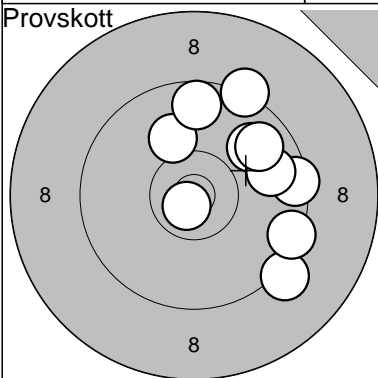
Ramselefors

2012-07-10

Tavelträffen 2012 Final

Ramselefors SKF

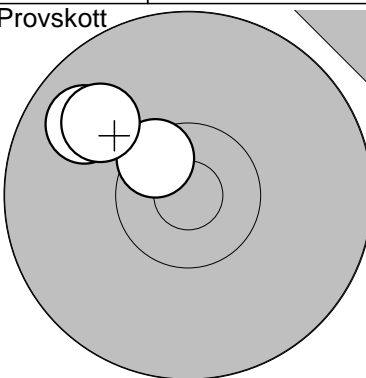
Provskott



|     |       |   |
|-----|-------|---|
| 1:  | 9,2   | ↘ |
| 2:  | 9,4   | ↘ |
| 3:  | 9,3   | ↗ |
| 4:  | 9,9   | ↗ |
| 5:  | 10,1  | ↗ |
| 6:  | 9,5   | → |
| 7:  | 9,8   | → |
| 8:  | 9,8   | ↗ |
| 9:  | 10,8* | ↘ |
| 10: | 9,7   | ↑ |

|        |       |
|--------|-------|
| Serie  | 92,0  |
| Totalt | 190,0 |

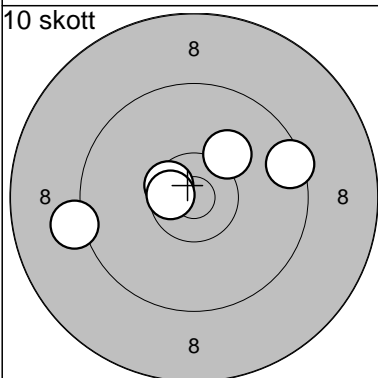
Provskott



|     |       |   |
|-----|-------|---|
| 11: | 9,8   | ↗ |
| 12: | 10,5* | ↗ |
| 13: | 9,9   | ↗ |

|        |       |
|--------|-------|
| Serie  | 28,0  |
| Totalt | 190,0 |

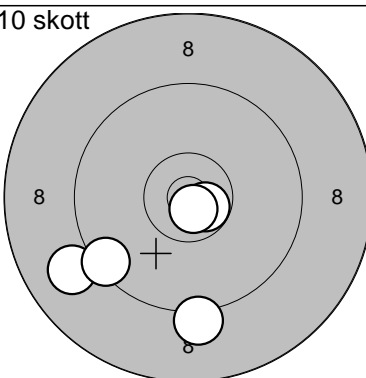
10 skott



|    |       |   |
|----|-------|---|
| 1: | 10,6* | ↖ |
| 2: | 9,5   | → |
| 3: | 9,2   | ↖ |
| 4: | 10,6* | ↖ |
| 5: | 10,2  | ↗ |

|        |       |
|--------|-------|
| Serie  | 48,0  |
| Totalt | 238,0 |

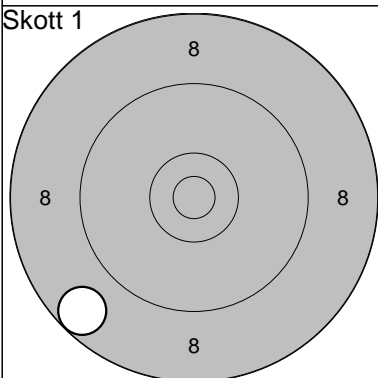
10 skott



|     |       |   |
|-----|-------|---|
| 6:  | 9,0   | ↖ |
| 7:  | 10,7* | ↘ |
| 8:  | 9,2   | ↓ |
| 9:  | 10,8* | ↓ |
| 10: | 9,5   | ↖ |

|        |       |
|--------|-------|
| Serie  | 47,0  |
| Totalt | 285,0 |

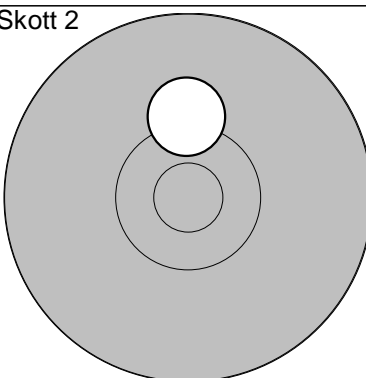
Skott 1



|    |     |   |
|----|-----|---|
| 1: | 8,7 | ↘ |
|----|-----|---|

|        |       |
|--------|-------|
| Serie  | 8,0   |
| Totalt | 293,0 |

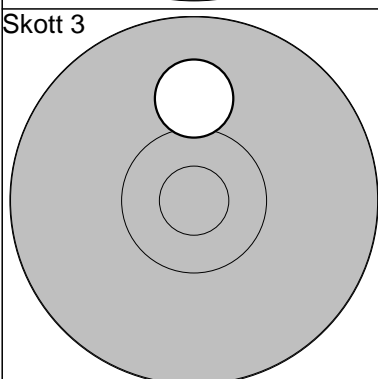
Skott 2



|    |      |   |
|----|------|---|
| 1: | 10,2 | ↑ |
|----|------|---|

|        |       |
|--------|-------|
| Serie  | 10,0  |
| Totalt | 303,0 |

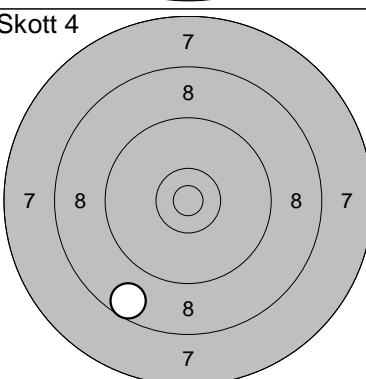
Skott 3



|    |      |   |
|----|------|---|
| 1: | 10,0 | ↑ |
|----|------|---|

|        |       |
|--------|-------|
| Serie  | 10,0  |
| Totalt | 313,0 |

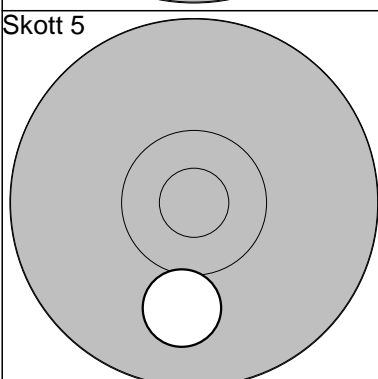
Skott 4



|    |     |   |
|----|-----|---|
| 1: | 8,6 | ↘ |
|----|-----|---|

|        |       |
|--------|-------|
| Serie  | 8,0   |
| Totalt | 321,0 |

Skott 5

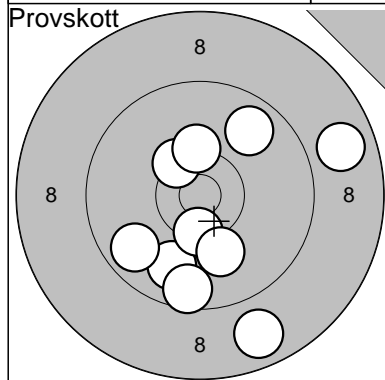


|    |      |   |
|----|------|---|
| 1: | 10,0 | ↓ |
|----|------|---|

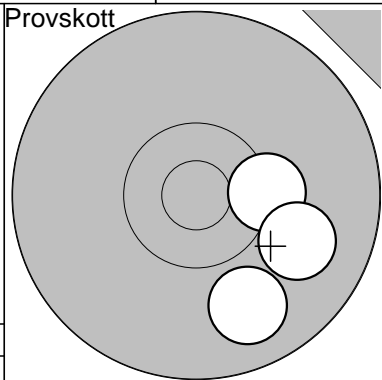
|        |       |
|--------|-------|
| Serie  | 10,0  |
| Totalt | 331,0 |

Skellefteå

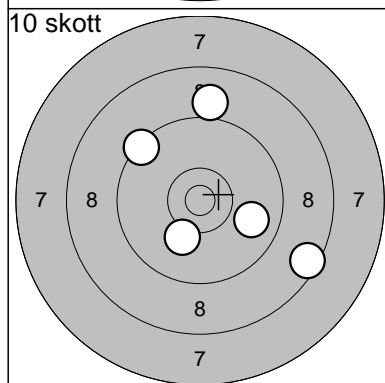
|            |                         |                 |
|------------|-------------------------|-----------------|
| 2012-07-10 | Tavelträffen 2012 Final | Ramselefors SKF |
|------------|-------------------------|-----------------|



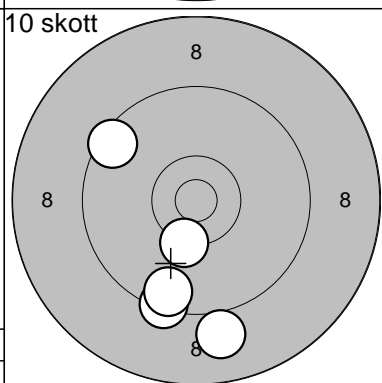
|        |       |       |
|--------|-------|-------|
| 1:     | 9,8   | ↗     |
| 2:     | 10,4* | ↗     |
| 3:     | 9,9   | ↘     |
| 4:     | 10,3  | ↗     |
| 5:     | 9,6   | ↘     |
| 6:     | 8,8   | ↘     |
| 7:     | 8,8   | →     |
| 8:     | 9,8   | ↘     |
| 9:     | 10,4* | ↘     |
| 10:    | 10,1  | ↘     |
| Serie  |       | 92,0  |
| Totalt |       | 190,0 |



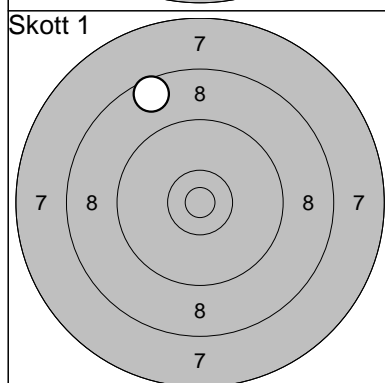
|        |       |       |
|--------|-------|-------|
| 11:    | 10,3* | →     |
| 12:    | 9,9   | ↘     |
| 13:    | 10,0  | ↘     |
| Serie  |       | 29,0  |
| Totalt |       | 190,0 |



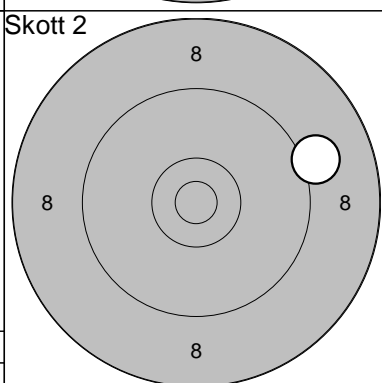
|        |      |       |
|--------|------|-------|
| 1:     | 9,0  | ↑     |
| 2:     | 8,5  | ↘     |
| 3:     | 9,4  | ↗     |
| 4:     | 10,1 | ↘     |
| 5:     | 9,9  | ↘     |
| Serie  |      | 45,0  |
| Totalt |      | 235,0 |



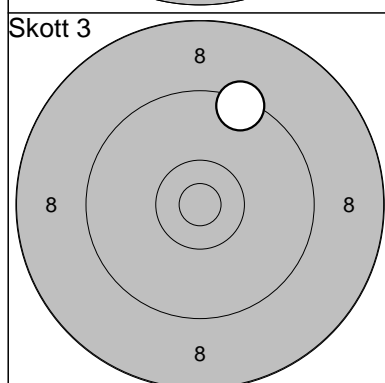
|        |       |       |
|--------|-------|-------|
| 6:     | 9,0   | ↘     |
| 7:     | 9,4   | ↘     |
| 8:     | 10,3* | ↘     |
| 9:     | 9,6   | ↘     |
| 10:    | 9,5   | ↖     |
| Serie  |       | 46,0  |
| Totalt |       | 281,0 |



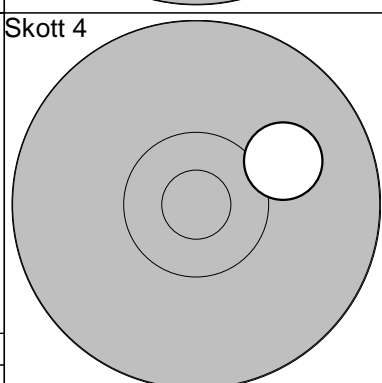
|        |     |       |
|--------|-----|-------|
| 1:     | 8,6 | ↑     |
| Serie  |     | 8,0   |
| Totalt |     | 289,0 |



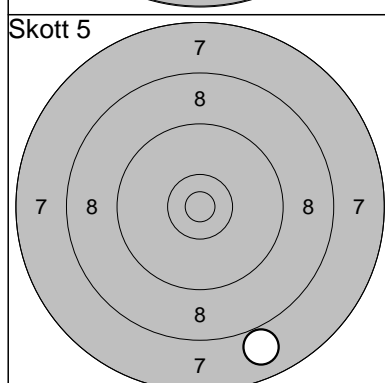
|        |     |       |
|--------|-----|-------|
| 1:     | 9,1 | →     |
| Serie  |     | 9,0   |
| Totalt |     | 298,0 |



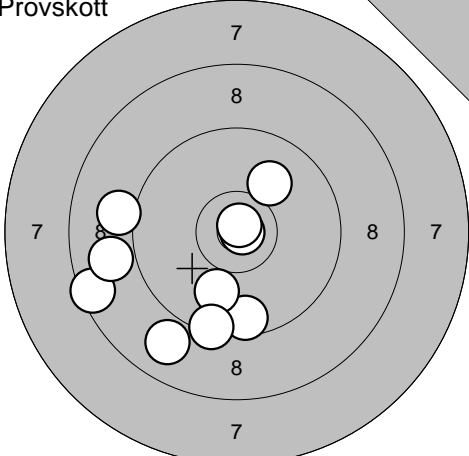
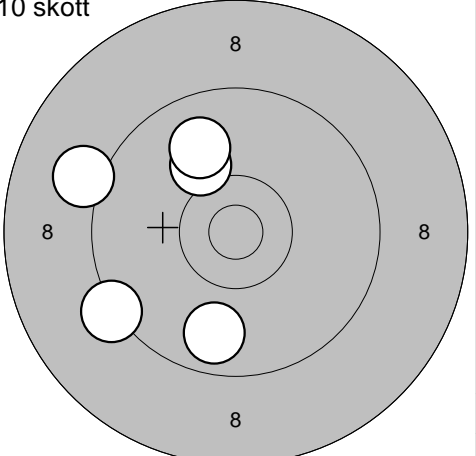
|        |     |       |
|--------|-----|-------|
| 1:     | 9,4 | ↑     |
| Serie  |     | 9,0   |
| Totalt |     | 307,0 |

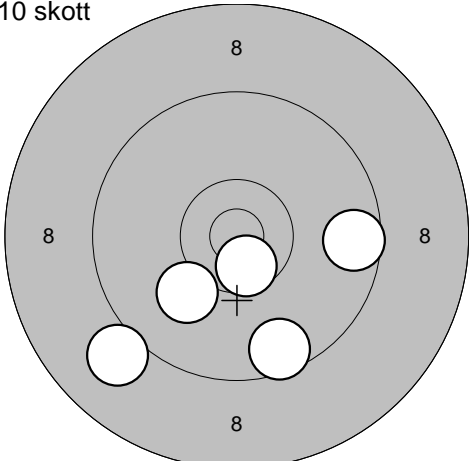
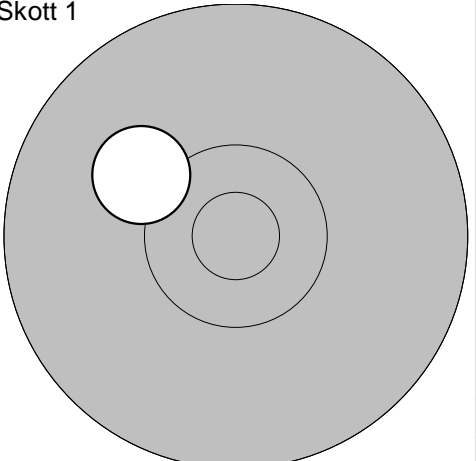


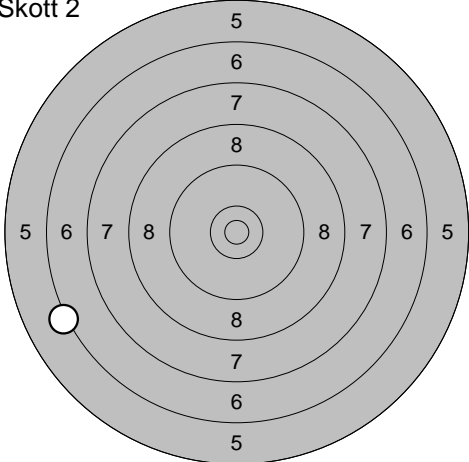
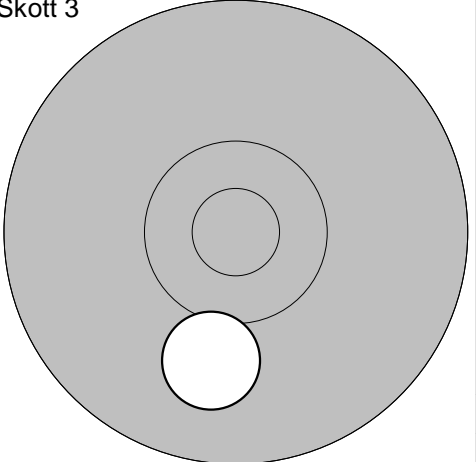
|        |      |       |
|--------|------|-------|
| 1:     | 10,1 | →     |
| Serie  |      | 10,0  |
| Totalt |      | 317,0 |

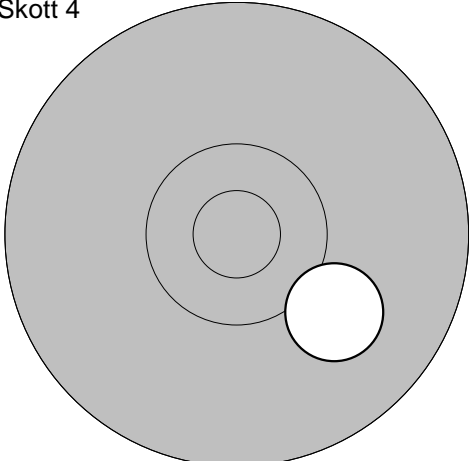
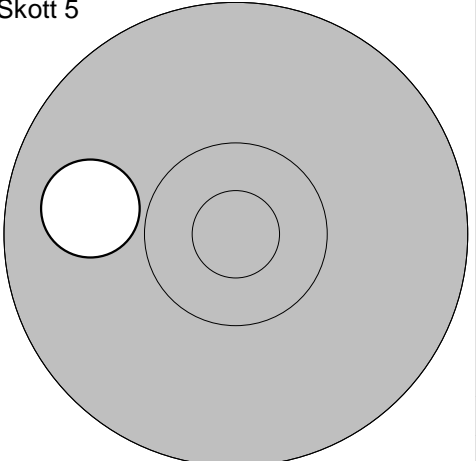


|        |     |       |
|--------|-----|-------|
| 1:     | 7,9 | ↘     |
| Serie  |     | 7,0   |
| Totalt |     | 324,0 |

|   |   |  |   |
|---|---|--|---|
| Provs skott<br> | 1: 9,6 ↓<br>2: 10,9* →<br>3: 8,5 ←<br>4: 10,0 ↓<br>5: 8,9 ↓<br>6: 9,1 ←<br>7: 10,0 ↗<br>8: 10,8* ↗<br>9: 9,4 ↓<br>10: 8,9 ←<br>Serie 91,0<br>Totalt 188,0 | 10 skott<br> | 1: 10,1 ↗<br>2: 9,3 ↙<br>3: 9,9 ↗<br>4: 9,1 ↙<br>5: 9,8 ↓<br>Serie 46,0<br>Totalt 234,0 |
|---|---|--|---|

|   |  |  |   |
|---|--|--|---|
| 10 skott<br> | 6: 10,1 ↙<br>7: 9,0 ↙<br>8: 9,6 →<br>9: 10,6* ↓<br>10: 9,6 ↓<br>Serie 47,0<br>Totalt 281,0 | Skott 1<br> | 1: 10,2 ↙<br>Serie 10,0<br>Totalt 291,0 |
|---|--|--|---|

|   |                                       |   |   |
|---|---------------------------------------|---|---|
| Skott 2<br> | 1: 6,2 ←<br>Serie 6,0<br>Totalt 297,0 | Skott 3<br> | 1: 10,0 ↓<br>Serie 10,0<br>Totalt 307,0 |
|---|---------------------------------------|---|---|

|   |   |   |                                       |
|---|---|---|---------------------------------------|
| Skott 4<br> | 1: 10,1 ↘<br>Serie 10,0<br>Totalt 317,0 | Skott 5<br> | 1: 9,9 ←<br>Serie 9,0<br>Totalt 326,0 |
|---|---|---|---------------------------------------|

|       |  |
|-------|--|
| Piteå |  |
|-------|--|

|            |                         |                 |
|------------|-------------------------|-----------------|
| 2012-07-10 | Tavelträffen 2012 Final | Ramselefors SKF |
|------------|-------------------------|-----------------|

|           |  |           |              |
|-----------|--|-----------|--------------|
| Provskott |  | Provskott | 11: 10,2 ↓   |
|           | 1: 8,1 ↓<br>2: 10,1 ↓<br>3: 10,1 ↑<br>4: 9,3 ↓<br>5: 9,2 ↓<br>6: 10,0 ↓<br>7: 9,6 ↓<br>8: 10,3* ↑<br>9: 9,1 ↑<br>10: 9,6 ↑ |           |              |
|           | Serie 93,0   |           | Serie 10,0   |
|           | Totalt 187,0   |           | Totalt 187,0 |

|          |  |          |   |
|----------|--|----------|---|
| 10 skott |  | 10 skott |   |
|          | 1: 9,8 ↑<br>2: 8,9 ↑<br>3: 9,5 ↓<br>4: 9,8 ←<br>5: 9,2 ↓ |          | 6: 9,9 ↑<br>7: 8,8 ↑<br>8: 10,5* ↑<br>9: 9,5 ↑<br>10: 10,3* → |
|          | Serie 44,0   |          | Serie 46,0  |
|          | Totalt 231,0   |          | Totalt 277,0  |

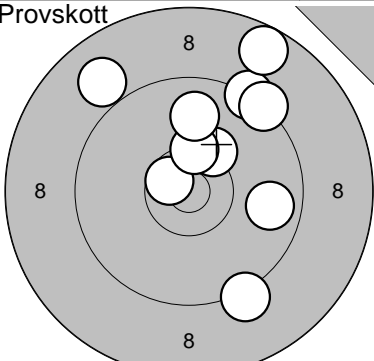
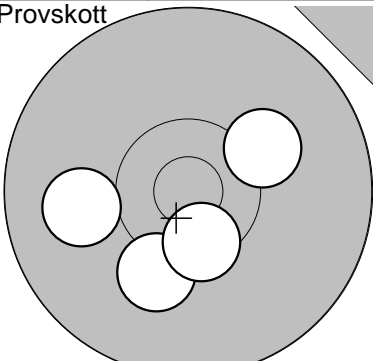
|         |              |         |              |
|---------|--------------|---------|--------------|
| Skott 1 | 1: 10,6* ↓   | Skott 2 | 1: 9,6 ↓     |
|         |              |         |              |
|         | Serie 10,0   |         | Serie 9,0    |
|         | Totalt 287,0 |         | Totalt 296,0 |

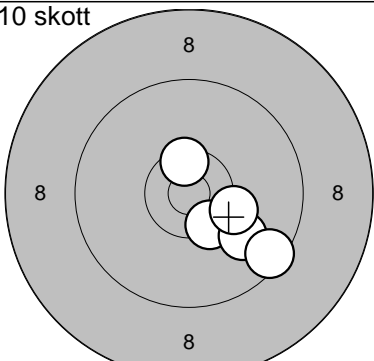
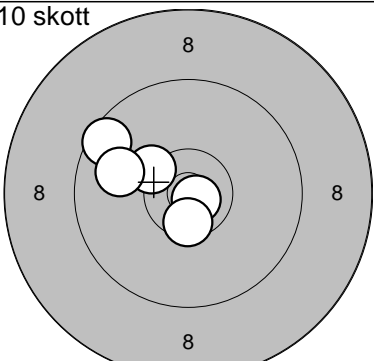
|         |              |         |              |
|---------|--------------|---------|--------------|
| Skott 3 | 1: 9,1 ↓     | Skott 4 | 1: 7,8 ↙     |
|         |              |         |              |
|         | Serie 9,0    |         | Serie 7,0    |
|         | Totalt 305,0 |         | Totalt 312,0 |

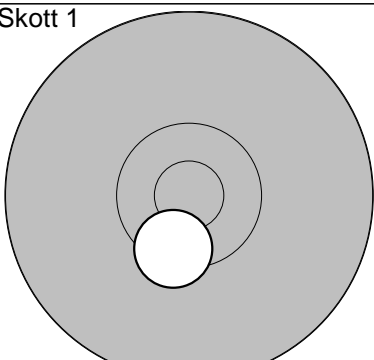
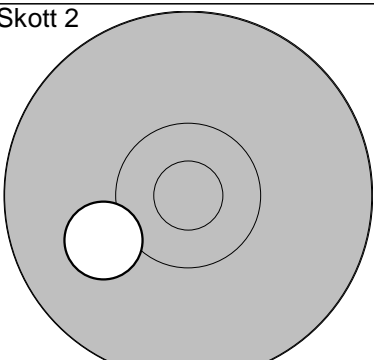
|         |              |  |  |
|---------|--------------|--|--|
| Skott 5 | 1: 10,3* ←   |  |  |
|         |              |  |  |
|         | Serie 10,0   |  |  |
|         | Totalt 322,0 |  |  |

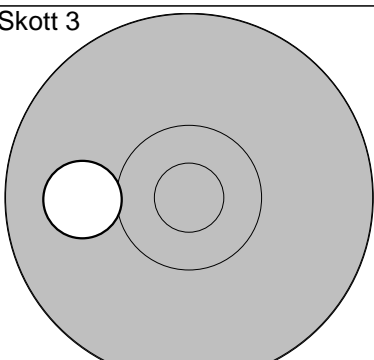
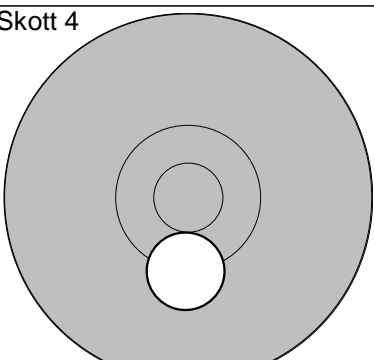
Umeå

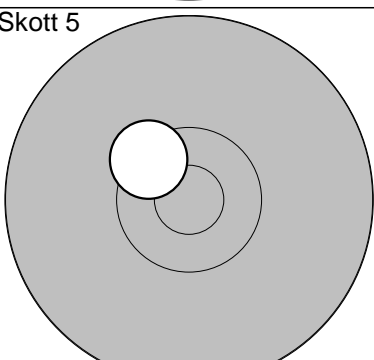
|            |                         |                 |
|------------|-------------------------|-----------------|
| 2012-07-10 | Tavelträffen 2012 Final | Ramselefors SKF |
|------------|-------------------------|-----------------|

|   |  |   |   |
|---|--|---|---|
| Provsnitt<br> | 1: 9,3 ↗<br>2: 10,3 ↗<br>3: 9,0 ↗<br>4: 10,6* ↗<br>5: 10,3* ↗<br>6: 9,3 ↗<br>7: 8,7 ↗<br>8: 9,2 ↘<br>9: 9,8 ↘<br>10: 9,9 ↗<br><hr/> Serie 92,0<br>Totalt 187,0 | Provsnitt<br> | 11: 10,2 ↓<br>12: 10,0 ←<br>13: 10,2 ↗<br>14: 10,5* ↓<br><hr/> Serie 40,0<br>Totalt 187,0 |
|---|--|---|---|

|  |  |  |   |
|--|--|--|---|
| 10 skott<br> | 1: 10,4* ↓<br>2: 10,0 ↓<br>3: 10,3 ↓<br>4: 10,5* ↗<br>5: 9,5 ↓<br><hr/> Serie 49,0<br>Totalt 236,0 | 10 skott<br> | 6: 9,6 ↗<br>7: 10,8* ↓<br>8: 10,5* ↓<br>9: 10,3* ↗<br>10: 9,9 ↗<br><hr/> Serie 48,0<br>Totalt 284,0 |
|--|--|--|---|

|  |  |  |   |
|--|--|--|---|
| Skott 1<br> | 1: 10,4* ↓<br><hr/> Serie 10,0<br>Totalt 294,0 | Skott 2<br> | 1: 10,1 ←<br><hr/> Serie 10,0<br>Totalt 304,0 |
|--|--|--|---|

|   |   |   |   |
|---|---|---|---|
| Skott 3<br> | 1: 10,0 ←<br><hr/> Serie 10,0<br>Totalt 314,0 | Skott 4<br> | 1: 10,3 ↓<br><hr/> Serie 10,0<br>Totalt 324,0 |
|---|---|---|---|

|   |  |  |
|---|--|--|
| Skott 5<br> | 1: 10,4* ↗<br><hr/> Serie 10,0<br>Totalt 334,0 |  |
|---|--|--|



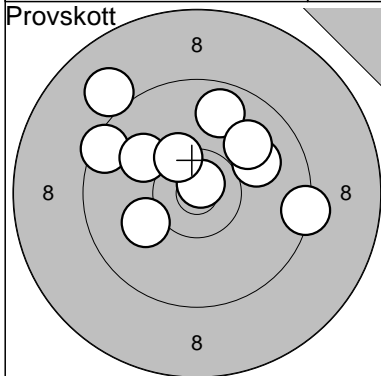
Hogdal

2012-07-10

Tavelträffen 2012 Final

Ramselefors SKF

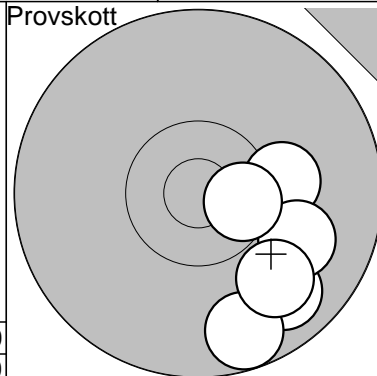
Provskott



1: 10,1 ↙  
 2: 9,0 ↗  
 3: 9,5 ↗  
 4: 9,8 ↗  
 5: 10,8\* ↗  
 6: 10,0 →  
 7: 9,4 →  
 8: 10,0 ↗  
 9: 9,9 ↗  
 10: 10,4\* ↗

Serie 95,0  
 Totalt 195,0

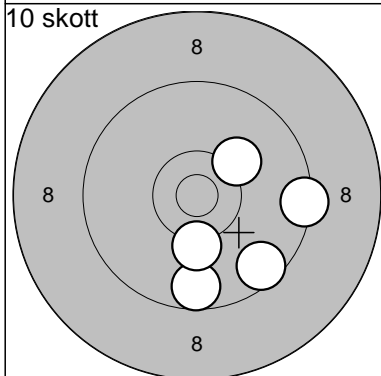
Provskott



11: 10,2 →  
 12: 9,8 ↙  
 13: 9,7 ↙  
 14: 10,0 ↙  
 15: 10,5\* →  
 16: 9,9 ↙

Serie 57,0  
 Totalt 195,0

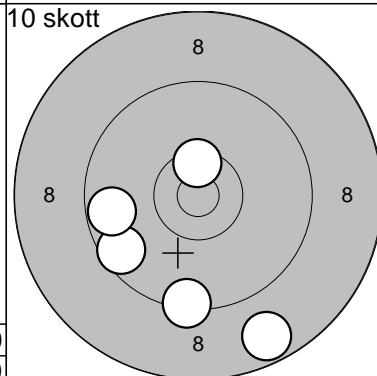
10 skott



1: 9,6 ↘  
 2: 10,2 ↗  
 3: 9,6 ↘  
 4: 9,4 →  
 5: 10,2 ↘

Serie 47,0  
 Totalt 242,0

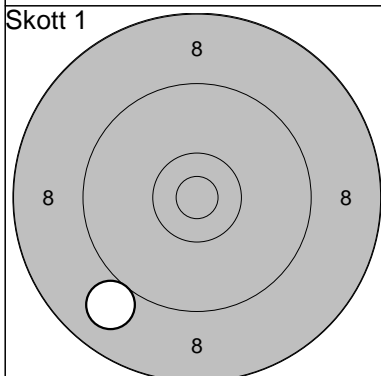
10 skott



6: 9,6 ↙  
 7: 9,4 ↘  
 8: 8,7 ↘  
 9: 10,5\* ↑  
 10: 9,7 ←

Serie 45,0  
 Totalt 287,0

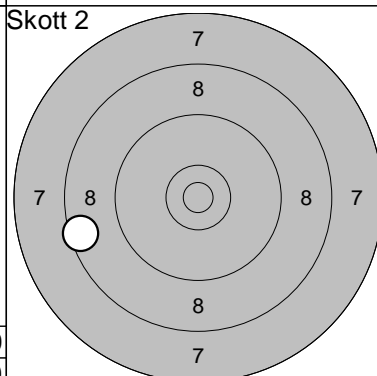
Skott 1



1: 9,0 ↘

Serie 9,0  
 Totalt 296,0

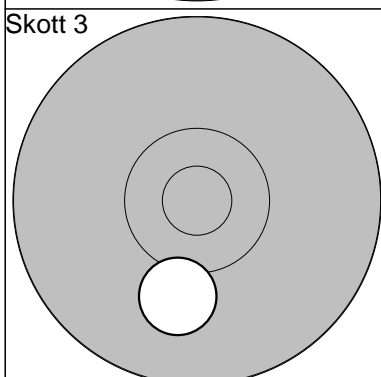
Skott 2



1: 8,5 ←

Serie 8,0  
 Totalt 304,0

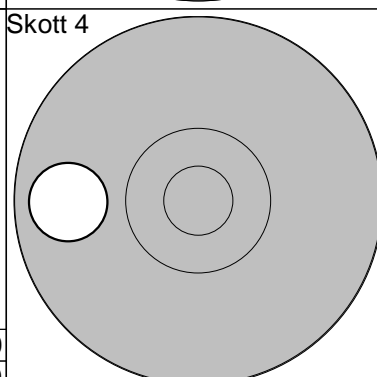
Skott 3



1: 10,1 ↘

Serie 10,0  
 Totalt 314,0

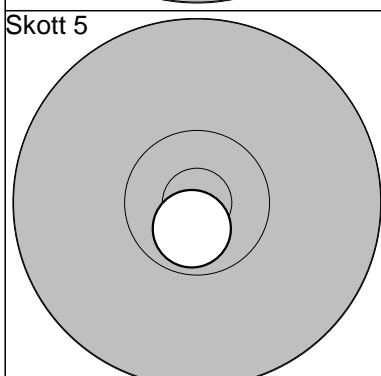
Skott 4



1: 9,8 ←

Serie 9,0  
 Totalt 323,0

Skott 5

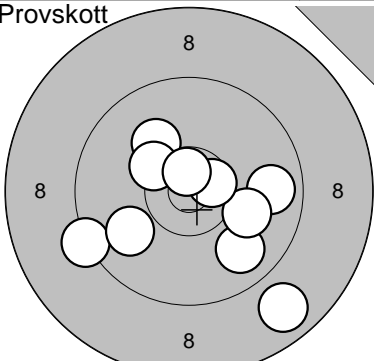
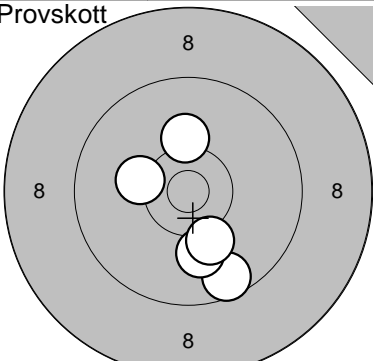


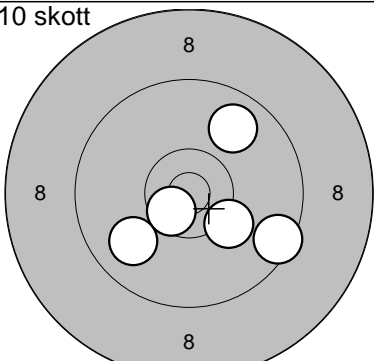
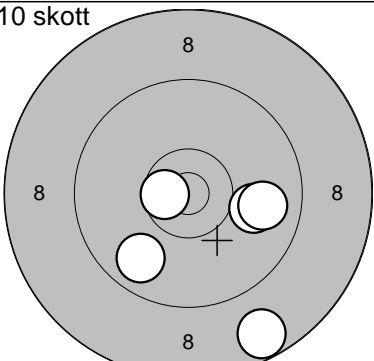
1: 10,7\* ↘

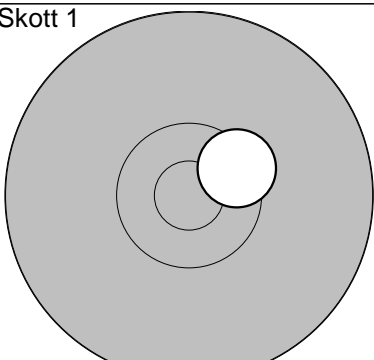
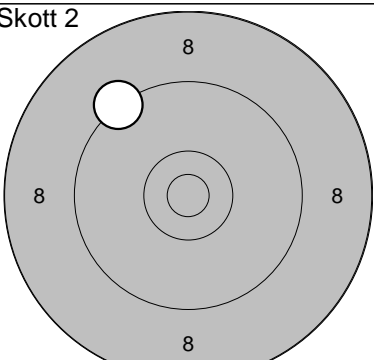
Serie 10,0  
 Totalt 333,0

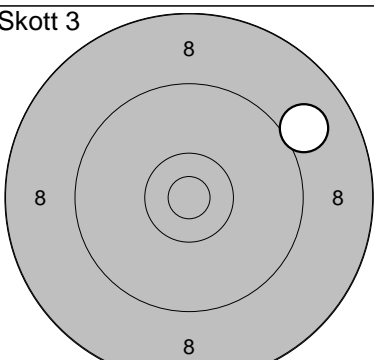
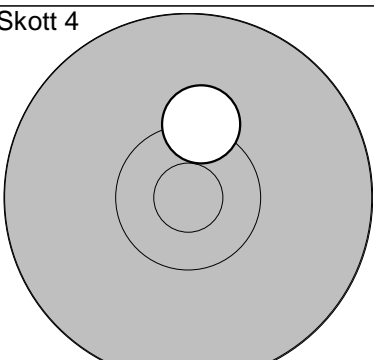
Kvistbro

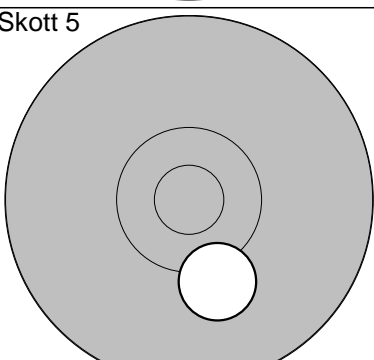
|            |                         |                 |
|------------|-------------------------|-----------------|
| 2012-07-10 | Tavelträffen 2012 Final | Ramselefors SKF |
|------------|-------------------------|-----------------|

|   |  |           |      |         |       |   |   |        |      |        |       |         |   |          |   |        |   |          |   |           |   |  |  |         |   |          |   |          |   |          |   |          |   |
|---|--|-----------|------|---------|-------|---|---|--------|------|--------|-------|---------|---|----------|---|--------|---|----------|---|-----------|---|--|--|---------|---|----------|---|----------|---|----------|---|----------|---|
| Provskott   |  | Provskott |      |         |       |   |   |        |      |        |       |         |   |          |   |        |   |          |   |           |   |  |  |         |   |          |   |          |   |          |   |          |   |
|   | <table style="width:100%; border-collapse: collapse;"> <tr><td>1: 9,3</td><td style="text-align: right;">↙</td></tr> <tr><td>2: 10,1</td><td style="text-align: right;">↗</td></tr> <tr><td>3: 9,9</td><td style="text-align: right;">↖</td></tr> <tr><td>4: 9,8</td><td style="text-align: right;">↘</td></tr> <tr><td>5: 9,8</td><td style="text-align: right;">→</td></tr> <tr><td>6: 10,1</td><td style="text-align: right;">↘</td></tr> <tr><td>7: 10,6*</td><td style="text-align: right;">→</td></tr> <tr><td>8: 8,8</td><td style="text-align: right;">↘</td></tr> <tr><td>9: 10,3*</td><td style="text-align: right;">↗</td></tr> <tr><td>10: 10,7*</td><td style="text-align: right;">↑</td></tr> </table> | 1: 9,3    | ↙    | 2: 10,1 | ↗     | 3: 9,9  | ↖ | 4: 9,8 | ↘    | 5: 9,8 | →     | 6: 10,1 | ↘ | 7: 10,6* | → | 8: 8,8 | ↘ | 9: 10,3* | ↗ | 10: 10,7* | ↑ |  | <table style="width:100%; border-collapse: collapse;"> <tr><td>11: 9,6</td><td style="text-align: right;">↘</td></tr> <tr><td>12: 10,2</td><td style="text-align: right;">↑</td></tr> <tr><td>13: 10,0</td><td style="text-align: right;">↘</td></tr> <tr><td>14: 10,2</td><td style="text-align: right;">↖</td></tr> <tr><td>15: 10,2</td><td style="text-align: right;">↘</td></tr> </table> | 11: 9,6 | ↘ | 12: 10,2 | ↑ | 13: 10,0 | ↘ | 14: 10,2 | ↖ | 15: 10,2 | ↘ |
| 1: 9,3  | ↙  |           |      |         |       |   |   |        |      |        |       |         |   |          |   |        |   |          |   |           |   |  |  |         |   |          |   |          |   |          |   |          |   |
| 2: 10,1   | ↗  |           |      |         |       |   |   |        |      |        |       |         |   |          |   |        |   |          |   |           |   |  |  |         |   |          |   |          |   |          |   |          |   |
| 3: 9,9  | ↖  |           |      |         |       |   |   |        |      |        |       |         |   |          |   |        |   |          |   |           |   |  |  |         |   |          |   |          |   |          |   |          |   |
| 4: 9,8  | ↘  |           |      |         |       |   |   |        |      |        |       |         |   |          |   |        |   |          |   |           |   |  |  |         |   |          |   |          |   |          |   |          |   |
| 5: 9,8  | →  |           |      |         |       |   |   |        |      |        |       |         |   |          |   |        |   |          |   |           |   |  |  |         |   |          |   |          |   |          |   |          |   |
| 6: 10,1   | ↘  |           |      |         |       |   |   |        |      |        |       |         |   |          |   |        |   |          |   |           |   |  |  |         |   |          |   |          |   |          |   |          |   |
| 7: 10,6*  | →  |           |      |         |       |   |   |        |      |        |       |         |   |          |   |        |   |          |   |           |   |  |  |         |   |          |   |          |   |          |   |          |   |
| 8: 8,8  | ↘  |           |      |         |       |   |   |        |      |        |       |         |   |          |   |        |   |          |   |           |   |  |  |         |   |          |   |          |   |          |   |          |   |
| 9: 10,3*  | ↗  |           |      |         |       |   |   |        |      |        |       |         |   |          |   |        |   |          |   |           |   |  |  |         |   |          |   |          |   |          |   |          |   |
| 10: 10,7*   | ↑  |           |      |         |       |   |   |        |      |        |       |         |   |          |   |        |   |          |   |           |   |  |  |         |   |          |   |          |   |          |   |          |   |
| 11: 9,6   | ↘  |           |      |         |       |   |   |        |      |        |       |         |   |          |   |        |   |          |   |           |   |  |  |         |   |          |   |          |   |          |   |          |   |
| 12: 10,2  | ↑  |           |      |         |       |   |   |        |      |        |       |         |   |          |   |        |   |          |   |           |   |  |  |         |   |          |   |          |   |          |   |          |   |
| 13: 10,0  | ↘  |           |      |         |       |   |   |        |      |        |       |         |   |          |   |        |   |          |   |           |   |  |  |         |   |          |   |          |   |          |   |          |   |
| 14: 10,2  | ↖  |           |      |         |       |   |   |        |      |        |       |         |   |          |   |        |   |          |   |           |   |  |  |         |   |          |   |          |   |          |   |          |   |
| 15: 10,2  | ↘  |           |      |         |       |   |   |        |      |        |       |         |   |          |   |        |   |          |   |           |   |  |  |         |   |          |   |          |   |          |   |          |   |
| <table style="width:100%; border-collapse: collapse;"> <tr><td style="text-align: right;">Serie</td><td style="text-align: right;">94,0</td></tr> <tr><td style="text-align: right;">Totalt</td><td style="text-align: right;">194,0</td></tr> </table> |  | Serie     | 94,0 | Totalt  | 194,0 | <table style="width:100%; border-collapse: collapse;"> <tr><td style="text-align: right;">Serie</td><td style="text-align: right;">49,0</td></tr> <tr><td style="text-align: right;">Totalt</td><td style="text-align: right;">194,0</td></tr> </table> |   | Serie  | 49,0 | Totalt | 194,0 |         |   |          |   |        |   |          |   |           |   |  |  |         |   |          |   |          |   |          |   |          |   |
| Serie   | 94,0   |           |      |         |       |   |   |        |      |        |       |         |   |          |   |        |   |          |   |           |   |  |  |         |   |          |   |          |   |          |   |          |   |
| Totalt  | 194,0  |           |      |         |       |   |   |        |      |        |       |         |   |          |   |        |   |          |   |           |   |  |  |         |   |          |   |          |   |          |   |          |   |
| Serie   | 49,0   |           |      |         |       |   |   |        |      |        |       |         |   |          |   |        |   |          |   |           |   |  |  |         |   |          |   |          |   |          |   |          |   |
| Totalt  | 194,0  |           |      |         |       |   |   |        |      |        |       |         |   |          |   |        |   |          |   |           |   |  |  |         |   |          |   |          |   |          |   |          |   |

|   |  |          |      |        |       |   |   |        |      |        |       |  |   |          |   |         |   |        |   |        |   |         |   |
|---|--|----------|------|--------|-------|---|---|--------|------|--------|-------|--|---|----------|---|---------|---|--------|---|--------|---|---------|---|
| 10 skott  |  | 10 skott |      |        |       |   |   |        |      |        |       |  |   |          |   |         |   |        |   |        |   |         |   |
|   | <table style="width:100%; border-collapse: collapse;"> <tr><td>1: 10,6*</td><td style="text-align: right;">↘</td></tr> <tr><td>2: 9,8</td><td style="text-align: right;">↗</td></tr> <tr><td>3: 10,2</td><td style="text-align: right;">↘</td></tr> <tr><td>4: 9,9</td><td style="text-align: right;">↖</td></tr> <tr><td>5: 9,5</td><td style="text-align: right;">↘</td></tr> </table> | 1: 10,6* | ↘    | 2: 9,8 | ↗     | 3: 10,2   | ↘ | 4: 9,9 | ↖    | 5: 9,5 | ↘     |  | <table style="width:100%; border-collapse: collapse;"> <tr><td>6: 10,6*</td><td style="text-align: right;">←</td></tr> <tr><td>7: 10,0</td><td style="text-align: right;">→</td></tr> <tr><td>8: 9,9</td><td style="text-align: right;">→</td></tr> <tr><td>9: 8,7</td><td style="text-align: right;">↘</td></tr> <tr><td>10: 9,8</td><td style="text-align: right;">↘</td></tr> </table> | 6: 10,6* | ← | 7: 10,0 | → | 8: 9,9 | → | 9: 8,7 | ↘ | 10: 9,8 | ↘ |
| 1: 10,6*  | ↘  |          |      |        |       |   |   |        |      |        |       |  |   |          |   |         |   |        |   |        |   |         |   |
| 2: 9,8  | ↗  |          |      |        |       |   |   |        |      |        |       |  |   |          |   |         |   |        |   |        |   |         |   |
| 3: 10,2   | ↘  |          |      |        |       |   |   |        |      |        |       |  |   |          |   |         |   |        |   |        |   |         |   |
| 4: 9,9  | ↖  |          |      |        |       |   |   |        |      |        |       |  |   |          |   |         |   |        |   |        |   |         |   |
| 5: 9,5  | ↘  |          |      |        |       |   |   |        |      |        |       |  |   |          |   |         |   |        |   |        |   |         |   |
| 6: 10,6*  | ←  |          |      |        |       |   |   |        |      |        |       |  |   |          |   |         |   |        |   |        |   |         |   |
| 7: 10,0   | →  |          |      |        |       |   |   |        |      |        |       |  |   |          |   |         |   |        |   |        |   |         |   |
| 8: 9,9  | →  |          |      |        |       |   |   |        |      |        |       |  |   |          |   |         |   |        |   |        |   |         |   |
| 9: 8,7  | ↘  |          |      |        |       |   |   |        |      |        |       |  |   |          |   |         |   |        |   |        |   |         |   |
| 10: 9,8   | ↘  |          |      |        |       |   |   |        |      |        |       |  |   |          |   |         |   |        |   |        |   |         |   |
| <table style="width:100%; border-collapse: collapse;"> <tr><td style="text-align: right;">Serie</td><td style="text-align: right;">47,0</td></tr> <tr><td style="text-align: right;">Totalt</td><td style="text-align: right;">241,0</td></tr> </table> |  | Serie    | 47,0 | Totalt | 241,0 | <table style="width:100%; border-collapse: collapse;"> <tr><td style="text-align: right;">Serie</td><td style="text-align: right;">46,0</td></tr> <tr><td style="text-align: right;">Totalt</td><td style="text-align: right;">287,0</td></tr> </table> |   | Serie  | 46,0 | Totalt | 287,0 |  |   |          |   |         |   |        |   |        |   |         |   |
| Serie   | 47,0   |          |      |        |       |   |   |        |      |        |       |  |   |          |   |         |   |        |   |        |   |         |   |
| Totalt  | 241,0  |          |      |        |       |   |   |        |      |        |       |  |   |          |   |         |   |        |   |        |   |         |   |
| Serie   | 46,0   |          |      |        |       |   |   |        |      |        |       |  |   |          |   |         |   |        |   |        |   |         |   |
| Totalt  | 287,0  |          |      |        |       |   |   |        |      |        |       |  |   |          |   |         |   |        |   |        |   |         |   |

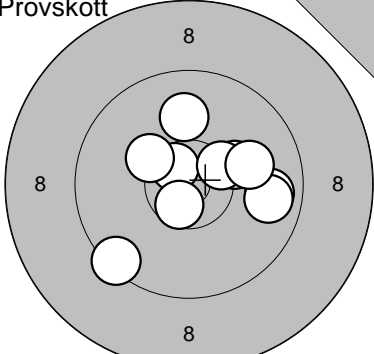
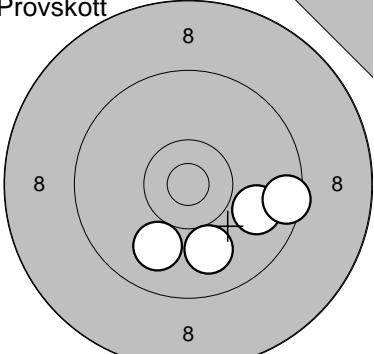
|   |   |          |      |   |   |  |   |       |     |        |       |
|---|---|----------|------|---|---|--|---|-------|-----|--------|-------|
| Skott 1   |   | Skott 2  |      |   |   |  |   |       |     |        |       |
|    | <table style="width:100%; border-collapse: collapse;"> <tr><td>1: 10,5*</td><td style="text-align: right;">↗</td></tr> </table> | 1: 10,5* | ↗    |  | <table style="width:100%; border-collapse: collapse;"> <tr><td>1: 9,3</td><td style="text-align: right;">↖</td></tr> </table> | 1: 9,3   | ↖ |       |     |        |       |
| 1: 10,5*  | ↗   |          |      |   |   |  |   |       |     |        |       |
| 1: 9,3  | ↖   |          |      |   |   |  |   |       |     |        |       |
| <table style="width:100%; border-collapse: collapse;"> <tr><td style="text-align: right;">Serie</td><td style="text-align: right;">10,0</td></tr> <tr><td style="text-align: right;">Totalt</td><td style="text-align: right;">297,0</td></tr> </table> |   | Serie    | 10,0 | Totalt  | 297,0   | <table style="width:100%; border-collapse: collapse;"> <tr><td style="text-align: right;">Serie</td><td style="text-align: right;">9,0</td></tr> <tr><td style="text-align: right;">Totalt</td><td style="text-align: right;">306,0</td></tr> </table> |   | Serie | 9,0 | Totalt | 306,0 |
| Serie   | 10,0  |          |      |   |   |  |   |       |     |        |       |
| Totalt  | 297,0   |          |      |   |   |  |   |       |     |        |       |
| Serie   | 9,0   |          |      |   |   |  |   |       |     |        |       |
| Totalt  | 306,0   |          |      |   |   |  |   |       |     |        |       |

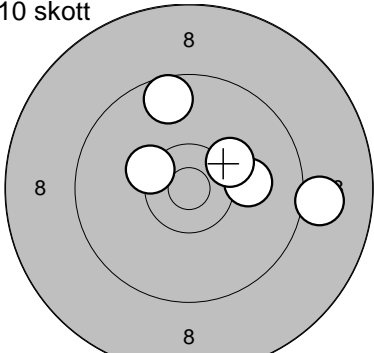
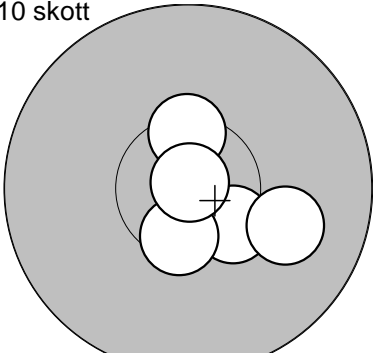
|  |   |         |     |  |   |   |   |       |      |        |       |
|--|---|---------|-----|--|---|---|---|-------|------|--------|-------|
| Skott 3  |   | Skott 4 |     |  |   |   |   |       |      |        |       |
|    | <table style="width:100%; border-collapse: collapse;"> <tr><td>1: 9,0</td><td style="text-align: right;">↗</td></tr> </table> | 1: 9,0  | ↗   |  | <table style="width:100%; border-collapse: collapse;"> <tr><td>1: 10,3*</td><td style="text-align: right;">↑</td></tr> </table> | 1: 10,3*  | ↑ |       |      |        |       |
| 1: 9,0   | ↗   |         |     |  |   |   |   |       |      |        |       |
| 1: 10,3*   | ↑   |         |     |  |   |   |   |       |      |        |       |
| <table style="width:100%; border-collapse: collapse;"> <tr><td style="text-align: right;">Serie</td><td style="text-align: right;">9,0</td></tr> <tr><td style="text-align: right;">Totalt</td><td style="text-align: right;">315,0</td></tr> </table> |   | Serie   | 9,0 | Totalt   | 315,0   | <table style="width:100%; border-collapse: collapse;"> <tr><td style="text-align: right;">Serie</td><td style="text-align: right;">10,0</td></tr> <tr><td style="text-align: right;">Totalt</td><td style="text-align: right;">325,0</td></tr> </table> |   | Serie | 10,0 | Totalt | 325,0 |
| Serie  | 9,0   |         |     |  |   |   |   |       |      |        |       |
| Totalt   | 315,0   |         |     |  |   |   |   |       |      |        |       |
| Serie  | 10,0  |         |     |  |   |   |   |       |      |        |       |
| Totalt   | 325,0   |         |     |  |   |   |   |       |      |        |       |

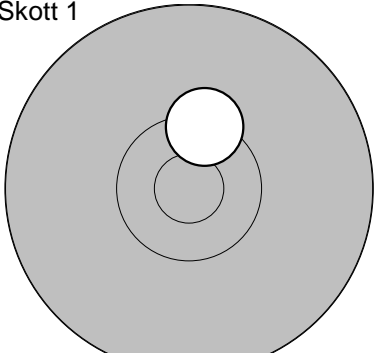
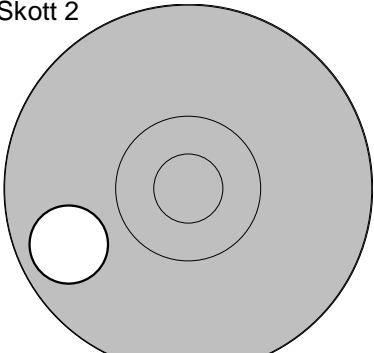
|   |  |         |      |        |       |  |  |
|---|--|---------|------|--------|-------|--|--|
| Skott 5   |  |         |      |        |       |  |  |
|   | <table style="width:100%; border-collapse: collapse;"> <tr><td>1: 10,2</td><td style="text-align: right;">↘</td></tr> </table> | 1: 10,2 | ↘    |        |       |  |  |
| 1: 10,2   | ↘  |         |      |        |       |  |  |
| <table style="width:100%; border-collapse: collapse;"> <tr><td style="text-align: right;">Serie</td><td style="text-align: right;">10,0</td></tr> <tr><td style="text-align: right;">Totalt</td><td style="text-align: right;">335,0</td></tr> </table> |  | Serie   | 10,0 | Totalt | 335,0 |  |  |
| Serie   | 10,0   |         |      |        |       |  |  |
| Totalt  | 335,0  |         |      |        |       |  |  |

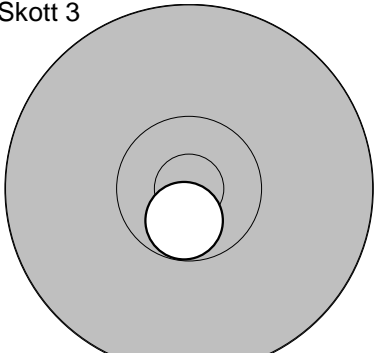
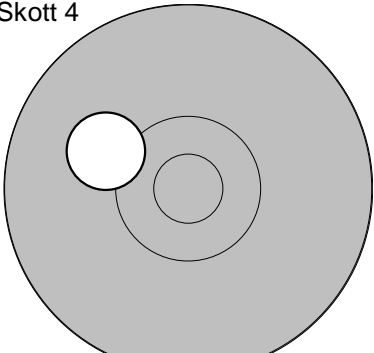
Ununge

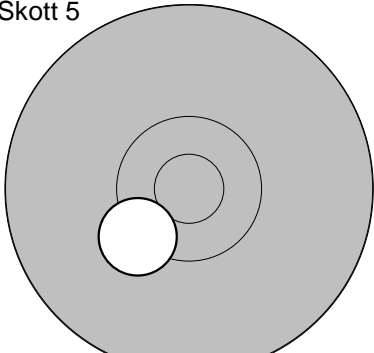
|            |                         |                 |
|------------|-------------------------|-----------------|
| 2012-07-10 | Tavelträffen 2012 Final | Ramselefors SKF |
|------------|-------------------------|-----------------|

|   |   |   |  |
|---|---|---|--|
| Provsnitt<br> | 1: 9,8 →<br>2: 10,6* ↗<br>3: 10,2 →<br>4: 10,3 ↗<br>5: 10,0 ↗<br>6: 9,4 ↙<br>7: 10,4* ↗<br>8: 9,8 →<br>9: 10,0 →<br>10: 10,6* ↙ | Provsnitt<br> | 11: 9,9 →<br>12: 10,0 ↓<br>13: 10,0 ↓<br>14: 9,5 → |
| Serie 97,0  |   | Serie 38,0  |  |
| Totalt 193,0  |   | Totalt 193,0  |  |

|  |  |  |  |
|--|--|--|--|
| 10 skott<br> | 1: 10,3* ↖<br>2: 10,1 →<br>3: 9,1 →<br>4: 9,6 ↗<br>5: 10,3 ↗ | 10 skott<br> | 6: 10,5* ↑<br>7: 10,4* ↘<br>8: 10,5* ↓<br>9: 10,9* ↑<br>10: 10,0 ↘ |
| Serie 48,0   |  | Serie 50,0   |  |
| Totalt 241,0   |  | Totalt 291,0   |  |

|  |            |  |          |
|--|------------|--|----------|
| Skott 1<br> | 1: 10,4* ↑ | Skott 2<br> | 1: 9,8 ↖ |
| Serie 10,0   |            | Serie 9,0  |          |
| Totalt 301,0   |            | Totalt 310,0   |          |

|   |            |   |           |
|---|------------|---|-----------|
| Skott 3<br> | 1: 10,7* ↓ | Skott 4<br> | 1: 10,1 ↖ |
| Serie 10,0  |            | Serie 10,0  |           |
| Totalt 320,0  |            | Totalt 330,0  |           |

|   |            |  |  |
|---|------------|--|--|
| Skott 5<br> | 1: 10,3* ↖ |  |  |
| Serie 10,0  |            |  |  |
| Totalt 340,0  |            |  |  |

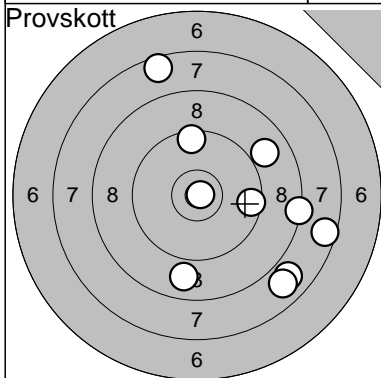
Bälunge-Jumkil

2012-07-10

Tavelträffen 2012 Final

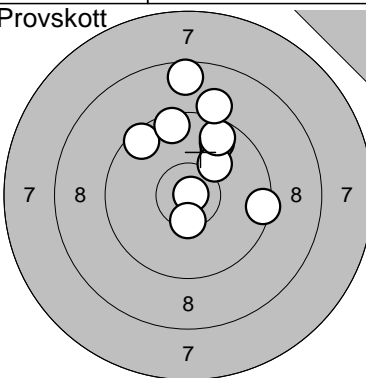
Ramselefors SKF

Provsnitt



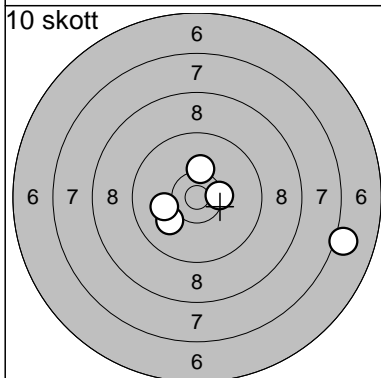
|               |       |              |
|---------------|-------|--------------|
| 1:            | 8,3   | →            |
| 2:            | 8,9   | ↘            |
| 3:            | 9,6   | →            |
| 4:            | 7,6   | →            |
| 5:            | 7,9   | ↘            |
| 6:            | 7,8   | ↘            |
| 7:            | 9,5   | ↗            |
| 8:            | 10,9* | →            |
| 9:            | 7,6   | ↗            |
| 10:           | 8,9   | ↗            |
| <b>Serie</b>  |       | <b>80,0</b>  |
| <b>Totalt</b> |       | <b>192,0</b> |

Provsnitt



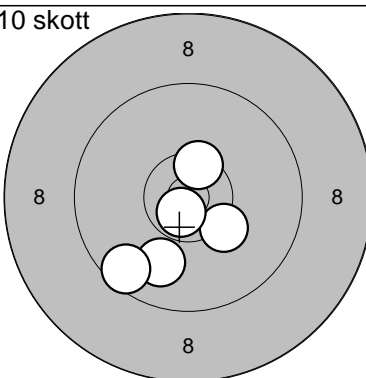
|               |       |              |
|---------------|-------|--------------|
| 11:           | 9,5   | ↖            |
| 12:           | 9,4   | →            |
| 13:           | 9,8   | ↗            |
| 14:           | 10,1  | ↗            |
| 15:           | 8,6   | ↑            |
| 16:           | 10,9* | →            |
| 17:           | 9,7   | ↗            |
| 18:           | 9,5   | ↑            |
| 19:           | 10,4* | ↓            |
| 20:           | 9,1   | ↖            |
| <b>Serie</b>  |       | <b>92,0</b>  |
| <b>Totalt</b> |       | <b>192,0</b> |

10 skott



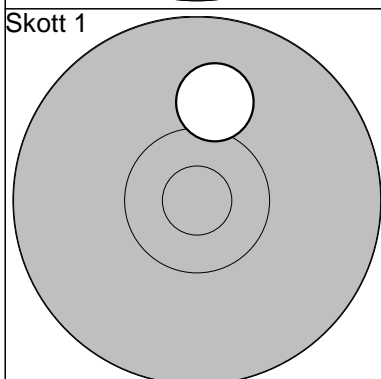
|               |       |              |
|---------------|-------|--------------|
| 1:            | 10,2  | ↑            |
| 2:            | 10,1  | ↙            |
| 3:            | 10,1  | ↙            |
| 4:            | 7,1   | →            |
| 5:            | 10,4* | →            |
| <b>Serie</b>  |       | <b>47,0</b>  |
| <b>Totalt</b> |       | <b>239,0</b> |

10 skott



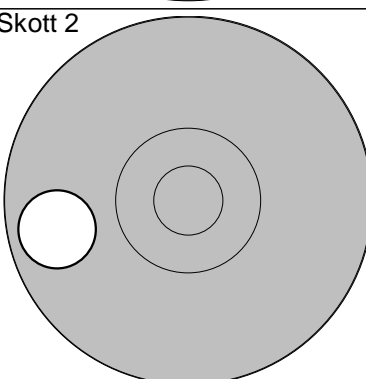
|               |       |              |
|---------------|-------|--------------|
| 6:            | 9,9   | ↓            |
| 7:            | 9,6   | ↙            |
| 8:            | 10,3  | ↘            |
| 9:            | 10,7* | ↓            |
| 10:           | 10,5* | ↗            |
| <b>Serie</b>  |       | <b>48,0</b>  |
| <b>Totalt</b> |       | <b>287,0</b> |

Skott 1



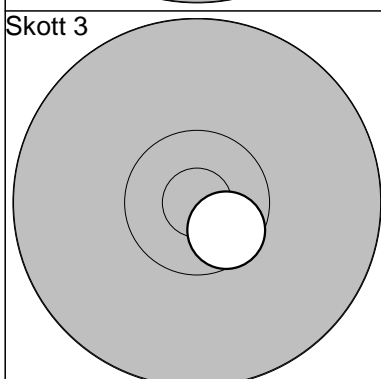
|               |      |              |
|---------------|------|--------------|
| 1:            | 10,1 | ↑            |
| <b>Serie</b>  |      | <b>10,0</b>  |
| <b>Totalt</b> |      | <b>297,0</b> |

Skott 2



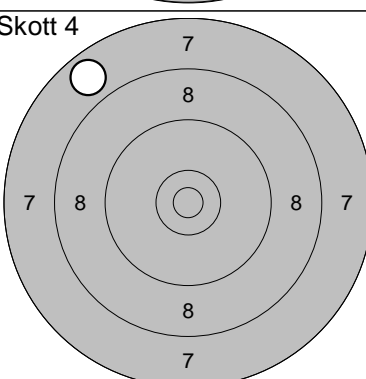
|               |     |              |
|---------------|-----|--------------|
| 1:            | 9,8 | ←            |
| <b>Serie</b>  |     | <b>9,0</b>   |
| <b>Totalt</b> |     | <b>306,0</b> |

Skott 3



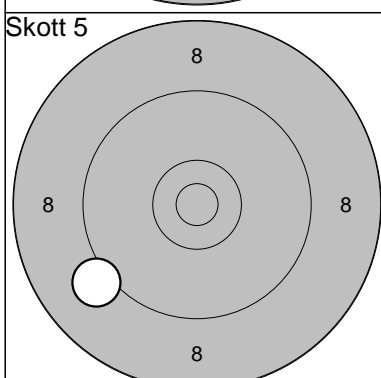
|               |       |              |
|---------------|-------|--------------|
| 1:            | 10,6* | ↘            |
| <b>Serie</b>  |       | <b>10,0</b>  |
| <b>Totalt</b> |       | <b>316,0</b> |

Skott 4

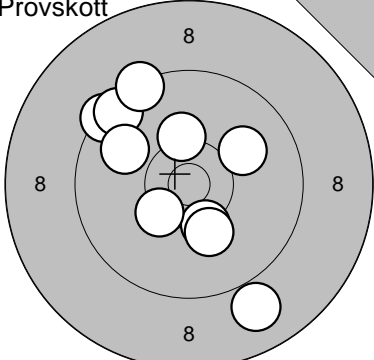
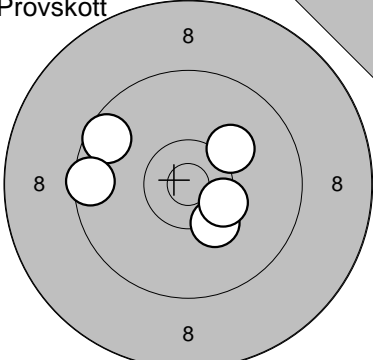


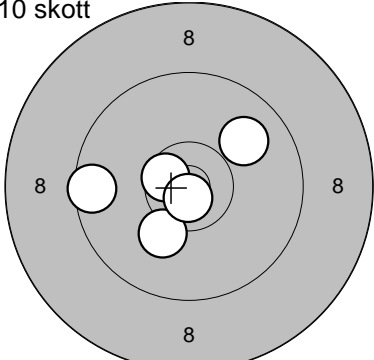
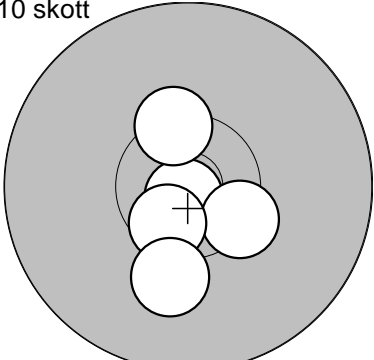
|               |     |              |
|---------------|-----|--------------|
| 1:            | 7,8 | ↖            |
| <b>Serie</b>  |     | <b>7,0</b>   |
| <b>Totalt</b> |     | <b>323,0</b> |

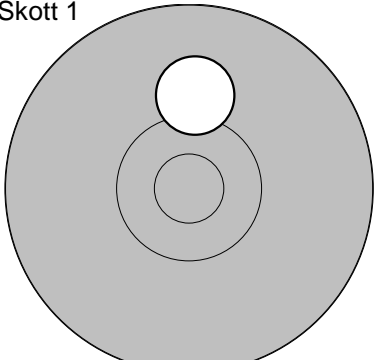
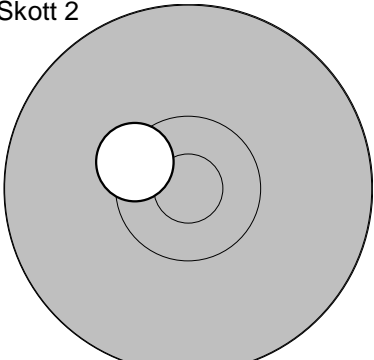
Skott 5

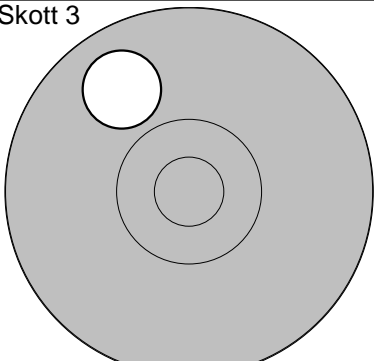
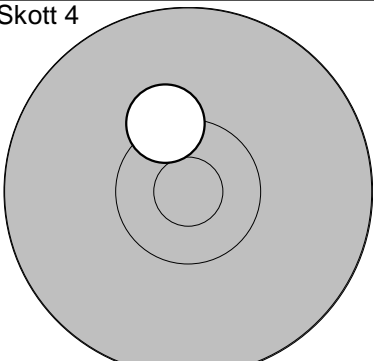


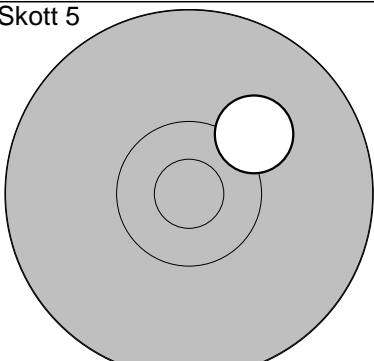
|               |     |              |
|---------------|-----|--------------|
| 1:            | 9,1 | ↙            |
| <b>Serie</b>  |     | <b>9,0</b>   |
| <b>Totalt</b> |     | <b>332,0</b> |

|   |  |   |   |
|---|--|---|---|
| Provsnitt<br> | 1: 9,4 ↗<br>2: 10,3* ↘<br>3: 8,9 ↘<br>4: 10,0 →<br>5: 10,2 ↘<br>6: 9,5 ↘<br>7: 10,4* ↖<br>8: 9,4 ↖<br>9: 10,3 →<br>10: 9,9 ↗ | Provsnitt<br> | 11: 9,6 ↗<br>12: 10,3 ↘<br>13: 9,5 ←<br>14: 10,4* ↘<br>15: 10,2 ↗ |
| Serie 94,0  |  | Serie 48,0  |   |
| Totalt 190,0  |  | Totalt 190,0  |   |

|  |   |  |  |
|--|---|--|--|
| 10 skott<br> | 1: 10,6* ↖<br>2: 9,9 ↗<br>3: 9,6 ←<br>4: 10,2 ↘<br>5: 10,8* ↘ | 10 skott<br> | 6: 10,8* ↘<br>7: 10,4* →<br>8: 10,6* ↘<br>9: 10,1 ↘<br>10: 10,4* ↗ |
| Serie 48,0   |   | Serie 50,0   |  |
| Totalt 238,0   |   | Totalt 288,0   |  |

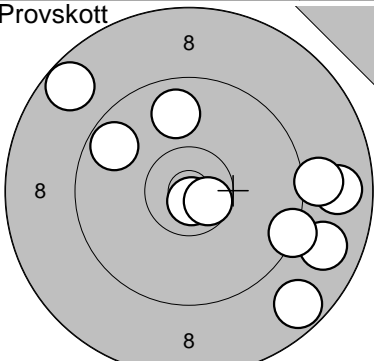
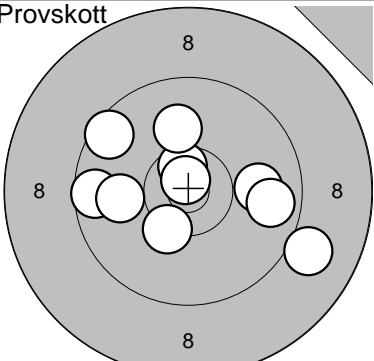
|  |           |  |            |
|--|-----------|--|------------|
| Skott 1<br> | 1: 10,1 ↑ | Skott 2<br> | 1: 10,4* ↖ |
| Serie 10,0   |           | Serie 10,0   |            |
| Totalt 298,0   |           | Totalt 308,0   |            |

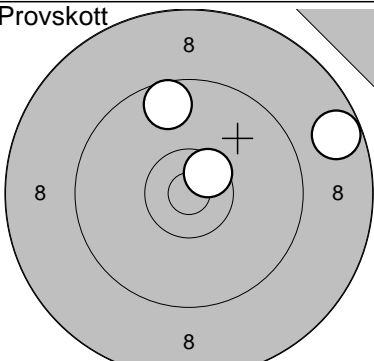
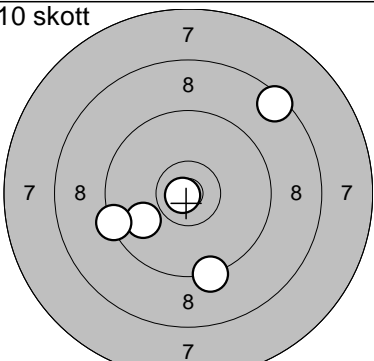
|   |          |   |            |
|---|----------|---|------------|
| Skott 3<br> | 1: 9,9 ↖ | Skott 4<br> | 1: 10,3* ↗ |
| Serie 9,0   |          | Serie 10,0  |            |
| Totalt 317,0  |          | Totalt 327,0  |            |

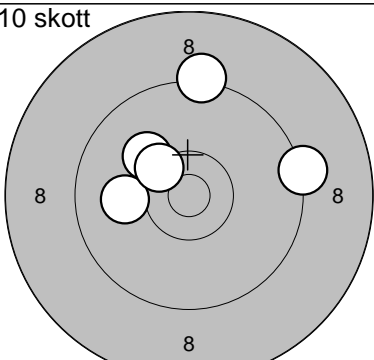
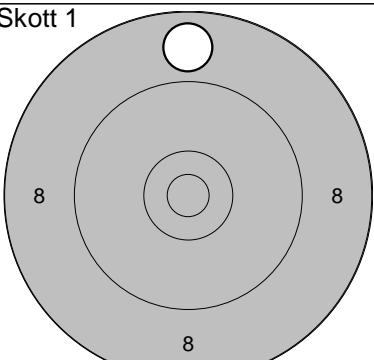
|   |           |  |  |
|---|-----------|--|--|
| Skott 5<br> | 1: 10,2 ↗ |  |  |
| Serie 10,0  |           |  |  |
| Totalt 337,0  |           |  |  |

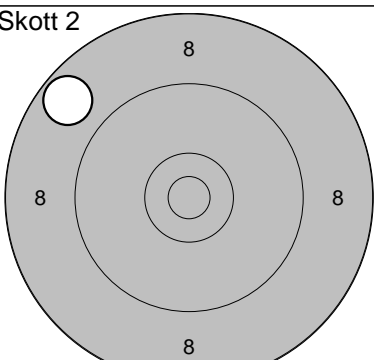
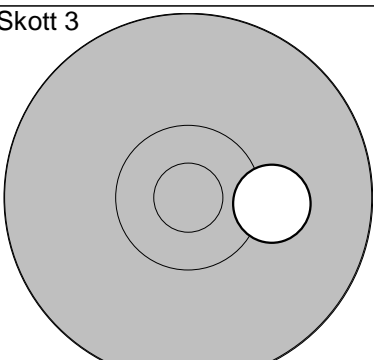
Ramselefors

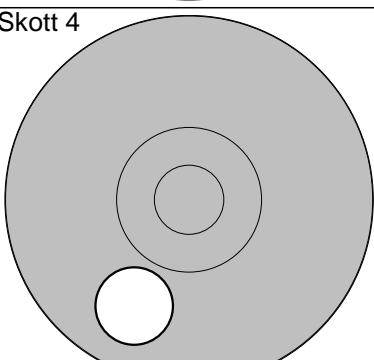
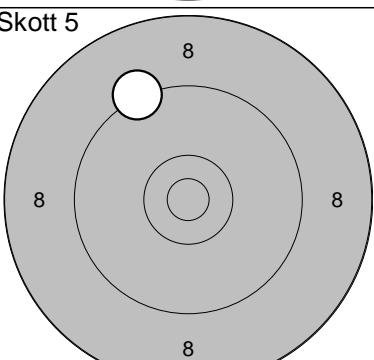
|            |                         |                 |
|------------|-------------------------|-----------------|
| 2012-07-10 | Tavelträffen 2012 Final | Ramselefors SKF |
|------------|-------------------------|-----------------|

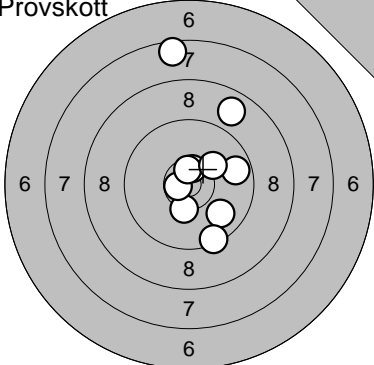
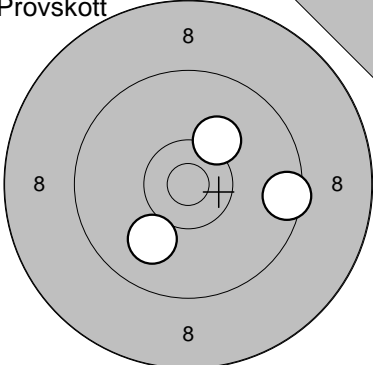
|  |  |                            |  |
|--|--|----------------------------|--|
| Provskott  | 1: 9,8 ↑<br>2: 8,7 ↓↓<br>3: 8,9 ↓↓<br>4: 8,8 →<br>5: 9,3 ↓↓<br>6: 9,1 →<br>7: 8,7 ↗<br>8: 9,7 ↗<br>9: 10,8* ↓<br>10: 10,6* ↓ | Provskott                  | 11: 9,0 →<br>12: 10,6* ↑<br>13: 10,0 ↑<br>14: 10,3* ↓<br>15: 9,9 →<br>16: 9,7 →<br>17: 10,8* ↑<br>18: 9,6 ←<br>19: 9,6 ↖<br>20: 10,0 ← |
|  |    | Serie 88,0<br>Totalt 190,0 | Serie 95,0<br>Totalt 190,0   |

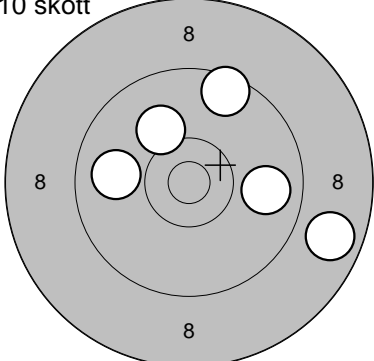
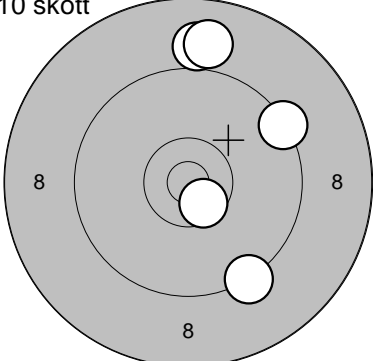
|  |  |                            |  |
|--|--|----------------------------|--|
| Provskott  | 21: 10,6* ↗<br>22: 9,6 ↑<br>23: 8,7 →  | 10 skott                   | 1: 8,5 ↗<br>2: 9,3 ↓<br>3: 9,9 ←<br>4: 10,8* ←<br>5: 9,4 ← |
|  |  | Serie 27,0<br>Totalt 190,0 | Serie 45,0<br>Totalt 235,0                                 |

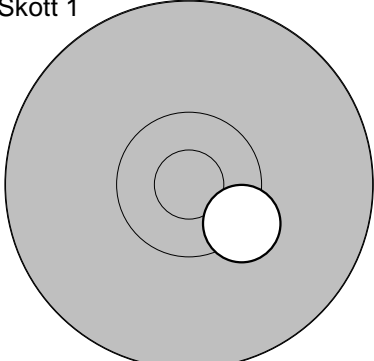
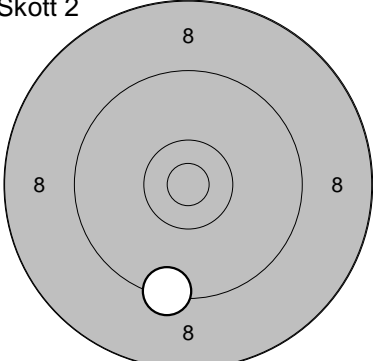
|   |   |                            |                           |
|---|---|----------------------------|---------------------------|
| 10 skott  | 6: 10,1 ↗<br>7: 10,0 ←<br>8: 10,4* ↗<br>9: 9,3 ↑<br>10: 9,3 →                       | Skott 1                    | 1: 8,8 ↑                  |
|  |  | Serie 48,0<br>Totalt 283,0 | Serie 8,0<br>Totalt 291,0 |

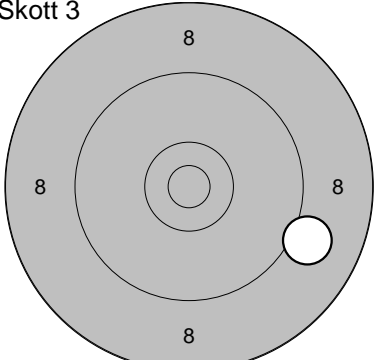
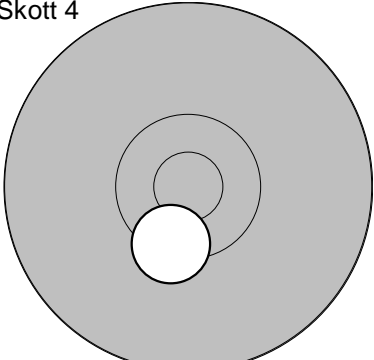
|  |  |                           |                            |
|--|--|---------------------------|----------------------------|
| Skott 2  | 1: 8,7 ↖   | Skott 3                   | 1: 10,2 →                  |
|  |  | Serie 8,0<br>Totalt 299,0 | Serie 10,0<br>Totalt 309,0 |

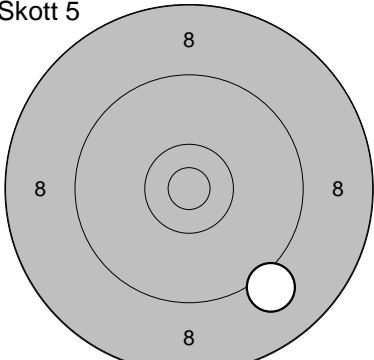
|  |  |                           |                           |
|--|--|---------------------------|---------------------------|
| Skott 4  | 1: 9,9 ↓   | Skott 5                   | 1: 9,3 ↖                  |
|  |  | Serie 9,0<br>Totalt 318,0 | Serie 9,0<br>Totalt 327,0 |

|  |  |  |                                       |
|--|--|--|---------------------------------------|
| <b>Provskott</b><br> | 1: 7,6 ↑<br>2: 9,9 ↓<br>3: 9,4 ↓<br>4: 10,3* ↓<br>5: 10,7* ←<br>6: 10,5* ↑<br>7: 9,7 →<br>8: 10,6* ↑<br>9: 8,8 ↗<br>10: 10,2 ↗ | <b>Provskott</b><br> | 11: 10,0 ↓<br>12: 10,2 ↗<br>13: 9,5 → |
| Serie 92,0<br>Totalt 188,0   |  | Serie 29,0<br>Totalt 188,0   |                                       |

|   |   |   |   |
|---|---|---|---|
| <b>10 skott</b><br> | 1: 9,5 ↑<br>2: 9,8 →<br>3: 8,8 ↓<br>4: 10,1 ↗<br>5: 9,9 ← | <b>10 skott</b><br> | 6: 10,6* ↓<br>7: 9,4 ↗<br>8: 9,0 ↑<br>9: 8,9 ↑<br>10: 9,3 ↓ |
| Serie 45,0<br>Totalt 233,0  |   | Serie 45,0<br>Totalt 278,0  |   |

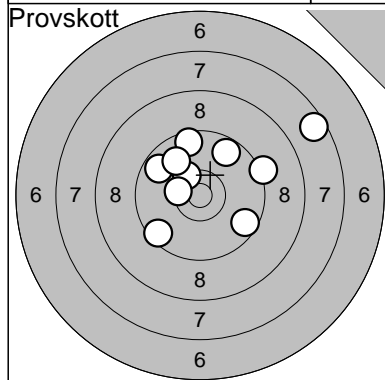
|   |            |   |          |
|---|------------|---|----------|
| <b>Skott 1</b><br> | 1: 10,4* ↘ | <b>Skott 2</b><br> | 1: 9,4 ↓ |
| Serie 10,0<br>Totalt 288,0  |            | Serie 9,0<br>Totalt 297,0   |          |

|  |          |  |            |
|--|----------|--|------------|
| <b>Skott 3</b><br> | 1: 9,1 ↘ | <b>Skott 4</b><br> | 1: 10,4* ↓ |
| Serie 9,0<br>Totalt 306,0  |          | Serie 10,0<br>Totalt 316,0   |            |

|  |          |  |  |
|--|----------|--|--|
| <b>Skott 5</b><br> | 1: 9,1 ↓ |  |  |
| Serie 9,0<br>Totalt 325,0  |          |  |  |

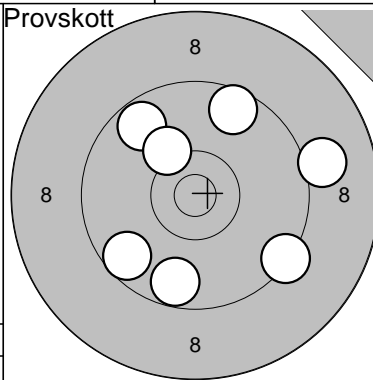
Vännäs

|            |                         |                 |
|------------|-------------------------|-----------------|
| 2012-07-10 | Tavelträffen 2012 Final | Ramselefors SKF |
|------------|-------------------------|-----------------|



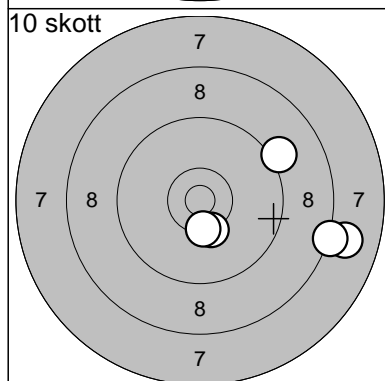
|     |       |   |
|-----|-------|---|
| 1:  | 9,6   | ↑ |
| 2:  | 9,2   | → |
| 3:  | 7,6   | → |
| 4:  | 9,5   | ↖ |
| 5:  | 9,7   | ↗ |
| 6:  | 10,4* | ↗ |
| 7:  | 10,4* | ↗ |
| 8:  | 9,9   | ↗ |
| 9:  | 9,6   | ↘ |
| 10: | 9,7   | ↘ |

|        |       |
|--------|-------|
| Serie  | 90,0  |
| Totalt | 188,0 |



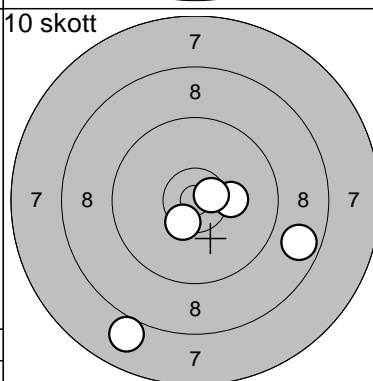
|     |      |   |
|-----|------|---|
| 11: | 9,7  | ↖ |
| 12: | 9,1  | → |
| 13: | 10,2 | ↖ |
| 14: | 9,6  | ↗ |
| 15: | 9,7  | ↘ |
| 16: | 9,6  | ↖ |
| 17: | 9,4  | ↘ |

|        |       |
|--------|-------|
| Serie  | 64,0  |
| Totalt | 188,0 |



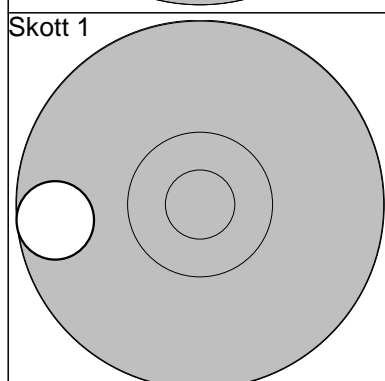
|    |       |   |
|----|-------|---|
| 1: | 10,3* | ↘ |
| 2: | 9,1   | → |
| 3: | 10,4* | ↘ |
| 4: | 8,0   | ↘ |
| 5: | 8,3   | ↘ |

|        |       |
|--------|-------|
| Serie  | 45,0  |
| Totalt | 233,0 |



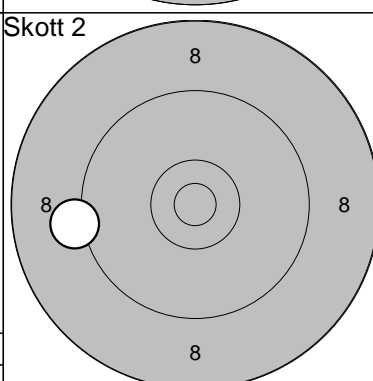
|     |       |   |
|-----|-------|---|
| 6:  | 10,2  | → |
| 7:  | 10,5* | ↘ |
| 8:  | 10,6* | → |
| 9:  | 8,7   | ↘ |
| 10: | 8,0   | ↘ |

|        |       |
|--------|-------|
| Serie  | 46,0  |
| Totalt | 279,0 |



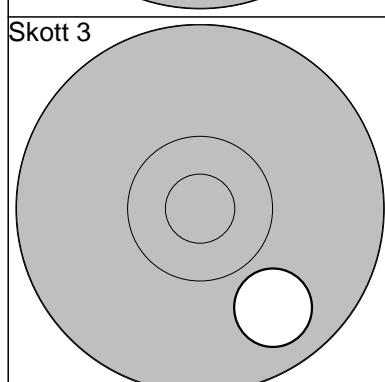
|    |     |   |
|----|-----|---|
| 1: | 9,7 | ← |
|----|-----|---|

|        |       |
|--------|-------|
| Serie  | 9,0   |
| Totalt | 288,0 |



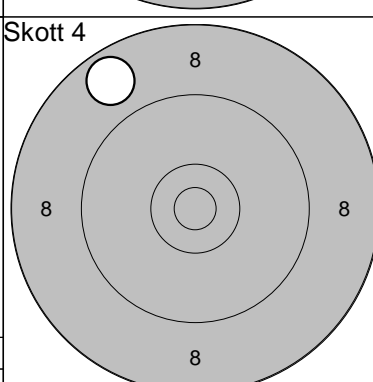
|    |     |   |
|----|-----|---|
| 1: | 9,2 | ← |
|----|-----|---|

|        |       |
|--------|-------|
| Serie  | 9,0   |
| Totalt | 297,0 |



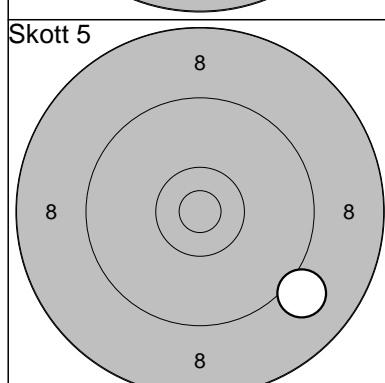
|    |     |   |
|----|-----|---|
| 1: | 9,8 | ↘ |
|----|-----|---|

|        |       |
|--------|-------|
| Serie  | 9,0   |
| Totalt | 306,0 |



|    |     |   |
|----|-----|---|
| 1: | 8,8 | ↖ |
|----|-----|---|

|        |       |
|--------|-------|
| Serie  | 8,0   |
| Totalt | 314,0 |



|    |     |   |
|----|-----|---|
| 1: | 9,1 | ↘ |
|----|-----|---|

|        |       |
|--------|-------|
| Serie  | 9,0   |
| Totalt | 323,0 |



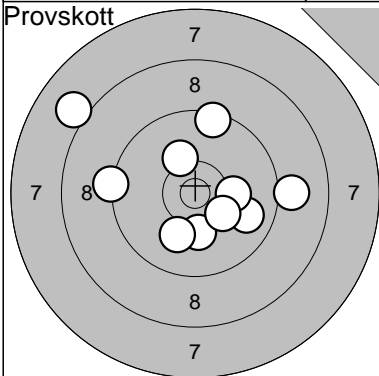
Ramselefors

2012-07-10

Tavelträffen 2012 Final

Ramselefors SKF

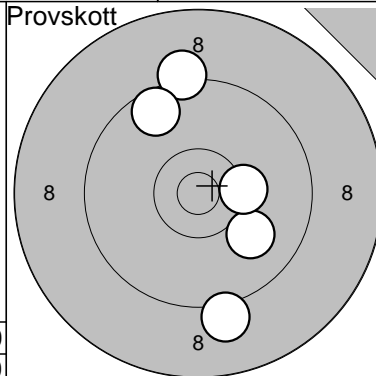
Provskott



1: 10,2 ↗  
 2: 10,2 ↓  
 3: 9,8 ↓  
 4: 10,2 →  
 5: 9,0 →  
 6: 10,1 ↓  
 7: 8,0 ↗  
 8: 9,5 ↗  
 9: 10,3 ↓  
 10: 9,3 ↓

Serie 94,0  
 Totalt 187,0

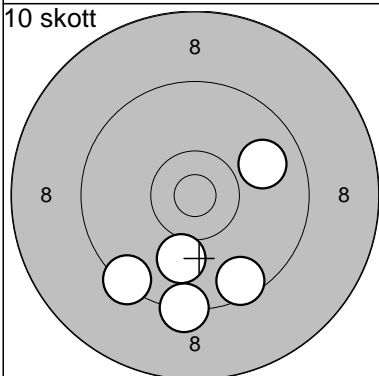
Provskott



11: 10,0 ↘  
 12: 9,1 ↓  
 13: 9,2 ↑  
 14: 9,6 ↗  
 15: 10,3\* →

Serie 47,0  
 Totalt 187,0

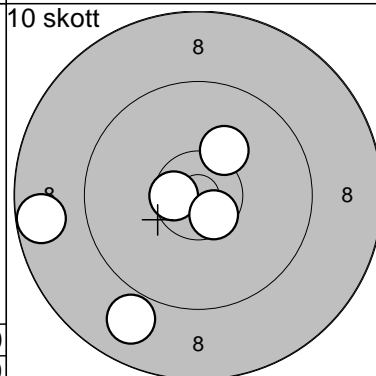
10 skott



1: 9,4 ↓  
 2: 9,6 ↓  
 3: 9,3 ↓  
 4: 9,9 →  
 5: 10,0 ↓

Serie 46,0  
 Totalt 233,0

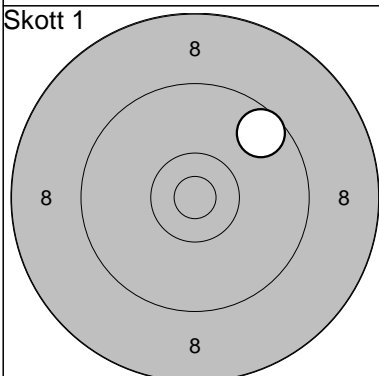
10 skott



6: 10,2 ↗  
 7: 8,9 ↓  
 8: 10,6\* ←  
 9: 10,6\* ↓  
 10: 8,7 ←

Serie 46,0  
 Totalt 279,0

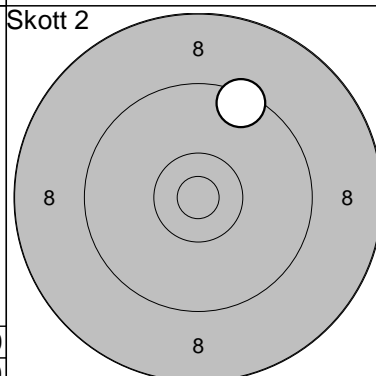
Skott 1



1: 9,6 ↗

Serie 9,0  
 Totalt 288,0

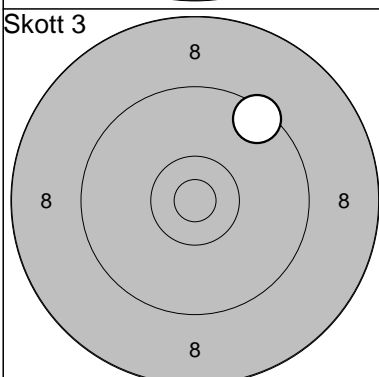
Skott 2



1: 9,5 ↗

Serie 9,0  
 Totalt 297,0

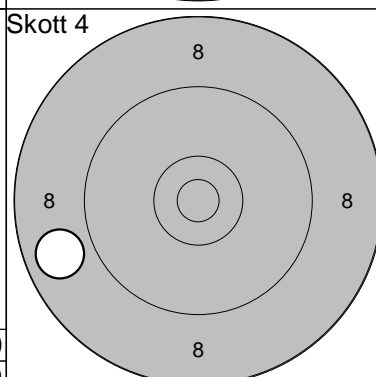
Skott 3



1: 9,5 ↗

Serie 9,0  
 Totalt 306,0

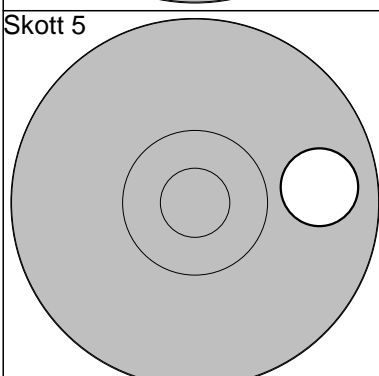
Skott 4



1: 8,8 ←

Serie 8,0  
 Totalt 314,0

Skott 5



1: 9,8 →

Serie 9,0  
 Totalt 323,0

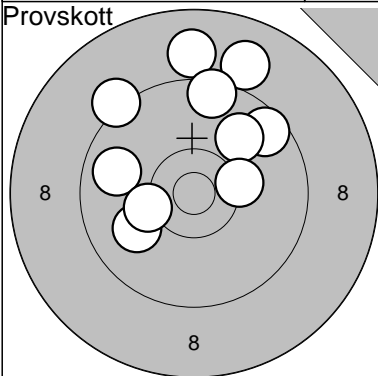
Hogdal

2012-07-10

Tavelträffen 2012 Final

Ramselefors SKF

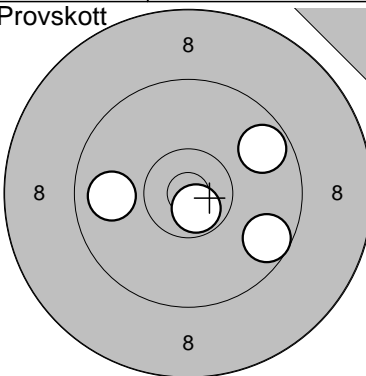
Provskott



|     |      |    |
|-----|------|----|
| 1:  | 8,9  | ↑  |
| 2:  | 9,0  | ↑↑ |
| 3:  | 9,6  | ↗  |
| 4:  | 9,9  | ↗  |
| 5:  | 10,0 | ↖  |
| 6:  | 9,5  | ↑  |
| 7:  | 10,3 | ↗  |
| 8:  | 9,2  | ↗  |
| 9:  | 9,8  | ↖  |
| 10: | 10,3 | ↖  |

|        |       |
|--------|-------|
| Serie  | 92,0  |
| Totalt | 187,0 |

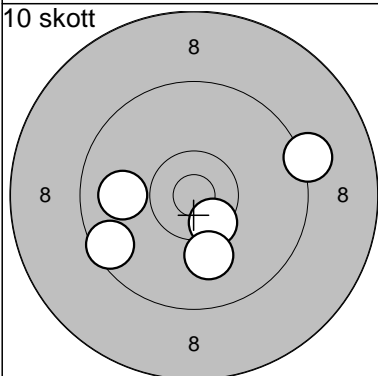
Provskott



|     |       |   |
|-----|-------|---|
| 11: | 9,6   | ↘ |
| 12: | 9,7   | ↗ |
| 13: | 10,7* | ↘ |
| 14: | 9,9   | ← |

|        |       |
|--------|-------|
| Serie  | 37,0  |
| Totalt | 187,0 |

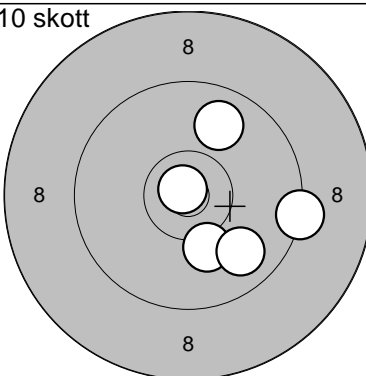
10 skott



|    |       |   |
|----|-------|---|
| 1: | 9,6   | ↖ |
| 2: | 9,9   | ← |
| 3: | 10,5* | ↘ |
| 4: | 10,1  | ↘ |
| 5: | 9,2   | ↗ |

|        |       |
|--------|-------|
| Serie  | 47,0  |
| Totalt | 234,0 |

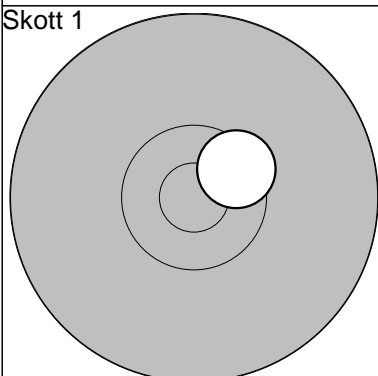
10 skott



|     |       |   |
|-----|-------|---|
| 6:  | 10,8* | ↗ |
| 7:  | 9,3   | → |
| 8:  | 9,9   | ↗ |
| 9:  | 10,2  | ↘ |
| 10: | 9,8   | ↘ |

|        |       |
|--------|-------|
| Serie  | 47,0  |
| Totalt | 281,0 |

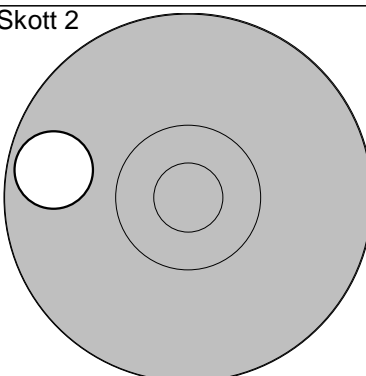
Skott 1



|    |       |   |
|----|-------|---|
| 1: | 10,5* | ↗ |
|----|-------|---|

|        |       |
|--------|-------|
| Serie  | 10,0  |
| Totalt | 291,0 |

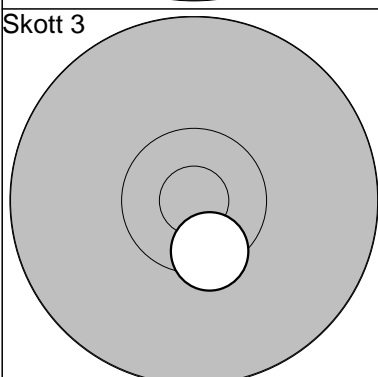
Skott 2



|    |     |   |
|----|-----|---|
| 1: | 9,7 | ← |
|----|-----|---|

|        |       |
|--------|-------|
| Serie  | 9,0   |
| Totalt | 300,0 |

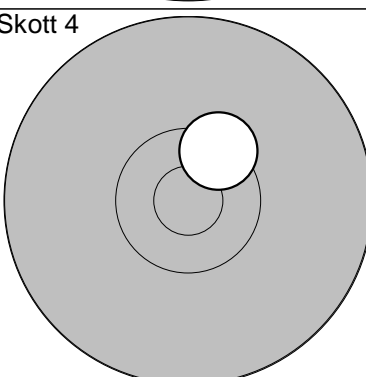
Skott 3



|    |       |   |
|----|-------|---|
| 1: | 10,5* | ↘ |
|----|-------|---|

|        |       |
|--------|-------|
| Serie  | 10,0  |
| Totalt | 310,0 |

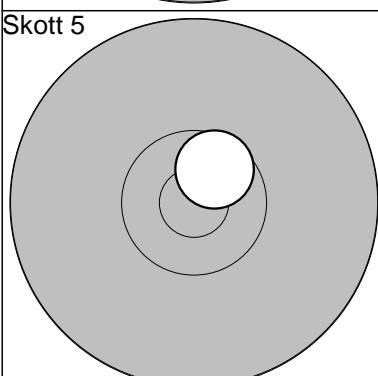
Skott 4



|    |       |   |
|----|-------|---|
| 1: | 10,4* | ↗ |
|----|-------|---|

|        |       |
|--------|-------|
| Serie  | 10,0  |
| Totalt | 320,0 |

Skott 5



|    |       |   |
|----|-------|---|
| 1: | 10,6* | ↗ |
|----|-------|---|

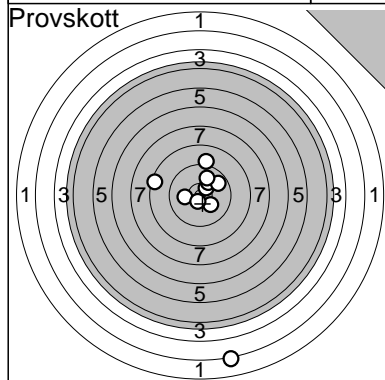
|        |       |
|--------|-------|
| Serie  | 10,0  |
| Totalt | 330,0 |

Hogdal

2012-07-10

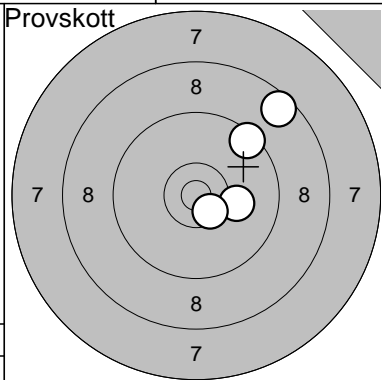
Tavelträffen 2012 Final

Ramselefors SKF



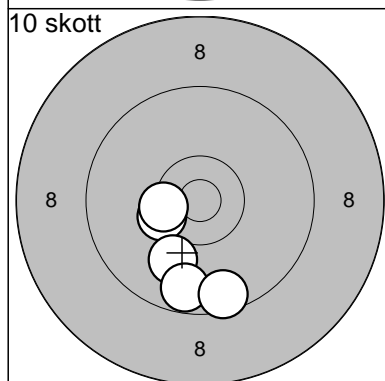
|           |   |
|-----------|---|
| 1: 10,5*  | ↗ |
| 2: 10,2   | ↗ |
| 3: 9,8    | ↗ |
| 4: 10,0   | ↗ |
| 5: 10,2   | ← |
| 6: 2,3    | ↘ |
| 7: 8,5    | ↖ |
| 8: 10,2   | ↘ |
| 9: 9,2    | ↗ |
| 10: 10,7* | ↘ |

|        |       |
|--------|-------|
| Serie  | 88,0  |
| Totalt | 187,0 |



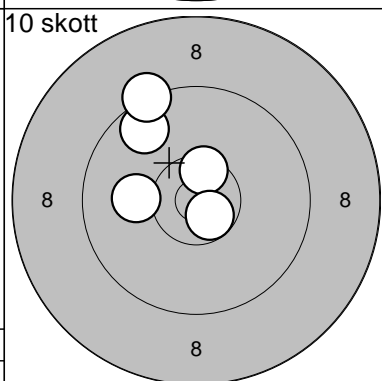
|           |   |
|-----------|---|
| 11: 8,6   | ↗ |
| 12: 9,5   | ↗ |
| 13: 10,1  | → |
| 14: 10,5* | ↘ |

|        |       |
|--------|-------|
| Serie  | 37,0  |
| Totalt | 187,0 |



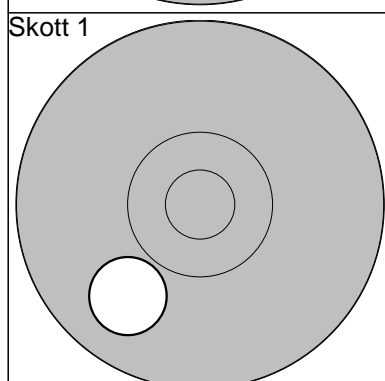
|          |   |
|----------|---|
| 1: 10,4* | ← |
| 2: 10,0  | ↘ |
| 3: 10,4* | ← |
| 4: 9,7   | ↘ |
| 5: 9,6   | ↘ |

|        |       |
|--------|-------|
| Serie  | 48,0  |
| Totalt | 235,0 |



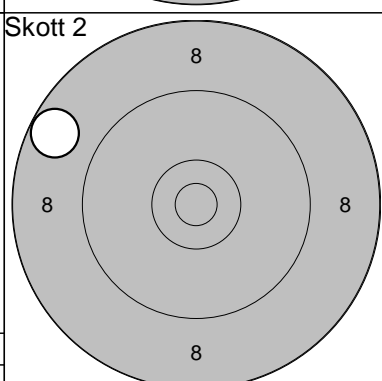
|           |   |
|-----------|---|
| 6: 10,1   | ← |
| 7: 10,5*  | ↑ |
| 8: 9,7    | ↗ |
| 9: 9,3    | ↗ |
| 10: 10,7* | ↘ |

|        |       |
|--------|-------|
| Serie  | 48,0  |
| Totalt | 283,0 |



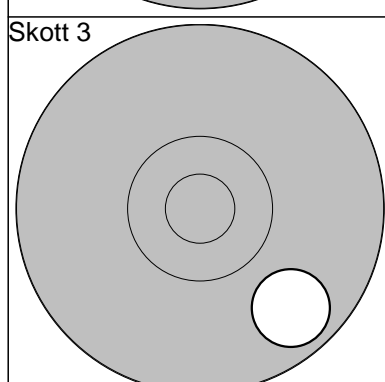
|        |   |
|--------|---|
| 1: 9,9 | ↘ |
|--------|---|

|        |       |
|--------|-------|
| Serie  | 9,0   |
| Totalt | 292,0 |



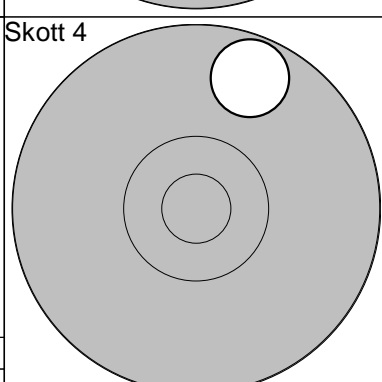
|        |   |
|--------|---|
| 1: 8,7 | ↖ |
|--------|---|

|        |       |
|--------|-------|
| Serie  | 8,0   |
| Totalt | 300,0 |



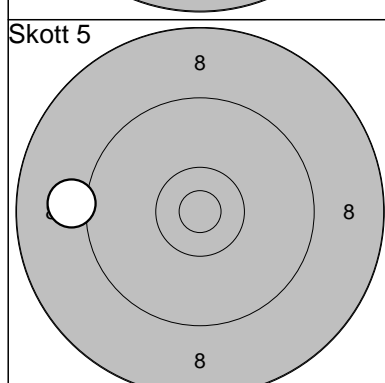
|        |   |
|--------|---|
| 1: 9,7 | ↘ |
|--------|---|

|        |       |
|--------|-------|
| Serie  | 9,0   |
| Totalt | 309,0 |



|        |   |
|--------|---|
| 1: 9,7 | ↑ |
|--------|---|

|        |       |
|--------|-------|
| Serie  | 9,0   |
| Totalt | 318,0 |



|        |   |
|--------|---|
| 1: 9,1 | ← |
|--------|---|

|        |       |
|--------|-------|
| Serie  | 9,0   |
| Totalt | 327,0 |

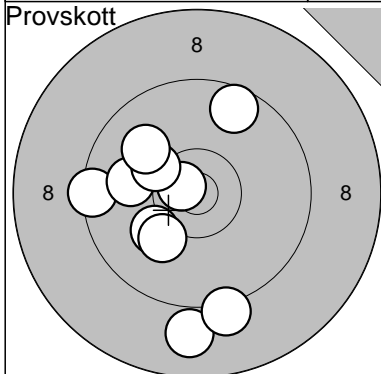
Piteå

2012-07-10

Tavelträffen 2012 Final

Ramselefors SKF

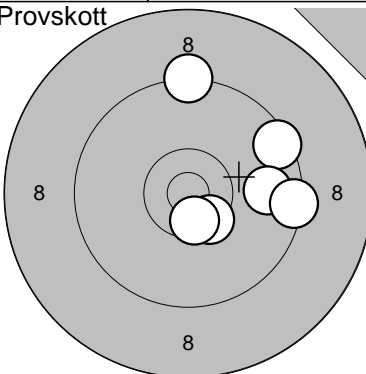
Provsnitt



1: 9,4  
2: 10,7\*  
3: 8,9  
4: 10,0  
5: 10,1  
6: 9,2  
7: 10,1  
8: 10,3  
9: 10,0  
10: 9,6

Serie 95,0  
Totalt 183,0

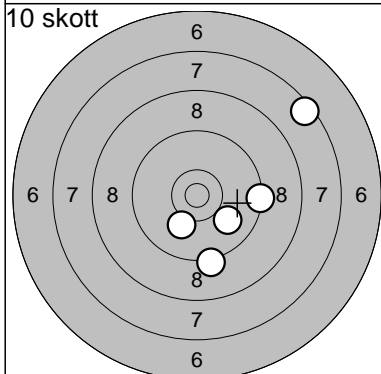
Provsnitt



11: 9,3  
12: 10,5\*  
13: 9,5  
14: 9,8  
15: 9,4  
16: 10,5\*

Serie 56,0  
Totalt 183,0

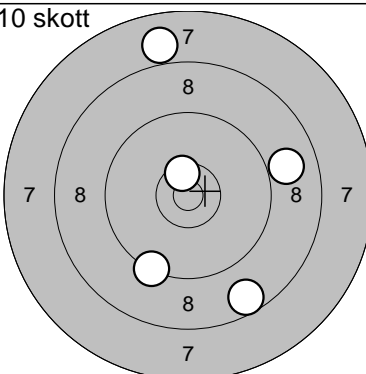
10 skott



1: 10,1  
2: 9,4  
3: 9,2  
4: 10,0  
5: 7,5

Serie 45,0  
Totalt 228,0

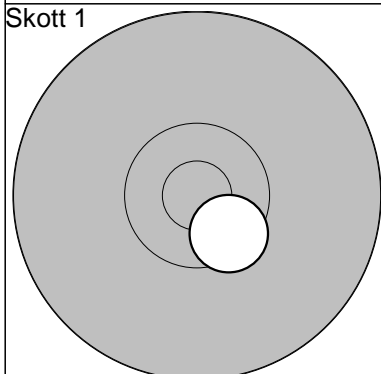
10 skott



6: 7,9  
7: 8,9  
8: 8,6  
9: 10,5\*  
10: 9,3

Serie 42,0  
Totalt 270,0

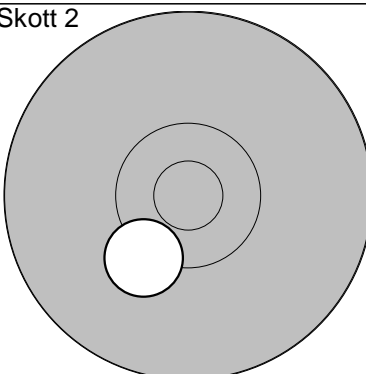
Skott 1



1: 10,5\*

Serie 10,0  
Totalt 280,0

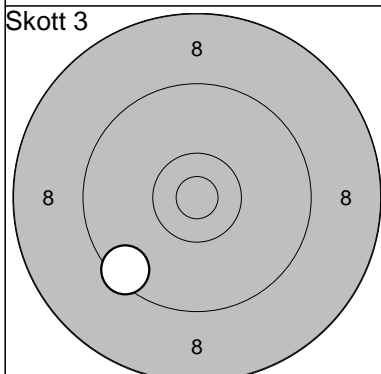
Skott 2



1: 10,3

Serie 10,0  
Totalt 290,0

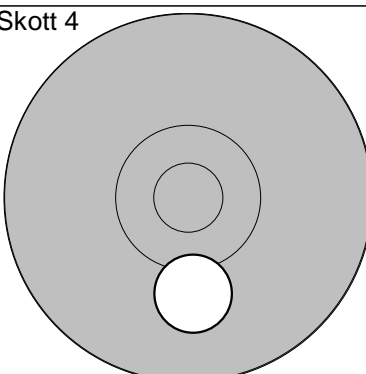
Skott 3



1: 9,5

Serie 9,0  
Totalt 299,0

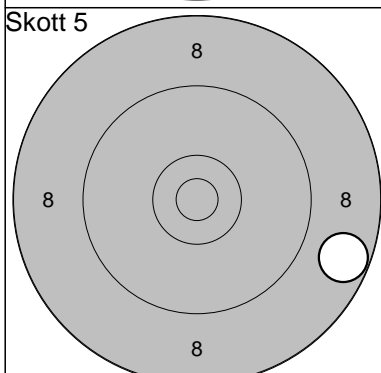
Skott 4



1: 10,1

Serie 10,0  
Totalt 309,0

Skott 5



1: 8,7

Serie 8,0  
Totalt 317,0

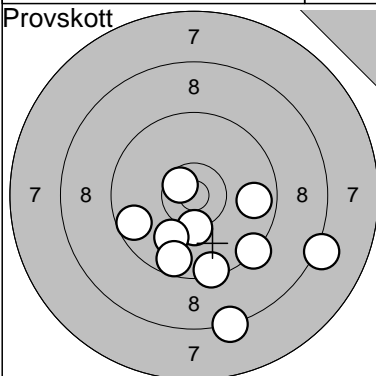
Vännäs

2012-07-10

Tavelträffen 2012 Final

Ramselefors SKF

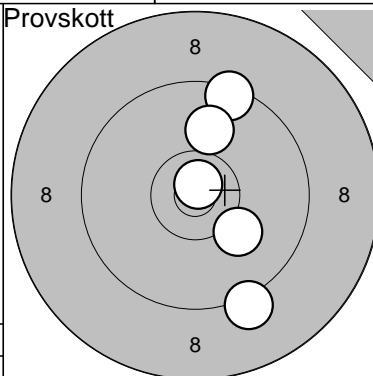
Provskott



1: 10,3\* ↓  
 2: 8,3 ↓↓  
 3: 9,7 →  
 4: 8,2 ↓↓  
 5: 9,3 ↓↓  
 6: 9,7 ←  
 7: 9,4 ↓↓  
 8: 10,6\* ↗  
 9: 10,0 ↓↓  
 10: 9,6 ↓↓

Serie 91,0  
 Totalt 182,0

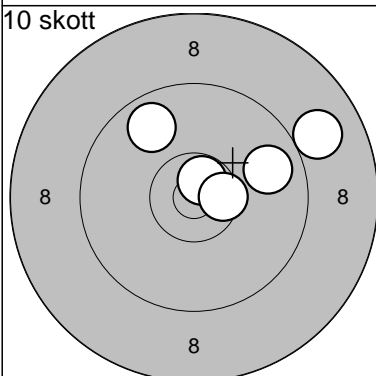
Provskott



11: 10,1 ↘  
 12: 9,2 ↓↓  
 13: 10,8\* ↑  
 14: 9,4 ↑  
 15: 10,0 ↑

Serie 48,0  
 Totalt 182,0

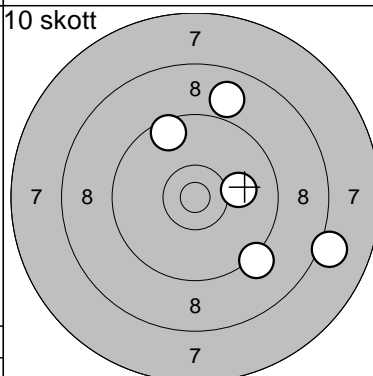
10 skott



1: 9,8 ↗  
 2: 10,7\* ↗  
 3: 9,0 →  
 4: 9,8 →  
 5: 10,5\* →

Serie 47,0  
 Totalt 229,0

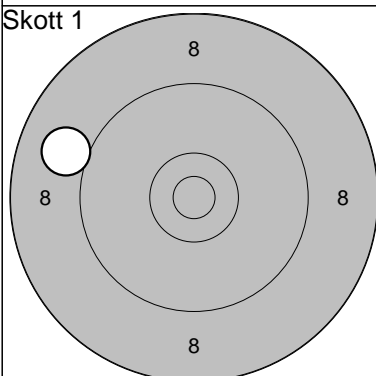
10 skott



6: 8,1 →  
 7: 9,2 ↓↓  
 8: 8,9 ↑  
 9: 10,1 →  
 10: 9,6 ↗

Serie 44,0  
 Totalt 273,0

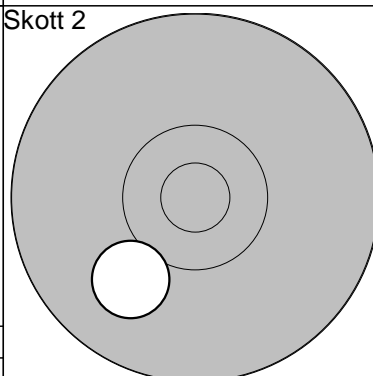
Skott 1



1: 9,0 ←

Serie 9,0  
 Totalt 282,0

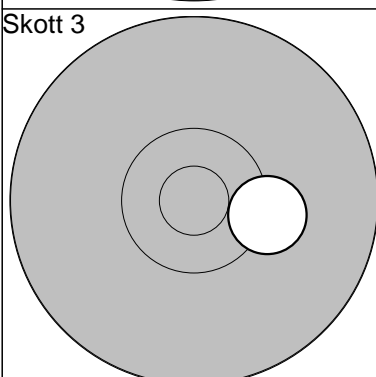
Skott 2



1: 10,0 ↘

Serie 10,0  
 Totalt 292,0

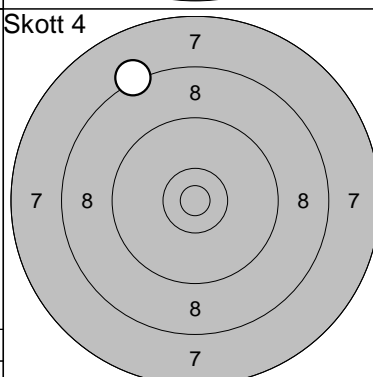
Skott 3



1: 10,3 →

Serie 10,0  
 Totalt 302,0

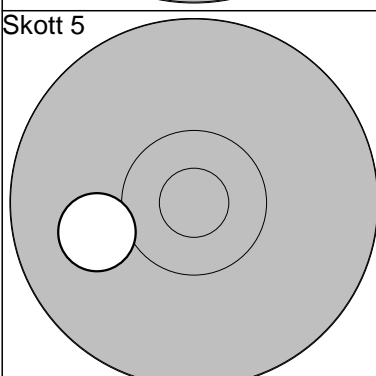
Skott 4



1: 8,2 ↗

Serie 8,0  
 Totalt 310,0

Skott 5



1: 10,0 ←

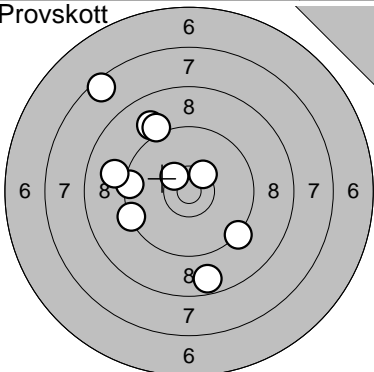
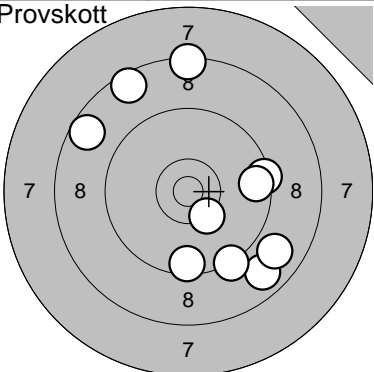
Serie 10,0  
 Totalt 320,0

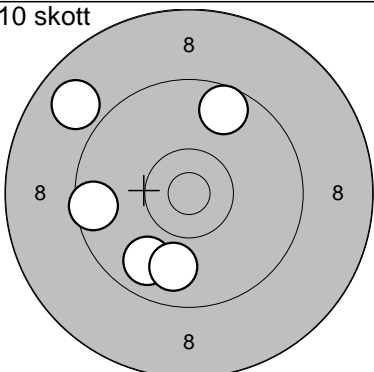
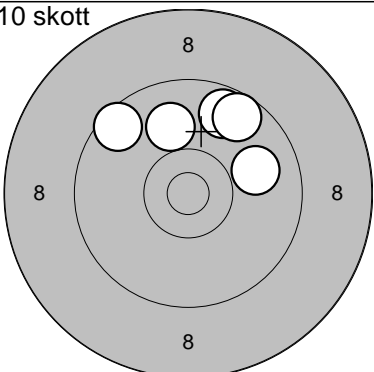
Ramselefors

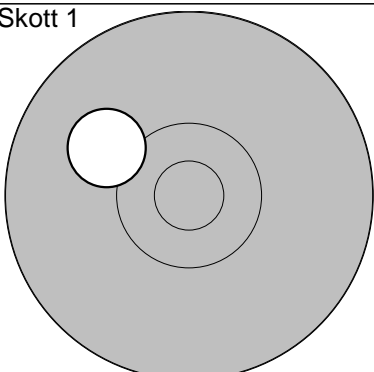
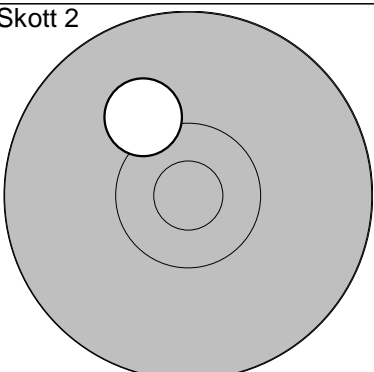
2012-07-10

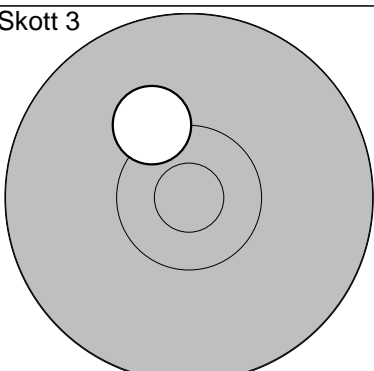
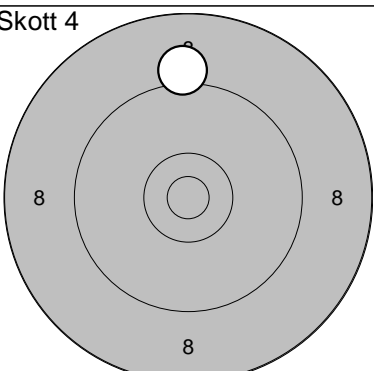
Tavelträffen 2012 Final

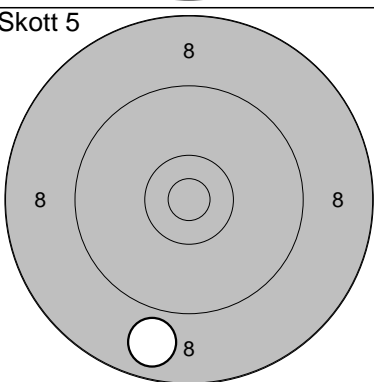
Ramselefors SKF

|   |  |        |   |        |   |        |   |          |   |          |   |        |   |        |   |        |   |        |   |         |   |       |      |        |       |   |   |         |   |         |   |         |   |         |   |         |   |         |   |         |   |         |   |           |   |         |   |       |      |        |       |
|---|--|--------|---|--------|---|--------|---|----------|---|----------|---|--------|---|--------|---|--------|---|--------|---|---------|---|-------|------|--------|-------|---|---|---------|---|---------|---|---------|---|---------|---|---------|---|---------|---|---------|---|---------|---|-----------|---|---------|---|-------|------|--------|-------|
| <p>Provskott</p>  | <table style="width: 100%; border-collapse: collapse;"> <tr><td>1: 9,5</td><td style="text-align: right;">←</td></tr> <tr><td>2: 9,0</td><td style="text-align: right;">↗</td></tr> <tr><td>3: 8,7</td><td style="text-align: right;">↘</td></tr> <tr><td>4: 10,4*</td><td style="text-align: right;">↗</td></tr> <tr><td>5: 10,4*</td><td style="text-align: right;">↗</td></tr> <tr><td>6: 9,2</td><td style="text-align: right;">↗</td></tr> <tr><td>7: 9,0</td><td style="text-align: right;">↗</td></tr> <tr><td>8: 9,4</td><td style="text-align: right;">↖</td></tr> <tr><td>9: 7,5</td><td style="text-align: right;">↖</td></tr> <tr><td>10: 9,3</td><td style="text-align: right;">↘</td></tr> <tr style="border-top: 1px solid black;"><td style="border-top: 1px solid black;">Serie</td><td style="border-top: 1px solid black; text-align: right;">89,0</td></tr> <tr><td>Totalt</td><td style="text-align: right;">181,0</td></tr> </table> | 1: 9,5 | ← | 2: 9,0 | ↗ | 3: 8,7 | ↘ | 4: 10,4* | ↗ | 5: 10,4* | ↗ | 6: 9,2 | ↗ | 7: 9,0 | ↗ | 8: 9,4 | ↖ | 9: 7,5 | ↖ | 10: 9,3 | ↘ | Serie | 89,0 | Totalt | 181,0 | <p>Provskott</p>  | <table style="width: 100%; border-collapse: collapse;"> <tr><td>11: 9,4</td><td style="text-align: right;">→</td></tr> <tr><td>12: 8,6</td><td style="text-align: right;">↗</td></tr> <tr><td>13: 8,6</td><td style="text-align: right;">↗</td></tr> <tr><td>14: 9,5</td><td style="text-align: right;">↘</td></tr> <tr><td>15: 9,6</td><td style="text-align: right;">→</td></tr> <tr><td>16: 8,8</td><td style="text-align: right;">↘</td></tr> <tr><td>17: 8,9</td><td style="text-align: right;">↘</td></tr> <tr><td>18: 9,3</td><td style="text-align: right;">↘</td></tr> <tr><td>19: 10,3*</td><td style="text-align: right;">↘</td></tr> <tr><td>20: 8,4</td><td style="text-align: right;">↑</td></tr> <tr style="border-top: 1px solid black;"><td style="border-top: 1px solid black;">Serie</td><td style="border-top: 1px solid black; text-align: right;">86,0</td></tr> <tr><td>Totalt</td><td style="text-align: right;">181,0</td></tr> </table> | 11: 9,4 | → | 12: 8,6 | ↗ | 13: 8,6 | ↗ | 14: 9,5 | ↘ | 15: 9,6 | → | 16: 8,8 | ↘ | 17: 8,9 | ↘ | 18: 9,3 | ↘ | 19: 10,3* | ↘ | 20: 8,4 | ↑ | Serie | 86,0 | Totalt | 181,0 |
| 1: 9,5  | ←  |        |   |        |   |        |   |          |   |          |   |        |   |        |   |        |   |        |   |         |   |       |      |        |       |   |   |         |   |         |   |         |   |         |   |         |   |         |   |         |   |         |   |           |   |         |   |       |      |        |       |
| 2: 9,0  | ↗  |        |   |        |   |        |   |          |   |          |   |        |   |        |   |        |   |        |   |         |   |       |      |        |       |   |   |         |   |         |   |         |   |         |   |         |   |         |   |         |   |         |   |           |   |         |   |       |      |        |       |
| 3: 8,7  | ↘  |        |   |        |   |        |   |          |   |          |   |        |   |        |   |        |   |        |   |         |   |       |      |        |       |   |   |         |   |         |   |         |   |         |   |         |   |         |   |         |   |         |   |           |   |         |   |       |      |        |       |
| 4: 10,4*  | ↗  |        |   |        |   |        |   |          |   |          |   |        |   |        |   |        |   |        |   |         |   |       |      |        |       |   |   |         |   |         |   |         |   |         |   |         |   |         |   |         |   |         |   |           |   |         |   |       |      |        |       |
| 5: 10,4*  | ↗  |        |   |        |   |        |   |          |   |          |   |        |   |        |   |        |   |        |   |         |   |       |      |        |       |   |   |         |   |         |   |         |   |         |   |         |   |         |   |         |   |         |   |           |   |         |   |       |      |        |       |
| 6: 9,2  | ↗  |        |   |        |   |        |   |          |   |          |   |        |   |        |   |        |   |        |   |         |   |       |      |        |       |   |   |         |   |         |   |         |   |         |   |         |   |         |   |         |   |         |   |           |   |         |   |       |      |        |       |
| 7: 9,0  | ↗  |        |   |        |   |        |   |          |   |          |   |        |   |        |   |        |   |        |   |         |   |       |      |        |       |   |   |         |   |         |   |         |   |         |   |         |   |         |   |         |   |         |   |           |   |         |   |       |      |        |       |
| 8: 9,4  | ↖  |        |   |        |   |        |   |          |   |          |   |        |   |        |   |        |   |        |   |         |   |       |      |        |       |   |   |         |   |         |   |         |   |         |   |         |   |         |   |         |   |         |   |           |   |         |   |       |      |        |       |
| 9: 7,5  | ↖  |        |   |        |   |        |   |          |   |          |   |        |   |        |   |        |   |        |   |         |   |       |      |        |       |   |   |         |   |         |   |         |   |         |   |         |   |         |   |         |   |         |   |           |   |         |   |       |      |        |       |
| 10: 9,3   | ↘  |        |   |        |   |        |   |          |   |          |   |        |   |        |   |        |   |        |   |         |   |       |      |        |       |   |   |         |   |         |   |         |   |         |   |         |   |         |   |         |   |         |   |           |   |         |   |       |      |        |       |
| Serie   | 89,0   |        |   |        |   |        |   |          |   |          |   |        |   |        |   |        |   |        |   |         |   |       |      |        |       |   |   |         |   |         |   |         |   |         |   |         |   |         |   |         |   |         |   |           |   |         |   |       |      |        |       |
| Totalt  | 181,0  |        |   |        |   |        |   |          |   |          |   |        |   |        |   |        |   |        |   |         |   |       |      |        |       |   |   |         |   |         |   |         |   |         |   |         |   |         |   |         |   |         |   |           |   |         |   |       |      |        |       |
| 11: 9,4   | →  |        |   |        |   |        |   |          |   |          |   |        |   |        |   |        |   |        |   |         |   |       |      |        |       |   |   |         |   |         |   |         |   |         |   |         |   |         |   |         |   |         |   |           |   |         |   |       |      |        |       |
| 12: 8,6   | ↗  |        |   |        |   |        |   |          |   |          |   |        |   |        |   |        |   |        |   |         |   |       |      |        |       |   |   |         |   |         |   |         |   |         |   |         |   |         |   |         |   |         |   |           |   |         |   |       |      |        |       |
| 13: 8,6   | ↗  |        |   |        |   |        |   |          |   |          |   |        |   |        |   |        |   |        |   |         |   |       |      |        |       |   |   |         |   |         |   |         |   |         |   |         |   |         |   |         |   |         |   |           |   |         |   |       |      |        |       |
| 14: 9,5   | ↘  |        |   |        |   |        |   |          |   |          |   |        |   |        |   |        |   |        |   |         |   |       |      |        |       |   |   |         |   |         |   |         |   |         |   |         |   |         |   |         |   |         |   |           |   |         |   |       |      |        |       |
| 15: 9,6   | →  |        |   |        |   |        |   |          |   |          |   |        |   |        |   |        |   |        |   |         |   |       |      |        |       |   |   |         |   |         |   |         |   |         |   |         |   |         |   |         |   |         |   |           |   |         |   |       |      |        |       |
| 16: 8,8   | ↘  |        |   |        |   |        |   |          |   |          |   |        |   |        |   |        |   |        |   |         |   |       |      |        |       |   |   |         |   |         |   |         |   |         |   |         |   |         |   |         |   |         |   |           |   |         |   |       |      |        |       |
| 17: 8,9   | ↘  |        |   |        |   |        |   |          |   |          |   |        |   |        |   |        |   |        |   |         |   |       |      |        |       |   |   |         |   |         |   |         |   |         |   |         |   |         |   |         |   |         |   |           |   |         |   |       |      |        |       |
| 18: 9,3   | ↘  |        |   |        |   |        |   |          |   |          |   |        |   |        |   |        |   |        |   |         |   |       |      |        |       |   |   |         |   |         |   |         |   |         |   |         |   |         |   |         |   |         |   |           |   |         |   |       |      |        |       |
| 19: 10,3*   | ↘  |        |   |        |   |        |   |          |   |          |   |        |   |        |   |        |   |        |   |         |   |       |      |        |       |   |   |         |   |         |   |         |   |         |   |         |   |         |   |         |   |         |   |           |   |         |   |       |      |        |       |
| 20: 8,4   | ↑  |        |   |        |   |        |   |          |   |          |   |        |   |        |   |        |   |        |   |         |   |       |      |        |       |   |   |         |   |         |   |         |   |         |   |         |   |         |   |         |   |         |   |           |   |         |   |       |      |        |       |
| Serie   | 86,0   |        |   |        |   |        |   |          |   |          |   |        |   |        |   |        |   |        |   |         |   |       |      |        |       |   |   |         |   |         |   |         |   |         |   |         |   |         |   |         |   |         |   |           |   |         |   |       |      |        |       |
| Totalt  | 181,0  |        |   |        |   |        |   |          |   |          |   |        |   |        |   |        |   |        |   |         |   |       |      |        |       |   |   |         |   |         |   |         |   |         |   |         |   |         |   |         |   |         |   |           |   |         |   |       |      |        |       |

|  |   |        |   |        |   |        |   |        |   |        |   |       |      |        |       |  |   |         |   |        |   |        |   |        |   |         |   |       |      |        |       |
|--|---|--------|---|--------|---|--------|---|--------|---|--------|---|-------|------|--------|-------|--|---|---------|---|--------|---|--------|---|--------|---|---------|---|-------|------|--------|-------|
| <p>10 skott</p>  | <table style="width: 100%; border-collapse: collapse;"> <tr><td>1: 9,6</td><td style="text-align: right;">←</td></tr> <tr><td>2: 8,9</td><td style="text-align: right;">↗</td></tr> <tr><td>3: 9,8</td><td style="text-align: right;">↘</td></tr> <tr><td>4: 9,7</td><td style="text-align: right;">↗</td></tr> <tr><td>5: 9,9</td><td style="text-align: right;">↘</td></tr> <tr style="border-top: 1px solid black;"><td style="border-top: 1px solid black;">Serie</td><td style="border-top: 1px solid black; text-align: right;">44,0</td></tr> <tr><td>Totalt</td><td style="text-align: right;">225,0</td></tr> </table> | 1: 9,6 | ← | 2: 8,9 | ↗ | 3: 9,8 | ↘ | 4: 9,7 | ↗ | 5: 9,9 | ↘ | Serie | 44,0 | Totalt | 225,0 | <p>10 skott</p>  | <table style="width: 100%; border-collapse: collapse;"> <tr><td>6: 10,0</td><td style="text-align: right;">↑</td></tr> <tr><td>7: 9,6</td><td style="text-align: right;">↗</td></tr> <tr><td>8: 9,7</td><td style="text-align: right;">↗</td></tr> <tr><td>9: 9,6</td><td style="text-align: right;">↗</td></tr> <tr><td>10: 9,9</td><td style="text-align: right;">→</td></tr> <tr style="border-top: 1px solid black;"><td style="border-top: 1px solid black;">Serie</td><td style="border-top: 1px solid black; text-align: right;">46,0</td></tr> <tr><td>Totalt</td><td style="text-align: right;">271,0</td></tr> </table> | 6: 10,0 | ↑ | 7: 9,6 | ↗ | 8: 9,7 | ↗ | 9: 9,6 | ↗ | 10: 9,9 | → | Serie | 46,0 | Totalt | 271,0 |
| 1: 9,6   | ←   |        |   |        |   |        |   |        |   |        |   |       |      |        |       |  |   |         |   |        |   |        |   |        |   |         |   |       |      |        |       |
| 2: 8,9   | ↗   |        |   |        |   |        |   |        |   |        |   |       |      |        |       |  |   |         |   |        |   |        |   |        |   |         |   |       |      |        |       |
| 3: 9,8   | ↘   |        |   |        |   |        |   |        |   |        |   |       |      |        |       |  |   |         |   |        |   |        |   |        |   |         |   |       |      |        |       |
| 4: 9,7   | ↗   |        |   |        |   |        |   |        |   |        |   |       |      |        |       |  |   |         |   |        |   |        |   |        |   |         |   |       |      |        |       |
| 5: 9,9   | ↘   |        |   |        |   |        |   |        |   |        |   |       |      |        |       |  |   |         |   |        |   |        |   |        |   |         |   |       |      |        |       |
| Serie  | 44,0  |        |   |        |   |        |   |        |   |        |   |       |      |        |       |  |   |         |   |        |   |        |   |        |   |         |   |       |      |        |       |
| Totalt   | 225,0   |        |   |        |   |        |   |        |   |        |   |       |      |        |       |  |   |         |   |        |   |        |   |        |   |         |   |       |      |        |       |
| 6: 10,0  | ↑   |        |   |        |   |        |   |        |   |        |   |       |      |        |       |  |   |         |   |        |   |        |   |        |   |         |   |       |      |        |       |
| 7: 9,6   | ↗   |        |   |        |   |        |   |        |   |        |   |       |      |        |       |  |   |         |   |        |   |        |   |        |   |         |   |       |      |        |       |
| 8: 9,7   | ↗   |        |   |        |   |        |   |        |   |        |   |       |      |        |       |  |   |         |   |        |   |        |   |        |   |         |   |       |      |        |       |
| 9: 9,6   | ↗   |        |   |        |   |        |   |        |   |        |   |       |      |        |       |  |   |         |   |        |   |        |   |        |   |         |   |       |      |        |       |
| 10: 9,9  | →   |        |   |        |   |        |   |        |   |        |   |       |      |        |       |  |   |         |   |        |   |        |   |        |   |         |   |       |      |        |       |
| Serie  | 46,0  |        |   |        |   |        |   |        |   |        |   |       |      |        |       |  |   |         |   |        |   |        |   |        |   |         |   |       |      |        |       |
| Totalt   | 271,0   |        |   |        |   |        |   |        |   |        |   |       |      |        |       |  |   |         |   |        |   |        |   |        |   |         |   |       |      |        |       |

|  |  |         |   |       |      |        |       |  |  |         |   |       |      |        |       |
|--|--|---------|---|-------|------|--------|-------|--|--|---------|---|-------|------|--------|-------|
| <p>Skott 1</p>  | <table style="width: 100%; border-collapse: collapse;"> <tr><td>1: 10,1</td><td style="text-align: right;">↖</td></tr> <tr style="border-top: 1px solid black;"><td style="border-top: 1px solid black;">Serie</td><td style="border-top: 1px solid black; text-align: right;">10,0</td></tr> <tr><td>Totalt</td><td style="text-align: right;">281,0</td></tr> </table> | 1: 10,1 | ↖ | Serie | 10,0 | Totalt | 281,0 | <p>Skott 2</p>  | <table style="width: 100%; border-collapse: collapse;"> <tr><td>1: 10,1</td><td style="text-align: right;">↖</td></tr> <tr style="border-top: 1px solid black;"><td style="border-top: 1px solid black;">Serie</td><td style="border-top: 1px solid black; text-align: right;">10,0</td></tr> <tr><td>Totalt</td><td style="text-align: right;">291,0</td></tr> </table> | 1: 10,1 | ↖ | Serie | 10,0 | Totalt | 291,0 |
| 1: 10,1  | ↖  |         |   |       |      |        |       |  |  |         |   |       |      |        |       |
| Serie  | 10,0   |         |   |       |      |        |       |  |  |         |   |       |      |        |       |
| Totalt   | 281,0  |         |   |       |      |        |       |  |  |         |   |       |      |        |       |
| 1: 10,1  | ↖  |         |   |       |      |        |       |  |  |         |   |       |      |        |       |
| Serie  | 10,0   |         |   |       |      |        |       |  |  |         |   |       |      |        |       |
| Totalt   | 291,0  |         |   |       |      |        |       |  |  |         |   |       |      |        |       |

|   |  |         |   |       |      |        |       |   |  |        |   |       |     |        |       |
|---|--|---------|---|-------|------|--------|-------|---|--|--------|---|-------|-----|--------|-------|
| <p>Skott 3</p>  | <table style="width: 100%; border-collapse: collapse;"> <tr><td>1: 10,2</td><td style="text-align: right;">↖</td></tr> <tr style="border-top: 1px solid black;"><td style="border-top: 1px solid black;">Serie</td><td style="border-top: 1px solid black; text-align: right;">10,0</td></tr> <tr><td>Totalt</td><td style="text-align: right;">301,0</td></tr> </table> | 1: 10,2 | ↖ | Serie | 10,0 | Totalt | 301,0 | <p>Skott 4</p>  | <table style="width: 100%; border-collapse: collapse;"> <tr><td>1: 9,1</td><td style="text-align: right;">↑</td></tr> <tr style="border-top: 1px solid black;"><td style="border-top: 1px solid black;">Serie</td><td style="border-top: 1px solid black; text-align: right;">9,0</td></tr> <tr><td>Totalt</td><td style="text-align: right;">310,0</td></tr> </table> | 1: 9,1 | ↑ | Serie | 9,0 | Totalt | 310,0 |
| 1: 10,2   | ↖  |         |   |       |      |        |       |   |  |        |   |       |     |        |       |
| Serie   | 10,0   |         |   |       |      |        |       |   |  |        |   |       |     |        |       |
| Totalt  | 301,0  |         |   |       |      |        |       |   |  |        |   |       |     |        |       |
| 1: 9,1  | ↑  |         |   |       |      |        |       |   |  |        |   |       |     |        |       |
| Serie   | 9,0  |         |   |       |      |        |       |   |  |        |   |       |     |        |       |
| Totalt  | 310,0  |         |   |       |      |        |       |   |  |        |   |       |     |        |       |

|   |  |        |   |       |     |        |       |  |  |
|---|--|--------|---|-------|-----|--------|-------|--|--|
| <p>Skott 5</p>  | <table style="width: 100%; border-collapse: collapse;"> <tr><td>1: 8,8</td><td style="text-align: right;">↘</td></tr> <tr style="border-top: 1px solid black;"><td style="border-top: 1px solid black;">Serie</td><td style="border-top: 1px solid black; text-align: right;">8,0</td></tr> <tr><td>Totalt</td><td style="text-align: right;">318,0</td></tr> </table> | 1: 8,8 | ↘ | Serie | 8,0 | Totalt | 318,0 |  |  |
| 1: 8,8  | ↘  |        |   |       |     |        |       |  |  |
| Serie   | 8,0  |        |   |       |     |        |       |  |  |
| Totalt  | 318,0  |        |   |       |     |        |       |  |  |

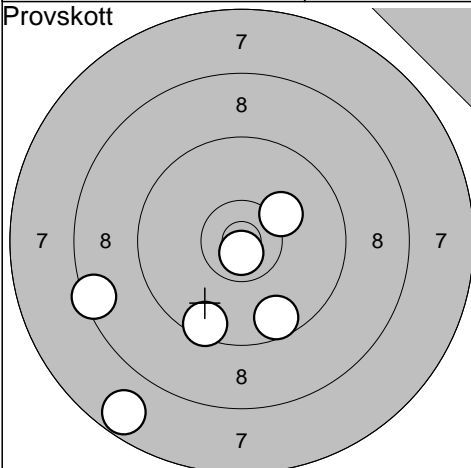
Piteå

2012-07-10

Tavelträffen 2012 Final

Ramselefors SKF

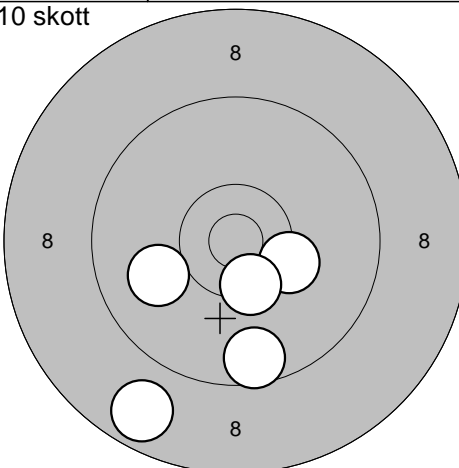
Provskott



1: 10,8\* ↓  
 2: 8,5 ←  
 3: 7,7 ↘  
 4: 9,6 ↘  
 5: 9,5 ↘  
 6: 10,2 ↗

Serie 53,0  
 Totalt 181,0

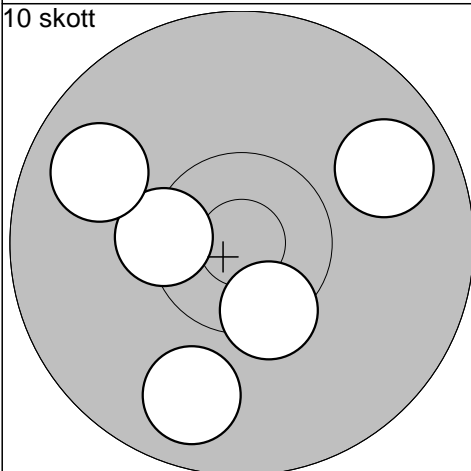
10 skott



1: 10,0 ←  
 2: 10,3 →  
 3: 10,4\* ↓  
 4: 8,7 ↘  
 5: 9,6 ↓

Serie 47,0  
 Totalt 228,0

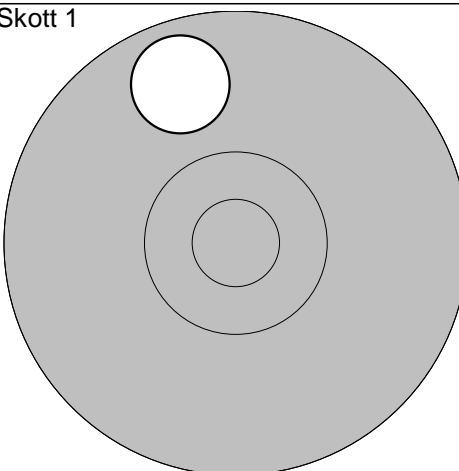
10 skott



6: 9,8 ↓  
 7: 10,4\* ↓  
 8: 9,8 →  
 9: 10,4\* ←  
 10: 9,8 ↖

Serie 47,0  
 Totalt 275,0

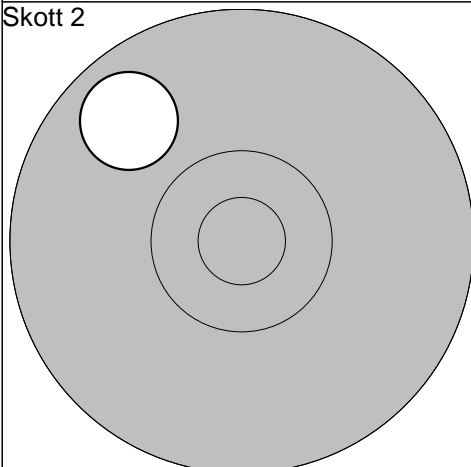
Skott 1



1: 9,8 ↗

Serie 9,0  
 Totalt 284,0

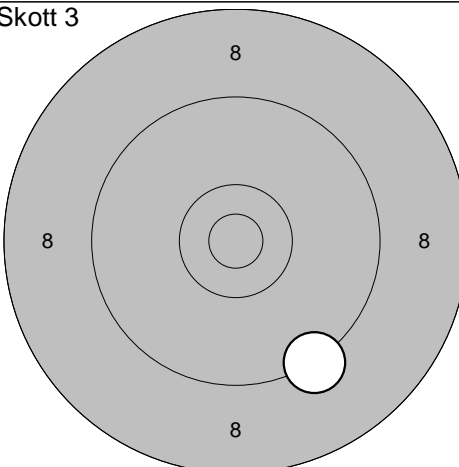
Skott 2



1: 9,8 ↖

Serie 9,0  
 Totalt 293,0

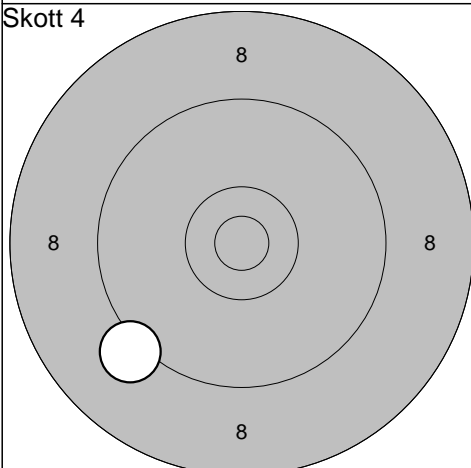
Skott 3



1: 9,3 ↘

Serie 9,0  
 Totalt 302,0

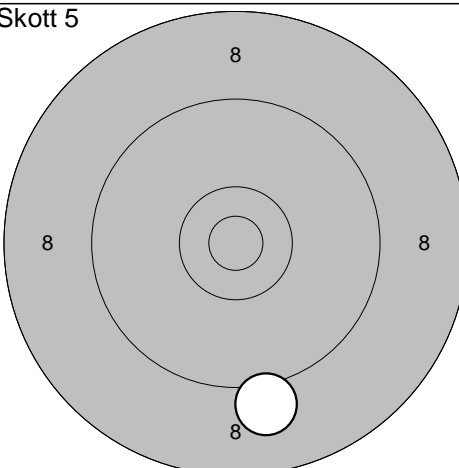
Skott 4



1: 9,2 ↘

Serie 9,0  
 Totalt 311,0

Skott 5



1: 9,1 ↓

Serie 9,0  
 Totalt 320,0

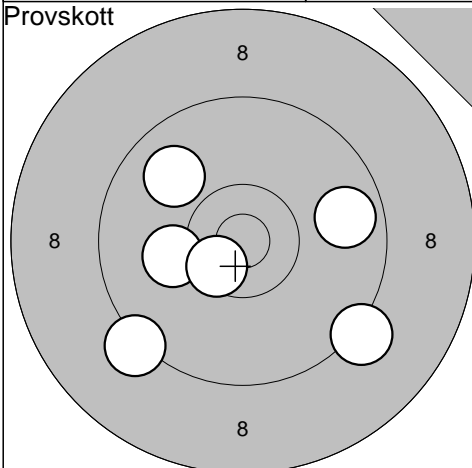
Umeå

2012-07-10

Tavelträffen 2012 Final

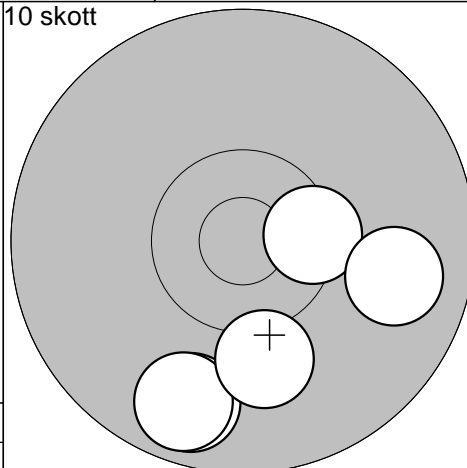
Ramselefors SKF

Provskott



1: 9,9 ↗  
 2: 9,7 →  
 3: 9,2 ↘  
 4: 10,1 ←  
 5: 9,2 ↘  
 6: 10,5\* ↘

10 skott

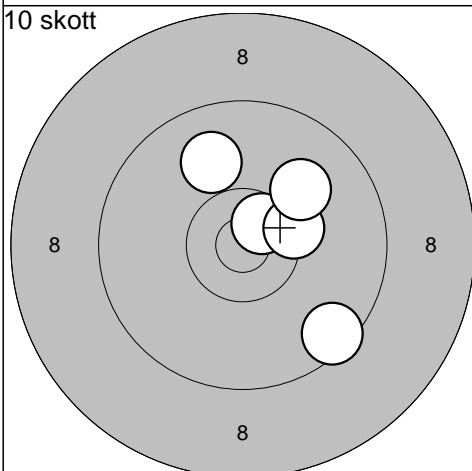


1: 9,7 ↘  
 2: 10,4\* →  
 3: 9,8 →  
 4: 9,7 ↘  
 5: 10,1 ↘

Serie 56,0  
 Totalt 156,0

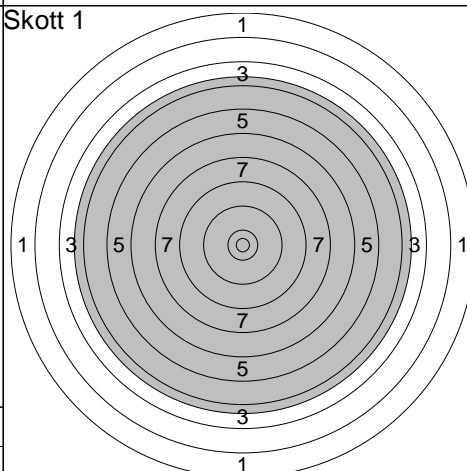
Serie 47,0  
 Totalt 203,0

10 skott



6: 10,6\* ↗  
 7: 10,3\* →  
 8: 10,0 ↗  
 9: 9,9 ↗  
 10: 9,5 ↘

Skott 1

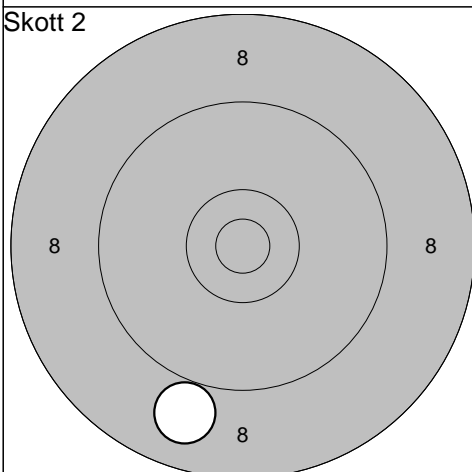


0,0 ↘

Serie 48,0  
 Totalt 251,0

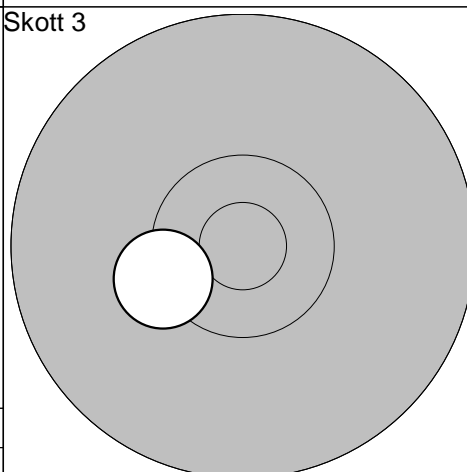
Serie 0,0  
 Totalt 251,0

Skott 2



1: 8,9 ↘

Skott 3

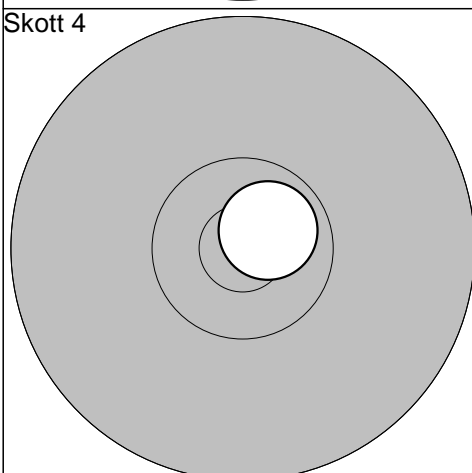


1: 10,3\* ←

Serie 8,0  
 Totalt 259,0

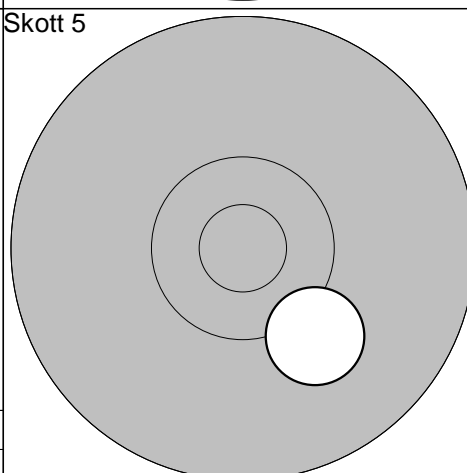
Serie 10,0  
 Totalt 269,0

Skott 4



1: 10,7\* ↗

Skott 5



1: 10,1 ↘

Serie 10,0  
 Totalt 279,0

Serie 10,0  
 Totalt 289,0



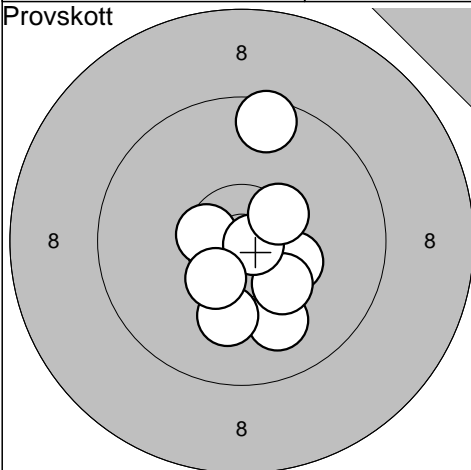
Gullabo

2012-07-10

Tavelträffen 2012 Final

Ramselefors SKF

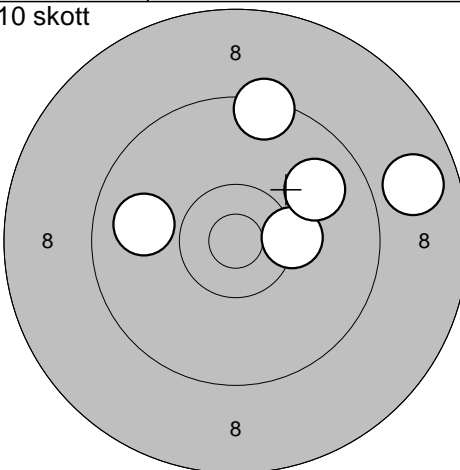
Provskott



- 1: 10,6\* ←
- 2: 10,3\* →
- 3: 10,0 ↓
- 4: 10,3 ↓
- 5: 10,1 ↓
- 6: 9,6 ↑
- 7: 10,8\* →
- 8: 10,4\* ↓
- 9: 10,4\* ↗

|        |       |
|--------|-------|
| Serie  | 89,0  |
| Totalt | 195,0 |

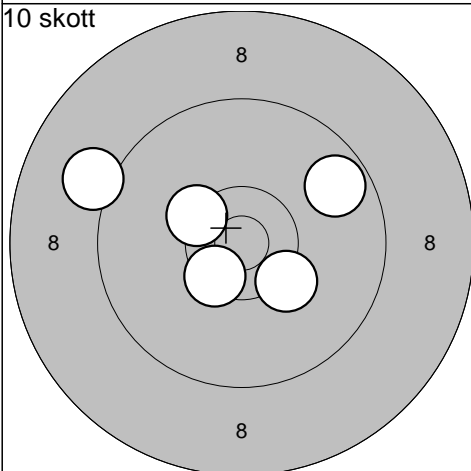
10 skott



- 1: 9,9 ←
- 2: 8,8 →
- 3: 9,4 ↑
- 4: 10,3\* →
- 5: 9,9 ↗

|        |       |
|--------|-------|
| Serie  | 45,0  |
| Totalt | 240,0 |

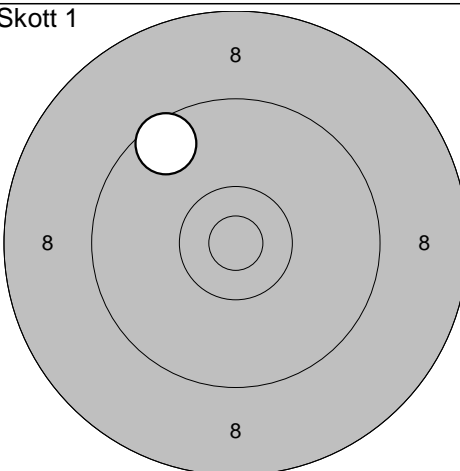
10 skott



- 6: 9,7 ↗
- 7: 10,4\* ↖
- 8: 9,1 ↖
- 9: 10,3 ↓
- 10: 10,5\* ↓

|        |       |
|--------|-------|
| Serie  | 48,0  |
| Totalt | 288,0 |

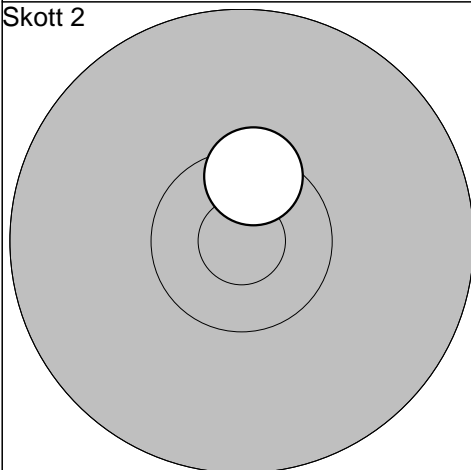
Skott 1



- 1: 9,6 ↖

|        |       |
|--------|-------|
| Serie  | 9,0   |
| Totalt | 297,0 |

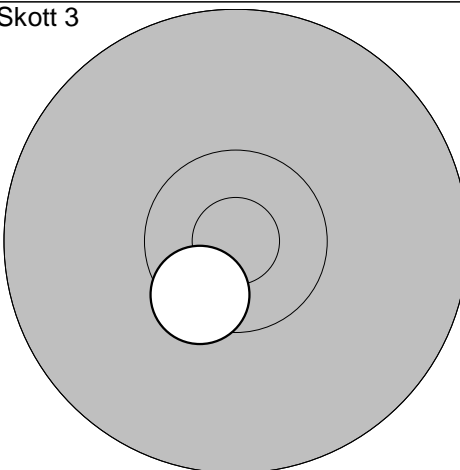
Skott 2



- 1: 10,5\* ↑

|        |       |
|--------|-------|
| Serie  | 10,0  |
| Totalt | 307,0 |

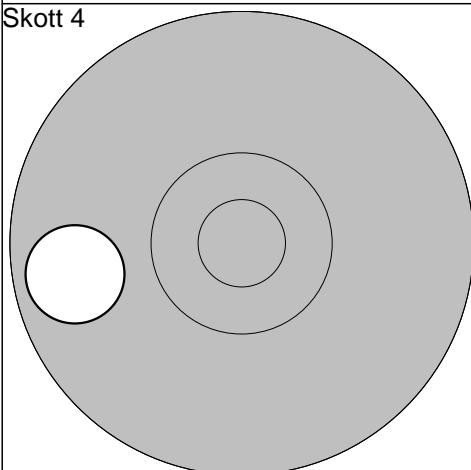
Skott 3



- 1: 10,5\* ↓

|        |       |
|--------|-------|
| Serie  | 10,0  |
| Totalt | 317,0 |

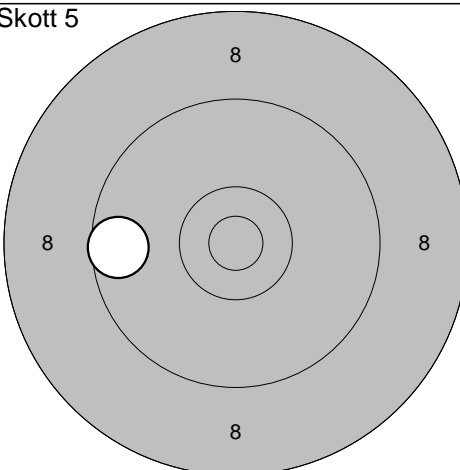
Skott 4



- 1: 9,7 ←

|        |       |
|--------|-------|
| Serie  | 9,0   |
| Totalt | 326,0 |

Skott 5

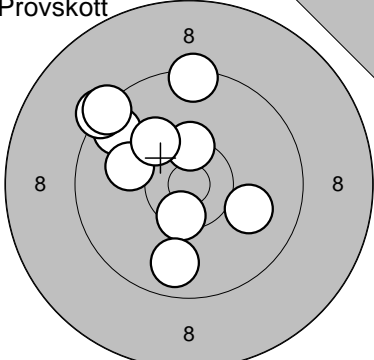
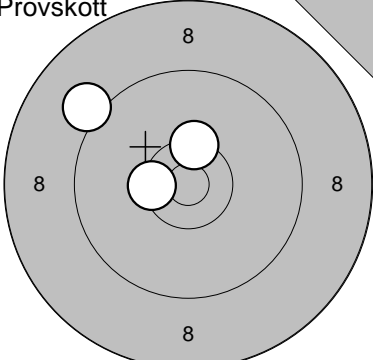


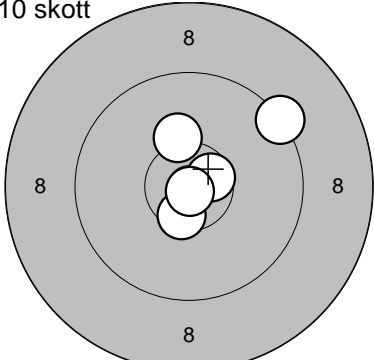
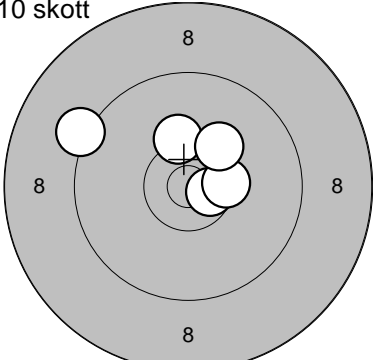
- 1: 9,6 ←

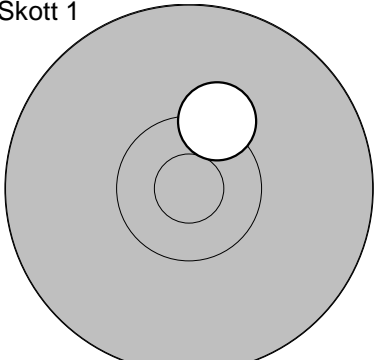
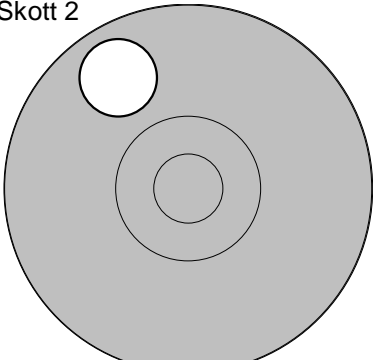
|        |       |
|--------|-------|
| Serie  | 9,0   |
| Totalt | 335,0 |

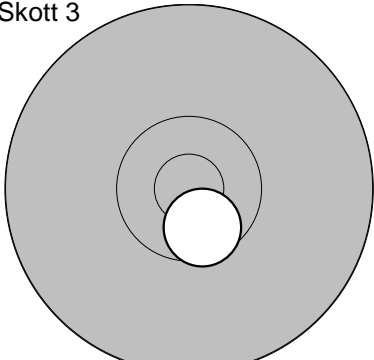
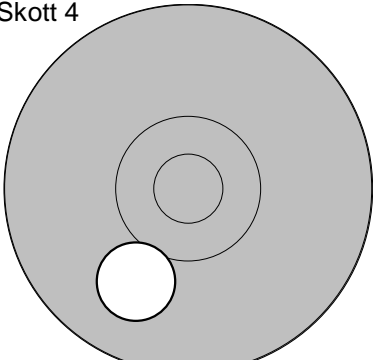
Ununge

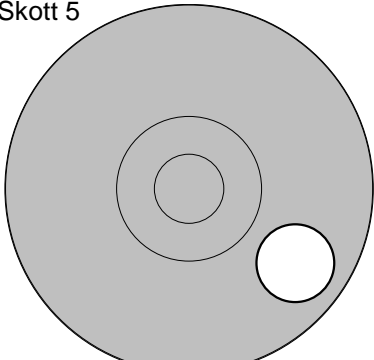
|            |                         |                 |
|------------|-------------------------|-----------------|
| 2012-07-10 | Tavelträffen 2012 Final | Ramselefors SKF |
|------------|-------------------------|-----------------|

|   |  |   |   |
|---|--|---|---|
| Provsjott<br> | 1: 9,4<br>2: 9,7<br>3: 10,4*<br>4: 10,5*<br>5: 9,3<br>6: 10,1<br>7: 10,2<br>8: 9,4<br>9: 10,0<br>10: 9,8<br>Serie 95,0<br>Totalt 194,0 | Provsjott<br> | 11: 9,1<br>12: 10,4*<br>13: 10,4*<br>Serie 29,0<br>Totalt 194,0 |
|---|--|---|---|

|  |   |  |   |
|--|---|--|---|
| 10 skott<br> | 1: 10,5*<br>2: 10,6*<br>3: 10,9*<br>4: 9,3<br>5: 10,2<br>Serie 49,0<br>Totalt 243,0 | 10 skott<br> | 6: 9,2<br>7: 10,6*<br>8: 10,3<br>9: 10,4*<br>10: 10,2<br>Serie 49,0<br>Totalt 292,0 |
|--|---|--|---|

|  |  |  |                                     |
|--|--|--|-------------------------------------|
| Skott 1<br> | 1: 10,3*<br>Serie 10,0<br>Totalt 302,0 | Skott 2<br> | 1: 9,8<br>Serie 9,0<br>Totalt 311,0 |
|--|--|--|-------------------------------------|

|   |  |   |                                       |
|---|--|---|---------------------------------------|
| Skott 3<br> | 1: 10,6*<br>Serie 10,0<br>Totalt 321,0 | Skott 4<br> | 1: 10,0<br>Serie 10,0<br>Totalt 331,0 |
|---|--|---|---------------------------------------|

|   |                                     |  |  |
|---|-------------------------------------|--|--|
| Skott 5<br> | 1: 9,8<br>Serie 9,0<br>Totalt 340,0 |  |  |
|---|-------------------------------------|--|--|

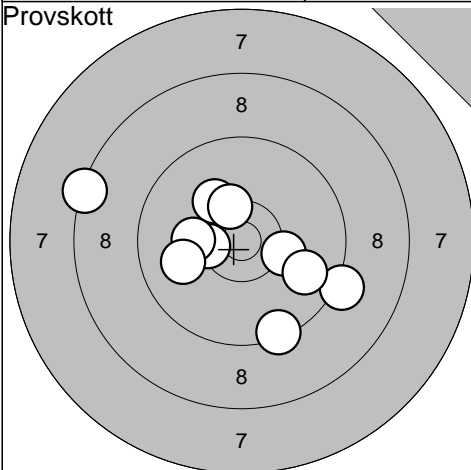
Hogdal

2012-07-10

Tavelträffen 2012 Final

Ramselefors SKF

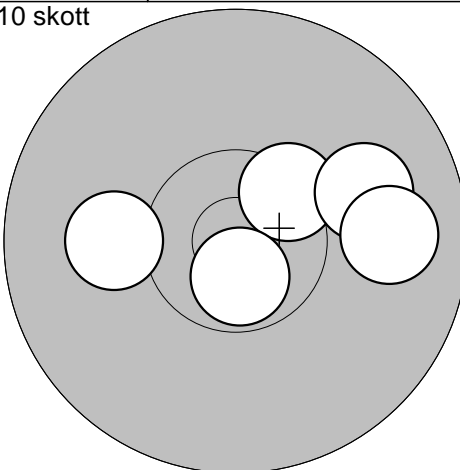
Provskott



- 1: 8,4 ←
- 2: 10,4\* ←
- 3: 9,4 ↓
- 4: 9,2 ↘
- 5: 10,2 ↗
- 6: 10,2 ←
- 7: 10,4\* ↗
- 8: 10,0 ←
- 9: 10,3 ↘
- 10: 9,8 ↘

Serie 95,0  
Totalt 193,0

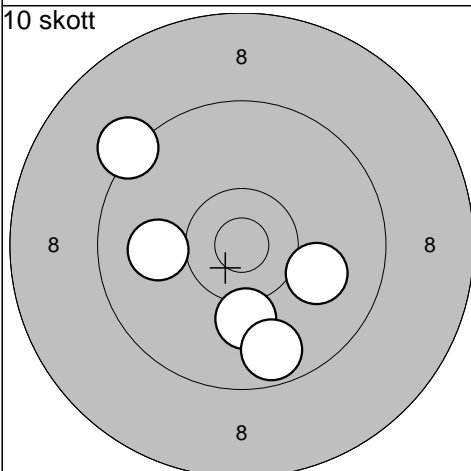
10 skott



- 1: 10,1 ←
- 2: 10,4\* ↗
- 3: 10,0 →
- 4: 10,7\* ↓
- 5: 9,9 →

Serie 49,0  
Totalt 242,0

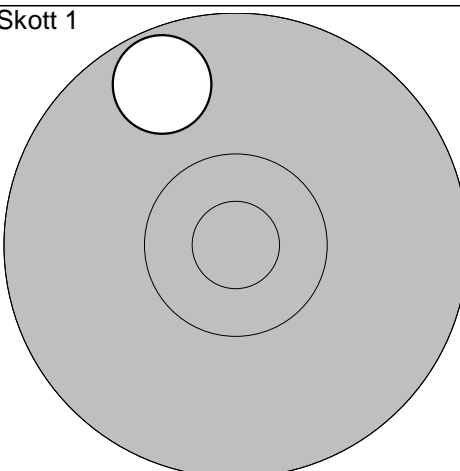
10 skott



- 6: 10,1 ↓
- 7: 9,2 ↗
- 8: 10,0 ←
- 9: 9,7 ↓
- 10: 10,0 ↘

Serie 48,0  
Totalt 290,0

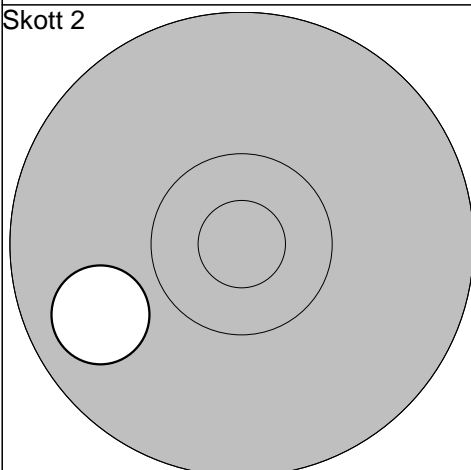
Skott 1



- 1: 9,7 ↖

Serie 9,0  
Totalt 299,0

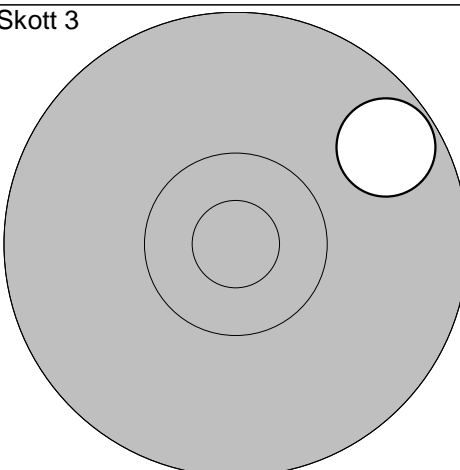
Skott 2



- 1: 9,8 ←

Serie 9,0  
Totalt 308,0

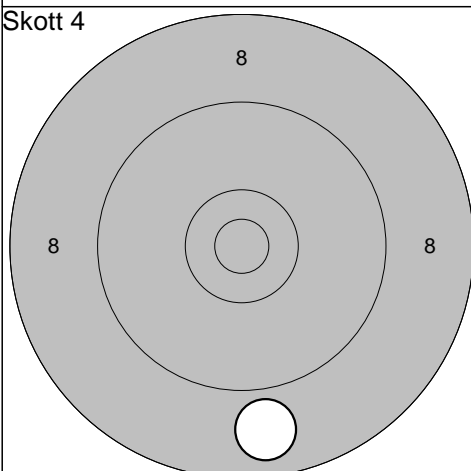
Skott 3



- 1: 9,7 ↗

Serie 9,0  
Totalt 317,0

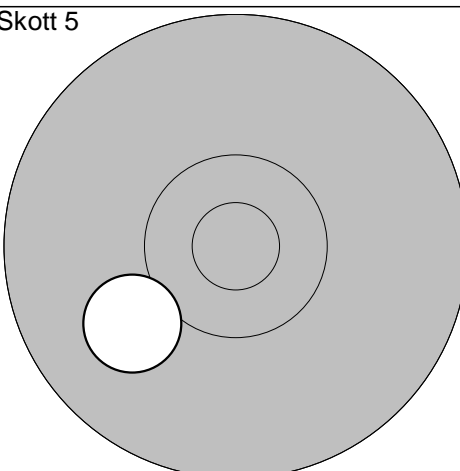
Skott 4



- 1: 8,8 ↓

Serie 8,0  
Totalt 325,0

Skott 5

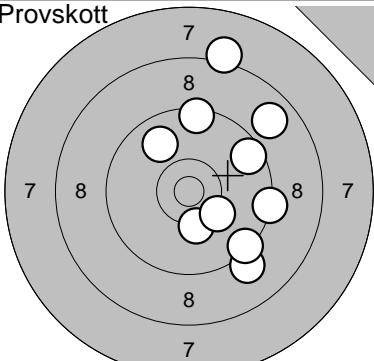
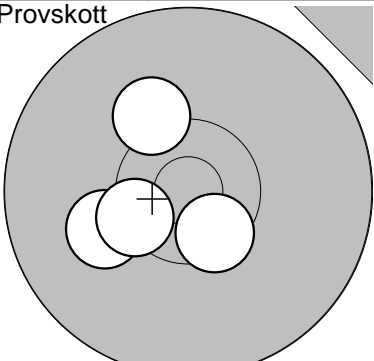


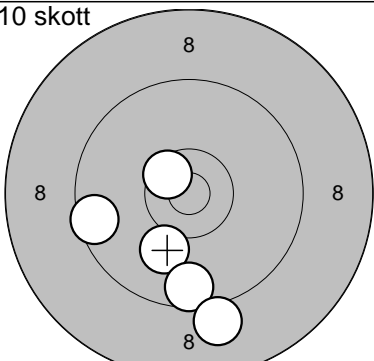
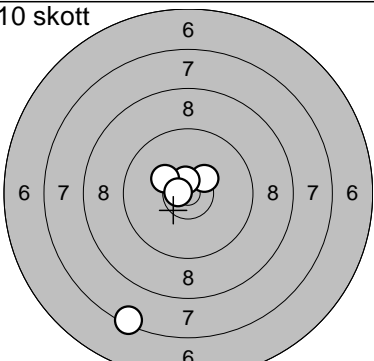
- 1: 10,0 ←

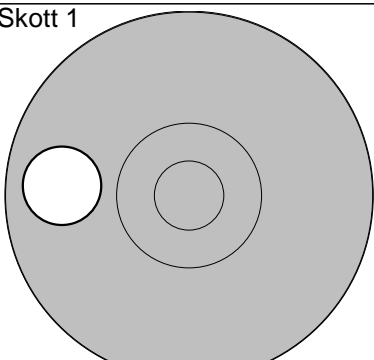
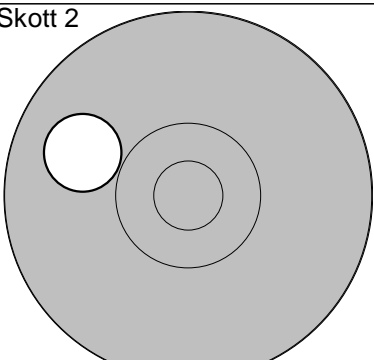
Serie 10,0  
Totalt 335,0

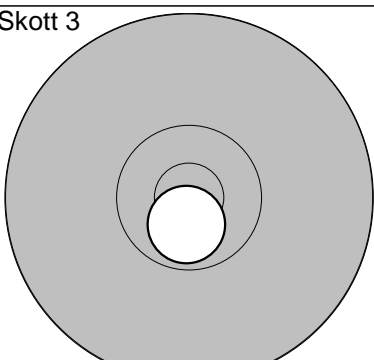
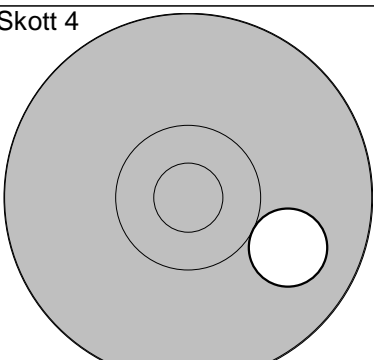
Ramselefors

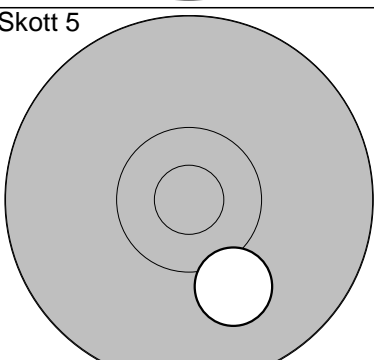
|            |                         |                 |
|------------|-------------------------|-----------------|
| 2012-07-10 | Tavelträffen 2012 Final | Ramselefors SKF |
|------------|-------------------------|-----------------|

|  |   |  |  |
|--|---|--|--|
| <b>Provsnitt</b><br> | 1: 10,2<br>2: 8,8<br>3: 9,1<br>4: 9,6<br>5: 9,3<br>6: 9,5<br>7: 8,2<br>8: 9,9<br>9: 9,4<br>10: 10,2<br><hr/> Serie 90,0<br>Totalt 192,0 | <b>Provsnitt</b><br> | 11: 10,2<br>12: 10,1<br>13: 10,4*<br>14: 10,5*<br><hr/> Serie 40,0<br>Totalt 192,0 |
|--|---|--|--|

|   |   |   |  |
|---|---|---|--|
| <b>10 skott</b><br> | 1: 9,5<br>2: 10,1<br>3: 9,6<br>4: 10,5*<br>5: 9,1<br><hr/> Serie 47,0<br>Totalt 239,0 | <b>10 skott</b><br> | 6: 7,4<br>7: 10,4*<br>8: 10,6*<br>9: 10,3<br>10: 10,7*<br><hr/> Serie 47,0<br>Totalt 286,0 |
|---|---|---|--|

|   |   |   |   |
|---|---|---|---|
| <b>Skott 1</b><br> | 1: 9,8<br><hr/> Serie 9,0<br>Totalt 295,0 | <b>Skott 2</b><br> | 1: 9,9<br><hr/> Serie 9,0<br>Totalt 304,0 |
|---|---|---|---|

|  |  |  |   |
|--|--|--|---|
| <b>Skott 3</b><br> | 1: 10,7*<br><hr/> Serie 10,0<br>Totalt 314,0 | <b>Skott 4</b><br> | 1: 9,9<br><hr/> Serie 9,0<br>Totalt 323,0 |
|--|--|--|---|

|  |   |  |  |
|--|---|--|--|
| <b>Skott 5</b><br> | 1: 10,1<br><hr/> Serie 10,0<br>Totalt 333,0 |  |  |
|--|---|--|--|

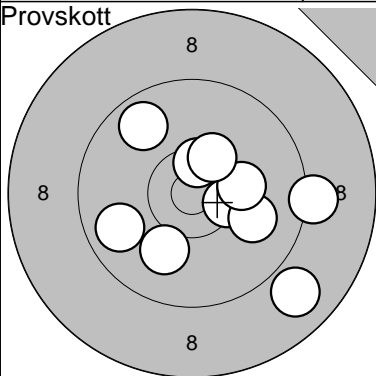
Bälgviken

2012-07-10

Tavelträffen 2012 Final

Ramselefors SKF

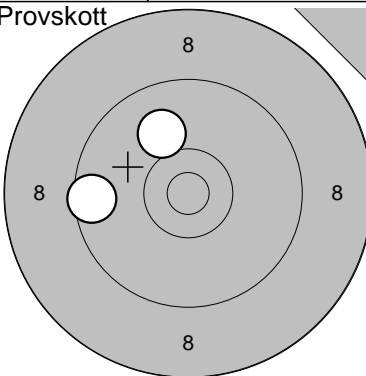
Provskott



1: 9,8 ↗  
 2: 10,4\* →  
 3: 9,2 →  
 4: 8,9 ↘  
 5: 10,0 ↘  
 6: 10,0 ↘  
 7: 9,8 ↙  
 8: 10,5\* ↙  
 9: 10,2 →  
 10: 10,4\* ↗

Serie 95,0  
 Totalt 189,0

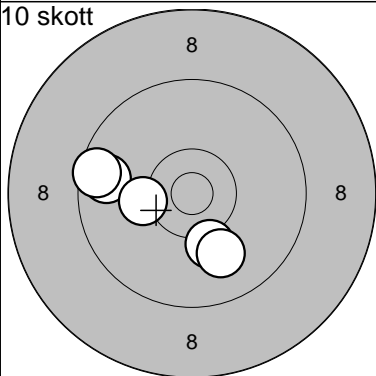
Provskott



11: 9,6 ←  
 12: 10,0 ↗

Serie 19,0  
 Totalt 189,0

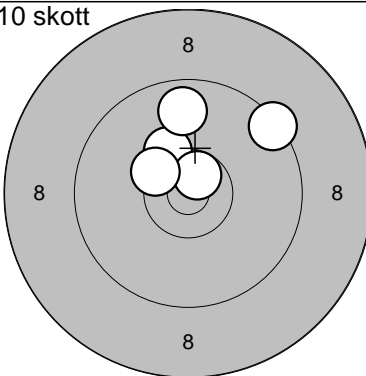
10 skott



1: 9,7 ←  
 2: 10,2 ←  
 3: 9,6 ↗  
 4: 10,2 ↘  
 5: 10,0 ↘

Serie 48,0  
 Totalt 237,0

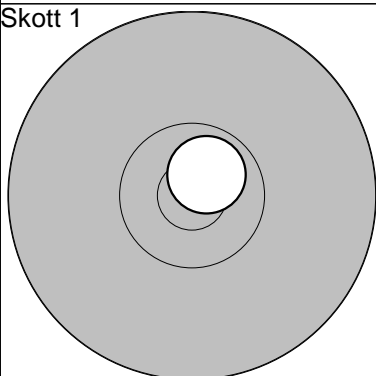
10 skott



6: 10,3\* ↗  
 7: 9,8 ↑  
 8: 10,7\* ↗  
 9: 10,4\* ↙  
 10: 9,4 ↗

Serie 48,0  
 Totalt 285,0

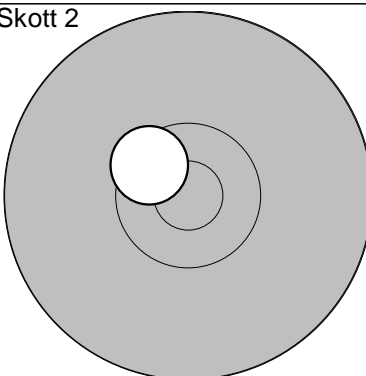
Skott 1



1: 10,7\* ↗

Serie 10,0  
 Totalt 295,0

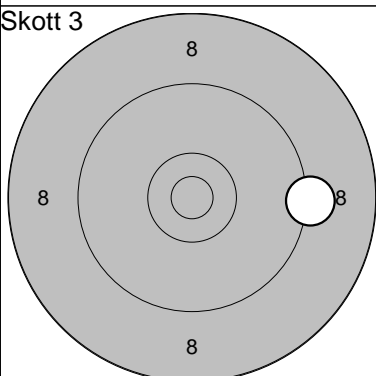
Skott 2



1: 10,5\* ↙

Serie 10,0  
 Totalt 305,0

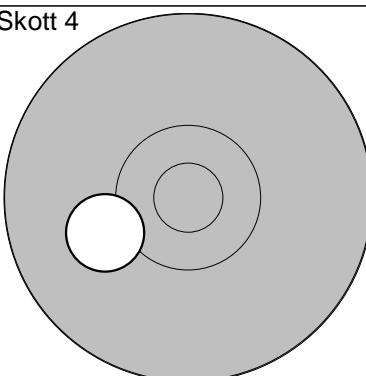
Skott 3



1: 9,2 →

Serie 9,0  
 Totalt 314,0

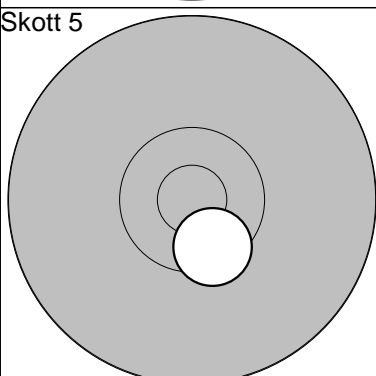
Skott 4



1: 10,1 ←

Serie 10,0  
 Totalt 324,0

Skott 5



1: 10,5\* ↘

Serie 10,0  
 Totalt 334,0

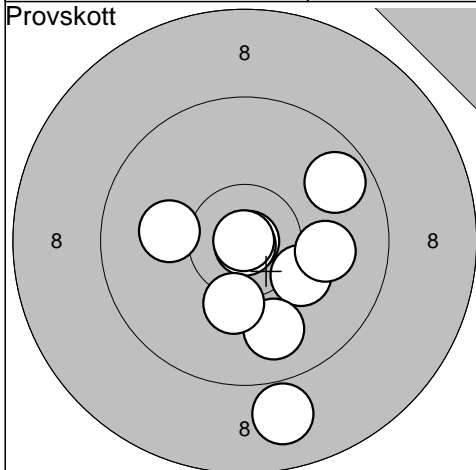
Bälinge-Jumkil

2012-07-10

Tavelträffen 2012 Final

Ramselefors SKF

Provskott

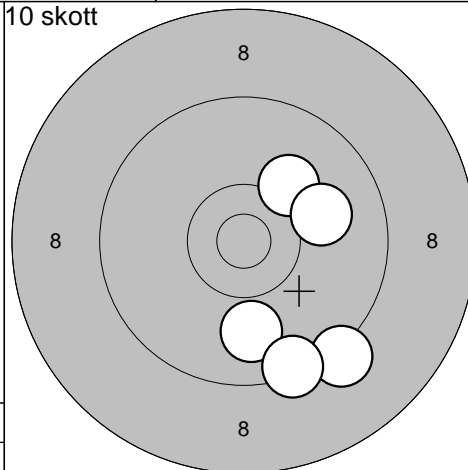


1: 8,9 ↓  
 2: 9,7 ↗  
 3: 10,2 ↘  
 4: 9,9 ↓  
 5: 10,9\* →  
 6: 10,1 ←  
 7: 10,9\* ↓  
 8: 10,0 →  
 9: 10,9\* ←  
 10: 10,2 ↓

Serie 96,0

Totalt 189,0

10 skott

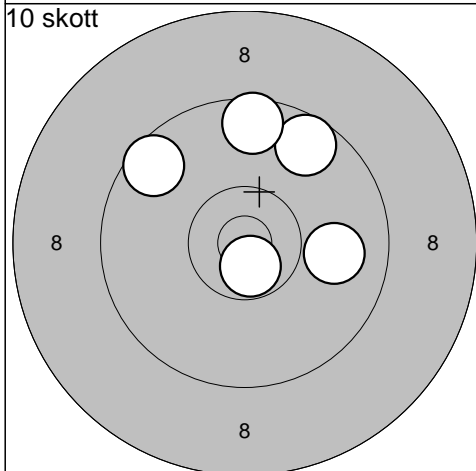


1: 9,9 ↓  
 2: 9,2 ↘  
 3: 9,4 ↓  
 4: 10,1 ↗  
 5: 10,0 →

Serie 47,0

Totalt 236,0

10 skott

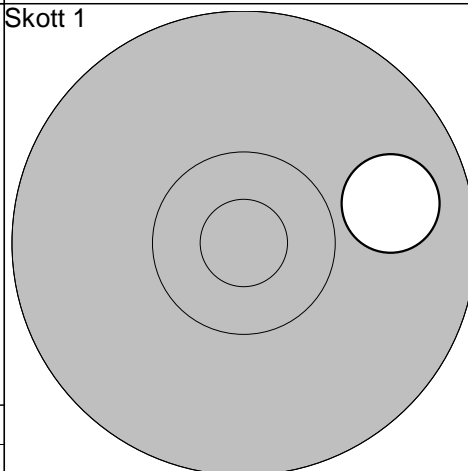


6: 9,6 ↗  
 7: 9,9 →  
 8: 9,6 ↗  
 9: 9,6 ↑  
 10: 10,7\* ↓

Serie 46,0

Totalt 282,0

Skott 1

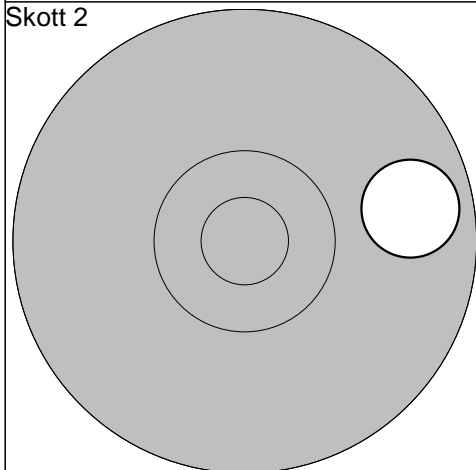


1: 9,9 →

Serie 9,0

Totalt 291,0

Skott 2

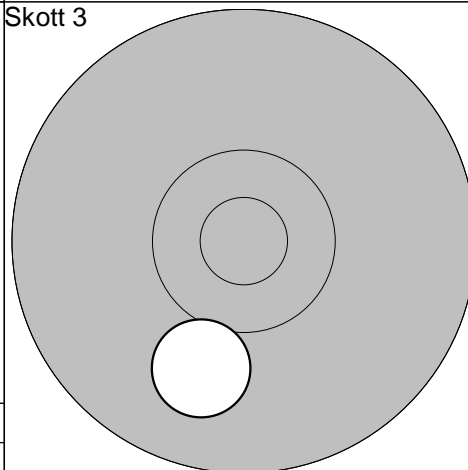


1: 9,8 →

Serie 9,0

Totalt 300,0

Skott 3

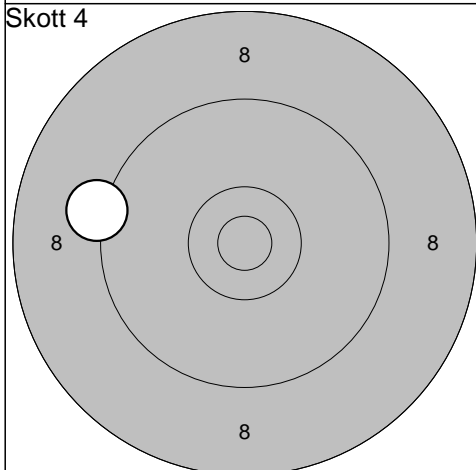


1: 10,0 ↓

Serie 10,0

Totalt 310,0

Skott 4

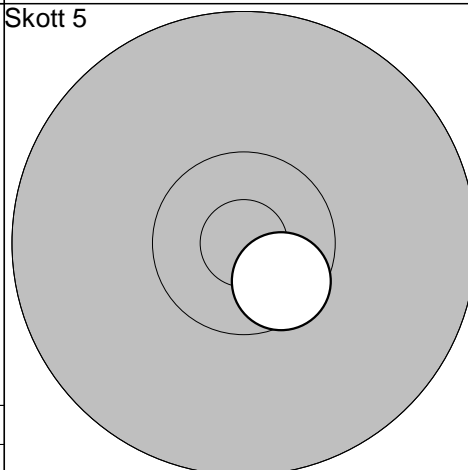


1: 9,2 ←

Serie 9,0

Totalt 319,0

Skott 5



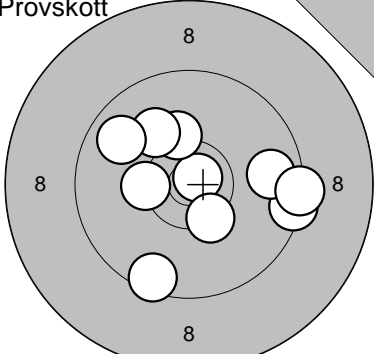
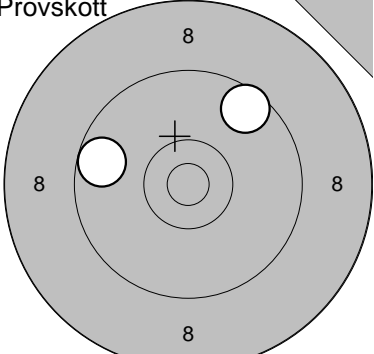
1: 10,6\* ↓

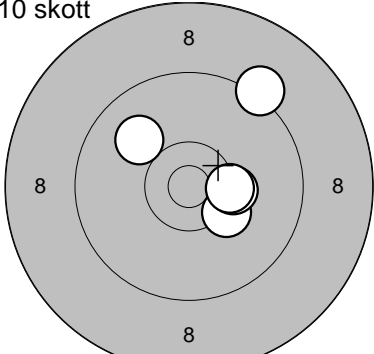
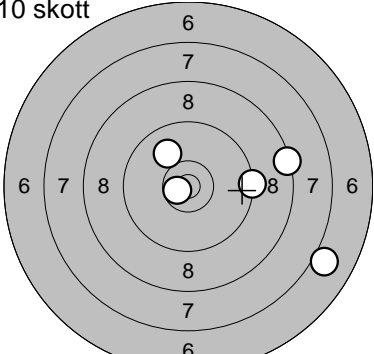
Serie 10,0

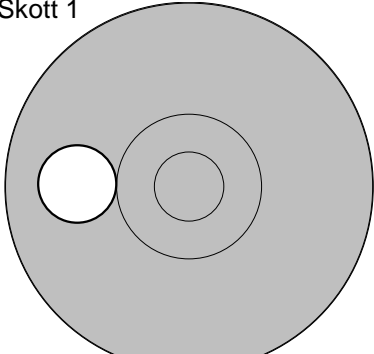
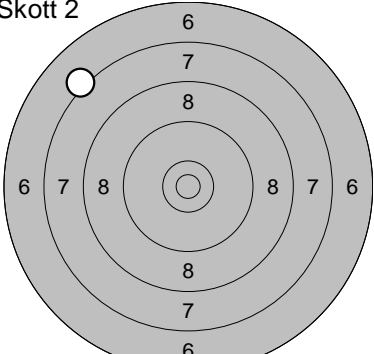
Totalt 329,0

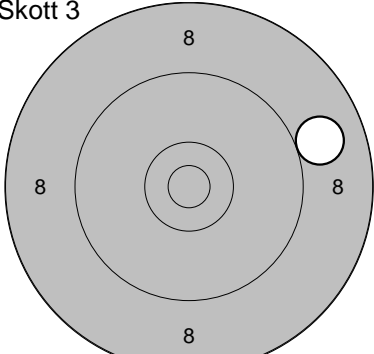
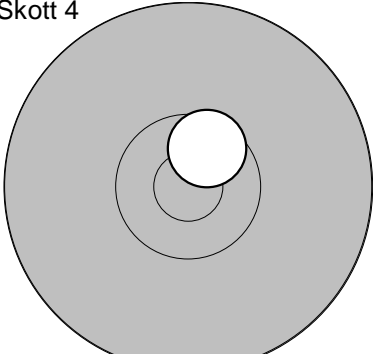
Hogdal

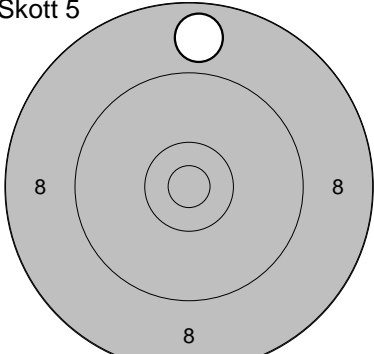
|            |                         |                 |
|------------|-------------------------|-----------------|
| 2012-07-10 | Tavelträffen 2012 Final | Ramselefors SKF |
|------------|-------------------------|-----------------|

|   |   |   |  |
|---|---|---|--|
| Provs skott<br> | 1: 10,8* ↗<br>2: 9,4 →<br>3: 9,8 →<br>4: 10,2 →<br>5: 10,1 ↗<br>6: 10,4* ↗<br>7: 9,4 →<br>8: 9,5 ↖<br>9: 9,8 ↖<br>10: 10,3* ↖<br><hr/> Serie 95,0<br>Totalt 184,0 | Provs skott<br> | 11: 9,7 ↖<br>12: 9,6 ↗<br><hr/> Serie 18,0<br>Totalt 184,0 |
|---|---|---|--|

|  |  |  |  |
|--|--|--|--|
| 10 skott<br> | 1: 10,3 ↘<br>2: 10,3* →<br>3: 9,2 ↗<br>4: 10,0 ↗<br>5: 10,4* →<br><hr/> Serie 49,0<br>Totalt 233,0 | 10 skott<br> | 6: 7,0 →<br>7: 10,0 ↗<br>8: 10,7* ↖<br>9: 8,4 →<br>10: 9,3 →<br><hr/> Serie 44,0<br>Totalt 277,0 |
|--|--|--|--|

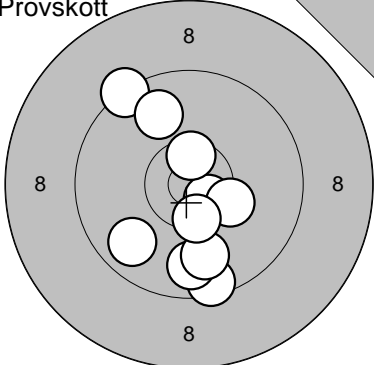
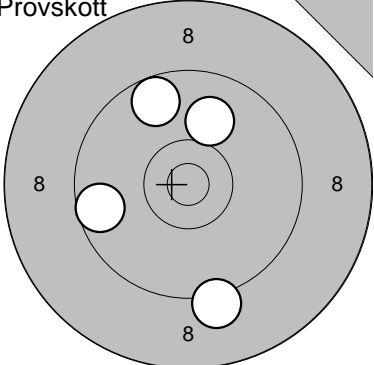
|  |   |  |   |
|--|---|--|---|
| Skott 1<br> | 1: 10,0 ↖<br><hr/> Serie 10,0<br>Totalt 287,0 | Skott 2<br> | 1: 7,2 ↖<br><hr/> Serie 7,0<br>Totalt 294,0 |
|--|---|--|---|

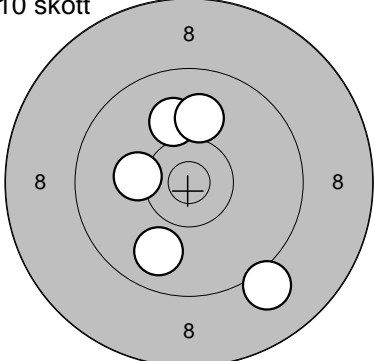
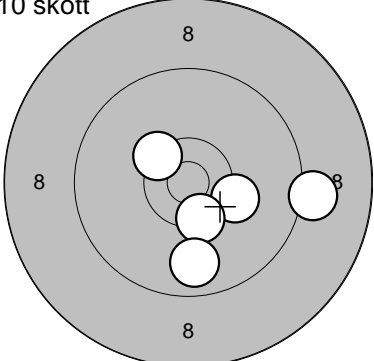
|   |   |   |  |
|---|---|---|--|
| Skott 3<br> | 1: 9,0 →<br><hr/> Serie 9,0<br>Totalt 303,0 | Skott 4<br> | 1: 10,6* ↗<br><hr/> Serie 10,0<br>Totalt 313,0 |
|---|---|---|--|

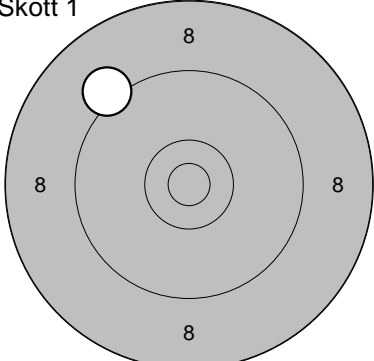
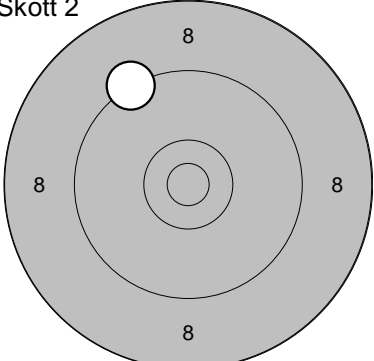
|   |   |  |  |
|---|---|--|--|
| Skott 5<br> | 1: 8,8 ↑<br><hr/> Serie 8,0<br>Totalt 321,0 |  |  |
|---|---|--|--|

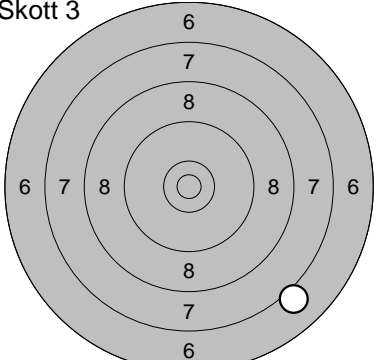
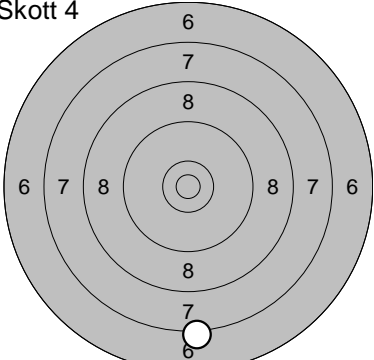
Ununge

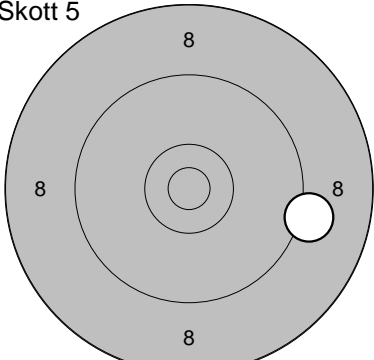
|            |                         |                 |
|------------|-------------------------|-----------------|
| 2012-07-10 | Tavelträffen 2012 Final | Ramselefors SKF |
|------------|-------------------------|-----------------|

|   |   |   |   |
|---|---|---|---|
| Provsrott<br> | 1: 10,6* ↘<br>2: 9,5 ↙<br>3: 9,8 ↖<br>4: 9,3 ↗<br>5: 10,3* ↘<br>6: 10,5* ↘<br>7: 9,8 ↙<br>8: 9,9 ↙<br>9: 10,4* ↙<br>10: 9,9 ↗ | Provsrott<br> | 11: 9,7 ↗<br>12: 10,0 ↗<br>13: 9,6 ↖<br>14: 9,2 ↘ |
| Serie 94,0  |   | Serie 37,0  |   |
| Totalt 180,0  |   | Totalt 180,0  |   |

|  |   |  |  |
|--|---|--|--|
| 10 skott<br> | 1: 10,1 ↗<br>2: 10,2 ↖<br>3: 9,9 ↙<br>4: 10,0 ↗<br>5: 9,1 ↘ | 10 skott<br> | 6: 10,2 →<br>7: 10,4* ↗<br>8: 10,4* ↘<br>9: 9,8 ↘<br>10: 9,1 → |
| Serie 48,0   |   | Serie 48,0   |  |
| Totalt 228,0   |   | Totalt 276,0   |  |

|  |          |  |          |
|--|----------|--|----------|
| Skott 1<br> | 1: 9,2 ↗ | Skott 2<br> | 1: 9,3 ↗ |
| Serie 9,0  |          | Serie 9,0  |          |
| Totalt 285,0   |          | Totalt 294,0   |          |

|   |          |   |          |
|---|----------|---|----------|
| Skott 3<br> | 1: 7,1 ↘ | Skott 4<br> | 1: 7,2 ↘ |
| Serie 7,0   |          | Serie 7,0   |          |
| Totalt 301,0  |          | Totalt 308,0  |          |

|   |          |  |  |
|---|----------|--|--|
| Skott 5<br> | 1: 9,2 → |  |  |
| Serie 9,0   |          |  |  |
| Totalt 317,0  |          |  |  |

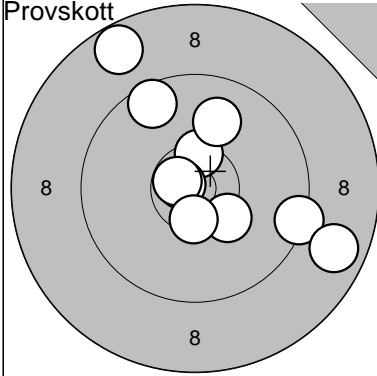


2012-07-10

Tavelträffen 2012 Final

Ramselefors SKF

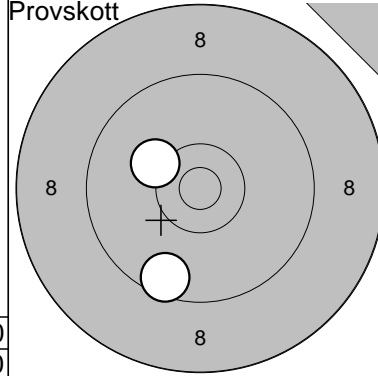
Provskott



1: 10,5\* ↑  
 2: 10,8\* ↑↑  
 3: 9,9 →↑  
 4: 8,7 →↑↑  
 5: 9,6 →↑↑  
 6: 9,4 ↓↑  
 7: 8,8 ↓↓  
 8: 10,3\* ↓↓  
 9: 10,7\* ↓↓  
 10: 10,5\* ↓

Serie 93,0  
 Totalt 178,0

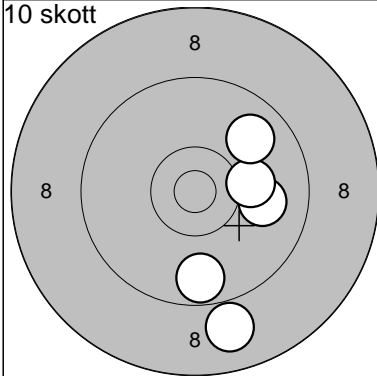
Provskott



11: 9,6 ↓  
 12: 10,2 ↖

Serie 19,0  
 Totalt 178,0

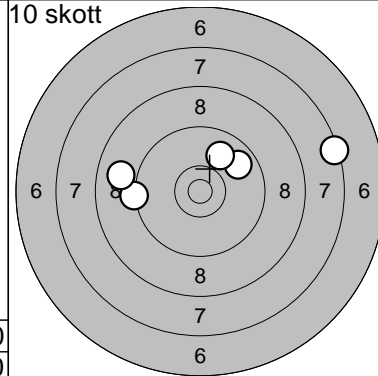
10 skott



1: 10,0 →  
 2: 9,7 ↓  
 3: 10,1 →  
 4: 9,9 →↑  
 5: 8,9 ↓

Serie 46,0  
 Totalt 224,0

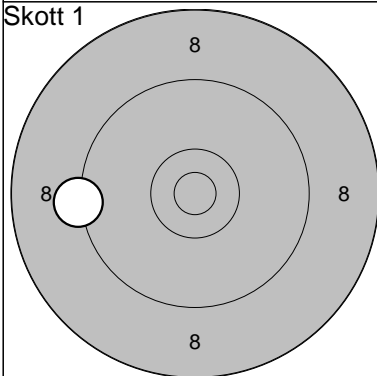
10 skott



6: 9,3 ←  
 7: 7,4 →  
 8: 8,9 ←  
 9: 9,8 →↑  
 10: 9,9 ↑

Serie 42,0  
 Totalt 266,0

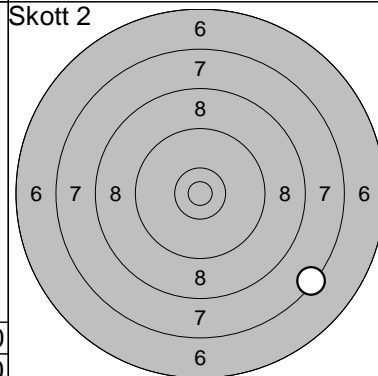
Skott 1



1: 9,3 ←

Serie 9,0  
 Totalt 275,0

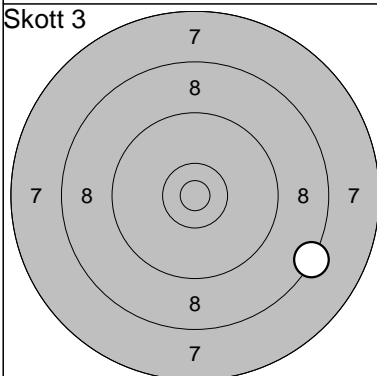
Skott 2



1: 7,4 ↘

Serie 7,0  
 Totalt 282,0

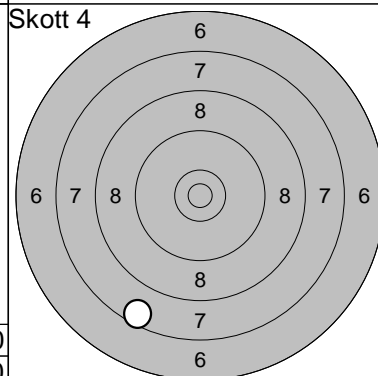
Skott 3



1: 8,3 ↘

Serie 8,0  
 Totalt 290,0

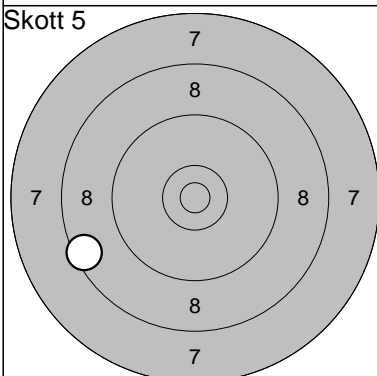
Skott 4



1: 7,6 ↓

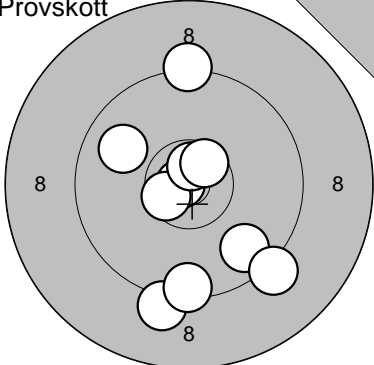
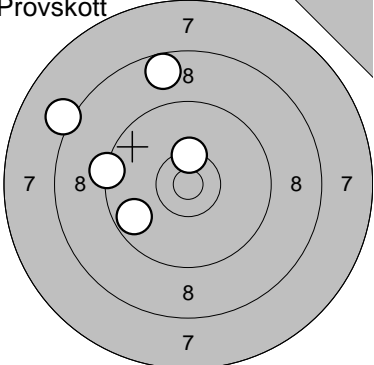
Serie 7,0  
 Totalt 297,0

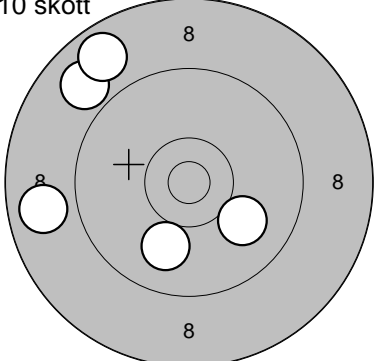
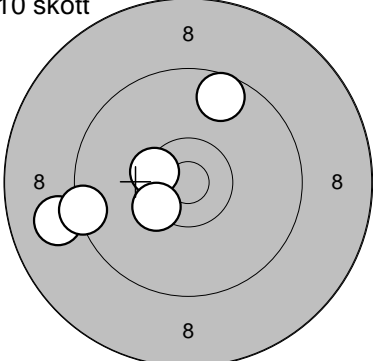
Skott 5

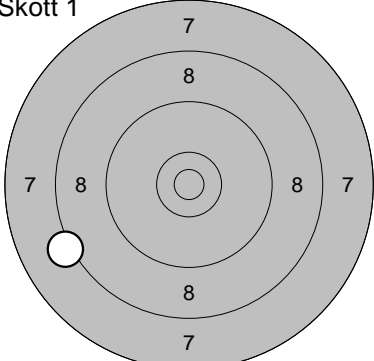
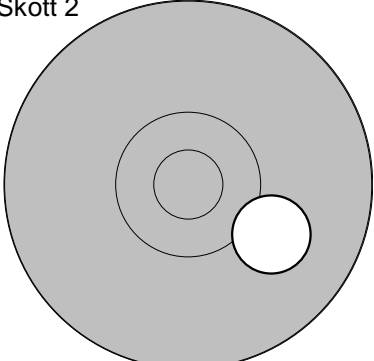


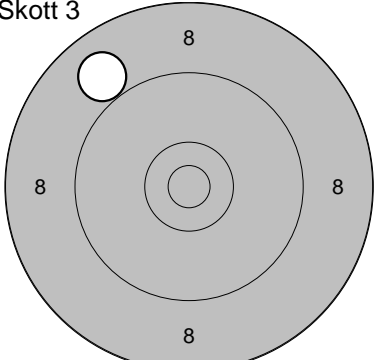
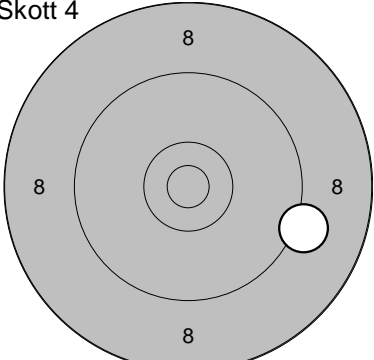
1: 8,5 ←

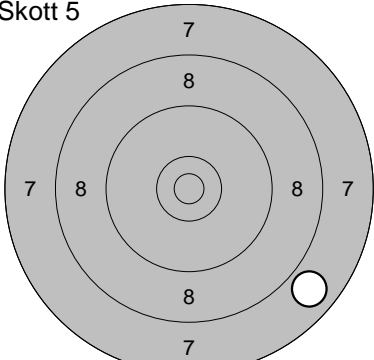
Serie 8,0  
 Totalt 305,0

|  |  |              |   |          |   |        |   |        |   |        |   |          |   |        |   |          |   |        |   |         |   |  |  |         |   |         |   |         |   |         |   |           |   |
|--|--|--------------|---|----------|---|--------|---|--------|---|--------|---|----------|---|--------|---|----------|---|--------|---|---------|---|--|--|---------|---|---------|---|---------|---|---------|---|-----------|---|
| Provskott  |  | Provskott    |   |          |   |        |   |        |   |        |   |          |   |        |   |          |   |        |   |         |   |  |  |         |   |         |   |         |   |         |   |           |   |
|  | <table style="width:100%; border-collapse: collapse;"> <tr><td>1: 10,8*</td><td style="text-align: right;">←</td></tr> <tr><td>2: 10,6*</td><td style="text-align: right;">↙</td></tr> <tr><td>3: 9,7</td><td style="text-align: right;">↘</td></tr> <tr><td>4: 9,2</td><td style="text-align: right;">↙</td></tr> <tr><td>5: 9,9</td><td style="text-align: right;">↗</td></tr> <tr><td>6: 10,7*</td><td style="text-align: right;">↗</td></tr> <tr><td>7: 9,3</td><td style="text-align: right;">↗</td></tr> <tr><td>8: 10,6*</td><td style="text-align: right;">↗</td></tr> <tr><td>9: 9,5</td><td style="text-align: right;">↘</td></tr> <tr><td>10: 9,2</td><td style="text-align: right;">↘</td></tr> </table> | 1: 10,8*     | ← | 2: 10,6* | ↙ | 3: 9,7 | ↘ | 4: 9,2 | ↙ | 5: 9,9 | ↗ | 6: 10,7* | ↗ | 7: 9,3 | ↗ | 8: 10,6* | ↗ | 9: 9,5 | ↘ | 10: 9,2 | ↘ |  | <table style="width:100%; border-collapse: collapse;"> <tr><td>11: 9,7</td><td style="text-align: right;">↙</td></tr> <tr><td>12: 8,7</td><td style="text-align: right;">↑</td></tr> <tr><td>13: 9,3</td><td style="text-align: right;">←</td></tr> <tr><td>14: 8,1</td><td style="text-align: right;">↖</td></tr> <tr><td>15: 10,4*</td><td style="text-align: right;">↑</td></tr> </table> | 11: 9,7 | ↙ | 12: 8,7 | ↑ | 13: 9,3 | ← | 14: 8,1 | ↖ | 15: 10,4* | ↑ |
| 1: 10,8*   | ←  |              |   |          |   |        |   |        |   |        |   |          |   |        |   |          |   |        |   |         |   |  |  |         |   |         |   |         |   |         |   |           |   |
| 2: 10,6*   | ↙  |              |   |          |   |        |   |        |   |        |   |          |   |        |   |          |   |        |   |         |   |  |  |         |   |         |   |         |   |         |   |           |   |
| 3: 9,7   | ↘  |              |   |          |   |        |   |        |   |        |   |          |   |        |   |          |   |        |   |         |   |  |  |         |   |         |   |         |   |         |   |           |   |
| 4: 9,2   | ↙  |              |   |          |   |        |   |        |   |        |   |          |   |        |   |          |   |        |   |         |   |  |  |         |   |         |   |         |   |         |   |           |   |
| 5: 9,9   | ↗  |              |   |          |   |        |   |        |   |        |   |          |   |        |   |          |   |        |   |         |   |  |  |         |   |         |   |         |   |         |   |           |   |
| 6: 10,7*   | ↗  |              |   |          |   |        |   |        |   |        |   |          |   |        |   |          |   |        |   |         |   |  |  |         |   |         |   |         |   |         |   |           |   |
| 7: 9,3   | ↗  |              |   |          |   |        |   |        |   |        |   |          |   |        |   |          |   |        |   |         |   |  |  |         |   |         |   |         |   |         |   |           |   |
| 8: 10,6*   | ↗  |              |   |          |   |        |   |        |   |        |   |          |   |        |   |          |   |        |   |         |   |  |  |         |   |         |   |         |   |         |   |           |   |
| 9: 9,5   | ↘  |              |   |          |   |        |   |        |   |        |   |          |   |        |   |          |   |        |   |         |   |  |  |         |   |         |   |         |   |         |   |           |   |
| 10: 9,2  | ↘  |              |   |          |   |        |   |        |   |        |   |          |   |        |   |          |   |        |   |         |   |  |  |         |   |         |   |         |   |         |   |           |   |
| 11: 9,7  | ↙  |              |   |          |   |        |   |        |   |        |   |          |   |        |   |          |   |        |   |         |   |  |  |         |   |         |   |         |   |         |   |           |   |
| 12: 8,7  | ↑  |              |   |          |   |        |   |        |   |        |   |          |   |        |   |          |   |        |   |         |   |  |  |         |   |         |   |         |   |         |   |           |   |
| 13: 9,3  | ←  |              |   |          |   |        |   |        |   |        |   |          |   |        |   |          |   |        |   |         |   |  |  |         |   |         |   |         |   |         |   |           |   |
| 14: 8,1  | ↖  |              |   |          |   |        |   |        |   |        |   |          |   |        |   |          |   |        |   |         |   |  |  |         |   |         |   |         |   |         |   |           |   |
| 15: 10,4*  | ↑  |              |   |          |   |        |   |        |   |        |   |          |   |        |   |          |   |        |   |         |   |  |  |         |   |         |   |         |   |         |   |           |   |
| Serie 94,0   |  | Serie 44,0   |   |          |   |        |   |        |   |        |   |          |   |        |   |          |   |        |   |         |   |  |  |         |   |         |   |         |   |         |   |           |   |
| Totalt 177,0   |  | Totalt 177,0 |   |          |   |        |   |        |   |        |   |          |   |        |   |          |   |        |   |         |   |  |  |         |   |         |   |         |   |         |   |           |   |

|  |   |              |   |        |   |         |   |        |   |         |   |  |  |          |   |        |   |        |   |        |   |           |   |
|--|---|--------------|---|--------|---|---------|---|--------|---|---------|---|--|--|----------|---|--------|---|--------|---|--------|---|-----------|---|
| 10 skott   |   | 10 skott     |   |        |   |         |   |        |   |         |   |  |  |          |   |        |   |        |   |        |   |           |   |
|  | <table style="width:100%; border-collapse: collapse;"> <tr><td>1: 8,8</td><td style="text-align: right;">←</td></tr> <tr><td>2: 8,9</td><td style="text-align: right;">↗</td></tr> <tr><td>3: 10,0</td><td style="text-align: right;">↙</td></tr> <tr><td>4: 8,8</td><td style="text-align: right;">↗</td></tr> <tr><td>5: 10,0</td><td style="text-align: right;">↘</td></tr> </table> | 1: 8,8       | ← | 2: 8,9 | ↗ | 3: 10,0 | ↙ | 4: 8,8 | ↗ | 5: 10,0 | ↘ |  | <table style="width:100%; border-collapse: collapse;"> <tr><td>6: 10,4*</td><td style="text-align: right;">↙</td></tr> <tr><td>7: 9,0</td><td style="text-align: right;">←</td></tr> <tr><td>8: 9,4</td><td style="text-align: right;">←</td></tr> <tr><td>9: 9,6</td><td style="text-align: right;">↑</td></tr> <tr><td>10: 10,4*</td><td style="text-align: right;">↙</td></tr> </table> | 6: 10,4* | ↙ | 7: 9,0 | ← | 8: 9,4 | ← | 9: 9,6 | ↑ | 10: 10,4* | ↙ |
| 1: 8,8   | ←   |              |   |        |   |         |   |        |   |         |   |  |  |          |   |        |   |        |   |        |   |           |   |
| 2: 8,9   | ↗   |              |   |        |   |         |   |        |   |         |   |  |  |          |   |        |   |        |   |        |   |           |   |
| 3: 10,0  | ↙   |              |   |        |   |         |   |        |   |         |   |  |  |          |   |        |   |        |   |        |   |           |   |
| 4: 8,8   | ↗   |              |   |        |   |         |   |        |   |         |   |  |  |          |   |        |   |        |   |        |   |           |   |
| 5: 10,0  | ↘   |              |   |        |   |         |   |        |   |         |   |  |  |          |   |        |   |        |   |        |   |           |   |
| 6: 10,4*   | ↙   |              |   |        |   |         |   |        |   |         |   |  |  |          |   |        |   |        |   |        |   |           |   |
| 7: 9,0   | ←   |              |   |        |   |         |   |        |   |         |   |  |  |          |   |        |   |        |   |        |   |           |   |
| 8: 9,4   | ←   |              |   |        |   |         |   |        |   |         |   |  |  |          |   |        |   |        |   |        |   |           |   |
| 9: 9,6   | ↑   |              |   |        |   |         |   |        |   |         |   |  |  |          |   |        |   |        |   |        |   |           |   |
| 10: 10,4*  | ↙   |              |   |        |   |         |   |        |   |         |   |  |  |          |   |        |   |        |   |        |   |           |   |
| Serie 44,0   |   | Serie 47,0   |   |        |   |         |   |        |   |         |   |  |  |          |   |        |   |        |   |        |   |           |   |
| Totalt 221,0   |   | Totalt 268,0 |   |        |   |         |   |        |   |         |   |  |  |          |   |        |   |        |   |        |   |           |   |

|   |   |              |   |   |  |         |   |
|---|---|--------------|---|---|--|---------|---|
| Skott 1   |   | Skott 2      |   |   |  |         |   |
|  | <table style="width:100%; border-collapse: collapse;"> <tr><td>1: 8,2</td><td style="text-align: right;">↙</td></tr> </table> | 1: 8,2       | ↙ |  | <table style="width:100%; border-collapse: collapse;"> <tr><td>1: 10,1</td><td style="text-align: right;">↘</td></tr> </table> | 1: 10,1 | ↘ |
| 1: 8,2  | ↙   |              |   |   |  |         |   |
| 1: 10,1   | ↘   |              |   |   |  |         |   |
| Serie 8,0   |   | Serie 10,0   |   |   |  |         |   |
| Totalt 276,0  |   | Totalt 286,0 |   |   |  |         |   |

|  |   |              |   |  |   |        |   |
|--|---|--------------|---|--|---|--------|---|
| Skott 3  |   | Skott 4      |   |  |   |        |   |
|  | <table style="width:100%; border-collapse: collapse;"> <tr><td>1: 8,9</td><td style="text-align: right;">↖</td></tr> </table> | 1: 8,9       | ↖ |  | <table style="width:100%; border-collapse: collapse;"> <tr><td>1: 9,2</td><td style="text-align: right;">↘</td></tr> </table> | 1: 9,2 | ↘ |
| 1: 8,9   | ↖   |              |   |  |   |        |   |
| 1: 9,2   | ↘   |              |   |  |   |        |   |
| Serie 8,0  |   | Serie 9,0    |   |  |   |        |   |
| Totalt 294,0   |   | Totalt 303,0 |   |  |   |        |   |

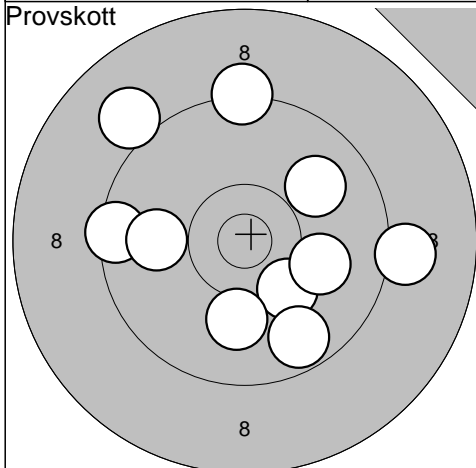
|  |   |        |   |  |  |
|--|---|--------|---|--|--|
| Skott 5  |   |        |   |  |  |
|  | <table style="width:100%; border-collapse: collapse;"> <tr><td>1: 7,8</td><td style="text-align: right;">↘</td></tr> </table> | 1: 7,8 | ↘ |  |  |
| 1: 7,8   | ↘   |        |   |  |  |
| Serie 7,0  |   |        |   |  |  |
| Totalt 310,0   |   |        |   |  |  |

2012-07-10

Tavelträffen 2012 Final

Ramselefors SKF

Provskott

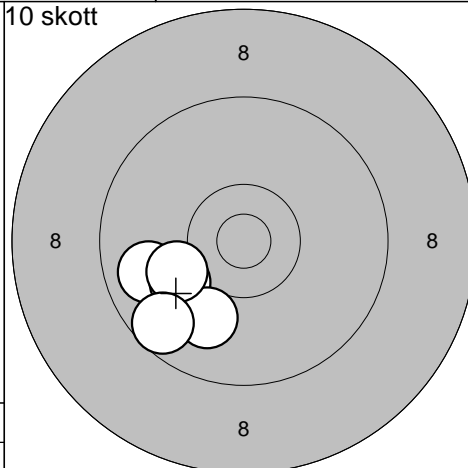


1: 9,5 ←  
 2: 9,0 ↗  
 3: 9,9 ↗  
 4: 9,3 ↑  
 5: 10,2 ↓  
 6: 10,0 →  
 7: 9,7 ↓  
 8: 9,1 →  
 9: 10,1 ↓  
 10: 9,9 ←

Serie 93,0

Totalt 172,0

10 skott

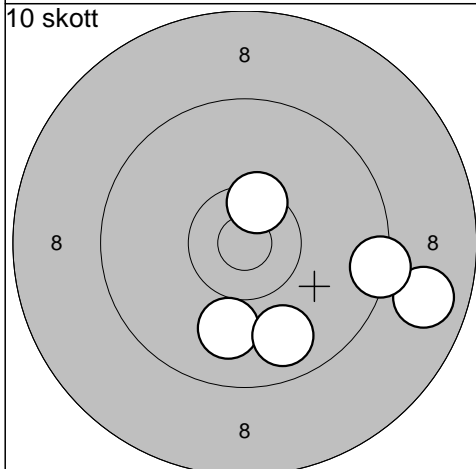


1: 9,8 ←  
 2: 10,1 ↙  
 3: 10,0 ↓  
 4: 10,1 ↙  
 5: 9,6 ↙

Serie 48,0

Totalt 220,0

10 skott

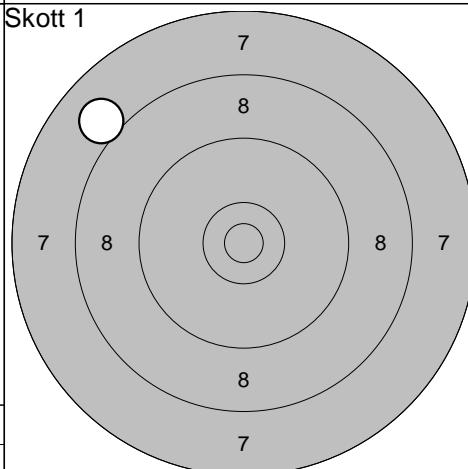


6: 10,5\* ↑  
 7: 8,8 →  
 8: 10,0 ↓  
 9: 9,4 →  
 10: 9,8 ↓

Serie 46,0

Totalt 266,0

Skott 1

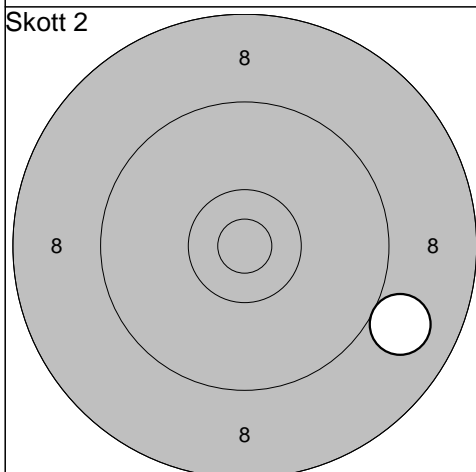


1: 8,0 ↖

Serie 8,0

Totalt 274,0

Skott 2

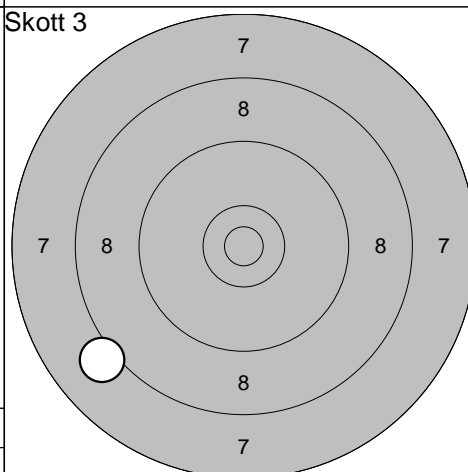


1: 9,0 ↘

Serie 9,0

Totalt 283,0

Skott 3

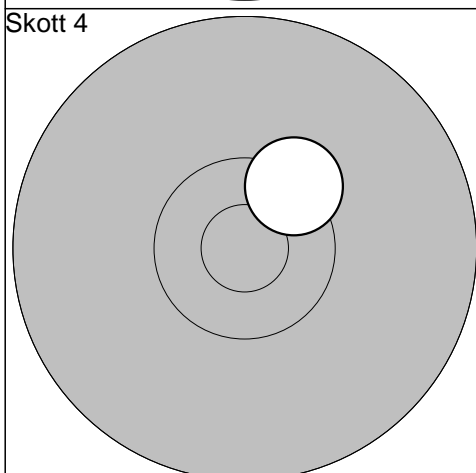


1: 8,1 ↙

Serie 8,0

Totalt 291,0

Skott 4

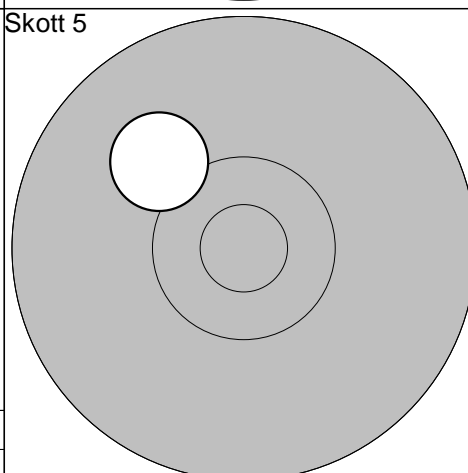


1: 10,4\* ↗

Serie 10,0

Totalt 301,0

Skott 5



1: 10,1 ↖

Serie 10,0

Totalt 311,0

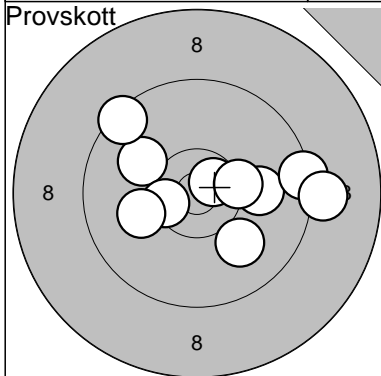
Niemisel

2012-07-10

Tavelträffen 2012 Final

Ramselefors SKF

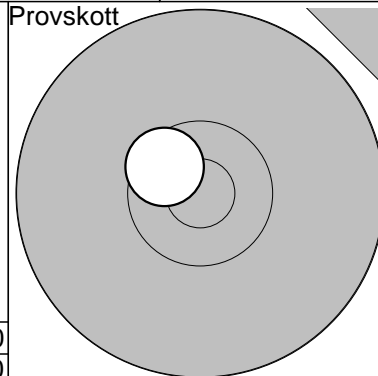
Provskott



1: 10,0 →  
 2: 10,7\* ↗  
 3: 10,0 ↘  
 4: 9,4 →  
 5: 9,1 →  
 6: 10,3\* →  
 7: 10,0 ↗  
 8: 10,5\* ↖  
 9: 10,1 ↖  
 10: 9,5 ↗

Serie 97,0  
 Totalt 188,0

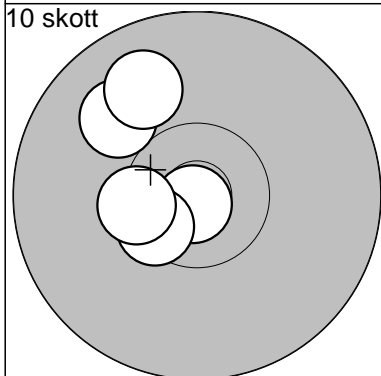
Provskott



11: 10,6\* ↖

Serie 10,0  
 Totalt 188,0

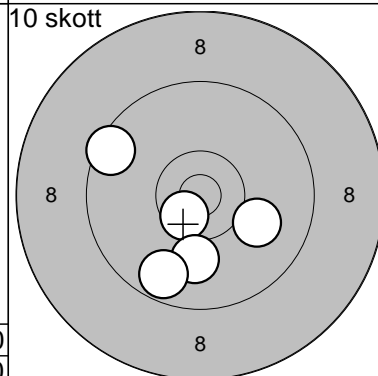
10 skott



1: 10,9\* ↘  
 2: 10,5\* ↖  
 3: 10,0 ↗  
 4: 9,9 ↗  
 5: 10,4\* ↖

Serie 49,0  
 Totalt 237,0

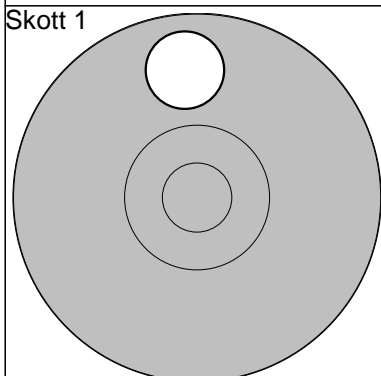
10 skott



6: 9,5 ↖  
 7: 10,0 ↗  
 8: 10,6\* ↘  
 9: 10,0 ↘  
 10: 9,7 ↘

Serie 48,0  
 Totalt 285,0

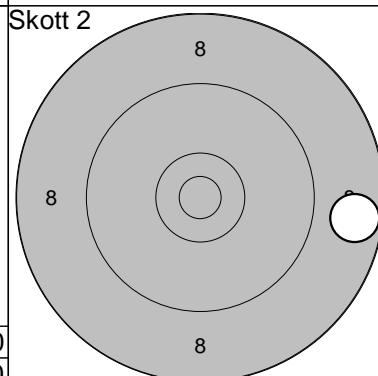
Skott 1



1: 9,8 ↑

Serie 9,0  
 Totalt 294,0

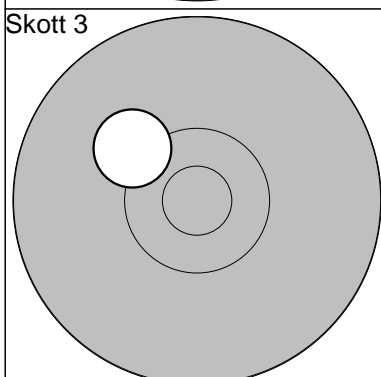
Skott 2



1: 8,7 →

Serie 8,0  
 Totalt 302,0

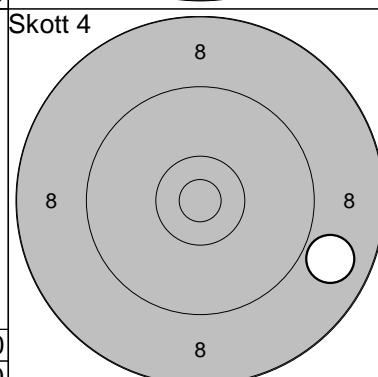
Skott 3



1: 10,2 ↖

Serie 10,0  
 Totalt 312,0

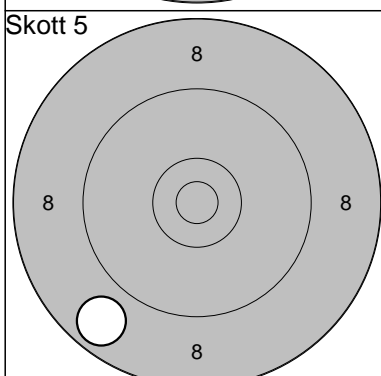
Skott 4



1: 8,9 →

Serie 8,0  
 Totalt 320,0

Skott 5



1: 8,8 ↘

Serie 8,0  
 Totalt 328,0

Skjutlag

7

Tavla

7

Lars Möllsten

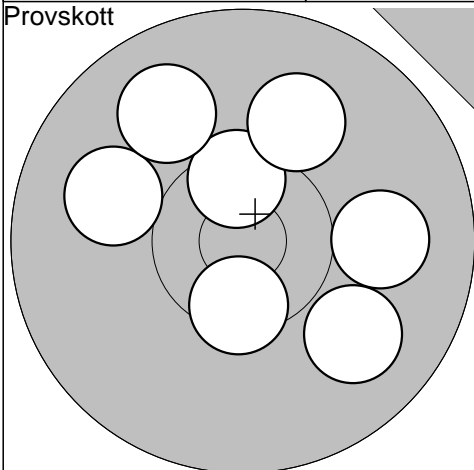
Umeå

2012-07-10

Tavelträffen 2012 Final

Ramselefors SKF

Provskott

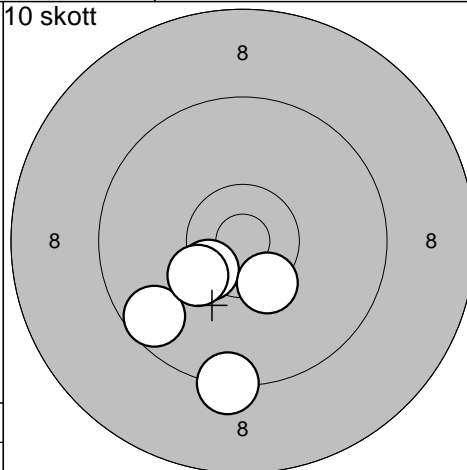


1: 10,5\* ↑  
 2: 10,0 ↗  
 3: 10,0 →  
 4: 9,9 ↘  
 5: 10,5\* ↓  
 6: 10,0 ↖  
 7: 9,9 ↗

Serie 68,0

Totalt 186,0

10 skott

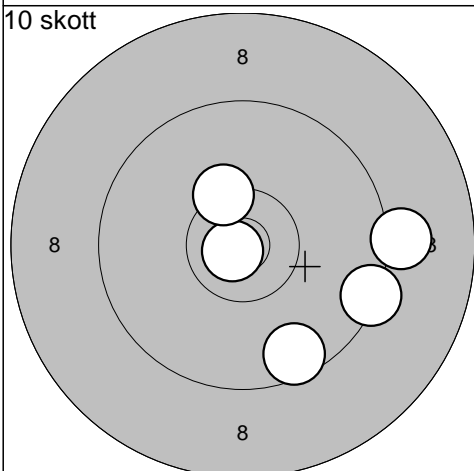


1: 10,4\* ↙  
 2: 9,3 ↓  
 3: 9,6 ↙  
 4: 10,4\* ↘  
 5: 10,3\* ↙

Serie 48,0

Totalt 234,0

10 skott

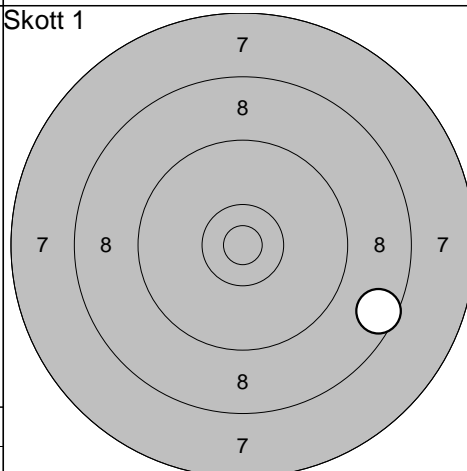


6: 10,8\* ↙  
 7: 10,3\* ↗  
 8: 9,1 →  
 9: 9,6 ↘  
 10: 9,4 ↘

Serie 47,0

Totalt 281,0

Skott 1

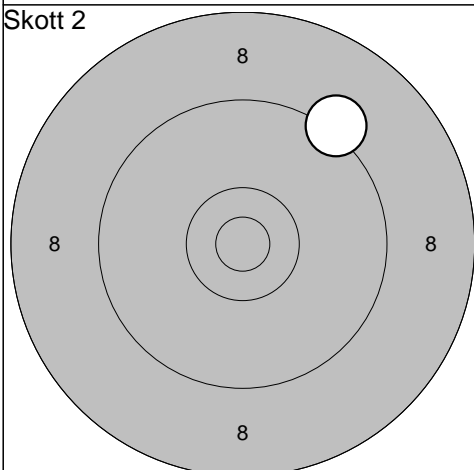


1: 8,6 ➔

Serie 8,0

Totalt 289,0

Skott 2

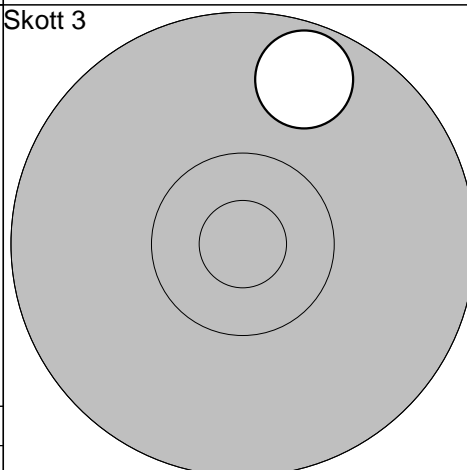


1: 9,2 ↗

Serie 9,0

Totalt 298,0

Skott 3

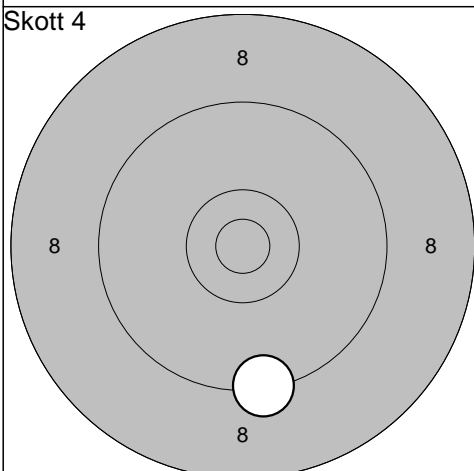


1: 9,7 ↗

Serie 9,0

Totalt 307,0

Skott 4

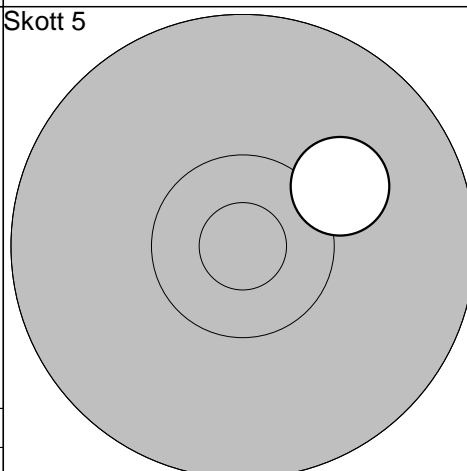


1: 9,3 ↓

Serie 9,0

Totalt 316,0

Skott 5



1: 10,1 ➔

Serie 10,0

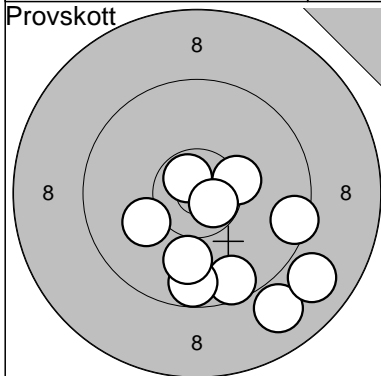
Totalt 326,0

2012-07-10

Tavelträffen 2012 Final

Ramselefors SKF

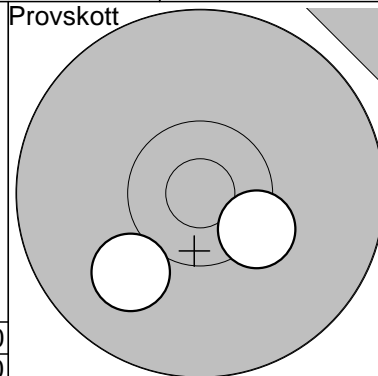
Provskott



1: 9,6 ↘  
 2: 8,9 ↘  
 3: 10,3\* →  
 4: 10,7\* ↗  
 5: 10,7\* ↘  
 6: 9,5 ↘  
 7: 8,9 ↘  
 8: 9,7 ↘  
 9: 10,1 ↘  
 10: 10,0 ↘

Serie 93,0  
 Totalt 184,0

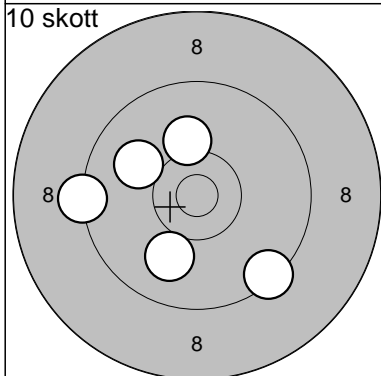
Provskott



11: 10,0 ↘  
 12: 10,3\* ↘

Serie 20,0  
 Totalt 184,0

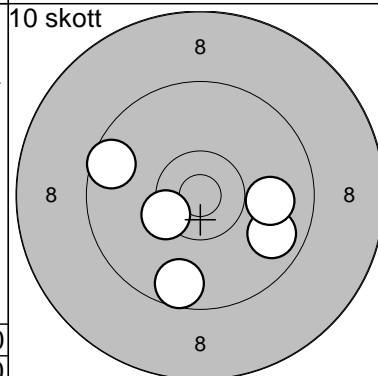
10 skott



1: 9,4 ↘  
 2: 10,2 →  
 3: 9,3 ←  
 4: 10,0 ↗  
 5: 10,0 ↘

Serie 48,0  
 Totalt 232,0

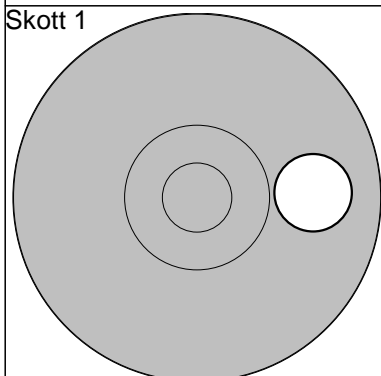
10 skott



6: 9,6 ↘  
 7: 9,6 ←  
 8: 9,8 ↘  
 9: 10,4\* ↘  
 10: 9,9 →

Serie 46,0  
 Totalt 278,0

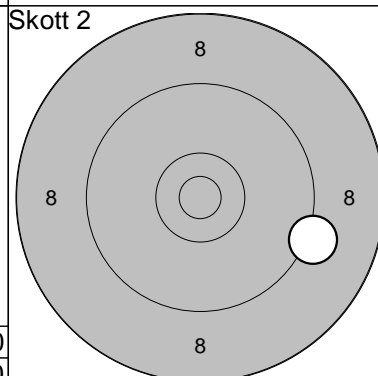
Skott 1



1: 9,9 →

Serie 9,0  
 Totalt 287,0

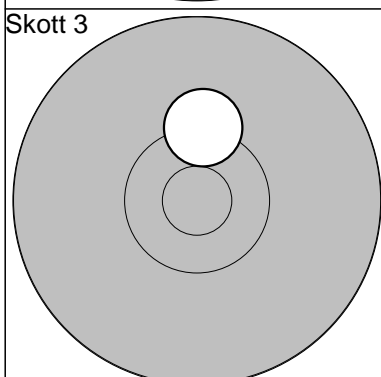
Skott 2



1: 9,2 →

Serie 9,0  
 Totalt 296,0

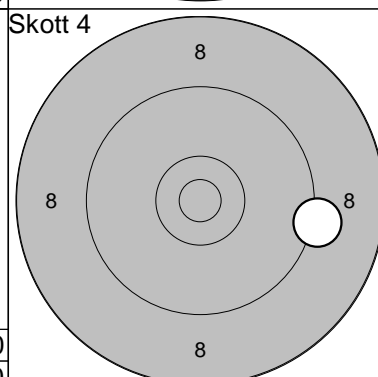
Skott 3



1: 10,3\* ↑

Serie 10,0  
 Totalt 306,0

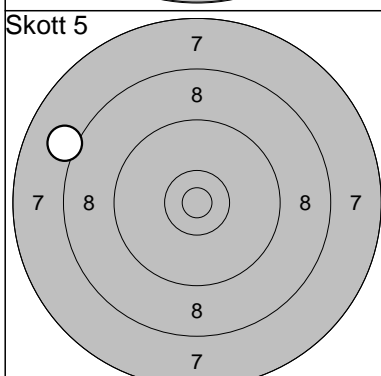
Skott 4



1: 9,2 →

Serie 9,0  
 Totalt 315,0

Skott 5



1: 8,1 ↙

Serie 8,0  
 Totalt 323,0

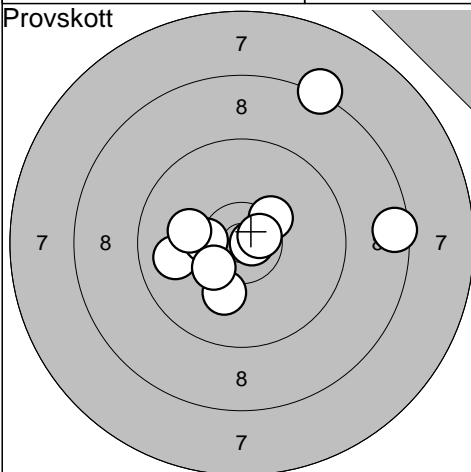
Ramselefors

2012-07-10

Tavelträffen 2012 Final

Ramselefors SKF

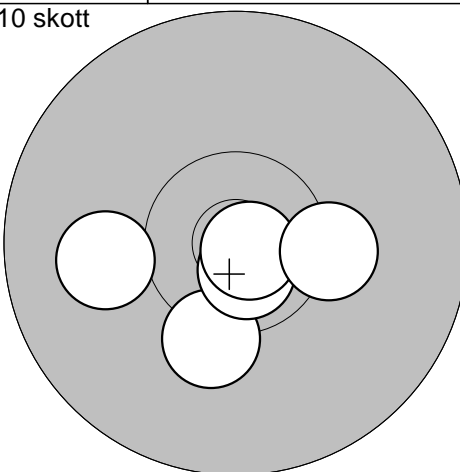
Provskott



- 1: 8,3 ↗
- 2: 8,5 →
- 3: 10,4\* ↗
- 4: 9,9 ←
- 5: 10,4\* ←
- 6: 10,8\* →
- 7: 10,1 ↓
- 8: 10,6\* →
- 9: 10,1 ←
- 10: 10,4\* ↙

Serie 95,0  
Totalt 184,0

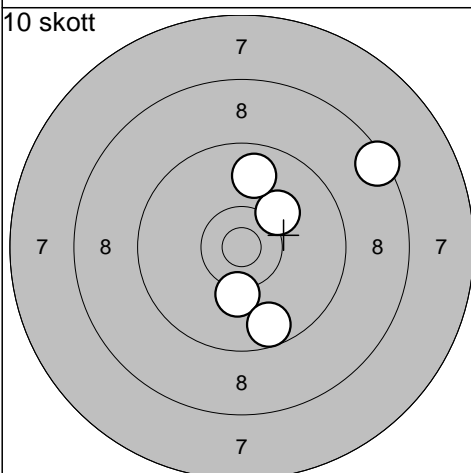
10 skott



- 1: 10,2 ↓
- 2: 10,7\* ↓
- 3: 10,0 ←
- 4: 10,8\* ↘
- 5: 10,3 →

Serie 50,0  
Totalt 234,0

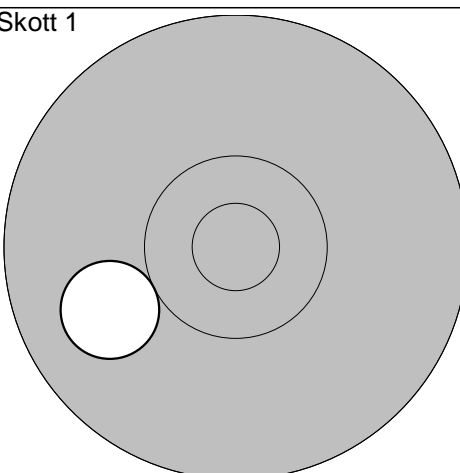
10 skott



- 6: 10,2 ↓
- 7: 9,7 ↓
- 8: 8,4 ↗
- 9: 10,2 ↗
- 10: 9,8 ↑

Serie 46,0  
Totalt 280,0

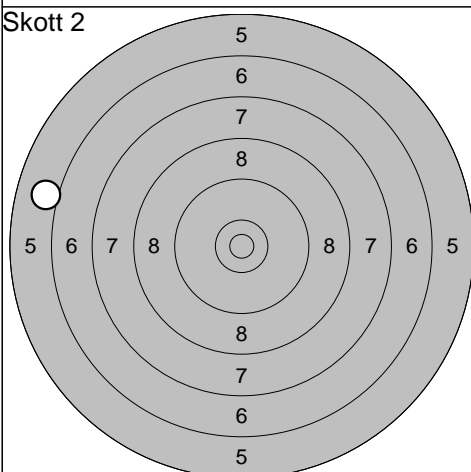
Skott 1



- 1: 10,0 ←

Serie 10,0  
Totalt 290,0

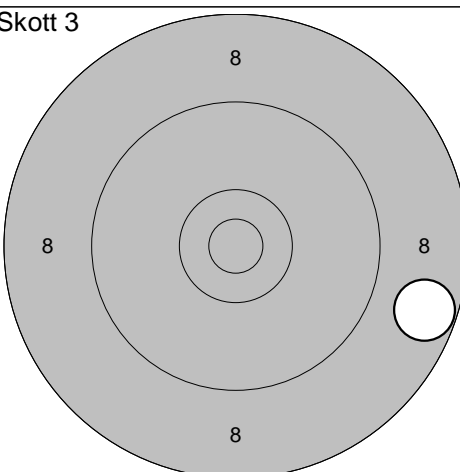
Skott 2



- 1: 6,0 ←

Serie 6,0  
Totalt 296,0

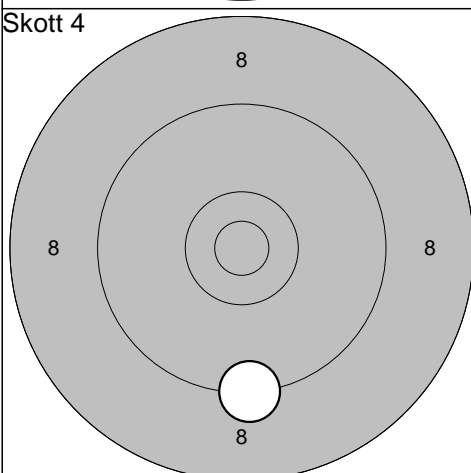
Skott 3



- 1: 8,7 →

Serie 8,0  
Totalt 304,0

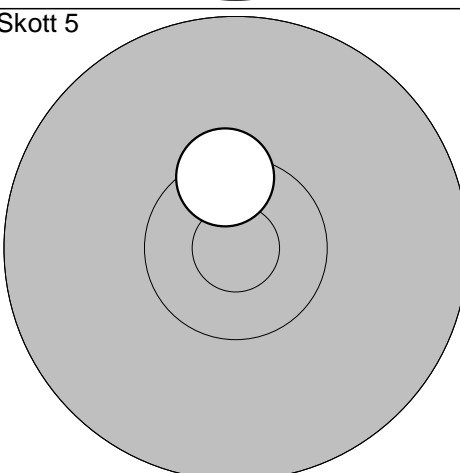
Skott 4



- 1: 9,3 ↓

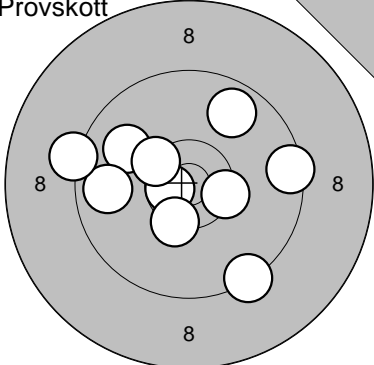
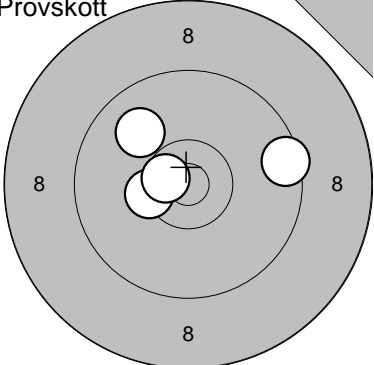
Serie 9,0  
Totalt 313,0

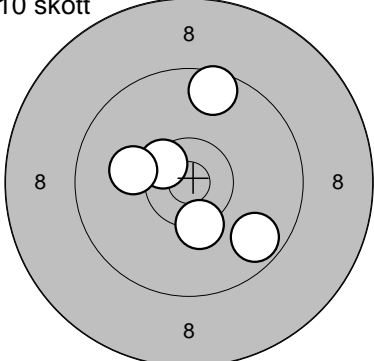
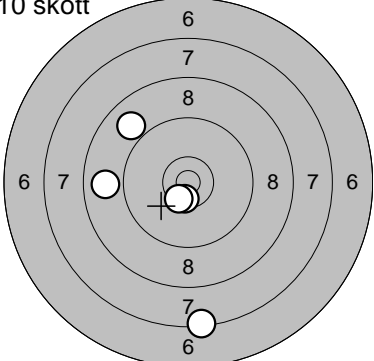
Skott 5

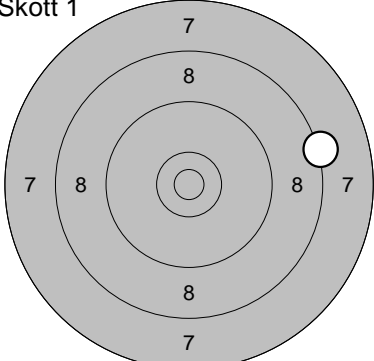
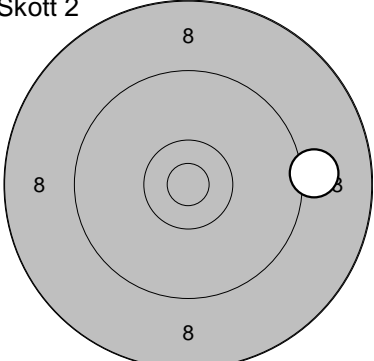


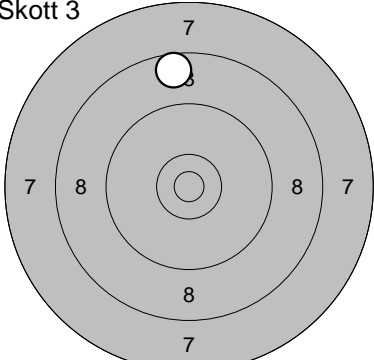
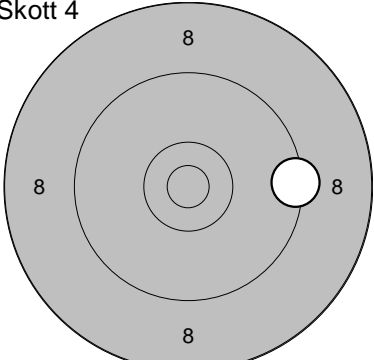
- 1: 10,4\* ↑

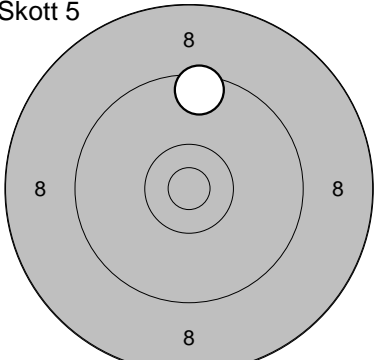
Serie 10,0  
Totalt 323,0

|  |  |              |   |        |   |        |   |        |   |          |   |        |   |        |   |        |   |          |   |           |   |  |   |         |   |           |   |         |   |           |   |
|--|--|--------------|---|--------|---|--------|---|--------|---|----------|---|--------|---|--------|---|--------|---|----------|---|-----------|---|--|---|---------|---|-----------|---|---------|---|-----------|---|
| Provskott  |  | Provskott    |   |        |   |        |   |        |   |          |   |        |   |        |   |        |   |          |   |           |   |  |   |         |   |           |   |         |   |           |   |
|  | <table style="width:100%; border-collapse: collapse;"> <tr><td>1: 10,7*</td><td style="text-align: right;">←</td></tr> <tr><td>2: 9,9</td><td style="text-align: right;">↗</td></tr> <tr><td>3: 9,8</td><td style="text-align: right;">↖</td></tr> <tr><td>4: 9,2</td><td style="text-align: right;">↖</td></tr> <tr><td>5: 10,4*</td><td style="text-align: right;">↖</td></tr> <tr><td>6: 9,4</td><td style="text-align: right;">↘</td></tr> <tr><td>7: 9,8</td><td style="text-align: right;">↗</td></tr> <tr><td>8: 9,5</td><td style="text-align: right;">→</td></tr> <tr><td>9: 10,4*</td><td style="text-align: right;">↗</td></tr> <tr><td>10: 10,4*</td><td style="text-align: right;">→</td></tr> </table> | 1: 10,7*     | ← | 2: 9,9 | ↗ | 3: 9,8 | ↖ | 4: 9,2 | ↖ | 5: 10,4* | ↖ | 6: 9,4 | ↘ | 7: 9,8 | ↗ | 8: 9,5 | → | 9: 10,4* | ↗ | 10: 10,4* | → |  | <table style="width:100%; border-collapse: collapse;"> <tr><td>11: 9,9</td><td style="text-align: right;">↗</td></tr> <tr><td>12: 10,4*</td><td style="text-align: right;">←</td></tr> <tr><td>13: 9,5</td><td style="text-align: right;">→</td></tr> <tr><td>14: 10,6*</td><td style="text-align: right;">←</td></tr> </table> | 11: 9,9 | ↗ | 12: 10,4* | ← | 13: 9,5 | → | 14: 10,6* | ← |
| 1: 10,7*   | ←  |              |   |        |   |        |   |        |   |          |   |        |   |        |   |        |   |          |   |           |   |  |   |         |   |           |   |         |   |           |   |
| 2: 9,9   | ↗  |              |   |        |   |        |   |        |   |          |   |        |   |        |   |        |   |          |   |           |   |  |   |         |   |           |   |         |   |           |   |
| 3: 9,8   | ↖  |              |   |        |   |        |   |        |   |          |   |        |   |        |   |        |   |          |   |           |   |  |   |         |   |           |   |         |   |           |   |
| 4: 9,2   | ↖  |              |   |        |   |        |   |        |   |          |   |        |   |        |   |        |   |          |   |           |   |  |   |         |   |           |   |         |   |           |   |
| 5: 10,4*   | ↖  |              |   |        |   |        |   |        |   |          |   |        |   |        |   |        |   |          |   |           |   |  |   |         |   |           |   |         |   |           |   |
| 6: 9,4   | ↘  |              |   |        |   |        |   |        |   |          |   |        |   |        |   |        |   |          |   |           |   |  |   |         |   |           |   |         |   |           |   |
| 7: 9,8   | ↗  |              |   |        |   |        |   |        |   |          |   |        |   |        |   |        |   |          |   |           |   |  |   |         |   |           |   |         |   |           |   |
| 8: 9,5   | →  |              |   |        |   |        |   |        |   |          |   |        |   |        |   |        |   |          |   |           |   |  |   |         |   |           |   |         |   |           |   |
| 9: 10,4*   | ↗  |              |   |        |   |        |   |        |   |          |   |        |   |        |   |        |   |          |   |           |   |  |   |         |   |           |   |         |   |           |   |
| 10: 10,4*  | →  |              |   |        |   |        |   |        |   |          |   |        |   |        |   |        |   |          |   |           |   |  |   |         |   |           |   |         |   |           |   |
| 11: 9,9  | ↗  |              |   |        |   |        |   |        |   |          |   |        |   |        |   |        |   |          |   |           |   |  |   |         |   |           |   |         |   |           |   |
| 12: 10,4*  | ←  |              |   |        |   |        |   |        |   |          |   |        |   |        |   |        |   |          |   |           |   |  |   |         |   |           |   |         |   |           |   |
| 13: 9,5  | →  |              |   |        |   |        |   |        |   |          |   |        |   |        |   |        |   |          |   |           |   |  |   |         |   |           |   |         |   |           |   |
| 14: 10,6*  | ←  |              |   |        |   |        |   |        |   |          |   |        |   |        |   |        |   |          |   |           |   |  |   |         |   |           |   |         |   |           |   |
| Serie 94,0   |  | Serie 38,0   |   |        |   |        |   |        |   |          |   |        |   |        |   |        |   |          |   |           |   |  |   |         |   |           |   |         |   |           |   |
| Totalt 182,0   |  | Totalt 182,0 |   |        |   |        |   |        |   |          |   |        |   |        |   |        |   |          |   |           |   |  |   |         |   |           |   |         |   |           |   |

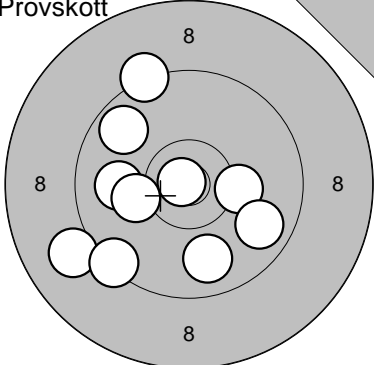
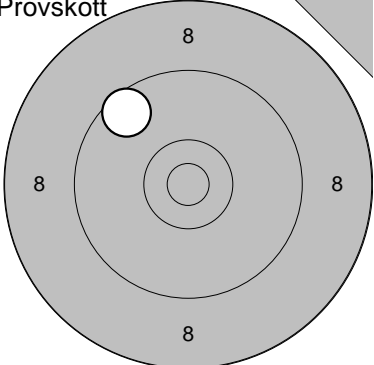
|  |  |              |   |          |   |          |   |         |   |        |   |  |  |        |   |        |   |        |   |          |   |           |   |
|--|--|--------------|---|----------|---|----------|---|---------|---|--------|---|--|--|--------|---|--------|---|--------|---|----------|---|-----------|---|
| 10 skott   |  | 10 skott     |   |          |   |          |   |         |   |        |   |  |  |        |   |        |   |        |   |          |   |           |   |
|  | <table style="width:100%; border-collapse: collapse;"> <tr><td>1: 9,6</td><td style="text-align: right;">↖</td></tr> <tr><td>2: 10,5*</td><td style="text-align: right;">↗</td></tr> <tr><td>3: 10,3*</td><td style="text-align: right;">↘</td></tr> <tr><td>4: 10,1</td><td style="text-align: right;">↖</td></tr> <tr><td>5: 9,7</td><td style="text-align: right;">↘</td></tr> </table> | 1: 9,6       | ↖ | 2: 10,5* | ↗ | 3: 10,3* | ↘ | 4: 10,1 | ↖ | 5: 9,7 | ↘ |  | <table style="width:100%; border-collapse: collapse;"> <tr><td>6: 8,9</td><td style="text-align: right;">←</td></tr> <tr><td>7: 8,9</td><td style="text-align: right;">↖</td></tr> <tr><td>8: 7,4</td><td style="text-align: right;">↓</td></tr> <tr><td>9: 10,5*</td><td style="text-align: right;">↓</td></tr> <tr><td>10: 10,5*</td><td style="text-align: right;">↘</td></tr> </table> | 6: 8,9 | ← | 7: 8,9 | ↖ | 8: 7,4 | ↓ | 9: 10,5* | ↓ | 10: 10,5* | ↘ |
| 1: 9,6   | ↖  |              |   |          |   |          |   |         |   |        |   |  |  |        |   |        |   |        |   |          |   |           |   |
| 2: 10,5*   | ↗  |              |   |          |   |          |   |         |   |        |   |  |  |        |   |        |   |        |   |          |   |           |   |
| 3: 10,3*   | ↘  |              |   |          |   |          |   |         |   |        |   |  |  |        |   |        |   |        |   |          |   |           |   |
| 4: 10,1  | ↖  |              |   |          |   |          |   |         |   |        |   |  |  |        |   |        |   |        |   |          |   |           |   |
| 5: 9,7   | ↘  |              |   |          |   |          |   |         |   |        |   |  |  |        |   |        |   |        |   |          |   |           |   |
| 6: 8,9   | ←  |              |   |          |   |          |   |         |   |        |   |  |  |        |   |        |   |        |   |          |   |           |   |
| 7: 8,9   | ↖  |              |   |          |   |          |   |         |   |        |   |  |  |        |   |        |   |        |   |          |   |           |   |
| 8: 7,4   | ↓  |              |   |          |   |          |   |         |   |        |   |  |  |        |   |        |   |        |   |          |   |           |   |
| 9: 10,5*   | ↓  |              |   |          |   |          |   |         |   |        |   |  |  |        |   |        |   |        |   |          |   |           |   |
| 10: 10,5*  | ↘  |              |   |          |   |          |   |         |   |        |   |  |  |        |   |        |   |        |   |          |   |           |   |
| Serie 48,0   |  | Serie 43,0   |   |          |   |          |   |         |   |        |   |  |  |        |   |        |   |        |   |          |   |           |   |
| Totalt 230,0   |  | Totalt 273,0 |   |          |   |          |   |         |   |        |   |  |  |        |   |        |   |        |   |          |   |           |   |

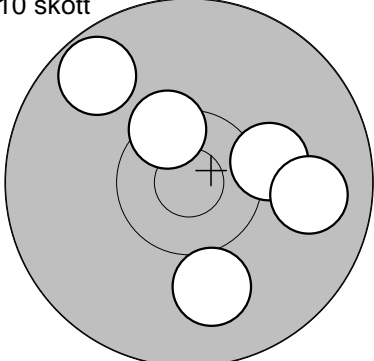
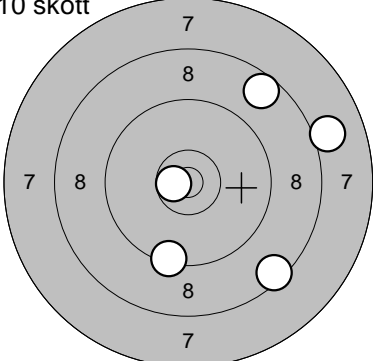
|   |   |              |   |   |   |        |   |
|---|---|--------------|---|---|---|--------|---|
| Skott 1   |   | Skott 2      |   |   |   |        |   |
|  | <table style="width:100%; border-collapse: collapse;"> <tr><td>1: 8,3</td><td style="text-align: right;">→</td></tr> </table> | 1: 8,3       | → |  | <table style="width:100%; border-collapse: collapse;"> <tr><td>1: 9,1</td><td style="text-align: right;">→</td></tr> </table> | 1: 9,1 | → |
| 1: 8,3  | →   |              |   |   |   |        |   |
| 1: 9,1  | →   |              |   |   |   |        |   |
| Serie 8,0   |   | Serie 9,0    |   |   |   |        |   |
| Totalt 281,0  |   | Totalt 290,0 |   |   |   |        |   |

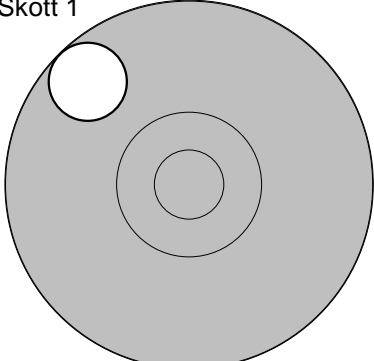
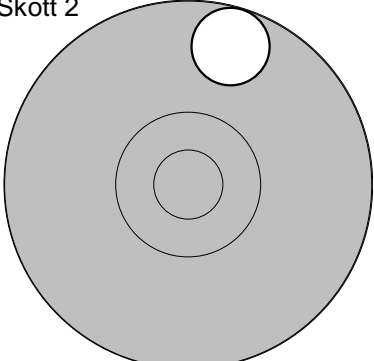
|  |   |              |   |  |   |        |   |
|--|---|--------------|---|--|---|--------|---|
| Skott 3  |   | Skott 4      |   |  |   |        |   |
|  | <table style="width:100%; border-collapse: collapse;"> <tr><td>1: 8,6</td><td style="text-align: right;">↑</td></tr> </table> | 1: 8,6       | ↑ |  | <table style="width:100%; border-collapse: collapse;"> <tr><td>1: 9,4</td><td style="text-align: right;">→</td></tr> </table> | 1: 9,4 | → |
| 1: 8,6   | ↑   |              |   |  |   |        |   |
| 1: 9,4   | →   |              |   |  |   |        |   |
| Serie 8,0  |   | Serie 9,0    |   |  |   |        |   |
| Totalt 298,0   |   | Totalt 307,0 |   |  |   |        |   |

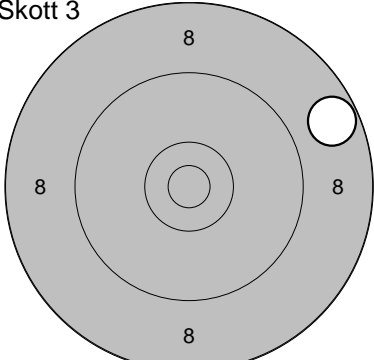
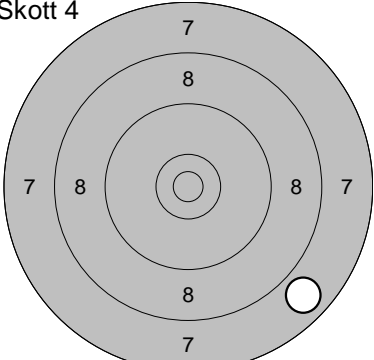
|  |   |        |   |  |  |
|--|---|--------|---|--|--|
| Skott 5  |   |        |   |  |  |
|  | <table style="width:100%; border-collapse: collapse;"> <tr><td>1: 9,5</td><td style="text-align: right;">↑</td></tr> </table> | 1: 9,5 | ↑ |  |  |
| 1: 9,5   | ↑   |        |   |  |  |
| Serie 9,0  |   |        |   |  |  |
| Totalt 316,0   |   |        |   |  |  |

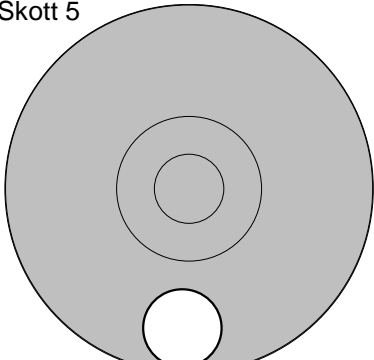


|  |   |  |              |
|--|---|--|--------------|
| Provskott  |   | Provskott  | 11: 9,6 ↗    |
|  | 1: 9,3 ↗<br>2: 9,7 ↗<br>3: 9,9 ↖<br>4: 9,8 ↙<br>5: 10,2 →<br>6: 10,8* ↗<br>7: 9,8 ↙<br>8: 9,0 ↖<br>9: 9,4 ↙<br>10: 10,2 ↙ |  |              |
|  | Serie 93,0  |  | Serie 9,0    |
|  | Totalt 182,0  |  | Totalt 182,0 |

|  |  |  |   |
|--|--|--|---|
| 10 skott   |  | 10 skott   |   |
|  | 1: 10,2 →<br>2: 10,4* ↗<br>3: 9,9 →<br>4: 9,7 ↗<br>5: 10,0 ↙ |  | 6: 10,7* ←<br>7: 8,6 ↗<br>8: 9,4 ↓<br>9: 8,5 ↘<br>10: 8,0 → |
|  | Serie 48,0   |  | Serie 43,0  |
|  | Totalt 230,0   |  | Totalt 273,0  |

|   |              |   |              |
|---|--------------|---|--------------|
| Skott 1   |              | Skott 2   | 1: 9,7 ↗     |
|  | 1: 9,7 ↗     |  | 1: 9,7 ↗     |
|   | Serie 9,0    |   | Serie 9,0    |
|   | Totalt 282,0 |   | Totalt 291,0 |

|  |              |  |              |
|--|--------------|--|--------------|
| Skott 3  |              | Skott 4  | 1: 7,8 ↘     |
|  | 1: 8,7 ↗     |  | 1: 7,8 ↘     |
|  | Serie 8,0    |  | Serie 7,0    |
|  | Totalt 299,0 |  | Totalt 306,0 |

|  |              |  |  |
|--|--------------|--|--|
| Skott 5  |              |  |  |
|  | 1: 9,7 ↓     |  |  |
|  | Serie 9,0    |  |  |
|  | Totalt 315,0 |  |  |

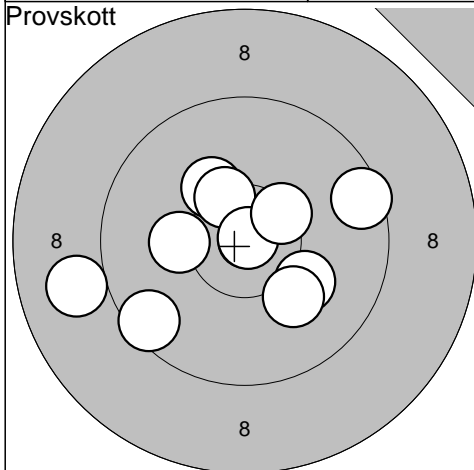
Ununge

2012-07-10

Tavelträffen 2012 Final

Ramselefors SKF

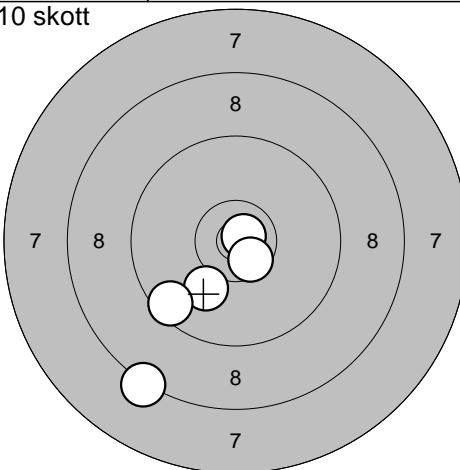
Provskott



- 1: 9,0 ←
- 2: 10,2 ↗
- 3: 9,5 ↙
- 4: 10,4\* ↗
- 5: 10,2 ←
- 6: 10,9\* ↗
- 7: 10,1 ↘
- 8: 10,4\* ↗
- 9: 10,1 ↘
- 10: 9,5 →

|        |       |
|--------|-------|
| Serie  | 97,0  |
| Totalt | 181,0 |

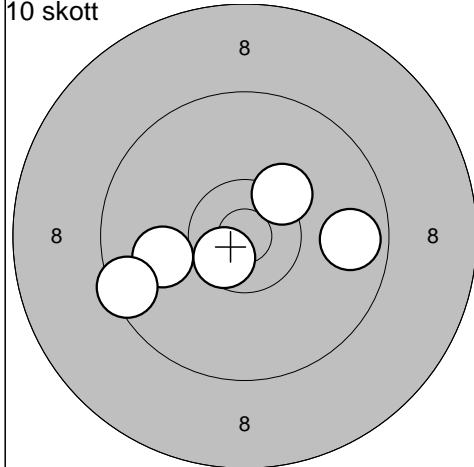
10 skott



- 1: 8,3 ↙
- 2: 10,8\* ↗
- 3: 10,1 ↙
- 4: 10,6\* ↘
- 5: 9,5 ↙

|        |       |
|--------|-------|
| Serie  | 47,0  |
| Totalt | 228,0 |

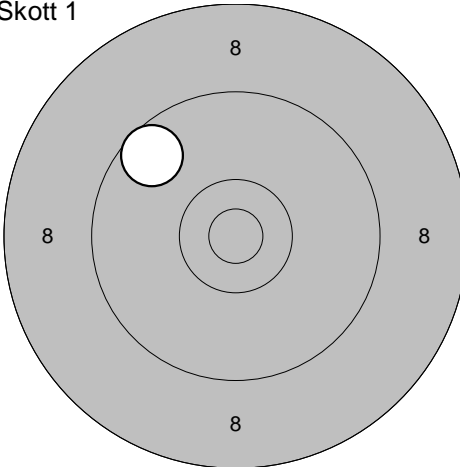
10 skott



- 6: 10,0 ←
- 7: 10,3\* ↗
- 8: 10,6\* ↙
- 9: 9,5 ←
- 10: 9,7 →

|        |       |
|--------|-------|
| Serie  | 48,0  |
| Totalt | 276,0 |

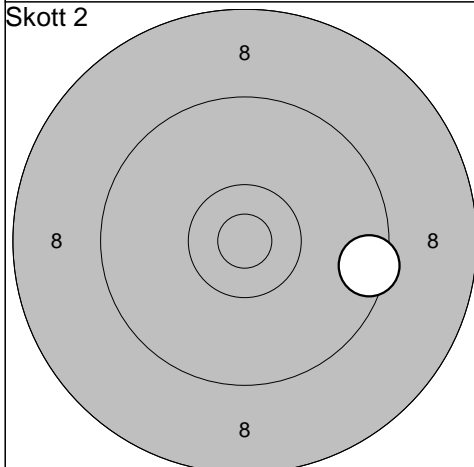
Skott 1



- 1: 9,6 ↖

|        |       |
|--------|-------|
| Serie  | 9,0   |
| Totalt | 285,0 |

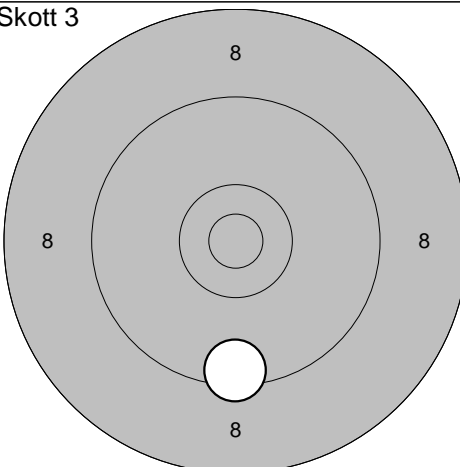
Skott 2



- 1: 9,5 →

|        |       |
|--------|-------|
| Serie  | 9,0   |
| Totalt | 294,0 |

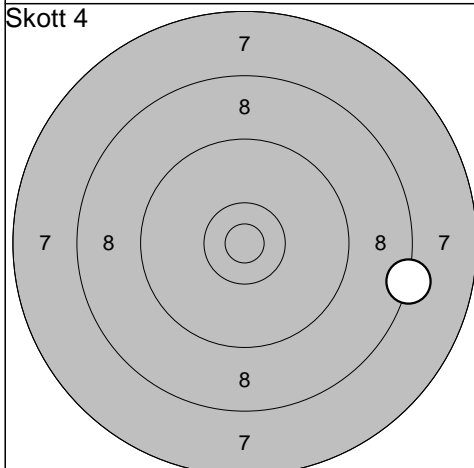
Skott 3



- 1: 9,5 ↓

|        |       |
|--------|-------|
| Serie  | 9,0   |
| Totalt | 303,0 |

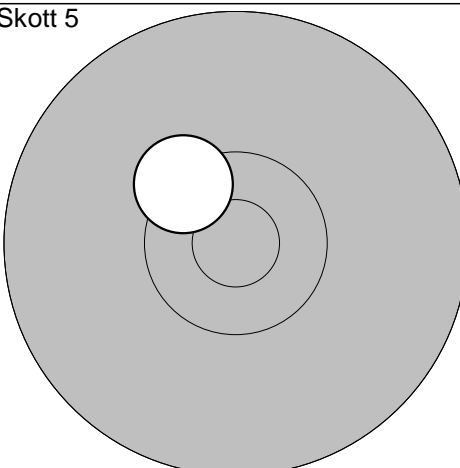
Skott 4



- 1: 8,3 →

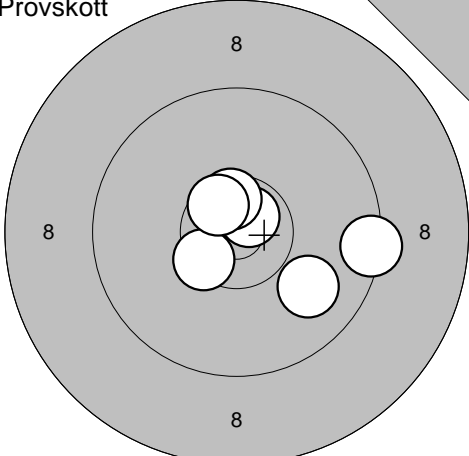
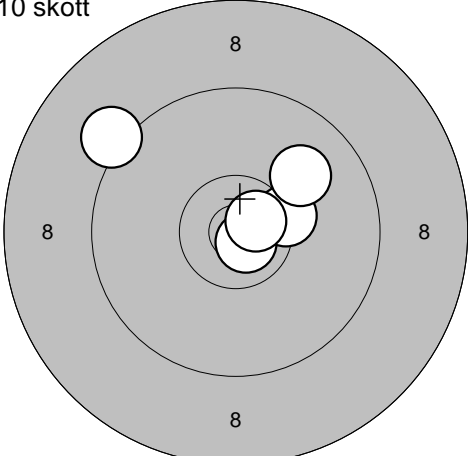
|        |       |
|--------|-------|
| Serie  | 8,0   |
| Totalt | 311,0 |

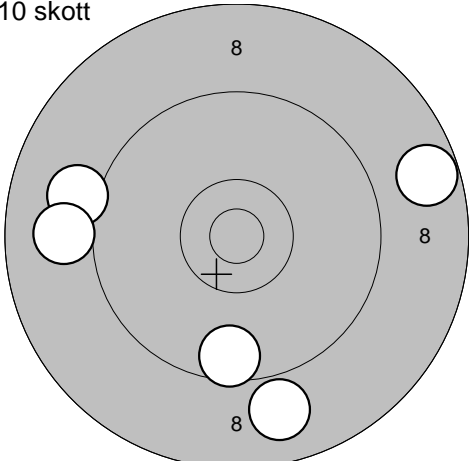
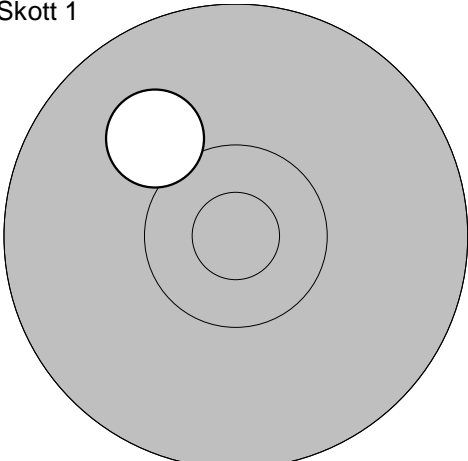
Skott 5

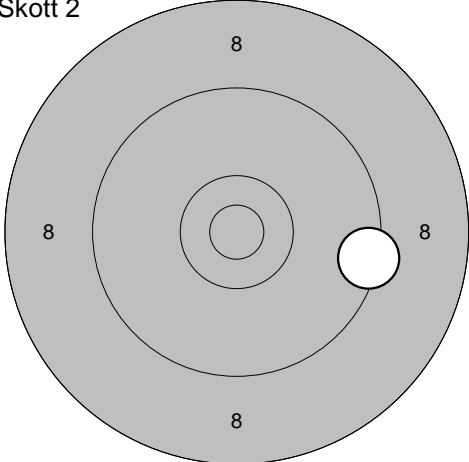
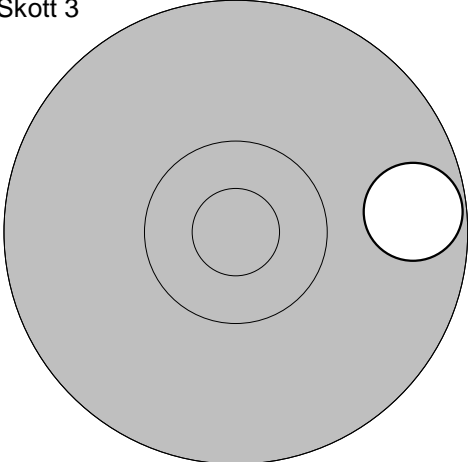


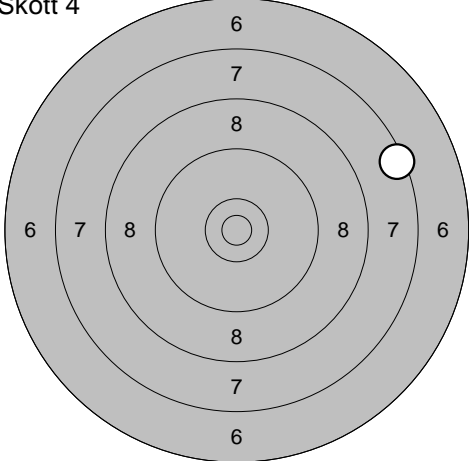
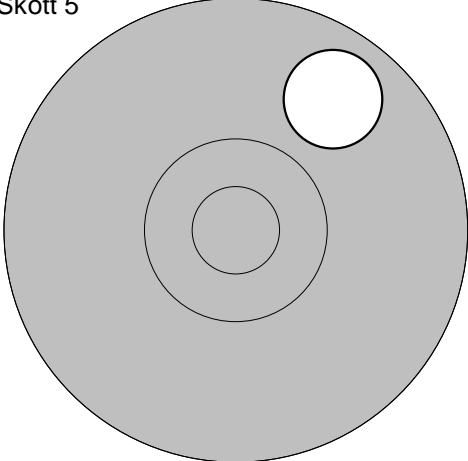
- 1: 10,4\* ↖

|        |       |
|--------|-------|
| Serie  | 10,0  |
| Totalt | 321,0 |

|   |  |  |  |
|---|--|--|--|
| <p>Provskott</p>  | <p>1: 10,7* ↗<br/>2: 9,4 →<br/>3: 10,5* ↙<br/>4: 10,6* ↑<br/>5: 9,9 ↘<br/>6: 10,6* ↗</p> | <p>10 skott</p>  | <p>1: 10,8* ↘<br/>2: 9,2 ↖<br/>3: 10,3* →<br/>4: 10,7* ↗<br/>5: 10,0 ↗</p> |
| Serie 58,0<br>Totalt 176,0  |  | Serie 49,0<br>Totalt 225,0   |  |

|   |  |  |                  |
|---|--|--|------------------|
| <p>10 skott</p>  | <p>6: 8,9 ↓<br/>7: 9,1 ←<br/>8: 9,0 ←<br/>9: 8,7 →<br/>10: 9,6 ↓</p> | <p>Skott 1</p>  | <p>1: 10,1 ↖</p> |
| Serie 43,0<br>Totalt 268,0  |  | Serie 10,0<br>Totalt 278,0   |                  |

|   |                 |   |                 |
|---|-----------------|---|-----------------|
| <p>Skott 2</p>  | <p>1: 9,4 →</p> | <p>Skott 3</p>  | <p>1: 9,7 →</p> |
| Serie 9,0<br>Totalt 287,0   |                 | Serie 9,0<br>Totalt 296,0   |                 |

|   |                 |   |                 |
|---|-----------------|---|-----------------|
| <p>Skott 4</p>  | <p>1: 7,5 ↗</p> | <p>Skott 5</p>  | <p>1: 9,8 ↗</p> |
| Serie 7,0<br>Totalt 303,0   |                 | Serie 9,0<br>Totalt 312,0   |                 |

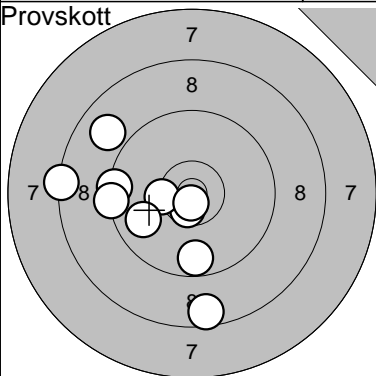
Ununge

2012-07-10

Tavelträffen 2012 Final

Ramselefors SKF

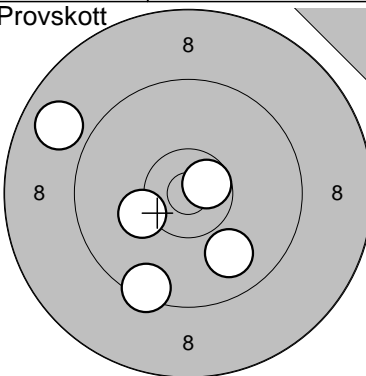
Provskott



|     |       |   |
|-----|-------|---|
| 1:  | 8,6   | ↓ |
| 2:  | 9,7   | ↓ |
| 3:  | 8,4   | ← |
| 4:  | 9,4   | ← |
| 5:  | 10,6* | ↓ |
| 6:  | 10,4* | ← |
| 7:  | 10,8* | ↓ |
| 8:  | 8,9   | ↗ |
| 9:  | 9,4   | ← |
| 10: | 9,9   | ↘ |

|        |       |
|--------|-------|
| Serie  | 90,0  |
| Totalt | 175,0 |

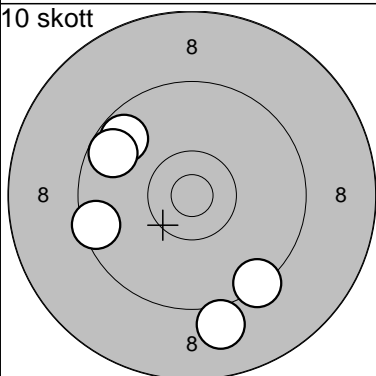
Provskott



|     |       |   |
|-----|-------|---|
| 11: | 9,5   | ↓ |
| 12: | 10,2  | ← |
| 13: | 8,9   | ↗ |
| 14: | 9,9   | ↓ |
| 15: | 10,6* | ↘ |

|        |       |
|--------|-------|
| Serie  | 46,0  |
| Totalt | 175,0 |

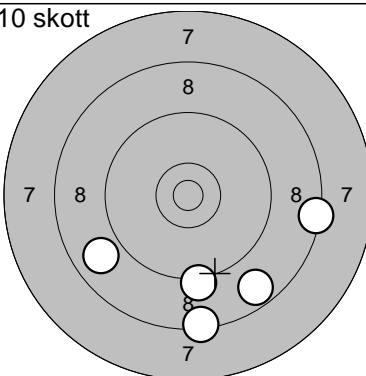
10 skott



|    |     |   |
|----|-----|---|
| 1: | 9,7 | ↗ |
| 2: | 9,7 | ↗ |
| 3: | 9,5 | ← |
| 4: | 9,0 | ↓ |
| 5: | 9,4 | ↓ |

|        |       |
|--------|-------|
| Serie  | 45,0  |
| Totalt | 220,0 |

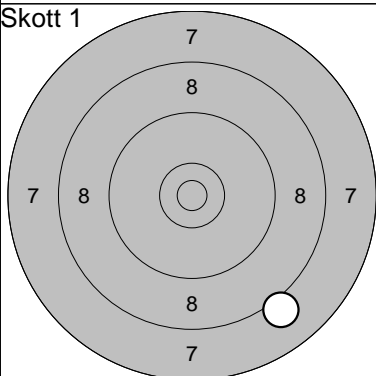
10 skott



|     |     |   |
|-----|-----|---|
| 6:  | 9,2 | ↓ |
| 7:  | 8,9 | ← |
| 8:  | 8,4 | ↓ |
| 9:  | 8,7 | ↓ |
| 10: | 8,4 | → |

|        |       |
|--------|-------|
| Serie  | 41,0  |
| Totalt | 261,0 |

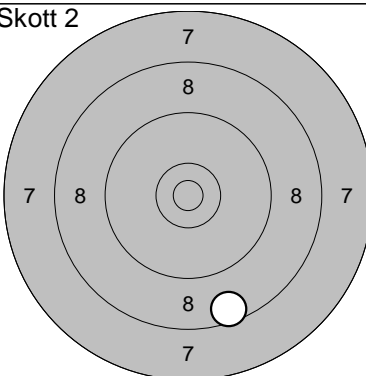
Skott 1



|    |     |   |
|----|-----|---|
| 1: | 8,1 | ↓ |
|----|-----|---|

|        |       |
|--------|-------|
| Serie  | 8,0   |
| Totalt | 269,0 |

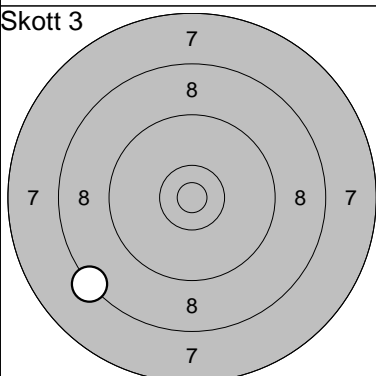
Skott 2



|    |     |   |
|----|-----|---|
| 1: | 8,6 | ↓ |
|----|-----|---|

|        |       |
|--------|-------|
| Serie  | 8,0   |
| Totalt | 277,0 |

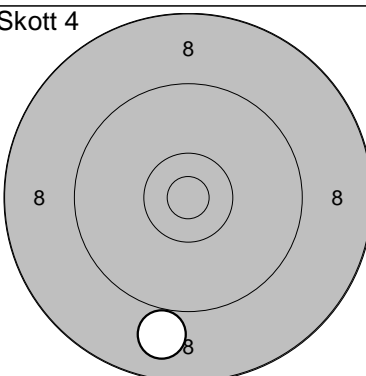
Skott 3



|    |     |   |
|----|-----|---|
| 1: | 8,3 | ↙ |
|----|-----|---|

|        |       |
|--------|-------|
| Serie  | 8,0   |
| Totalt | 285,0 |

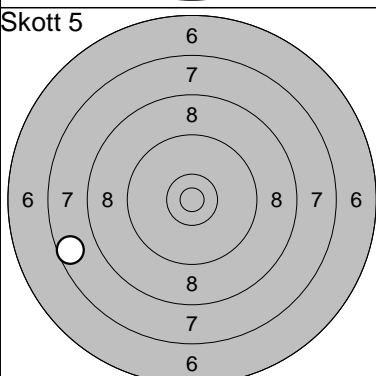
Skott 4



|    |     |   |
|----|-----|---|
| 1: | 8,9 | ↓ |
|----|-----|---|

|        |       |
|--------|-------|
| Serie  | 8,0   |
| Totalt | 293,0 |

Skott 5

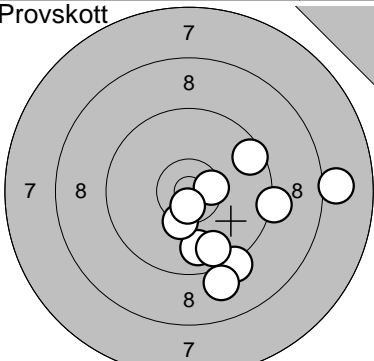
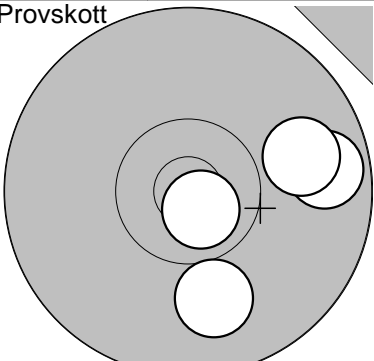


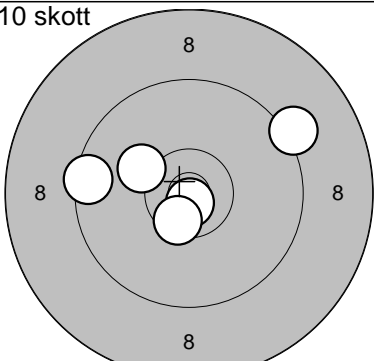
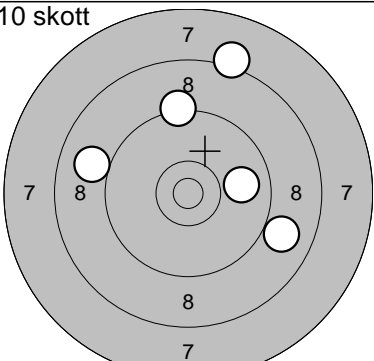
|    |     |   |
|----|-----|---|
| 1: | 7,6 | ← |
|----|-----|---|

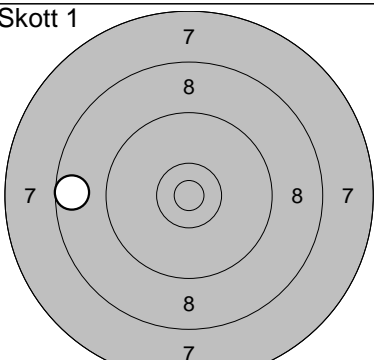
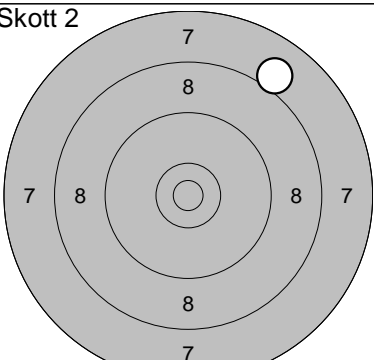
|        |       |
|--------|-------|
| Serie  | 7,0   |
| Totalt | 300,0 |

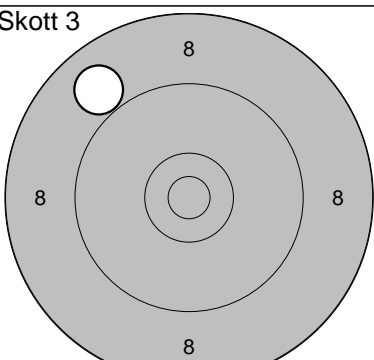
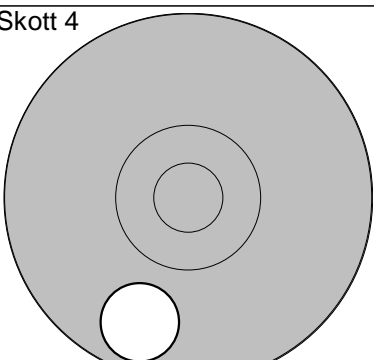
Kvistbro

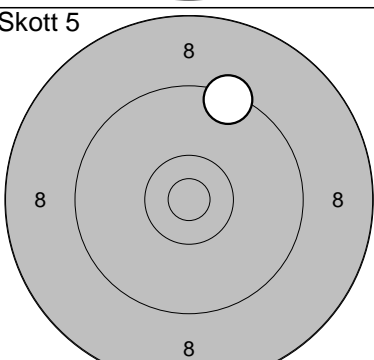
|            |                         |                 |
|------------|-------------------------|-----------------|
| 2012-07-10 | Tavelträffen 2012 Final | Ramselefors SKF |
|------------|-------------------------|-----------------|

|   |   |   |   |
|---|---|---|---|
| Provsnitt<br> | 1: 9,2 ↓<br>2: 9,8 ↓<br>3: 10,5* →<br>4: 9,6 →<br>5: 10,3* ↓<br>6: 9,7 ↓<br>7: 9,2 →<br>8: 9,0 ↓<br>9: 10,6* ↓<br>10: 8,0 →<br><hr/> Serie 92,0<br>Totalt 175,0 | Provsnitt<br> | 11: 10,0 ↓<br>12: 9,7 →<br>13: 9,9 →<br>14: 10,7* ↓<br><hr/> Serie 38,0<br>Totalt 175,0 |
|---|---|---|---|

|  |   |  |   |
|--|---|--|---|
| 10 skott<br> | 1: 10,8* ↓<br>2: 10,2 ↖<br>3: 10,5* ↓<br>4: 9,2 →<br>5: 9,5 ←<br><hr/> Serie 48,0<br>Totalt 223,0 | 10 skott<br> | 6: 8,2 ↑<br>7: 9,0 ←<br>8: 9,9 →<br>9: 8,9 →<br>10: 9,3 ↑<br><hr/> Serie 43,0<br>Totalt 266,0 |
|--|---|--|---|

|  |   |  |   |
|--|---|--|---|
| Skott 1<br> | 1: 8,6 ←<br><hr/> Serie 8,0<br>Totalt 274,0 | Skott 2<br> | 1: 8,0 ↗<br><hr/> Serie 8,0<br>Totalt 282,0 |
|--|---|--|---|

|   |   |   |   |
|---|---|---|---|
| Skott 3<br> | 1: 8,9 ↖<br><hr/> Serie 8,0<br>Totalt 290,0 | Skott 4<br> | 1: 9,8 ↓<br><hr/> Serie 9,0<br>Totalt 299,0 |
|---|---|---|---|

|   |   |  |
|---|---|--|
| Skott 5<br> | 1: 9,4 ↑<br><hr/> Serie 9,0<br>Totalt 308,0 |  |
|---|---|--|

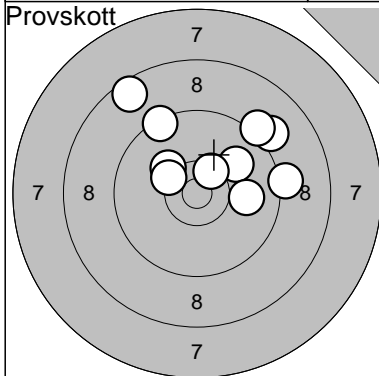
Ununge

2012-07-10

Tavelträffen 2012 Final

Ramselefors SKF

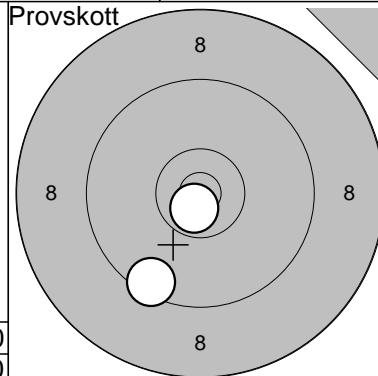
Provskott



1: 9,1 ↗  
 2: 9,2 →  
 3: 10,0 ↗  
 4: 8,6 ↗  
 5: 9,2 ↗  
 6: 10,2 ↗  
 7: 9,4 ↗  
 8: 10,4\* ↗  
 9: 10,0 →  
 10: 10,3\* ↗

Serie 94,0  
 Totalt 174,0

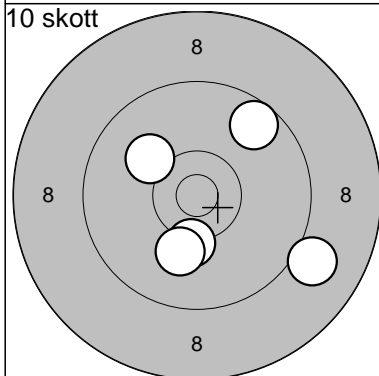
Provskott



11: 9,5 ↘  
 12: 10,7\* ↘

Serie 19,0  
 Totalt 174,0

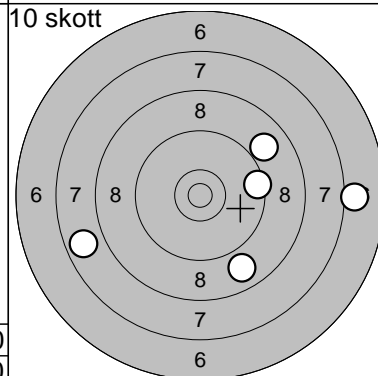
10 skott



1: 10,1 ↗  
 2: 9,0 ↘  
 3: 10,3 ↘  
 4: 9,7 ↗  
 5: 10,1 ↘

Serie 48,0  
 Totalt 222,0

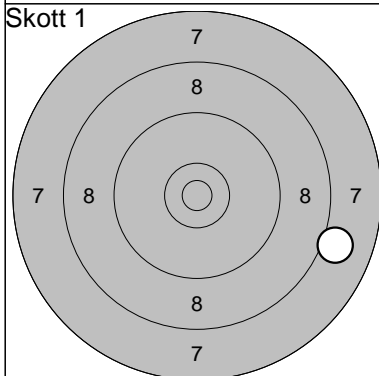
10 skott



6: 8,9 ↗  
 7: 8,8 ↘  
 8: 7,8 ←  
 9: 9,5 →  
 10: 7,1 →

Serie 39,0  
 Totalt 261,0

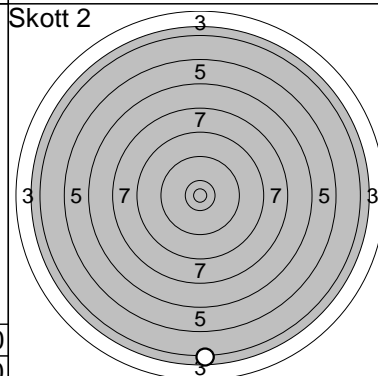
Skott 1



1: 8,0 →

Serie 8,0  
 Totalt 269,0

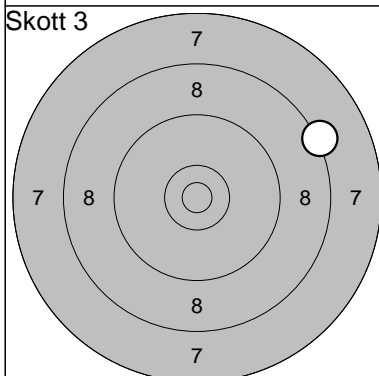
Skott 2



1: 4,2 ↘

Serie 4,0  
 Totalt 273,0

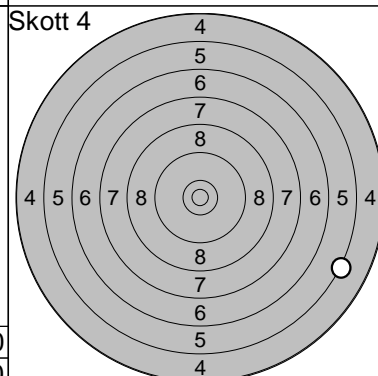
Skott 3



1: 8,2 ↗

Serie 8,0  
 Totalt 281,0

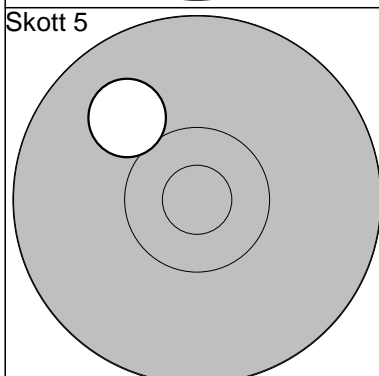
Skott 4



1: 5,3 →

Serie 5,0  
 Totalt 286,0

Skott 5



1: 10,0 ↗

Serie 10,0  
 Totalt 296,0

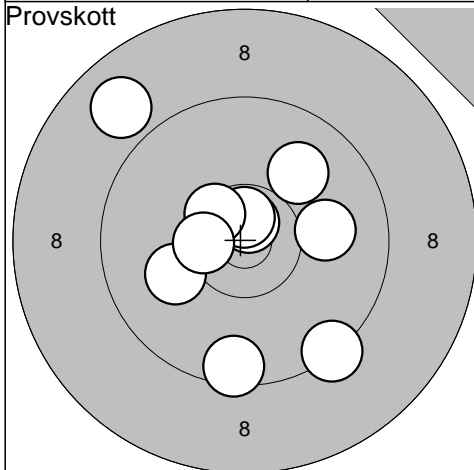
Ale

2012-07-10

Tavelträffen 2012 Final

Ramselefors SKF

Provskott

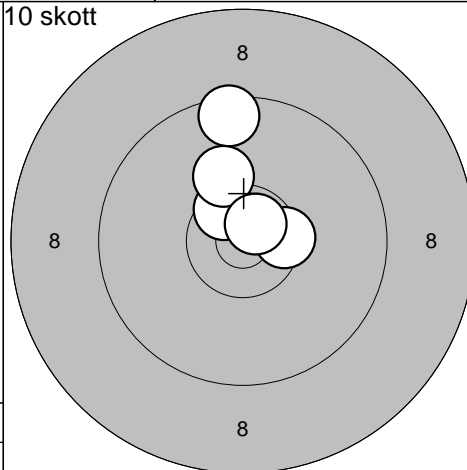


1: 10,7\* ↑  
 2: 9,5 ↓  
 3: 9,3 ↓  
 4: 10,1 ←  
 5: 10,7\* ↑  
 6: 8,9 ↗  
 7: 10,0 ↗  
 8: 10,0 →  
 9: 10,5\* ↗  
 10: 10,5\* ←

Serie 96,0

Totalt 187,0

10 skott

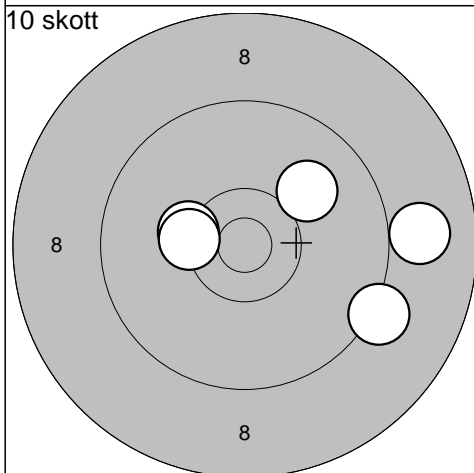


1: 10,5\* ↖  
 2: 9,5 ↑  
 3: 10,5\* →  
 4: 10,2 ↑  
 5: 10,7\* ↗

Serie 49,0

Totalt 236,0

10 skott

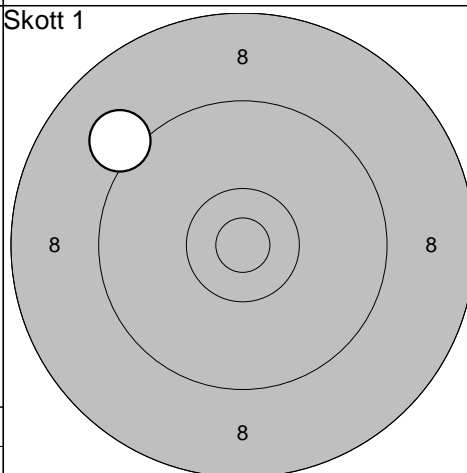


6: 8,9 →  
 7: 9,2 ↘  
 8: 10,3\* ←  
 9: 10,3\* ←  
 10: 10,0 ↗

Serie 47,0

Totalt 283,0

Skott 1

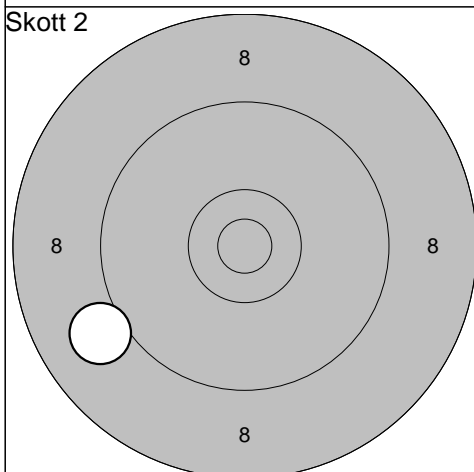


1: 9,1 ↖

Serie 9,0

Totalt 292,0

Skott 2

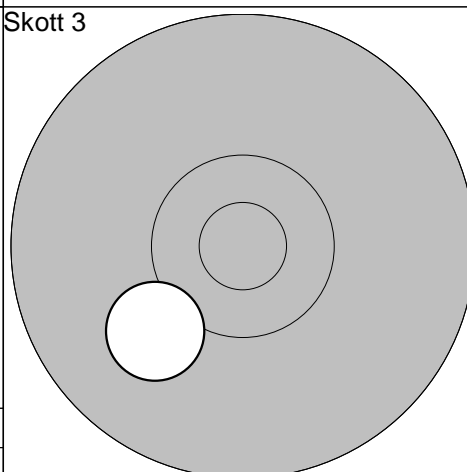


1: 9,0 ←

Serie 9,0

Totalt 301,0

Skott 3

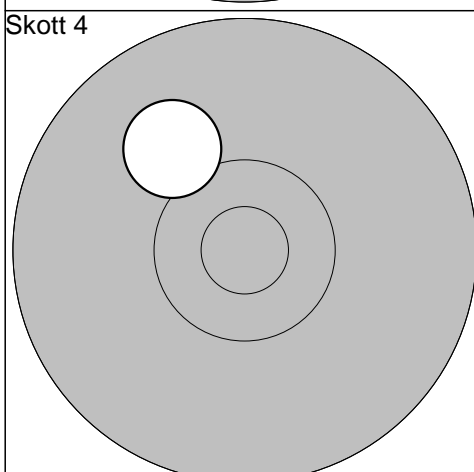


1: 10,1 ↖

Serie 10,0

Totalt 311,0

Skott 4

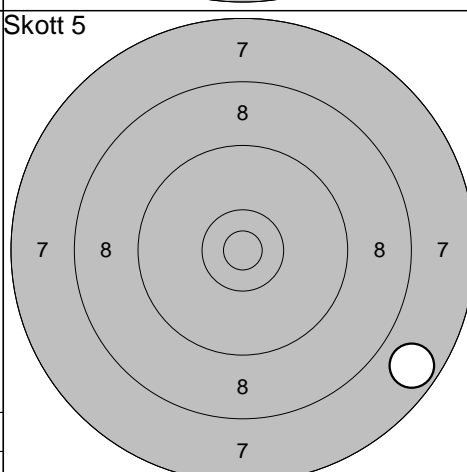


1: 10,1 ↖

Serie 10,0

Totalt 321,0

Skott 5



1: 7,7 ↘

Serie 7,0

Totalt 328,0

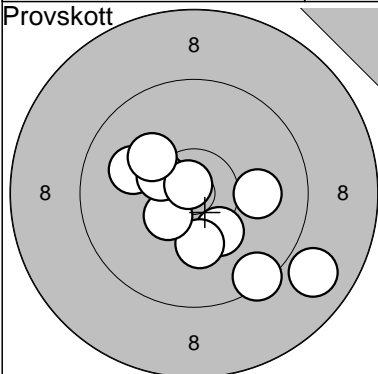
I 19 / A 9

2012-07-10

Tavelträffen 2012 Final

Ramselefors SKF

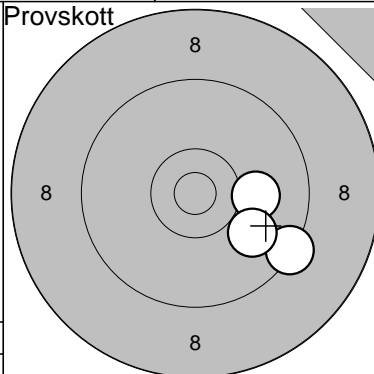
Provsnitt



- 1: 8,9 ↘
- 2: 9,4 ↘
- 3: 10,3 ↘
- 4: 10,0 →
- 5: 10,2 ↙
- 6: 10,0 ↙
- 7: 10,5\* ↙
- 8: 10,4\* ↙
- 9: 10,8\* ↗
- 10: 10,2 ↗

Serie 97,0  
Totalt 184,0

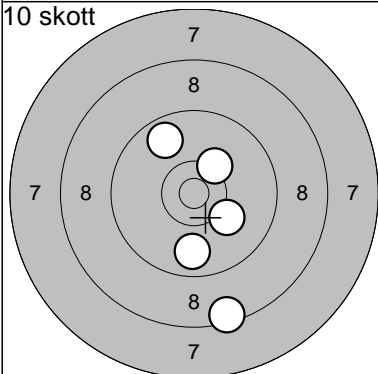
Provsnitt



- 11: 10,1 →
- 12: 9,4 ↘
- 13: 10,0 ↘

Serie 29,0  
Totalt 184,0

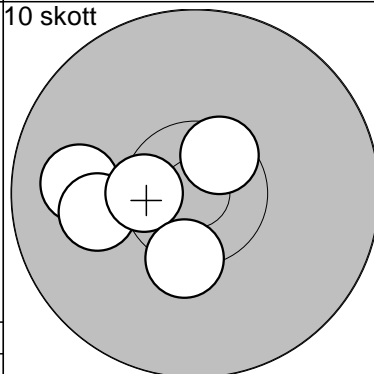
10 skott



- 1: 8,5 ↘
- 2: 9,8 ↘
- 3: 10,1 ↘
- 4: 9,8 ↗
- 5: 10,3 ↗

Serie 46,0  
Totalt 230,0

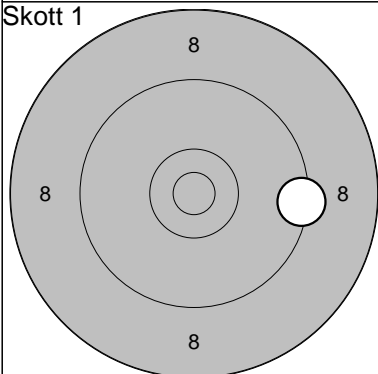
10 skott



- 6: 9,9 ←
- 7: 10,5\* ↗
- 8: 10,1 ←
- 9: 10,5\* ←
- 10: 10,4\* ↓

Serie 49,0  
Totalt 279,0

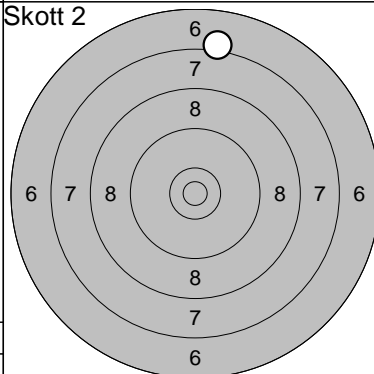
Skott 1



- 1: 9,4 →

Serie 9,0  
Totalt 288,0

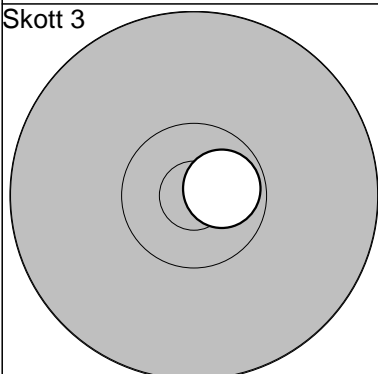
Skott 2



- 1: 7,2 ↑

Serie 7,0  
Totalt 295,0

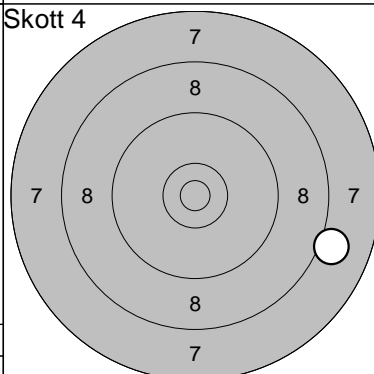
Skott 3



- 1: 10,7\* →

Serie 10,0  
Totalt 305,0

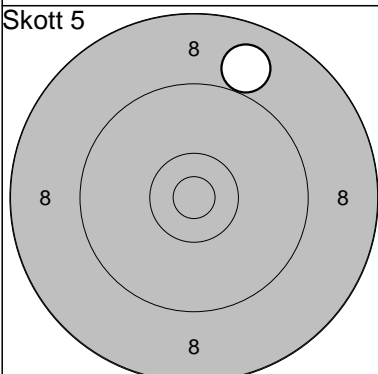
Skott 4



- 1: 8,1 →

Serie 8,0  
Totalt 313,0

Skott 5



- 1: 9,0 ↑

Serie 9,0  
Totalt 322,0



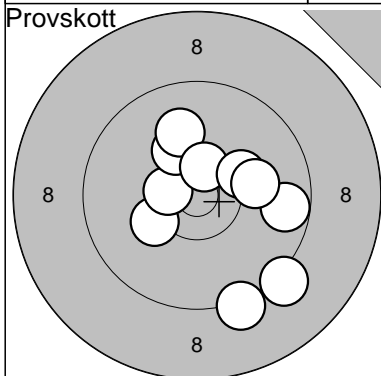
Ununge

2012-07-10

Tavelträffen 2012 Final

Ramselefors SKF

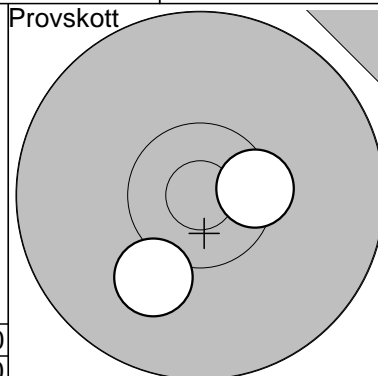
Provskott



1: 10,2 ↙  
 2: 10,5\* ↖  
 3: 10,2 ↗  
 4: 10,0 ↗  
 5: 10,5\* ↗  
 6: 9,2 ↘  
 7: 9,7 →  
 8: 10,2 ↗  
 9: 9,2 ↘  
 10: 10,1 →

Serie 97,0  
 Totalt 181,0

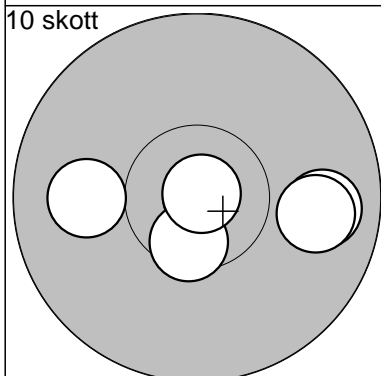
Provskott



11: 10,5\* →  
 12: 10,1 ↘

Serie 20,0  
 Totalt 181,0

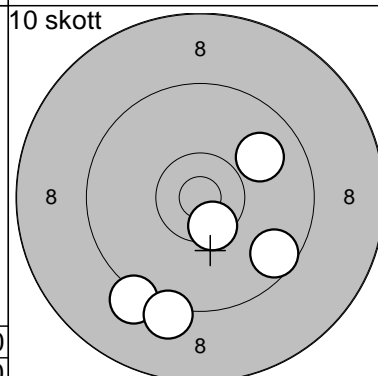
10 skott



1: 9,8 →  
 2: 10,5\* ↓  
 3: 10,9\* ↗  
 4: 9,9 →  
 5: 10,0 ←

Serie 48,0  
 Totalt 229,0

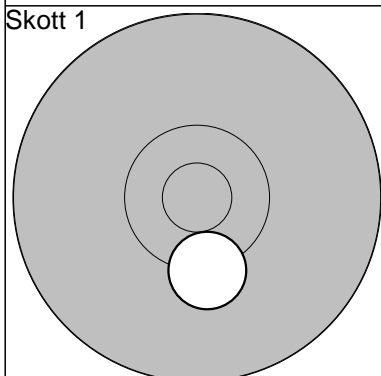
10 skott



6: 10,5\* ↓  
 7: 9,9 ↗  
 8: 9,2 ↘  
 9: 9,2 ↓  
 10: 9,6 ↘

Serie 46,0  
 Totalt 275,0

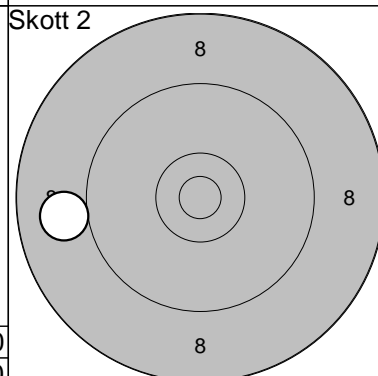
Skott 1



1: 10,3 ↓

Serie 10,0  
 Totalt 285,0

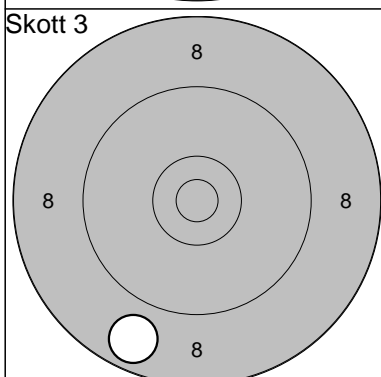
Skott 2



1: 9,0 ←

Serie 9,0  
 Totalt 294,0

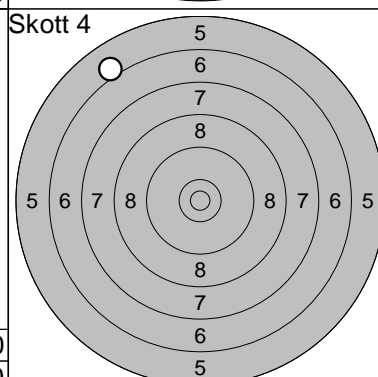
Skott 3



1: 8,8 ↘

Serie 8,0  
 Totalt 302,0

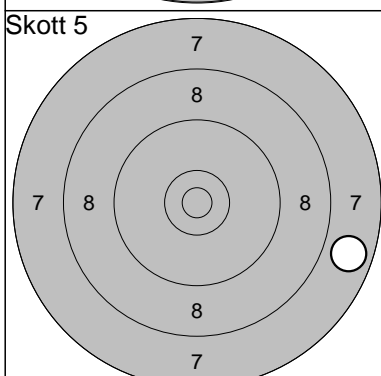
Skott 4



1: 6,1 ↖

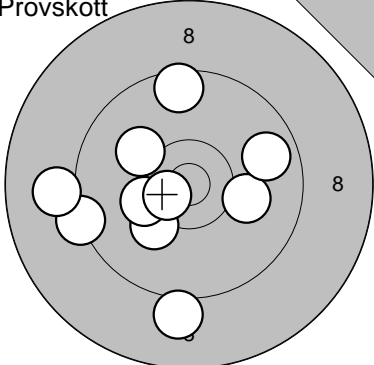
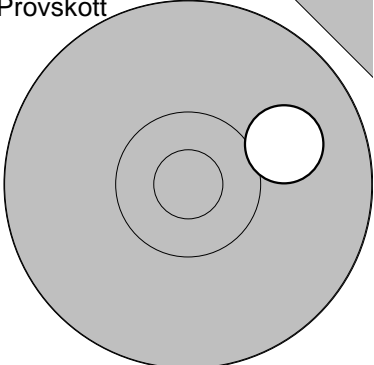
Serie 6,0  
 Totalt 308,0

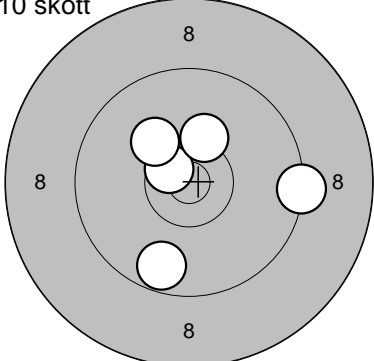
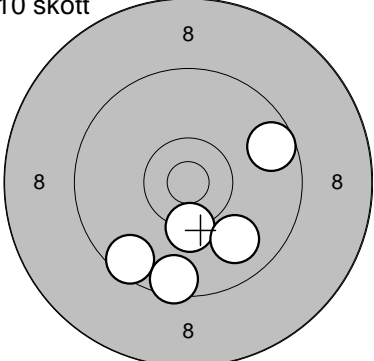
Skott 5

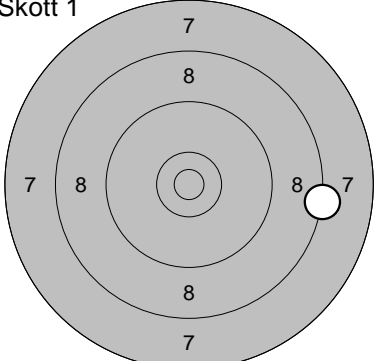
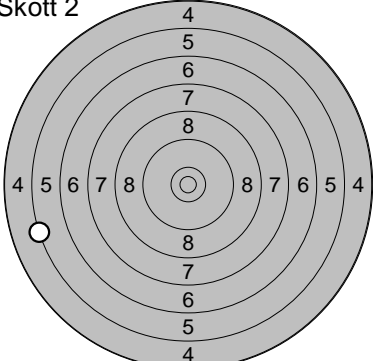


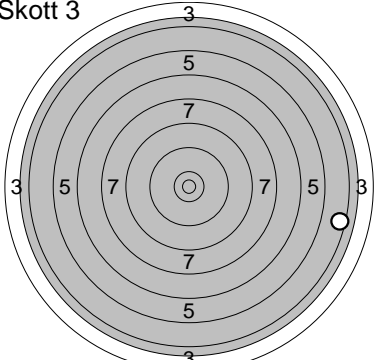
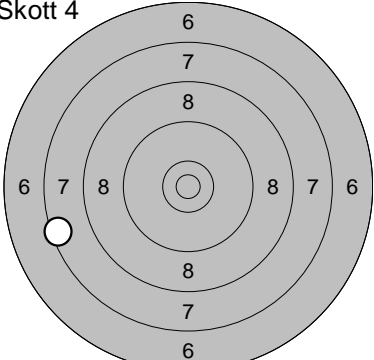
1: 7,8 →

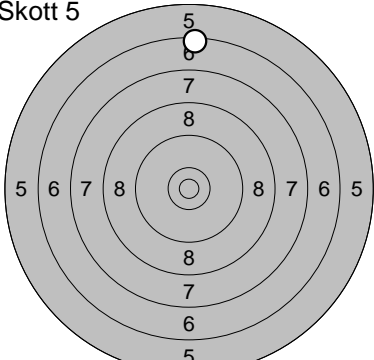
Serie 7,0  
 Totalt 315,0

|   |   |   |            |
|---|---|---|------------|
| Provsnitt<br> | 1: 9,1 ↓<br>2: 9,3 ←<br>3: 9,0 ←<br>4: 10,2 ↓<br>5: 10,3 ←<br>6: 9,6 ↑<br>7: 10,6* ←<br>8: 10,1 →<br>9: 10,1 →<br>10: 9,8 → | Provsnitt<br> | 11: 10,0 → |
| Serie 95,0<br>Totalt 179,0  |   | Serie 10,0<br>Totalt 179,0  |            |

|  |  |  |   |
|--|--|--|---|
| 10 skott<br> | 1: 10,6* →<br>2: 9,7 ↓<br>3: 10,2 →<br>4: 10,3 →<br>5: 9,3 → | 10 skott<br> | 6: 9,6 →<br>7: 9,6 ↓<br>8: 10,3* ↓<br>9: 9,5 ↓<br>10: 9,9 ↓ |
| Serie 48,0<br>Totalt 227,0   |  | Serie 46,0<br>Totalt 273,0   |   |

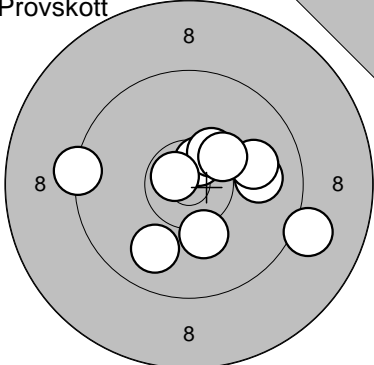
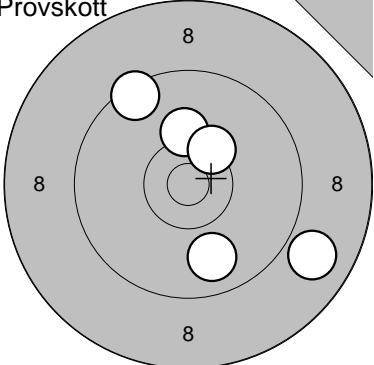
|  |          |  |          |
|--|----------|--|----------|
| Skott 1<br> | 1: 8,3 → | Skott 2<br> | 1: 5,3 ← |
| Serie 8,0<br>Totalt 281,0  |          | Serie 5,0<br>Totalt 286,0  |          |

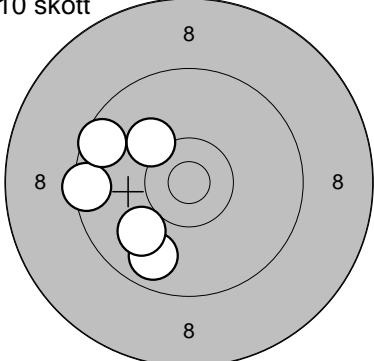
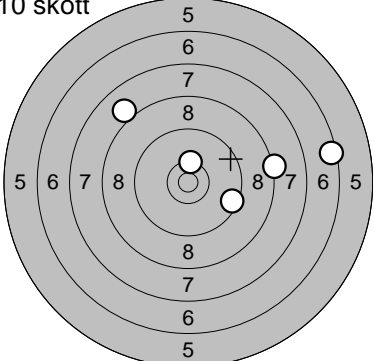
|   |          |   |          |
|---|----------|---|----------|
| Skott 3<br> | 1: 4,5 → | Skott 4<br> | 1: 7,5 ← |
| Serie 4,0<br>Totalt 290,0   |          | Serie 7,0<br>Totalt 297,0   |          |

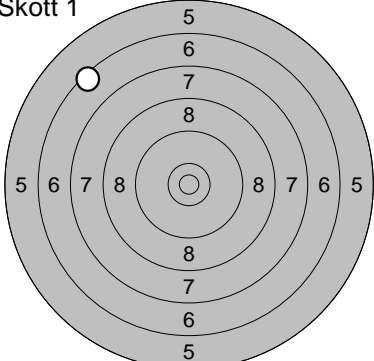
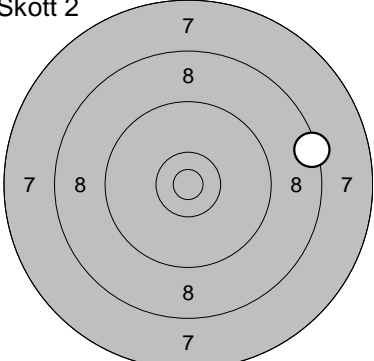
|   |          |  |  |
|---|----------|--|--|
| Skott 5<br> | 1: 6,4 ↑ |  |  |
| Serie 6,0<br>Totalt 303,0   |          |  |  |

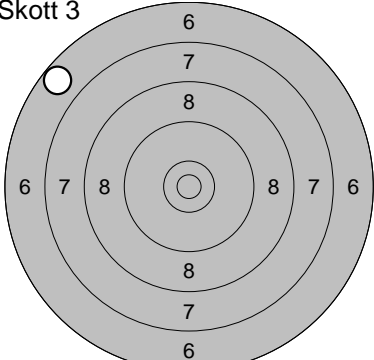
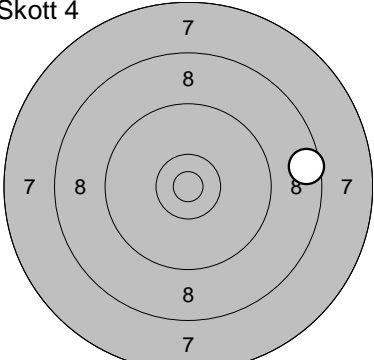
Frötuna

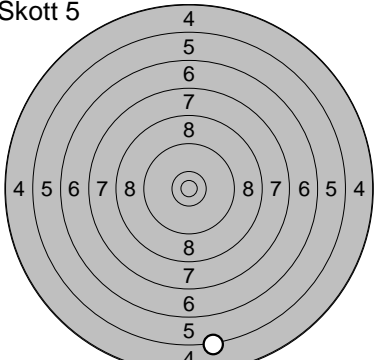
|            |                         |                 |
|------------|-------------------------|-----------------|
| 2012-07-10 | Tavelträffen 2012 Final | Ramselefors SKF |
|------------|-------------------------|-----------------|

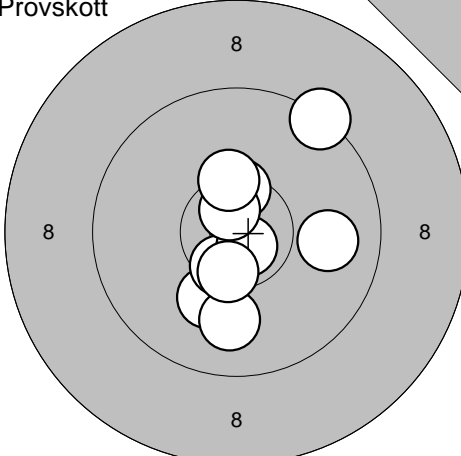
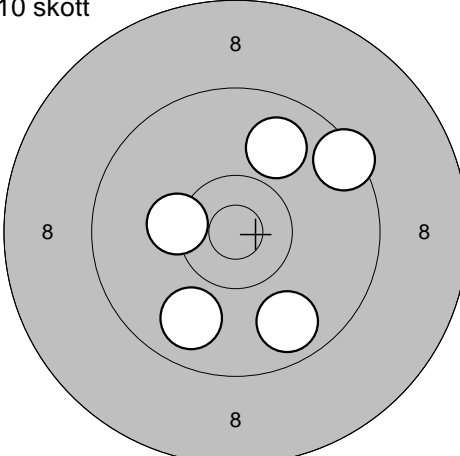
|  |   |  |  |
|--|---|--|--|
| <b>Provskott</b><br> | 1: 9,1 →<br>2: 9,9 →<br>3: 9,9 ↙<br>4: 10,6* ↗<br>5: 10,4* ↗<br>6: 10,2 ↙<br>7: 10,7* ↗<br>8: 9,3 ↖<br>9: 10,0 →<br>10: 10,3* ↗ | <b>Provskott</b><br> | 11: 9,5 ↖<br>12: 10,2 ↑<br>13: 9,8 ↓<br>14: 8,9 ↘<br>15: 10,3* ↗ |
| Serie 96,0   |   | Serie 46,0   |  |
| Totalt 175,0   |   | Totalt 175,0   |  |

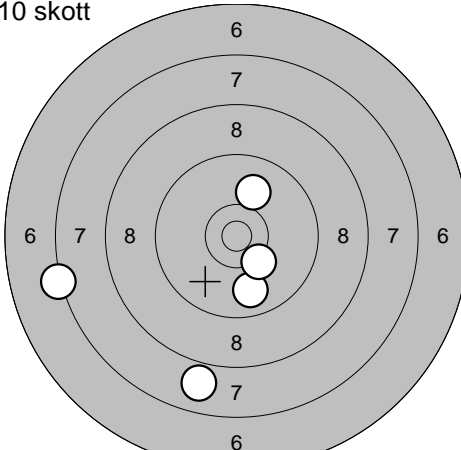
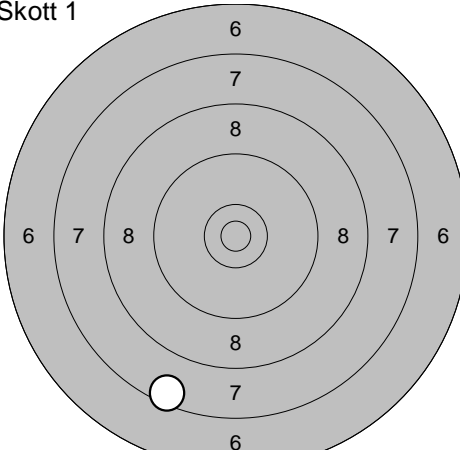
|   |  |   |   |
|---|--|---|---|
| <b>10 skott</b><br> | 1: 10,2 ↗<br>2: 9,8 ↙<br>3: 9,5 ↖<br>4: 10,0 ↙<br>5: 9,6 ↗ | <b>10 skott</b><br> | 6: 6,5 →<br>7: 8,0 ↖<br>8: 8,2 →<br>9: 10,3* ↑<br>10: 9,5 ↘ |
| Serie 47,0  |  | Serie 41,0  |   |
| Totalt 222,0  |  | Totalt 263,0  |   |

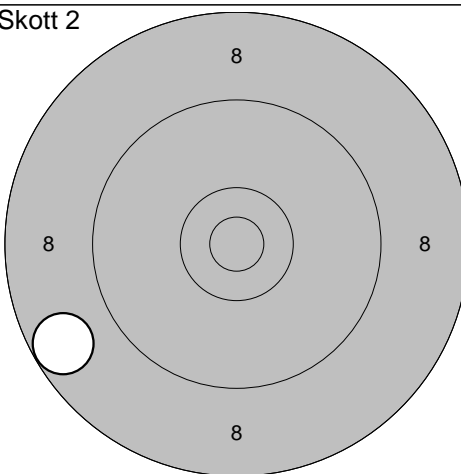
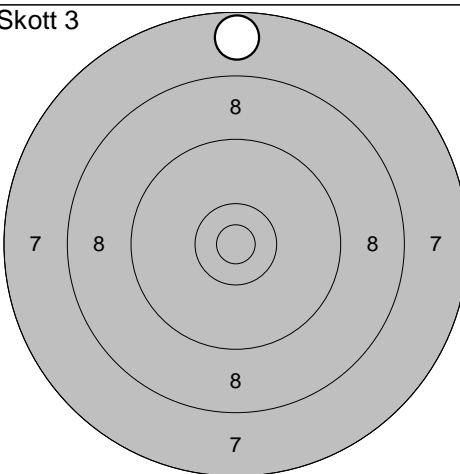
|   |          |   |          |
|---|----------|---|----------|
| <b>Skott 1</b><br> | 1: 6,5 ↖ | <b>Skott 2</b><br> | 1: 8,4 → |
| Serie 6,0   |          | Serie 8,0   |          |
| Totalt 269,0  |          | Totalt 277,0  |          |

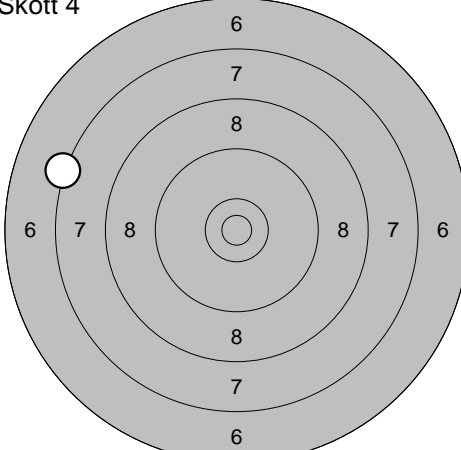
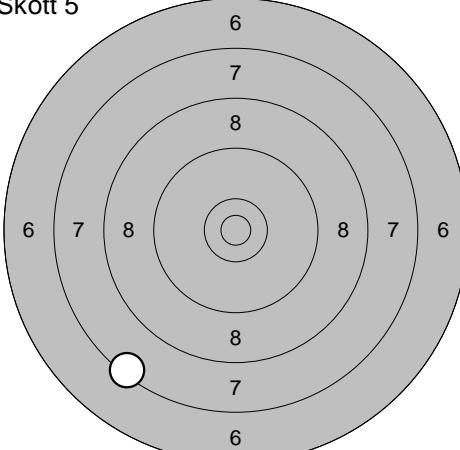
|  |          |  |          |
|--|----------|--|----------|
| <b>Skott 3</b><br> | 1: 6,7 ↖ | <b>Skott 4</b><br> | 1: 8,6 → |
| Serie 6,0  |          | Serie 8,0  |          |
| Totalt 283,0   |          | Totalt 291,0   |          |

|  |          |  |  |
|--|----------|--|--|
| <b>Skott 5</b><br> | 1: 5,3 ↓ |  |  |
| Serie 5,0  |          |  |  |
| Totalt 296,0   |          |  |  |

|  |  |   |   |
|--|--|---|---|
| <b>Provskott</b><br> | 1: 9,3 ↗<br>2: 10,5* ↑<br>3: 10,1 ↓<br>4: 10,5* ↓<br>5: 9,9 ↓<br>6: 10,7* ↓<br>7: 10,7* ↑<br>8: 9,9 →<br>9: 10,5* ↓<br>10: 10,4* ↑<br><hr/> Serie 97,0<br>Totalt 172,0 | <b>10 skott</b><br> | 1: 9,5 ↗<br>2: 10,3 ←<br>3: 9,8 ↓<br>4: 9,9 ↑<br>5: 9,8 ↓<br><hr/> Serie 46,0<br>Totalt 218,0 |
|--|--|---|---|

|  |   |   |   |
|--|---|---|---|
| <b>10 skott</b><br> | 6: 7,9 ↓<br>7: 9,8 ↓<br>8: 10,3 ↘<br>9: 7,3 ←<br>10: 10,0 ↑<br><hr/> Serie 43,0<br>Totalt 261,0 | <b>Skott 1</b><br> | 1: 7,5 ↓<br><hr/> Serie 7,0<br>Totalt 268,0 |
|--|---|---|---|

|  |   |  |   |
|--|---|--|---|
| <b>Skott 2</b><br> | 1: 8,7 ←<br><hr/> Serie 8,0<br>Totalt 276,0 | <b>Skott 3</b><br> | 1: 7,7 ↑<br><hr/> Serie 7,0<br>Totalt 283,0 |
|--|---|--|---|

|  |   |  |   |
|--|---|--|---|
| <b>Skott 4</b><br> | 1: 7,3 ←<br><hr/> Serie 7,0<br>Totalt 290,0 | <b>Skott 5</b><br> | 1: 7,4 ↓<br><hr/> Serie 7,0<br>Totalt 297,0 |
|--|---|--|---|

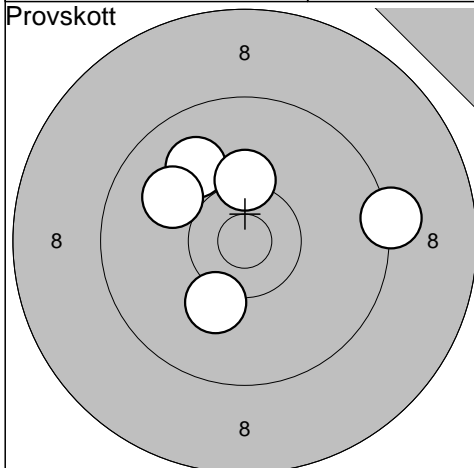
Pello

2012-07-10

Tavelträffen 2012 Final

Ramselefors SKF

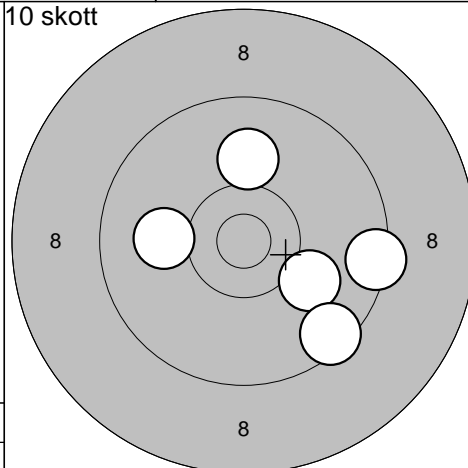
Provskott



1: 9,9 ↗  
 2: 9,3 →  
 3: 10,0 ↗  
 4: 10,3 ↑  
 5: 10,2 ↓

Serie 48,0  
 Totalt 171,0

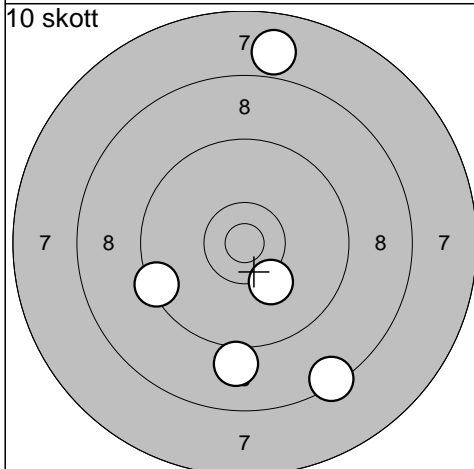
10 skott



1: 10,0 ←  
 2: 10,0 ↑  
 3: 9,4 →  
 4: 10,1 ↘  
 5: 9,5 ↘

Serie 48,0  
 Totalt 219,0

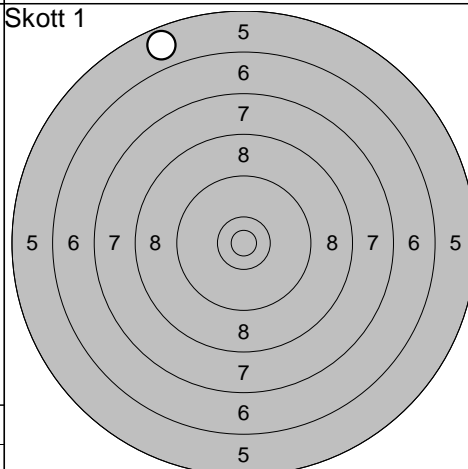
10 skott



6: 9,0 ↓  
 7: 10,2 ↓  
 8: 9,4 ←  
 9: 7,9 ↑  
 10: 8,4 ↓

Serie 43,0  
 Totalt 262,0

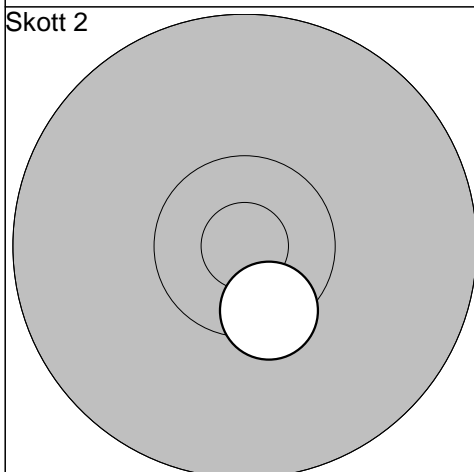
Skott 1



1: 5,7 ↗

Serie 5,0  
 Totalt 267,0

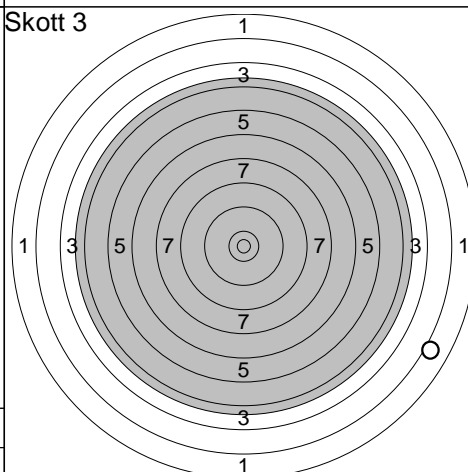
Skott 2



1: 10,5\* ↓

Serie 10,0  
 Totalt 277,0

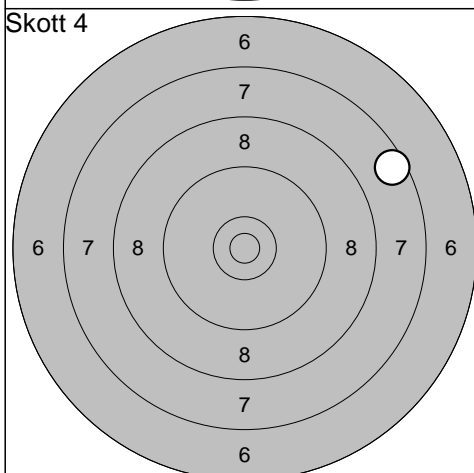
Skott 3



1: 2,1 →

Serie 2,0  
 Totalt 279,0

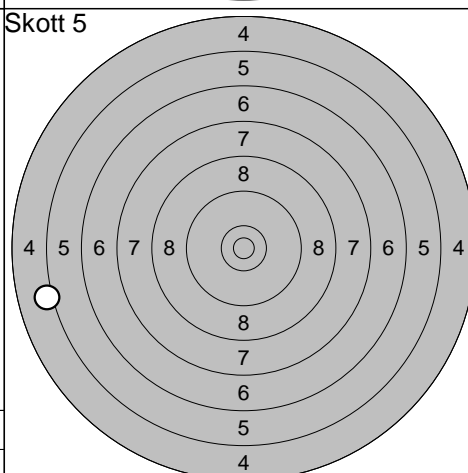
Skott 4



1: 7,6 →

Serie 7,0  
 Totalt 286,0

Skott 5



1: 5,2 ←

Serie 5,0  
 Totalt 291,0

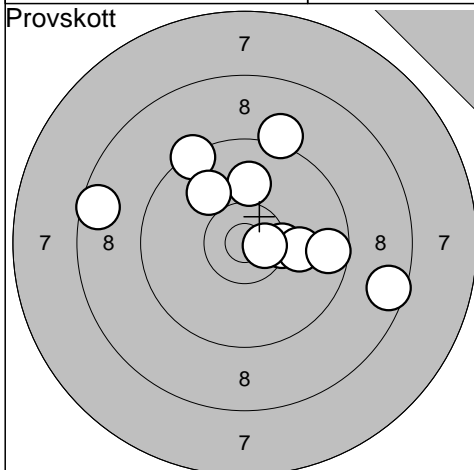
Ramselefors

2012-07-10

Tavelträffen 2012 Final

Ramselefors SKF

Provskott

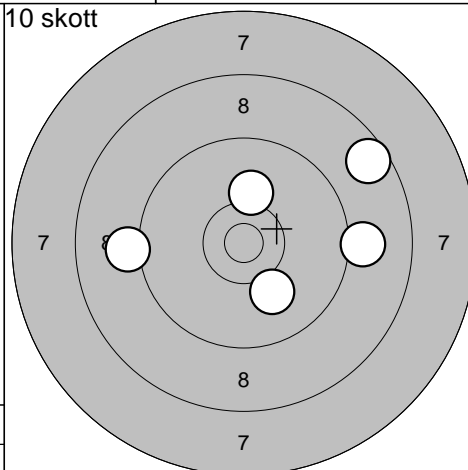


1: 8,6 →  
 2: 10,0 ↑  
 3: 9,4 ↗  
 4: 10,0 ↗  
 5: 10,4\* →  
 6: 9,2 ↑  
 7: 10,1 →  
 8: 9,6 →  
 9: 10,6\* →  
 10: 8,6 ←

Serie 93,0

Totalt 169,0

10 skott

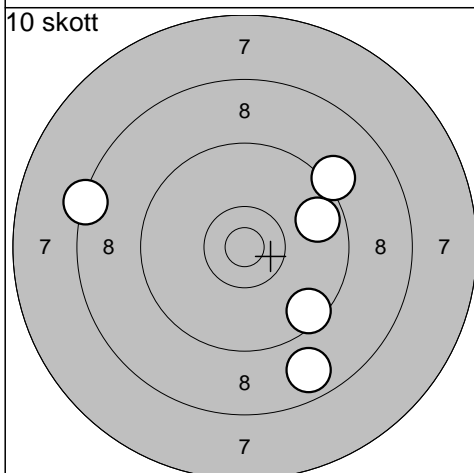


1: 9,1 →  
 2: 10,1 ↓  
 3: 8,6 ↗  
 4: 10,2 ↑  
 5: 9,1 ←

Serie 46,0

Totalt 215,0

10 skott

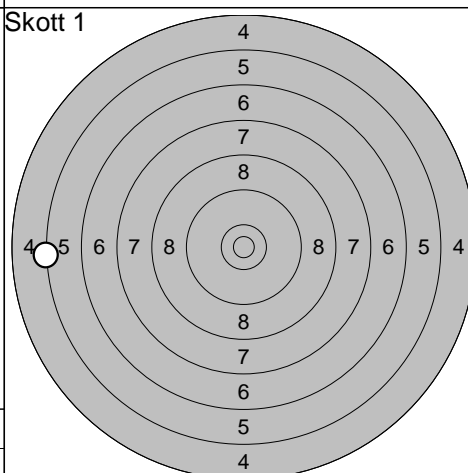


6: 8,4 ←  
 7: 9,7 →  
 8: 9,5 ↓  
 9: 9,2 ↗  
 10: 8,8 ↓

Serie 43,0

Totalt 258,0

Skott 1

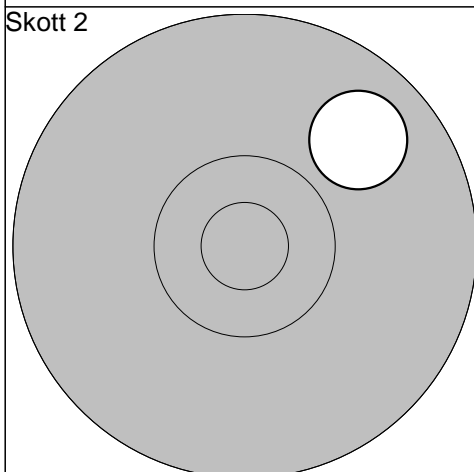


1: 5,3 ←

Serie 5,0

Totalt 263,0

Skott 2

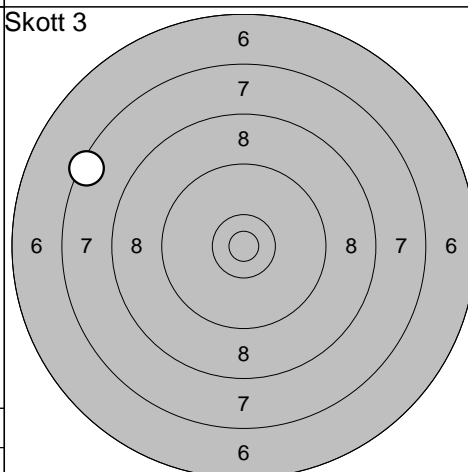


1: 9,8 ↗

Serie 9,0

Totalt 272,0

Skott 3

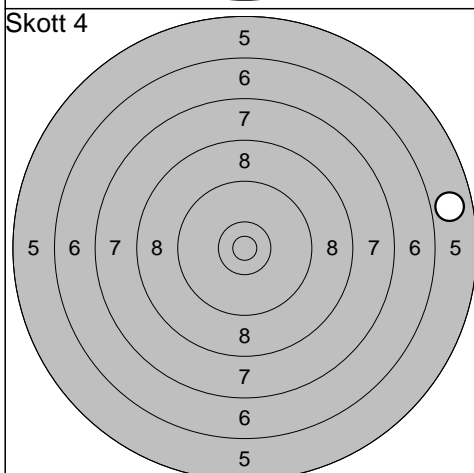


1: 7,4 ↖

Serie 7,0

Totalt 279,0

Skott 4

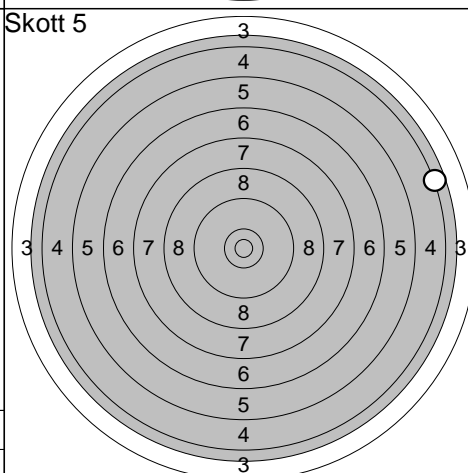


1: 5,8 →

Serie 5,0

Totalt 284,0

Skott 5



1: 4,3 →

Serie 4,0

Totalt 288,0