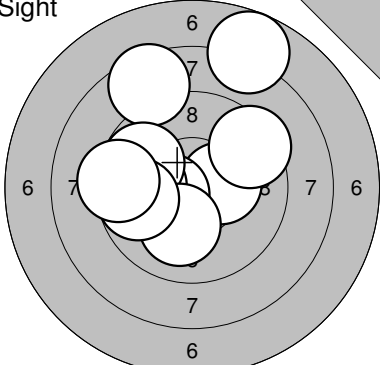
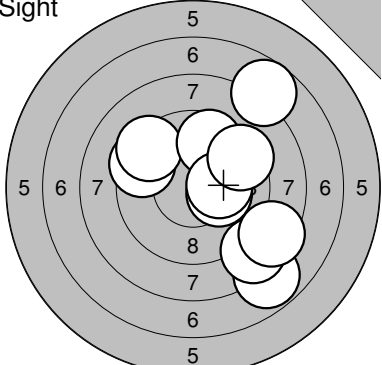
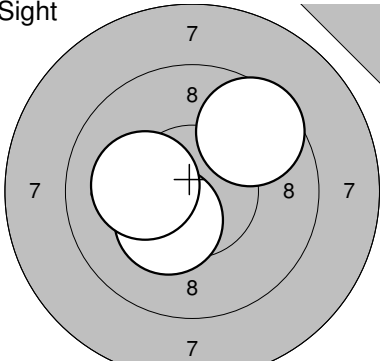
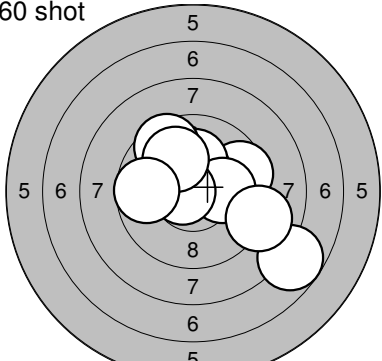
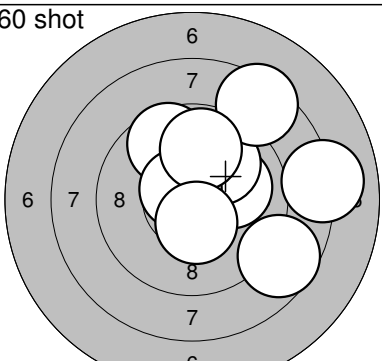
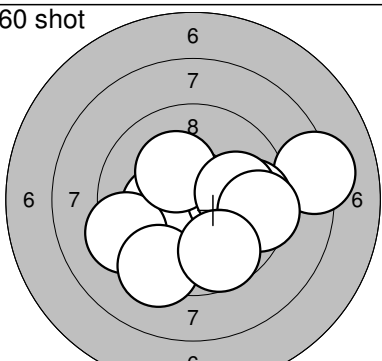
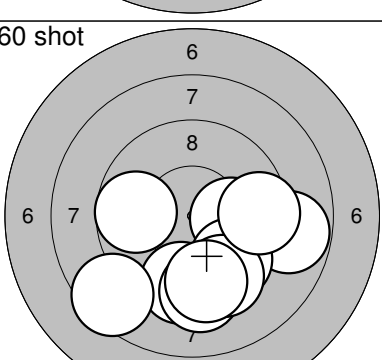


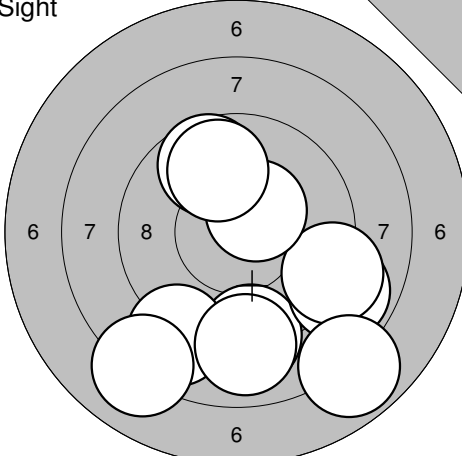
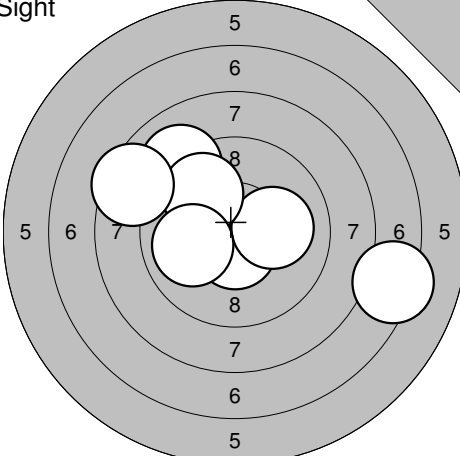
Sight 	1: 10,3* 2: 10,4* 3: 8,5 4: 9,9 5: 9,4 6: 7,8 7: 9,8 8: 10,1 9: 9,7 10: 9,3 <hr/> Serie 90,0 Totalt 0,0	Sight 	11: 10,2* 12: 9,4 13: 9,4 14: 9,7 15: 7,7 16: 7,8 17: 10,2* 18: 9,4 19: 8,6 20: 8,4 <hr/> Serie 86,0 Totalt 0,0
---	--	---	--

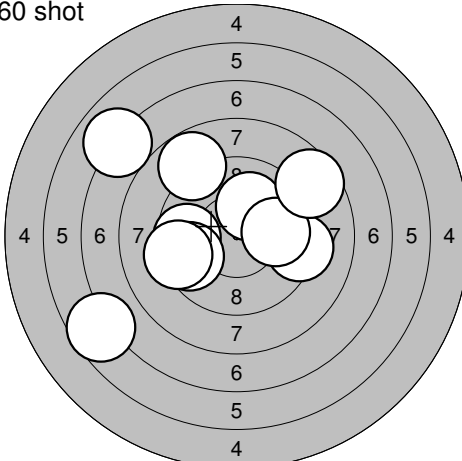
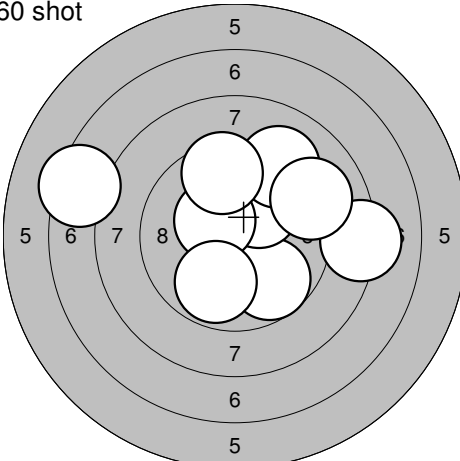
Sight 	21: 10,3* 22: 9,6 23: 10,2* <hr/> Serie 29,0 Totalt 0,0	60 shot 	1: 9,6 2: 7,7 3: 10,4* 4: 10,2* 5: 9,6 6: 10,1 7: 10,7* 8: 9,0 9: 10,0 10: 9,7 <hr/> Serie 93,0 Totalt 93,0
---	---	---	--

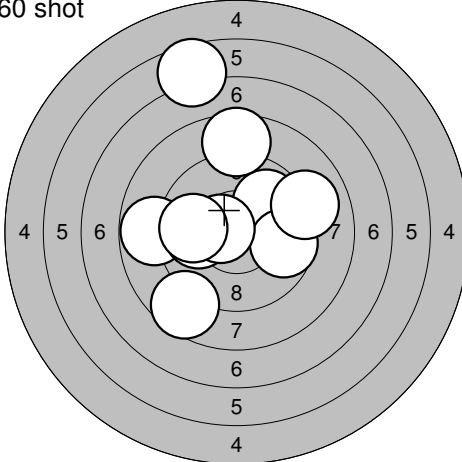
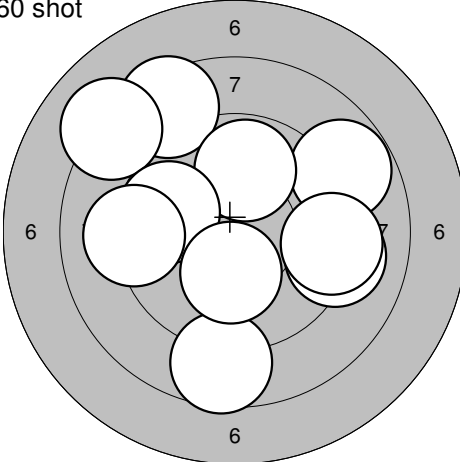
60 shot 	11: 10,1 12: 10,0 13: 9,6 14: 10,0 15: 8,1 16: 8,4 17: 10,6* 18: 9,8 19: 10,4* 20: 8,7 <hr/> Serie 92,0 Totalt 185,0	60 shot 	21: 10,3* 22: 9,3 23: 10,2* 24: 8,2 25: 9,3 26: 10,2* 27: 9,7 28: 10,0 29: 9,5 30: 9,7 <hr/> Serie 93,0 Totalt 278,0
--	---	--	---

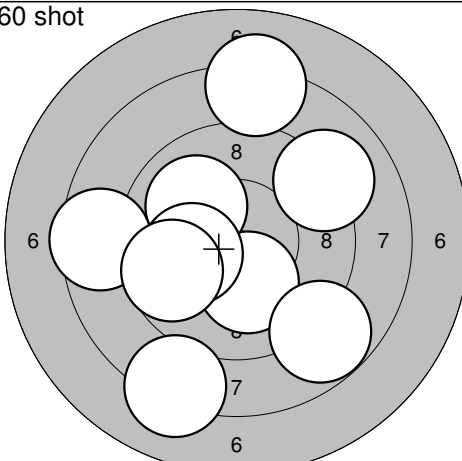
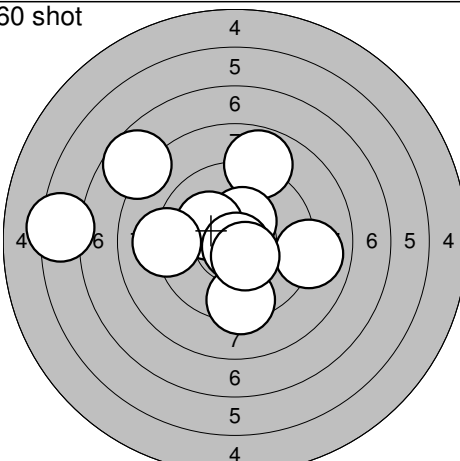
60 shot 	31: 10,4* 32: 8,9 33: 10,1 34: 8,2 35: 10,0 36: 10,5* 37: 10,2* 38: 9,1 39: 9,2 40: 9,4 <hr/> Serie 93,0 Totalt 371,0	60 shot 	41: 10,5* 42: 10,7* 43: 10,3* 44: 8,9 45: 9,2 46: 9,8 47: 9,4 48: 10,0 49: 8,8 50: 9,2 <hr/> Serie 92,0 Totalt 463,0
---	--	---	---

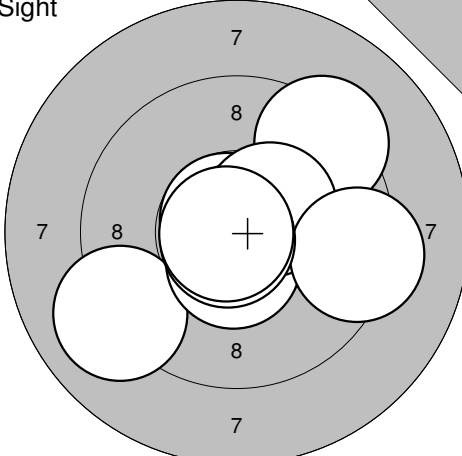
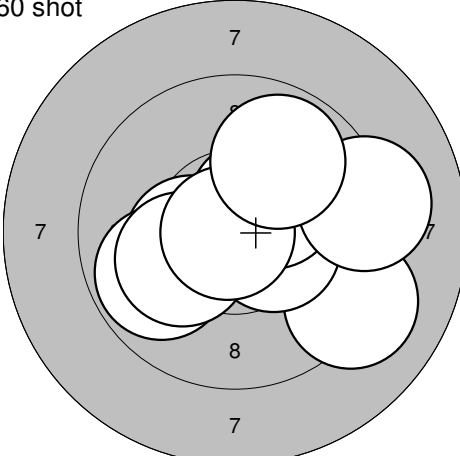
60 shot 	51: 9,7 52: 8,8 53: 10,1 54: 9,5 55: 9,7 56: 8,5 57: 9,3 58: 9,5 59: 9,5 60: 9,5 <hr/> Serie 89,0 Totalt 552,0		
---	---	--	--

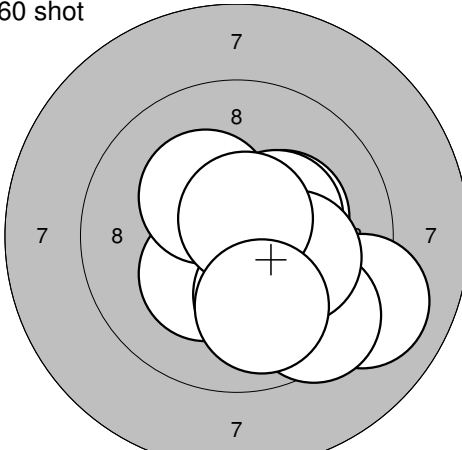
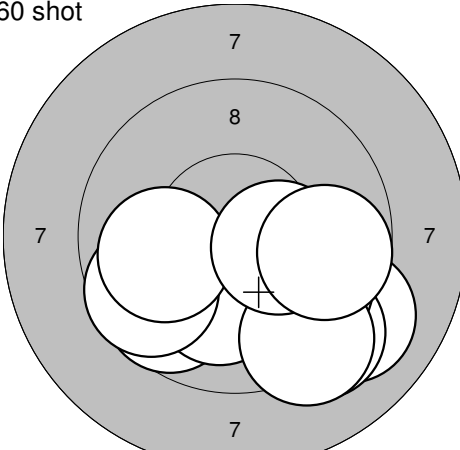
<p>Sight</p>  <p style="text-align: center;">6 7 8 6</p>	<p>1: 9,1 ↓ 2: 8,8 ↓ 3: 8,9 → 4: 9,1 → 5: 10,4* ↗ 6: 7,8 ↓ 7: 8,1 ↓ 8: 8,9 ↓ 9: 9,7 ↗ 10: 9,8 ↗</p> <p style="text-align: right;">Serie 85,0 Totalt 0,0</p>	<p>Sight</p>  <p style="text-align: center;">5 6 7 8 7 6 5</p>	<p>11: 9,1 ↗ 12: 7,3 → 13: 10,6* ↓ 14: 10,1 → 15: 9,9 ↗ 16: 8,5 ↗ 17: 10,0 ←</p> <p style="text-align: right;">Serie 63,0 Totalt 0,0</p>
--	---	--	--

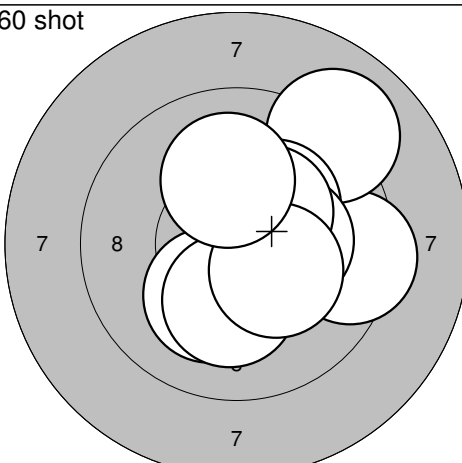
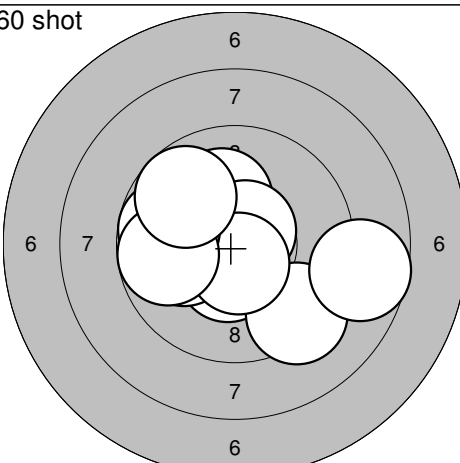
<p>60 shot</p>  <p style="text-align: center;">4 5 6 7 8 7 6 5 4</p>	<p>1: 8,8 ↗ 2: 6,7 ↙ 3: 9,7 ← 4: 10,1 ↗ 5: 9,6 ← 6: 9,3 → 7: 9,9 → 8: 8,6 ↗ 9: 7,0 ↗ 10: 9,3 ←</p> <p style="text-align: right;">Serie 84,0 Totalt 84,0</p>	<p>60 shot</p>  <p style="text-align: center;">5 6 7 8 7 6 5</p>	<p>11: 10,4* ↗ 12: 9,7 ↓ 13: 7,4 ← 14: 8,2 → 15: 10,1 ↗ 16: 9,2 ↗ 17: 10,4* ↗ 18: 9,1 ↗ 19: 9,5 ↗ 20: 9,9 ↓</p> <p style="text-align: right;">Serie 90,0 Totalt 174,0</p>
---	---	---	---

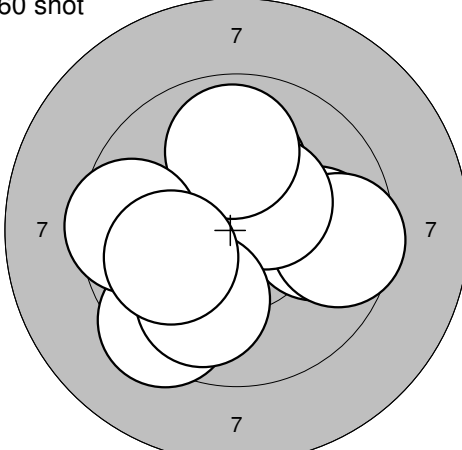

<p>60 shot</p>  <p style="text-align: center;">4 5 6 7 8 7 6 5 4</p>	<p>21: 8,8 ← 22: 6,6 ↗ 23: 9,9 ↗ 24: 9,7 → 25: 8,6 ↓ 26: 10,0 ← 27: 9,0 → 28: 8,6 ↗ 29: 10,5* ← 30: 9,8 ←</p> <p style="text-align: right;">Serie 86,0 Totalt 260,0</p>	<p>60 shot</p>  <p style="text-align: center;">6 7 6</p>	<p>31: 8,5 ↗ 32: 8,8 ↗ 33: 9,1 → 34: 9,2 → 35: 9,9 ↗ 36: 8,1 ↗ 37: 8,6 ↓ 38: 9,7 ← 39: 9,2 ← 40: 10,2* ↓</p> <p style="text-align: right;">Serie 87,0 Totalt 347,0</p>
--	---	--	--

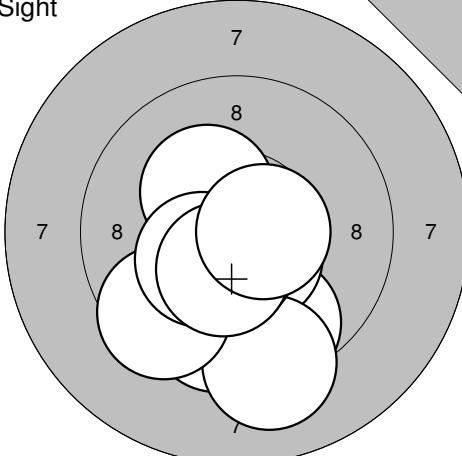
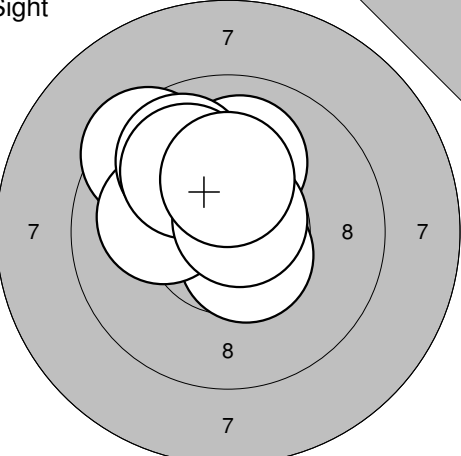
<p>60 shot</p>  <p style="text-align: center;">6 8 7 6</p>	<p>41: 10,2* ← 42: 10,2* ↓ 43: 8,8 ↓ 44: 10,0 ↗ 45: 8,2 ↓ 46: 8,2 ↗ 47: 8,5 ← 48: 9,1 ↗ 49: 10,1 ← 50: 9,7 ←</p> <p style="text-align: right;">Serie 90,0 Totalt 437,0</p>	<p>60 shot</p>  <p style="text-align: center;">4 5 6 7 6 5 4</p>	<p>51: 9,0 → 52: 9,4 ↓ 53: 8,8 ↗ 54: 10,4* ↗ 55: 10,2* ↗ 56: 6,4 ← 57: 9,2 ← 58: 7,7 ↗ 59: 10,8* ↓ 60: 10,5* ↓</p> <p style="text-align: right;">Serie 88,0 Totalt 525,0</p>
--	--	--	--

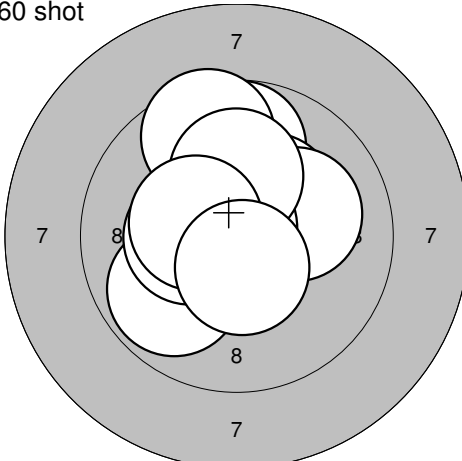
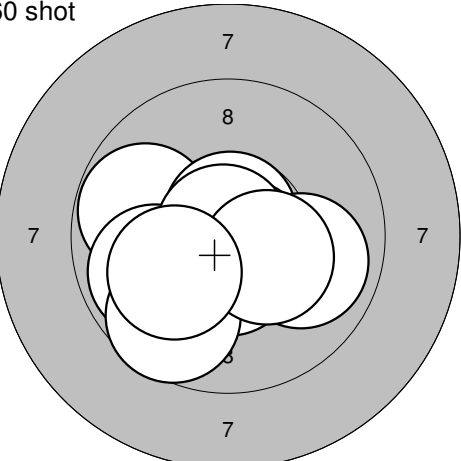
<p>Sight</p> 	<p>60 shot</p> 	<table style="width:100%; border-collapse: collapse;"> <tr><td>1: 9,1</td><td>↙</td></tr> <tr><td>2: 9,3</td><td>↗</td></tr> <tr><td>3: 10,7*</td><td>↗</td></tr> <tr><td>4: 10,8*</td><td>→</td></tr> <tr><td>5: 10,6*</td><td>↓</td></tr> <tr><td>6: 10,4*</td><td>↗</td></tr> <tr><td>7: 9,3</td><td>→</td></tr> <tr><td>8: 10,8*</td><td>↙</td></tr> <tr><td>9: 10,8*</td><td>←</td></tr> </table> <table style="width:100%; border-collapse: collapse; margin-top: 5px;"> <tr><td style="border-top: 1px solid black;">Serie</td><td style="border-top: 1px solid black; text-align: right;">87,0</td></tr> <tr><td>Totalt</td><td style="text-align: right;">0,0</td></tr> </table>	1: 9,1	↙	2: 9,3	↗	3: 10,7*	↗	4: 10,8*	→	5: 10,6*	↓	6: 10,4*	↗	7: 9,3	→	8: 10,8*	↙	9: 10,8*	←	Serie	87,0	Totalt	0,0		
1: 9,1	↙																									
2: 9,3	↗																									
3: 10,7*	↗																									
4: 10,8*	→																									
5: 10,6*	↓																									
6: 10,4*	↗																									
7: 9,3	→																									
8: 10,8*	↙																									
9: 10,8*	←																									
Serie	87,0																									
Totalt	0,0																									
		<table style="width:100%; border-collapse: collapse;"> <tr><td>1: 10,5*</td><td>↗</td></tr> <tr><td>2: 10,4*</td><td>←</td></tr> <tr><td>3: 9,8</td><td>↙</td></tr> <tr><td>4: 9,1</td><td>↘</td></tr> <tr><td>5: 10,4*</td><td>→</td></tr> <tr><td>6: 10,3*</td><td>↗</td></tr> <tr><td>7: 10,2*</td><td>←</td></tr> <tr><td>8: 9,2</td><td>→</td></tr> <tr><td>9: 10,9*</td><td>←</td></tr> <tr><td>10: 9,9</td><td>↗</td></tr> </table> <table style="width:100%; border-collapse: collapse; margin-top: 5px;"> <tr><td style="border-top: 1px solid black;">Serie</td><td style="border-top: 1px solid black; text-align: right;">96,0</td></tr> <tr><td>Totalt</td><td style="text-align: right;">96,0</td></tr> </table>	1: 10,5*	↗	2: 10,4*	←	3: 9,8	↙	4: 9,1	↘	5: 10,4*	→	6: 10,3*	↗	7: 10,2*	←	8: 9,2	→	9: 10,9*	←	10: 9,9	↗	Serie	96,0	Totalt	96,0
1: 10,5*	↗																									
2: 10,4*	←																									
3: 9,8	↙																									
4: 9,1	↘																									
5: 10,4*	→																									
6: 10,3*	↗																									
7: 10,2*	←																									
8: 9,2	→																									
9: 10,9*	←																									
10: 9,9	↗																									
Serie	96,0																									
Totalt	96,0																									

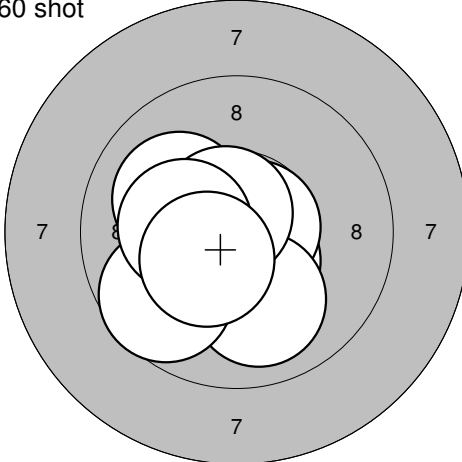
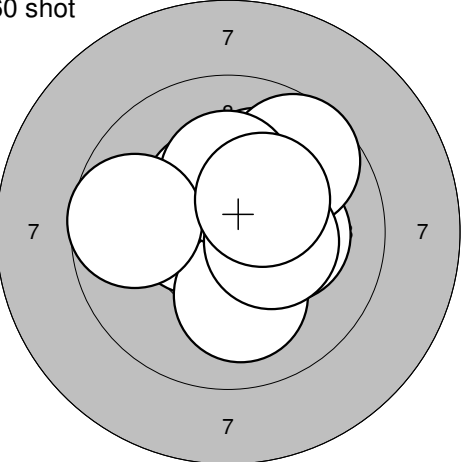
<p>60 shot</p> 	<p>60 shot</p> 	<table style="width:100%; border-collapse: collapse;"> <tr><td>11: 10,3*</td><td>↙</td></tr> <tr><td>12: 9,1</td><td>↘</td></tr> <tr><td>13: 10,3*</td><td>→</td></tr> <tr><td>14: 10,4*</td><td>→</td></tr> <tr><td>15: 10,3*</td><td>↗</td></tr> <tr><td>16: 10,1</td><td>↙</td></tr> <tr><td>17: 9,5</td><td>↙</td></tr> <tr><td>18: 10,1</td><td>↘</td></tr> <tr><td>19: 10,7*</td><td>↗</td></tr> <tr><td>20: 10,0</td><td>↓</td></tr> </table> <table style="width:100%; border-collapse: collapse; margin-top: 5px;"> <tr><td style="border-top: 1px solid black;">Serie</td><td style="border-top: 1px solid black; text-align: right;">98,0</td></tr> <tr><td>Totalt</td><td style="text-align: right;">194,0</td></tr> </table>	11: 10,3*	↙	12: 9,1	↘	13: 10,3*	→	14: 10,4*	→	15: 10,3*	↗	16: 10,1	↙	17: 9,5	↙	18: 10,1	↘	19: 10,7*	↗	20: 10,0	↓	Serie	98,0	Totalt	194,0
11: 10,3*	↙																									
12: 9,1	↘																									
13: 10,3*	→																									
14: 10,4*	→																									
15: 10,3*	↗																									
16: 10,1	↙																									
17: 9,5	↙																									
18: 10,1	↘																									
19: 10,7*	↗																									
20: 10,0	↓																									
Serie	98,0																									
Totalt	194,0																									
		<table style="width:100%; border-collapse: collapse;"> <tr><td>21: 9,1</td><td>↘</td></tr> <tr><td>22: 9,7</td><td>↙</td></tr> <tr><td>23: 9,2</td><td>↘</td></tr> <tr><td>24: 9,8</td><td>↘</td></tr> <tr><td>25: 10,1</td><td>↓</td></tr> <tr><td>26: 9,6</td><td>↙</td></tr> <tr><td>27: 9,3</td><td>↘</td></tr> <tr><td>28: 10,0</td><td>←</td></tr> <tr><td>29: 10,3*</td><td>→</td></tr> <tr><td>30: 9,7</td><td>→</td></tr> </table> <table style="width:100%; border-collapse: collapse; margin-top: 5px;"> <tr><td style="border-top: 1px solid black;">Serie</td><td style="border-top: 1px solid black; text-align: right;">93,0</td></tr> <tr><td>Totalt</td><td style="text-align: right;">287,0</td></tr> </table>	21: 9,1	↘	22: 9,7	↙	23: 9,2	↘	24: 9,8	↘	25: 10,1	↓	26: 9,6	↙	27: 9,3	↘	28: 10,0	←	29: 10,3*	→	30: 9,7	→	Serie	93,0	Totalt	287,0
21: 9,1	↘																									
22: 9,7	↙																									
23: 9,2	↘																									
24: 9,8	↘																									
25: 10,1	↓																									
26: 9,6	↙																									
27: 9,3	↘																									
28: 10,0	←																									
29: 10,3*	→																									
30: 9,7	→																									
Serie	93,0																									
Totalt	287,0																									

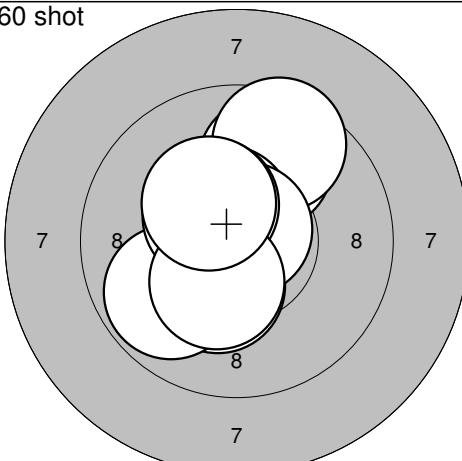
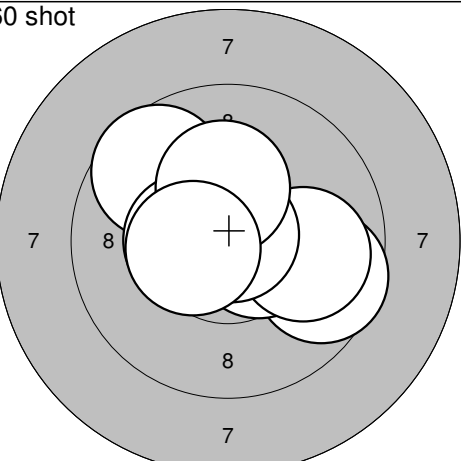
<p>60 shot</p> 	<p>60 shot</p> 	<table style="width:100%; border-collapse: collapse;"> <tr><td>31: 9,4</td><td>→</td></tr> <tr><td>32: 10,2*</td><td>↙</td></tr> <tr><td>33: 9,0</td><td>↗</td></tr> <tr><td>34: 10,3*</td><td>↗</td></tr> <tr><td>35: 10,2*</td><td>↗</td></tr> <tr><td>36: 10,3*</td><td>→</td></tr> <tr><td>37: 10,4*</td><td>↗</td></tr> <tr><td>38: 10,2*</td><td>↓</td></tr> <tr><td>39: 10,3*</td><td>↘</td></tr> <tr><td>40: 10,1</td><td>↑</td></tr> </table> <table style="width:100%; border-collapse: collapse; margin-top: 5px;"> <tr><td style="border-top: 1px solid black;">Serie</td><td style="border-top: 1px solid black; text-align: right;">98,0</td></tr> <tr><td>Totalt</td><td style="text-align: right;">385,0</td></tr> </table>	31: 9,4	→	32: 10,2*	↙	33: 9,0	↗	34: 10,3*	↗	35: 10,2*	↗	36: 10,3*	→	37: 10,4*	↗	38: 10,2*	↓	39: 10,3*	↘	40: 10,1	↑	Serie	98,0	Totalt	385,0
31: 9,4	→																									
32: 10,2*	↙																									
33: 9,0	↗																									
34: 10,3*	↗																									
35: 10,2*	↗																									
36: 10,3*	→																									
37: 10,4*	↗																									
38: 10,2*	↓																									
39: 10,3*	↘																									
40: 10,1	↑																									
Serie	98,0																									
Totalt	385,0																									
		<table style="width:100%; border-collapse: collapse;"> <tr><td>41: 10,4*</td><td>↓</td></tr> <tr><td>42: 9,3</td><td>↘</td></tr> <tr><td>43: 10,0</td><td>←</td></tr> <tr><td>44: 10,1</td><td>↗</td></tr> <tr><td>45: 10,7*</td><td>↗</td></tr> <tr><td>46: 10,6*</td><td>↓</td></tr> <tr><td>47: 8,7</td><td>→</td></tr> <tr><td>48: 9,8</td><td>←</td></tr> <tr><td>49: 9,8</td><td>←</td></tr> <tr><td>50: 9,8</td><td>↗</td></tr> </table> <table style="width:100%; border-collapse: collapse; margin-top: 5px;"> <tr><td style="border-top: 1px solid black;">Serie</td><td style="border-top: 1px solid black; text-align: right;">94,0</td></tr> <tr><td>Totalt</td><td style="text-align: right;">479,0</td></tr> </table>	41: 10,4*	↓	42: 9,3	↘	43: 10,0	←	44: 10,1	↗	45: 10,7*	↗	46: 10,6*	↓	47: 8,7	→	48: 9,8	←	49: 9,8	←	50: 9,8	↗	Serie	94,0	Totalt	479,0
41: 10,4*	↓																									
42: 9,3	↘																									
43: 10,0	←																									
44: 10,1	↗																									
45: 10,7*	↗																									
46: 10,6*	↓																									
47: 8,7	→																									
48: 9,8	←																									
49: 9,8	←																									
50: 9,8	↗																									
Serie	94,0																									
Totalt	479,0																									

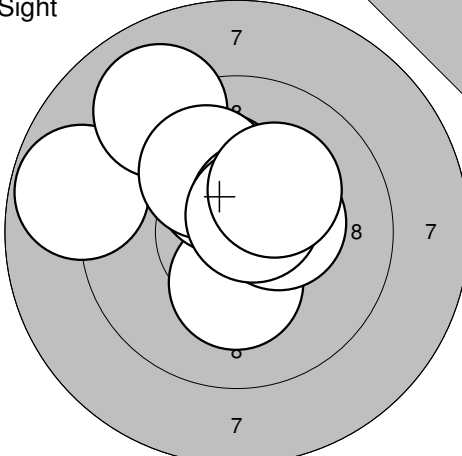
<p>60 shot</p> 	<p>60 shot</p> 	<table style="width:100%; border-collapse: collapse;"> <tr><td>51: 9,9</td><td>→</td></tr> <tr><td>52: 9,6</td><td>→</td></tr> <tr><td>53: 10,2*</td><td>↑</td></tr> <tr><td>54: 10,5*</td><td>↑</td></tr> <tr><td>55: 9,4</td><td>↙</td></tr> <tr><td>56: 10,4*</td><td>↗</td></tr> <tr><td>57: 9,9</td><td>↑</td></tr> <tr><td>58: 9,5</td><td>←</td></tr> <tr><td>59: 9,9</td><td>↙</td></tr> <tr><td>60: 10,0</td><td>←</td></tr> </table> <table style="width:100%; border-collapse: collapse; margin-top: 5px;"> <tr><td style="border-top: 1px solid black;">Serie</td><td style="border-top: 1px solid black; text-align: right;">94,0</td></tr> <tr><td>Totalt</td><td style="text-align: right;">573,0</td></tr> </table>	51: 9,9	→	52: 9,6	→	53: 10,2*	↑	54: 10,5*	↑	55: 9,4	↙	56: 10,4*	↗	57: 9,9	↑	58: 9,5	←	59: 9,9	↙	60: 10,0	←	Serie	94,0	Totalt	573,0
51: 9,9	→																									
52: 9,6	→																									
53: 10,2*	↑																									
54: 10,5*	↑																									
55: 9,4	↙																									
56: 10,4*	↗																									
57: 9,9	↑																									
58: 9,5	←																									
59: 9,9	↙																									
60: 10,0	←																									
Serie	94,0																									
Totalt	573,0																									

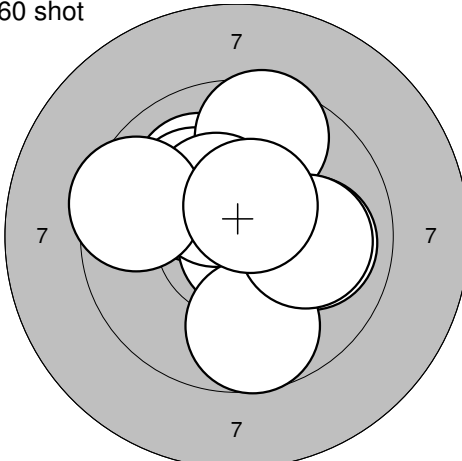
Sight		1: 9,7 ↓ 2: 9,6 ↓ 3: 10,5* ↓ 4: 10,3* ↗ 5: 9,1 ↓ 6: 9,5 ↓ 7: 10,6* ↓ 8: 10,4* ↙ 9: 10,4* ↓ 10: 10,6* →	Sight		11: 9,8 ↗ 12: 10,7* ↑ 13: 9,5 ↗ 14: 10,6* ↓ 15: 10,1 ↖ 16: 10,0 ↑ 17: 9,8 ↗ 18: 10,0 ↗ 19: 10,7* ↗ 20: 10,3* ↑
		Serie 96,0			Serie 97,0
		Totalt 0,0			Totalt 0,0

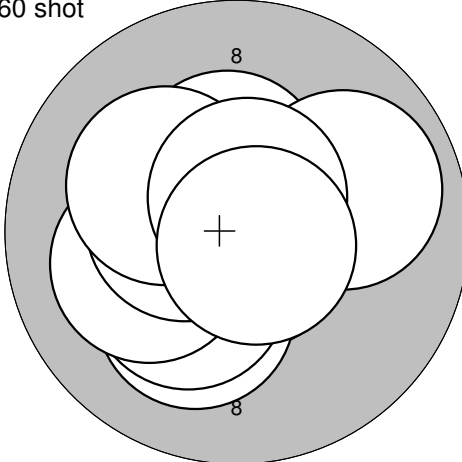
60 shot		1: 9,8 ↑ 2: 9,9 ↙ 3: 10,3* ↗ 4: 9,6 ↑ 5: 10,1 → 6: 10,3* ← 7: 10,8* ↗ 8: 10,2* ↑ 9: 10,4* ↖ 10: 10,5* ↓	60 shot		11: 9,8 ↖ 12: 10,7* ↑ 13: 10,5* ↓ 14: 9,9 ↖ 15: 9,9 → 16: 10,7* ↓ 17: 10,9* ↗ 18: 9,7 ↓ 19: 10,4* ↘ 20: 10,1 ↖
		Serie 97,0			Serie 96,0
		Totalt 97,0			Totalt 193,0

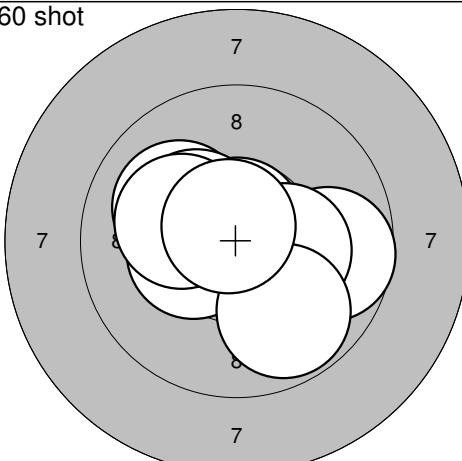
60 shot		21: 10,3* ↓ 22: 10,5* ↓ 23: 10,1 ↗ 24: 10,7* → 25: 10,7* ← 26: 10,0 ↓ 27: 9,7 ↙ 28: 10,7* ↗ 29: 10,3* ← 30: 10,4* ↙	60 shot		31: 10,4* ↗ 32: 10,5* ↖ 33: 10,2* → 34: 10,1 ↑ 35: 10,1 ↓ 36: 9,7 ↗ 37: 10,2* ↑ 38: 10,4* → 39: 9,7 ↖ 40: 10,3* ↗
		Serie 99,0			Serie 98,0
		Totalt 292,0			Totalt 390,0

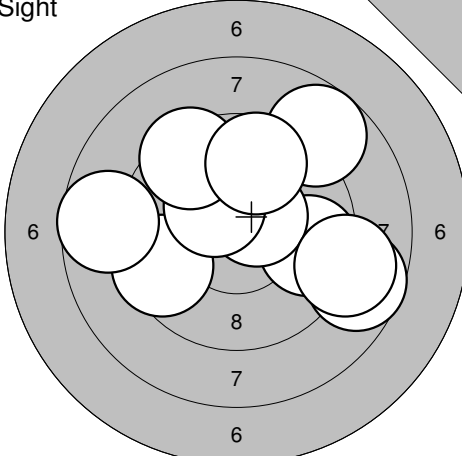
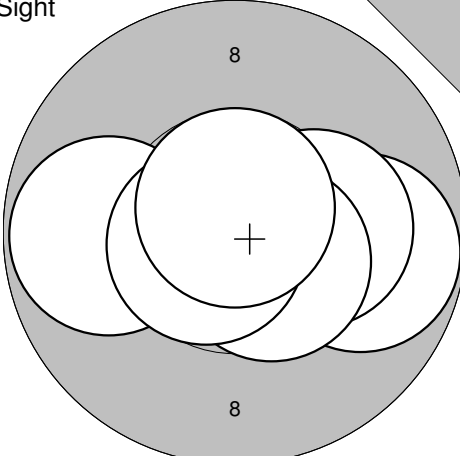
60 shot		41: 10,3* ↓ 42: 9,8 ↙ 43: 10,5* ↗ 44: 9,8 ↑ 45: 9,5 ↗ 46: 10,5* ↗ 47: 10,8* ↗ 48: 10,4* ↗ 49: 10,3* ↓ 50: 10,3* ↗	60 shot		51: 9,6 → 52: 10,3* ↗ 53: 10,5* → 54: 10,7* ↗ 55: 9,9 → 56: 10,9* ↗ 57: 9,7 ↗ 58: 10,4* ↖ 59: 10,2* ↑ 60: 10,5* ↖
		Serie 97,0			Serie 97,0
		Totalt 487,0			Totalt 584,0

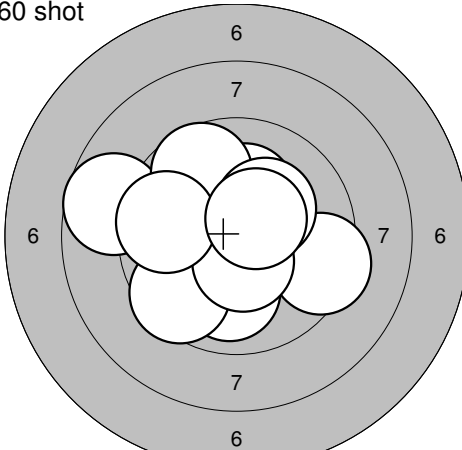
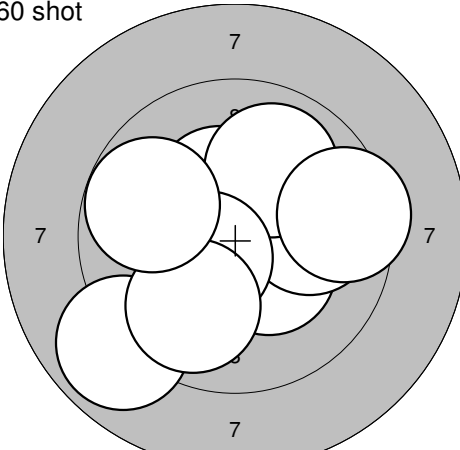
Sight		Sight																																				
	<table style="width:100%; border-collapse: collapse;"> <tr><td>1: 10,3*</td><td style="text-align: right;">↓</td></tr> <tr><td>2: 10,2*</td><td style="text-align: right;">↑</td></tr> <tr><td>3: 8,8</td><td style="text-align: right;">←</td></tr> <tr><td>4: 10,4*</td><td style="text-align: right;">→</td></tr> <tr><td>5: 9,0</td><td style="text-align: right;">↑</td></tr> <tr><td>6: 10,3*</td><td style="text-align: right;">↑</td></tr> <tr><td>7: 10,1</td><td style="text-align: right;">↑</td></tr> <tr><td>8: 10,5*</td><td style="text-align: right;">↗</td></tr> <tr><td>9: 10,6*</td><td style="text-align: right;">↗</td></tr> <tr><td>10: 10,2*</td><td style="text-align: right;">↗</td></tr> <tr><td colspan="2" style="border-top: 1px solid black;">Serie 97,0</td></tr> <tr><td colspan="2" style="border-top: 1px solid black;">Totalt 0,0</td></tr> </table>	1: 10,3*	↓	2: 10,2*	↑	3: 8,8	←	4: 10,4*	→	5: 9,0	↑	6: 10,3*	↑	7: 10,1	↑	8: 10,5*	↗	9: 10,6*	↗	10: 10,2*	↗	Serie 97,0		Totalt 0,0		<table style="width:100%; border-collapse: collapse;"> <tr><td>11: 10,1</td><td style="text-align: right;">↗</td></tr> <tr><td>12: 10,3*</td><td style="text-align: right;">↖</td></tr> <tr><td>13: 10,3*</td><td style="text-align: right;">↗</td></tr> <tr><td>14: 10,3*</td><td style="text-align: right;">↖</td></tr> <tr><td colspan="2" style="border-top: 1px solid black;">Serie 40,0</td></tr> <tr><td colspan="2" style="border-top: 1px solid black;">Totalt 0,0</td></tr> </table>	11: 10,1	↗	12: 10,3*	↖	13: 10,3*	↗	14: 10,3*	↖	Serie 40,0		Totalt 0,0	
1: 10,3*	↓																																					
2: 10,2*	↑																																					
3: 8,8	←																																					
4: 10,4*	→																																					
5: 9,0	↑																																					
6: 10,3*	↑																																					
7: 10,1	↑																																					
8: 10,5*	↗																																					
9: 10,6*	↗																																					
10: 10,2*	↗																																					
Serie 97,0																																						
Totalt 0,0																																						
11: 10,1	↗																																					
12: 10,3*	↖																																					
13: 10,3*	↗																																					
14: 10,3*	↖																																					
Serie 40,0																																						
Totalt 0,0																																						

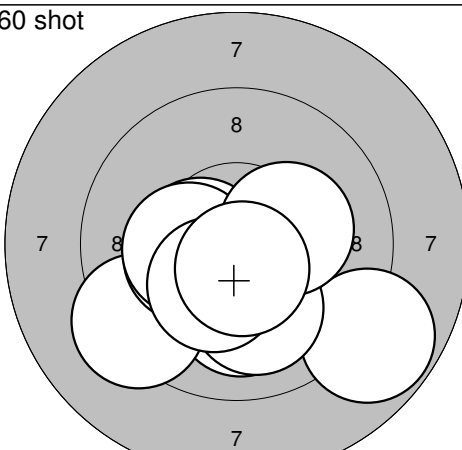
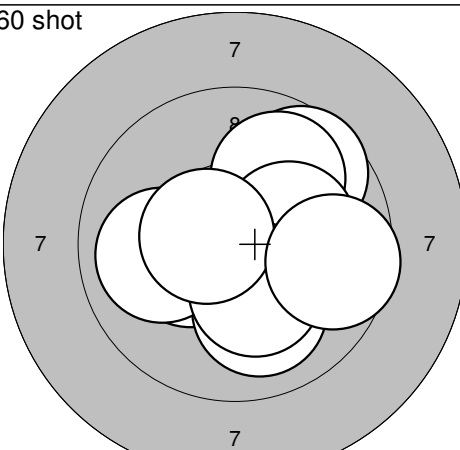
60 shot		60 shot																																																
	<table style="width:100%; border-collapse: collapse;"> <tr><td>1: 10,1</td><td style="text-align: right;">↗</td></tr> <tr><td>2: 10,2*</td><td style="text-align: right;">↗</td></tr> <tr><td>3: 10,0</td><td style="text-align: right;">→</td></tr> <tr><td>4: 10,8*</td><td style="text-align: right;">↘</td></tr> <tr><td>5: 9,6</td><td style="text-align: right;">↑</td></tr> <tr><td>6: 10,4*</td><td style="text-align: right;">↗</td></tr> <tr><td>7: 9,7</td><td style="text-align: right;">↘</td></tr> <tr><td>8: 9,5</td><td style="text-align: right;">←</td></tr> <tr><td>9: 10,0</td><td style="text-align: right;">→</td></tr> <tr><td>10: 10,5*</td><td style="text-align: right;">↑</td></tr> <tr><td colspan="2" style="border-top: 1px solid black;">Serie 97,0</td></tr> <tr><td colspan="2" style="border-top: 1px solid black;">Totalt 97,0</td></tr> </table>	1: 10,1	↗	2: 10,2*	↗	3: 10,0	→	4: 10,8*	↘	5: 9,6	↑	6: 10,4*	↗	7: 9,7	↘	8: 9,5	←	9: 10,0	→	10: 10,5*	↑	Serie 97,0		Totalt 97,0		<table style="width:100%; border-collapse: collapse;"> <tr><td>11: 10,2*</td><td style="text-align: right;">↖</td></tr> <tr><td>12: 10,4*</td><td style="text-align: right;">↘</td></tr> <tr><td>13: 10,7*</td><td style="text-align: right;">→</td></tr> <tr><td>14: 10,1</td><td style="text-align: right;">→</td></tr> <tr><td>15: 10,0</td><td style="text-align: right;">←</td></tr> <tr><td>16: 10,6*</td><td style="text-align: right;">↘</td></tr> <tr><td>17: 10,0</td><td style="text-align: right;">←</td></tr> <tr><td>18: 8,7</td><td style="text-align: right;">←</td></tr> <tr><td>19: 10,1</td><td style="text-align: right;">→</td></tr> <tr><td>20: 10,2*</td><td style="text-align: right;">↗</td></tr> <tr><td colspan="2" style="border-top: 1px solid black;">Serie 98,0</td></tr> <tr><td colspan="2" style="border-top: 1px solid black;">Totalt 195,0</td></tr> </table>	11: 10,2*	↖	12: 10,4*	↘	13: 10,7*	→	14: 10,1	→	15: 10,0	←	16: 10,6*	↘	17: 10,0	←	18: 8,7	←	19: 10,1	→	20: 10,2*	↗	Serie 98,0		Totalt 195,0	
1: 10,1	↗																																																	
2: 10,2*	↗																																																	
3: 10,0	→																																																	
4: 10,8*	↘																																																	
5: 9,6	↑																																																	
6: 10,4*	↗																																																	
7: 9,7	↘																																																	
8: 9,5	←																																																	
9: 10,0	→																																																	
10: 10,5*	↑																																																	
Serie 97,0																																																		
Totalt 97,0																																																		
11: 10,2*	↖																																																	
12: 10,4*	↘																																																	
13: 10,7*	→																																																	
14: 10,1	→																																																	
15: 10,0	←																																																	
16: 10,6*	↘																																																	
17: 10,0	←																																																	
18: 8,7	←																																																	
19: 10,1	→																																																	
20: 10,2*	↗																																																	
Serie 98,0																																																		
Totalt 195,0																																																		

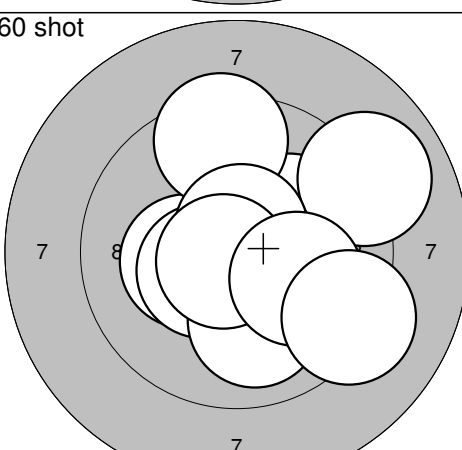
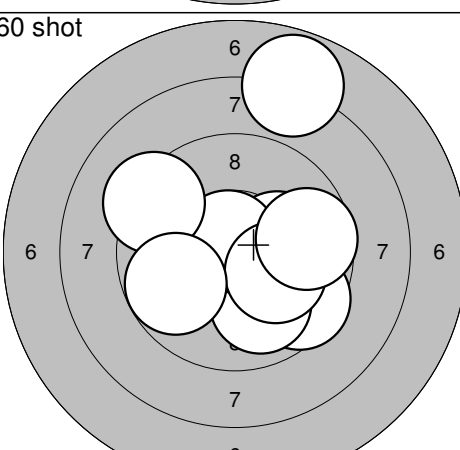
60 shot		60 shot																																																
	<table style="width:100%; border-collapse: collapse;"> <tr><td>21: 10,2*</td><td style="text-align: right;">↘</td></tr> <tr><td>22: 10,3*</td><td style="text-align: right;">↘</td></tr> <tr><td>23: 10,8*</td><td style="text-align: right;">↗</td></tr> <tr><td>24: 10,4*</td><td style="text-align: right;">↑</td></tr> <tr><td>25: 10,1</td><td style="text-align: right;">←</td></tr> <tr><td>26: 10,5*</td><td style="text-align: right;">←</td></tr> <tr><td>27: 10,2*</td><td style="text-align: right;">↗</td></tr> <tr><td>28: 9,9</td><td style="text-align: right;">→</td></tr> <tr><td>29: 10,6*</td><td style="text-align: right;">↑</td></tr> <tr><td>30: 10,7*</td><td style="text-align: right;">↘</td></tr> <tr><td colspan="2" style="border-top: 1px solid black;">Serie 99,0</td></tr> <tr><td colspan="2" style="border-top: 1px solid black;">Totalt 294,0</td></tr> </table>	21: 10,2*	↘	22: 10,3*	↘	23: 10,8*	↗	24: 10,4*	↑	25: 10,1	←	26: 10,5*	←	27: 10,2*	↗	28: 9,9	→	29: 10,6*	↑	30: 10,7*	↘	Serie 99,0		Totalt 294,0		<table style="width:100%; border-collapse: collapse;"> <tr><td>31: 10,6*</td><td style="text-align: right;">↗</td></tr> <tr><td>32: 10,3*</td><td style="text-align: right;">↘</td></tr> <tr><td>33: 10,3*</td><td style="text-align: right;">←</td></tr> <tr><td>34: 10,0</td><td style="text-align: right;">←</td></tr> <tr><td>35: 10,6*</td><td style="text-align: right;">↘</td></tr> <tr><td>36: 9,9</td><td style="text-align: right;">↘</td></tr> <tr><td>37: 10,1</td><td style="text-align: right;">→</td></tr> <tr><td>38: 10,4*</td><td style="text-align: right;">↗</td></tr> <tr><td>39: 10,5*</td><td style="text-align: right;">↗</td></tr> <tr><td>40: 10,5*</td><td style="text-align: right;">↗</td></tr> <tr><td colspan="2" style="border-top: 1px solid black;">Serie 99,0</td></tr> <tr><td colspan="2" style="border-top: 1px solid black;">Totalt 393,0</td></tr> </table>	31: 10,6*	↗	32: 10,3*	↘	33: 10,3*	←	34: 10,0	←	35: 10,6*	↘	36: 9,9	↘	37: 10,1	→	38: 10,4*	↗	39: 10,5*	↗	40: 10,5*	↗	Serie 99,0		Totalt 393,0	
21: 10,2*	↘																																																	
22: 10,3*	↘																																																	
23: 10,8*	↗																																																	
24: 10,4*	↑																																																	
25: 10,1	←																																																	
26: 10,5*	←																																																	
27: 10,2*	↗																																																	
28: 9,9	→																																																	
29: 10,6*	↑																																																	
30: 10,7*	↘																																																	
Serie 99,0																																																		
Totalt 294,0																																																		
31: 10,6*	↗																																																	
32: 10,3*	↘																																																	
33: 10,3*	←																																																	
34: 10,0	←																																																	
35: 10,6*	↘																																																	
36: 9,9	↘																																																	
37: 10,1	→																																																	
38: 10,4*	↗																																																	
39: 10,5*	↗																																																	
40: 10,5*	↗																																																	
Serie 99,0																																																		
Totalt 393,0																																																		

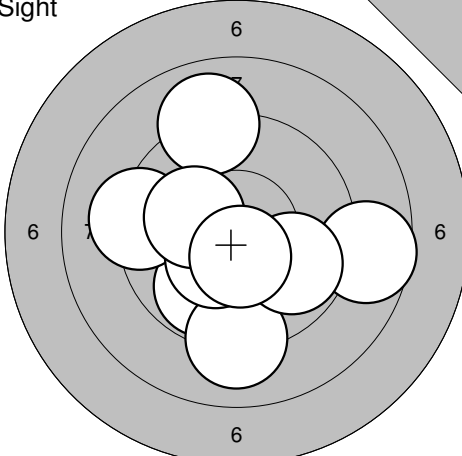
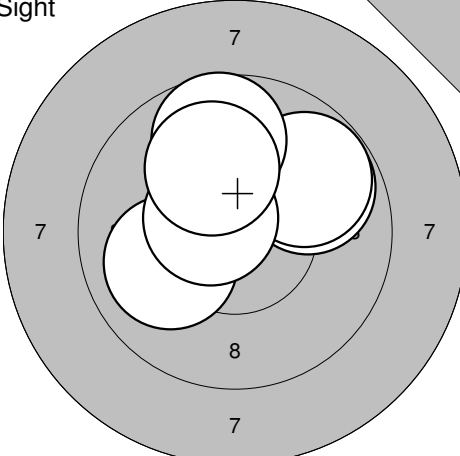
60 shot		60 shot																																																
	<table style="width:100%; border-collapse: collapse;"> <tr><td>41: 10,7*</td><td style="text-align: right;">↑</td></tr> <tr><td>42: 9,7</td><td style="text-align: right;">→</td></tr> <tr><td>43: 10,1</td><td style="text-align: right;">↗</td></tr> <tr><td>44: 10,3*</td><td style="text-align: right;">↗</td></tr> <tr><td>45: 10,8*</td><td style="text-align: right;">↗</td></tr> <tr><td>46: 10,4*</td><td style="text-align: right;">←</td></tr> <tr><td>47: 10,3*</td><td style="text-align: right;">→</td></tr> <tr><td>48: 10,2*</td><td style="text-align: right;">↖</td></tr> <tr><td>49: 9,8</td><td style="text-align: right;">↘</td></tr> <tr><td>50: 10,7*</td><td style="text-align: right;">↗</td></tr> <tr><td colspan="2" style="border-top: 1px solid black;">Serie 98,0</td></tr> <tr><td colspan="2" style="border-top: 1px solid black;">Totalt 491,0</td></tr> </table>	41: 10,7*	↑	42: 9,7	→	43: 10,1	↗	44: 10,3*	↗	45: 10,8*	↗	46: 10,4*	←	47: 10,3*	→	48: 10,2*	↖	49: 9,8	↘	50: 10,7*	↗	Serie 98,0		Totalt 491,0		<table style="width:100%; border-collapse: collapse;"> <tr><td>51: 9,8</td><td style="text-align: right;">↘</td></tr> <tr><td>52: 10,2*</td><td style="text-align: right;">↗</td></tr> <tr><td>53: 9,8</td><td style="text-align: right;">↘</td></tr> <tr><td>54: 10,2*</td><td style="text-align: right;">↗</td></tr> <tr><td>55: 10,0</td><td style="text-align: right;">↗</td></tr> <tr><td>56: 9,6</td><td style="text-align: right;">↗</td></tr> <tr><td>57: 9,9</td><td style="text-align: right;">↗</td></tr> <tr><td>58: 10,5*</td><td style="text-align: right;">→</td></tr> <tr><td>59: 9,9</td><td style="text-align: right;">→</td></tr> <tr><td>60: 10,4*</td><td style="text-align: right;">↗</td></tr> <tr><td colspan="2" style="border-top: 1px solid black;">Serie 95,0</td></tr> <tr><td colspan="2" style="border-top: 1px solid black;">Totalt 586,0</td></tr> </table>	51: 9,8	↘	52: 10,2*	↗	53: 9,8	↘	54: 10,2*	↗	55: 10,0	↗	56: 9,6	↗	57: 9,9	↗	58: 10,5*	→	59: 9,9	→	60: 10,4*	↗	Serie 95,0		Totalt 586,0	
41: 10,7*	↑																																																	
42: 9,7	→																																																	
43: 10,1	↗																																																	
44: 10,3*	↗																																																	
45: 10,8*	↗																																																	
46: 10,4*	←																																																	
47: 10,3*	→																																																	
48: 10,2*	↖																																																	
49: 9,8	↘																																																	
50: 10,7*	↗																																																	
Serie 98,0																																																		
Totalt 491,0																																																		
51: 9,8	↘																																																	
52: 10,2*	↗																																																	
53: 9,8	↘																																																	
54: 10,2*	↗																																																	
55: 10,0	↗																																																	
56: 9,6	↗																																																	
57: 9,9	↗																																																	
58: 10,5*	→																																																	
59: 9,9	→																																																	
60: 10,4*	↗																																																	
Serie 95,0																																																		
Totalt 586,0																																																		

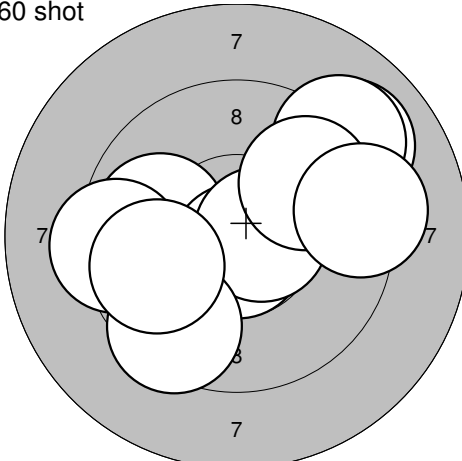
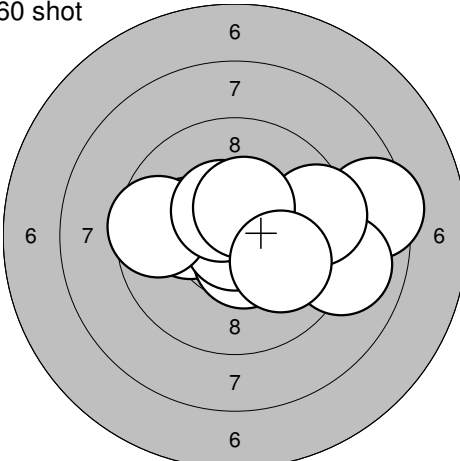
<p>Sight</p>  <p style="text-align: center;">6 7 8 7 6</p>	<p>1: 9,5 ← 2: 9,6 → 3: 8,7 → 4: 10,5* ↗ 5: 8,8 ↗ 6: 8,9 → 7: 10,4* ↗ 8: 9,4 ↗ 9: 9,7 ↑ 10: 8,7 ←</p> <p>Serie 88,0 Totalt 0,0</p>	<p>Sight</p>  <p style="text-align: center;">8 8</p> <p>11: 9,8 → 12: 10,2* → 13: 9,8 ← 14: 10,5* ↘ 15: 10,7* ← 16: 10,7* ↑</p> <p>Serie 58,0 Totalt 0,0</p>
--	--	--

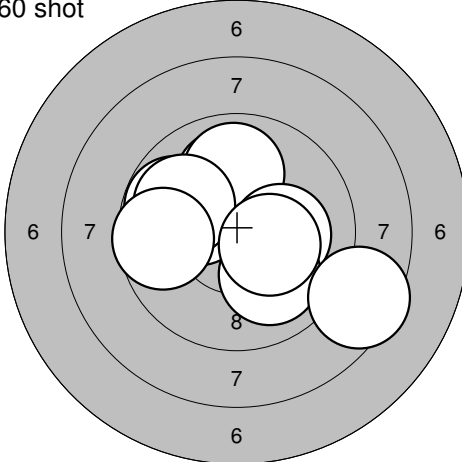
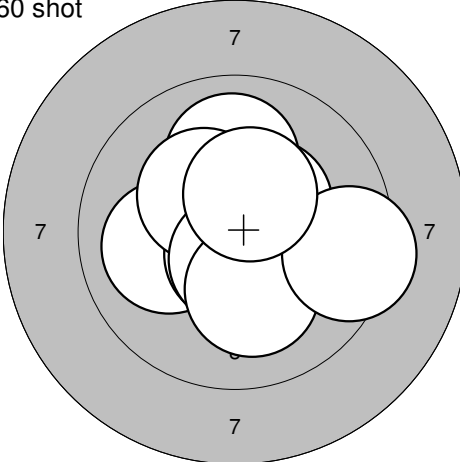
<p>60 shot</p>  <p style="text-align: center;">6 7 7 6</p>	<p>1: 8,7 ← 2: 10,0 ↓ 3: 10,2* ↑ 4: 9,7 ↗ 5: 9,4 → 6: 10,2* ↗ 7: 9,5 ↓ 8: 10,5* ↓ 9: 9,7 ← 10: 10,5* ↗</p> <p>Serie 94,0 Totalt 94,0</p>	<p>60 shot</p>  <p style="text-align: center;">7 7 7</p> <p>11: 10,3* ↑ 12: 10,5* → 13: 10,3* ↘ 14: 9,9 → 15: 8,9 ↓ 16: 10,0 ↑ 17: 10,5* ↓ 18: 9,9 ↓ 19: 9,8 ← 20: 9,5 →</p> <p>Serie 94,0 Totalt 188,0</p>
---	--	--

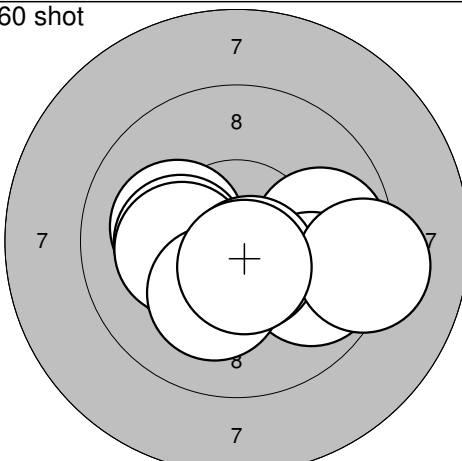
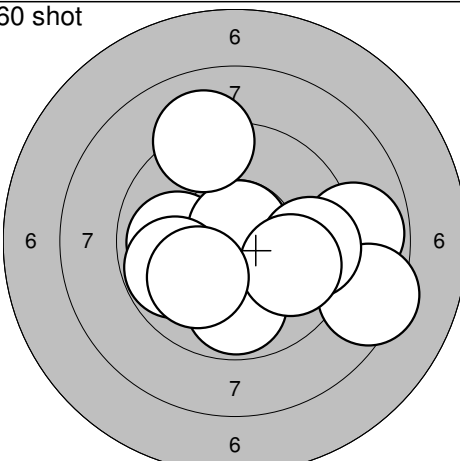
<p>60 shot</p>  <p style="text-align: center;">7 8 7 7</p>	<p>21: 8,8 ↘ 22: 10,1 ↓ 23: 9,3 ← 24: 10,3* ← 25: 10,5* ← 26: 10,1 ↓ 27: 10,3* ← 28: 10,3* ↓ 29: 10,3* → 30: 10,6* ↓</p> <p>Serie 97,0 Totalt 285,0</p>	<p>60 shot</p>  <p style="text-align: center;">7 8 7 7</p> <p>31: 10,3* ← 32: 10,0 ↓ 33: 10,4* → 34: 9,7 ↗ 35: 9,9 ↗ 36: 10,2* → 37: 10,0 ← 38: 10,3* ↓ 39: 10,6* ← 40: 9,6 →</p> <p>Serie 97,0 Totalt 382,0</p>
--	---	--

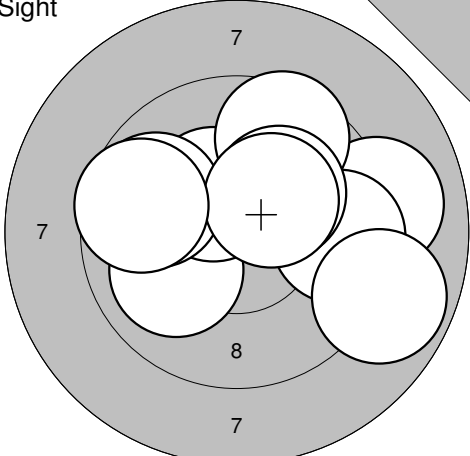
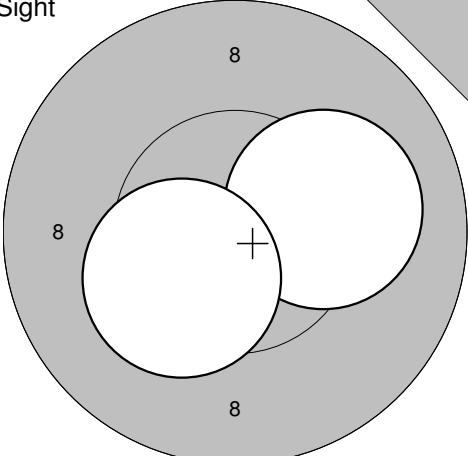
<p>60 shot</p>  <p style="text-align: center;">7 8 7 7</p>	<p>41: 10,1 ↗ 42: 10,3* ← 43: 9,0 → 44: 9,4 ↑ 45: 10,4* ← 46: 10,7* ↑ 47: 10,0 ↓ 48: 10,7* ← 49: 10,1 → 50: 9,2 ↘</p> <p>Serie 97,0 Totalt 479,0</p>	<p>60 shot</p>  <p style="text-align: center;">6 7 8 7 6</p> <p>51: 9,5 ↘ 52: 10,4* ↘ 53: 9,9 ↓ 54: 10,2* → 55: 10,7* ↗ 56: 9,3 ↗ 57: 10,1 ↘ 58: 9,8 ← 59: 9,7 → 60: 7,8 ↑</p> <p>Serie 92,0 Totalt 571,0</p>
--	--	---

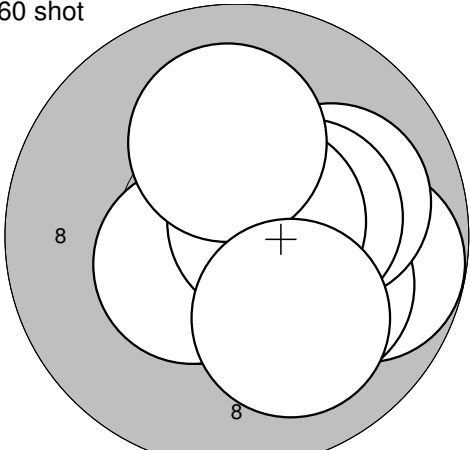
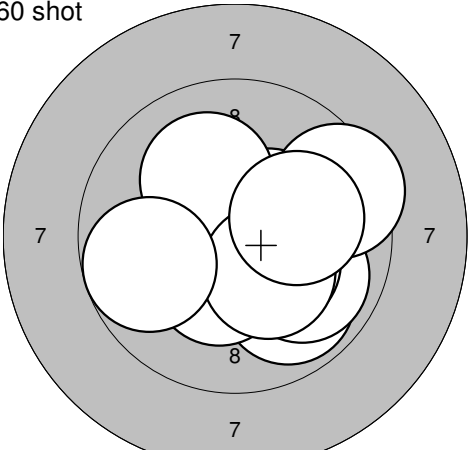
<p>Sight</p> 	<p>1: 10,3* ← 2: 9,8 ↓ 3: 9,1 ↓ 4: 9,2 ← 5: 8,6 → 6: 10,4* ↓ 7: 9,8 → 8: 9,0 ↑ 9: 10,2* ← 10: 10,5* ↓</p> <p>Serie 93,0 Totalt 0,0</p>	<p>Sight</p> 	<p>11: 9,8 ↗ 12: 9,8 ↗ 13: 10,0 ← 14: 10,6* ↖ 15: 9,7 ↑ 16: 10,1 ↗</p> <p>Serie 57,0 Totalt 0,0</p>
---	--	---	---

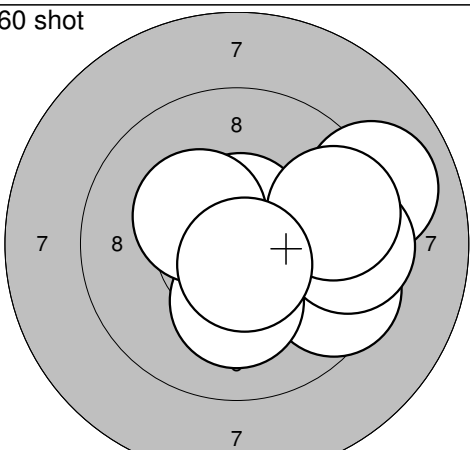
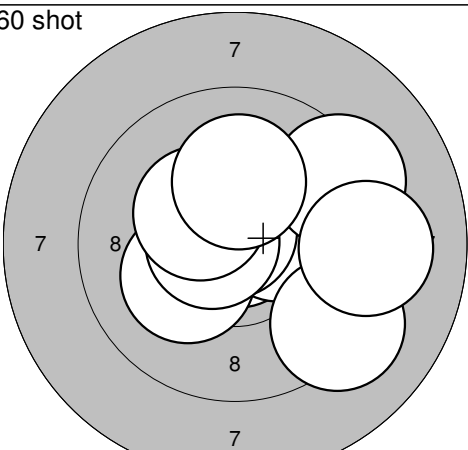
<p>60 shot</p> 	<p>1: 9,9 ← 2: 10,7* ↓ 3: 9,0 ↗ 4: 9,1 ↗ 5: 10,6* → 6: 9,8 ↗ 7: 9,3 ← 8: 9,3 → 9: 9,5 ↓ 10: 9,8 ←</p> <p>Serie 92,0 Totalt 92,0</p>	<p>60 shot</p> 	<p>11: 10,2* ← 12: 10,5* ↓ 13: 8,5 → 14: 9,0 → 15: 10,9* ↓ 16: 9,6 ← 17: 10,5* ↗ 18: 9,5 → 19: 10,4* ↑ 20: 10,0 ↘</p> <p>Serie 95,0 Totalt 187,0</p>
--	---	--	--

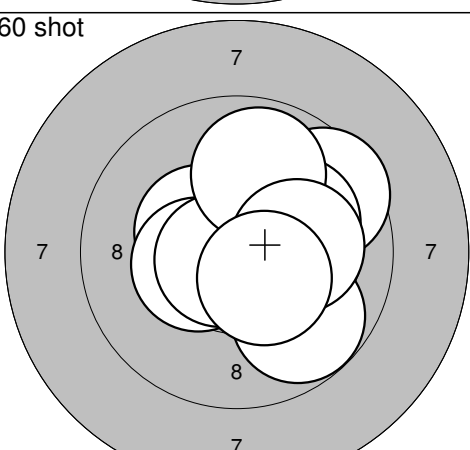
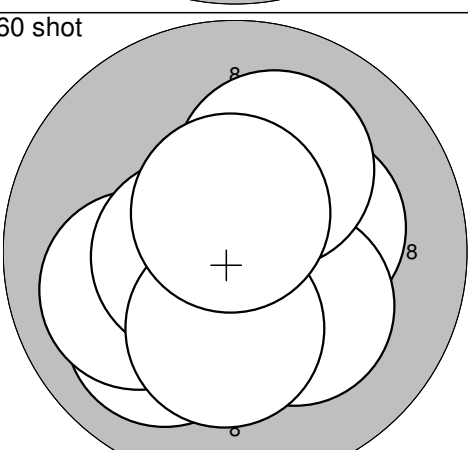
<p>60 shot</p> 	<p>21: 10,2* ↖ 22: 10,0 ↑ 23: 9,9 ↑ 24: 9,8 ↖ 25: 9,9 ↗ 26: 10,2* → 27: 10,0 ↓ 28: 10,3* ↘ 29: 8,5 ↘ 30: 9,7 ←</p> <p>Serie 94,0 Totalt 281,0</p>	<p>60 shot</p> 	<p>31: 10,4* ↗ 32: 10,8* → 33: 10,1 ← 34: 10,0 ↑ 35: 10,6* ↓ 36: 10,3* ↗ 37: 10,6* ↓ 38: 10,2* ↓ 39: 9,4 → 40: 10,4* ↗</p> <p>Serie 99,0 Totalt 380,0</p>
---	---	---	---

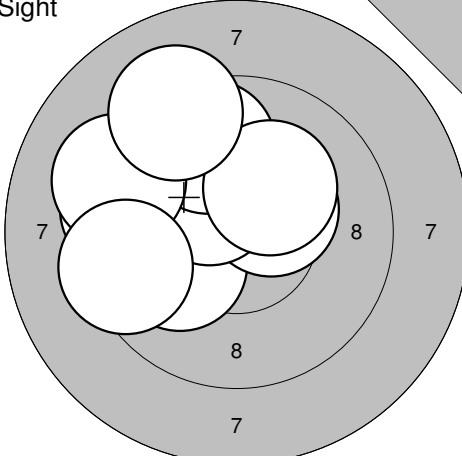
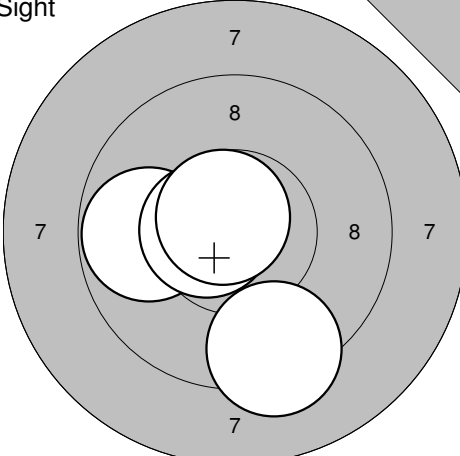
<p>60 shot</p> 	<p>41: 10,1 ← 42: 10,2* ← 43: 10,4* ↖ 44: 9,8 → 45: 10,2* ← 46: 9,8 ↘ 47: 10,6* ↓ 48: 9,2 → 49: 10,2* ↓ 50: 10,6* ↓</p> <p>Serie 97,0 Totalt 477,0</p>	<p>60 shot</p> 	<p>51: 9,9 ← 52: 8,8 → 53: 10,8* ↑ 54: 8,4 → 55: 9,6 → 56: 9,8 ← 57: 9,8 ↓ 58: 9,9 → 59: 10,0 ↖ 60: 9,1 ↑</p> <p>Serie 90,0 Totalt 567,0</p>
---	--	---	--

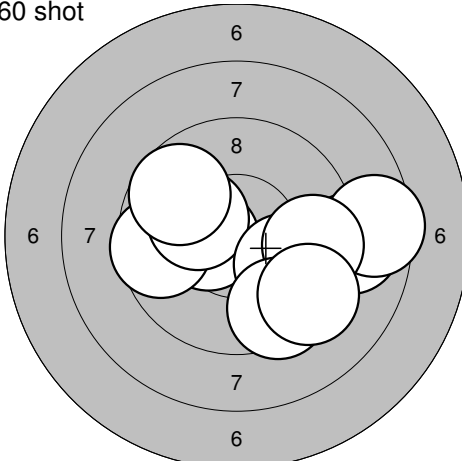
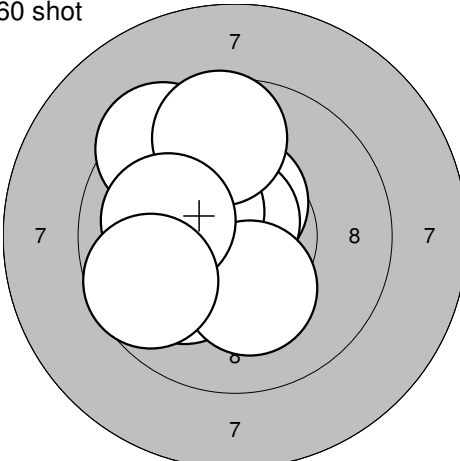
<p>Sight</p> 	<p>1: 9,0 → 2: 9,6 → 3: 8,9 → 4: 10,0 ↙ 5: 10,4* ↑ 6: 9,6 ↑ 7: 10,2* ↗ 8: 9,8 ↖ 9: 10,3* ↗ 10: 9,6 ↖</p> <p>Serie 93,0 Totalt 0,0</p>	<p>Sight</p> 	<p>11: 10,1 → 12: 10,3* ↙</p> <p>Serie 20,0 Totalt 0,0</p>
---	--	---	---

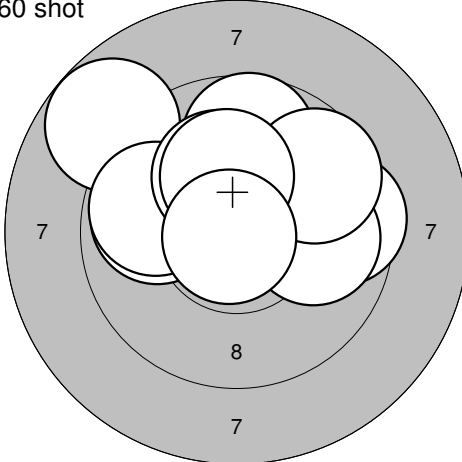
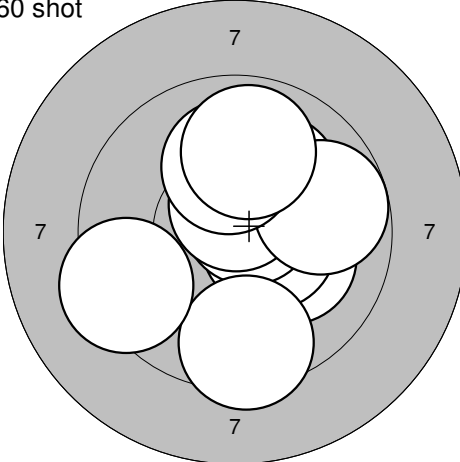
<p>60 shot</p> 	<p>1: 10,6* ↙ 2: 9,8 → 3: 10,1 ↘ 4: 10,3* → 5: 10,5* ↙ 6: 10,0 → 7: 10,3* → 8: 10,6* ↗ 9: 10,1 ↑ 10: 10,1 ↘</p> <p>Serie 99,0 Totalt 99,0</p>	<p>60 shot</p> 	<p>11: 10,4* ↗ 12: 9,9 ↘ 13: 9,9 ↘ 14: 10,3* ↘ 15: 10,3* ↘ 16: 9,5 → 17: 10,1 ↑ 18: 10,3* ↘ 19: 10,1 → 20: 9,8 ↖</p> <p>Serie 96,0 Totalt 195,0</p>
--	--	--	--

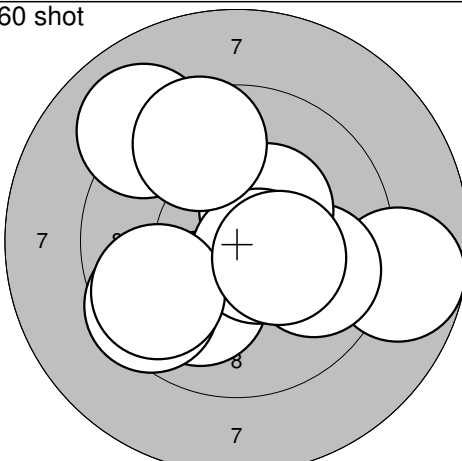
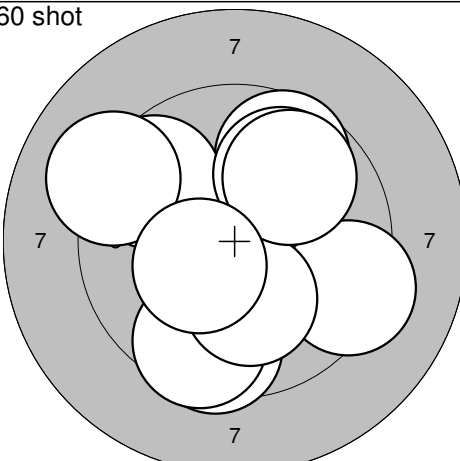
<p>60 shot</p> 	<p>21: 9,9 → 22: 9,0 → 23: 10,4* ↘ 24: 10,6* ↑ 25: 9,5 ↘ 26: 9,5 → 27: 9,6 → 28: 10,2* ↘ 29: 10,3* ↗ 30: 10,7* ↘</p> <p>Serie 95,0 Totalt 290,0</p>	<p>60 shot</p> 	<p>31: 10,9* ↗ 32: 10,3* → 33: 9,2 ↘ 34: 10,2* ↙ 35: 10,8* ↑ 36: 9,3 ↗ 37: 10,7* ↖ 38: 10,3* ↖ 39: 10,1 ↑ 40: 9,2 →</p> <p>Serie 97,0 Totalt 387,0</p>
---	--	---	---

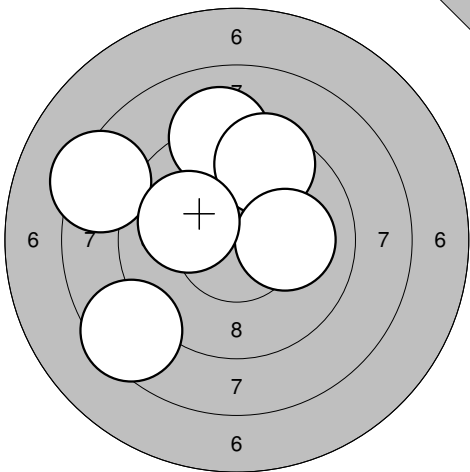
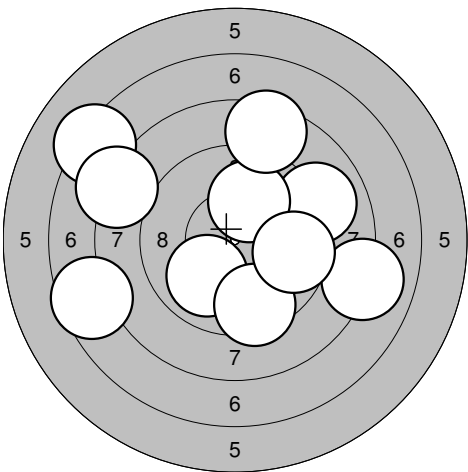
<p>60 shot</p> 	<p>41: 10,2* → 42: 9,8 ↘ 43: 10,4* ↗ 44: 9,6 ↗ 45: 10,1 ↗ 46: 10,4* ↖ 47: 10,7* ↖ 48: 9,9 ↑ 49: 10,1 → 50: 10,4* ↘</p> <p>Serie 97,0 Totalt 484,0</p>	<p>60 shot</p> 	<p>51: 10,8* ↖ 52: 10,6* ↖ 53: 10,3* → 54: 10,0 ↘ 55: 10,0 ↖ 56: 10,2* ↘ 57: 10,1 ↑ 58: 10,5* ↖ 59: 10,3* ↘ 60: 10,6* ↑</p> <p>Serie 100,0 Totalt 584,0</p>
---	--	---	--

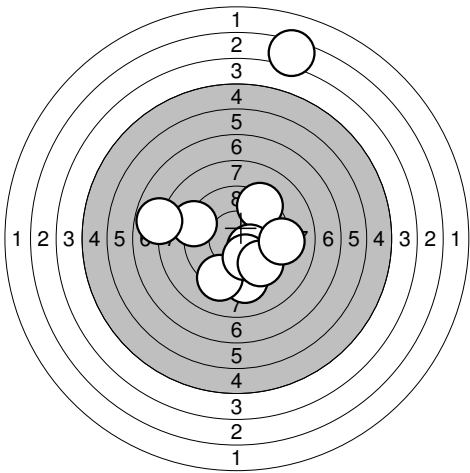
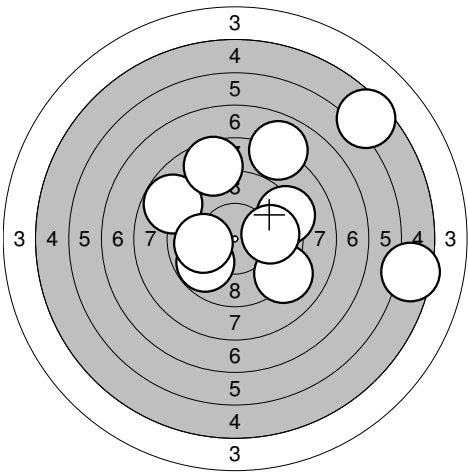
<p>Sight</p> 	<p>1: 10,1 ← 2: 10,4* ↗ 3: 9,5 ← 4: 9,6 ↖ 5: 10,4* ↗ 6: 9,8 ↗ 7: 10,2* ↗ 8: 9,2 ↖ 9: 9,4 ← 10: 9,2 ↗</p> <p>Serie 94,0 Totalt 0,0</p>	<p>Sight</p> 	<p>11: 9,8 ← 12: 10,6* ← 13: 9,3 ↓ 14: 10,7* ↗</p> <p>Serie 38,0 Totalt 0,0</p>
---	--	---	--

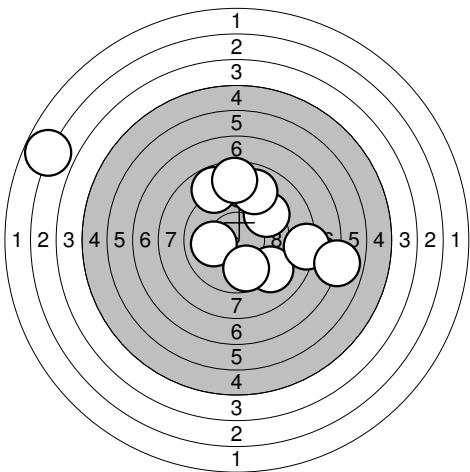
<p>60 shot</p> 	<p>1: 8,9 → 2: 10,4* ← 3: 9,6 ← 4: 10,2* ↖ 5: 8,5 → 6: 10,0 ↓ 7: 9,7 ↗ 8: 9,6 → 9: 9,5 ↓ 10: 9,3 ↓</p> <p>Serie 91,0 Totalt 91,0</p>	<p>60 shot</p> 	<p>11: 9,7 ↗ 12: 10,5* ↑ 13: 9,5 ↗ 14: 10,8* ↑ 15: 10,4* ↗ 16: 9,6 ↑ 17: 10,1 ↖ 18: 10,2* ↓ 19: 10,0 ← 20: 9,7 ↖</p> <p>Serie 96,0 Totalt 187,0</p>
--	---	--	--

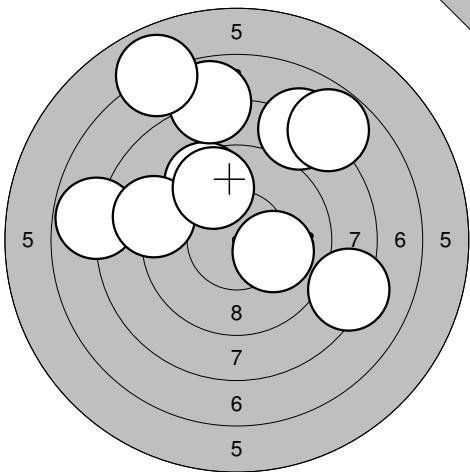
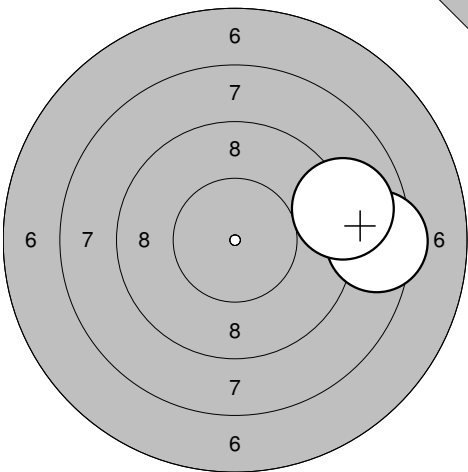
<p>60 shot</p> 	<p>21: 9,6 → 22: 8,8 ↗ 23: 9,7 ↑ 24: 9,9 → 25: 9,9 ← 26: 9,8 ← 27: 10,2* ↑ 28: 9,7 ↗ 29: 10,2* ↑ 30: 10,8* ↖</p> <p>Serie 92,0 Totalt 279,0</p>	<p>60 shot</p> 	<p>31: 10,1 ↗ 32: 10,2* ➡ 33: 10,5* ➡ 34: 10,7* ↗ 35: 10,6* ↑ 36: 9,5 ↓ 37: 9,8 ➡ 38: 10,1 ↑ 39: 9,9 ↑ 40: 9,3 ↖</p> <p>Serie 96,0 Totalt 375,0</p>
---	--	---	--

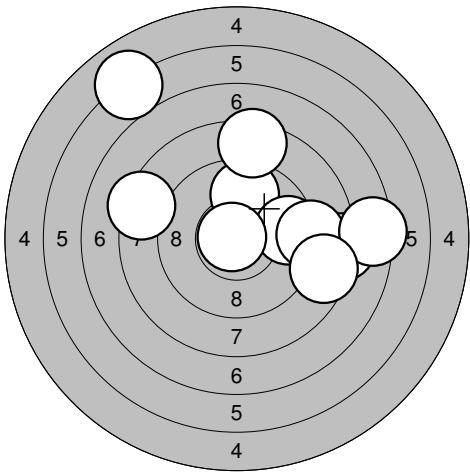
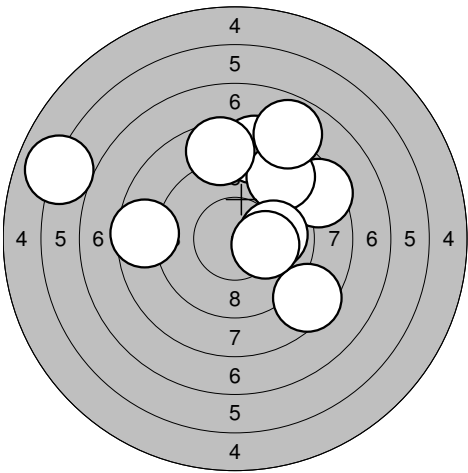
<p>60 shot</p> 	<p>41: 8,8 → 42: 9,8 ➡ 43: 10,0 ↓ 44: 10,4* ↗ 45: 10,6* ↓ 46: 9,0 ↗ 47: 9,5 ↖ 48: 9,7 ↖ 49: 10,3* ➡ 50: 9,6 ↗</p> <p>Serie 93,0 Totalt 468,0</p>	<p>60 shot</p> 	<p>51: 9,7 ↗ 52: 9,5 ↓ 53: 9,5 ↓ 54: 9,3 ➡ 55: 10,2* ↓ 56: 9,6 ↗ 57: 9,9 ↗ 58: 9,1 ↖ 59: 9,8 ↗ 60: 10,4* ↖</p> <p>Serie 92,0 Totalt 560,0</p>
---	---	---	--

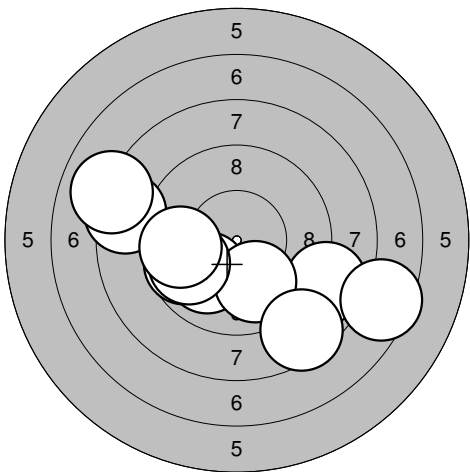
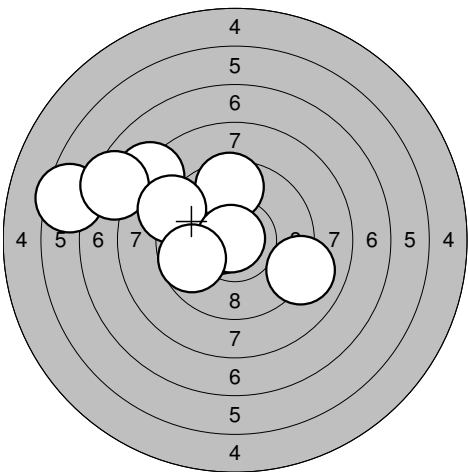
<p>Sight</p> 	<p>60 shot</p> <p>1: 9,1 ↗ 2: 9,5 ↗ 3: 8,5 ↙ 4: 10,1 → 5: 8,3 ↗ 6: 10,0 ↖</p> <p>Serie 54,0 Totalt 0,0</p>	<p>60 shot</p>  <p>1: 7,2 ↖ 2: 7,6 ↙ 3: 9,0 ↗ 4: 10,0 ↗ 5: 8,1 ↖ 6: 8,0 → 7: 10,0 ↙ 8: 8,5 ↗ 9: 9,5 ↘ 10: 9,6 →</p> <p>Serie 85,0 Totalt 85,0</p>
---	--	---

<p>60 shot</p> 	<p>60 shot</p> <p>11: 9,2 ↖ 12: 9,3 ↘ 13: 3,4 ↗ 14: 7,9 ↖ 15: 9,4 ↗ 16: 10,3* ↘ 17: 9,3 ↘ 18: 10,1 ↘ 19: 9,6 ↘ 20: 9,2 →</p> <p>Serie 84,0 Totalt 169,0</p>	<p>60 shot</p>  <p>21: 5,5 ↗ 22: 9,1 ↘ 23: 9,2 ↗ 24: 9,8 ↙ 25: 8,8 ↖ 26: 5,5 → 27: 9,9 → 28: 8,7 ↗ 29: 8,0 ↗ 30: 10,0 ↖</p> <p>Serie 80,0 Totalt 249,0</p>
--	---	---

<p>60 shot</p> 	<p>31: 9,4 ↗ 32: 8,8 ↗ 33: 9,2 ↘ 34: 8,2 → 35: 8,9 ↗ 36: 8,6 ↗ 37: 10,0 ↖ 38: 6,9 → 39: 9,8 ↘ 40: 2,8 ↖</p> <p>Serie 77,0 Totalt 326,0</p>	
---	--	--

<p>Sight</p> 	<p>1: 9,5 ↗ 2: 7,9 ↑ 3: 10,1 → 4: 7,8 ← 5: 6,9 ↑ 6: 8,2 ↗ 7: 8,2 → 8: 9,1 ← 9: 9,7 ↑ 10: 7,8 ↗</p> <table border="1" style="width:100%; border-collapse: collapse;"> <tr><td style="text-align:right;">Serie</td><td style="text-align:left;">80,0</td></tr> <tr><td style="text-align:right;">Totalt</td><td style="text-align:left;">0,0</td></tr> </table>	Serie	80,0	Totalt	0,0	<p>Sight</p> 	<p>11: 8,4 → 12: 9,0 →</p> <table border="1" style="width:100%; border-collapse: collapse;"> <tr><td style="text-align:right;">Serie</td><td style="text-align:left;">17,0</td></tr> <tr><td style="text-align:right;">Totalt</td><td style="text-align:left;">0,0</td></tr> </table>	Serie	17,0	Totalt	0,0
Serie	80,0										
Totalt	0,0										
Serie	17,0										
Totalt	0,0										

<p>60 shot</p> 	<p>1: 9,8 ↑ 2: 9,6 → 3: 6,0 ↗ 4: 8,4 ↑ 5: 8,2 → 6: 9,0 → 7: 10,8* ← 8: 7,4 → 9: 8,3 ← 10: 8,5 →</p> <table border="1" style="width:100%; border-collapse: collapse;"> <tr><td style="text-align:right;">Serie</td><td style="text-align:left;">82,0</td></tr> <tr><td style="text-align:right;">Totalt</td><td style="text-align:left;">82,0</td></tr> </table>	Serie	82,0	Totalt	82,0	<p>60 shot</p> 	<p>11: 8,4 ↗ 12: 8,6 ← 13: 8,6 ↑ 14: 8,9 ↗ 15: 8,6 ↑ 16: 7,9 ↗ 17: 9,9 → 18: 8,5 ↘ 19: 6,0 ← 20: 10,1 →</p> <table border="1" style="width:100%; border-collapse: collapse;"> <tr><td style="text-align:right;">Serie</td><td style="text-align:left;">80,0</td></tr> <tr><td style="text-align:right;">Totalt</td><td style="text-align:left;">162,0</td></tr> </table>	Serie	80,0	Totalt	162,0
Serie	82,0										
Totalt	82,0										
Serie	80,0										
Totalt	162,0										

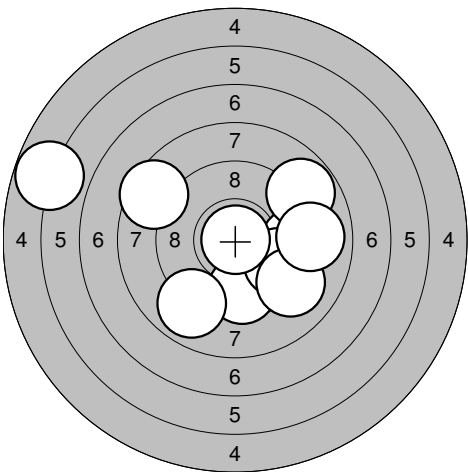
<p>60 shot</p> 	<p>21: 8,8 → 22: 9,7 ← 23: 10,0 ↘ 24: 9,9 ↘ 25: 7,5 → 26: 8,4 ← 27: 8,0 ← 28: 9,8 ← 29: 9,7 ← 30: 8,5 ↘</p> <table border="1" style="width:100%; border-collapse: collapse;"> <tr><td style="text-align:right;">Serie</td><td style="text-align:left;">85,0</td></tr> <tr><td style="text-align:right;">Totalt</td><td style="text-align:left;">247,0</td></tr> </table>	Serie	85,0	Totalt	247,0	<p>60 shot</p> 	<p>31: 8,2 ↗ 32: 10,5* ← 33: 6,5 ← 34: 7,5 ← 35: 10,7* ← 36: 9,6 ↑ 37: 9,1 ← 38: 9,1 → 39: 10,8* ← 40: 9,7 ←</p> <table border="1" style="width:100%; border-collapse: collapse;"> <tr><td style="text-align:right;">Serie</td><td style="text-align:left;">87,0</td></tr> <tr><td style="text-align:right;">Totalt</td><td style="text-align:left;">334,0</td></tr> </table>	Serie	87,0	Totalt	334,0
Serie	85,0										
Totalt	247,0										
Serie	87,0										
Totalt	334,0										

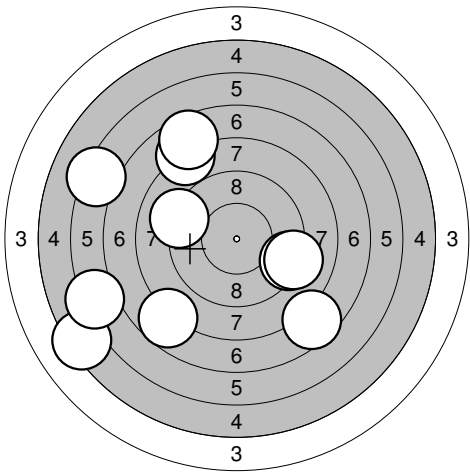
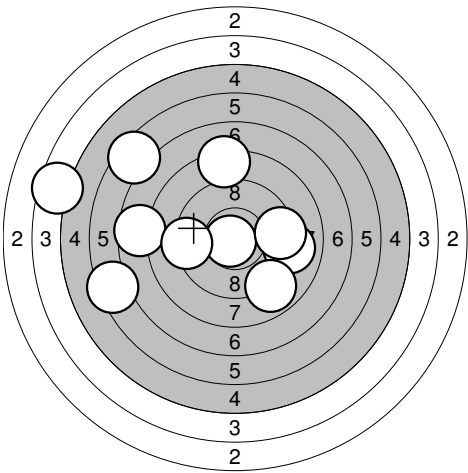
<p>Sight</p>	<p>1: 7,5 →</p> <p>2: 2,3 ↖</p> <p>3: 10,1 ↓</p> <p>4: 9,8 ↓</p> <p>5: 7,7 ←</p> <p>6: 9,2 ↙</p> <p>7: 7,3 ←</p> <p>8: 6,4 ←</p> <p>9: 8,6 ←</p> <p>10: 8,5 ↗</p> <p>Serie 73,0</p> <p>Totalt 0,0</p>	<p>Sight</p>	<p>11: 7,5 ←</p> <p>12: 10,0 ←</p> <p>13: 10,0 ↗</p> <p>14: 10,4* →</p> <p>15: 8,0 ←</p> <p>Serie 45,0</p> <p>Totalt 0,0</p>
---------------------	---	---------------------	--

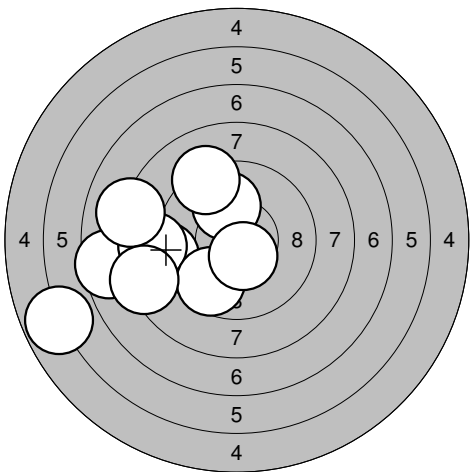
<p>60 shot</p>	<p>1: 10,5* ↗</p> <p>2: 10,4* ↘</p> <p>3: 8,3 →</p> <p>4: 10,0 ←</p> <p>5: 7,8 ↖</p> <p>6: 9,6 ←</p> <p>7: 9,6 ←</p> <p>8: 6,5 ↖</p> <p>9: 8,7 ↑</p> <p>10: 9,1 ↖</p> <p>Serie 86,0</p> <p>Totalt 86,0</p>	<p>60 shot</p>	<p>11: 9,5 ←</p> <p>12: 7,4 →</p> <p>13: 8,4 ↓</p> <p>14: 8,9 ↗</p> <p>15: 8,2 ↑</p> <p>16: 7,4 ←</p> <p>17: 7,7 →</p> <p>18: 9,9 ↓</p> <p>19: 10,8* ←</p> <p>20: 6,7 →</p> <p>Serie 79,0</p> <p>Totalt 165,0</p>
-----------------------	--	-----------------------	---

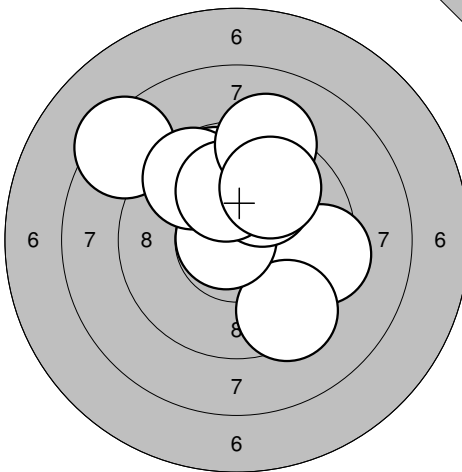
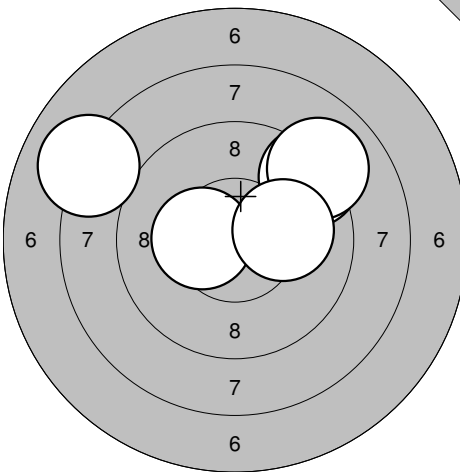
<p>60 shot</p>	<p>21: 7,9 ↖</p> <p>22: 8,6 ↓</p> <p>23: 7,7 ←</p> <p>24: 8,1 ↗</p> <p>25: 9,7 →</p> <p>26: 9,8 →</p> <p>27: 10,3* ↗</p> <p>28: 8,1 ↗</p> <p>29: 7,8 ←</p> <p>30: 7,8 ↓</p> <p>Serie 80,0</p> <p>Totalt 245,0</p>	<p>60 shot</p>	<p>31: 9,2 ↗</p> <p>32: 8,0 ←</p> <p>33: 8,7 ↑</p> <p>34: 7,6 ↗</p> <p>35: 10,0 ↑</p> <p>36: 9,5 ↑</p> <p>37: 8,8 →</p> <p>38: 9,8 →</p> <p>39: 9,7 ↗</p> <p>40: 8,9 →</p> <p>Serie 85,0</p> <p>Totalt 330,0</p>
-----------------------	---	-----------------------	--

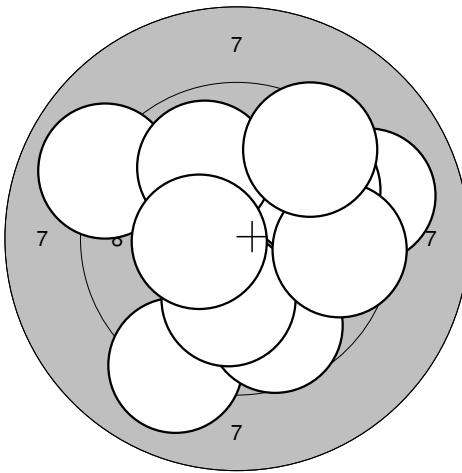
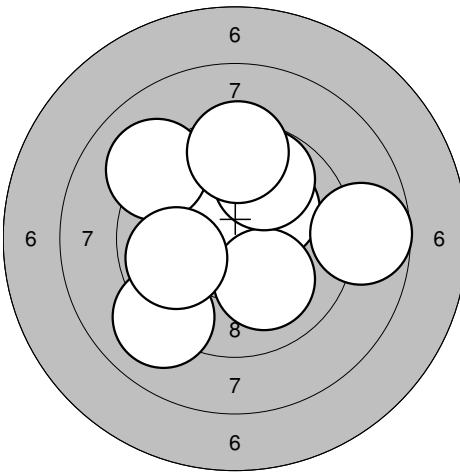
<p>60 shot</p>	<p>41: 10,7* →</p> <p>42: 7,7 ↑</p> <p>43: 9,4 →</p> <p>44: 8,0 ↗</p> <p>45: 9,0 ↗</p> <p>46: 9,5 ↗</p> <p>47: 9,1 ↗</p> <p>48: 8,8 ↗</p> <p>49: 8,8 ↓</p> <p>50: 10,7* →</p> <p>Serie 87,0</p> <p>Totalt 417,0</p>	<p>60 shot</p>	<p>51: 10,1 →</p> <p>52: 8,1 ↘</p> <p>53: 8,6 ↗</p> <p>54: 9,4 ←</p> <p>55: 9,9 ↖</p> <p>56: 7,9 ↑</p> <p>57: 9,5 ↗</p> <p>58: 8,3 ←</p> <p>59: 7,2 ↑</p> <p>60: 6,9 →</p> <p>Serie 81,0</p> <p>Totalt 498,0</p>
-----------------------	---	-----------------------	--

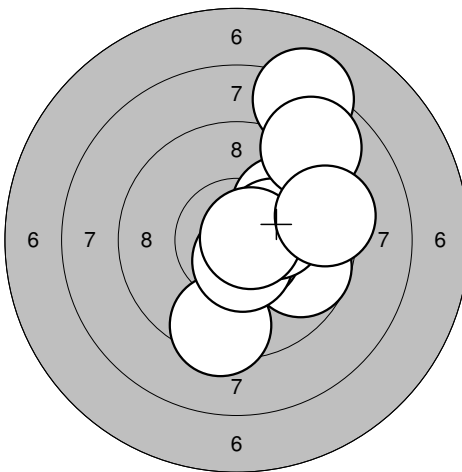
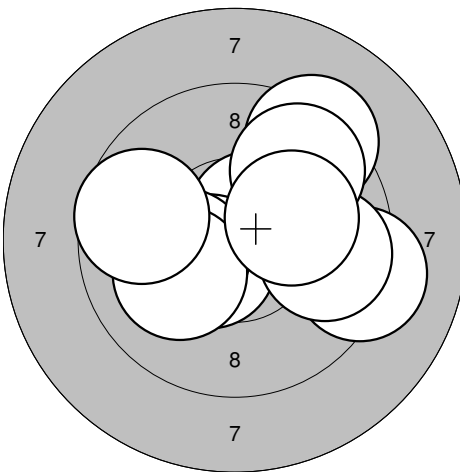
<p>Sight</p> 	<p>60 shot</p> 	
Serie 47,0	Serie 84,0	
Totalt 0,0	Totalt 84,0	

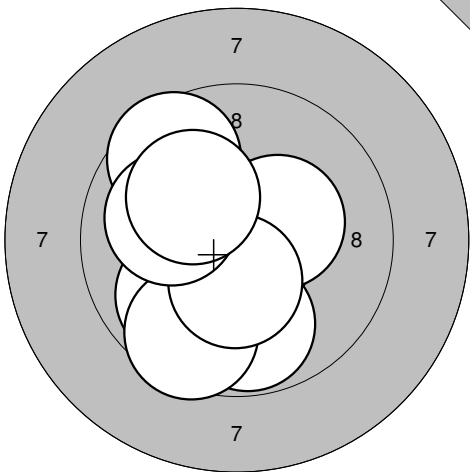
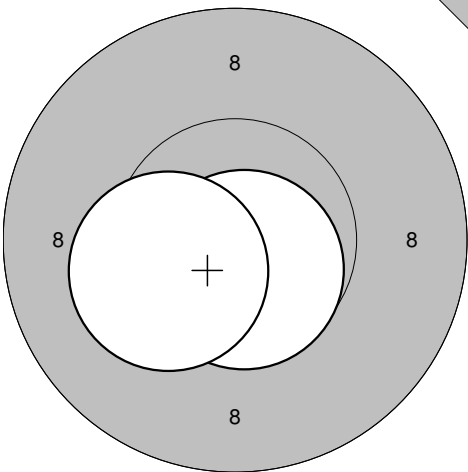
<p>60 shot</p> 	<p>60 shot</p> 	
Serie 73,0	Serie 76,0	
Totalt 157,0	Totalt 233,0	

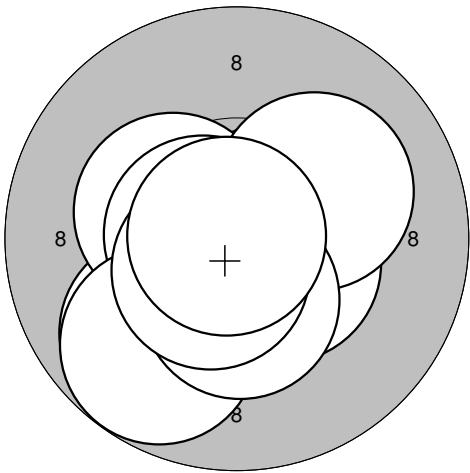
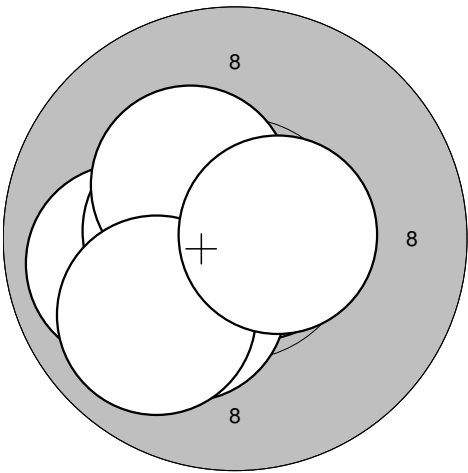
<p>60 shot</p> 		
Serie 83,0		
Totalt 316,0		

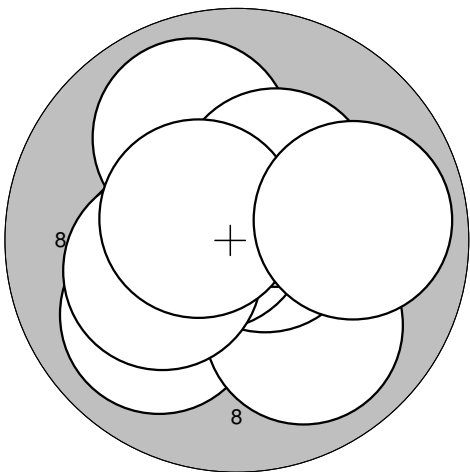
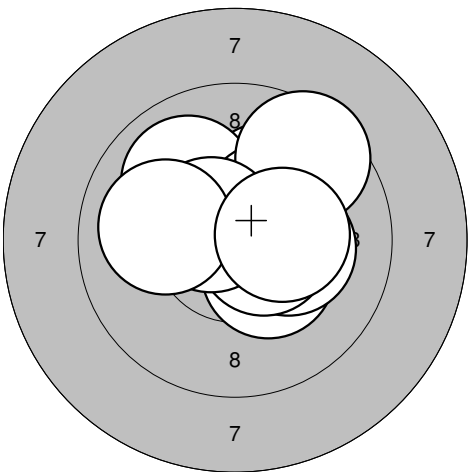
<p>Sight</p> 	<p>1: 9,8 ↗ 2: 9,4 → 3: 9,4 ↓ 4: 10,8* ← 5: 8,4 ↗ 6: 10,1 ↗ 7: 9,6 ↗ 8: 10,1 ↗ 9: 9,2 ↗ 10: 9,8 ↗</p> <table border="1" style="width:100%; border-collapse: collapse;"> <tr><td style="text-align: right;">Serie</td><td style="text-align: right;">92,0</td></tr> <tr><td style="text-align: right;">Totalt</td><td style="text-align: right;">0,0</td></tr> </table>	Serie	92,0	Totalt	0,0	<p>Sight</p> 	<p>11: 8,1 ↖ 12: 9,2 ↗ 13: 9,0 ↗ 14: 10,4* ← 15: 10,1 →</p> <table border="1" style="width:100%; border-collapse: collapse;"> <tr><td style="text-align: right;">Serie</td><td style="text-align: right;">46,0</td></tr> <tr><td style="text-align: right;">Totalt</td><td style="text-align: right;">0,0</td></tr> </table>	Serie	46,0	Totalt	0,0
Serie	92,0										
Totalt	0,0										
Serie	46,0										
Totalt	0,0										

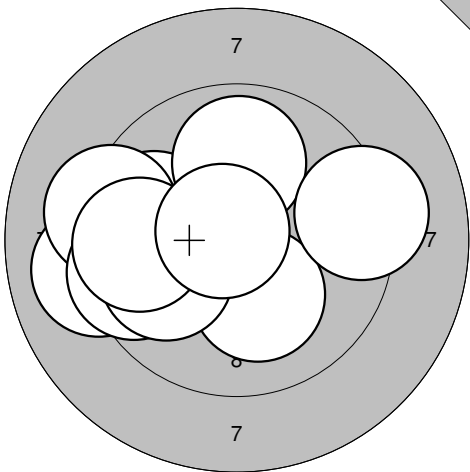
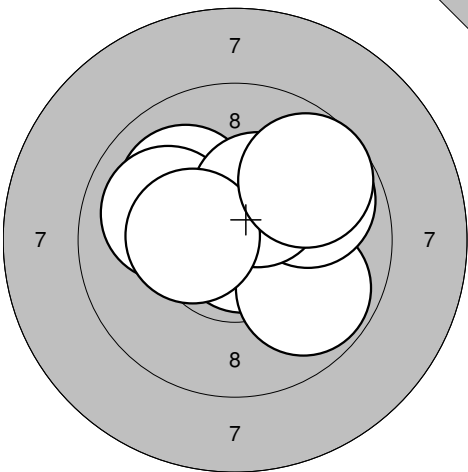
<p>60 shot</p> 	<p>1: 9,1 ↓ 2: 9,0 ↖ 3: 9,1 → 4: 9,7 ↗ 5: 9,7 ↓ 6: 10,1 ↓ 7: 9,9 ↗ 8: 9,6 → 9: 10,5* ← 10: 9,4 ↗</p> <table border="1" style="width:100%; border-collapse: collapse;"> <tr><td style="text-align: right;">Serie</td><td style="text-align: right;">92,0</td></tr> <tr><td style="text-align: right;">Totalt</td><td style="text-align: right;">92,0</td></tr> </table>	Serie	92,0	Totalt	92,0	<p>60 shot</p> 	<p>11: 9,8 ↑ 12: 9,1 ↖ 13: 10,2* ↗ 14: 10,4* ↗ 15: 10,1 ↓ 16: 9,1 ↗ 17: 9,9 ← 18: 9,8 ↗ 19: 8,7 → 20: 9,4 ↑</p> <table border="1" style="width:100%; border-collapse: collapse;"> <tr><td style="text-align: right;">Serie</td><td style="text-align: right;">92,0</td></tr> <tr><td style="text-align: right;">Totalt</td><td style="text-align: right;">184,0</td></tr> </table>	Serie	92,0	Totalt	184,0
Serie	92,0										
Totalt	92,0										
Serie	92,0										
Totalt	184,0										

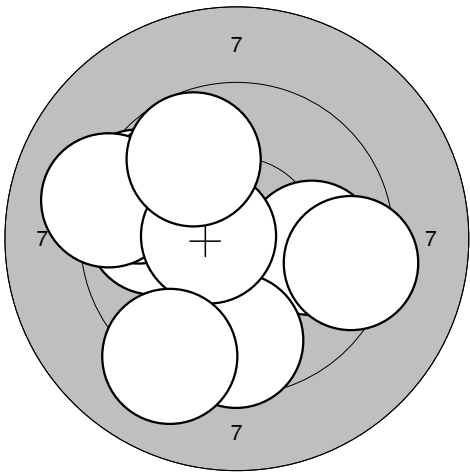
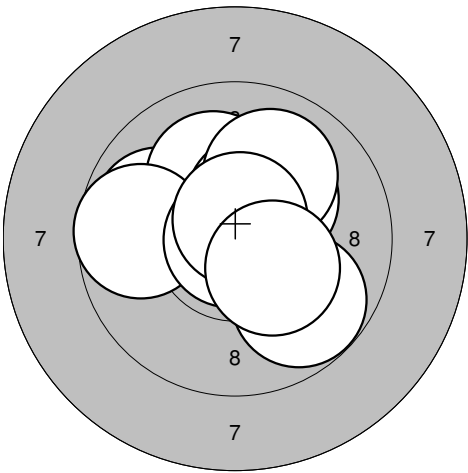
<p>60 shot</p> 	<p>21: 9,7 → 22: 8,2 ↗ 23: 9,4 ↓ 24: 10,6* ↓ 25: 10,6* ↓ 26: 9,9 ↗ 27: 10,3* → 28: 10,7* → 29: 8,9 ↗ 30: 9,3 →</p> <table border="1" style="width:100%; border-collapse: collapse;"> <tr><td style="text-align: right;">Serie</td><td style="text-align: right;">92,0</td></tr> <tr><td style="text-align: right;">Totalt</td><td style="text-align: right;">276,0</td></tr> </table>	Serie	92,0	Totalt	276,0	<p>60 shot</p> 	<p>31: 10,6* ↗ 32: 10,5* ↖ 33: 9,3 ↗ 34: 10,2* ← 35: 10,1 ← 36: 9,2 → 37: 9,7 → 38: 9,7 ← 39: 9,7 ↗ 40: 10,1 →</p> <table border="1" style="width:100%; border-collapse: collapse;"> <tr><td style="text-align: right;">Serie</td><td style="text-align: right;">95,0</td></tr> <tr><td style="text-align: right;">Totalt</td><td style="text-align: right;">371,0</td></tr> </table>	Serie	95,0	Totalt	371,0
Serie	92,0										
Totalt	276,0										
Serie	95,0										
Totalt	371,0										

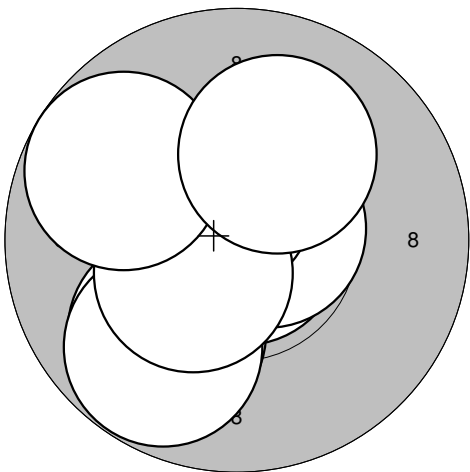
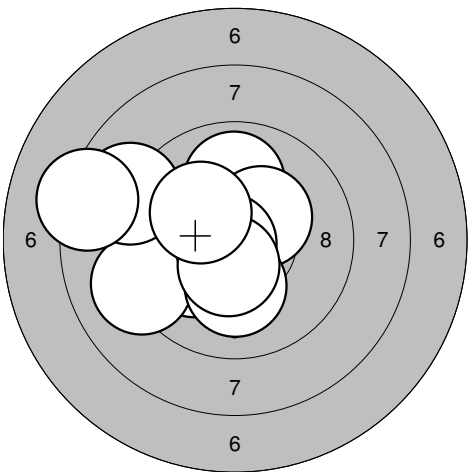
<p>Sight</p> 	<p>1: 9,8 ↓ 2: 10,1 ↙ 3: 10,7* ↗ 4: 9,9 ↙ 5: 10,3* ↗ 6: 9,6 ↙ 7: 9,6 ↗ 8: 10,4* ↓ 9: 10,0 ← 10: 10,1 ↗</p> <table border="1" style="width:100%; border-collapse: collapse;"> <tr><td>Serie</td><td style="text-align: right;">96,0</td></tr> <tr><td>Totalt</td><td style="text-align: right;">0,0</td></tr> </table>	Serie	96,0	Totalt	0,0	<p>Sight</p>  <p>11: 10,7* ↓ 12: 10,3* ↙</p> <table border="1" style="width:100%; border-collapse: collapse;"> <tr><td>Serie</td><td style="text-align: right;">20,0</td></tr> <tr><td>Totalt</td><td style="text-align: right;">0,0</td></tr> </table>	Serie	20,0	Totalt	0,0
Serie	96,0									
Totalt	0,0									
Serie	20,0									
Totalt	0,0									

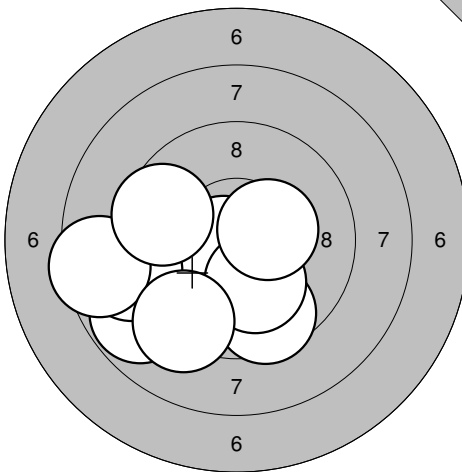
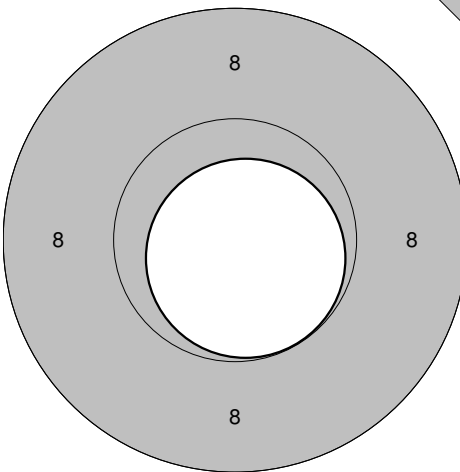
<p>60 shot</p> 	<p>1: 10,6* ↗ 2: 9,8 ↙ 3: 10,3* ↙ 4: 10,6* ← 5: 10,5* ↗ 6: 9,8 ↙ 7: 10,1 ↗ 8: 10,4* ↓ 9: 10,6* ↙ 10: 10,9* ←</p> <table border="1" style="width:100%; border-collapse: collapse;"> <tr><td>Serie</td><td style="text-align: right;">98,0</td></tr> <tr><td>Totalt</td><td style="text-align: right;">98,0</td></tr> </table>	Serie	98,0	Totalt	98,0	<p>60 shot</p>  <p>11: 10,4* ↙ 12: 10,7* → 13: 10,9* ↗ 14: 10,2* ↙ 15: 9,9 ← 16: 10,5* ← 17: 10,5* ↗ 18: 10,3* ↗ 19: 10,0 ↙ 20: 10,6* →</p> <table border="1" style="width:100%; border-collapse: collapse;"> <tr><td>Serie</td><td style="text-align: right;">99,0</td></tr> <tr><td>Totalt</td><td style="text-align: right;">197,0</td></tr> </table>	Serie	99,0	Totalt	197,0
Serie	98,0									
Totalt	98,0									
Serie	99,0									
Totalt	197,0									

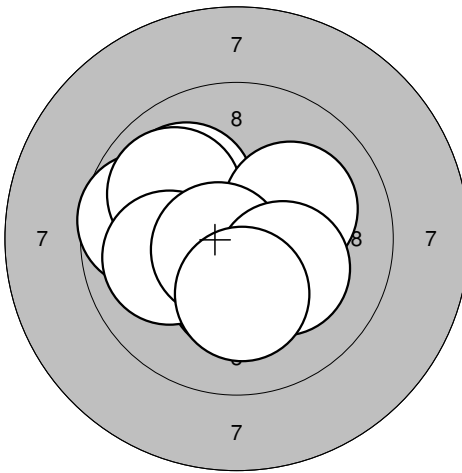
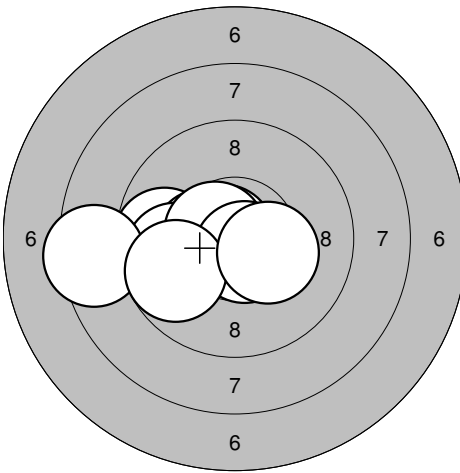
<p>60 shot</p> 	<p>21: 10,3* ← 22: 10,0 ↙ 23: 10,0 ↓ 24: 9,9 ↗ 25: 10,7* → 26: 10,7* ← 27: 10,4* ↗ 28: 10,2* ← 29: 10,6* ↗ 30: 9,9 →</p> <table border="1" style="width:100%; border-collapse: collapse;"> <tr><td>Serie</td><td style="text-align: right;">98,0</td></tr> <tr><td>Totalt</td><td style="text-align: right;">295,0</td></tr> </table>	Serie	98,0	Totalt	295,0	<p>60 shot</p>  <p>31: 10,3* ↓ 32: 10,2* → 33: 10,2* ↗ 34: 10,0 ↗ 35: 10,3* ↗ 36: 10,5* → 37: 9,5 ↗ 38: 10,6* ↙ 39: 10,0 ← 40: 10,3* →</p> <table border="1" style="width:100%; border-collapse: collapse;"> <tr><td>Serie</td><td style="text-align: right;">99,0</td></tr> <tr><td>Totalt</td><td style="text-align: right;">394,0</td></tr> </table>	Serie	99,0	Totalt	394,0
Serie	98,0									
Totalt	295,0									
Serie	99,0									
Totalt	394,0									

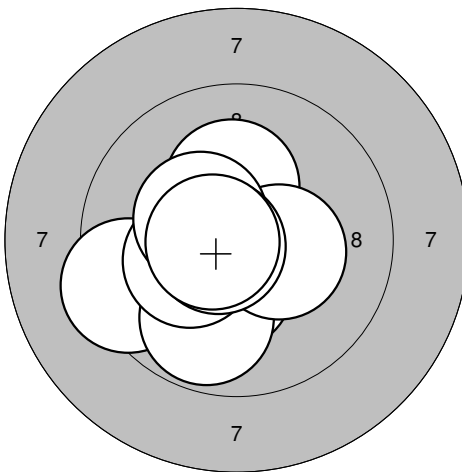
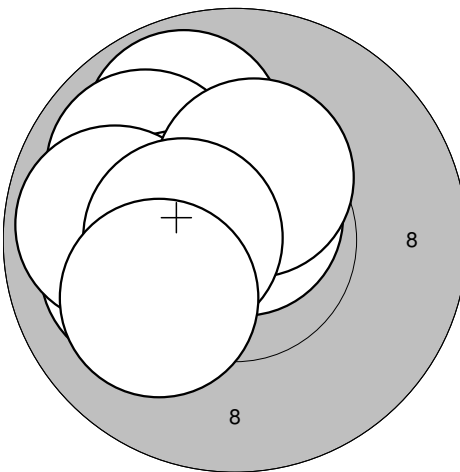
Sight 	1: 10,2* ↓	Sight 	11: 10,0 ↖
	2: 9,1 ←		12: 10,8* ↘
	3: 9,8 ←		13: 9,8 ↘
	4: 9,9 ↑		14: 9,8 ↗
	5: 9,2 ←		15: 10,0 ←
	6: 9,5 ←		16: 10,3* ↗
	7: 9,9 ←		17: 10,4* ←
	8: 9,7 ←		18: 9,7 ↗
	9: 10,7* ↗		
	10: 9,2 →		
	Serie 92,0		Serie 77,0
	Totalt 0,0		Totalt 0,0

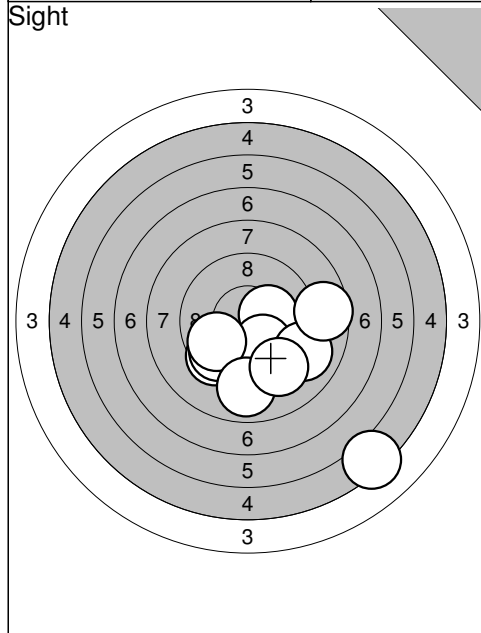
60 shot 	1: 9,8 ←	60 shot 	11: 9,9 ←
	2: 9,9 →		12: 10,2* ↗
	3: 9,5 ↗		13: 10,1 ↗
	4: 9,6 ↓		14: 10,4* ↗
	5: 9,9 ↗		15: 9,8 ↘
	6: 9,2 ↗		16: 9,7 ←
	7: 9,4 →		17: 10,9* ←
	8: 10,6* ←		18: 10,0 ↗
	9: 9,1 ↓		19: 10,7* ↗
	10: 9,8 ↗		20: 10,3* ↘
	Serie 91,0		Serie 97,0
	Totalt 91,0		Totalt 188,0

60 shot 	21: 9,9 ↓	60 shot 	31: 10,1 ↖
	22: 10,9* ↘		32: 9,9 ↑
	23: 10,5* ↗		33: 9,1 ←
	24: 9,8 ↓		34: 10,3* ↗
	25: 10,6* ↗		35: 10,8* ←
	26: 10,7* →		36: 10,1 ↓
	27: 10,5* ↗		37: 8,9 ←
	28: 10,5* ↖		38: 10,5* ↓
	29: 9,8 ↖		39: 10,2* ↖
	30: 10,1 ↗		40: 8,3 ←
	Serie 97,0		Serie 94,0
	Totalt 285,0		Totalt 379,0

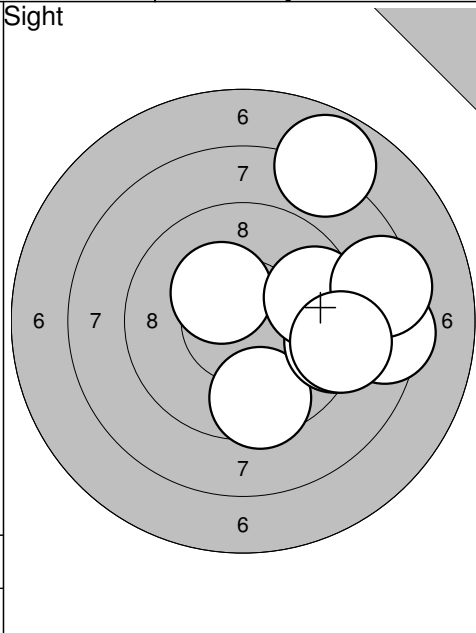
<p>Sight</p> 	<p>1: 10,0 ↙ 2: 8,8 ↙ 3: 10,7* ↙ 4: 9,6 ↓ 5: 9,0 ← 6: 10,1 ↓ 7: 8,5 ← 8: 9,2 ↓ 9: 9,6 ← 10: 10,4* →</p> <table border="1" style="width:100%; border-collapse: collapse;"> <tr><td>Serie</td><td style="text-align: right;">92,0</td></tr> <tr><td>Totalt</td><td style="text-align: right;">0,0</td></tr> </table>	Serie	92,0	Totalt	0,0	<p>Sight</p>  <p style="text-align: right;">11: 10,8* ↓</p> <table border="1" style="width:100%; border-collapse: collapse;"> <tr><td>Serie</td><td style="text-align: right;">10,0</td></tr> <tr><td>Totalt</td><td style="text-align: right;">0,0</td></tr> </table>	Serie	10,0	Totalt	0,0
Serie	92,0									
Totalt	0,0									
Serie	10,0									
Totalt	0,0									

<p>60 shot</p> 	<p>1: 10,3* ↓ 2: 10,0 ↗ 3: 10,4* ↙ 4: 9,7 ← 5: 9,9 ↗ 6: 10,1 → 7: 10,0 ← 8: 10,7* ↙ 9: 10,2* ↘ 10: 10,2* ↓</p> <table border="1" style="width:100%; border-collapse: collapse;"> <tr><td>Serie</td><td style="text-align: right;">98,0</td></tr> <tr><td>Totalt</td><td style="text-align: right;">98,0</td></tr> </table>	Serie	98,0	Totalt	98,0	<p>60 shot</p>  <p>11: 9,7 ← 12: 10,4* ← 13: 9,9 ← 14: 10,7* ← 15: 10,7* ↙ 16: 10,6* ← 17: 10,7* ↓ 18: 8,5 ← 19: 9,8 ↙ 20: 10,3* →</p> <table border="1" style="width:100%; border-collapse: collapse;"> <tr><td>Serie</td><td style="text-align: right;">95,0</td></tr> <tr><td>Totalt</td><td style="text-align: right;">193,0</td></tr> </table>	Serie	95,0	Totalt	193,0
Serie	98,0									
Totalt	98,0									
Serie	95,0									
Totalt	193,0									

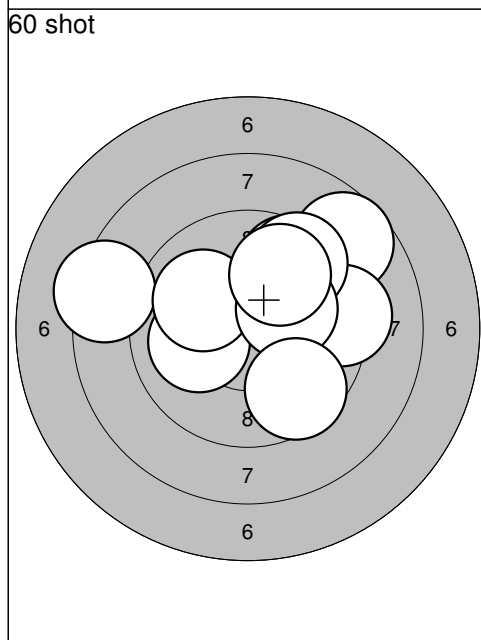
<p>60 shot</p> 	<p>21: 10,7* → 22: 10,2* ↑ 23: 10,3* ↓ 24: 9,4 ← 25: 9,8 ↓ 26: 10,4* → 27: 10,3* ↙ 28: 10,4* ↗ 29: 10,7* ← 30: 10,6* ←</p> <table border="1" style="width:100%; border-collapse: collapse;"> <tr><td>Serie</td><td style="text-align: right;">98,0</td></tr> <tr><td>Totalt</td><td style="text-align: right;">291,0</td></tr> </table>	Serie	98,0	Totalt	291,0	<p>60 shot</p>  <p>31: 9,9 ↗ 32: 10,7* ↗ 33: 10,1 ← 34: 10,1 ← 35: 9,9 ↗ 36: 10,4* ← 37: 9,9 ← 38: 10,4* ↗ 39: 10,5* ← 40: 10,1 ↙</p> <table border="1" style="width:100%; border-collapse: collapse;"> <tr><td>Serie</td><td style="text-align: right;">97,0</td></tr> <tr><td>Totalt</td><td style="text-align: right;">388,0</td></tr> </table>	Serie	97,0	Totalt	388,0
Serie	98,0									
Totalt	291,0									
Serie	97,0									
Totalt	388,0									



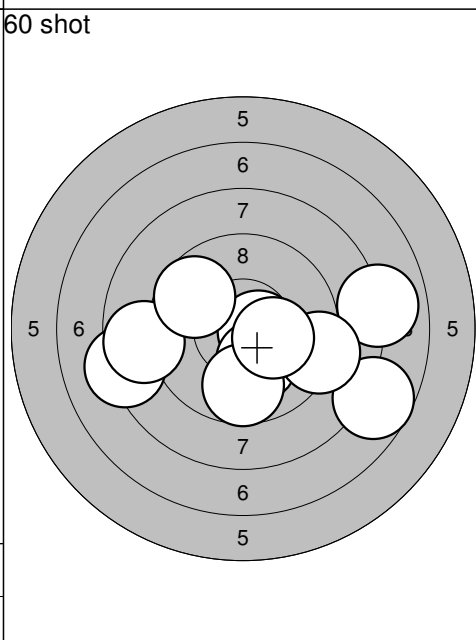
1: 5,2	↘
2: 10,3*	→
3: 9,5	↙
4: 9,7	↙
5: 10,1	↘
6: 9,8	↙
7: 9,0	→
8: 8,9	↓
9: 9,2	↘
10: 8,6	→
Serie 86,0	
Totalt 0,0	



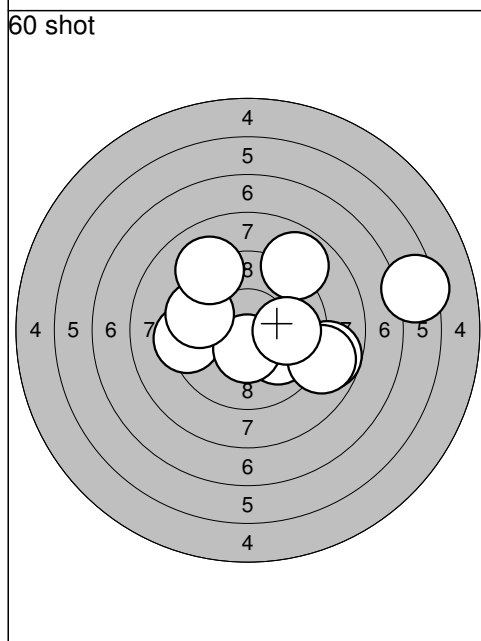
11: 9,6	↓
12: 9,3	→
13: 10,3*	↗
14: 8,4	→
15: 9,6	→
16: 7,9	↗
17: 8,4	→
18: 9,2	→
Serie 69,0	
Totalt 0,0	



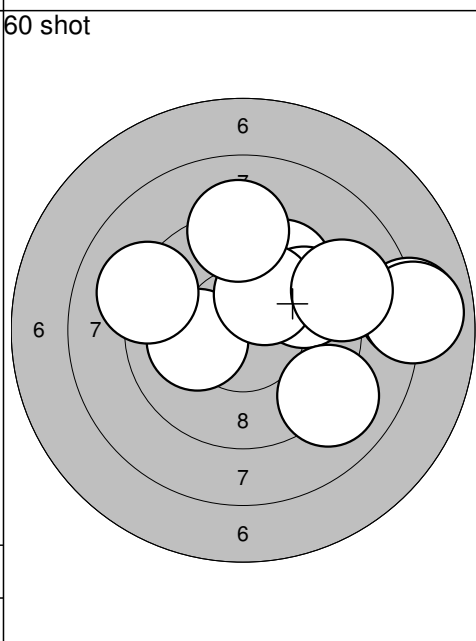
1: 9,6	↗
2: 10,1	←
3: 8,7	↗
4: 9,3	→
5: 8,3	←
6: 10,0	↗
7: 9,5	↗
8: 10,2*	→
9: 9,6	↘
10: 9,8	↗
Serie 91,0	
Totalt 91,0	



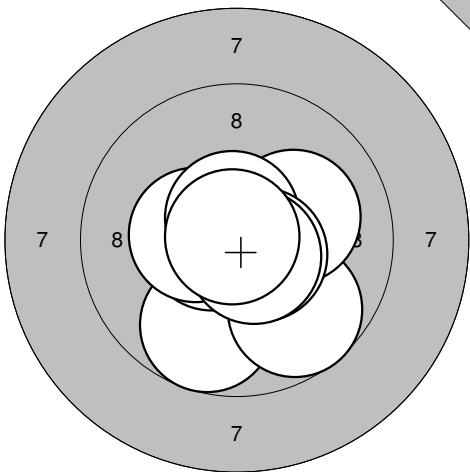
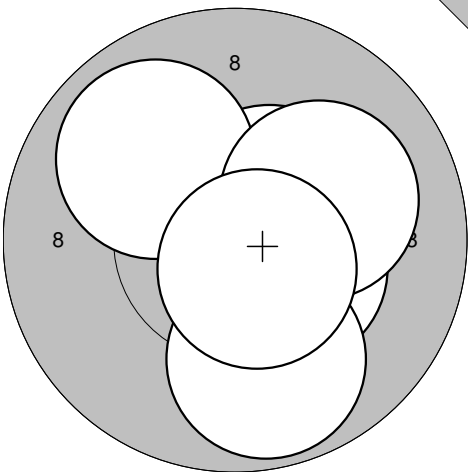
11: 10,6*	→
12: 8,2	←
13: 7,7	↘
14: 10,2*	↓
15: 9,7	↓
16: 7,9	→
17: 8,8	←
18: 9,7	↖
19: 9,2	→
20: 10,3*	→
Serie 87,0	
Totalt 178,0	

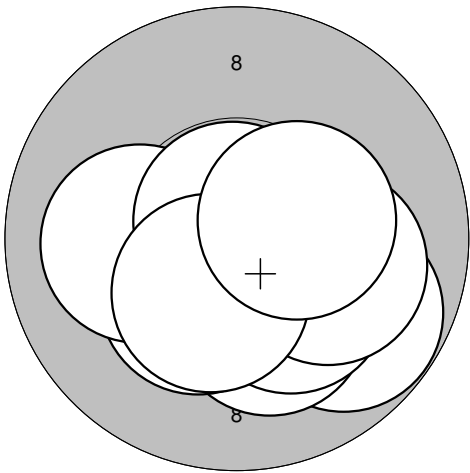
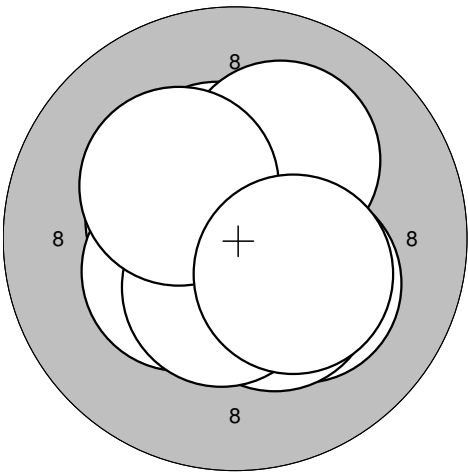


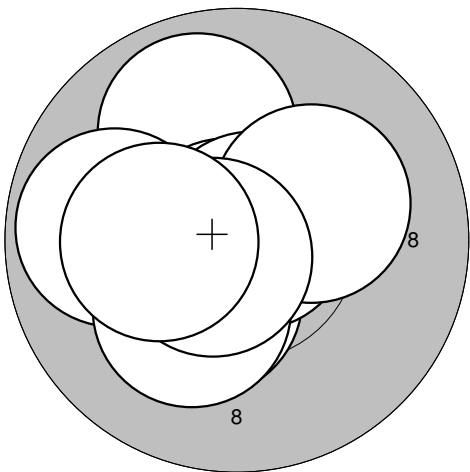
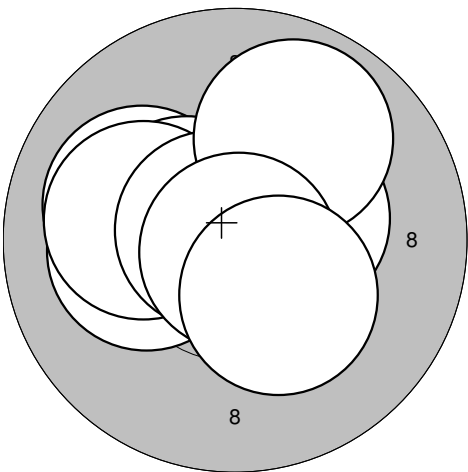
21: 6,4	→
22: 8,9	↗
23: 10,0	↘
24: 9,4	←
25: 8,7	→
26: 10,5*	↓
27: 8,9	→
28: 9,6	←
29: 9,9	→
30: 9,1	↗
Serie 86,0	
Totalt 264,0	

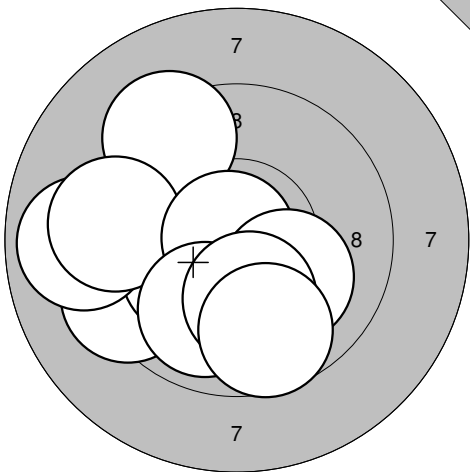
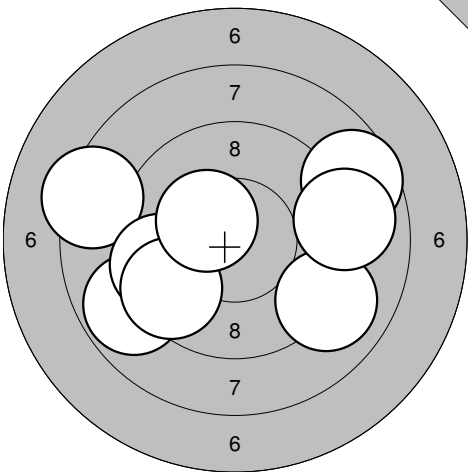


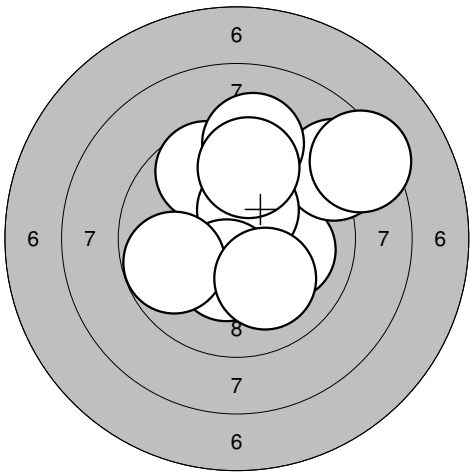
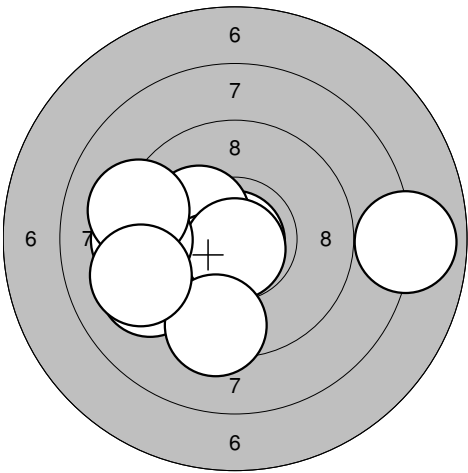
31: 8,0	→
32: 9,7	↗
33: 9,7	↗
34: 10,1	←
35: 7,9	→
36: 10,2*	↗
37: 9,1	→
38: 9,2	↑
39: 9,2	←
40: 9,0	↘
Serie 89,0	
Totalt 353,0	

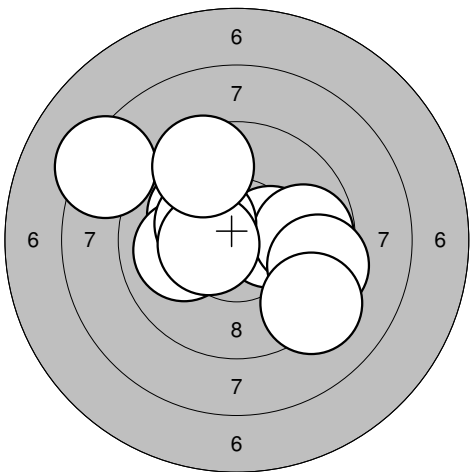
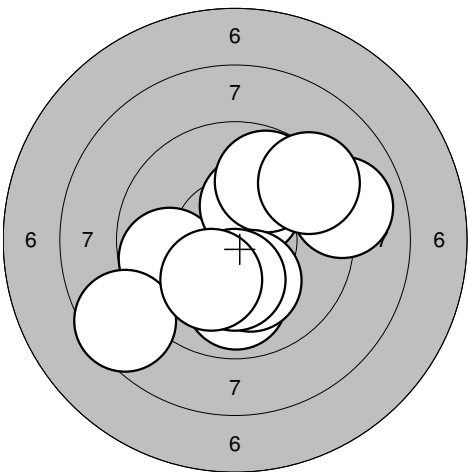
Sight		Sight	
	1: 9,7 ↘ 2: 9,7 ↘ 3: 10,6* ← 4: 10,7* ↗ 5: 10,4* ← 6: 10,1 → 7: 10,7* ↗ 8: 10,6* ↘ 9: 10,6* ↘ 10: 10,9* ↗		11: 10,5* ↘ 12: 10,4* ↘ 13: 9,8 ↘ 14: 10,5* ↗ 15: 9,9 ↗ 16: 10,1 → 17: 10,6* ↘
Serie	98,0	Serie	68,0
Totalt	0,0	Totalt	0,0

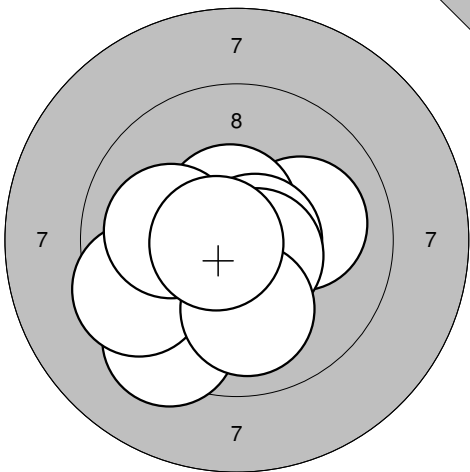
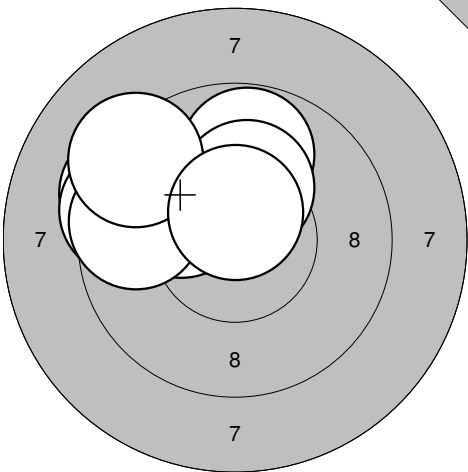
60 shot		60 shot	
	1: 9,8 ↘ 2: 10,4* ↘ 3: 10,2* ↘ 4: 10,3* ↘ 5: 10,1 ← 6: 10,8* ↗ 7: 10,2* ↘ 8: 10,1 → 9: 10,4* ↘ 10: 10,4* →		11: 10,2* ↘ 12: 10,5* ← 13: 10,4* ↗ 14: 10,3* ↘ 15: 10,8* ↘ 16: 10,4* ← 17: 10,1 ↗ 18: 10,5* ↘ 19: 10,3* ↗ 20: 10,3* ↘
Serie	99,0	Serie	100,0
Totalt	99,0	Totalt	199,0

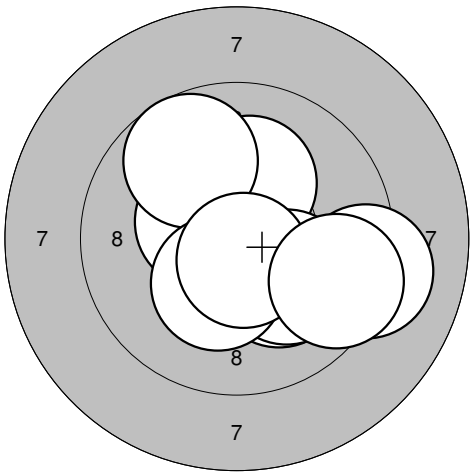
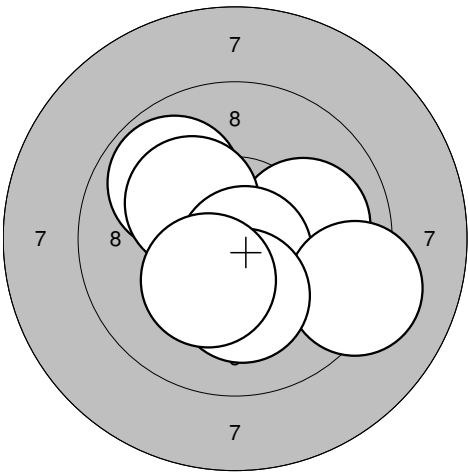
60 shot		60 shot	
	21: 10,6* ↑ 22: 9,9 ↗ 23: 10,9* ← 24: 10,3* ↘ 25: 9,8 ← 26: 10,8* → 27: 10,2* → 28: 10,2* ↘ 29: 10,7* ↘ 30: 10,3* ←		31: 10,1 ← 32: 10,1 ← 33: 10,4* ↗ 34: 10,5* ← 35: 10,1 ← 36: 10,4* → 37: 10,8* ← 38: 9,9 ↗ 39: 10,8* ↘ 40: 10,3* ↘
Serie	98,0	Serie	99,0
Totalt	297,0	Totalt	396,0

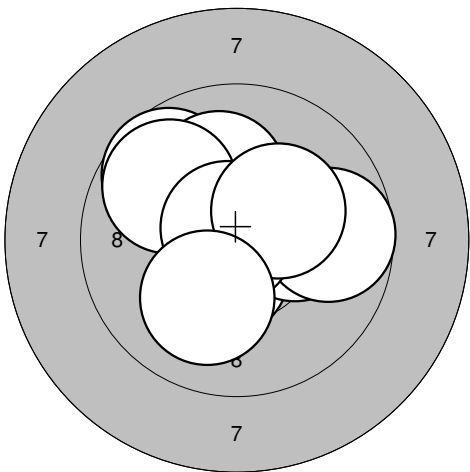
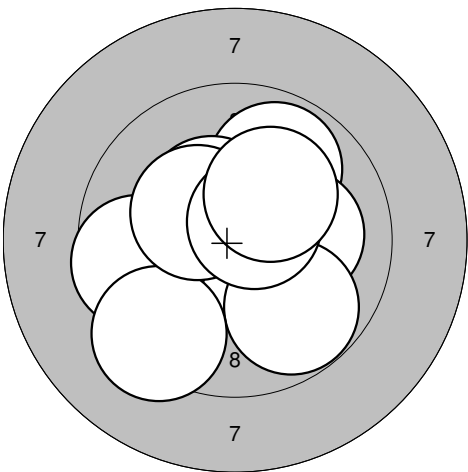
<p>Sight</p> 	<p>1: 9,3 ↙ 2: 10,2* ↙ 3: 9,3 ↗ 4: 8,9 ← 5: 9,3 ← 6: 10,8* ← 7: 10,1 ↘ 8: 9,9 ↓ 9: 10,1 ↓ 10: 9,7 ↓</p> <p>Serie 93,0 Totalt 0,0</p>	<p>Sight</p> 	<p>11: 8,8 ↙ 12: 8,3 ↙ 13: 9,0 ↘ 14: 9,6 ← 15: 8,6 ↗ 16: 9,5 ↙ 17: 9,0 → 18: 10,4* ↖</p> <p>Serie 70,0 Totalt 0,0</p>
---	--	---	---

<p>60 shot</p> 	<p>1: 10,1 → 2: 8,8 ↗ 3: 8,4 ↗ 4: 9,7 ↗ 5: 10,4* ↗ 6: 10,4* ↓ 7: 9,2 ↑ 8: 9,8 ← 9: 9,7 ↑ 10: 10,1 ↓</p> <p>Serie 92,0 Totalt 92,0</p>	<p>60 shot</p> 	<p>11: 10,9* ↓ 12: 9,2 ↙ 13: 10,2* ↖ 14: 10,3* ↙ 15: 7,9 → 16: 10,8* ↓ 17: 9,4 ↓ 18: 9,3 ← 19: 9,2 ↙ 20: 9,2 ↙</p> <p>Serie 92,0 Totalt 184,0</p>
--	---	--	---

<p>60 shot</p> 	<p>21: 10,4* → 22: 9,8 → 23: 10,1 ↗ 24: 9,4 → 25: 8,3 ↗ 26: 10,0 ← 27: 10,3* ↗ 28: 9,2 ↘ 29: 10,4* ← 30: 9,5 ↗</p> <p>Serie 94,0 Totalt 278,0</p>	<p>60 shot</p> 	<p>31: 9,8 ↙ 32: 10,3* ↗ 33: 9,8 ↗ 34: 9,9 ↓ 35: 9,0 → 36: 10,2* ↓ 37: 10,2* ↓ 38: 9,3 ↗ 39: 8,5 ↙ 40: 10,1 ↓</p> <p>Serie 93,0 Totalt 371,0</p>
---	---	---	--

<p>Sight</p> 	<p>1: 9,3 ↘ 2: 10,2* ← 3: 9,5 ← 4: 10,1 → 5: 10,6* ↑ 6: 10,7* → 7: 10,6* ↘ 8: 10,0 ↓ 9: 10,1 ← 10: 10,7* ←</p> <p>Serie 98,0 Totalt 0,0</p>	<p>Sight</p> 	<p>11: 10,1 ↖ 12: 9,8 ↑ 13: 9,4 ↖ 14: 9,5 ← 15: 9,6 ← 16: 10,2* ↑ 17: 9,3 ↖ 18: 10,6* ↑</p> <p>Serie 75,0 Totalt 0,0</p>
---	---	---	--

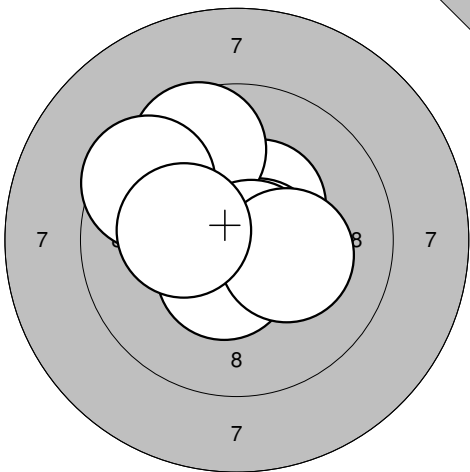
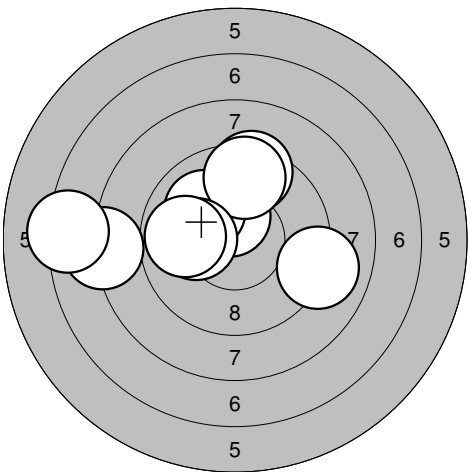
<p>60 shot</p> 	<p>1: 10,4* ↖ 2: 10,8* ↘ 3: 10,1 ↘ 4: 9,2 → 5: 10,2* ↑ 6: 9,7 ↑ 7: 10,1 ↘ 8: 10,3* ↘ 9: 10,6* ↘ 10: 9,5 →</p> <p>Serie 97,0 Totalt 97,0</p>	<p>60 shot</p> 	<p>11: 10,8* ↘ 12: 10,0 → 13: 9,9 ↗ 14: 10,5* ↘ 15: 10,2* ↗ 16: 10,4* ↘ 17: 10,7* ↘ 18: 9,2 ↘ 19: 10,2* ↘ 20: 10,3* ↘</p> <p>Serie 98,0 Totalt 195,0</p>
--	---	--	--

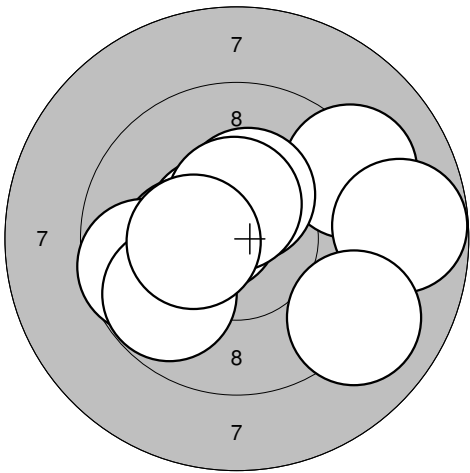
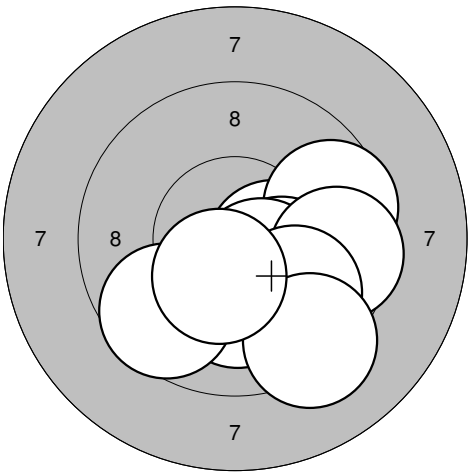
<p>60 shot</p> 	<p>21: 9,7 ↗ 22: 10,5* ↘ 23: 10,2* → 24: 10,1 ↑ 25: 9,7 → 26: 10,8* ← 27: 9,8 ↗ 28: 10,8* ↗ 29: 10,3* ↗ 30: 10,1 ↘</p> <p>Serie 97,0 Totalt 292,0</p>	<p>60 shot</p> 	<p>31: 9,8 ↖ 32: 9,9 ↗ 33: 9,6 ← 34: 10,1 → 35: 9,8 ↘ 36: 9,3 ↘ 37: 10,4* ↗ 38: 10,3* ↖ 39: 10,6* ↗ 40: 10,2* ↗</p> <p>Serie 95,0 Totalt 387,0</p>
---	---	---	--

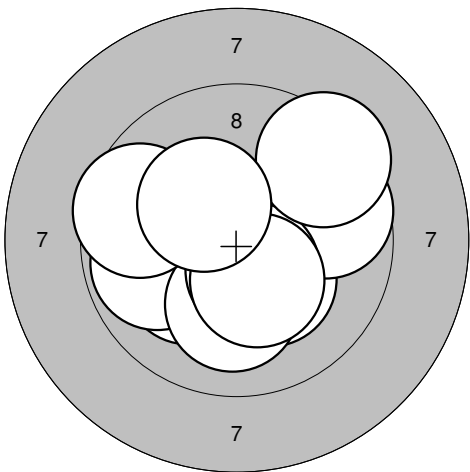
<p>Sight</p>	<p>60 shot</p>	<p>60 shot</p>
<p>1: 10,5* ↓</p> <p>2: 10,6* ↑</p> <p>3: 10,4* ←</p> <p>4: 10,5* ↓</p> <p>5: 9,7 →</p> <p>6: 10,5* ↑</p>	<p>1: 10,2* →</p> <p>2: 9,9 ↓</p> <p>3: 10,3* ↖</p> <p>4: 10,6* ↓</p> <p>5: 9,3 ↑</p> <p>6: 10,1 ↗</p> <p>7: 10,2* ←</p> <p>8: 10,6* →</p> <p>9: 10,2* ↗</p> <p>10: 10,5* ↘</p>	<p>Serie 59,0</p> <p>Totalt 0,0</p>
<p>Serie 98,0</p> <p>Totalt 98,0</p>		

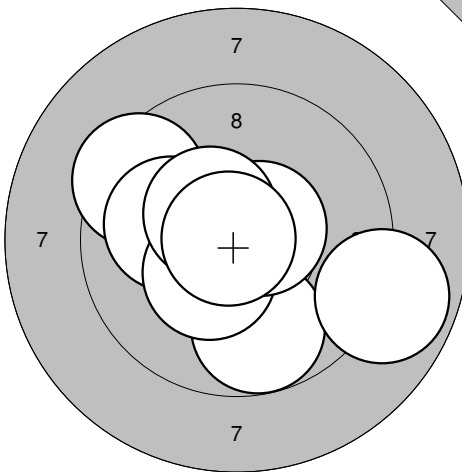
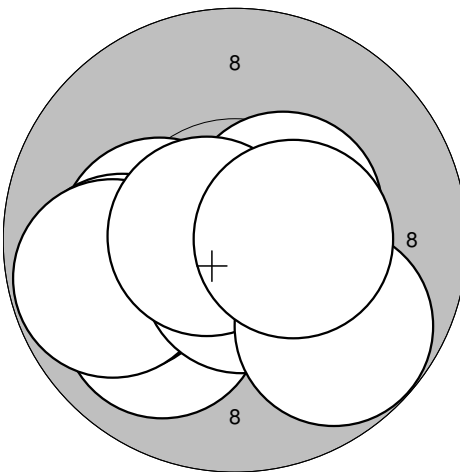
<p>60 shot</p>	<p>60 shot</p>	<p>60 shot</p>
<p>11: 9,9 ↑</p> <p>12: 9,3 →</p> <p>13: 9,9 →</p> <p>14: 10,8* ←</p> <p>15: 9,6 ↑</p> <p>16: 9,8 ←</p> <p>17: 10,5* ↗</p> <p>18: 10,5* ↖</p> <p>19: 10,4* ↗</p> <p>20: 9,9 ↖</p>	<p>21: 9,9 ↗</p> <p>22: 9,9 ↗</p> <p>23: 9,9 ↖</p> <p>24: 10,0 ↘</p> <p>25: 9,3 ↑</p> <p>26: 10,1 ↖</p> <p>27: 10,2* ←</p> <p>28: 9,4 ↑</p> <p>29: 9,9 →</p> <p>30: 10,4* ↖</p>	<p>Serie 94,0</p> <p>Totalt 192,0</p>
<p>Serie 94,0</p> <p>Totalt 286,0</p>		

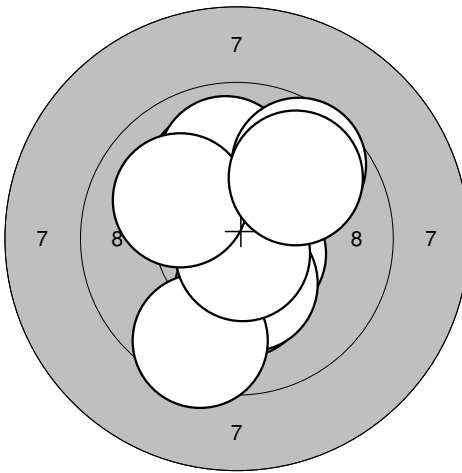
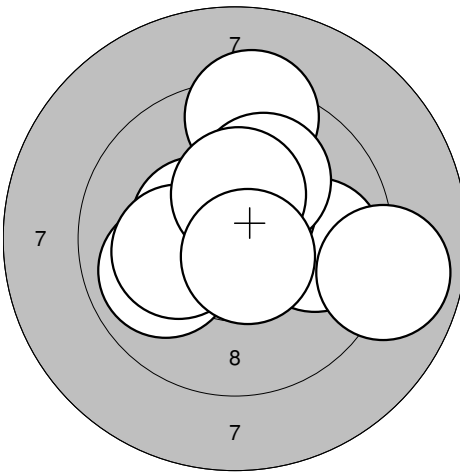
<p>60 shot</p>	<p>60 shot</p>	<p>60 shot</p>
<p>31: 10,7* ↓</p> <p>32: 9,7 ↖</p> <p>33: 9,8 ↑</p> <p>34: 10,4* ↘</p> <p>35: 9,6 ↑</p> <p>36: 10,4* ↗</p> <p>37: 10,5* ↗</p> <p>38: 9,9 ↘</p> <p>39: 10,4* ↖</p> <p>40: 10,0 ↗</p>	<p>Serie 96,0</p> <p>Totalt 382,0</p>	<p>Serie 96,0</p> <p>Totalt 382,0</p>

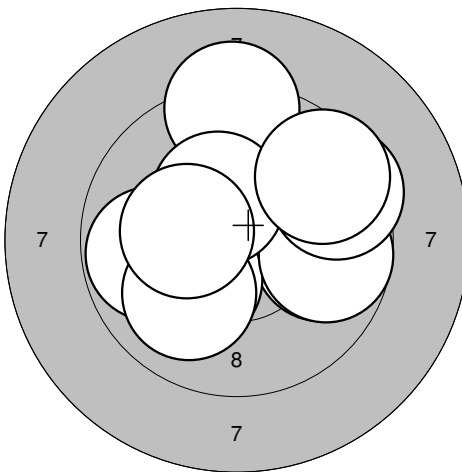
<p>Sight</p> 	<p>60 shot</p> 	
<p>1: 10,5* ↖ 2: 10,4* ↗ 3: 10,7* → 4: 9,6 ↗ 5: 10,7* ↘ 6: 9,5 ↗ 7: 10,5* ↓ 8: 10,3* → 9: 10,2* ←</p>	<p>1: 10,1 ↖ 2: 8,1 ← 3: 10,4* ↑ 4: 7,3 ← 5: 9,4 ↑ 6: 10,0 ↗ 7: 9,6 ↑ 8: 10,1 ← 9: 9,0 → 10: 9,9 ←</p>	
Serie 88,0	Serie 91,0	
Totalt 0,0	Totalt 91,0	

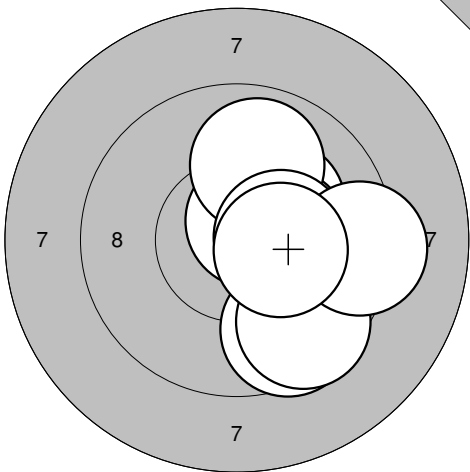
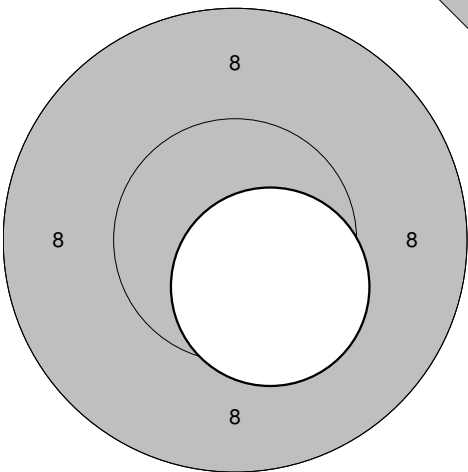
<p>60 shot</p> 	<p>60 shot</p> 	
<p>11: 10,6* ↖ 12: 10,3* ← 13: 9,2 ↗ 14: 9,7 ← 15: 9,8 ↖ 16: 10,3* ↑ 17: 10,5* ↑ 18: 10,4* ← 19: 8,8 → 20: 9,1 ↘</p>	<p>21: 10,4* → 22: 9,6 → 23: 10,1 ↓ 24: 10,2* ↘ 25: 9,6 ↖ 26: 10,4* ↘ 27: 9,6 → 28: 9,9 ↘ 29: 9,3 ↘ 30: 10,4* ↘</p>	
Serie 94,0	Serie 95,0	
Totalt 185,0	Totalt 280,0	

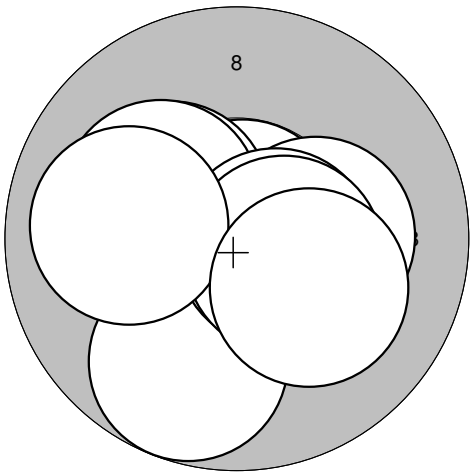
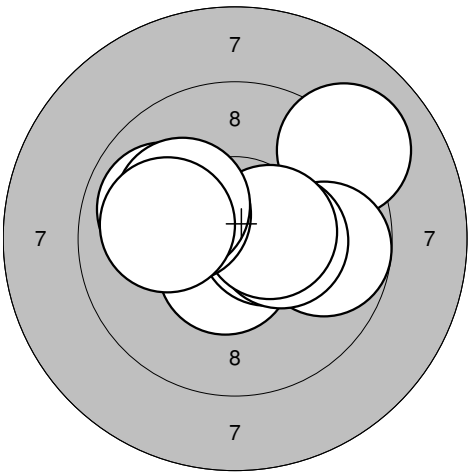
<p>60 shot</p> 	<p>31: 10,3* ↘ 32: 10,1 ↖ 33: 9,9 ← 34: 10,1 ↓ 35: 9,7 → 36: 10,5* ↘ 37: 10,3* ↘ 38: 9,6 ← 39: 9,4 ↗ 40: 10,3* ↗</p>	
Serie 96,0		
Totalt 376,0		

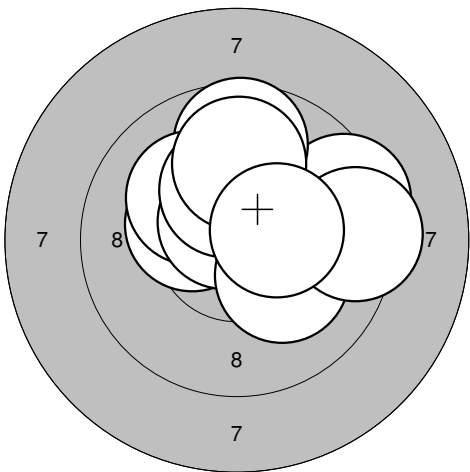
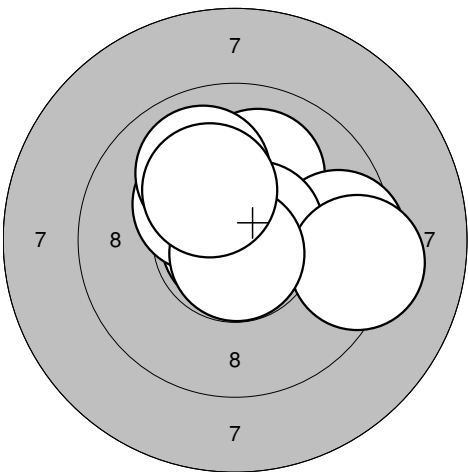
<p>Sight</p> 	<p>60 shot</p> <table style="width:100%; border-collapse: collapse;"> <tr><td>1: 9,8</td><td>↘</td></tr> <tr><td>2: 8,9</td><td>→</td></tr> <tr><td>3: 9,4</td><td>↗</td></tr> <tr><td>4: 10,1</td><td>←</td></tr> <tr><td>5: 10,4*</td><td>↘</td></tr> <tr><td>6: 10,6*</td><td>→</td></tr> <tr><td>7: 10,5*</td><td>↗</td></tr> <tr><td>8: 10,8*</td><td>←</td></tr> </table>	1: 9,8	↘	2: 8,9	→	3: 9,4	↗	4: 10,1	←	5: 10,4*	↘	6: 10,6*	→	7: 10,5*	↗	8: 10,8*	←	 <table style="width:100%; border-collapse: collapse;"> <tr><td>1: 10,5*</td><td>↙</td></tr> <tr><td>2: 10,4*</td><td>↗</td></tr> <tr><td>3: 10,0</td><td>↘</td></tr> <tr><td>4: 10,3*</td><td>←</td></tr> <tr><td>5: 9,9</td><td>←</td></tr> <tr><td>6: 9,8</td><td>←</td></tr> <tr><td>7: 10,6*</td><td>↘</td></tr> <tr><td>8: 10,7*</td><td>←</td></tr> <tr><td>9: 9,8</td><td>↘</td></tr> <tr><td>10: 10,4*</td><td>→</td></tr> </table>	1: 10,5*	↙	2: 10,4*	↗	3: 10,0	↘	4: 10,3*	←	5: 9,9	←	6: 9,8	←	7: 10,6*	↘	8: 10,7*	←	9: 9,8	↘	10: 10,4*	→
1: 9,8	↘																																					
2: 8,9	→																																					
3: 9,4	↗																																					
4: 10,1	←																																					
5: 10,4*	↘																																					
6: 10,6*	→																																					
7: 10,5*	↗																																					
8: 10,8*	←																																					
1: 10,5*	↙																																					
2: 10,4*	↗																																					
3: 10,0	↘																																					
4: 10,3*	←																																					
5: 9,9	←																																					
6: 9,8	←																																					
7: 10,6*	↘																																					
8: 10,7*	←																																					
9: 9,8	↘																																					
10: 10,4*	→																																					
	Serie 76,0	Serie 97,0																																				
	Totalt 0,0	Totalt 97,0																																				

<p>60 shot</p> 	<p>60 shot</p> <table style="width:100%; border-collapse: collapse;"> <tr><td>11: 10,6*</td><td>↘</td></tr> <tr><td>12: 10,3*</td><td>↘</td></tr> <tr><td>13: 10,3*</td><td>↘</td></tr> <tr><td>14: 10,1</td><td>↗</td></tr> <tr><td>15: 9,9</td><td>↗</td></tr> <tr><td>16: 9,7</td><td>↗</td></tr> <tr><td>17: 9,5</td><td>↘</td></tr> <tr><td>18: 10,7*</td><td>↘</td></tr> <tr><td>19: 10,0</td><td>↗</td></tr> <tr><td>20: 9,8</td><td>↗</td></tr> </table>	11: 10,6*	↘	12: 10,3*	↘	13: 10,3*	↘	14: 10,1	↗	15: 9,9	↗	16: 9,7	↗	17: 9,5	↘	18: 10,7*	↘	19: 10,0	↗	20: 9,8	↗	 <table style="width:100%; border-collapse: collapse;"> <tr><td>21: 9,9</td><td>→</td></tr> <tr><td>22: 9,3</td><td>↑</td></tr> <tr><td>23: 10,5*</td><td>↗</td></tr> <tr><td>24: 8,9</td><td>→</td></tr> <tr><td>25: 9,9</td><td>←</td></tr> <tr><td>26: 10,4*</td><td>←</td></tr> <tr><td>27: 10,1</td><td>↗</td></tr> <tr><td>28: 10,2*</td><td>←</td></tr> <tr><td>29: 10,4*</td><td>↑</td></tr> <tr><td>30: 10,6*</td><td>↘</td></tr> </table>	21: 9,9	→	22: 9,3	↑	23: 10,5*	↗	24: 8,9	→	25: 9,9	←	26: 10,4*	←	27: 10,1	↗	28: 10,2*	←	29: 10,4*	↑	30: 10,6*	↘
11: 10,6*	↘																																									
12: 10,3*	↘																																									
13: 10,3*	↘																																									
14: 10,1	↗																																									
15: 9,9	↗																																									
16: 9,7	↗																																									
17: 9,5	↘																																									
18: 10,7*	↘																																									
19: 10,0	↗																																									
20: 9,8	↗																																									
21: 9,9	→																																									
22: 9,3	↑																																									
23: 10,5*	↗																																									
24: 8,9	→																																									
25: 9,9	←																																									
26: 10,4*	←																																									
27: 10,1	↗																																									
28: 10,2*	←																																									
29: 10,4*	↑																																									
30: 10,6*	↘																																									
	Serie 96,0	Serie 95,0																																								
	Totalt 193,0	Totalt 288,0																																								

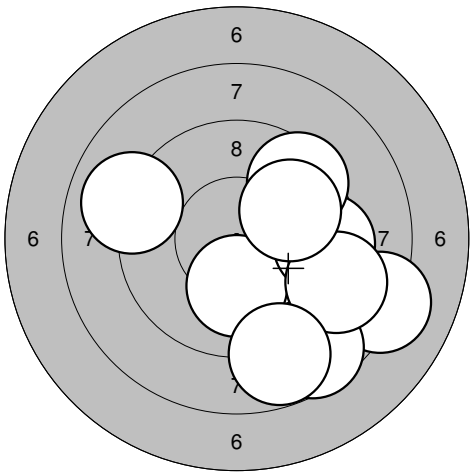
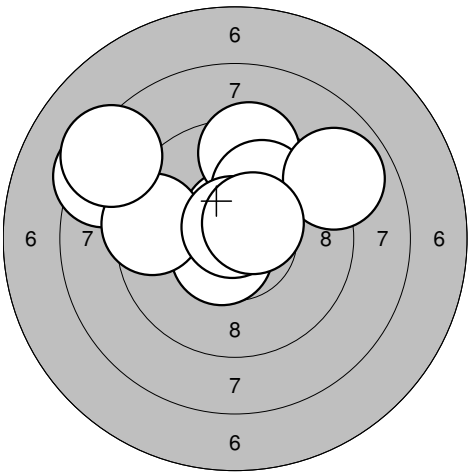
<p>60 shot</p> 	<table style="width:100%; border-collapse: collapse;"> <tr><td>31: 9,8</td><td>←</td></tr> <tr><td>32: 9,8</td><td>→</td></tr> <tr><td>33: 9,2</td><td>↑</td></tr> <tr><td>34: 10,2*</td><td>↘</td></tr> <tr><td>35: 10,0</td><td>↘</td></tr> <tr><td>36: 9,7</td><td>→</td></tr> <tr><td>37: 9,5</td><td>→</td></tr> <tr><td>38: 10,3*</td><td>↗</td></tr> <tr><td>39: 9,5</td><td>↗</td></tr> <tr><td>40: 10,3*</td><td>←</td></tr> </table>	31: 9,8	←	32: 9,8	→	33: 9,2	↑	34: 10,2*	↘	35: 10,0	↘	36: 9,7	→	37: 9,5	→	38: 10,3*	↗	39: 9,5	↗	40: 10,3*	←	
31: 9,8	←																					
32: 9,8	→																					
33: 9,2	↑																					
34: 10,2*	↘																					
35: 10,0	↘																					
36: 9,7	→																					
37: 9,5	→																					
38: 10,3*	↗																					
39: 9,5	↗																					
40: 10,3*	←																					
	Serie 94,0																					
	Totalt 382,0																					

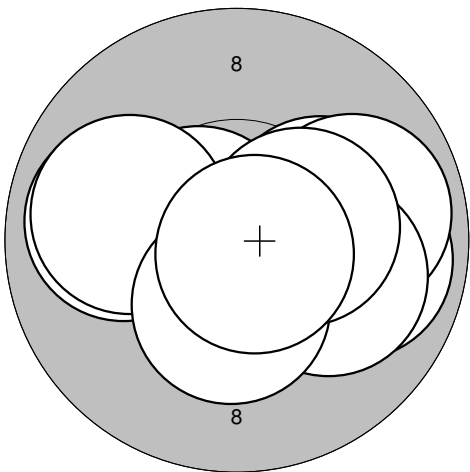
Sight 	1: 10,0 ↘ 2: 10,2* ↗ 3: 10,3* → 4: 9,6 ↘ 5: 9,5 ↘ 6: 10,6* ↗ 7: 9,9 ↑ 8: 10,4* → 9: 9,3 → 10: 10,3* → <hr/> Serie 96,0 Totalt 0,0	Sight 	11: 10,4* ↘ <hr/> Serie 10,0 Totalt 0,0
---	--	---	---

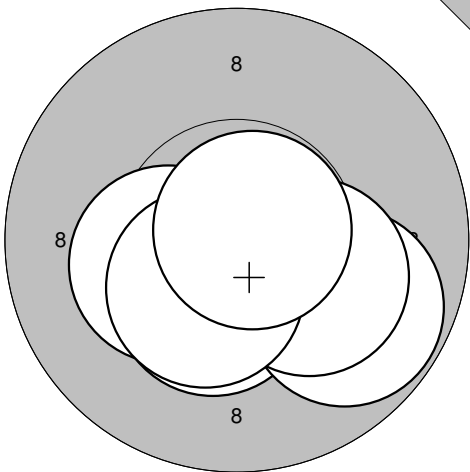
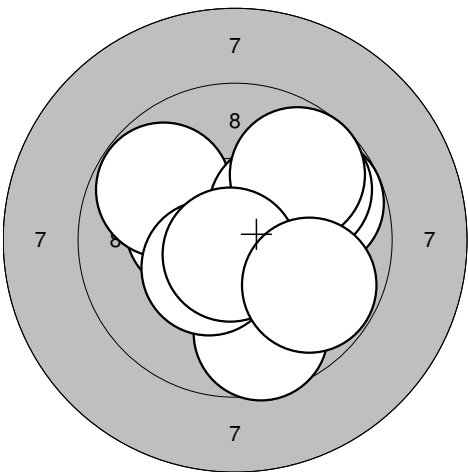
60 shot 	1: 10,8* ↑ 2: 10,2* → 3: 10,5* ↓ 4: 9,8 ↘ 5: 10,3* ↗ 6: 10,2* ↗ 7: 10,6* → 8: 10,5* ↘ 9: 10,0 ← 10: 10,2* ↘ <hr/> Serie 99,0 Totalt 99,0	60 shot 	11: 10,5* ↓ 12: 9,1 ↗ 13: 9,9 ← 14: 9,8 → 15: 10,5* → 16: 10,3* → 17: 10,5* → 18: 10,2* ← 19: 10,1 ↗ 20: 10,0 ← <hr/> Serie 97,0 Totalt 196,0
--	---	--	--

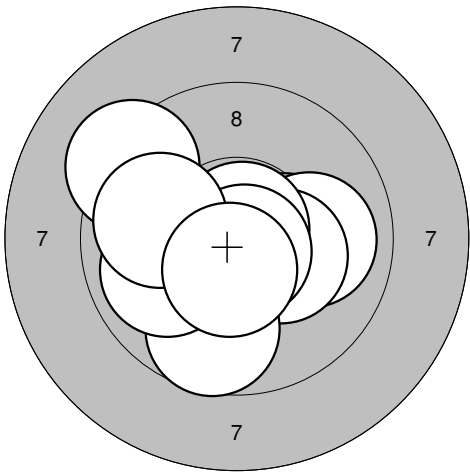
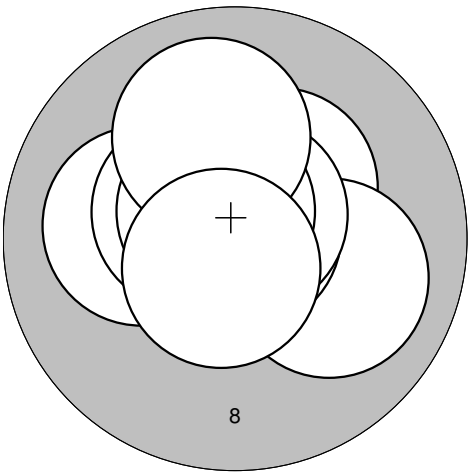
60 shot 	21: 10,3* ← 22: 9,4 → 23: 9,7 ↑ 24: 10,1 ↗ 25: 10,7* ↗ 26: 10,2* ↘ 27: 10,3* ↗ 28: 9,9 ↑ 29: 9,4 → 30: 10,4* → <hr/> Serie 96,0 Totalt 292,0	60 shot 	31: 10,0 ↑ 32: 10,9* ← 33: 9,6 → 34: 10,3* ↗ 35: 10,8* ↘ 36: 10,6* ↗ 37: 9,3 → 38: 10,8* ↘ 39: 10,0 ↗ 40: 10,2* ↗ <hr/> Serie 98,0 Totalt 390,0
---	---	---	--

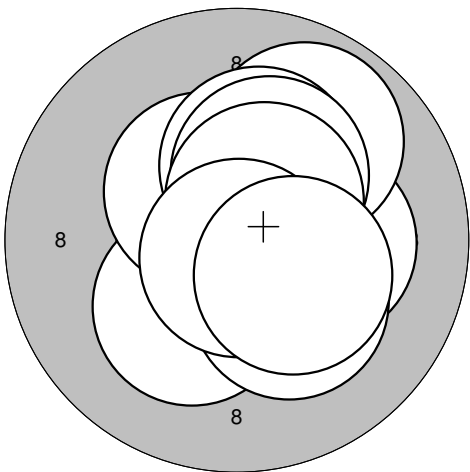
Sight 	60 shot 	1: 9,5 ↙ 2: 8,8 → 3: 9,9 ↙ 4: 10,4* ↗ 5: 10,3* ↗ 6: 10,3* ↙ 7: 10,6* ↗ 1: 9,9 ↘ 2: 8,9 → 3: 8,9 ↗ 4: 9,9 ↗ 5: 10,3* ↙ 6: 9,6 ← 7: 10,2* ↗ 8: 8,7 → 9: 9,1 ← 10: 10,2* ↙ Serie 66,0 Totalt 0,0
		Serie 90,0 Totalt 90,0

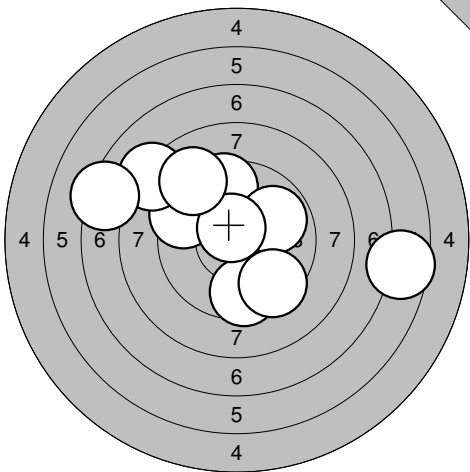
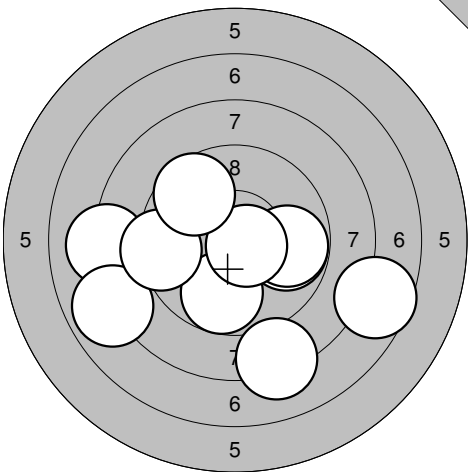
60 shot 	60 shot 	11: 9,8 ↘ 12: 10,1 ↓ 13: 9,4 → 14: 9,0 ↙ 15: 8,2 → 16: 9,5 ↗ 17: 8,6 ↘ 18: 9,0 → 19: 9,9 → 20: 8,8 ↘ 21: 10,6* ↑ 22: 10,6* ↙ 23: 8,4 ↙ 24: 9,4 ↑ 25: 10,0 ↗ 26: 9,5 ← 27: 10,7* ↑ 28: 8,9 ↗ 29: 8,3 ↙ 30: 10,5* ↗ Serie 88,0 Totalt 178,0
		Serie 92,0 Totalt 270,0

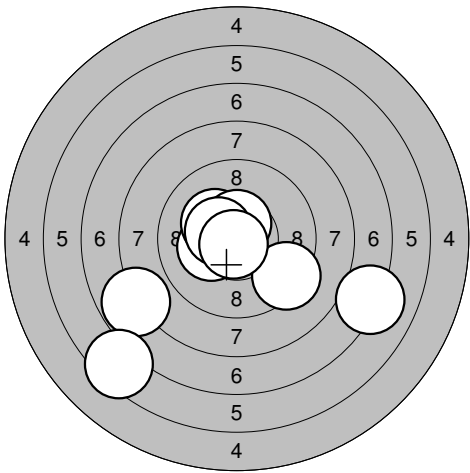
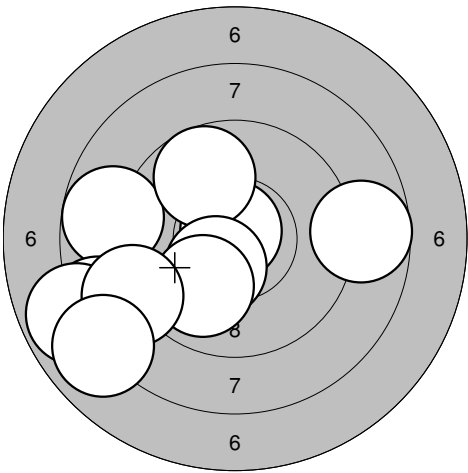
60 shot 	31: 10,6* ↙ 32: 10,2* → 33: 9,9 → 34: 9,9 → 35: 9,9 ← 36: 10,1 → 37: 10,0 ← 38: 10,4* ↓ 39: 10,4* → 40: 10,7* ↘ Serie 97,0 Totalt 367,0	
---	--	--

Sight 	60 shot 	1: 10,4* ↘ 2: 9,8 ↘ 3: 10,2* ↘ 4: 10,3* ↙ 5: 10,4* ↘ 6: 10,8* ↗ 1: 9,7 ↘ 2: 10,4* ↙ 3: 9,8 ↗ 4: 9,8 ↗ 5: 9,8 ↙ 6: 10,3* ↗ 7: 9,7 ↗ 8: 10,4* ↘ 9: 10,7* ↘ 10: 9,8 ↘ Serie 59,0 Totalt 0,0
		Serie 94,0 Totalt 94,0

60 shot 	60 shot 	11: 10,3* → 12: 10,0 → 13: 10,3* → 14: 9,7 ↘ 15: 9,3 ↗ 16: 10,8* ↗ 17: 9,9 ↙ 18: 10,7* ↘ 19: 9,9 ↙ 20: 10,5* ↘ 21: 10,3* ↗ 22: 10,1 ↙ 23: 10,0 → 24: 10,5* ↙ 25: 10,6* ↗ 26: 10,9* ↗ 27: 10,7* ↗ 28: 10,7* ↙ 29: 10,0 ↗ 30: 10,7* ↘ Serie 96,0 Totalt 190,0
		Serie 100,0 Totalt 290,0

60 shot 	31: 10,2* → 32: 9,9 ↗ 33: 10,2* ↘ 34: 10,4* ↗ 35: 10,2* ↗ 36: 10,3* ↗ 37: 10,2* ↘ 38: 10,5* ↗ 39: 10,8* ↘ 40: 10,3* ↘ Serie 99,0 Totalt 389,0	
---	--	--

<p>Sight</p> 	<p>1: 9,4 ↖ 2: 9,6 ↓ 3: 9,5 ↑ 4: 8,2 ↗ 5: 9,8 ↗ 6: 7,3 ↖ 7: 6,6 → 8: 9,5 ↓ 9: 10,6* ↑ 10: 9,0 ↑</p> <p>Serie 85,0 Totalt 0,0</p>	<p>Sight</p> 	<p>11: 7,6 → 12: 8,2 ↓ 13: 9,8 ↓ 14: 8,1 ← 15: 7,9 ← 16: 9,3 ← 17: 9,8 → 18: 9,8 → 19: 10,7* → 20: 9,6 ↖</p> <p>Serie 85,0 Totalt 0,0</p>
---	--	---	---

<p>60 shot</p> 	<p>1: 7,8 ↖ 2: 10,7* ↗ 3: 10,3* ← 4: 9,3 ↓ 5: 7,1 → 6: 10,3* ↗ 7: 10,6* ↑ 8: 10,5* ↖ 9: 6,4 ↓ 10: 10,8* ↓</p> <p>Serie 89,0 Totalt 89,0</p>	<p>60 shot</p> 	<p>11: 8,8 ← 12: 8,2 ← 13: 10,8* ↑ 14: 9,7 ↑ 15: 10,3* ↓ 16: 9,9 ↓ 17: 7,9 ← 18: 8,9 ← 19: 8,7 → 20: 8,0 ↖</p> <p>Serie 85,0 Totalt 174,0</p>
--	---	--	---

<p>60 shot</p> 	<p>21: 8,2 → 22: 7,9 ↗ 23: 10,7* ↗ 24: 8,3 ↓ 25: 9,3 ← 26: 10,4* ↖ 27: 9,9 ↓ 28: 8,1 ← 29: 10,1 → 30: 9,1 →</p> <p>Serie 88,0 Totalt 262,0</p>	<p>60 shot</p> 	<p>31: 10,1 ↑ 32: 10,6* ← 33: 5,3 → 34: 8,4 ← 35: 8,5 ← 36: 9,9 ← 37: 8,9 ↓ 38: 10,0 ↓ 39: 9,7 ↖ 40: 10,0 ↖</p> <p>Serie 87,0 Totalt 349,0</p>
---	--	---	--