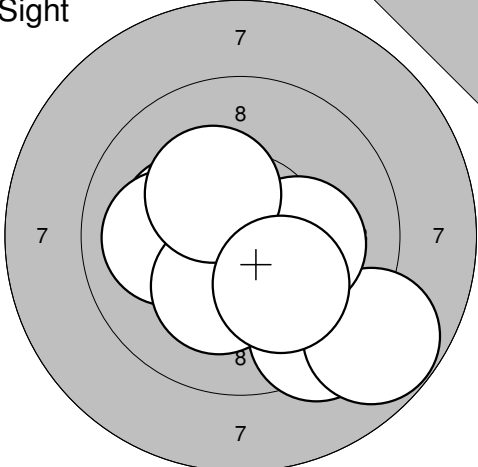
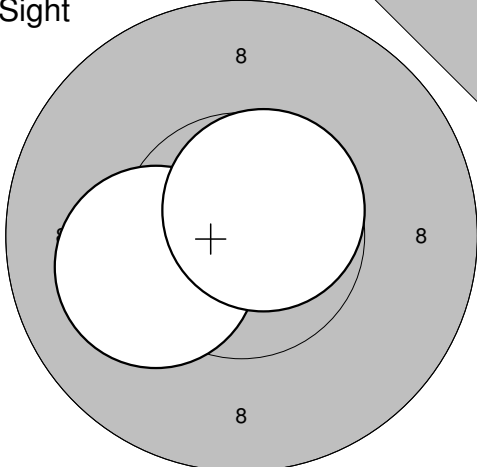
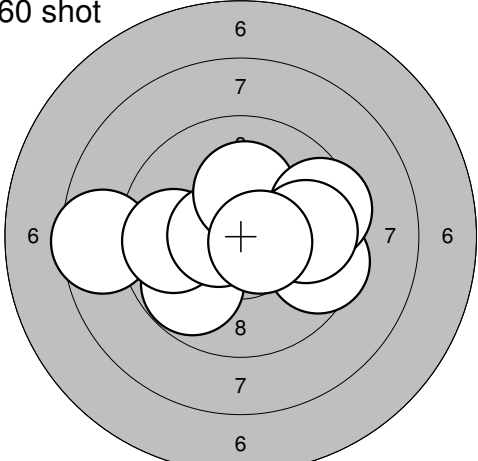
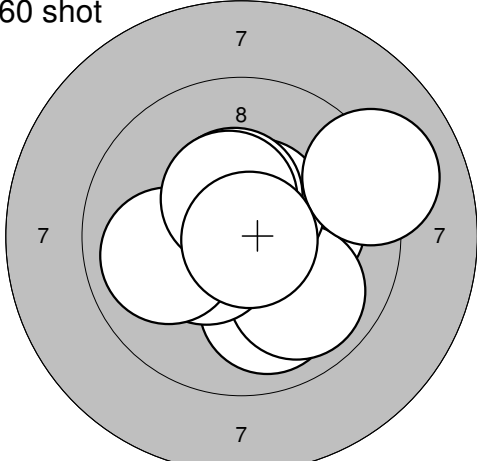
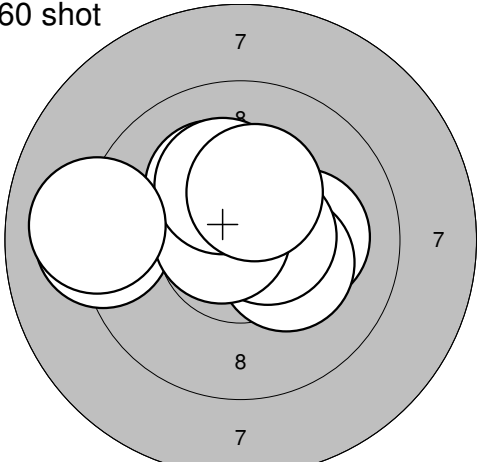
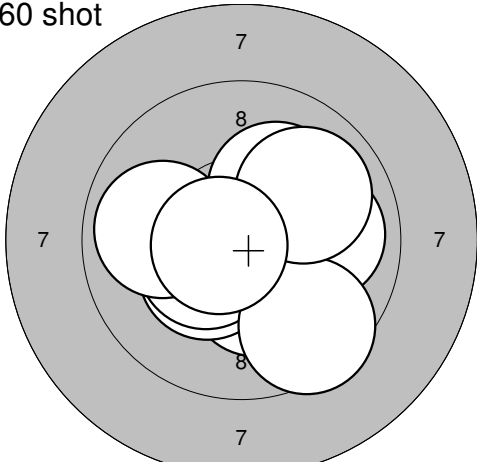
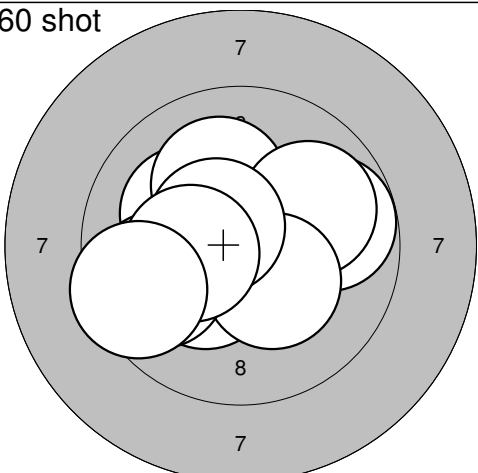
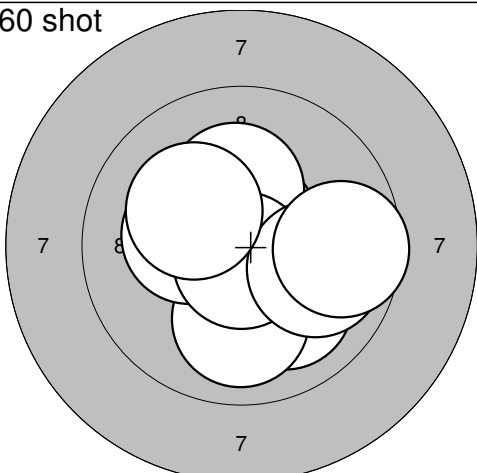
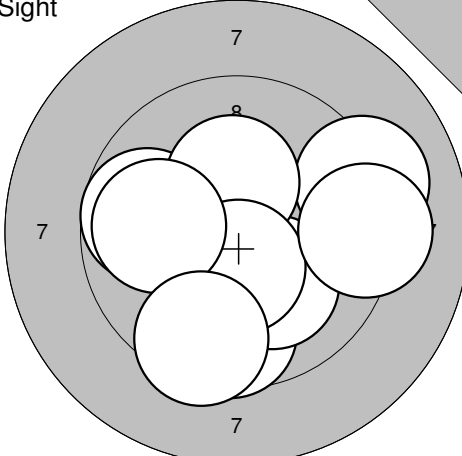
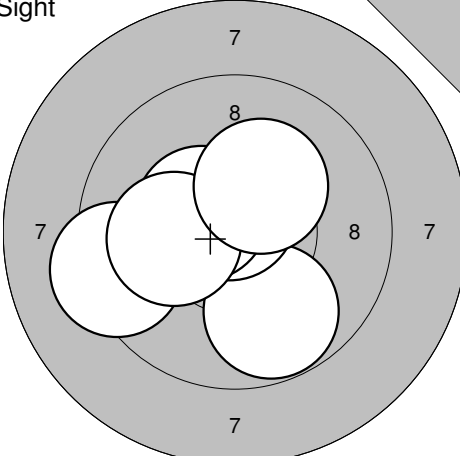


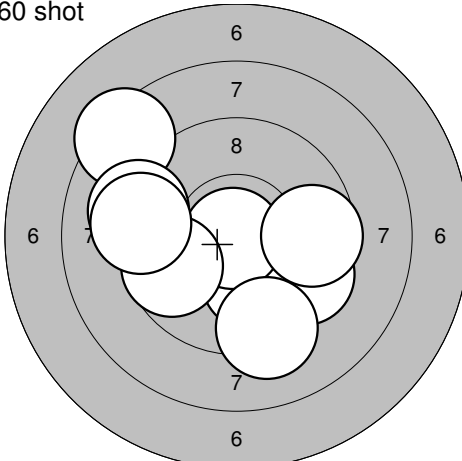
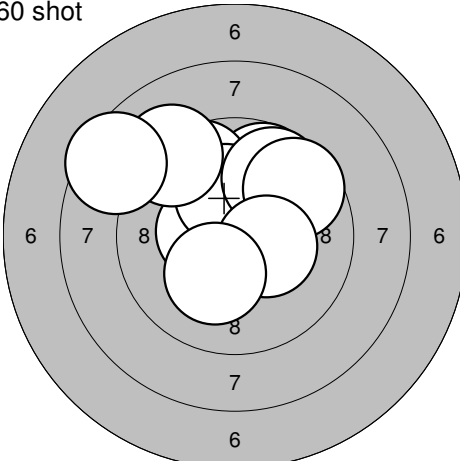
<p>Sight</p> 	<p>1: 9,3 ↘ 2: 8,8 ↘ 3: 10,4* ↘ 4: 10,8* ↖ 5: 10,2* ← 6: 10,0 ← 7: 10,2* ↘ 8: 10,2* → 9: 10,3* ↗ 10: 10,1 ↘</p> <p>Serie 97,0 Totalt 0,0</p>	<p>Sight</p> 	<p>11: 10,1 ← 12: 10,7* ↗</p> <p>Serie 20,0 Totalt 0,0</p>
---	---	---	---

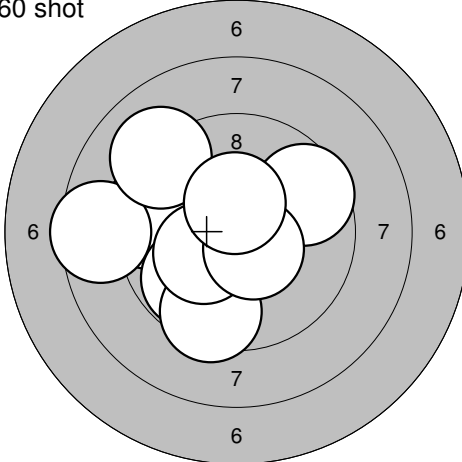
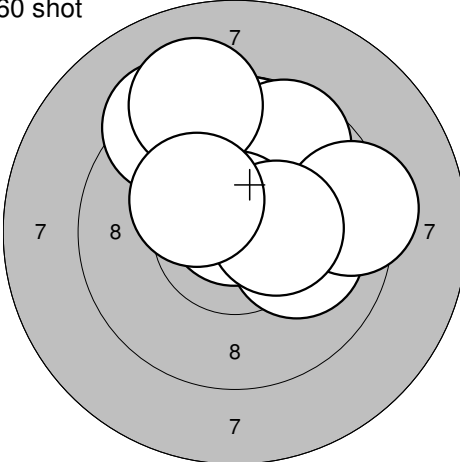
<p>60 shot</p> 	<p>1: 10,4* ↗ 2: 8,6 ← 3: 9,5 → 4: 9,8 ↖ 5: 9,8 ← 6: 10,6* ← 7: 10,2* ↑ 8: 9,5 → 9: 9,8 → 10: 10,6* →</p> <p>Serie 93,0 Totalt 93,0</p>	<p>60 shot</p> 	<p>11: 10,0 ↘ 12: 10,2* → 13: 9,9 ↘ 14: 10,5* ↗ 15: 10,4* ↖ 16: 9,1 → 17: 10,4* ↑ 18: 10,0 ← 19: 10,4* ↑ 20: 10,8* →</p> <p>Serie 98,0 Totalt 191,0</p>
--	--	--	--

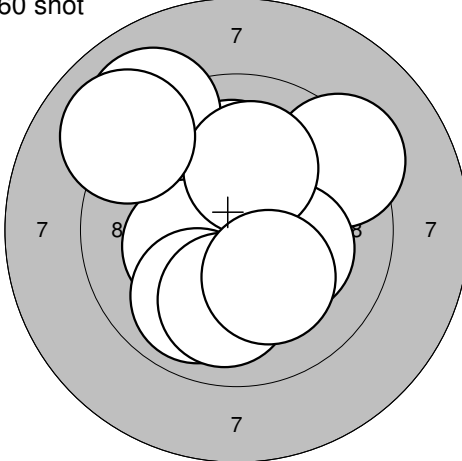
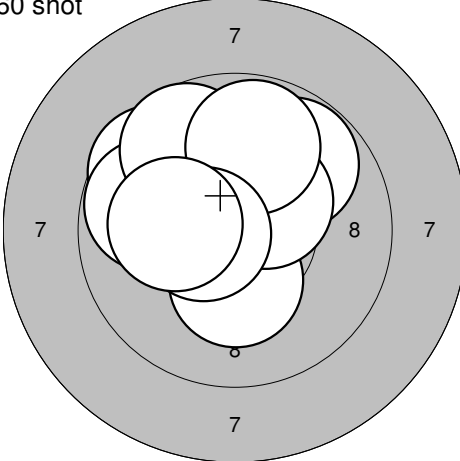
<p>60 shot</p> 	<p>21: 9,2 ← 22: 10,8* ↗ 23: 10,1 → 24: 10,3* ↘ 25: 10,2* ↗ 26: 10,6* → 27: 10,7* ← 28: 10,2* ↗ 29: 10,3* ↗ 30: 9,1 ←</p> <p>Serie 98,0 Totalt 289,0</p>	<p>60 shot</p> 	<p>31: 10,0 → 32: 10,2* ↗ 33: 10,6* ↘ 34: 10,3* ↘ 35: 10,3* ↖ 36: 10,4* ↖ 37: 9,9 ← 38: 9,5 ↘ 39: 9,9 ↗ 40: 10,7* ←</p> <p>Serie 97,0 Totalt 386,0</p>
---	---	---	---

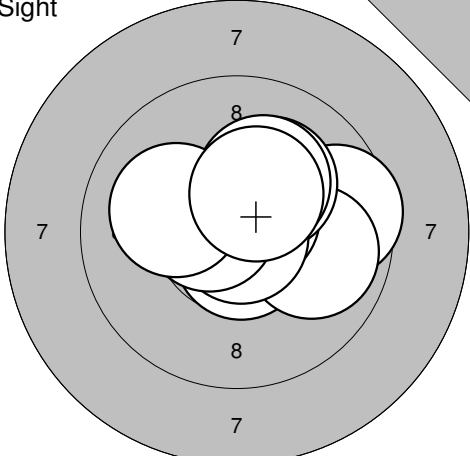
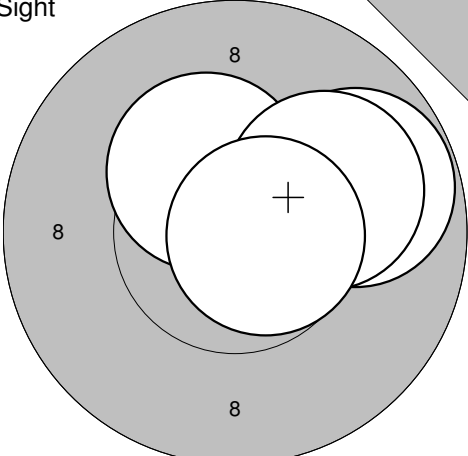
<p>60 shot</p> 	<p>41: 9,8 → 42: 10,1 ↗ 43: 10,1 ↗ 44: 9,9 → 45: 10,3* ↘ 46: 10,3* ↘ 47: 10,6* ↗ 48: 9,8 ← 49: 10,3* ← 50: 9,5 ←</p> <p>Serie 96,0 Totalt 482,0</p>	<p>60 shot</p> 	<p>51: 10,4* ↗ 52: 10,6* ↗ 53: 10,0 ↘ 54: 10,0 ↘ 55: 10,2* ↑ 56: 10,3* ← 57: 10,8* ↘ 58: 9,9 → 59: 9,6 → 60: 10,2* ↗</p> <p>Serie 98,0 Totalt 580,0</p>
---	--	---	--

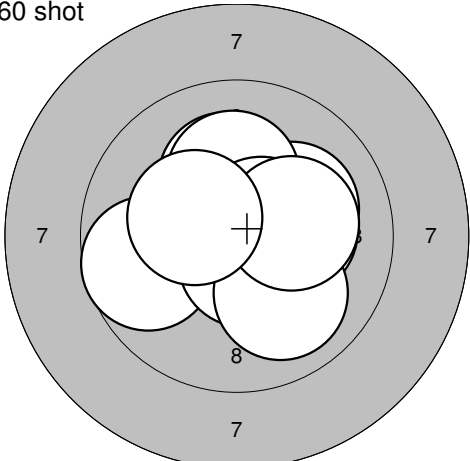
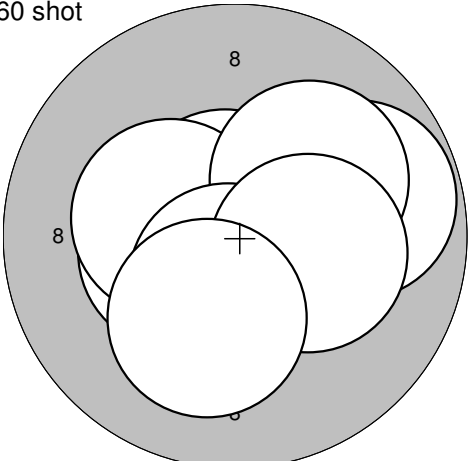
Sight	Sight																																		
	<table border="0" style="width:100%;"> <tr><td>1: 10,1</td><td>←</td></tr> <tr><td>2: 9,2</td><td>→</td></tr> <tr><td>3: 9,7</td><td>←</td></tr> <tr><td>4: 9,6</td><td>↓</td></tr> <tr><td>5: 10,1</td><td>↓</td></tr> <tr><td>6: 10,3*</td><td>↑</td></tr> <tr><td>7: 10,5*</td><td>↓</td></tr> <tr><td>8: 9,2</td><td>→</td></tr> <tr><td>9: 9,9</td><td>←</td></tr> <tr><td>10: 9,4</td><td>↓</td></tr> </table>	1: 10,1	←	2: 9,2	→	3: 9,7	←	4: 9,6	↓	5: 10,1	↓	6: 10,3*	↑	7: 10,5*	↓	8: 9,2	→	9: 9,9	←	10: 9,4	↓		<table border="0" style="width:100%;"> <tr><td>11: 9,8</td><td>↓</td></tr> <tr><td>12: 9,3</td><td>←</td></tr> <tr><td>13: 10,7*</td><td>↑</td></tr> <tr><td>14: 10,4*</td><td>↖</td></tr> <tr><td>15: 10,1</td><td>←</td></tr> <tr><td>16: 10,3*</td><td>↗</td></tr> </table>	11: 9,8	↓	12: 9,3	←	13: 10,7*	↑	14: 10,4*	↖	15: 10,1	←	16: 10,3*	↗
1: 10,1	←																																		
2: 9,2	→																																		
3: 9,7	←																																		
4: 9,6	↓																																		
5: 10,1	↓																																		
6: 10,3*	↑																																		
7: 10,5*	↓																																		
8: 9,2	→																																		
9: 9,9	←																																		
10: 9,4	↓																																		
11: 9,8	↓																																		
12: 9,3	←																																		
13: 10,7*	↑																																		
14: 10,4*	↖																																		
15: 10,1	←																																		
16: 10,3*	↗																																		
	Serie 94,0		Serie 58,0																																
	Totalt 0,0		Totalt 0,0																																

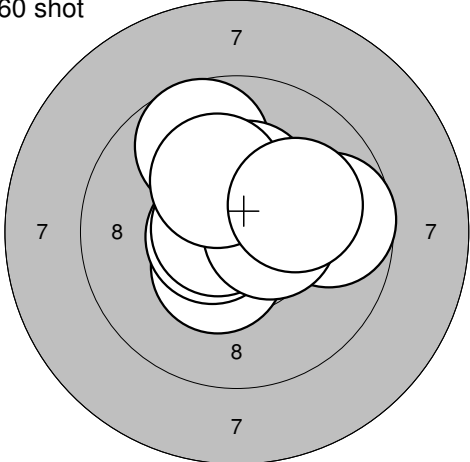
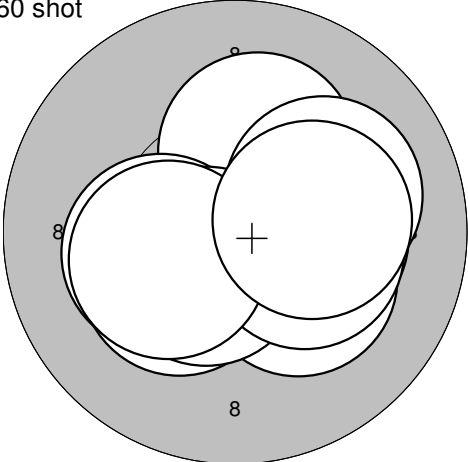
60 shot	60 shot																																										
	<table border="0" style="width:100%;"> <tr><td>1: 10,6*</td><td>↙</td></tr> <tr><td>2: 10,1</td><td>↓</td></tr> <tr><td>3: 9,6</td><td>↘</td></tr> <tr><td>4: 10,9*</td><td>↙</td></tr> <tr><td>5: 8,3</td><td>↗</td></tr> <tr><td>6: 9,2</td><td>↓</td></tr> <tr><td>7: 9,6</td><td>→</td></tr> <tr><td>8: 9,7</td><td>←</td></tr> <tr><td>9: 9,2</td><td>←</td></tr> <tr><td>10: 9,2</td><td>←</td></tr> </table>	1: 10,6*	↙	2: 10,1	↓	3: 9,6	↘	4: 10,9*	↙	5: 8,3	↗	6: 9,2	↓	7: 9,6	→	8: 9,7	←	9: 9,2	←	10: 9,2	←		<table border="0" style="width:100%;"> <tr><td>11: 9,7</td><td>↑</td></tr> <tr><td>12: 9,6</td><td>↖</td></tr> <tr><td>13: 10,4*</td><td>←</td></tr> <tr><td>14: 10,2*</td><td>↑</td></tr> <tr><td>15: 9,7</td><td>↗</td></tr> <tr><td>16: 9,2</td><td>↖</td></tr> <tr><td>17: 9,6</td><td>↗</td></tr> <tr><td>18: 10,4*</td><td>→</td></tr> <tr><td>19: 10,2*</td><td>↓</td></tr> <tr><td>20: 8,5</td><td>↖</td></tr> </table>	11: 9,7	↑	12: 9,6	↖	13: 10,4*	←	14: 10,2*	↑	15: 9,7	↗	16: 9,2	↖	17: 9,6	↗	18: 10,4*	→	19: 10,2*	↓	20: 8,5	↖
1: 10,6*	↙																																										
2: 10,1	↓																																										
3: 9,6	↘																																										
4: 10,9*	↙																																										
5: 8,3	↗																																										
6: 9,2	↓																																										
7: 9,6	→																																										
8: 9,7	←																																										
9: 9,2	←																																										
10: 9,2	←																																										
11: 9,7	↑																																										
12: 9,6	↖																																										
13: 10,4*	←																																										
14: 10,2*	↑																																										
15: 9,7	↗																																										
16: 9,2	↖																																										
17: 9,6	↗																																										
18: 10,4*	→																																										
19: 10,2*	↓																																										
20: 8,5	↖																																										
	Serie 92,0		Serie 93,0																																								
	Totalt 92,0		Totalt 185,0																																								

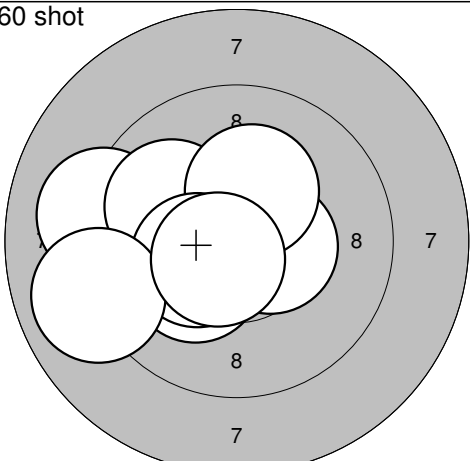
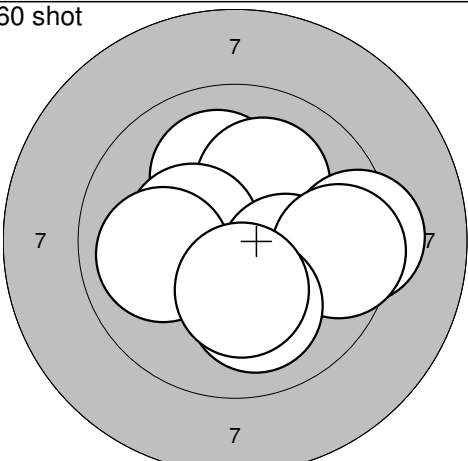
60 shot	60 shot																																										
	<table border="0" style="width:100%;"> <tr><td>21: 9,4</td><td>←</td></tr> <tr><td>22: 10,5*</td><td>↑</td></tr> <tr><td>23: 9,8</td><td>↘</td></tr> <tr><td>24: 8,6</td><td>←</td></tr> <tr><td>25: 9,5</td><td>↓</td></tr> <tr><td>26: 9,6</td><td>↗</td></tr> <tr><td>27: 9,1</td><td>↗</td></tr> <tr><td>28: 10,3*</td><td>↙</td></tr> <tr><td>29: 10,5*</td><td>↘</td></tr> <tr><td>30: 10,4*</td><td>↑</td></tr> </table>	21: 9,4	←	22: 10,5*	↑	23: 9,8	↘	24: 8,6	←	25: 9,5	↓	26: 9,6	↗	27: 9,1	↗	28: 10,3*	↙	29: 10,5*	↘	30: 10,4*	↑		<table border="0" style="width:100%;"> <tr><td>31: 10,6*</td><td>↑</td></tr> <tr><td>32: 9,8</td><td>↑</td></tr> <tr><td>33: 9,6</td><td>↗</td></tr> <tr><td>34: 10,1</td><td>→</td></tr> <tr><td>35: 9,4</td><td>→</td></tr> <tr><td>36: 10,8*</td><td>↑</td></tr> <tr><td>37: 10,4*</td><td>→</td></tr> <tr><td>38: 9,3</td><td>↖</td></tr> <tr><td>39: 9,2</td><td>↑</td></tr> <tr><td>40: 10,3*</td><td>↖</td></tr> </table>	31: 10,6*	↑	32: 9,8	↑	33: 9,6	↗	34: 10,1	→	35: 9,4	→	36: 10,8*	↑	37: 10,4*	→	38: 9,3	↖	39: 9,2	↑	40: 10,3*	↖
21: 9,4	←																																										
22: 10,5*	↑																																										
23: 9,8	↘																																										
24: 8,6	←																																										
25: 9,5	↓																																										
26: 9,6	↗																																										
27: 9,1	↗																																										
28: 10,3*	↙																																										
29: 10,5*	↘																																										
30: 10,4*	↑																																										
31: 10,6*	↑																																										
32: 9,8	↑																																										
33: 9,6	↗																																										
34: 10,1	→																																										
35: 9,4	→																																										
36: 10,8*	↑																																										
37: 10,4*	→																																										
38: 9,3	↖																																										
39: 9,2	↑																																										
40: 10,3*	↖																																										
	Serie 93,0		Serie 95,0																																								
	Totalt 278,0		Totalt 373,0																																								

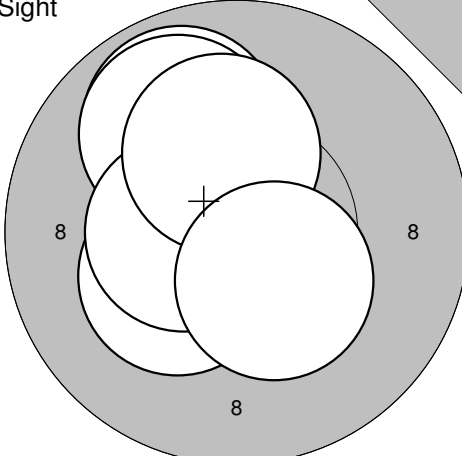
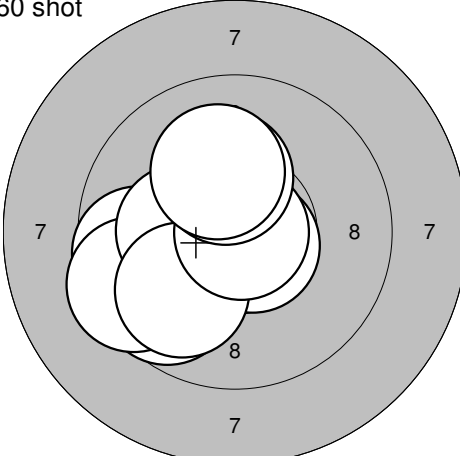
60 shot	60 shot																																										
	<table border="0" style="width:100%;"> <tr><td>41: 10,1</td><td>↑</td></tr> <tr><td>42: 10,3*</td><td>←</td></tr> <tr><td>43: 9,9</td><td>↘</td></tr> <tr><td>44: 9,3</td><td>↗</td></tr> <tr><td>45: 10,2*</td><td>→</td></tr> <tr><td>46: 9,1</td><td>↗</td></tr> <tr><td>47: 10,1</td><td>↑</td></tr> <tr><td>48: 10,0</td><td>↓</td></tr> <tr><td>49: 10,2*</td><td>↘</td></tr> <tr><td>50: 9,0</td><td>↖</td></tr> </table>	41: 10,1	↑	42: 10,3*	←	43: 9,9	↘	44: 9,3	↗	45: 10,2*	→	46: 9,1	↗	47: 10,1	↑	48: 10,0	↓	49: 10,2*	↘	50: 9,0	↖		<table border="0" style="width:100%;"> <tr><td>51: 9,6</td><td>↖</td></tr> <tr><td>52: 9,8</td><td>←</td></tr> <tr><td>53: 10,0</td><td>↗</td></tr> <tr><td>54: 9,7</td><td>↖</td></tr> <tr><td>55: 9,8</td><td>↗</td></tr> <tr><td>56: 10,3*</td><td>↓</td></tr> <tr><td>57: 10,4*</td><td>↗</td></tr> <tr><td>58: 9,8</td><td>↑</td></tr> <tr><td>59: 10,5*</td><td>←</td></tr> <tr><td>60: 10,1</td><td>←</td></tr> </table>	51: 9,6	↖	52: 9,8	←	53: 10,0	↗	54: 9,7	↖	55: 9,8	↗	56: 10,3*	↓	57: 10,4*	↗	58: 9,8	↑	59: 10,5*	←	60: 10,1	←
41: 10,1	↑																																										
42: 10,3*	←																																										
43: 9,9	↘																																										
44: 9,3	↗																																										
45: 10,2*	→																																										
46: 9,1	↗																																										
47: 10,1	↑																																										
48: 10,0	↓																																										
49: 10,2*	↘																																										
50: 9,0	↖																																										
51: 9,6	↖																																										
52: 9,8	←																																										
53: 10,0	↗																																										
54: 9,7	↖																																										
55: 9,8	↗																																										
56: 10,3*	↓																																										
57: 10,4*	↗																																										
58: 9,8	↑																																										
59: 10,5*	←																																										
60: 10,1	←																																										
	Serie 96,0		Serie 95,0																																								
	Totalt 469,0		Totalt 564,0																																								

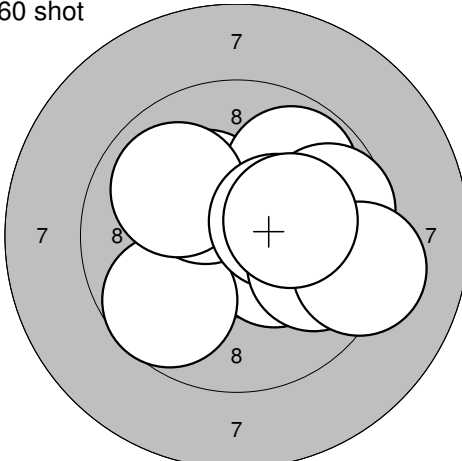
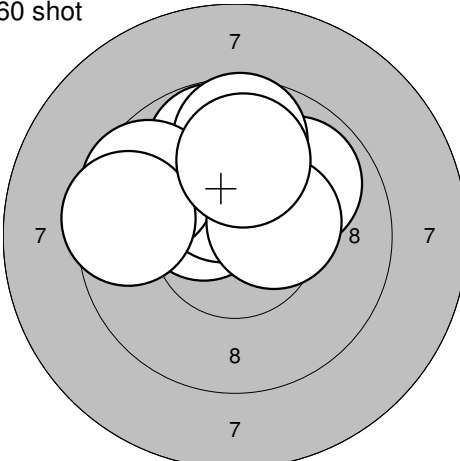
Sight		1: 9,6 → 2: 10,7* ↓ 3: 9,9 → 4: 10,7* ↗ 5: 10,2* ↗ 6: 10,9* ↓ 7: 10,6* ← 8: 10,2* ↗ 9: 10,1 ← 10: 10,4* ↗	Sight		11: 9,8 → 12: 10,4* ↗ 13: 10,1 → 14: 10,7* →
	Serie 98,0		Serie 39,0		Totalt 0,0

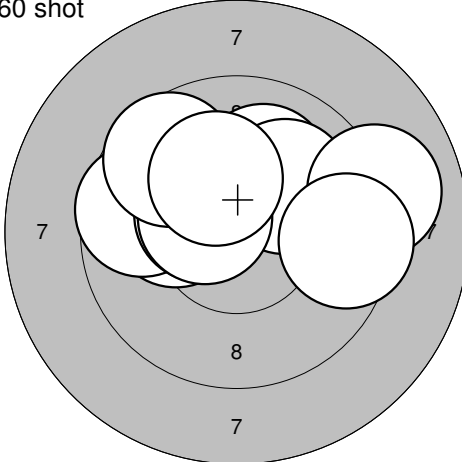
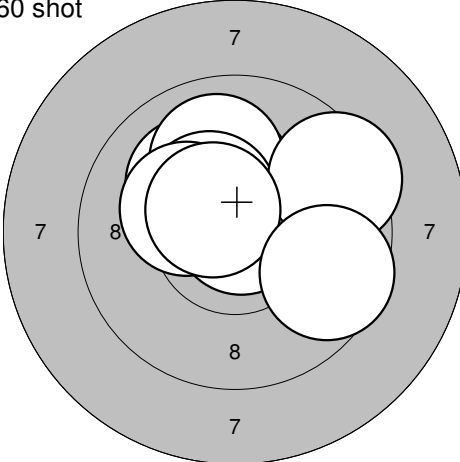
60 shot		1: 10,2* ↑ 2: 10,2* → 3: 9,7 ← 4: 10,1 → 5: 10,2* ↑ 6: 10,6* → 7: 10,6* ↓ 8: 10,0 ↓ 9: 10,2* → 10: 10,3* ←	60 shot		11: 10,4* ← 12: 9,8 → 13: 10,8* ← 14: 10,7* ↗ 15: 10,6* ← 16: 10,4* ← 17: 10,1 ↗ 18: 10,5* ↓ 19: 10,3* → 20: 10,2* ↓
	Serie 99,0		Serie 99,0		Totalt 198,0

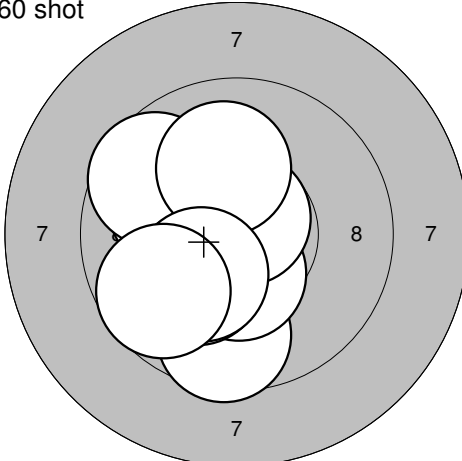
60 shot		21: 9,7 → 22: 10,4* ↓ 23: 9,7 ↗ 24: 10,5* ↗ 25: 10,6* ← 26: 10,7* ← 27: 10,3* ↑ 28: 10,5* → 29: 10,2* ↗ 30: 10,1 →	60 shot		31: 10,2* ↑ 32: 10,2* ↘ 33: 10,3* ↘ 34: 10,1 → 35: 10,3* → 36: 10,3* ← 37: 10,5* ↓ 38: 10,3* → 39: 10,3* ← 40: 10,2* →
	Serie 98,0		Serie 100,0		Totalt 396,0

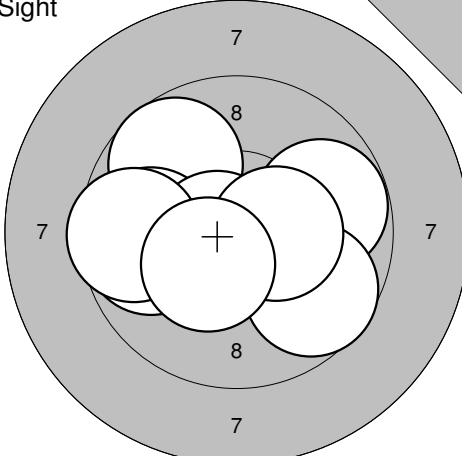
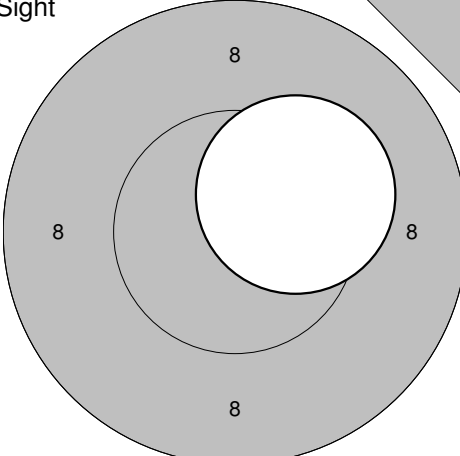
60 shot		41: 9,1 ← 42: 10,8* → 43: 10,5* → 44: 10,0 ↘ 45: 10,3* ↘ 46: 10,2* ↘ 47: 10,3* ↗ 48: 10,4* ↘ 49: 9,0 ← 50: 10,6* ↘	60 shot		51: 10,6* ↗ 52: 10,1 ↗ 53: 10,1 ↗ 54: 10,4* ← 55: 10,2* → 56: 9,3 → 57: 10,0 ← 58: 9,6 → 59: 10,0 ↓ 60: 10,3* ↓
	Serie 98,0		Serie 98,0		Totalt 592,0

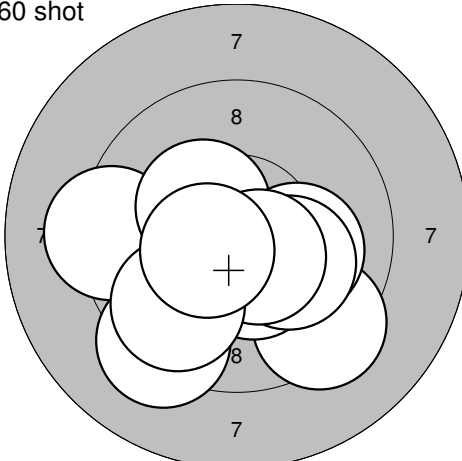
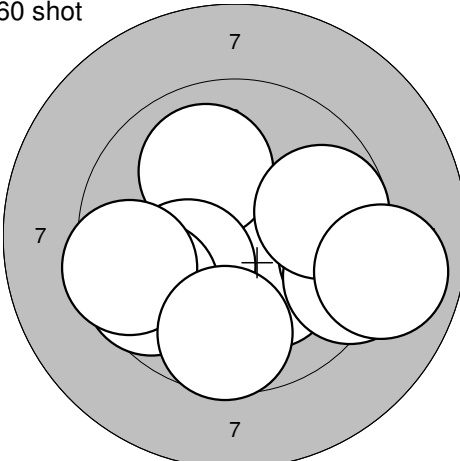
Sight 	1: 9,9 ↗ 2: 10,3* ↘ 3: 9,9 ↗ 4: 10,5* ↖ 5: 10,2* ↗ 6: 10,4* ↘ <hr/> Serie 58,0 Totalt 0,0	60 shot 	1: 9,7 ↘ 2: 9,6 ↖ 3: 10,6* ↖ 4: 9,4 ↖ 5: 10,3* ↖ 6: 10,6* ↘ 7: 9,9 ↘ 8: 10,9* → 9: 10,2* ↗ 10: 10,1 ↗ <hr/> Serie 96,0 Totalt 96,0
---	--	---	---

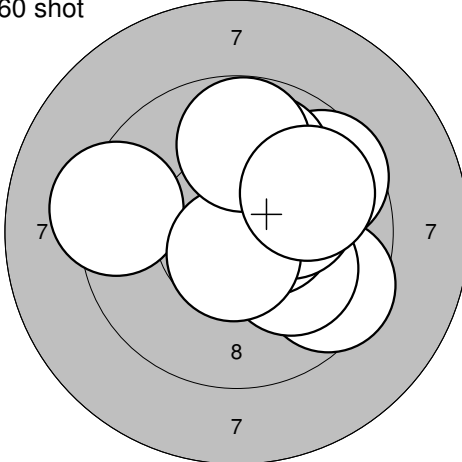
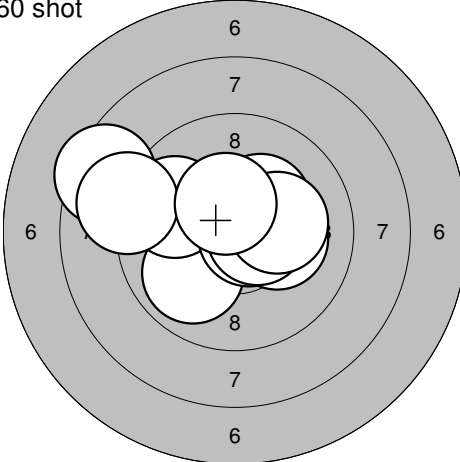
60 shot 	11: 10,3* ↘ 12: 9,7 ↘ 13: 10,3* ↗ 14: 9,8 ↗ 15: 10,0 ↗ 16: 10,4* → 17: 9,7 → 18: 9,8 ↘ 19: 9,2 → 20: 10,2* → <hr/> Serie 95,0 Totalt 191,0	60 shot 	21: 10,5* ↑ 22: 10,4* ↖ 23: 10,4* ↑ 24: 9,9 ↗ 25: 9,8 ↑ 26: 9,7 ↑ 27: 9,6 ↖ 28: 10,4* → 29: 9,5 ↖ 30: 9,9 ↑ <hr/> Serie 94,0 Totalt 285,0
--	---	--	--

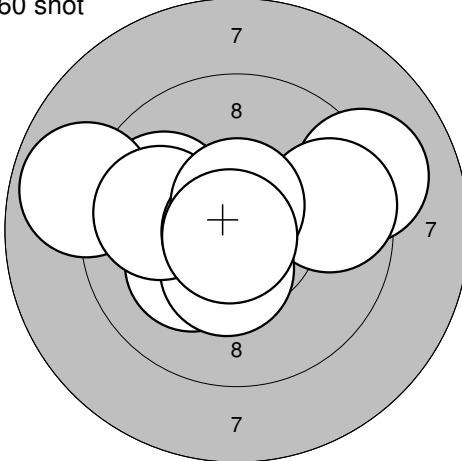
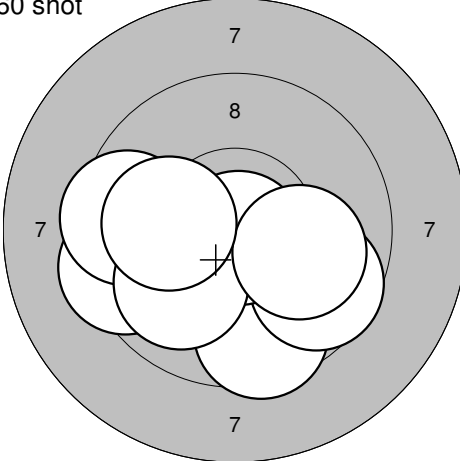
60 shot 	31: 10,1 ↗ 32: 10,1 ↖ 33: 9,7 ↖ 34: 10,4* ↗ 35: 10,1 ↗ 36: 10,5* ↖ 37: 9,6 ↗ 38: 9,0 → 39: 10,2* ↗ 40: 9,5 → <hr/> Serie 96,0 Totalt 381,0	60 shot 	41: 10,2* ↑ 42: 10,8* ↗ 43: 10,3* ↗ 44: 10,1 ↗ 45: 10,0 ↑ 46: 10,4* ↗ 47: 9,4 → 48: 10,2* ↖ 49: 10,5* ↗ 50: 9,6 ↘ <hr/> Serie 98,0 Totalt 479,0
---	---	---	--

60 shot 	51: 10,1 ↖ 52: 10,3* ↗ 53: 9,6 ↗ 54: 9,6 ↘ 55: 10,4* ↘ 56: 10,7* ↗ 57: 10,1 ↑ 58: 10,2* ↘ 59: 10,2* ↘ 60: 9,7 ↘ <hr/> Serie 97,0 Totalt 576,0		
---	--	--	--

<p>Sight</p> 	<p>1: 9,7 ↗ 2: 9,8 → 3: 9,8 ← 4: 9,8 ← 5: 10,6* ↓ 6: 9,7 ↓ 7: 10,7* ← 8: 9,6 ← 9: 10,4* → 10: 10,4* ↓</p> <p>Serie 94,0 Totalt 0,0</p>	<p>Sight</p>  <p style="text-align: right;">11: 10,3* ↗</p> <p style="text-align: right;">Serie 10,0 Totalt 0,0</p>
---	---	---

<p>60 shot</p> 	<p>1: 9,2 ↓ 2: 9,3 ← 3: 9,3 ↓ 4: 10,4* ↗ 5: 10,1 → 6: 10,4* ↓ 7: 10,2* ↓ 8: 10,5* ↓ 9: 9,7 ↓ 10: 10,5* ←</p> <p>Serie 96,0 Totalt 96,0</p>	<p>60 shot</p>  <p style="text-align: right;">11: 10,2* ↓ 12: 10,0 ↗ 13: 10,2* ← 14: 9,4 → 15: 9,3 → 16: 9,7 → 17: 9,6 ← 18: 8,9 → 19: 9,5 ← 20: 9,6 ↓</p> <p style="text-align: right;">Serie 92,0 Totalt 188,0</p>
--	---	--

<p>60 shot</p> 	<p>21: 9,5 ↓ 22: 10,1 ↓ 23: 9,6 ↗ 24: 9,3 ← 25: 10,5* → 26: 10,2* → 27: 9,9 ↑ 28: 10,7* ↓ 29: 9,8 ↑ 30: 9,9 ↗</p> <p>Serie 94,0 Totalt 282,0</p>	<p>60 shot</p>  <p style="text-align: right;">31: 9,9 ← 32: 9,8 ↗ 33: 10,2* → 34: 8,5 ↗ 35: 10,3* ↗ 36: 10,7* → 37: 10,6* → 38: 10,2* → 39: 9,0 ← 40: 10,4* ↗</p> <p style="text-align: right;">Serie 95,0 Totalt 377,0</p>
---	---	--

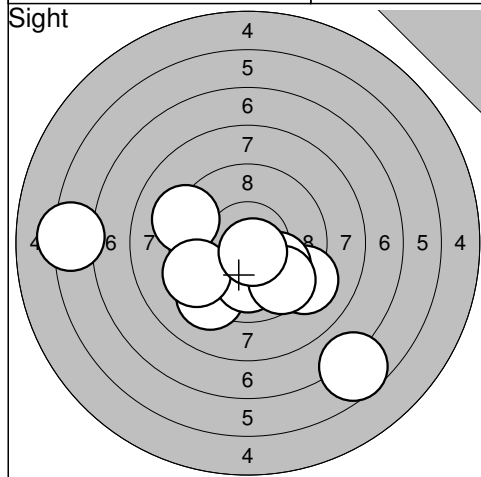
<p>60 shot</p> 	<p>41: 9,9 ← 42: 8,9 ← 43: 9,1 → 44: 9,7 → 45: 10,2* ↓ 46: 10,4* ↓ 47: 9,9 ← 48: 10,8* ← 49: 10,6* ↑ 50: 10,8* ↓</p> <p>Serie 94,0 Totalt 471,0</p>	<p>60 shot</p>  <p style="text-align: right;">51: 10,5* ↓ 52: 9,4 ← 53: 9,5 ← 54: 9,6 ↓ 55: 9,6 ↓ 56: 10,3* ← 57: 10,8* ↓ 58: 9,9 ↓ 59: 10,0 → 60: 10,1 ←</p> <p style="text-align: right;">Serie 95,0 Totalt 566,0</p>
---	--	--

<p>Sight</p>	<p>Sight</p>	<p>11: 8,7 ↙</p> <p>Serie 8,0</p> <p>Totalt 0,0</p>
--------------	--------------	---

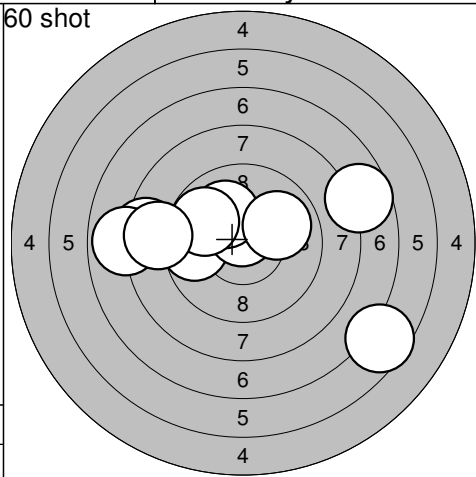
<p>60 shot</p>	<p>60 shot</p>	<p>11: 9,7 ←</p> <p>12: 10,6* ↗</p> <p>13: 8,8 →</p> <p>14: 8,3 ↖</p> <p>15: 9,2 ↗</p> <p>16: 10,0 ↗</p> <p>17: 8,6 ←</p> <p>18: 9,6 ↗</p> <p>19: 9,5 ←</p> <p>20: 9,2 ←</p> <p>Serie 89,0</p> <p>Totalt 178,0</p>
----------------	----------------	--

<p>60 shot</p>	<p>60 shot</p>	<p>31: 8,8 ↗</p> <p>32: 9,5 →</p> <p>33: 8,9 ←</p> <p>34: 10,9* ↘</p> <p>35: 10,1 ↘</p> <p>36: 9,5 →</p> <p>37: 9,8 →</p> <p>38: 8,5 ↗</p> <p>39: 8,4 →</p> <p>40: 9,7 →</p> <p>Serie 88,0</p> <p>Totalt 358,0</p>
----------------	----------------	--

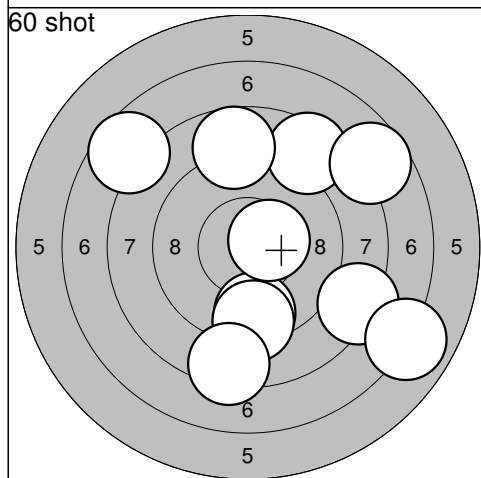
<p>60 shot</p>	<p>60 shot</p>	<p>51: 9,7 ↘</p> <p>52: 10,7* ↖</p> <p>53: 9,7 →</p> <p>54: 8,3 ←</p> <p>55: 9,3 ↑</p> <p>56: 8,2 →</p> <p>57: 10,0 →</p> <p>58: 4,3 ←</p> <p>59: 7,2 →</p> <p>60: 8,9 →</p> <p>Serie 82,0</p> <p>Totalt 535,0</p>
----------------	----------------	--



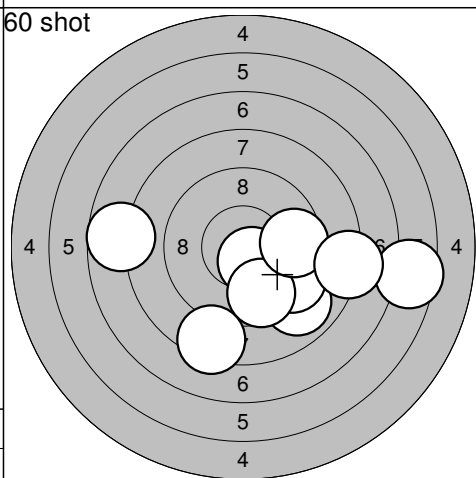
1: 9,2	↘
2: 9,3	↘
3: 10,0	↓
4: 10,0	↘
5: 9,2	↖
6: 6,3	←
7: 9,4	←
8: 6,7	↘
9: 9,6	↘
10: 10,7*	↘
Serie	87,0
Totalt	0,0



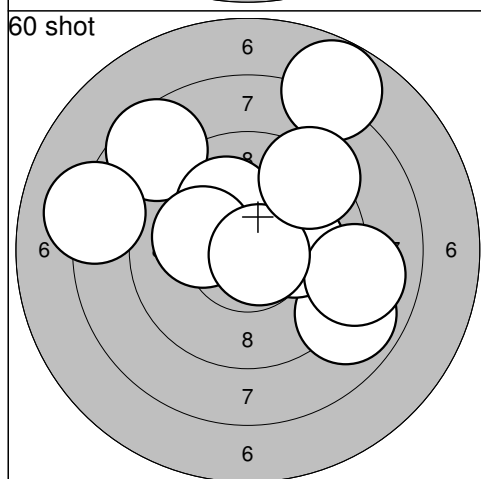
1: 9,7	←
2: 6,6	↘
3: 8,4	←
4: 10,7*	↑
5: 10,1	↗
6: 9,8	↗
7: 9,9	→
8: 7,9	←
9: 7,7	→
10: 8,7	←
Serie	83,0
Totalt	83,0



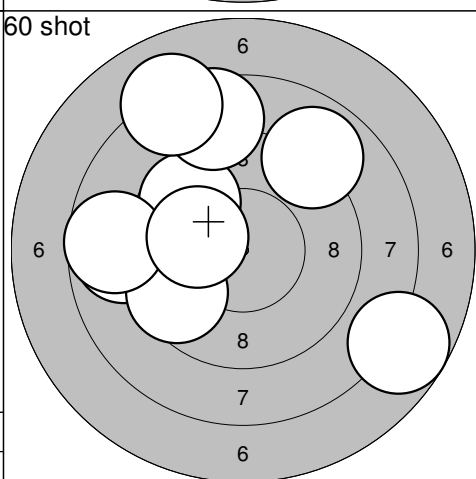
11: 9,5	↓
12: 8,5	↗
13: 7,6	↗
14: 8,8	↑
15: 9,3	↓
16: 8,3	↓
17: 10,5*	→
18: 8,2	↘
19: 6,9	↘
20: 7,7	↗
Serie	80,0
Totalt	163,0



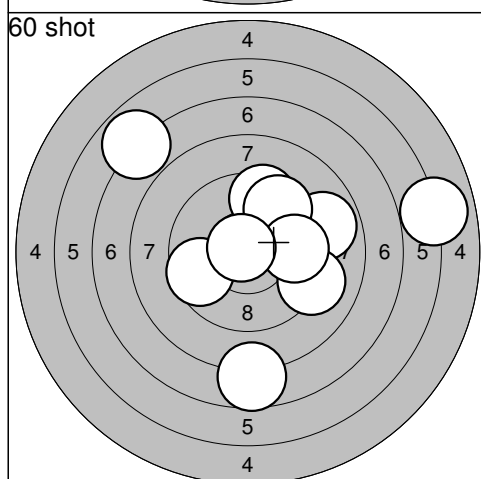
21: 8,4	↓
22: 9,7	→
23: 8,9	↘
24: 6,5	→
25: 10,5*	↘
26: 9,4	↘
27: 9,6	↓
28: 7,7	←
29: 9,6	→
30: 8,1	→
Serie	83,0
Totalt	246,0



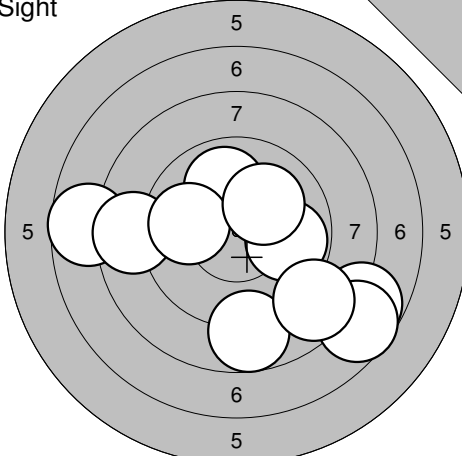
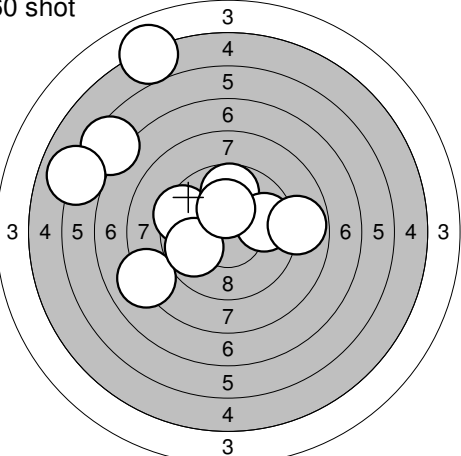
31: 8,6	↗
32: 8,9	↘
33: 10,1	↗
34: 7,8	↗
35: 10,1	→
36: 10,1	←
37: 9,0	→
38: 8,2	←
39: 10,7*	↘
40: 9,3	↗
Serie	89,0
Totalt	335,0

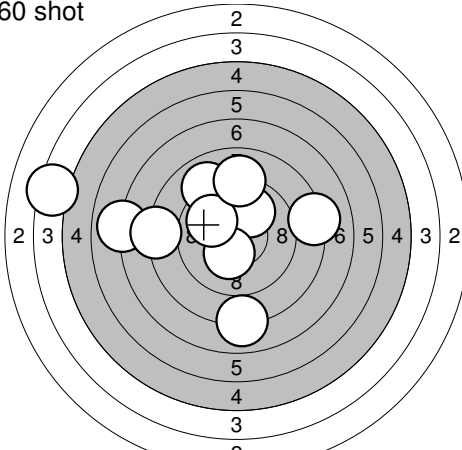
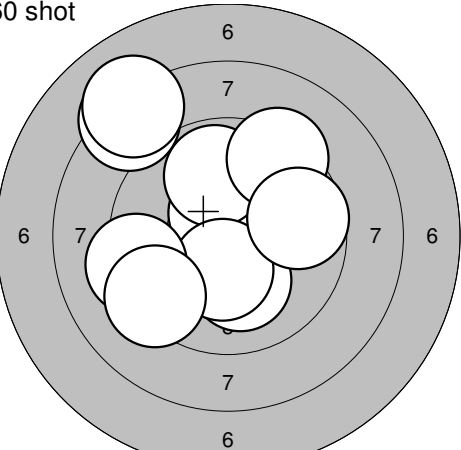


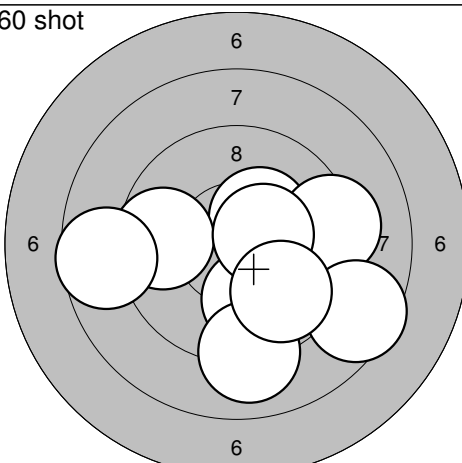
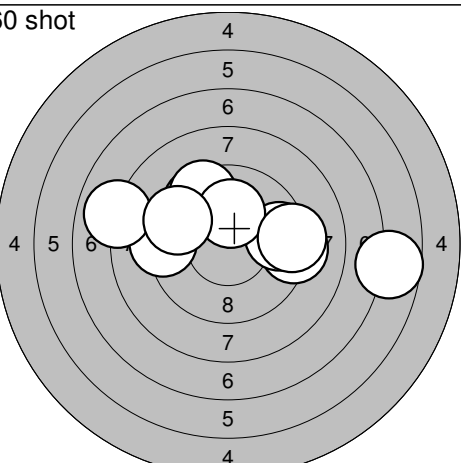
41: 9,8	←
42: 9,7	↗
43: 8,6	↑
44: 8,9	←
45: 7,8	↘
46: 8,1	↗
47: 9,6	↘
48: 8,9	↗
49: 8,7	←
50: 10,1	←
Serie	84,0
Totalt	419,0

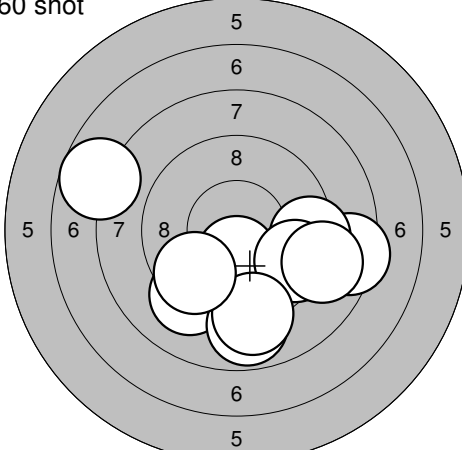


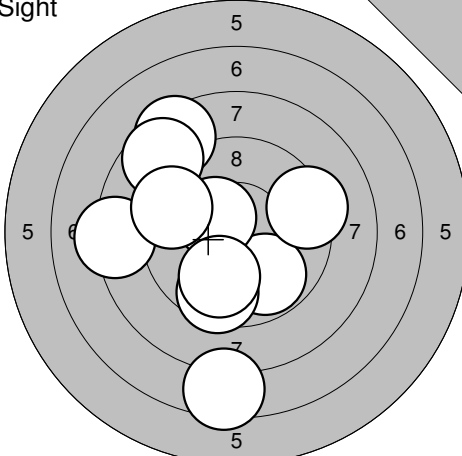
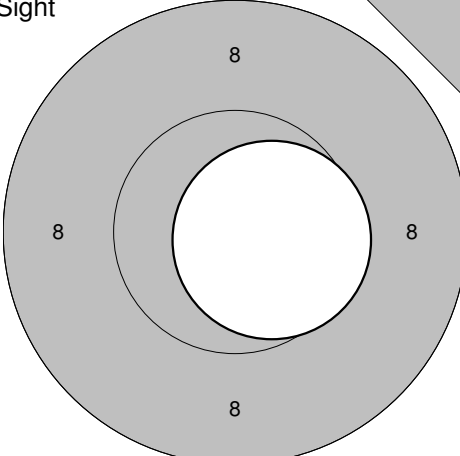
51: 8,9	→
52: 9,6	←
53: 6,9	↗
54: 9,5	↑
55: 9,6	↗
56: 9,1	↘
57: 9,7	→
58: 5,9	→
59: 10,8*	↗
60: 7,7	↓
Serie	81,0
Totalt	500,0

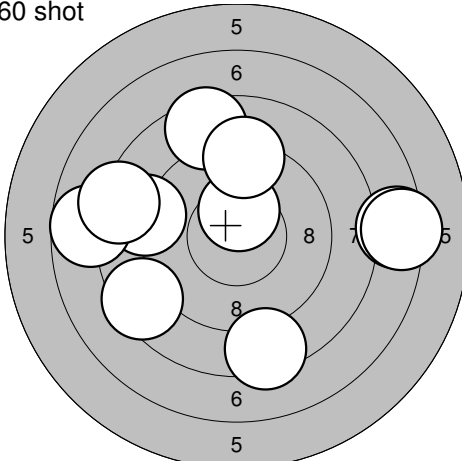
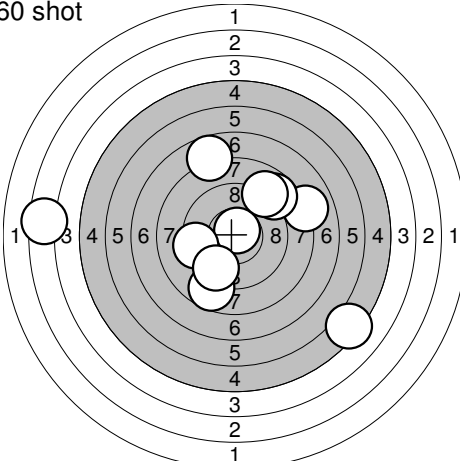
<p>Sight</p> 	<table style="width:100%; border-collapse: collapse;"> <tr><td>1: 9,8</td><td>→</td></tr> <tr><td>2: 9,9</td><td>↑</td></tr> <tr><td>3: 7,8</td><td>↘</td></tr> <tr><td>4: 7,7</td><td>←</td></tr> <tr><td>5: 7,7</td><td>↘</td></tr> <tr><td>6: 8,7</td><td>←</td></tr> <tr><td>7: 8,7</td><td>↘</td></tr> <tr><td>8: 8,7</td><td>↘</td></tr> <tr><td>9: 9,9</td><td>←</td></tr> <tr><td>10: 10,1</td><td>↗</td></tr> <tr><td colspan="2"><hr/></td></tr> <tr><td>Serie</td><td style="text-align: right;">82,0</td></tr> <tr><td>Totalt</td><td style="text-align: right;">0,0</td></tr> </table>	1: 9,8	→	2: 9,9	↑	3: 7,8	↘	4: 7,7	←	5: 7,7	↘	6: 8,7	←	7: 8,7	↘	8: 8,7	↘	9: 9,9	←	10: 10,1	↗	<hr/>		Serie	82,0	Totalt	0,0	<p>60 shot</p>  <table style="width:100%; border-collapse: collapse;"> <tr><td>1: 9,5</td><td>←</td></tr> <tr><td>2: 6,5</td><td>↖</td></tr> <tr><td>3: 9,8</td><td>↑</td></tr> <tr><td>4: 8,1</td><td>↖</td></tr> <tr><td>5: 9,8</td><td>→</td></tr> <tr><td>6: 5,0</td><td>↑</td></tr> <tr><td>7: 9,8</td><td>←</td></tr> <tr><td>8: 10,2*</td><td>↑</td></tr> <tr><td>9: 8,8</td><td>→</td></tr> <tr><td>10: 6,0</td><td>↖</td></tr> <tr><td colspan="2"><hr/></td></tr> <tr><td>Serie</td><td style="text-align: right;">79,0</td></tr> <tr><td>Totalt</td><td style="text-align: right;">79,0</td></tr> </table>	1: 9,5	←	2: 6,5	↖	3: 9,8	↑	4: 8,1	↖	5: 9,8	→	6: 5,0	↑	7: 9,8	←	8: 10,2*	↑	9: 8,8	→	10: 6,0	↖	<hr/>		Serie	79,0	Totalt	79,0
1: 9,8	→																																																					
2: 9,9	↑																																																					
3: 7,8	↘																																																					
4: 7,7	←																																																					
5: 7,7	↘																																																					
6: 8,7	←																																																					
7: 8,7	↘																																																					
8: 8,7	↘																																																					
9: 9,9	←																																																					
10: 10,1	↗																																																					
<hr/>																																																						
Serie	82,0																																																					
Totalt	0,0																																																					
1: 9,5	←																																																					
2: 6,5	↖																																																					
3: 9,8	↑																																																					
4: 8,1	↖																																																					
5: 9,8	→																																																					
6: 5,0	↑																																																					
7: 9,8	←																																																					
8: 10,2*	↑																																																					
9: 8,8	→																																																					
10: 6,0	↖																																																					
<hr/>																																																						
Serie	79,0																																																					
Totalt	79,0																																																					

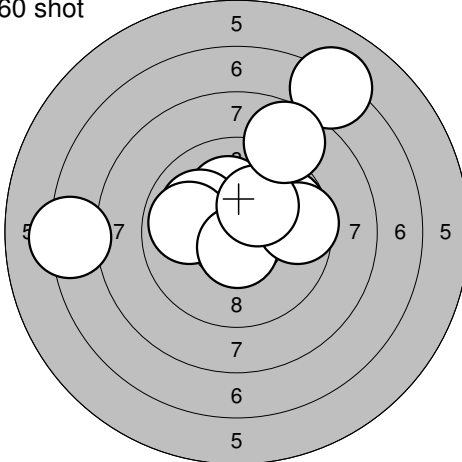
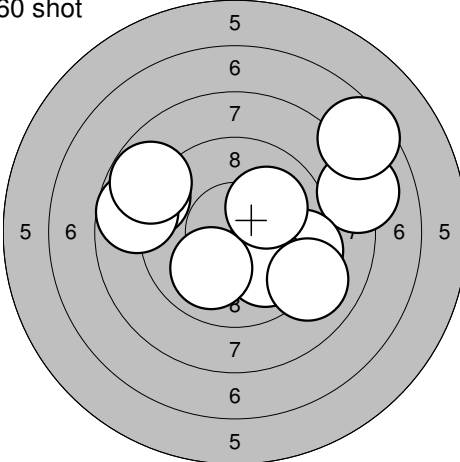
<p>60 shot</p> 	<table style="width:100%; border-collapse: collapse;"> <tr><td>11: 10,0</td><td>↗</td></tr> <tr><td>12: 8,0</td><td>↓</td></tr> <tr><td>13: 8,2</td><td>→</td></tr> <tr><td>14: 10,3*</td><td>↘</td></tr> <tr><td>15: 9,0</td><td>↗</td></tr> <tr><td>16: 4,3</td><td>←</td></tr> <tr><td>17: 9,9</td><td>↗</td></tr> <tr><td>18: 9,0</td><td>↑</td></tr> <tr><td>19: 7,0</td><td>←</td></tr> <tr><td>20: 8,1</td><td>←</td></tr> <tr><td colspan="2"><hr/></td></tr> <tr><td>Serie</td><td style="text-align: right;">82,0</td></tr> <tr><td>Totalt</td><td style="text-align: right;">161,0</td></tr> </table>	11: 10,0	↗	12: 8,0	↓	13: 8,2	→	14: 10,3*	↘	15: 9,0	↗	16: 4,3	←	17: 9,9	↗	18: 9,0	↑	19: 7,0	←	20: 8,1	←	<hr/>		Serie	82,0	Totalt	161,0	<p>60 shot</p>  <table style="width:100%; border-collapse: collapse;"> <tr><td>21: 10,5*</td><td>↑</td></tr> <tr><td>22: 10,1</td><td>↓</td></tr> <tr><td>23: 8,3</td><td>↗</td></tr> <tr><td>24: 8,1</td><td>↗</td></tr> <tr><td>25: 9,9</td><td>↑</td></tr> <tr><td>26: 10,3*</td><td>↓</td></tr> <tr><td>27: 9,3</td><td>←</td></tr> <tr><td>28: 9,3</td><td>↖</td></tr> <tr><td>29: 9,3</td><td>↗</td></tr> <tr><td>30: 9,7</td><td>→</td></tr> <tr><td colspan="2"><hr/></td></tr> <tr><td>Serie</td><td style="text-align: right;">91,0</td></tr> <tr><td>Totalt</td><td style="text-align: right;">252,0</td></tr> </table>	21: 10,5*	↑	22: 10,1	↓	23: 8,3	↗	24: 8,1	↗	25: 9,9	↑	26: 10,3*	↓	27: 9,3	←	28: 9,3	↖	29: 9,3	↗	30: 9,7	→	<hr/>		Serie	91,0	Totalt	252,0
11: 10,0	↗																																																					
12: 8,0	↓																																																					
13: 8,2	→																																																					
14: 10,3*	↘																																																					
15: 9,0	↗																																																					
16: 4,3	←																																																					
17: 9,9	↗																																																					
18: 9,0	↑																																																					
19: 7,0	←																																																					
20: 8,1	←																																																					
<hr/>																																																						
Serie	82,0																																																					
Totalt	161,0																																																					
21: 10,5*	↑																																																					
22: 10,1	↓																																																					
23: 8,3	↗																																																					
24: 8,1	↗																																																					
25: 9,9	↑																																																					
26: 10,3*	↓																																																					
27: 9,3	←																																																					
28: 9,3	↖																																																					
29: 9,3	↗																																																					
30: 9,7	→																																																					
<hr/>																																																						
Serie	91,0																																																					
Totalt	252,0																																																					

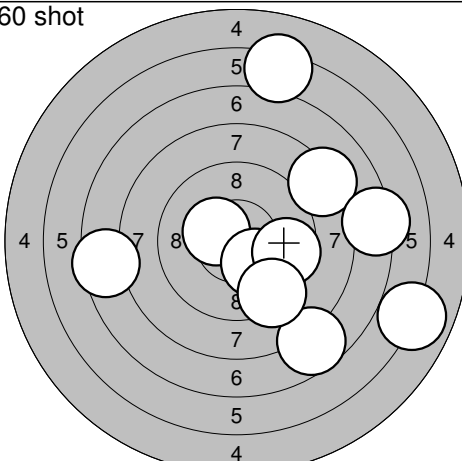
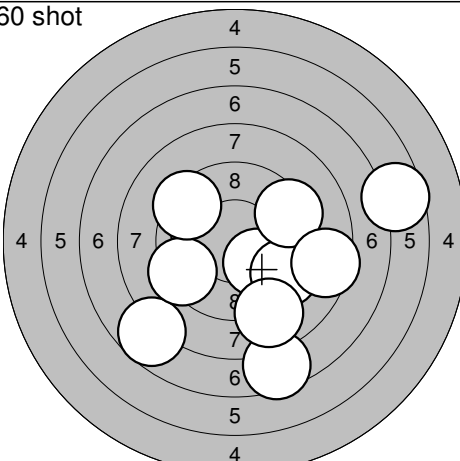
<p>60 shot</p> 	<table style="width:100%; border-collapse: collapse;"> <tr><td>31: 10,3*</td><td>↗</td></tr> <tr><td>32: 10,3*</td><td>↘</td></tr> <tr><td>33: 9,3</td><td>→</td></tr> <tr><td>34: 8,5</td><td>↘</td></tr> <tr><td>35: 9,7</td><td>←</td></tr> <tr><td>36: 9,9</td><td>↓</td></tr> <tr><td>37: 10,5*</td><td>→</td></tr> <tr><td>38: 9,0</td><td>↓</td></tr> <tr><td>39: 9,8</td><td>↘</td></tr> <tr><td>40: 8,6</td><td>←</td></tr> <tr><td colspan="2"><hr/></td></tr> <tr><td>Serie</td><td style="text-align: right;">91,0</td></tr> <tr><td>Totalt</td><td style="text-align: right;">343,0</td></tr> </table>	31: 10,3*	↗	32: 10,3*	↘	33: 9,3	→	34: 8,5	↘	35: 9,7	←	36: 9,9	↓	37: 10,5*	→	38: 9,0	↓	39: 9,8	↘	40: 8,6	←	<hr/>		Serie	91,0	Totalt	343,0	<p>60 shot</p>  <table style="width:100%; border-collapse: collapse;"> <tr><td>41: 9,6</td><td>↗</td></tr> <tr><td>42: 9,2</td><td>→</td></tr> <tr><td>43: 6,7</td><td>→</td></tr> <tr><td>44: 9,3</td><td>←</td></tr> <tr><td>45: 8,0</td><td>←</td></tr> <tr><td>46: 9,5</td><td>↗</td></tr> <tr><td>47: 9,6</td><td>→</td></tr> <tr><td>48: 10,2*</td><td>↑</td></tr> <tr><td>49: 9,5</td><td>←</td></tr> <tr><td>50: 9,2</td><td>→</td></tr> <tr><td colspan="2"><hr/></td></tr> <tr><td>Serie</td><td style="text-align: right;">87,0</td></tr> <tr><td>Totalt</td><td style="text-align: right;">430,0</td></tr> </table>	41: 9,6	↗	42: 9,2	→	43: 6,7	→	44: 9,3	←	45: 8,0	←	46: 9,5	↗	47: 9,6	→	48: 10,2*	↑	49: 9,5	←	50: 9,2	→	<hr/>		Serie	87,0	Totalt	430,0
31: 10,3*	↗																																																					
32: 10,3*	↘																																																					
33: 9,3	→																																																					
34: 8,5	↘																																																					
35: 9,7	←																																																					
36: 9,9	↓																																																					
37: 10,5*	→																																																					
38: 9,0	↓																																																					
39: 9,8	↘																																																					
40: 8,6	←																																																					
<hr/>																																																						
Serie	91,0																																																					
Totalt	343,0																																																					
41: 9,6	↗																																																					
42: 9,2	→																																																					
43: 6,7	→																																																					
44: 9,3	←																																																					
45: 8,0	←																																																					
46: 9,5	↗																																																					
47: 9,6	→																																																					
48: 10,2*	↑																																																					
49: 9,5	←																																																					
50: 9,2	→																																																					
<hr/>																																																						
Serie	87,0																																																					
Totalt	430,0																																																					

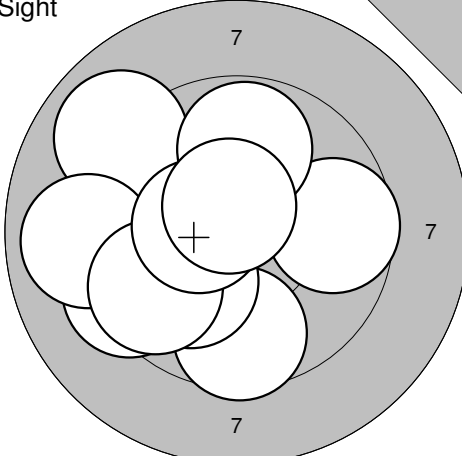
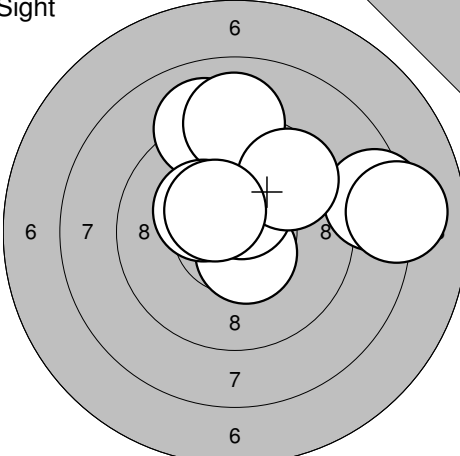
<p>60 shot</p> 	<table style="width:100%; border-collapse: collapse;"> <tr><td>51: 9,2</td><td>↘</td></tr> <tr><td>52: 8,9</td><td>↓</td></tr> <tr><td>53: 8,4</td><td>→</td></tr> <tr><td>54: 10,4*</td><td>↓</td></tr> <tr><td>55: 9,3</td><td>→</td></tr> <tr><td>56: 9,5</td><td>↘</td></tr> <tr><td>57: 7,7</td><td>↗</td></tr> <tr><td>58: 8,9</td><td>→</td></tr> <tr><td>59: 9,1</td><td>↓</td></tr> <tr><td>60: 9,6</td><td>↘</td></tr> <tr><td colspan="2"><hr/></td></tr> <tr><td>Serie</td><td style="text-align: right;">86,0</td></tr> <tr><td>Totalt</td><td style="text-align: right;">516,0</td></tr> </table>	51: 9,2	↘	52: 8,9	↓	53: 8,4	→	54: 10,4*	↓	55: 9,3	→	56: 9,5	↘	57: 7,7	↗	58: 8,9	→	59: 9,1	↓	60: 9,6	↘	<hr/>		Serie	86,0	Totalt	516,0	
51: 9,2	↘																											
52: 8,9	↓																											
53: 8,4	→																											
54: 10,4*	↓																											
55: 9,3	→																											
56: 9,5	↘																											
57: 7,7	↗																											
58: 8,9	→																											
59: 9,1	↓																											
60: 9,6	↘																											
<hr/>																												
Serie	86,0																											
Totalt	516,0																											

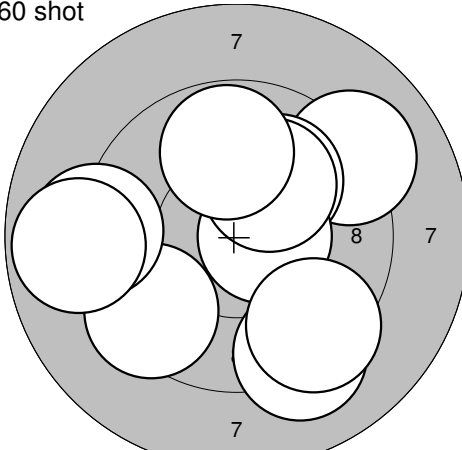
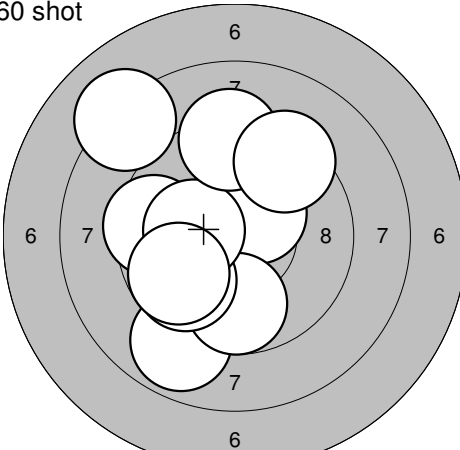
<p>Sight</p> 	<p>1: 8,5 ↗ 2: 9,8 ↓ 3: 9,6 ↓ 4: 10,4* ↗ 5: 8,3 ← 6: 7,5 ↓ 7: 9,3 → 8: 9,9 ↓ 9: 8,7 ↗ 10: 9,4 ↖</p> <p>Serie 86,0 Totalt 0,0</p>	<p>Sight</p>  <p style="text-align: right;">11: 10,6* →</p> <p>Serie 10,0 Totalt 0,0</p>
--	--	---

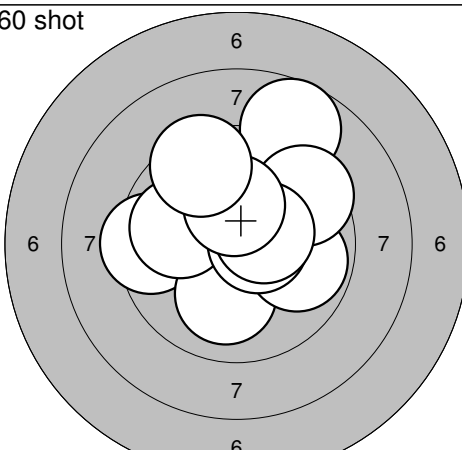
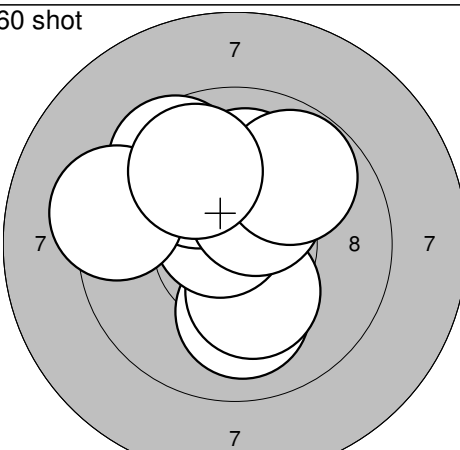
<p>60 shot</p> 	<p>1: 7,4 → 2: 8,5 ↑ 3: 10,4* ↑ 4: 8,9 ← 5: 9,2 ↑ 6: 8,5 ↖ 7: 8,4 ↓ 8: 7,3 → 9: 7,7 ← 10: 8,3 ↖</p> <p>Serie 80,0 Totalt 80,0</p>	<p>60 shot</p>  <p>11: 8,0 → 12: 8,8 ↗ 13: 8,7 ↓ 14: 7,8 ↑ 15: 5,2 ↘ 16: 3,5 ← 17: 10,7* ↑ 18: 9,4 ← 19: 9,5 ↓ 20: 8,9 ↗</p> <p>Serie 75,0 Totalt 155,0</p>
---	---	---

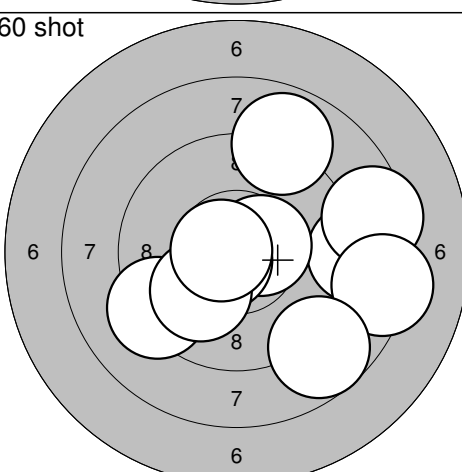
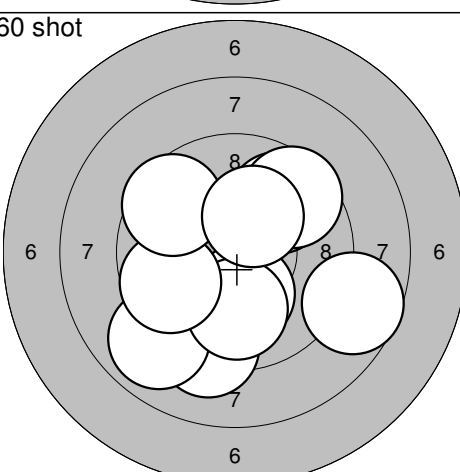
<p>60 shot</p> 	<p>21: 9,8 → 22: 10,2* ↑ 23: 10,0 ↗ 24: 9,9 ← 25: 10,6* ↓ 26: 7,3 ← 27: 9,6 → 28: 10,2* ↗ 29: 7,2 ↗ 30: 8,7 ↗</p> <p>Serie 89,0 Totalt 244,0</p>	<p>60 shot</p>  <p>31: 8,1 → 32: 9,4 → 33: 8,9 ↗ 34: 9,9 ↓ 35: 8,8 ← 36: 9,0 ↘ 37: 7,5 ↗ 38: 10,0 ↓ 39: 10,1 ↗ 40: 8,8 ↖</p> <p>Serie 86,0 Totalt 330,0</p>
--	--	--

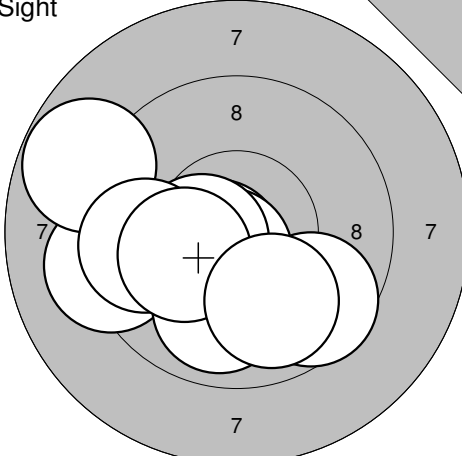
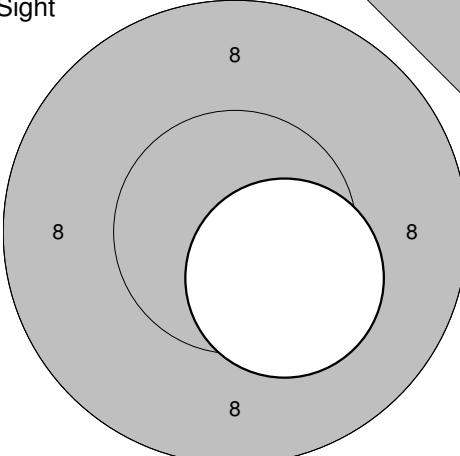
<p>60 shot</p> 	<p>41: 10,4* ↖ 42: 8,2 ↗ 43: 7,7 ↓ 44: 10,2* ↓ 45: 6,3 ↑ 46: 9,6 → 47: 5,9 ↘ 48: 7,5 ← 49: 7,3 → 50: 9,3 ↓</p> <p>Serie 78,0 Totalt 408,0</p>	<p>60 shot</p>  <p>51: 6,6 → 52: 7,7 ↓ 53: 9,4 ↖ 54: 10,1 ↘ 55: 9,4 ↘ 56: 9,4 → 57: 7,5 ↓ 58: 8,9 ↓ 59: 9,4 ↗ 60: 8,5 →</p> <p>Serie 82,0 Totalt 490,0</p>
--	---	---

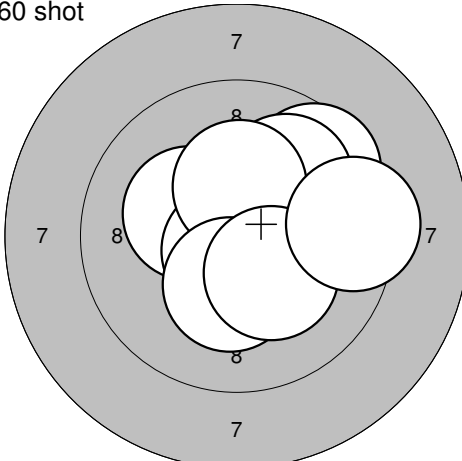
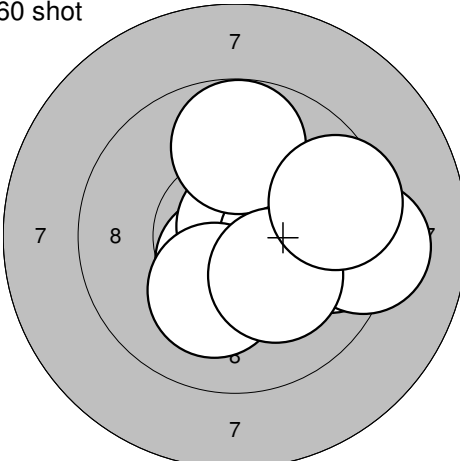
<p>Sight</p> 	<p>1: 9,6 ↓ 2: 10,1 ↙ 3: 9,3 ← 4: 9,7 → 5: 9,0 ↗ 6: 9,0 ← 7: 9,8 ↑ 8: 9,6 ↙ 9: 10,4* ← 10: 10,6* ↑</p> <p>Serie 93,0 Totalt 0,0</p>	<p>Sight</p> 	<p>11: 10,5* ↓ 12: 10,5* ↑ 13: 9,1 ↑ 14: 9,0 ↑ 15: 8,4 → 16: 10,3* ↖ 17: 8,1 → 18: 9,6 ↗ 19: 10,4* ↖</p> <p>Serie 83,0 Totalt 0,0</p>
---	---	---	---

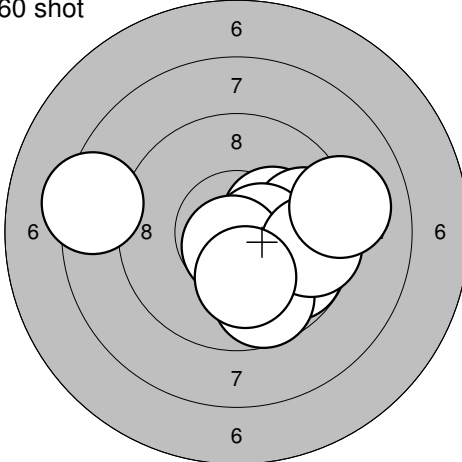
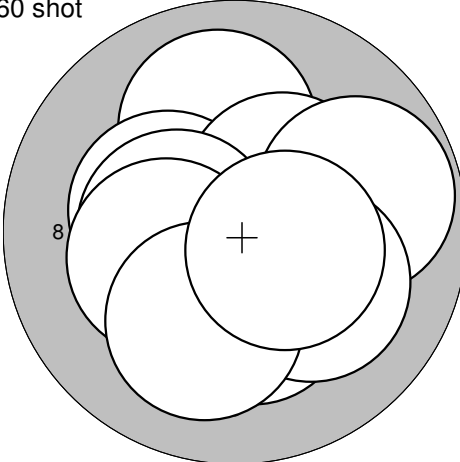
<p>60 shot</p> 	<p>1: 9,1 ↗ 2: 9,4 ↙ 3: 10,0 ↗ 4: 10,6* → 5: 10,1 ↗ 6: 9,8 ↑ 7: 9,1 ← 8: 9,2 ↓ 9: 8,8 ← 10: 9,4 ↓</p> <p>Serie 92,0 Totalt 92,0</p>	<p>60 shot</p> 	<p>11: 10,4* ↗ 12: 8,9 ↓ 13: 9,5 ← 14: 9,7 ↓ 15: 9,8 ↙ 16: 10,2* ← 17: 9,8 ↙ 18: 9,3 ↑ 19: 9,4 ↗ 20: 8,1 ↖</p> <p>Serie 90,0 Totalt 182,0</p>
--	---	--	---

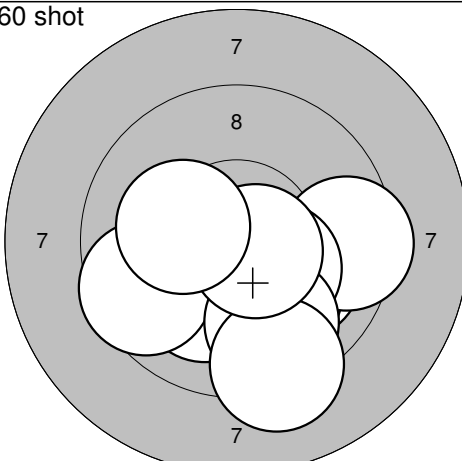
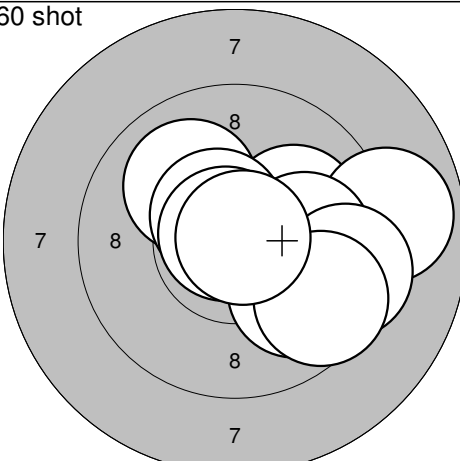
<p>60 shot</p> 	<p>21: 8,7 ↑ 22: 9,4 ← 23: 10,0 ↓ 24: 9,8 → 25: 9,5 ↗ 26: 9,9 ← 27: 10,6* → 28: 10,4* → 29: 10,3* ↑ 30: 9,4 ↗</p> <p>Serie 93,0 Totalt 275,0</p>	<p>60 shot</p> 	<p>31: 10,0 ↑ 32: 10,0 ↓ 33: 10,3* ↓ 34: 10,7* ↗ 35: 10,0 ↗ 36: 9,6 ↗ 37: 9,3 ← 38: 10,4* ↗ 39: 9,8 ↗ 40: 9,8 ↗</p> <p>Serie 96,0 Totalt 371,0</p>
---	--	---	--

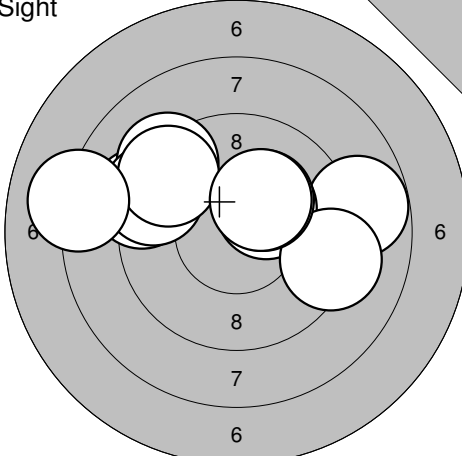
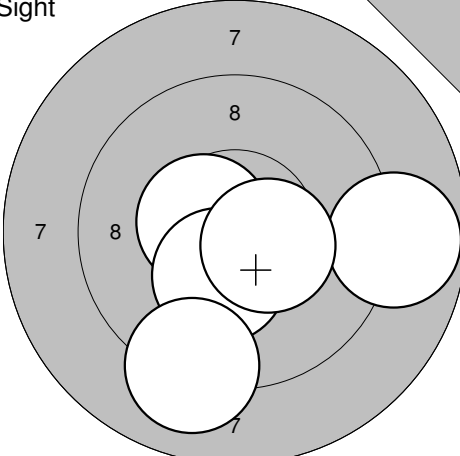
<p>60 shot</p> 	<p>41: 9,2 ↙ 42: 8,8 → 43: 8,5 → 44: 8,9 ↑ 45: 10,5* → 46: 8,3 → 47: 10,6* ← 48: 8,7 ↓ 49: 10,0 ↙ 50: 10,7* ←</p> <p>Serie 89,0 Totalt 460,0</p>	<p>60 shot</p> 	<p>51: 9,2 ↓ 52: 8,9 ↙ 53: 8,7 → 54: 10,2* ↓ 55: 10,0 ↓ 56: 9,7 ← 57: 9,8 ↗ 58: 9,6 ↗ 59: 9,6 ↖ 60: 10,2* ↑</p> <p>Serie 91,0 Totalt 551,0</p>
---	--	---	--

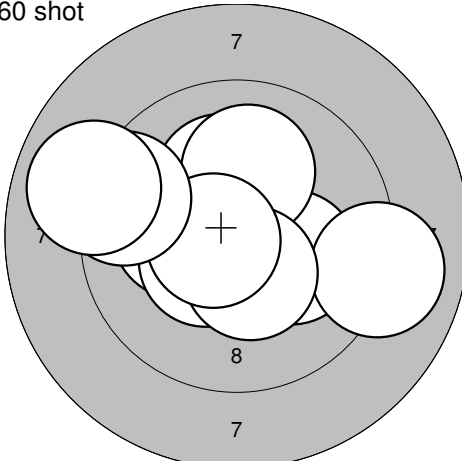
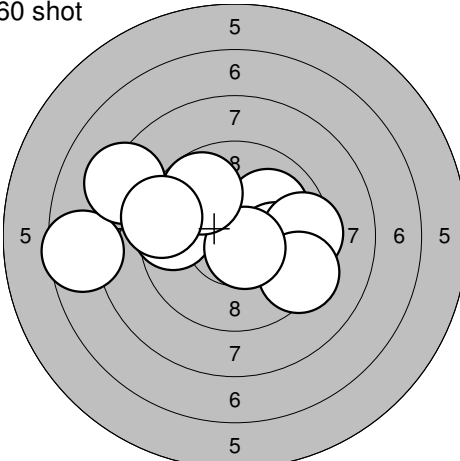
<p>Sight</p> 	<p>1: 10,6* ↙ 2: 9,2 ← 3: 8,8 ↖ 4: 10,6* ↓ 5: 10,5* ← 6: 9,7 ← 7: 9,6 ↓ 8: 9,9 ↓ 9: 10,2* ← 10: 9,9 ↓</p> <p>Serie 93,0 Totalt 0,0</p>	<p>Sight</p>  <p>11: 10,3* ↘</p> <p>Serie 10,0 Totalt 0,0</p>
---	--	---

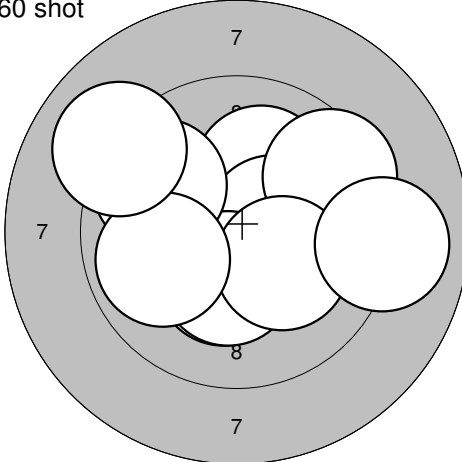
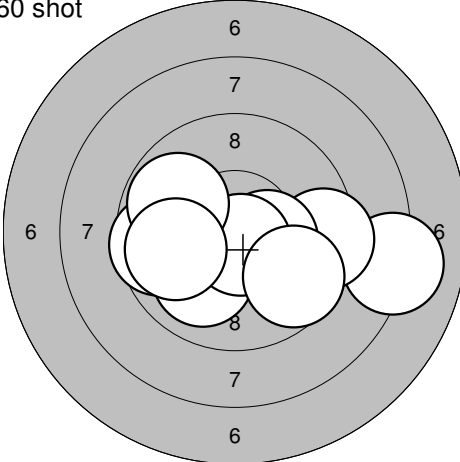
<p>60 shot</p> 	<p>1: 9,6 ↗ 2: 10,4* ↑ 3: 10,3* ↖ 4: 10,0 ↗ 5: 10,7* ↓ 6: 10,5* ↓ 7: 10,3* ↑ 8: 10,3* ↓ 9: 10,3* ↓ 10: 9,4 →</p> <p>Serie 98,0 Totalt 98,0</p>	<p>60 shot</p>  <p>11: 9,9 → 12: 10,6* ↓ 13: 10,8* ↗ 14: 10,3* → 15: 9,7 → 16: 10,2* ↓ 17: 9,8 ↑ 18: 9,2 → 19: 10,2* ↓ 20: 9,5 →</p> <p>Serie 95,0 Totalt 193,0</p>
--	--	--

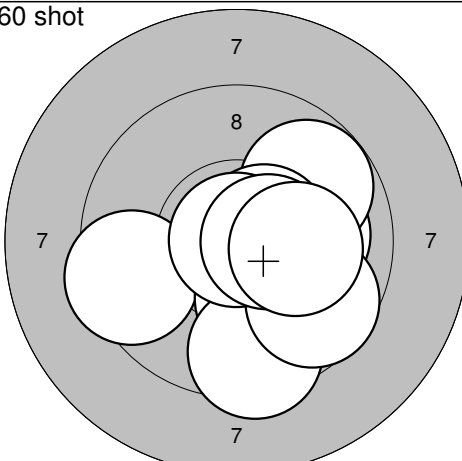
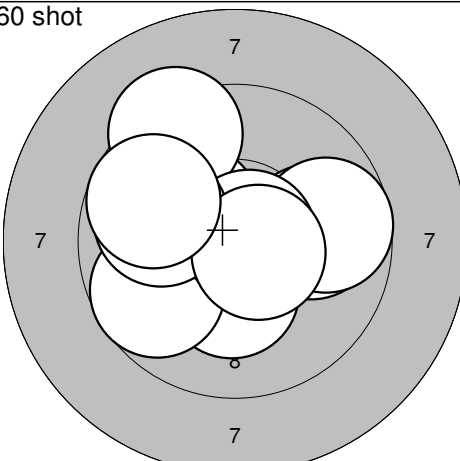
<p>60 shot</p> 	<p>21: 9,8 ↓ 22: 10,3* → 23: 9,7 → 24: 9,7 ↓ 25: 10,5* → 26: 10,7* ↓ 27: 9,6 → 28: 10,1 ↓ 29: 9,1 → 30: 8,4 ←</p> <p>Serie 93,0 Totalt 286,0</p>	<p>60 shot</p>  <p>31: 10,0 ↑ 32: 10,3* ↓ 33: 10,3* ← 34: 10,4* ↗ 35: 10,4* ← 36: 10,3* ← 37: 9,8 → 38: 10,1 ↓ 39: 10,1 ↓ 40: 10,5* →</p> <p>Serie 99,0 Totalt 385,0</p>
---	--	--

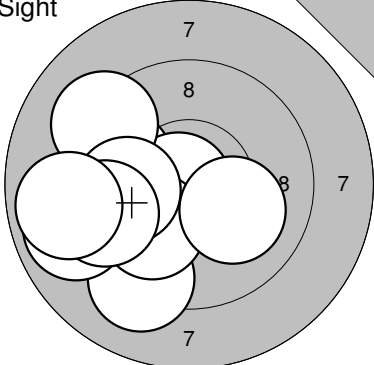
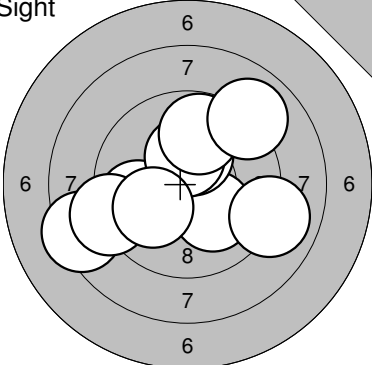
<p>60 shot</p> 	<p>41: 10,1 ↓ 42: 10,1 ↓ 43: 9,5 → 44: 10,3* ↓ 45: 10,1 ↓ 46: 9,6 ← 47: 9,8 ↓ 48: 9,2 ↓ 49: 10,7* ↓ 50: 10,2* ←</p> <p>Serie 96,0 Totalt 481,0</p>	<p>60 shot</p>  <p>51: 10,1 → 52: 10,0 ↗ 53: 8,9 → 54: 9,9 ↓ 55: 10,0 → 56: 9,4 → 57: 10,5* ↗ 58: 10,8* ↗ 59: 9,6 ↓ 60: 10,8* →</p> <p>Serie 95,0 Totalt 576,0</p>
---	--	--

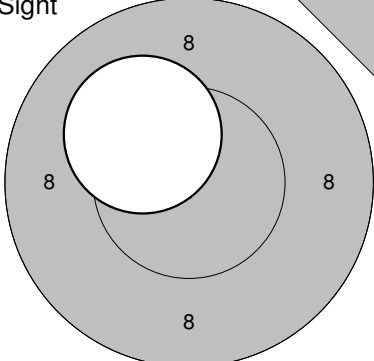
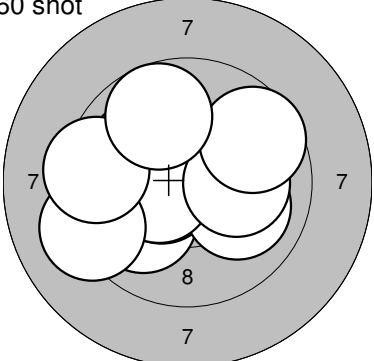
<p>Sight</p> 	<p>1: 9,2 ← 2: 9,2 ↗ 3: 9,3 ↖ 4: 8,8 → 5: 10,3* ↗ 6: 9,2 → 7: 9,4 ↗ 8: 10,2* ↗ 9: 8,1 ← 10: 10,2* ↗</p> <p>Serie 91,0 Totalt 0,0</p>	<p>Sight</p> 	<p>11: 8,8 → 12: 10,5* ↖ 13: 10,3* ↓ 14: 9,1 ↓ 15: 10,5* →</p> <p>Serie 47,0 Totalt 0,0</p>
---	--	---	---

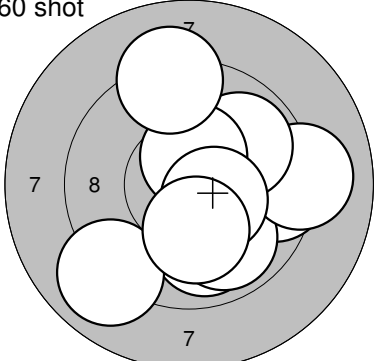
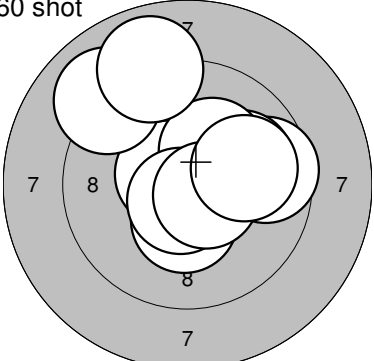
<p>60 shot</p> 	<p>1: 10,2* ← 2: 10,4* ↖ 3: 10,2* ↑ 4: 10,2* → 5: 9,0 → 6: 10,1 ↑ 7: 10,4* ↓ 8: 10,6* ← 9: 9,4 ↖ 10: 8,9 ←</p> <p>Serie 96,0 Totalt 96,0</p>	<p>60 shot</p> 	<p>11: 9,6 ← 12: 10,0 ↗ 13: 10,0 → 14: 9,5 → 15: 9,3 ↘ 16: 10,6* ↓ 17: 7,6 ← 18: 9,8 ↗ 19: 8,3 ↗ 20: 9,3 ←</p> <p>Serie 90,0 Totalt 186,0</p>
--	--	--	---

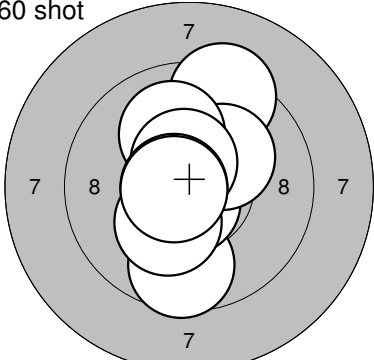
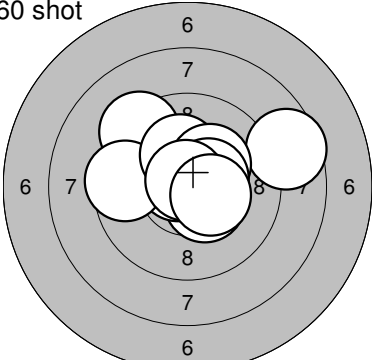
<p>60 shot</p> 	<p>21: 10,1 ↗ 22: 10,4* → 23: 9,5 → 24: 10,3* ↓ 25: 10,3* ↓ 26: 9,8 ↗ 27: 10,2* ↘ 28: 9,9 ← 29: 9,0 → 30: 9,0 ↗</p> <p>Serie 95,0 Totalt 281,0</p>	<p>60 shot</p> 	<p>31: 10,1 ← 32: 10,0 ↓ 33: 8,1 → 34: 9,4 → 35: 10,4* → 36: 10,7* ↓ 37: 9,6 ↘ 38: 9,6 ← 39: 9,8 ↗ 40: 9,9 ←</p> <p>Serie 93,0 Totalt 374,0</p>
---	--	---	---

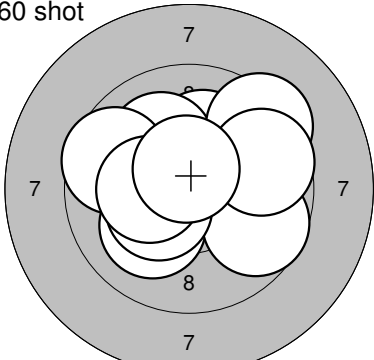
<p>60 shot</p> 	<p>41: 9,5 ← 42: 10,1 → 43: 10,1 ↓ 44: 9,4 ↓ 45: 9,8 ↗ 46: 9,7 ↘ 47: 10,6* → 48: 10,9* ↑ 49: 10,5* → 50: 10,1 →</p> <p>Serie 96,0 Totalt 470,0</p>	<p>60 shot</p> 	<p>51: 9,9 → 52: 10,3* ↗ 53: 10,3* ↓ 54: 9,7 ← 55: 9,7 → 56: 9,3 ↗ 57: 10,8* → 58: 9,9 ← 59: 10,6* ↘ 60: 9,7 ↖</p> <p>Serie 94,0 Totalt 564,0</p>
---	--	---	---

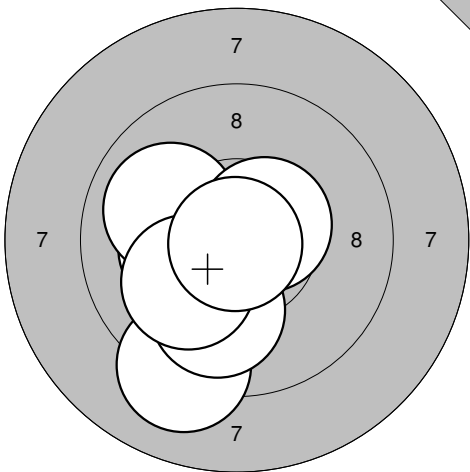
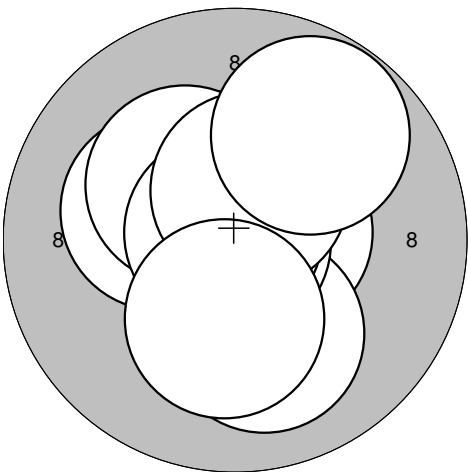
<p>Sight</p> 	<p>1: 9,2 ↘ 2: 9,7 ↗ 3: 10,8* ← 4: 10,0 ↘ 5: 8,9 ← 6: 9,2 ↗ 7: 9,9 ← 8: 9,5 ← 9: 8,9 ← 10: 10,1 ↘</p> <p>Serie 91,0 Totalt 0,0</p>	<p>Sight</p> 	<p>11: 8,4 ← 12: 10,1 ↘ 13: 9,0 → 14: 9,8 ← 15: 9,1 ← 16: 10,3* ↑ 17: 10,3* ↑ 18: 10,0 ← 19: 9,8 ↑ 20: 9,0 ↗</p> <p>Serie 93,0 Totalt 0,0</p>
---	---	---	--

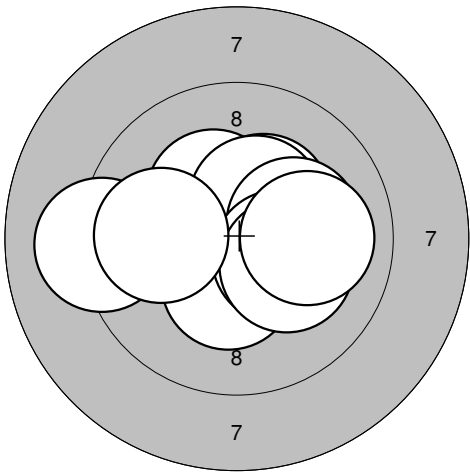
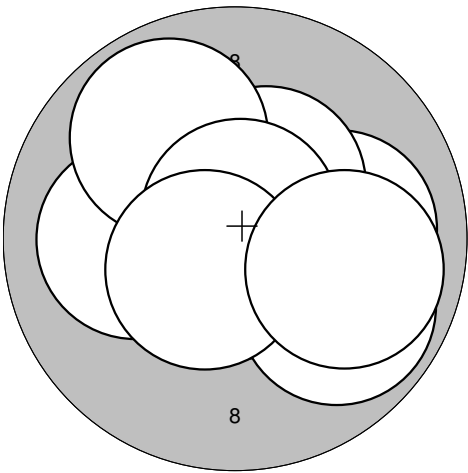
<p>Sight</p> 	<p>21: 10,2* ↗</p> <p>Serie 10,0 Totalt 0,0</p>	<p>60 shot</p> 	<p>1: 10,0 ↗ 2: 10,0 ← 3: 10,5* ← 4: 10,0 → 5: 10,5* ← 6: 10,1 → 7: 9,2 ← 8: 9,4 ← 9: 9,6 → 10: 9,7 ↗</p> <p>Serie 96,0 Totalt 96,0</p>
---	---	---	--

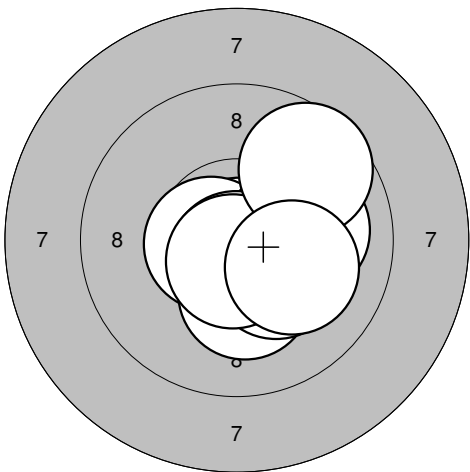
<p>60 shot</p> 	<p>11: 9,5 → 12: 9,9 ↘ 13: 9,9 ↘ 14: 9,1 → 15: 9,9 ↗ 16: 9,0 ↘ 17: 10,5* ↑ 18: 10,4* ↘ 19: 10,2* ↘ 20: 9,2 ↑</p> <p>Serie 93,0 Totalt 189,0</p>	<p>60 shot</p> 	<p>21: 9,6 → 22: 10,0 → 23: 10,6* ↗ 24: 10,4* ↘ 25: 10,2* ↗ 26: 9,0 ↗ 27: 10,6* ↘ 28: 10,6* ↘ 29: 8,9 ↑ 30: 10,0 →</p> <p>Serie 96,0 Totalt 285,0</p>
--	--	--	--

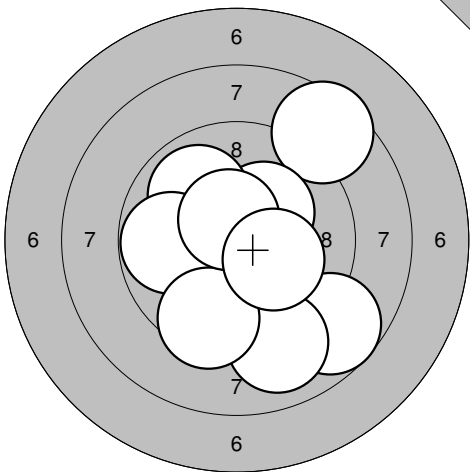
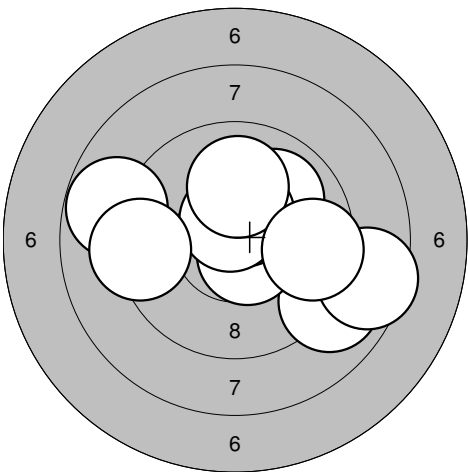
<p>60 shot</p> 	<p>31: 10,6* ↑ 32: 9,3 ↑ 33: 9,6 ↘ 34: 10,7* ↘ 35: 10,2* ↗ 36: 10,0 ↑ 37: 10,5* ↑ 38: 10,7* ← 39: 10,3* ↘ 40: 10,7* ←</p> <p>Serie 98,0 Totalt 383,0</p>	<p>60 shot</p> 	<p>41: 9,3 ↗ 42: 10,4* ↘ 43: 10,7* ↗ 44: 9,6 ← 45: 10,2* ↑ 46: 8,6 → 47: 10,2* ↗ 48: 10,5* → 49: 10,8* ↑ 50: 10,4* →</p> <p>Serie 96,0 Totalt 479,0</p>
---	---	---	--

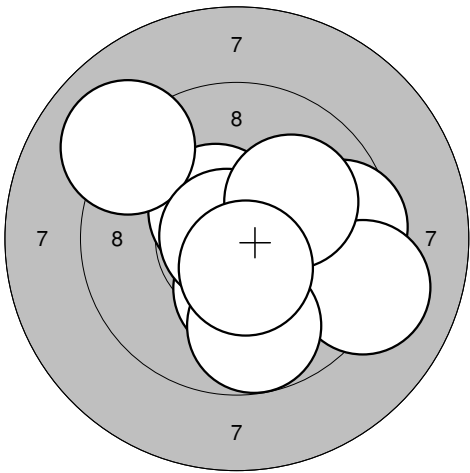
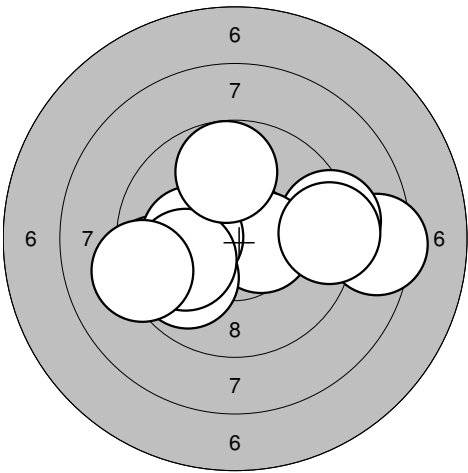
<p>60 shot</p> 	<p>51: 10,2* ↑ 52: 10,1 ↗ 53: 9,6 ↗ 54: 9,4 ↗ 55: 10,1 ↘ 56: 9,7 ↘ 57: 10,4* ↘ 58: 10,3* ← 59: 9,7 → 60: 10,6* ↑</p> <p>Serie 96,0 Totalt 575,0</p>		
---	--	--	--

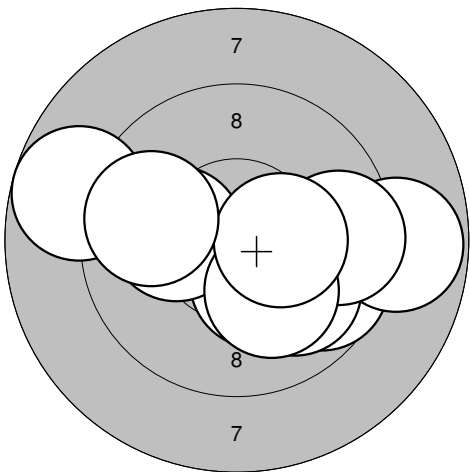
Sight 	60 shot 1: 10,3* ← 2: 9,1 ↓ 3: 10,4* ← 4: 10,0 ← 5: 10,5* → 6: 10,0 ↓ 7: 10,1 ← 8: 10,9* ↓ Serie 79,0 Totalt 0,0	 1: 10,4* ↗ 2: 10,6* → 3: 10,2* ← 4: 10,1 ↓ 5: 10,3* ↗ 6: 10,9* ← 7: 10,8* ↗ 8: 10,5* ↑ 9: 10,2* ↓ 10: 9,8 ↗ Serie 99,0 Totalt 99,0
---	--	--

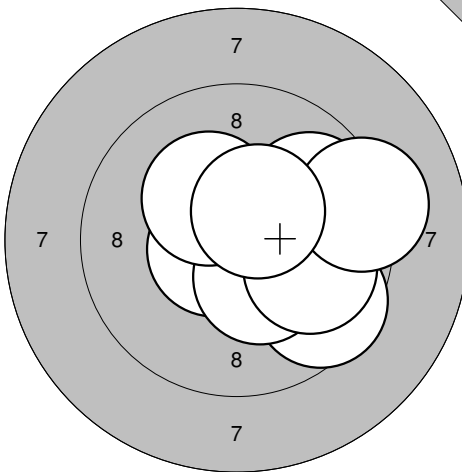
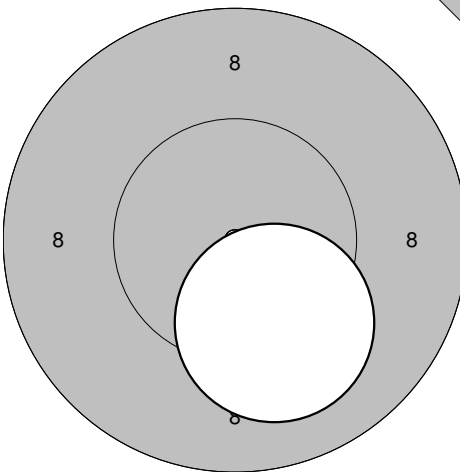
60 shot 	11: 10,3* ↗ 12: 10,4* ↓ 13: 9,2 ← 14: 10,3* ↗ 15: 10,4* ↗ 16: 10,2* → 17: 10,3* → 18: 10,2* → 19: 9,9 ← 20: 10,0 → Serie 98,0 Totalt 197,0	60 shot  21: 9,8 ↘ 22: 10,0 → 23: 10,1 ↗ 24: 10,7* ← 25: 10,1 ← 26: 10,4* ↗ 27: 9,9 ↗ 28: 10,8* ↑ 29: 10,6* ↘ 30: 9,9 → Serie 97,0 Totalt 294,0
--	---	--

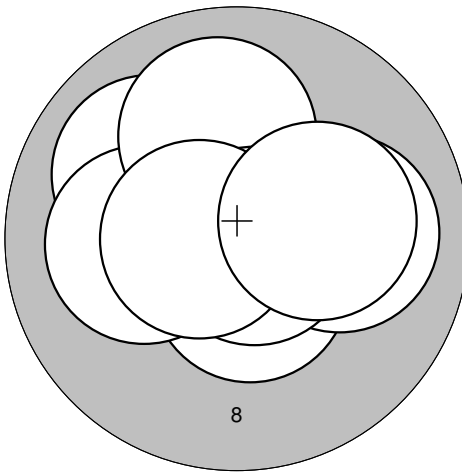
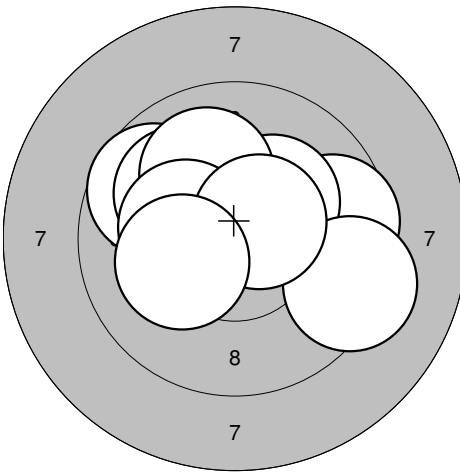
60 shot 	31: 10,9* ↓ 32: 10,6* ← 33: 10,2* → 34: 10,7* ↓ 35: 10,1 → 36: 10,2* ↓ 37: 10,3* ↓ 38: 10,7* ↓ 39: 9,6 ↗ 40: 10,1 → Serie 99,0 Totalt 393,0	
---	--	--

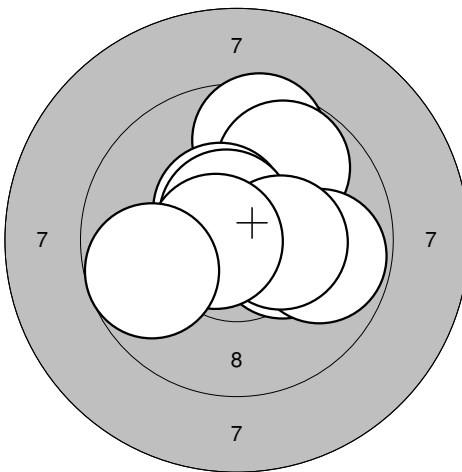
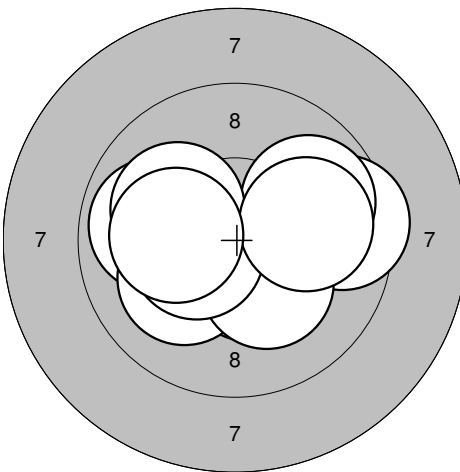
<p>Sight</p> 	<p>60 shot</p> <table style="width:100%; border-collapse: collapse;"> <tr><td>1: 8,5</td><td>↗</td></tr> <tr><td>2: 8,7</td><td>↘</td></tr> <tr><td>3: 10,3*</td><td>↗</td></tr> <tr><td>4: 9,0</td><td>↘</td></tr> <tr><td>5: 9,9</td><td>↗</td></tr> <tr><td>6: 9,8</td><td>←</td></tr> <tr><td>7: 9,5</td><td>↘</td></tr> <tr><td>8: 10,6*</td><td>↗</td></tr> <tr><td>9: 10,2*</td><td>↘</td></tr> </table> <table style="width:100%; border-collapse: collapse;"> <tr><td style="border-top: 1px solid black;">Serie</td><td style="border-top: 1px solid black; text-align: right;">82,0</td></tr> <tr><td style="border-top: 1px solid black;">Totalt</td><td style="border-top: 1px solid black; text-align: right;">0,0</td></tr> </table>	1: 8,5	↗	2: 8,7	↘	3: 10,3*	↗	4: 9,0	↘	5: 9,9	↗	6: 9,8	←	7: 9,5	↘	8: 10,6*	↗	9: 10,2*	↘	Serie	82,0	Totalt	0,0	 <table style="width:100%; border-collapse: collapse;"> <tr><td>1: 9,0</td><td>↘</td></tr> <tr><td>2: 8,8</td><td>←</td></tr> <tr><td>3: 10,6*</td><td>↘</td></tr> <tr><td>4: 10,0</td><td>↗</td></tr> <tr><td>5: 10,5*</td><td>↗</td></tr> <tr><td>6: 10,6*</td><td>↗</td></tr> <tr><td>7: 10,0</td><td>↑</td></tr> <tr><td>8: 8,5</td><td>→</td></tr> <tr><td>9: 9,3</td><td>←</td></tr> <tr><td>10: 9,6</td><td>→</td></tr> </table> <table style="width:100%; border-collapse: collapse;"> <tr><td style="border-top: 1px solid black;">Serie</td><td style="border-top: 1px solid black; text-align: right;">93,0</td></tr> <tr><td style="border-top: 1px solid black;">Totalt</td><td style="border-top: 1px solid black; text-align: right;">93,0</td></tr> </table>	1: 9,0	↘	2: 8,8	←	3: 10,6*	↘	4: 10,0	↗	5: 10,5*	↗	6: 10,6*	↗	7: 10,0	↑	8: 8,5	→	9: 9,3	←	10: 9,6	→	Serie	93,0	Totalt	93,0
1: 8,5	↗																																															
2: 8,7	↘																																															
3: 10,3*	↗																																															
4: 9,0	↘																																															
5: 9,9	↗																																															
6: 9,8	←																																															
7: 9,5	↘																																															
8: 10,6*	↗																																															
9: 10,2*	↘																																															
Serie	82,0																																															
Totalt	0,0																																															
1: 9,0	↘																																															
2: 8,8	←																																															
3: 10,6*	↘																																															
4: 10,0	↗																																															
5: 10,5*	↗																																															
6: 10,6*	↗																																															
7: 10,0	↑																																															
8: 8,5	→																																															
9: 9,3	←																																															
10: 9,6	→																																															
Serie	93,0																																															
Totalt	93,0																																															

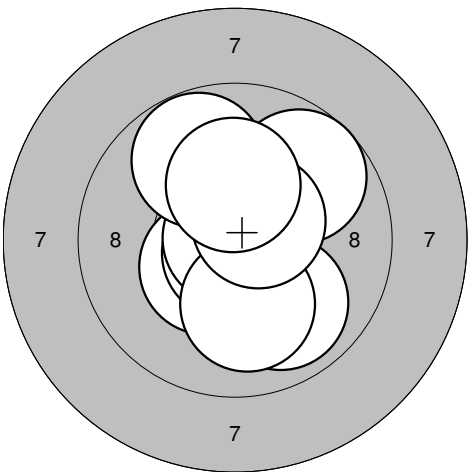
<p>60 shot</p> 	<p>60 shot</p> <table style="width:100%; border-collapse: collapse;"> <tr><td>11: 10,8*</td><td>→</td></tr> <tr><td>12: 10,3*</td><td>↘</td></tr> <tr><td>13: 10,5*</td><td>↗</td></tr> <tr><td>14: 9,5</td><td>→</td></tr> <tr><td>15: 9,1</td><td>↗</td></tr> <tr><td>16: 9,1</td><td>→</td></tr> <tr><td>17: 10,8*</td><td>←</td></tr> <tr><td>18: 9,8</td><td>↘</td></tr> <tr><td>19: 10,1</td><td>↗</td></tr> <tr><td>20: 10,5*</td><td>↘</td></tr> </table> <table style="width:100%; border-collapse: collapse;"> <tr><td style="border-top: 1px solid black;">Serie</td><td style="border-top: 1px solid black; text-align: right;">96,0</td></tr> <tr><td style="border-top: 1px solid black;">Totalt</td><td style="border-top: 1px solid black; text-align: right;">189,0</td></tr> </table>	11: 10,8*	→	12: 10,3*	↘	13: 10,5*	↗	14: 9,5	→	15: 9,1	↗	16: 9,1	→	17: 10,8*	←	18: 9,8	↘	19: 10,1	↗	20: 10,5*	↘	Serie	96,0	Totalt	189,0	 <table style="width:100%; border-collapse: collapse;"> <tr><td>21: 8,4</td><td>→</td></tr> <tr><td>22: 9,2</td><td>→</td></tr> <tr><td>23: 9,5</td><td>←</td></tr> <tr><td>24: 10,5*</td><td>→</td></tr> <tr><td>25: 9,9</td><td>↘</td></tr> <tr><td>26: 10,2*</td><td>←</td></tr> <tr><td>27: 10,0</td><td>←</td></tr> <tr><td>28: 9,3</td><td>→</td></tr> <tr><td>29: 9,2</td><td>←</td></tr> <tr><td>30: 9,8</td><td>↑</td></tr> </table> <table style="width:100%; border-collapse: collapse;"> <tr><td style="border-top: 1px solid black;">Serie</td><td style="border-top: 1px solid black; text-align: right;">92,0</td></tr> <tr><td style="border-top: 1px solid black;">Totalt</td><td style="border-top: 1px solid black; text-align: right;">281,0</td></tr> </table>	21: 8,4	→	22: 9,2	→	23: 9,5	←	24: 10,5*	→	25: 9,9	↘	26: 10,2*	←	27: 10,0	←	28: 9,3	→	29: 9,2	←	30: 9,8	↑	Serie	92,0	Totalt	281,0
11: 10,8*	→																																																	
12: 10,3*	↘																																																	
13: 10,5*	↗																																																	
14: 9,5	→																																																	
15: 9,1	↗																																																	
16: 9,1	→																																																	
17: 10,8*	←																																																	
18: 9,8	↘																																																	
19: 10,1	↗																																																	
20: 10,5*	↘																																																	
Serie	96,0																																																	
Totalt	189,0																																																	
21: 8,4	→																																																	
22: 9,2	→																																																	
23: 9,5	←																																																	
24: 10,5*	→																																																	
25: 9,9	↘																																																	
26: 10,2*	←																																																	
27: 10,0	←																																																	
28: 9,3	→																																																	
29: 9,2	←																																																	
30: 9,8	↑																																																	
Serie	92,0																																																	
Totalt	281,0																																																	

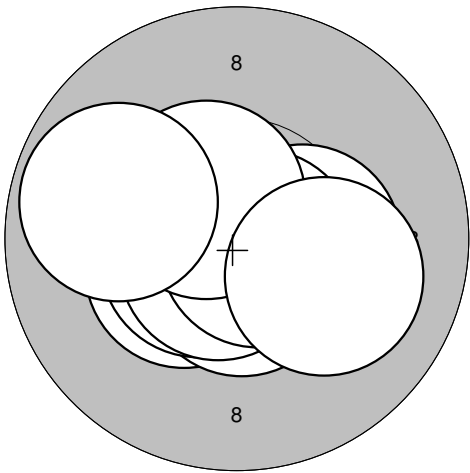
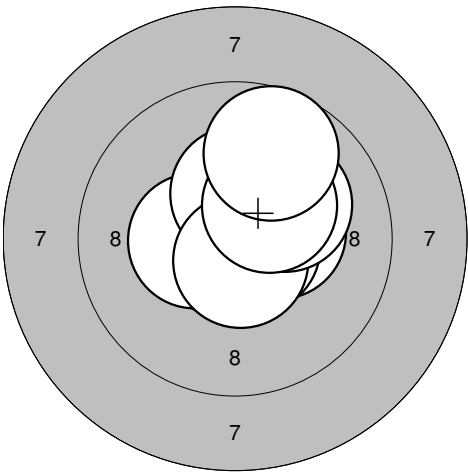
<p>60 shot</p> 	<table style="width:100%; border-collapse: collapse;"> <tr><td>31: 9,7</td><td>↘</td></tr> <tr><td>32: 10,3*</td><td>↘</td></tr> <tr><td>33: 8,8</td><td>→</td></tr> <tr><td>34: 8,8</td><td>↖</td></tr> <tr><td>35: 10,1</td><td>←</td></tr> <tr><td>36: 9,9</td><td>↘</td></tr> <tr><td>37: 9,6</td><td>→</td></tr> <tr><td>38: 10,1</td><td>↘</td></tr> <tr><td>39: 10,4*</td><td>→</td></tr> <tr><td>40: 9,8</td><td>←</td></tr> </table> <table style="width:100%; border-collapse: collapse;"> <tr><td style="border-top: 1px solid black;">Serie</td><td style="border-top: 1px solid black; text-align: right;">92,0</td></tr> <tr><td style="border-top: 1px solid black;">Totalt</td><td style="border-top: 1px solid black; text-align: right;">373,0</td></tr> </table>	31: 9,7	↘	32: 10,3*	↘	33: 8,8	→	34: 8,8	↖	35: 10,1	←	36: 9,9	↘	37: 9,6	→	38: 10,1	↘	39: 10,4*	→	40: 9,8	←	Serie	92,0	Totalt	373,0	
31: 9,7	↘																									
32: 10,3*	↘																									
33: 8,8	→																									
34: 8,8	↖																									
35: 10,1	←																									
36: 9,9	↘																									
37: 9,6	→																									
38: 10,1	↘																									
39: 10,4*	→																									
40: 9,8	←																									
Serie	92,0																									
Totalt	373,0																									

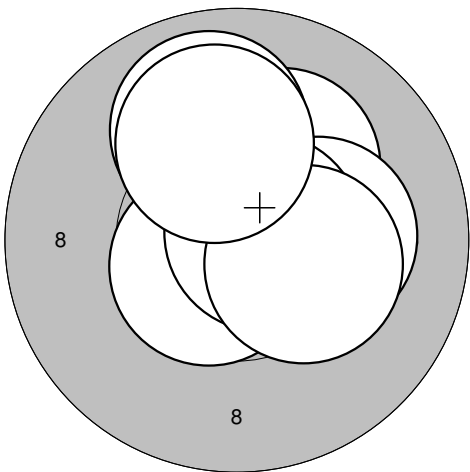
<p>Sight</p> 	<p>1: 10,0 →</p> <p>2: 9,6 ↘</p> <p>3: 10,6* ←</p> <p>4: 10,6* ↗</p> <p>5: 9,8 →</p> <p>6: 10,4* ↘</p> <p>7: 9,9 →</p> <p>8: 9,2 →</p> <p>9: 10,3* ↗</p> <p>10: 10,5* ↗</p>	<p>Sight</p> 
Serie 96,0		Serie 10,0
Totalt 0,0		Totalt 0,0

<p>60 shot</p> 	<p>1: 10,5* ↘</p> <p>2: 10,8* →</p> <p>3: 10,0 ↗</p> <p>4: 10,4* ↑</p> <p>5: 10,1 ←</p> <p>6: 10,0 ↑</p> <p>7: 10,0 →</p> <p>8: 10,8* ↘</p> <p>9: 10,6* ←</p> <p>10: 10,2* →</p>	<p>60 shot</p> 
Serie 100,0		Serie 97,0
Totalt 100,0		Totalt 197,0

<p>60 shot</p> 	<p>21: 10,3* →</p> <p>22: 10,3* →</p> <p>23: 9,6 ↑</p> <p>24: 9,8 ↗</p> <p>25: 9,8 →</p> <p>26: 10,5* ↗</p> <p>27: 10,6* ↗</p> <p>28: 10,4* →</p> <p>29: 10,7* ←</p> <p>30: 9,8 ←</p>	<p>60 shot</p> 
Serie 96,0		Serie 97,0
Totalt 293,0		Totalt 390,0

Sight 	60 shot 	
1: 9,9 ↗ 2: 10,8* ↓ 3: 10,1 → 4: 10,5* → 5: 10,3* ↗ 6: 10,8* ↑ 7: 10,5* → 8: 10,7* ← 9: 10,5* ↓	1: 10,4* ↙ 2: 9,9 ↘ 3: 10,5* ↑ 4: 9,7 ↗ 5: 10,8* ↓ 6: 10,9* ← 7: 10,1 ↓ 8: 10,5* ↗ 9: 9,8 ↖ 10: 10,2* ↑	
Serie 89,0	Serie 97,0	
Totalt 0,0	Totalt 97,0	

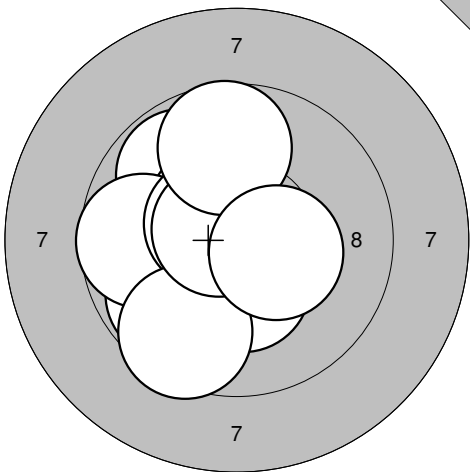
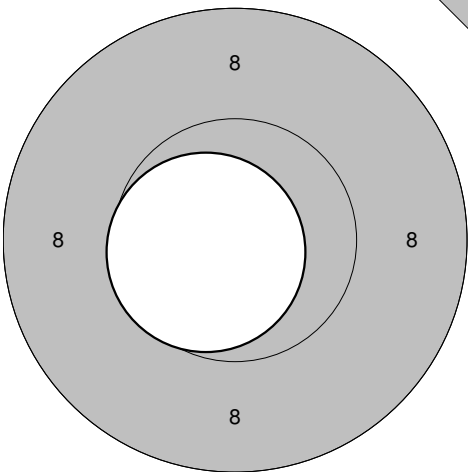
60 shot 	60 shot 	
11: 10,4* ↙ 12: 10,6* ↘ 13: 10,6* ↓ 14: 10,6* ← 15: 10,4* → 16: 10,7* ↙ 17: 10,7* → 18: 10,5* ↗ 19: 9,8 ← 20: 10,1 →	21: 10,4* → 22: 10,7* ↘ 23: 10,4* ← 24: 10,2* ↗ 25: 10,2* ↗ 26: 10,4* ↑ 27: 10,6* ↓ 28: 10,1 ↗ 29: 10,3* ↗ 30: 9,7 ↗	
Serie 99,0	Serie 99,0	
Totalt 196,0	Totalt 295,0	

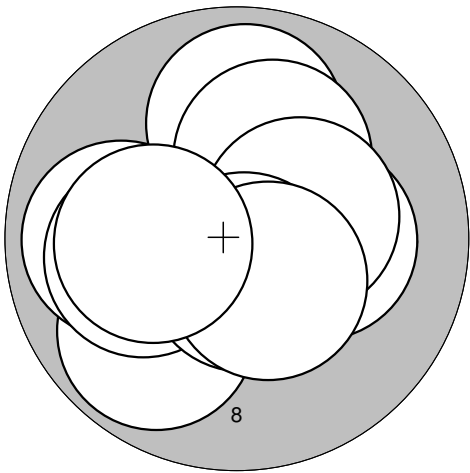
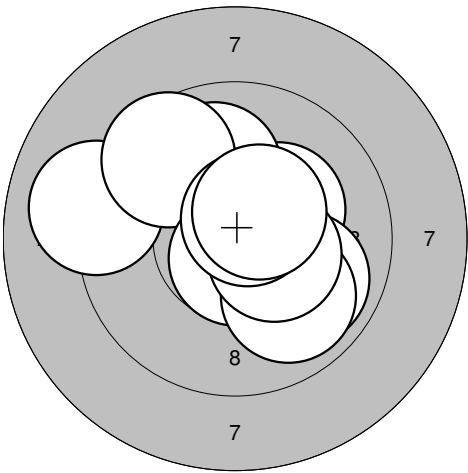
60 shot 	31: 10,6* ↗ 32: 10,6* ↙ 33: 10,6* → 34: 10,4* ↑ 35: 10,2* ↗ 36: 9,9 ↑ 37: 10,2* → 38: 10,7* → 39: 10,3* → 40: 10,1 ↑	
Serie 99,0		
Totalt 394,0		

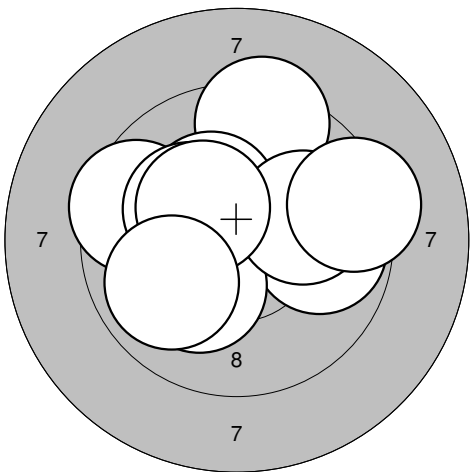
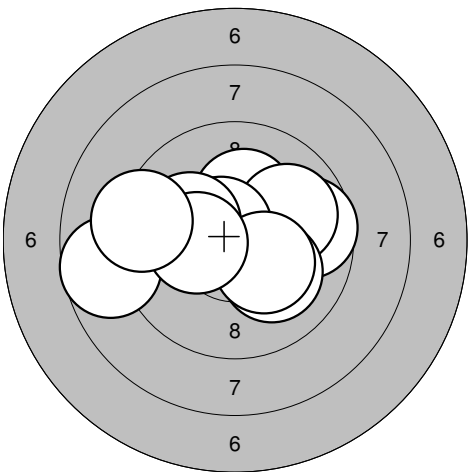
<p>Sight</p>	<p>Sight</p>	<p>Sight</p>
1: 10,8* ↓ 2: 10,7* ↗ 3: 10,5* ↗ 4: 10,1 ↗ 5: 10,0 ↙ 6: 10,6* ↗ 7: 10,6* → 8: 10,7* ↖ 9: 10,3* → 10: 8,9 ↓	11: 10,1 → 12: 10,7* ↓ 13: 10,7* ↓ 14: 10,0 ↖ 15: 10,4* ↙ 16: 10,4* ↓ 17: 10,3* ↗	
Serie 98,0 Totalt 0,0	Serie 70,0 Totalt 0,0	

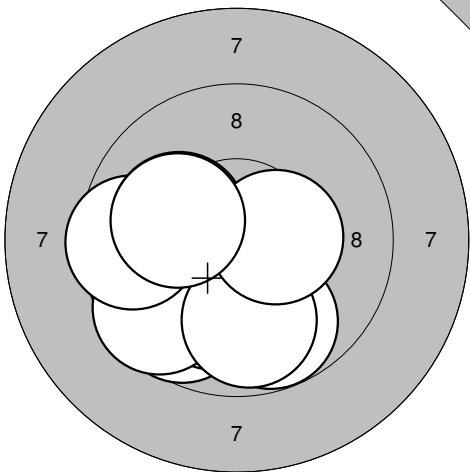
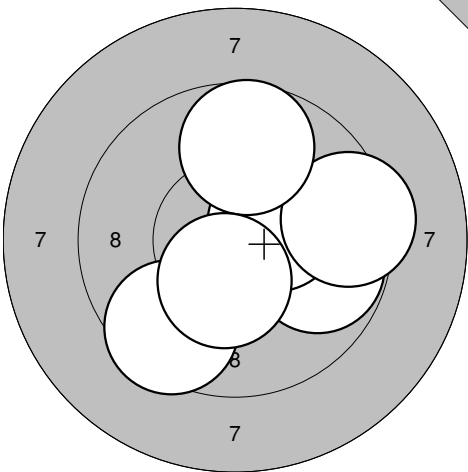
<p>60 shot</p>	<p>60 shot</p>	<p>60 shot</p>
1: 10,5* → 2: 10,3* → 3: 10,4* ↓ 4: 10,8* ↓ 5: 10,2* ↓ 6: 10,8* ↑ 7: 10,3* ↓ 8: 10,6* ↖ 9: 10,3* ↗ 10: 10,7* ↖	11: 10,6* → 12: 9,7 ↘ 13: 10,3* ↑ 14: 10,2* ↓ 15: 9,9 ↗ 16: 10,6* ↘ 17: 10,7* ↗ 18: 10,2* ↓ 19: 10,2* ↑ 20: 10,3* ↓	
Serie 100,0 Totalt 100,0	Serie 98,0 Totalt 198,0	

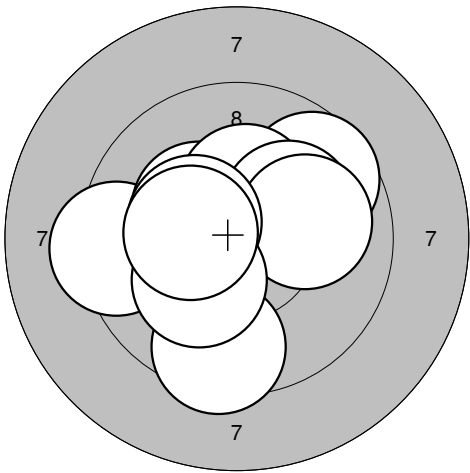
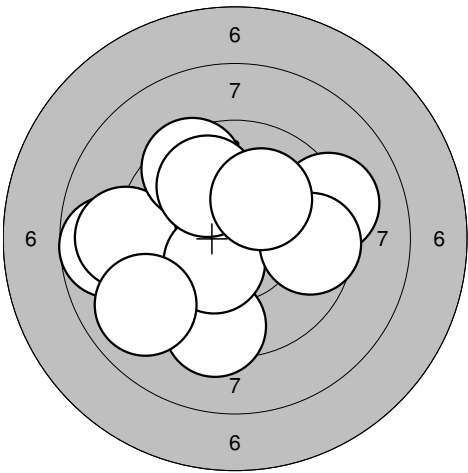
<p>60 shot</p>	<p>60 shot</p>	<p>60 shot</p>
21: 10,6* → 22: 10,7* ↓ 23: 10,8* ↖ 24: 10,2* ↙ 25: 10,6* ↖ 26: 10,2* ↓ 27: 9,9 → 28: 10,4* ↗ 29: 10,3* ↓ 30: 9,8 ↓	31: 10,6* ↙ 32: 10,5* ↙ 33: 9,7 ↘ 34: 10,6* ↓ 35: 10,6* ↖ 36: 10,5* → 37: 10,6* ↗ 38: 10,9* ↖ 39: 9,9 ↗ 40: 10,5* ↖	
Serie 98,0 Totalt 296,0	Serie 98,0 Totalt 394,0	

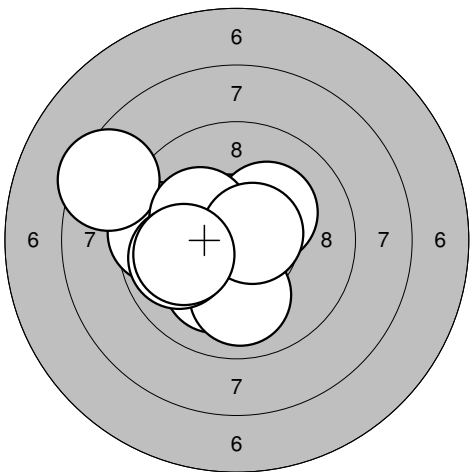
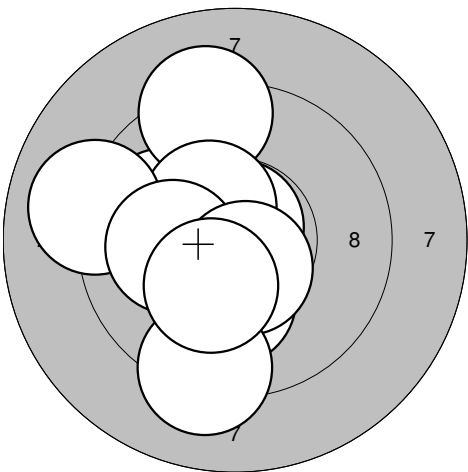
<p>Sight</p> 	<p>1: 9,8 ↗ 2: 9,8 ↘ 3: 10,5* ↗ 4: 9,7 ← 5: 10,3* ↓ 6: 10,5* ↗ 7: 9,5 ↓ 8: 10,7* ↗ 9: 9,7 ↑ 10: 10,4* →</p> <table border="1" style="width:100%; border-collapse: collapse;"> <tr><td>Serie</td><td>95,0</td></tr> <tr><td>Totalt</td><td>0,0</td></tr> </table>	Serie	95,0	Totalt	0,0	<p>Sight</p>  <p style="text-align: right;">11: 10,7* ←</p> <table border="1" style="width:100%; border-collapse: collapse;"> <tr><td>Serie</td><td>10,0</td></tr> <tr><td>Totalt</td><td>0,0</td></tr> </table>	Serie	10,0	Totalt	0,0
Serie	95,0									
Totalt	0,0									
Serie	10,0									
Totalt	0,0									

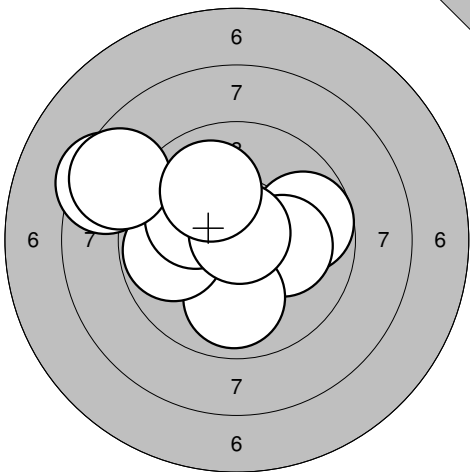
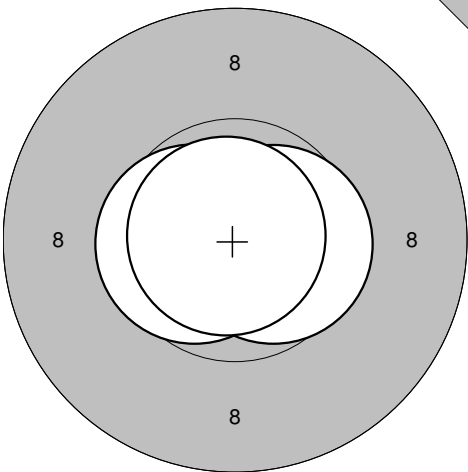
<p>60 shot</p> 	<p>1: 9,8 ↘ 2: 9,9 ← 3: 10,2* → 4: 9,9 ↑ 5: 10,1 ← 6: 10,2* ↗ 7: 10,3* → 8: 10,6* ↓ 9: 10,5* ↓ 10: 10,2* ←</p> <table border="1" style="width:100%; border-collapse: collapse;"> <tr><td>Serie</td><td>97,0</td></tr> <tr><td>Totalt</td><td>97,0</td></tr> </table>	Serie	97,0	Totalt	97,0	<p>60 shot</p>  <p>11: 9,1 ← 12: 10,3* ↗ 13: 9,9 ↘ 14: 10,0 ↑ 15: 9,6 ↗ 16: 10,7* ↓ 17: 9,9 ↘ 18: 10,4* → 19: 10,6* ↗ 20: 10,5* ↗</p> <table border="1" style="width:100%; border-collapse: collapse;"> <tr><td>Serie</td><td>96,0</td></tr> <tr><td>Totalt</td><td>193,0</td></tr> </table>	Serie	96,0	Totalt	193,0
Serie	97,0									
Totalt	97,0									
Serie	96,0									
Totalt	193,0									

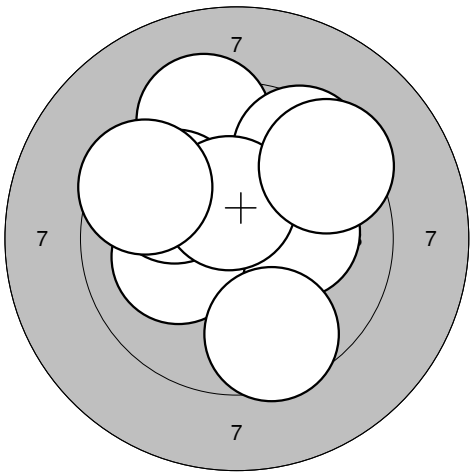
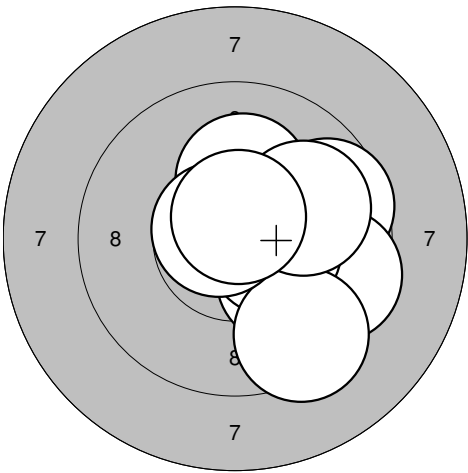
<p>60 shot</p> 	<p>21: 9,5 ← 22: 9,8 → 23: 9,4 ↑ 24: 10,2* ↘ 25: 10,3* ↗ 26: 10,0 → 27: 9,3 → 28: 10,2* ↗ 29: 10,3* ↗ 30: 9,9 ↘</p> <table border="1" style="width:100%; border-collapse: collapse;"> <tr><td>Serie</td><td>95,0</td></tr> <tr><td>Totalt</td><td>288,0</td></tr> </table>	Serie	95,0	Totalt	288,0	<p>60 shot</p>  <p>31: 10,2* ↑ 32: 9,7 → 33: 9,9 → 34: 10,1 ↘ 35: 8,7 ← 36: 10,6* ↗ 37: 10,1 ← 38: 10,3* ↘ 39: 10,3* ← 40: 9,3 ←</p> <table border="1" style="width:100%; border-collapse: collapse;"> <tr><td>Serie</td><td>95,0</td></tr> <tr><td>Totalt</td><td>383,0</td></tr> </table>	Serie	95,0	Totalt	383,0
Serie	95,0									
Totalt	288,0									
Serie	95,0									
Totalt	383,0									

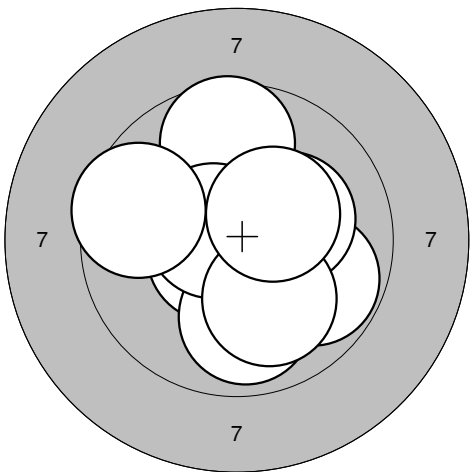
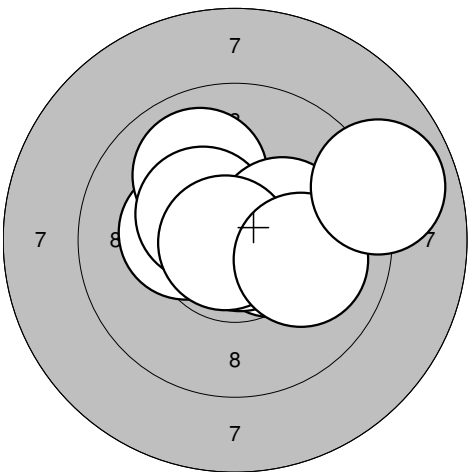
<p>Sight</p> 	<p>1: 9,8 ↓ 2: 9,7 ↓ 3: 10,1 ↓ 4: 10,2* ↓ 5: 9,6 ↙ 6: 9,6 ← 7: 9,9 ↓ 8: 10,1 ↙ 9: 10,4* → 10: 10,1 ←</p> <table border="1" style="width:100%; border-collapse: collapse;"> <tr><td>Serie</td><td style="text-align: right;">95,0</td></tr> <tr><td>Totalt</td><td style="text-align: right;">0,0</td></tr> </table>	Serie	95,0	Totalt	0,0	<p>Sight</p> 	<p>11: 9,5 ↙ 12: 9,8 → 13: 10,4* → 14: 9,4 → 15: 9,7 ↑ 16: 10,4* ↓</p> <table border="1" style="width:100%; border-collapse: collapse;"> <tr><td>Serie</td><td style="text-align: right;">56,0</td></tr> <tr><td>Totalt</td><td style="text-align: right;">0,0</td></tr> </table>	Serie	56,0	Totalt	0,0
Serie	95,0										
Totalt	0,0										
Serie	56,0										
Totalt	0,0										

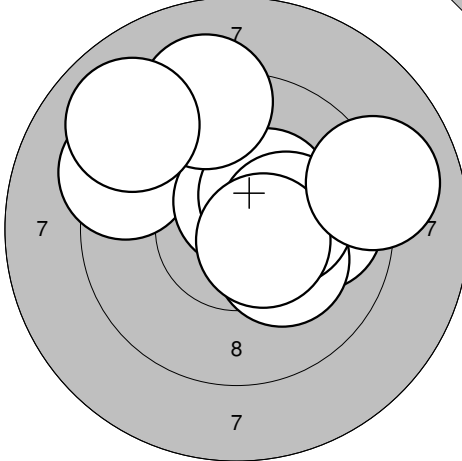
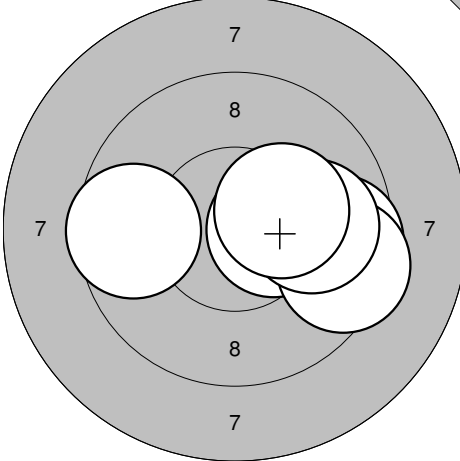
<p>60 shot</p> 	<p>1: 9,3 ← 2: 9,7 ↗ 3: 10,3* ↗ 4: 10,3* ↑ 5: 9,5 ↓ 6: 10,1 ↗ 7: 10,0 → 8: 10,3* ← 9: 10,2* ↙ 10: 10,3* ←</p> <table border="1" style="width:100%; border-collapse: collapse;"> <tr><td>Serie</td><td style="text-align: right;">97,0</td></tr> <tr><td>Totalt</td><td style="text-align: right;">97,0</td></tr> </table>	Serie	97,0	Totalt	97,0	<p>60 shot</p> 	<p>11: 8,7 ← 12: 9,0 ← 13: 9,5 ↖ 14: 9,4 ↓ 15: 10,4* ↙ 16: 9,0 ↙ 17: 9,2 → 18: 9,6 → 19: 9,9 ↖ 20: 10,1 ↗</p> <table border="1" style="width:100%; border-collapse: collapse;"> <tr><td>Serie</td><td style="text-align: right;">91,0</td></tr> <tr><td>Totalt</td><td style="text-align: right;">188,0</td></tr> </table>	Serie	91,0	Totalt	188,0
Serie	97,0										
Totalt	97,0										
Serie	91,0										
Totalt	188,0										

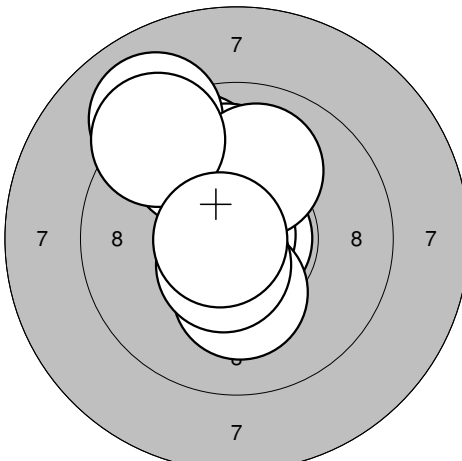
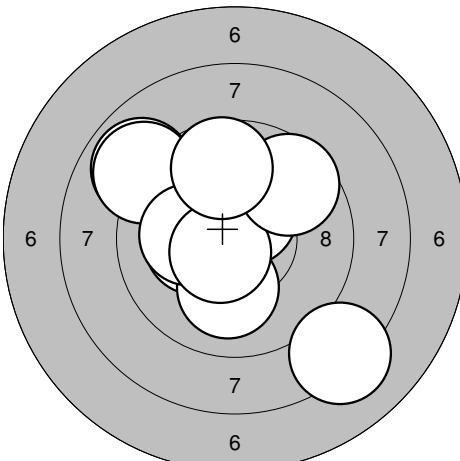
<p>60 shot</p> 	<p>21: 9,6 ← 22: 10,7* ↖ 23: 10,2* ↗ 24: 10,1 ↓ 25: 10,0 ↓ 26: 8,5 ↖ 27: 10,2* ↖ 28: 9,9 ← 29: 10,7* → 30: 10,0 ←</p> <table border="1" style="width:100%; border-collapse: collapse;"> <tr><td>Serie</td><td style="text-align: right;">96,0</td></tr> <tr><td>Totalt</td><td style="text-align: right;">284,0</td></tr> </table>	Serie	96,0	Totalt	284,0	<p>60 shot</p> 	<p>31: 10,8* ↑ 32: 10,0 ← 33: 9,2 ↑ 34: 10,2* ↓ 35: 10,4* ↖ 36: 9,0 ← 37: 10,1 ← 38: 10,5* ↓ 39: 9,2 ↓ 40: 10,3* ↙</p> <table border="1" style="width:100%; border-collapse: collapse;"> <tr><td>Serie</td><td style="text-align: right;">97,0</td></tr> <tr><td>Totalt</td><td style="text-align: right;">381,0</td></tr> </table>	Serie	97,0	Totalt	381,0
Serie	96,0										
Totalt	284,0										
Serie	97,0										
Totalt	381,0										

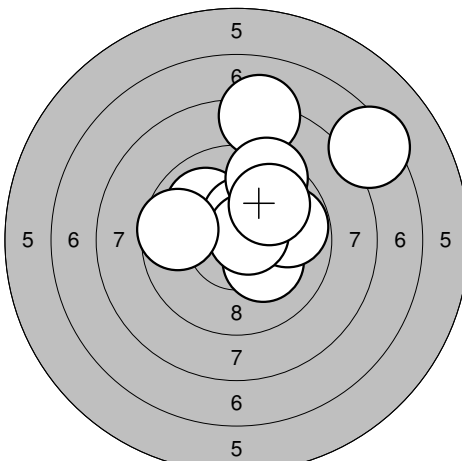
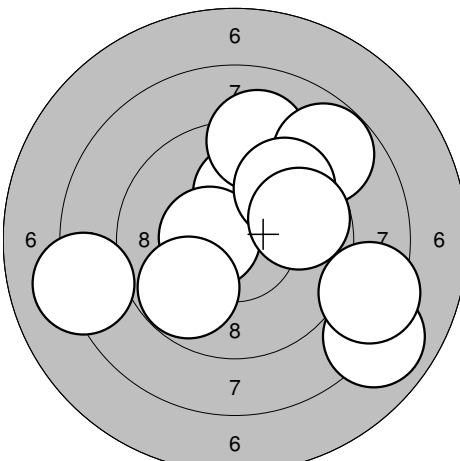
<p>Sight</p>  <p>6 7 8 7 6</p>	<p>1: 10,5* ←</p> <p>2: 9,7 →</p> <p>3: 10,1 →</p> <p>4: 9,9 ↓</p> <p>5: 9,8 ←</p> <p>6: 10,1 ↗</p> <p>7: 8,4 ↖</p> <p>8: 10,8* ↗</p> <p>9: 8,6 ↖</p> <p>10: 10,0 ↗</p> <table border="1" style="width:100%; border-collapse: collapse;"> <tr><td>Serie</td><td style="text-align: right;">93,0</td></tr> <tr><td>Totalt</td><td style="text-align: right;">0,0</td></tr> </table>	Serie	93,0	Totalt	0,0	<p>Sight</p>  <p>8 8 8</p>	<p>11: 10,6* →</p> <p>12: 10,6* ←</p> <p>13: 10,9* ↖</p> <table border="1" style="width:100%; border-collapse: collapse;"> <tr><td>Serie</td><td style="text-align: right;">30,0</td></tr> <tr><td>Totalt</td><td style="text-align: right;">0,0</td></tr> </table>	Serie	30,0	Totalt	0,0
Serie	93,0										
Totalt	0,0										
Serie	30,0										
Totalt	0,0										

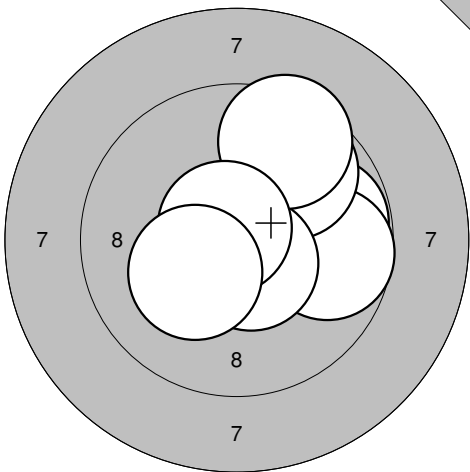
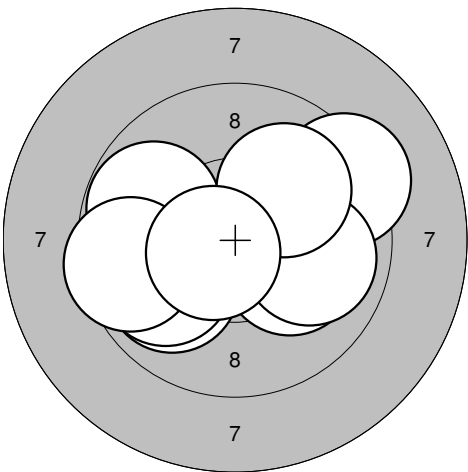
<p>60 shot</p>  <p>7 7 7</p>	<p>1: 10,3* →</p> <p>2: 10,2* →</p> <p>3: 10,1 ←</p> <p>4: 9,3 ↗</p> <p>5: 9,5 ↗</p> <p>6: 9,6 ↓</p> <p>7: 10,0 ↖</p> <p>8: 10,5* ↗</p> <p>9: 9,6 ↖</p> <p>10: 9,4 ↗</p> <table border="1" style="width:100%; border-collapse: collapse;"> <tr><td>Serie</td><td style="text-align: right;">95,0</td></tr> <tr><td>Totalt</td><td style="text-align: right;">95,0</td></tr> </table>	Serie	95,0	Totalt	95,0	<p>60 shot</p>  <p>7 8 7</p>	<p>11: 9,6 →</p> <p>12: 10,8* ↑</p> <p>13: 10,1 ↘</p> <p>14: 9,5 →</p> <p>15: 10,2* ↑</p> <p>16: 10,4* →</p> <p>17: 9,4 ↘</p> <p>18: 9,9 →</p> <p>19: 10,7* ↖</p> <p>20: 10,7* ↑</p> <table border="1" style="width:100%; border-collapse: collapse;"> <tr><td>Serie</td><td style="text-align: right;">96,0</td></tr> <tr><td>Totalt</td><td style="text-align: right;">191,0</td></tr> </table>	Serie	96,0	Totalt	191,0
Serie	95,0										
Totalt	95,0										
Serie	96,0										
Totalt	191,0										

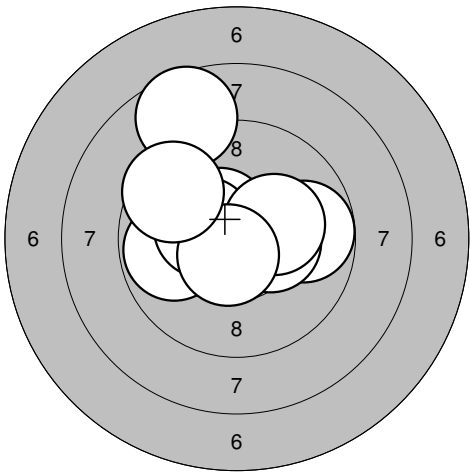
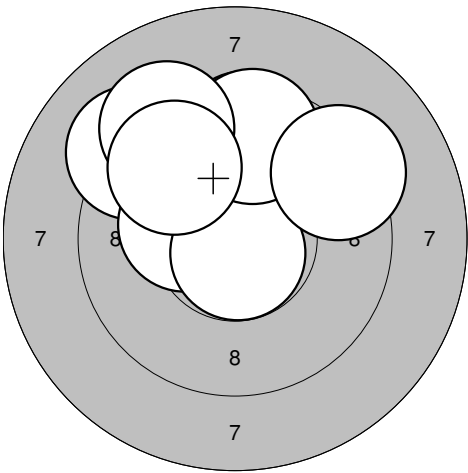
<p>60 shot</p>  <p>7 7 7</p>	<p>21: 10,3* ↑</p> <p>22: 9,7 ↑</p> <p>23: 9,8 →</p> <p>24: 10,6* ←</p> <p>25: 10,2* →</p> <p>26: 9,9 ↓</p> <p>27: 10,6* ←</p> <p>28: 10,1 ↓</p> <p>29: 10,4* ↗</p> <p>30: 9,6 ←</p> <table border="1" style="width:100%; border-collapse: collapse;"> <tr><td>Serie</td><td style="text-align: right;">96,0</td></tr> <tr><td>Totalt</td><td style="text-align: right;">287,0</td></tr> </table>	Serie	96,0	Totalt	287,0	<p>60 shot</p>  <p>7 8 7</p>	<p>31: 10,4* →</p> <p>32: 10,3* ←</p> <p>33: 10,0 ↗</p> <p>34: 10,9* ↘</p> <p>35: 10,8* ↗</p> <p>36: 10,4* ↖</p> <p>37: 10,3* →</p> <p>38: 10,8* ←</p> <p>39: 10,0 →</p> <p>40: 8,9 →</p> <table border="1" style="width:100%; border-collapse: collapse;"> <tr><td>Serie</td><td style="text-align: right;">98,0</td></tr> <tr><td>Totalt</td><td style="text-align: right;">385,0</td></tr> </table>	Serie	98,0	Totalt	385,0
Serie	96,0										
Totalt	287,0										
Serie	98,0										
Totalt	385,0										

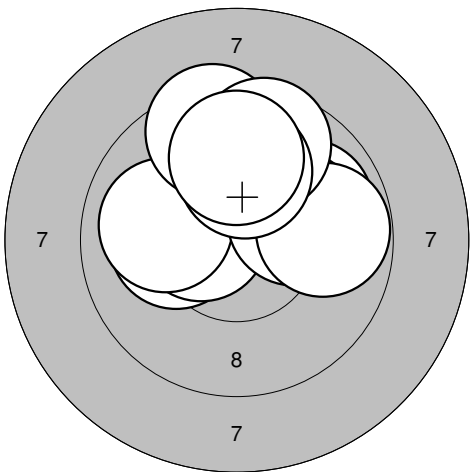
Sight 	1: 9,3 ↖ 2: 9,9 → 3: 10,6* ↑ 4: 10,4* ↗ 5: 9,2 ↑ 6: 10,2* ↘ 7: 10,3* → 8: 10,6* ↘ 9: 9,0 ↗ 10: 9,0 → <hr/> Serie 95,0 Totalt 0,0	Sight 	11: 10,4* → 12: 9,6 → 13: 9,4 → 14: 9,9 → 15: 9,6 ← 16: 10,3* → <hr/> Serie 56,0 Totalt 0,0
---	---	---	--

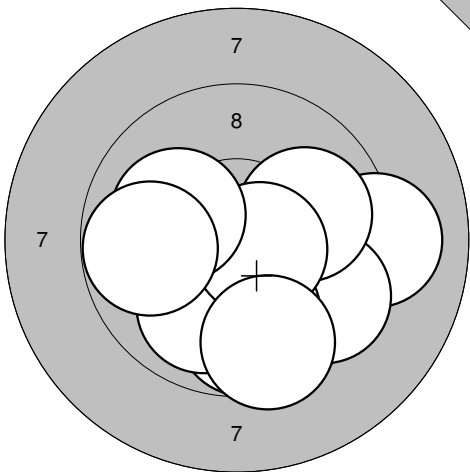
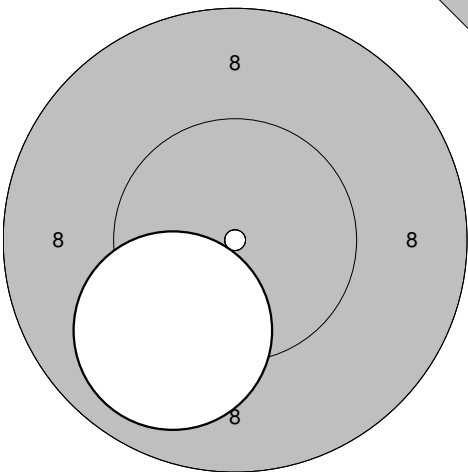
60 shot 	1: 9,8 ↗ 2: 10,8* → 3: 10,8* ↖ 4: 10,2* ↓ 5: 10,0 ↑ 6: 9,0 ↗ 7: 10,6* ↘ 8: 10,0 ↑ 9: 9,3 ↗ 10: 10,7* ← <hr/> Serie 97,0 Totalt 97,0	60 shot 	11: 10,3* ← 12: 10,5* ↗ 13: 10,1 ↓ 14: 8,9 ↖ 15: 9,0 ↖ 16: 10,2* ← 17: 10,6* ↘ 18: 8,2 ↘ 19: 9,6 ↗ 20: 9,7 ↑ <hr/> Serie 93,0 Totalt 190,0
--	--	--	---

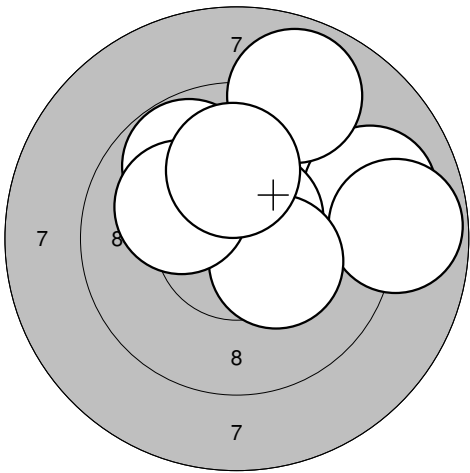
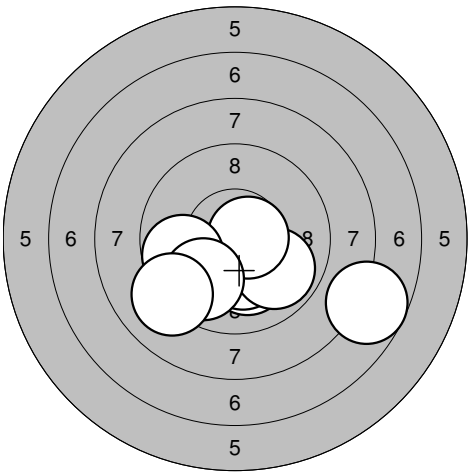
60 shot 	21: 8,2 ↑ 22: 10,0 ↖ 23: 10,2* ↘ 24: 7,4 ↗ 25: 9,8 → 26: 10,4* ↑ 27: 9,4 ↗ 28: 10,7* ↗ 29: 9,9 ↗ 30: 9,6 ← <hr/> Serie 91,0 Totalt 281,0	60 shot 	31: 10,1 ↑ 32: 8,0 ↘ 33: 10,5* ← 34: 8,4 → 35: 9,2 ↑ 36: 8,8 ↗ 37: 9,7 ↗ 38: 9,8 → 39: 9,8 ↘ 40: 8,2 ← <hr/> Serie 88,0 Totalt 369,0
---	---	---	---

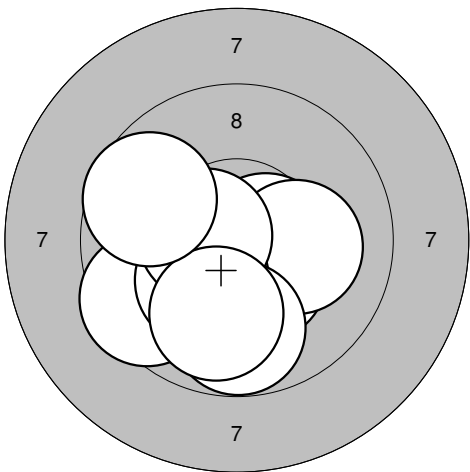
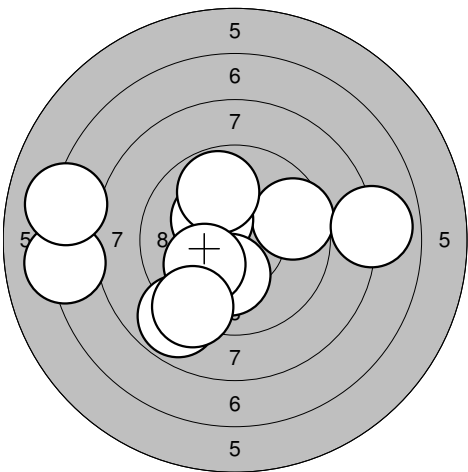
<p>Sight</p> 	<p>60 shot</p> <p>1: 9,8 →</p> <p>2: 9,7 →</p> <p>3: 9,8 ↗</p> <p>4: 10,6* ↓</p> <p>5: 9,5 ↗</p> <p>6: 10,7* ↗</p> <p>7: 10,3* ↙</p>	 <p>1: 9,9 ↙</p> <p>2: 10,1 ↘</p> <p>3: 9,9 ↙</p> <p>4: 9,8 ↙</p> <p>5: 9,5 ←</p> <p>6: 9,3 ↗</p> <p>7: 10,2* ↗</p> <p>8: 9,9 →</p> <p>9: 10,0 ↗</p> <p>10: 10,6* ↙</p>
Serie 66,0	Serie 94,0	
Totalt 0,0	Totalt 94,0	

<p>60 shot</p> 	<p>60 shot</p> <p>11: 10,3* ↙</p> <p>12: 9,8 →</p> <p>13: 10,5* ↗</p> <p>14: 9,8 ←</p> <p>15: 10,3* →</p> <p>16: 10,4* ↙</p> <p>17: 10,2* →</p> <p>18: 10,6* ↓</p> <p>19: 8,6 ↗</p> <p>20: 9,6 ↙</p>	 <p>21: 9,2 ↙</p> <p>22: 10,3* ↙</p> <p>23: 10,1 ↗</p> <p>24: 10,3* ↙</p> <p>25: 9,6 ↑</p> <p>26: 10,7* ↓</p> <p>27: 9,6 ↑</p> <p>28: 9,3 ↗</p> <p>29: 9,2 ↗</p> <p>30: 9,7 ↙</p>
Serie 95,0	Serie 94,0	
Totalt 189,0	Totalt 283,0	

<p>60 shot</p> 	<p>31: 10,1 ←</p> <p>32: 9,9 →</p> <p>33: 10,5* ←</p> <p>34: 10,0 ←</p> <p>35: 10,1 →</p> <p>36: 9,5 ↑</p> <p>37: 9,8 →</p> <p>38: 9,6 ↑</p> <p>39: 10,0 ↑</p> <p>40: 9,9 ↑</p>	
Serie 95,0		
Totalt 378,0		

<p>Sight</p> 	<p>1: 9,1 →</p> <p>2: 9,8 ↓</p> <p>3: 9,6 ↘</p> <p>4: 10,0 →</p> <p>5: 9,9 ↓</p> <p>6: 10,0 ↓</p> <p>7: 10,6* →</p> <p>8: 9,5 ↓</p> <p>9: 10,1 ↗</p> <p>10: 9,8 ←</p>	<p>Sight</p> 
Serie 94,0	Totalt 0,0	11: 10,0 ↘
		Serie 10,0
		Totalt 0,0

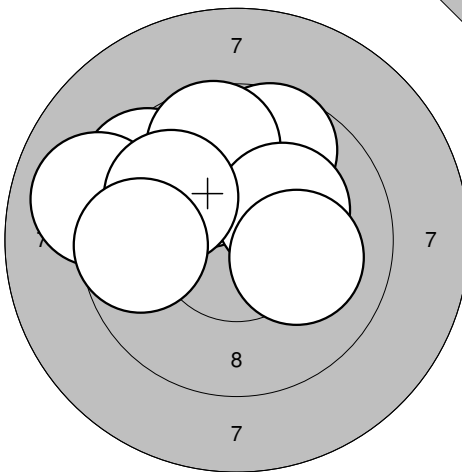
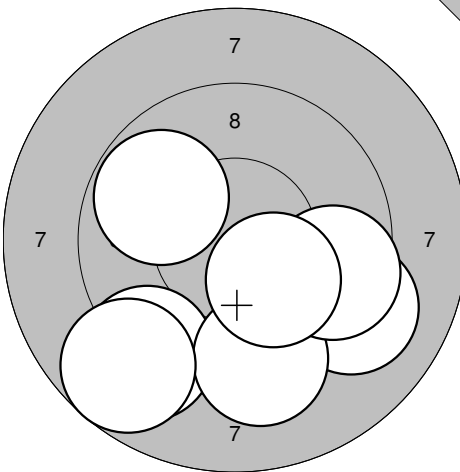
<p>60 shot</p> 	<p>1: 9,8 →</p> <p>2: 9,8 ↗</p> <p>3: 9,1 →</p> <p>4: 10,4* ↗</p> <p>5: 10,6* ↗</p> <p>6: 8,8 →</p> <p>7: 10,3* ↘</p> <p>8: 10,1 ↗</p> <p>9: 8,9 ↗</p> <p>10: 10,0 ↑</p>	<p>60 shot</p> 
Serie 93,0	Totalt 93,0	11: 7,7 ↘ <p>12: 10,6* ↘</p> <p>13: 10,1 ↓</p> <p>14: 10,3* ↓</p> <p>15: 9,9 ↘</p> <p>16: 9,9 ↘</p> <p>17: 10,7* →</p> <p>18: 9,8 ←</p> <p>19: 9,8 ↓</p> <p>20: 9,1 ↘</p>
		Serie 92,0
		Totalt 185,0

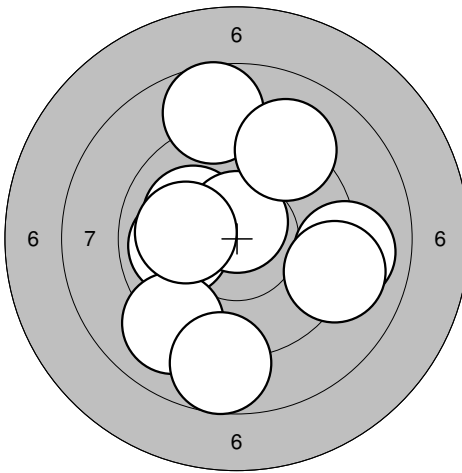
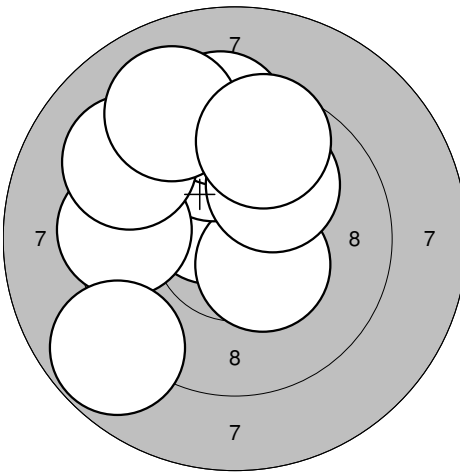
<p>60 shot</p> 	<p>21: 10,4* ↓</p> <p>22: 10,3* ↓</p> <p>23: 9,5 ←</p> <p>24: 10,6* →</p> <p>25: 10,2* →</p> <p>26: 10,2* ↓</p> <p>27: 9,8 ↓</p> <p>28: 10,5* ←</p> <p>29: 9,9 ↓</p> <p>30: 9,7 ↗</p>	<p>60 shot</p> 
Serie 96,0	Totalt 281,0	31: 9,6 → <p>32: 7,9 →</p> <p>33: 10,3* ↗</p> <p>34: 9,8 ↗</p> <p>35: 10,2* ↓</p> <p>36: 7,2 ←</p> <p>37: 10,1 ↗</p> <p>38: 8,9 ↓</p> <p>39: 9,2 ↓</p> <p>40: 7,2 ←</p>
		Serie 86,0
		Totalt 367,0

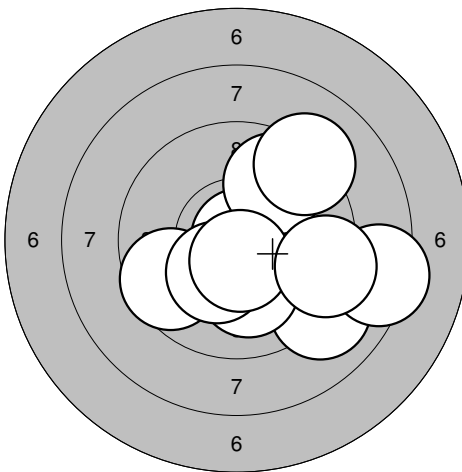
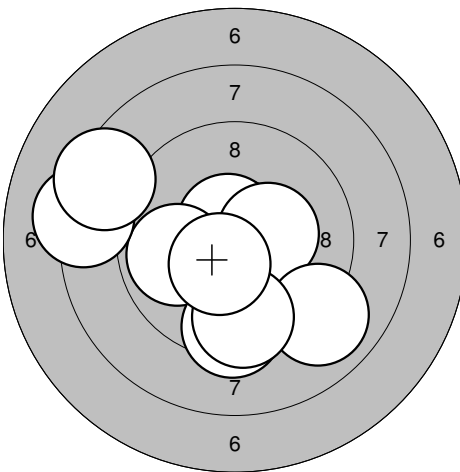
<p>Sight</p>	<p>Sight</p>
1: 9,5 ↓ 2: 9,8 → 3: 9,3 → 4: 10,5* ↓ 5: 10,7* ↓ 6: 9,5 ↑ 7: 8,3 → 8: 10,3* → 9: 10,2* → 10: 10,3* ↑	11: 9,6 → 12: 10,6* ↑ 13: 9,6 ↗ 14: 10,2* ↗ 15: 9,4 ↑ 16: 10,3* → 17: 10,4* ↑ 18: 10,7* ↓ 19: 10,1 ←
Serie 94,0 Totalt 0,0	Serie 87,0 Totalt 0,0

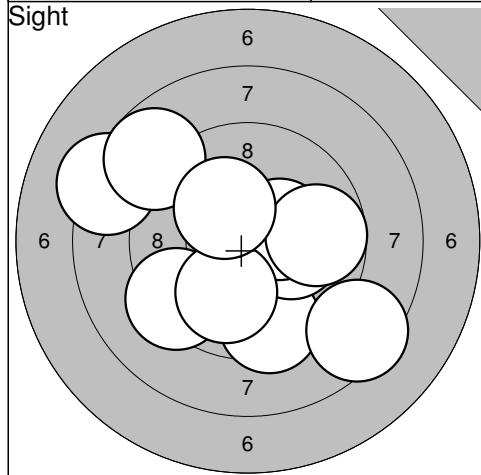
<p>60 shot</p>	<p>60 shot</p>
1: 9,8 ↗ 2: 9,1 ↓ 3: 9,7 ↗ 4: 10,1 → 5: 10,5* → 6: 10,2* ↓ 7: 9,6 → 8: 8,5 ↗ 9: 9,5 ← 10: 8,5 ←	11: 10,7* ↓ 12: 9,0 ↖ 13: 9,9 ← 14: 10,2* ↗ 15: 10,8* ← 16: 9,5 ↖ 17: 8,7 ↖ 18: 8,9 ↖ 19: 9,8 ↘ 20: 10,6* ↓
Serie 91,0 Totalt 91,0	Serie 92,0 Totalt 183,0

<p>60 shot</p>	<p>60 shot</p>
21: 10,1 ← 22: 9,5 ↖ 23: 8,7 → 24: 10,4* ↑ 25: 10,1 ↓ 26: 10,2* → 27: 10,5* ↓ 28: 10,2* ↓ 29: 10,5* ← 30: 9,2 ↗	31: 10,9* → 32: 9,9 ↗ 33: 10,2* ↓ 34: 10,3* ↑ 35: 10,6* → 36: 10,0 ↘ 37: 10,7* → 38: 10,2* ↓ 39: 10,1 ↘ 40: 9,8 →
Serie 96,0 Totalt 279,0	Serie 98,0 Totalt 377,0

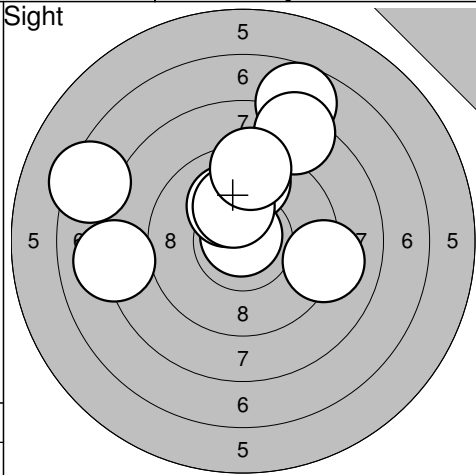
<p>Sight</p> 	<p>1: 10,0 ↗</p> <p>2: 9,5 ↗</p> <p>3: 9,9 ↑</p> <p>4: 9,0 ←</p> <p>5: 9,7 ↑</p> <p>6: 9,7 ↑</p> <p>7: 10,2* ↗</p> <p>8: 9,9 ↗</p> <p>9: 10,1 →</p> <p>10: 9,7 ←</p>	<p>Sight</p> 	<p>11: 9,0 ↘</p> <p>12: 9,2 ↘</p> <p>13: 9,8 ↖</p> <p>14: 9,3 ↓</p> <p>15: 8,8 ↘</p> <p>16: 9,6 →</p> <p>17: 10,2* ↘</p>
Serie 93,0	Totalt 0,0	Serie 63,0	Totalt 0,0

<p>60 shot</p> 	<p>1: 9,9 ←</p> <p>2: 10,1 ↖</p> <p>3: 9,0 →</p> <p>4: 10,7* ↑</p> <p>5: 9,1 ↘</p> <p>6: 8,7 ↓</p> <p>7: 9,1 →</p> <p>8: 10,0 ←</p> <p>9: 8,7 ↑</p> <p>10: 9,2 ↗</p>	<p>60 shot</p> 	<p>11: 10,5* ↖</p> <p>12: 10,4* ↘</p> <p>13: 9,8 ↑</p> <p>14: 9,5 ←</p> <p>15: 9,3 ↑</p> <p>16: 10,1 ↗</p> <p>17: 9,2 ↖</p> <p>18: 9,1 ↗</p> <p>19: 9,6 ↑</p> <p>20: 8,8 ↘</p>
Serie 91,0	Totalt 91,0	Serie 92,0	Totalt 183,0

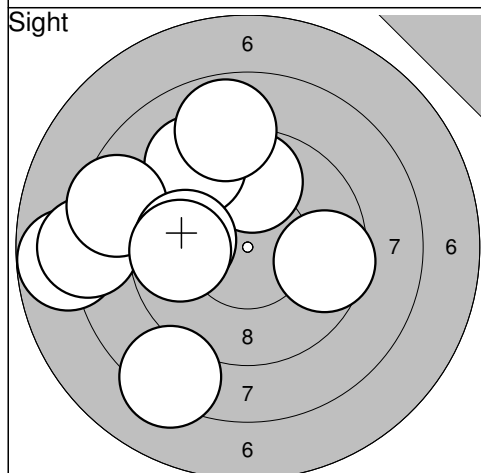
<p>60 shot</p> 	<p>21: 9,0 ↘</p> <p>22: 10,9* →</p> <p>23: 10,1 ↓</p> <p>24: 9,8 ↗</p> <p>25: 9,6 ←</p> <p>26: 9,2 ↗</p> <p>27: 10,3* ↘</p> <p>28: 10,6* ↓</p> <p>29: 8,4 →</p> <p>30: 9,3 →</p>	<p>60 shot</p> 	<p>31: 10,7* ↗</p> <p>32: 9,9 ←</p> <p>33: 10,5* ↓</p> <p>34: 8,2 ←</p> <p>35: 9,4 ↓</p> <p>36: 8,4 ↖</p> <p>37: 10,4* →</p> <p>38: 9,0 ↘</p> <p>39: 9,6 ↓</p> <p>40: 10,4* ↘</p>
Serie 93,0	Totalt 276,0	Serie 92,0	Totalt 368,0



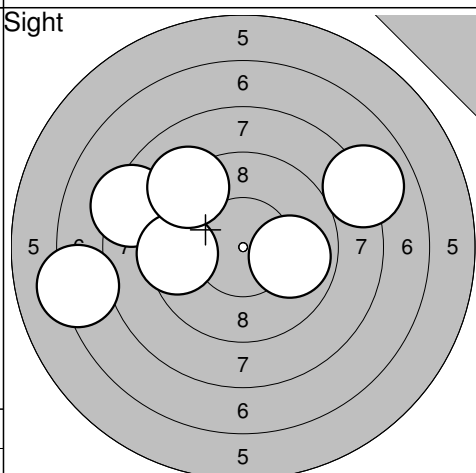
1: 9,5	↓
2: 9,3	↙
3: 10,2*	→
4: 10,3*	→
5: 10,0	↓
6: 8,3	↙
7: 8,4	↓
8: 9,7	→
9: 8,8	↗
10: 10,3*	↗
Serie 91,0	
Totalt 0,0	



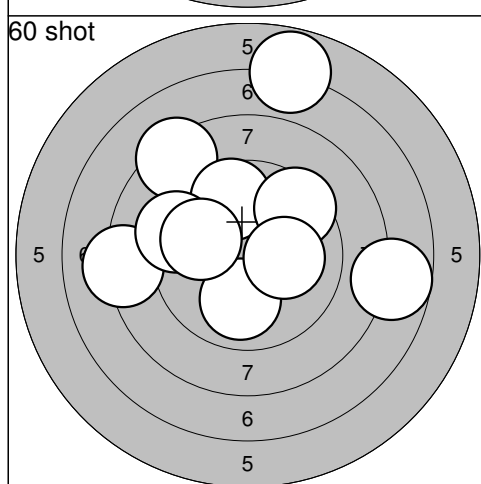
11: 7,7	↑
12: 9,6	↑
13: 9,1	→
14: 10,8*	↑
15: 10,1	↑
16: 8,3	↑
17: 8,1	←
18: 10,2*	↑
19: 7,4	↙
20: 9,4	↑
Serie 87,0	
Totalt 0,0	



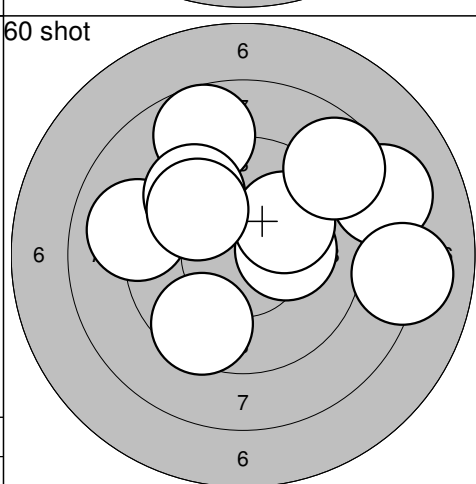
21: 9,8	↑
22: 9,2	↗
23: 8,9	↑
24: 8,3	↓
25: 7,8	←
26: 8,1	←
27: 9,6	→
28: 8,5	←
29: 9,8	←
30: 9,8	←
Serie 84,0	
Totalt 0,0	



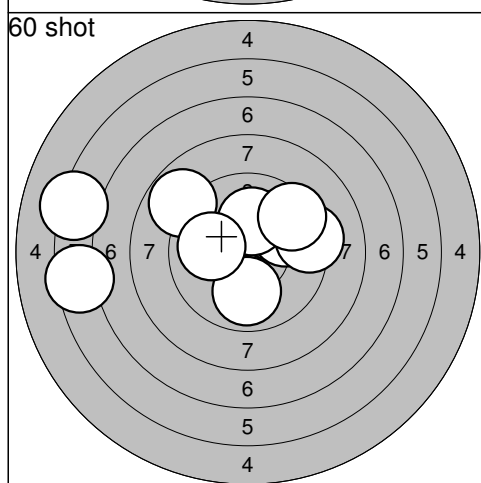
31: 8,3	↙
32: 7,2	←
33: 9,9	→
34: 8,0	↗
35: 9,5	←
36: 9,2	↗
Serie 50,0	
Totalt 0,0	



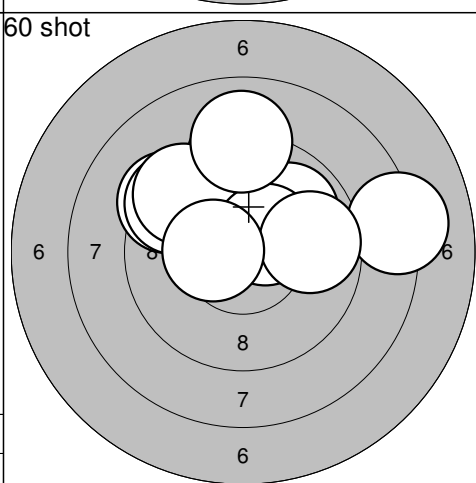
1: 8,2	←
2: 8,3	↗
3: 6,8	↑
4: 7,7	→
5: 9,7	↑
6: 10,0	↓
7: 9,3	↙
8: 9,9	↙
9: 9,5	↗
10: 10,1	→
Serie 85,0	
Totalt 85,0	



11: 10,2*	→
12: 9,0	←
13: 8,7	↑
14: 9,5	↓
15: 8,3	→
16: 9,6	↑
17: 8,1	→
18: 10,0	↗
19: 8,7	↗
20: 9,8	↖
Serie 88,0	
Totalt 173,0	



21: 8,8	↖
22: 10,0	↗
23: 9,8	↗
24: 6,2	←
25: 10,1	↑
26: 9,9	↓
27: 6,5	←
28: 10,0	←
29: 9,3	→
30: 9,5	↗
Serie 86,0	
Totalt 259,0	



31: 9,4	↖
32: 9,3	↑
33: 8,2	→
34: 9,5	↖
35: 9,9	↗
36: 9,5	↖
37: 10,4*	↗
38: 9,0	↑
39: 9,7	→
40: 10,4*	←
Serie 91,0	
Totalt 350,0	