

S

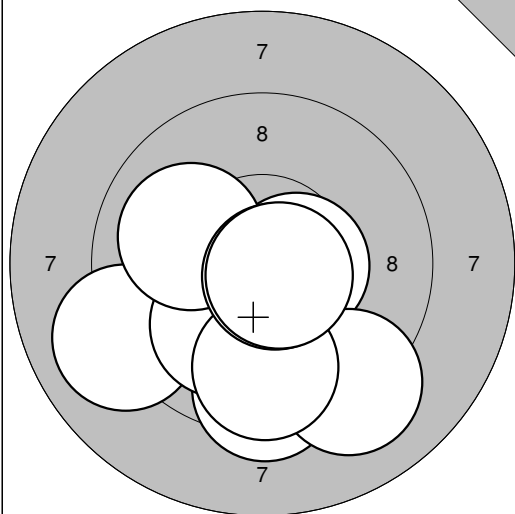
Ramselefors Skytteförening

2012-11-03

Nationellt Mästerskap 2012

Umeå skytteallians

Sight

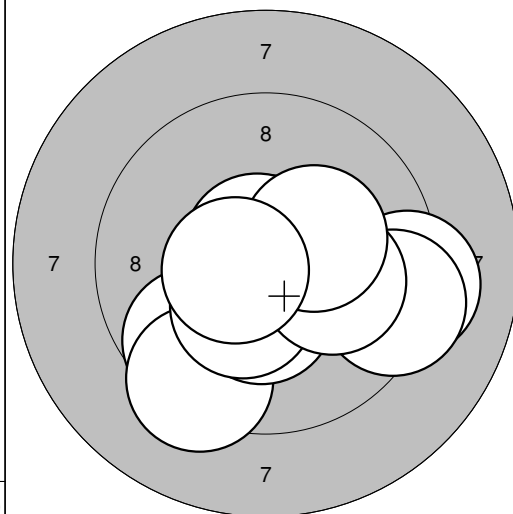


1: 9,0 ↙  
 2: 9,4 ↓  
 3: 10,1 ↘  
 4: 10,5\* →  
 5: 10,0 ↖  
 6: 9,1 ↘  
 7: 9,7 ↓  
 8: 10,7\* ↘  
 9: 10,7\* ↘

Serie 86,0

Totalt 0,0

60 shot

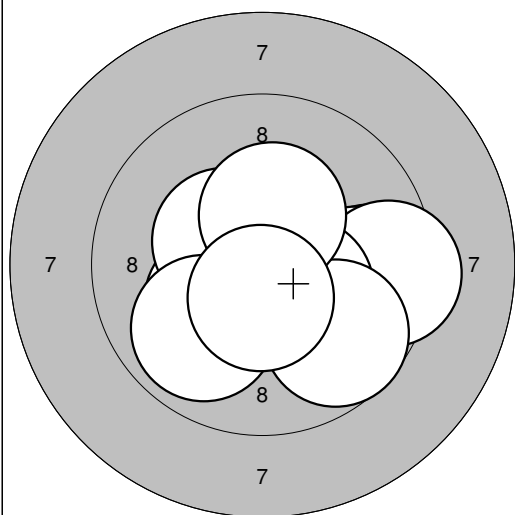


1: 9,7 ↘  
 2: 9,3 ↘  
 3: 9,2 →  
 4: 10,4\* ↓  
 5: 9,3 →  
 6: 10,4\* ↘  
 7: 10,7\* ↖  
 8: 10,1 →  
 9: 10,3\* ↗  
 10: 10,6\* ←

Serie 96,0

Totalt 96,0

60 shot

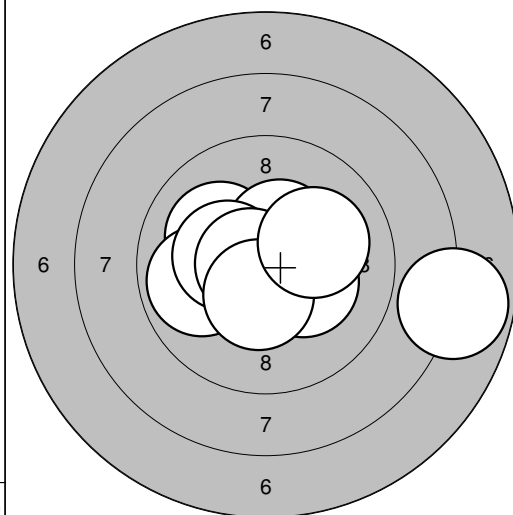


11: 9,6 →  
 12: 9,8 →  
 13: 9,4 →  
 14: 10,4\* ↘  
 15: 10,2\* ↖  
 16: 10,4\* ↖  
 17: 9,7 ↘  
 18: 9,9 ↘  
 19: 10,3\* ↖  
 20: 10,5\* ↓

Serie 95,0

Totalt 191,0

60 shot

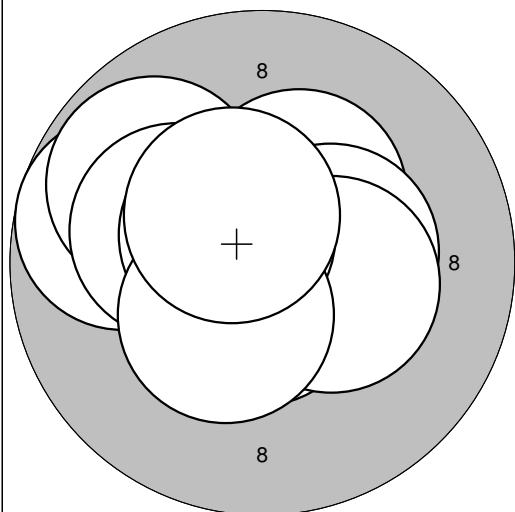


21: 10,1 ↖  
 22: 7,9 →  
 23: 9,9 ←  
 24: 10,4\* ↖  
 25: 10,4\* →  
 26: 10,3\* ←  
 27: 10,3\* →  
 28: 10,7\* ←  
 29: 10,4\* ↓  
 30: 10,1 ↗

Serie 96,0

Totalt 287,0

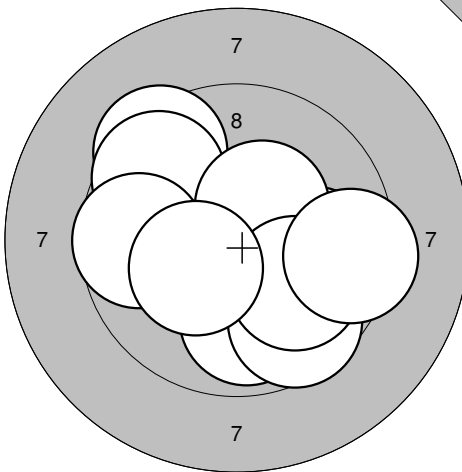
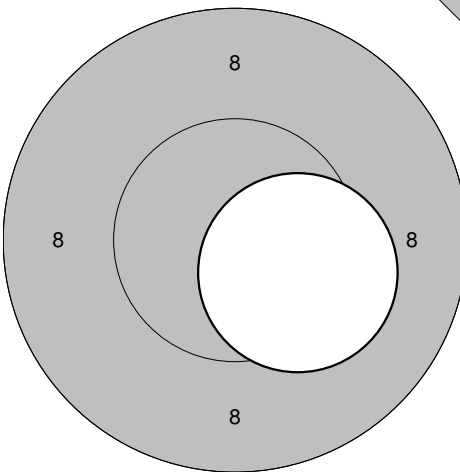
60 shot

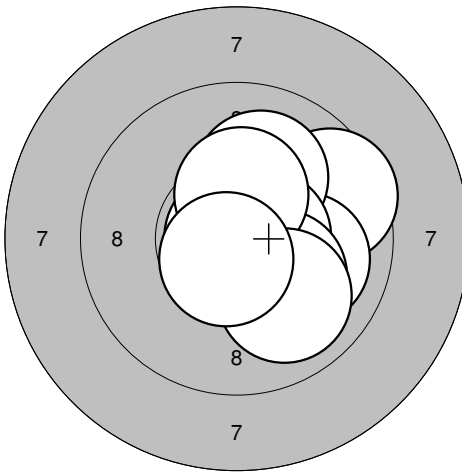
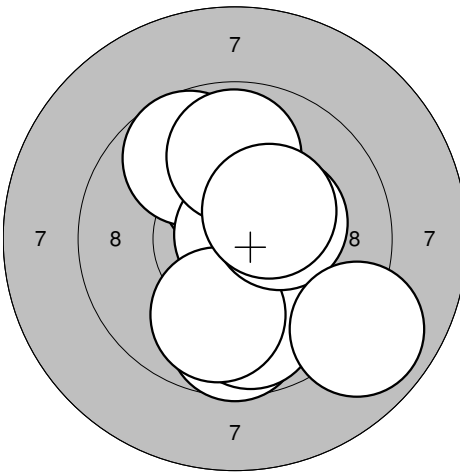


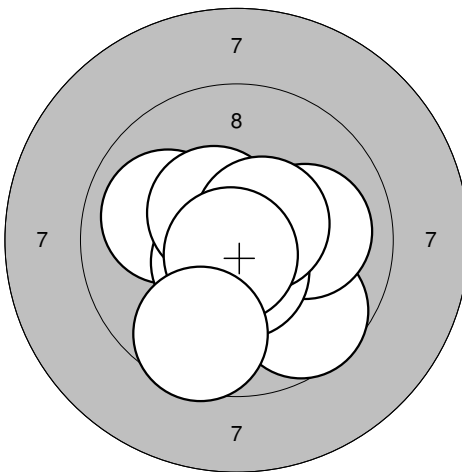
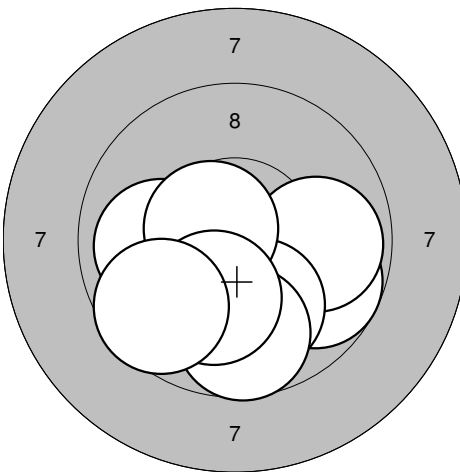
31: 10,3\* ↖  
 32: 9,8 ←  
 33: 10,7\* ↓  
 34: 9,8 ↖  
 35: 10,4\* →  
 36: 10,2\* ↖  
 37: 10,3\* →  
 38: 10,6\* ↖  
 39: 10,4\* ↘  
 40: 10,5\* ↖

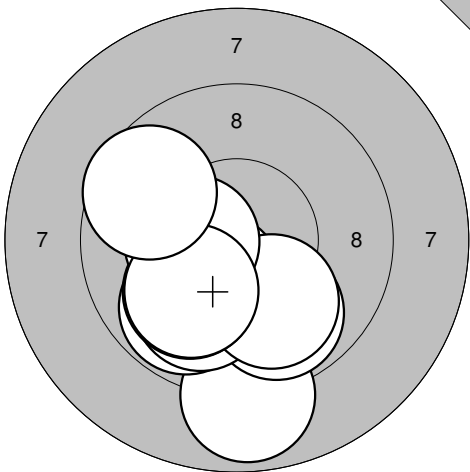
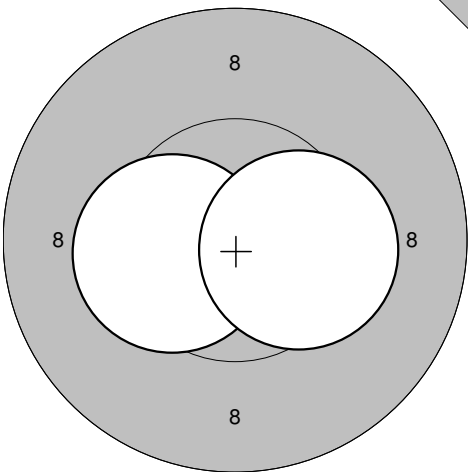
Serie 98,0

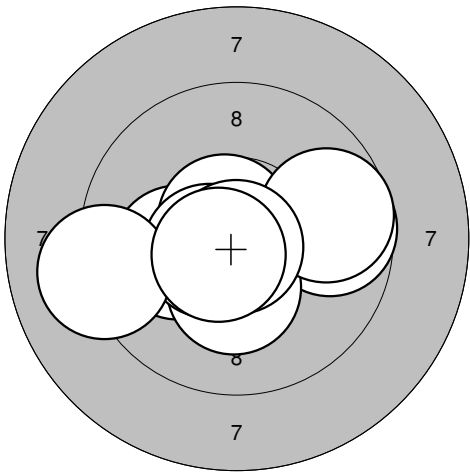
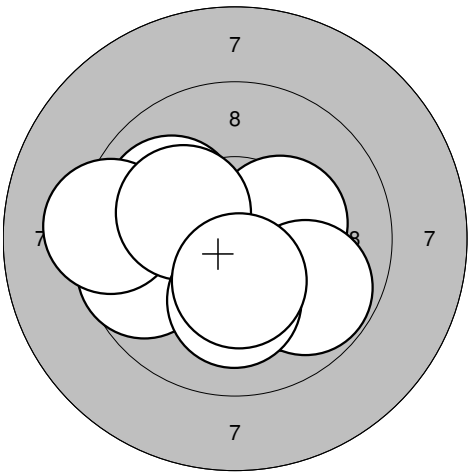
Totalt 385,0

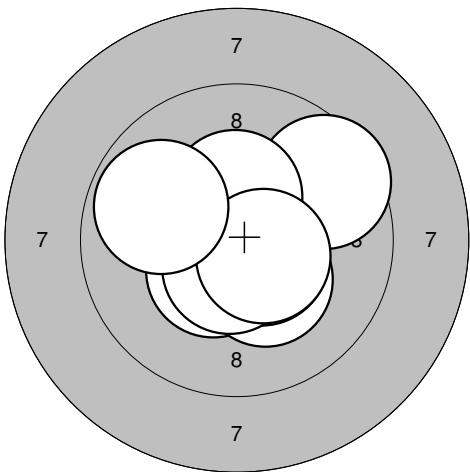
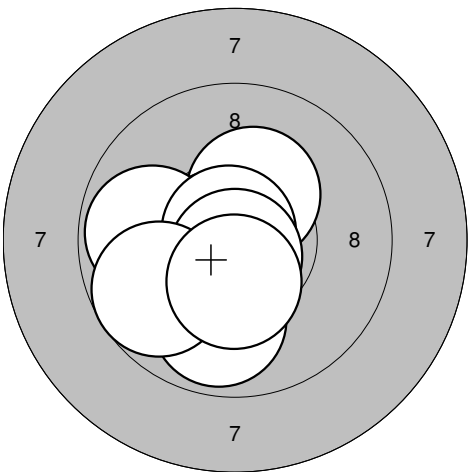
<p>Sight</p> 	<p>1: 9,4 ↗                  2: 9,6 ↗                  3: 9,9 ↓                  4: 9,9 →                  5: 10,4* ↗                  6: 9,7 ←                  7: 9,6 ↓                  8: 10,0 ↓                  9: 9,4 →                  10: 10,3* ↙</p> <table border="1" style="width:100%; border-collapse: collapse;"> <tr><td>Serie</td><td style="text-align: right;">93,0</td></tr> <tr><td>Totalt</td><td style="text-align: right;">0,0</td></tr> </table>	Serie	93,0	Totalt	0,0	<p>Sight</p> 	<p>11: 10,3* ↘</p> <table border="1" style="width:100%; border-collapse: collapse;"> <tr><td>Serie</td><td style="text-align: right;">10,0</td></tr> <tr><td>Totalt</td><td style="text-align: right;">0,0</td></tr> </table>	Serie	10,0	Totalt	0,0
Serie	93,0										
Totalt	0,0										
Serie	10,0										
Totalt	0,0										

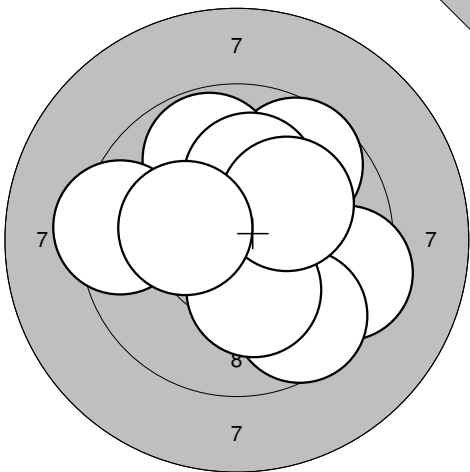
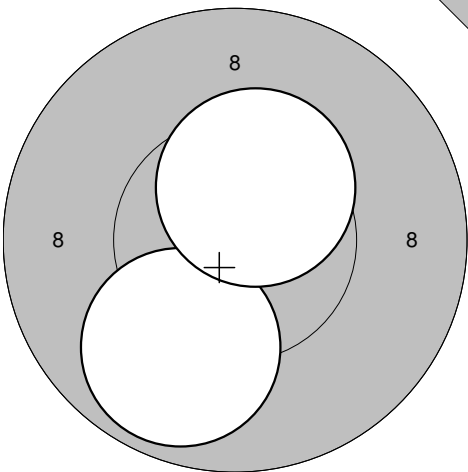
<p>60 shot</p> 	<p>1: 9,6 →                  2: 10,5* →                  3: 10,9* ←                  4: 10,0 →                  5: 10,1 ↗                  6: 10,6* →                  7: 10,2* ↓                  8: 10,4* ↑                  9: 10,0 ↓                  10: 10,6* ↓</p> <table border="1" style="width:100%; border-collapse: collapse;"> <tr><td>Serie</td><td style="text-align: right;">99,0</td></tr> <tr><td>Totalt</td><td style="text-align: right;">99,0</td></tr> </table>	Serie	99,0	Totalt	99,0	<p>60 shot</p> 	<p>11: 10,3* ↑                  12: 9,7 ↗                  13: 10,8* →                  14: 9,7 ↓                  15: 9,8 ↓                  16: 9,9 ↓                  17: 9,9 ↑                  18: 10,3* →                  19: 10,4* ↗                  20: 8,9 ↘</p> <table border="1" style="width:100%; border-collapse: collapse;"> <tr><td>Serie</td><td style="text-align: right;">93,0</td></tr> <tr><td>Totalt</td><td style="text-align: right;">192,0</td></tr> </table>	Serie	93,0	Totalt	192,0
Serie	99,0										
Totalt	99,0										
Serie	93,0										
Totalt	192,0										

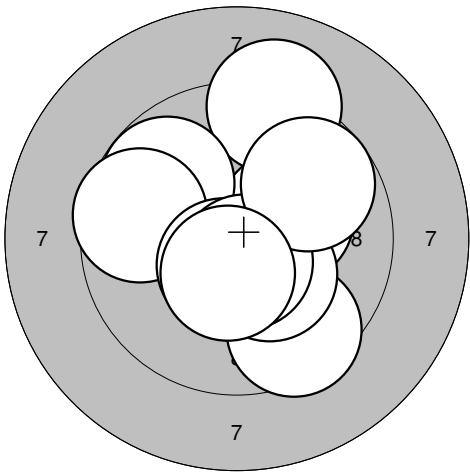
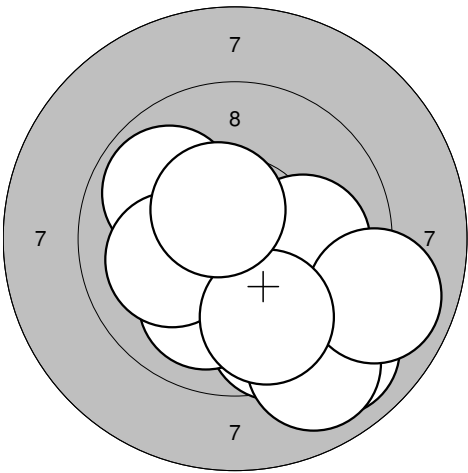
<p>60 shot</p> 	<p>21: 10,0 ←                  22: 10,6* ↓                  23: 9,7 ↓                  24: 10,6* ↓                  25: 10,5* ↗                  26: 10,0 →                  27: 10,5* ↓                  28: 10,5* ↗                  29: 10,7* ↓                  30: 9,6 ↓</p> <table border="1" style="width:100%; border-collapse: collapse;"> <tr><td>Serie</td><td style="text-align: right;">98,0</td></tr> <tr><td>Totalt</td><td style="text-align: right;">290,0</td></tr> </table>	Serie	98,0	Totalt	290,0	<p>60 shot</p> 	<p>31: 10,5* ↓                  32: 9,7 ↘                  33: 10,0 ←                  34: 10,1 ↓                  35: 9,9 →                  36: 10,0 ↓                  37: 10,6* ←                  38: 9,7 ↓                  39: 10,1 ↓                  40: 9,6 ↙</p> <table border="1" style="width:100%; border-collapse: collapse;"> <tr><td>Serie</td><td style="text-align: right;">96,0</td></tr> <tr><td>Totalt</td><td style="text-align: right;">386,0</td></tr> </table>	Serie	96,0	Totalt	386,0
Serie	98,0										
Totalt	290,0										
Serie	96,0										
Totalt	386,0										

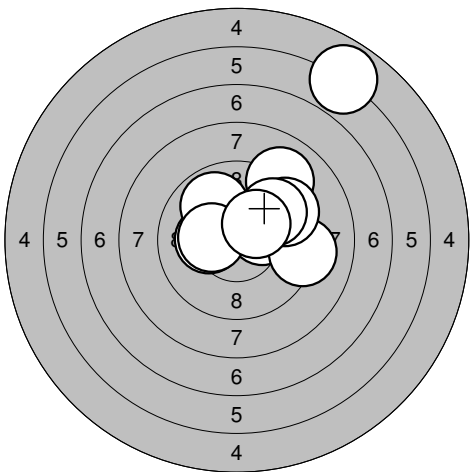
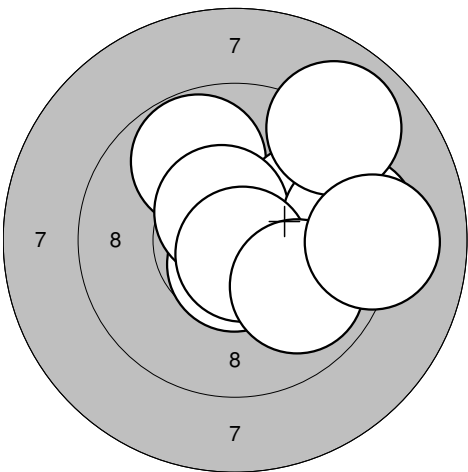
<p>Sight</p> 	<p>Sight</p> 	<p>11: 10,4* ←</p> <p>12: 10,4* →</p>
<p>1: 8,9 ↓</p> <p>2: 9,8 ↓</p> <p>3: 9,8 ↓</p> <p>4: 10,4* ↓</p> <p>5: 10,0 ↓</p> <p>6: 10,0 ↓</p> <p>7: 10,0 ↓</p> <p>8: 10,4* ←</p> <p>9: 10,0 ↓</p> <p>10: 9,6 ↖</p>	<p>Serie 95,0</p> <p>Totalt 0,0</p>	<p>Serie 20,0</p> <p>Totalt 0,0</p>

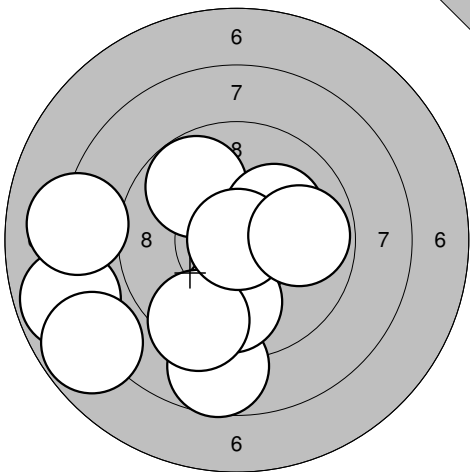
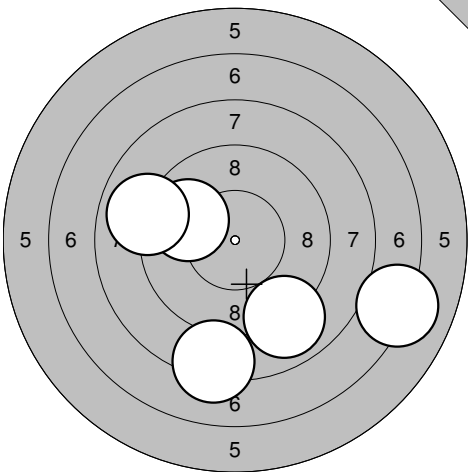
<p>60 shot</p> 	<p>60 shot</p> 	<p>11: 10,0 ↖</p> <p>12: 10,0 ↘</p> <p>13: 10,6* ←</p> <p>14: 9,7 ←</p> <p>15: 10,3* →</p> <p>16: 9,3 ←</p> <p>17: 10,2* ↖</p> <p>18: 9,8 ↘</p> <p>19: 10,1 ↓</p> <p>20: 10,4* ↓</p>
<p>1: 10,6* ↓</p> <p>2: 10,2* ←</p> <p>3: 10,7* ↗</p> <p>4: 9,7 →</p> <p>5: 10,3* ↓</p> <p>6: 10,6* ←</p> <p>7: 9,7 →</p> <p>8: 10,8* ↓</p> <p>9: 9,1 ←</p> <p>10: 10,6* ↖</p>	<p>Serie 97,0</p> <p>Totalt 97,0</p>	<p>Serie 97,0</p> <p>Totalt 194,0</p>

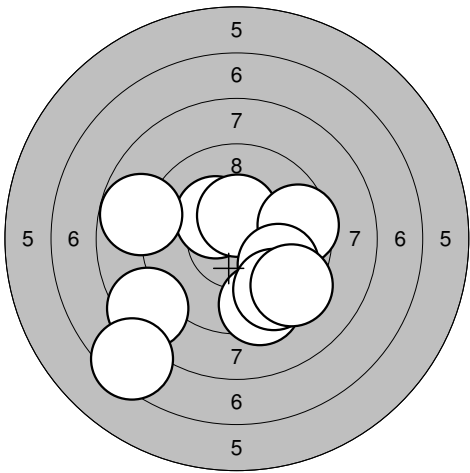
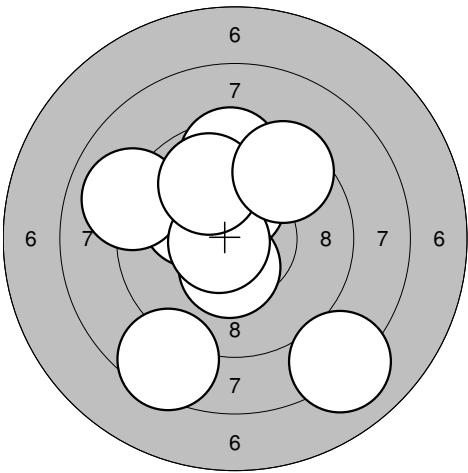
<p>60 shot</p> 	<p>60 shot</p> 	<p>31: 10,3* ↗</p> <p>32: 10,2* ←</p> <p>33: 10,3* ↓</p> <p>34: 10,7* ←</p> <p>35: 9,9 ↓</p> <p>36: 9,8 ←</p> <p>37: 10,8* ↖</p> <p>38: 10,7* ↓</p> <p>39: 9,7 ←</p> <p>40: 10,4* ↓</p>
<p>21: 10,4* ↖</p> <p>22: 10,7* ↗</p> <p>23: 10,3* ↓</p> <p>24: 10,5* ↘</p> <p>25: 10,7* ↑</p> <p>26: 9,6 ↗</p> <p>27: 10,4* ↑</p> <p>28: 10,6* ↓</p> <p>29: 10,5* ↘</p> <p>30: 9,9 ↖</p>	<p>Serie 98,0</p> <p>Totalt 292,0</p>	<p>Serie 97,0</p> <p>Totalt 389,0</p>

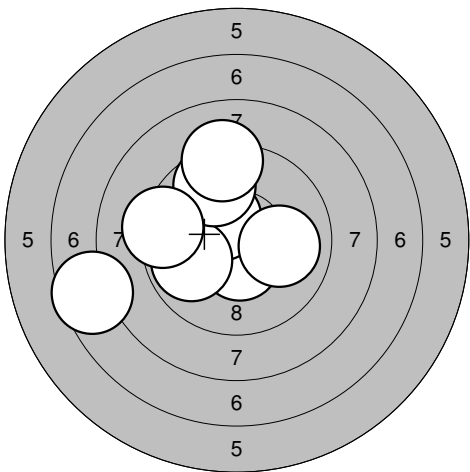
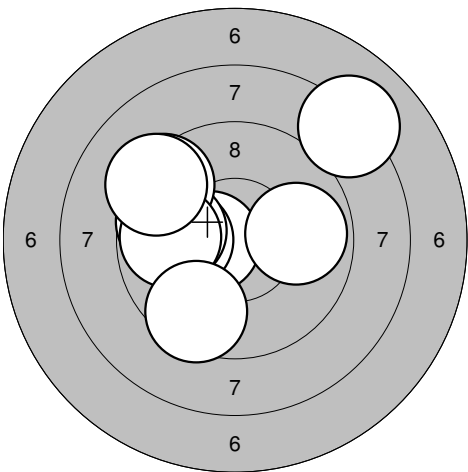
<p>Sight</p> 	<p>Sight</p> 	<p>11: 9,9 ↘ 12: 10,4* ↗</p>
Serie 95,0	Serie 19,0	
Totalt 0,0	Totalt 0,0	

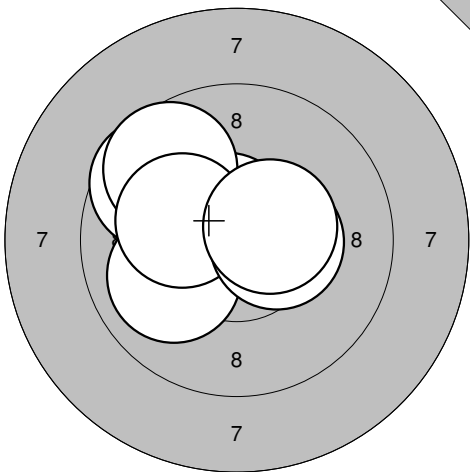
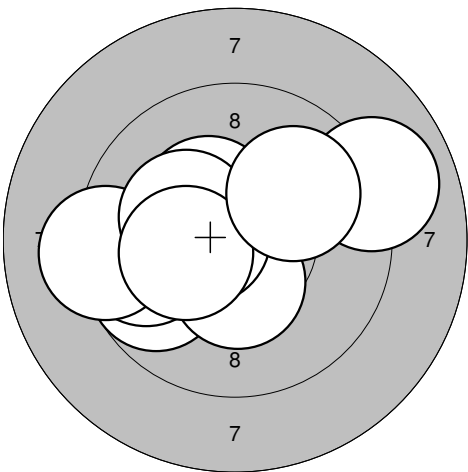
<p>60 shot</p> 	<p>60 shot</p> 	<p>11: 9,0 ↘ 12: 9,6 ↘ 13: 9,9 ↗ 14: 10,0 → 15: 10,0 ↘ 16: 10,1 ← 17: 9,0 ↘ 18: 8,9 ↘ 19: 9,8 ↘ 20: 10,5* ↗</p>
Serie 95,0	Serie 93,0	
Totalt 95,0	Totalt 188,0	

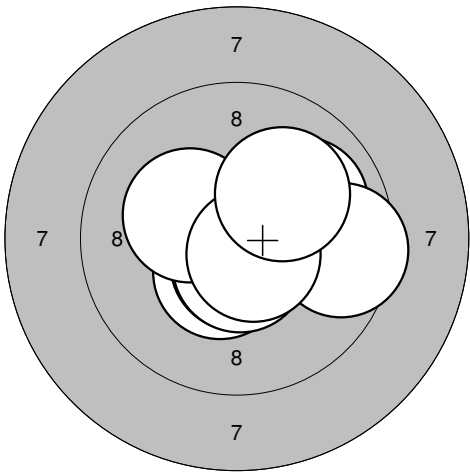
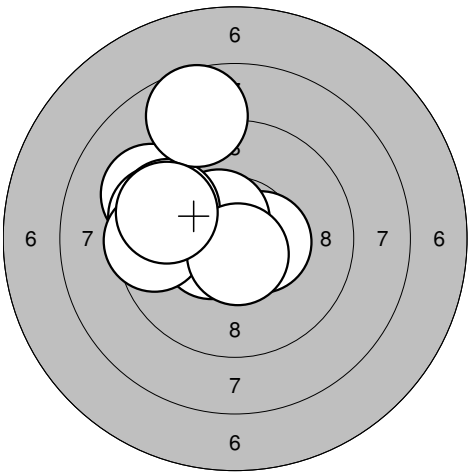
<p>60 shot</p> 	<p>60 shot</p> 	<p>31: 9,8 ↗ 32: 10,2* → 33: 10,6* ↘ 34: 9,9 → 35: 10,5* ↗ 36: 9,4 → 37: 10,7* ↘ 38: 9,0 ↗ 39: 9,9 ↘ 40: 9,1 →</p>
Serie 90,0	Serie 94,0	
Totalt 278,0	Totalt 372,0	

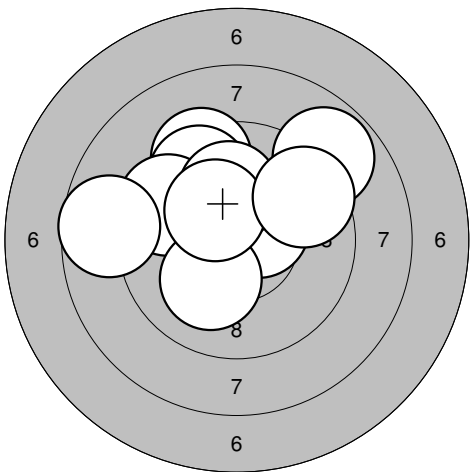

<p>Sight</p> 	<p>1: 8,7 ↓</p> <p>2: 9,9 ↓</p> <p>3: 9,4 ↓</p> <p>4: 9,8 ↗</p> <p>5: 10,1 ↘</p> <p>6: 7,8 ←</p> <p>7: 10,9* →</p> <p>8: 8,1 ←</p> <p>9: 7,8 ↙</p> <p>10: 9,8 →</p>	<p>Sight</p> 	<p>11: 9,8 ↖</p> <p>12: 7,1 ↗</p> <p>13: 8,9 ↙</p> <p>14: 8,2 ↓</p> <p>15: 9,0 ↖</p>
Serie 86,0	Totalt 0,0	Serie 41,0	Totalt 0,0

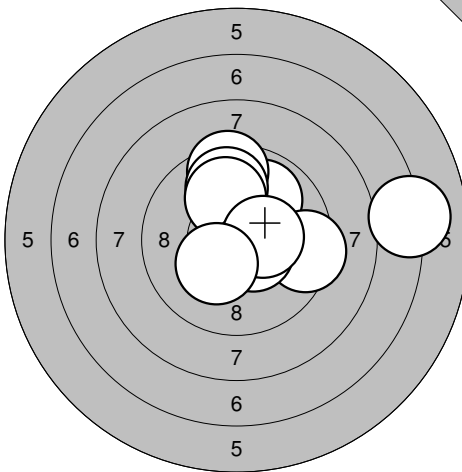
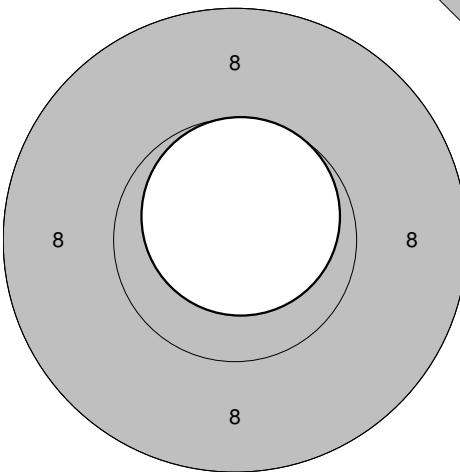
<p>60 shot</p> 	<p>1: 10,3* ↖</p> <p>2: 10,5* ↑</p> <p>3: 8,8 ←</p> <p>4: 9,6 →</p> <p>5: 8,5 ↙</p> <p>6: 9,4 ↓</p> <p>7: 9,9 ↘</p> <p>8: 9,6 ↙</p> <p>9: 7,4 ↙</p> <p>10: 9,4 ↘</p>	<p>60 shot</p> 	<p>11: 10,1 ↖</p> <p>12: 8,5 ↙</p> <p>13: 8,1 ↙</p> <p>14: 9,5 ↑</p> <p>15: 10,3* ↑</p> <p>16: 10,4* ↓</p> <p>17: 9,0 ↖</p> <p>18: 10,7* ←</p> <p>19: 9,9 ↗</p> <p>20: 9,5 ↗</p>
Serie 88,0	Totalt 88,0	Serie 92,0	Totalt 180,0

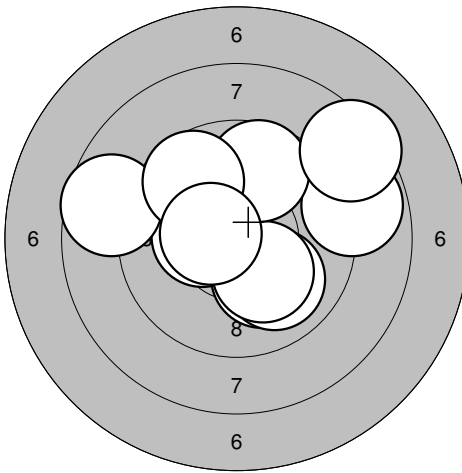
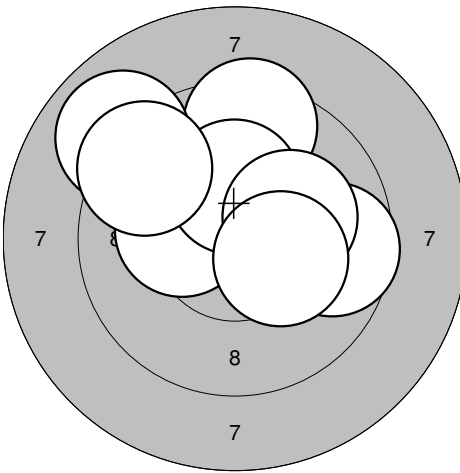
<p>60 shot</p> 	<p>21: 10,5* ←</p> <p>22: 9,9 ←</p> <p>23: 10,5* ↓</p> <p>24: 7,6 ←</p> <p>25: 10,4* ↗</p> <p>26: 9,9 ←</p> <p>27: 9,7 ↗</p> <p>28: 9,3 ←</p> <p>29: 10,0 →</p> <p>30: 9,2 ↑</p>	<p>60 shot</p> 	<p>31: 8,1 ↗</p> <p>32: 10,5* ←</p> <p>33: 10,0 ←</p> <p>34: 9,7 ←</p> <p>35: 9,9 ←</p> <p>36: 9,4 ↗</p> <p>37: 9,8 ←</p> <p>38: 9,3 ↖</p> <p>39: 9,9 →</p> <p>40: 9,5 ↙</p>
Serie 92,0	Totalt 272,0	Serie 91,0	Totalt 363,0

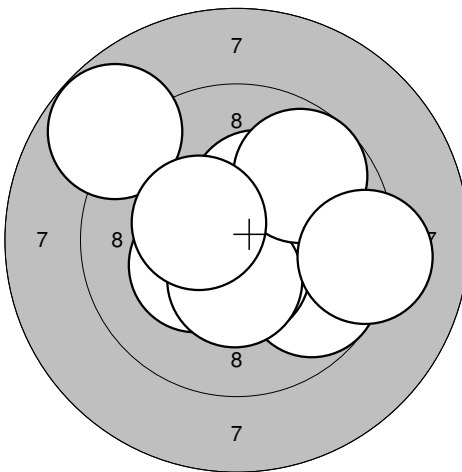
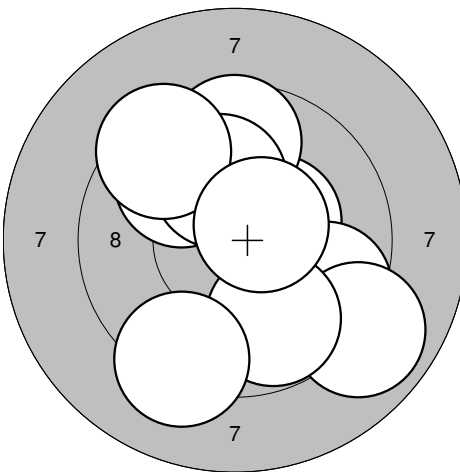
Sight 	60 shot 	
	1: 9,6 ↖ 2: 10,7* ↑ 3: 10,0 ↙ 4: 9,7 ↗ 5: 10,2* ↖ 6: 10,4* → 7: 10,5* ↗	1: 9,7 ↙ 2: 9,7 ← 3: 9,2 ← 4: 9,0 → 5: 10,3* ↗ 6: 10,4* ↓ 7: 10,5* ← 8: 10,2* ↖ 9: 10,3* ← 10: 10,0 ↗
	Serie 68,0	Serie 96,0
	Totalt 0,0	Totalt 96,0

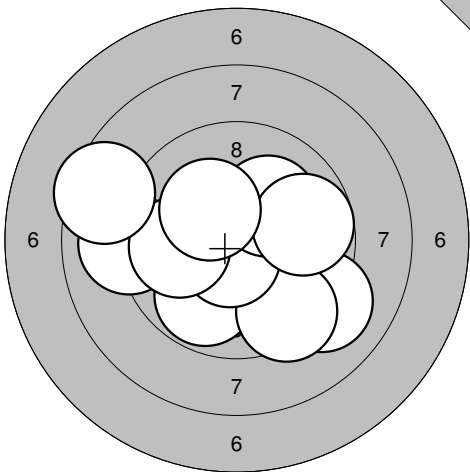
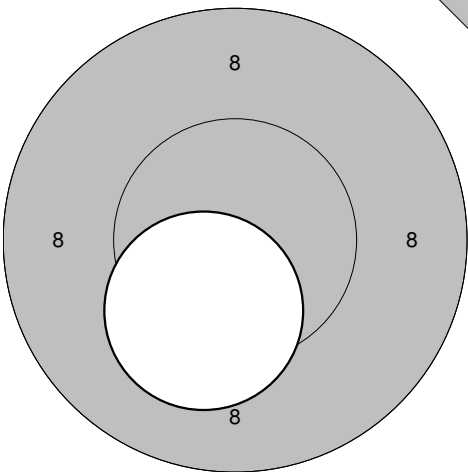
60 shot 	60 shot 	
	11: 10,4* ↓ 12: 10,8* ↘ 13: 10,6* ↓ 14: 9,9 → 15: 10,6* ↓ 16: 10,0 ↗ 17: 9,5 → 18: 10,3* ↖ 19: 10,6* ↓ 20: 10,1 ↗	21: 10,5* → 22: 9,3 ↖ 23: 9,6 ← 24: 10,5* ↙ 25: 10,5* ↗ 26: 9,7 ↖ 27: 8,7 ↑ 28: 9,5 ← 29: 10,7* ↓ 30: 9,7 ←
	Serie 98,0	Serie 93,0
	Totalt 194,0	Totalt 287,0

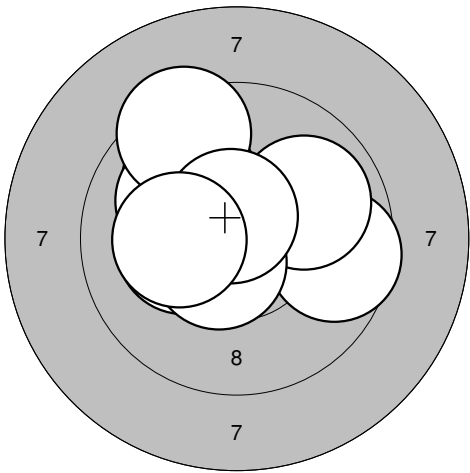
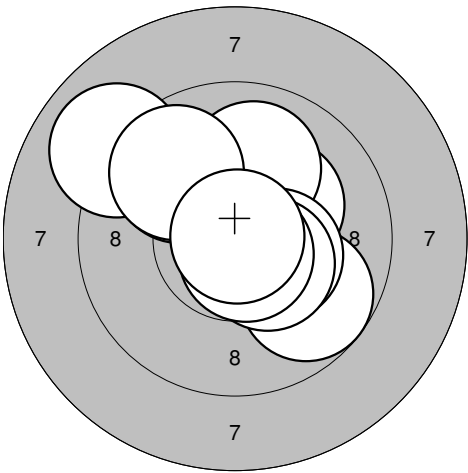
60 shot 	60 shot 	
	31: 8,8 ↗ 32: 9,4 ↑ 33: 9,6 ↗ 34: 9,6 ↖ 35: 10,5* ↗ 36: 10,1 ↙ 37: 10,1 ↑ 38: 8,7 ← 39: 10,3* ↖ 40: 9,5 ↗	
	Serie 92,0	
	Totalt 379,0	

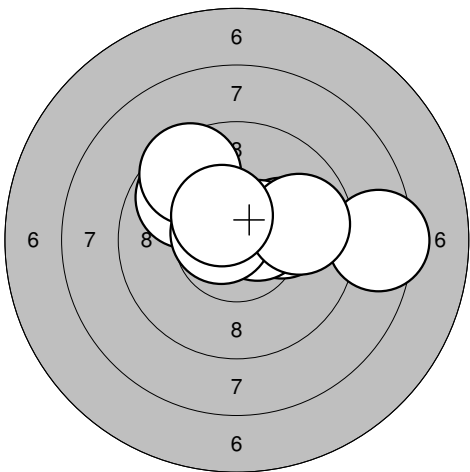
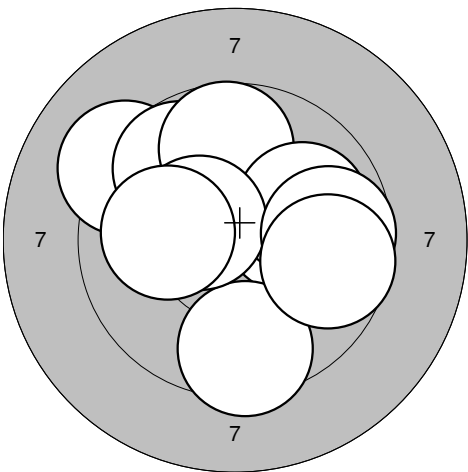
<p>Sight</p> 	<p>1: 9,9 ↗ 2: 9,4 → 3: 10,5* → 4: 9,4 ↑ 5: 9,8 ↑ 6: 7,1 → 7: 10,0 ↑ 8: 10,5* ↘ 9: 10,4* → 10: 10,3* ↙</p> <table border="1" style="width:100%; border-collapse: collapse;"> <tr><td>Serie</td><td style="text-align: right;">93,0</td></tr> <tr><td>Totalt</td><td style="text-align: right;">0,0</td></tr> </table>	Serie	93,0	Totalt	0,0	<p>Sight</p>  <p style="text-align: right;">11: 10,7* ↗</p> <table border="1" style="width:100%; border-collapse: collapse;"> <tr><td>Serie</td><td style="text-align: right;">10,0</td></tr> <tr><td>Totalt</td><td style="text-align: right;">0,0</td></tr> </table>	Serie	10,0	Totalt	0,0
Serie	93,0									
Totalt	0,0									
Serie	10,0									
Totalt	0,0									

<p>60 shot</p> 	<p>1: 10,3* ← 2: 10,1 ↘ 3: 8,8 → 4: 10,0 ↘ 5: 8,7 ← 6: 10,2* ↘ 7: 9,7 ↑ 8: 9,7 ↑ 9: 10,5* ← 10: 8,4 ↗</p> <table border="1" style="width:100%; border-collapse: collapse;"> <tr><td>Serie</td><td style="text-align: right;">92,0</td></tr> <tr><td>Totalt</td><td style="text-align: right;">92,0</td></tr> </table>	Serie	92,0	Totalt	92,0	<p>60 shot</p>  <p>11: 10,4* → 12: 9,4 ↑ 13: 9,6 → 14: 10,5* ↗ 15: 10,2* ← 16: 8,9 ↗ 17: 10,3* ↑ 18: 10,2* → 19: 10,3* ↘ 20: 9,4 ↗</p> <table border="1" style="width:100%; border-collapse: collapse;"> <tr><td>Serie</td><td style="text-align: right;">95,0</td></tr> <tr><td>Totalt</td><td style="text-align: right;">187,0</td></tr> </table>	Serie	95,0	Totalt	187,0
Serie	92,0									
Totalt	92,0									
Serie	95,0									
Totalt	187,0									

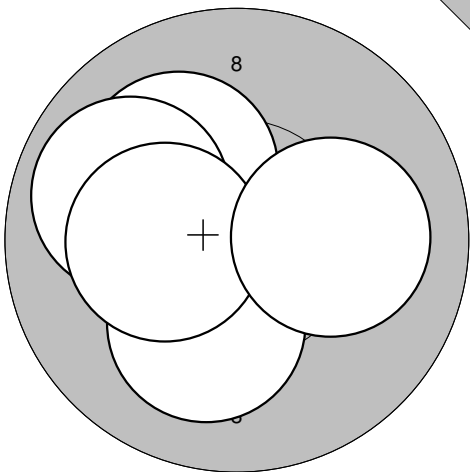
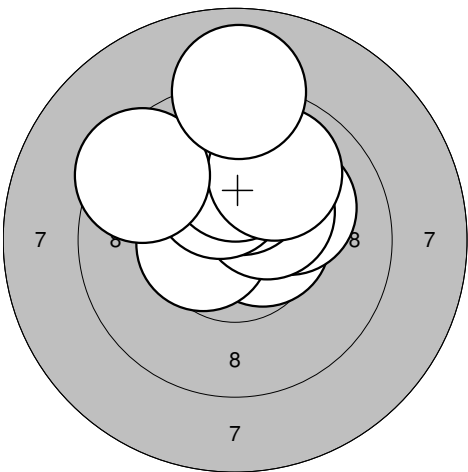
<p>60 shot</p> 	<p>21: 10,5* → 22: 10,3* ↙ 23: 8,8 ↗ 24: 9,7 ↘ 25: 10,5* ↘ 26: 10,3* ↗ 27: 10,4* ↘ 28: 9,7 ↗ 29: 9,2 → 30: 10,4* ↙</p> <table border="1" style="width:100%; border-collapse: collapse;"> <tr><td>Serie</td><td style="text-align: right;">95,0</td></tr> <tr><td>Totalt</td><td style="text-align: right;">282,0</td></tr> </table>	Serie	95,0	Totalt	282,0	<p>60 shot</p>  <p>31: 10,4* → 32: 9,9 ↗ 33: 9,6 ↘ 34: 8,9 ↘ 35: 9,6 ↑ 36: 10,1 ↑ 37: 9,8 ↘ 38: 9,2 ↘ 39: 9,4 ↗ 40: 10,5* ↗</p> <table border="1" style="width:100%; border-collapse: collapse;"> <tr><td>Serie</td><td style="text-align: right;">92,0</td></tr> <tr><td>Totalt</td><td style="text-align: right;">374,0</td></tr> </table>	Serie	92,0	Totalt	374,0
Serie	95,0									
Totalt	282,0									
Serie	92,0									
Totalt	374,0									

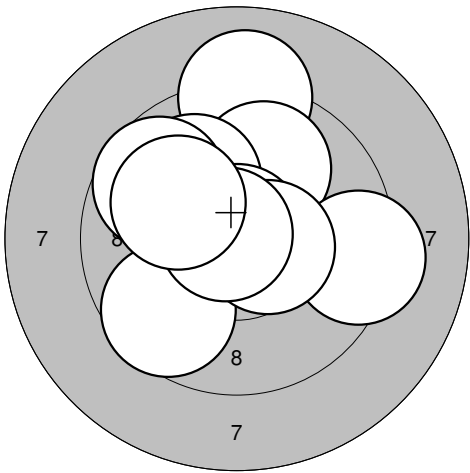
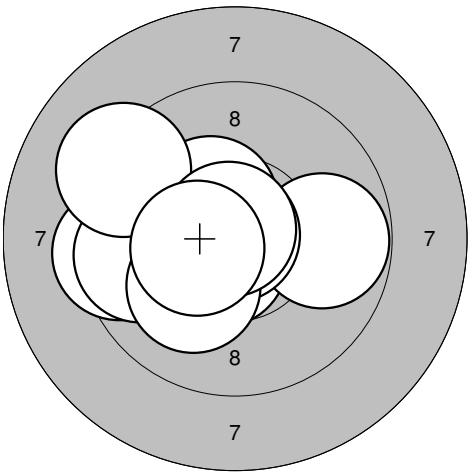
<p>Sight</p> 	<p>1: 9,1 ↘                  2: 9,8 ↓                  3: 9,4 ↘                  4: 10,6* ↓                  5: 9,1 ←                  6: 10,1 ↗                  7: 9,7 →                  8: 9,9 ←                  9: 8,5 ↗                  10: 10,2* ↗</p> <table border="1" style="width:100%; border-collapse: collapse;"> <tr><td>Serie</td><td style="text-align: right;">92,0</td></tr> <tr><td>Totalt</td><td style="text-align: right;">0,0</td></tr> </table>	Serie	92,0	Totalt	0,0	<p>Sight</p>  <p style="text-align: right;">11: 10,2* ↓</p> <table border="1" style="width:100%; border-collapse: collapse;"> <tr><td>Serie</td><td style="text-align: right;">10,0</td></tr> <tr><td>Totalt</td><td style="text-align: right;">0,0</td></tr> </table>	Serie	10,0	Totalt	0,0
Serie	92,0									
Totalt	0,0									
Serie	10,0									
Totalt	0,0									

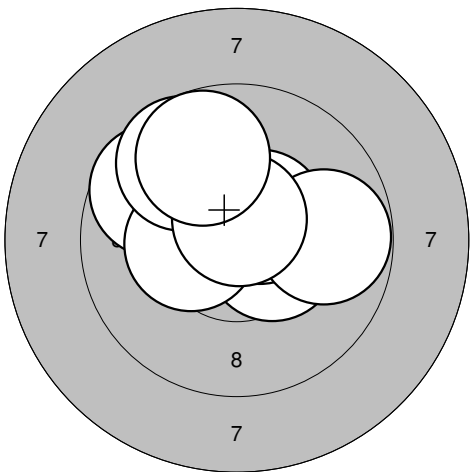
<p>60 shot</p> 	<p>1: 10,2* ←                  2: 9,6 →                  3: 10,0 ↗                  4: 10,1 ↗                  5: 9,4 ↗                  6: 10,8* ↗                  7: 9,9 →                  8: 10,6* ↓                  9: 10,6* ↗                  10: 10,2* ←</p> <table border="1" style="width:100%; border-collapse: collapse;"> <tr><td>Serie</td><td style="text-align: right;">97,0</td></tr> <tr><td>Totalt</td><td style="text-align: right;">97,0</td></tr> </table>	Serie	97,0	Totalt	97,0	<p>60 shot</p>  <p>11: 10,2* ↗                  12: 9,8 ↗                  13: 9,0 ↗                  14: 10,0 ↑                  15: 9,7 ↓                  16: 10,4* ↓                  17: 10,4* ↓                  18: 9,8 ↗                  19: 10,7* ↓                  20: 10,9* ↗</p> <table border="1" style="width:100%; border-collapse: collapse;"> <tr><td>Serie</td><td style="text-align: right;">96,0</td></tr> <tr><td>Totalt</td><td style="text-align: right;">193,0</td></tr> </table>	Serie	96,0	Totalt	193,0
Serie	97,0									
Totalt	97,0									
Serie	96,0									
Totalt	193,0									

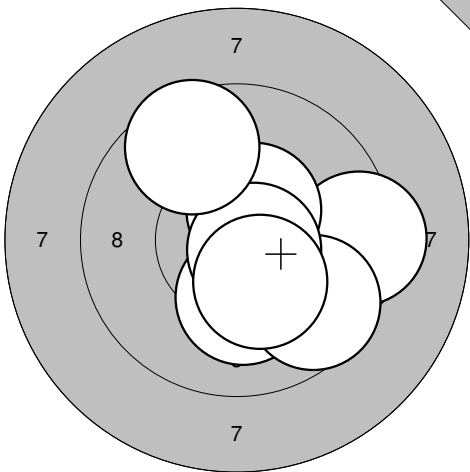
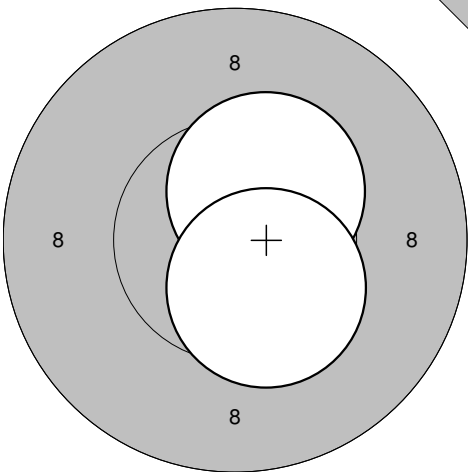
<p>60 shot</p> 	<p>21: 10,7* ↗                  22: 10,1 →                  23: 9,8 ↗                  24: 10,5* ↗                  25: 10,5* ↗                  26: 9,5 ↗                  27: 8,4 →                  28: 10,7* ↗                  29: 9,8 →                  30: 10,5* ↗</p> <table border="1" style="width:100%; border-collapse: collapse;"> <tr><td>Serie</td><td style="text-align: right;">95,0</td></tr> <tr><td>Totalt</td><td style="text-align: right;">288,0</td></tr> </table>	Serie	95,0	Totalt	288,0	<p>60 shot</p>  <p>31: 9,2 ↗                  32: 9,8 ↗                  33: 9,7 ↑                  34: 10,2* →                  35: 9,5 ↓                  36: 10,0 →                  37: 10,4* ←                  38: 10,1 ←                  39: 9,7 →                  40: 9,7 →</p> <table border="1" style="width:100%; border-collapse: collapse;"> <tr><td>Serie</td><td style="text-align: right;">94,0</td></tr> <tr><td>Totalt</td><td style="text-align: right;">382,0</td></tr> </table>	Serie	94,0	Totalt	382,0
Serie	95,0									
Totalt	288,0									
Serie	94,0									
Totalt	382,0									

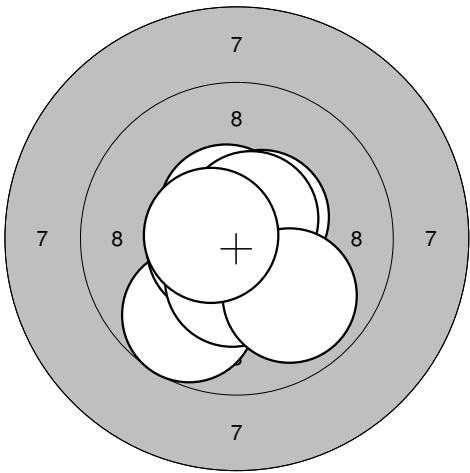
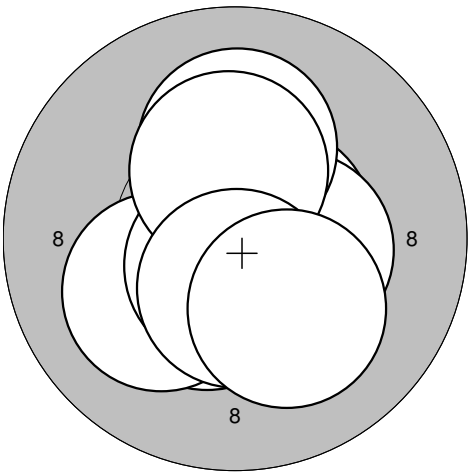


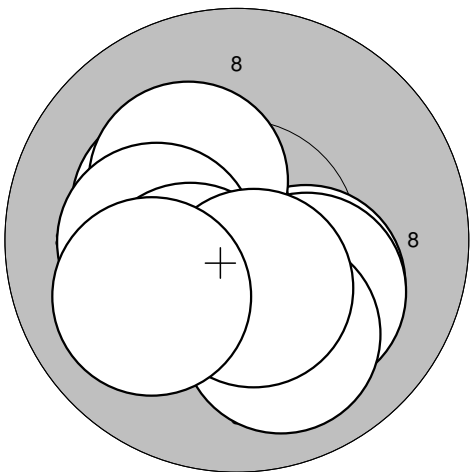
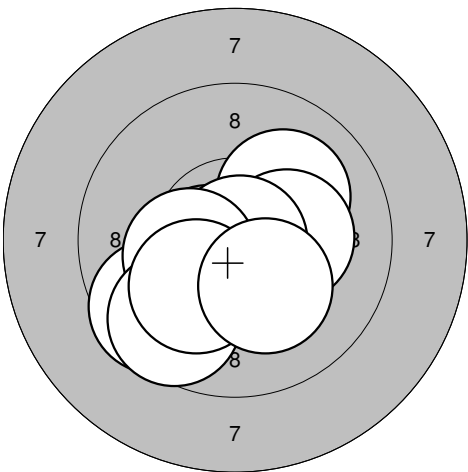
<p>Sight</p> 	<p>60 shot</p> 	
<p>1: 10,1 ↗</p> <p>2: 10,1 ↓</p> <p>3: 9,9 ↖</p> <p>4: 10,3* ←</p> <p>5: 10,1 →</p>	<p>1: 10,6* →</p> <p>2: 10,5* ←</p> <p>3: 10,1 ↗</p> <p>4: 10,4* ↗</p> <p>5: 10,2* ↑</p> <p>6: 10,3* ↑</p> <p>7: 10,1 ↑</p> <p>8: 9,9 ↗</p> <p>9: 9,5 ↖</p> <p>10: 9,0 ↑</p>	
Serie 49,0	Serie 97,0	
Totalt 0,0	Totalt 97,0	

<p>60 shot</p> 	<p>60 shot</p> 	
<p>11: 9,1 ↑</p> <p>12: 10,0 ↗</p> <p>13: 9,6 ↖</p> <p>14: 10,0 ↗</p> <p>15: 10,9* ↑</p> <p>16: 9,3 →</p> <p>17: 10,5* →</p> <p>18: 9,7 ↗</p> <p>19: 10,8* ↗</p> <p>20: 10,0 ↗</p>	<p>21: 10,6* ↖</p> <p>22: 10,4* ↖</p> <p>23: 9,4 ←</p> <p>24: 9,8 →</p> <p>25: 9,7 ←</p> <p>26: 10,9* ↗</p> <p>27: 10,1 ↖</p> <p>28: 9,2 ↖</p> <p>29: 10,8* ↗</p> <p>30: 10,4* ←</p>	
Serie 96,0	Serie 96,0	
Totalt 193,0	Totalt 289,0	

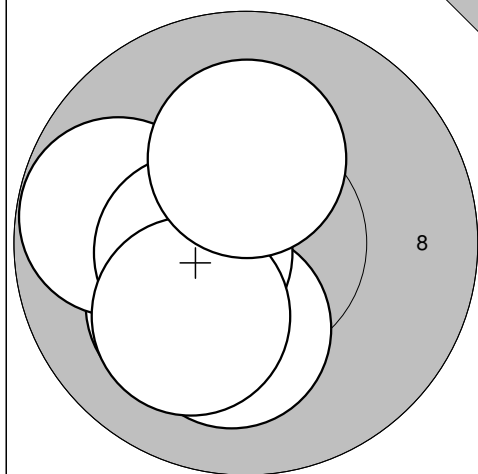
<p>60 shot</p> 		
<p>31: 10,4* →</p> <p>32: 10,1 ↗</p> <p>33: 10,4* ←</p> <p>34: 9,7 ↗</p> <p>35: 10,3* ←</p> <p>36: 10,5* ↗</p> <p>37: 9,7 ↗</p> <p>38: 9,8 →</p> <p>39: 10,7* ↑</p> <p>40: 9,8 ↗</p>		
Serie 96,0		
Totalt 385,0		

<p>Sight</p>  <table border="1" style="width:100%; border-collapse: collapse; margin-top: 10px;"> <tr><td style="text-align: right;">Serie</td><td style="text-align: right;">96,0</td></tr> <tr><td style="text-align: right;">Totalt</td><td style="text-align: right;">0,0</td></tr> </table>	Serie	96,0	Totalt	0,0	<p>Sight</p>  <table border="1" style="width:100%; border-collapse: collapse; margin-top: 10px;"> <tr><td style="text-align: right;">Serie</td><td style="text-align: right;">20,0</td></tr> <tr><td style="text-align: right;">Totalt</td><td style="text-align: right;">0,0</td></tr> </table>	Serie	20,0	Totalt	0,0	
Serie	96,0									
Totalt	0,0									
Serie	20,0									
Totalt	0,0									

<p>60 shot</p>  <table border="1" style="width:100%; border-collapse: collapse; margin-top: 10px;"> <tr><td style="text-align: right;">Serie</td><td style="text-align: right;">98,0</td></tr> <tr><td style="text-align: right;">Totalt</td><td style="text-align: right;">98,0</td></tr> </table>	Serie	98,0	Totalt	98,0	<p>60 shot</p>  <table border="1" style="width:100%; border-collapse: collapse; margin-top: 10px;"> <tr><td style="text-align: right;">Serie</td><td style="text-align: right;">100,0</td></tr> <tr><td style="text-align: right;">Totalt</td><td style="text-align: right;">198,0</td></tr> </table>	Serie	100,0	Totalt	198,0	
Serie	98,0									
Totalt	98,0									
Serie	100,0									
Totalt	198,0									

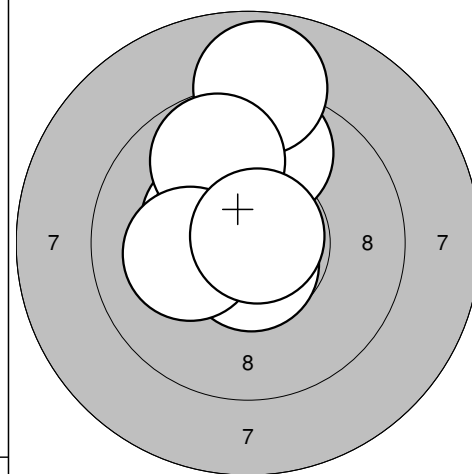
<p>60 shot</p>  <table border="1" style="width:100%; border-collapse: collapse; margin-top: 10px;"> <tr><td style="text-align: right;">Serie</td><td style="text-align: right;">100,0</td></tr> <tr><td style="text-align: right;">Totalt</td><td style="text-align: right;">298,0</td></tr> </table>	Serie	100,0	Totalt	298,0	<p>60 shot</p>  <table border="1" style="width:100%; border-collapse: collapse; margin-top: 10px;"> <tr><td style="text-align: right;">Serie</td><td style="text-align: right;">98,0</td></tr> <tr><td style="text-align: right;">Totalt</td><td style="text-align: right;">396,0</td></tr> </table>	Serie	98,0	Totalt	396,0	
Serie	100,0									
Totalt	298,0									
Serie	98,0									
Totalt	396,0									

Sight



1: 10,2\* ↙  
 2: 9,8 ←  
 3: 10,2\* ↓  
 4: 10,5\* ←  
 5: 10,1 ↙  
 6: 10,2\* ↑

60 shot



1: 9,7 ↑  
 2: 10,9\* ↓  
 3: 10,4\* ↖  
 4: 10,9\* ↓  
 5: 10,7\* ↓  
 6: 8,9 ↑  
 7: 10,5\* ↗  
 8: 9,8 ↑  
 9: 10,2\* ←  
 10: 10,8\* ↗

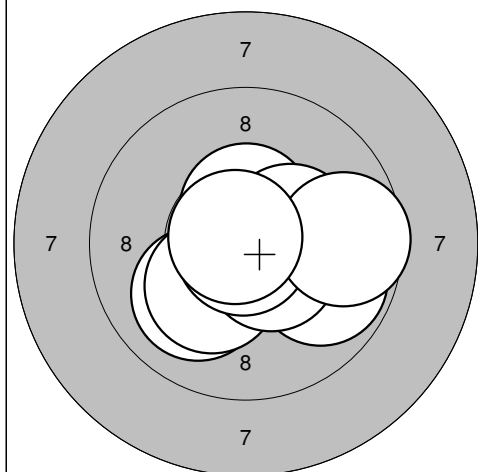
Serie 59,0

Totalt 0,0

Serie 96,0

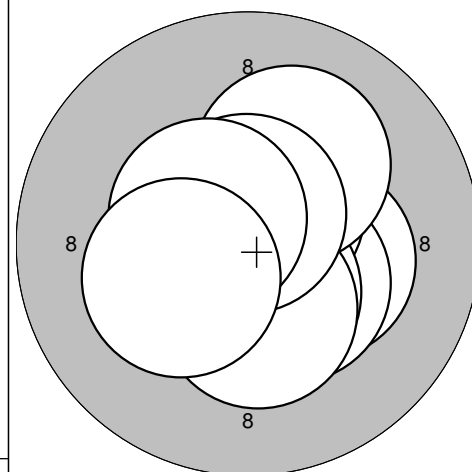
Totalt 96,0

60 shot



11: 10,5\* ↑  
 12: 10,0 ↙  
 13: 10,7\* ↙  
 14: 10,2\* ↙  
 15: 9,8 →  
 16: 10,3\* →  
 17: 10,5\* ↘  
 18: 10,9\* ↙  
 19: 9,6 →  
 20: 10,8\* ↖

60 shot



21: 10,3\* →  
 22: 10,4\* ↘  
 23: 10,6\* ↗  
 24: 10,5\* ↓  
 25: 10,5\* ↓  
 26: 10,4\* ↓  
 27: 10,1 ↗  
 28: 10,7\* ↑  
 29: 10,5\* ↖  
 30: 10,3\* ↖

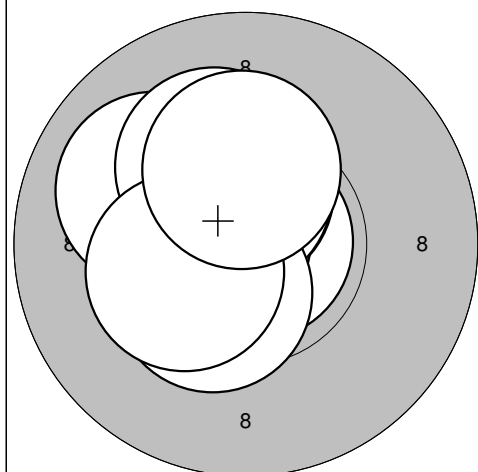
Serie 98,0

Totalt 194,0

Serie 100,0

Totalt 294,0

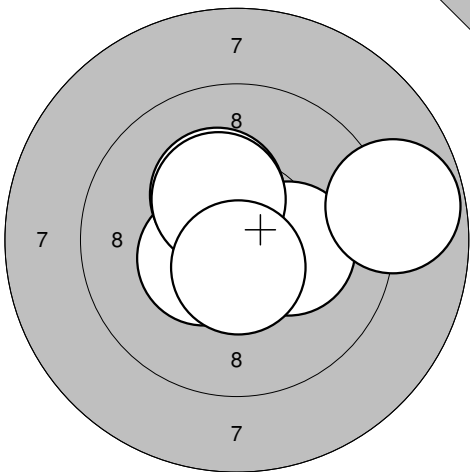
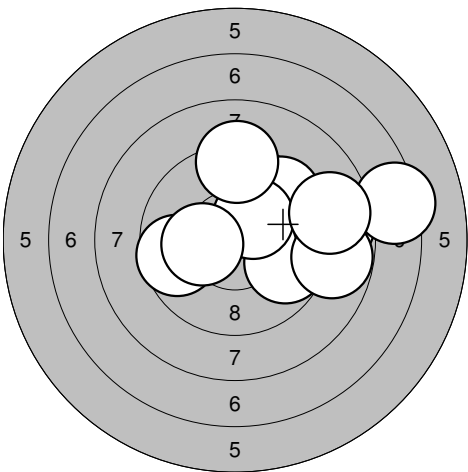
60 shot

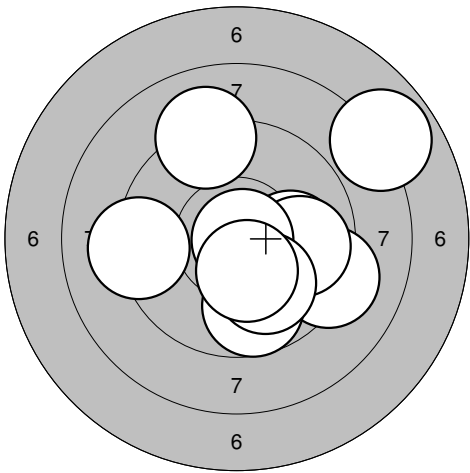
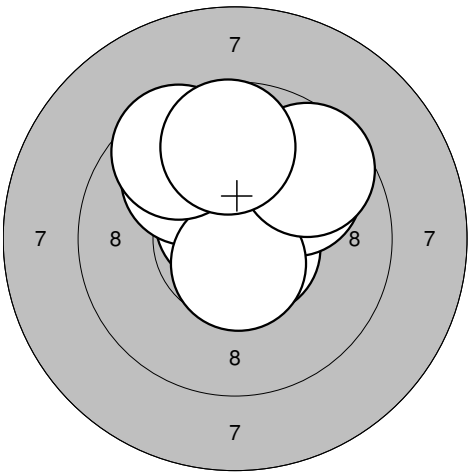


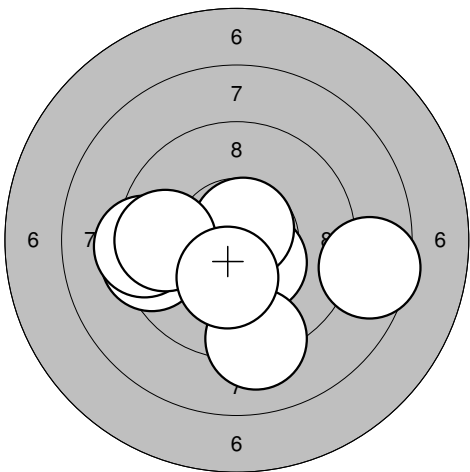

31: 10,8\* ←  
 32: 10,0 ↖  
 33: 10,9\* →  
 34: 10,5\* ↑  
 35: 10,6\* ←  
 36: 10,5\* ↑  
 37: 10,4\* ↙  
 38: 10,2\* ↗  
 39: 10,3\* ←  
 40: 10,3\* ↑

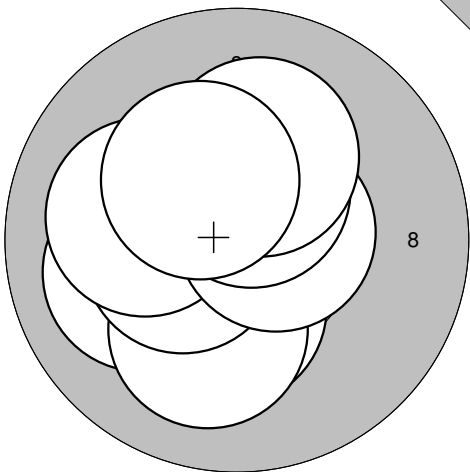
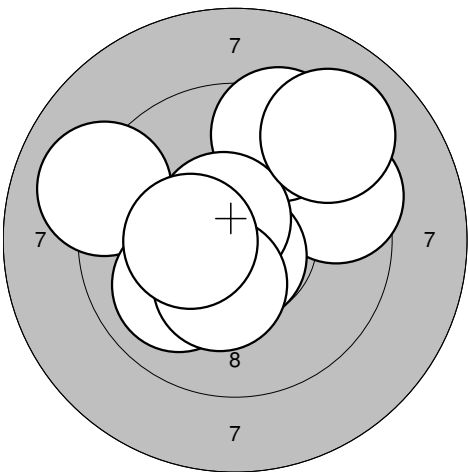
Serie 100,0

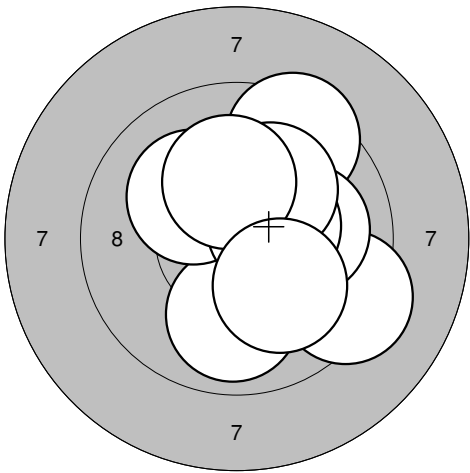
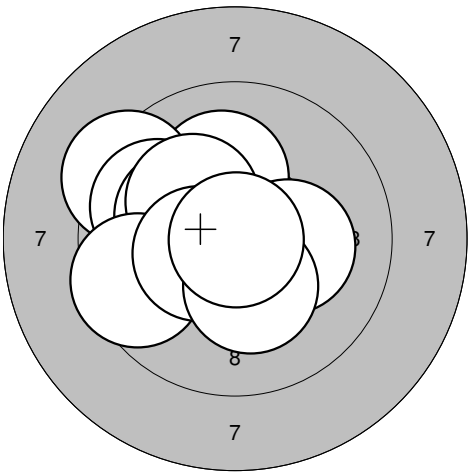
Totalt 394,0

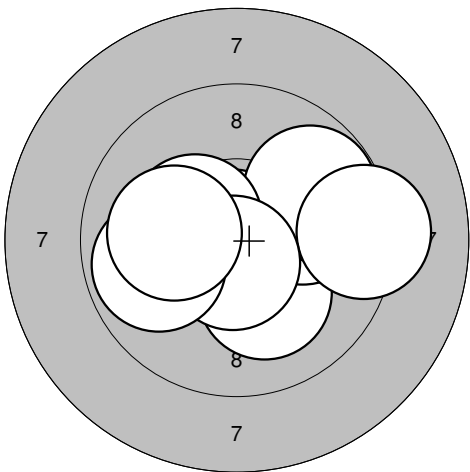
Sight 	60 shot 	<table style="width:100%; border-collapse: collapse;"> <tr><td>1: 10,3*</td><td>→</td><td>1: 9,6</td><td>←</td></tr> <tr><td>2: 8,8</td><td>→</td><td>2: 9,6</td><td>↗</td></tr> <tr><td>3: 10,5*</td><td>↙</td><td>3: 9,7</td><td>→</td></tr> <tr><td>4: 10,3*</td><td>↖</td><td>4: 10,3*</td><td>↗</td></tr> <tr><td>5: 10,4*</td><td>↖</td><td>5: 8,7</td><td>→</td></tr> <tr><td>6: 10,6*</td><td>↓</td><td>6: 10,2*</td><td>←</td></tr> <tr><td></td><td></td><td>7: 8,8</td><td>→</td></tr> <tr><td></td><td></td><td>8: 7,3</td><td>→</td></tr> <tr><td></td><td></td><td>9: 8,8</td><td>→</td></tr> <tr><td></td><td></td><td>10: 9,2</td><td>↑</td></tr> <tr><td colspan="2" style="border-top: 1px solid black;">Serie</td><td style="border-top: 1px solid black;">58,0</td><td></td></tr> <tr><td colspan="2" style="border-top: 1px solid black;">Totalt</td><td style="border-top: 1px solid black;">0,0</td><td></td></tr> </table>	1: 10,3*	→	1: 9,6	←	2: 8,8	→	2: 9,6	↗	3: 10,5*	↙	3: 9,7	→	4: 10,3*	↖	4: 10,3*	↗	5: 10,4*	↖	5: 8,7	→	6: 10,6*	↓	6: 10,2*	←			7: 8,8	→			8: 7,3	→			9: 8,8	→			10: 9,2	↑	Serie		58,0		Totalt		0,0	
1: 10,3*	→	1: 9,6	←																																															
2: 8,8	→	2: 9,6	↗																																															
3: 10,5*	↙	3: 9,7	→																																															
4: 10,3*	↖	4: 10,3*	↗																																															
5: 10,4*	↖	5: 8,7	→																																															
6: 10,6*	↓	6: 10,2*	←																																															
		7: 8,8	→																																															
		8: 7,3	→																																															
		9: 8,8	→																																															
		10: 9,2	↑																																															
Serie		58,0																																																
Totalt		0,0																																																

60 shot 	60 shot 	<table style="width:100%; border-collapse: collapse;"> <tr><td>11: 7,9</td><td>↗</td><td>21: 10,3*</td><td>↖</td></tr> <tr><td>12: 9,1</td><td>↖</td><td>22: 10,4*</td><td>↑</td></tr> <tr><td>13: 10,0</td><td>→</td><td>23: 10,7*</td><td>↖</td></tr> <tr><td>14: 9,2</td><td>→</td><td>24: 10,7*</td><td>↘</td></tr> <tr><td>15: 9,8</td><td>→</td><td>25: 9,9</td><td>↗</td></tr> <tr><td>16: 9,2</td><td>←</td><td>26: 9,9</td><td>↖</td></tr> <tr><td>17: 10,8*</td><td>→</td><td>27: 10,6*</td><td>↓</td></tr> <tr><td>18: 9,7</td><td>↓</td><td>28: 9,6</td><td>↗</td></tr> <tr><td>19: 10,0</td><td>↓</td><td>29: 9,6</td><td>↖</td></tr> <tr><td>20: 10,3*</td><td>↓</td><td>30: 9,7</td><td>↑</td></tr> <tr><td colspan="2" style="border-top: 1px solid black;">Serie</td><td style="border-top: 1px solid black;">92,0</td><td></td></tr> <tr><td colspan="2" style="border-top: 1px solid black;">Totalt</td><td style="border-top: 1px solid black;">179,0</td><td></td></tr> </table>	11: 7,9	↗	21: 10,3*	↖	12: 9,1	↖	22: 10,4*	↑	13: 10,0	→	23: 10,7*	↖	14: 9,2	→	24: 10,7*	↘	15: 9,8	→	25: 9,9	↗	16: 9,2	←	26: 9,9	↖	17: 10,8*	→	27: 10,6*	↓	18: 9,7	↓	28: 9,6	↗	19: 10,0	↓	29: 9,6	↖	20: 10,3*	↓	30: 9,7	↑	Serie		92,0		Totalt		179,0	
11: 7,9	↗	21: 10,3*	↖																																															
12: 9,1	↖	22: 10,4*	↑																																															
13: 10,0	→	23: 10,7*	↖																																															
14: 9,2	→	24: 10,7*	↘																																															
15: 9,8	→	25: 9,9	↗																																															
16: 9,2	←	26: 9,9	↖																																															
17: 10,8*	→	27: 10,6*	↓																																															
18: 9,7	↓	28: 9,6	↗																																															
19: 10,0	↓	29: 9,6	↖																																															
20: 10,3*	↓	30: 9,7	↑																																															
Serie		92,0																																																
Totalt		179,0																																																

60 shot 		<table style="width:100%; border-collapse: collapse;"> <tr><td>31: 10,4*</td><td>←</td></tr> <tr><td>32: 10,8*</td><td>→</td></tr> <tr><td>33: 10,4*</td><td>↓</td></tr> <tr><td>34: 9,2</td><td>↓</td></tr> <tr><td>35: 8,6</td><td>→</td></tr> <tr><td>36: 9,4</td><td>←</td></tr> <tr><td>37: 9,3</td><td>←</td></tr> <tr><td>38: 10,7*</td><td>↗</td></tr> <tr><td>39: 9,7</td><td>←</td></tr> <tr><td>40: 10,3*</td><td>↓</td></tr> <tr><td colspan="2" style="border-top: 1px solid black;">Serie</td><td style="border-top: 1px solid black;">94,0</td></tr> <tr><td colspan="2" style="border-top: 1px solid black;">Totalt</td><td style="border-top: 1px solid black;">368,0</td></tr> </table>	31: 10,4*	←	32: 10,8*	→	33: 10,4*	↓	34: 9,2	↓	35: 8,6	→	36: 9,4	←	37: 9,3	←	38: 10,7*	↗	39: 9,7	←	40: 10,3*	↓	Serie		94,0	Totalt		368,0
31: 10,4*	←																											
32: 10,8*	→																											
33: 10,4*	↓																											
34: 9,2	↓																											
35: 8,6	→																											
36: 9,4	←																											
37: 9,3	←																											
38: 10,7*	↗																											
39: 9,7	←																											
40: 10,3*	↓																											
Serie		94,0																										
Totalt		368,0																										

Sight 	60 shot 	
	1: 10,0 ← 2: 10,9* ↑ 3: 10,3* ↓ 4: 10,1 ↓ 5: 10,4* ← 6: 10,1 ← 7: 10,6* → 8: 10,5* ↑ 9: 10,2* ↑ 10: 10,3* ↗	1: 9,1 ← 2: 10,5* ← 3: 10,0 ↙ 4: 9,5 → 5: 10,7* ↓ 6: 9,4 ↑ 7: 10,6* ↗ 8: 10,3* ↓ 9: 10,4* ← 10: 9,1 ↗
	Serie 100,0	Serie 96,0
	Totalt 0,0	Totalt 96,0

60 shot 	60 shot 	
	11: 9,4 ↗ 12: 9,3 → 13: 9,9 ↓ 14: 10,1 → 15: 10,2* ↗ 16: 10,3* ↗ 17: 10,4* → 18: 10,2* ↗ 19: 10,2* ↑ 20: 10,1 ↓	21: 10,1 ↑ 22: 9,3 ↙ 23: 9,8 ↙ 24: 10,2* ↙ 25: 10,2* ↗ 26: 9,5 ← 27: 10,2* → 28: 10,4* ← 29: 10,3* ↓ 30: 10,9* ↘
	Serie 97,0	Serie 97,0
	Totalt 193,0	Totalt 290,0

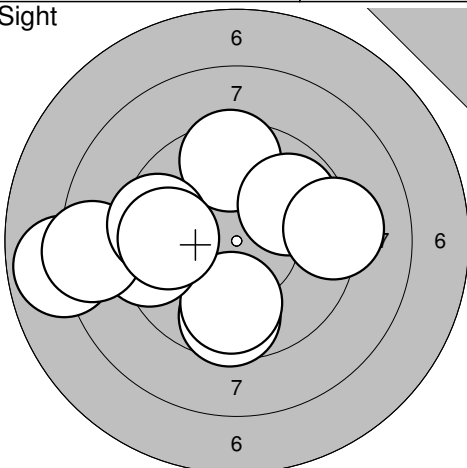
60 shot 	31: 10,6* ↓ 32: 10,2* ↓ 33: 10,0 → 34: 10,9* ↗ 35: 9,8 ↗ 36: 9,2 → 37: 10,3* ↙ 38: 10,6* ↓ 39: 9,9 ← 40: 10,1 ←	
	Serie 97,0	
	Totalt 387,0	

2012-11-03

Nationellt Mästerskap 2012

Umeå skytteallians

Sight

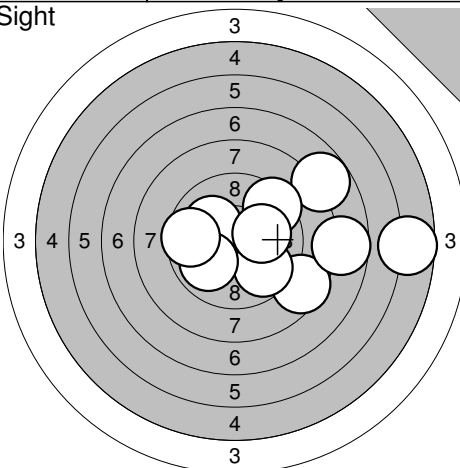


1: 9,6 ↓  
 2: 9,5 ↑  
 3: 9,8 ↓  
 4: 9,4 ←  
 5: 9,8 ↗  
 6: 7,9 ←  
 7: 8,4 ←  
 8: 9,5 ←  
 9: 9,7 ←  
 10: 9,2 →

Serie 87,0

Totalt 0,0

Sight

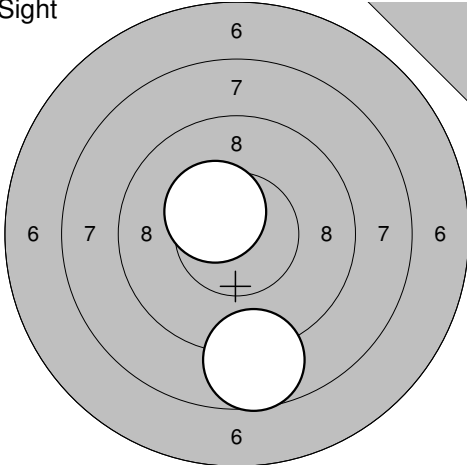


11: 5,7 →  
 12: 8,5 ↘  
 13: 9,8 ↘  
 14: 10,1 ↗  
 15: 7,7 →  
 16: 9,9 ↙  
 17: 7,8 ↗  
 18: 9,4 ↗  
 19: 9,6 ←  
 20: 10,1 →

Serie 83,0

Totalt 0,0

Sight

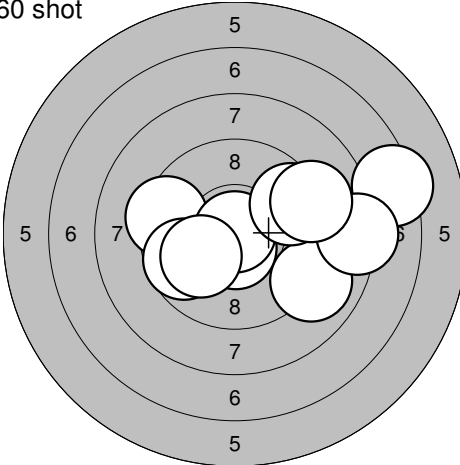


21: 8,7 ↓  
 22: 10,4\* ↗

Serie 18,0

Totalt 0,0

60 shot

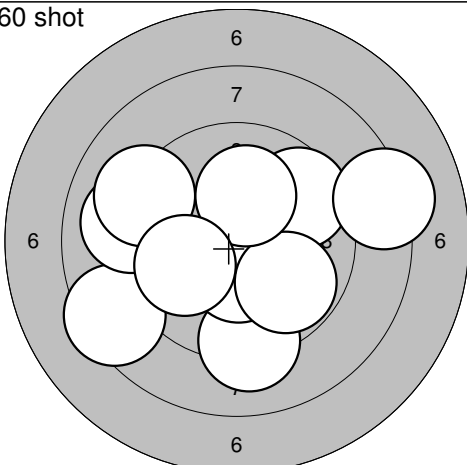


1: 9,0 ↘  
 2: 9,4 ←  
 3: 7,3 →  
 4: 10,6\* ↓  
 5: 9,7 ←  
 6: 10,9\* ↑  
 7: 8,3 →  
 8: 9,6 ↗  
 9: 10,1 ↙  
 10: 9,1 →

Serie 90,0

Totalt 90,0

60 shot

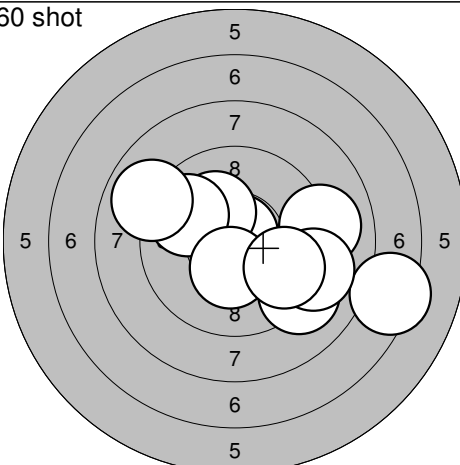


11: 8,4 ←  
 12: 9,2 ↓  
 13: 9,1 ←  
 14: 9,6 ↗  
 15: 9,1 ↗  
 16: 8,2 →  
 17: 10,4\* ↓  
 18: 9,8 ↘  
 19: 10,1 ↑  
 20: 9,9 ↙

Serie 90,0

Totalt 180,0

60 shot

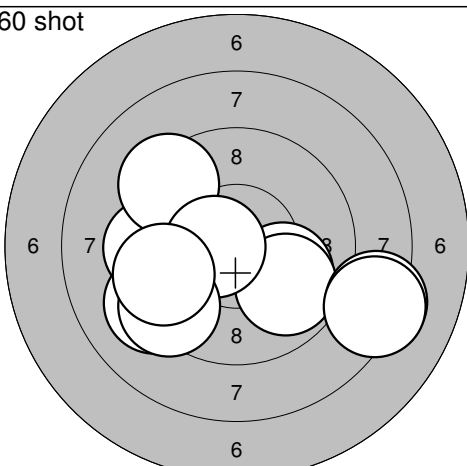


21: 10,8\* ↑  
 22: 10,2\* ↗  
 23: 9,8 ↗  
 24: 10,4\* ↓  
 25: 8,9 ↗  
 26: 9,0 →  
 27: 9,1 ↘  
 28: 7,3 →  
 29: 9,1 →  
 30: 9,7 ↘

Serie 90,0

Totalt 270,0

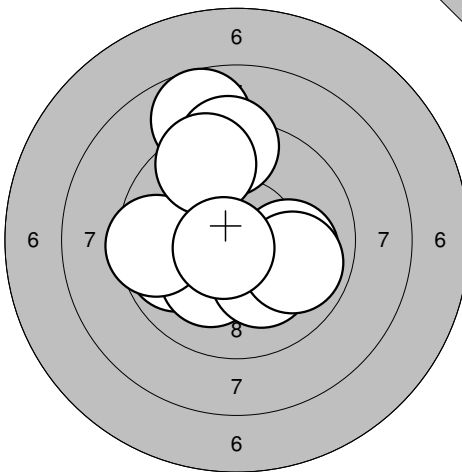
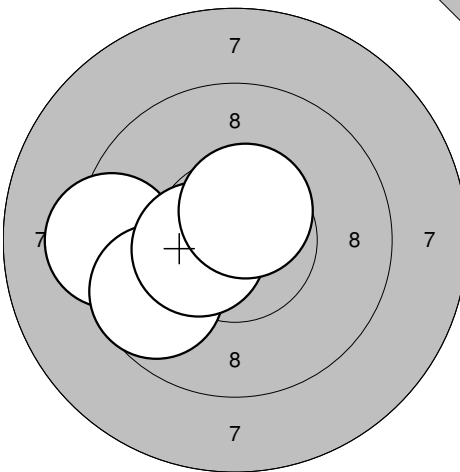
60 shot

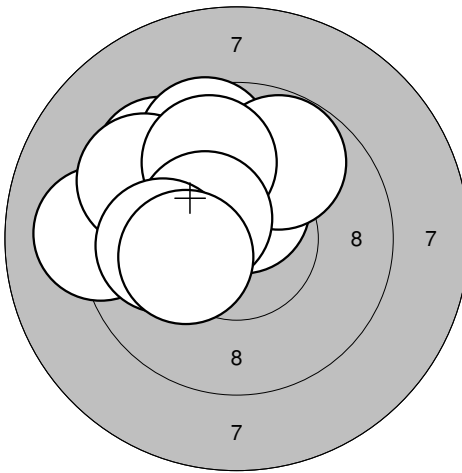
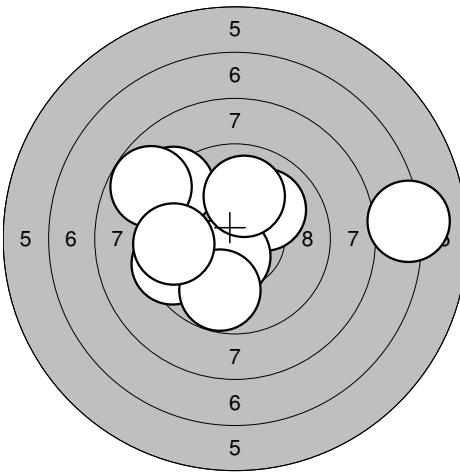


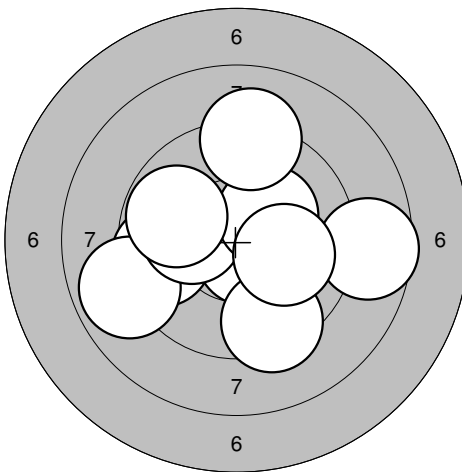
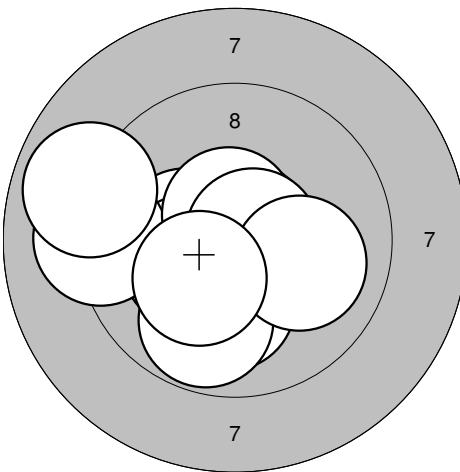
31: 10,0 ↘  
 32: 9,8 ↘  
 33: 9,5 ←  
 34: 9,2 ↙  
 35: 9,3 ↗  
 36: 8,3 →  
 37: 10,6\* ←  
 38: 8,3 →  
 39: 9,4 ↙  
 40: 9,6 ←

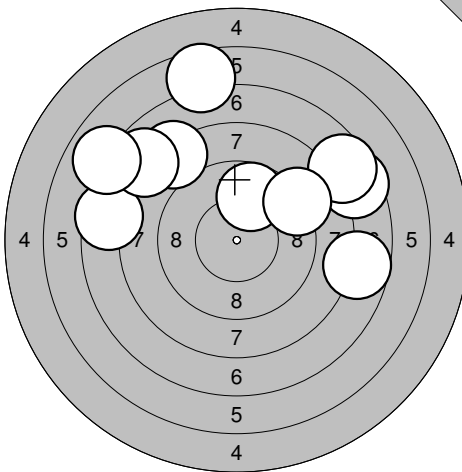
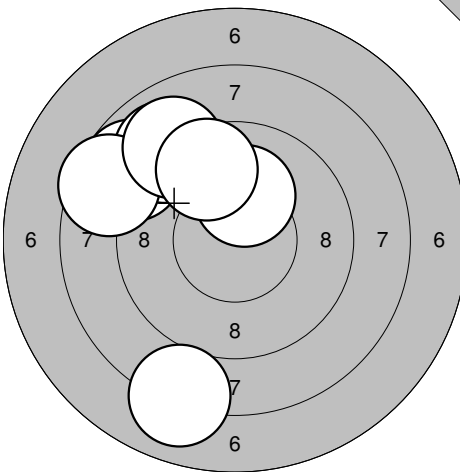
Serie 90,0

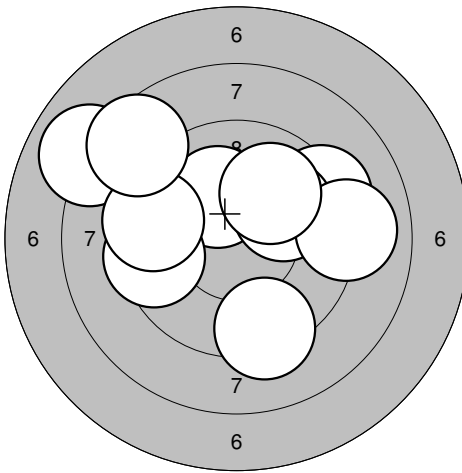
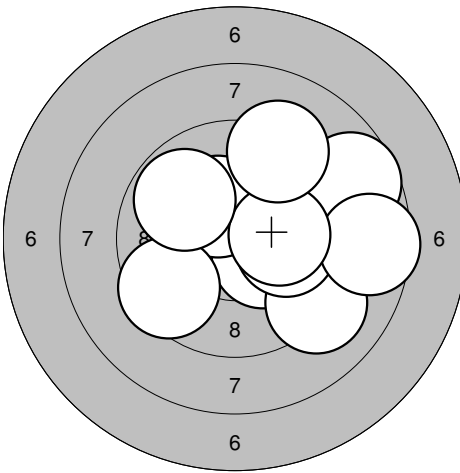
Totalt 360,0

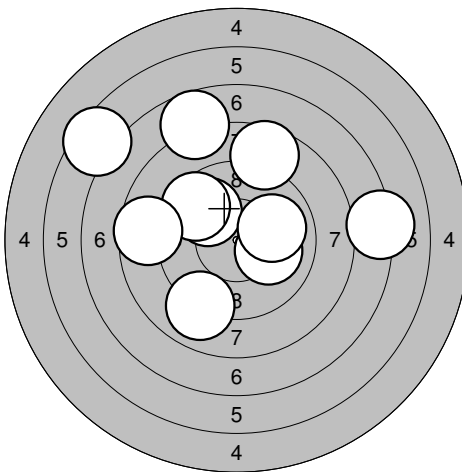
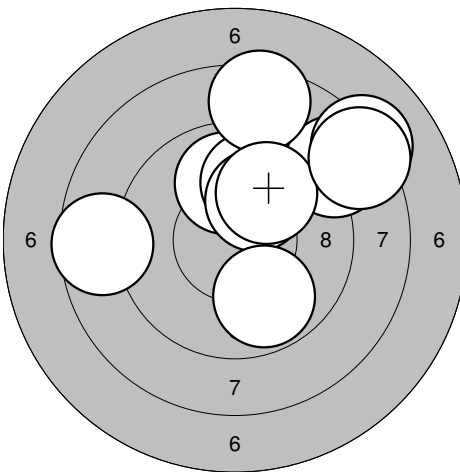
<p>Sight</p> 	<p>1: 9,8 ←</p> <p>2: 10,2* ↘</p> <p>3: 8,7 ↑</p> <p>4: 9,5 ←</p> <p>5: 9,3 ↑</p> <p>6: 9,5 ↑</p> <p>7: 10,2* ↘</p> <p>8: 10,0 →</p> <p>9: 9,9 →</p> <p>10: 10,7* ↙</p> <hr/> <p>Serie 93,0</p> <p>Totalt 0,0</p>	<p>Sight</p> 	<p>11: 9,3 ←</p> <p>12: 9,7 ↙</p> <p>13: 10,5* ←</p> <p>14: 10,5* ↑</p> <hr/> <p>Serie 38,0</p> <p>Totalt 0,0</p>
---	---	---	---

<p>60 shot</p> 	<p>1: 9,1 ←</p> <p>2: 10,5* ↑</p> <p>3: 9,5 ↗</p> <p>4: 9,6 ↑</p> <p>5: 9,8 ↗</p> <p>6: 9,5 ↗</p> <p>7: 9,9 ↑</p> <p>8: 10,5* ↗</p> <p>9: 10,0 ←</p> <p>10: 10,2* ↙</p> <hr/> <p>Serie 94,0</p> <p>Totalt 94,0</p>	<p>60 shot</p> 	<p>11: 10,2* ↗</p> <p>12: 9,2 ↖</p> <p>13: 9,5 ←</p> <p>14: 8,8 ↖</p> <p>15: 10,0 ↗</p> <p>16: 10,5* ↘</p> <p>17: 7,1 →</p> <p>18: 10,0 ↑</p> <p>19: 9,8 ↘</p> <p>20: 9,6 ←</p> <hr/> <p>Serie 91,0</p> <p>Totalt 185,0</p>
--	--	--	---

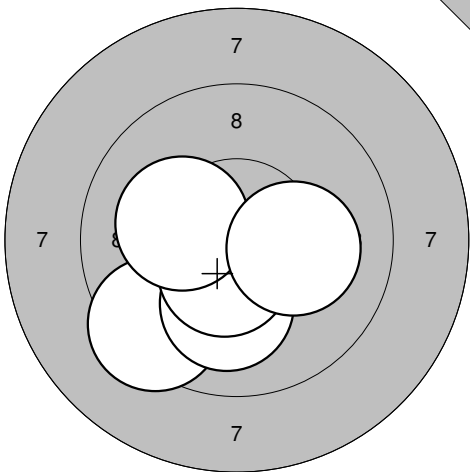
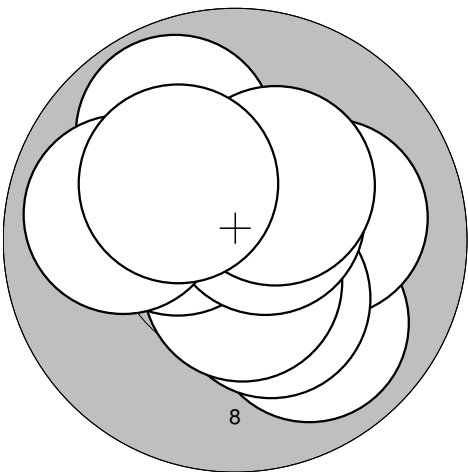
<p>60 shot</p> 	<p>21: 8,6 →</p> <p>22: 9,6 ←</p> <p>23: 8,9 ←</p> <p>24: 10,6* ↘</p> <p>25: 10,2* ←</p> <p>26: 9,4 ↘</p> <p>27: 10,3* ↗</p> <p>28: 10,1 →</p> <p>29: 9,8 ←</p> <p>30: 9,2 ↑</p> <hr/> <p>Serie 92,0</p> <p>Totalt 277,0</p>	<p>60 shot</p> 	<p>31: 10,3* ←</p> <p>32: 10,1 ↘</p> <p>33: 10,3* ←</p> <p>34: 9,2 ←</p> <p>35: 10,6* ↑</p> <p>36: 9,8 ↘</p> <p>37: 8,9 ←</p> <p>38: 10,7* →</p> <p>39: 10,0 →</p> <p>40: 10,3* ↙</p> <hr/> <p>Serie 96,0</p> <p>Totalt 373,0</p>
---	--	---	---

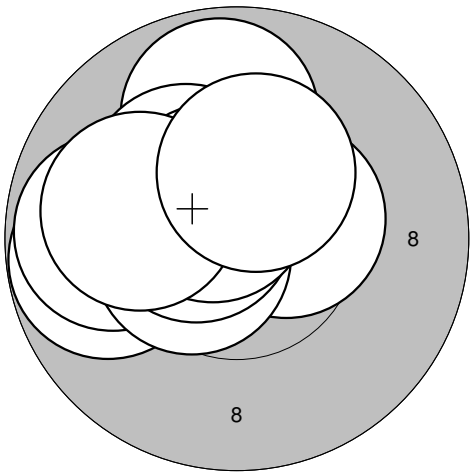
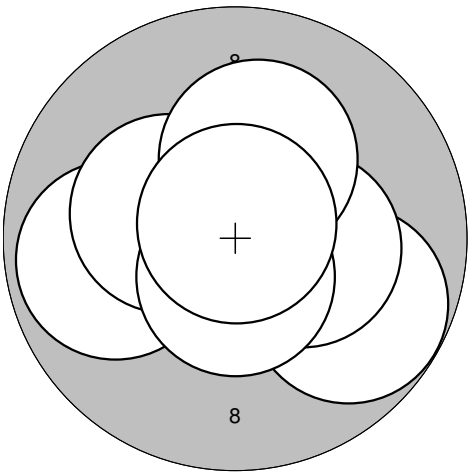
<p>Sight</p> 	<p>1: 7,5 →</p> <p>2: 9,8 ↑</p> <p>3: 7,6 →</p> <p>4: 7,7 →</p> <p>5: 6,6 ↑</p> <p>6: 7,5 ←</p> <p>7: 8,2 ↑</p> <p>8: 7,8 ↑</p> <p>9: 9,1 →</p> <p>10: 6,9 ↖</p> <hr/> <p>Serie 73,0</p> <p>Totalt 0,0</p>	<p>Sight</p> 	<p>11: 8,8 ↖</p> <p>12: 9,0 ↖</p> <p>13: 8,5 ↖</p> <p>14: 10,2* ↑</p> <p>15: 8,0 ↓</p> <p>16: 9,0 ↖</p> <p>17: 9,6 ↑</p> <hr/> <p>Serie 61,0</p> <p>Totalt 0,0</p>
---	--	---	--

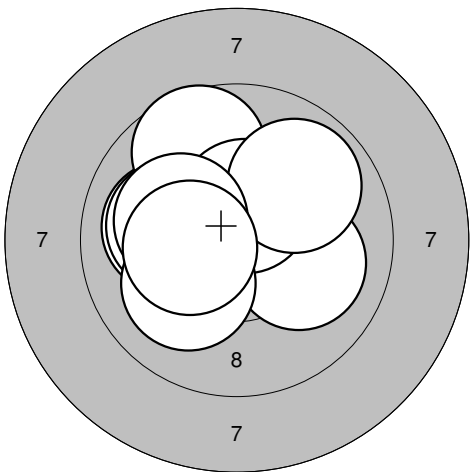
<p>60 shot</p> 	<p>1: 10,1 ↑</p> <p>2: 8,0 ↖</p> <p>3: 9,5 ←</p> <p>4: 9,4 ←</p> <p>5: 9,3 →</p> <p>6: 9,3 ↓</p> <p>7: 10,0 →</p> <p>8: 8,6 ↑</p> <p>9: 9,0 →</p> <p>10: 10,0 ↑</p> <hr/> <p>Serie 91,0</p> <p>Totalt 91,0</p>	<p>60 shot</p> 	<p>11: 8,7 →</p> <p>12: 10,4* ↘</p> <p>13: 9,1 ↘</p> <p>14: 10,0 →</p> <p>15: 8,6 →</p> <p>16: 10,3* ↖</p> <p>17: 9,5 ↖</p> <p>18: 10,2* →</p> <p>19: 9,2 ↑</p> <p>20: 9,8 ↖</p> <hr/> <p>Serie 92,0</p> <p>Totalt 183,0</p>
--	--	--	--

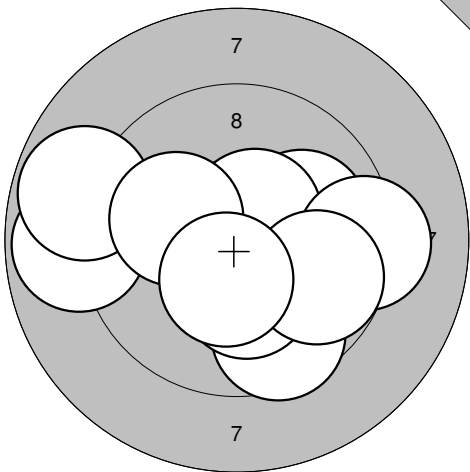
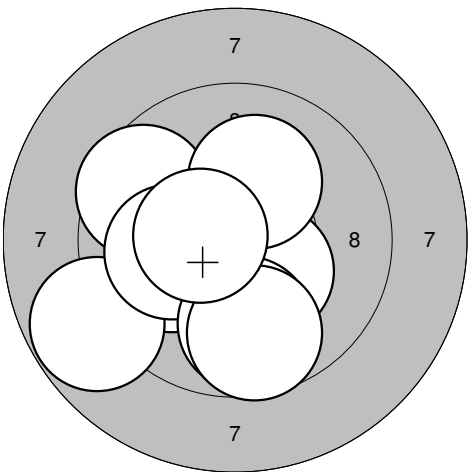
<p>60 shot</p> 	<p>21: 7,1 →</p> <p>22: 8,6 ↑</p> <p>23: 7,7 ↑</p> <p>24: 9,9 ↑</p> <p>25: 6,5 ↑</p> <p>26: 10,1 ↘</p> <p>27: 9,6 ↑</p> <p>28: 9,0 ↓</p> <p>29: 8,6 ←</p> <p>30: 10,0 →</p> <hr/> <p>Serie 83,0</p> <p>Totalt 266,0</p>	<p>60 shot</p> 	<p>31: 9,9 ↑</p> <p>32: 9,9 ↑</p> <p>33: 10,2* ↑</p> <p>34: 8,8 →</p> <p>35: 9,8 ↓</p> <p>36: 8,5 ↑</p> <p>37: 9,9 ↑</p> <p>38: 8,2 ↖</p> <p>39: 8,3 ↖</p> <p>40: 8,6 ←</p> <hr/> <p>Serie 86,0</p> <p>Totalt 352,0</p>
---	---	---	---

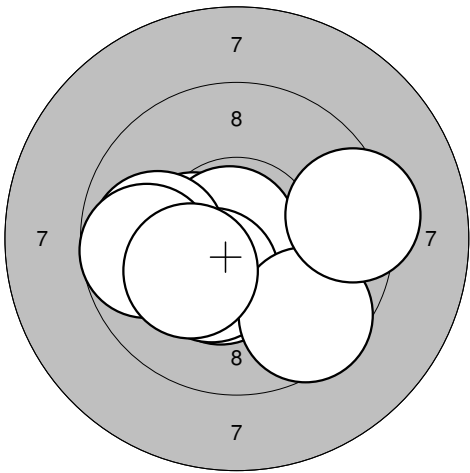
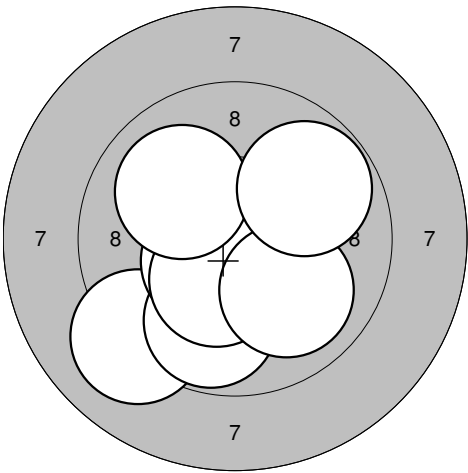


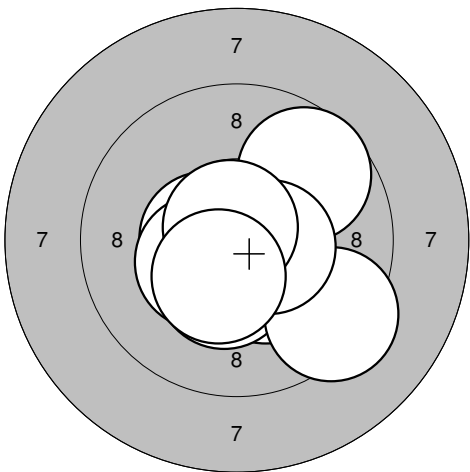
<p>Sight</p> 	<p>60 shot</p> <p>1: 9,4 ↙ 2: 10,1 ↓ 3: 10,5* ↘ 4: 10,2* ← 5: 10,2* →</p>	 <p>60 shot</p> <p>1: 9,9 ↘ 2: 10,1 → 3: 9,9 ↗ 4: 10,3* ↘ 5: 10,6* ↓ 6: 10,4* ← 7: 10,6* ↗ 8: 10,3* ↗ 9: 9,9 ← 10: 10,2* ↗</p>
Serie 49,0	Serie 97,0	
Totalt 0,0	Totalt 97,0	

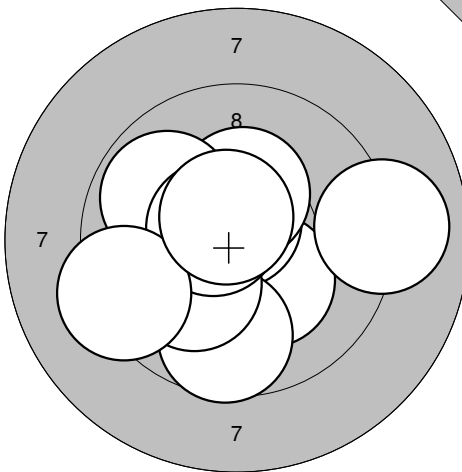
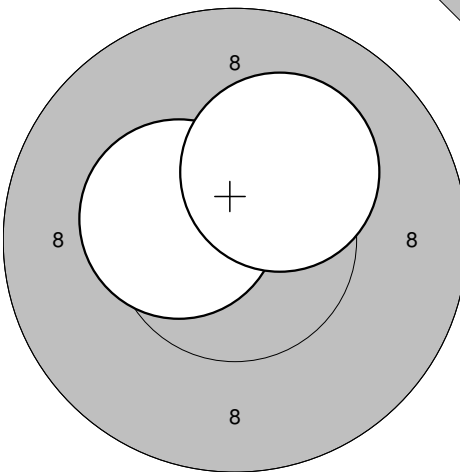
<p>60 shot</p> 	<p>60 shot</p> <p>11: 9,8 ↑ 12: 10,5* → 13: 10,3* ↗ 14: 9,8 ← 15: 9,8 ← 16: 10,5* ← 17: 10,6* ↗ 18: 10,6* ↗ 19: 10,0 ← 20: 10,3* ↑</p>	 <p>60 shot</p> <p>21: 10,6* ← 22: 10,9* ↗ 23: 9,9 ← 24: 9,8 ↘ 25: 10,8* ↗ 26: 10,3* → 27: 10,3* ← 28: 10,6* ↓ 29: 10,2* ↑ 30: 10,8* ↑</p>
Serie 97,0	Serie 98,0	
Totalt 194,0	Totalt 292,0	

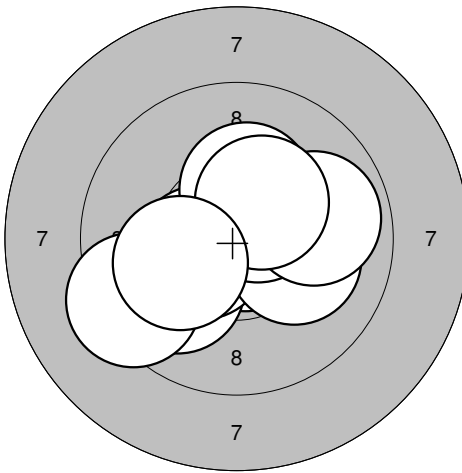
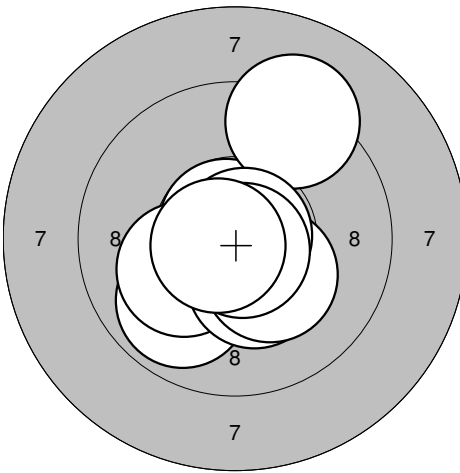
<p>60 shot</p> 	<p>60 shot</p> <p>31: 10,5* → 32: 10,1 → 33: 10,0 ← 34: 9,7 ↗ 35: 10,5* ↑ 36: 9,9 ↗ 37: 10,1 ← 38: 10,1 ↘ 39: 10,2* ← 40: 10,3* ←</p>	
Serie 98,0		
Totalt 390,0		

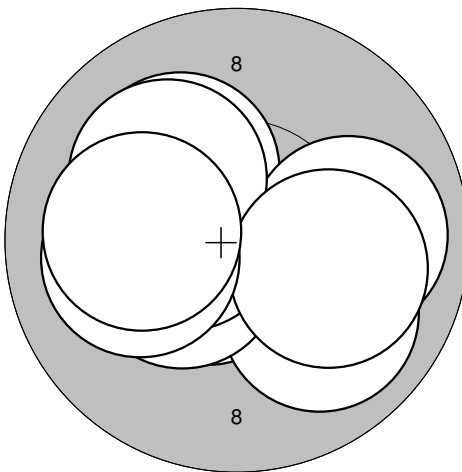
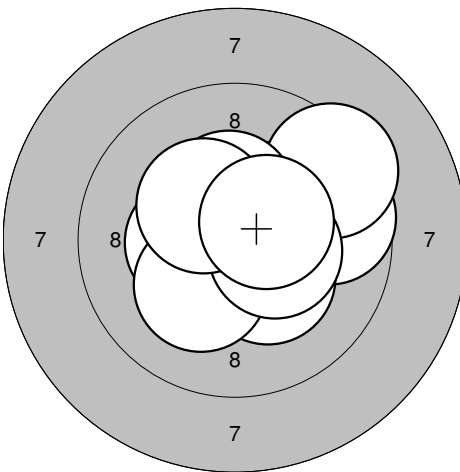
Sight 	60 shot 1: 8,8 ← 2: 10,0 → 3: 10,6* ↗ 4: 9,6 ↓ 5: 10,2* ↓ 6: 9,2 → 7: 8,8 ← 8: 9,8 → 9: 10,1 ↖ 10: 10,4* ↓ Serie 93,0 Totalt 0,0	60 shot  1: 10,0 ← 2: 10,7* ← 3: 9,6 ↖ 4: 10,4* ↓ 5: 8,8 ← 6: 10,1 ← 7: 10,1 ↗ 8: 9,8 ↓ 9: 9,7 ↓ 10: 10,5* ← Serie 95,0 Totalt 95,0
---	--	---

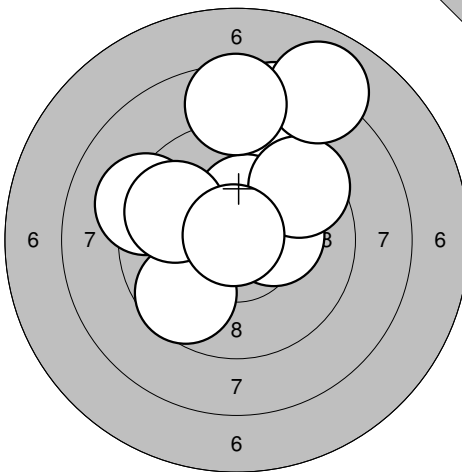
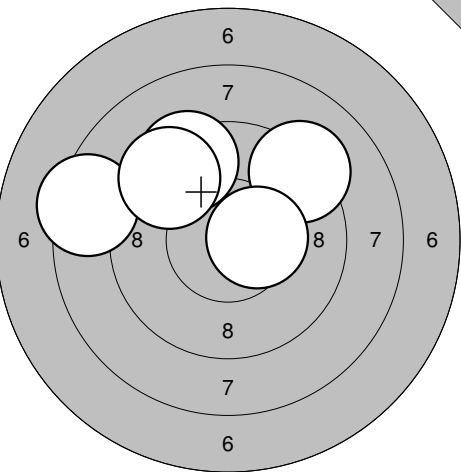
60 shot 	60 shot 11: 10,4* ← 12: 10,4* ↓ 13: 10,7* ↓ 14: 10,8* ↖ 15: 10,4* ↓ 16: 9,9 ← 17: 9,6 ↓ 18: 9,7 ← 19: 10,2* ↖ 20: 9,4 → Serie 96,0 Totalt 191,0	60 shot  21: 10,9* ← 22: 9,1 ↖ 23: 10,6* ↖ 24: 10,9* ↓ 25: 9,8 ↓ 26: 10,5* ↖ 27: 10,4* ↓ 28: 10,0 ↘ 29: 10,0 ↗ 30: 9,8 ↗ Serie 97,0 Totalt 288,0
--	---	---

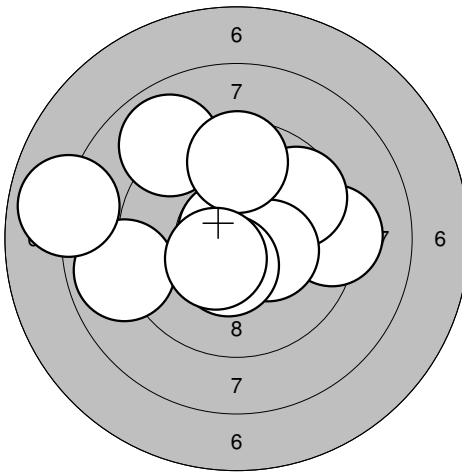
60 shot 	31: 9,7 ↗ 32: 10,3* ↓ 33: 10,9* ↓ 34: 10,4* ↓ 35: 10,6* ← 36: 9,3 ↓ 37: 10,4* ↖ 38: 10,5* → 39: 10,8* ↗ 40: 10,4* ↓ Serie 98,0 Totalt 386,0	
---	--	--

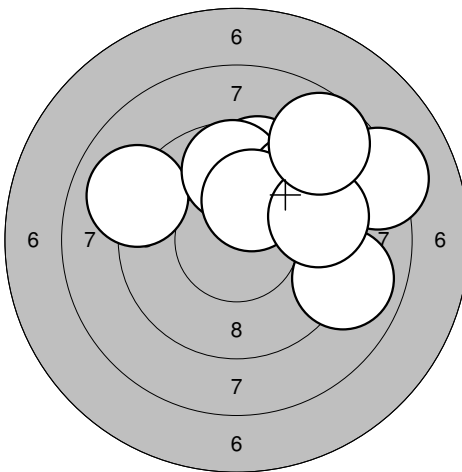
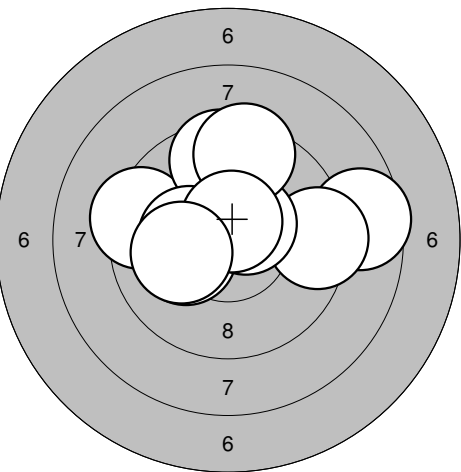
<p>Sight</p> 	<p>1: 10,3* ↘ 2: 10,7* ↑ 3: 10,3* ↑ 4: 9,7 ↓ 5: 10,1 ↙ 6: 9,9 ↗ 7: 10,6* ↖ 8: 9,0 → 9: 9,3 ← 10: 10,6* ↗</p> <p>Serie 96,0 Totalt 0,0</p>	<p>Sight</p> 	<p>11: 10,4* ↖ 12: 10,2* ↗</p> <p>Serie 20,0 Totalt 0,0</p>
---	---	---	---

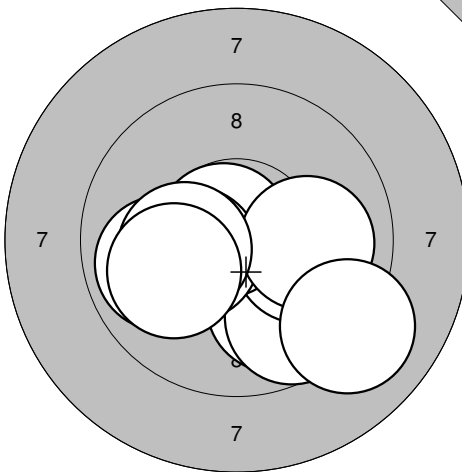
<p>60 shot</p> 	<p>1: 10,8* ↘ 2: 9,9 ↙ 3: 10,4* ← 4: 10,1 → 5: 10,5* ↗ 6: 9,9 → 7: 10,3* ↑ 8: 10,4* ↗ 9: 9,3 ← 10: 10,1 ←</p> <p>Serie 97,0 Totalt 97,0</p>	<p>60 shot</p> 	<p>11: 10,7* ↓ 12: 10,8* ↗ 13: 9,9 ↙ 14: 10,2* ← 15: 10,3* ↓ 16: 10,3* ↓ 17: 9,2 ↗ 18: 10,8* → 19: 10,8* ↓ 20: 10,7* ←</p> <p>Serie 98,0 Totalt 195,0</p>
--	---	--	---

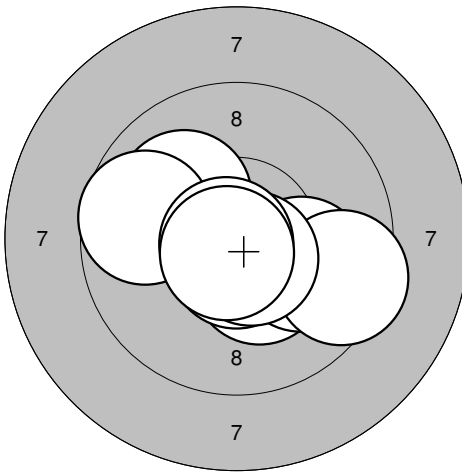
<p>60 shot</p> 	<p>21: 10,6* ↙ 22: 10,2* ↗ 23: 9,9 ↓ 24: 10,4* ← 25: 10,5* ← 26: 9,9 → 27: 10,1 ↗ 28: 10,1 → 29: 10,1 ← 30: 10,1 ←</p> <p>Serie 98,0 Totalt 293,0</p>	<p>60 shot</p> 	<p>31: 10,4* ↗ 32: 9,7 → 33: 9,4 ↗ 34: 10,4* ↑ 35: 10,3* ↓ 36: 10,4* ← 37: 10,2* ↓ 38: 10,4* → 39: 10,3* ↗ 40: 10,5* ↗</p> <p>Serie 98,0 Totalt 391,0</p>
---	---	---	---

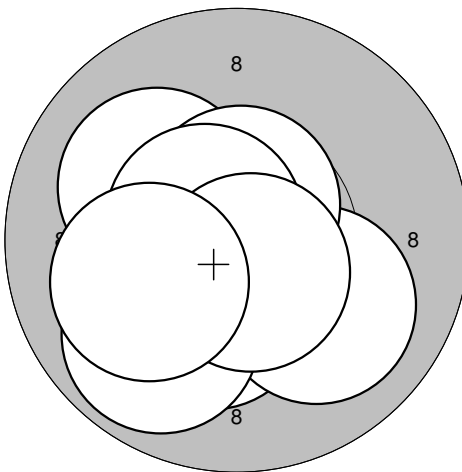
<p>Sight</p> 	<p>1: 9,7 ↙                  2: 8,6 ↑                  3: 10,3* ↑                  4: 10,3* →                  5: 9,5 ↗                  6: 9,2 ←                  7: 9,8 ←                  8: 8,0 ↗                  9: 8,6 ↑                  10: 10,9* ↖</p> <table border="1" style="width:100%; border-collapse: collapse;"> <tr><td>Serie</td><td style="text-align: right;">90,0</td></tr> <tr><td>Totalt</td><td style="text-align: right;">0,0</td></tr> </table>	Serie	90,0	Totalt	0,0	<p>Sight</p> 	<p>11: 9,4 ↖                  12: 9,2 ↗                  13: 8,4 ←                  14: 9,5 ↖                  15: 10,4* →</p> <table border="1" style="width:100%; border-collapse: collapse;"> <tr><td>Serie</td><td style="text-align: right;">45,0</td></tr> <tr><td>Totalt</td><td style="text-align: right;">0,0</td></tr> </table>	Serie	45,0	Totalt	0,0
Serie	90,0										
Totalt	0,0										
Serie	45,0										
Totalt	0,0										

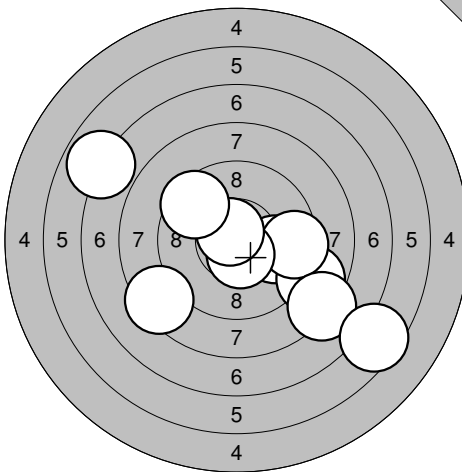
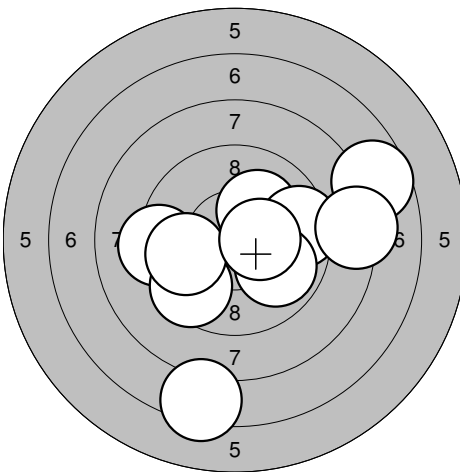
<p>60 shot</p> 	<p>1: 10,8* ↖                  2: 9,3 →                  3: 8,9 ↖                  4: 9,7 ↗                  5: 10,4* →                  6: 10,4* ↓                  7: 9,6 ↑                  8: 8,9 ←                  9: 7,9 ←                  10: 10,4* ↙</p> <table border="1" style="width:100%; border-collapse: collapse;"> <tr><td>Serie</td><td style="text-align: right;">90,0</td></tr> <tr><td>Totalt</td><td style="text-align: right;">90,0</td></tr> </table>	Serie	90,0	Totalt	90,0	<p>60 shot</p> 	<p>11: 10,7* ↖                  12: 7,6 ↗                  13: 7,1 ↖                  14: 7,8 →                  15: 9,8 ↑                  16: 9,2 →                  17: 9,5 ↗                  18: 9,4 →                  19: 9,2 ↖                  20: 9,2 ↑</p> <table border="1" style="width:100%; border-collapse: collapse;"> <tr><td>Serie</td><td style="text-align: right;">85,0</td></tr> <tr><td>Totalt</td><td style="text-align: right;">175,0</td></tr> </table>	Serie	85,0	Totalt	175,0
Serie	90,0										
Totalt	90,0										
Serie	85,0										
Totalt	175,0										

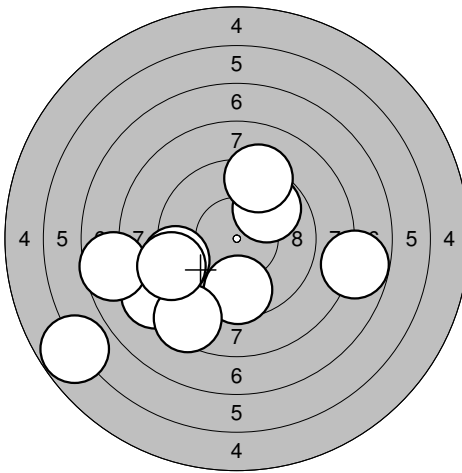
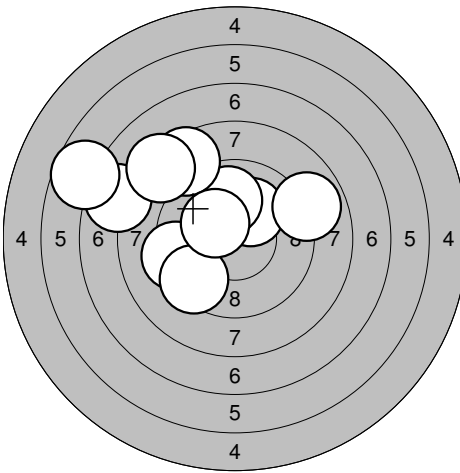
<p>60 shot</p> 	<p>21: 9,6 ↑                  22: 8,9 →                  23: 9,0 ←                  24: 9,4 →                  25: 8,2 →                  26: 9,7 ↑                  27: 9,5 ↗                  28: 10,2* ↑                  29: 9,4 →                  30: 8,7 ↗</p> <table border="1" style="width:100%; border-collapse: collapse;"> <tr><td>Serie</td><td style="text-align: right;">88,0</td></tr> <tr><td>Totalt</td><td style="text-align: right;">263,0</td></tr> </table>	Serie	88,0	Totalt	263,0	<p>60 shot</p> 	<p>31: 8,6 →                  32: 9,4 ←                  33: 10,2* ←                  34: 9,4 →                  35: 9,5 ↑                  36: 10,3* ←                  37: 10,5* ↗                  38: 9,4 ↑                  39: 10,6* ↑                  40: 10,1 ←</p> <table border="1" style="width:100%; border-collapse: collapse;"> <tr><td>Serie</td><td style="text-align: right;">94,0</td></tr> <tr><td>Totalt</td><td style="text-align: right;">357,0</td></tr> </table>	Serie	94,0	Totalt	357,0
Serie	88,0										
Totalt	263,0										
Serie	94,0										
Totalt	357,0										

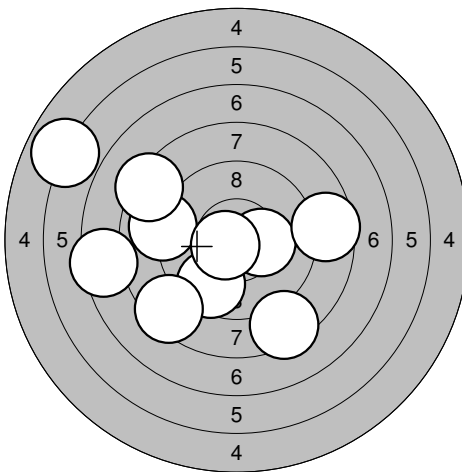
Sight	60 shot	60 shot
	1: 9,9 ↘ 2: 9,7 ↘ 3: 9,9 ← 4: 10,1 → 5: 10,7* ↗ 6: 10,3* ← 7: 10,0 → 8: 10,3* ← 9: 9,1 ↘ 10: 10,0 ←	1: 10,3* ← 2: 9,8 ↘ 3: 10,6* ↗ 4: 9,7 ↘ 5: 10,3* ← 6: 10,4* ↓ 7: 10,3* → 8: 10,9* ↗ 9: 10,3* → 10: 10,7* →
Serie	96,0	Serie
Totalt	0,0	Totalt
	98,0	98,0

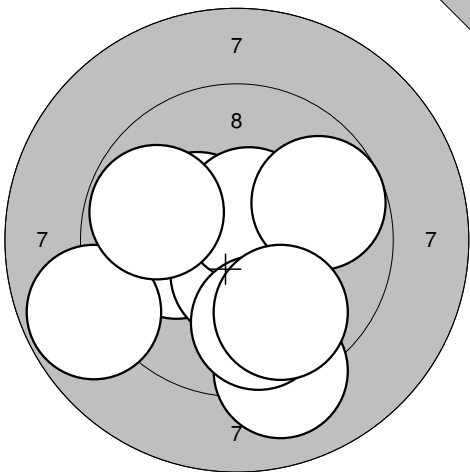
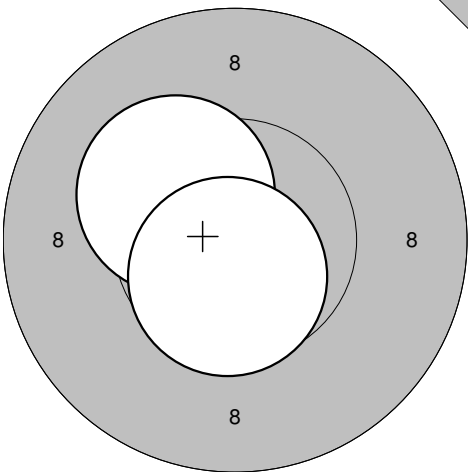
60 shot	60 shot	60 shot
	11: 10,4* ↘ 12: 10,3* ↘ 13: 10,0 → 14: 10,6* ↓ 15: 10,1 ↗ 16: 9,7 ← 17: 9,5 → 18: 10,6* ↘ 19: 10,8* ← 20: 10,7* ↘	21: 10,5* → 22: 9,6 ↘ 23: 10,5* ↓ 24: 10,0 ↓ 25: 10,2* ← 26: 10,7* ↗ 27: 10,2* ↓ 28: 10,1 ↓ 29: 9,3 ← 30: 10,7* ↓
Serie	98,0	Serie
Totalt	196,0	Totalt
		294,0

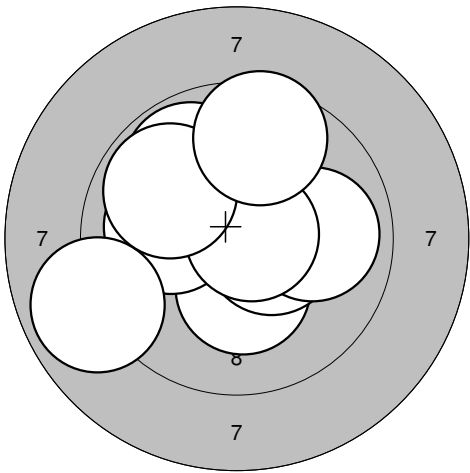
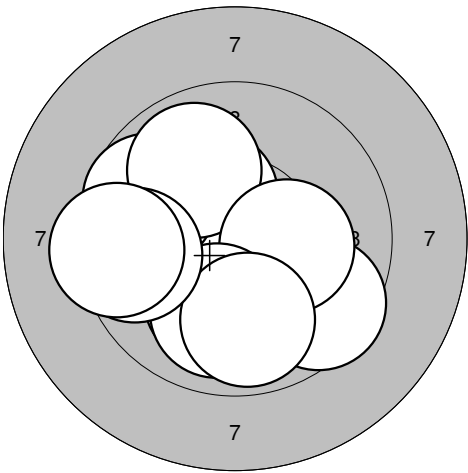
60 shot	60 shot	60 shot
	31: 10,3* ↘ 32: 10,8* ↘ 33: 10,1 ↗ 34: 10,5* ← 35: 10,0 ↘ 36: 9,9 ↘ 37: 10,6* ↗ 38: 10,6* ↗ 39: 10,6* ↘ 40: 10,1 ←	
Serie	99,0	
Totalt	393,0	

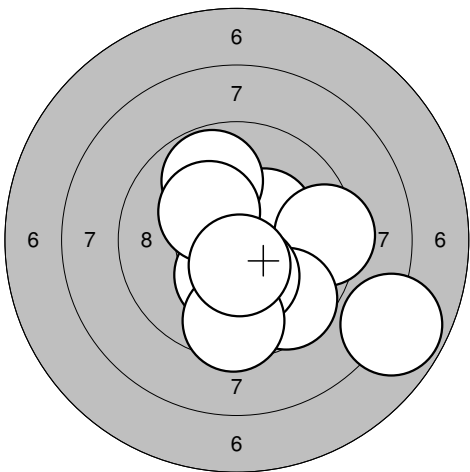
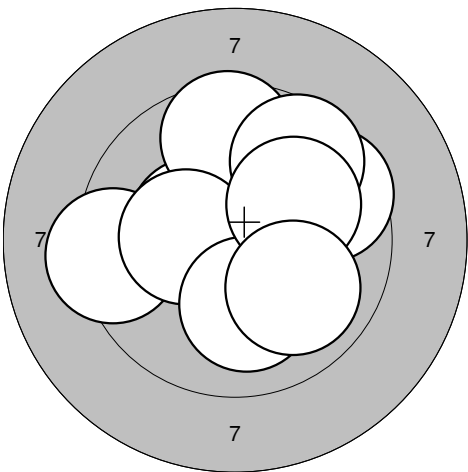
<p>Sight</p> 	<p>60 shot</p> 	
<p>1: 9,9 →</p> <p>2: 8,7 ↘</p> <p>3: 9,4 →</p> <p>4: 8,1 ↘</p> <p>5: 6,5 ↘</p> <p>6: 8,4 ↙</p> <p>7: 10,6* ↘</p> <p>8: 6,9 ↗</p> <p>9: 10,7* ↗</p> <p>10: 9,5 ↗</p>	<p>1: 10,1 ↗</p> <p>2: 7,7 →</p> <p>3: 9,5 →</p> <p>4: 7,4 ↓</p> <p>5: 9,9 ↘</p> <p>6: 9,3 ←</p> <p>7: 8,3 →</p> <p>8: 9,6 ↙</p> <p>9: 9,8 ←</p> <p>10: 10,4* →</p>	
Serie 83,0	Serie 87,0	
Totalt 0,0	Totalt 87,0	

<p>60 shot</p> 	<p>60 shot</p> 	
<p>11: 9,3 ←</p> <p>12: 9,6 ↓</p> <p>13: 5,8 ↙</p> <p>14: 8,4 ↙</p> <p>15: 8,5 ↘</p> <p>16: 9,8 ↗</p> <p>17: 7,6 ←</p> <p>18: 9,3 ↗</p> <p>19: 7,8 →</p> <p>20: 9,1 ←</p>	<p>21: 10,1 ↗</p> <p>22: 9,3 ←</p> <p>23: 8,9 →</p> <p>24: 10,0 ↑</p> <p>25: 9,4 ↙</p> <p>26: 8,6 ↗</p> <p>27: 7,7 ←</p> <p>28: 6,7 ↙</p> <p>29: 8,3 ↗</p> <p>30: 10,3* ↗</p>	
Serie 80,0	Serie 85,0	
Totalt 167,0	Totalt 252,0	

<p>60 shot</p> 	<p>31: 9,0 ←</p> <p>32: 9,6 ↘</p> <p>33: 10,3* →</p> <p>34: 8,4 ↙</p> <p>35: 7,4 ←</p> <p>36: 5,9 ↗</p> <p>37: 8,3 ↗</p> <p>38: 10,6* ↙</p> <p>39: 8,6 →</p> <p>40: 8,4 ↘</p>	
Serie 82,0		
Totalt 334,0		

<p>Sight</p> 	<p>1: 10,4* ↖ 2: 10,1 ← 3: 9,1 ↓ 4: 10,5* ↓ 5: 10,6* ↗ 6: 8,8 ← 7: 9,8 ↓ 8: 9,8 ← 9: 9,7 → 10: 9,8 ↓</p> <p>Serie 93,0 Totalt 0,0</p>	<p>Sight</p> 	<p>11: 10,3* ↖ 12: 10,6* ↓</p> <p>Serie 20,0 Totalt 0,0</p>
---	---	---	---

<p>60 shot</p> 	<p>1: 10,3* ↓ 2: 10,5* → 3: 10,3* → 4: 10,1 ← 5: 9,9 → 6: 9,8 ↗ 7: 8,9 ← 8: 10,7* → 9: 9,9 ↗ 10: 9,6 ↑</p> <p>Serie 94,0 Totalt 94,0</p>	<p>60 shot</p> 	<p>11: 10,1 ↓ 12: 9,5 ↘ 13: 10,3* ↗ 14: 9,7 ← 15: 9,9 ↗ 16: 10,2* → 17: 10,0 ↓ 18: 9,9 ↓ 19: 9,6 ← 20: 9,4 ←</p> <p>Serie 94,0 Totalt 188,0</p>
--	--	--	---

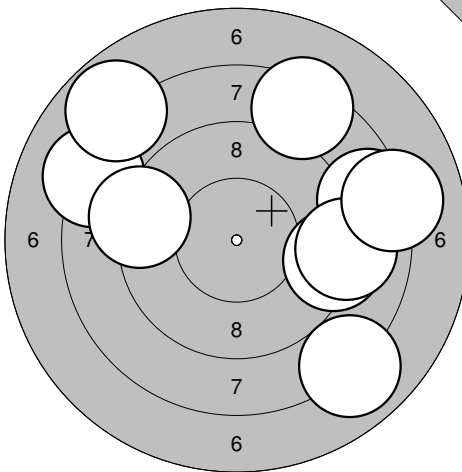
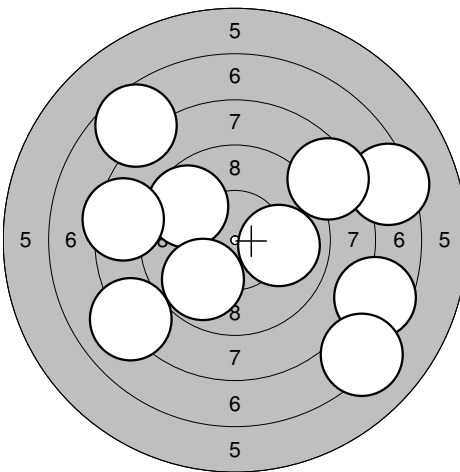
<p>60 shot</p> 	<p>21: 10,3* ↓ 22: 10,3* ↗ 23: 9,4 → 24: 9,8 ↗ 25: 9,6 ↓ 26: 10,3* ↓ 27: 10,3* ↗ 28: 7,8 ↘ 29: 9,5 ↓ 30: 10,5* ↓</p> <p>Serie 93,0 Totalt 281,0</p>	<p>60 shot</p> 	<p>31: 9,3 ← 32: 10,4* ↖ 33: 10,4* ↗ 34: 9,6 → 35: 9,6 ↑ 36: 10,3* ← 37: 9,6 ↗ 38: 10,1 ↓ 39: 10,0 ↗ 40: 9,9 ↘</p> <p>Serie 95,0 Totalt 376,0</p>
---	---	---	---

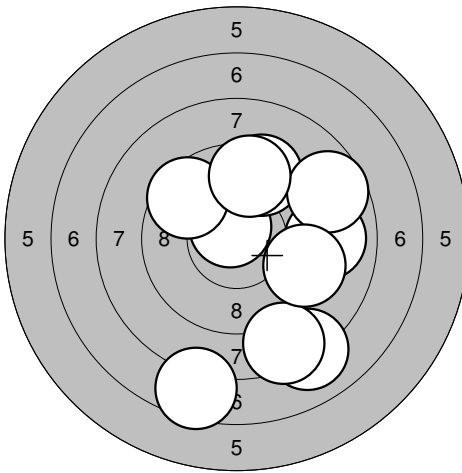
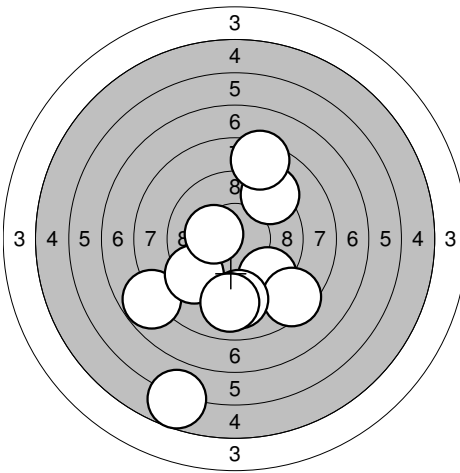
<p>Sight</p>	<p>60 shot</p>	
--------------	----------------	--

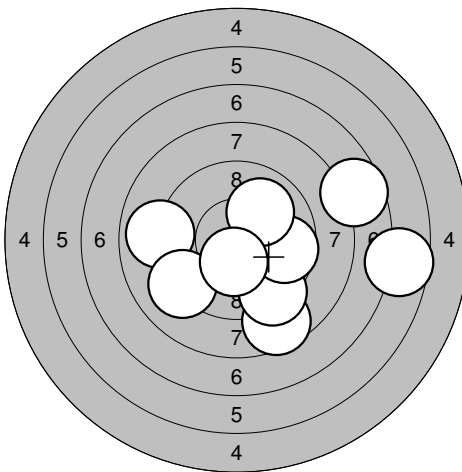
<p>60 shot</p>	<p>60 shot</p>	
----------------	----------------	--

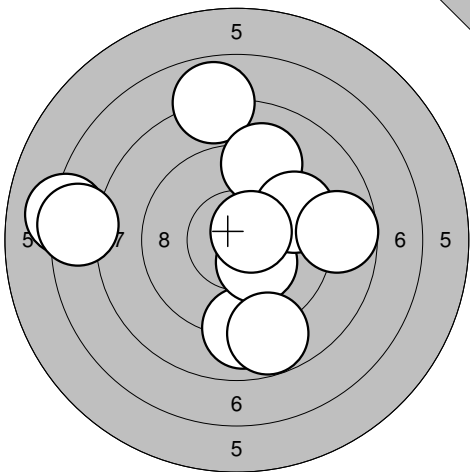
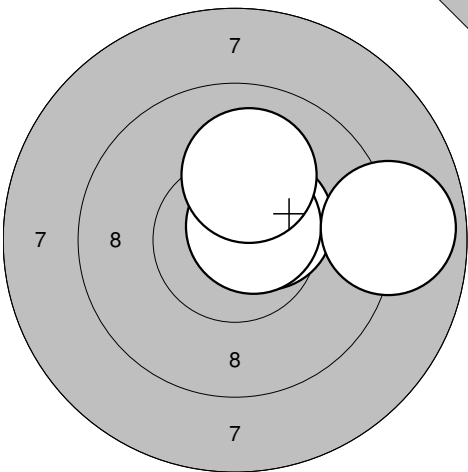
<p>60 shot</p>		
----------------	--	--

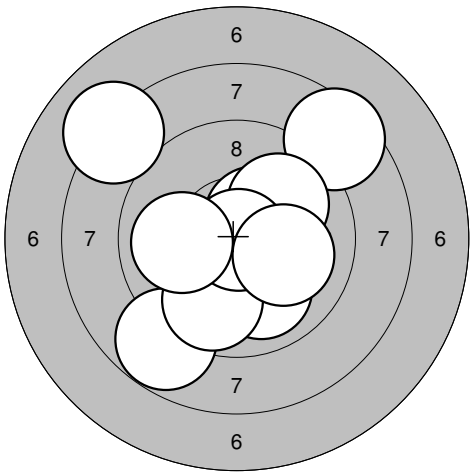


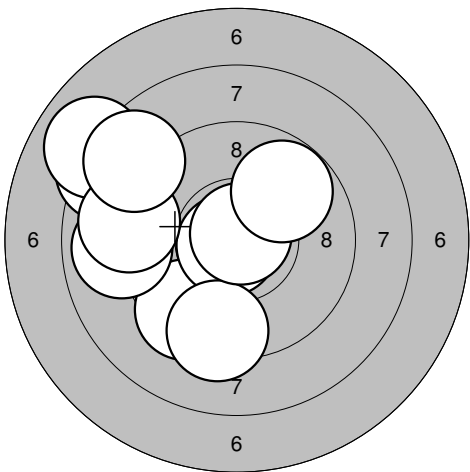
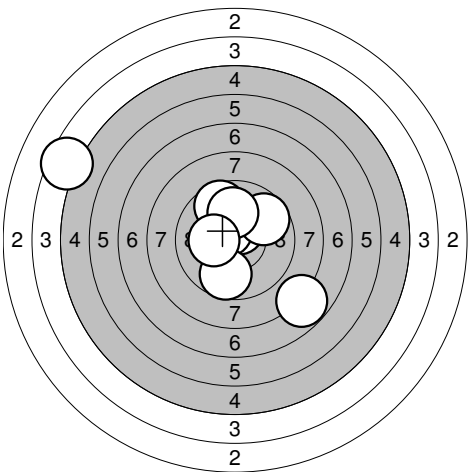
<p>Sight</p> 	<p>60 shot</p> <table style="width:100%; border-collapse: collapse;"> <tr><td>1: 8,2</td><td>↖</td></tr> <tr><td>2: 9,2</td><td>←</td></tr> <tr><td>3: 9,2</td><td>→</td></tr> <tr><td>4: 8,4</td><td>↗</td></tr> <tr><td>5: 8,5</td><td>→</td></tr> <tr><td>6: 9,0</td><td>→</td></tr> <tr><td>7: 8,0</td><td>↘</td></tr> <tr><td>8: 8,1</td><td>→</td></tr> <tr><td>9: 7,8</td><td>↗</td></tr> <tr><td colspan="2"><hr/></td></tr> <tr><td>Serie</td><td style="text-align: right;">74,0</td></tr> <tr><td colspan="2"><hr/></td></tr> <tr><td>Totalt</td><td style="text-align: right;">0,0</td></tr> </table>	1: 8,2	↖	2: 9,2	←	3: 9,2	→	4: 8,4	↗	5: 8,5	→	6: 9,0	→	7: 8,0	↘	8: 8,1	→	9: 7,8	↗	<hr/>		Serie	74,0	<hr/>		Totalt	0,0	 <table style="width:100%; border-collapse: collapse;"> <tr><td>1: 9,7</td><td>↖</td></tr> <tr><td>2: 7,6</td><td>↗</td></tr> <tr><td>3: 8,1</td><td>↘</td></tr> <tr><td>4: 8,5</td><td>←</td></tr> <tr><td>5: 7,4</td><td>→</td></tr> <tr><td>6: 8,5</td><td>↗</td></tr> <tr><td>7: 7,6</td><td>→</td></tr> <tr><td>8: 9,8</td><td>↘</td></tr> <tr><td>9: 7,2</td><td>↘</td></tr> <tr><td>10: 10,0</td><td>→</td></tr> <tr><td colspan="2"><hr/></td></tr> <tr><td>Serie</td><td style="text-align: right;">80,0</td></tr> <tr><td colspan="2"><hr/></td></tr> <tr><td>Totalt</td><td style="text-align: right;">80,0</td></tr> </table>	1: 9,7	↖	2: 7,6	↗	3: 8,1	↘	4: 8,5	←	5: 7,4	→	6: 8,5	↗	7: 7,6	→	8: 9,8	↘	9: 7,2	↘	10: 10,0	→	<hr/>		Serie	80,0	<hr/>		Totalt	80,0
1: 8,2	↖																																																							
2: 9,2	←																																																							
3: 9,2	→																																																							
4: 8,4	↗																																																							
5: 8,5	→																																																							
6: 9,0	→																																																							
7: 8,0	↘																																																							
8: 8,1	→																																																							
9: 7,8	↗																																																							
<hr/>																																																								
Serie	74,0																																																							
<hr/>																																																								
Totalt	0,0																																																							
1: 9,7	↖																																																							
2: 7,6	↗																																																							
3: 8,1	↘																																																							
4: 8,5	←																																																							
5: 7,4	→																																																							
6: 8,5	↗																																																							
7: 7,6	→																																																							
8: 9,8	↘																																																							
9: 7,2	↘																																																							
10: 10,0	→																																																							
<hr/>																																																								
Serie	80,0																																																							
<hr/>																																																								
Totalt	80,0																																																							

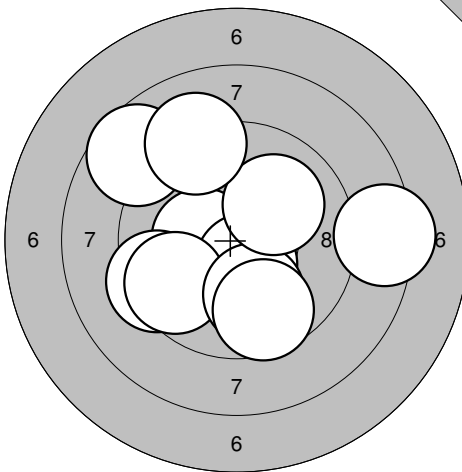
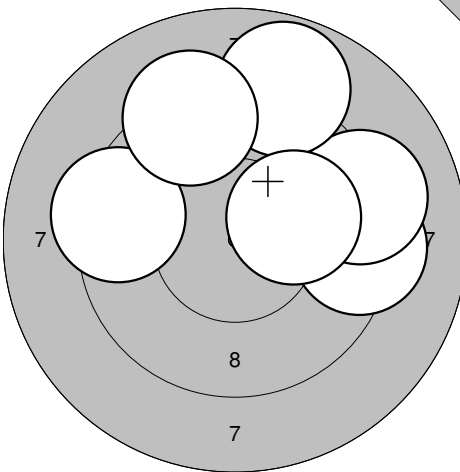
<p>60 shot</p> 	<p>60 shot</p> <table style="width:100%; border-collapse: collapse;"> <tr><td>11: 10,7*</td><td>↗</td></tr> <tr><td>12: 8,1</td><td>↘</td></tr> <tr><td>13: 8,4</td><td>↘</td></tr> <tr><td>14: 9,0</td><td>→</td></tr> <tr><td>15: 9,5</td><td>↗</td></tr> <tr><td>16: 9,6</td><td>↗</td></tr> <tr><td>17: 8,7</td><td>→</td></tr> <tr><td>18: 7,5</td><td>↘</td></tr> <tr><td>19: 9,3</td><td>→</td></tr> <tr><td>20: 9,5</td><td>↗</td></tr> <tr><td colspan="2"><hr/></td></tr> <tr><td>Serie</td><td style="text-align: right;">86,0</td></tr> <tr><td colspan="2"><hr/></td></tr> <tr><td>Totalt</td><td style="text-align: right;">166,0</td></tr> </table>	11: 10,7*	↗	12: 8,1	↘	13: 8,4	↘	14: 9,0	→	15: 9,5	↗	16: 9,6	↗	17: 8,7	→	18: 7,5	↘	19: 9,3	→	20: 9,5	↗	<hr/>		Serie	86,0	<hr/>		Totalt	166,0	 <table style="width:100%; border-collapse: collapse;"> <tr><td>21: 9,4</td><td>↘</td></tr> <tr><td>22: 8,5</td><td>↘</td></tr> <tr><td>23: 9,2</td><td>↗</td></tr> <tr><td>24: 7,8</td><td>←</td></tr> <tr><td>25: 9,1</td><td>↓</td></tr> <tr><td>26: 8,4</td><td>↗</td></tr> <tr><td>27: 5,7</td><td>↘</td></tr> <tr><td>28: 9,3</td><td>←</td></tr> <tr><td>29: 10,3*</td><td>←</td></tr> <tr><td>30: 9,0</td><td>↓</td></tr> <tr><td colspan="2"><hr/></td></tr> <tr><td>Serie</td><td style="text-align: right;">83,0</td></tr> <tr><td colspan="2"><hr/></td></tr> <tr><td>Totalt</td><td style="text-align: right;">249,0</td></tr> </table>	21: 9,4	↘	22: 8,5	↘	23: 9,2	↗	24: 7,8	←	25: 9,1	↓	26: 8,4	↗	27: 5,7	↘	28: 9,3	←	29: 10,3*	←	30: 9,0	↓	<hr/>		Serie	83,0	<hr/>		Totalt	249,0
11: 10,7*	↗																																																									
12: 8,1	↘																																																									
13: 8,4	↘																																																									
14: 9,0	→																																																									
15: 9,5	↗																																																									
16: 9,6	↗																																																									
17: 8,7	→																																																									
18: 7,5	↘																																																									
19: 9,3	→																																																									
20: 9,5	↗																																																									
<hr/>																																																										
Serie	86,0																																																									
<hr/>																																																										
Totalt	166,0																																																									
21: 9,4	↘																																																									
22: 8,5	↘																																																									
23: 9,2	↗																																																									
24: 7,8	←																																																									
25: 9,1	↓																																																									
26: 8,4	↗																																																									
27: 5,7	↘																																																									
28: 9,3	←																																																									
29: 10,3*	←																																																									
30: 9,0	↓																																																									
<hr/>																																																										
Serie	83,0																																																									
<hr/>																																																										
Totalt	249,0																																																									

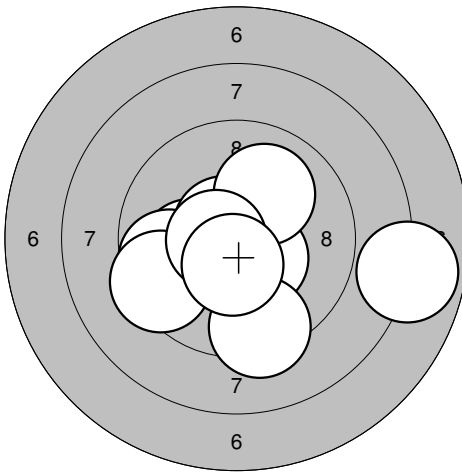
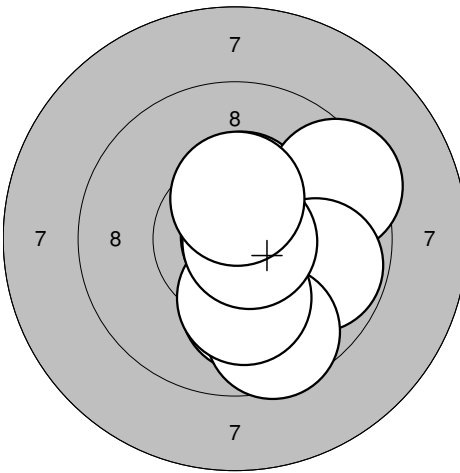
<p>60 shot</p> 	<table style="width:100%; border-collapse: collapse;"> <tr><td>31: 6,6</td><td>→</td></tr> <tr><td>32: 7,6</td><td>→</td></tr> <tr><td>33: 8,6</td><td>↘</td></tr> <tr><td>34: 10,0</td><td>↘</td></tr> <tr><td>35: 9,3</td><td>↘</td></tr> <tr><td>36: 9,7</td><td>→</td></tr> <tr><td>37: 8,9</td><td>←</td></tr> <tr><td>38: 10,0</td><td>↗</td></tr> <tr><td>39: 9,1</td><td>↘</td></tr> <tr><td>40: 10,4*</td><td>↓</td></tr> <tr><td colspan="2"><hr/></td></tr> <tr><td>Serie</td><td style="text-align: right;">86,0</td></tr> <tr><td colspan="2"><hr/></td></tr> <tr><td>Totalt</td><td style="text-align: right;">335,0</td></tr> </table>	31: 6,6	→	32: 7,6	→	33: 8,6	↘	34: 10,0	↘	35: 9,3	↘	36: 9,7	→	37: 8,9	←	38: 10,0	↗	39: 9,1	↘	40: 10,4*	↓	<hr/>		Serie	86,0	<hr/>		Totalt	335,0	
31: 6,6	→																													
32: 7,6	→																													
33: 8,6	↘																													
34: 10,0	↘																													
35: 9,3	↘																													
36: 9,7	→																													
37: 8,9	←																													
38: 10,0	↗																													
39: 9,1	↘																													
40: 10,4*	↓																													
<hr/>																														
Serie	86,0																													
<hr/>																														
Totalt	335,0																													

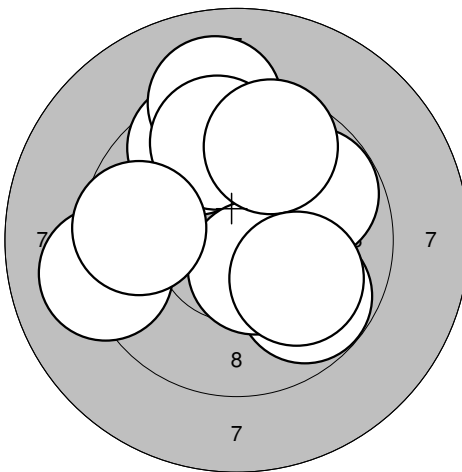
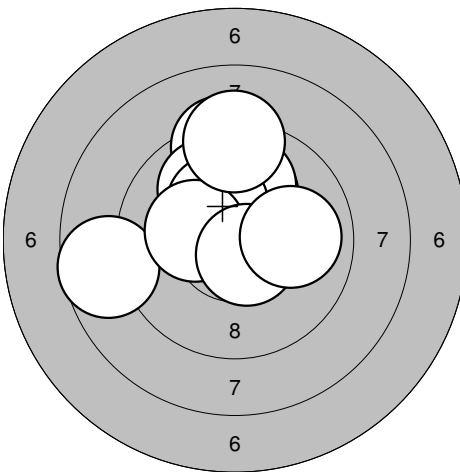
<p>Sight</p> 	<p>1: 7,9 ↑</p> <p>2: 7,2 ←</p> <p>3: 7,5 ←</p> <p>4: 9,0 ↓</p> <p>5: 9,2 ↑</p> <p>6: 10,3* ↓</p> <p>7: 9,5 →</p> <p>8: 10,6* →</p> <p>9: 8,7 →</p> <p>10: 8,8 ↓</p> <hr/> <p>Serie 84,0</p> <p>Totalt 0,0</p>	<p>Sight</p> 	<p>11: 10,5* →</p> <p>12: 10,6* →</p> <p>13: 8,9 →</p> <p>14: 10,1 ↑</p> <hr/> <p>Serie 38,0</p> <p>Totalt 0,0</p>
---	--	---	--

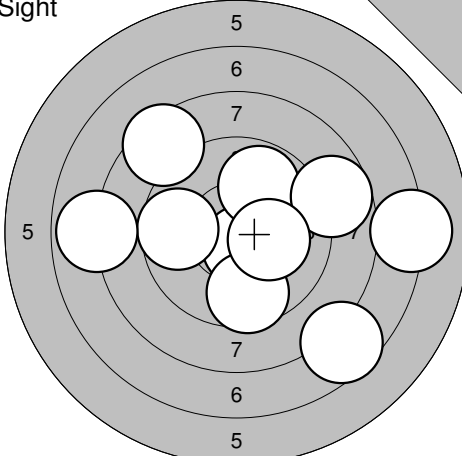
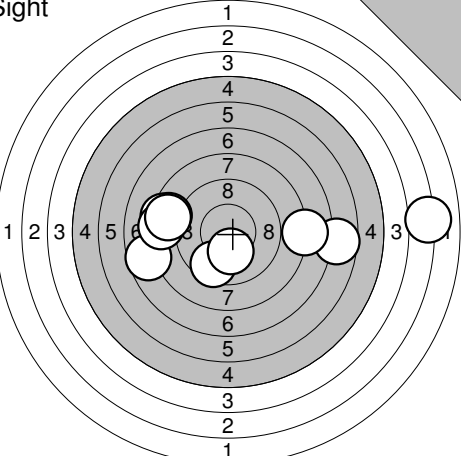
<p>60 shot</p> 	<p>1: 8,1 ↖</p> <p>2: 8,5 ↗</p> <p>3: 8,8 ↙</p> <p>4: 10,0 ↓</p> <p>5: 10,4* ↗</p> <p>6: 9,8 ↓</p> <p>7: 10,0 ↗</p> <p>8: 10,9* ↘</p> <p>9: 10,1 →</p> <p>10: 10,0 ←</p> <hr/> <p>Serie 93,0</p> <p>Totalt 93,0</p>	<p>60 shot</p> 	<p>11: 8,8 →</p> <p>12: 10,3* ↗</p> <p>13: 10,5* ↓</p> <p>14: 10,3* ↖</p> <p>15: 8,5 ←</p> <p>16: 9,6 ↓</p> <p>17: 10,4* →</p> <p>18: 7,4 ↖</p> <p>19: 9,7 ↑</p> <p>20: 8,8 ←</p> <hr/> <p>Serie 89,0</p> <p>Totalt 182,0</p>
--	---	--	---

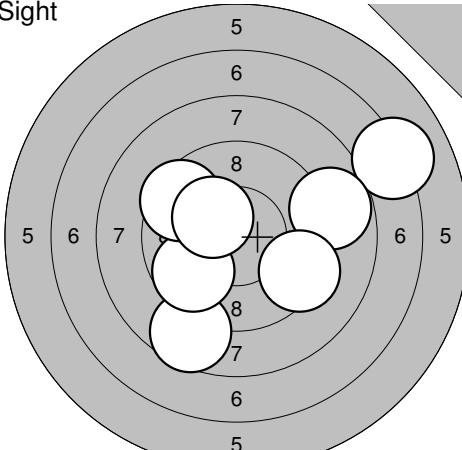
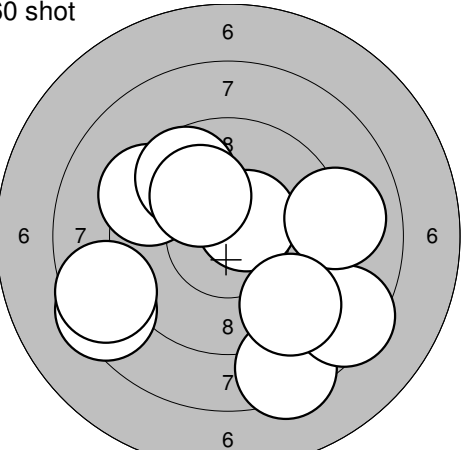
<p>60 shot</p> 	<p>21: 9,4 ↙</p> <p>22: 8,4 ↖</p> <p>23: 10,8* ↖</p> <p>24: 9,3 ↓</p> <p>25: 8,9 ←</p> <p>26: 8,0 ↗</p> <p>27: 9,0 ←</p> <p>28: 10,8* ↗</p> <p>29: 9,8 ↗</p> <p>30: 8,7 ↖</p> <hr/> <p>Serie 88,0</p> <p>Totalt 270,0</p>	<p>60 shot</p> 	<p>31: 7,8 ↘</p> <p>32: 10,4* ↖</p> <p>33: 10,5* ↗</p> <p>34: 4,5 ←</p> <p>35: 10,5* ↖</p> <p>36: 9,7 ↗</p> <p>37: 9,7 ↗</p> <p>38: 10,0 ↑</p> <p>39: 9,7 ↓</p> <p>40: 10,2* ←</p> <hr/> <p>Serie 88,0</p> <p>Totalt 358,0</p>
---	---	---	--

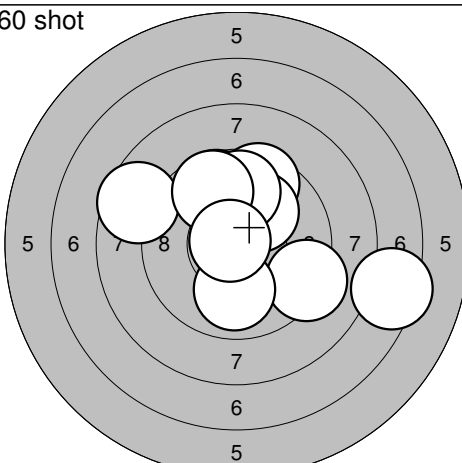
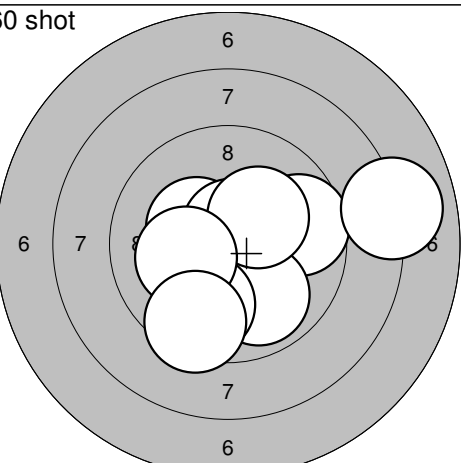
<p>Sight</p> 	<p>1: 10,3* ←</p> <p>2: 9,4 ←</p> <p>3: 8,6 ↗</p> <p>4: 8,3 →</p> <p>5: 10,5* ↓</p> <p>6: 9,6 ←</p> <p>7: 9,9 ↓</p> <p>8: 10,0 ↗</p> <p>9: 9,6 ↓</p> <p>10: 9,1 ↗</p> <table border="1" style="width:100%; border-collapse: collapse; margin-top: 10px;"> <tr><td>Serie</td><td style="text-align: right;">91,0</td></tr> <tr><td>Totalt</td><td style="text-align: right;">0,0</td></tr> </table>	Serie	91,0	Totalt	0,0	<p>Sight</p> 	<p>11: 9,3 →</p> <p>12: 9,4 ←</p> <p>13: 9,2 →</p> <p>14: 8,8 ↑</p> <p>15: 9,2 ↑</p> <p>16: 10,1 →</p> <table border="1" style="width:100%; border-collapse: collapse; margin-top: 10px;"> <tr><td>Serie</td><td style="text-align: right;">54,0</td></tr> <tr><td>Totalt</td><td style="text-align: right;">0,0</td></tr> </table>	Serie	54,0	Totalt	0,0
Serie	91,0										
Totalt	0,0										
Serie	54,0										
Totalt	0,0										

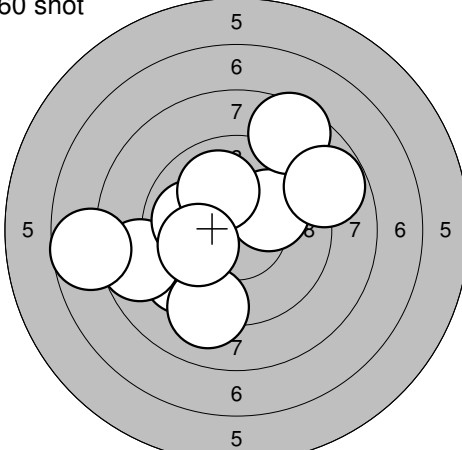
<p>60 shot</p> 	<p>1: 10,1 ←</p> <p>2: 10,7* ↗</p> <p>3: 10,4* ↓</p> <p>4: 9,7 ←</p> <p>5: 7,9 →</p> <p>6: 9,3 ↓</p> <p>7: 10,0 ↗</p> <p>8: 9,4 ←</p> <p>9: 10,6* ←</p> <p>10: 10,5* ↓</p> <table border="1" style="width:100%; border-collapse: collapse; margin-top: 10px;"> <tr><td>Serie</td><td style="text-align: right;">94,0</td></tr> <tr><td>Totalt</td><td style="text-align: right;">94,0</td></tr> </table>	Serie	94,0	Totalt	94,0	<p>60 shot</p> 	<p>11: 10,1 ↓</p> <p>12: 10,4* ↑</p> <p>13: 9,4 ↗</p> <p>14: 10,8* →</p> <p>15: 9,8 →</p> <p>16: 10,0 ↓</p> <p>17: 9,6 ↓</p> <p>18: 10,1 ↓</p> <p>19: 10,7* →</p> <p>20: 10,4* ↑</p> <table border="1" style="width:100%; border-collapse: collapse; margin-top: 10px;"> <tr><td>Serie</td><td style="text-align: right;">97,0</td></tr> <tr><td>Totalt</td><td style="text-align: right;">191,0</td></tr> </table>	Serie	97,0	Totalt	191,0
Serie	94,0										
Totalt	94,0										
Serie	97,0										
Totalt	191,0										

<p>60 shot</p> 	<p>21: 9,6 ↗</p> <p>22: 9,1 ↑</p> <p>23: 9,6 ↑</p> <p>24: 9,8 ↓</p> <p>25: 9,8 ↗</p> <p>26: 10,5* ↓</p> <p>27: 9,1 ←</p> <p>28: 9,6 ↑</p> <p>29: 9,6 ←</p> <p>30: 10,0 ↓</p> <table border="1" style="width:100%; border-collapse: collapse; margin-top: 10px;"> <tr><td>Serie</td><td style="text-align: right;">92,0</td></tr> <tr><td>Totalt</td><td style="text-align: right;">283,0</td></tr> </table>	Serie	92,0	Totalt	283,0	<p>60 shot</p> 	<p>31: 10,1 ↑</p> <p>32: 10,0 ↑</p> <p>33: 9,3 ↑</p> <p>34: 9,9 ↗</p> <p>35: 8,7 ←</p> <p>36: 10,3* ↗</p> <p>37: 10,2* ←</p> <p>38: 9,2 ↑</p> <p>39: 10,6* ↓</p> <p>40: 10,0 →</p> <table border="1" style="width:100%; border-collapse: collapse; margin-top: 10px;"> <tr><td>Serie</td><td style="text-align: right;">95,0</td></tr> <tr><td>Totalt</td><td style="text-align: right;">378,0</td></tr> </table>	Serie	95,0	Totalt	378,0
Serie	92,0										
Totalt	283,0										
Serie	95,0										
Totalt	378,0										

<p>Sight</p> 	<p>1: 10,6* ↓                  2: 9,8 ↑                  3: 9,6 ↓                  4: 8,7 →                  5: 9,7 ←                  6: 7,6 ↓                  7: 8,5 ↗                  8: 7,1 →                  9: 7,9 ←                  10: 10,2* →</p> <p>Serie 84,0 Totalt 0,0</p>	<p>Sight</p> 	<p>11: 3,1 →                  12: 8,6 ←                  13: 6,7 →                  14: 7,7 ←                  15: 8,4 ←                  16: 8,3 ←                  17: 8,5 ←                  18: 7,9 →                  19: 9,6 ↓                  20: 10,2* ↓</p> <p>Serie 74,0 Totalt 0,0</p>
---	---	---	--

<p>Sight</p> 	<p>21: 8,6 ↓                  22: 7,1 →                  23: 8,8 →                  24: 9,4 ↓                  25: 9,7 ←                  26: 9,5 ↗                  27: 10,3* ↗</p> <p>Serie 60,0 Totalt 0,0</p>	<p>60 shot</p> 	<p>1: 8,4 ↓                  2: 9,4 ↗                  3: 9,7 ↗                  4: 10,5* ↗                  5: 8,5 ↓                  6: 8,4 ←                  7: 8,6 ←                  8: 9,0 →                  9: 10,1 ↗                  10: 9,3 ↓</p> <p>Serie 88,0 Totalt 88,0</p>
--	---	--	---

<p>60 shot</p> 	<p>11: 7,4 →                  12: 9,7 ↗                  13: 9,5 ↗                  14: 9,2 ↓                  15: 10,1 ↗                  16: 9,9 ↓                  17: 9,8 ↑                  18: 8,6 ←                  19: 9,7 ↗                  20: 10,8* ↗</p> <p>Serie 89,0 Totalt 177,0</p>	<p>60 shot</p> 	<p>21: 10,7* →                  22: 10,3* ↗                  23: 10,7* ↗                  24: 9,7 →                  25: 9,9 ↓                  26: 10,2* ↗                  27: 9,8 ↓                  28: 8,0 →                  29: 10,2* ←                  30: 9,5 ↓</p> <p>Serie 94,0 Totalt 271,0</p>
---	---	---	--

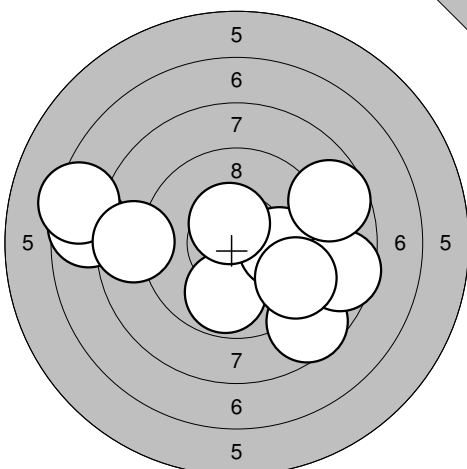
<p>60 shot</p> 	<p>31: 9,4 ←                  32: 10,1 ↗                  33: 8,7 ←                  34: 10,0 ←                  35: 9,1 ↓                  36: 10,0 ↗                  37: 10,0 ←                  38: 7,7 ←                  39: 8,5 ↗                  40: 8,8 ↗</p> <p>Serie 89,0 Totalt 360,0</p>		
---	--	--	--

2012-11-03

Nationellt Mästerskap 2012

Umeå skytteallians

Sight

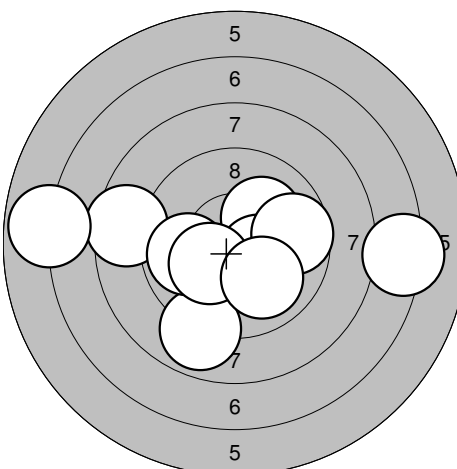


1: 7,7 ←  
 2: 8,6 ↘  
 3: 7,4 ←  
 4: 9,8 ↓  
 5: 8,7 ←  
 6: 10,0 →  
 7: 8,6 →  
 8: 8,7 →  
 9: 9,4 ↘  
 10: 10,5\* ↑

Serie 84,0

Totalt 0,0

60 shot

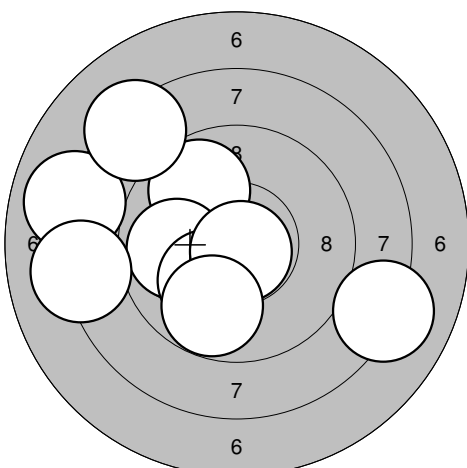


1: 8,9 ↓  
 2: 10,1 ↗  
 3: 7,2 →  
 4: 8,5 ←  
 5: 10,4\* ↘  
 6: 6,9 ←  
 7: 9,9 ←  
 8: 9,7 →  
 9: 10,2\* ↙  
 10: 10,0 ↓

Serie 87,0

Totalt 87,0

60 shot

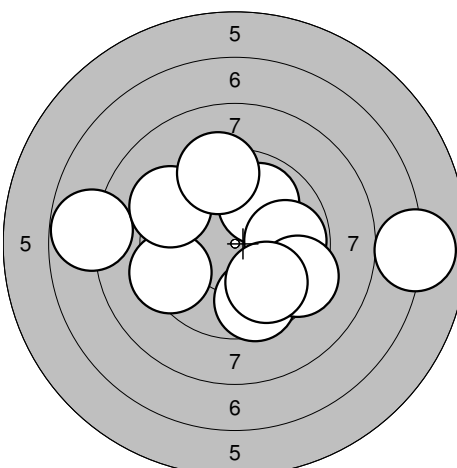


11: 10,0 ←  
 12: 9,8 ↗  
 13: 8,1 ↘  
 14: 8,0 ←  
 15: 9,9 ←  
 16: 8,3 ↗  
 17: 10,1 ↓  
 18: 10,8\* ↓  
 19: 8,2 ←  
 20: 9,8 ↓

Serie 89,0

Totalt 176,0

60 shot

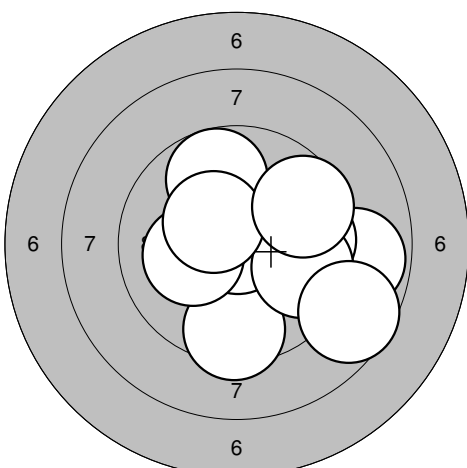


21: 7,8 ←  
 22: 9,4 ←  
 23: 9,3 ↗  
 24: 9,6 ↓  
 25: 9,9 ↗  
 26: 9,8 →  
 27: 7,0 →  
 28: 9,4 ↑  
 29: 9,4 ↘  
 30: 9,9 ↓

Serie 86,0

Totalt 262,0

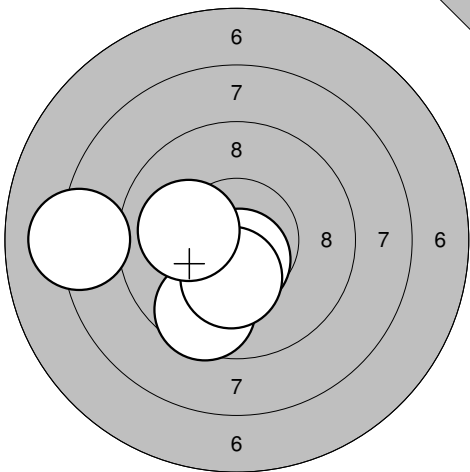
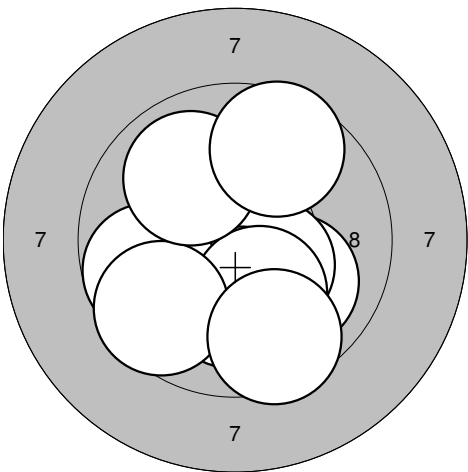
60 shot

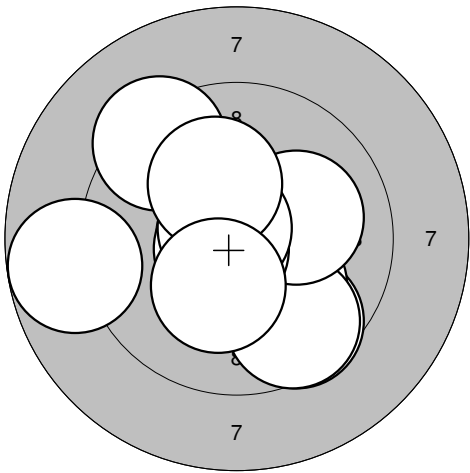
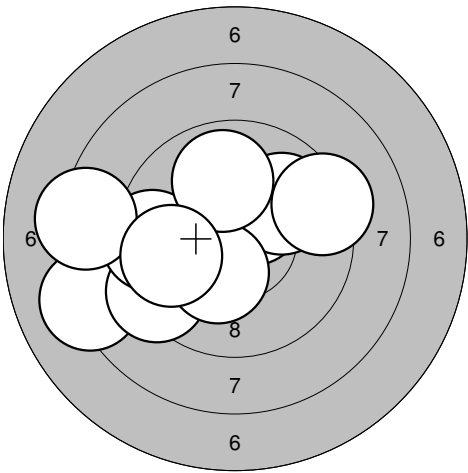


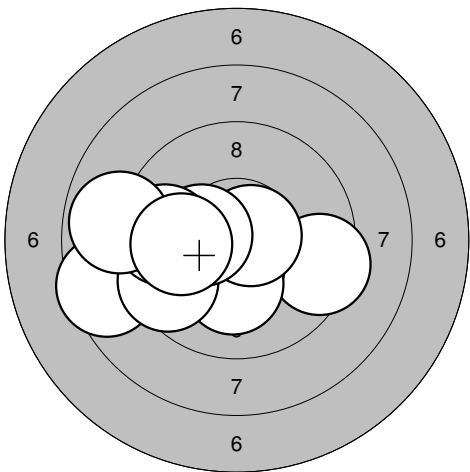
31: 8,8 →  
 32: 9,4 ↓  
 33: 9,8 ↑  
 34: 10,9\* →  
 35: 9,7 →  
 36: 10,2\* ←  
 37: 9,7 →  
 38: 8,6 ↓  
 39: 10,4\* ↗  
 40: 9,6 ↗

Serie 91,0

Totalt 353,0

Sight 	60 shot 	
	1: 8,2 ← 2: 10,6* ↓ 3: 9,6 ↓ 4: 10,3* ↓ 5: 10,1 ←	1: 10,0 ↘ 2: 10,4* ↘ 3: 10,1 ↓ 4: 10,2* ↓ 5: 9,7 ← 6: 10,2* ↓ 7: 9,6 ← 8: 9,6 ↓ 9: 9,9 ↗ 10: 9,6 ↗
	Serie 47,0	Serie 95,0
	Totalt 0,0	Totalt 95,0

60 shot 	60 shot 	
	11: 9,3 ↗ 12: 9,6 ↓ 13: 10,1 ↓ 14: 9,6 ↓ 15: 10,1 → 16: 10,7* ← 17: 10,7* ↗ 18: 8,8 ← 19: 10,2* ↗ 20: 10,3* ↓	21: 10,4* ↗ 22: 8,2 ← 23: 9,3 ← 24: 9,5 ← 25: 9,9 ↗ 26: 8,3 ← 27: 10,3* ↓ 28: 9,9 ↑ 29: 9,3 → 30: 9,8 ←
	Serie 95,0	Serie 90,0
	Totalt 190,0	Totalt 280,0

60 shot 	31: 9,4 → 32: 10,4* ↓ 33: 8,5 ← 34: 10,2* ↓ 35: 10,7* → 36: 9,5 ← 37: 10,3* ← 38: 9,7 ← 39: 8,9 ← 40: 10,0 ←	
	Serie 93,0	
	Totalt 373,0	

Skjutlag

2

Tavla

30

Pelle Karlsson

S

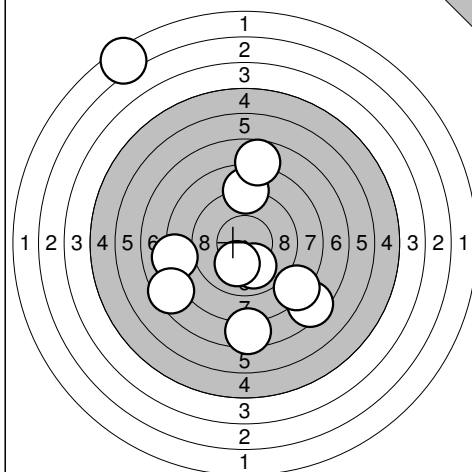
I19 Ungdomsskytteförening

2012-11-03

Nationellt Mästerskap 2012

Umeå skytteallians

Sight

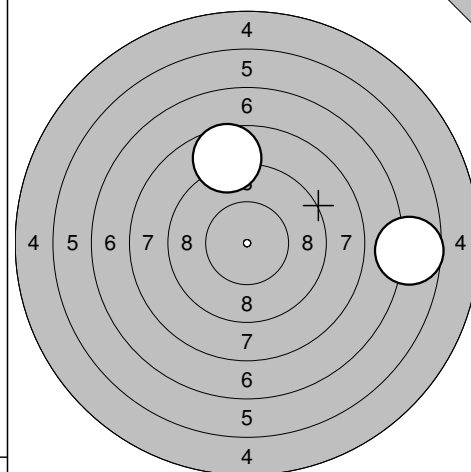


1: 7,5 ↓  
 2: 10,0 ↓  
 3: 7,4 ↓  
 4: 8,9 ↑  
 5: 2,4 ↗  
 6: 10,1 ↓  
 7: 8,3 ↓  
 8: 8,2 ←  
 9: 7,8 ↑  
 10: 7,5 ↙

Serie 74,0

Totalt 0,0

Sight

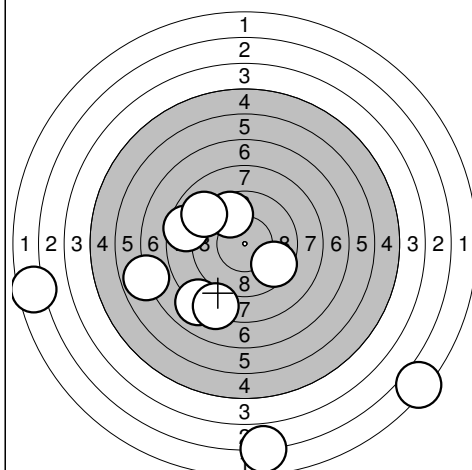


11: 8,7 ↑  
 12: 6,7 →

Serie 14,0

Totalt 0,0

60 shot

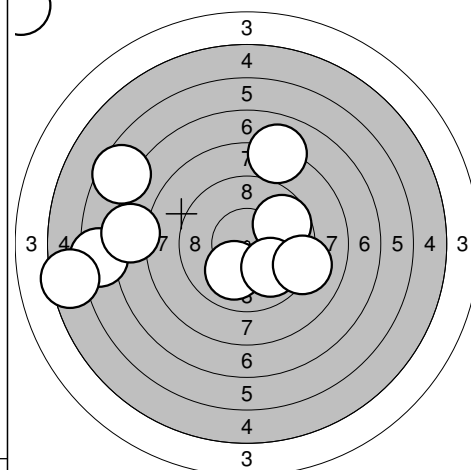


1: 2,5 ←  
 2: 9,5 ↘  
 3: 8,0 ↓  
 4: 8,2 ↓  
 5: 2,1 ↘  
 6: 6,9 ←  
 7: 8,6 ←  
 8: 9,7 ↗  
 9: 2,9 ↓  
 10: 9,0 ↗

Serie 63,0

Totalt 63,0

60 shot

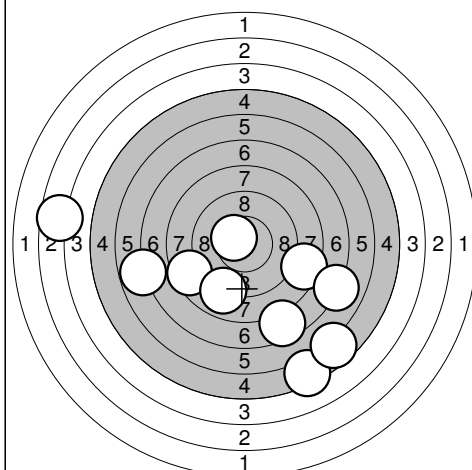


11: 0,0 ↖  
 12: 9,7 ↗  
 13: 8,0 ↑  
 14: 6,4 ←  
 15: 6,6 ↖  
 16: 10,0 ↓  
 17: 7,4 ←  
 18: 9,9 ↘  
 19: 5,4 ←  
 20: 9,1 →

Serie 69,0

Totalt 132,0

60 shot

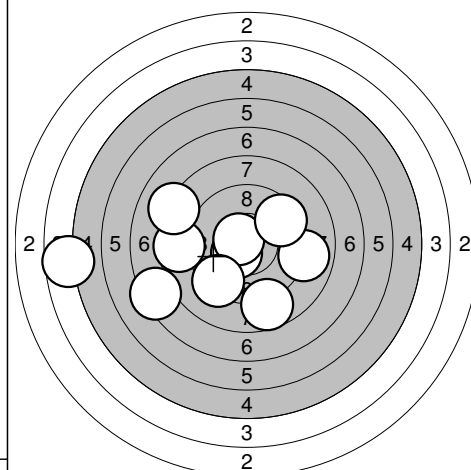


21: 8,5 ←  
 22: 5,3 ↓  
 23: 8,9 ↓  
 24: 8,4 →  
 25: 10,5\* ↗  
 26: 3,6 ←  
 27: 5,6 ↓  
 28: 6,8 ←  
 29: 7,0 →  
 30: 7,5 ↓

Serie 67,0

Totalt 199,0

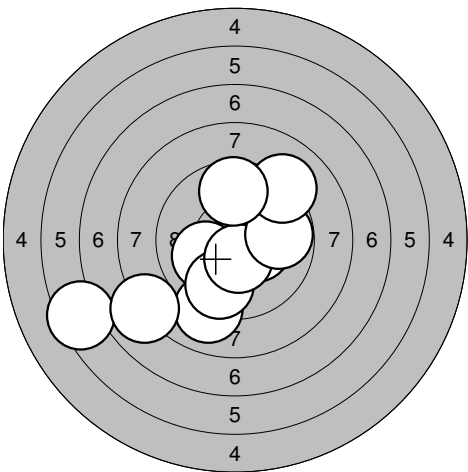
60 shot

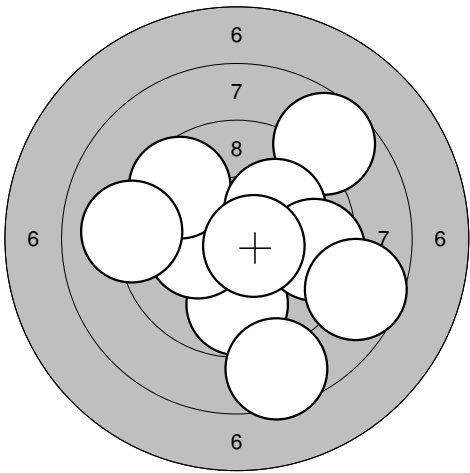
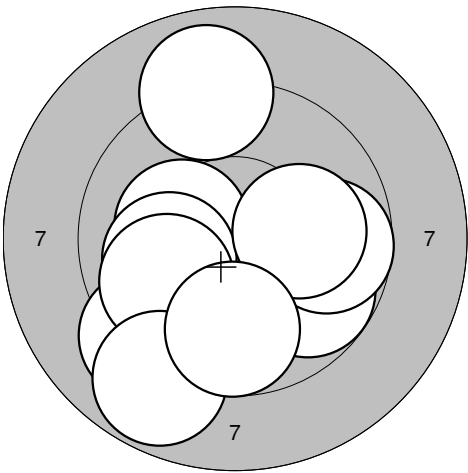


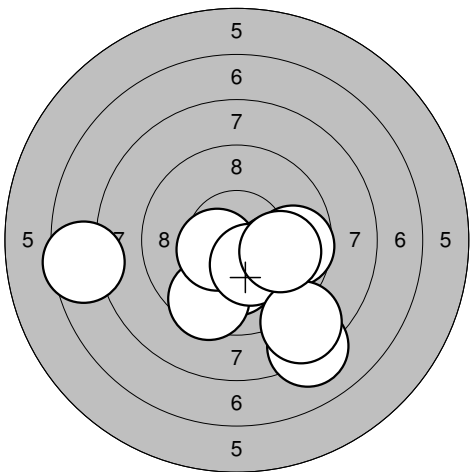
31: 7,3 ↙  
 32: 10,5\* ↙  
 33: 8,9 →  
 34: 10,6\* ↖  
 35: 9,3 ↘  
 36: 4,7 ←  
 37: 8,6 ←  
 38: 8,1 ↖  
 39: 9,5 ↗  
 40: 8,7 ↓

Serie 81,0

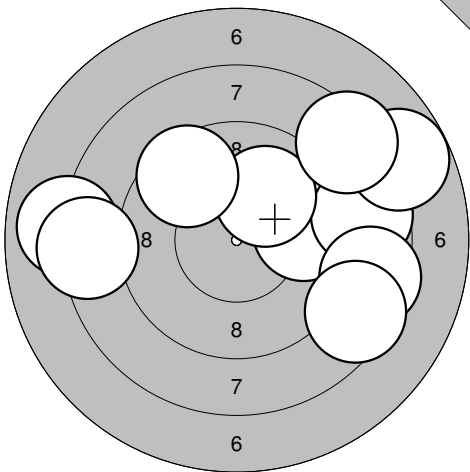
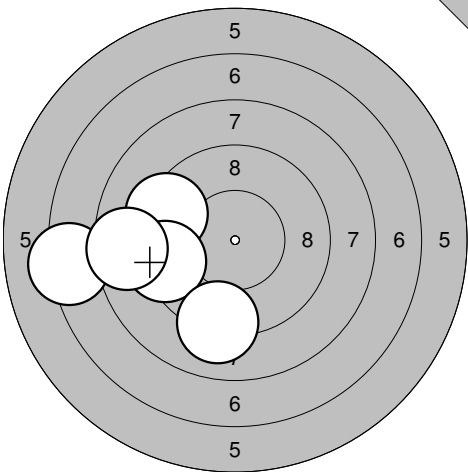
Totalt 280,0

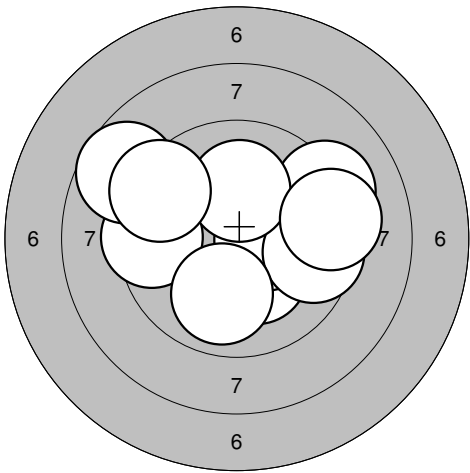
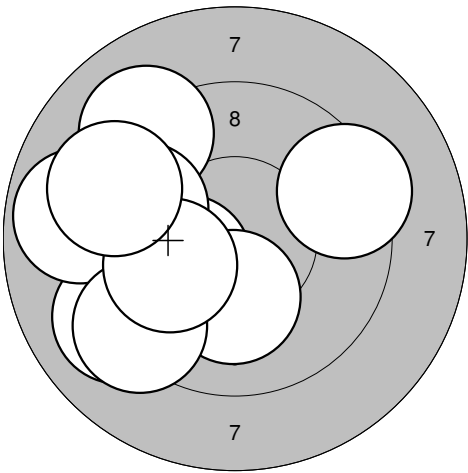
<p>Sight</p> 	<p>60 shot</p> 	<table style="width:100%; border-collapse: collapse;"> <tr><td>1: 10,5*</td><td>↙</td><td>1: 6,5</td><td>↙</td></tr> <tr><td>2: 10,4*</td><td>→</td><td>2: 10,3*</td><td>→</td></tr> <tr><td>3: 8,6</td><td>↙</td><td>3: 10,1</td><td>↙</td></tr> <tr><td>4: 8,7</td><td>↖</td><td>4: 9,0</td><td>↓</td></tr> <tr><td>5: 10,5*</td><td>↑</td><td>5: 9,7</td><td>↓</td></tr> <tr><td>6: 10,4*</td><td>↑</td><td>6: 8,0</td><td>↙</td></tr> <tr><td></td><td></td><td>7: 10,4*</td><td>↓</td></tr> <tr><td></td><td></td><td>8: 9,8</td><td>→</td></tr> <tr><td></td><td></td><td>9: 9,1</td><td>↗</td></tr> <tr><td></td><td></td><td>10: 9,7</td><td>↑</td></tr> <tr><td colspan="2" style="border-top: 1px solid black;">Serie</td><td colspan="2" style="border-top: 1px solid black;">89,0</td></tr> <tr><td colspan="2" style="border-top: 1px solid black;">Totalt</td><td colspan="2" style="border-top: 1px solid black;">89,0</td></tr> </table>	1: 10,5*	↙	1: 6,5	↙	2: 10,4*	→	2: 10,3*	→	3: 8,6	↙	3: 10,1	↙	4: 8,7	↖	4: 9,0	↓	5: 10,5*	↑	5: 9,7	↓	6: 10,4*	↑	6: 8,0	↙			7: 10,4*	↓			8: 9,8	→			9: 9,1	↗			10: 9,7	↑	Serie		89,0		Totalt		89,0	
1: 10,5*	↙	1: 6,5	↙																																															
2: 10,4*	→	2: 10,3*	→																																															
3: 8,6	↙	3: 10,1	↙																																															
4: 8,7	↖	4: 9,0	↓																																															
5: 10,5*	↑	5: 9,7	↓																																															
6: 10,4*	↑	6: 8,0	↙																																															
		7: 10,4*	↓																																															
		8: 9,8	→																																															
		9: 9,1	↗																																															
		10: 9,7	↑																																															
Serie		89,0																																																
Totalt		89,0																																																
<table style="width:100%; border-collapse: collapse;"> <tr><td style="border-right: 1px solid black;">Serie</td><td style="text-align: right;">56,0</td></tr> <tr><td style="border-right: 1px solid black;">Totalt</td><td style="text-align: right;">0,0</td></tr> </table>	Serie	56,0	Totalt	0,0	<table style="width:100%; border-collapse: collapse;"> <tr><td style="border-right: 1px solid black;">Serie</td><td style="text-align: right;">56,0</td></tr> <tr><td style="border-right: 1px solid black;">Totalt</td><td style="text-align: right;">0,0</td></tr> </table>	Serie	56,0	Totalt	0,0	<table style="width:100%; border-collapse: collapse;"> <tr><td style="border-right: 1px solid black;">Serie</td><td style="text-align: right;">89,0</td></tr> <tr><td style="border-right: 1px solid black;">Totalt</td><td style="text-align: right;">89,0</td></tr> </table>	Serie	89,0	Totalt	89,0																																				
Serie	56,0																																																	
Totalt	0,0																																																	
Serie	56,0																																																	
Totalt	0,0																																																	
Serie	89,0																																																	
Totalt	89,0																																																	

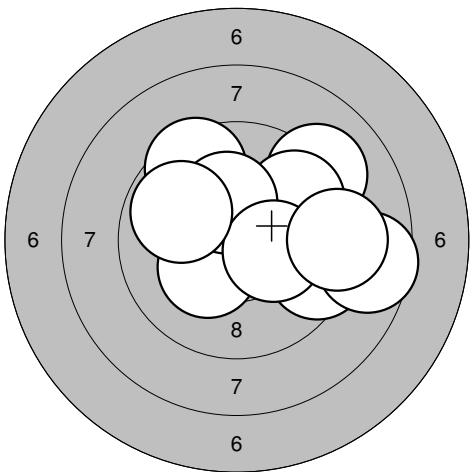
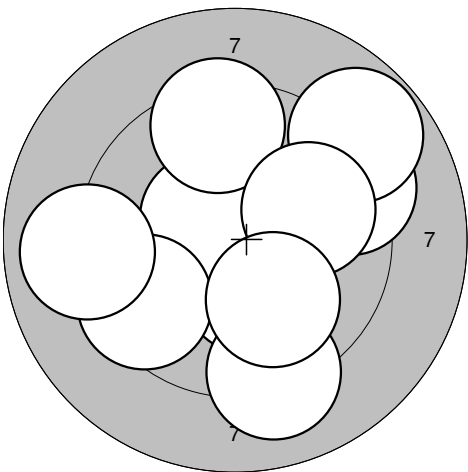
<p>60 shot</p> 	<p>60 shot</p> 	<table style="width:100%; border-collapse: collapse;"> <tr><td>11: 9,8</td><td>↓</td><td>21: 10,2*</td><td>↙</td></tr> <tr><td>12: 10,3*</td><td>↙</td><td>22: 9,2</td><td>↙</td></tr> <tr><td>13: 9,6</td><td>↗</td><td>23: 10,0</td><td>↙</td></tr> <tr><td>14: 8,7</td><td>↗</td><td>24: 9,8</td><td>↘</td></tr> <tr><td>15: 10,1</td><td>↗</td><td>25: 9,9</td><td>↙</td></tr> <tr><td>16: 9,6</td><td>→</td><td>26: 9,7</td><td>→</td></tr> <tr><td>17: 10,6*</td><td>→</td><td>27: 9,0</td><td>↑</td></tr> <tr><td>18: 9,1</td><td>↙</td><td>28: 8,8</td><td>↓</td></tr> <tr><td>19: 8,7</td><td>→</td><td>29: 10,1</td><td>→</td></tr> <tr><td>20: 8,5</td><td>↓</td><td>30: 9,7</td><td>↓</td></tr> <tr><td colspan="2" style="border-top: 1px solid black;">Serie</td><td colspan="2" style="border-top: 1px solid black;">92,0</td></tr> <tr><td colspan="2" style="border-top: 1px solid black;">Totalt</td><td colspan="2" style="border-top: 1px solid black;">271,0</td></tr> </table>	11: 9,8	↓	21: 10,2*	↙	12: 10,3*	↙	22: 9,2	↙	13: 9,6	↗	23: 10,0	↙	14: 8,7	↗	24: 9,8	↘	15: 10,1	↗	25: 9,9	↙	16: 9,6	→	26: 9,7	→	17: 10,6*	→	27: 9,0	↑	18: 9,1	↙	28: 8,8	↓	19: 8,7	→	29: 10,1	→	20: 8,5	↓	30: 9,7	↓	Serie		92,0		Totalt		271,0	
11: 9,8	↓	21: 10,2*	↙																																															
12: 10,3*	↙	22: 9,2	↙																																															
13: 9,6	↗	23: 10,0	↙																																															
14: 8,7	↗	24: 9,8	↘																																															
15: 10,1	↗	25: 9,9	↙																																															
16: 9,6	→	26: 9,7	→																																															
17: 10,6*	→	27: 9,0	↑																																															
18: 9,1	↙	28: 8,8	↓																																															
19: 8,7	→	29: 10,1	→																																															
20: 8,5	↓	30: 9,7	↓																																															
Serie		92,0																																																
Totalt		271,0																																																
<table style="width:100%; border-collapse: collapse;"> <tr><td style="border-right: 1px solid black;">Serie</td><td style="text-align: right;">90,0</td></tr> <tr><td style="border-right: 1px solid black;">Totalt</td><td style="text-align: right;">179,0</td></tr> </table>	Serie	90,0	Totalt	179,0	<table style="width:100%; border-collapse: collapse;"> <tr><td style="border-right: 1px solid black;">Serie</td><td style="text-align: right;">90,0</td></tr> <tr><td style="border-right: 1px solid black;">Totalt</td><td style="text-align: right;">179,0</td></tr> </table>	Serie	90,0	Totalt	179,0	<table style="width:100%; border-collapse: collapse;"> <tr><td style="border-right: 1px solid black;">Serie</td><td style="text-align: right;">92,0</td></tr> <tr><td style="border-right: 1px solid black;">Totalt</td><td style="text-align: right;">271,0</td></tr> </table>	Serie	92,0	Totalt	271,0																																				
Serie	90,0																																																	
Totalt	179,0																																																	
Serie	90,0																																																	
Totalt	179,0																																																	
Serie	92,0																																																	
Totalt	271,0																																																	

<p>60 shot</p> 	<table style="width:100%; border-collapse: collapse;"> <tr><td>31: 10,1</td><td>→</td></tr> <tr><td>32: 8,1</td><td>↓</td></tr> <tr><td>33: 7,6</td><td>↙</td></tr> <tr><td>34: 10,2*</td><td>↓</td></tr> <tr><td>35: 9,5</td><td>↓</td></tr> <tr><td>36: 10,5*</td><td>↙</td></tr> <tr><td>37: 10,3*</td><td>↓</td></tr> <tr><td>38: 9,7</td><td>→</td></tr> <tr><td>39: 8,7</td><td>↓</td></tr> <tr><td>40: 10,0</td><td>→</td></tr> <tr><td colspan="2" style="border-top: 1px solid black;">Serie</td><td style="text-align: right;">91,0</td></tr> <tr><td colspan="2" style="border-top: 1px solid black;">Totalt</td><td style="text-align: right;">362,0</td></tr> </table>	31: 10,1	→	32: 8,1	↓	33: 7,6	↙	34: 10,2*	↓	35: 9,5	↓	36: 10,5*	↙	37: 10,3*	↓	38: 9,7	→	39: 8,7	↓	40: 10,0	→	Serie		91,0	Totalt		362,0	
31: 10,1	→																											
32: 8,1	↓																											
33: 7,6	↙																											
34: 10,2*	↓																											
35: 9,5	↓																											
36: 10,5*	↙																											
37: 10,3*	↓																											
38: 9,7	→																											
39: 8,7	↓																											
40: 10,0	→																											
Serie		91,0																										
Totalt		362,0																										
<table style="width:100%; border-collapse: collapse;"> <tr><td style="border-right: 1px solid black;">Serie</td><td style="text-align: right;">91,0</td></tr> <tr><td style="border-right: 1px solid black;">Totalt</td><td style="text-align: right;">362,0</td></tr> </table>	Serie	91,0	Totalt	362,0	<table style="width:100%; border-collapse: collapse;"> <tr><td style="border-right: 1px solid black;">Serie</td><td style="text-align: right;">91,0</td></tr> <tr><td style="border-right: 1px solid black;">Totalt</td><td style="text-align: right;">362,0</td></tr> </table>	Serie	91,0	Totalt	362,0																			
Serie	91,0																											
Totalt	362,0																											
Serie	91,0																											
Totalt	362,0																											

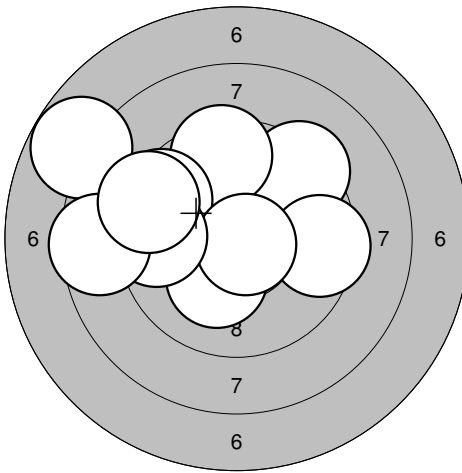
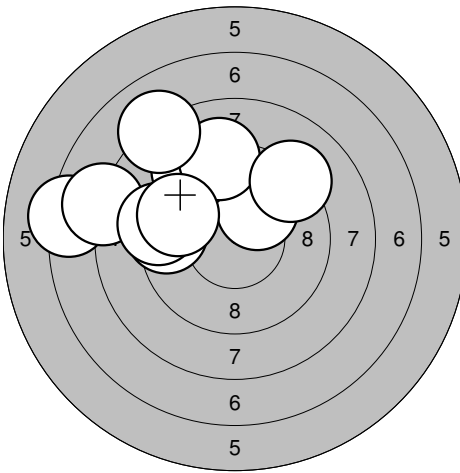


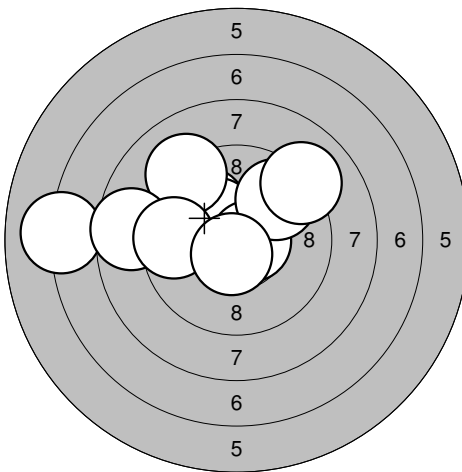
<p>Sight</p> 	<p>1: 9,8 →</p> <p>2: 8,7 →</p> <p>3: 7,8 →</p> <p>4: 8,5 →</p> <p>5: 10,0 ↗</p> <p>6: 8,0 ←</p> <p>7: 9,5 ↗</p> <p>8: 8,3 ↗</p> <p>9: 8,3 ←</p> <p>10: 8,5 ↘</p> <hr/> <p>Serie 83,0</p> <hr/> <p>Totalt 0,0</p>	<p>Sight</p> 	<p>11: 9,4 ←</p> <p>12: 9,4 ←</p> <p>13: 7,3 ←</p> <p>14: 8,6 ←</p> <p>15: 9,1 ↓</p> <hr/> <p>Serie 42,0</p> <hr/> <p>Totalt 0,0</p>
---	---	---	--

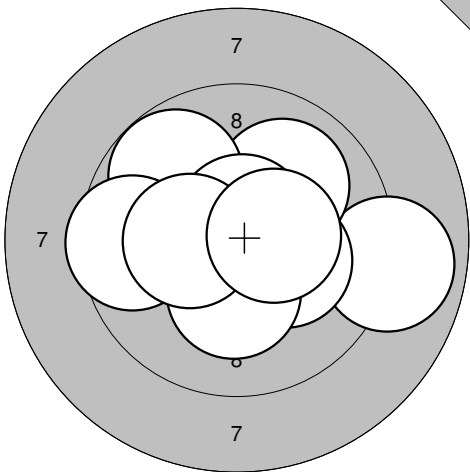
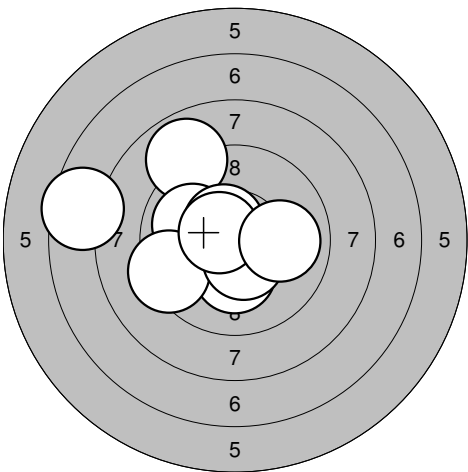
<p>60 shot</p> 	<p>1: 10,2* ↓</p> <p>2: 10,4* →</p> <p>3: 9,5 ←</p> <p>4: 8,7 ↗</p> <p>5: 9,2 ↗</p> <p>6: 9,6 →</p> <p>7: 10,1 ↑</p> <p>8: 9,2 →</p> <p>9: 9,4 ↗</p> <p>10: 9,9 ↓</p> <hr/> <p>Serie 92,0</p> <hr/> <p>Totalt 92,0</p>	<p>60 shot</p> 	<p>11: 10,2* ←</p> <p>12: 10,2* ↓</p> <p>13: 9,4 →</p> <p>14: 9,1 ←</p> <p>15: 9,1 ↗</p> <p>16: 9,6 ←</p> <p>17: 8,9 ←</p> <p>18: 9,2 ↘</p> <p>19: 10,0 ←</p> <p>20: 9,2 ←</p> <hr/> <p>Serie 92,0</p> <hr/> <p>Totalt 184,0</p>
--	--	--	--

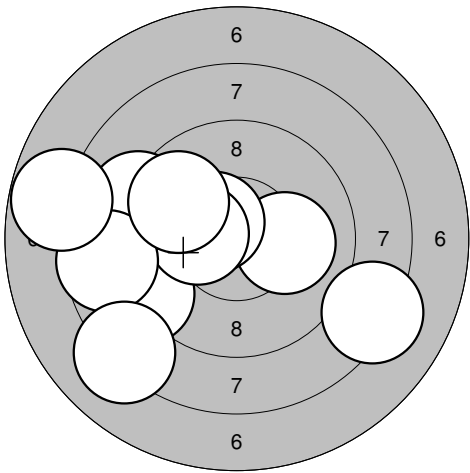
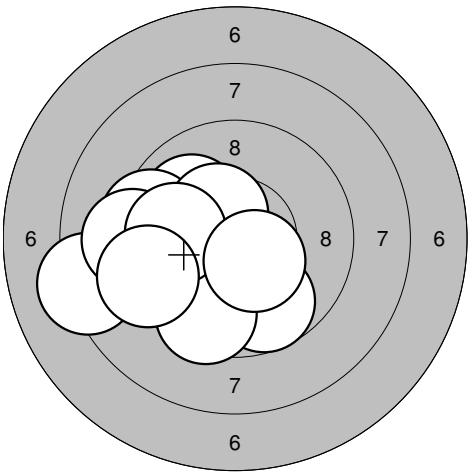
<p>60 shot</p> 	<p>21: 9,1 ↗</p> <p>22: 9,4 →</p> <p>23: 10,3* ↘</p> <p>24: 9,5 ↗</p> <p>25: 9,7 ↗</p> <p>26: 10,3* ↗</p> <p>27: 8,6 →</p> <p>28: 10,3* →</p> <p>29: 9,2 →</p> <p>30: 9,9 ↗</p> <hr/> <p>Serie 92,0</p> <hr/> <p>Totalt 276,0</p>	<p>60 shot</p> 	<p>31: 10,3* ↓</p> <p>32: 10,5* ↘</p> <p>33: 9,1 ↓</p> <p>34: 9,3 →</p> <p>35: 9,4 ↑</p> <p>36: 9,5 ↘</p> <p>37: 8,8 ↗</p> <p>38: 9,9 →</p> <p>39: 9,0 ←</p> <p>40: 10,0 ↓</p> <hr/> <p>Serie 92,0</p> <hr/> <p>Totalt 368,0</p>
---	---	---	--

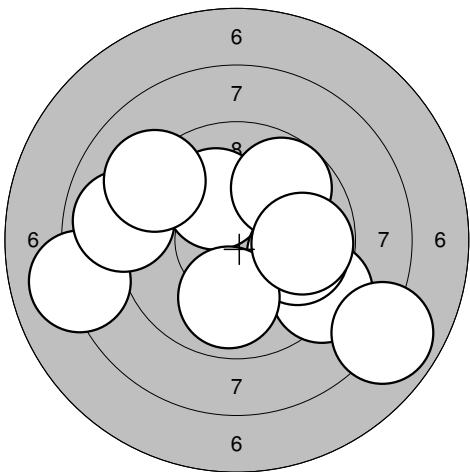
<p>Sight</p> 	<p>60 shot</p> 	
Serie 82,0	Serie 89,0	
Totalt 0,0	Totalt 89,0	

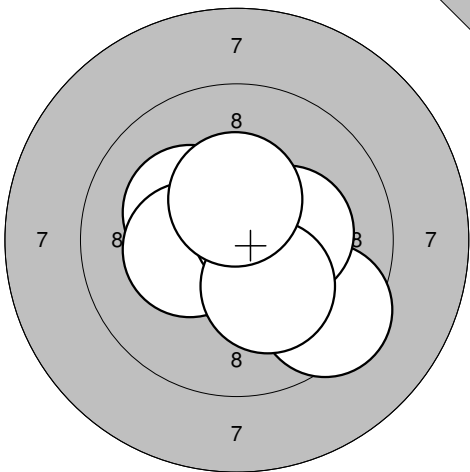
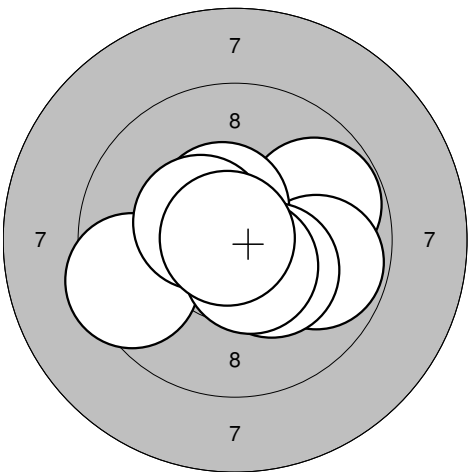
<p>60 shot</p> 	<p>60 shot</p> 	
Serie 89,0	Serie 87,0	
Totalt 178,0	Totalt 265,0	

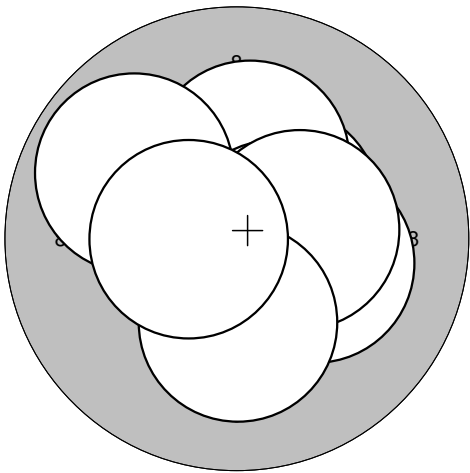
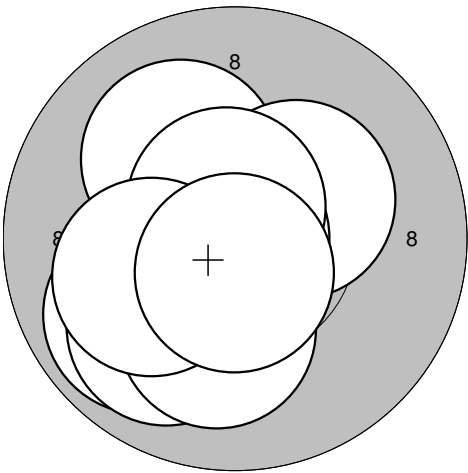
<p>60 shot</p> 		
Serie 91,0		
Totalt 356,0		

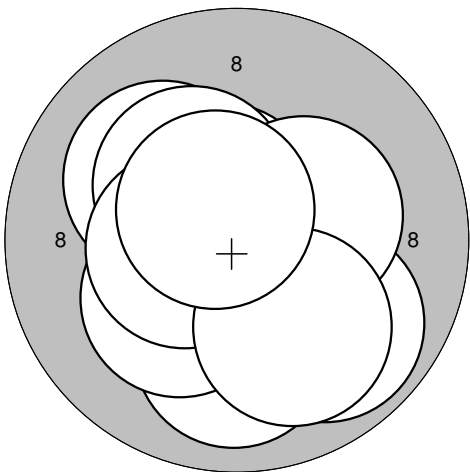
<p>Sight</p> 	<p>60 shot</p> <table style="width:100%; border-collapse: collapse;"> <tr><td>1: 8,9</td><td>→</td></tr> <tr><td>2: 10,0</td><td>↗</td></tr> <tr><td>3: 10,8*</td><td>↓</td></tr> <tr><td>4: 10,2*</td><td>→</td></tr> <tr><td>5: 9,8</td><td>↗</td></tr> <tr><td>6: 10,3*</td><td>↓</td></tr> <tr><td>7: 9,6</td><td>←</td></tr> <tr><td>8: 10,7*</td><td>↗</td></tr> <tr><td>9: 10,3*</td><td>←</td></tr> <tr><td>10: 10,4*</td><td>→</td></tr> <tr><td colspan="2"><hr/></td></tr> <tr><td>Serie</td><td style="text-align: right;">96,0</td></tr> <tr><td>Totalt</td><td style="text-align: right;">0,0</td></tr> </table>	1: 8,9	→	2: 10,0	↗	3: 10,8*	↓	4: 10,2*	→	5: 9,8	↗	6: 10,3*	↓	7: 9,6	←	8: 10,7*	↗	9: 10,3*	←	10: 10,4*	→	<hr/>		Serie	96,0	Totalt	0,0	 <table style="width:100%; border-collapse: collapse;"> <tr><td>1: 10,2*</td><td>↓</td></tr> <tr><td>2: 10,1</td><td>↖</td></tr> <tr><td>3: 8,9</td><td>↗</td></tr> <tr><td>4: 10,0</td><td>↖</td></tr> <tr><td>5: 10,5*</td><td>↗</td></tr> <tr><td>6: 9,3</td><td>↖</td></tr> <tr><td>7: 10,5*</td><td>↓</td></tr> <tr><td>8: 10,6*</td><td>↖</td></tr> <tr><td>9: 7,6</td><td>←</td></tr> <tr><td>10: 10,0</td><td>→</td></tr> <tr><td colspan="2"><hr/></td></tr> <tr><td>Serie</td><td style="text-align: right;">94,0</td></tr> <tr><td>Totalt</td><td style="text-align: right;">94,0</td></tr> </table>	1: 10,2*	↓	2: 10,1	↖	3: 8,9	↗	4: 10,0	↖	5: 10,5*	↗	6: 9,3	↖	7: 10,5*	↓	8: 10,6*	↖	9: 7,6	←	10: 10,0	→	<hr/>		Serie	94,0	Totalt	94,0
1: 8,9	→																																																					
2: 10,0	↗																																																					
3: 10,8*	↓																																																					
4: 10,2*	→																																																					
5: 9,8	↗																																																					
6: 10,3*	↓																																																					
7: 9,6	←																																																					
8: 10,7*	↗																																																					
9: 10,3*	←																																																					
10: 10,4*	→																																																					
<hr/>																																																						
Serie	96,0																																																					
Totalt	0,0																																																					
1: 10,2*	↓																																																					
2: 10,1	↖																																																					
3: 8,9	↗																																																					
4: 10,0	↖																																																					
5: 10,5*	↗																																																					
6: 9,3	↖																																																					
7: 10,5*	↓																																																					
8: 10,6*	↖																																																					
9: 7,6	←																																																					
10: 10,0	→																																																					
<hr/>																																																						
Serie	94,0																																																					
Totalt	94,0																																																					

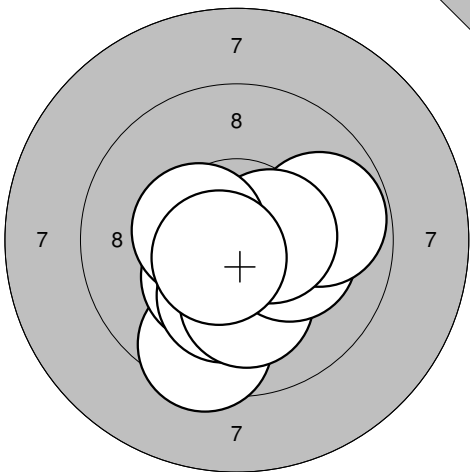
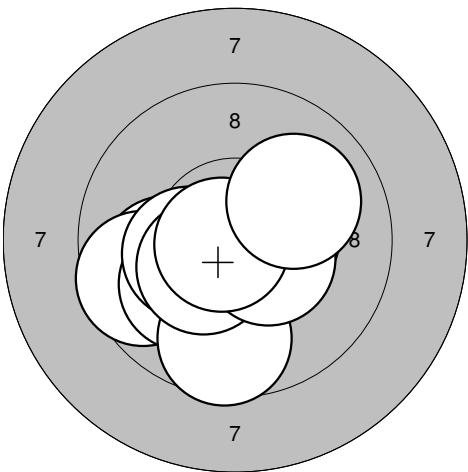
<p>60 shot</p> 	<p>60 shot</p> <table style="width:100%; border-collapse: collapse;"> <tr><td>11: 10,1</td><td>→</td></tr> <tr><td>12: 10,5*</td><td>↗</td></tr> <tr><td>13: 8,2</td><td>↘</td></tr> <tr><td>14: 9,0</td><td>↖</td></tr> <tr><td>15: 10,3*</td><td>←</td></tr> <tr><td>16: 9,1</td><td>↗</td></tr> <tr><td>17: 8,6</td><td>←</td></tr> <tr><td>18: 8,1</td><td>↖</td></tr> <tr><td>19: 7,8</td><td>←</td></tr> <tr><td>20: 9,7</td><td>↗</td></tr> <tr><td colspan="2"><hr/></td></tr> <tr><td>Serie</td><td style="text-align: right;">88,0</td></tr> <tr><td>Totalt</td><td style="text-align: right;">182,0</td></tr> </table>	11: 10,1	→	12: 10,5*	↗	13: 8,2	↘	14: 9,0	↖	15: 10,3*	←	16: 9,1	↗	17: 8,6	←	18: 8,1	↖	19: 7,8	←	20: 9,7	↗	<hr/>		Serie	88,0	Totalt	182,0	 <table style="width:100%; border-collapse: collapse;"> <tr><td>21: 10,0</td><td>↖</td></tr> <tr><td>22: 9,7</td><td>↓</td></tr> <tr><td>23: 8,2</td><td>←</td></tr> <tr><td>24: 9,4</td><td>↖</td></tr> <tr><td>25: 9,5</td><td>↓</td></tr> <tr><td>26: 10,4*</td><td>↗</td></tr> <tr><td>27: 9,1</td><td>←</td></tr> <tr><td>28: 9,9</td><td>←</td></tr> <tr><td>29: 10,4*</td><td>↓</td></tr> <tr><td>30: 9,3</td><td>↖</td></tr> <tr><td colspan="2"><hr/></td></tr> <tr><td>Serie</td><td style="text-align: right;">92,0</td></tr> <tr><td>Totalt</td><td style="text-align: right;">274,0</td></tr> </table>	21: 10,0	↖	22: 9,7	↓	23: 8,2	←	24: 9,4	↖	25: 9,5	↓	26: 10,4*	↗	27: 9,1	←	28: 9,9	←	29: 10,4*	↓	30: 9,3	↖	<hr/>		Serie	92,0	Totalt	274,0
11: 10,1	→																																																					
12: 10,5*	↗																																																					
13: 8,2	↘																																																					
14: 9,0	↖																																																					
15: 10,3*	←																																																					
16: 9,1	↗																																																					
17: 8,6	←																																																					
18: 8,1	↖																																																					
19: 7,8	←																																																					
20: 9,7	↗																																																					
<hr/>																																																						
Serie	88,0																																																					
Totalt	182,0																																																					
21: 10,0	↖																																																					
22: 9,7	↓																																																					
23: 8,2	←																																																					
24: 9,4	↖																																																					
25: 9,5	↓																																																					
26: 10,4*	↗																																																					
27: 9,1	←																																																					
28: 9,9	←																																																					
29: 10,4*	↓																																																					
30: 9,3	↖																																																					
<hr/>																																																						
Serie	92,0																																																					
Totalt	274,0																																																					

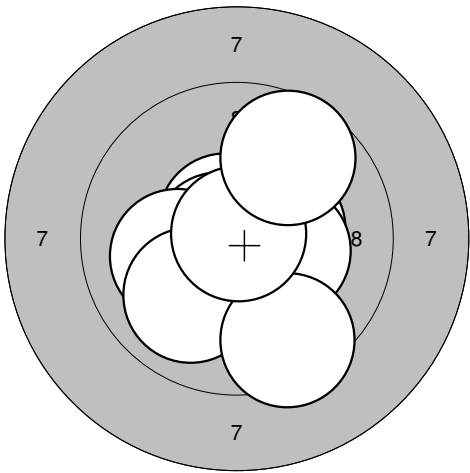
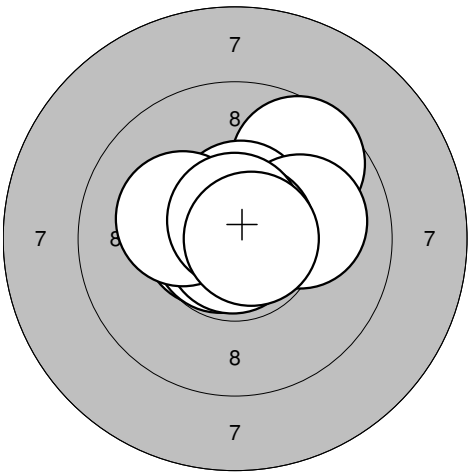
<p>60 shot</p> 	<table style="width:100%; border-collapse: collapse;"> <tr><td>31: 9,2</td><td>↘</td></tr> <tr><td>32: 8,1</td><td>←</td></tr> <tr><td>33: 8,9</td><td>←</td></tr> <tr><td>34: 10,1</td><td>↗</td></tr> <tr><td>35: 9,8</td><td>→</td></tr> <tr><td>36: 9,7</td><td>↗</td></tr> <tr><td>37: 9,2</td><td>↗</td></tr> <tr><td>38: 9,9</td><td>↓</td></tr> <tr><td>39: 7,9</td><td>↘</td></tr> <tr><td>40: 9,8</td><td>→</td></tr> <tr><td colspan="2"><hr/></td></tr> <tr><td>Serie</td><td style="text-align: right;">87,0</td></tr> <tr><td>Totalt</td><td style="text-align: right;">361,0</td></tr> </table>	31: 9,2	↘	32: 8,1	←	33: 8,9	←	34: 10,1	↗	35: 9,8	→	36: 9,7	↗	37: 9,2	↗	38: 9,9	↓	39: 7,9	↘	40: 9,8	→	<hr/>		Serie	87,0	Totalt	361,0	
31: 9,2	↘																											
32: 8,1	←																											
33: 8,9	←																											
34: 10,1	↗																											
35: 9,8	→																											
36: 9,7	↗																											
37: 9,2	↗																											
38: 9,9	↓																											
39: 7,9	↘																											
40: 9,8	→																											
<hr/>																												
Serie	87,0																											
Totalt	361,0																											

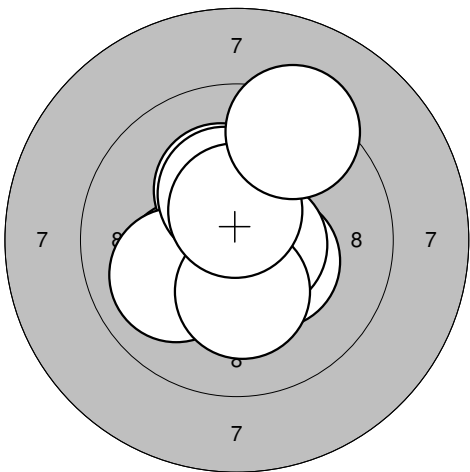
Sight 	60 shot 	
1: 10,2* ↖ 2: 10,3* ← 3: 10,6* → 4: 9,4 ↘ 5: 10,3* → 6: 10,2* ↘ 7: 10,4* ↑	1: 10,8* → 2: 10,1 → 3: 9,8 → 4: 9,8 → 5: 9,5 ← 6: 10,5* ↑ 7: 10,3* ↘ 8: 10,5* ↘ 9: 10,4* ↖ 10: 10,8* ←	
Serie 71,4 Totalt 0,0	Serie 102,5 Totalt 102,5	

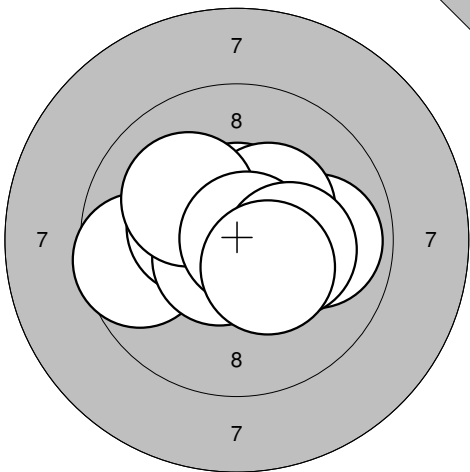
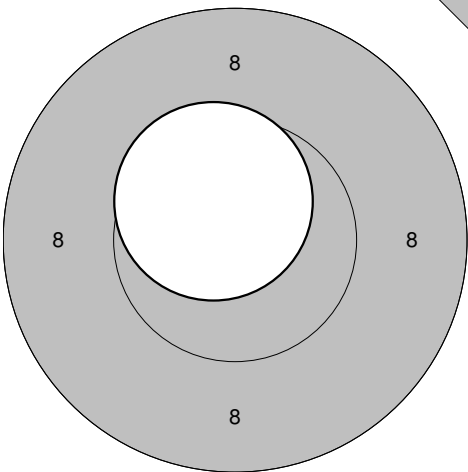
60 shot 	60 shot 	
11: 10,5* ↗ 12: 10,6* ↑ 13: 10,6* ↘ 14: 10,2* ↑ 15: 10,2* → 16: 10,6* → 17: 10,4* → 18: 9,9 ↗ 19: 10,2* ↘ 20: 10,5* ←	21: 10,1 ↖ 22: 10,3* ↗ 23: 10,9* ← 24: 10,7* ↑ 25: 9,9 ↖ 26: 10,6* ↘ 27: 9,9 ↖ 28: 10,1 ↘ 29: 10,1 ← 30: 10,6* ↘	
Serie 103,7 Totalt 206,2	Serie 103,2 Totalt 309,4	

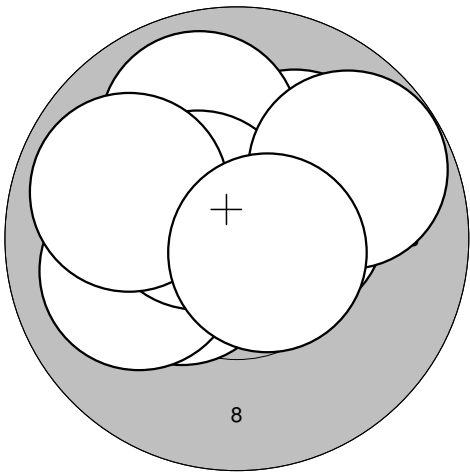
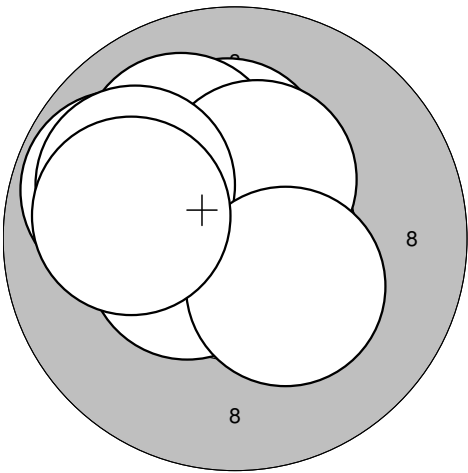
60 shot 		
31: 10,1 ↗ 32: 10,6* ↗ 33: 10,0 ↘ 34: 10,3* ↗ 35: 10,2* ↘ 36: 10,5* ← 37: 9,9 ↘ 38: 10,3* → 39: 10,0 ↘ 40: 10,6* ↗		
Serie 102,5 Totalt 411,9		

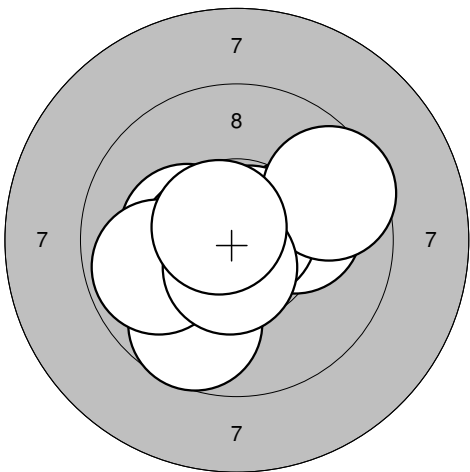
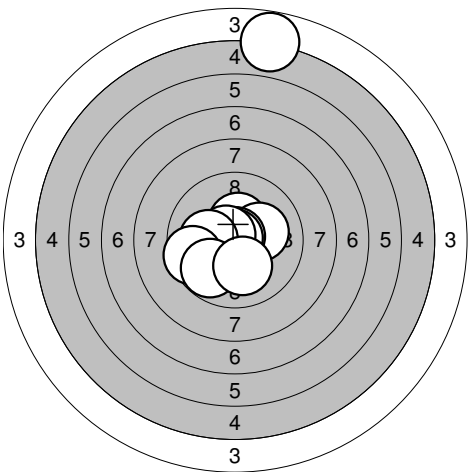
<p>Sight</p> 	<p>60 shot</p> <table style="width:100%; border-collapse: collapse;"> <tr><td>1: 9,5</td><td>↘</td></tr> <tr><td>2: 10,3*</td><td>↘</td></tr> <tr><td>3: 10,2*</td><td>↘</td></tr> <tr><td>4: 10,7*</td><td>↙</td></tr> <tr><td>5: 10,1</td><td>↘</td></tr> <tr><td>6: 10,2*</td><td>→</td></tr> <tr><td>7: 9,8</td><td>→</td></tr> <tr><td>8: 10,5*</td><td>→</td></tr> <tr><td>9: 10,4*</td><td>←</td></tr> <tr><td>10: 10,6*</td><td>↙</td></tr> <tr><td colspan="2"><hr/></td></tr> <tr><td>Serie</td><td>102,3</td></tr> <tr><td colspan="2"><hr/></td></tr> <tr><td>Totalt</td><td>0,0</td></tr> </table>	1: 9,5	↘	2: 10,3*	↘	3: 10,2*	↘	4: 10,7*	↙	5: 10,1	↘	6: 10,2*	→	7: 9,8	→	8: 10,5*	→	9: 10,4*	←	10: 10,6*	↙	<hr/>		Serie	102,3	<hr/>		Totalt	0,0	 <table style="width:100%; border-collapse: collapse;"> <tr><td>1: 10,0</td><td>←</td></tr> <tr><td>2: 10,4*</td><td>→</td></tr> <tr><td>3: 9,6</td><td>←</td></tr> <tr><td>4: 10,1</td><td>↙</td></tr> <tr><td>5: 9,6</td><td>↓</td></tr> <tr><td>6: 10,3*</td><td>←</td></tr> <tr><td>7: 10,4*</td><td>↙</td></tr> <tr><td>8: 10,4*</td><td>↘</td></tr> <tr><td>9: 10,8*</td><td>←</td></tr> <tr><td>10: 10,0</td><td>↗</td></tr> <tr><td colspan="2"><hr/></td></tr> <tr><td>Serie</td><td>101,6</td></tr> <tr><td colspan="2"><hr/></td></tr> <tr><td>Totalt</td><td>101,6</td></tr> </table>	1: 10,0	←	2: 10,4*	→	3: 9,6	←	4: 10,1	↙	5: 9,6	↓	6: 10,3*	←	7: 10,4*	↙	8: 10,4*	↘	9: 10,8*	←	10: 10,0	↗	<hr/>		Serie	101,6	<hr/>		Totalt	101,6
1: 9,5	↘																																																									
2: 10,3*	↘																																																									
3: 10,2*	↘																																																									
4: 10,7*	↙																																																									
5: 10,1	↘																																																									
6: 10,2*	→																																																									
7: 9,8	→																																																									
8: 10,5*	→																																																									
9: 10,4*	←																																																									
10: 10,6*	↙																																																									
<hr/>																																																										
Serie	102,3																																																									
<hr/>																																																										
Totalt	0,0																																																									
1: 10,0	←																																																									
2: 10,4*	→																																																									
3: 9,6	←																																																									
4: 10,1	↙																																																									
5: 9,6	↓																																																									
6: 10,3*	←																																																									
7: 10,4*	↙																																																									
8: 10,4*	↘																																																									
9: 10,8*	←																																																									
10: 10,0	↗																																																									
<hr/>																																																										
Serie	101,6																																																									
<hr/>																																																										
Totalt	101,6																																																									

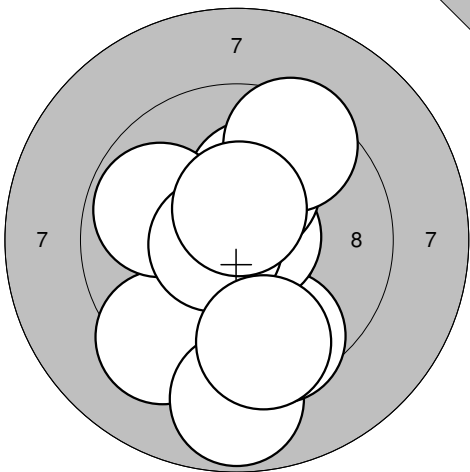
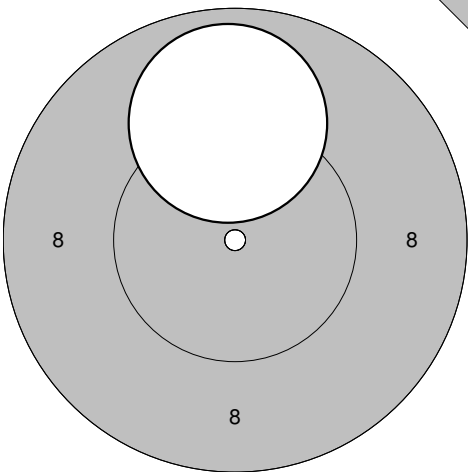
<p>60 shot</p> 	<p>60 shot</p> <table style="width:100%; border-collapse: collapse;"> <tr><td>11: 10,7*</td><td>↖</td></tr> <tr><td>12: 10,4*</td><td>→</td></tr> <tr><td>13: 10,7*</td><td>←</td></tr> <tr><td>14: 10,1</td><td>←</td></tr> <tr><td>15: 10,0</td><td>↙</td></tr> <tr><td>16: 10,7*</td><td>→</td></tr> <tr><td>17: 10,3*</td><td>→</td></tr> <tr><td>18: 9,4</td><td>↘</td></tr> <tr><td>19: 10,9*</td><td>↗</td></tr> <tr><td>20: 9,7</td><td>↗</td></tr> <tr><td colspan="2"><hr/></td></tr> <tr><td>Serie</td><td>102,9</td></tr> <tr><td colspan="2"><hr/></td></tr> <tr><td>Totalt</td><td>204,5</td></tr> </table>	11: 10,7*	↖	12: 10,4*	→	13: 10,7*	←	14: 10,1	←	15: 10,0	↙	16: 10,7*	→	17: 10,3*	→	18: 9,4	↘	19: 10,9*	↗	20: 9,7	↗	<hr/>		Serie	102,9	<hr/>		Totalt	204,5	 <table style="width:100%; border-collapse: collapse;"> <tr><td>21: 10,6*</td><td>←</td></tr> <tr><td>22: 9,6</td><td>↗</td></tr> <tr><td>23: 10,7*</td><td>←</td></tr> <tr><td>24: 10,5*</td><td>↑</td></tr> <tr><td>25: 10,0</td><td>→</td></tr> <tr><td>26: 10,8*</td><td>↗</td></tr> <tr><td>27: 10,8*</td><td>↓</td></tr> <tr><td>28: 10,2*</td><td>←</td></tr> <tr><td>29: 10,7*</td><td>↑</td></tr> <tr><td>30: 10,7*</td><td>→</td></tr> <tr><td colspan="2"><hr/></td></tr> <tr><td>Serie</td><td>104,6</td></tr> <tr><td colspan="2"><hr/></td></tr> <tr><td>Totalt</td><td>309,1</td></tr> </table>	21: 10,6*	←	22: 9,6	↗	23: 10,7*	←	24: 10,5*	↑	25: 10,0	→	26: 10,8*	↗	27: 10,8*	↓	28: 10,2*	←	29: 10,7*	↑	30: 10,7*	→	<hr/>		Serie	104,6	<hr/>		Totalt	309,1
11: 10,7*	↖																																																									
12: 10,4*	→																																																									
13: 10,7*	←																																																									
14: 10,1	←																																																									
15: 10,0	↙																																																									
16: 10,7*	→																																																									
17: 10,3*	→																																																									
18: 9,4	↘																																																									
19: 10,9*	↗																																																									
20: 9,7	↗																																																									
<hr/>																																																										
Serie	102,9																																																									
<hr/>																																																										
Totalt	204,5																																																									
21: 10,6*	←																																																									
22: 9,6	↗																																																									
23: 10,7*	←																																																									
24: 10,5*	↑																																																									
25: 10,0	→																																																									
26: 10,8*	↗																																																									
27: 10,8*	↓																																																									
28: 10,2*	←																																																									
29: 10,7*	↑																																																									
30: 10,7*	→																																																									
<hr/>																																																										
Serie	104,6																																																									
<hr/>																																																										
Totalt	309,1																																																									

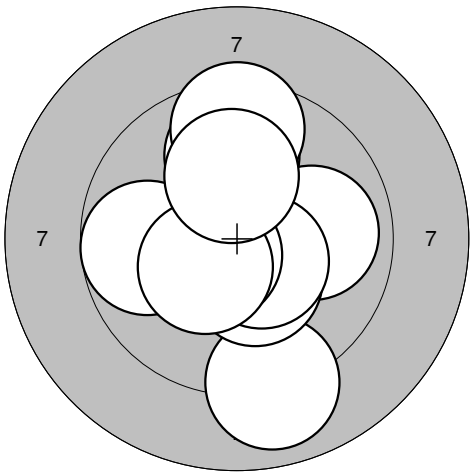
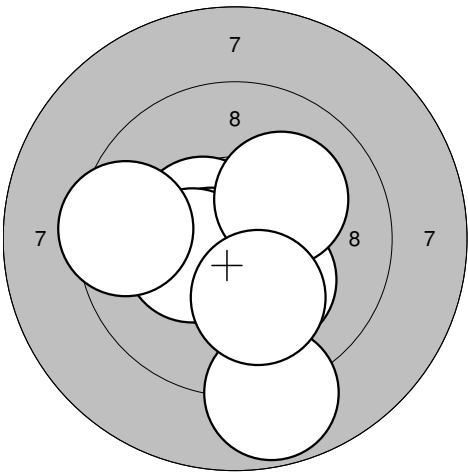
<p>60 shot</p> 	<table style="width:100%; border-collapse: collapse;"> <tr><td>31: 10,4*</td><td>↘</td></tr> <tr><td>32: 10,6*</td><td>→</td></tr> <tr><td>33: 10,2*</td><td>↙</td></tr> <tr><td>34: 10,3*</td><td>↑</td></tr> <tr><td>35: 10,3*</td><td>↑</td></tr> <tr><td>36: 10,0</td><td>↙</td></tr> <tr><td>37: 10,3*</td><td>↓</td></tr> <tr><td>38: 10,3*</td><td>↑</td></tr> <tr><td>39: 10,6*</td><td>↑</td></tr> <tr><td>40: 9,3</td><td>↗</td></tr> <tr><td colspan="2"><hr/></td></tr> <tr><td>Serie</td><td>102,3</td></tr> <tr><td colspan="2"><hr/></td></tr> <tr><td>Totalt</td><td>411,4</td></tr> </table>	31: 10,4*	↘	32: 10,6*	→	33: 10,2*	↙	34: 10,3*	↑	35: 10,3*	↑	36: 10,0	↙	37: 10,3*	↓	38: 10,3*	↑	39: 10,6*	↑	40: 9,3	↗	<hr/>		Serie	102,3	<hr/>		Totalt	411,4	
31: 10,4*	↘																													
32: 10,6*	→																													
33: 10,2*	↙																													
34: 10,3*	↑																													
35: 10,3*	↑																													
36: 10,0	↙																													
37: 10,3*	↓																													
38: 10,3*	↑																													
39: 10,6*	↑																													
40: 9,3	↗																													
<hr/>																														
Serie	102,3																													
<hr/>																														
Totalt	411,4																													

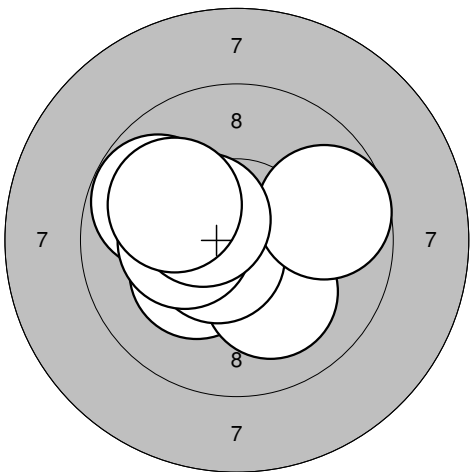
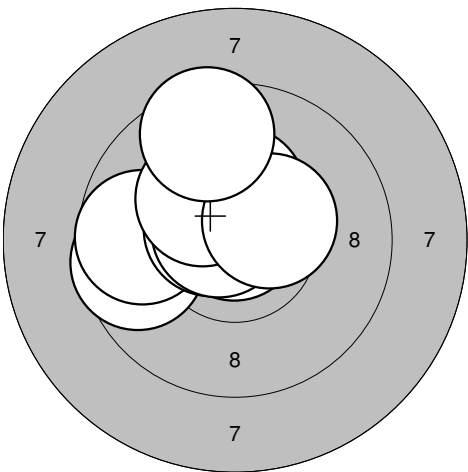
<p>Sight</p> 	<p>Sight</p> 	<p>11: 10,6* ↗</p>
<p>Serie 103,0</p> <p>Totalt 0,0</p>	<p>Serie 10,6</p> <p>Totalt 0,0</p>	

<p>60 shot</p> 	<p>60 shot</p> 	<p>11: 10,7* →</p> <p>12: 10,7* ↗</p> <p>13: 10,2* ↑</p> <p>14: 10,0 ↗</p> <p>15: 9,8 ↖</p> <p>16: 10,5* ↖</p> <p>17: 10,4* ↗</p> <p>18: 9,9 ↖</p> <p>19: 10,3* ↘</p> <p>20: 10,0 ←</p>
<p>Serie 102,2</p> <p>Totalt 102,2</p>	<p>Serie 102,5</p> <p>Totalt 204,7</p>	

<p>60 shot</p> 	<p>60 shot</p> 	<p>31: 10,4* ↑</p> <p>32: 10,2* →</p> <p>33: 10,8* ↗</p> <p>34: 10,9* ↗</p> <p>35: 10,6* ↖</p> <p>36: 10,2* ←</p> <p>37: 9,6 ←</p> <p>38: 4,8 ↑</p> <p>39: 9,8 ↖</p> <p>40: 10,1 ↓</p>
<p>Serie 103,1</p> <p>Totalt 307,8</p>	<p>Serie 97,4</p> <p>Totalt 405,2</p>	

<p>Sight</p> 	<p>1: 9,3 ↙                  2: 8,8 ↓                  3: 9,5 ↘                  4: 10,7* →                  5: 10,2* ↑                  6: 9,9 ←                  7: 10,7* ←                  8: 9,5 ↓                  9: 9,5 ↗                  10: 10,5* ↑</p> <table border="1" style="width:100%; border-collapse: collapse;"> <tr><td>Serie</td><td>98,6</td></tr> <tr><td>Totalt</td><td>0,0</td></tr> </table>	Serie	98,6	Totalt	0,0	<p>Sight</p>  <p style="text-align: right;">11: 9,9 ↑</p> <table border="1" style="width:100%; border-collapse: collapse;"> <tr><td>Serie</td><td>9,9</td></tr> <tr><td>Totalt</td><td>0,0</td></tr> </table>	Serie	9,9	Totalt	0,0
Serie	98,6									
Totalt	0,0									
Serie	9,9									
Totalt	0,0									

<p>60 shot</p> 	<p>1: 9,8 ↑                  2: 9,5 ↑                  3: 9,0 ↓                  4: 9,9 →                  5: 10,4* ↘                  6: 10,5* ↘                  7: 10,6* ↙                  8: 9,8 ←                  9: 10,4* ↙                  10: 10,1 ↑</p> <table border="1" style="width:100%; border-collapse: collapse;"> <tr><td>Serie</td><td>100,0</td></tr> <tr><td>Totalt</td><td>100,0</td></tr> </table>	Serie	100,0	Totalt	100,0	<p>60 shot</p>  <p>11: 10,5* ↙                  12: 10,7* ↘                  13: 10,2* ↘                  14: 10,6* ↘                  15: 10,6* ↙                  16: 8,8 ↓                  17: 10,3* ↙                  18: 10,1 ↗                  19: 10,1 ↓                  20: 9,5 ←</p> <table border="1" style="width:100%; border-collapse: collapse;"> <tr><td>Serie</td><td>101,4</td></tr> <tr><td>Totalt</td><td>201,4</td></tr> </table>	Serie	101,4	Totalt	201,4
Serie	100,0									
Totalt	100,0									
Serie	101,4									
Totalt	201,4									

<p>60 shot</p> 	<p>21: 10,3* ↙                  22: 9,8 ↙                  23: 10,7* ↓                  24: 10,1 ↓                  25: 10,6* ↙                  26: 10,3* ←                  27: 9,7 →                  28: 10,3* ←                  29: 10,4* ↗                  30: 10,0 ↙</p> <table border="1" style="width:100%; border-collapse: collapse;"> <tr><td>Serie</td><td>102,2</td></tr> <tr><td>Totalt</td><td>303,6</td></tr> </table>	Serie	102,2	Totalt	303,6	<p>60 shot</p>  <p>31: 10,9* ↑                  32: 9,6 ←                  33: 10,3* ↑                  34: 9,7 ←                  35: 10,6* ↙                  36: 10,6* ↑                  37: 10,7* ↙                  38: 10,3* ↗                  39: 10,4* ↗                  40: 9,5 ↑</p> <table border="1" style="width:100%; border-collapse: collapse;"> <tr><td>Serie</td><td>102,6</td></tr> <tr><td>Totalt</td><td>406,2</td></tr> </table>	Serie	102,6	Totalt	406,2
Serie	102,2									
Totalt	303,6									
Serie	102,6									
Totalt	406,2									