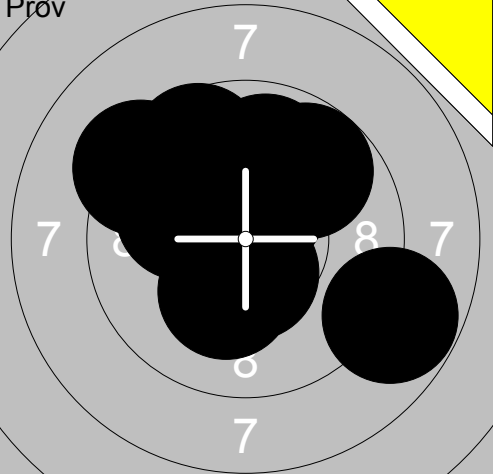
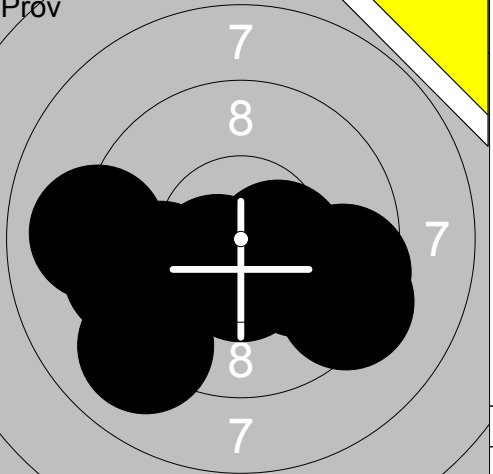
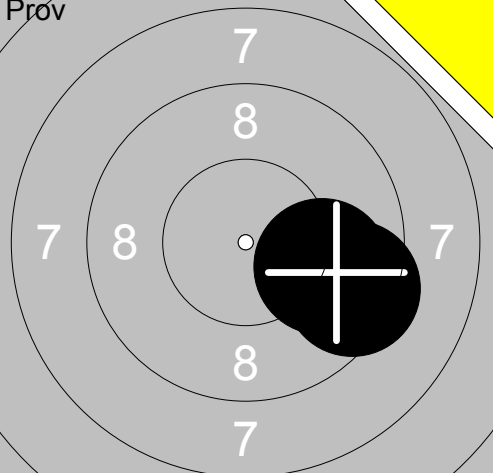
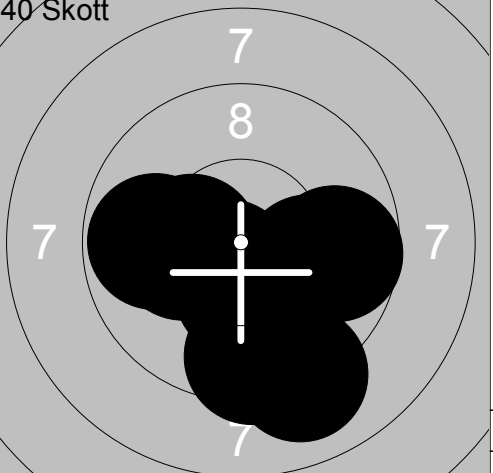
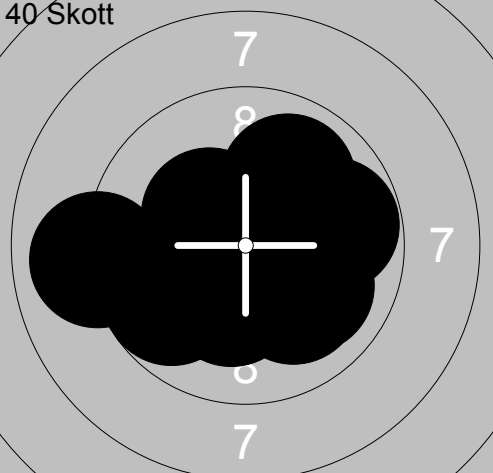
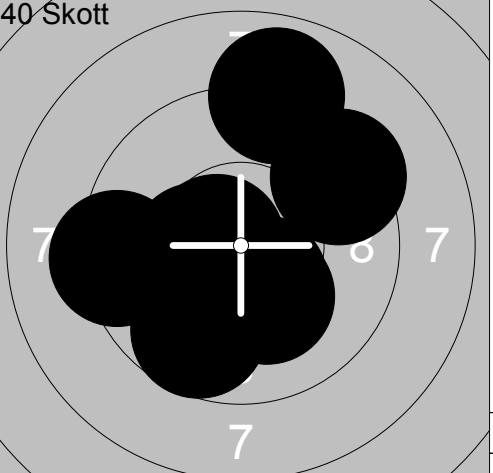
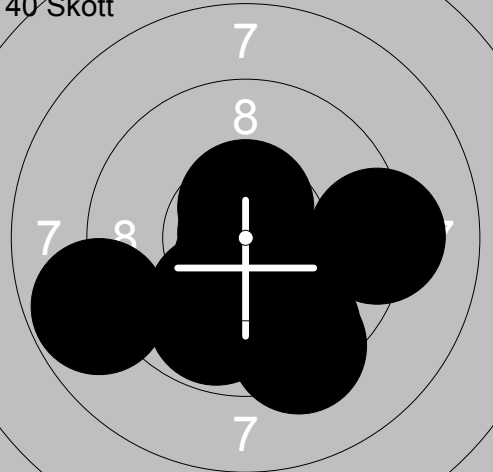
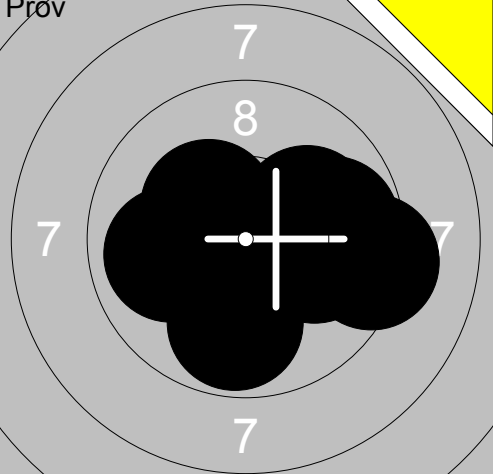
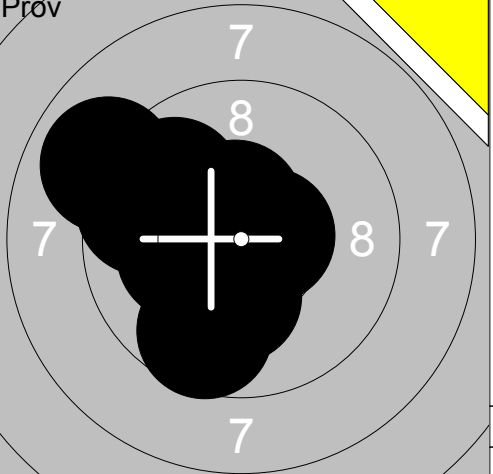


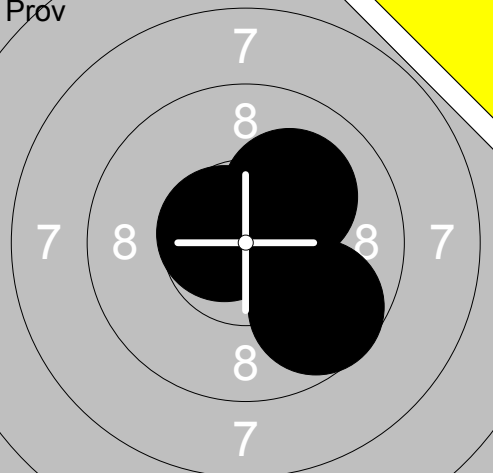
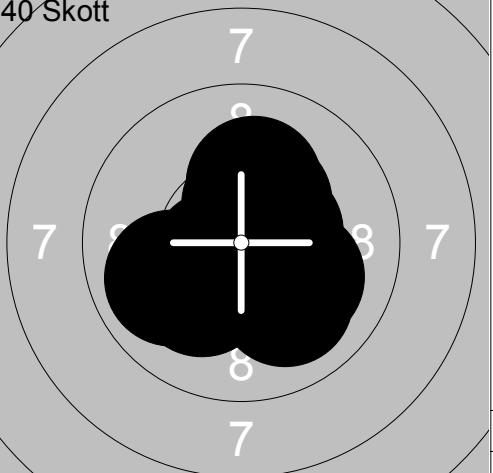
Pröv 	1: 8.8 ↘ 2: 9.8 ↗ 3: *10.2 ↓ 4: 9.6 ↗ 5: 9.3 ↗ 6: 10.1 ↗ 7: *10.5 ↓ 8: 10.1 ↗ 9: 9.9 ↗ 10: *10.4 ↗ <hr/> Serie 98.7 Total 0.0	Pröv 	11: *10.5 ↙ 12: *10.5 ↓ 13: 10.1 ↘ 14: 9.8 ← 15: 9.1 ↙ 16: 9.3 ↘ 17: 9.4 ← 18: 9.0 ← 19: *10.4 → 20: 9.5 → <hr/> Serie 97.6 Total 0.0
------------------------------------------------------------------------------------------	----------------------------------------------------------------------------------------------------------------------------------------------------------------	--------------------------------------------------------------------------------------------	------------------------------------------------------------------------------------------------------------------------------------------------------------------------

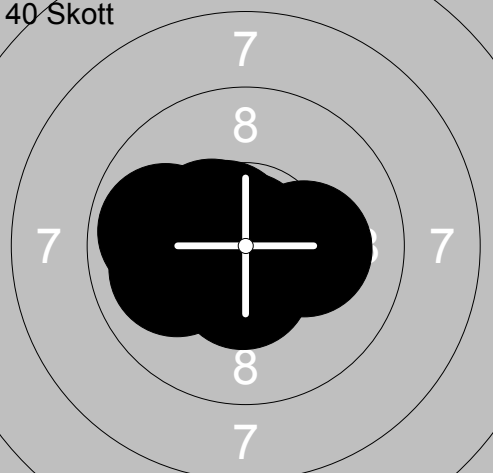
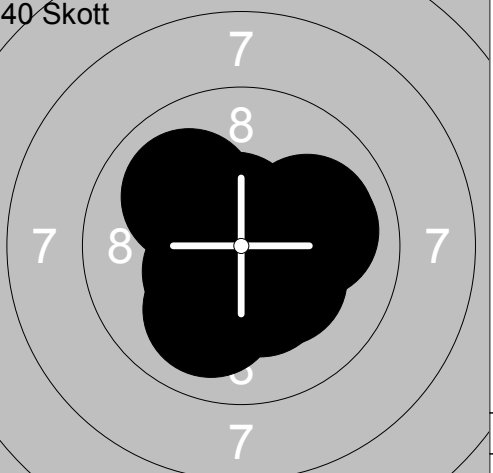
Pröv 	21: 9.4 ↘ 22: 9.9 → <hr/> Serie 19.3 Total 0.0	40 Skott 	1: *10.3 ← 2: 9.0 ↓ 3: *10.3 ↓ 4: *10.6 ↓ 5: 10.0 → 6: 9.7 → 7: 9.4 ↓ 8: *10.2 ↓ 9: *10.2 ← 10: 9.8 ← <hr/> Serie 99.5 Total 99.5
-------------------------------------------------------------------------------------------	---------------------------------------------------------	-------------------------------------------------------------------------------------------------	--------------------------------------------------------------------------------------------------------------------------------------------------------------------

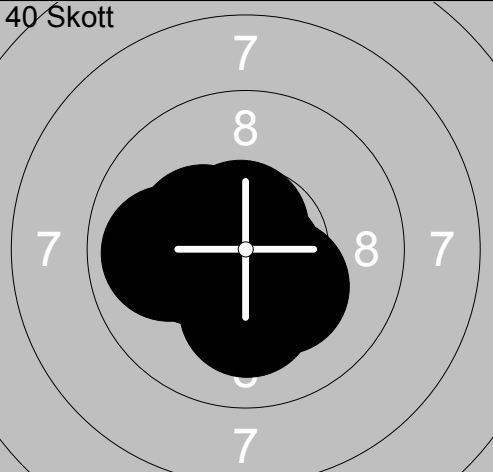
40 Skott 	11: 9.8 → 12: 10.0 ↓ 13: 10.0 ↓ 14: *10.3 ↗ 15: 9.0 ← 16: 9.9 ↗ 17: *10.2 ↓ 18: *10.2 ↗ 19: *10.3 → 20: 9.8 ↙ <hr/> Serie 99.5 Total 199.0	40 Skott 	21: 8.9 ↗ 22: 9.4 ↗ 23: *10.5 ↙ 24: *10.4 ← 25: *10.6 ← 26: 9.3 ← 27: 9.7 ↓ 28: *10.4 ↓ 29: *10.2 ↓ 30: *10.4 ↙ <hr/> Serie 99.8 Total 298.8
------------------------------------------------------------------------------------------------	-----------------------------------------------------------------------------------------------------------------------------------------------------------------------------	--------------------------------------------------------------------------------------------------	-------------------------------------------------------------------------------------------------------------------------------------------------------------------------------

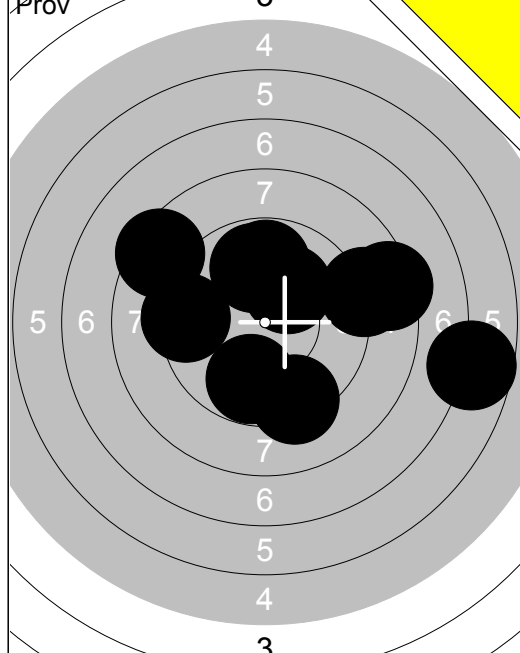
40 Skott 	31: *10.9 ↑ 32: 9.8 ↓ 33: 9.2 → 34: *10.6 ↓ 35: 9.4 ↓ 36: 9.9 ↓ 37: 9.6 ↓ 38: *10.5 ↑ 39: 10.0 ↓ 40: 8.8 ← <hr/> Serie 98.7 Total 397.5		
------------------------------------------------------------------------------------------------	--------------------------------------------------------------------------------------------------------------------------------------------------------------------------	--	--

<p>Pröv</p> 	<table border="1" style="width:100%; border-collapse: collapse;"> <tr><td>1:</td><td>10.0</td><td>→</td></tr> <tr><td>2:</td><td>*10.3</td><td>→</td></tr> <tr><td>3:</td><td>10.0</td><td>←</td></tr> <tr><td>4:</td><td>*10.3</td><td>↗</td></tr> <tr><td>5:</td><td>9.3</td><td>→</td></tr> <tr><td>6:</td><td>*10.4</td><td>↘</td></tr> <tr><td>7:</td><td>9.8</td><td>→</td></tr> <tr><td>8:</td><td>10.1</td><td>↗</td></tr> <tr><td>9:</td><td>*10.6</td><td>→</td></tr> <tr><td>10:</td><td>9.8</td><td>↓</td></tr> <tr><td colspan="2">Serie</td><td>100.6</td></tr> <tr><td colspan="2">Total</td><td>0.0</td></tr> </table>	1:	10.0	→	2:	*10.3	→	3:	10.0	←	4:	*10.3	↗	5:	9.3	→	6:	*10.4	↘	7:	9.8	→	8:	10.1	↗	9:	*10.6	→	10:	9.8	↓	Serie		100.6	Total		0.0	<p>Pröv</p>  <table border="1" style="width:100%; border-collapse: collapse;"> <tr><td>11:</td><td>8.9</td><td>↖</td></tr> <tr><td>12:</td><td>9.8</td><td>↗</td></tr> <tr><td>13:</td><td>*10.2</td><td>↓</td></tr> <tr><td>14:</td><td>*10.3</td><td>↘</td></tr> <tr><td>15:</td><td>*10.6</td><td>←</td></tr> <tr><td>16:</td><td>9.6</td><td>↖</td></tr> <tr><td>17:</td><td>*10.5</td><td>↑</td></tr> <tr><td>18:</td><td>*10.2</td><td>←</td></tr> <tr><td>19:</td><td>9.6</td><td>↘</td></tr> <tr><td>20:</td><td>*10.6</td><td>→</td></tr> <tr><td colspan="2">Serie</td><td>100.3</td></tr> <tr><td colspan="2">Total</td><td>0.0</td></tr> </table>	11:	8.9	↖	12:	9.8	↗	13:	*10.2	↓	14:	*10.3	↘	15:	*10.6	←	16:	9.6	↖	17:	*10.5	↑	18:	*10.2	←	19:	9.6	↘	20:	*10.6	→	Serie		100.3	Total		0.0
1:	10.0	→																																																																								
2:	*10.3	→																																																																								
3:	10.0	←																																																																								
4:	*10.3	↗																																																																								
5:	9.3	→																																																																								
6:	*10.4	↘																																																																								
7:	9.8	→																																																																								
8:	10.1	↗																																																																								
9:	*10.6	→																																																																								
10:	9.8	↓																																																																								
Serie		100.6																																																																								
Total		0.0																																																																								
11:	8.9	↖																																																																								
12:	9.8	↗																																																																								
13:	*10.2	↓																																																																								
14:	*10.3	↘																																																																								
15:	*10.6	←																																																																								
16:	9.6	↖																																																																								
17:	*10.5	↑																																																																								
18:	*10.2	←																																																																								
19:	9.6	↘																																																																								
20:	*10.6	→																																																																								
Serie		100.3																																																																								
Total		0.0																																																																								

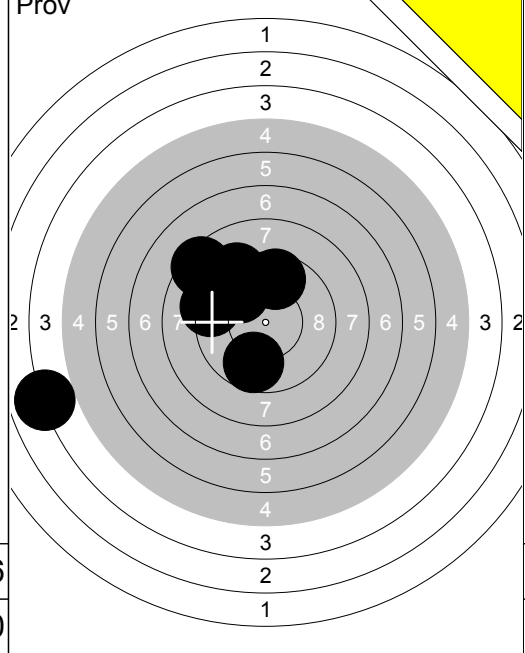
<p>Pröv</p>  <table border="1" style="width:100%; border-collapse: collapse;"> <tr><td>21:</td><td>10.1</td><td>↗</td></tr> <tr><td>22:</td><td>*10.6</td><td>↗</td></tr> <tr><td>23:</td><td>9.7</td><td>↘</td></tr> <tr><td>24:</td><td>*10.6</td><td>↖</td></tr> <tr><td colspan="2">Serie</td><td>41.0</td></tr> <tr><td colspan="2">Total</td><td>0.0</td></tr> </table>	21:	10.1	↗	22:	*10.6	↗	23:	9.7	↘	24:	*10.6	↖	Serie		41.0	Total		0.0	<p>40 Skott</p>  <table border="1" style="width:100%; border-collapse: collapse;"> <tr><td>1:</td><td>*10.2</td><td>↑</td></tr> <tr><td>2:</td><td>*10.5</td><td>↑</td></tr> <tr><td>3:</td><td>*10.2</td><td>↘</td></tr> <tr><td>4:</td><td>*10.3</td><td>↗</td></tr> <tr><td>5:</td><td>*10.4</td><td>↑</td></tr> <tr><td>6:</td><td>*10.6</td><td>↖</td></tr> <tr><td>7:</td><td>9.9</td><td>↖</td></tr> <tr><td>8:</td><td>10.0</td><td>↘</td></tr> <tr><td>9:</td><td>10.1</td><td>↘</td></tr> <tr><td>10:</td><td>*10.5</td><td>→</td></tr> <tr><td colspan="2">Serie</td><td>102.7</td></tr> <tr><td colspan="2">Total</td><td>102.7</td></tr> </table>	1:	*10.2	↑	2:	*10.5	↑	3:	*10.2	↘	4:	*10.3	↗	5:	*10.4	↑	6:	*10.6	↖	7:	9.9	↖	8:	10.0	↘	9:	10.1	↘	10:	*10.5	→	Serie		102.7	Total		102.7
21:	10.1	↗																																																					
22:	*10.6	↗																																																					
23:	9.7	↘																																																					
24:	*10.6	↖																																																					
Serie		41.0																																																					
Total		0.0																																																					
1:	*10.2	↑																																																					
2:	*10.5	↑																																																					
3:	*10.2	↘																																																					
4:	*10.3	↗																																																					
5:	*10.4	↑																																																					
6:	*10.6	↖																																																					
7:	9.9	↖																																																					
8:	10.0	↘																																																					
9:	10.1	↘																																																					
10:	*10.5	→																																																					
Serie		102.7																																																					
Total		102.7																																																					

<p>40 Skott</p>  <table border="1" style="width:100%; border-collapse: collapse;"> <tr><td>11:</td><td>*10.6</td><td>→</td></tr> <tr><td>12:</td><td>10.0</td><td>←</td></tr> <tr><td>13:</td><td>*10.5</td><td>↓</td></tr> <tr><td>14:</td><td>*10.6</td><td>↓</td></tr> <tr><td>15:</td><td>*10.9</td><td>↑</td></tr> <tr><td>16:</td><td>9.9</td><td>←</td></tr> <tr><td>17:</td><td>*10.5</td><td>←</td></tr> <tr><td>18:</td><td>*10.2</td><td>→</td></tr> <tr><td>19:</td><td>*10.4</td><td>↗</td></tr> <tr><td>20:</td><td>*10.6</td><td>↗</td></tr> <tr><td colspan="2">Serie</td><td>104.2</td></tr> <tr><td colspan="2">Total</td><td>206.9</td></tr> </table>	11:	*10.6	→	12:	10.0	←	13:	*10.5	↓	14:	*10.6	↓	15:	*10.9	↑	16:	9.9	←	17:	*10.5	←	18:	*10.2	→	19:	*10.4	↗	20:	*10.6	↗	Serie		104.2	Total		206.9	<p>40 Skott</p>  <table border="1" style="width:100%; border-collapse: collapse;"> <tr><td>21:</td><td>*10.4</td><td>↖</td></tr> <tr><td>22:</td><td>*10.3</td><td>↘</td></tr> <tr><td>23:</td><td>*10.6</td><td>↘</td></tr> <tr><td>24:</td><td>10.0</td><td>→</td></tr> <tr><td>25:</td><td>10.0</td><td>↗</td></tr> <tr><td>26:</td><td>*10.4</td><td>↘</td></tr> <tr><td>27:</td><td>*10.6</td><td>↑</td></tr> <tr><td>28:</td><td>*10.3</td><td>↘</td></tr> <tr><td>29:</td><td>10.0</td><td>↘</td></tr> <tr><td>30:</td><td>10.0</td><td>→</td></tr> <tr><td colspan="2">Serie</td><td>102.6</td></tr> <tr><td colspan="2">Total</td><td>309.5</td></tr> </table>	21:	*10.4	↖	22:	*10.3	↘	23:	*10.6	↘	24:	10.0	→	25:	10.0	↗	26:	*10.4	↘	27:	*10.6	↑	28:	*10.3	↘	29:	10.0	↘	30:	10.0	→	Serie		102.6	Total		309.5
11:	*10.6	→																																																																							
12:	10.0	←																																																																							
13:	*10.5	↓																																																																							
14:	*10.6	↓																																																																							
15:	*10.9	↑																																																																							
16:	9.9	←																																																																							
17:	*10.5	←																																																																							
18:	*10.2	→																																																																							
19:	*10.4	↗																																																																							
20:	*10.6	↗																																																																							
Serie		104.2																																																																							
Total		206.9																																																																							
21:	*10.4	↖																																																																							
22:	*10.3	↘																																																																							
23:	*10.6	↘																																																																							
24:	10.0	→																																																																							
25:	10.0	↗																																																																							
26:	*10.4	↘																																																																							
27:	*10.6	↑																																																																							
28:	*10.3	↘																																																																							
29:	10.0	↘																																																																							
30:	10.0	→																																																																							
Serie		102.6																																																																							
Total		309.5																																																																							

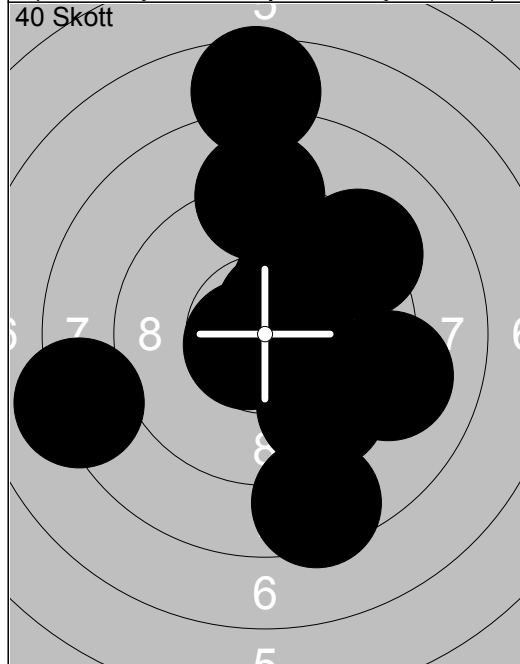
<p>40 Skott</p>  <table border="1" style="width:100%; border-collapse: collapse;"> <tr><td>31:</td><td>*10.6</td><td>←</td></tr> <tr><td>32:</td><td>*10.2</td><td>↓</td></tr> <tr><td>33:</td><td>*10.3</td><td>←</td></tr> <tr><td>34:</td><td>*10.7</td><td>↑</td></tr> <tr><td>35:</td><td>*10.3</td><td>←</td></tr> <tr><td>36:</td><td>*10.8</td><td>↘</td></tr> <tr><td>37:</td><td>*10.3</td><td>↘</td></tr> <tr><td>38:</td><td>*10.6</td><td>↖</td></tr> <tr><td>39:</td><td>*10.3</td><td>↖</td></tr> <tr><td>40:</td><td>9.9</td><td>←</td></tr> <tr><td colspan="2">Serie</td><td>104.0</td></tr> <tr><td colspan="2">Total</td><td>413.5</td></tr> </table>	31:	*10.6	←	32:	*10.2	↓	33:	*10.3	←	34:	*10.7	↑	35:	*10.3	←	36:	*10.8	↘	37:	*10.3	↘	38:	*10.6	↖	39:	*10.3	↖	40:	9.9	←	Serie		104.0	Total		413.5	
31:	*10.6	←																																			
32:	*10.2	↓																																			
33:	*10.3	←																																			
34:	*10.7	↑																																			
35:	*10.3	←																																			
36:	*10.8	↘																																			
37:	*10.3	↘																																			
38:	*10.6	↖																																			
39:	*10.3	↖																																			
40:	9.9	←																																			
Serie		104.0																																			
Total		413.5																																			



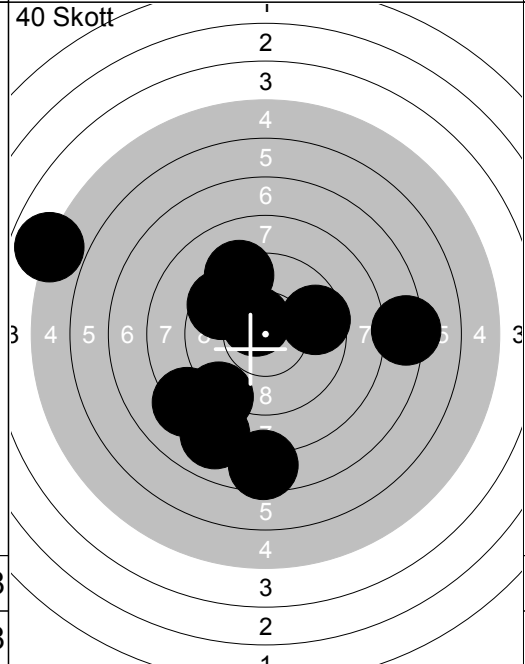
1:	9.3	↘
2:	9.8	↑
3:	8.4	→
4:	6.7	→
5:	8.4	↖
6:	9.8	↑
7:	8.9	→
8:	9.4	←
9:	9.8	↘
10:	10.1	↗
Serie		90.6
Total		0.0



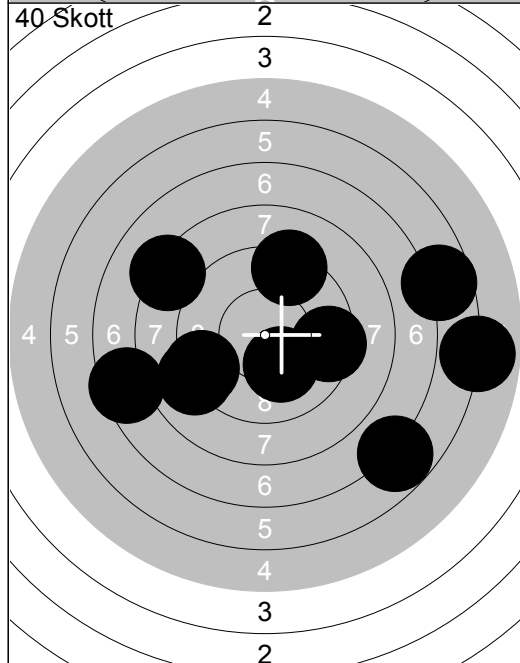
11:	9.6	↑
12:	9.2	↖
13:	8.4	↖
14:	3.9	↙
15:	9.7	↘
16:	9.2	↙
17:	9.8	↖
Serie		59.8
Total		0.0



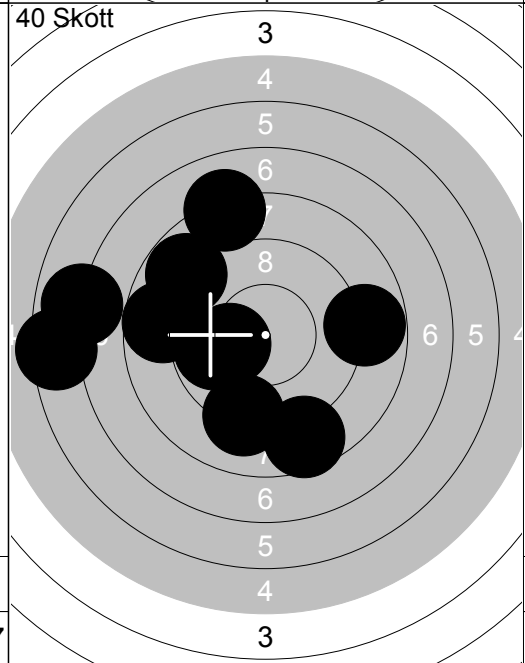
1:	9.1	→
2:	9.2	↗
3:	8.5	↘
4:	9.7	↘
5:	8.2	←
6:	9.0	↑
7:	*10.2	↗
8:	*10.6	↗
9:	*10.7	↙
10:	7.6	↑
Serie		92.8
Total		92.8



11:	4.9	↙
12:	*10.5	↖
13:	9.6	↖
14:	9.6	→
15:	8.0	↘
16:	7.5	↘
17:	8.2	↙
18:	8.9	↘
19:	9.3	↑
20:	7.3	→
Serie		83.8
Total		176.6



21:	9.4	→
22:	5.9	→
23:	9.3	↑
24:	8.2	↖
25:	9.0	←
26:	7.5	←
27:	6.6	→
28:	*10.2	↘
29:	6.8	↘
30:	9.2	←
Serie		82.1
Total		258.7



31:	8.6	↘
32:	6.4	←
33:	6.9	←
34:	8.8	→
35:	8.8	↖
36:	9.8	←
37:	*10.2	↙
38:	8.1	↑
39:	8.7	←
40:	9.1	↘
Serie		85.4
Total		344.1

<p>Pröv</p>	<p>1: *10.5 → 2: *10.3 ← 3: 9.5 ↗ 4: *10.7 ↓ 5: *10.3 ← 6: *10.5 ↗ 7: 9.8 ↗ 8: *10.6 ↗ 9: *10.4 ↗ 10: 9.8 ↗</p> <p>Serie 102.4 Total 0.0</p>	<p>Pröv</p>	<p>11: 9.0 ↑ 12: *10.5 ↓</p> <p>Serie 19.5 Total 0.0</p>
<p>60 Skott</p>	<p>1: 9.8 ↗ 2: *10.2 ↗ 3: 8.0 ↗ 4: 9.9 ↗ 5: 9.6 ↓ 6: 9.7 ↗ 7: *10.9 ↓ 8: *10.4 ↑ 9: *10.4 ↓ 10: 9.9 ←</p> <p>Serie 98.8 Total 98.8</p>	<p>60 Skott</p>	<p>11: *10.3 ↑ 12: 10.0 ↗ 13: *10.6 ↑ 14: *10.6 ← 15: *10.2 ↑ 16: 10.0 → 17: 9.9 → 18: 9.6 ↗ 19: *10.4 ↓ 20: *10.3 ↙</p> <p>Serie 101.9 Total 200.7</p>
<p>60 Skott</p>	<p>21: *10.8 ↗ 22: 9.9 ← 23: *10.5 ↓ 24: *10.7 ← 25: 9.4 ↗ 26: 10.0 ↓ 27: *10.2 ↓ 28: 9.8 → 29: *10.3 ↗ 30: *10.4 ↓</p> <p>Serie 102.0 Total 302.7</p>	<p>60 Skott</p>	<p>31: 10.0 ← 32: *10.6 ↓ 33: 10.1 ↑ 34: 9.7 ↓ 35: *10.2 ← 36: 9.8 ↗ 37: 10.1 ← 38: *10.2 ← 39: *10.5 ↙ 40: *10.5 →</p> <p>Serie 101.7 Total 404.4</p>
<p>60 Skott</p>	<p>41: 10.1 ↗ 42: 9.9 ↙ 43: 9.9 → 44: 9.1 → 45: 9.7 → 46: 10.1 → 47: *10.2 ↗ 48: *10.4 ↙ 49: 10.0 ↙ 50: *10.3 ↗</p> <p>Serie 99.7 Total 504.1</p>	<p>60 Skott</p>	<p>51: *10.3 ↗ 52: *10.2 ← 53: 9.9 ↓ 54: *10.2 → 55: 9.8 ↑ 56: 9.8 ↓ 57: 9.1 ← 58: 10.1 ↑ 59: 9.6 ↓ 60: *10.7 ↙</p> <p>Serie 99.7 Total 603.8</p>

<p>Pröv</p>	<table border="1" style="width:100%; border-collapse: collapse;"> <tr><td>1:</td><td>9.3</td><td>←</td></tr> <tr><td>2:</td><td>9.7</td><td>↘</td></tr> <tr><td>3:</td><td>10.0</td><td>↗</td></tr> <tr><td>4:</td><td>10.0</td><td>↙</td></tr> <tr><td>5:</td><td>8.6</td><td>↗</td></tr> <tr><td>6:</td><td>*10.2</td><td>→</td></tr> <tr><td>7:</td><td>9.2</td><td>↗</td></tr> <tr><td>8:</td><td>*10.3</td><td>↗</td></tr> <tr><td>9:</td><td>10.1</td><td>↗</td></tr> <tr><td>10:</td><td>*10.2</td><td>↘</td></tr> <tr><td colspan="2">Serie</td><td>97.6</td></tr> <tr><td colspan="2">Total</td><td>0.0</td></tr> </table>	1:	9.3	←	2:	9.7	↘	3:	10.0	↗	4:	10.0	↙	5:	8.6	↗	6:	*10.2	→	7:	9.2	↗	8:	*10.3	↗	9:	10.1	↗	10:	*10.2	↘	Serie		97.6	Total		0.0	<p>Pröv</p>	<table border="1" style="width:100%; border-collapse: collapse;"> <tr><td>11:</td><td>*10.3</td><td>↘</td></tr> <tr><td>12:</td><td>9.6</td><td>↗</td></tr> <tr><td>13:</td><td>9.7</td><td>↗</td></tr> <tr><td>14:</td><td>9.9</td><td>↙</td></tr> <tr><td>15:</td><td>*10.4</td><td>↗</td></tr> <tr><td>16:</td><td>*10.6</td><td>→</td></tr> <tr><td>17:</td><td>*10.6</td><td>↗</td></tr> <tr><td>18:</td><td>*10.3</td><td>↗</td></tr> <tr><td>19:</td><td>*10.3</td><td>↑</td></tr> <tr><td>20:</td><td>*10.6</td><td>↘</td></tr> <tr><td colspan="2">Serie</td><td>102.3</td></tr> <tr><td colspan="2">Total</td><td>0.0</td></tr> </table>	11:	*10.3	↘	12:	9.6	↗	13:	9.7	↗	14:	9.9	↙	15:	*10.4	↗	16:	*10.6	→	17:	*10.6	↗	18:	*10.3	↗	19:	*10.3	↑	20:	*10.6	↘	Serie		102.3	Total		0.0
1:	9.3	←																																																																									
2:	9.7	↘																																																																									
3:	10.0	↗																																																																									
4:	10.0	↙																																																																									
5:	8.6	↗																																																																									
6:	*10.2	→																																																																									
7:	9.2	↗																																																																									
8:	*10.3	↗																																																																									
9:	10.1	↗																																																																									
10:	*10.2	↘																																																																									
Serie		97.6																																																																									
Total		0.0																																																																									
11:	*10.3	↘																																																																									
12:	9.6	↗																																																																									
13:	9.7	↗																																																																									
14:	9.9	↙																																																																									
15:	*10.4	↗																																																																									
16:	*10.6	→																																																																									
17:	*10.6	↗																																																																									
18:	*10.3	↗																																																																									
19:	*10.3	↑																																																																									
20:	*10.6	↘																																																																									
Serie		102.3																																																																									
Total		0.0																																																																									

<p>60 Skott</p>	<table border="1" style="width:100%; border-collapse: collapse;"> <tr><td>1:</td><td>10.0</td><td>↗</td></tr> <tr><td>2:</td><td>9.5</td><td>↙</td></tr> <tr><td>3:</td><td>9.7</td><td>↗</td></tr> <tr><td>4:</td><td>*10.6</td><td>↘</td></tr> <tr><td>5:</td><td>*10.3</td><td>↙</td></tr> <tr><td>6:</td><td>*10.3</td><td>↘</td></tr> <tr><td>7:</td><td>*10.2</td><td>↙</td></tr> <tr><td>8:</td><td>10.1</td><td>↗</td></tr> <tr><td>9:</td><td>10.1</td><td>→</td></tr> <tr><td>10:</td><td>10.0</td><td>↘</td></tr> <tr><td colspan="2">Serie</td><td>100.8</td></tr> <tr><td colspan="2">Total</td><td>100.8</td></tr> </table>	1:	10.0	↗	2:	9.5	↙	3:	9.7	↗	4:	*10.6	↘	5:	*10.3	↙	6:	*10.3	↘	7:	*10.2	↙	8:	10.1	↗	9:	10.1	→	10:	10.0	↘	Serie		100.8	Total		100.8	<p>60 Skott</p>	<table border="1" style="width:100%; border-collapse: collapse;"> <tr><td>11:</td><td>9.6</td><td>↙</td></tr> <tr><td>12:</td><td>10.0</td><td>↘</td></tr> <tr><td>13:</td><td>9.8</td><td>↘</td></tr> <tr><td>14:</td><td>9.8</td><td>↗</td></tr> <tr><td>15:</td><td>*10.2</td><td>↗</td></tr> <tr><td>16:</td><td>9.6</td><td>↙</td></tr> <tr><td>17:</td><td>9.0</td><td>↗</td></tr> <tr><td>18:</td><td>8.6</td><td>↗</td></tr> <tr><td>19:</td><td>*10.8</td><td>↘</td></tr> <tr><td>20:</td><td>9.6</td><td>→</td></tr> <tr><td colspan="2">Serie</td><td>97.0</td></tr> <tr><td colspan="2">Total</td><td>197.8</td></tr> </table>	11:	9.6	↙	12:	10.0	↘	13:	9.8	↘	14:	9.8	↗	15:	*10.2	↗	16:	9.6	↙	17:	9.0	↗	18:	8.6	↗	19:	*10.8	↘	20:	9.6	→	Serie		97.0	Total		197.8
1:	10.0	↗																																																																									
2:	9.5	↙																																																																									
3:	9.7	↗																																																																									
4:	*10.6	↘																																																																									
5:	*10.3	↙																																																																									
6:	*10.3	↘																																																																									
7:	*10.2	↙																																																																									
8:	10.1	↗																																																																									
9:	10.1	→																																																																									
10:	10.0	↘																																																																									
Serie		100.8																																																																									
Total		100.8																																																																									
11:	9.6	↙																																																																									
12:	10.0	↘																																																																									
13:	9.8	↘																																																																									
14:	9.8	↗																																																																									
15:	*10.2	↗																																																																									
16:	9.6	↙																																																																									
17:	9.0	↗																																																																									
18:	8.6	↗																																																																									
19:	*10.8	↘																																																																									
20:	9.6	→																																																																									
Serie		97.0																																																																									
Total		197.8																																																																									

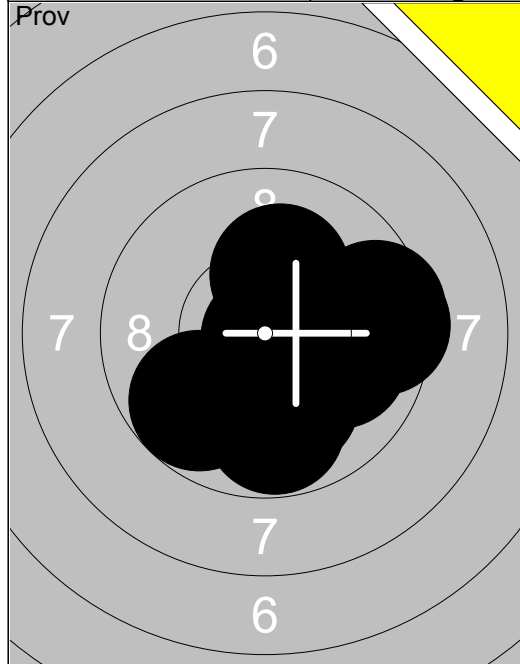
<p>60 Skott</p>	<table border="1" style="width:100%; border-collapse: collapse;"> <tr><td>21:</td><td>9.8</td><td>↗</td></tr> <tr><td>22:</td><td>*10.6</td><td>↘</td></tr> <tr><td>23:</td><td>9.0</td><td>↗</td></tr> <tr><td>24:</td><td>9.0</td><td>↘</td></tr> <tr><td>25:</td><td>*10.5</td><td>↘</td></tr> <tr><td>26:</td><td>9.8</td><td>↘</td></tr> <tr><td>27:</td><td>*10.5</td><td>↘</td></tr> <tr><td>28:</td><td>9.0</td><td>↗</td></tr> <tr><td>29:</td><td>9.7</td><td>↗</td></tr> <tr><td>30:</td><td>*10.6</td><td>↑</td></tr> <tr><td colspan="2">Serie</td><td>98.5</td></tr> <tr><td colspan="2">Total</td><td>296.3</td></tr> </table>	21:	9.8	↗	22:	*10.6	↘	23:	9.0	↗	24:	9.0	↘	25:	*10.5	↘	26:	9.8	↘	27:	*10.5	↘	28:	9.0	↗	29:	9.7	↗	30:	*10.6	↑	Serie		98.5	Total		296.3	<p>60 Skott</p>	<table border="1" style="width:100%; border-collapse: collapse;"> <tr><td>31:</td><td>*10.5</td><td>↙</td></tr> <tr><td>32:</td><td>10.1</td><td>↘</td></tr> <tr><td>33:</td><td>9.4</td><td>↙</td></tr> <tr><td>34:</td><td>10.0</td><td>↘</td></tr> <tr><td>35:</td><td>9.9</td><td>↑</td></tr> <tr><td>36:</td><td>*10.4</td><td>↘</td></tr> <tr><td>37:</td><td>*10.2</td><td>↗</td></tr> <tr><td>38:</td><td>*10.5</td><td>↗</td></tr> <tr><td>39:</td><td>9.7</td><td>↗</td></tr> <tr><td>40:</td><td>*10.5</td><td>↙</td></tr> <tr><td colspan="2">Serie</td><td>101.2</td></tr> <tr><td colspan="2">Total</td><td>397.5</td></tr> </table>	31:	*10.5	↙	32:	10.1	↘	33:	9.4	↙	34:	10.0	↘	35:	9.9	↑	36:	*10.4	↘	37:	*10.2	↗	38:	*10.5	↗	39:	9.7	↗	40:	*10.5	↙	Serie		101.2	Total		397.5
21:	9.8	↗																																																																									
22:	*10.6	↘																																																																									
23:	9.0	↗																																																																									
24:	9.0	↘																																																																									
25:	*10.5	↘																																																																									
26:	9.8	↘																																																																									
27:	*10.5	↘																																																																									
28:	9.0	↗																																																																									
29:	9.7	↗																																																																									
30:	*10.6	↑																																																																									
Serie		98.5																																																																									
Total		296.3																																																																									
31:	*10.5	↙																																																																									
32:	10.1	↘																																																																									
33:	9.4	↙																																																																									
34:	10.0	↘																																																																									
35:	9.9	↑																																																																									
36:	*10.4	↘																																																																									
37:	*10.2	↗																																																																									
38:	*10.5	↗																																																																									
39:	9.7	↗																																																																									
40:	*10.5	↙																																																																									
Serie		101.2																																																																									
Total		397.5																																																																									

<p>60 Skott</p>	<table border="1" style="width:100%; border-collapse: collapse;"> <tr><td>41:</td><td>9.9</td><td>↙</td></tr> <tr><td>42:</td><td>9.9</td><td>↘</td></tr> <tr><td>43:</td><td>*10.5</td><td>↙</td></tr> <tr><td>44:</td><td>*10.3</td><td>↗</td></tr> <tr><td>45:</td><td>*10.5</td><td>↗</td></tr> <tr><td>46:</td><td>9.3</td><td>↘</td></tr> <tr><td>47:</td><td>9.7</td><td>↗</td></tr> <tr><td>48:</td><td>*10.3</td><td>↗</td></tr> <tr><td>49:</td><td>10.0</td><td>↗</td></tr> <tr><td>50:</td><td>10.1</td><td>↑</td></tr> <tr><td colspan="2">Serie</td><td>100.5</td></tr> <tr><td colspan="2">Total</td><td>498.0</td></tr> </table>	41:	9.9	↙	42:	9.9	↘	43:	*10.5	↙	44:	*10.3	↗	45:	*10.5	↗	46:	9.3	↘	47:	9.7	↗	48:	*10.3	↗	49:	10.0	↗	50:	10.1	↑	Serie		100.5	Total		498.0	<p>60 Skott</p>	<table border="1" style="width:100%; border-collapse: collapse;"> <tr><td>51:</td><td>*10.7</td><td>↙</td></tr> <tr><td>52:</td><td>10.1</td><td>↑</td></tr> <tr><td>53:</td><td>8.5</td><td>↗</td></tr> <tr><td>54:</td><td>*10.3</td><td>↗</td></tr> <tr><td>55:</td><td>9.7</td><td>↗</td></tr> <tr><td>56:</td><td>8.1</td><td>↗</td></tr> <tr><td>57:</td><td>9.6</td><td>↑</td></tr> <tr><td>58:</td><td>*10.4</td><td>↘</td></tr> <tr><td>59:</td><td>*10.6</td><td>↑</td></tr> <tr><td>60:</td><td>*10.6</td><td>↙</td></tr> <tr><td colspan="2">Serie</td><td>98.6</td></tr> <tr><td colspan="2">Total</td><td>596.6</td></tr> </table>	51:	*10.7	↙	52:	10.1	↑	53:	8.5	↗	54:	*10.3	↗	55:	9.7	↗	56:	8.1	↗	57:	9.6	↑	58:	*10.4	↘	59:	*10.6	↑	60:	*10.6	↙	Serie		98.6	Total		596.6
41:	9.9	↙																																																																									
42:	9.9	↘																																																																									
43:	*10.5	↙																																																																									
44:	*10.3	↗																																																																									
45:	*10.5	↗																																																																									
46:	9.3	↘																																																																									
47:	9.7	↗																																																																									
48:	*10.3	↗																																																																									
49:	10.0	↗																																																																									
50:	10.1	↑																																																																									
Serie		100.5																																																																									
Total		498.0																																																																									
51:	*10.7	↙																																																																									
52:	10.1	↑																																																																									
53:	8.5	↗																																																																									
54:	*10.3	↗																																																																									
55:	9.7	↗																																																																									
56:	8.1	↗																																																																									
57:	9.6	↑																																																																									
58:	*10.4	↘																																																																									
59:	*10.6	↑																																																																									
60:	*10.6	↙																																																																									
Serie		98.6																																																																									
Total		596.6																																																																									

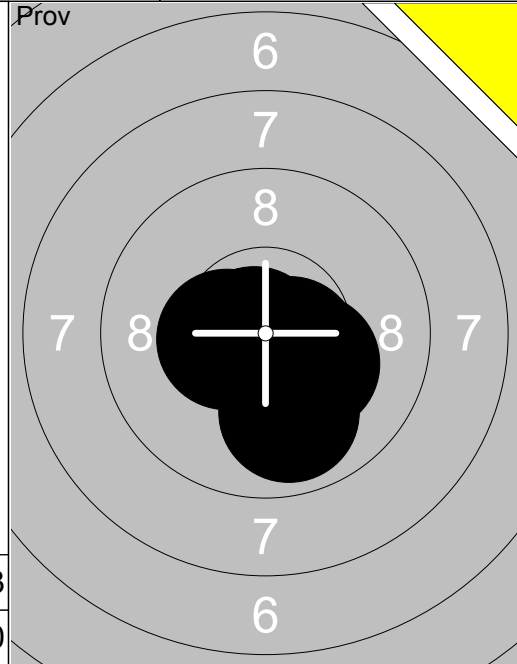
Prov 	1: 8.7 ↑ 2: 8.5 ↗ 3: 9.6 ↓ 4: 9.6 ↗ 5: 10.1 ← 6: 8.4 ← 7: 9.8 ← 8: 9.5 ↘ 9: 10.0 ← 10: 10.1 ↓ <hr/> Serie 94.3 Total 0.0	Prov 	11: 8.5 ← 12: 9.8 ← 13: *10.2 ↓ 14: 10.0 ↗ 15: 10.1 ↗ 16: *10.3 ↗ 17: 9.3 ← 18: 9.9 ← <hr/> Serie 78.1 Total 0.0
----------	-----------------------------------------------------------------------------------------------------------------------------------------------------------	----------	---------------------------------------------------------------------------------------------------------------------------------------------

40 Skott 	1: 10.0 ↑ 2: *10.9 ↘ 3: 9.4 → 4: *10.5 ↘ 5: 9.6 → 6: *10.6 ↘ 7: 9.3 ↓ 8: 7.6 ← 9: 8.9 ↓ 10: 9.0 ↓ <hr/> Serie 95.8 Total 95.8	40 Skott 	11: 10.1 ↘ 12: 9.8 → 13: 7.9 ← 14: 9.5 ↗ 15: 9.6 ↗ 16: *10.2 ↗ 17: *10.4 ↗ 18: *10.3 ↓ 19: 9.1 ↘ 20: *10.4 ↘ <hr/> Serie 97.3 Total 193.1
--------------	----------------------------------------------------------------------------------------------------------------------------------------------------------------	--------------	----------------------------------------------------------------------------------------------------------------------------------------------------------------------------

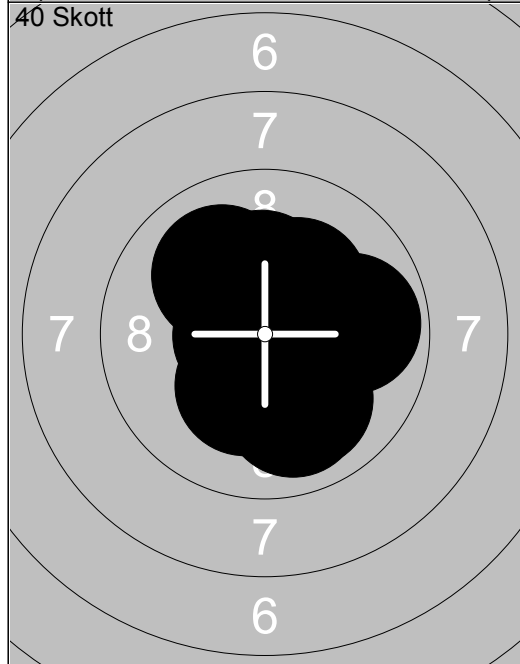
40 Skott 	21: 8.6 ↘ 22: 9.0 ← 23: *10.5 ↘ 24: 8.6 ↘ 25: *10.6 ↘ 26: *10.8 ↘ 27: *10.4 ↘ 28: 9.2 ← 29: 9.6 ↗ 30: *10.6 ↓ <hr/> Serie 97.9 Total 291.0	40 Skott 	31: *10.4 ↓ 32: 8.2 ← 33: 9.3 ↗ 34: 9.7 ↓ 35: 10.0 ↘ 36: 8.4 ↘ 37: *10.2 ↗ 38: 9.8 ↗ 39: 10.1 → 40: *10.5 → <hr/> Serie 96.6 Total 387.6
--------------	-----------------------------------------------------------------------------------------------------------------------------------------------------------------------------	--------------	---------------------------------------------------------------------------------------------------------------------------------------------------------------------------



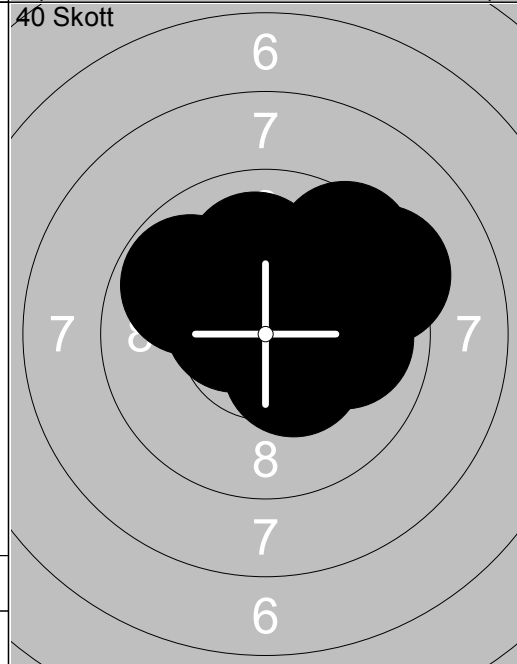
1:	*10.2 ↗
2:	9.5 →
3:	9.8 ↙
4:	*10.9 ↘
5:	10.0 ↓
6:	10.0 →
7:	*10.6 ↓
8:	9.5 →
9:	9.8 ↓
10:	10.0 →
Serie 100.3	
Total 0.0	



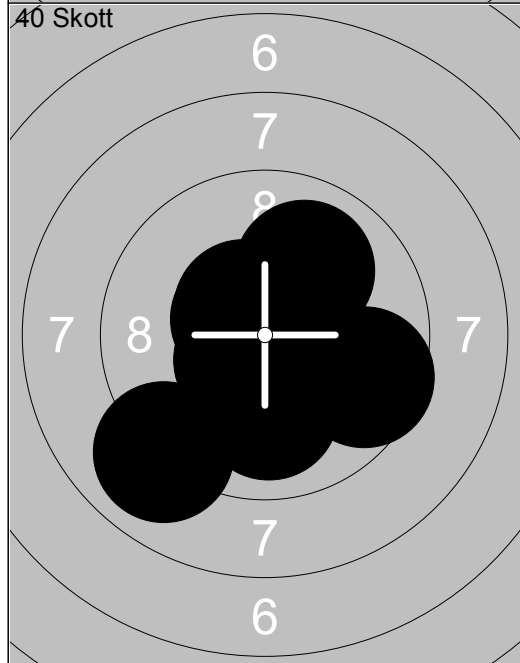
11:	*10.4 ↘
12:	9.9 ↓
13:	*10.6 ↘
14:	*10.8 ↙
15:	*10.3 ↘
16:	*10.5 ↙
Serie 62.5	
Total 0.0	



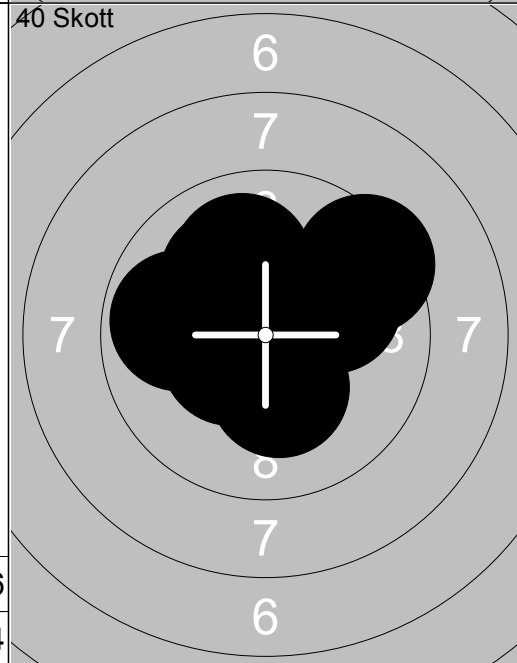
1:	*10.2 ↘
2:	*10.2 ↗
3:	10.0 ↓
4:	*10.5 ↗
5:	10.0 ↖
6:	*10.7 ↙
7:	9.8 →
8:	*10.4 ↗
9:	10.0 ↓
10:	*10.3 ↗
Serie 102.1	
Total 102.1	



11:	*10.7 →
12:	10.0 →
13:	9.8 ↖
14:	*10.4 ↘
15:	10.1 →
16:	9.5 ↗
17:	*10.5 ↙
18:	9.3 ↗
19:	10.0 ↗
20:	*10.4 ↗
Serie 100.7	
Total 202.8	



21:	*10.6 →
22:	10.0 ↗
23:	*10.5 ↘
24:	*10.5 ↙
25:	9.6 →
26:	9.0 ↙
27:	10.0 ↓
28:	*10.6 ↘
29:	*10.2 ↘
30:	*10.6 ↙
Serie 101.6	
Total 304.4	



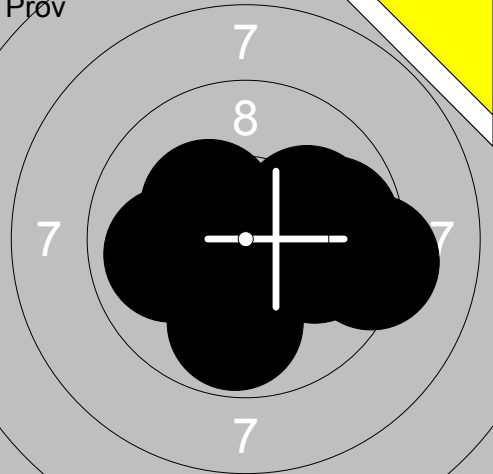
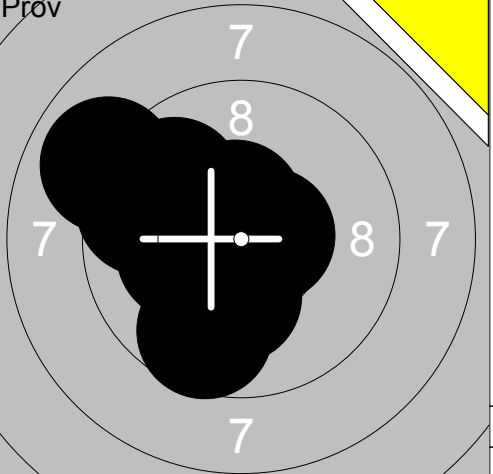
31:	10.0 ↗
32:	9.8 ↙
33:	*10.7 ↗
34:	*10.5 ↙
35:	*10.3 ↙
36:	*10.3 ↓
37:	10.0 ↗
38:	*10.4 ↙
39:	10.1 ↖
40:	9.4 ↗
Serie 101.5	
Total 405.9	

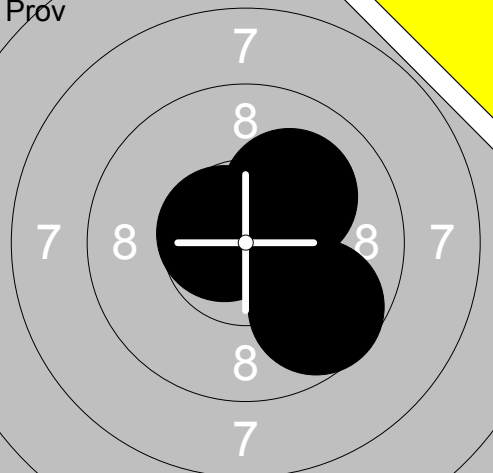
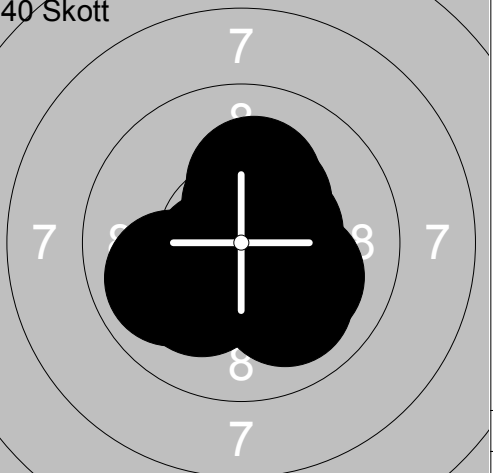
<p>Pröv</p>	<p>1: 8.8 ↘ 2: 9.8 ↗ 3: *10.2 ↓ 4: 9.6 ↗ 5: 9.3 ↗ 6: 10.1 ↗ 7: *10.5 ↓ 8: 10.1 ↗ 9: 9.9 ↗ 10: *10.4 ↗</p> <p>Serie 94.0 Total 0.0</p>	<p>Pröv</p>	<p>11: *10.5 ↙ 12: *10.5 ↓ 13: 10.1 ↘ 14: 9.8 ↙ 15: 9.1 ↙ 16: 9.3 ↘ 17: 9.4 ↙ 18: 9.0 ↙ 19: *10.4 ↘ 20: 9.5 ↘</p> <p>Serie 94.0 Total 0.0</p>
-------------	----------------------------------------------------------------------------------------------------------------------------------------------------------------------------------------------------------------------------------------------------------------------------------------------------------------------------------------	-------------	------------------------------------------------------------------------------------------------------------------------------------------------------------------------------------------------------------------------------------------------------------------------------------------------------------------------------------------------

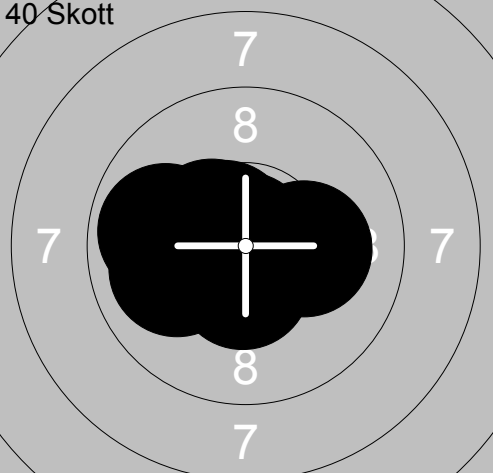
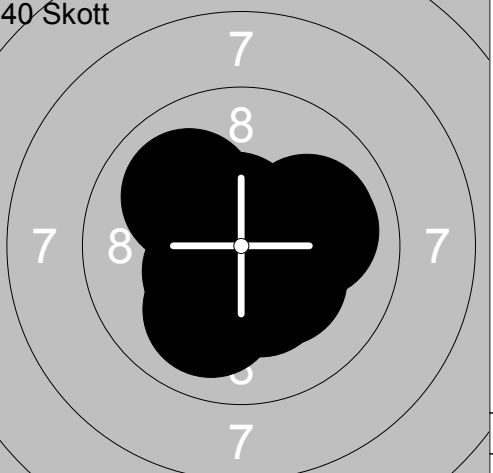
<p>Pröv</p>	<p>21: 9.4 ↘ 22: 9.9 ↘</p> <p>Serie 18.0 Total 0.0</p>	<p>40 Skott</p>	<p>1: *10.3 ← 2: 9.0 ↓ 3: *10.3 ↓ 4: *10.6 ↓ 5: 10.0 ↘ 6: 9.7 → 7: 9.4 ↓ 8: *10.2 ↓ 9: *10.2 ← 10: 9.8 ←</p> <p>Serie 96.0 Total 96.0</p>
-------------	----------------------------------------------------------------	-----------------	--------------------------------------------------------------------------------------------------------------------------------------------------------------------------------------------------------------------------------------------------------------------------------------------------------------------------------------------

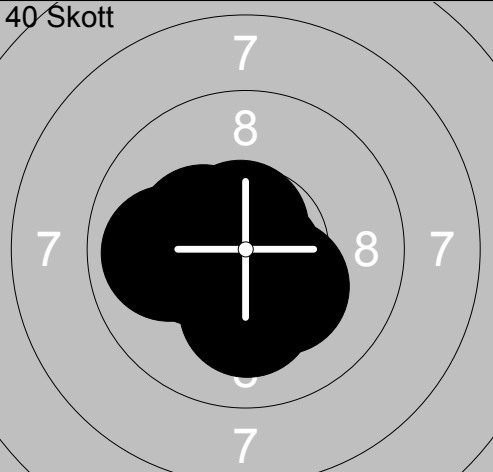
<p>40 Skott</p>	<p>11: 9.8 → 12: 10.0 ↓ 13: 10.0 ↓ 14: *10.3 ↗ 15: 9.0 ← 16: 9.9 ↗ 17: *10.2 ↓ 18: *10.2 ↗ 19: *10.3 → 20: 9.8 ↙</p> <p>Serie 96.0 Total 192.0</p>	<p>40 Skott</p>	<p>21: 8.9 ↗ 22: 9.4 ↗ 23: *10.5 ↙ 24: *10.4 ← 25: *10.6 ← 26: 9.3 ← 27: 9.7 ↓ 28: *10.4 ↓ 29: *10.2 ↓ 30: *10.4 ↙</p> <p>Serie 95.0 Total 287.0</p>
-----------------	-----------------------------------------------------------------------------------------------------------------------------------------------------------------------------------------------------------------------------------------------------------------------------------------------------------------------------------------------------	-----------------	-------------------------------------------------------------------------------------------------------------------------------------------------------------------------------------------------------------------------------------------------------------------------------------------------------------------------------------------------------

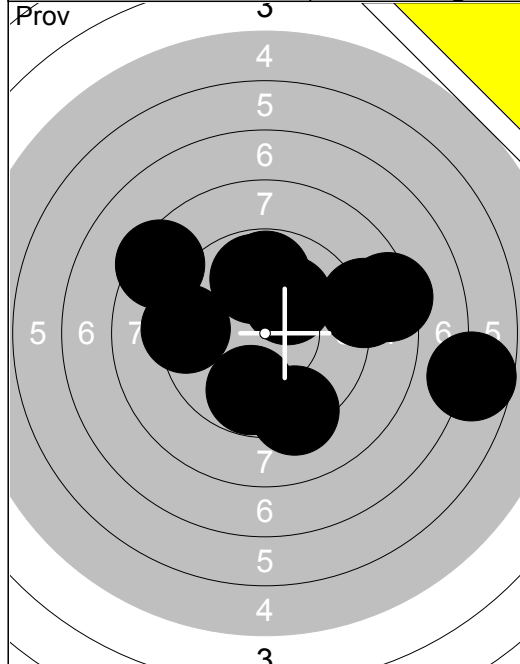
<p>40 Skott</p>	<p>31: *10.9 ↑ 32: 9.8 ↓ 33: 9.2 → 34: *10.6 ↓ 35: 9.4 ↓ 36: 9.9 ↓ 37: 9.6 ↓ 38: *10.5 ↑ 39: 10.0 ↓ 40: 8.8 ↙</p> <p>Serie 93.0 Total 380.0</p>		
-----------------	--------------------------------------------------------------------------------------------------------------------------------------------------------------------------------------------------------------------------------------------------------------------------------------------------------------------------------------------------	--	--

<p>Pröv</p> 	<table border="1" style="width:100%; border-collapse: collapse;"> <tr><td>1:</td><td>10.0</td><td>→</td></tr> <tr><td>2:</td><td>*10.3</td><td>→</td></tr> <tr><td>3:</td><td>10.0</td><td>←</td></tr> <tr><td>4:</td><td>*10.3</td><td>↗</td></tr> <tr><td>5:</td><td>9.3</td><td>→</td></tr> <tr><td>6:</td><td>*10.4</td><td>↘</td></tr> <tr><td>7:</td><td>9.8</td><td>→</td></tr> <tr><td>8:</td><td>10.1</td><td>↗</td></tr> <tr><td>9:</td><td>*10.6</td><td>→</td></tr> <tr><td>10:</td><td>9.8</td><td>↓</td></tr> <tr><td colspan="2">Serie</td><td>97.0</td></tr> <tr><td colspan="2">Total</td><td>0.0</td></tr> </table>	1:	10.0	→	2:	*10.3	→	3:	10.0	←	4:	*10.3	↗	5:	9.3	→	6:	*10.4	↘	7:	9.8	→	8:	10.1	↗	9:	*10.6	→	10:	9.8	↓	Serie		97.0	Total		0.0	<p>Pröv</p>  <table border="1" style="width:100%; border-collapse: collapse;"> <tr><td>11:</td><td>8.9</td><td>↖</td></tr> <tr><td>12:</td><td>9.8</td><td>↗</td></tr> <tr><td>13:</td><td>*10.2</td><td>↓</td></tr> <tr><td>14:</td><td>*10.3</td><td>↘</td></tr> <tr><td>15:</td><td>*10.6</td><td>←</td></tr> <tr><td>16:</td><td>9.6</td><td>←</td></tr> <tr><td>17:</td><td>*10.5</td><td>↑</td></tr> <tr><td>18:</td><td>*10.2</td><td>←</td></tr> <tr><td>19:</td><td>9.6</td><td>↘</td></tr> <tr><td>20:</td><td>*10.6</td><td>→</td></tr> <tr><td colspan="2">Serie</td><td>95.0</td></tr> <tr><td colspan="2">Total</td><td>0.0</td></tr> </table>	11:	8.9	↖	12:	9.8	↗	13:	*10.2	↓	14:	*10.3	↘	15:	*10.6	←	16:	9.6	←	17:	*10.5	↑	18:	*10.2	←	19:	9.6	↘	20:	*10.6	→	Serie		95.0	Total		0.0
1:	10.0	→																																																																								
2:	*10.3	→																																																																								
3:	10.0	←																																																																								
4:	*10.3	↗																																																																								
5:	9.3	→																																																																								
6:	*10.4	↘																																																																								
7:	9.8	→																																																																								
8:	10.1	↗																																																																								
9:	*10.6	→																																																																								
10:	9.8	↓																																																																								
Serie		97.0																																																																								
Total		0.0																																																																								
11:	8.9	↖																																																																								
12:	9.8	↗																																																																								
13:	*10.2	↓																																																																								
14:	*10.3	↘																																																																								
15:	*10.6	←																																																																								
16:	9.6	←																																																																								
17:	*10.5	↑																																																																								
18:	*10.2	←																																																																								
19:	9.6	↘																																																																								
20:	*10.6	→																																																																								
Serie		95.0																																																																								
Total		0.0																																																																								

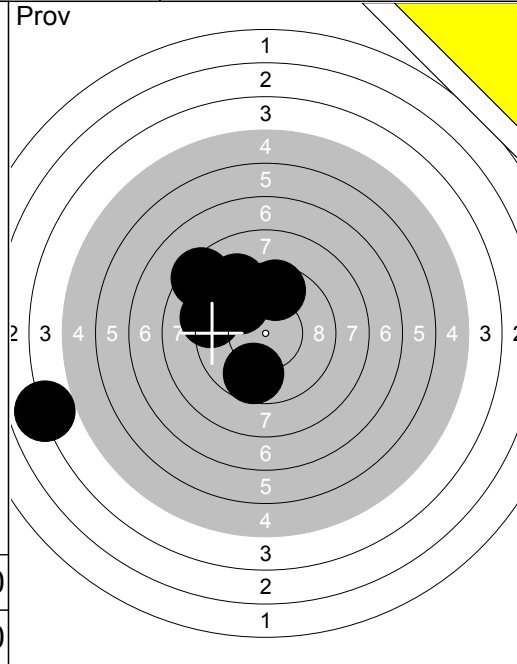
<p>Pröv</p>  <table border="1" style="width:100%; border-collapse: collapse;"> <tr><td>21:</td><td>10.1</td><td>↗</td></tr> <tr><td>22:</td><td>*10.6</td><td>↗</td></tr> <tr><td>23:</td><td>9.7</td><td>↘</td></tr> <tr><td>24:</td><td>*10.6</td><td>←</td></tr> <tr><td colspan="2">Serie</td><td>39.0</td></tr> <tr><td colspan="2">Total</td><td>0.0</td></tr> </table>	21:	10.1	↗	22:	*10.6	↗	23:	9.7	↘	24:	*10.6	←	Serie		39.0	Total		0.0	<p>40 Skott</p>  <table border="1" style="width:100%; border-collapse: collapse;"> <tr><td>1:</td><td>*10.2</td><td>↑</td></tr> <tr><td>2:</td><td>*10.5</td><td>↑</td></tr> <tr><td>3:</td><td>*10.2</td><td>↘</td></tr> <tr><td>4:</td><td>*10.3</td><td>↗</td></tr> <tr><td>5:</td><td>*10.4</td><td>↑</td></tr> <tr><td>6:</td><td>*10.6</td><td>←</td></tr> <tr><td>7:</td><td>9.9</td><td>←</td></tr> <tr><td>8:</td><td>10.0</td><td>↘</td></tr> <tr><td>9:</td><td>10.1</td><td>↘</td></tr> <tr><td>10:</td><td>*10.5</td><td>→</td></tr> <tr><td colspan="2">Serie</td><td>99.0</td></tr> <tr><td colspan="2">Total</td><td>99.0</td></tr> </table>	1:	*10.2	↑	2:	*10.5	↑	3:	*10.2	↘	4:	*10.3	↗	5:	*10.4	↑	6:	*10.6	←	7:	9.9	←	8:	10.0	↘	9:	10.1	↘	10:	*10.5	→	Serie		99.0	Total		99.0
21:	10.1	↗																																																					
22:	*10.6	↗																																																					
23:	9.7	↘																																																					
24:	*10.6	←																																																					
Serie		39.0																																																					
Total		0.0																																																					
1:	*10.2	↑																																																					
2:	*10.5	↑																																																					
3:	*10.2	↘																																																					
4:	*10.3	↗																																																					
5:	*10.4	↑																																																					
6:	*10.6	←																																																					
7:	9.9	←																																																					
8:	10.0	↘																																																					
9:	10.1	↘																																																					
10:	*10.5	→																																																					
Serie		99.0																																																					
Total		99.0																																																					

<p>40 Skott</p>  <table border="1" style="width:100%; border-collapse: collapse;"> <tr><td>11:</td><td>*10.6</td><td>→</td></tr> <tr><td>12:</td><td>10.0</td><td>←</td></tr> <tr><td>13:</td><td>*10.5</td><td>↓</td></tr> <tr><td>14:</td><td>*10.6</td><td>↓</td></tr> <tr><td>15:</td><td>*10.9</td><td>↑</td></tr> <tr><td>16:</td><td>9.9</td><td>←</td></tr> <tr><td>17:</td><td>*10.5</td><td>←</td></tr> <tr><td>18:</td><td>*10.2</td><td>→</td></tr> <tr><td>19:</td><td>*10.4</td><td>↗</td></tr> <tr><td>20:</td><td>*10.6</td><td>↗</td></tr> <tr><td colspan="2">Serie</td><td>99.0</td></tr> <tr><td colspan="2">Total</td><td>198.0</td></tr> </table>	11:	*10.6	→	12:	10.0	←	13:	*10.5	↓	14:	*10.6	↓	15:	*10.9	↑	16:	9.9	←	17:	*10.5	←	18:	*10.2	→	19:	*10.4	↗	20:	*10.6	↗	Serie		99.0	Total		198.0	<p>40 Skott</p>  <table border="1" style="width:100%; border-collapse: collapse;"> <tr><td>21:</td><td>*10.4</td><td>↘</td></tr> <tr><td>22:</td><td>*10.3</td><td>↘</td></tr> <tr><td>23:</td><td>*10.6</td><td>↘</td></tr> <tr><td>24:</td><td>10.0</td><td>→</td></tr> <tr><td>25:</td><td>10.0</td><td>↗</td></tr> <tr><td>26:</td><td>*10.4</td><td>↘</td></tr> <tr><td>27:</td><td>*10.6</td><td>↑</td></tr> <tr><td>28:</td><td>*10.3</td><td>↘</td></tr> <tr><td>29:</td><td>10.0</td><td>↘</td></tr> <tr><td>30:</td><td>10.0</td><td>→</td></tr> <tr><td colspan="2">Serie</td><td>100.0</td></tr> <tr><td colspan="2">Total</td><td>298.0</td></tr> </table>	21:	*10.4	↘	22:	*10.3	↘	23:	*10.6	↘	24:	10.0	→	25:	10.0	↗	26:	*10.4	↘	27:	*10.6	↑	28:	*10.3	↘	29:	10.0	↘	30:	10.0	→	Serie		100.0	Total		298.0
11:	*10.6	→																																																																							
12:	10.0	←																																																																							
13:	*10.5	↓																																																																							
14:	*10.6	↓																																																																							
15:	*10.9	↑																																																																							
16:	9.9	←																																																																							
17:	*10.5	←																																																																							
18:	*10.2	→																																																																							
19:	*10.4	↗																																																																							
20:	*10.6	↗																																																																							
Serie		99.0																																																																							
Total		198.0																																																																							
21:	*10.4	↘																																																																							
22:	*10.3	↘																																																																							
23:	*10.6	↘																																																																							
24:	10.0	→																																																																							
25:	10.0	↗																																																																							
26:	*10.4	↘																																																																							
27:	*10.6	↑																																																																							
28:	*10.3	↘																																																																							
29:	10.0	↘																																																																							
30:	10.0	→																																																																							
Serie		100.0																																																																							
Total		298.0																																																																							

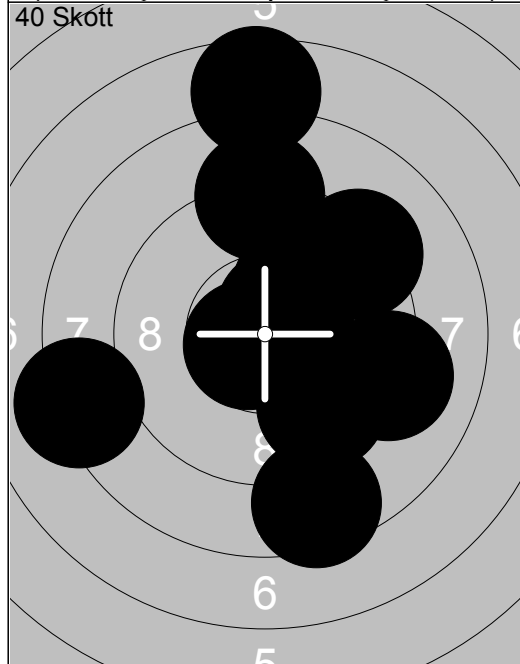
<p>40 Skott</p>  <table border="1" style="width:100%; border-collapse: collapse;"> <tr><td>31:</td><td>*10.6</td><td>←</td></tr> <tr><td>32:</td><td>*10.2</td><td>↓</td></tr> <tr><td>33:</td><td>*10.3</td><td>←</td></tr> <tr><td>34:</td><td>*10.7</td><td>↑</td></tr> <tr><td>35:</td><td>*10.3</td><td>←</td></tr> <tr><td>36:</td><td>*10.8</td><td>↘</td></tr> <tr><td>37:</td><td>*10.3</td><td>↘</td></tr> <tr><td>38:</td><td>*10.6</td><td>←</td></tr> <tr><td>39:</td><td>*10.3</td><td>←</td></tr> <tr><td>40:</td><td>9.9</td><td>←</td></tr> <tr><td colspan="2">Serie</td><td>99.0</td></tr> <tr><td colspan="2">Total</td><td>397.0</td></tr> </table>	31:	*10.6	←	32:	*10.2	↓	33:	*10.3	←	34:	*10.7	↑	35:	*10.3	←	36:	*10.8	↘	37:	*10.3	↘	38:	*10.6	←	39:	*10.3	←	40:	9.9	←	Serie		99.0	Total		397.0	
31:	*10.6	←																																			
32:	*10.2	↓																																			
33:	*10.3	←																																			
34:	*10.7	↑																																			
35:	*10.3	←																																			
36:	*10.8	↘																																			
37:	*10.3	↘																																			
38:	*10.6	←																																			
39:	*10.3	←																																			
40:	9.9	←																																			
Serie		99.0																																			
Total		397.0																																			



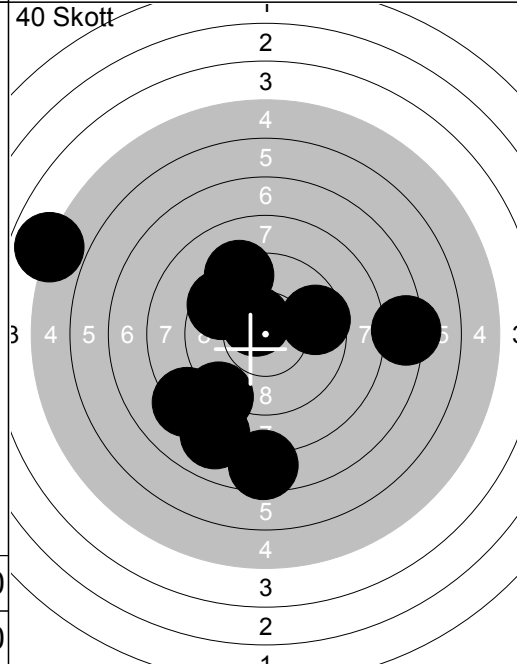
1:	9.3	↘
2:	9.8	↑
3:	8.4	→
4:	6.7	→
5:	8.4	↖
6:	9.8	↑
7:	8.9	→
8:	9.4	←
9:	9.8	↘
10:	10.1	↗
Serie		85.0
Total		0.0



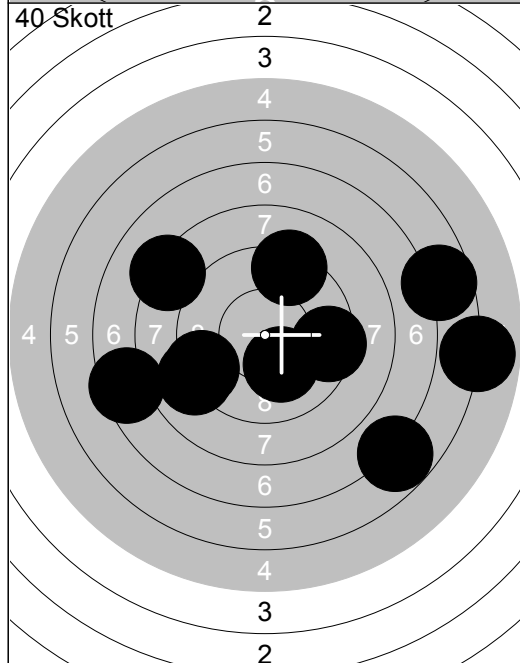
11:	9.6	↑
12:	9.2	↖
13:	8.4	↖
14:	3.9	↙
15:	9.7	↘
16:	9.2	↙
17:	9.8	↖
Serie		56.0
Total		0.0



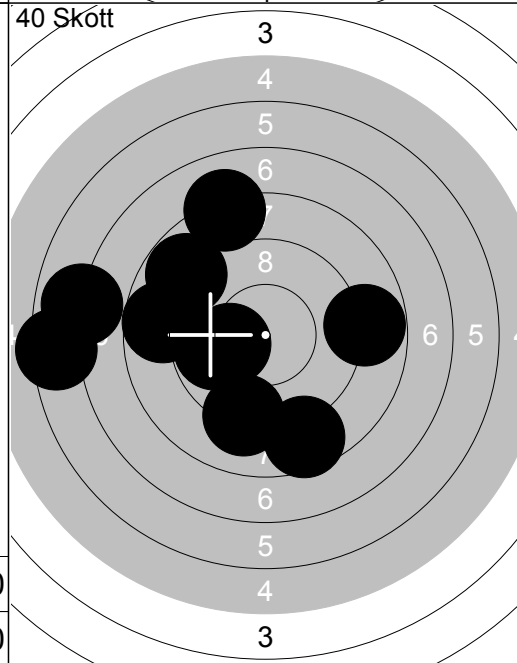
1:	9.1	→
2:	9.2	↗
3:	8.5	↘
4:	9.7	↘
5:	8.2	←
6:	9.0	↑
7:	*10.2	↗
8:	*10.6	↗
9:	*10.7	↙
10:	7.6	↑
Serie		89.0
Total		89.0



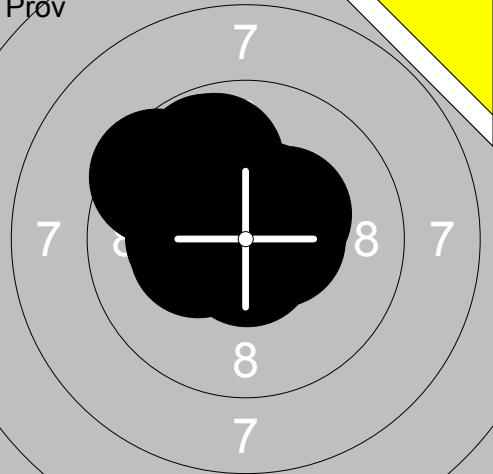
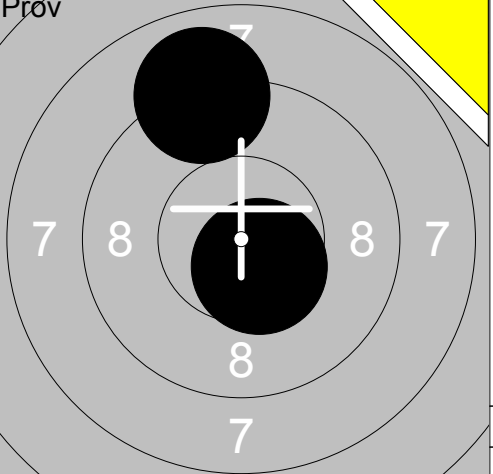
11:	4.9	↙
12:	*10.5	↖
13:	9.6	↖
14:	9.6	→
15:	8.0	↘
16:	7.5	↘
17:	8.2	↙
18:	8.9	↙
19:	9.3	↑
20:	7.3	→
Serie		79.0
Total		168.0

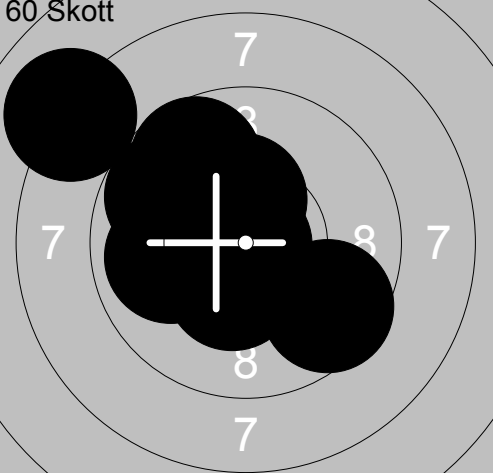
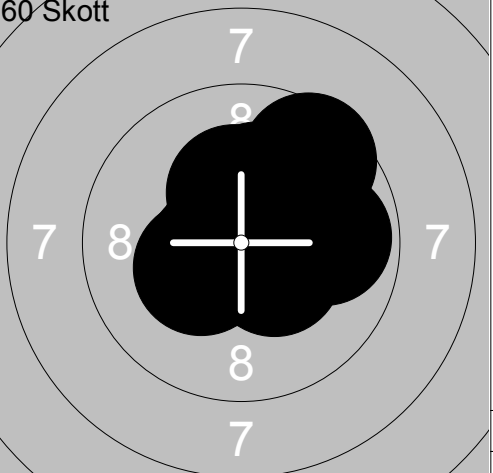


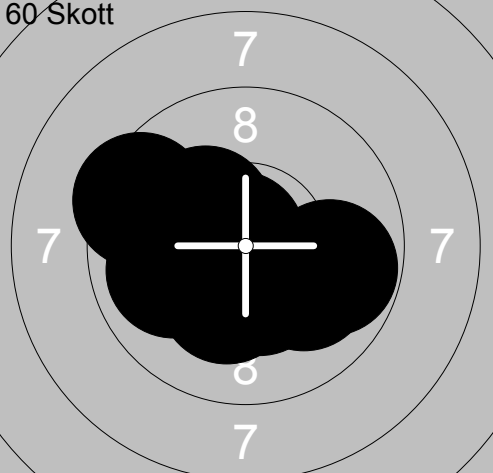
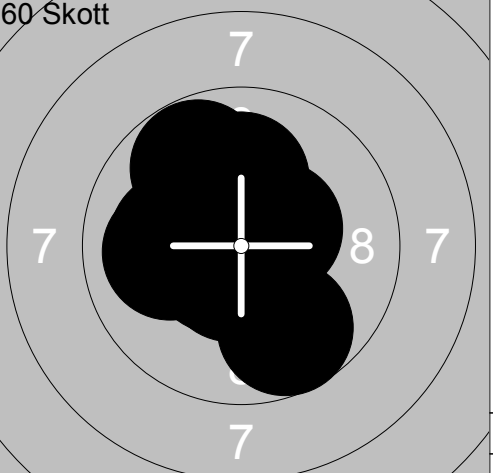
21:	9.4	→
22:	5.9	→
23:	9.3	↑
24:	8.2	↖
25:	9.0	←
26:	7.5	←
27:	6.6	→
28:	*10.2	↘
29:	6.8	↘
30:	9.2	←
Serie		78.0
Total		246.0

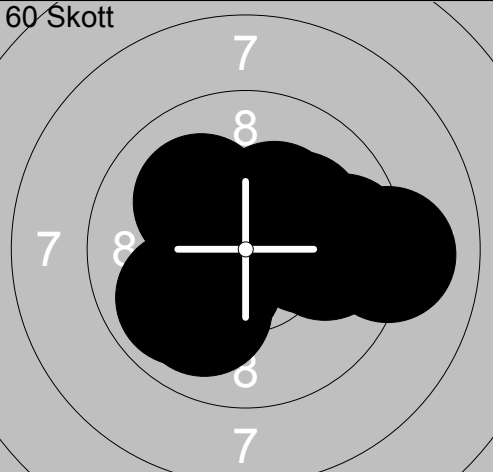
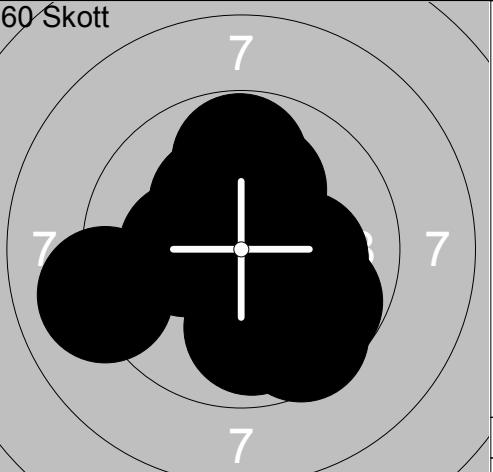


31:	8.6	↘
32:	6.4	←
33:	6.9	←
34:	8.8	→
35:	8.8	↖
36:	9.8	←
37:	*10.2	↙
38:	8.1	↑
39:	8.7	←
40:	9.1	↘
Serie		80.0
Total		326.0

<p>Pröv</p> 	<p>1: *10.5 → 2: *10.3 ← 3: 9.5 ↗ 4: *10.7 ↓ 5: *10.3 ← 6: *10.5 ↗ 7: 9.8 ↗ 8: *10.6 ↗ 9: *10.4 ↗ 10: 9.8 ↗</p> <p>Serie 97.0 Total 0.0</p>	<p>Pröv</p> 	<p>11: 9.0 ↑ 12: *10.5 ↓</p> <p>Serie 19.0 Total 0.0</p>
----------------------------------------------------------------------------------------------	----------------------------------------------------------------------------------------------------------------------------------------------------------------------------------------------------------------------------------------------------------------------------------------------------------------------------------------------	------------------------------------------------------------------------------------------------	-----------------------------------------------------------------------------------

<p>60 Skott</p> 	<p>1: 9.8 ↗ 2: *10.2 ↗ 3: 8.0 ↗ 4: 9.9 ↗ 5: 9.6 ↓ 6: 9.7 ↗ 7: *10.9 ↓ 8: *10.4 ↑ 9: *10.4 ↓ 10: 9.9 ←</p> <p>Serie 93.0 Total 93.0</p>	<p>60 Skott</p> 	<p>11: *10.3 ↑ 12: 10.0 ↗ 13: *10.6 ↑ 14: *10.6 ← 15: *10.2 ↑ 16: 10.0 → 17: 9.9 → 18: 9.6 ↗ 19: *10.4 ↓ 20: *10.3 ↙</p> <p>Serie 98.0 Total 191.0</p>
---------------------------------------------------------------------------------------------------	-----------------------------------------------------------------------------------------------------------------------------------------------------------------------------------------------------------------------------------------------------------------------------------------------------------------------------------------	-----------------------------------------------------------------------------------------------------	---------------------------------------------------------------------------------------------------------------------------------------------------------------------------------------------------------------------------------------------------------------------------------------------------------------------------------------------------------

<p>60 Skott</p> 	<p>21: *10.8 ↗ 22: 9.9 ← 23: *10.5 ↓ 24: *10.7 ← 25: 9.4 ↗ 26: 10.0 ↓ 27: *10.2 ↓ 28: 9.8 → 29: *10.3 ↗ 30: *10.4 ↓</p> <p>Serie 97.0 Total 288.0</p>	<p>60 Skott</p> 	<p>31: 10.0 ← 32: *10.6 ↓ 33: 10.1 ↑ 34: 9.7 ↓ 35: *10.2 ← 36: 9.8 ↗ 37: 10.1 ← 38: *10.2 ← 39: *10.5 ↙ 40: *10.5 →</p> <p>Serie 98.0 Total 386.0</p>
----------------------------------------------------------------------------------------------------	--------------------------------------------------------------------------------------------------------------------------------------------------------------------------------------------------------------------------------------------------------------------------------------------------------------------------------------------------------	------------------------------------------------------------------------------------------------------	--------------------------------------------------------------------------------------------------------------------------------------------------------------------------------------------------------------------------------------------------------------------------------------------------------------------------------------------------------

<p>60 Skott</p> 	<p>41: 10.1 ↗ 42: 9.9 ↙ 43: 9.9 → 44: 9.1 → 45: 9.7 → 46: 10.1 → 47: *10.2 ↗ 48: *10.4 ↙ 49: 10.0 ↙ 50: *10.3 ↗</p> <p>Serie 96.0 Total 482.0</p>	<p>60 Skott</p> 	<p>51: *10.3 ↗ 52: *10.2 ← 53: 9.9 ↓ 54: *10.2 → 55: 9.8 ↑ 56: 9.8 ↓ 57: 9.1 ← 58: 10.1 ↑ 59: 9.6 ↓ 60: *10.7 ↙</p> <p>Serie 95.0 Total 577.0</p>
----------------------------------------------------------------------------------------------------	----------------------------------------------------------------------------------------------------------------------------------------------------------------------------------------------------------------------------------------------------------------------------------------------------------------------------------------------------	------------------------------------------------------------------------------------------------------	----------------------------------------------------------------------------------------------------------------------------------------------------------------------------------------------------------------------------------------------------------------------------------------------------------------------------------------------------

<p>Pröv</p>	<table border="1" style="width:100%; border-collapse: collapse;"> <tr><td>1:</td><td>9.3</td><td>←</td></tr> <tr><td>2:</td><td>9.7</td><td>↘</td></tr> <tr><td>3:</td><td>10.0</td><td>↗</td></tr> <tr><td>4:</td><td>10.0</td><td>↙</td></tr> <tr><td>5:</td><td>8.6</td><td>↗</td></tr> <tr><td>6:</td><td>*10.2</td><td>→</td></tr> <tr><td>7:</td><td>9.2</td><td>↗</td></tr> <tr><td>8:</td><td>*10.3</td><td>↗</td></tr> <tr><td>9:</td><td>10.1</td><td>↗</td></tr> <tr><td>10:</td><td>*10.2</td><td>↘</td></tr> <tr><td colspan="2">Serie</td><td>95.0</td></tr> <tr><td colspan="2">Total</td><td>0.0</td></tr> </table>	1:	9.3	←	2:	9.7	↘	3:	10.0	↗	4:	10.0	↙	5:	8.6	↗	6:	*10.2	→	7:	9.2	↗	8:	*10.3	↗	9:	10.1	↗	10:	*10.2	↘	Serie		95.0	Total		0.0	<p>Pröv</p>	<table border="1" style="width:100%; border-collapse: collapse;"> <tr><td>11:</td><td>*10.3</td><td>↘</td></tr> <tr><td>12:</td><td>9.6</td><td>↗</td></tr> <tr><td>13:</td><td>9.7</td><td>↗</td></tr> <tr><td>14:</td><td>9.9</td><td>↙</td></tr> <tr><td>15:</td><td>*10.4</td><td>↗</td></tr> <tr><td>16:</td><td>*10.6</td><td>→</td></tr> <tr><td>17:</td><td>*10.6</td><td>↗</td></tr> <tr><td>18:</td><td>*10.3</td><td>↗</td></tr> <tr><td>19:</td><td>*10.3</td><td>↑</td></tr> <tr><td>20:</td><td>*10.6</td><td>↘</td></tr> <tr><td colspan="2">Serie</td><td>97.0</td></tr> <tr><td colspan="2">Total</td><td>0.0</td></tr> </table>	11:	*10.3	↘	12:	9.6	↗	13:	9.7	↗	14:	9.9	↙	15:	*10.4	↗	16:	*10.6	→	17:	*10.6	↗	18:	*10.3	↗	19:	*10.3	↑	20:	*10.6	↘	Serie		97.0	Total		0.0
1:	9.3	←																																																																									
2:	9.7	↘																																																																									
3:	10.0	↗																																																																									
4:	10.0	↙																																																																									
5:	8.6	↗																																																																									
6:	*10.2	→																																																																									
7:	9.2	↗																																																																									
8:	*10.3	↗																																																																									
9:	10.1	↗																																																																									
10:	*10.2	↘																																																																									
Serie		95.0																																																																									
Total		0.0																																																																									
11:	*10.3	↘																																																																									
12:	9.6	↗																																																																									
13:	9.7	↗																																																																									
14:	9.9	↙																																																																									
15:	*10.4	↗																																																																									
16:	*10.6	→																																																																									
17:	*10.6	↗																																																																									
18:	*10.3	↗																																																																									
19:	*10.3	↑																																																																									
20:	*10.6	↘																																																																									
Serie		97.0																																																																									
Total		0.0																																																																									

<p>60 Skott</p>	<table border="1" style="width:100%; border-collapse: collapse;"> <tr><td>1:</td><td>10.0</td><td>↗</td></tr> <tr><td>2:</td><td>9.5</td><td>↙</td></tr> <tr><td>3:</td><td>9.7</td><td>↗</td></tr> <tr><td>4:</td><td>*10.6</td><td>↘</td></tr> <tr><td>5:</td><td>*10.3</td><td>↙</td></tr> <tr><td>6:</td><td>*10.3</td><td>↘</td></tr> <tr><td>7:</td><td>*10.2</td><td>↙</td></tr> <tr><td>8:</td><td>10.1</td><td>↗</td></tr> <tr><td>9:</td><td>10.1</td><td>→</td></tr> <tr><td>10:</td><td>10.0</td><td>↘</td></tr> <tr><td colspan="2">Serie</td><td>98.0</td></tr> <tr><td colspan="2">Total</td><td>98.0</td></tr> </table>	1:	10.0	↗	2:	9.5	↙	3:	9.7	↗	4:	*10.6	↘	5:	*10.3	↙	6:	*10.3	↘	7:	*10.2	↙	8:	10.1	↗	9:	10.1	→	10:	10.0	↘	Serie		98.0	Total		98.0	<p>60 Skott</p>	<table border="1" style="width:100%; border-collapse: collapse;"> <tr><td>11:</td><td>9.6</td><td>↙</td></tr> <tr><td>12:</td><td>10.0</td><td>↘</td></tr> <tr><td>13:</td><td>9.8</td><td>↘</td></tr> <tr><td>14:</td><td>9.8</td><td>↗</td></tr> <tr><td>15:</td><td>*10.2</td><td>↗</td></tr> <tr><td>16:</td><td>9.6</td><td>↙</td></tr> <tr><td>17:</td><td>9.0</td><td>↗</td></tr> <tr><td>18:</td><td>8.6</td><td>↗</td></tr> <tr><td>19:</td><td>*10.8</td><td>↘</td></tr> <tr><td>20:</td><td>9.6</td><td>↘</td></tr> <tr><td colspan="2">Serie</td><td>92.0</td></tr> <tr><td colspan="2">Total</td><td>190.0</td></tr> </table>	11:	9.6	↙	12:	10.0	↘	13:	9.8	↘	14:	9.8	↗	15:	*10.2	↗	16:	9.6	↙	17:	9.0	↗	18:	8.6	↗	19:	*10.8	↘	20:	9.6	↘	Serie		92.0	Total		190.0
1:	10.0	↗																																																																									
2:	9.5	↙																																																																									
3:	9.7	↗																																																																									
4:	*10.6	↘																																																																									
5:	*10.3	↙																																																																									
6:	*10.3	↘																																																																									
7:	*10.2	↙																																																																									
8:	10.1	↗																																																																									
9:	10.1	→																																																																									
10:	10.0	↘																																																																									
Serie		98.0																																																																									
Total		98.0																																																																									
11:	9.6	↙																																																																									
12:	10.0	↘																																																																									
13:	9.8	↘																																																																									
14:	9.8	↗																																																																									
15:	*10.2	↗																																																																									
16:	9.6	↙																																																																									
17:	9.0	↗																																																																									
18:	8.6	↗																																																																									
19:	*10.8	↘																																																																									
20:	9.6	↘																																																																									
Serie		92.0																																																																									
Total		190.0																																																																									

<p>60 Skott</p>	<table border="1" style="width:100%; border-collapse: collapse;"> <tr><td>21:</td><td>9.8</td><td>↗</td></tr> <tr><td>22:</td><td>*10.6</td><td>↘</td></tr> <tr><td>23:</td><td>9.0</td><td>↗</td></tr> <tr><td>24:</td><td>9.0</td><td>↘</td></tr> <tr><td>25:</td><td>*10.5</td><td>↘</td></tr> <tr><td>26:</td><td>9.8</td><td>↘</td></tr> <tr><td>27:</td><td>*10.5</td><td>↘</td></tr> <tr><td>28:</td><td>9.0</td><td>↗</td></tr> <tr><td>29:</td><td>9.7</td><td>↗</td></tr> <tr><td>30:</td><td>*10.6</td><td>↑</td></tr> <tr><td colspan="2">Serie</td><td>94.0</td></tr> <tr><td colspan="2">Total</td><td>284.0</td></tr> </table>	21:	9.8	↗	22:	*10.6	↘	23:	9.0	↗	24:	9.0	↘	25:	*10.5	↘	26:	9.8	↘	27:	*10.5	↘	28:	9.0	↗	29:	9.7	↗	30:	*10.6	↑	Serie		94.0	Total		284.0	<p>60 Skott</p>	<table border="1" style="width:100%; border-collapse: collapse;"> <tr><td>31:</td><td>*10.5</td><td>↙</td></tr> <tr><td>32:</td><td>10.1</td><td>↘</td></tr> <tr><td>33:</td><td>9.4</td><td>↙</td></tr> <tr><td>34:</td><td>10.0</td><td>↘</td></tr> <tr><td>35:</td><td>9.9</td><td>↑</td></tr> <tr><td>36:</td><td>*10.4</td><td>↘</td></tr> <tr><td>37:</td><td>*10.2</td><td>↗</td></tr> <tr><td>38:</td><td>*10.5</td><td>↗</td></tr> <tr><td>39:</td><td>9.7</td><td>↗</td></tr> <tr><td>40:</td><td>*10.5</td><td>↙</td></tr> <tr><td colspan="2">Serie</td><td>97.0</td></tr> <tr><td colspan="2">Total</td><td>381.0</td></tr> </table>	31:	*10.5	↙	32:	10.1	↘	33:	9.4	↙	34:	10.0	↘	35:	9.9	↑	36:	*10.4	↘	37:	*10.2	↗	38:	*10.5	↗	39:	9.7	↗	40:	*10.5	↙	Serie		97.0	Total		381.0
21:	9.8	↗																																																																									
22:	*10.6	↘																																																																									
23:	9.0	↗																																																																									
24:	9.0	↘																																																																									
25:	*10.5	↘																																																																									
26:	9.8	↘																																																																									
27:	*10.5	↘																																																																									
28:	9.0	↗																																																																									
29:	9.7	↗																																																																									
30:	*10.6	↑																																																																									
Serie		94.0																																																																									
Total		284.0																																																																									
31:	*10.5	↙																																																																									
32:	10.1	↘																																																																									
33:	9.4	↙																																																																									
34:	10.0	↘																																																																									
35:	9.9	↑																																																																									
36:	*10.4	↘																																																																									
37:	*10.2	↗																																																																									
38:	*10.5	↗																																																																									
39:	9.7	↗																																																																									
40:	*10.5	↙																																																																									
Serie		97.0																																																																									
Total		381.0																																																																									

<p>60 Skott</p>	<table border="1" style="width:100%; border-collapse: collapse;"> <tr><td>41:</td><td>9.9</td><td>↙</td></tr> <tr><td>42:</td><td>9.9</td><td>↘</td></tr> <tr><td>43:</td><td>*10.5</td><td>↙</td></tr> <tr><td>44:</td><td>*10.3</td><td>↗</td></tr> <tr><td>45:</td><td>*10.5</td><td>↗</td></tr> <tr><td>46:</td><td>9.3</td><td>↘</td></tr> <tr><td>47:</td><td>9.7</td><td>↗</td></tr> <tr><td>48:</td><td>*10.3</td><td>↗</td></tr> <tr><td>49:</td><td>10.0</td><td>↗</td></tr> <tr><td>50:</td><td>10.1</td><td>↑</td></tr> <tr><td colspan="2">Serie</td><td>96.0</td></tr> <tr><td colspan="2">Total</td><td>477.0</td></tr> </table>	41:	9.9	↙	42:	9.9	↘	43:	*10.5	↙	44:	*10.3	↗	45:	*10.5	↗	46:	9.3	↘	47:	9.7	↗	48:	*10.3	↗	49:	10.0	↗	50:	10.1	↑	Serie		96.0	Total		477.0	<p>60 Skott</p>	<table border="1" style="width:100%; border-collapse: collapse;"> <tr><td>51:</td><td>*10.7</td><td>↙</td></tr> <tr><td>52:</td><td>10.1</td><td>↑</td></tr> <tr><td>53:</td><td>8.5</td><td>↗</td></tr> <tr><td>54:</td><td>*10.3</td><td>↗</td></tr> <tr><td>55:</td><td>9.7</td><td>↗</td></tr> <tr><td>56:</td><td>8.1</td><td>↗</td></tr> <tr><td>57:</td><td>9.6</td><td>↑</td></tr> <tr><td>58:</td><td>*10.4</td><td>↘</td></tr> <tr><td>59:</td><td>*10.6</td><td>↑</td></tr> <tr><td>60:</td><td>*10.6</td><td>↙</td></tr> <tr><td colspan="2">Serie</td><td>94.0</td></tr> <tr><td colspan="2">Total</td><td>571.0</td></tr> </table>	51:	*10.7	↙	52:	10.1	↑	53:	8.5	↗	54:	*10.3	↗	55:	9.7	↗	56:	8.1	↗	57:	9.6	↑	58:	*10.4	↘	59:	*10.6	↑	60:	*10.6	↙	Serie		94.0	Total		571.0
41:	9.9	↙																																																																									
42:	9.9	↘																																																																									
43:	*10.5	↙																																																																									
44:	*10.3	↗																																																																									
45:	*10.5	↗																																																																									
46:	9.3	↘																																																																									
47:	9.7	↗																																																																									
48:	*10.3	↗																																																																									
49:	10.0	↗																																																																									
50:	10.1	↑																																																																									
Serie		96.0																																																																									
Total		477.0																																																																									
51:	*10.7	↙																																																																									
52:	10.1	↑																																																																									
53:	8.5	↗																																																																									
54:	*10.3	↗																																																																									
55:	9.7	↗																																																																									
56:	8.1	↗																																																																									
57:	9.6	↑																																																																									
58:	*10.4	↘																																																																									
59:	*10.6	↑																																																																									
60:	*10.6	↙																																																																									
Serie		94.0																																																																									
Total		571.0																																																																									

<p>Prov</p>	<p>1: 8.7 ↑ 2: 8.5 ↗ 3: 9.6 ↓ 4: 9.6 ↗ 5: 10.1 ← 6: 8.4 ← 7: 9.8 ← 8: 9.5 ↘ 9: 10.0 ← 10: 10.1 ↓</p> <p>Serie 90.0 Total 0.0</p>	<p>Prov</p>	<p>11: 8.5 ← 12: 9.8 ← 13: *10.2 ↓ 14: 10.0 ↗ 15: 10.1 ↗ 16: *10.3 ↗ 17: 9.3 ← 18: 9.9 ←</p> <p>Serie 75.0 Total 0.0</p>
-------------	--------------------------------------------------------------------------------------------------------------------------------------------------------------------------	-------------	----------------------------------------------------------------------------------------------------------------------------------------------------------

<p>40 Skott</p>	<p>1: 10.0 ↑ 2: *10.9 ↘ 3: 9.4 → 4: *10.5 ↘ 5: 9.6 → 6: *10.6 ↘ 7: 9.3 ↓ 8: 7.6 ← 9: 8.9 ↓ 10: 9.0 ↓</p> <p>Serie 91.0 Total 91.0</p>	<p>40 Skott</p>	<p>11: 10.1 ↘ 12: 9.8 → 13: 7.9 ← 14: 9.5 ↗ 15: 9.6 ↗ 16: *10.2 ↗ 17: *10.4 ↗ 18: *10.3 ↓ 19: 9.1 ↘ 20: *10.4 ↘</p> <p>Serie 93.0 Total 184.0</p>
-----------------	-------------------------------------------------------------------------------------------------------------------------------------------------------------------------------	-----------------	-------------------------------------------------------------------------------------------------------------------------------------------------------------------------------------------

<p>40 Skott</p>	<p>21: 8.6 ↘ 22: 9.0 ← 23: *10.5 ↘ 24: 8.6 ↘ 25: *10.6 ↘ 26: *10.8 ↘ 27: *10.4 ↘ 28: 9.2 ← 29: 9.6 ↗ 30: *10.6 ↓</p> <p>Serie 93.0 Total 277.0</p>	<p>40 Skott</p>	<p>31: *10.4 ↓ 32: 8.2 ← 33: 9.3 ↗ 34: 9.7 ↓ 35: 10.0 ↗ 36: 8.4 ↓ 37: *10.2 ↗ 38: 9.8 ↗ 39: 10.1 → 40: *10.5 →</p> <p>Serie 93.0 Total 370.0</p>
-----------------	--------------------------------------------------------------------------------------------------------------------------------------------------------------------------------------------	-----------------	------------------------------------------------------------------------------------------------------------------------------------------------------------------------------------------

<p>Prov</p>	<p>1: *10.2 ↗</p> <p>2: 9.5 →</p> <p>3: 9.8 ↙</p> <p>4: *10.9 ↘</p> <p>5: 10.0 ↓</p> <p>6: 10.0 →</p> <p>7: *10.6 ↓</p> <p>8: 9.5 →</p> <p>9: 9.8 ↓</p> <p>10: 10.0 →</p>	<p>Prov</p>	<p>11: *10.4 ↘</p> <p>12: 9.9 ↓</p> <p>13: *10.6 ↘</p> <p>14: *10.8 ↙</p> <p>15: *10.3 ↘</p> <p>16: *10.5 ↙</p>
Serie 96.0		Serie 59.0	
Total 0.0		Total 0.0	

<p>40 Skott</p>	<p>1: *10.2 ↘</p> <p>2: *10.2 ↗</p> <p>3: 10.0 ↓</p> <p>4: *10.5 ↗</p> <p>5: 10.0 ↖</p> <p>6: *10.7 ↙</p> <p>7: 9.8 →</p> <p>8: *10.4 ↗</p> <p>9: 10.0 ↓</p> <p>10: *10.3 ↗</p>	<p>40 Skott</p>	<p>11: *10.7 →</p> <p>12: 10.0 →</p> <p>13: 9.8 ↖</p> <p>14: *10.4 ↘</p> <p>15: 10.1 →</p> <p>16: 9.5 ↗</p> <p>17: *10.5 ↙</p> <p>18: 9.3 ↗</p> <p>19: 10.0 ↗</p> <p>20: *10.4 ↗</p>
Serie 99.0		Serie 97.0	
Total 99.0		Total 196.0	

<p>40 Skott</p>	<p>21: *10.6 →</p> <p>22: 10.0 ↗</p> <p>23: *10.5 ↘</p> <p>24: *10.5 ↙</p> <p>25: 9.6 →</p> <p>26: 9.0 ↙</p> <p>27: 10.0 ↓</p> <p>28: *10.6 ↘</p> <p>29: *10.2 ↘</p> <p>30: *10.6 ↙</p>	<p>40 Skott</p>	<p>31: 10.0 ↗</p> <p>32: 9.8 ↙</p> <p>33: *10.7 ↗</p> <p>34: *10.5 ↙</p> <p>35: *10.3 ↙</p> <p>36: *10.3 ↓</p> <p>37: 10.0 ↗</p> <p>38: *10.4 ↙</p> <p>39: 10.1 ↖</p> <p>40: 9.4 ↗</p>
Serie 98.0		Serie 98.0	
Total 294.0		Total 392.0	