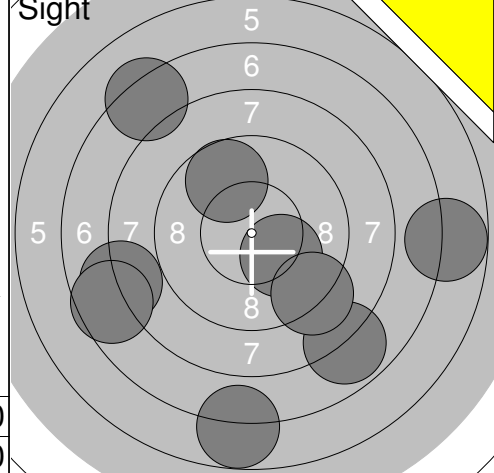
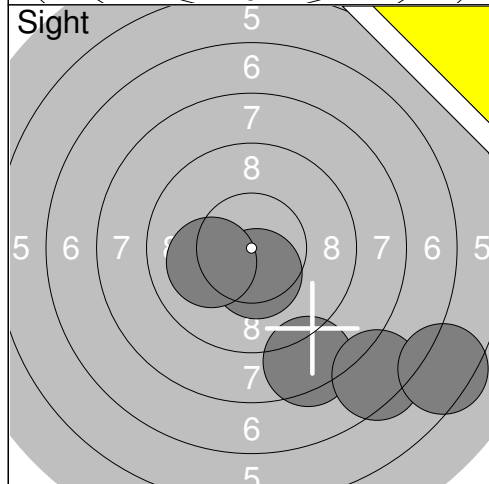


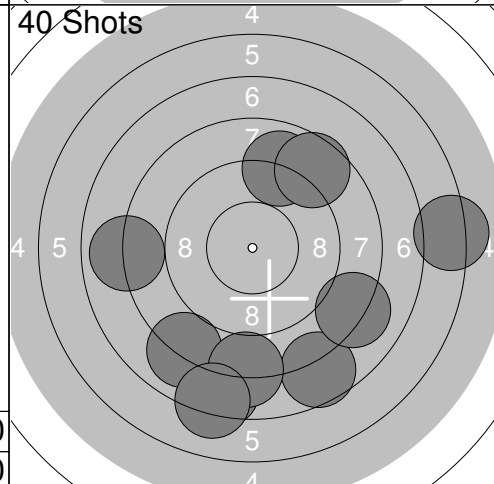
1:	9.8	↘
2:	10.4x	→
3:	10.2x	↗
4:	10.8x	→
5:	10.3x	↗
7:	8.6	↘
8:	4.5	↗
9:	7.7	→
10:	5.4	↘
Series		73.0
Total		0.0



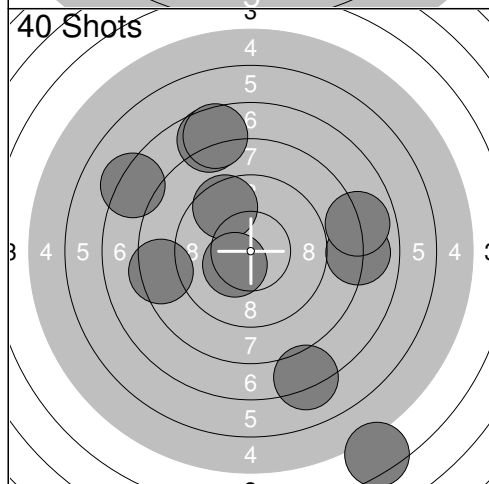
11:	7.9	←
12:	7.6	←
13:	6.8	↓
14:	7.3	↗
15:	9.7	↗
16:	7.9	↘
17:	10.1	↘
18:	9.1	↘
19:	6.8	→
Series		68.0
Total		0.0



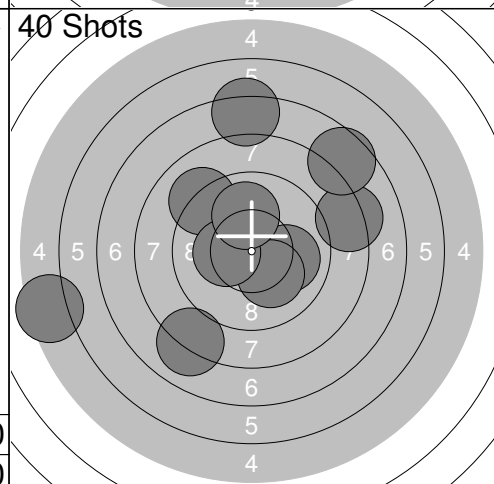
21:	8.4	↘
22:	10.4x	↓
23:	7.4	↘
24:	10.1	←
25:	6.4	↘
Series		41.0
Total		0.0



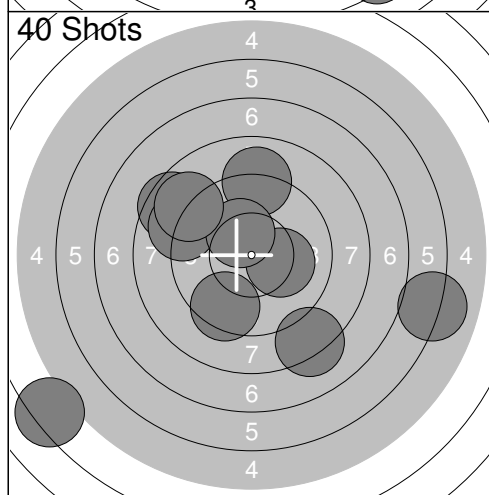
1:	7.6	↘
2:	7.9	←
3:	7.5	↓
4:	8.0	↘
5:	8.0	↓
6:	6.2	→
7:	8.1	↘
8:	9.0	↑
9:	8.6	↗
10:	7.2	↓
Series		75.0
Total		75.0



11:	8.0	→
12:	4.4	↘
13:	7.9	→
14:	7.7	↗
15:	7.7	↗
16:	9.6	↗
17:	7.2	↘
18:	7.2	↗
19:	8.4	←
20:	10.4x	↘
Series		74.0
Total		149.0



21:	10.0	→
22:	8.2	→
23:	10.2x	↘
24:	7.6	↗
25:	7.3	↑
26:	8.1	↘
27:	5.4	←
28:	9.1	↗
29:	10.3x	←
30:	10.0	↑
Series		84.0
Total		233.0

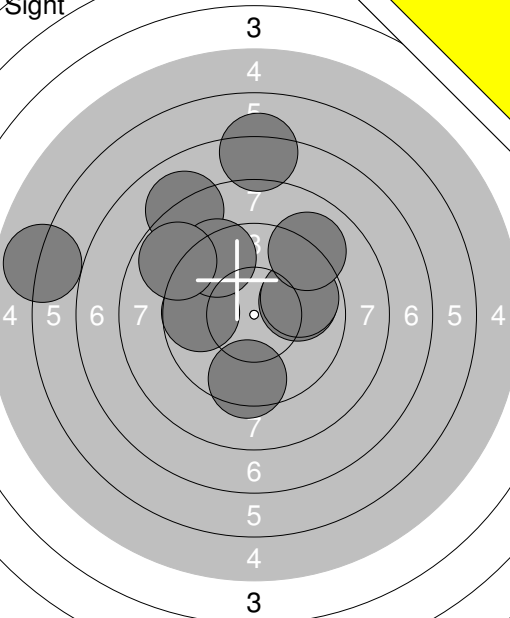
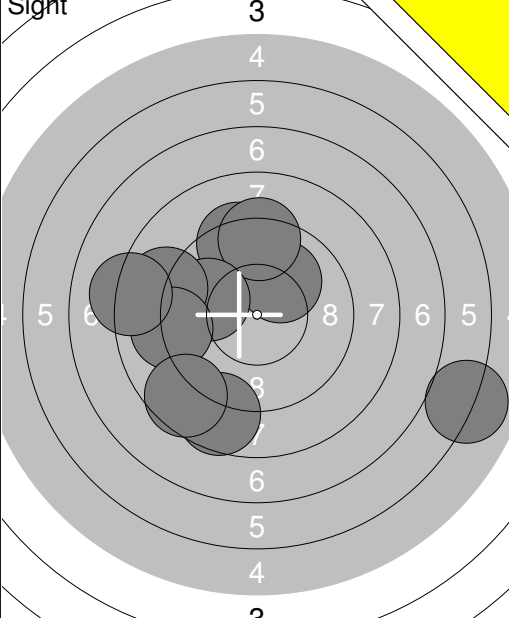


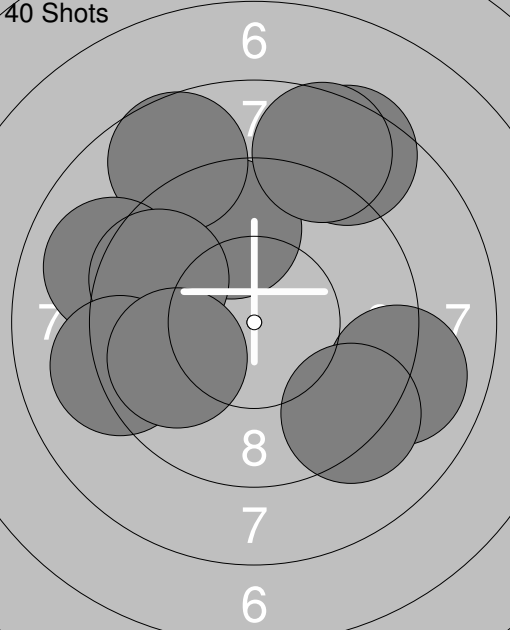
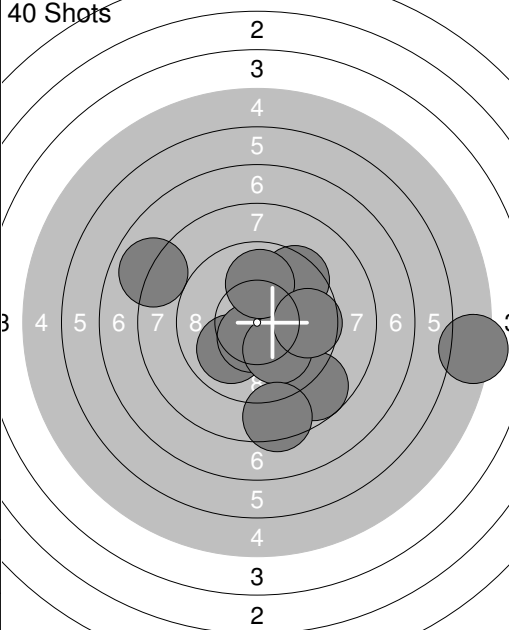
31:	9.4	↘
32:	9.0	↑
33:	8.5	↗
34:	6.1	→
35:	9.0	↗
36:	4.3	↘
37:	10.2x	→
38:	10.3x	↗
39:	8.9	↗
40:	8.2	↘
Series		81.0
Total		314.0

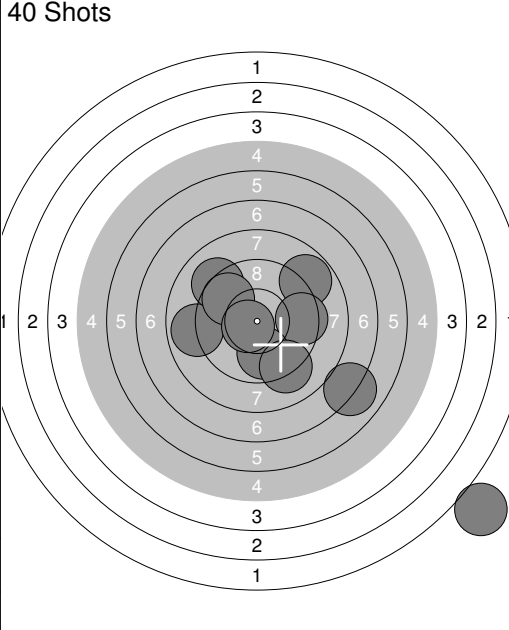
<p>Sight</p>	<p>1: 0.0 ←</p> <p>2: 10.6x ←</p> <p>3: 9.1 ↑</p> <p>4: 7.9 ↑</p> <p>5: 9.9 ←</p> <p>6: 9.3 ↓</p> <p>7: 8.2 ↑</p> <p>8: 9.0 ↑</p> <p>9: 7.2 →</p> <p>10: 7.9 →</p>	<p>Sight</p>	<p>11: 8.5 ←</p> <p>12: 8.5 ↑</p> <p>13: 9.7 ↑</p> <p>14: 9.7 ↑</p> <p>15: 9.9 ↓</p> <p>16: 10.0 ↑</p> <p>17: 10.6x ↑</p> <p>18: 9.8 ↗</p>
	<p>Series 75.0</p> <p>Total 0.0</p>		<p>Series 72.0</p> <p>Total 0.0</p>

<p>40 Shots</p>	<p>1: 10.4x ↓</p> <p>2: 9.6 ↓</p> <p>3: 10.2x ↓</p> <p>4: 9.9 ↑</p> <p>5: 7.4 ↑</p> <p>6: 9.9 ↗</p> <p>7: 8.2 ↓</p> <p>8: 8.0 →</p> <p>9: 9.6 ←</p> <p>10: 8.6 →</p>	<p>40 Shots</p>	<p>11: 9.8 →</p> <p>12: 10.0 ↑</p> <p>13: 9.8 ↓</p> <p>14: 8.8 →</p> <p>15: 7.4 ←</p> <p>16: 9.3 ←</p> <p>17: 7.0 ↘</p> <p>18: 9.3 →</p> <p>19: 9.2 ↓</p> <p>20: 7.9 →</p>
	<p>Series 87.0</p> <p>Total 87.0</p>		<p>Series 84.0</p> <p>Total 171.0</p>

<p>40 Shots</p>	<p>21: 7.8 ←</p> <p>22: 7.8 ↓</p> <p>23: 10.7x ↓</p> <p>24: 10.5x →</p> <p>25: 9.9 ↓</p> <p>26: 8.6 ↓</p> <p>27: 9.8 ←</p> <p>28: 8.1 →</p> <p>29: 10.0 →</p> <p>30: 10.0 ↓</p>	<p>40 Shots</p>	<p>31: 8.6 →</p> <p>32: 9.1 ←</p> <p>33: 9.7 ←</p> <p>34: 8.7 ←</p> <p>35: 9.9 ↗</p> <p>36: 10.3x ↑</p> <p>37: 9.1 ←</p> <p>38: 9.8 ↘</p> <p>39: 9.1 ←</p> <p>40: 9.2 ↑</p>
	<p>Series 88.0</p> <p>Total 259.0</p>		<p>Series 89.0</p> <p>Total 348.0</p>

<p>Sight</p> 	<p>1: 9.9 →</p> <p>2: 9.7 ←</p> <p>3: 7.2 ↑</p> <p>4: 9.5 ↓</p> <p>5: 9.8 →</p> <p>6: 8.1 ↗</p> <p>7: 9.1 ↗</p> <p>8: 9.4 ↗</p> <p>9: 8.8 ↗</p> <p>10: 6.0 ←</p>	<p>Sight</p> 	<p>11: 9.4 ↗</p> <p>12: 10.1 ↗</p> <p>13: 9.3 ↑</p> <p>14: 6.0 →</p> <p>15: 9.8 ←</p> <p>16: 8.6 ↓</p> <p>17: 8.9 ←</p> <p>18: 9.1 ←</p> <p>19: 8.2 ←</p> <p>20: 8.6 ↙</p>
Series	83.0	Series	84.0
Total	0.0	Total	0.0

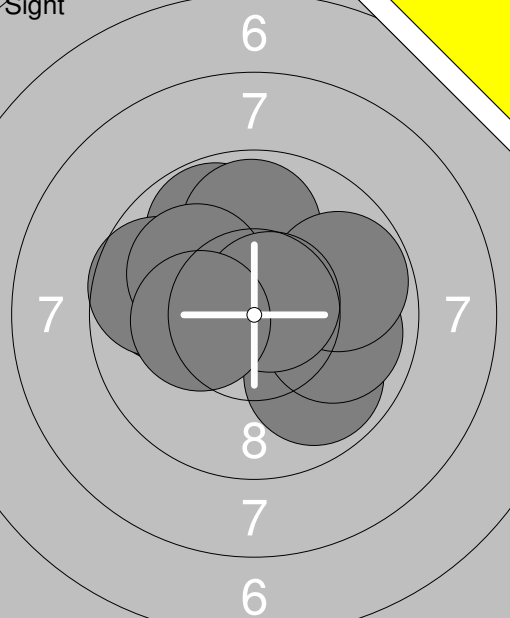
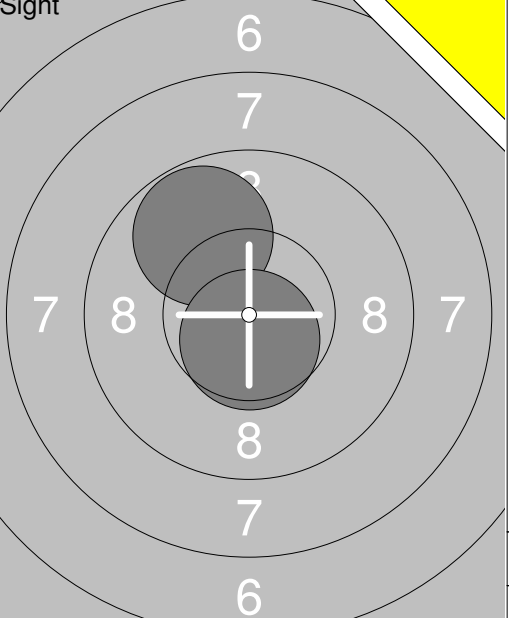
<p>40 Shots</p> 	<p>1: 9.7 ↗</p> <p>2: 8.7 ↗</p> <p>3: 9.0 ←</p> <p>4: 9.0 →</p> <p>5: 8.5 ↗</p> <p>6: 9.6 ↗</p> <p>7: 8.6 ↗</p> <p>8: 9.2 ←</p> <p>9: 9.3 ↓</p> <p>10: 9.9 ←</p>	<p>40 Shots</p> 	<p>11: 8.0 ←</p> <p>12: 9.5 ↗</p> <p>13: 10.0 ↙</p> <p>14: 8.7 ↓</p> <p>15: 10.5x ↓</p> <p>16: 10.1 ↓</p> <p>17: 8.4 ↓</p> <p>18: 9.9 ↑</p> <p>19: 5.3 →</p> <p>20: 9.6 →</p>
Series	87.0	Series	86.0
Total	87.0	Total	173.0

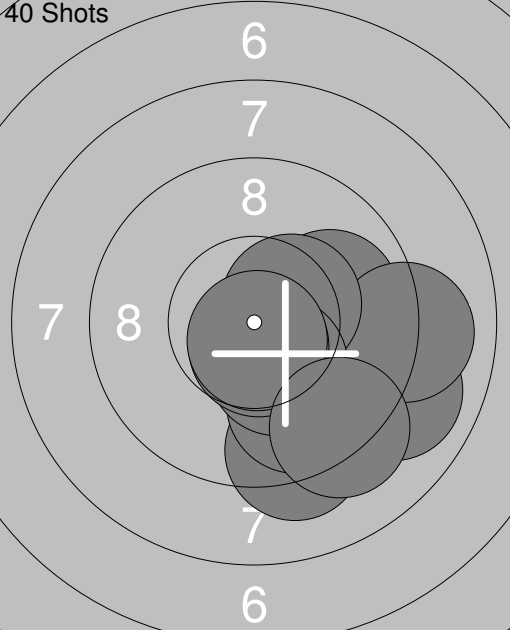
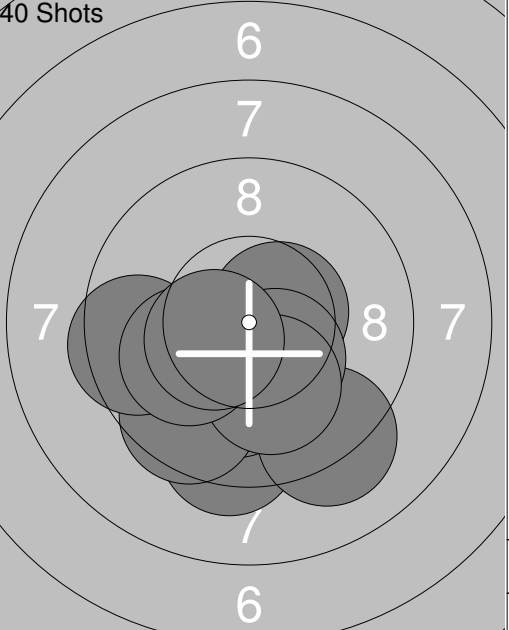
<p>40 Shots</p> 	<p>21: 10.3x ←</p> <p>22: 8.7 ←</p> <p>23: 9.8 ↗</p> <p>24: 8.8 →</p> <p>25: 8.4 →</p> <p>26: 10.9x ←</p> <p>27: 8.7 ↗</p> <p>28: 8.6 ↑</p> <p>29: 8.9 ↙</p> <p>30: 7.9 →</p>	<p>40 Shots</p> 	<p>31: 8.8 ↗</p> <p>32: 8.9 ←</p> <p>33: 9.1 ↗</p> <p>34: 7.1 ↓</p> <p>35: 9.7 ↗</p> <p>36: 9.4 →</p> <p>37: 9.8 ↓</p> <p>38: 9.1 ↓</p> <p>39: 1.0 ↓</p> <p>40: 10.6x ↙</p>
Series	84.0	Series	79.0
Total	257.0	Total	336.0

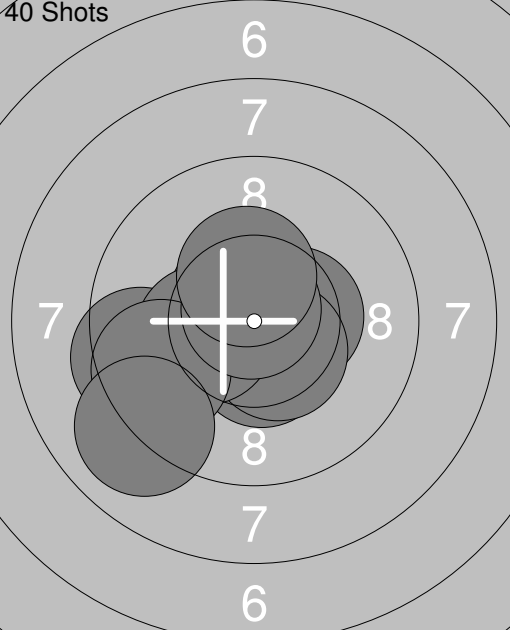
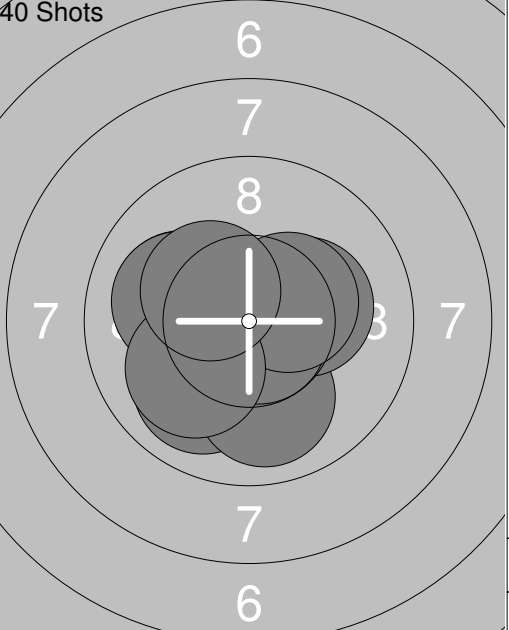
	<p>1: 9.5 ↙</p> <p>2: 7.9 ↖</p> <p>3: 9.0 ↖</p> <p>4: 10.2x →</p> <p>5: 10.7x ←</p> <p>6: 9.7 ↗</p> <p>7: 9.3 ↘</p> <p>8: 10.6x →</p> <p>9: 8.3 →</p> <p>10: 6.5 ↖</p>		<p>11: 7.2 ↖</p> <p>12: 7.0 ↗</p>
Series 87.0		Series 14.0	
Total 0.0		Total 0.0	

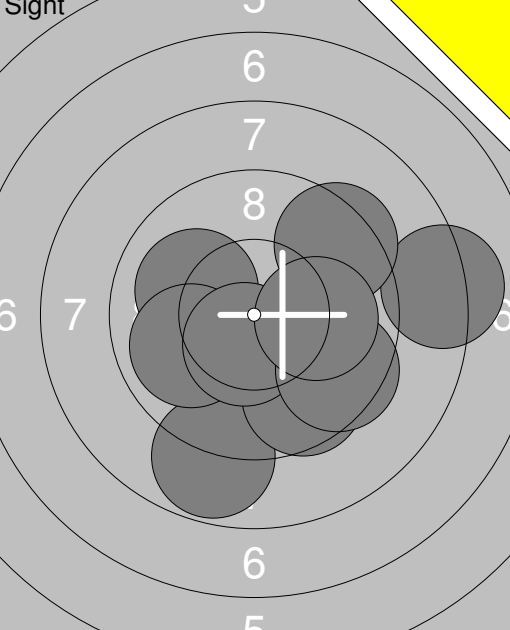
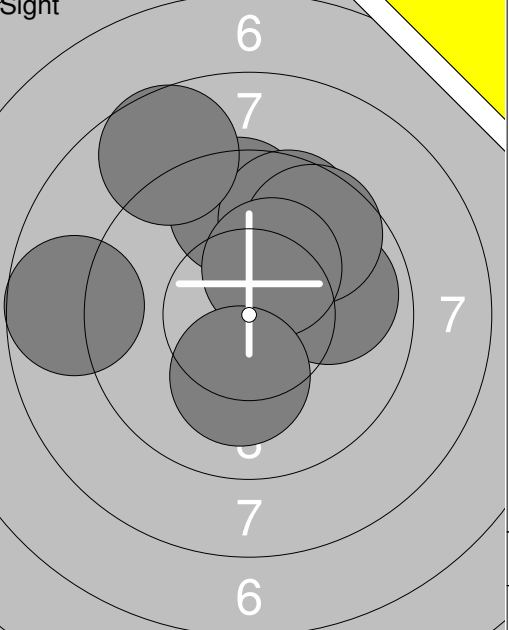
	<p>1: 7.7 →</p> <p>2: 9.3 ↗</p> <p>3: 8.7 ↑</p> <p>4: 8.7 →</p> <p>5: 9.4 ←</p> <p>6: 9.4 ↑</p> <p>7: 7.6 ↖</p> <p>8: 9.7 ↘</p> <p>9: 10.3x ↘</p> <p>10: 8.7 ↘</p>		<p>11: 9.4 ↘</p> <p>12: 8.5 ↗</p> <p>13: 9.9 ↖</p> <p>14: 7.4 ↘</p> <p>15: 7.6 ↖</p> <p>16: 7.7 ↗</p> <p>17: 9.3 ↗</p> <p>18: 9.8 ↘</p> <p>19: 9.8 ↘</p> <p>20: 8.3 →</p>
Series 84.0		Series 82.0	
Total 84.0		Total 166.0	

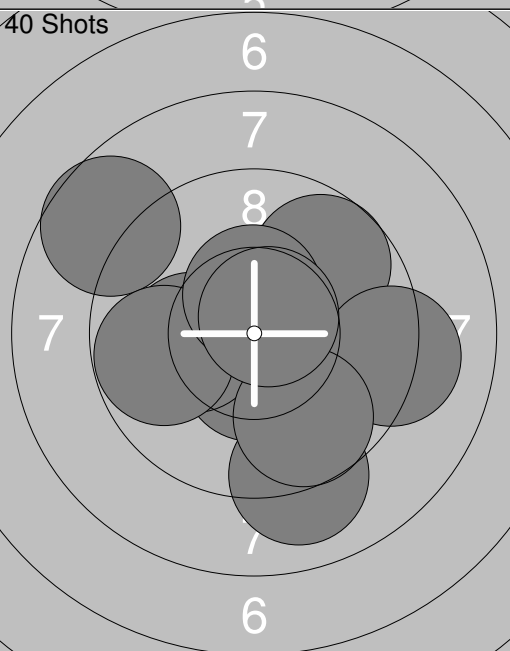
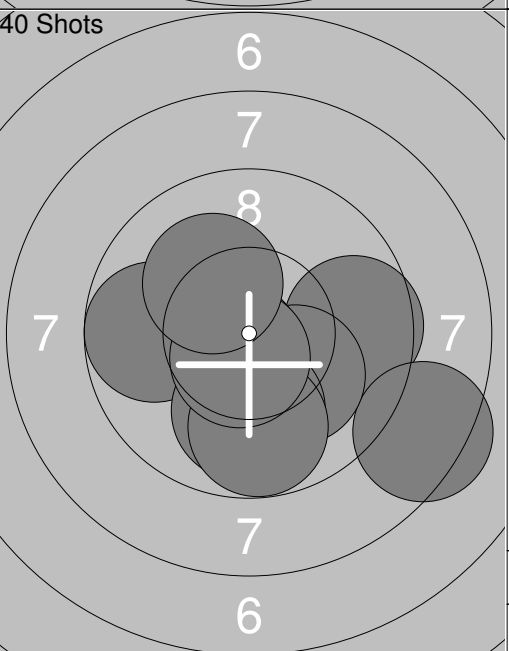
	<p>21: 8.8 ↘</p> <p>22: 8.2 ←</p> <p>23: 9.6 ↘</p> <p>24: 9.2 →</p> <p>25: 9.9 ↗</p> <p>26: 7.4 →</p> <p>27: 7.5 →</p> <p>28: 6.3 ←</p> <p>29: 9.9 ↘</p> <p>30: 10.3x →</p>		<p>31: 10.2x ↘</p> <p>32: 9.2 →</p> <p>33: 9.3 →</p> <p>34: 8.3 ↖</p> <p>35: 8.4 ↖</p> <p>36: 8.5 ↘</p> <p>37: 9.4 ↗</p> <p>38: 8.9 ↘</p> <p>39: 8.7 ↘</p> <p>40: 10.4x ↖</p>
Series 82.0		Series 87.0	
Total 248.0		Total 335.0	

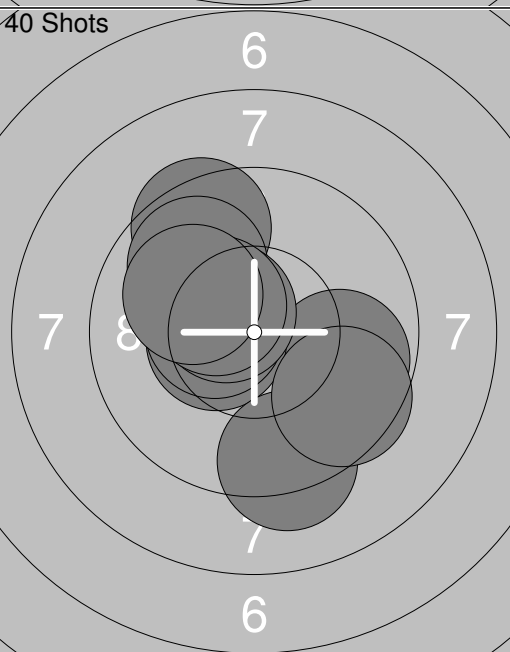
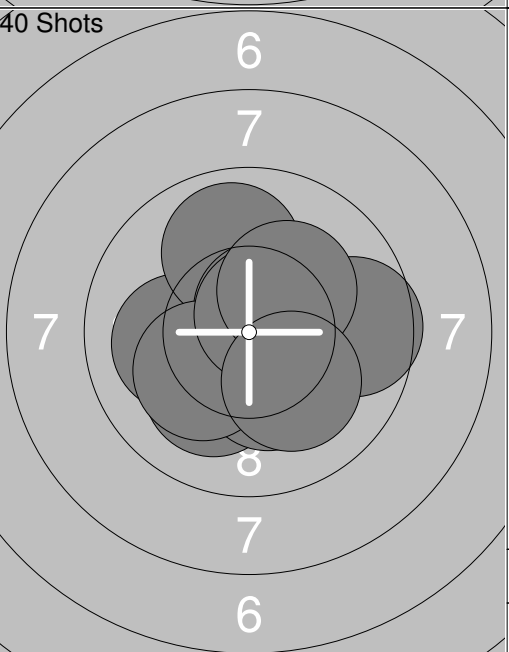
 <p style="text-align:center;">Sight</p>	<p>1: 9.8 ↗</p> <p>2: 9.9 ←</p> <p>3: 9.9 ↑</p> <p>4: 9.9 ↘</p> <p>5: 9.9 →</p> <p>6: 9.8 →</p> <p>7: 9.7 ←</p> <p>8: 10.1 ↖</p> <p>9: 10.7x ↗</p> <p>10: 10.3x ←</p>	 <p style="text-align:center;">Sight</p>	<p>11: 9.8 ↖</p> <p>12: 10.6x ↓</p>
Series 93.0		Series 19.0	
Total 0.0		Total 0.0	

 <p style="text-align:center;">40 Shots</p>	<p>1: 9.2 ↓</p> <p>2: 9.0 →</p> <p>3: 9.9 →</p> <p>4: 9.8 ↓</p> <p>5: 9.0 →</p> <p>6: 10.4x ↗</p> <p>7: 10.3x ↓</p> <p>8: 10.6x ↓</p> <p>9: 10.7x ↓</p> <p>10: 9.2 ↓</p>	 <p style="text-align:center;">40 Shots</p>	<p>11: 9.4 ↓</p> <p>12: 10.1 ↓</p> <p>13: 10.5x →</p> <p>14: 9.2 ↓</p> <p>15: 10.4x ↓</p> <p>16: 9.6 ↓</p> <p>17: 10.1 ↓</p> <p>18: 9.5 ←</p> <p>19: 10.1 ↖</p> <p>20: 10.4x ↖</p>
Series 94.0		Series 96.0	
Total 94.0		Total 190.0	

 <p style="text-align:center;">40 Shots</p>	<p>21: 10.5x ↓</p> <p>22: 9.4 ←</p> <p>23: 10.6x ↖</p> <p>24: 10.4x →</p> <p>25: 10.5x ↓</p> <p>26: 10.3x ←</p> <p>27: 9.6 ←</p> <p>28: 10.8x ↑</p> <p>29: 9.0 ↘</p> <p>30: 10.4x ↑</p>	 <p style="text-align:center;">40 Shots</p>	<p>31: 10.0 ↘</p> <p>32: 10.0 ↓</p> <p>33: 10.1 ←</p> <p>34: 10.4x ↖</p> <p>35: 10.1 ←</p> <p>36: 10.2x →</p> <p>37: 10.7x ↓</p> <p>38: 10.4x →</p> <p>39: 10.0 ↘</p> <p>40: 10.3x ↖</p>
Series 97.0		Series 100.0	
Total 287.0		Total 387.0	

<p>Sight</p> 	<p>1: 8.8 ↓ 2: 10.0 ↖ 3: 9.6 ↓ 4: 9.9 ← 6: 10.5x ↓ 7: 9.5 ↓ 8: 8.2 → 9: 9.4 ↗ 10: 10.0 →</p> <p>Series 82.0 Total 0.0</p>	<p>Sight</p> 	<p>11: 9.6 ↑ 12: 9.6 ↗ 13: 8.7 ← 14: 9.9 → 15: 8.7 ↖ 16: 9.6 ↗ 17: 10.3x ↑ 18: 10.2x ↓</p> <p>Series 72.0 Total 0.0</p>
---	---	---	---

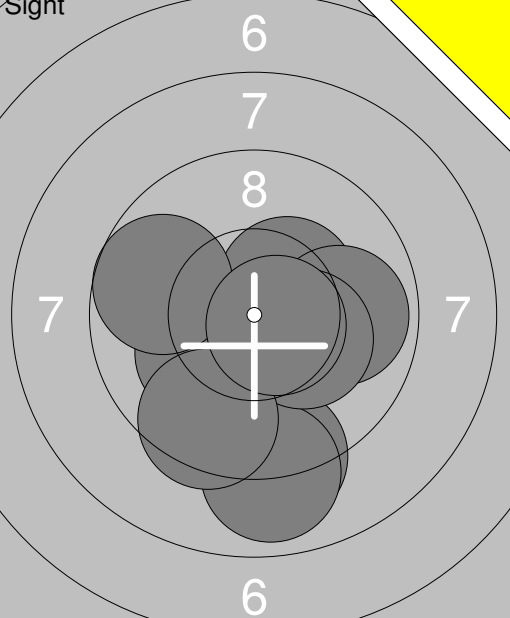
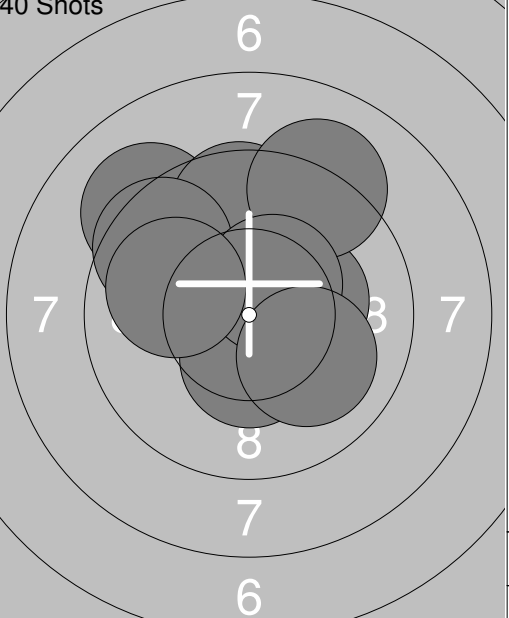
<p>40 Shots</p> 	<p>1: 8.7 ↖ 2: 10.5x ↓ 3: 10.2x ← 4: 9.7 ↗ 5: 9.8 ← 6: 10.5x ↑ 7: 9.1 ↓ 8: 9.2 → 9: 9.7 ↓ 10: 10.7x ↗</p> <p>Series 93.0 Total 93.0</p>	<p>40 Shots</p> 	<p>11: 9.6 → 12: 8.4 ↘ 13: 10.2x ↘ 14: 10.7x ↙ 15: 10.0 ↓ 16: 9.7 ← 17: 10.0 ↓ 18: 9.8 ↓ 19: 10.6x ↘ 20: 10.2x ↖</p> <p>Series 95.0 Total 188.0</p>
---	---	---	---

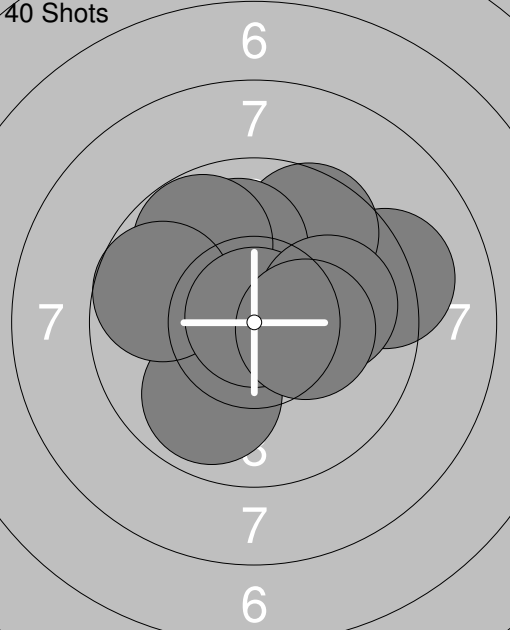
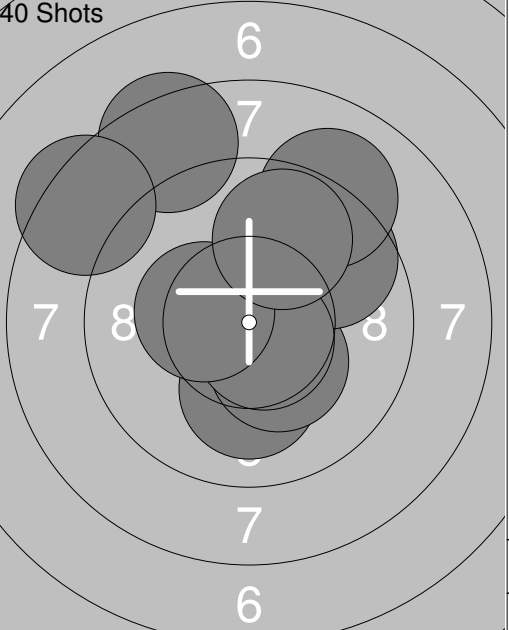
<p>40 Shots</p> 	<p>21: 9.8 → 22: 10.5x ← 23: 9.3 ↓ 24: 9.6 ↓ 25: 9.5 ↗ 26: 9.8 ↗ 27: 10.4x ← 28: 10.5x ↖ 29: 10.4x ↖ 30: 10.0 ↖</p> <p>Series 95.0 Total 283.0</p>	<p>40 Shots</p> 	<p>31: 10.1 ← 32: 9.9 ↑ 33: 10.1 ↙ 34: 10.3x ↘ 35: 9.6 → 36: 10.6x ↗ 37: 10.2x ↙ 38: 10.7x ↗ 39: 10.2x ↗ 40: 10.1 ↘</p> <p>Series 98.0 Total 381.0</p>
--	--	--	--

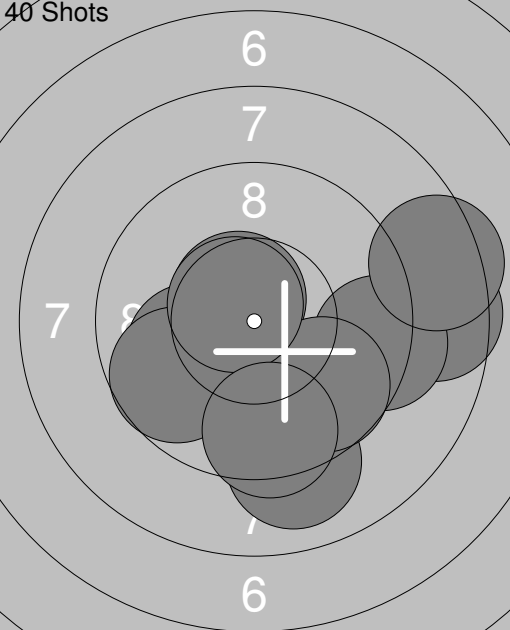
Sight 	1: 9.8 ↗ 2: 9.8 ↗ 3: 9.8 ↓ 4: 8.2 ↓ 5: 8.9 ↓ 6: 9.2 ↙ 7: 9.2 ↘ 8: 8.1 → 9: 10.4x → 10: 8.6 ↙ <hr/> Series 87.0 Total 0.0	Sight 	11: 9.9 ↗ 12: 7.5 ↓ 13: 8.5 ↓ 14: 9.1 ↘ 15: 10.5x ↖ 16: 9.6 ↗ 17: 9.9 → 18: 8.5 → 19: 10.3x ↓ 20: 10.0 → <hr/> Series 89.0 Total 0.0
-----------	---	-----------	---

40 Shots 	1: 9.5 ↓ 2: 7.8 ↓ 3: 9.5 ↓ 4: 9.6 ↓ 5: 8.9 ↗ 6: 9.2 ↗ 7: 7.1 ↓ 8: 9.7 ↗ 9: 9.7 → 10: 10.2x ↖ <hr/> Series 86.0 Total 86.0	40 Shots 	11: 10.4x ↖ 12: 7.7 ↙ 13: 10.5x ↖ 14: 8.8 ↘ 15: 8.7 ↗ 16: 9.3 → 17: 8.0 ↓ 18: 8.8 ↘ 19: 9.7 ↓ 20: 10.1 ← <hr/> Series 87.0 Total 173.0
--------------	--	--------------	---

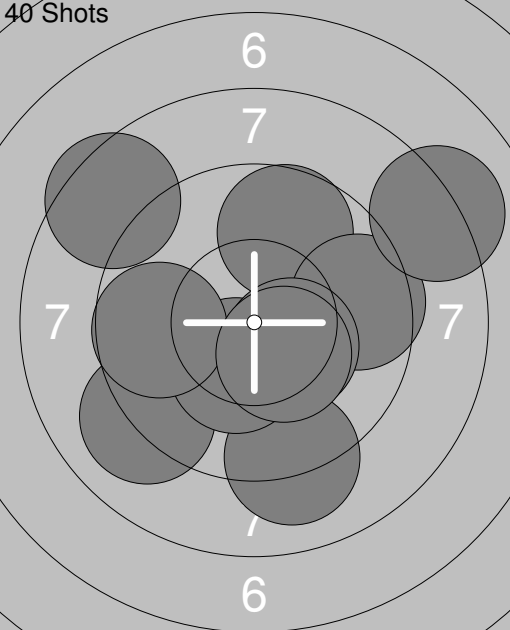
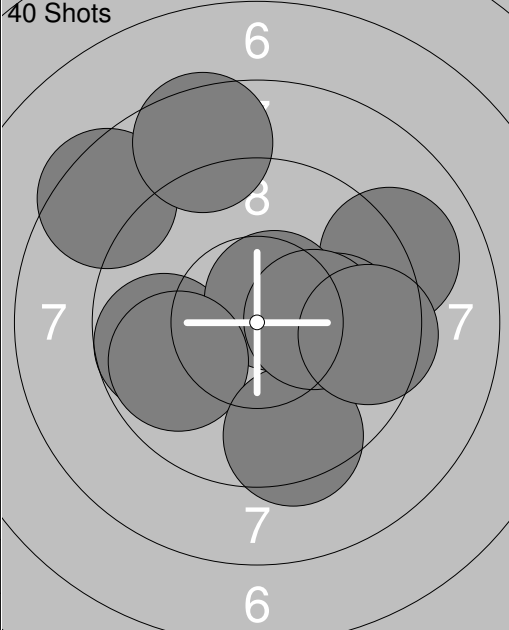
40 Shots 	21: 8.9 ↓ 22: 9.4 ↖ 23: 9.7 ↘ 24: 9.4 → 25: 10.2x ↓ 26: 8.9 ← 27: 8.4 ↓ 28: 9.8 ↓ 29: 9.1 ↓ 30: 7.8 ← <hr/> Series 86.0 Total 259.0	40 Shots 	31: 10.3x ↗ 32: 7.3 ↗ 33: 9.9 ↗ 34: 8.5 → 35: 9.0 ↗ 36: 8.5 ↓ 37: 10.4x ↖ 38: 8.3 ↙ 39: 8.8 → 40: 8.8 ↓ <hr/> Series 85.0 Total 344.0
--------------	--	--------------	--

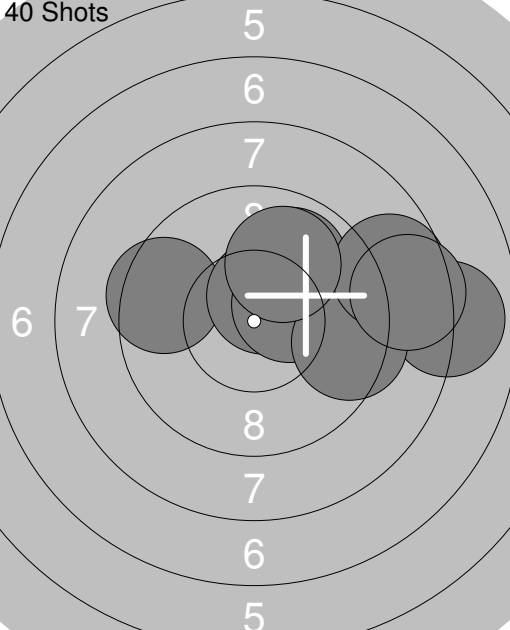
 <p style="text-align: center;">Sight</p>	<p>1: 9.1 ↓</p> <p>2: 8.9 ↓</p> <p>3: 10.4x ↗</p> <p>4: 9.9 →</p> <p>5: 10.3x ➤</p> <p>6: 10.2x ↙</p> <p>7: 9.5 ↓</p> <p>8: 9.7 ←</p> <p>9: 10.6x ➤</p>	<p>40 Shots</p> 	<p>1: 10.3x ➤</p> <p>2: 9.1 ↖</p> <p>3: 9.6 ↑</p> <p>4: 9.1 ↗</p> <p>5: 9.5 ↖</p> <p>6: 10.8x ➤</p> <p>7: 10.4x ↓</p> <p>8: 10.5x ↗</p> <p>9: 10.0 ←</p> <p>10: 10.0 ➤</p>
Series 84.0		Series 96.0	
Total 0.0		Total 96.0	

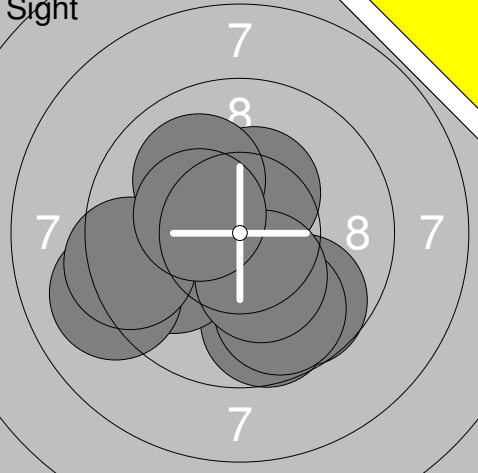
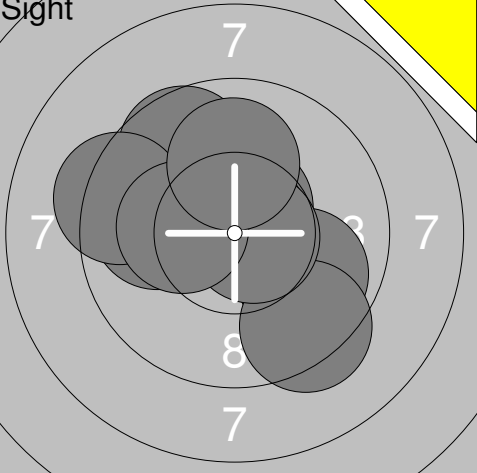
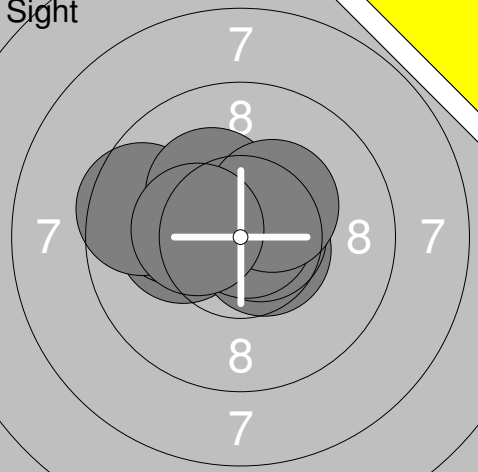
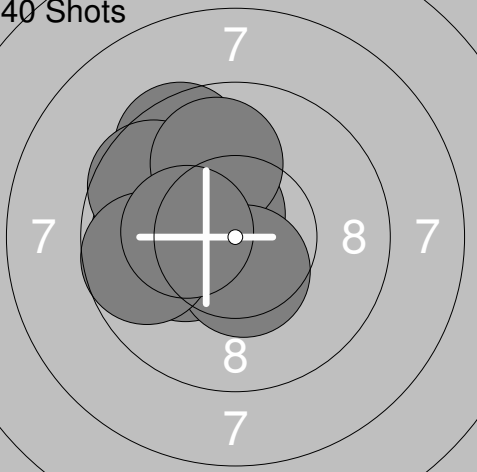
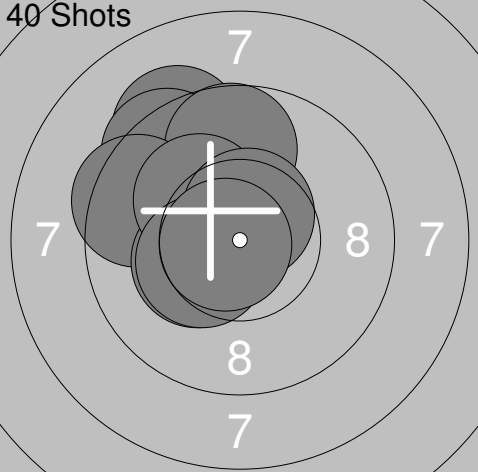
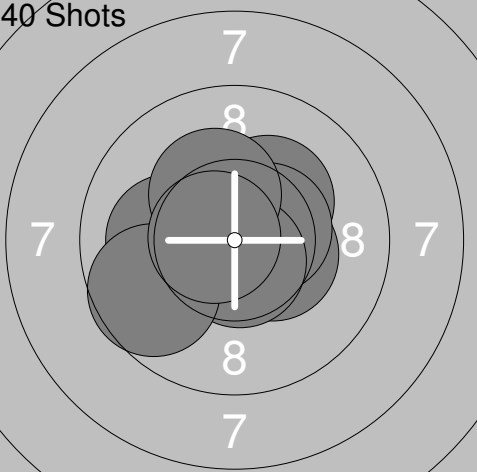
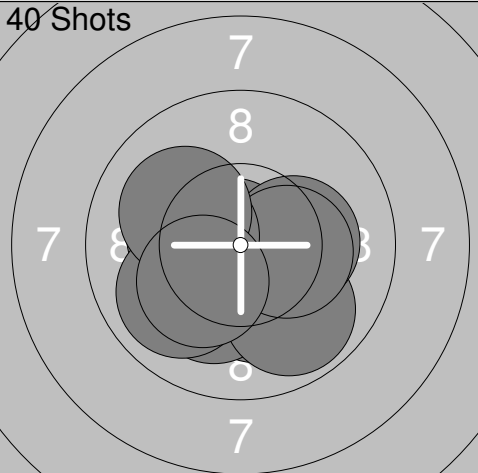
<p>40 Shots</p> 	<p>11: 9.2 ➤</p> <p>12: 10.5x ↗</p> <p>13: 9.6 ↗</p> <p>14: 10.0 ↑</p> <p>15: 9.9 ↓</p> <p>16: 9.8 ↗</p> <p>17: 9.7 ←</p> <p>18: 10.9x ↑</p> <p>19: 10.0 ➤</p> <p>20: 10.3x ➤</p>	<p>40 Shots</p> 	<p>21: 10.5x ↓</p> <p>22: 10.1 ↓</p> <p>23: 10.3x ↓</p> <p>24: 8.4 ↖</p> <p>25: 9.7 ↗</p> <p>26: 10.7x ↓</p> <p>27: 8.4 ←</p> <p>28: 10.4x ←</p> <p>29: 9.1 ↗</p> <p>30: 9.8 ↗</p>
Series 95.0		Series 93.0	
Total 191.0		Total 284.0	

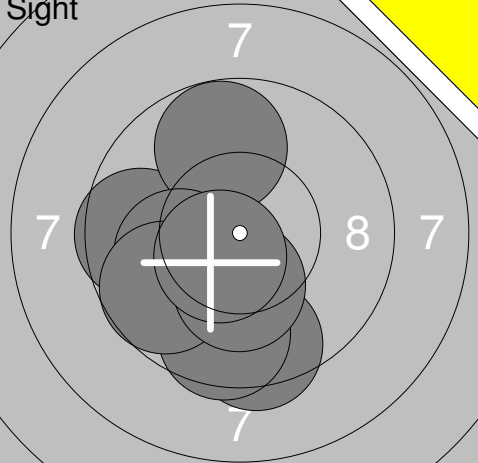
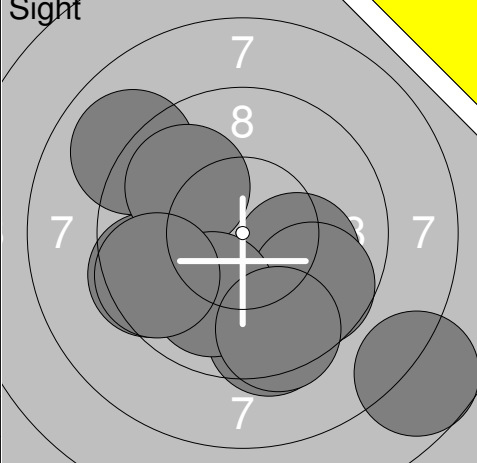
<p>40 Shots</p> 	<p>31: 8.6 →</p> <p>32: 10.1 ↙</p> <p>33: 9.7 ↙</p> <p>34: 9.0 ↓</p> <p>35: 9.3 ➤</p> <p>36: 10.6x ↖</p> <p>37: 8.4 ➤</p> <p>38: 9.7 ↓</p> <p>39: 10.6x ↖</p> <p>40: 9.5 ↓</p>	
Series 91.0		
Total 375.0		

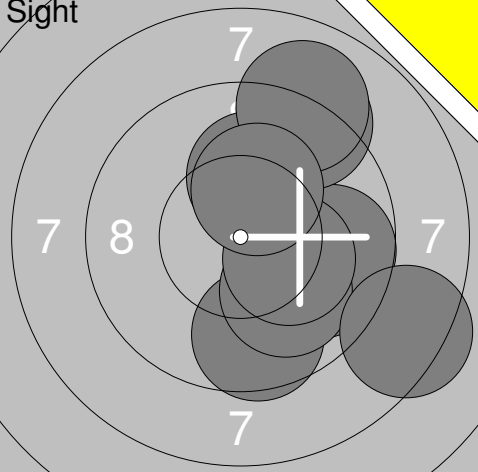
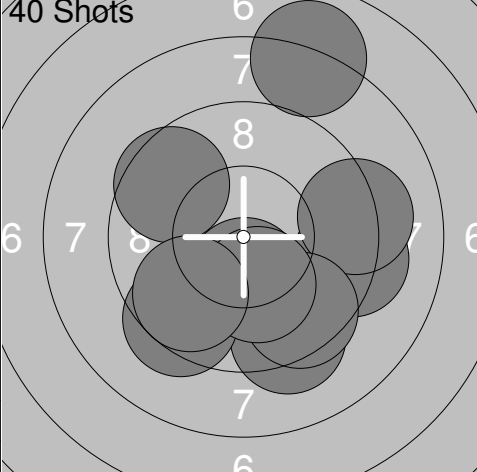
 <p style="text-align:center;">Sight</p>	<p>1: 10.0 ←</p> <p>2: 9.6 ↙</p> <p>3: 9.4 →</p> <p>4: 9.5 ↓</p> <p>5: 8.9 ↑</p> <p>6: 9.2 →</p> <p>7: 10.3x ↓</p> <p>8: 10.5x ↗</p> <p>9: 9.6 ↗</p> <p>10: 9.8 ←</p> <hr/> <p>Series 92.0</p> <hr/> <p>Total 0.0</p>	 <p style="text-align:center;">Sight</p>	<p>11: 8.9 ↑</p> <p>12: 9.8 ↗</p> <p>13: 8.6 ↗</p> <p>14: 9.2 ↓</p> <p>15: 10.1 ↗</p> <p>16: 9.1 ↗</p> <p>17: 8.7 →</p> <p>18: 9.6 ←</p> <p>19: 8.2 ↖</p> <p>20: 9.2 ↗</p> <hr/> <p>Series 87.0</p> <hr/> <p>Total 0.0</p>
--	---	--	--

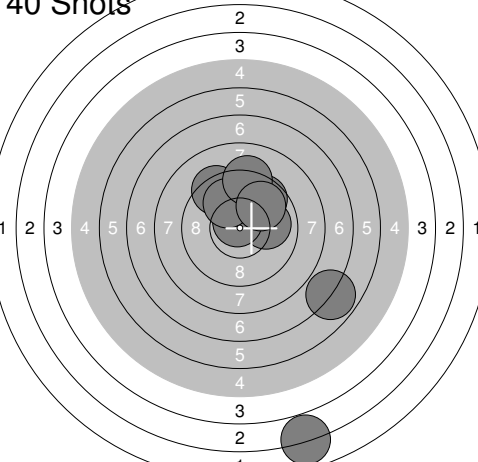
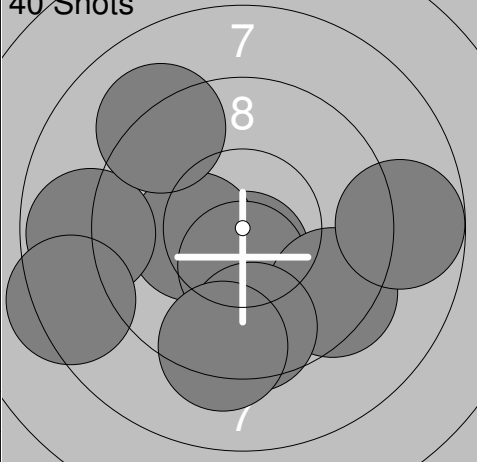
 <p style="text-align:center;">40 Shots</p>	<p>1: 9.1 ↙</p> <p>2: 9.7 ↗</p> <p>3: 9.1 ↓</p> <p>4: 9.6 →</p> <p>5: 8.5 ↖</p> <p>6: 8.1 ↗</p> <p>7: 10.3x ↓</p> <p>8: 9.7 ←</p> <p>9: 10.4x ↘</p> <p>10: 10.4x ↘</p> <hr/> <p>Series 91.0</p> <hr/> <p>Total 91.0</p>	 <p style="text-align:center;">40 Shots</p>	<p>11: 9.1 ↗</p> <p>12: 9.7 ←</p> <p>13: 10.6x ↗</p> <p>14: 10.0 →</p> <p>15: 9.8 ←</p> <p>16: 9.4 ↓</p> <p>17: 10.2x →</p> <p>18: 8.5 ↖</p> <p>19: 9.5 →</p> <p>20: 8.6 ↗</p> <hr/> <p>Series 91.0</p> <hr/> <p>Total 182.0</p>
--	---	--	--

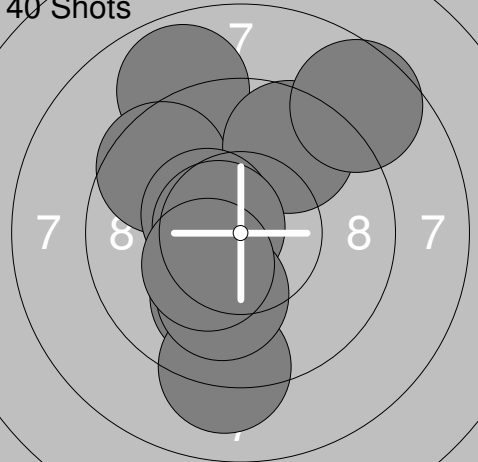
 <p style="text-align:center;">40 Shots</p>	<p>21: 8.7 →</p> <p>22: 9.5 ←</p> <p>23: 10.5x ↗</p> <p>24: 9.9 ↗</p> <p>25: 10.3x →</p> <p>26: 8.0 →</p> <p>27: 9.4 →</p> <p>28: 8.7 →</p> <p>29: 10.0 ↗</p> <p>30: 8.5 →</p> <hr/> <p>Series 89.0</p> <hr/> <p>Total 271.0</p>	 <p style="text-align:center;">40 Shots</p>	<p>31: 10.6x ↘</p> <p>32: 9.1 ↑</p> <p>33: 10.5x ←</p> <p>34: 8.8 →</p> <p>35: 9.8 ↓</p> <p>36: 10.0 ↓</p> <p>37: 10.2x →</p> <p>38: 9.8 →</p> <p>39: 8.7 →</p> <p>40: 10.0 ↗</p> <hr/> <p>Series 93.0</p> <hr/> <p>Total 364.0</p>
---	--	---	---

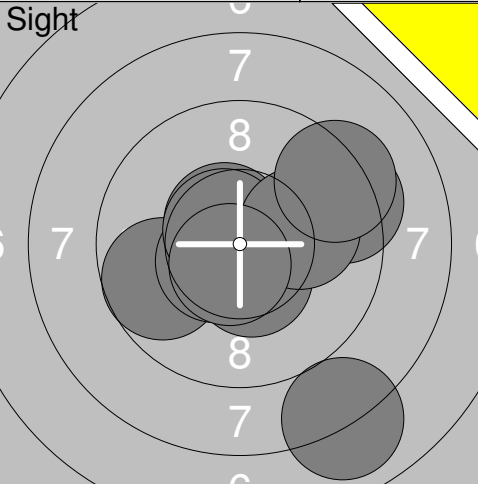
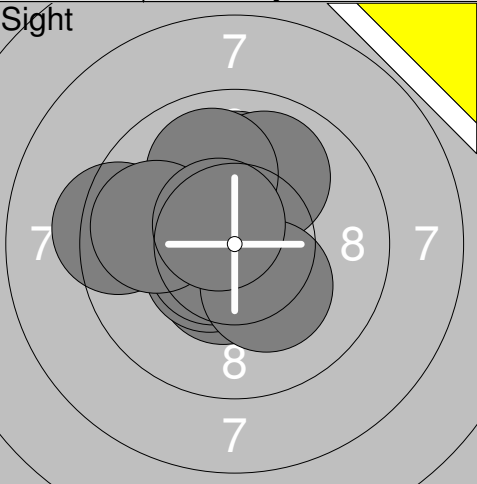
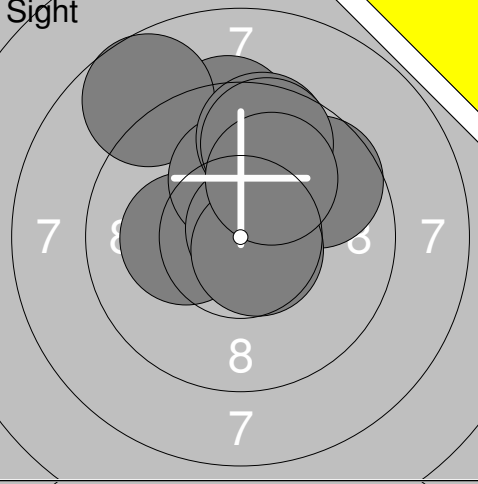
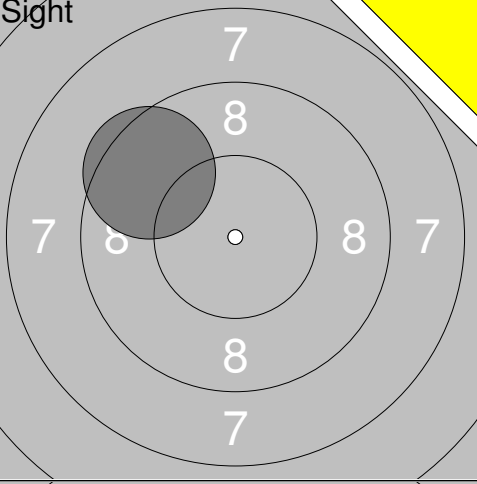
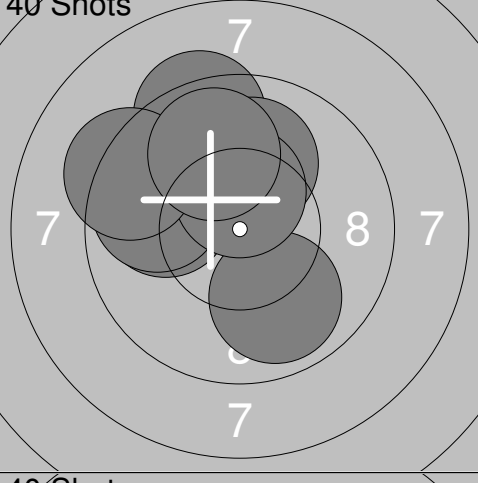
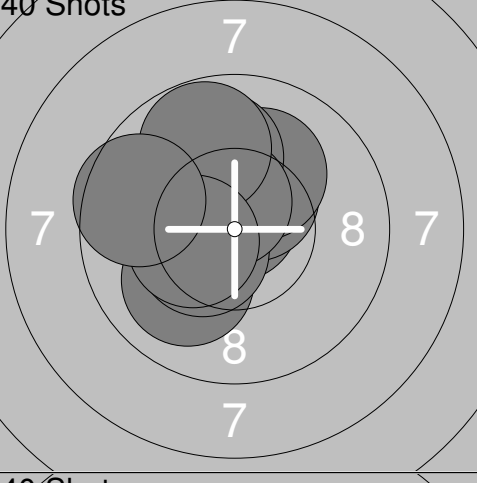
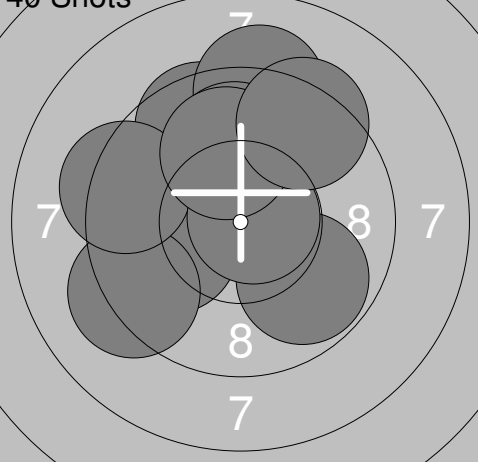
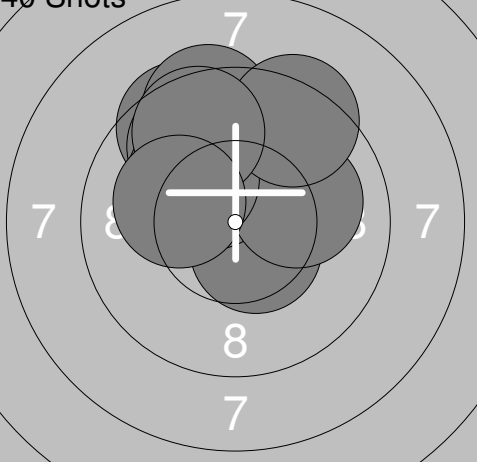
Relay	Lane	Julia Johansson			
S		Gideå	L13 Vn		
2014-04-12	UME-Kulan 2014	Umeå skytteallians			
Sight		1: 9.7 ↘ 2: 9.7 ↘ 3: 10.4x ↗ 4: 9.8 ↘ 5: 9.9 ↙ 6: 10.0 ↗ 7: 9.1 ↙ 8: 9.4 ← 9: 10.3x ↘ 10: 10.4x ↙ Series 98.7 Total 0.0	Sight		11: 9.9 ↗ 12: 9.7 ↗ 13: 10.6x ↗ 14: 9.9 ← 15: 10.8x ↗ 16: 9.4 ↘ 17: 9.3 ← 18: 10.7x → 19: 10.2x ← 20: 10.0 ↑ Series 100.5 Total 0.0
Sight		21: 10.2x ← 22: 10.6x → 23: 10.1 ← 24: 10.1 ← 25: 10.7x → 26: 10.8x ↗ 27: 9.6 ← 28: 10.3x ↗ 29: 10.4x ↗ 30: 10.4x ← Series 103.2 Total 0.0	40 Shots		1: 9.9 ← 2: 10.1 ↙ 3: 9.5 ↗ 4: 9.7 ↙ 5: 10.2x ← 6: 10.6x ↗ 7: 9.9 ↑ 8: 10.5x ↓ 9: 9.7 ← 10: 10.3x ← Series 100.4 Total 100.4
40 Shots		11: 10.3x ↗ 12: 9.3 ↗ 13: 9.4 ↗ 14: 9.7 ↑ 15: 9.5 ← 16: 10.3x ← 17: 10.2x ↗ 18: 10.4x ← 19: 10.6x ↑ 20: 10.7x ← Series 100.4 Total 200.8	40 Shots		21: 10.3x ← 22: 10.5x ← 23: 10.3x ↗ 24: 10.4x → 25: 10.5x → 26: 10.1 ← 27: 10.7x ↓ 28: 10.3x ↗ 29: 9.7 ↙ 30: 10.7x ← Series 103.5 Total 304.3
40 Shots		31: 10.2x ↘ 32: 10.2x ↘ 33: 10.8x ← 34: 9.9 ↘ 35: 10.2x → 36: 10.3x → 37: 10.3x ← 38: 9.9 ↙ 39: 10.1 ↙ 40: 10.2x ↘ Series 102.1 Total 406.4			

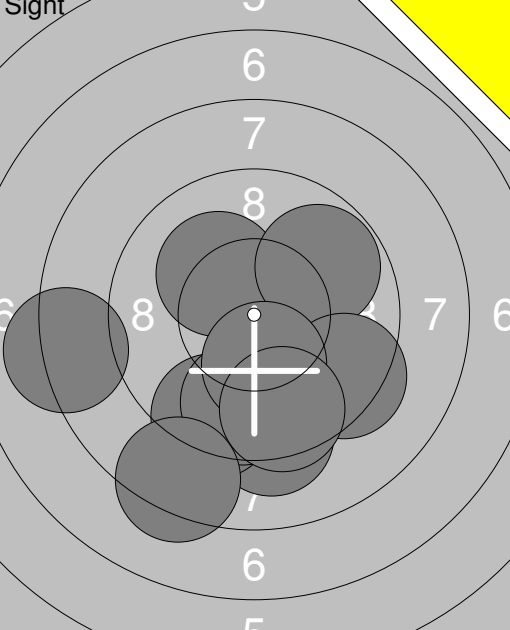
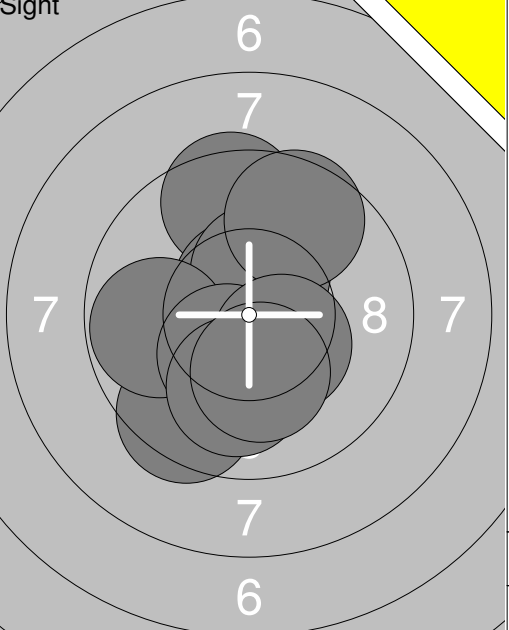
Sight 	1: 9.6 ← 2: 9.8 ↑ 3: 10.1 ← 4: 9.4 ↓ 5: 9.9 ↓ 6: 9.6 ↓ 7: 10.4x ↓ 8: 9.7 ← 9: 10.2x ↓ 10: 10.5x ↓ <hr/> Series 99.2 Total 0.0	Sight 	11: 10.1 → 12: 9.5 ← 13: 9.0 ↗ 14: 9.4 ↓ 15: 7.7 ↓ 16: 9.7 ↓ 17: 9.9 ↗ 18: 10.0 ↓ 19: 9.6 ← 20: 9.5 ↓ <hr/> Series 94.4 Total 0.0
---	--	---	--

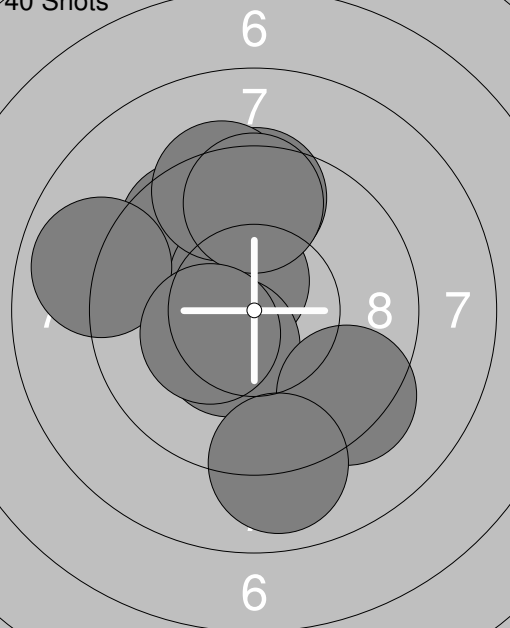
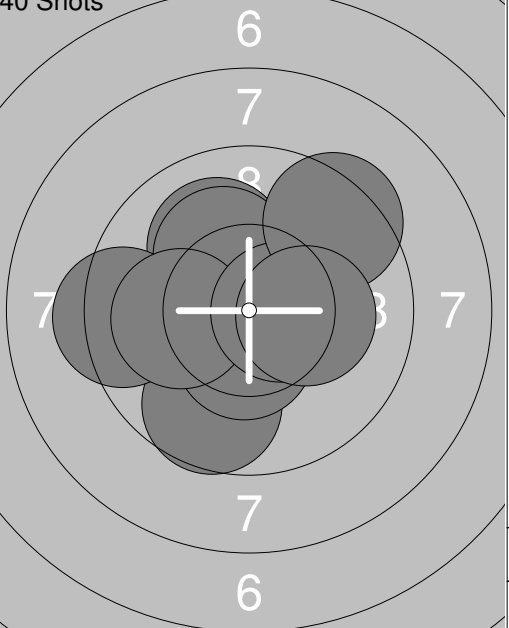
Sight 	21: 9.6 ↓ 22: 9.8 → 23: 9.7 → 24: 9.2 ↗ 25: 10.1 ↑ 26: 9.0 ↗ 27: 10.0 ↓ 28: 10.2x → 29: 8.4 → 30: 10.3x ↑ <hr/> Series 96.3 Total 0.0	40 Shots 	1: 9.3 → 2: 10.3x ↓ 3: 9.3 ↓ 4: 8.0 ↗ 5: 9.2 → 6: 9.5 ↓ 7: 9.4 ↓ 8: 10.2x ↓ 9: 9.6 ↗ 10: 9.8 ↓ <hr/> Series 94.6 Total 94.6
--	--	---	--

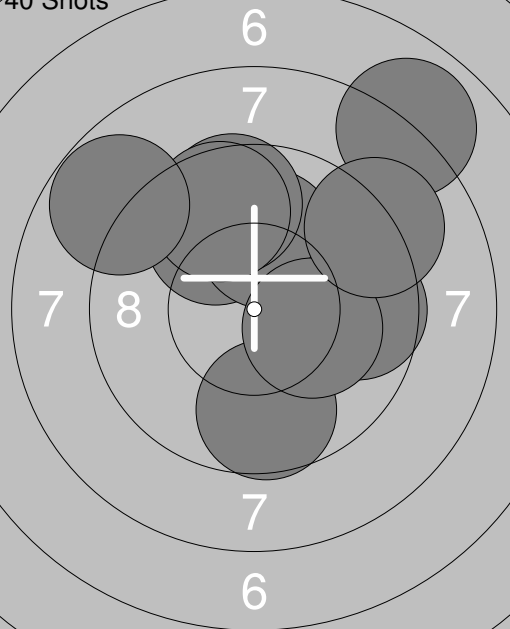
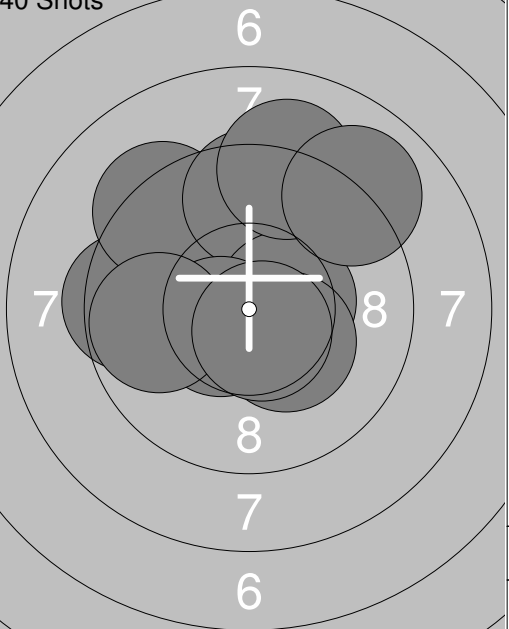
40 Shots 	11: 6.9 → 12: 2.9 ↓ 13: 9.7 ↑ 14: 10.0 → 15: 9.6 ↗ 16: 9.3 ↗ 17: 10.7x ↗ 18: 10.0 ↗ 19: 9.2 ↑ 20: 9.8 ↗ <hr/> Series 88.1 Total 182.7	40 Shots 	21: 10.6x ↓ 22: 10.3x ← 23: 8.8 ← 24: 10.4x ↓ 25: 8.4 ← 26: 9.4 → 27: 9.6 ↓ 28: 9.3 ↓ 29: 9.2 ↗ 30: 8.8 → <hr/> Series 94.8 Total 277.5
--	--	--	--

40 Shots 	31: 10.0 ↓ 32: 9.1 ↓ 33: 8.9 ↗ 34: 9.6 ↗ 35: 9.6 ↗ 36: 10.4x ← 37: 10.6x ← 38: 8.6 ↗ 39: 10.1 ↓ 40: 10.3x ↓ <hr/> Series 97.2 Total 374.7		
--	--	--	--

Relay	Lane	Rebecka Bäckman	
S	Gideå	L11	Vn
2014-04-12	UME-Kulan 2014	Umeå skytteallians	
Sight		1: 10.5x ↓ 2: 9.7 ← 3: 10.6x ↗ 4: 9.3 → 5: 8.0 ↓ 6: 10.5x ↙ 7: 10.6x ↗ 8: 10.0 → 9: 9.3 ↗ 10: 10.6x ↓ Series 99.1 Total 0.0	Sight  11: 10.5x ↓ 12: 10.0 ↑ 13: 10.5x ↙ 14: 10.6x ↙ 15: 9.4 ← 16: 10.0 ↑ 17: 10.0 ↑ 18: 10.2x ↓ 19: 9.9 ← 20: 10.6x ↗ Series 101.7 Total 0.0
Sight		21: 9.4 ↑ 22: 9.7 ↗ 23: 10.2x ← 24: 8.7 ↗ 25: 10.2x ↑ 26: 9.6 ↑ 27: 10.8x ↗ 28: 10.7x ↓ 29: 9.6 ↑ 30: 10.1 ↗ Series 99.0 Total 0.0	Sight  31: 9.5 ↖ Series 9.5 Total 0.0
40 Shots		1: 9.7 ↗ 2: 10.1 ↑ 3: 9.3 ↑ 4: 9.9 ↓ 5: 9.9 ← 6: 9.8 ← 7: 10.0 ↑ 8: 10.4x ↑ 9: 9.3 ↖ 10: 9.9 ↗ Series 98.3 Total 98.3	40 Shots  11: 10.0 ↙ 12: 10.8x ↑ 13: 10.4x ↗ 14: 10.1 ↗ 15: 10.4x ↙ 16: 9.9 ↑ 17: 10.6x ↑ 18: 9.8 ↑ 19: 10.4x ← 20: 9.6 ↖ Series 102.0 Total 200.3
40 Shots		21: 10.0 ← 22: 9.6 ↗ 23: 9.8 ↓ 24: 9.2 ↙ 25: 9.3 ← 26: 9.2 ↑ 27: 9.9 ↑ 28: 10.8x → 29: 10.0 ↑ 30: 9.4 ↗ Series 97.2 Total 297.5	40 Shots  31: 10.5x ↓ 32: 10.3x ↗ 33: 9.5 ↗ 34: 9.4 ↑ 35: 10.1 → 36: 9.8 ↗ 37: 10.1 ↗ 38: 9.4 ↗ 39: 9.6 ↑ 40: 10.1 ↖ Series 98.8 Total 396.3

 <p>Sight</p>	<p>1: 9.2 ↓</p> <p>2: 9.4 ↓</p> <p>3: 10.2x ↖</p> <p>4: 9.7 ↓</p> <p>5: 9.8 ↗</p> <p>6: 9.4 →</p> <p>7: 8.2 ←</p> <p>8: 8.3 ↓</p> <p>9: 10.2x ↓</p> <p>10: 9.5 ↓</p>	 <p>Sight</p>	<p>11: 9.5 ↑</p> <p>12: 10.6x ↑</p> <p>13: 9.5 ↙</p> <p>14: 10.4x ↑</p> <p>15: 9.8 ←</p> <p>16: 9.6 ↑</p> <p>17: 10.4x ↙</p> <p>18: 10.0 ↓</p> <p>19: 10.4x ↘</p> <p>20: 10.2x ↓</p>
Series 93.9		Series 100.4	
Total 0.0		Total 0.0	

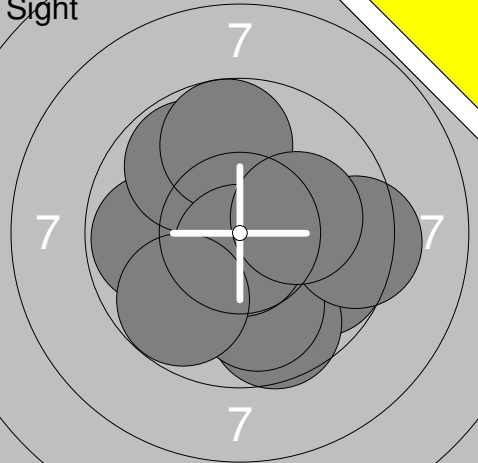
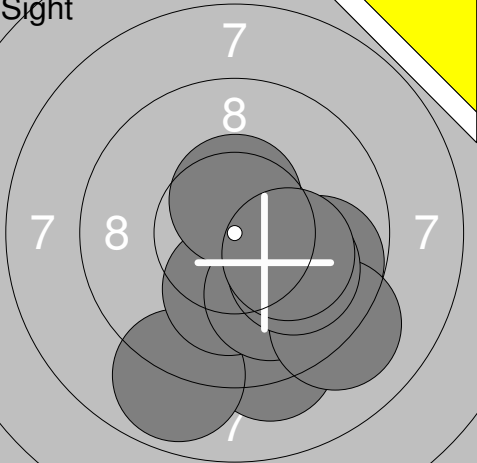
 <p>40 Shots</p>	<p>1: 9.6 ↖</p> <p>2: 9.5 ↑</p> <p>3: 10.5x ↖</p> <p>4: 9.4 ↑</p> <p>5: 8.9 ←</p> <p>6: 10.4x ↙</p> <p>7: 9.6 ↑</p> <p>8: 9.4 ↘</p> <p>9: 9.0 ↓</p> <p>10: 10.3x ↙</p>	 <p>40 Shots</p>	<p>11: 10.0 ↖</p> <p>12: 10.5x ↙</p> <p>13: 9.7 ↙</p> <p>14: 10.4x ↙</p> <p>15: 10.2x ↖</p> <p>16: 9.3 ←</p> <p>17: 10.1 ←</p> <p>18: 10.5x →</p> <p>19: 9.4 ↗</p> <p>20: 10.2x →</p>
Series 96.6		Series 100.3	
Total 96.6		Total 196.9	


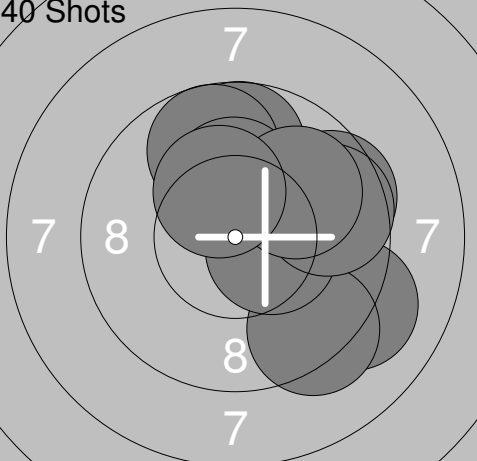
 <p>40 Shots</p>	<p>21: 9.9 ↖</p> <p>22: 10.0 ↑</p> <p>23: 9.7 ↓</p> <p>24: 9.6 →</p> <p>25: 9.6 ↑</p> <p>26: 10.2x →</p> <p>27: 9.6 ↑</p> <p>28: 7.9 ↗</p> <p>29: 8.8 ↖</p> <p>30: 9.1 ↗</p>	 <p>40 Shots</p>	<p>31: 9.5 ←</p> <p>32: 9.3 ↖</p> <p>33: 9.5 ↑</p> <p>34: 10.5x →</p> <p>35: 10.3x ↘</p> <p>36: 10.5x ↙</p> <p>37: 9.1 ↑</p> <p>38: 9.8 ←</p> <p>39: 9.0 ↗</p> <p>40: 10.6x ↘</p>
Series 94.4		Series 98.1	
Total 291.3		Total 389.4	

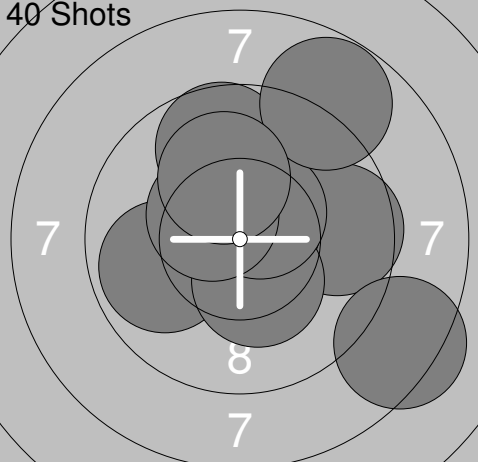
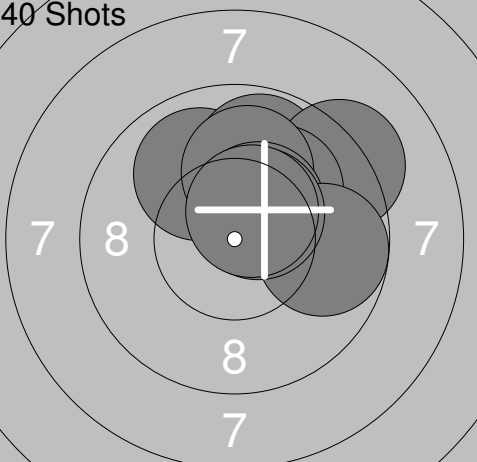
Relay	Lane	Måns Sjödin		
1	16			

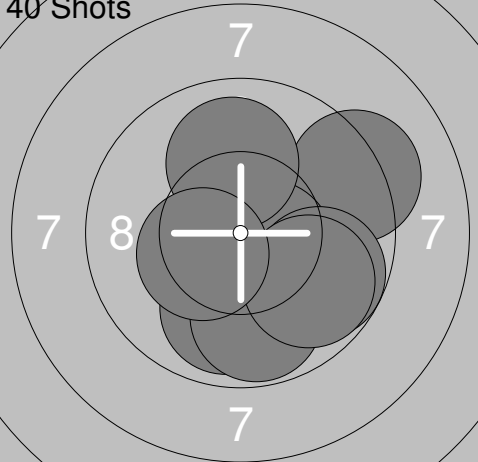
S	Kyrkås	L07	Jä
---	--------	-----	----

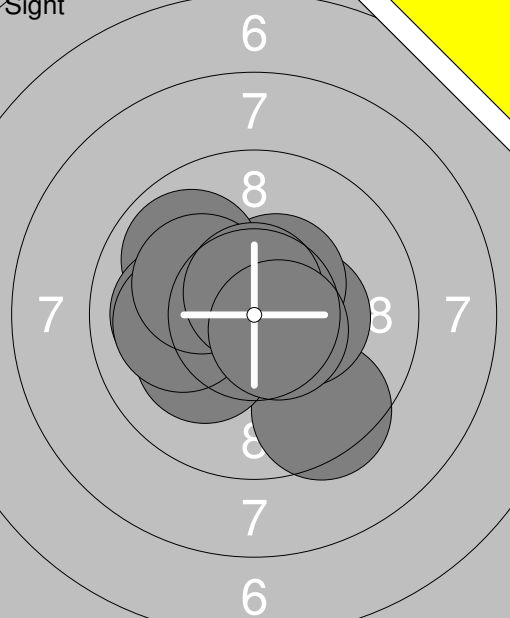
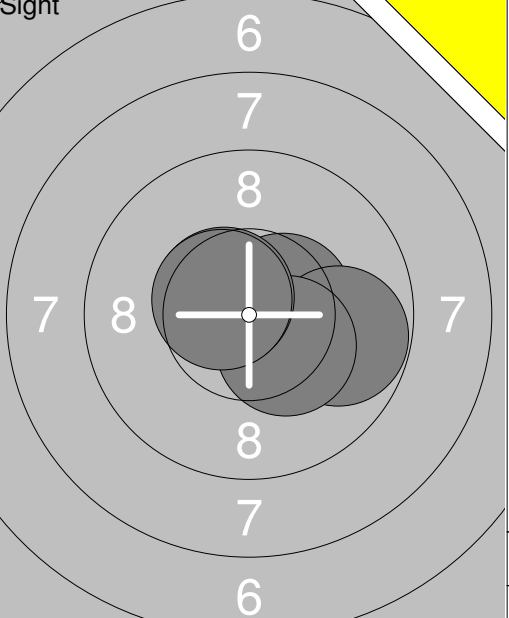
2014-04-12	UME-Kulan 2014	Umeå skytteallians
------------	----------------	--------------------

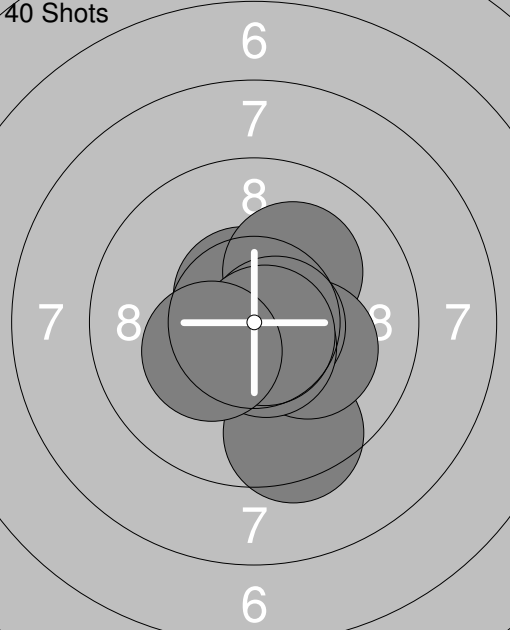
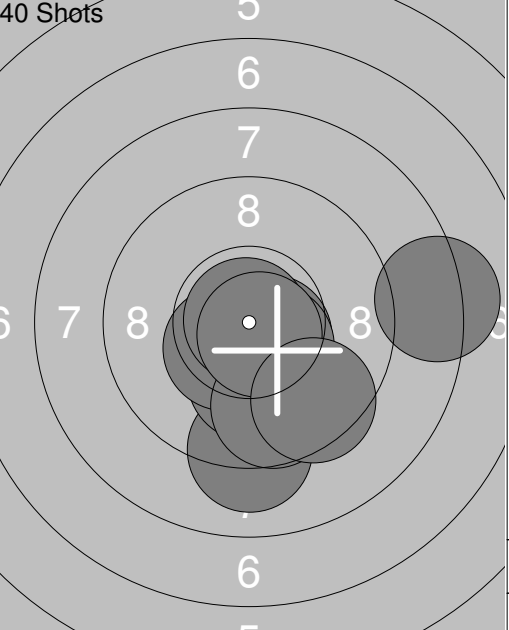
Sight 	1: 9.8 ←	Sight 	11: 9.2 ↓
	2: 9.8 ↗		12: 8.9 ↓
	3: 9.8 ↑		13: 9.8 →
	4: 9.8 →		14: 10.4x →
	5: 9.6 ↓		15: 10.2x ↓
	6: 9.9 ↓		16: 10.0 ↓
	7: 10.7x ↓		17: 9.1 ↓
	8: 9.4 →		18: 10.5x ↑
	9: 10.2x →		19: 10.0 →
	10: 9.8 ↙		20: 10.2x →
	Series 98.8		Series 98.3
	Total 0.0		Total 0.0

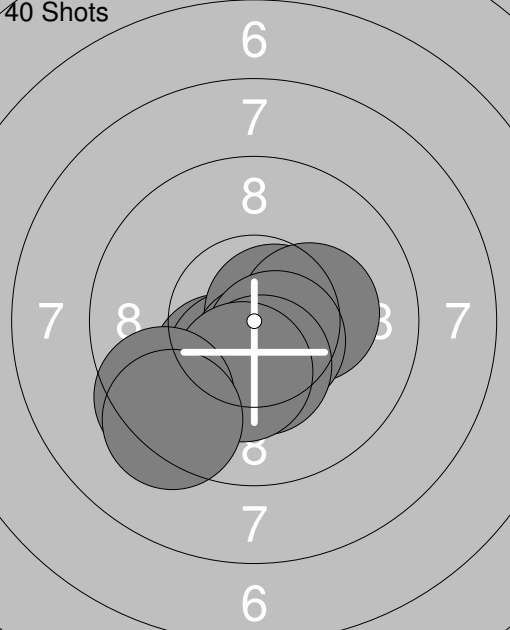
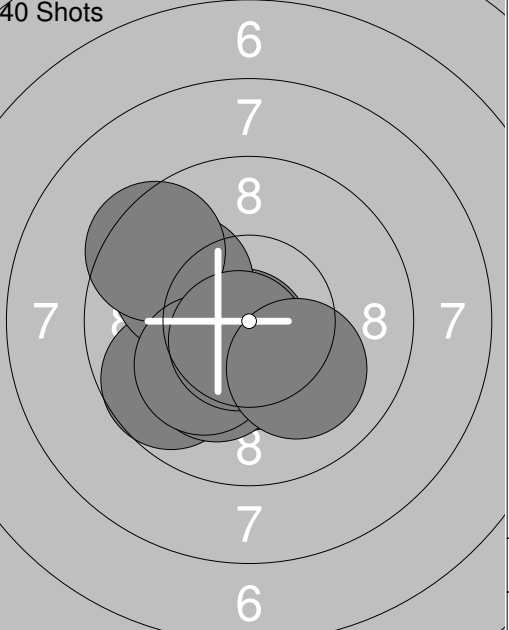
Sight 	21: 10.3x ↗	40 Shots 	1: 9.1 →
			2: 9.3 ↓
			3: 9.7 ↑
			4: 9.6 →
			5: 10.4x →
			6: 9.7 ↑
			7: 9.7 →
			8: 10.2x ↑
			9: 9.9 ↗
			10: 10.3x ↗
	Series 10.3		Series 97.9
	Total 0.0		Total 97.9

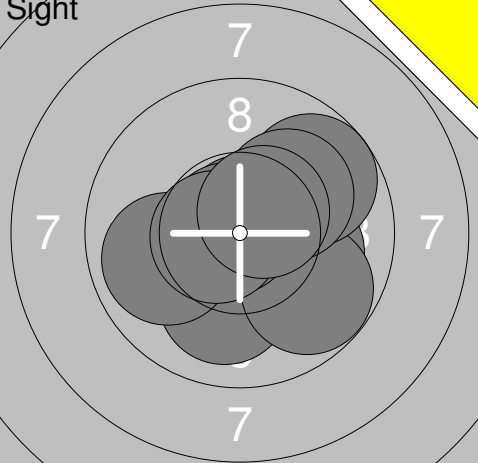
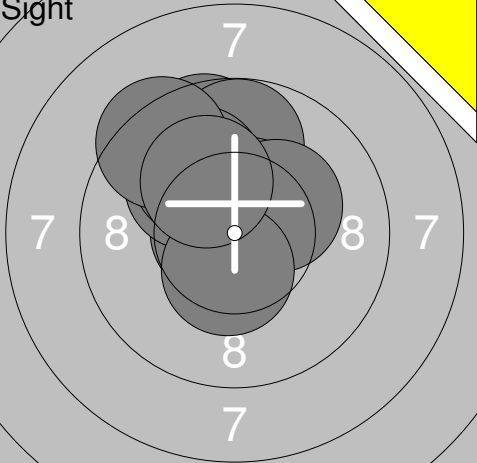
40 Shots 	11: 9.9 ←	40 Shots 	21: 10.0 ↗
	12: 9.7 ↑		22: 9.8 ↑
	13: 9.6 →		23: 10.0 →
	14: 8.4 →		24: 9.2 ↗
	15: 10.7x ↗		25: 10.1 ↗
	16: 10.3x ↓		26: 10.0 ↑
	17: 10.5x ↗		27: 10.4x ↗
	18: 10.5x ↗		28: 9.8 →
	19: 8.8 ↗		29: 10.5x ↗
	20: 10.1 ↑		30: 10.5x ↗
	Series 98.5		Series 100.3
	Total 196.4		Total 296.7

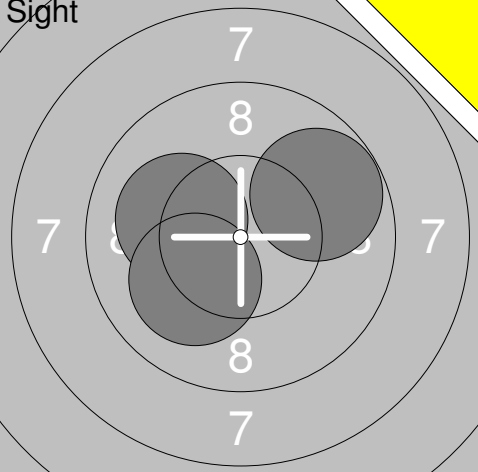
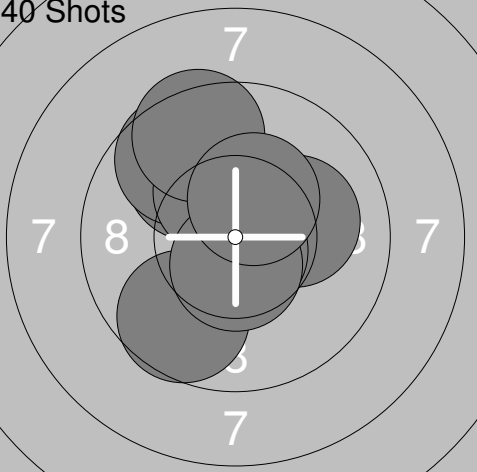
40 Shots 	31: 9.9 ↓	
	32: 9.2 →	
	33: 10.5x ↓	
	34: 9.9 ↓	
	35: 10.6x →	
	36: 9.8 ↓	
	37: 10.0 ↑	
	38: 9.8 →	
	39: 9.8 ↓	
	40: 10.4x ↙	
	Series 99.9	
	Total 396.6	

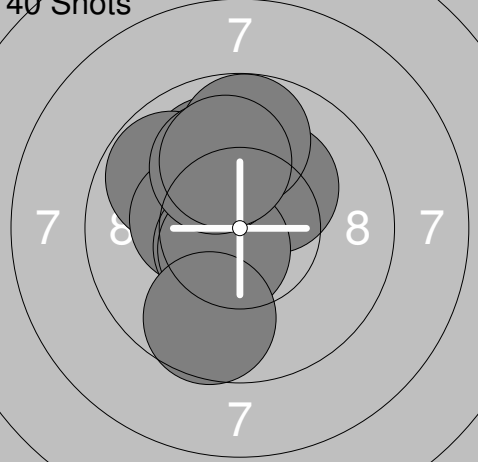
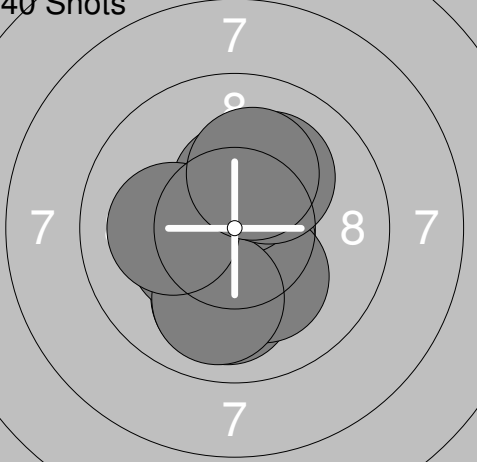
 <p style="text-align:center;">Sight</p>	<p>1: 9.5 ↘</p> <p>2: 10.4x →</p> <p>3: 10.1 ↙</p> <p>4: 10.5x ↗</p> <p>5: 9.9 ↖</p> <p>6: 10.0 ←</p> <p>7: 10.0 ←</p> <p>8: 10.2x ↖</p> <p>9: 10.7x ↑</p> <p>10: 10.6x ↘</p>	 <p style="text-align:center;">Sight</p>	<p>11: 10.5x →</p> <p>12: 9.8 →</p> <p>13: 10.3x ↘</p> <p>14: 10.6x ↖</p> <p>15: 10.6x ↖</p>
Series	101.9	Series	51.8
Total	0.0	Total	0.0

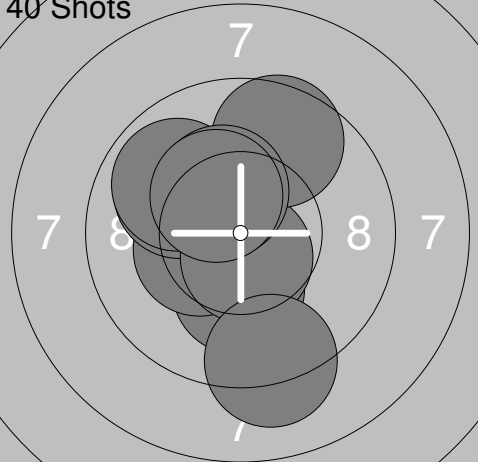
 <p style="text-align:center;">40 Shots</p>	<p>1: 9.5 ↘</p> <p>2: 10.5x ↙</p> <p>3: 10.6x ↗</p> <p>4: 10.5x →</p> <p>5: 10.1 ↗</p> <p>6: 10.2x ↘</p> <p>7: 10.7x →</p> <p>8: 10.6x ↘</p> <p>9: 10.7x ↘</p> <p>10: 10.3x ↙</p>	 <p style="text-align:center;">40 Shots</p>	<p>11: 9.1 ↓</p> <p>12: 10.1 ↓</p> <p>13: 10.6x ↘</p> <p>14: 10.5x ↘</p> <p>15: 10.4x ↙</p> <p>16: 9.7 ↓</p> <p>17: 10.9x ↖</p> <p>18: 8.2 →</p> <p>19: 10.7x ↘</p> <p>20: 9.5 ↘</p>
Series	103.7	Series	99.7
Total	103.7	Total	203.4

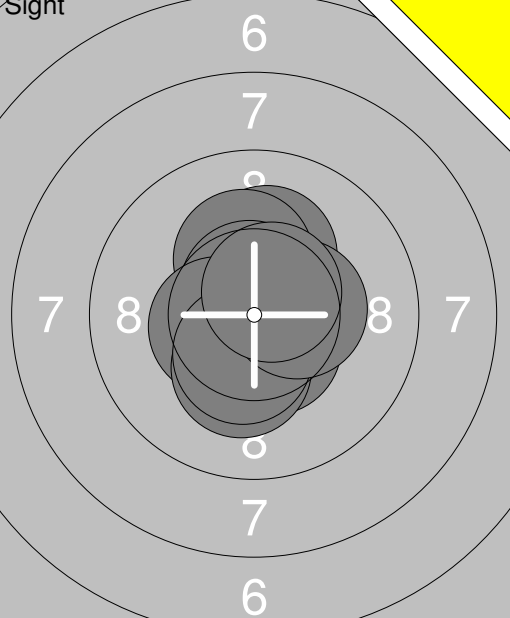
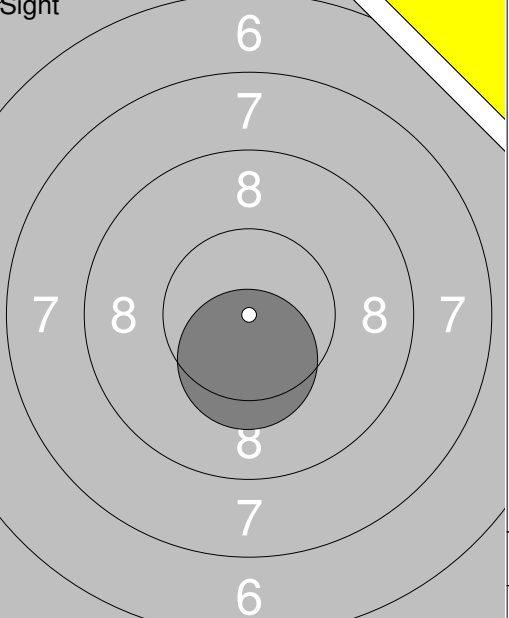
 <p style="text-align:center;">40 Shots</p>	<p>21: 10.3x ↙</p> <p>22: 10.4x ↙</p> <p>23: 10.7x →</p> <p>24: 10.2x →</p> <p>25: 10.5x ↘</p> <p>26: 10.6x ↘</p> <p>27: 10.4x ↘</p> <p>28: 10.3x ↘</p> <p>29: 9.4 ↙</p> <p>30: 9.3 ↙</p>	 <p style="text-align:center;">40 Shots</p>	<p>31: 10.3x ↙</p> <p>32: 9.7 ↙</p> <p>33: 10.4x ↘</p> <p>34: 10.7x ↘</p> <p>35: 10.0 ↖</p> <p>36: 10.2x ↙</p> <p>37: 9.5 ↖</p> <p>38: 10.2x ↙</p> <p>39: 10.7x ↘</p> <p>40: 10.1 ↘</p>
Series	102.1	Series	101.8
Total	305.5	Total	407.3

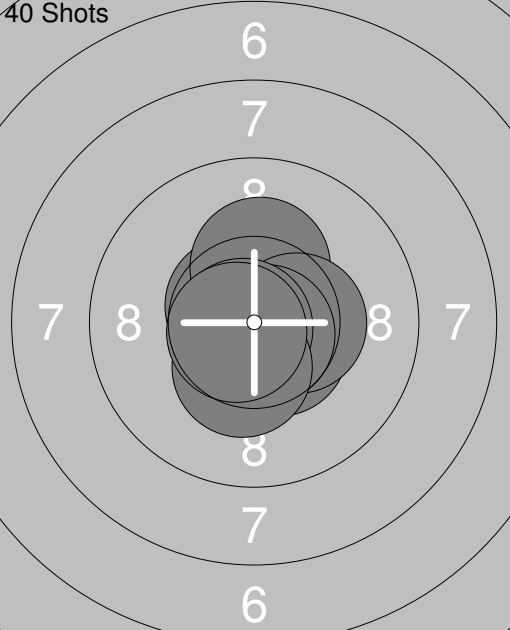
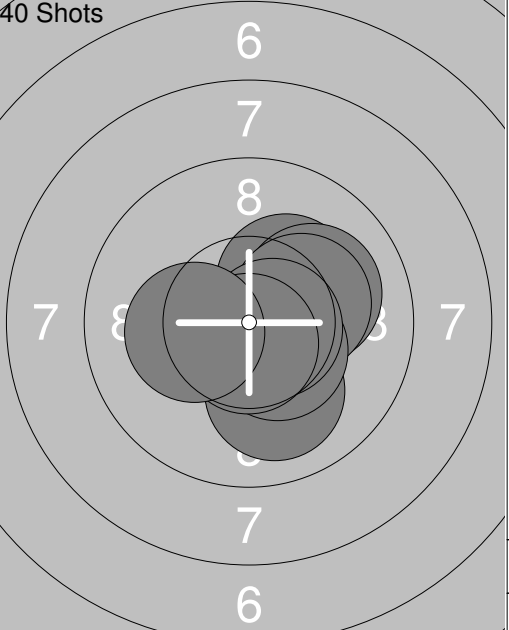
Sight 	1: 10.1 → 2: 10.8x ↑ 3: 10.0 ↓ 4: 9.9 ← 5: 9.8 ↓ 6: 10.8x ↖ 7: 9.8 ↗ 8: 10.1 ↗ 9: 10.6x ← 10: 10.5x ↗ <hr/> Series 102.4 Total 0.0	Sight 	11: 10.7x ← 12: 9.6 ↑ 13: 10.1 ↖ 14: 9.8 ↑ 15: 10.5x ↗ 16: 10.0 ↖ 17: 10.3x ↗ 18: 10.5x ↓ 19: 9.4 ↖ 20: 10.2x ↖ <hr/> Series 101.1 Total 0.0
---	---	---	---

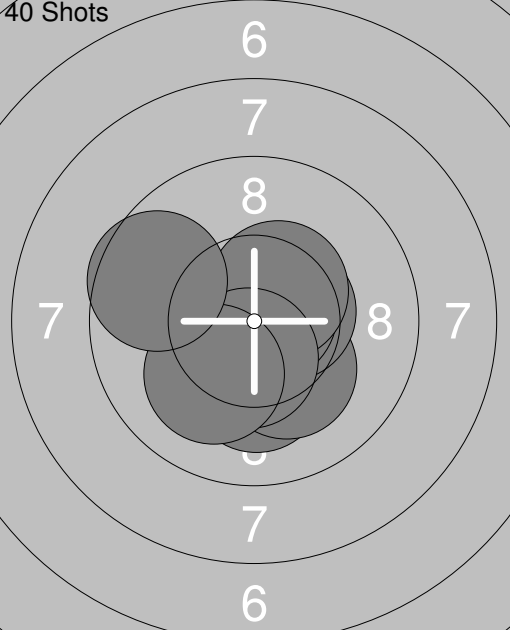
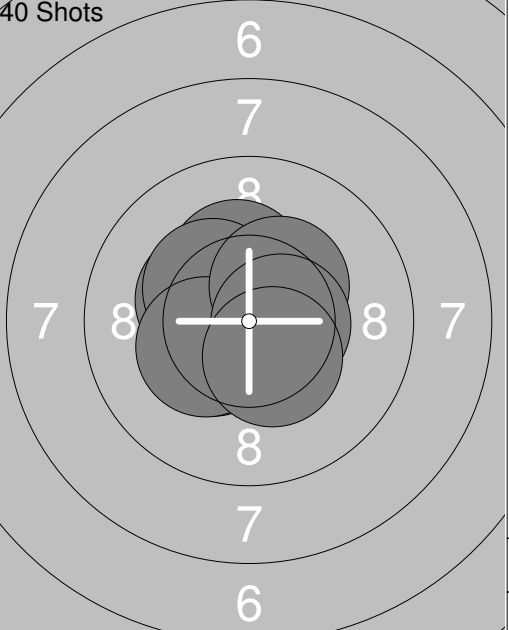
Sight 	21: 10.1 ← 22: 9.8 ↗ 23: 10.1 ↙ <hr/> Series 30.0 Total 0.0	40 Shots 	1: 10.5x ↑ 2: 9.9 ↖ 3: 10.1 → 4: 10.7x ↓ 5: 9.7 ↖ 6: 10.3x ↖ 7: 9.7 ↙ 8: 10.6x ↓ 9: 9.5 ↑ 10: 10.4x ↑ <hr/> Series 101.4 Total 101.4
--	---	---	---

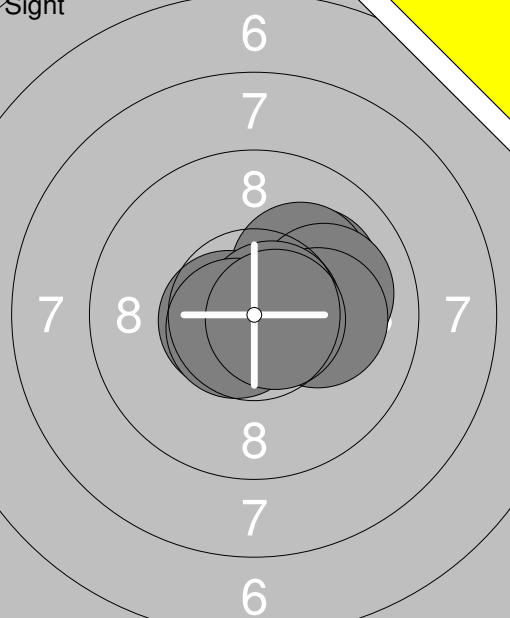
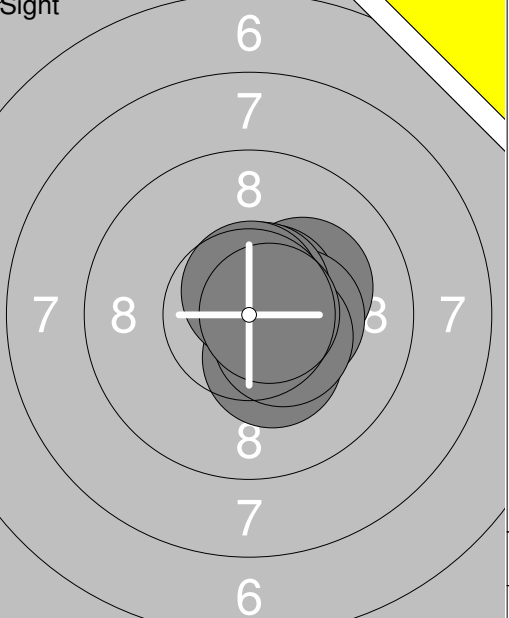
40 Shots 	11: 10.0 ↖ 12: 10.2x ↗ 13: 9.8 ↖ 14: 10.3x ← 15: 10.6x ↙ 16: 10.6x ↙ 17: 9.7 ↓ 18: 10.1 ↑ 19: 9.8 ↑ 20: 10.0 ↑ <hr/> Series 101.1 Total 202.5	40 Shots 	21: 10.0 ↓ 22: 10.0 ↓ 23: 10.3x ← 24: 10.7x ↘ 25: 10.2x ↓ 26: 10.4x ↑ 27: 10.0 ↓ 28: 10.1 ↗ 29: 10.1 ← 30: 10.2x ↑ <hr/> Series 102.0 Total 304.5
--	--	--	--

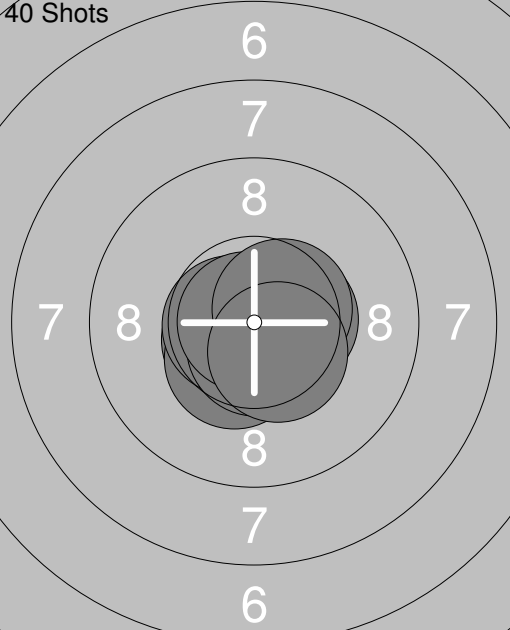
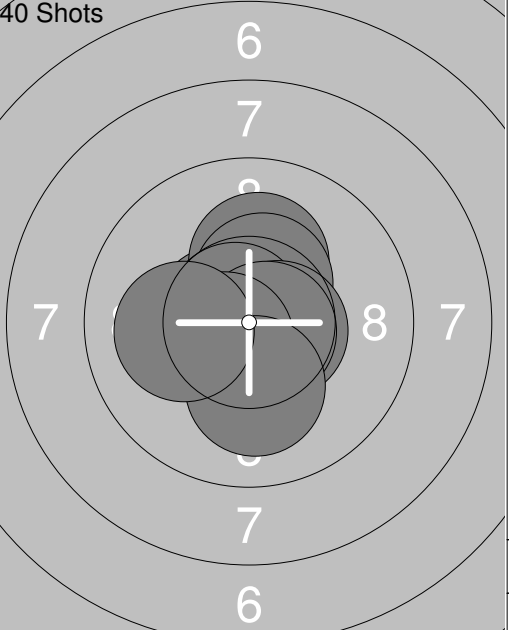
40 Shots 	31: 10.2x ↓ 32: 10.4x ← 33: 10.0 ↖ 34: 9.9 ↖ 35: 10.4x ↗ 36: 10.6x ↓ 37: 9.6 ↑ 38: 10.3x ↗ 39: 10.3x ↗ 40: 9.2 ↓ <hr/> Series 100.9 Total 405.4		
--	--	--	--

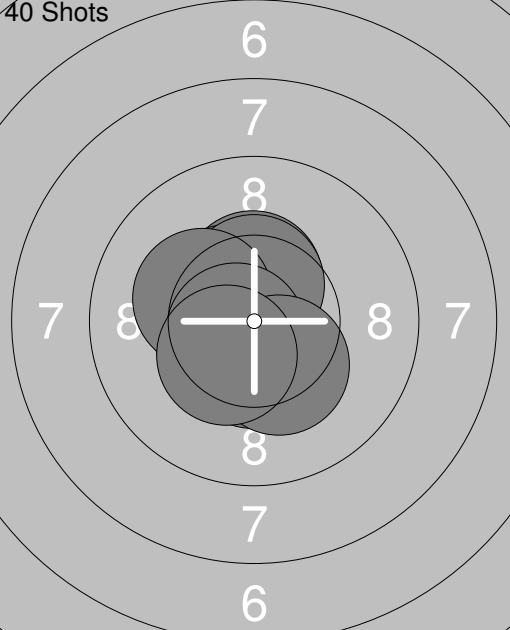
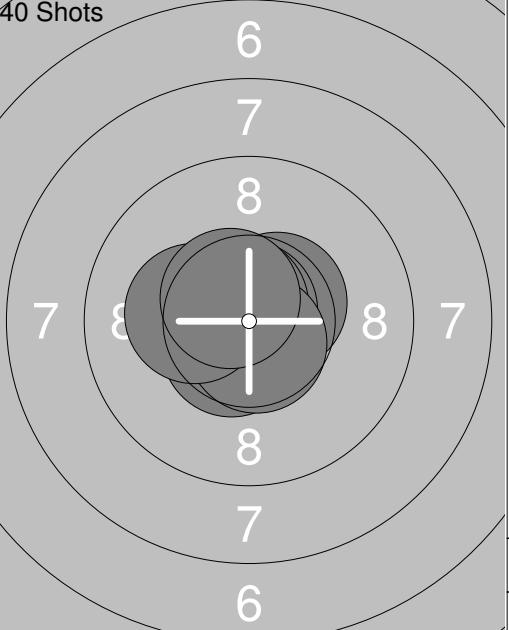
 <p style="text-align:center;">Sight</p>	<p>1: 10.2x ↑</p> <p>2: 10.5x ↓</p> <p>3: 10.7x ↑</p> <p>4: 10.2x ↑</p> <p>5: 10.6x ↑</p> <p>6: 10.5x ←</p> <p>7: 10.3x ↓</p> <p>8: 10.4x ↓</p> <p>9: 10.4x →</p> <p>10: 10.6x ↗</p>	 <p style="text-align:center;">Sight</p>	<p>11: 10.4x ↓</p>
Series 104.4		Series 10.4	
Total 0.0		Total 0.0	

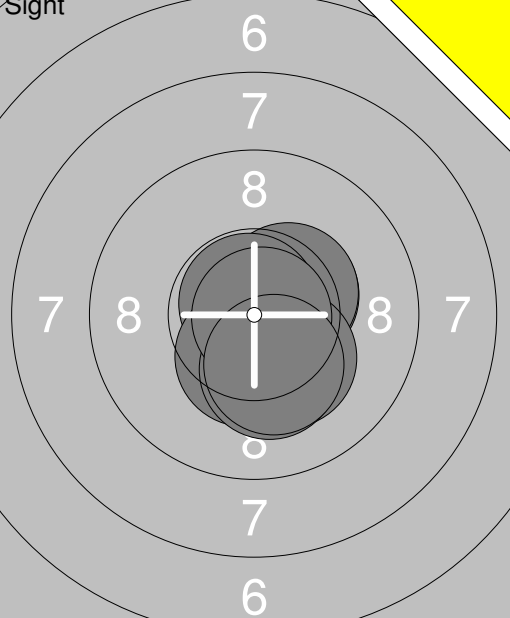
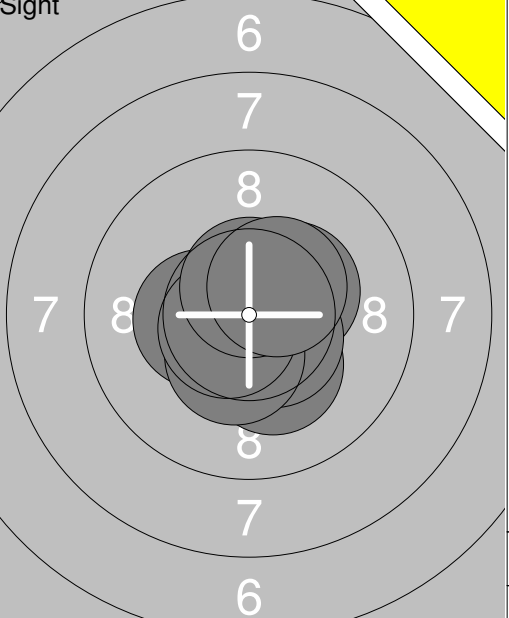
 <p style="text-align:center;">40 Shots</p>	<p>1: 10.6x ↓</p> <p>2: 10.7x ↑</p> <p>3: 10.5x ↓</p> <p>4: 10.6x ↖</p> <p>5: 10.2x ↑</p> <p>6: 10.4x →</p> <p>7: 10.7x ↓</p> <p>8: 10.8x ←</p> <p>9: 10.4x ↓</p> <p>10: 10.7x ↖</p>	 <p style="text-align:center;">40 Shots</p>	<p>11: 10.3x ↓</p> <p>12: 10.0 ↓</p> <p>13: 10.3x ↗</p> <p>14: 10.7x ↓</p> <p>15: 10.1 →</p> <p>16: 10.2x →</p> <p>17: 10.4x ↓</p> <p>18: 10.6x →</p> <p>19: 10.7x ↓</p> <p>20: 10.2x ←</p>
Series 105.6		Series 103.5	
Total 105.6		Total 209.1	

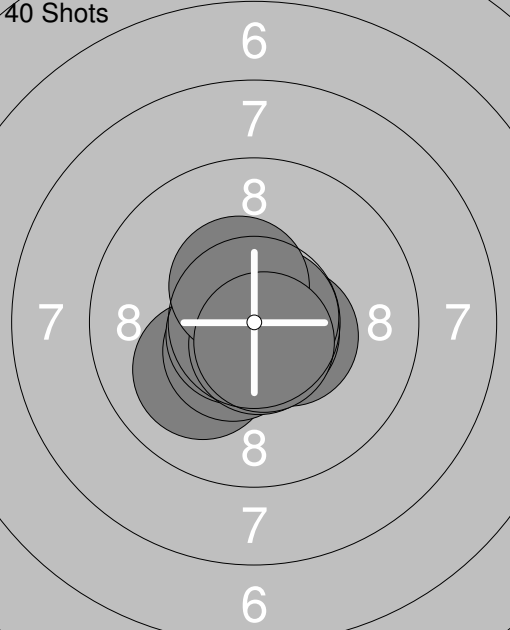
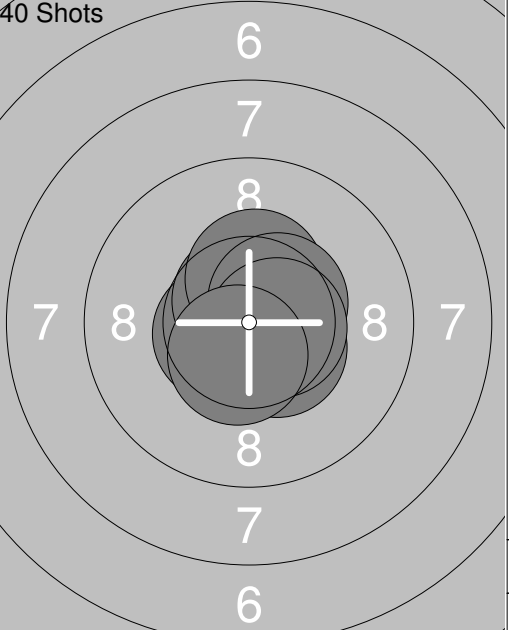
 <p style="text-align:center;">40 Shots</p>	<p>21: 10.7x ↗</p> <p>22: 10.2x ↓</p> <p>23: 10.4x ↙</p> <p>24: 10.2x ↓</p> <p>25: 10.5x →</p> <p>26: 10.8x ↗</p> <p>27: 10.5x ↗</p> <p>28: 10.5x ↓</p> <p>29: 10.1 ↓</p> <p>30: 9.6 ←</p>	 <p style="text-align:center;">40 Shots</p>	<p>31: 10.6x ←</p> <p>32: 10.4x ↙</p> <p>33: 10.8x ↗</p> <p>34: 10.3x ↖</p> <p>35: 10.3x ↑</p> <p>36: 10.3x ↖</p> <p>37: 10.3x ↙</p> <p>38: 10.4x ↗</p> <p>39: 10.5x →</p> <p>40: 10.4x ↓</p>
Series 103.5		Series 104.3	
Total 312.6		Total 416.9	

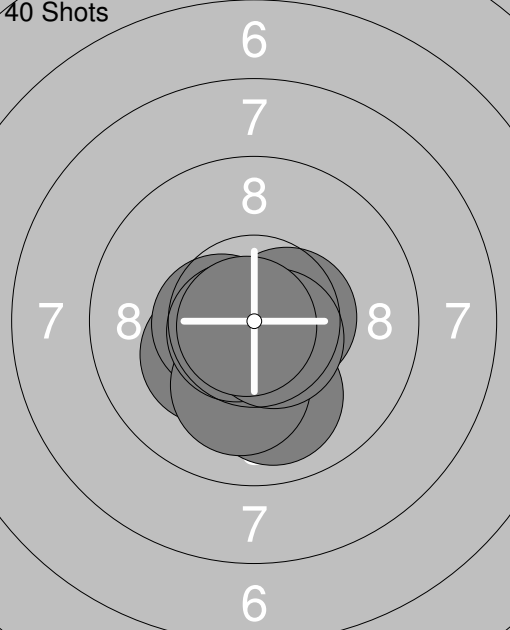
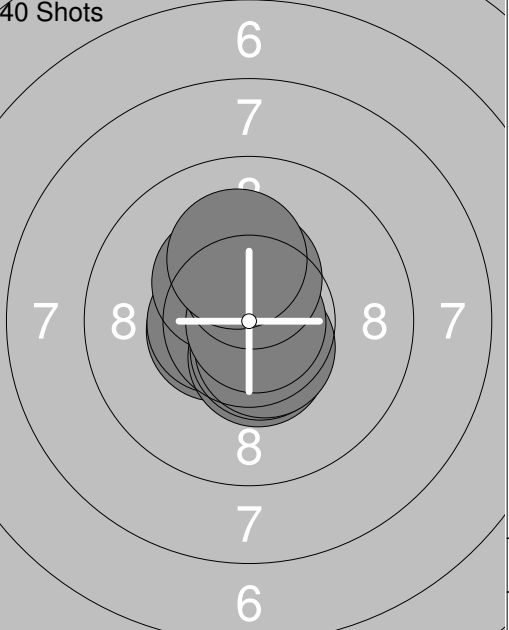
 <p style="text-align:center;">Sight</p>	<p>1: 10.3x →</p> <p>2: 10.1 ↗</p> <p>3: 10.2x ↗</p> <p>4: 10.0 →</p> <p>5: 10.1 →</p> <p>6: 10.6x ←</p> <p>7: 10.7x →</p> <p>8: 10.7x ↙</p> <p>9: 10.7x →</p>	 <p style="text-align:center;">Sight</p>	<p>11: 10.2x →</p> <p>12: 10.3x ↘</p> <p>13: 10.6x ↗</p> <p>14: 10.4x →</p> <p>15: 10.4x ↘</p> <p>16: 10.6x ↗</p> <p>18: 10.6x ↑</p> <p>19: 10.7x →</p>
Series	93.4	Series	83.8
Total	0.0	Total	0.0

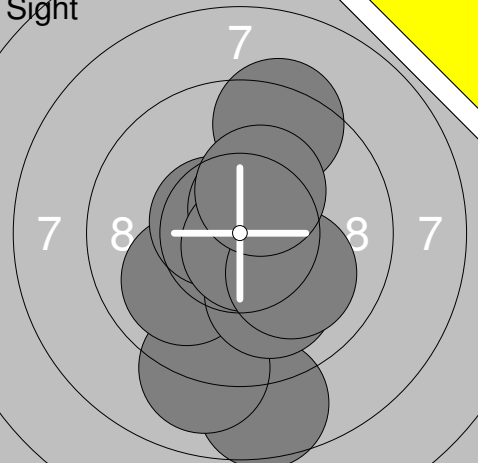
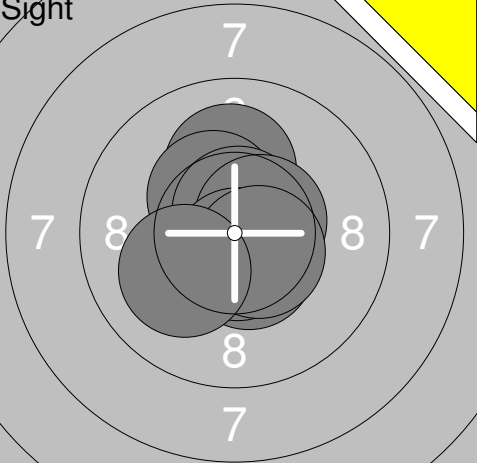
 <p style="text-align:center;">40 Shots</p>	<p>1: 10.9x ↘</p> <p>2: 10.6x ↙</p> <p>3: 10.7x ↘</p> <p>4: 10.4x ↘</p> <p>5: 10.7x ←</p> <p>6: 10.6x ↘</p> <p>7: 10.5x →</p> <p>8: 10.9x ←</p> <p>9: 10.6x →</p> <p>10: 10.5x ↘</p>	 <p style="text-align:center;">40 Shots</p>	<p>11: 10.6x ←</p> <p>12: 10.2x ↑</p> <p>13: 10.4x ↑</p> <p>14: 10.7x ↙</p> <p>15: 10.6x →</p> <p>16: 10.5x ↘</p> <p>17: 10.7x →</p> <p>18: 10.5x ↙</p> <p>19: 10.1 ↘</p> <p>20: 10.1 ←</p>
Series	106.4	Series	104.4
Total	106.4	Total	210.8

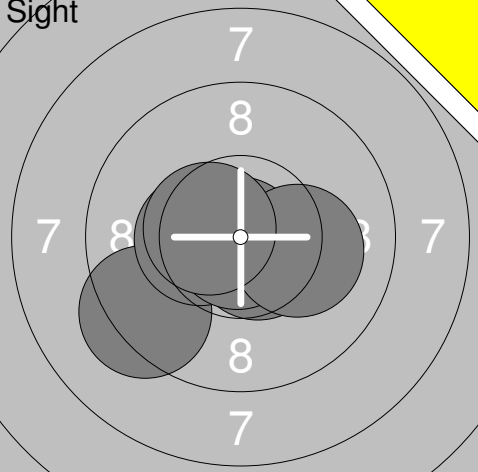
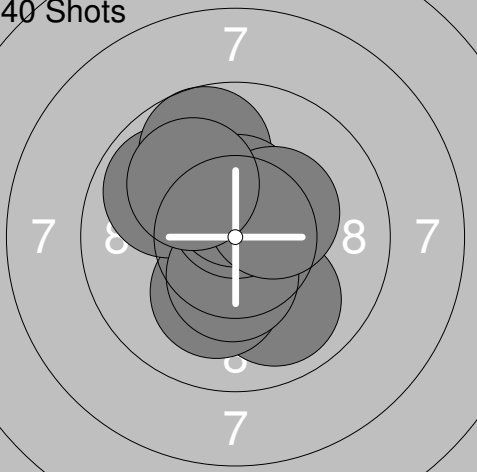
 <p style="text-align:center;">40 Shots</p>	<p>21: 10.5x ↙</p> <p>22: 10.8x ↙</p> <p>23: 10.5x ↘</p> <p>24: 10.4x ↑</p> <p>25: 10.5x ↗</p> <p>26: 10.5x ↑</p> <p>27: 10.2x ↙</p> <p>28: 10.7x ↙</p> <p>29: 10.3x ↘</p> <p>30: 10.4x ↙</p>	 <p style="text-align:center;">40 Shots</p>	<p>31: 10.5x ↗</p> <p>32: 10.5x ←</p> <p>33: 10.8x ←</p> <p>34: 10.6x ↙</p> <p>35: 10.8x ←</p> <p>36: 10.8x ↑</p> <p>37: 10.7x ↗</p> <p>38: 10.7x ↘</p> <p>39: 10.3x ←</p> <p>40: 10.6x ↗</p>
Series	104.8	Series	106.3
Total	315.6	Total	421.9

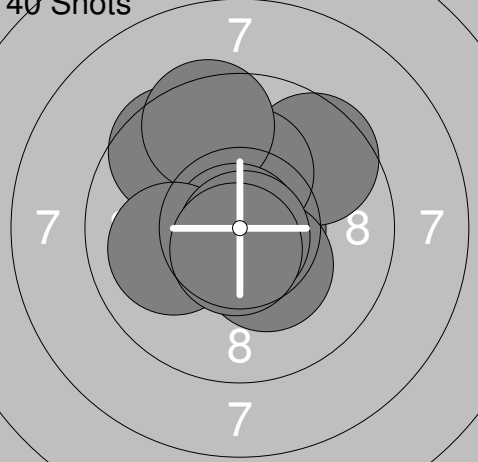
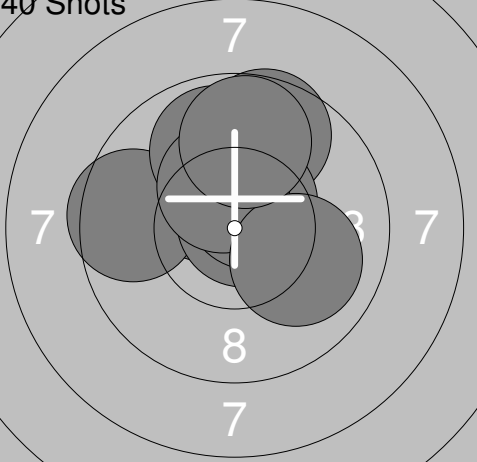
 <p style="text-align: center;">Sight</p>	<p>1: 10.3x ↓</p> <p>2: 10.4x ↗</p> <p>3: 10.7x ↓</p> <p>4: 10.4x ↗</p> <p>5: 10.8x ↑</p> <p>6: 10.3x ↓</p> <p>7: 10.4x ↓</p> <p>8: 10.2x ↓</p> <p>9: 10.9x →</p> <p>10: 10.3x ↓</p> <hr/> <p>Series 104.7</p> <hr/> <p>Total 0.0</p>	 <p style="text-align: center;">Sight</p>	<p>11: 10.2x ↓</p> <p>12: 10.3x ↗</p> <p>13: 10.8x →</p> <p>14: 10.4x ←</p> <p>15: 10.5x ↓</p> <p>16: 10.4x ↓</p> <p>17: 10.6x ↙</p> <p>18: 10.6x ↑</p> <p>19: 10.5x ↗</p> <hr/> <p>Series 94.3</p> <hr/> <p>Total 0.0</p>
---	---	---	--

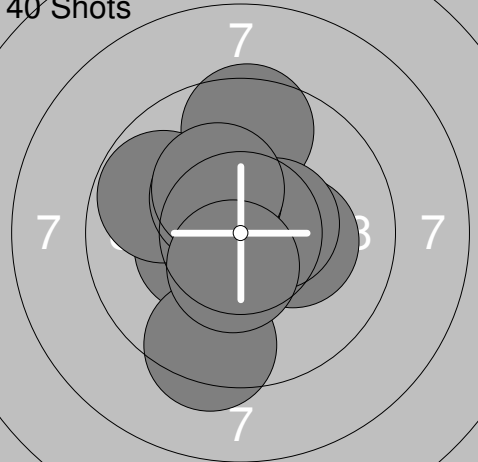
 <p style="text-align: center;">40 Shots</p>	<p>1: 10.1 ↙</p> <p>2: 10.5x →</p> <p>3: 10.8x ↓</p> <p>4: 10.7x ↘</p> <p>5: 10.8x →</p> <p>6: 10.5x ↘</p> <p>7: 10.7x ↙</p> <p>8: 10.7x ↓</p> <p>9: 10.4x ↑</p> <p>10: 10.7x ↓</p> <hr/> <p>Series 105.9</p> <hr/> <p>Total 105.9</p>	 <p style="text-align: center;">40 Shots</p>	<p>11: 10.6x ↙</p> <p>12: 10.7x ↘</p> <p>13: 10.9x →</p> <p>14: 10.7x ↑</p> <p>15: 10.4x ↑</p> <p>16: 10.7x ↘</p> <p>17: 10.5x ↗</p> <p>18: 10.5x ↓</p> <p>19: 10.6x →</p> <p>20: 10.5x ↓</p> <hr/> <p>Series 106.1</p> <hr/> <p>Total 212.0</p>
---	--	---	--

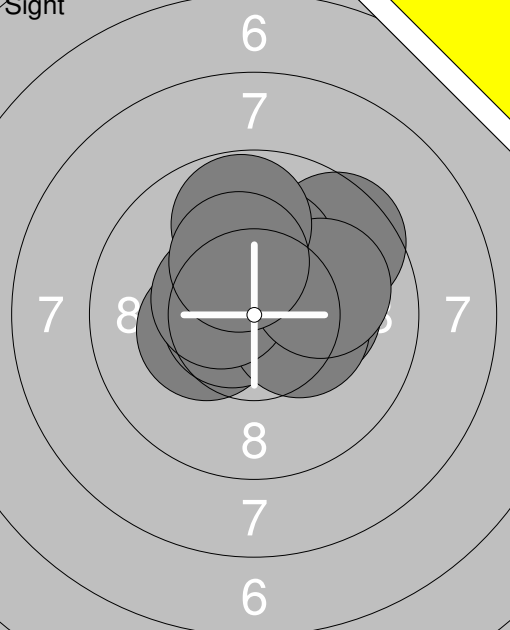
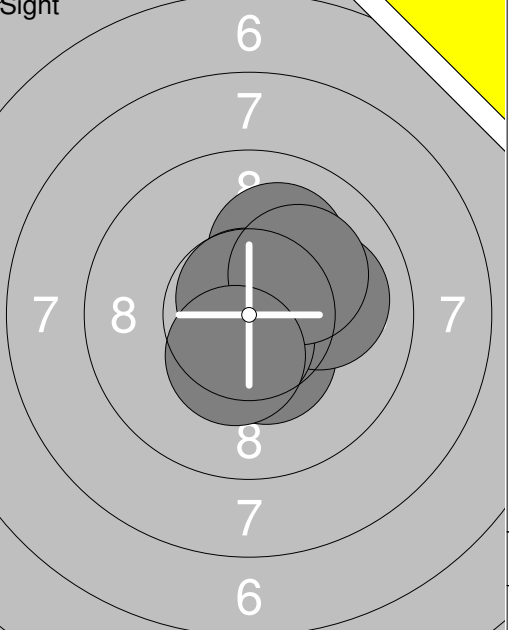
 <p style="text-align: center;">40 Shots</p>	<p>21: 10.2x ↓</p> <p>22: 10.5x →</p> <p>23: 10.0 ↓</p> <p>24: 10.5x ↙</p> <p>25: 10.2x ↙</p> <p>26: 10.5x ←</p> <p>27: 10.1 ↓</p> <p>28: 10.7x ↙</p> <p>29: 10.6x ↘</p> <p>30: 10.8x ↙</p> <hr/> <p>Series 104.1</p> <hr/> <p>Total 316.1</p>	 <p style="text-align: center;">40 Shots</p>	<p>31: 10.5x ↓</p> <p>32: 10.5x ←</p> <p>33: 10.5x ←</p> <p>34: 10.5x ↓</p> <p>35: 10.6x ↓</p> <p>36: 10.6x ↓</p> <p>37: 10.3x ↗</p> <p>38: 10.9x →</p> <p>39: 10.4x ↑</p> <p>40: 10.1 ↑</p> <hr/> <p>Series 104.9</p> <hr/> <p>Total 421.0</p>
--	--	--	---

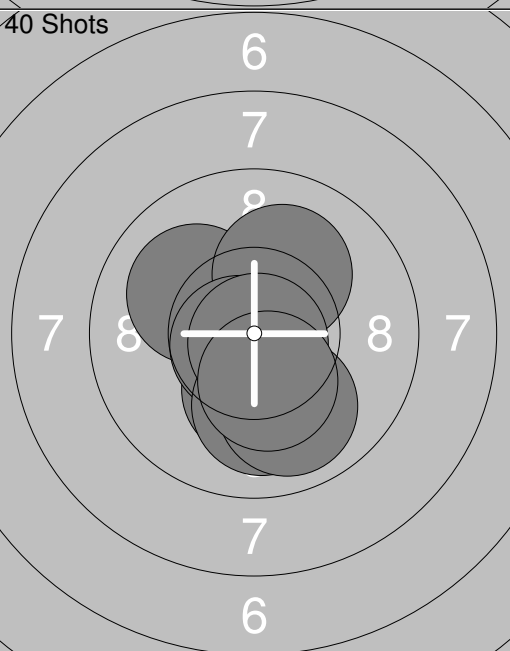
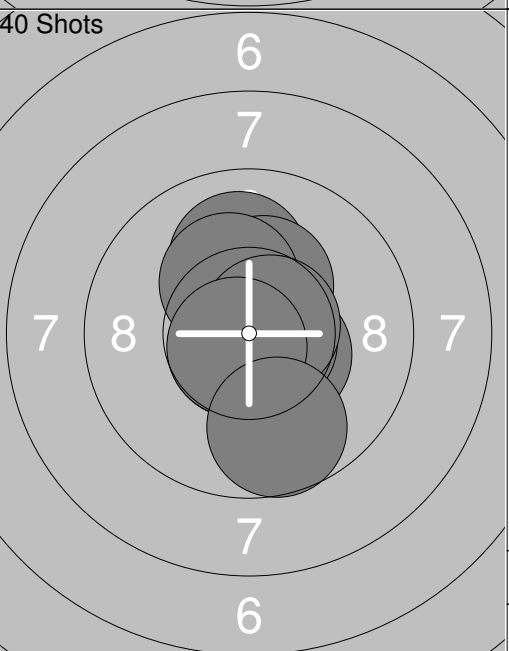
<p>Sight</p> 	<p>1: 8.6 ↓ 2: 9.0 ↓ 3: 10.0 ↙ 4: 10.0 ↓ 5: 10.6x ↖ 6: 10.6x ↗ 7: 10.7x ↓ 8: 10.1 ↓ 9: 9.4 ↑ 10: 10.3x ↑</p> <p>Series 99.3 Total 0.0</p>	<p>Sight</p> 	<p>11: 10.6x ↗ 12: 10.6x ↓ 13: 10.1 ↑ 14: 10.4x ↖ 15: 10.7x ↑ 16: 10.6x ↗ 17: 10.5x ↓ 18: 10.7x ↓ 19: 10.5x ↘ 20: 10.1 ↙</p> <p>Series 104.8 Total 0.0</p>
--	--	--	---

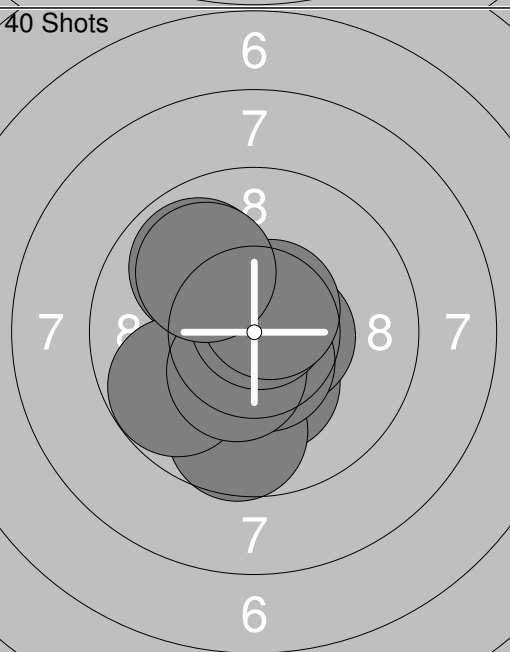
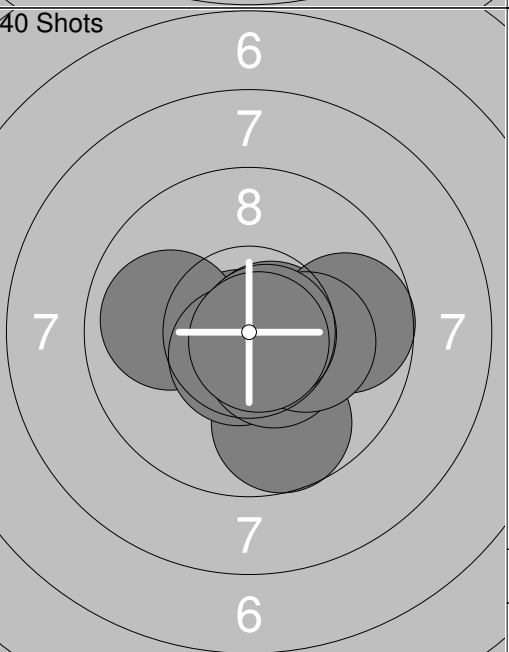
<p>Sight</p> 	<p>21: 9.3 ↙ 22: 10.6x ↓ 23: 10.4x ← 24: 10.9x ↓ 25: 10.2x → 26: 10.5x ←</p> <p>Series 61.9 Total 0.0</p>	<p>40 Shots</p> 	<p>1: 10.6x ↗ 2: 10.0 ↓ 3: 10.2x ↓ 4: 9.9 ↖ 5: 9.7 ↑ 6: 10.4x ↓ 7: 10.6x ↑ 8: 10.5x ↑ 9: 10.3x ↗ 10: 10.0 ↖</p> <p>Series 102.2 Total 102.2</p>
---	--	--	--

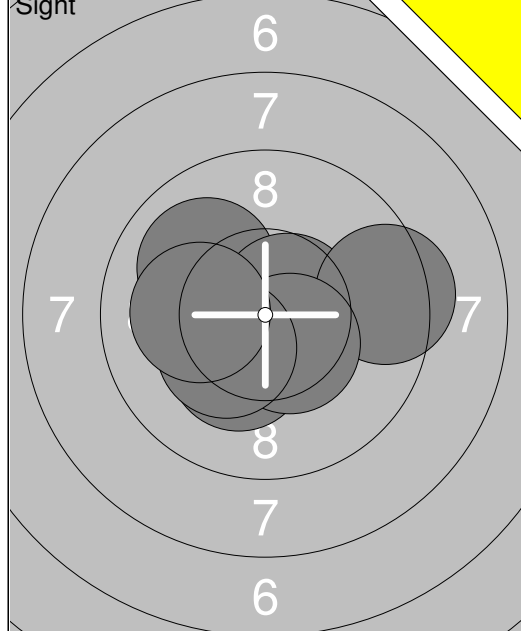
<p>40 Shots</p> 	<p>11: 10.7x → 12: 9.6 ↗ 13: 10.2x ↑ 14: 10.3x ↓ 15: 9.6 ↗ 16: 9.5 ↑ 17: 10.9x ← 18: 10.0 ← 19: 10.8x ↓ 20: 10.7x ↓</p> <p>Series 102.3 Total 204.5</p>	<p>40 Shots</p> 	<p>21: 10.3x ↖ 22: 10.7x ↑ 23: 9.6 ← 24: 10.8x ↗ 25: 9.9 ↑ 26: 9.6 ↑ 27: 10.5x ↗ 28: 10.4x ↑ 29: 10.0 → 30: 9.8 ↑</p> <p>Series 101.6 Total 306.1</p>
---	--	---	--

<p>40 Shots</p> 	<p>31: 10.4x ← 32: 9.6 ↑ 33: 10.7x ↗ 34: 10.2x → 35: 10.5x → 36: 9.4 ↓ 37: 9.8 ↖ 38: 10.4x ↗ 39: 10.3x ↗ 40: 10.5x ↓</p> <p>Series 101.8 Total 407.9</p>		
---	---	--	--

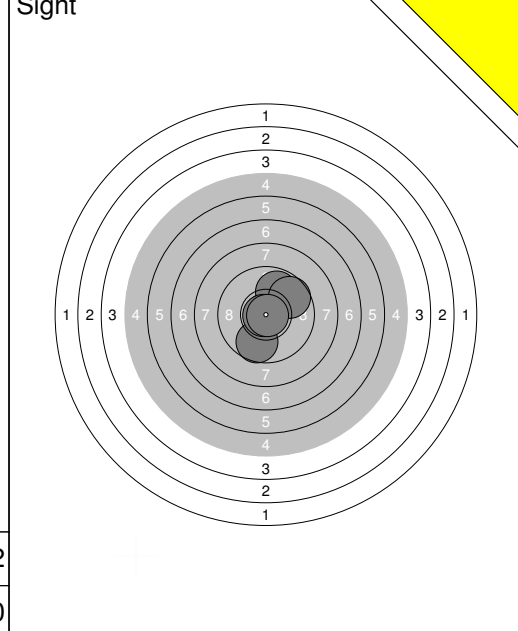
 <p style="text-align: center;">Sight</p>	<p>1: 10.3x ←</p> <p>2: 10.7x ←</p> <p>3: 10.2x →</p> <p>4: 9.6 ↗</p> <p>5: 10.3x →</p> <p>6: 10.5x ↙</p> <p>7: 10.2x ↑</p> <p>8: 10.0 →</p> <p>9: 9.8 ↑</p> <p>10: 10.2x ↑</p>	 <p style="text-align: center;">Sight</p>	<p>11: 10.1 ↗</p> <p>12: 10.4x ↘</p> <p>13: 10.3x ↗</p> <p>14: 10.0 →</p> <p>15: 10.6x ↘</p> <p>16: 10.7x ↑</p> <p>17: 10.1 ↗</p> <p>18: 10.4x ↘</p>
Series 101.8		Series 82.6	
Total 0.0		Total 0.0	

 <p style="text-align: center;">40 Shots</p>	<p>1: 10.8x ↘</p> <p>2: 10.1 ↙</p> <p>3: 10.2x ↘</p> <p>4: 10.8x ↘</p> <p>5: 10.1 ↗</p> <p>6: 10.7x ↙</p> <p>7: 10.0 ↘</p> <p>8: 9.9 ↘</p> <p>9: 10.8x ↘</p> <p>10: 10.3x ↘</p>	 <p style="text-align: center;">40 Shots</p>	<p>11: 10.0 ↑</p> <p>12: 10.6x ↘</p> <p>13: 10.3x ↑</p> <p>14: 10.5x ↘</p> <p>15: 10.7x →</p> <p>16: 10.7x ↙</p> <p>17: 10.3x ↑</p> <p>18: 10.7x →</p> <p>19: 10.7x ↙</p> <p>20: 9.7 ↘</p>
Series 103.7		Series 104.2	
Total 103.7		Total 207.9	

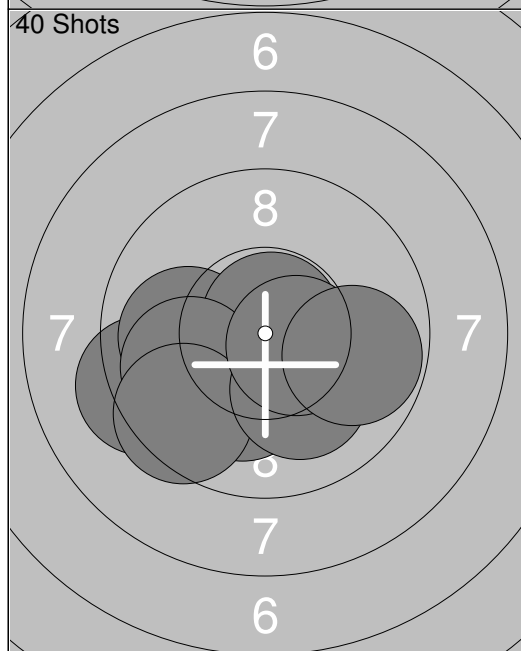
 <p style="text-align: center;">40 Shots</p>	<p>21: 10.3x ↘</p> <p>22: 9.7 ↘</p> <p>23: 10.5x →</p> <p>24: 9.9 ↗</p> <p>25: 9.8 ↙</p> <p>26: 10.5x ↘</p> <p>27: 10.4x ↘</p> <p>28: 10.8x ↑</p> <p>29: 10.6x ↗</p> <p>30: 10.0 ↙</p>	 <p style="text-align: center;">40 Shots</p>	<p>31: 9.7 ↘</p> <p>32: 10.8x ↙</p> <p>33: 9.9 ←</p> <p>34: 10.6x ↘</p> <p>35: 10.7x →</p> <p>36: 10.5x ↘</p> <p>37: 9.7 →</p> <p>38: 10.2x →</p> <p>39: 10.7x →</p> <p>40: 10.8x ↘</p>
Series 102.5		Series 103.6	
Total 310.4		Total 414.0	



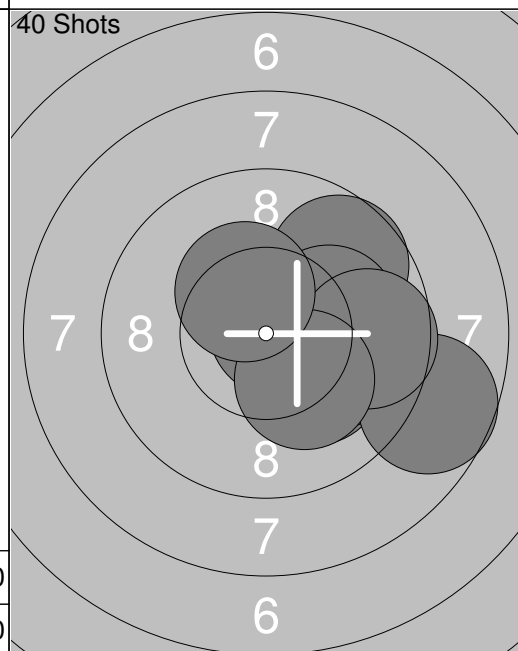
1:	10.4x ↙
2:	10.6x ←
3:	10.0 ↖
4:	10.6x →
5:	10.3x ↓
6:	9.4 →
7:	10.5x ↘
9:	10.3x ↙
10:	10.1 ←
Series 92.2	
Total 0.0	



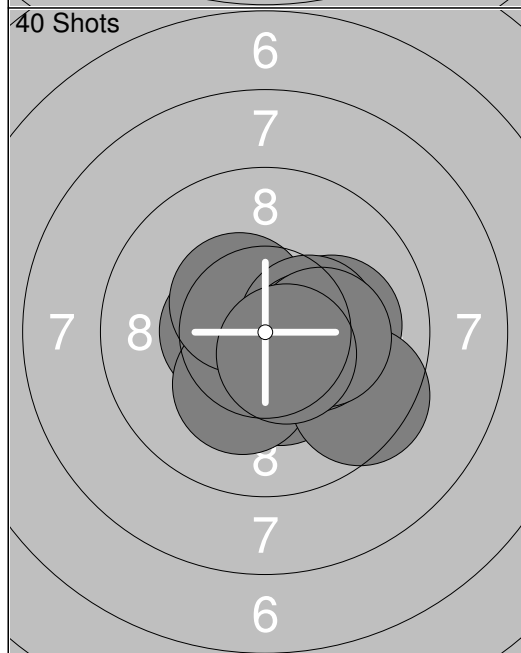
11:	10.9x ↗
12:	9.9 ↗
13:	9.7 ↗
14:	0.0 ↓
15:	9.7 ↓
16:	10.9x ←
17:	10.9x →
Series 62.0	
Total 0.0	



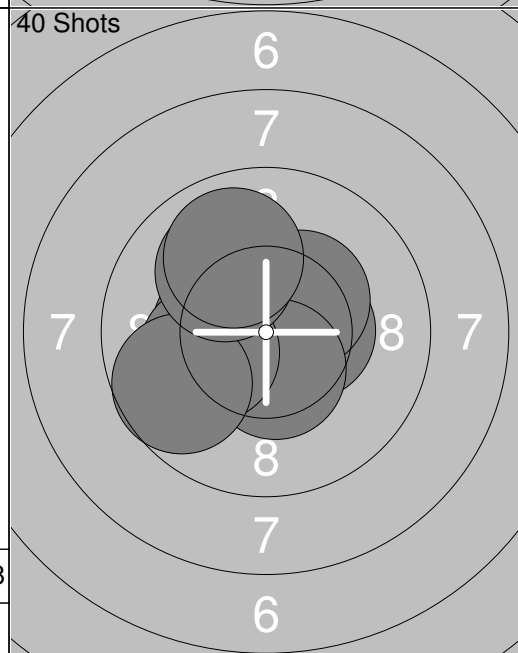
1:	9.9 ↖
2:	9.3 ↖
3:	10.0 ←
4:	10.2x ↓
5:	10.8x ↗
6:	9.9 ↖
7:	9.5 ↘
8:	10.1 ↓
9:	10.5x →
10:	9.8 →
Series 100.0	
Total 100.0	



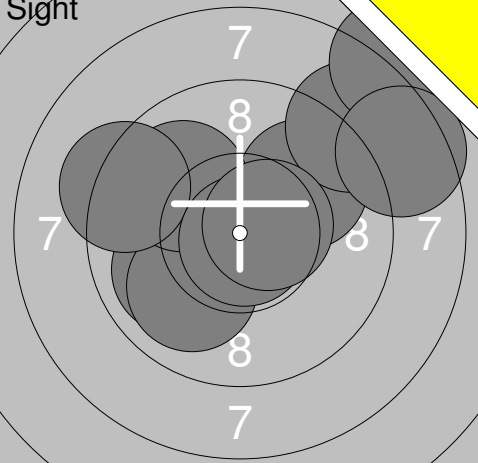
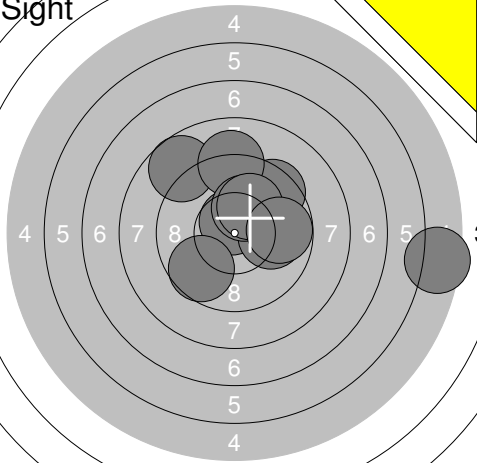
11:	10.6x →
12:	10.8x →
13:	10.1 ↘
14:	9.7 ↗
15:	10.0 →
16:	10.1 →
17:	8.7 →
18:	9.7 →
19:	10.2x ↓
20:	10.4x ↖
Series 100.3	
Total 200.3	

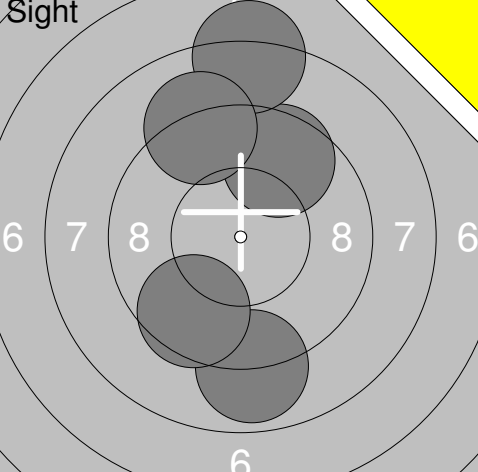
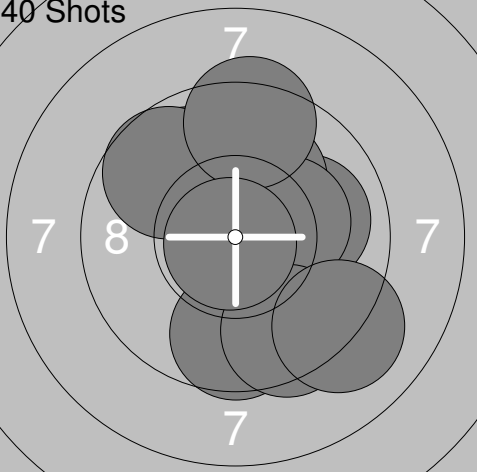


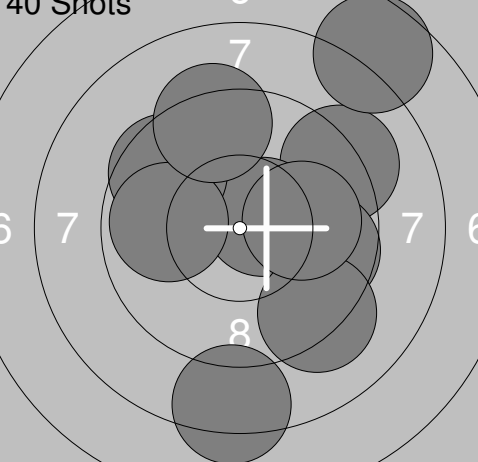
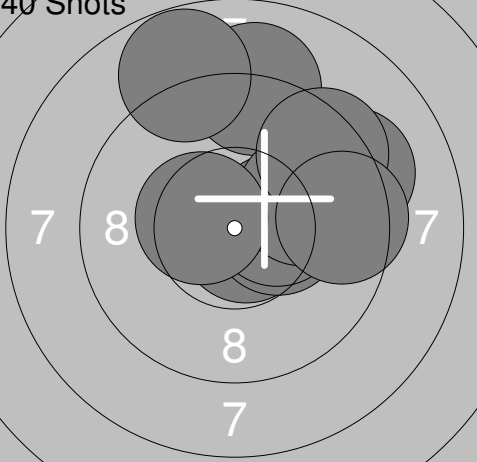
21:	10.4x ↓
22:	10.5x ←
23:	10.2x ↓
24:	10.5x ↖
25:	10.1 →
26:	10.4x →
27:	9.5 ↘
28:	10.4x →
29:	10.2x →
30:	10.6x ↓
Series 102.8	
Total 303.1	

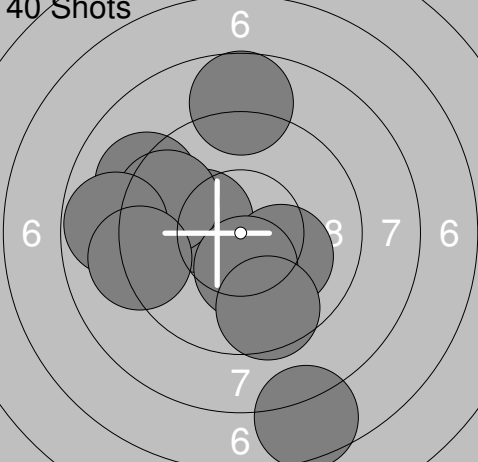


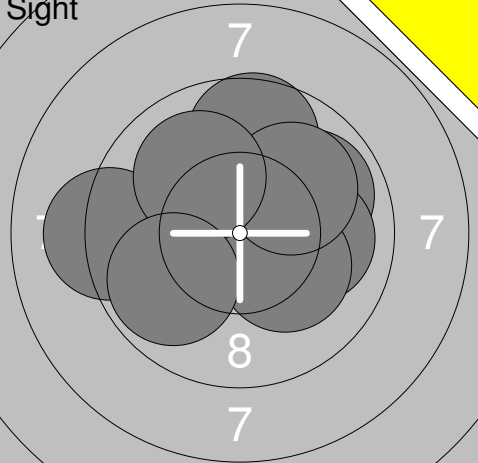
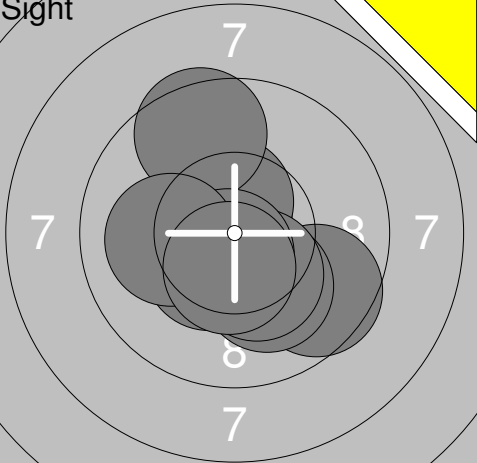
31:	10.9x ↗
32:	10.4x ↖
33:	10.4x →
34:	10.4x ←
35:	10.4x ↗
36:	10.5x ↓
37:	10.2x ←
38:	9.7 ↖
39:	10.0 ↖
40:	9.9 ↖
Series 102.8	
Total 405.9	


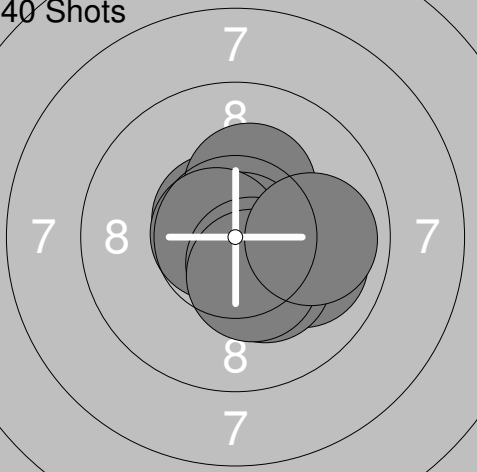
	<p>1: 10.0 ↙ 2: 10.0 ↘ 3: 9.9 ↗ 4: 8.8 ↗ 5: 9.9 ↖ 6: 7.8 ↗ 7: 9.3 ↖ 8: 8.5 → 9: 10.8x ↓ 10: 10.6x →</p> <p>Series 95.6 Total 0.0</p>		<p>11: 5.5 → 12: 10.6x ↑ 13: 8.7 ↖ 14: 9.5 ↗ 15: 10.0 → 16: 9.1 ↑ 17: 9.6 ↘ 18: 10.2x ↑ 19: 10.1 ↗ 20: 9.8 →</p> <p>Series 93.1 Total 0.0</p>
--	--	--	---

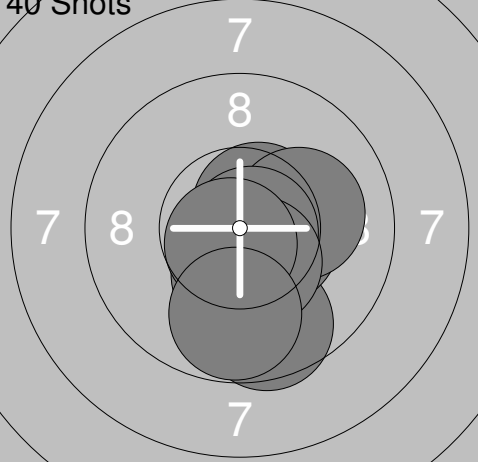
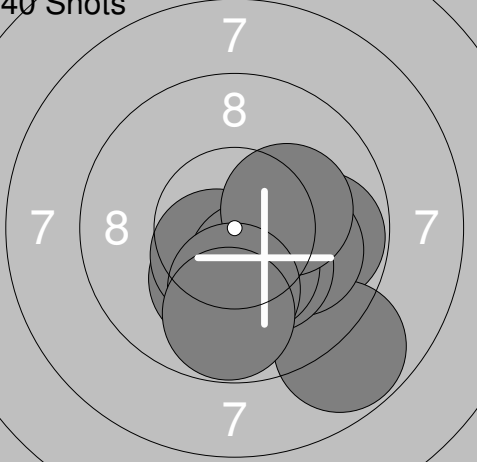
	<p>21: 8.9 ↓ 22: 9.6 ↗ 23: 8.1 ↑ 24: 9.6 ↘ 25: 9.1 ↖</p> <p>Series 45.3 Total 0.0</p>		<p>1: 9.6 ↓ 2: 10.0 → 3: 9.9 ↗ 4: 10.1 ↑ 5: 10.3x → 6: 9.7 ↗ 7: 9.5 ↓ 8: 9.4 ↑ 9: 9.1 ↓ 10: 10.8x ↘</p> <p>Series 98.4 Total 98.4</p>
---	---	---	---

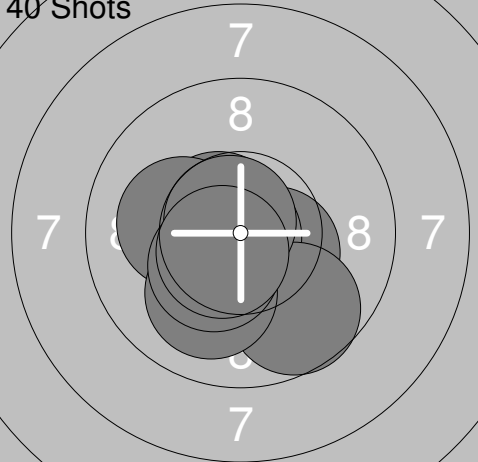
	<p>11: 9.2 ↗ 12: 10.6x → 13: 9.7 → 14: 9.2 ↘ 15: 7.6 ↗ 16: 9.6 ↗ 17: 10.0 → 18: 8.3 ↓ 19: 9.9 ← 20: 9.3 ↑</p> <p>Series 93.4 Total 191.8</p>		<p>21: 10.8x ↘ 22: 9.0 ↑ 23: 10.4x → 24: 9.2 → 25: 10.4x → 26: 9.9 → 27: 10.5x ← 28: 9.4 ↗ 29: 8.8 ↑ 30: 9.5 →</p> <p>Series 97.9 Total 289.7</p>
--	--	--	---

	<p>31: 7.6 ↓ 32: 9.1 ↗ 33: 10.2x ← 34: 9.6 ↖ 35: 8.7 ↑ 36: 10.1 ↘ 37: 8.8 ← 38: 9.2 ← 39: 10.3x ↓ 40: 9.6 ↓</p> <p>Series 93.2 Total 382.9</p>		
--	--	--	--

<p>Sight</p> 	<p>1: 10.1 ↑ 2: 9.9 → 3: 9.7 ↑ 4: 10.0 → 5: 10.2x ↘ 6: 10.1 ← 7: 9.2 ← 8: 10.0 ↗ 9: 10.0 ↗ 10: 9.8 ↘</p> <p>Series 99.0 Total 0.0</p>	<p>Sight</p> 	<p>11: 10.7x ↗ 12: 9.6 → 13: 10.4x ↘ 14: 10.5x ↑ 15: 9.5 ↗ 16: 10.1 ↘ 17: 10.3x ↘ 18: 10.6x ↘ 19: 10.1 ← 20: 10.5x ↘</p> <p>Series 102.3 Total 0.0</p>
--	---	--	--

<p>Sight</p> 	<p>21: 10.3x ↑</p> <p>Series 10.3 Total 0.0</p>	<p>40 Shots</p> 	<p>1: 10.3x ↘ 2: 10.0 → 3: 10.3x ↘ 4: 10.6x ↗ 5: 10.3x ↑ 6: 10.9x → 7: 10.7x ← 8: 10.5x ↘ 9: 10.4x ↘ 10: 9.9 →</p> <p>Series 103.9 Total 103.9</p>
---	---	--	--

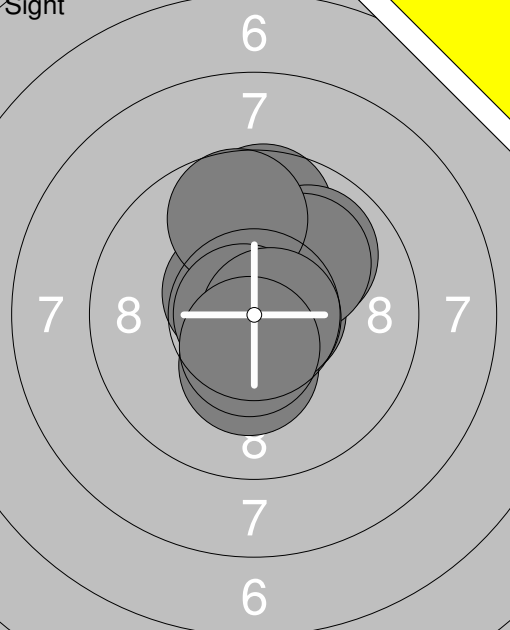
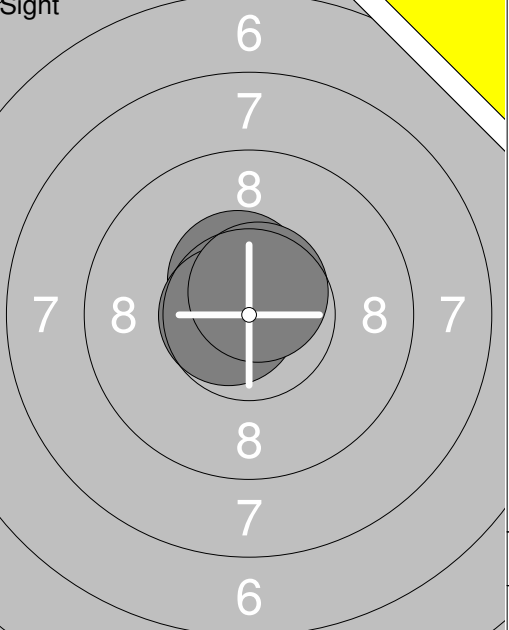
<p>40 Shots</p> 	<p>11: 10.6x ↗ 12: 10.3x ↘ 13: 9.6 ↘ 14: 10.5x → 15: 10.1 → 16: 10.8x → 17: 10.6x ↘ 18: 10.4x ↘ 19: 10.7x ↘ 20: 9.8 ↘</p> <p>Series 103.4 Total 207.3</p>	<p>40 Shots</p> 	<p>21: 9.8 → 22: 8.8 ↘ 23: 10.2x ↘ 24: 10.5x ↘ 25: 10.0 → 26: 10.3x ↘ 27: 10.4x ↘ 28: 10.2x → 29: 10.1 ↘ 30: 9.8 ↘</p> <p>Series 100.1 Total 307.4</p>
---	---	---	--

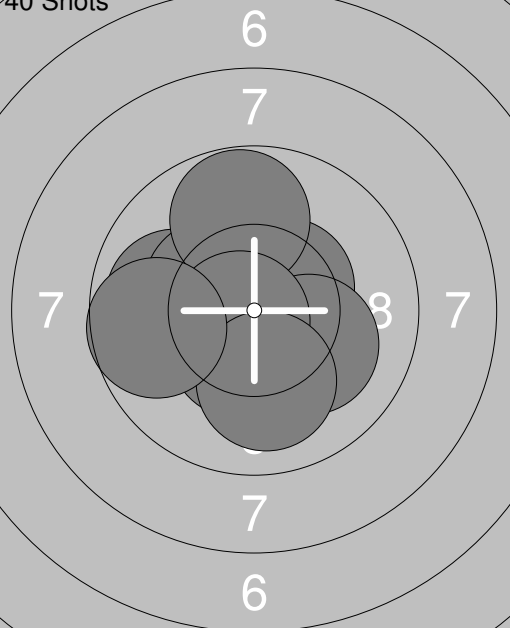
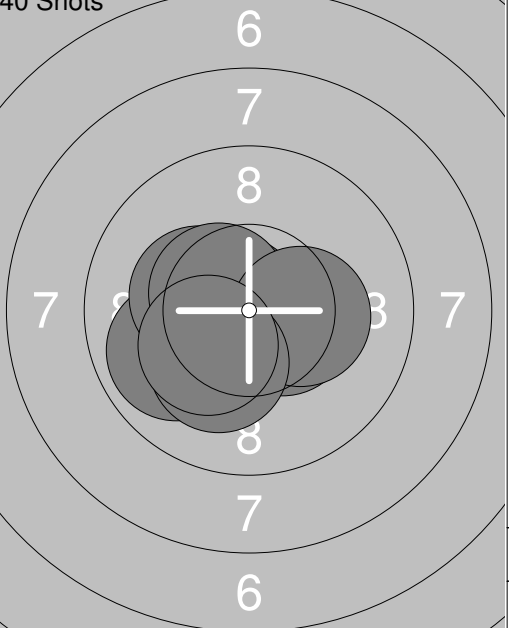
<p>40 Shots</p> 	<p>31: 10.4x ↘ 32: 10.6x ← 33: 10.6x ↗ 34: 10.9x ↘ 35: 10.2x ← 36: 9.7 ↘ 37: 10.0 ↘ 38: 10.7x ↗ 39: 10.4x ↘ 40: 10.6x ↘</p> <p>Series 104.1 Total 411.5</p>		
---	---	--	--

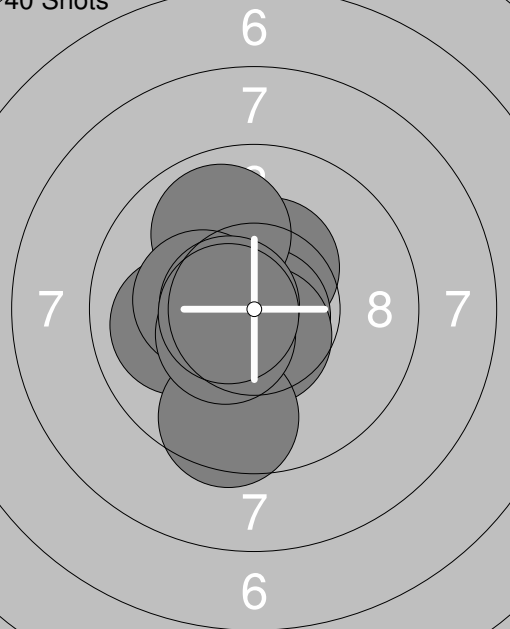
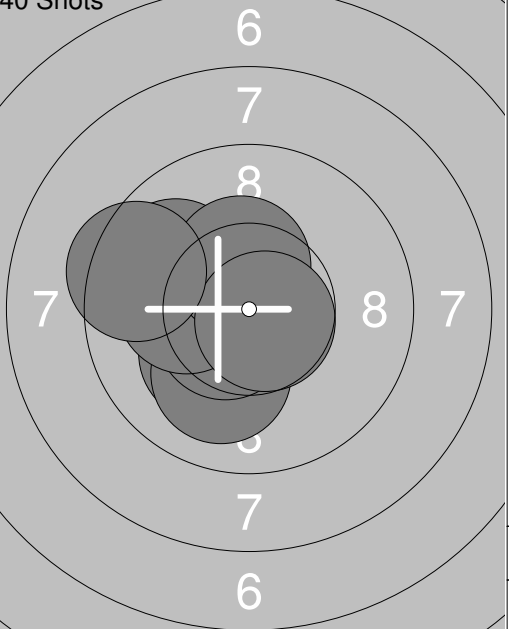
<p>Sight</p>		<p>Sight</p>
---------------------	--	---------------------

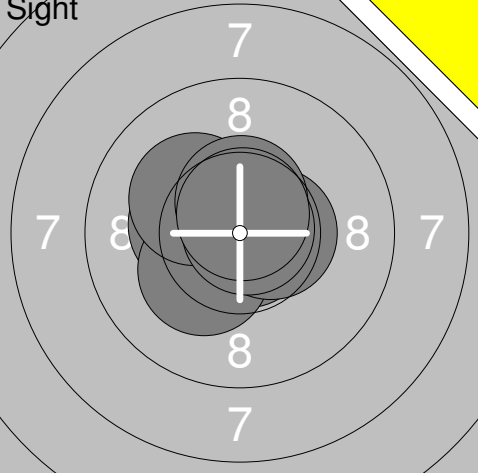
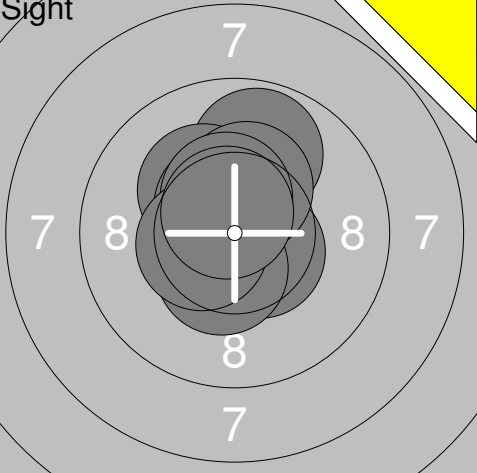


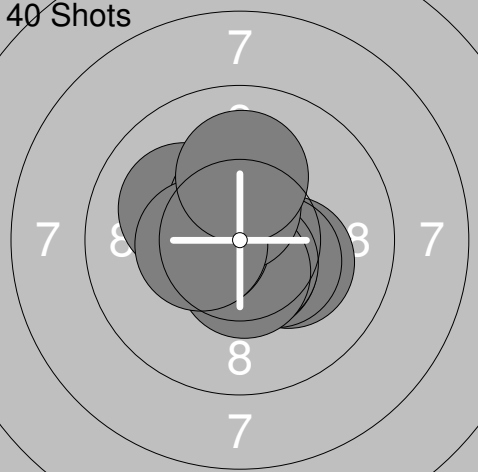
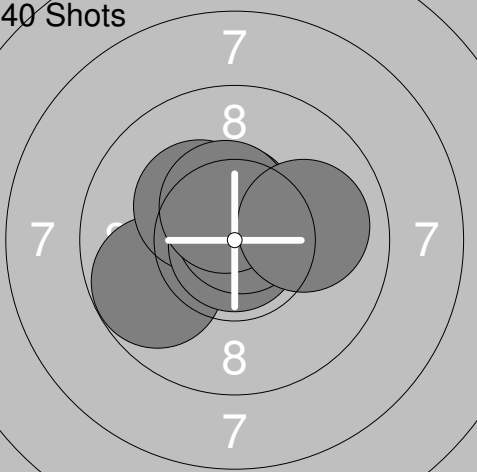
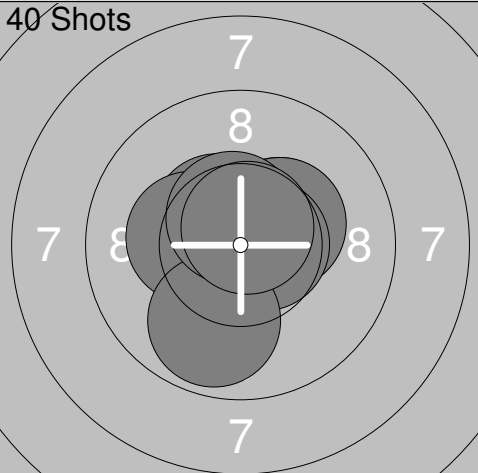
<p>40 Shots</p>		<p>40 Shots</p>
------------------------	--	------------------------


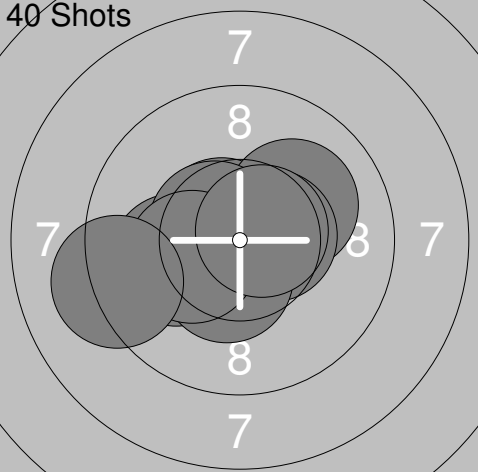
<p>40 Shots</p>		<p>40 Shots</p>
------------------------	--	------------------------

<p>Sight</p> 	<p>1: 10.3x ↓ 2: 9.7 ↑ 3: 10.7x → 4: 10.6x ↖ 5: 9.9 ↗ 6: 10.1 ↗ 7: 9.7 ↑ 8: 10.8x ← 9: 10.7x → 10: 10.5x ↓</p> <p>Series 103.0 Total 0.0</p>	<p>Sight</p> 	<p>11: 10.5x ↗ 12: 10.7x ← 13: 10.6x ↗</p> <p>Series 31.8 Total 0.0</p>
--	---	--	---

<p>40 Shots</p> 	<p>1: 10.5x ← 2: 9.9 ← 3: 10.5x ↗ 4: 10.4x ↓ 5: 10.4x ↖ 6: 10.1 → 7: 9.8 ↑ 8: 10.7x ← 9: 10.0 ↓ 10: 9.7 ←</p> <p>Series 102.0 Total 102.0</p>	<p>40 Shots</p> 	<p>11: 10.7x ↖ 12: 10.5x → 13: 9.9 ↙ 14: 10.3x ↖ 15: 10.7x ↙ 16: 10.8x ↓ 17: 10.5x ↖ 18: 10.3x → 19: 10.2x ↓ 20: 10.3x ↙</p> <p>Series 104.2 Total 206.2</p>
--	--	--	---

<p>40 Shots</p> 	<p>21: 10.0 ← 22: 10.4x ↑ 23: 10.8x ↓ 24: 10.6x ↓ 25: 9.9 ↑ 26: 10.3x ← 27: 10.6x ← 28: 9.5 ↓ 29: 10.5x ↙ 30: 10.6x ←</p> <p>Series 103.2 Total 309.4</p>	<p>40 Shots</p> 	<p>31: 10.8x ↙ 32: 10.2x ↙ 33: 10.1 ↓ 34: 10.3x ↖ 35: 9.9 ↖ 36: 10.6x ↙ 37: 10.1 ← 38: 10.4x ↑ 39: 10.7x → 40: 9.4 ←</p> <p>Series 102.5 Total 411.9</p>
---	--	---	---

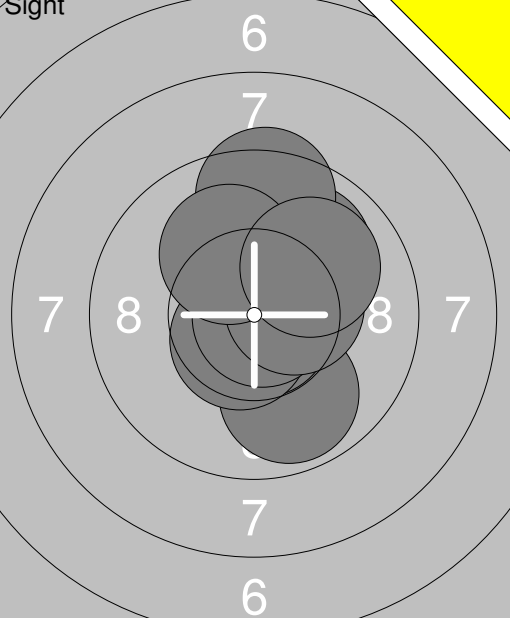
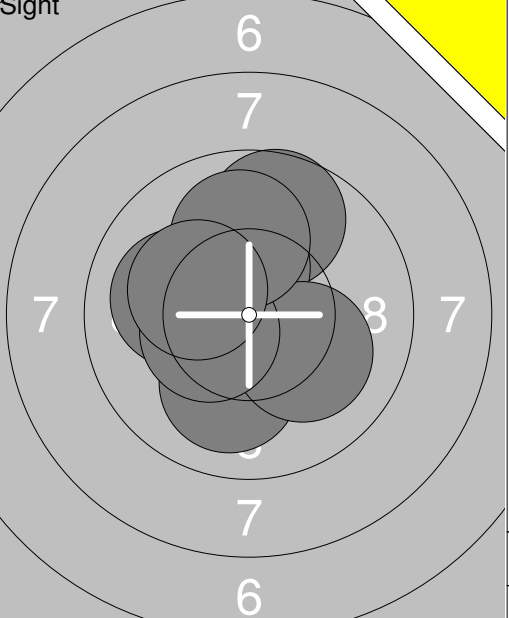
Relay	Lane	Jesper Nilsson	
S	Kyrkås	L13	Jä
2014-04-12	UME-Kulan 2014	Umeå skytteallians	
Sight		1: 10.6x ← 2: 10.8x ↗ 3: 10.8x ↓ 4: 10.3x ← 5: 10.3x ↙ 6: 10.5x → 7: 10.2x ↗ 8: 10.8x ↗ 9: 10.5x ↑ 10: 10.7x ↑ Series 105.5 Total 0.0	Sight  11: 9.8 ↑ 12: 10.7x ↓ 13: 10.2x ↖ 14: 10.5x ↗ 15: 10.5x ↘ 16: 10.3x ↑ 17: 10.4x ↓ 18: 10.5x ↑ 19: 10.5x ← 20: 10.7x ↗ Series 104.1 Total 0.0
Sight		21: 10.6x ← 22: 10.8x ↗ 23: 10.5x ← 24: 10.2x ← Series 42.1 Total 0.0	40 Shots  1: 10.7x ↖ 2: 10.3x ↑ 3: 10.9x → 4: 10.4x ↗ 5: 10.6x ↑ 6: 10.7x ↓ 7: 10.8x ↗ 8: 10.4x ← 9: 10.1 ↓ 10: 10.0 ← Series 104.9 Total 104.9
40 Shots		11: 10.2x → 12: 10.4x ↘ 13: 10.6x ↓ 14: 10.6x ↓ 15: 10.5x ↓ 16: 10.5x ← 17: 10.1 ↖ 18: 10.5x ↑ 19: 10.4x ← 20: 10.1 ↑ Series 103.9 Total 208.8	40 Shots  21: 10.7x ↖ 22: 10.6x ← 23: 10.4x ↗ 24: 9.8 ← 25: 10.3x ↖ 26: 10.5x ↑ 27: 10.9x ↓ 28: 10.8x ↗ 29: 10.5x ↑ 30: 10.0 → Series 104.5 Total 313.3
40 Shots		31: 10.4x ↗ 32: 10.5x ↖ 33: 10.6x ← 34: 10.7x ← 35: 10.3x ← 36: 10.3x ↗ 37: 10.6x → 38: 9.9 ↓ 39: 10.6x ↑ 40: 10.7x ↑ Series 104.6 Total 417.9	

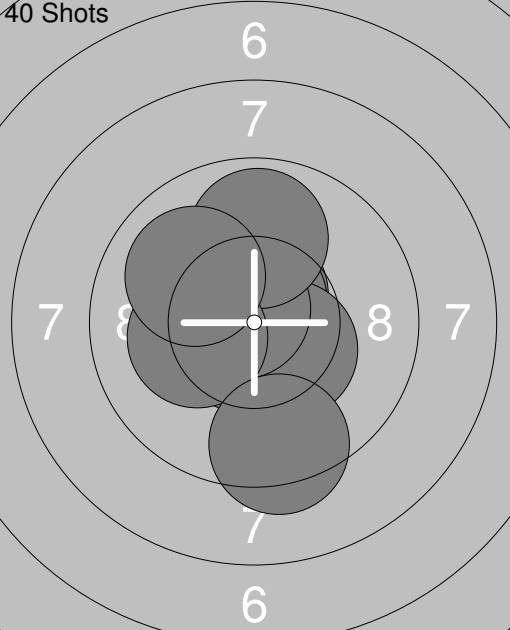
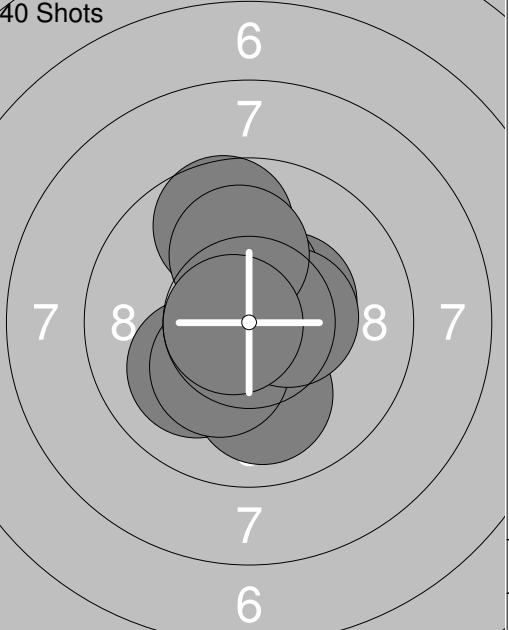
Relay	Lane	Emilia Nordin	
S	32	Umeå	L13 Vb
2014-04-12	UME-Kulan 2014	Umeå skytteallians	
Sight		1: 10.4x ← 2: 10.7x ← 3: 10.5x ↑ 4: 10.8x ↗ 5: 10.2x ← 6: 10.4x ← 7: 10.8x ↗ 9: 10.3x ↓ 10: 10.0 ↙	Sight
		Series 94.1	Series 104.1
		Total 0.0	Total 0.0
Sight		21: 10.6x ↖	11: 10.3x ←
		Series 10.6	12: 10.2x ↗
		Total 0.0	13: 10.6x ↗
			14: 10.5x ↓
			15: 10.8x ↗
			16: 10.4x ↑
			17: 10.3x ↑
			18: 10.4x ↖
			19: 10.3x ↗
			20: 10.3x ↙
			Series 102.0
			Total 102.0
40 Shots		11: 10.6x →	40 Shots
		12: 10.1 ←	1: 10.5x ↑
		13: 10.6x ↖	2: 9.1 ↑
		14: 10.1 ↗	3: 10.2x ←
		15: 10.5x →	4: 9.9 ↖
		16: 10.4x ↓	5: 10.1 ↗
		17: 10.6x ↖	6: 10.1 ↑
		18: 10.3x ←	7: 10.1 ↙
		19: 9.2 ←	8: 10.8x ←
		20: 10.6x →	9: 10.8x ↗
		Series 103.0	10: 10.4x ↑
		Total 205.0	Series 101.6
			Total 306.6
40 Shots		31: 10.6x ↗	
		32: 10.1 ↓	
		33: 10.8x ↗	
		34: 10.4x →	
		35: 10.2x ↑	
		36: 10.6x ↓	
		37: 10.2x ↗	
		38: 10.3x ↖	
		39: 10.8x ↗	
		40: 9.5 ↑	
		Series 103.5	
		Total 410.1	

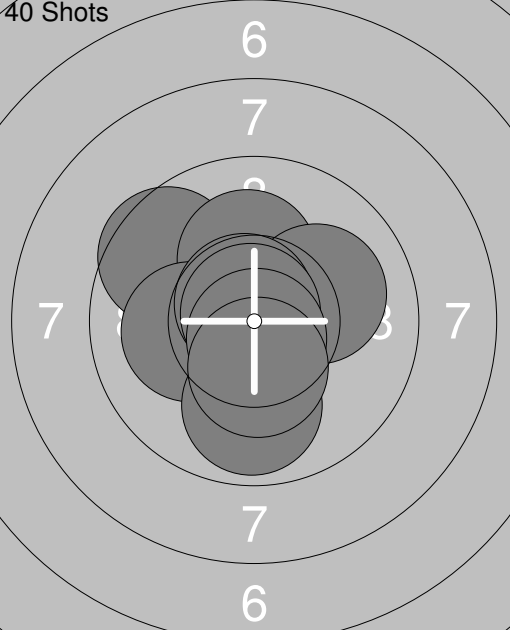
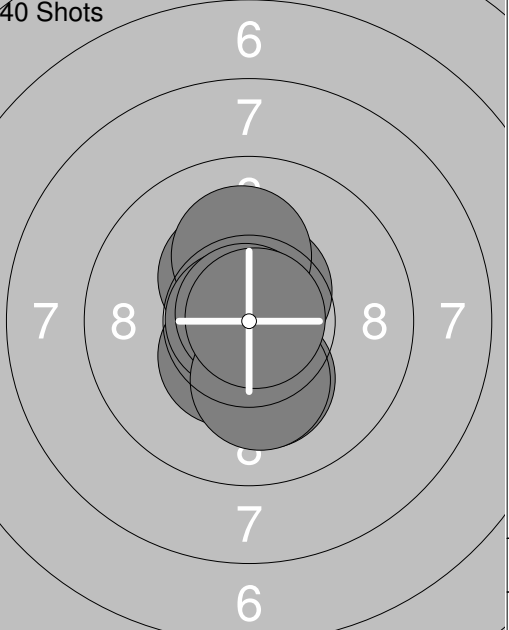
<p>Sight</p>	<p>1: 7.4 ↑</p> <p>2: 9.8 ↑</p> <p>3: 10.1 ↗</p> <p>4: 10.8x →</p> <p>5: 9.8 ↓</p> <p>6: 10.0 ↓</p> <p>7: 10.8x →</p> <p>8: 10.5x ↓</p> <p>9: 10.5x ↓</p> <p>10: 10.6x →</p>	<p>Sight</p>	<p>11: 10.2x ↘</p> <p>12: 10.6x ↗</p> <p>13: 10.7x ↙</p> <p>14: 10.2x ↘</p> <p>15: 10.5x ↙</p> <p>16: 10.4x ↙</p> <p>17: 10.6x ↖</p>
Series 100.3		Series 73.2	
Total 0.0		Total 0.0	

<p>40 Shots</p>	<p>1: 10.5x ←</p> <p>2: 10.1 ↖</p> <p>3: 10.5x ↑</p> <p>4: 10.8x ↑</p> <p>5: 10.4x ↙</p> <p>6: 10.5x ↑</p> <p>7: 10.3x ←</p> <p>8: 10.5x ↓</p> <p>9: 10.6x ←</p> <p>10: 10.1 ↓</p>	<p>40 Shots</p>	<p>11: 10.7x ↑</p> <p>12: 10.5x ↙</p> <p>13: 10.5x ↓</p> <p>14: 10.7x ↘</p> <p>15: 10.3x ↓</p> <p>16: 10.7x ←</p> <p>17: 10.9x ↑</p> <p>18: 10.8x ↖</p> <p>19: 10.8x ↙</p> <p>20: 10.0 ↖</p>
Series 104.3		Series 105.9	
Total 104.3		Total 210.2	

<p>40 Shots</p>	<p>21: 10.4x ↗</p> <p>22: 10.5x ↖</p> <p>23: 10.2x ↖</p> <p>24: 10.9x ↑</p> <p>25: 10.6x ↓</p> <p>26: 10.2x ↙</p> <p>27: 10.3x ↙</p> <p>28: 10.7x ←</p> <p>29: 10.4x ↓</p> <p>30: 10.5x →</p>	<p>40 Shots</p>	<p>31: 10.2x →</p> <p>32: 10.3x ↖</p> <p>33: 10.7x ↓</p> <p>34: 10.6x ↗</p> <p>35: 10.6x ↙</p> <p>36: 10.7x ↖</p> <p>37: 10.4x ↓</p> <p>38: 10.6x ↖</p> <p>39: 10.9x ↓</p> <p>40: 10.6x ←</p>
Series 104.7		Series 105.6	
Total 314.9		Total 420.5	

 <p style="text-align:center;">Sight</p>	<p>1: 10.0 ↗</p> <p>2: 9.9 ↓</p> <p>3: 10.8x ↓</p> <p>4: 10.6x ↑</p> <p>5: 10.6x ↓</p> <p>6: 10.8x →</p> <p>7: 10.4x →</p> <p>8: 9.4 ↑</p> <p>9: 10.1 ↗</p> <p>10: 10.0 ↗</p>	 <p style="text-align:center;">Sight</p>	<p>11: 9.7 ↑</p> <p>12: 10.3x ↓</p> <p>13: 10.3x ↑</p> <p>14: 10.4x ↓</p> <p>15: 10.0 ↓</p> <p>16: 10.0 ←</p> <p>17: 10.1 ↘</p> <p>18: 10.4x ↙</p> <p>19: 10.0 ↑</p> <p>20: 10.2x ↙</p>
Series 102.6		Series 101.4	
Total 0.0		Total 0.0	

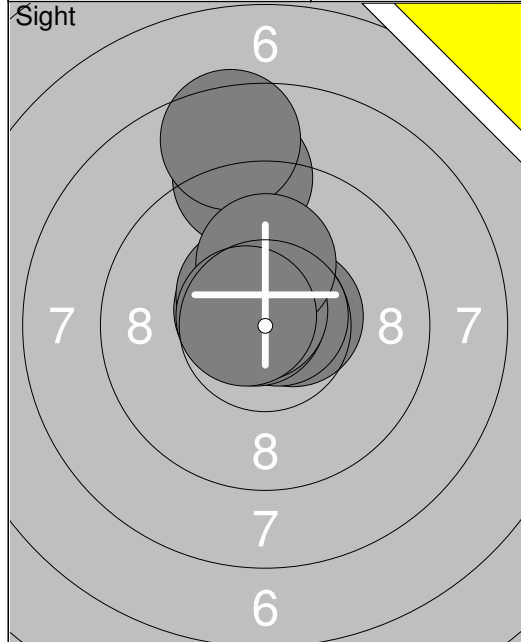
 <p style="text-align:center;">40 Shots</p>	<p>1: 10.4x ↗</p> <p>2: 10.6x ↑</p> <p>3: 10.7x ↓</p> <p>4: 10.7x ↑</p> <p>5: 10.4x ↘</p> <p>6: 10.7x ↗</p> <p>7: 9.9 ↑</p> <p>8: 10.2x ←</p> <p>9: 9.4 ↓</p> <p>10: 10.0 ↙</p>	 <p style="text-align:center;">40 Shots</p>	<p>11: 10.1 ↙</p> <p>12: 10.4x →</p> <p>13: 10.6x ↓</p> <p>14: 9.7 ↑</p> <p>15: 10.4x ↑</p> <p>16: 10.0 ↓</p> <p>17: 10.3x ↓</p> <p>18: 10.4x →</p> <p>19: 10.1 ↑</p> <p>20: 10.7x ←</p>
Series 103.0		Series 102.7	
Total 103.0		Total 205.7	

 <p style="text-align:center;">40 Shots</p>	<p>21: 9.6 ↙</p> <p>22: 10.2x ↑</p> <p>23: 10.1 ←</p> <p>24: 10.7x →</p> <p>25: 10.1 →</p> <p>26: 10.7x ↗</p> <p>27: 10.8x ↗</p> <p>28: 10.7x ↓</p> <p>29: 9.9 ↓</p> <p>30: 10.4x ↓</p>	 <p style="text-align:center;">40 Shots</p>	<p>31: 10.5x ↑</p> <p>32: 10.5x ↑</p> <p>33: 10.3x ↗</p> <p>34: 10.4x ↓</p> <p>35: 10.1 ↑</p> <p>36: 10.8x ←</p> <p>37: 10.8x ↗</p> <p>38: 10.2x ↓</p> <p>39: 10.2x ↓</p> <p>40: 10.9x →</p>
Series 103.2		Series 104.7	
Total 308.9		Total 413.6	

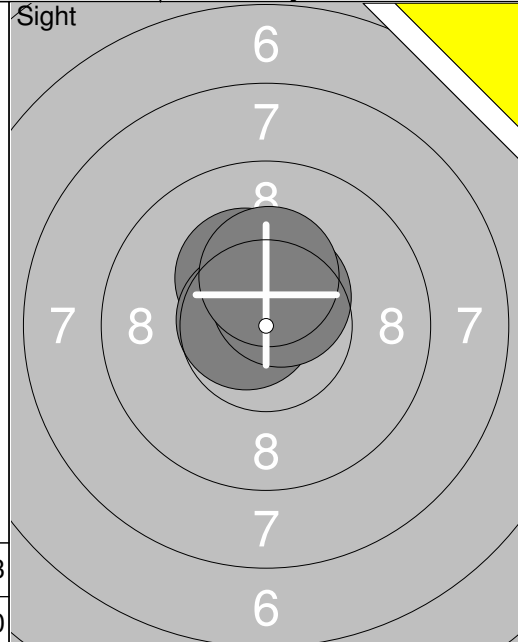
<p>Sight</p>		<p>Sight</p>
---------------------	--	---------------------

<p>40 Shots</p>		<p>40 Shots</p>
------------------------	--	------------------------

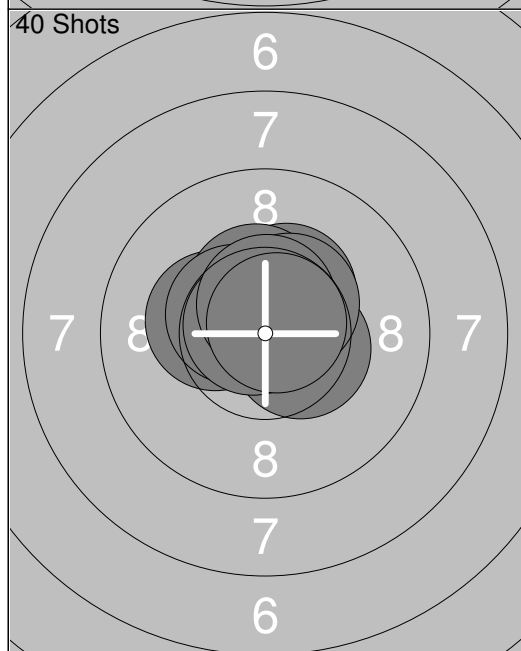
<p>40 Shots</p>		<p>40 Shots</p>
------------------------	--	------------------------



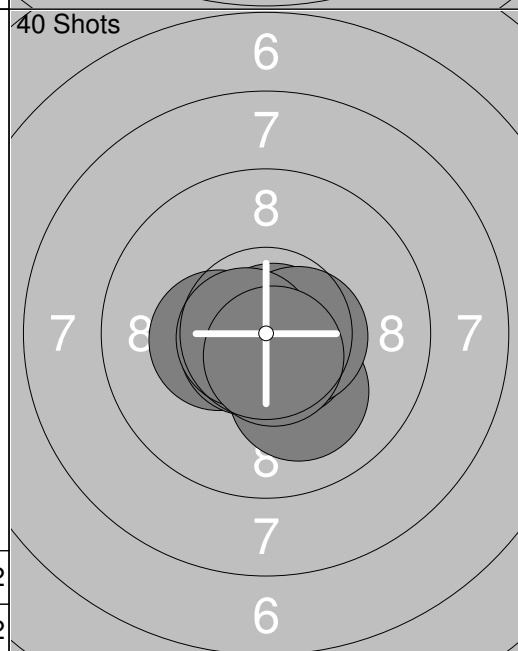
1:	9.0	↑
2:	8.5	↑
3:	10.6x	↖
4:	10.5x	↖
5:	10.6x	→
6:	10.7x	↗
7:	10.8x	↖
8:	10.7x	↖
9:	10.2x	↑
10:	10.7x	↖
Series		102.3
Total		0.0



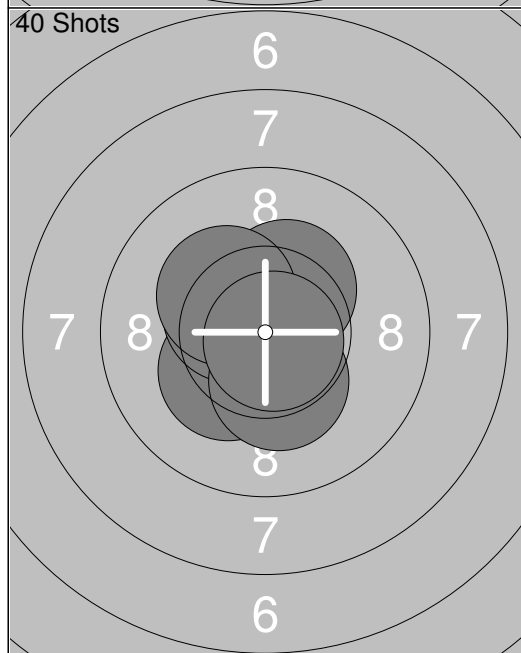
11:	10.3x	↖
12:	10.7x	↖
13:	10.5x	↗
14:	10.3x	↑
Series		41.8
Total		0.0



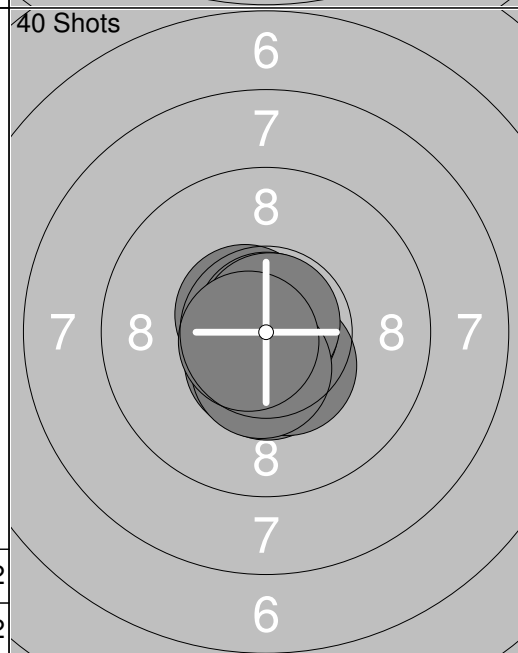
1:	10.3x	↖
2:	10.5x	→
3:	10.5x	↑
4:	10.4x	↗
5:	10.4x	↑
6:	10.5x	↗
7:	10.5x	↖
8:	10.8x	↖
9:	10.6x	↑
10:	10.7x	↗
Series		105.2
Total		105.2



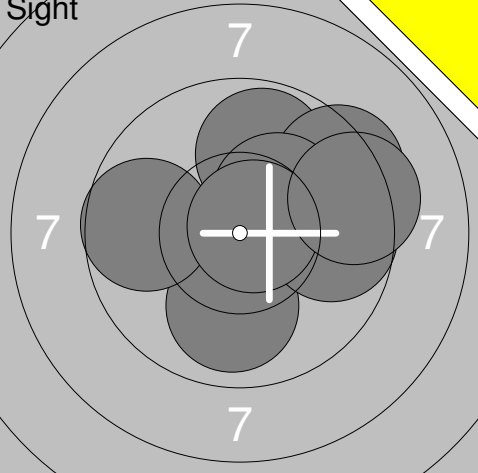
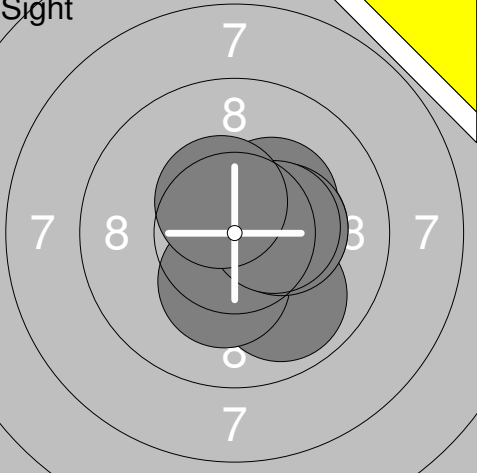
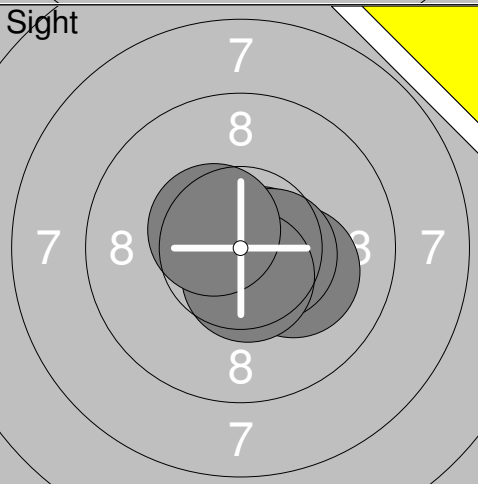
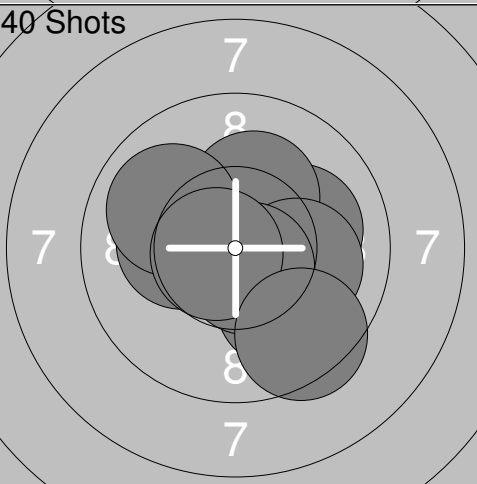
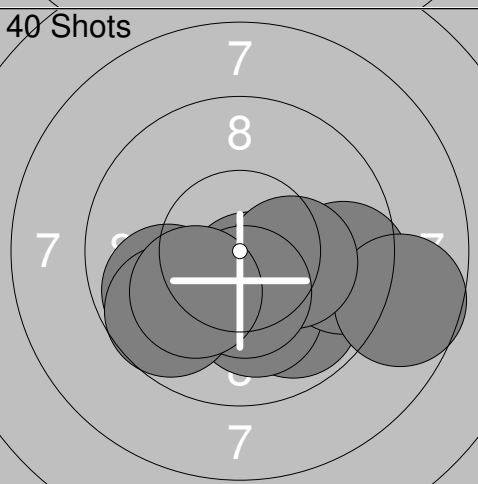
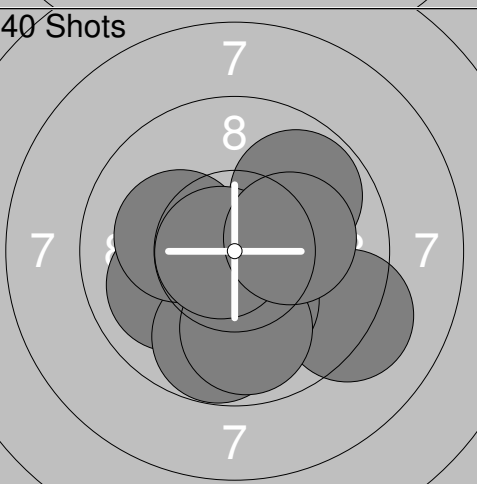
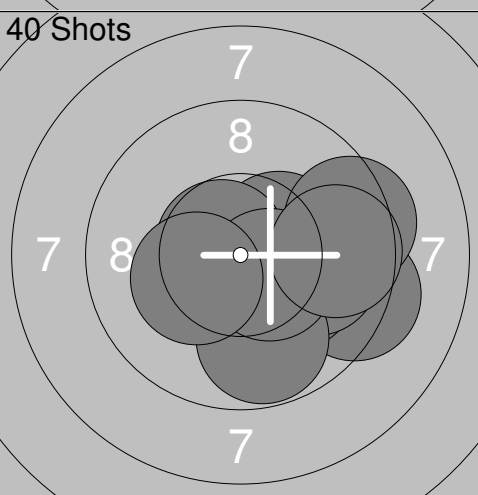
11:	10.6x	↘
12:	10.1	↓
13:	10.7x	↖
14:	10.9x	→
15:	10.3x	↖
16:	10.7x	↖
17:	10.7x	↘
18:	10.5x	→
19:	10.7x	↖
20:	10.6x	↓
Series		105.8
Total		211.0

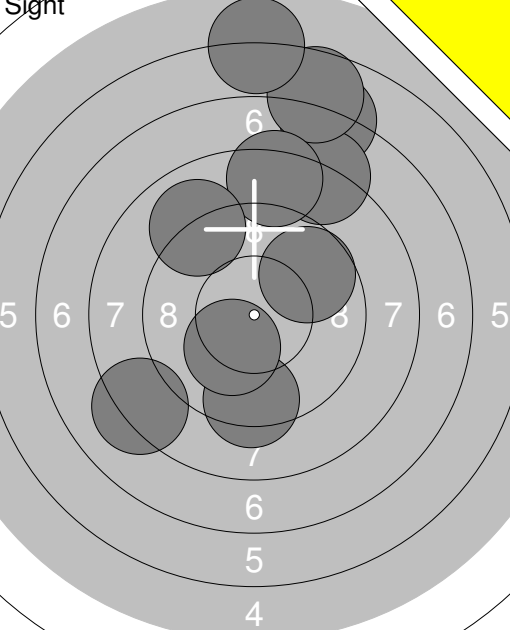
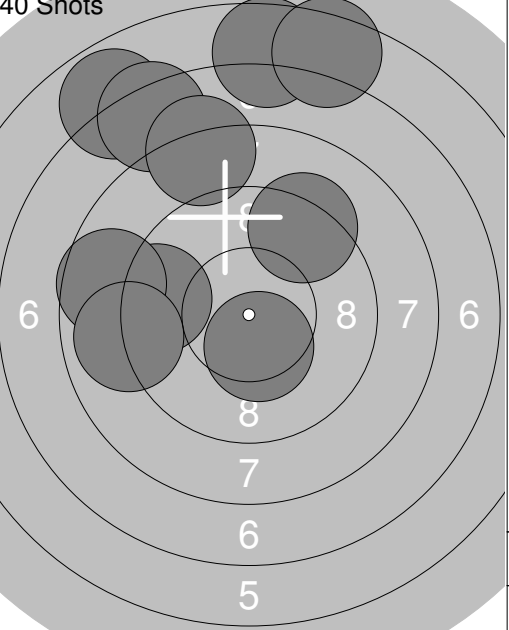


21:	10.6x	↘
22:	10.9x	↗
23:	10.4x	↓
24:	10.3x	↗
25:	10.8x	↘
26:	10.3x	↖
27:	10.5x	↖
28:	10.3x	↓
29:	10.3x	↖
30:	10.8x	↘
Series		105.2
Total		316.2

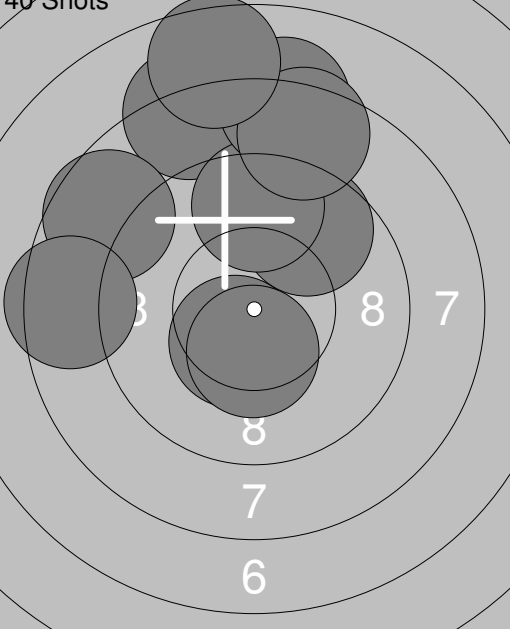


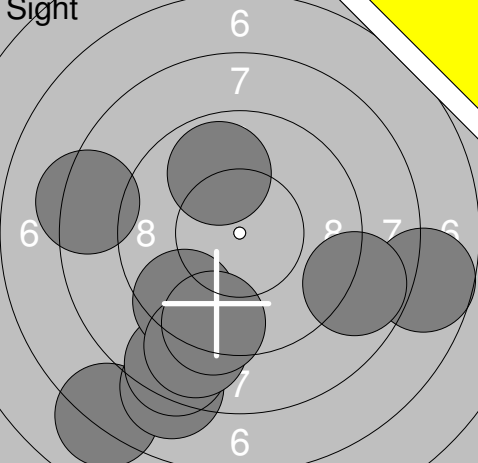
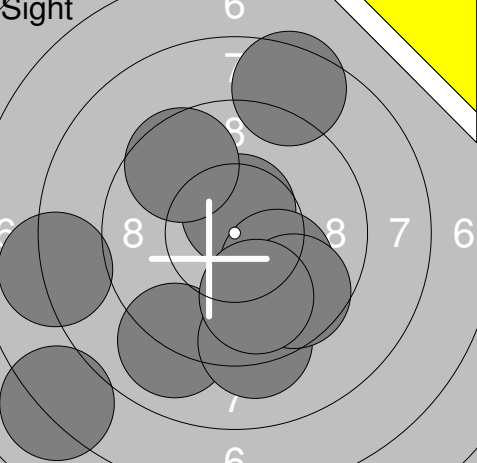
31:	10.5x	↓
32:	10.8x	↖
33:	10.6x	↖
34:	10.5x	↘
35:	10.9x	↗
36:	10.8x	↑
37:	10.8x	↗
38:	10.5x	↘
39:	10.5x	↘
40:	10.7x	↖
Series		106.6
Total		422.8

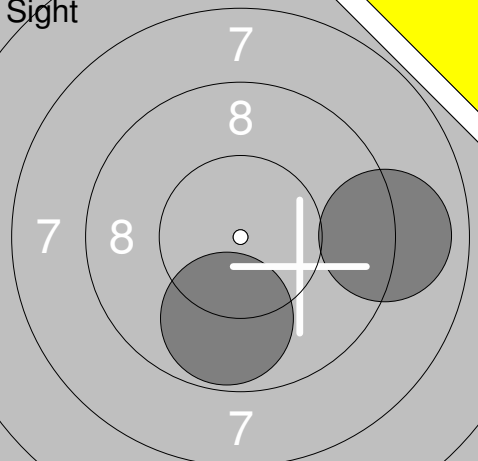
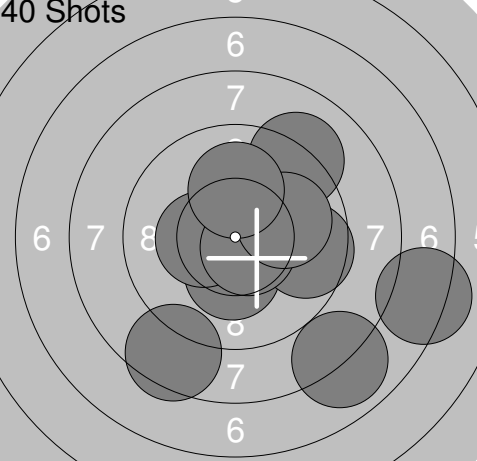
<p>Sight</p> 	<p>1: 10.0 ↓ 2: 9.7 ← 3: 9.8 ↑ 4: 9.4 ↗ 6: 10.1 → 7: 10.3x ↗ 8: 9.7 → 9: 10.7x ↗ 10: 9.3 →</p> <p>Series 89.0 Total 0.0</p>	<p>Sight</p> 	<p>11: 10.5x → 12: 9.9 ↓ 13: 10.3x → 15: 10.3x ↓ 16: 10.3x ↗ 17: 10.3x → 18: 10.4x → 19: 10.5x ↑</p> <p>Series 82.5 Total 0.0</p>
<p>Sight</p> 	<p>21: 10.2x → 23: 10.7x → 24: 10.5x → 25: 10.6x ↓ 26: 10.5x ↗</p> <p>Series 52.5 Total 0.0</p>	<p>40 Shots</p> 	<p>1: 10.5x → 2: 10.1 → 3: 10.2x ← 4: 10.0 ↓ 5: 10.2x ↑ 6: 10.0 ↗ 7: 10.1 → 8: 10.6x ↓ 9: 10.7x ← 10: 9.5 ↓</p> <p>Series 101.9 Total 101.9</p>
<p>40 Shots</p> 	<p>11: 9.9 ↓ 12: 10.1 ↓ 13: 10.6x ↓ 14: 9.5 → 15: 8.7 → 16: 9.8 ← 17: 10.2x → 18: 10.4x ↓ 19: 9.7 ← 20: 10.1 ↓</p> <p>Series 99.0 Total 200.9</p>	<p>40 Shots</p> 	<p>21: 9.2 → 22: 10.2x ↓ 23: 10.6x ↓ 24: 10.0 ← 25: 9.8 ↓ 26: 9.9 ↓ 27: 10.2x ← 28: 9.8 ↗ 29: 10.8x ← 30: 10.2x →</p> <p>Series 100.7 Total 301.6</p>
<p>40 Shots</p> 	<p>31: 9.3 → 32: 10.4x → 33: 10.2x ↓ 34: 9.9 → 35: 9.8 ↓ 36: 10.7x ↗ 37: 10.5x ↓ 38: 9.4 → 39: 9.7 → 40: 10.3x ←</p> <p>Series 100.2 Total 401.8</p>		

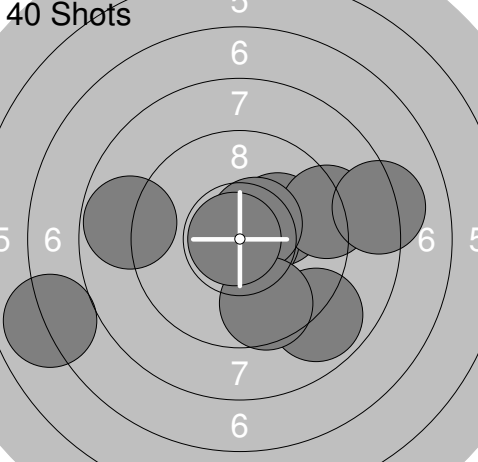
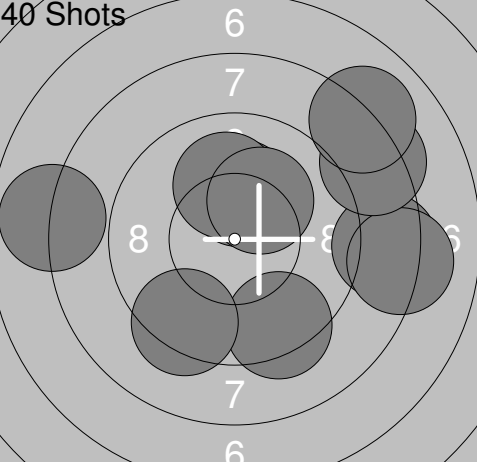
 <p>Sight</p>	<p>1: 7.1 ↗ 2: 8.1 ↗ 3: 9.7 ↗ 4: 6.7 ↗ 5: 8.4 ↗ 6: 9.0 ↖ 7: 5.9 ↗ 8: 8.2 ↖ 9: 9.4 ↓ 10: 10.2x ↘</p> <p>Series 82.7 Total 0.0</p>	<p>40 Shots</p>  <p>1: 6.9 ↖ 2: 10.4x ↘ 3: 9.4 ← 4: 6.7 ↗ 5: 9.3 ↗ 6: 8.6 ← 7: 7.3 ↗ 8: 9.0 ← 9: 8.2 ↗ 10: 6.5 ↗</p> <p>Series 82.3 Total 82.3</p>
---	--	--

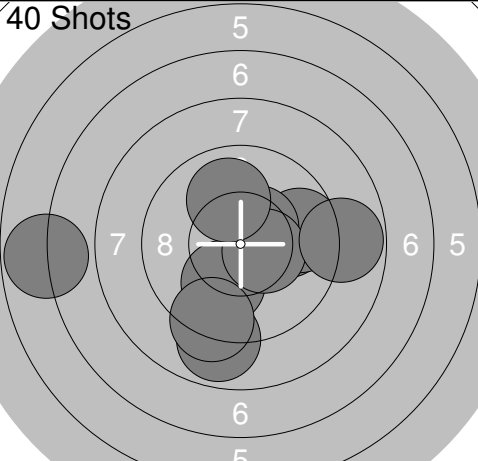
 <p>40 Shots</p>	<p>11: 9.5 ← 12: 8.6 ↖ 13: 7.0 ↗ 14: 9.7 ← 15: 7.2 ← 16: 9.2 ← 17: 8.5 ↗ 18: 6.9 ↗ 19: 9.1 ← 20: 9.4 ↖</p> <p>Series 85.1 Total 167.4</p>	<p>40 Shots</p>  <p>21: 7.6 ↗ 22: 9.3 ↖ 23: 9.1 ↗ 24: 10.0 → 25: 9.7 → 26: 9.0 ↗ 27: 10.7x ↘ 28: 10.0 → 29: 6.7 ↗ 30: 5.9 ↗</p> <p>Series 88.0 Total 255.4</p>
---	---	---

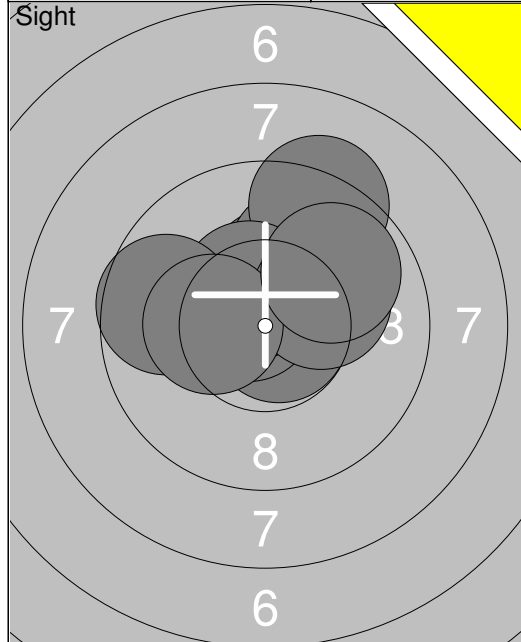
 <p>40 Shots</p>	<p>31: 9.7 ↗ 32: 8.2 ↗ 33: 10.4x ↘ 34: 8.6 ↖ 35: 8.5 ← 36: 10.4x ↘ 37: 9.6 ↗ 38: 8.1 ↗ 39: 8.5 ↗ 40: 7.6 ↗</p> <p>Series 89.6 Total 345.0</p>	
--	---	--

	<p>1: 7.7 →</p> <p>2: 8.8 →</p> <p>3: 8.3 ←</p> <p>4: 7.1 ↓</p> <p>5: 8.1 ↓</p> <p>6: 9.9 ↑</p> <p>7: 8.5 ↓</p> <p>8: 9.5 ↓</p> <p>9: 8.9 ↓</p> <p>10: 9.3 ↓</p>		<p>11: 9.0 ↓</p> <p>12: 8.1 ←</p> <p>13: 9.2 ↓</p> <p>14: 8.5 ↑</p> <p>15: 10.6x ↑</p> <p>16: 9.6 ↑</p> <p>17: 7.1 ↓</p> <p>18: 10.1 ↓</p> <p>19: 9.6 ↓</p> <p>20: 9.9 ↓</p>
Series 81.0	Total 0.0	Series 88.0	Total 0.0

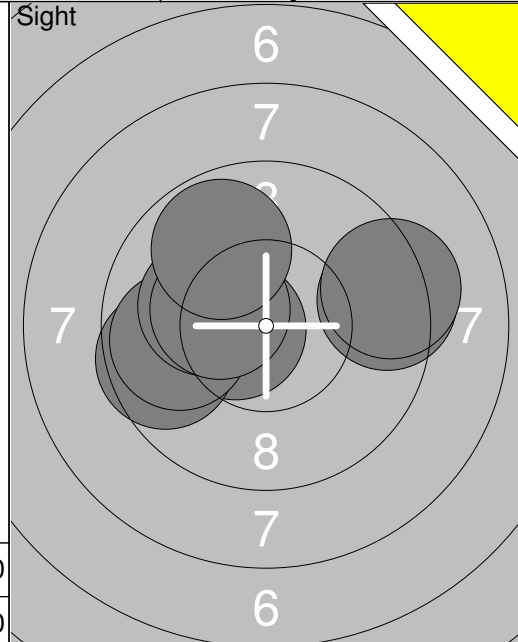
	<p>21: 9.0 →</p> <p>22: 9.8 ↓</p>		<p>1: 10.3x ↓</p> <p>2: 10.4x ←</p> <p>3: 9.1 ↗</p> <p>4: 9.6 →</p> <p>5: 10.6x ↓</p> <p>6: 8.0 ↓</p> <p>7: 7.3 →</p> <p>8: 8.5 ↓</p> <p>9: 10.0 →</p> <p>10: 10.1 ↑</p>
Series 18.0	Total 0.0	Series 91.0	Total 91.0

	<p>11: 8.8 ←</p> <p>12: 10.1 →</p> <p>13: 10.7x →</p> <p>14: 9.2 →</p> <p>15: 8.2 →</p> <p>16: 8.9 ↓</p> <p>17: 10.5x ↗</p> <p>18: 9.6 ↓</p> <p>19: 10.8x ←</p> <p>20: 7.0 ←</p>		<p>21: 7.9 ←</p> <p>22: 8.4 →</p> <p>23: 8.2 →</p> <p>24: 10.2x ↑</p> <p>25: 8.3 ↗</p> <p>26: 10.0 ↑</p> <p>27: 9.3 ↓</p> <p>28: 10.2x ↗</p> <p>29: 8.0 ↗</p> <p>30: 9.3 ↓</p>
Series 89.0	Total 180.0	Series 87.0	Total 267.0

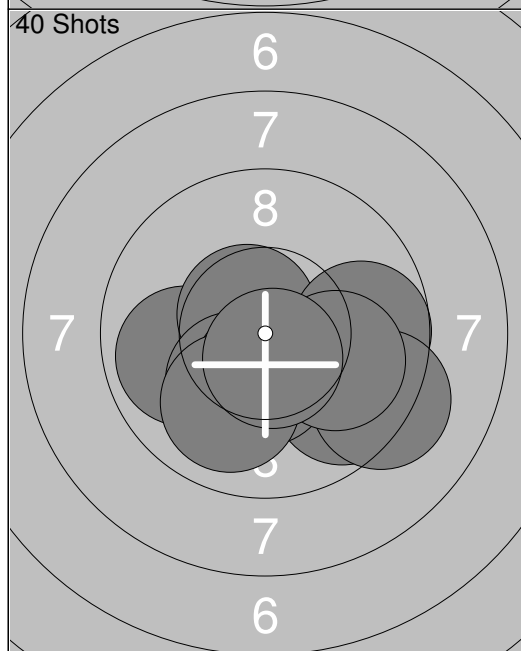
	<p>31: 10.0 →</p> <p>32: 9.7 →</p> <p>33: 10.5x ↗</p> <p>34: 6.8 ←</p> <p>35: 10.1 ↓</p> <p>36: 10.4x →</p> <p>37: 8.9 ↓</p> <p>38: 8.8 →</p> <p>39: 9.2 ↓</p> <p>40: 10.0 ↑</p>		
Series 90.0	Total 357.0		



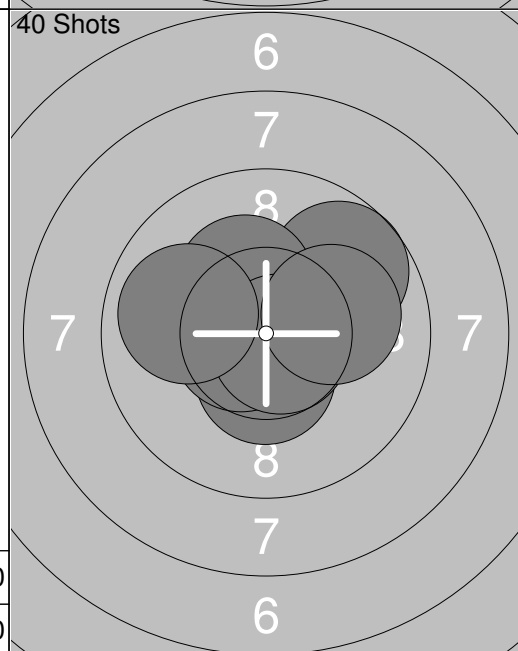
1:	10.3x	↗
2:	10.0	↗
3:	9.3	↗
4:	10.8x	→
5:	10.7x	↖
6:	10.5x	↗
7:	9.7	←
8:	10.2x	→
9:	10.3x	←
10:	9.9	↗
Series		97.0
Total		0.0



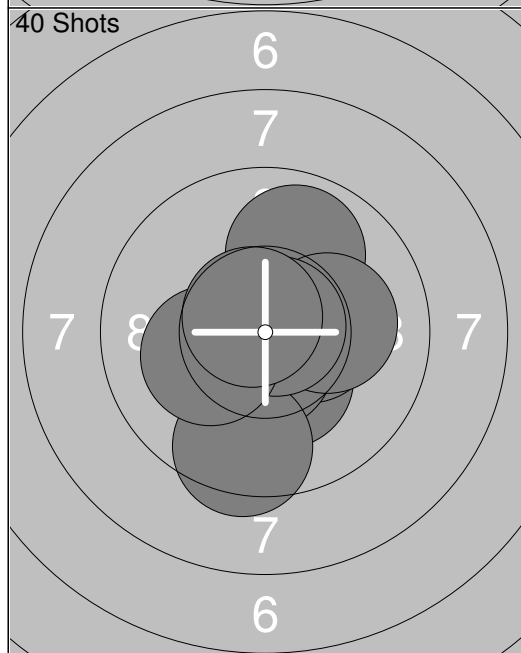
11:	10.6x	←
12:	9.4	→
13:	9.6	←
14:	9.8	←
15:	10.2x	↖
16:	10.3x	↖
18:	9.3	→
19:	9.8	↗
Series		75.0
Total		0.0



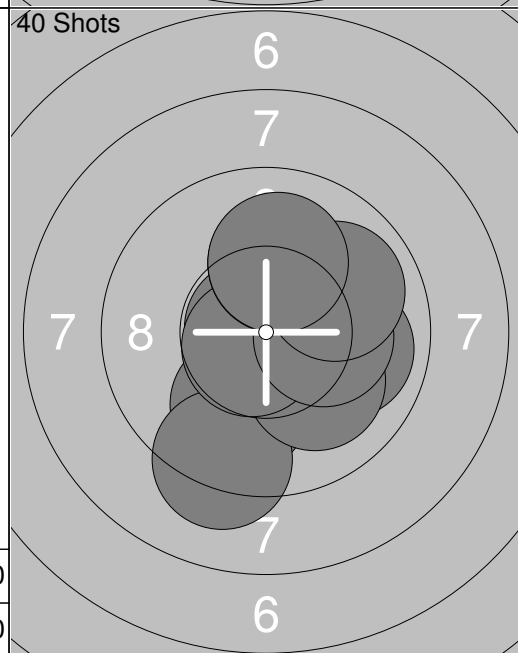
1:	9.9	←
2:	10.6x	↖
3:	9.7	→
4:	10.2x	↘
5:	9.7	↘
6:	10.4x	↓
7:	9.2	→
8:	10.0	↘
9:	10.0	→
10:	10.6x	↘
Series		96.0
Total		96.0



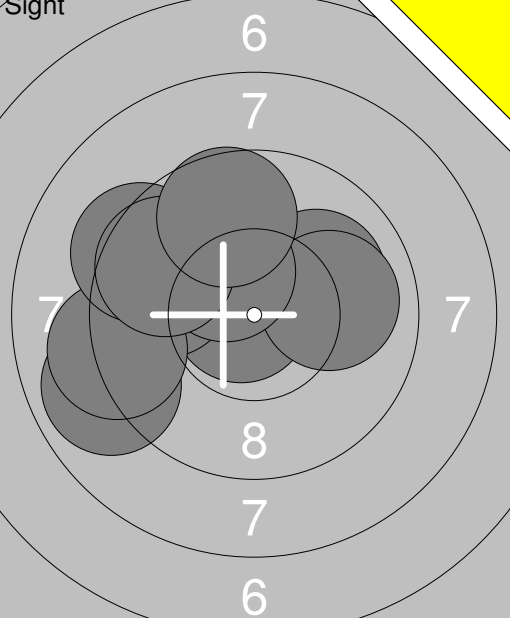
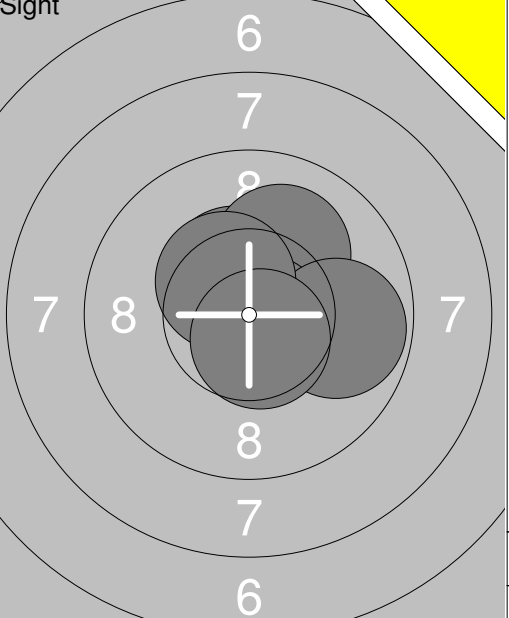
11:	10.7x	←
12:	9.7	↗
13:	10.4x	↓
14:	10.5x	↖
15:	10.7x	↖
16:	10.6x	←
17:	10.3x	↗
18:	10.7x	↘
19:	9.9	←
20:	10.1	→
Series		98.0
Total		194.0

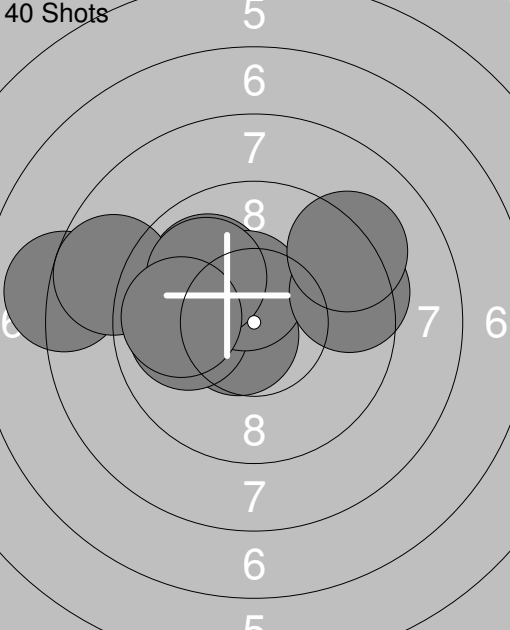
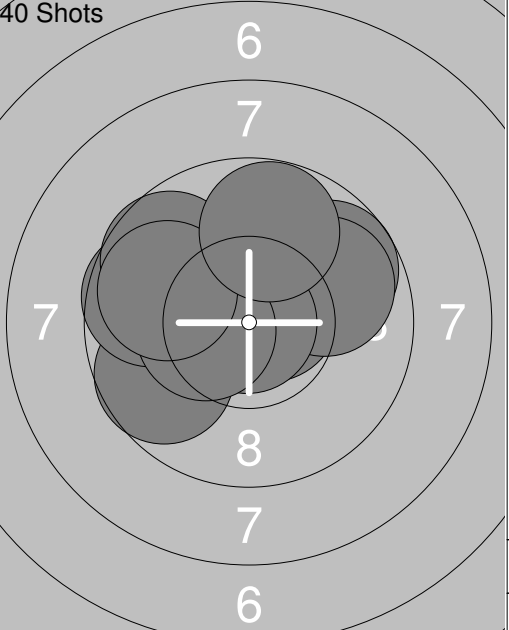


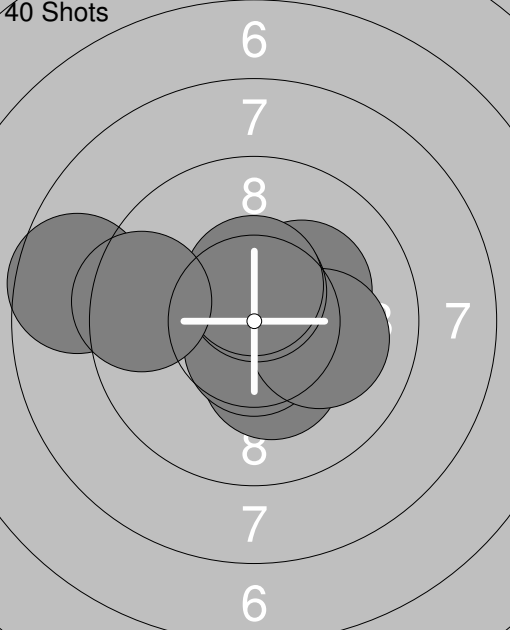
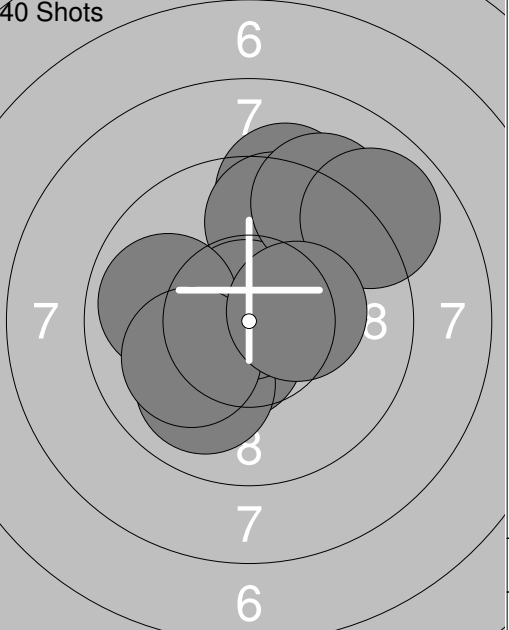
21:	10.3x	↘
22:	10.8x	↗
23:	9.9	↗
24:	10.4x	→
25:	10.6x	↓
26:	9.5	↓
27:	10.2x	→
28:	10.8x	↗
29:	10.2x	←
30:	10.7x	↖
Series		98.0
Total		292.0

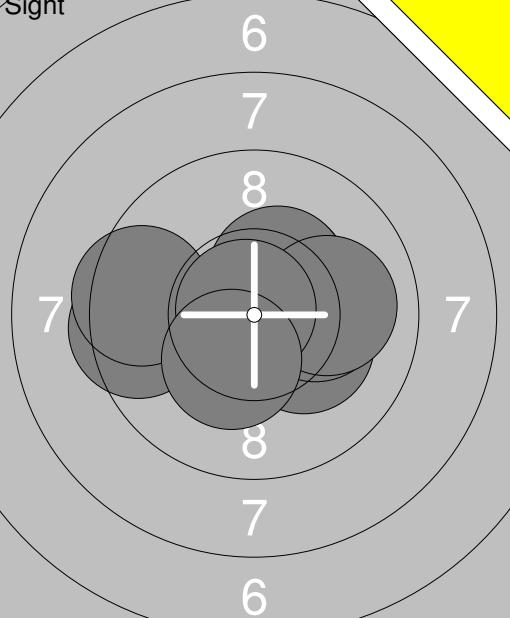
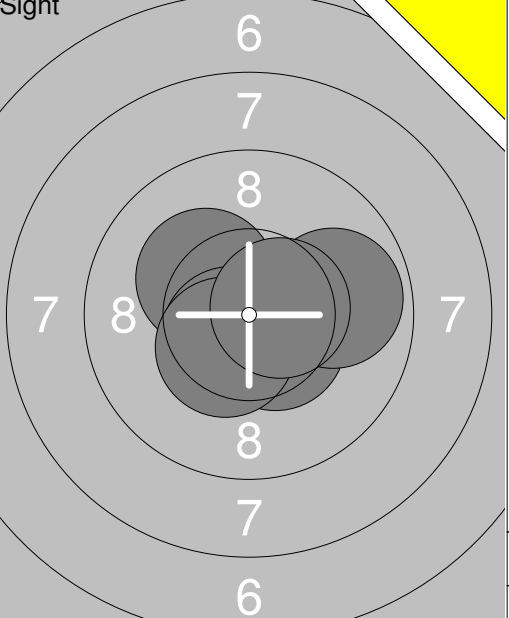


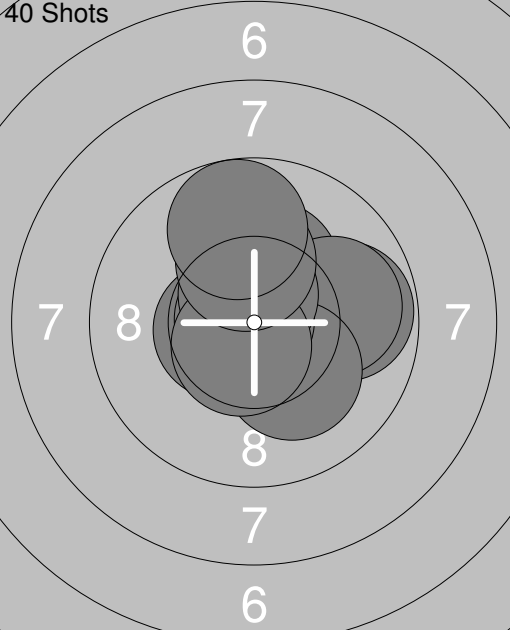
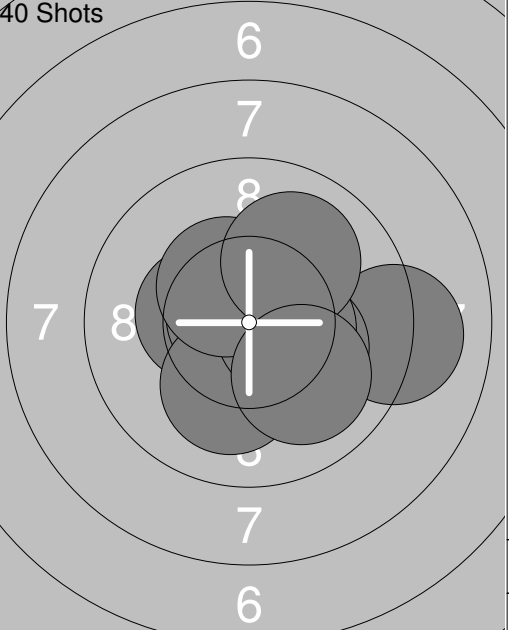
31:	10.0	↘
32:	9.2	↓
33:	9.9	→
34:	10.8x	←
35:	10.1	↘
36:	10.7x	↖
37:	10.1	↗
38:	10.2x	→
39:	9.9	↗
40:	10.0	↗
Series		97.0
Total		389.0

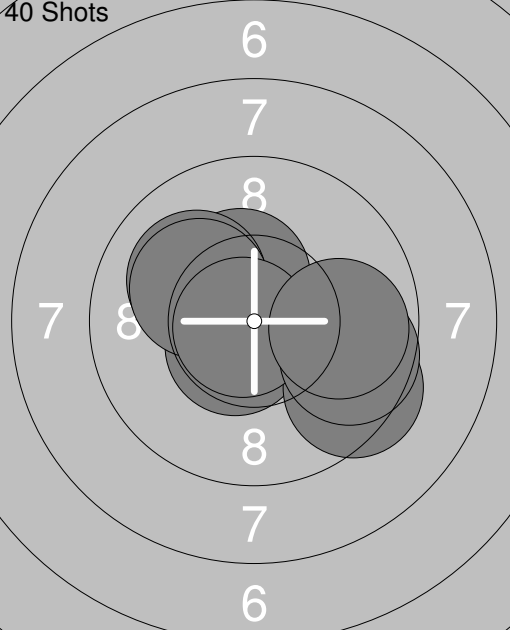
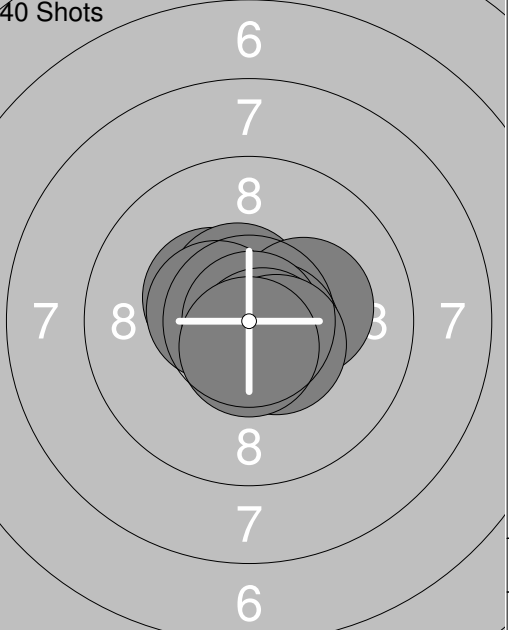
<p>Sight</p> 	<p>1: 8.9 ←</p> <p>2: 10.8x ←</p> <p>3: 10.0 →</p> <p>4: 10.0 →</p> <p>5: 9.7 ←</p> <p>6: 10.3x ↗</p> <p>7: 9.1 ←</p> <p>8: 9.3 ↖</p> <p>9: 9.7 ↖</p> <p>10: 9.7 ↗</p> <p>Series 93.0</p> <p>Total 0.0</p>	<p>Sight</p> 	<p>11: 10.4x ↗</p> <p>12: 10.1 ↗</p> <p>13: 10.8x ↘</p> <p>14: 9.8 →</p> <p>15: 10.4x ↗</p> <p>16: 10.6x ↘</p> <p>Series 59.0</p> <p>Total 0.0</p>
---	--	---	--

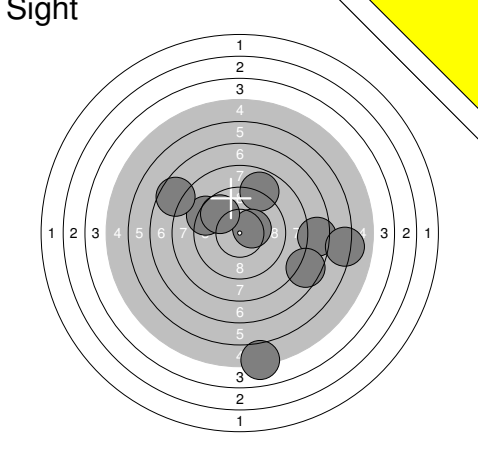
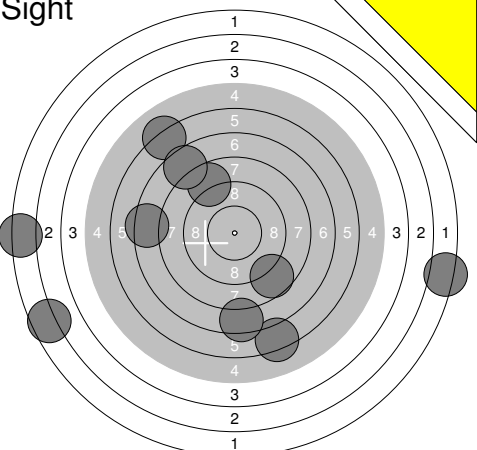
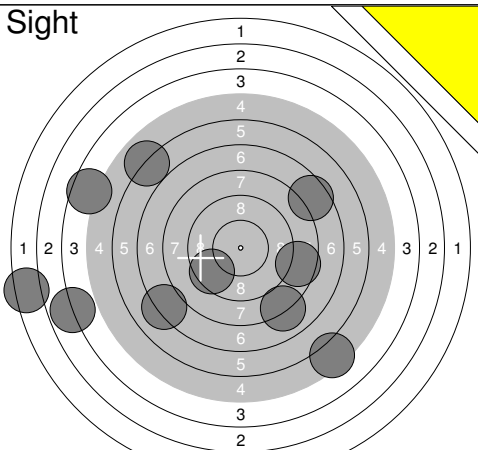
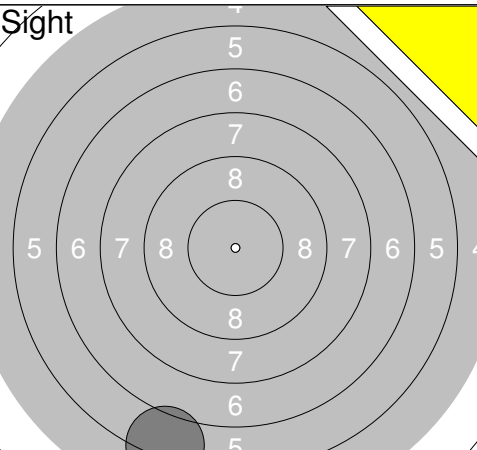
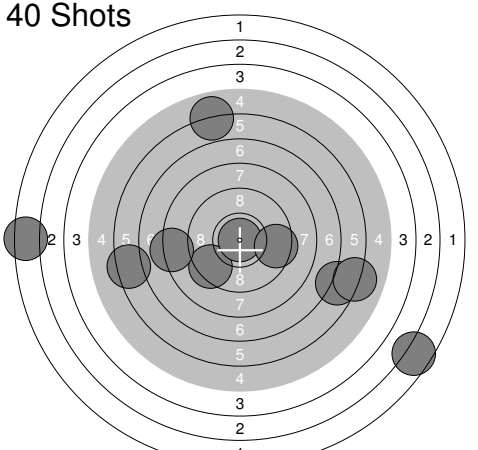
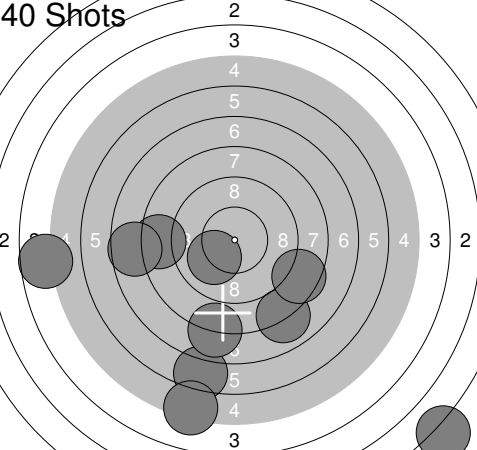
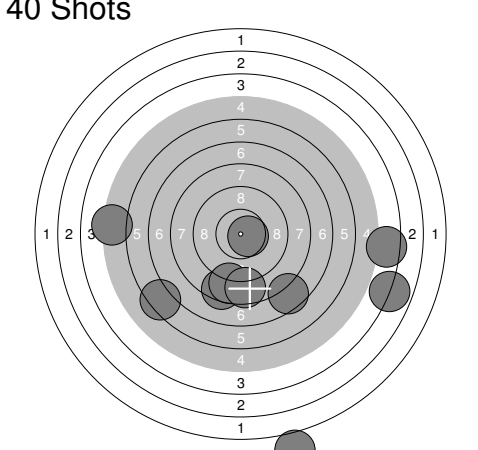
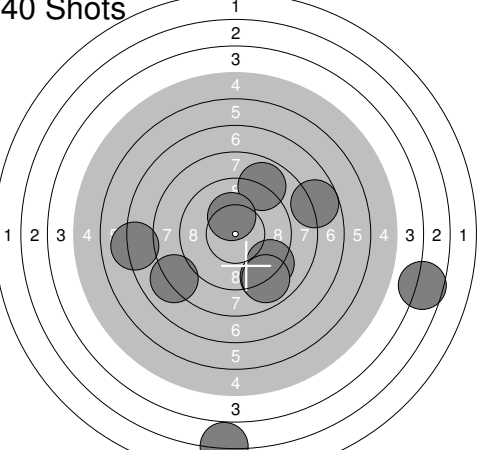
<p>40 Shots</p> 	<p>1: 8.1 ←</p> <p>2: 10.6x ↘</p> <p>3: 10.0 ↗</p> <p>4: 8.7 ←</p> <p>5: 10.0 ←</p> <p>6: 10.5x ↗</p> <p>7: 9.5 →</p> <p>8: 10.0 ↗</p> <p>9: 9.2 ↗</p> <p>10: 9.9 ←</p> <p>Series 93.0</p> <p>Total 93.0</p>	<p>40 Shots</p> 	<p>11: 9.7 ↗</p> <p>12: 10.7x ↗</p> <p>13: 9.9 →</p> <p>14: 9.7 ↖</p> <p>15: 9.7 ←</p> <p>16: 9.7 ↖</p> <p>17: 10.9x ←</p> <p>18: 10.4x ←</p> <p>19: 9.8 ↖</p> <p>20: 9.8 ↗</p> <p>Series 93.0</p> <p>Total 186.0</p>
---	--	---	---

<p>40 Shots</p> 	<p>21: 10.2x →</p> <p>22: 10.3x ↘</p> <p>23: 10.7x ↘</p> <p>24: 10.6x ↘</p> <p>25: 10.2x ↗</p> <p>26: 10.1 →</p> <p>27: 10.6x ↗</p> <p>28: 8.6 ←</p> <p>29: 10.5x ↗</p> <p>30: 9.5 ←</p> <p>Series 97.0</p> <p>Total 283.0</p>	<p>40 Shots</p> 	<p>31: 9.2 ↗</p> <p>32: 10.5x ↘</p> <p>33: 9.6 ↗</p> <p>34: 10.0 ↘</p> <p>35: 10.8x ↗</p> <p>36: 9.2 ↗</p> <p>37: 9.9 ←</p> <p>38: 8.9 ↗</p> <p>39: 10.1 ↖</p> <p>40: 10.3x →</p> <p>Series 94.0</p> <p>Total 377.0</p>
--	--	--	---

<p>Sight</p> 	<p>1: 9.5 ←</p> <p>2: 10.4x ↗</p> <p>3: 10.2x ↘</p> <p>4: 10.2x →</p> <p>5: 10.4x ↗</p> <p>6: 9.5 ←</p> <p>8: 10.0 →</p> <p>9: 10.8x ↖</p> <p>10: 10.3x ↘</p>	<p>Sight</p> 		<p>11: 10.7x ↘</p> <p>12: 10.2x ↖</p> <p>13: 10.6x ↘</p> <p>14: 10.5x ↘</p> <p>15: 9.9 →</p> <p>17: 10.4x ↘</p> <p>18: 10.5x →</p>	
Series 88.0				Series 69.0	
Total 0.0				Total 0.0	

<p>40 Shots</p> 	<p>1: 9.8 →</p> <p>2: 10.3x ↗</p> <p>3: 10.5x ←</p> <p>4: 9.9 →</p> <p>5: 10.2x ↘</p> <p>6: 10.8x ↖</p> <p>7: 10.6x ↗</p> <p>8: 10.6x ↘</p> <p>9: 10.2x ↗</p> <p>10: 9.7 ↗</p>	<p>40 Shots</p> 		<p>11: 10.8x ↖</p> <p>12: 9.1 →</p> <p>13: 10.4x ←</p> <p>14: 10.2x ↘</p> <p>15: 10.8x ↖</p> <p>16: 10.1 ↓</p> <p>17: 10.5x →</p> <p>18: 10.4x ↗</p> <p>19: 10.0 ↗</p> <p>20: 10.0 ↘</p>	
Series 97.0				Series 99.0	
Total 97.0				Total 196.0	

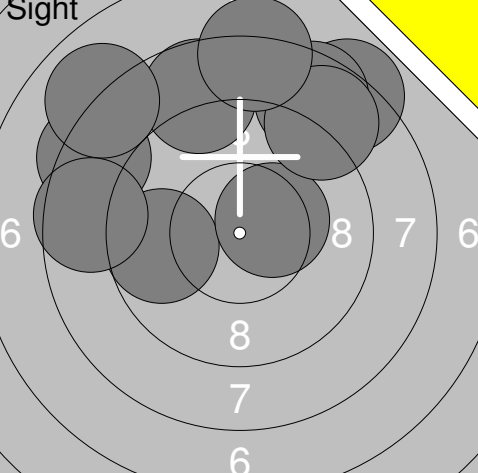
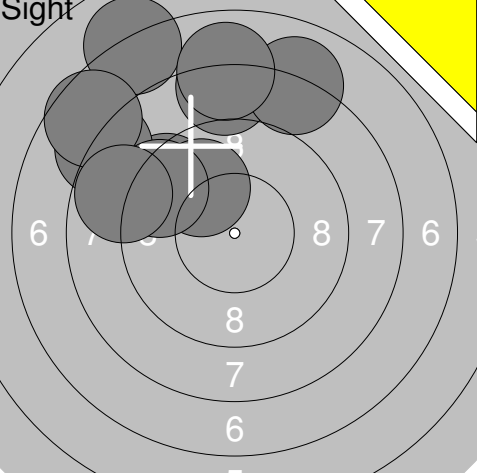
<p>40 Shots</p> 	<p>21: 10.5x ↗</p> <p>22: 10.6x ↘</p> <p>23: 10.4x ↖</p> <p>24: 10.4x ↗</p> <p>25: 10.0 ↖</p> <p>26: 10.1 ↖</p> <p>27: 9.4 ↘</p> <p>28: 10.8x ↖</p> <p>29: 9.7 →</p> <p>30: 9.9 →</p>	<p>40 Shots</p> 		<p>31: 10.4x ↖</p> <p>32: 10.7x ←</p> <p>33: 10.6x ↗</p> <p>34: 10.5x ←</p> <p>35: 10.2x →</p> <p>36: 10.7x ↘</p> <p>37: 10.9x →</p> <p>38: 10.7x ↘</p> <p>39: 10.5x ↘</p> <p>40: 10.6x ↓</p>	
Series 97.0				Series 100.0	
Total 293.0				Total 393.0	

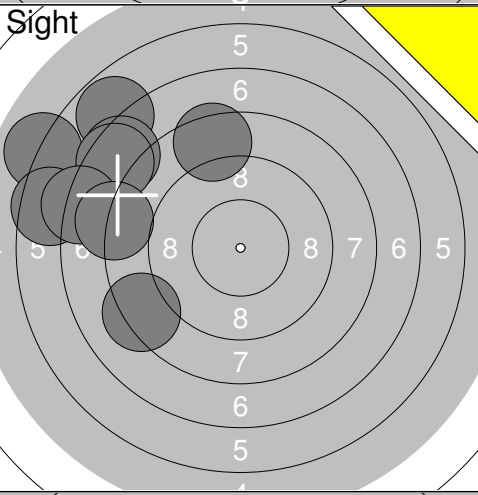
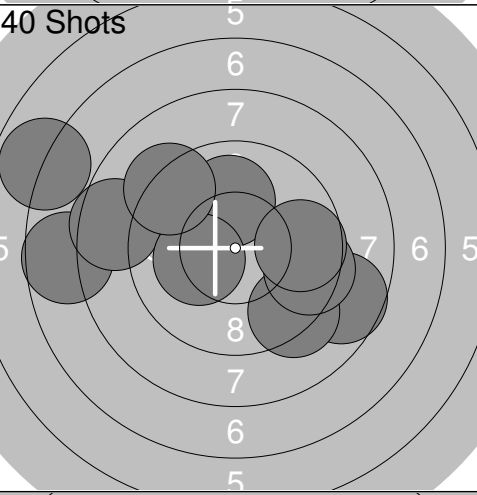
Relay	Lane	Kenneth Schönfeldt		
S	Rönnskär	Vet	Vb	
2014-04-12	UME-Kulan 2014	Umeå skytteallians		
Sight		1: 7.4 → 2: 9.2 ↗ 3: 8.8 ↗ 4: 6.1 → 5: 7.6 ↘ 6: 10.3x → 7: 5.1 ↓ 8: 9.7 ↗ 9: 7.6 ↗ 10: 0.0 ↗ Series 68.0 Total 0.0	Sight 	11: 6.3 ↓ 12: 2.2 ← 13: 2.6 ← 14: 2.2 → 15: 8.7 ↗ 16: 6.1 ↗ 17: 8.6 ↓ 18: 7.6 ↗ 19: 7.4 ↓ 20: 7.4 ← Series 55.0 Total 0.0
Sight		21: 8.6 → 22: 8.0 ↓ 23: 7.1 ↓ 24: 3.9 ← 25: 5.4 ↓ 26: 2.3 ← 27: 7.5 ↗ 28: 9.5 ← 29: 5.9 ↗ 30: 4.5 ← Series 58.0 Total 0.0	Sight 	31: 6.1 ↓ Series 6.0 Total 0.0
40 Shots		1: 9.4 ↙ 2: 6.3 ← 3: 5.9 ↗ 4: 10.9x → 5: 9.5 → 6: 6.6 ↘ 7: 2.6 ↓ 8: 8.2 ← 9: 2.3 ← 10: 6.1 → Series 63.0 Total 63.0	40 Shots 	11: 6.4 ↓ 12: 8.4 ← 13: 4.7 ← 14: 8.0 ↓ 15: 1.6 ↓ 16: 7.9 ↓ 17: 7.7 ← 18: 8.5 ↘ 19: 10.1 ↙ 20: 5.2 ↓ Series 64.0 Total 127.0
40 Shots		21: 8.4 ↓ 22: 3.9 → 23: 8.7 ↓ 24: 7.6 ↓ 25: 10.6x → 26: 6.4 ↙ 27: 1.1 ↓ 28: 5.2 ← 29: 4.5 → 30: 8.6 ↓ Series 60.0 Total 187.0	40 Shots 	31: 9.0 ↓ 32: 7.7 → 33: 7.1 ← 34: 9.2 ↓ 35: 8.9 ↗ 36: 8.1 ↙ 37: 2.9 ↓ 38: 3.6 → 39: 8.9 ↓ 40: 10.3x ↑ Series 71.0 Total 258.0

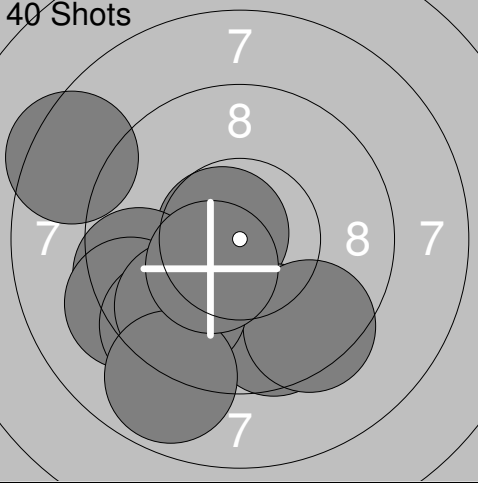
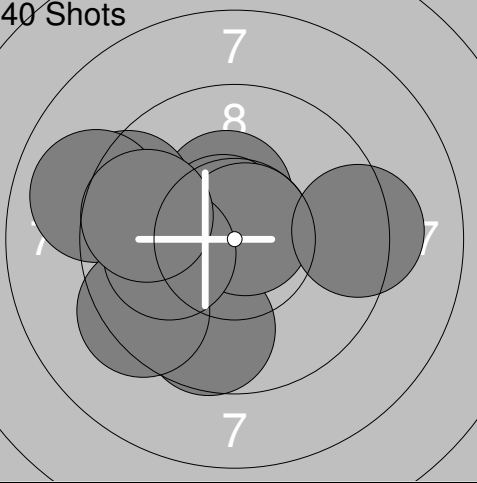
<p>Sight</p>	<p>1: 2.0 ←</p> <p>2: 3.9 ↗</p> <p>3: 7.2 ←</p> <p>4: 9.4 ↗</p> <p>5: 8.0 ↗</p> <p>6: 6.7 ←</p> <p>7: 9.8 ←</p> <p>8: 8.2 ←</p> <p>9: 7.5 ←</p> <p>10: 8.7 ↘</p>	<p>Sight</p>	<p>11: 10.5x →</p> <p>12: 5.3 ←</p> <p>13: 8.8 ↗</p> <p>14: 9.1 ↘</p> <p>15: 8.6 →</p> <p>16: 8.5 ↗</p> <p>17: 7.9 ↗</p> <p>18: 3.5 ↗</p>
Series 67.0		Series 58.0	
Total 0.0		Total 0.0	

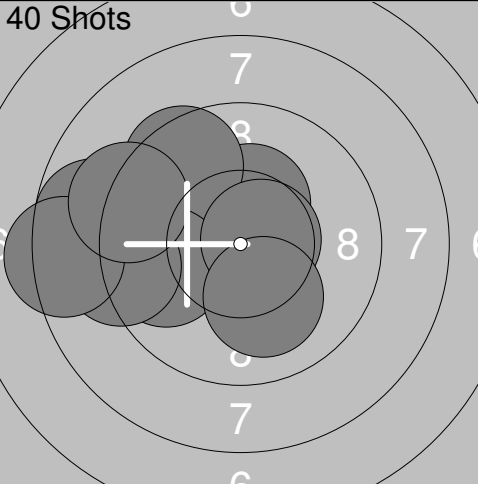
<p>40 Shots</p>	<p>1: 8.4 ↗</p> <p>2: 8.8 ←</p> <p>3: 2.9 ↑</p> <p>4: 7.5 ↗</p> <p>5: 9.3 ↗</p> <p>6: 9.2 ←</p> <p>7: 5.7 ←</p> <p>8: 6.9 ↗</p> <p>9: 10.5x ↑</p> <p>10: 9.3 ←</p>	<p>40 Shots</p>	<p>11: 7.4 ↑</p> <p>12: 9.9 ↑</p> <p>13: 9.4 ↗</p> <p>14: 10.4x →</p> <p>15: 8.6 ↗</p> <p>16: 8.8 ←</p> <p>17: 7.2 →</p> <p>18: 9.0 ←</p> <p>19: 10.0 ↑</p> <p>20: 8.6 ↑</p>
Series 73.0		Series 85.0	
Total 73.0		Total 158.0	

<p>40 Shots</p>	<p>21: 8.0 ←</p> <p>22: 4.9 ↑</p> <p>23: 7.6 ↗</p> <p>24: 8.2 ↗</p> <p>25: 8.1 ←</p> <p>26: 8.0 ↓</p> <p>27: 9.2 →</p> <p>28: 8.4 ↗</p> <p>29: 6.5 ↗</p> <p>30: 7.7 ↗</p>	<p>40 Shots</p>	<p>31: 9.1 ↘</p> <p>32: 10.4x ↑</p> <p>33: 10.0 ←</p> <p>34: 9.1 ↗</p> <p>35: 8.8 ←</p> <p>36: 9.0 ↓</p> <p>37: 6.7 ↗</p> <p>38: 8.6 ↗</p> <p>39: 10.2x ↘</p> <p>40: 9.9 ↘</p>
Series 73.0		Series 88.0	
Total 231.0		Total 319.0	

	<p>1: 9.7 ←</p> <p>2: 8.2 ↗</p> <p>3: 8.4 ↖</p> <p>4: 8.6 ↗</p> <p>5: 8.7 ↗</p> <p>6: 7.9 ↗</p> <p>7: 8.6 ←</p> <p>8: 10.4x →</p> <p>9: 8.8 ↗</p> <p>10: 8.1 ↑</p>		<p>11: 9.4 ↗</p> <p>12: 8.2 ↑</p> <p>13: 8.1 ↗</p> <p>14: 8.0 ↗</p> <p>15: 9.9 ↗</p> <p>16: 7.0 ↗</p> <p>17: 9.3 ↗</p> <p>18: 8.0 ↑</p> <p>19: 7.6 ↗</p> <p>20: 8.8 ↖</p>
Series	82.0	Series	81.0
Total	0.0	Total	0.0

	<p>21: 8.5 ↑</p> <p>22: 6.8 ↗</p> <p>23: 6.0 ↗</p> <p>24: 7.5 ↗</p> <p>25: 7.5 ↗</p> <p>26: 6.5 ←</p> <p>27: 7.2 ←</p> <p>28: 8.0 ←</p> <p>29: 8.3 ↖</p>		<p>1: 7.7 ←</p> <p>2: 8.6 ←</p> <p>3: 6.9 ↖</p> <p>4: 10.0 ↑</p> <p>5: 8.7 →</p> <p>6: 10.2x ←</p> <p>7: 9.3 ↘</p> <p>8: 9.4 →</p> <p>9: 9.7 →</p> <p>10: 9.2 ↗</p>
Series	63.0	Series	85.0
Total	0.0	Total	85.0

	<p>11: 8.4 ↖</p> <p>12: 10.7x ←</p> <p>13: 9.5 ←</p> <p>14: 9.2 ←</p> <p>15: 9.4 ↘</p> <p>16: 9.6 ↘</p> <p>17: 9.4 ↘</p> <p>18: 9.7 ↘</p> <p>19: 8.9 ↘</p> <p>20: 10.4x ↘</p>		<p>21: 10.4x ↑</p> <p>22: 9.4 ↖</p> <p>23: 9.7 ↘</p> <p>24: 10.7x ↗</p> <p>25: 10.8x ↗</p> <p>26: 9.0 ←</p> <p>27: 9.4 ↘</p> <p>28: 10.1 ←</p> <p>29: 9.3 →</p> <p>30: 9.7 ←</p>
Series	90.0	Series	94.0
Total	175.0	Total	269.0

	<p>31: 10.3x ↑</p> <p>32: 9.8 ←</p> <p>33: 9.5 ↗</p> <p>34: 9.8 ←</p> <p>35: 10.6x →</p> <p>36: 8.8 ←</p> <p>37: 9.1 ←</p> <p>38: 8.3 ←</p> <p>39: 10.1 ↘</p> <p>40: 9.2 ↖</p>		
Series	91.0		
Total	360.0		

<p>Sight</p>	<p>1: 8.5 →</p> <p>2: 9.4 ↓</p> <p>3: 9.2 →</p> <p>4: 10.0 ←</p> <p>5: 9.9 ↓</p> <p>6: 9.6 →</p> <p>7: 10.5x ↗</p> <p>8: 8.9 ←</p> <p>9: 9.7 ↗</p> <p>10: 10.3x ←</p>	<p>Sight</p>	<p>11: 10.8x ↓</p> <p>12: 10.4x ↖</p> <p>13: 9.5 →</p> <p>14: 8.9 ↓</p> <p>15: 8.0 ←</p> <p>16: 9.9 ↙</p> <p>17: 10.1 ←</p>
Series 91.0		Series 64.0	
Total 0.0		Total 0.0	

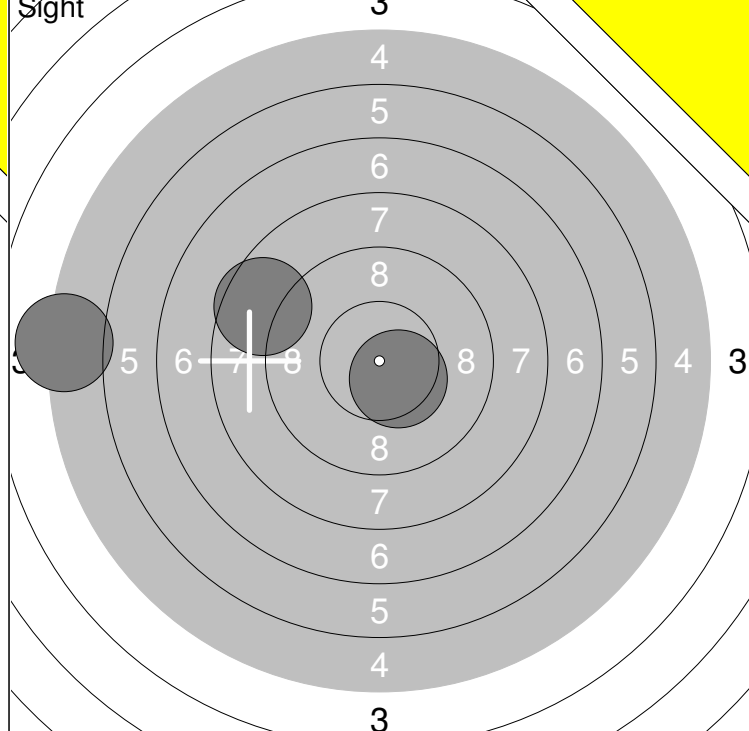
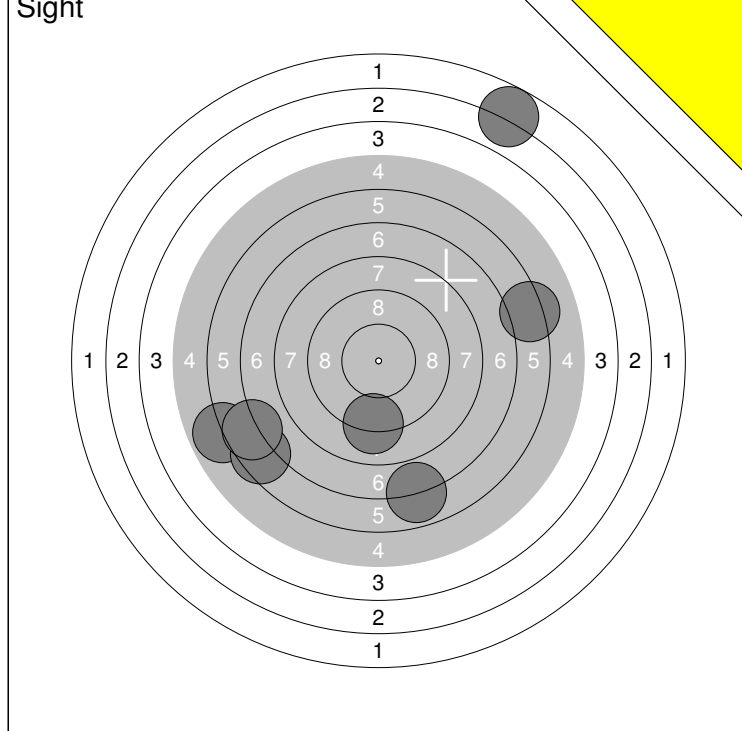
<p>40 Shots</p>	<p>1: 9.7 →</p> <p>2: 8.9 ←</p> <p>3: 10.8x →</p> <p>4: 9.5 ↓</p> <p>5: 10.0 ←</p> <p>6: 9.9 ←</p> <p>7: 9.2 ↗</p> <p>8: 10.2x ↗</p> <p>9: 10.2x ↓</p> <p>10: 9.8 ←</p>	<p>40 Shots</p>	<p>11: 9.5 ←</p> <p>12: 10.3x ↙</p> <p>13: 9.9 ←</p> <p>14: 10.4x ↑</p> <p>15: 10.1 ↖</p> <p>16: 9.5 ↖</p> <p>17: 8.5 →</p> <p>18: 9.2 ↓</p> <p>19: 10.3x ↓</p> <p>20: 9.3 →</p>
Series 93.0		Series 93.0	
Total 93.0		Total 186.0	

<p>40 Shots</p>	<p>21: 10.0 ↗</p> <p>22: 10.6x ↖</p> <p>23: 10.4x ↑</p> <p>24: 10.2x →</p> <p>25: 9.4 ↓</p> <p>26: 9.9 →</p> <p>27: 10.6x ↖</p> <p>28: 8.4 ←</p> <p>29: 8.2 →</p> <p>30: 9.4 →</p>	<p>40 Shots</p>	<p>31: 8.6 →</p> <p>32: 9.4 ↓</p> <p>33: 9.5 ↘</p> <p>34: 9.3 ↗</p> <p>35: 10.3x ↓</p> <p>36: 9.6 ←</p> <p>37: 9.3 ↑</p> <p>38: 9.5 ↖</p> <p>39: 10.8x ←</p> <p>40: 10.0 ↗</p>
Series 93.0		Series 92.0	
Total 279.0		Total 371.0	

<p>Sight</p>	<p>1: 8.3 ↑</p> <p>2: 7.3 ↑</p> <p>3: 7.2 ↘</p> <p>4: 6.6 ←</p> <p>5: 8.1 →</p> <p>6: 6.2 ↙</p> <p>7: 5.1 →</p> <p>8: 1.8 ←</p> <p>9: 9.2 ←</p> <p>10: 9.6 ↑</p>	<p>Sight</p>	<p>11: 6.1 ↙</p> <p>12: 8.9 ↙</p>								
<table border="1" style="width:100%; border-collapse: collapse;"> <tr> <td style="width:50%;">Series</td> <td style="width:50%; text-align:right;">66.0</td> </tr> <tr> <td>Total</td> <td style="text-align:right;">0.0</td> </tr> </table>		Series	66.0	Total	0.0	<table border="1" style="width:100%; border-collapse: collapse;"> <tr> <td style="width:50%;">Series</td> <td style="width:50%; text-align:right;">14.0</td> </tr> <tr> <td>Total</td> <td style="text-align:right;">0.0</td> </tr> </table>		Series	14.0	Total	0.0
Series	66.0										
Total	0.0										
Series	14.0										
Total	0.0										

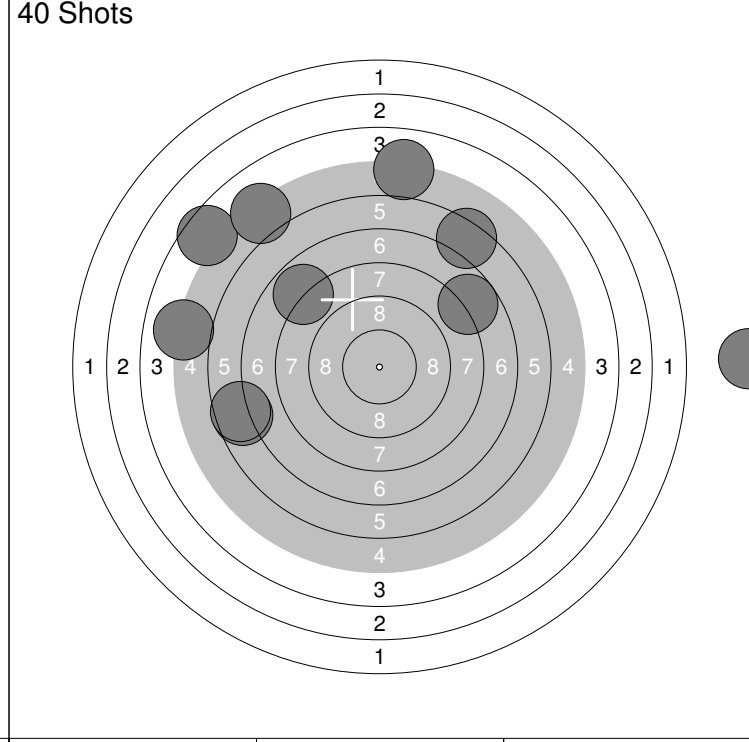
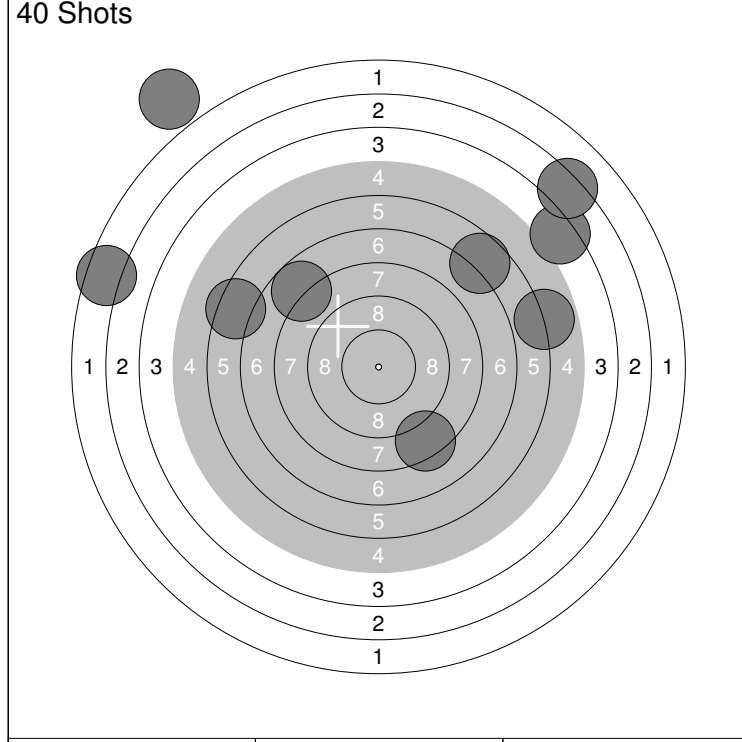
<p>40 Shots</p>	<p>1: 9.2 ↑</p> <p>2: 7.7 ↙</p> <p>3: 7.9 ←</p> <p>4: 7.9 ↘</p> <p>5: 5.0 ←</p> <p>6: 7.5 ↓</p> <p>7: 10.7x ↙</p> <p>8: 9.3 ←</p> <p>9: 9.1 ←</p> <p>10: 8.9 ↑</p>	<p>40 Shots</p>	<p>11: 8.0 ←</p> <p>12: 3.5 ↘</p> <p>13: 8.9 ←</p> <p>14: 6.6 ↙</p> <p>15: 8.4 ←</p> <p>16: 5.4 ←</p> <p>17: 9.5 ↙</p> <p>18: 9.9 →</p> <p>19: 9.4 ↗</p> <p>20: 10.1 →</p>								
<table border="1" style="width:100%; border-collapse: collapse;"> <tr> <td style="width:50%;">Series</td> <td style="width:50%; text-align:right;">78.0</td> </tr> <tr> <td>Total</td> <td style="text-align:right;">78.0</td> </tr> </table>		Series	78.0	Total	78.0	<table border="1" style="width:100%; border-collapse: collapse;"> <tr> <td style="width:50%;">Series</td> <td style="width:50%; text-align:right;">75.0</td> </tr> <tr> <td>Total</td> <td style="text-align:right;">153.0</td> </tr> </table>		Series	75.0	Total	153.0
Series	78.0										
Total	78.0										
Series	75.0										
Total	153.0										

<p>40 Shots</p>	<p>21: 10.3x ↙</p> <p>22: 8.2 →</p> <p>23: 7.1 →</p> <p>24: 5.9 ←</p> <p>25: 10.2x ↙</p> <p>26: 8.4 →</p> <p>27: 10.7x ↗</p> <p>28: 7.5 ↙</p> <p>29: 9.8 ←</p> <p>30: 1.3 ↙</p>	<p>40 Shots</p>	<p>31: 7.3 ↙</p> <p>32: 0.0 ←</p> <p>33: 8.3 ↙</p> <p>34: 2.1 ↑</p> <p>35: 9.0 ←</p> <p>36: 9.5 →</p> <p>37: 5.4 ↙</p> <p>38: 7.1 ↙</p> <p>39: 8.7 →</p> <p>40: 9.6 ←</p>								
<table border="1" style="width:100%; border-collapse: collapse;"> <tr> <td style="width:50%;">Series</td> <td style="width:50%; text-align:right;">75.0</td> </tr> <tr> <td>Total</td> <td style="text-align:right;">228.0</td> </tr> </table>		Series	75.0	Total	228.0	<table border="1" style="width:100%; border-collapse: collapse;"> <tr> <td style="width:50%;">Series</td> <td style="width:50%; text-align:right;">64.0</td> </tr> <tr> <td>Total</td> <td style="text-align:right;">292.0</td> </tr> </table>		Series	64.0	Total	292.0
Series	75.0										
Total	228.0										
Series	64.0										
Total	292.0										



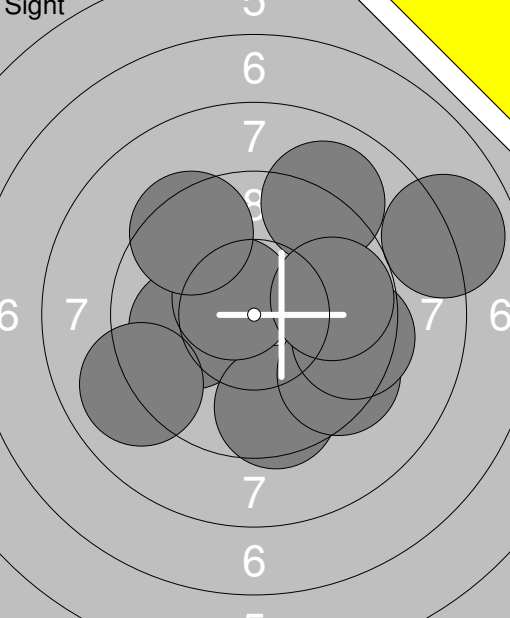
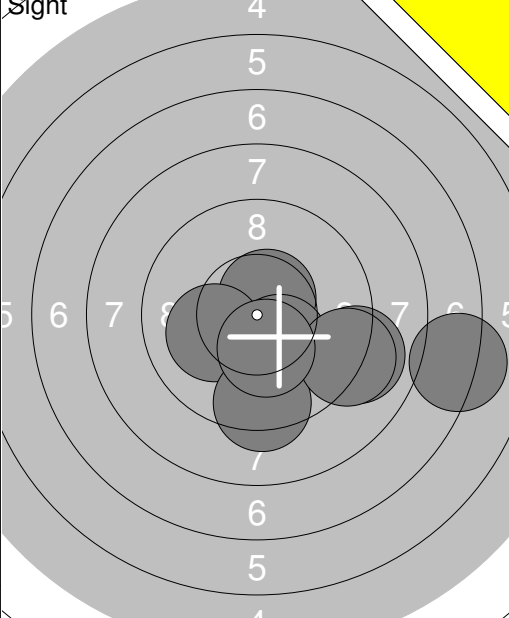
1: 5.9 ↙	6: 6.7 ↙	Series 40
2: 0.0 ↑	7: 2.8 ↗	
3: 6.5 ↙	8: 0.0 ↗	Total 0
4: 0.0 ↗	9: 9.1 ↓	
5: 6.9 ↓	10: 6.2 →	

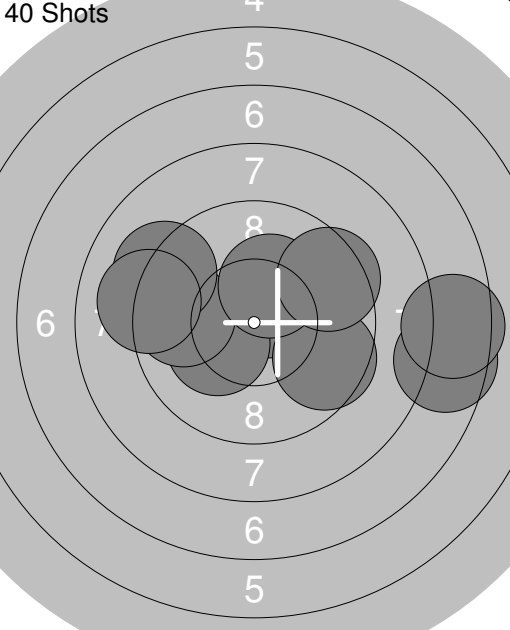
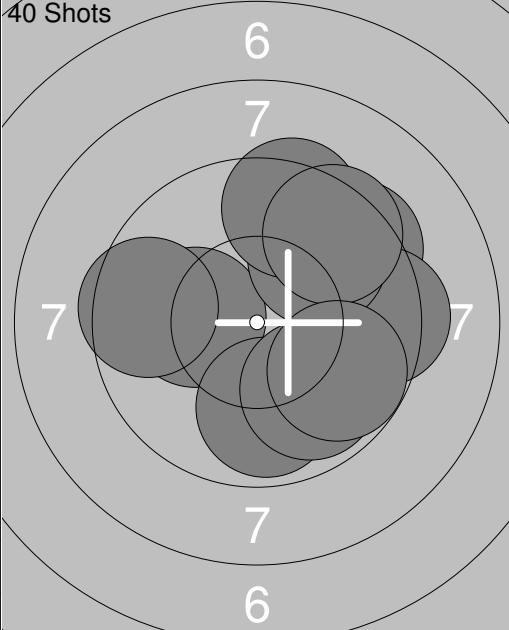
11: 5.1 ↙	Series 23
12: 10.5x ↓	
13: 8.6 ↗	Total 0

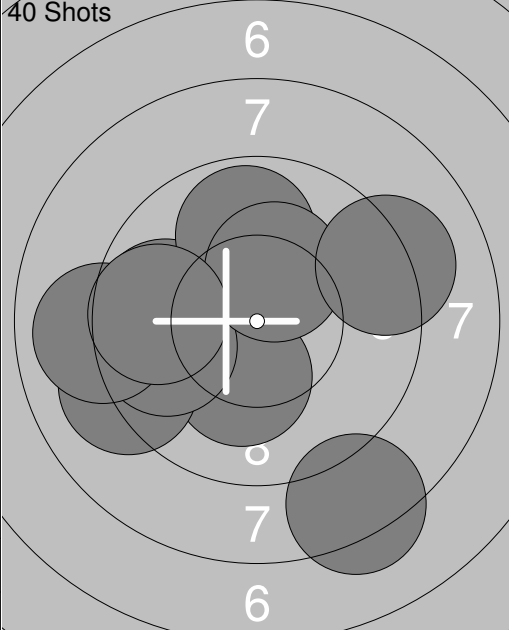


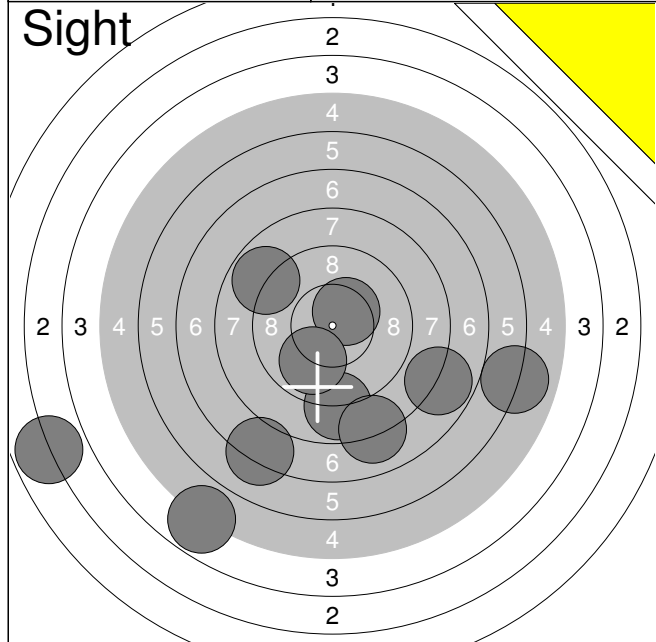
1: 8.4 ↓	6: 0.0 ↗	Series 41
2: 6.7 ↗	7: 2.4 ↙	
3: 4.3 ↗	8: 7.7 ↗	Total 41
4: 3.2 ↗	9: 6.4 ↙	
5: 5.8 →	10: 0.0 ↙	

11: 0.0 →	16: 7.8 ↙	Series 51
12: 5.0 ↙	17: 7.7 ↗	
13: 4.5 ↙	18: 6.4 ↗	Total 92
14: 6.7 ↙	19: 6.6 ↙	
15: 5.1 ↑	20: 5.2 ↙	

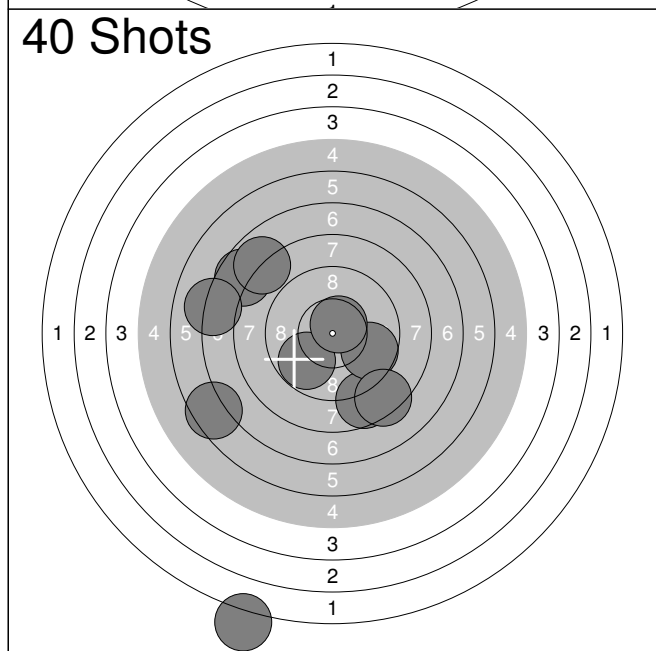
 <p>Sight</p>	<p>1: 9.0 ↗</p> <p>2: 10.0 ←</p> <p>3: 9.6 ↓</p> <p>4: 10.6x ↘</p> <p>5: 9.0 ←</p> <p>6: 9.4 ↘</p> <p>7: 9.5 →</p> <p>8: 9.8 →</p> <p>9: 9.5 ↗</p> <p>10: 8.0 →</p>	 <p>Sight</p>	<p>11: 10.7x ↓</p> <p>12: 10.6x ↗</p> <p>13: 10.1 ←</p> <p>14: 10.3x ↘</p> <p>15: 9.0 →</p> <p>16: 7.2 →</p> <p>17: 9.4 ↓</p> <p>18: 9.1 →</p> <p>19: 10.3x ↓</p>
Series 91.0		Series 84.0	
Total 0.0		Total 0.0	

 <p>40 Shots</p>	<p>1: 7.6 →</p> <p>2: 10.6x ↗</p> <p>3: 7.5 →</p> <p>4: 9.6 ↘</p> <p>5: 10.2x ↙</p> <p>6: 9.7 ←</p> <p>7: 9.2 ↙</p> <p>8: 9.1 ←</p> <p>9: 10.3x ↗</p> <p>10: 9.5 →</p>	 <p>40 Shots</p>	<p>11: 9.4 ↗</p> <p>12: 10.2x ↙</p> <p>13: 9.4 →</p> <p>14: 9.8 ↗</p> <p>15: 9.4 ↗</p> <p>16: 9.5 ↗</p> <p>17: 9.9 ↓</p> <p>18: 9.5 ←</p> <p>19: 9.9 ↘</p> <p>20: 9.8 ↘</p>
Series 89.0		Series 91.0	
Total 89.0		Total 180.0	

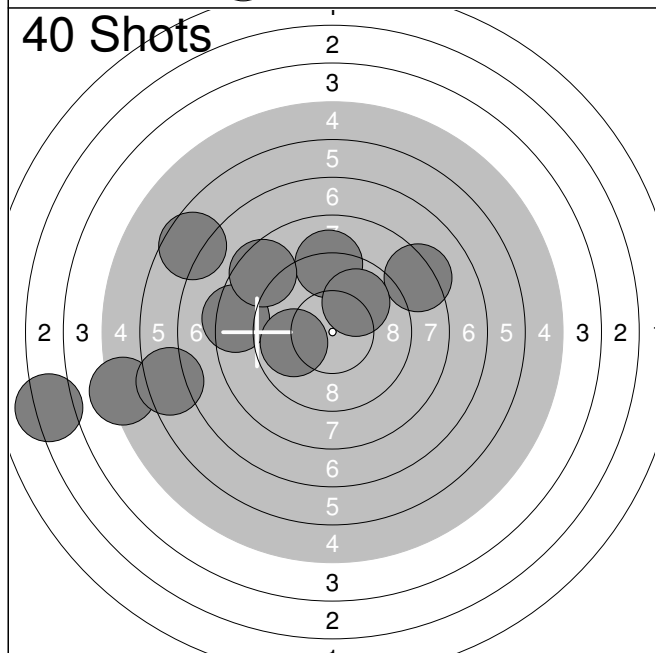
 <p>40 Shots</p>	<p>21: 10.6x →</p> <p>22: 10.3x ↘</p> <p>23: 8.3 →</p> <p>24: 8.6 →</p> <p>25: 10.7x ↘</p> <p>26: 10.7x ↙</p> <p>27: 10.5x →</p> <p>28: 9.7 ↘</p> <p>29: 10.5x ↙</p> <p>30: 9.0 ←</p>	 <p>40 Shots</p>	<p>31: 9.8 ←</p> <p>32: 9.8 ↗</p> <p>33: 10.2x ↘</p> <p>34: 9.1 ←</p> <p>35: 9.8 ←</p> <p>36: 10.3x ↗</p> <p>37: 8.3 ↓</p> <p>38: 9.2 →</p> <p>39: 9.0 ←</p> <p>40: 9.7 ←</p>
Series 94.0		Series 91.0	
Total 274.0		Total 365.0	



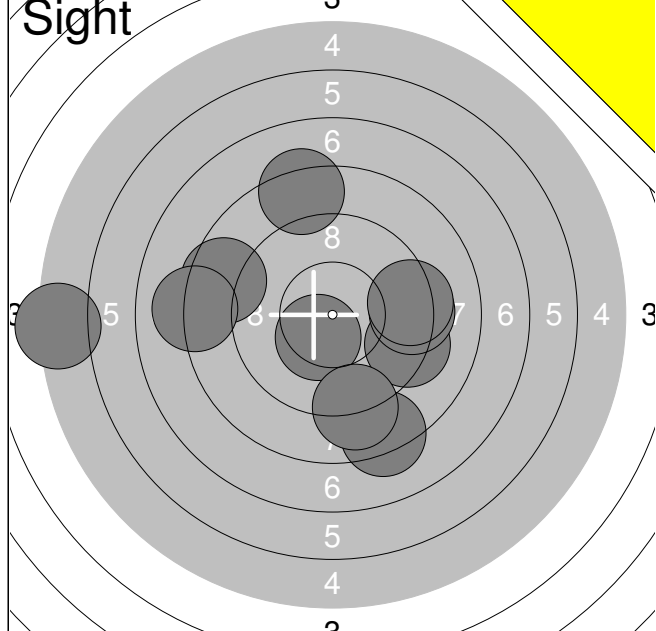
1:	7.8	➔
2:	2.8	➔
3:	6.0	➔
4:	4.8	➔
5:	8.8	➔
6:	8.8	➔
7:	10.4x	➔
8:	8.0	➔
9:	9.9	➔
10:	7.1	➔
Series		69.0
Total		0.0



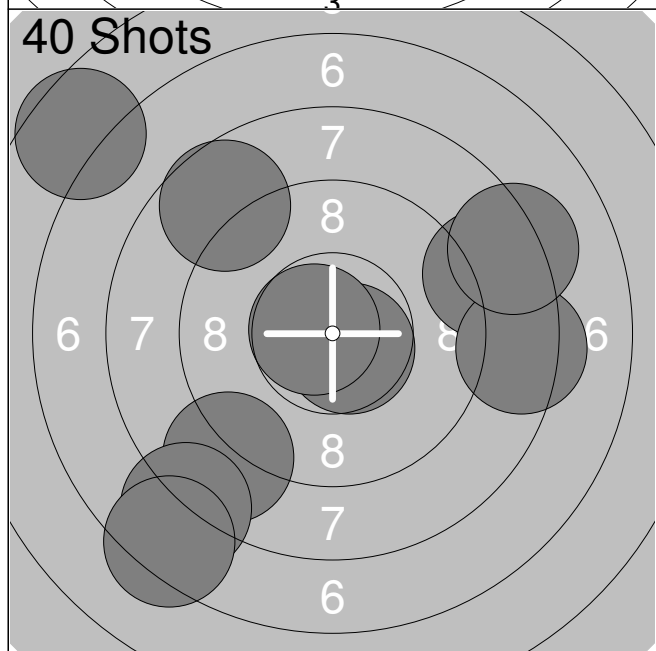
1:	8.6	➔
2:	9.7	➔
3:	8.4	➔
4:	7.7	➔
5:	9.8	➔
6:	1.5	➔
7:	10.6x	➔
8:	6.5	➔
9:	7.1	➔
10:	7.9	➔
Series		72.0
Total		72.0



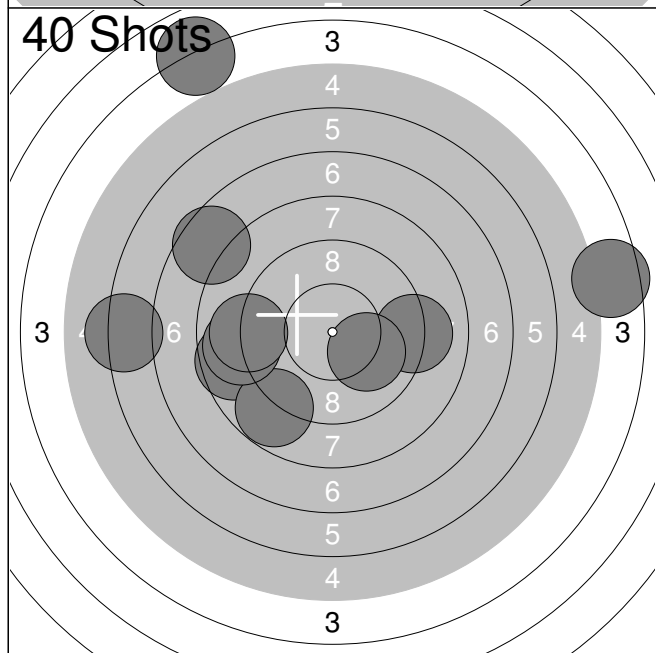
11:	8.4	➔
12:	9.2	➔
13:	8.3	➔
14:	3.2	➔
15:	8.5	➔
16:	9.9	➔
17:	5.2	➔
18:	6.6	➔
19:	9.9	➔
20:	6.5	➔
Series		71.0
Total		143.0



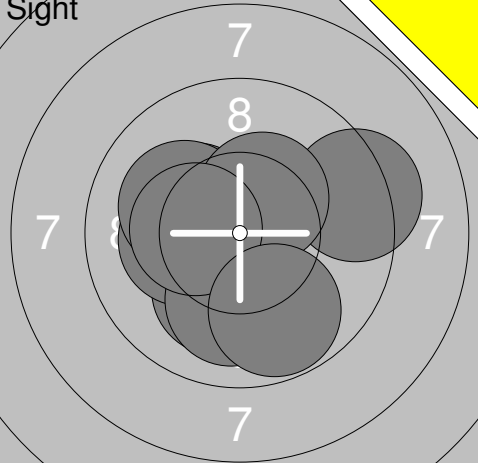
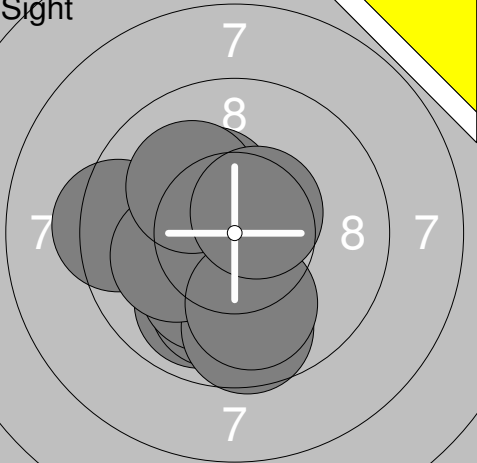
1:	9.3	→
2:	9.3	→
3:	8.3	↑
4:	8.6	↖
5:	8.3	↓
6:	8.1	←
7:	9.3	→
8:	5.2	←
9:	10.4x	↙
10:	9.0	↓
Series		83.0
Total		0.0


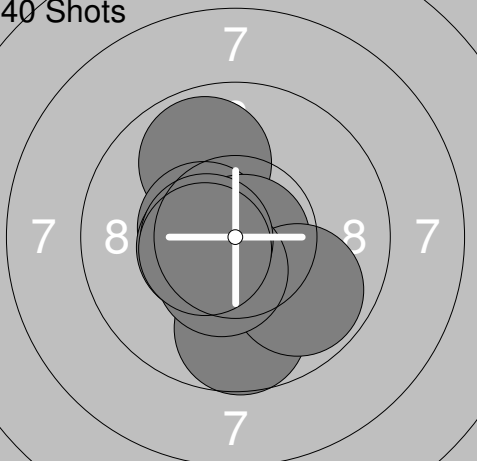


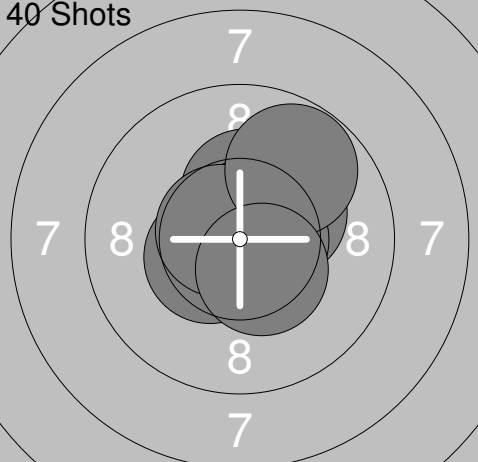
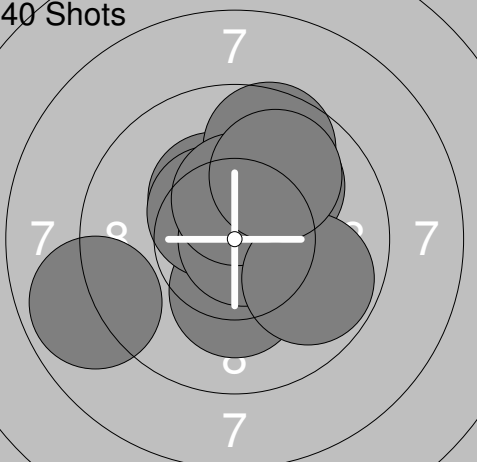
1:	8.7	↙
2:	7.8	↙
3:	7.3	↙
4:	8.7	→
5:	8.4	→
6:	6.6	↗
7:	10.6x	↙
8:	8.2	→
9:	8.7	↗
10:	10.7x	←
Series		80.0
Total		80.0

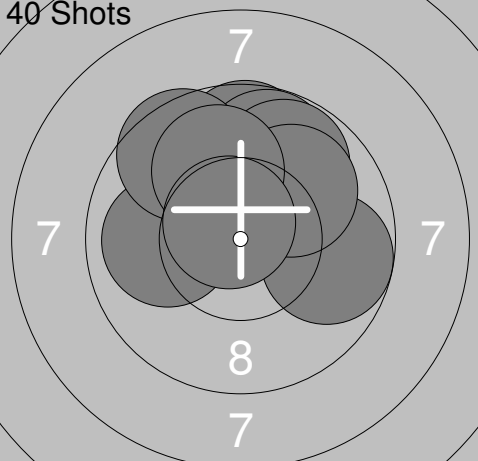


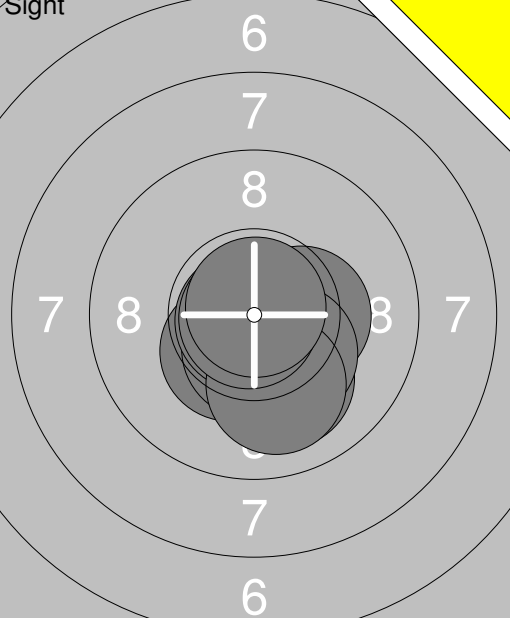
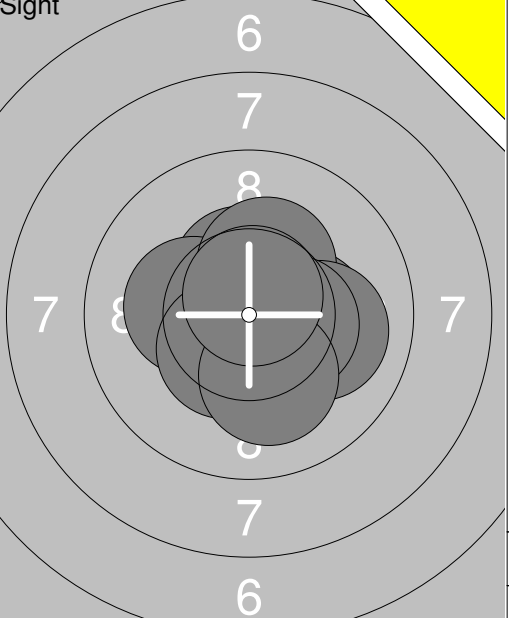
11:	8.6	←
12:	6.2	←
13:	4.5	→
14:	3.9	↗
15:	8.8	↙
16:	9.1	→
17:	8.9	←
18:	7.6	↗
19:	9.0	←
20:	10.1	↘
Series		72.0
Total		152.0

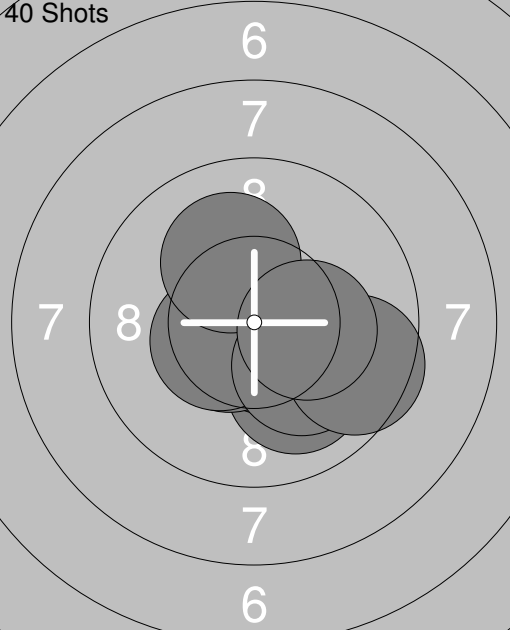
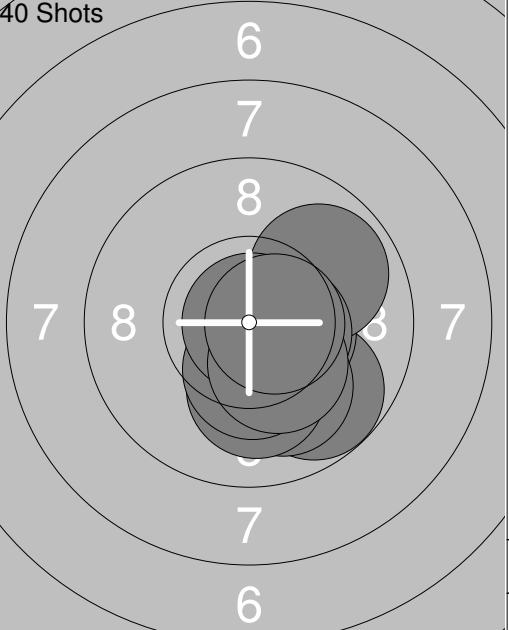
Sight 	1: 10.3x ↖ 2: 10.7x ↑ 3: 10.1 ↓ 4: 10.2x ← 5: 10.0 ↓ 6: 10.1 ↖ 7: 9.3 → 8: 10.4x ↗ 9: 10.4x ← 10: 9.8 ↓ <hr/> Series 101.3 Total 0.0	Sight 	11: 9.9 ↘ 12: 10.3x ↗ 13: 9.4 ← 14: 10.0 ↓ 15: 10.1 ↓ 16: 9.7 ↓ 17: 10.1 ← 18: 10.0 ↓ 19: 10.1 ↗ 20: 10.5x ↗ <hr/> Series 100.1 Total 0.0
--	---	--	--

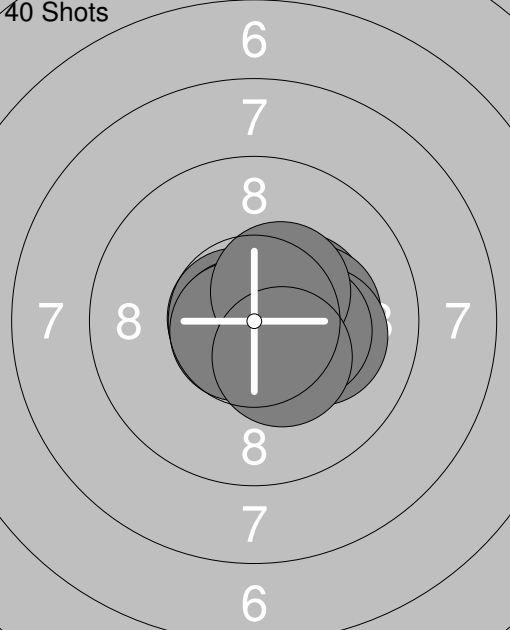
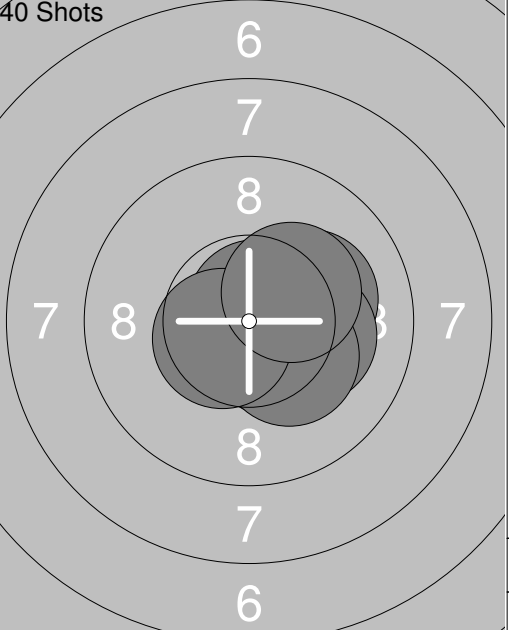
Sight 	21: 10.6x ↖ 22: 9.1 ↖ 23: 10.2x ↗ 24: 10.9x → 25: 10.4x ← <hr/> Series 51.2 Total 0.0	40 Shots 	1: 10.0 ↘ 2: 9.9 ↗ 3: 10.5x ← 4: 10.8x → 5: 9.7 ↓ 6: 10.5x ← 7: 9.8 ↘ 8: 10.5x ↓ 9: 10.6x ← 10: 10.5x ← <hr/> Series 102.8 Total 102.8
---	---	--	---

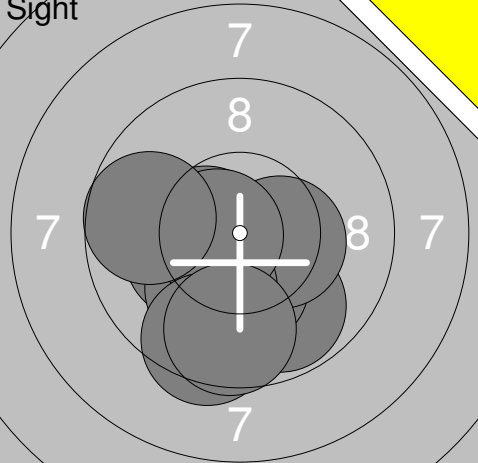
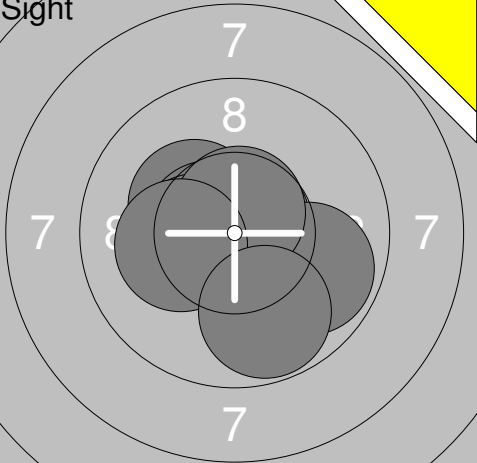
40 Shots 	11: 10.8x ↑ 12: 10.5x ↖ 13: 10.6x ↑ 14: 10.4x ↑ 15: 10.3x ↗ 16: 10.6x ↗ 17: 10.6x → 18: 10.7x ↖ 19: 9.8 ↗ 20: 10.4x ↘ <hr/> Series 104.7 Total 207.5	40 Shots 	21: 10.3x ↗ 22: 10.2x ↓ 23: 10.5x ↗ 24: 9.6 ↑ 25: 10.8x → 26: 8.9 ← 27: 10.0 ↗ 28: 10.4x ↑ 29: 9.8 → 30: 9.9 ↗ <hr/> Series 100.4 Total 307.9
---	---	---	--

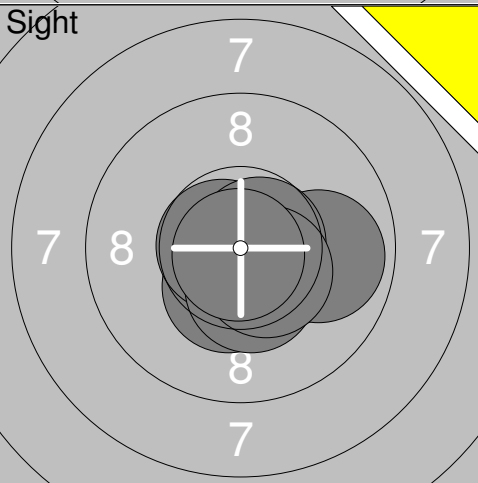
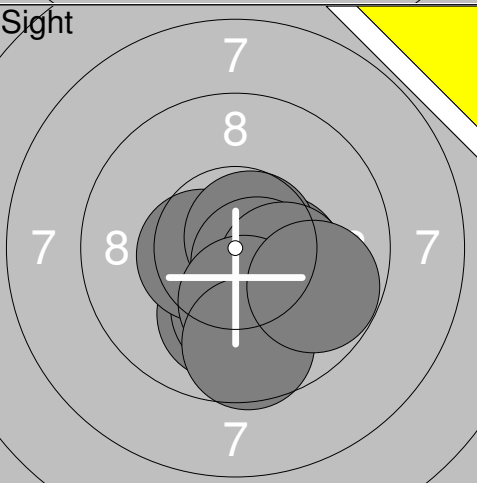
40 Shots 	31: 9.7 ↑ 32: 10.3x ↘ 33: 9.8 ↑ 34: 9.8 ↗ 35: 9.8 → 36: 10.0 ← 37: 9.6 ↗ 38: 10.0 ↗ 39: 10.0 ↑ 40: 10.7x ↘ <hr/> Series 99.7 Total 407.6		
---	---	--	--


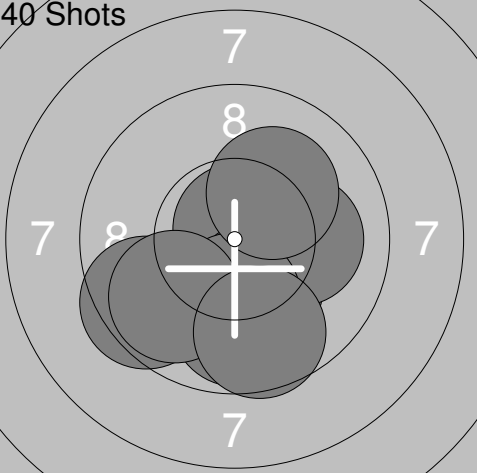
	<p>1: 10.1 ↘ 2: 10.4x ↘ 3: 10.8x ↘ 4: 10.5x ↘ 5: 10.8x ↙ 6: 10.4x → 7: 10.3x ↘ 8: 10.0 ↘ 9: 10.9x ↙ 10: 10.9x ↑</p> <p>Series 105.1 Total 0.0</p>	<p>Sight</p>  <p>11: 10.4x ↑ 12: 10.4x ↘ 13: 10.2x ← 14: 10.3x → 15: 10.3x ↑ 16: 10.0 → 17: 10.4x ↘ 18: 10.4x → 19: 10.1 ↘ 20: 10.7x ↑</p> <p>Series 103.2 Total 0.0</p>
--	---	--

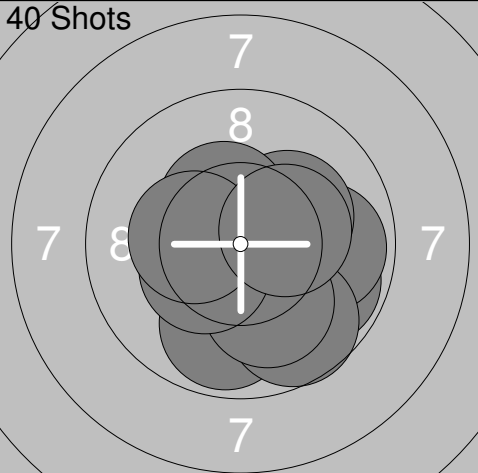
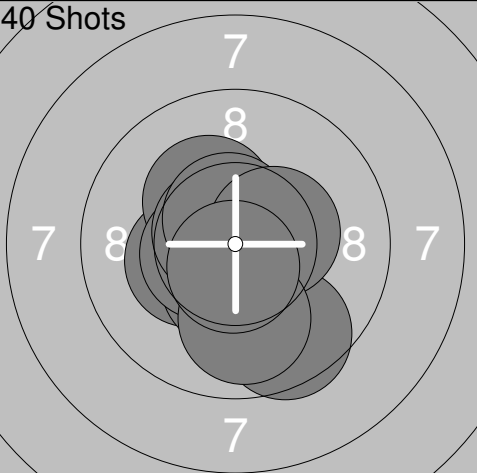
<p>40 Shots</p> 	<p>1: 10.0 ↘ 2: 10.2x → 3: 10.6x ↘ 4: 10.5x ↙ 5: 10.5x ↙ 6: 10.0 → 7: 10.1 ↘ 8: 10.1 ↑ 9: 9.6 → 10: 10.3x →</p> <p>Series 101.9 Total 101.9</p>	<p>40 Shots</p>  <p>11: 9.8 ↘ 12: 10.5x → 13: 10.0 ↘ 14: 10.1 ↘ 15: 9.9 ↗ 16: 10.3x ↘ 17: 10.9x → 18: 10.5x → 19: 10.3x ↘ 20: 10.6x →</p> <p>Series 102.9 Total 204.8</p>
---	---	--

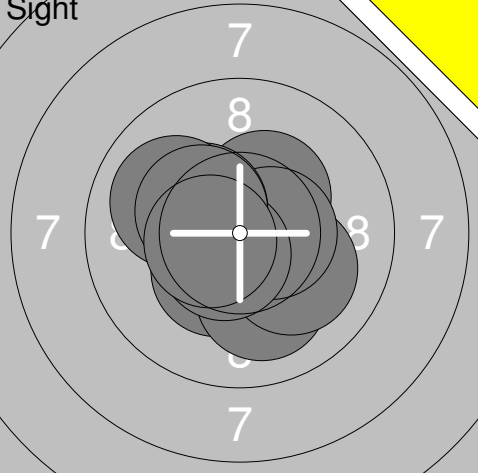


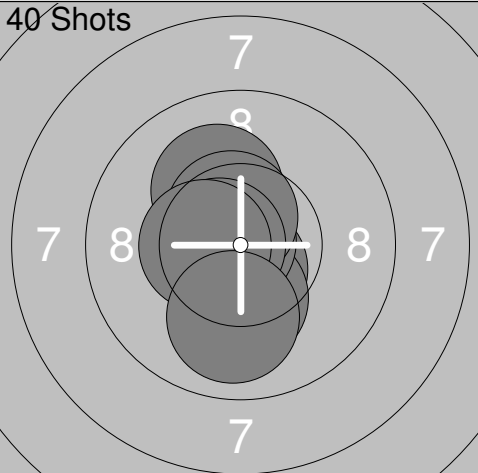
<p>40 Shots</p> 	<p>21: 10.3x → 22: 10.2x → 23: 10.6x ↘ 24: 10.1 → 25: 10.7x ← 26: 10.8x ↙ 27: 10.7x ↙ 28: 10.3x → 29: 10.4x ↗ 30: 10.4x ↘</p> <p>Series 104.5 Total 309.3</p>	<p>40 Shots</p>  <p>31: 10.4x ↘ 32: 10.3x → 33: 10.2x → 34: 10.5x ↘ 35: 10.7x ↘ 36: 10.2x → 37: 10.8x ↑ 38: 10.3x ↘ 39: 10.5x ↙ 40: 10.3x ↗</p> <p>Series 104.2 Total 413.5</p>
--	---	---

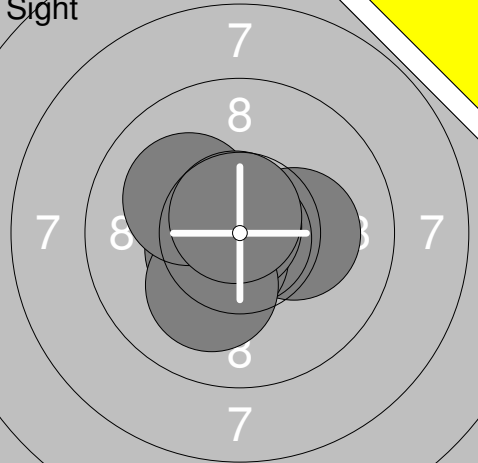
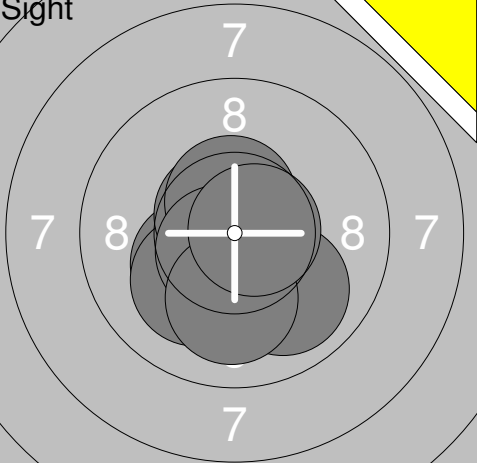
 <p style="text-align:center;">Sight</p>	<p>1: 9.8 ↓ 2: 10.3x ↓ 3: 10.2x ← 4: 10.4x → 5: 10.5x ← 6: 10.1 ↓ 7: 10.6x ← 8: 9.7 ← 9: 9.5 ↓ 10: 9.6 ↓</p> <p>Series 100.7 Total 0.0</p>	 <p style="text-align:center;">Sight</p>	<p>11: 10.6x ↓ 12: 10.8x ↗ 13: 10.3x ↖ 14: 10.7x ↑ 15: 9.8 → 16: 10.6x ← 17: 10.4x ← 18: 10.7x ↑ 19: 10.2x ← 20: 9.8 ↓</p> <p>Series 103.9 Total 0.0</p>
---	--	---	--

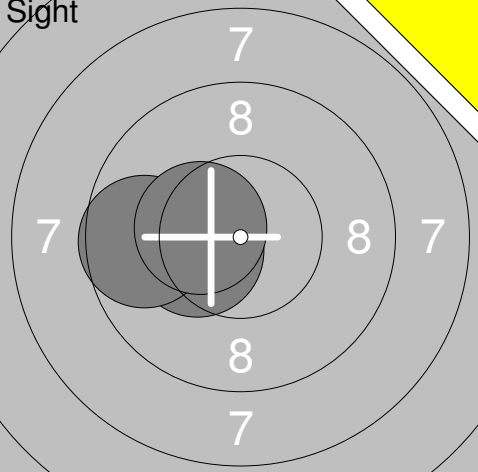
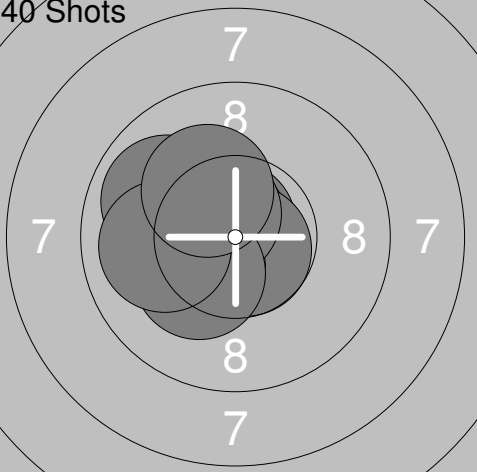
 <p style="text-align:center;">Sight</p>	<p>21: 10.4x ↓ 22: 10.7x ↓ 23: 10.4x → 24: 9.9 → 25: 10.7x ← 26: 10.4x ↓ 27: 10.8x ↓ 28: 10.7x → 29: 10.5x ↓ 30: 10.9x ↓</p> <p>Series 105.4 Total 0.0</p>	 <p style="text-align:center;">Sight</p>	<p>31: 10.0 ↓ 32: 10.1 ↓ 33: 10.5x ← 34: 10.4x → 35: 10.7x ↗ 36: 10.6x → 37: 10.2x → 38: 10.2x ↓ 39: 9.7 ↓ 40: 9.8 →</p> <p>Series 102.2 Total 0.0</p>
--	--	--	--

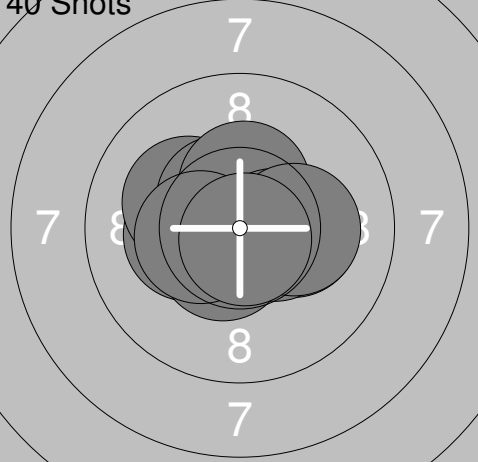

<p style="text-align:center;">40 Shots</p> 	<p>1: 10.5x ↓ 2: 10.7x ↗ 3: 9.9 → 4: 10.5x ← 5: 10.5x ← 6: 10.2x ↓ 7: 10.4x ↓ 8: 9.6 → 9: 10.6x → 10: 10.5x ↓</p> <p>Series 103.4 Total 103.4</p>	<p style="text-align:center;">40 Shots</p> 	<p>11: 10.2x ↓ 12: 9.8 ↓ 13: 10.8x ↗ 14: 10.2x ↓ 15: 10.1 → 16: 10.1 ↓ 17: 9.5 ↖ 18: 9.8 ↖ 19: 9.6 ↓ 20: 10.1 ↗</p> <p>Series 100.2 Total 203.6</p>
--	---	--	---


<p style="text-align:center;">40 Shots</p> 	<p>21: 9.8 → 22: 9.9 → 23: 10.2x ↗ 24: 9.9 ↓ 25: 9.7 ↓ 26: 10.1 ↓ 27: 10.4x ↖ 28: 10.4x ↗ 29: 10.3x ← 30: 10.3x →</p> <p>Series 101.0 Total 304.6</p>	<p style="text-align:center;">40 Shots</p> 	<p>31: 10.3x ← 32: 9.6 ↓ 33: 10.3x ↖ 34: 10.4x ↓ 35: 10.5x ← 36: 10.7x ↖ 37: 10.6x ↑ 38: 10.4x → 39: 9.9 ↓ 40: 10.6x ↓</p> <p>Series 103.3 Total 407.9</p>
--	---	--	--

Relay	Lane	Emil Nordlund	
S	Drängsmark	Umeå skytteallians	Vb
2014-04-12	UME-Kulan 2014	Umeå skytteallians	
Sight		1: 10.4x ↗ 2: 10.4x ↘ 3: 10.1 ↘ 4: 10.1 ↘ 5: 10.5x → 6: 10.3x ↗ 7: 10.6x ↘ 8: 10.0 ↖ 9: 10.3x ↗ 10: 10.5x ←	Sight
		Series 103.2	Series 105.5
		Total 0.0	Total 0.0
Sight		11: 10.5x ← 12: 10.4x ↑ 13: 10.7x ↙ 14: 10.2x ↖	40 Shots
		Series 41.8	Series 104.3
		Total 0.0	Total 104.3
40 Shots		15: 10.5x ↖ 16: 10.4x ↖ 17: 10.4x ↗ 18: 10.4x ↘ 19: 10.7x ↘ 20: 10.4x ↓ 21: 10.7x ↘ 22: 10.0 → 23: 10.2x ↙ 24: 10.4x → 25: 10.7x ↘	40 Shots
		Series 104.1	Series 105.2
		Total 208.4	Total 313.6
40 Shots		26: 10.8x ← 27: 10.7x ↘ 28: 10.2x ↓ 29: 10.7x ↘ 30: 10.7x ↑ 31: 10.0 ↓ 32: 10.9x ↗ 33: 9.9 ↓ 34: 10.6x ↘ 35: 10.7x ↖ 36: 10.6x ↓ 37: 10.2x ↗ 38: 10.7x ↖ 39: 10.8x ← 40: 10.2x ↗ 41: 10.6x ↑ 42: 10.7x ← 43: 10.5x ← 44: 10.0 ↓	
		Series 104.8	
		Total 418.4	

Sight 	1: 10.2x → 2: 10.8x ↓ 3: 10.6x ↙ 4: 10.5x ↖ 5: 10.6x ← 6: 10.8x ↗ 7: 10.5x ↙ 8: 10.1 ↓ 9: 10.1 ↗ 10: 10.7x ↑ <hr/> Series 104.9 Total 0.0	Sight 	11: 10.3x ↙ 12: 10.1 ↙ 13: 10.9x ↗ 14: 9.9 ↓ 15: 10.6x ↗ 16: 10.5x ↑ 17: 10.8x ↓ 18: 10.6x ↓ 19: 10.1 ↓ 20: 10.7x → <hr/> Series 104.5 Total 0.0
--	--	--	---

Sight 	21: 10.2x ← 22: 10.3x ← 23: 9.7 ← 24: 10.4x ← <hr/> Series 40.6 Total 0.0	40 Shots 	1: 10.8x ↗ 2: 10.9x ↓ 3: 10.7x ↗ 4: 9.9 ↖ 5: 10.7x ↓ 6: 10.3x ↙ 7: 10.5x ↗ 8: 10.3x ↙ 9: 10.0 ← 10: 10.2x ↗ <hr/> Series 104.3 Total 104.3
---	--	--	---


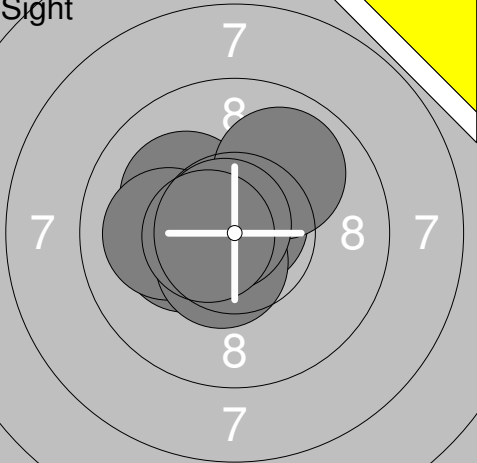
40 Shots 	11: 10.3x ← 12: 10.2x ↖ 13: 10.5x ↙ 14: 10.5x ↗ 15: 10.4x ↑ 16: 10.2x → 17: 10.5x → 18: 10.2x → 19: 10.4x ← 20: 10.8x ↓ <hr/> Series 104.0 Total 208.3	40 Shots 	21: 10.5x → 22: 10.4x ↑ 23: 10.4x ↗ 24: 10.8x ↙ 25: 10.1 → 26: 10.5x ↗ 27: 10.5x ↗ 28: 10.4x ↑ 29: 10.5x ← 30: 10.6x ↑ <hr/> Series 104.7 Total 313.0
---	---	---	--



40 Shots 	31: 10.7x ↑ 32: 10.4x → 33: 10.5x ↓ 34: 10.8x ↗ 35: 10.4x ↙ 36: 10.6x ↗ 37: 10.4x ← 38: 10.4x ↗ 39: 10.5x ↑ 40: 10.6x ↓ <hr/> Series 105.3 Total 418.3		
---	---	--	--



<p>Sight</p> <p>1: 10.0 ↑ 2: 9.9 ↓ 3: 7.7 ← 4: 9.2 ← 5: 10.4x ↓ 6: 10.8x ↓ 7: 10.1 → 8: 10.1 → 9: 9.3 ← 10: 9.5 ←</p> <p>Series 93.0 Total 0.0</p>		<p>Sight</p> <p>11: 9.5 ↗ 12: 9.7 ↗ 13: 10.7x ↗</p> <p>Series 28.0 Total 0.0</p>
---	--	---


<p>40 Shots</p> <p>1: 8.3 ↗ 2: 8.7 ↗ 3: 8.5 ← 4: 9.0 ↓ 5: 10.1 ↓ 6: 10.5x → 7: 9.4 → 8: 10.0 ↗ 9: 10.3x ← 10: 9.1 ←</p> <p>Series 91.0 Total 91.0</p>		<p>40 Shots</p> <p>11: 9.7 ↓ 12: 10.5x ↙ 13: 9.6 → 14: 10.2x → 15: 9.1 ↗ 16: 9.6 ← 17: 10.5x ↖ 18: 10.6x ↑ 19: 9.6 ↑ 20: 10.0 →</p> <p>Series 95.0 Total 186.0</p>
--	--	---

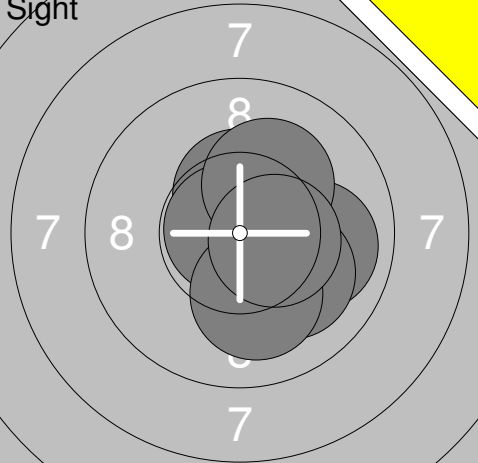
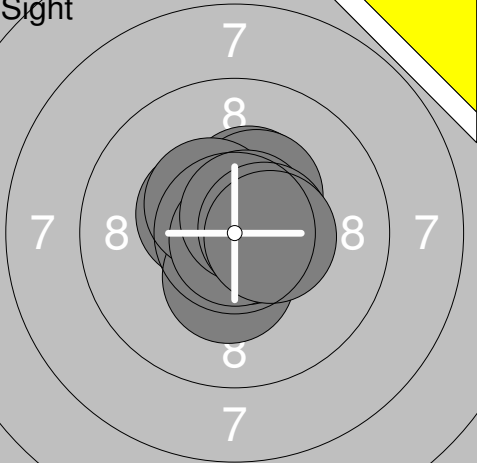
<p>40 Shots</p> <p>21: 9.5 → 22: 10.7x → 23: 10.4x ↓ 24: 9.9 ↓ 25: 8.7 ↗ 26: 9.7 ↓ 27: 10.0 ↓ 28: 9.2 ↗ 29: 10.1 ↗ 30: 9.9 ↗</p> <p>Series 93.0 Total 279.0</p>		<p>40 Shots</p> <p>31: 9.7 ↓ 32: 10.7x → 33: 9.6 ← 34: 10.0 ↗ 35: 9.7 → 36: 9.9 ← 37: 9.7 ↗ 38: 10.1 ↖ 39: 9.5 ↑ 40: 9.6 ↑</p> <p>Series 93.0 Total 372.0</p>
--	--	--

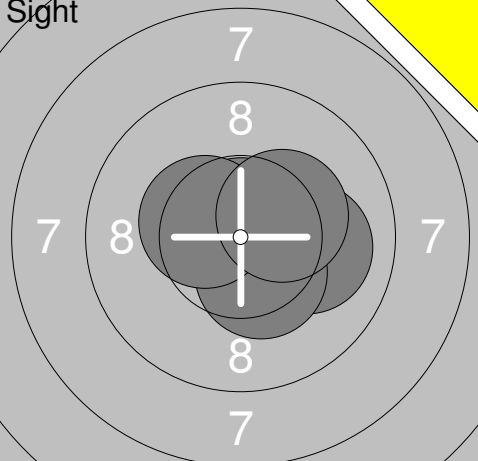

<p>Sight</p> 	<p>1: 10.2x ↑ 2: 10.4x ↗ 3: 10.0 ↘ 4: 9.4 ↗ 5: 10.8x ↑ 6: 10.0 ↑ 7: 10.0 ↘ 8: 10.9x ← 9: 10.6x ↘ 10: 10.8x ←</p> <p>Series 103.1 Total 0.0</p>	<p>Sight</p> 	<p>12: 10.3x ← 13: 10.1 ↖ 15: 10.8x ↗ 16: 10.1 ← 17: 10.5x ↓ 18: 9.9 ↗ 19: 10.8x ↖ 20: 10.6x ←</p> <p>Series 83.1 Total 0.0</p>
--	--	--	---


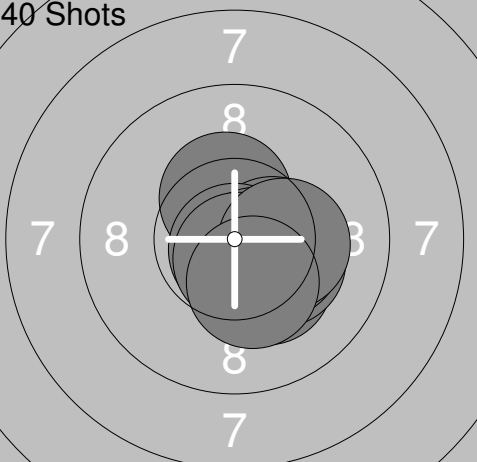
<p>Sight</p> 	<p>21: 10.6x ↓ 22: 10.5x ↓ 23: 10.5x ↑ 24: 10.9x ↘</p> <p>Series 42.5 Total 0.0</p>	<p>40 Shots</p> 	<p>1: 10.8x ↑ 2: 10.5x ← 3: 10.6x ↖ 4: 10.3x ↑ 5: 10.0 ↘ 6: 10.4x ↓ 7: 10.0 ↓ 8: 10.8x ↓ 9: 10.4x ↑ 10: 10.7x ↘</p> <p>Series 104.5 Total 104.5</p>
---	---	--	---

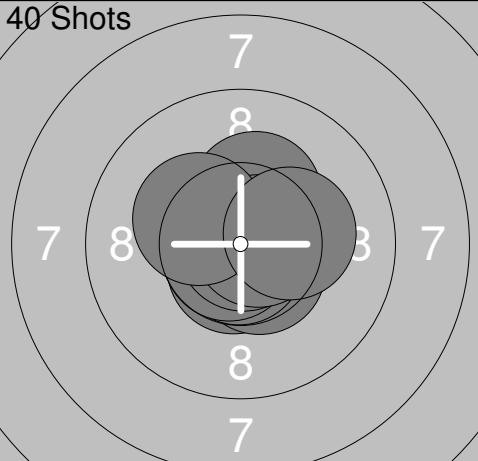
<p>40 Shots</p> 	<p>11: 10.0 ↖ 12: 10.6x ↑ 13: 10.4x ↖ 14: 10.6x ↓ 15: 10.4x ← 16: 10.6x ↗ 17: 10.7x → 18: 10.6x ↑ 19: 10.7x ↖ 20: 10.6x →</p> <p>Series 105.2 Total 209.7</p>	<p>40 Shots</p> 	<p>21: 10.7x ↓ 22: 10.1 ← 23: 10.2x ↓ 24: 10.1 ← 25: 10.2x ↗ 26: 10.4x → 27: 10.3x ↖ 28: 10.7x ↓ 29: 10.7x ↓ 30: 10.6x →</p> <p>Series 104.0 Total 313.7</p>
---	---	---	--

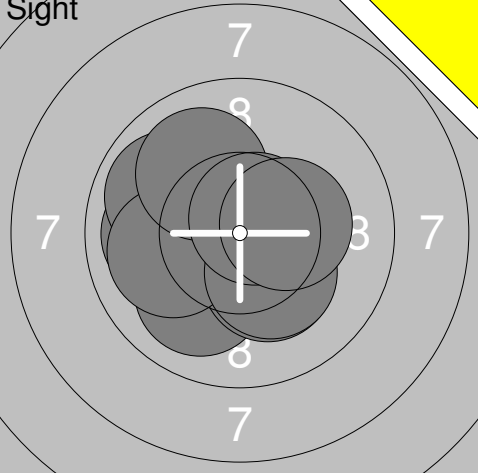
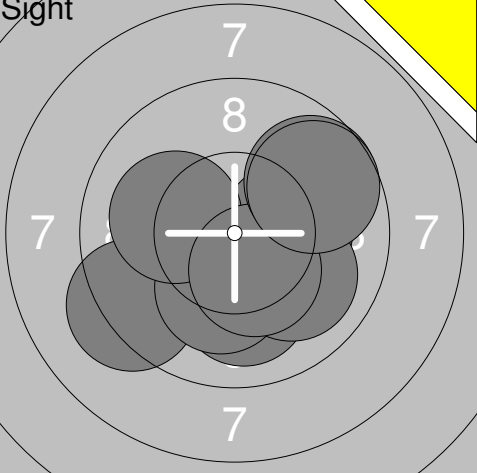
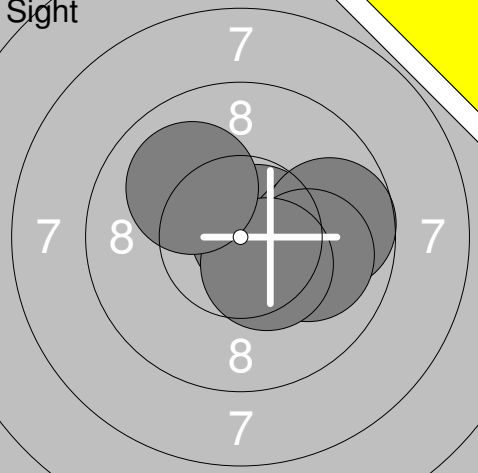
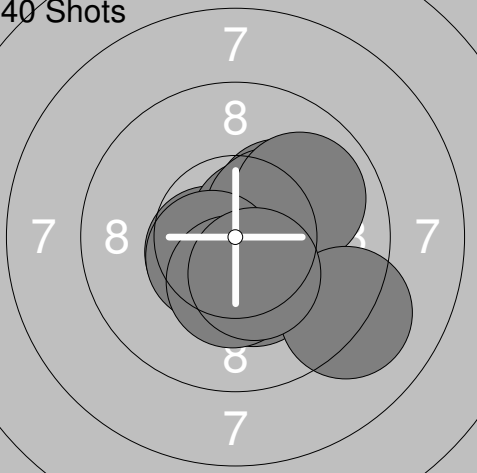
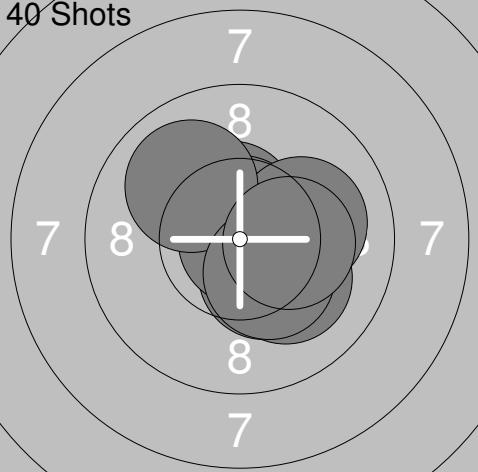

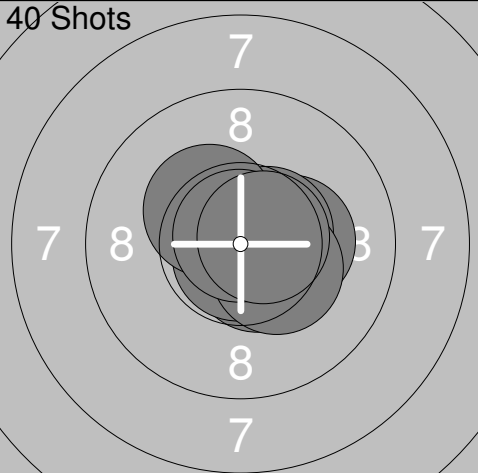
<p>40 Shots</p> 	<p>31: 10.6x ↗ 32: 10.3x ← 33: 10.5x ↖ 34: 10.3x ↖ 35: 10.8x ↓ 36: 10.2x → 37: 10.6x ↑ 38: 10.8x → 39: 10.7x → 40: 10.7x ↓</p> <p>Series 105.5 Total 419.2</p>		
---	--	--	--

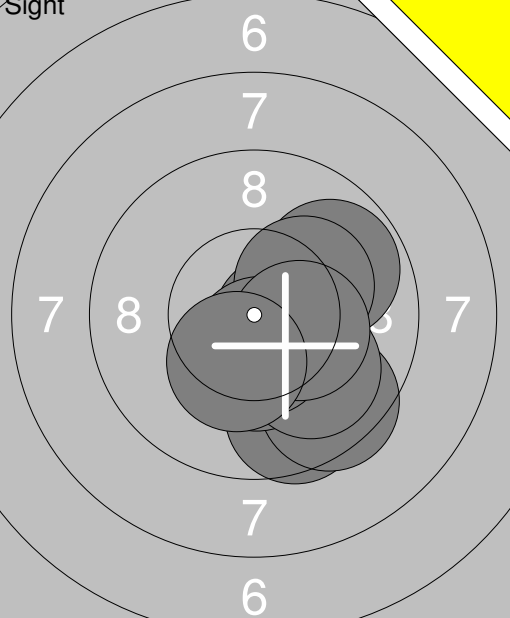
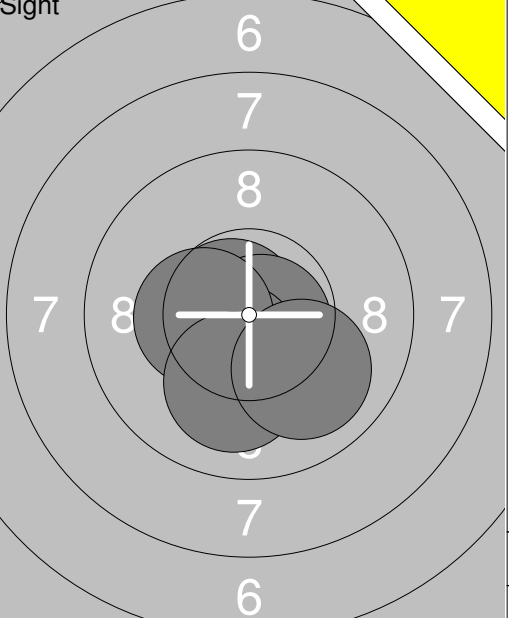
Sight 	1: 10.6x → 2: 10.4x → 3: 10.4x ↑ 4: 10.8x ↗ 5: 10.0 → 6: 10.8x ↖ 7: 10.1 ↘ 8: 10.1 ↓ 9: 10.2x ↗ 10: 10.5x → Series 103.9 Total 0.0	Sight 	11: 10.4x ↗ 12: 10.4x ↖ 13: 10.4x ↗ 14: 10.3x ↓ 15: 10.8x → 16: 10.4x ↗ 17: 10.9x ↓ 18: 10.7x ↗ 19: 10.6x → 20: 10.5x → Series 105.4 Total 0.0
--	---	--	---

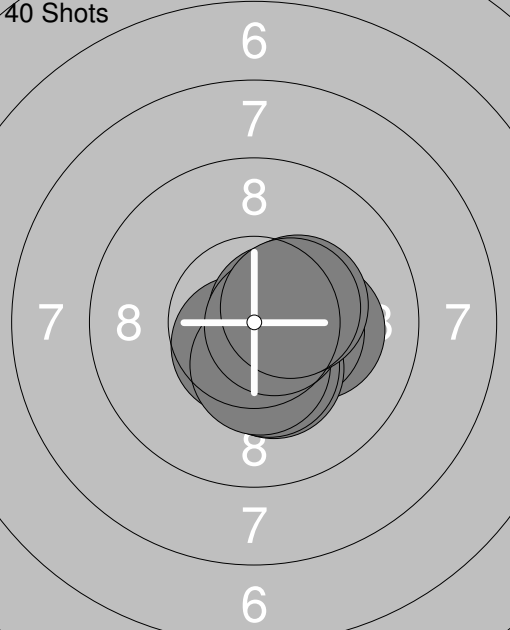
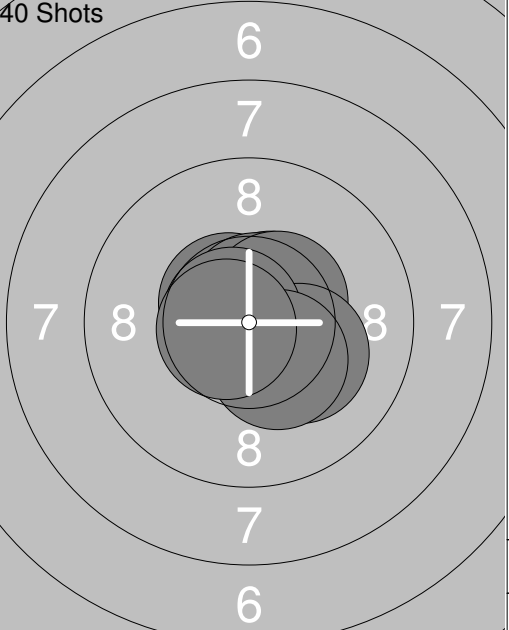
Sight 	21: 10.8x ↑ 22: 10.6x → 23: 10.0 → 24: 10.4x ↓ 25: 10.4x ↖ 26: 10.3x ↗ Series 62.5 Total 0.0	40 Shots 	1: 10.3x ↓ 2: 10.4x ↙ 3: 10.4x ← 4: 10.5x ← 5: 10.4x → 6: 10.6x ↓ 7: 10.4x ↓ 8: 10.5x ← 9: 10.6x ↑ 10: 10.4x ↑ Series 104.5 Total 104.5
---	---	--	--

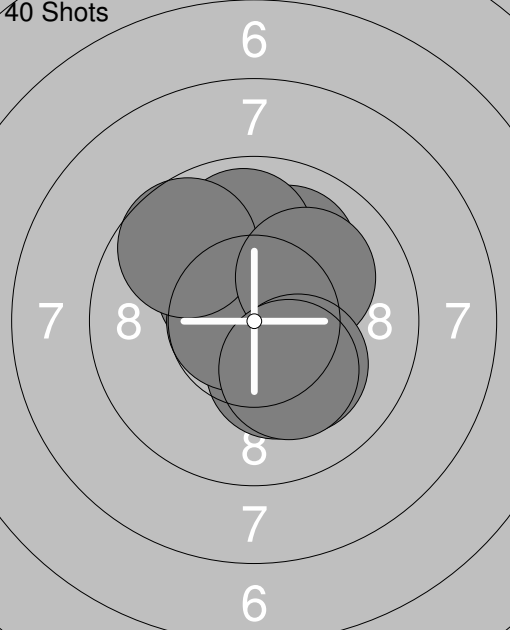
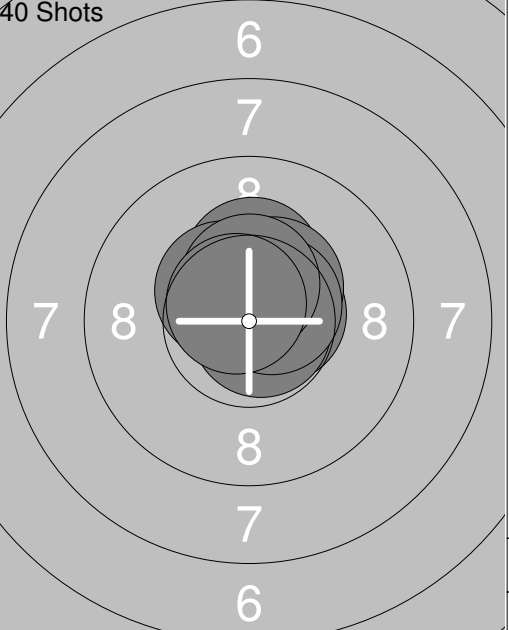
40 Shots 	11: 10.9x ↑ 12: 10.6x → 13: 10.4x ↓ 14: 10.6x ↑ 15: 10.5x ↑ 16: 10.6x ↙ 17: 10.4x ← 18: 10.5x ↑ 19: 10.8x ↑ 20: 10.5x ↓ Series 105.8 Total 210.3	40 Shots 	21: 10.3x ↓ 22: 10.4x ↑ 23: 10.4x → 24: 10.3x → 25: 10.8x ↓ 26: 10.6x → 27: 10.4x → 28: 10.7x ↓ 29: 10.3x → 30: 10.3x ↓ Series 104.5 Total 314.8
---	---	---	---

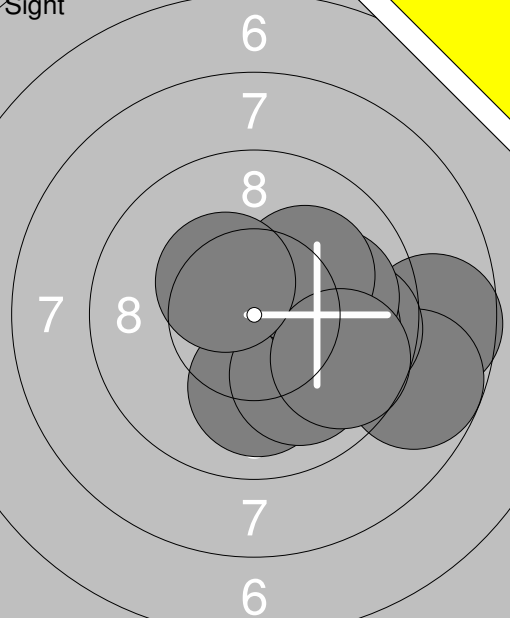
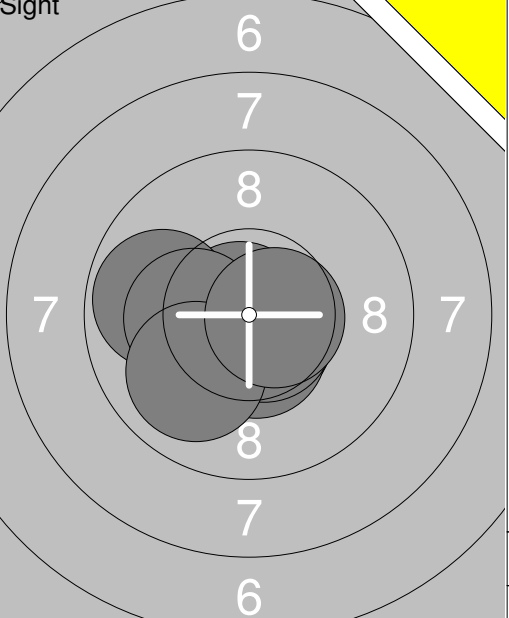
40 Shots 	31: 10.6x ↓ 32: 10.5x ↓ 33: 10.8x ↓ 34: 10.5x → 35: 10.3x ↑ 36: 10.7x ↙ 37: 10.9x → 38: 10.7x → 39: 10.3x ↖ 40: 10.3x → Series 105.6 Total 420.4		
---	---	--	--

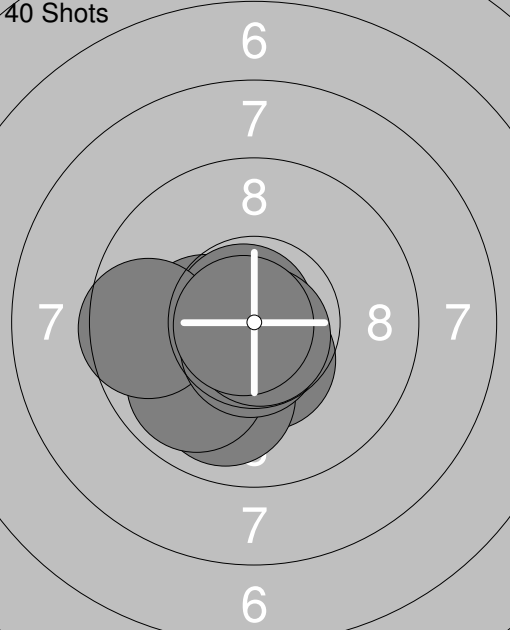
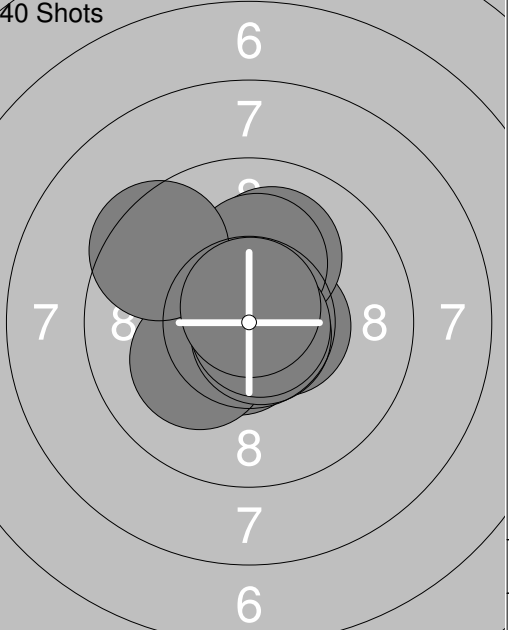
<p>Sight</p> 	<p>1: 10.1 ↘ 2: 10.0 ← 3: 10.0 ↘ 4: 9.9 ↗ 5: 10.3x ↘ 6: 10.0 ← 7: 10.0 ↗ 8: 10.3x ↘ 9: 10.7x ↗ 10: 10.3x →</p> <p>Series 101.6 Total 0.0</p>	<p>Sight</p> 	<p>11: 9.3 ↙ 12: 10.0 ↓ 13: 10.2x ↓ 14: 10.2x → 15: 10.0 ↘ 16: 10.1 ← 17: 10.4x ↘ 18: 9.7 ↗ 20: 9.7 ↗</p> <p>Series 89.6 Total 0.0</p>
<p>Sight</p> 	<p>21: 10.7x → 22: 10.0 → 23: 9.7 → 24: 10.0 → 25: 10.4x ↘ 26: 10.0 ↗</p> <p>Series 60.8 Total 0.0</p>	<p>40 Shots</p> 	<p>1: 10.3x ↓ 2: 10.2x ↗ 3: 10.6x ↙ 4: 10.6x ↗ 5: 10.4x ↗ 6: 9.9 ↗ 7: 9.1 ↘ 8: 10.5x ↙ 9: 10.3x ↓ 10: 10.4x ↘</p> <p>Series 102.3 Total 102.3</p>
<p>40 Shots</p> 	<p>11: 10.5x ↗ 12: 10.7x ↑ 13: 10.4x ↘ 14: 10.5x → 15: 10.1 ↘ 16: 10.9x → 17: 10.1 → 18: 10.0 ↗ 19: 10.3x ↘ 20: 10.3x →</p> <p>Series 103.8 Total 206.1</p>	<p>40 Shots</p> 	<p>21: 10.7x ↙ 22: 10.6x → 23: 10.5x ↘ 24: 10.5x ↓ 25: 10.7x ↓ 26: 10.2x → 27: 10.4x ↘ 28: 10.6x ↗ 29: 10.6x ↗ 30: 10.5x →</p> <p>Series 105.3 Total 311.4</p>
<p>40 Shots</p> 	<p>31: 10.6x ↘ 32: 10.6x → 33: 10.3x → 34: 10.5x ↘ 35: 10.8x ↘ 36: 10.6x → 37: 10.3x ↗ 38: 10.4x ↘ 39: 10.8x ↑ 40: 10.6x →</p> <p>Series 105.5 Total 416.9</p>		

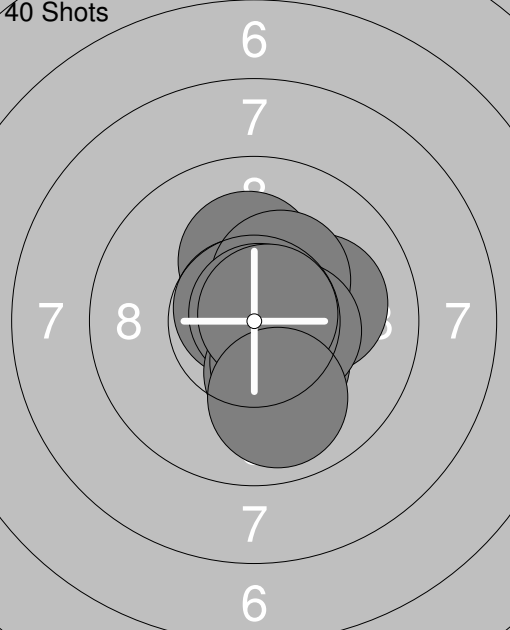
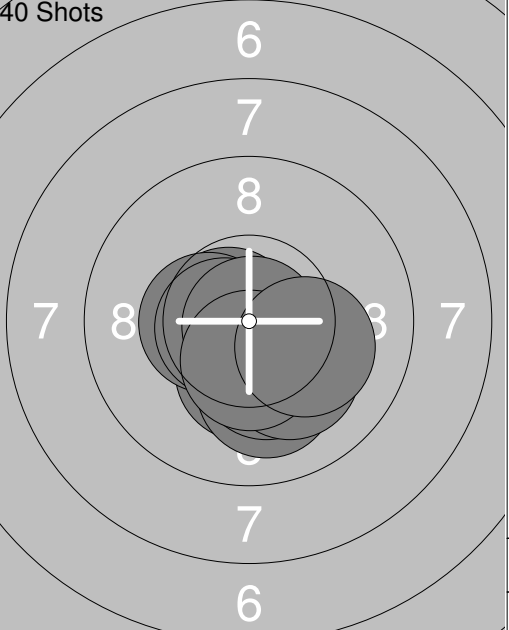
<p>Sight</p> 	<p>1: 9.6 ↓</p> <p>2: 9.5 ↓</p> <p>3: 10.6x →</p> <p>4: 9.8 ↗</p> <p>5: 10.2x ↗</p> <p>6: 10.4x ↓</p> <p>7: 10.0 ↓</p> <p>8: 10.5x ↓</p> <p>9: 10.3x →</p> <p>10: 10.3x ↓</p>	<p>Sight</p> 	<p>11: 10.3x ↓</p> <p>12: 10.5x ↓</p> <p>13: 10.7x ↖</p> <p>14: 10.8x ↓</p> <p>15: 10.4x ↓</p> <p>16: 10.4x ←</p> <p>17: 10.1 ↓</p> <p>18: 10.0 ↓</p>
Series	101.2	Series	83.2
Total	0.0	Total	0.0

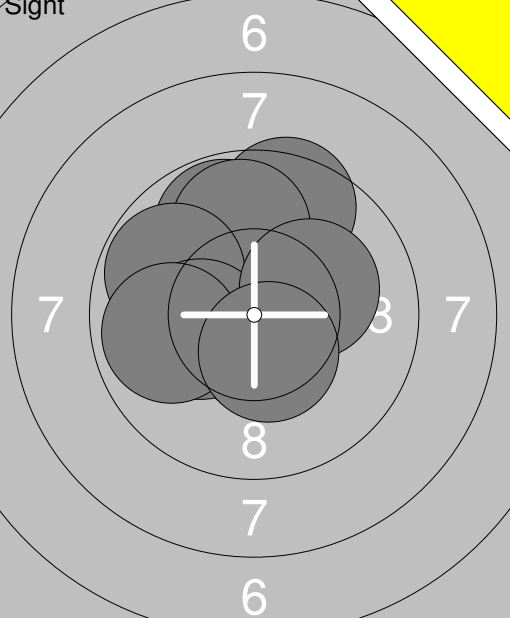
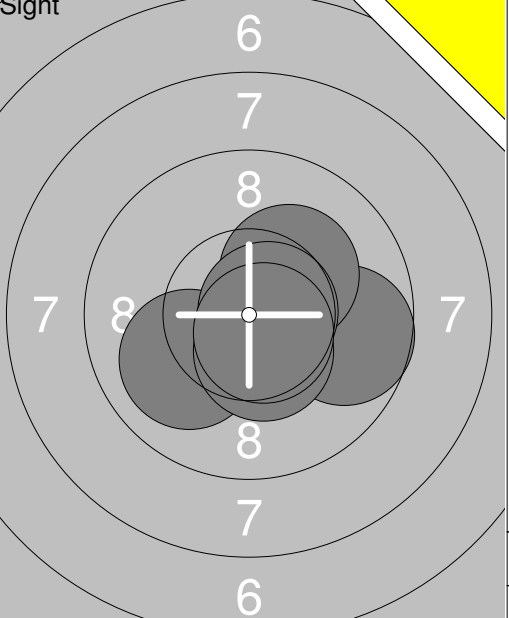
<p>40 Shots</p> 	<p>1: 10.6x ↓</p> <p>2: 10.6x →</p> <p>3: 10.2x →</p> <p>4: 10.4x →</p> <p>5: 10.3x ↓</p> <p>6: 10.3x ↓</p> <p>7: 10.4x ↓</p> <p>8: 10.7x →</p> <p>9: 10.3x →</p> <p>10: 10.5x →</p>	<p>40 Shots</p> 	<p>11: 10.3x ↘</p> <p>12: 10.6x ↖</p> <p>13: 10.6x ↗</p> <p>14: 10.6x →</p> <p>15: 10.7x ↑</p> <p>16: 10.5x ↗</p> <p>17: 10.2x ↘</p> <p>18: 10.7x ↖</p> <p>19: 10.4x ↓</p> <p>20: 10.6x ↖</p>
Series	104.3	Series	105.2
Total	104.3	Total	209.5

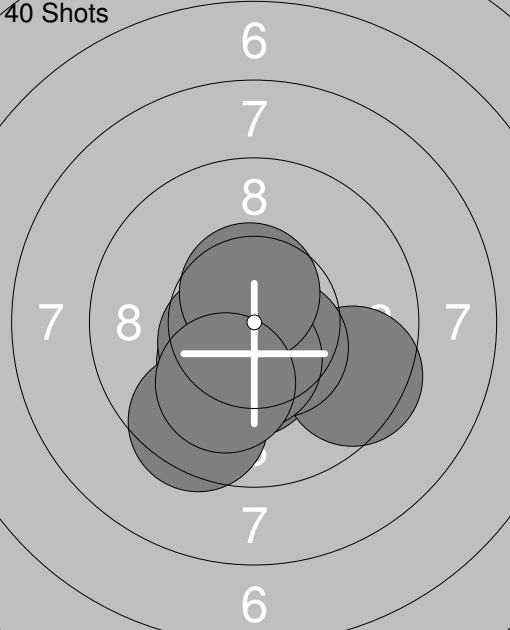
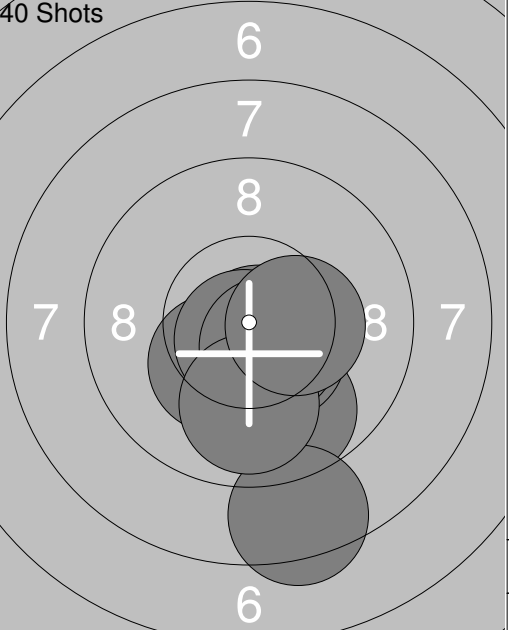
<p>40 Shots</p> 	<p>21: 10.4x ↖</p> <p>22: 10.1 ↑</p> <p>23: 10.0 ↑</p> <p>24: 10.3x ↓</p> <p>25: 9.9 ↑</p> <p>26: 10.7x ←</p> <p>27: 9.7 ↗</p> <p>28: 10.1 ↗</p> <p>29: 10.2x ↓</p> <p>30: 10.2x ↓</p>	<p>40 Shots</p> 	<p>31: 10.8x ↑</p> <p>32: 10.5x ↗</p> <p>33: 10.6x →</p> <p>34: 10.3x ↑</p> <p>35: 10.8x ↘</p> <p>36: 10.4x ↗</p> <p>37: 10.6x ↗</p> <p>38: 10.5x ↖</p> <p>39: 10.5x ↑</p> <p>40: 10.7x ↖</p>
Series	101.6	Series	105.7
Total	311.1	Total	416.8

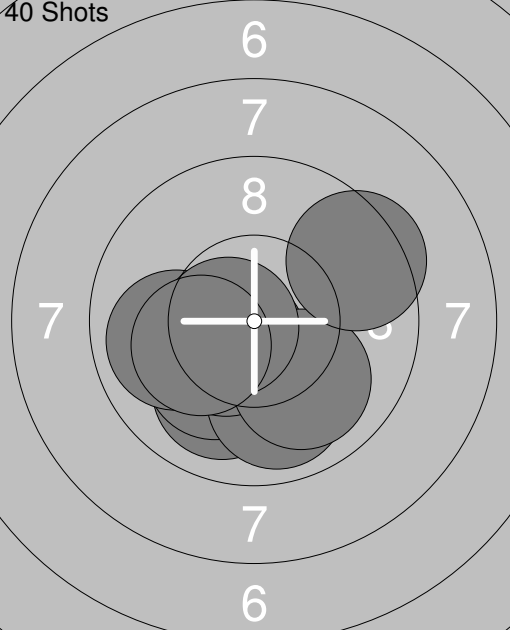
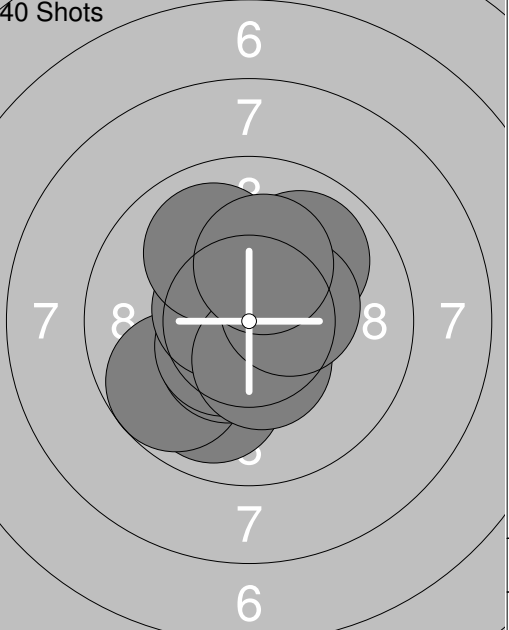
 <p>Sight</p>	<p>1: 8.7 →</p> <p>2: 8.7 →</p> <p>3: 9.7 →</p> <p>4: 10.0 →</p> <p>5: 10.0 ↓</p> <p>6: 10.0 ↓</p> <p>7: 10.0 →</p> <p>8: 10.1 ↗</p> <p>9: 9.7 →</p> <p>10: 10.4x ↖</p>	 <p>Sight</p>	<p>11: 10.8x ↖</p> <p>12: 10.6x ↓</p> <p>13: 10.6x ↓</p> <p>14: 10.5x ↓</p> <p>15: 9.8 ←</p> <p>16: 10.7x ↓</p> <p>17: 10.2x ←</p> <p>18: 10.0 ↙</p> <p>19: 10.6x →</p>
Series	97.3	Series	93.8
Total	0.0	Total	0.0

 <p>40 Shots</p>	<p>1: 10.3x ←</p> <p>2: 10.5x ↙</p> <p>3: 10.4x ↓</p> <p>4: 9.9 ↓</p> <p>5: 10.8x ↖</p> <p>6: 9.9 ↙</p> <p>7: 9.6 ←</p> <p>8: 10.6x ↓</p> <p>9: 10.8x ↓</p> <p>10: 10.8x ←</p>	 <p>40 Shots</p>	<p>11: 10.6x ↓</p> <p>12: 10.6x ←</p> <p>13: 10.2x ↙</p> <p>14: 10.5x →</p> <p>15: 10.1 ↑</p> <p>16: 10.7x ↓</p> <p>17: 10.2x ↑</p> <p>18: 10.8x →</p> <p>19: 9.5 ↖</p> <p>20: 10.8x ↑</p>
Series	103.6	Series	104.0
Total	103.6	Total	207.6

 <p>40 Shots</p>	<p>21: 10.2x ↑</p> <p>22: 10.1 →</p> <p>23: 10.7x ↖</p> <p>24: 10.3x ↗</p> <p>25: 10.8x ↗</p> <p>26: 10.3x ↓</p> <p>27: 10.3x ↓</p> <p>28: 10.5x →</p> <p>29: 10.8x →</p> <p>30: 9.9 ↓</p>	 <p>40 Shots</p>	<p>31: 10.3x ↓</p> <p>32: 10.7x ←</p> <p>33: 10.1 ↓</p> <p>34: 10.4x ←</p> <p>35: 10.3x ↓</p> <p>36: 10.6x ←</p> <p>37: 10.1 ↓</p> <p>38: 10.9x ↓</p> <p>39: 10.4x ↓</p> <p>40: 10.2x →</p>
Series	103.9	Series	104.0
Total	311.5	Total	415.5

<p>Sight</p> 	<p>1: 9.5 ↗ 2: 9.8 ↗ 3: 10.8x ↗ 4: 9.8 ↗ 5: 10.6x ↓ 6: 9.8 ↖ 7: 10.2x ← 8: 9.9 ← 9: 10.2x → 10: 10.4x ↓</p>	<p>Sight</p> 	<p>11: 10.0 ↖ 12: 9.7 → 13: 10.2x ↗ 14: 10.5x ↓ 15: 10.7x → 16: 10.7x ↓</p>
Series 101.0		Series 61.8	
Total 0.0		Total 0.0	

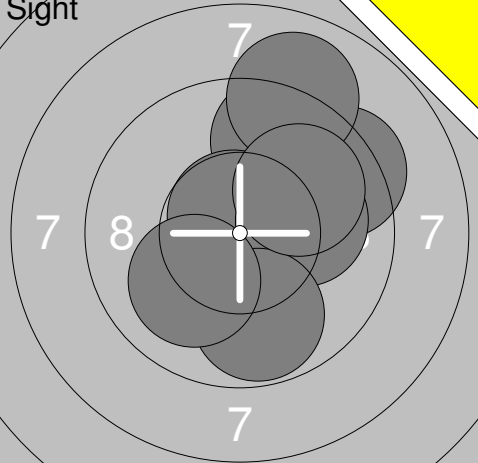
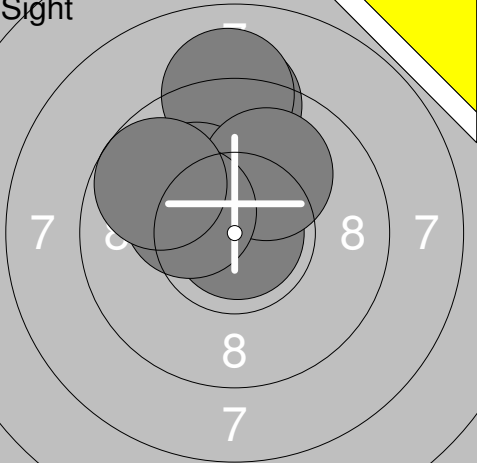
<p>40 Shots</p> 	<p>1: 10.7x ↓ 2: 10.4x ↓ 3: 10.3x ↓ 4: 9.5 → 5: 10.5x ↓ 6: 10.5x ↖ 7: 10.5x ↓ 8: 9.5 ↓ 9: 10.6x ↑ 10: 10.1 ↓</p>	<p>40 Shots</p> 	<p>11: 9.7 ↓ 12: 10.4x ↓ 13: 10.4x ↓ 14: 10.3x ↖ 15: 8.4 ↓ 16: 10.7x ↓ 17: 10.7x ↓ 18: 10.6x ↓ 19: 9.9 ↓ 20: 10.4x →</p>
Series 102.6		Series 101.5	
Total 102.6		Total 204.1	

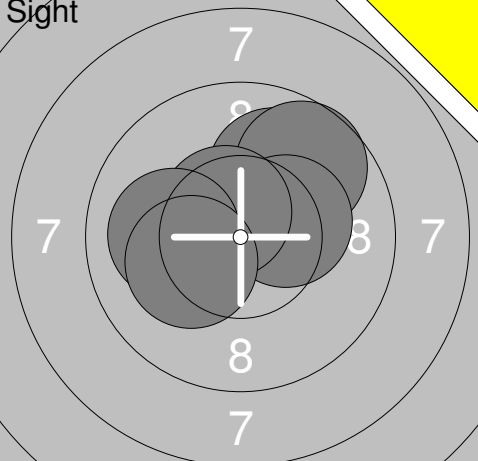
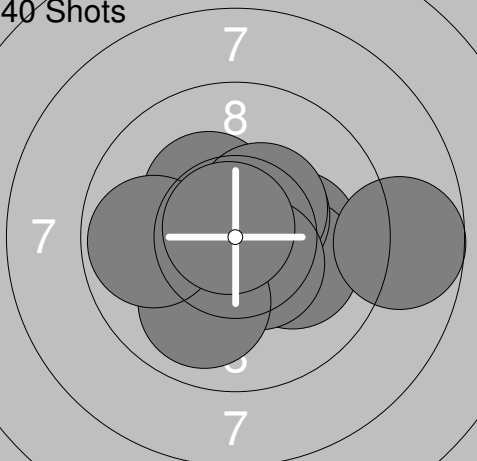
<p>40 Shots</p> 	<p>21: 10.0 ↓ 22: 10.2x ↖ 23: 10.6x ↖ 24: 9.9 ↓ 25: 10.5x ↖ 26: 9.9 ← 27: 10.0 ↓ 28: 9.4 → 29: 10.6x ← 30: 10.2x ↖</p>	<p>40 Shots</p> 	<p>31: 9.9 ↓ 32: 9.7 ↖ 33: 10.5x ↖ 34: 10.5x ↖ 35: 10.6x ↖ 36: 9.9 ↗ 37: 10.0 ↗ 38: 10.4x ↓ 39: 10.4x → 40: 10.2x ↑</p>
Series 101.3		Series 102.1	
Total 305.4		Total 407.5	

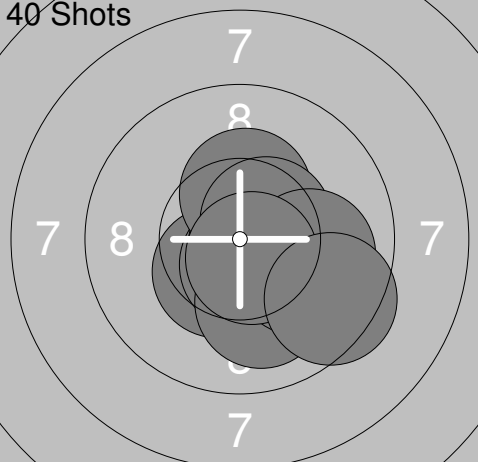
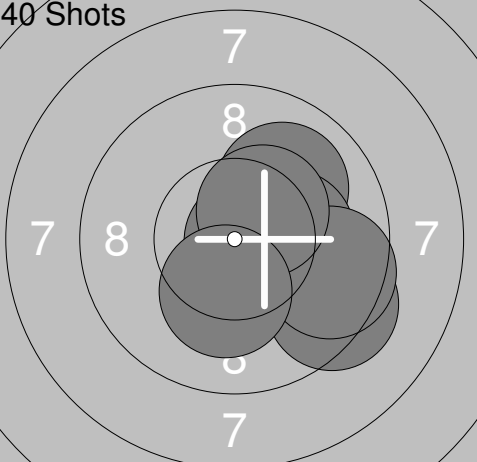
Relay	Lane	Malte Sjödin	
2	30		

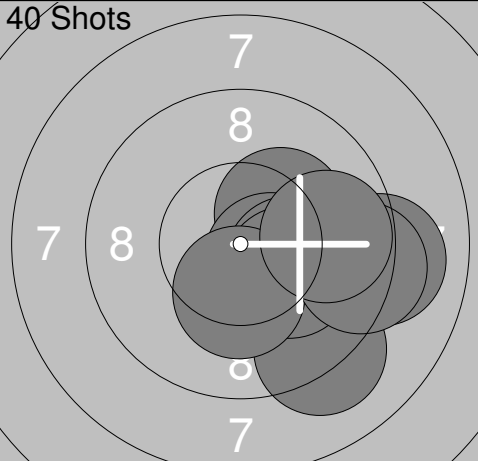
S	Kyrkås	L11	Jä
---	--------	-----	----

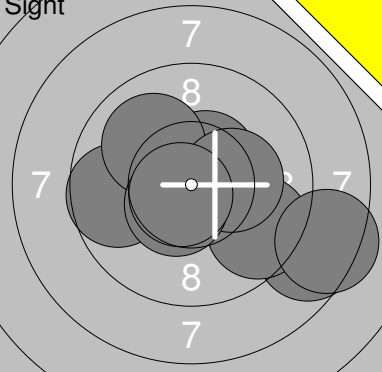
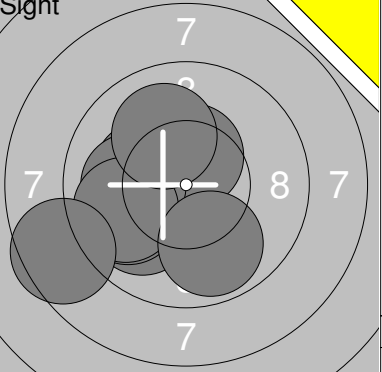
2014-04-12	UME-Kulan 2014	Umeå skytteallians
------------	----------------	--------------------

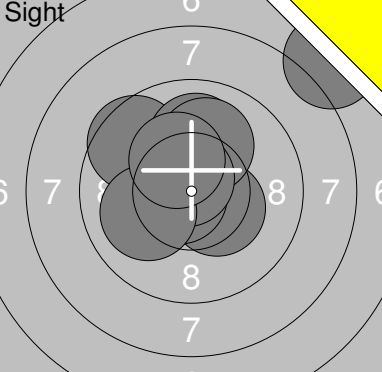
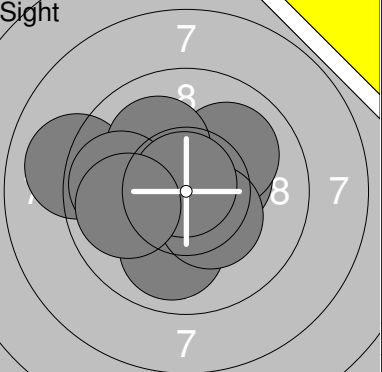
Sight 	1: 10.7x ↘	Sight 	11: 9.2 ↑
	2: 9.6 ↑		12: 10.7x ↑
	3: 10.7x ↘		13: 9.1 ↑
	4: 10.7x ↑		14: 10.2x ↗
	5: 9.4 ↗		15: 10.9x →
	6: 10.1 →		16: 10.0 ↑
	7: 9.8 ↘		17: 10.3x ↖
	8: 9.0 ↑		19: 9.7 ↖
	9: 10.0 ↗		
	10: 10.1 ↘		
Series	100.1	Series	80.1
Total	0.0	Total	0.0

Sight 	21: 10.0 ↑	40 Shots 	1: 10.2x →
	22: 9.7 ↗		2: 10.1 →
	23: 10.3x →		3: 10.5x ↗
	24: 10.6x ↗		4: 10.3x ↗
	25: 10.0 ←		5: 8.7 →
	26: 10.2x ↖		6: 10.4x ↗
Series	60.8	Series	101.3
Total	0.0	Total	101.3

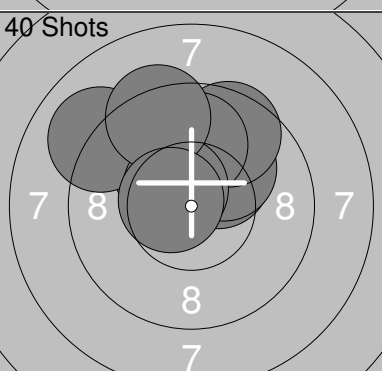
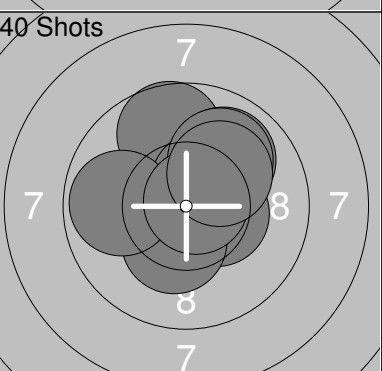
40 Shots 	11: 10.4x ↘	40 Shots 	21: 10.4x ↘
	12: 10.6x ↘		22: 10.7x →
	13: 10.7x ↘		23: 10.0 ↗
	14: 10.3x ↑		24: 10.1 →
	15: 10.1 ↘		25: 9.7 →
	16: 10.0 ↘		26: 9.4 ↘
	17: 10.5x ↗		27: 10.2x →
	18: 10.0 →		28: 9.6 →
	19: 10.6x ↘		29: 10.4x ↗
	20: 9.5 ↘		30: 10.2x ↘
Series	102.7	Series	100.7
Total	204.0	Total	304.7

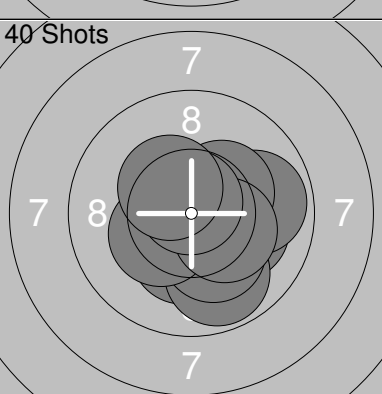
40 Shots 	31: 9.7 →	
	32: 9.2 ↘	
	33: 9.1 →	
	34: 10.3x ↗	
	35: 10.5x ↘	
	36: 10.2x →	
	37: 10.2x ↘	
	38: 10.3x ↘	
	39: 9.3 →	
	40: 9.8 →	
Series	98.6	
Total	403.3	

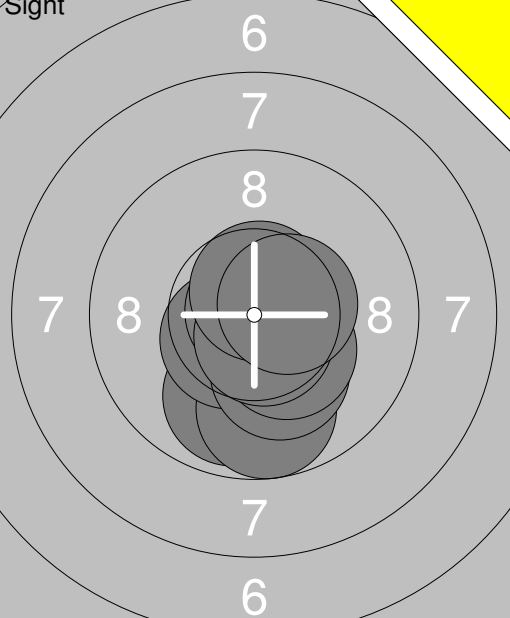
Sight	Sight		
			
	1: 8.7 ↘ 3: 9.6 ↘ 4: 10.5x ↗ 5: 8.4 → 6: 9.7 ← 7: 10.0 ↗ 8: 10.3x → 9: 10.5x ↘ 10: 10.7x ↘		11: 10.2x ← 12: 10.0 ↘ 13: 10.6x ↗ 14: 9.9 ← 15: 10.5x ↑ 16: 10.0 ← 17: 9.8 ← 18: 8.6 ↘ 19: 9.9 ↘ 20: 10.0 ↑
Series	88.4	Series	99.5
Total	0.0	Total	0.0

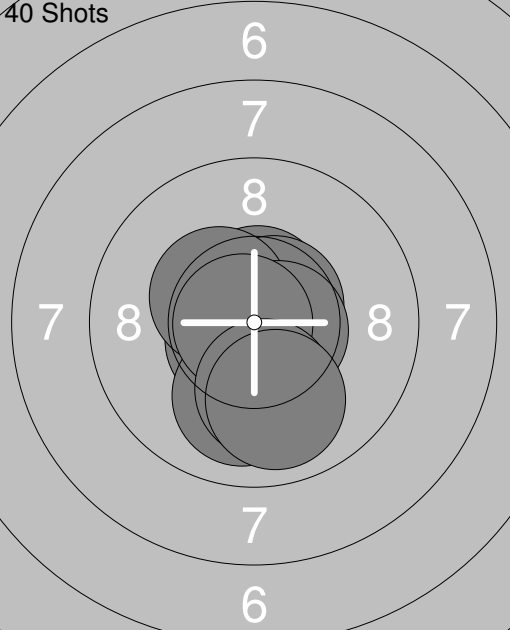
Sight	Sight		
			
	21: 10.4x ← 22: 10.4x ↘ 23: 10.7x ← 24: 7.4 ↗ 25: 9.6 ↗ 26: 10.0 ↑ 27: 10.1 ↑ 28: 10.7x ↑ 29: 10.1 ← 30: 10.3x ↑		31: 10.5x ↑ 32: 10.3x → 33: 10.0 ↗ 34: 10.0 ↓ 35: 9.1 ← 36: 10.4x ↘ 37: 10.1 ↗ 38: 9.8 ← 39: 10.8x ↑ 40: 9.9 ←
Series	99.7	Series	100.9
Total	0.0	Total	0.0

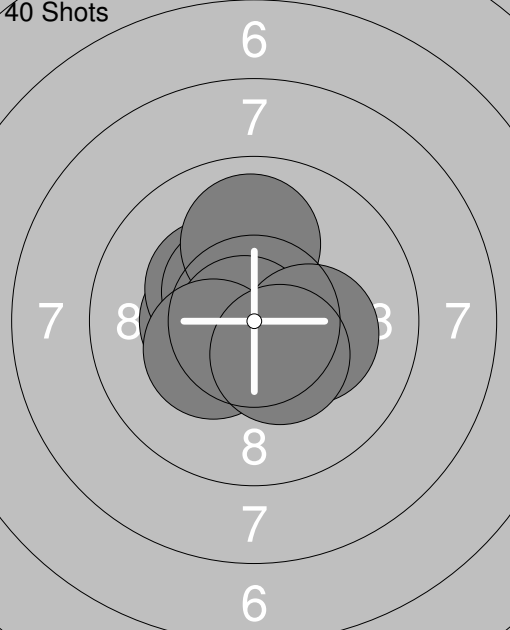
Sight	40 Shots		
			
	41: 9.6 ↘ 42: 10.0 ↗		1: 10.4x ↗ 2: 10.6x ↗ 3: 10.0 ← 4: 10.1 ← 5: 10.4x ↘ 6: 10.2x ↘ 7: 10.3x ↑ 8: 10.0 ↗ 9: 10.1 ↗ 10: 10.0 ←
Series	19.6	Series	102.1
Total	0.0	Total	102.1

40 Shots	40 Shots		
			
	11: 10.3x ↗ 12: 10.1 ↗ 13: 9.6 ↗ 14: 10.1 ↗ 15: 10.2x ↗ 16: 9.9 ↑ 17: 9.0 ↗ 18: 10.5x ↗ 19: 9.3 ↗ 20: 10.6x ←		21: 10.6x ← 22: 10.4x → 23: 9.7 ↑ 24: 9.9 ↗ 25: 10.3x ↓ 26: 10.5x ↗ 27: 9.9 ← 28: 10.0 ↗ 29: 10.8x → 30: 10.2x ↗
Series	99.6	Series	102.3
Total	201.7	Total	304.0

40 Shots			
			
	31: 10.3x ↓ 32: 10.1 → 33: 9.8 ↘ 34: 9.9 → 35: 10.2x ↓ 36: 10.3x ← 37: 10.3x ↗ 38: 10.3x ↘ 39: 10.8x ↑ 40: 10.4x ↗		
Series	102.4		
Total	406.4		

	<p>Sight</p> <p>1: 9.9 ↓</p> <p>2: 9.7 ↓</p> <p>3: 10.7x ↑</p> <p>4: 10.5x ↙</p> <p>5: 10.2x ↓</p> <p>6: 10.3x ↘</p> <p>7: 10.9x ↑</p> <p>8: 10.7x ↓</p> <p>9: 10.6x ↑</p> <p>10: 10.5x →</p>	<p>Sight</p> <p>11: 10.6x ↘</p> <p>12: 10.7x ↑</p> <p>13: 10.3x ↖</p> <p>14: 10.1 ↗</p>
Series 104.0	Series 41.7	Series 41.7
Total 0.0	Total 0.0	Total 0.0

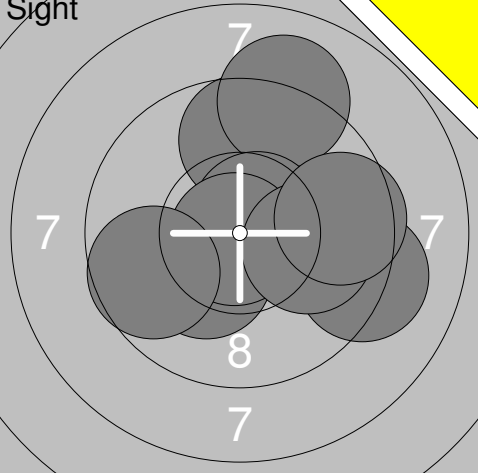
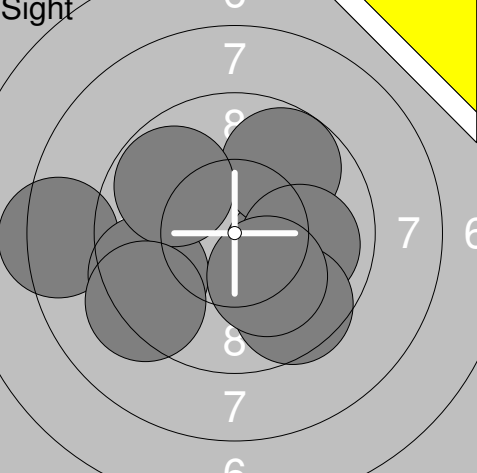
<p>40 Shots</p> 	<p>1: 10.6x ↑</p> <p>2: 10.6x ↙</p> <p>3: 10.6x ↗</p> <p>4: 10.4x ↖</p> <p>5: 10.4x ↓</p> <p>6: 10.0 ↓</p> <p>7: 10.6x →</p> <p>8: 10.8x ←</p> <p>9: 10.1 ↓</p> <p>10: 9.9 ↓</p>	<p>11: 10.3x ↓</p> <p>12: 10.3x ↑</p> <p>13: 10.3x ↑</p> <p>14: 10.1 ↖</p> <p>15: 10.6x ↓</p> <p>16: 10.2x ↖</p> <p>17: 10.2x ↑</p> <p>18: 10.5x ↙</p> <p>19: 10.6x ↓</p> <p>20: 10.7x ↖</p>
Series 104.0	Series 103.8	Series 103.8
Total 104.0	Total 207.8	Total 207.8

<p>40 Shots</p> 	<p>21: 10.4x ←</p> <p>22: 10.3x ↖</p> <p>23: 10.6x ↑</p> <p>24: 10.8x ↑</p> <p>25: 10.5x ↖</p> <p>26: 10.0 ↑</p> <p>27: 10.8x ←</p> <p>28: 10.3x ↙</p> <p>29: 10.2x →</p> <p>30: 10.4x ↘</p>	<p>31: 10.5x ↗</p> <p>32: 10.7x ↗</p> <p>33: 10.6x ←</p> <p>34: 10.4x ↖</p> <p>35: 10.5x ↘</p> <p>36: 10.5x ↘</p> <p>37: 10.6x ↖</p> <p>38: 10.7x ←</p> <p>39: 10.5x ↘</p> <p>40: 10.6x ↓</p>
Series 104.3	Series 105.6	Series 105.6
Total 312.1	Total 417.7	Total 417.7

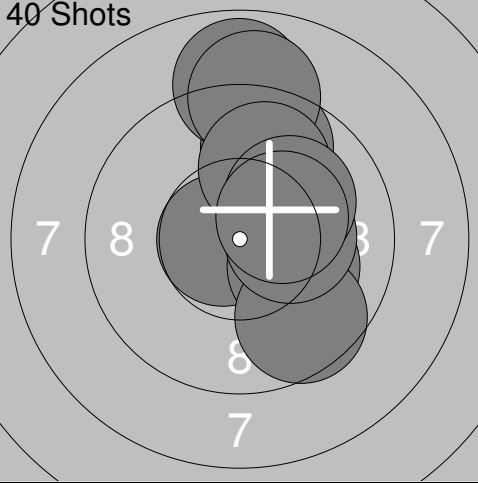
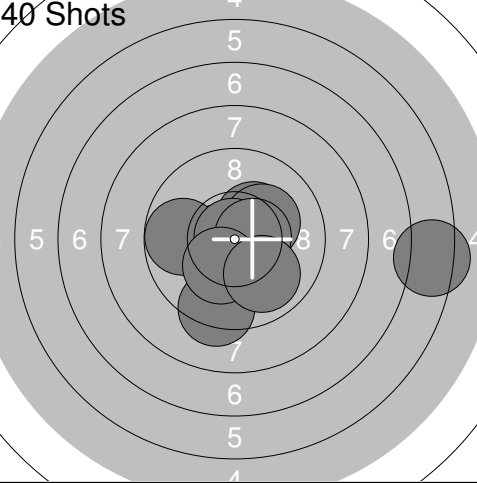
	<p>1: 10.6x ↘</p> <p>2: 10.7x ↘</p> <p>3: 10.5x ↓</p> <p>4: 10.6x ↗</p> <p>5: 10.5x ←</p> <p>6: 10.7x ↑</p> <p>7: 10.7x ↗</p> <p>8: 10.1 ↘</p> <p>9: 10.4x →</p> <p>10: 10.4x ←</p>		<p>11: 10.3x ↗</p> <p>12: 10.5x ↗</p> <p>13: 10.6x ←</p> <p>14: 10.6x ↖</p> <p>15: 10.5x ↘</p> <p>16: 10.7x ↗</p>
Series 105.2		Series 63.2	
Total 0.0		Total 0.0	

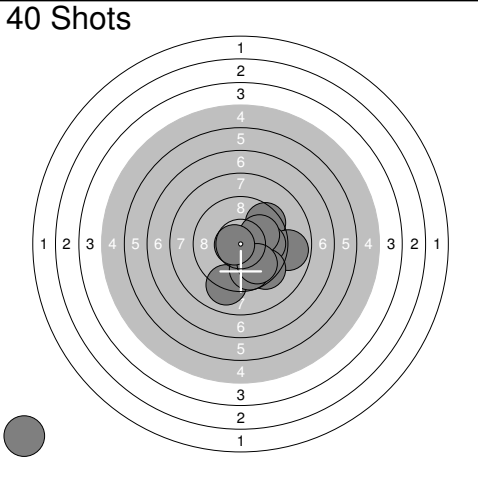
<p>40 Shots</p>	<p>1: 10.6x ↗</p> <p>2: 10.3x →</p> <p>3: 10.2x ↓</p> <p>4: 10.6x ←</p> <p>5: 10.5x ↘</p> <p>6: 10.6x ↑</p> <p>7: 10.8x ↗</p> <p>8: 10.8x ←</p> <p>9: 10.6x ←</p> <p>10: 10.6x ↙</p>	<p>40 Shots</p>	<p>11: 10.1 ↙</p> <p>12: 10.4x ↓</p> <p>13: 10.5x ↓</p> <p>14: 10.8x ↗</p> <p>15: 10.7x ↘</p> <p>16: 10.8x ←</p> <p>17: 10.1 →</p> <p>18: 9.7 ←</p> <p>19: 10.5x ↑</p> <p>20: 10.8x ↗</p>
Series 105.6		Series 104.4	
Total 105.6		Total 210.0	

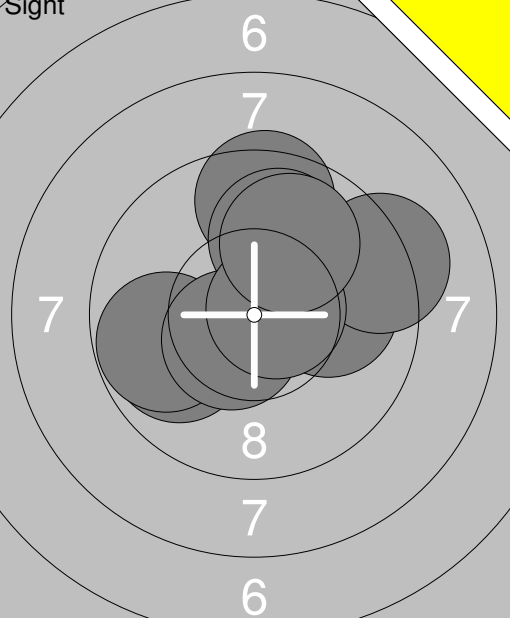
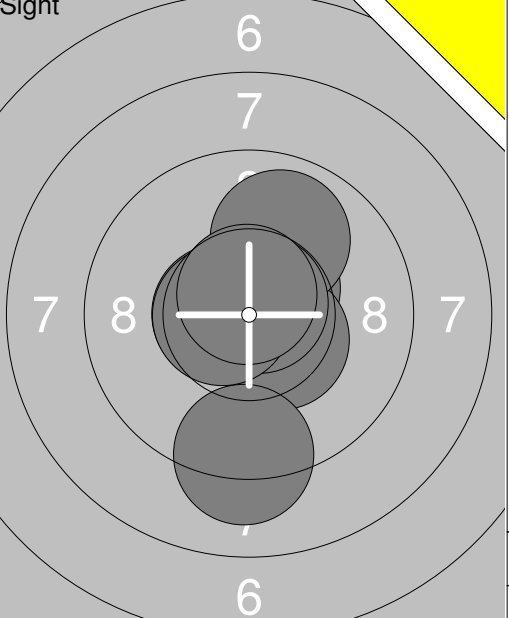
<p>40 Shots</p>	<p>21: 10.4x ↗</p> <p>22: 10.6x →</p> <p>23: 10.7x →</p> <p>24: 10.4x ↑</p> <p>25: 10.6x ↑</p> <p>26: 10.1 ↗</p> <p>27: 10.5x ↗</p> <p>28: 10.1 ↖</p> <p>29: 10.3x ↑</p> <p>30: 10.5x ↗</p>	<p>40 Shots</p>	<p>31: 10.6x ↘</p> <p>32: 10.8x ←</p> <p>33: 9.9 ←</p> <p>34: 10.5x ↓</p> <p>35: 10.6x ↖</p> <p>36: 10.6x ↗</p> <p>37: 10.7x ↑</p> <p>38: 10.3x ↘</p> <p>39: 10.7x ↘</p> <p>40: 10.6x ↖</p>
Series 104.2		Series 105.3	
Total 314.2		Total 419.5	

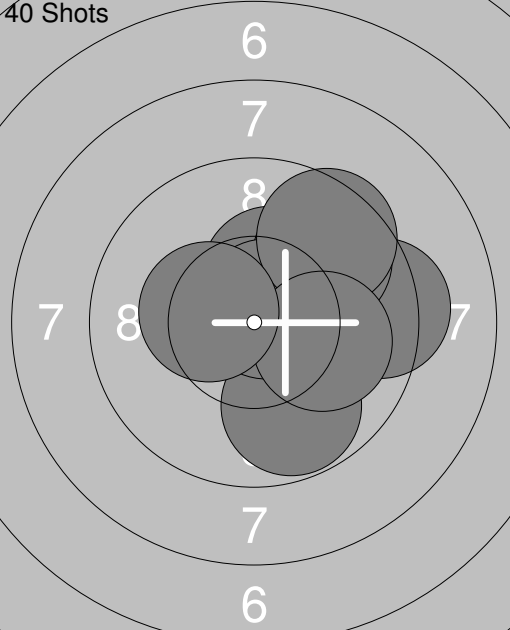
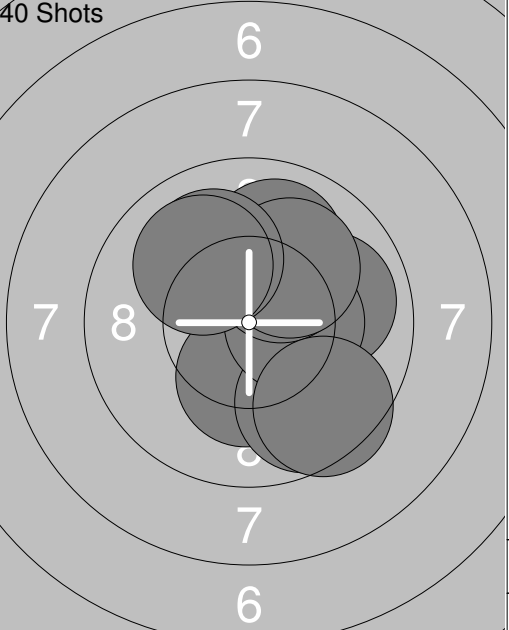
	<p>1: 9.7 ↑</p> <p>2: 10.2x →</p> <p>3: 9.1 ↑</p> <p>4: 10.6x ↗</p> <p>5: 10.3x ↘</p> <p>6: 9.2 →</p> <p>7: 10.8x ↘</p> <p>8: 10.0 →</p> <p>9: 9.7 ←</p> <p>10: 9.6 →</p> <p>Series 99.2</p> <p>Total 0.0</p>		<p>11: 10.1 →</p> <p>12: 9.8 ↗</p> <p>13: 8.3 ←</p> <p>14: 9.5 ←</p> <p>15: 9.8 ↗</p> <p>16: 9.3 ↘</p> <p>17: 10.0 →</p> <p>19: 9.6 ↘</p> <p>20: 10.1 ↘</p> <p>Series 86.5</p> <p>Total 0.0</p>
--	---	--	---

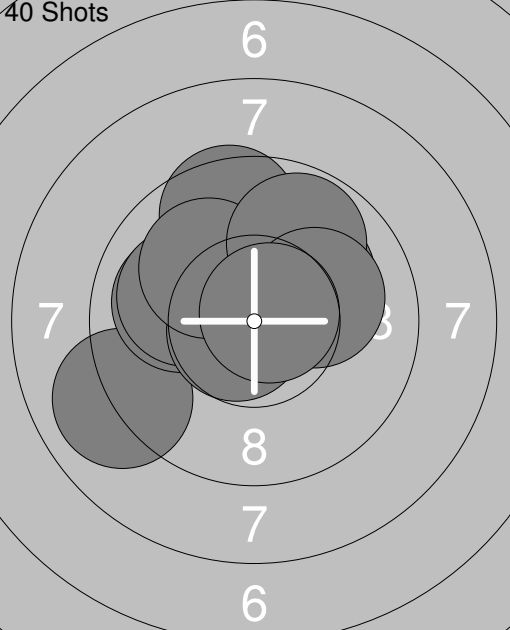
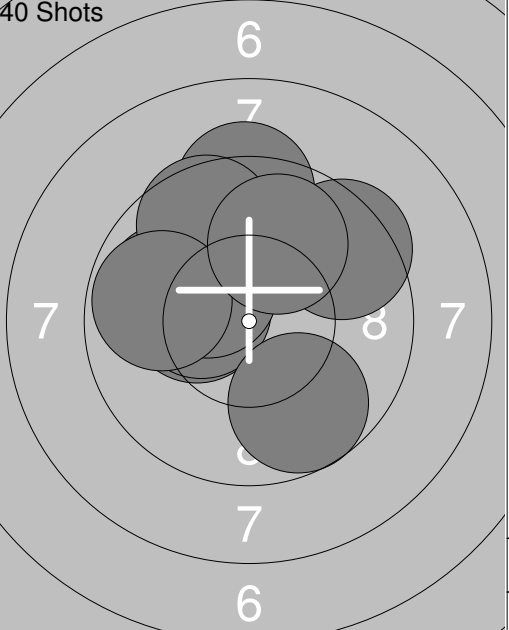
	<p>21: 6.9 ←</p> <p>Series 6.9</p> <p>Total 0.0</p>		<p>1: 9.8 ↘</p> <p>2: 9.1 ↗</p> <p>3: 10.0 ↘</p> <p>4: 10.2x →</p> <p>5: 10.7x →</p> <p>6: 8.5 ↘</p> <p>7: 8.9 ↗</p> <p>8: 10.7x ↘</p> <p>9: 7.8 ↑</p> <p>10: 9.2 ↗</p> <p>Series 94.9</p> <p>Total 94.9</p>
---	---	---	--

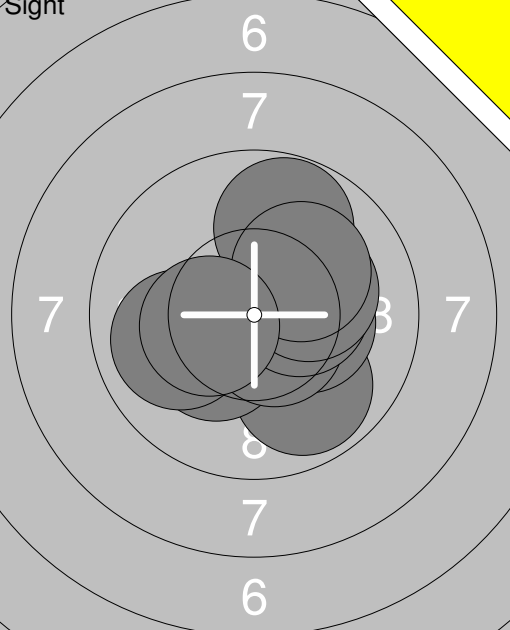
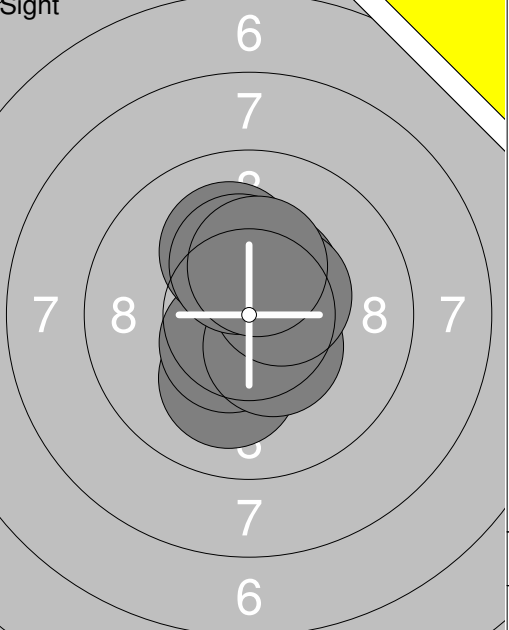
	<p>11: 10.7x ←</p> <p>12: 9.6 ↑</p> <p>13: 8.9 ↑</p> <p>14: 9.0 ↑</p> <p>15: 10.1 →</p> <p>16: 9.9 ↑</p> <p>17: 9.6 ↘</p> <p>18: 10.3x →</p> <p>19: 10.1 ↗</p> <p>20: 10.3x →</p> <p>Series 98.5</p> <p>Total 193.4</p>		<p>21: 10.6x ←</p> <p>22: 9.8 ←</p> <p>23: 9.3 ↘</p> <p>24: 10.3x ↗</p> <p>25: 10.2x ↗</p> <p>26: 10.9x ↗</p> <p>27: 6.3 →</p> <p>28: 10.5x →</p> <p>29: 10.3x ↘</p> <p>30: 9.9 ↘</p> <p>Series 98.1</p> <p>Total 291.5</p>
--	---	--	---

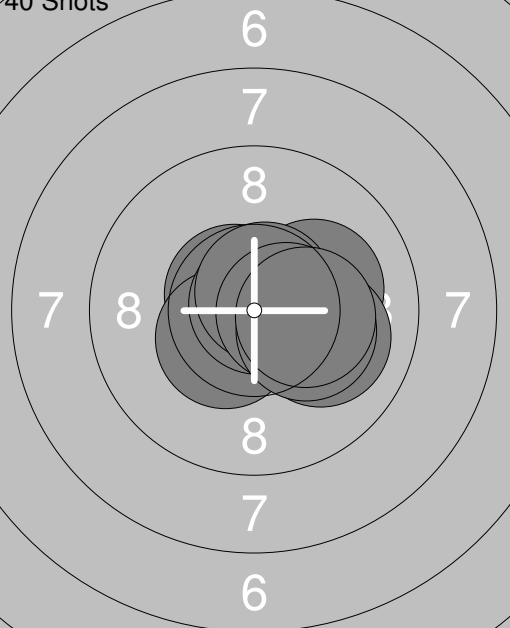
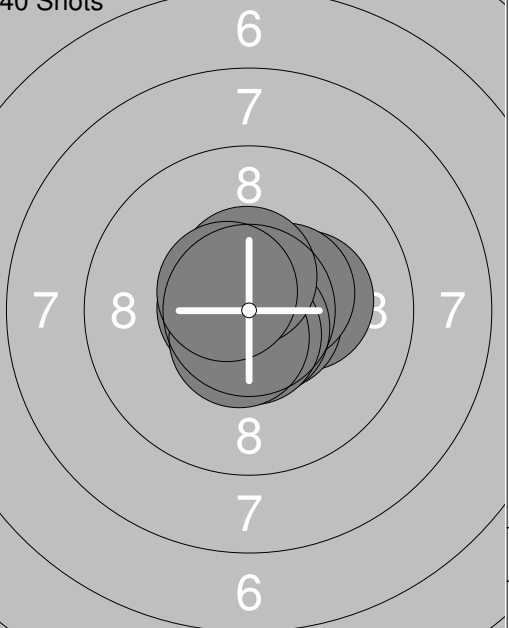
	<p>31: 9.5 ↗</p> <p>32: 8.9 →</p> <p>33: 9.9 →</p> <p>34: 9.4 ↘</p> <p>35: 9.0 ↘</p> <p>36: 10.0 →</p> <p>37: 9.7 ↘</p> <p>38: 9.8 ↘</p> <p>39: 10.7x ←</p> <p>40: 0.0 ↘</p> <p>Series 86.9</p> <p>Total 378.4</p>		
--	--	--	--

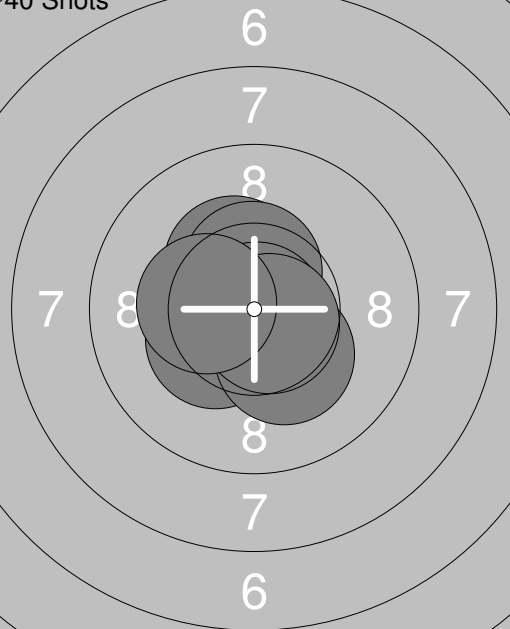
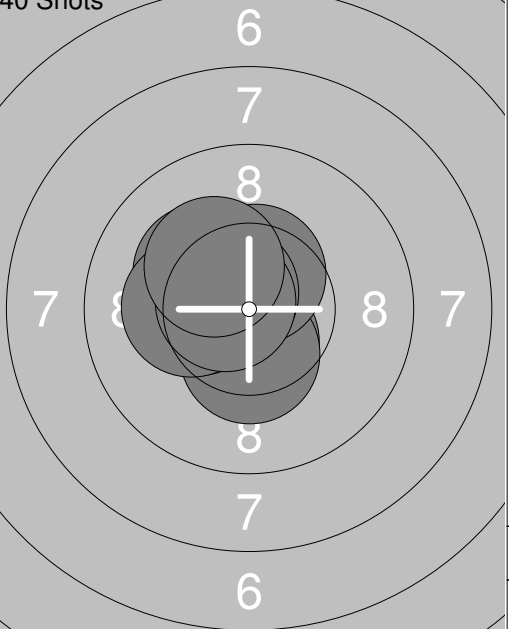
	<p>1: 9.9 ←</p> <p>3: 9.8 ←</p> <p>4: 10.0 →</p> <p>5: 9.5 ↑</p> <p>6: 9.9 ↑</p> <p>7: 10.5x ↙</p> <p>8: 9.2 →</p> <p>9: 10.7x →</p> <p>10: 9.9 ↑</p>			<p>11: 10.5x ↗</p> <p>12: 10.5x ↘</p> <p>13: 9.2 ↓</p> <p>14: 9.9 ↑</p> <p>15: 10.6x ←</p> <p>17: 10.8x ↗</p> <p>18: 10.6x ←</p> <p>19: 10.7x ↑</p>
Series	89.4	Series		82.8
Total	0.0	Total		0.0

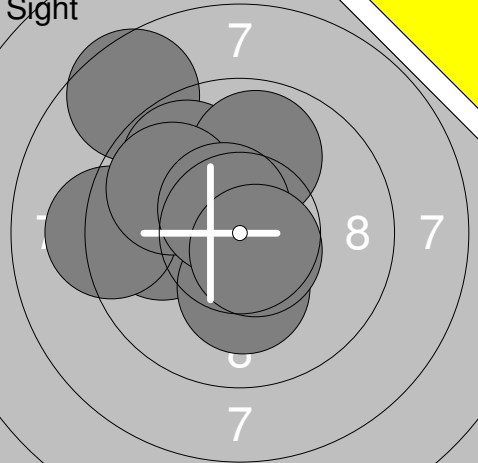
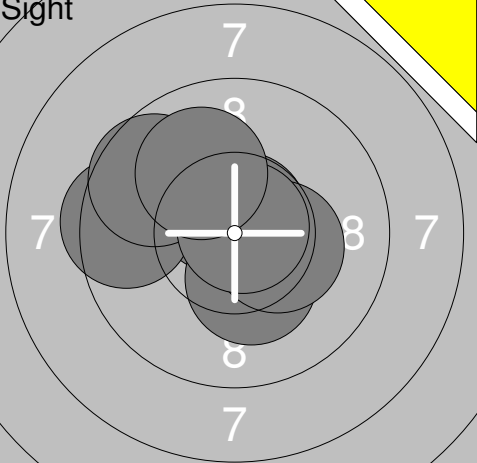
	<p>1: 10.2x →</p> <p>2: 10.7x →</p> <p>3: 9.3 →</p> <p>4: 10.3x ↑</p> <p>5: 9.8 ↗</p> <p>6: 9.8 ↓</p> <p>7: 10.7x ↗</p> <p>8: 9.5 ↗</p> <p>9: 10.0 →</p> <p>10: 10.4x ←</p>			<p>11: 10.3x ↓</p> <p>12: 9.9 →</p> <p>13: 10.0 ↑</p> <p>14: 9.7 ↓</p> <p>15: 10.4x →</p> <p>16: 10.2x ↗</p> <p>17: 10.1 ↗</p> <p>18: 10.0 ↖</p> <p>19: 9.5 ↓</p> <p>20: 10.0 ↖</p>
Series	100.7	Series		100.1
Total	100.7	Total		200.8

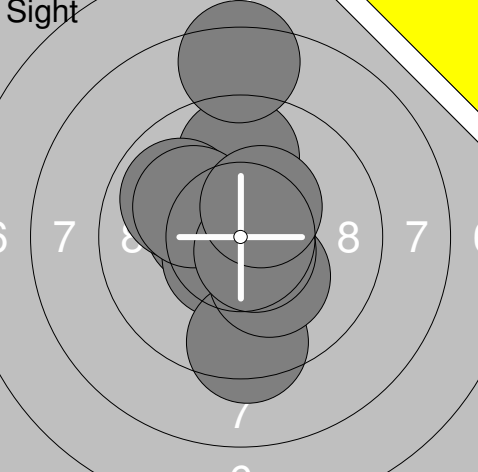
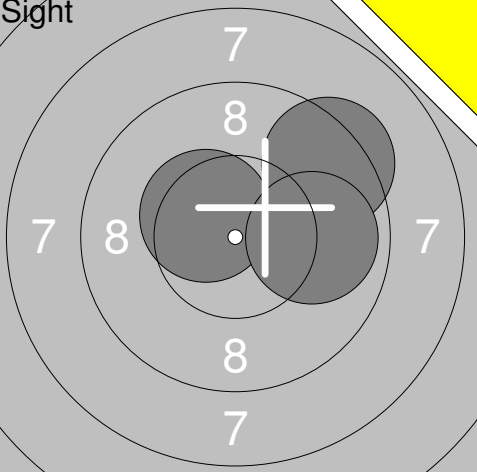
	<p>21: 9.0 ←</p> <p>22: 10.0 ←</p> <p>23: 10.1 ↗</p> <p>24: 10.0 ←</p> <p>25: 10.7x ↙</p> <p>26: 9.6 ↑</p> <p>27: 10.1 ↖</p> <p>28: 9.8 ↗</p> <p>29: 10.1 →</p> <p>30: 10.7x →</p>			<p>31: 10.3x ←</p> <p>32: 9.3 ↑</p> <p>33: 9.5 ↗</p> <p>34: 10.3x ←</p> <p>35: 9.9 ←</p> <p>36: 10.3x ↖</p> <p>37: 9.6 ↑</p> <p>38: 9.8 ←</p> <p>39: 9.7 ↓</p> <p>40: 9.9 ↑</p>
Series	100.1	Series		98.6
Total	300.9	Total		399.5

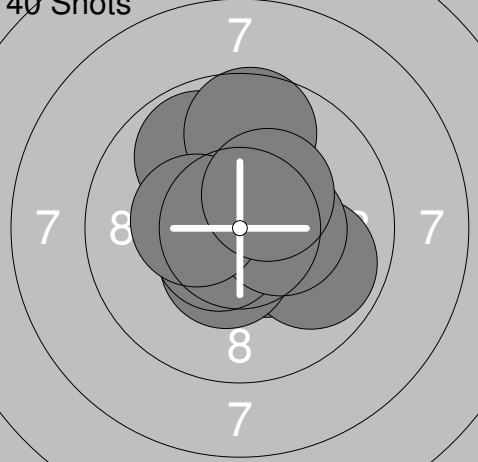
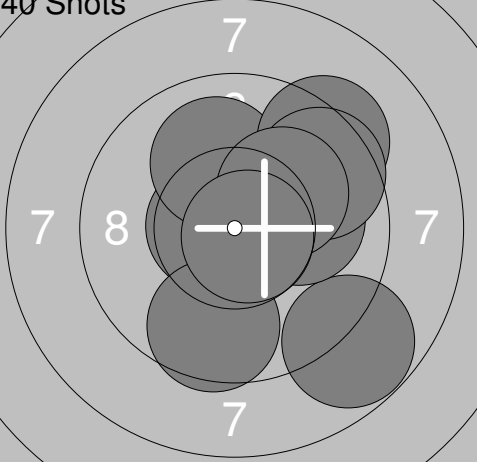
<p>Sight</p>  <p>1: 9.9 ↘ 2: 10.3x → 3: 10.3x ↙ 4: 10.0 ← 5: 10.6x ↘ 6: 9.8 ↑ 7: 10.4x → 8: 10.2x → 9: 10.1 ↗ 10: 10.4x ←</p> <p>Series 102.0 Total 0.0</p>		<p>Sight</p>  <p>11: 10.4x ↗ 12: 10.1 ↓ 13: 10.5x ↙ 14: 10.4x ↘ 15: 10.1 ↑ 16: 10.5x ↗ 17: 10.3x ↑ 18: 10.3x ↑</p> <p>Series 82.6 Total 0.0</p>
--	--	--

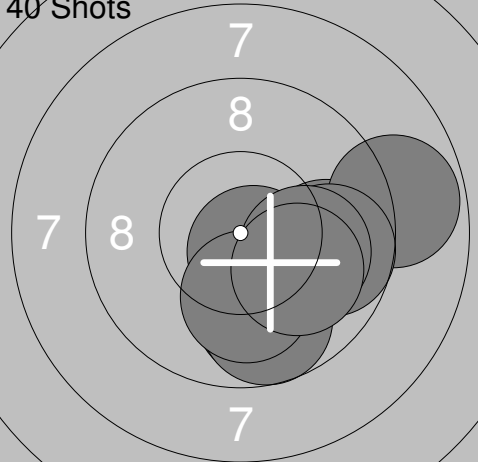
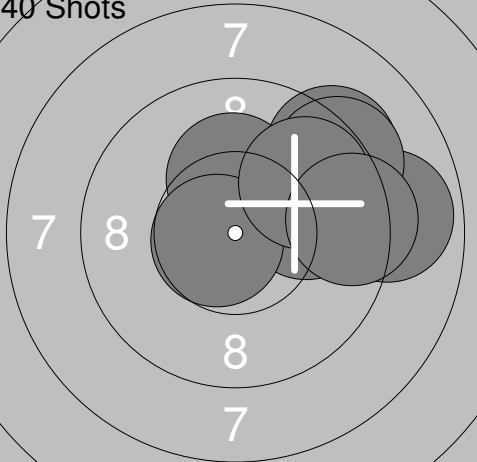
<p>40 Shots</p>  <p>1: 10.6x ↖ 2: 10.7x → 3: 10.4x ↙ 4: 10.9x ↗ 5: 10.1 → 6: 10.7x ↗ 7: 10.5x → 8: 10.0 → 9: 10.2x → 10: 10.3x →</p> <p>Series 104.4 Total 104.4</p>		<p>40 Shots</p>  <p>11: 10.9x ← 12: 10.2x → 13: 10.7x ← 14: 10.6x → 15: 10.4x → 16: 10.7x ↓ 17: 10.6x ↓ 18: 10.6x ↓ 19: 10.5x ↑ 20: 10.6x ↖</p> <p>Series 105.8 Total 210.2</p>
--	--	---

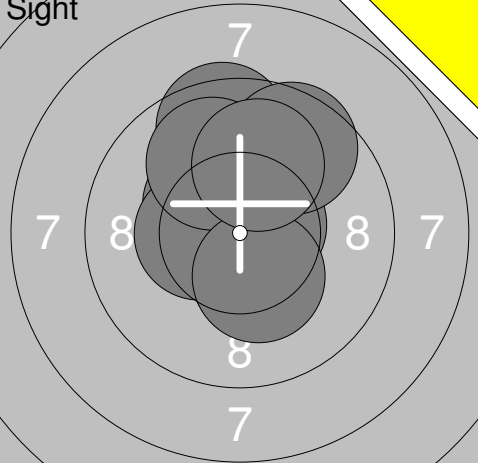
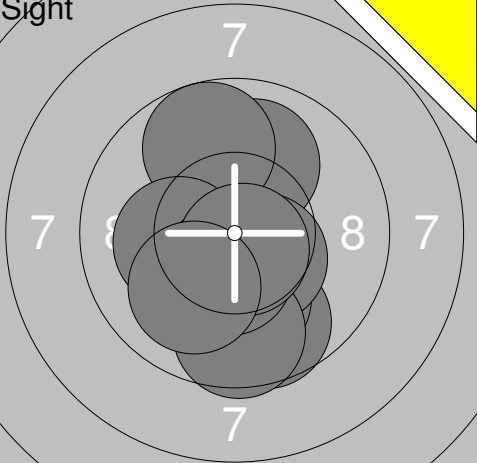
<p>40 Shots</p>  <p>21: 10.3x ↗ 22: 10.5x ← 23: 10.5x ← 24: 10.5x ↑ 25: 10.7x ↓ 26: 10.9x ↓ 27: 10.3x ↙ 28: 10.3x ↓ 29: 10.7x ↓ 30: 10.3x ←</p> <p>Series 105.0 Total 315.2</p>		<p>40 Shots</p>  <p>31: 10.5x ↓ 32: 10.4x ↓ 33: 10.2x ↖ 34: 10.5x ↖ 35: 10.3x ← 36: 10.5x ↑ 37: 10.2x ← 38: 10.6x ↖ 39: 10.6x ↖ 40: 10.3x ↖</p> <p>Series 104.1 Total 419.3</p>
--	--	--

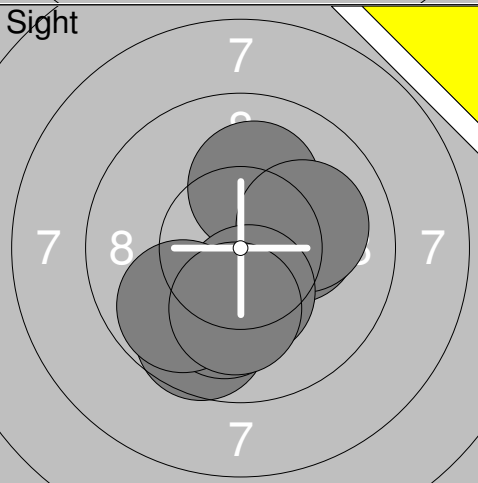
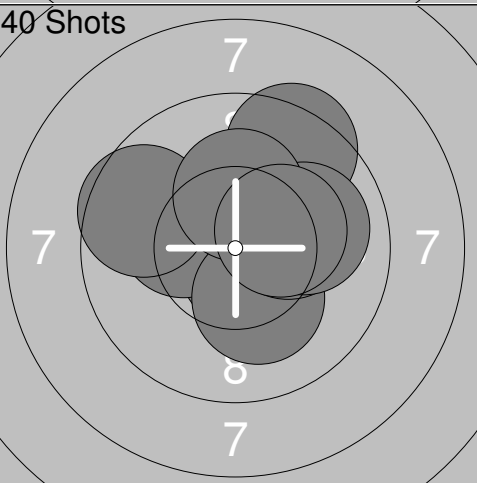
<p>Sight</p> 	<p>1: 8.6 ↗ 2: 10.5x ← 3: 9.9 ← 4: 9.8 ↗ 5: 9.9 ↑ 6: 9.2 ← 7: 9.9 ↗ 8: 10.2x ↓ 9: 10.6x ↗ 10: 10.6x ↓</p> <p>Series 99.2 Total 0.0</p>	<p>Sight</p> 	<p>11: 10.6x → 12: 10.5x ↗ 14: 9.5 ← 15: 10.3x ↓ 16: 10.7x ↗ 17: 10.3x → 18: 9.6 ↗ 19: 10.8x ↗ 20: 10.0 ↗</p> <p>Series 92.3 Total 0.0</p>
--	--	--	--

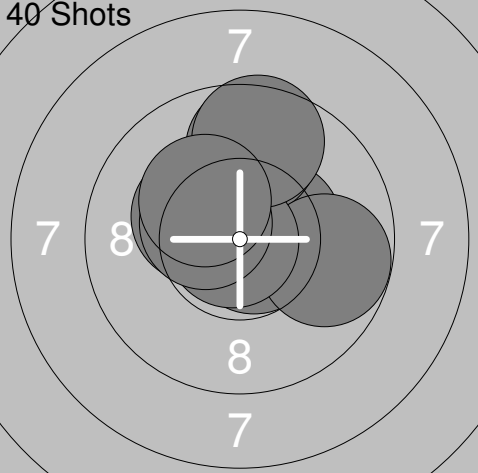
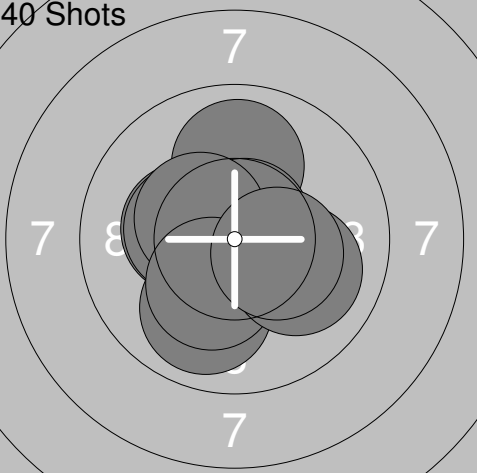
<p>Sight</p> 	<p>21: 10.4x ← 22: 10.6x ↓ 23: 9.8 ↑ 24: 9.9 ↗ 25: 9.4 ↓ 26: 10.2x ↓ 27: 10.1 ↗ 28: 8.4 ↑ 29: 10.7x ↓ 30: 10.4x ↗</p> <p>Series 99.9 Total 0.0</p>	<p>Sight</p> 	<p>31: 10.5x ↗ 32: 9.3 ↗ 33: 9.9 →</p> <p>Series 29.7 Total 0.0</p>
---	--	---	---

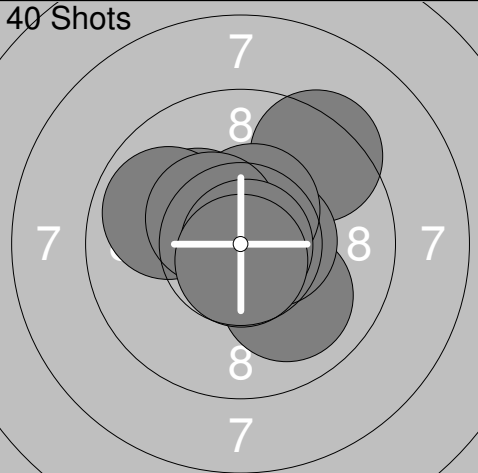
<p>40 Shots</p> 	<p>1: 10.6x ↓ 2: 10.5x ↓ 3: 9.9 → 4: 10.4x ↓ 5: 10.6x ← 6: 10.4x → 7: 9.9 ↗ 8: 9.7 ↑ 9: 10.4x ← 10: 10.4x ↗</p> <p>Series 102.8 Total 102.8</p>	<p>40 Shots</p> 	<p>11: 10.6x ← 12: 8.8 ↓ 13: 10.3x → 14: 9.6 ↓ 15: 10.0 ↑ 16: 9.3 ↗ 17: 10.1 → 18: 9.6 ↗ 19: 10.1 ↗ 20: 10.7x ↓</p> <p>Series 99.1 Total 201.9</p>
---	---	---	--

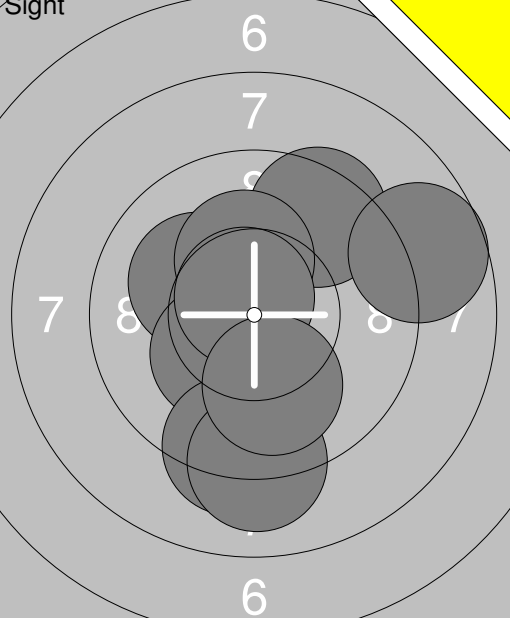
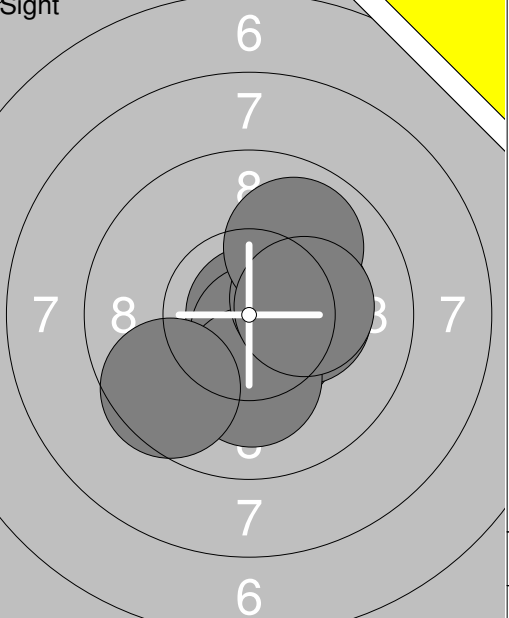
<p>40 Shots</p> 	<p>21: 9.8 ↓ 22: 10.2x → 23: 10.6x ↓ 24: 9.7 ↓ 25: 9.8 → 26: 8.8 → 27: 9.7 → 28: 10.0 → 29: 10.1 ↓ 30: 10.0 ↓</p> <p>Series 98.7 Total 300.6</p>	<p>40 Shots</p> 	<p>31: 9.5 → 32: 10.3x ↗ 33: 10.2x ↑ 34: 9.2 ↗ 35: 10.0 → 36: 8.9 → 37: 9.3 ↗ 38: 10.7x ← 39: 9.8 ↗ 40: 9.4 →</p> <p>Series 97.3 Total 397.9</p>
---	--	---	--

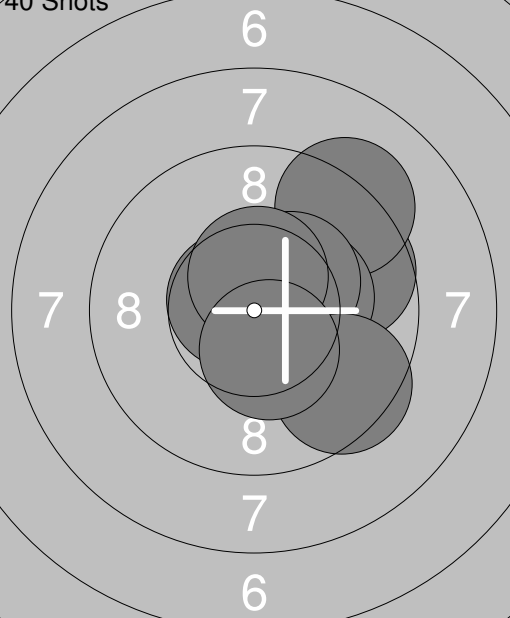
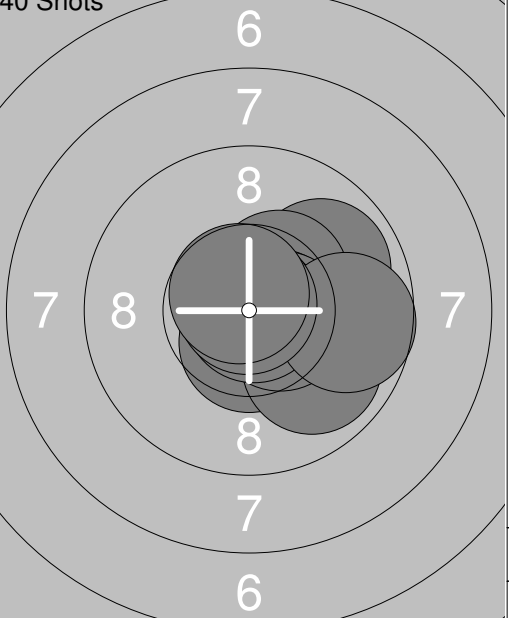
<p>Sight</p> 	<p>1: 10.4x ↖ 2: 10.4x ↓ 4: 9.5 ↑ 5: 10.7x → 6: 10.4x ← 7: 9.9 ↑ 8: 10.3x ↓ 9: 9.6 ↗ 10: 10.0 ↑</p> <p>Series 91.2 Total 0.0</p>	<p>Sight</p> 	<p>11: 10.0 ↑ 12: 9.8 ↑ 13: 9.7 ↓ 14: 10.1 ↓ 15: 10.4x ↘ 16: 10.2x ← 17: 9.6 ↓ 18: 10.4x ↓ 19: 10.7x ↓ 20: 10.0 ↘</p> <p>Series 100.9 Total 0.0</p>
--	---	--	---

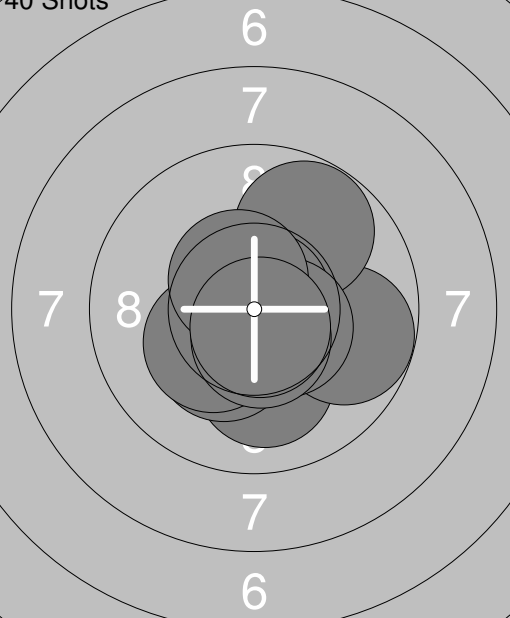
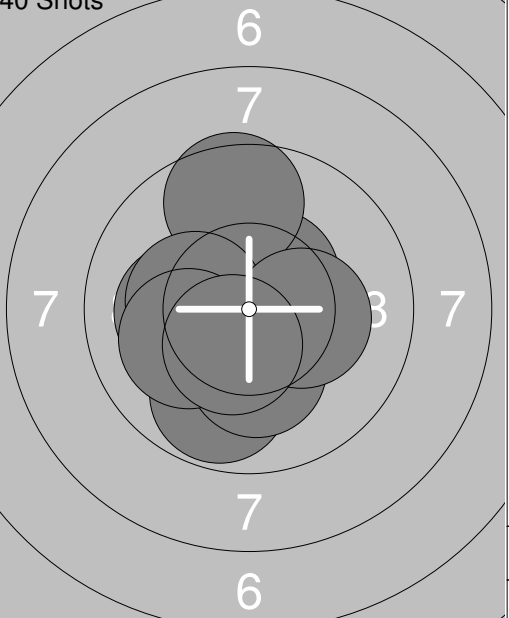
<p>Sight</p> 	<p>21: 9.7 ↓ 22: 10.2x → 23: 10.1 ↓ 24: 10.1 ↑ 25: 10.1 → 26: 10.4x ↓ 27: 9.8 ↙ 28: 10.1 ↓</p> <p>Series 80.5 Total 0.0</p>	<p>40 Shots</p> 	<p>1: 10.7x ↓ 2: 10.7x ↑ 3: 10.2x ← 4: 9.4 ↑ 5: 9.6 ← 6: 10.2x ↓ 7: 10.2x → 8: 10.0 → 9: 10.2x ↑ 10: 10.3x →</p> <p>Series 101.5 Total 101.5</p>
---	---	--	--

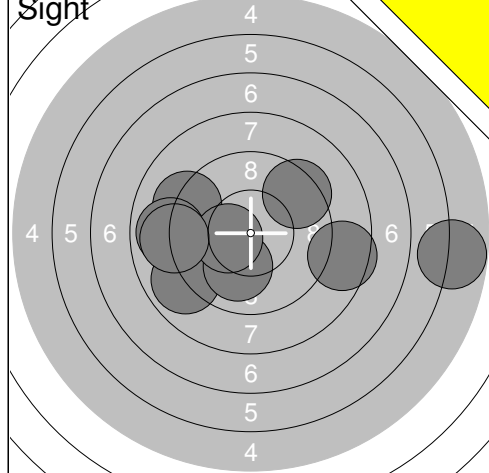
<p>40 Shots</p> 	<p>11: 10.7x ↘ 12: 10.4x → 13: 10.3x ↖ 14: 10.9x ↖ 15: 9.7 ↑ 16: 9.8 → 17: 10.8x ← 18: 9.6 ↑ 19: 10.4x ↖ 20: 10.2x ↗</p> <p>Series 102.8 Total 204.3</p>	<p>40 Shots</p> 	<p>21: 10.0 ↑ 22: 10.3x ← 23: 10.7x ↗ 24: 10.3x ← 25: 10.6x ↙ 26: 9.9 ↓ 27: 10.4x ↖ 28: 10.3x ↓ 29: 10.0 → 30: 10.3x →</p> <p>Series 102.8 Total 307.1</p>
---	--	---	--

<p>40 Shots</p> 	<p>31: 10.3x ↖ 32: 9.9 ↖ 33: 9.4 ↗ 34: 10.4x ↓ 35: 10.0 ↓ 36: 10.5x → 37: 10.5x ↑ 38: 10.4x ↗ 39: 10.9x → 40: 10.7x ↓</p> <p>Series 103.0 Total 410.1</p>		
---	---	--	--

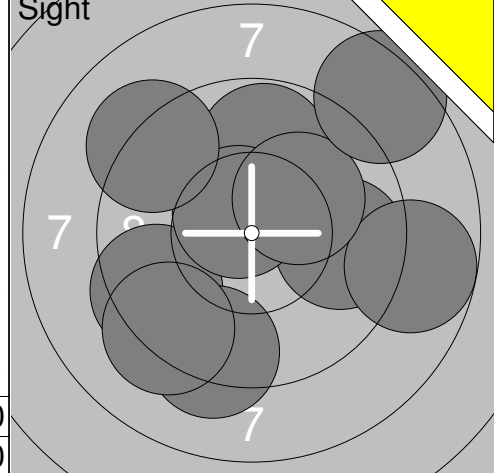
<p>Sight</p> 	<p>1: 10.1 ↖ 2: 9.5 ↗ 3: 10.2x ↗ 4: 10.1 ↓ 5: 10.3x ↙ 6: 9.3 ↓ 7: 10.7x ↖ 8: 9.1 ↓ 9: 8.7 → 10: 10.0 ↓</p> <p>Series 98.0 Total 0.0</p>	<p>Sight</p> 	<p>11: 10.6x ↘ 12: 10.9x → 13: 10.7x ↘ 14: 10.3x → 15: 10.2x ↓ 16: 9.6 ↙ 17: 10.3x → 18: 9.9 ↗ 19: 10.2x →</p> <p>Series 92.7 Total 0.0</p>
--	---	--	---

<p>40 Shots</p> 	<p>1: 10.9x ↖ 2: 10.8x → 3: 9.7 → 4: 9.2 ↗ 5: 10.3x → 6: 10.7x ↖ 7: 10.4x ↗ 8: 10.5x ↑ 9: 9.5 ↘ 10: 10.4x ↓</p> <p>Series 102.4 Total 102.4</p>	<p>40 Shots</p> 	<p>11: 10.6x ↓ 12: 9.9 ↗ 13: 10.4x ↗ 14: 10.6x → 15: 9.9 ↘ 16: 10.5x → 17: 10.9x → 18: 9.7 → 19: 10.9x ↗ 20: 10.7x ↖</p> <p>Series 104.1 Total 206.5</p>
--	---	--	--

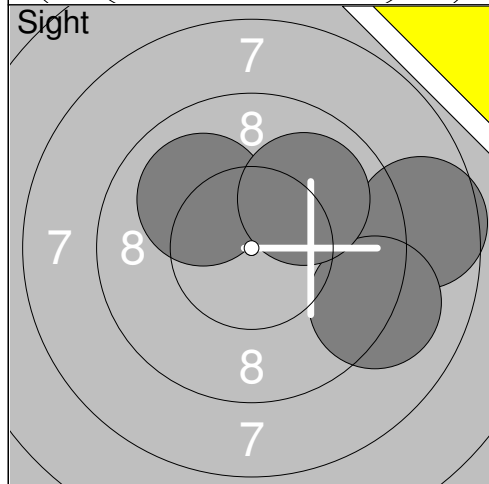
<p>40 Shots</p> 	<p>21: 10.1 ↓ 22: 9.8 → 23: 9.8 ↗ 24: 10.8x ↗ 25: 10.5x ↘ 26: 10.3x ↙ 27: 10.3x ↙ 28: 10.6x ↓ 29: 10.5x ↖ 30: 10.7x ↓</p> <p>Series 103.4 Total 309.9</p>	<p>40 Shots</p> 	<p>31: 10.5x ↗ 32: 9.8 ↓ 33: 10.5x → 34: 10.2x ↓ 35: 9.6 ↑ 36: 10.1 ← 37: 10.3x ← 38: 10.1 ↙ 39: 10.3x → 40: 10.4x ↙</p> <p>Series 101.8 Total 411.7</p>
---	---	---	--



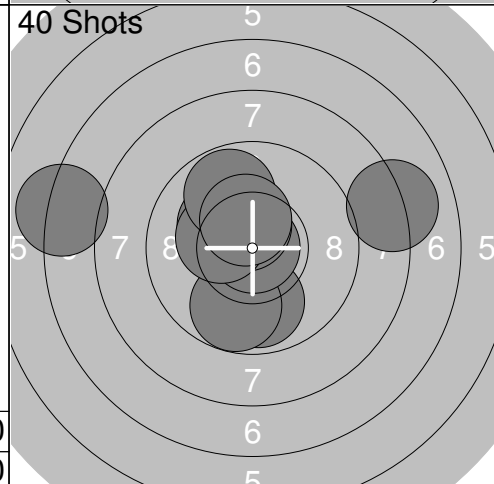
1:	9.1	↙
2:	8.9	↙
3:	10.0	↓
4:	9.2	↖
5:	8.9	←
6:	5.8	→
7:	8.5	→
8:	10.4x	←
9:	9.4	↗
10:	9.0	←
Series	85.0	
Total	0.0	



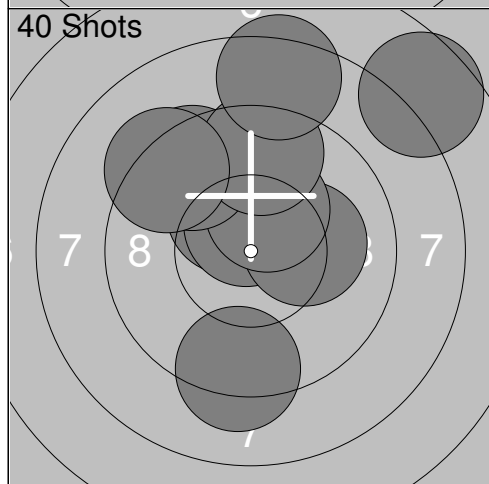
11:	9.7	→
12:	9.8	↑
13:	8.8	→
14:	9.4	↙
15:	9.3	↓
16:	10.6x	↖
17:	10.2x	↗
18:	8.4	↗
19:	9.2	↖
20:	9.2	↙
Series	90.0	
Total	0.0	



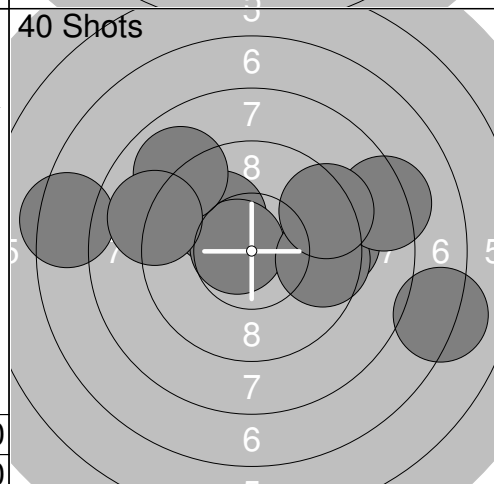
21:	10.0	↗
22:	8.6	→
24:	9.1	↘
25:	10.0	↗
Series	37.0	
Total	0.0	



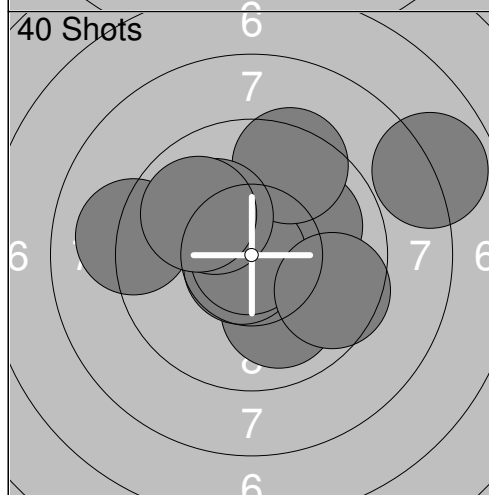
1:	9.9	↓
2:	9.8	↓
3:	10.9x	→
4:	10.2x	↖
5:	10.5x	↑
6:	8.1	→
7:	7.1	←
8:	10.3x	←
9:	9.8	↑
10:	10.4x	↑
Series	92.0	
Total	92.0	



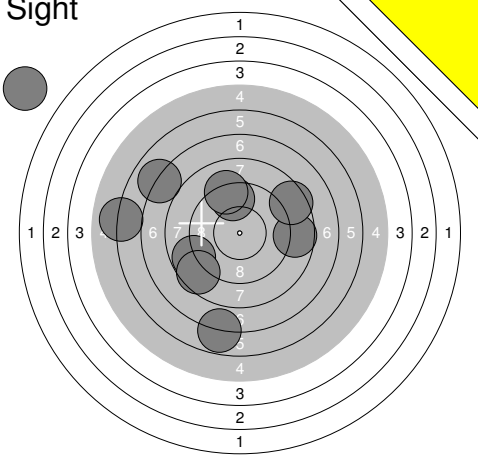
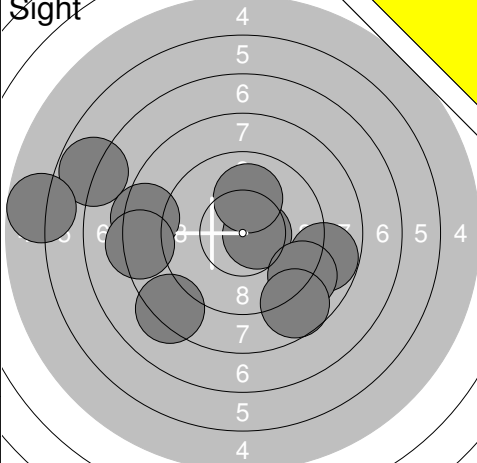
11:	10.3x	↖
12:	10.6x	↑
13:	10.2x	→
14:	9.2	↓
15:	10.3x	↑
16:	9.5	↗
17:	7.6	↗
18:	9.5	↑
19:	8.4	↑
20:	9.3	↗
Series	91.0	
Total	183.0	

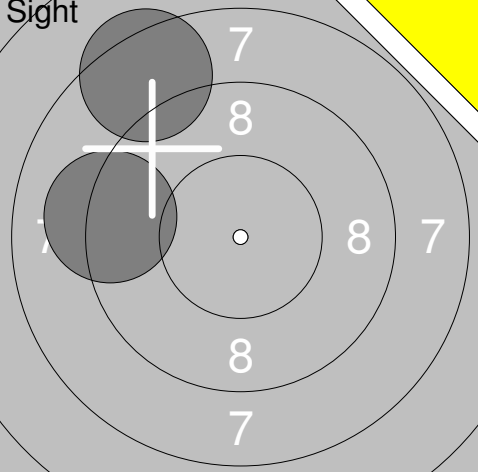
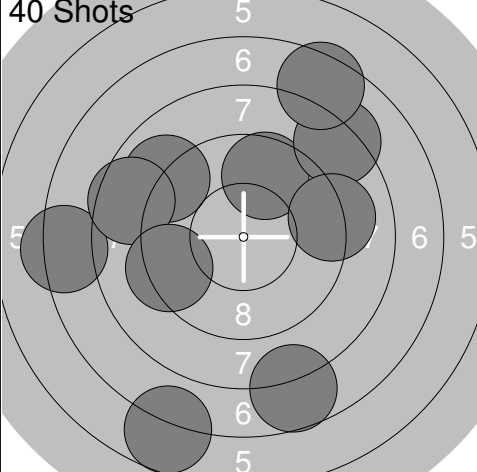


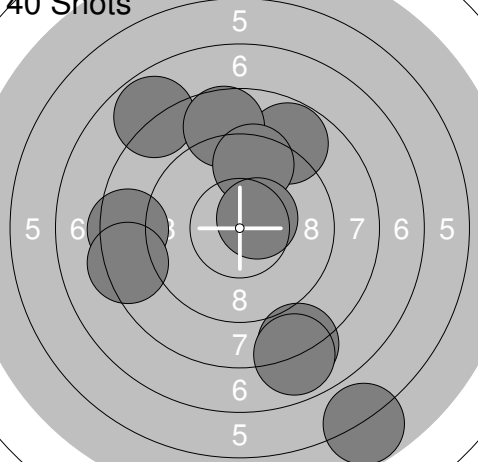
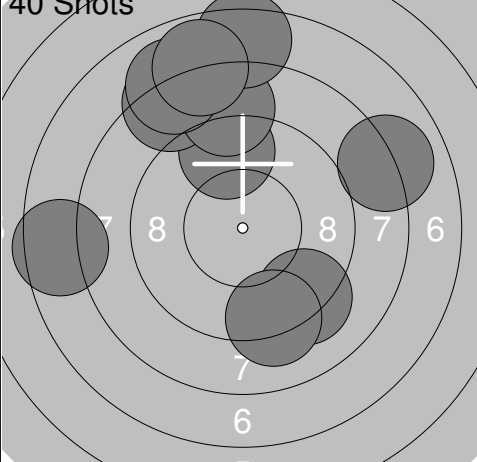
21:	9.4	→
22:	10.1	↖
23:	10.7x	←
24:	9.6	→
25:	7.2	→
26:	7.4	←
27:	8.3	↗
28:	9.0	↗
29:	9.3	↗
30:	9.0	←
Series	87.0	
Total	270.0	

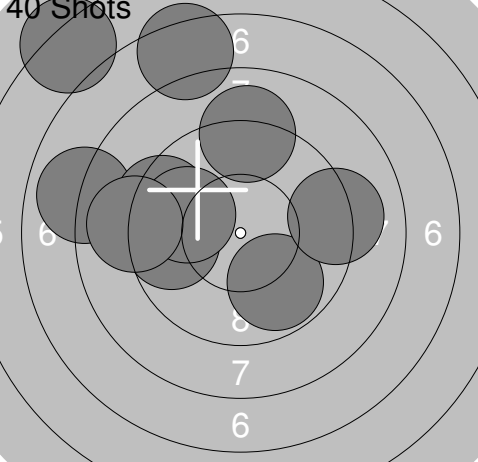


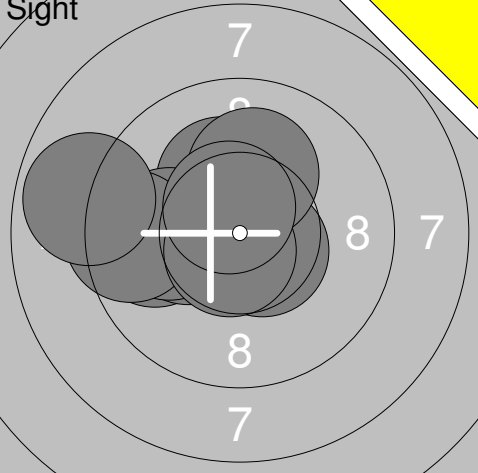
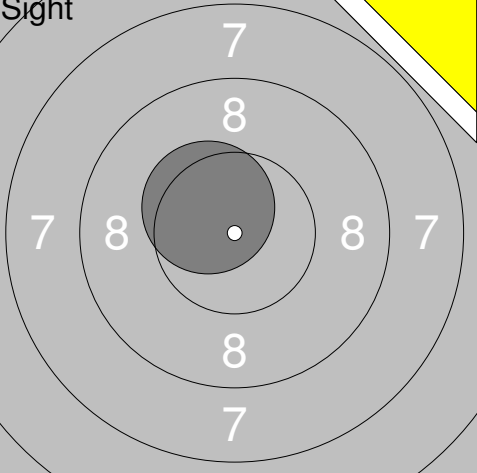
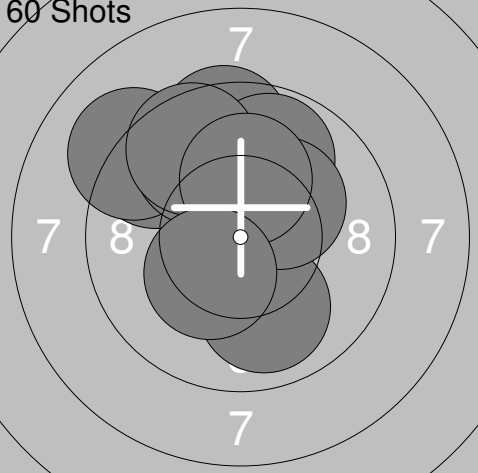
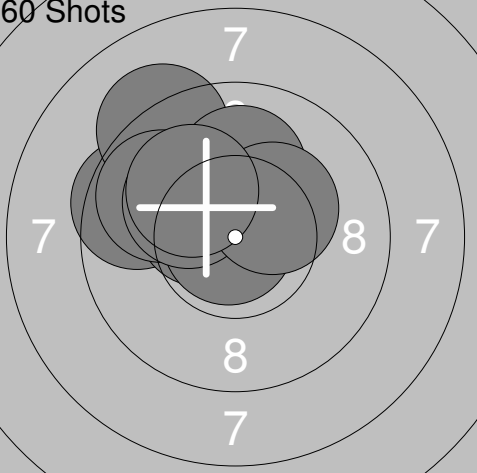
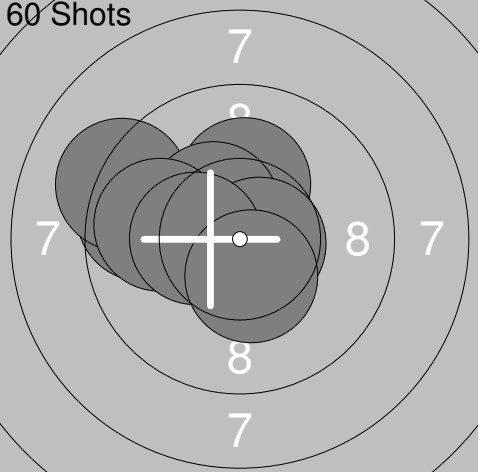
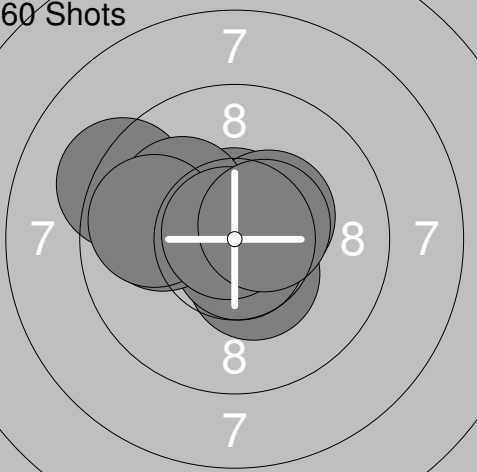
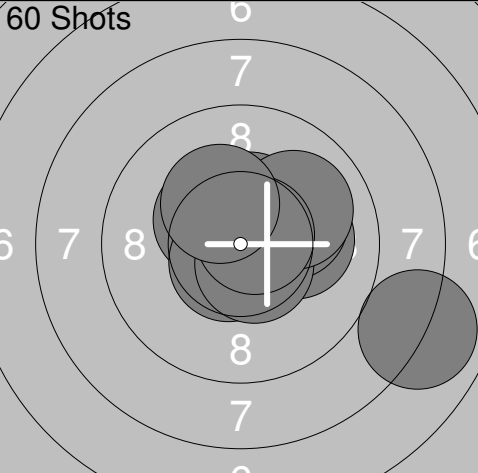
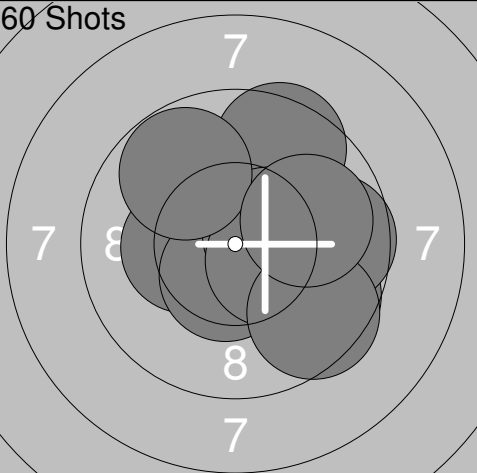
31:	10.0	↗
32:	10.0	↓
33:	7.9	↗
34:	10.7x	↙
35:	9.1	←
36:	10.9x	←
37:	9.4	↑
38:	9.6	↘
39:	10.1	↗
40:	9.9	↗
Series	93.0	
Total	363.0	

	<table border="1" style="width:100%; border-collapse: collapse;"> <tr><td>1:</td><td>8.8</td><td>↖</td></tr> <tr><td>2:</td><td>8.6</td><td>↙</td></tr> <tr><td>3:</td><td>7.0</td><td>↗</td></tr> <tr><td>4:</td><td>0.0</td><td>↗</td></tr> <tr><td>5:</td><td>6.0</td><td>↖</td></tr> <tr><td>6:</td><td>8.7</td><td>→</td></tr> <tr><td>7:</td><td>6.8</td><td>↘</td></tr> <tr><td>8:</td><td>9.5</td><td>↑</td></tr> <tr><td>9:</td><td>8.5</td><td>↗</td></tr> <tr><td>10:</td><td>9.2</td><td>↑</td></tr> <tr><td colspan="2">Series</td><td>69.0</td></tr> <tr><td colspan="2">Total</td><td>0.0</td></tr> </table>	1:	8.8	↖	2:	8.6	↙	3:	7.0	↗	4:	0.0	↗	5:	6.0	↖	6:	8.7	→	7:	6.8	↘	8:	9.5	↑	9:	8.5	↗	10:	9.2	↑	Series		69.0	Total		0.0	 <table border="1" style="width:100%; border-collapse: collapse;"> <tr><td>11:</td><td>10.6x</td><td>→</td></tr> <tr><td>12:</td><td>8.3</td><td>↙</td></tr> <tr><td>13:</td><td>8.8</td><td>→</td></tr> <tr><td>14:</td><td>6.8</td><td>↖</td></tr> <tr><td>15:</td><td>8.4</td><td>↖</td></tr> <tr><td>16:</td><td>9.1</td><td>↘</td></tr> <tr><td>17:</td><td>8.7</td><td>↘</td></tr> <tr><td>18:</td><td>8.3</td><td>←</td></tr> <tr><td>19:</td><td>5.7</td><td>←</td></tr> <tr><td>20:</td><td>10.0</td><td>↑</td></tr> <tr><td colspan="2">Series</td><td>80.0</td></tr> <tr><td colspan="2">Total</td><td>0.0</td></tr> </table>	11:	10.6x	→	12:	8.3	↙	13:	8.8	→	14:	6.8	↖	15:	8.4	↖	16:	9.1	↘	17:	8.7	↘	18:	8.3	←	19:	5.7	←	20:	10.0	↑	Series		80.0	Total		0.0
1:	8.8	↖																																																																								
2:	8.6	↙																																																																								
3:	7.0	↗																																																																								
4:	0.0	↗																																																																								
5:	6.0	↖																																																																								
6:	8.7	→																																																																								
7:	6.8	↘																																																																								
8:	9.5	↑																																																																								
9:	8.5	↗																																																																								
10:	9.2	↑																																																																								
Series		69.0																																																																								
Total		0.0																																																																								
11:	10.6x	→																																																																								
12:	8.3	↙																																																																								
13:	8.8	→																																																																								
14:	6.8	↖																																																																								
15:	8.4	↖																																																																								
16:	9.1	↘																																																																								
17:	8.7	↘																																																																								
18:	8.3	←																																																																								
19:	5.7	←																																																																								
20:	10.0	↑																																																																								
Series		80.0																																																																								
Total		0.0																																																																								

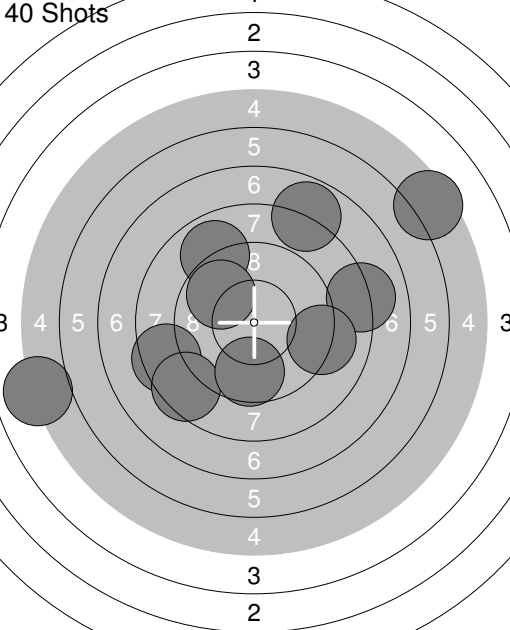
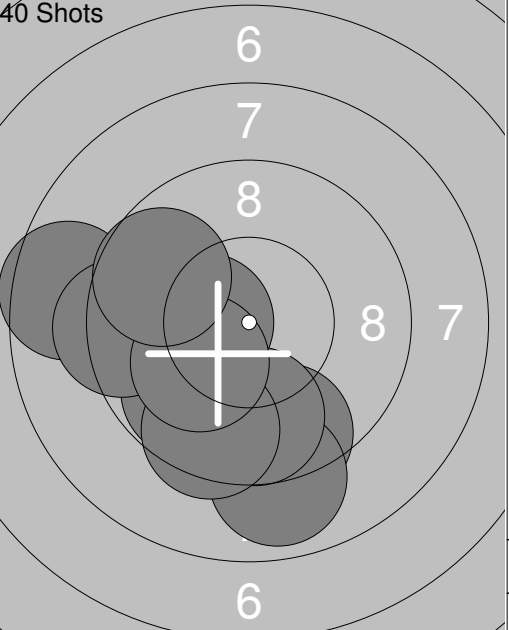
 <table border="1" style="width:100%; border-collapse: collapse;"> <tr><td>21:</td><td>9.2</td><td>←</td></tr> <tr><td>22:</td><td>8.4</td><td>↗</td></tr> <tr><td colspan="2">Series</td><td>17.0</td></tr> <tr><td colspan="2">Total</td><td>0.0</td></tr> </table>	21:	9.2	←	22:	8.4	↗	Series		17.0	Total		0.0	 <table border="1" style="width:100%; border-collapse: collapse;"> <tr><td>1:</td><td>9.6</td><td>↑</td></tr> <tr><td>2:</td><td>6.7</td><td>↘</td></tr> <tr><td>3:</td><td>7.3</td><td>←</td></tr> <tr><td>4:</td><td>8.2</td><td>↗</td></tr> <tr><td>5:</td><td>9.1</td><td>→</td></tr> <tr><td>6:</td><td>9.0</td><td>↗</td></tr> <tr><td>7:</td><td>7.5</td><td>↑</td></tr> <tr><td>8:</td><td>8.5</td><td>↖</td></tr> <tr><td>9:</td><td>7.7</td><td>↘</td></tr> <tr><td>10:</td><td>9.3</td><td>←</td></tr> <tr><td colspan="2">Series</td><td>79.0</td></tr> <tr><td colspan="2">Total</td><td>79.0</td></tr> </table>	1:	9.6	↑	2:	6.7	↘	3:	7.3	←	4:	8.2	↗	5:	9.1	→	6:	9.0	↗	7:	7.5	↑	8:	8.5	↖	9:	7.7	↘	10:	9.3	←	Series		79.0	Total		79.0
21:	9.2	←																																															
22:	8.4	↗																																															
Series		17.0																																															
Total		0.0																																															
1:	9.6	↑																																															
2:	6.7	↘																																															
3:	7.3	←																																															
4:	8.2	↗																																															
5:	9.1	→																																															
6:	9.0	↗																																															
7:	7.5	↑																																															
8:	8.5	↖																																															
9:	7.7	↘																																															
10:	9.3	←																																															
Series		79.0																																															
Total		79.0																																															

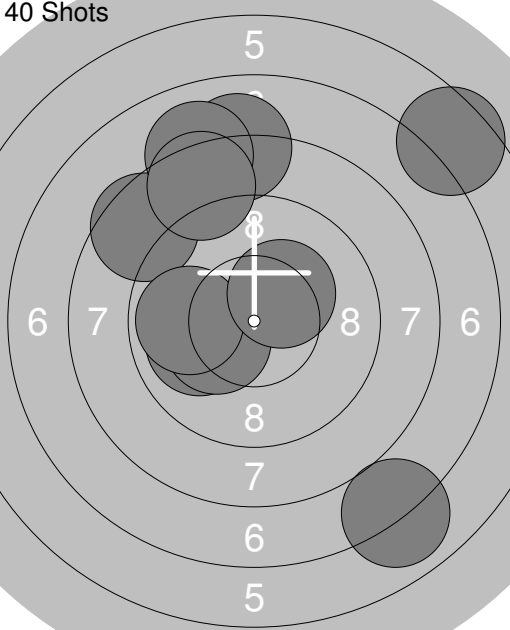
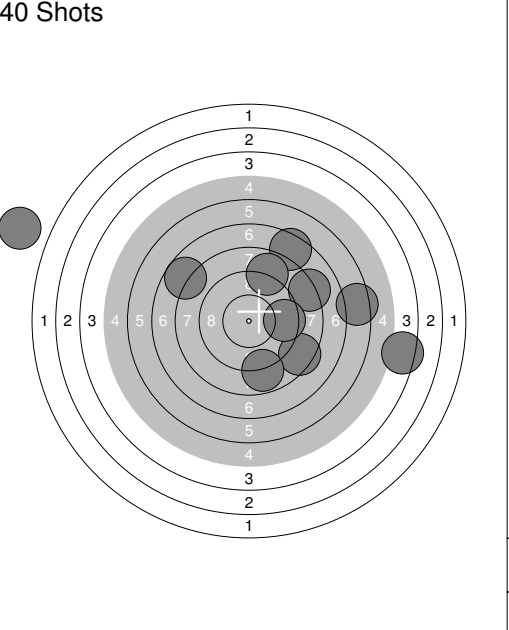
 <table border="1" style="width:100%; border-collapse: collapse;"> <tr><td>11:</td><td>5.8</td><td>↘</td></tr> <tr><td>12:</td><td>7.8</td><td>↗</td></tr> <tr><td>13:</td><td>8.1</td><td>↘</td></tr> <tr><td>14:</td><td>8.8</td><td>↗</td></tr> <tr><td>15:</td><td>8.7</td><td>↑</td></tr> <tr><td>16:</td><td>8.5</td><td>←</td></tr> <tr><td>17:</td><td>7.9</td><td>↘</td></tr> <tr><td>18:</td><td>9.5</td><td>↑</td></tr> <tr><td>19:</td><td>10.5x</td><td>↗</td></tr> <tr><td>20:</td><td>8.3</td><td>←</td></tr> <tr><td colspan="2">Series</td><td>78.0</td></tr> <tr><td colspan="2">Total</td><td>157.0</td></tr> </table>	11:	5.8	↘	12:	7.8	↗	13:	8.1	↘	14:	8.8	↗	15:	8.7	↑	16:	8.5	←	17:	7.9	↘	18:	9.5	↑	19:	10.5x	↗	20:	8.3	←	Series		78.0	Total		157.0	 <table border="1" style="width:100%; border-collapse: collapse;"> <tr><td>21:</td><td>7.5</td><td>←</td></tr> <tr><td>22:</td><td>8.0</td><td>→</td></tr> <tr><td>23:</td><td>9.2</td><td>↘</td></tr> <tr><td>24:</td><td>9.5</td><td>↑</td></tr> <tr><td>25:</td><td>8.2</td><td>↗</td></tr> <tr><td>26:</td><td>8.7</td><td>↑</td></tr> <tr><td>27:</td><td>7.4</td><td>↑</td></tr> <tr><td>28:</td><td>9.2</td><td>↘</td></tr> <tr><td>29:</td><td>8.0</td><td>↗</td></tr> <tr><td>30:</td><td>7.9</td><td>↑</td></tr> <tr><td colspan="2">Series</td><td>80.0</td></tr> <tr><td colspan="2">Total</td><td>237.0</td></tr> </table>	21:	7.5	←	22:	8.0	→	23:	9.2	↘	24:	9.5	↑	25:	8.2	↗	26:	8.7	↑	27:	7.4	↑	28:	9.2	↘	29:	8.0	↗	30:	7.9	↑	Series		80.0	Total		237.0
11:	5.8	↘																																																																							
12:	7.8	↗																																																																							
13:	8.1	↘																																																																							
14:	8.8	↗																																																																							
15:	8.7	↑																																																																							
16:	8.5	←																																																																							
17:	7.9	↘																																																																							
18:	9.5	↑																																																																							
19:	10.5x	↗																																																																							
20:	8.3	←																																																																							
Series		78.0																																																																							
Total		157.0																																																																							
21:	7.5	←																																																																							
22:	8.0	→																																																																							
23:	9.2	↘																																																																							
24:	9.5	↑																																																																							
25:	8.2	↗																																																																							
26:	8.7	↑																																																																							
27:	7.4	↑																																																																							
28:	9.2	↘																																																																							
29:	8.0	↗																																																																							
30:	7.9	↑																																																																							
Series		80.0																																																																							
Total		237.0																																																																							

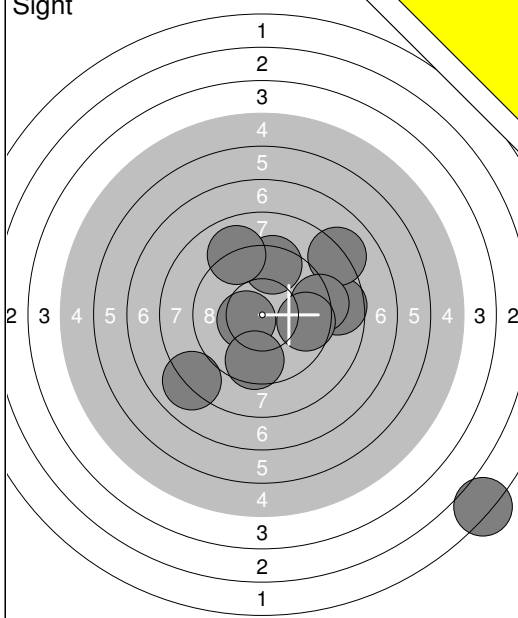
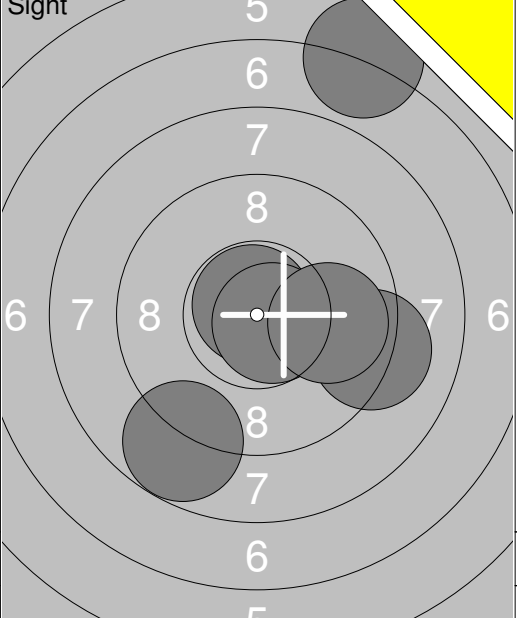
 <table border="1" style="width:100%; border-collapse: collapse;"> <tr><td>31:</td><td>7.4</td><td>↑</td></tr> <tr><td>32:</td><td>9.7</td><td>←</td></tr> <tr><td>33:</td><td>8.0</td><td>←</td></tr> <tr><td>34:</td><td>9.1</td><td>↑</td></tr> <tr><td>35:</td><td>9.4</td><td>↖</td></tr> <tr><td>36:</td><td>9.8</td><td>↘</td></tr> <tr><td>37:</td><td>9.9</td><td>↖</td></tr> <tr><td>38:</td><td>9.0</td><td>←</td></tr> <tr><td>39:</td><td>9.1</td><td>→</td></tr> <tr><td>40:</td><td>6.2</td><td>↗</td></tr> <tr><td colspan="2">Series</td><td>84.0</td></tr> <tr><td colspan="2">Total</td><td>321.0</td></tr> </table>	31:	7.4	↑	32:	9.7	←	33:	8.0	←	34:	9.1	↑	35:	9.4	↖	36:	9.8	↘	37:	9.9	↖	38:	9.0	←	39:	9.1	→	40:	6.2	↗	Series		84.0	Total		321.0	
31:	7.4	↑																																			
32:	9.7	←																																			
33:	8.0	←																																			
34:	9.1	↑																																			
35:	9.4	↖																																			
36:	9.8	↘																																			
37:	9.9	↖																																			
38:	9.0	←																																			
39:	9.1	→																																			
40:	6.2	↗																																			
Series		84.0																																			
Total		321.0																																			

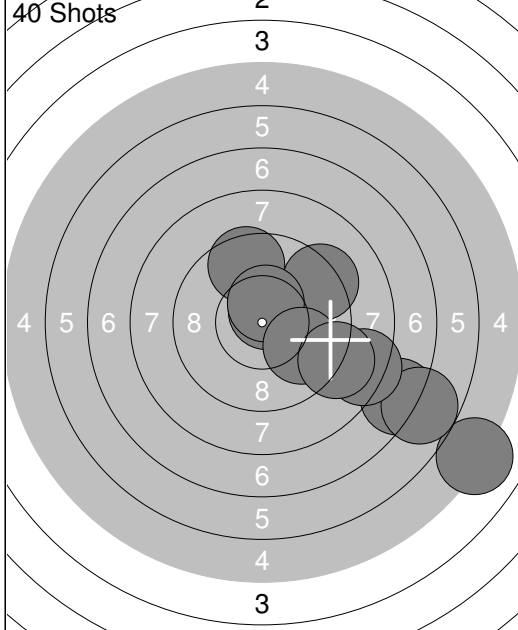
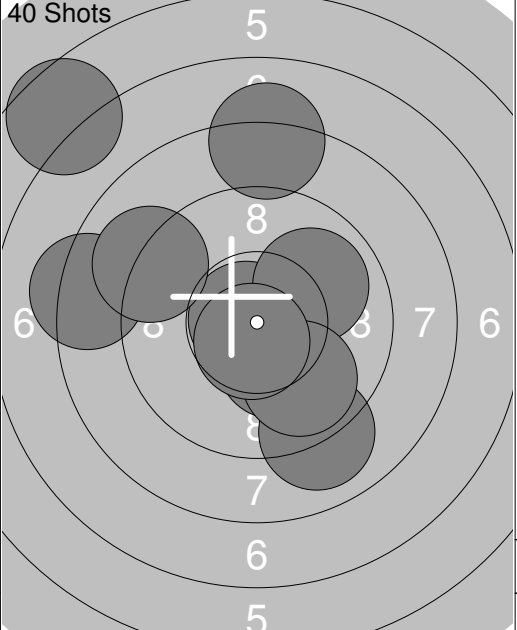
<p>Sight</p> 	<p>1: 9.8 ← 2: 10.3x ← 3: 10.6x ↘ 4: 10.2x ↗ 5: 10.0 ← 6: 10.1 ↗ 7: 9.5 ← 8: 10.7x ↘ 9: 10.6x ↗ 10: 8.9 ←</p> <p>Series 96.0 Total 0.0</p>	<p>Sight</p> 	<p>11: 10.4x ↖</p> <p>Series 10.0 Total 0.0</p>
<p>60 Shots</p> 	<p>1: 9.4 ↗ 2: 9.1 ↗ 3: 9.8 ↗ 4: 9.5 ↗ 5: 9.8 ↗ 6: 10.0 ↘ 7: 10.2x ↗ 8: 9.6 ↗ 9: 10.2x ↗ 10: 10.3x ↘</p> <p>Series 94.0 Total 94.0</p>	<p>60 Shots</p> 	<p>11: 9.5 ← 12: 10.4x ← 13: 10.5x ↗ 14: 9.2 ↗ 15: 9.8 ← 16: 10.1 ↗ 17: 10.9x ← 18: 10.2x ↖ 19: 10.3x ↗ 20: 10.1 ↖</p> <p>Series 97.0 Total 191.0</p>
<p>60 Shots</p> 	<p>21: 9.6 ← 22: 9.2 ← 23: 10.5x ↗ 24: 10.7x ↗ 25: 10.2x ↗ 26: 10.4x ↖ 27: 10.7x → 28: 9.9 ← 29: 10.4x ← 30: 10.4x ↘</p> <p>Series 97.0 Total 288.0</p>	<p>60 Shots</p> 	<p>31: 10.4x ↘ 32: 10.6x ↗ 33: 10.7x ↘ 34: 10.0 ← 35: 9.3 ← 36: 10.4x ↗ 37: 10.1 ↖ 38: 9.8 ← 39: 10.8x ↖ 40: 10.5x →</p> <p>Series 98.0 Total 386.0</p>
<p>60 Shots</p> 	<p>41: 10.1 → 42: 10.4x ↗ 43: 10.4x ↖ 44: 10.6x ↘ 45: 10.1 → 46: 10.6x ↘ 47: 10.0 ↗ 48: 8.0 → 49: 10.7x ↗ 50: 10.3x ↗</p> <p>Series 98.0 Total 484.0</p>	<p>60 Shots</p> 	<p>51: 10.3x ← 52: 9.5 ↗ 53: 10.5x ↘ 54: 9.7 ↘ 55: 9.7 → 56: 10.5x → 57: 10.4x → 58: 9.8 ↗ 59: 9.5 ↘ 60: 9.9 →</p> <p>Series 94.0 Total 578.0</p>

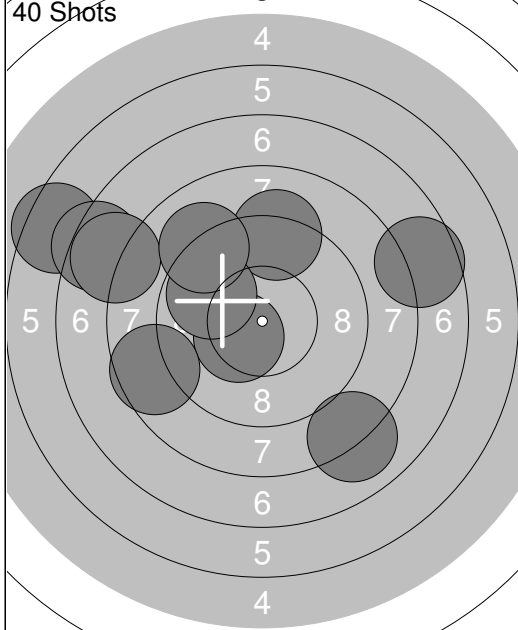
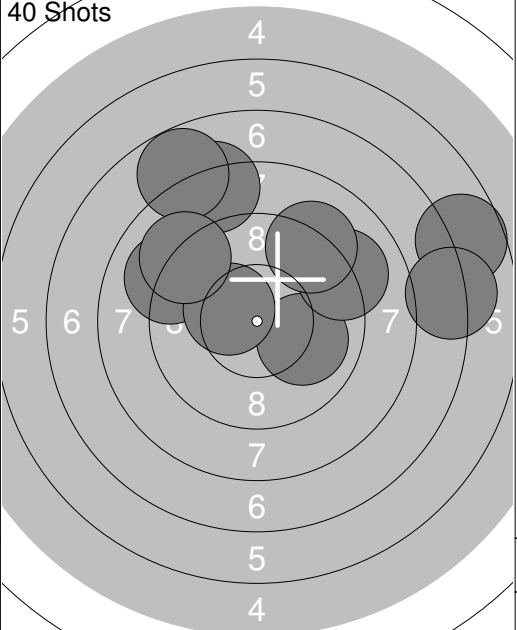
	<p>1: 8.2 →</p> <p>2: 8.0 ↓</p> <p>3: 10.4x ↗</p> <p>4: 7.6 ↓</p> <p>5: 10.8x ↘</p> <p>6: 7.4 ←</p> <p>7: 9.3 ←</p> <p>8: 7.0 ←</p> <p>9: 9.9 ↗</p> <p>10: 9.1 ↖</p>		<p>11: 9.1 ←</p>
Series 84.0		Series 9.0	
Total 0.0		Total 0.0	

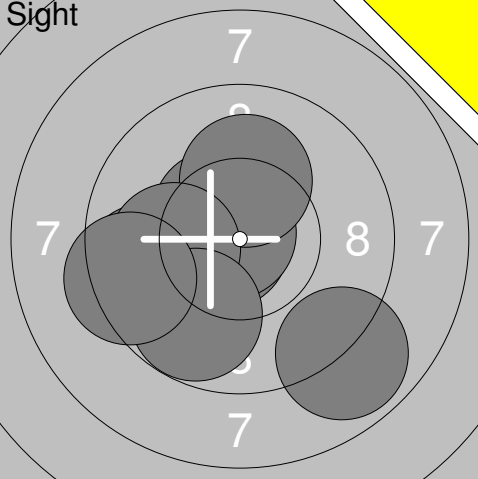
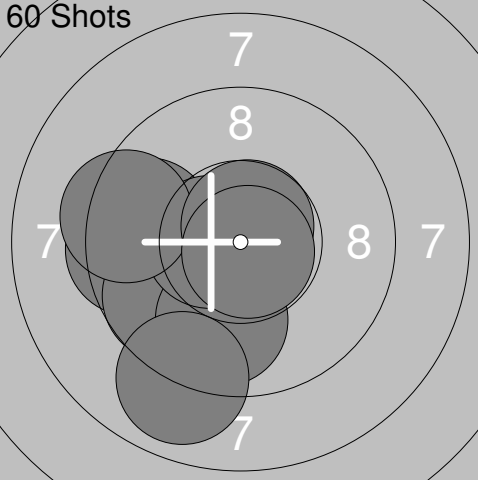
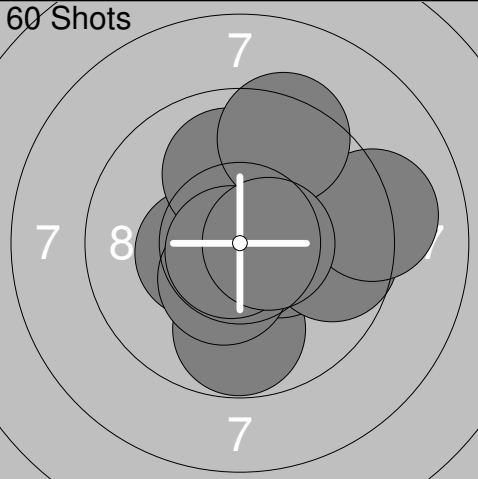
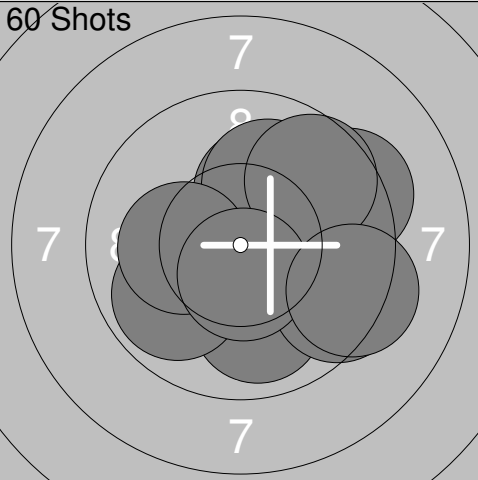
	<p>1: 8.5 ←</p> <p>2: 8.5 ↓</p> <p>3: 5.5 ↗</p> <p>4: 8.1 →</p> <p>5: 8.9 ↗</p> <p>6: 9.1 →</p> <p>7: 7.9 ↗</p> <p>8: 9.8 ↗</p> <p>9: 9.7 ↓</p> <p>10: 5.0 ←</p>		<p>11: 9.5 ↓</p> <p>12: 10.4x ←</p> <p>13: 9.8 ↘</p> <p>14: 8.9 ↓</p> <p>15: 9.7 ↓</p> <p>16: 9.5 ↓</p> <p>17: 8.6 ←</p> <p>18: 9.3 ←</p> <p>19: 10.1 ↘</p> <p>20: 9.7 ↖</p>
Series 76.0		Series 90.0	
Total 76.0		Total 166.0	

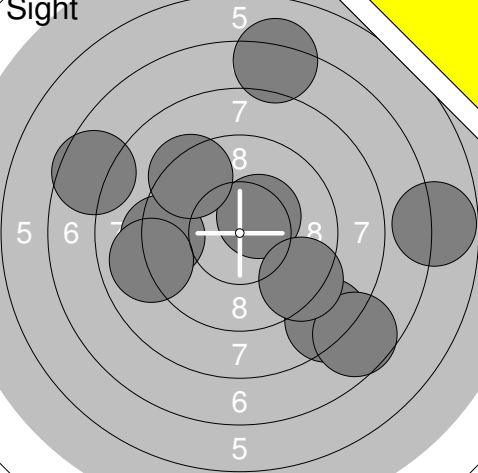
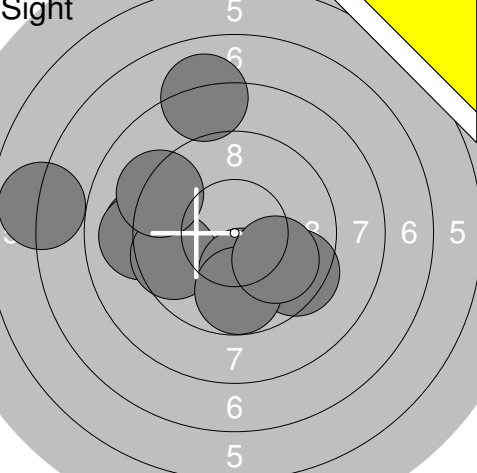
	<p>21: 10.0 ←</p> <p>22: 6.5 ↗</p> <p>23: 10.3x ←</p> <p>24: 8.1 ↑</p> <p>25: 8.5 ↖</p> <p>26: 8.0 ↑</p> <p>27: 8.5 ↑</p> <p>28: 7.0 ↓</p> <p>29: 9.9 ←</p> <p>30: 10.3x ↗</p>		<p>31: 7.5 ↗</p> <p>32: 8.4 ↘</p> <p>33: 8.1 ↗</p> <p>34: 6.4 →</p> <p>35: 7.7 ↖</p> <p>36: 4.4 →</p> <p>37: 8.8 ↑</p> <p>38: 9.5 →</p> <p>39: 8.8 ↓</p> <p>40: 0.0 ←</p>
Series 84.0		Series 65.0	
Total 250.0		Total 315.0	


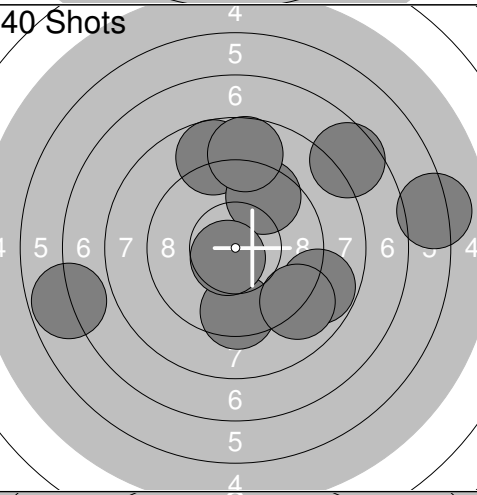
	<p>1: 8.6 →</p> <p>2: 8.0 ↙</p> <p>3: 9.4 ↑</p> <p>4: 2.1 ↘</p> <p>5: 9.0 ↑</p> <p>6: 10.4x↙</p> <p>7: 9.6 ↓</p> <p>8: 8.1 ↗</p> <p>9: 9.2 →</p> <p>10: 9.6 →</p>		<p>11: 10.8x ↗</p> <p>12: 8.8 ↙</p> <p>13: 10.7x ↘</p> <p>14: 6.8 ↑</p> <p>15: 9.2 →</p> <p>16: 9.9 →</p>
Series	81.0	Series	52.0
Total	0.0	Total	0.0

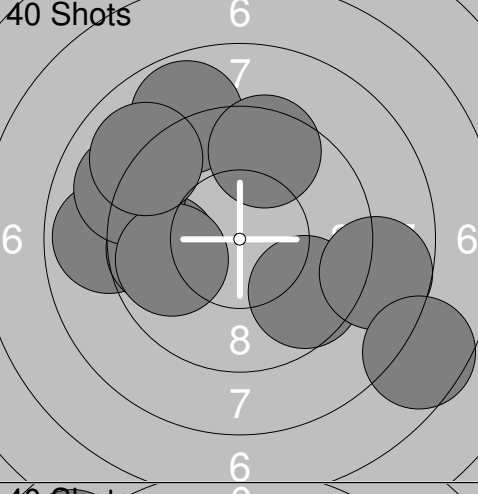
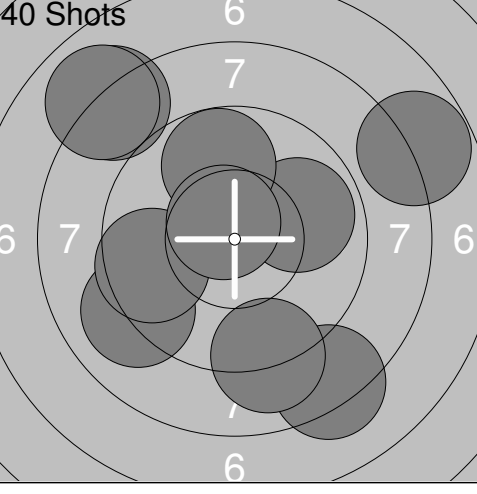
	<p>1: 7.3 →</p> <p>2: 10.7x ↑</p> <p>3: 5.1 ↘</p> <p>4: 9.5 ↑</p> <p>5: 9.3 ↗</p> <p>6: 10.5x ↑</p> <p>7: 6.8 ↘</p> <p>8: 8.3 ↘</p> <p>9: 9.9 ↘</p> <p>10: 9.0 ↘</p>		<p>11: 10.3x ↘</p> <p>12: 9.0 ↘</p> <p>13: 10.8x↙</p> <p>14: 8.1 ↑</p> <p>15: 8.3 ←</p> <p>16: 6.6 ↗</p> <p>17: 9.1 ↙</p> <p>18: 10.0 ↗</p> <p>19: 9.9 ↘</p> <p>20: 10.6x ↘</p>
Series	82.0	Series	89.0
Total	82.0	Total	171.0

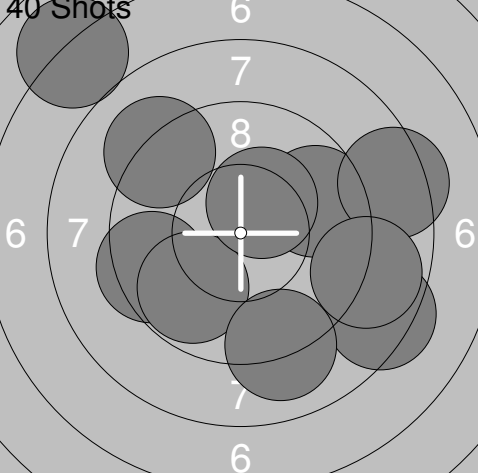
	<p>21: 8.0 ↘</p> <p>22: 6.5 ↙</p> <p>23: 10.4x↙</p> <p>24: 9.2 ↑</p> <p>25: 7.3 ↙</p> <p>26: 8.6 ←</p> <p>27: 7.8 ↙</p> <p>28: 7.6 →</p> <p>29: 9.8 ↙</p> <p>30: 9.1 ↗</p>		<p>31: 10.0 →</p> <p>32: 9.1 ↗</p> <p>33: 6.7 →</p> <p>34: 9.1 ↙</p> <p>35: 7.1 →</p> <p>36: 8.2 ↑</p> <p>37: 9.2 ↗</p> <p>38: 7.8 ↗</p> <p>39: 10.4x↙</p> <p>40: 9.1 ↙</p>
Series	80.0	Series	84.0
Total	251.0	Total	335.0

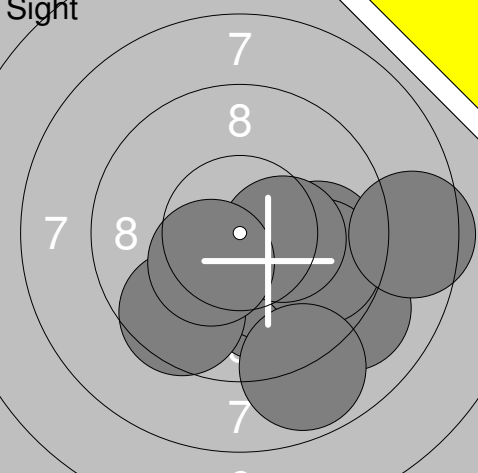
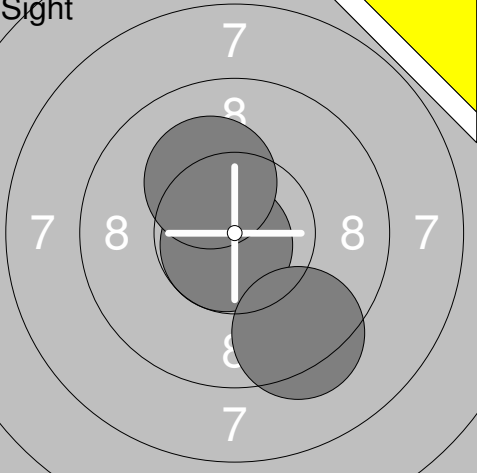
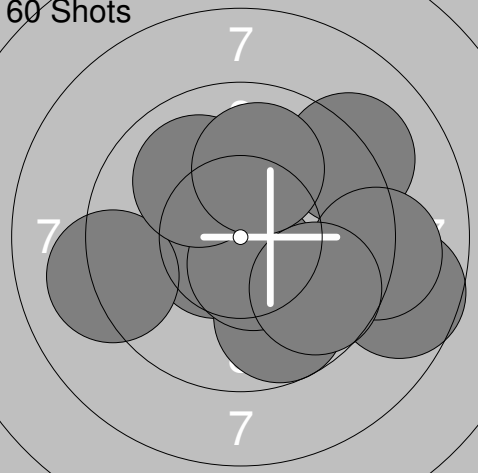
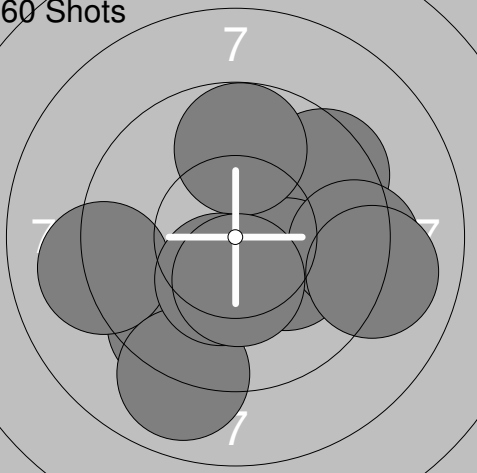
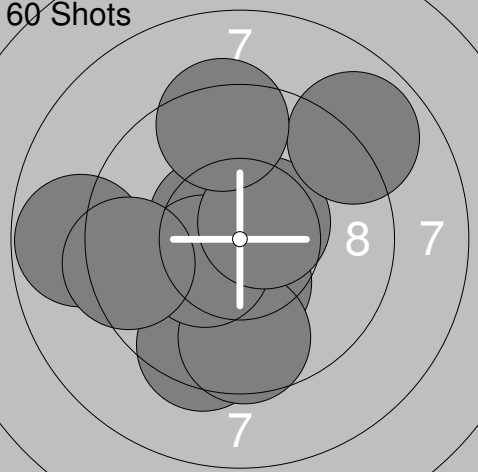
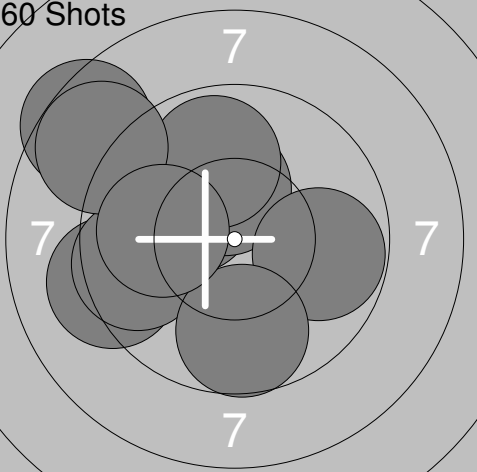
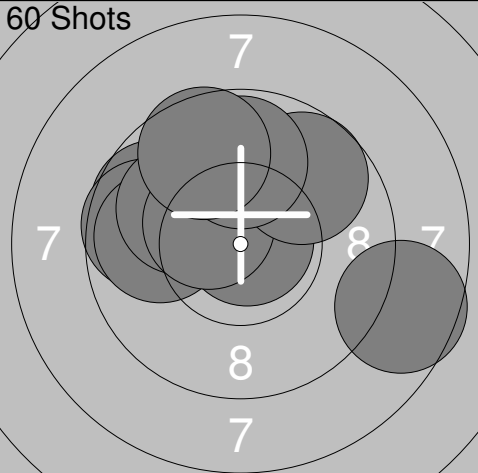
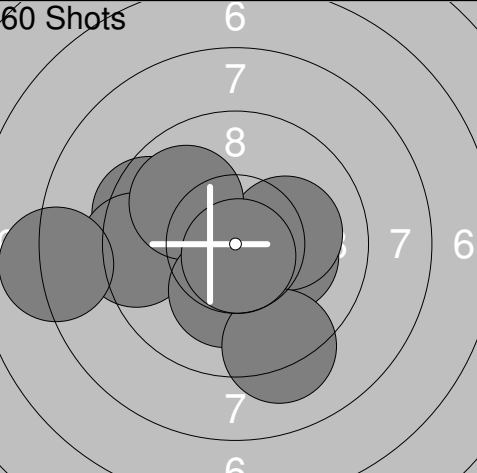
Relay	Lane	Joakim Olsson	
S	Kubikensborg	L20	Vn
2014-04-12	UME-Kulan 2014	Umeå skytteallians	
Sight		1: 8.9 ↘ 2: 9.8 ↙ 3: 10.5x ↗ 4: 10.7x ← 5: 10.8x ↖ 6: 10.2x ↑ 7: 9.6 ← 8: 10.0 ← 9: 9.8 ↘ 10: 9.4 ←	Sight
		Series 94.0	Series 49.0
		Total 0.0	Total 0.0
60 Shots		1: 10.5x ↙ 2: 9.7 ← 3: 9.5 ← 4: 9.7 ↙ 5: 9.9 ↘ 6: 10.5x ← 7: 9.4 ← 8: 8.9 ↘ 9: 10.7x ↑ 10: 10.8x ↘	60 Shots
		Series 93.0	Series 92.0
		Total 93.0	Total 185.0
60 Shots		11: 10.4x ← 12: 10.0 ↑ 13: 9.8 ↘ 14: 10.4x → 15: 9.7 → 16: 10.4x ↘ 17: 9.1 → 18: 9.4 ↑ 19: 10.8x ↙ 20: 10.6x →	60 Shots
		Series 96.0	Series 97.0
		Total 281.0	Total 378.0
60 Shots		21: 10.0 ↘ 22: 9.9 ↙ 23: 9.4 → 24: 10.2x ↑ 25: 9.5 → 26: 10.1 ↑ 27: 10.2x ← 28: 9.7 ↗ 29: 10.5x ↘ 30: 9.3 →	60 Shots
		Series 95.0	Series 95.0
		Total 473.0	Total 568.0

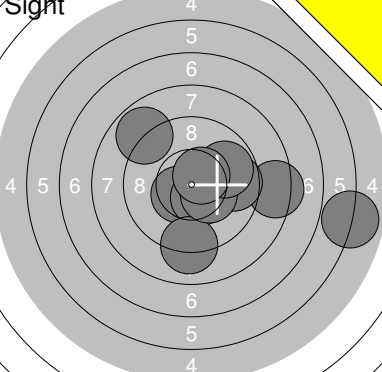
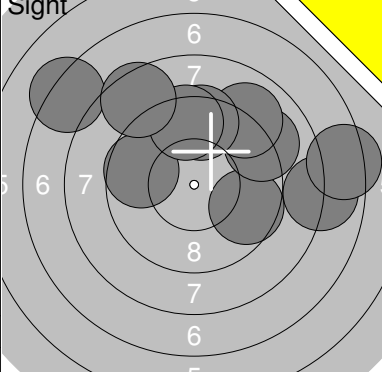
	<p>1: 8.3 ↘ 2: 7.6 ↗ 3: 7.7 ↘ 4: 10.4x ↗ 5: 9.3 ← 6: 9.0 ← 7: 9.3 ↘ 8: 9.3 ↗ 9: 6.8 → 10: 7.2 ↑</p> <p>Series 81.0 Total 0.0</p>		<p>11: 9.1 ← 12: 6.9 ← 13: 9.1 ← 14: 9.6 ← 15: 10.1 ↓ 16: 9.5 ↓ 17: 9.8 ↓ 18: 9.9 ↓ 19: 9.2 ↗ 20: 8.1 ↑</p> <p>Series 87.0 Total 0.0</p>
--	--	--	--

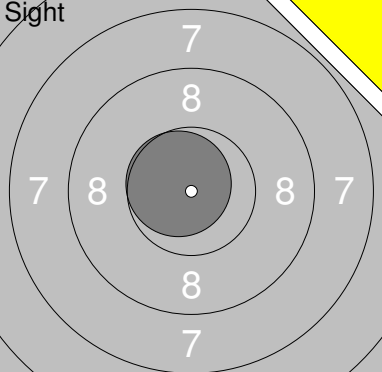
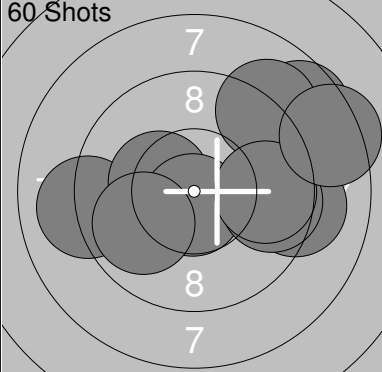
	<p>21: 10.6x ↖</p> <p>Series 10.0 Total 0.0</p>		<p>1: 8.8 → 2: 6.8 ← 3: 9.4 ↓ 4: 8.7 ↑ 5: 7.6 ↗ 6: 6.2 → 7: 9.0 ↘ 8: 9.6 ↑ 9: 8.7 ↑ 10: 10.7x ↘</p> <p>Series 80.0 Total 80.0</p>
---	---	---	---

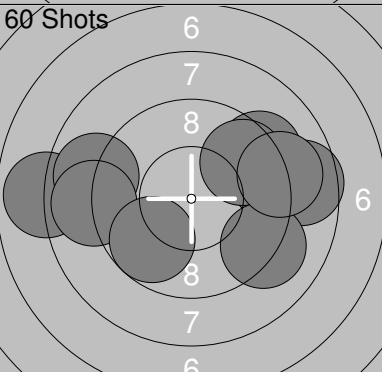
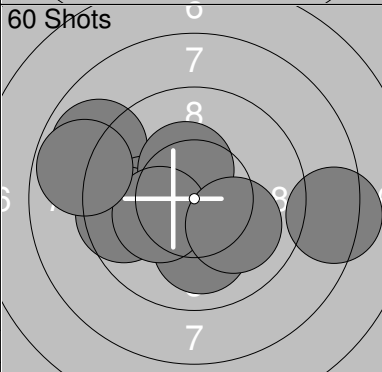
	<p>11: 9.6 ↘ 12: 8.7 → 13: 8.9 ← 14: 8.9 ↗ 15: 9.7 ← 16: 9.0 ↗ 17: 7.6 ↘ 18: 9.5 ↑ 19: 9.8 ← 20: 9.0 ↗</p> <p>Series 85.0 Total 165.0</p>		<p>21: 9.1 ↖ 22: 8.3 ↘ 23: 9.6 ← 24: 9.0 ↓ 25: 7.8 ↗ 26: 9.9 → 27: 9.8 ↑ 28: 10.6x ↗ 29: 8.1 ↗ 30: 8.0 ↗</p> <p>Series 86.0 Total 251.0</p>
--	---	--	---

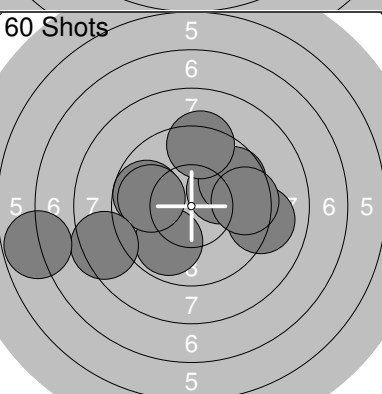
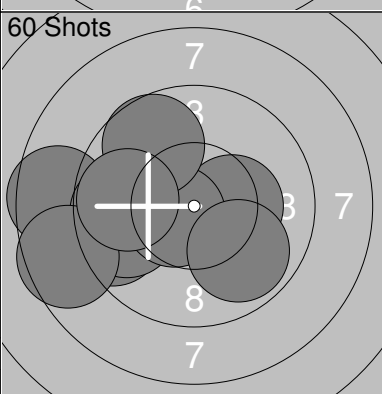
	<p>31: 9.6 → 32: 8.4 → 33: 7.0 ↗ 34: 9.4 ← 35: 8.4 ↘ 36: 9.8 ↘ 37: 9.1 ↘ 38: 8.8 → 39: 10.4x ↗ 40: 9.1 ↗</p> <p>Series 86.0 Total 337.0</p>		
--	---	--	--

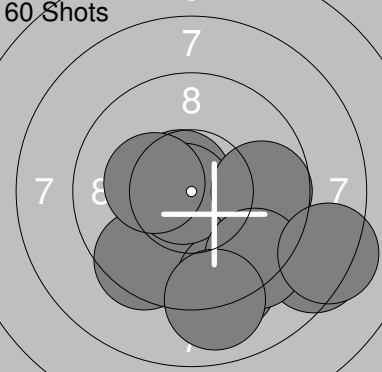
<p>Sight</p> 	<p>1: 9.1 ↘ 2: 10.0 ↘ 3: 9.8 → 4: 10.2x ↘ 5: 9.6 ↘ 6: 9.8 → 7: 8.9 ↘ 8: 8.5 → 9: 10.3x → 10: 10.4x ↘</p> <p>Series 92.0 Total 0.0</p>	<p>Sight</p> 	<p>11: 10.7x ↘ 12: 10.2x ↗ 13: 9.3 ↘</p> <p>Series 29.0 Total 0.0</p>
<p>60 Shots</p> 	<p>1: 10.6x ↙ 2: 9.1 ← 3: 8.7 → 4: 9.8 ↘ 5: 10.5x ↘ 6: 9.1 ↗ 7: 9.1 → 8: 9.7 ↘ 9: 10.0 ↗ 10: 10.0 ↑</p> <p>Series 93.0 Total 93.0</p>	<p>60 Shots</p> 	<p>11: 9.5 ↗ 12: 9.5 ↘ 13: 10.2x → 14: 9.8 ↑ 15: 9.1 ← 16: 9.3 → 17: 9.0 ↘ 18: 10.3x ↘ 19: 9.0 → 20: 10.4x ↘</p> <p>Series 93.0 Total 186.0</p>
<p>60 Shots</p> 	<p>21: 8.8 ← 22: 10.5x ↗ 23: 10.4x ↘ 24: 9.4 ↘ 25: 9.6 ↘ 26: 10.4x ↙ 27: 9.4 ← 28: 10.6x ↗ 29: 8.9 ↗ 30: 9.4 ↑</p> <p>Series 92.0 Total 278.0</p>	<p>60 Shots</p> 	<p>31: 8.4 ↖ 32: 10.2x ↖ 33: 10.3x ↑ 34: 9.2 ← 35: 9.6 ← 36: 9.8 → 37: 9.9 ↑ 38: 9.7 ↘ 39: 8.8 ↗ 40: 10.0 ←</p> <p>Series 91.0 Total 369.0</p>
<p>60 Shots</p> 	<p>41: 10.8x ↗ 42: 8.6 → 43: 9.7 ↖ 44: 9.7 ← 45: 9.9 ← 46: 10.0 ↖ 47: 10.4x ↖ 48: 9.7 ↗ 49: 9.9 ↑ 50: 9.6 ↑</p> <p>Series 92.0 Total 461.0</p>	<p>60 Shots</p> 	<p>51: 10.2x ↘ 52: 9.5 ← 53: 10.2x → 54: 9.4 ← 55: 10.1 → 56: 9.9 ↗ 57: 10.2x ↘ 58: 9.2 ↘ 59: 10.7x ↘ 60: 8.1 ←</p> <p>Series 94.0 Total 555.0</p>

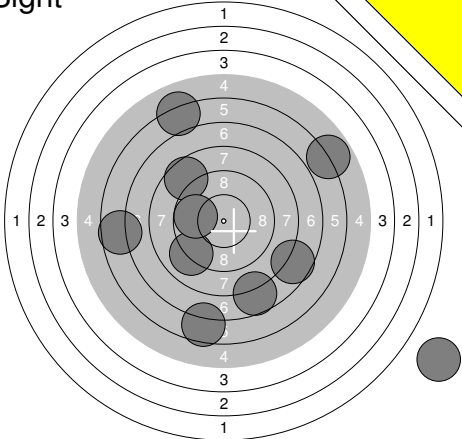
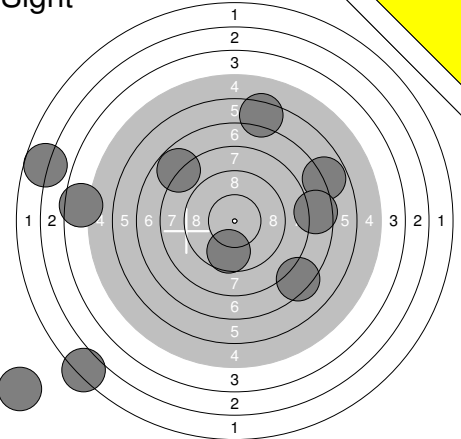
Sight 	1: 5.9 → 2: 10.5x ↖ 3: 10.5x ↘ 4: 9.1 ↓ 5: 8.9 ↗ 6: 8.4 → 7: 9.6 → 8: 10.3x ↘ 9: 9.8 → 10: 10.5x ↗	Sight 	11: 9.6 → 12: 9.1 ↗ 13: 9.6 ← 14: 7.9 → 15: 9.0 ↗ 16: 7.2 ↗ 17: 9.5 ↑ 18: 7.3 → 19: 9.5 ↑ 20: 8.5 ↗
Series	88.0	Series	83.0
Total	0.0	Total	0.0

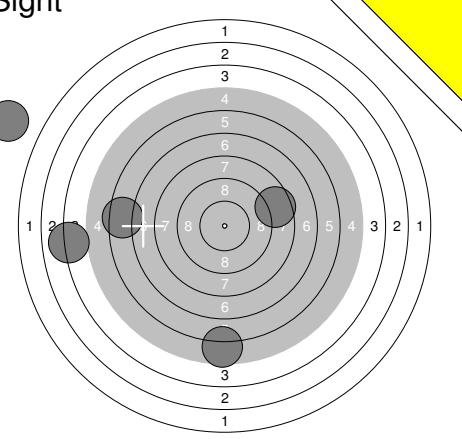
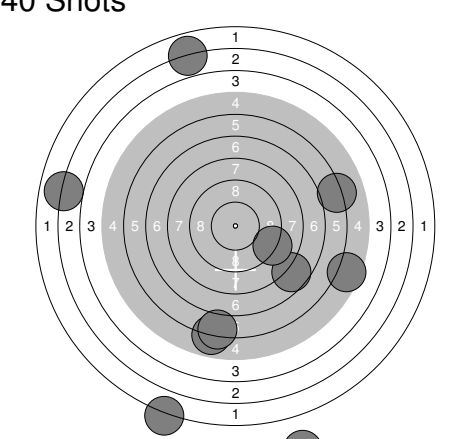
Sight 	21: 10.7x ↖	60 Shots 	1: 8.7 ↗ 2: 9.1 ← 3: 9.2 → 4: 9.0 ↗ 5: 10.3x ← 6: 10.7x ↓ 7: 9.9 ↖ 8: 9.6 → 9: 9.7 → 10: 8.4 →
Series	10.0	Series	90.0
Total	0.0	Total	90.0

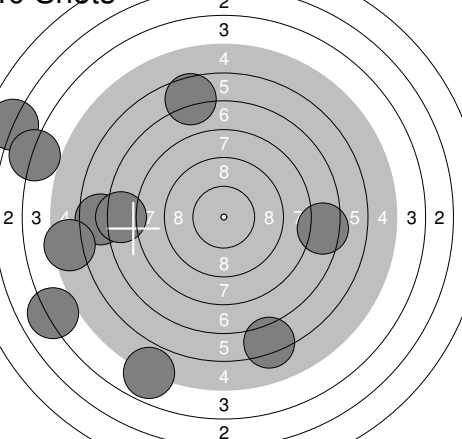
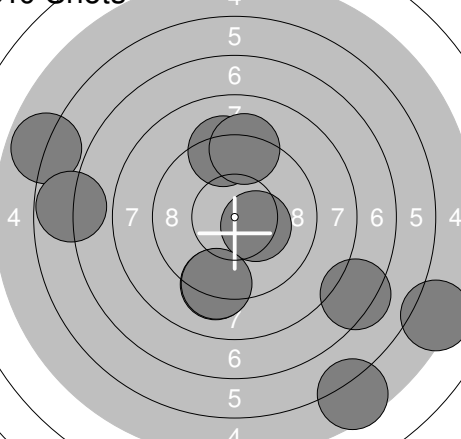
60 Shots 	11: 9.2 ↗ 12: 9.2 → 13: 7.9 ← 14: 8.6 → 15: 8.9 ← 16: 9.6 ↗ 17: 9.1 ↘ 18: 9.0 → 19: 8.9 ← 20: 9.8 ↖	60 Shots 	21: 10.2x ← 22: 8.9 ↗ 23: 10.1 ← 24: 9.6 ← 25: 10.4x ↑ 26: 10.1 ↓ 27: 8.3 → 28: 10.2x ↖ 29: 10.1 ↘ 30: 8.8 ↖
Series	85.0	Series	93.0
Total	175.0	Total	268.0

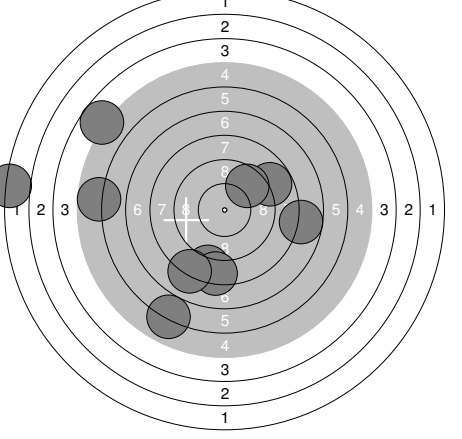
60 Shots 	31: 9.8 ↖ 32: 10.1 ↗ 33: 9.7 ↗ 34: 9.3 ↑ 35: 9.1 → 36: 9.5 → 37: 9.7 ← 38: 9.9 ← 39: 8.4 ← 40: 6.8 ←	60 Shots 	41: 9.4 ← 42: 8.6 ← 43: 9.7 ← 44: 9.7 ← 45: 10.3x → 46: 10.6x ← 47: 9.9 ↘ 48: 9.7 ↗ 49: 8.6 ← 50: 9.8 ←
Series	87.0	Series	90.0
Total	355.0	Total	445.0

60 Shots 	51: 8.4 ↘ 52: 9.5 ↖ 53: 9.2 ↘ 54: 10.7x ↗ 55: 10.8x ← 56: 9.7 → 57: 10.3x ← 58: 9.3 ↘ 59: 9.0 ↘ 60: 8.3 ↘		
Series	91.0		
Total	536.0		

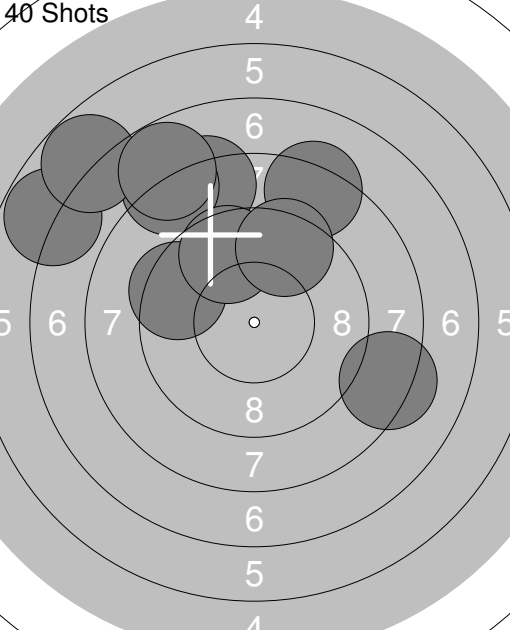
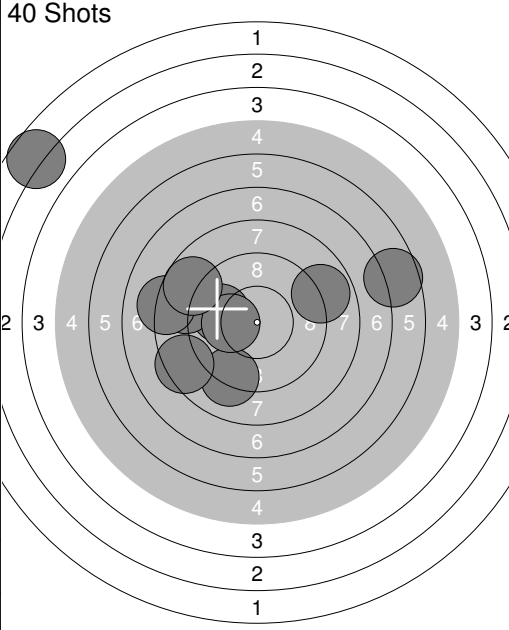
Sight 	1: 7.7 ↘ 2: 5.9 → 3: 8.6 ↗ 4: 9.1 ↘ 5: 6.6 ← 6: 7.6 ↘ 7: 6.6 ↘ 8: 9.8 ← 9: 6.1 ↗ 10: 0.0 ↘ Series 63.0 Total 0.0	Sight 	11: 6.4 ↑ 12: 7.8 ↗ 13: 7.4 ↘ 14: 6.8 → 15: 2.7 ← 16: 2.1 ↘ 17: 9.7 ↘ 18: 7.6 → 19: 0.0 ← 20: 4.5 ← Series 50.0 Total 0.0
---	---	--	--

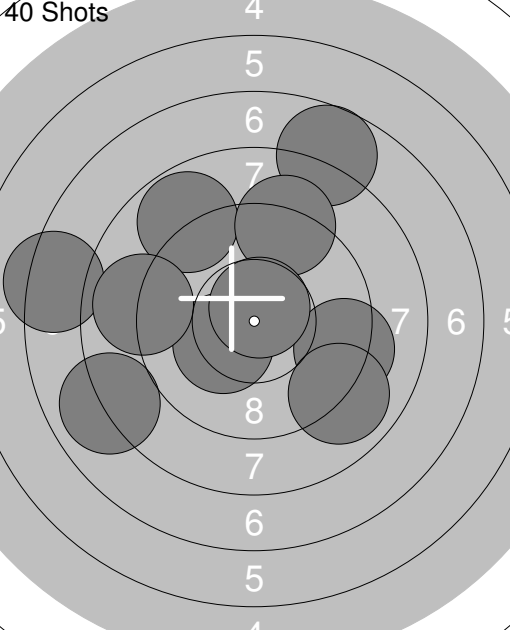
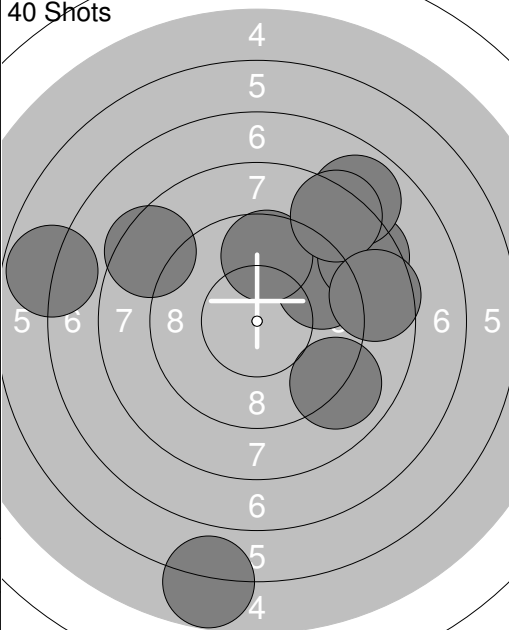
Sight 	21: 0.0 ← 22: 6.4 ← 23: 5.6 ↘ 24: 8.6 → 25: 4.0 ← Series 23.0 Total 0.0	40 Shots 	1: 1.7 ↘ 2: 6.1 → 3: 0.0 ↘ 4: 5.8 ↘ 5: 3.0 ← 6: 7.6 ↘ 7: 9.0 ↘ 8: 6.1 ↘ 9: 5.4 → 10: 2.9 ↑ Series 44.0 Total 44.0
--	---	--	--

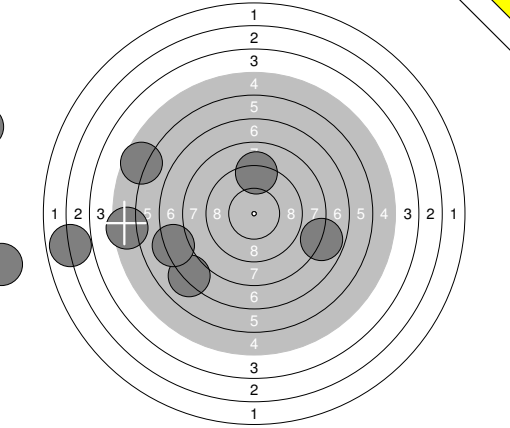
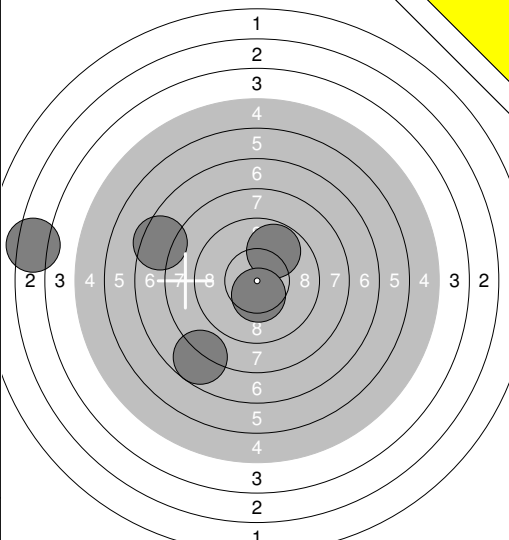
40 Shots 	11: 2.8 ← 12: 6.6 ↑ 13: 4.0 ← 14: 6.2 ↘ 15: 4.9 ↘ 16: 6.6 ← 17: 3.9 ← 18: 7.3 ← 19: 7.4 → 20: 5.4 ← Series 50.0 Total 94.0	40 Shots 	21: 5.9 ← 22: 6.8 ← 23: 7.3 ↘ 24: 9.2 ↘ 25: 5.6 ↘ 26: 9.2 ↑ 27: 10.4x → 28: 9.2 ↘ 29: 5.3 → 30: 9.2 ↑ Series 74.0 Total 168.0
--	---	---	--

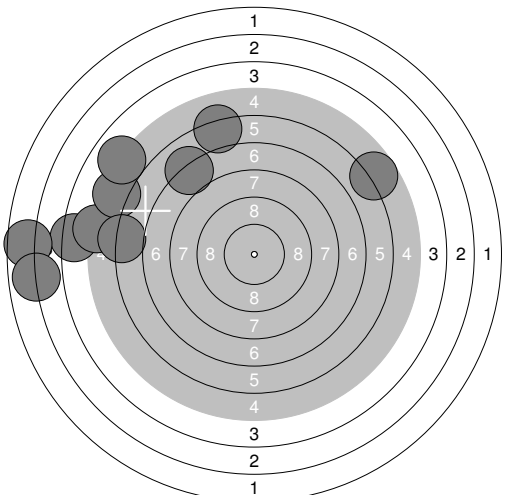
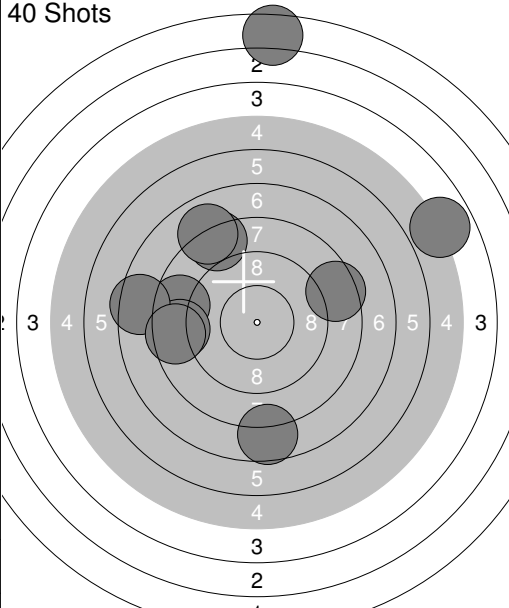
40 Shots 	31: 5.8 ← 32: 8.8 → 33: 2.0 ← 34: 7.7 → 35: 8.5 ↘ 36: 6.0 ↘ 37: 8.3 ↘ 38: 4.7 ↗ 39: 8.0 ↘ 40: 9.6 ↗ Series 65.0 Total 233.0		
--	--	--	--

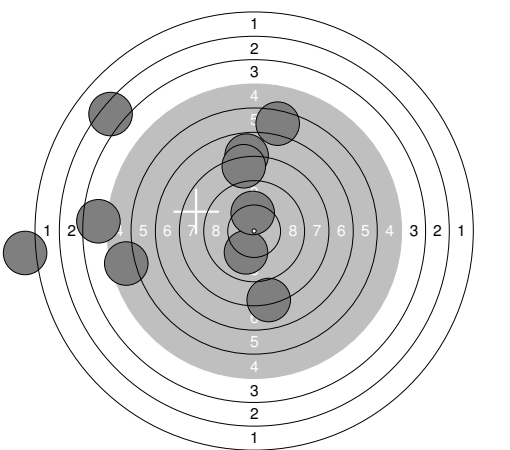
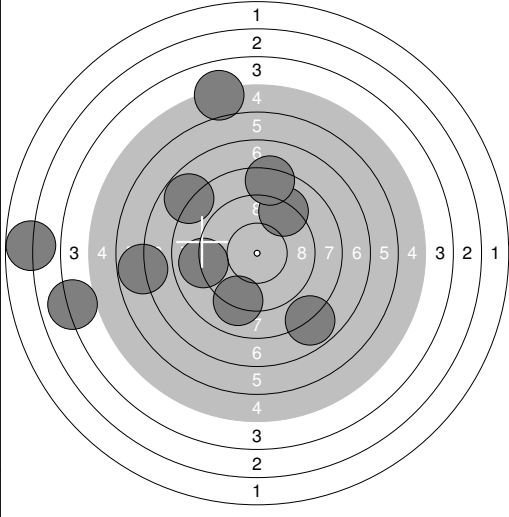
<p>Sight</p> 	<p>1: 8.0 ←</p> <p>2: 6.5 ↗</p> <p>3: 9.1 ↗</p> <p>4: 8.1 →</p> <p>5: 8.3 ↗</p> <p>6: 7.4 ↓</p> <p>7: 8.9 ↑</p> <p>8: 6.1 ↗</p> <p>9: 6.7 ←</p> <p>10: 7.8 ↗</p> <hr/> <p>Series 73.0</p> <p>Total 0.0</p>	<p>Sight</p> 	<p>11: 9.8 →</p> <p>12: 5.6 ↓</p> <p>13: 9.7 ↙</p> <p>14: 7.6 ↑</p> <hr/> <p>Series 30.0</p> <p>Total 0.0</p>
--	--	--	---

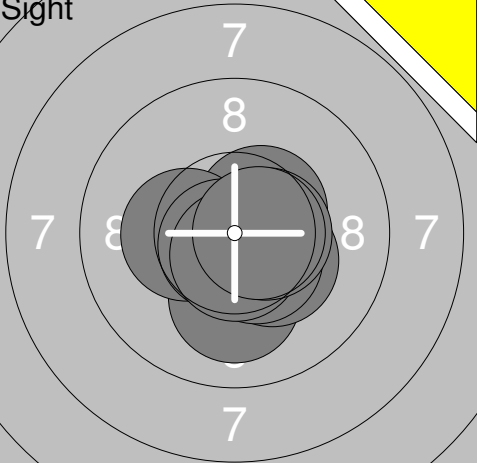
<p>40 Shots</p> 	<p>1: 8.3 →</p> <p>2: 8.3 ↗</p> <p>3: 6.8 ↗</p> <p>4: 8.3 ↗</p> <p>5: 8.0 ↗</p> <p>6: 9.4 ←</p> <p>7: 9.6 ↗</p> <p>8: 6.8 ↗</p> <p>9: 9.5 ↗</p> <p>10: 7.8 ↗</p> <hr/> <p>Series 78.0</p> <p>Total 78.0</p>	<p>40 Shots</p> 	<p>11: 8.8 ↗</p> <p>12: 6.6 →</p> <p>13: 2.7 ↗</p> <p>14: 9.8 ←</p> <p>15: 9.1 ↓</p> <p>16: 8.7 ←</p> <p>17: 10.2x ←</p> <p>18: 8.2 ←</p> <p>19: 8.4 ←</p> <p>20: 8.7 ↗</p> <hr/> <p>Series 76.0</p> <p>Total 154.0</p>
--	---	--	---


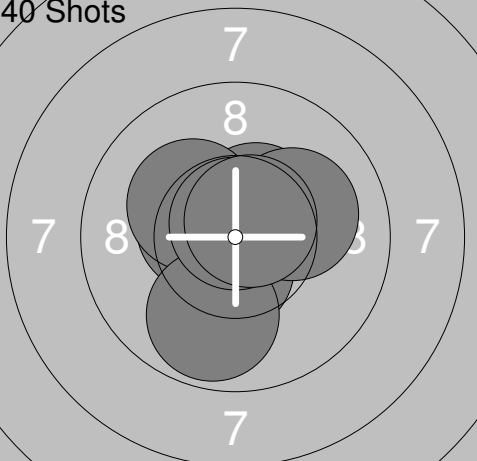
<p>40 Shots</p> 	<p>21: 7.7 ↗</p> <p>22: 8.0 ←</p> <p>23: 8.8 ↗</p> <p>24: 9.3 →</p> <p>25: 7.3 ←</p> <p>26: 9.0 ↓</p> <p>27: 9.2 ↗</p> <p>28: 10.3x ←</p> <p>29: 8.9 ←</p> <p>30: 10.7x ↗</p> <hr/> <p>Series 85.0</p> <p>Total 239.0</p>	<p>40 Shots</p> 	<p>31: 6.8 ←</p> <p>32: 9.5 ↗</p> <p>33: 8.5 ↗</p> <p>34: 7.9 ↗</p> <p>35: 9.7 ↑</p> <p>36: 8.5 ←</p> <p>37: 8.4 ↗</p> <p>38: 5.8 ↓</p> <p>39: 9.0 ↓</p> <p>40: 8.6 →</p> <hr/> <p>Series 77.0</p> <p>Total 316.0</p>
---	---	---	---


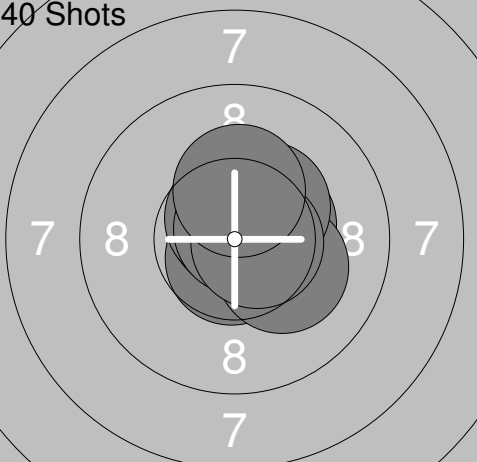
Sight 	1: 0.0 ← 2: 7.1 ↙ 3: 7.8 → 4: 2.9 ← 5: 5.4 ← 6: 0.0 ← 7: 0.0 ← 8: 7.2 ← 9: 5.6 ↙ 10: 9.2 ↑ <hr/> Series 42.0 Total 0.0	Sight 	11: 3.4 ← 12: 7.5 ↙ 13: 9.8 ↗ 14: 10.5x ↓ 15: 7.8 ↙ <hr/> Series 36.0 Total 0.0
--	---	--	---


40 Shots 	1: 4.3 ← 2: 7.1 ↗ 3: 2.6 ← 4: 5.1 ← 5: 6.1 ↑ 6: 5.4 ↙ 7: 5.7 ↗ 8: 2.9 ← 9: 6.1 ← 10: 5.0 ↙ <hr/> Series 47.0 Total 47.0	40 Shots 	11: 8.3 ↖ 12: 4.8 ↗ 13: 8.6 ← 14: 2.5 ↑ 15: 8.7 ← 16: 8.0 ↖ 17: 7.4 ← 18: 7.6 ↓ 19: 8.5 ↗ 20: 8.5 ← <hr/> Series 68.0 Total 115.0
--	--	--	--

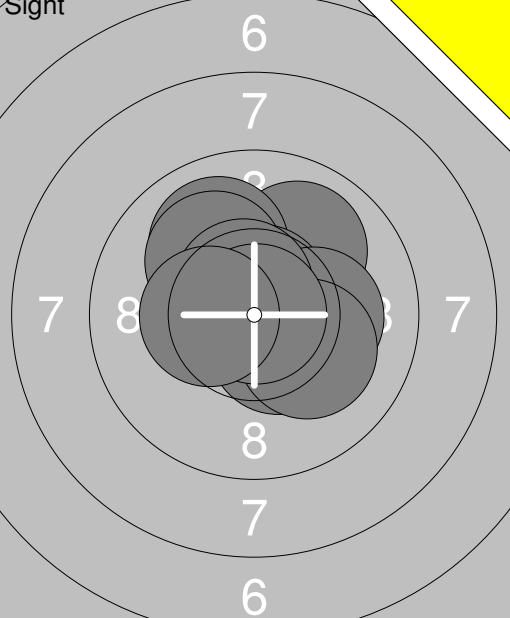
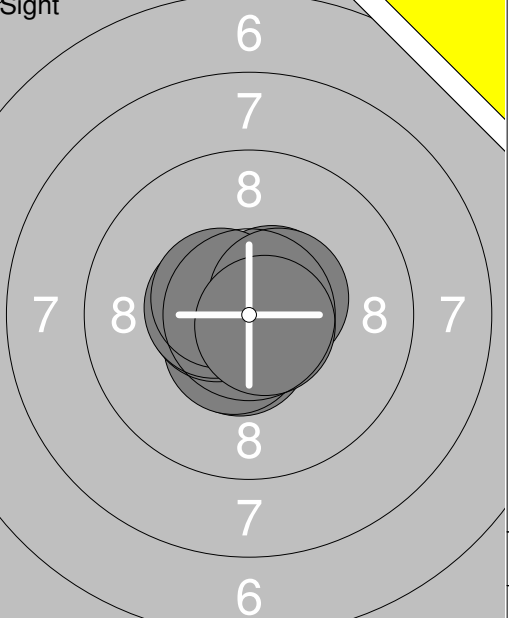
40 Shots 	21: 10.0 ↓ 22: 8.0 ↓ 23: 7.8 ↑ 24: 4.5 ← 25: 6.4 ↑ 26: 3.3 ↙ 27: 10.2x ↑ 28: 5.5 ← 29: 8.2 ↑ 30: 1.4 ← <hr/> Series 62.0 Total 177.0	40 Shots 	31: 6.8 ← 32: 5.1 ↑ 33: 2.8 ← 34: 9.0 ← 35: 7.8 ↙ 36: 7.9 ↘ 37: 9.1 ↓ 38: 4.0 ← 39: 9.2 ↗ 40: 8.3 ↑ <hr/> Series 66.0 Total 243.0
---	---	---	--

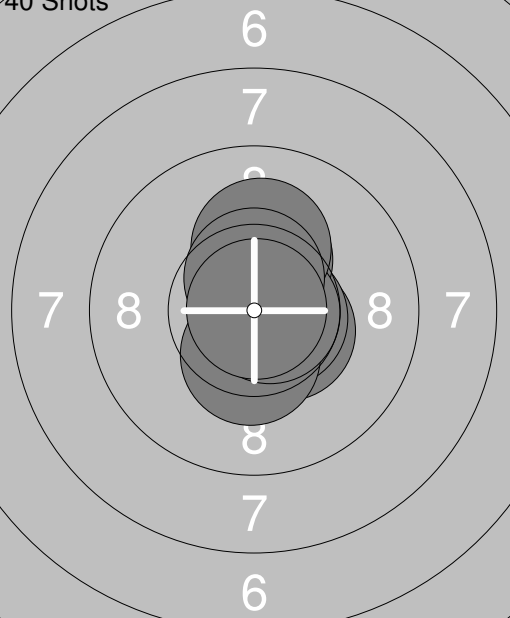
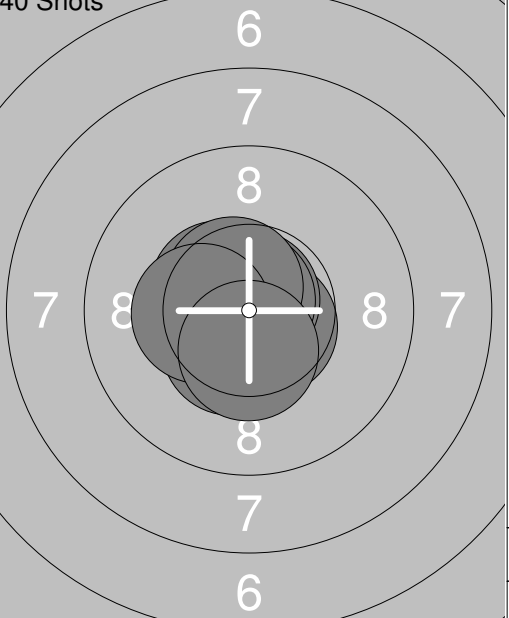
Sight 	1: 10.3x ↙ 2: 10.7x → 3: 10.1 ↑ 4: 10.3x ↑ 5: 10.2x ↓ 6: 10.9x → 7: 10.4x ↓ 8: 10.7x ↙ 9: 10.6x ↑ 10: 10.7x ↙ <hr/> Series 104.9 Total 0.0	Sight 	11: 10.5x ↗ 12: 10.1 ↓ 13: 10.3x ← 14: 10.3x ↘ 15: 10.5x ↘ 16: 10.7x ↙ 17: 10.7x ↓ 19: 10.5x → 20: 10.6x → <hr/> Series 94.2 Total 0.0
--	---	--	--

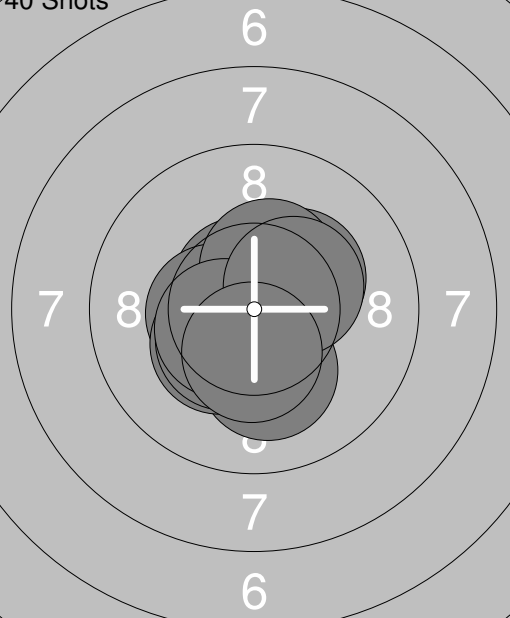
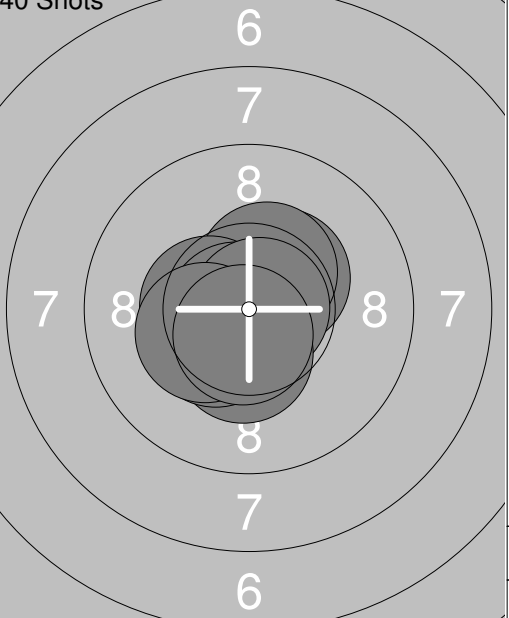
Sight 	21: 10.5x ↑ 22: 10.1 ↓ <hr/> Series 20.6 Total 0.0	40 Shots 	1: 10.8x ↙ 2: 10.9x ↘ 3: 10.5x ↗ 4: 10.5x ↓ 5: 10.5x ↙ 6: 10.2x ↖ 7: 10.1 → 8: 9.9 ↓ 9: 10.8x ↑ 10: 10.7x ↗ <hr/> Series 104.9 Total 104.9
---	---	--	---

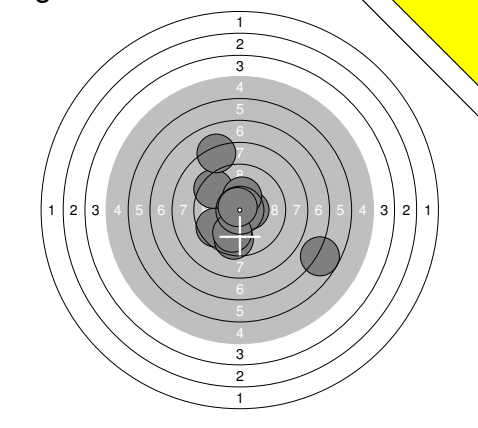
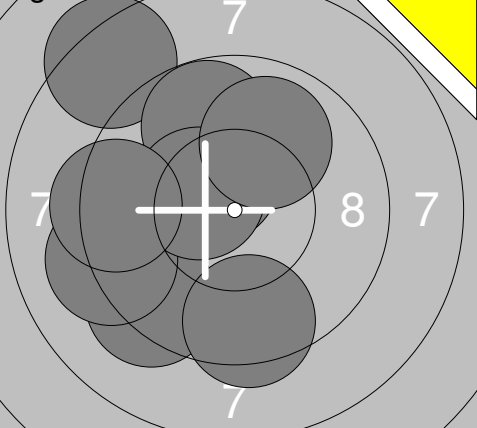
40 Shots 	11: 10.6x ↓ 12: 10.8x ↘ 13: 10.1 ↓ 14: 10.7x ↘ 15: 10.2x ↗ 16: 10.6x ↙ 17: 10.5x ↖ 18: 10.3x ↓ 19: 10.5x ↖ 20: 10.4x ↓ <hr/> Series 104.7 Total 209.6	40 Shots 	21: 10.8x ↘ 22: 10.4x → 23: 10.7x ↓ 24: 10.7x ↑ 25: 10.2x ↘ 26: 10.4x ↗ 27: 10.7x ↑ 28: 10.8x ↑ 29: 10.6x → 30: 10.3x ↑ <hr/> Series 105.6 Total 315.2
---	--	---	---


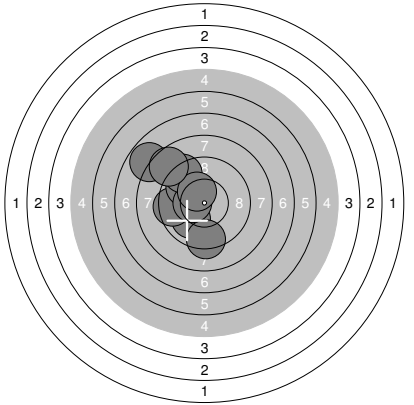
40 Shots 	31: 10.0 ↗ 32: 10.7x ↑ 33: 10.3x ↘ 34: 10.6x → 35: 10.8x ↖ 36: 10.0 ↗ 37: 10.7x ↗ 38: 10.8x ↙ 39: 10.0 ↗ 40: 10.3x ↘ <hr/> Series 104.2 Total 419.4		
---	--	--	--

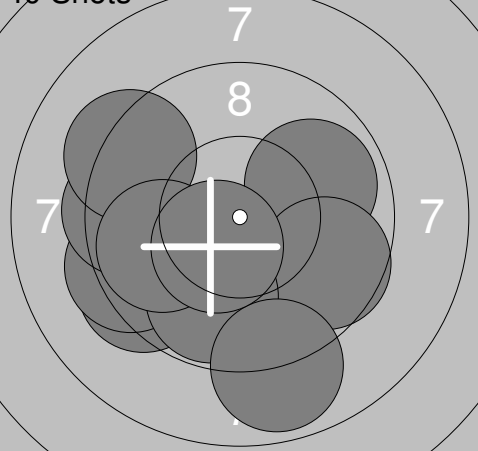
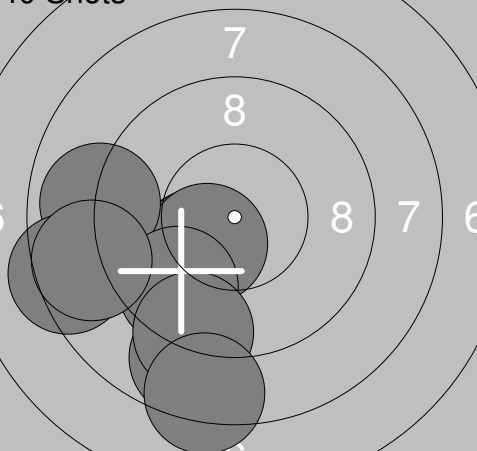
 <p style="text-align: center;">Sight</p>	<p>1: 10.0 ↗</p> <p>2: 10.0 ↖</p> <p>3: 10.1 ↖</p> <p>4: 10.7x ↑</p> <p>5: 10.5x ↓</p> <p>6: 10.2x →</p> <p>7: 10.1 →</p> <p>8: 10.6x ↖</p> <p>9: 10.9x →</p> <p>10: 10.4x ←</p>	 <p style="text-align: center;">Sight</p>	<p>11: 10.6x ↗</p> <p>12: 10.5x ↓</p> <p>13: 10.5x ↓</p> <p>14: 10.5x ←</p> <p>15: 10.7x →</p> <p>16: 10.5x ←</p> <p>17: 10.5x ↖</p> <p>18: 10.5x ↗</p> <p>19: 10.7x ↘</p>
Series 103.5		Series 95.0	
Total 0.0		Total 0.0	

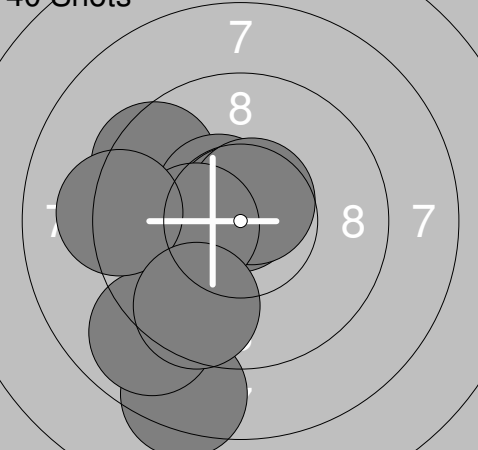
 <p style="text-align: center;">40 Shots</p>	<p>1: 10.7x ↘</p> <p>2: 10.6x ↓</p> <p>3: 10.5x ↘</p> <p>4: 10.6x →</p> <p>5: 10.4x ↓</p> <p>6: 10.3x ↑</p> <p>7: 10.7x →</p> <p>8: 10.2x ↑</p> <p>9: 10.5x ↑</p> <p>10: 10.9x ↗</p>	 <p style="text-align: center;">40 Shots</p>	<p>11: 10.6x ↘</p> <p>12: 10.5x ↖</p> <p>13: 10.8x ↑</p> <p>14: 10.8x ↖</p> <p>15: 10.5x ↓</p> <p>16: 10.5x ←</p> <p>17: 10.8x ↖</p> <p>18: 10.6x ↖</p> <p>19: 10.3x ←</p> <p>20: 10.4x ↓</p>
Series 105.4		Series 105.8	
Total 105.4		Total 211.2	

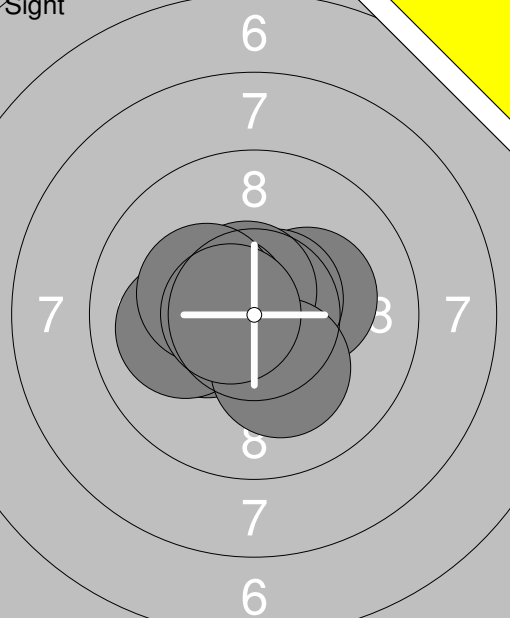
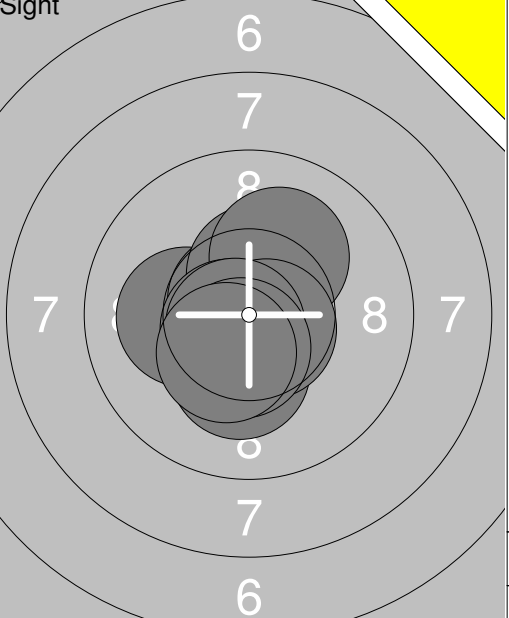
 <p style="text-align: center;">40 Shots</p>	<p>21: 10.2x ↓</p> <p>22: 10.6x ↖</p> <p>23: 10.5x ←</p> <p>24: 10.3x ↗</p> <p>25: 10.3x ↘</p> <p>26: 10.4x ↑</p> <p>27: 10.4x ↘</p> <p>28: 10.5x ↘</p> <p>29: 10.4x ↗</p> <p>30: 10.4x ↓</p>	 <p style="text-align: center;">40 Shots</p>	<p>31: 10.4x ↗</p> <p>32: 10.4x ↑</p> <p>33: 10.4x ←</p> <p>34: 10.8x ←</p> <p>35: 10.5x ↓</p> <p>36: 10.8x →</p> <p>37: 10.4x ↓</p> <p>38: 10.4x ↘</p> <p>39: 10.3x ↘</p> <p>40: 10.6x ↓</p>
Series 104.0		Series 105.0	
Total 315.2		Total 420.2	

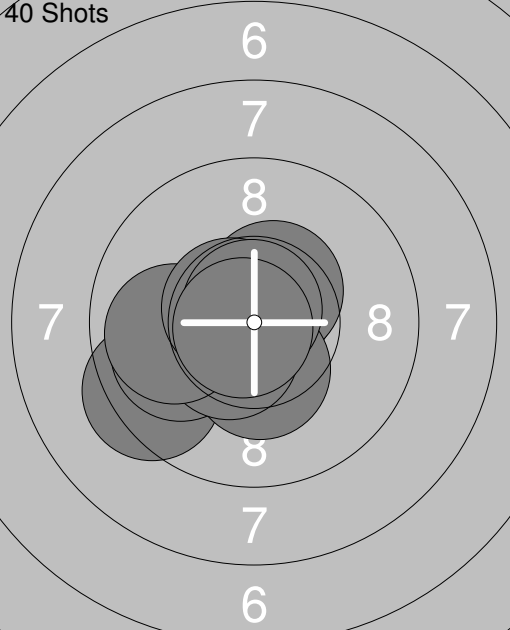
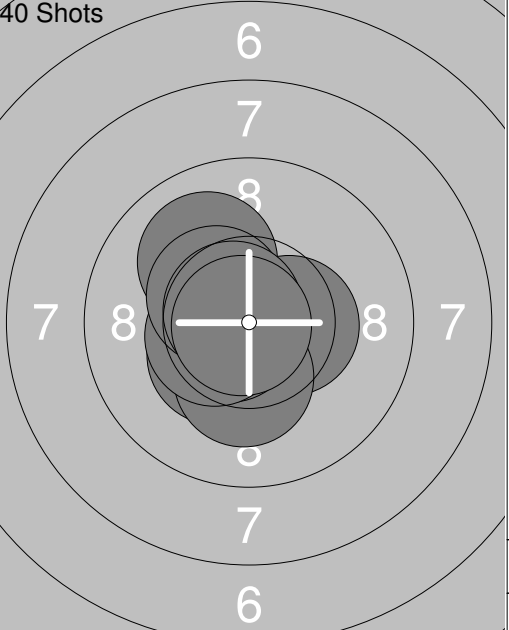
	<p>1: 10.5x →</p> <p>2: 9.6 ↙</p> <p>3: 9.4 ↗</p> <p>4: 9.6 ↓</p> <p>5: 0.0 ↓</p> <p>6: 6.7 →</p> <p>7: 10.3x ↑</p> <p>8: 9.9 ↓</p> <p>9: 8.2 ↗</p> <p>10: 10.8x ↗</p>		<p>11: 9.3 ↙</p> <p>12: 8.3 ↗</p> <p>13: 9.2 ←</p> <p>14: 10.4x ↗</p> <p>15: 9.8 ↑</p> <p>16: 10.4x ↙</p> <p>17: 9.9 ↗</p> <p>19: 9.3 ←</p> <p>20: 9.4 ↓</p>
Series 85.0		Series 86.0	
Total 0.0		Total 0.0	

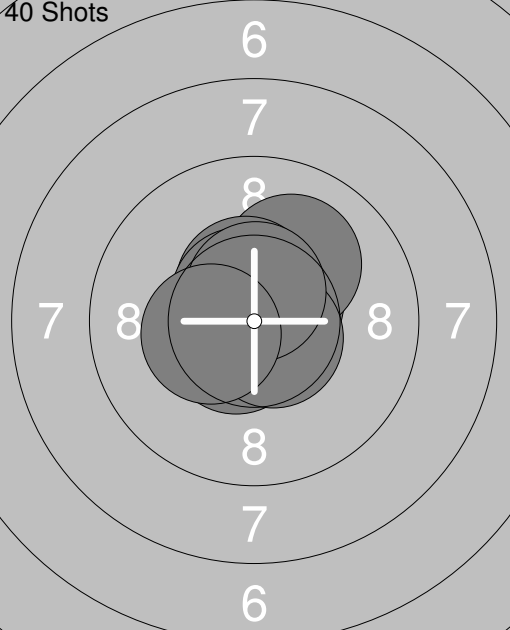
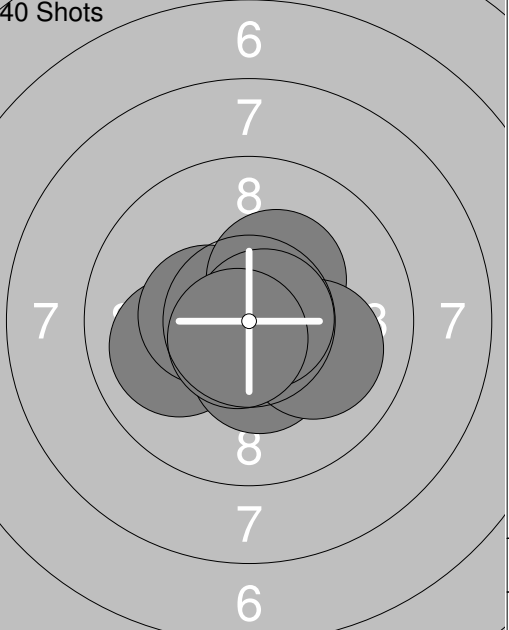
	<p>21: 9.7 ↗</p> <p>22: 9.7 ↗</p>	<p>40 Shots</p> 	<p>1: 0.0 ↓</p> <p>2: 10.0 ↙</p> <p>3: 9.3 ↓</p> <p>4: 7.8 ↗</p> <p>5: 9.5 ←</p> <p>6: 9.8 ↗</p> <p>7: 10.4x ←</p> <p>8: 9.3 ↗</p> <p>9: 10.3x ↗</p> <p>10: 8.6 ↗</p>
Series 19.4		Series 85.0	
Total 0.0		Total 85.0	


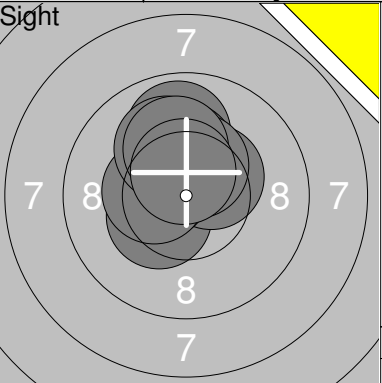

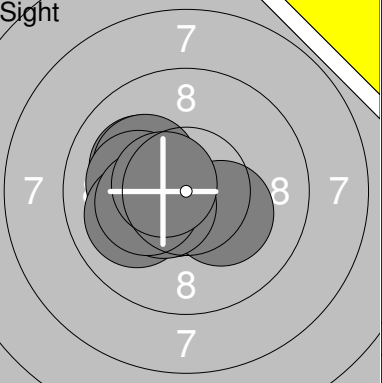
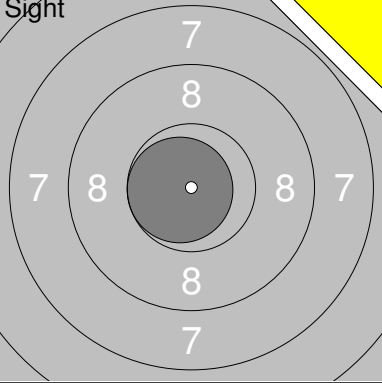
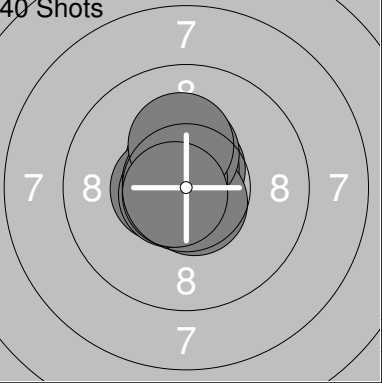
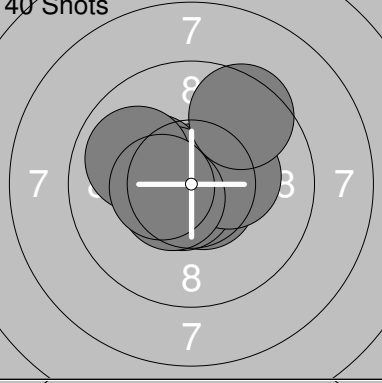
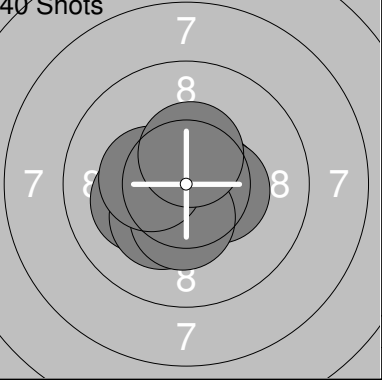
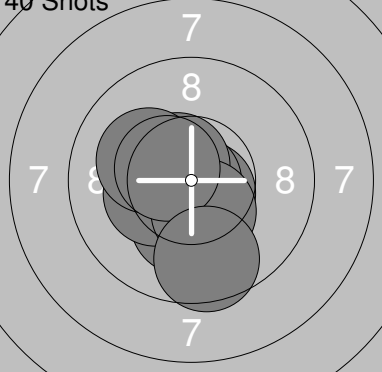
<p>40 Shots</p> 	<p>11: 9.3 ↙</p> <p>12: 9.3 ←</p> <p>13: 9.9 →</p> <p>14: 9.6 →</p> <p>15: 9.8 ↓</p> <p>16: 9.4 ←</p> <p>17: 9.2 ↗</p> <p>18: 8.9 ↓</p> <p>19: 9.8 ←</p> <p>20: 10.5x ↙</p>	<p>40 Shots</p> 	<p>21: 10.2x ↙</p> <p>22: 10.3x ↙</p> <p>23: 10.4x ↙</p> <p>24: 8.9 ←</p> <p>25: 9.6 ↓</p> <p>26: 8.7 ↓</p> <p>27: 8.3 ←</p> <p>28: 8.7 ←</p> <p>29: 9.1 ↓</p> <p>30: 8.3 ↓</p>
Series 95.7		Series 92.5	
Total 180.7		Total 273.2	

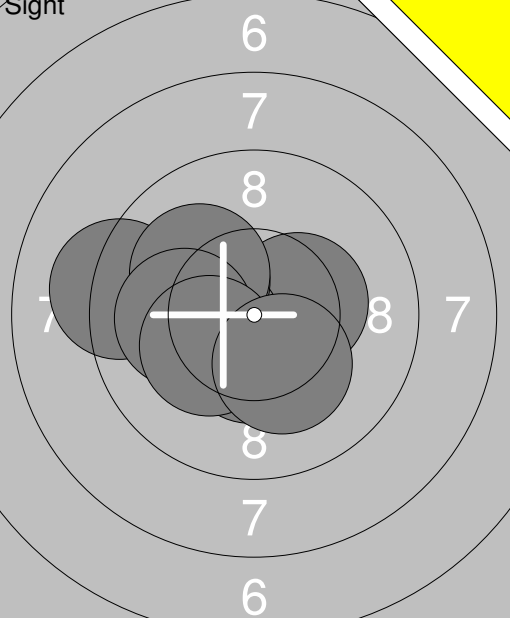
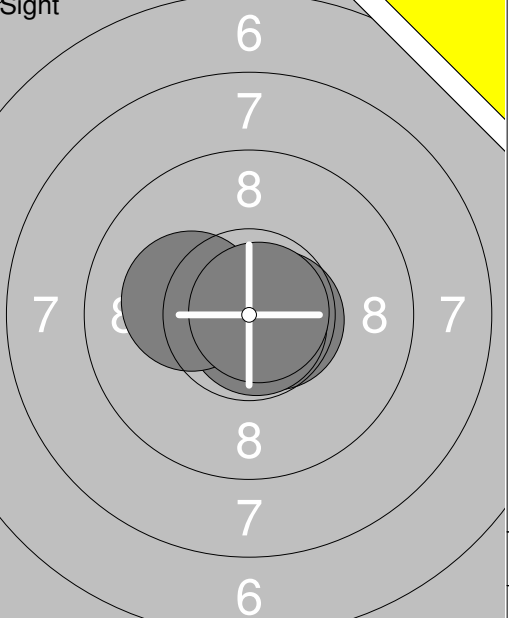
<p>40 Shots</p> 	<p>31: 10.7x ↑</p> <p>32: 9.5 ↗</p> <p>33: 8.4 ↓</p> <p>34: 10.5x ↗</p> <p>35: 8.9 ↓</p> <p>36: 10.8x ↑</p> <p>37: 10.6x ↗</p> <p>38: 10.3x ←</p> <p>39: 9.2 ←</p> <p>40: 9.6 ↓</p>		
Series 98.5			
Total 371.7			

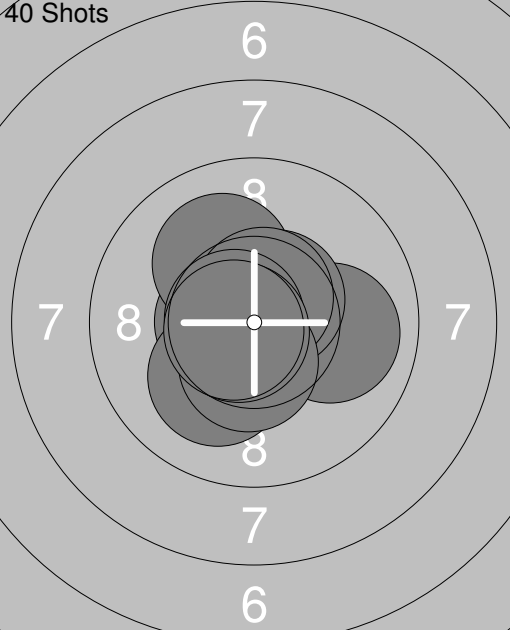
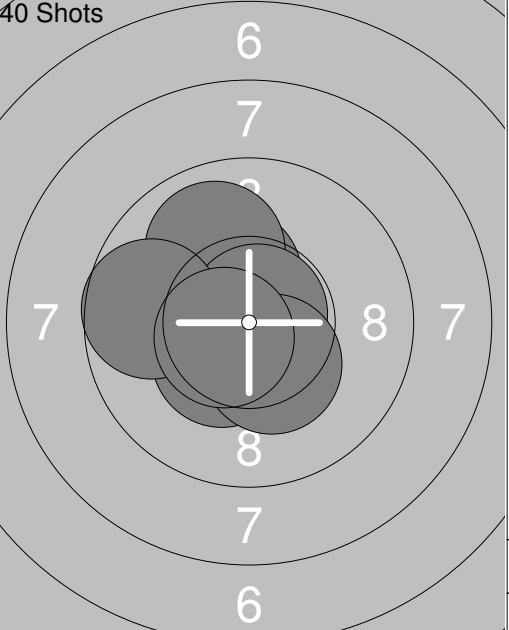
<p>Sight</p> 	<p>1: 10.3x ← 2: 10.2x → 3: 10.6x ↗ 4: 10.6x ↑ 5: 10.3x ← 6: 10.5x ← 7: 10.0 ← 8: 10.3x ↖ 9: 10.2x ↓ 10: 10.7x ←</p> <p>Series 103.7 Total 0.0</p>	<p>Sight</p> 	<p>11: 10.2x ↓ 12: 10.1 ← 13: 10.7x ↖ 14: 10.4x ↑ 15: 10.1 ↗ 16: 10.7x ↘ 17: 10.6x ↙ 18: 10.7x ↙ 19: 10.5x ↓ 20: 10.4x ↙</p> <p>Series 104.4 Total 0.0</p>
--	--	--	--

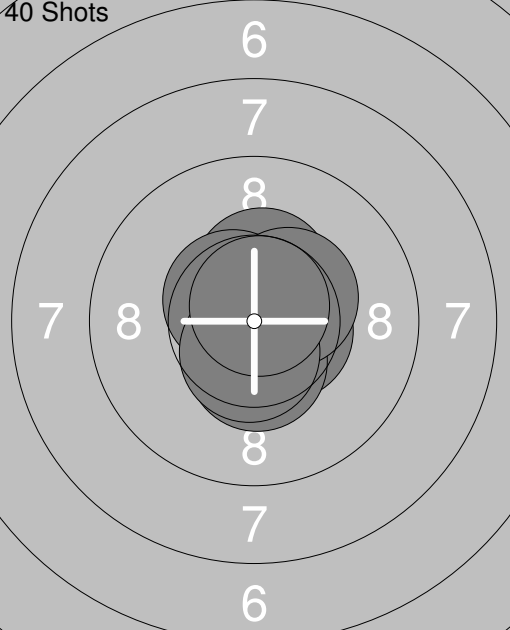
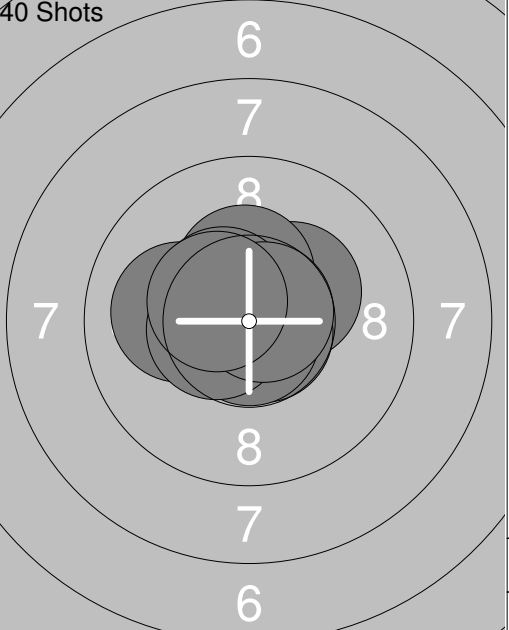
<p>40 Shots</p> 	<p>1: 10.6x ↗ 2: 10.5x ↗ 3: 9.4 ← 4: 10.3x ↓ 5: 9.9 ← 6: 10.5x ↘ 7: 9.9 ← 8: 10.6x ↖ 9: 10.8x ↑ 10: 10.8x ↙</p> <p>Series 103.3 Total 103.3</p>	<p>40 Shots</p> 	<p>11: 10.4x → 12: 10.8x ↙ 13: 10.4x ↙ 14: 10.3x ↓ 15: 10.7x ↙ 16: 10.0 ↖ 17: 10.5x ↙ 18: 10.4x ↖ 19: 10.7x ↖ 20: 10.8x ↙</p> <p>Series 105.0 Total 208.3</p>
--	---	--	---

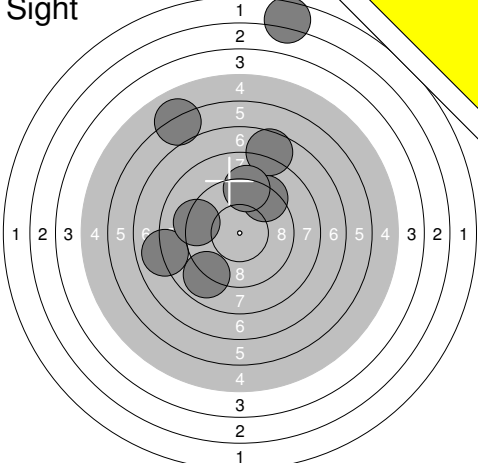
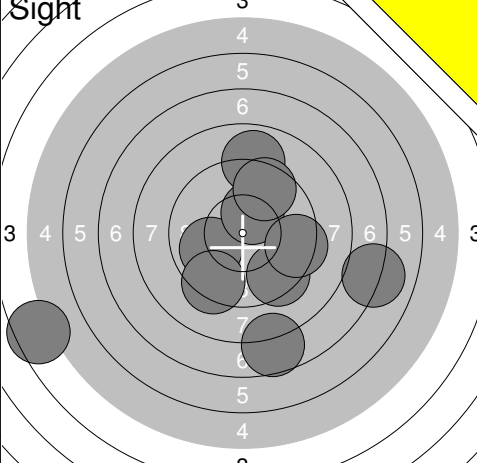
<p>40 Shots</p> 	<p>21: 10.6x ↙ 22: 10.4x ↗ 23: 10.6x ↗ 24: 10.1 ↗ 25: 10.8x ↖ 26: 10.6x ↘ 27: 10.5x ↑ 28: 10.6x ↖ 29: 10.6x ↑ 30: 10.4x ↙</p> <p>Series 105.2 Total 313.5</p>	<p>40 Shots</p> 	<p>31: 10.6x ↗ 32: 10.0 ← 33: 10.9x ↙ 34: 10.5x ↓ 35: 10.4x ↙ 36: 10.3x ↗ 37: 10.4x ↓ 38: 10.1 → 39: 10.8x → 40: 10.7x ↙</p> <p>Series 104.7 Total 418.2</p>
---	---	---	--


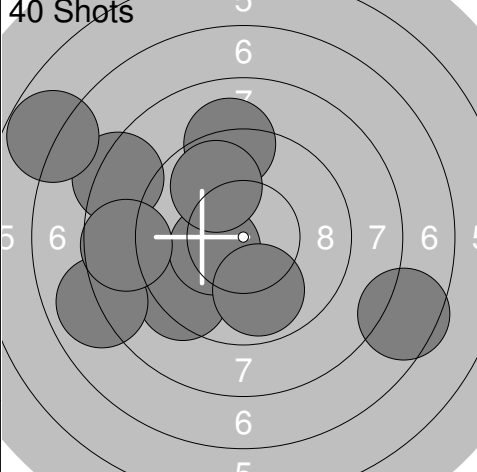
Relay	Lane	Leo Asplund																																																																									
S	I 19	L13	No																																																																								
2014-04-12	UME-Kulan 2014	Umeå skytteallians																																																																									
Sight	 <table border="1"> <tr><td>1:</td><td>10.4x</td><td>↖</td></tr> <tr><td>2:</td><td>9.9</td><td>↖</td></tr> <tr><td>3:</td><td>10.5x</td><td>←</td></tr> <tr><td>4:</td><td>10.1</td><td>↖</td></tr> <tr><td>5:</td><td>10.8x</td><td>↓</td></tr> <tr><td>6:</td><td>10.3x</td><td>←</td></tr> <tr><td>7:</td><td>10.4x</td><td>↑</td></tr> <tr><td>9:</td><td>10.8x</td><td>→</td></tr> <tr><td>10:</td><td>10.5x</td><td>↑</td></tr> <tr><td>Series</td><td>93.7</td><td></td></tr> <tr><td>Total</td><td>0.0</td><td></td></tr> </table>	1:	10.4x	↖	2:	9.9	↖	3:	10.5x	←	4:	10.1	↖	5:	10.8x	↓	6:	10.3x	←	7:	10.4x	↑	9:	10.8x	→	10:	10.5x	↑	Series	93.7		Total	0.0		Sight	 <table border="1"> <tr><td>11:</td><td>10.4x</td><td>↖</td></tr> <tr><td>12:</td><td>9.9</td><td>↑</td></tr> <tr><td>13:</td><td>10.4x</td><td>↗</td></tr> <tr><td>14:</td><td>10.5x</td><td>←</td></tr> <tr><td>15:</td><td>10.4x</td><td>←</td></tr> <tr><td>16:</td><td>10.2x</td><td>↑</td></tr> <tr><td>17:</td><td>10.4x</td><td>↑</td></tr> <tr><td>18:</td><td>10.1</td><td>↑</td></tr> <tr><td>19:</td><td>10.1</td><td>↑</td></tr> <tr><td>20:</td><td>10.5x</td><td>↑</td></tr> <tr><td>Series</td><td>102.9</td><td></td></tr> <tr><td>Total</td><td>0.0</td><td></td></tr> </table>	11:	10.4x	↖	12:	9.9	↑	13:	10.4x	↗	14:	10.5x	←	15:	10.4x	←	16:	10.2x	↑	17:	10.4x	↑	18:	10.1	↑	19:	10.1	↑	20:	10.5x	↑	Series	102.9		Total	0.0				
1:	10.4x	↖																																																																									
2:	9.9	↖																																																																									
3:	10.5x	←																																																																									
4:	10.1	↖																																																																									
5:	10.8x	↓																																																																									
6:	10.3x	←																																																																									
7:	10.4x	↑																																																																									
9:	10.8x	→																																																																									
10:	10.5x	↑																																																																									
Series	93.7																																																																										
Total	0.0																																																																										
11:	10.4x	↖																																																																									
12:	9.9	↑																																																																									
13:	10.4x	↗																																																																									
14:	10.5x	←																																																																									
15:	10.4x	←																																																																									
16:	10.2x	↑																																																																									
17:	10.4x	↑																																																																									
18:	10.1	↑																																																																									
19:	10.1	↑																																																																									
20:	10.5x	↑																																																																									
Series	102.9																																																																										
Total	0.0																																																																										
Sight	 <table border="1"> <tr><td>21:</td><td>10.5x</td><td>↑</td></tr> <tr><td>22:</td><td>9.6</td><td>↑</td></tr> <tr><td>23:</td><td>10.3x</td><td>←</td></tr> <tr><td>24:</td><td>10.6x</td><td>↗</td></tr> <tr><td>25:</td><td>10.6x</td><td>←</td></tr> <tr><td>26:</td><td>10.5x</td><td>↗</td></tr> <tr><td>27:</td><td>10.4x</td><td>↗</td></tr> <tr><td>28:</td><td>10.1</td><td>↗</td></tr> <tr><td>29:</td><td>10.1</td><td>↗</td></tr> <tr><td>30:</td><td>10.9x</td><td>←</td></tr> <tr><td>Series</td><td>103.6</td><td></td></tr> <tr><td>Total</td><td>0.0</td><td></td></tr> </table>	21:	10.5x	↑	22:	9.6	↑	23:	10.3x	←	24:	10.6x	↗	25:	10.6x	←	26:	10.5x	↗	27:	10.4x	↗	28:	10.1	↗	29:	10.1	↗	30:	10.9x	←	Series	103.6		Total	0.0		Sight	 <table border="1"> <tr><td>31:</td><td>10.1</td><td>↖</td></tr> <tr><td>32:</td><td>10.6x</td><td>↖</td></tr> <tr><td>33:</td><td>10.1</td><td>↖</td></tr> <tr><td>34:</td><td>10.3x</td><td>↓</td></tr> <tr><td>35:</td><td>10.1</td><td>←</td></tr> <tr><td>36:</td><td>10.4x</td><td>↖</td></tr> <tr><td>37:</td><td>10.0</td><td>↖</td></tr> <tr><td>38:</td><td>10.5x</td><td>↖</td></tr> <tr><td>39:</td><td>10.3x</td><td>←</td></tr> <tr><td>40:</td><td>10.6x</td><td>←</td></tr> <tr><td>Series</td><td>103.0</td><td></td></tr> <tr><td>Total</td><td>0.0</td><td></td></tr> </table>	31:	10.1	↖	32:	10.6x	↖	33:	10.1	↖	34:	10.3x	↓	35:	10.1	←	36:	10.4x	↖	37:	10.0	↖	38:	10.5x	↖	39:	10.3x	←	40:	10.6x	←	Series	103.0		Total	0.0	
21:	10.5x	↑																																																																									
22:	9.6	↑																																																																									
23:	10.3x	←																																																																									
24:	10.6x	↗																																																																									
25:	10.6x	←																																																																									
26:	10.5x	↗																																																																									
27:	10.4x	↗																																																																									
28:	10.1	↗																																																																									
29:	10.1	↗																																																																									
30:	10.9x	←																																																																									
Series	103.6																																																																										
Total	0.0																																																																										
31:	10.1	↖																																																																									
32:	10.6x	↖																																																																									
33:	10.1	↖																																																																									
34:	10.3x	↓																																																																									
35:	10.1	←																																																																									
36:	10.4x	↖																																																																									
37:	10.0	↖																																																																									
38:	10.5x	↖																																																																									
39:	10.3x	←																																																																									
40:	10.6x	←																																																																									
Series	103.0																																																																										
Total	0.0																																																																										
Sight	 <table border="1"> <tr><td>41:</td><td>10.8x</td><td>←</td></tr> <tr><td>Series</td><td>10.8</td><td></td></tr> <tr><td>Total</td><td>0.0</td><td></td></tr> </table>	41:	10.8x	←	Series	10.8		Total	0.0		40 Shots	 <table border="1"> <tr><td>1:</td><td>10.6x</td><td>↑</td></tr> <tr><td>2:</td><td>10.6x</td><td>↑</td></tr> <tr><td>3:</td><td>10.6x</td><td>↓</td></tr> <tr><td>4:</td><td>10.5x</td><td>↑</td></tr> <tr><td>5:</td><td>10.5x</td><td>←</td></tr> <tr><td>6:</td><td>10.7x</td><td>←</td></tr> <tr><td>7:</td><td>10.4x</td><td>↑</td></tr> <tr><td>8:</td><td>10.7x</td><td>↗</td></tr> <tr><td>9:</td><td>10.2x</td><td>↑</td></tr> <tr><td>10:</td><td>10.7x</td><td>↖</td></tr> <tr><td>Series</td><td>105.5</td><td></td></tr> <tr><td>Total</td><td>105.5</td><td></td></tr> </table>	1:	10.6x	↑	2:	10.6x	↑	3:	10.6x	↓	4:	10.5x	↑	5:	10.5x	←	6:	10.7x	←	7:	10.4x	↑	8:	10.7x	↗	9:	10.2x	↑	10:	10.7x	↖	Series	105.5		Total	105.5																												
41:	10.8x	←																																																																									
Series	10.8																																																																										
Total	0.0																																																																										
1:	10.6x	↑																																																																									
2:	10.6x	↑																																																																									
3:	10.6x	↓																																																																									
4:	10.5x	↑																																																																									
5:	10.5x	←																																																																									
6:	10.7x	←																																																																									
7:	10.4x	↑																																																																									
8:	10.7x	↗																																																																									
9:	10.2x	↑																																																																									
10:	10.7x	↖																																																																									
Series	105.5																																																																										
Total	105.5																																																																										
40 Shots	 <table border="1"> <tr><td>11:</td><td>10.7x</td><td>↘</td></tr> <tr><td>12:</td><td>10.7x</td><td>↘</td></tr> <tr><td>13:</td><td>10.8x</td><td>↑</td></tr> <tr><td>14:</td><td>10.2x</td><td>↖</td></tr> <tr><td>15:</td><td>10.6x</td><td>←</td></tr> <tr><td>16:</td><td>9.9</td><td>↖</td></tr> <tr><td>17:</td><td>10.3x</td><td>→</td></tr> <tr><td>18:</td><td>10.6x</td><td>←</td></tr> <tr><td>19:</td><td>9.5</td><td>↗</td></tr> <tr><td>20:</td><td>10.4x</td><td>←</td></tr> <tr><td>Series</td><td>103.7</td><td></td></tr> <tr><td>Total</td><td>209.2</td><td></td></tr> </table>	11:	10.7x	↘	12:	10.7x	↘	13:	10.8x	↑	14:	10.2x	↖	15:	10.6x	←	16:	9.9	↖	17:	10.3x	→	18:	10.6x	←	19:	9.5	↗	20:	10.4x	←	Series	103.7		Total	209.2		40 Shots	 <table border="1"> <tr><td>21:</td><td>10.2x</td><td>←</td></tr> <tr><td>22:</td><td>10.4x</td><td>↘</td></tr> <tr><td>23:</td><td>10.5x</td><td>↓</td></tr> <tr><td>24:</td><td>10.5x</td><td>→</td></tr> <tr><td>25:</td><td>10.4x</td><td>→</td></tr> <tr><td>26:</td><td>10.3x</td><td>↘</td></tr> <tr><td>27:</td><td>10.6x</td><td>↖</td></tr> <tr><td>28:</td><td>10.4x</td><td>↓</td></tr> <tr><td>29:</td><td>10.4x</td><td>←</td></tr> <tr><td>30:</td><td>10.4x</td><td>↑</td></tr> <tr><td>Series</td><td>104.1</td><td></td></tr> <tr><td>Total</td><td>313.3</td><td></td></tr> </table>	21:	10.2x	←	22:	10.4x	↘	23:	10.5x	↓	24:	10.5x	→	25:	10.4x	→	26:	10.3x	↘	27:	10.6x	↖	28:	10.4x	↓	29:	10.4x	←	30:	10.4x	↑	Series	104.1		Total	313.3	
11:	10.7x	↘																																																																									
12:	10.7x	↘																																																																									
13:	10.8x	↑																																																																									
14:	10.2x	↖																																																																									
15:	10.6x	←																																																																									
16:	9.9	↖																																																																									
17:	10.3x	→																																																																									
18:	10.6x	←																																																																									
19:	9.5	↗																																																																									
20:	10.4x	←																																																																									
Series	103.7																																																																										
Total	209.2																																																																										
21:	10.2x	←																																																																									
22:	10.4x	↘																																																																									
23:	10.5x	↓																																																																									
24:	10.5x	→																																																																									
25:	10.4x	→																																																																									
26:	10.3x	↘																																																																									
27:	10.6x	↖																																																																									
28:	10.4x	↓																																																																									
29:	10.4x	←																																																																									
30:	10.4x	↑																																																																									
Series	104.1																																																																										
Total	313.3																																																																										
40 Shots	 <table border="1"> <tr><td>31:</td><td>10.5x</td><td>←</td></tr> <tr><td>32:</td><td>10.2x</td><td>↓</td></tr> <tr><td>33:</td><td>10.7x</td><td>↘</td></tr> <tr><td>34:</td><td>10.9x</td><td>↘</td></tr> <tr><td>35:</td><td>10.3x</td><td>←</td></tr> <tr><td>36:</td><td>10.6x</td><td>↗</td></tr> <tr><td>37:</td><td>10.2x</td><td>↗</td></tr> <tr><td>38:</td><td>10.4x</td><td>↓</td></tr> <tr><td>39:</td><td>10.5x</td><td>↗</td></tr> <tr><td>40:</td><td>9.6</td><td>↓</td></tr> <tr><td>Series</td><td>103.9</td><td></td></tr> <tr><td>Total</td><td>417.2</td><td></td></tr> </table>	31:	10.5x	←	32:	10.2x	↓	33:	10.7x	↘	34:	10.9x	↘	35:	10.3x	←	36:	10.6x	↗	37:	10.2x	↗	38:	10.4x	↓	39:	10.5x	↗	40:	9.6	↓	Series	103.9		Total	417.2																																							
31:	10.5x	←																																																																									
32:	10.2x	↓																																																																									
33:	10.7x	↘																																																																									
34:	10.9x	↘																																																																									
35:	10.3x	←																																																																									
36:	10.6x	↗																																																																									
37:	10.2x	↗																																																																									
38:	10.4x	↓																																																																									
39:	10.5x	↗																																																																									
40:	9.6	↓																																																																									
Series	103.9																																																																										
Total	417.2																																																																										

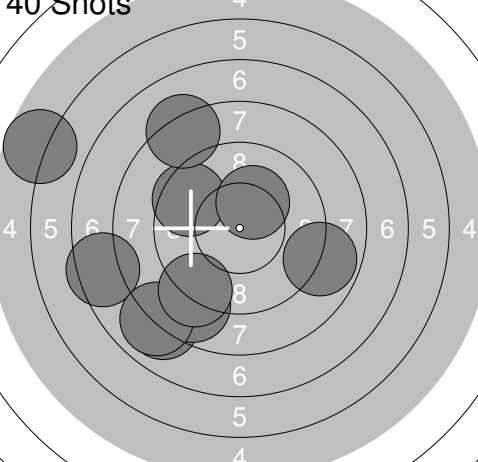
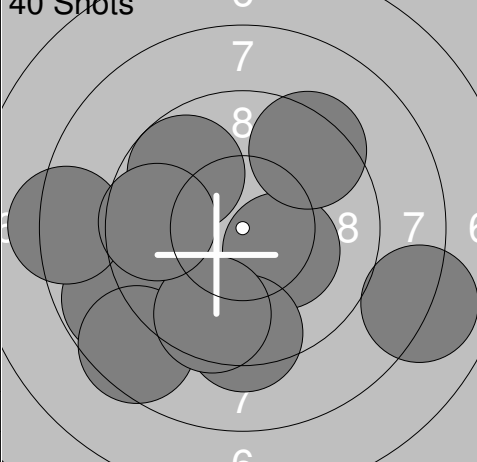
 <p style="text-align:center;">Sight</p>	<p>1: 10.5x ↓</p> <p>2: 10.2x ↙</p> <p>3: 10.4x →</p> <p>4: 10.4x ↙</p> <p>5: 9.2 ←</p> <p>6: 10.1 ↙</p> <p>7: 10.1 ↙</p> <p>8: 10.1 ←</p> <p>9: 10.3x ↙</p> <p>10: 10.2x ↓</p>	 <p style="text-align:center;">Sight</p>	<p>11: 10.6x →</p> <p>12: 10.8x ↓</p> <p>13: 10.2x ↙</p> <p>14: 10.8x →</p>
Series	101.5	Series	42.4
Total	0.0	Total	0.0

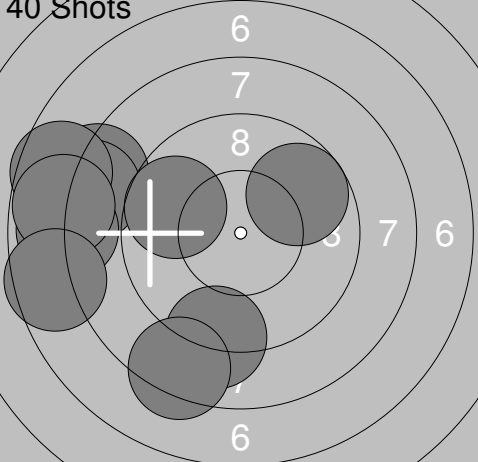
 <p style="text-align:center;">40 Shots</p>	<p>1: 10.0 →</p> <p>2: 10.6x ↙</p> <p>3: 10.1 ↗</p> <p>4: 10.6x ↗</p> <p>5: 10.6x ↗</p> <p>6: 10.7x ↙</p> <p>7: 10.1 ↓</p> <p>8: 10.4x ↓</p> <p>9: 10.7x ↙</p> <p>10: 10.7x ↙</p>	 <p style="text-align:center;">40 Shots</p>	<p>11: 10.3x ↖</p> <p>12: 10.3x ↖</p> <p>13: 10.3x ↙</p> <p>14: 9.9 ↗</p> <p>15: 10.4x ↙</p> <p>16: 10.6x ↙</p> <p>17: 10.8x ↗</p> <p>18: 9.7 ←</p> <p>19: 10.3x ↓</p> <p>20: 10.6x ↙</p>
Series	104.5	Series	103.2
Total	104.5	Total	207.7


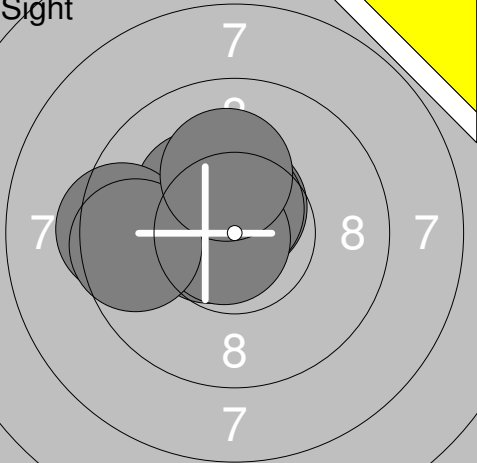
 <p style="text-align:center;">40 Shots</p>	<p>21: 10.7x ↖</p> <p>22: 10.4x ↗</p> <p>23: 10.5x ↓</p> <p>24: 10.6x →</p> <p>25: 10.4x ↓</p> <p>26: 10.8x ↖</p> <p>27: 10.6x ↖</p> <p>28: 10.4x ↗</p> <p>29: 10.5x ↓</p> <p>30: 10.7x ↗</p>	 <p style="text-align:center;">40 Shots</p>	<p>31: 10.6x ↖</p> <p>32: 10.3x ↗</p> <p>33: 10.1 ←</p> <p>34: 10.7x ↓</p> <p>35: 10.8x ↓</p> <p>36: 10.4x ↗</p> <p>37: 10.5x ↖</p> <p>38: 10.5x ↙</p> <p>39: 10.7x ↗</p> <p>40: 10.5x ↖</p>
Series	105.6	Series	105.1
Total	313.3	Total	418.4


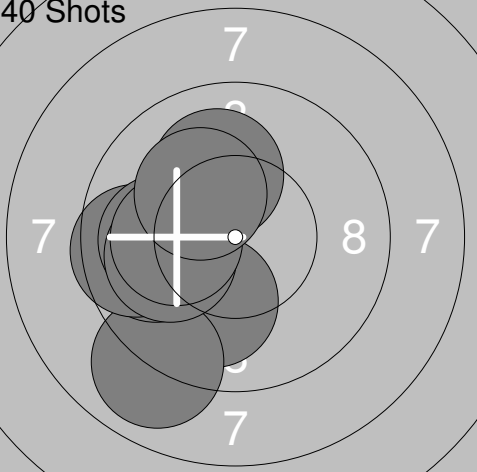
	<table border="1" style="width:100%; border-collapse: collapse;"> <tr><td>2:</td><td>9.3</td><td>↗</td></tr> <tr><td>3:</td><td>2.6</td><td>↗</td></tr> <tr><td>4:</td><td>7.6</td><td>↗</td></tr> <tr><td>5:</td><td>9.2</td><td>↗</td></tr> <tr><td>6:</td><td>8.9</td><td>↘</td></tr> <tr><td>8:</td><td>6.0</td><td>↗</td></tr> <tr><td>9:</td><td>8.0</td><td>←</td></tr> <tr><td>10:</td><td>9.3</td><td>←</td></tr> <tr><td colspan="2">Series</td><td>60.9</td></tr> <tr><td colspan="2">Total</td><td>0.0</td></tr> </table>	2:	9.3	↗	3:	2.6	↗	4:	7.6	↗	5:	9.2	↗	6:	8.9	↘	8:	6.0	↗	9:	8.0	←	10:	9.3	←	Series		60.9	Total		0.0		<table border="1" style="width:100%; border-collapse: collapse;"> <tr><td>11:</td><td>8.9</td><td>↗</td></tr> <tr><td>12:</td><td>4.5</td><td>↖</td></tr> <tr><td>13:</td><td>9.9</td><td>↖</td></tr> <tr><td>14:</td><td>9.4</td><td>↘</td></tr> <tr><td>15:</td><td>10.3x</td><td>↗</td></tr> <tr><td>16:</td><td>9.3</td><td>↘</td></tr> <tr><td>17:</td><td>9.6</td><td>↗</td></tr> <tr><td>18:</td><td>7.7</td><td>↘</td></tr> <tr><td>19:</td><td>9.4</td><td>→</td></tr> <tr><td>20:</td><td>7.1</td><td>→</td></tr> <tr><td colspan="2">Series</td><td>86.1</td></tr> <tr><td colspan="2">Total</td><td>0.0</td></tr> </table>	11:	8.9	↗	12:	4.5	↖	13:	9.9	↖	14:	9.4	↘	15:	10.3x	↗	16:	9.3	↘	17:	9.6	↗	18:	7.7	↘	19:	9.4	→	20:	7.1	→	Series		86.1	Total		0.0
2:	9.3	↗																																																																			
3:	2.6	↗																																																																			
4:	7.6	↗																																																																			
5:	9.2	↗																																																																			
6:	8.9	↘																																																																			
8:	6.0	↗																																																																			
9:	8.0	←																																																																			
10:	9.3	←																																																																			
Series		60.9																																																																			
Total		0.0																																																																			
11:	8.9	↗																																																																			
12:	4.5	↖																																																																			
13:	9.9	↖																																																																			
14:	9.4	↘																																																																			
15:	10.3x	↗																																																																			
16:	9.3	↘																																																																			
17:	9.6	↗																																																																			
18:	7.7	↘																																																																			
19:	9.4	→																																																																			
20:	7.1	→																																																																			
Series		86.1																																																																			
Total		0.0																																																																			

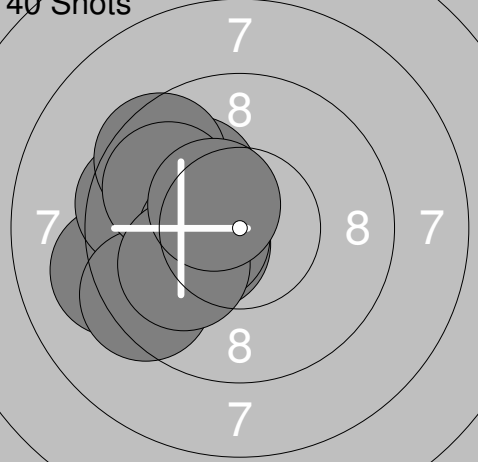
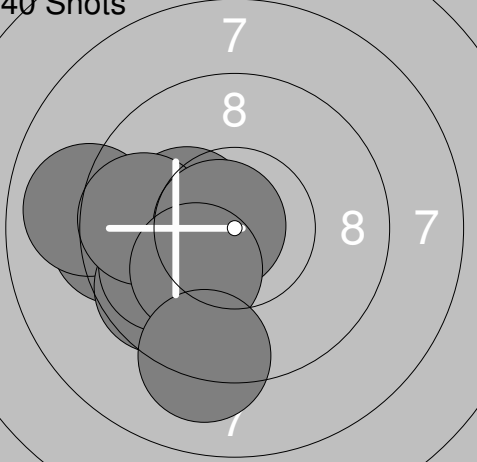
	<table border="1" style="width:100%; border-collapse: collapse;"> <tr><td>21:</td><td>7.4</td><td>↘</td></tr> <tr><td colspan="2">Series</td><td>7.4</td></tr> <tr><td colspan="2">Total</td><td>0.0</td></tr> </table>	21:	7.4	↘	Series		7.4	Total		0.0		<table border="1" style="width:100%; border-collapse: collapse;"> <tr><td>1:</td><td>8.3</td><td>↖</td></tr> <tr><td>2:</td><td>9.3</td><td>↘</td></tr> <tr><td>3:</td><td>7.9</td><td>←</td></tr> <tr><td>4:</td><td>7.5</td><td>→</td></tr> <tr><td>5:</td><td>10.3x</td><td>←</td></tr> <tr><td>6:</td><td>9.9</td><td>↘</td></tr> <tr><td>7:</td><td>9.1</td><td>↗</td></tr> <tr><td>8:</td><td>6.8</td><td>↖</td></tr> <tr><td>9:</td><td>8.7</td><td>←</td></tr> <tr><td>10:</td><td>9.8</td><td>↗</td></tr> <tr><td colspan="2">Series</td><td>87.6</td></tr> <tr><td colspan="2">Total</td><td>87.6</td></tr> </table>	1:	8.3	↖	2:	9.3	↘	3:	7.9	←	4:	7.5	→	5:	10.3x	←	6:	9.9	↘	7:	9.1	↗	8:	6.8	↖	9:	8.7	←	10:	9.8	↗	Series		87.6	Total		87.6
21:	7.4	↘																																														
Series		7.4																																														
Total		0.0																																														
1:	8.3	↖																																														
2:	9.3	↘																																														
3:	7.9	←																																														
4:	7.5	→																																														
5:	10.3x	←																																														
6:	9.9	↘																																														
7:	9.1	↗																																														
8:	6.8	↖																																														
9:	8.7	←																																														
10:	9.8	↗																																														
Series		87.6																																														
Total		87.6																																														

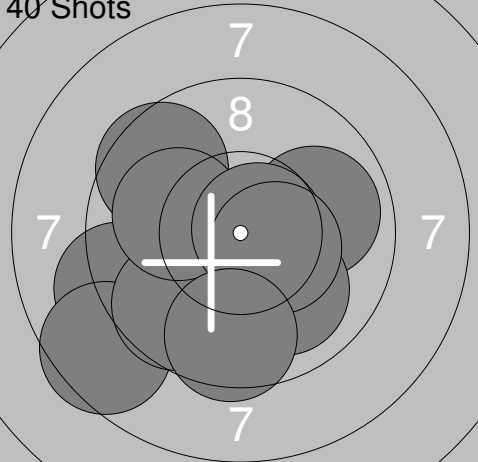
	<table border="1" style="width:100%; border-collapse: collapse;"> <tr><td>11:</td><td>8.0</td><td>↘</td></tr> <tr><td>12:</td><td>8.9</td><td>→</td></tr> <tr><td>13:</td><td>9.5</td><td>↖</td></tr> <tr><td>14:</td><td>7.5</td><td>←</td></tr> <tr><td>15:</td><td>8.8</td><td>↘</td></tr> <tr><td>16:</td><td>5.7</td><td>←</td></tr> <tr><td>17:</td><td>8.0</td><td>↘</td></tr> <tr><td>18:</td><td>8.2</td><td>↗</td></tr> <tr><td>19:</td><td>9.1</td><td>↘</td></tr> <tr><td>20:</td><td>10.3x</td><td>↗</td></tr> <tr><td colspan="2">Series</td><td>84.0</td></tr> <tr><td colspan="2">Total</td><td>171.6</td></tr> </table>	11:	8.0	↘	12:	8.9	→	13:	9.5	↖	14:	7.5	←	15:	8.8	↘	16:	5.7	←	17:	8.0	↘	18:	8.2	↗	19:	9.1	↘	20:	10.3x	↗	Series		84.0	Total		171.6		<table border="1" style="width:100%; border-collapse: collapse;"> <tr><td>21:</td><td>10.3x</td><td>→</td></tr> <tr><td>22:</td><td>8.8</td><td>↖</td></tr> <tr><td>23:</td><td>9.7</td><td>↗</td></tr> <tr><td>24:</td><td>8.6</td><td>↘</td></tr> <tr><td>25:</td><td>8.0</td><td>→</td></tr> <tr><td>26:</td><td>9.3</td><td>↘</td></tr> <tr><td>27:</td><td>8.3</td><td>←</td></tr> <tr><td>28:</td><td>9.6</td><td>↘</td></tr> <tr><td>29:</td><td>9.4</td><td>↗</td></tr> <tr><td>30:</td><td>9.7</td><td>←</td></tr> <tr><td colspan="2">Series</td><td>91.7</td></tr> <tr><td colspan="2">Total</td><td>263.3</td></tr> </table>	21:	10.3x	→	22:	8.8	↖	23:	9.7	↗	24:	8.6	↘	25:	8.0	→	26:	9.3	↘	27:	8.3	←	28:	9.6	↘	29:	9.4	↗	30:	9.7	←	Series		91.7	Total		263.3
11:	8.0	↘																																																																									
12:	8.9	→																																																																									
13:	9.5	↖																																																																									
14:	7.5	←																																																																									
15:	8.8	↘																																																																									
16:	5.7	←																																																																									
17:	8.0	↘																																																																									
18:	8.2	↗																																																																									
19:	9.1	↘																																																																									
20:	10.3x	↗																																																																									
Series		84.0																																																																									
Total		171.6																																																																									
21:	10.3x	→																																																																									
22:	8.8	↖																																																																									
23:	9.7	↗																																																																									
24:	8.6	↘																																																																									
25:	8.0	→																																																																									
26:	9.3	↘																																																																									
27:	8.3	←																																																																									
28:	9.6	↘																																																																									
29:	9.4	↗																																																																									
30:	9.7	←																																																																									
Series		91.7																																																																									
Total		263.3																																																																									

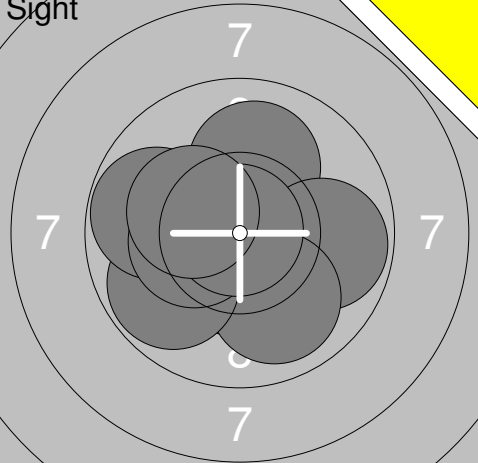
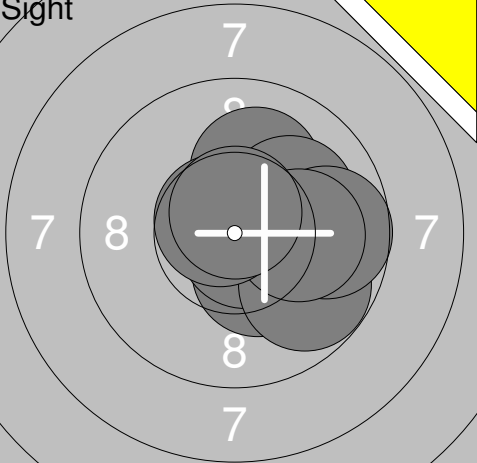
	<table border="1" style="width:100%; border-collapse: collapse;"> <tr><td>31:</td><td>9.1</td><td>↘</td></tr> <tr><td>32:</td><td>8.2</td><td>↖</td></tr> <tr><td>33:</td><td>8.2</td><td>↖</td></tr> <tr><td>34:</td><td>7.6</td><td>↖</td></tr> <tr><td>35:</td><td>7.9</td><td>←</td></tr> <tr><td>36:</td><td>7.8</td><td>←</td></tr> <tr><td>37:</td><td>9.7</td><td>↗</td></tr> <tr><td>38:</td><td>7.6</td><td>←</td></tr> <tr><td>39:</td><td>9.7</td><td>↖</td></tr> <tr><td>40:</td><td>8.3</td><td>↘</td></tr> <tr><td colspan="2">Series</td><td>84.1</td></tr> <tr><td colspan="2">Total</td><td>347.4</td></tr> </table>	31:	9.1	↘	32:	8.2	↖	33:	8.2	↖	34:	7.6	↖	35:	7.9	←	36:	7.8	←	37:	9.7	↗	38:	7.6	←	39:	9.7	↖	40:	8.3	↘	Series		84.1	Total		347.4	
31:	9.1	↘																																				
32:	8.2	↖																																				
33:	8.2	↖																																				
34:	7.6	↖																																				
35:	7.9	←																																				
36:	7.8	←																																				
37:	9.7	↗																																				
38:	7.6	←																																				
39:	9.7	↖																																				
40:	8.3	↘																																				
Series		84.1																																				
Total		347.4																																				


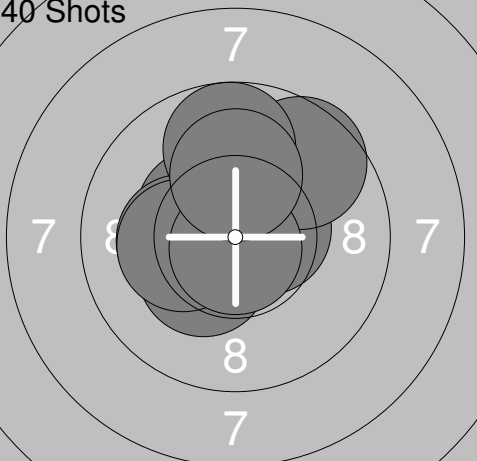
<p>Sight</p> 	<p>1: 10.4x ← 2: 10.7x ↑ 3: 10.3x ↑ 4: 10.4x ↑ 5: 10.6x ↑ 6: 10.0 ↗ 7: 10.6x ↑ 8: 10.8x ↗ 9: 10.5x ← 10: 10.4x ←</p> <p>Series 104.7 Total 0.0</p>	<p>Sight</p> 	<p>11: 10.6x ← 12: 10.6x ↑ 13: 10.4x ↖ 14: 10.3x ↖ 15: 10.6x ↑ 17: 10.8x ← 18: 9.4 ← 19: 9.6 ← 20: 10.2x ↑</p> <p>Series 92.5 Total 0.0</p>
--	--	--	---

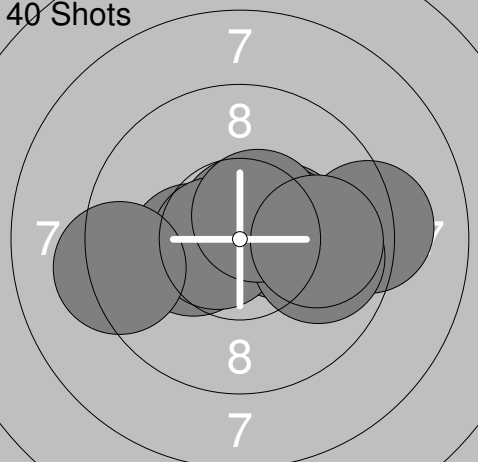
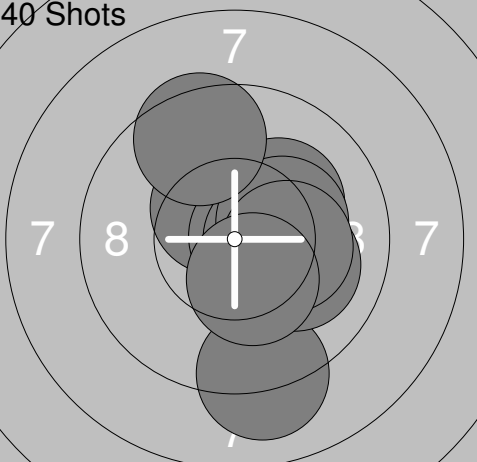
<p>Sight</p> 	<p>21: 10.1 ↖ 22: 10.9x ↖</p> <p>Series 21.0 Total 0.0</p>	<p>40 Shots</p> 	<p>1: 10.0 ↓ 2: 9.8 ← 3: 9.0 ↓ 4: 10.1 ↑ 5: 9.8 ← 6: 9.6 ← 7: 10.0 ← 8: 10.0 ← 9: 10.1 ← 10: 10.2x ↖</p> <p>Series 98.6 Total 98.6</p>
---	--	--	--

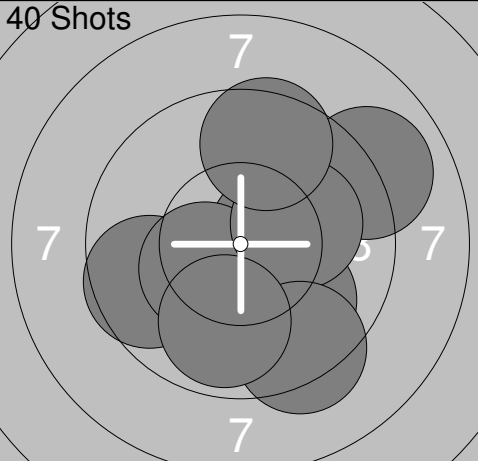
<p>40 Shots</p> 	<p>11: 9.2 ← 12: 9.6 ← 13: 9.4 ← 14: 10.1 ↖ 15: 10.4x ← 16: 9.5 ↗ 17: 9.8 ↖ 18: 10.4x ← 19: 10.0 ← 20: 10.5x ↖</p> <p>Series 98.9 Total 197.5</p>	<p>40 Shots</p> 	<p>21: 9.4 ← 22: 9.0 ← 23: 10.3x ← 24: 10.0 ← 25: 9.7 ↖ 26: 9.9 ← 27: 9.7 ← 28: 10.7x ← 29: 10.2x ↖ 30: 9.2 ↓</p> <p>Series 98.1 Total 295.6</p>
---	---	---	--




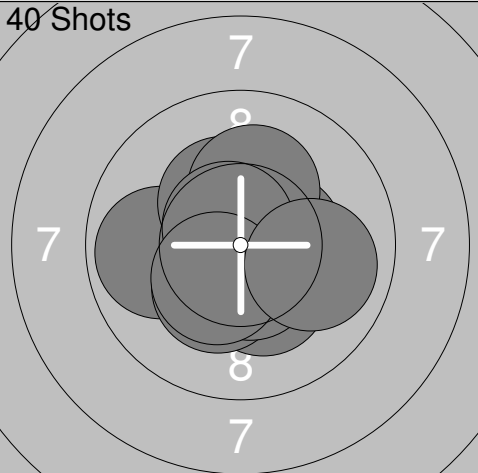
<p>40 Shots</p> 	<p>31: 9.2 ← 32: 9.6 ↗ 33: 8.6 ↖ 34: 9.7 ↖ 35: 9.9 → 36: 10.0 ↓ 37: 10.1 ← 38: 10.7x → 39: 10.4x → 40: 9.6 ↓</p> <p>Series 97.8 Total 393.4</p>		
---	---	--	--

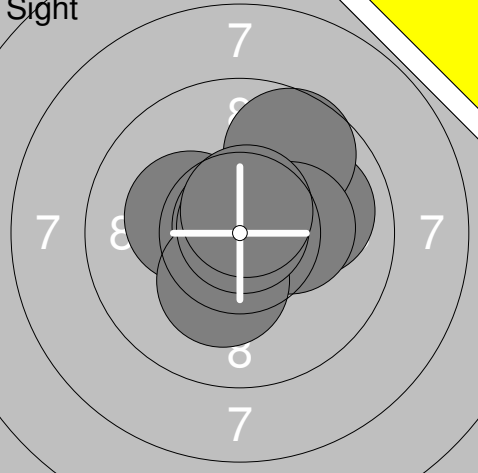
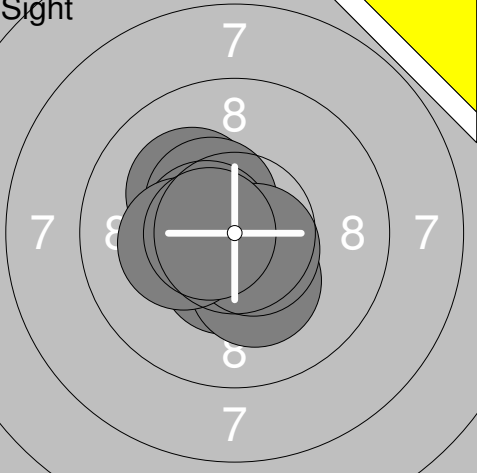
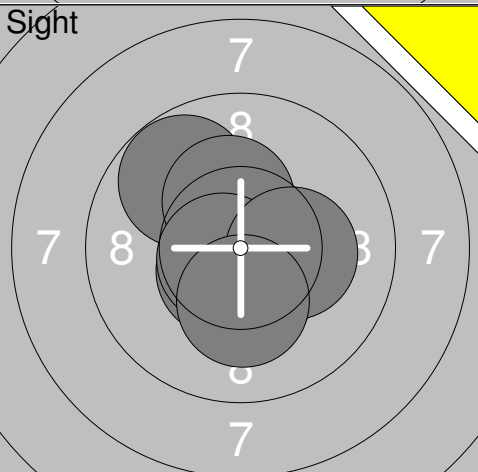
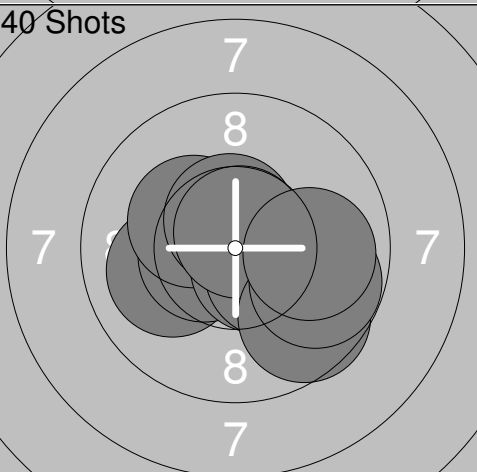

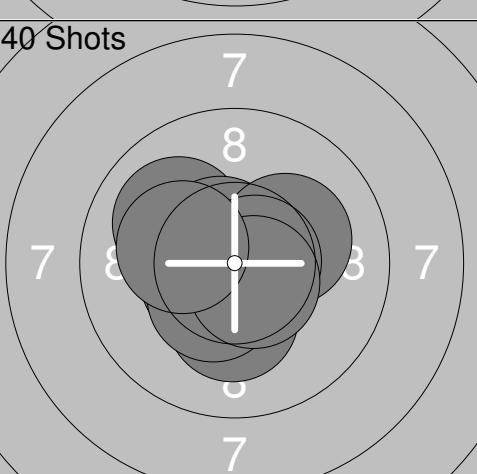
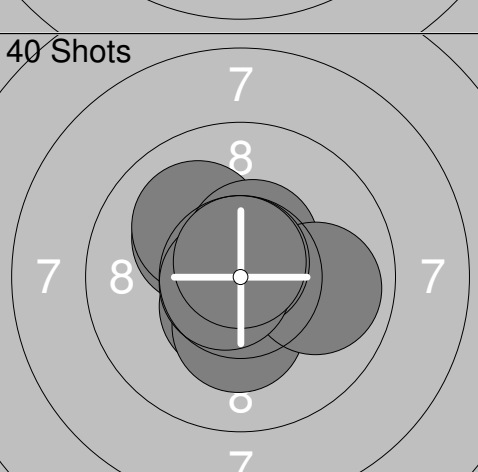
<p>Sight</p> 	<p>1: 10.0 ↑ 2: 10.5x ↓ 3: 10.6x ↓ 4: 9.8 → 5: 10.0 ↓ 6: 9.8 ↙ 7: 9.8 ← 8: 10.3x ← 9: 10.9x ↗ 10: 10.3x ↖</p> <p>Series 102.0 Total 0.0</p>	<p>Sight</p> 	<p>11: 10.4x ↓ 12: 10.7x ↗ 13: 10.1 ↑ 14: 10.1 ↗ 15: 10.8x ↓ 16: 9.8 ↓ 17: 9.7 → 18: 10.1 → 19: 10.7x ↖ 20: 10.7x ↑</p> <p>Series 103.1 Total 0.0</p>
--	---	--	---

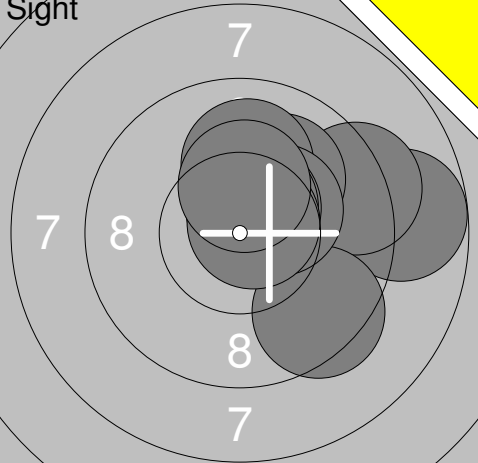
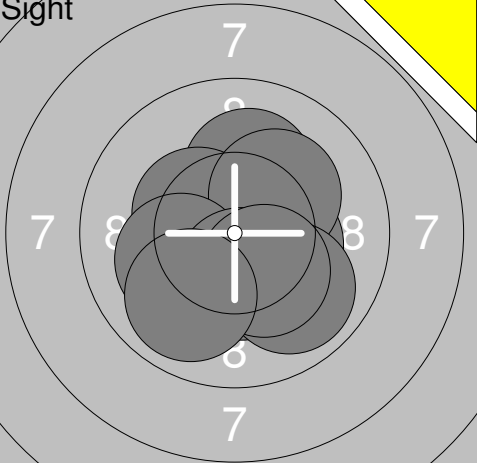
<p>Sight</p> 	<p>21: 10.7x ↗ 22: 10.5x ↖</p> <p>Series 21.2 Total 0.0</p>	<p>40 Shots</p> 	<p>1: 10.5x → 2: 10.5x ↑ 3: 10.4x ↖ 4: 10.2x ← 5: 9.6 ↗ 6: 9.8 ↑ 7: 10.3x ↙ 8: 10.2x ← 9: 10.8x ↓ 10: 10.1 ↑</p> <p>Series 102.4 Total 102.4</p>
---	---	--	--

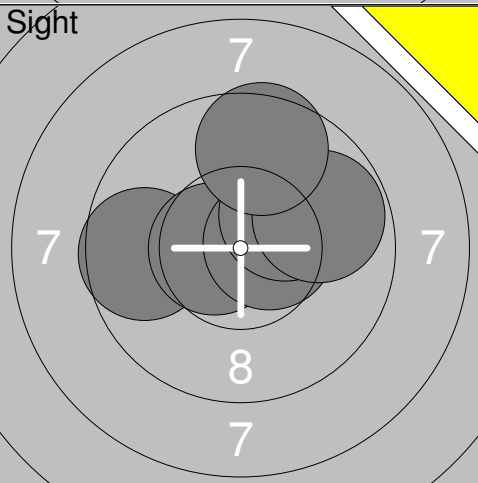

<p>40 Shots</p> 	<p>11: 10.4x → 12: 10.7x ↑ 13: 10.4x → 14: 10.3x ← 15: 10.6x ← 16: 9.2 → 17: 9.9 → 18: 10.5x ↗ 19: 9.3 ← 20: 9.9 →</p> <p>Series 101.2 Total 203.6</p>	<p>40 Shots</p> 	<p>21: 10.5x ↖ 22: 10.7x → 23: 9.1 ↓ 24: 10.1 → 25: 10.2x ↗ 26: 10.5x → 27: 10.3x ↗ 28: 10.2x → 29: 9.5 ↑ 30: 10.4x ↓</p> <p>Series 101.5 Total 305.1</p>
---	--	---	---

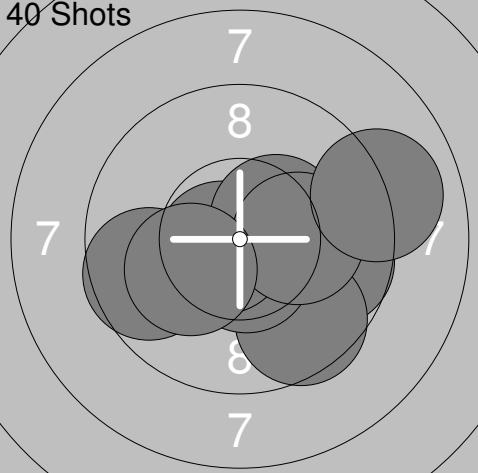
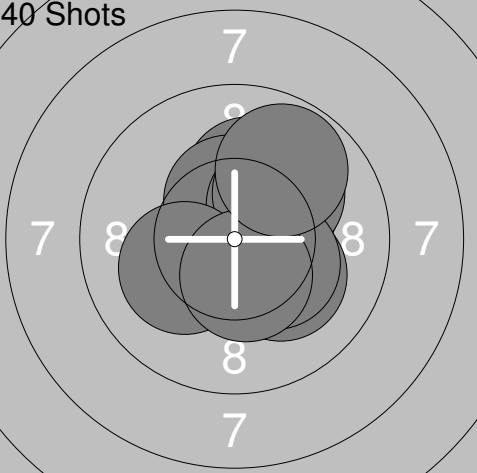
<p>40 Shots</p> 	<p>31: 9.9 ↓ 32: 10.5x ↓ 33: 9.6 ← 34: 10.5x → 35: 10.4x ↙ 36: 9.0 ↗ 37: 10.1 → 38: 9.3 ↓ 39: 9.9 ↓ 40: 9.6 ↑</p> <p>Series 98.8 Total 403.9</p>		
---	--	--	--

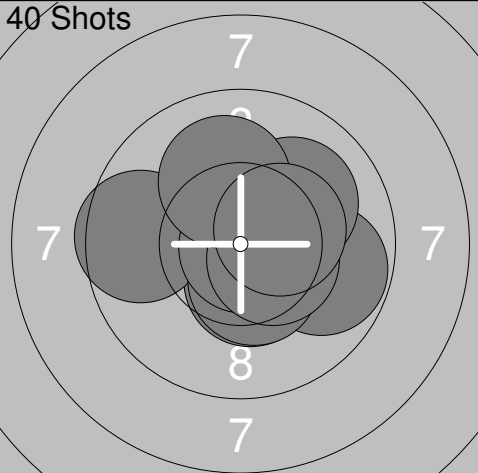
Relay	Lane	Felix Karlsson	
S	Kyrkås	L11	Jä
2014-04-12	UME-Kulan 2014	Umeå skytteallians	
Sight		1: 10.2x → 2: 9.8 ↗ 3: 10.5x ↑ 4: 9.6 ↑ 5: 10.4x ↗ 6: 10.8x → 7: 10.0 ↗ 8: 10.5x ↑	Sight
		Series 81.8	11: 10.5x ↙
		Total 0.0	12: 10.2x ↗
			13: 10.7x ↙
			14: 10.3x ↑
			15: 10.6x ←
			16: 10.3x ↗
			17: 10.4x ↖
			18: 10.1 →
			19: 10.6x ↖
			20: 10.7x ↙
			Series 104.4
			Total 0.0
Sight		22: 10.8x ↓	40 Shots
		Series 10.8	1: 10.4x ↙
		Total 0.0	2: 10.3x ↙
			3: 10.4x ↓
			4: 10.0 ↖
			5: 10.5x ↗
			6: 10.3x →
			7: 10.8x ↑
			8: 10.8x ↑
			9: 10.3x ↖
			10: 10.2x ↓
			Series 104.0
			Total 104.0
40 Shots		11: 10.5x ↘ 12: 10.3x → 13: 10.0 → 14: 10.8x ↖ 15: 10.4x ↘ 16: 10.8x ↑ 17: 10.4x ↘ 18: 10.7x ↘ 19: 10.6x ← 20: 9.9 →	40 Shots
		Series 104.4	21: 10.2x ←
		Total 208.4	22: 10.6x ↗
			23: 10.5x ←
			24: 10.1 ↗
			25: 10.0 ↗
			26: 10.6x ↖
			27: 10.1 ↖
			28: 10.9x ↖
			29: 10.4x ↘
			30: 9.9 ↘
			Series 103.3
			Total 311.7
40 Shots		31: 9.9 ← 32: 10.3x ↗ 33: 10.3x ↘ 34: 10.5x → 35: 10.3x ↘ 36: 10.5x ↘ 37: 10.2x ↑ 38: 10.7x ↗ 39: 10.4x ↘ 40: 10.0 →	
		Series 103.1	
		Total 414.8	

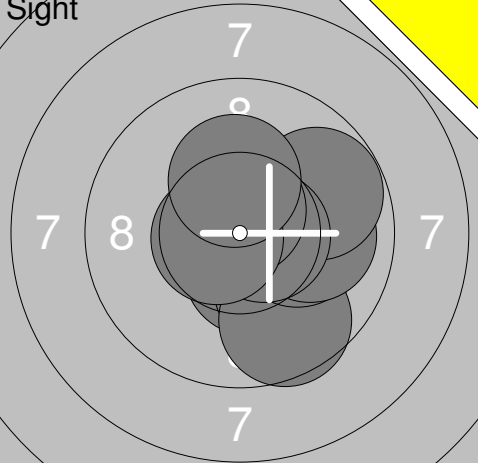
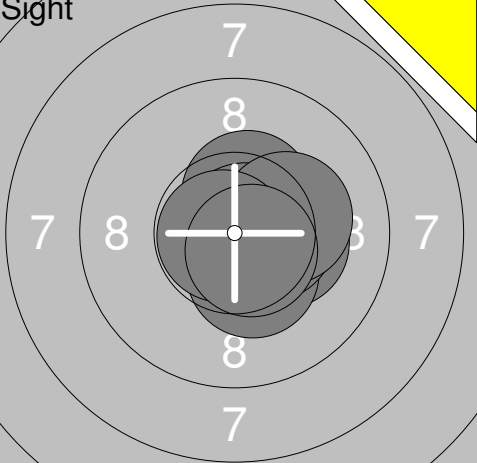
<p>Sight</p> 	<p>1: 10.7x ↗ 2: 10.3x ↖ 4: 10.9x ↑ 5: 10.0 → 6: 9.7 ↗ 7: 10.3x → 8: 10.3x ↓ 9: 10.9x ↗ 10: 10.6x ↑</p> <p>Series 93.7 Total 0.0</p>	<p>Sight</p> 	<p>11: 10.5x ↓ 12: 10.2x ↗ 14: 10.2x ↓ 15: 10.4x ↗ 16: 10.6x ↖ 17: 10.6x ↓ 19: 10.2x ↖ 20: 10.6x ↖</p> <p>Series 83.3 Total 0.0</p>
<p>Sight</p> 	<p>21: 10.6x ↖ 22: 9.8 ↖ 23: 10.9x ↑ 25: 10.4x ↓ 26: 10.9x ↖ 27: 10.3x ↑ 28: 10.7x ↖ 29: 10.3x → 30: 10.2x ↓</p> <p>Series 94.1 Total 0.0</p>	<p>40 Shots</p> 	<p>1: 10.0 ↖ 2: 10.5x ↖ 3: 10.3x ↗ 4: 10.6x ↓ 5: 10.6x ↑ 6: 10.4x ↓ 7: 10.7x ↑ 8: 9.6 ↓ 9: 9.8 → 10: 10.0 →</p> <p>Series 102.5 Total 102.5</p>
<p>40 Shots</p> 	<p>11: 10.6x ↑ 12: 10.6x → 13: 10.6x → 14: 10.9x ↖ 15: 10.5x ↖ 16: 10.6x ↓ 17: 10.5x ↗ 18: 10.0 → 19: 10.5x ↓ 20: 10.3x ↓</p> <p>Series 105.1 Total 207.6</p>	<p>40 Shots</p> 	<p>21: 10.0 ↖ 22: 10.6x ↗ 23: 10.5x ↖ 24: 10.2x ↓ 25: 10.2x ↗ 26: 10.5x ↖ 27: 10.7x → 28: 10.4x ↓ 29: 10.6x ↓ 30: 10.2x ↖</p> <p>Series 103.9 Total 311.5</p>
<p>40 Shots</p> 	<p>31: 10.7x ↓ 32: 10.5x ↓ 33: 10.2x ↖ 34: 10.1 ↖ 35: 10.3x ↓ 36: 10.5x ↑ 37: 9.9 → 38: 10.8x ↑ 39: 10.7x ↖ 40: 10.7x ↑</p> <p>Series 104.4 Total 415.9</p>		


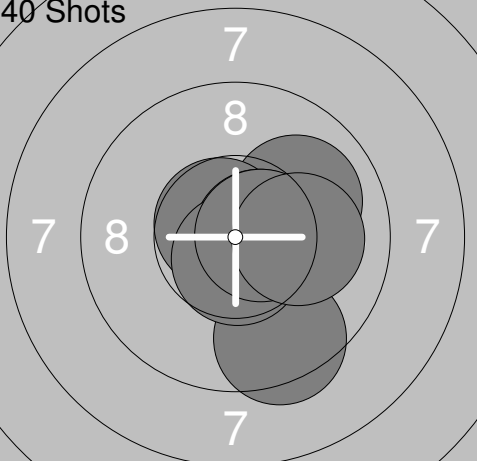
Sight 	1: 8.8 → 2: 9.3 → 3: 10.1 ↗ 4: 10.0 ↑ 5: 9.4 ↘ 6: 10.4x ↗ 7: 10.6x ↗ 8: 10.6x ↗ 9: 10.7x ↗ 10: 10.3x ↑ <hr/> Series 100.2 Total 0.0	Sight 	11: 10.4x → 12: 10.1 ↑ 13: 10.9x ↑ 14: 10.4x ↖ 15: 10.2x ↗ 16: 10.1 ← 17: 10.4x ↓ 18: 9.9 ↘ 19: 10.3x ↓ 20: 9.9 ↘ <hr/> Series 102.6 Total 0.0
--	--	--	---


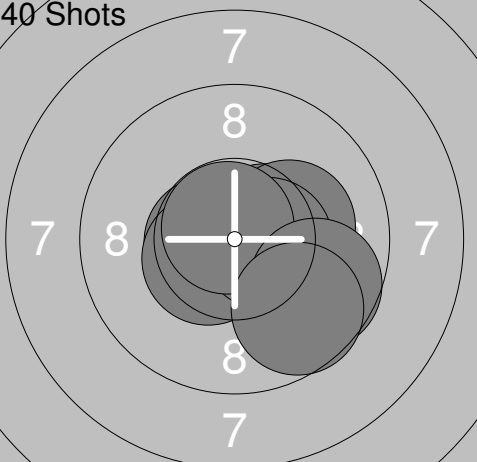
Sight 	21: 9.6 ← 22: 10.5x ↗ 23: 10.6x ← 24: 10.6x → 25: 10.1 ↗ 26: 10.2x ↗ 27: 9.8 → 28: 9.6 ↑ <hr/> Series 81.0 Total 0.0	40 Shots 	1: 10.0 → 2: 10.6x ↘ 3: 10.4x ↗ 4: 10.3x ↘ 5: 10.3x ↑ 6: 10.1 ↑ 7: 10.4x → 8: 10.9x ↘ 9: 10.7x ↗ 10: 10.7x ← <hr/> Series 104.4 Total 104.4
---	---	--	--

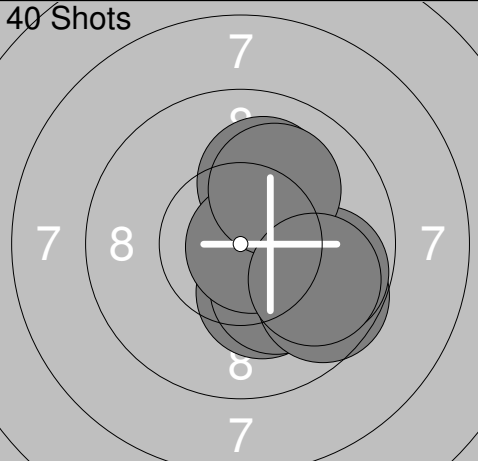
40 Shots 	11: 9.7 → 12: 9.6 ↘ 13: 10.3x → 14: 10.6x ↓ 15: 9.6 ← 16: 10.7x ← 17: 10.4x ↗ 18: 10.2x → 19: 10.2x ← 20: 9.0 → <hr/> Series 100.3 Total 204.7	40 Shots 	21: 10.0 ↗ 22: 10.2x ↑ 23: 10.4x ↑ 24: 10.3x ↗ 25: 10.1 ↗ 26: 10.2x ← 27: 10.2x ↘ 28: 10.3x ↘ 29: 10.4x ↓ 30: 9.8 ↗ <hr/> Series 101.9 Total 306.6
---	---	---	---

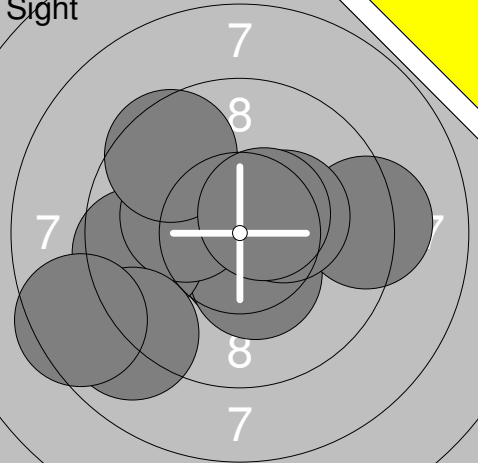
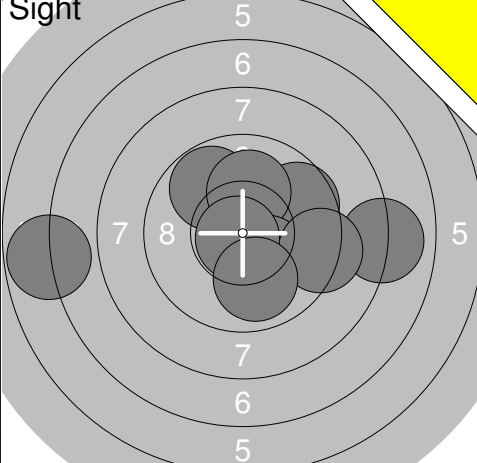
40 Shots 	31: 9.8 → 32: 10.4x ↗ 33: 10.4x ↓ 34: 9.6 ← 35: 10.4x ↓ 36: 10.1 ↗ 37: 10.9x ↘ 38: 10.5x ↘ 39: 10.1 ↑ 40: 10.4x → <hr/> Series 102.6 Total 409.2		
---	---	--	--

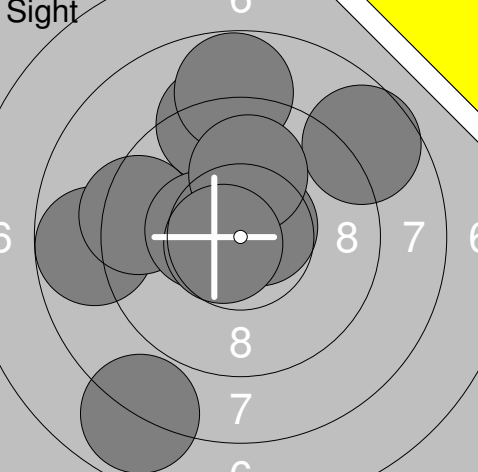
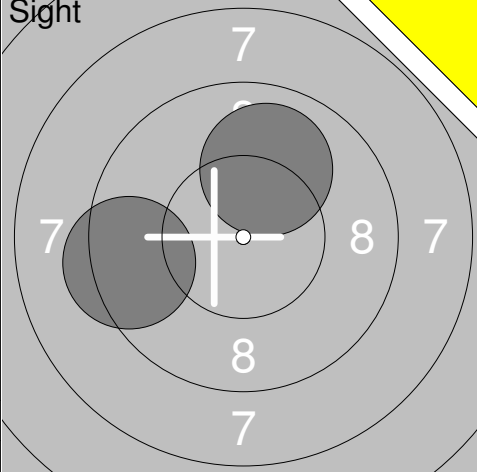
Sight 	1: 10.4x ↓ 2: 10.0 ↓ 3: 9.6 ↓ 4: 10.2x → 5: 10.0 → 6: 9.8 → 7: 10.6x → 8: 10.6x ↑ 9: 10.6x ← 10: 10.2x ↑ <hr/> Series 102.0 Total 0.0	Sight 	11: 10.4x ↑ 12: 10.7x ↓ 13: 10.3x → 14: 10.6x ↓ 15: 10.4x ↓ 16: 10.8x → 17: 10.5x → 18: 10.2x → 19: 10.8x ← 20: 10.6x ↓ <hr/> Series 105.3 Total 0.0
---	--	---	---

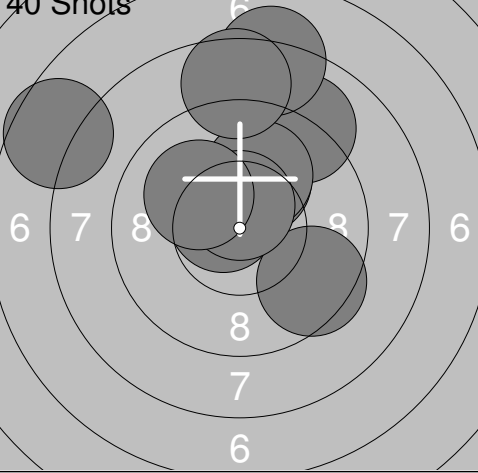
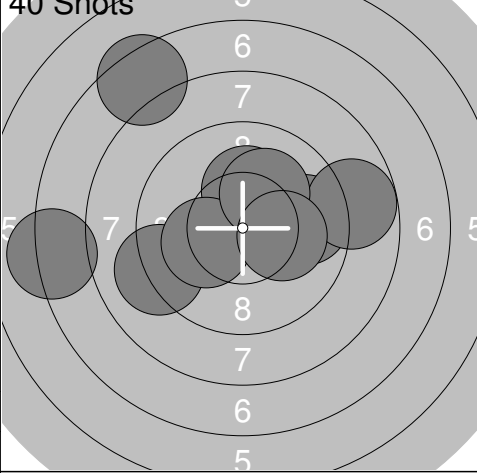
Sight 	21: 10.1 ← 22: 10.5x ↓ 23: 10.4x ↓ <hr/> Series 31.0 Total 0.0	40 Shots 	1: 10.5x → 2: 10.7x ↓ 3: 10.0 → 4: 10.7x ↗ 5: 10.6x → 6: 10.4x → 7: 9.5 ↓ 8: 10.7x ↓ 9: 10.6x → 10: 10.1 → <hr/> Series 103.8 Total 103.8
--	--	---	--

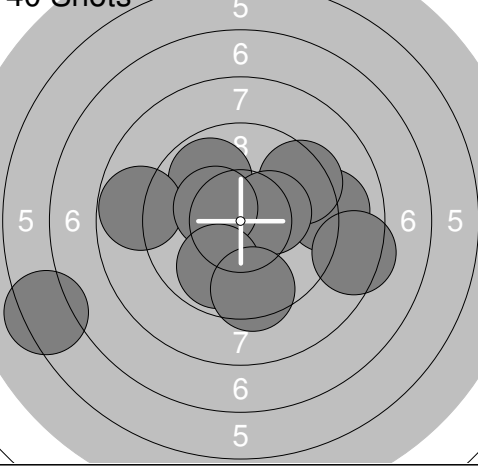
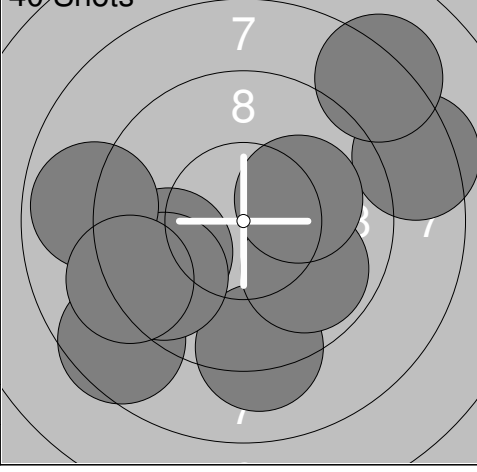
40 Shots 	11: 10.6x ↗ 12: 10.3x ↓ 13: 9.9 → 14: 10.3x ↓ 15: 10.4x ↗ 16: 10.6x ↑ 17: 10.5x ↗ 18: 10.5x ↓ 19: 10.6x ↑ 20: 10.7x ↗ <hr/> Series 104.4 Total 208.2	40 Shots 	21: 10.4x → 22: 10.5x → 23: 10.3x → 24: 10.6x ← 25: 10.5x ↙ 26: 10.2x → 27: 10.5x → 28: 10.8x ↗ 29: 9.7 ↓ 30: 9.7 ↓ <hr/> Series 103.2 Total 311.4
--	---	--	---

40 Shots 	31: 10.5x ↓ 32: 10.2x ↓ 33: 10.1 ↑ 34: 10.3x → 35: 10.2x ↓ 36: 9.6 ↓ 37: 10.8x → 38: 9.8 → 39: 10.1 ↗ 40: 9.8 ↓ <hr/> Series 101.4 Total 412.8		
--	---	--	--

	<p>1: 10.6x ↓ 2: 10.4x ↓ 3: 9.5 ← 4: 10.2x ← 5: 9.2 → 6: 9.0 ↙ 7: 10.3x → 8: 9.6 ↗ 9: 8.5 ↙ 10: 10.5x ↗</p> <p>Series 97.8 Total 0.0</p>		<p>11: 8.0 → 12: 9.6 ↗ 13: 9.8 ↗ 15: 10.1 ↑ 16: 10.2x ↘ 17: 9.3 → 18: 10.8x ↙ 19: 9.9 ↓ 20: 6.8 ←</p> <p>Series 84.5 Total 0.0</p>
--	--	--	---

	<p>21: 8.7 ← 22: 9.2 ↑ 23: 8.8 ↑ 24: 9.4 ← 25: 8.7 ↗ 26: 10.6x ↗ 27: 10.4x ← 28: 7.9 ↓ 29: 10.0 ↑ 30: 10.7x ←</p> <p>Series 94.4 Total 0.0</p>		<p>31: 9.4 ← 32: 10.0 ↑</p> <p>Series 19.4 Total 0.0</p>
---	--	---	--

	<p>1: 10.1 ↑ 2: 9.0 ↗ 3: 8.2 ↑ 4: 10.6x ↙ 5: 10.0 ↑ 6: 9.5 ↘ 7: 8.6 ↑ 8: 7.6 ↙ 9: 10.6x ↑ 10: 10.1 ↙</p> <p>Series 94.3 Total 94.3</p>		<p>11: 7.2 ← 12: 9.1 ↙ 13: 10.2x ↑ 14: 10.2x ← 15: 10.1 → 16: 9.7 → 17: 8.8 → 18: 10.1 ↗ 19: 10.2x → 20: 7.4 ↗</p> <p>Series 93.0 Total 187.3</p>
--	--	--	---

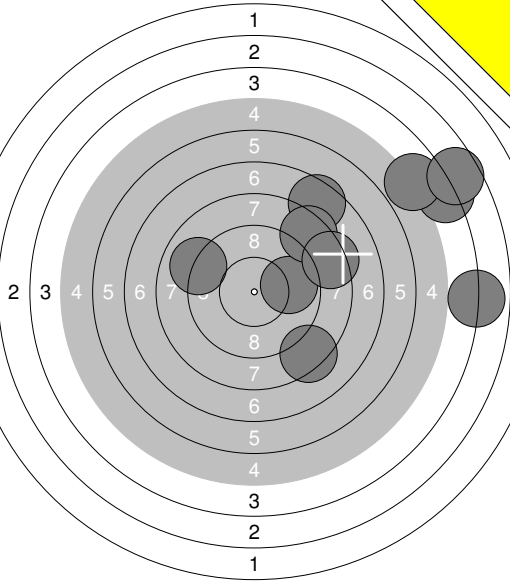
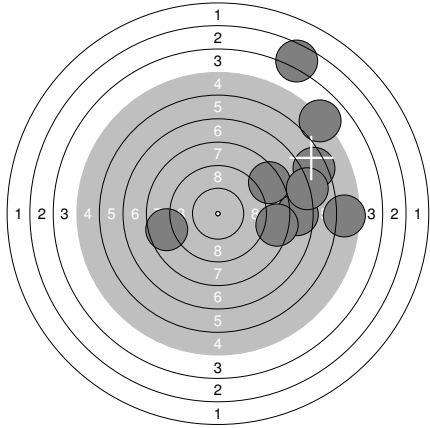
	<p>21: 9.1 → 22: 9.9 ↗ 23: 8.8 ← 24: 9.4 ↗ 25: 10.3x → 26: 10.3x ↙ 27: 8.4 → 28: 9.9 ↓ 29: 6.3 ← 30: 9.5 ↓</p> <p>Series 91.9 Total 279.2</p>		<p>31: 9.2 ↓ 32: 8.6 ↙ 33: 9.8 ← 34: 9.6 ← 35: 8.9 ← 36: 8.4 → 37: 9.2 ↙ 38: 8.2 ↗ 39: 9.9 ↘ 40: 10.1 →</p> <p>Series 91.9 Total 371.1</p>
--	---	--	--

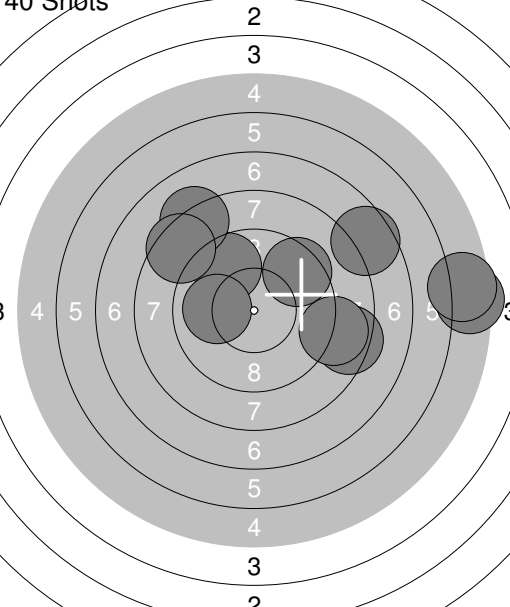
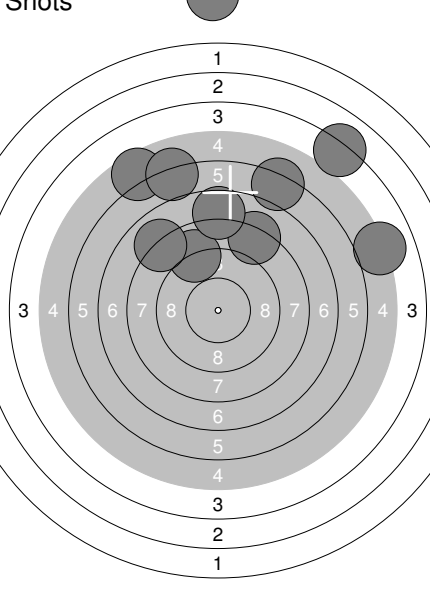
<p>Sight</p>	<p>Sight</p>	
---------------------	---------------------	--

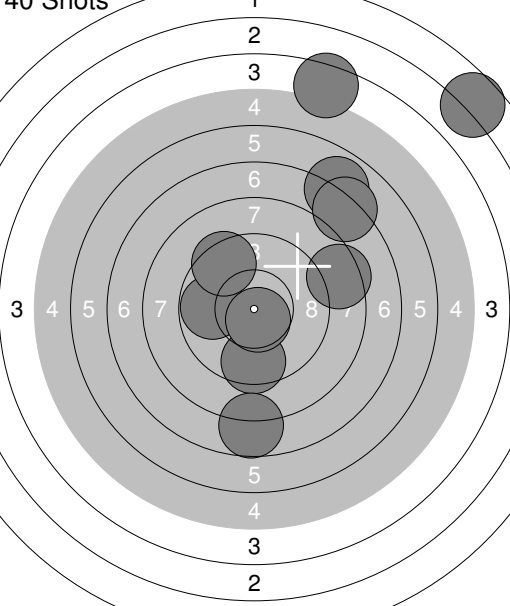
<p>Sight</p>	<p>40 Shots</p>	
---------------------	------------------------	--

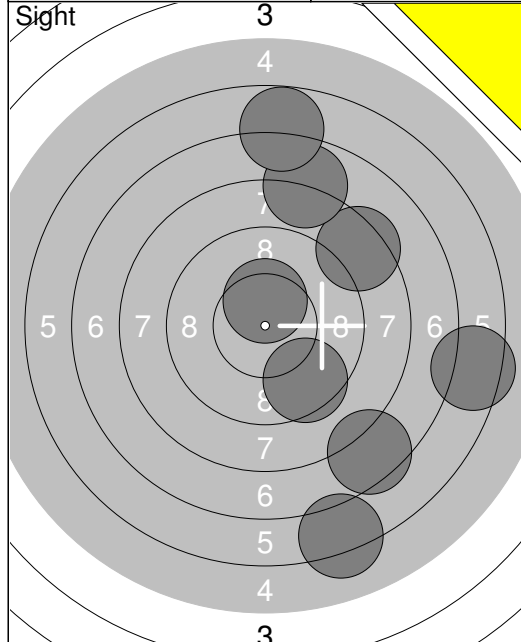
<p>40 Shots</p>	<p>40 Shots</p>	
------------------------	------------------------	--

<p>40 Shots</p>		
------------------------	--	--

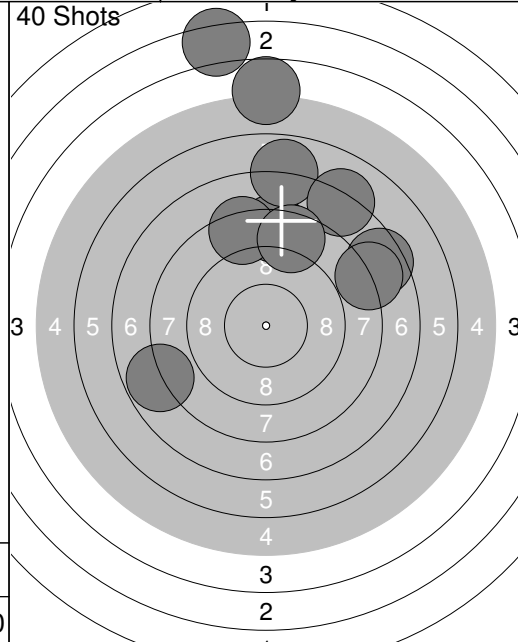
<p>Sight</p> 	<p>1: 8.3 ↘</p> <p>2: 7.5 ↗</p> <p>3: 9.8 →</p> <p>4: 9.0 ↖</p> <p>5: 4.2 ↗</p> <p>6: 4.9 ↗</p> <p>7: 8.5 ↗</p> <p>8: 3.6 ↗</p> <p>9: 8.3 →</p> <p>10: 3.9 →</p> <p>Series 68.0</p> <p>Total 0.0</p>	<p>40 Shots</p>  <p>1: 8.6 ←</p> <p>2: 7.5 →</p> <p>3: 5.0 ↗</p> <p>4: 8.4 →</p> <p>5: 8.4 ↗</p> <p>6: 5.5 →</p> <p>7: 6.4 ↗</p> <p>8: 7.0 →</p> <p>9: 0.0 ↗</p> <p>10: 3.6 ↗</p> <p>Series 60.4</p> <p>Total 60.4</p>
---	--	--

<p>40 Shots</p> 	<p>11: 5.4 →</p> <p>12: 7.6 ↗</p> <p>13: 9.6 ↗</p> <p>14: 10.0 ←</p> <p>15: 8.4 →</p> <p>16: 5.6 →</p> <p>17: 8.8 →</p> <p>18: 8.2 ↗</p> <p>19: 8.5 ↖</p> <p>20: 9.4 ↗</p> <p>Series 81.5</p> <p>Total 141.9</p>	<p>40 Shots</p>  <p>21: 8.9 ↖</p> <p>22: 5.6 ↖</p> <p>23: 8.0 ↖</p> <p>24: 8.2 ↗</p> <p>25: 5.1 →</p> <p>26: 4.1 ↗</p> <p>27: 6.1 ↖</p> <p>28: 7.6 ↑</p> <p>29: 0.0 ↑</p> <p>30: 6.2 ↗</p> <p>Series 59.8</p> <p>Total 201.7</p>
---	--	---

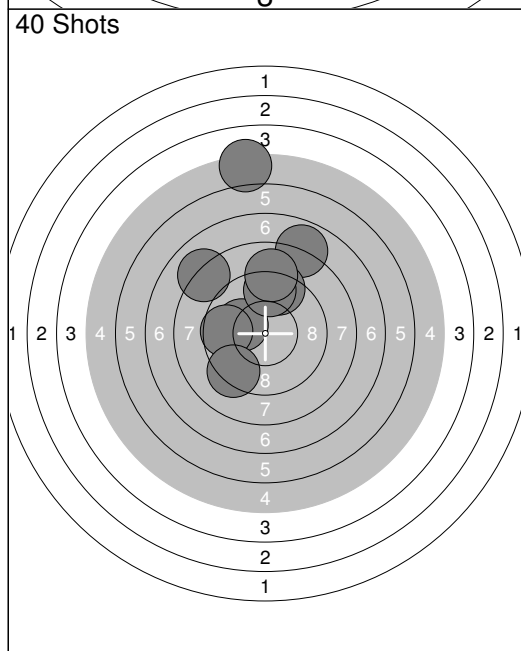
<p>40 Shots</p> 	<p>31: 9.5 ↓</p> <p>32: 7.7 ↓</p> <p>33: 9.8 ←</p> <p>34: 6.9 ↗</p> <p>35: 10.6x ↓</p> <p>36: 8.4 →</p> <p>37: 7.2 ↗</p> <p>38: 4.4 ↑</p> <p>39: 2.7 ↗</p> <p>40: 9.4 ↖</p> <p>Series 76.6</p> <p>Total 278.3</p>	
--	---	--



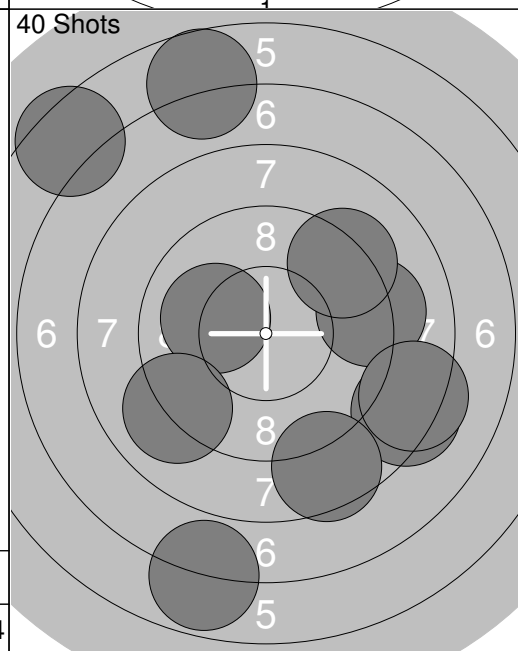
1:	6.2	↘
2:	10.4x	↑
3:	8.4	↗
4:	9.5	↘
5:	6.4	→
7:	7.9	↑
8:	6.8	↑
9:	7.5	↘
Series		63.1
Total		0.0



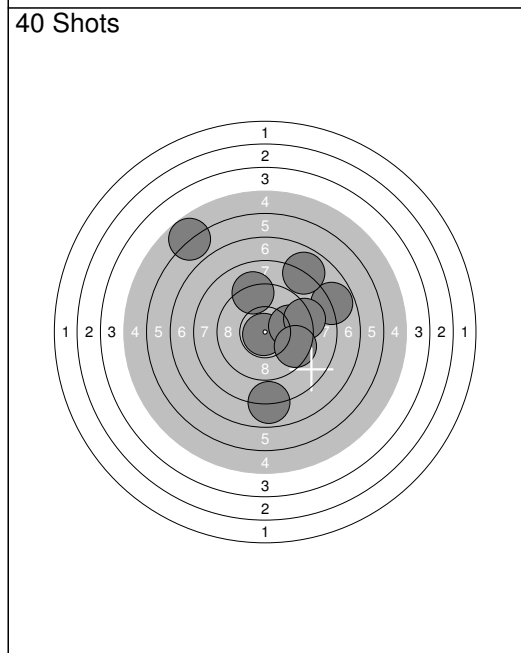
1:	7.8	↖
2:	7.5	↗
3:	8.3	↑
4:	4.7	↑
5:	6.9	↑
6:	8.3	↖
7:	7.1	↗
8:	8.5	↑
9:	3.3	↑
10:	7.9	↗
Series		70.3
Total		70.3



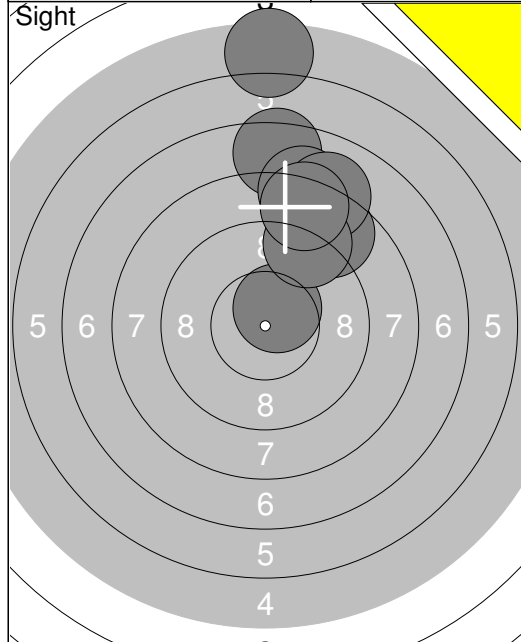
11:	5.2	↑
12:	8.1	↖
13:	7.9	↗
14:	9.4	↑
15:	10.1	↖
16:	9.5	↑
17:	9.6	↖
18:	0.0	↘
19:	9.0	↑
20:	9.3	↘
Series		78.1
Total		148.4



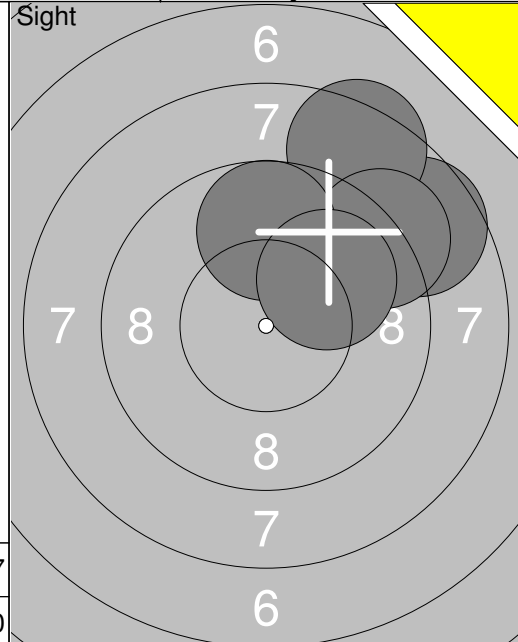
21:	6.5	↖
22:	8.3	↘
23:	9.2	→
24:	8.5	↘
25:	6.8	↘
26:	10.1	↖
27:	6.7	↑
28:	9.0	↖
29:	9.2	↗
30:	8.3	↘
Series		82.6
Total		231.0



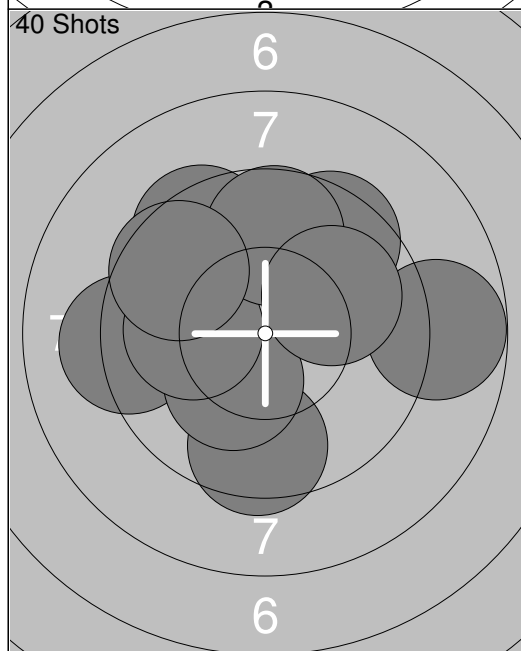
31:	7.8	↗
32:	0.0	↘
33:	10.8x	↘
34:	9.9	→
35:	9.2	→
36:	7.9	↗
37:	5.8	↗
38:	9.5	↘
39:	9.2	↑
40:	7.9	↘
Series		78.0
Total		309.0



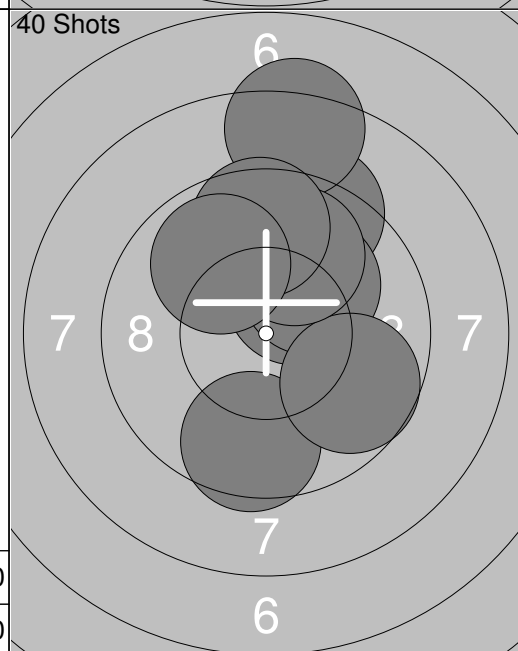
1:	5.4	↑
2:	7.4	↑
3:	8.1	↑
6:	8.7	↗
7:	10.5x	↗
8:	8.1	↑
9:	9.1	↗
10:	8.4	↑
Series		65.7
Total		0.0



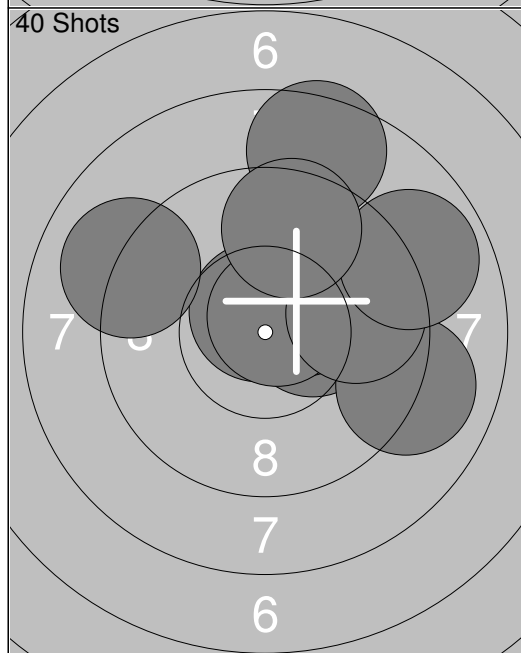
11:	8.6	↗
12:	8.4	↗
13:	9.1	↗
14:	9.7	↑
15:	10.0	↗
Series		45.8
Total		0.0



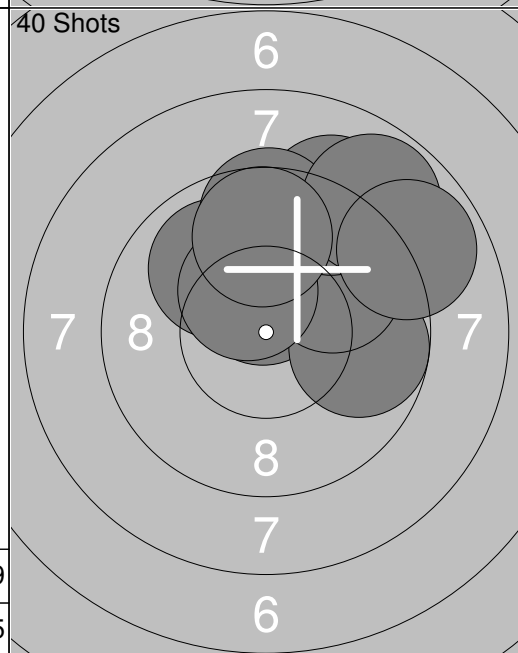
1:	9.5	↓
2:	9.2	←
3:	10.2x	↙
4:	9.5	↖
5:	10.0	←
6:	8.8	→
7:	9.5	↗
8:	9.7	↑
9:	10.0	↗
10:	9.6	↖
Series		96.0
Total		96.0



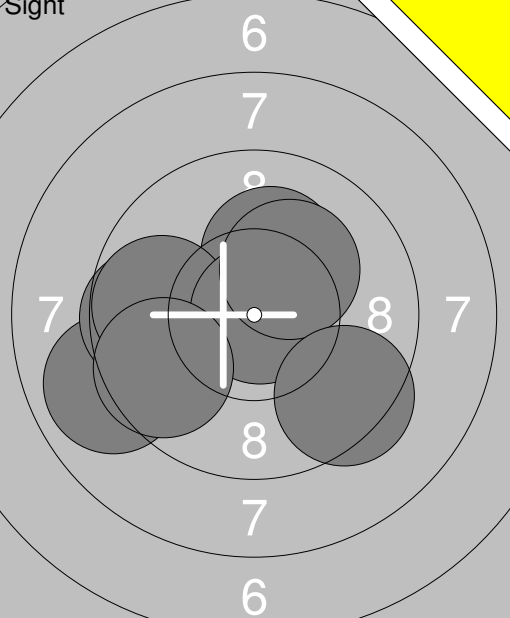
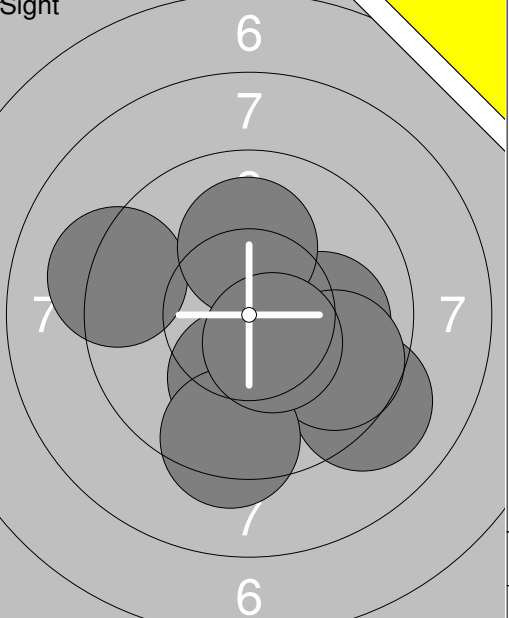
11:	9.6	↓
12:	10.3x	↗
13:	9.9	↑
14:	9.3	↗
15:	10.1	↗
16:	9.7	↘
17:	8.3	↑
18:	9.9	↗
19:	9.6	↑
20:	9.9	↖
Series		96.6
Total		192.6

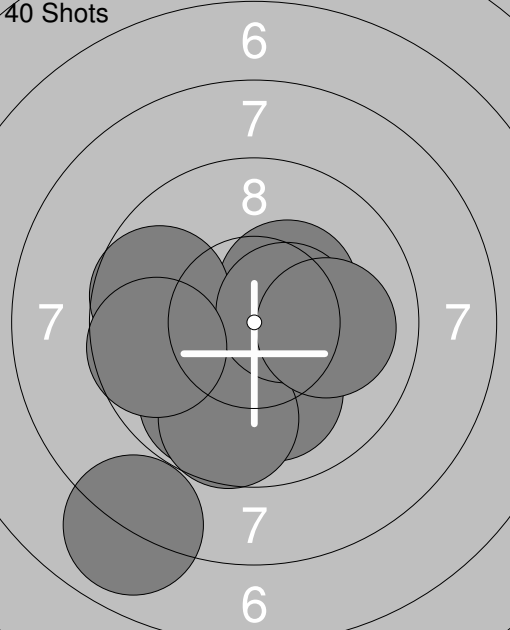
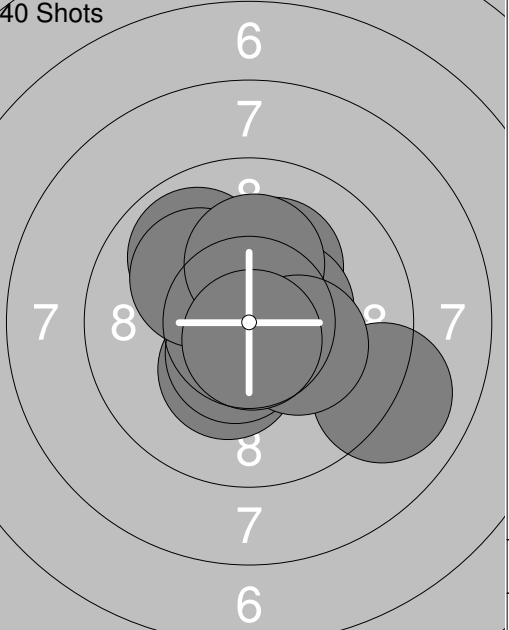


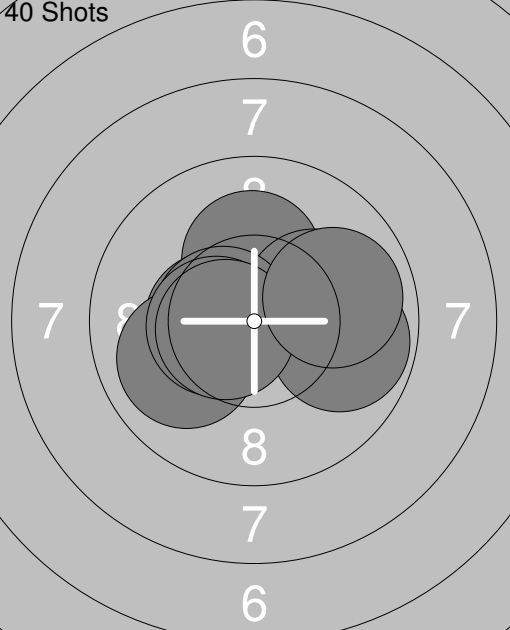
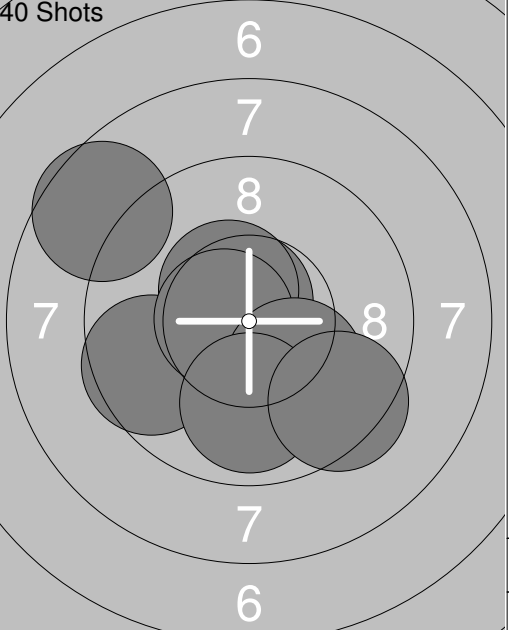
21:	10.3x	→
22:	10.7x	↗
23:	10.4x	↗
24:	9.0	←
25:	10.7x	↗
26:	9.0	→
27:	8.5	↑
28:	9.8	→
29:	8.9	↗
30:	9.6	↑
Series		96.9
Total		289.5



31:	10.5x	↑
32:	9.8	→
33:	9.9	↗
34:	9.9	↖
35:	9.1	↗
36:	10.4x	↖
37:	9.5	↑
38:	8.8	↗
39:	8.9	↗
40:	9.7	↑
Series		96.5
Total		386.0

<p>Sight</p>  <p>1: 8.9 ← 2: 10.2x ↑ 3: 9.6 ← 4: 9.8 ← 6: 10.9x → 7: 10.2x ↗ 9: 9.6 ← 10: 9.4 ↘</p> <p>Series 78.6 Total 0.0</p>		<p>Sight</p>  <p>11: 10.1 ↓ 12: 10.0 → 13: 9.1 ↘ 14: 9.2 ← 15: 9.7 → 16: 10.1 ↑ 17: 9.4 ↓ 18: 10.5x ↘</p> <p>Series 78.1 Total 0.0</p>
---	--	---

<p>40 Shots</p>  <p>1: 10.6x → 2: 9.8 ↓ 3: 10.4x ↗ 4: 7.9 ↓ 5: 9.7 ← 6: 10.0 ↓ 7: 9.7 ↓ 8: 10.5x → 9: 10.0 → 10: 9.7 ←</p> <p>Series 98.3 Total 98.3</p>		<p>40 Shots</p>  <p>11: 9.9 ↖ 12: 10.2x ↑ 13: 10.3x ↓ 14: 10.5x → 15: 10.5x ↓ 16: 10.1 ↖ 17: 9.0 → 18: 10.2x ↑ 19: 10.3x → 20: 10.7x ↓</p> <p>Series 101.7 Total 200.0</p>
--	--	--

<p>40 Shots</p>  <p>21: 10.2x ↑ 22: 9.9 → 23: 10.5x ← 24: 10.1 → 25: 9.8 → 26: 10.0 ← 27: 10.6x ← 28: 10.5x ← 29: 10.6x ← 30: 9.9 →</p> <p>Series 102.1 Total 302.1</p>		<p>40 Shots</p>  <p>31: 9.6 ← 32: 10.3x ↓ 33: 10.0 ↓ 34: 10.7x ↑ 35: 10.5x ↖ 36: 10.6x ← 37: 10.1 ↓ 38: 9.9 ↓ 39: 8.6 ↖ 40: 9.4 ↘</p> <p>Series 99.7 Total 401.8</p>
--	--	---