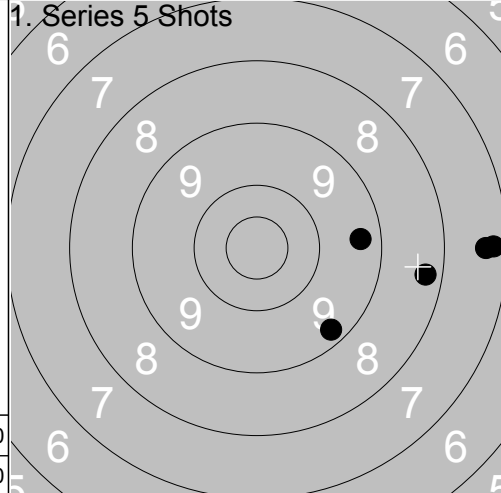
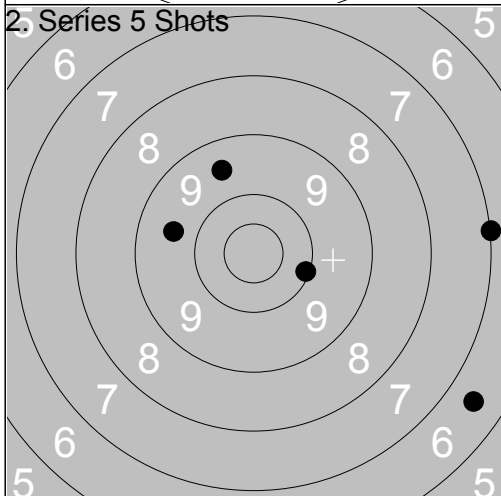


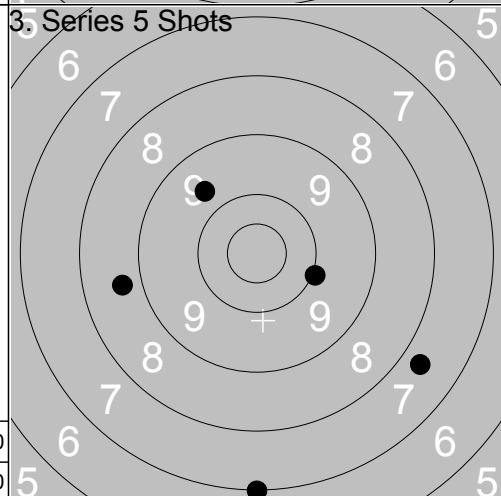
1:	3.1	↑
2:	4.3	↗
3:	1.7	↑
4:	9.3	↓
5:	8.4	→
Series		25.0
Total		0.0



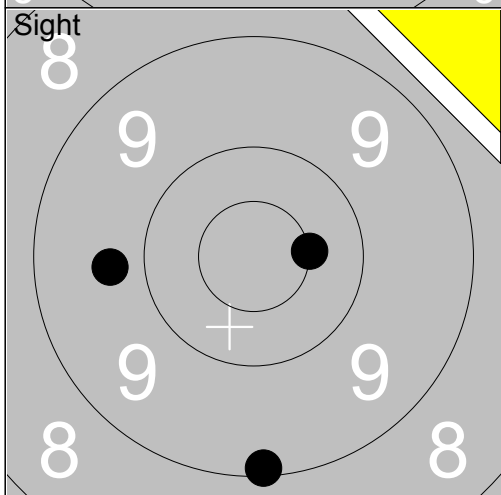
1:	9.3	↘
2:	9.4	→
3:	7.4	→
4:	7.2	→
5:	8.3	→
Series		40.0
Total		40.0



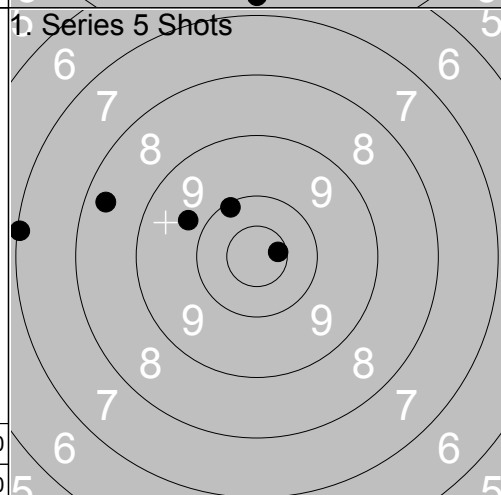
1:	7.0	→
2:	6.6	↘
3:	10.1	↗
4:	9.6	↖
5:	9.5	↑
Series		41.0
Total		81.0



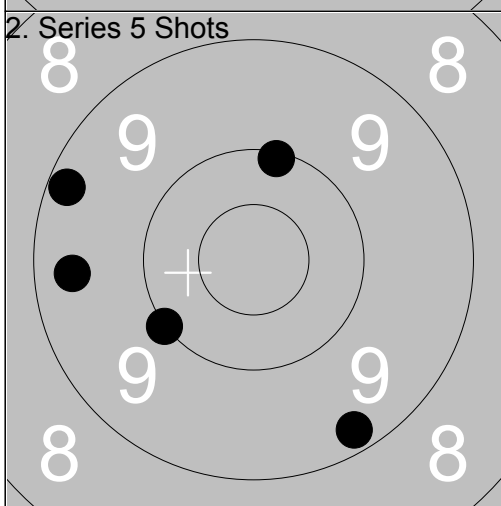
1:	7.7	↘
2:	7.0	↓
3:	10.0	↗
4:	8.7	↖
5:	9.7	↗
Series		41.0
Total		122.0



1:	9.1	↓
2:	9.7	↖
3:	*10.5	→
Series		28.0
Total		122.0

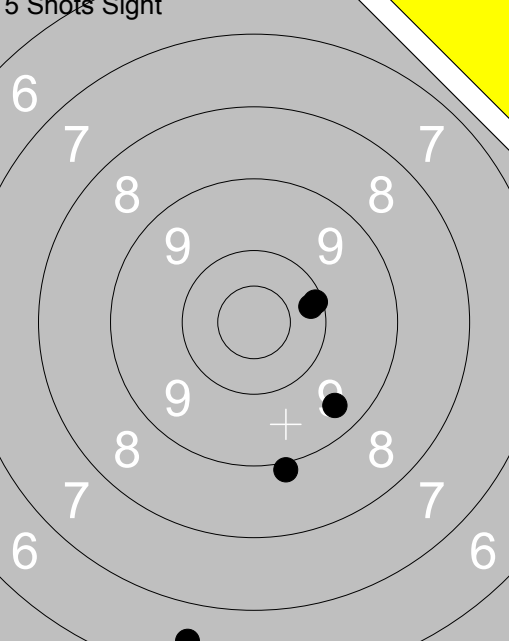


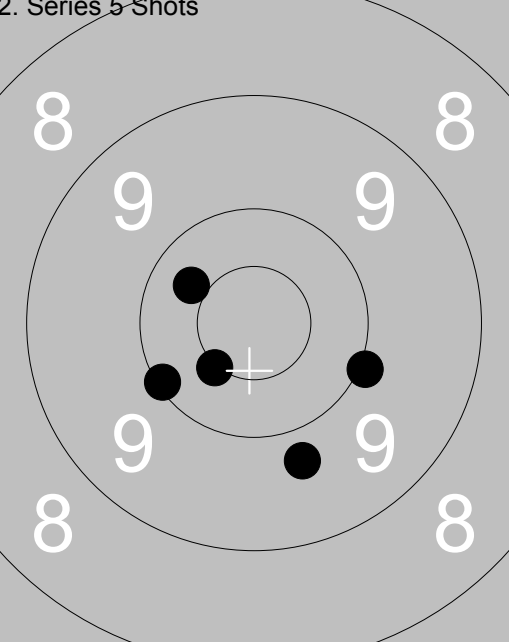
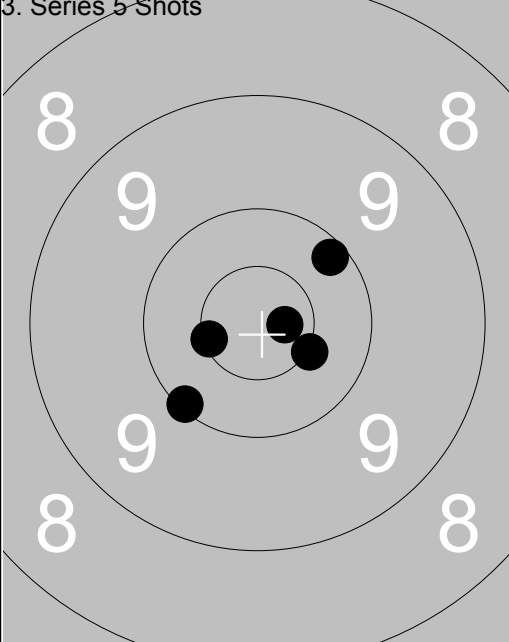
1:	*10.6	→
2:	9.7	↖
3:	10.1	↗
4:	8.4	↖
5:	7.1	↖
Series		44.0
Total		166.0

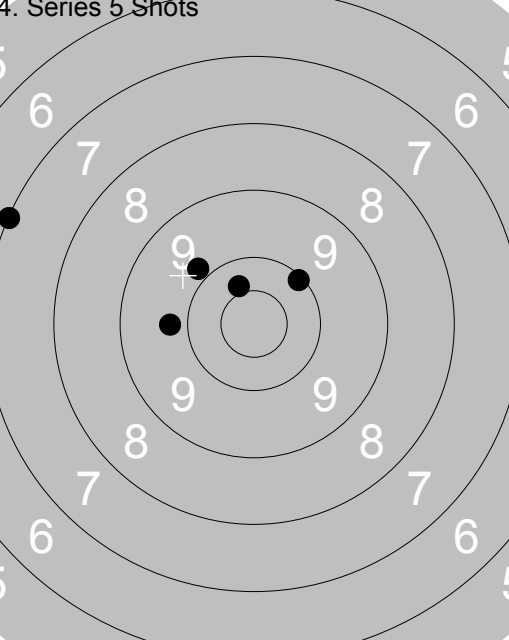
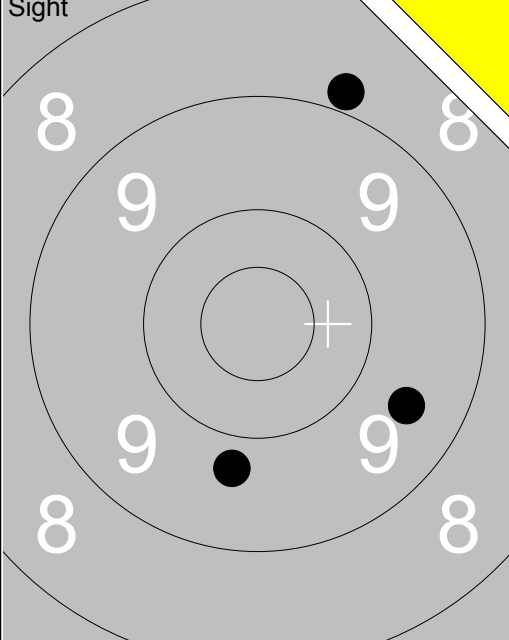


1:	10.1	↑
2:	9.2	↘
3:	10.0	↖
4:	9.4	↖
5:	9.2	↖
Series		47.0
Total		213.0

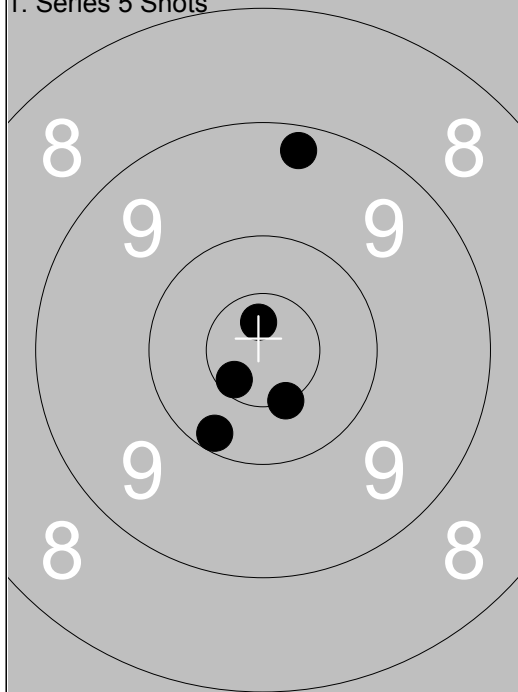
--	--	--

<p>5 Shots Sight</p> 	<p>1: 6.5 ↓ 2: 10.2 → 3: 10.1 → 4: 8.9 ↓ 5: 9.4 ↓</p>	<p>1. Series 5 Shots</p> 	<p>1: 9.4 ↗ 2: *10.6 ↗ 3: 10.0 → 4: 9.6 ↓ 5: *10.5 ↙</p>
Series 43.0		Series 48.0	
Total 0.0		Total 48.0	

<p>2. Series 5 Shots</p> 	<p>1: 10.4 ↖ 2: 10.1 ↖ 3: *10.5 ↖ 4: 10.0 → 5: 9.8 ↓</p>	<p>3. Series 5 Shots</p> 	<p>1: 10.2 ↗ 2: *10.5 ↘ 3: *10.7 → 4: 10.1 ↖ 5: *10.5 ↙</p>
Series 49.0		Series 50.0	
Total 97.0		Total 147.0	

<p>4. Series 5 Shots</p> 	<p>1: 10.4 ↗ 2: 9.8 ← 3: 9.9 ↖ 4: 10.1 ↗ 5: 7.0 ↖</p>	<p>Sight</p> 	<p>1: 8.9 ↗ 2: 9.7 ↓ 3: 9.5 →</p>
Series 45.0		Series 26.0	
Total 192.0		Total 192.0	

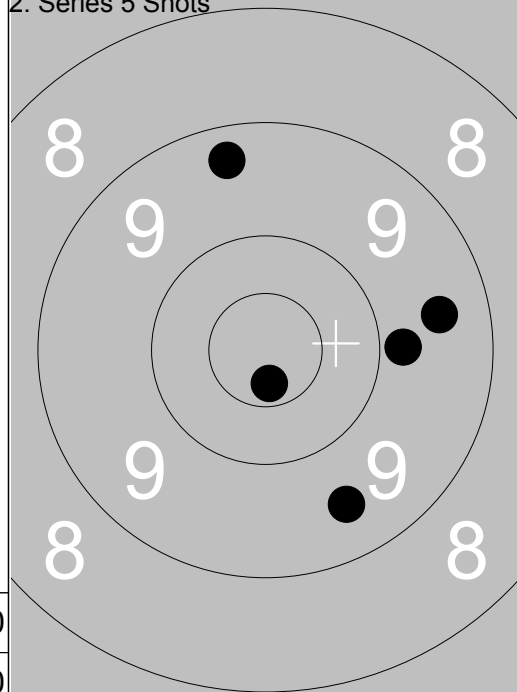
1. Series 5 Shots



- 1: 9.3 ↑
- 2: *10.6 ↘
- 3: *10.5 ↘
- 4: *10.7 ↗
- 5: 10.2 ↘

Series	49.0
Total	241.0

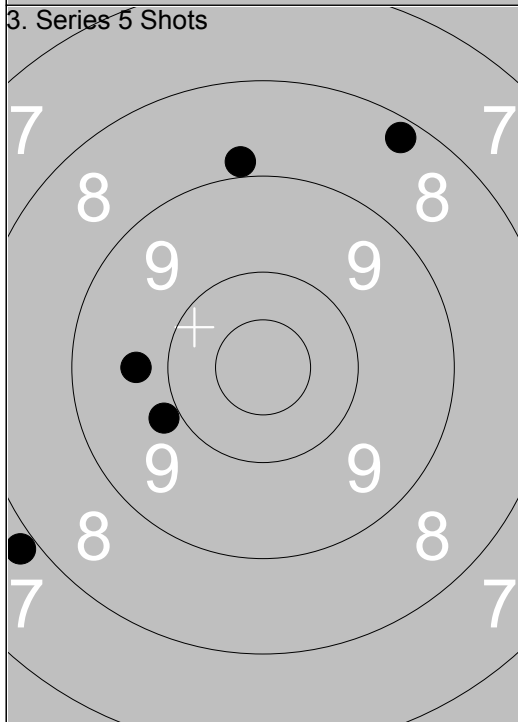
2. Series 5 Shots



- 1: 9.3 ↑
- 2: 9.5 →
- 3: *10.7 ↘
- 4: 9.8 →
- 5: 9.5 ↘

Series	46.0
Total	287.0

3. Series 5 Shots



- 1: 7.9 ↙
- 2: 9.9 ↙
- 3: 9.7 ←
- 4: 8.2 ↗
- 5: 8.9 ↑

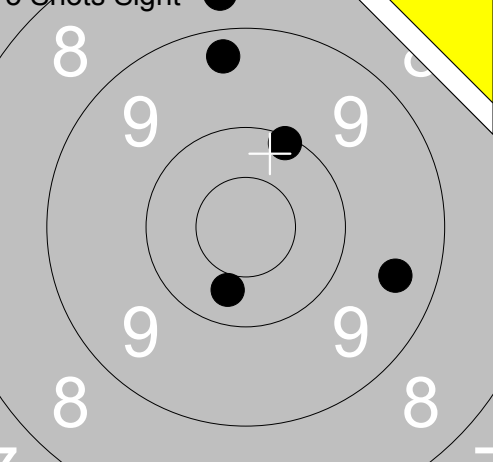
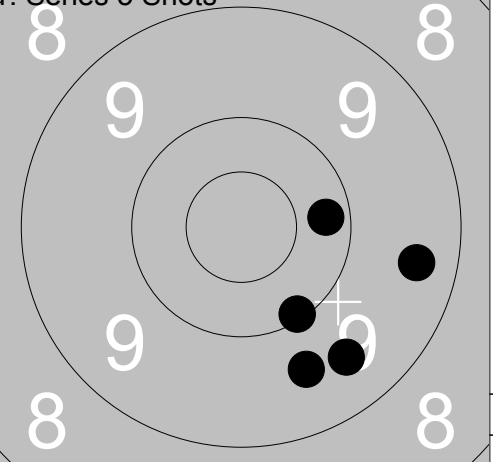
Series	41.0
Total	328.0

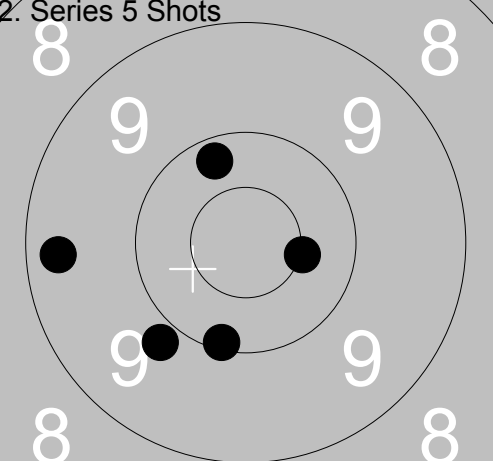
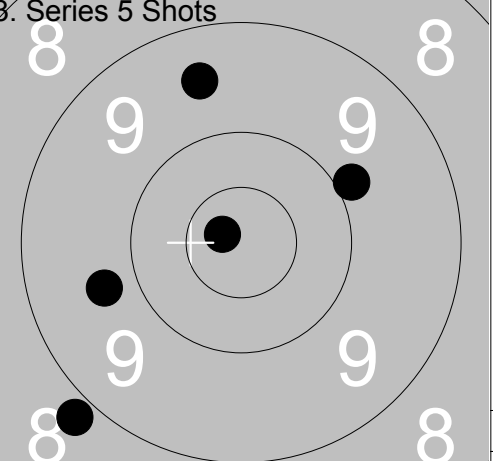
<p>5 Shots Sight</p>	<p>1: 9.9 ← 2: 9.9 ↗ 3: 8.7 ↗ 4: 8.8 ↗</p>	<p>4. Series 5 Shots</p>	<p>1: 9.5 ↗ 2: 6.1 ↓ 3: 7.7 ↓ 4: 8.7 ↓ 5: 8.6 ↗</p>
Series 34.0		Series 38.0	
Total 0.0		Total 38.0	

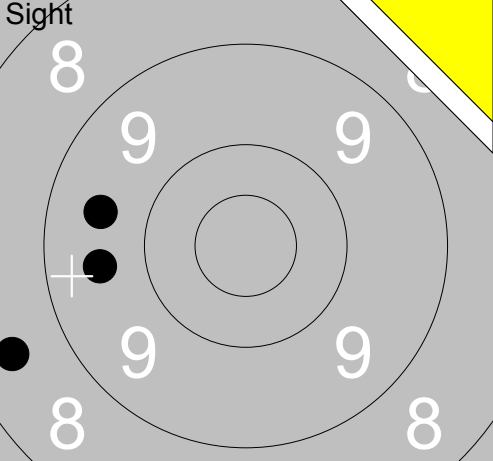
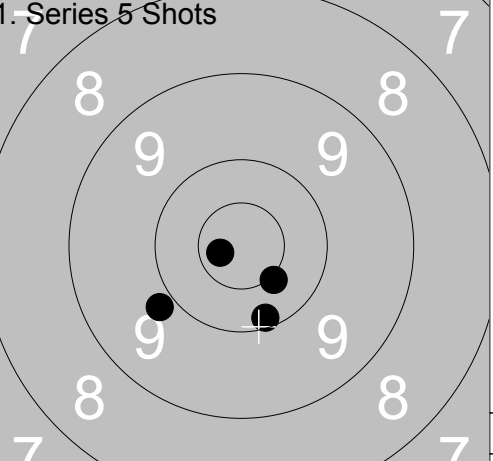
<p>2. Series 5 Shots</p>	<p>1: 9.0 → 2: 9.6 → 3: 7.1 ↑ 4: 9.2 ↓ 5: 9.3 ←</p>	<p>3. Series 5 Shots</p>	<p>1: 9.2 ↗ 2: 9.4 ← 3: 8.9 ↓ 4: 9.1 ↗ 5: 8.9 ↑</p>
Series 43.0		Series 43.0	
Total 81.0		Total 124.0	

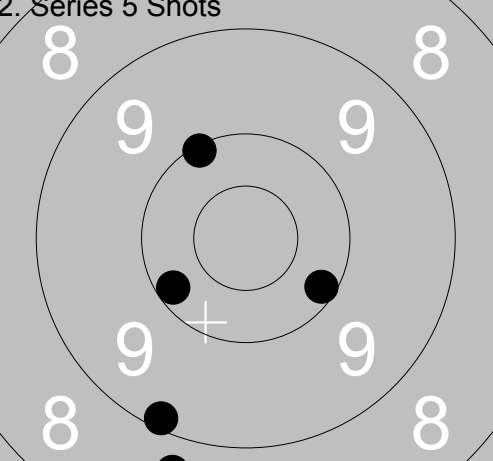
<p>Sight</p>	<p>1: 9.7 ← 2: 7.7 ← 3: 9.8 →</p>	<p>1. Series 5 Shots</p>	<p>1: 8.9 ↗ 2: 9.3 ← 3: 7.7 ← 4: 8.9 ↓ 5: 8.9 ←</p>
Series 25.0		Series 40.0	
Total 124.0		Total 164.0	

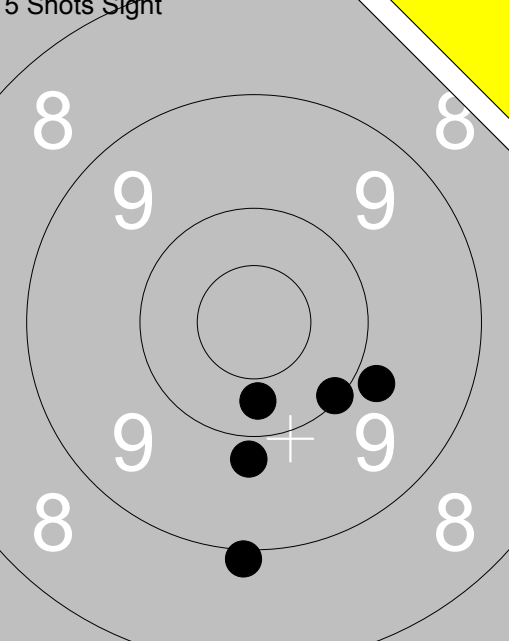
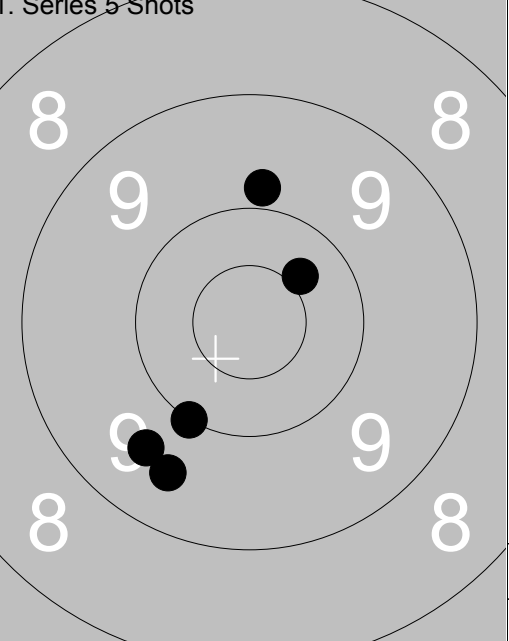
<p>2. Series 5 Shots</p>	<p>1: 9.6 ← 2: 8.8 ← 3: *10.7 → 4: 9.1 ↙ 5: 9.8 ↓</p>		
Series 45.0			
Total 209.0			

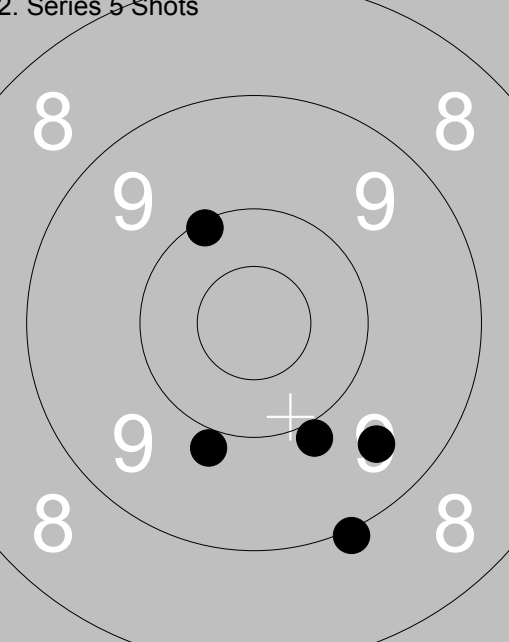
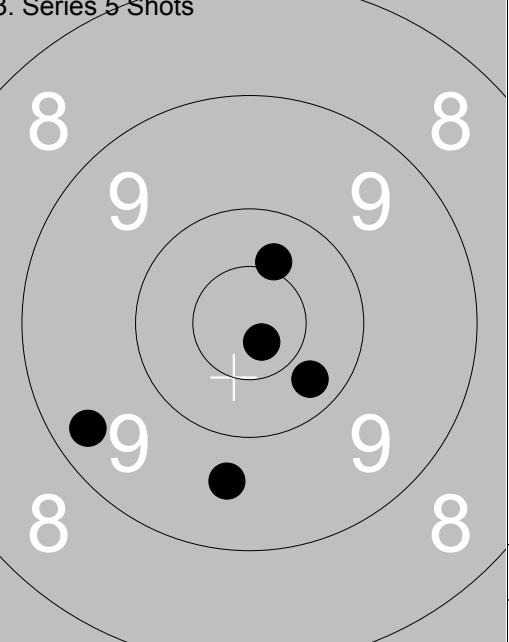
<p>5 Shots Sight</p> 	<p>1: 9.3 ↑</p> <p>2: 8.7 ↑</p> <p>3: 9.4 →</p> <p>4: 10.1 ↗</p> <p>5: 10.3 ↓</p>	<p>1. Series 5 Shots</p> 	<p>1: 9.4 →</p> <p>2: 9.6 ↓</p> <p>3: 10.2 →</p> <p>4: 10.1 ↓</p> <p>5: 9.5 ↓</p>
Series 46.0		Series 47.0	
Total 0.0		Total 47.0	

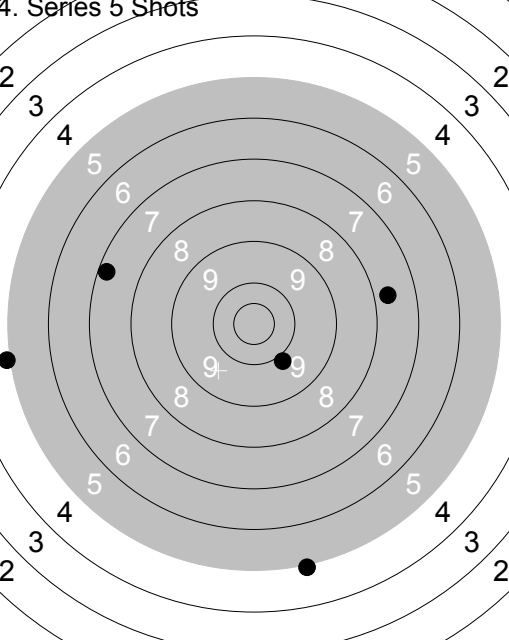
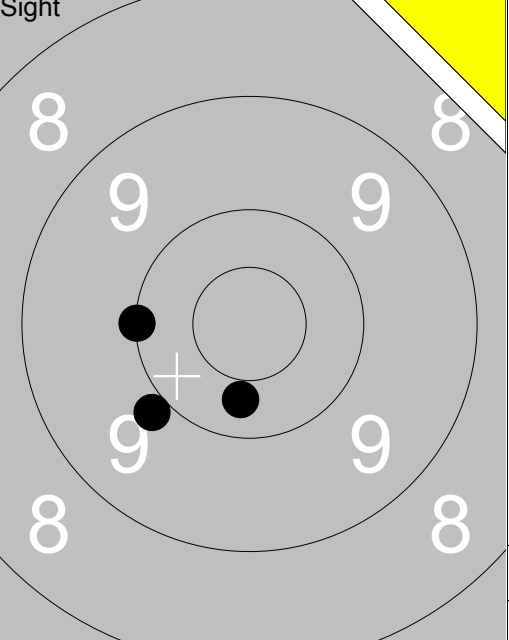
<p>2. Series 5 Shots</p> 	<p>1: 9.8 ↙</p> <p>2: 10.2 ↑</p> <p>3: 9.3 ←</p> <p>4: *10.5 →</p> <p>5: 10.1 ↓</p>	<p>3. Series 5 Shots</p> 	<p>1: 9.5 ↑</p> <p>2: 9.7 ←</p> <p>3: *10.8 ↙</p> <p>4: 8.8 ↓</p> <p>5: 9.9 ↗</p>
Series 48.0		Series 45.0	
Total 95.0		Total 140.0	

<p>Sight</p> 	<p>1: 9.6 ←</p> <p>2: 9.6 ←</p> <p>3: 8.5 ←</p>	<p>1. Series 5 Shots</p> 	<p>1: *10.4 ↓</p> <p>2: 10.1 ↓</p> <p>3: *10.7 ←</p> <p>4: 9.8 ↙</p> <p>5: 7.9 ↓</p>
Series 26.0		Series 46.0	
Total 140.0		Total 186.0	

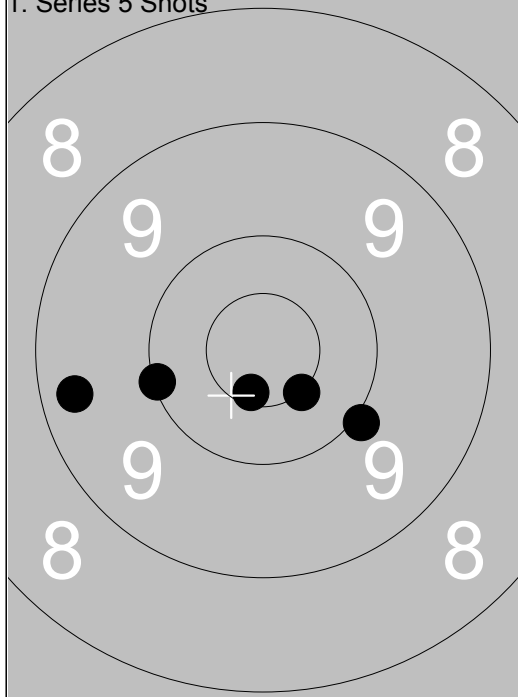
<p>2. Series 5 Shots</p> 	<p>1: 10.2 ↘</p> <p>2: 10.1 ↗</p> <p>3: 10.2 ↙</p> <p>4: 8.7 ↓</p> <p>5: 9.1 ↓</p>		
Series 47.0			
Total 233.0			

<p>5 Shots Sight</p> 	<p>1: 9.8 →</p> <p>2: 8.9 ↓</p> <p>3: 10.1 ↘</p> <p>4: 9.8 ↓</p> <p>5: 10.3 ↓</p>	<p>1. Series 5 Shots</p> 	<p>1: 9.8 ↑</p> <p>2: 10.4 ↗</p> <p>3: 9.5 ↓</p> <p>4: 10.0 ↓</p> <p>5: 9.6 ↓</p>
Series 46.0		Series 47.0	
Total 0.0		Total 47.0	

<p>2. Series 5 Shots</p> 	<p>1: 10.1 ↗</p> <p>2: 9.0 ↓</p> <p>3: 9.9 ↓</p> <p>4: 9.5 ↓</p> <p>5: 9.9 ↓</p>	<p>3. Series 5 Shots</p> 	<p>1: 10.4 ↗</p> <p>2: 10.3 ↘</p> <p>3: *10.8 ↘</p> <p>4: 9.3 ←</p> <p>5: 9.6 ↓</p>
Series 46.0		Series 48.0	
Total 93.0		Total 141.0	

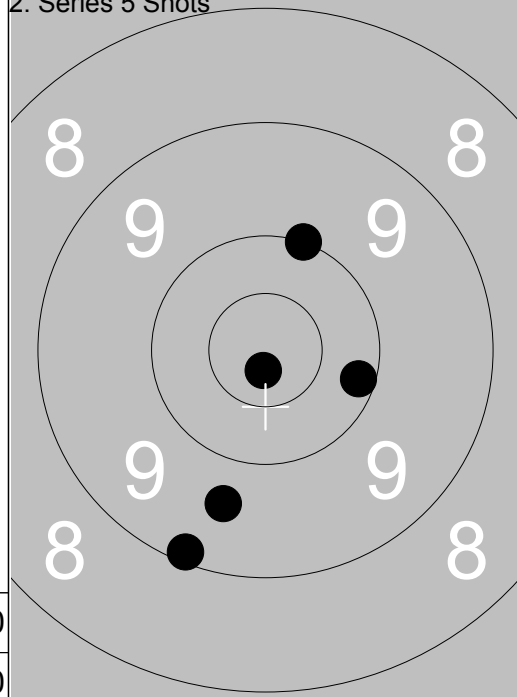
<p>4. Series 5 Shots</p> 	<p>1: 7.7 →</p> <p>2: 7.2 ←</p> <p>3: 9.9 ↓</p> <p>4: 5.0 ←</p> <p>5: 5.0 ↓</p>	<p>Sight</p> 	<p>1: 10.3 ↓</p> <p>2: 10.0 ←</p> <p>3: 9.9 ↓</p>
Series 33.0		Series 29.0	
Total 174.0		Total 174.0	

1. Series 5 Shots



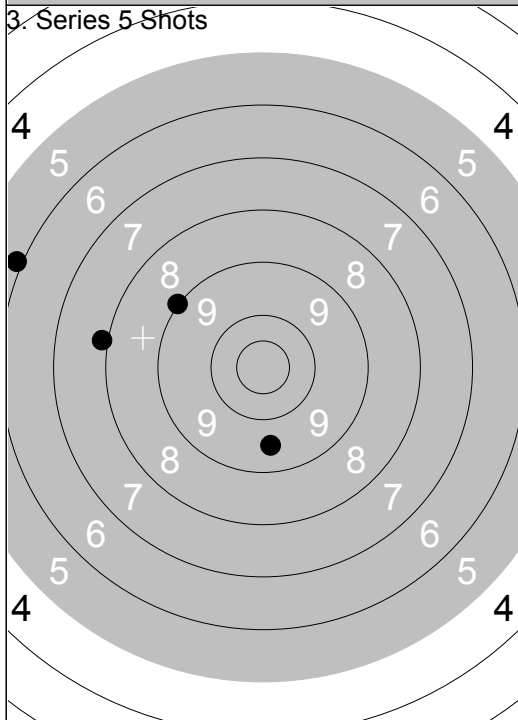
Series	49.0
Total	223.0

2. Series 5 Shots



Series	48.0
Total	271.0

3. Series 5 Shots



Series	30.0
Total	301.0

- 1: 9.3 ←
- 2: *10.5 ↘
- 3: *10.6 ↘
- 4: 10.1 ←
- 5: 10.0 ↘

- 1: *10.8 ↓
- 2: 9.1 ↓
- 3: 10.0 ↗
- 4: 10.2 →
- 5: 9.6 ↓

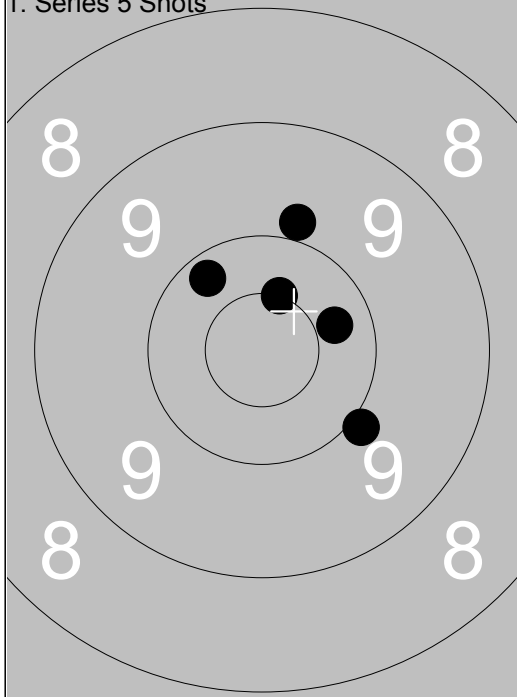
- 1: 9.0 ↖
- 2: 9.5 ↓
- 3: 7.9 ←
- 4: 0.0
- 5: 5.9 ↖

<p>5 Shots Sight</p> <p>1: 10.2 → 2: 9.2 → 3: 10.4 ↑</p> <table border="1" style="width:100%; border-collapse: collapse;"> <tr><td>Series</td><td>29.0</td></tr> <tr><td>Total</td><td>0.0</td></tr> </table>	Series	29.0	Total	0.0	<p>1. Series 5 Shots</p> <p>1: 9.6 ↑ 2: *10.7 ↓ 3: 10.1 ↓ 4: 8.6 → 5: 9.4 ←</p> <table border="1" style="width:100%; border-collapse: collapse;"> <tr><td>Series</td><td>46.0</td></tr> <tr><td>Total</td><td>46.0</td></tr> </table>	Series	46.0	Total	46.0
Series	29.0								
Total	0.0								
Series	46.0								
Total	46.0								

<p>2. Series 5 Shots</p> <p>1: 9.8 ↖ 2: 9.7 ↑ 3: 10.0 ↓ 4: 9.7 → 5: 10.3 ↓</p> <table border="1" style="width:100%; border-collapse: collapse;"> <tr><td>Series</td><td>47.0</td></tr> <tr><td>Total</td><td>93.0</td></tr> </table>	Series	47.0	Total	93.0	<p>3. Series 5 Shots</p> <p>1: 9.7 ↙ 2: 10.4 ↗ 3: 9.4 ↗ 4: 10.3 → 5: 9.3 →</p> <table border="1" style="width:100%; border-collapse: collapse;"> <tr><td>Series</td><td>47.0</td></tr> <tr><td>Total</td><td>140.0</td></tr> </table>	Series	47.0	Total	140.0
Series	47.0								
Total	93.0								
Series	47.0								
Total	140.0								

<p>4. Series 5 Shots</p> <p>1: 9.1 ← 2: 8.7 → 3: 6.3 → 4: *10.9 ↘ 5: 5.3 ↓</p> <table border="1" style="width:100%; border-collapse: collapse;"> <tr><td>Series</td><td>38.0</td></tr> <tr><td>Total</td><td>178.0</td></tr> </table>	Series	38.0	Total	178.0	<p>Sight</p> <p>1: 10.4 ← 2: 10.1 ↖</p> <table border="1" style="width:100%; border-collapse: collapse;"> <tr><td>Series</td><td>20.0</td></tr> <tr><td>Total</td><td>178.0</td></tr> </table>	Series	20.0	Total	178.0
Series	38.0								
Total	178.0								
Series	20.0								
Total	178.0								

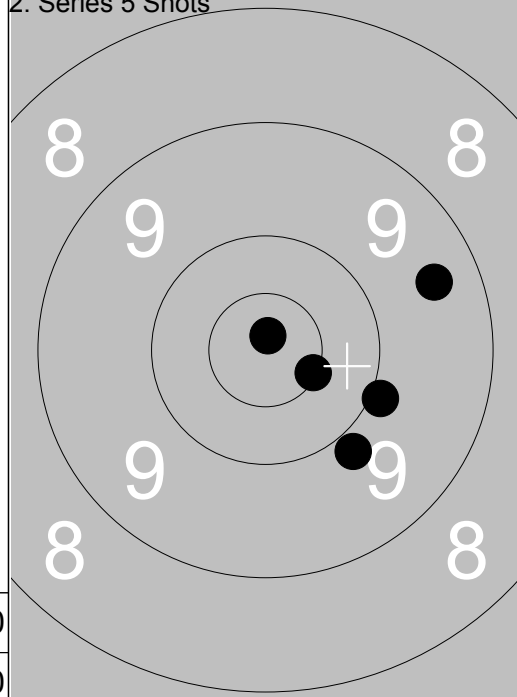
1. Series 5 Shots



- 1: 9.9 ↗
- 2: *10.5 ↗
- 3: 9.9 ↘
- 4: 10.3 →
- 5: 10.2 ↖

Series	48.0
Total	226.0

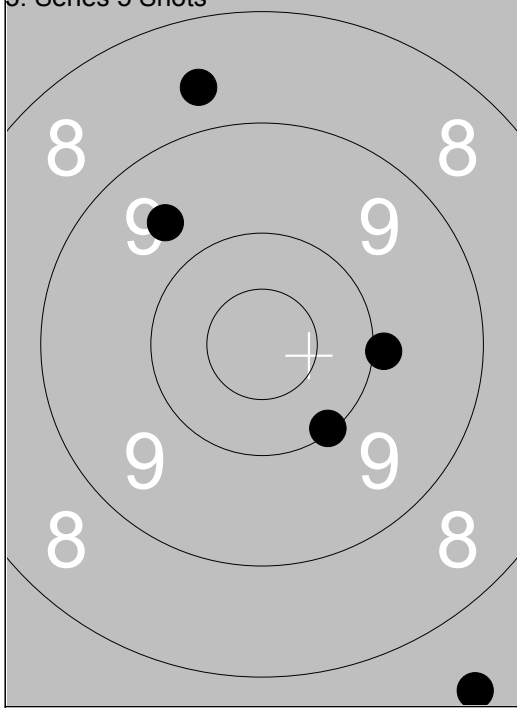
2. Series 5 Shots



- 1: *10.8 ↗
- 2: 9.9 ↘
- 3: 9.4 →
- 4: 9.9 ↘
- 5: *10.5 ↘

Series	47.0
Total	273.0

3. Series 5 Shots



- 1: 9.6 ↖
- 2: 10.1 ↘
- 3: 9.9 →
- 4: 8.6 ↗
- 5: 7.4 ↘

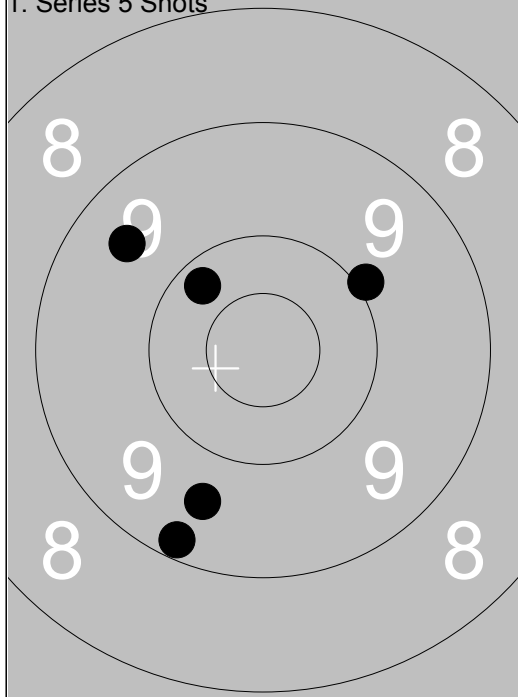
Series	43.0
Total	316.0

<p>5 Shots Sight</p>	<p>1: *10.5 ↖ 2: 10.0 ← 3: 10.1 → 4: 9.7 ↓ 5: 9.5 ↓</p>	<p>1. Series 5 Shots</p>	<p>1: 9.1 ↗ 2: 10.3 ↖ 3: 9.6 → 4: 10.2 ↘ 5: 9.7 ↙</p>
Series 48.0		Series 47.0	
Total 0.0		Total 47.0	

<p>2. Series 5 Shots</p>	<p>1: 9.2 ↖ 2: *10.5 ↓ 3: 9.9 → 4: *10.5 ↖ 5: *10.8 ↑</p>	<p>3. Series 5 Shots</p>	<p>1: *10.5 ↓ 2: 10.1 ↑ 3: *10.5 ↖ 4: 9.9 ← 5: 9.9 ↖</p>
Series 48.0		Series 48.0	
Total 95.0		Total 143.0	

<p>4. Series 5 Shots</p>	<p>1: 9.4 ↑ 2: 9.2 ← 3: 9.0 ↑ 4: 8.8 ↖ 5: 7.5 →</p>	<p>Sight</p>	<p>1: 9.0 ↑ 2: 10.1 ↖ 3: 9.8 ↖</p>
Series 42.0		Series 28.0	
Total 185.0		Total 185.0	

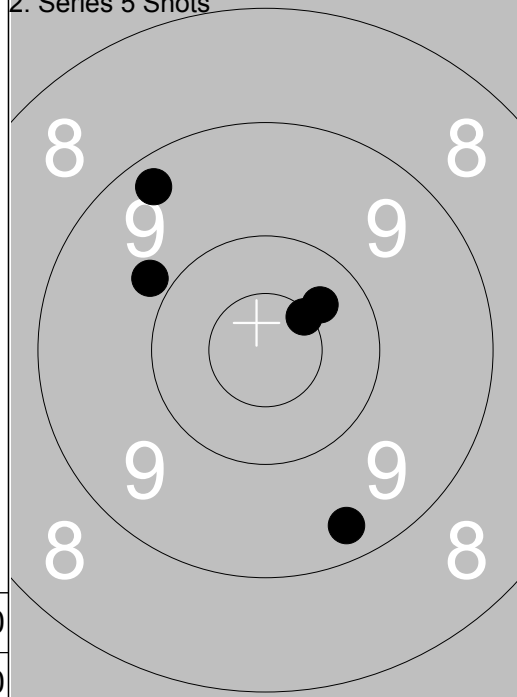
1. Series 5 Shots



- 1: 9.9 ↗
- 2: 10.2 ↖
- 3: 9.5 ↖
- 4: 9.6 ↓
- 5: 9.2 ↓

Series	46.0
Total	231.0

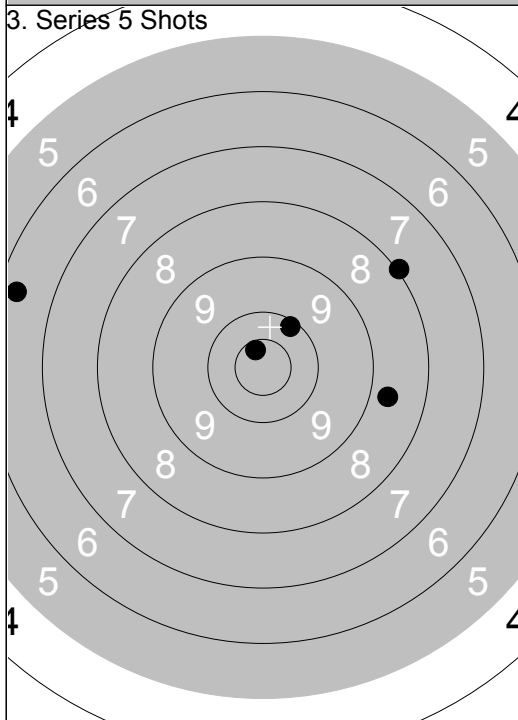
2. Series 5 Shots



- 1: 9.3 ↖
- 2: *10.5 ↗
- 3: 10.4 ↗
- 4: 9.3 ↓
- 5: 9.8 ↖

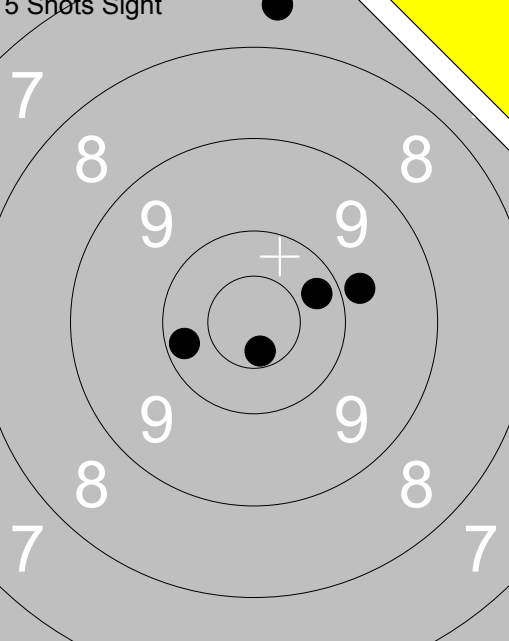
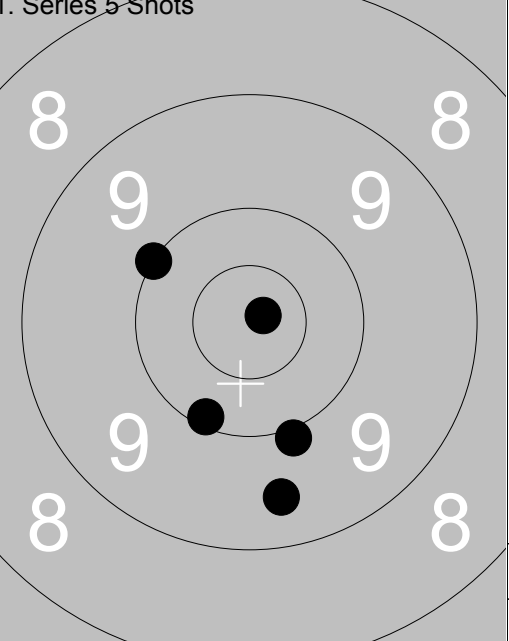
Series	47.0
Total	278.0

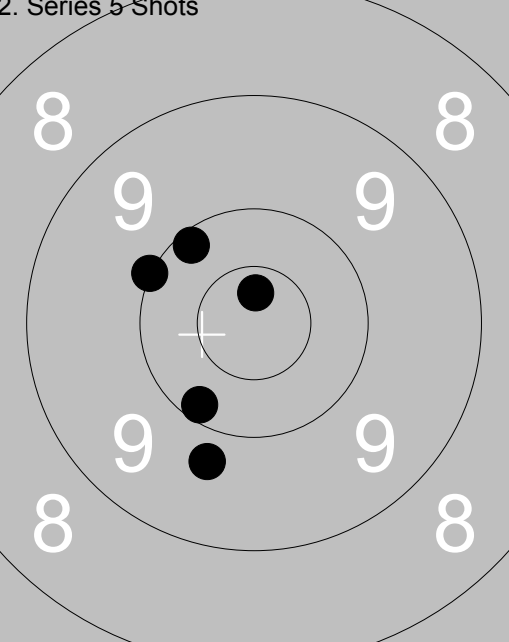
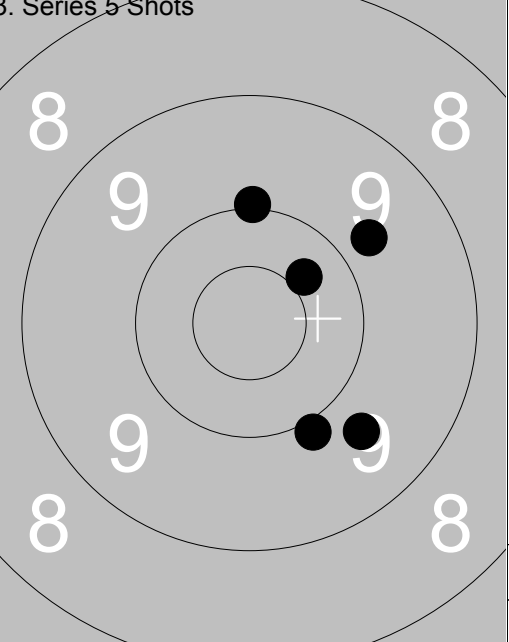
3. Series 5 Shots

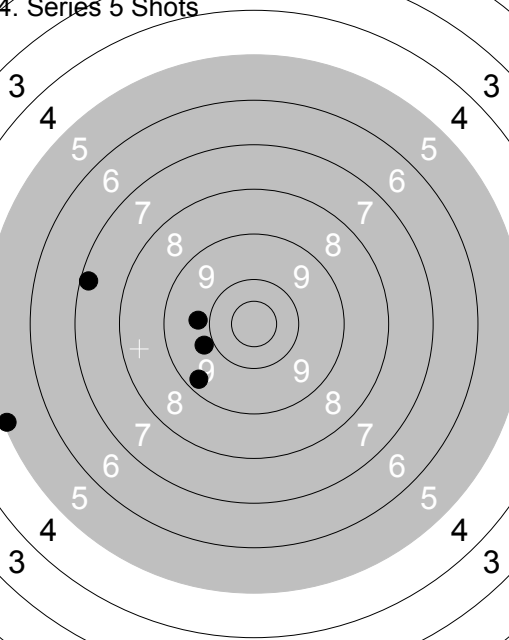
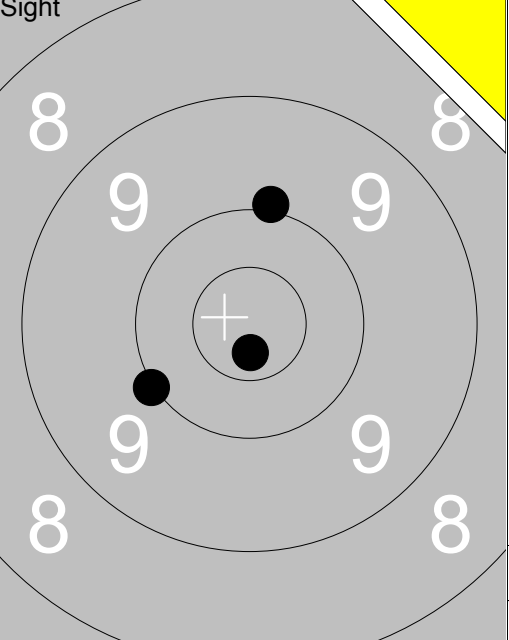


- 1: 10.1 ↗
- 2: 8.0 ↗
- 3: 6.4 ↖
- 4: 8.7 →
- 5: *10.6 ↖

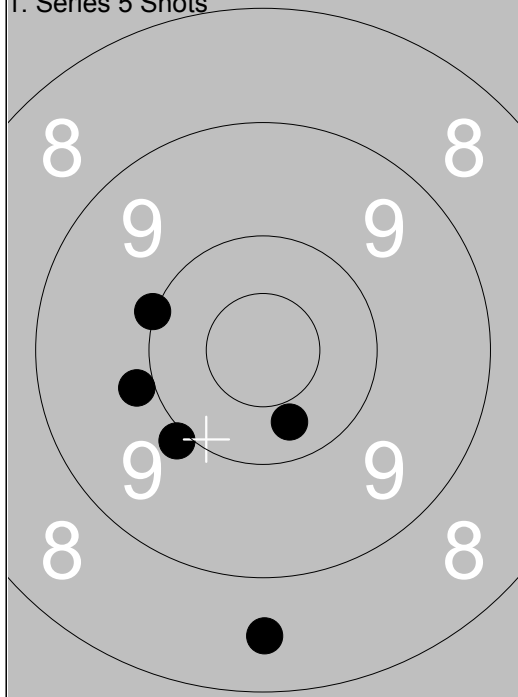
Series	42.0
Total	320.0

<p>5 Shots Sight</p> 	<p>1: 7.6 ↑ 2: 9.8 → 3: 10.3 → 4: 10.2 ← 5: *10.7 ↓</p>	<p>1. Series 5 Shots</p> 	<p>1: 9.9 ↓ 2: *10.8 → 3: 9.5 ↓ 4: 10.1 ↓ 5: 10.0 ↙</p>
Series 46.0		Series 48.0	
Total 0.0		Total 48.0	

<p>2. Series 5 Shots</p> 	<p>1: 10.1 ↖ 2: 10.0 ↙ 3: *10.7 ↑ 4: 10.2 ↓ 5: 9.7 ↓</p>	<p>3. Series 5 Shots</p> 	<p>1: 10.4 ↗ 2: 9.7 ↗ 3: 10.0 ↑ 4: 9.9 ↓ 5: 9.7 ↓</p>
Series 49.0		Series 47.0	
Total 97.0		Total 144.0	

<p>4. Series 5 Shots</p> 	<p>1: 7.2 ← 2: 9.8 ← 3: 9.8 ← 4: 5.1 ← 5: 9.3 ↙</p>	<p>Sight</p> 	<p>1: 10.0 ↙ 2: *10.7 ↓ 3: 10.0 ↑</p>
Series 39.0		Series 30.0	
Total 183.0		Total 183.0	

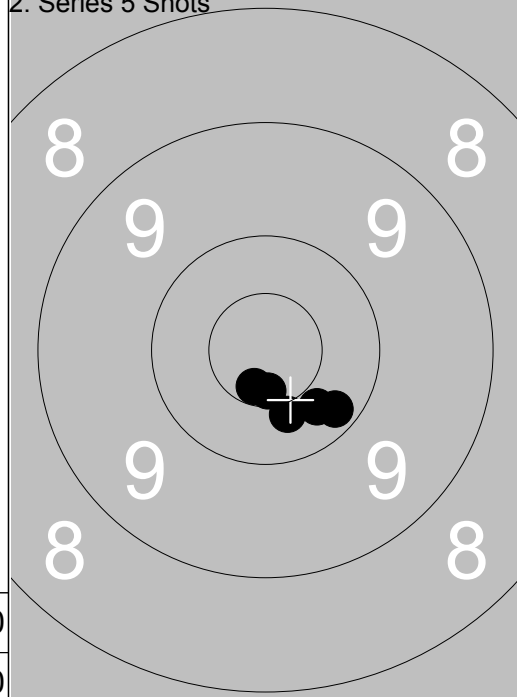
1. Series 5 Shots



- 1: 10.3 ↘
- 2: 8.5 ↓
- 3: 9.9 ↙
- 4: 9.9 ←
- 5: 10.0 ↙

Series	46.0
Total	229.0

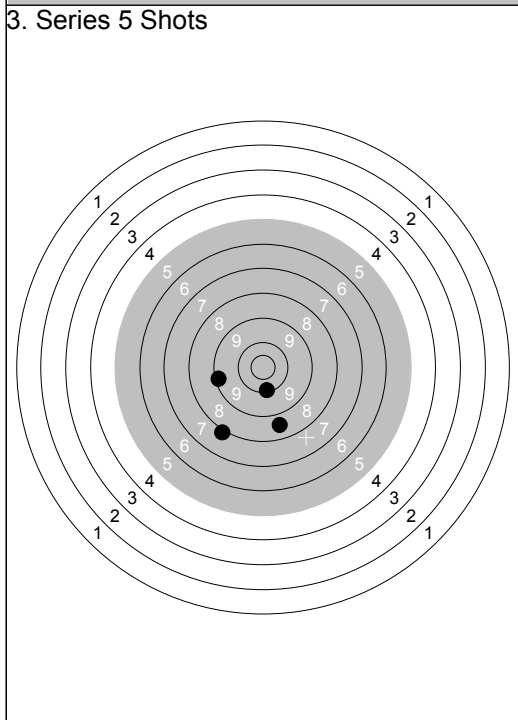
2. Series 5 Shots



- 1: *10.6 ↘
- 2: 10.2 ↘
- 3: 10.3 ↘
- 4: 10.4 ↘
- 5: *10.6 ↘

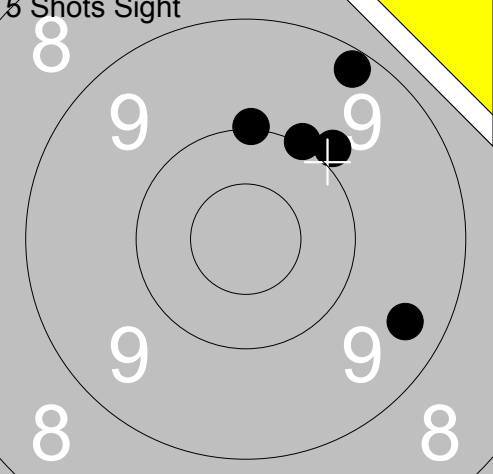
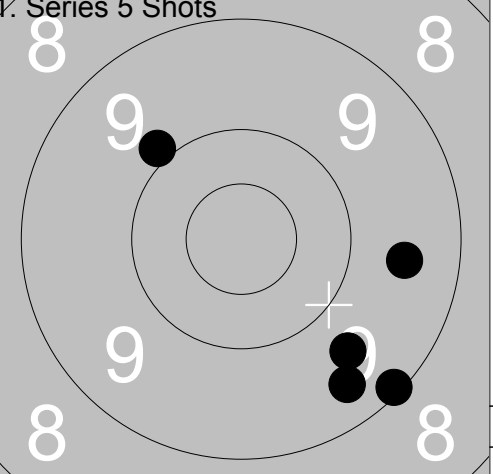
Series	50.0
Total	279.0

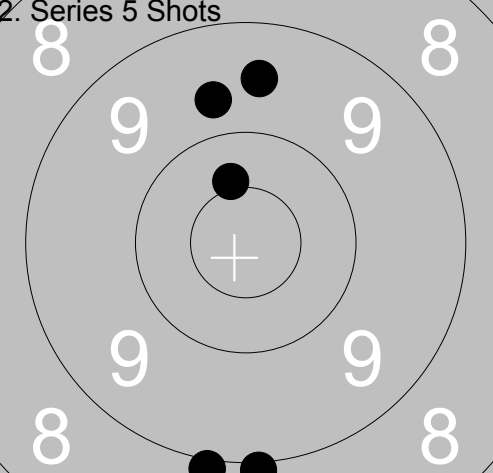

3. Series 5 Shots

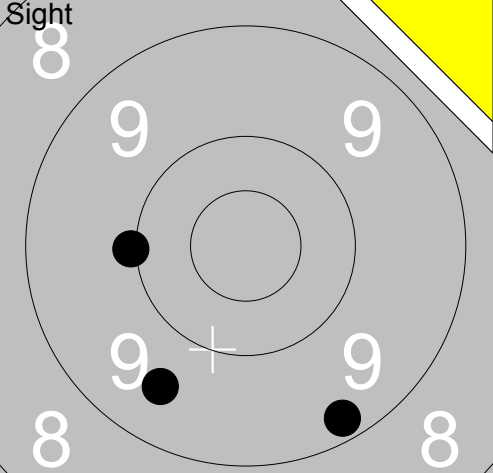
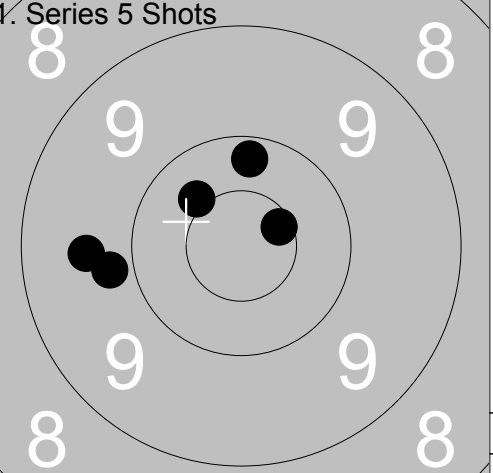


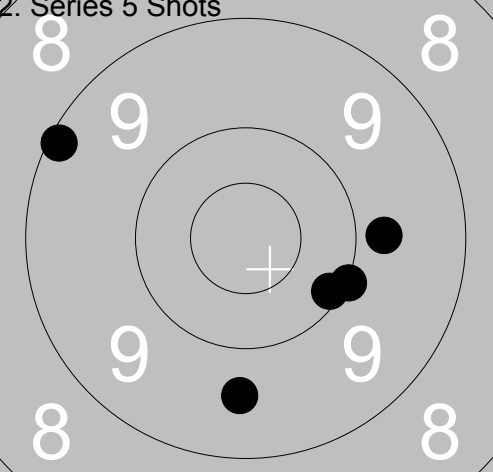
- 1: 9.2 ←
- 2: 8.6 ↓
- 3: 10.1 ↘
- 4: 7.9 ↙
- 5: 0.0 ↘

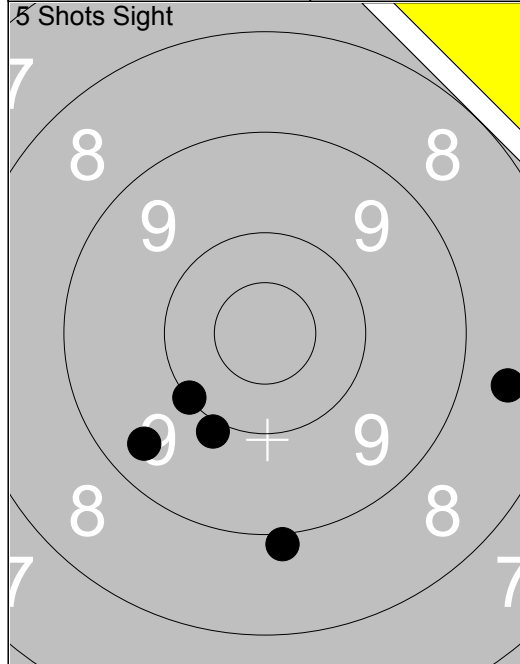
Series	34.0
Total	313.0

<p>5 Shots Sight</p> 	<p>1: 9.9 ↗ 2: 10.0 ↑ 3: 10.0 ↗ 4: 9.4 → 5: 9.2 ↗</p>	<p>1. Series 5 Shots</p> 	<p>1: 9.6 ↘ 2: 9.1 ↘ 3: 9.5 → 4: 9.4 ↘ 5: 9.9 ↗</p>
Series 47.0		Series 45.0	
Total 0.0		Total 45.0	

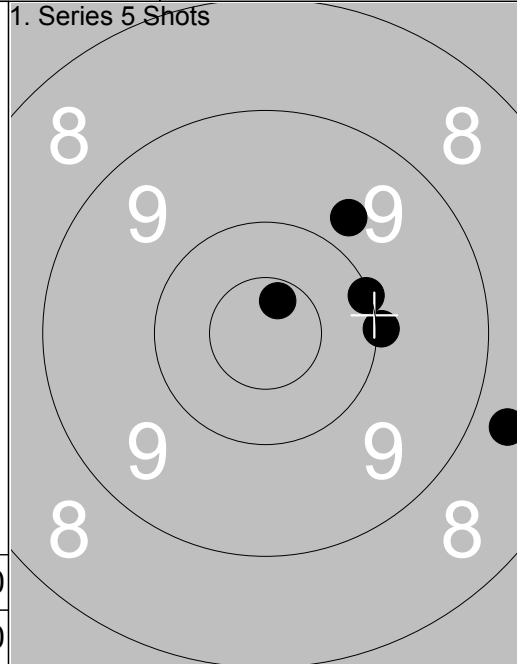
<p>2. Series 5 Shots</p> 	<p>1: 8.9 ↓ 2: 9.0 ↓ 3: 9.5 ↑ 4: *10.4 ↑ 5: 9.7 ↑</p>	<p>3. Series 5 Shots</p> 	<p>1: *10.4 ↓ 2: *10.8 ↓ 3: *10.6 ↗ 4: 9.7 ↙ 5: 10.1 ↓</p>
Series 45.0		Series 49.0	
Total 90.0		Total 139.0	

<p>Sight</p> 	<p>1: 9.5 ↘ 2: 9.2 ↘ 3: 10.0 ←</p>	<p>1. Series 5 Shots</p> 	<p>1: *10.6 ↗ 2: 10.2 ↑ 3: 9.6 ← 4: 9.8 ← 5: 10.4 ↗</p>
Series 28.0		Series 48.0	
Total 139.0		Total 187.0	

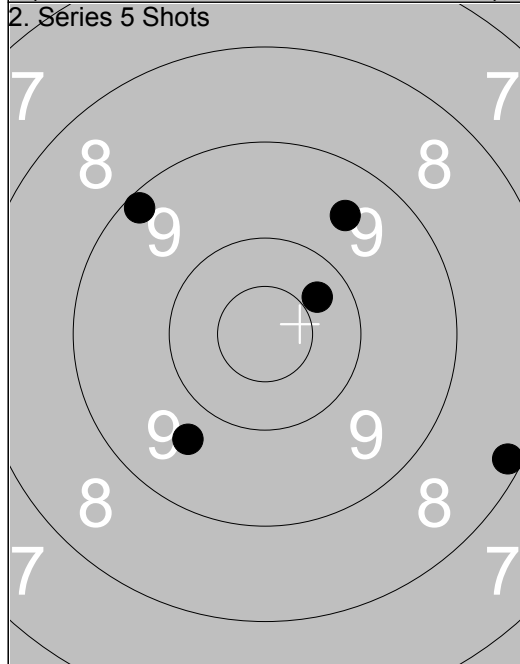
<p>2. Series 5 Shots</p> 	<p>1: 9.1 ↗ 2: 9.6 ↓ 3: 10.0 → 4: 10.1 ↘ 5: 9.8 →</p>		
Series 47.0			
Total 234.0			



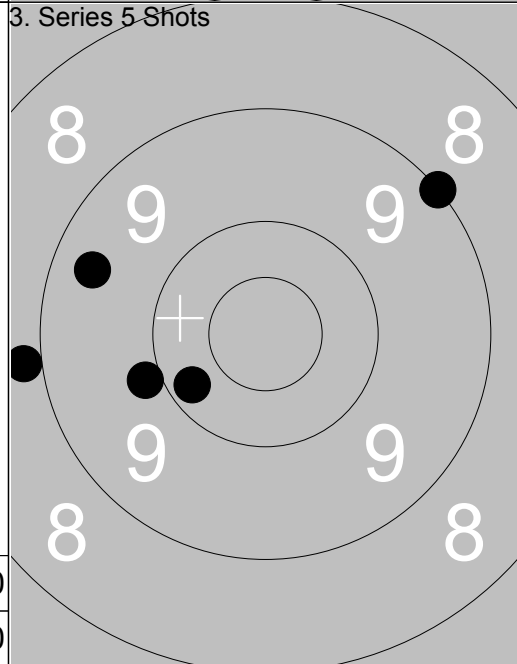
1:	8.9	↓
2:	9.4	↙
3:	10.0	↙
4:	9.9	↓
5:	8.6	→
Series		44.0
Total		0.0



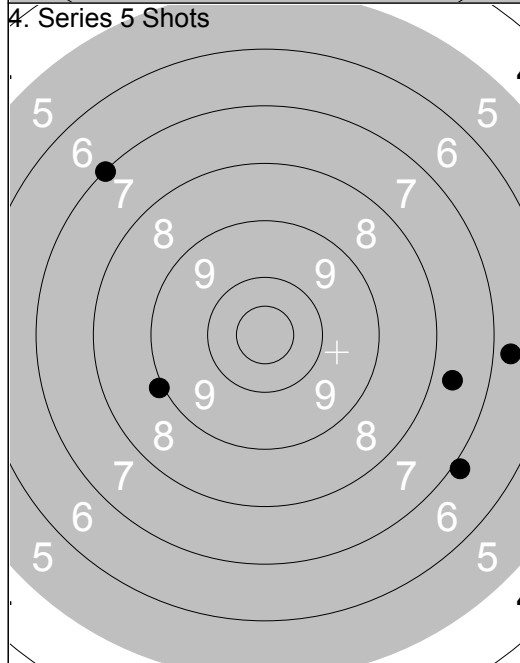
1:	8.7	→
2:	*10.7	↗
3:	10.0	→
4:	10.1	↗
5:	9.7	↗
Series		47.0
Total		47.0



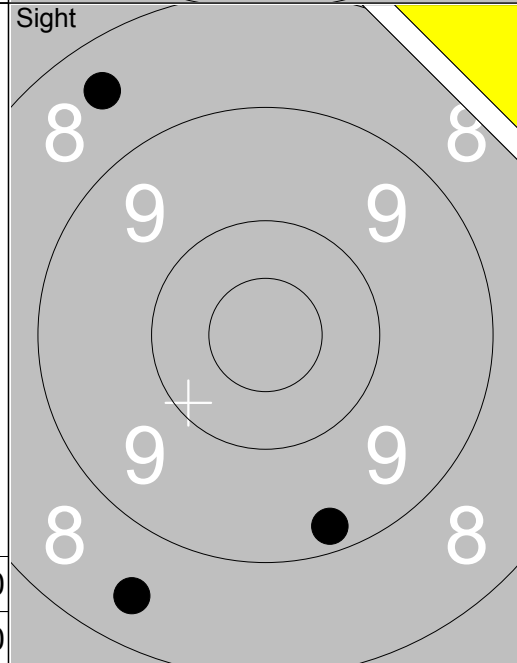
1:	10.3	↗
2:	9.2	↙
3:	9.5	↗
4:	8.2	→
5:	9.7	↓
Series		45.0
Total		92.0



1:	10.2	↙
2:	8.9	←
3:	9.4	↙
4:	9.9	←
5:	9.0	↗
Series		45.0
Total		137.0

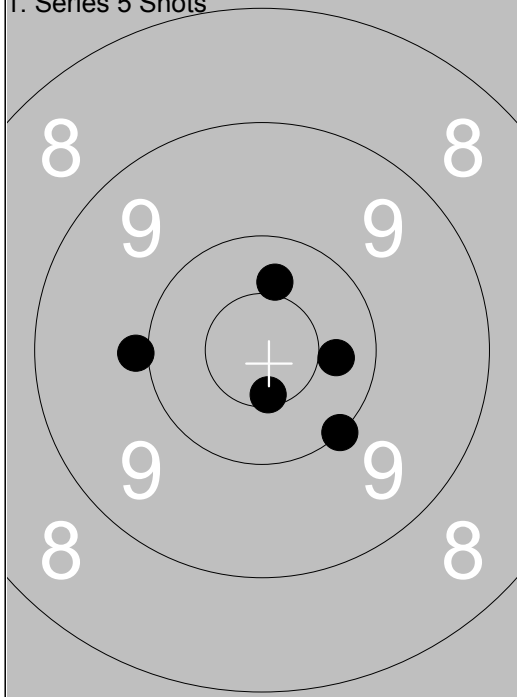


1:	7.7	→
2:	9.0	←
3:	6.9	→
4:	7.0	↗
5:	6.7	→
Series		35.0
Total		172.0



1:	9.3	↓
2:	8.5	↙
3:	8.4	↙
Series		25.0
Total		172.0

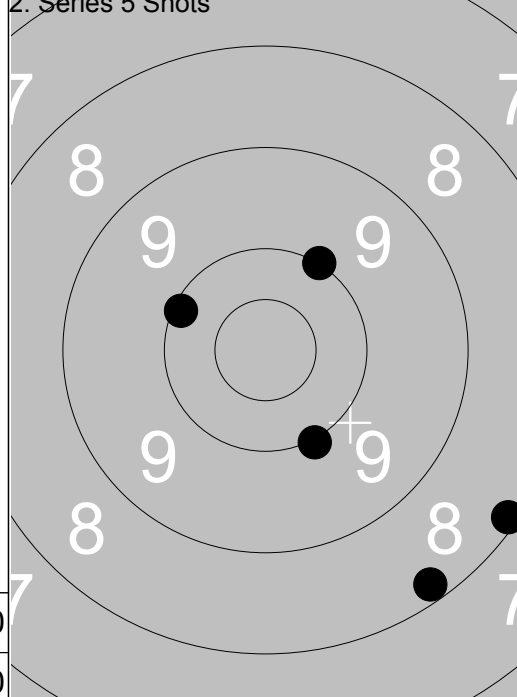
1. Series 5 Shots



- 1: 10.4 ↗
- 2: 9.9 ←
- 3: *10.6 ↓
- 4: 10.0 ↘
- 5: 10.3 →

Series	49.0
Total	221.0

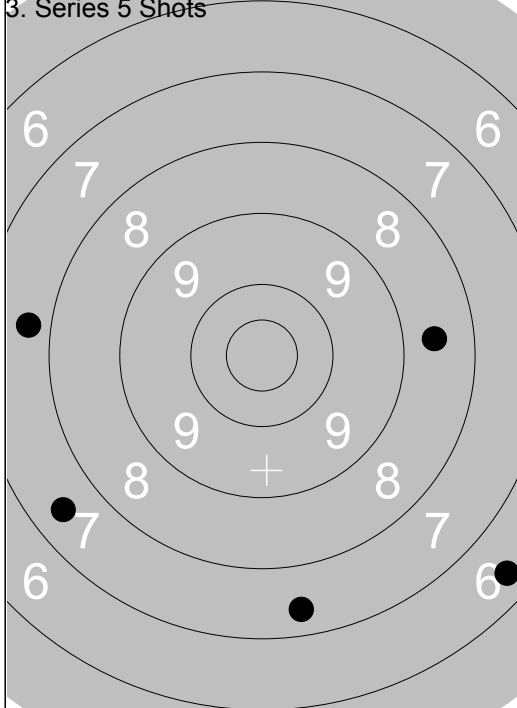
2. Series 5 Shots



- 1: 10.0 ↗
- 2: 10.0 ↓
- 3: 10.1 ↖
- 4: 8.1 ↘
- 5: 8.2 ↓

Series	46.0
Total	267.0

3. Series 5 Shots



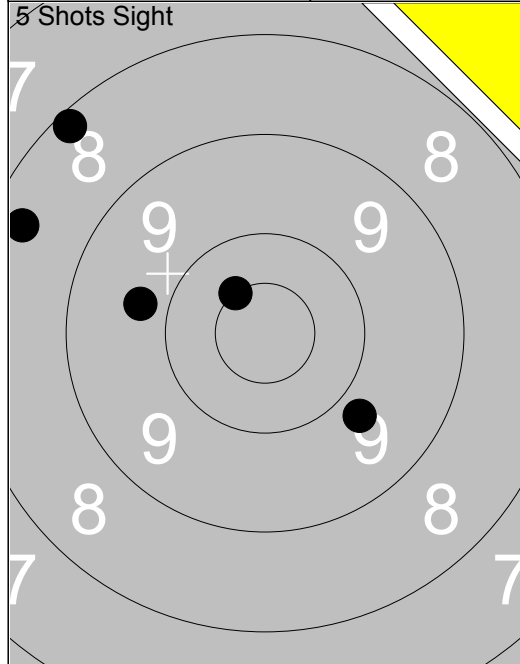
- 1: 6.4 ↘
- 2: 7.7 ←
- 3: 8.6 →
- 4: 7.5 ↙
- 5: 7.4 ↓

Series	35.0
Total	302.0

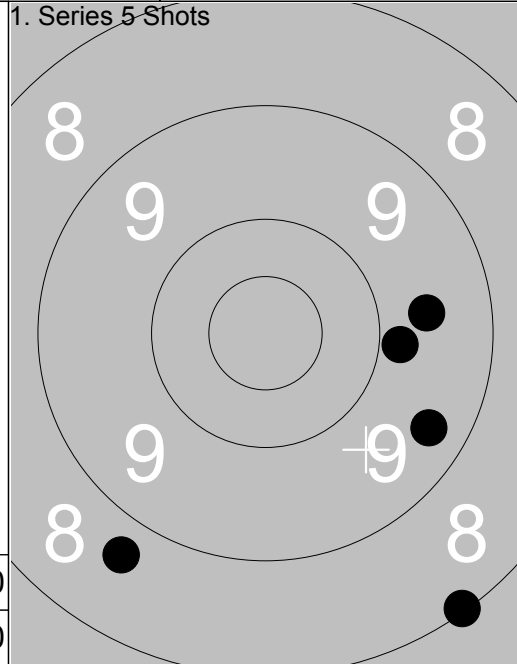
Relay **1** Lane **20** **Leif Sigfridsson**

300m Ramselefors Vet

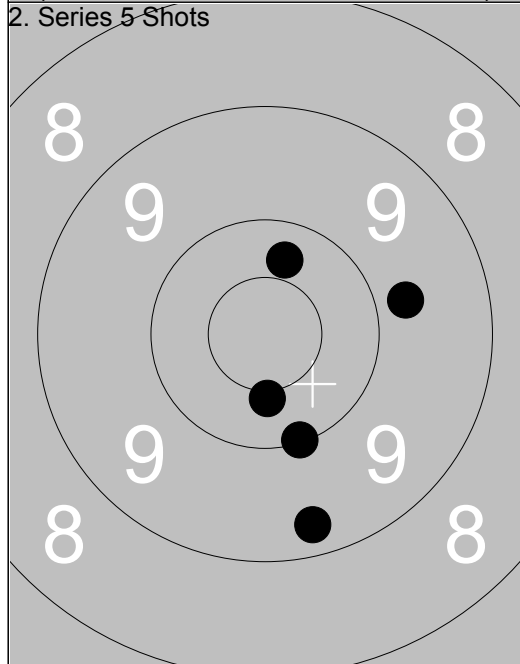
10.08.2014 Förbundsmästerskap 2014 Ramselefors SKF



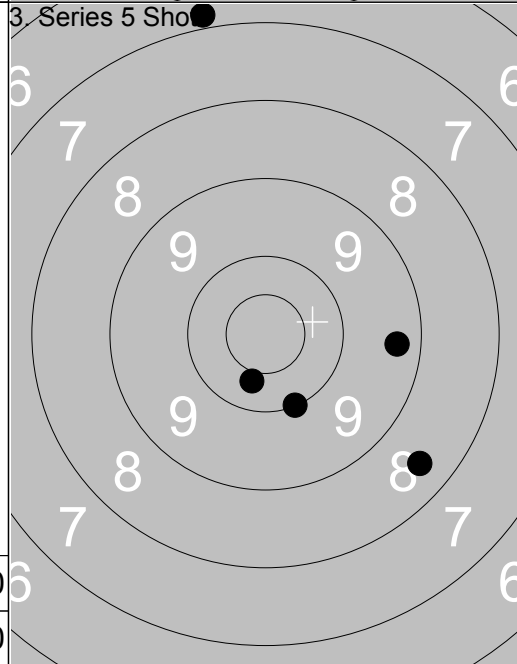
1:	8.4	↙
2:	9.7	↙
3:	8.2	↗
4:	9.8	↘
5:	*10.5	↘
Series	44.0	
Total	0.0	



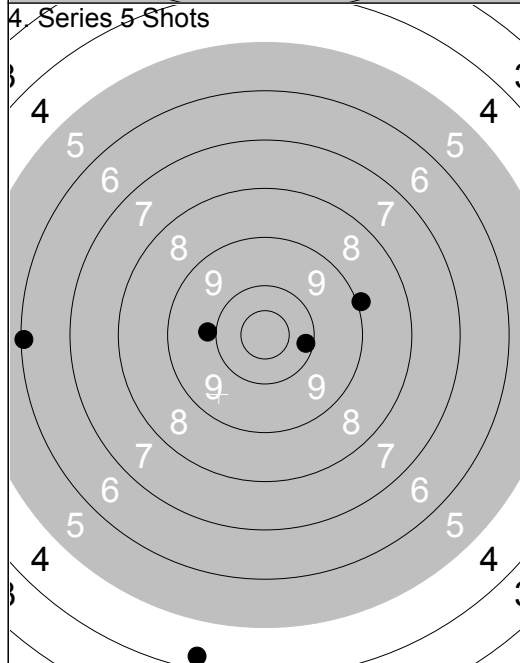
1:	9.8	→
2:	9.4	↘
3:	8.1	↘
4:	8.7	↘
5:	9.6	→
Series	43.0	
Total	43.0	



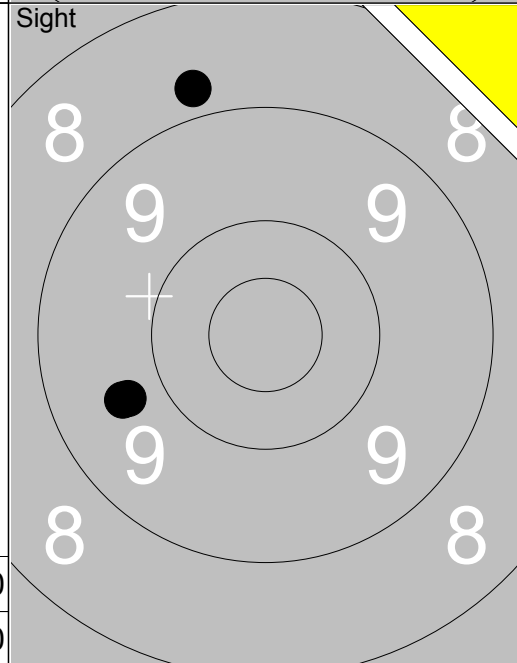
1:	*10.4	↓
2:	9.8	→
3:	10.0	↓
4:	10.3	↑
5:	9.3	↓
Series	48.0	
Total	91.0	



1:	8.5	↘
2:	10.0	↓
3:	9.3	→
4:	10.4	↓
5:	6.9	↑
Series	43.0	
Total	134.0	

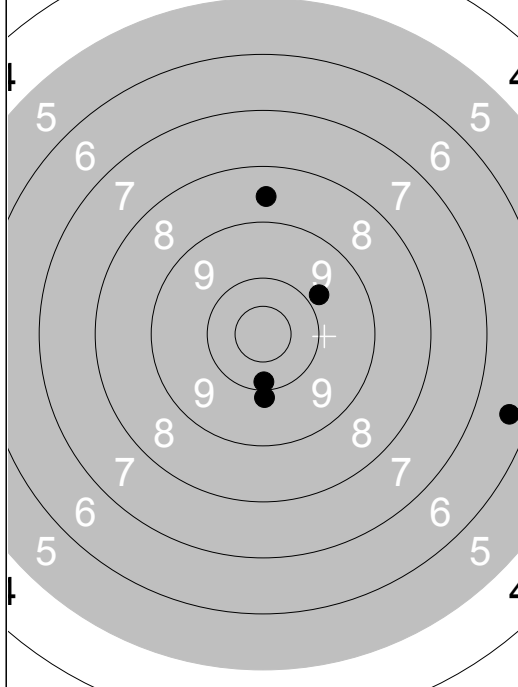


1:	10.2	→
2:	9.8	←
3:	9.0	→
4:	6.1	←
5:	4.3	↓
Series	38.0	
Total	172.0	



1:	9.6	↙
2:	9.7	↙
3:	8.8	↑
Series	26.0	
Total	172.0	

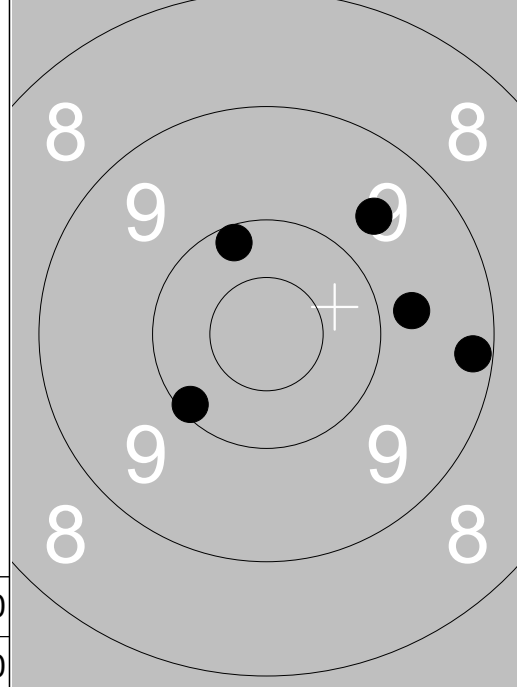
1. Series 5 Shots



- 1: 8.6 ↑
- 2: 9.8 ↗
- 3: 6.4 →
- 4: 9.9 ↓
- 5: 10.2 ↓

Series	42.0
Total	214.0

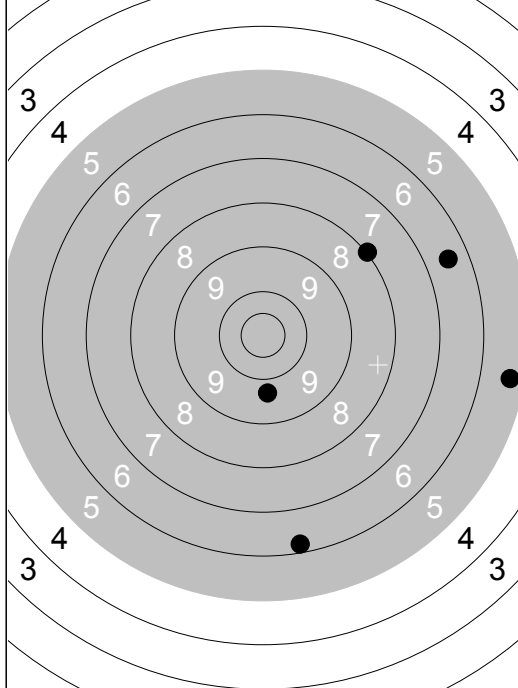
2. Series 5 Shots



- 1: 10.2 ↖
- 2: 9.7 →
- 3: 9.2 →
- 4: 9.6 ↗
- 5: 10.1 ↙

Series	47.0
Total	261.0

3. Series 5 Shots



- 1: 9.7 ↓
- 2: 8.0 ↗
- 3: 6.5 ↗
- 4: 5.4 →
- 5: 6.2 ↓

Series	34.0
Total	295.0