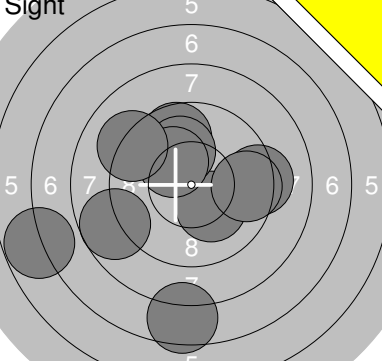
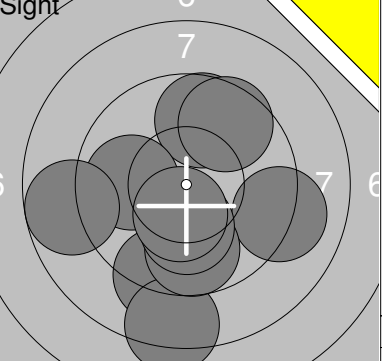
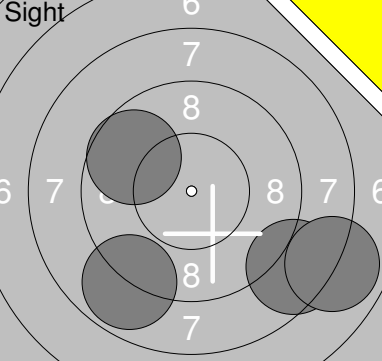
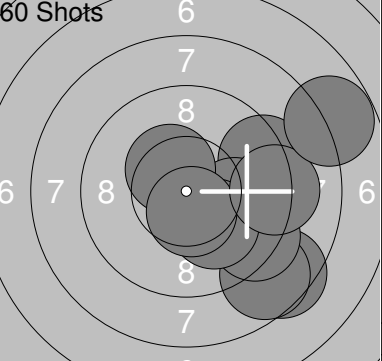
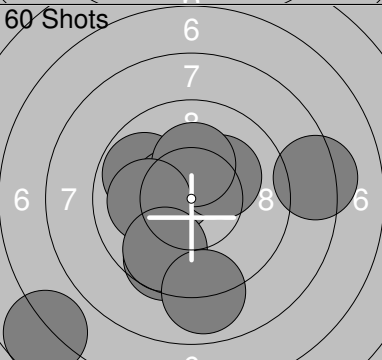
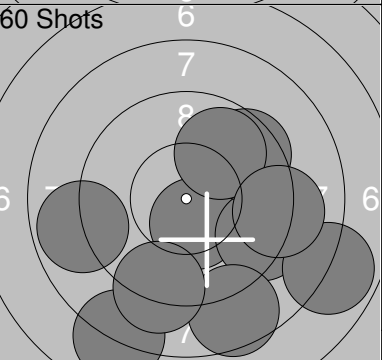
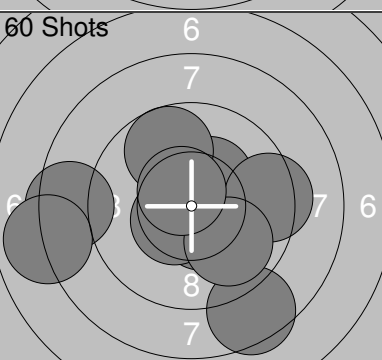
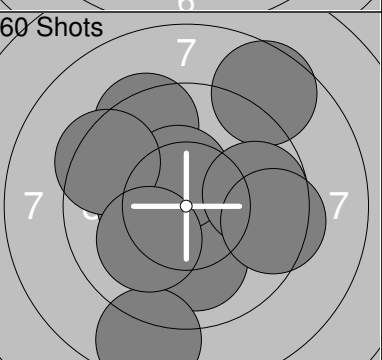
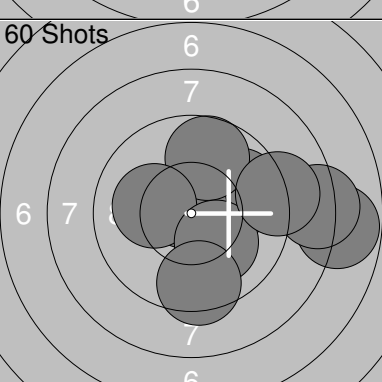


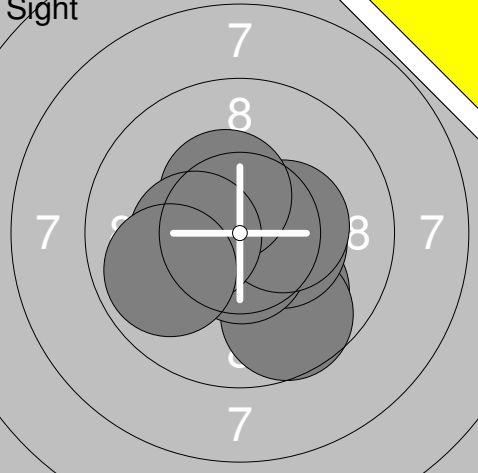
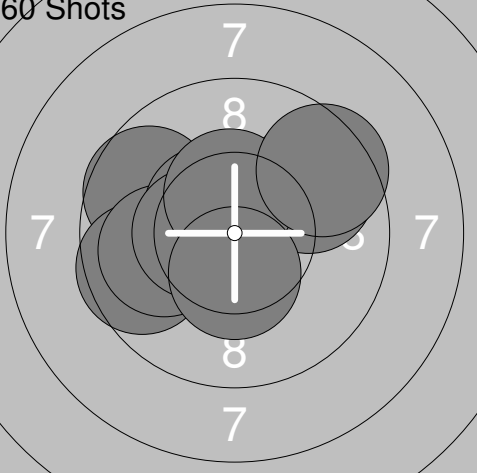
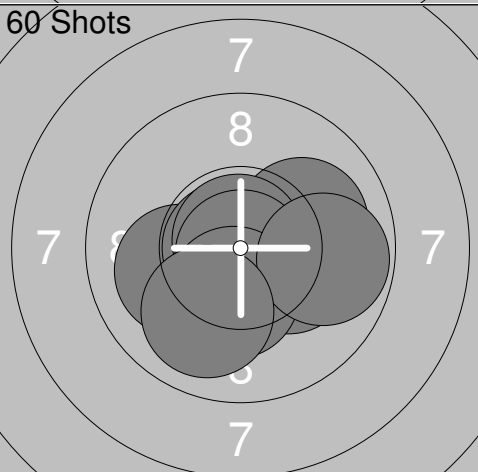
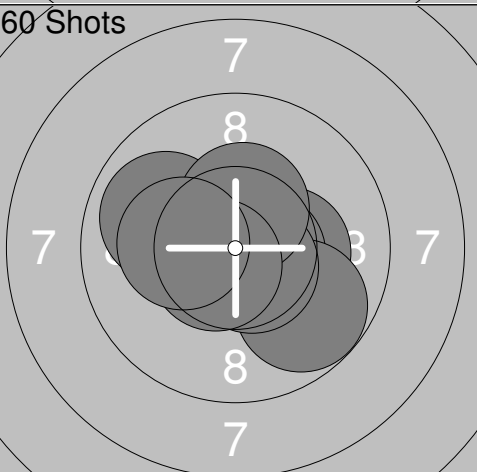
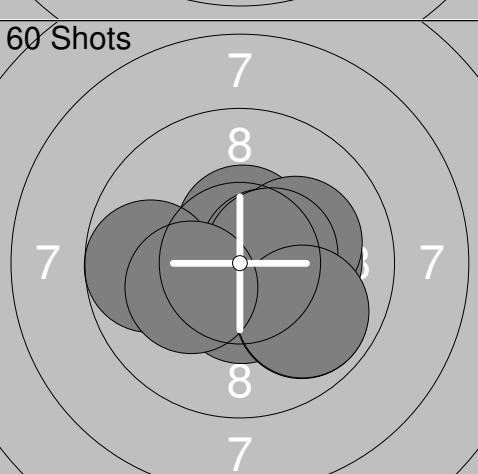

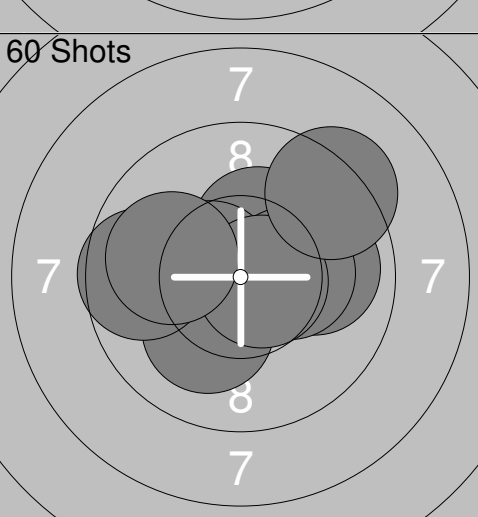
Sight		Sight	
	1: 6.8 ← 2: 7.5 ↓ 3: 9.7 ↗ 4: 9.2 → 5: 10.2x ↓ 6: 10.1 ↗ 7: 8.8 ← 8: 10.2x ↗ 9: 9.5 → 10: 9.1 ↗		11: 9.2 ↓ 12: 9.1 → 13: 8.3 ↓ 14: 9.7 ↓ 15: 9.7 ↑ 16: 9.6 ↗ 17: 10.2x ↓ 18: 9.9 ← 19: 8.8 ← 20: 10.4x ↓
Series 91.1		Series 94.9	
Total 0.0		Total 0.0	

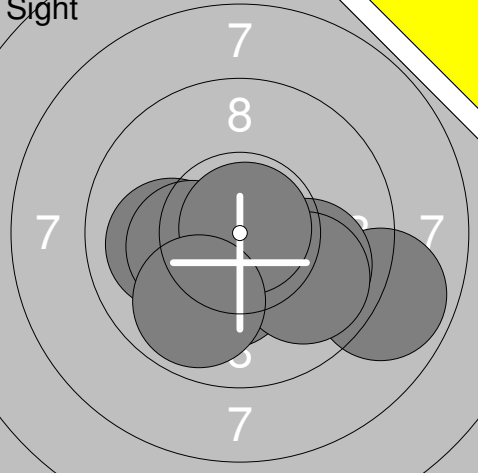
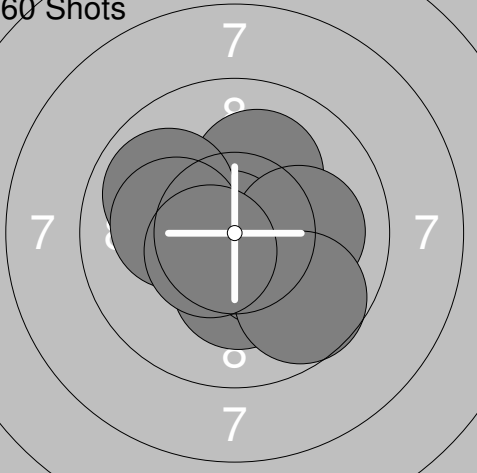
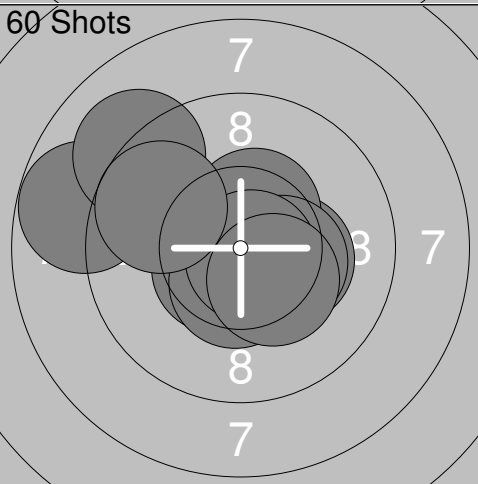
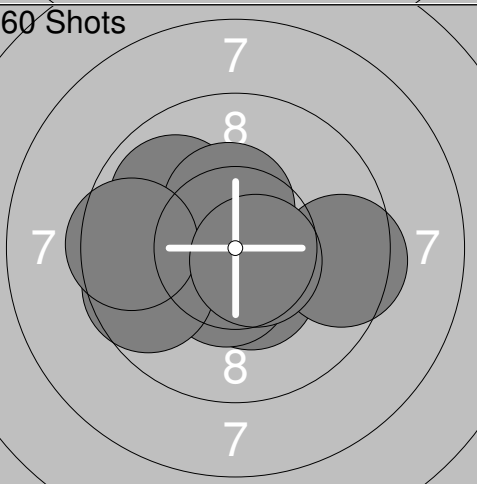
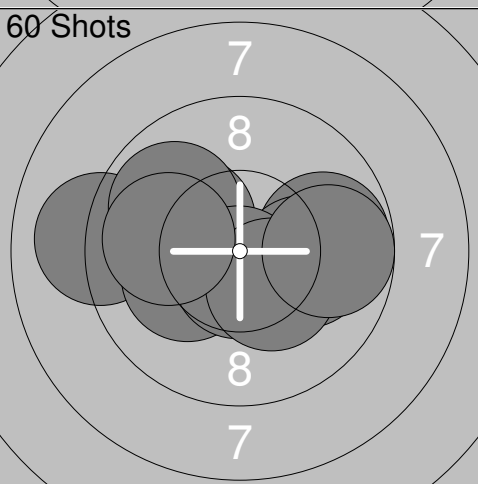
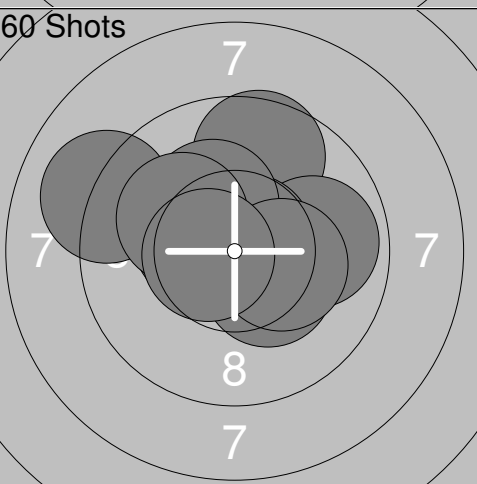
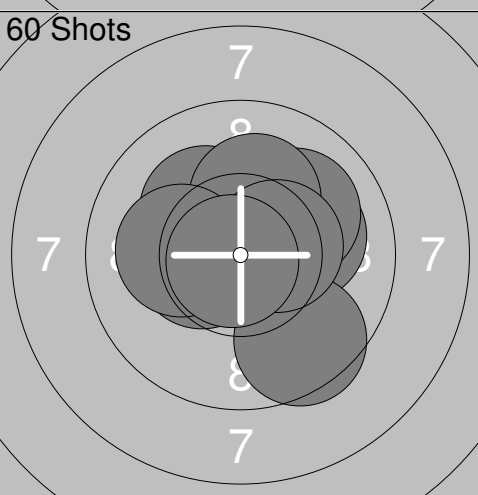
Sight		60 Shots	
	21: 8.5 ↓ 22: 9.7 ↗ 23: 8.9 ↓ 24: 7.9 ↓		1: 9.3 → 2: 8.5 ↓ 3: 8.7 ↓ 4: 10.0 → 5: 10.4x ↗ 6: 9.3 ↓ 7: 10.1 ↓ 8: 10.5x ↓ 9: 9.2 → 10: 7.8 →
Series 35.0		Series 93.8	
Total 0.0		Total 93.8	

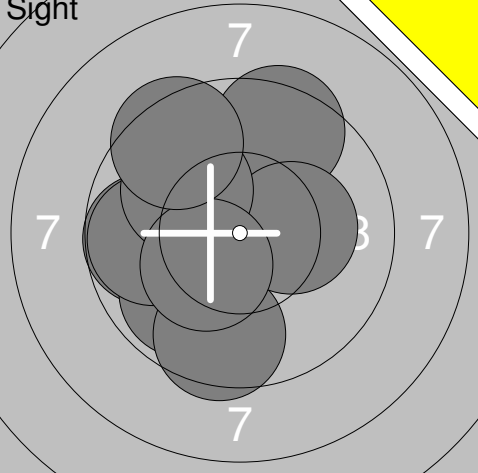
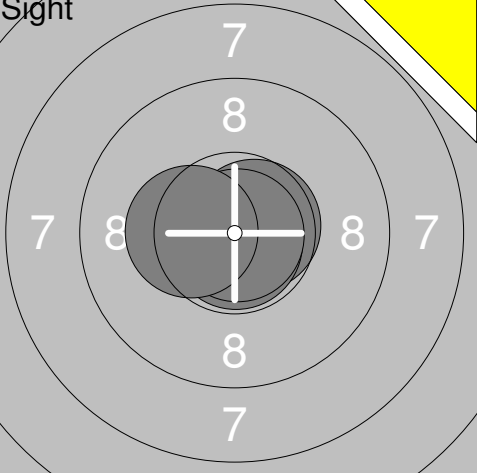
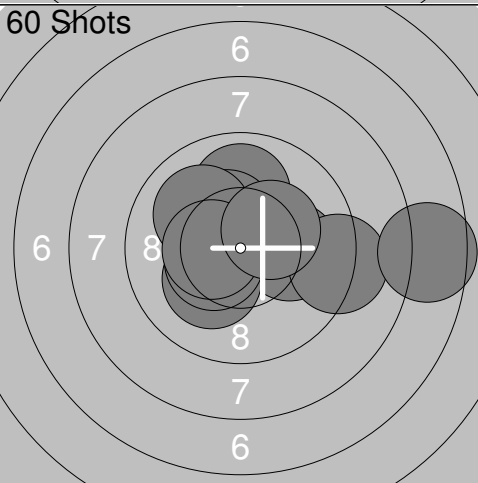
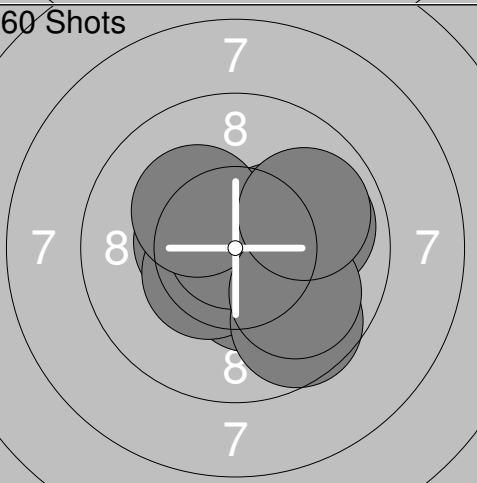
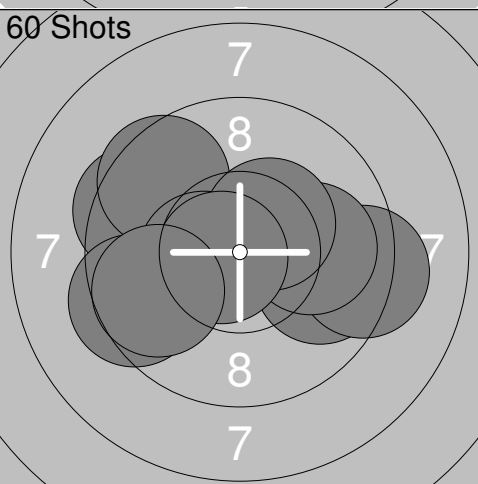
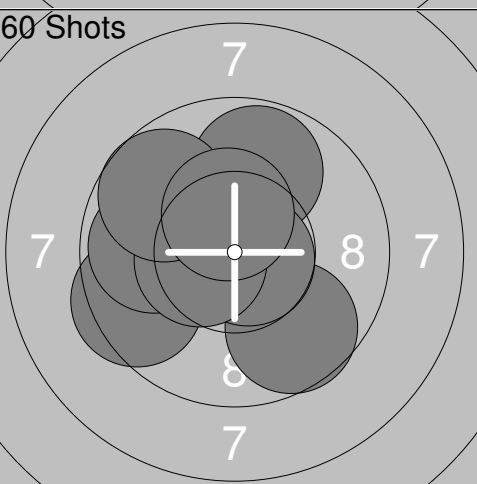
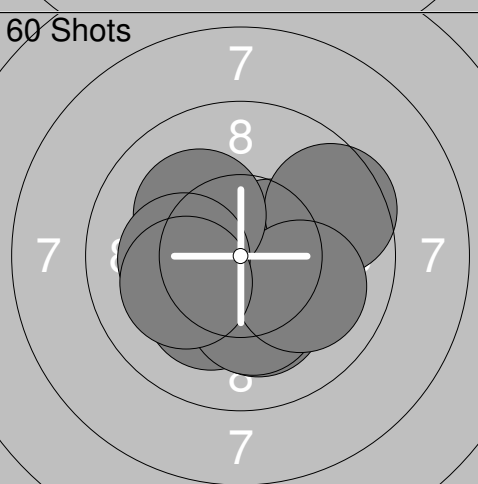
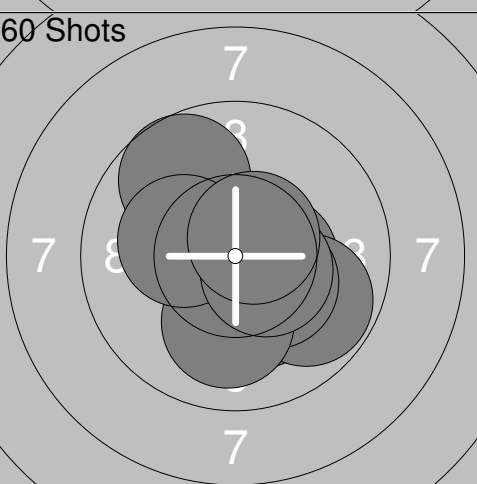
60 Shots		60 Shots	
	11: 9.8 ↗ 12: 6.7 ↓ 13: 10.5x ↗ 14: 10.2x ↗ 15: 8.3 → 16: 9.6 ↓ 17: 10.2x ↗ 18: 10.1 ← 19: 9.7 ↓ 20: 9.0 ↓		21: 10.4x ↓ 22: 9.3 ↓ 23: 8.0 ↓ 24: 8.6 ↓ 25: 9.5 ↗ 26: 9.8 ↗ 27: 8.8 ← 28: 9.1 ↓ 29: 7.9 → 30: 9.1 →
Series 94.1		Series 90.5	
Total 187.9		Total 278.4	

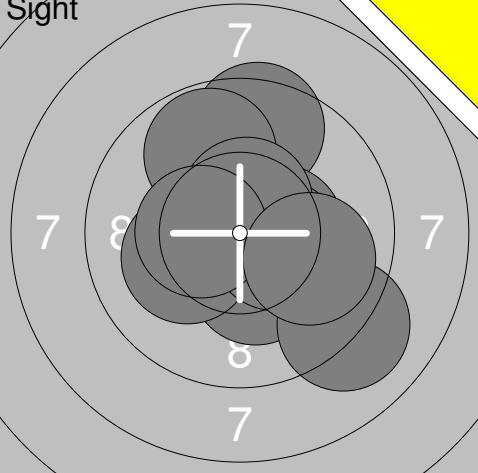
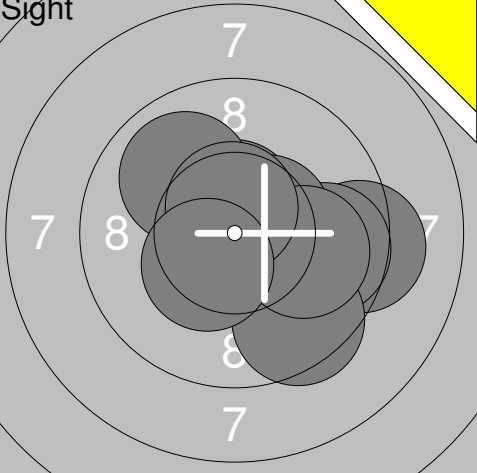
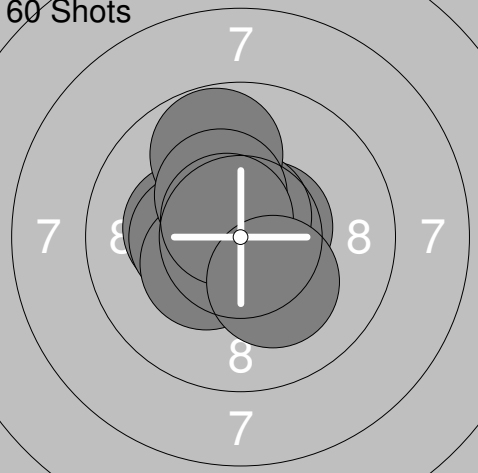
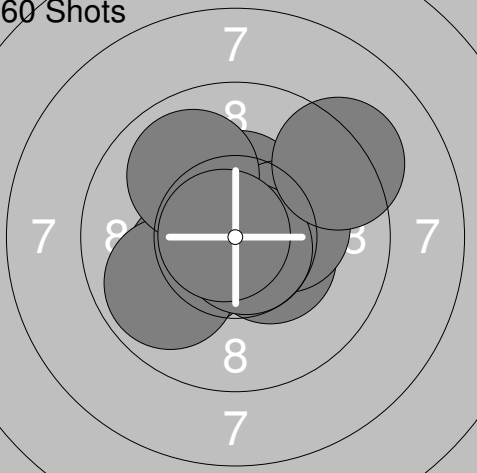
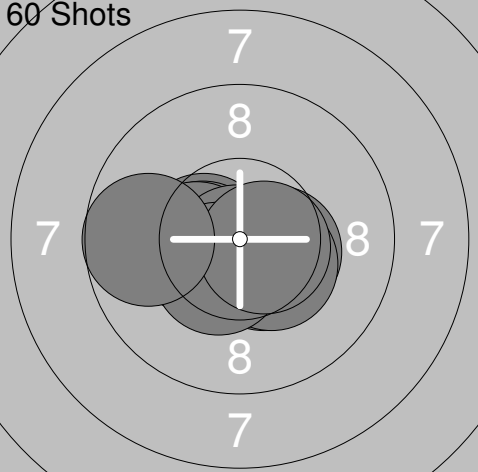
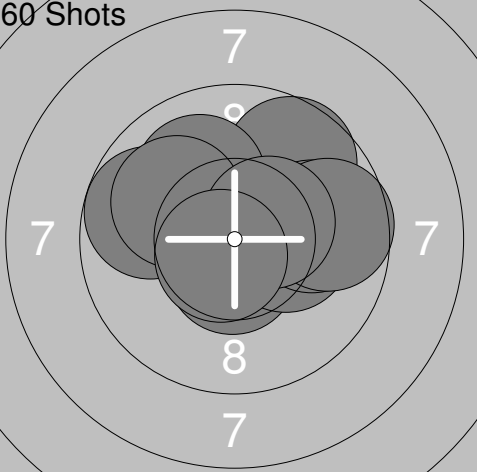
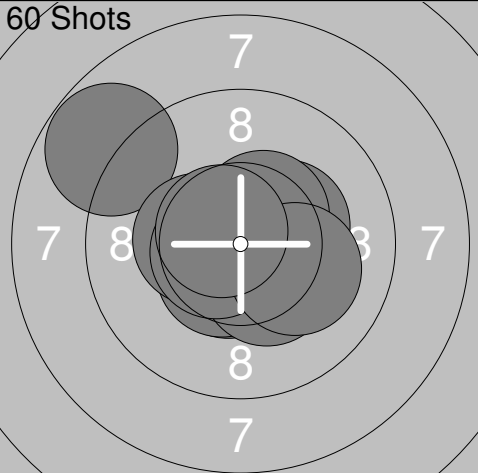
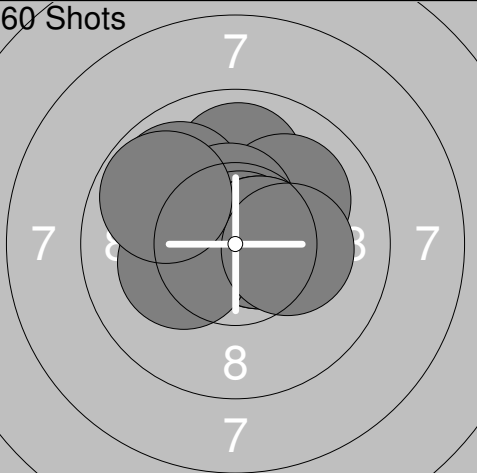
60 Shots		60 Shots	
	31: 10.5x ↓ 32: 8.5 ← 33: 10.3x ↗ 34: 10.5x ↓ 35: 8.5 ↓ 36: 9.4 → 37: 9.7 ↗ 38: 8.0 ← 39: 9.9 ↓ 40: 10.6x ↗		41: 9.4 ↗ 42: 8.6 ↗ 43: 10.0 ↓ 44: 10.3x ← 45: 8.6 ↓ 46: 10.5x ↗ 47: 9.8 → 48: 9.4 → 49: 9.4 ↗ 50: 10.1 ↙
Series 95.9		Series 96.1	
Total 374.3		Total 470.4	

60 Shots			
	51: 7.8 → 52: 9.8 → 53: 10.2x → 54: 10.7x ↗ 55: 9.7 ↗ 56: 8.2 → 57: 10.1 ← 58: 10.1 ↓ 59: 9.1 → 60: 9.5 ↓		
Series 95.2			
Total 565.6			

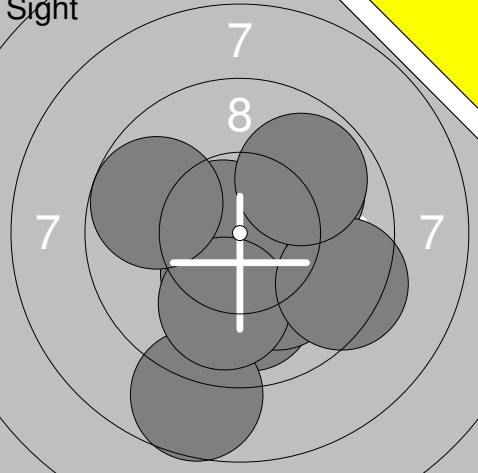
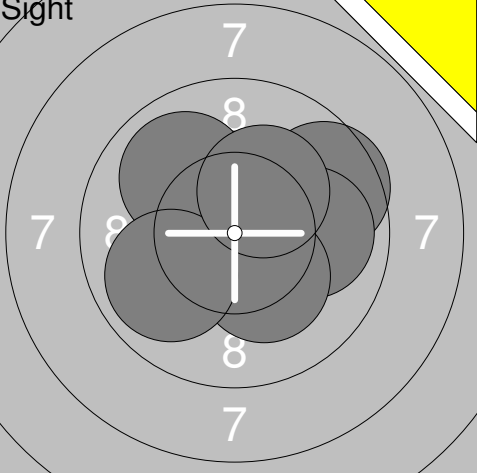
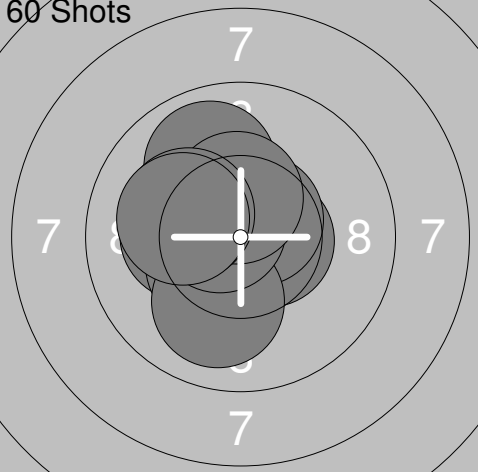
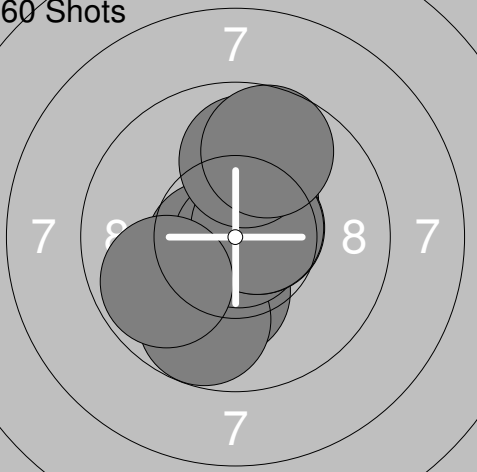
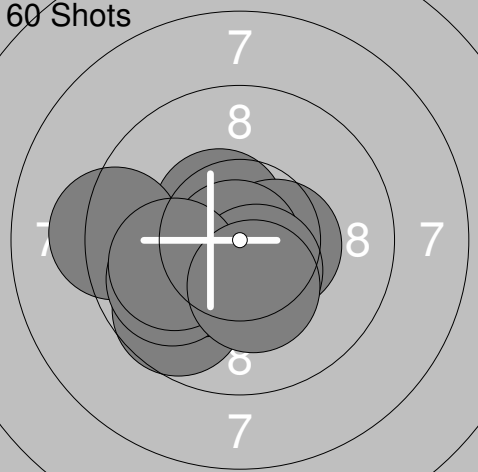
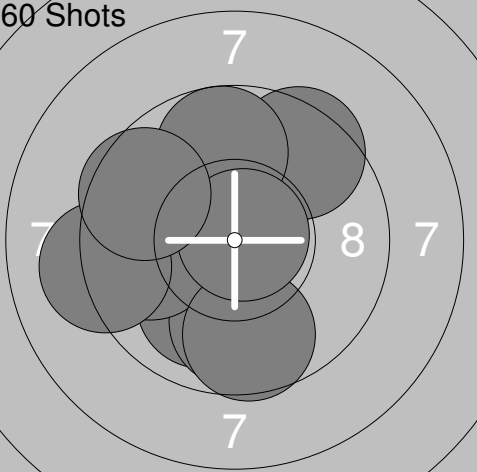
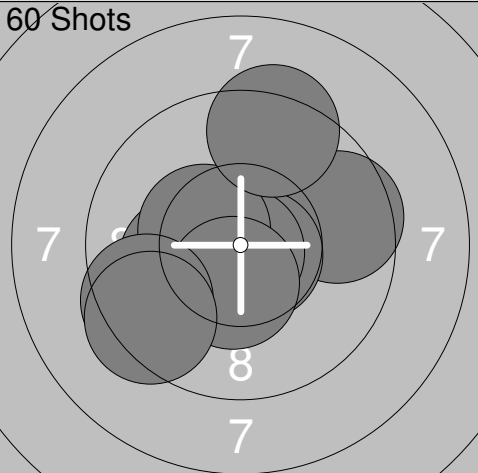
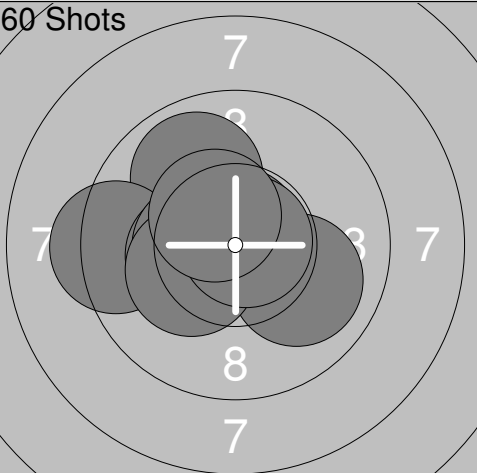
<p>Sight</p> 	<p>1: 10.0 ↘ 2: 9.7 ↘ 3: 10.4x → 4: 10.7x ↓ 5: 10.7x ↖ 6: 10.6x ↓ 7: 10.4x → 8: 10.4x ↑ 9: 10.3x ← 10: 9.9 ↙</p> <p>Series 103.1 Total 0.0</p>	<p>60 Shots</p> 	<p>1: 9.7 ↖ 2: 9.6 ← 3: 10.0 ← 4: 10.5x ↗ 5: 10.8x ↑ 6: 9.8 ↗ 7: 10.5x ← 8: 10.4x ↑ 9: 9.5 ↗ 10: 10.4x ↓</p> <p>Series 101.2 Total 101.2</p>
<p>60 Shots</p> 	<p>11: 10.2x ↗ 12: 10.1 → 13: 10.1 ← 14: 10.8x ← 15: 10.7x ↓ 16: 10.8x ↑ 17: 10.8x ↓ 18: 10.3x ↓ 19: 9.8 → 20: 10.0 ↓</p> <p>Series 103.6 Total 204.8</p>	<p>60 Shots</p> 	<p>21: 10.2x ↖ 22: 10.3x → 23: 10.9x ↑ 24: 10.6x → 25: 9.9 ↖ 26: 9.8 ↓ 27: 10.6x ↓ 28: 10.4x ↑ 29: 10.6x ↙ 30: 10.2x ←</p> <p>Series 103.5 Total 308.3</p>
<p>60 Shots</p> 	<p>31: 10.2x → 32: 10.5x ↑ 33: 10.6x → 34: 10.1 → 35: 10.5x ↓ 36: 9.9 ↘ 37: 9.7 ← 38: 10.5x → 39: 9.9 ↘ 40: 10.2x ↙</p> <p>Series 102.1 Total 410.4</p>	<p>60 Shots</p> 	<p>41: 10.8x ← 42: 10.7x ↗ 43: 10.5x ← 44: 10.2x ↗ 45: 10.4x ← 46: 10.8x → 47: 10.5x ← 48: 10.6x ↑ 49: 10.8x ↗ 50: 10.8x ↘</p> <p>Series 106.1 Total 516.5</p>
<p>60 Shots</p> 	<p>51: 10.0 → 52: 10.3x ↑ 53: 10.5x ← 54: 10.5x ↖ 55: 10.3x → 56: 10.1 ↘ 57: 10.7x → 58: 9.6 ← 59: 10.0 ← 60: 9.3 ↗</p> <p>Series 101.3 Total 617.8</p>		

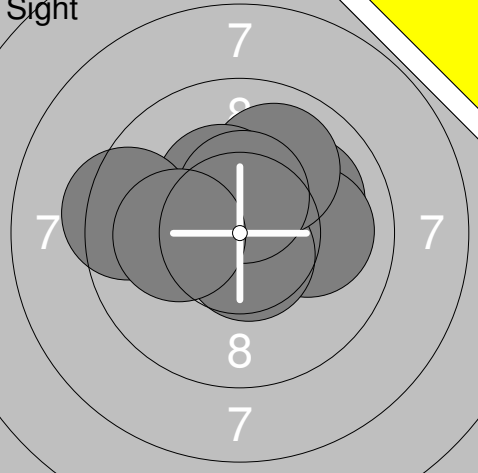
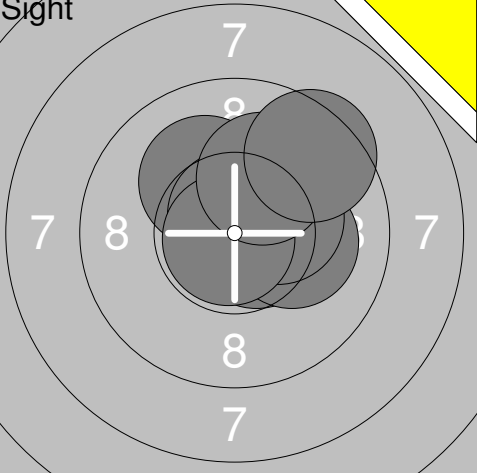
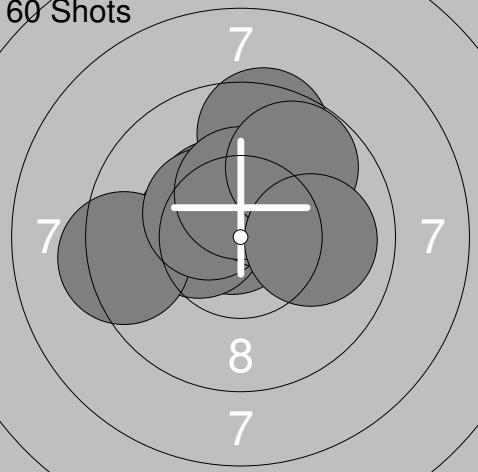
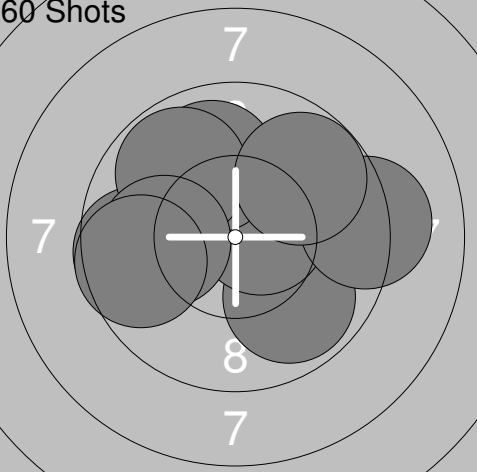
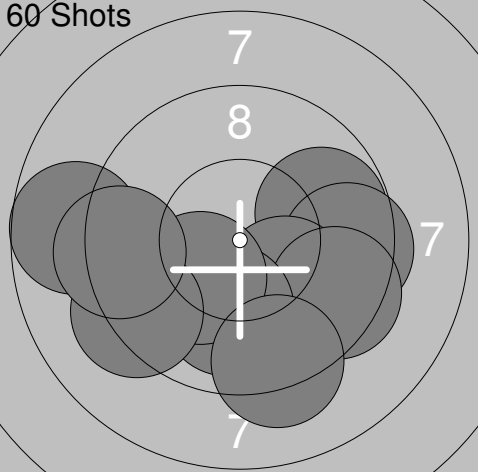
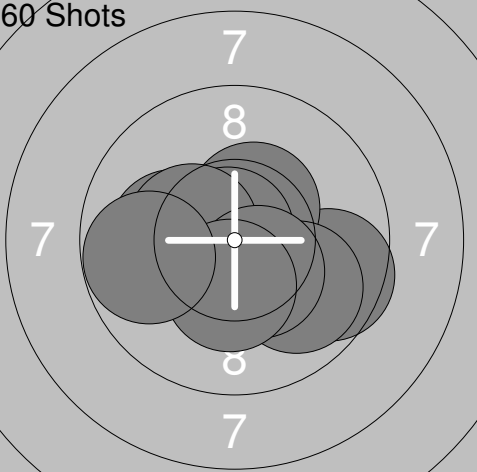
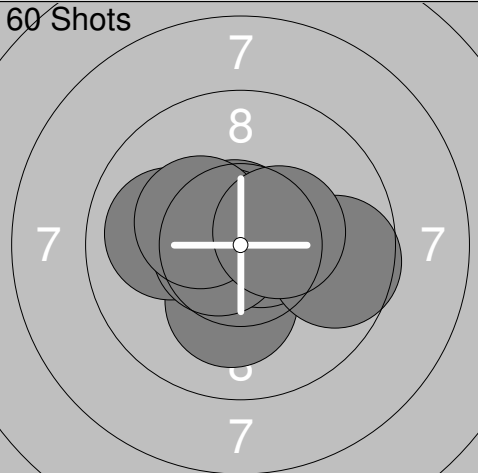
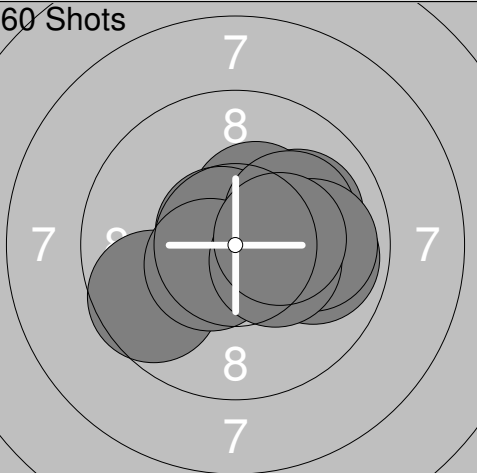
<p>Sight</p> 	<p>1: 8.9 → 2: 10.3x ↓ 3: 10.7x ↓ 4: 10.0 ← 5: 10.6x ↙ 6: 10.0 → 7: 10.3x ← 8: 9.9 ↘ 9: 10.9x ↗ 10: 9.9 ↘</p> <p>Series 101.5 Total 0.0</p>	<p>60 Shots</p> 	<p>1: 10.3x ↓ 2: 10.1 ↑ 3: 10.3x ↘ 4: 10.8x ↓ 5: 10.8x ← 6: 9.9 ↖ 7: 10.1 ← 8: 10.1 → 9: 9.7 ↘ 10: 10.5x ↙</p> <p>Series 102.6 Total 102.6</p>
<p>60 Shots</p> 	<p>11: 10.3x → 12: 8.8 ← 13: 10.5x ↙ 14: 9.1 ↗ 15: 10.5x ↑ 16: 10.5x ↓ 17: 10.4x → 18: 10.8x ↘ 19: 10.3x ↘ 20: 9.7 ↖</p> <p>Series 100.9 Total 203.5</p>	<p>60 Shots</p> 	<p>21: 10.3x ← 22: 10.1 ← 23: 10.4x ↓ 24: 10.5x ↓ 25: 9.9 ↗ 26: 10.4x ↑ 27: 9.7 ← 28: 9.6 ← 29: 9.5 → 30: 10.6x ↘</p> <p>Series 101.0 Total 304.5</p>
<p>60 Shots</p> 	<p>31: 9.8 → 32: 9.1 ← 33: 10.2x ↗ 34: 10.2x ← 35: 10.1 → 36: 9.9 ↗ 37: 10.7x ↓ 38: 10.3x ↘ 39: 9.8 → 40: 10.0 ←</p> <p>Series 100.1 Total 404.6</p>	<p>60 Shots</p> 	<p>41: 10.4x ← 42: 9.6 ↑ 43: 9.9 → 44: 10.7x ↗ 45: 10.3x ↑ 46: 10.3x ↘ 47: 9.1 ↖ 48: 10.3x → 49: 10.1 ↖ 50: 10.6x ←</p> <p>Series 101.3 Total 505.9</p>
<p>60 Shots</p> 	<p>51: 10.6x ↑ 52: 10.1 → 53: 9.5 ↘ 54: 10.0 ↗ 55: 10.2x ↗ 56: 10.2x ↑ 57: 10.4x ← 58: 10.5x → 59: 10.2x ← 60: 10.8x ↙</p> <p>Series 102.5 Total 608.4</p>		

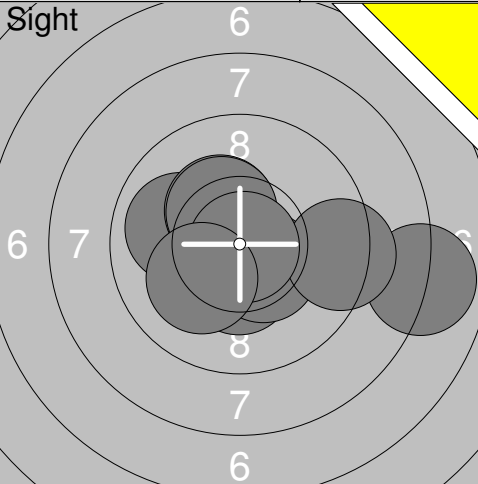
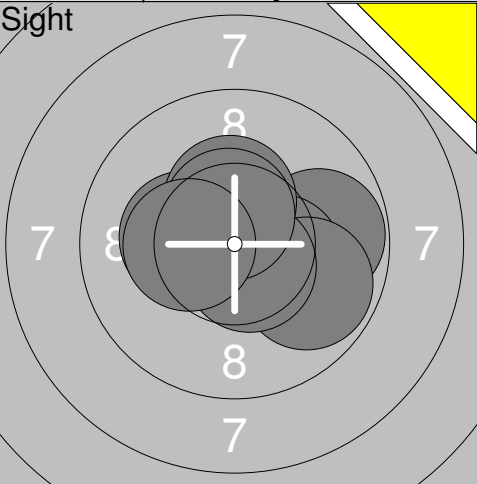
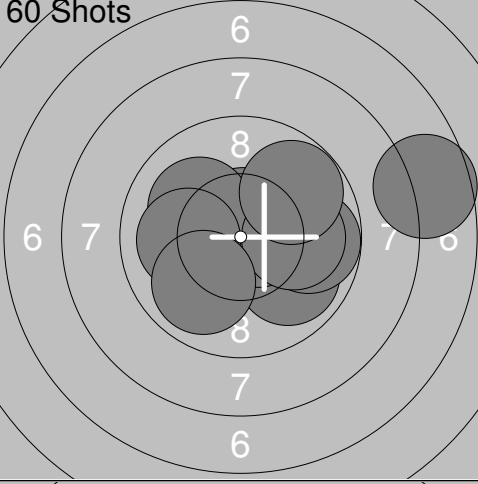
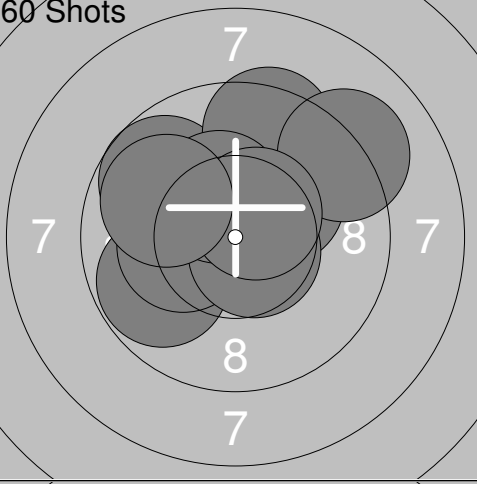
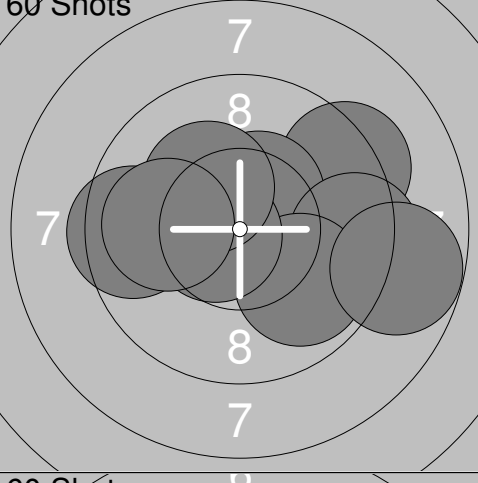
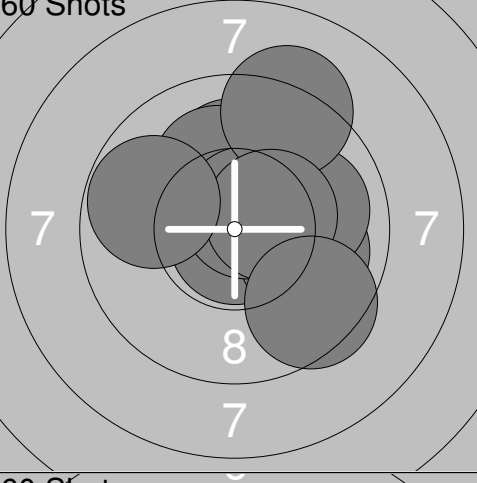
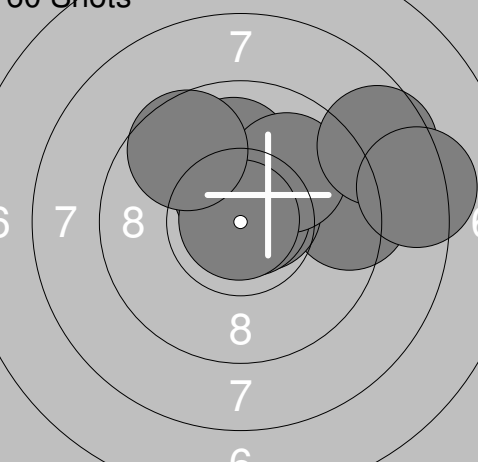
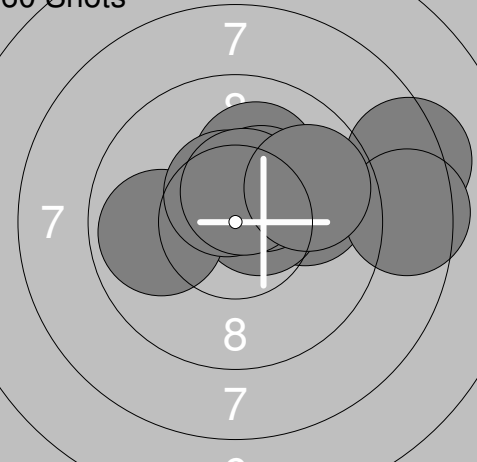
Relay	Lane	Tomas Hed	
S	Forsa		
10.10.2014	UME-Skottet 2014	Umeå skytteallians	
Sight		1: 10.2x ↙ 2: 9.5 ↑ 3: 9.7 ← 4: 9.9 ↘ 5: 9.5 ↓ 6: 9.8 ← 7: 10.2x → 8: 10.0 ↗ 9: 10.3x ↘ 10: 9.5 ↗ Series 98.6 Total 0.0	Sight  11: 10.7x → 12: 10.8x ↓ 13: 10.9x ↘ 14: 10.4x ← Series 42.8 Total 0.0
60 Shots		1: 10.1 → 2: 10.0 ↑ 3: 10.4x ↗ 4: 10.2x ↘ 5: 10.4x ← 6: 10.0 ↗ 7: 10.4x ← 8: 9.2 → 9: 10.3x ↗ 10: 7.6 → Series 98.6 Total 98.6	60 Shots  11: 10.5x ← 12: 10.4x ↓ 13: 10.4x ↘ 14: 10.4x → 15: 9.7 ↘ 16: 10.9x ↗ 17: 10.2x ↗ 18: 9.9 → 19: 9.9 ↘ 20: 9.9 → Series 102.2 Total 200.8
60 Shots		21: 9.5 ← 22: 9.5 ↗ 23: 9.8 → 24: 9.3 → 25: 10.5x ← 26: 10.0 → 27: 10.4x ↗ 28: 10.7x ← 29: 9.4 ← 30: 9.7 ← Series 98.8 Total 299.6	60 Shots  31: 9.5 ← 32: 10.4x ↑ 33: 9.7 ↘ 34: 9.9 ← 35: 9.8 ↑ 36: 10.7x ↘ 37: 10.5x ← 38: 10.5x ← 39: 9.7 ↗ 40: 10.4x ↑ Series 101.1 Total 400.7
60 Shots		41: 10.2x ↓ 42: 10.2x ↘ 43: 10.3x ← 44: 10.2x ↓ 45: 10.5x → 46: 9.6 → 47: 10.0 ↘ 48: 10.2x ↗ 49: 10.2x ← 50: 10.1 ← Series 101.5 Total 502.2	60 Shots  51: 10.3x ↓ 52: 10.9x ↗ 53: 10.5x → 54: 9.8 ↘ 55: 10.3x ↘ 56: 9.7 ↗ 57: 10.1 ↓ 58: 10.2x ← 59: 10.5x → 60: 10.6x ↗ Series 102.9 Total 605.1

<p>Sight</p> 	<p>1: 9.5 ↑ 2: 10.3x ↓ 3: 10.2x ← 4: 9.8 ↑ 5: 10.4x → 6: 10.4x → 7: 10.5x ↑ 8: 9.1 ↓ 9: 10.4x ← 10: 9.9 →</p> <p>Series 100.5 Total 0.0</p>	<p>Sight</p> 	<p>11: 9.3 → 12: 10.6x ↑ 13: 9.7 → 14: 10.5x → 15: 9.5 ↓ 16: 10.0 → 17: 9.9 ↗ 18: 10.6x ↑ 19: 10.4x ↙</p> <p>Series 90.5 Total 0.0</p>
<p>60 Shots</p> 	<p>1: 10.6x ← 2: 10.2x ← 3: 10.6x → 4: 10.7x ↑ 5: 9.8 ↑ 6: 10.3x ← 7: 10.4x ↙ 8: 10.3x ↗ 9: 10.7x ↗ 10: 10.2x ↓</p> <p>Series 103.8 Total 103.8</p>	<p>60 Shots</p> 	<p>11: 10.3x ← 12: 9.9 ↙ 13: 10.6x → 14: 10.4x ↘ 15: 10.4x ↑ 16: 10.3x → 17: 9.9 ↗ 18: 10.7x ↘ 19: 9.2 ↗ 20: 10.8x ←</p> <p>Series 102.5 Total 206.3</p>
<p>60 Shots</p> 	<p>21: 10.5x ← 22: 10.4x → 23: 10.4x ← 24: 10.5x ↘ 25: 10.4x ↘ 26: 10.4x ← 27: 10.8x ↓ 28: 10.5x ↘ 29: 10.6x → 30: 9.7 ←</p> <p>Series 104.2 Total 310.5</p>	<p>60 Shots</p> 	<p>31: 10.6x ↓ 32: 10.2x → 33: 9.7 ↗ 34: 10.0 ↗ 35: 9.8 ← 36: 9.9 → 37: 10.0 ↖ 38: 9.7 → 39: 10.4x ↗ 40: 10.7x ↘</p> <p>Series 101.0 Total 411.5</p>
<p>60 Shots</p> 	<p>41: 10.5x ↘ 42: 10.5x ↘ 43: 10.4x ↘ 44: 10.3x → 45: 8.8 ↖ 46: 10.4x ← 47: 10.6x ← 48: 10.5x ↗ 49: 10.1 → 50: 10.6x ↗</p> <p>Series 102.7 Total 514.2</p>	<p>60 Shots</p> 	<p>51: 9.9 ↑ 52: 10.1 ↗ 53: 9.9 ↖ 54: 10.5x ↑ 55: 10.8x ↗ 56: 10.6x → 57: 10.6x → 58: 10.2x ← 59: 10.2x → 60: 9.8 ↖</p> <p>Series 102.6 Total 616.8</p>

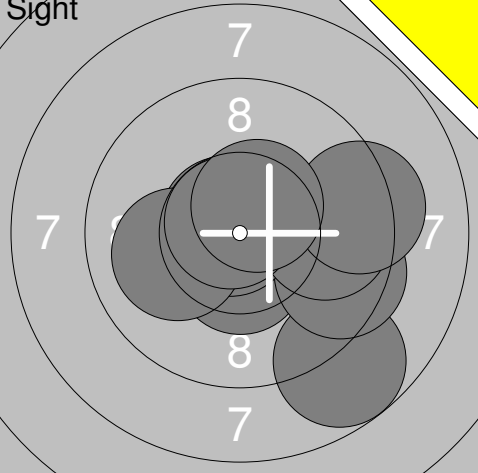
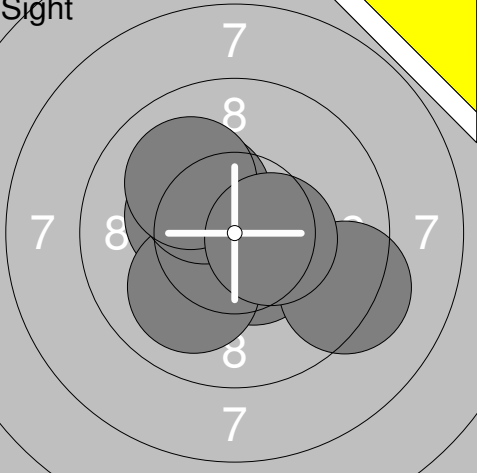
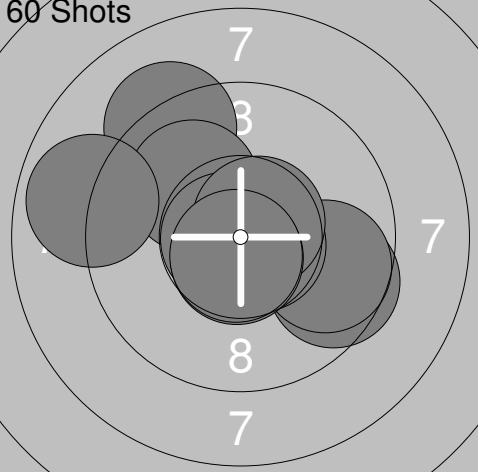
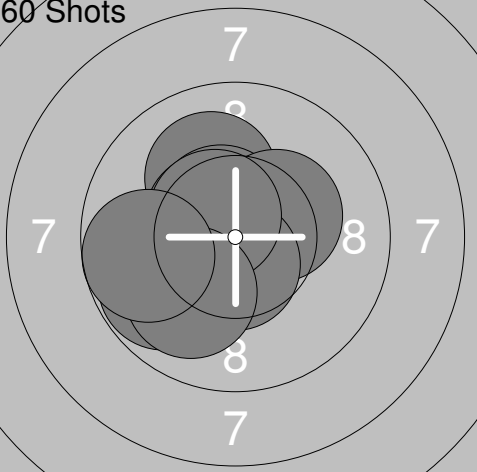
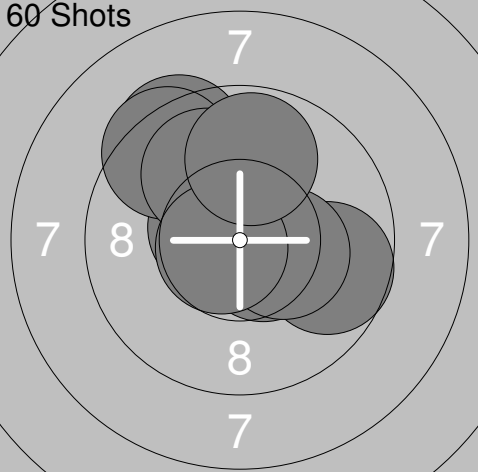
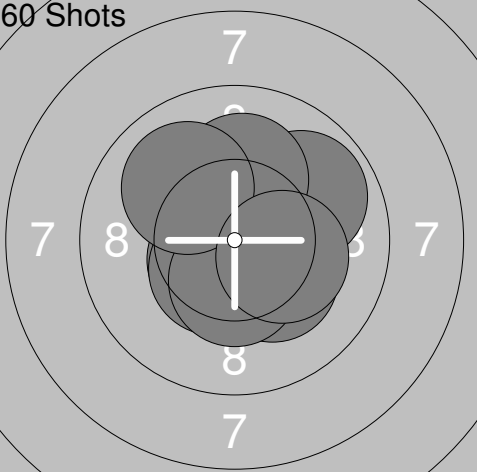
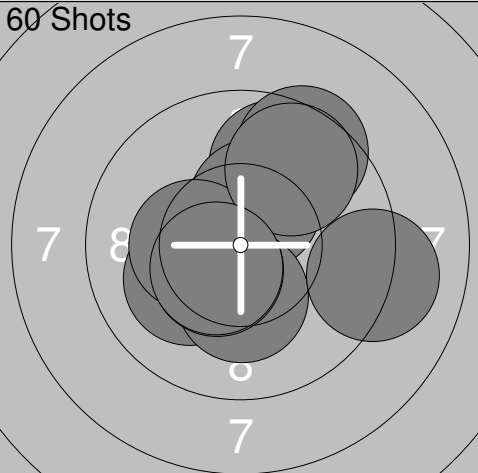
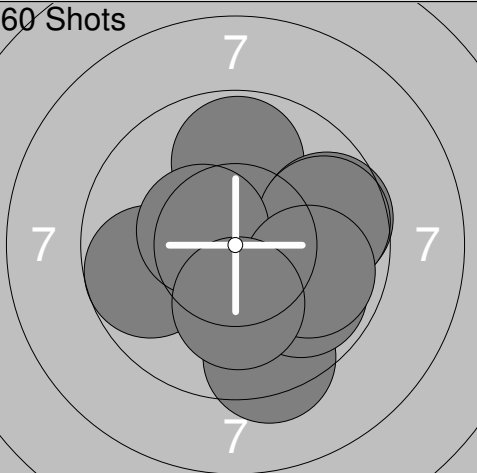


Relay	Lane	Joakim Olsson	
S		Kubikenborg	
10.10.2014		UME-Skottet 2014	Umeå skytteallians
Sight		1: 10.0 ↓ 2: 10.1 ↓ 3: 8.7 ↓ 4: 10.4x ↓ 5: 10.0 ↗ 6: 10.7x ← 7: 10.0 ↓ 8: 9.8 ← 9: 9.4 → 10: 9.8 ↗ Series 98.9 Total 0.0	Sight  11: 10.5x ↑ 12: 10.5x ← 13: 10.7x → 14: 9.6 → 15: 10.0 → 16: 9.9 ↗ 17: 10.2x ↓ 18: 9.9 ← 19: 10.3x ↗ Series 91.6 Total 0.0
60 Shots		1: 9.9 ↗ 2: 10.6x → 3: 10.2x ← 4: 10.4x ↙ 5: 10.6x ↗ 6: 10.0 ↓ 7: 10.6x ↖ 8: 10.4x ↑ 9: 10.2x ← 10: 10.1 ← Series 103.0 Total 103.0	60 Shots  11: 10.4x ↗ 12: 10.2x ↓ 13: 10.6x ← 14: 9.8 ↓ 15: 10.9x ↓ 16: 10.6x → 17: 10.6x → 18: 9.9 ↑ 19: 9.7 ↑ 20: 9.8 ← Series 102.5 Total 205.5
60 Shots		21: 10.5x ↗ 22: 9.7 ↓ 23: 10.3x ↙ 24: 10.5x → 25: 10.9x ↓ 26: 9.3 ← 27: 10.5x ↓ 28: 9.9 ← 29: 10.0 ← 30: 10.3x ↓ Series 101.9 Total 307.4	60 Shots  31: 10.0 ↓ 32: 9.8 ↓ 33: 10.3x ↑ 34: 9.5 ↗ 35: 9.8 ← 36: 9.7 ↑ 37: 9.2 ← 38: 9.7 ↓ 39: 10.8x ↗ 40: 9.6 ← Series 98.4 Total 405.8
60 Shots		41: 9.6 → 42: 10.7x → 43: 10.4x ← 44: 10.8x ↓ 45: 10.2x ← 46: 10.4x ↖ 47: 9.3 ↑ 48: 10.4x ↓ 49: 9.5 ← 50: 9.4 ↙ Series 100.7 Total 506.5	60 Shots  51: 10.8x ↑ 52: 9.9 ↗ 53: 9.3 ← 54: 10.0 → 55: 10.4x ← 56: 10.3x ← 57: 10.4x ← 58: 10.3x ← 59: 10.8x → 60: 10.5x ↗ Series 102.7 Total 609.2

Relay	Lane	Joar Karlsson	
S		Söderala AIK	
10.10.2014		UME-Skottet 2014	Umeå skytteallians
Sight		1: 10.5x ↖ 2: 10.3x ↗ 3: 10.0 → 4: 10.0 → 5: 10.6x ↓ 6: 10.0 ↗ 7: 10.3x ↗ 8: 10.5x ↑ 9: 9.4 ← 10: 10.1 ← Series 101.7 Total 0.0	Sight  11: 10.6x → 12: 10.2x ↗ 13: 10.1 ↖ 14: 10.7x ↑ 15: 10.2x → 16: 10.3x → 17: 10.8x ↙ 18: 10.1 ↗ 19: 9.5 ↗ Series 92.5 Total 0.0
60 Shots		1: 9.5 ↑ 2: 10.8x ↖ 3: 10.4x ↗ 4: 10.4x ← 5: 9.4 ← 6: 10.4x ↖ 7: 10.3x ↗ 8: 10.4x ↑ 9: 9.8 ↗ 10: 10.0 → Series 101.4 Total 101.4	60 Shots  11: 9.9 ↓ 12: 10.4x ↑ 13: 10.6x → 14: 9.9 ↑ 15: 9.6 ← 16: 9.8 ↗ 17: 10.0 ← 18: 9.2 → 19: 9.8 ↗ 20: 9.6 ← Series 98.8 Total 200.2
60 Shots		21: 9.8 → 22: 9.5 → 23: 10.1 ↓ 24: 9.5 → 25: 8.7 ← 26: 10.0 ↓ 27: 10.2x ↙ 28: 9.3 ← 29: 9.3 ← 30: 9.2 ↓ Series 95.6 Total 295.8	60 Shots  31: 10.6x ↓ 32: 9.6 → 33: 10.4x ↗ 34: 9.9 ↓ 35: 10.8x ↗ 36: 10.1 ← 37: 10.4x ← 38: 10.4x ↓ 39: 10.3x ↓ 40: 9.8 ← Series 102.3 Total 398.1
60 Shots		41: 10.7x ↑ 42: 10.7x ← 43: 10.2x ↓ 44: 10.7x ↖ 45: 10.0 ← 46: 10.7x → 47: 10.6x ← 48: 9.6 → 49: 10.3x ↖ 50: 10.4x → Series 103.9 Total 502.0	60 Shots  51: 10.0 → 52: 9.6 ← 53: 10.4x ↗ 54: 10.7x ↖ 55: 9.9 → 56: 10.5x ↙ 57: 10.1 ↗ 58: 9.9 → 59: 10.4x → 60: 10.3x → Series 101.8 Total 603.8

Relay	Lane	Mikael Lundell	
S		Rasbo skf	
10.10.2014		UME-Skottet 2014	Umeå skytteallians
Sight		1: 10.0 ← 2: 10.3x ↗ 3: 10.7x ↓ 4: 10.4x ↓ 5: 8.0 → 6: 10.4x ↗ 7: 10.4x ↓ 8: 9.3 → 9: 10.9x ↓ 10: 10.1 ↙ Series 100.5 Total 0.0	Sight  11: 10.3x ← 12: 9.8 → 13: 10.3x ↘ 14: 9.8 ↘ 15: 10.6x ↓ 16: 10.4x ↑ 17: 10.5x ↑ 18: 10.3x ← Series 82.0 Total 0.0
60 Shots		1: 7.6 → 2: 10.6x ↑ 3: 9.9 ↓ 4: 10.7x → 5: 10.1 ↗ 6: 9.8 → 7: 10.0 ← 8: 10.0 → 9: 9.8 ↗ 10: 9.9 ↓ Series 98.4 Total 98.4	60 Shots  11: 9.8 ← 12: 10.2x ↗ 13: 9.7 ↖ 14: 10.2x ← 15: 9.5 ↑ 16: 9.1 ↗ 17: 10.6x ↓ 18: 10.4x ↑ 19: 10.5x ↗ 20: 9.9 ↖ Series 99.9 Total 198.3
60 Shots		21: 9.3 ↗ 22: 10.8x → 23: 10.5x ↗ 24: 9.4 → 25: 9.9 ↓ 26: 8.8 → 27: 10.6x ← 28: 10.2x ↗ 29: 9.5 ← 30: 10.0 ← Series 99.0 Total 297.3	60 Shots  31: 10.1 ↑ 32: 10.8x ↓ 33: 10.0 → 34: 10.0 → 35: 10.1 ↑ 36: 10.7x ↗ 37: 9.2 ↑ 38: 10.4x → 39: 9.5 ↓ 40: 9.8 ← Series 100.6 Total 397.9
60 Shots		41: 10.0 ↑ 42: 9.3 → 43: 10.6x ↗ 44: 10.5x ↑ 45: 10.8x ↗ 46: 9.9 ↗ 47: 8.6 ↗ 48: 10.9x ↗ 49: 9.6 ↗ 50: 8.3 → Series 98.5 Total 496.4	60 Shots  51: 8.3 → 52: 10.1 ↑ 53: 9.9 → 54: 10.6x → 55: 9.9 ← 56: 10.4x ↗ 57: 10.5x ↑ 58: 8.5 → 59: 10.5x ↑ 60: 9.8 → Series 98.5 Total 594.9

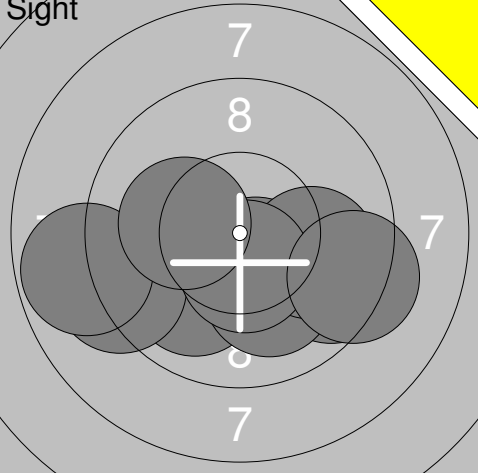
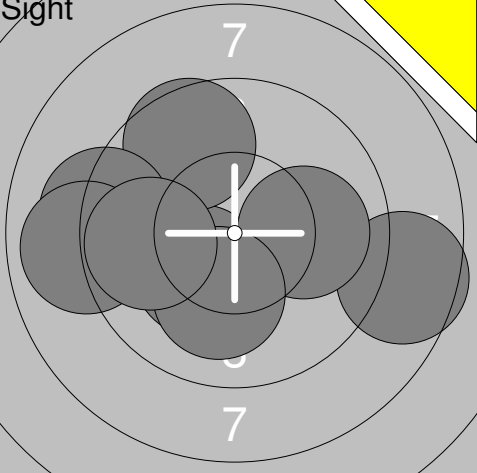
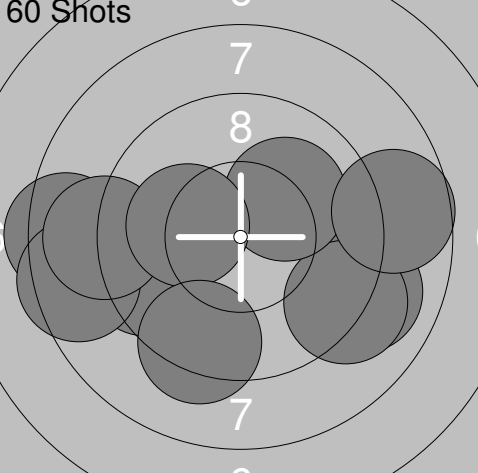
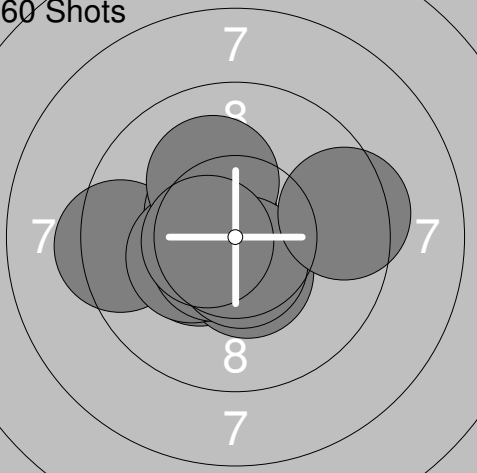
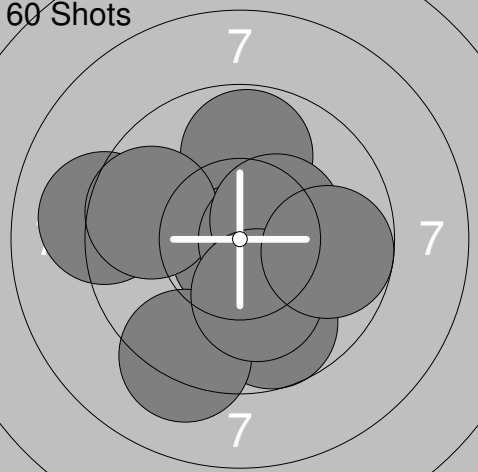
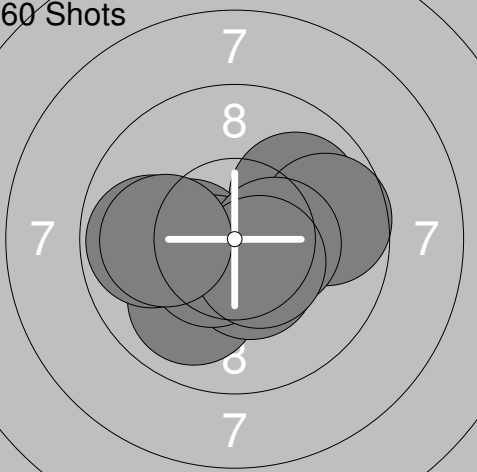
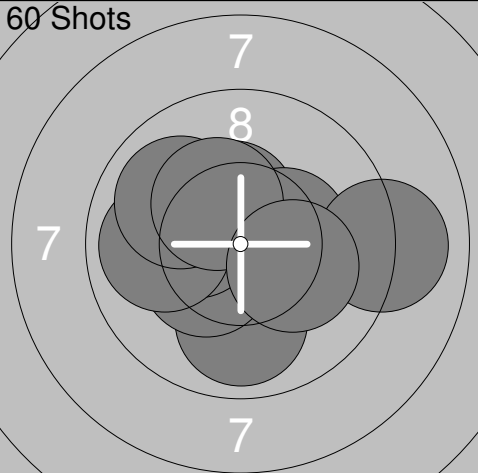
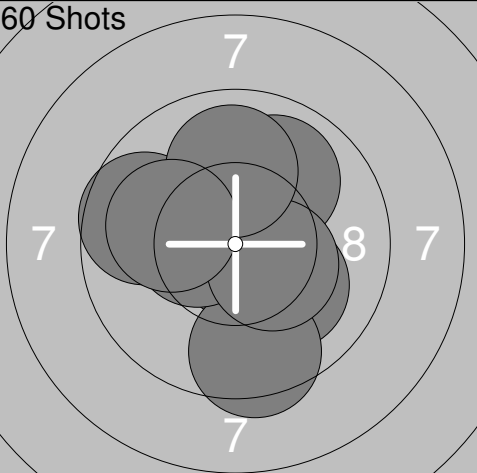


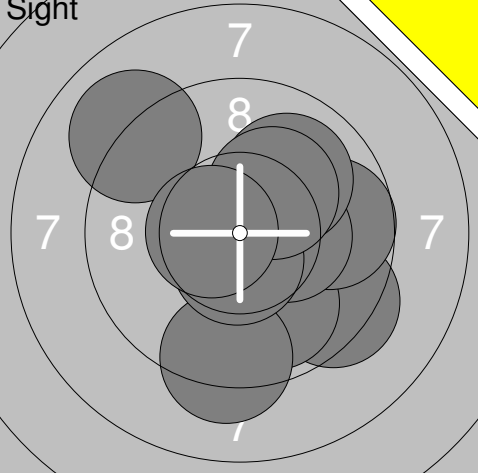
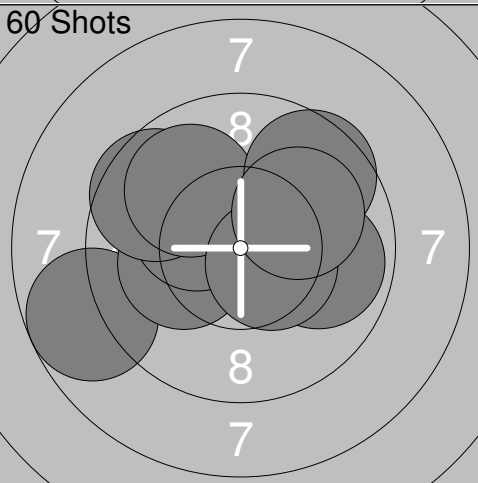
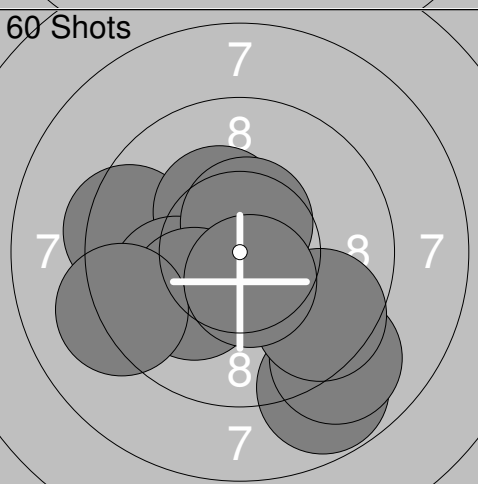
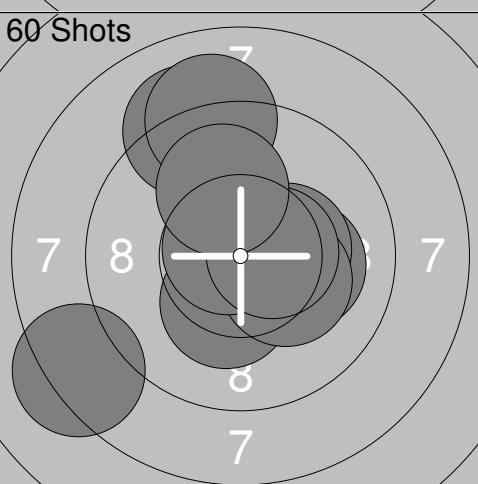
Relay	Lane	Saul Johansson	
S		Ramselefors skf	
10.10.2014		UME-Skottet 2014	Umeå skytteallians
Sight		1: 8.8 ↘ 2: 10.5x ↓ 3: 9.5 ↘ 4: 10.7x ↗ 5: 10.8x ↖ 6: 9.8 → 7: 10.1 ← 8: 9.3 → 9: 10.8x ↗ 10: 10.5x ↗ Series 100.8 Total 0.0	Sight  11: 10.5x ↘ 12: 10.3x ↖ 13: 10.0 ↘ 14: 9.3 → 15: 10.3x ↗ 16: 10.1 ↗ 17: 10.4x → Series 70.9 Total 0.0
60 Shots		1: 9.6 ↘ 2: 9.7 ↘ 3: 9.2 ↗ 4: 10.0 ↗ 5: 10.8x ← 6: 10.7x ↘ 7: 10.6x ↗ 8: 8.9 ← 9: 10.7x ↓ 10: 10.7x ↓ Series 100.9 Total 100.9	60 Shots  11: 9.8 ↖ 12: 10.1 ↗ 13: 10.5x ↖ 14: 10.6x ↗ 15: 10.5x ← 16: 10.3x ↗ 17: 10.6x ↓ 18: 10.6x ↗ 19: 10.0 ↓ 20: 9.7 ← Series 102.7 Total 203.6
60 Shots		21: 10.6x ↖ 22: 9.4 ↗ 23: 10.6x ↘ 24: 9.7 → 25: 10.6x ↗ 26: 9.4 ↗ 27: 10.3x → 28: 10.0 ↗ 29: 10.7x ↖ 30: 9.8 ↗ Series 101.1 Total 304.7	60 Shots  31: 10.6x ↖ 32: 9.9 ↗ 33: 10.3x ↘ 34: 10.6x ↘ 35: 10.6x → 36: 10.5x ↖ 37: 10.1 ↗ 38: 10.4x ↘ 39: 10.0 ↗ 40: 10.3x → Series 103.3 Total 408.0
60 Shots		41: 10.1 ↖ 42: 9.8 ↗ 43: 10.4x ↗ 44: 10.3x ↘ 45: 9.4 ↗ 46: 9.1 → 47: 10.5x ↖ 48: 10.3x ← 49: 9.7 ↗ 50: 10.5x ↖ Series 100.1 Total 508.1	60 Shots  51: 9.8 ↖ 52: 9.4 ↘ 53: 10.8x ↗ 54: 9.8 ↗ 55: 9.9 ↘ 56: 9.7 → 57: 9.7 → 58: 10.5x ↖ 59: 9.9 → 60: 10.2x ↘ Series 99.7 Total 607.8

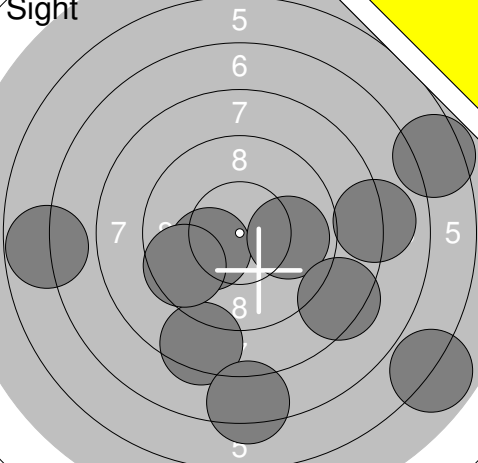
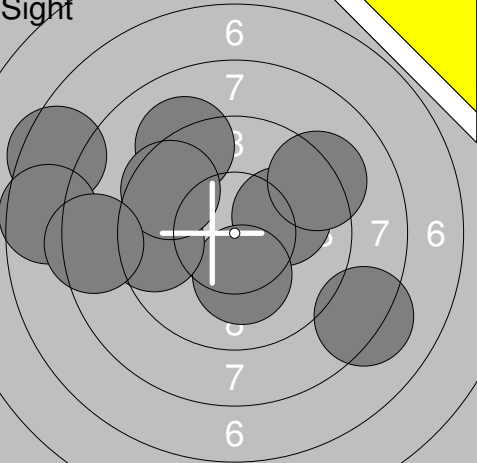
Relay	Lane	<b>Joel Hessling</b>	
<b>1</b>	<b>13</b>		

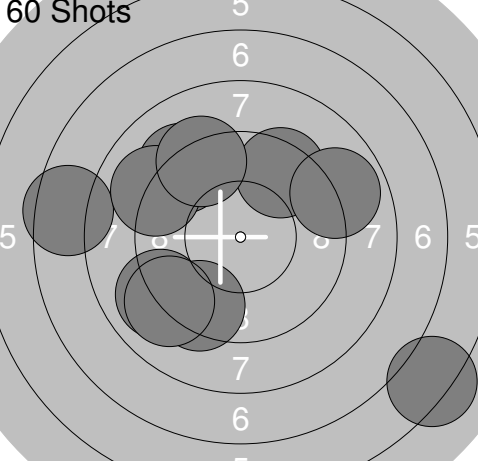
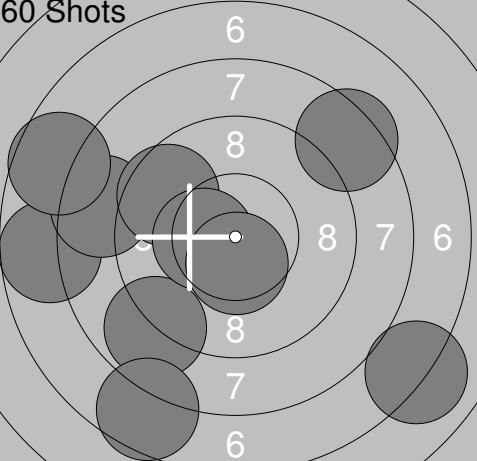
S	Hammerdals skf		
---	----------------	--	--

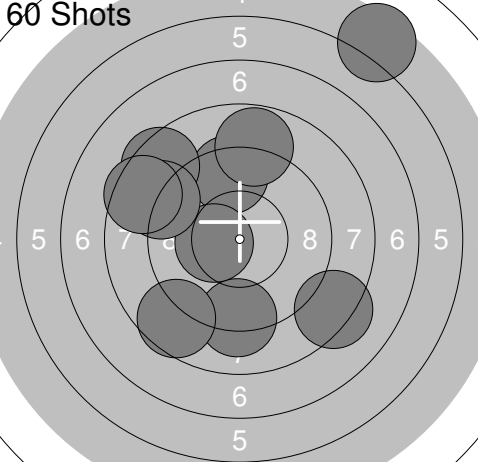
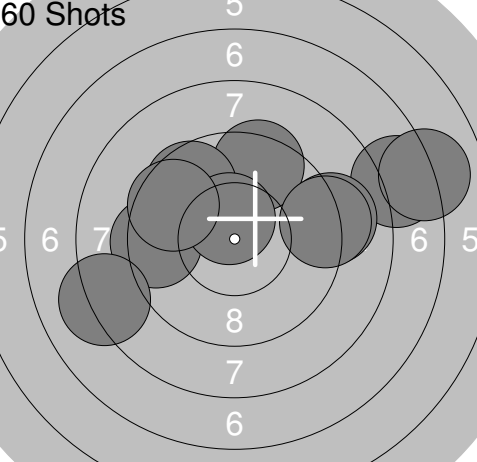
10.10.2014	UME-Skottet 2014	Umeå skytteallians	
------------	------------------	--------------------	--

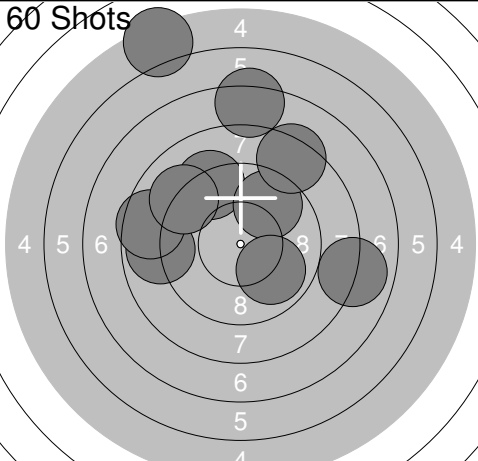
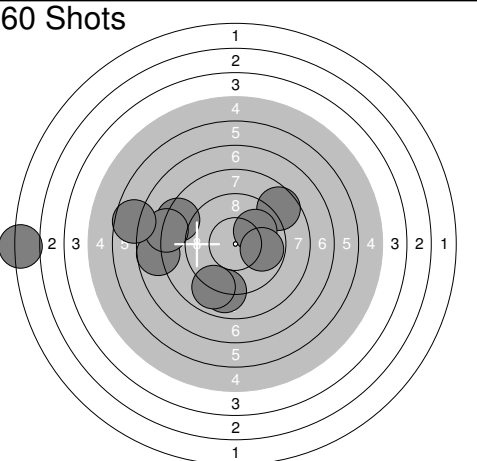
Sight 	1: 10.0 ↘	Sight 	11: 8.6 →
	2: 9.6 →		12: 10.2x ↘
	3: 9.2 ←		13: 10.0 →
	4: 10.5x ↘		14: 9.6 ↗
	5: 10.1 ↘		15: 9.2 ←
	6: 8.8 ←		16: 8.9 ←
	7: 9.9 →		17: 10.1 ↓
	8: 10.5x ↘		18: 9.8 ←
	9: 9.3 →		
	10: 10.2x ←		
	Series 98.1		Series 76.4
	Total 0.0		Total 0.0
60 Shots 	1: 9.0 →	60 Shots 	11: 10.4x ↙
	2: 8.4 ←		12: 10.5x ↓
	3: 9.5 ←		13: 9.4 ←
	4: 9.1 ↘		14: 10.5x ↗
	5: 10.1 ↗		15: 10.3x ←
	6: 8.5 ←		16: 10.1 ↗
	7: 9.0 ←		17: 10.6x ↙
	8: 10.2x ←		18: 10.6x ↓
	9: 9.3 ↓		19: 10.6x ←
	10: 8.7 →		20: 9.4 →
	Series 91.8		Series 102.4
	Total 91.8		Total 194.2
60 Shots 	21: 9.8 ↑	60 Shots 	31: 10.0 ↗
	22: 9.1 ←		32: 10.3x ←
	23: 10.8x ↓		33: 10.0 ↓
	24: 9.7 ↓		34: 10.4x ↓
	25: 9.7 ←		35: 9.7 →
	26: 10.6x →		36: 9.8 ←
	27: 10.4x ↗		37: 10.5x ↙
	28: 9.2 ↓		38: 10.4x →
	29: 10.2x ↓		39: 10.5x ↘
	30: 9.7 →		40: 10.0 ←
	Series 99.2		Series 101.6
	Total 293.4		Total 395.0
60 Shots 	41: 9.9 ↓	60 Shots 	51: 10.1 ↘
	42: 10.4x ↑		52: 10.8x ↓
	43: 10.4x ↙		53: 9.7 ←
	44: 10.4x →		54: 9.5 ↓
	45: 9.0 →		55: 10.6x ↗
	46: 10.3x ←		56: 10.4x ←
	47: 9.9 ←		57: 10.0 ↗
	48: 10.0 ↗		58: 10.4x →
	49: 10.3x ↗		59: 10.0 ↑
	50: 10.2x →		60: 10.1 ←
	Series 100.8		Series 101.6
	Total 495.8		Total 597.4

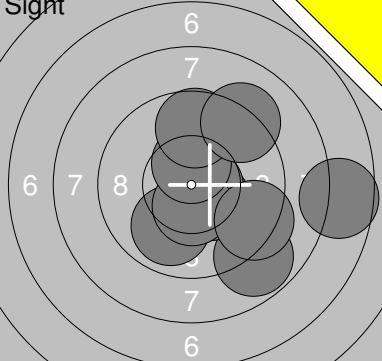
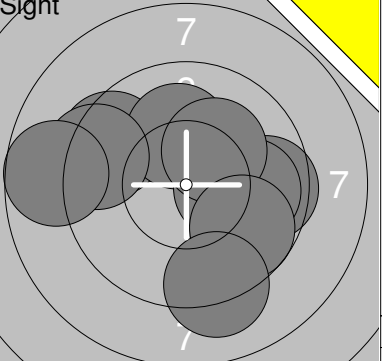
Relay	Lane	Oscar Jacobsson	
S		Ramselefors	
10.10.2014		UME-Skottet 2014	Umeå skytteallians
Sight		1: 9.4 ↘ 2: 9.9 ↘ 3: 9.3 ↘ 4: 9.0 ↗ 5: 9.7 → 6: 10.3x → 7: 10.0 ↗ 8: 10.6x ↓ 9: 10.3x ↗ 10: 10.6x ←	11: 9.1 ↖ 12: 8.9 ↘ 13: 9.8 → 14: 10.0 ↑ 15: 10.0 ↘
		Series 99.1	Series 47.8
		Total 0.0	Total 0.0
60 Shots		1: 8.8 ← 2: 10.6x ← 3: 10.2x ← 4: 10.3x ← 5: 9.6 ↗ 6: 9.9 ↗ 7: 9.6 ↗ 8: 9.9 → 9: 10.5x ↘ 10: 10.0 ↗	11: 10.6x → 12: 9.4 ↗ 13: 9.3 ↗ 14: 10.7x ↓ 15: 8.7 ↘ 16: 9.2 ↑ 17: 9.7 ↘ 18: 10.4x ← 19: 10.0 → 20: 9.8 ↑
		Series 99.4	Series 97.8
		Total 99.4	Total 197.2
60 Shots		21: 9.4 ← 22: 10.3x ↗ 23: 8.8 ↘ 24: 10.0 ← 25: 10.6x ↑ 26: 10.1 ← 27: 9.0 ↘ 28: 9.6 ↘ 29: 9.2 ← 30: 10.5x ↓	31: 10.4x ↑ 32: 10.5x ↓ 33: 10.4x → 34: 9.5 ← 35: 8.9 ↗ 36: 9.3 ← 37: 9.1 ← 38: 10.6x → 39: 8.6 ← 40: 10.1 ←
		Series 97.5	Series 97.4
		Total 294.7	Total 392.1
60 Shots		41: 10.3x ↓ 42: 10.1 → 43: 10.3x → 44: 10.3x ↘ 45: 10.8x ↗ 46: 10.5x → 47: 9.1 ↗ 48: 9.1 ↗ 49: 10.0 ↑ 50: 8.3 ↘	51: 10.2x ↑ 52: 9.3 ← 53: 10.1 ← 54: 9.5 ↖ 55: 9.7 ↘ 56: 9.9 → 57: 9.8 ↑ 58: 10.2x ↗ 59: 9.9 ↘ 60: 10.4x ↑
		Series 98.8	Series 99.0
		Total 490.9	Total 589.9

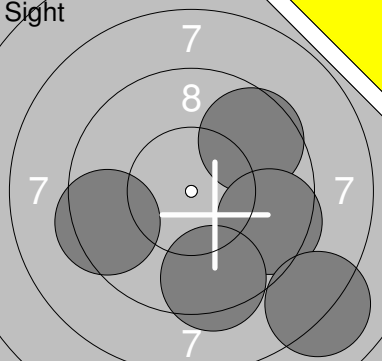
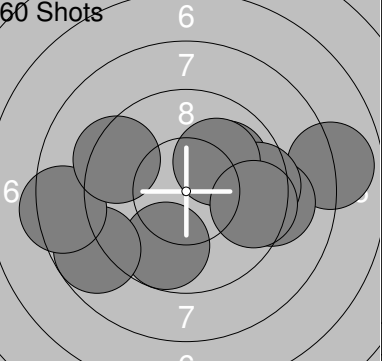
<p>Sight</p> 	<p>1: 6.8 ← 2: 10.2x ← 3: 8.4 ↓ 4: 6.4 → 5: 5.9 ↘ 6: 9.6 ← 7: 9.9 → 8: 7.3 ↓ 9: 8.0 → 10: 8.4 ↘</p> <p>Series 80.9 Total 0.0</p>	<p>Sight</p> 	<p>11: 9.2 ↗ 12: 7.5 ← 13: 8.2 ↘ 14: 10.1 → 15: 9.2 ↗ 16: 10.2x ↓ 17: 7.6 ← 18: 9.5 ← 19: 9.6 ↗ 20: 8.4 ←</p> <p>Series 89.5 Total 0.0</p>
---	--	---	--

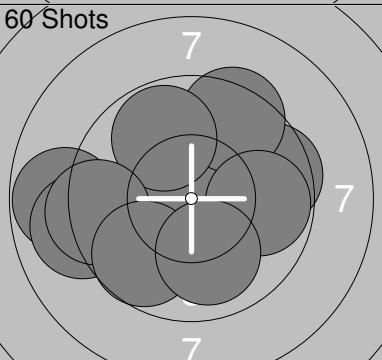
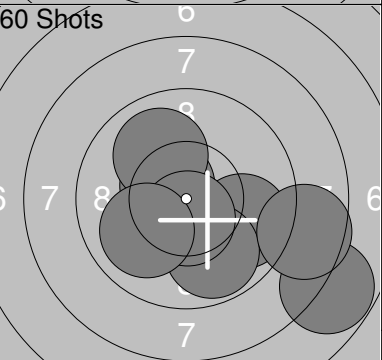
<p>60 Shots</p> 	<p>1: 9.5 ↗ 2: 9.2 ↗ 3: 7.5 ← 4: 9.0 ← 5: 9.4 ↘ 6: 9.0 ↗ 7: 6.2 ↘ 8: 8.9 → 9: 9.1 ↘ 10: 9.3 ↗</p> <p>Series 87.1 Total 87.1</p>	<p>60 Shots</p> 	<p>11: 7.7 ← 12: 7.0 ↘ 13: 8.6 ← 14: 8.8 ↘ 15: 8.4 ↗ 16: 9.6 ↗ 17: 10.4x ← 18: 7.6 ↓ 19: 10.5x ↓ 20: 7.6 ←</p> <p>Series 86.2 Total 173.3</p>
---	---	---	---

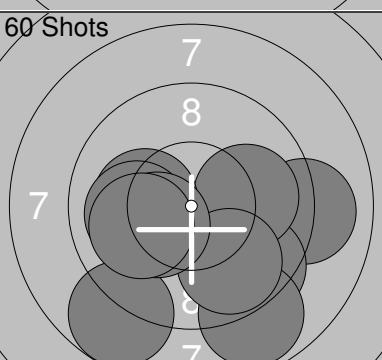
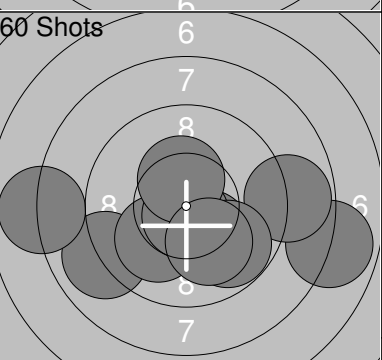
<p>60 Shots</p> 	<p>21: 9.1 ↓ 22: 5.5 ↗ 23: 9.5 ↑ 24: 10.4x ← 25: 8.5 ↗ 26: 8.9 ↗ 27: 8.8 ↑ 28: 8.5 ↗ 29: 8.3 ↓ 30: 8.6 ↓</p> <p>Series 86.1 Total 259.4</p>	<p>60 Shots</p> 	<p>31: 7.6 → 32: 9.4 ← 33: 9.4 ↑ 34: 9.6 ↗ 35: 10.5x ↑ 36: 7.0 → 37: 8.2 ← 38: 9.0 → 39: 9.1 → 40: 9.6 ↗</p> <p>Series 89.4 Total 348.8</p>
--	---	--	---

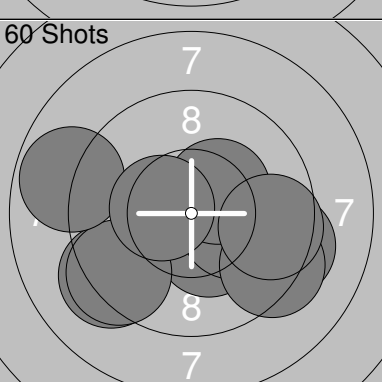
<p>60 Shots</p> 	<p>41: 9.2 ↗ 42: 5.3 ↗ 43: 9.7 ↗ 44: 9.9 ↘ 45: 8.9 ← 46: 8.4 ↗ 47: 8.6 ← 48: 9.1 ↗ 49: 7.3 ↑ 50: 8.0 →</p> <p>Series 84.4 Total 433.2</p>	<p>60 Shots</p> 	<p>51: 7.7 ← 52: 8.7 ↗ 53: 8.4 ← 54: 10.0 → 55: 2.1 ← 56: 9.0 ↓ 57: 8.9 ↓ 58: 9.8 → 59: 8.0 ← 60: 6.7 ←</p> <p>Series 79.3 Total 512.5</p>
--	---	--	--

Sight 	1: 7.6 → 2: 8.8 ↘ 3: 9.9 ↘ 4: 10.4x ↘ 5: 10.7x → 6: 10.5x ↓ 7: 10.5x ↑ 8: 9.3 ↘ 9: 9.7 ↑ 10: 9.2 ↗	Sight 	11: 9.5 ↗ 12: 10.1 ↑ 13: 10.3x → 14: 9.3 ← 15: 9.6 → 16: 9.9 → 17: 10.2x ↗ 18: 9.7 ↘ 19: 8.7 ← 20: 9.2 ↓
	Series 96.6 Total 0.0		Series 96.5 Total 0.0

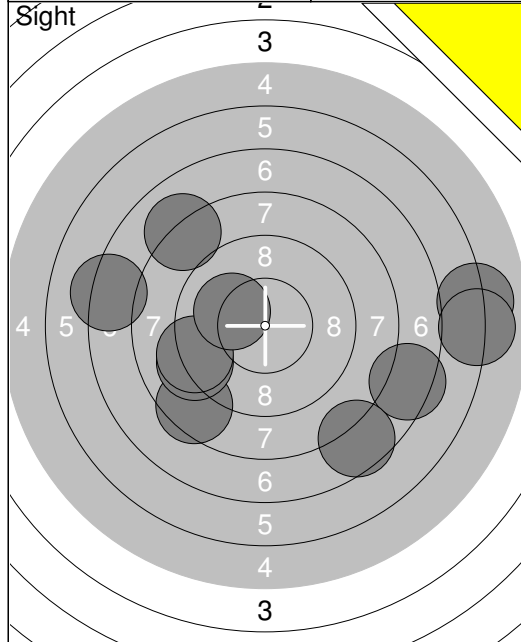
Sight 	21: 9.6 ↗ 22: 9.5 → 23: 9.4 ← 24: 9.4 ↘ 25: 8.1 ↘	60 Shots 	1: 9.8 ↓ 2: 8.8 ← 3: 8.4 ← 4: 10.0 ↗ 5: 7.9 → 6: 9.4 ↗ 7: 9.2 → 8: 9.5 → 9: 10.1 ↗ 10: 9.5 →
	Series 46.0 Total 0.0		Series 92.6 Total 92.6

60 Shots 	11: 8.8 ← 12: 10.5x ↑ 13: 9.0 ← 14: 9.6 → 15: 9.4 ↗ 16: 9.8 → 17: 9.8 ↗ 18: 9.3 ← 19: 9.7 ↘ 20: 10.0 ↓	60 Shots 	21: 10.5x ↓ 22: 7.8 ↘ 23: 10.2x ↘ 24: 10.5x ↗ 25: 9.8 ↘ 26: 9.8 ↘ 27: 10.0 ↗ 28: 8.6 ↘ 29: 10.6x ↓ 30: 10.0 ↘
	Series 95.9 Total 188.5		Series 97.8 Total 286.3

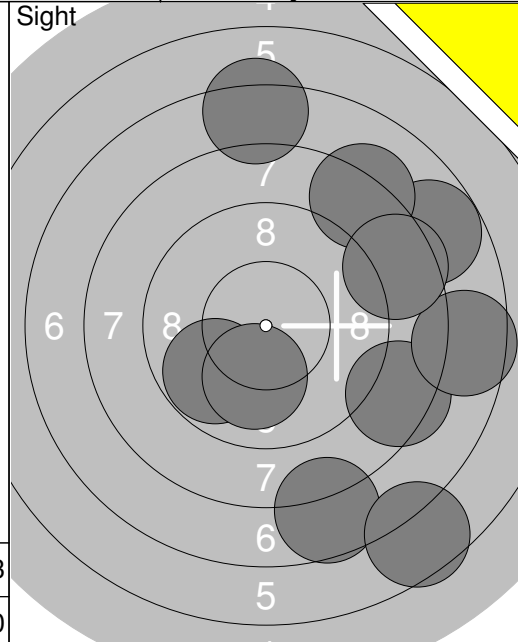
60 Shots 	31: 9.0 → 32: 9.5 ↘ 33: 10.0 → 34: 8.9 ↘ 35: 9.8 ↘ 36: 10.2x ← 37: 10.0 ← 38: 8.8 ↘ 39: 10.3x ← 40: 10.0 ←	60 Shots 	41: 9.0 ← 42: 8.0 ← 43: 10.2x ↘ 44: 10.1 ↘ 45: 7.9 → 46: 10.8x ↓ 47: 8.8 → 48: 10.4x ↑ 49: 9.8 ↘ 50: 10.1 ↓
	Series 96.5 Total 382.8		Series 95.1 Total 477.9

60 Shots 	51: 10.3x ↓ 52: 9.3 → 53: 10.2x → 54: 9.2 ← 55: 9.4 ← 56: 8.8 ← 57: 10.4x ↗ 58: 9.3 ↘ 59: 9.6 → 60: 10.4x ←		
	Series 96.9 Total 574.8		

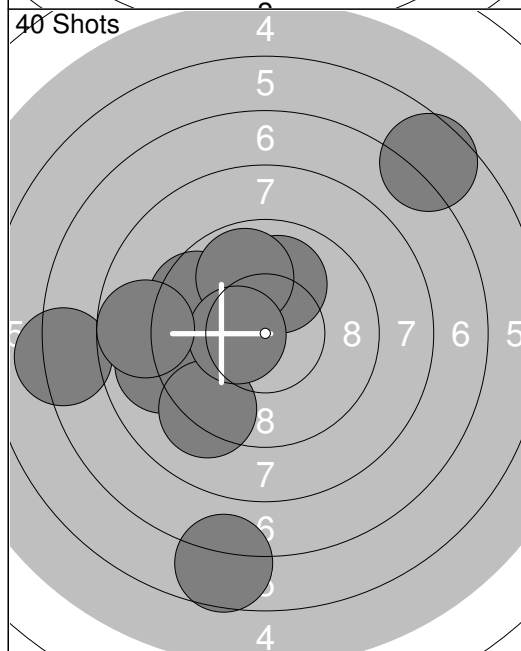




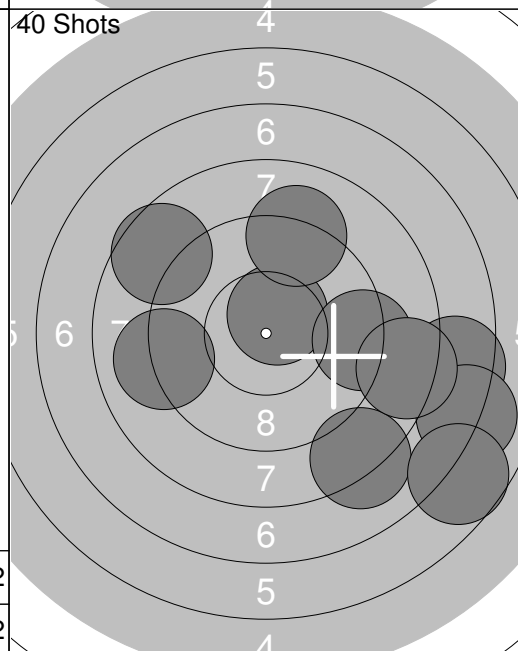
1: 8.5 ↘
2: 7.2 ←
3: 7.4 →
4: 9.1 ←
5: 6.1 →
6: 7.6 ↘
7: 6.0 →
8: 8.1 ↗
9: 9.2 ←
10: 10.1 ←
<b>Series</b> 79.3
<b>Total</b> 0.0



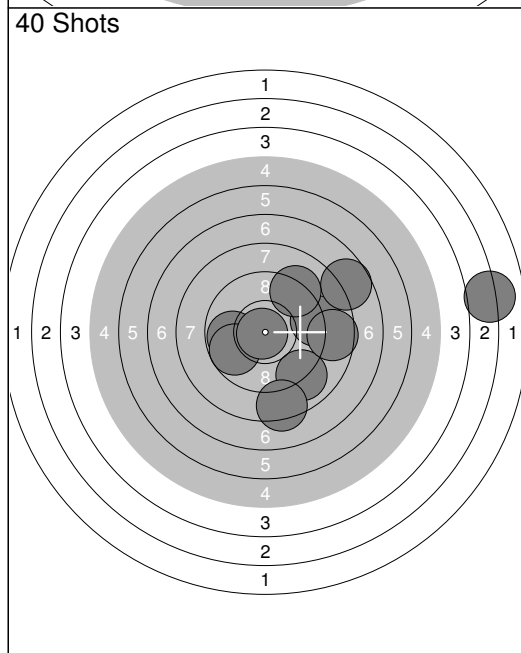
11: 8.4 →
12: 7.6 ↘
13: 7.8 ↗
14: 7.6 →
15: 8.2 ↗
16: 8.5 ↗
17: 9.8 ←
18: 7.3 ↑
19: 10.1 ↘
20: 6.6 ↘
<b>Series</b> 81.9
<b>Total</b> 0.0



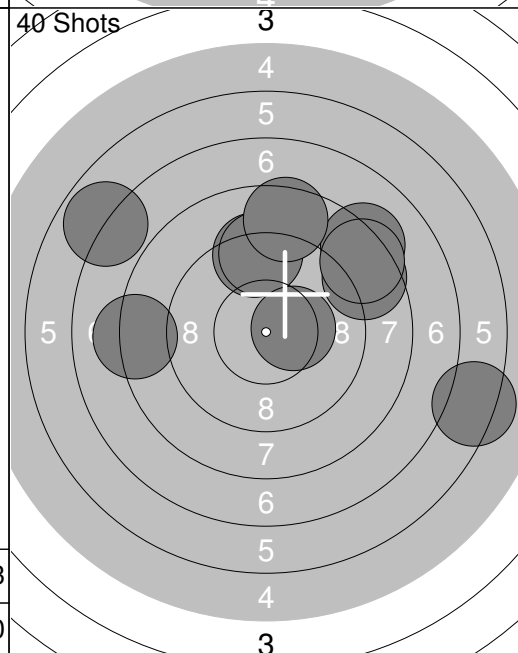
1: 6.6 ↘
2: 9.6 ↖
3: 9.0 ←
4: 10.0 ↑
5: 6.6 ↗
6: 9.2 ↘
7: 9.9 ↑
8: 7.2 ←
9: 10.4x ←
10: 8.7 ←
<b>Series</b> 87.2
<b>Total</b> 87.2



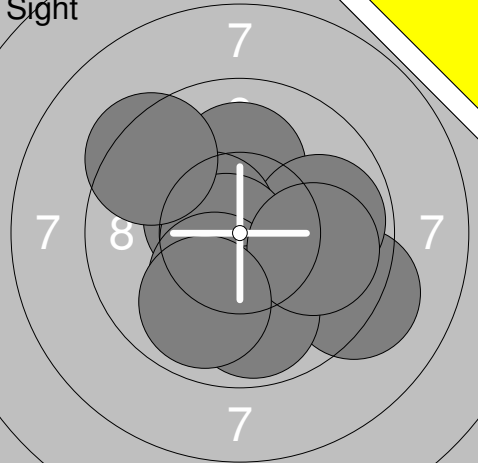
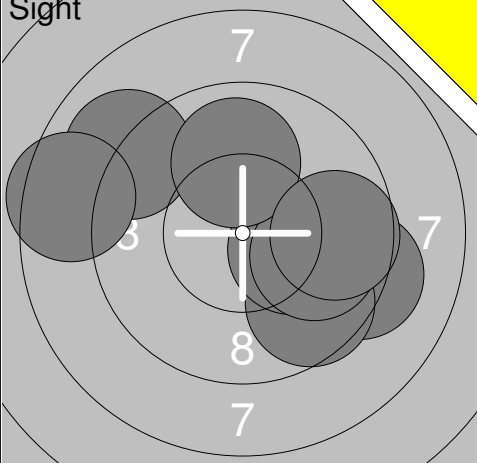
11: 8.6 ↖
12: 10.6x ↗
13: 7.5 →
14: 9.1 ↑
15: 9.2 →
16: 8.2 ↘
17: 7.1 →
18: 6.7 ↘
19: 8.4 →
20: 9.1 ←
<b>Series</b> 84.5
<b>Total</b> 171.7

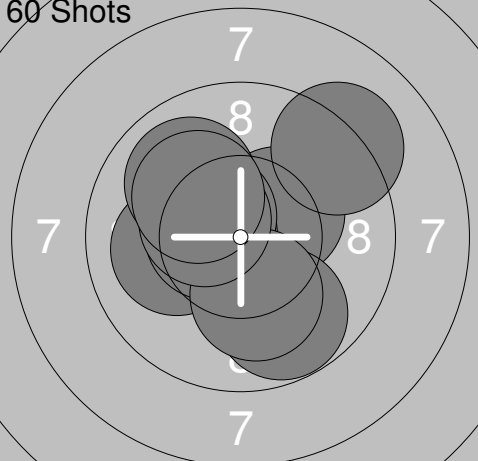
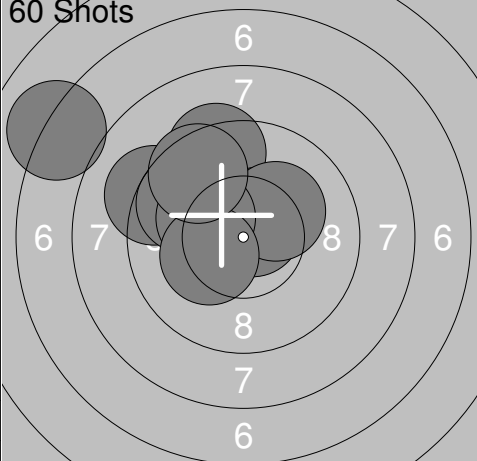


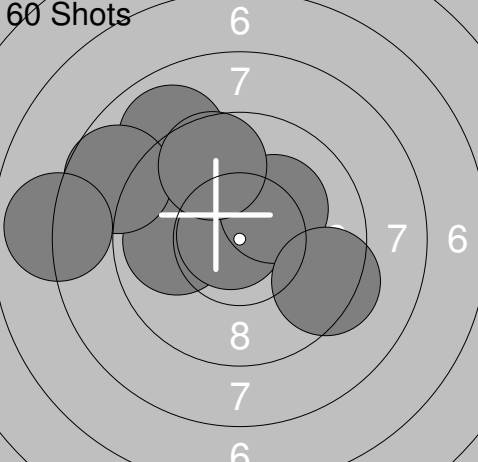
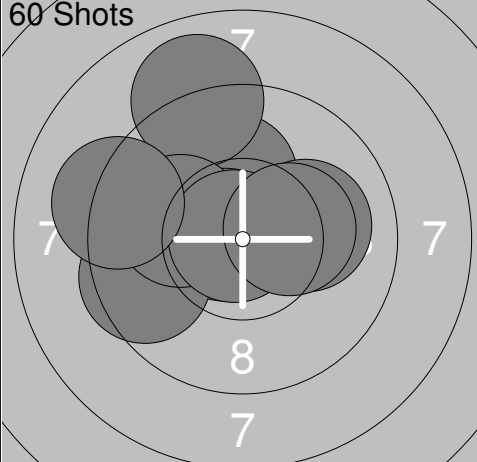
21: 9.0 ↘
22: 9.1 →
23: 9.8 ←
24: 7.7 ↗
25: 9.7 ↖
26: 8.6 →
27: 8.3 ↘
28: 10.8x ↖
29: 3.1 →
30: 9.2 ↗
<b>Series</b> 85.3
<b>Total</b> 257.0

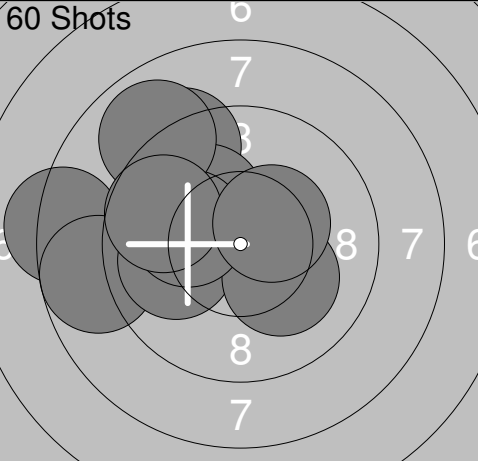
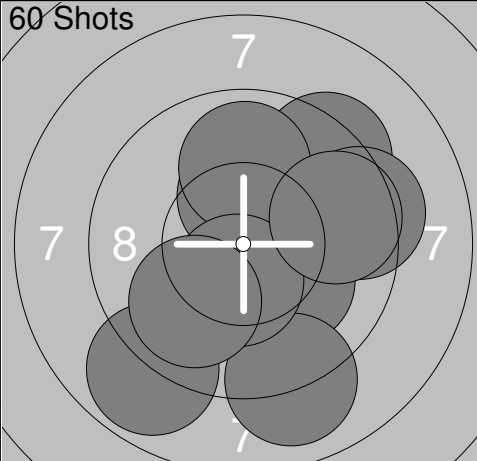


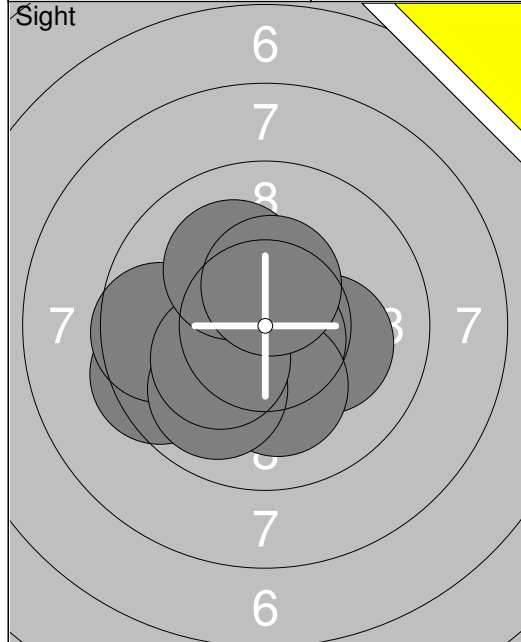
31: 8.2 ↗
32: 6.9 ↖
33: 9.3 ↑
34: 8.6 ↗
35: 9.3 ↑
36: 8.2 ←
37: 8.5 ↑
38: 6.3 →
39: 8.4 ↗
40: 10.4x →
<b>Series</b> 84.1
<b>Total</b> 341.1

<p>Sight</p> 	<p>1: 9.2 ↘ 2: 10.1 ↑ 3: 9.9 → 4: 10.5x ↖ 5: 10.7x ↙ 6: 10.2x ↘ 7: 9.9 ↓ 8: 9.9 → 9: 9.9 ↘ 10: 9.4 ↗</p> <p>Series 99.7 Total 0.0</p>	<p>Sight</p> 	<p>11: 9.2 ↘ 12: 9.6 ↘ 13: 10.2x → 14: 9.0 ↗ 15: 9.9 ↘ 16: 10.0 ↑ 17: 8.5 ← 18: 9.7 →</p> <p>Series 76.1 Total 0.0</p>
---	---	---	--

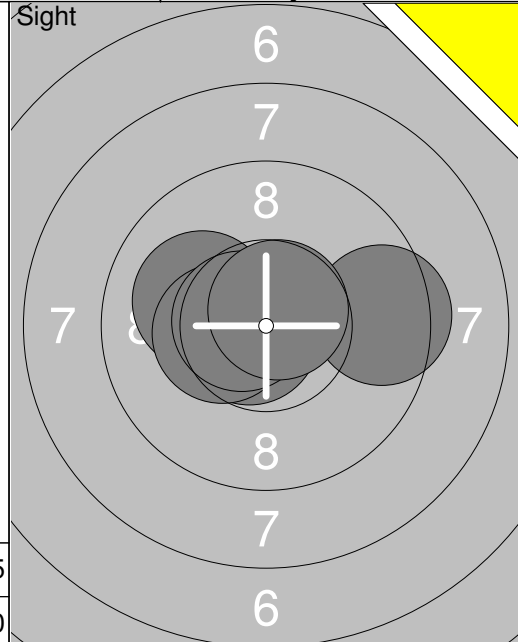
<p>60 Shots</p> 	<p>1: 10.3x ↗ 2: 9.8 ↓ 3: 10.1 ← 4: 10.6x ← 5: 10.5x ↗ 6: 9.2 ↗ 7: 10.1 ↓ 8: 10.0 ↗ 9: 10.4x ↖ 10: 10.2x ↗</p> <p>Series 101.2 Total 101.2</p>	<p>60 Shots</p> 	<p>11: 7.1 ↖ 12: 9.2 ↖ 13: 9.4 ↑ 14: 10.5x ↗ 15: 10.7x ↗ 16: 9.8 ↖ 17: 10.2x ↗ 18: 10.2x ↖ 19: 10.3x ↖ 20: 9.5 ↗</p> <p>Series 96.9 Total 198.1</p>
---	--	---	---

<p>60 Shots</p> 	<p>21: 9.2 ↗ 22: 9.8 ↗ 23: 9.9 ← 24: 9.0 ↗ 25: 8.7 ↗ 26: 10.8x ↖ 27: 7.9 ← 28: 10.2x ↗ 29: 9.7 ↗ 30: 9.4 ↘</p> <p>Series 94.6 Total 292.7</p>	<p>60 Shots</p> 	<p>31: 10.5x ↑ 32: 10.1 ↑ 33: 10.7x ↖ 34: 9.5 ↖ 35: 9.0 ↑ 36: 10.1 → 37: 10.1 ↖ 38: 10.8x ↖ 39: 10.3x → 40: 9.2 ↖</p> <p>Series 100.3 Total 393.0</p>
--	---	--	---

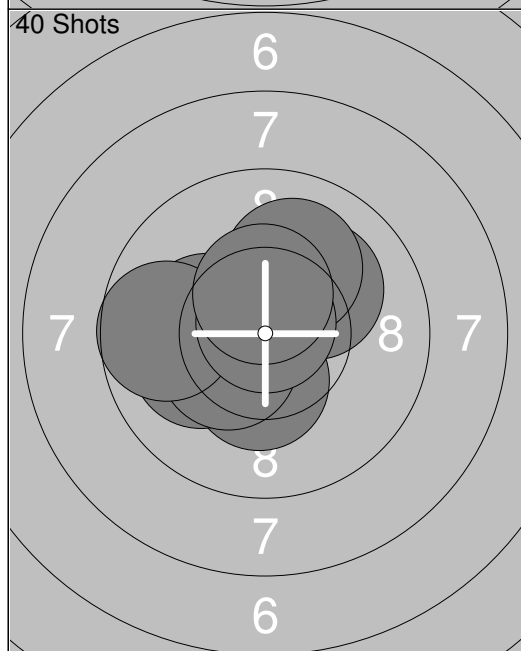
<p>60 Shots</p> 	<p>41: 8.2 ← 42: 8.8 ← 43: 9.2 ↗ 44: 9.9 ← 45: 10.2x ↘ 46: 10.1 ↗ 47: 10.1 ↖ 48: 8.9 ↗ 49: 9.7 ↖ 50: 10.4x ↗</p> <p>Series 95.5 Total 488.5</p>	<p>60 Shots</p> 	<p>51: 10.2x ↘ 52: 9.3 ↗ 53: 10.3x ↑ 54: 9.9 ↑ 55: 9.0 ↓ 56: 8.9 ↘ 57: 10.5x ↓ 58: 9.9 ↘ 59: 9.3 → 60: 9.7 →</p> <p>Series 97.0 Total 585.5</p>
--	---	--	---



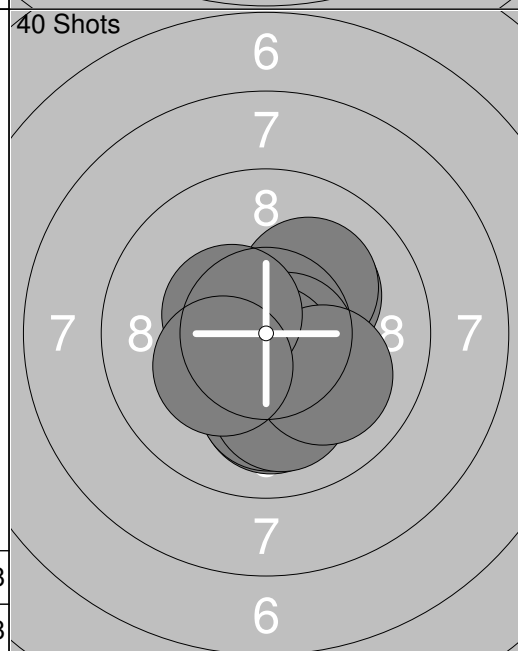
1: 9.5	←
2: 9.6	←
3: 10.2x	→
4: 10.7x	↙
5: 10.7x	↘
6: 10.2x	↓
7: 9.9	↙
8: 10.2x	↙
9: 10.1	↖
10: 10.4x	↑
Series	101.5
Total	0.0



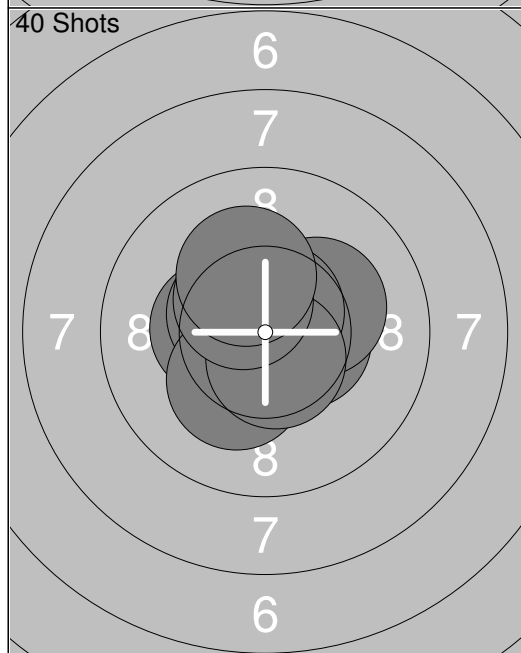
11: 10.1	←
12: 9.5	→
13: 10.7x	↙
14: 10.4x	↙
15: 10.6x	↙
16: 10.7x	↗
Series	62.0
Total	0.0



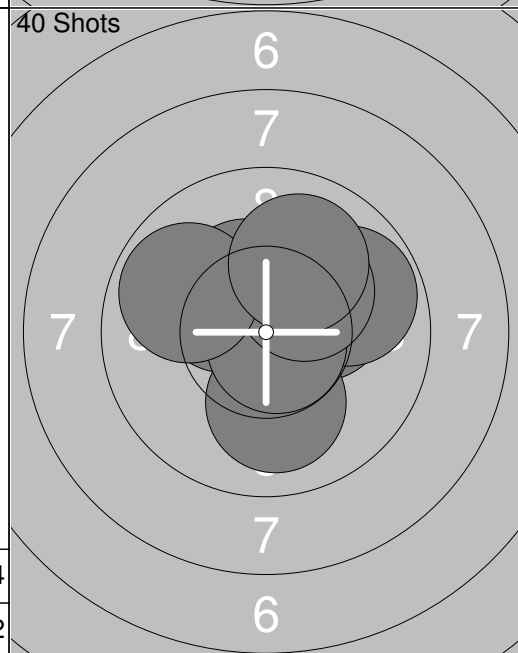
1: 10.1	↗
2: 10.1	↑
3: 10.2x	↙
4: 10.3x	↓
5: 10.1	←
6: 10.7x	↖
7: 10.4x	↙
8: 9.7	←
9: 10.8x	↑
10: 10.4x	↑
Series	102.8
Total	102.8



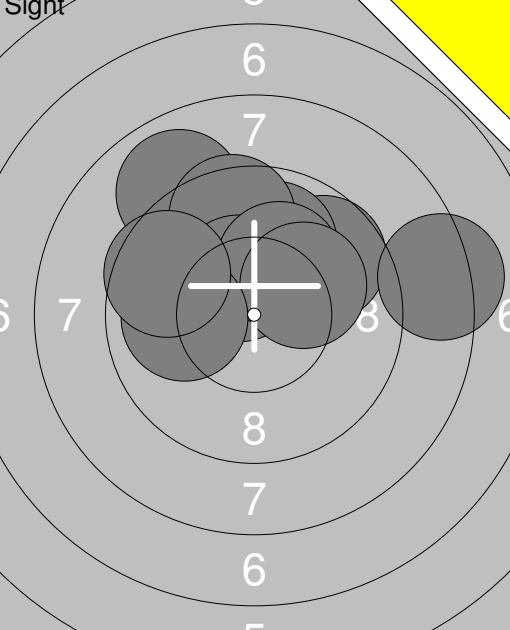
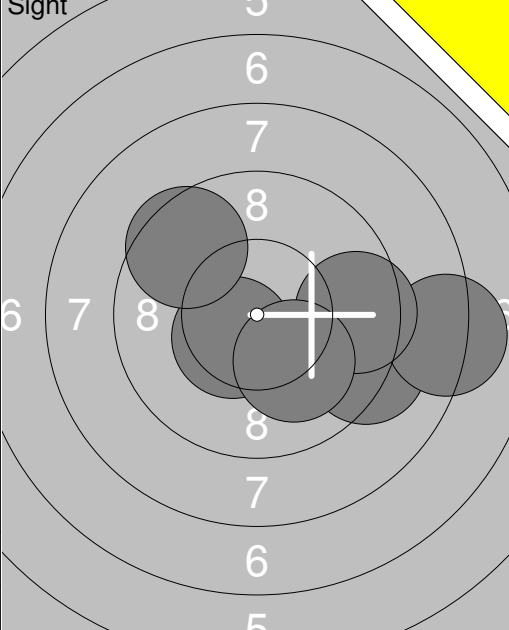
11: 10.2x	↗
12: 10.2x	↗
13: 10.7x	→
14: 10.1	↓
15: 10.7x	↓
16: 10.1	↓
17: 10.1	↓
18: 10.1	↘
19: 10.5x	↖
20: 10.3x	↙
Series	103.0
Total	205.8

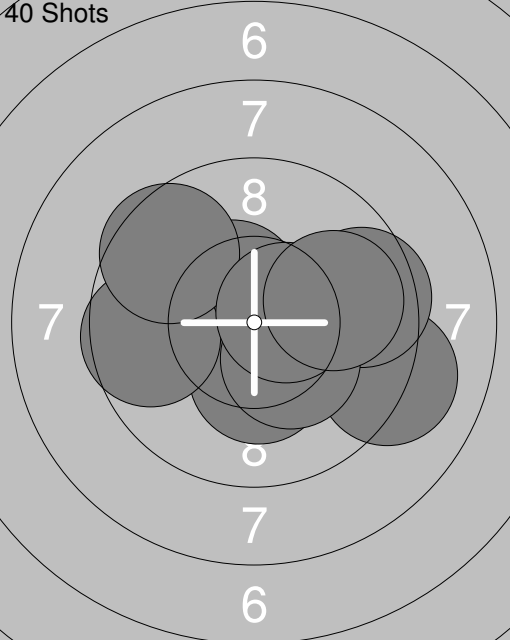
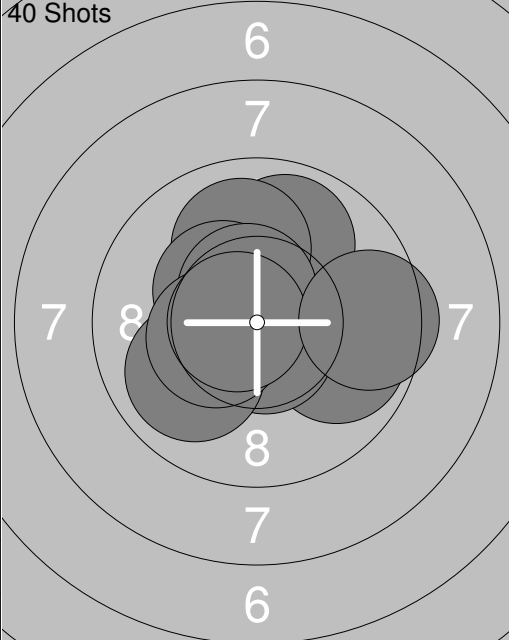


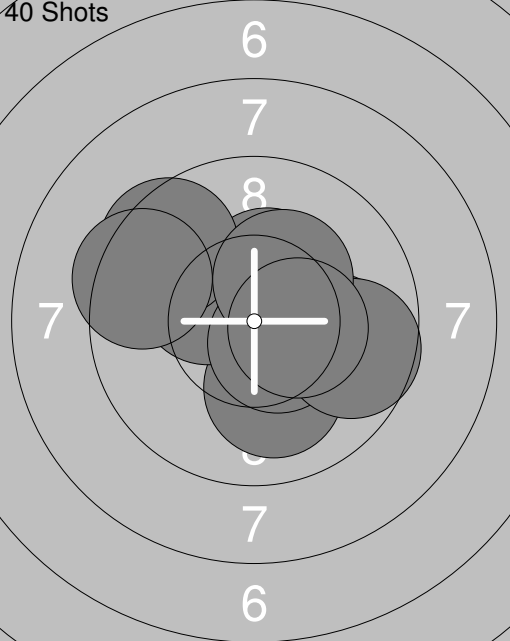
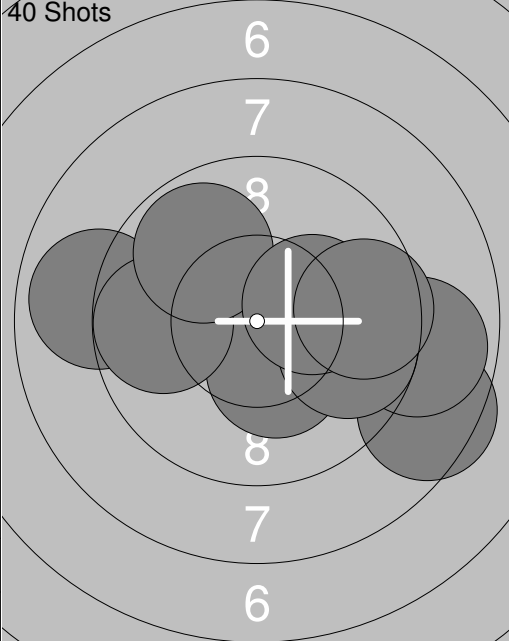
21: 10.6x	↙
22: 10.4x	↙
23: 10.5x	↖
24: 10.5x	→
25: 10.2x	↘
26: 10.2x	→
27: 10.7x	↗
28: 10.6x	↓
29: 10.5x	↖
30: 10.2x	↑
Series	104.4
Total	310.2

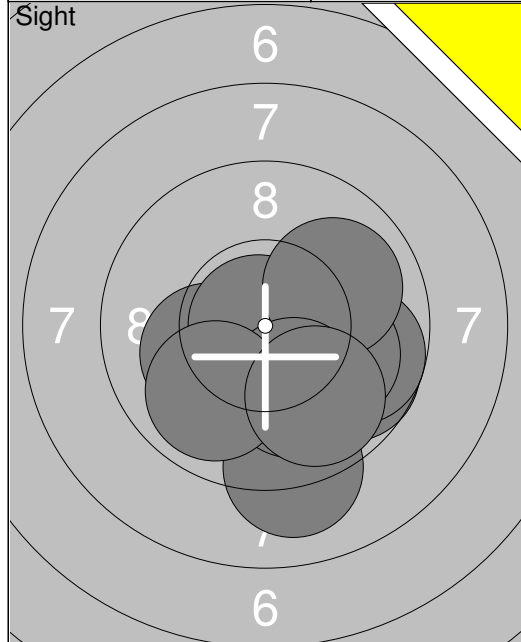


31: 10.8x	↗
32: 10.3x	↖
33: 10.2x	→
34: 10.3x	↖
35: 9.8	→
36: 10.1	↓
37: 10.8x	↘
38: 10.2x	↗
39: 9.9	↖
40: 10.0	↑
Series	102.4
Total	412.6

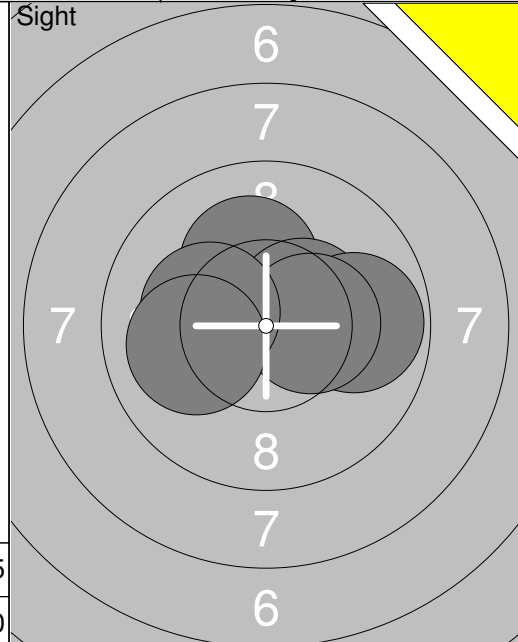
<p>Sight</p> 	<p>1: 8.9 ↖                  2: 9.7 ↗                  3: 9.9 ↑                  4: 9.6 ↑                  5: 8.3 →                  6: 10.4x ↖                  7: 10.2x ↖                  8: 10.1 ↗                  9: 10.0 ←                  10: 9.6 ↖</p> <p>Series 96.7 Total 0.0</p>	<p>Sight</p> 	<p>11: 10.5x ↙                  12: 9.2 ↘                  13: 8.2 →                  14: 9.5 ↖                  15: 9.5 →                  16: 10.1 ↘</p> <p>Series 57.0 Total 0.0</p>
---	---	---	---

<p>40 Shots</p> 	<p>1: 10.5x ↖                  2: 10.0 →                  3: 10.3x ↘                  4: 9.1 →                  5: 9.6 ←                  6: 9.5 →                  7: 10.3x ↘                  8: 9.6 ↖                  9: 10.5x →                  10: 9.9 →</p> <p>Series 99.3 Total 99.3</p>	<p>40 Shots</p> 	<p>11: 9.9 ↑                  12: 9.9 ↘                  13: 10.0 ↑                  14: 10.4x ↖                  15: 10.7x ↘                  16: 9.9 ↙                  17: 10.6x ↖                  18: 10.4x ↙                  19: 10.7x ←                  20: 9.5 →</p> <p>Series 102.0 Total 201.3</p>
---	---	---	--

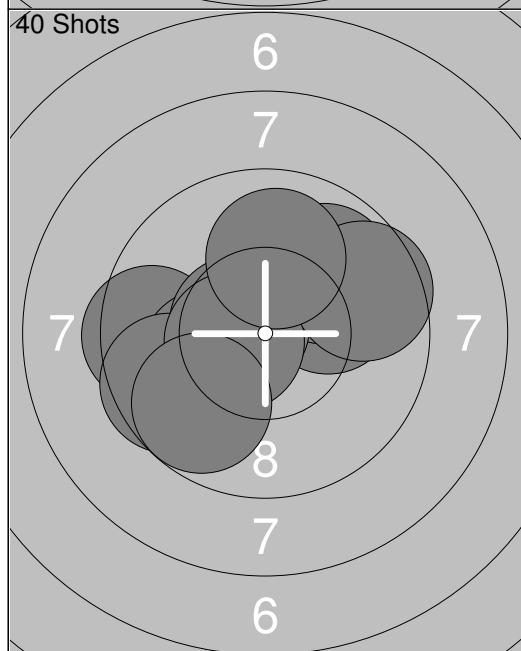
<p>40 Shots</p> 	<p>21: 9.9 →                  22: 10.1 ↘                  23: 10.4x ↖                  24: 10.3x ↖                  25: 9.5 ↖                  26: 9.4 ←                  27: 10.5x ↘                  28: 9.7 →                  29: 10.3x ↖                  30: 10.4x →</p> <p>Series 100.5 Total 301.8</p>	<p>40 Shots</p> 	<p>31: 10.3x ↘                  32: 10.3x ↘                  33: 8.5 ↘                  34: 8.9 →                  35: 8.9 ←                  36: 9.7 ↘                  37: 9.7 ←                  38: 9.8 ↖                  39: 10.2x →                  40: 9.6 →</p> <p>Series 95.9 Total 397.7</p>
--	--	--	--



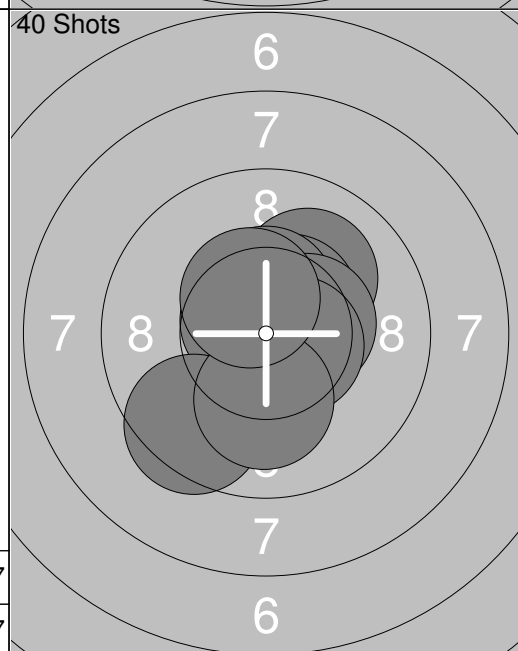
1: 10.2x	↙
2: 9.7	→
3: 9.1	↓
4: 10.9x	↙
5: 9.7	→
6: 10.0	→
7: 10.0	↗
8: 10.1	↓
9: 9.9	↙
10: 9.9	↓
Series	99.5
Total	0.0



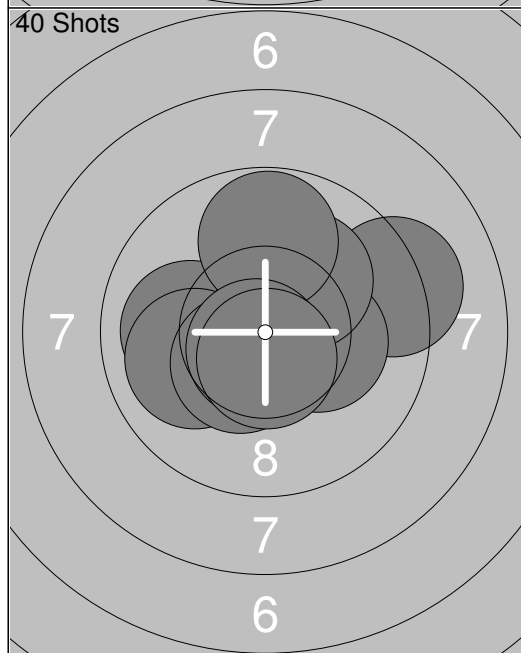
11: 10.2x	↗
12: 10.4x	↗
13: 9.8	→
14: 10.4x	→
15: 10.2x	↙
16: 10.0	↙
Series	61.0
Total	0.0



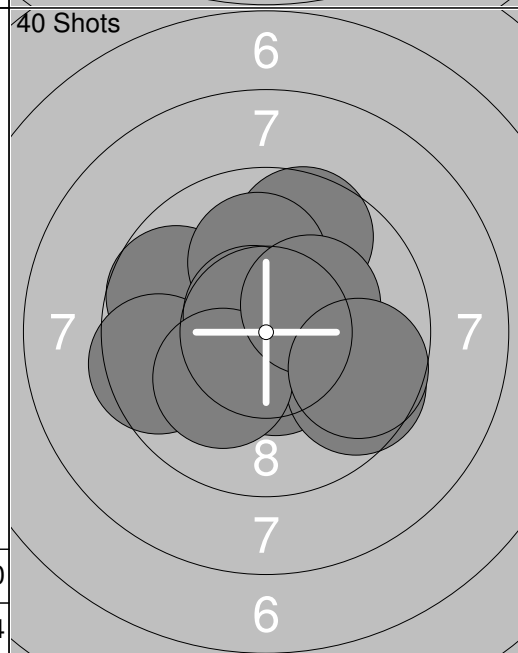
1: 9.5	←
2: 10.2x	↙
3: 10.1	↗
4: 9.9	↗
5: 10.6x	↙
6: 9.6	←
7: 10.5x	↙
8: 9.7	↙
9: 9.6	↗
10: 10.0	↑
Series	99.7
Total	99.7



11: 10.1	↗
12: 10.5x	↗
13: 10.5x	↑
14: 10.8x	↙
15: 10.7x	↙
16: 10.4x	→
17: 10.6x	→
18: 9.5	↙
19: 10.1	↓
20: 10.5x	↖
Series	103.7
Total	203.4

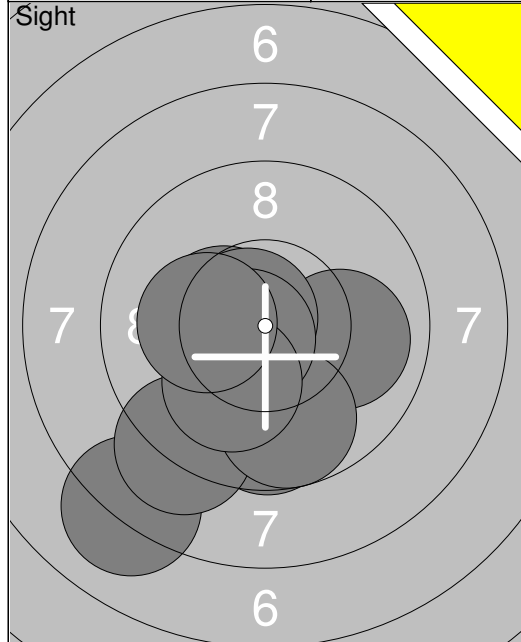


21: 10.0	←
22: 10.9x	↘
23: 10.0	←
24: 10.4x	↙
25: 9.2	↗
26: 10.3x	→
27: 10.1	↗
28: 9.8	↑
29: 10.7x	↙
30: 10.6x	↘
Series	102.0
Total	305.4

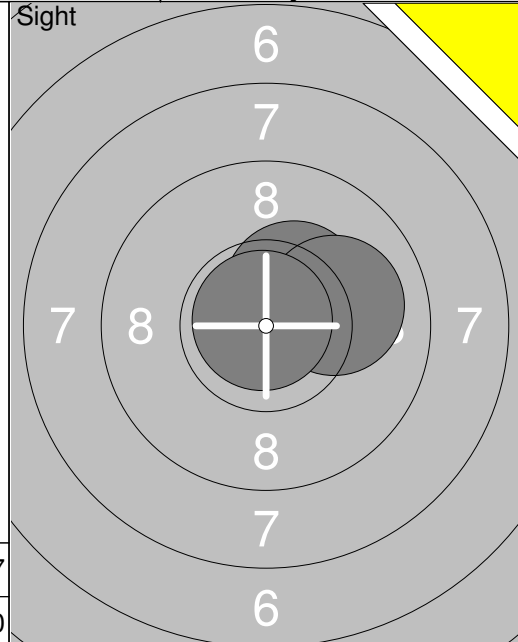


31: 9.6	↗
32: 9.7	↙
33: 10.5x	↘
34: 9.6	→
35: 10.1	↑
36: 9.5	↙
37: 10.7x	↙
38: 10.1	↙
39: 10.3x	↗
40: 9.7	→
Series	99.8
Total	405.2

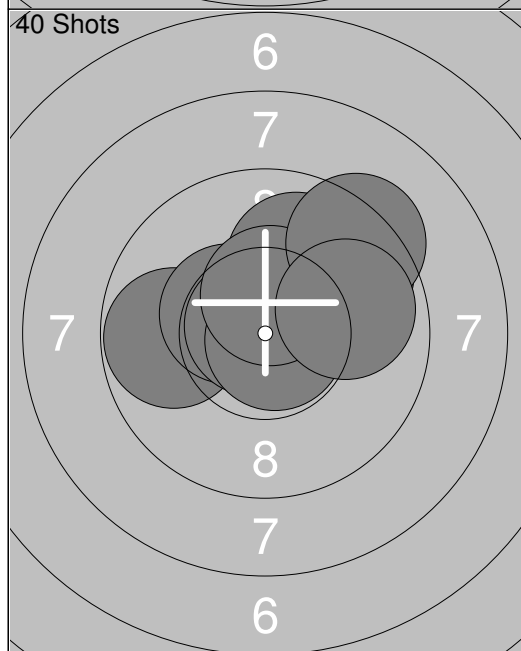




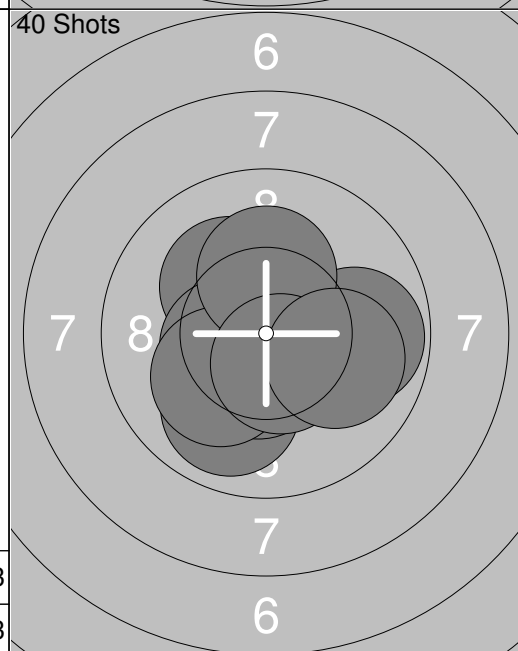
1:	9.7	↓
2:	8.1	↙
3:	9.1	↙
4:	10.0	→
5:	9.7	↓
6:	10.4x	↙
7:	10.7x	↙
8:	10.7x	↙
9:	10.1	↙
10:	10.2x	↙
Series		98.7
Total		0.0



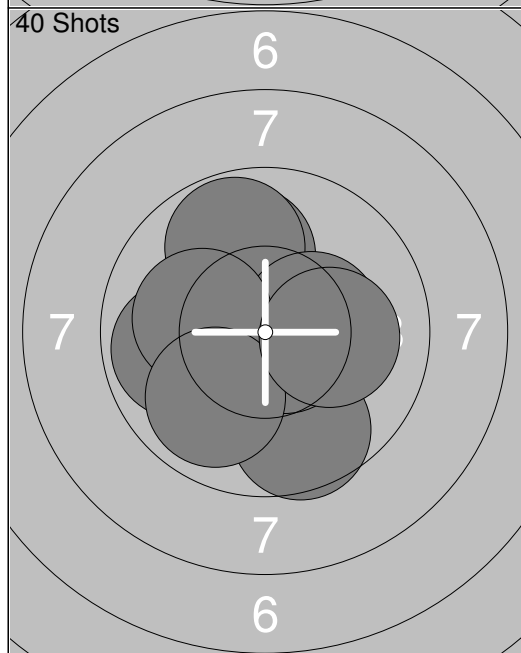
11:	10.4x	↗
12:	10.0	→
13:	10.9x	↖
Series		31.3
Total		0.0



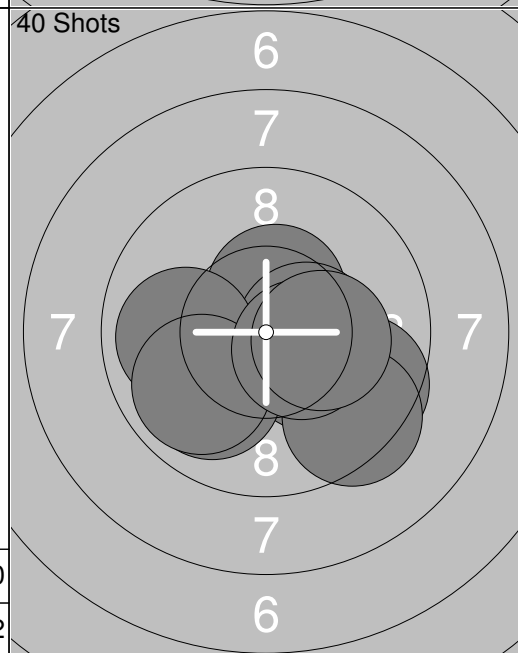
1:	10.0	↗
2:	9.8	←
3:	10.4x	↙
4:	10.8x	↙
5:	10.1	↗
6:	9.7	↗
7:	10.8x	↘
8:	10.5x	↑
9:	9.3	↗
10:	9.9	→
Series		101.3
Total		101.3



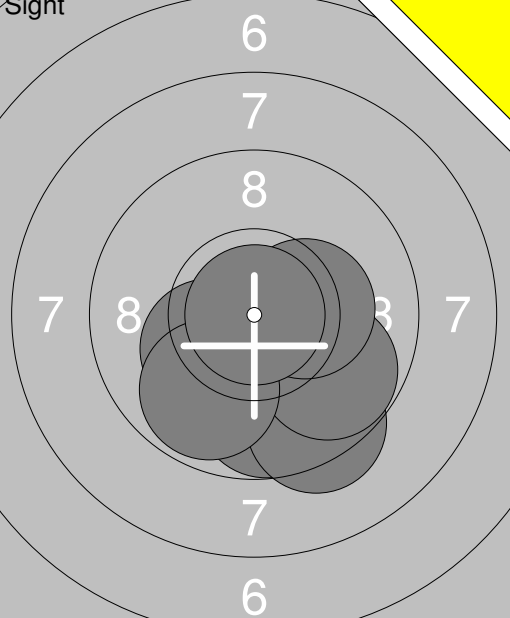
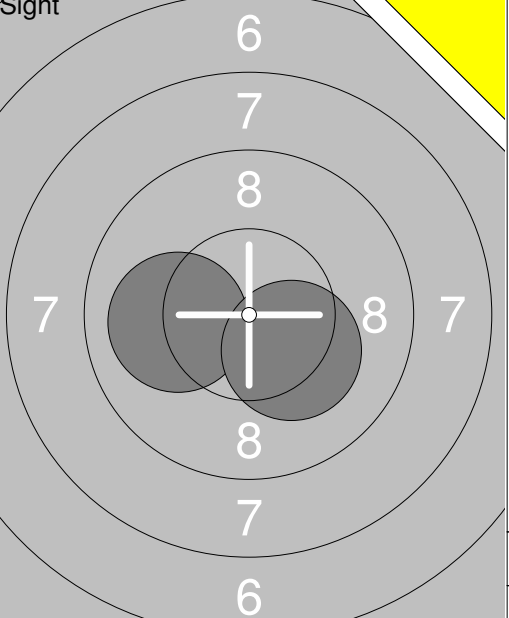
11:	10.2x	→
12:	9.9	↙
13:	9.8	→
14:	10.2x	↖
15:	10.5x	↙
16:	10.5x	↓
17:	10.1	↙
18:	10.2x	↑
19:	10.5x	↓
20:	10.0	→
Series		101.9
Total		203.2

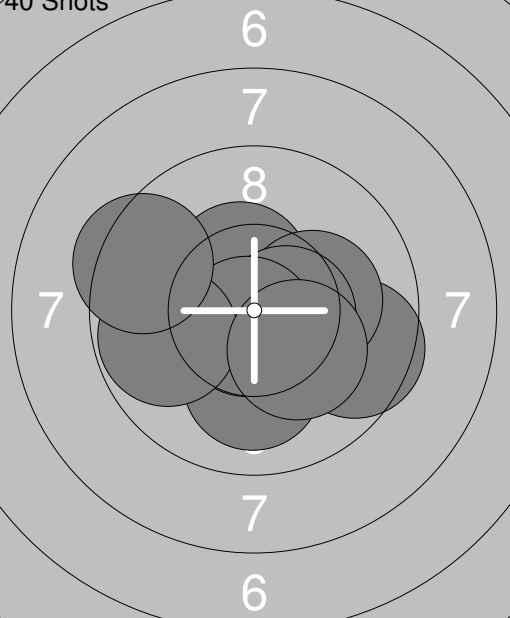
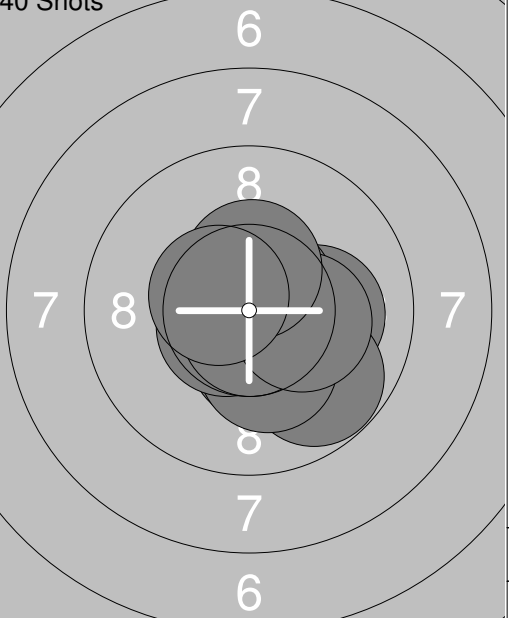


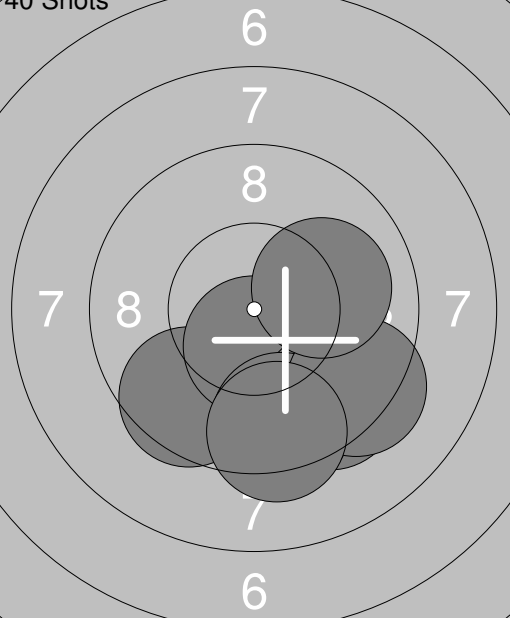
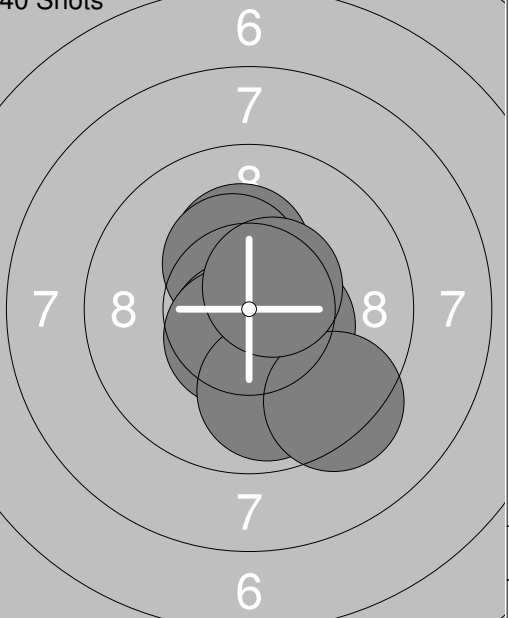
21:	9.6	↓
22:	10.6x	↖
23:	9.9	←
24:	9.9	↑
25:	9.8	↑
26:	10.7x	↘
27:	10.4x	→
28:	10.1	←
29:	9.9	↙
30:	10.1	→
Series		101.0
Total		304.2

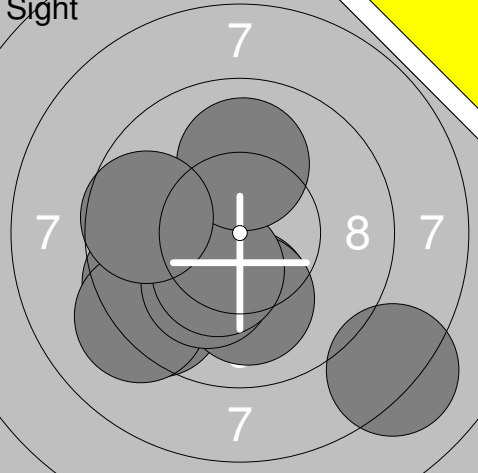
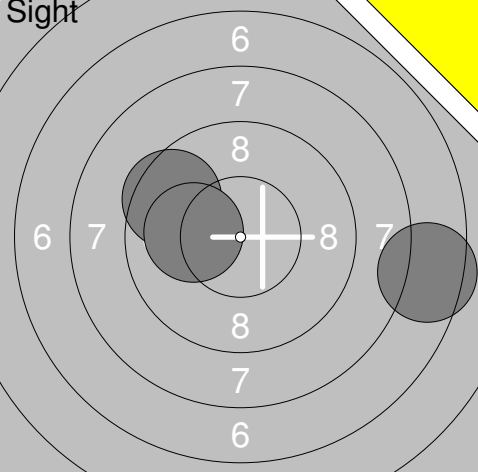
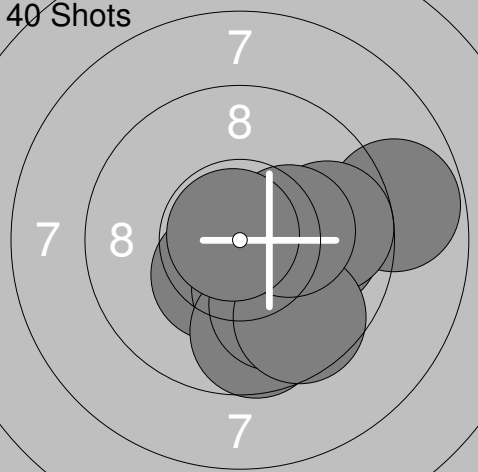
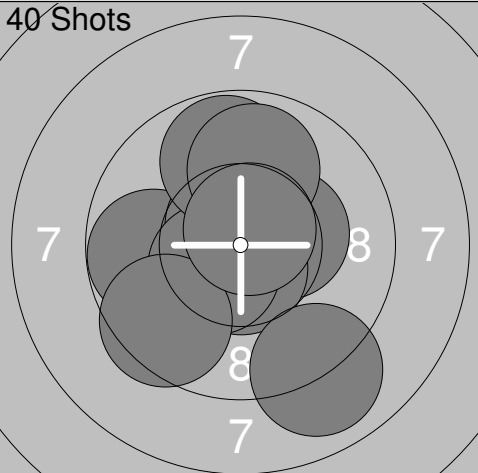


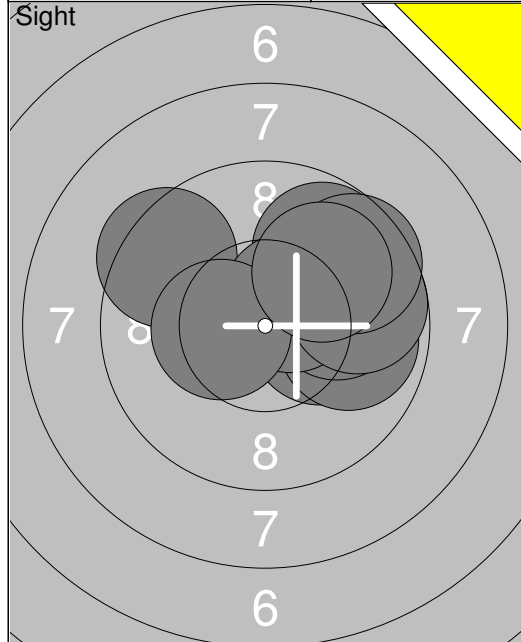
31:	10.2x	↘
32:	10.5x	↑
33:	9.6	↘
34:	9.4	↓
35:	10.4x	→
36:	9.9	←
37:	9.9	↙
38:	9.9	↙
39:	10.4x	↘
40:	10.2x	→
Series		100.4
Total		404.6

 <p style="text-align:center;">Sight</p>	<p>1: 10.0 ↓</p> <p>2: 10.2x ↙</p> <p>3: 10.1 ↓</p> <p>4: 9.8 ↓</p> <p>5: 10.5x ↘</p> <p>6: 9.4 ↓</p> <p>7: 9.8 ↘</p> <p>8: 9.8 ↓</p> <p>9: 10.3x →</p> <p>10: 10.9x →</p>	 <p style="text-align:center;">Sight</p>	<p>11: 10.0 ←</p> <p>12: 10.2x ↘</p>
<b>Series</b>	100.8	<b>Series</b>	20.2
<b>Total</b>	0.0	<b>Total</b>	0.0

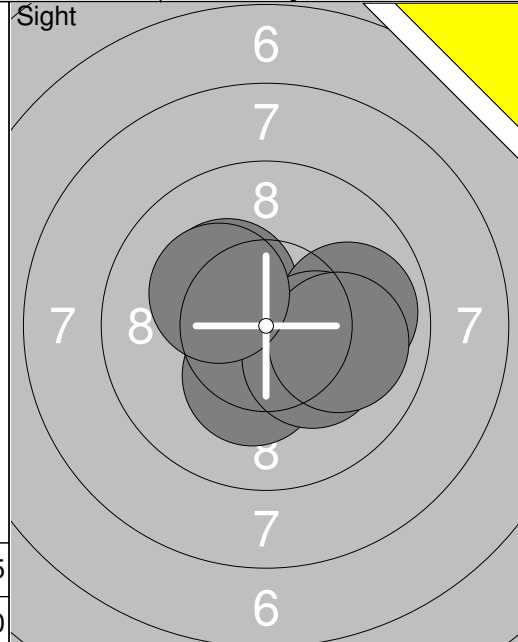
 <p style="text-align:center;">40 Shots</p>	<p>1: 10.4x ↓</p> <p>2: 10.1 ↓</p> <p>3: 10.4x ↗</p> <p>4: 9.6 →</p> <p>5: 10.2x →</p> <p>6: 10.5x →</p> <p>7: 10.7x ↓</p> <p>8: 9.8 ←</p> <p>9: 10.2x ↘</p> <p>10: 9.4 ←</p>	 <p style="text-align:center;">40 Shots</p>	<p>11: 10.1 →</p> <p>12: 10.6x ↗</p> <p>13: 9.8 ↘</p> <p>14: 10.4x ↓</p> <p>15: 10.2x ↓</p> <p>16: 10.6x ↙</p> <p>17: 10.7x ↓</p> <p>18: 10.3x →</p> <p>19: 10.4x ↑</p> <p>20: 10.5x ↙</p>
<b>Series</b>	101.3	<b>Series</b>	103.6
<b>Total</b>	101.3	<b>Total</b>	204.9

 <p style="text-align:center;">40 Shots</p>	<p>21: 10.5x ↓</p> <p>22: 9.6 ↙</p> <p>23: 10.1 →</p> <p>24: 10.2x ↘</p> <p>25: 10.5x ↓</p> <p>26: 9.4 ↙</p> <p>27: 9.5 ↓</p> <p>28: 9.3 ↘</p> <p>29: 9.4 ↓</p> <p>30: 10.0 →</p>	 <p style="text-align:center;">40 Shots</p>	<p>31: 10.7x ↓</p> <p>32: 10.9x →</p> <p>33: 10.2x ↑</p> <p>34: 10.3x ↗</p> <p>35: 10.4x →</p> <p>36: 10.6x ↓</p> <p>37: 10.5x ↓</p> <p>38: 9.9 ↓</p> <p>39: 9.4 ↘</p> <p>40: 10.5x ↗</p>
<b>Series</b>	98.5	<b>Series</b>	103.4
<b>Total</b>	303.4	<b>Total</b>	406.8

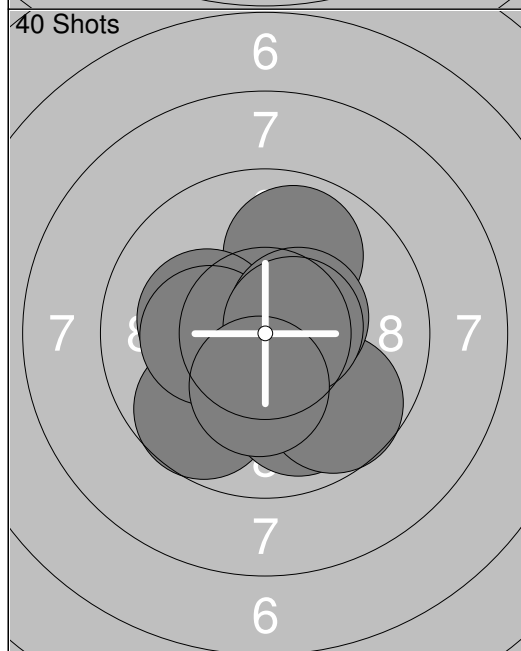
Relay	Lane	Natalié Eliasson	
S		Strömsunds SG	
10.10.2014		UME-Skottet 2014	Umeå skytteallians
Sight		1: 8.2 ↘ 2: 9.5 ↙ 3: 9.4 ↙ 4: 10.1 ↓ 5: 9.2 ↙ 6: 10.1 ↓ 7: 10.1 ↘ 8: 10.4x ↘ 9: 10.0 ↑ 10: 9.7 ←	Sight
		Series 96.7	Series 96.3
		Total 0.0	Total 0.0
Sight		21: 9.5 ↙ 22: 10.1 ← 23: 7.5 →	40 Shots
		Series 27.1	Series 98.8
		Total 0.0	Total 98.8
40 Shots		11: 10.4x ↘ 12: 10.2x ↓ 13: 8.8 → 14: 9.7 ↓ 15: 9.9 ↓ 16: 9.9 → 17: 9.8 → 18: 9.6 ↓ 19: 10.3x → 20: 10.8x ↗	40 Shots
		Series 99.4	Series 101.6
		Total 198.2	Total 299.8
40 Shots		31: 10.4x → 32: 10.6x ↓ 33: 9.0 ↓ 34: 9.8 ← 35: 10.7x ↗ 36: 10.5x ↘ 37: 9.8 ↑ 38: 9.5 ↘ 39: 9.9 ↑ 40: 10.7x ↗	
		Series 100.9	
		Total 400.7	



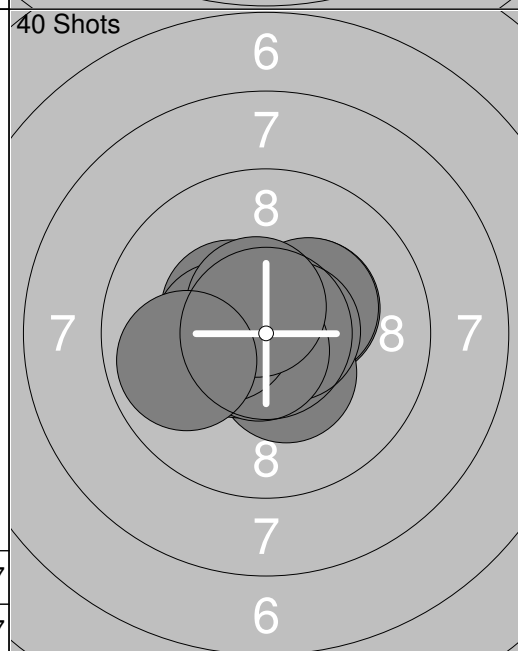
1: 10.2x →
2: 9.9 →
3: 9.4 ↖
4: 9.8 ↗
5: 10.0 →
6: 10.5x ↗
7: 10.4x ←
8: 9.7 →
9: 9.6 ↗
10: 10.0 ↗
<b>Series</b> 99.5
<b>Total</b> 0.0



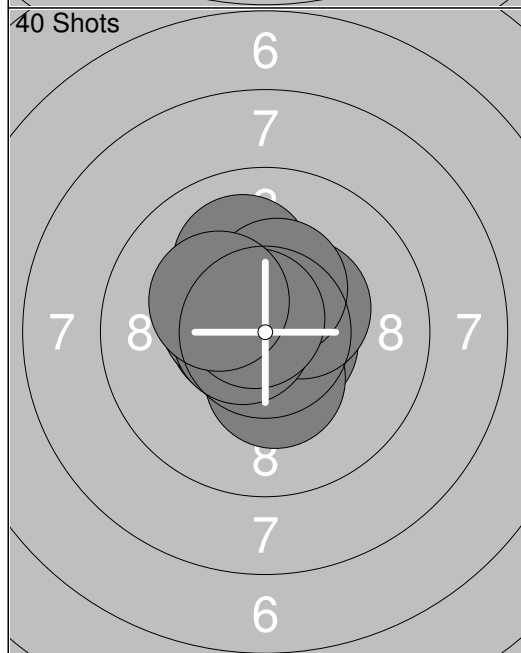
11: 10.5x ↖
12: 10.3x ↖
13: 10.7x ↓
14: 9.9 →
15: 10.3x →
16: 10.3x ↓
17: 10.2x ↓
18: 10.0 →
19: 10.2x ↖
<b>Series</b> 92.4
<b>Total</b> 0.0



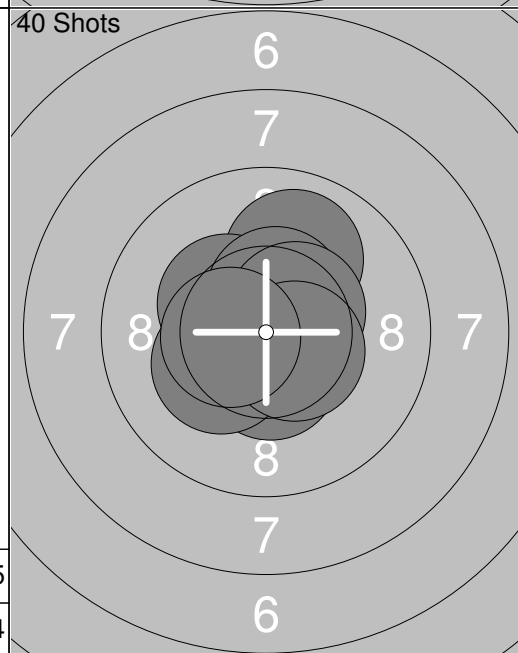
1: 10.7x ↖
2: 9.9 ↗
3: 10.2x ←
4: 9.7 ↓
5: 9.9 ↓
6: 9.7 ↓
7: 10.2x ←
8: 10.5x →
9: 10.6x →
10: 10.3x ↓
<b>Series</b> 101.7
<b>Total</b> 101.7



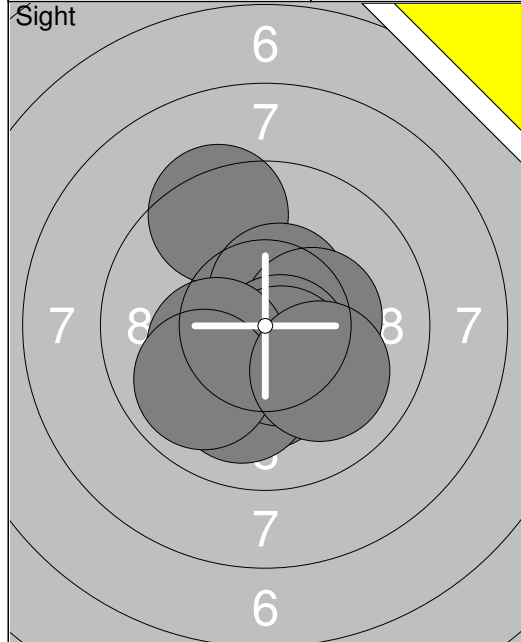
11: 10.3x ↗
12: 10.4x ↖
13: 10.3x ↗
14: 10.4x ↓
15: 10.6x →
16: 10.6x ←
17: 10.7x ↓
18: 10.4x ←
19: 10.6x ↗
20: 9.9 ←
<b>Series</b> 104.2
<b>Total</b> 205.9



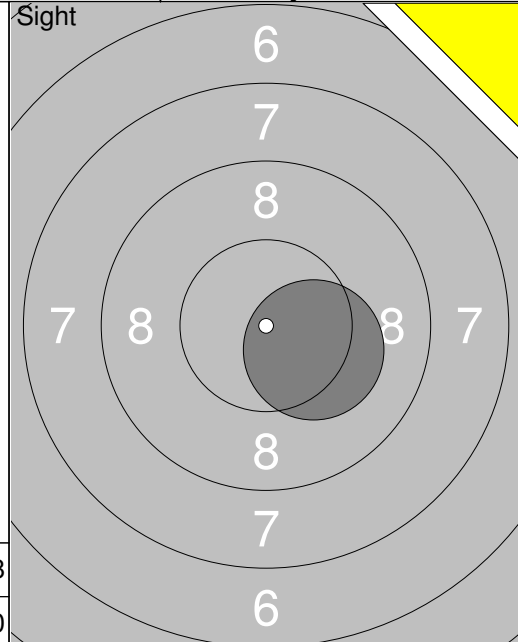
21: 10.0 ↗
22: 10.6x ←
23: 10.6x →
24: 10.4x ↓
25: 10.4x ↗
26: 10.5x ↖
27: 10.7x ←
28: 10.4x ↗
29: 10.7x ↖
30: 10.2x ↖
<b>Series</b> 104.5
<b>Total</b> 310.4



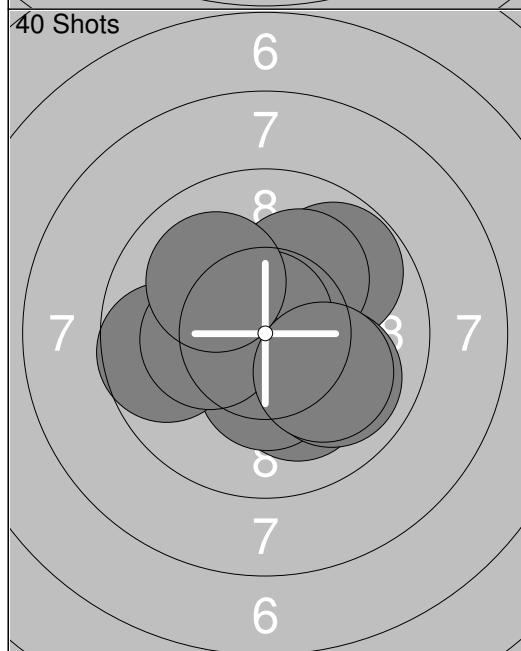
31: 10.0 ↗
32: 10.6x ↖
33: 10.8x ↖
34: 10.3x ↖
35: 10.5x ↓
36: 10.3x ↖
37: 10.5x ↗
38: 10.5x ↗
39: 10.5x ↓
40: 10.5x ←
<b>Series</b> 104.5
<b>Total</b> 414.9



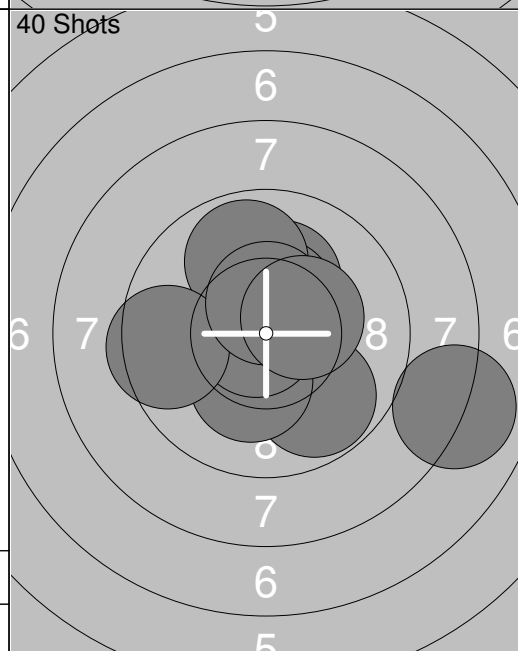
1: 9.4 ↗
2: 10.5x ↗
3: 10.3x ↓
4: 10.3x →
5: 10.0 ↓
6: 10.6x ↓
7: 10.5x ↓
8: 10.3x ↙
9: 9.9 ↙
10: 10.0 ↘
Series 101.8
Total 0.0



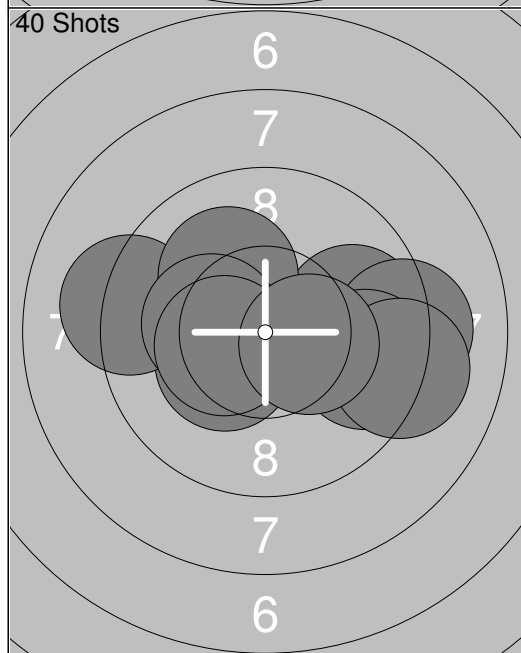
11: 10.3x ↘
Series 10.3
Total 0.0



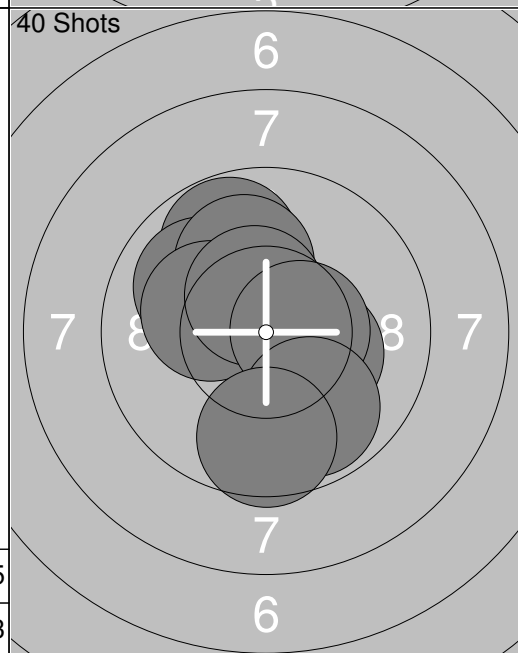
1: 10.1 ↓
2: 9.8 ↗
3: 10.1 ↗
4: 10.4x ↓
5: 10.8x ↑
6: 9.7 ←
7: 10.2x ↙
8: 10.0 ↗
9: 9.9 ↓
10: 10.1 ↓
Series 101.1
Total 101.1



11: 10.2x ↑
12: 9.8 ↓
13: 10.2x ↓
14: 10.4x ↑
15: 10.8x ↙
16: 9.9 ↑
17: 8.0 →
18: 9.5 ←
19: 10.5x ↑
20: 10.4x →
Series 99.7
Total 200.8



21: 9.8 →
22: 10.3x ↙
23: 9.2 →
24: 9.2 ←
25: 9.6 →
26: 10.1 ↗
27: 10.3x ↙
28: 9.2 →
29: 10.4x ↙
30: 10.4x →
Series 98.5
Total 299.3



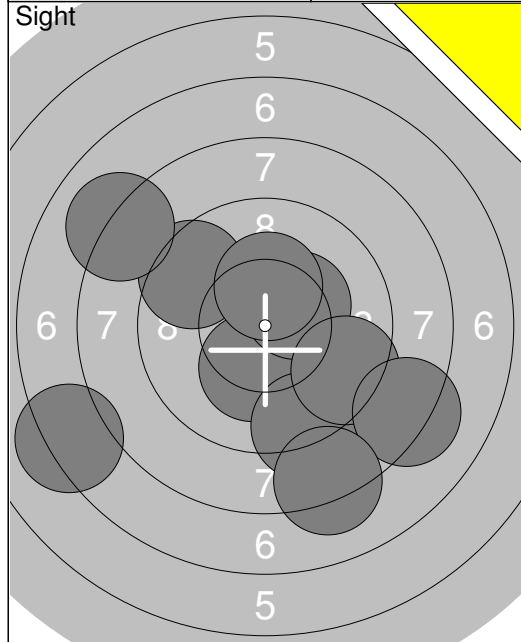
31: 9.8 ↑
32: 10.0 ↙
33: 10.3x ↘
34: 10.1 ↑
35: 10.2x ↙
36: 10.3x →
37: 10.5x ↑
38: 10.5x →
39: 9.8 ↓
40: 9.6 ↓
Series 101.1
Total 400.4



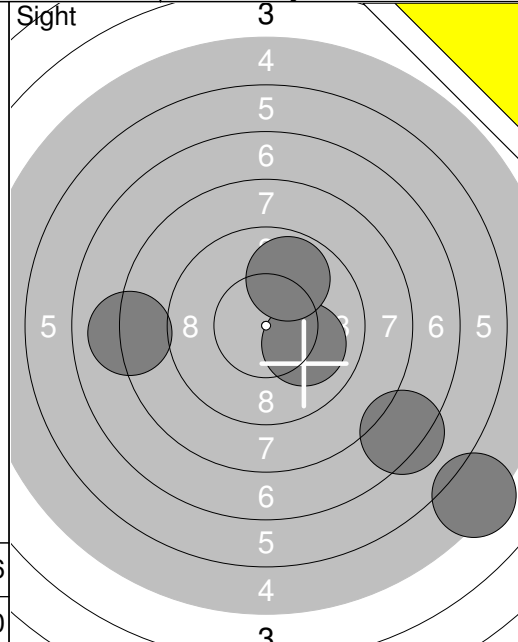
<p>Sight</p>	<p>1: 10.7x →</p> <p>2: 8.9 →</p> <p>3: 10.3x →</p> <p>4: 8.8 →</p> <p>5: 9.0 →</p> <p>6: 8.0 →</p> <p>7: 9.0 →</p> <p>8: 10.3x →</p> <p>9: 10.3x ↙</p> <p>10: 9.7 →</p>	<p>Sight</p>	<p>11: 9.4 →</p> <p>12: 9.8 ←</p> <p>13: 9.6 ←</p> <p>14: 10.0 ↙</p> <p>15: 10.1 →</p> <p>16: 9.7 ↘</p> <p>17: 10.3x ↗</p> <p>18: 10.5x ↘</p>
Series	95.0	Series	79.4
Total	0.0	Total	0.0

<p>40 Shots</p>	<p>1: 10.1 ↖</p> <p>2: 9.4 ↘</p> <p>3: 9.4 →</p> <p>4: 10.3x ↙</p> <p>5: 10.4x ←</p> <p>6: 9.9 ↓</p> <p>7: 10.7x →</p> <p>8: 10.1 ↖</p> <p>9: 9.7 ←</p> <p>10: 10.4x ↖</p>	<p>40 Shots</p>	<p>11: 9.7 ↖</p> <p>12: 10.6x ↙</p> <p>13: 10.4x →</p> <p>14: 10.8x ↗</p> <p>15: 10.1 ↗</p> <p>16: 10.6x ↘</p> <p>17: 10.6x ←</p> <p>18: 10.5x →</p> <p>19: 9.8 ↖</p> <p>20: 10.7x ↘</p>
Series	100.4	Series	103.8
Total	100.4	Total	204.2

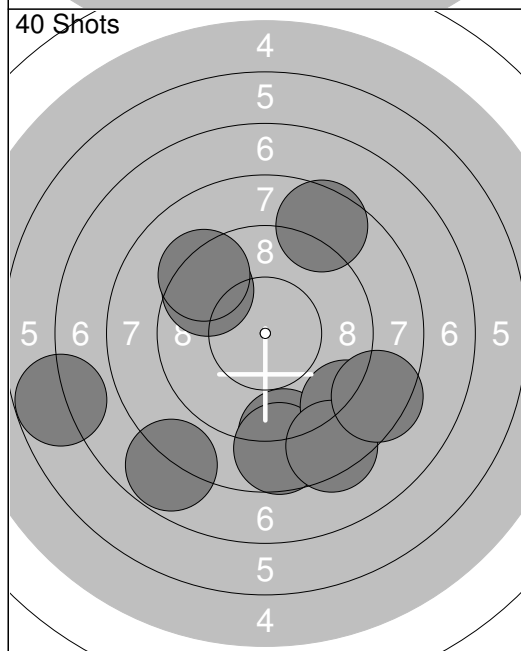
<p>40 Shots</p>	<p>21: 9.4 ←</p> <p>22: 9.7 ↗</p> <p>23: 9.5 ↓</p> <p>24: 10.1 →</p> <p>25: 10.0 ↑</p> <p>26: 10.3x →</p> <p>27: 10.5x ↘</p> <p>28: 10.1 ↘</p> <p>29: 9.7 →</p> <p>30: 9.6 ↘</p>	<p>40 Shots</p>	<p>31: 10.2x ↘</p> <p>32: 10.4x ↙</p> <p>33: 10.0 ↘</p> <p>34: 10.2x →</p> <p>35: 9.8 ↘</p> <p>36: 9.9 ←</p> <p>37: 10.5x ↖</p> <p>38: 9.7 →</p> <p>39: 10.0 ↑</p> <p>40: 10.4x ↖</p>
Series	98.9	Series	101.1
Total	303.1	Total	404.2



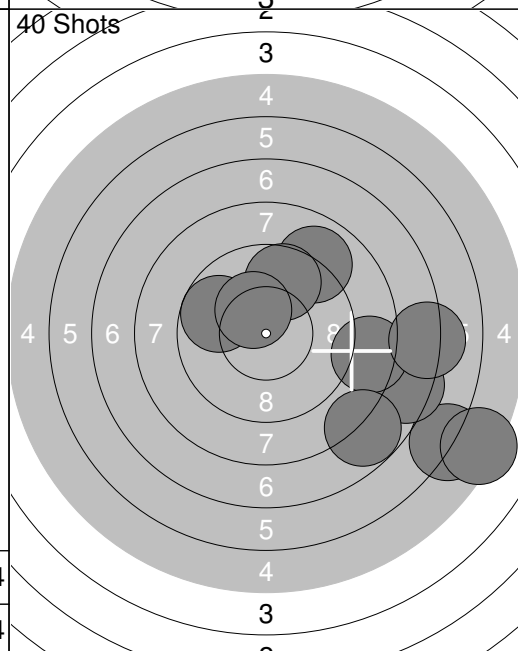
1:	10.2x	↘
2:	10.3x	↗
3:	9.5	↖
4:	7.2	↙
5:	9.2	↘
6:	9.4	↘
7:	10.3x	↑
8:	8.2	↘
9:	8.1	↗
10:	8.2	↘
Series	90.6	
Total	0.0	



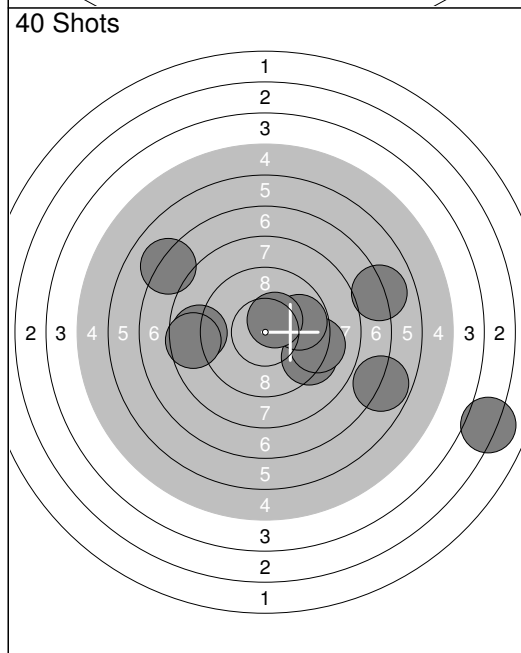
11:	5.3	↘
12:	10.1	↘
13:	7.3	↘
14:	8.1	←
15:	9.9	↗
Series	40.7	
Total	0.0	



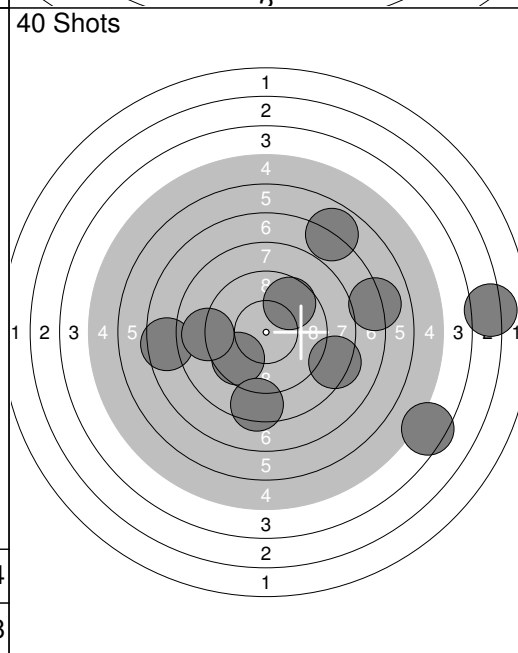
1:	7.8	↘
2:	8.9	↘
3:	8.7	↘
4:	8.8	↘
5:	6.8	←
6:	8.4	↘
7:	8.5	↘
8:	9.6	↗
9:	8.6	↗
10:	9.3	↗
Series	85.4	
Total	85.4	



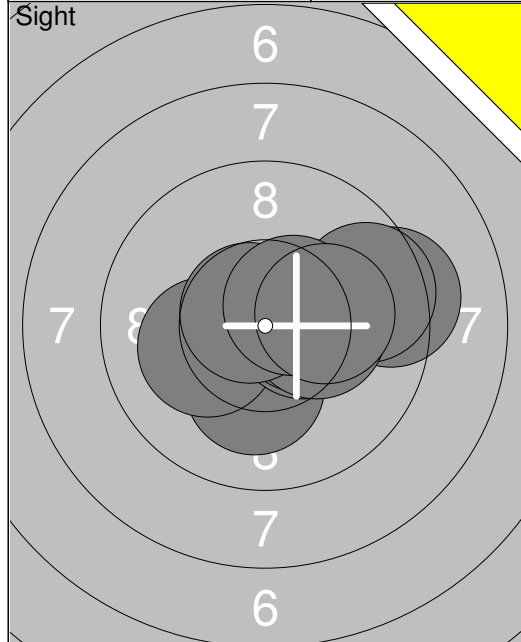
11:	6.0	↘
12:	7.4	↘
13:	8.5	↘
14:	7.2	→
15:	9.0	↗
16:	7.8	↘
17:	5.3	↘
18:	9.7	↗
19:	9.8	←
20:	10.3x	↖
Series	81.0	
Total	166.4	



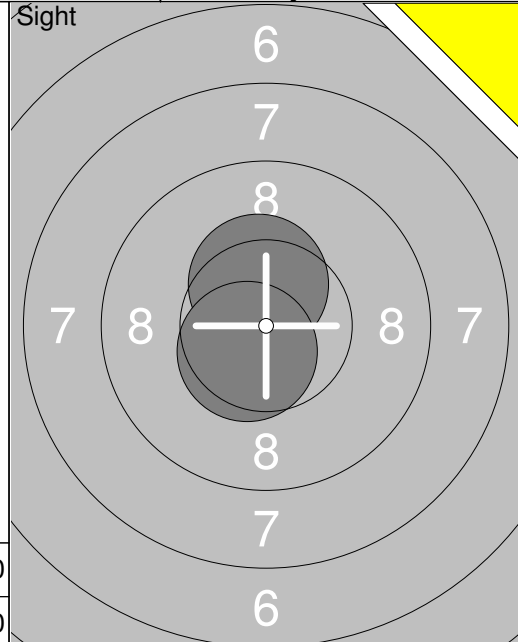
21:	9.3	↘
22:	9.2	→
23:	7.0	→
24:	9.8	→
25:	8.8	←
26:	6.9	↘
27:	3.1	↘
28:	10.5x	↗
29:	7.2	↖
30:	8.6	←
Series	80.4	
Total	246.8	



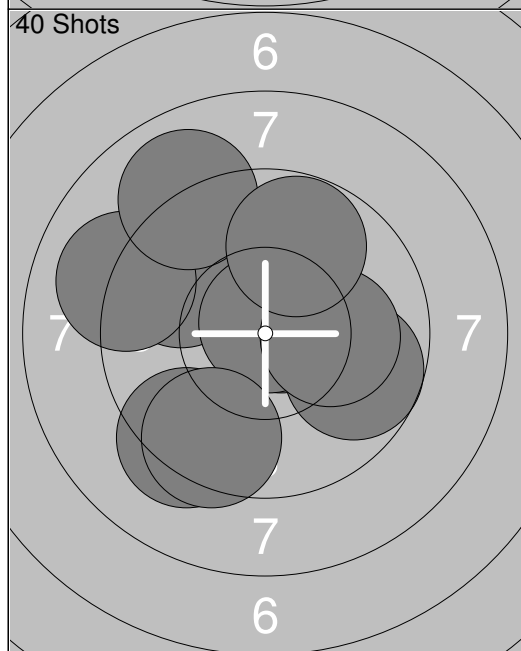
31:	4.5	↘
32:	9.6	↙
33:	3.2	→
34:	7.5	←
35:	8.4	↘
36:	9.7	↗
37:	6.9	↗
38:	9.0	←
39:	8.4	↘
40:	7.1	→
Series	74.3	
Total	321.1	



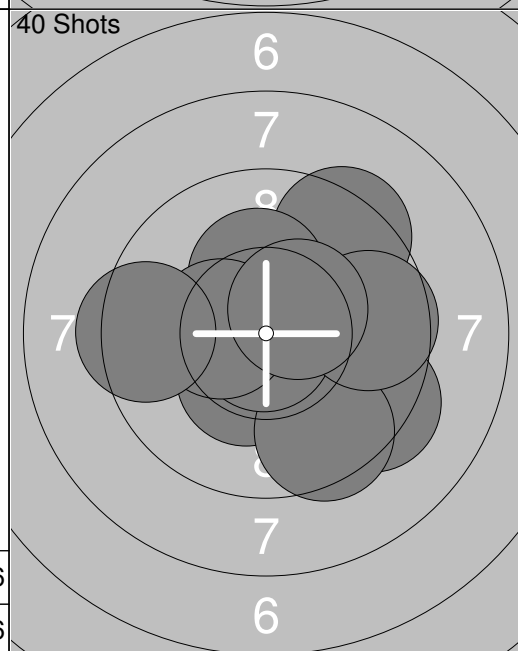
1: 10.2x ↓
2: 10.2x ↙
3: 10.5x →
4: 9.3 →
5: 10.5x →
6: 9.6 →
7: 10.3x →
8: 10.7x ↖
9: 10.5x ↗
10: 10.2x →
Series 102.0
Total 0.0



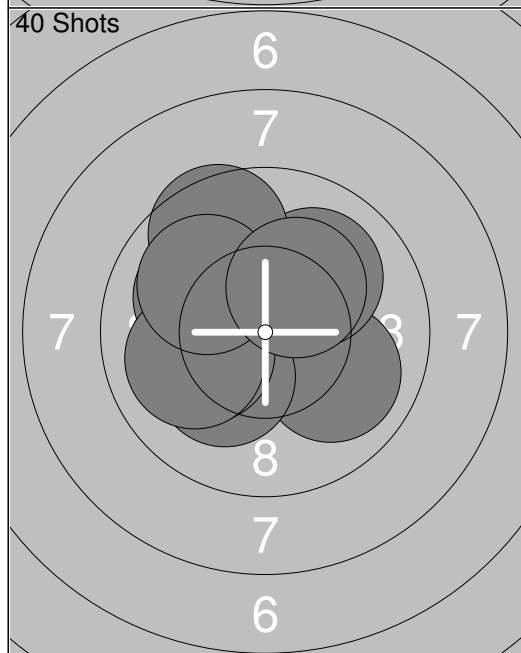
11: 10.4x ↑
12: 10.5x ↘
Series 20.9
Total 0.0



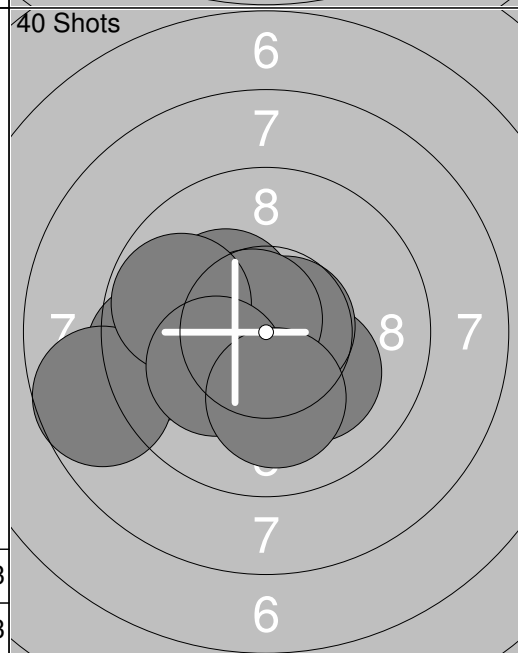
1: 9.3 ↓
2: 9.7 ↖
3: 9.1 ↖
4: 9.0 ↗
5: 9.7 →
6: 10.7x ↗
7: 10.8x ↑
8: 9.4 ↓
9: 10.1 →
10: 9.8 ↑
Series 97.6
Total 97.6



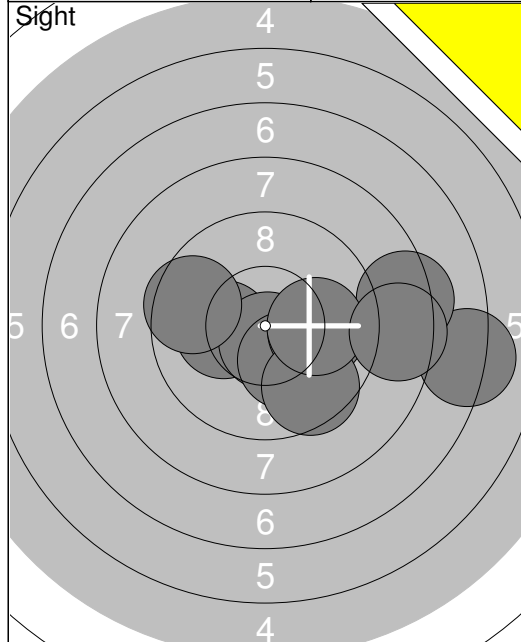
11: 10.4x ↓
12: 9.3 →
13: 9.5 ↓
14: 9.4 ↗
15: 10.2x ↑
16: 10.8x ↓
17: 10.4x ↖
18: 9.6 →
19: 9.4 ←
20: 10.4x ↗
Series 99.4
Total 197.0



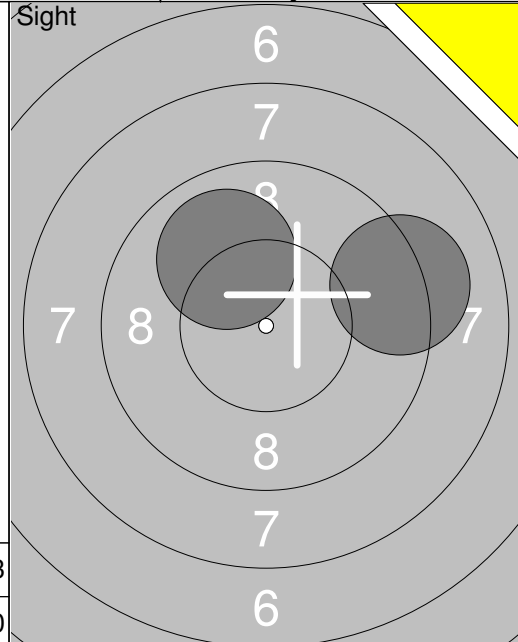
21: 10.0 →
22: 10.2x ↘
23: 10.0 ↖
24: 10.1 ↖
25: 10.0 ↗
26: 9.6 ↑
27: 10.1 ←
28: 10.0 ←
29: 10.0 ↖
30: 10.3x ↗
Series 100.3
Total 297.3



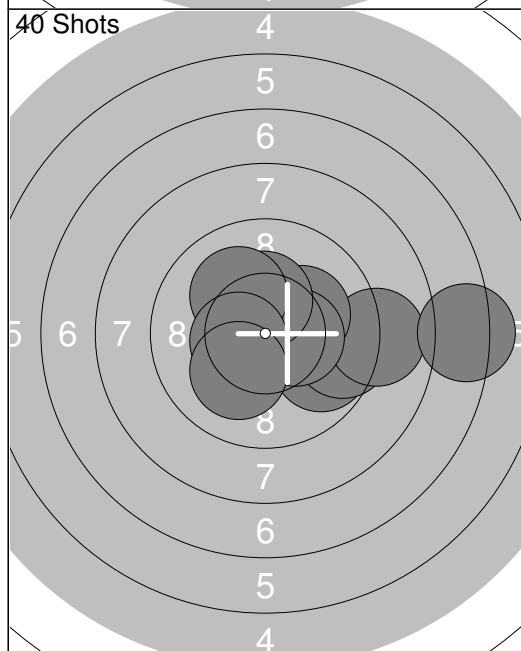
31: 10.3x ↖
32: 9.5 ←
33: 10.2x ↘
34: 10.2x ↖
35: 10.7x →
36: 8.7 ←
37: 10.7x ↖
38: 9.8 ↖
39: 10.2x ↘
40: 10.1 ↓
Series 100.4
Total 397.7



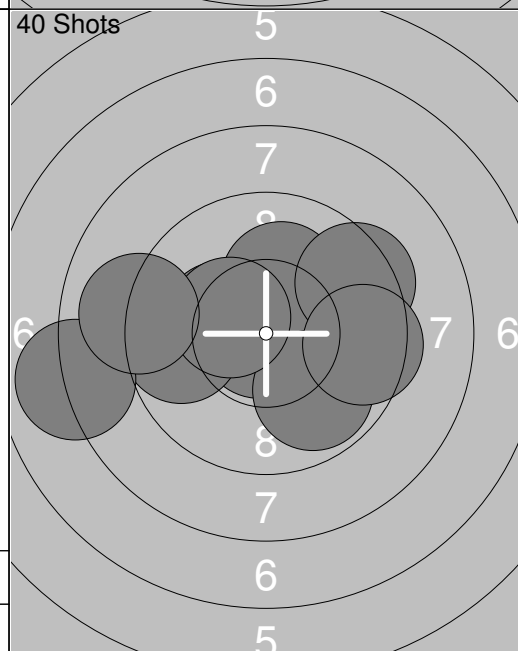
1: 7.2 →
2: 8.3 →
3: 10.2x←
4: 10.7x↓
5: 10.2x↓
6: 10.0 →
7: 9.6 ↓
8: 10.0 →
9: 9.6 ←
10: 8.5 →
<b>Series 94.3</b>
<b>Total 0.0</b>



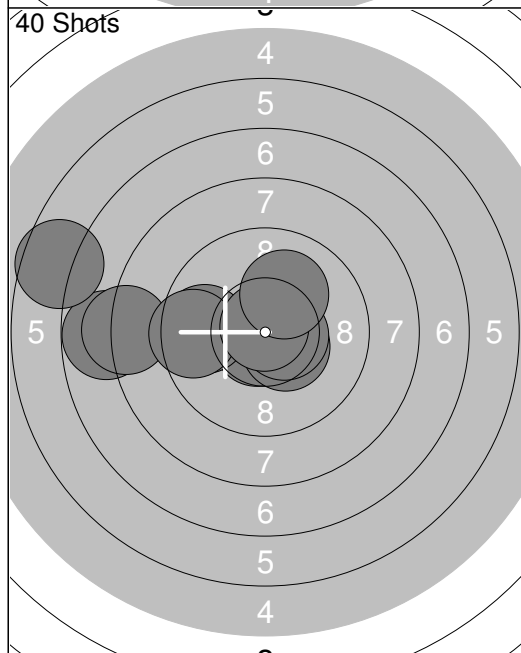
11: 9.2 →
12: 10.0 ↗
<b>Series 19.2</b>
<b>Total 0.0</b>



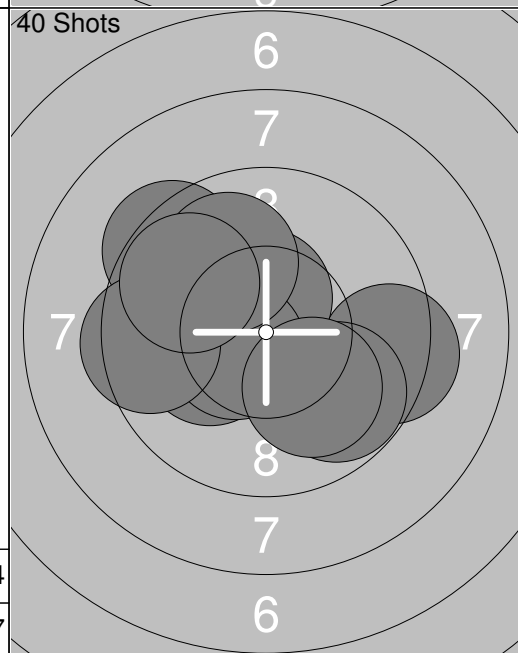
1: 9.8 ↘
2: 9.5 →
3: 8.9 →
4: 10.2x↗
5: 7.3 →
6: 10.4x→
7: 10.3x↑
8: 10.1 ↗
9: 10.5x←
10: 10.1 ↘
<b>Series 97.1</b>
<b>Total 97.1</b>



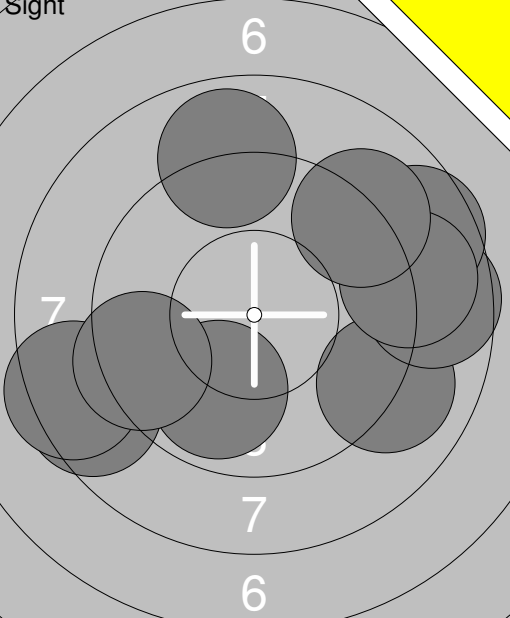
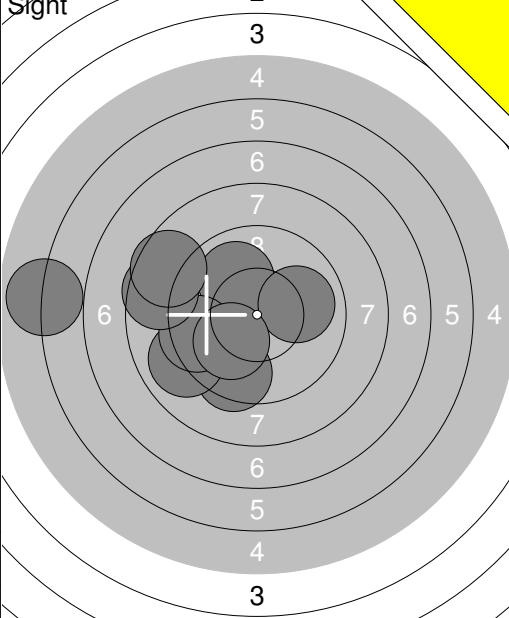
11: 10.3x←
12: 10.8x↙
13: 9.7 ←
14: 10.2x↑
15: 9.9 ↓
16: 8.0 ←
17: 10.4x↙
18: 9.4 ↗
19: 9.0 ←
20: 9.5 →
<b>Series 97.2</b>
<b>Total 194.3</b>



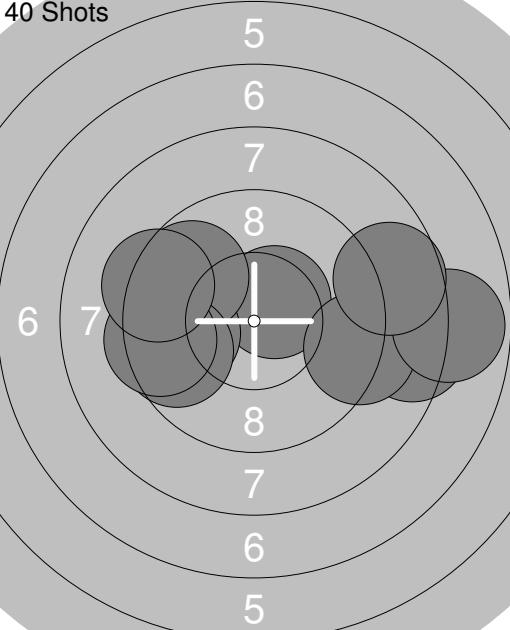
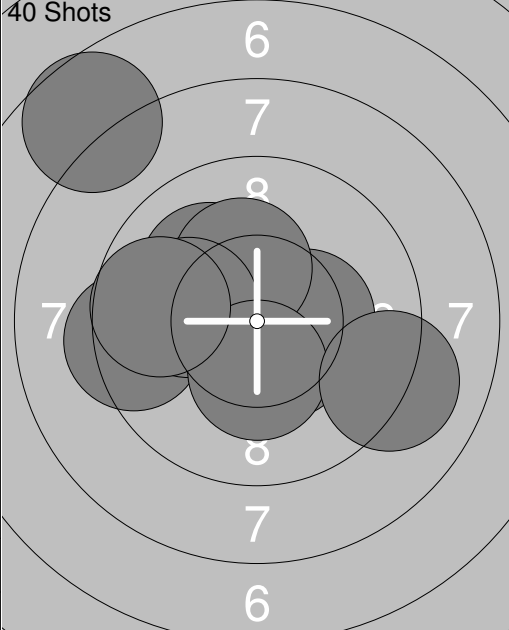
21: 10.7x↙
22: 10.4x↘
23: 7.8 ←
24: 6.6 ←
25: 8.2 ←
26: 9.7 ←
27: 10.6x→
28: 9.5 ←
29: 10.8x↑
30: 10.1 ↗
<b>Series 94.4</b>
<b>Total 288.7</b>



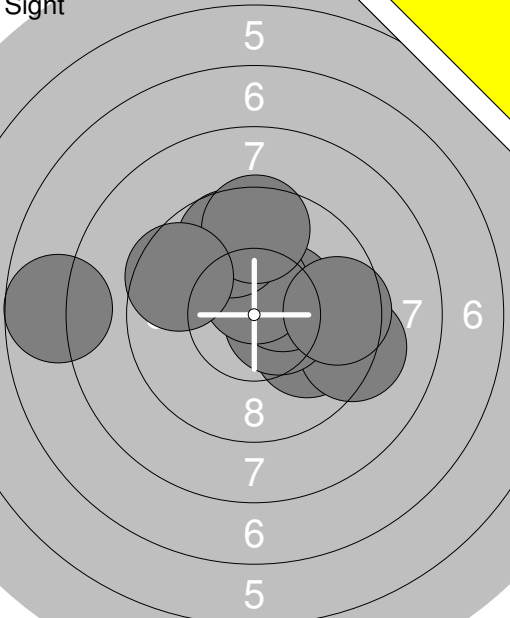
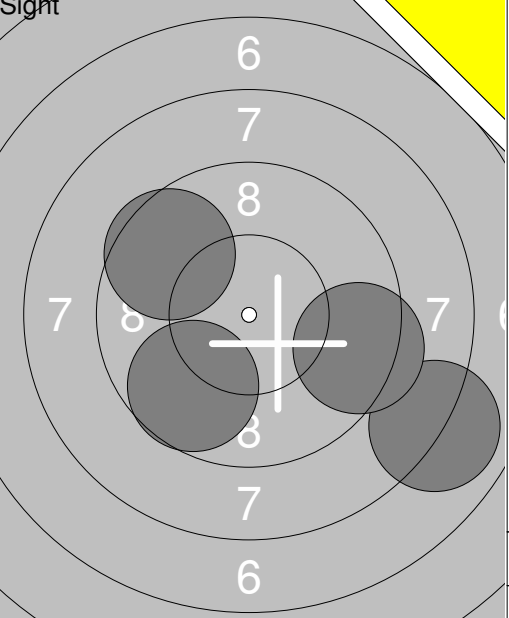
31: 9.3 →
32: 10.2x←
33: 9.8 ↓
34: 10.5x↑
35: 10.5x↙
36: 9.4 ↗
37: 9.5 ←
38: 10.0 ↓
39: 9.9 ↗
40: 9.8 ↙
<b>Series 98.9</b>
<b>Total 387.6</b>

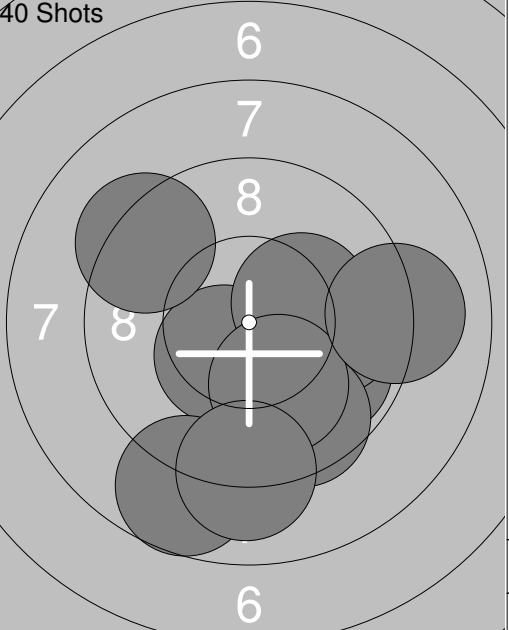
<p><b>Sight</b></p> 	<p><b>Sight</b></p> 	
<p>1: 9.0 →</p> <p>2: 8.6 →</p> <p>3: 8.6 →</p> <p>4: 8.6 ←</p> <p>5: 8.9 →</p> <p>6: 9.1 ↗</p> <p>7: 8.4 ←</p> <p>8: 9.9 ↓</p> <p>9: 8.9 ↑</p> <p>10: 9.4 ←</p>	<p>11: 9.5 ↓</p> <p>12: 9.0 ↙</p> <p>13: 5.9 ←</p> <p>14: 10.0 ↗</p> <p>15: 9.5 ←</p> <p>16: 10.0 →</p> <p>17: 10.1 ↙</p> <p>18: 8.6 ←</p> <p>19: 8.6 ↙</p>	
Series 89.4	Series 81.2	
Total 0.0	Total 0.0	

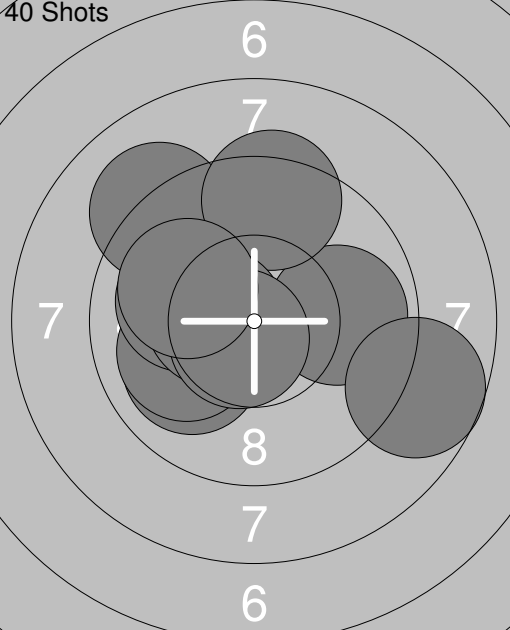
<p><b>40 Shots</b></p> 	<p><b>40 Shots</b></p> 	
<p>1: 10.1 ←</p> <p>2: 9.1 ↙</p> <p>3: 9.4 ←</p> <p>4: 9.0 ←</p> <p>5: 10.3x →</p> <p>6: 9.1 ↗</p> <p>7: 9.0 →</p> <p>8: 9.9 ↗</p> <p>9: 8.5 ←</p> <p>10: 9.1 ←</p>	<p>11: 9.0 →</p> <p>12: 10.6x ←</p> <p>13: 9.0 →</p> <p>14: 9.7 ←</p> <p>15: 10.3x ↗</p> <p>16: 9.3 →</p> <p>17: 9.4 →</p> <p>18: 10.2x ↓</p> <p>19: 7.8 ←</p> <p>20: 10.1 ↗</p>	
Series 93.5	Series 95.4	
Total 93.5	Total 188.9	

<p><b>40 Shots</b></p> 	<p><b>40 Shots</b></p> 	
<p>21: 10.5x ↗</p> <p>22: 9.8 ←</p> <p>23: 8.4 →</p> <p>24: 9.2 →</p> <p>25: 9.7 ↗</p> <p>26: 7.9 →</p> <p>27: 8.7 →</p> <p>28: 9.6 ←</p> <p>29: 9.4 ←</p> <p>30: 9.3 ←</p>	<p>31: 10.5x ↓</p> <p>32: 10.1 ↙</p> <p>33: 10.3x →</p> <p>34: 10.2x ↗</p> <p>35: 7.7 ↗</p> <p>36: 9.4 ←</p> <p>37: 10.1 ←</p> <p>38: 10.3x ↓</p> <p>39: 9.1 →</p> <p>40: 9.7 ←</p>	
Series 92.5	Series 97.4	
Total 281.4	Total 378.8	



<p><b>Sight</b></p> 	<p>1: 10.0 ➤</p> <p>2: 9.2 ➤</p> <p>3: 10.5x ➤</p> <p>4: 10.4x ➤</p> <p>5: 7.7 ←</p> <p>6: 10.5x ↑</p> <p>7: 9.7 ↑</p> <p>8: 9.6 ➤</p> <p>9: 9.5 ↑</p> <p>10: 9.6 ↖</p> <p>Series 96.7</p> <p>Total 0.0</p>	<p><b>Sight</b></p> 	<p>11: 8.0 ➤</p> <p>12: 9.4 ➤</p> <p>13: 9.6 ↗</p> <p>14: 9.7 ↙</p> <p>Series 36.7</p> <p>Total 0.0</p>
--	---	--	---

<p><b>40 Shots</b></p> 	<p>1: 9.9 ↘</p> <p>2: 8.9 ➤</p> <p>3: 9.2 ↗</p> <p>4: 10.4x ↗</p> <p>5: 9.3 ➤</p> <p>6: 9.7 ↗</p> <p>7: 7.4 ➤</p> <p>8: 8.5 ←</p> <p>9: 9.5 ↘</p> <p>10: 9.8 ←</p> <p>Series 92.6</p> <p>Total 92.6</p>	<p><b>40 Shots</b></p> 	<p>11: 10.4x ↙</p> <p>12: 9.9 ➤</p> <p>13: 8.7 ↘</p> <p>14: 9.9 ➤</p> <p>15: 9.6 ↘</p> <p>16: 10.2x ➤</p> <p>17: 9.3 ↖</p> <p>18: 10.1 ↘</p> <p>19: 9.1 ➤</p> <p>20: 9.1 ↘</p> <p>Series 96.3</p> <p>Total 188.9</p>
--	---	--	--

<p><b>40 Shots</b></p> 	<p>21: 9.9 ➤</p> <p>22: 10.0 ↙</p> <p>23: 10.0 ↙</p> <p>24: 10.0 ↙</p> <p>25: 9.1 ↗</p> <p>26: 9.4 ↑</p> <p>27: 10.5x ←</p> <p>28: 10.6x ↙</p> <p>29: 10.0 ↖</p> <p>30: 8.7 ➤</p> <p>Series 98.2</p> <p>Total 287.1</p>	<p><b>40 Shots</b></p> 	<p>31: 10.4x ➤</p> <p>32: 9.9 ↖</p> <p>33: 10.1 ↘</p> <p>34: 10.3x ↘</p> <p>35: 8.3 ←</p> <p>36: 10.0 ↑</p> <p>37: 10.2x ↘</p> <p>38: 8.8 ➤</p> <p>39: 9.7 ➤</p> <p>40: 9.5 ➤</p> <p>Series 97.2</p> <p>Total 384.3</p>
---	---	---	---