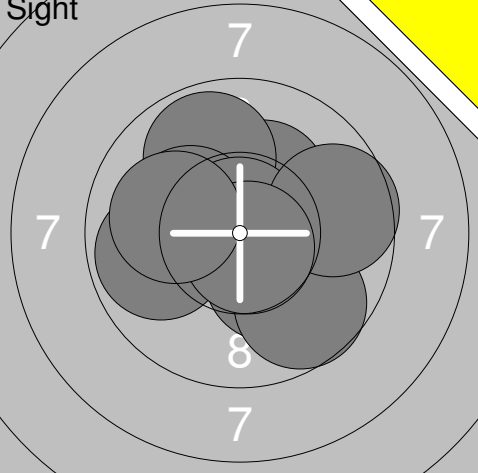
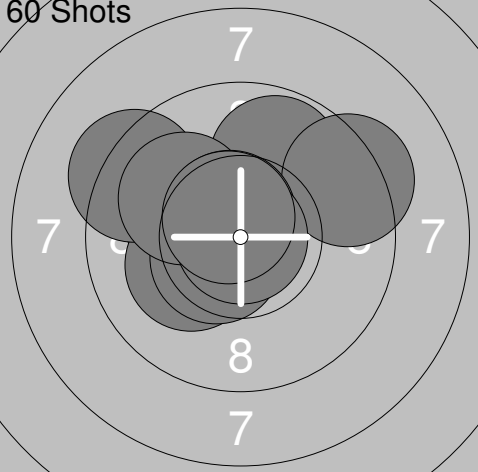
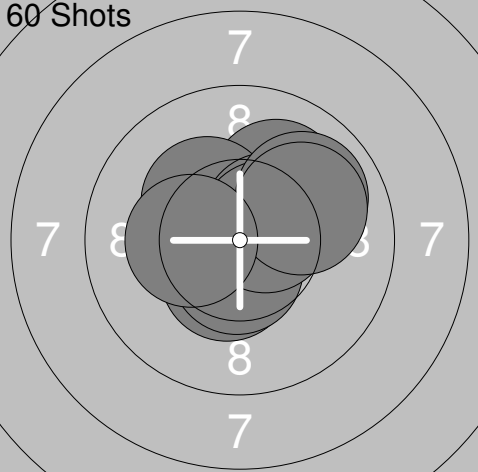
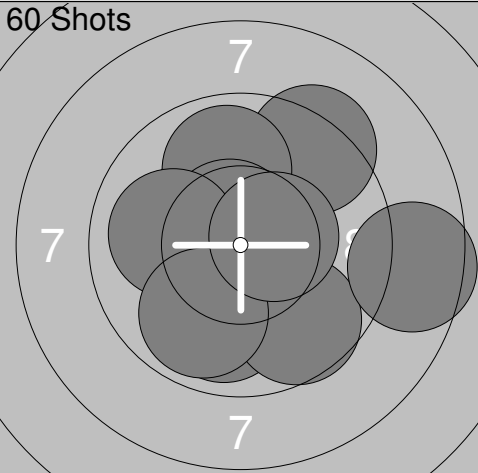
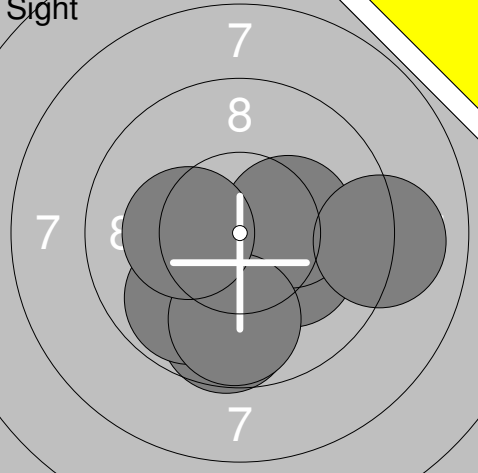
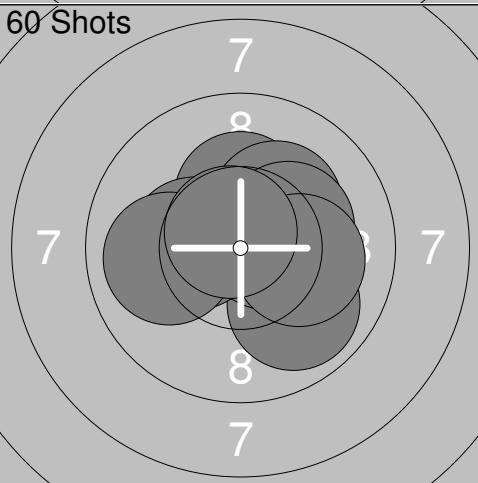
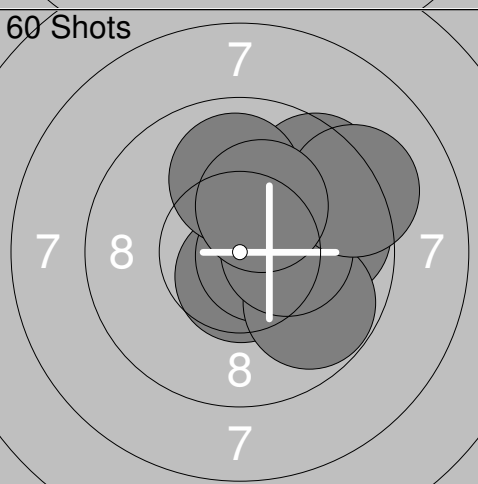
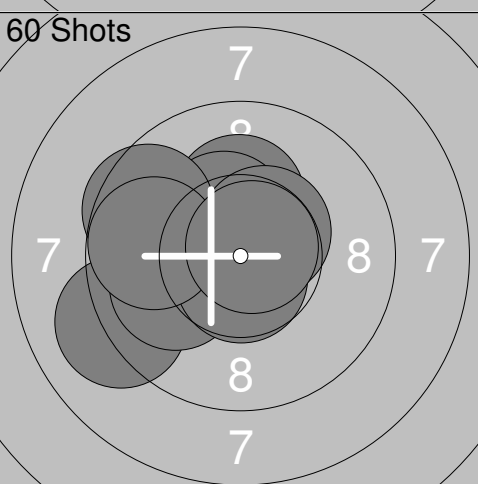
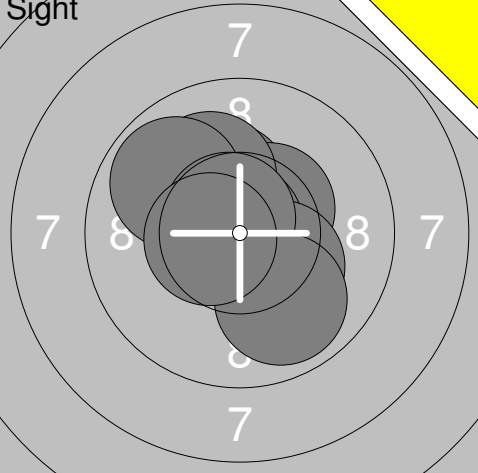
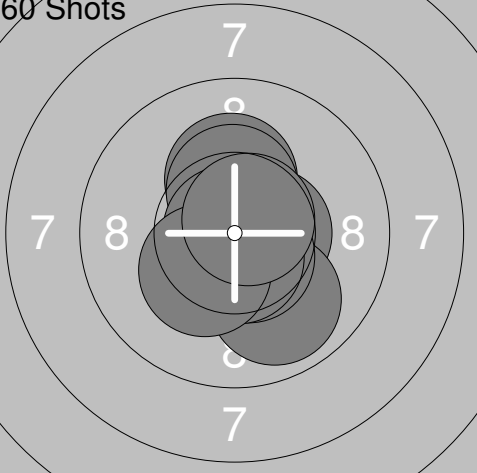
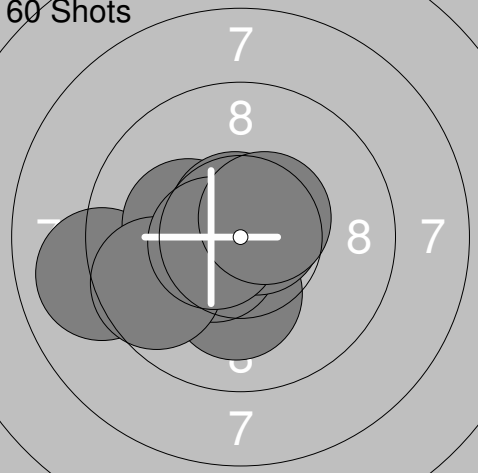

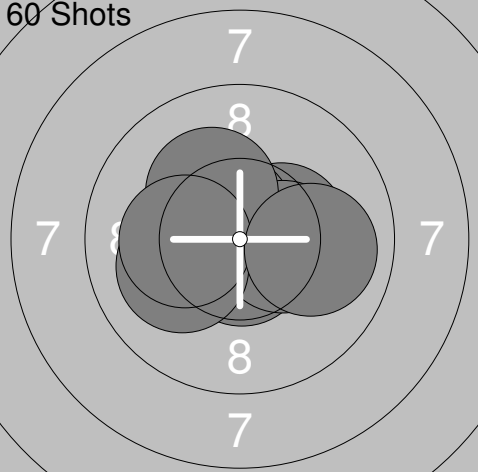

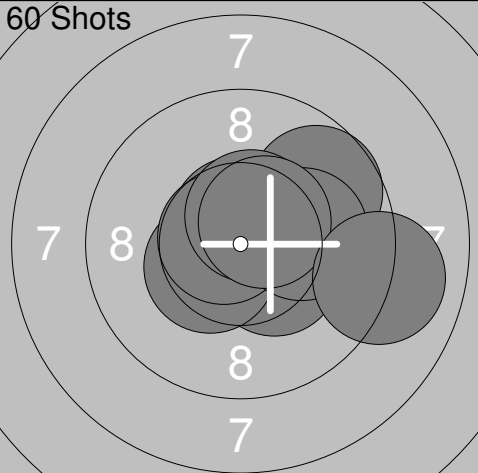
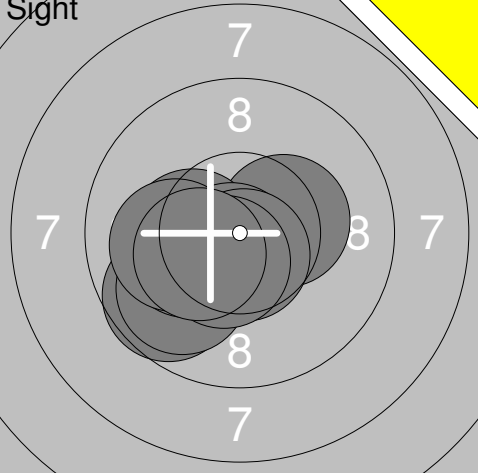
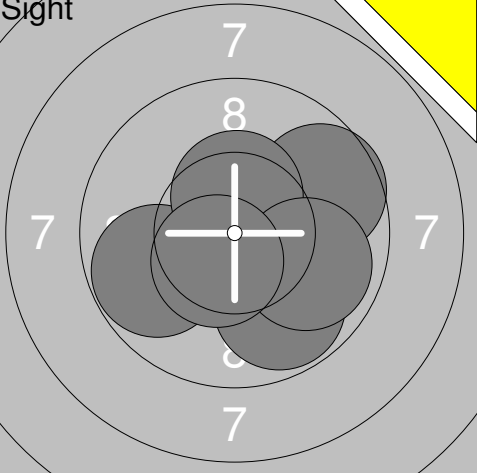
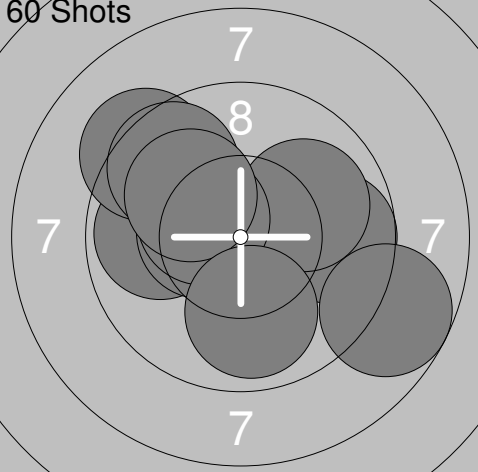
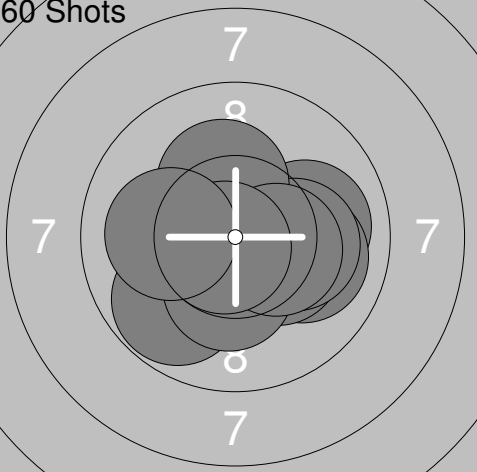
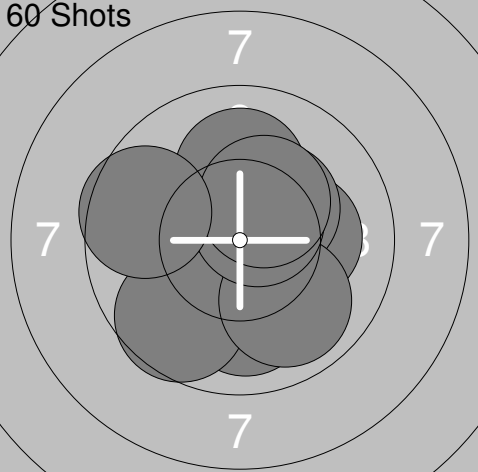
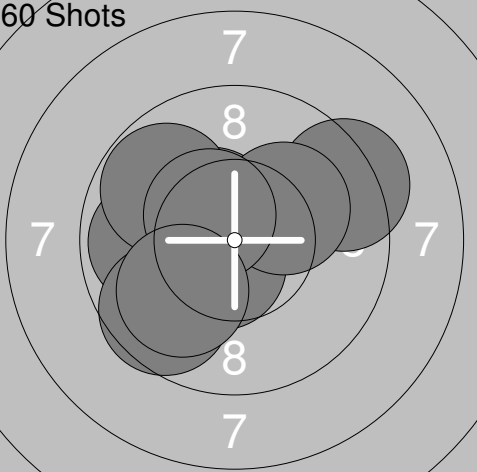
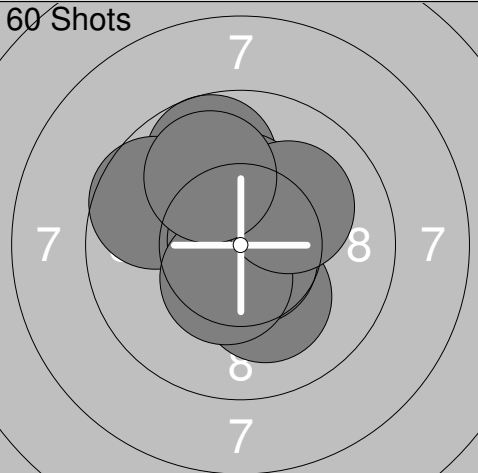
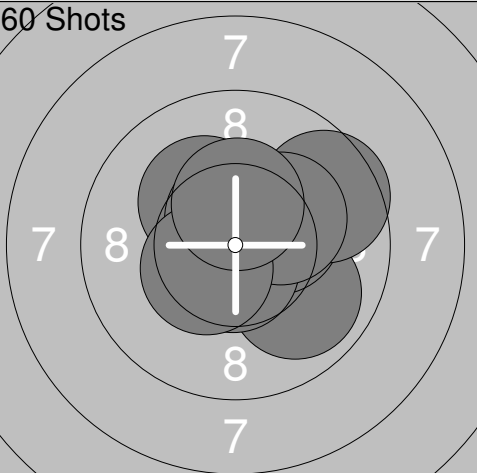
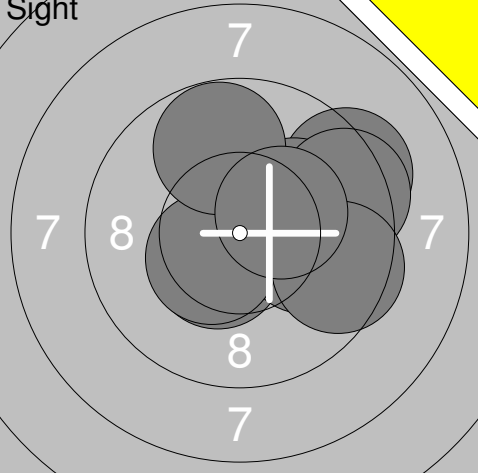
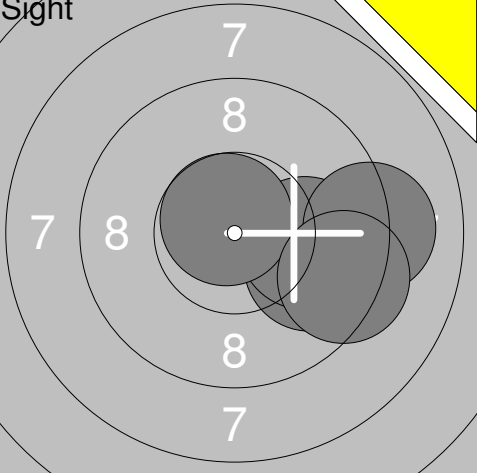
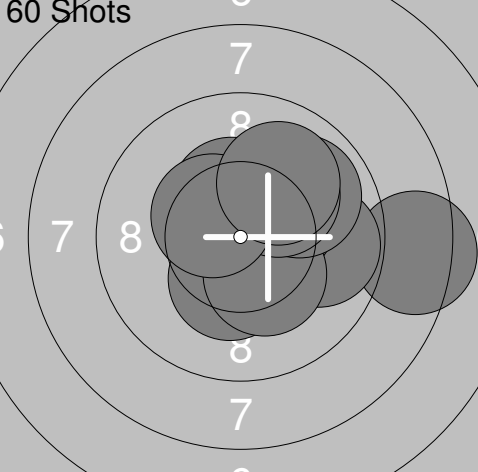
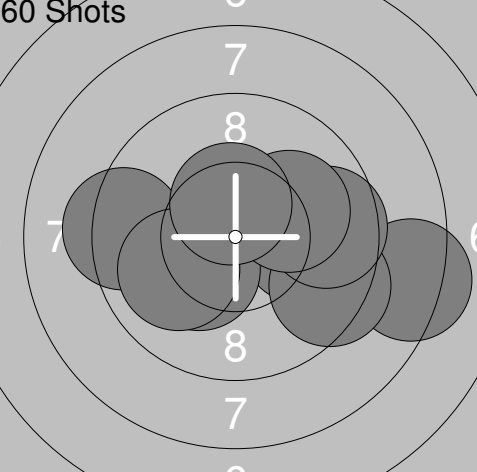
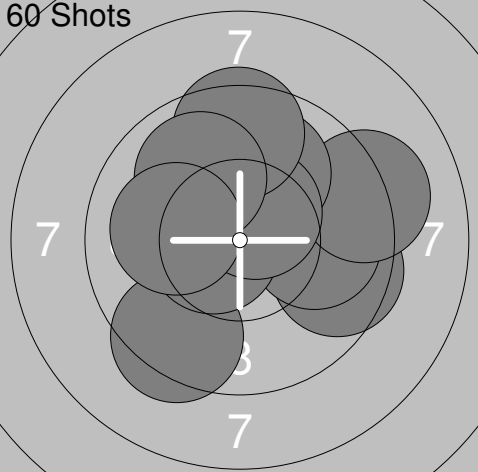
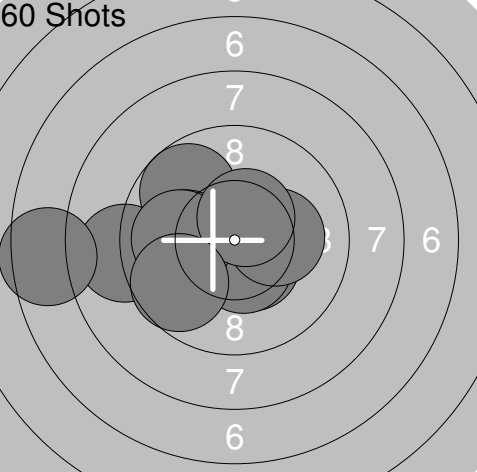
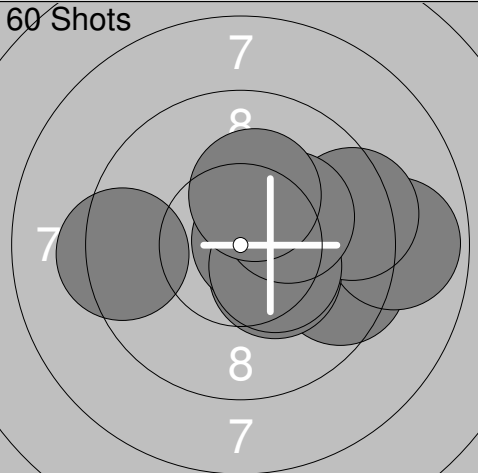
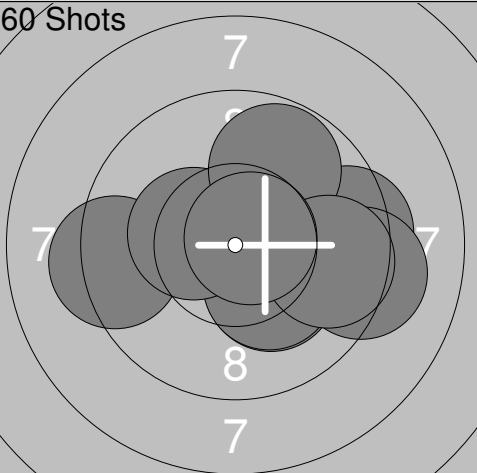


Relay	Lane	Tomas Hed	
S		Forsa	
12.10.2014		Månadstest 2014	Umeå skytteallians
Sight		1: 10.2x ↗ 2: 10.2x ↘ 3: 9.9 ↗ 4: 10.2x ↖ 5: 9.9 ↖ 6: 10.8x ↗ 7: 9.7 ↘ 8: 9.6 → 9: 10.7x ↘ 10: 10.1 ↖	11: 9.6 ↘ 12: 10.1 → 13: 9.5 ↗ 14: 10.3x → 15: 10.5x ↗
		Series 101.3	Series 50.0
		Total 0.0	Total 0.0
60 Shots		1: 9.8 ↗ 2: 10.1 ↖ 3: 10.2x ↖ 4: 9.3 → 5: 10.5x ↖ 6: 9.3 ↗ 7: 10.0 ↗ 8: 10.6x ↗ 9: 10.9x ↘ 10: 10.6x ↗	11: 10.5x → 12: 10.6x ↗ 13: 10.1 → 14: 10.0 ↗ 15: 10.5x ↖ 16: 9.8 ↘ 17: 10.1 ↘ 18: 10.8x ↘ 19: 10.8x → 20: 10.0 ↗
		Series 101.3	Series 103.2
		Total 101.3	Total 204.5
60 Shots		21: 10.8x ↖ 22: 10.4x ↘ 23: 10.1 ↗ 24: 10.3x ↗ 25: 10.6x ↘ 26: 10.5x ↗ 27: 10.6x ↗ 28: 9.9 ↗ 29: 10.0 ↗ 30: 10.3x ↖	31: 9.1 ↗ 32: 10.2x ↗ 33: 10.1 ↖ 34: 10.5x ↗ 35: 10.4x ↗ 36: 10.0 → 37: 10.2x ↗ 38: 9.5 ↗ 39: 9.9 → 40: 9.6 ↘
		Series 103.5	Series 99.5
		Total 308.0	Total 407.5
60 Shots		41: 9.9 ↘ 42: 9.7 ↘ 43: 10.3x ↗ 44: 9.3 ↗ 45: 9.9 ↗ 46: 10.6x ↗ 47: 10.0 ↖ 48: 9.9 ↘ 49: 8.6 → 50: 10.5x →	51: 10.6x ↖ 52: 9.2 → 53: 8.8 → 54: 10.4x ↘ 55: 9.7 → 56: 10.0 ↖ 57: 9.9 ↖ 58: 9.4 → 59: 10.0 ↗ 60: 10.0 ↘
		Series 98.7	Series 98.0
		Total 506.2	Total 604.2

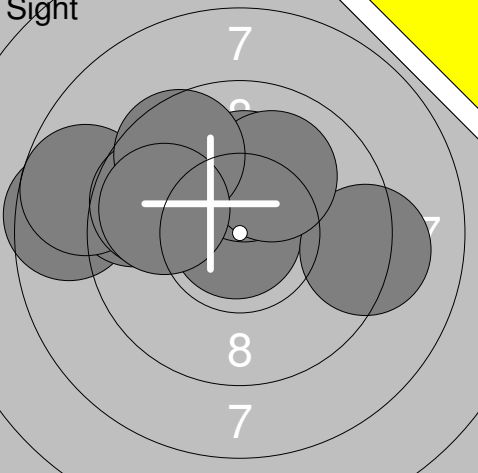
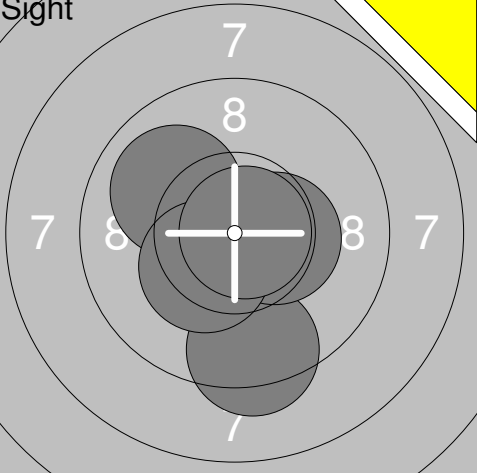
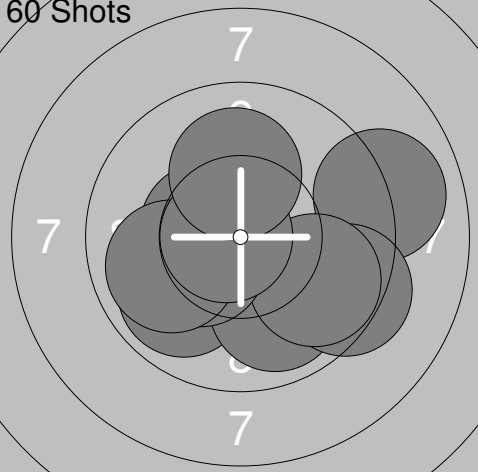
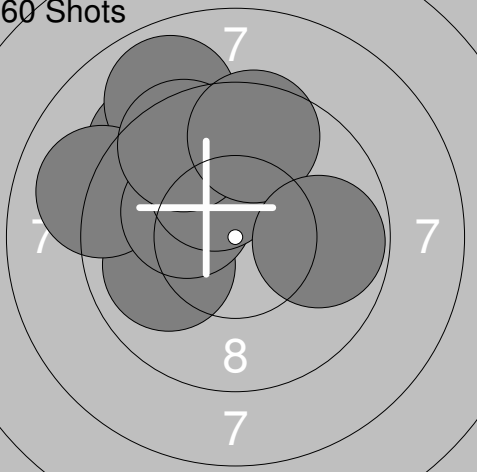
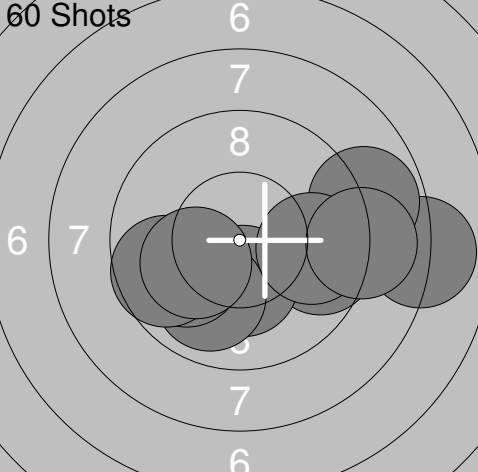
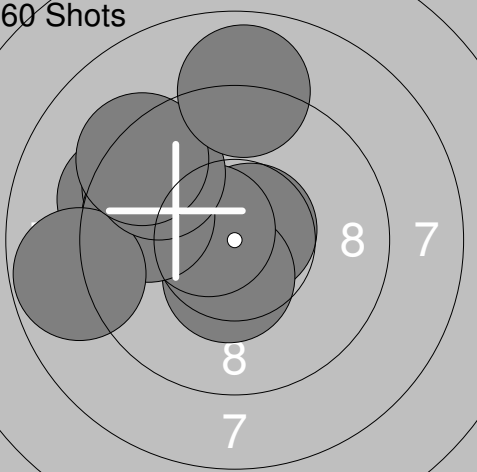
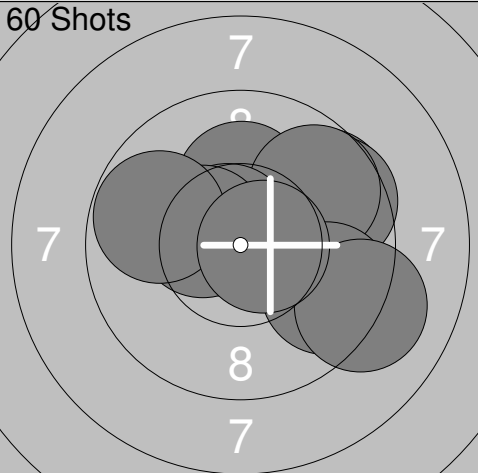
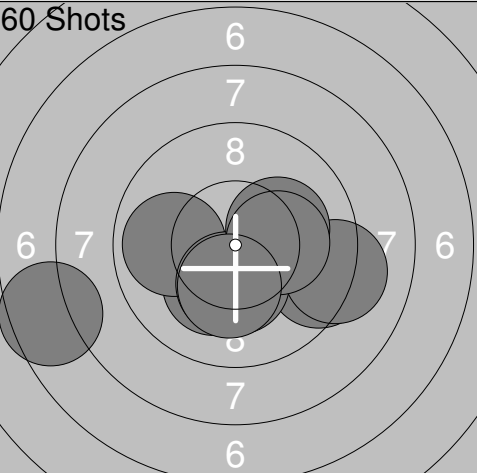
Relay	Lane	Jörgen Pålsson	
S	Umeå		
12.10.2014	Månadstest 2014	Umeå skytteallians	
Sight		1: 10.6x ↘ 2: 10.4x ↘ 3: 10.3x ↙ 4: 9.7 ↓ 5: 9.8 ↘ 6: 10.2x ↘ 7: 10.3x → 8: 9.0 → 9: 9.8 ↓ 10: 10.3x ←	Sight
		Series 100.4	11: 10.3x ↙
		Total 0.0	Series 10.3
			Total 0.0
60 Shots		1: 10.3x ↑ 2: 10.2x ↗ 3: 9.9 ↘ 4: 10.7x ↗ 5: 10.6x → 6: 10.3x ← 7: 10.3x → 8: 10.0 ← 9: 10.1 → 10: 10.7x ↗	60 Shots
		Series 103.1	11: 9.7 ←
		Total 103.1	12: 10.5x ↖
			13: 10.3x ↖
			14: 9.2 →
			15: 9.6 ↑
			16: 10.5x ↗
			17: 9.6 ↑
			18: 10.4x →
			19: 9.8 ↑
			20: 10.4x ↘
		Series 100.0	Series 203.1
		Total 203.1	Total 203.1
60 Shots		21: 9.8 → 22: 9.5 ↗ 23: 10.6x ↓ 24: 10.3x ↗ 25: 10.7x → 26: 10.0 ↑ 27: 9.8 ↘ 28: 10.3x → 29: 9.2 ↗ 30: 10.3x ↗	60 Shots
		Series 100.5	31: 10.6x ↘
		Total 303.6	32: 9.6 ↗
			33: 10.4x ↖
			34: 10.0 →
			35: 10.5x ↖
			36: 10.3x ↘
			37: 10.4x ↖
			38: 9.7 →
			39: 10.5x ↖
			40: 10.5x ↘
		Series 102.5	Series 406.1
		Total 406.1	Total 406.1
60 Shots		41: 10.4x ↖ 42: 9.1 ↖ 43: 10.0 ↖ 44: 10.2x ↑ 45: 10.4x ↗ 46: 10.7x ↓ 47: 10.5x ↗ 48: 9.6 ↖ 49: 9.8 ← 50: 10.8x ↗	60 Shots
		Series 101.5	51: 10.2x ↑
		Total 507.6	52: 10.5x →
			53: 10.7x →
			54: 10.5x →
			55: 10.1 ↘
			56: 9.7 ↗
			57: 10.2x ↑
			58: 9.6 ←
			59: 10.4x ↖
			60: 9.2 ↖
		Series 101.1	Series 608.7
		Total 608.7	Total 608.7

<b>Sight</b> 	1: 10.3x ↑ 2: 10.4x ↗ 3: 10.1 ↑ 4: 10.9x ↗ 5: 10.3x ↘ 6: 9.9 ↗ 7: 10.7x ↗ 8: 9.9 ↘ 9: 10.5x ←	<b>60 Shots</b> 	1: 10.2x ↑ 2: 10.4x ↑ 3: 10.8x ↘ 4: 10.9x ← 5: 10.5x → 6: 9.9 ↘ 7: 10.6x ↘ 8: 10.6x ↘ 9: 10.3x ↘ 10: 10.7x ↗
	Series 93.0		Series 104.9
	Total 0.0		Total 104.9
<b>60 Shots</b> 	11: 9.0 ← 12: 10.2x ← 13: 10.2x ↓ 14: 10.8x ↖ 15: 10.5x ← 16: 9.7 ← 17: 10.7x ↗ 18: 10.7x ↑ 19: 10.6x ← 20: 10.5x ↗	<b>60 Shots</b> 	21: 10.6x ↑ 22: 10.5x ↘ 23: 9.8 ↑ 24: 10.1 ↖ 25: 10.1 ↗ 26: 10.6x ↘ 27: 10.5x ↘ 28: 10.4x → 29: 10.6x ↗ 30: 10.6x ↗
	Series 102.9		Series 103.8
	Total 207.8		Total 311.6
<b>60 Shots</b> 	31: 10.4x → 32: 10.4x → 33: 10.6x → 34: 10.7x ↓ 35: 10.6x ↑ 36: 10.4x → 37: 10.1 ← 38: 10.2x ↗ 39: 10.2x ← 40: 10.0 →	<b>60 Shots</b> 	41: 10.4x → 42: 10.3x ↘ 43: 10.4x ↖ 44: 10.7x ↖ 45: 10.4x → 46: 10.3x ↑ 47: 10.4x ↑ 48: 10.7x ← 49: 10.5x ↖ 50: 10.7x →
	Series 103.6		Series 104.8
	Total 415.2		Total 520.0
<b>60 Shots</b> 	51: 10.7x ↑ 52: 10.4x ↘ 53: 10.4x ↗ 54: 10.4x ↖ 55: 9.7 ↗ 56: 10.7x ← 57: 10.5x ↑ 58: 10.1 → 59: 10.5x ↗ 60: 9.0 →		
	Series 102.4		
	Total 622.4		

Relay	Lane	Saul Johansson	
S		Ramselefors skf	
12.10.2014		Månadstest 2014	Umeå skytteallians
Sight		1: 9.7 ↙ 2: 10.3x → 3: 10.3x ← 4: 10.7x ↓ 5: 9.9 ↘ 6: 10.7x ↓ 7: 10.2x ← 8: 10.5x ↓ 9: 10.1 ← 10: 10.3x ← Series 102.7 Total 0.0	Sight  11: 9.8 ↓ 12: 9.7 → 13: 9.8 ← 14: 10.5x ↑ 15: 9.9 → 16: 10.5x ↓ Series 60.2 Total 0.0
60 Shots		1: 9.9 ← 2: 10.4x ← 3: 9.7 → 4: 9.3 ↗ 5: 10.0 → 6: 10.4x ← 7: 9.6 ↗ 8: 10.1 ↗ 9: 8.8 → 10: 9.9 ↓ Series 98.1 Total 98.1	60 Shots  11: 10.0 → 12: 10.0 → 13: 9.8 ↓ 14: 10.3x → 15: 10.2x → 16: 10.2x ↑ 17: 10.3x ↓ 18: 10.4x → 19: 10.7x ↓ 20: 10.1 ← Series 102.0 Total 200.1
60 Shots		21: 10.1 ↑ 22: 10.9x ↓ 23: 10.0 ↓ 24: 10.2x → 25: 10.3x ↗ 26: 9.7 ↓ 27: 9.9 ↓ 28: 10.6x ↗ 29: 10.3x ↗ 30: 9.6 ← Series 101.6 Total 301.7	60 Shots  31: 10.8x ← 32: 9.9 ← 33: 10.6x ↓ 34: 10.5x ↖ 35: 9.3 → 36: 10.2x ↗ 37: 9.8 ↖ 38: 9.6 ↓ 39: 10.5x ↖ 40: 10.0 ↓ Series 101.2 Total 402.9
60 Shots		41: 10.8x ↓ 42: 9.7 ↗ 43: 10.3x ↑ 44: 9.7 ↖ 45: 10.2x ↓ 46: 10.8x ↖ 47: 10.7x ↓ 48: 10.5x ↓ 49: 10.1 ↗ 50: 9.9 ↗ Series 102.7 Total 505.6	60 Shots  51: 10.8x ↓ 52: 10.2x ↖ 53: 10.6x ↑ 54: 9.9 → 55: 10.4x → 56: 9.6 → 57: 10.7x ↓ 58: 10.2x → 59: 10.4x ← 60: 10.4x ↑ Series 103.2 Total 608.8

Relay	Lane	Mikael Lundell	
S		Rasbo skf	
12.10.2014		Månadstest 2014	Umeå skytteallians
Sight		1: 10.5x ↙ 2: 9.3 → 3: 10.0 → 4: 10.2x → 5: 10.1 → 6: 10.4x ↙ 7: 9.4 → 8: 9.5 → 9: 9.8 ↗ 10: 10.3x → Series 99.5 Total 0.0	Sight  11: 9.8 ↘ 12: 10.0 → 13: 9.1 → 14: 10.7x ↗ 15: 9.4 ↘ Series 49.0 Total 0.0
60 Shots		1: 8.4 → 2: 10.3x ↓ 3: 10.4x ↑ 4: 9.8 → 5: 10.4x → 6: 10.3x ↓ 7: 9.9 → 8: 10.1 ↗ 9: 10.4x ↖ 10: 10.0 ↗ Series 100.0 Total 100.0	60 Shots  11: 10.8x ↑ 12: 10.0 → 13: 9.3 ← 14: 10.2x ↙ 15: 8.3 → 16: 9.4 ↘ 17: 9.6 → 18: 10.1 ↗ 19: 10.0 ← 20: 10.5x ↑ Series 98.2 Total 198.2
60 Shots		21: 9.6 → 22: 9.9 → 23: 9.4 ↙ 24: 9.2 → 25: 10.0 ↑ 26: 10.6x ← 27: 10.5x ↗ 28: 9.5 ↑ 29: 10.0 ↗ 30: 10.1 ← Series 98.8 Total 297.0	60 Shots  31: 10.5x ↓ 32: 8.9 ← 33: 10.5x ↓ 34: 7.5 ← 35: 9.7 ↗ 36: 10.2x → 37: 10.1 ← 38: 10.0 ← 39: 10.5x ↗ 40: 9.7 ↙ Series 97.6 Total 394.6
60 Shots		41: 9.5 → 42: 8.9 → 43: 10.4x ↗ 44: 10.3x ↘ 45: 9.4 → 46: 10.7x → 47: 9.4 ← 48: 10.4x ↘ 49: 10.2x ↗ 50: 10.2x ↑ Series 99.4 Total 494.0	60 Shots  51: 10.2x ↓ 52: 10.1 → 53: 9.3 ← 54: 10.3x ↓ 55: 9.4 → 56: 9.2 → 57: 10.4x ← 58: 9.8 ↗ 59: 9.7 → 60: 10.7x → Series 99.1 Total 593.1

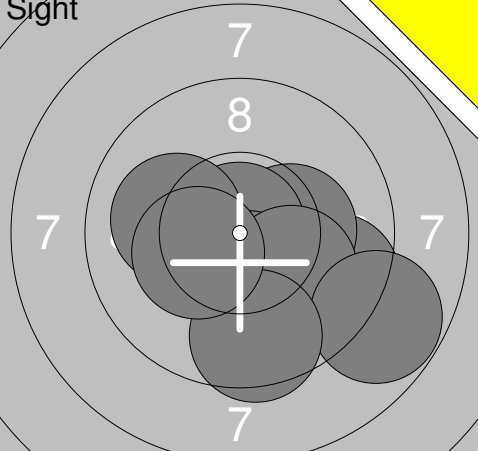
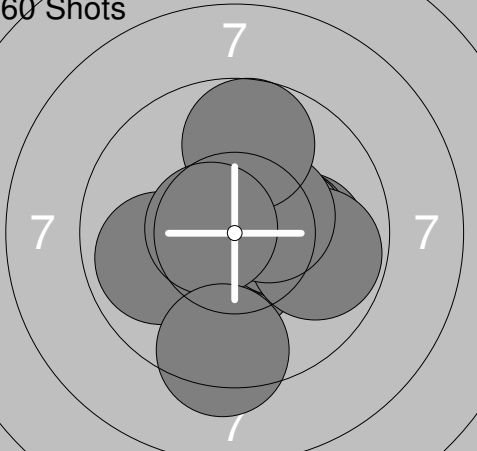


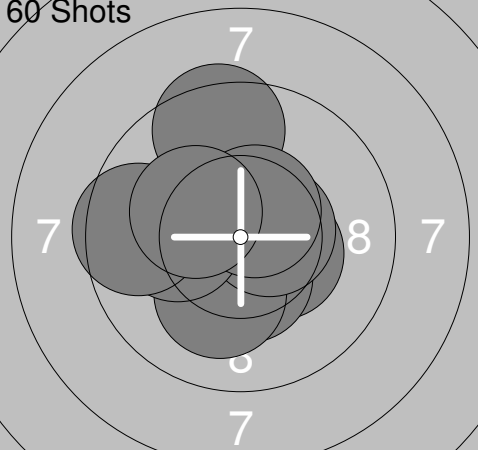
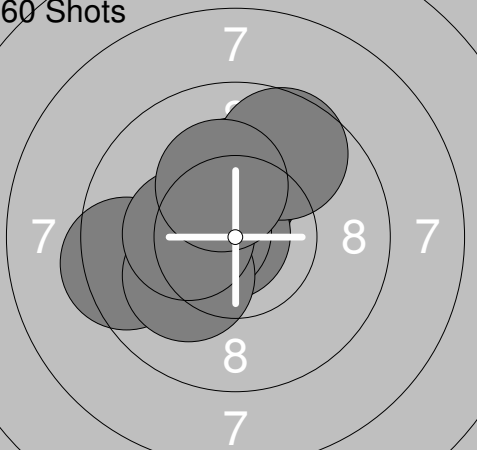
Relay	Lane	Joar Karlsson	
S		Söderala AIK	
12.10.2014		Månadstest 2014	Umeå skytteallians
Sight		1: 8.6 ← 2: 10.9x ← 3: 9.4 ← 4: 8.7 ← 5: 9.2 → 6: 9.7 ← 7: 10.2x ↑ 8: 10.1 ↑ 9: 9.6 ↗ 10: 9.9 ← Series 96.3 Total 0.0	Sight  11: 9.4 ↓ 12: 10.0 ↗ 13: 10.4x → 14: 10.3x ↓ 15: 10.8x → Series 50.9 Total 0.0
60 Shots		1: 9.9 ↙ 2: 9.9 ↓ 3: 9.0 → 4: 9.4 ↘ 5: 9.8 ↘ 6: 10.3x ← 7: 10.5x ← 8: 9.9 ← 9: 10.8x ← 10: 10.1 ↑ Series 99.6 Total 99.6	60 Shots  11: 10.0 ← 12: 9.3 ↗ 13: 8.9 ↑ 14: 10.1 ↑ 15: 9.0 ← 16: 10.2x ← 17: 10.2x ↑ 18: 9.5 ↑ 19: 9.6 ↑ 20: 9.8 → Series 96.6 Total 196.2
60 Shots		21: 8.0 → 22: 9.6 → 23: 8.9 → 24: 10.3x ↓ 25: 9.8 → 26: 9.9 ↓ 27: 9.0 → 28: 10.0 ← 29: 9.7 ← 30: 10.2x ← Series 95.4 Total 291.6	60 Shots  31: 9.3 ← 32: 10.7x ↗ 33: 10.5x ↓ 34: 10.6x ← 35: 9.6 ↗ 36: 9.7 ← 37: 8.8 ← 38: 9.6 ↗ 39: 9.3 ↗ 40: 8.9 ↑ Series 97.0 Total 388.6
60 Shots		41: 9.6 ↗ 42: 9.6 → 43: 10.2x ↑ 44: 9.7 ↗ 45: 9.7 ↘ 46: 10.7x ↗ 47: 10.4x ← 48: 9.8 ← 49: 9.1 ↘ 50: 10.6x → Series 99.4 Total 488.0	60 Shots  51: 10.2x ↓ 52: 9.9 ← 53: 9.4 → 54: 10.3x ↓ 55: 9.2 → 56: 7.6 ← 57: 10.3x ↓ 58: 10.2x → 59: 10.2x → 60: 10.2x ↓ Series 97.5 Total 585.5

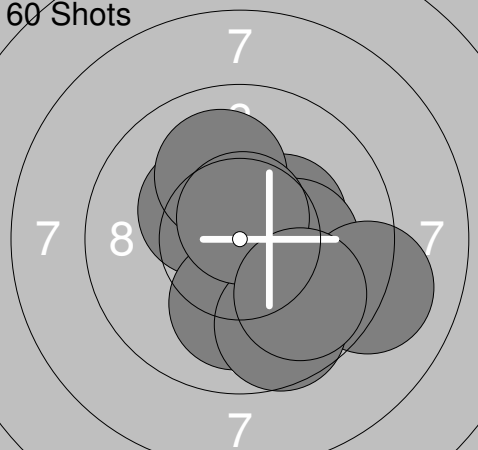
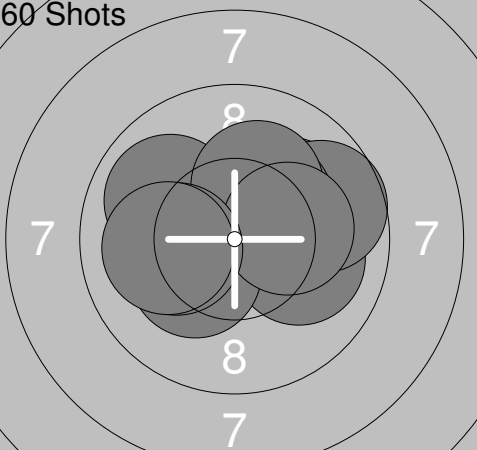
Relay	Lane	<b>Daniel Wallberg</b>	
<b>1</b>	<b>13</b>		

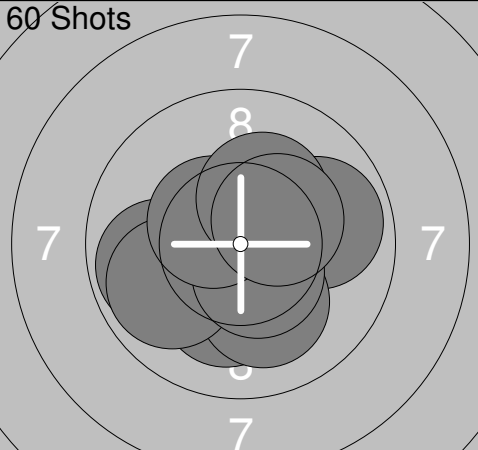
S	Loos Skf		
---	----------	--	--

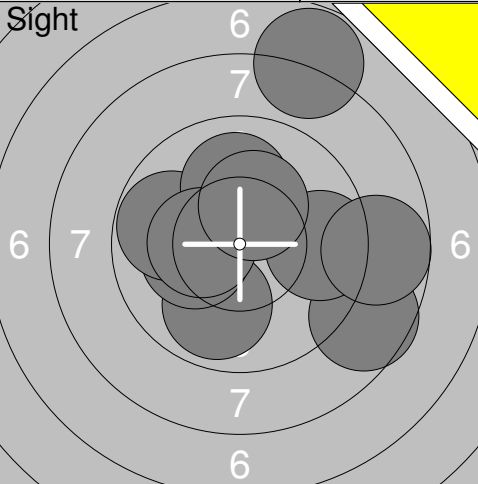
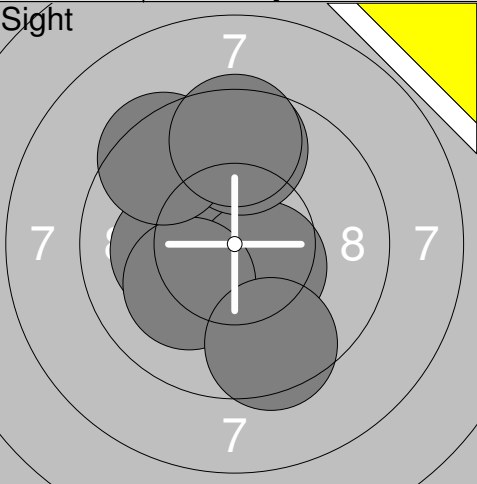
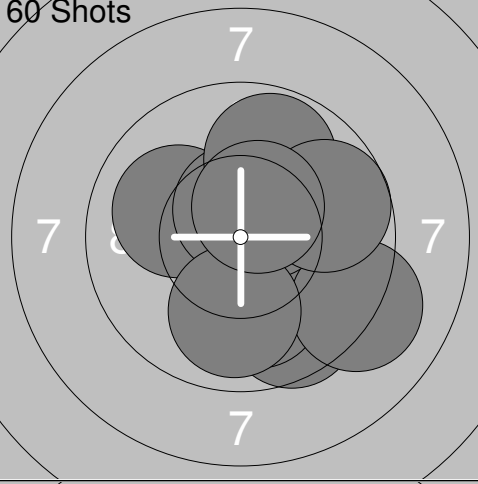
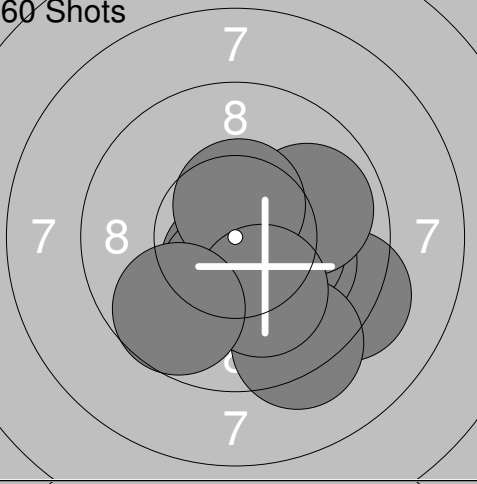
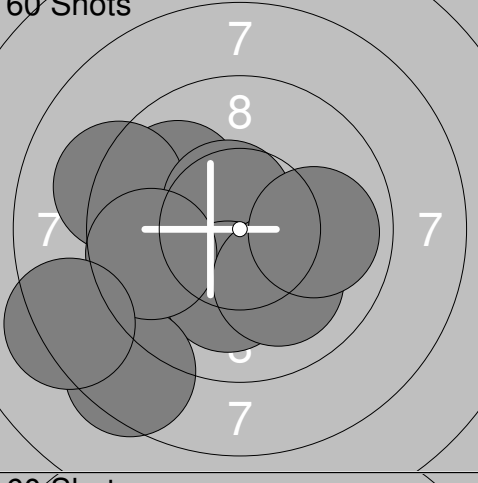
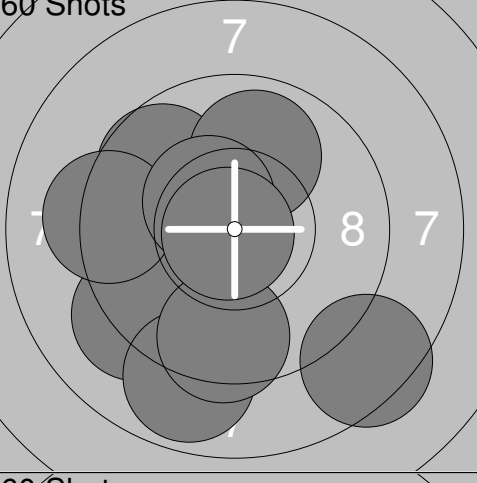
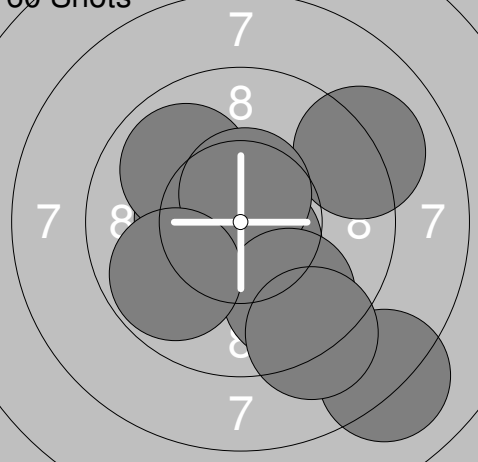
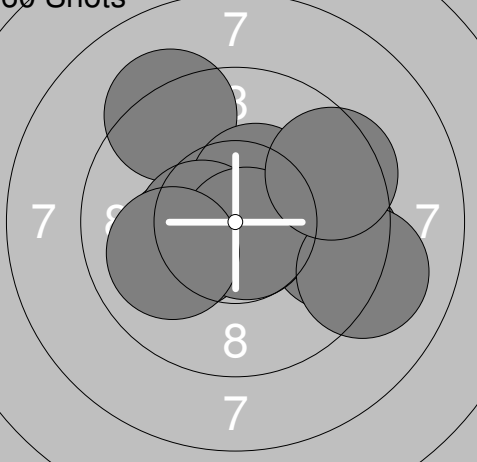
12.10.2014	Månadstest 2014	Umeå skytteallians
------------	-----------------	--------------------

Sight		1: 9.5 ↘ 2: 10.3x → 3: 10.9x ↑ 4: 10.1 ← 5: 10.4x ↓ 6: 10.1 ↓ 7: 8.8 ↘ 8: 9.5 ↓ 9: 10.3x ←	60 Shots		1: 10.5x ↓ 2: 10.0 → 3: 10.2x → 4: 10.3x → 5: 9.9 ← 6: 9.8 → 7: 10.4x ↗ 8: 9.7 ↑ 9: 10.6x ← 10: 9.4 ↓
	Series	89.9		Series	100.8
	Total	0.0		Total	100.8

60 Shots		11: 10.4x ↘ 12: 10.2x ← 13: 10.4x ↓ 14: 10.2x ↓ 15: 9.5 ↑ 16: 10.6x → 17: 10.1 ← 18: 10.5x ↗ 19: 9.6 ← 20: 10.3x ↖	60 Shots		21: 10.3x ← 22: 9.4 ← 23: 10.2x ↑ 24: 10.6x ↗ 25: 10.8x ← 26: 9.7 ↗ 27: 10.5x ← 28: 10.1 ↘ 29: 10.3x ← 30: 10.2x ↑
	Series	101.8		Series	102.1
	Total	202.6		Total	304.7

60 Shots		31: 10.3x ↗ 32: 9.9 ↘ 33: 10.3x ↗ 34: 10.1 ↑ 35: 10.1 ↓ 36: 10.2x → 37: 9.1 ↘ 38: 9.7 ↓ 39: 10.7x ↑ 40: 9.8 ↘	60 Shots		41: 10.1 ↗ 42: 10.0 → 43: 9.7 → 44: 9.9 ← 45: 10.3x ↘ 46: 10.3x ↗ 47: 10.2x ↑ 48: 10.2x → 49: 10.1 ← 50: 10.0 ←
	Series	100.2		Series	100.8
	Total	404.9		Total	505.7

60 Shots		51: 9.9 ← 52: 10.2x ↓ 53: 10.8x ↗ 54: 9.9 → 55: 10.1 ↓ 56: 9.9 ← 57: 10.5x ↓ 58: 10.5x ↗ 59: 10.3x ↑ 60: 10.4x ↗			
	Series	102.5			
	Total	608.2			

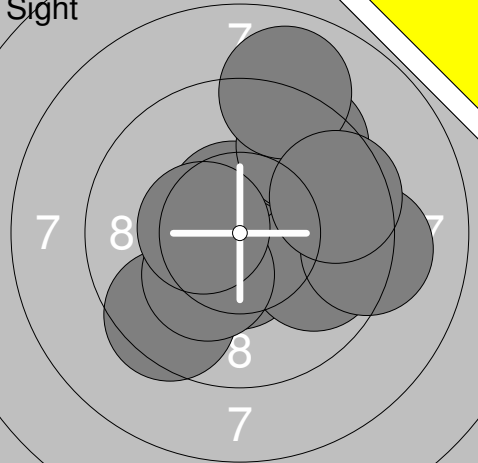
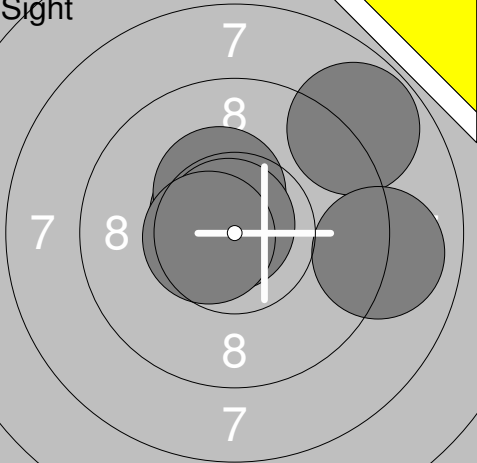
Relay	Lane	Oscar Jacobsson	
S		Ramselefors	
12.10.2014	Månadstest 2014	Umeå skytteallians	
Sight		1: 8.6 ↘ 2: 9.9 ↓ 3: 10.2x ← 4: 9.8 ← 5: 9.6 → 6: 7.8 ↑ 7: 10.0 ↑ 8: 10.3x ← 9: 10.3x ↑ 10: 8.7 → Series 95.2 Total 0.0	Sight  11: 10.2x ← 12: 10.5x ↘ 13: 10.1 ↙ 14: 9.7 ↑ 15: 9.4 ↗ 16: 9.5 ↑ 17: 9.5 ↓ Series 68.9 Total 0.0
60 Shots		1: 9.6 ↓ 2: 10.0 ↓ 3: 10.0 ↖ 4: 9.1 ↘ 5: 10.6x ↑ 6: 10.5x ↗ 7: 9.8 ↑ 8: 9.9 ↓ 9: 9.7 → 10: 10.5x ↗ Series 99.7 Total 99.7	60 Shots  11: 9.3 ↘ 12: 10.1 → 13: 10.3x → 14: 10.6x ↓ 15: 9.9 → 16: 9.3 ↓ 17: 10.4x ↓ 18: 10.5x ↑ 19: 10.1 ↓ 20: 9.7 ↙ Series 100.2 Total 199.9
60 Shots		21: 9.9 ↖ 22: 10.5x ↓ 23: 9.2 ← 24: 10.6x ↗ 25: 10.1 ↓ 26: 8.5 ↓ 27: 9.7 ← 28: 10.1 ↓ 29: 9.9 → 30: 8.3 ← Series 96.8 Total 296.7	60 Shots  31: 9.7 ↖ 32: 9.2 ↙ 33: 8.4 ↘ 34: 10.5x ↗ 35: 9.9 ↑ 36: 9.2 ← 37: 8.9 ↓ 38: 9.5 ↓ 39: 10.4x ↗ 40: 10.8x ↙ Series 96.5 Total 393.2
60 Shots		41: 10.9x ↘ 42: 10.4x ← 43: 10.6x ↓ 44: 9.9 ↗ 45: 9.1 ↗ 46: 8.1 ↓ 47: 10.6x ↑ 48: 9.8 ↓ 49: 9.2 ↓ 50: 9.8 ↙ Series 98.4 Total 491.6	60 Shots  51: 10.2x ← 52: 10.7x ↑ 53: 9.3 ↗ 54: 10.4x ↗ 55: 9.6 → 56: 10.5x ← 57: 10.7x ↘ 58: 9.1 → 59: 9.5 → 60: 10.0 ← Series 100.0 Total 591.6

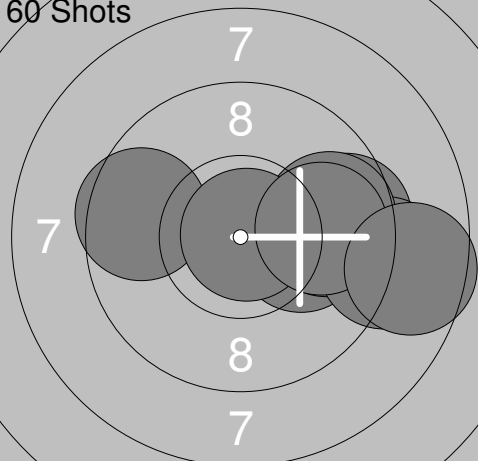
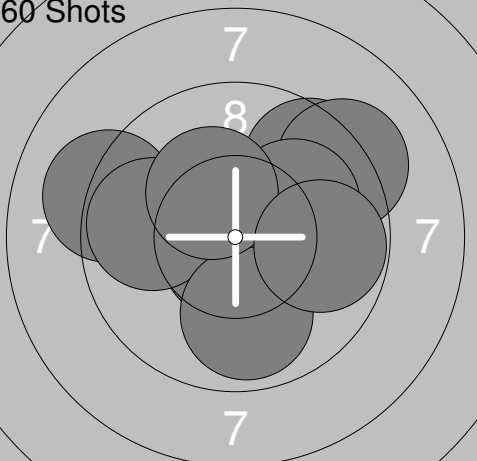


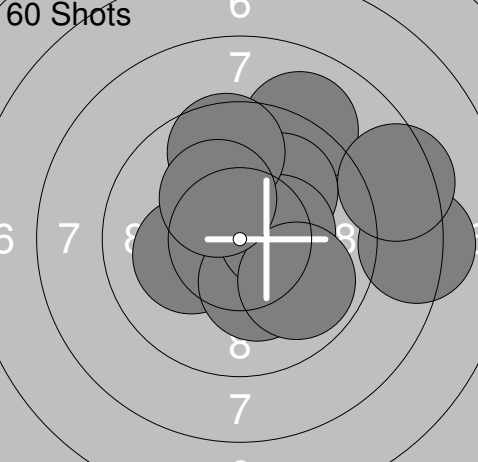
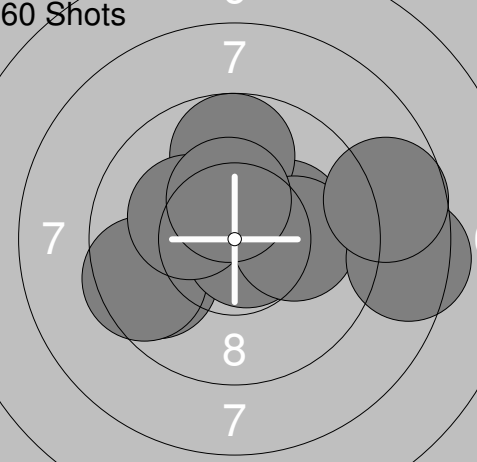
Relay	Lane	Joel Hessling	
<b>1</b>	<b>16</b>		

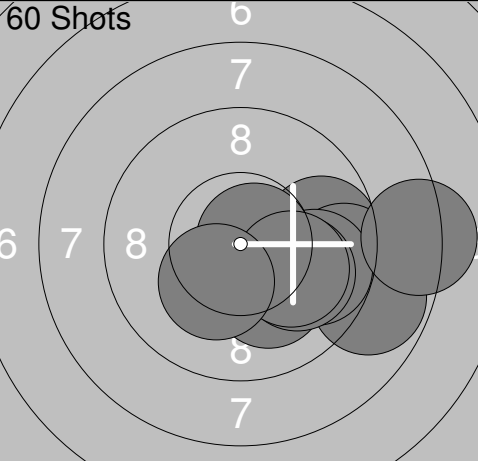
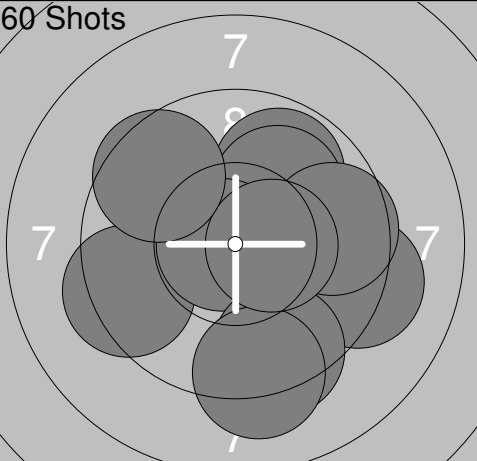
S	Hammerdals skf		
---	----------------	--	--

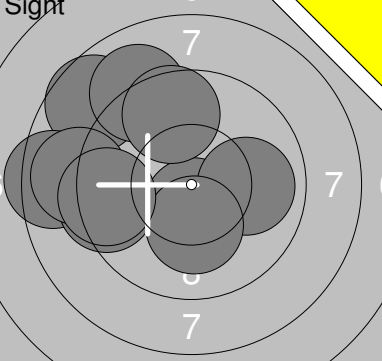
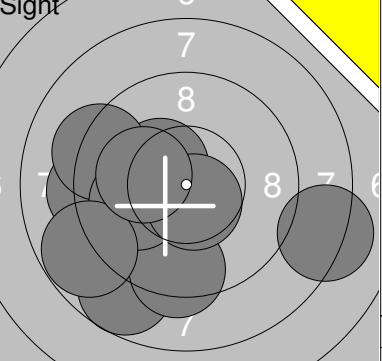
12.10.2014	Månadstest 2014	Umeå skytteallians	
------------	-----------------	--------------------	--

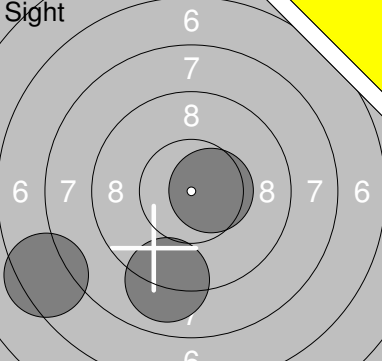
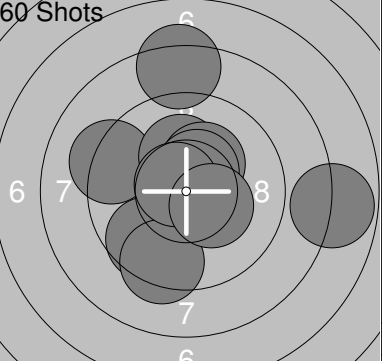
Sight 	1: 10.6x ↗	Sight 	11: 10.6x ↖
	2: 9.5 ↗		12: 8.8 ↗
	3: 9.5 ↘		13: 10.4x ↗
	4: 10.5x ↓		14: 10.8x ↗
	5: 9.9 →		15: 9.0 →
	6: 9.2 →		16: 10.6x ←
	7: 8.9 ↗		
	8: 10.2x ↘		
	9: 10.5x ←		
	10: 9.6 →		
Series	98.4	Series	60.2
Total	0.0	Total	0.0

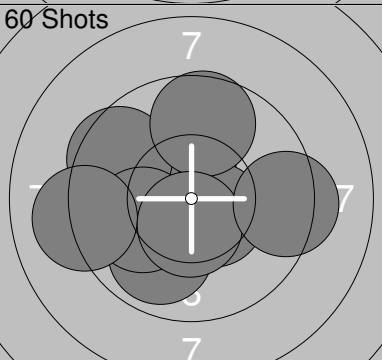
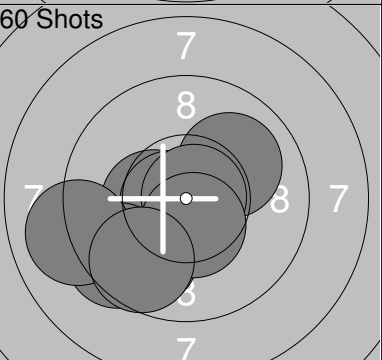
60 Shots 	1: 10.1 →	60 Shots 	11: 10.7x ↓
	2: 10.1 →		12: 9.2 ←
	3: 9.5 →		13: 9.5 ↗
	4: 9.8 →		14: 10.9x ↗
	5: 9.0 →		15: 9.2 ↗
	6: 9.6 ←		16: 9.8 ←
	7: 9.7 →		17: 10.1 →
	8: 10.9x →		18: 9.9 ↓
	9: 9.8 →		19: 10.3x ↗
	10: 8.6 →		20: 9.8 →
Series	97.1	Series	99.4
Total	97.1	Total	196.5

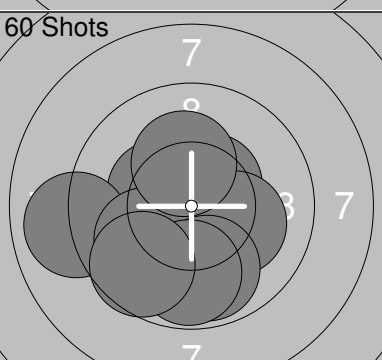
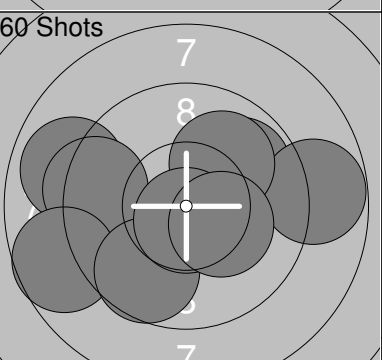
60 Shots 	21: 10.2x ←	60 Shots 	31: 10.2x →
	22: 10.2x ↓		32: 9.8 ↑
	23: 9.1 ↗		33: 9.7 ←
	24: 8.2 →		34: 9.5 ←
	25: 8.4 →		35: 10.8x →
	26: 10.0 ↗		36: 10.1 →
	27: 10.4x →		37: 8.4 →
	28: 9.6 ↑		38: 8.7 →
	29: 9.9 ↘		39: 10.2x ←
	30: 10.2x ↗		40: 10.4x ↑
Series	96.2	Series	97.8
Total	292.7	Total	390.5

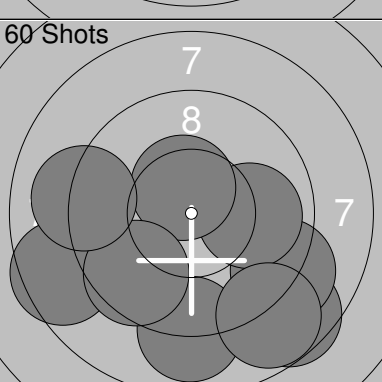
60 Shots 	41: 9.7 →	60 Shots 	51: 9.8 ↗
	42: 9.3 →		52: 10.0 ↗
	43: 8.8 ↘		53: 9.2 →
	44: 9.7 →		54: 9.6 →
	45: 10.7x →		55: 9.4 ←
	46: 10.1 ↓		56: 10.8x ←
	47: 10.0 ↓		57: 9.4 ↓
	48: 10.1 ↓		58: 9.2 ↓
	49: 10.3x ↘		59: 10.5x →
	50: 8.2 →		60: 9.6 ↗
Series	96.9	Series	97.5
Total	487.4	Total	584.9

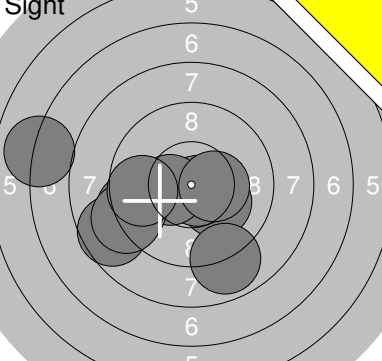
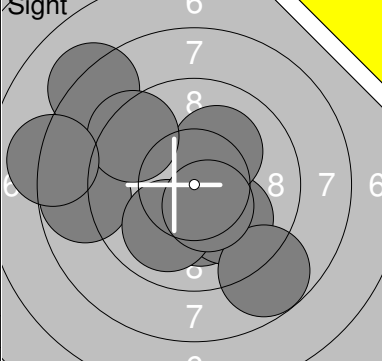
Sight		Sight	
	1: 8.6 ↗ 2: 8.4 ← 3: 9.0 ↗ 4: 9.4 ← 5: 10.5x ↓ 6: 9.9 → 7: 10.2x ↓ 8: 9.6 ↗ 9: 8.9 ← 10: 9.4 ←		11: 8.7 ↘ 12: 9.4 ↓ 13: 10.4x ↗ 14: 9.2 ← 15: 9.2 ↗ 16: 10.0 ← 17: 8.8 ↘ 18: 10.6x ↓ 19: 10.1 ← 20: 8.2 →
Series 93.9		Series 94.6	
Total 0.0		Total 0.0	

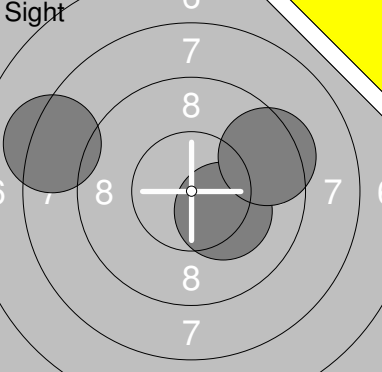
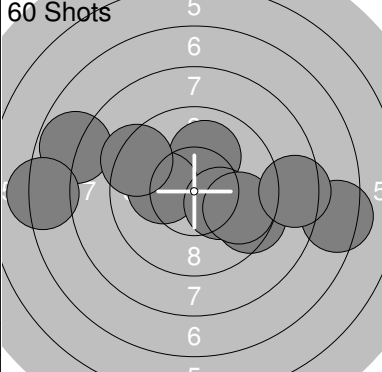
Sight		60 Shots	
	21: 10.5x → 22: 9.0 ↓ 23: 7.4 ←		1: 9.6 ↘ 2: 9.2 ← 3: 9.4 ↓ 4: 10.2x ↑ 5: 8.3 ↑ 6: 10.3x ↗ 7: 10.5x ↗ 8: 10.7x ↗ 9: 10.3x ↘ 10: 7.8 →
Series 26.9		Series 96.3	
Total 0.0		Total 96.3	

60 Shots		60 Shots	
	11: 10.2x ↑ 12: 9.9 ← 13: 9.9 ↘ 14: 9.6 ↗ 15: 10.5x ↘ 16: 10.0 ← 17: 9.7 ↑ 18: 9.1 ← 19: 10.5x ↓ 20: 9.3 →		21: 9.8 ↘ 22: 10.4x ← 23: 10.0 ↗ 24: 10.5x ↓ 25: 10.7x ← 26: 10.8x → 27: 9.4 ↘ 28: 10.5x ↓ 29: 9.0 ← 30: 9.7 ↘
Series 98.7		Series 100.8	
Total 195.0		Total 295.8	

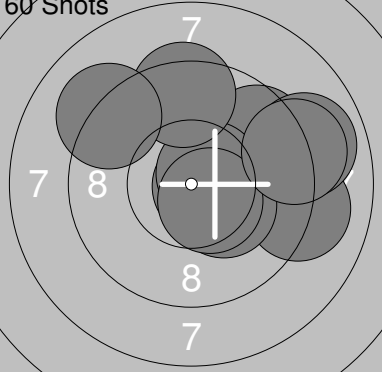
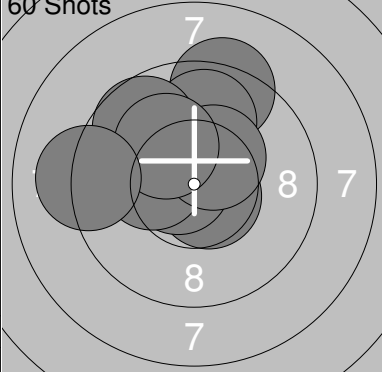
60 Shots		60 Shots	
	31: 10.5x ↗ 32: 10.6x ↘ 33: 10.4x ↘ 34: 9.0 ← 35: 10.2x → 36: 10.0 ← 37: 9.9 ↓ 38: 9.8 ↓ 39: 10.2x ↗ 40: 9.7 ↘		41: 10.0 ↘ 42: 9.9 ↗ 43: 8.9 ← 44: 9.4 ← 45: 8.7 ↘ 46: 8.8 → 47: 10.0 ↗ 48: 9.7 ↘ 49: 10.7x ↓ 50: 10.3x →
Series 100.3		Series 96.4	
Total 396.1		Total 492.5	

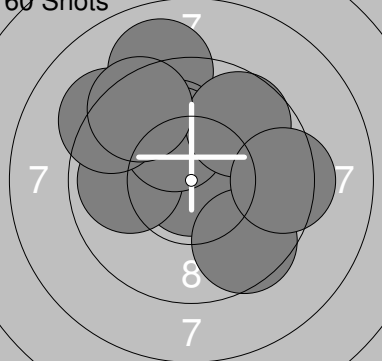
60 Shots			
	51: 8.6 ↘ 52: 9.0 ← 53: 9.1 ↘ 54: 9.0 ↓ 55: 8.5 ← 56: 10.0 → 57: 10.5x ↗ 58: 9.6 ↘ 59: 9.1 ← 60: 8.8 ↘		
Series 92.2			
Total 584.7			

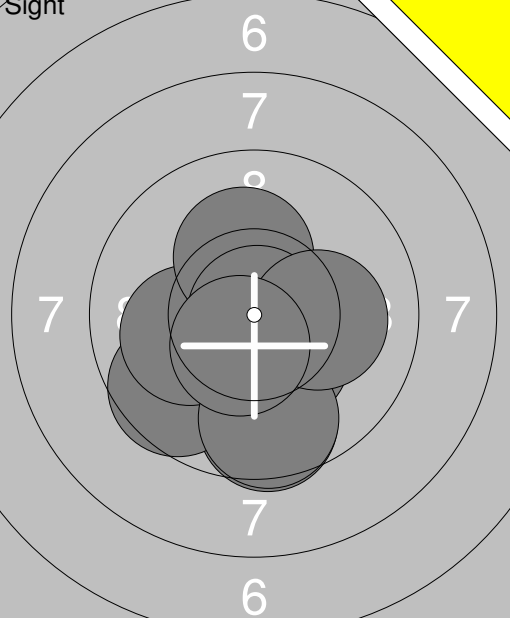
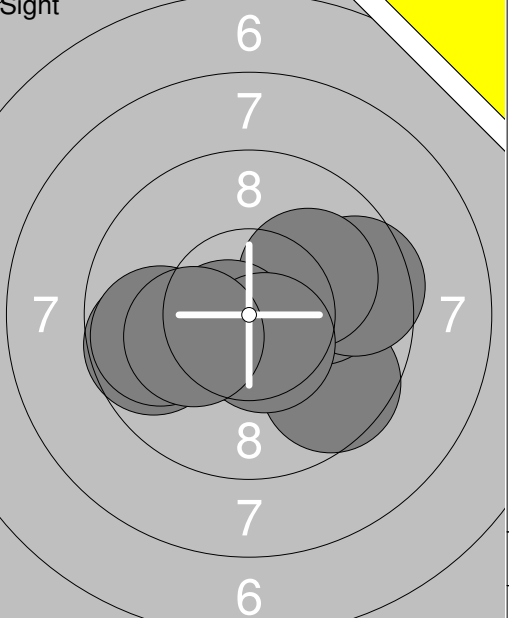
Sight	Sight		
	1: 8.6 ← 2: 10.2x ↓ 3: 10.7x ↓ 4: 10.4x ← 5: 9.3 ← 6: 10.4x → 7: 7.0 ← 8: 9.1 ← 9: 8.9 ↓ 10: 9.7 ←		11: 10.2x ↓ 12: 10.0 ↓ 13: 8.8 ← 14: 10.0 ↓ 15: 10.2x ↑ 16: 8.8 ↓ 17: 8.2 ↑ 18: 9.4 ↑ 19: 10.5x ↓ 20: 8.1 ←
<b>Series</b>	<b>94.3</b>	<b>Series</b>	<b>94.2</b>
<b>Total</b>	<b>0.0</b>	<b>Total</b>	<b>0.0</b>

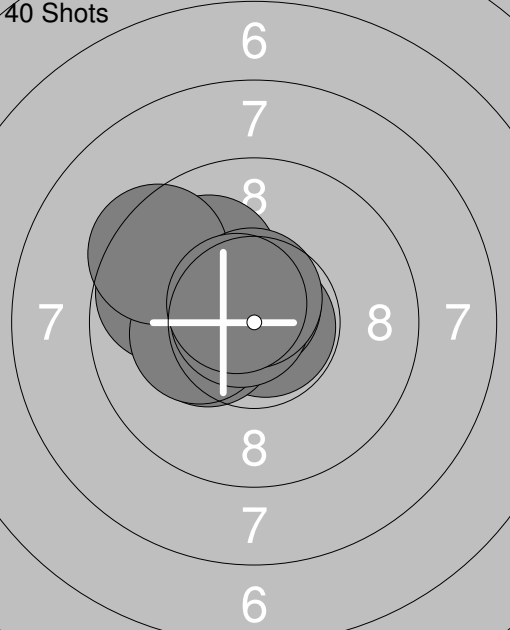
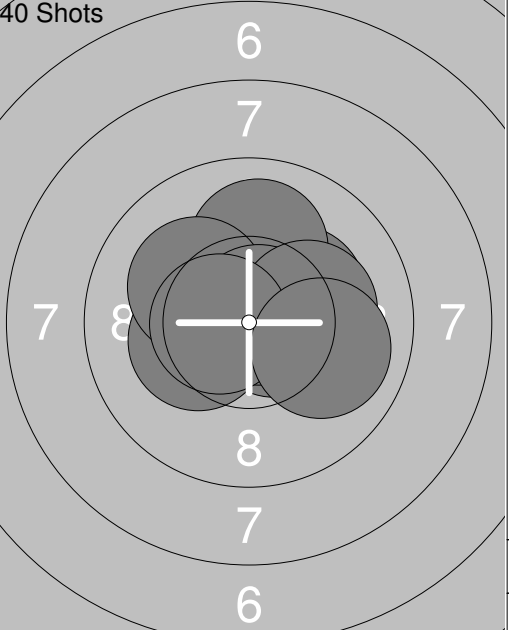
Sight	60 Shots		
	21: 8.2 ← 22: 10.3x ↓ 23: 9.4 →		1: 10.1 ↑ 2: 9.4 ↓ 3: 10.2x ← 4: 10.2x ↓ 5: 7.4 → 6: 7.8 ↑ 7: 9.8 ↓ 8: 9.3 ↑ 9: 7.2 ← 10: 8.5 →
<b>Series</b>	<b>27.9</b>	<b>Series</b>	<b>89.9</b>
<b>Total</b>	<b>0.0</b>	<b>Total</b>	<b>89.9</b>

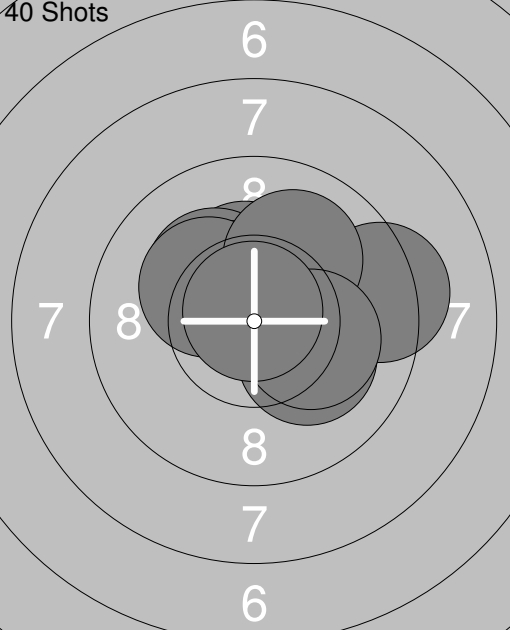
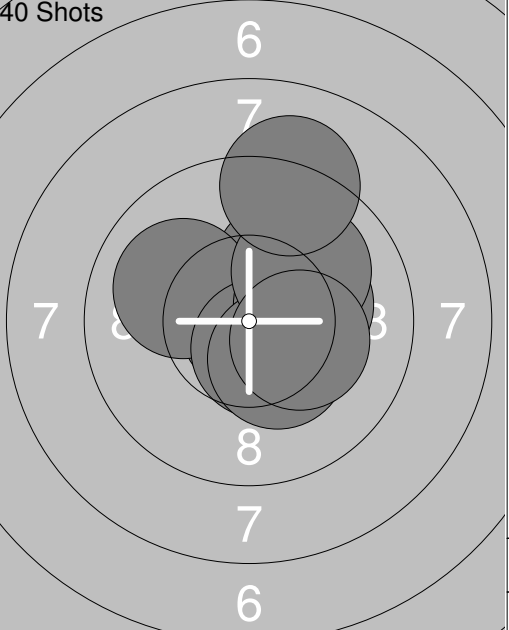
60 Shots	60 Shots		
	11: 9.6 ↓ 12: 9.0 → 13: 9.8 ← 14: 9.9 ↓ 15: 8.9 ↑ 16: 10.4x ↑ 17: 9.1 ↓ 18: 10.0 ↓ 19: 10.0 ↓ 20: 9.4 ←		21: 10.2x ← 22: 10.7x ← 23: 9.8 ↑ 24: 9.6 ↑ 25: 8.9 ↑ 26: 9.0 → 27: 10.1 ↑ 28: 8.9 → 29: 9.2 ↑ 30: 7.0 ←
<b>Series</b>	<b>96.1</b>	<b>Series</b>	<b>93.4</b>
<b>Total</b>	<b>186.0</b>	<b>Total</b>	<b>279.4</b>

60 Shots	60 Shots		
	31: 10.7x → 32: 9.1 → 33: 10.3x ↓ 34: 9.6 → 35: 10.6x → 36: 8.9 → 37: 10.5x ↓ 38: 9.4 ↑ 39: 9.1 → 40: 9.1 ↑		41: 9.3 ↑ 42: 9.9 ↑ 43: 10.7x ↑ 44: 10.6x ↓ 45: 9.7 ↑ 46: 10.7x ← 47: 10.2x ← 48: 10.4x ↑ 49: 10.1 ↑ 50: 9.1 ←
<b>Series</b>	<b>97.3</b>	<b>Series</b>	<b>100.7</b>
<b>Total</b>	<b>376.7</b>	<b>Total</b>	<b>477.4</b>

60 Shots			
	51: 9.0 ↑ 52: 10.9x ↓ 53: 9.9 ← 54: 10.1 ↑ 55: 10.2x ↑ 56: 9.7 ↑ 57: 9.2 ↑ 58: 9.5 ↑ 59: 9.6 ↓ 60: 9.4 →		
<b>Series</b>	<b>97.5</b>		
<b>Total</b>	<b>574.9</b>		

	<p>1: 9.6 ↓</p> <p>2: 10.3x ↓</p> <p>3: 9.6 ↙</p> <p>4: 10.1 ←</p> <p>5: 10.2x ↑</p> <p>6: 10.9x →</p> <p>7: 10.4x ↓</p> <p>8: 9.6 ↓</p> <p>9: 10.1 →</p> <p>10: 10.5x ↓</p>		<p>11: 9.6 ↘</p> <p>12: 10.0 →</p> <p>13: 9.5 →</p> <p>14: 9.7 ←</p> <p>15: 10.1 ↗</p> <p>16: 10.6x ↙</p> <p>17: 10.5x ↓</p> <p>18: 9.8 ←</p> <p>19: 10.2x ↙</p>
Series	101.3	Series	90.0
Total	0.0	Total	0.0

	<p>1: 10.8x →</p> <p>2: 10.0 ↗</p> <p>3: 9.8 ←</p> <p>4: 10.7x ↑</p> <p>5: 10.3x ←</p> <p>6: 10.2x ←</p> <p>7: 10.8x ↙</p> <p>8: 9.4 ↗</p> <p>9: 10.6x ↑</p> <p>10: 10.6x ↘</p>		<p>11: 10.4x ↖</p> <p>12: 10.6x →</p> <p>13: 10.3x ↙</p> <p>14: 10.3x ↗</p> <p>15: 10.0 ↑</p> <p>16: 10.2x ↙</p> <p>17: 10.8x ↗</p> <p>18: 10.2x →</p> <p>19: 10.6x ←</p> <p>20: 10.0 →</p>
Series	103.2	Series	103.4
Total	103.2	Total	206.6

	<p>21: 10.3x ↑</p> <p>22: 10.7x →</p> <p>23: 10.2x ↘</p> <p>24: 9.3 →</p> <p>25: 10.5x ↘</p> <p>26: 10.2x ↙</p> <p>27: 10.0 ↗</p> <p>28: 10.1 ↘</p> <p>29: 10.2x →</p> <p>30: 10.8x ↑</p>		<p>31: 10.6x →</p> <p>32: 10.2x ↗</p> <p>33: 10.9x ↓</p> <p>34: 10.0 ←</p> <p>35: 10.6x ↓</p> <p>36: 10.2x →</p> <p>37: 10.3x ↓</p> <p>38: 10.0 ↗</p> <p>39: 10.3x →</p> <p>40: 9.1 ↑</p>
Series	102.3	Series	102.2
Total	308.9	Total	411.1

<p>Sight</p>	<p>1: 10.2x ↓</p> <p>2: 10.2x ↓</p> <p>3: 10.7x →</p> <p>4: 9.6 ←</p> <p>5: 9.7 ↗</p> <p>6: 10.8x →</p> <p>7: 10.4x ↗</p> <p>8: 10.7x ↗</p> <p>9: 10.8x →</p> <p>10: 10.2x ↑</p>	<p>Sight</p>	<p>11: 9.8 ↑</p> <p>12: 10.6x ↑</p> <p>13: 9.9 ↓</p> <p>14: 10.2x ←</p> <p>15: 10.1 →</p> <p>16: 10.4x ←</p> <p>17: 10.0 ↓</p>
Series	103.3	Series	71.0
Total	0.0	Total	0.0

<p>40 Shots</p>	<p>1: 9.7 ↑</p> <p>2: 10.7x ←</p> <p>3: 10.5x ↑</p> <p>4: 10.2x →</p> <p>5: 10.1 ↗</p> <p>6: 10.4x →</p> <p>7: 10.5x ↑</p> <p>8: 10.3x ↓</p> <p>9: 10.6x ↓</p> <p>10: 10.2x ←</p>	<p>40 Shots</p>	<p>11: 9.8 ←</p> <p>12: 10.8x ↖</p> <p>13: 10.3x ↗</p> <p>14: 10.4x ←</p> <p>15: 10.5x ↑</p> <p>16: 10.2x ←</p> <p>17: 10.3x →</p> <p>18: 10.2x ↓</p> <p>19: 10.2x ↓</p> <p>20: 10.8x ↑</p>
Series	103.2	Series	103.5
Total	103.2	Total	206.7

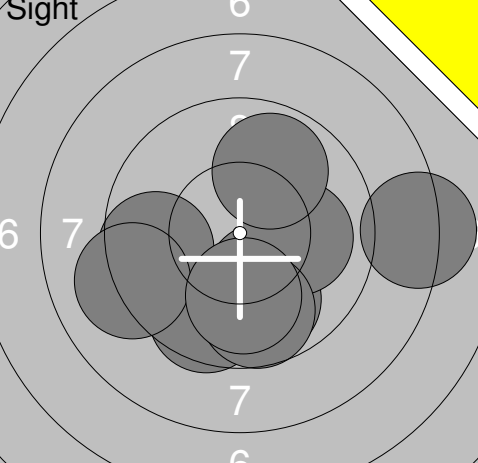
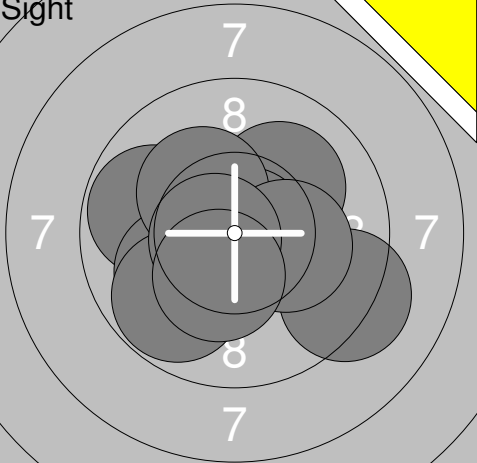
<p>40 Shots</p>	<p>21: 10.2x ↑</p> <p>22: 9.8 ←</p> <p>23: 10.0 ←</p> <p>24: 10.4x ↗</p> <p>25: 10.3x →</p> <p>26: 10.2x ↓</p> <p>27: 10.6x ↓</p> <p>28: 10.2x ↖</p> <p>29: 10.7x ↑</p> <p>30: 10.3x ↓</p>	<p>40 Shots</p>	<p>31: 10.6x →</p> <p>32: 10.0 ↗</p> <p>33: 9.9 ↖</p> <p>34: 10.4x ←</p> <p>35: 10.6x ←</p> <p>36: 10.8x ↓</p> <p>37: 10.2x ←</p> <p>38: 10.6x ←</p> <p>39: 10.5x ↓</p> <p>40: 10.3x ←</p>
Series	102.7	Series	103.9
Total	309.4	Total	413.3

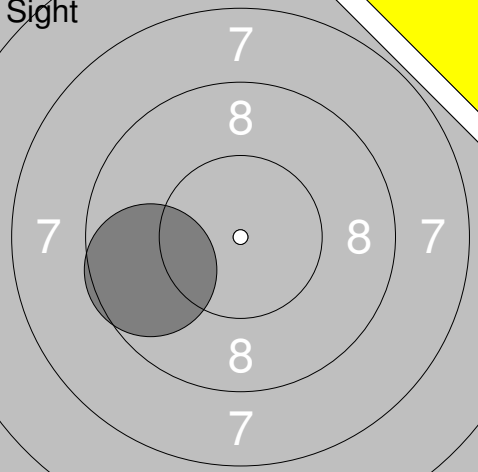



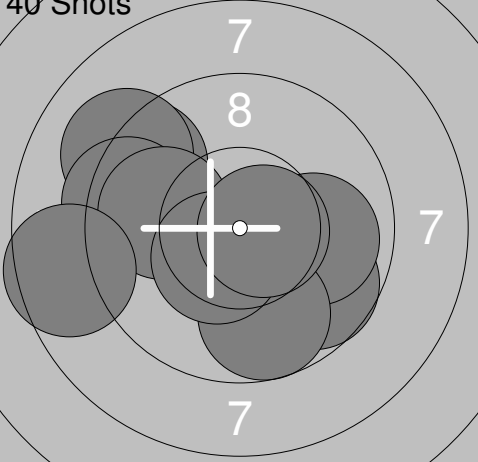
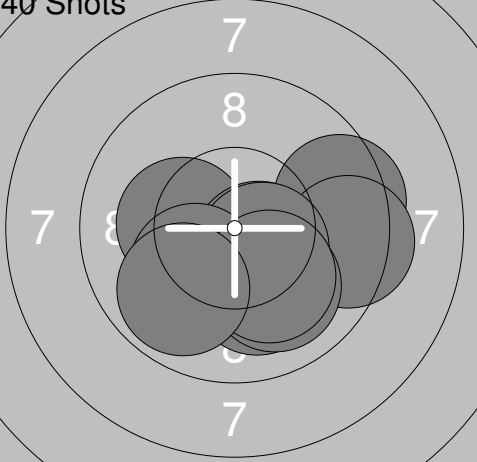
<p><b>Sight</b></p>	<p><b>Sight</b></p>
---------------------	---------------------

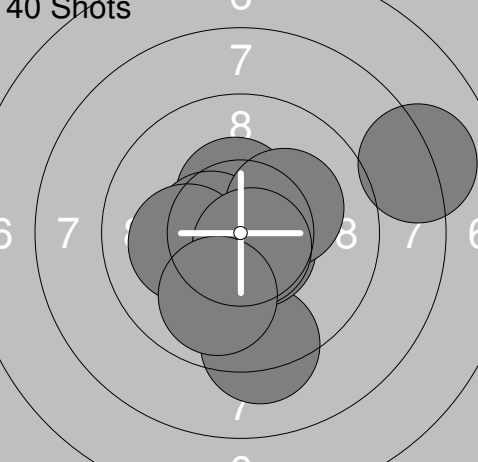
<p><b>40 Shots</b></p>	<p><b>40 Shots</b></p>
------------------------	------------------------

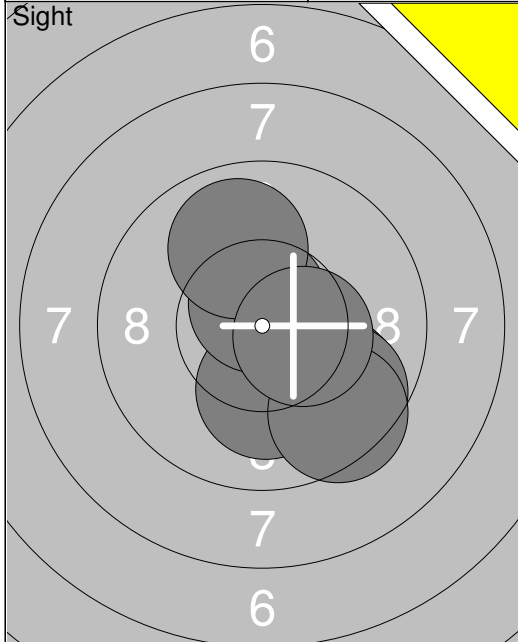
<p><b>40 Shots</b></p>	<p><b>40 Shots</b></p>
------------------------	------------------------

	<table border="1" style="width:100%; border-collapse: collapse;"> <tr><td>1:</td><td>10.1</td><td>↘</td></tr> <tr><td>2:</td><td>9.6</td><td>↘</td></tr> <tr><td>3:</td><td>9.9</td><td>↘</td></tr> <tr><td>4:</td><td>10.1</td><td>→</td></tr> <tr><td>5:</td><td>8.2</td><td>→</td></tr> <tr><td>6:</td><td>9.6</td><td>←</td></tr> <tr><td>7:</td><td>9.1</td><td>←</td></tr> <tr><td>8:</td><td>9.9</td><td>↗</td></tr> <tr><td>9:</td><td>9.7</td><td>↘</td></tr> <tr><td>10:</td><td>10.0</td><td>↓</td></tr> <tr><td colspan="2"><b>Series</b></td><td><b>96.2</b></td></tr> <tr><td colspan="2"><b>Total</b></td><td><b>0.0</b></td></tr> </table>	1:	10.1	↘	2:	9.6	↘	3:	9.9	↘	4:	10.1	→	5:	8.2	→	6:	9.6	←	7:	9.1	←	8:	9.9	↗	9:	9.7	↘	10:	10.0	↓	<b>Series</b>		<b>96.2</b>	<b>Total</b>		<b>0.0</b>	 <table border="1" style="width:100%; border-collapse: collapse;"> <tr><td>11:</td><td>10.1</td><td>↗</td></tr> <tr><td>12:</td><td>9.8</td><td>←</td></tr> <tr><td>13:</td><td>10.8x</td><td>→</td></tr> <tr><td>14:</td><td>9.2</td><td>↘</td></tr> <tr><td>15:</td><td>10.0</td><td>↘</td></tr> <tr><td>16:</td><td>9.8</td><td>↘</td></tr> <tr><td>17:</td><td>10.3x</td><td>↗</td></tr> <tr><td>18:</td><td>10.2x</td><td>→</td></tr> <tr><td>19:</td><td>10.7x</td><td>←</td></tr> <tr><td>20:</td><td>10.3x</td><td>↓</td></tr> <tr><td colspan="2"><b>Series</b></td><td><b>101.2</b></td></tr> <tr><td colspan="2"><b>Total</b></td><td><b>0.0</b></td></tr> </table>	11:	10.1	↗	12:	9.8	←	13:	10.8x	→	14:	9.2	↘	15:	10.0	↘	16:	9.8	↘	17:	10.3x	↗	18:	10.2x	→	19:	10.7x	←	20:	10.3x	↓	<b>Series</b>		<b>101.2</b>	<b>Total</b>		<b>0.0</b>
1:	10.1	↘																																																																								
2:	9.6	↘																																																																								
3:	9.9	↘																																																																								
4:	10.1	→																																																																								
5:	8.2	→																																																																								
6:	9.6	←																																																																								
7:	9.1	←																																																																								
8:	9.9	↗																																																																								
9:	9.7	↘																																																																								
10:	10.0	↓																																																																								
<b>Series</b>		<b>96.2</b>																																																																								
<b>Total</b>		<b>0.0</b>																																																																								
11:	10.1	↗																																																																								
12:	9.8	←																																																																								
13:	10.8x	→																																																																								
14:	9.2	↘																																																																								
15:	10.0	↘																																																																								
16:	9.8	↘																																																																								
17:	10.3x	↗																																																																								
18:	10.2x	→																																																																								
19:	10.7x	←																																																																								
20:	10.3x	↓																																																																								
<b>Series</b>		<b>101.2</b>																																																																								
<b>Total</b>		<b>0.0</b>																																																																								

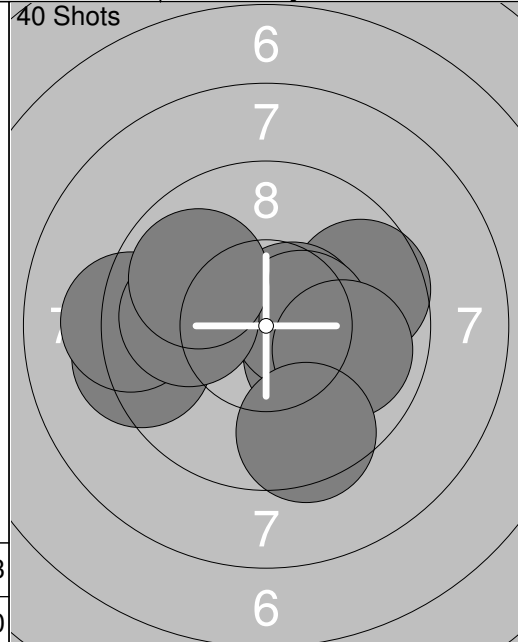
 <table border="1" style="width:100%; border-collapse: collapse;"> <tr><td>21:</td><td>9.7</td><td>←</td></tr> <tr><td colspan="2"><b>Series</b></td><td><b>9.7</b></td></tr> <tr><td colspan="2"><b>Total</b></td><td><b>0.0</b></td></tr> </table>	21:	9.7	←	<b>Series</b>		<b>9.7</b>	<b>Total</b>		<b>0.0</b>	 <table border="1" style="width:100%; border-collapse: collapse;"> <tr><td>1:</td><td>10.1</td><td>←</td></tr> <tr><td>2:</td><td>10.8x</td><td>↘</td></tr> <tr><td>3:</td><td>10.8x</td><td>↗</td></tr> <tr><td>4:</td><td>10.0</td><td>→</td></tr> <tr><td>5:</td><td>10.7x</td><td>↗</td></tr> <tr><td>6:</td><td>10.6x</td><td>↗</td></tr> <tr><td>7:</td><td>10.3x</td><td>↓</td></tr> <tr><td>8:</td><td>10.6x</td><td>←</td></tr> <tr><td>9:</td><td>10.6x</td><td>↓</td></tr> <tr><td>10:</td><td>10.2x</td><td>↓</td></tr> <tr><td colspan="2"><b>Series</b></td><td><b>104.7</b></td></tr> <tr><td colspan="2"><b>Total</b></td><td><b>104.7</b></td></tr> </table>	1:	10.1	←	2:	10.8x	↘	3:	10.8x	↗	4:	10.0	→	5:	10.7x	↗	6:	10.6x	↗	7:	10.3x	↓	8:	10.6x	←	9:	10.6x	↓	10:	10.2x	↓	<b>Series</b>		<b>104.7</b>	<b>Total</b>		<b>104.7</b>
21:	9.7	←																																												
<b>Series</b>		<b>9.7</b>																																												
<b>Total</b>		<b>0.0</b>																																												
1:	10.1	←																																												
2:	10.8x	↘																																												
3:	10.8x	↗																																												
4:	10.0	→																																												
5:	10.7x	↗																																												
6:	10.6x	↗																																												
7:	10.3x	↓																																												
8:	10.6x	←																																												
9:	10.6x	↓																																												
10:	10.2x	↓																																												
<b>Series</b>		<b>104.7</b>																																												
<b>Total</b>		<b>104.7</b>																																												

 <table border="1" style="width:100%; border-collapse: collapse;"> <tr><td>11:</td><td>9.4</td><td>↖</td></tr> <tr><td>12:</td><td>9.7</td><td>↘</td></tr> <tr><td>13:</td><td>9.1</td><td>↗</td></tr> <tr><td>14:</td><td>9.4</td><td>←</td></tr> <tr><td>15:</td><td>9.9</td><td>←</td></tr> <tr><td>16:</td><td>9.9</td><td>→</td></tr> <tr><td>17:</td><td>9.7</td><td>↓</td></tr> <tr><td>18:</td><td>8.6</td><td>←</td></tr> <tr><td>19:</td><td>10.4x</td><td>↘</td></tr> <tr><td>20:</td><td>10.6x</td><td>→</td></tr> <tr><td colspan="2"><b>Series</b></td><td><b>96.7</b></td></tr> <tr><td colspan="2"><b>Total</b></td><td><b>201.4</b></td></tr> </table>	11:	9.4	↖	12:	9.7	↘	13:	9.1	↗	14:	9.4	←	15:	9.9	←	16:	9.9	→	17:	9.7	↓	18:	8.6	←	19:	10.4x	↘	20:	10.6x	→	<b>Series</b>		<b>96.7</b>	<b>Total</b>		<b>201.4</b>	 <table border="1" style="width:100%; border-collapse: collapse;"> <tr><td>21:</td><td>10.2x</td><td>←</td></tr> <tr><td>22:</td><td>10.5x</td><td>↘</td></tr> <tr><td>23:</td><td>9.5</td><td>→</td></tr> <tr><td>24:</td><td>10.1</td><td>↓</td></tr> <tr><td>25:</td><td>9.4</td><td>→</td></tr> <tr><td>26:</td><td>10.5x</td><td>↘</td></tr> <tr><td>27:</td><td>10.0</td><td>↓</td></tr> <tr><td>28:</td><td>10.2x</td><td>↘</td></tr> <tr><td>29:</td><td>10.1</td><td>↘</td></tr> <tr><td>30:</td><td>9.9</td><td>↘</td></tr> <tr><td colspan="2"><b>Series</b></td><td><b>100.4</b></td></tr> <tr><td colspan="2"><b>Total</b></td><td><b>301.8</b></td></tr> </table>	21:	10.2x	←	22:	10.5x	↘	23:	9.5	→	24:	10.1	↓	25:	9.4	→	26:	10.5x	↘	27:	10.0	↓	28:	10.2x	↘	29:	10.1	↘	30:	9.9	↘	<b>Series</b>		<b>100.4</b>	<b>Total</b>		<b>301.8</b>
11:	9.4	↖																																																																							
12:	9.7	↘																																																																							
13:	9.1	↗																																																																							
14:	9.4	←																																																																							
15:	9.9	←																																																																							
16:	9.9	→																																																																							
17:	9.7	↓																																																																							
18:	8.6	←																																																																							
19:	10.4x	↘																																																																							
20:	10.6x	→																																																																							
<b>Series</b>		<b>96.7</b>																																																																							
<b>Total</b>		<b>201.4</b>																																																																							
21:	10.2x	←																																																																							
22:	10.5x	↘																																																																							
23:	9.5	→																																																																							
24:	10.1	↓																																																																							
25:	9.4	→																																																																							
26:	10.5x	↘																																																																							
27:	10.0	↓																																																																							
28:	10.2x	↘																																																																							
29:	10.1	↘																																																																							
30:	9.9	↘																																																																							
<b>Series</b>		<b>100.4</b>																																																																							
<b>Total</b>		<b>301.8</b>																																																																							

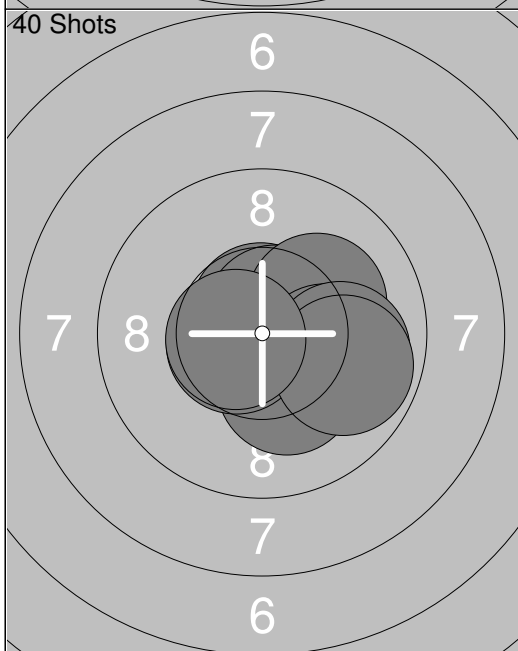
 <table border="1" style="width:100%; border-collapse: collapse;"> <tr><td>31:</td><td>9.2</td><td>↓</td></tr> <tr><td>32:</td><td>10.8x</td><td>↗</td></tr> <tr><td>33:</td><td>10.4x</td><td>↑</td></tr> <tr><td>34:</td><td>10.5x</td><td>←</td></tr> <tr><td>35:</td><td>10.1</td><td>←</td></tr> <tr><td>36:</td><td>10.6x</td><td>↘</td></tr> <tr><td>37:</td><td>10.2x</td><td>↗</td></tr> <tr><td>38:</td><td>8.1</td><td>→</td></tr> <tr><td>39:</td><td>10.7x</td><td>↘</td></tr> <tr><td>40:</td><td>9.9</td><td>↓</td></tr> <tr><td colspan="2"><b>Series</b></td><td><b>100.5</b></td></tr> <tr><td colspan="2"><b>Total</b></td><td><b>402.3</b></td></tr> </table>	31:	9.2	↓	32:	10.8x	↗	33:	10.4x	↑	34:	10.5x	←	35:	10.1	←	36:	10.6x	↘	37:	10.2x	↗	38:	8.1	→	39:	10.7x	↘	40:	9.9	↓	<b>Series</b>		<b>100.5</b>	<b>Total</b>		<b>402.3</b>		
31:	9.2	↓																																				
32:	10.8x	↗																																				
33:	10.4x	↑																																				
34:	10.5x	←																																				
35:	10.1	←																																				
36:	10.6x	↘																																				
37:	10.2x	↗																																				
38:	8.1	→																																				
39:	10.7x	↘																																				
40:	9.9	↓																																				
<b>Series</b>		<b>100.5</b>																																				
<b>Total</b>		<b>402.3</b>																																				



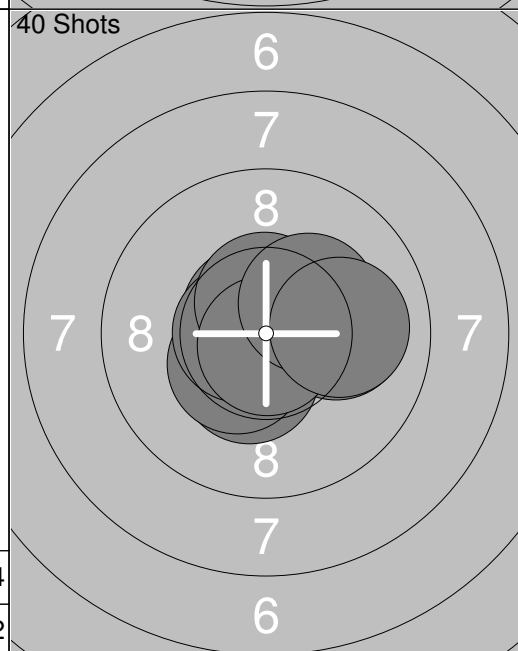
1: 9.8 ↘
2: 9.7 ↘
3: 10.2x ↓
4: 10.1 ↓
5: 10.7x ↑
6: 9.5 ↘
7: 9.9 ↑
8: 10.4x →
<b>Series</b> 80.3
<b>Total</b> 0.0



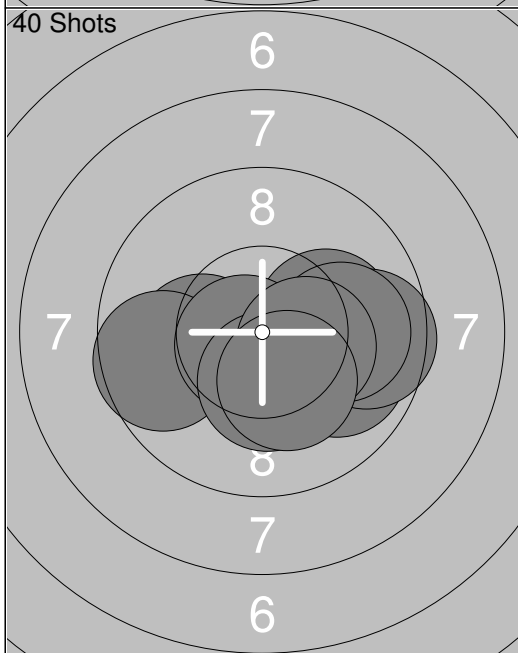
1: 9.3 ←
2: 9.7 →
3: 10.6x ↗
4: 10.2x ↘
5: 9.2 ←
6: 10.5x →
7: 9.9 →
8: 9.5 ↓
9: 10.0 ←
10: 9.9 ↖
<b>Series</b> 98.8
<b>Total</b> 98.8



11: 10.6x →
12: 10.7x ↑
13: 10.7x ↗
14: 10.2x ↗
15: 10.1 →
16: 9.9 →
17: 10.2x ↓
18: 10.6x ←
19: 9.8 →
20: 10.6x ←
<b>Series</b> 103.4
<b>Total</b> 202.2



21: 10.0 →
22: 10.6x ↖
23: 10.4x ↓
24: 10.4x ↙
25: 10.6x ←
26: 10.7x ↑
27: 10.6x ↑
28: 10.8x ↓
29: 10.3x ↗
30: 10.0 →
<b>Series</b> 104.4
<b>Total</b> 306.6

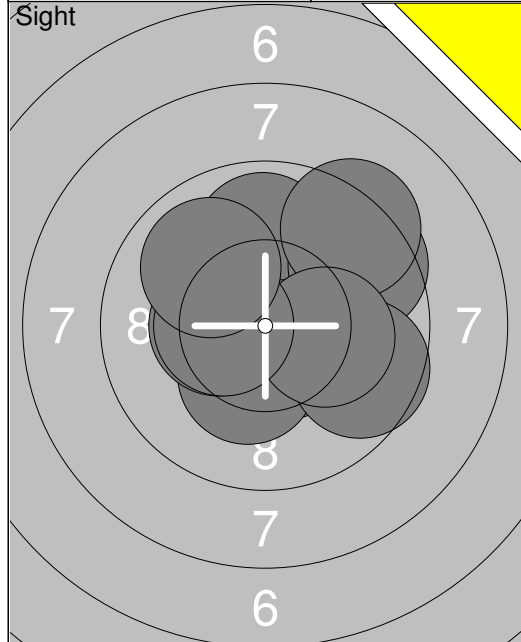


31: 9.9 →
32: 10.2x ←
33: 9.6 ←
34: 10.1 →
35: 9.6 →
36: 10.7x ↙
37: 10.0 →
38: 10.3x ↓
39: 10.4x →
40: 10.3x ↘
<b>Series</b> 101.1
<b>Total</b> 407.7

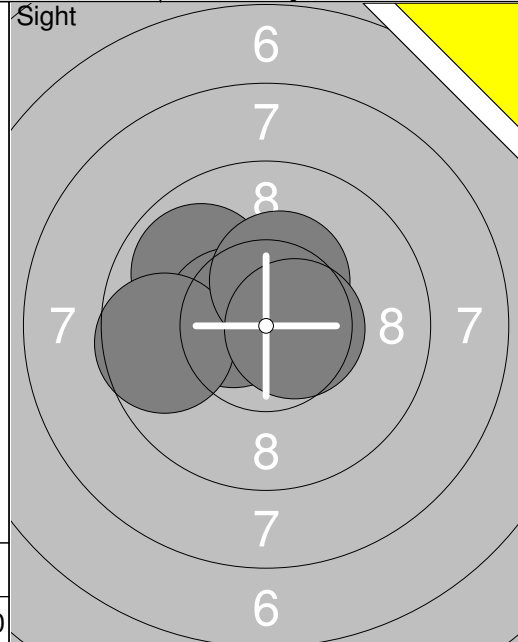
<p>Sight</p> <p style="text-align: center;">6 7 8 7 7 8 7 6</p>	<p>1: 10.4x ↖</p> <p>2: 10.3x →</p> <p>3: 10.4x →</p> <p>4: 10.0 ↖</p> <p>5: 9.7 ↖</p> <p>6: 10.8x ↑</p> <p>7: 10.6x →</p> <p>8: 10.7x ↑</p> <p>9: 10.1 ↙</p> <p>10: 10.2x →</p> <hr/> <p>Series 103.2</p> <p>Total 0.0</p>	<p>Sight</p> <p style="text-align: center;">6 7 8 7 8 8 7 8 7 6</p>	<p>11: 10.6x ↙</p> <p>12: 10.5x ↘</p> <hr/> <p>Series 21.1</p> <p>Total 0.0</p>
---	---	---	---

<p>40 Shots</p> <p style="text-align: center;">6 7 8 7 7 8 7 6</p>	<p>1: 10.4x →</p> <p>2: 9.8 →</p> <p>3: 10.4x ↙</p> <p>4: 10.4x →</p> <p>5: 10.7x ↖</p> <p>6: 9.1 ↖</p> <p>7: 9.8 →</p> <p>8: 9.3 ↑</p> <p>9: 10.7x ↙</p> <p>10: 10.6x ↑</p> <hr/> <p>Series 101.2</p> <p>Total 101.2</p>	<p>40 Shots</p> <p style="text-align: center;">6 7 8 7 8 7 8 7 6</p>	<p>11: 9.1 →</p> <p>12: 10.6x ↘</p> <p>13: 9.8 →</p> <p>14: 10.1 →</p> <p>15: 10.3x ↑</p> <p>16: 10.9x →</p> <p>17: 10.2x ↑</p> <p>18: 10.3x ↖</p> <p>19: 10.8x ↖</p> <p>20: 10.3x ↙</p> <hr/> <p>Series 102.4</p> <p>Total 203.6</p>
--	---	--	---

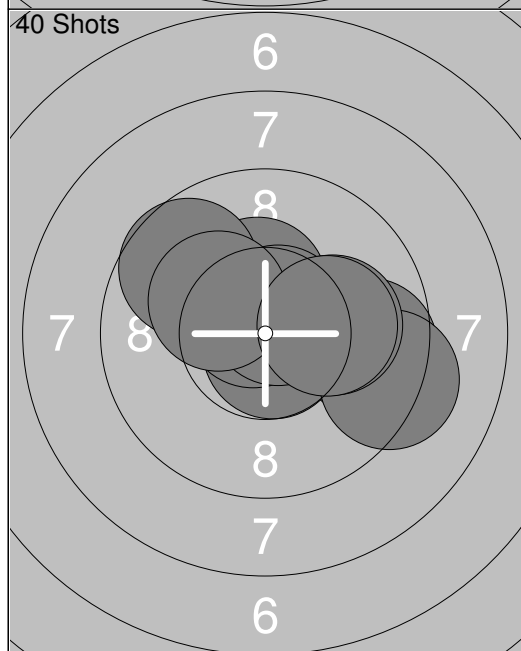
<p>40 Shots</p> <p style="text-align: center;">6 7 8 7 8 7 8 7 6</p>	<p>21: 9.1 ↖</p> <p>22: 10.1 ↘</p> <p>23: 10.2x →</p> <p>24: 9.9 ↖</p> <p>25: 10.0 ↖</p> <p>26: 10.7x ↑</p> <p>27: 10.6x ↗</p> <p>28: 9.7 ↘</p> <p>29: 10.1 ↘</p> <p>30: 9.5 ↖</p> <hr/> <p>Series 99.9</p> <p>Total 303.5</p>	<p>40 Shots</p> <p style="text-align: center;">6 7 8 7 8 7 8 7 6</p>	<p>31: 10.5x ↙</p> <p>32: 10.7x →</p> <p>33: 10.9x →</p> <p>34: 10.9x →</p> <p>35: 10.6x ↘</p> <p>36: 9.0 →</p> <p>37: 10.6x ↙</p> <p>38: 9.8 →</p> <p>39: 9.9 ↘</p> <p>40: 10.6x →</p> <hr/> <p>Series 103.5</p> <p>Total 407.0</p>
--	--	--	--



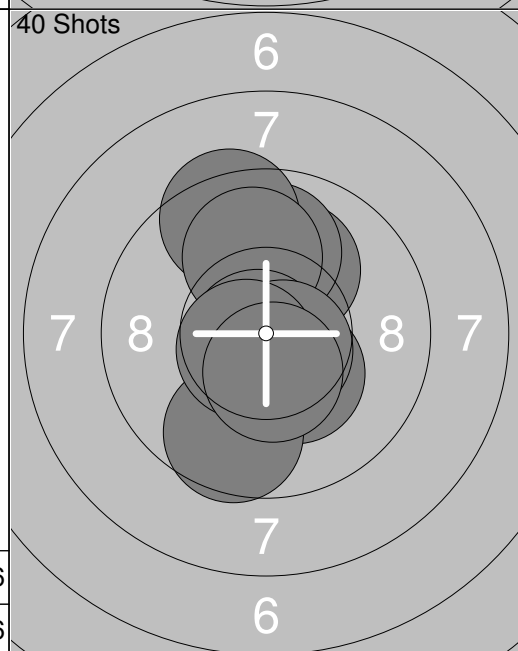
1: 9.9 ↑
2: 9.5 ↗
3: 10.6x ↓
4: 10.3x ↓
5: 10.4x ←
6: 9.6 →
7: 9.3 ↗
8: 10.2x →
9: 10.4x ←
10: 9.9 ↖
Series 100.1
Total 0.0



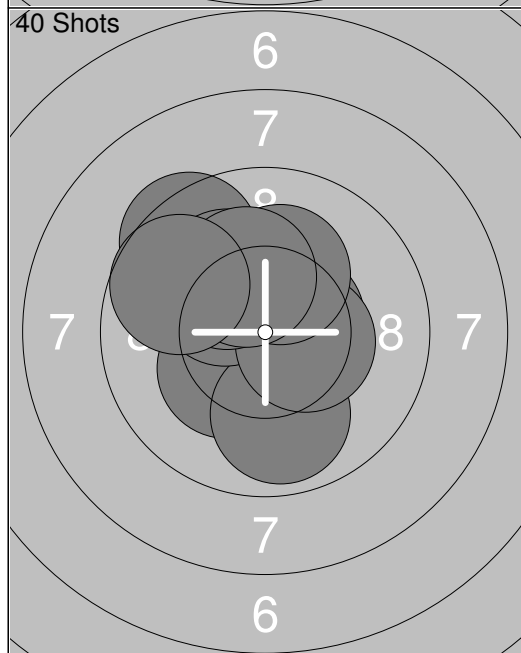
11: 9.9 ↖
12: 10.5x ↖
13: 9.6 ←
14: 10.4x ↑
15: 10.6x →
Series 51.0
Total 0.0



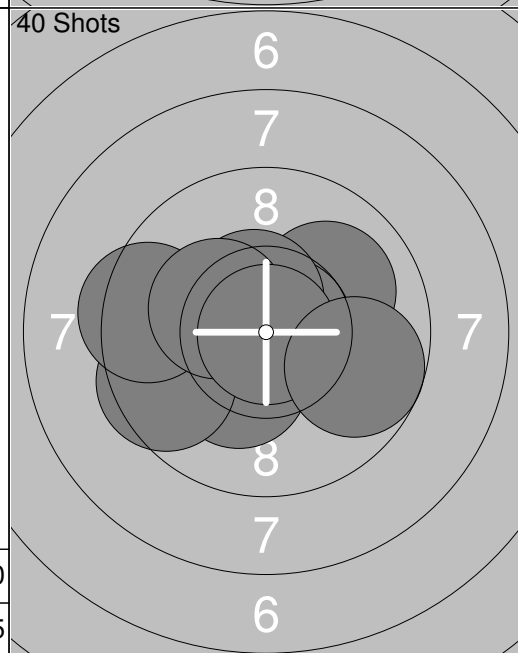
1: 10.4x ↑
2: 9.6 →
3: 10.7x ↓
4: 9.7 ↖
5: 10.7x ↖
6: 9.3 →
7: 10.7x ↗
8: 10.1 →
9: 10.2x ↖
10: 10.2x →
Series 101.6
Total 101.6



11: 10.1 ↑
12: 9.9 ↑
13: 10.3x ↓
14: 9.4 ↑
15: 10.0 ↑
16: 10.8x ↖
17: 10.7x ↓
18: 9.6 ↓
19: 10.6x ↖
20: 10.5x ↓
Series 101.9
Total 203.5

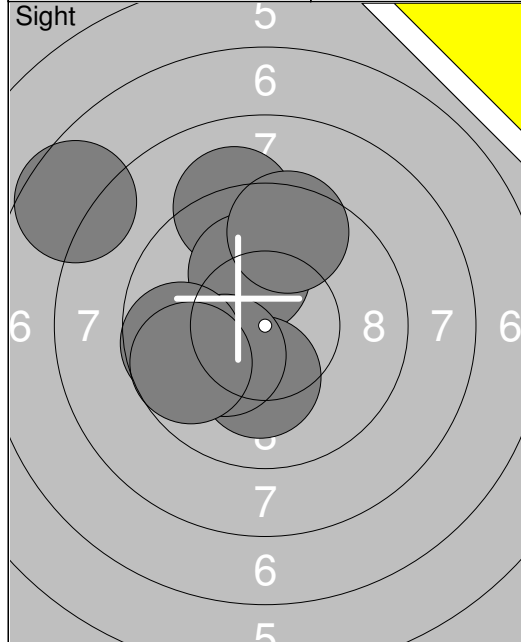


21: 10.5x →
22: 9.4 ↖
23: 10.3x ↖
24: 9.9 ↓
25: 10.3x ↖
26: 10.4x →
27: 10.2x ↑
28: 10.1 ↖
29: 10.2x ↑
30: 9.7 ↖
Series 101.0
Total 304.5

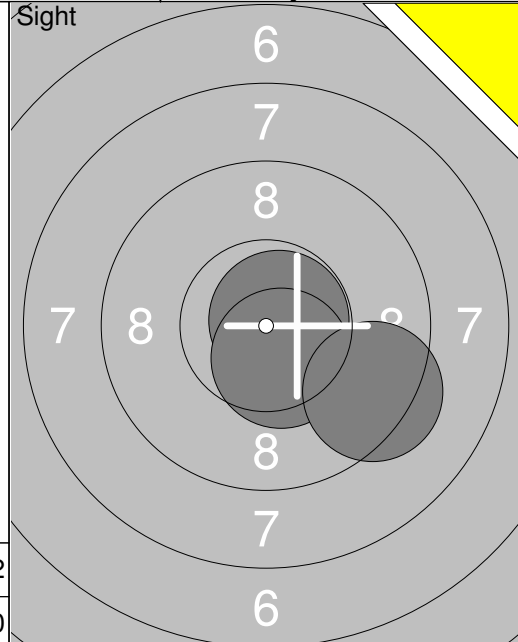


31: 10.0 ↗
32: 10.6x ↖
33: 10.7x →
34: 10.3x ↓
35: 9.5 ←
36: 9.4 ←
37: 10.5x ↑
38: 10.3x ↖
39: 10.9x ↓
40: 9.7 →
Series 101.9
Total 406.4

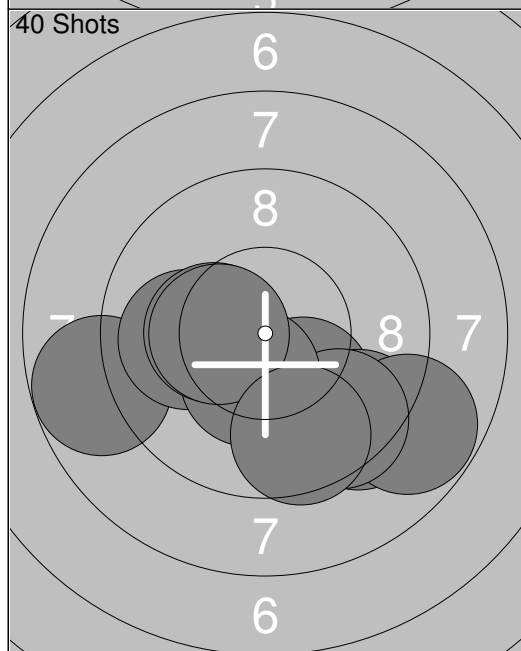




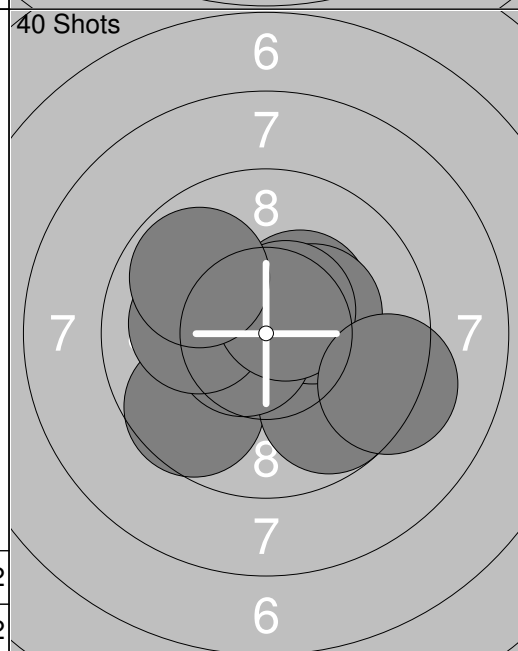
1: 7.6 ↖
3: 9.2 ↑
4: 10.1 ↑
5: 9.5 ↑
6: 10.2x ↓
7: 10.2x ↙
8: 9.7 ←
9: 9.7 ↙
<b>Series 76.2</b>
<b>Total 0.0</b>



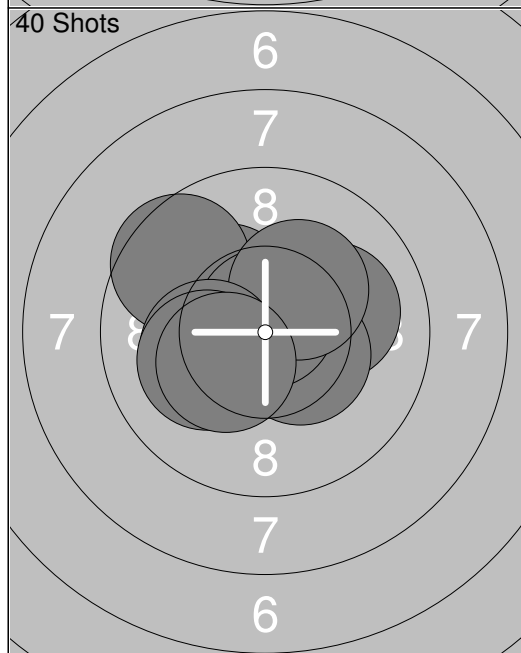
11: 10.8x →
12: 10.5x ↓
13: 9.4 ↘
<b>Series 30.7</b>
<b>Total 0.0</b>



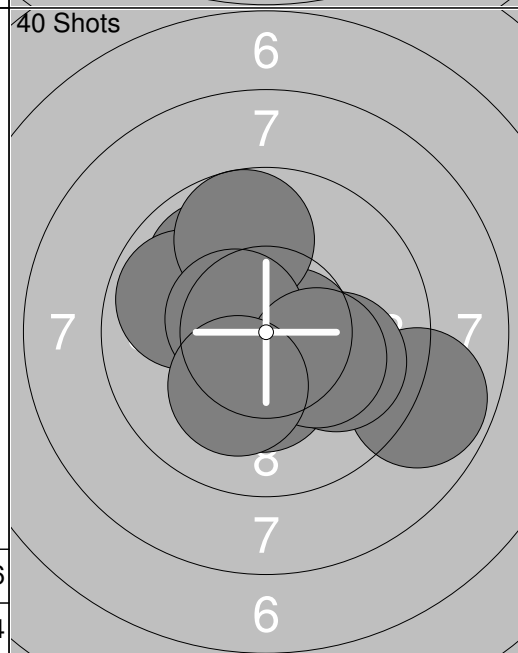
1: 10.1 ↓
2: 9.3 ↓
3: 8.8 ←
4: 10.0 ←
5: 8.8 ↘
6: 9.5 ↓
7: 10.4x ↓
8: 10.3x ←
9: 10.4x ←
10: 9.6 ↓
<b>Series 97.2</b>
<b>Total 97.2</b>



11: 9.6 ↙
12: 10.3x ↗
13: 10.3x →
14: 9.7 ↓
15: 10.3x →
16: 10.6x ↙
17: 10.1 ←
18: 10.6x ↗
19: 9.8 ↖
20: 9.3 →
<b>Series 100.6</b>
<b>Total 197.8</b>

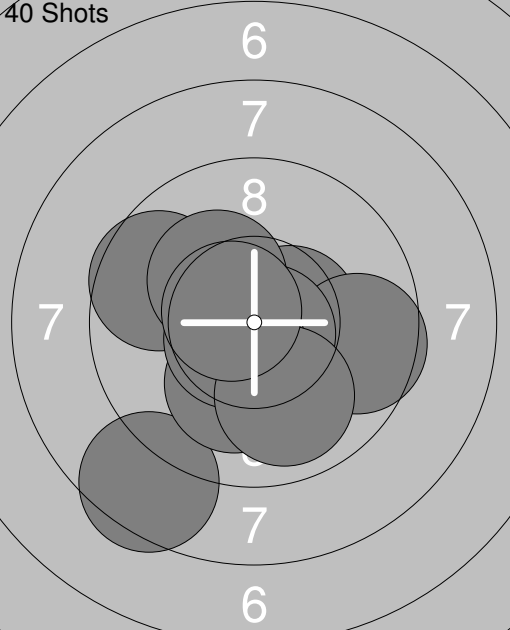
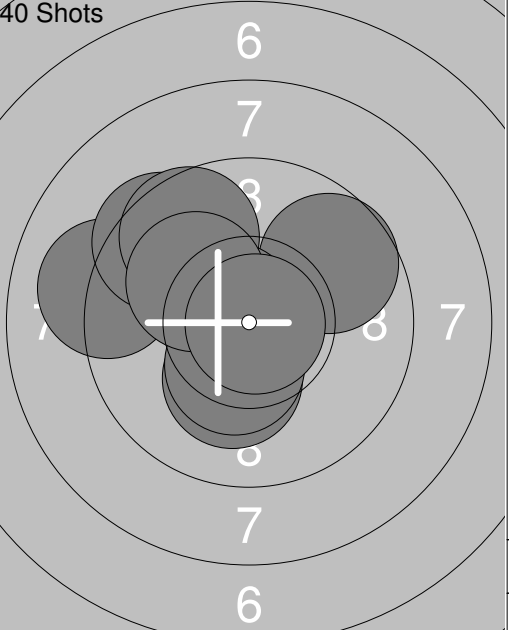


21: 10.6x ↑
22: 10.1 →
23: 10.4x ↘
24: 10.2x ↖
25: 9.6 ↖
26: 10.8x ↑
27: 10.3x ↗
28: 10.2x ←
29: 10.1 ←
30: 10.3x ↙
<b>Series 102.6</b>
<b>Total 300.4</b>

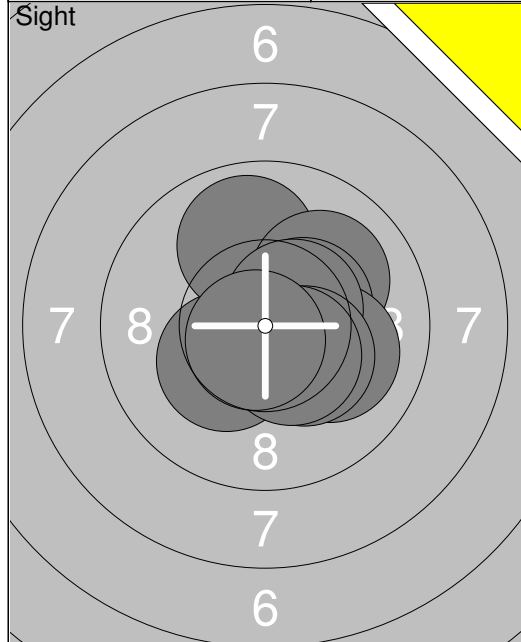


31: 10.3x ↓
32: 8.8 →
33: 9.9 ↗
34: 9.8 ↖
35: 10.0 →
36: 10.6x →
37: 9.7 ↑
38: 10.5x ↖
39: 10.2x ↘
40: 10.2x ↓
<b>Series 100.0</b>
<b>Total 400.4</b>

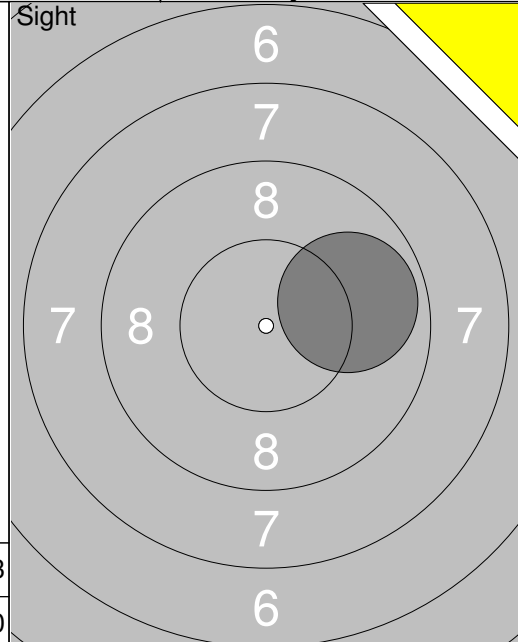
<p>Sight</p> 	<p>1: 9.3 ↙ 2: 9.9 → 3: 9.6 ↘ 4: 8.9 ← 5: 9.2 ↘ 6: 8.8 ↘ 7: 10.5x ↗ 8: 8.0 ← 9: 9.0 ↓ 10: 9.8 ↓</p> <p>Series 93.0 Total 0.0</p>	<p>Sight</p> 	<p>11: 9.2 ↙ 12: 9.1 ← 13: 9.1 ↓ 14: 9.7 ↖</p> <p>Series 37.1 Total 0.0</p>
---	--	---	---

<p>40 Shots</p> 	<p>1: 10.5x → 2: 9.6 → 3: 10.8x ↘ 4: 9.6 ↖ 5: 8.5 ↓ 6: 10.1 ↓ 7: 10.6x ↙ 8: 9.9 ↓ 9: 10.2x ↗ 10: 10.6x ↖</p> <p>Series 100.4 Total 100.4</p>	<p>40 Shots</p> 	<p>11: 9.6 ↖ 12: 9.1 ← 13: 10.2x ↓ 14: 9.7 ↗ 15: 10.7x ↖ 16: 9.4 ↖ 17: 10.4x ↓ 18: 9.6 ↗ 19: 10.1 ↖ 20: 10.9x →</p> <p>Series 99.7 Total 200.1</p>
---	--	---	--

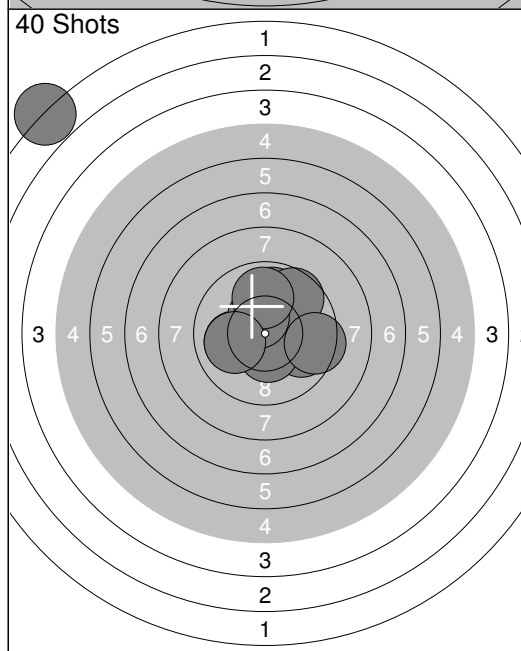
<p>40 Shots</p> 	<p>21: 9.9 ↙ 22: 9.1 → 23: 9.3 ↗ 24: 9.0 ↗ 25: 8.2 ← 26: 8.7 ↗ 27: 10.4x → 28: 8.5 → 29: 9.1 ← 30: 9.9 ↓</p> <p>Series 92.1 Total 292.2</p>	<p>40 Shots</p> 	<p>31: 10.7x ↓ 32: 9.3 ↗ 33: 10.0 ↗ 34: 9.2 → 35: 10.1 ↗ 36: 9.6 ← 37: 10.1 ↙ 38: 8.9 ← 39: 9.9 ↙ 40: 9.7 ↖</p> <p>Series 97.5 Total 389.7</p>
--	---	--	--



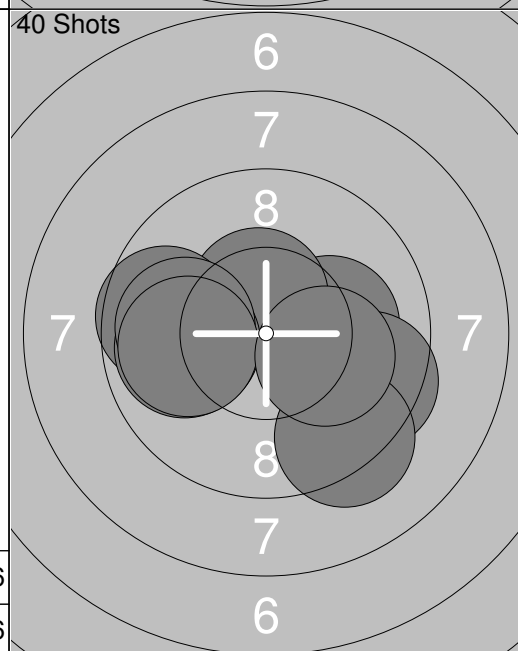
1: 10.3x ↙
2: 9.9 ↑
3: 10.0 ↗
4: 10.7x →
5: 10.4x ↗
6: 10.1 →
7: 10.5x ↗
8: 10.3x ↘
9: 10.4x ↘
10: 10.7x ↘
Series 103.3
Total 0.0



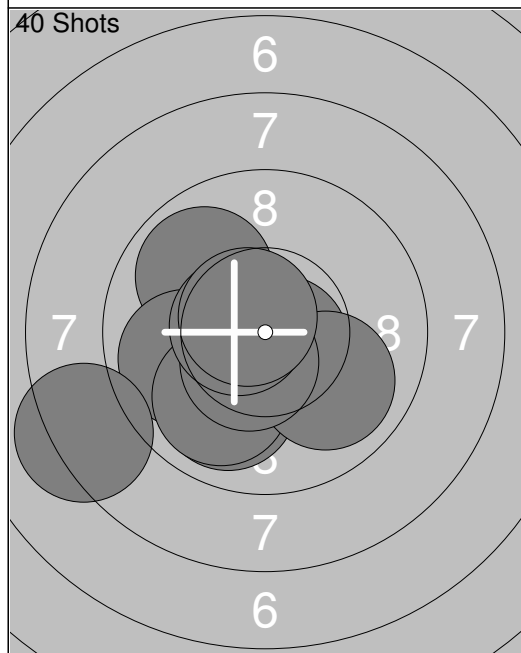
11: 9.9 →
Series 9.9
Total 0.0



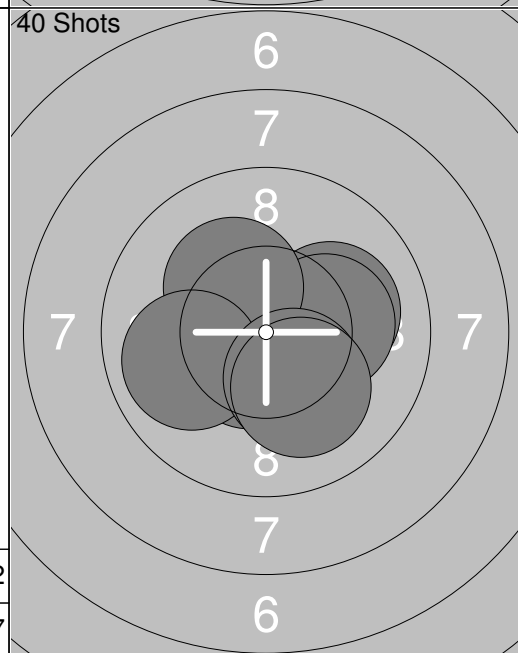
1: 9.8 →
2: 10.4x ↓
3: 10.0 ←
4: 9.9 ↑
5: 9.7 ↗
6: 10.5x ↗
7: 1.9 ↗
8: 9.9 ↑
9: 10.0 ←
10: 9.5 →
Series 91.6
Total 91.6



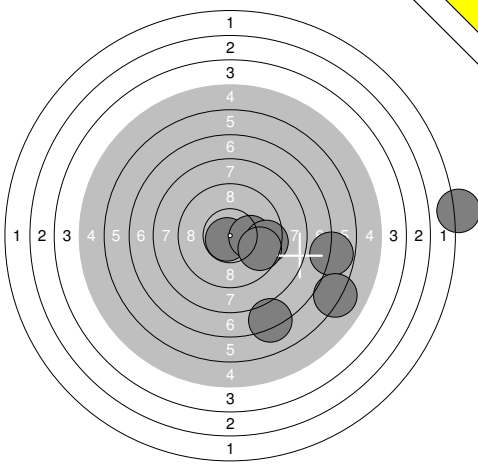
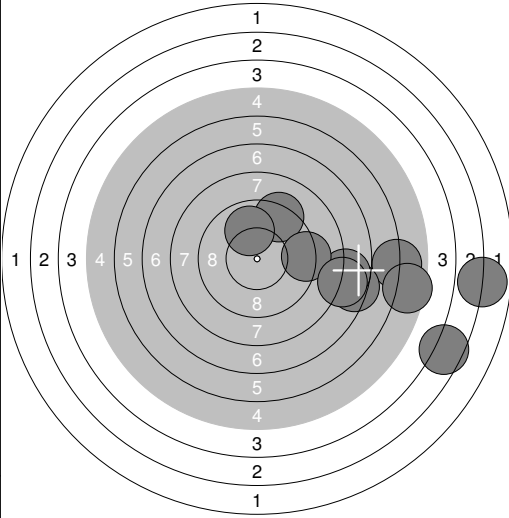
11: 10.1 →
12: 9.5 →
13: 10.5x ↑
14: 9.7 ←
15: 10.0 ←
16: 9.3 ↓
17: 9.9 ←
18: 9.9 ←
19: 9.9 ←
20: 10.1 →
Series 98.9
Total 190.5

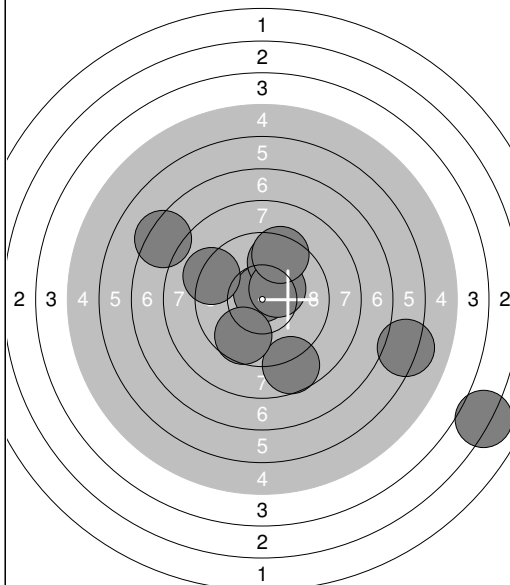
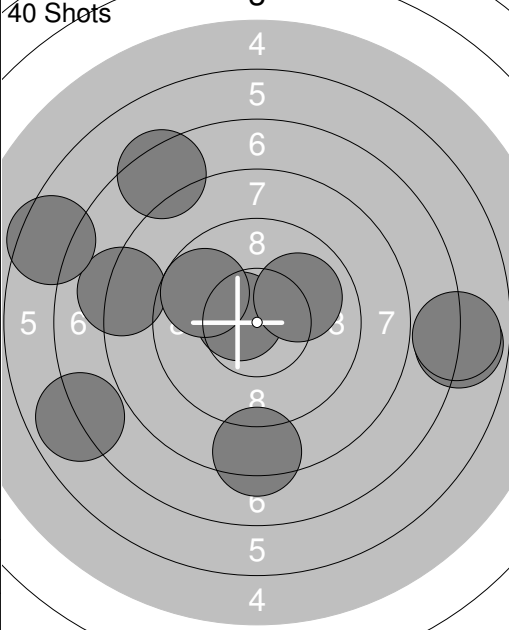


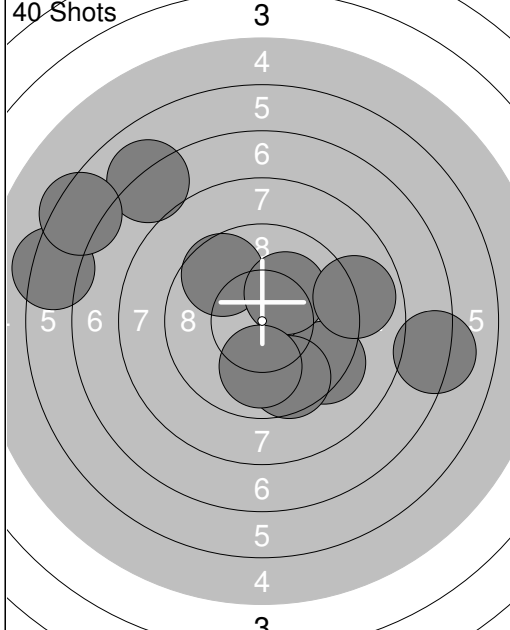
21: 9.9 ↓
22: 9.9 ↗
23: 9.9 ←
24: 9.9 ↓
25: 10.7x ↘
26: 8.3 ←
27: 9.9 ↘
28: 10.5x ↓
29: 10.6x ←
30: 10.6x ↗
Series 100.2
Total 290.7

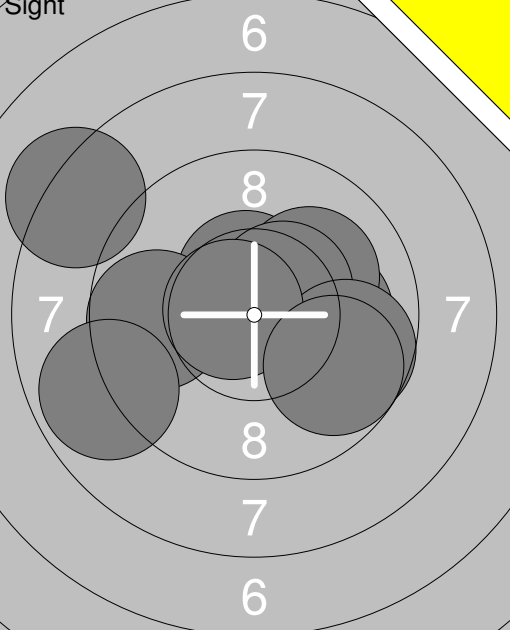
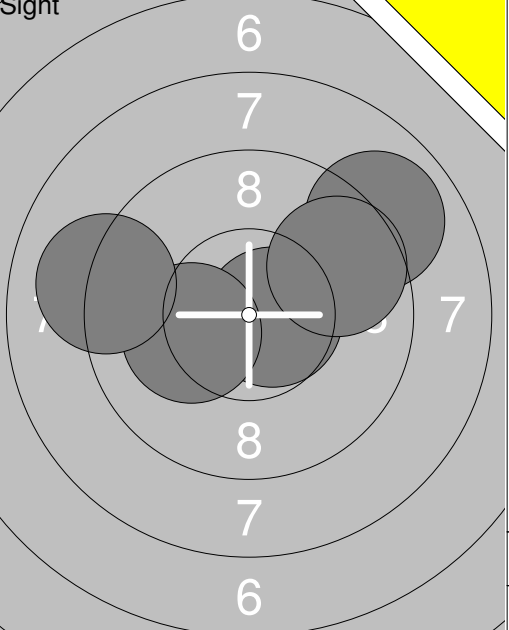


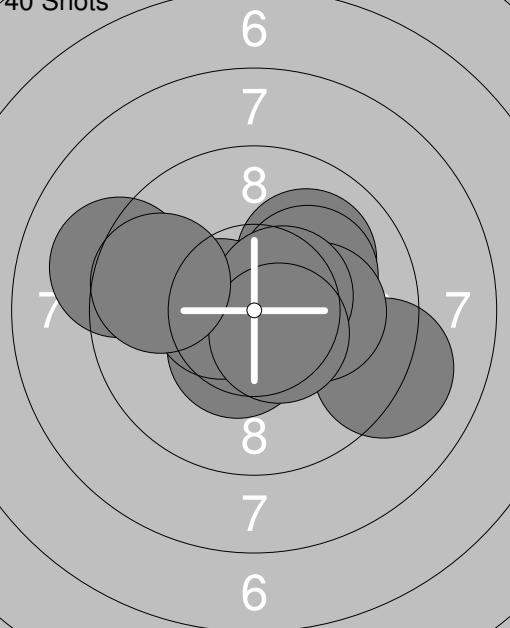
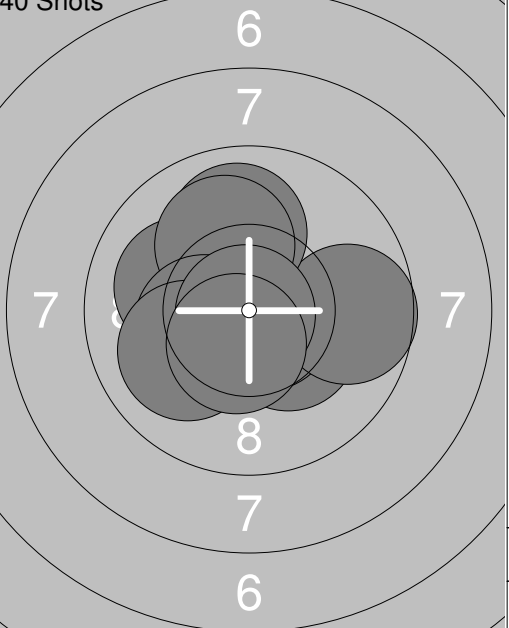
31: 10.3x ↙
32: 10.4x ↓
33: 10.4x ↗
34: 10.1 →
35: 10.2x →
36: 10.6x ↓
37: 10.2x ↗
38: 9.9 ←
39: 10.3x ↓
40: 10.1 ↓
Series 102.5
Total 393.2

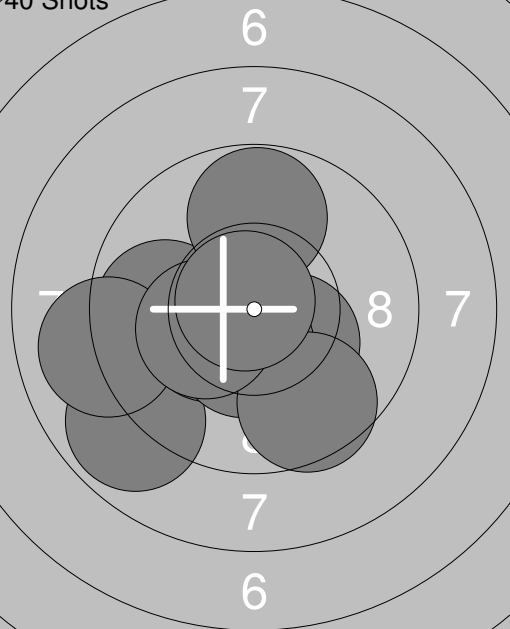
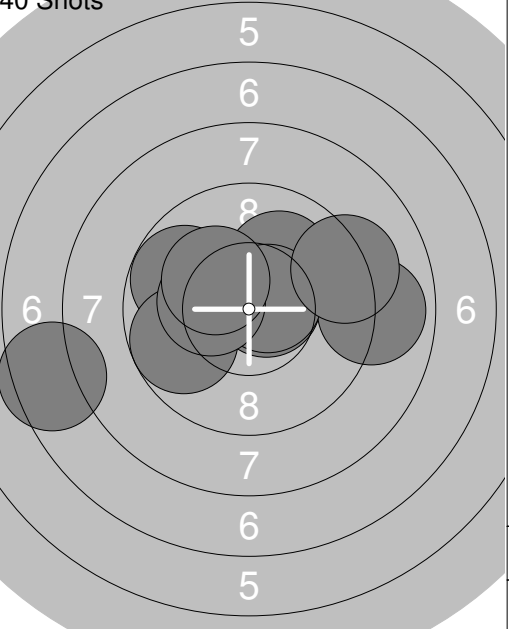
<p><b>Sight</b></p> 	<p>1: 10.7x ↘ 2: 10.1 → 3: 9.5 → 4: 9.7 → 5: 7.2 ↘ 6: 6.8 → 7: 6.1 ↘ 8: 1.7 →</p> <p>Series 61.8 Total 0.0</p>	<p><b>40 Shots</b></p>  <p>1: 3.5 → 2: 6.0 → 3: 7.3 → 4: 9.3 ↗ 5: 7.8 → 6: 9.2 → 7: 2.9 → 8: 5.5 → 9: 7.8 → 10: 9.9 ↗</p> <p>Series 69.2 Total 69.2</p>
---	--	---

<p><b>40 Shots</b></p> 	<p>11: 6.2 → 12: 3.1 → 13: 10.8x ↑ 14: 9.2 ↖ 15: 9.7 ↗ 16: 10.4x ↗ 17: 7.3 ↖ 18: 8.7 ↘ 19: 9.4 ↗ 20: 9.7 ↘</p> <p>Series 84.5 Total 153.7</p>	<p><b>40 Shots</b></p>  <p>21: 10.6x ↖ 22: 6.9 ↖ 23: 8.1 ↖ 24: 6.5 ↖ 25: 8.3 ↓ 26: 6.9 → 27: 7.4 ↗ 28: 6.9 → 29: 10.0 ↗ 30: 9.7 ↖</p> <p>Series 81.3 Total 235.0</p>
--	---	---

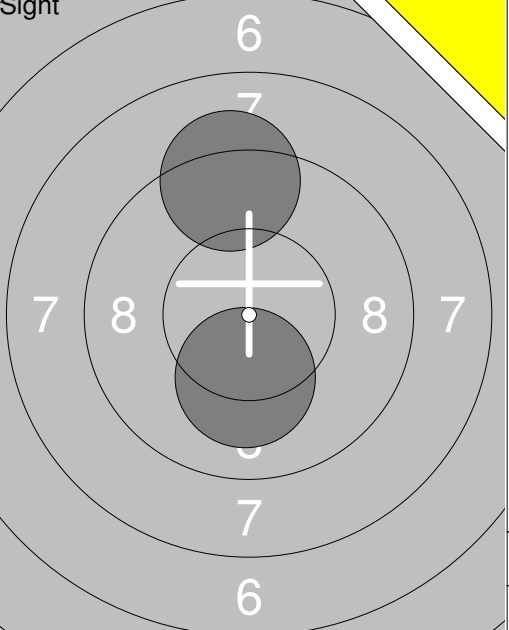
<p><b>40 Shots</b></p> 	<p>31: 9.3 ↘ 32: 9.6 ↘ 33: 7.1 ↗ 34: 6.3 ↖ 35: 9.7 ↗ 36: 10.2x ↗ 37: 7.2 → 38: 10.0 ↓ 39: 6.4 ↖ 40: 8.9 →</p> <p>Series 84.7 Total 319.7</p>	
---	--	--

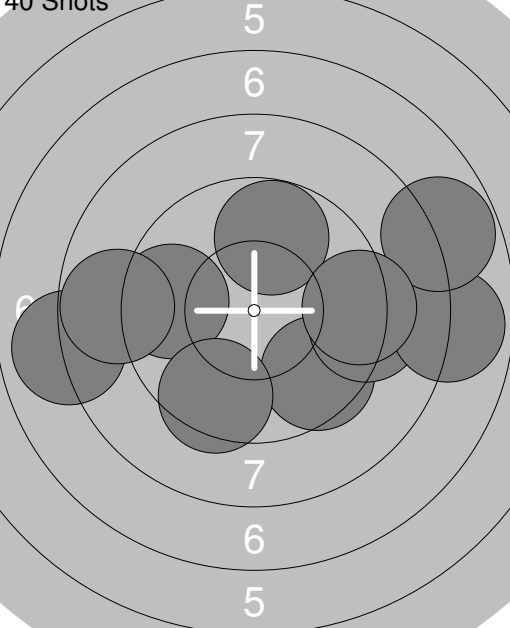
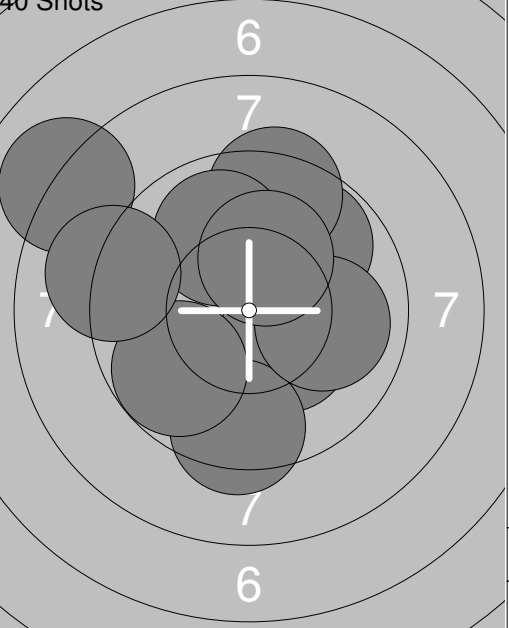
<p>Sight</p> 	<p>1: 8.2 ↖ 2: 10.5x ↑ 3: 10.1 → 4: 9.7 ← 5: 10.1 ↗ 6: 10.5x ↗ 7: 8.9 ← 8: 9.7 → 9: 10.7x ↙ 10: 9.7 ↘</p> <p>Series 98.1 Total 0.0</p>	<p>Sight</p> 	<p>11: 10.6x → 12: 8.9 ↗ 13: 10.2x ↙ 14: 9.1 ← 15: 9.7 ↗</p> <p>Series 48.5 Total 0.0</p>
---	--	---	---

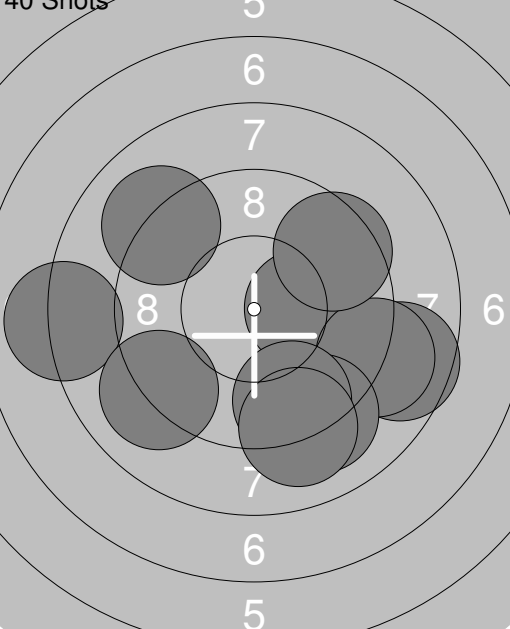
<p>40 Shots</p> 	<p>1: 10.0 ↗ 2: 9.1 → 3: 10.1 ↗ 4: 9.1 ← 5: 10.2x → 6: 10.4x ↘ 7: 10.5x ← 8: 10.5x ↗ 9: 10.5x ↘ 10: 9.7 ←</p> <p>Series 100.1 Total 100.1</p>	<p>40 Shots</p> 	<p>11: 10.3x ↘ 12: 10.7x ↘ 13: 9.7 → 14: 10.1 ← 15: 10.0 ↑ 16: 10.1 ↑ 17: 10.4x ← 18: 10.0 ← 19: 10.9x ↘ 20: 10.5x ↘</p> <p>Series 102.7 Total 202.8</p>
---	---	---	--

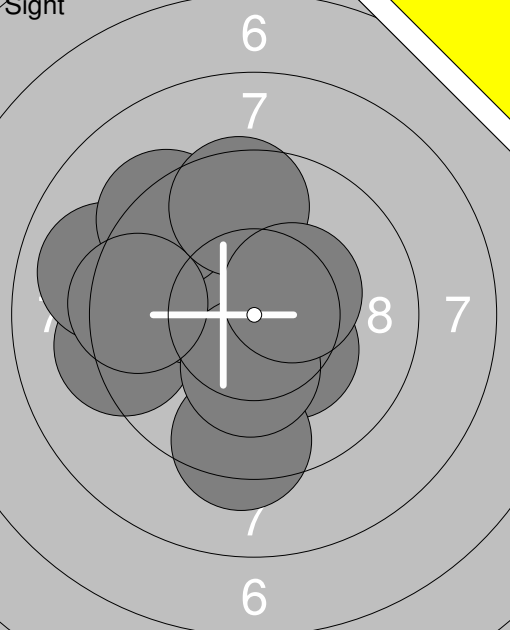
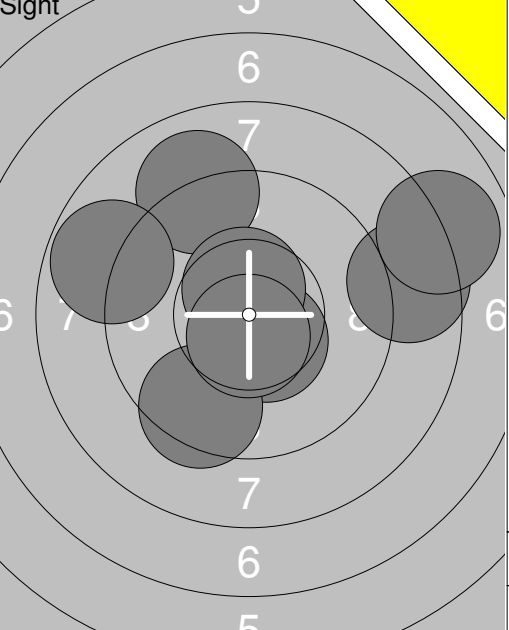
<p>40 Shots</p> 	<p>21: 9.8 ← 22: 9.8 ↑ 23: 8.9 ↘ 24: 10.3x ↙ 25: 9.0 ← 26: 10.3x ↘ 27: 10.4x ↘ 28: 9.6 ↘ 29: 10.3x ↙ 30: 10.8x ↘</p> <p>Series 99.2 Total 302.0</p>	<p>40 Shots</p> 	<p>31: 10.6x → 32: 8.9 → 33: 9.8 ← 34: 10.1 ↗ 35: 7.5 ← 36: 9.8 ← 37: 10.6x ↗ 38: 10.3x ↙ 39: 9.2 ↗ 40: 10.2x ↘</p> <p>Series 97.0 Total 399.0</p>
--	---	--	--

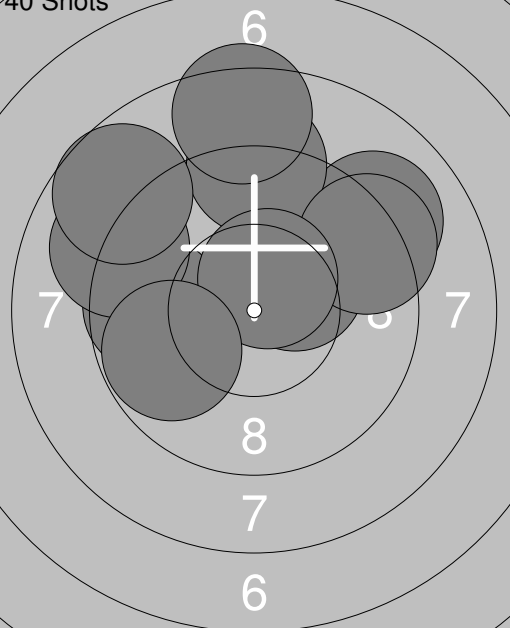
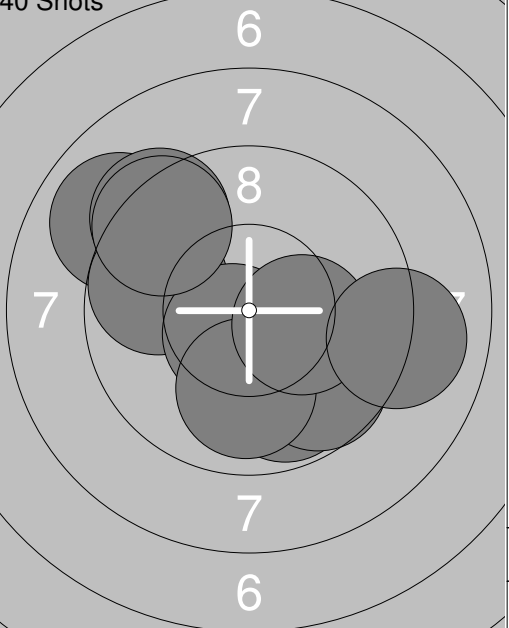


	1: 9.7 ↗ 2: 7.9 ↘ 3: 10.1 ↓ 4: 9.7 ↘ 5: 10.4x → 6: 10.0 ↗ 7: 9.3 ↗ 8: 9.8 ↑ 9: 10.7x ↙ 10: 9.4 →		11: 9.2 ↑ 12: 10.1 ↓
Series	97.0	Series	19.3
Total	0.0	Total	0.0

	1: 9.5 ↘ 2: 9.2 → 3: 8.0 ← 4: 7.9 → 5: 7.8 → 6: 9.6 ← 7: 9.5 ↓ 8: 9.8 ↑ 9: 8.8 ← 10: 9.3 →		11: 9.8 ↗ 12: 9.4 ↑ 13: 10.3x ↘ 14: 8.0 ↙ 15: 9.4 ↓ 16: 9.8 ↙ 17: 9.9 ↑ 18: 10.0 → 19: 9.1 ← 20: 10.2x ↑
Series	89.4	Series	95.9
Total	89.4	Total	185.3

	21: 10.2x → 22: 8.1 ← 23: 8.6 → 24: 9.0 → 25: 9.5 ↗ 26: 9.1 ↘ 27: 9.5 ↘ 28: 9.1 ↗ 29: 9.1 ↘ 30: 9.1 ↓		31: 10.7x ← 32: 10.0 ↓ 33: 9.1 ↗ 34: 9.1 ↙ 35: 9.1 → 36: 9.5 ↘ 37: 9.3 ↑ 38: 10.0 ↗ 39: 10.0 ↙ 40: 6.9 ←
Series	91.3	Series	93.7
Total	276.6	Total	370.3

<p>Sight</p> 	<p>1: 9.2 ← 2: 10.3x ↘ 3: 9.3 ↓ 4: 10.2x ↙ 5: 10.3x ↓ 6: 9.0 ← 7: 9.3 ↗ 8: 9.5 ← 9: 9.6 ↑ 10: 10.4x ↗</p> <p>Series 97.1 Total 0.0</p>	<p>Sight</p> 	<p>11: 10.5x ↘ 12: 9.0 ↗ 13: 9.4 ↓ 14: 8.6 → 15: 8.8 ↙ 16: 8.0 ↗ 17: 10.6x ↑ 18: 10.6x ↓</p> <p>Series 75.5 Total 0.0</p>
---	--	---	---

<p>40 Shots</p> 	<p>1: 9.1 ↗ 2: 10.3x ↗ 3: 9.1 ↑ 4: 9.7 ← 5: 9.1 ↙ 6: 9.3 ↗ 7: 8.4 ↑ 8: 10.5x ↗ 9: 9.8 ← 10: 8.7 ↙</p> <p>Series 94.0 Total 94.0</p>	<p>40 Shots</p> 	<p>11: 9.0 ↙ 12: 9.7 ← 13: 9.8 ↓ 14: 9.7 ↘ 15: 10.6x ↘ 16: 9.3 ↗ 17: 10.0 ↓ 18: 10.3x → 19: 9.4 ↗ 20: 9.0 →</p> <p>Series 96.8 Total 190.8</p>
---	---	---	--

<p>40 Shots</p> 	<p>21: 10.0 ← 22: 9.8 ← 23: 10.3x ↗ 24: 10.3x ↙ 25: 9.2 → 26: 8.8 → 27: 10.9x ↗ 28: 9.8 ↙ 29: 10.5x ↓ 30: 8.0 ↓</p> <p>Series 97.6 Total 288.4</p>	<p>40 Shots</p> 	<p>31: 10.1 ↓ 32: 9.0 ↙ 33: 10.5x ↘ 34: 8.8 ← 35: 10.1 → 36: 7.3 ← 37: 10.5x ↓ 38: 9.1 ↗ 39: 10.2x ↘ 40: 7.3 ↓</p> <p>Series 92.9 Total 381.3</p>
--	--	--	---