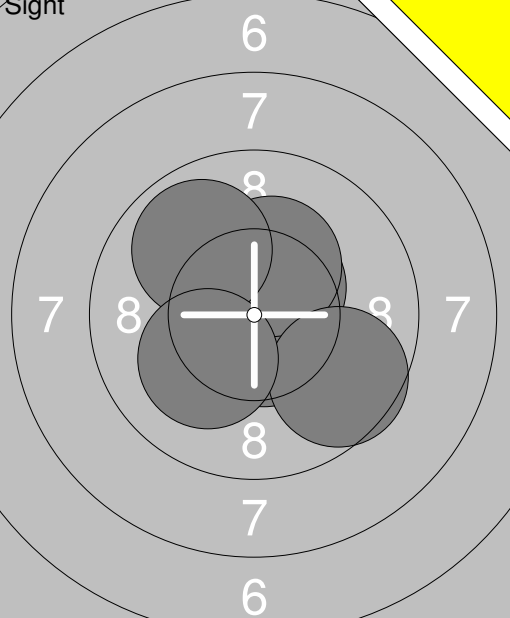
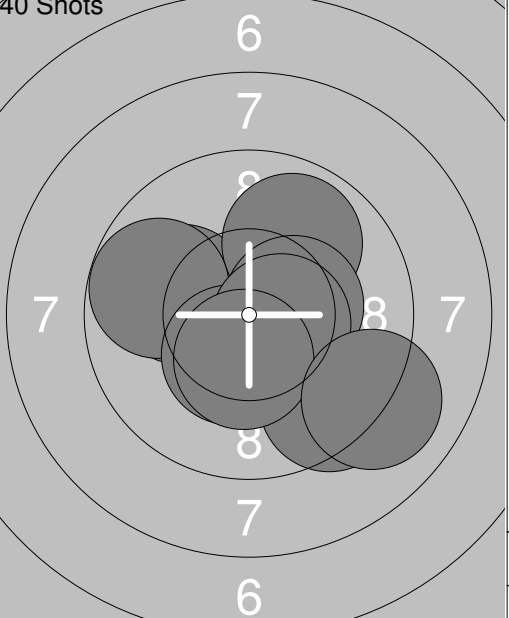
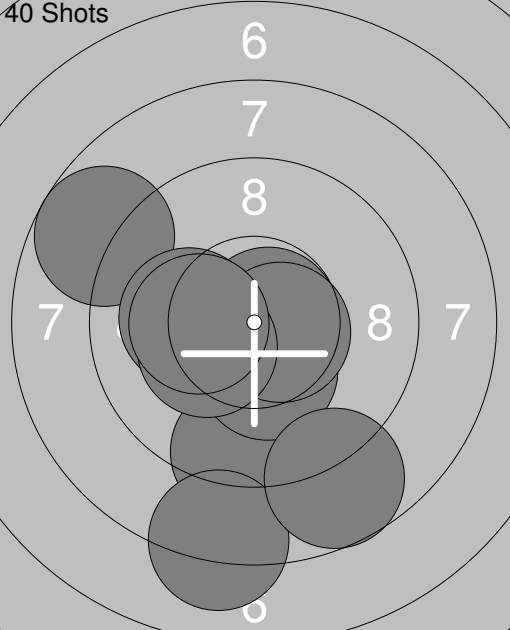
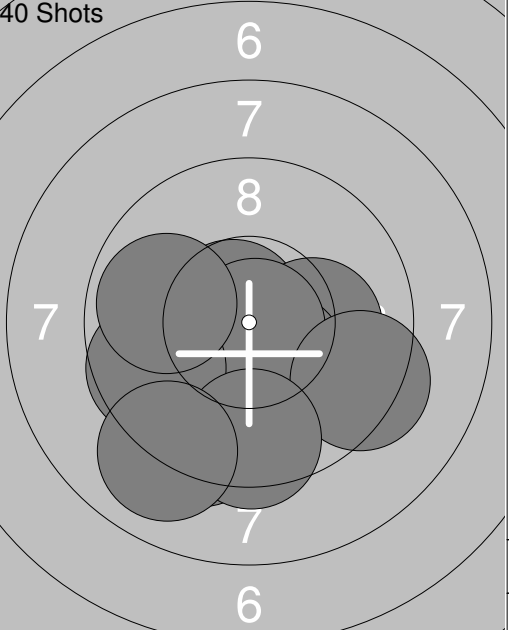


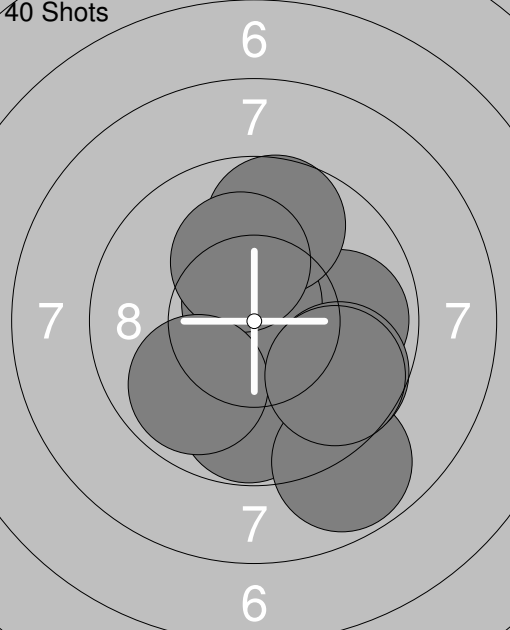
<p>Sight</p>	<p>Sight</p>	
--------------	--------------	--

<p>40 Shots</p>	<p>40 Shots</p>	
-----------------	-----------------	--

<p>40 Shots</p>	<p>40 Shots</p>	
-----------------	-----------------	--

 <p style="text-align: center;">Sight</p>	<p>40 Shots</p> <table style="width:100%;"> <tr><td>1: 10.5x ↗</td></tr> <tr><td>2: 10.7x ↓</td></tr> <tr><td>3: 10.6x ↓</td></tr> <tr><td>4: 10.3x ↑</td></tr> <tr><td>5: 9.6 ↘</td></tr> <tr><td>6: 9.9 ↗</td></tr> <tr><td>7: 10.1 ↙</td></tr> </table> <table style="width:100%; border-top: 1px solid black;"> <tr><td style="text-align: right;">Series</td><td style="text-align: left;">68.0</td></tr> <tr><td style="text-align: right;">Total</td><td style="text-align: left;">0.0</td></tr> </table>	1: 10.5x ↗	2: 10.7x ↓	3: 10.6x ↓	4: 10.3x ↑	5: 9.6 ↘	6: 9.9 ↗	7: 10.1 ↙	Series	68.0	Total	0.0	 <p style="text-align: center;">40 Shots</p> <table style="width:100%;"> <tr><td>1: 10.5x ↓</td></tr> <tr><td>2: 10.0 ↖</td></tr> <tr><td>3: 9.4 ↘</td></tr> <tr><td>4: 9.9 ↗</td></tr> <tr><td>5: 9.8 ↖</td></tr> <tr><td>6: 10.4x →</td></tr> <tr><td>7: 10.4x ↓</td></tr> <tr><td>8: 10.5x →</td></tr> <tr><td>9: 10.4x ↓</td></tr> <tr><td>10: 9.0 ↘</td></tr> </table> <table style="width:100%; border-top: 1px solid black;"> <tr><td style="text-align: right;">Series</td><td style="text-align: left;">96.0</td></tr> <tr><td style="text-align: right;">Total</td><td style="text-align: left;">96.0</td></tr> </table>	1: 10.5x ↓	2: 10.0 ↖	3: 9.4 ↘	4: 9.9 ↗	5: 9.8 ↖	6: 10.4x →	7: 10.4x ↓	8: 10.5x →	9: 10.4x ↓	10: 9.0 ↘	Series	96.0	Total	96.0
1: 10.5x ↗																											
2: 10.7x ↓																											
3: 10.6x ↓																											
4: 10.3x ↑																											
5: 9.6 ↘																											
6: 9.9 ↗																											
7: 10.1 ↙																											
Series	68.0																										
Total	0.0																										
1: 10.5x ↓																											
2: 10.0 ↖																											
3: 9.4 ↘																											
4: 9.9 ↗																											
5: 9.8 ↖																											
6: 10.4x →																											
7: 10.4x ↓																											
8: 10.5x →																											
9: 10.4x ↓																											
10: 9.0 ↘																											
Series	96.0																										
Total	96.0																										

 <p style="text-align: center;">40 Shots</p>	<p>40 Shots</p> <table style="width:100%;"> <tr><td>11: 10.8x →</td></tr> <tr><td>12: 8.7 ↖</td></tr> <tr><td>13: 9.3 ↓</td></tr> <tr><td>14: 10.3x ↓</td></tr> <tr><td>15: 10.1 ↖</td></tr> <tr><td>16: 10.6x →</td></tr> <tr><td>17: 8.1 ↓</td></tr> <tr><td>18: 10.3x ↖</td></tr> <tr><td>19: 8.7 ↓</td></tr> <tr><td>20: 10.2x ↖</td></tr> </table> <table style="width:100%; border-top: 1px solid black;"> <tr><td style="text-align: right;">Series</td><td style="text-align: left;">93.0</td></tr> <tr><td style="text-align: right;">Total</td><td style="text-align: left;">189.0</td></tr> </table>	11: 10.8x →	12: 8.7 ↖	13: 9.3 ↓	14: 10.3x ↓	15: 10.1 ↖	16: 10.6x →	17: 8.1 ↓	18: 10.3x ↖	19: 8.7 ↓	20: 10.2x ↖	Series	93.0	Total	189.0	 <p style="text-align: center;">40 Shots</p> <table style="width:100%;"> <tr><td>21: 10.7x ↖</td></tr> <tr><td>22: 10.1 →</td></tr> <tr><td>23: 9.4 ↓</td></tr> <tr><td>24: 10.3x ↓</td></tr> <tr><td>25: 10.8x ↘</td></tr> <tr><td>26: 9.6 ↖</td></tr> <tr><td>27: 9.3 ↘</td></tr> <tr><td>28: 9.5 ↓</td></tr> <tr><td>29: 9.9 ↖</td></tr> <tr><td>30: 9.0 ↙</td></tr> </table> <table style="width:100%; border-top: 1px solid black;"> <tr><td style="text-align: right;">Series</td><td style="text-align: left;">94.0</td></tr> <tr><td style="text-align: right;">Total</td><td style="text-align: left;">283.0</td></tr> </table>	21: 10.7x ↖	22: 10.1 →	23: 9.4 ↓	24: 10.3x ↓	25: 10.8x ↘	26: 9.6 ↖	27: 9.3 ↘	28: 9.5 ↓	29: 9.9 ↖	30: 9.0 ↙	Series	94.0	Total	283.0
11: 10.8x →																														
12: 8.7 ↖																														
13: 9.3 ↓																														
14: 10.3x ↓																														
15: 10.1 ↖																														
16: 10.6x →																														
17: 8.1 ↓																														
18: 10.3x ↖																														
19: 8.7 ↓																														
20: 10.2x ↖																														
Series	93.0																													
Total	189.0																													
21: 10.7x ↖																														
22: 10.1 →																														
23: 9.4 ↓																														
24: 10.3x ↓																														
25: 10.8x ↘																														
26: 9.6 ↖																														
27: 9.3 ↘																														
28: 9.5 ↓																														
29: 9.9 ↖																														
30: 9.0 ↙																														
Series	94.0																													
Total	283.0																													

 <p style="text-align: center;">40 Shots</p>	<p>40 Shots</p> <table style="width:100%;"> <tr><td>31: 10.5x ↓</td></tr> <tr><td>32: 9.8 ↓</td></tr> <tr><td>33: 8.8 ↓</td></tr> <tr><td>34: 9.9 →</td></tr> <tr><td>35: 10.7x ↑</td></tr> <tr><td>36: 9.7 ↑</td></tr> <tr><td>37: 10.2x ↑</td></tr> <tr><td>38: 9.7 ↘</td></tr> <tr><td>39: 9.9 ↙</td></tr> <tr><td>40: 9.7 ↘</td></tr> </table> <table style="width:100%; border-top: 1px solid black;"> <tr><td style="text-align: right;">Series</td><td style="text-align: left;">92.0</td></tr> <tr><td style="text-align: right;">Total</td><td style="text-align: left;">375.0</td></tr> </table>	31: 10.5x ↓	32: 9.8 ↓	33: 8.8 ↓	34: 9.9 →	35: 10.7x ↑	36: 9.7 ↑	37: 10.2x ↑	38: 9.7 ↘	39: 9.9 ↙	40: 9.7 ↘	Series	92.0	Total	375.0	
31: 10.5x ↓																
32: 9.8 ↓																
33: 8.8 ↓																
34: 9.9 →																
35: 10.7x ↑																
36: 9.7 ↑																
37: 10.2x ↑																
38: 9.7 ↘																
39: 9.9 ↙																
40: 9.7 ↘																
Series	92.0															
Total	375.0															

	<p>Sight</p> <p>1: 9.6 ↙ 2: 9.9 ↙ 3: 9.4 ↘ 4: 9.0 → 5: 6.8 ↗ 6: 9.7 → 7: 10.0 ← 8: 10.5x ↗ 9: 9.7 ↘ 10: 10.4x ↖</p> <p>Series 90.0 Total 0.0</p>		<p>Sight</p> <p>11: 9.6 ↖ 12: 10.2x ↑</p> <p>Series 19.0 Total 0.0</p>
--	--	--	--

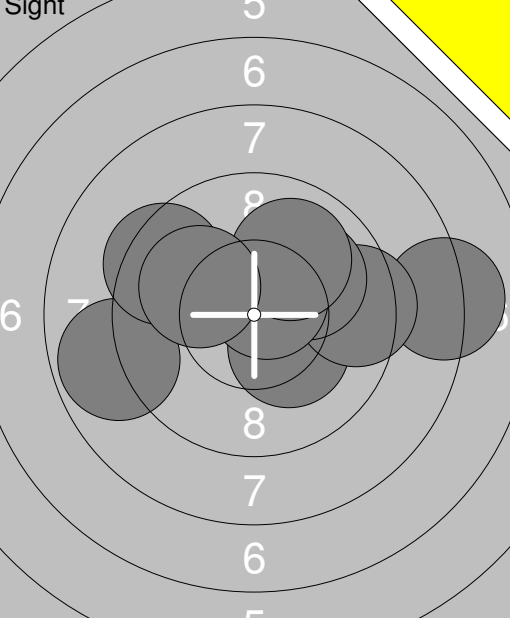
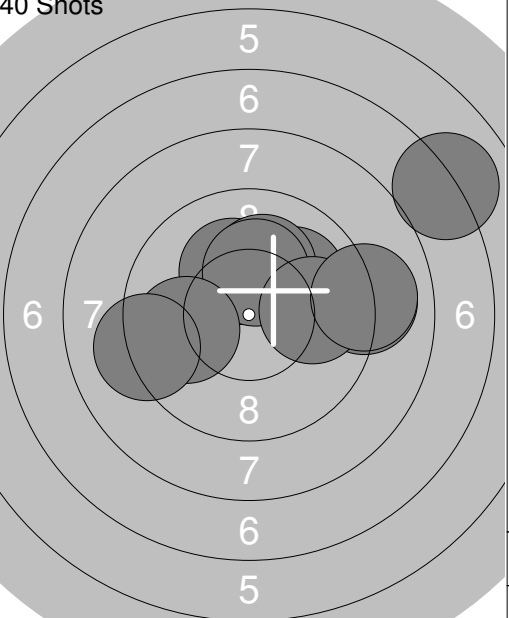
	<p>40 Shots</p> <p>1: 9.1 ↗ 2: 9.3 ↗ 3: 9.6 ↗ 4: 10.9x ↘ 5: 9.3 → 6: 10.1 ↗ 7: 9.7 ↗ 8: 9.3 ← 9: 9.7 ← 10: 10.5x ↘</p> <p>Series 93.0 Total 93.0</p>		<p>40 Shots</p> <p>11: 9.2 ← 12: 8.0 ↘ 13: 9.5 ← 14: 8.7 ↘ 15: 9.6 ↘ 16: 10.0 → 17: 9.9 ← 18: 9.8 ↘ 19: 9.8 ← 20: 9.8 ↘</p> <p>Series 89.0 Total 182.0</p>
--	--	--	--

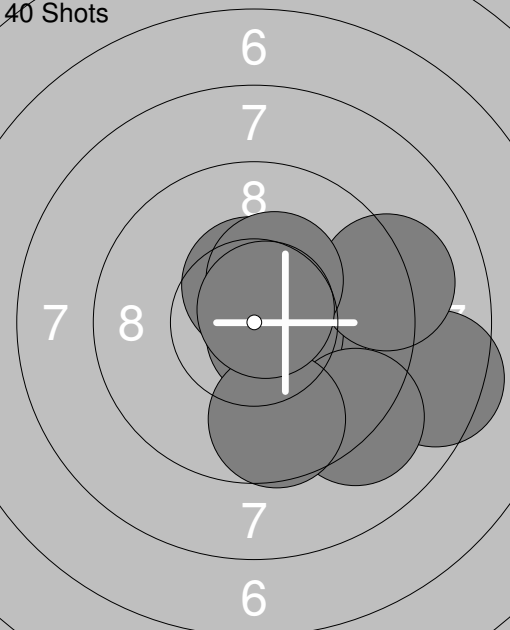
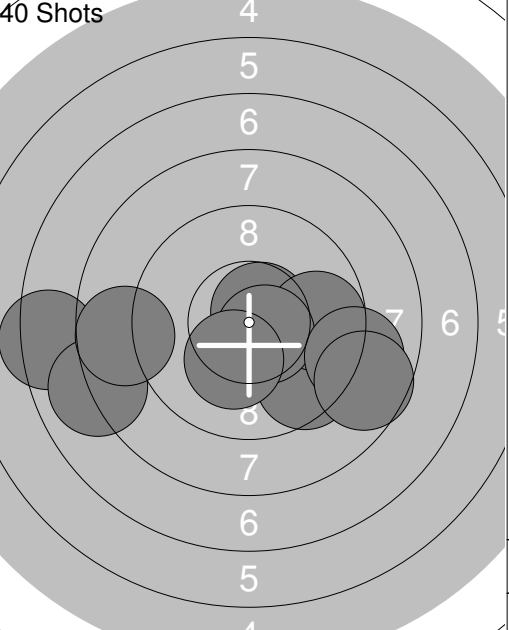
	<p>40 Shots</p> <p>21: 8.8 ← 22: 9.4 → 23: 9.1 ← 24: 10.4x ↗ 25: 8.5 ↘ 26: 10.3x ↖ 27: 9.5 ← 28: 10.4x ↖ 29: 9.9 ↗ 30: 9.6 →</p> <p>Series 91.0 Total 273.0</p>		<p>40 Shots</p> <p>31: 9.5 ↘ 32: 9.9 ↘ 33: 10.7x ↖ 34: 9.9 ← 35: 10.1 → 36: 10.5x ↖ 37: 10.2x → 38: 9.4 ↗ 39: 9.7 ↘ 40: 10.1 ↗</p> <p>Series 95.0 Total 368.0</p>
--	---	--	---

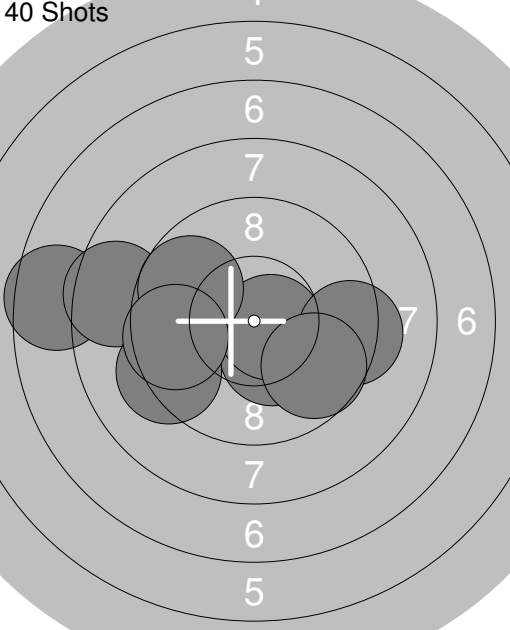
 <p>Sight</p>	<p>1: 9.5 ↘</p> <p>2: 6.6 ←</p> <p>3: 8.6 ↙</p> <p>4: 6.5 →</p> <p>5: 9.3 ↘</p> <p>6: 5.2 ←</p> <p>7: 9.4 ↓</p> <p>8: 8.4 ↑</p> <p>9: 8.8 ←</p> <p>10: 9.6 →</p> <p>Series 77.0</p> <p>Total 0.0</p>	 <p>Sight</p>	<p>11: 9.3 ↗</p> <p>12: 8.6 →</p> <p>13: 10.3x ↗</p> <p>14: 7.9 ↙</p> <p>15: 7.5 ↙</p> <p>16: 9.9 ↖</p> <p>Series 50.0</p> <p>Total 0.0</p>
---	--	---	---

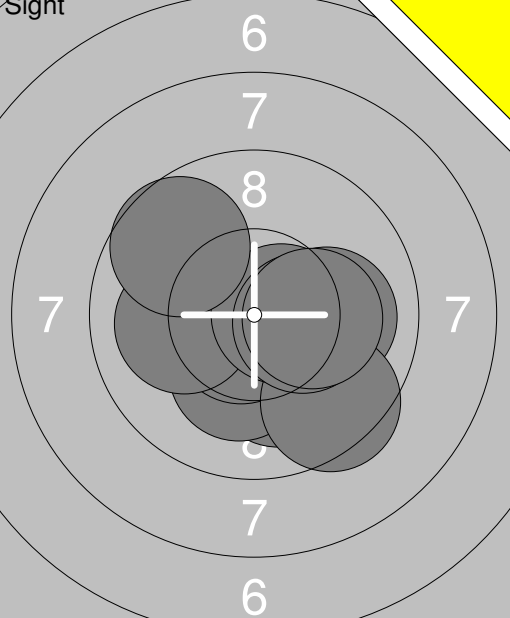
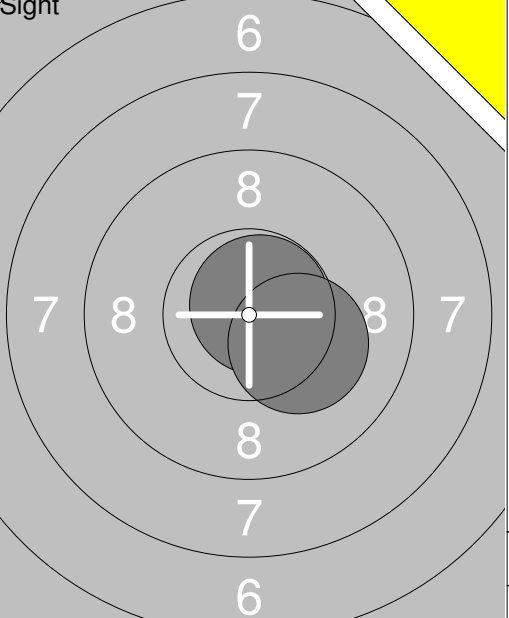
 <p>40 Shots</p>	<p>1: 8.6 ←</p> <p>2: 7.7 ←</p> <p>3: 9.4 →</p> <p>4: 8.6 ←</p> <p>5: 9.1 ←</p> <p>6: 7.6 ←</p> <p>7: 8.0 ↗</p> <p>8: 9.2 ↗</p> <p>9: 8.6 ↗</p> <p>10: 10.0 ↙</p> <p>Series 83.0</p> <p>Total 83.0</p>	 <p>40 Shots</p>	<p>11: 9.7 ↖</p> <p>12: 8.8 ↗</p> <p>13: 8.4 ↘</p> <p>14: 9.7 ↗</p> <p>15: 9.4 →</p> <p>16: 9.3 ↙</p> <p>17: 10.3x ↘</p> <p>18: 8.8 →</p> <p>19: 9.8 ↗</p> <p>20: 8.3 ↗</p> <p>Series 87.0</p> <p>Total 170.0</p>
---	--	---	---

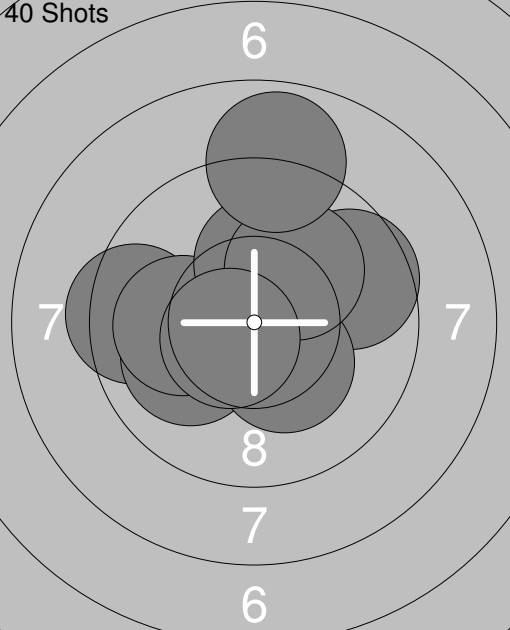
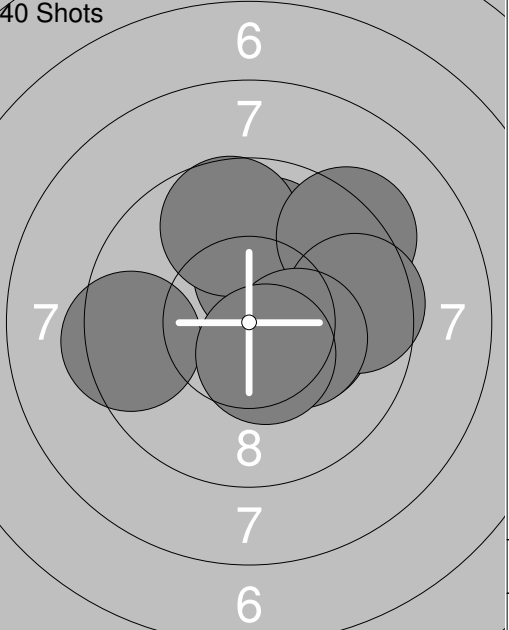
 <p>40 Shots</p>	<p>21: 10.0 ←</p> <p>22: 10.8x ↗</p> <p>23: 9.1 →</p> <p>24: 10.5x ↗</p> <p>25: 8.1 ←</p> <p>26: 9.5 ↘</p> <p>27: 10.3x ↘</p> <p>28: 9.6 ↓</p> <p>29: 9.2 ↑</p> <p>30: 9.5 ↗</p> <p>Series 93.0</p> <p>Total 263.0</p>	 <p>40 Shots</p>	<p>31: 7.3 ←</p> <p>32: 6.9 ↖</p> <p>33: 8.2 ↙</p> <p>34: 5.8 ↘</p> <p>35: 8.9 ↖</p> <p>36: 7.2 ↘</p> <p>37: 8.9 →</p> <p>38: 7.3 →</p> <p>39: 10.2x ↙</p> <p>40: 5.9 ↗</p> <p>Series 71.0</p> <p>Total 334.0</p>
--	--	--	---

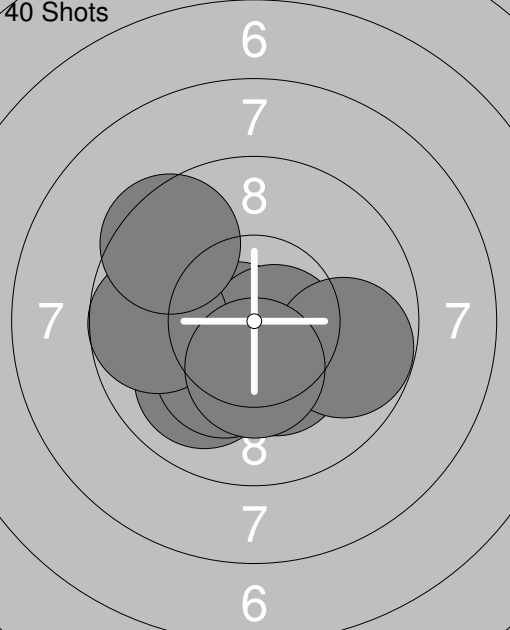
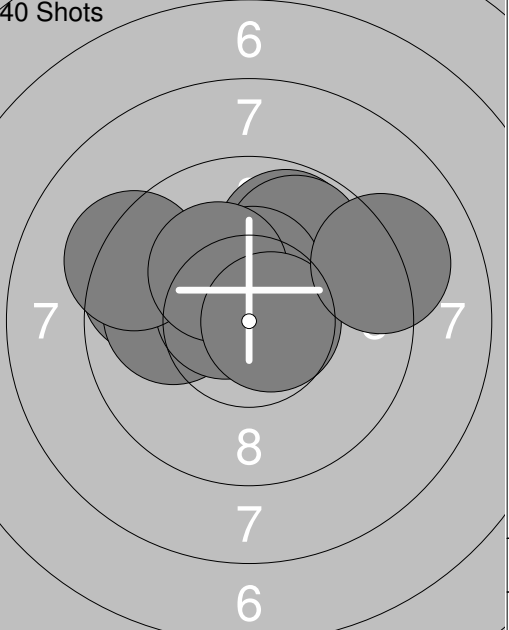
 <p><b>Sight</b></p>	<p>1: 8.8 ←</p> <p>2: 8.1 →</p> <p>3: 9.4 ↖</p> <p>4: 10.3x ↘</p> <p>5: 9.4 →</p> <p>6: 10.0 ↗</p> <p>7: 10.6x ↗</p> <p>8: 10.0 ↗</p> <p>9: 10.0 ←</p>	<p><b>40 Shots</b></p> 		<p>1: 10.0 ↗</p> <p>2: 7.0 ↗</p> <p>3: 9.0 →</p> <p>4: 10.2x ↖</p> <p>5: 10.1 ↑</p> <p>6: 10.2x ↑</p> <p>7: 9.9 →</p> <p>8: 9.0 →</p> <p>9: 9.9 ←</p> <p>10: 9.2 ←</p>
<b>Series</b> 84.0 <b>Total</b> 0.0				<b>Series</b> 92.0 <b>Total</b> 92.0

<p><b>40 Shots</b></p> 	<p>11: 10.7x →</p> <p>12: 10.2x ↘</p> <p>13: 10.6x ↘</p> <p>14: 8.5 →</p> <p>15: 9.1 ↘</p> <p>16: 9.1 →</p> <p>17: 10.5x ↑</p> <p>18: 10.3x ↑</p> <p>19: 9.7 ↓</p> <p>20: 10.7x ↗</p>	<p><b>40 Shots</b></p> 		<p>21: 9.5 ↘</p> <p>22: 10.7x ↗</p> <p>23: 9.7 →</p> <p>24: 7.3 ←</p> <p>25: 10.6x ↘</p> <p>26: 9.0 →</p> <p>27: 8.0 ←</p> <p>28: 10.2x ↘</p> <p>29: 8.7 ←</p> <p>30: 8.6 ↘</p>
<b>Series</b> 95.0 <b>Total</b> 187.0				<b>Series</b> 88.0 <b>Total</b> 275.0

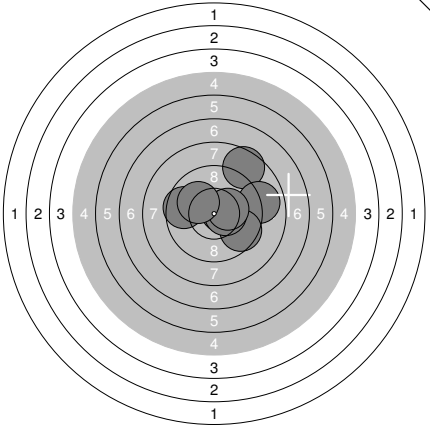
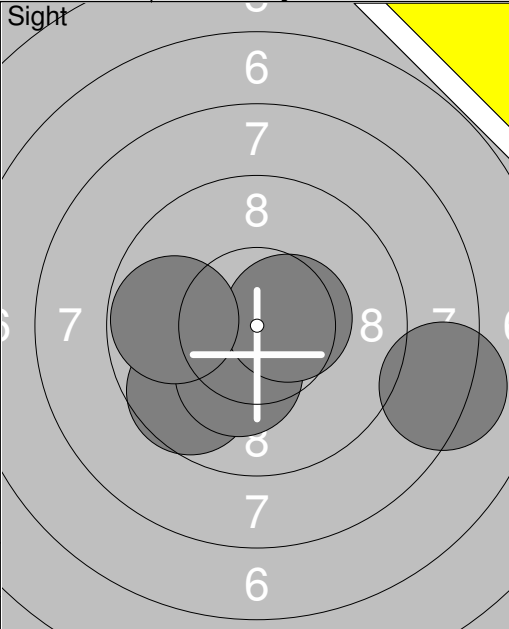
<p><b>40 Shots</b></p> 	<p>31: 10.3x ↘</p> <p>32: 7.6 ←</p> <p>33: 9.9 ←</p> <p>34: 10.7x →</p> <p>35: 8.6 ←</p> <p>36: 9.7 ↖</p> <p>37: 9.3 ←</p> <p>38: 9.3 →</p> <p>39: 9.6 ←</p> <p>40: 9.7 ↘</p>			
<b>Series</b> 89.0 <b>Total</b> 364.0				

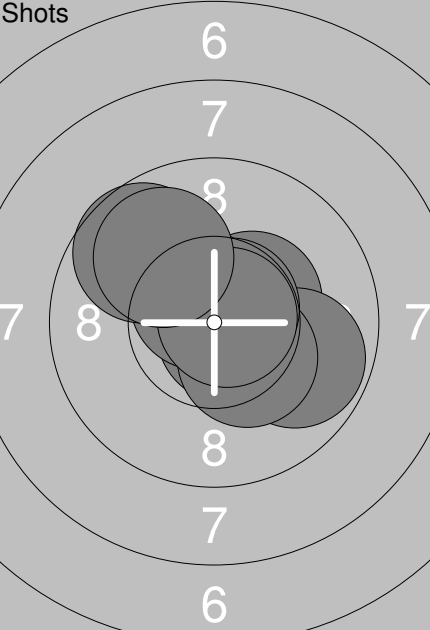
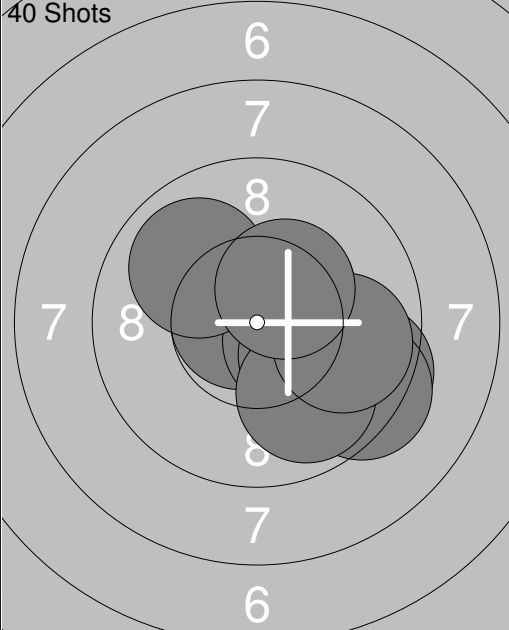
Sight 	1: 10.1 ↓ 2: 10.2x ↓ 3: 10.0 → 4: 10.7x ↓ 5: 9.5 ↓ 6: 10.1 ← 7: 10.6x → 8: 10.3x → 9: 10.2x → 10: 9.7 ↖ <hr/> Series 98.0 Total 0.0	Sight 	11: 10.8x ↗ 12: 10.2x ↘ <hr/> Series 20.0 Total 0.0
---	--	---	--

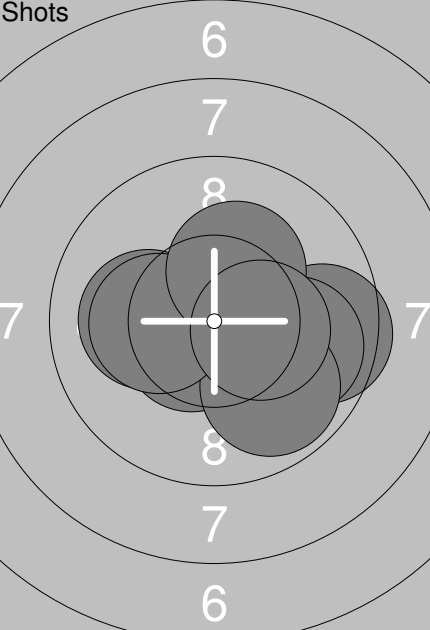
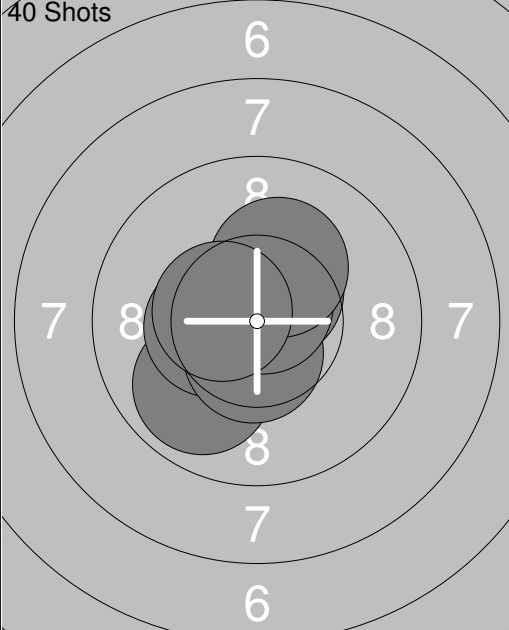
40 Shots 	1: 9.4 ← 2: 10.0 ← 3: 10.0 ← 4: 9.6 → 5: 10.7x → 6: 10.2x ↑ 7: 10.3x ↓ 8: 10.1 ↗ 9: 8.9 ↑ 10: 10.6x ↙ <hr/> Series 96.0 Total 96.0	40 Shots 	11: 10.1 ↗ 12: 10.3x → 13: 10.0 ↑ 14: 9.4 ← 15: 10.3x ↑ 16: 9.7 ↑ 17: 9.3 ↗ 18: 9.6 → 19: 10.3x → 20: 10.5x ↓ <hr/> Series 96.0 Total 192.0
---	---	---	--

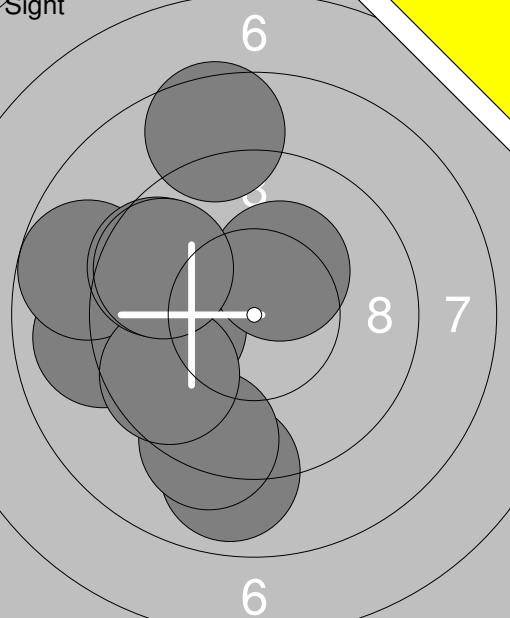
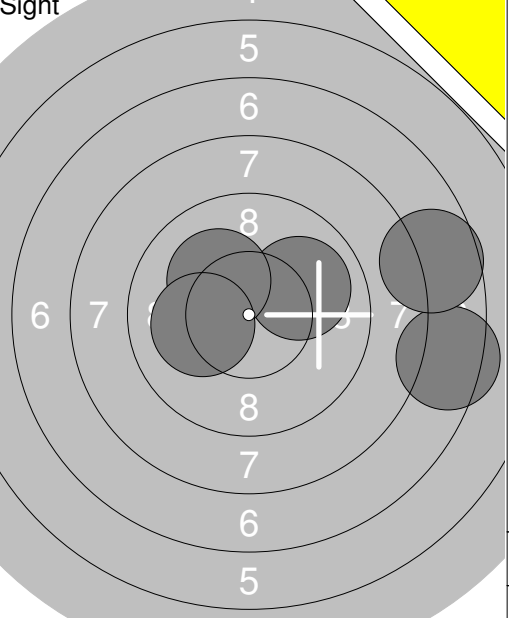
40 Shots 	21: 10.4x ↓ 22: 10.0 ↙ 23: 10.3x ↓ 24: 10.7x ↙ 25: 10.2x ↓ 26: 10.6x ↘ 27: 9.7 ← 28: 9.5 ↗ 29: 9.8 → 30: 10.4x ↓ <hr/> Series 97.0 Total 289.0	40 Shots 	31: 9.6 ← 32: 10.0 ← 33: 10.6x ↙ 34: 9.8 ↑ 35: 9.8 ↑ 36: 10.4x ↑ 37: 9.3 ↙ 38: 10.2x ↖ 39: 10.7x → 40: 9.1 → <hr/> Series 95.0 Total 384.0
--	---	--	---

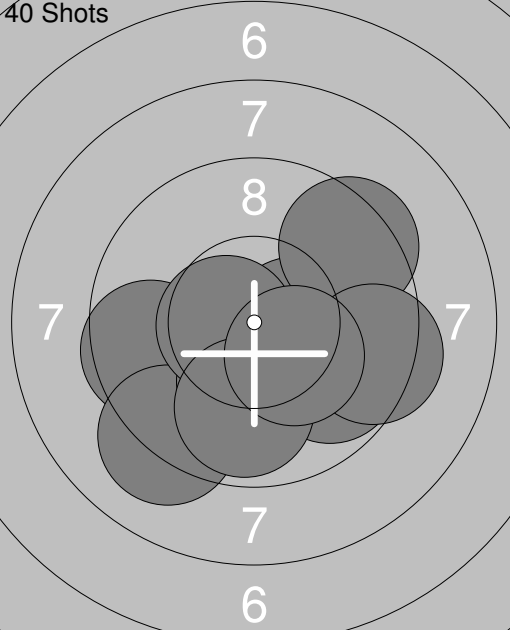
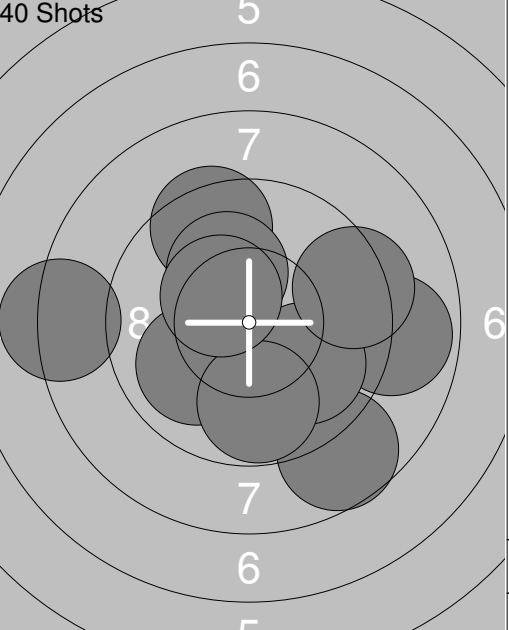


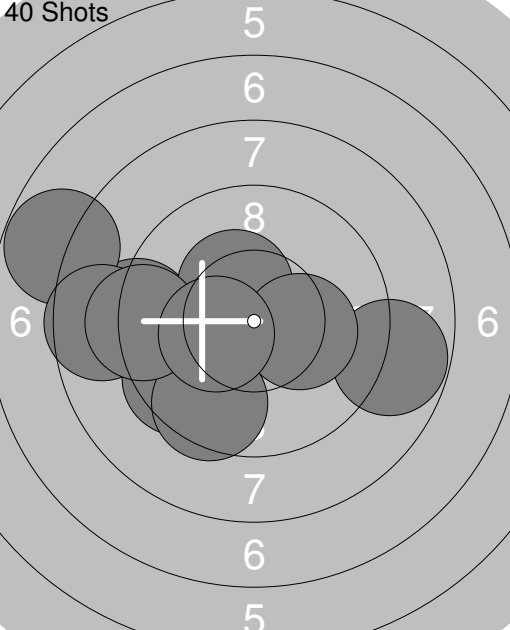
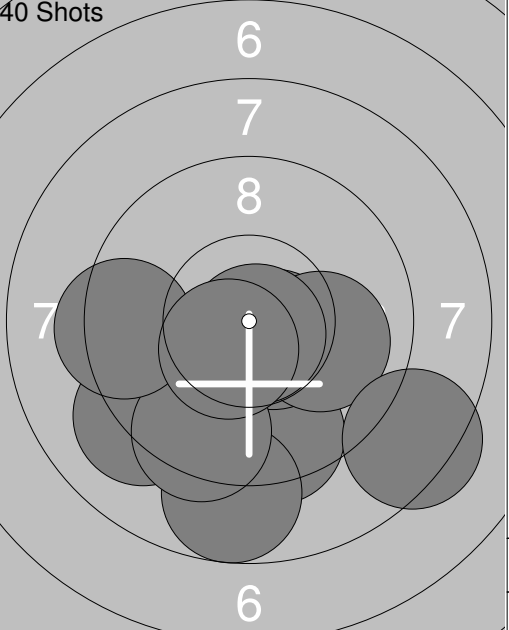
<p>Sight</p> 	<p>1: 0.0 →</p> <p>2: 0.0 →</p> <p>3: 8.6 ↗</p> <p>4: 9.0 →</p> <p>5: 10.6x →</p> <p>6: 9.6 ↘</p> <p>7: 10.5x →</p> <p>8: 10.3x →</p> <p>9: 9.6 ←</p> <p>10: 10.1 ↖</p>	<p>Sight</p> 	<p>11: 9.7 ↙</p> <p>12: 10.2x ↘</p> <p>13: 8.2 →</p> <p>14: 10.5x →</p> <p>15: 9.8 ←</p>
	Series 75.0		Series 46.0
	Total 0.0		Total 0.0

<p>40 Shots</p> 	<p>1: 10.4x →</p> <p>2: 10.7x ↘</p> <p>3: 10.4x ↗</p> <p>4: 9.8 →</p> <p>5: 10.6x ↖</p> <p>6: 10.3x ↘</p> <p>7: 9.7 ↖</p> <p>8: 10.7x ↗</p> <p>9: 10.8x →</p> <p>10: 9.9 ↖</p>	<p>40 Shots</p> 	<p>11: 9.5 →</p> <p>12: 10.4x ↗</p> <p>13: 10.7x ←</p> <p>14: 10.4x →</p> <p>15: 10.2x ↘</p> <p>16: 9.4 ↘</p> <p>17: 9.9 ↘</p> <p>18: 9.9 ↗</p> <p>19: 9.8 →</p> <p>20: 10.4x ↗</p>
	Series 97.0		Series 95.0
	Total 97.0		Total 192.0

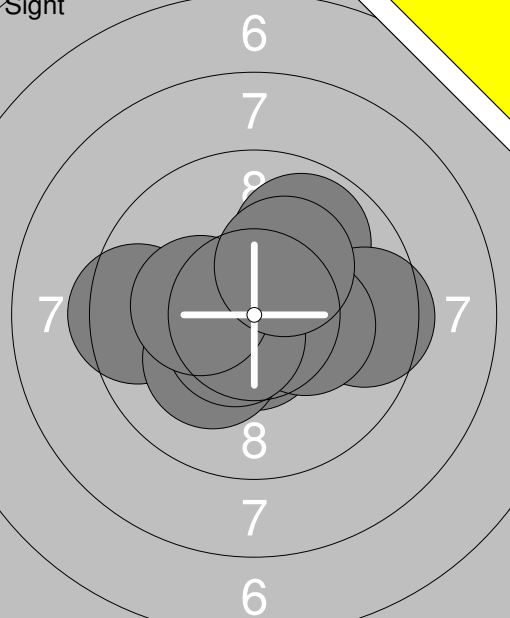
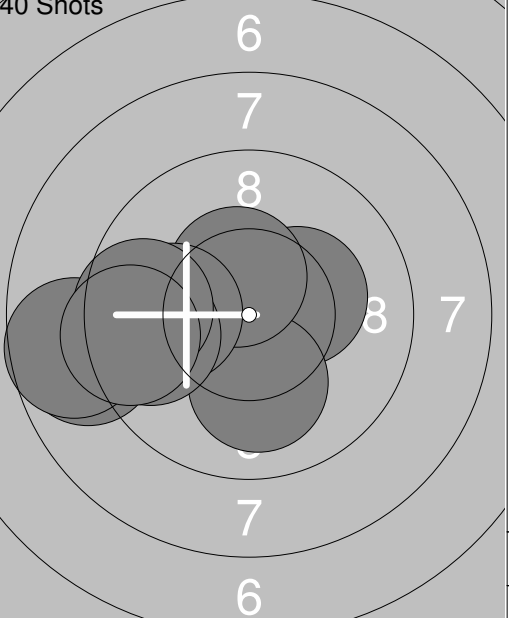
<p>40 Shots</p> 	<p>21: 10.4x ↘</p> <p>22: 10.4x ↗</p> <p>23: 9.6 →</p> <p>24: 9.9 →</p> <p>25: 10.6x ↘</p> <p>26: 9.9 ↘</p> <p>27: 10.1 ←</p> <p>28: 10.2x ←</p> <p>29: 10.3x ↗</p> <p>30: 10.4x →</p>	<p>40 Shots</p> 	<p>31: 9.9 ↙</p> <p>32: 10.8x ↖</p> <p>33: 10.6x ←</p> <p>34: 10.4x ←</p> <p>35: 10.6x ←</p> <p>36: 10.5x ↗</p> <p>37: 10.5x ↘</p> <p>38: 10.7x ↗</p> <p>39: 10.2x ↗</p> <p>40: 10.5x ←</p>
	Series 97.0		Series 99.0
	Total 289.0		Total 388.0

 <p style="text-align: center;">Sight</p>	<p>1: 9.9 ←</p> <p>2: 9.0 ←</p> <p>3: 8.9 ↓</p> <p>4: 8.8 ←</p> <p>5: 9.3 ↓</p> <p>6: 9.6 ←</p> <p>7: 9.6 ←</p> <p>8: 10.3x ↗</p> <p>9: 9.6 ←</p> <p>10: 8.6 ↑</p>	 <p style="text-align: center;">Sight</p>	<p>11: 7.4 →</p> <p>12: 10.0 ↗</p> <p>13: 7.7 →</p> <p>14: 10.2x ↖</p> <p>15: 10.1 ←</p>
Series	88.0	Series	44.0
Total	0.0	Total	0.0

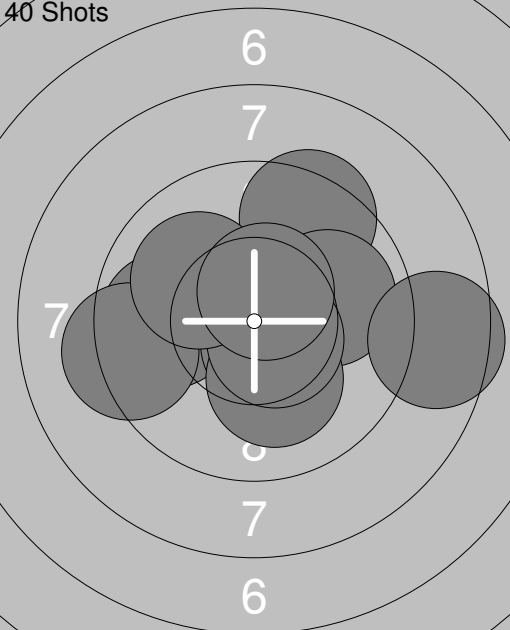
 <p style="text-align: center;">40 Shots</p>	<p>1: 9.6 ←</p> <p>2: 9.1 ↘</p> <p>3: 10.4x →</p> <p>4: 9.4 ↗</p> <p>5: 9.8 →</p> <p>6: 10.2x ↓</p> <p>7: 9.4 →</p> <p>8: 10.6x ←</p> <p>9: 9.9 ↓</p> <p>10: 10.3x ↘</p>	 <p style="text-align: center;">40 Shots</p>	<p>11: 8.9 →</p> <p>12: 8.7 ↓</p> <p>13: 10.0 ↖</p> <p>14: 9.5 ↑</p> <p>15: 9.9 ↘</p> <p>16: 9.3 →</p> <p>17: 9.8 ↓</p> <p>18: 10.2x ↖</p> <p>19: 8.2 ←</p> <p>20: 10.4x ↖</p>
Series	94.0	Series	90.0
Total	94.0	Total	184.0

 <p style="text-align: center;">40 Shots</p>	<p>21: 9.2 ←</p> <p>22: 9.5 ↖</p> <p>23: 10.4x ↖</p> <p>24: 7.8 ←</p> <p>25: 8.8 →</p> <p>26: 9.5 ↓</p> <p>27: 10.2x →</p> <p>28: 8.6 ←</p> <p>29: 9.2 ←</p> <p>30: 10.3x ←</p>	 <p style="text-align: center;">40 Shots</p>	<p>31: 9.5 ↓</p> <p>32: 10.6x ↘</p> <p>33: 8.7 ↓</p> <p>34: 10.0 →</p> <p>35: 9.1 ↖</p> <p>36: 10.8x ↓</p> <p>37: 9.4 ↓</p> <p>38: 8.4 ↘</p> <p>39: 9.4 ←</p> <p>40: 10.5x ↘</p>
Series	89.0	Series	92.0
Total	273.0	Total	365.0



	<p>40 Shots</p> <p>1: 9.9 ↗ 2: 9.5 → 3: 10.6x ↓ 4: 9.5 ← 5: 10.3x → 6: 10.2x ↙ 7: 10.6x ↙ 8: 10.3x ← 9: 10.2x ↗</p> <table border="1" style="width:100%; border-collapse: collapse;"> <tr><td>Series</td><td style="text-align:right;">87.0</td></tr> <tr><td>Total</td><td style="text-align:right;">0.0</td></tr> </table>	Series	87.0	Total	0.0	 <p>1: 8.8 ← 2: 8.7 ← 3: 10.3x → 4: 10.1 ↓ 5: 9.7 ← 6: 10.4x ↗ 7: 10.0 ← 8: 9.7 ← 9: 9.6 ← 10: 9.4 ←</p> <table border="1" style="width:100%; border-collapse: collapse;"> <tr><td>Series</td><td style="text-align:right;">92.0</td></tr> <tr><td>Total</td><td style="text-align:right;">92.0</td></tr> </table>	Series	92.0	Total	92.0
Series	87.0									
Total	0.0									
Series	92.0									
Total	92.0									

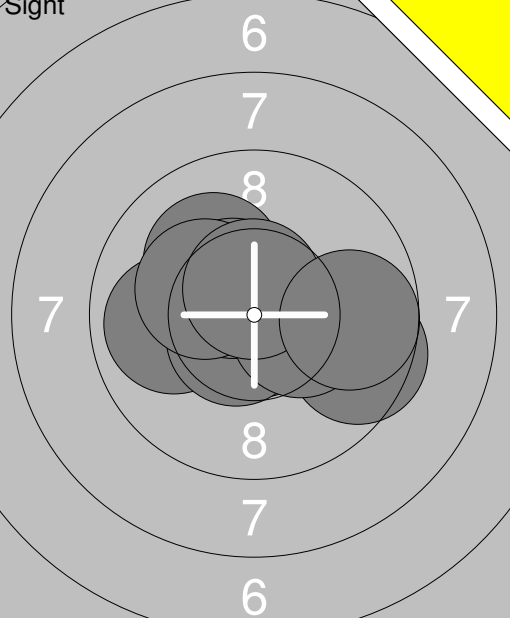
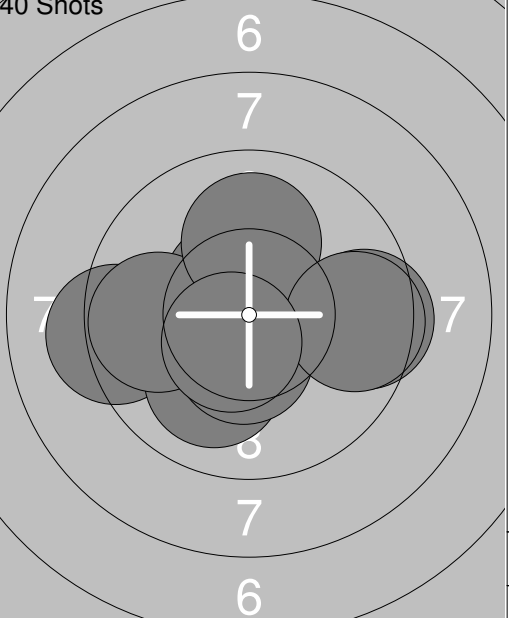
	<p>40 Shots</p> <p>11: 10.1 ↖ 12: 9.9 → 13: 8.7 ↗ 14: 10.2x ↓ 15: 9.7 → 16: 9.7 ↗ 17: 10.4x ↙ 18: 9.4 ↓ 19: 10.2x ↙ 20: 10.5x ↘</p> <table border="1" style="width:100%; border-collapse: collapse;"> <tr><td>Series</td><td style="text-align:right;">94.0</td></tr> <tr><td>Total</td><td style="text-align:right;">186.0</td></tr> </table>	Series	94.0	Total	186.0	 <p>21: 10.8x ← 22: 10.1 ↓ 23: 8.9 → 24: 9.5 ↘ 25: 10.4x → 26: 9.8 ← 27: 10.4x ↗ 28: 10.3x ↗ 29: 9.3 ↘ 30: 10.4x ↖</p> <table border="1" style="width:100%; border-collapse: collapse;"> <tr><td>Series</td><td style="text-align:right;">95.0</td></tr> <tr><td>Total</td><td style="text-align:right;">281.0</td></tr> </table>	Series	95.0	Total	281.0
Series	94.0									
Total	186.0									
Series	95.0									
Total	281.0									

	<p>40 Shots</p> <p>31: 9.8 ← 32: 10.6x ↘ 33: 9.4 ↗ 34: 9.9 → 35: 10.2x ↘ 36: 10.6x ↘ 37: 9.3 ← 38: 8.6 → 39: 10.0 ↖ 40: 10.5x ↗</p> <table border="1" style="width:100%; border-collapse: collapse;"> <tr><td>Series</td><td style="text-align:right;">94.0</td></tr> <tr><td>Total</td><td style="text-align:right;">375.0</td></tr> </table>	Series	94.0	Total	375.0	
Series	94.0					
Total	375.0					

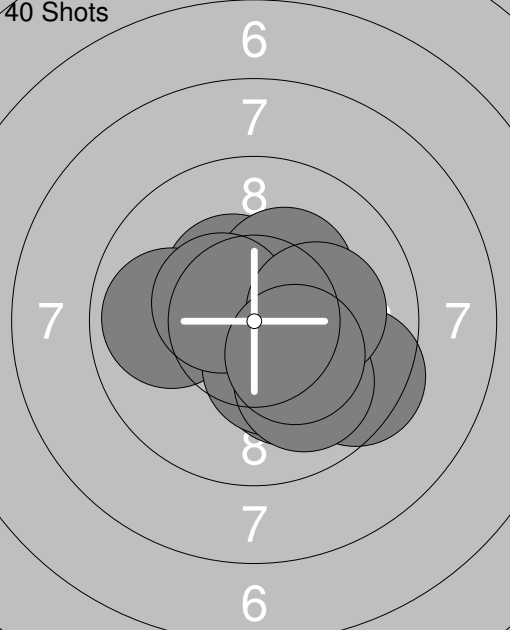
Sight 	1: 10.8x ↘ 2: 9.5 ↗ 3: 9.3 ↘ 4: 8.9 ↘ 5: 9.9 ↗ 6: 9.3 ↗ 7: 10.2x ↗ 8: 9.9 ↙ 9: 8.1 ↖ 10: 9.9 ↘ <hr/> Series 90.0 Total 0.0	Sight 	11: 10.4x ↖ 12: 10.0 ↗ 13: 9.0 ↗ 14: 9.5 ↖ 15: 10.2x ↗ 16: 8.6 ↖ 17: 10.3x → <hr/> Series 66.0 Total 0.0
-----------	---	-----------	--

40 Shots 	1: 9.7 ↘ 2: 9.8 ↘ 3: 10.1 ↗ 4: 10.4x ↗ 5: 10.4x ↘ 6: 9.6 ← 7: 8.9 → 8: 9.7 ↗ 9: 10.7x → 10: 8.9 → <hr/> Series 92.0 Total 92.0	40 Shots 	11: 9.4 ↓ 12: 9.0 ↘ 13: 10.5x → 14: 9.1 ↗ 15: 10.2x ← 16: 7.7 → 17: 9.8 ↖ 18: 10.3x ↗ 19: 10.1 ↗ 20: 10.3x ← <hr/> Series 93.0 Total 185.0
--------------	---	--------------	---

40 Shots 	21: 10.5x ↙ 22: 9.6 ↗ 23: 10.6x ↗ 24: 9.8 ↗ 25: 10.6x ↗ 26: 9.6 ↖ 27: 10.0 ↘ 28: 10.3x ↗ 29: 10.3x ↗ 30: 10.0 ↗ <hr/> Series 97.0 Total 282.0	40 Shots 	31: 9.9 → 32: 9.8 ↗ 33: 10.5x ← 34: 10.3x ↗ 35: 10.0 ← 36: 10.0 ↓ 37: 9.1 → 38: 9.1 → 39: 10.7x → 40: 10.2x → <hr/> Series 96.0 Total 378.0
--------------	--	--------------	--

 <p style="text-align: center;">Sight</p>	<p>40 Shots</p> <table style="width:100%; border-collapse: collapse;"> <tr><td>1: 10.8x ↓</td></tr> <tr><td>2: 9.9 ←</td></tr> <tr><td>3: 10.6x ↙</td></tr> <tr><td>4: 10.1 ↗</td></tr> <tr><td>5: 10.5x ↗</td></tr> <tr><td>6: 9.5 →</td></tr> <tr><td>7: 10.3x →</td></tr> <tr><td>8: 10.2x ↖</td></tr> <tr><td>9: 10.6x ↑</td></tr> <tr><td>10: 9.7 →</td></tr> </table> <table style="width:100%; border-collapse: collapse;"> <tr><td>Series</td><td style="text-align: right;">97.0</td></tr> <tr><td>Total</td><td style="text-align: right;">0.0</td></tr> </table>	1: 10.8x ↓	2: 9.9 ←	3: 10.6x ↙	4: 10.1 ↗	5: 10.5x ↗	6: 9.5 →	7: 10.3x →	8: 10.2x ↖	9: 10.6x ↑	10: 9.7 →	Series	97.0	Total	0.0	 <table style="width:100%; border-collapse: collapse;"> <tr><td>1: 9.5 →</td></tr> <tr><td>2: 10.6x ↗</td></tr> <tr><td>3: 9.2 ←</td></tr> <tr><td>4: 10.0 ↙</td></tr> <tr><td>5: 10.9x ↖</td></tr> <tr><td>6: 10.4x ↓</td></tr> <tr><td>7: 9.8 ←</td></tr> <tr><td>8: 10.0 ↑</td></tr> <tr><td>9: 9.6 →</td></tr> <tr><td>10: 10.5x ↙</td></tr> </table> <table style="width:100%; border-collapse: collapse;"> <tr><td>Series</td><td style="text-align: right;">96.0</td></tr> <tr><td>Total</td><td style="text-align: right;">96.0</td></tr> </table>	1: 9.5 →	2: 10.6x ↗	3: 9.2 ←	4: 10.0 ↙	5: 10.9x ↖	6: 10.4x ↓	7: 9.8 ←	8: 10.0 ↑	9: 9.6 →	10: 10.5x ↙	Series	96.0	Total	96.0
1: 10.8x ↓																														
2: 9.9 ←																														
3: 10.6x ↙																														
4: 10.1 ↗																														
5: 10.5x ↗																														
6: 9.5 →																														
7: 10.3x →																														
8: 10.2x ↖																														
9: 10.6x ↑																														
10: 9.7 →																														
Series	97.0																													
Total	0.0																													
1: 9.5 →																														
2: 10.6x ↗																														
3: 9.2 ←																														
4: 10.0 ↙																														
5: 10.9x ↖																														
6: 10.4x ↓																														
7: 9.8 ←																														
8: 10.0 ↑																														
9: 9.6 →																														
10: 10.5x ↙																														
Series	96.0																													
Total	96.0																													

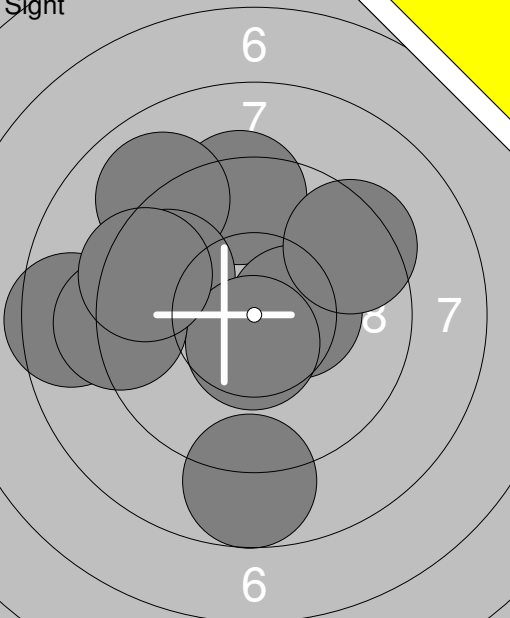
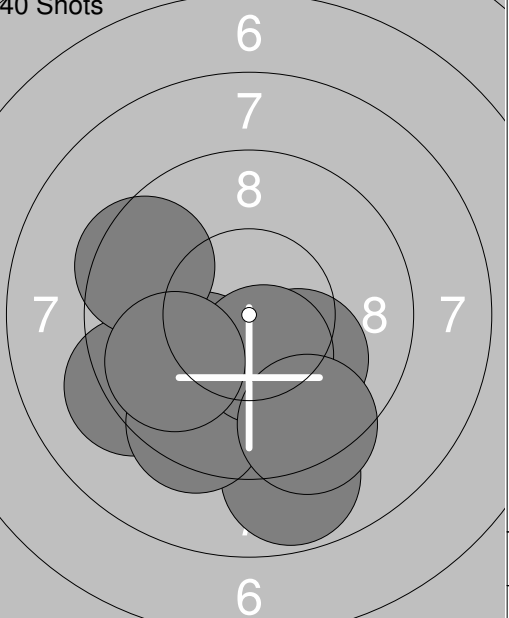
 <p style="text-align: center;">40 Shots</p>	<table style="width:100%; border-collapse: collapse;"> <tr><td>11: 10.4x ↙</td></tr> <tr><td>12: 10.2x ↑</td></tr> <tr><td>13: 10.1 ←</td></tr> <tr><td>14: 10.6x ↓</td></tr> <tr><td>15: 10.0 ←</td></tr> <tr><td>16: 10.2x ↖</td></tr> <tr><td>17: 9.0 →</td></tr> <tr><td>18: 10.6x ↑</td></tr> <tr><td>19: 10.0 ↖</td></tr> <tr><td>20: 9.9 ↖</td></tr> </table> <table style="width:100%; border-collapse: collapse;"> <tr><td>Series</td><td style="text-align: right;">98.0</td></tr> <tr><td>Total</td><td style="text-align: right;">194.0</td></tr> </table>	11: 10.4x ↙	12: 10.2x ↑	13: 10.1 ←	14: 10.6x ↓	15: 10.0 ←	16: 10.2x ↖	17: 9.0 →	18: 10.6x ↑	19: 10.0 ↖	20: 9.9 ↖	Series	98.0	Total	194.0	 <p style="text-align: center;">40 Shots</p> <table style="width:100%; border-collapse: collapse;"> <tr><td>21: 9.7 →</td></tr> <tr><td>22: 10.1 ←</td></tr> <tr><td>23: 9.4 →</td></tr> <tr><td>24: 10.3x ↗</td></tr> <tr><td>25: 10.4x ↗</td></tr> <tr><td>26: 9.5 ←</td></tr> <tr><td>27: 9.8 →</td></tr> <tr><td>28: 10.7x →</td></tr> <tr><td>29: 9.9 ↙</td></tr> <tr><td>30: 10.2x ↙</td></tr> </table> <table style="width:100%; border-collapse: collapse;"> <tr><td>Series</td><td style="text-align: right;">95.0</td></tr> <tr><td>Total</td><td style="text-align: right;">289.0</td></tr> </table>	21: 9.7 →	22: 10.1 ←	23: 9.4 →	24: 10.3x ↗	25: 10.4x ↗	26: 9.5 ←	27: 9.8 →	28: 10.7x →	29: 9.9 ↙	30: 10.2x ↙	Series	95.0	Total	289.0
11: 10.4x ↙																														
12: 10.2x ↑																														
13: 10.1 ←																														
14: 10.6x ↓																														
15: 10.0 ←																														
16: 10.2x ↖																														
17: 9.0 →																														
18: 10.6x ↑																														
19: 10.0 ↖																														
20: 9.9 ↖																														
Series	98.0																													
Total	194.0																													
21: 9.7 →																														
22: 10.1 ←																														
23: 9.4 →																														
24: 10.3x ↗																														
25: 10.4x ↗																														
26: 9.5 ←																														
27: 9.8 →																														
28: 10.7x →																														
29: 9.9 ↙																														
30: 10.2x ↙																														
Series	95.0																													
Total	289.0																													

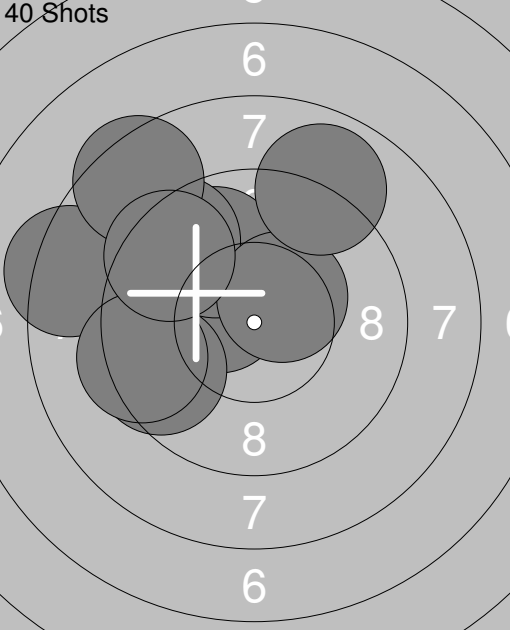
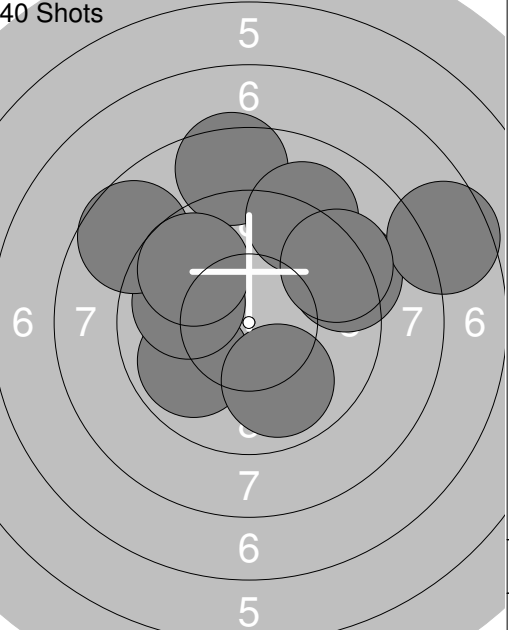
 <p style="text-align: center;">40 Shots</p>	<table style="width:100%; border-collapse: collapse;"> <tr><td>31: 10.4x ↖</td></tr> <tr><td>32: 9.9 ←</td></tr> <tr><td>33: 10.3x ↗</td></tr> <tr><td>34: 10.1 ↓</td></tr> <tr><td>35: 10.3x ↓</td></tr> <tr><td>36: 9.5 ↘</td></tr> <tr><td>37: 9.9 ↘</td></tr> <tr><td>38: 10.5x ↖</td></tr> <tr><td>39: 10.2x →</td></tr> <tr><td>40: 10.3x ↘</td></tr> </table> <table style="width:100%; border-collapse: collapse;"> <tr><td>Series</td><td style="text-align: right;">97.0</td></tr> <tr><td>Total</td><td style="text-align: right;">386.0</td></tr> </table>	31: 10.4x ↖	32: 9.9 ←	33: 10.3x ↗	34: 10.1 ↓	35: 10.3x ↓	36: 9.5 ↘	37: 9.9 ↘	38: 10.5x ↖	39: 10.2x →	40: 10.3x ↘	Series	97.0	Total	386.0	
31: 10.4x ↖																
32: 9.9 ←																
33: 10.3x ↗																
34: 10.1 ↓																
35: 10.3x ↓																
36: 9.5 ↘																
37: 9.9 ↘																
38: 10.5x ↖																
39: 10.2x →																
40: 10.3x ↘																
Series	97.0															
Total	386.0															

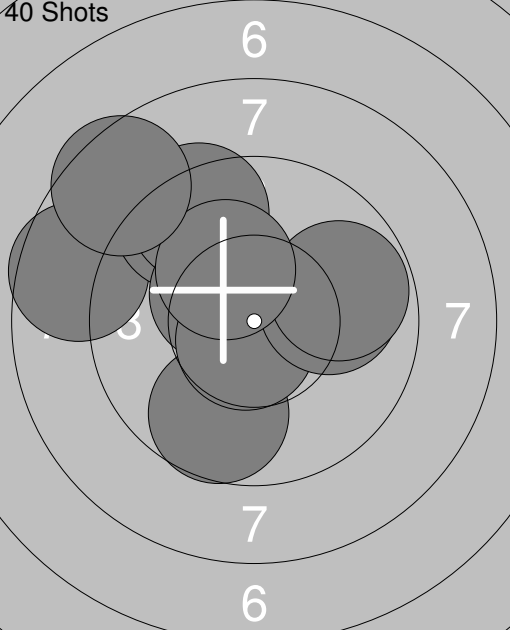
	<p>40 Shots</p> <p>1: 10.5x ←</p> <p>2: 10.3x ←</p> <p>3: 10.1 →</p> <p>4: 9.4 ↑</p> <p>5: 10.7x ↙</p> <p>6: 10.2x ←</p> <p>7: 9.9 ←</p>	
Series 68.0		Series 97.0
Total 0.0		Total 97.0

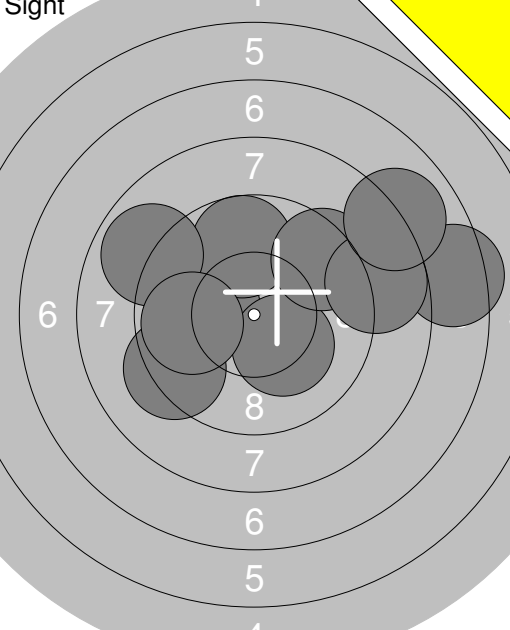
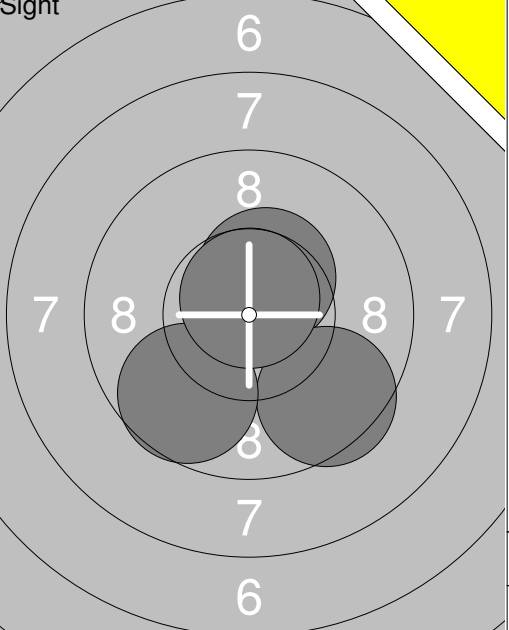
<p>40 Shots</p>	<p>40 Shots</p> <p>11: 10.0 ↘</p> <p>12: 10.0 →</p> <p>13: 10.1 ↑</p> <p>14: 10.3x ↗</p> <p>15: 10.5x ↑</p> <p>16: 10.8x →</p> <p>17: 10.1 ↘</p> <p>18: 10.1 ←</p> <p>19: 10.7x ↗</p> <p>20: 10.2x ↗</p>	
Series 100.0		Series 100.0
Total 197.0		Total 297.0

<p>40 Shots</p>	<p>31: 10.2x ↘</p> <p>32: 10.0 ↑</p> <p>33: 10.6x ↘</p> <p>34: 9.7 ←</p> <p>35: 10.6x ↘</p> <p>36: 9.0 ↘</p> <p>37: 10.7x ↘</p> <p>38: 8.8 →</p> <p>39: 10.3x ↙</p> <p>40: 10.7x ↑</p>	
Series 96.0		
Total 393.0		

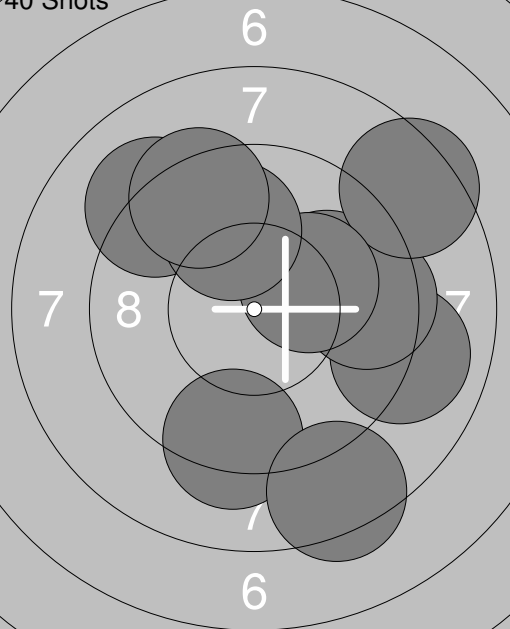
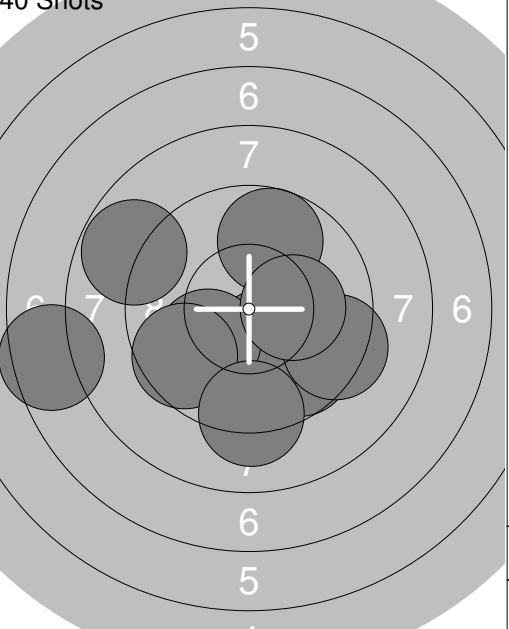
<p>Sight</p> 	<p>40 Shots</p> 	<p>1: 9.4 ↑</p> <p>2: 9.0 ↖</p> <p>3: 10.4x →</p> <p>4: 9.4 ↗</p> <p>5: 8.5 ←</p> <p>6: 9.7 ↖</p> <p>7: 10.6x ↓</p> <p>8: 9.2 ←</p> <p>9: 8.7 ↓</p> <p>10: 9.4 ↖</p> <hr/> <p>Series 90.0</p> <p>Total 0.0</p>	<p>1: 10.1 ↙</p> <p>2: 10.1 ↘</p> <p>3: 9.2 ↙</p> <p>4: 9.7 ↓</p> <p>5: 8.8 ↓</p> <p>6: 9.4 ↙</p> <p>7: 10.4x ↓</p> <p>8: 9.4 ↓</p> <p>9: 9.5 ↖</p> <p>10: 9.8 ↙</p> <hr/> <p>Series 92.0</p> <p>Total 92.0</p>
---	--	--	---

<p>40 Shots</p> 	<p>40 Shots</p> 	<p>11: 10.4x ↖</p> <p>12: 9.9 ↑</p> <p>13: 8.3 ←</p> <p>14: 9.4 ↗</p> <p>15: 10.4x ↗</p> <p>16: 8.5 ↗</p> <p>17: 9.5 ←</p> <p>18: 9.3 ←</p> <p>19: 9.5 ↖</p> <p>20: 8.9 ↑</p> <hr/> <p>Series 89.0</p> <p>Total 181.0</p>	<p>21: 9.9 ↙</p> <p>22: 9.9 ↓</p> <p>23: 9.9 ↖</p> <p>24: 8.5 ↑</p> <p>25: 9.2 ↗</p> <p>26: 8.7 ↖</p> <p>27: 9.1 ↑</p> <p>28: 7.6 ↗</p> <p>29: 9.3 ↗</p> <p>30: 9.7 ↖</p> <hr/> <p>Series 86.0</p> <p>Total 267.0</p>
---	---	---	---

<p>40 Shots</p> 	<p>31: 8.6 ←</p> <p>32: 9.4 ↗</p> <p>33: 9.7 ↓</p> <p>34: 9.4 ↗</p> <p>35: 10.4x ↖</p> <p>36: 10.7x ↓</p> <p>37: 10.0 →</p> <p>38: 9.8 →</p> <p>39: 10.2x ↖</p> <p>40: 8.5 ↖</p> <hr/> <p>Series 92.0</p> <p>Total 359.0</p>	
--	--	--

	1: 9.3 ↙ 2: 10.1 ← 3: 9.7 ↑ 4: 10.2x ↘ 5: 8.9 ↖ 6: 7.4 → 7: 9.9 ← 8: 9.4 ↗ 9: 8.8 → 10: 8.0 ↗ <hr/> Series 87.0 Total 0.0		11: 10.4x ↗ 12: 9.5 ↘ 13: 9.7 ↙ 14: 10.7x ↑ <hr/> Series 38.0 Total 0.0
--	--	--	--

	1: 9.9 ↓ 2: 10.2x ↑ 3: 8.6 ← 4: 9.3 ← 5: 10.0 ↓ 6: 9.1 ↗ 7: 9.8 ↓ 8: 9.2 ↓ 9: 10.0 ↓ 10: 10.3x → <hr/> Series 93.0 Total 93.0		11: 8.0 → 12: 10.4x ↓ 13: 8.6 ↘ 14: 8.6 ↓ 15: 9.7 → 16: 9.5 ↙ 17: 7.8 → 18: 9.8 ↖ 19: 9.5 ← 20: 9.3 → <hr/> Series 86.0 Total 179.0
---	--	---	--

	21: 9.0 → 22: 10.0 → 23: 9.1 ↗ 24: 9.5 → 25: 8.4 ↗ 26: 10.2x → 27: 9.9 ↑ 28: 9.4 ↗ 29: 9.3 ↓ 30: 8.4 ↓ <hr/> Series 90.0 Total 269.0		31: 8.8 ↖ 32: 9.7 ↑ 33: 9.7 ↘ 34: 10.3x ↘ 35: 7.5 ← 36: 9.4 → 37: 10.1 ↙ 38: 9.6 ↙ 39: 10.2x → 40: 9.2 ↓ <hr/> Series 90.0 Total 359.0
--	---	--	---

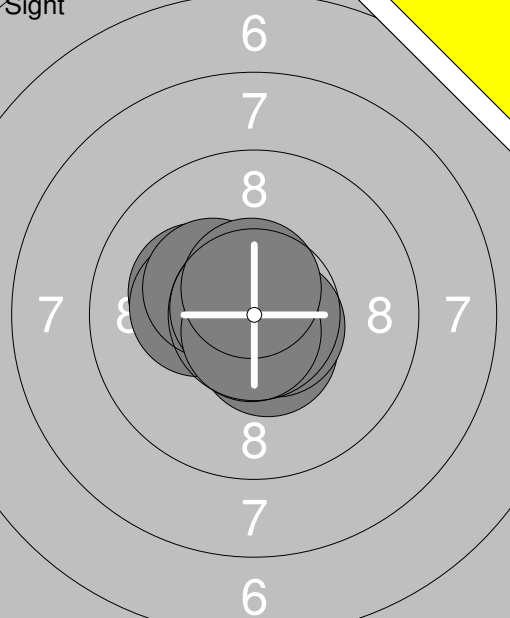
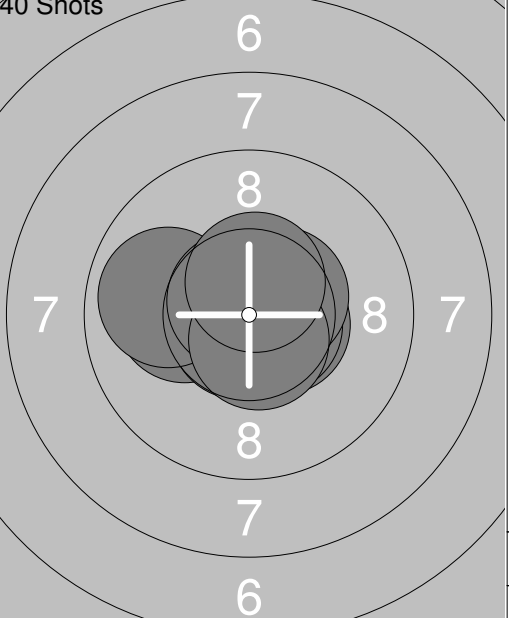


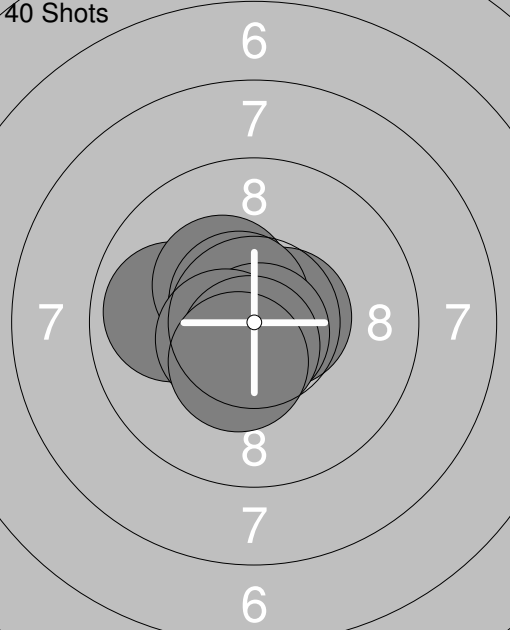
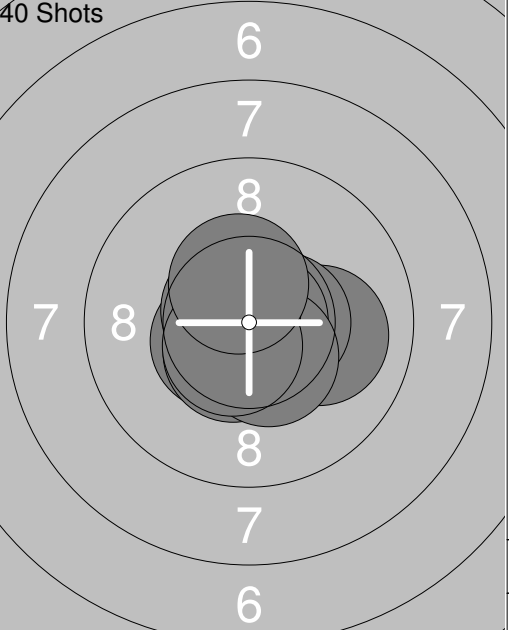
Sight		Sight																																																																								
	<table border="1" style="width:100%; border-collapse: collapse;"> <tr><td>1:</td><td>10.1</td><td>↓</td></tr> <tr><td>2:</td><td>10.3x</td><td>↓</td></tr> <tr><td>3:</td><td>10.1</td><td>↓</td></tr> <tr><td>4:</td><td>9.3</td><td>→</td></tr> <tr><td>5:</td><td>9.8</td><td>↓</td></tr> <tr><td>6:</td><td>10.0</td><td>↓</td></tr> <tr><td>7:</td><td>9.4</td><td>→</td></tr> <tr><td>8:</td><td>10.2x</td><td>←</td></tr> <tr><td>9:</td><td>10.4x</td><td>↓</td></tr> <tr><td>10:</td><td>10.6x</td><td>↓</td></tr> <tr><td><b>Series</b></td><td><b>100.2</b></td><td></td></tr> <tr><td><b>Total</b></td><td><b>0.0</b></td><td></td></tr> </table>	1:	10.1	↓	2:	10.3x	↓	3:	10.1	↓	4:	9.3	→	5:	9.8	↓	6:	10.0	↓	7:	9.4	→	8:	10.2x	←	9:	10.4x	↓	10:	10.6x	↓	<b>Series</b>	<b>100.2</b>		<b>Total</b>	<b>0.0</b>		<table border="1" style="width:100%; border-collapse: collapse;"> <tr><td>11:</td><td>9.7</td><td>↓</td></tr> <tr><td>12:</td><td>10.5x</td><td>←</td></tr> <tr><td>13:</td><td>10.1</td><td>→</td></tr> <tr><td>14:</td><td>10.7x</td><td>↓</td></tr> <tr><td>15:</td><td>9.8</td><td>↓</td></tr> <tr><td>16:</td><td>10.1</td><td>↓</td></tr> <tr><td>17:</td><td>9.7</td><td>←</td></tr> <tr><td>18:</td><td>9.7</td><td>→</td></tr> <tr><td>19:</td><td>10.6x</td><td>→</td></tr> <tr><td>20:</td><td>10.4x</td><td>↗</td></tr> <tr><td><b>Series</b></td><td><b>101.3</b></td><td></td></tr> <tr><td><b>Total</b></td><td><b>0.0</b></td><td></td></tr> </table>	11:	9.7	↓	12:	10.5x	←	13:	10.1	→	14:	10.7x	↓	15:	9.8	↓	16:	10.1	↓	17:	9.7	←	18:	9.7	→	19:	10.6x	→	20:	10.4x	↗	<b>Series</b>	<b>101.3</b>		<b>Total</b>	<b>0.0</b>	
1:	10.1	↓																																																																								
2:	10.3x	↓																																																																								
3:	10.1	↓																																																																								
4:	9.3	→																																																																								
5:	9.8	↓																																																																								
6:	10.0	↓																																																																								
7:	9.4	→																																																																								
8:	10.2x	←																																																																								
9:	10.4x	↓																																																																								
10:	10.6x	↓																																																																								
<b>Series</b>	<b>100.2</b>																																																																									
<b>Total</b>	<b>0.0</b>																																																																									
11:	9.7	↓																																																																								
12:	10.5x	←																																																																								
13:	10.1	→																																																																								
14:	10.7x	↓																																																																								
15:	9.8	↓																																																																								
16:	10.1	↓																																																																								
17:	9.7	←																																																																								
18:	9.7	→																																																																								
19:	10.6x	→																																																																								
20:	10.4x	↗																																																																								
<b>Series</b>	<b>101.3</b>																																																																									
<b>Total</b>	<b>0.0</b>																																																																									

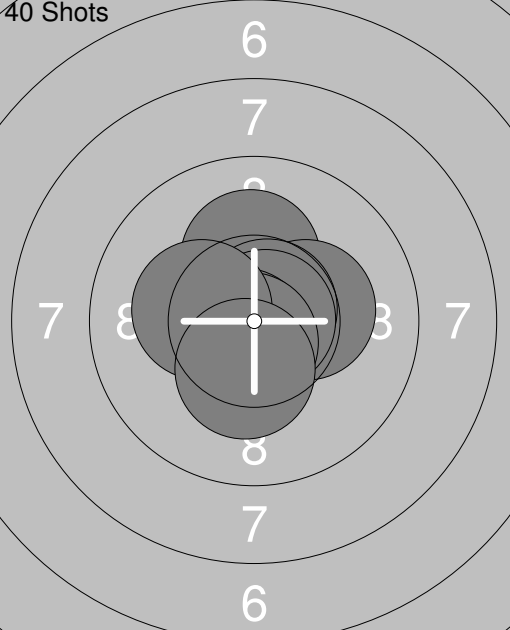
Sight		40 Shots																																													
	<table border="1" style="width:100%; border-collapse: collapse;"> <tr><td>21:</td><td>10.5x</td><td>→</td></tr> <tr><td><b>Series</b></td><td><b>10.5</b></td><td></td></tr> <tr><td><b>Total</b></td><td><b>0.0</b></td><td></td></tr> </table>	21:	10.5x	→	<b>Series</b>	<b>10.5</b>		<b>Total</b>	<b>0.0</b>		<table border="1" style="width:100%; border-collapse: collapse;"> <tr><td>1:</td><td>9.7</td><td>←</td></tr> <tr><td>2:</td><td>10.3x</td><td>↓</td></tr> <tr><td>3:</td><td>10.6x</td><td>→</td></tr> <tr><td>4:</td><td>10.7x</td><td>←</td></tr> <tr><td>5:</td><td>10.6x</td><td>←</td></tr> <tr><td>6:</td><td>10.5x</td><td>←</td></tr> <tr><td>7:</td><td>10.5x</td><td>←</td></tr> <tr><td>8:</td><td>10.3x</td><td>↙</td></tr> <tr><td>9:</td><td>10.2x</td><td>←</td></tr> <tr><td>10:</td><td>10.5x</td><td>←</td></tr> <tr><td><b>Series</b></td><td><b>103.9</b></td><td></td></tr> <tr><td><b>Total</b></td><td><b>103.9</b></td><td></td></tr> </table>	1:	9.7	←	2:	10.3x	↓	3:	10.6x	→	4:	10.7x	←	5:	10.6x	←	6:	10.5x	←	7:	10.5x	←	8:	10.3x	↙	9:	10.2x	←	10:	10.5x	←	<b>Series</b>	<b>103.9</b>		<b>Total</b>	<b>103.9</b>	
21:	10.5x	→																																													
<b>Series</b>	<b>10.5</b>																																														
<b>Total</b>	<b>0.0</b>																																														
1:	9.7	←																																													
2:	10.3x	↓																																													
3:	10.6x	→																																													
4:	10.7x	←																																													
5:	10.6x	←																																													
6:	10.5x	←																																													
7:	10.5x	←																																													
8:	10.3x	↙																																													
9:	10.2x	←																																													
10:	10.5x	←																																													
<b>Series</b>	<b>103.9</b>																																														
<b>Total</b>	<b>103.9</b>																																														

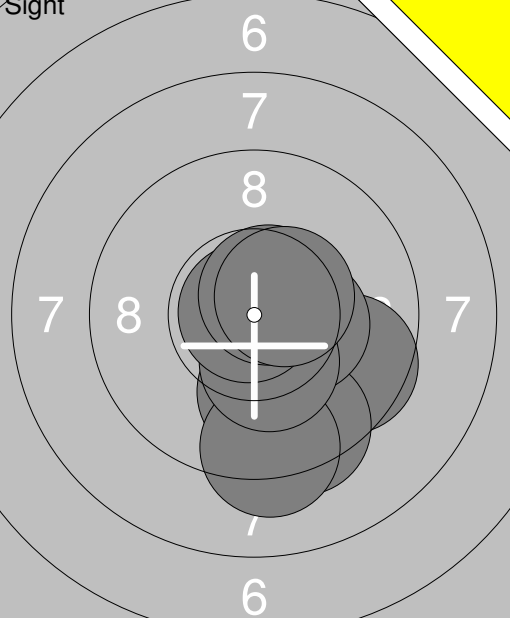
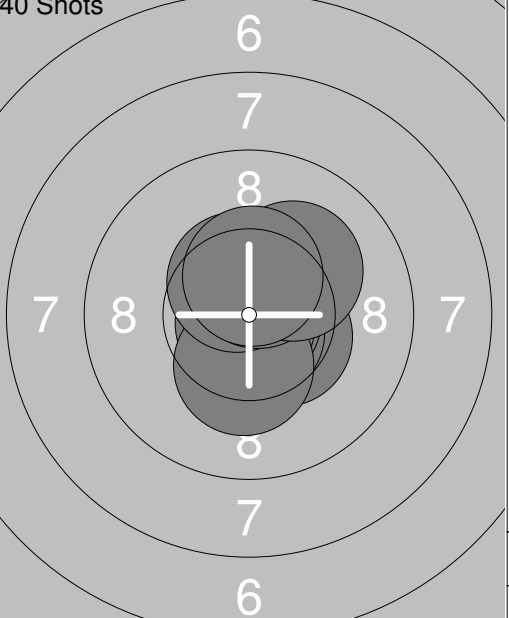
40 Shots		40 Shots																																																																								
	<table border="1" style="width:100%; border-collapse: collapse;"> <tr><td>11:</td><td>9.8</td><td>←</td></tr> <tr><td>12:</td><td>10.8x</td><td>→</td></tr> <tr><td>13:</td><td>10.0</td><td>↓</td></tr> <tr><td>14:</td><td>10.2x</td><td>→</td></tr> <tr><td>15:</td><td>10.8x</td><td>→</td></tr> <tr><td>16:</td><td>10.5x</td><td>←</td></tr> <tr><td>17:</td><td>10.0</td><td>→</td></tr> <tr><td>18:</td><td>10.6x</td><td>→</td></tr> <tr><td>19:</td><td>10.0</td><td>↑</td></tr> <tr><td>20:</td><td>10.7x</td><td>↓</td></tr> <tr><td><b>Series</b></td><td><b>103.4</b></td><td></td></tr> <tr><td><b>Total</b></td><td><b>207.3</b></td><td></td></tr> </table>	11:	9.8	←	12:	10.8x	→	13:	10.0	↓	14:	10.2x	→	15:	10.8x	→	16:	10.5x	←	17:	10.0	→	18:	10.6x	→	19:	10.0	↑	20:	10.7x	↓	<b>Series</b>	<b>103.4</b>		<b>Total</b>	<b>207.3</b>		<table border="1" style="width:100%; border-collapse: collapse;"> <tr><td>21:</td><td>10.4x</td><td>↗</td></tr> <tr><td>22:</td><td>10.5x</td><td>←</td></tr> <tr><td>23:</td><td>10.6x</td><td>↙</td></tr> <tr><td>24:</td><td>9.9</td><td>←</td></tr> <tr><td>25:</td><td>10.7x</td><td>↗</td></tr> <tr><td>26:</td><td>10.3x</td><td>↙</td></tr> <tr><td>27:</td><td>10.5x</td><td>↗</td></tr> <tr><td>28:</td><td>10.3x</td><td>→</td></tr> <tr><td>29:</td><td>10.2x</td><td>→</td></tr> <tr><td>30:</td><td>10.1</td><td>↓</td></tr> <tr><td><b>Series</b></td><td><b>103.5</b></td><td></td></tr> <tr><td><b>Total</b></td><td><b>310.8</b></td><td></td></tr> </table>	21:	10.4x	↗	22:	10.5x	←	23:	10.6x	↙	24:	9.9	←	25:	10.7x	↗	26:	10.3x	↙	27:	10.5x	↗	28:	10.3x	→	29:	10.2x	→	30:	10.1	↓	<b>Series</b>	<b>103.5</b>		<b>Total</b>	<b>310.8</b>	
11:	9.8	←																																																																								
12:	10.8x	→																																																																								
13:	10.0	↓																																																																								
14:	10.2x	→																																																																								
15:	10.8x	→																																																																								
16:	10.5x	←																																																																								
17:	10.0	→																																																																								
18:	10.6x	→																																																																								
19:	10.0	↑																																																																								
20:	10.7x	↓																																																																								
<b>Series</b>	<b>103.4</b>																																																																									
<b>Total</b>	<b>207.3</b>																																																																									
21:	10.4x	↗																																																																								
22:	10.5x	←																																																																								
23:	10.6x	↙																																																																								
24:	9.9	←																																																																								
25:	10.7x	↗																																																																								
26:	10.3x	↙																																																																								
27:	10.5x	↗																																																																								
28:	10.3x	→																																																																								
29:	10.2x	→																																																																								
30:	10.1	↓																																																																								
<b>Series</b>	<b>103.5</b>																																																																									
<b>Total</b>	<b>310.8</b>																																																																									

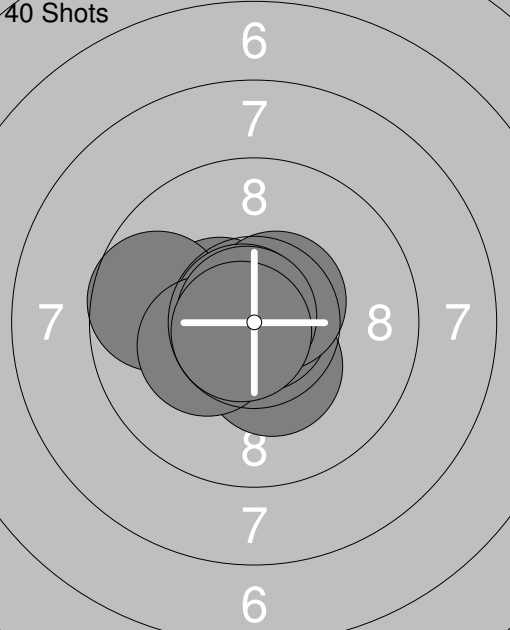
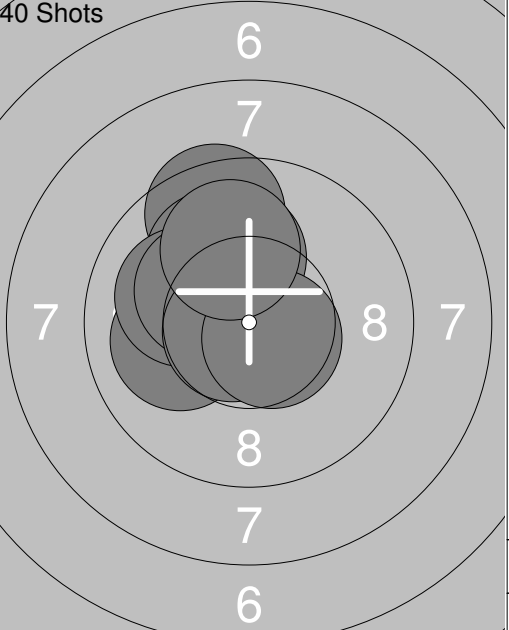
40 Shots																																						
	<table border="1" style="width:100%; border-collapse: collapse;"> <tr><td>31:</td><td>10.4x</td><td>→</td></tr> <tr><td>32:</td><td>10.4x</td><td>↓</td></tr> <tr><td>33:</td><td>10.4x</td><td>←</td></tr> <tr><td>34:</td><td>10.4x</td><td>↗</td></tr> <tr><td>35:</td><td>10.5x</td><td>↙</td></tr> <tr><td>36:</td><td>10.6x</td><td>↓</td></tr> <tr><td>37:</td><td>10.6x</td><td>↑</td></tr> <tr><td>38:</td><td>9.5</td><td>↑</td></tr> <tr><td>39:</td><td>10.6x</td><td>↗</td></tr> <tr><td>40:</td><td>10.1</td><td>↓</td></tr> <tr><td><b>Series</b></td><td><b>103.5</b></td><td></td></tr> <tr><td><b>Total</b></td><td><b>414.3</b></td><td></td></tr> </table>	31:	10.4x	→	32:	10.4x	↓	33:	10.4x	←	34:	10.4x	↗	35:	10.5x	↙	36:	10.6x	↓	37:	10.6x	↑	38:	9.5	↑	39:	10.6x	↗	40:	10.1	↓	<b>Series</b>	<b>103.5</b>		<b>Total</b>	<b>414.3</b>		
31:	10.4x	→																																				
32:	10.4x	↓																																				
33:	10.4x	←																																				
34:	10.4x	↗																																				
35:	10.5x	↙																																				
36:	10.6x	↓																																				
37:	10.6x	↑																																				
38:	9.5	↑																																				
39:	10.6x	↗																																				
40:	10.1	↓																																				
<b>Series</b>	<b>103.5</b>																																					
<b>Total</b>	<b>414.3</b>																																					

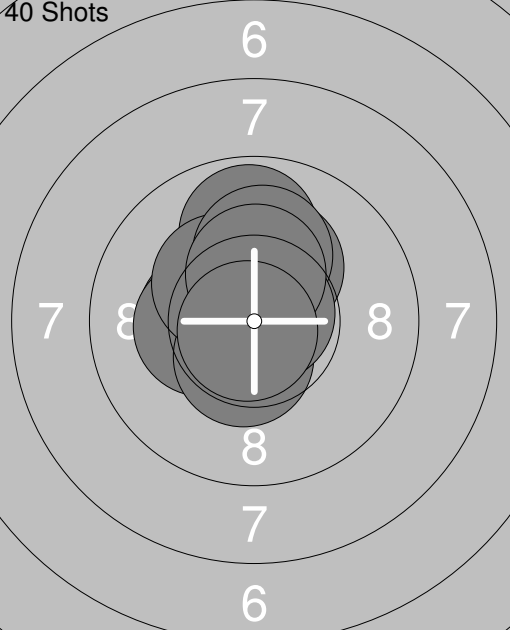
 <p style="text-align: center;">Sight</p>	<p>40 Shots</p> <p>1: 10.5x ↘ 2: 10.6x → 3: 10.2x ↙ 4: 10.2x ↙ 5: 10.3x ↙ 6: 10.7x ↙ 7: 10.7x ↓ 8: 10.6x ↑</p> <table border="1" style="width:100%; border-collapse: collapse;"> <tr><td>Series</td><td style="text-align:right;">83.8</td></tr> <tr><td>Total</td><td style="text-align:right;">0.0</td></tr> </table>	Series	83.8	Total	0.0	 <p>1: 10.6x ↙ 2: 10.5x → 3: 10.1 ← 4: 10.7x ↘ 5: 9.9 ← 6: 10.7x ↙ 7: 10.6x → 8: 10.5x ↗ 9: 10.6x ↓ 10: 10.5x ↑</p> <table border="1" style="width:100%; border-collapse: collapse;"> <tr><td>Series</td><td style="text-align:right;">104.7</td></tr> <tr><td>Total</td><td style="text-align:right;">104.7</td></tr> </table>	Series	104.7	Total	104.7
Series	83.8									
Total	0.0									
Series	104.7									
Total	104.7									

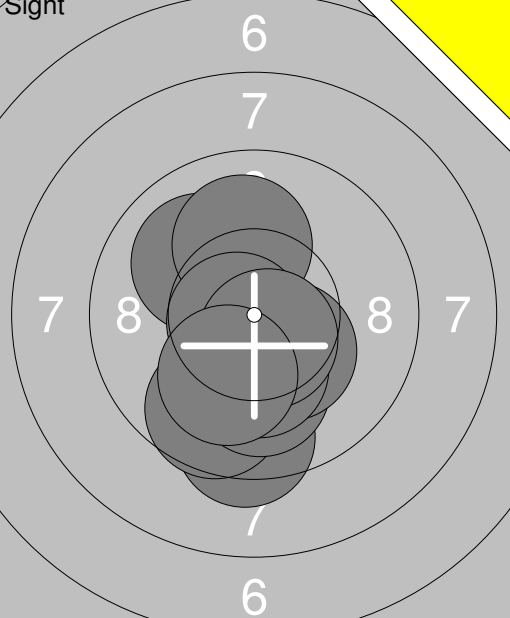
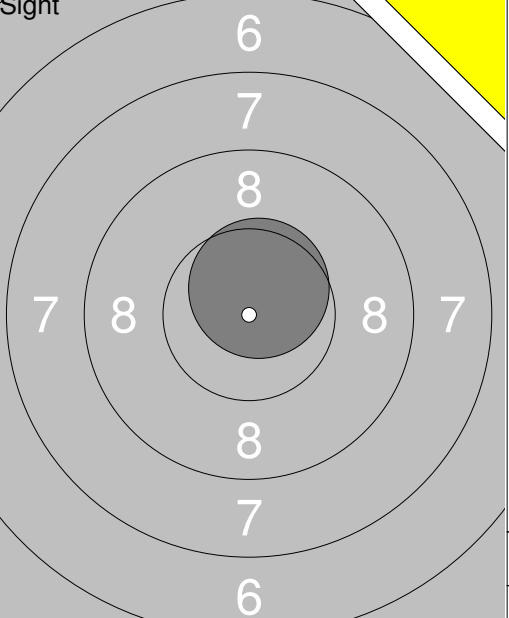
 <p>40 Shots</p>	<p>11: 10.6x ← 12: 9.9 ← 13: 10.3x ↗ 14: 10.7x ↙ 15: 10.6x → 16: 10.6x ↗ 17: 10.8x ↓ 18: 10.5x ↙ 19: 10.6x ↓ 20: 10.4x ↓</p> <table border="1" style="width:100%; border-collapse: collapse;"> <tr><td>Series</td><td style="text-align:right;">105.0</td></tr> <tr><td>Total</td><td style="text-align:right;">209.7</td></tr> </table>	Series	105.0	Total	209.7	 <p>40 Shots</p> <p>21: 10.0 → 22: 10.5x → 23: 10.6x ↘ 24: 10.5x ↙ 25: 10.8x → 26: 10.5x ↘ 27: 10.4x ↓ 28: 10.7x ↙ 29: 10.6x ↘ 30: 10.4x ↑</p> <table border="1" style="width:100%; border-collapse: collapse;"> <tr><td>Series</td><td style="text-align:right;">105.0</td></tr> <tr><td>Total</td><td style="text-align:right;">314.7</td></tr> </table>	Series	105.0	Total	314.7
Series	105.0									
Total	209.7									
Series	105.0									
Total	314.7									

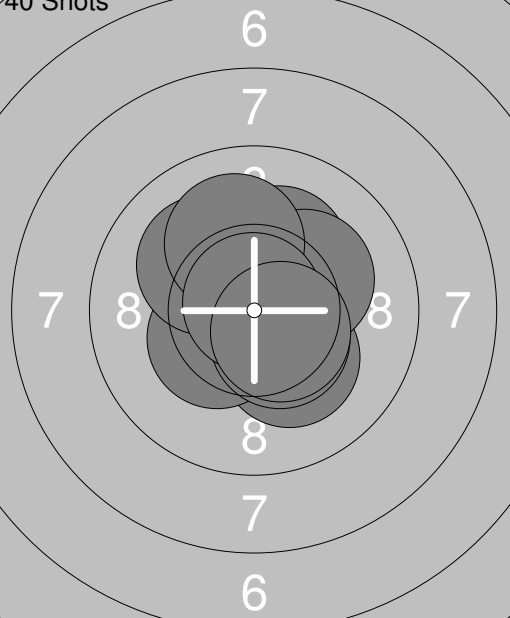
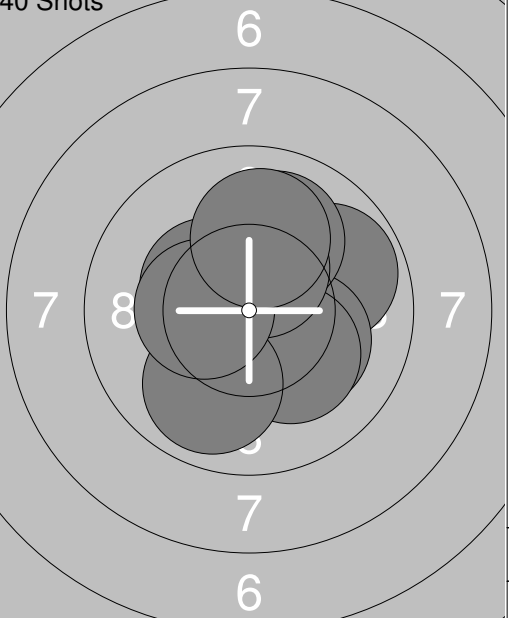
 <p>40 Shots</p>	<p>31: 10.5x ↑ 32: 10.7x ↑ 33: 10.2x ↑ 34: 10.3x → 35: 10.7x ↗ 36: 10.8x → 37: 10.7x ↘ 38: 10.7x ↓ 39: 10.3x ↙ 40: 10.3x ↓</p> <table border="1" style="width:100%; border-collapse: collapse;"> <tr><td>Series</td><td style="text-align:right;">105.2</td></tr> <tr><td>Total</td><td style="text-align:right;">419.9</td></tr> </table>	Series	105.2	Total	419.9	
Series	105.2					
Total	419.9					

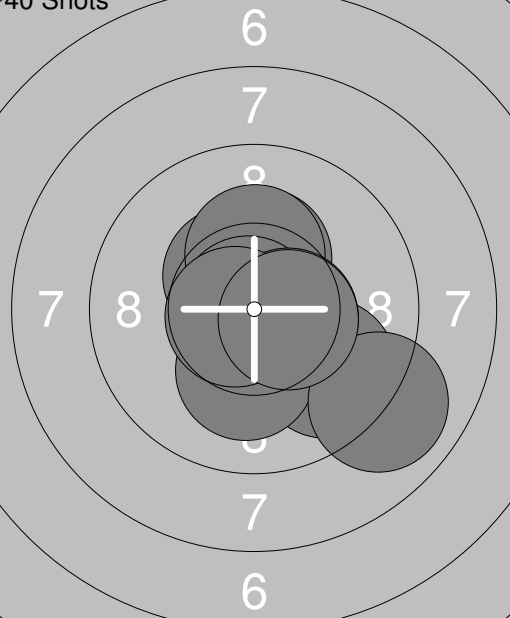
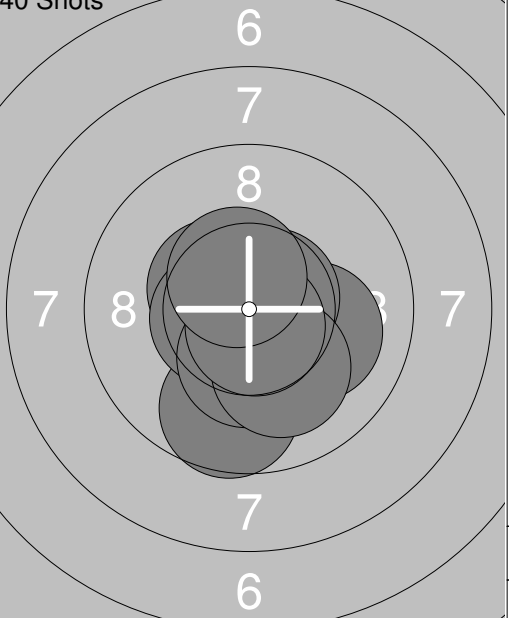
	<p>40 Shots</p> <p>1: 10.0 ↓</p> <p>2: 9.6 →</p> <p>3: 10.6x ↗</p> <p>4: 9.4 ↓</p> <p>5: 9.2 ↓</p> <p>6: 10.4x →</p> <p>7: 10.3x ↓</p> <p>8: 10.9x ↖</p> <p>9: 10.6x ↗</p> <p>10: 10.5x ↗</p> <p>Series 101.5</p> <p>Total 0.0</p>	 <p>40 Shots</p> <p>1: 10.4x ↘</p> <p>2: 10.5x ↑</p> <p>3: 10.7x ↓</p> <p>4: 10.9x ↓</p> <p>5: 10.8x ↓</p> <p>6: 10.3x ↓</p> <p>7: 10.5x ↖</p> <p>8: 10.5x ↑</p> <p>9: 10.2x ↗</p> <p>10: 10.5x ↑</p> <p>Series 105.3</p> <p>Total 105.3</p>
--	--	--

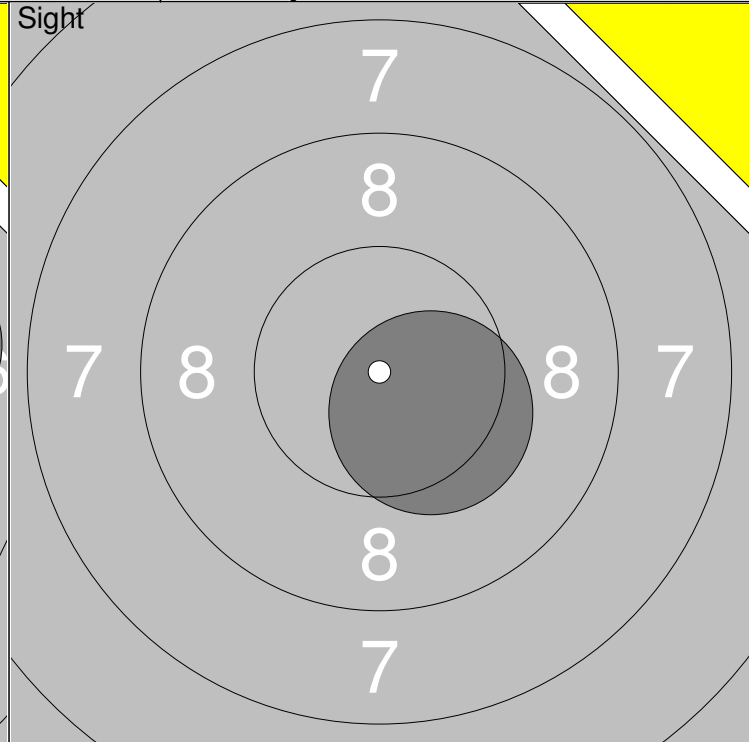
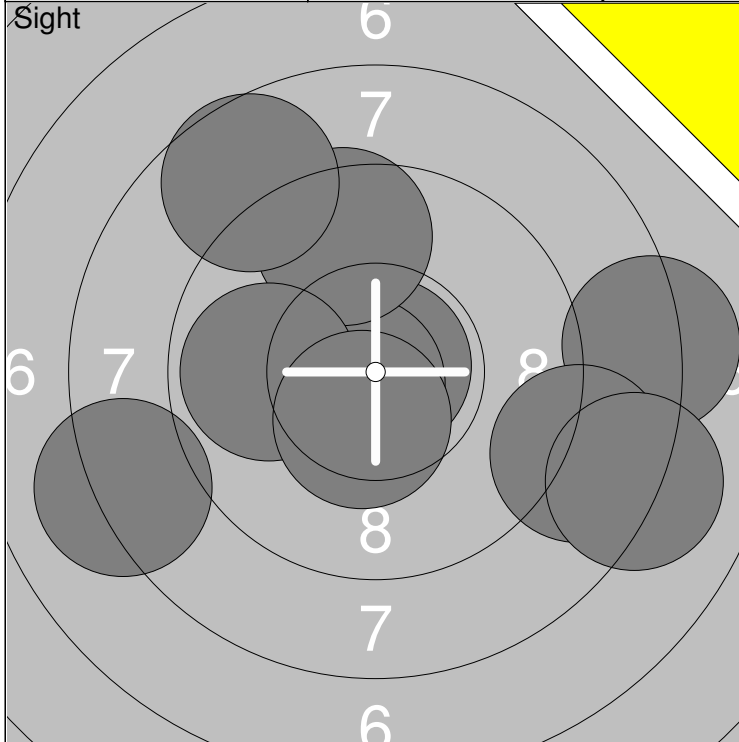
 <p>40 Shots</p> <p>11: 10.5x ↖</p> <p>12: 10.9x ↘</p> <p>13: 10.3x ↓</p> <p>14: 9.7 ←</p> <p>15: 10.9x →</p> <p>16: 10.6x ↗</p> <p>17: 10.8x ↖</p> <p>18: 10.3x ←</p> <p>19: 10.8x ↖</p> <p>20: 10.7x ↖</p> <p>Series 105.5</p> <p>Total 210.8</p>	 <p>40 Shots</p> <p>21: 10.0 ←</p> <p>22: 10.4x ↖</p> <p>23: 9.5 ↑</p> <p>24: 10.0 ↖</p> <p>25: 10.1 ↑</p> <p>26: 10.1 ←</p> <p>27: 10.2x ↖</p> <p>28: 10.7x ↖</p> <p>29: 10.6x ↘</p> <p>30: 10.0 ↑</p> <p>Series 101.6</p> <p>Total 312.4</p>
--	---

 <p>40 Shots</p> <p>31: 10.4x ←</p> <p>32: 10.2x ↑</p> <p>33: 9.8 ↑</p> <p>34: 10.3x ←</p> <p>35: 10.5x ↓</p> <p>36: 10.3x ↖</p> <p>37: 10.1 ↑</p> <p>38: 10.8x ↗</p> <p>39: 10.4x ↑</p> <p>40: 10.8x ↘</p> <p>Series 103.6</p> <p>Total 416.0</p>		
--	--	--

	<p>Sight</p> <p>1: 9.4 ↓</p> <p>2: 9.7 ↓</p> <p>3: 10.0 ↓</p> <p>4: 10.0 ↗</p> <p>5: 10.1 ↑</p> <p>6: 10.3x ↘</p> <p>7: 10.7x ↙</p> <p>8: 10.3x ↓</p> <p>9: 10.6x ↘</p> <p>10: 10.1 ↓</p>		<p>Sight</p> <p>11: 10.6x ↗</p>
Series 101.2	Total 0.0	Series 10.6	Total 0.0

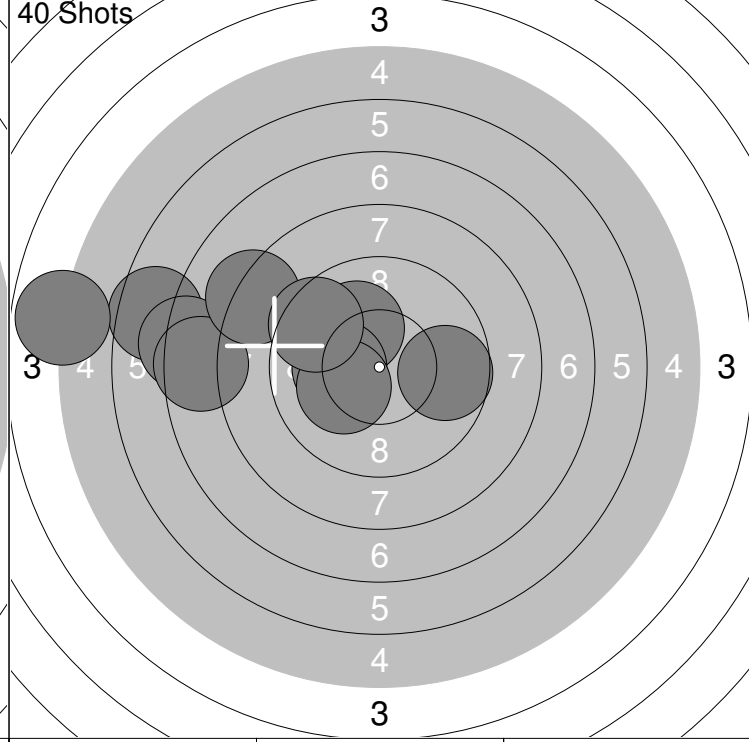
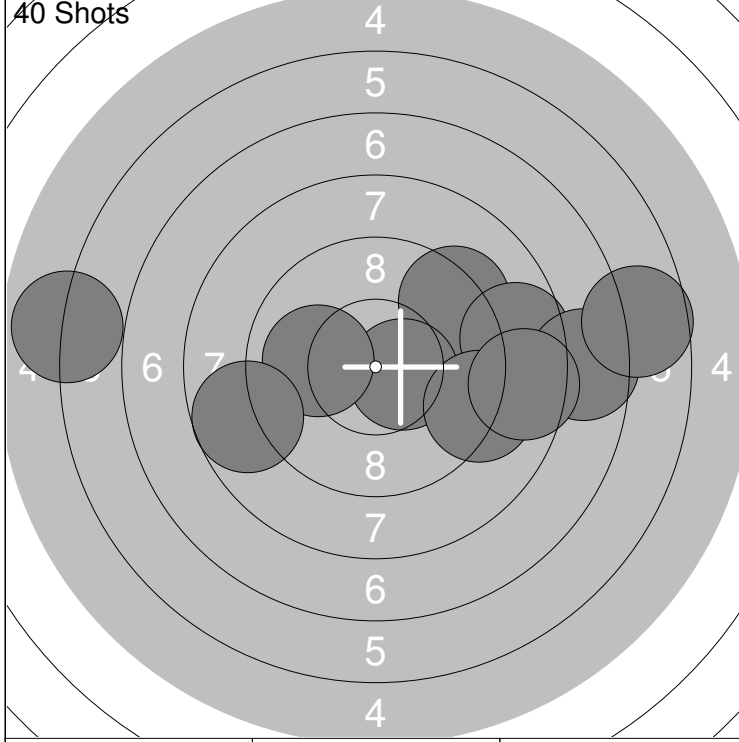
<p>40 Shots</p> 	<p>1: 10.4x ↗</p> <p>2: 10.2x ↘</p> <p>3: 10.2x ↗</p> <p>4: 10.2x ↗</p> <p>5: 10.4x ↙</p> <p>6: 10.1 ↗</p> <p>7: 10.1 ↑</p> <p>8: 10.5x ↘</p> <p>9: 10.9x ↑</p> <p>10: 10.5x ↘</p>		<p>11: 9.8 ↗</p> <p>12: 10.6x ↓</p> <p>13: 10.2x ↘</p> <p>14: 10.0 ↑</p> <p>15: 10.2x ↘</p> <p>16: 10.4x ↑</p> <p>17: 10.4x ↙</p> <p>18: 9.9 ↓</p> <p>19: 10.4x ↙</p> <p>20: 10.0 ↑</p>
Series 103.5	Total 103.5	Series 101.9	Total 205.4

<p>40 Shots</p> 	<p>21: 10.3x ↑</p> <p>22: 9.8 ↘</p> <p>23: 10.2x ↓</p> <p>24: 10.4x ↗</p> <p>25: 10.3x ↑</p> <p>26: 10.9x ↙</p> <p>27: 10.5x ↘</p> <p>28: 10.7x ↙</p> <p>29: 9.0 ↘</p> <p>30: 10.5x ↘</p>		<p>31: 9.7 ↓</p> <p>32: 10.1 ↘</p> <p>33: 10.5x ↙</p> <p>34: 10.6x ↓</p> <p>35: 10.6x ↙</p> <p>36: 10.3x ↓</p> <p>37: 10.7x ↗</p> <p>38: 10.1 ↓</p> <p>39: 10.7x ↓</p> <p>40: 10.5x ↗</p>
Series 102.6	Total 308.0	Series 103.8	Total 411.8



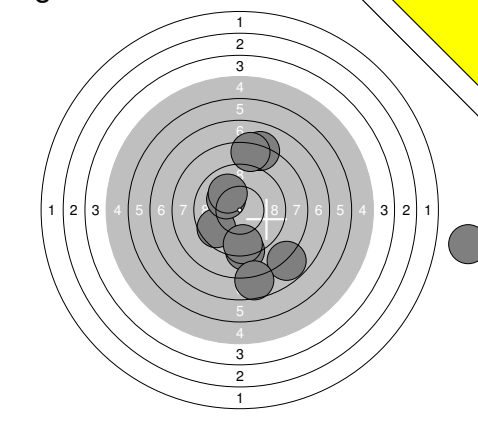
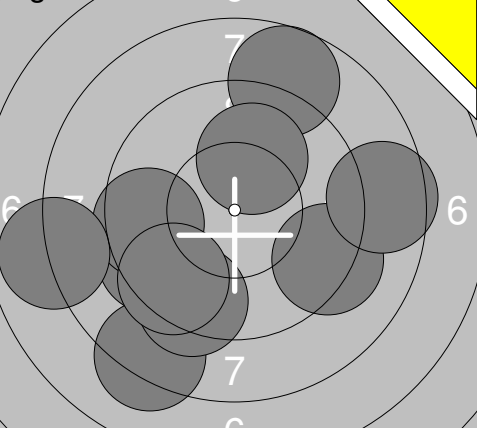
1: 10.9x ↗	6: 9.9 ←	Series	88
2: 10.7x ↙	7: 10.5x ↓		
3: 8.2 →	8: 8.1 ←	Total	0
4: 8.7 ↘	9: 8.1 ↘		
5: 9.5 ↑	10: 8.7 ↗		

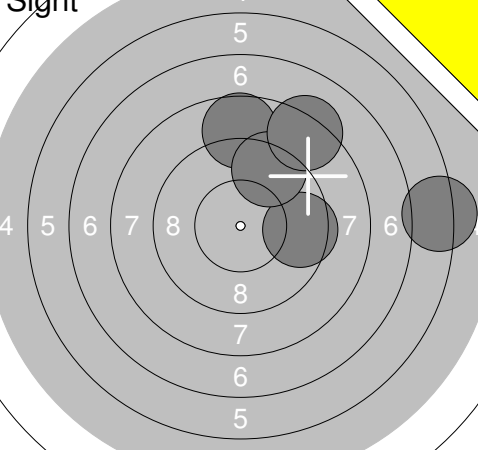
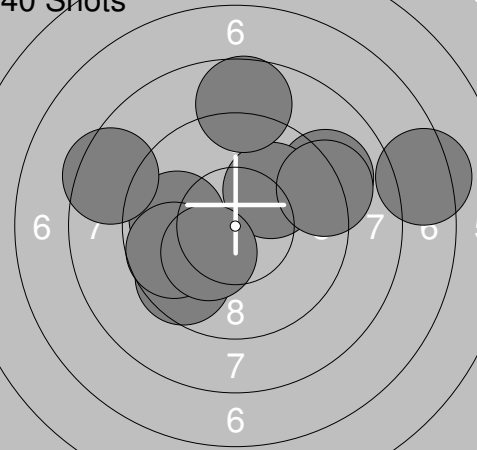
11: 10.4x ↘		Series	10
		Total	0

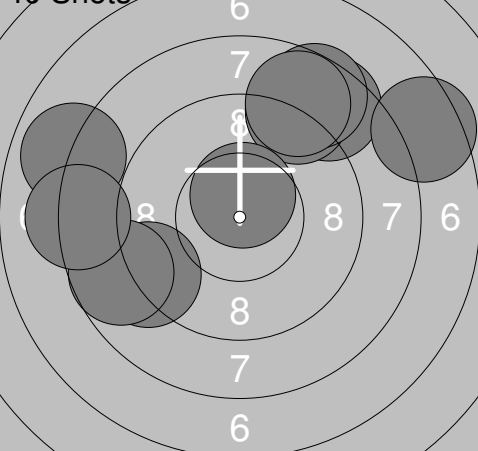
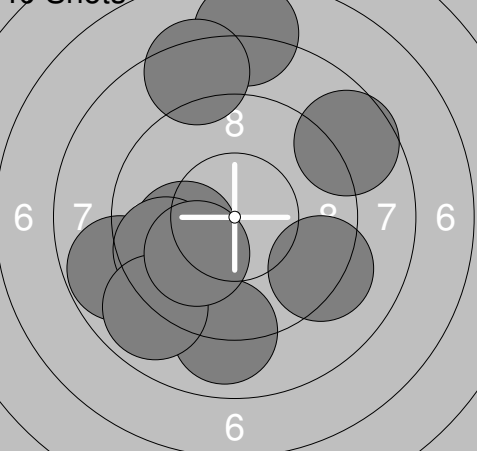


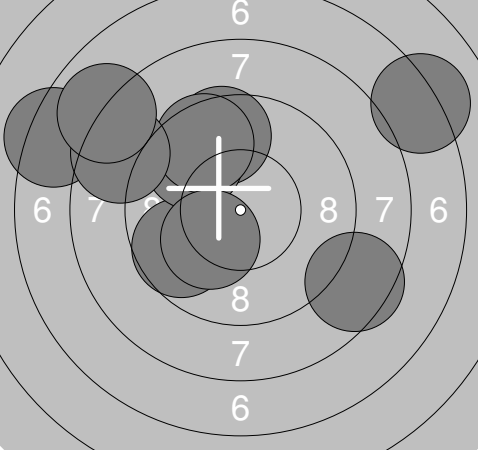
1: 9.3 ↗	6: 7.6 →	Series	80
2: 10.5x →	7: 6.7 →		
3: 10.0 ←	8: 9.2 →	Total	80
4: 8.6 →	9: 5.9 ←		
5: 8.7 ←	10: 8.5 →		

11: 6.6 ←	16: 8.2 ↙	Series	80
12: 7.2 ←	17: 4.8 ←		
13: 7.6 ←	18: 10.2x ↙	Total	160
14: 10.1 ↗	19: 9.7 →		
15: 10.2x ←	20: 9.5 ↙		

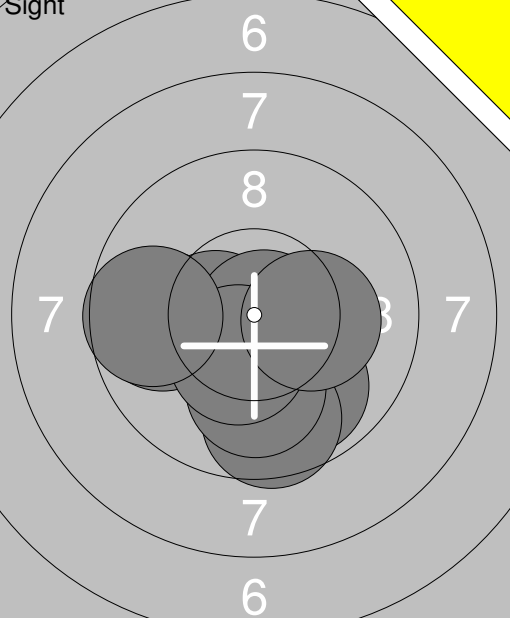
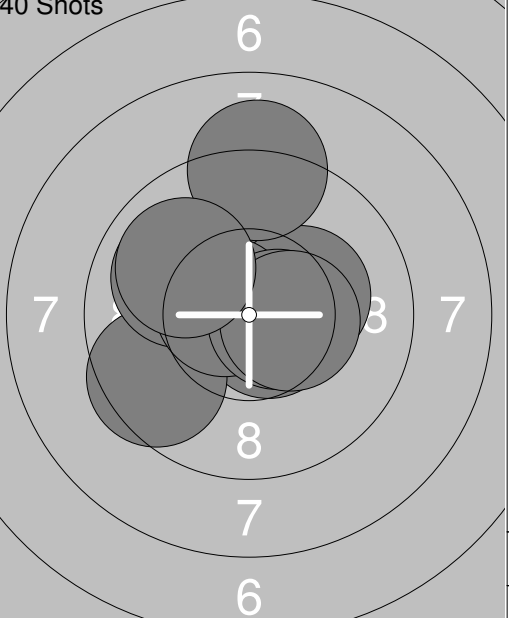
	<p>1: 0.0 →</p> <p>2: 9.6 ↙</p> <p>3: 7.8 ↘</p> <p>4: 9.1 ↓</p> <p>5: 10.2x ↗</p> <p>6: 8.1 ↑</p> <p>7: 8.3 ↑</p> <p>8: 10.0 ↗</p> <p>9: 9.4 ↓</p> <p>10: 7.7 ↓</p>		<p>11: 8.2 ↘</p> <p>12: 9.3 ↘</p> <p>13: 9.4 ↙</p> <p>14: 8.7 ↑</p> <p>15: 9.5 ←</p> <p>16: 7.9 ←</p> <p>17: 10.1 ↑</p> <p>18: 9.2 →</p> <p>19: 8.6 →</p> <p>20: 9.5 ↘</p>
	Series 77.0		Series 86.0
	Total 0.0		Total 0.0

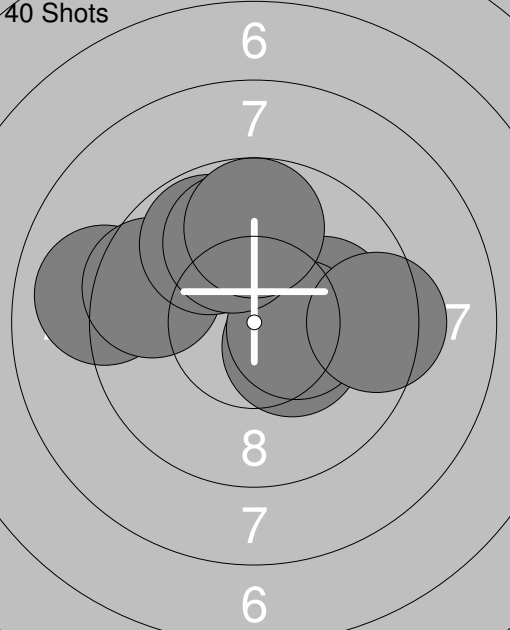
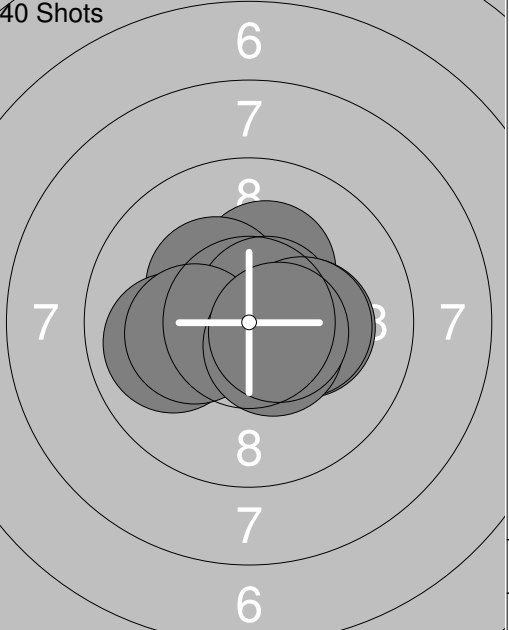
	<p>21: 6.2 →</p> <p>22: 8.7 ↑</p> <p>23: 9.5 →</p> <p>24: 9.4 ↑</p> <p>25: 8.3 ↑</p>		<p>1: 7.3 →</p> <p>2: 9.1 →</p> <p>3: 9.6 ↘</p> <p>4: 9.9 ←</p> <p>5: 10.0 ↗</p> <p>6: 9.7 ←</p> <p>7: 8.7 ↑</p> <p>8: 8.5 ↙</p> <p>9: 9.2 →</p> <p>10: 10.2x ↘</p>
	Series 40.0		Series 88.0
	Total 0.0		Total 88.0

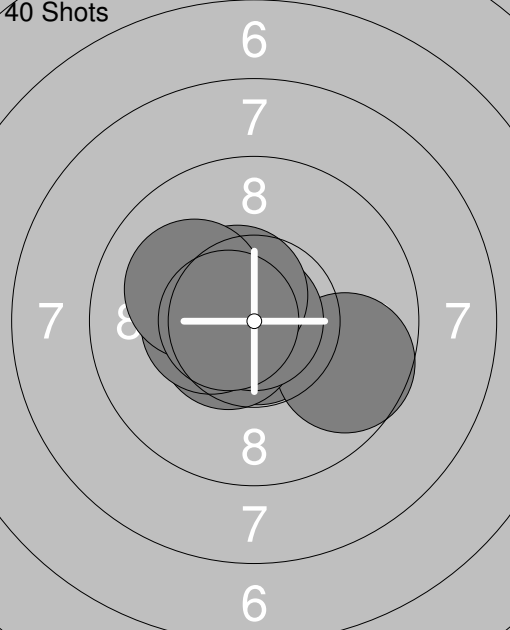
	<p>11: 8.5 ↗</p> <p>12: 7.5 →</p> <p>13: 8.9 ↑</p> <p>14: 7.9 ←</p> <p>15: 10.6x ↑</p> <p>16: 9.1 ←</p> <p>17: 8.5 ↑</p> <p>18: 8.7 ←</p> <p>19: 8.8 ↑</p> <p>20: 8.2 ←</p>		<p>21: 10.0 ←</p> <p>22: 9.0 ↓</p> <p>23: 8.8 ←</p> <p>24: 9.6 ←</p> <p>25: 8.9 ↘</p> <p>26: 9.2 →</p> <p>27: 7.8 ↑</p> <p>28: 8.7 ↗</p> <p>29: 10.1 ↘</p> <p>30: 8.4 ↑</p>
	Series 81.0		Series 86.0
	Total 169.0		Total 255.0

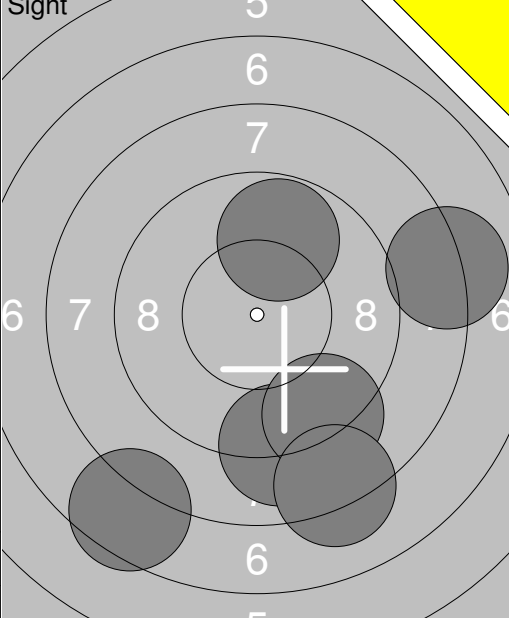
	<p>31: 7.3 ←</p> <p>32: 9.7 ↙</p> <p>33: 9.6 ↑</p> <p>34: 9.7 ↗</p> <p>35: 9.6 ↗</p> <p>36: 8.5 ↘</p> <p>37: 8.5 ↗</p> <p>38: 8.0 ↑</p> <p>39: 10.2x ↘</p> <p>40: 7.2 ↗</p>	
	Series 84.0	
	Total 339.0	

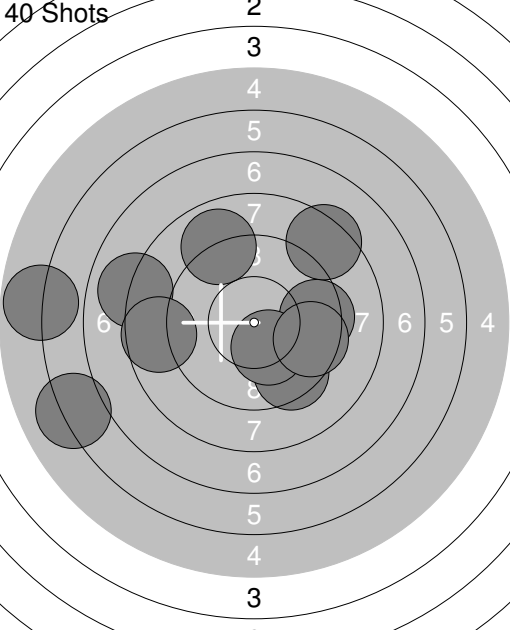
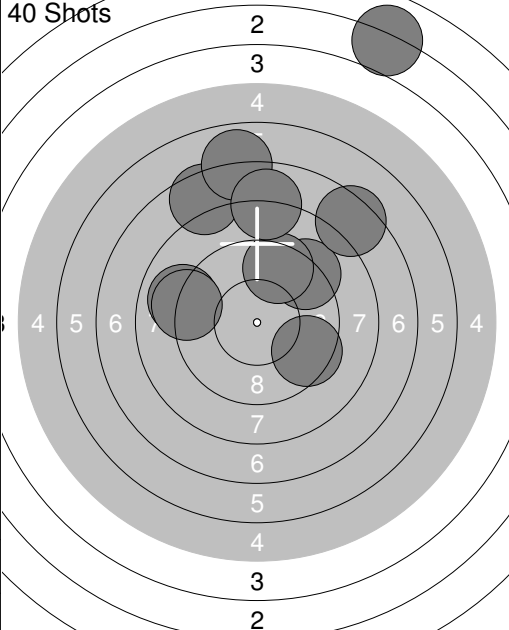


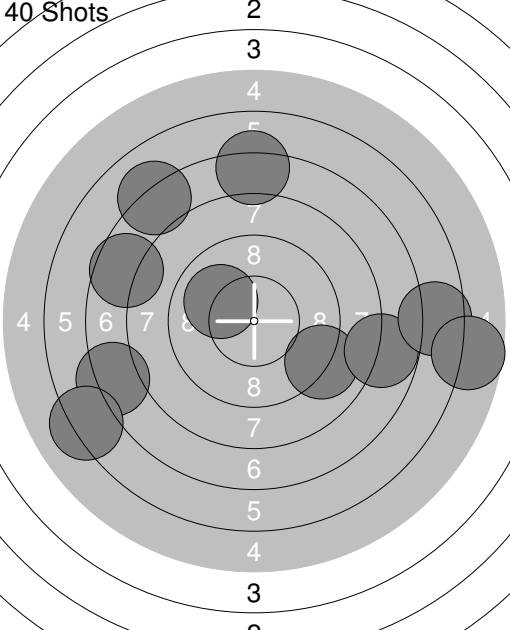
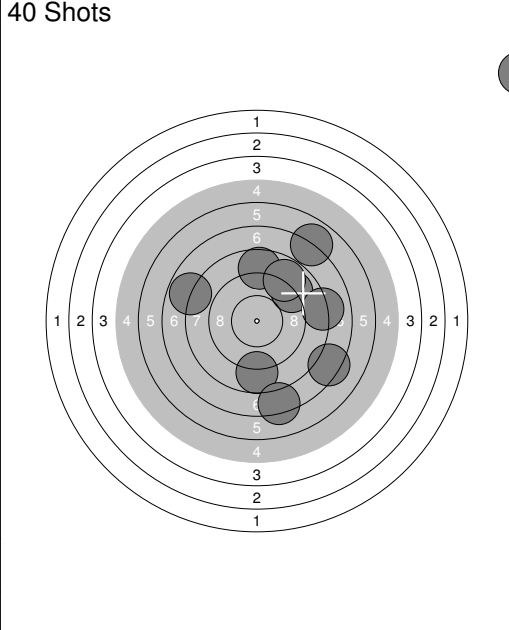
	<p>40 Shots</p> <p>1: 9.8 ←</p> <p>2: 10.5x ↓</p> <p>3: 9.9 ↓</p> <p>4: 9.6 ↓</p> <p>5: 10.5x ←</p> <p>6: 10.8x →</p> <p>7: 10.0 ↓</p> <p>8: 10.4x ↓</p> <p>9: 9.7 ←</p> <p>10: 10.2x →</p>	 <p>40 Shots</p> <p>1: 10.6x →</p> <p>2: 10.6x ↗</p> <p>3: 10.3x →</p> <p>4: 9.5 ↙</p> <p>5: 10.0 ↙</p> <p>6: 10.6x ↙</p> <p>7: 10.6x →</p> <p>8: 9.1 ↑</p> <p>9: 10.4x →</p> <p>10: 9.9 ↙</p>
Series 96.0	Series 97.0	Series 97.0
Total 0.0	Total 97.0	Total 97.0

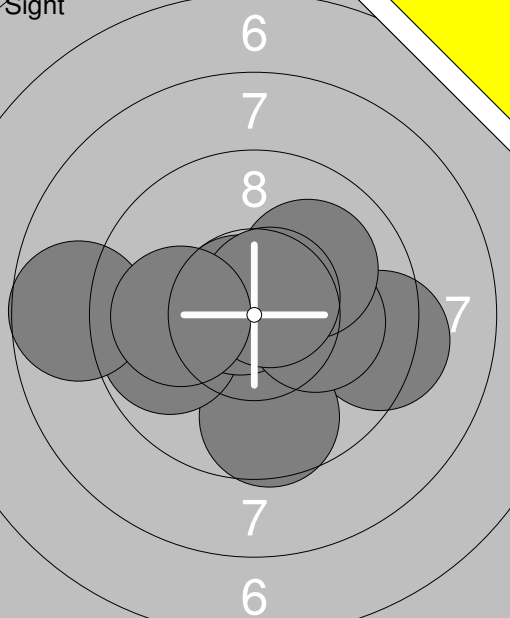
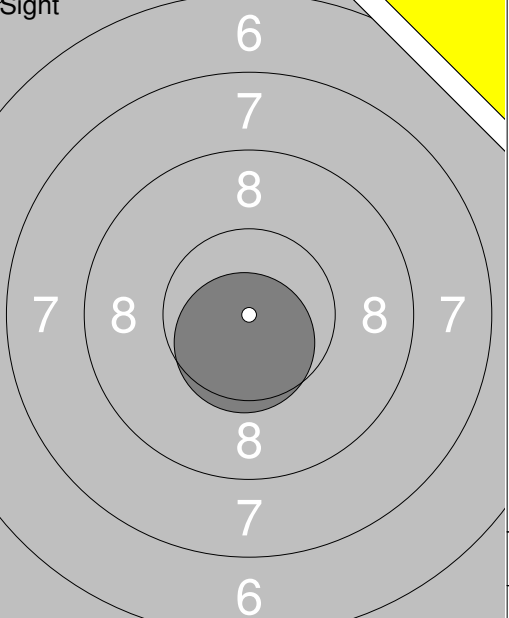
	<p>40 Shots</p> <p>11: 9.0 ←</p> <p>12: 9.6 ↙</p> <p>13: 9.9 ↑</p> <p>14: 10.1 →</p> <p>15: 10.4x →</p> <p>16: 9.8 ↗</p> <p>17: 10.4x →</p> <p>18: 9.9 ↑</p> <p>19: 9.7 ↑</p> <p>20: 9.4 →</p>	 <p>40 Shots</p> <p>21: 10.4x ↑</p> <p>22: 10.3x ↑</p> <p>23: 10.2x →</p> <p>24: 10.3x ↙</p> <p>25: 10.6x ↗</p> <p>26: 10.0 ↙</p> <p>27: 10.3x →</p> <p>28: 10.2x ↙</p> <p>29: 10.5x ↓</p> <p>30: 10.6x →</p>
Series 93.0	Series 100.0	Series 100.0
Total 190.0	Total 290.0	Total 290.0

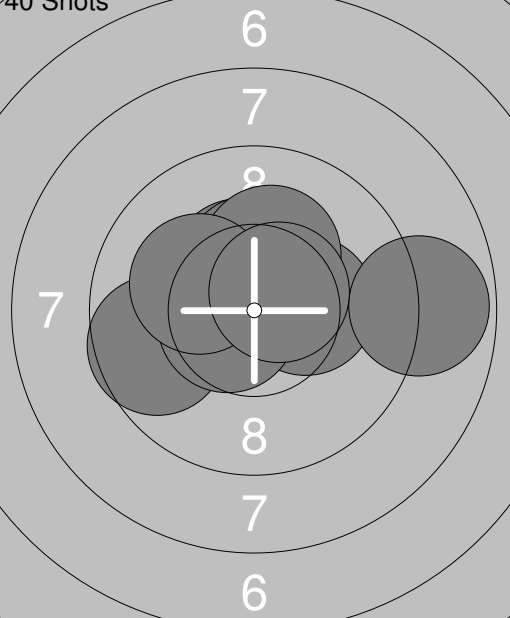
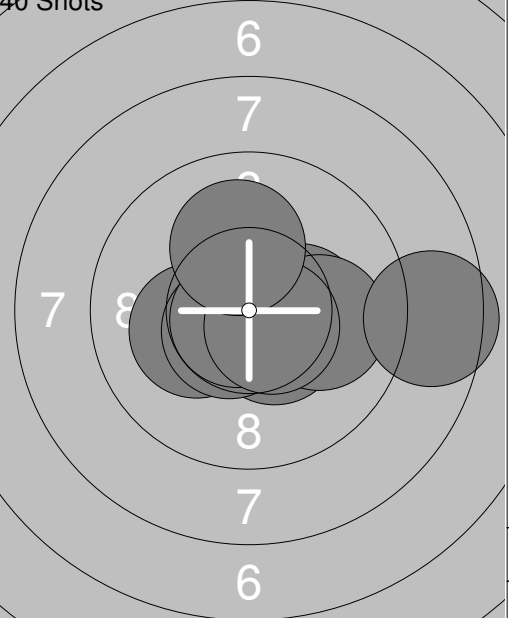
	<p>40 Shots</p> <p>31: 10.7x ↙</p> <p>32: 10.9x ↙</p> <p>33: 10.8x ↓</p> <p>34: 9.7 →</p> <p>35: 10.6x ↙</p> <p>36: 10.9x ↗</p> <p>37: 10.4x ←</p> <p>38: 10.6x ↗</p> <p>39: 10.1 ↙</p> <p>40: 10.6x ←</p>	
Series 99.0		
Total 389.0		

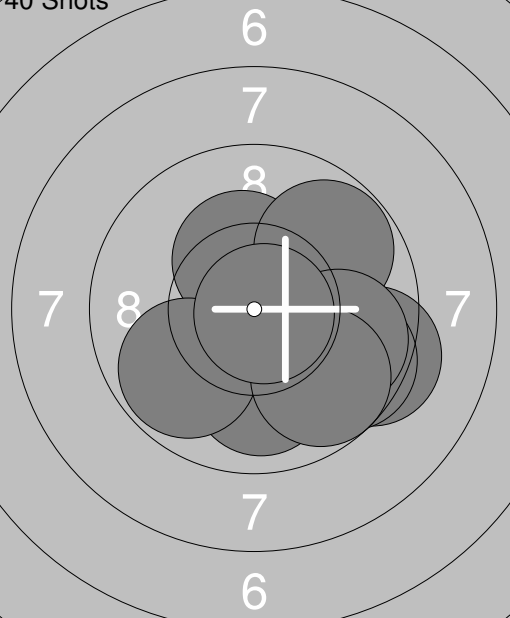
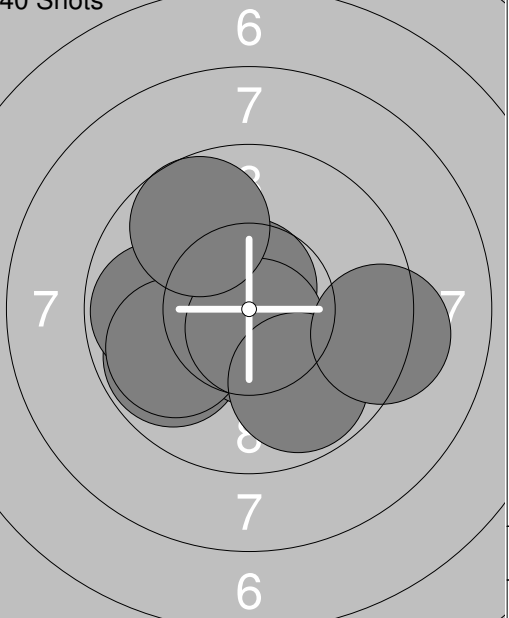
 <p>Sight</p>	<p>1: 7.9 ↖</p> <p>2: 6.9 ↗</p> <p>3: 6.0 ↖</p> <p>4: 8.9 ←</p> <p>5: 10.2x ←</p> <p>6: 6.7 ↗</p> <p>7: 8.8 ↗</p> <p>8: 10.7x ↓</p> <p>9: 8.1 ↑</p> <p>10: 3.3 ↑</p> <p>Series 72.0</p> <p>Total 0.0</p>	 <p>Sight</p>	<p>11: 9.0 ↓</p> <p>12: 9.2 ↓</p> <p>13: 8.1 →</p> <p>14: 9.8 ↑</p> <p>15: 7.5 ↙</p> <p>16: 8.2 ↓</p> <p>Series 50.0</p> <p>Total 0.0</p>
---	--	---	---

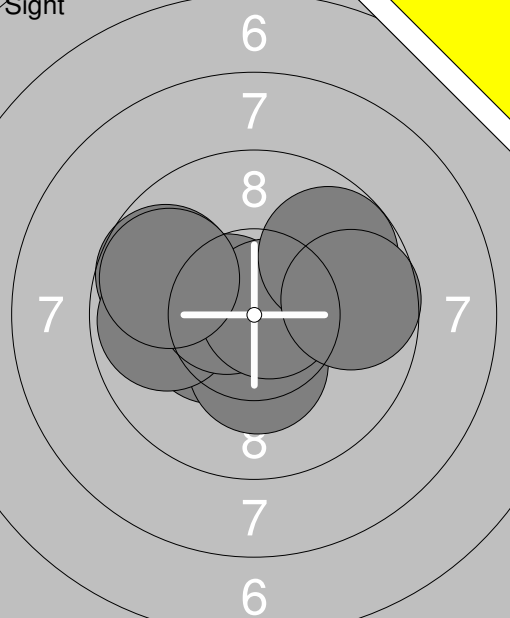
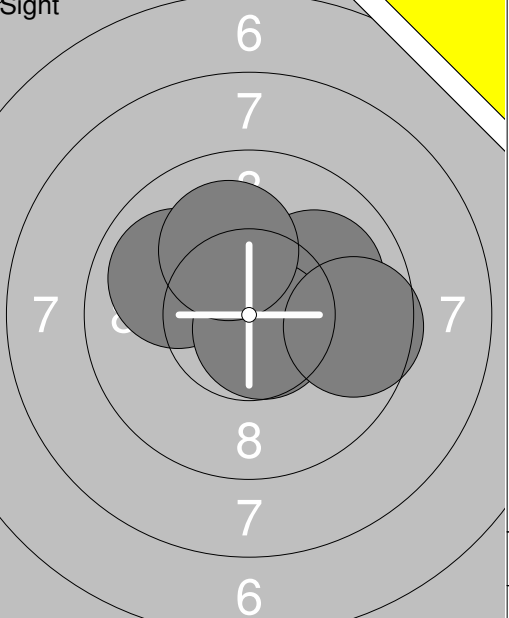
 <p>40 Shots</p>	<p>1: 9.5 ↓</p> <p>2: 9.4 →</p> <p>3: 8.0 ←</p> <p>4: 6.1 ←</p> <p>5: 8.4 ↗</p> <p>6: 10.3x ↓</p> <p>7: 9.5 →</p> <p>8: 5.8 ←</p> <p>9: 8.9 ↑</p> <p>10: 8.7 ←</p> <p>Series 80.0</p> <p>Total 80.0</p>	 <p>40 Shots</p>	<p>11: 9.2 ↗</p> <p>12: 3.0 ↗</p> <p>13: 9.5 ↗</p> <p>14: 9.0 ←</p> <p>15: 7.5 ↑</p> <p>16: 9.5 →</p> <p>17: 9.1 ←</p> <p>18: 7.4 ↗</p> <p>19: 6.9 ↑</p> <p>20: 7.9 ↑</p> <p>Series 75.0</p> <p>Total 155.0</p>
---	---	---	---

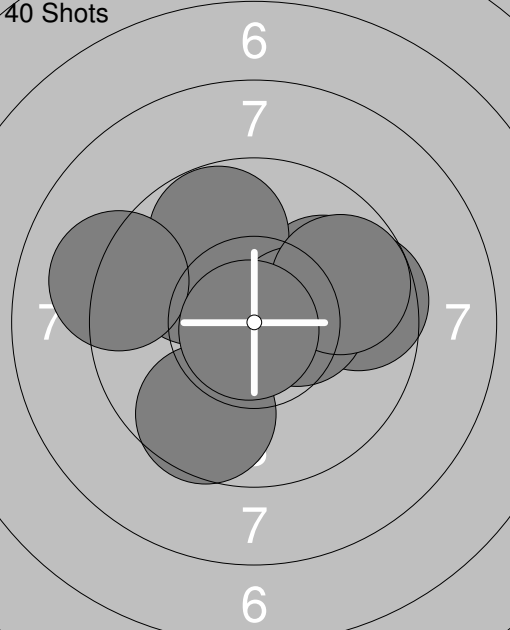
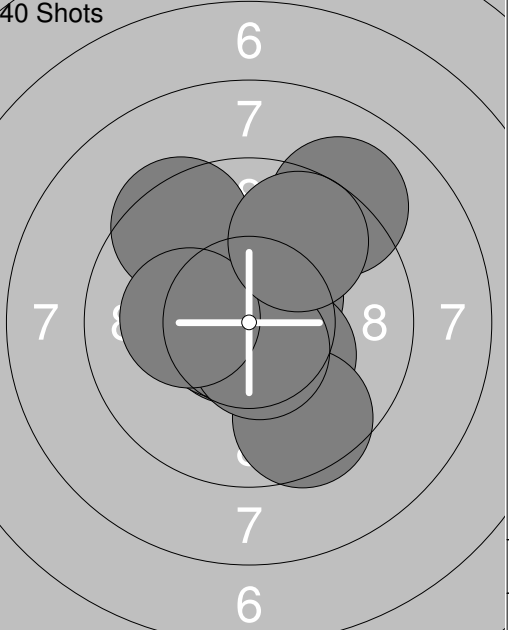
 <p>40 Shots</p>	<p>21: 9.0 →</p> <p>22: 7.2 ↑</p> <p>23: 10.0 ↖</p> <p>24: 7.8 →</p> <p>25: 6.6 →</p> <p>26: 7.1 ↗</p> <p>27: 5.7 →</p> <p>28: 7.6 ↖</p> <p>29: 7.2 ←</p> <p>30: 6.2 ↙</p> <p>Series 71.0</p> <p>Total 226.0</p>	 <p>40 Shots</p>	<p>31: 9.0 ↗</p> <p>32: 8.7 ↓</p> <p>33: 7.8 ↖</p> <p>34: 0.0 ↗</p> <p>35: 8.7 ↑</p> <p>36: 8.8 ↗</p> <p>37: 6.9 ↗</p> <p>38: 8.1 →</p> <p>39: 7.3 ↓</p> <p>40: 7.3 →</p> <p>Series 68.0</p> <p>Total 294.0</p>
--	--	--	---

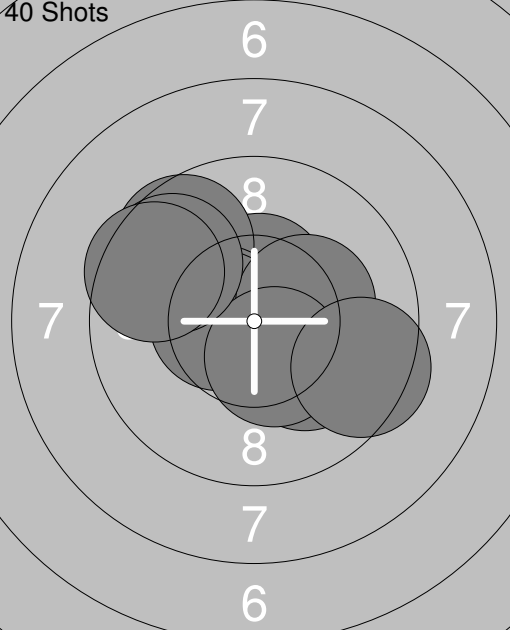
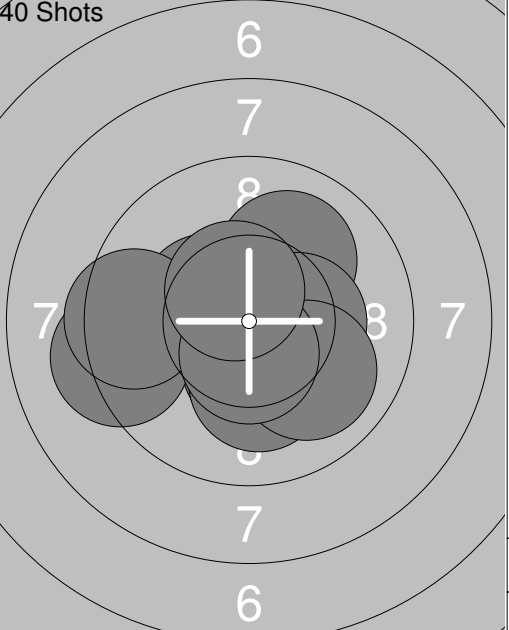
<p><b>Sight</b></p>  <p>6 7 8 7 6</p>	<p>1: 10.7x ↗ 2: 9.3 → 3: 9.6 ↓ 4: 9.8 ← 5: 10.7x ↖ 6: 8.7 ← 7: 10.2x → 8: 10.1 ↗ 9: 10.6x ↗ 10: 10.0 ←</p>	<p><b>Sight</b></p>  <p>6 7 8 7 6</p>	<p>11: 10.6x ↓</p>
<b>Series</b>	95.0	<b>Series</b>	10.0
<b>Total</b>	0.0	<b>Total</b>	0.0

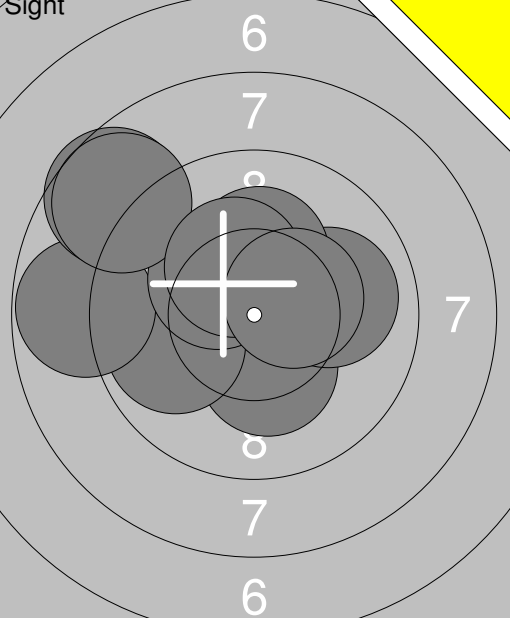
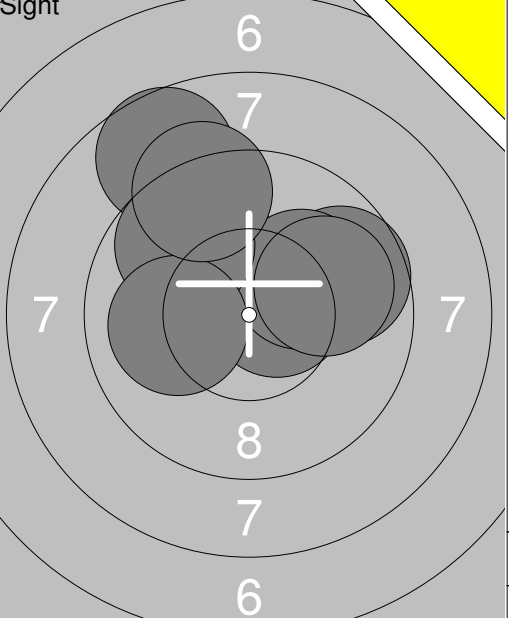
<p><b>40 Shots</b></p>  <p>6 7 8 7 6</p>	<p>1: 10.4x ↗ 2: 10.3x → 3: 8.8 → 4: 10.4x ↑ 5: 10.8x ↖ 6: 9.6 ← 7: 10.6x ↖ 8: 10.2x ↑ 9: 10.2x ↖ 10: 10.6x ↗</p>	<p><b>40 Shots</b></p>  <p>6 7 8 7 6</p>	<p>11: 10.5x ↓ 12: 10.8x ↖ 13: 10.3x → 14: 10.0 → 15: 10.2x ↖ 16: 10.6x ↖ 17: 10.8x ↖ 18: 10.6x ↓ 19: 8.5 → 20: 10.1 ↑</p>
<b>Series</b>	97.0	<b>Series</b>	98.0
<b>Total</b>	97.0	<b>Total</b>	195.0

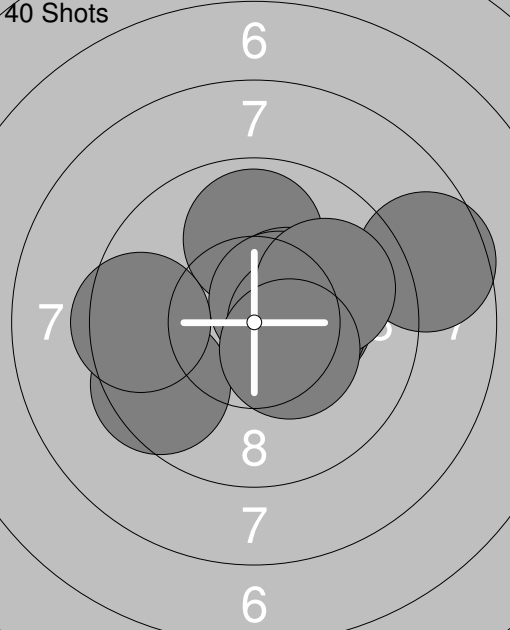
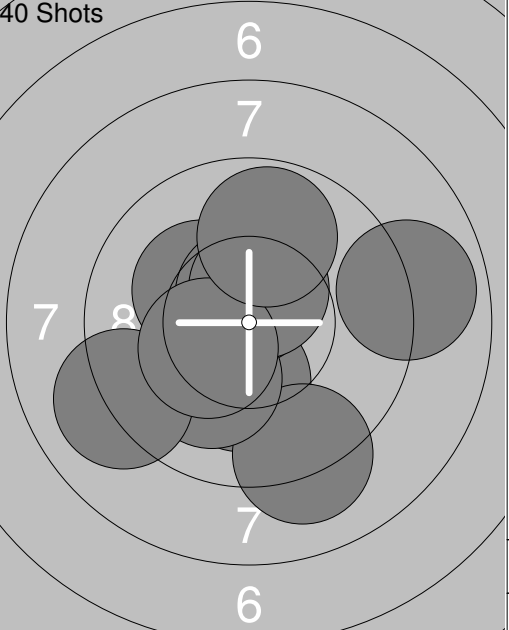
<p><b>40 Shots</b></p>  <p>6 7 8 7 6</p>	<p>21: 9.3 → 22: 10.2x ↘ 23: 10.3x ↑ 24: 9.8 ↗ 25: 10.0 ↓ 26: 9.6 ↘ 27: 9.8 → 28: 9.8 ↖ 29: 9.7 ↓ 30: 10.8x ↘</p>	<p><b>40 Shots</b></p>  <p>6 7 8 7 6</p>	<p>31: 10.2x ↖ 32: 9.8 ↖ 33: 9.8 ← 34: 10.6x ↓ 35: 10.7x ↑ 36: 9.9 ↖ 37: 10.7x ↓ 38: 9.8 ↓ 39: 9.7 ↑ 40: 9.2 →</p>
<b>Series</b>	94.0	<b>Series</b>	94.0
<b>Total</b>	289.0	<b>Total</b>	383.0

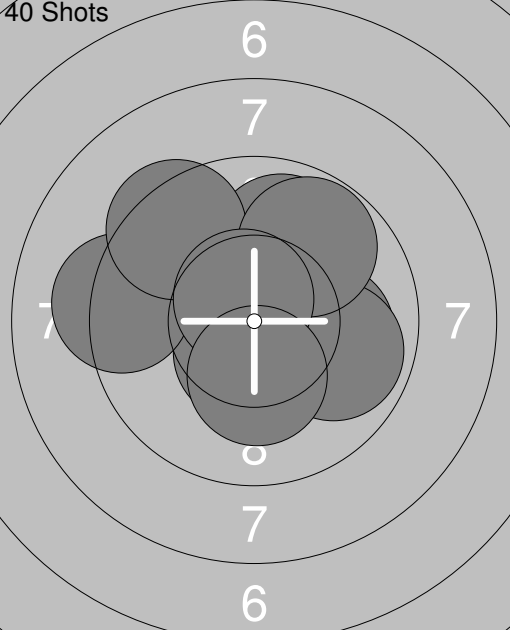
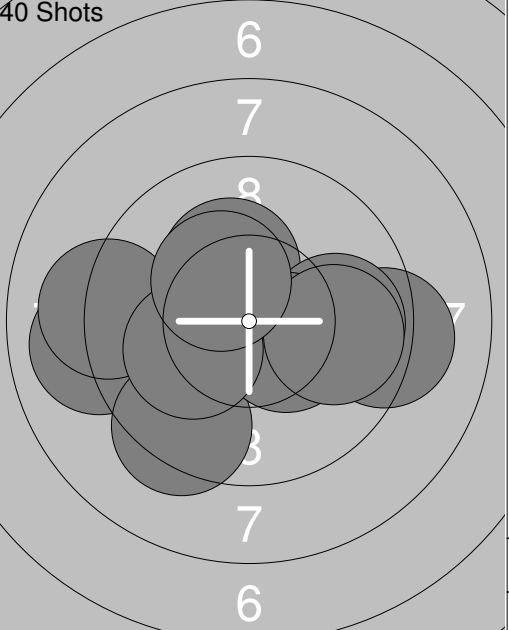
 <p style="text-align:center;">Sight</p>	<p>1: 9.9 ↗</p> <p>2: 10.4x↙</p> <p>3: 10.3x↓</p> <p>4: 9.7 ↖</p> <p>5: 9.8 ←</p> <p>6: 10.6x↙</p> <p>7: 10.7x→</p> <p>8: 9.8 ↖</p> <p>9: 9.8 ↗</p> <p>10: 9.7 →</p> <hr/> <p>Series 94.0</p> <hr/> <p>Total 0.0</p>	 <p style="text-align:center;">Sight</p>	<p>11: 10.0 ↗</p> <p>12: 9.9 ↖</p> <p>13: 10.7x↘</p> <p>14: 10.1 ↗</p> <p>15: 9.6 →</p> <hr/> <p>Series 48.0</p> <hr/> <p>Total 0.0</p>
--	--	--	---

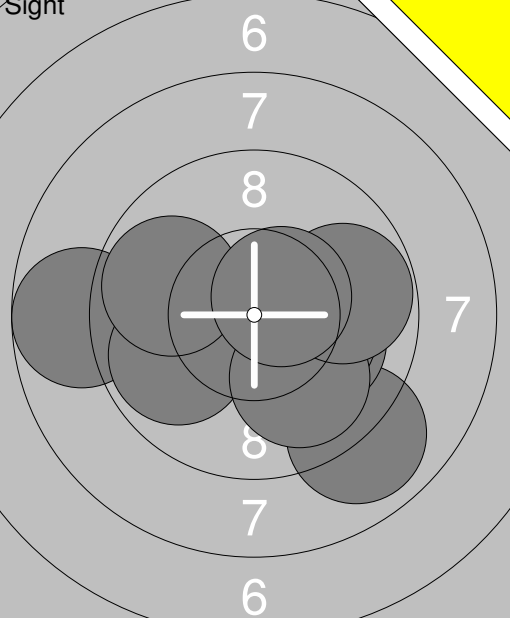
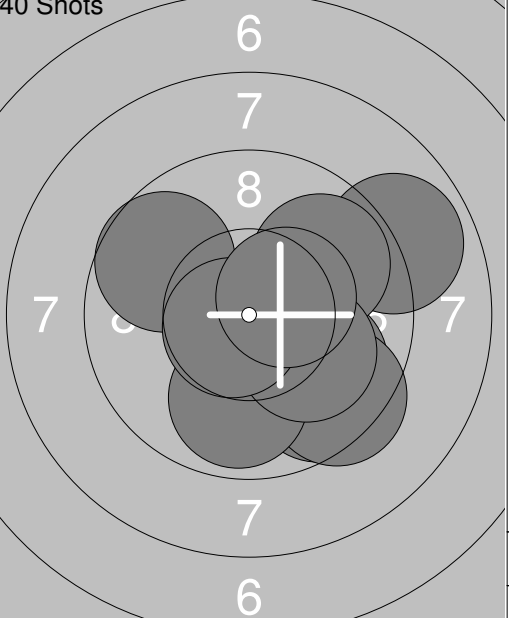
 <p style="text-align:center;">40 Shots</p>	<p>1: 10.0 ↗</p> <p>2: 10.0 ↖</p> <p>3: 10.7x↑</p> <p>4: 9.8 ↗</p> <p>5: 9.6 →</p> <p>6: 9.6 ↓</p> <p>7: 9.1 ↖</p> <p>8: 10.4x→</p> <p>9: 9.7 ↗</p> <p>10: 10.8x↙</p> <hr/> <p>Series 95.0</p> <hr/> <p>Total 95.0</p>	 <p style="text-align:center;">40 Shots</p>	<p>11: 10.5x↗</p> <p>12: 10.3x↘</p> <p>13: 10.7x↙</p> <p>14: 10.6x↙</p> <p>15: 9.6 ↓</p> <p>16: 9.5 ↗</p> <p>17: 9.1 ↗</p> <p>18: 10.6x↓</p> <p>19: 10.2x↙</p> <p>20: 9.7 ↗</p> <hr/> <p>Series 96.0</p> <hr/> <p>Total 191.0</p>
--	--	--	---

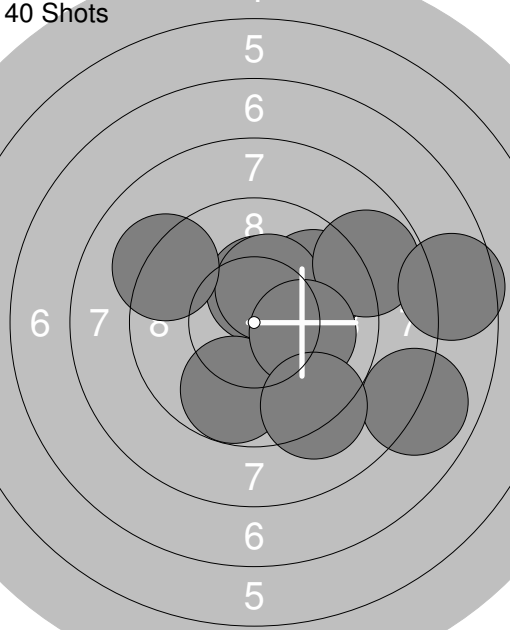
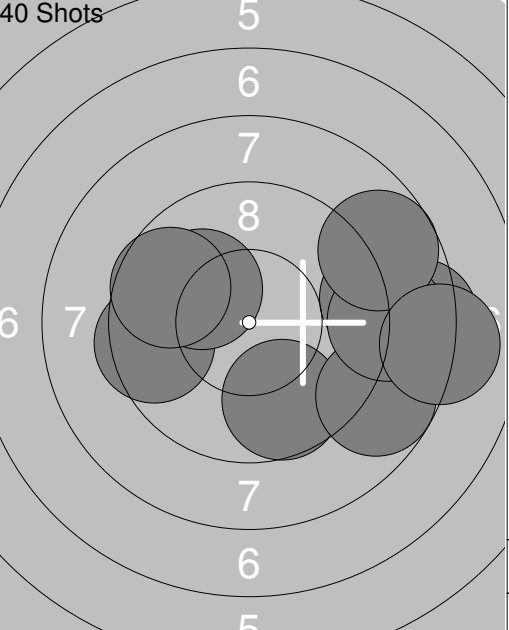
 <p style="text-align:center;">40 Shots</p>	<p>21: 10.5x↑</p> <p>22: 9.6 ↖</p> <p>23: 10.5x↙</p> <p>24: 10.5x↙</p> <p>25: 10.1 ↘</p> <p>26: 10.3x→</p> <p>27: 10.4x↘</p> <p>28: 9.5 ↘</p> <p>29: 9.7 ↗</p> <p>30: 9.5 ↖</p> <hr/> <p>Series 96.0</p> <hr/> <p>Total 287.0</p>	 <p style="text-align:center;">40 Shots</p>	<p>31: 10.0 ↗</p> <p>32: 10.4x↓</p> <p>33: 10.2x↘</p> <p>34: 10.4x↙</p> <p>35: 10.3x→</p> <p>36: 9.2 ↖</p> <p>37: 9.5 ↖</p> <p>38: 10.0 ↘</p> <p>39: 10.5x↓</p> <p>40: 10.5x↗</p> <hr/> <p>Series 98.0</p> <hr/> <p>Total 385.0</p>
---	---	---	---

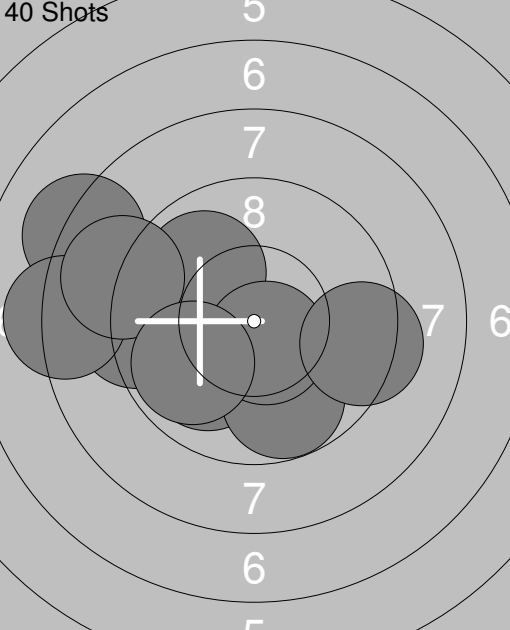
<p>Sight</p> 	<p>1: 10.3x ↓                  2: 9.9 ←                  3: 8.8 ←                  4: 10.3x ↖                  5: 8.6 ↖                  6: 10.0 →                  7: 10.2x ↑                  8: 8.7 ↖                  9: 10.3x ↖                  10: 10.4x →</p> <p>Series 93.0 Total 0.0</p>	<p>Sight</p> 	<p>11: 8.7 ↖                  12: 9.7 →                  13: 10.6x →                  14: 9.9 ↖                  15: 10.1 ↗                  16: 9.7 ↖                  17: 10.0 ←                  18: 9.3 ↖                  19: 9.9 →</p> <p>Series 83.0 Total 0.0</p>
---	--	---	---

<p>40 Shots</p> 	<p>1: 10.3x →                  2: 9.5 ←                  3: 9.9 ↑                  4: 10.4x ↗                  5: 10.5x ↗                  6: 9.5 ←                  7: 10.4x →                  8: 8.6 →                  9: 9.9 →                  10: 10.4x ↘</p> <p>Series 94.0 Total 94.0</p>	<p>40 Shots</p> 	<p>11: 10.2x ↓                  12: 10.2x ↖                  13: 10.6x ↑                  14: 9.1 ↓                  15: 10.1 ↘                  16: 9.1 ↘                  17: 10.5x ↑                  18: 10.3x ↙                  19: 8.9 →                  20: 9.8 ↑</p> <p>Series 95.0 Total 189.0</p>
---	--	---	---

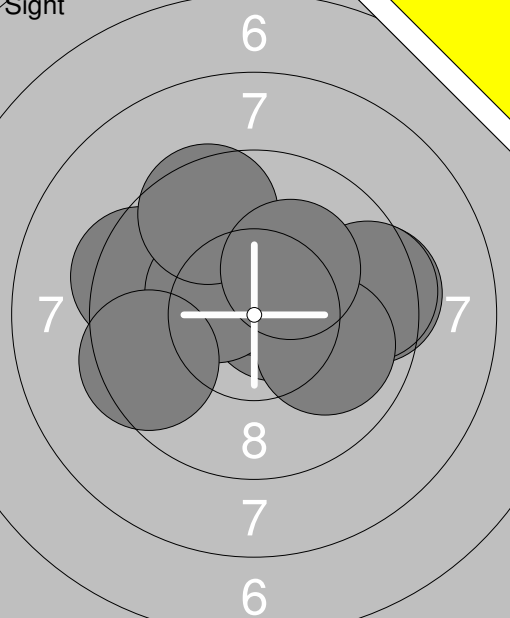
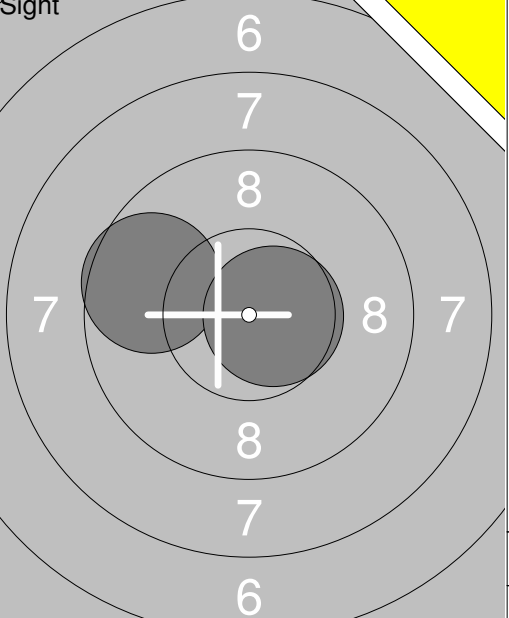
<p>40 Shots</p> 	<p>21: 10.5x ↓                  22: 10.3x ↑                  23: 10.0 →                  24: 9.2 ←                  25: 9.9 ↑                  26: 9.9 →                  27: 9.4 ↖                  28: 9.8 ↗                  29: 10.6x ↖                  30: 10.3x ↓</p> <p>Series 95.0 Total 284.0</p>	<p>40 Shots</p> 	<p>31: 9.2 →                  32: 10.2x ↖                  33: 9.0 ←                  34: 9.1 ←                  35: 9.8 →                  36: 9.4 ↘                  37: 10.4x ↘                  38: 10.1 ↙                  39: 9.9 →                  40: 10.3x ↖</p> <p>Series 94.0 Total 378.0</p>
--	---	--	---

 <p style="text-align: center;">Sight</p>	<p>40 Shots</p> <table style="width:100%; border-collapse: collapse;"> <tr><td>1: 8.8</td><td style="text-align: right;">←</td></tr> <tr><td>2: 9.0</td><td style="text-align: right;">↘</td></tr> <tr><td>3: 9.9</td><td style="text-align: right;">←</td></tr> <tr><td>4: 10.1</td><td style="text-align: right;">→</td></tr> <tr><td>5: 10.2x</td><td style="text-align: right;">→</td></tr> <tr><td>6: 10.0</td><td style="text-align: right;">↘</td></tr> <tr><td>7: 9.8</td><td style="text-align: right;">→</td></tr> <tr><td>8: 9.8</td><td style="text-align: right;">↙</td></tr> <tr><td>9: 10.5x</td><td style="text-align: right;">↗</td></tr> </table> <table style="width:100%; border-collapse: collapse; margin-top: 5px;"> <tr><td style="border-top: 1px solid black;">Series</td><td style="border-top: 1px solid black; text-align: right;">84.0</td></tr> <tr><td style="border-top: 1px solid black;">Total</td><td style="border-top: 1px solid black; text-align: right;">0.0</td></tr> </table>	1: 8.8	←	2: 9.0	↘	3: 9.9	←	4: 10.1	→	5: 10.2x	→	6: 10.0	↘	7: 9.8	→	8: 9.8	↙	9: 10.5x	↗	Series	84.0	Total	0.0	 <p style="text-align: center;">40 Shots</p> <table style="width:100%; border-collapse: collapse;"> <tr><td>1: 9.6</td><td style="text-align: right;">↘</td></tr> <tr><td>2: 9.9</td><td style="text-align: right;">↘</td></tr> <tr><td>3: 9.4</td><td style="text-align: right;">↘</td></tr> <tr><td>4: 8.9</td><td style="text-align: right;">↗</td></tr> <tr><td>5: 9.9</td><td style="text-align: right;">↘</td></tr> <tr><td>6: 9.7</td><td style="text-align: right;">↖</td></tr> <tr><td>7: 9.8</td><td style="text-align: right;">↗</td></tr> <tr><td>8: 10.1</td><td style="text-align: right;">↘</td></tr> <tr><td>9: 10.7x</td><td style="text-align: right;">↙</td></tr> <tr><td>10: 10.4x</td><td style="text-align: right;">↗</td></tr> </table> <table style="width:100%; border-collapse: collapse; margin-top: 5px;"> <tr><td style="border-top: 1px solid black;">Series</td><td style="border-top: 1px solid black; text-align: right;">92.0</td></tr> <tr><td style="border-top: 1px solid black;">Total</td><td style="border-top: 1px solid black; text-align: right;">92.0</td></tr> </table>	1: 9.6	↘	2: 9.9	↘	3: 9.4	↘	4: 8.9	↗	5: 9.9	↘	6: 9.7	↖	7: 9.8	↗	8: 10.1	↘	9: 10.7x	↙	10: 10.4x	↗	Series	92.0	Total	92.0
1: 8.8	←																																															
2: 9.0	↘																																															
3: 9.9	←																																															
4: 10.1	→																																															
5: 10.2x	→																																															
6: 10.0	↘																																															
7: 9.8	→																																															
8: 9.8	↙																																															
9: 10.5x	↗																																															
Series	84.0																																															
Total	0.0																																															
1: 9.6	↘																																															
2: 9.9	↘																																															
3: 9.4	↘																																															
4: 8.9	↗																																															
5: 9.9	↘																																															
6: 9.7	↖																																															
7: 9.8	↗																																															
8: 10.1	↘																																															
9: 10.7x	↙																																															
10: 10.4x	↗																																															
Series	92.0																																															
Total	92.0																																															

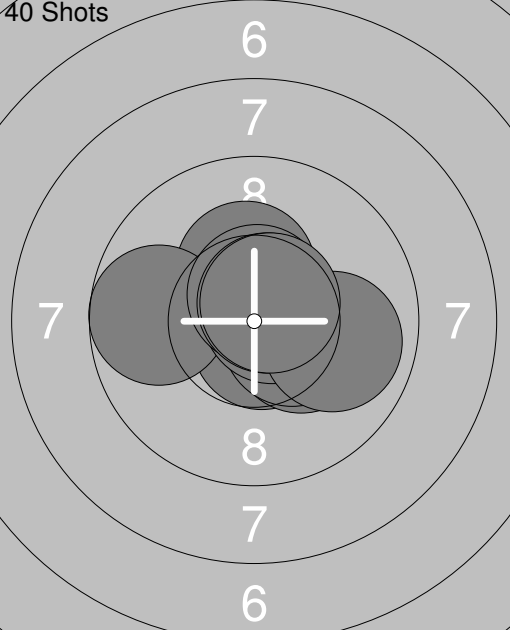
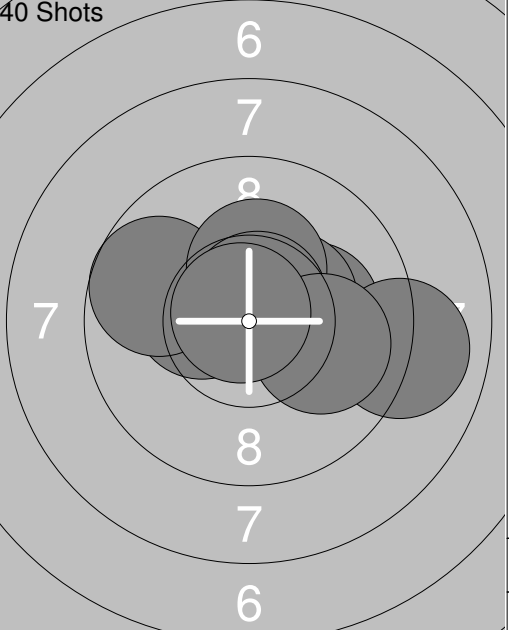
 <p style="text-align: center;">40 Shots</p>	<p>40 Shots</p> <table style="width:100%; border-collapse: collapse;"> <tr><td>11: 10.4x</td><td style="text-align: right;">↑</td></tr> <tr><td>12: 9.8</td><td style="text-align: right;">↗</td></tr> <tr><td>13: 10.3x</td><td style="text-align: right;">↗</td></tr> <tr><td>14: 8.8</td><td style="text-align: right;">↗</td></tr> <tr><td>15: 8.0</td><td style="text-align: right;">↘</td></tr> <tr><td>16: 9.8</td><td style="text-align: right;">↘</td></tr> <tr><td>17: 7.6</td><td style="text-align: right;">→</td></tr> <tr><td>18: 10.1</td><td style="text-align: right;">→</td></tr> <tr><td>19: 9.2</td><td style="text-align: right;">↘</td></tr> <tr><td>20: 9.2</td><td style="text-align: right;">↖</td></tr> </table> <table style="width:100%; border-collapse: collapse; margin-top: 5px;"> <tr><td style="border-top: 1px solid black;">Series</td><td style="border-top: 1px solid black; text-align: right;">89.0</td></tr> <tr><td style="border-top: 1px solid black;">Total</td><td style="border-top: 1px solid black; text-align: right;">181.0</td></tr> </table>	11: 10.4x	↑	12: 9.8	↗	13: 10.3x	↗	14: 8.8	↗	15: 8.0	↘	16: 9.8	↘	17: 7.6	→	18: 10.1	→	19: 9.2	↘	20: 9.2	↖	Series	89.0	Total	181.0	 <p style="text-align: center;">40 Shots</p> <table style="width:100%; border-collapse: collapse;"> <tr><td>21: 9.5</td><td style="text-align: right;">←</td></tr> <tr><td>22: 9.7</td><td style="text-align: right;">↘</td></tr> <tr><td>23: 10.1</td><td style="text-align: right;">↖</td></tr> <tr><td>24: 8.8</td><td style="text-align: right;">↘</td></tr> <tr><td>25: 9.7</td><td style="text-align: right;">↖</td></tr> <tr><td>26: 9.0</td><td style="text-align: right;">→</td></tr> <tr><td>27: 8.4</td><td style="text-align: right;">→</td></tr> <tr><td>28: 8.9</td><td style="text-align: right;">→</td></tr> <tr><td>29: 8.7</td><td style="text-align: right;">↗</td></tr> <tr><td>30: 8.1</td><td style="text-align: right;">→</td></tr> </table> <table style="width:100%; border-collapse: collapse; margin-top: 5px;"> <tr><td style="border-top: 1px solid black;">Series</td><td style="border-top: 1px solid black; text-align: right;">86.0</td></tr> <tr><td style="border-top: 1px solid black;">Total</td><td style="border-top: 1px solid black; text-align: right;">267.0</td></tr> </table>	21: 9.5	←	22: 9.7	↘	23: 10.1	↖	24: 8.8	↘	25: 9.7	↖	26: 9.0	→	27: 8.4	→	28: 8.9	→	29: 8.7	↗	30: 8.1	→	Series	86.0	Total	267.0
11: 10.4x	↑																																																	
12: 9.8	↗																																																	
13: 10.3x	↗																																																	
14: 8.8	↗																																																	
15: 8.0	↘																																																	
16: 9.8	↘																																																	
17: 7.6	→																																																	
18: 10.1	→																																																	
19: 9.2	↘																																																	
20: 9.2	↖																																																	
Series	89.0																																																	
Total	181.0																																																	
21: 9.5	←																																																	
22: 9.7	↘																																																	
23: 10.1	↖																																																	
24: 8.8	↘																																																	
25: 9.7	↖																																																	
26: 9.0	→																																																	
27: 8.4	→																																																	
28: 8.9	→																																																	
29: 8.7	↗																																																	
30: 8.1	→																																																	
Series	86.0																																																	
Total	267.0																																																	

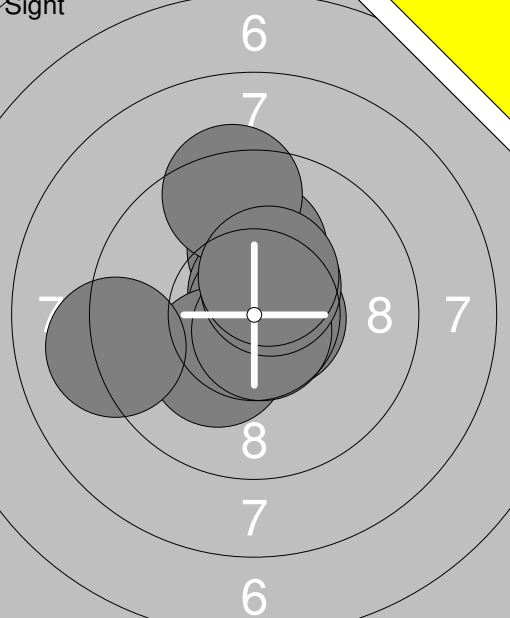
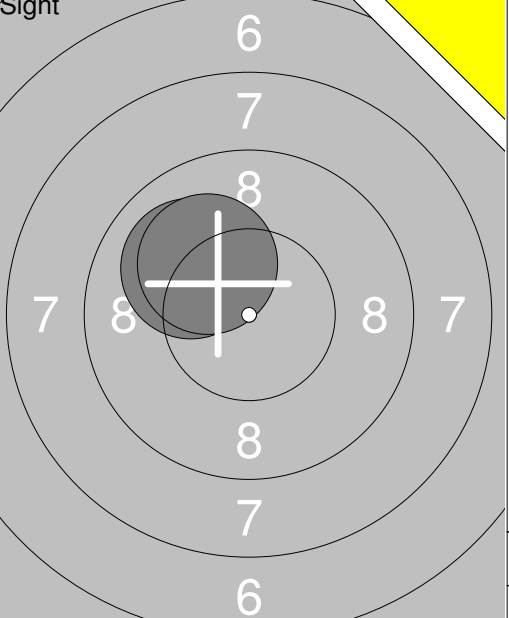
 <p style="text-align: center;">40 Shots</p>	<p>40 Shots</p> <table style="width:100%; border-collapse: collapse;"> <tr><td>31: 9.2</td><td style="text-align: right;">←</td></tr> <tr><td>32: 10.0</td><td style="text-align: right;">↘</td></tr> <tr><td>33: 9.8</td><td style="text-align: right;">↘</td></tr> <tr><td>34: 9.9</td><td style="text-align: right;">↗</td></tr> <tr><td>35: 10.6x</td><td style="text-align: right;">↘</td></tr> <tr><td>36: 8.2</td><td style="text-align: right;">↖</td></tr> <tr><td>37: 8.2</td><td style="text-align: right;">←</td></tr> <tr><td>38: 8.9</td><td style="text-align: right;">↖</td></tr> <tr><td>39: 9.9</td><td style="text-align: right;">↖</td></tr> <tr><td>40: 9.3</td><td style="text-align: right;">→</td></tr> </table> <table style="width:100%; border-collapse: collapse; margin-top: 5px;"> <tr><td style="border-top: 1px solid black;">Series</td><td style="border-top: 1px solid black; text-align: right;">89.0</td></tr> <tr><td style="border-top: 1px solid black;">Total</td><td style="border-top: 1px solid black; text-align: right;">356.0</td></tr> </table>	31: 9.2	←	32: 10.0	↘	33: 9.8	↘	34: 9.9	↗	35: 10.6x	↘	36: 8.2	↖	37: 8.2	←	38: 8.9	↖	39: 9.9	↖	40: 9.3	→	Series	89.0	Total	356.0	
31: 9.2	←																									
32: 10.0	↘																									
33: 9.8	↘																									
34: 9.9	↗																									
35: 10.6x	↘																									
36: 8.2	↖																									
37: 8.2	←																									
38: 8.9	↖																									
39: 9.9	↖																									
40: 9.3	→																									
Series	89.0																									
Total	356.0																									

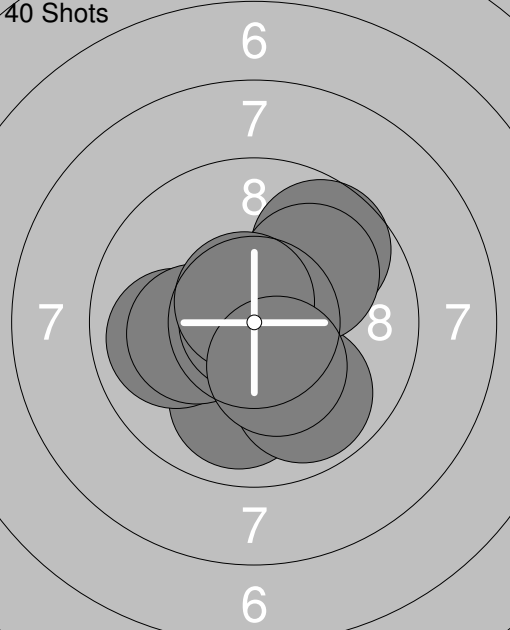
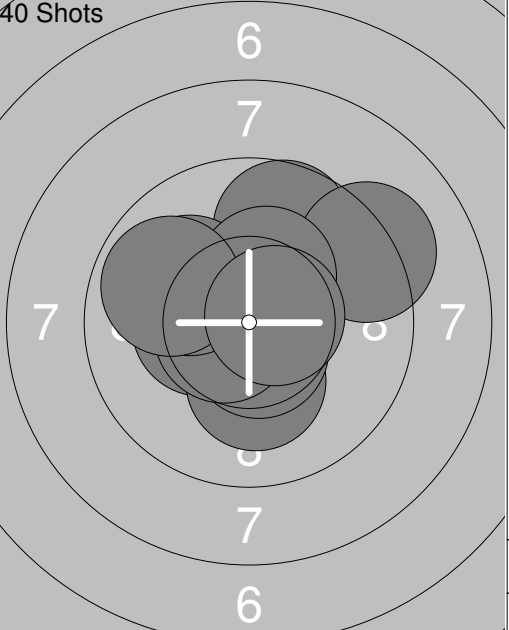


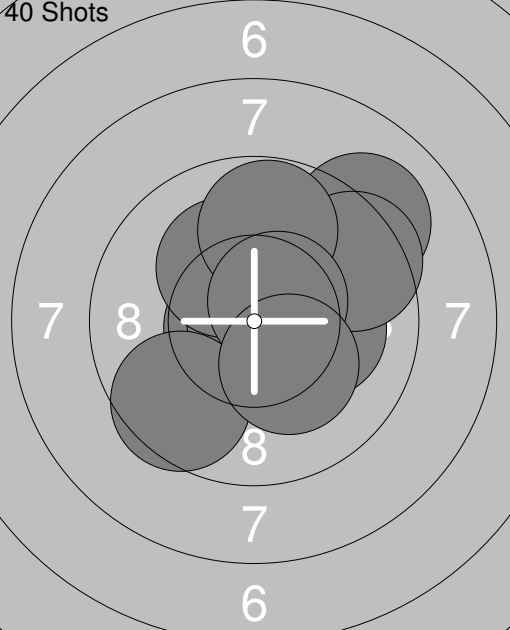
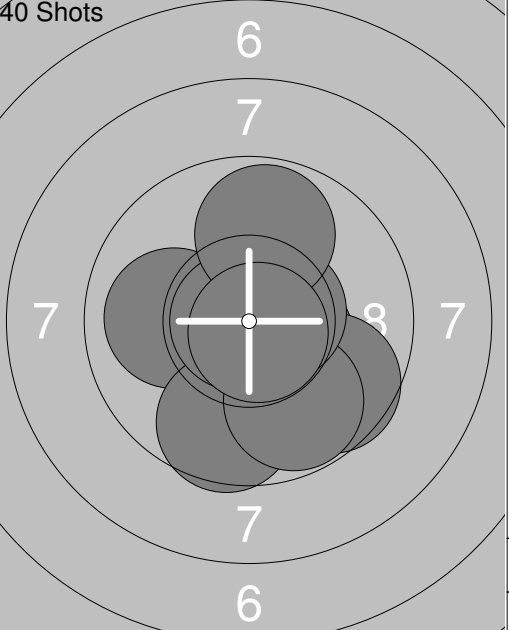
Sight		Sight	
	1: 9.4 ← 2: 10.7x → 3: 10.6x ↑ 4: 10.4x ↖ 5: 9.4 → 6: 9.5 → 7: 10.0 → 8: 9.5 ↑ 9: 9.5 ← 10: 10.2x ↗		
Series	95.0	Series	19.0
Total	0.0	Total	0.0

40 Shots		40 Shots	
	1: 9.4 ← 2: 10.5x → 3: 9.8 → 4: 10.2x ↓ 5: 10.8x ↓ 6: 10.0 → 7: 10.4x ← 8: 8.9 → 9: 9.8 → 10: 9.3 ↗		
Series	94.0	Series	95.0
Total	94.0	Total	189.0

40 Shots		40 Shots	
	21: 10.7x ↓ 22: 10.3x ↑ 23: 10.3x → 24: 10.4x → 25: 9.7 ← 26: 10.7x → 27: 10.6x ↑ 28: 10.7x ↗ 29: 9.9 → 30: 10.6x ↗		
Series	98.0	Series	98.0
Total	287.0	Total	385.0

	<p>1: 10.1 ↑</p> <p>2: 10.7x ↑</p> <p>3: 9.4 ↑</p> <p>4: 10.7x →</p> <p>5: 10.9x ↗</p> <p>6: 10.2x ↙</p> <p>7: 9.1 ←</p> <p>8: 10.7x ↓</p> <p>9: 10.5x ↗</p> <p>10: 10.4x ↑</p>		<p>11: 10.0 ↖</p> <p>12: 10.1 ↖</p>
<b>Series</b>	98.0	<b>Series</b>	20.0
<b>Total</b>	0.0	<b>Total</b>	0.0

	<p>1: 10.3x ↓</p> <p>2: 10.0 ↓</p> <p>3: 9.9 ↓</p> <p>4: 9.9 ←</p> <p>5: 10.2x ←</p> <p>6: 10.9x ←</p> <p>7: 9.7 ↗</p> <p>8: 10.0 ↗</p> <p>9: 10.7x ↗</p> <p>10: 10.3x ↓</p>		<p>11: 10.3x ←</p> <p>12: 10.2x ↓</p> <p>13: 10.6x ↓</p> <p>14: 10.6x ←</p> <p>15: 9.7 ↑</p> <p>16: 9.2 ↗</p> <p>17: 10.1 ↖</p> <p>18: 10.3x ↑</p> <p>19: 9.9 ←</p> <p>20: 10.6x →</p>
<b>Series</b>	97.0	<b>Series</b>	97.0
<b>Total</b>	97.0	<b>Total</b>	194.0

	<p>21: 10.7x ←</p> <p>22: 10.2x →</p> <p>23: 9.1 ↗</p> <p>24: 10.9x ↗</p> <p>25: 10.2x ↖</p> <p>26: 9.5 ↗</p> <p>27: 9.8 ↑</p> <p>28: 9.6 ↙</p> <p>29: 10.6x ↗</p> <p>30: 10.2x ↓</p>		<p>31: 10.4x →</p> <p>32: 10.0 ←</p> <p>33: 9.6 ↓</p> <p>34: 10.7x →</p> <p>35: 9.6 ↓</p> <p>36: 9.8 ↓</p> <p>37: 10.6x →</p> <p>38: 10.8x ←</p> <p>39: 9.8 ↑</p> <p>40: 10.8x ↓</p>
<b>Series</b>	96.0	<b>Series</b>	96.0
<b>Total</b>	290.0	<b>Total</b>	386.0

Sight		Sight
	<p>1: 10.3x ↘</p> <p>2: 9.8 →</p> <p>3: 10.8x ←</p> <p>4: 9.3 →</p> <p>5: 9.8 →</p> <p>6: 10.7x →</p> <p>7: 10.3x ↘</p> <p>8: 8.5 →</p> <p>9: 10.6x ↓</p> <p>10: 9.9 ↗</p>	
Series 94.0		Series 20.0
Total 0.0		Total 0.0

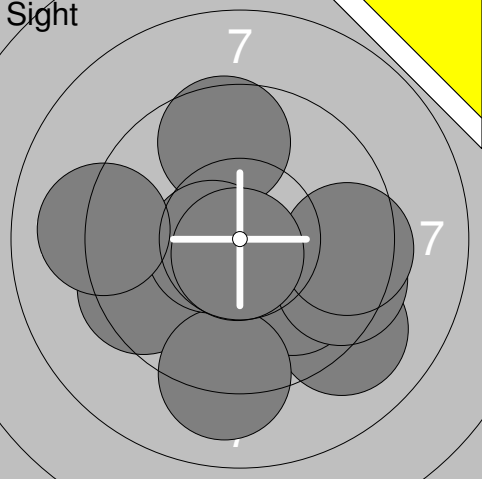
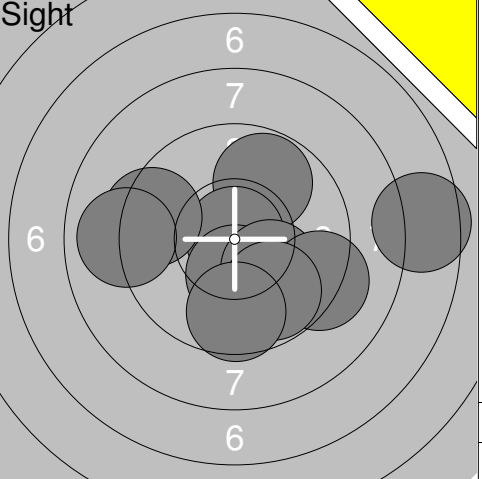

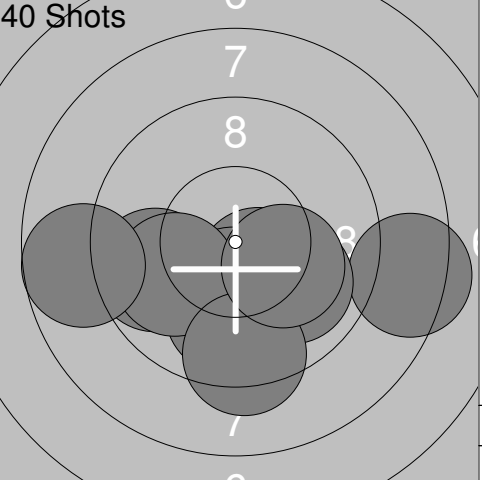
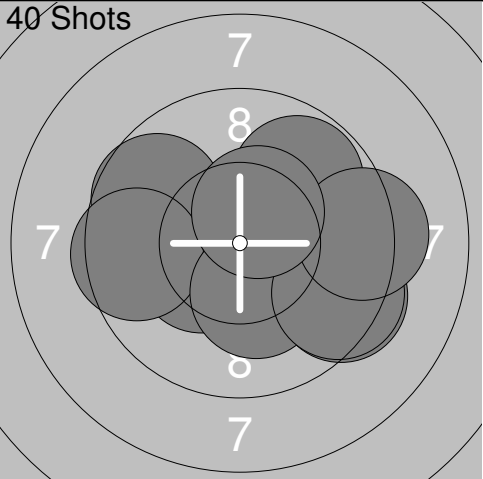
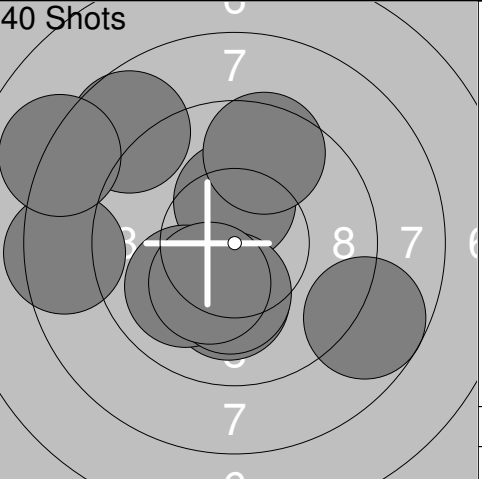
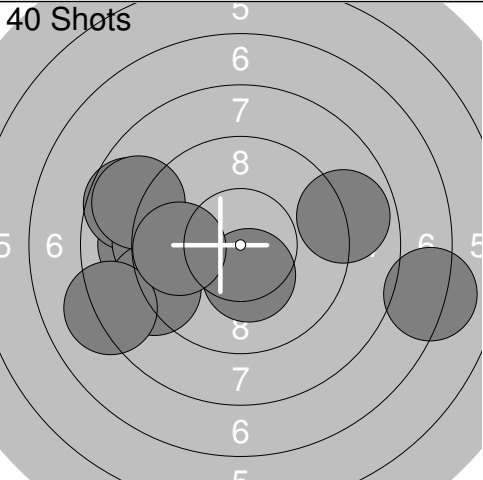
40 Shots		40 Shots
	<p>1: 10.1 ←</p> <p>2: 9.9 →</p> <p>3: 10.8x ↑</p> <p>4: 10.2x ↙</p> <p>5: 10.7x →</p> <p>6: 10.3x →</p> <p>7: 10.7x ↙</p> <p>8: 10.6x ↙</p> <p>9: 10.4x ↓</p> <p>10: 10.3x →</p>	
Series 99.0		Series 100.0
Total 99.0		Total 199.0

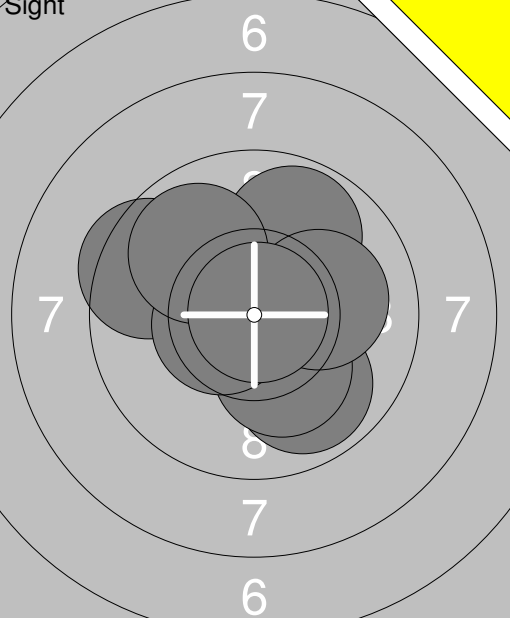
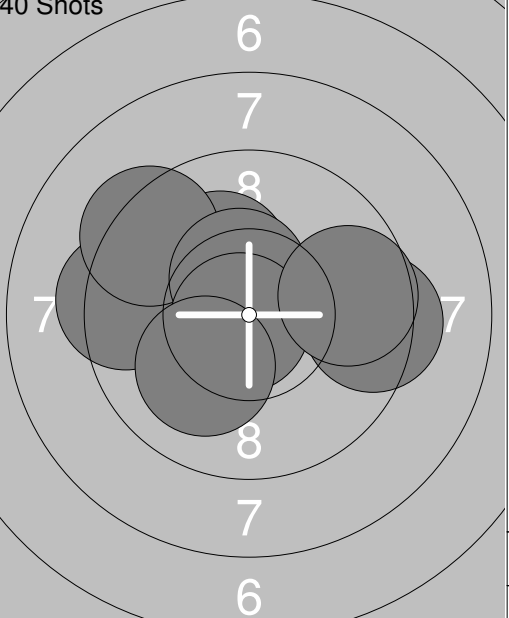
40 Shots		40 Shots
	<p>21: 10.3x ↘</p> <p>22: 10.3x ↓</p> <p>23: 10.2x ←</p> <p>24: 10.9x ←</p> <p>25: 10.2x ←</p> <p>26: 10.4x ←</p> <p>27: 10.1 ←</p> <p>28: 10.8x ↓</p> <p>29: 10.8x ↓</p> <p>30: 10.0 ↙</p>	
Series 100.0		Series 97.0
Total 299.0		Total 396.0

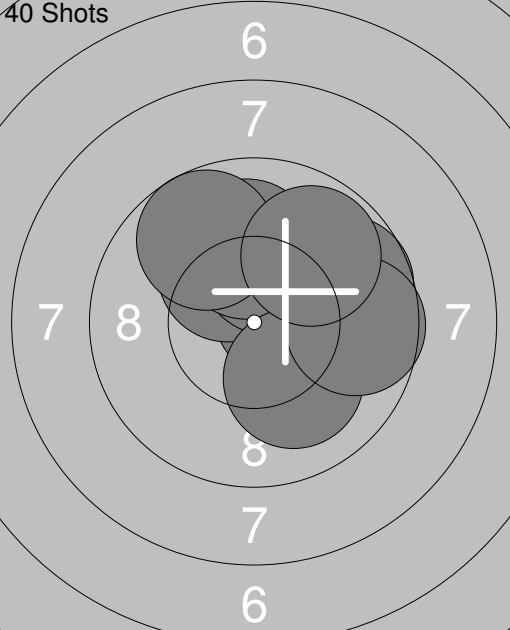
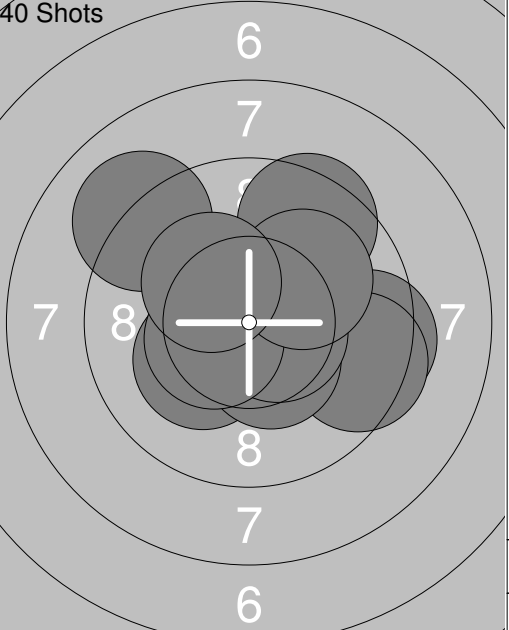
<p>Sight</p>	<p>40 Shots</p>	<p>1: 10.7x ↘ 2: 8.5 → 3: 10.1 → 4: 9.8 → 5: 9.9 ↗ 6: 10.3x → 7: 9.1 ← 8: 9.2 → 9: 10.4x ↗ 10: 10.1 ↘</p> <p>Series 94.0 Total 0.0</p>	<p>1: 10.2x ← 2: 10.8x ← 3: 8.7 ↗ 4: 9.8 ← 5: 10.0 ↗ 6: 10.2x ↘ 7: 9.1 → 8: 8.8 → 9: 9.7 → 10: 10.8x ↘</p> <p>Series 93.0 Total 93.0</p>
--------------	-----------------	--	--

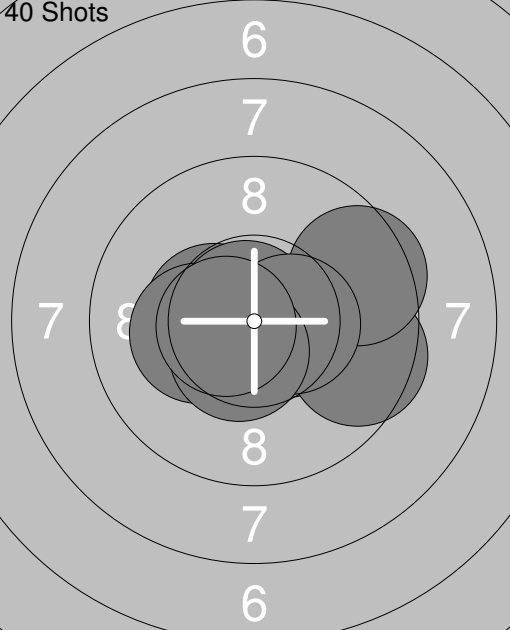
<p>40 Shots</p>	<p>40 Shots</p>	<p>11: 8.8 → 12: 10.1 ↙ 13: 9.5 ↓ 14: 10.3x ↗ 15: 9.8 ↘ 16: 8.7 ↗ 17: 10.6x ← 18: 10.2x ↙ 19: 9.3 ↘ 20: 10.4x ↗</p> <p>Series 93.0 Total 186.0</p>	<p>21: 10.4x ↘ 22: 10.4x ← 23: 9.9 ↓ 24: 9.9 ← 25: 10.3x ← 26: 9.4 ↗ 27: 10.0 ↗ 28: 9.7 ← 29: 10.0 ↙ 30: 9.7 ↓</p> <p>Series 95.0 Total 281.0</p>
-----------------	-----------------	--	---

<p>40 Shots</p>	<p>31: 9.7 ↘ 32: 10.4x → 33: 9.9 ↗ 34: 10.4x ↗ 35: 9.9 ↗ 36: 10.3x ↘ 37: 9.1 ← 38: 10.3x ← 39: 9.0 → 40: 10.0 ↘</p> <p>Series 95.0 Total 376.0</p>	
-----------------	--	--

Relay	Lane	Lina Lindström	
S		Gefle Friviliga Skarp	
01.11.2014		Nationellt Mästerskap 2014 Umeå	Umeå skytteallians
Sight		1: 9.6 ↑ 2: 9.1 ↓ 3: 9.5 ← 4: 10.0 ↓ 5: 9.1 ↓ 6: 9.5 → 7: 9.5 → 8: 10.6x ← 9: 10.7x ↓ 10: 9.1 ← Series 93.0 Total 0.0	Sight
			11: 9.8 ↗ 12: 10.9x ↑ 13: 10.3x ↓ 14: 10.1 ↓ 15: 9.4 ↖ 16: 9.0 ↖ 17: 9.2 ↓ 18: 7.6 → 19: 9.8 ↓ 20: 9.6 ↓ Series 91.0 Total 0.0
Sight		21: 9.9 ↓ 22: 10.5x ↙ Series 19.0 Total 0.0	40 Shots
			1: 8.4 → 2: 10.4x ↓ 3: 9.7 ← 4: 10.3x ↓ 5: 9.9 ↓ 6: 9.9 ↓ 7: 10.0 ← 8: 9.3 ↓ 9: 8.7 ← 10: 10.2x → Series 92.0 Total 92.0
40 Shots		11: 9.4 → 12: 10.4x ← 13: 9.8 → 14: 9.7 ↗ 15: 9.5 ← 16: 10.2x ↓ 17: 9.8 ↗ 18: 9.5 → 19: 9.3 → 20: 10.5x ↗ Series 93.0 Total 185.0	40 Shots
			21: 8.7 → 22: 10.1 ↓ 23: 8.7 ↗ 24: 10.3x ↑ 25: 9.6 ↑ 26: 10.0 ← 27: 10.2x ↓ 28: 10.3x ↓ 29: 8.4 ← 30: 8.1 ↖ Series 91.0 Total 276.0
40 Shots		31: 9.1 ← 32: 8.7 ↖ 33: 9.4 ← 34: 7.2 → 35: 9.1 ← 36: 8.2 ← 37: 8.8 ↖ 38: 10.3x ↓ 39: 8.9 → 40: 9.8 ← Series 85.0 Total 361.0	

 <p style="text-align: center;">Sight</p>	<p>1: 9.9 ↘</p> <p>2: 10.6x ↘</p> <p>3: 10.2x ↘</p> <p>4: 10.5x ↗</p> <p>5: 9.8 ↗</p> <p>6: 9.5 ←</p> <p>7: 10.5x ←</p> <p>8: 9.9 ↖</p> <p>9: 10.1 →</p> <p>10: 10.9x ↗</p>	<p>40 Shots</p>  <p>1: 10.2x ↖</p> <p>2: 9.4 →</p> <p>3: 10.3x ←</p> <p>4: 10.3x ←</p> <p>5: 9.4 ←</p> <p>6: 9.3 ↖</p> <p>7: 10.5x ↖</p> <p>8: 10.8x ↖</p> <p>9: 9.7 →</p> <p>10: 10.1 ↘</p>
Series 96.0	Series 96.0	Series 96.0
Total 0.0	Total 0.0	Total 96.0

<p>40 Shots</p> 	<p>11: 10.5x →</p> <p>12: 10.2x ↖</p> <p>13: 10.2x ↗</p> <p>14: 9.8 →</p> <p>15: 9.7 →</p> <p>16: 10.0 ↑</p> <p>17: 10.1 ↘</p> <p>18: 9.7 ↖</p> <p>19: 9.7 →</p> <p>20: 9.8 ↗</p>	<p>40 Shots</p>  <p>21: 9.4 →</p> <p>22: 9.1 ↖</p> <p>23: 10.2x ↖</p> <p>24: 9.5 →</p> <p>25: 10.4x ↘</p> <p>26: 9.5 ↗</p> <p>27: 10.6x →</p> <p>28: 10.5x ←</p> <p>29: 10.1 ↗</p> <p>30: 10.2x ↖</p>
Series 95.0	Series 95.0	Series 96.0
Total 191.0	Total 191.0	Total 287.0

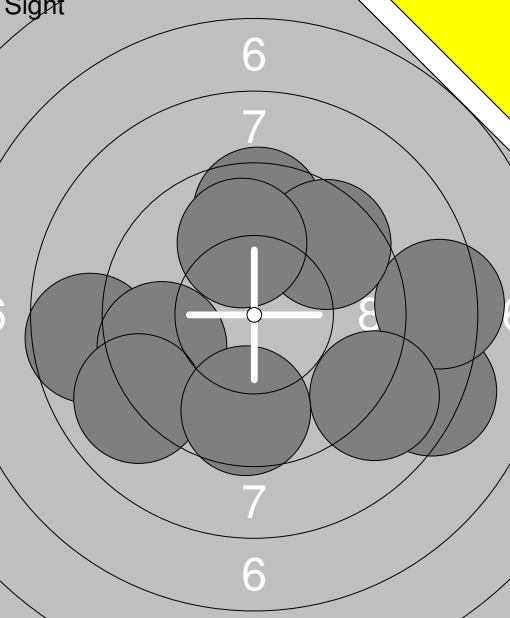
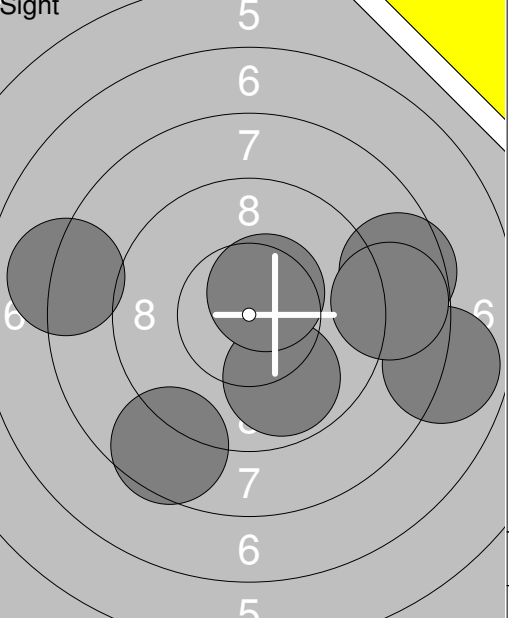
<p>40 Shots</p> 	<p>31: 10.4x ←</p> <p>32: 9.8 →</p> <p>33: 10.5x →</p> <p>34: 9.6 →</p> <p>35: 10.2x ←</p> <p>36: 10.8x ↖</p> <p>37: 9.5 →</p> <p>38: 10.5x →</p> <p>39: 10.5x ↘</p> <p>40: 10.6x ←</p>	
Series 97.0	Series 97.0	
Total 384.0	Total 384.0	



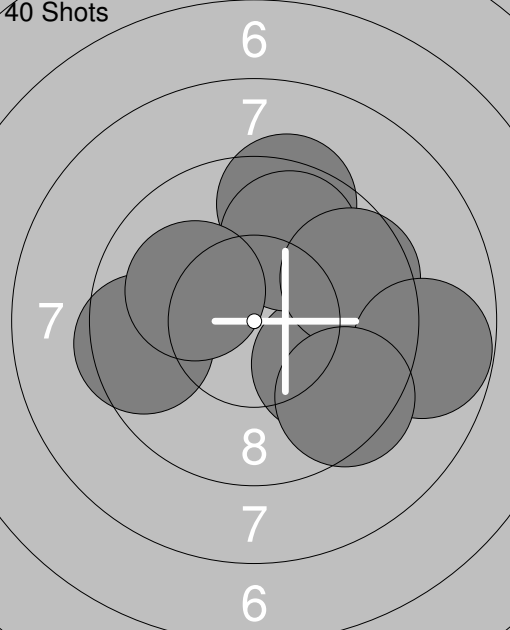
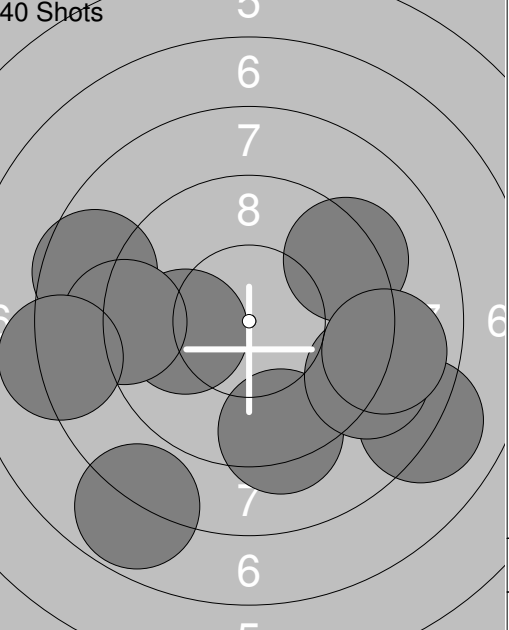
<p><b>Sight</b></p>	<p>1: 7.9 →</p> <p>2: 9.3 ↑</p> <p>3: 9.3 ←</p> <p>4: 7.4 ↓</p> <p>5: 2.6 ↓</p> <p>6: 10.1 ↓</p> <p>7: 9.5 ↑</p> <p>8: 8.0 →</p> <p>9: 5.5 ←</p> <p>10: 6.3 ↓</p> <p><b>Series</b> 72.0</p> <p><b>Total</b> 0.0</p>	<p><b>Sight</b></p>	<p>11: 6.8 ↓</p> <p>12: 10.0 →</p> <p>13: 7.8 ←</p> <p>14: 8.2 →</p> <p>15: 8.5 ↓</p> <p>16: 10.7x ↗</p> <p>17: 9.6 ↓</p> <p><b>Series</b> 58.0</p> <p><b>Total</b> 0.0</p>
---------------------	---	---------------------	---

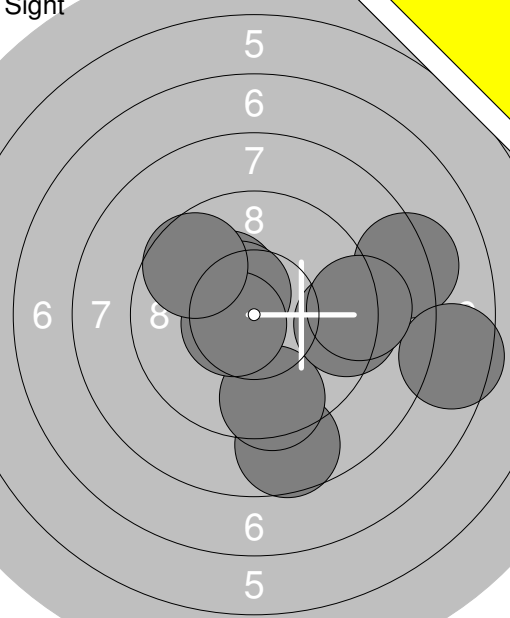
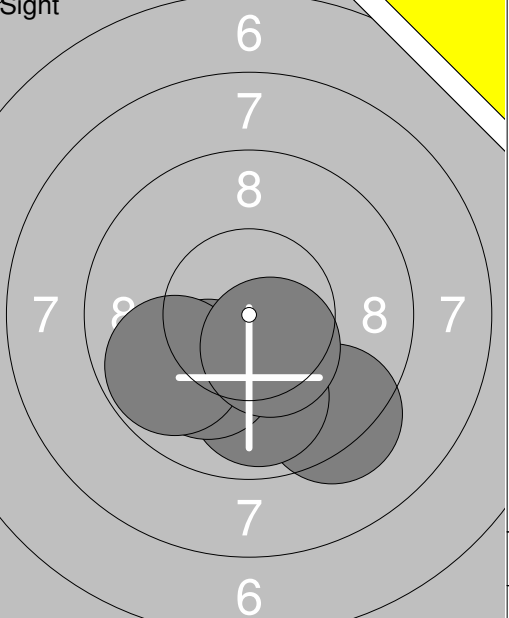
<p><b>40 Shots</b></p>	<p>1: 9.3 →</p> <p>2: 10.4x →</p> <p>3: 10.3x →</p> <p>4: 10.1 ↗</p> <p>5: 9.8 ↗</p> <p>6: 9.5 →</p> <p>7: 9.9 ↓</p> <p>8: 10.1 ↓</p> <p>9: 8.7 ↓</p> <p>10: 7.1 ←</p> <p><b>Series</b> 91.0</p> <p><b>Total</b> 91.0</p>	<p><b>40 Shots</b></p>	<p>11: 9.0 →</p> <p>12: 9.6 ←</p> <p>13: 9.4 ←</p> <p>14: 10.4x ↗</p> <p>15: 9.9 →</p> <p>16: 10.1 ↓</p> <p>17: 8.8 ↓</p> <p>18: 9.7 →</p> <p>19: 9.9 ↓</p> <p>20: 9.5 ↓</p> <p><b>Series</b> 91.0</p> <p><b>Total</b> 182.0</p>
------------------------	---	------------------------	--

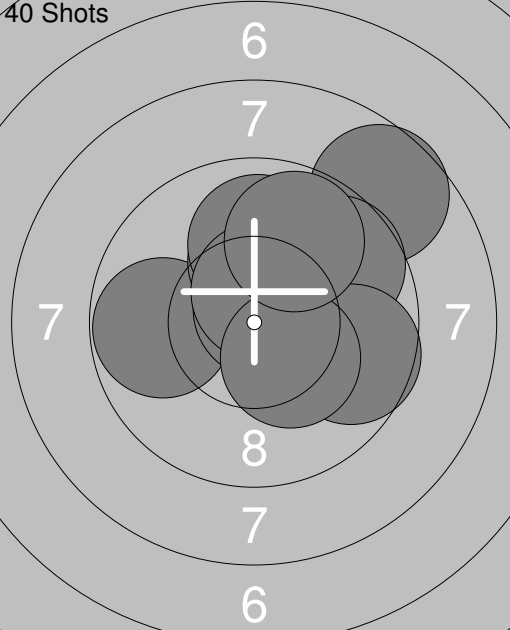
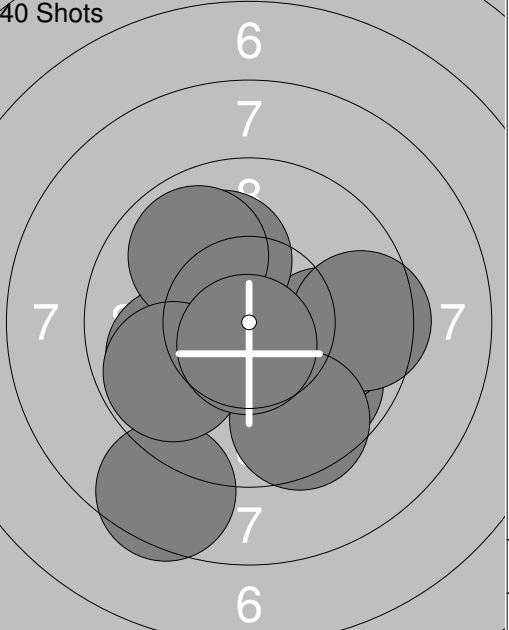
<p><b>40 Shots</b></p>	<p>21: 9.5 ↓</p> <p>22: 10.4x ↓</p> <p>23: 9.5 →</p> <p>24: 9.0 ←</p> <p>25: 9.5 →</p> <p>26: 8.7 ↗</p> <p>27: 9.9 ↗</p> <p>28: 10.2x ↙</p> <p>29: 7.1 ←</p> <p>30: 9.7 ↗</p> <p><b>Series</b> 89.0</p> <p><b>Total</b> 271.0</p>	<p><b>40 Shots</b></p>	<p>31: 7.8 ←</p> <p>32: 5.7 ←</p> <p>33: 8.9 ←</p> <p>34: 9.3 ↑</p> <p>35: 6.3 ↗</p> <p>36: 9.1 →</p> <p>37: 9.7 ↑</p> <p>38: 8.8 ↑</p> <p>39: 6.6 ↗</p> <p>40: 9.7 →</p> <p><b>Series</b> 76.0</p> <p><b>Total</b> 347.0</p>
------------------------	---	------------------------	---

<p><b>Sight</b></p> 	<p>1: 8.7 ←</p> <p>2: 9.6 ←</p> <p>3: 8.3 →</p> <p>4: 8.4 →</p> <p>5: 9.5 ↑</p> <p>6: 9.0 ←</p> <p>7: 9.6 ↗</p> <p>8: 9.9 ↑</p> <p>9: 8.9 →</p> <p>10: 9.6 ↓</p>	<p><b>Sight</b></p> 	<p>11: 8.6 →</p> <p>12: 9.9 ↓</p> <p>13: 8.1 ←</p> <p>14: 7.9 →</p> <p>15: 8.8 →</p> <p>16: 8.6 ↓</p> <p>17: 10.5x ↗</p>
Series 86.0		Series 58.0	
Total 0.0		Total 0.0	

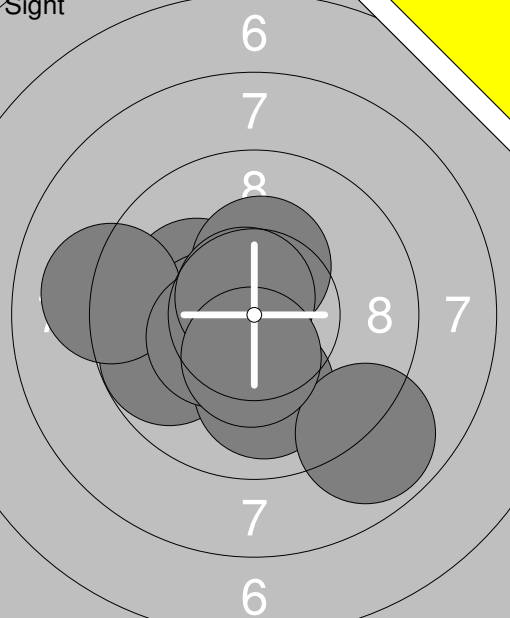
<p><b>40 Shots</b></p> 	<p>1: 9.9 ↑</p> <p>2: 9.1 ←</p> <p>3: 7.8 →</p> <p>4: 9.7 ←</p> <p>5: 6.5 ←</p> <p>6: 9.7 ←</p> <p>7: 10.7x ↖</p> <p>8: 8.0 →</p> <p>9: 9.7 ↓</p> <p>10: 9.6 →</p>	<p><b>40 Shots</b></p> 	<p>11: 10.4x ↖</p> <p>12: 8.8 ←</p> <p>13: 9.4 ↙</p> <p>14: 9.2 ↗</p> <p>15: 9.4 ↗</p> <p>16: 10.3x ↓</p> <p>17: 10.4x →</p> <p>18: 9.6 →</p> <p>19: 10.2x ↗</p> <p>20: 8.0 →</p>
Series 85.0		Series 92.0	
Total 85.0		Total 177.0	

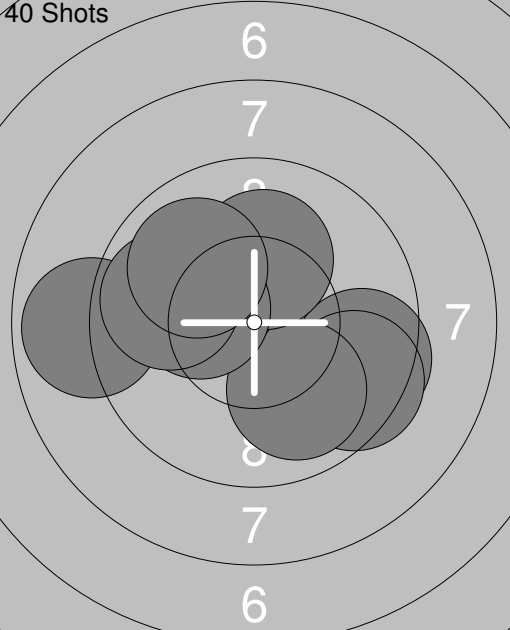
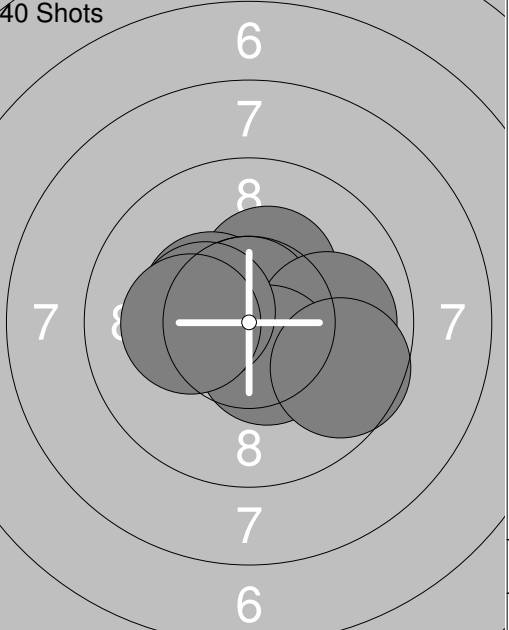
<p><b>40 Shots</b></p> 	<p>21: 9.5 →</p> <p>22: 9.8 →</p> <p>23: 9.9 →</p> <p>24: 9.4 ↑</p> <p>25: 9.5 ←</p> <p>26: 9.8 ↑</p> <p>27: 10.1 ←</p> <p>28: 9.6 →</p> <p>29: 8.8 →</p> <p>30: 9.4 ↓</p>	<p><b>40 Shots</b></p> 	<p>31: 9.3 ↗</p> <p>32: 10.0 ←</p> <p>33: 8.6 ←</p> <p>34: 7.8 ↙</p> <p>35: 9.3 ↓</p> <p>36: 9.1 ←</p> <p>37: 8.1 ↓</p> <p>38: 8.2 ←</p> <p>39: 9.1 →</p> <p>40: 8.9 →</p>
Series 90.0		Series 85.0	
Total 267.0		Total 352.0	

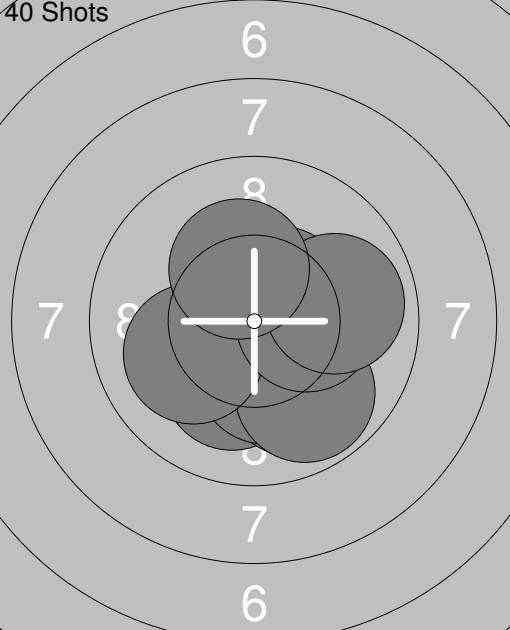
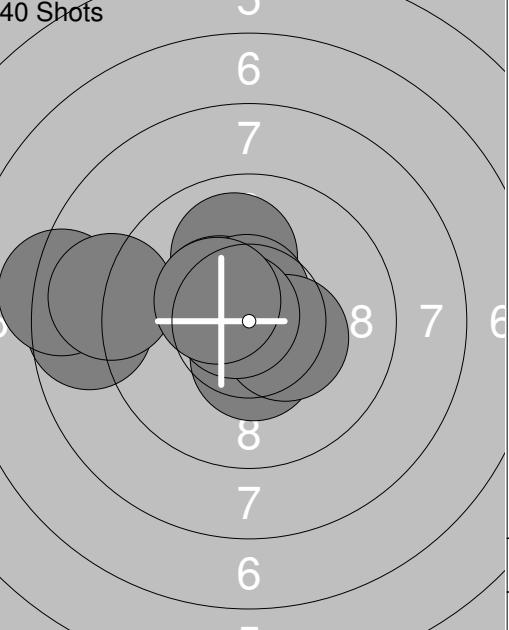
<p>Sight</p> 	<p>1: 8.7 ↓</p> <p>2: 9.5 ↓</p> <p>3: 10.2x ↖</p> <p>4: 10.5x ↗</p> <p>5: 8.2 →</p> <p>6: 10.6x ↙</p> <p>7: 7.5 →</p> <p>8: 9.4 →</p> <p>9: 9.2 →</p> <p>10: 9.7 ↖</p>	<p>Sight</p> 	<p>11: 9.3 ↓</p> <p>12: 9.9 ↓</p> <p>13: 10.1 ↙</p> <p>14: 9.8 ↖</p> <p>15: 10.5x ↓</p>
Series	89.0	Series	47.0
Total	0.0	Total	0.0

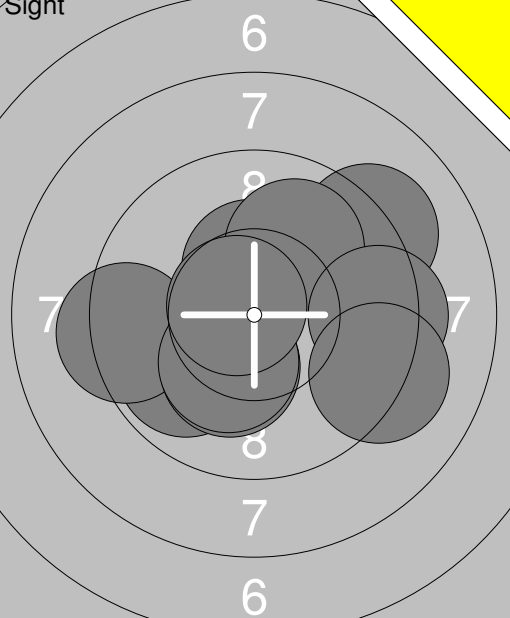
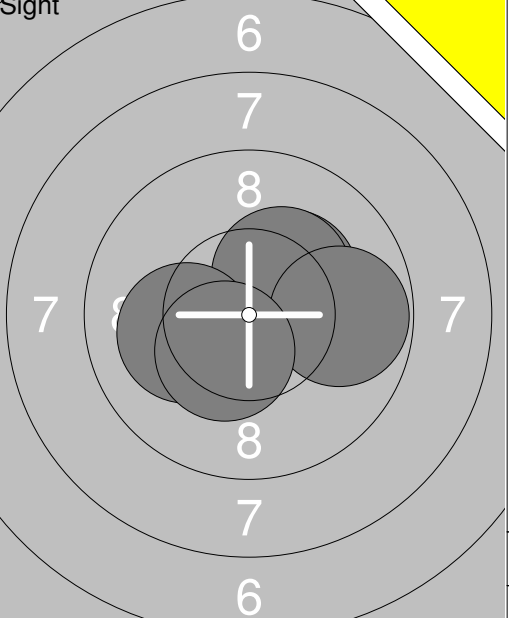
<p>40 Shots</p> 	<p>1: 8.7 ↗</p> <p>2: 9.7 ↗</p> <p>3: 9.8 ←</p> <p>4: 10.2x ↑</p> <p>5: 9.9 ↑</p> <p>6: 10.7x ↗</p> <p>7: 10.5x ↑</p> <p>8: 9.6 →</p> <p>9: 10.3x ↘</p> <p>10: 9.8 ↗</p>	<p>40 Shots</p> 	<p>11: 9.8 ↓</p> <p>12: 10.0 →</p> <p>13: 9.5 →</p> <p>14: 9.9 ↙</p> <p>15: 10.1 ↗</p> <p>16: 9.9 ↗</p> <p>17: 8.6 ↓</p> <p>18: 9.8 ↙</p> <p>19: 9.5 ↓</p> <p>20: 10.7x ↓</p>
Series	93.0	Series	92.0
Total	93.0	Total	185.0

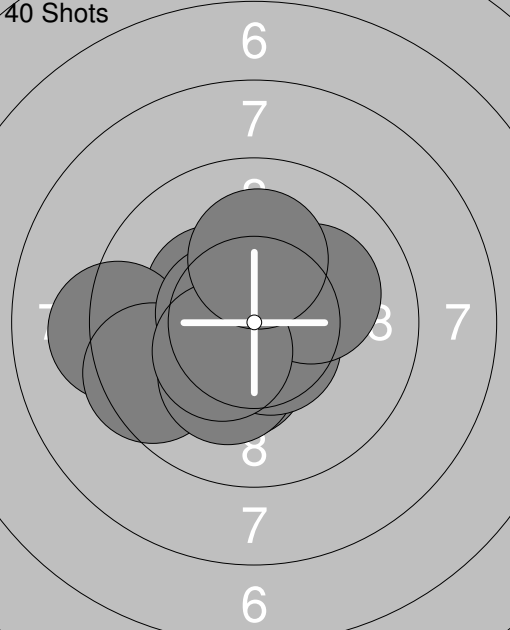
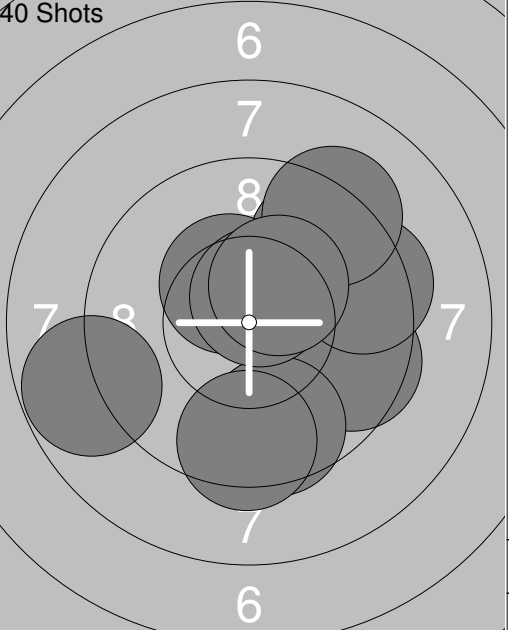
<p>40 Shots</p> 	<p>21: 9.7 ↑</p> <p>22: 10.3x ↖</p> <p>23: 10.3x ↙</p> <p>24: 9.4 ↗</p> <p>25: 10.2x ↑</p> <p>26: 10.8x ↗</p> <p>27: 8.4 →</p> <p>28: 10.4x ↙</p> <p>29: 10.1 ↗</p> <p>30: 10.0 ←</p>	<p>40 Shots</p> 	<p>31: 10.5x ↓</p> <p>32: 10.8x ↗</p> <p>33: 10.4x ↓</p> <p>34: 9.6 ↓</p> <p>35: 9.7 ↓</p> <p>36: 9.2 →</p> <p>37: 10.3x ↙</p> <p>38: 10.4x →</p> <p>39: 9.9 ↓</p> <p>40: 10.1 ↗</p>
Series	96.0	Series	96.0
Total	281.0	Total	377.0

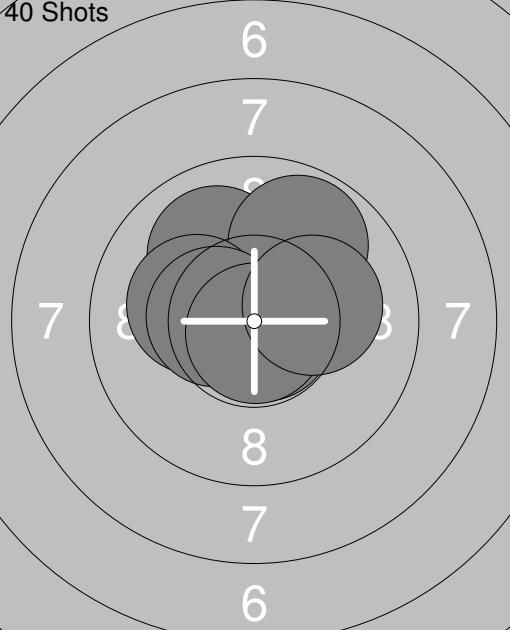
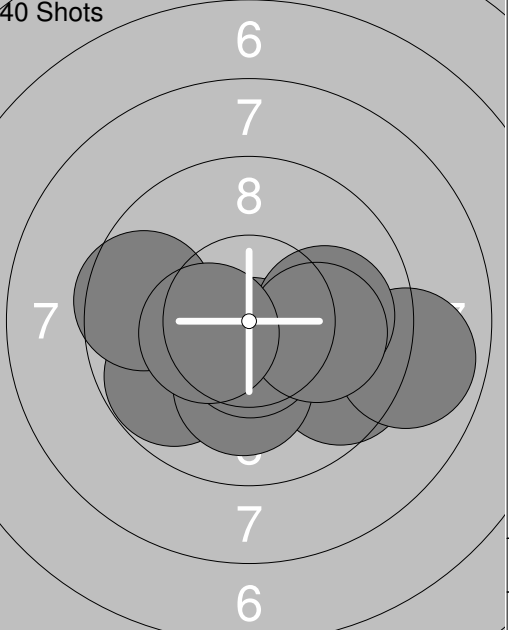
<p><b>Sight</b></p>  <p>6 7 8 8 7 7 6</p>	1: 2: 3: 4: 5: 6: 7: 8: 9: 10:	<p>9.8 ← 10.1 ↖ 10.4x ← 10.3x ↑ 10.0 ↓ 9.1 ← 10.4x ↙ 8.9 ↘ 10.7x ↗ 10.4x ↓</p> <p>Series 96.0 Total 0.0</p>	<p><b>Sight</b></p>  <p>6 7 8 7 6</p>	11: 12: 13: 14:	<p>8.9 → 9.8 → 10.0 → 9.9 ↓</p> <p>Series 36.0 Total 0.0</p>
---	---	---	---	--------------------------	--

<p><b>40 Shots</b></p>  <p>6 7 8 7 6</p>	1: 2: 3: 4: 5: 6: 7: 8: 9: 10:	<p>9.5 → 9.5 ↘ 10.1 ↗ 8.9 ← 9.9 ↘ 10.3x ↗ 10.1 ↑ 10.2x ↖ 9.8 ← 9.9 ↗</p> <p>Series 93.0 Total 93.0</p>	<p><b>40 Shots</b></p>  <p>6 7 8 7 6</p>	11: 12: 13: 14: 15: 16: 17: 18: 19: 20:	<p>10.5x ↖ 10.3x ↑ 10.4x ↖ 10.8x → 10.7x ↑ 10.0 → 10.5x ↓ 10.4x ↖ 10.2x ← 9.6 →</p> <p>Series 99.0 Total 192.0</p>
---	---	--	---	--	--

<p><b>40 Shots</b></p>  <p>6 7 8 7 6</p>	21: 22: 23: 24: 25: 26: 27: 28: 29: 30:	<p>10.1 ↓ 10.0 ↓ 10.5x ↗ 10.3x ↓ 10.6x ↖ 9.8 ↘ 10.1 ← 10.3x → 9.9 → 10.3x ↑</p> <p>Series 98.0 Total 290.0</p>	<p><b>40 Shots</b></p>  <p>6 7 8 7 6</p>	31: 32: 33: 34: 35: 36: 37: 38: 39: 40:	<p>10.4x ↓ 8.7 ← 10.0 ↑ 10.4x ↖ 8.2 ← 10.6x ↑ 9.0 ← 10.4x → 10.7x ↖ 10.4x ↖</p> <p>Series 95.0 Total 385.0</p>
--	--	--	--	--	--

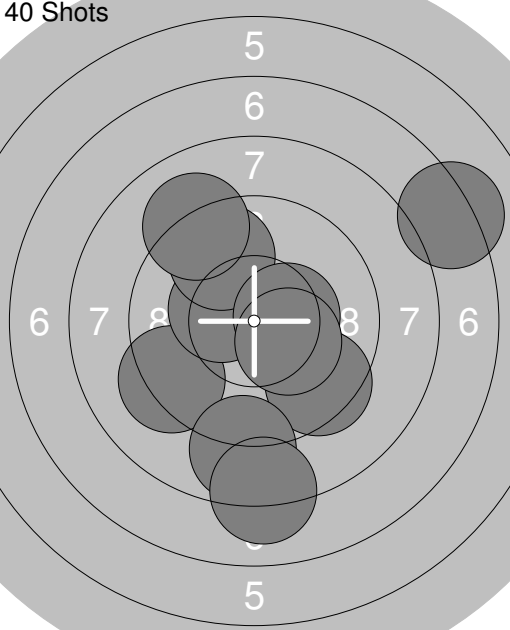
<p><b>Sight</b></p> 	<p>1: 10.4x ↑</p> <p>2: 9.2 ↗</p> <p>3: 10.0 ↗</p> <p>4: 9.9 ↙</p> <p>5: 9.3 ←</p> <p>6: 9.4 →</p> <p>7: 10.2x ↓</p> <p>8: 10.3x ↓</p> <p>9: 9.2 →</p> <p>10: 10.7x ↙</p>	<p><b>Sight</b></p> 	<p>11: 10.3x ↗</p> <p>12: 10.3x ↗</p> <p>13: 10.1 ←</p> <p>14: 9.8 →</p> <p>15: 10.4x ↓</p>
Series 95.0		Series 49.0	
Total 0.0		Total 0.0	

<p><b>40 Shots</b></p> 	<p>1: 10.3x ↙</p> <p>2: 9.2 ←</p> <p>3: 9.5 ↙</p> <p>4: 10.3x ↓</p> <p>5: 10.6x ↙</p> <p>6: 10.2x ↓</p> <p>7: 10.6x ↓</p> <p>8: 10.1 ↗</p> <p>9: 10.4x ↙</p> <p>10: 10.1 ↑</p>	<p><b>40 Shots</b></p> 	<p>11: 9.5 →</p> <p>12: 9.6 ↗</p> <p>13: 9.4 →</p> <p>14: 10.4x ↙</p> <p>15: 8.8 ←</p> <p>16: 9.2 ↗</p> <p>17: 9.6 ↓</p> <p>18: 9.4 ↓</p> <p>19: 10.6x ↗</p> <p>20: 10.3x ↗</p>
Series 98.0		Series 92.0	
Total 98.0		Total 190.0	

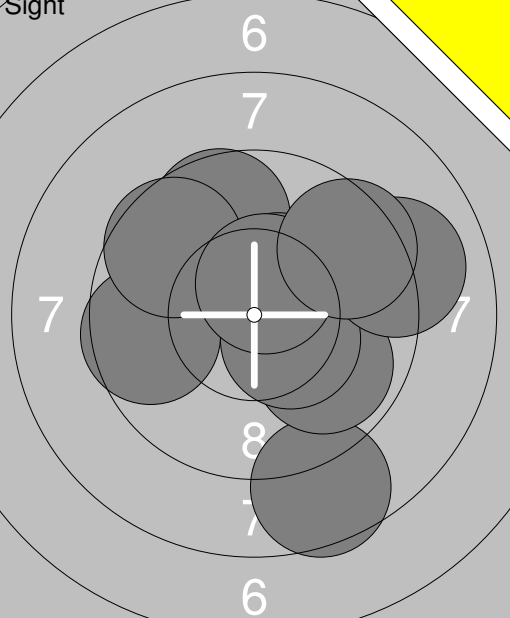
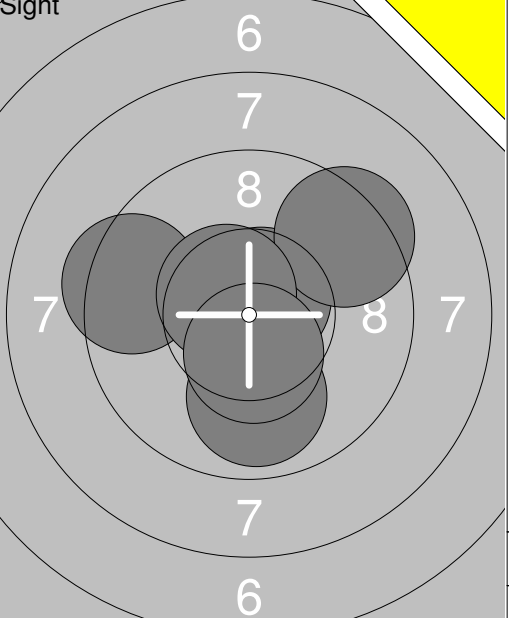
<p><b>40 Shots</b></p> 	<p>21: 10.4x ↑</p> <p>22: 10.4x ↗</p> <p>23: 10.4x ↗</p> <p>24: 10.0 ↙</p> <p>25: 9.8 ↗</p> <p>26: 10.2x ↙</p> <p>27: 10.8x ↓</p> <p>28: 10.5x ↙</p> <p>29: 10.8x ↓</p> <p>30: 10.2x →</p>	<p><b>40 Shots</b></p> 	<p>31: 9.6 →</p> <p>32: 9.8 ↙</p> <p>33: 8.9 →</p> <p>34: 10.1 →</p> <p>35: 10.1 ↓</p> <p>36: 9.6 ←</p> <p>37: 10.6x ↓</p> <p>38: 10.0 →</p> <p>39: 10.1 →</p> <p>40: 10.4x ↙</p>
Series 99.0		Series 95.0	
Total 289.0		Total 384.0	

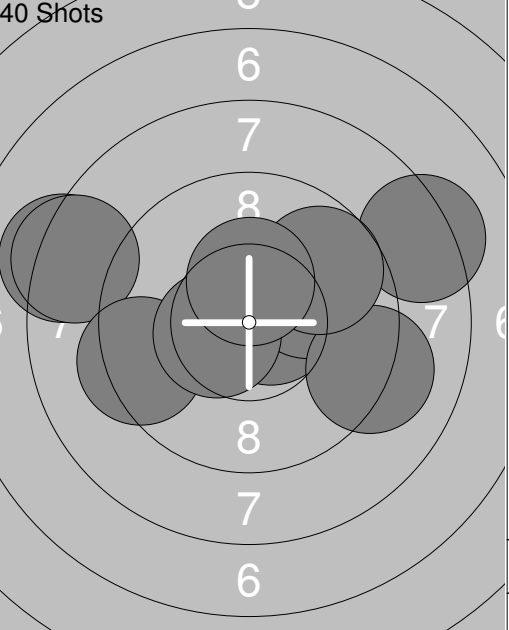
 <p>Sight</p>	<p>1: 8.9 ↘</p> <p>2: 7.3 →</p> <p>3: 9.3 ↓</p> <p>4: 10.8x↙</p> <p>5: 9.4 ←</p>	<p>40 Shots</p> 		<p>1: 10.1 ↑</p> <p>2: 10.3x↙</p> <p>3: 9.5 ↑</p> <p>4: 9.1 ↖</p> <p>5: 7.8 ↗</p> <p>6: 10.1 ↖</p> <p>7: 9.7 ↙</p> <p>8: 9.3 ↓</p> <p>9: 10.4x↘</p> <p>10: 10.1 ↓</p>
Series 43.0				Series 93.0
Total 0.0				Total 93.0

<p>40 Shots</p> 	<p>11: 10.7x←</p> <p>12: 10.7x↓</p> <p>13: 9.6 ↑</p> <p>14: 7.6 ↘</p> <p>15: 10.6x↓</p> <p>16: 7.7 ↙</p> <p>17: 8.9 ↓</p> <p>18: 9.0 →</p> <p>19: 10.3x↘</p> <p>20: 9.5 ↖</p>	<p>40 Shots</p> 		<p>21: 6.6 ↘</p> <p>22: 9.4 ↓</p> <p>23: 10.2x←</p> <p>24: 9.9 ↓</p> <p>25: 8.2 ↘</p> <p>26: 10.6x↙</p> <p>27: 9.5 ↗</p> <p>28: 9.2 ↓</p> <p>29: 9.0 ↓</p> <p>30: 9.6 ↓</p>
Series 89.0				Series 88.0
Total 182.0				Total 270.0

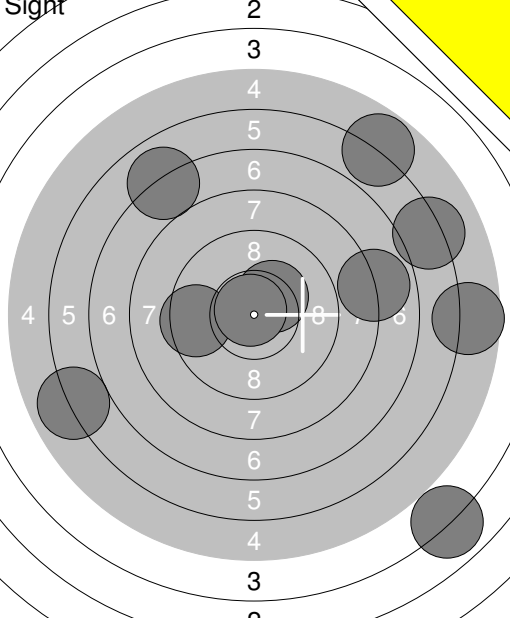
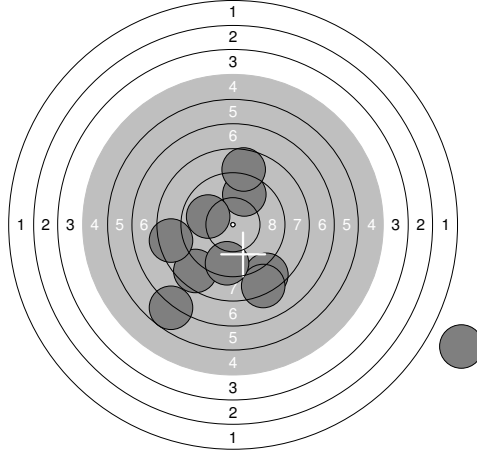
<p>40 Shots</p> 	<p>31: 7.2 ↗</p> <p>32: 9.5 ↓</p> <p>33: 9.3 ↙</p> <p>34: 8.8 ↓</p> <p>35: 10.4x↙</p> <p>36: 9.7 ↗</p> <p>37: 10.4x→</p> <p>38: 8.1 ↓</p> <p>39: 9.1 ↗</p> <p>40: 10.3x↘</p>			
Series 89.0				
Total 359.0				

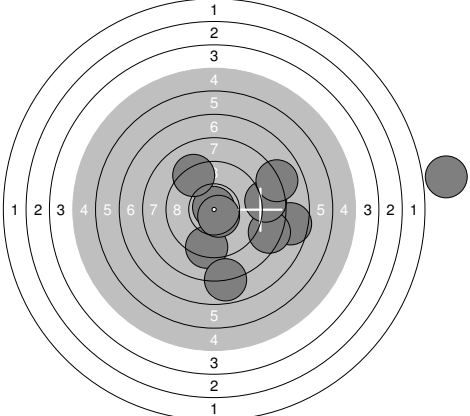
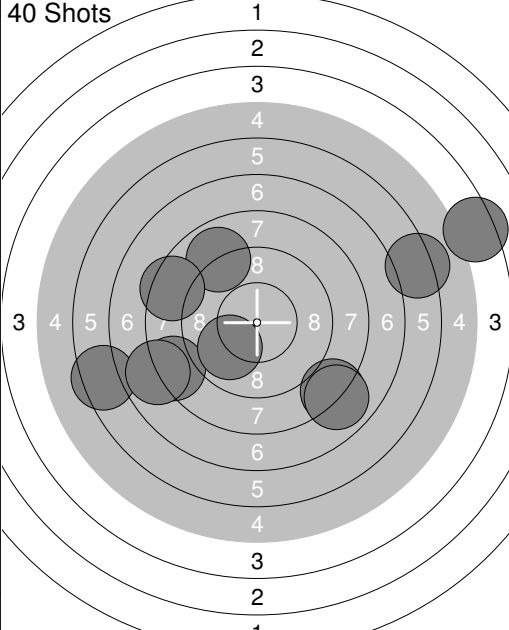


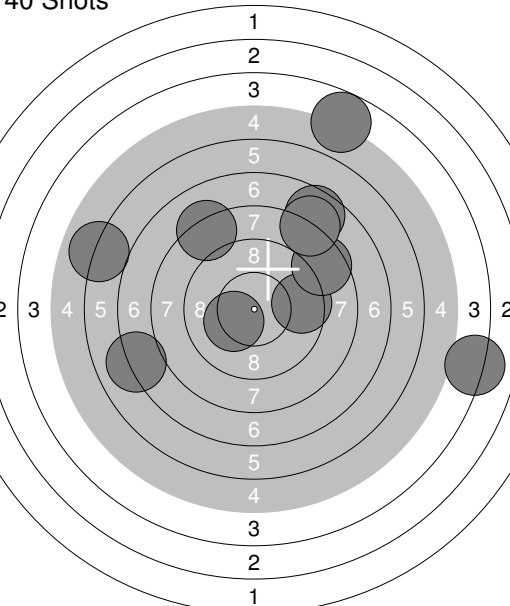
<p>Sight</p> 	<p>1: 8.6 ↓</p> <p>2: 9.6 ↑</p> <p>3: 9.6 ←</p> <p>4: 9.9 ↓</p> <p>5: 10.4x ↗</p> <p>6: 9.6 ↖</p> <p>7: 10.4x →</p> <p>8: 10.5x ↑</p> <p>9: 9.0 →</p> <p>10: 9.5 ↗</p>	<p>Sight</p> 	<p>11: 9.9 ↓</p> <p>12: 10.7x ↗</p> <p>13: 9.4 ←</p> <p>14: 9.4 ↗</p> <p>15: 10.6x ↖</p> <p>16: 10.5x ↓</p>
Series	92.0	Series	57.0
Total	0.0	Total	0.0

<p>40 Shots</p> 	<p>1: 9.9 ←</p> <p>2: 9.5 ↓</p> <p>3: 10.5x →</p> <p>4: 10.9x ←</p> <p>5: 10.6x ↑</p> <p>6: 10.5x ↑</p> <p>7: 9.2 ←</p> <p>8: 10.1 ↓</p> <p>9: 10.0 ←</p> <p>10: 9.5 →</p>	<p>40 Shots</p> 	<p>11: 8.3 ↗</p> <p>12: 10.6x →</p> <p>13: 8.2 ←</p> <p>14: 10.0 ↗</p> <p>15: 9.1 →</p> <p>16: 8.4 ←</p> <p>17: 9.7 ↗</p> <p>18: 9.3 ←</p> <p>19: 10.5x ←</p> <p>20: 10.4x ↑</p>
Series	96.0	Series	91.0
Total	96.0	Total	187.0

<p>40 Shots</p> 	<p>21: 10.6x ↓</p> <p>22: 9.7 ↑</p> <p>23: 9.3 ←</p> <p>24: 9.4 →</p> <p>25: 9.4 ↑</p> <p>26: 8.7 →</p> <p>27: 9.9 ↗</p> <p>28: 9.9 ←</p> <p>29: 9.7 ←</p> <p>30: 9.8 ↓</p>	<p>40 Shots</p> 	<p>31: 10.2x →</p> <p>32: 9.9 →</p> <p>33: 10.4x ↗</p> <p>34: 9.7 →</p> <p>35: 9.5 ↖</p> <p>36: 9.7 →</p> <p>37: 9.1 →</p> <p>38: 10.6x ↓</p> <p>39: 10.3x ↗</p> <p>40: 10.1 ↑</p>
Series	90.0	Series	95.0
Total	277.0	Total	372.0

<p><b>Sight</b></p> 	<p>1: 5.6 →</p> <p>2: 7.9 →</p> <p>3: 6.2 →</p> <p>4: 3.9 ↘</p> <p>5: 9.5 ←</p> <p>6: 6.0 ←</p> <p>7: 7.0 ↗</p> <p>8: 10.3x ↗</p> <p>9: 10.8x ↘</p> <p>10: 5.8 ↗</p>	<p><b>40 Shots</b></p> 		<p>1: 8.5 ↘</p> <p>2: 9.6 ↗</p> <p>3: 8.2 ↘</p> <p>4: 8.5 ↙</p> <p>5: 0.0 →</p> <p>6: 8.3 ←</p> <p>7: 8.7 ↗</p> <p>8: 6.7 ↙</p> <p>9: 9.9 ←</p> <p>10: 9.4 ↘</p>	
<p><b>Series</b> 68.0</p>				<p><b>Series</b> 73.0</p>	
<p><b>Total</b> 0.0</p>				<p><b>Total</b> 73.0</p>	

<p><b>40 Shots</b></p> 	<p>11: 9.3 ↘</p> <p>12: 10.9x ↗</p> <p>13: 7.6 →</p> <p>14: 7.9 ↘</p> <p>15: 9.2 ↗</p> <p>16: 0.0 →</p> <p>17: 10.6x ↘</p> <p>18: 8.4 →</p> <p>19: 8.7 →</p> <p>20: 8.0 →</p>	<p><b>40 Shots</b></p> 		<p>21: 8.3 ←</p> <p>22: 9.9 ↙</p> <p>23: 8.9 ↗</p> <p>24: 8.1 ↘</p> <p>25: 6.4 ←</p> <p>26: 7.9 ←</p> <p>27: 7.9 ↘</p> <p>28: 4.4 →</p> <p>29: 8.4 ←</p> <p>30: 6.2 →</p>	
<p><b>Series</b> 76.0</p>				<p><b>Series</b> 71.0</p>	
<p><b>Total</b> 149.0</p>				<p><b>Total</b> 220.0</p>	

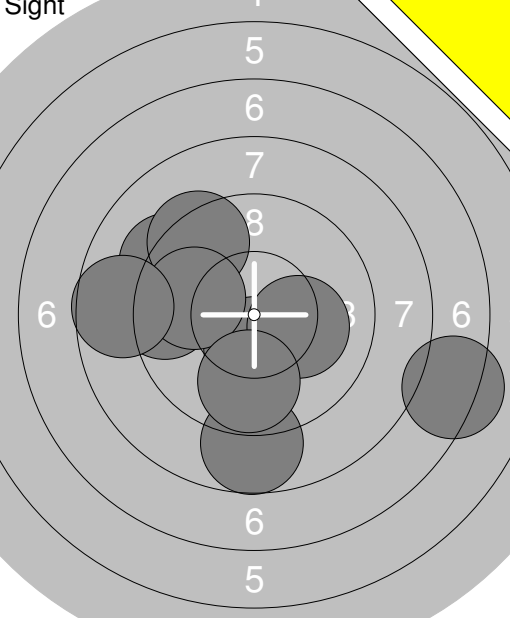
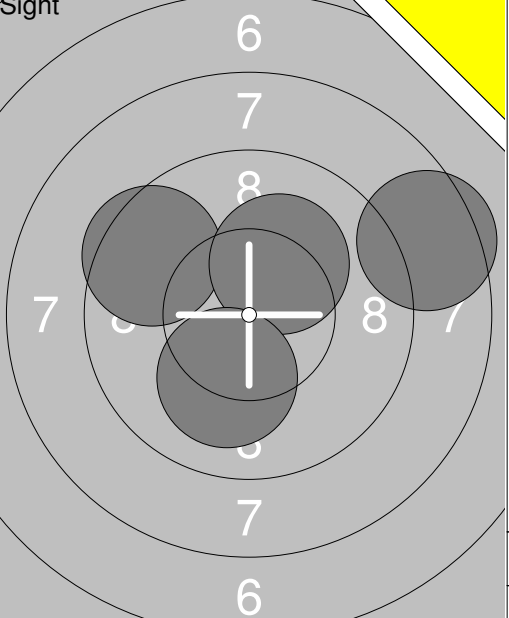
<p><b>40 Shots</b></p> 	<p>31: 4.8 ↗</p> <p>32: 10.2x ↙</p> <p>33: 9.5 →</p> <p>34: 8.2 ↗</p> <p>35: 6.0 ←</p> <p>36: 4.1 →</p> <p>37: 7.6 ↗</p> <p>38: 7.1 ←</p> <p>39: 8.6 ↗</p> <p>40: 7.9 ↗</p>			
<p><b>Series</b> 70.0</p>				
<p><b>Total</b> 290.0</p>				

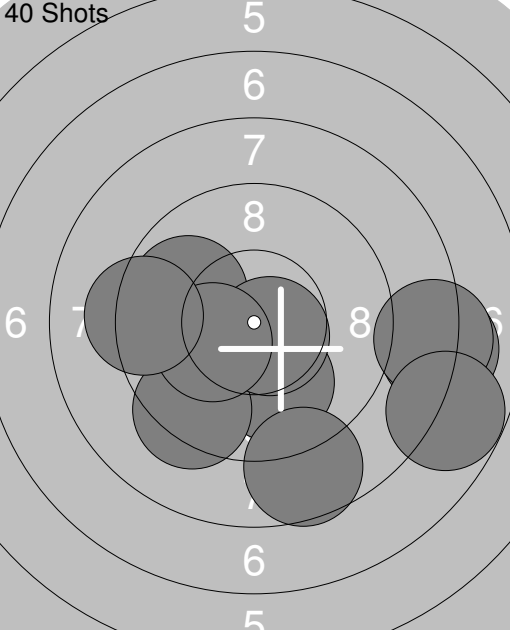
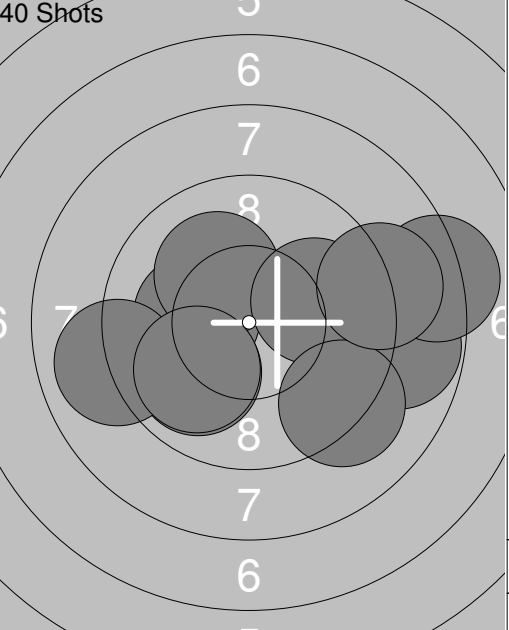
<p><b>Sight</b></p>	<p>1: 10.4x ←                  2: 9.6 ←                  3: 9.4 →                  4: 9.2 ↘                  5: 9.5 ←                  6: 10.0 →                  7: 9.1 ←                  8: 9.6 →                  9: 8.9 ←                  10: 10.4x ↗</p> <p><b>Series</b> 92.0  <b>Total</b> 0.0</p>	<p><b>Sight</b></p>	<p>11: 10.1 ↗                  12: 9.8 ←                  13: 10.1 →                  14: 9.4 ←                  15: 10.0 ←                  16: 10.3x ↗                  17: 10.3x ↑                  18: 9.9 ↑                  19: 9.0 ←                  20: 10.4x →</p> <p><b>Series</b> 96.0  <b>Total</b> 0.0</p>
---------------------	---	---------------------	--

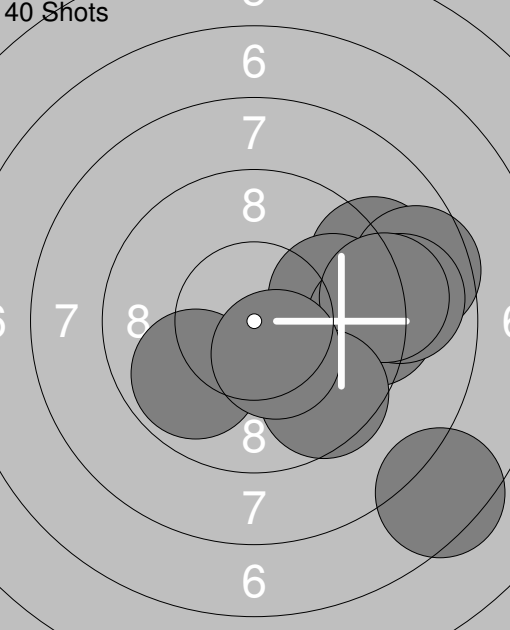
<p><b>Sight</b></p>	<p>21: 10.4x ↘</p> <p><b>Series</b> 10.0  <b>Total</b> 0.0</p>	<p><b>40 Shots</b></p>	<p>1: 9.6 ↑                  2: 10.9x →                  3: 10.2x ↗                  4: 9.6 ↘                  5: 10.9x →                  6: 10.0 ↗                  7: 10.3x ↘                  8: 9.7 ←                  9: 10.4x →                  10: 9.6 ←</p> <p><b>Series</b> 96.0  <b>Total</b> 96.0</p>
---------------------	--	------------------------	--

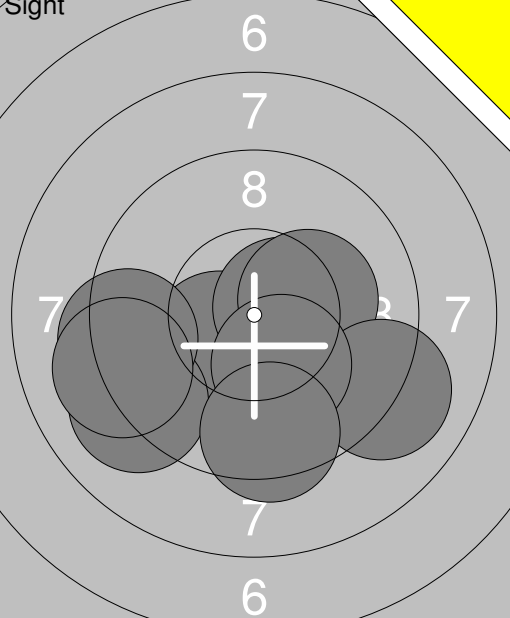
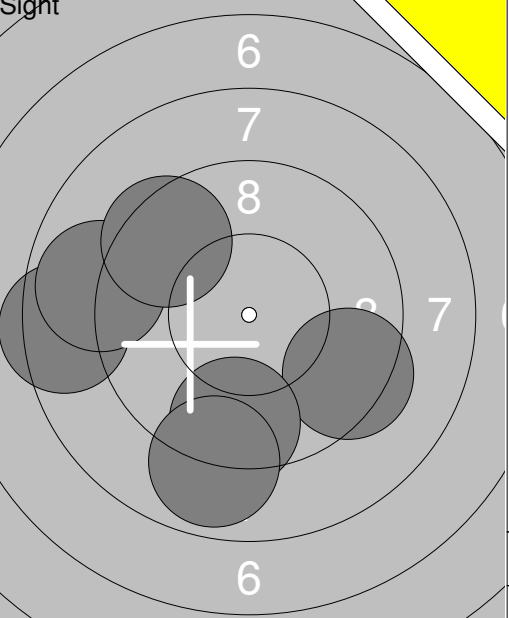
<p><b>40 Shots</b></p>	<p>11: 10.7x ↗                  12: 8.9 ←                  13: 8.8 →                  14: 10.1 ↑                  15: 10.6x ←                  16: 10.4x ↗                  17: 9.8 ↘                  18: 10.4x ↘                  19: 9.8 →                  20: 7.9 →</p> <p><b>Series</b> 91.0  <b>Total</b> 187.0</p>	<p><b>40 Shots</b></p>	<p>21: 9.9 ↘                  22: 10.3x ↗                  23: 9.6 ↘                  24: 10.3x ↑                  25: 8.6 ←                  26: 9.1 ↗                  27: 10.4x ↘                  28: 10.6x ↑                  29: 9.8 →                  30: 10.6x ↘</p> <p><b>Series</b> 94.0  <b>Total</b> 281.0</p>
------------------------	--	------------------------	---

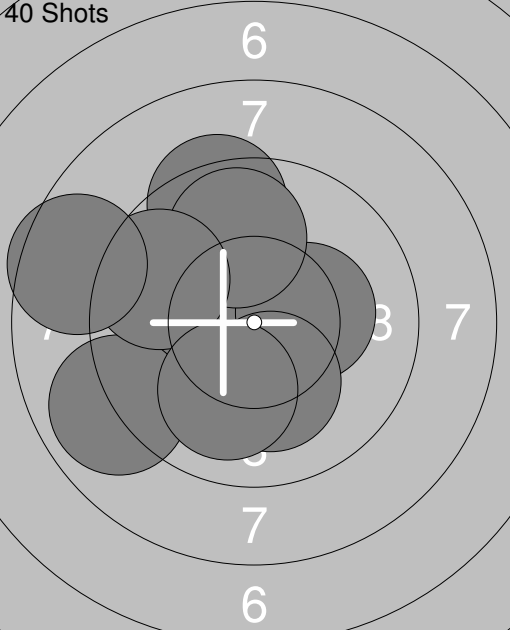
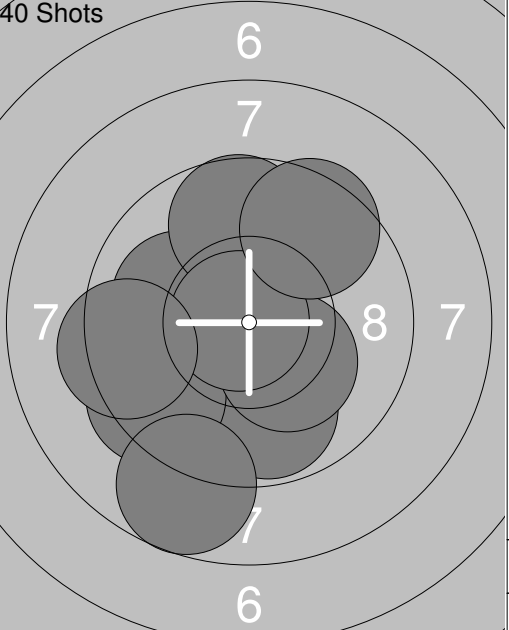
<p><b>40 Shots</b></p>	<p>31: 10.1 ↘                  32: 9.1 →                  33: 9.1 →                  34: 8.9 ←                  35: 9.2 →                  36: 10.4x ↗                  37: 9.5 →                  38: 10.3x →                  39: 10.5x ↘                  40: 9.6 ↗</p> <p><b>Series</b> 93.0  <b>Total</b> 374.0</p>		
------------------------	--	--	--

	<p>1: 9.4 ←</p> <p>2: 7.3 →</p> <p>3: 8.7 ↓</p> <p>4: 10.4x ↓</p> <p>5: 10.2x →</p> <p>6: 9.2 ↗</p> <p>7: 9.3 ↗</p> <p>8: 9.9 ←</p> <p>9: 9.8 ↓</p> <p>10: 8.7 ←</p>		<p>11: 9.5 ↖</p> <p>12: 10.2x ↗</p> <p>13: 8.5 →</p> <p>14: 10.1 ↓</p>
Series 88.0		Series 37.0	
Total 0.0		Total 0.0	

	<p>1: 10.0 ↓</p> <p>2: 9.3 ↓</p> <p>3: 9.9 ←</p> <p>4: 8.1 →</p> <p>5: 8.2 →</p> <p>6: 10.6x ↓</p> <p>7: 7.8 →</p> <p>8: 8.6 ↓</p> <p>9: 10.3x ↖</p> <p>10: 9.3 ←</p>		<p>11: 9.9 ↖</p> <p>12: 10.2x ↖</p> <p>13: 8.8 →</p> <p>14: 10.1 ↗</p> <p>15: 10.0 →</p> <p>16: 8.2 →</p> <p>17: 9.2 ↓</p> <p>18: 9.0 ←</p> <p>19: 10.0 ↖</p> <p>20: 9.0 →</p>
Series 88.0		Series 92.0	
Total 88.0		Total 180.0	

	<p>21: 9.1 →</p> <p>22: 7.5 ↓</p> <p>23: 9.8 →</p> <p>24: 9.9 ↖</p> <p>25: 8.6 →</p> <p>26: 9.3 →</p> <p>27: 8.9 →</p> <p>28: 9.1 →</p> <p>29: 9.6 ↓</p> <p>30: 10.4x ↓</p>		<p>31: 8.2 →</p> <p>32: 8.7 ↖</p> <p>33: 10.5x ↘</p> <p>34: 9.5 ↓</p> <p>35: 10.2x ↓</p> <p>36: 10.0 ↓</p> <p>37: 9.6 ↗</p> <p>38: 10.5x ↗</p> <p>39: 10.1 →</p> <p>40: 10.2x ↖</p>
Series 87.0		Series 94.0	
Total 267.0		Total 361.0	

 <p style="text-align: center;">Sight</p>	<p>1: 10.4x ↘</p> <p>2: 10.4x ↙</p> <p>3: 9.1 ↙</p> <p>4: 10.6x →</p> <p>5: 10.2x →</p> <p>6: 9.1 →</p> <p>7: 9.3 ←</p> <p>8: 9.1 ←</p> <p>9: 10.2x ↓</p> <p>10: 9.4 ↓</p> <p>Series 95.0</p> <p>Total 0.0</p>	 <p style="text-align: center;">Sight</p>	<p>11: 8.4 ←</p> <p>12: 9.4 ↘</p> <p>13: 9.5 ↓</p> <p>14: 8.9 ←</p> <p>15: 8.9 ↓</p> <p>16: 9.4 ↗</p> <p>Series 51.0</p> <p>Total 0.0</p>
---	--	---	---

 <p style="text-align: center;">40 Shots</p>	<p>1: 10.6x ↗</p> <p>2: 10.1 ↙</p> <p>3: 10.3x →</p> <p>4: 9.4 ↑</p> <p>5: 9.8 ↑</p> <p>6: 8.9 ↙</p> <p>7: 10.2x ↓</p> <p>8: 9.6 ↙</p> <p>9: 10.0 ↓</p> <p>10: 8.6 ←</p> <p>Series 93.0</p> <p>Total 93.0</p>	 <p style="text-align: center;">40 Shots</p>	<p>11: 10.0 ←</p> <p>12: 9.7 ↑</p> <p>13: 9.8 ↓</p> <p>14: 9.4 ↙</p> <p>15: 8.7 ↓</p> <p>16: 10.9x →</p> <p>17: 10.2x ↓</p> <p>18: 10.8x ←</p> <p>19: 9.5 ↗</p> <p>20: 9.4 ←</p> <p>Series 93.0</p> <p>Total 186.0</p>
---	---	---	--

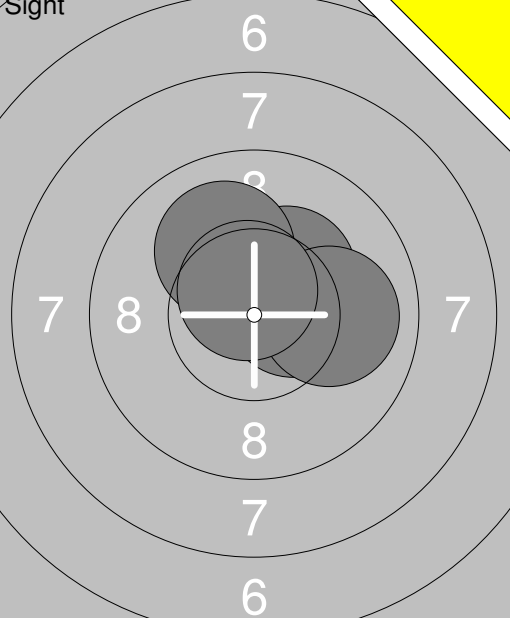
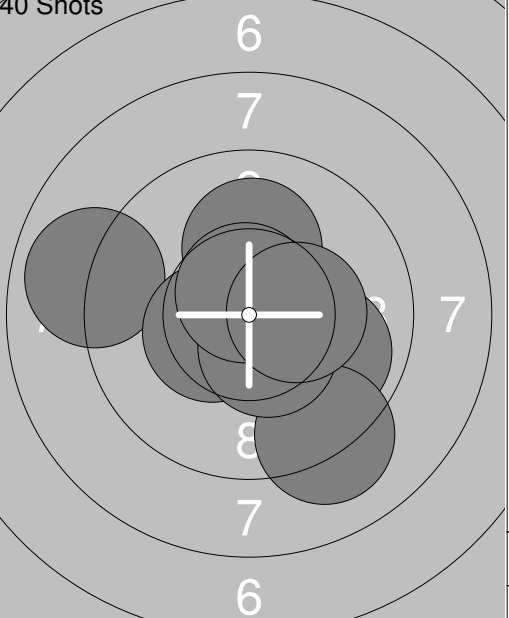
 <p style="text-align: center;">40 Shots</p>	<p>21: 7.5 →</p> <p>22: 9.5 ↗</p> <p>23: 10.2x ↙</p> <p>24: 8.2 ↗</p> <p>25: 10.1 ↗</p> <p>26: 9.4 ←</p> <p>27: 9.2 ↗</p> <p>28: 10.6x ↓</p> <p>29: 8.8 ↗</p> <p>30: 10.1 ↓</p> <p>Series 90.0</p> <p>Total 276.0</p>	 <p style="text-align: center;">40 Shots</p>	<p>31: 9.7 ←</p> <p>32: 8.7 ↗</p> <p>33: 8.1 ↗</p> <p>34: 9.4 ↑</p> <p>35: 8.5 ↓</p> <p>36: 10.2x ↗</p> <p>37: 9.9 ↑</p> <p>38: 9.4 ↗</p> <p>39: 9.5 ←</p> <p>40: 8.6 →</p> <p>Series 87.0</p> <p>Total 363.0</p>
--	---	--	---

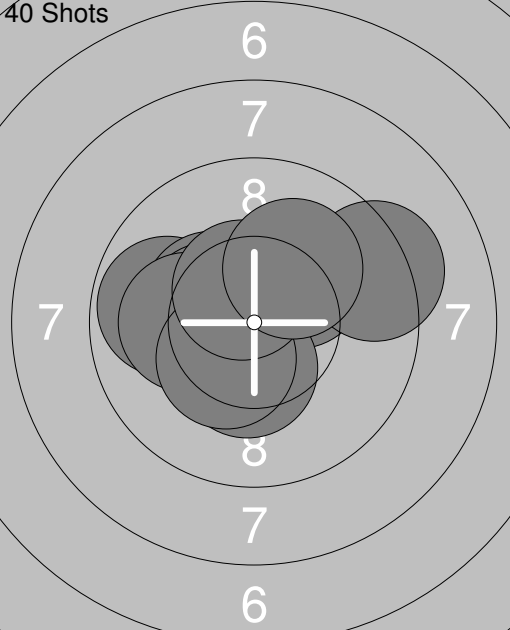
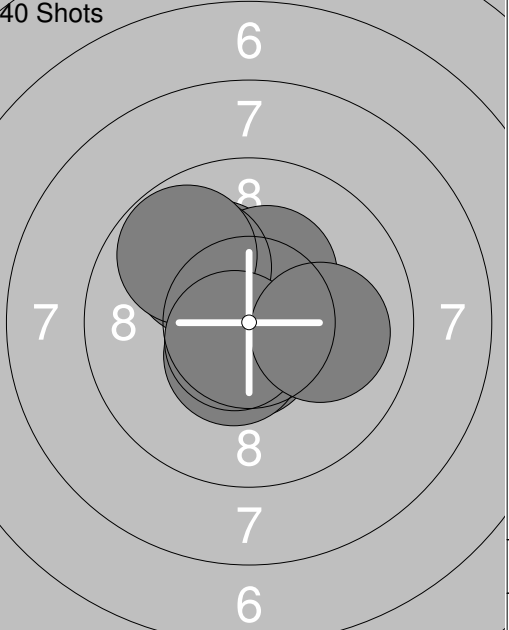
<p><b>Sight</b></p>	<p><b>40 Shots</b></p>	<p>1: 10.2x ↙ 2: 10.9x ← 3: 10.7x ↘ 4: 10.5x →</p> <p>1: 9.9 ↗ 2: 10.5x → 3: 10.2x ↑ 4: 10.1 ↑ 5: 10.4x ↘ 6: 10.6x ↑ 7: 10.2x ← 8: 10.6x ↘ 9: 10.1 ↖ 10: 10.4x ↙</p> <table border="1" style="width:100%; border-collapse: collapse;"> <tr><td>Series</td><td>40.0</td><td>Series</td><td>99.0</td></tr> <tr><td>Total</td><td>0.0</td><td>Total</td><td>99.0</td></tr> </table>	Series	40.0	Series	99.0	Total	0.0	Total	99.0
Series	40.0	Series	99.0							
Total	0.0	Total	99.0							

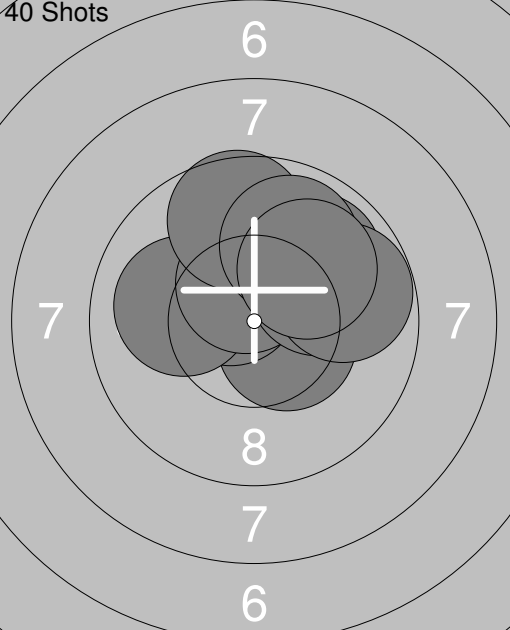
<p><b>40 Shots</b></p>	<p><b>40 Shots</b></p>	<p>11: 9.6 ↘ 12: 10.5x ← 13: 10.1 ← 14: 10.5x ↑ 15: 9.5 ← 16: 10.3x ← 17: 10.6x ← 18: 10.4x ← 19: 9.4 → 20: 10.7x →</p> <p>21: 10.4x ↗ 22: 10.4x ↘ 23: 9.9 → 24: 10.7x ↗ 25: 10.7x → 26: 10.1 → 27: 10.1 ↗ 28: 10.3x ← 29: 10.8x ↙ 30: 10.8x ↘</p> <table border="1" style="width:100%; border-collapse: collapse;"> <tr><td>Series</td><td>97.0</td><td>Series</td><td>99.0</td></tr> <tr><td>Total</td><td>196.0</td><td>Total</td><td>295.0</td></tr> </table>	Series	97.0	Series	99.0	Total	196.0	Total	295.0
Series	97.0	Series	99.0							
Total	196.0	Total	295.0							

<p><b>40 Shots</b></p>	<p>31: 10.2x ← 32: 10.4x ↘ 33: 10.4x ↑ 34: 10.9x → 35: 10.5x ↙ 36: 10.7x ↘ 37: 10.5x ↑ 38: 9.7 ↓ 39: 9.7 ← 40: 10.4x ↘</p> <table border="1" style="width:100%; border-collapse: collapse;"> <tr><td>Series</td><td>98.0</td></tr> <tr><td>Total</td><td>393.0</td></tr> </table>	Series	98.0	Total	393.0	
Series	98.0					
Total	393.0					



 <p style="text-align: center;">Sight</p>	<p>1: 10.4x →</p> <p>2: 10.3x ↗</p> <p>3: 10.0 →</p> <p>4: 10.0 ↖</p> <p>5: 10.6x ↖</p>	<p>40 Shots</p> 	<p>1: 10.5x →</p> <p>2: 8.9 ←</p> <p>3: 10.1 ↑</p> <p>4: 10.4x ↙</p> <p>5: 10.1 ↘</p> <p>6: 9.9 →</p> <p>7: 9.1 ↘</p> <p>8: 10.5x ↘</p> <p>9: 10.7x ↑</p> <p>10: 10.3x →</p>
Series 50.0		Series 96.0	
Total 0.0		Total 96.0	

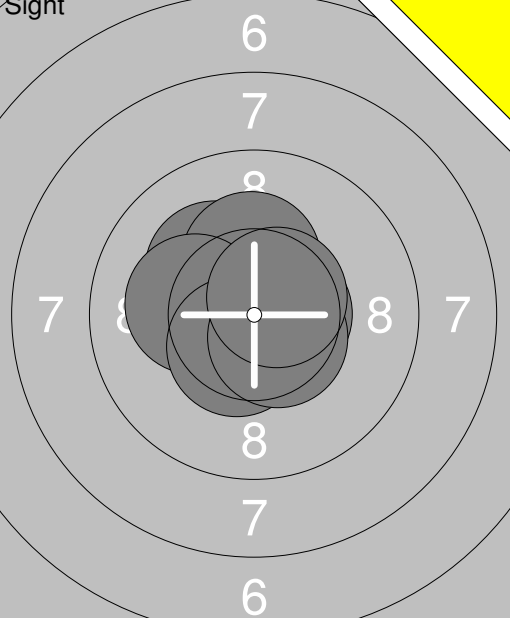
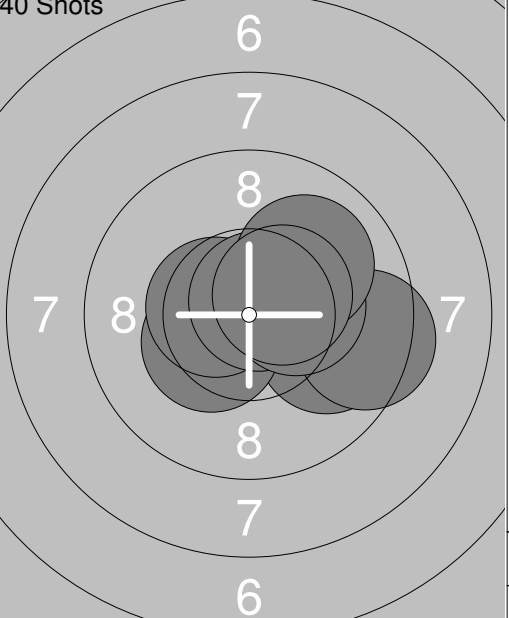
<p>40 Shots</p> 	<p>11: 9.8 ←</p> <p>12: 10.2x ↗</p> <p>13: 10.4x ↙</p> <p>14: 9.3 →</p> <p>15: 10.4x ↙</p> <p>16: 10.4x ↓</p> <p>17: 10.1 ←</p> <p>18: 10.4x ↙</p> <p>19: 10.5x ↑</p> <p>20: 10.1 ↗</p>	<p>40 Shots</p> 	<p>21: 10.2x ↖</p> <p>22: 10.4x ↑</p> <p>23: 10.6x ↓</p> <p>24: 10.7x ↑</p> <p>25: 10.3x ↑</p> <p>26: 10.0 ↖</p> <p>27: 9.8 ↖</p> <p>28: 10.5x ↓</p> <p>29: 10.7x ↙</p> <p>30: 10.0 →</p>
Series 98.0		Series 99.0	
Total 194.0		Total 293.0	

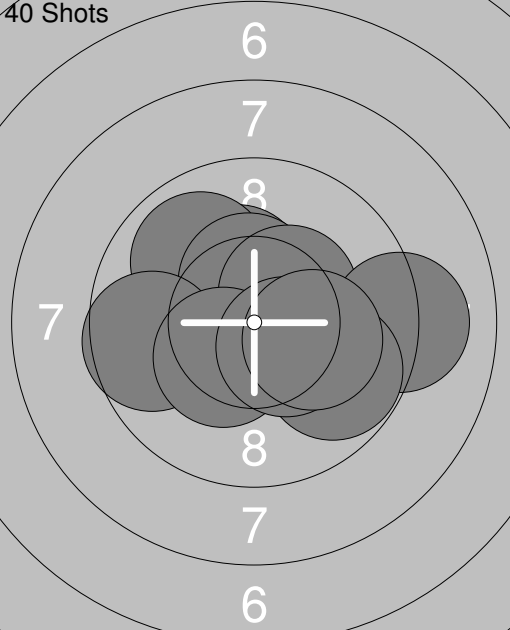
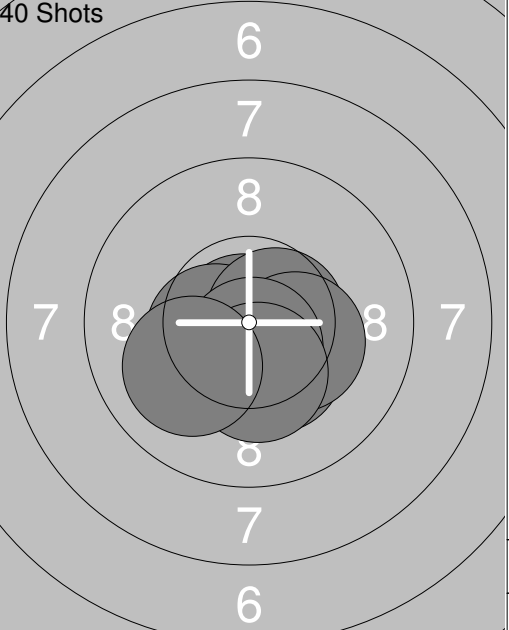
<p>40 Shots</p> 	<p>31: 10.5x ↘</p> <p>32: 10.5x ↖</p> <p>33: 10.0 ←</p> <p>34: 10.5x ↑</p> <p>35: 10.0 ↗</p> <p>36: 9.9 ↗</p> <p>37: 9.6 ↑</p> <p>38: 9.8 →</p> <p>39: 9.9 ↑</p> <p>40: 10.0 ↗</p>		
Series 96.0			
Total 389.0			

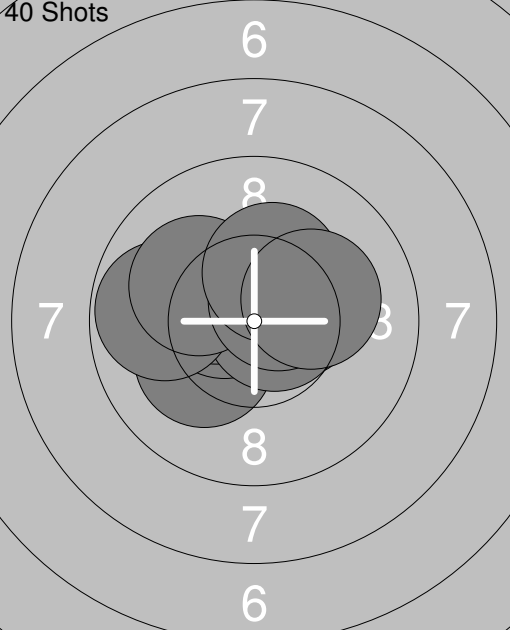
	1: 9.9 ← 2: 10.6x ↙ 3: 10.2x ↙ 4: 10.7x → 5: 10.7x ↗ 6: 10.6x ↘ 7: 9.6 ↓ 8: 9.6 → 9: 10.7x → 10: 10.5x ↑		11: 10.4x ←
Series	97.0	Series	10.0
Total	0.0	Total	0.0

	1: 10.3x ↘ 2: 9.9 ↗ 3: 10.3x ↓ 4: 10.1 ↘ 5: 9.4 ← 6: 10.1 ↗ 7: 10.1 ← 8: 10.5x ↘ 9: 10.1 ↑ 10: 10.4x ↗		11: 10.2x ↘ 12: 10.3x → 13: 10.4x ← 14: 10.3x ↗ 15: 10.6x ↘ 16: 10.4x ↗ 17: 10.1 ← 18: 9.9 → 19: 9.9 ↗ 20: 10.2x →
Series	98.0	Series	98.0
Total	98.0	Total	196.0

	21: 9.5 ↑ 22: 10.6x ↑ 23: 10.1 ↘ 24: 10.7x ↗ 25: 10.4x ↗ 26: 10.4x ↑ 27: 10.0 ↗ 28: 10.2x → 29: 9.9 → 30: 10.5x ↗		31: 10.2x ↘ 32: 10.3x ↘ 33: 9.9 → 34: 10.4x ↘ 35: 10.7x ↓ 36: 10.2x ↘ 37: 10.7x ← 38: 9.9 ← 39: 10.1 ↓ 40: 10.7x ↗
Series	98.0	Series	98.0
Total	294.0	Total	392.0

 <p style="text-align: center;">Sight</p>	<p>40 Shots</p> <p>1: 10.7x ↙ 2: 10.2x ↗ 3: 10.6x → 4: 10.3x ↑ 5: 10.2x ↙ 6: 10.5x ↘ 7: 10.5x ↘ 8: 10.6x ↗</p>	 <p>40 Shots</p> <p>1: 10.8x ↙ 2: 9.9 → 3: 10.4x ↙ 4: 10.5x ↙ 5: 10.3x → 6: 10.7x ↗ 7: 9.4 → 8: 10.3x → 9: 10.0 ↗ 10: 10.5x ↗</p>
Series 80.0		Series 98.0
Total 0.0		Total 98.0

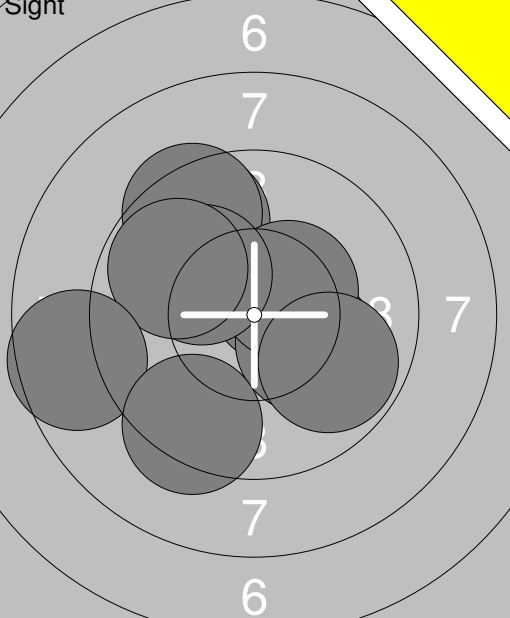
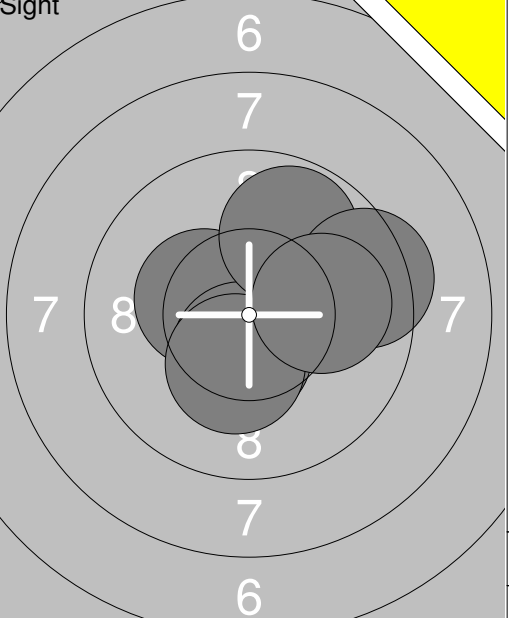
 <p>40 Shots</p>	<p>11: 10.3x ↑ 12: 9.9 ↗ 13: 10.4x ↑ 14: 9.6 ← 15: 10.4x ↗ 16: 9.1 → 17: 9.8 ↘ 18: 10.4x ↘ 19: 10.4x ↘ 20: 10.2x →</p>	 <p>40 Shots</p> <p>21: 10.9x ↙ 22: 10.8x → 23: 10.5x ↙ 24: 10.5x ↘ 25: 10.6x → 26: 10.3x ↘ 27: 10.3x → 28: 10.6x ↘ 29: 10.3x ↘ 30: 10.0 ↙</p>
Series 96.0		Series 100.0
Total 194.0		Total 294.0

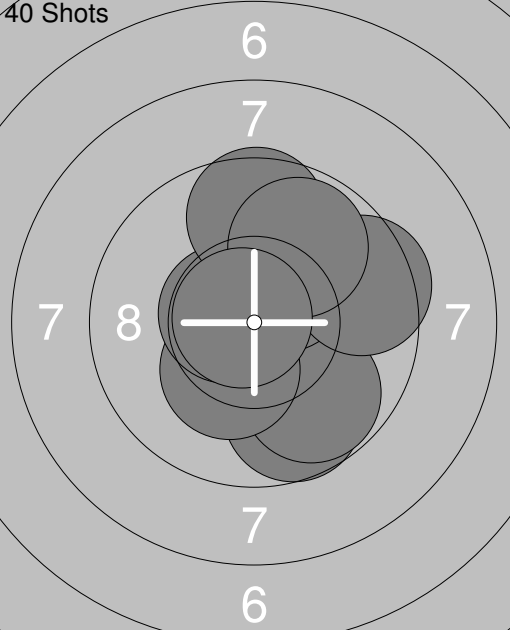
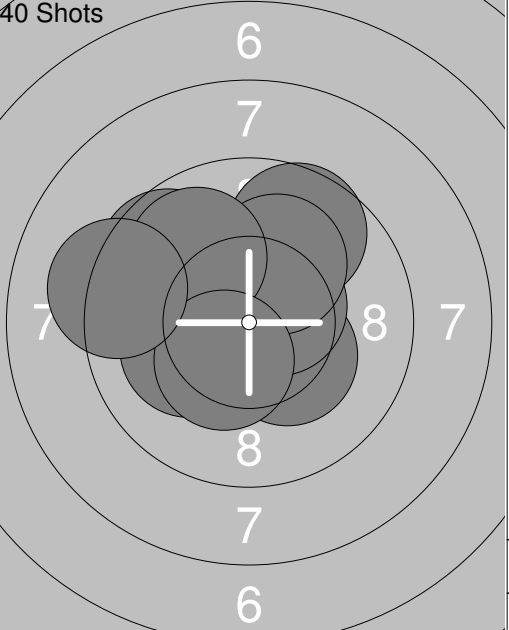
 <p>40 Shots</p>	<p>31: 10.2x ↙ 32: 10.5x ↙ 33: 10.4x ↙ 34: 10.4x → 35: 10.7x → 36: 9.8 ← 37: 10.1 ↗ 38: 10.5x ↗ 39: 10.3x ↑ 40: 10.2x →</p>	
Series 99.0		
Total 393.0		

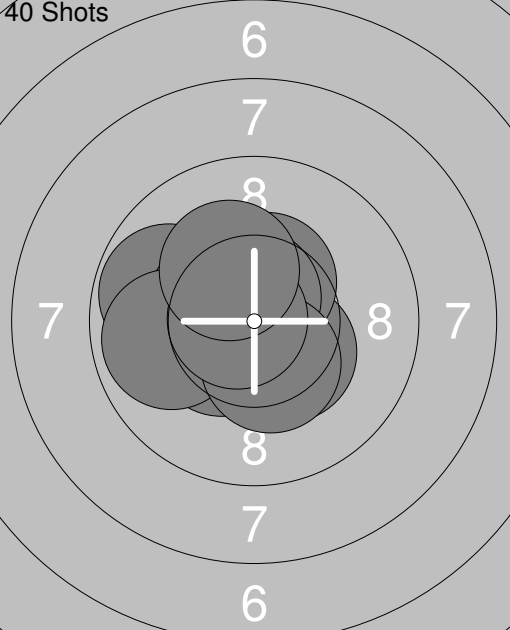
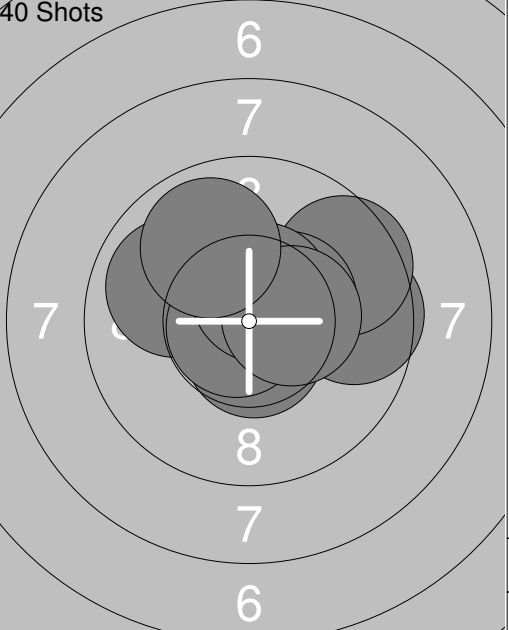
<p><b>Sight</b></p>	<p>1: 10.7x ↑ 2: 9.8 ← 3: 10.4x ↘ 4: 10.3x ↓ 5: 10.6x ↑ 6: 10.8x ↙ 7: 9.9 → 8: 10.5x ↗ 9: 10.8x ← 10: 10.2x ↑</p> <p>Series 98.0 Total 0.0</p>	<p><b>Sight</b></p>	<p>11: 10.2x ↘ 12: 10.1 ↖ 13: 10.3x ↓ 14: 10.3x ↖</p> <p>Series 40.0 Total 0.0</p>
---------------------	--	---------------------	--

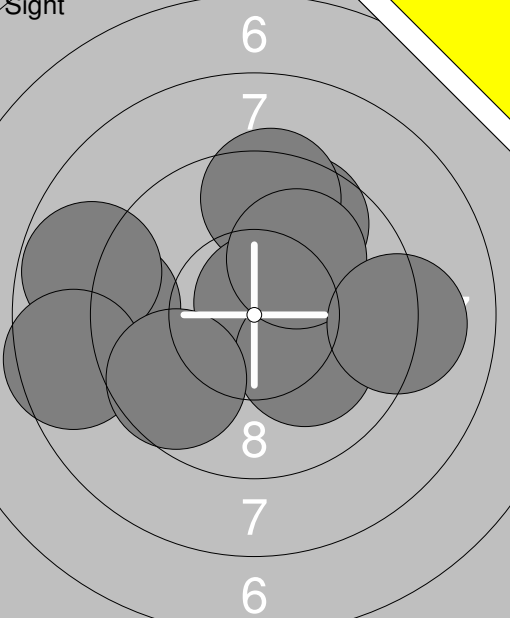
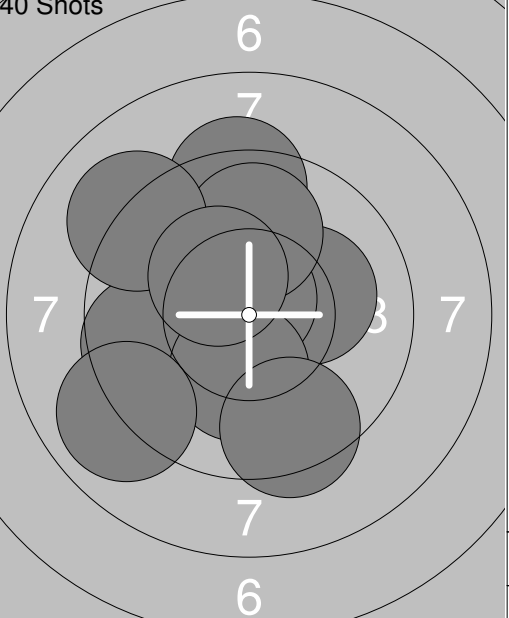
<p><b>40 Shots</b></p>	<p>1: 10.4x ↗ 2: 9.6 → 3: 10.3x ↘ 4: 10.0 ↓ 5: 10.5x ↖ 6: 9.9 ↑ 7: 10.6x → 8: 10.3x ↗ 9: 9.9 ↗ 10: 10.1 ↖</p> <p>Series 97.0 Total 97.0</p>	<p><b>40 Shots</b></p>	<p>11: 10.5x ↖ 12: 10.1 ↖ 13: 10.2x ← 14: 10.8x ↑ 15: 10.4x ↘ 16: 10.3x ↖ 17: 10.3x ↖ 18: 10.4x → 19: 10.4x ↓ 20: 10.5x ↓</p> <p>Series 100.0 Total 197.0</p>
------------------------	---	------------------------	---

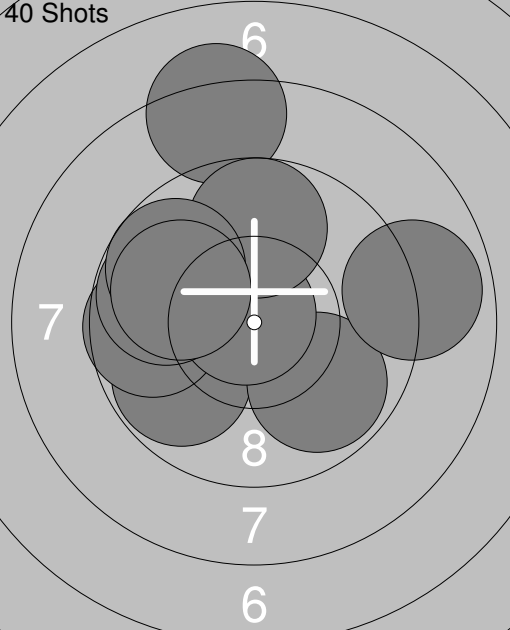
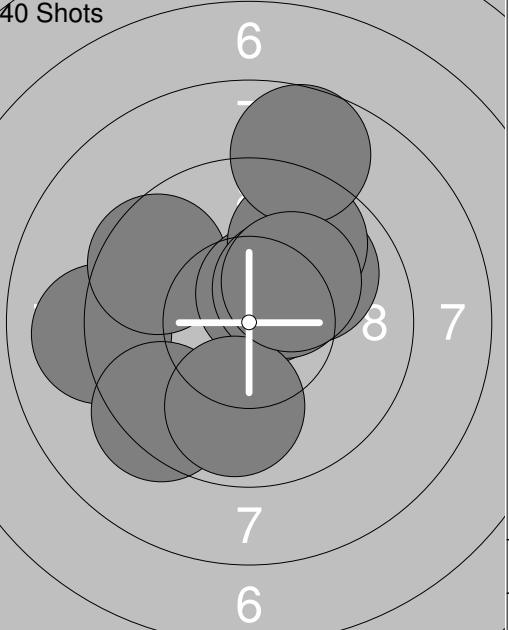
<p><b>40 Shots</b></p>	<p>21: 10.5x ↓ 22: 10.6x ↓ 23: 10.6x ↑ 24: 9.6 → 25: 10.9x ↓ 26: 10.1 → 27: 10.5x ↙ 28: 10.3x ↖ 29: 10.2x ↗ 30: 9.6 ↙</p> <p>Series 98.0 Total 295.0</p>	<p><b>40 Shots</b></p>	<p>31: 10.8x ← 32: 9.8 → 33: 9.5 ← 34: 10.7x ← 35: 9.8 ↘ 36: 10.6x ↖ 37: 10.5x ↙ 38: 10.0 ↖ 39: 10.3x ↓ 40: 10.2x ↘</p> <p>Series 97.0 Total 392.0</p>
------------------------	--	------------------------	--

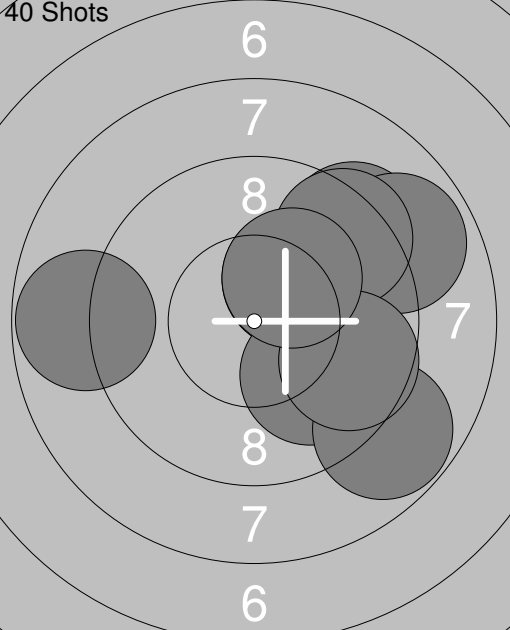
 <p style="text-align:center;">Sight</p>	<p>1: 9.6 ↖</p> <p>2: 10.5x ↗</p> <p>3: 9.4 ↖</p> <p>4: 10.2x →</p> <p>5: 10.4x ↗</p> <p>6: 9.8 →</p> <p>7: 10.1 ↗</p> <p>8: 9.8 ↖</p> <p>9: 8.6 ←</p> <p>10: 9.3 ↘</p>	 <p style="text-align:center;">Sight</p>	<p>11: 10.3x ↖</p> <p>12: 10.5x ↘</p> <p>13: 10.3x ↘</p> <p>14: 9.8 ↗</p> <p>15: 9.4 →</p> <p>16: 10.0 →</p>
Series 93.0	Total 0.0	Series 58.0	Total 0.0

 <p style="text-align:center;">40 Shots</p>	<p>1: 10.2x ↗</p> <p>2: 9.7 ↘</p> <p>3: 9.8 ↘</p> <p>4: 10.3x ↗</p> <p>5: 10.3x ↘</p> <p>6: 10.6x ↖</p> <p>7: 9.6 ↑</p> <p>8: 9.5 →</p> <p>9: 9.8 ↗</p> <p>10: 10.8x ↖</p>	 <p style="text-align:center;">40 Shots</p>	<p>11: 10.6x ↘</p> <p>12: 9.7 ↗</p> <p>13: 10.3x ↘</p> <p>14: 9.6 ↖</p> <p>15: 10.5x ↗</p> <p>16: 10.1 ←</p> <p>17: 10.1 ↗</p> <p>18: 9.9 ↖</p> <p>19: 10.4x ↘</p> <p>20: 9.2 ←</p>
Series 95.0	Total 95.0	Series 96.0	Total 191.0

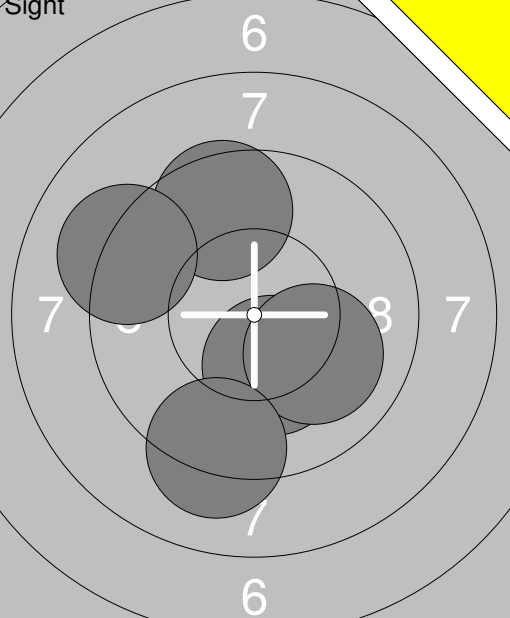
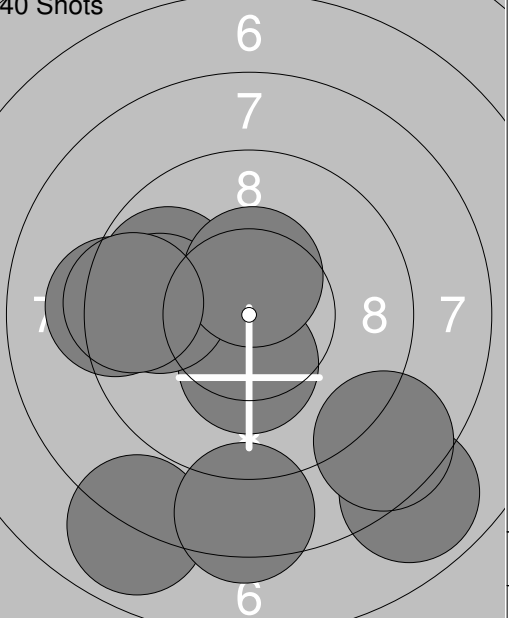
 <p style="text-align:center;">40 Shots</p>	<p>21: 10.4x ↘</p> <p>22: 10.4x ↑</p> <p>23: 9.8 ←</p> <p>24: 10.6x ↑</p> <p>25: 10.4x ↖</p> <p>26: 10.4x ↖</p> <p>27: 9.9 ←</p> <p>28: 10.4x ↘</p> <p>29: 10.7x ↖</p> <p>30: 10.2x ↗</p>	 <p style="text-align:center;">40 Shots</p>	<p>31: 9.9 ↖</p> <p>32: 9.6 →</p> <p>33: 10.6x ↘</p> <p>34: 10.5x ↑</p> <p>35: 10.8x ↖</p> <p>36: 9.6 ↗</p> <p>37: 10.4x ↗</p> <p>38: 10.6x ↑</p> <p>39: 10.4x →</p> <p>40: 9.9 ↖</p>
Series 98.0	Total 289.0	Series 96.0	Total 385.0

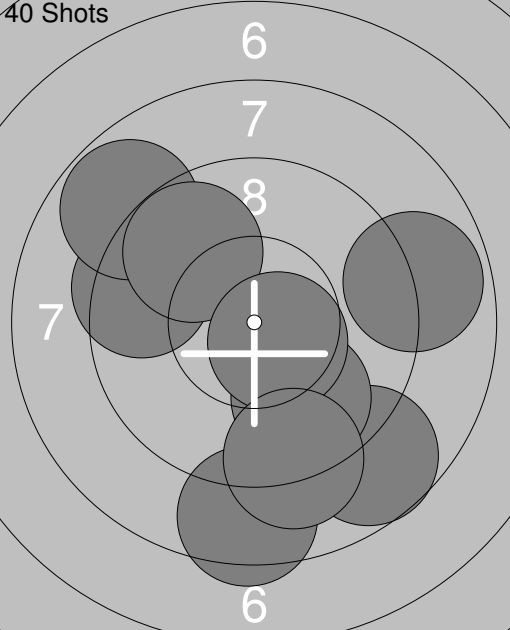
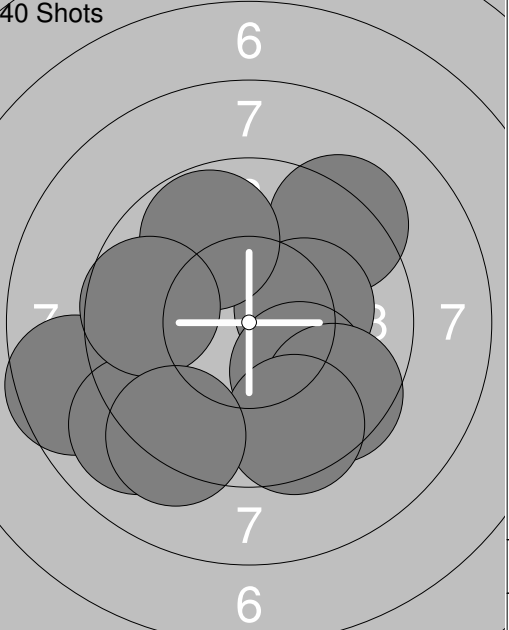
 <p style="text-align: center;">Sight</p>	<p>1: 9.7 ↗</p> <p>2: 9.1 ←</p> <p>3: 9.4 ↑</p> <p>4: 8.8 ←</p> <p>5: 8.6 ←</p> <p>6: 10.8x ↗</p> <p>7: 10.1 ↘</p> <p>8: 10.0 ↗</p> <p>9: 9.1 →</p> <p>10: 9.7 ↙</p>	<p>40 Shots</p> 	<p>1: 10.2x →</p> <p>2: 9.3 ↑</p> <p>3: 10.7x ↑</p> <p>4: 9.6 ←</p> <p>5: 9.9 ↑</p> <p>6: 10.2x ↓</p> <p>7: 9.1 ↖</p> <p>8: 9.4 ↓</p> <p>9: 10.3x ↖</p> <p>10: 9.0 ↙</p>
Series 91.0		Series 94.0	
Total 0.0		Total 94.0	

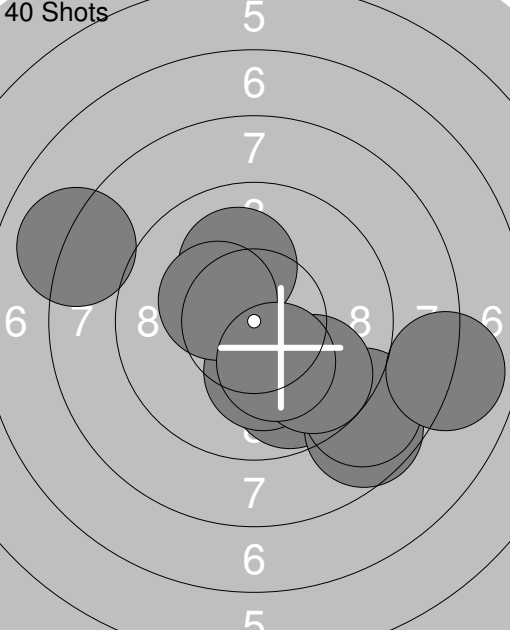
<p>40 Shots</p> 	<p>11: 9.8 ↙</p> <p>12: 9.7 ←</p> <p>13: 9.8 ↘</p> <p>14: 8.2 ↑</p> <p>15: 8.9 →</p> <p>16: 10.8x ↖</p> <p>17: 9.7 ↑</p> <p>18: 9.8 ←</p> <p>19: 9.7 ↖</p> <p>20: 9.9 ←</p>	<p>40 Shots</p> 	<p>21: 9.1 ←</p> <p>22: 9.4 ↙</p> <p>23: 9.6 ↖</p> <p>24: 10.0 ↗</p> <p>25: 10.5x ↑</p> <p>26: 9.8 ↑</p> <p>27: 10.3x ↗</p> <p>28: 9.9 ↓</p> <p>29: 8.7 ↑</p> <p>30: 10.2x ↗</p>
Series 89.0		Series 93.0	
Total 183.0		Total 276.0	

<p>40 Shots</p> 	<p>31: 9.2 ↗</p> <p>32: 10.2x ↗</p> <p>33: 8.8 ←</p> <p>34: 8.9 ↗</p> <p>35: 9.8 ↘</p> <p>36: 10.0 ↘</p> <p>37: 8.8 ↘</p> <p>38: 9.4 ↗</p> <p>39: 9.6 ↘</p> <p>40: 10.2x ↗</p>	
Series 90.0		
Total 366.0		

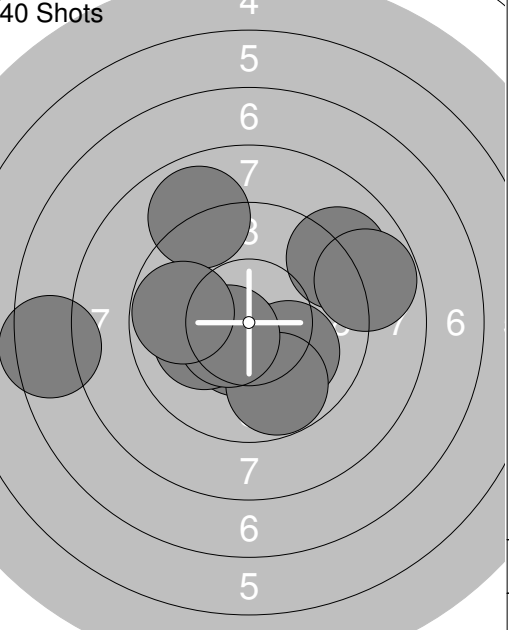


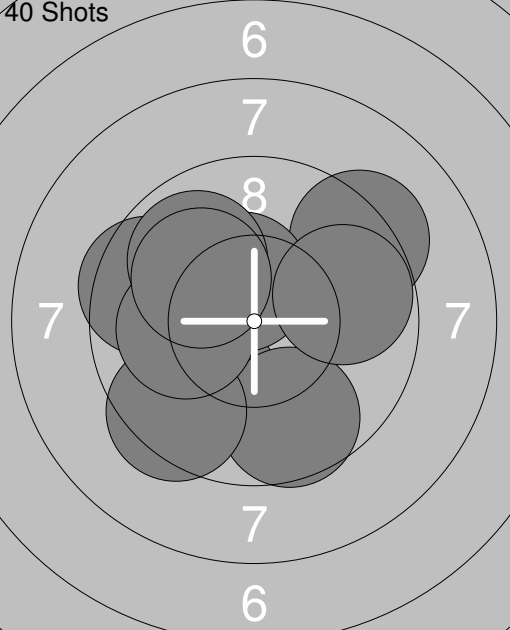
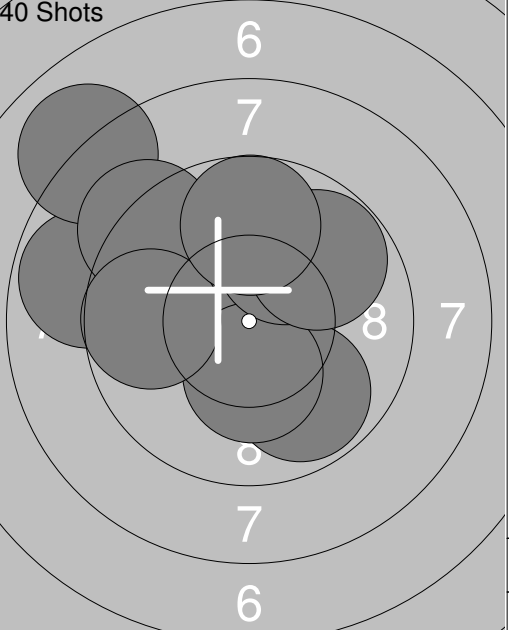
 <p style="text-align: center;">Sight</p>	<p>1: 9.6 ↗</p> <p>2: 10.3x ↘</p> <p>3: 10.0 ↘</p> <p>4: 9.2 ↘</p> <p>5: 9.2 ↖</p>	<p>40 Shots</p> 
	Series 47.0	Series 86.0
	Total 0.0	Total 86.0

<p>40 Shots</p> 	<p>11: 8.5 ↘</p> <p>12: 9.4 ↖</p> <p>13: 9.3 ↘</p> <p>14: 8.7 ↘</p> <p>15: 8.8 ↗</p> <p>16: 9.8 ↗</p> <p>17: 9.8 ↘</p> <p>18: 10.6x ↘</p> <p>19: 8.9 →</p> <p>20: 9.1 ↘</p>	<p>40 Shots</p> 
	Series 87.0	Series 91.0
	Total 173.0	Total 264.0

<p>40 Shots</p> 	<p>31: 9.8 ↘</p> <p>32: 10.1 ↗</p> <p>33: 8.6 ↘</p> <p>34: 8.9 ↘</p> <p>35: 10.2x ↘</p> <p>36: 9.7 ↘</p> <p>37: 10.3x ↗</p> <p>38: 8.0 →</p> <p>39: 8.0 ↖</p> <p>40: 10.3x ↘</p>	
	Series 90.0	
	Total 354.0	

Sight		Sight	
	1: 7.0 ↙ 2: 9.8 ↙ 3: 9.1 ↓ 4: 8.5 ← 5: 9.5 ↘ 6: 8.9 → 7: 9.8 ↗ 8: 10.7x↖ 9: 8.3 ← 10: 9.5 ↗		
Series	86.0	Series	9.0
Total	0.0	Total	0.0

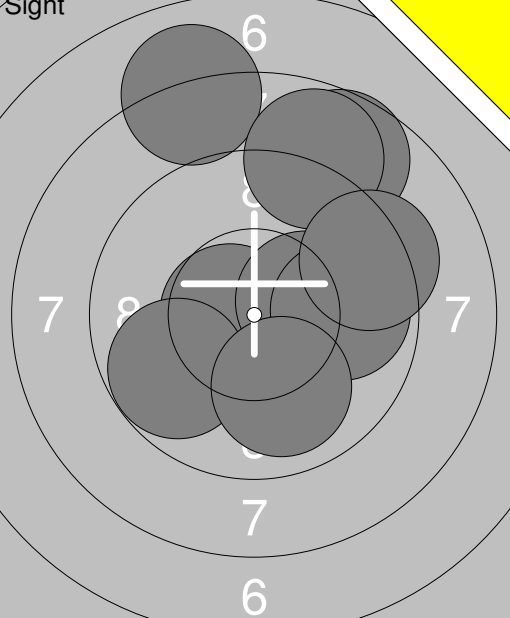
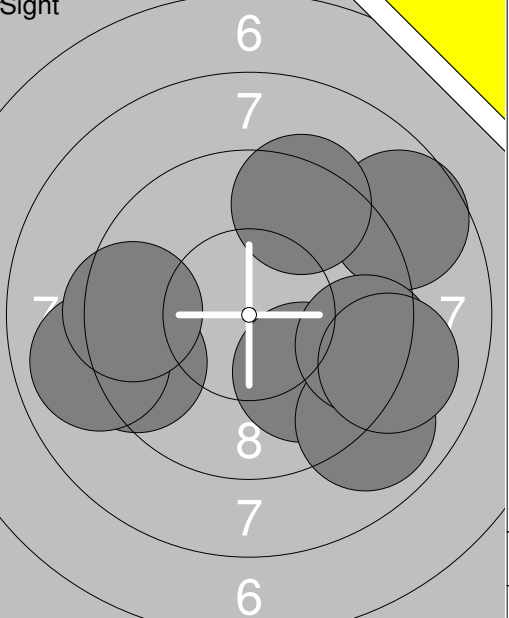
40 Shots		40 Shots	
	1: 10.5x↖ 2: 10.1 → 3: 9.6 ↓ 4: 9.8 ← 5: 7.8 ↙ 6: 10.4x↖ 7: 9.2 → 8: 8.8 ↓ 9: 10.3x↓ 10: 10.5x↓		
Series	92.0	Series	90.0
Total	92.0	Total	182.0

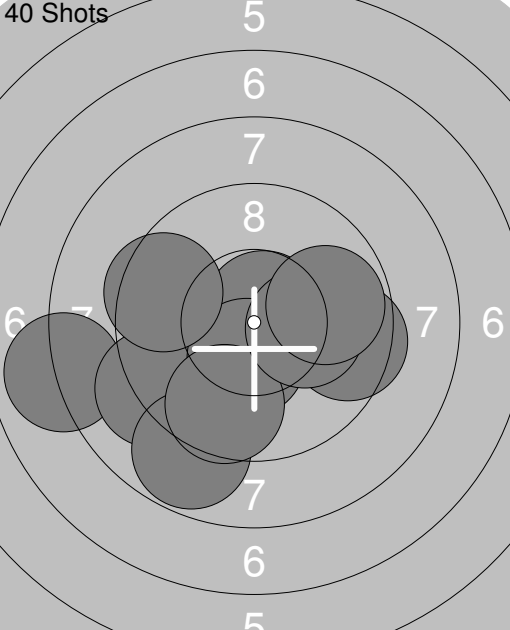
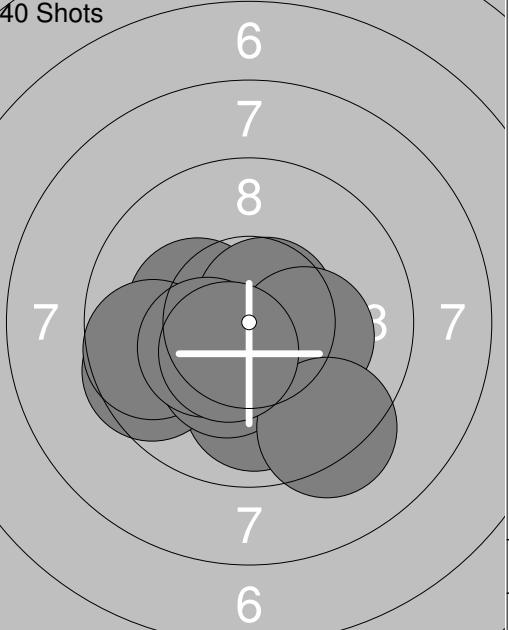
40 Shots		40 Shots	
	21: 9.5 ← 22: 10.0 ↙ 23: 9.3 ↗ 24: 9.6 ↓ 25: 9.4 ↙ 26: 10.4x↗ 27: 9.9 ↗ 28: 9.8 → 29: 10.1 ← 30: 10.1 ↖		
Series	94.0	Series	91.0
Total	276.0	Total	367.0

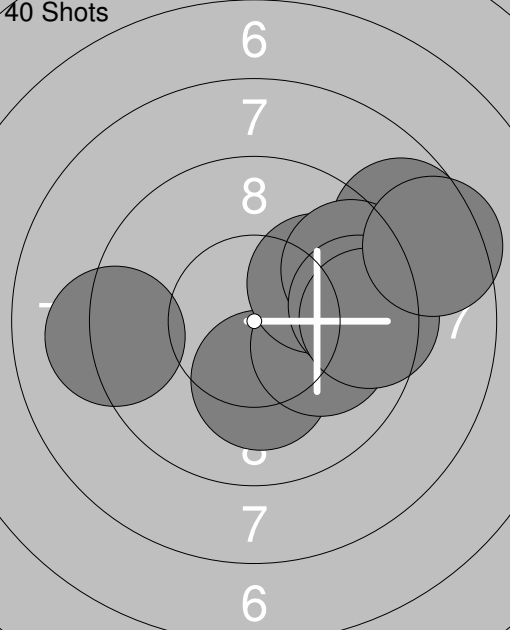
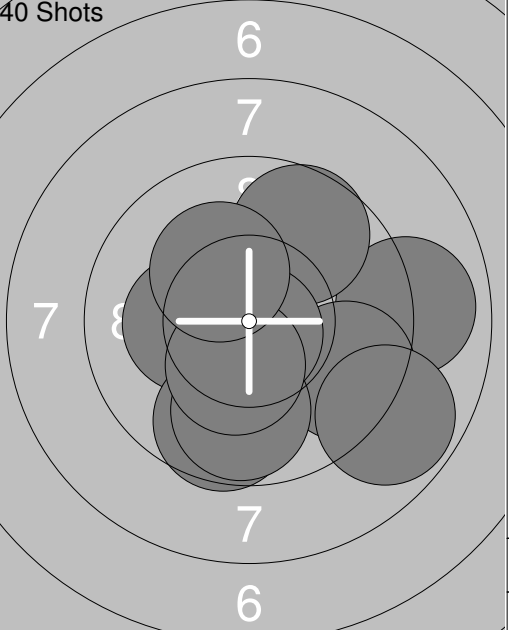
	<p>1: 8.6 →</p> <p>2: 9.5 ↓</p> <p>3: 9.3 ↓</p> <p>4: 8.6 ↗</p> <p>5: 9.8 ←</p> <p>6: 9.0 ↗</p> <p>7: 9.2 ←</p> <p>8: 9.9 ←</p> <p>9: 10.0 ↓</p>	<p>40 Shots</p>		<p>1: 9.6 ↗</p> <p>2: 9.7 ↙</p> <p>3: 9.7 ↗</p> <p>4: 10.2x ↙</p> <p>5: 9.6 ↙</p> <p>6: 9.8 ↗</p> <p>7: 8.2 →</p> <p>8: 7.3 ↙</p> <p>9: 8.4 →</p> <p>10: 8.3 ←</p>
Series 80.0				Series 86.0
Total 0.0				Total 86.0

<p>40 Shots</p>	<p>11: 9.3 →</p> <p>12: 8.7 ↗</p> <p>13: 8.9 ↗</p> <p>14: 8.0 →</p> <p>15: 8.5 ↗</p> <p>16: 8.0 ←</p> <p>17: 9.4 ↗</p> <p>18: 8.9 ↗</p> <p>19: 9.2 ↗</p> <p>20: 9.2 →</p>	<p>40 Shots</p>		<p>21: 9.7 ↑</p> <p>22: 9.4 ↙</p> <p>23: 10.3x ↑</p> <p>24: 9.4 →</p> <p>25: 8.3 ↙</p> <p>26: 8.8 →</p> <p>27: 10.7x ↓</p> <p>28: 7.8 →</p> <p>29: 6.7 ←</p> <p>30: 9.4 ←</p>
Series 84.0				Series 85.0
Total 170.0				Total 255.0

<p>40 Shots</p>	<p>31: 9.8 ↓</p> <p>32: 9.3 ↓</p> <p>33: 9.8 ←</p> <p>34: 8.8 ↗</p> <p>35: 9.3 ↓</p> <p>36: 10.6x ↙</p> <p>37: 10.4x ↓</p> <p>38: 9.7 ↗</p> <p>39: 9.0 ←</p> <p>40: 9.1 ←</p>			
Series 91.0				
Total 346.0				

	<table border="1" style="width:100%; border-collapse: collapse;"> <tr><td>1: 8.0</td><td style="text-align:right;">↑</td></tr> <tr><td>2: 8.7</td><td style="text-align:right;">↗</td></tr> <tr><td>3: 8.8</td><td style="text-align:right;">↑</td></tr> <tr><td>4: 10.9x</td><td style="text-align:right;">↓</td></tr> <tr><td>5: 10.6x</td><td style="text-align:right;">←</td></tr> <tr><td>6: 10.3x</td><td style="text-align:right;">→</td></tr> <tr><td>7: 9.8</td><td style="text-align:right;">↙</td></tr> <tr><td>8: 9.8</td><td style="text-align:right;">→</td></tr> <tr><td>9: 10.0</td><td style="text-align:right;">↓</td></tr> <tr><td>10: 9.3</td><td style="text-align:right;">↗</td></tr> <tr><td colspan="2"><b>Series 91.0</b></td></tr> <tr><td colspan="2"><b>Total 0.0</b></td></tr> </table>	1: 8.0	↑	2: 8.7	↗	3: 8.8	↑	4: 10.9x	↓	5: 10.6x	←	6: 10.3x	→	7: 9.8	↙	8: 9.8	→	9: 10.0	↓	10: 9.3	↗	<b>Series 91.0</b>		<b>Total 0.0</b>			<table border="1" style="width:100%; border-collapse: collapse;"> <tr><td>11: 8.7</td><td style="text-align:right;">↗</td></tr> <tr><td>12: 9.9</td><td style="text-align:right;">↘</td></tr> <tr><td>13: 9.4</td><td style="text-align:right;">↙</td></tr> <tr><td>14: 8.9</td><td style="text-align:right;">↘</td></tr> <tr><td>15: 9.4</td><td style="text-align:right;">↑</td></tr> <tr><td>16: 9.4</td><td style="text-align:right;">→</td></tr> <tr><td>17: 9.0</td><td style="text-align:right;">↙</td></tr> <tr><td>18: 9.1</td><td style="text-align:right;">→</td></tr> <tr><td>19: 9.5</td><td style="text-align:right;">↙</td></tr> <tr><td colspan="2"><b>Series 79.0</b></td></tr> <tr><td colspan="2"><b>Total 0.0</b></td></tr> </table>	11: 8.7	↗	12: 9.9	↘	13: 9.4	↙	14: 8.9	↘	15: 9.4	↑	16: 9.4	→	17: 9.0	↙	18: 9.1	→	19: 9.5	↙	<b>Series 79.0</b>		<b>Total 0.0</b>	
1: 8.0	↑																																																
2: 8.7	↗																																																
3: 8.8	↑																																																
4: 10.9x	↓																																																
5: 10.6x	←																																																
6: 10.3x	→																																																
7: 9.8	↙																																																
8: 9.8	→																																																
9: 10.0	↓																																																
10: 9.3	↗																																																
<b>Series 91.0</b>																																																	
<b>Total 0.0</b>																																																	
11: 8.7	↗																																																
12: 9.9	↘																																																
13: 9.4	↙																																																
14: 8.9	↘																																																
15: 9.4	↑																																																
16: 9.4	→																																																
17: 9.0	↙																																																
18: 9.1	→																																																
19: 9.5	↙																																																
<b>Series 79.0</b>																																																	
<b>Total 0.0</b>																																																	

	<table border="1" style="width:100%; border-collapse: collapse;"> <tr><td>1: 8.0</td><td style="text-align:right;">←</td></tr> <tr><td>2: 10.7x</td><td style="text-align:right;">↗</td></tr> <tr><td>3: 9.2</td><td style="text-align:right;">↙</td></tr> <tr><td>4: 8.8</td><td style="text-align:right;">↓</td></tr> <tr><td>5: 10.4x</td><td style="text-align:right;">↓</td></tr> <tr><td>6: 9.5</td><td style="text-align:right;">→</td></tr> <tr><td>7: 9.6</td><td style="text-align:right;">↓</td></tr> <tr><td>8: 10.2x</td><td style="text-align:right;">→</td></tr> <tr><td>9: 9.9</td><td style="text-align:right;">→</td></tr> <tr><td>10: 9.5</td><td style="text-align:right;">←</td></tr> <tr><td colspan="2"><b>Series 91.0</b></td></tr> <tr><td colspan="2"><b>Total 91.0</b></td></tr> </table>	1: 8.0	←	2: 10.7x	↗	3: 9.2	↙	4: 8.8	↓	5: 10.4x	↓	6: 9.5	→	7: 9.6	↓	8: 10.2x	→	9: 9.9	→	10: 9.5	←	<b>Series 91.0</b>		<b>Total 91.0</b>			<table border="1" style="width:100%; border-collapse: collapse;"> <tr><td>11: 9.9</td><td style="text-align:right;">↓</td></tr> <tr><td>12: 9.6</td><td style="text-align:right;">↙</td></tr> <tr><td>13: 10.3x</td><td style="text-align:right;">↙</td></tr> <tr><td>14: 9.7</td><td style="text-align:right;">↙</td></tr> <tr><td>15: 10.3x</td><td style="text-align:right;">↓</td></tr> <tr><td>16: 10.7x</td><td style="text-align:right;">↗</td></tr> <tr><td>17: 10.2x</td><td style="text-align:right;">→</td></tr> <tr><td>18: 10.3x</td><td style="text-align:right;">↙</td></tr> <tr><td>19: 9.3</td><td style="text-align:right;">↓</td></tr> <tr><td>20: 10.5x</td><td style="text-align:right;">↙</td></tr> <tr><td colspan="2"><b>Series 96.0</b></td></tr> <tr><td colspan="2"><b>Total 187.0</b></td></tr> </table>	11: 9.9	↓	12: 9.6	↙	13: 10.3x	↙	14: 9.7	↙	15: 10.3x	↓	16: 10.7x	↗	17: 10.2x	→	18: 10.3x	↙	19: 9.3	↓	20: 10.5x	↙	<b>Series 96.0</b>		<b>Total 187.0</b>	
1: 8.0	←																																																		
2: 10.7x	↗																																																		
3: 9.2	↙																																																		
4: 8.8	↓																																																		
5: 10.4x	↓																																																		
6: 9.5	→																																																		
7: 9.6	↓																																																		
8: 10.2x	→																																																		
9: 9.9	→																																																		
10: 9.5	←																																																		
<b>Series 91.0</b>																																																			
<b>Total 91.0</b>																																																			
11: 9.9	↓																																																		
12: 9.6	↙																																																		
13: 10.3x	↙																																																		
14: 9.7	↙																																																		
15: 10.3x	↓																																																		
16: 10.7x	↗																																																		
17: 10.2x	→																																																		
18: 10.3x	↙																																																		
19: 9.3	↓																																																		
20: 10.5x	↙																																																		
<b>Series 96.0</b>																																																			
<b>Total 187.0</b>																																																			

	<table border="1" style="width:100%; border-collapse: collapse;"> <tr><td>21: 9.9</td><td style="text-align:right;">→</td></tr> <tr><td>22: 10.2x</td><td style="text-align:right;">↓</td></tr> <tr><td>23: 10.0</td><td style="text-align:right;">→</td></tr> <tr><td>24: 10.0</td><td style="text-align:right;">↗</td></tr> <tr><td>25: 8.7</td><td style="text-align:right;">↗</td></tr> <tr><td>26: 9.5</td><td style="text-align:right;">↗</td></tr> <tr><td>27: 9.6</td><td style="text-align:right;">→</td></tr> <tr><td>28: 9.5</td><td style="text-align:right;">→</td></tr> <tr><td>29: 9.2</td><td style="text-align:right;">←</td></tr> <tr><td>30: 8.5</td><td style="text-align:right;">↗</td></tr> <tr><td colspan="2"><b>Series 91.0</b></td></tr> <tr><td colspan="2"><b>Total 278.0</b></td></tr> </table>	21: 9.9	→	22: 10.2x	↓	23: 10.0	→	24: 10.0	↗	25: 8.7	↗	26: 9.5	↗	27: 9.6	→	28: 9.5	→	29: 9.2	←	30: 8.5	↗	<b>Series 91.0</b>		<b>Total 278.0</b>			<table border="1" style="width:100%; border-collapse: collapse;"> <tr><td>31: 8.9</td><td style="text-align:right;">→</td></tr> <tr><td>32: 9.6</td><td style="text-align:right;">→</td></tr> <tr><td>33: 10.2x</td><td style="text-align:right;">↙</td></tr> <tr><td>34: 9.7</td><td style="text-align:right;">↗</td></tr> <tr><td>35: 9.6</td><td style="text-align:right;">↓</td></tr> <tr><td>36: 9.8</td><td style="text-align:right;">↓</td></tr> <tr><td>37: 10.8x</td><td style="text-align:right;">↓</td></tr> <tr><td>38: 8.8</td><td style="text-align:right;">↘</td></tr> <tr><td>39: 10.4x</td><td style="text-align:right;">↓</td></tr> <tr><td>40: 10.2x</td><td style="text-align:right;">↗</td></tr> <tr><td colspan="2"><b>Series 92.0</b></td></tr> <tr><td colspan="2"><b>Total 370.0</b></td></tr> </table>	31: 8.9	→	32: 9.6	→	33: 10.2x	↙	34: 9.7	↗	35: 9.6	↓	36: 9.8	↓	37: 10.8x	↓	38: 8.8	↘	39: 10.4x	↓	40: 10.2x	↗	<b>Series 92.0</b>		<b>Total 370.0</b>	
21: 9.9	→																																																		
22: 10.2x	↓																																																		
23: 10.0	→																																																		
24: 10.0	↗																																																		
25: 8.7	↗																																																		
26: 9.5	↗																																																		
27: 9.6	→																																																		
28: 9.5	→																																																		
29: 9.2	←																																																		
30: 8.5	↗																																																		
<b>Series 91.0</b>																																																			
<b>Total 278.0</b>																																																			
31: 8.9	→																																																		
32: 9.6	→																																																		
33: 10.2x	↙																																																		
34: 9.7	↗																																																		
35: 9.6	↓																																																		
36: 9.8	↓																																																		
37: 10.8x	↓																																																		
38: 8.8	↘																																																		
39: 10.4x	↓																																																		
40: 10.2x	↗																																																		
<b>Series 92.0</b>																																																			
<b>Total 370.0</b>																																																			