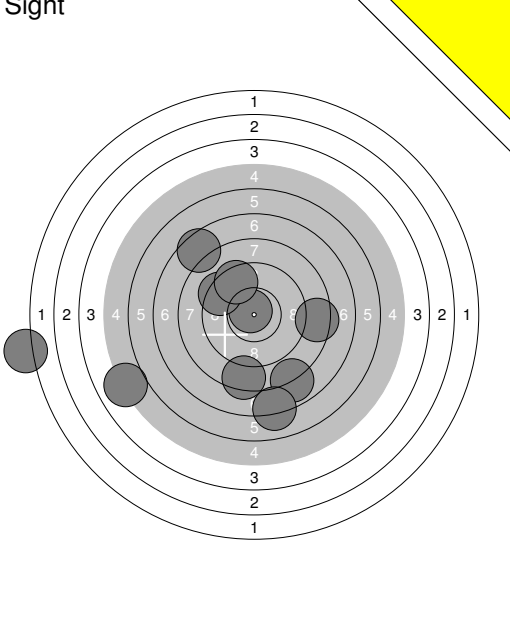
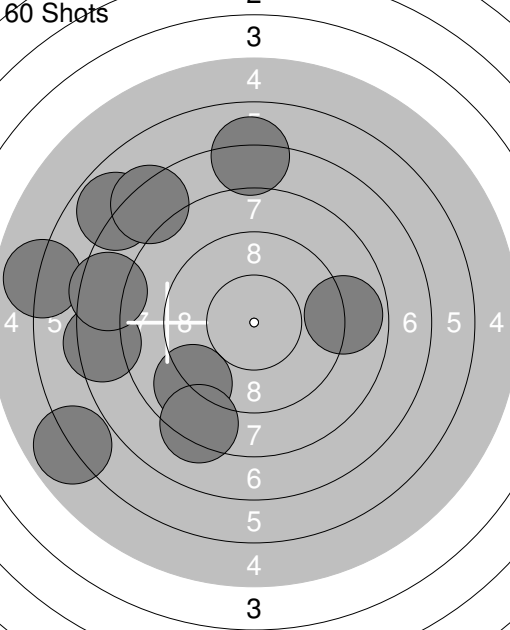
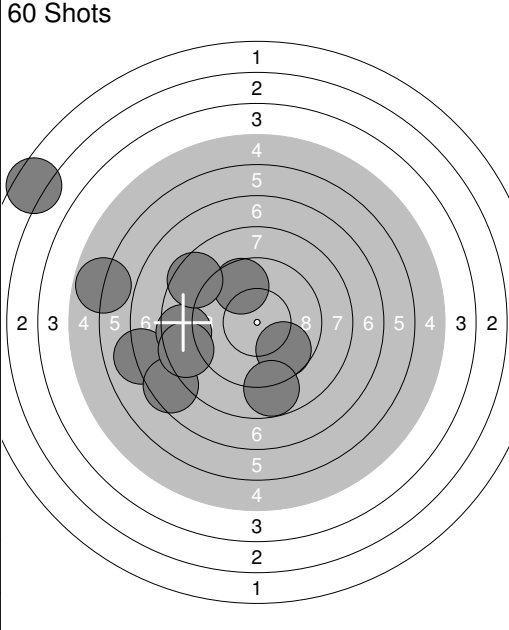
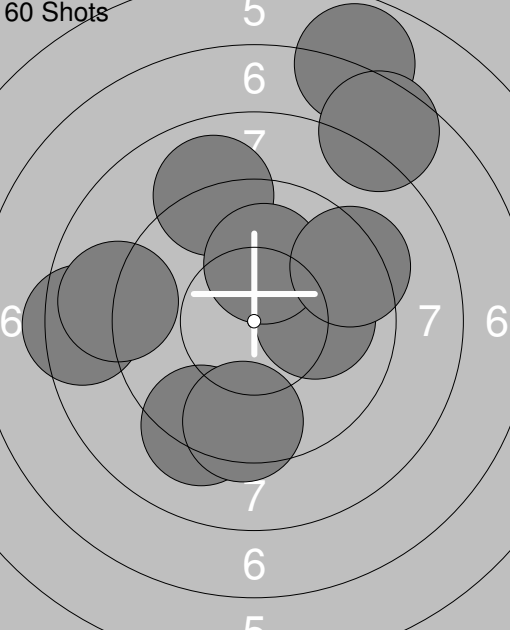
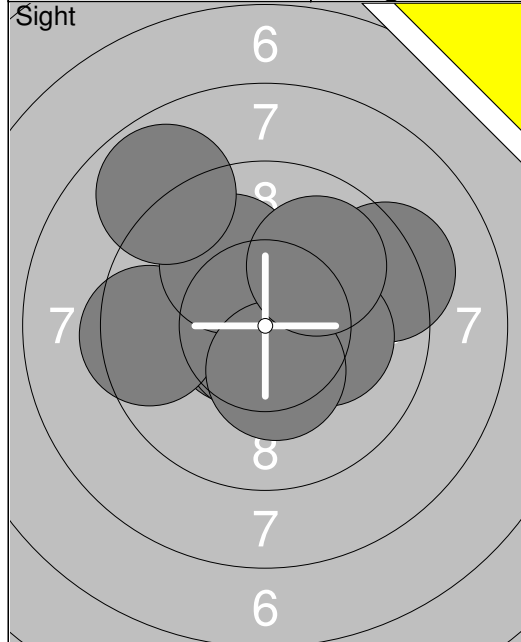


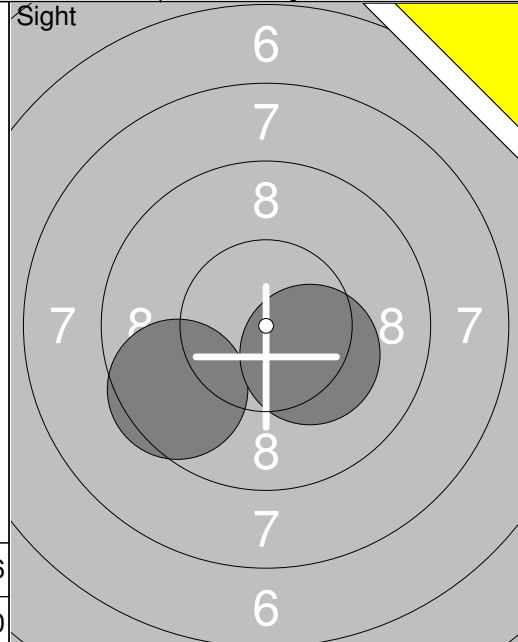
|   |  |  |
|---|--|--|
| <p>Sight</p>  | <p>1: 5.0 ←</p> <p>2: 1.6 ←</p> <p>3: 10.7x ↗</p> <p>4: 8.4 →</p> <p>5: 7.9 ↓</p> <p>6: 9.3 ↗</p> <p>7: 9.5 ↗</p> <p>8: 7.5 ↗</p> <p>9: 7.1 ↓</p> <p>10: 8.4 ↓</p> <hr/> <p>Series 75.4</p> <hr/> <p>Total 0.0</p> | <p>60 Shots</p> <p style="text-align:center;">3</p>  <p style="text-align:center;">3</p> <p>1: 8.8 ←</p> <p>2: 10.5x →</p> <p>3: 6.4 ↙</p> <p>4: 5.8 ↗</p> <p>5: 7.5 ↙</p> <p>6: 6.2 ↑</p> <p>7: 8.7 ↙</p> <p>8: 7.6 ↗</p> <p>9: 4.4 ↗</p> <p>10: 9.1 ↓</p> <hr/> <p>Series 75.0</p> <hr/> <p>Total 75.0</p> |
|---|--|--|

|   |   |   |
|---|---|---|
| <p>60 Shots</p>  | <p>11: 7.4 ←</p> <p>12: 7.1 ↑</p> <p>13: 6.0 ←</p> <p>14: 8.9 →</p> <p>15: 8.9 ↙</p> <p>16: 5.9 ←</p> <p>17: 6.9 ↗</p> <p>18: 7.3 ↗</p> <p>19: 7.5 ←</p> <p>20: 8.3 ↓</p> <hr/> <p>Series 74.2</p> <hr/> <p>Total 149.2</p> | <p>60 Shots</p>  <p style="text-align:center;">3</p> <p>21: 9.7 ↓</p> <p>22: 7.1 ←</p> <p>23: 7.5 ↙</p> <p>24: 5.8 ←</p> <p>25: 2.5 ↙</p> <p>26: 8.6 ←</p> <p>27: 8.5 ←</p> <p>28: 9.7 ↑</p> <p>29: 8.8 ↓</p> <p>30: 8.5 ↙</p> <hr/> <p>Series 76.7</p> <hr/> <p>Total 225.9</p> |
|---|---|---|

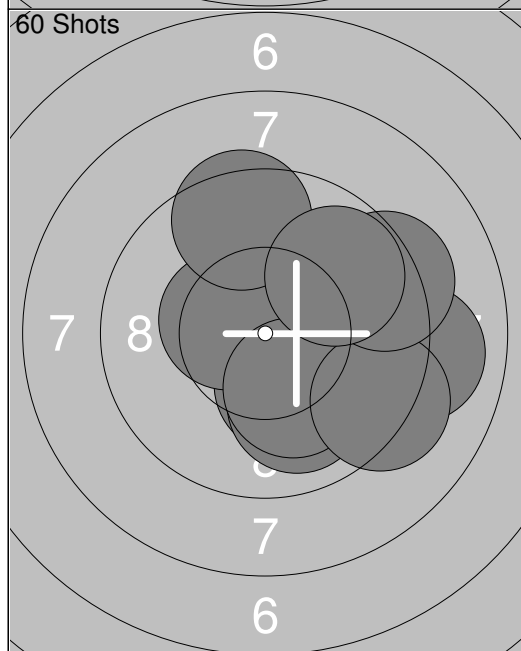
|  |   |  |
|--|---|--|
| <p>60 Shots</p>  | <p>31: 10.0 →</p> <p>32: 8.4 ←</p> <p>33: 8.9 ←</p> <p>34: 6.9 ↗</p> <p>35: 9.0 ↗</p> <p>36: 10.1 ↑</p> <p>37: 9.3 ↗</p> <p>38: 7.6 ↗</p> <p>39: 9.2 ↓</p> <p>40: 9.5 ↓</p> <hr/> <p>Series 88.9</p> <hr/> <p>Total 314.8</p> |  |
|--|---|--|



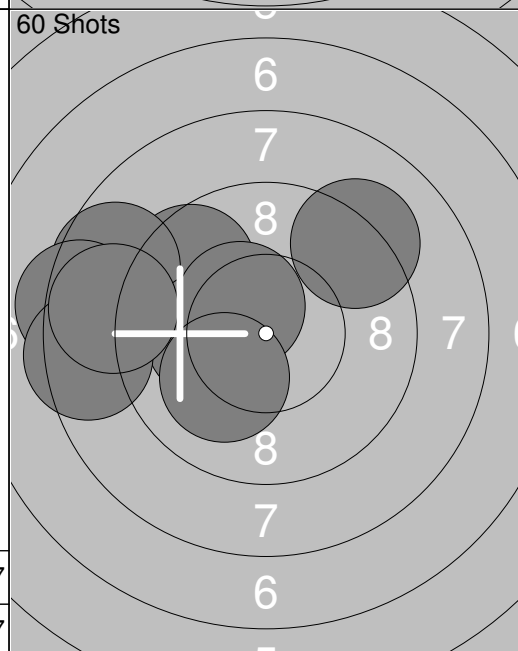
|          |      |
|----------|------|
| 1: 10.6x | ←    |
| 2: 10.7x | ↘    |
| 3: 10.2x | →    |
| 4: 9.3   | →    |
| 5: 10.2x | →    |
| 6: 9.5   | ←    |
| 7: 10.0  | ↗    |
| 8: 8.8   | ↗    |
| 9: 10.4x | ↘    |
| 10: 9.9  | ↗    |
| Series   | 99.6 |
| Total    | 0.0  |



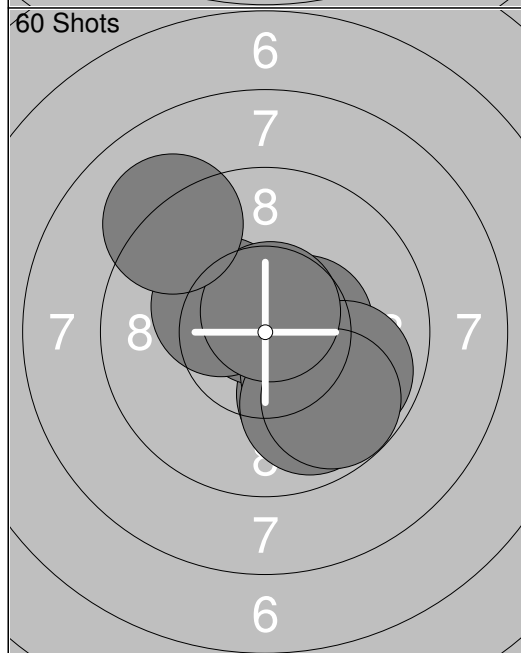
|           |      |
|-----------|------|
| 11: 9.6   | ↖    |
| 12: 10.3x | ↘    |
| Series    | 19.9 |
| Total     | 0.0  |



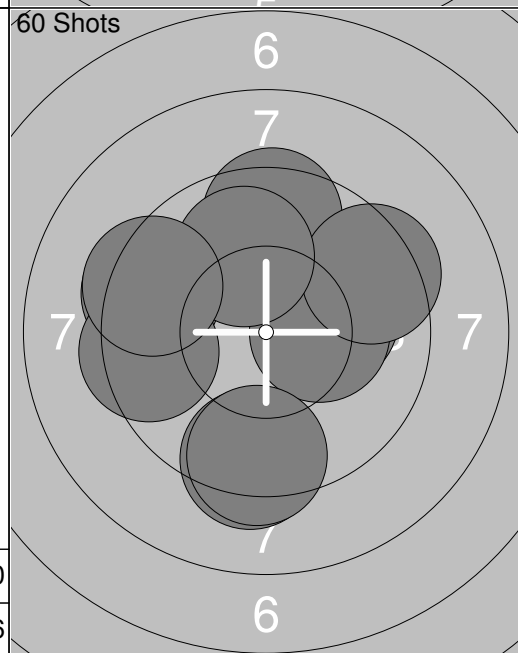
|          |      |
|----------|------|
| 1: 9.0   | →    |
| 2: 9.9   | →    |
| 3: 10.3x | ↘    |
| 4: 10.5x | ↖    |
| 5: 10.0  | ↘    |
| 6: 10.2x | ↘    |
| 7: 9.2   | →    |
| 8: 9.3   | →    |
| 9: 9.5   | ↑    |
| 10: 9.8  | ↗    |
| Series   | 97.7 |
| Total    | 97.7 |



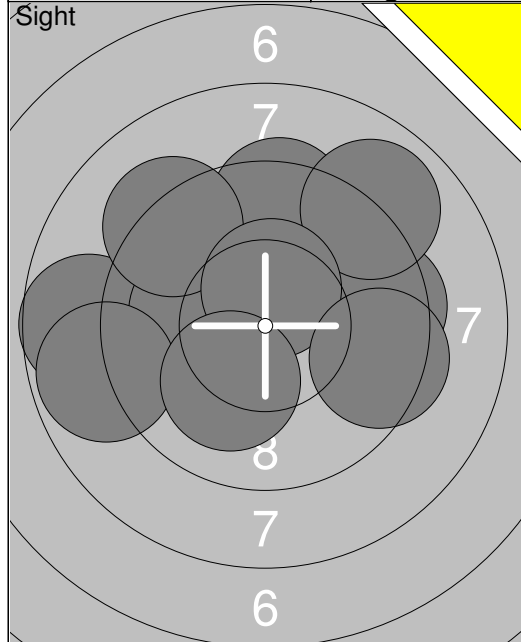
|           |       |
|-----------|-------|
| 11: 9.1   | ↖     |
| 12: 9.2   | ↗     |
| 13: 9.6   | ↗     |
| 14: 8.7   | ↖     |
| 15: 10.2x | ↖     |
| 16: 8.3   | ←     |
| 17: 10.4x | ↖     |
| 18: 10.1  | ↘     |
| 19: 8.5   | ←     |
| 20: 8.8   | ←     |
| Series    | 92.9  |
| Total     | 190.6 |



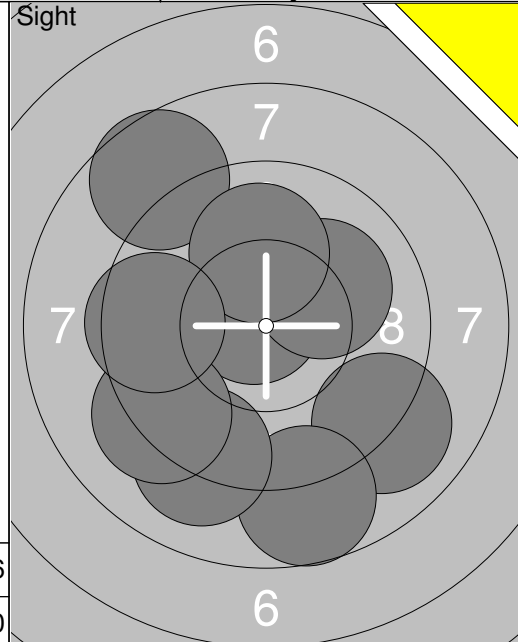
|           |       |
|-----------|-------|
| 21: 10.0  | ↘     |
| 22: 10.7x | ↑     |
| 23: 10.2x | ↘     |
| 24: 10.5x | →     |
| 25: 10.3x | ↖     |
| 26: 9.9   | ↘     |
| 27: 9.8   | ↘     |
| 28: 9.8   | ↘     |
| 29: 10.7x | ↑     |
| 30: 9.1   | ↗     |
| Series    | 101.0 |
| Total     | 291.6 |



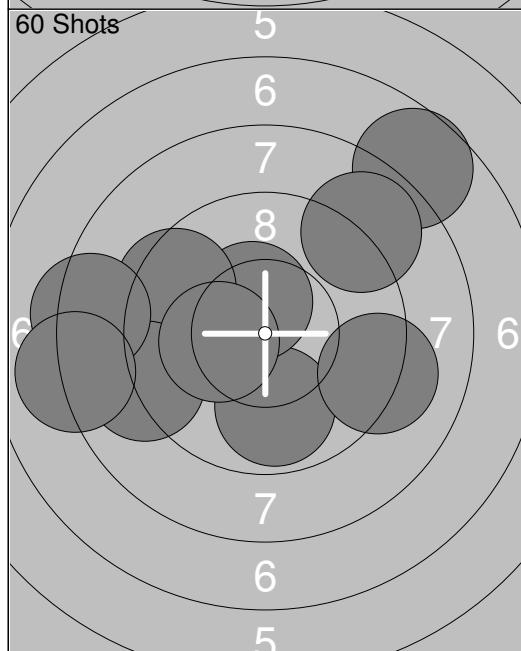
|           |       |
|-----------|-------|
| 31: 10.1  | →     |
| 32: 9.4   | ↖     |
| 33: 9.5   | ↑     |
| 34: 9.3   | ↘     |
| 35: 9.4   | ←     |
| 36: 10.3x | →     |
| 37: 9.4   | ↗     |
| 38: 9.4   | ↘     |
| 39: 9.9   | ↑     |
| 40: 9.4   | ↖     |
| Series    | 96.1  |
| Total     | 387.7 |



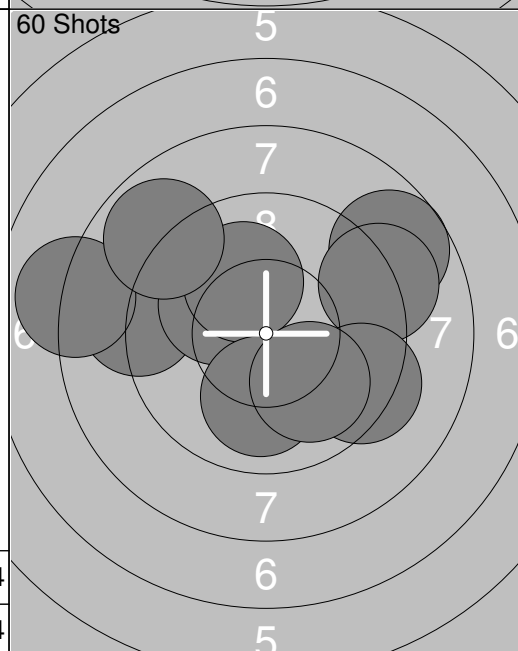
|                    |   |
|--------------------|---|
| 1: 8.7             | ← |
| 2: 9.4             | ↑ |
| 3: 10.1            | ← |
| 4: 9.5             | → |
| 5: 9.2             | ↗ |
| 6: 8.8             | ← |
| 7: 8.9             | ↗ |
| 8: 10.5x           | ↑ |
| 9: 9.4             | → |
| 10: 10.1           | ↘ |
| <b>Series 94.6</b> |   |
| <b>Total 0.0</b>   |   |



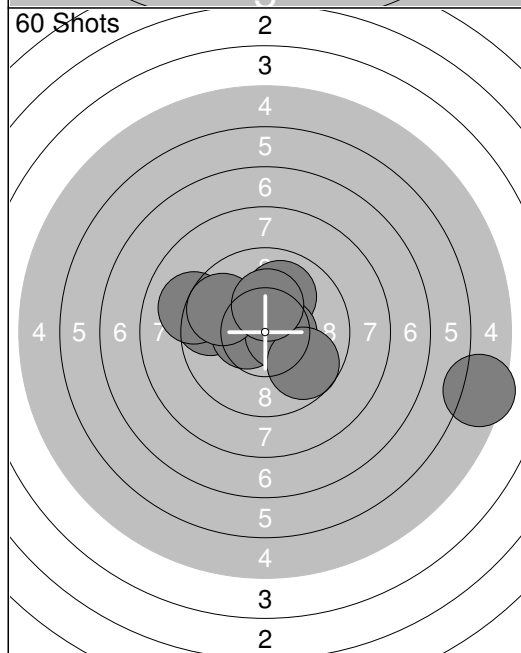
|                    |   |
|--------------------|---|
| 11: 9.0            | ↘ |
| 12: 8.6            | ↗ |
| 13: 10.7x          | ↖ |
| 14: 10.1           | ↗ |
| 15: 8.7            | ↓ |
| 16: 10.0           | ↑ |
| 17: 9.1            | ↓ |
| 18: 9.2            | ↙ |
| 19: 9.5            | ← |
| <b>Series 84.9</b> |   |
| <b>Total 0.0</b>   |   |



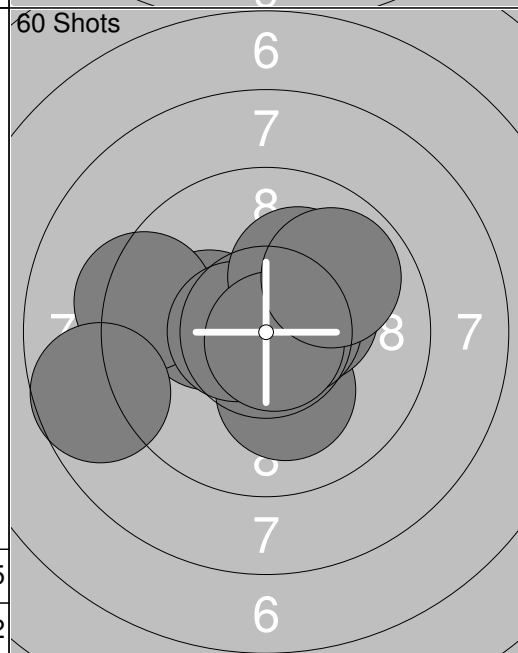
|                    |   |
|--------------------|---|
| 1: 9.9             | ↓ |
| 2: 10.4x           | ↗ |
| 3: 9.5             | ↖ |
| 4: 9.0             | ← |
| 5: 8.4             | ← |
| 6: 10.3x           | ← |
| 7: 7.7             | ↗ |
| 8: 9.2             | → |
| 9: 8.1             | ← |
| 10: 8.9            | ↗ |
| <b>Series 91.4</b> |   |
| <b>Total 91.4</b>  |   |



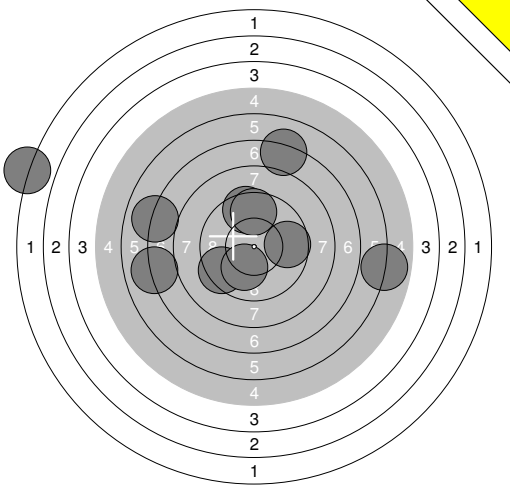
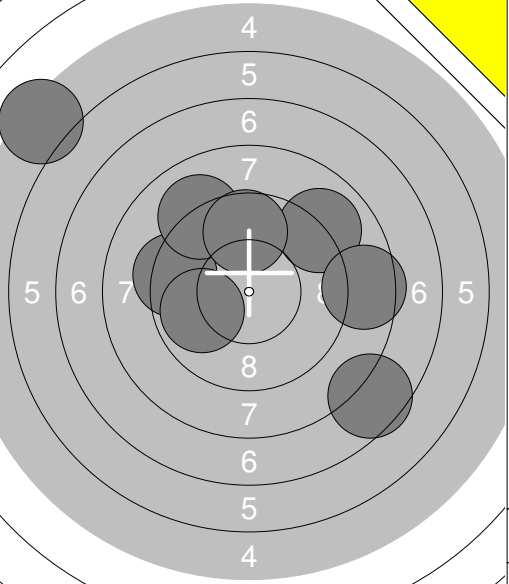
|                    |   |
|--------------------|---|
| 11: 8.7            | ↗ |
| 12: 9.0            | ← |
| 13: 9.1            | ↗ |
| 14: 9.3            | → |
| 15: 10.1           | ↖ |
| 16: 10.1           | ↑ |
| 17: 8.1            | ← |
| 18: 8.9            | ↗ |
| 19: 10.0           | ↓ |
| 20: 10.0           | ↘ |
| <b>Series 93.3</b> |   |
| <b>Total 184.7</b> |   |

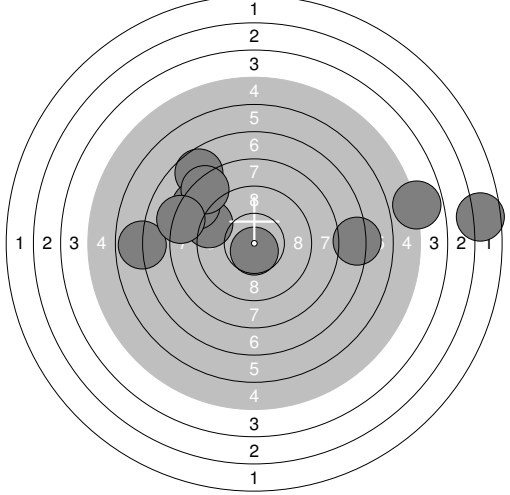
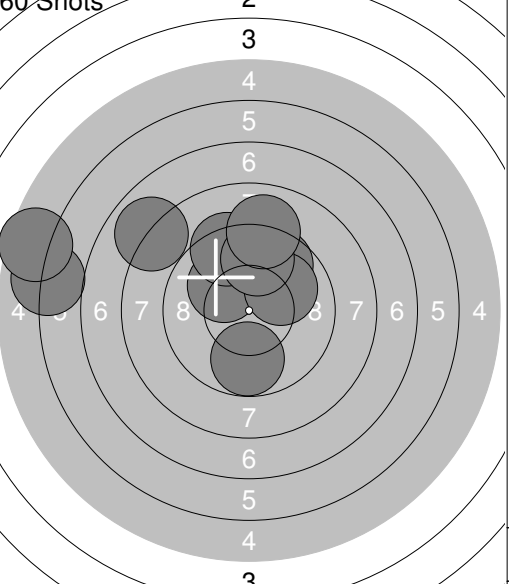


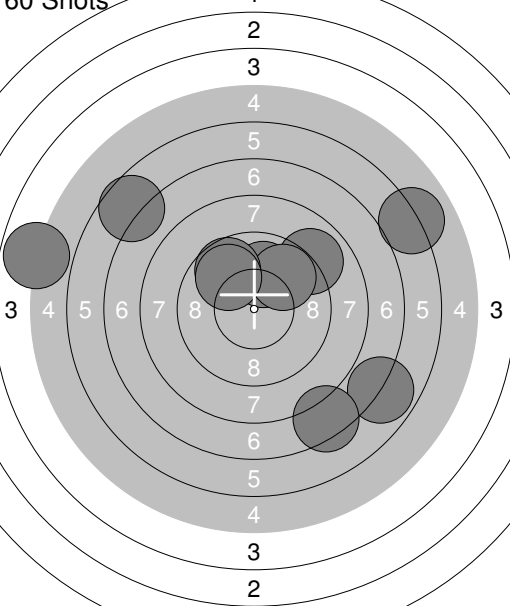
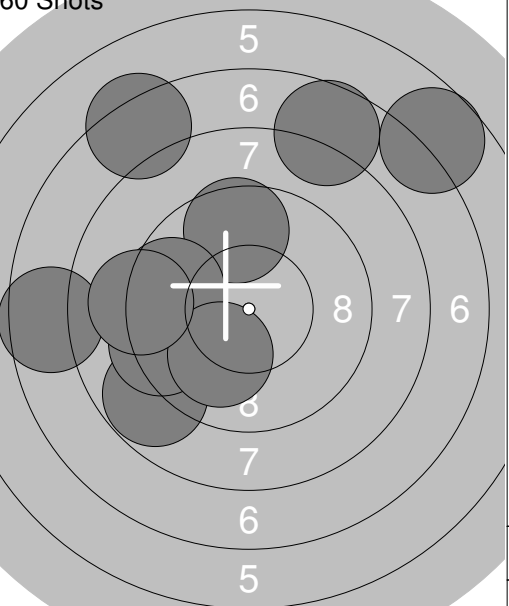
|                    |   |
|--------------------|---|
| 21: 5.5            | → |
| 22: 9.6            | ← |
| 23: 9.1            | ↖ |
| 24: 10.0           | ↑ |
| 25: 10.4x          | ↖ |
| 26: 10.5x          | ← |
| 27: 10.5x          | → |
| 28: 9.8            | ↖ |
| 29: 9.8            | ↘ |
| 30: 10.3x          | ↑ |
| <b>Series 95.5</b> |   |
| <b>Total 280.2</b> |   |

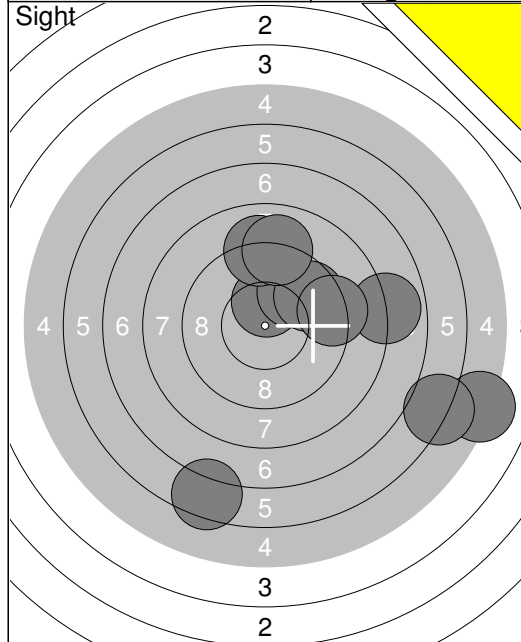


|                     |   |
|---------------------|---|
| 31: 10.2x           | ← |
| 32: 9.4             | ← |
| 33: 10.2x           | ↓ |
| 34: 10.4x           | ↗ |
| 35: 10.6x           | ← |
| 36: 8.7             | ← |
| 37: 10.6x           | → |
| 38: 10.1            | ↗ |
| 39: 10.8x           | ↘ |
| 40: 9.9             | ↗ |
| <b>Series 100.9</b> |   |
| <b>Total 381.1</b>  |   |

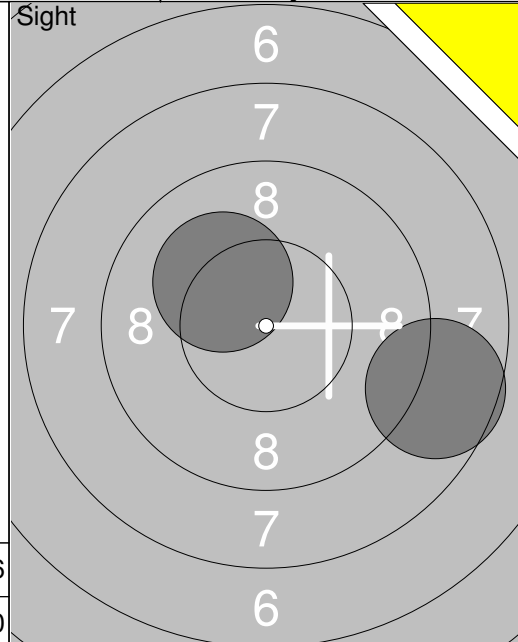
|   |   |  |
|---|---|--|
| <p>Sight</p>    | <p>Sight</p>    |  |
| <p>1: 7.0 ←</p> <p>2: 9.5 ↑</p> <p>3: 7.1 ↑</p> <p>4: 9.7 →</p> <p>5: 1.8 ←</p> <p>6: 9.6 ↑</p> <p>7: 5.9 →</p> <p>8: 9.4 ←</p> <p>9: 10.1 ↓</p> <p>10: 7.0 ←</p> | <p>11: 9.0 ↗</p> <p>12: 8.5 →</p> <p>13: 9.3 ←</p> <p>14: 7.6 ↘</p> <p>15: 9.9 ←</p> <p>16: 9.1 ↗</p> <p>17: 9.7 ↑</p> <p>18: 5.3 ↖</p> |  |
| Series 77.1   | Series 68.4   |  |
| Total 0.0   | Total 0.0   |  |

|  |   |  |
|--|---|--|
| <p>60 Shots</p>   | <p>60 Shots</p>    |  |
| <p>1: 9.1 ←</p> <p>2: 7.7 ↗</p> <p>3: 10.7x ↓</p> <p>4: 8.4 ↗</p> <p>5: 6.8 ←</p> <p>6: 4.8 →</p> <p>7: 7.2 →</p> <p>8: 8.3 ↗</p> <p>9: 2.6 →</p> <p>10: 8.1 ←</p> | <p>11: 9.7 ↗</p> <p>12: 6.0 ←</p> <p>13: 7.9 ↗</p> <p>14: 10.1 ↗</p> <p>15: 9.4 ↑</p> <p>16: 5.5 ←</p> <p>17: 10.0 ↗</p> <p>18: 9.7 ↑</p> <p>19: 9.0 ↑</p> <p>20: 9.8 ↓</p> |  |
| Series 73.7  | Series 87.1   |  |
| Total 73.7   | Total 160.8   |  |

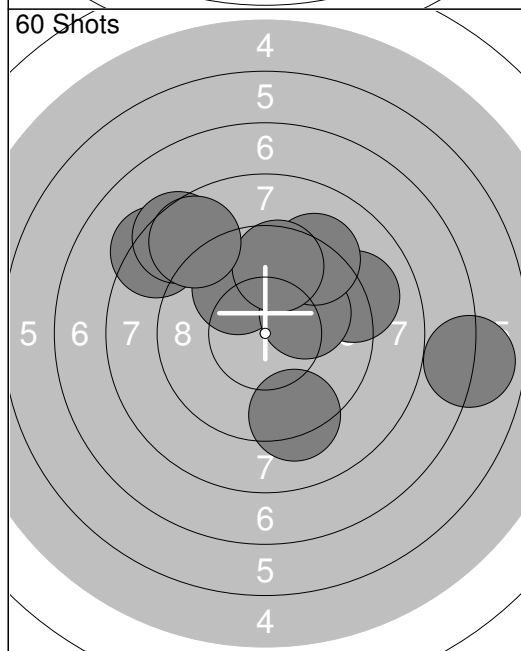
|  |  |  |
|--|--|--|
| <p>60 Shots</p>    | <p>60 Shots</p>    |  |
| <p>21: 6.0 ↗</p> <p>22: 6.6 ↗</p> <p>23: 4.8 ←</p> <p>24: 6.9 ↘</p> <p>25: 7.4 ↘</p> <p>26: 8.9 ↗</p> <p>27: 10.0 ↑</p> <p>28: 9.8 ↗</p> <p>29: 9.7 ↗</p> <p>30: 9.8 ↗</p> | <p>31: 8.8 ↘</p> <p>32: 7.6 ←</p> <p>33: 7.3 ↖</p> <p>34: 9.6 ↑</p> <p>35: 7.7 ↗</p> <p>36: 9.3 ←</p> <p>37: 9.6 ←</p> <p>38: 6.7 ↗</p> <p>39: 10.0 ↘</p> <p>40: 9.1 ←</p> |  |
| Series 79.9  | Series 85.7  |  |
| Total 240.7  | Total 326.4  |  |



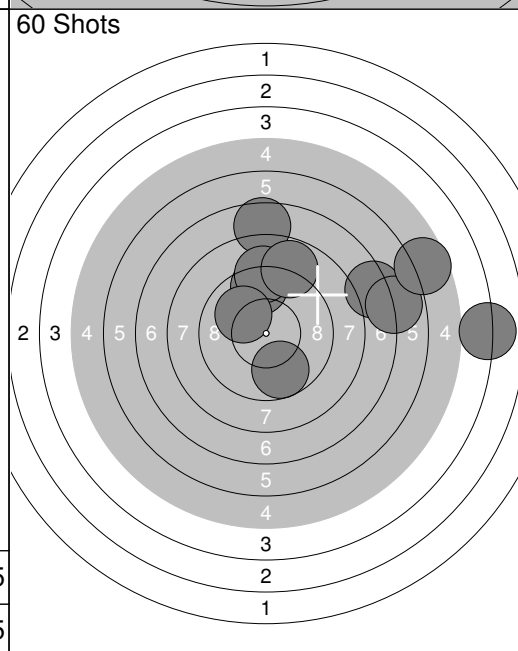
|        |       |      |
|--------|-------|------|
| 1:     | 5.1   | →    |
| 2:     | 10.3x | ↑    |
| 3:     | 9.9   | ↗    |
| 4:     | 6.1   | →    |
| 5:     | 9.6   | ↗    |
| 6:     | 9.1   | ↑    |
| 7:     | 7.9   | →    |
| 8:     | 6.4   | ↓    |
| 9:     | 9.2   | →    |
| 10:    | 9.0   | ↑    |
| Series |       | 82.6 |
| Total  |       | 0.0  |



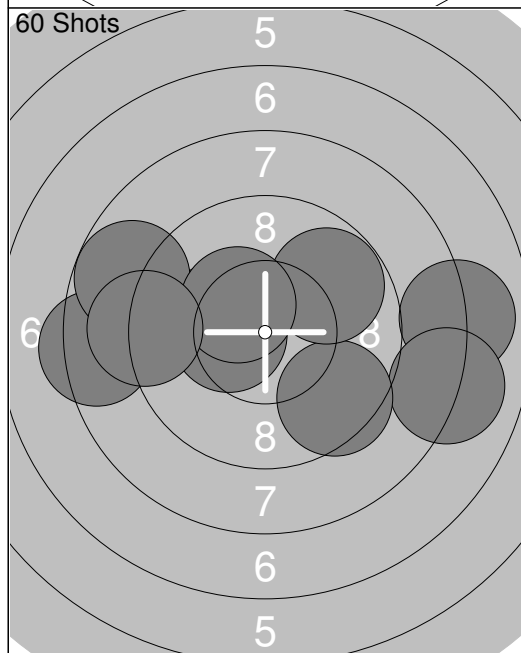
|        |       |      |
|--------|-------|------|
| 11:    | 10.2x | ↖    |
| 12:    | 8.6   | →    |
| Series |       | 18.8 |
| Total  |       | 0.0  |



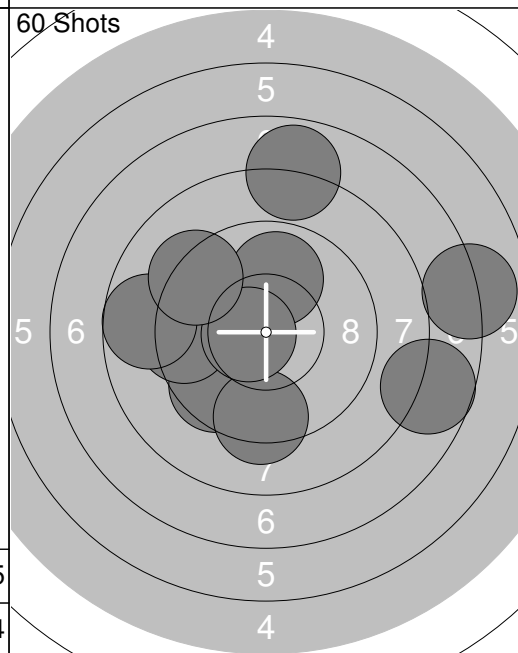
|        |      |      |
|--------|------|------|
| 1:     | 9.1  | →    |
| 2:     | 9.9  | ↖    |
| 3:     | 10.1 | →    |
| 4:     | 9.3  | ↓    |
| 5:     | 9.2  | ↗    |
| 6:     | 8.3  | ↖    |
| 7:     | 6.9  | →    |
| 8:     | 8.4  | ↗    |
| 9:     | 9.6  | ↑    |
| 10:    | 8.7  | ↖    |
| Series |      | 89.5 |
| Total  |      | 89.5 |



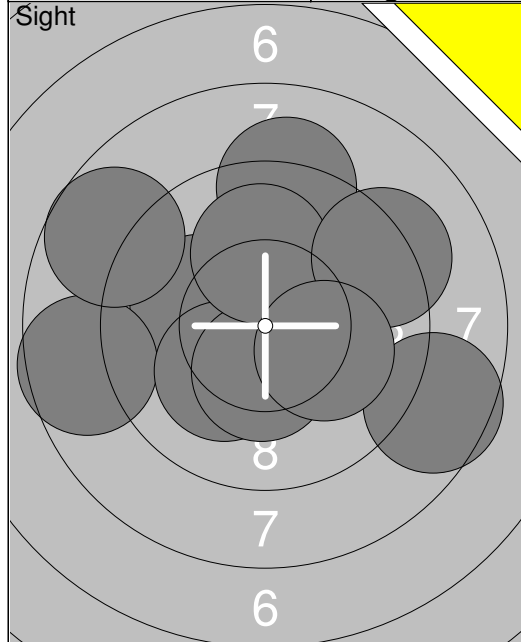
|        |      |       |
|--------|------|-------|
| 11:    | 9.7  | ↓     |
| 12:    | 9.5  | ↑     |
| 13:    | 7.3  | →     |
| 14:    | 7.6  | ↑     |
| 15:    | 9.1  | ↑     |
| 16:    | 6.8  | →     |
| 17:    | 10.0 | ↖     |
| 18:    | 4.0  | →     |
| 19:    | 5.6  | →     |
| 20:    | 8.8  | ↑     |
| Series |      | 78.4  |
| Total  |      | 167.9 |



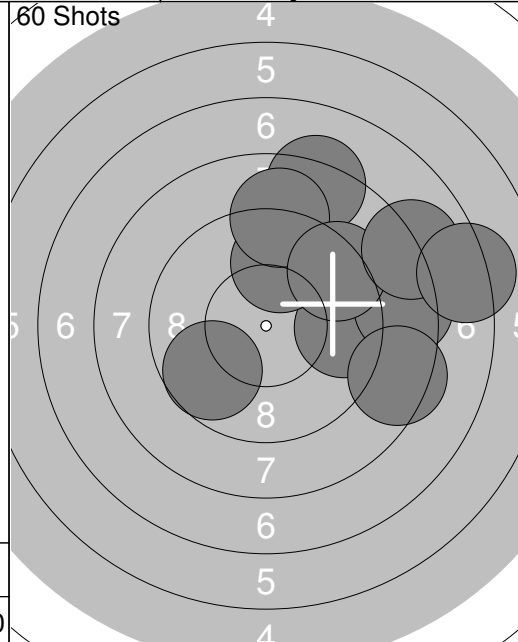
|        |       |       |
|--------|-------|-------|
| 21:    | 8.0   | →     |
| 22:    | 8.0   | →     |
| 23:    | 10.2x | ↖     |
| 24:    | 9.5   | ↓     |
| 25:    | 10.4x | ↖     |
| 26:    | 9.8   | ↗     |
| 27:    | 8.4   | ←     |
| 28:    | 8.7   | ↖     |
| 29:    | 10.4x | ↖     |
| 30:    | 9.1   | ←     |
| Series |       | 92.5  |
| Total  |       | 260.4 |



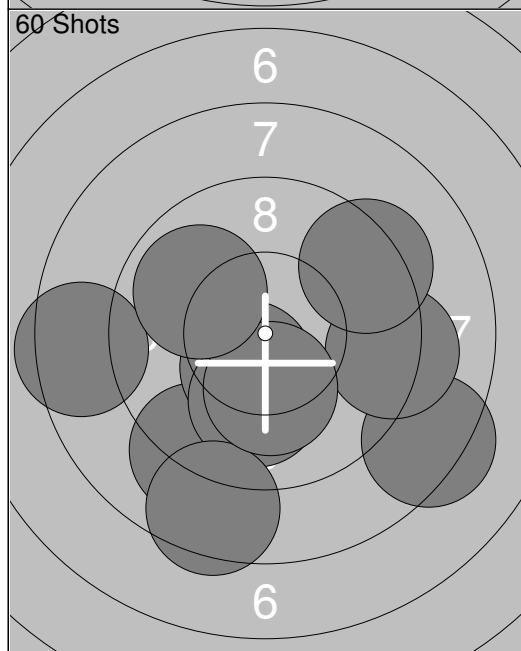
|        |       |       |
|--------|-------|-------|
| 31:    | 9.6   | ↖     |
| 32:    | 7.7   | →     |
| 33:    | 7.9   | ↑     |
| 34:    | 9.9   | ↑     |
| 35:    | 9.3   | ↓     |
| 36:    | 9.4   | ←     |
| 37:    | 10.6x | ↖     |
| 38:    | 7.0   | →     |
| 39:    | 8.7   | ←     |
| 40:    | 9.3   | ↖     |
| Series |       | 89.4  |
| Total  |       | 349.8 |



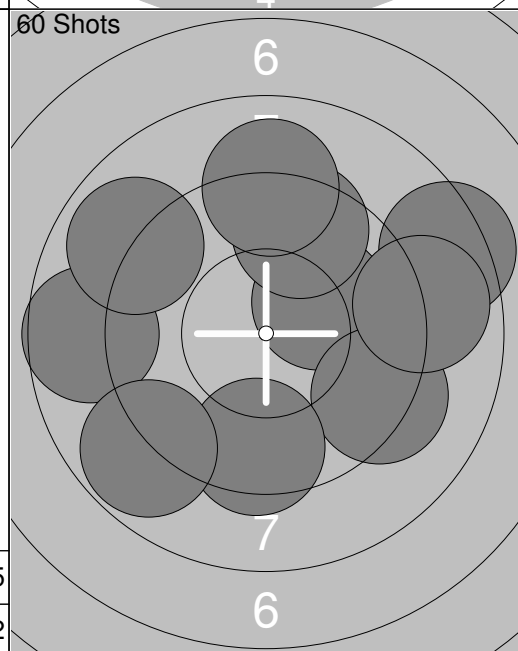
|        |       |      |
|--------|-------|------|
| 1:     | 10.1  | ↖    |
| 2:     | 8.6   | ←    |
| 3:     | 9.2   | ↑    |
| 4:     | 10.2x | ↙    |
| 5:     | 10.4x | ↓    |
| 6:     | 10.0  | ↑    |
| 7:     | 8.7   | ↖    |
| 8:     | 8.6   | →    |
| 9:     | 9.2   | ↗    |
| 10:    | 10.1  | →    |
| Series |       | 95.1 |
| Total  |       | 0.0  |



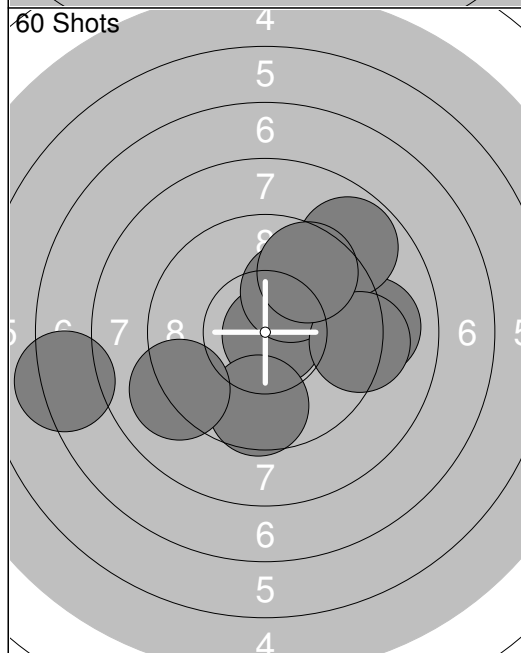
|        |     |      |
|--------|-----|------|
| 1:     | 8.3 | ↗    |
| 2:     | 9.5 | →    |
| 3:     | 9.8 | ↑    |
| 4:     | 9.0 | ↑    |
| 5:     | 8.5 | →    |
| 6:     | 9.3 | ↗    |
| 7:     | 8.0 | ↗    |
| 8:     | 8.4 | →    |
| 9:     | 7.2 | →    |
| 10:    | 9.7 | ↙    |
| Series |     | 87.7 |
| Total  |     | 87.7 |



|        |       |       |
|--------|-------|-------|
| 11:    | 8.3   | →     |
| 12:    | 9.1   | ↙     |
| 13:    | 10.4x | ↙     |
| 14:    | 9.2   | →     |
| 15:    | 8.5   | ←     |
| 16:    | 10.1  | ↓     |
| 17:    | 8.5   | ↓     |
| 18:    | 10.2x | ↓     |
| 19:    | 9.3   | ↗     |
| 20:    | 9.9   | ↖     |
| Series |       | 93.5  |
| Total  |       | 181.2 |

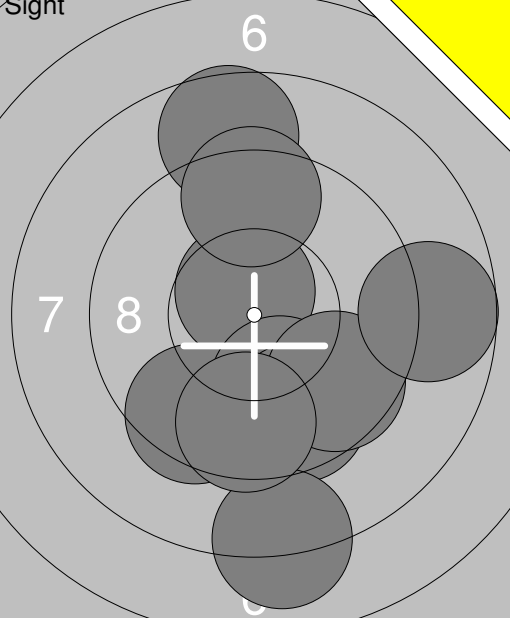
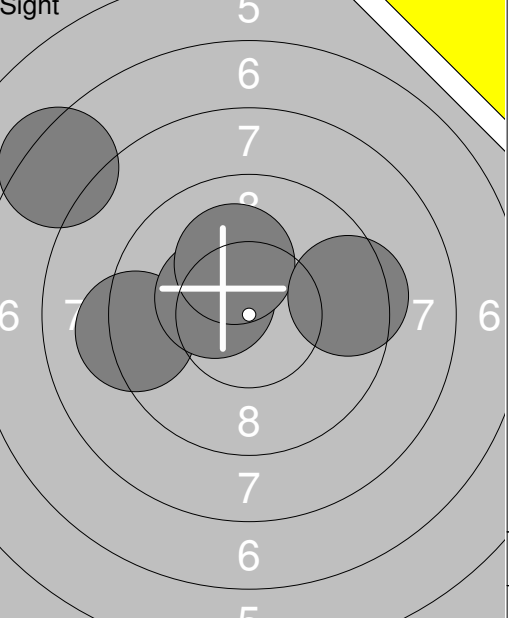


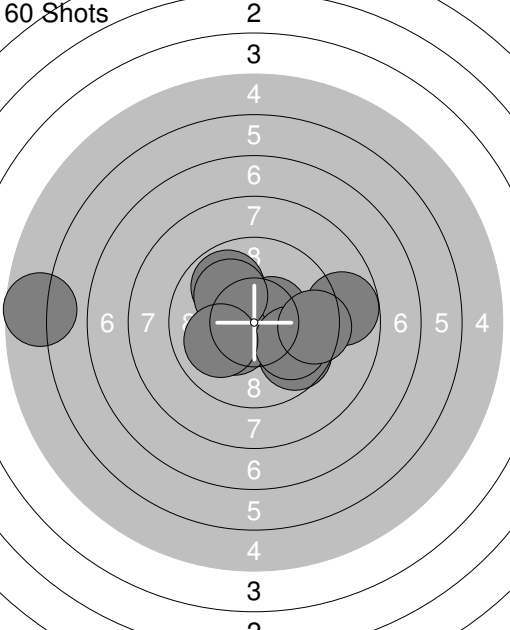
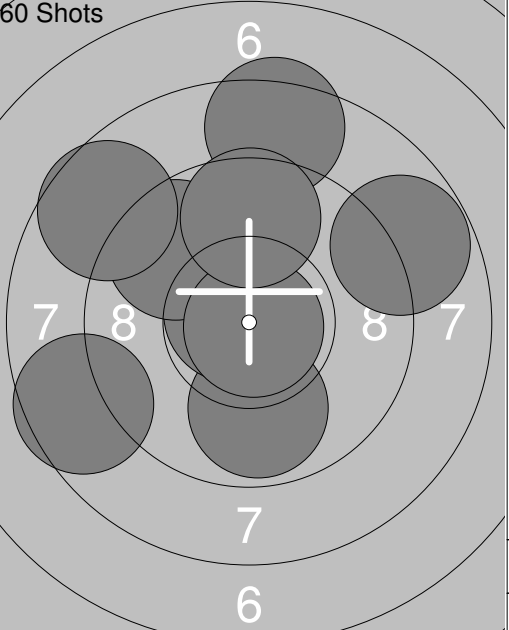
|        |      |       |
|--------|------|-------|
| 21:    | 10.1 | ↗     |
| 22:    | 9.5  | ↑     |
| 23:    | 8.7  | ←     |
| 24:    | 9.1  | ↑     |
| 25:    | 8.4  | ↗     |
| 26:    | 9.3  | →     |
| 27:    | 8.9  | ↖     |
| 28:    | 9.5  | ↓     |
| 29:    | 8.8  | ↙     |
| 30:    | 8.9  | →     |
| Series |      | 91.2  |
| Total  |      | 272.4 |

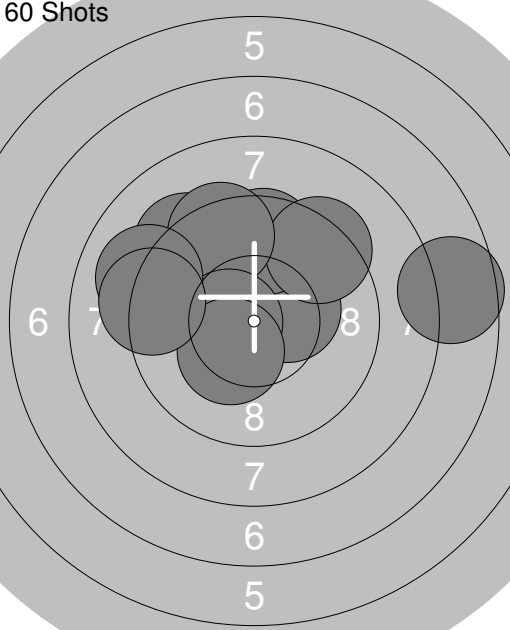


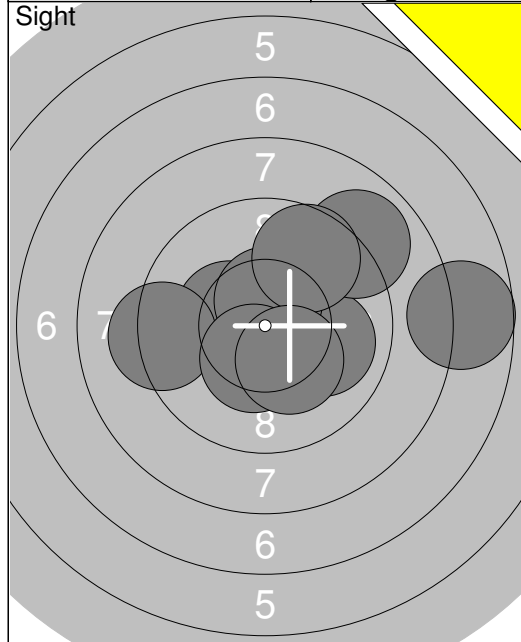
|        |       |       |
|--------|-------|-------|
| 31:    | 9.1   | →     |
| 32:    | 9.8   | ↗     |
| 33:    | 8.8   | ↗     |
| 34:    | 10.8x | →     |
| 35:    | 10.1  | ↗     |
| 36:    | 9.3   | →     |
| 37:    | 9.6   | ↗     |
| 38:    | 9.6   | ↓     |
| 39:    | 7.3   | ←     |
| 40:    | 9.1   | ↙     |
| Series |       | 93.5  |
| Total  |       | 365.9 |



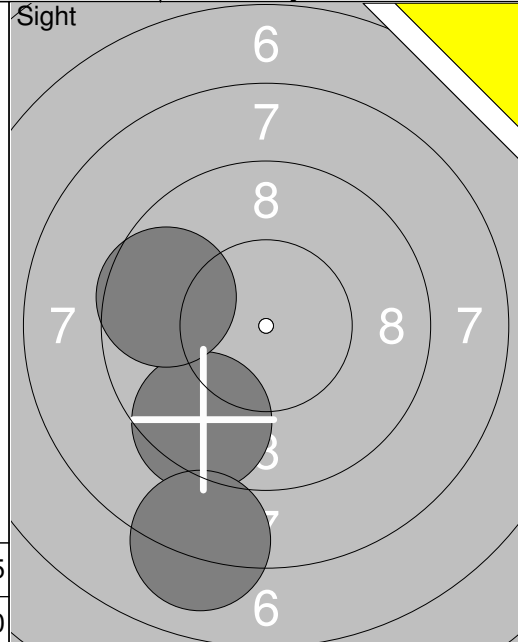
|   |   |   |  |
|---|---|---|--|
|  <p style="text-align: center;">Sight</p> | <p>1: 8.6 ↑</p> <p>2: 10.6x ↗</p> <p>3: 9.5 ↓</p> <p>4: 10.0 ↓</p> <p>5: 9.4 ↑</p> <p>6: 9.6 ↓</p> <p>7: 8.1 ↓</p> <p>8: 9.6 ↘</p> <p>9: 9.6 ↓</p> <p>10: 8.7 →</p> |  <p style="text-align: center;">Sight</p> | <p>11: 7.3 ↖</p> <p>12: 9.2 ←</p> <p>13: 10.4x ↖</p> <p>14: 10.2x ↗</p> <p>15: 9.4 →</p> |
| Series 93.7   |   | Series 46.5   |  |
| Total 0.0   |   | Total 0.0   |  |

|   |  |   |  |
|---|--|---|--|
|  <p style="text-align: center;">60 Shots</p> | <p>1: 10.5x ↗</p> <p>2: 9.7 ↘</p> <p>3: 8.8 →</p> <p>4: 5.7 ←</p> <p>5: 10.3x ↖</p> <p>6: 9.9 ↘</p> <p>7: 9.9 ↗</p> <p>8: 9.5 →</p> <p>9: 10.1 ↗</p> <p>10: 10.0 ↖</p> |  <p style="text-align: center;">60 Shots</p> | <p>11: 9.8 ↓</p> <p>12: 10.7x ↖</p> <p>13: 10.0 ↗</p> <p>14: 8.4 ↑</p> <p>15: 9.6 ↖</p> <p>16: 10.9x ↘</p> <p>17: 9.6 ↑</p> <p>18: 8.8 ↗</p> <p>19: 8.6 ↖</p> <p>20: 8.6 ↖</p> |
| Series 94.4   |  | Series 95.0   |  |
| Total 94.4  |  | Total 189.4   |  |

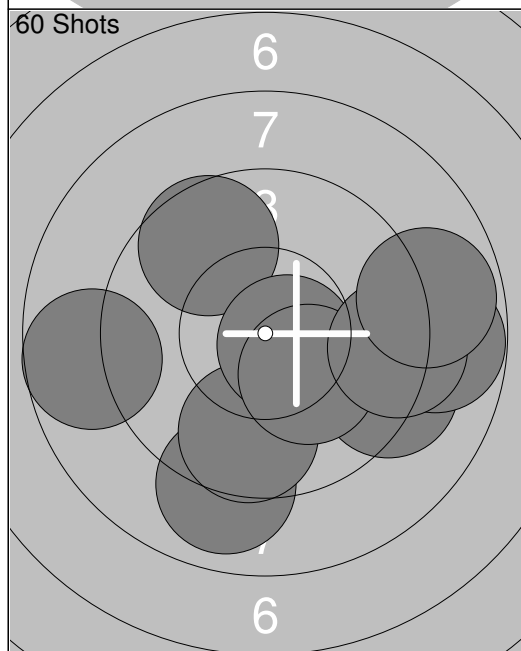
|  |   |  |  |
|--|---|--|--|
|  <p style="text-align: center;">60 Shots</p> | <p>21: 10.4x ↗</p> <p>22: 9.3 ↖</p> <p>23: 9.6 ↑</p> <p>24: 9.3 ↗</p> <p>25: 9.4 ↑</p> <p>26: 10.5x ↖</p> <p>27: 10.3x ↘</p> <p>28: 9.1 ↖</p> <p>29: 9.2 ←</p> <p>30: 7.6 →</p> |  <p style="text-align: center;">60 Shots</p> | <p>31: 8.0 →</p> <p>32: 10.3x ↖</p> <p>33: 8.9 →</p> <p>34: 9.8 ↗</p> <p>35: 9.8 ↓</p> <p>36: 9.9 ↗</p> <p>37: 10.1 →</p> <p>38: 10.7x ↗</p> <p>39: 9.8 ←</p> <p>40: 9.3 ↓</p> |
| Series 94.7  |   | Series 96.6  |  |
| Total 284.1  |   | Total 380.7  |  |



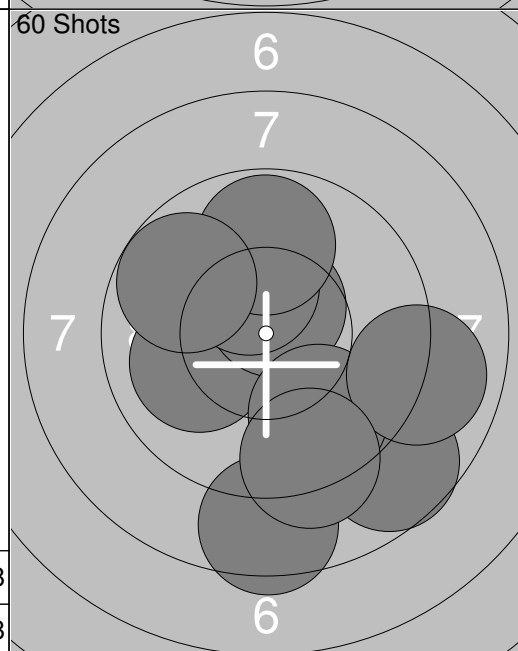
|        |         |
|--------|---------|
| 1:     | 10.4x ↗ |
| 2:     | 7.7 →   |
| 3:     | 10.3x ↙ |
| 4:     | 10.0 →  |
| 5:     | 8.9 ↗   |
| 6:     | 10.5x ↑ |
| 7:     | 9.7 ↗   |
| 8:     | 9.3 ←   |
| 9:     | 10.4x ↓ |
| 10:    | 10.3x ↓ |
| Series | 97.5    |
| Total  | 0.0     |



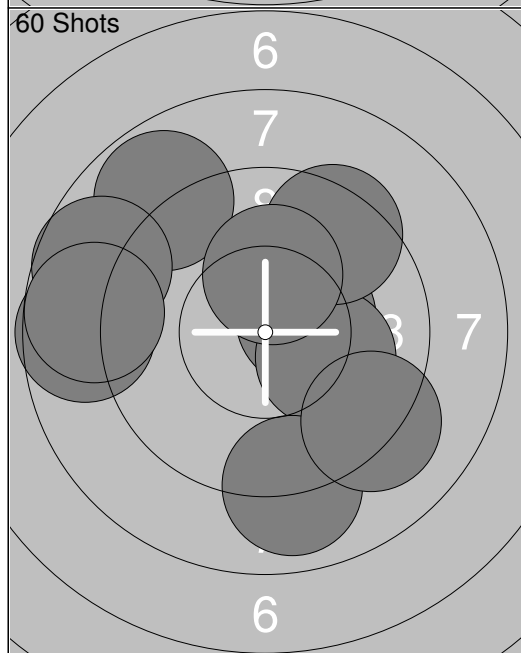
|        |       |
|--------|-------|
| 11:    | 9.5 ↙ |
| 12:    | 8.1 ↓ |
| 13:    | 9.6 ↙ |
| Series | 27.2  |
| Total  | 0.0   |



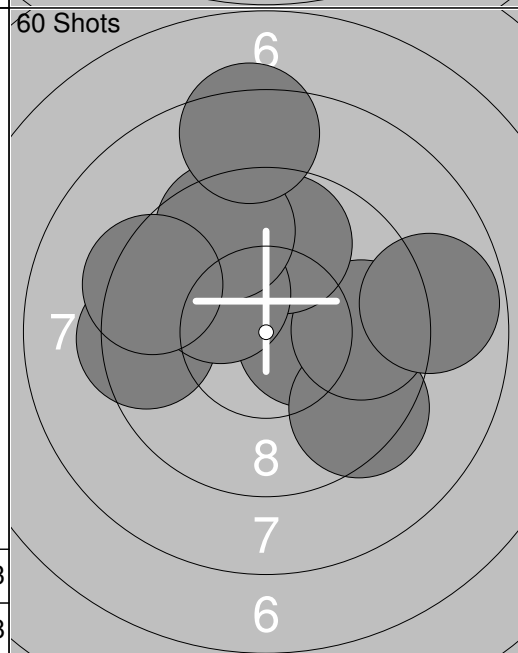
|        |         |
|--------|---------|
| 1:     | 9.0 ↓   |
| 2:     | 9.7 ↓   |
| 3:     | 9.6 ↗   |
| 4:     | 10.6x → |
| 5:     | 9.2 →   |
| 6:     | 10.2x ↓ |
| 7:     | 8.7 ←   |
| 8:     | 8.8 →   |
| 9:     | 9.2 →   |
| 10:    | 8.8 →   |
| Series | 93.8    |
| Total  | 93.8    |



|        |         |
|--------|---------|
| 11:    | 8.7 ↓   |
| 12:    | 10.0 ↙  |
| 13:    | 10.6x ↗ |
| 14:    | 9.7 ↓   |
| 15:    | 9.0 →   |
| 16:    | 10.3x ↗ |
| 17:    | 8.5 ↓   |
| 18:    | 9.8 ↑   |
| 19:    | 9.3 ↓   |
| 20:    | 9.8 ↙   |
| Series | 95.7    |
| Total  | 189.5   |

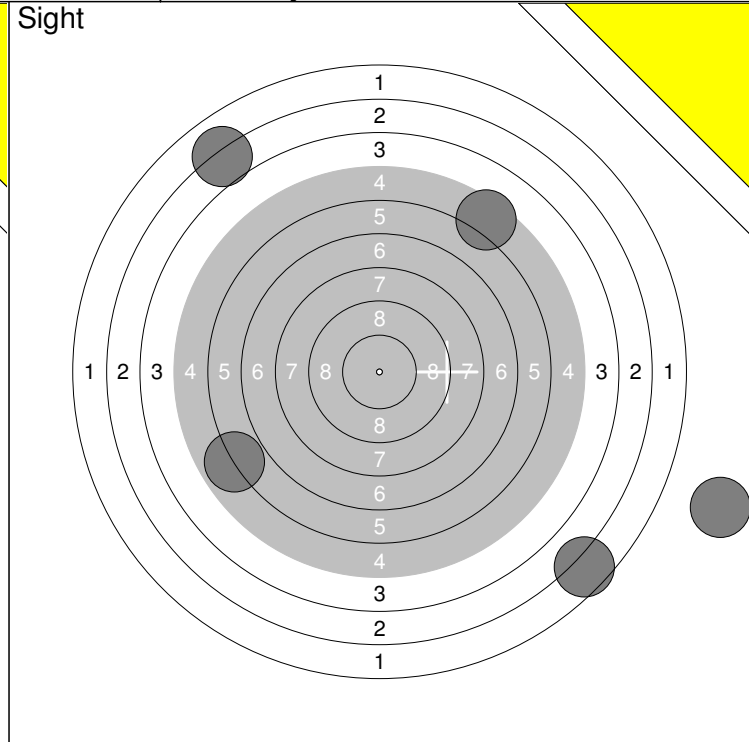
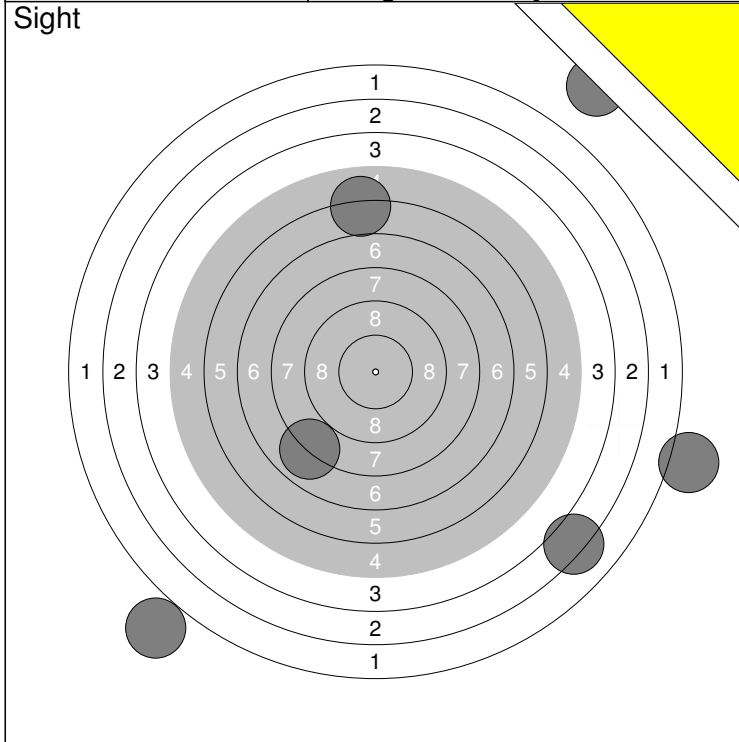


|        |         |
|--------|---------|
| 21:    | 10.4x → |
| 22:    | 10.1 →  |
| 23:    | 8.8 ↗   |
| 24:    | 8.7 ↙   |
| 25:    | 8.7 ←   |
| 26:    | 8.8 ←   |
| 27:    | 9.0 ↓   |
| 28:    | 9.2 ↓   |
| 29:    | 9.4 ↗   |
| 30:    | 10.2x ↑ |
| Series | 93.3    |
| Total  | 282.8   |



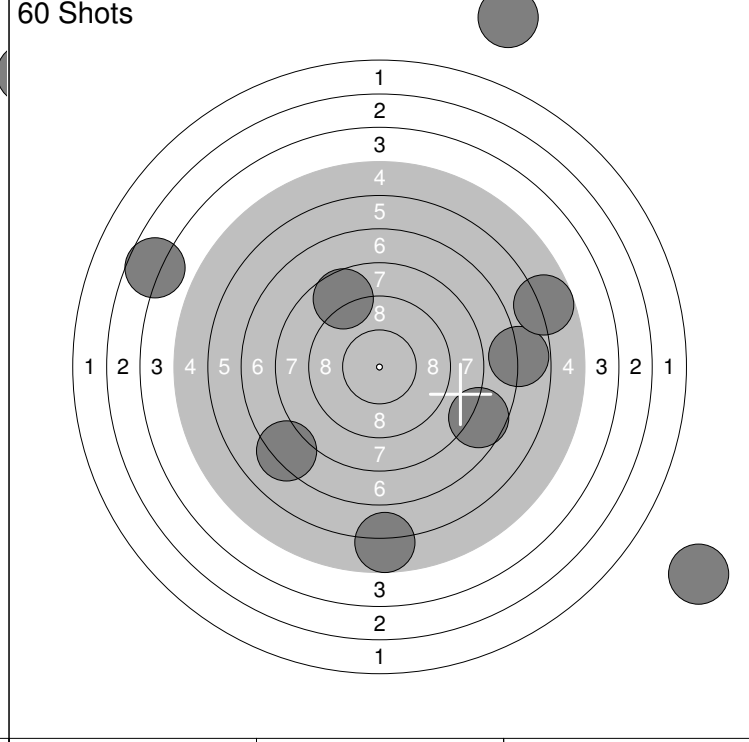
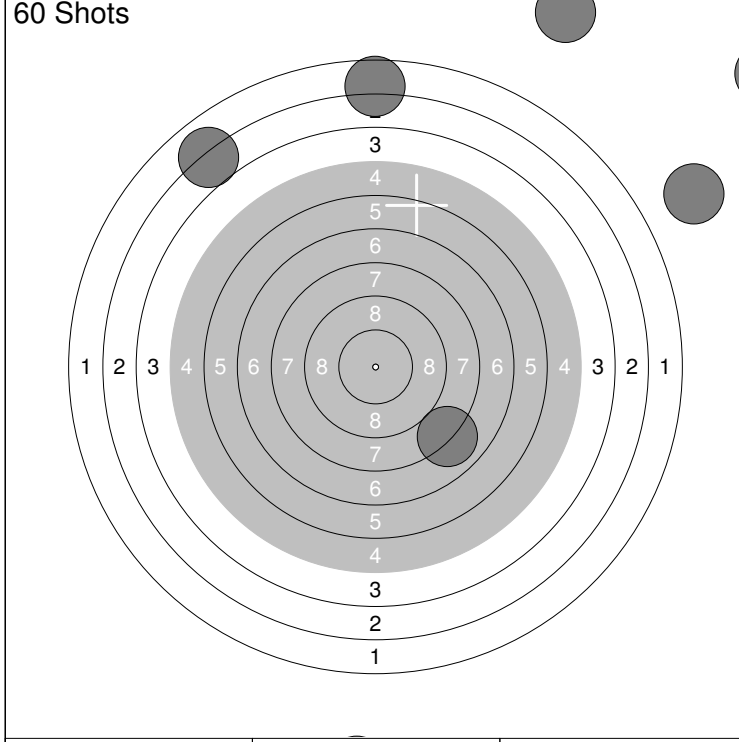
|        |         |
|--------|---------|
| 31:    | 10.4x → |
| 32:    | 9.4 ↓   |
| 33:    | 9.7 →   |
| 34:    | 9.4 ←   |
| 35:    | 8.8 →   |
| 36:    | 9.8 ↑   |
| 37:    | 10.2x ↙ |
| 38:    | 9.6 ↗   |
| 39:    | 9.4 ↙   |
| 40:    | 8.4 ↑   |
| Series | 95.1    |
| Total  | 377.9   |





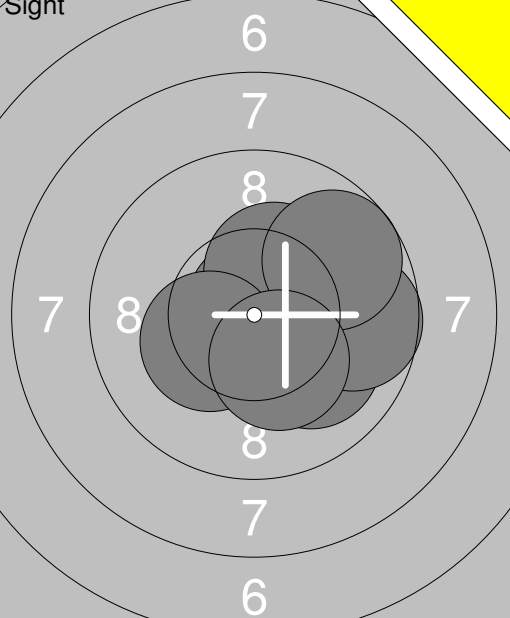
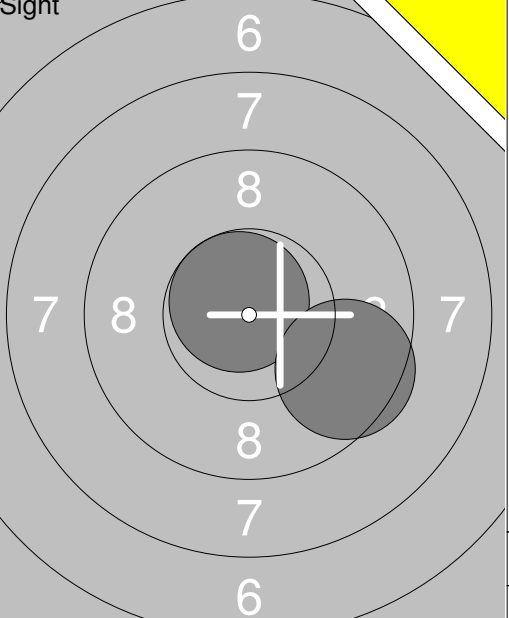
|          |           |               |      |
|----------|-----------|---------------|------|
| 1: 0.0 ↙ | 6: 0.0 →  | <b>Series</b> | 18.4 |
| 2: 6.0 ↑ | 7: 0.0 →  |               |      |
| 3: 3.2 ↘ | 8: 0.0 ↗  | <b>Total</b>  | 0.0  |
| 4: 0.0 ↗ | 9: 7.9 ↙  |               |      |
| 5: 1.3 → | 10: 0.0 → |               |      |

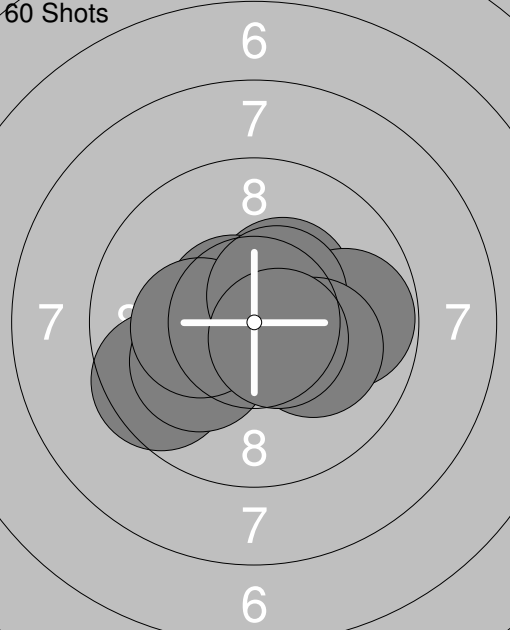
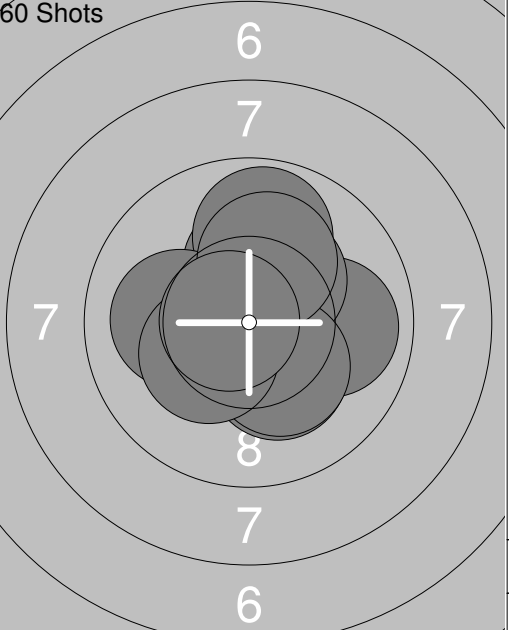
|           |               |      |
|-----------|---------------|------|
| 11: 5.5 ↗ | <b>Series</b> | 16.9 |
| 12: 0.0 → |               |      |
| 13: 5.9 ↙ | <b>Total</b>  | 0.0  |
| 14: 2.5 ↘ |               |      |
| 15: 3.0 ↗ |               |      |

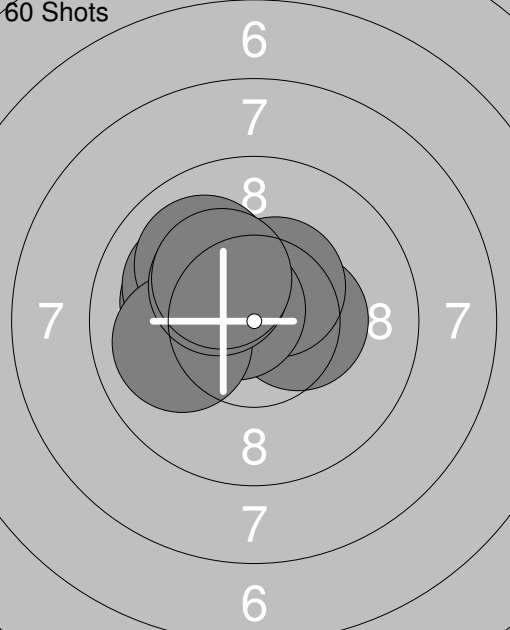
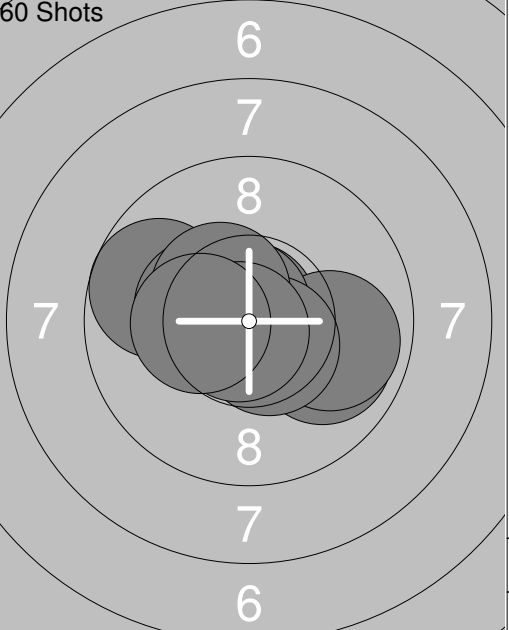


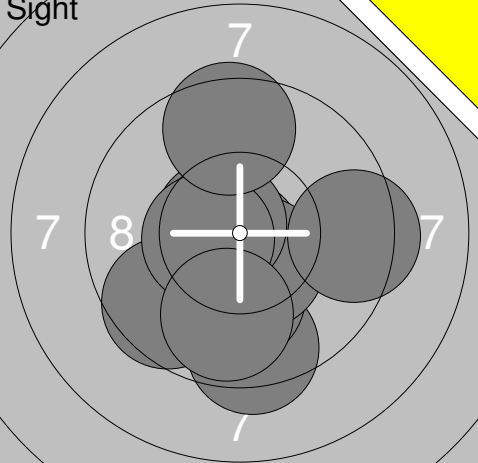
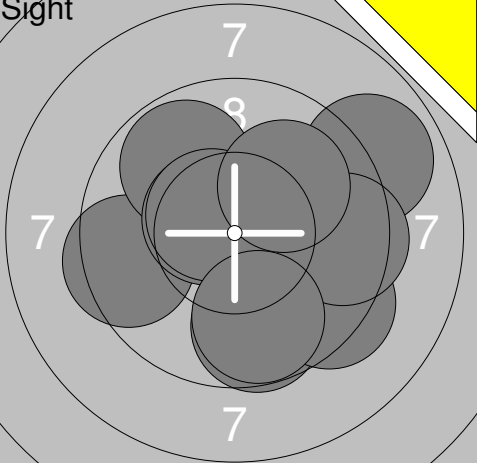
|          |           |               |      |
|----------|-----------|---------------|------|
| 1: 0.0 ↗ | 6: 0.0 ↗  | <b>Series</b> | 13.6 |
| 2: 0.0 ↗ | 7: 8.0 ↘  |               |      |
| 3: 2.6 ↑ | 8: 0.0 ↑  | <b>Total</b>  | 13.6 |
| 4: 3.0 ↖ | 9: 0.0 ↓  |               |      |
| 5: 0.0 ← | 10: 0.0 ↗ |               |      |

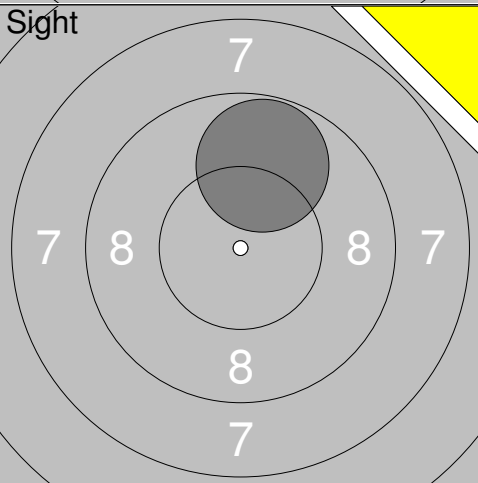
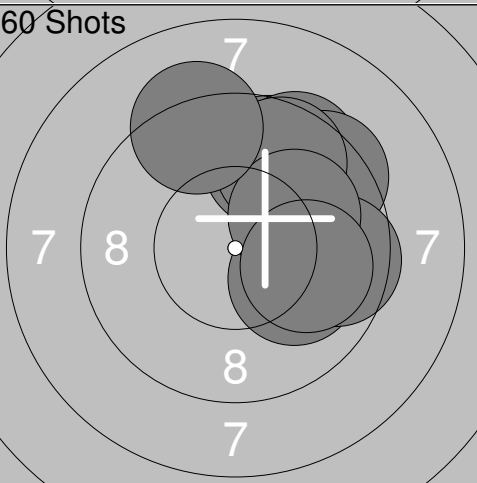
|           |               |      |
|-----------|---------------|------|
| 11: 8.7 ↗ | <b>Series</b> | 45.5 |
| 12: 3.7 ↖ |               |      |
| 13: 7.2 ↙ | <b>Total</b>  | 59.1 |
| 14: 0.0 ↑ |               |      |
| 15: 0.0 ↘ |               |      |

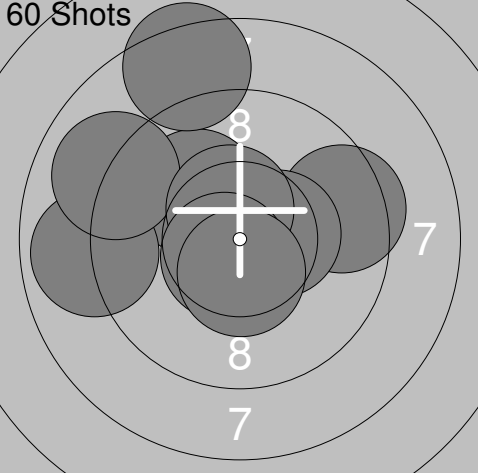
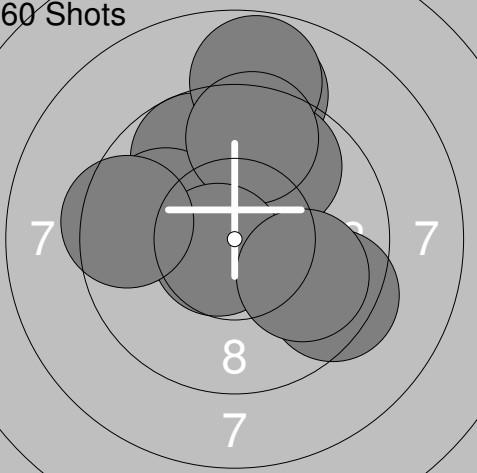
|  |  |  |   |
|--|--|--|---|
| <p>Sight</p>  <p style="text-align: center;">6<br/>7<br/>8<br/>7 8 7<br/>8<br/>7<br/>6</p> | <p>1: 10.9x ↗</p> <p>2: 10.2x ↘</p> <p>3: 10.6x ↗</p> <p>4: 10.2x →</p> <p>5: 10.0 ↘</p> <p>6: 10.4x ↗</p> <p>7: 9.7 →</p> <p>8: 9.7 ↗</p> <p>9: 10.3x ↙</p> <p>10: 10.3x ↘</p> <hr/> <p>Series 102.3</p> <hr/> <p>Total 0.0</p> | <p>Sight</p>  <p style="text-align: center;">6<br/>7<br/>8<br/>7 8 7<br/>8<br/>7<br/>6</p> | <p>11: 10.7x ↖</p> <p>12: 9.5 ↘</p> <hr/> <p>Series 20.2</p> <hr/> <p>Total 0.0</p> |
|--|--|--|---|

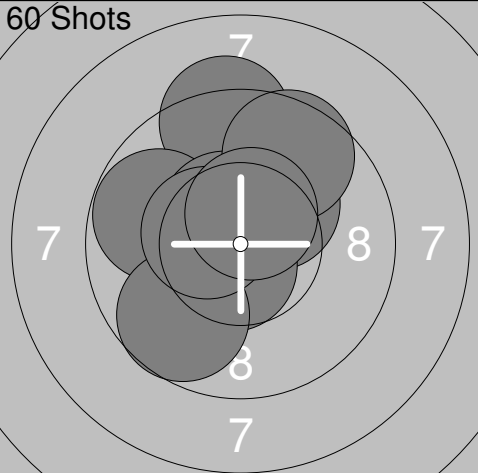
|  |   |  |  |
|--|---|--|--|
| <p>60 Shots</p>  <p style="text-align: center;">6<br/>7<br/>8<br/>7 8 7<br/>8<br/>7<br/>6</p> | <p>1: 10.7x →</p> <p>2: 9.6 ↙</p> <p>3: 10.1 ↙</p> <p>4: 10.4x ↗</p> <p>5: 9.8 →</p> <p>6: 10.6x ↖</p> <p>7: 10.3x ←</p> <p>8: 10.5x ↗</p> <p>9: 10.1 →</p> <p>10: 10.6x ↘</p> <hr/> <p>Series 102.7</p> <hr/> <p>Total 102.7</p> | <p>60 Shots</p>  <p style="text-align: center;">6<br/>7<br/>8<br/>7 8 7<br/>8<br/>7<br/>6</p> | <p>11: 10.2x ↘</p> <p>12: 10.2x ↑</p> <p>13: 9.9 →</p> <p>14: 9.8 ↑</p> <p>15: 10.1 ←</p> <p>16: 10.3x ↗</p> <p>17: 10.3x ↘</p> <p>18: 10.1 ↑</p> <p>19: 10.3x ↙</p> <p>20: 10.7x ←</p> <hr/> <p>Series 101.9</p> <hr/> <p>Total 204.6</p> |
|--|---|--|--|

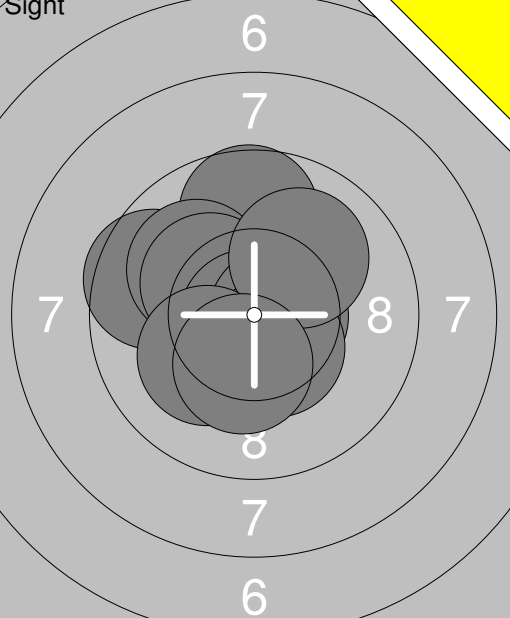
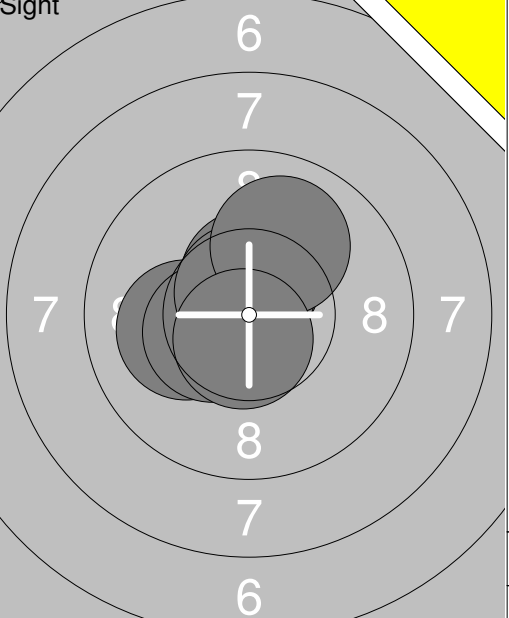
|   |  |   |  |
|---|--|---|--|
| <p>60 Shots</p>  <p style="text-align: center;">6<br/>7<br/>8<br/>7 8 7<br/>8<br/>7<br/>6</p> | <p>21: 10.1 ←</p> <p>22: 10.4x →</p> <p>23: 10.0 ↙</p> <p>24: 10.4x ↗</p> <p>25: 10.7x ↖</p> <p>26: 10.2x ↖</p> <p>27: 10.0 ↗</p> <p>28: 10.0 ←</p> <p>29: 10.3x ↖</p> <p>30: 10.3x ↗</p> <hr/> <p>Series 102.4</p> <hr/> <p>Total 307.0</p> | <p>60 Shots</p>  <p style="text-align: center;">6<br/>7<br/>8<br/>7 8 7<br/>8<br/>7<br/>6</p> | <p>31: 9.7 ↙</p> <p>32: 9.9 ↘</p> <p>33: 10.8x ↑</p> <p>34: 9.9 →</p> <p>35: 10.8x ↗</p> <p>36: 10.5x ↘</p> <p>37: 10.4x ←</p> <p>38: 10.4x ↖</p> <p>39: 10.8x ↙</p> <p>40: 10.3x ←</p> <hr/> <p>Series 103.5</p> <hr/> <p>Total 410.5</p> |
|---|--|---|--|

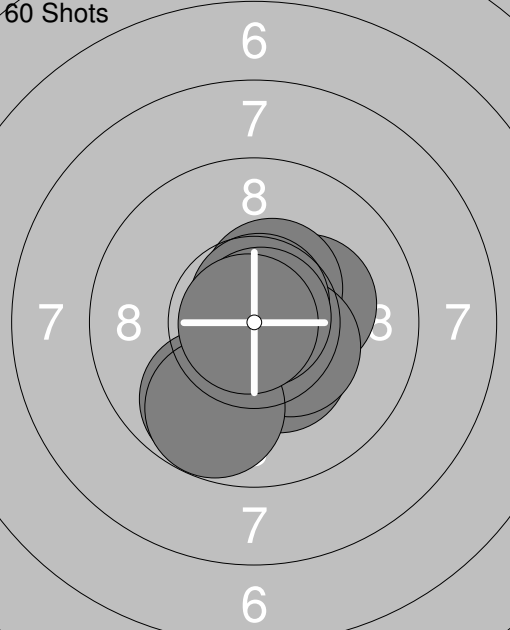
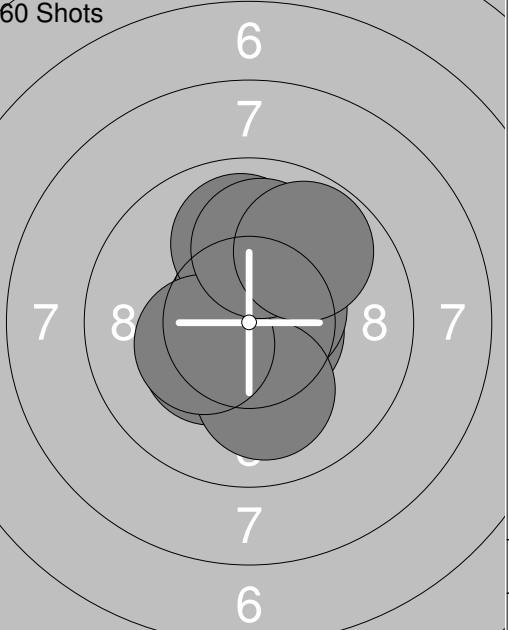
|  |   |  |   |
|--|---|--|---|
| <b>Sight</b><br> | 1: 9.4 ↓<br>2: 10.1 ↓<br>3: 9.6 ↙<br>4: 10.8x ↓<br>5: 10.5x ↓<br>6: 10.7x ↖<br>7: 10.5x ←<br>8: 9.5 ↑<br>9: 9.8 ↓<br>10: 9.4 →<br><hr/> Series 100.3<br>Total 0.0 | <b>Sight</b><br> | 11: 8.9 ↗<br>12: 9.5 ←<br>13: 9.8 ↗<br>14: 10.5x ↖<br>15: 9.7 ↓<br>16: 10.5x ↗<br>17: 9.4 ↘<br>18: 9.5 →<br>19: 9.8 ↓<br>20: 10.0 ↗<br><hr/> Series 97.6<br>Total 0.0 |
|--|---|--|---|

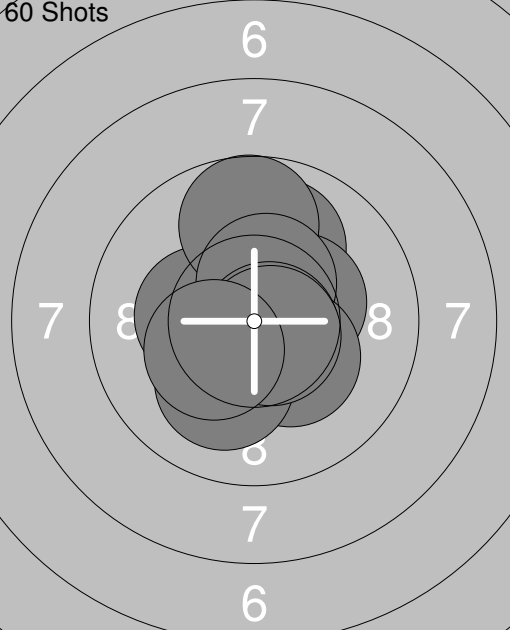
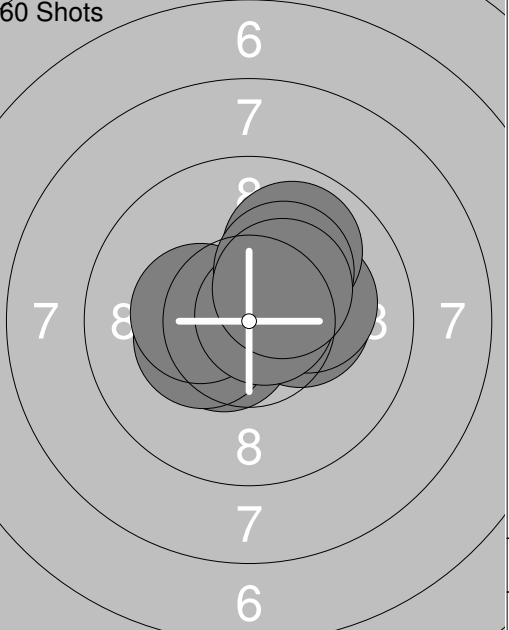
|   |  |  |   |
|---|--|--|---|
| <b>Sight</b><br> | 21: 9.8 ↑<br><hr/> Series 9.8<br>Total 0.0 | <b>60 Shots</b><br> | 1: 9.7 ↗<br>2: 9.7 ↑<br>3: 9.5 ↗<br>4: 10.0 →<br>5: 9.4 ↗<br>6: 9.6 ↑<br>7: 9.6 →<br>8: 10.0 ↗<br>9: 9.2 ↑<br>10: 10.0 →<br><hr/> Series 96.7<br>Total 96.7 |
|---|--|--|---|

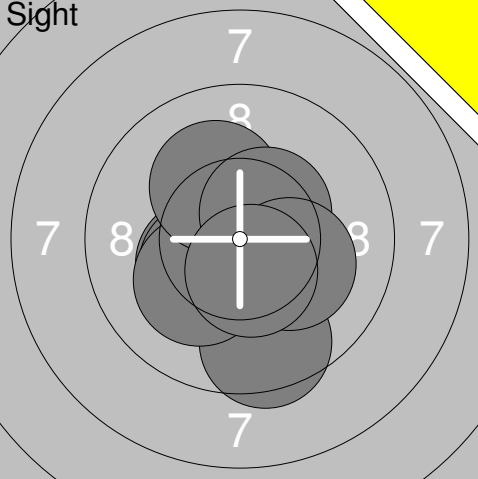
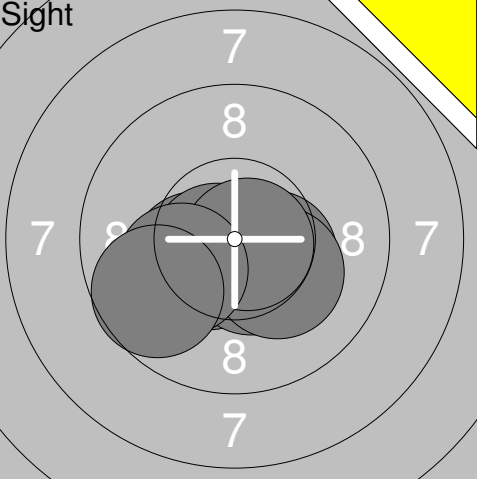
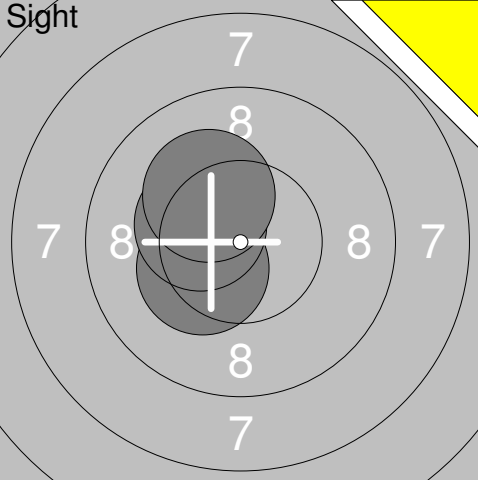
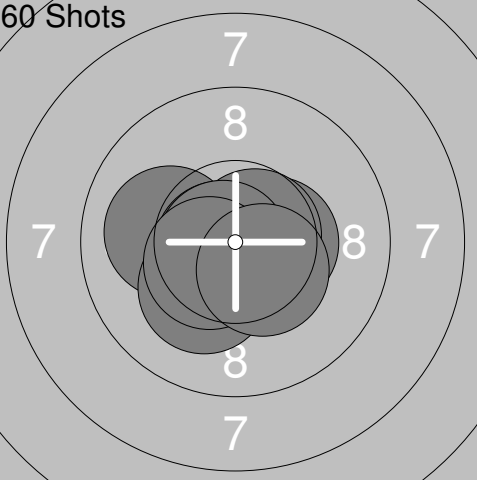
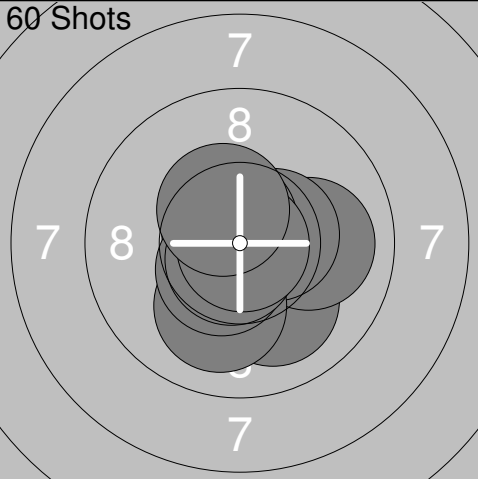
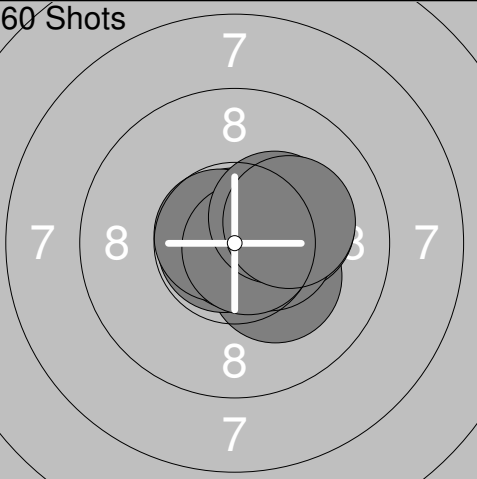

|   |   |   |   |
|---|---|---|---|
| <b>60 Shots</b><br> | 11: 10.5x ↖<br>12: 10.1 ↖<br>13: 8.4 ↑<br>14: 9.5 →<br>15: 10.4x →<br>16: 8.9 ←<br>17: 9.0 ↖<br>18: 10.5x ↑<br>19: 10.6x ↙<br>20: 10.5x ↓<br><hr/> Series 98.4<br>Total 195.1 | <b>60 Shots</b><br> | 21: 9.4 →<br>22: 9.0 ↑<br>23: 9.7 ↗<br>24: 10.0 ←<br>25: 9.8 ↗<br>26: 8.8 ↑<br>27: 9.6 ↑<br>28: 10.7x ↖<br>29: 9.5 ←<br>30: 9.9 →<br><hr/> Series 96.4<br>Total 291.5 |
|---|---|---|---|

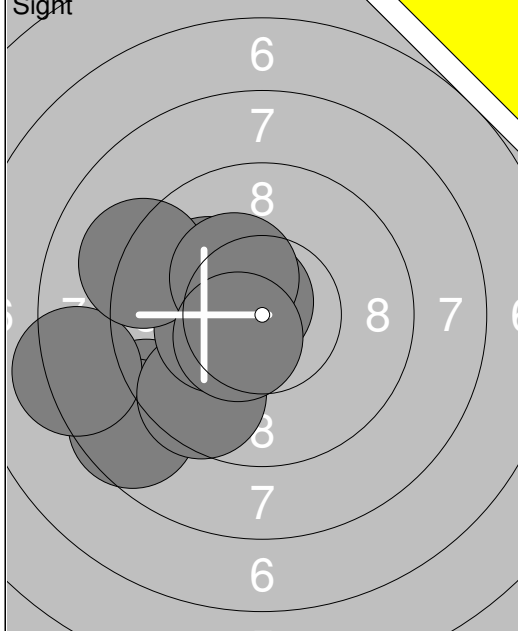
|   |   |  |  |
|---|---|--|--|
| <b>60 Shots</b><br> | 31: 10.2x ↗<br>32: 9.3 ↑<br>33: 10.6x ↓<br>34: 10.2x ←<br>35: 9.8 ↖<br>36: 10.5x ↗<br>37: 9.7 ↘<br>38: 9.6 ↑<br>39: 10.5x ↖<br>40: 10.5x ↑<br><hr/> Series 100.9<br>Total 392.4 |  |  |
|---|---|--|--|

|  |  |  |  |
|--|--|--|--|
| <p><b>Sight</b></p>  | <p>1: 9.6 ←</p> <p>2: 9.7 ↑</p> <p>3: 10.0 ↖</p> <p>4: 10.3x ↗</p> <p>5: 10.9x ↙</p> <p>6: 10.6x →</p> <p>7: 10.5x ↘</p> <p>8: 10.0 ↗</p> <p>9: 10.2x ↙</p> <p>10: 10.3x ↘</p> | <p><b>Sight</b></p>  | <p>11: 10.5x ↑</p> <p>12: 10.1 ←</p> <p>13: 10.7x ↙</p> <p>14: 10.4x ↙</p> <p>15: 10.7x ↑</p> <p>16: 10.0 ↗</p> <p>17: 10.6x ↘</p> |
| Series 102.1   |  | Series 73.0  |  |
| Total 0.0  |  | Total 0.0  |  |

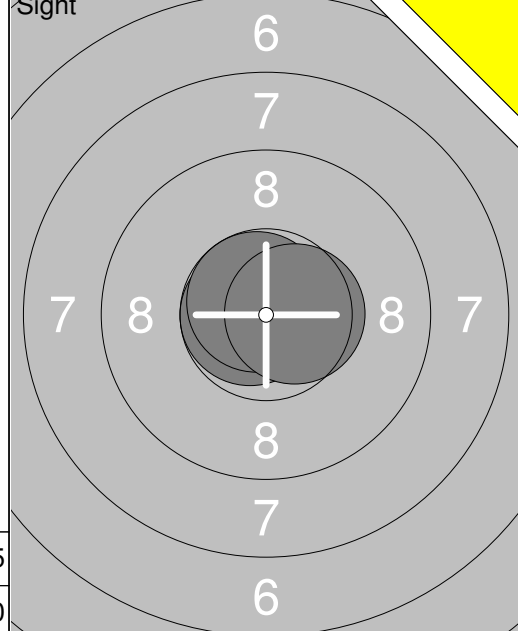
|  |  |  |   |
|--|--|--|---|
| <p><b>60 Shots</b></p>  | <p>1: 10.2x →</p> <p>2: 10.5x ↑</p> <p>3: 10.9x ↗</p> <p>4: 10.3x ↘</p> <p>5: 10.4x ↘</p> <p>6: 10.7x ↑</p> <p>7: 9.8 ↓</p> <p>8: 9.7 ↓</p> <p>9: 10.8x ↗</p> <p>10: 10.9x ←</p> | <p><b>60 Shots</b></p>  | <p>11: 10.6x →</p> <p>12: 10.5x ↘</p> <p>13: 10.3x ↙</p> <p>14: 10.6x ↑</p> <p>15: 9.9 ↑</p> <p>16: 10.6x →</p> <p>17: 10.1 ↓</p> <p>18: 10.3x ↙</p> <p>19: 10.0 ↑</p> <p>20: 9.8 ↗</p> |
| Series 104.2   |  | Series 102.7   |   |
| Total 104.2  |  | Total 206.9  |   |

|   |   |   |  |
|---|---|---|--|
| <p><b>60 Shots</b></p>  | <p>21: 10.0 ↑</p> <p>22: 10.3x ←</p> <p>23: 10.4x →</p> <p>24: 9.7 ↑</p> <p>25: 10.4x ↑</p> <p>26: 10.3x ↘</p> <p>27: 10.1 ↓</p> <p>28: 10.7x ↘</p> <p>29: 10.7x ↘</p> <p>30: 10.3x ↙</p> | <p><b>60 Shots</b></p>  | <p>31: 10.5x ↙</p> <p>32: 10.3x ↙</p> <p>33: 10.1 ↗</p> <p>34: 10.3x →</p> <p>35: 10.2x →</p> <p>36: 10.3x ←</p> <p>37: 9.9 ↗</p> <p>38: 10.7x →</p> <p>39: 10.2x ↗</p> <p>40: 10.4x ↗</p> |
| Series 102.9  |   | Series 102.9  |  |
| Total 309.8   |   | Total 412.7   |  |

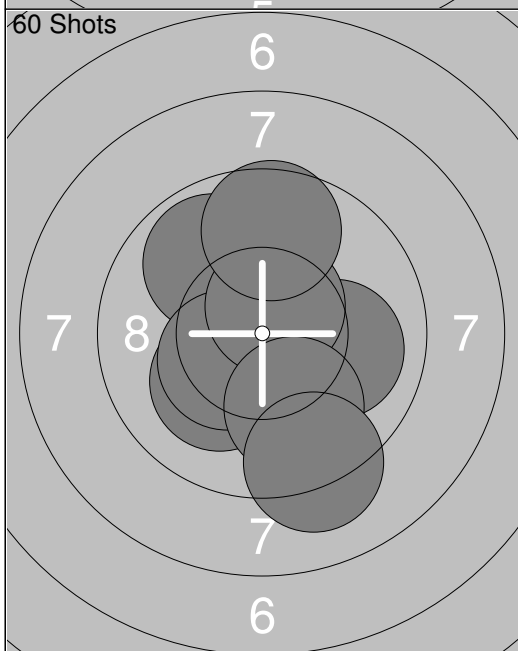
| Relay      | Lane   | Eddie Brännström  |   |
|------------|--|---|---|
| S          | 26   | Umeå  |   |
| 2014-11-15 | Drängsmarksskyttet 2014  | Umeå skytteallians  |   |
| Sight      |    | 1: 10.3x ↙<br>2: 10.3x ↙<br>3: 9.5 ↓<br>4: 10.2x ↙<br>5: 10.5x ↓<br>6: 10.5x ↓<br>7: 10.2x ↗<br>8: 10.5x ↗<br>9: 10.2x ↘<br>10: 10.5x ↓<br>Series 102.7<br>Total 0.0              | Sight  11: 10.7x ↓<br>12: 10.4x →<br>13: 10.4x ↙<br>14: 10.5x ↙<br>15: 10.5x ↓<br>16: 10.7x ↙<br>17: 10.2x ↘<br>18: 10.8x →<br>19: 10.1 ↙<br>20: 9.7 ↙<br>Series 104.0<br>Total 0.0           |
| Sight      |   | 21: 10.3x ↙<br>22: 10.4x ↙<br>23: 10.2x ↗<br>Series 30.9<br>Total 0.0   | 60 Shots  1: 10.1 ←<br>2: 10.7x ←<br>3: 10.6x ↓<br>4: 10.7x ↓<br>5: 10.2x ↓<br>6: 10.4x →<br>7: 10.7x →<br>8: 10.8x ←<br>9: 10.5x ↙<br>10: 10.4x ↘<br>Series 105.1<br>Total 105.1            |
| 60 Shots   |  | 11: 10.1 ↓<br>12: 10.0 →<br>13: 10.5x →<br>14: 10.1 ↓<br>15: 10.7x ↗<br>16: 10.7x ↗<br>17: 10.5x ↙<br>18: 10.7x ↙<br>19: 10.9x ↘<br>20: 10.4x ↗<br>Series 104.6<br>Total 209.7    | 60 Shots  21: 10.2x ↘<br>22: 10.2x →<br>23: 10.8x ←<br>24: 10.8x ↑<br>25: 10.9x →<br>26: 10.5x →<br>27: 10.7x ↙<br>28: 10.7x →<br>29: 10.3x ↗<br>30: 10.2x →<br>Series 105.3<br>Total 315.0 |
| 60 Shots   |  | 31: 10.4x ↑<br>32: 10.5x ↗<br>33: 10.3x ↗<br>34: 10.4x →<br>35: 10.2x ↘<br>36: 10.5x ↑<br>37: 10.7x ↘<br>38: 10.6x ↑<br>39: 10.2x ↗<br>40: 10.9x →<br>Series 104.7<br>Total 419.7 |   |



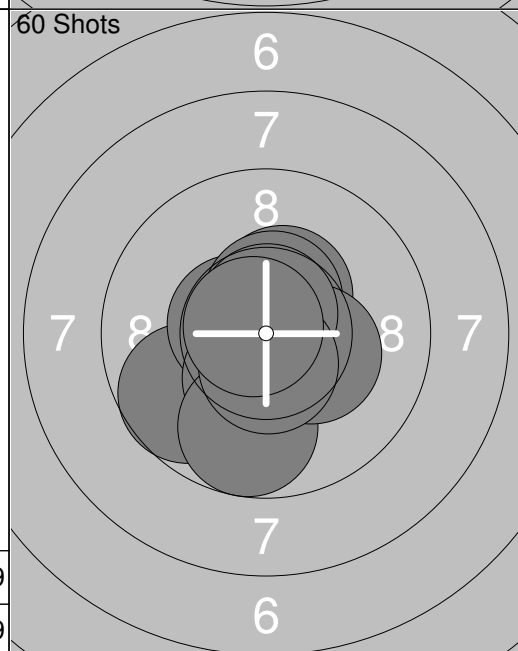
|        |       |      |
|--------|-------|------|
| 1:     | 8.9   | ↙    |
| 2:     | 8.6   | ↙    |
| 3:     | 8.3   | ←    |
| 4:     | 10.1  | ↖    |
| 5:     | 9.6   | ↙    |
| 6:     | 10.3x | ↙    |
| 7:     | 9.2   | ←    |
| 8:     | 10.7x | ↖    |
| 9:     | 10.3x | ↖    |
| 10:    | 10.5x | ↙    |
| Series |       | 96.5 |
| Total  |       | 0.0  |



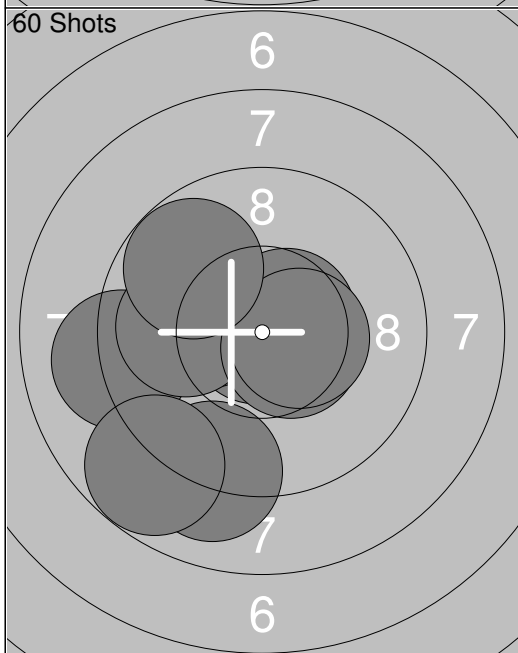
|        |       |      |
|--------|-------|------|
| 11:    | 10.7x | ↙    |
| 12:    | 10.7x | ↖    |
| 13:    | 10.6x | →    |
| Series |       | 32.0 |
| Total  |       | 0.0  |



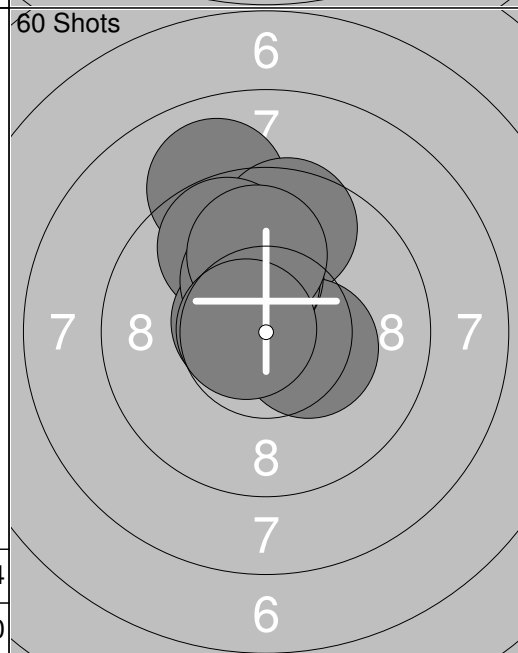
|        |       |      |
|--------|-------|------|
| 1:     | 10.2x | ↑    |
| 2:     | 10.0  | ↑    |
| 3:     | 9.9   | ↗    |
| 4:     | 10.1  | ↙    |
| 5:     | 10.0  | →    |
| 6:     | 10.4x | ↙    |
| 7:     | 10.6x | ↗    |
| 8:     | 9.9   | ↘    |
| 9:     | 9.6   | ↑    |
| 10:    | 9.2   | ↘    |
| Series |       | 99.9 |
| Total  |       | 99.9 |



|        |       |       |
|--------|-------|-------|
| 11:    | 9.7   | ↙     |
| 12:    | 10.6x | ↙     |
| 13:    | 10.4x | ↗     |
| 14:    | 10.5x | ↑     |
| 15:    | 10.4x | ↘     |
| 16:    | 9.7   | ↘     |
| 17:    | 10.3x | →     |
| 18:    | 10.7x | ↑     |
| 19:    | 10.6x | ↘     |
| 20:    | 10.8x | ↙     |
| Series |       | 103.7 |
| Total  |       | 203.6 |

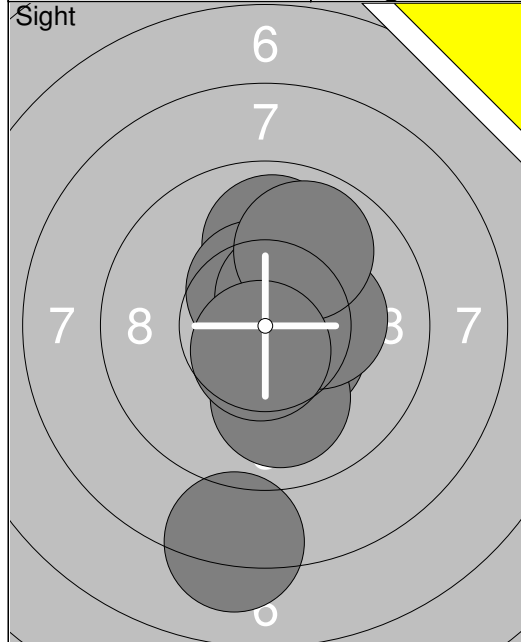


|        |       |       |
|--------|-------|-------|
| 21:    | 10.9x | ↙     |
| 22:    | 9.1   | ↘     |
| 23:    | 10.2x | ↙     |
| 24:    | 9.1   | ←     |
| 25:    | 10.6x | ↗     |
| 26:    | 10.0  | ←     |
| 27:    | 10.5x | →     |
| 28:    | 8.8   | ↘     |
| 29:    | 10.5x | →     |
| 30:    | 9.7   | ↖     |
| Series |       | 99.4  |
| Total  |       | 303.0 |

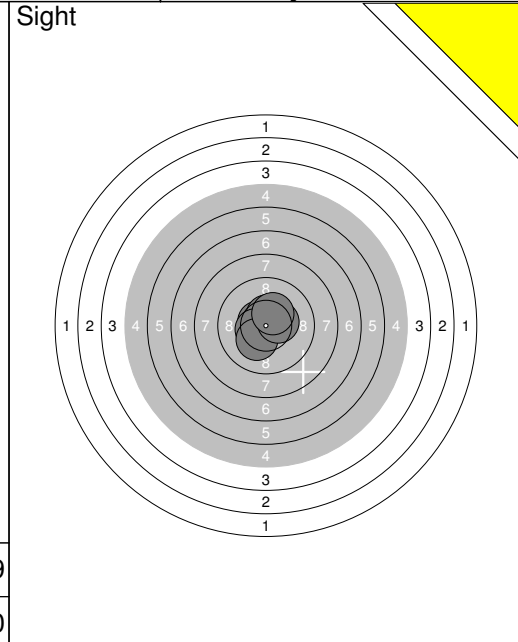


|        |       |       |
|--------|-------|-------|
| 31:    | 9.0   | ↗     |
| 32:    | 9.6   | ↑     |
| 33:    | 10.4x | ↗     |
| 34:    | 9.8   | ↖     |
| 35:    | 10.4x | →     |
| 36:    | 10.6x | ↙     |
| 37:    | 10.2x | ↑     |
| 38:    | 10.3x | ↗     |
| 39:    | 10.0  | ↑     |
| 40:    | 10.7x | ↙     |
| Series |       | 101.0 |
| Total  |       | 404.0 |

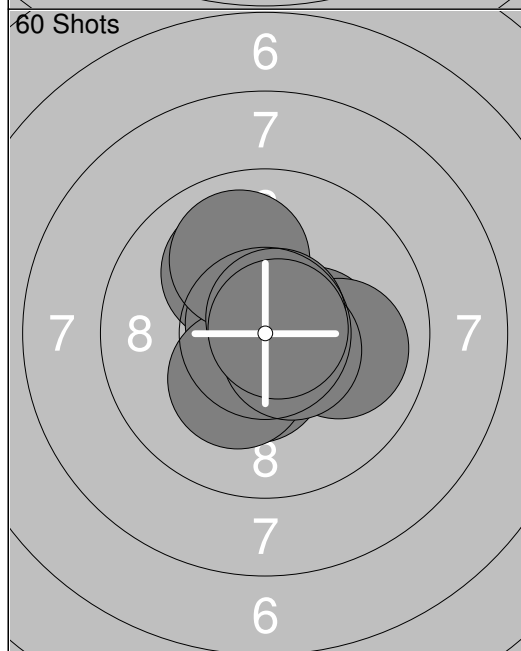




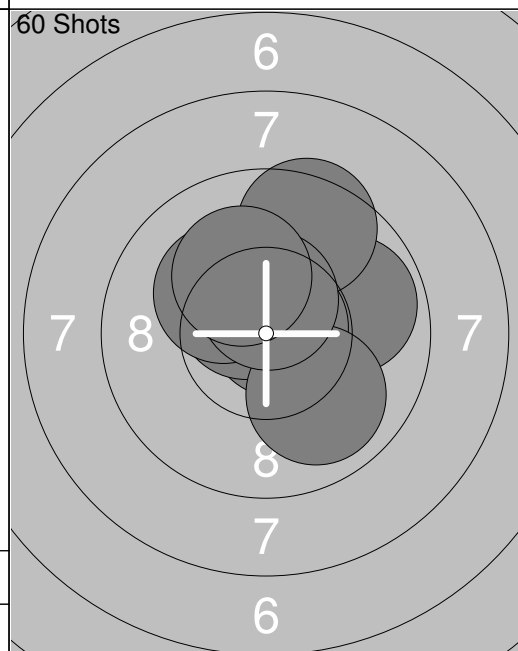
|        |         |
|--------|---------|
| 1:     | 10.5x ↘ |
| 2:     | 9.9 ↑   |
| 3:     | 10.5x ↗ |
| 4:     | 10.5x → |
| 5:     | 8.2 ↓   |
| 6:     | 10.5x ↗ |
| 7:     | 10.0 ↓  |
| 8:     | 10.3x → |
| 9:     | 9.9 ↗   |
| 10:    | 10.6x ↓ |
| Series | 100.9   |
| Total  | 0.0     |



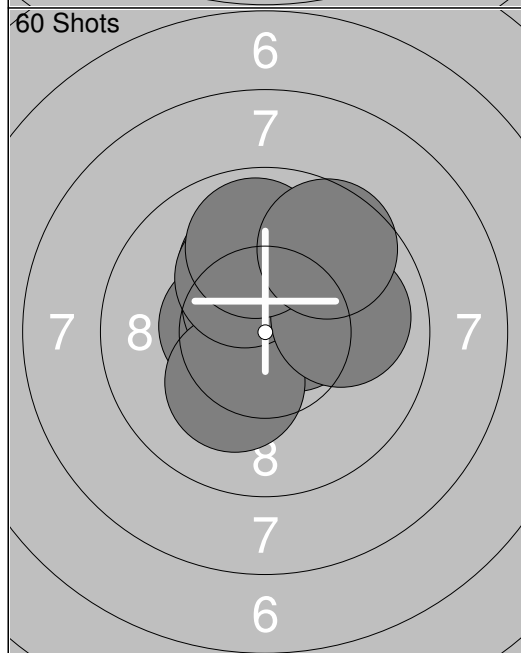
|        |         |
|--------|---------|
| 11:    | 10.6x ↖ |
| 12:    | 10.5x ↑ |
| 13:    | 10.5x ↖ |
| 14:    | 10.2x ↙ |
| 15:    | 0.0 ↘   |
| 16:    | 10.4x → |
| 17:    | 10.3x ↗ |
| Series | 62.5    |
| Total  | 0.0     |



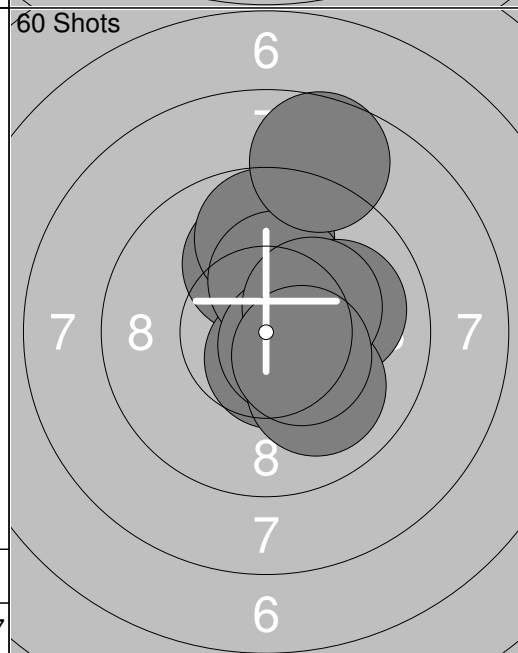
|        |         |
|--------|---------|
| 1:     | 10.4x ↓ |
| 2:     | 10.4x → |
| 3:     | 10.1 ↗  |
| 4:     | 10.8x ↖ |
| 5:     | 10.3x ↙ |
| 6:     | 10.0 →  |
| 7:     | 10.0 ↗  |
| 8:     | 10.6x → |
| 9:     | 10.7x ↗ |
| 10:    | 10.8x → |
| Series | 104.1   |
| Total  | 104.1   |



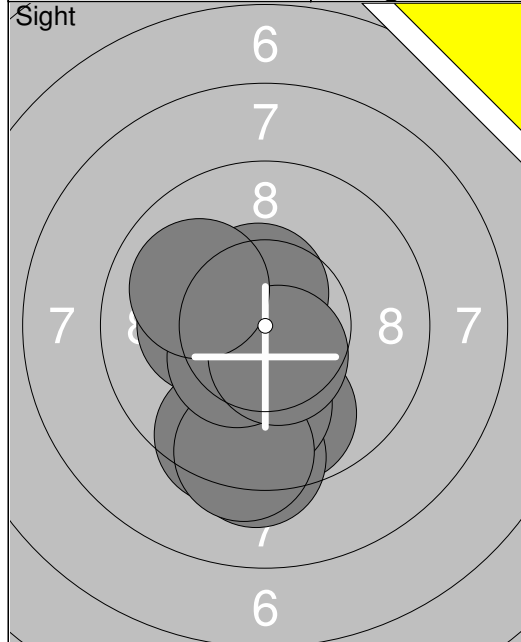
|        |         |
|--------|---------|
| 11:    | 10.7x ↗ |
| 12:    | 10.2x ↗ |
| 13:    | 9.9 →   |
| 14:    | 10.8x ↗ |
| 15:    | 10.6x ↖ |
| 16:    | 10.2x ↖ |
| 17:    | 9.9 ↘   |
| 18:    | 9.5 ↗   |
| 19:    | 10.5x ↑ |
| 20:    | 10.2x ↖ |
| Series | 102.5   |
| Total  | 206.6   |



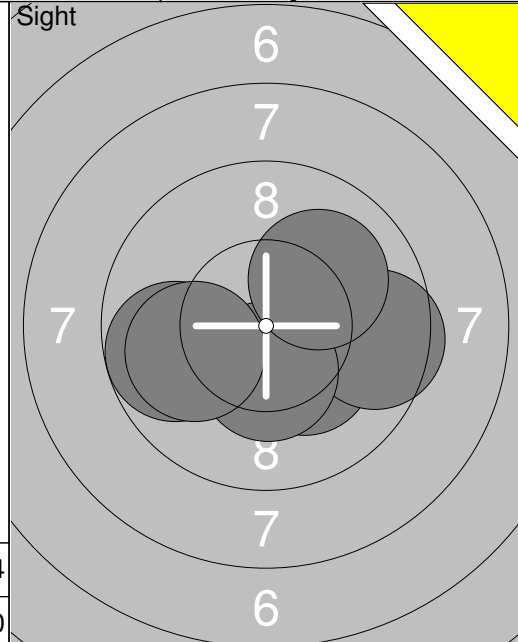
|        |         |
|--------|---------|
| 21:    | 10.5x ↖ |
| 22:    | 10.6x → |
| 23:    | 10.4x ↗ |
| 24:    | 10.1 ↗  |
| 25:    | 10.6x ↖ |
| 26:    | 10.2x ↙ |
| 27:    | 10.2x ↗ |
| 28:    | 10.0 →  |
| 29:    | 9.9 ↑   |
| 30:    | 9.6 ↗   |
| Series | 102.1   |
| Total  | 308.7   |



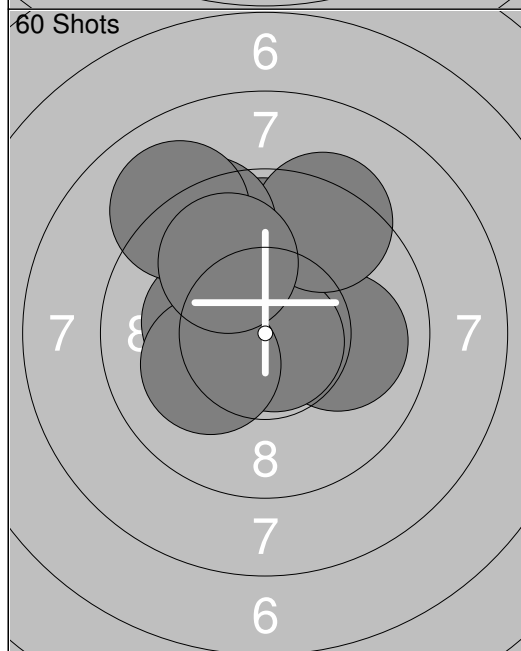
|        |         |
|--------|---------|
| 31:    | 10.1 ↑  |
| 32:    | 10.6x ↓ |
| 33:    | 9.8 ↑   |
| 34:    | 10.3x ↑ |
| 35:    | 10.6x → |
| 36:    | 10.0 →  |
| 37:    | 10.0 ↘  |
| 38:    | 8.7 ↗   |
| 39:    | 10.3x ↗ |
| 40:    | 10.4x ↘ |
| Series | 100.8   |
| Total  | 409.5   |



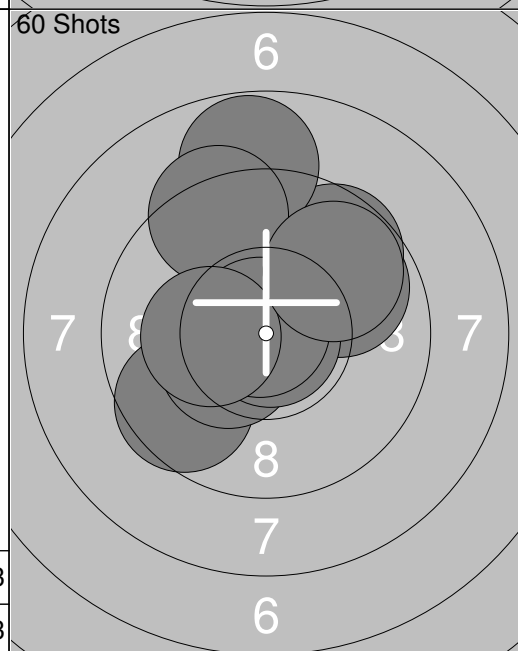
|        |       |      |
|--------|-------|------|
| 1:     | 9.8   | ↓    |
| 2:     | 9.3   | ↓    |
| 3:     | 9.5   | ↓    |
| 4:     | 10.2x | ←    |
| 5:     | 9.9   | ↓    |
| 6:     | 9.3   | ↓    |
| 7:     | 10.5x | ↑    |
| 8:     | 10.4x | ↙    |
| 9:     | 10.5x | ↓    |
| 10:    | 10.0  | ↖    |
| Series |       | 99.4 |
| Total  |       | 0.0  |



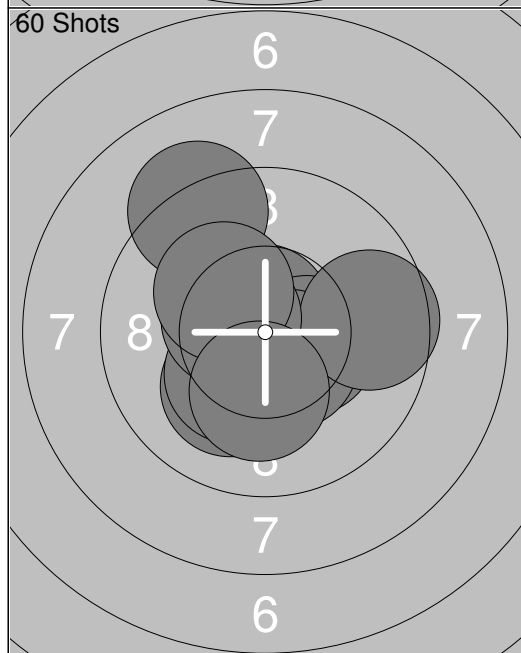
|        |       |      |
|--------|-------|------|
| 11:    | 10.2x | ↘    |
| 12:    | 9.6   | →    |
| 13:    | 9.7   | ←    |
| 14:    | 10.4x | ↓    |
| 15:    | 10.1  | ↗    |
| 16:    | 10.0  | ←    |
| Series |       | 60.0 |
| Total  |       | 0.0  |



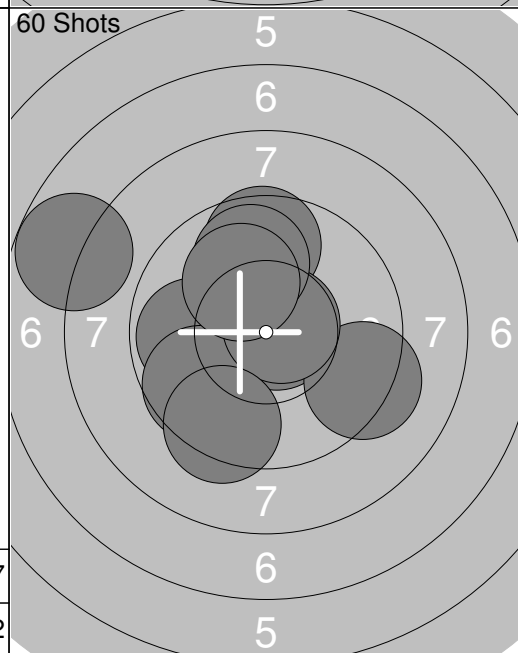
|        |       |      |
|--------|-------|------|
| 1:     | 9.9   | ↑    |
| 2:     | 10.5x | ←    |
| 3:     | 10.2x | ←    |
| 4:     | 10.0  | →    |
| 5:     | 10.8x | ↘    |
| 6:     | 9.4   | ↗    |
| 7:     | 9.4   | ↗    |
| 8:     | 9.0   | ↗    |
| 9:     | 10.2x | ↙    |
| 10:    | 9.9   | ↗    |
| Series |       | 99.3 |
| Total  |       | 99.3 |



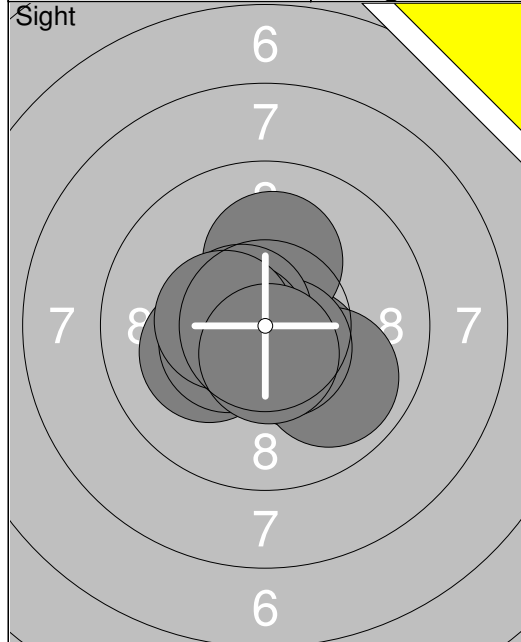
|        |       |       |
|--------|-------|-------|
| 11:    | 9.8   | ↗     |
| 12:    | 9.6   | ↙     |
| 13:    | 9.6   | ↗     |
| 14:    | 10.4x | ↙     |
| 15:    | 8.8   | ↑     |
| 16:    | 9.3   | ↑     |
| 17:    | 10.9x | ↘     |
| 18:    | 10.8x | ↖     |
| 19:    | 10.2x | ←     |
| 20:    | 9.8   | ↗     |
| Series |       | 99.2  |
| Total  |       | 198.5 |



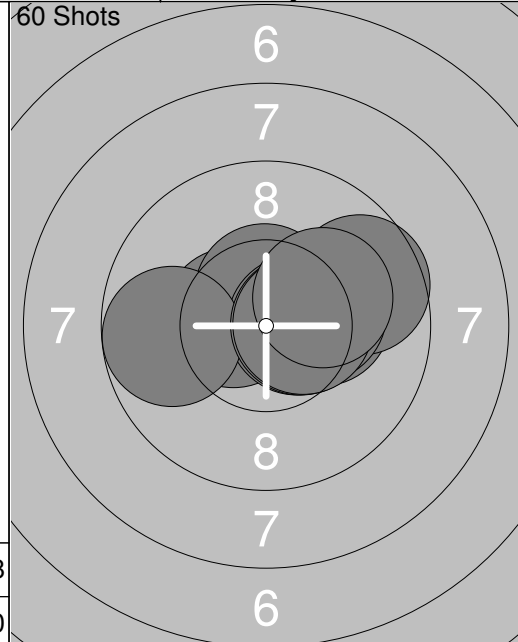
|        |       |       |
|--------|-------|-------|
| 21:    | 10.7x | ↑     |
| 22:    | 10.4x | →     |
| 23:    | 10.5x | ↘     |
| 24:    | 9.2   | ↗     |
| 25:    | 10.1  | ↓     |
| 26:    | 9.6   | →     |
| 27:    | 10.3x | ↙     |
| 28:    | 10.5x | ↖     |
| 29:    | 10.2x | ↖     |
| 30:    | 10.2x | ↓     |
| Series |       | 101.7 |
| Total  |       | 300.2 |



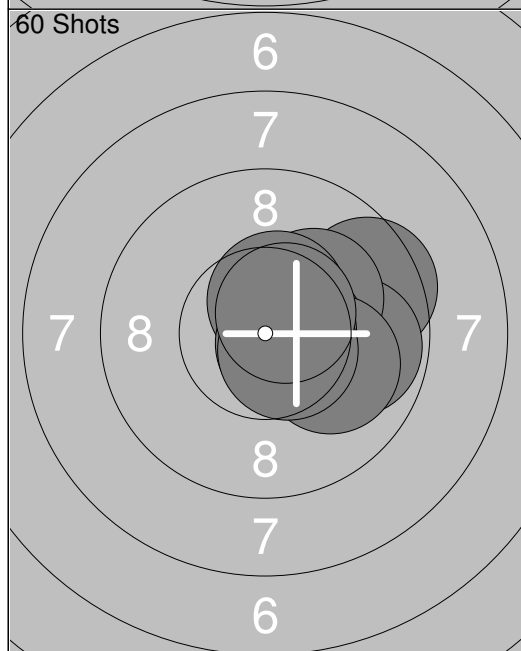
|        |       |       |
|--------|-------|-------|
| 31:    | 10.8x | →     |
| 32:    | 9.6   | ↑     |
| 33:    | 9.9   | ←     |
| 34:    | 7.8   | ↖     |
| 35:    | 9.7   | ↙     |
| 36:    | 9.3   | ↘     |
| 37:    | 10.7x | ↗     |
| 38:    | 9.9   | ↑     |
| 39:    | 10.1  | ↖     |
| 40:    | 9.4   | ↓     |
| Series |       | 97.2  |
| Total  |       | 397.4 |



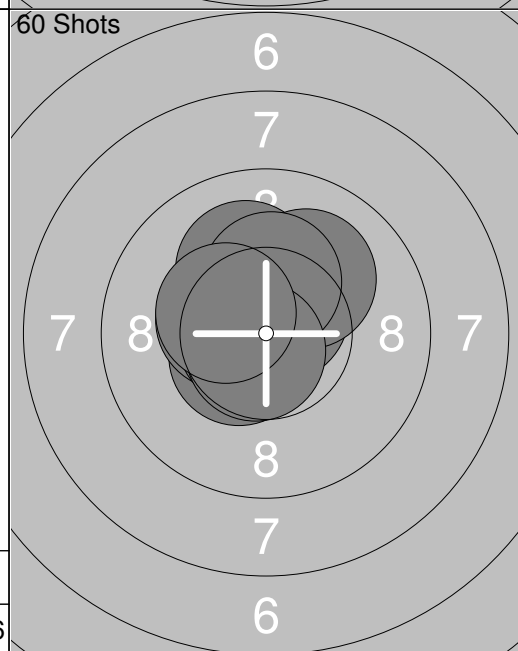
|              |
|--------------|
| 1: 10.4x ↘   |
| 2: 10.2x ↙   |
| 3: 9.9 ↘     |
| 4: 10.1 ↑    |
| 5: 10.6x ↘   |
| 6: 10.6x ↙   |
| 7: 10.6x ←   |
| 8: 10.4x ↙   |
| 9: 10.4x ←   |
| 10: 10.6x ↓  |
| Series 103.8 |
| Total 0.0    |



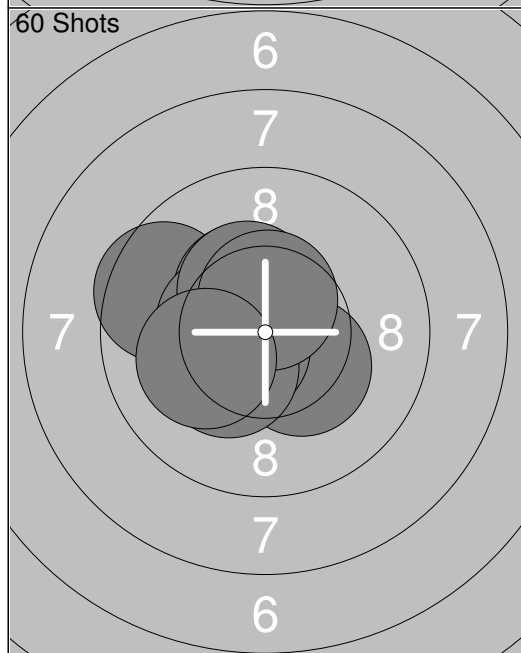
|              |
|--------------|
| 1: 10.5x ↙   |
| 2: 10.5x ↑   |
| 3: 10.6x →   |
| 4: 9.7 ←     |
| 5: 10.2x →   |
| 6: 10.5x →   |
| 7: 9.6 ↗     |
| 8: 10.3x →   |
| 9: 10.5x →   |
| 10: 10.1 ↗   |
| Series 102.5 |
| Total 102.5  |



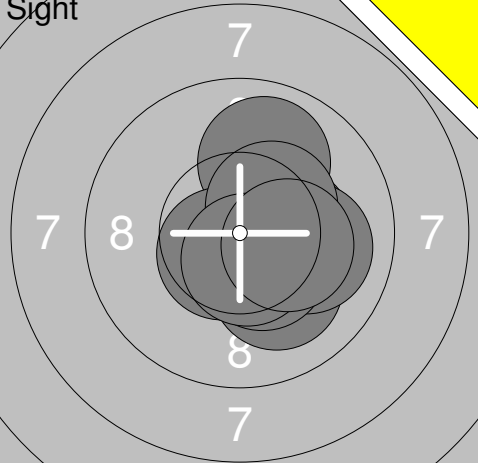
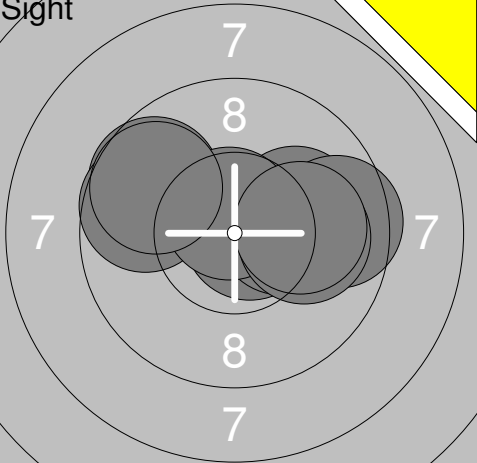
|              |
|--------------|
| 11: 9.5 ↗    |
| 12: 9.8 →    |
| 13: 10.2x ↗  |
| 14: 10.5x →  |
| 15: 10.0 →   |
| 16: 10.7x →  |
| 17: 10.5x ↑  |
| 18: 10.7x →  |
| 19: 10.6x ↘  |
| 20: 10.6x ↗  |
| Series 103.1 |
| Total 205.6  |

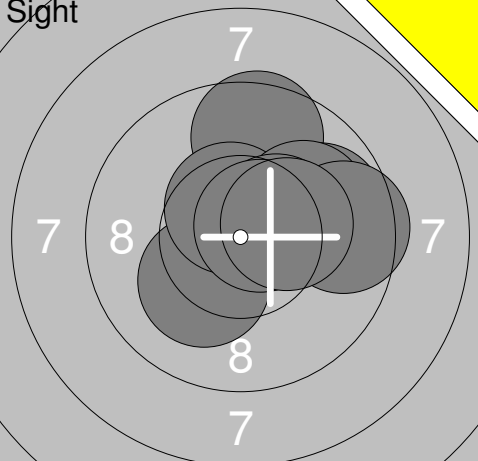



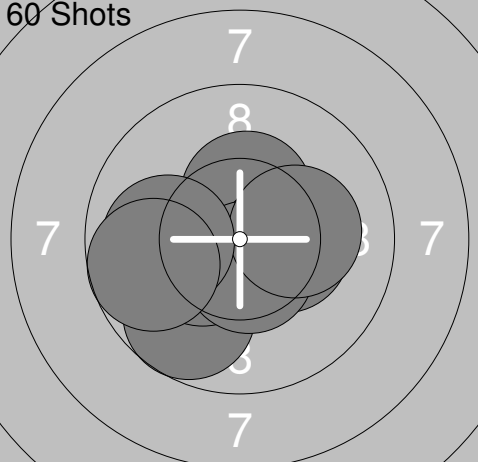
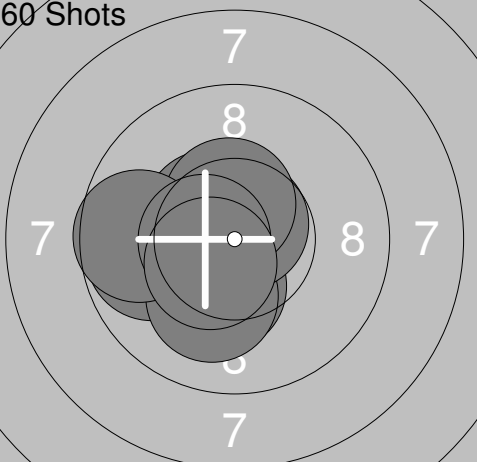
|              |
|--------------|
| 21: 10.5x ↙  |
| 22: 10.6x ↑  |
| 23: 10.1 ↑   |
| 24: 10.6x ↑  |
| 25: 10.1 ↗   |
| 26: 10.4x ↙  |
| 27: 10.7x ←  |
| 28: 10.3x ↑  |
| 29: 10.7x ↘  |
| 30: 10.4x ↙  |
| Series 104.4 |
| Total 310.0  |

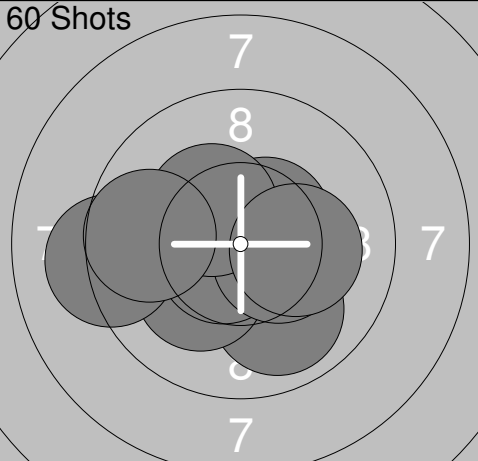
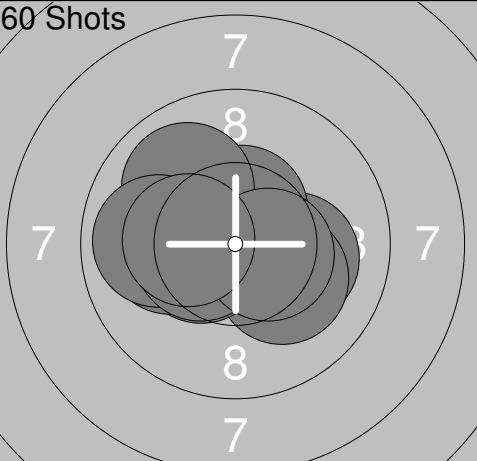


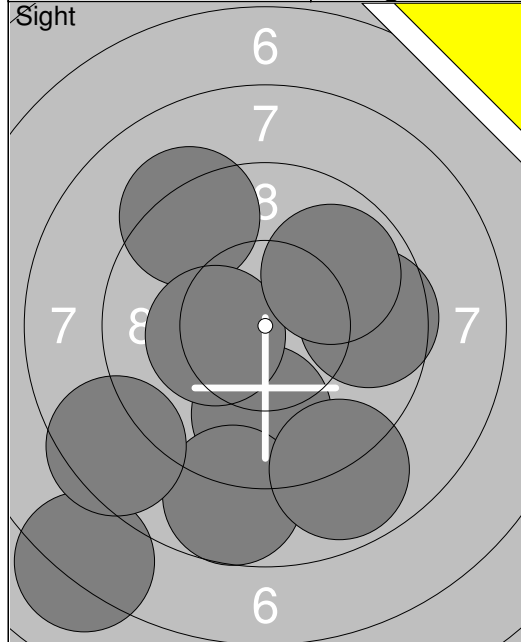
|              |
|--------------|
| 31: 10.3x ↘  |
| 32: 9.6 ←    |
| 33: 10.7x ↙  |
| 34: 10.6x ↙  |
| 35: 10.4x ↙  |
| 36: 10.4x ↙  |
| 37: 10.3x ↙  |
| 38: 10.4x ↙  |
| 39: 10.5x ↑  |
| 40: 10.1 ←   |
| Series 103.3 |
| Total 413.3  |

|   |  |   |  |
|---|--|---|--|
| Sight<br> | 1: 10.3x →<br>2: 10.1 ↓<br>3: 10.0 →<br>4: 10.6x ↓<br>5: 9.9 ↑<br>6: 10.6x ↙<br>7: 10.4x ↗<br>8: 10.4x ↓<br>9: 10.6x ↓<br>10: 10.3x →<br><hr/> Series 103.2<br>Total 0.0 | Sight<br> | 11: 10.7x →<br>12: 10.3x →<br>13: 10.1 →<br>14: 9.7 ↖<br>15: 9.7 ↖<br>16: 10.7x ↑<br>17: 9.7 ↖<br>18: 9.6 →<br>19: 10.0 →<br>20: 10.1 →<br><hr/> Series 100.6<br>Total 0.0 |
|---|--|---|--|

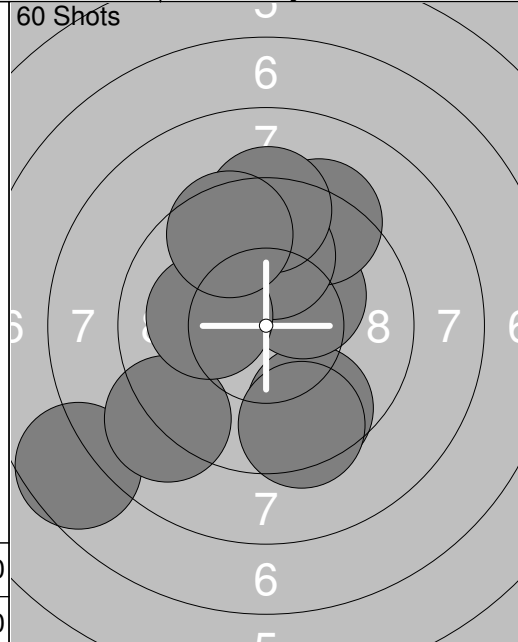
|  |  |  |  |
|--|--|--|--|
| Sight<br> | 22: 10.2x ↙<br>23: 9.6 ↑<br>24: 9.8 →<br>25: 10.5x ↑<br>26: 10.0 →<br>27: 9.6 →<br>28: 10.4x →<br>29: 10.6x ↗<br>30: 10.3x →<br><hr/> Series 91.0<br>Total 0.0 | Sight<br> | 31: 10.6x ↖<br>32: 10.3x ↓<br><hr/> Series 20.9<br>Total 0.0 |
|--|--|--|--|

|  |   |  |  |
|--|---|--|--|
| 60 Shots<br> | 1: 10.4x ↙<br>2: 9.7 ↓<br>3: 10.4x ←<br>4: 10.4x ←<br>5: 10.4x ↑<br>6: 10.3x →<br>7: 10.5x ↓<br>8: 10.2x →<br>9: 10.0 ←<br>10: 9.7 ←<br><hr/> Series 102.0<br>Total 102.0 | 60 Shots<br> | 11: 9.8 ←<br>12: 10.3x ↓<br>13: 10.1 ↓<br>14: 10.3x ←<br>15: 10.7x ↑<br>16: 10.5x ↖<br>17: 10.5x ↑<br>18: 9.7 ←<br>19: 10.5x ←<br>20: 10.5x ↙<br><hr/> Series 102.9<br>Total 204.9 |
|--|---|--|--|

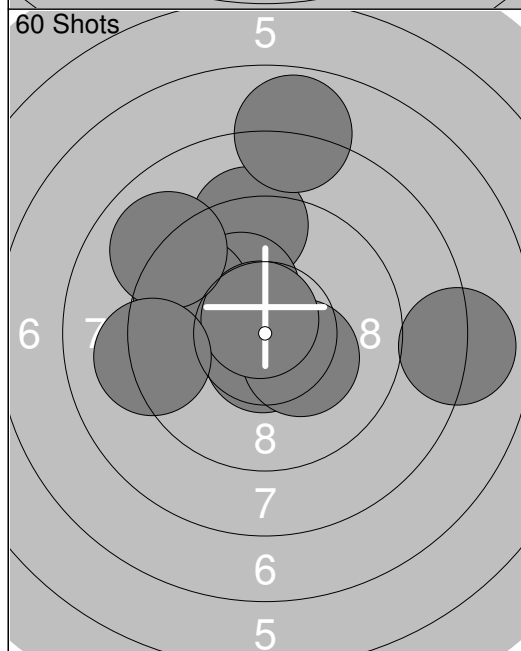
|  |   |  |   |
|--|---|--|---|
| 60 Shots<br> | 21: 9.9 ↓<br>22: 10.5x ↗<br>23: 10.2x ←<br>24: 10.2x ↙<br>25: 9.2 ←<br>26: 10.7x ↙<br>27: 10.4x →<br>28: 10.3x ↖<br>29: 9.7 ←<br>30: 10.2x →<br><hr/> Series 101.3<br>Total 306.2 | 60 Shots<br> | 31: 10.2x →<br>32: 10.2x ↘<br>33: 10.5x ←<br>34: 10.5x ↑<br>35: 10.1 ←<br>36: 10.0 ↗<br>37: 9.9 ←<br>38: 10.5x ←<br>39: 10.5x →<br>40: 10.3x ←<br><hr/> Series 102.7<br>Total 408.9 |
|--|---|--|---|



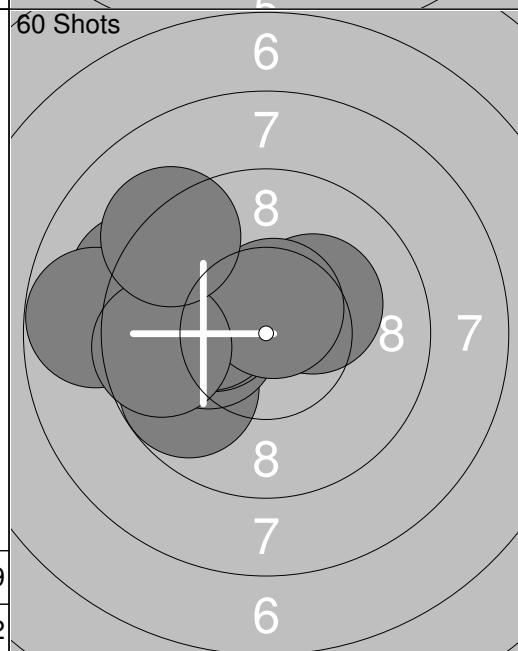
|        |       |      |
|--------|-------|------|
| 1:     | 9.8   | ↓    |
| 2:     | 8.7   | ↓    |
| 3:     | 9.6   | →    |
| 4:     | 7.1   | ↙    |
| 5:     | 9.2   | ↗    |
| 6:     | 8.9   | ↓    |
| 7:     | 8.5   | ↙    |
| 8:     | 10.3x | ←    |
| 9:     | 9.9   | ↗    |
| Series |       | 82.0 |
| Total  |       | 0.0  |



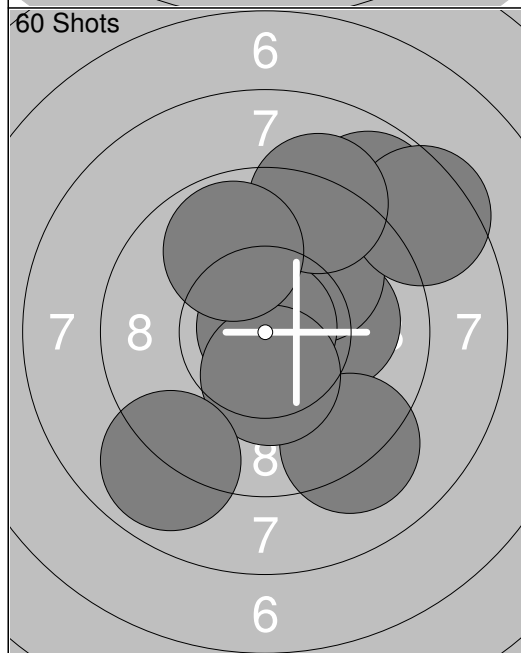
|        |       |      |
|--------|-------|------|
| 1:     | 7.6   | ↙    |
| 2:     | 9.6   | ↓    |
| 3:     | 10.3x | ↗    |
| 4:     | 9.3   | ↗    |
| 5:     | 10.0  | ↑    |
| 6:     | 9.5   | ↓    |
| 7:     | 9.0   | ↙    |
| 8:     | 9.3   | ↑    |
| 9:     | 10.1  | ←    |
| 10:    | 9.6   | ↖    |
| Series |       | 94.3 |
| Total  |       | 94.3 |



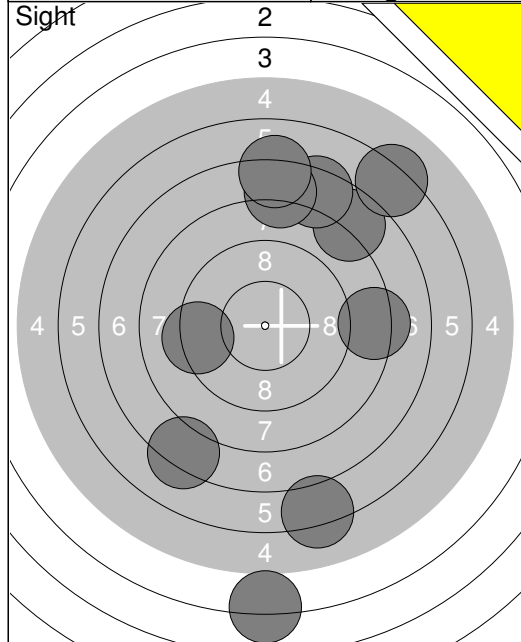
|        |       |       |
|--------|-------|-------|
| 11:    | 10.6x | ↓     |
| 12:    | 10.3x | ↘     |
| 13:    | 9.3   | ↑     |
| 14:    | 10.2x | ↗     |
| 15:    | 8.0   | →     |
| 16:    | 9.7   | ↖     |
| 17:    | 10.7x | ↗     |
| 18:    | 9.0   | ↖     |
| 19:    | 7.9   | ↑     |
| 20:    | 9.2   | ←     |
| Series |       | 94.9  |
| Total  |       | 189.2 |



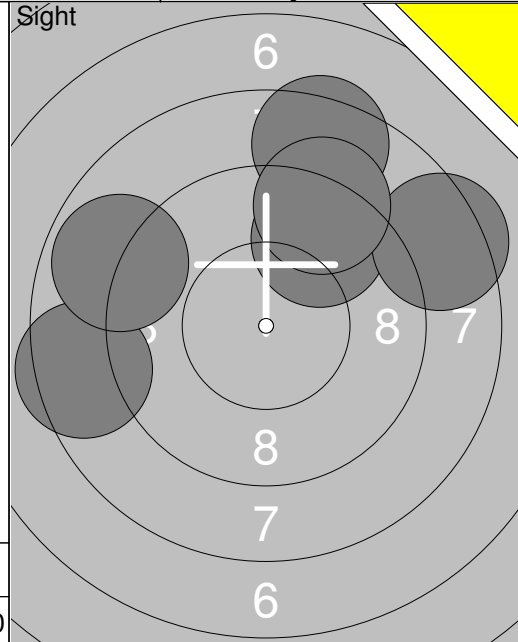
|        |       |       |
|--------|-------|-------|
| 21:    | 9.7   | ↙     |
| 22:    | 10.2x | ←     |
| 23:    | 10.2x | ↗     |
| 24:    | 9.2   | ↖     |
| 25:    | 10.3x | ←     |
| 26:    | 10.2x | ←     |
| 27:    | 8.8   | ←     |
| 28:    | 10.6x | ↑     |
| 29:    | 9.6   | ←     |
| 30:    | 9.2   | ↖     |
| Series |       | 98.0  |
| Total  |       | 287.2 |



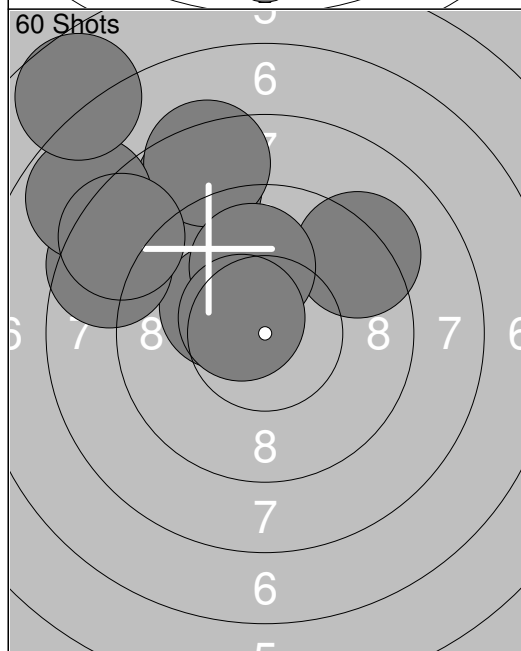
|        |       |       |
|--------|-------|-------|
| 31:    | 10.1  | →     |
| 32:    | 8.8   | ↗     |
| 33:    | 10.0  | ↗     |
| 34:    | 8.5   | ↗     |
| 35:    | 10.9x | ↑     |
| 36:    | 9.2   | ↓     |
| 37:    | 10.4x | ↓     |
| 38:    | 9.2   | ↗     |
| 39:    | 8.9   | ↙     |
| 40:    | 9.8   | ↖     |
| Series |       | 95.8  |
| Total  |       | 383.0 |



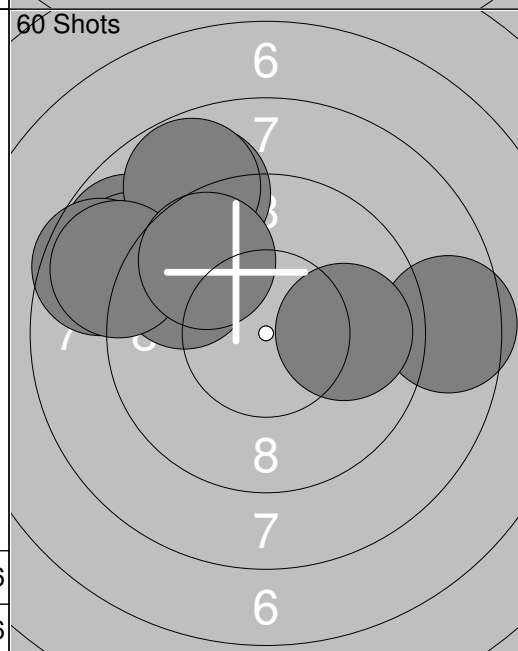
|               |             |   |
|---------------|-------------|---|
| 1:            | 4.0         | ↓ |
| 2:            | 7.2         | ↙ |
| 3:            | 8.3         | → |
| 4:            | 7.7         | ↗ |
| 5:            | 7.4         | ↑ |
| 6:            | 7.6         | ↑ |
| 7:            | 6.2         | ↓ |
| 8:            | 9.3         | ← |
| 9:            | 6.2         | ↗ |
| 10:           | 7.2         | ↑ |
| <b>Series</b> | <b>71.1</b> |   |
| <b>Total</b>  | <b>0.0</b>  |   |



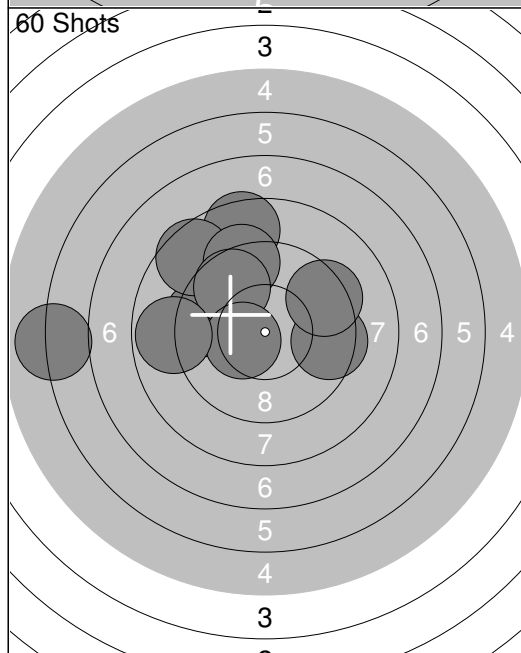
|               |             |   |
|---------------|-------------|---|
| 11:           | 9.6         | ↗ |
| 12:           | 8.5         | ↑ |
| 13:           | 8.4         | ↗ |
| 14:           | 8.5         | ← |
| 15:           | 9.2         | ↑ |
| 16:           | 8.9         | ↙ |
| <b>Series</b> | <b>53.1</b> |   |
| <b>Total</b>  | <b>0.0</b>  |   |



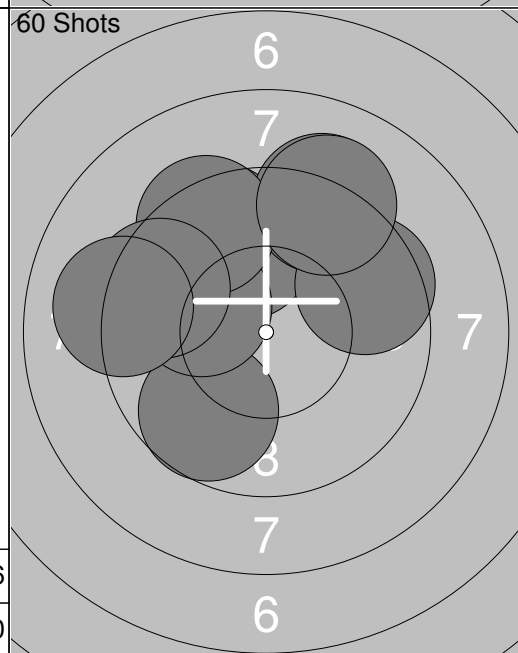
|               |             |   |
|---------------|-------------|---|
| 1:            | 8.7         | ↗ |
| 2:            | 9.2         | ↗ |
| 3:            | 8.4         | ↑ |
| 4:            | 10.2x       | ↙ |
| 5:            | 8.6         | ↙ |
| 6:            | 7.8         | ↗ |
| 7:            | 8.5         | ↙ |
| 8:            | 6.7         | ↗ |
| 9:            | 10.0        | ↑ |
| 10:           | 10.5x       | ↙ |
| <b>Series</b> | <b>88.6</b> |   |
| <b>Total</b>  | <b>88.6</b> |   |



|               |              |   |
|---------------|--------------|---|
| 11:           | 8.8          | ↙ |
| 12:           | 9.0          | ↙ |
| 13:           | 8.6          | ↙ |
| 14:           | 8.6          | → |
| 15:           | 9.7          | ↗ |
| 16:           | 8.9          | ↑ |
| 17:           | 8.8          | ↑ |
| 18:           | 8.8          | ↙ |
| 19:           | 9.9          | → |
| 20:           | 9.7          | ↙ |
| <b>Series</b> | <b>90.8</b>  |   |
| <b>Total</b>  | <b>179.4</b> |   |

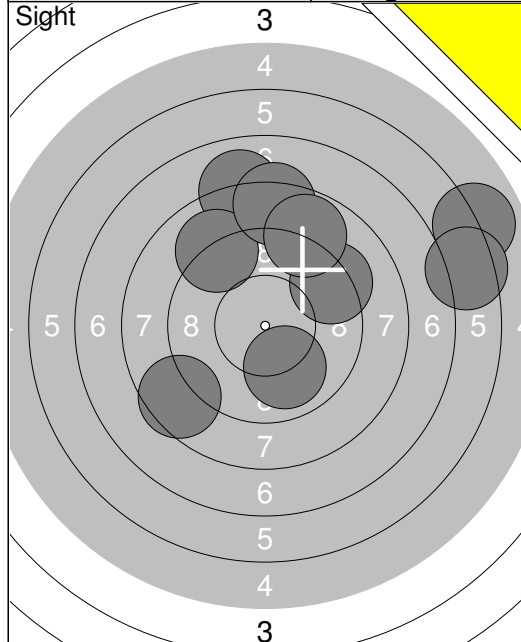


|               |              |   |
|---------------|--------------|---|
| 21:           | 8.5          | ↑ |
| 22:           | 9.5          | ← |
| 23:           | 6.0          | ← |
| 24:           | 8.6          | ↗ |
| 25:           | 9.2          | ↑ |
| 26:           | 9.7          | ↗ |
| 27:           | 10.4x        | ↙ |
| 28:           | 8.8          | ← |
| 29:           | 9.5          | → |
| 30:           | 9.4          | ↗ |
| <b>Series</b> | <b>89.6</b>  |   |
| <b>Total</b>  | <b>269.0</b> |   |

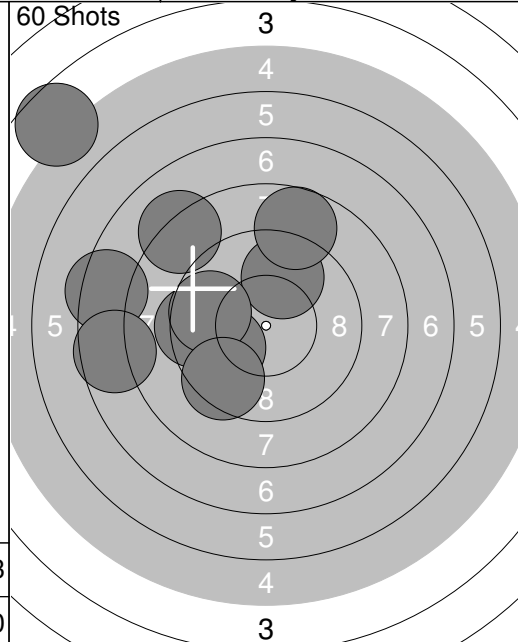


|               |              |   |
|---------------|--------------|---|
| 31:           | 9.6          | ↗ |
| 32:           | 9.9          | ↑ |
| 33:           | 9.2          | ↑ |
| 34:           | 9.7          | ↙ |
| 35:           | 9.5          | ↗ |
| 36:           | 10.1         | ↙ |
| 37:           | 9.4          | ↑ |
| 38:           | 9.5          | ↙ |
| 39:           | 9.1          | ← |
| 40:           | 9.2          | ↑ |
| <b>Series</b> | <b>95.2</b>  |   |
| <b>Total</b>  | <b>364.2</b> |   |

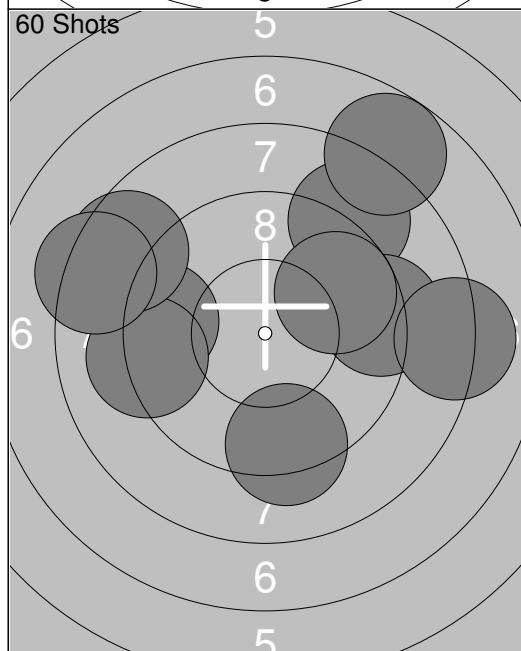




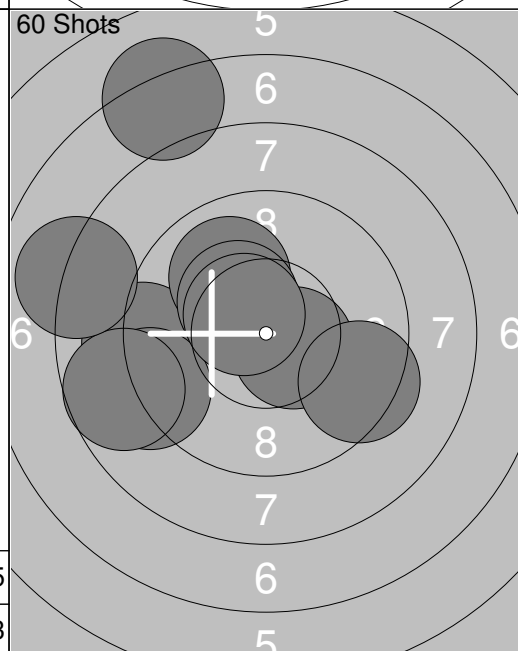
|        |      |      |
|--------|------|------|
| 1:     | 9.3  | ↗    |
| 2:     | 8.0  | ↑    |
| 3:     | 9.0  | ↖    |
| 4:     | 8.6  | ↙    |
| 5:     | 5.9  | ↗    |
| 6:     | 8.3  | ↑    |
| 7:     | 6.4  | →    |
| 8:     | 8.8  | ↑    |
| 9:     | 10.0 | ↓    |
| Series |      | 74.3 |
| Total  |      | 0.0  |



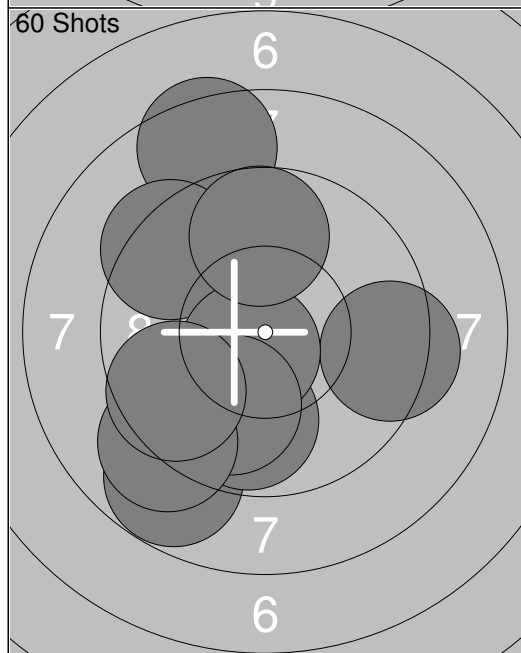
|        |     |      |
|--------|-----|------|
| 1:     | 4.6 | ↖    |
| 2:     | 9.8 | ↑    |
| 3:     | 7.4 | ←    |
| 4:     | 8.2 | ↖    |
| 5:     | 8.7 | ↑    |
| 6:     | 9.9 | ←    |
| 7:     | 7.6 | ←    |
| 8:     | 9.4 | ←    |
| 9:     | 9.7 | ←    |
| 10:    | 9.5 | ↙    |
| Series |     | 84.8 |
| Total  |     | 84.8 |



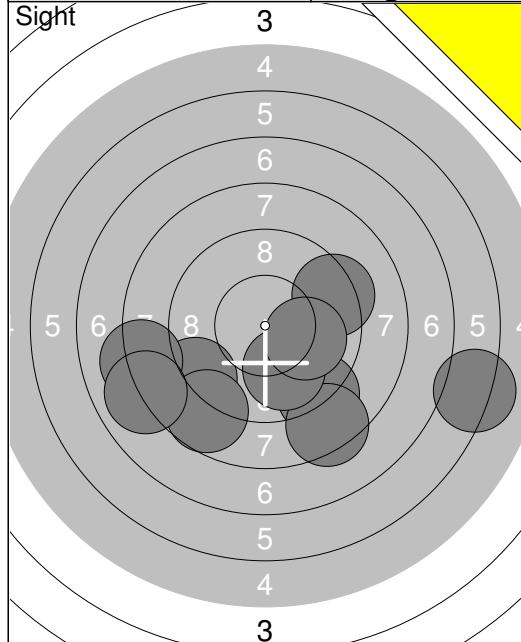
|        |     |       |
|--------|-----|-------|
| 11:    | 8.9 | ↗     |
| 12:    | 7.8 | ↗     |
| 13:    | 9.2 | →     |
| 14:    | 9.4 | ←     |
| 15:    | 8.1 | →     |
| 16:    | 9.3 | ↓     |
| 17:    | 9.7 | ↗     |
| 18:    | 9.2 | ←     |
| 19:    | 8.6 | ↖     |
| 20:    | 8.3 | ←     |
| Series |     | 88.5  |
| Total  |     | 173.3 |



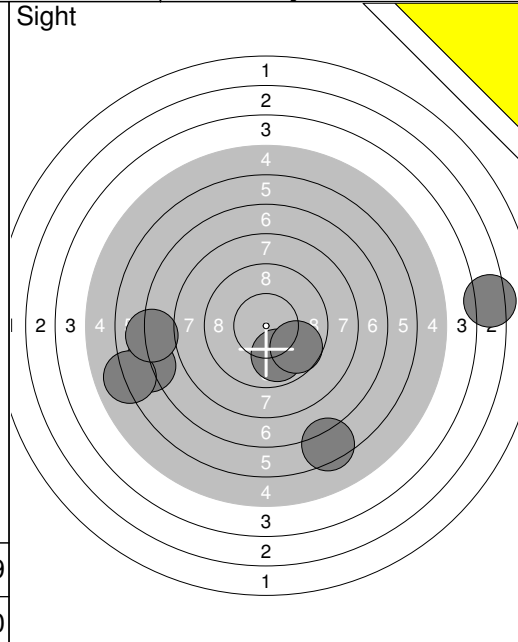
|        |       |       |
|--------|-------|-------|
| 21:    | 9.1   | ←     |
| 22:    | 10.0  | ↖     |
| 23:    | 9.1   | ←     |
| 24:    | 10.3x | ↖     |
| 25:    | 10.5x | ↘     |
| 26:    | 8.7   | ←     |
| 27:    | 7.2   | ↑     |
| 28:    | 10.5x | ↖     |
| 29:    | 9.4   | ↘     |
| 30:    | 8.0   | ←     |
| Series |       | 92.8  |
| Total  |       | 266.1 |



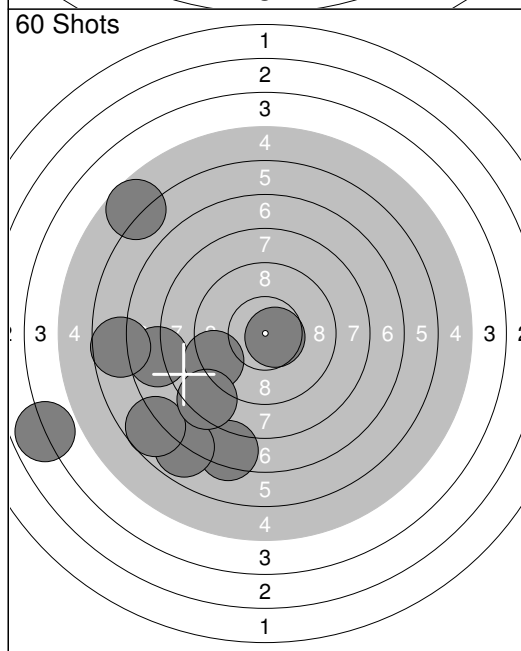
|        |       |       |
|--------|-------|-------|
| 31:    | 8.5   | ↑     |
| 32:    | 9.3   | →     |
| 33:    | 9.4   | ↖     |
| 34:    | 8.8   | ↙     |
| 35:    | 9.8   | ↓     |
| 36:    | 10.6x | ↙     |
| 37:    | 9.9   | ↓     |
| 38:    | 9.7   | ↑     |
| 39:    | 9.1   | ↙     |
| 40:    | 9.6   | ↙     |
| Series |       | 94.7  |
| Total  |       | 360.8 |



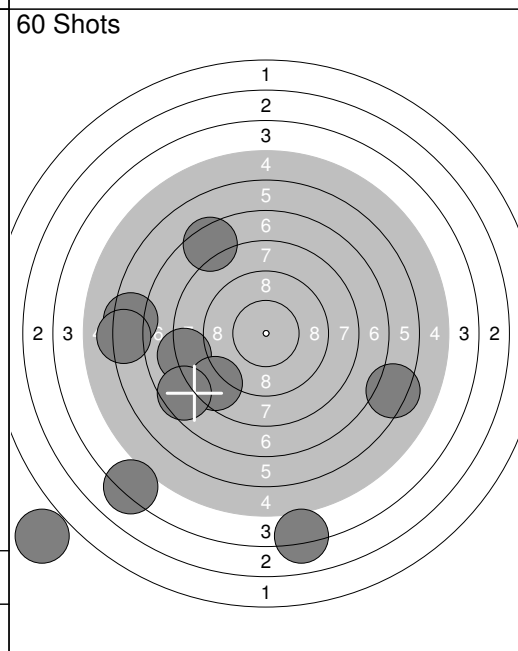
|        |      |      |
|--------|------|------|
| 1:     | 6.2  | →    |
| 2:     | 9.1  | ↙    |
| 3:     | 9.1  | ↘    |
| 4:     | 8.2  | ←    |
| 5:     | 8.4  | ↘    |
| 6:     | 9.9  | ↘    |
| 7:     | 9.3  | →    |
| 8:     | 8.7  | ↘    |
| 9:     | 8.0  | ←    |
| 10:    | 10.0 | →    |
| Series |      | 86.9 |
| Total  |      | 0.0  |



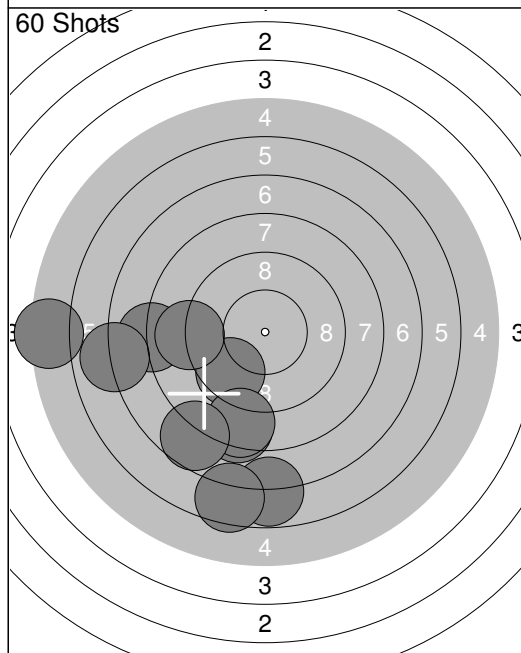
|        |     |      |
|--------|-----|------|
| 11:    | 6.8 | ↙    |
| 12:    | 9.9 | ↘    |
| 13:    | 6.0 | ←    |
| 14:    | 6.4 | ↘    |
| 15:    | 7.1 | ←    |
| 16:    | 9.7 | ↘    |
| 17:    | 3.4 | →    |
| Series |     | 49.3 |
| Total  |     | 0.0  |



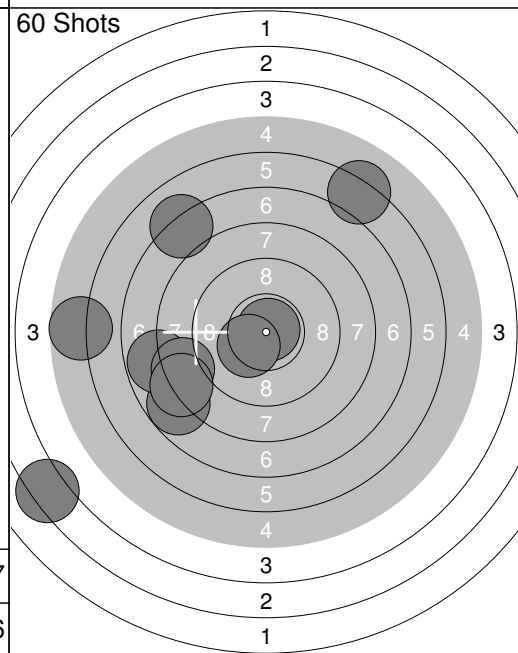
|        |       |      |
|--------|-------|------|
| 1:     | 5.7   | ↖    |
| 2:     | 7.7   | ←    |
| 3:     | 9.2   | ←    |
| 4:     | 3.9   | ←    |
| 5:     | 7.3   | ↘    |
| 6:     | 10.6x | →    |
| 7:     | 6.9   | ↘    |
| 8:     | 6.7   | ←    |
| 9:     | 6.7   | ←    |
| 10:    | 8.4   | ↘    |
| Series |       | 73.1 |
| Total  |       | 73.1 |



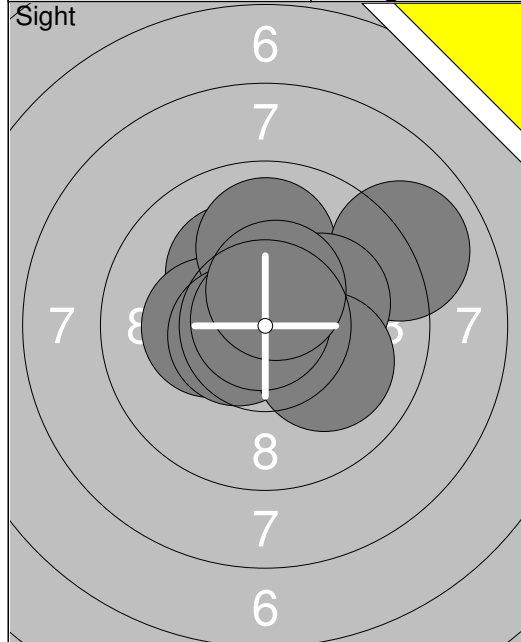
|        |     |       |
|--------|-----|-------|
| 11:    | 4.1 | ↘     |
| 12:    | 6.4 | ←     |
| 13:    | 6.2 | ←     |
| 14:    | 4.1 | ↘     |
| 15:    | 8.1 | ←     |
| 16:    | 6.3 | →     |
| 17:    | 8.6 | ↘     |
| 18:    | 7.4 | ↖     |
| 19:    | 0.0 | ←     |
| 20:    | 7.6 | ↘     |
| Series |     | 58.8  |
| Total  |     | 131.9 |



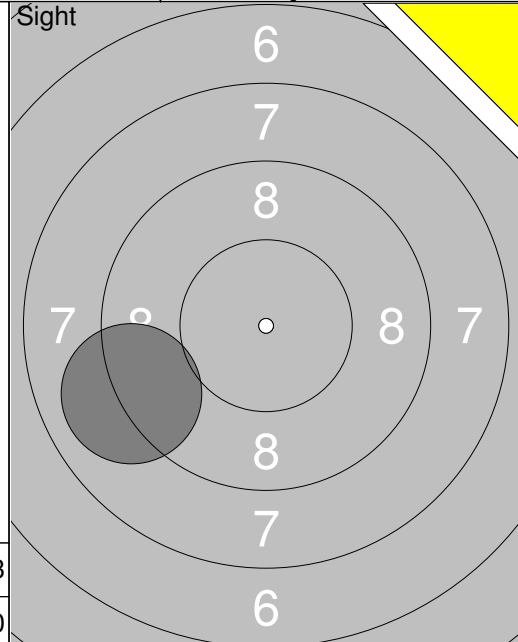
|        |     |       |
|--------|-----|-------|
| 21:    | 6.8 | ↘     |
| 22:    | 6.5 | ↘     |
| 23:    | 9.6 | ↘     |
| 24:    | 8.3 | ↘     |
| 25:    | 8.0 | ←     |
| 26:    | 9.0 | ←     |
| 27:    | 8.5 | ↘     |
| 28:    | 5.3 | ←     |
| 29:    | 7.0 | ←     |
| 30:    | 7.7 | ↘     |
| Series |     | 76.7  |
| Total  |     | 208.6 |



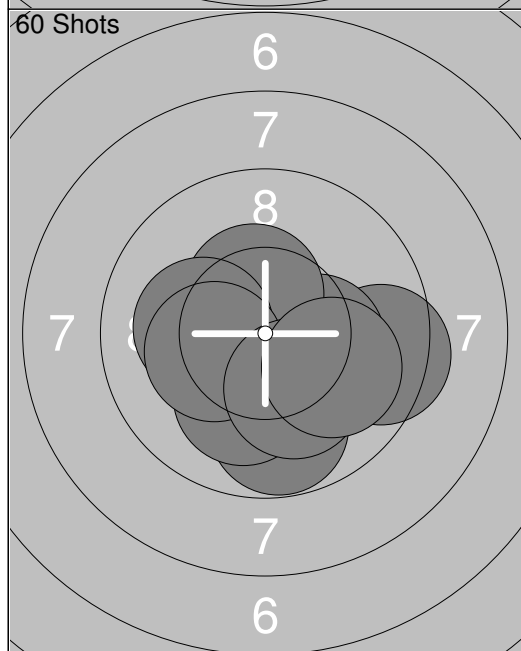
|        |       |       |
|--------|-------|-------|
| 31:    | 3.3   | ↘     |
| 32:    | 7.7   | ↘     |
| 33:    | 5.7   | ←     |
| 34:    | 7.8   | ←     |
| 35:    | 7.1   | ↖     |
| 36:    | 10.9x | ↗     |
| 37:    | 10.3x | ↘     |
| 38:    | 8.4   | ←     |
| 39:    | 6.2   | ↖     |
| 40:    | 8.1   | ↘     |
| Series |       | 75.5  |
| Total  |       | 284.1 |



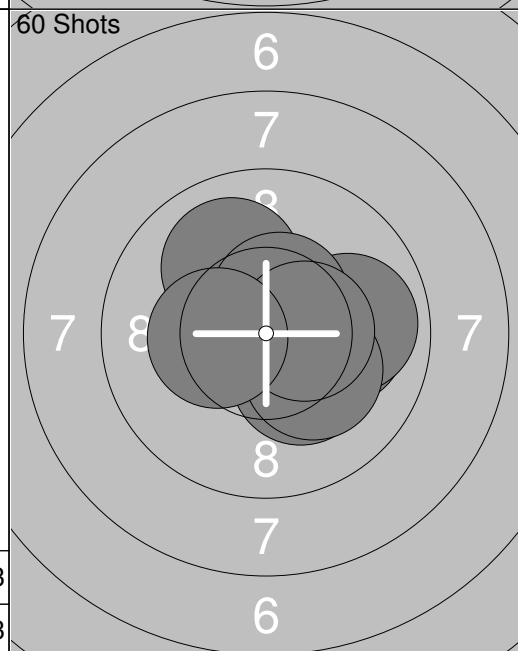
|               |              |
|---------------|--------------|
| 1:            | 10.2x ↗      |
| 2:            | 10.5x ←      |
| 3:            | 10.3x ←      |
| 4:            | 10.0 ↑       |
| 5:            | 9.0 ↗        |
| 6:            | 10.2x →      |
| 7:            | 10.6x ←      |
| 8:            | 10.1 →       |
| 9:            | 10.9x ↘      |
| 10:           | 10.5x ↑      |
| <b>Series</b> | <b>102.3</b> |
| <b>Total</b>  | <b>0.0</b>   |



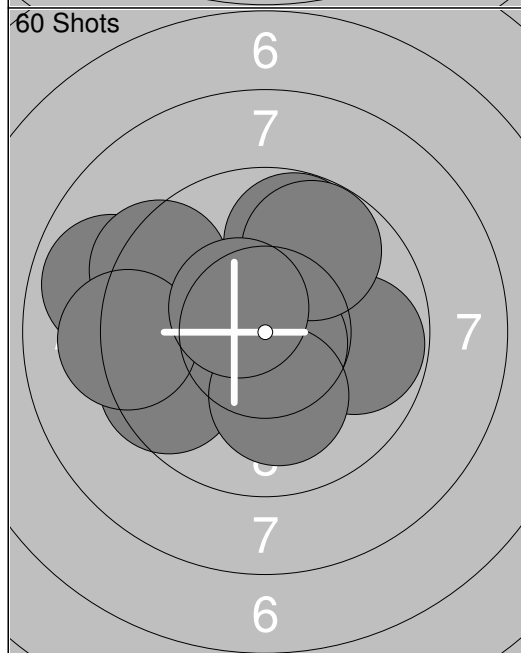
|               |            |
|---------------|------------|
| 11:           | 9.0 ↖      |
| <b>Series</b> | <b>9.0</b> |
| <b>Total</b>  | <b>0.0</b> |



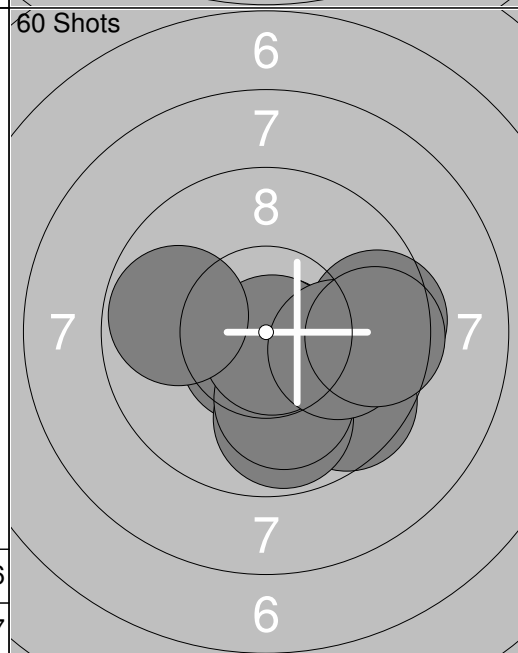
|               |              |
|---------------|--------------|
| 1:            | 9.4 →        |
| 2:            | 9.8 ↓        |
| 3:            | 10.3x →      |
| 4:            | 10.6x ←      |
| 5:            | 10.4x ↑      |
| 6:            | 10.2x ←      |
| 7:            | 10.1 ↓       |
| 8:            | 10.3x ←      |
| 9:            | 10.2x ↓      |
| 10:           | 10.0 →       |
| <b>Series</b> | <b>101.3</b> |
| <b>Total</b>  | <b>101.3</b> |



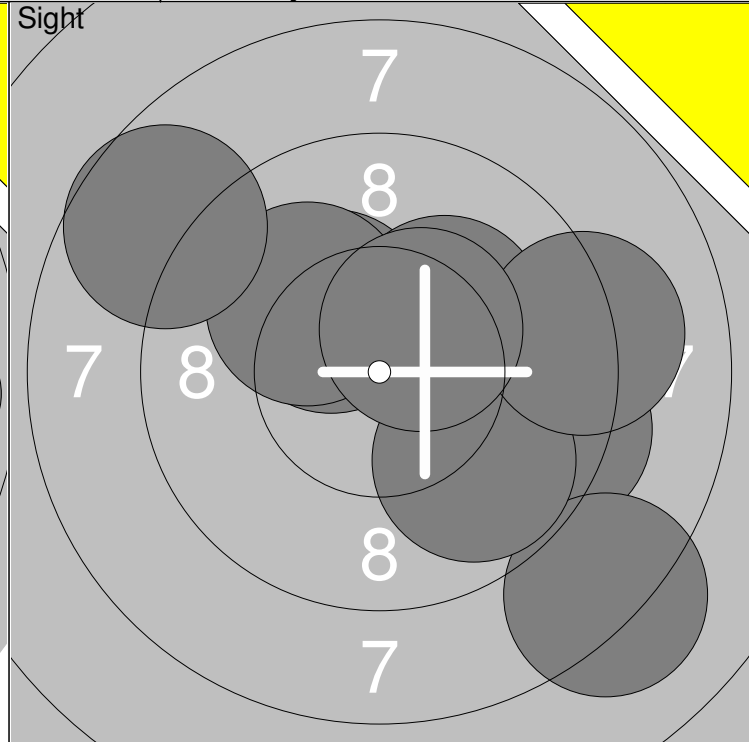
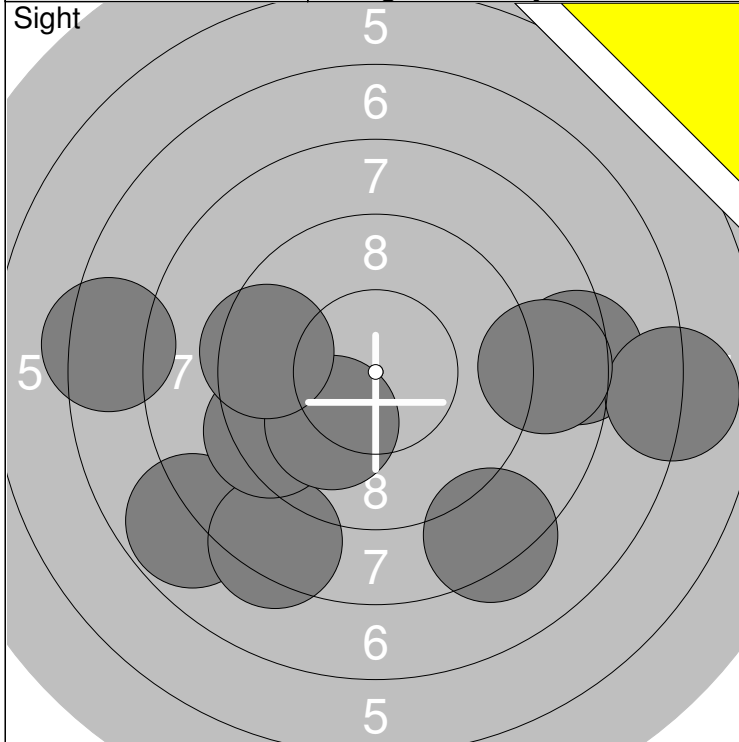
|               |              |
|---------------|--------------|
| 11:           | 10.3x ↖      |
| 12:           | 10.0 →       |
| 13:           | 10.8x →      |
| 14:           | 10.3x ↓      |
| 15:           | 10.0 ↑       |
| 16:           | 9.9 →        |
| 17:           | 10.5x ↑      |
| 18:           | 10.2x ↓      |
| 19:           | 10.5x →      |
| 20:           | 10.3x ←      |
| <b>Series</b> | <b>102.8</b> |
| <b>Total</b>  | <b>204.1</b> |



|               |              |
|---------------|--------------|
| 21:           | 9.8 →        |
| 22:           | 10.7x ↓      |
| 23:           | 8.9 ←        |
| 24:           | 9.4 ↖        |
| 25:           | 9.6 ←        |
| 26:           | 10.1 ↓       |
| 27:           | 9.7 ↑        |
| 28:           | 9.7 ↗        |
| 29:           | 9.2 ←        |
| 30:           | 10.5x ↘      |
| <b>Series</b> | <b>97.6</b>  |
| <b>Total</b>  | <b>301.7</b> |

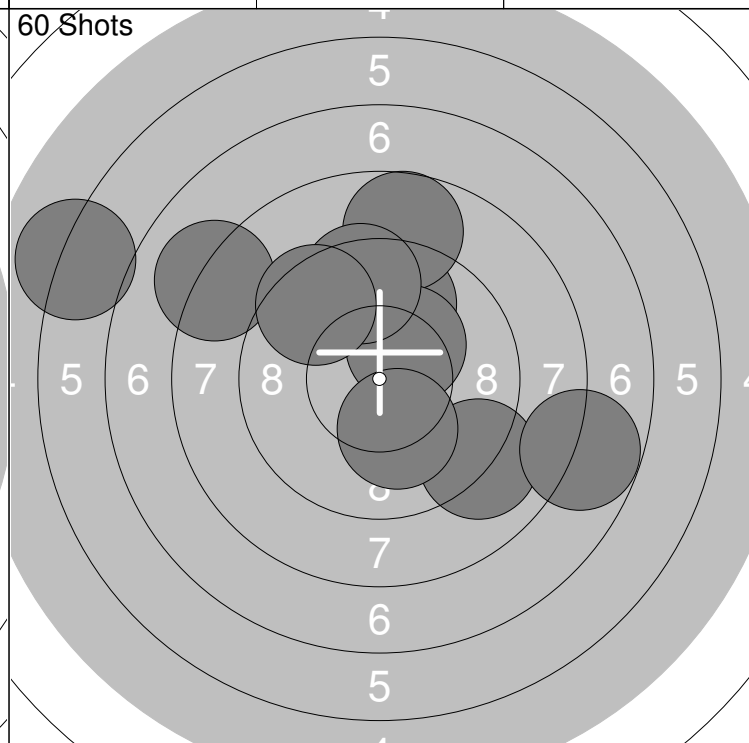
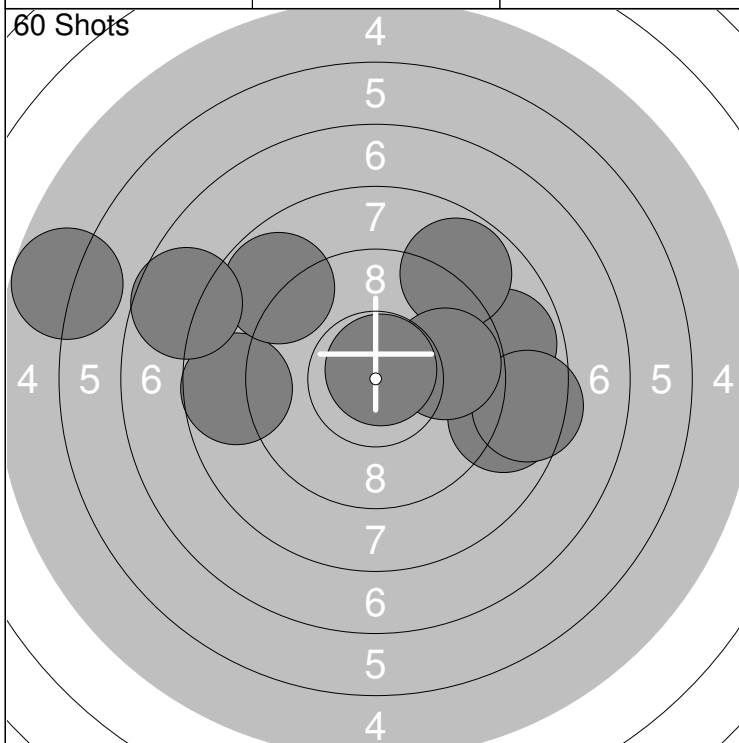


|               |              |
|---------------|--------------|
| 31:           | 9.6 ↓        |
| 32:           | 10.7x ↓      |
| 33:           | 9.5 →        |
| 34:           | 10.6x ↙      |
| 35:           | 9.8 ↓        |
| 36:           | 10.1 ↓       |
| 37:           | 10.8x ↓      |
| 38:           | 9.8 ←        |
| 39:           | 10.0 →       |
| 40:           | 9.6 →        |
| <b>Series</b> | <b>100.5</b> |
| <b>Total</b>  | <b>402.2</b> |



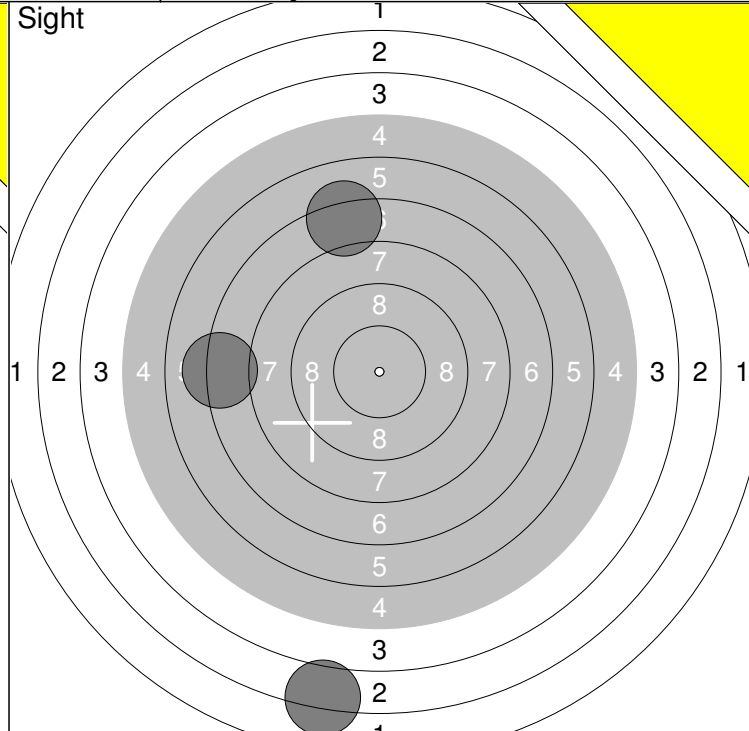
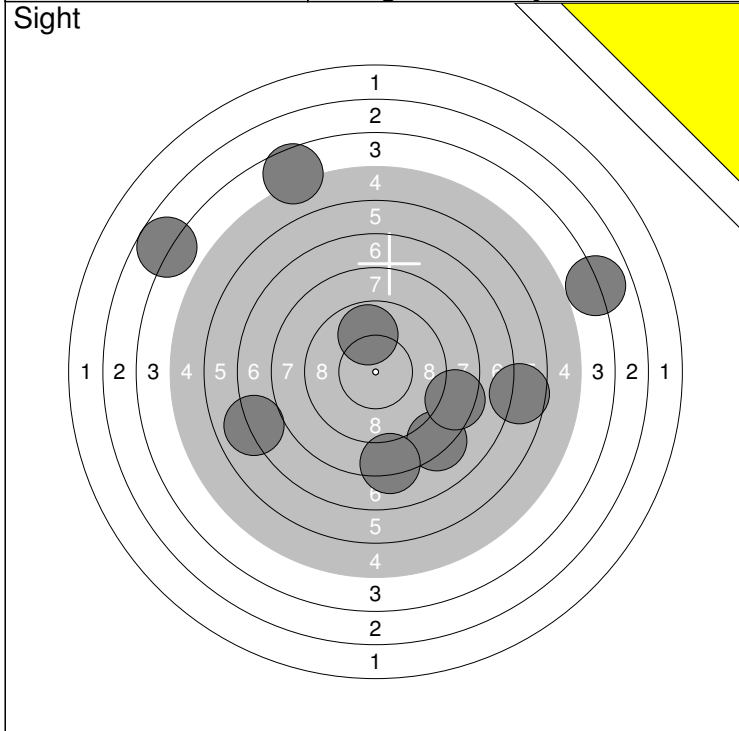
|          |           |               |      |
|----------|-----------|---------------|------|
| 1: 7.8 ↙ | 6: 7.4 ←  | <b>Series</b> | 84.7 |
| 2: 8.3 ↘ | 7: 9.3 ↙  |               |      |
| 3: 8.3 ↘ | 8: 10.1 ↙ | <b>Total</b>  | 0.0  |
| 4: 8.3 → | 9: 8.7 →  |               |      |
| 5: 7.0 → | 10: 9.5 ← |               |      |

|             |             |               |      |
|-------------|-------------|---------------|------|
| 11: 10.3x ↗ | 16: 9.8 ↘   | <b>Series</b> | 86.2 |
| 12: 10.1 ↗  | 17: 8.7 ↗   |               |      |
| 13: 9.4 →   | 18: 9.1 →   | <b>Total</b>  | 0.0  |
| 14: 10.2x ↗ | 19: 10.4x ↗ |               |      |
| 15: 8.2 ↘   |             |               |      |



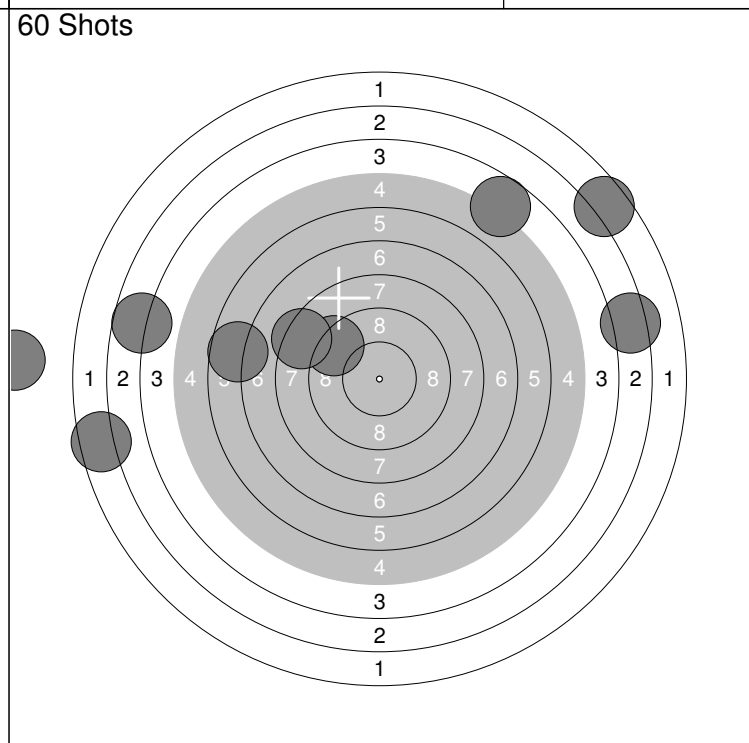
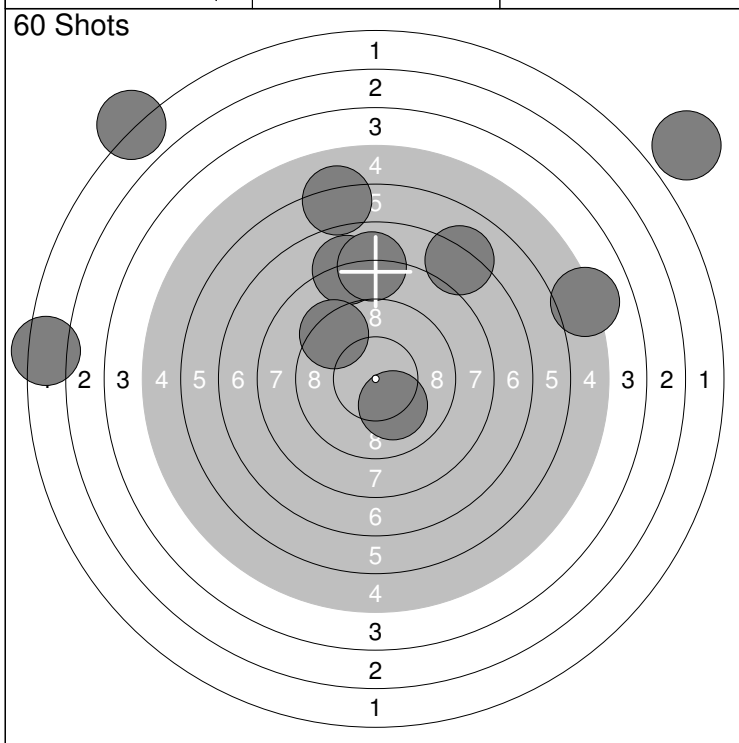
|          |             |               |      |
|----------|-------------|---------------|------|
| 1: 8.7 ← | 6: 8.5 →    | <b>Series</b> | 86.6 |
| 2: 8.8 ↗ | 7: 5.8 ↙    |               |      |
| 3: 8.9 → | 8: 9.8 →    | <b>Total</b>  | 86.6 |
| 4: 8.8 → | 9: 7.7 ↙    |               |      |
| 5: 8.8 ↗ | 10: 10.8x ↗ |               |      |

|             |             |               |       |
|-------------|-------------|---------------|-------|
| 11: 9.8 ↗   | 16: 7.8 →   | <b>Series</b> | 89.0  |
| 12: 8.7 ↗   | 17: 9.5 ↗   |               |       |
| 13: 6.1 ↙   | 18: 10.2x ↘ | <b>Total</b>  | 175.6 |
| 14: 10.3x ↗ | 19: 8.1 ↗   |               |       |
| 15: 9.0 ↘   | 20: 9.5 ↗   |               |       |



|          |           |               |      |
|----------|-----------|---------------|------|
| 1: 7.0 ← | 6: 3.9 →  | <b>Series</b> | 60.5 |
| 2: 8.2 ↓ | 7: 0.0 ↑  |               |      |
| 3: 8.2 ↓ | 8: 6.6 →  | <b>Total</b>  | 0.0  |
| 4: 8.5 → | 9: 9.8 ↑  |               |      |
| 5: 4.6 ↗ | 10: 3.7 ↖ |               |      |

|           |               |      |
|-----------|---------------|------|
| 11: 7.2 ← | <b>Series</b> | 17.5 |
| 12: 3.1 ↓ |               |      |
| 13: 7.2 ↑ | <b>Total</b>  | 0.0  |
|           |               |      |



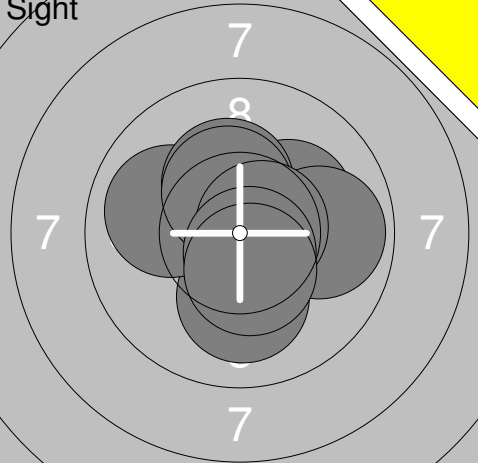
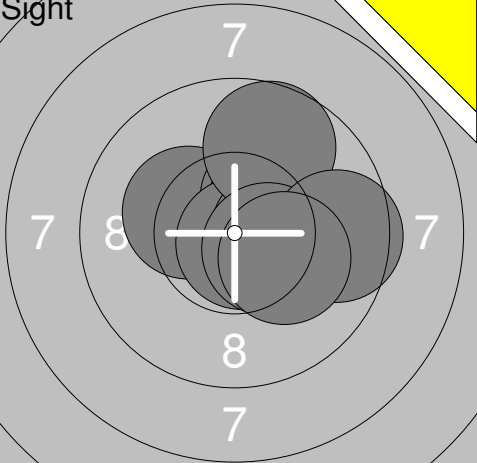
|           |           |               |      |
|-----------|-----------|---------------|------|
| 1: 10.1 ↓ | 6: 2.3 ←  | <b>Series</b> | 57.9 |
| 2: 8.0 ↑  | 7: 7.1 ↗  |               |      |
| 3: 6.2 ↑  | 8: 8.0 ↑  | <b>Total</b>  | 57.9 |
| 4: 0.0 ↗  | 9: 5.1 →  |               |      |
| 5: 9.4 ↖  | 10: 1.7 ↖ |               |      |


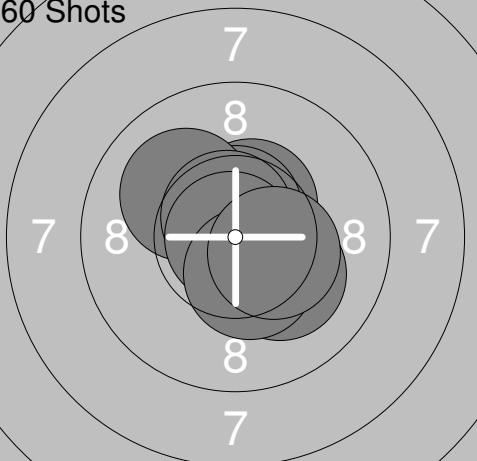
|           |           |               |      |
|-----------|-----------|---------------|------|
| 11: 0.0 ↑ | 16: 0.0 ← | <b>Series</b> | 41.1 |
| 12: 4.7 ↗ | 17: 2.5 ← |               |      |
| 13: 9.3 ↖ | 18: 2.6 ↗ | <b>Total</b>  | 99.0 |
| 14: 3.3 → | 19: 8.3 ↖ |               |      |
| 15: 6.7 ← | 20: 3.7 ← |               |      |

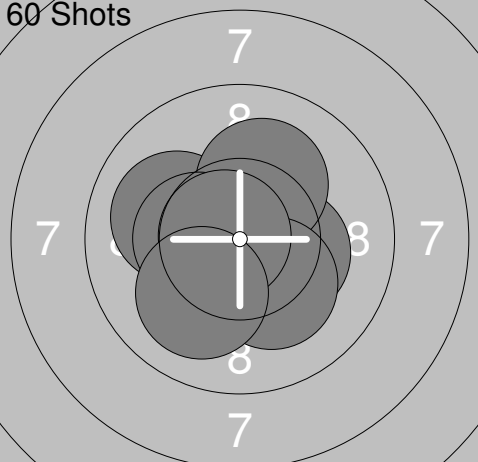
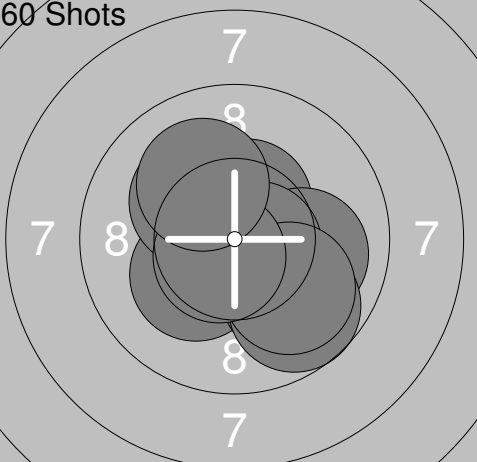
|       |      |             |  |
|-------|------|-------------|--|
| Relay | Lane | Hugo Nyberg |  |
| 2     | 12   |             |  |


|   |            |  |  |
|---|------------|--|--|
| S | Drängsmark |  |  |
|---|------------|--|--|

|            |                         |                    |  |
|------------|-------------------------|--------------------|--|
| 2014-11-15 | Drängsmarksskyttet 2014 | Umeå skytteallians |  |
|------------|-------------------------|--------------------|--|

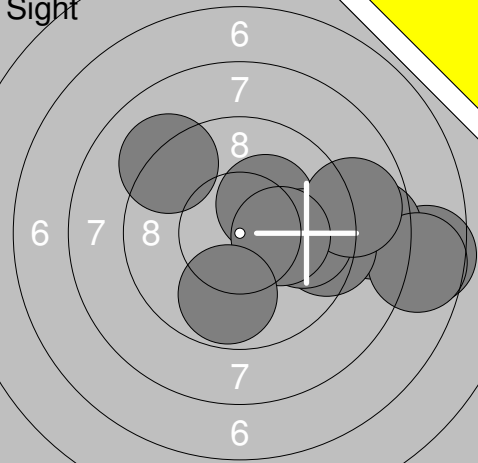
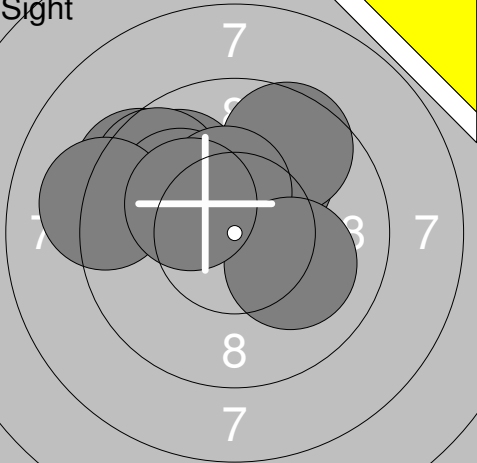
|   |             |   |             |
|---|-------------|---|-------------|
| Sight<br> | 1: 10.1 ↓   | Sight<br> | 11: 10.7x ↑ |
|   | 2: 10.2x →  |   | 12: 10.3x ← |
|   | 3: 10.6x ↓  |   | 13: 10.3x ↗ |
|   | 4: 10.0 ←   |   | 14: 10.3x ↗ |
|   | 5: 10.3x ↑  |   | 15: 10.8x ↓ |
|   | 6: 10.4x ↑  |   | 16: 10.4x → |
|   | 7: 9.9 →    |   | 17: 9.7 ↑   |
|   | 8: 10.6x →  |   | 18: 10.4x ↓ |
|   | 9: 10.6x ↓  |   | 19: 9.6 →   |
|   | 10: 10.4x ↓ |   | 20: 10.2x ↓ |
| Series  | 103.1       | Series  | 102.7       |
| Total   | 0.0         | Total   | 0.0         |

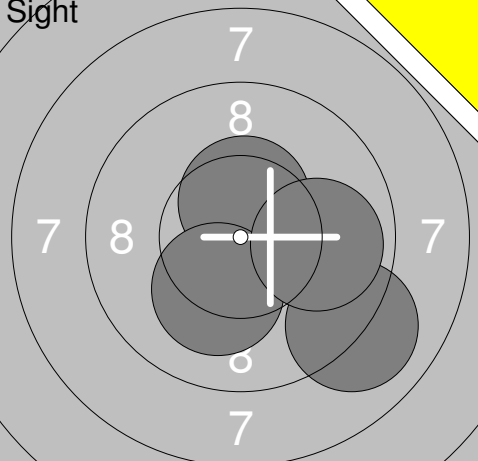
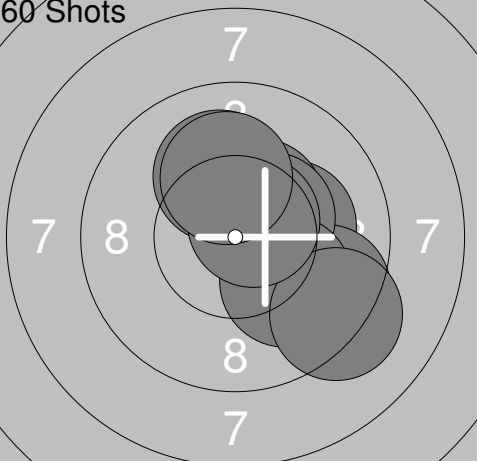
|  |             |   |            |
|--|-------------|---|------------|
| Sight<br> | 21: 10.4x ← | 60 Shots<br> | 1: 10.5x ↗ |
|  | 22: 10.5x ← |   | 2: 10.4x ↓ |
|  | 23: 10.8x ← |   | 3: 10.8x ↓ |
|  | 24: 10.5x ↓ |   | 4: 10.6x ↑ |
|  | 25: 10.0 ↓  |   | 5: 10.1 ↗  |
|  | 26: 10.5x ← |   | 6: 10.6x ↑ |
| Series   | 62.7        | Series  | 104.9      |
| Total  | 0.0         | Total   | 104.9      |

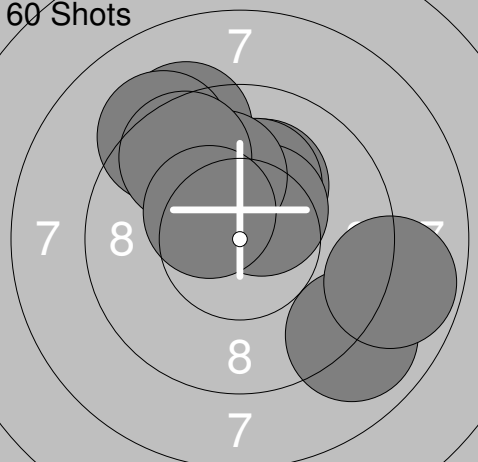
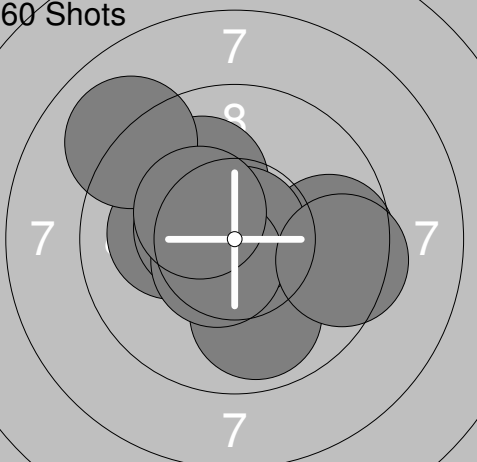
|  |             |  |             |
|--|-------------|--|-------------|
| 60 Shots<br> | 11: 10.0 ←  | 60 Shots<br> | 21: 10.2x ↓ |
|  | 12: 10.4x ↓ |  | 22: 10.5x ↑ |
|  | 13: 10.3x → |  | 23: 10.0 →  |
|  | 14: 10.1 ↑  |  | 24: 10.2x ↗ |
|  | 15: 10.5x ↓ |  | 25: 10.6x → |
|  | 16: 10.7x ← |  | 26: 9.9 ↓   |
|  | 17: 10.2x ↓ |  | 27: 9.7 ↓   |
|  | 18: 10.4x ← |  | 28: 10.0 ↓  |
|  | 19: 10.7x ← |  | 29: 10.6x ↓ |
|  | 20: 10.1 ↓  |  | 30: 10.1 ↗  |
| Series   | 103.4       | Series   | 101.8       |
| Total  | 208.3       | Total  | 310.1       |

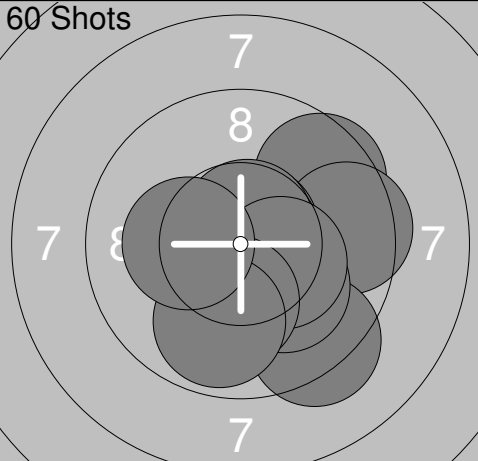
|  |             |  |
|--|-------------|--|
| 60 Shots<br> | 31: 10.5x → |  |
|  | 32: 10.0 ↓  |  |
|  | 33: 10.0 ↓  |  |
|  | 34: 10.6x ↑ |  |
|  | 35: 10.7x → |  |
|  | 36: 9.9 ↓   |  |
|  | 37: 10.8x ↓ |  |
|  | 38: 10.8x ↓ |  |
|  | 39: 10.9x ↓ |  |
|  | 40: 10.3x ↓ |  |
| Series   | 104.5       |  |
| Total  | 414.6       |  |

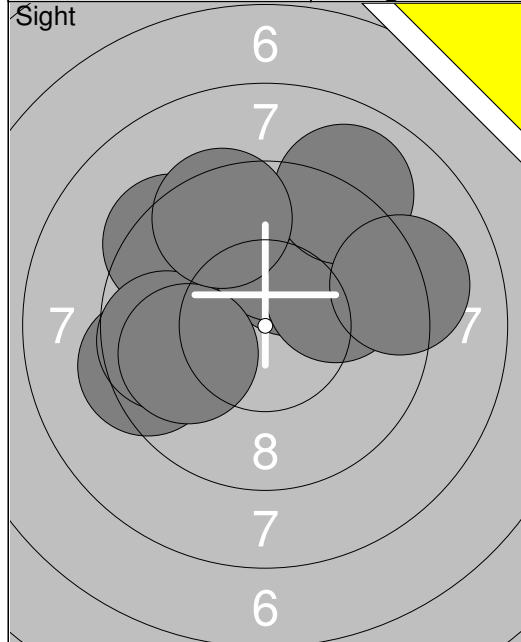


|  |  |  |  |
|--|--|--|--|
| <p><b>Sight</b></p>  | <p>1: 7.6 →<br/>2: 8.6 →<br/>3: 7.7 →<br/>4: 10.2x ↗<br/>5: 9.4 →<br/>6: 9.8 →<br/>7: 8.9 →<br/>8: 10.2x →<br/>9: 9.8 ↓<br/>10: 9.2 ↗</p> <p><b>Series</b> 91.4<br/><b>Total</b> 0.0</p> | <p><b>Sight</b></p>  | <p>11: 9.4 ↗<br/>12: 9.9 ↗<br/>13: 9.6 ↗<br/>14: 10.0 ↗<br/>15: 10.1 ↗<br/>16: 9.6 ↗<br/>17: 10.4x ↑<br/>18: 9.1 ←<br/>19: 10.1 ↘<br/>20: 10.2x ↗</p> <p><b>Series</b> 98.4<br/><b>Total</b> 0.0</p> |
|--|--|--|--|

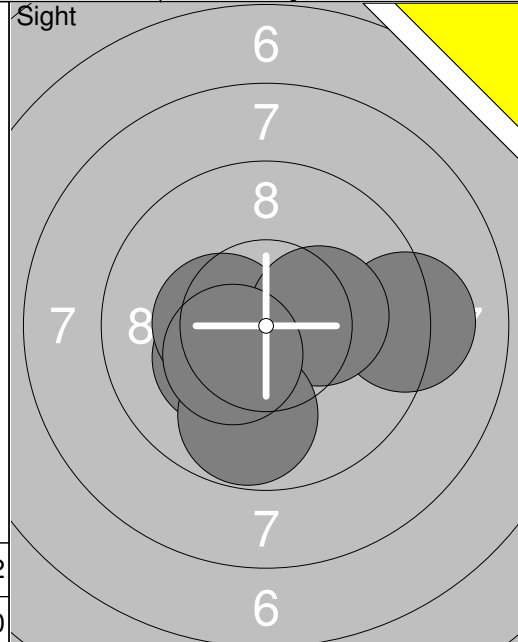
|   |   |  |  |
|---|---|--|--|
| <p><b>Sight</b></p>  | <p>21: 9.0 ↘<br/>22: 10.5x ↑<br/>23: 10.2x ↓<br/>24: 9.9 →</p> <p><b>Series</b> 39.6<br/><b>Total</b> 0.0</p> | <p><b>60 Shots</b></p>  | <p>1: 10.2x →<br/>2: 10.1 ↑<br/>3: 10.4x ↗<br/>4: 10.5x ↗<br/>5: 9.5 ↘<br/>6: 10.4x ↗<br/>7: 10.0 ↘<br/>8: 9.2 ↘<br/>9: 10.6x ↗<br/>10: 10.1 ↑</p> <p><b>Series</b> 101.0<br/><b>Total</b> 101.0</p> |
|---|---|--|--|

|   |  |   |  |
|---|--|---|--|
| <p><b>60 Shots</b></p>  | <p>11: 10.2x ↑<br/>12: 9.0 ↘<br/>13: 10.2x ↑<br/>14: 9.3 ↗<br/>15: 8.8 →<br/>16: 10.5x ↗<br/>17: 9.2 ↗<br/>18: 10.1 ↗<br/>19: 9.6 ↗<br/>20: 10.4x ↗</p> <p><b>Series</b> 97.3<br/><b>Total</b> 198.3</p> | <p><b>60 Shots</b></p>  | <p>21: 9.7 →<br/>22: 10.1 ←<br/>23: 9.9 ↓<br/>24: 10.5x ←<br/>25: 10.1 ↗<br/>26: 9.0 ↗<br/>27: 10.8x ↗<br/>28: 10.6x ↘<br/>29: 10.4x ↗<br/>30: 9.5 →</p> <p><b>Series</b> 100.6<br/><b>Total</b> 298.9</p> |
|---|--|---|--|

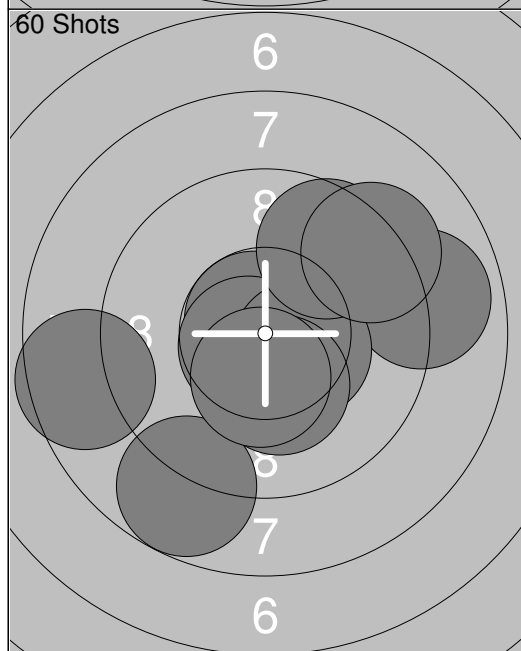
|   |   |  |  |
|---|---|--|--|
| <p><b>60 Shots</b></p>  | <p>31: 9.6 ↗<br/>32: 9.5 →<br/>33: 9.3 ↘<br/>34: 10.7x ↗<br/>35: 10.1 ↘<br/>36: 10.7x ↗<br/>37: 10.4x ↘<br/>38: 10.2x ↓<br/>39: 9.9 ↓<br/>40: 10.2x ←</p> <p><b>Series</b> 100.6<br/><b>Total</b> 399.5</p> |  |  |
|---|---|--|--|



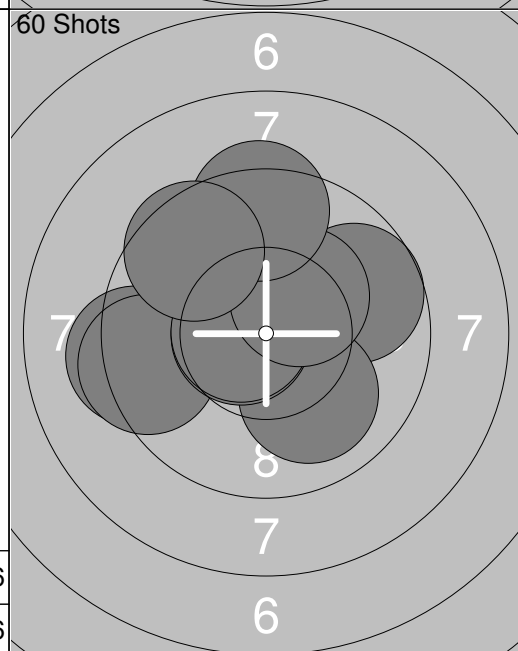
|        |      |   |
|--------|------|---|
| 1:     | 10.1 | ↗ |
| 2:     | 9.4  | ↖ |
| 3:     | 10.0 | ↑ |
| 4:     | 9.4  | ← |
| 5:     | 9.7  | ← |
| 6:     | 9.9  | ← |
| 7:     | 10.0 | → |
| 8:     | 9.0  | ↗ |
| 9:     | 9.5  | ↗ |
| 10:    | 9.2  | → |
| Series | 96.2 |   |
| Total  | 0.0  |   |



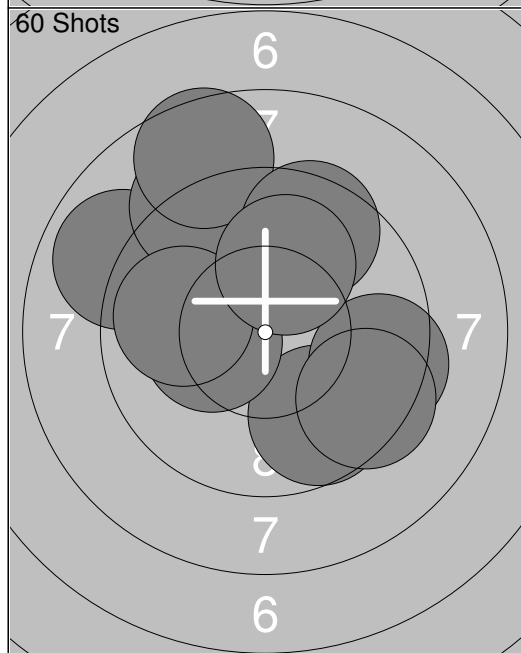
|        |       |   |
|--------|-------|---|
| 11:    | 9.2   | → |
| 12:    | 10.3x | ↙ |
| 13:    | 10.4x | ← |
| 14:    | 10.3x | → |
| 15:    | 9.8   | ↓ |
| 16:    | 10.4x | ↙ |
| Series | 60.4  |   |
| Total  | 0.0   |   |



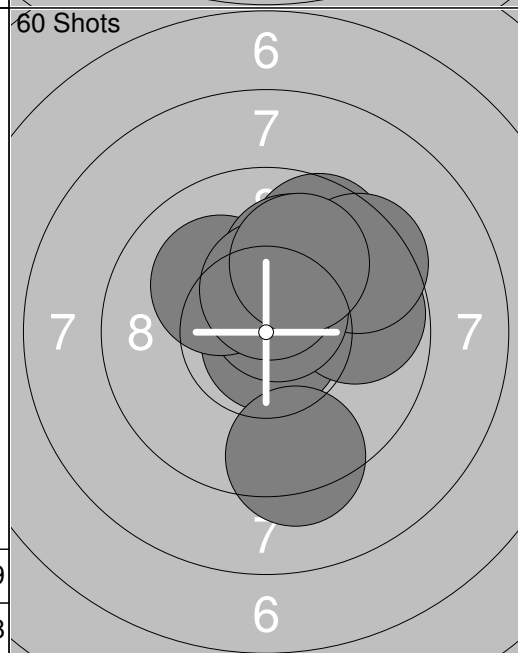
|        |       |   |
|--------|-------|---|
| 1:     | 10.7x | ↖ |
| 2:     | 8.9   | → |
| 3:     | 10.7x | ↙ |
| 4:     | 10.4x | → |
| 5:     | 10.3x | ↓ |
| 6:     | 8.8   | ↓ |
| 7:     | 9.6   | ↗ |
| 8:     | 8.6   | ← |
| 9:     | 10.4x | ↓ |
| 10:    | 9.2   | ↗ |
| Series | 97.6  |   |
| Total  | 97.6  |   |



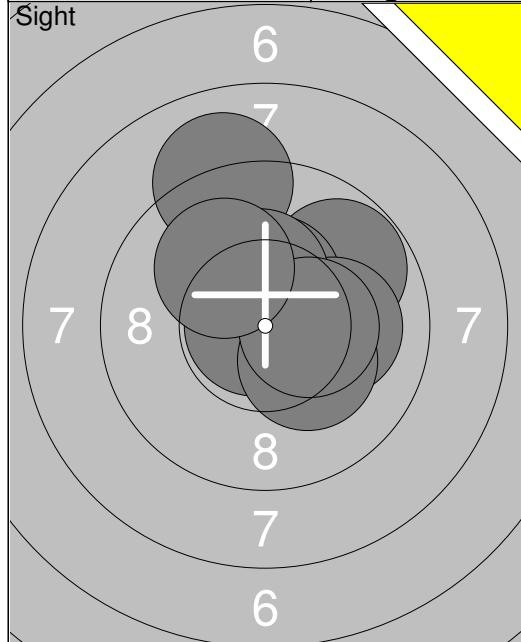
|        |       |   |
|--------|-------|---|
| 11:    | 9.7   | ↗ |
| 12:    | 10.0  | ↓ |
| 13:    | 10.4x | ↖ |
| 14:    | 9.3   | ← |
| 15:    | 9.4   | ← |
| 16:    | 10.6x | ← |
| 17:    | 10.6x | ← |
| 18:    | 10.3x | ↗ |
| 19:    | 9.4   | ↑ |
| 20:    | 9.6   | ↖ |
| Series | 99.3  |   |
| Total  | 196.9 |   |



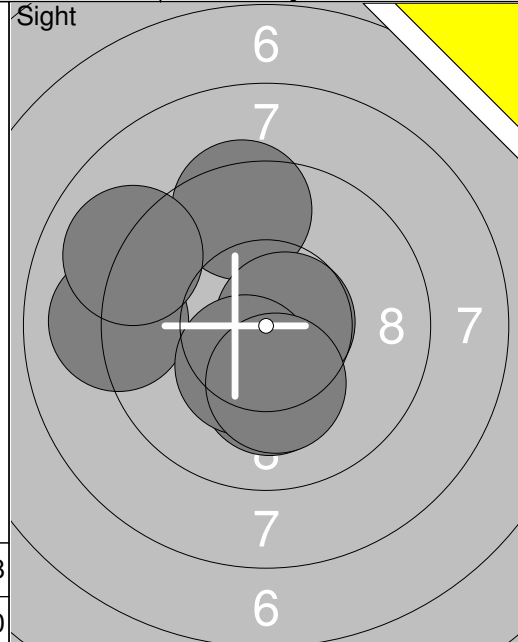
|        |       |   |
|--------|-------|---|
| 21:    | 8.9   | ← |
| 22:    | 9.7   | ↓ |
| 23:    | 9.1   | ↗ |
| 24:    | 10.3x | ← |
| 25:    | 9.4   | → |
| 26:    | 8.6   | ↗ |
| 27:    | 9.9   | ← |
| 28:    | 9.5   | ↗ |
| 29:    | 10.1  | ↗ |
| 30:    | 9.4   | ↘ |
| Series | 94.9  |   |
| Total  | 291.8 |   |



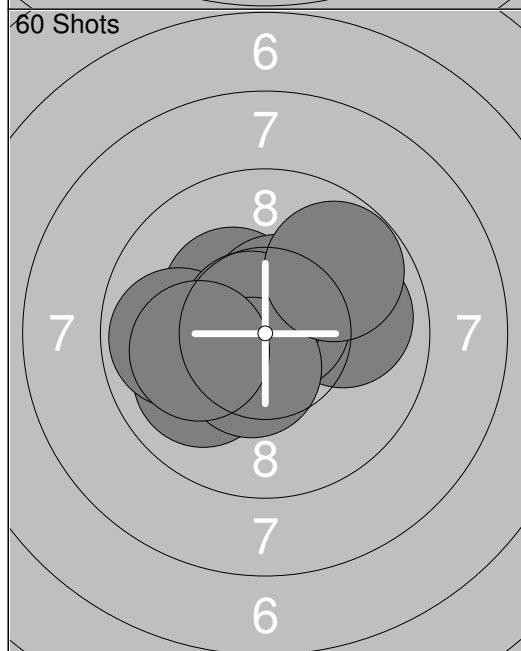
|        |       |   |
|--------|-------|---|
| 31:    | 10.8x | ↓ |
| 32:    | 9.3   | ↓ |
| 33:    | 9.6   | ↗ |
| 34:    | 9.8   | → |
| 35:    | 9.5   | ↗ |
| 36:    | 10.6x | ↗ |
| 37:    | 10.1  | ↖ |
| 38:    | 10.0  | ↗ |
| 39:    | 10.4x | ↑ |
| 40:    | 10.0  | ↗ |
| Series | 100.1 |   |
| Total  | 391.9 |   |



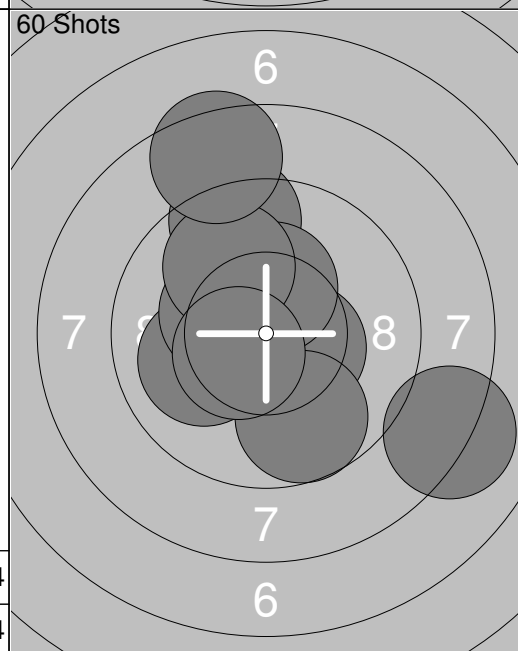
|                     |
|---------------------|
| 1: 9.8 ↗            |
| 2: 9.0 ↑            |
| 3: 10.6x ↑          |
| 4: 10.4x ↑          |
| 5: 10.1 →           |
| 6: 10.3x ↑          |
| 7: 10.8x ←          |
| 8: 10.3x ↘          |
| 9: 10.4x →          |
| 10: 10.1 ↖          |
| <b>Series</b> 101.8 |
| <b>Total</b> 0.0    |



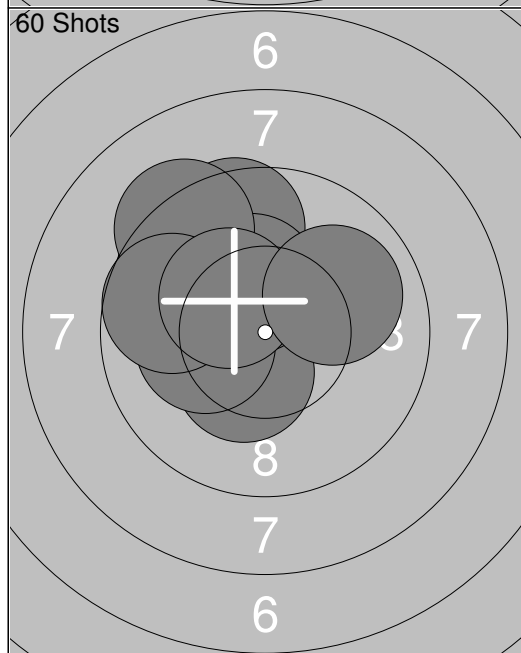
|                    |
|--------------------|
| 11: 9.4 ↑          |
| 12: 10.7x →        |
| 13: 10.2x ↓        |
| 14: 9.1 ←          |
| 15: 10.4x ↘        |
| 16: 9.0 ↖          |
| 17: 10.2x ↓        |
| <b>Series</b> 69.0 |
| <b>Total</b> 0.0   |



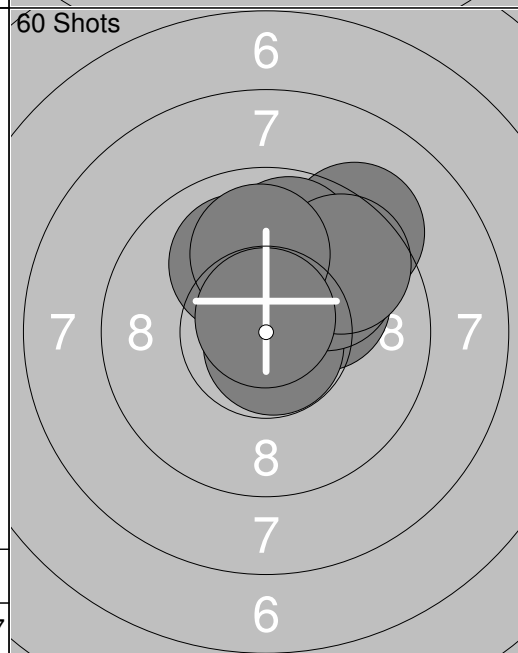
|                     |
|---------------------|
| 1: 10.3x ↖          |
| 2: 10.0 ←           |
| 3: 9.9 →            |
| 4: 9.8 ←            |
| 5: 10.6x ↑          |
| 6: 10.7x ↗          |
| 7: 10.7x ↖          |
| 8: 10.5x ↓          |
| 9: 10.1 ←           |
| 10: 9.8 ↗           |
| <b>Series</b> 102.4 |
| <b>Total</b> 102.4  |



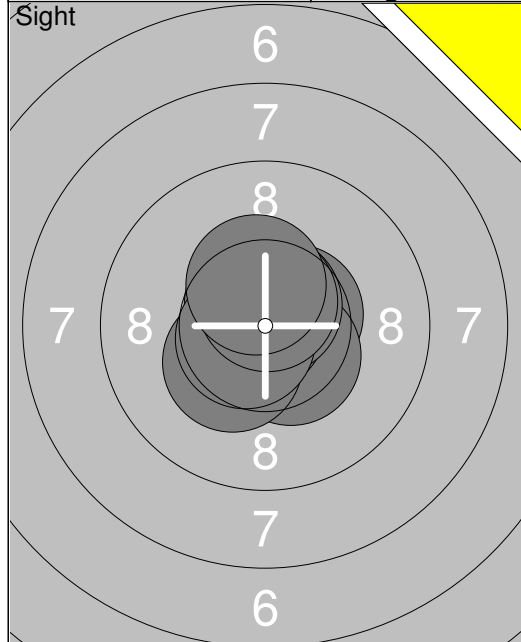
|                    |
|--------------------|
| 11: 9.4 ↑          |
| 12: 10.0 ←         |
| 13: 10.5x ↘        |
| 14: 10.3x ↖        |
| 15: 10.3x ↑        |
| 16: 9.7 ↓          |
| 17: 9.9 ↖          |
| 18: 8.5 ↑          |
| 19: 8.1 ↘          |
| 20: 10.5x ↙        |
| <b>Series</b> 97.2 |
| <b>Total</b> 199.6 |



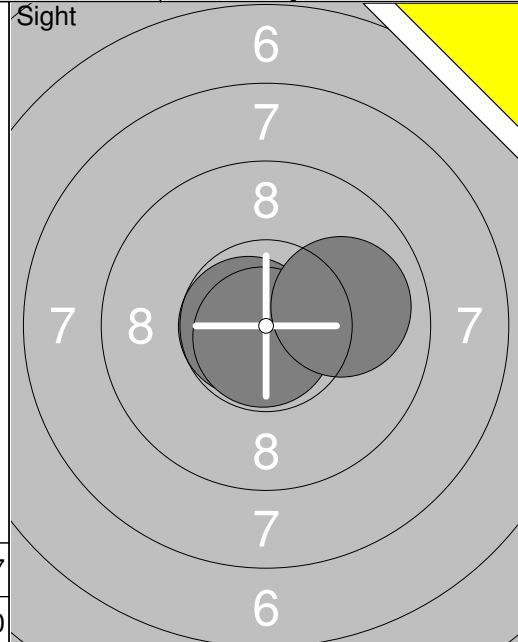
|                     |
|---------------------|
| 21: 9.7 ↖           |
| 22: 9.6 ↑           |
| 23: 10.6x ←         |
| 24: 10.4x ↘         |
| 25: 10.2x ←         |
| 26: 10.3x ↑         |
| 27: 9.3 ↖           |
| 28: 9.7 ←           |
| 29: 10.3x ↖         |
| 30: 10.0 ↗          |
| <b>Series</b> 100.1 |
| <b>Total</b> 299.7  |



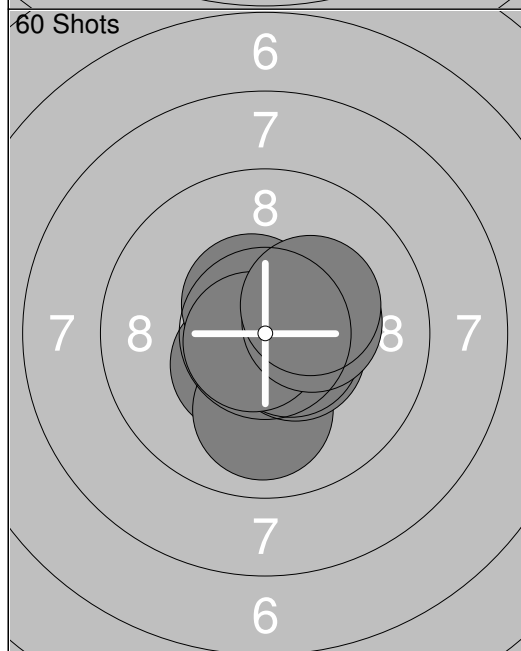
|                     |
|---------------------|
| 31: 10.1 ↑          |
| 32: 9.2 ↗           |
| 33: 9.8 ↑           |
| 34: 10.0 ↖          |
| 35: 10.1 ↗          |
| 36: 10.8x ↘         |
| 37: 9.9 ↗           |
| 38: 9.7 ↗           |
| 39: 9.9 ↑           |
| 40: 10.8x ↑         |
| <b>Series</b> 100.3 |
| <b>Total</b> 400.0  |



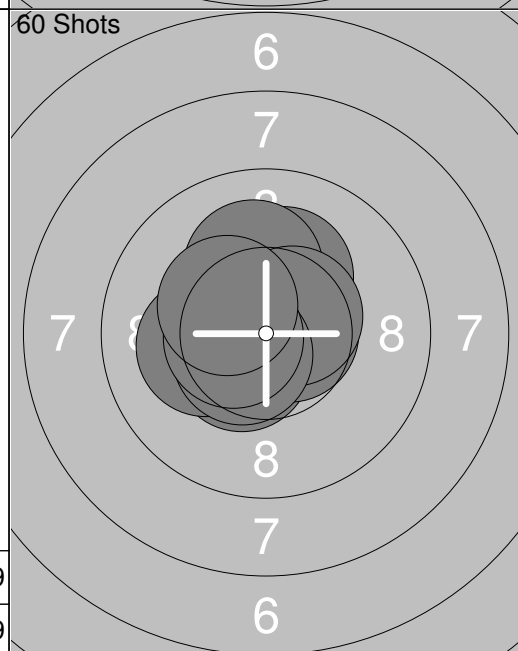
|               |              |
|---------------|--------------|
| 1:            | 10.6x →      |
| 2:            | 10.7x ↗      |
| 3:            | 10.4x ↘      |
| 4:            | 10.6x ↑      |
| 5:            | 10.3x ↙      |
| 6:            | 10.8x ↖      |
| 7:            | 10.7x ↗      |
| 8:            | 10.6x ↙      |
| 9:            | 10.6x ↑      |
| 10:           | 10.4x ↑      |
| <b>Series</b> | <b>105.7</b> |
| <b>Total</b>  | <b>0.0</b>   |



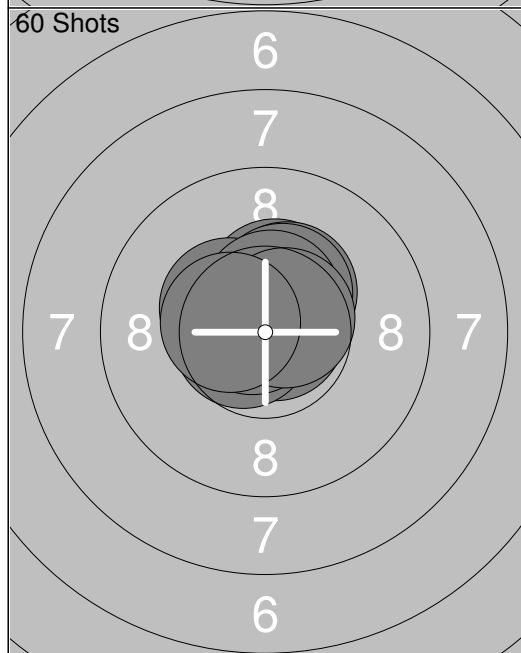
|               |             |
|---------------|-------------|
| 11:           | 10.7x ←     |
| 12:           | 10.8x ↓     |
| 13:           | 10.0 →      |
| <b>Series</b> | <b>31.5</b> |
| <b>Total</b>  | <b>0.0</b>  |



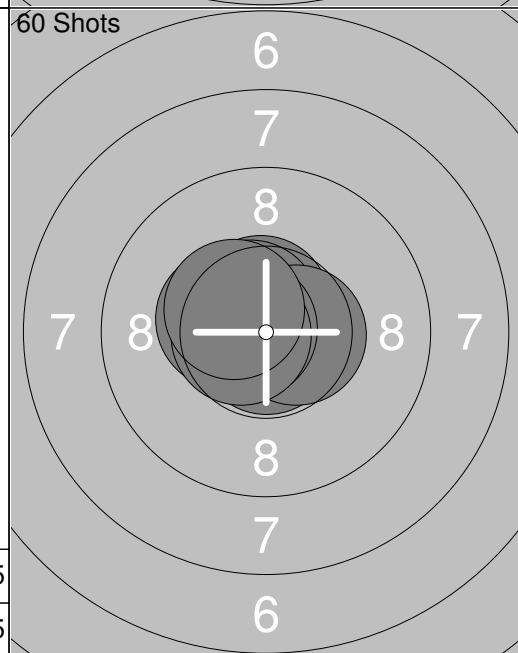
|               |              |
|---------------|--------------|
| 1:            | 10.4x ↙      |
| 2:            | 10.7x ↗      |
| 3:            | 10.0 ↓       |
| 4:            | 10.5x ↘      |
| 5:            | 10.8x →      |
| 6:            | 10.5x ↗      |
| 7:            | 10.6x ↘      |
| 8:            | 10.8x ↙      |
| 9:            | 10.3x →      |
| 10:           | 10.3x ↗      |
| <b>Series</b> | <b>104.9</b> |
| <b>Total</b>  | <b>104.9</b> |



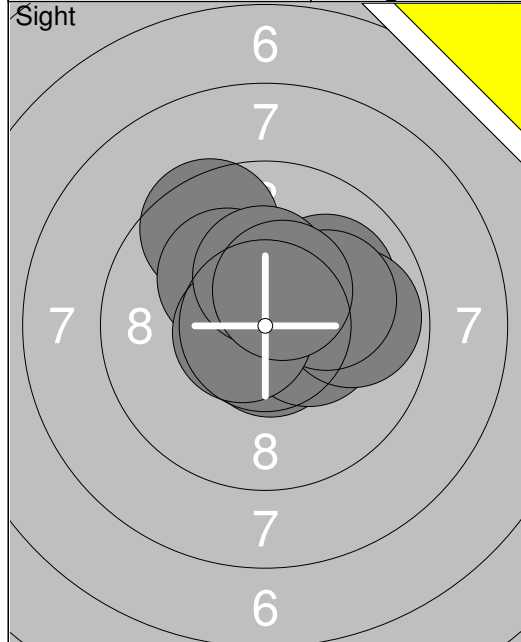
|               |              |
|---------------|--------------|
| 11:           | 10.5x ↙      |
| 12:           | 10.2x ↑      |
| 13:           | 10.7x →      |
| 14:           | 10.6x ↗      |
| 15:           | 10.1 ↑       |
| 16:           | 10.5x ↗      |
| 17:           | 10.2x ←      |
| 18:           | 10.5x ↙      |
| 19:           | 10.5x ←      |
| 20:           | 10.3x ↖      |
| <b>Series</b> | <b>104.1</b> |
| <b>Total</b>  | <b>209.0</b> |



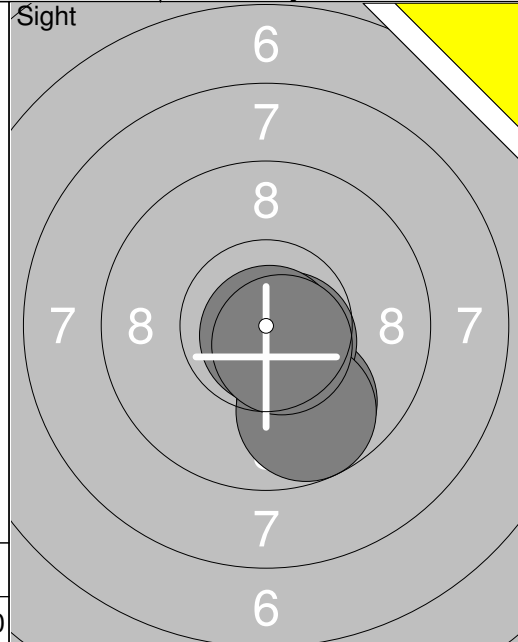
|               |              |
|---------------|--------------|
| 21:           | 10.4x ↑      |
| 22:           | 10.8x →      |
| 23:           | 10.7x ←      |
| 24:           | 10.4x ↖      |
| 25:           | 10.8x ↖      |
| 26:           | 10.4x ↗      |
| 27:           | 10.4x ↗      |
| 28:           | 10.5x ↑      |
| 29:           | 10.6x ↗      |
| 30:           | 10.5x ↖      |
| <b>Series</b> | <b>105.5</b> |
| <b>Total</b>  | <b>314.5</b> |



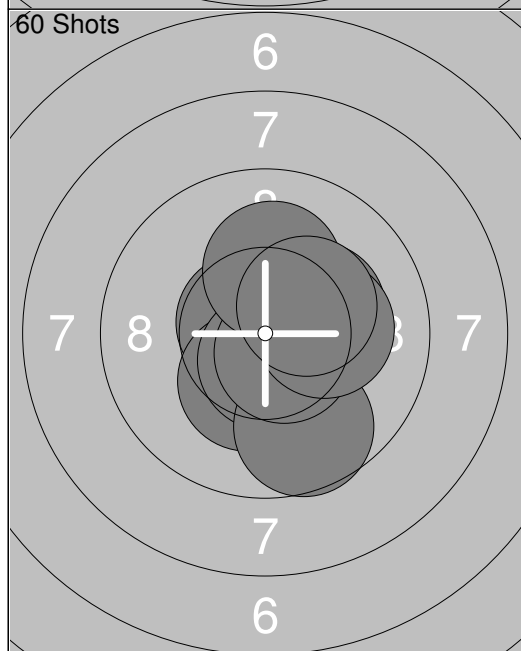
|               |              |
|---------------|--------------|
| 31:           | 10.8x ↗      |
| 32:           | 10.9x ↑      |
| 33:           | 10.6x ↑      |
| 34:           | 10.4x ↖      |
| 35:           | 10.6x ↖      |
| 36:           | 10.8x ↓      |
| 37:           | 10.6x →      |
| 38:           | 10.7x ←      |
| 39:           | 10.6x ←      |
| 40:           | 10.5x ↖      |
| <b>Series</b> | <b>106.5</b> |
| <b>Total</b>  | <b>421.0</b> |



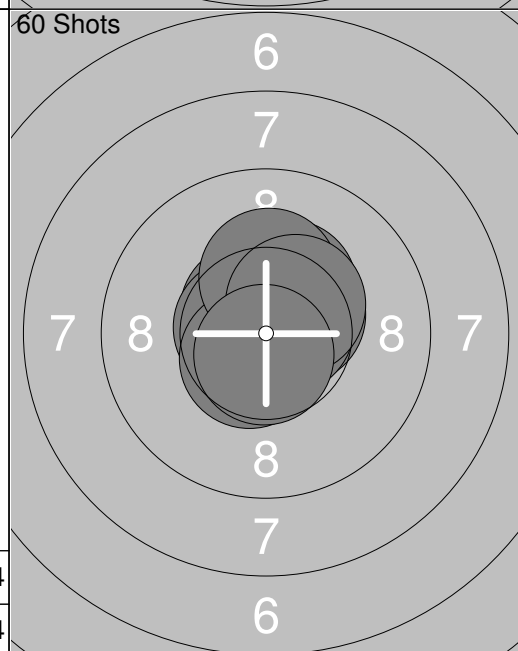
|               |       |              |
|---------------|-------|--------------|
| 1:            | 10.7x | ↘            |
| 2:            | 10.4x | →            |
| 3:            | 10.0  | ↗            |
| 4:            | 9.8   | →            |
| 5:            | 9.5   | ↗            |
| 6:            | 10.1  | →            |
| 7:            | 10.2x | ↖            |
| 8:            | 10.6x | ←            |
| 9:            | 10.3x | ↑            |
| 10:           | 10.5x | ↗            |
| <b>Series</b> |       | <b>102.1</b> |
| <b>Total</b>  |       | <b>0.0</b>   |



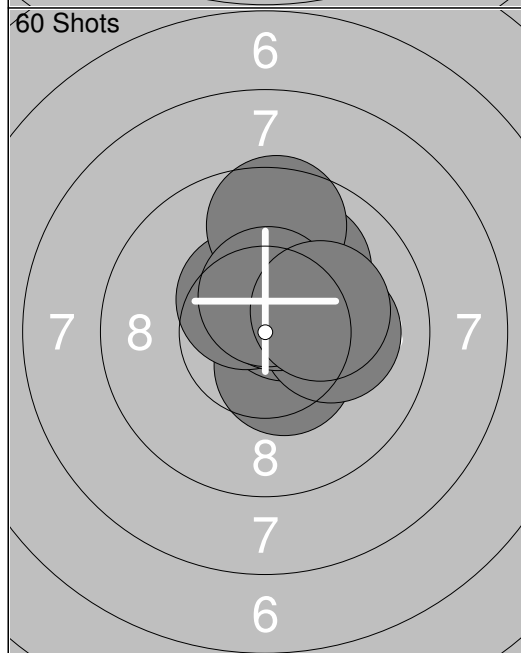
|               |       |             |
|---------------|-------|-------------|
| 11:           | 9.9   | ↘           |
| 12:           | 10.6x | ↘           |
| 13:           | 9.7   | ↘           |
| 14:           | 10.8x | ↘           |
| 15:           | 10.6x | ↘           |
| <b>Series</b> |       | <b>51.6</b> |
| <b>Total</b>  |       | <b>0.0</b>  |



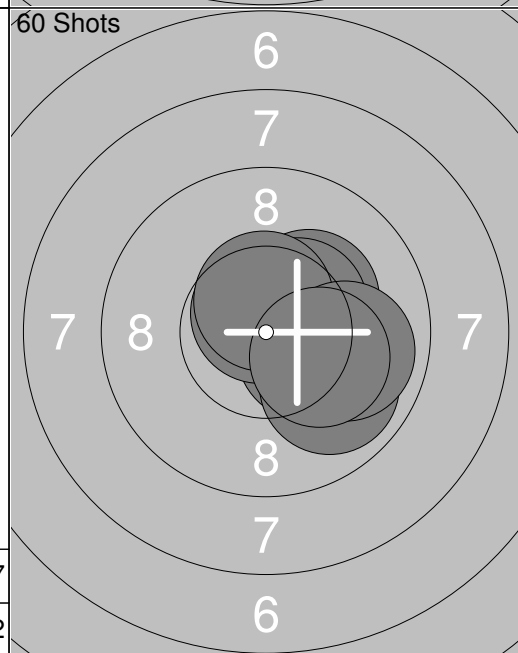
|               |       |              |
|---------------|-------|--------------|
| 1:            | 10.7x | ↖            |
| 2:            | 10.3x | ↘            |
| 3:            | 10.6x | ↘            |
| 4:            | 10.2x | →            |
| 5:            | 10.6x | ↘            |
| 6:            | 9.7   | ↘            |
| 7:            | 10.6x | ↘            |
| 8:            | 10.2x | ↑            |
| 9:            | 10.2x | →            |
| 10:           | 10.3x | ↗            |
| <b>Series</b> |       | <b>103.4</b> |
| <b>Total</b>  |       | <b>103.4</b> |



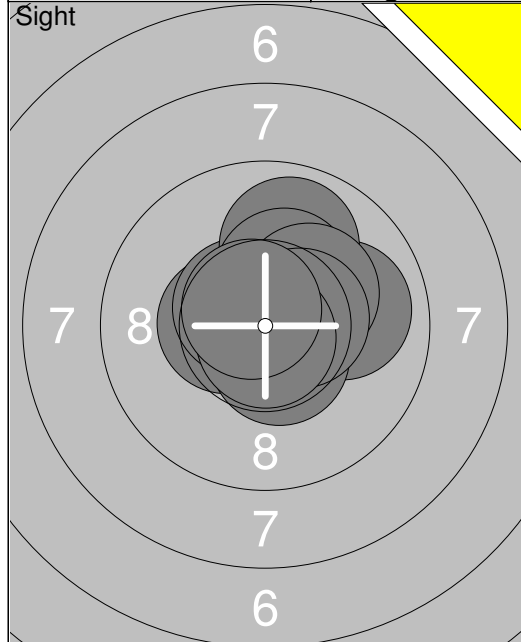
|               |       |              |
|---------------|-------|--------------|
| 11:           | 10.5x | ↗            |
| 12:           | 10.6x | ↖            |
| 13:           | 10.5x | ↑            |
| 14:           | 10.6x | ←            |
| 15:           | 10.3x | ↑            |
| 16:           | 10.7x | →            |
| 17:           | 10.6x | ↘            |
| 18:           | 10.2x | ↑            |
| 19:           | 10.4x | ↗            |
| 20:           | 10.7x | ↘            |
| <b>Series</b> |       | <b>105.1</b> |
| <b>Total</b>  |       | <b>208.5</b> |



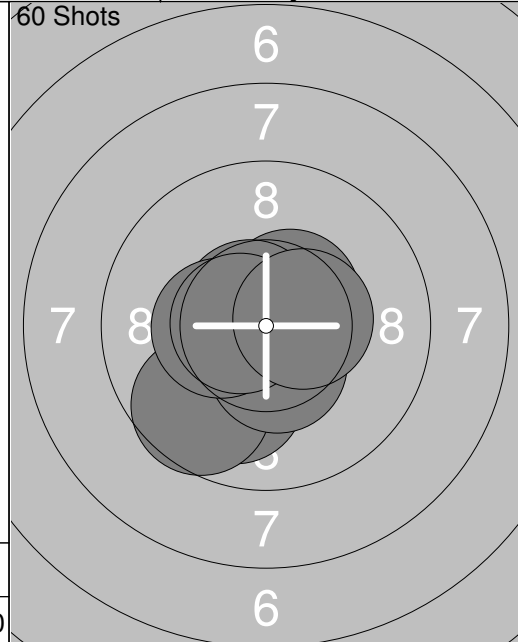
|               |       |              |
|---------------|-------|--------------|
| 21:           | 10.2x | ↗            |
| 22:           | 10.5x | ↘            |
| 23:           | 10.6x | ↗            |
| 24:           | 10.5x | ↖            |
| 25:           | 10.0  | ↗            |
| 26:           | 10.1  | →            |
| 27:           | 10.5x | ↗            |
| 28:           | 9.6   | ↑            |
| 29:           | 10.5x | ↑            |
| 30:           | 10.2x | →            |
| <b>Series</b> |       | <b>102.7</b> |
| <b>Total</b>  |       | <b>311.2</b> |



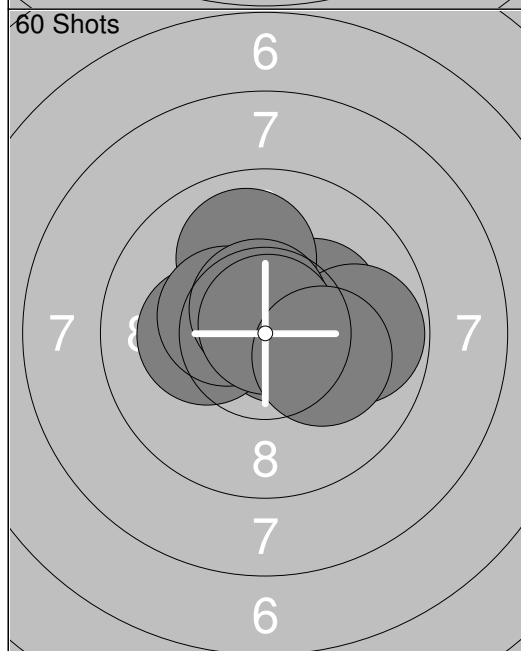
|               |       |              |
|---------------|-------|--------------|
| 31:           | 10.1  | →            |
| 32:           | 10.4x | ↗            |
| 33:           | 10.3x | ↗            |
| 34:           | 10.4x | ↘            |
| 35:           | 10.4x | ↗            |
| 36:           | 10.7x | ↖            |
| 37:           | 10.6x | ↑            |
| 38:           | 9.9   | ↘            |
| 39:           | 9.9   | →            |
| 40:           | 10.2x | ↘            |
| <b>Series</b> |       | <b>102.9</b> |
| <b>Total</b>  |       | <b>414.1</b> |



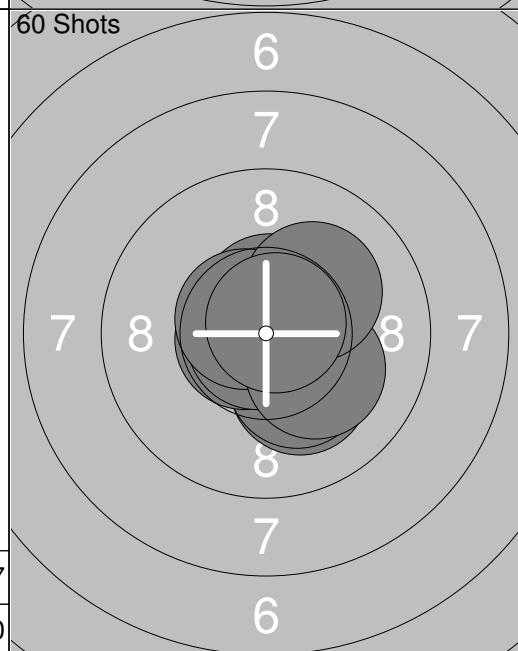
|        |         |
|--------|---------|
| 1:     | 10.5x ← |
| 2:     | 10.6x ↖ |
| 3:     | 10.0 →  |
| 4:     | 9.9 ↑   |
| 5:     | 10.3x ↑ |
| 6:     | 10.5x ↓ |
| 7:     | 10.3x ↗ |
| 8:     | 10.5x → |
| 9:     | 10.8x ↓ |
| 10:    | 10.7x ↖ |
| Series | 104.1   |
| Total  | 0.0     |



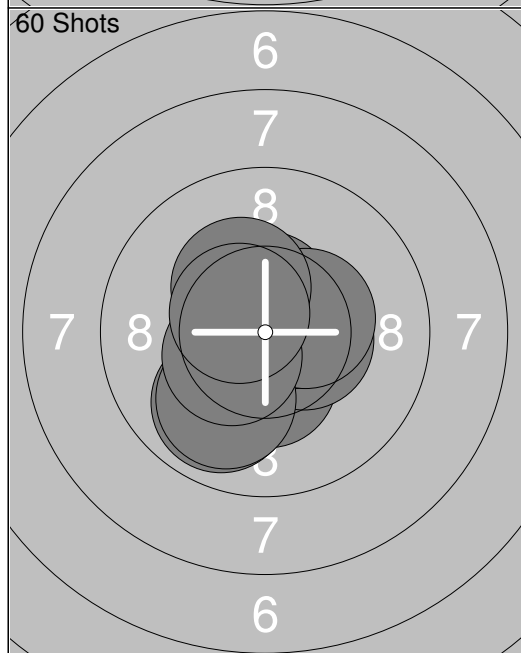
|        |         |
|--------|---------|
| 1:     | 10.8x ↖ |
| 2:     | 10.0 ↓  |
| 3:     | 10.7x → |
| 4:     | 9.6 ↙   |
| 5:     | 10.5x ↓ |
| 6:     | 10.5x ↗ |
| 7:     | 10.7x ↖ |
| 8:     | 10.4x ← |
| 9:     | 10.6x ← |
| 10:    | 10.5x → |
| Series | 104.3   |
| Total  | 104.3   |



|        |         |
|--------|---------|
| 11:    | 10.7x ↑ |
| 12:    | 10.3x → |
| 13:    | 10.0 ↑  |
| 14:    | 10.7x → |
| 15:    | 9.8 →   |
| 16:    | 10.2x ← |
| 17:    | 10.4x ↖ |
| 18:    | 10.6x ↑ |
| 19:    | 10.8x ↑ |
| 20:    | 10.2x → |
| Series | 103.7   |
| Total  | 208.0   |

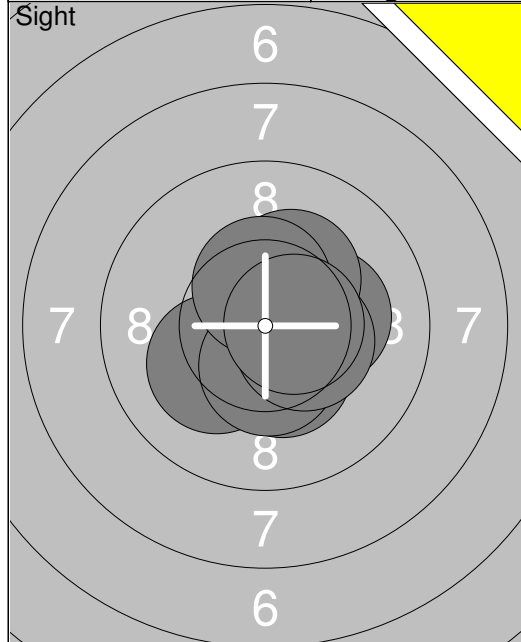


|        |         |
|--------|---------|
| 21:    | 10.8x → |
| 22:    | 10.2x ↓ |
| 23:    | 10.3x ↓ |
| 24:    | 10.7x ← |
| 25:    | 10.6x ↑ |
| 26:    | 10.8x ↙ |
| 27:    | 10.6x ↖ |
| 28:    | 10.2x ↘ |
| 29:    | 10.2x ↗ |
| 30:    | 10.8x ↗ |
| Series | 105.2   |
| Total  | 313.2   |

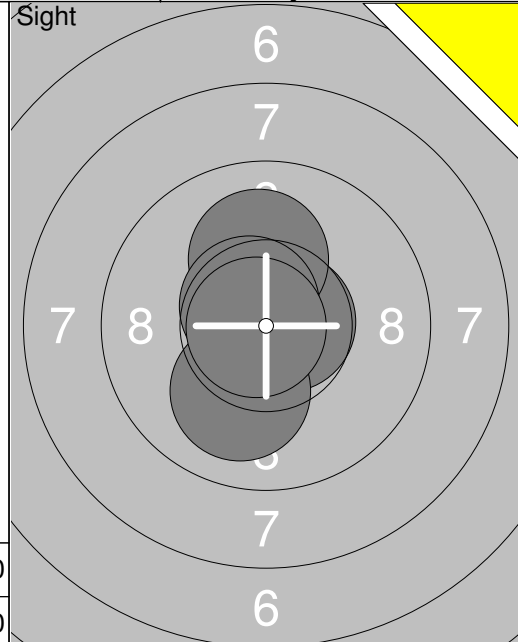


|        |         |
|--------|---------|
| 31:    | 10.4x ↓ |
| 32:    | 10.6x ↑ |
| 33:    | 9.9 ↙   |
| 34:    | 10.5x → |
| 35:    | 10.5x → |
| 36:    | 10.4x → |
| 37:    | 10.3x ↖ |
| 38:    | 10.0 ↓  |
| 39:    | 10.4x ↙ |
| 40:    | 10.5x ↖ |
| Series | 103.5   |
| Total  | 416.7   |

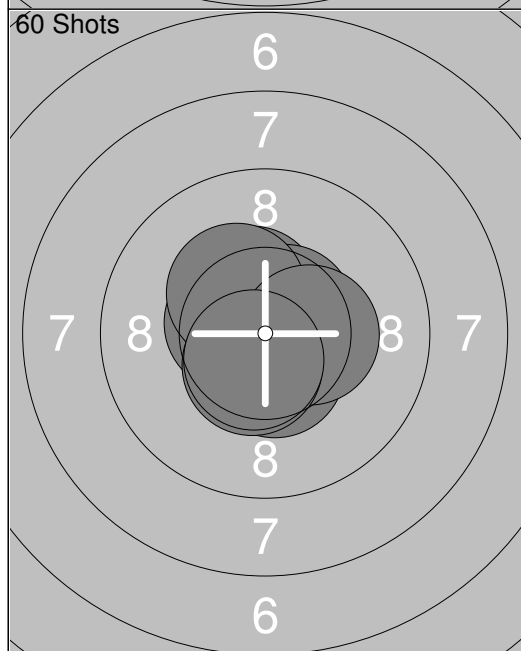




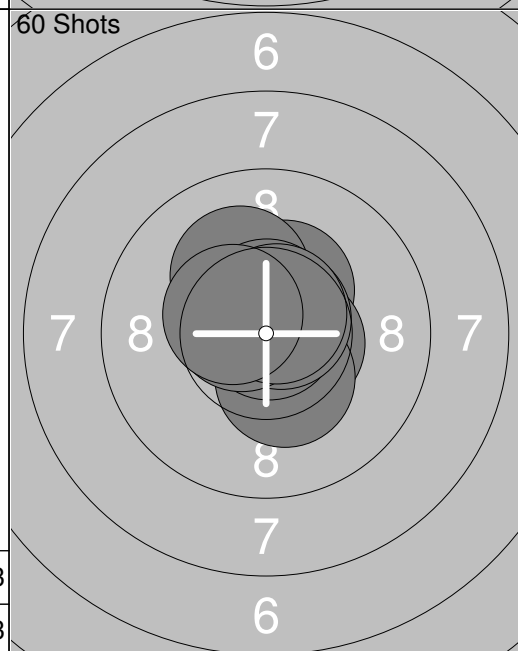
|                     |         |
|---------------------|---------|
| 1:                  | 10.6x ↓ |
| 2:                  | 10.2x ↙ |
| 3:                  | 10.4x ↓ |
| 4:                  | 10.4x ↗ |
| 5:                  | 10.2x → |
| 6:                  | 10.4x ↓ |
| 7:                  | 10.4x → |
| 8:                  | 10.3x ↗ |
| 9:                  | 10.5x ↑ |
| 10:                 | 10.6x → |
| <b>Series</b> 104.0 |         |
| <b>Total</b> 0.0    |         |



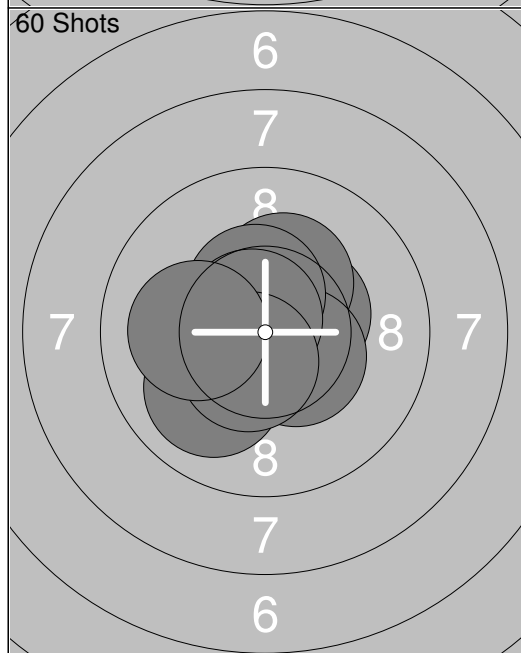
|                    |         |
|--------------------|---------|
| 11:                | 10.7x ↑ |
| 12:                | 10.7x → |
| 13:                | 10.1 ↑  |
| 14:                | 10.6x ↖ |
| 15:                | 10.1 ↓  |
| 16:                | 10.8x ↙ |
| <b>Series</b> 63.0 |         |
| <b>Total</b> 0.0   |         |



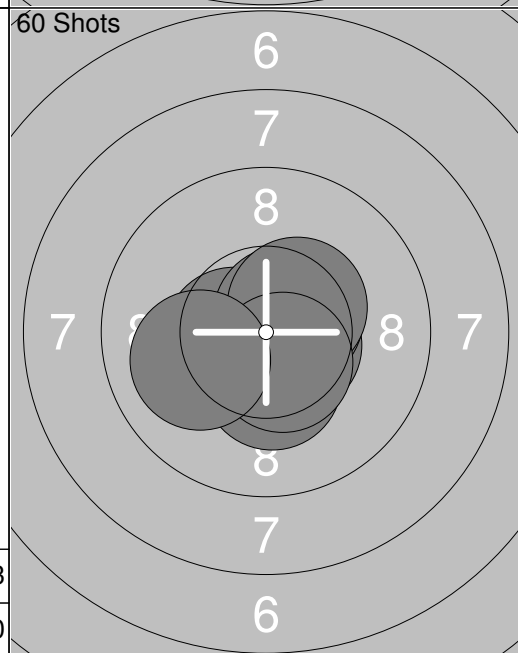
|                     |         |
|---------------------|---------|
| 1:                  | 10.4x ↑ |
| 2:                  | 10.5x ↙ |
| 3:                  | 10.8x ↓ |
| 4:                  | 10.7x ↗ |
| 5:                  | 10.5x ↓ |
| 6:                  | 10.6x ↗ |
| 7:                  | 10.3x ↖ |
| 8:                  | 10.4x → |
| 9:                  | 10.5x ↓ |
| 10:                 | 10.6x ↓ |
| <b>Series</b> 105.3 |         |
| <b>Total</b> 105.3  |         |



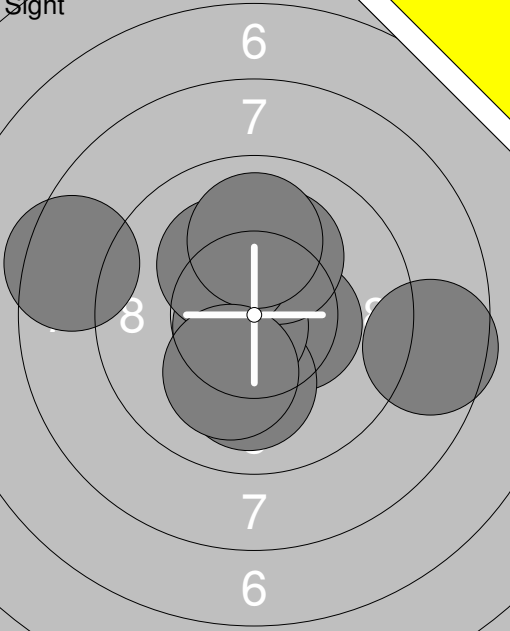
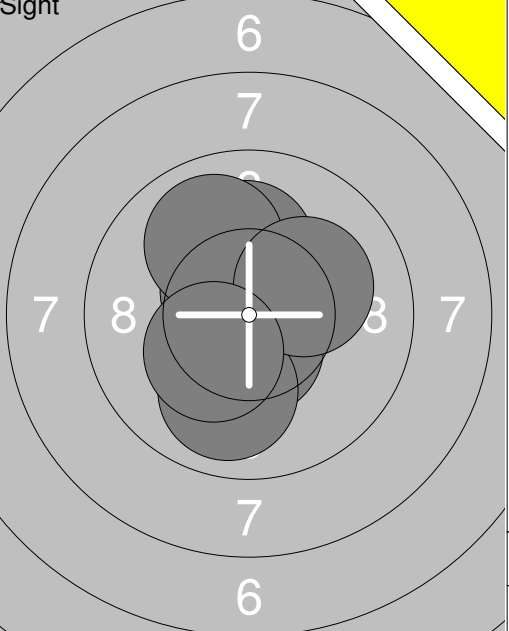
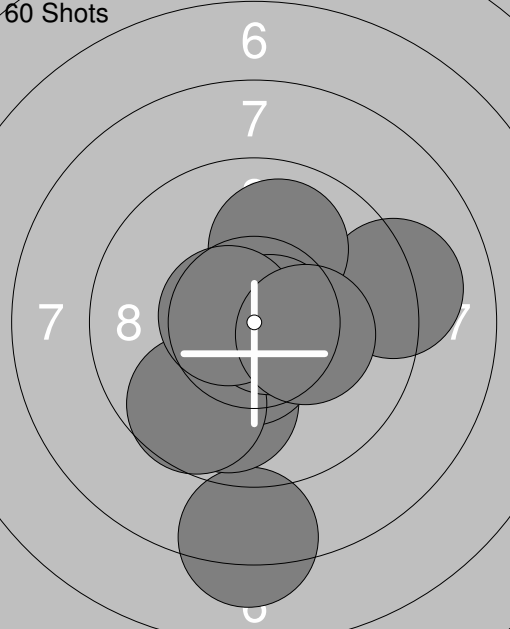
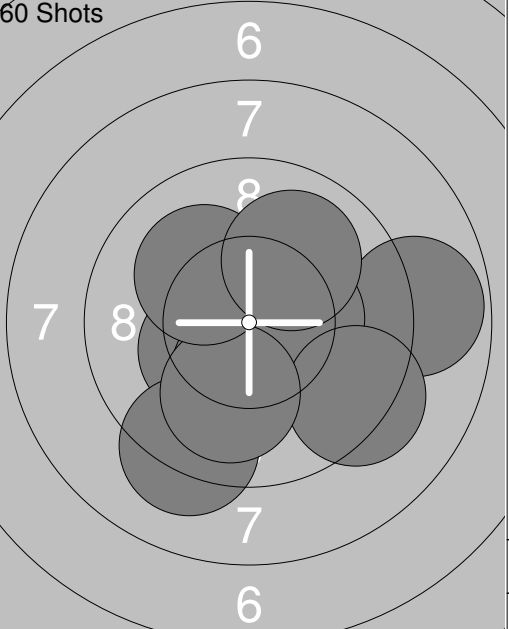
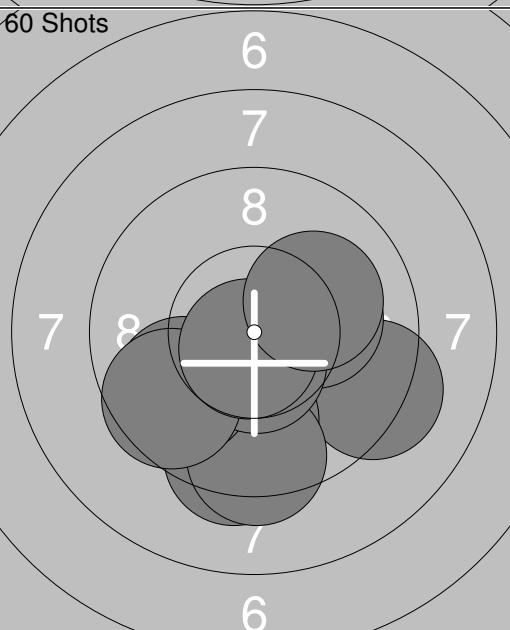
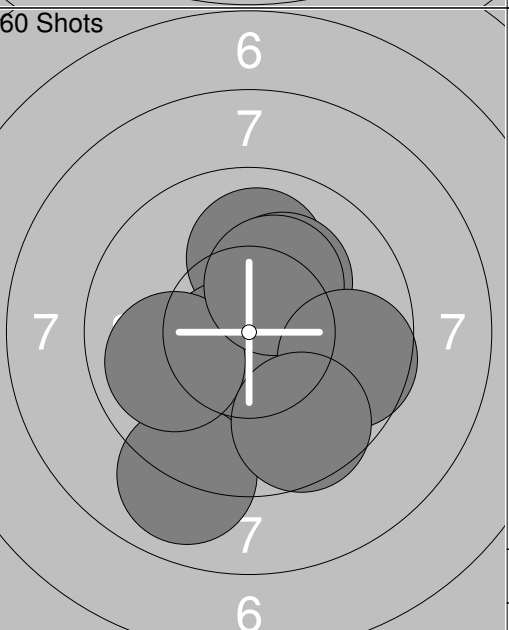
|                     |         |
|---------------------|---------|
| 11:                 | 10.4x ↑ |
| 12:                 | 10.6x → |
| 13:                 | 10.1 ↖  |
| 14:                 | 10.3x ↓ |
| 15:                 | 10.6x ↑ |
| 16:                 | 10.9x ↗ |
| 17:                 | 10.7x ↗ |
| 18:                 | 10.6x ↖ |
| 19:                 | 10.7x ↑ |
| 20:                 | 10.5x ↖ |
| <b>Series</b> 105.4 |         |
| <b>Total</b> 210.7  |         |

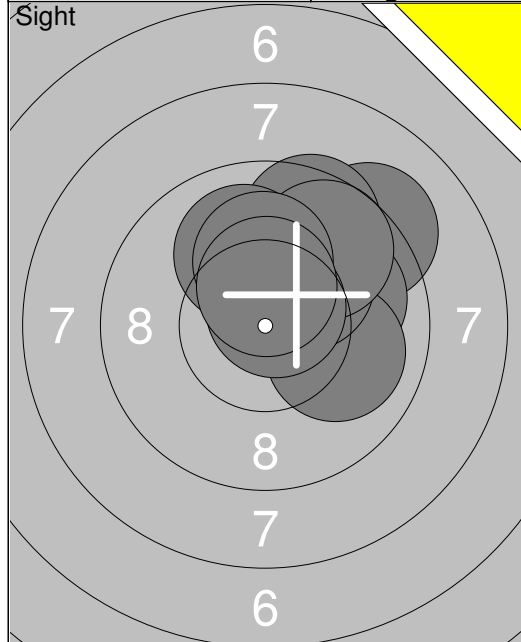


|                     |         |
|---------------------|---------|
| 21:                 | 10.6x ↙ |
| 22:                 | 10.4x ↗ |
| 23:                 | 10.3x ↑ |
| 24:                 | 10.8x ↓ |
| 25:                 | 10.5x ↓ |
| 26:                 | 10.4x ↑ |
| 27:                 | 10.7x ↖ |
| 28:                 | 10.0 ↓  |
| 29:                 | 10.5x ↓ |
| 30:                 | 10.1 ←  |
| <b>Series</b> 104.3 |         |
| <b>Total</b> 315.0  |         |

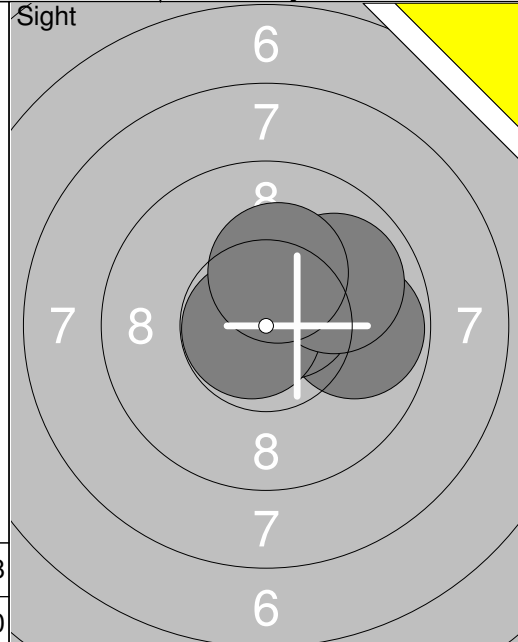


|                     |         |
|---------------------|---------|
| 31:                 | 10.5x ↓ |
| 32:                 | 10.6x → |
| 33:                 | 10.6x ↙ |
| 34:                 | 10.5x ↙ |
| 35:                 | 10.6x ↗ |
| 36:                 | 10.7x ↗ |
| 37:                 | 10.4x ↗ |
| 38:                 | 10.3x ↓ |
| 39:                 | 10.5x ↓ |
| 40:                 | 10.0 ↙  |
| <b>Series</b> 104.7 |         |
| <b>Total</b> 419.7  |         |

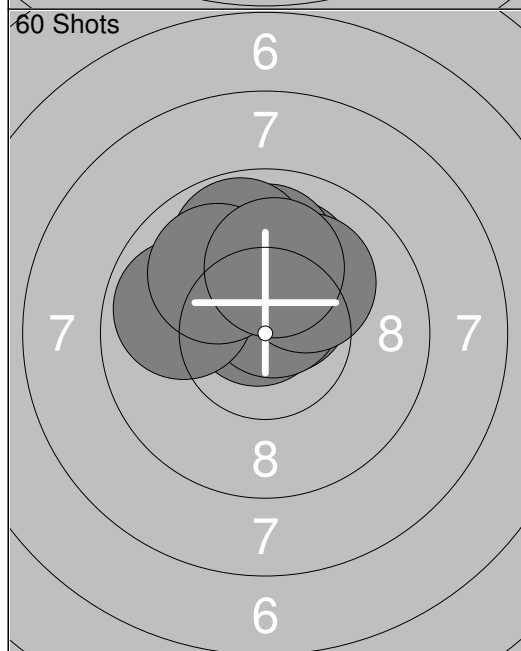
|  |  |  |  |
|--|--|--|--|
| <p><b>Sight</b></p>  <p style="text-align: center;">6<br/>7<br/>7<br/>6</p>            | <p>1: 10.4x →<br/>2: 10.5x ↗<br/>3: 10.1 ↓<br/>4: 10.7x ↙<br/>5: 8.5 ←<br/>6: 10.1 ↗<br/>7: 10.2x ↗<br/>8: 10.0 ↑<br/>9: 10.1 ↓<br/>10: 8.6 →</p> <p>Series 99.2<br/>Total 0.0</p>       | <p><b>Sight</b></p>  <p style="text-align: center;">6<br/>7<br/>7<br/>6</p>      | <p>11: 10.5x ↓<br/>12: 10.6x ↖<br/>13: 10.1 ↑<br/>14: 9.9 ↖<br/>15: 9.9 ↓<br/>16: 10.2x →<br/>17: 10.3x ↙</p> <p>Series 71.5<br/>Total 0.0</p>   |
| <p><b>60 Shots</b></p>  <p style="text-align: center;">6<br/>7<br/>7<br/>6</p>        | <p>1: 8.2 ↓<br/>2: 9.1 →<br/>3: 10.0 ↑<br/>4: 10.6x →<br/>5: 9.9 ↓<br/>6: 10.5x ↓<br/>7: 9.7 ↓<br/>8: 10.7x →<br/>9: 10.6x ↙<br/>10: 10.3x →</p> <p>Series 99.6<br/>Total 99.6</p>       | <p><b>60 Shots</b></p>  <p style="text-align: center;">6<br/>7<br/>7<br/>6</p>  | <p>11: 8.8 →<br/>12: 10.4x ↓<br/>13: 10.3x ↙<br/>14: 10.3x ↓<br/>15: 9.2 ↓<br/>16: 10.4x →<br/>17: 9.3 →<br/>18: 10.0 ↓<br/>19: 10.1 ↖<br/>20: 10.0 ↗</p> <p>Series 98.8<br/>Total 198.4</p> |
| <p><b>60 Shots</b></p>  <p style="text-align: center;">6<br/>7<br/>8<br/>7<br/>6</p> | <p>21: 9.3 →<br/>22: 9.8 ↓<br/>23: 10.2x →<br/>24: 9.4 ↓<br/>25: 9.4 ↓<br/>26: 9.8 ↙<br/>27: 10.6x ↓<br/>28: 9.6 ↙<br/>29: 10.7x ↓<br/>30: 10.1 →</p> <p>Series 98.9<br/>Total 297.3</p> | <p><b>60 Shots</b></p>  <p style="text-align: center;">6<br/>7<br/>7<br/>6</p> | <p>31: 10.0 ↑<br/>32: 10.2x ↓<br/>33: 10.4x →<br/>34: 10.6x ↙<br/>35: 9.0 ↓<br/>36: 10.2x ↗<br/>37: 9.9 ←<br/>38: 10.3x ↗<br/>39: 9.6 →<br/>40: 9.6 ↓</p> <p>Series 99.8<br/>Total 397.1</p> |



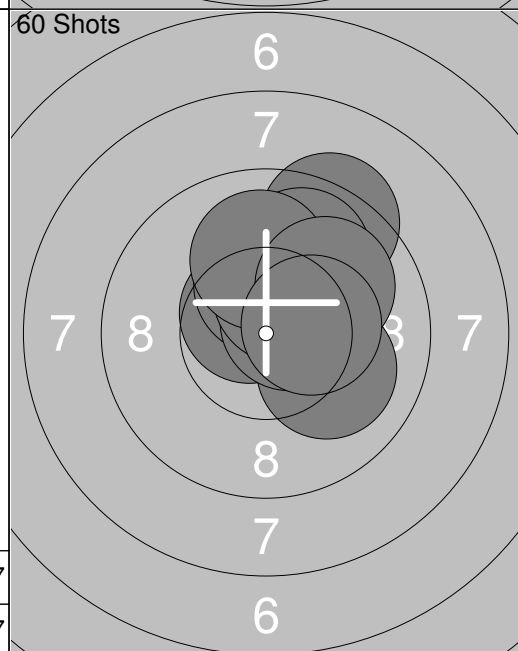
|                    |
|--------------------|
| 1: 9.2 ↗           |
| 2: 10.0 →          |
| 3: 10.0 →          |
| 4: 10.2x ↗         |
| 5: 9.5 ↑           |
| 6: 9.7 ↗           |
| 7: 10.0 ↑          |
| 8: 10.7x ↗         |
| 9: 10.1 ↑          |
| 10: 10.4x ↑        |
| <b>Series</b> 99.8 |
| <b>Total</b> 0.0   |



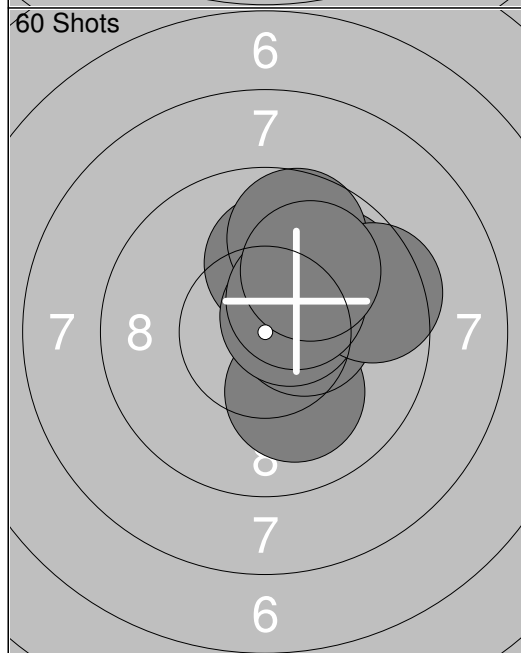
|                    |
|--------------------|
| 11: 9.8 →          |
| 12: 10.6x ↗        |
| 13: 10.8x ←        |
| 14: 9.9 ↗          |
| 15: 10.3x ↑        |
| <b>Series</b> 51.4 |
| <b>Total</b> 0.0   |



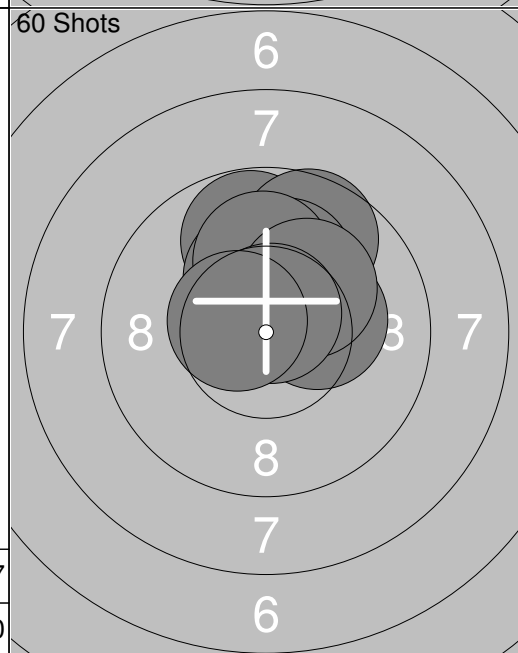
|                     |
|---------------------|
| 1: 10.7x ↖          |
| 2: 10.1 ↑           |
| 3: 10.5x ↗          |
| 4: 9.9 ↑            |
| 5: 10.6x ↑          |
| 6: 9.8 ↑            |
| 7: 10.1 ↗           |
| 8: 9.9 ←            |
| 9: 10.0 ↖           |
| 10: 10.1 ↑          |
| <b>Series</b> 101.7 |
| <b>Total</b> 101.7  |



|                     |
|---------------------|
| 11: 9.3 ↗           |
| 12: 10.6x ↖         |
| 13: 10.1 →          |
| 14: 10.3x ↑         |
| 15: 10.6x ↗         |
| 16: 9.9 ↑           |
| 17: 10.4x ↑         |
| 18: 10.0 ↑          |
| 19: 10.0 ↗          |
| 20: 10.4x →         |
| <b>Series</b> 101.6 |
| <b>Total</b> 203.3  |



|                     |
|---------------------|
| 21: 10.1 ↘          |
| 22: 10.4x →         |
| 23: 10.1 ↑          |
| 24: 9.8 ↗           |
| 25: 10.1 ↑          |
| 26: 10.6x ↗         |
| 27: 9.7 ↑           |
| 28: 9.5 →           |
| 29: 10.4x ↗         |
| 30: 10.0 ↗          |
| <b>Series</b> 100.7 |
| <b>Total</b> 304.0  |

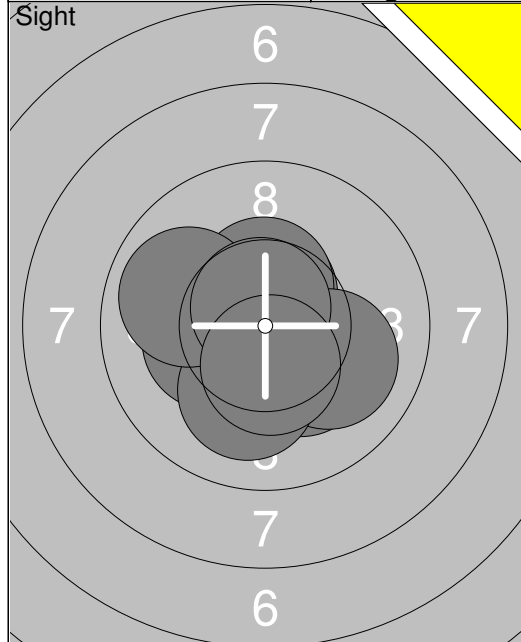


|                     |
|---------------------|
| 31: 10.0 ↑          |
| 32: 9.8 ↑           |
| 33: 10.3x →         |
| 34: 9.6 ↑           |
| 35: 10.2x ↑         |
| 36: 10.1 ↑          |
| 37: 10.0 ↑          |
| 38: 10.2x ↗         |
| 39: 10.7x ↑         |
| 40: 10.6x ↖         |
| <b>Series</b> 101.5 |
| <b>Total</b> 405.5  |

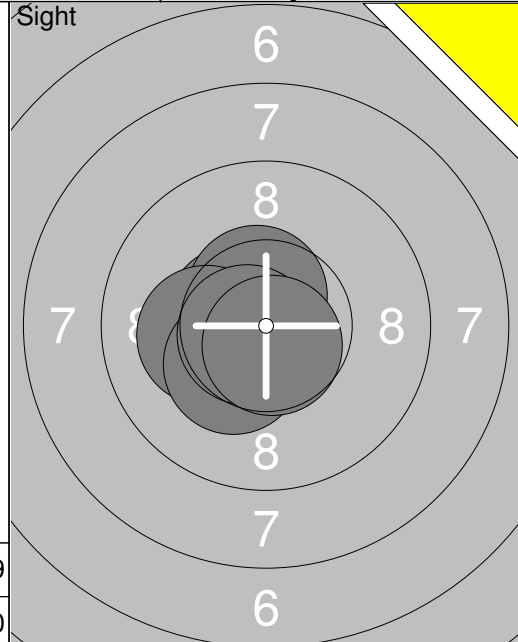
|              |              |
|--------------|--------------|
| <p>Sight</p> | <p>Sight</p> |
|--------------|--------------|

|                 |                 |
|-----------------|-----------------|
| <p>60 Shots</p> | <p>60 Shots</p> |
|-----------------|-----------------|

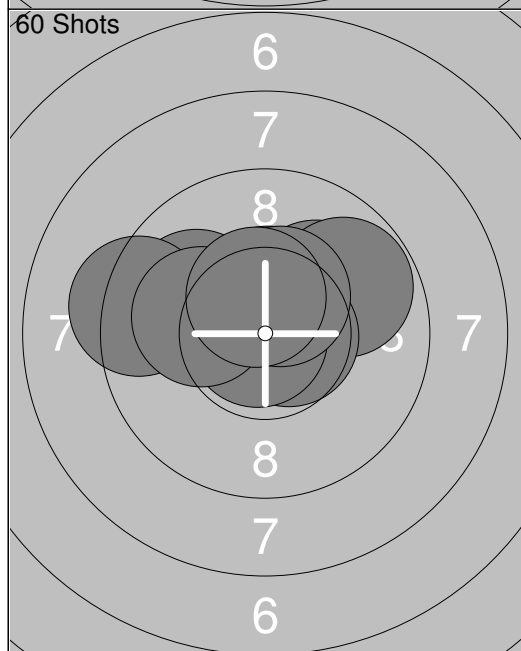
|                 |                 |
|-----------------|-----------------|
| <p>60 Shots</p> | <p>60 Shots</p> |
|-----------------|-----------------|



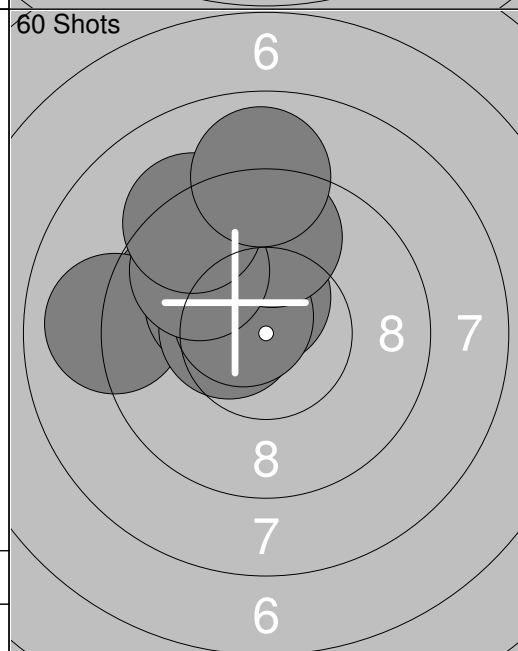
|        |       |       |
|--------|-------|-------|
| 1:     | 10.5x | ↑     |
| 2:     | 10.2x | ↘     |
| 3:     | 10.3x | ↘     |
| 4:     | 10.5x | ↑     |
| 5:     | 10.0  | →     |
| 6:     | 10.3x | ←     |
| 7:     | 10.1  | ↓     |
| 8:     | 9.9   | ←     |
| 9:     | 10.7x | ↑     |
| 10:    | 10.4x | ↓     |
| Series |       | 102.9 |
| Total  |       | 0.0   |



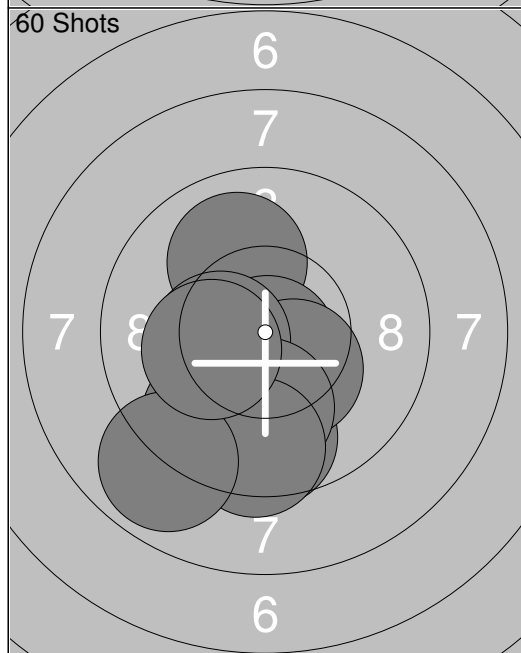
|        |       |      |
|--------|-------|------|
| 11:    | 10.5x | ↖    |
| 12:    | 10.5x | ↑    |
| 13:    | 10.2x | ↖    |
| 14:    | 10.3x | ↘    |
| 15:    | 10.7x | ↖    |
| 16:    | 10.7x | ↓    |
| Series |       | 62.9 |
| Total  |       | 0.0  |



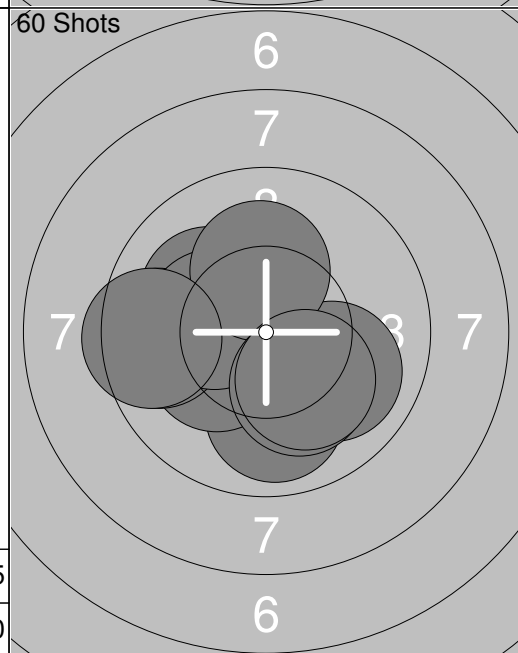
|        |       |       |
|--------|-------|-------|
| 1:     | 10.0  | ↖     |
| 2:     | 10.1  | ↗     |
| 3:     | 9.8   | ↗     |
| 4:     | 10.6x | →     |
| 5:     | 9.3   | ←     |
| 6:     | 10.5x | ↑     |
| 7:     | 10.8x | ↖     |
| 8:     | 10.4x | ↗     |
| 9:     | 10.1  | ←     |
| 10:    | 10.5x | ↑     |
| Series |       | 102.1 |
| Total  |       | 102.1 |



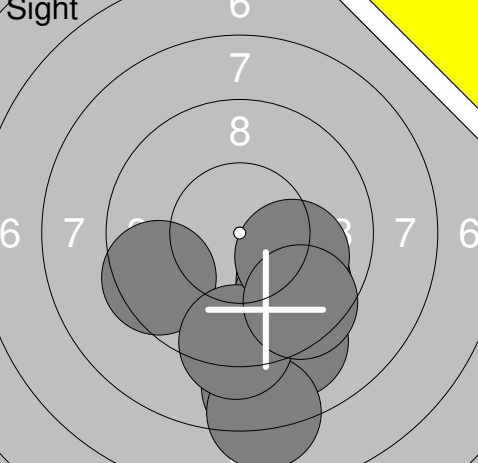
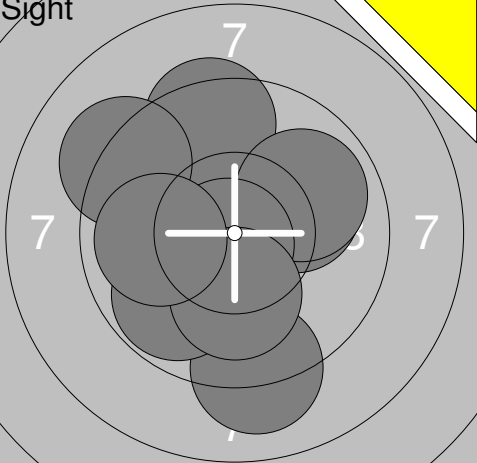
|        |       |       |
|--------|-------|-------|
| 11:    | 9.8   | ↖     |
| 12:    | 9.0   | ←     |
| 13:    | 10.2x | ↖     |
| 14:    | 10.5x | ↖     |
| 15:    | 10.5x | ↑     |
| 16:    | 10.6x | ↖     |
| 17:    | 9.7   | ↑     |
| 18:    | 9.8   | ↗     |
| 19:    | 9.3   | ↗     |
| 20:    | 9.0   | ↑     |
| Series |       | 98.4  |
| Total  |       | 200.5 |

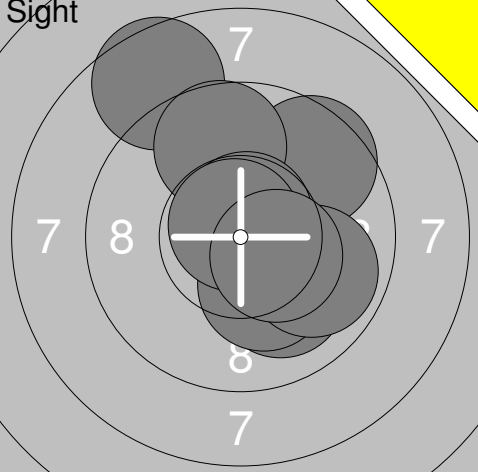
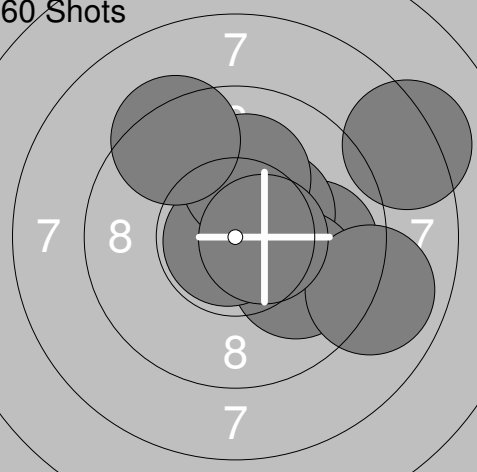


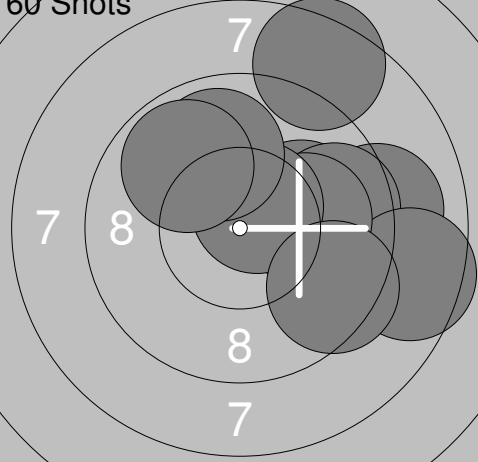
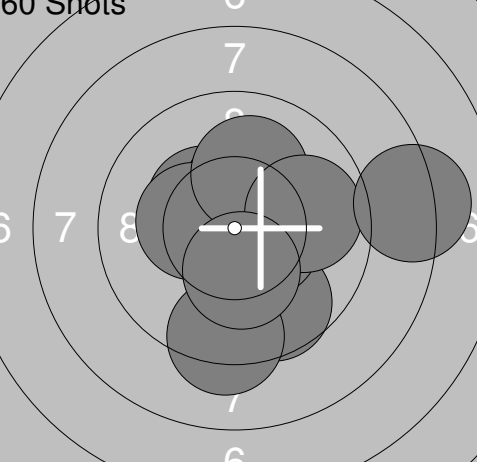
|        |       |       |
|--------|-------|-------|
| 21:    | 10.0  | ↑     |
| 22:    | 10.8x | ↓     |
| 23:    | 9.6   | ↓     |
| 24:    | 10.4x | ↘     |
| 25:    | 10.4x | ↖     |
| 26:    | 10.0  | ↓     |
| 27:    | 9.7   | ↘     |
| 28:    | 9.5   | ↓     |
| 29:    | 8.9   | ↘     |
| 30:    | 10.2x | ↖     |
| Series |       | 99.5  |
| Total  |       | 300.0 |

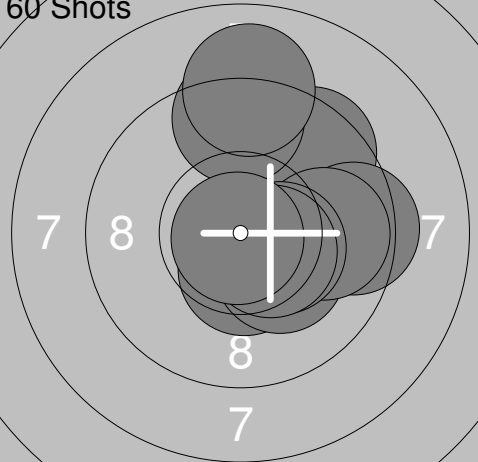


|        |       |       |
|--------|-------|-------|
| 31:    | 9.9   | ↓     |
| 32:    | 10.1  | ↖     |
| 33:    | 10.2x | ↖     |
| 34:    | 9.6   | ←     |
| 35:    | 10.3x | ↖     |
| 36:    | 10.0  | ↘     |
| 37:    | 10.2x | ↑     |
| 38:    | 9.5   | ←     |
| 39:    | 10.1  | ↓     |
| 40:    | 10.2x | ↘     |
| Series |       | 100.1 |
| Total  |       | 400.1 |

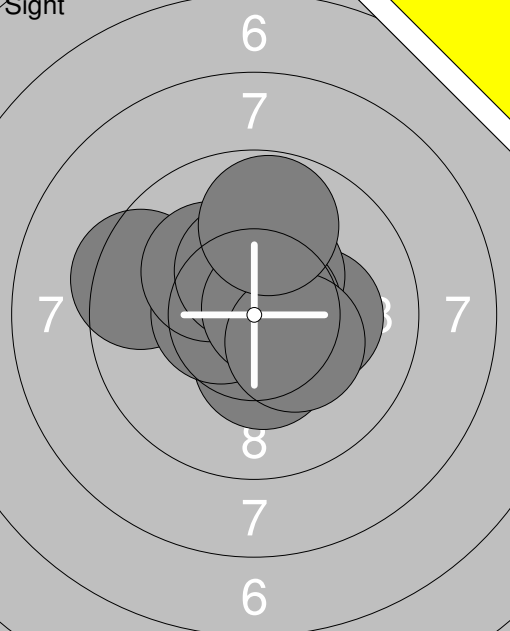
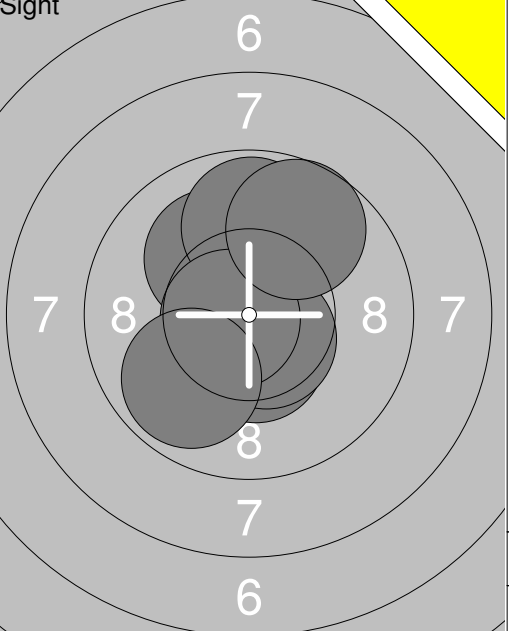
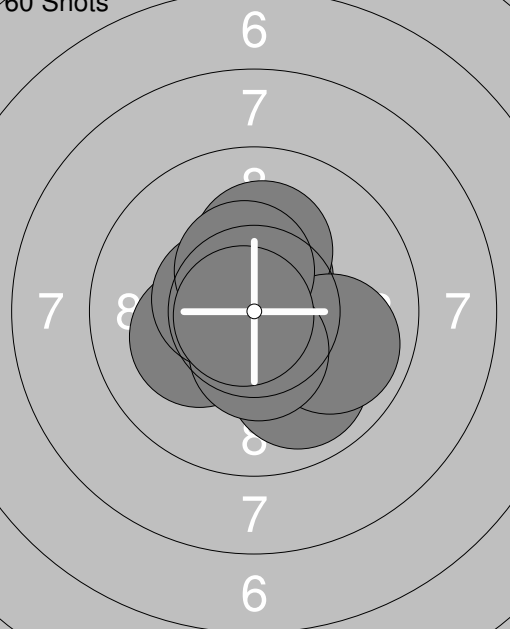
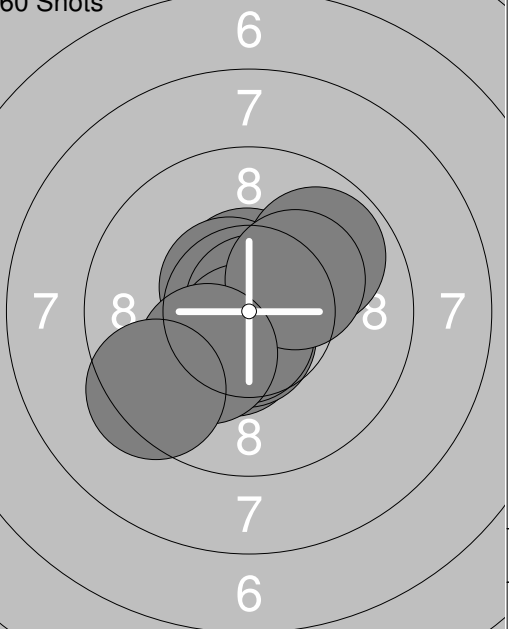
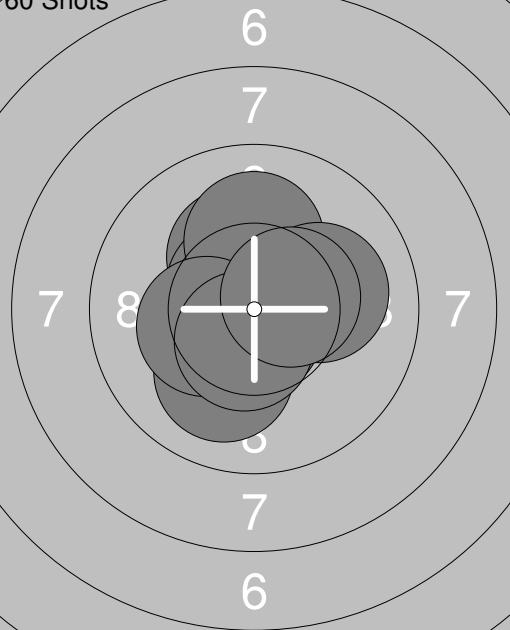
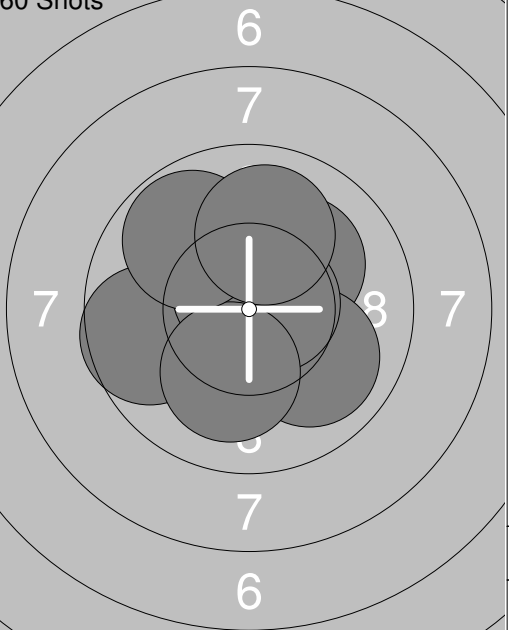
|  |   |  |   |
|--|---|--|---|
|  | <p>1: 8.5 ↓</p> <p>2: 9.7 ↓</p> <p>3: 9.8 ↓</p> <p>4: 9.1 ↓</p> <p>5: 8.1 ↓</p> <p>6: 9.6 ↓</p> <p>7: 9.5 ←</p> <p>8: 9.2 ↓</p> <p>9: 10.0 →</p> <p>10: 9.5 ↓</p> |  | <p>11: 9.1 ↓</p> <p>12: 10.1 →</p> <p>13: 9.8 ↓</p> <p>14: 10.2x ↖</p> <p>15: 9.4 ↑</p> <p>16: 9.9 →</p> <p>17: 10.8x ↓</p> <p>18: 10.1 ↓</p> <p>19: 9.2 ↖</p> <p>20: 9.9 ←</p> |
| Series   | 93.0  | Series   | 98.5  |
| Total  | 0.0   | Total  | 0.0   |

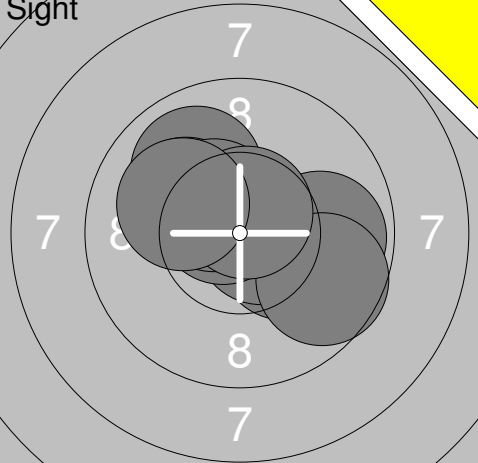
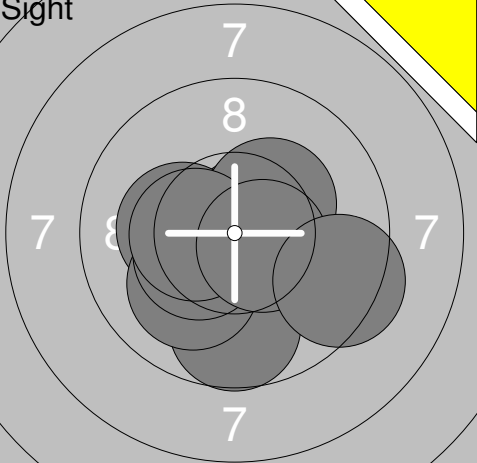
|   |   |   |  |
|---|---|---|--|
|  | <p>21: 9.6 ↗</p> <p>22: 10.0 ↓</p> <p>23: 8.6 ↗</p> <p>24: 10.2x ↓</p> <p>25: 9.9 ↓</p> <p>26: 9.7 ↗</p> <p>27: 10.7x ↗</p> <p>28: 10.8x ↗</p> <p>29: 10.4x →</p> |  | <p>1: 10.4x →</p> <p>2: 9.9 →</p> <p>3: 10.4x ↗</p> <p>4: 10.0 ↓</p> <p>5: 8.9 →</p> <p>6: 10.8x ↖</p> <p>7: 10.1 ↑</p> <p>8: 8.2 →</p> <p>9: 10.6x →</p> <p>10: 9.4 ↗</p> |
| Series  | 89.9  | Series  | 98.7   |
| Total   | 0.0   | Total   | 98.7   |


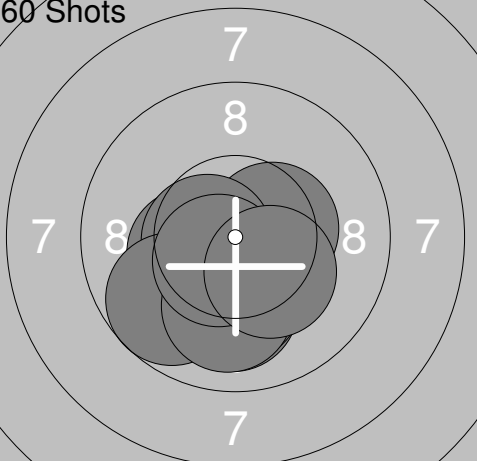
|  |   |  |  |
|--|---|--|--|
|  | <p>11: 10.1 →</p> <p>12: 9.1 →</p> <p>13: 9.6 →</p> <p>14: 8.5 ↗</p> <p>15: 8.6 →</p> <p>16: 10.1 →</p> <p>17: 10.6x ↗</p> <p>18: 9.5 ↓</p> <p>19: 9.9 ↗</p> <p>20: 9.8 ↗</p> |  | <p>21: 9.7 ↓</p> <p>22: 10.4x ↖</p> <p>23: 10.5x →</p> <p>24: 10.4x ↑</p> <p>25: 9.3 ↓</p> <p>26: 10.3x ←</p> <p>27: 10.1 ↑</p> <p>28: 9.9 →</p> <p>29: 8.2 →</p> <p>30: 10.3x ↓</p> |
| Series   | 95.8  | Series   | 99.1   |
| Total  | 194.5   | Total  | 293.6  |

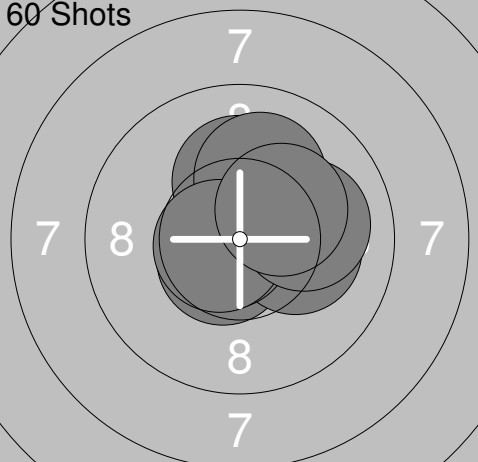
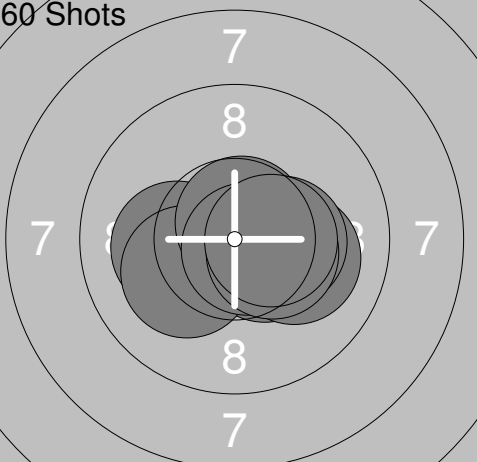
|  |   |  |  |
|--|---|--|--|
|  | <p>31: 9.5 ↗</p> <p>32: 9.4 →</p> <p>33: 10.5x ↓</p> <p>34: 9.4 ↑</p> <p>35: 10.3x ↓</p> <p>36: 9.8 →</p> <p>37: 9.0 ↑</p> <p>38: 10.4x →</p> <p>39: 10.5x ↓</p> <p>40: 10.9x ↖</p> |  |  |
| Series   | 99.7  |  |  |
| Total  | 393.3   |  |  |

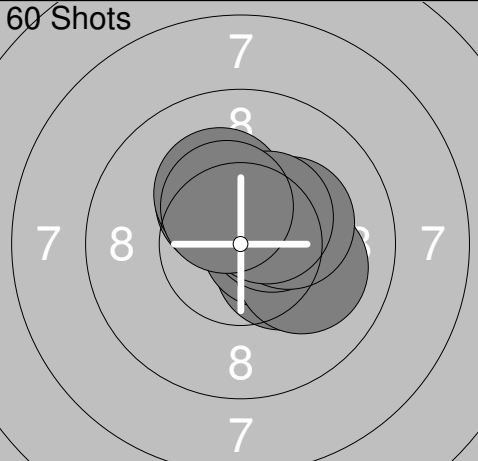


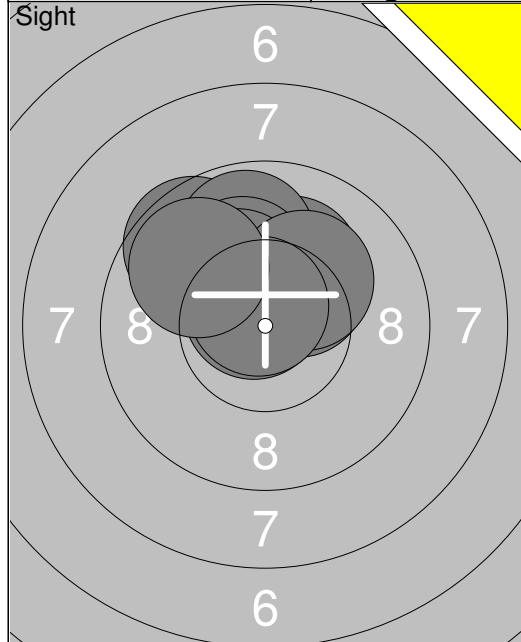
|   |   |
|---|---|
| <p><b>Sight</b></p>  <p>1: 10.2x →<br/>2: 10.4x ↓<br/>3: 10.4x ↗<br/>4: 9.4 ←<br/>5: 10.5x ←<br/>6: 10.2x ↖<br/>7: 10.4x ↗<br/>8: 10.7x →<br/>9: 10.3x ↘<br/>10: 9.8 ↑</p> <p>Series 102.3<br/>Total 0.0</p>                  | <p><b>Sight</b></p>  <p>11: 10.1 ↖<br/>12: 10.5x ↓<br/>13: 10.6x ↘<br/>14: 9.8 ↑<br/>15: 10.7x ←<br/>16: 9.7 ↗<br/>17: 9.9 ↘</p> <p>Series 71.3<br/>Total 0.0</p>   |
| <p><b>60 Shots</b></p>  <p>1: 9.9 ↘<br/>2: 10.5x ↗<br/>3: 10.2x ↗<br/>4: 9.9 →<br/>5: 10.2x ←<br/>6: 10.7x ↖<br/>7: 10.5x ↖<br/>8: 10.4x ↗<br/>9: 10.4x ↓<br/>10: 10.8x ←</p> <p>Series 103.5<br/>Total 103.5</p>            | <p><b>60 Shots</b></p>  <p>11: 10.5x ↗<br/>12: 10.6x ↖<br/>13: 10.8x ↗<br/>14: 10.5x ↓<br/>15: 10.6x ↓<br/>16: 10.7x ↓<br/>17: 9.8 ↗<br/>18: 10.2x ↗<br/>19: 10.2x ↘<br/>20: 9.4 ↘</p> <p>Series 103.3<br/>Total 206.8</p> |
| <p><b>60 Shots</b></p>  <p>21: 10.7x ↓<br/>22: 10.3x ↗<br/>23: 10.4x ↘<br/>24: 10.6x ↖<br/>25: 10.1 ↓<br/>26: 10.1 ↑<br/>27: 10.3x ←<br/>28: 10.1 →<br/>29: 10.5x ↓<br/>30: 10.5x →</p> <p>Series 103.6<br/>Total 310.4</p> | <p><b>60 Shots</b></p>  <p>31: 10.1 ↗<br/>32: 10.2x ↖<br/>33: 10.5x ↖<br/>34: 9.6 ←<br/>35: 10.0 ↘<br/>36: 10.7x ↗<br/>37: 10.7x →<br/>38: 10.1 ↓<br/>39: 9.8 ↖<br/>40: 10.0 ↑</p> <p>Series 101.7<br/>Total 412.1</p>    |

|  |  |  |  |
|--|--|--|--|
| <b>Sight</b><br> | 1: 10.3x ↘<br>2: 9.9 ↗<br>3: 10.6x →<br>4: 10.1 ↗<br>5: 10.6x ↗<br>6: 10.4x ↗<br>7: 9.9 →<br>8: 9.7 ↘<br>9: 10.7x ↑<br>10: 10.1 ↖<br><hr/> <b>Series</b> 102.3<br><b>Total</b> 0.0 | <b>Sight</b><br> | 11: 9.7 ↓<br>12: 10.7x ↗<br>13: 10.2x ←<br>14: 10.1 ↓<br>15: 10.4x ←<br>16: 10.5x →<br>17: 10.3x ↗<br>18: 10.4x ←<br>19: 10.5x →<br>20: 9.4 →<br><hr/> <b>Series</b> 102.2<br><b>Total</b> 0.0 |
|--|--|--|--|

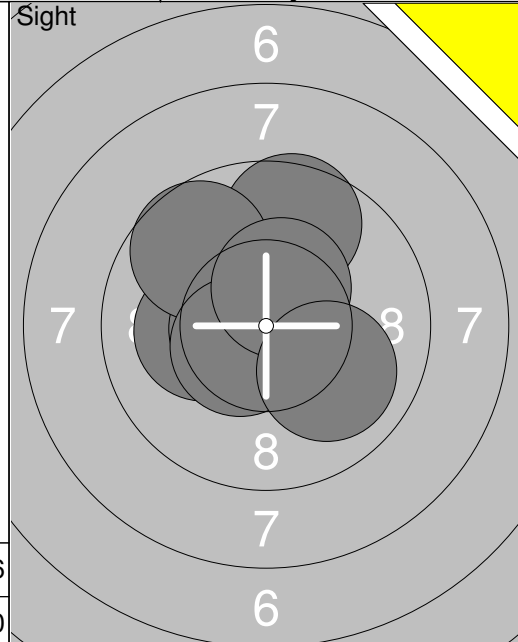
|   |   |  |  |
|---|---|--|--|
| <b>Sight</b><br> | 21: 10.1 ↗<br>22: 10.6x ↖<br>23: 10.2x ↗<br>25: 10.7x ↑<br><hr/> <b>Series</b> 41.6<br><b>Total</b> 0.0 | <b>60 Shots</b><br> | 1: 10.4x →<br>2: 10.4x ↓<br>3: 10.3x ←<br>4: 10.6x ←<br>5: 9.7 ↙<br>6: 10.0 ↓<br>7: 10.2x ↓<br>8: 10.0 ↓<br>9: 10.6x ↙<br>10: 10.3x ↘<br><hr/> <b>Series</b> 102.5<br><b>Total</b> 102.5 |
|---|---|--|--|

|   |   |   |  |
|---|---|---|--|
| <b>60 Shots</b><br> | 11: 10.3x ↗<br>12: 10.2x ↑<br>13: 10.9x ↑<br>14: 10.6x ↙<br>15: 10.2x →<br>16: 10.8x ←<br>17: 10.1 ↑<br>18: 10.7x ←<br>19: 10.1 →<br>20: 10.3x ↗<br><hr/> <b>Series</b> 104.2<br><b>Total</b> 206.7 | <b>60 Shots</b><br> | 21: 10.2x ←<br>22: 10.5x ↘<br>23: 10.7x →<br>24: 10.2x ←<br>25: 10.1 →<br>26: 10.7x ↑<br>27: 10.3x →<br>28: 10.7x ↘<br>29: 10.4x →<br>30: 10.5x →<br><hr/> <b>Series</b> 104.3<br><b>Total</b> 311.0 |
|---|---|---|--|

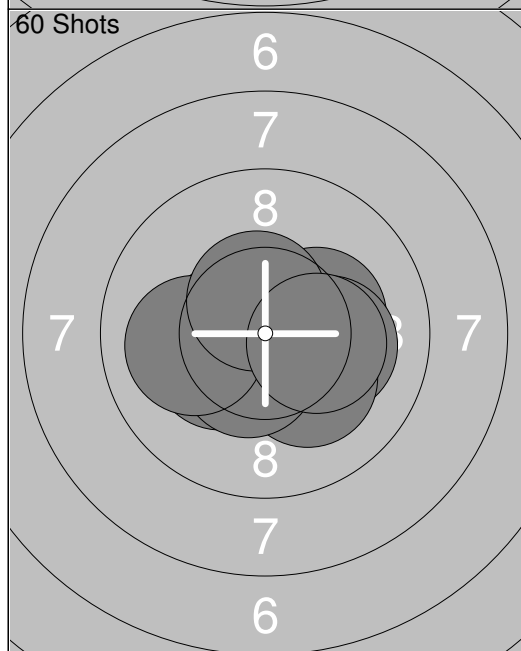
|   |  |  |  |
|---|--|--|--|
| <b>60 Shots</b><br> | 31: 10.3x ↘<br>32: 10.5x ↗<br>33: 10.6x →<br>34: 10.1 →<br>35: 10.5x ↗<br>36: 10.3x ↑<br>37: 10.2x ↗<br>38: 10.2x ↑<br>39: 10.4x ↗<br>40: 10.4x ↑<br><hr/> <b>Series</b> 103.5<br><b>Total</b> 414.5 |  |  |
|---|--|--|--|



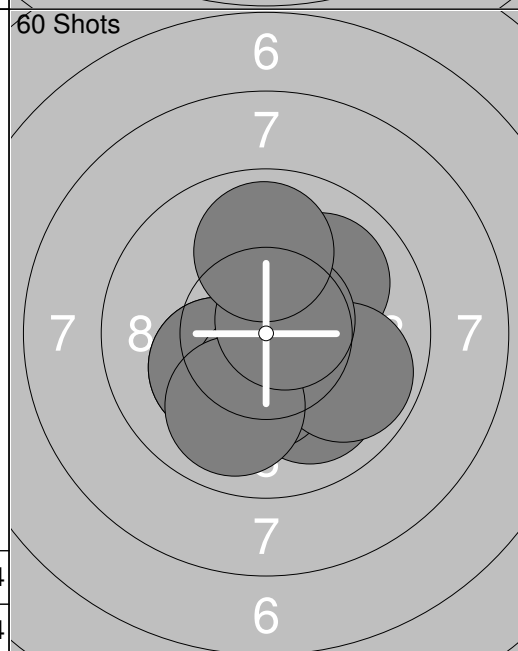
|               |       |              |
|---------------|-------|--------------|
| 1:            | 9.6   | ↖            |
| 2:            | 10.1  | ↗            |
| 3:            | 9.8   | ↗            |
| 4:            | 10.7x | ↖            |
| 5:            | 10.3x | ↗            |
| 6:            | 10.1  | ↗            |
| 7:            | 10.3x | ↖            |
| 8:            | 10.2x | ↗            |
| 9:            | 10.7x | ↗            |
| 10:           | 9.8   | ↖            |
| <b>Series</b> |       | <b>101.6</b> |
| <b>Total</b>  |       | <b>0.0</b>   |



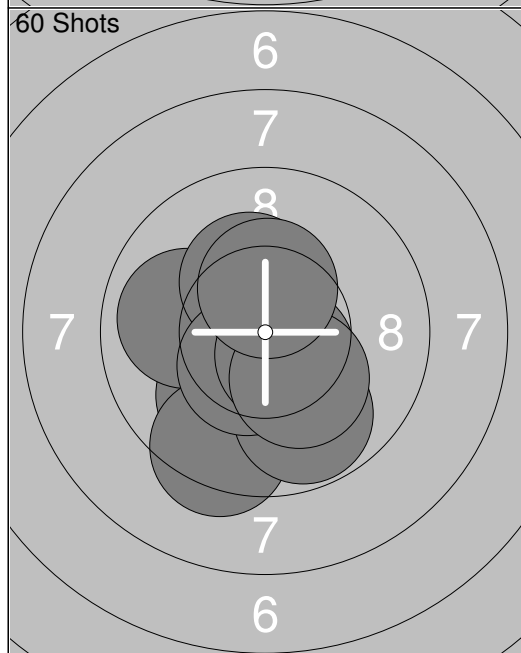
|               |       |             |
|---------------|-------|-------------|
| 11:           | 10.2x | ↖           |
| 12:           | 10.6x | ↖           |
| 13:           | 9.6   | ↗           |
| 14:           | 10.7x | ↗           |
| 15:           | 10.6x | ↗           |
| 16:           | 9.7   | ↖           |
| 17:           | 10.5x | ↖           |
| 18:           | 10.4x | ↗           |
| 19:           | 10.0  | ↘           |
| <b>Series</b> |       | <b>92.3</b> |
| <b>Total</b>  |       | <b>0.0</b>  |



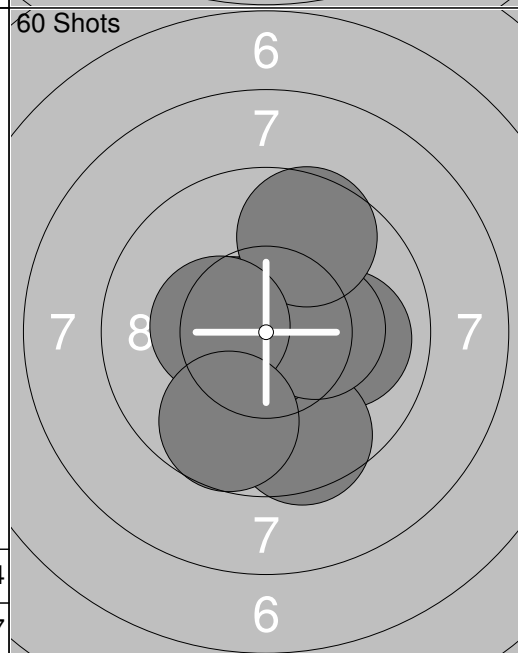
|               |       |              |
|---------------|-------|--------------|
| 1:            | 10.3x | →            |
| 2:            | 10.3x | ↖            |
| 3:            | 10.1  | →            |
| 4:            | 10.7x | ↖            |
| 5:            | 10.2x | ↘            |
| 6:            | 10.5x | ↖            |
| 7:            | 10.5x | ↘            |
| 8:            | 10.0  | ←            |
| 9:            | 10.5x | ↗            |
| 10:           | 10.3x | →            |
| <b>Series</b> |       | <b>103.4</b> |
| <b>Total</b>  |       | <b>103.4</b> |



|               |       |              |
|---------------|-------|--------------|
| 11:           | 10.0  | ↘            |
| 12:           | 10.7x | →            |
| 13:           | 10.2x | ↖            |
| 14:           | 10.2x | ↖            |
| 15:           | 10.0  | ↗            |
| 16:           | 10.4x | ↘            |
| 17:           | 9.9   | ↘            |
| 18:           | 9.9   | ↘            |
| 19:           | 10.7x | ↗            |
| 20:           | 9.9   | ↗            |
| <b>Series</b> |       | <b>101.9</b> |
| <b>Total</b>  |       | <b>205.3</b> |



|               |       |              |
|---------------|-------|--------------|
| 21:           | 10.0  | ↘            |
| 22:           | 10.3x | ↖            |
| 23:           | 9.9   | ←            |
| 24:           | 9.4   | ↘            |
| 25:           | 9.8   | ↘            |
| 26:           | 10.3x | ↗            |
| 27:           | 10.5x | ↘            |
| 28:           | 10.6x | ↘            |
| 29:           | 10.2x | ↘            |
| 30:           | 10.4x | ↗            |
| <b>Series</b> |       | <b>101.4</b> |
| <b>Total</b>  |       | <b>306.7</b> |

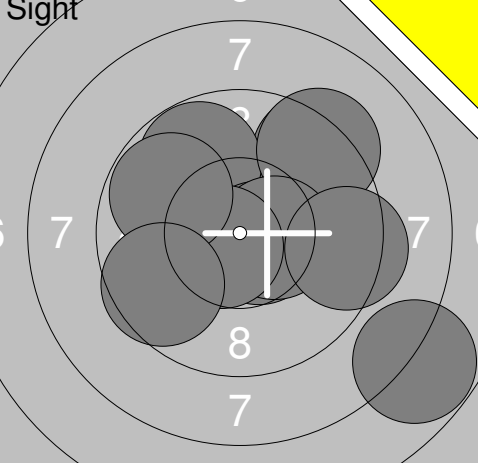
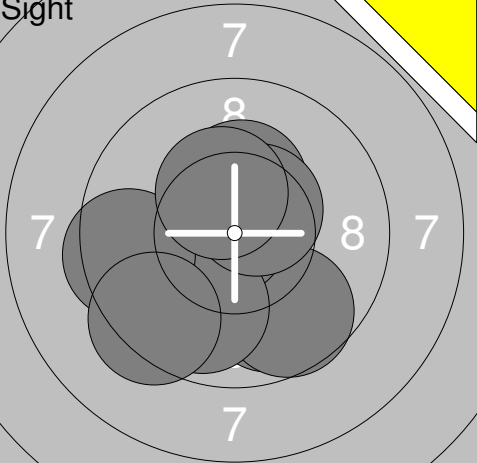


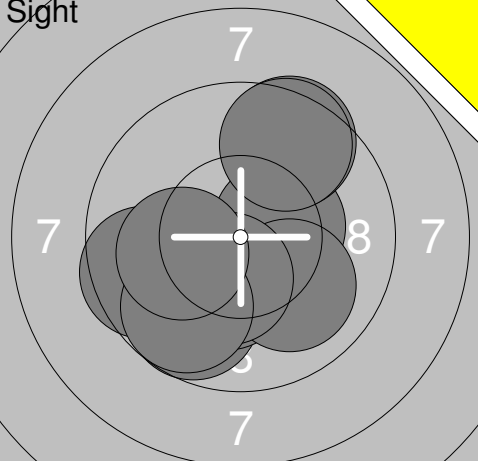
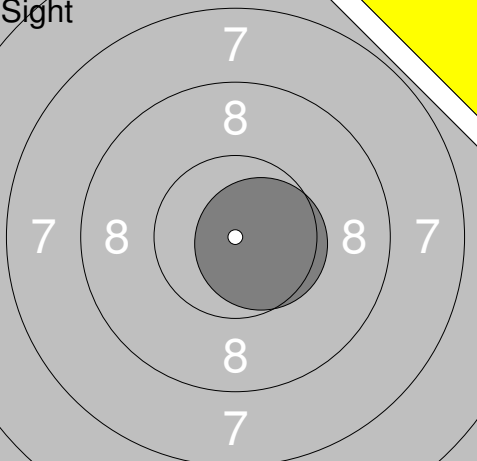
|               |       |              |
|---------------|-------|--------------|
| 31:           | 10.7x | ↖            |
| 32:           | 10.5x | ↖            |
| 33:           | 10.6x | →            |
| 34:           | 10.0  | →            |
| 35:           | 9.6   | ↘            |
| 36:           | 10.7x | ↖            |
| 37:           | 10.3x | →            |
| 38:           | 9.6   | ↗            |
| 39:           | 10.4x | ↖            |
| 40:           | 9.7   | ↘            |
| <b>Series</b> |       | <b>102.1</b> |
| <b>Total</b>  |       | <b>408.8</b> |

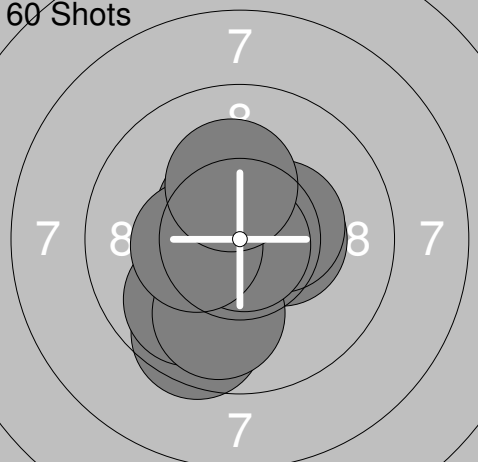
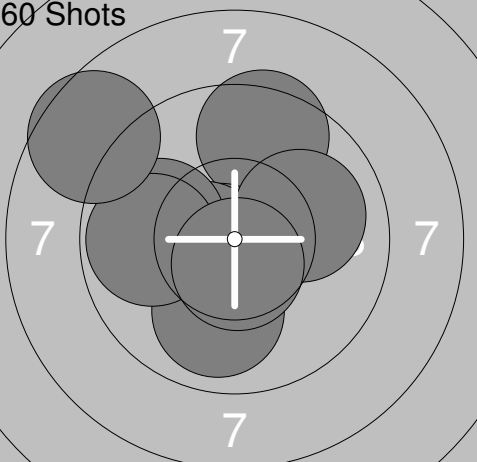
|              |  |              |   |
|--------------|--|--------------|---|
| <p>Sight</p> | <p>1: 10.6x →</p> <p>2: 10.3x ↓</p> <p>3: 9.8 →</p> <p>4: 9.5 →</p> <p>5: 10.4x →</p> <p>6: 9.7 ↑</p> <p>7: 8.4 ←</p> <p>8: 9.2 ←</p> <p>9: 9.3 ↑</p> <p>10: 10.5x ↓</p> | <p>Sight</p> | <p>11: 10.0 ↑</p> <p>12: 9.4 ←</p> <p>13: 10.6x ↓</p> <p>14: 9.9 ↑</p> <p>15: 10.0 ↗</p> <p>16: 9.7 →</p> <p>17: 10.1 ↓</p> <p>18: 10.7x →</p> <p>19: 10.0 ↑</p> <p>20: 10.4x ←</p> |
|              | Series 97.7  |              | Series 100.8  |
|              | Total 0.0  |              | Total 0.0   |

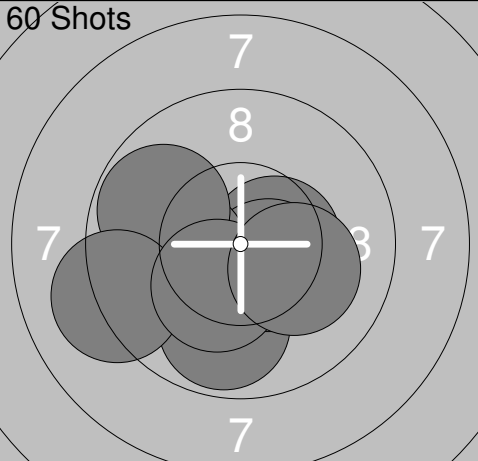
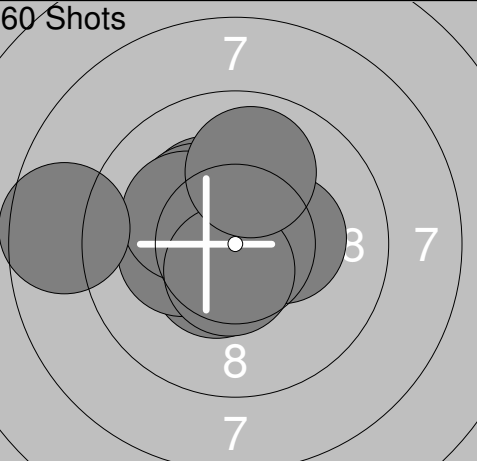
|                 |   |                 |  |
|-----------------|---|-----------------|--|
| <p>60 Shots</p> | <p>1: 9.4 ←</p> <p>2: 10.5x ↓</p> <p>3: 9.9 ↑</p> <p>4: 10.3x ↗</p> <p>5: 10.2x ↖</p> <p>6: 10.1 →</p> <p>7: 10.5x ↖</p> <p>8: 10.6x ↓</p> <p>9: 10.5x ↓</p> <p>10: 9.9 →</p> | <p>60 Shots</p> | <p>11: 10.0 ←</p> <p>12: 10.4x ↓</p> <p>13: 10.9x ↓</p> <p>14: 10.0 ↑</p> <p>15: 10.5x ↓</p> <p>16: 10.8x →</p> <p>17: 10.1 →</p> <p>18: 9.8 ←</p> <p>19: 10.6x ←</p> <p>20: 9.8 ↓</p> |
|                 | Series 101.9  |                 | Series 102.9   |
|                 | Total 101.9   |                 | Total 204.8  |

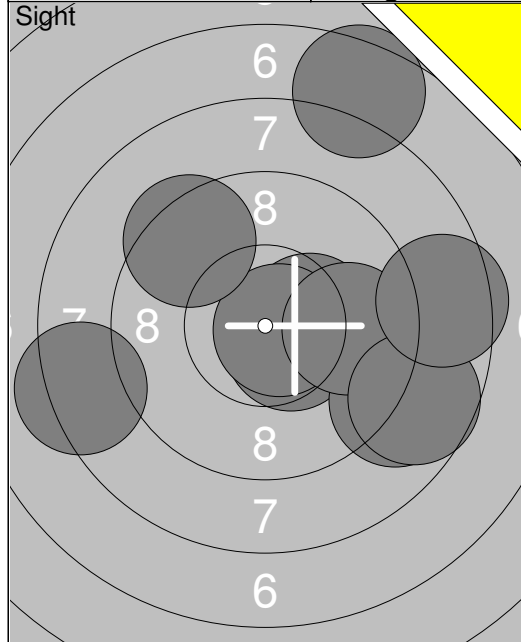
|                 |  |                 |  |
|-----------------|--|-----------------|--|
| <p>60 Shots</p> | <p>21: 10.7x ↖</p> <p>22: 10.3x ↓</p> <p>23: 10.5x ↓</p> <p>24: 9.2 ↓</p> <p>25: 10.1 ↓</p> <p>26: 10.7x ↓</p> <p>27: 10.6x ↓</p> <p>28: 10.9x ↖</p> <p>29: 10.9x ↗</p> <p>30: 10.2x ↖</p> | <p>60 Shots</p> | <p>31: 9.8 ↖</p> <p>32: 9.4 ←</p> <p>33: 9.0 →</p> <p>34: 10.1 ↓</p> <p>35: 10.5x →</p> <p>36: 9.6 →</p> <p>37: 9.8 ↓</p> <p>38: 9.5 ←</p> <p>39: 10.2x →</p> <p>40: 10.2x →</p> |
|                 | Series 104.1   |                 | Series 98.1  |
|                 | Total 308.9  |                 | Total 407.0  |

|  |  |  |   |
|--|--|--|---|
| <p><b>Sight</b></p>  | <p>1: 9.4 ↗<br/>2: 9.8 ↗<br/>3: 9.3 ↗<br/>4: 10.6x →<br/>5: 10.4x →<br/>6: 7.8 ↓<br/>7: 10.6x ←<br/>8: 9.8 ↗<br/>9: 9.6 ←<br/>10: 9.4 →</p> <p><b>Series</b> 96.7<br/><b>Total</b> 0.0</p> | <p><b>Sight</b></p>  | <p>11: 9.9 ↓<br/>12: 10.1 ←<br/>13: 9.7 ↓<br/>14: 10.3x ↑<br/>15: 10.8x ←<br/>16: 9.9 ↓<br/>17: 9.5 ←<br/>18: 9.4 ↓<br/>19: 10.5x ↗<br/>20: 10.4x ↑</p> <p><b>Series</b> 100.5<br/><b>Total</b> 0.0</p> |
|--|--|--|---|

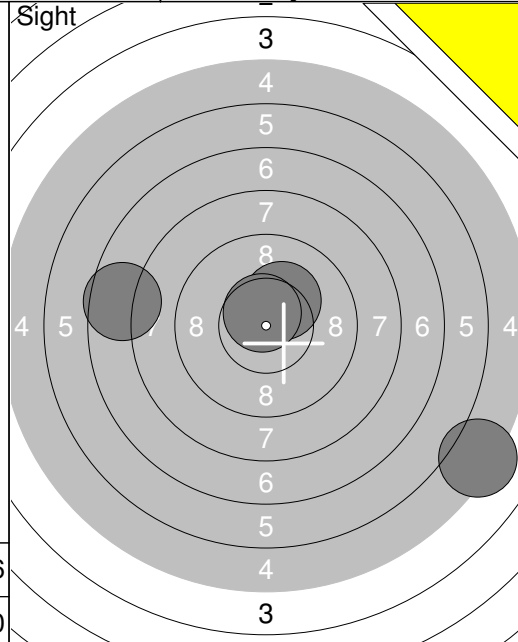
|   |   |   |   |
|---|---|---|---|
| <p><b>Sight</b></p>  | <p>21: 9.7 ↓<br/>22: 10.4x →<br/>23: 10.3x ↓<br/>24: 10.0 ↓<br/>25: 10.4x ↓<br/>26: 9.6 ←<br/>27: 9.8 ↓<br/>28: 10.1 ←<br/>29: 9.5 ↗<br/>30: 9.6 ↗</p> <p><b>Series</b> 99.4<br/><b>Total</b> 0.0</p> | <p><b>Sight</b></p>  | <p>31: 10.6x →</p> <p><b>Series</b> 10.6<br/><b>Total</b> 0.0</p> |
|---|---|---|---|

|   |   |   |   |
|---|---|---|---|
| <p><b>60 Shots</b></p>  | <p>1: 10.4x →<br/>2: 10.7x ↓<br/>3: 10.5x ↗<br/>4: 10.4x →<br/>5: 9.6 ↓<br/>6: 9.9 ↓<br/>7: 9.9 ↓<br/>8: 10.8x ↓<br/>9: 10.4x ←<br/>10: 10.2x ↑</p> <p><b>Series</b> 102.8<br/><b>Total</b> 102.8</p> | <p><b>60 Shots</b></p>  | <p>11: 9.5 ↑<br/>12: 10.7x ←<br/>13: 10.6x ↓<br/>14: 10.5x ←<br/>15: 10.0 →<br/>16: 9.9 ↓<br/>17: 9.9 ←<br/>18: 9.8 ←<br/>19: 8.6 ↗<br/>20: 10.6x ↓</p> <p><b>Series</b> 100.1<br/><b>Total</b> 202.9</p> |
|---|---|---|---|

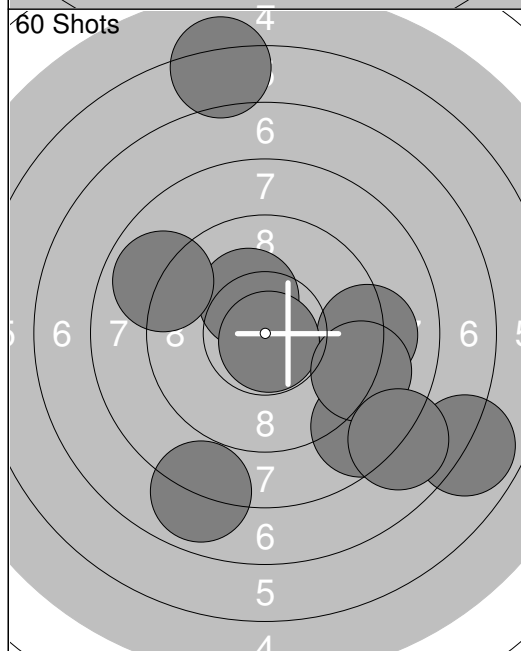
|   |  |   |  |
|---|--|---|--|
| <p><b>60 Shots</b></p>  | <p>21: 10.6x ↓<br/>22: 9.9 ↓<br/>23: 10.6x ↓<br/>24: 10.5x →<br/>25: 10.5x ↓<br/>26: 10.2x ←<br/>27: 9.8 ←<br/>28: 9.1 ←<br/>29: 10.3x ↓<br/>30: 10.2x →</p> <p><b>Series</b> 101.7<br/><b>Total</b> 304.6</p> | <p><b>60 Shots</b></p>  | <p>31: 10.3x ↗<br/>32: 10.3x →<br/>33: 10.5x ↓<br/>34: 10.5x ↓<br/>35: 10.3x ↗<br/>36: 10.2x ←<br/>37: 10.2x ←<br/>38: 10.6x ↓<br/>39: 8.6 ←<br/>40: 9.9 ↑</p> <p><b>Series</b> 101.4<br/><b>Total</b> 406.0</p> |
|---|--|---|--|



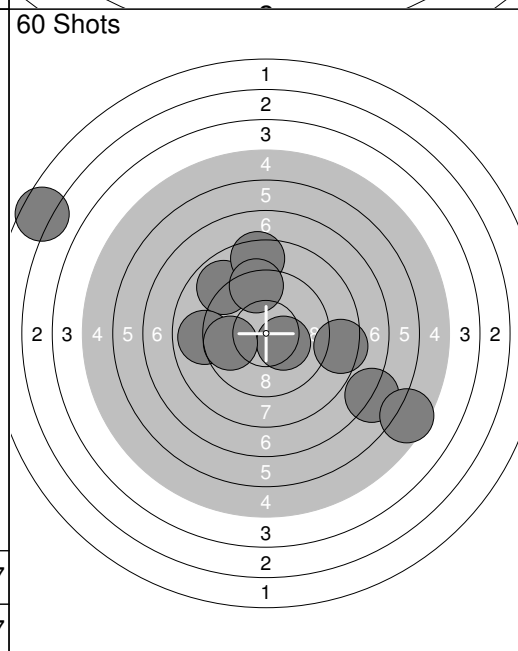
|               |             |
|---------------|-------------|
| 1:            | 10.3x →     |
| 2:            | 8.3 ←       |
| 3:            | 7.5 ↗       |
| 4:            | 10.5x ↘     |
| 5:            | 8.9 ↘       |
| 6:            | 10.7x →     |
| 7:            | 9.8 →       |
| 8:            | 9.4 ↗       |
| 9:            | 8.7 ↘       |
| 10:           | 8.5 →       |
| <b>Series</b> | <b>92.6</b> |
| <b>Total</b>  | <b>0.0</b>  |



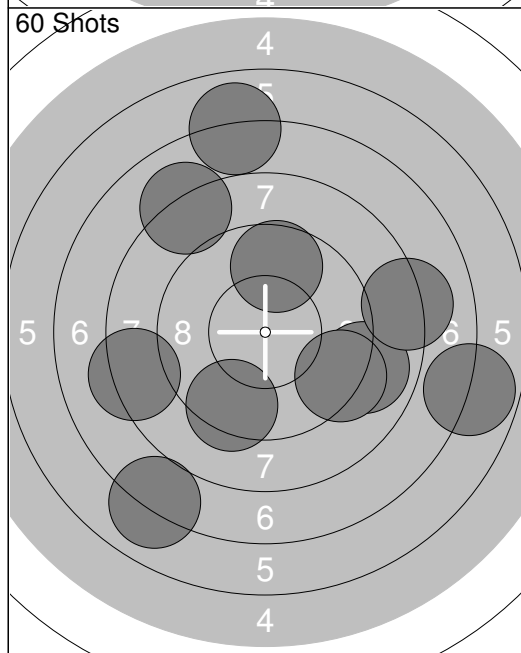
|               |             |
|---------------|-------------|
| 11:           | 7.6 ←       |
| 12:           | 10.3x ↗     |
| 13:           | 10.6x ↗     |
| 14:           | 5.2 ↘       |
| <b>Series</b> | <b>33.7</b> |
| <b>Total</b>  | <b>0.0</b>  |



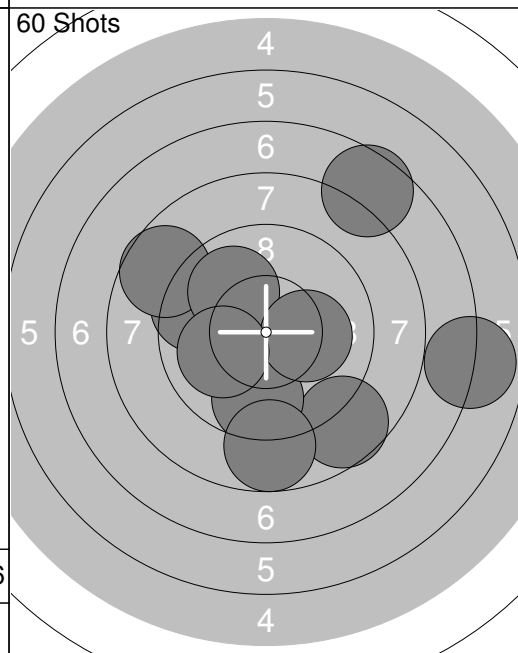
|               |             |
|---------------|-------------|
| 1:            | 10.3x ↗     |
| 2:            | 9.1 →       |
| 3:            | 10.8x ↘     |
| 4:            | 8.6 ↘       |
| 5:            | 6.2 ↗       |
| 6:            | 8.9 ↗       |
| 7:            | 6.9 ↘       |
| 8:            | 7.9 ↘       |
| 9:            | 9.1 →       |
| 10:           | 7.9 ↘       |
| <b>Series</b> | <b>85.7</b> |
| <b>Total</b>  | <b>85.7</b> |



|               |              |
|---------------|--------------|
| 11:           | 10.3x ↘      |
| 12:           | 2.5 ←        |
| 13:           | 8.9 ↗        |
| 14:           | 8.9 ←        |
| 15:           | 8.4 →        |
| 16:           | 8.4 ↗        |
| 17:           | 9.7 ←        |
| 18:           | 9.3 ↗        |
| 19:           | 6.9 ↘        |
| 20:           | 5.5 ↘        |
| <b>Series</b> | <b>78.8</b>  |
| <b>Total</b>  | <b>164.5</b> |

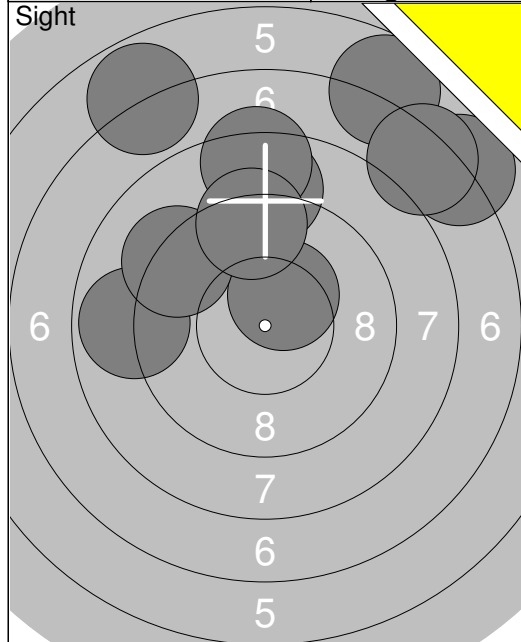


|               |              |
|---------------|--------------|
| 21:           | 8.9 →        |
| 22:           | 7.0 ↘        |
| 23:           | 7.0 ↗        |
| 24:           | 8.3 ←        |
| 25:           | 8.1 →        |
| 26:           | 9.4 ↘        |
| 27:           | 9.3 ↘        |
| 28:           | 8.1 ↗        |
| 29:           | 9.7 ↗        |
| 30:           | 6.8 →        |
| <b>Series</b> | <b>82.6</b>  |
| <b>Total</b>  | <b>247.1</b> |

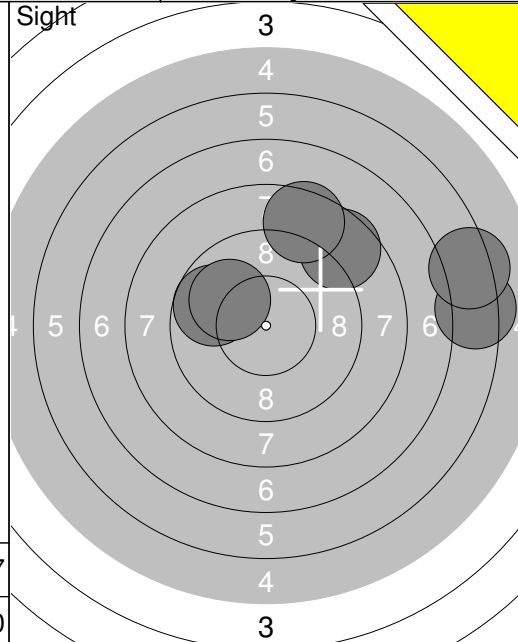


|               |              |
|---------------|--------------|
| 31:           | 8.7 ↘        |
| 32:           | 9.7 ↘        |
| 33:           | 6.9 →        |
| 34:           | 8.7 ↘        |
| 35:           | 9.5 ←        |
| 36:           | 8.7 ←        |
| 37:           | 7.6 ↗        |
| 38:           | 10.0 ↗       |
| 39:           | 10.2x →      |
| 40:           | 10.0 ←       |
| <b>Series</b> | <b>90.0</b>  |
| <b>Total</b>  | <b>337.1</b> |

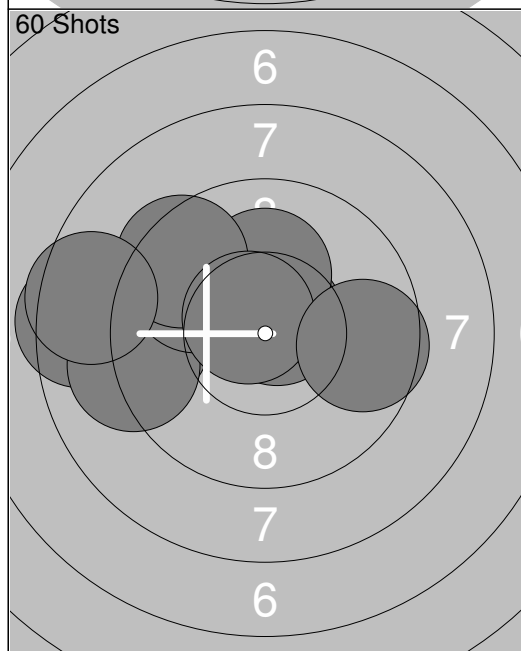




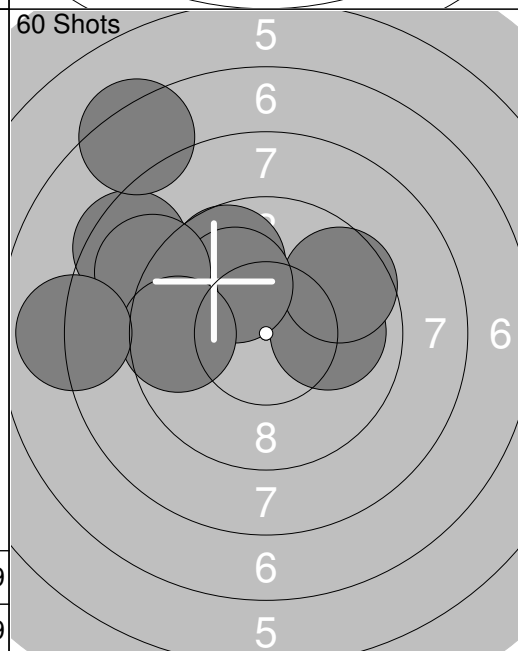
|        |       |   |
|--------|-------|---|
| 1:     | 6.7   | ↗ |
| 2:     | 7.0   | ↗ |
| 3:     | 6.8   | ↖ |
| 4:     | 7.3   | ↗ |
| 5:     | 8.8   | ↑ |
| 6:     | 8.9   | ← |
| 7:     | 8.3   | ↑ |
| 8:     | 10.4x | ↗ |
| 9:     | 9.2   | ↖ |
| 10:    | 9.3   | ↑ |
| Series | 82.7  |   |
| Total  | 0.0   |   |



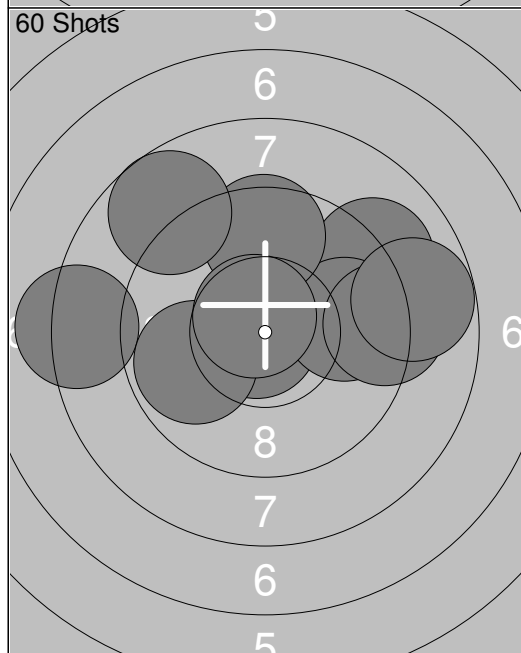
|        |      |   |
|--------|------|---|
| 11:    | 8.6  | ↗ |
| 12:    | 9.7  | ↖ |
| 13:    | 10.0 | ↖ |
| 14:    | 6.3  | → |
| 15:    | 6.3  | → |
| 16:    | 8.5  | ↑ |
| Series | 49.4 |   |
| Total  | 0.0  |   |



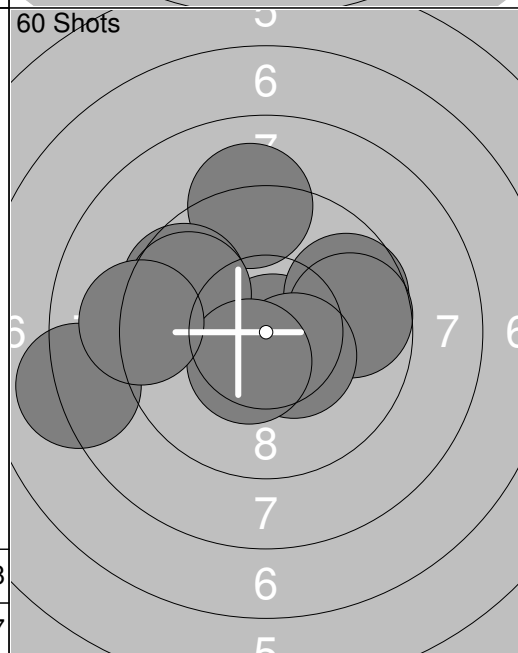
|        |       |   |
|--------|-------|---|
| 1:     | 9.3   | ← |
| 2:     | 8.5   | ← |
| 3:     | 9.1   | ← |
| 4:     | 9.8   | ↖ |
| 5:     | 10.7x | ↗ |
| 6:     | 10.2x | ↑ |
| 7:     | 9.5   | ↖ |
| 8:     | 8.6   | ← |
| 9:     | 10.6x | ↖ |
| 10:    | 9.6   | → |
| Series | 95.9  |   |
| Total  | 95.9  |   |



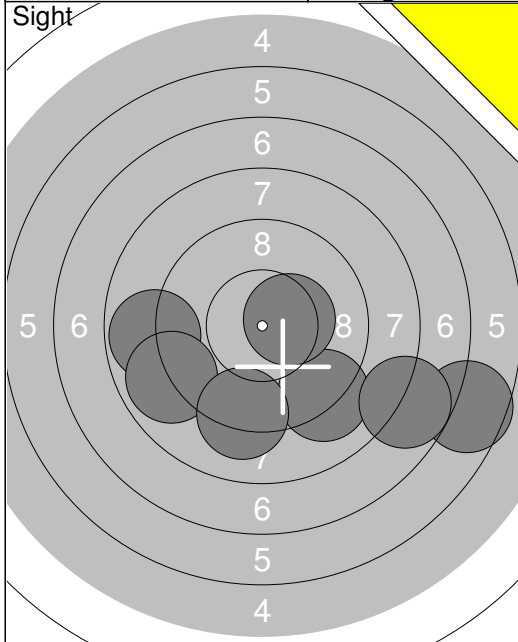
|        |       |   |
|--------|-------|---|
| 11:    | 10.0  | → |
| 12:    | 9.7   | ↖ |
| 13:    | 8.5   | ↖ |
| 14:    | 9.6   | ↗ |
| 15:    | 10.1  | ↖ |
| 16:    | 9.2   | ← |
| 17:    | 9.0   | ↖ |
| 18:    | 9.6   | ← |
| 19:    | 8.0   | ← |
| 20:    | 7.3   | ↖ |
| Series | 91.0  |   |
| Total  | 186.9 |   |



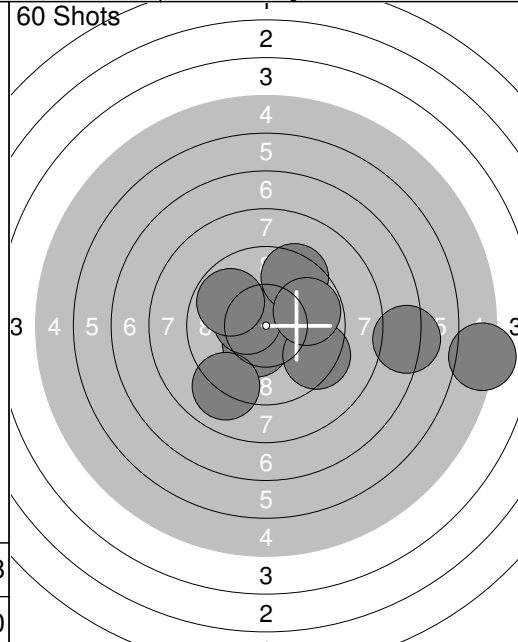
|        |       |   |
|--------|-------|---|
| 21:    | 10.8x | ↖ |
| 22:    | 9.1   | ↗ |
| 23:    | 9.8   | → |
| 24:    | 9.6   | ↑ |
| 25:    | 8.7   | ↖ |
| 26:    | 8.2   | ← |
| 27:    | 9.2   | → |
| 28:    | 9.9   | ← |
| 29:    | 8.8   | → |
| 30:    | 10.7x | ↖ |
| Series | 94.8  |   |
| Total  | 281.7 |   |



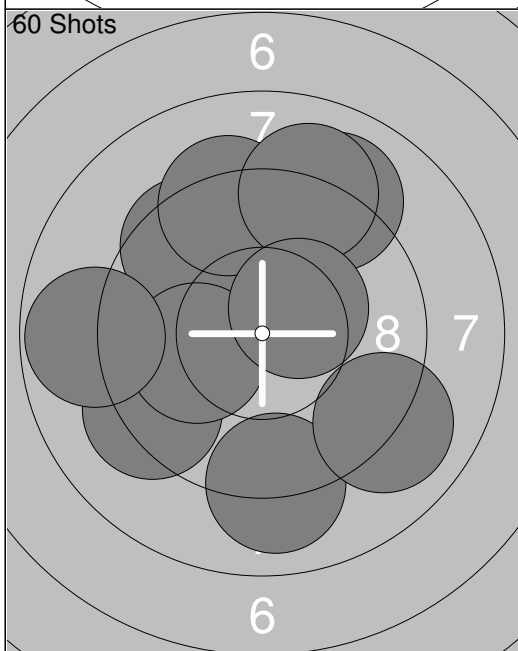
|        |       |   |
|--------|-------|---|
| 31:    | 10.8x | ↘ |
| 32:    | 9.7   | ↗ |
| 33:    | 9.1   | ↑ |
| 34:    | 9.7   | → |
| 35:    | 9.6   | ↖ |
| 36:    | 9.7   | ↖ |
| 37:    | 8.2   | ← |
| 38:    | 10.4x | ↘ |
| 39:    | 10.5x | ↘ |
| 40:    | 9.2   | ← |
| Series | 96.9  |   |
| Total  | 378.6 |   |



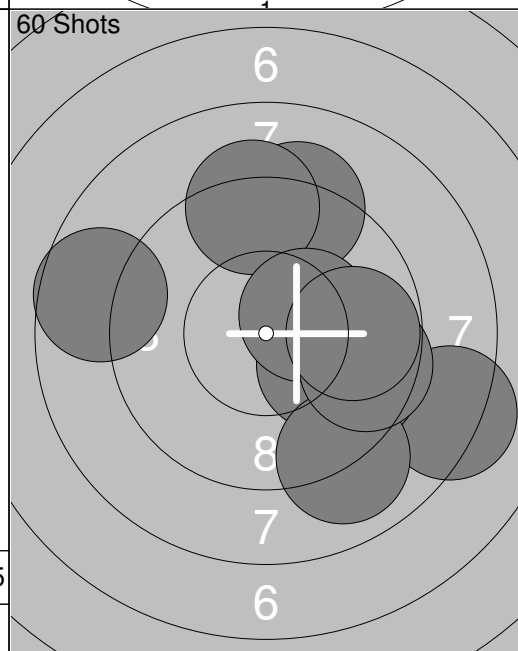
|        |       |      |
|--------|-------|------|
| 1:     | 8.8   | ←    |
| 2:     | 8.9   | ↙    |
| 3:     | 9.1   | ↘    |
| 4:     | 10.4x | →    |
| 5:     | 6.6   | →    |
| 6:     | 9.2   | ↓    |
| 7:     | 7.8   | ↘    |
| Series |       | 60.8 |
| Total  |       | 0.0  |



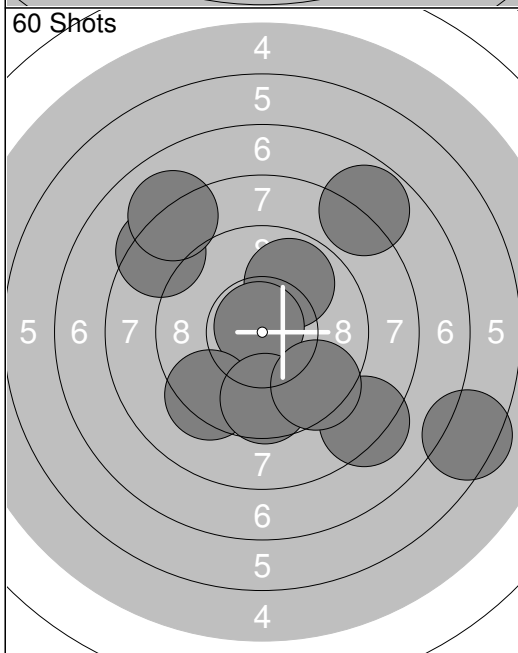
|        |       |      |
|--------|-------|------|
| 1:     | 10.9x | ↑    |
| 2:     | 10.4x | ↙    |
| 3:     | 9.4   | →    |
| 4:     | 10.4x | ↙    |
| 5:     | 9.0   | ↙    |
| 6:     | 9.5   | ↗    |
| 7:     | 5.2   | →    |
| 8:     | 7.2   | →    |
| 9:     | 9.8   | ↙    |
| 10:    | 9.8   | →    |
| Series |       | 91.6 |
| Total  |       | 91.6 |



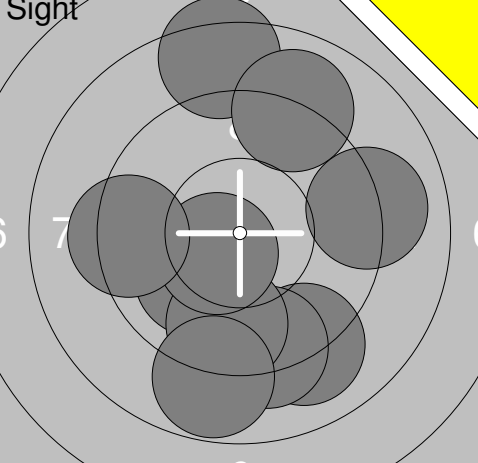
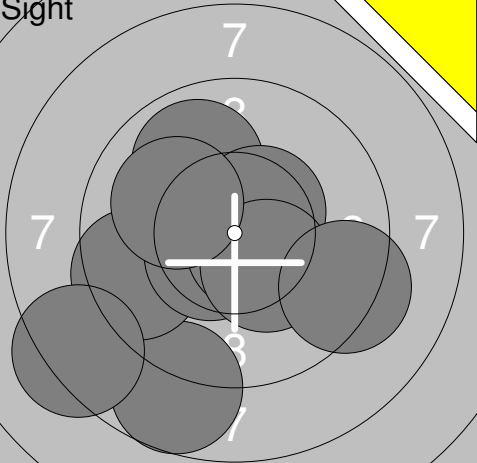
|        |       |       |
|--------|-------|-------|
| 11:    | 9.5   | ↗     |
| 12:    | 9.3   | ↙     |
| 13:    | 9.0   | ↓     |
| 14:    | 10.1  | ←     |
| 15:    | 8.8   | ←     |
| 16:    | 9.3   | ↑     |
| 17:    | 9.0   | ↗     |
| 18:    | 9.1   | ↗     |
| 19:    | 9.0   | ↘     |
| 20:    | 10.4x | ↗     |
| Series |       | 93.5  |
| Total  |       | 185.1 |


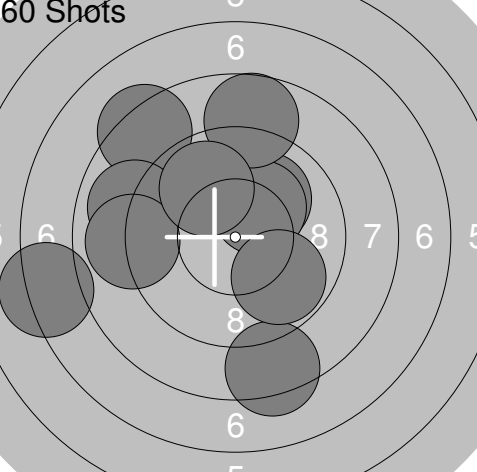


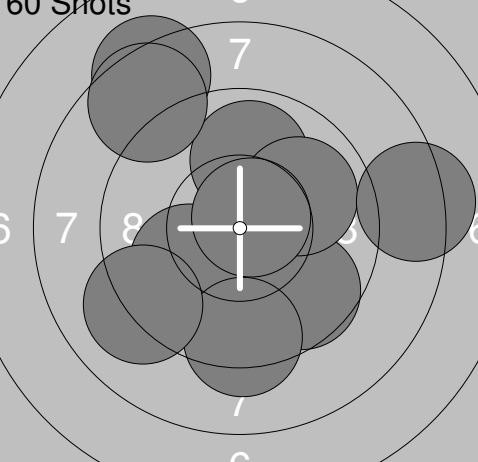
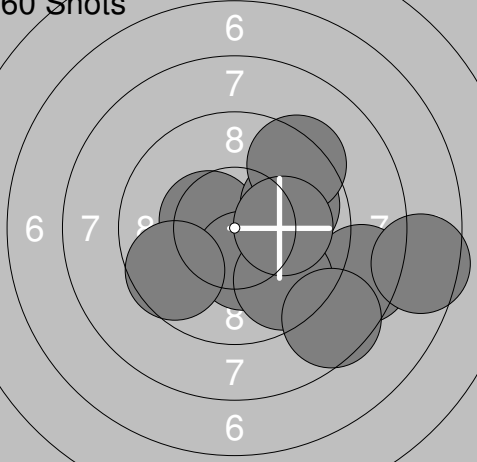
|        |       |       |
|--------|-------|-------|
| 21:    | 8.3   | →     |
| 22:    | 9.2   | ↑     |
| 23:    | 9.6   | →     |
| 24:    | 10.1  | →     |
| 25:    | 9.2   | ↑     |
| 26:    | 10.4x | →     |
| 27:    | 9.0   | ↓     |
| 28:    | 8.7   | ←     |
| 29:    | 9.5   | →     |
| 30:    | 9.8   | →     |
| Series |       | 93.8  |
| Total  |       | 278.9 |

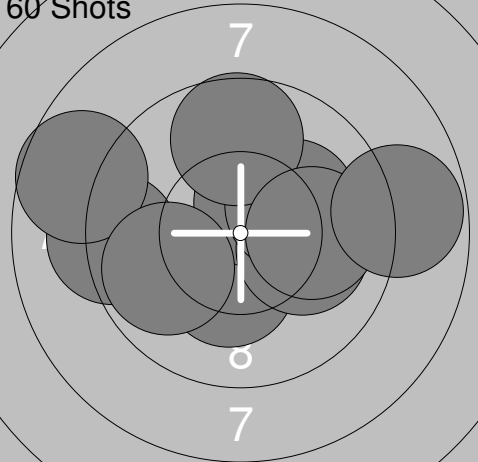


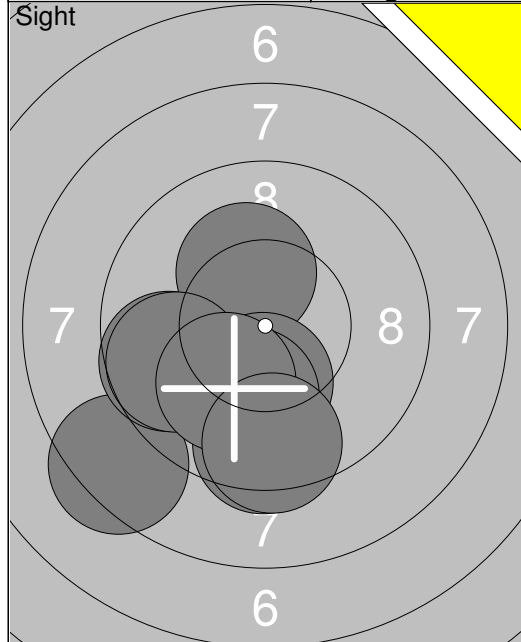
|        |       |       |
|--------|-------|-------|
| 31:    | 9.9   | ↗     |
| 32:    | 10.8x | ↗     |
| 33:    | 6.4   | →     |
| 34:    | 8.4   | ↖     |
| 35:    | 9.3   | ↙     |
| 36:    | 7.8   | ↗     |
| 37:    | 9.6   | ↓     |
| 38:    | 8.3   | ↘     |
| 39:    | 9.5   | ↘     |
| 40:    | 8.1   | ↗     |
| Series |       | 88.1  |
| Total  |       | 367.0 |

|  |   |  |  |
|--|---|--|--|
|  | <p>1: 8.4 ↑</p> <p>2: 9.1 ↓</p> <p>3: 9.0 ↗</p> <p>4: 9.2 ↓</p> <p>5: 10.0 ↘</p> <p>6: 9.1 →</p> <p>7: 9.6 ↓</p> <p>8: 10.5x ↘</p> <p>9: 9.3 ←</p> <p>10: 8.8 ↓</p> |  | <p>11: 8.7 ↓</p> <p>12: 9.5 ←</p> <p>13: 10.5x ↘</p> <p>14: 8.3 ↘</p> <p>15: 10.7x ↘</p> <p>16: 9.9 ↗</p> <p>17: 10.5x ↗</p> <p>18: 10.3x ↘</p> <p>19: 9.3 ↘</p> <p>20: 10.1 ↖</p> |
| Series   | 93.0  | Series   | 97.8   |
| Total  | 0.0   | Total  | 0.0  |

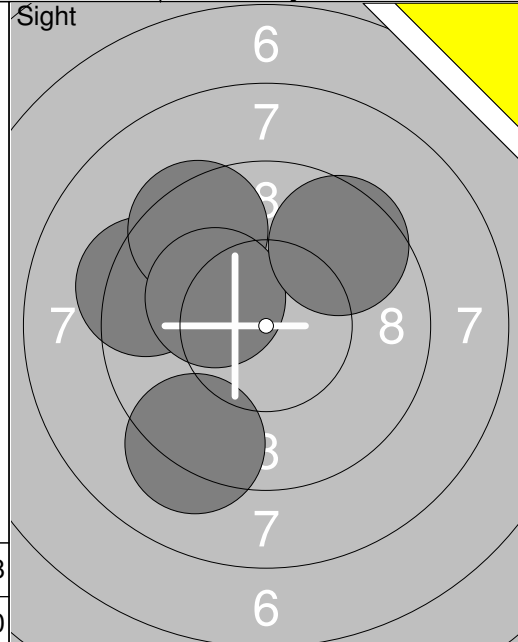
|   |                    |   |   |
|---|--------------------|---|---|
|  | <p>21: 10.5x ↓</p> |  | <p>1: 10.0 ↗</p> <p>2: 8.3 ↗</p> <p>3: 9.0 ←</p> <p>4: 8.3 ↓</p> <p>5: 10.2x ↗</p> <p>6: 7.2 ←</p> <p>7: 9.8 ↓</p> <p>8: 9.0 ←</p> <p>9: 8.7 ↑</p> <p>10: 9.9 ↗</p> |
| Series  | 10.5               | Series  | 90.4  |
| Total   | 0.0                | Total   | 90.4  |

|  |   |  |  |
|--|---|--|--|
|  | <p>11: 9.9 ↑</p> <p>12: 9.6 ↘</p> <p>13: 10.0 ↘</p> <p>14: 10.0 ↗</p> <p>15: 10.7x ↗</p> <p>16: 9.3 ↓</p> <p>17: 8.3 →</p> <p>18: 9.1 ↖</p> <p>19: 8.3 ↗</p> <p>20: 8.6 ↗</p> |  | <p>21: 8.5 →</p> <p>22: 10.5x ←</p> <p>23: 9.9 ↗</p> <p>24: 10.3x ↓</p> <p>25: 9.7 ↓</p> <p>26: 8.6 ↓</p> <p>27: 7.5 →</p> <p>28: 9.4 ↗</p> <p>29: 9.6 ↖</p> <p>30: 10.1 →</p> |
| Series   | 93.8  | Series   | 94.1   |
| Total  | 184.2   | Total  | 278.3  |

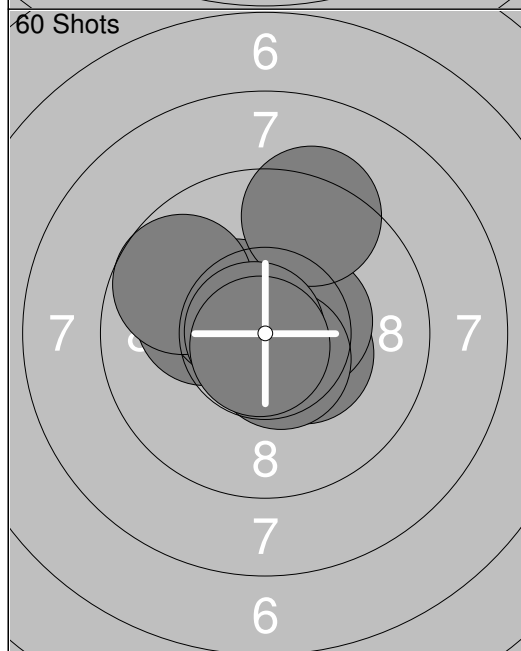
|  |   |  |  |
|--|---|--|--|
|  | <p>31: 10.3x ↓</p> <p>32: 10.5x ↗</p> <p>33: 9.2 ←</p> <p>34: 10.1 →</p> <p>35: 10.2x ↗</p> <p>36: 9.7 ↑</p> <p>37: 10.0 →</p> <p>38: 8.8 →</p> <p>39: 8.7 ←</p> <p>40: 9.9 ↖</p> |  |  |
| Series   | 97.4  |  |  |
| Total  | 375.7   |  |  |



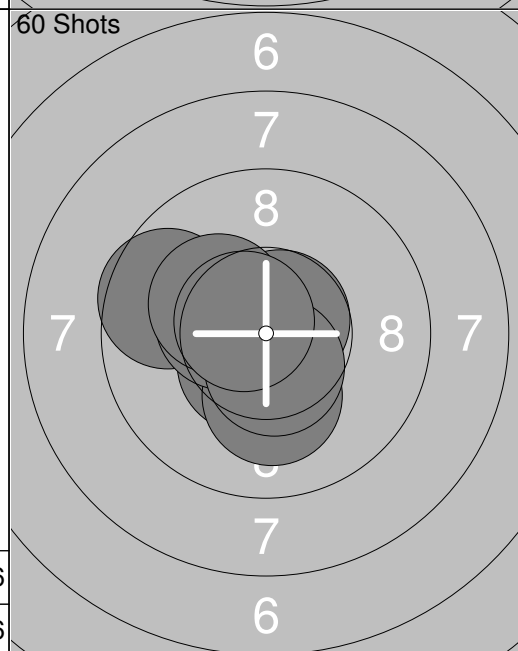
|             |
|-------------|
| 1: 8.4 ↙    |
| 2: 9.8 ↓    |
| 3: 9.6 ↙    |
| 4: 10.2x ↗  |
| 5: 10.2x ↓  |
| 6: 9.7 ↙    |
| 7: 9.4 ↓    |
| 8: 10.0 ↓   |
| 9: 10.1 ↙   |
| 10: 9.4 ↓   |
| Series 96.8 |
| Total 0.0   |



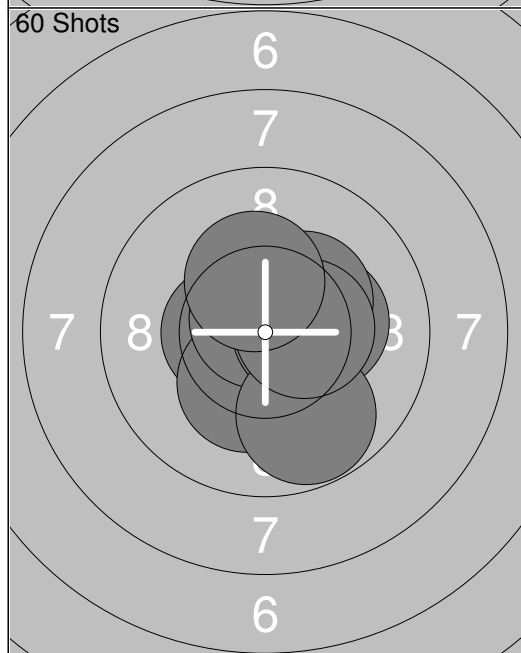
|             |
|-------------|
| 11: 9.3 ↙   |
| 12: 9.5 ↗   |
| 13: 10.2x ↙ |
| 14: 9.6 ↗   |
| 15: 9.2 ↓   |
| Series 47.8 |
| Total 0.0   |



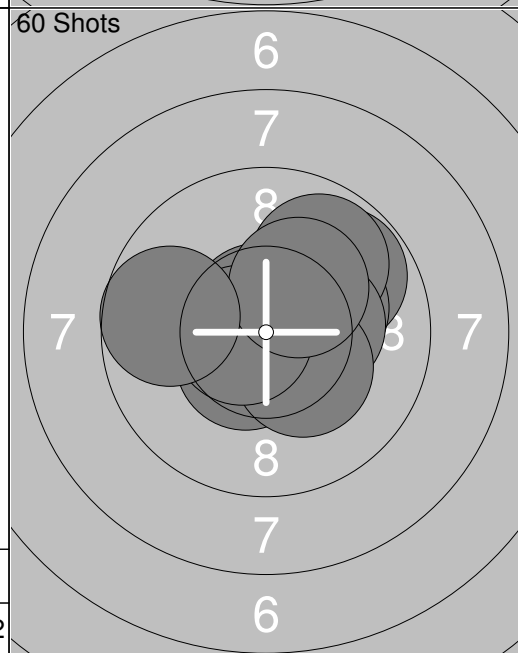
|              |
|--------------|
| 1: 10.4x →   |
| 2: 10.8x ↗   |
| 3: 10.5x →   |
| 4: 10.2x ↙   |
| 5: 10.5x ↙   |
| 6: 9.7 ↙     |
| 7: 9.3 ↗     |
| 8: 10.6x ↓   |
| 9: 10.8x ↙   |
| 10: 10.8x ↓  |
| Series 103.6 |
| Total 103.6  |



|              |
|--------------|
| 11: 9.6 ↙    |
| 12: 10.5x ↙  |
| 13: 10.3x ↓  |
| 14: 10.5x ↓  |
| 15: 10.2x ↓  |
| 16: 10.4x ↙  |
| 17: 10.7x ↗  |
| 18: 10.2x ↙  |
| 19: 10.5x ↓  |
| 20: 10.6x ↙  |
| Series 103.5 |
| Total 207.1  |




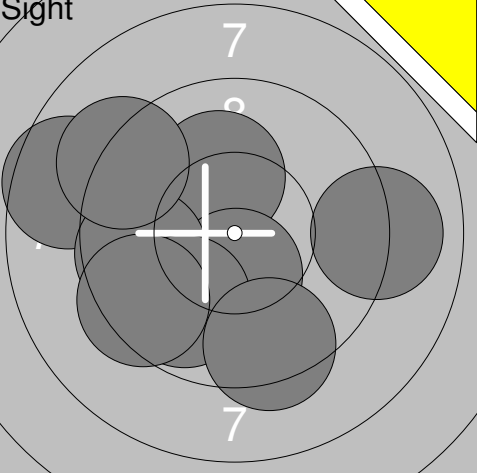
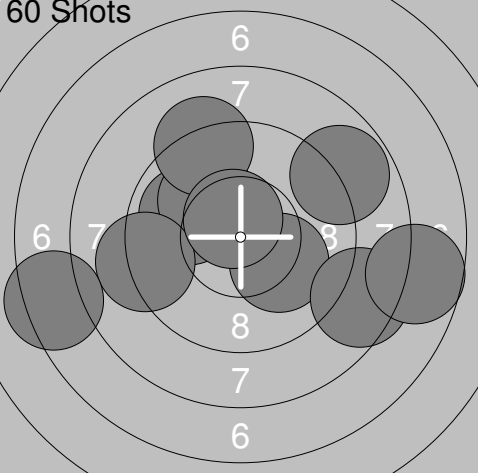
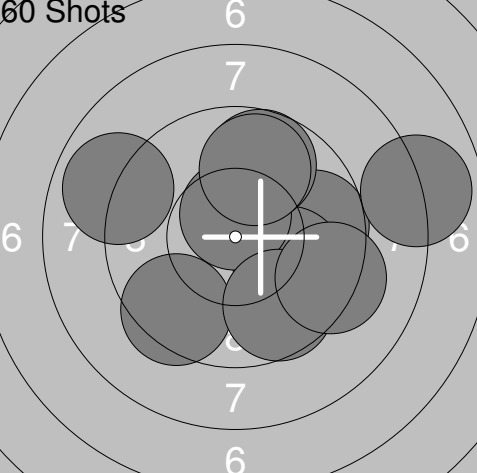
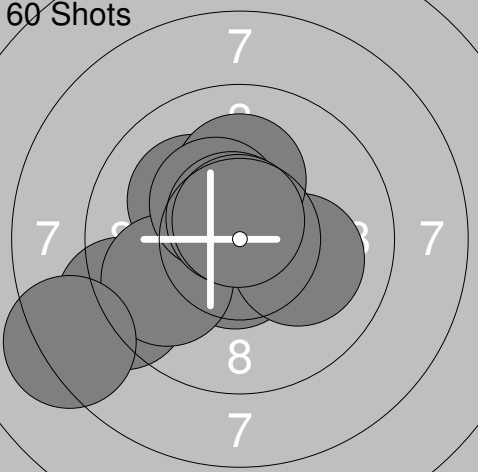
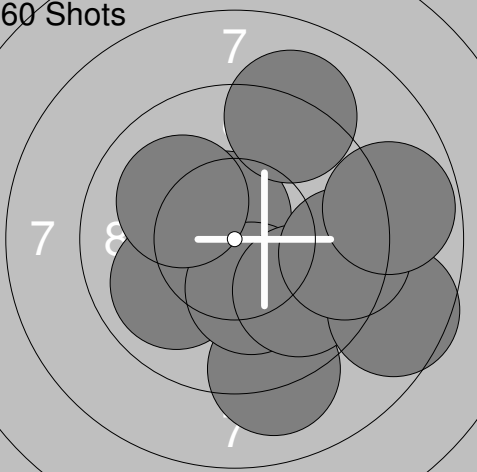
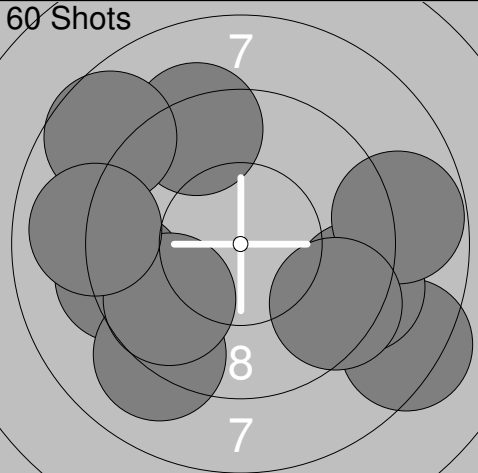
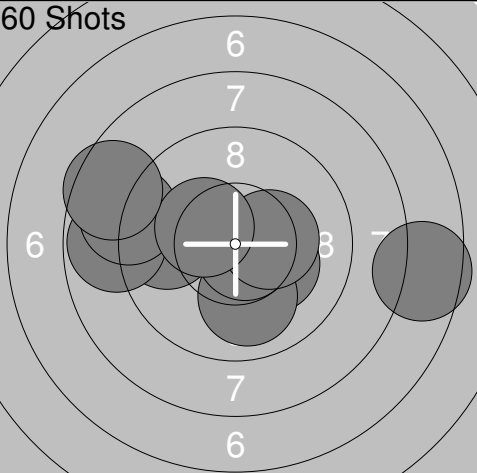
|              |
|--------------|
| 21: 10.9x →  |
| 22: 10.3x →  |
| 23: 10.5x ↙  |
| 24: 10.3x ↗  |
| 25: 10.3x ↓  |
| 26: 10.8x ↗  |
| 27: 10.5x →  |
| 28: 9.8 ↓    |
| 29: 10.4x →  |
| 30: 10.3x ↗  |
| Series 104.1 |
| Total 311.2  |



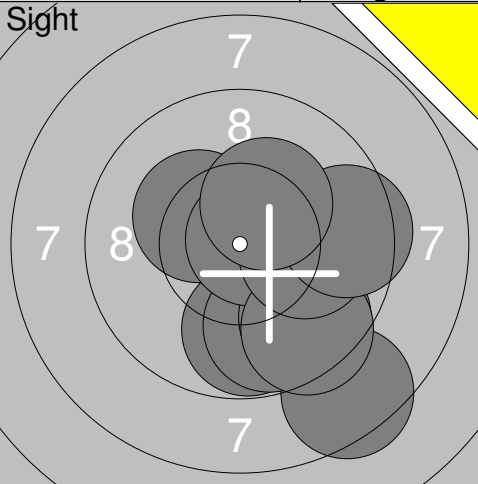
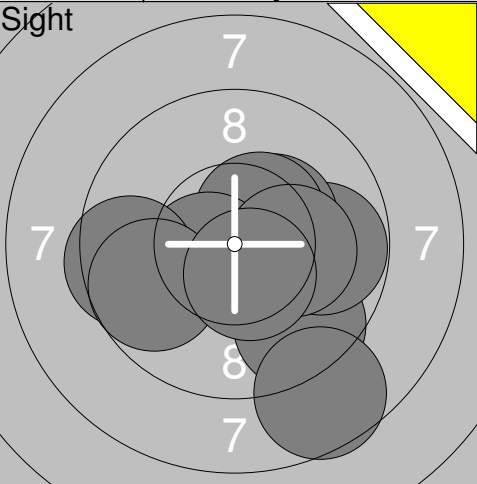
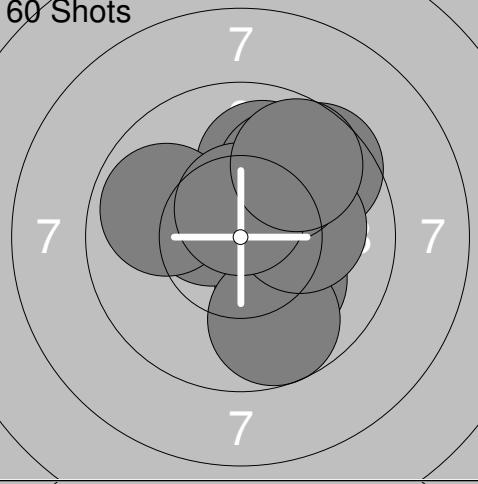
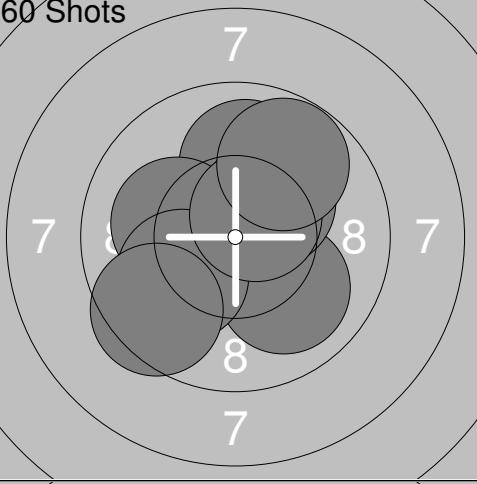
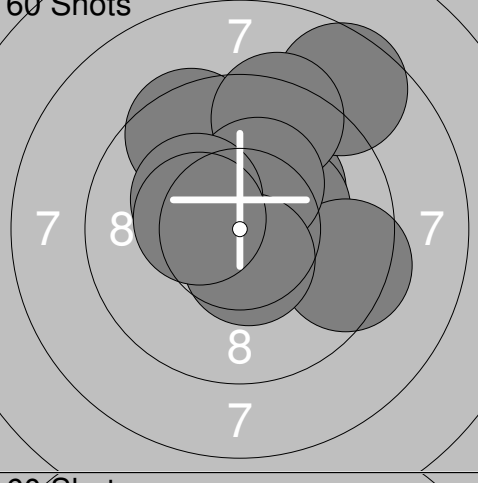
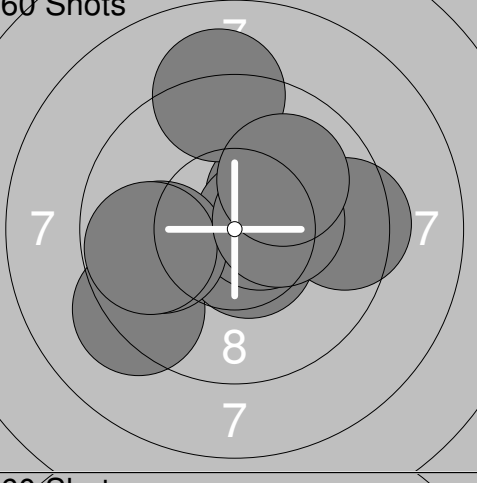
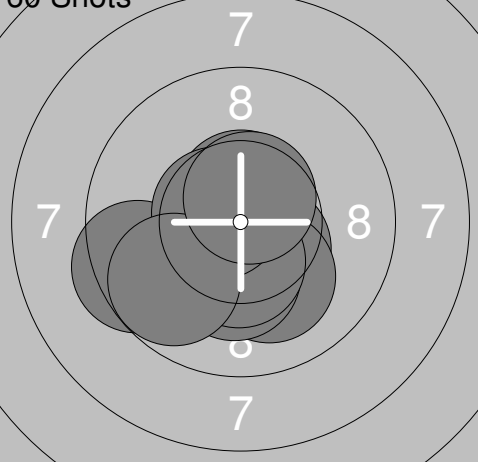
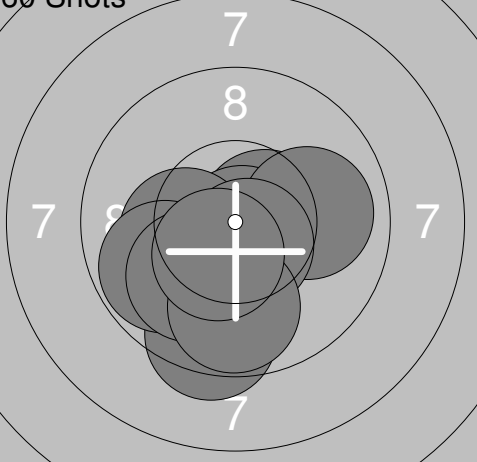
|              |
|--------------|
| 31: 9.8 ↗    |
| 32: 10.2x →  |
| 33: 9.8 ↗    |
| 34: 10.3x →  |
| 35: 10.5x ↓  |
| 36: 10.7x ↗  |
| 37: 10.3x ↓  |
| 38: 10.7x ↙  |
| 39: 10.3x ↗  |
| 40: 9.7 ↙    |
| Series 102.3 |
| Total 413.5  |

| Relay      | Lane | Oskar Jacobsson   |   |
|------------|------|---|---|
| S          |      | Ramselefors   |   |
| 2014-11-15 |      | Drängsmarksskyttet 2014   | Umeå skytteallians  |
| Sight      |      | 1: 10.4x ↑<br>2: 10.0 →<br>3: 10.3x ↖<br>4: 10.3x ↗<br>5: 10.1 ↗<br>6: 10.4x ↘<br>7: 9.8 ↓<br>8: 10.2x ↙<br>9: 10.0 ↙<br>10: 9.9 ←    | 11: 9.4 ↘<br>12: 9.3 ↘<br>13: 9.7 ↗   |
|            |      | Series 101.4  | Series 28.4   |
|            |      | Total 0.0   | Total 0.0   |
| 60 Shots   |      | 1: 10.8x ↑<br>2: 9.8 ↑<br>3: 9.5 ↗<br>4: 10.0 ↓<br>5: 9.7 ↓<br>6: 10.1 ←<br>7: 10.4x ←<br>8: 9.5 ↗<br>9: 9.8 ↗<br>10: 10.0 ↗          | 11: 10.0 ↓<br>12: 10.4x →<br>13: 10.4x ←<br>14: 10.3x →<br>15: 10.8x ↓<br>16: 10.9x ↗<br>17: 10.4x ↑<br>18: 8.1 →<br>19: 10.3x ↑<br>20: 9.8 ↘ |
|            |      | Series 99.6   | Series 101.4  |
|            |      | Total 99.6  | Total 201.0   |
| 60 Shots   |      | 21: 10.0 ↘<br>22: 8.6 →<br>23: 9.1 →<br>24: 8.5 ←<br>25: 9.6 ↗<br>26: 9.8 ←<br>27: 9.4 →<br>28: 9.8 →<br>29: 10.5x ↘<br>30: 9.8 →     | 31: 9.2 →<br>32: 9.2 ↗<br>33: 9.6 →<br>34: 9.7 ↘<br>35: 10.3x ↗<br>36: 9.1 ↗<br>37: 10.1 ←<br>38: 10.1 →<br>39: 10.0 ↘<br>40: 10.2x ↓         |
|            |      | Series 95.1   | Series 97.5   |
|            |      | Total 296.1   | Total 393.6   |
| 60 Shots   |      | 41: 9.6 ←<br>42: 10.5x →<br>43: 9.7 ↗<br>44: 10.2x ↓<br>45: 9.0 ←<br>46: 10.3x ↖<br>47: 9.7 ←<br>48: 8.7 →<br>49: 9.1 ↓<br>50: 10.0 ↙ | 51: 10.1 ↑<br>52: 10.2x ↓<br>53: 9.7 ←<br>54: 8.2 ←<br>55: 8.9 ←<br>56: 10.4x ↘<br>57: 9.3 ↓<br>58: 8.9 ←<br>59: 10.2x ↓<br>60: 10.7x ←       |
|            |      | Series 96.8   | Series 96.6   |
|            |      | Total 490.4   | Total 587.0   |



|  |  |              |       |   |     |     |   |     |       |   |     |      |   |     |      |   |     |     |   |     |       |   |     |       |   |     |       |   |     |       |   |               |  |             |              |  |              |  |     |       |   |     |       |   |     |       |   |     |       |   |     |     |   |     |     |   |     |       |   |     |       |   |     |       |   |               |     |             |               |  |             |              |  |              |
|--|--|--------------|-------|---|-----|-----|---|-----|-------|---|-----|------|---|-----|------|---|-----|-----|---|-----|-------|---|-----|-------|---|-----|-------|---|-----|-------|---|---------------|--|-------------|--------------|--|--------------|--|-----|-------|---|-----|-------|---|-----|-------|---|-----|-------|---|-----|-----|---|-----|-----|---|-----|-------|---|-----|-------|---|-----|-------|---|---------------|-----|-------------|---------------|--|-------------|--------------|--|--------------|
|    | <table border="1" style="width:100%; border-collapse: collapse;"> <tr><td>1:</td><td>7.2</td><td>↑</td></tr> <tr><td>2:</td><td>8.5</td><td>↗</td></tr> <tr><td>3:</td><td>10.4x</td><td>↑</td></tr> <tr><td>4:</td><td>9.7</td><td>↑</td></tr> <tr><td>5:</td><td>8.5</td><td>↗</td></tr> <tr><td>6:</td><td>8.8</td><td>↖</td></tr> <tr><td>7:</td><td>8.7</td><td>→</td></tr> <tr><td>8:</td><td>9.9</td><td>↑</td></tr> <tr><td>9:</td><td>9.7</td><td>↗</td></tr> <tr><td>10:</td><td>9.3</td><td>→</td></tr> <tr><td colspan="2"><b>Series</b></td><td><b>90.7</b></td></tr> <tr><td colspan="2"><b>Total</b></td><td><b>0.0</b></td></tr> </table>                      | 1:           | 7.2   | ↑ | 2:  | 8.5 | ↗ | 3:  | 10.4x | ↑ | 4:  | 9.7  | ↑ | 5:  | 8.5  | ↗ | 6:  | 8.8 | ↖ | 7:  | 8.7   | → | 8:  | 9.9   | ↑ | 9:  | 9.7   | ↗ | 10: | 9.3   | → | <b>Series</b> |  | <b>90.7</b> | <b>Total</b> |  | <b>0.0</b>   |  <table border="1" style="width:100%; border-collapse: collapse;"> <tr><td>11:</td><td>10.2x</td><td>↑</td></tr> <tr><td>12:</td><td>10.4x</td><td>↓</td></tr> <tr><td>13:</td><td>8.6</td><td>↖</td></tr> <tr><td>14:</td><td>9.6</td><td>↖</td></tr> <tr><td>15:</td><td>9.8</td><td>↘</td></tr> <tr><td>16:</td><td>9.4</td><td>↖</td></tr> <tr><td>17:</td><td>9.4</td><td>↓</td></tr> <tr><td>18:</td><td>9.0</td><td>→</td></tr> <tr><td>19:</td><td>9.2</td><td>↗</td></tr> <tr><td colspan="2"><b>Series</b></td><td><b>85.6</b></td></tr> <tr><td colspan="2"><b>Total</b></td><td><b>0.0</b></td></tr> </table>  | 11: | 10.2x | ↑ | 12: | 10.4x | ↓ | 13: | 8.6   | ↖ | 14: | 9.6   | ↖ | 15: | 9.8 | ↘ | 16: | 9.4 | ↖ | 17: | 9.4   | ↓ | 18: | 9.0   | → | 19: | 9.2   | ↗ | <b>Series</b> |     | <b>85.6</b> | <b>Total</b>  |  | <b>0.0</b>  |              |  |              |
| 1:   | 7.2  | ↑            |       |   |     |     |   |     |       |   |     |      |   |     |      |   |     |     |   |     |       |   |     |       |   |     |       |   |     |       |   |               |  |             |              |  |              |  |     |       |   |     |       |   |     |       |   |     |       |   |     |     |   |     |     |   |     |       |   |     |       |   |     |       |   |               |     |             |               |  |             |              |  |              |
| 2:   | 8.5  | ↗            |       |   |     |     |   |     |       |   |     |      |   |     |      |   |     |     |   |     |       |   |     |       |   |     |       |   |     |       |   |               |  |             |              |  |              |  |     |       |   |     |       |   |     |       |   |     |       |   |     |     |   |     |     |   |     |       |   |     |       |   |     |       |   |               |     |             |               |  |             |              |  |              |
| 3:   | 10.4x  | ↑            |       |   |     |     |   |     |       |   |     |      |   |     |      |   |     |     |   |     |       |   |     |       |   |     |       |   |     |       |   |               |  |             |              |  |              |  |     |       |   |     |       |   |     |       |   |     |       |   |     |     |   |     |     |   |     |       |   |     |       |   |     |       |   |               |     |             |               |  |             |              |  |              |
| 4:   | 9.7  | ↑            |       |   |     |     |   |     |       |   |     |      |   |     |      |   |     |     |   |     |       |   |     |       |   |     |       |   |     |       |   |               |  |             |              |  |              |  |     |       |   |     |       |   |     |       |   |     |       |   |     |     |   |     |     |   |     |       |   |     |       |   |     |       |   |               |     |             |               |  |             |              |  |              |
| 5:   | 8.5  | ↗            |       |   |     |     |   |     |       |   |     |      |   |     |      |   |     |     |   |     |       |   |     |       |   |     |       |   |     |       |   |               |  |             |              |  |              |  |     |       |   |     |       |   |     |       |   |     |       |   |     |     |   |     |     |   |     |       |   |     |       |   |     |       |   |               |     |             |               |  |             |              |  |              |
| 6:   | 8.8  | ↖            |       |   |     |     |   |     |       |   |     |      |   |     |      |   |     |     |   |     |       |   |     |       |   |     |       |   |     |       |   |               |  |             |              |  |              |  |     |       |   |     |       |   |     |       |   |     |       |   |     |     |   |     |     |   |     |       |   |     |       |   |     |       |   |               |     |             |               |  |             |              |  |              |
| 7:   | 8.7  | →            |       |   |     |     |   |     |       |   |     |      |   |     |      |   |     |     |   |     |       |   |     |       |   |     |       |   |     |       |   |               |  |             |              |  |              |  |     |       |   |     |       |   |     |       |   |     |       |   |     |     |   |     |     |   |     |       |   |     |       |   |     |       |   |               |     |             |               |  |             |              |  |              |
| 8:   | 9.9  | ↑            |       |   |     |     |   |     |       |   |     |      |   |     |      |   |     |     |   |     |       |   |     |       |   |     |       |   |     |       |   |               |  |             |              |  |              |  |     |       |   |     |       |   |     |       |   |     |       |   |     |     |   |     |     |   |     |       |   |     |       |   |     |       |   |               |     |             |               |  |             |              |  |              |
| 9:   | 9.7  | ↗            |       |   |     |     |   |     |       |   |     |      |   |     |      |   |     |     |   |     |       |   |     |       |   |     |       |   |     |       |   |               |  |             |              |  |              |  |     |       |   |     |       |   |     |       |   |     |       |   |     |     |   |     |     |   |     |       |   |     |       |   |     |       |   |               |     |             |               |  |             |              |  |              |
| 10:  | 9.3  | →            |       |   |     |     |   |     |       |   |     |      |   |     |      |   |     |     |   |     |       |   |     |       |   |     |       |   |     |       |   |               |  |             |              |  |              |  |     |       |   |     |       |   |     |       |   |     |       |   |     |     |   |     |     |   |     |       |   |     |       |   |     |       |   |               |     |             |               |  |             |              |  |              |
| <b>Series</b>  |  | <b>90.7</b>  |       |   |     |     |   |     |       |   |     |      |   |     |      |   |     |     |   |     |       |   |     |       |   |     |       |   |     |       |   |               |  |             |              |  |              |  |     |       |   |     |       |   |     |       |   |     |       |   |     |     |   |     |     |   |     |       |   |     |       |   |     |       |   |               |     |             |               |  |             |              |  |              |
| <b>Total</b>   |  | <b>0.0</b>   |       |   |     |     |   |     |       |   |     |      |   |     |      |   |     |     |   |     |       |   |     |       |   |     |       |   |     |       |   |               |  |             |              |  |              |  |     |       |   |     |       |   |     |       |   |     |       |   |     |     |   |     |     |   |     |       |   |     |       |   |     |       |   |               |     |             |               |  |             |              |  |              |
| 11:  | 10.2x  | ↑            |       |   |     |     |   |     |       |   |     |      |   |     |      |   |     |     |   |     |       |   |     |       |   |     |       |   |     |       |   |               |  |             |              |  |              |  |     |       |   |     |       |   |     |       |   |     |       |   |     |     |   |     |     |   |     |       |   |     |       |   |     |       |   |               |     |             |               |  |             |              |  |              |
| 12:  | 10.4x  | ↓            |       |   |     |     |   |     |       |   |     |      |   |     |      |   |     |     |   |     |       |   |     |       |   |     |       |   |     |       |   |               |  |             |              |  |              |  |     |       |   |     |       |   |     |       |   |     |       |   |     |     |   |     |     |   |     |       |   |     |       |   |     |       |   |               |     |             |               |  |             |              |  |              |
| 13:  | 8.6  | ↖            |       |   |     |     |   |     |       |   |     |      |   |     |      |   |     |     |   |     |       |   |     |       |   |     |       |   |     |       |   |               |  |             |              |  |              |  |     |       |   |     |       |   |     |       |   |     |       |   |     |     |   |     |     |   |     |       |   |     |       |   |     |       |   |               |     |             |               |  |             |              |  |              |
| 14:  | 9.6  | ↖            |       |   |     |     |   |     |       |   |     |      |   |     |      |   |     |     |   |     |       |   |     |       |   |     |       |   |     |       |   |               |  |             |              |  |              |  |     |       |   |     |       |   |     |       |   |     |       |   |     |     |   |     |     |   |     |       |   |     |       |   |     |       |   |               |     |             |               |  |             |              |  |              |
| 15:  | 9.8  | ↘            |       |   |     |     |   |     |       |   |     |      |   |     |      |   |     |     |   |     |       |   |     |       |   |     |       |   |     |       |   |               |  |             |              |  |              |  |     |       |   |     |       |   |     |       |   |     |       |   |     |     |   |     |     |   |     |       |   |     |       |   |     |       |   |               |     |             |               |  |             |              |  |              |
| 16:  | 9.4  | ↖            |       |   |     |     |   |     |       |   |     |      |   |     |      |   |     |     |   |     |       |   |     |       |   |     |       |   |     |       |   |               |  |             |              |  |              |  |     |       |   |     |       |   |     |       |   |     |       |   |     |     |   |     |     |   |     |       |   |     |       |   |     |       |   |               |     |             |               |  |             |              |  |              |
| 17:  | 9.4  | ↓            |       |   |     |     |   |     |       |   |     |      |   |     |      |   |     |     |   |     |       |   |     |       |   |     |       |   |     |       |   |               |  |             |              |  |              |  |     |       |   |     |       |   |     |       |   |     |       |   |     |     |   |     |     |   |     |       |   |     |       |   |     |       |   |               |     |             |               |  |             |              |  |              |
| 18:  | 9.0  | →            |       |   |     |     |   |     |       |   |     |      |   |     |      |   |     |     |   |     |       |   |     |       |   |     |       |   |     |       |   |               |  |             |              |  |              |  |     |       |   |     |       |   |     |       |   |     |       |   |     |     |   |     |     |   |     |       |   |     |       |   |     |       |   |               |     |             |               |  |             |              |  |              |
| 19:  | 9.2  | ↗            |       |   |     |     |   |     |       |   |     |      |   |     |      |   |     |     |   |     |       |   |     |       |   |     |       |   |     |       |   |               |  |             |              |  |              |  |     |       |   |     |       |   |     |       |   |     |       |   |     |     |   |     |     |   |     |       |   |     |       |   |     |       |   |               |     |             |               |  |             |              |  |              |
| <b>Series</b>  |  | <b>85.6</b>  |       |   |     |     |   |     |       |   |     |      |   |     |      |   |     |     |   |     |       |   |     |       |   |     |       |   |     |       |   |               |  |             |              |  |              |  |     |       |   |     |       |   |     |       |   |     |       |   |     |     |   |     |     |   |     |       |   |     |       |   |     |       |   |               |     |             |               |  |             |              |  |              |
| <b>Total</b>   |  | <b>0.0</b>   |       |   |     |     |   |     |       |   |     |      |   |     |      |   |     |     |   |     |       |   |     |       |   |     |       |   |     |       |   |               |  |             |              |  |              |  |     |       |   |     |       |   |     |       |   |     |       |   |     |     |   |     |     |   |     |       |   |     |       |   |     |       |   |               |     |             |               |  |             |              |  |              |
|   | <table border="1" style="width:100%; border-collapse: collapse;"> <tr><td>1:</td><td>10.1</td><td>↘</td></tr> <tr><td>2:</td><td>9.9</td><td>↖</td></tr> <tr><td>3:</td><td>8.5</td><td>↘</td></tr> <tr><td>4:</td><td>10.1</td><td>↗</td></tr> <tr><td>5:</td><td>8.8</td><td>↗</td></tr> <tr><td>6:</td><td>9.2</td><td>↑</td></tr> <tr><td>7:</td><td>9.2</td><td>↖</td></tr> <tr><td>8:</td><td>7.4</td><td>↖</td></tr> <tr><td>9:</td><td>10.6x</td><td>↑</td></tr> <tr><td>10:</td><td>7.7</td><td>→</td></tr> <tr><td colspan="2"><b>Series</b></td><td><b>91.5</b></td></tr> <tr><td colspan="2"><b>Total</b></td><td><b>91.5</b></td></tr> </table>                   | 1:           | 10.1  | ↘ | 2:  | 9.9 | ↖ | 3:  | 8.5   | ↘ | 4:  | 10.1 | ↗ | 5:  | 8.8  | ↗ | 6:  | 9.2 | ↑ | 7:  | 9.2   | ↖ | 8:  | 7.4   | ↖ | 9:  | 10.6x | ↑ | 10: | 7.7   | → | <b>Series</b> |  | <b>91.5</b> | <b>Total</b> |  | <b>91.5</b>  |  <table border="1" style="width:100%; border-collapse: collapse;"> <tr><td>11:</td><td>9.7</td><td>→</td></tr> <tr><td>12:</td><td>10.0</td><td>→</td></tr> <tr><td>13:</td><td>10.6x</td><td>↑</td></tr> <tr><td>14:</td><td>9.4</td><td>↘</td></tr> <tr><td>15:</td><td>9.7</td><td>↑</td></tr> <tr><td>16:</td><td>9.7</td><td>↘</td></tr> <tr><td>17:</td><td>8.9</td><td>↖</td></tr> <tr><td>18:</td><td>8.0</td><td>→</td></tr> <tr><td>19:</td><td>9.8</td><td>↑</td></tr> <tr><td>20:</td><td>9.3</td><td>↘</td></tr> <tr><td colspan="2"><b>Series</b></td><td><b>95.1</b></td></tr> <tr><td colspan="2"><b>Total</b></td><td><b>186.6</b></td></tr> </table>        | 11: | 9.7   | → | 12: | 10.0  | → | 13: | 10.6x | ↑ | 14: | 9.4   | ↘ | 15: | 9.7 | ↑ | 16: | 9.7 | ↘ | 17: | 8.9   | ↖ | 18: | 8.0   | → | 19: | 9.8   | ↑ | 20:           | 9.3 | ↘           | <b>Series</b> |  | <b>95.1</b> | <b>Total</b> |  | <b>186.6</b> |
| 1:   | 10.1   | ↘            |       |   |     |     |   |     |       |   |     |      |   |     |      |   |     |     |   |     |       |   |     |       |   |     |       |   |     |       |   |               |  |             |              |  |              |  |     |       |   |     |       |   |     |       |   |     |       |   |     |     |   |     |     |   |     |       |   |     |       |   |     |       |   |               |     |             |               |  |             |              |  |              |
| 2:   | 9.9  | ↖            |       |   |     |     |   |     |       |   |     |      |   |     |      |   |     |     |   |     |       |   |     |       |   |     |       |   |     |       |   |               |  |             |              |  |              |  |     |       |   |     |       |   |     |       |   |     |       |   |     |     |   |     |     |   |     |       |   |     |       |   |     |       |   |               |     |             |               |  |             |              |  |              |
| 3:   | 8.5  | ↘            |       |   |     |     |   |     |       |   |     |      |   |     |      |   |     |     |   |     |       |   |     |       |   |     |       |   |     |       |   |               |  |             |              |  |              |  |     |       |   |     |       |   |     |       |   |     |       |   |     |     |   |     |     |   |     |       |   |     |       |   |     |       |   |               |     |             |               |  |             |              |  |              |
| 4:   | 10.1   | ↗            |       |   |     |     |   |     |       |   |     |      |   |     |      |   |     |     |   |     |       |   |     |       |   |     |       |   |     |       |   |               |  |             |              |  |              |  |     |       |   |     |       |   |     |       |   |     |       |   |     |     |   |     |     |   |     |       |   |     |       |   |     |       |   |               |     |             |               |  |             |              |  |              |
| 5:   | 8.8  | ↗            |       |   |     |     |   |     |       |   |     |      |   |     |      |   |     |     |   |     |       |   |     |       |   |     |       |   |     |       |   |               |  |             |              |  |              |  |     |       |   |     |       |   |     |       |   |     |       |   |     |     |   |     |     |   |     |       |   |     |       |   |     |       |   |               |     |             |               |  |             |              |  |              |
| 6:   | 9.2  | ↑            |       |   |     |     |   |     |       |   |     |      |   |     |      |   |     |     |   |     |       |   |     |       |   |     |       |   |     |       |   |               |  |             |              |  |              |  |     |       |   |     |       |   |     |       |   |     |       |   |     |     |   |     |     |   |     |       |   |     |       |   |     |       |   |               |     |             |               |  |             |              |  |              |
| 7:   | 9.2  | ↖            |       |   |     |     |   |     |       |   |     |      |   |     |      |   |     |     |   |     |       |   |     |       |   |     |       |   |     |       |   |               |  |             |              |  |              |  |     |       |   |     |       |   |     |       |   |     |       |   |     |     |   |     |     |   |     |       |   |     |       |   |     |       |   |               |     |             |               |  |             |              |  |              |
| 8:   | 7.4  | ↖            |       |   |     |     |   |     |       |   |     |      |   |     |      |   |     |     |   |     |       |   |     |       |   |     |       |   |     |       |   |               |  |             |              |  |              |  |     |       |   |     |       |   |     |       |   |     |       |   |     |     |   |     |     |   |     |       |   |     |       |   |     |       |   |               |     |             |               |  |             |              |  |              |
| 9:   | 10.6x  | ↑            |       |   |     |     |   |     |       |   |     |      |   |     |      |   |     |     |   |     |       |   |     |       |   |     |       |   |     |       |   |               |  |             |              |  |              |  |     |       |   |     |       |   |     |       |   |     |       |   |     |     |   |     |     |   |     |       |   |     |       |   |     |       |   |               |     |             |               |  |             |              |  |              |
| 10:  | 7.7  | →            |       |   |     |     |   |     |       |   |     |      |   |     |      |   |     |     |   |     |       |   |     |       |   |     |       |   |     |       |   |               |  |             |              |  |              |  |     |       |   |     |       |   |     |       |   |     |       |   |     |     |   |     |     |   |     |       |   |     |       |   |     |       |   |               |     |             |               |  |             |              |  |              |
| <b>Series</b>  |  | <b>91.5</b>  |       |   |     |     |   |     |       |   |     |      |   |     |      |   |     |     |   |     |       |   |     |       |   |     |       |   |     |       |   |               |  |             |              |  |              |  |     |       |   |     |       |   |     |       |   |     |       |   |     |     |   |     |     |   |     |       |   |     |       |   |     |       |   |               |     |             |               |  |             |              |  |              |
| <b>Total</b>   |  | <b>91.5</b>  |       |   |     |     |   |     |       |   |     |      |   |     |      |   |     |     |   |     |       |   |     |       |   |     |       |   |     |       |   |               |  |             |              |  |              |  |     |       |   |     |       |   |     |       |   |     |       |   |     |     |   |     |     |   |     |       |   |     |       |   |     |       |   |               |     |             |               |  |             |              |  |              |
| 11:  | 9.7  | →            |       |   |     |     |   |     |       |   |     |      |   |     |      |   |     |     |   |     |       |   |     |       |   |     |       |   |     |       |   |               |  |             |              |  |              |  |     |       |   |     |       |   |     |       |   |     |       |   |     |     |   |     |     |   |     |       |   |     |       |   |     |       |   |               |     |             |               |  |             |              |  |              |
| 12:  | 10.0   | →            |       |   |     |     |   |     |       |   |     |      |   |     |      |   |     |     |   |     |       |   |     |       |   |     |       |   |     |       |   |               |  |             |              |  |              |  |     |       |   |     |       |   |     |       |   |     |       |   |     |     |   |     |     |   |     |       |   |     |       |   |     |       |   |               |     |             |               |  |             |              |  |              |
| 13:  | 10.6x  | ↑            |       |   |     |     |   |     |       |   |     |      |   |     |      |   |     |     |   |     |       |   |     |       |   |     |       |   |     |       |   |               |  |             |              |  |              |  |     |       |   |     |       |   |     |       |   |     |       |   |     |     |   |     |     |   |     |       |   |     |       |   |     |       |   |               |     |             |               |  |             |              |  |              |
| 14:  | 9.4  | ↘            |       |   |     |     |   |     |       |   |     |      |   |     |      |   |     |     |   |     |       |   |     |       |   |     |       |   |     |       |   |               |  |             |              |  |              |  |     |       |   |     |       |   |     |       |   |     |       |   |     |     |   |     |     |   |     |       |   |     |       |   |     |       |   |               |     |             |               |  |             |              |  |              |
| 15:  | 9.7  | ↑            |       |   |     |     |   |     |       |   |     |      |   |     |      |   |     |     |   |     |       |   |     |       |   |     |       |   |     |       |   |               |  |             |              |  |              |  |     |       |   |     |       |   |     |       |   |     |       |   |     |     |   |     |     |   |     |       |   |     |       |   |     |       |   |               |     |             |               |  |             |              |  |              |
| 16:  | 9.7  | ↘            |       |   |     |     |   |     |       |   |     |      |   |     |      |   |     |     |   |     |       |   |     |       |   |     |       |   |     |       |   |               |  |             |              |  |              |  |     |       |   |     |       |   |     |       |   |     |       |   |     |     |   |     |     |   |     |       |   |     |       |   |     |       |   |               |     |             |               |  |             |              |  |              |
| 17:  | 8.9  | ↖            |       |   |     |     |   |     |       |   |     |      |   |     |      |   |     |     |   |     |       |   |     |       |   |     |       |   |     |       |   |               |  |             |              |  |              |  |     |       |   |     |       |   |     |       |   |     |       |   |     |     |   |     |     |   |     |       |   |     |       |   |     |       |   |               |     |             |               |  |             |              |  |              |
| 18:  | 8.0  | →            |       |   |     |     |   |     |       |   |     |      |   |     |      |   |     |     |   |     |       |   |     |       |   |     |       |   |     |       |   |               |  |             |              |  |              |  |     |       |   |     |       |   |     |       |   |     |       |   |     |     |   |     |     |   |     |       |   |     |       |   |     |       |   |               |     |             |               |  |             |              |  |              |
| 19:  | 9.8  | ↑            |       |   |     |     |   |     |       |   |     |      |   |     |      |   |     |     |   |     |       |   |     |       |   |     |       |   |     |       |   |               |  |             |              |  |              |  |     |       |   |     |       |   |     |       |   |     |       |   |     |     |   |     |     |   |     |       |   |     |       |   |     |       |   |               |     |             |               |  |             |              |  |              |
| 20:  | 9.3  | ↘            |       |   |     |     |   |     |       |   |     |      |   |     |      |   |     |     |   |     |       |   |     |       |   |     |       |   |     |       |   |               |  |             |              |  |              |  |     |       |   |     |       |   |     |       |   |     |       |   |     |     |   |     |     |   |     |       |   |     |       |   |     |       |   |               |     |             |               |  |             |              |  |              |
| <b>Series</b>  |  | <b>95.1</b>  |       |   |     |     |   |     |       |   |     |      |   |     |      |   |     |     |   |     |       |   |     |       |   |     |       |   |     |       |   |               |  |             |              |  |              |  |     |       |   |     |       |   |     |       |   |     |       |   |     |     |   |     |     |   |     |       |   |     |       |   |     |       |   |               |     |             |               |  |             |              |  |              |
| <b>Total</b>   |  | <b>186.6</b> |       |   |     |     |   |     |       |   |     |      |   |     |      |   |     |     |   |     |       |   |     |       |   |     |       |   |     |       |   |               |  |             |              |  |              |  |     |       |   |     |       |   |     |       |   |     |       |   |     |     |   |     |     |   |     |       |   |     |       |   |     |       |   |               |     |             |               |  |             |              |  |              |
|  | <table border="1" style="width:100%; border-collapse: collapse;"> <tr><td>21:</td><td>10.6x</td><td>↓</td></tr> <tr><td>22:</td><td>9.1</td><td>↖</td></tr> <tr><td>23:</td><td>10.1</td><td>↗</td></tr> <tr><td>24:</td><td>9.8</td><td>↖</td></tr> <tr><td>25:</td><td>10.1</td><td>→</td></tr> <tr><td>26:</td><td>8.3</td><td>↖</td></tr> <tr><td>27:</td><td>10.2x</td><td>↑</td></tr> <tr><td>28:</td><td>10.4x</td><td>↗</td></tr> <tr><td>29:</td><td>10.6x</td><td>↑</td></tr> <tr><td>30:</td><td>10.7x</td><td>↑</td></tr> <tr><td colspan="2"><b>Series</b></td><td><b>99.9</b></td></tr> <tr><td colspan="2"><b>Total</b></td><td><b>286.5</b></td></tr> </table> | 21:          | 10.6x | ↓ | 22: | 9.1 | ↖ | 23: | 10.1  | ↗ | 24: | 9.8  | ↖ | 25: | 10.1 | → | 26: | 8.3 | ↖ | 27: | 10.2x | ↑ | 28: | 10.4x | ↗ | 29: | 10.6x | ↑ | 30: | 10.7x | ↑ | <b>Series</b> |  | <b>99.9</b> | <b>Total</b> |  | <b>286.5</b> |  <table border="1" style="width:100%; border-collapse: collapse;"> <tr><td>31:</td><td>10.6x</td><td>↑</td></tr> <tr><td>32:</td><td>9.1</td><td>↓</td></tr> <tr><td>33:</td><td>10.0</td><td>↖</td></tr> <tr><td>34:</td><td>10.2x</td><td>↓</td></tr> <tr><td>35:</td><td>9.8</td><td>↘</td></tr> <tr><td>36:</td><td>8.6</td><td>↘</td></tr> <tr><td>37:</td><td>9.1</td><td>↑</td></tr> <tr><td>38:</td><td>10.1</td><td>↗</td></tr> <tr><td>39:</td><td>9.4</td><td>→</td></tr> <tr><td>40:</td><td>8.8</td><td>→</td></tr> <tr><td colspan="2"><b>Series</b></td><td><b>95.7</b></td></tr> <tr><td colspan="2"><b>Total</b></td><td><b>382.2</b></td></tr> </table>    | 31: | 10.6x | ↑ | 32: | 9.1   | ↓ | 33: | 10.0  | ↖ | 34: | 10.2x | ↓ | 35: | 9.8 | ↘ | 36: | 8.6 | ↘ | 37: | 9.1   | ↑ | 38: | 10.1  | ↗ | 39: | 9.4   | → | 40:           | 8.8 | →           | <b>Series</b> |  | <b>95.7</b> | <b>Total</b> |  | <b>382.2</b> |
| 21:  | 10.6x  | ↓            |       |   |     |     |   |     |       |   |     |      |   |     |      |   |     |     |   |     |       |   |     |       |   |     |       |   |     |       |   |               |  |             |              |  |              |  |     |       |   |     |       |   |     |       |   |     |       |   |     |     |   |     |     |   |     |       |   |     |       |   |     |       |   |               |     |             |               |  |             |              |  |              |
| 22:  | 9.1  | ↖            |       |   |     |     |   |     |       |   |     |      |   |     |      |   |     |     |   |     |       |   |     |       |   |     |       |   |     |       |   |               |  |             |              |  |              |  |     |       |   |     |       |   |     |       |   |     |       |   |     |     |   |     |     |   |     |       |   |     |       |   |     |       |   |               |     |             |               |  |             |              |  |              |
| 23:  | 10.1   | ↗            |       |   |     |     |   |     |       |   |     |      |   |     |      |   |     |     |   |     |       |   |     |       |   |     |       |   |     |       |   |               |  |             |              |  |              |  |     |       |   |     |       |   |     |       |   |     |       |   |     |     |   |     |     |   |     |       |   |     |       |   |     |       |   |               |     |             |               |  |             |              |  |              |
| 24:  | 9.8  | ↖            |       |   |     |     |   |     |       |   |     |      |   |     |      |   |     |     |   |     |       |   |     |       |   |     |       |   |     |       |   |               |  |             |              |  |              |  |     |       |   |     |       |   |     |       |   |     |       |   |     |     |   |     |     |   |     |       |   |     |       |   |     |       |   |               |     |             |               |  |             |              |  |              |
| 25:  | 10.1   | →            |       |   |     |     |   |     |       |   |     |      |   |     |      |   |     |     |   |     |       |   |     |       |   |     |       |   |     |       |   |               |  |             |              |  |              |  |     |       |   |     |       |   |     |       |   |     |       |   |     |     |   |     |     |   |     |       |   |     |       |   |     |       |   |               |     |             |               |  |             |              |  |              |
| 26:  | 8.3  | ↖            |       |   |     |     |   |     |       |   |     |      |   |     |      |   |     |     |   |     |       |   |     |       |   |     |       |   |     |       |   |               |  |             |              |  |              |  |     |       |   |     |       |   |     |       |   |     |       |   |     |     |   |     |     |   |     |       |   |     |       |   |     |       |   |               |     |             |               |  |             |              |  |              |
| 27:  | 10.2x  | ↑            |       |   |     |     |   |     |       |   |     |      |   |     |      |   |     |     |   |     |       |   |     |       |   |     |       |   |     |       |   |               |  |             |              |  |              |  |     |       |   |     |       |   |     |       |   |     |       |   |     |     |   |     |     |   |     |       |   |     |       |   |     |       |   |               |     |             |               |  |             |              |  |              |
| 28:  | 10.4x  | ↗            |       |   |     |     |   |     |       |   |     |      |   |     |      |   |     |     |   |     |       |   |     |       |   |     |       |   |     |       |   |               |  |             |              |  |              |  |     |       |   |     |       |   |     |       |   |     |       |   |     |     |   |     |     |   |     |       |   |     |       |   |     |       |   |               |     |             |               |  |             |              |  |              |
| 29:  | 10.6x  | ↑            |       |   |     |     |   |     |       |   |     |      |   |     |      |   |     |     |   |     |       |   |     |       |   |     |       |   |     |       |   |               |  |             |              |  |              |  |     |       |   |     |       |   |     |       |   |     |       |   |     |     |   |     |     |   |     |       |   |     |       |   |     |       |   |               |     |             |               |  |             |              |  |              |
| 30:  | 10.7x  | ↑            |       |   |     |     |   |     |       |   |     |      |   |     |      |   |     |     |   |     |       |   |     |       |   |     |       |   |     |       |   |               |  |             |              |  |              |  |     |       |   |     |       |   |     |       |   |     |       |   |     |     |   |     |     |   |     |       |   |     |       |   |     |       |   |               |     |             |               |  |             |              |  |              |
| <b>Series</b>  |  | <b>99.9</b>  |       |   |     |     |   |     |       |   |     |      |   |     |      |   |     |     |   |     |       |   |     |       |   |     |       |   |     |       |   |               |  |             |              |  |              |  |     |       |   |     |       |   |     |       |   |     |       |   |     |     |   |     |     |   |     |       |   |     |       |   |     |       |   |               |     |             |               |  |             |              |  |              |
| <b>Total</b>   |  | <b>286.5</b> |       |   |     |     |   |     |       |   |     |      |   |     |      |   |     |     |   |     |       |   |     |       |   |     |       |   |     |       |   |               |  |             |              |  |              |  |     |       |   |     |       |   |     |       |   |     |       |   |     |     |   |     |     |   |     |       |   |     |       |   |     |       |   |               |     |             |               |  |             |              |  |              |
| 31:  | 10.6x  | ↑            |       |   |     |     |   |     |       |   |     |      |   |     |      |   |     |     |   |     |       |   |     |       |   |     |       |   |     |       |   |               |  |             |              |  |              |  |     |       |   |     |       |   |     |       |   |     |       |   |     |     |   |     |     |   |     |       |   |     |       |   |     |       |   |               |     |             |               |  |             |              |  |              |
| 32:  | 9.1  | ↓            |       |   |     |     |   |     |       |   |     |      |   |     |      |   |     |     |   |     |       |   |     |       |   |     |       |   |     |       |   |               |  |             |              |  |              |  |     |       |   |     |       |   |     |       |   |     |       |   |     |     |   |     |     |   |     |       |   |     |       |   |     |       |   |               |     |             |               |  |             |              |  |              |
| 33:  | 10.0   | ↖            |       |   |     |     |   |     |       |   |     |      |   |     |      |   |     |     |   |     |       |   |     |       |   |     |       |   |     |       |   |               |  |             |              |  |              |  |     |       |   |     |       |   |     |       |   |     |       |   |     |     |   |     |     |   |     |       |   |     |       |   |     |       |   |               |     |             |               |  |             |              |  |              |
| 34:  | 10.2x  | ↓            |       |   |     |     |   |     |       |   |     |      |   |     |      |   |     |     |   |     |       |   |     |       |   |     |       |   |     |       |   |               |  |             |              |  |              |  |     |       |   |     |       |   |     |       |   |     |       |   |     |     |   |     |     |   |     |       |   |     |       |   |     |       |   |               |     |             |               |  |             |              |  |              |
| 35:  | 9.8  | ↘            |       |   |     |     |   |     |       |   |     |      |   |     |      |   |     |     |   |     |       |   |     |       |   |     |       |   |     |       |   |               |  |             |              |  |              |  |     |       |   |     |       |   |     |       |   |     |       |   |     |     |   |     |     |   |     |       |   |     |       |   |     |       |   |               |     |             |               |  |             |              |  |              |
| 36:  | 8.6  | ↘            |       |   |     |     |   |     |       |   |     |      |   |     |      |   |     |     |   |     |       |   |     |       |   |     |       |   |     |       |   |               |  |             |              |  |              |  |     |       |   |     |       |   |     |       |   |     |       |   |     |     |   |     |     |   |     |       |   |     |       |   |     |       |   |               |     |             |               |  |             |              |  |              |
| 37:  | 9.1  | ↑            |       |   |     |     |   |     |       |   |     |      |   |     |      |   |     |     |   |     |       |   |     |       |   |     |       |   |     |       |   |               |  |             |              |  |              |  |     |       |   |     |       |   |     |       |   |     |       |   |     |     |   |     |     |   |     |       |   |     |       |   |     |       |   |               |     |             |               |  |             |              |  |              |
| 38:  | 10.1   | ↗            |       |   |     |     |   |     |       |   |     |      |   |     |      |   |     |     |   |     |       |   |     |       |   |     |       |   |     |       |   |               |  |             |              |  |              |  |     |       |   |     |       |   |     |       |   |     |       |   |     |     |   |     |     |   |     |       |   |     |       |   |     |       |   |               |     |             |               |  |             |              |  |              |
| 39:  | 9.4  | →            |       |   |     |     |   |     |       |   |     |      |   |     |      |   |     |     |   |     |       |   |     |       |   |     |       |   |     |       |   |               |  |             |              |  |              |  |     |       |   |     |       |   |     |       |   |     |       |   |     |     |   |     |     |   |     |       |   |     |       |   |     |       |   |               |     |             |               |  |             |              |  |              |
| 40:  | 8.8  | →            |       |   |     |     |   |     |       |   |     |      |   |     |      |   |     |     |   |     |       |   |     |       |   |     |       |   |     |       |   |               |  |             |              |  |              |  |     |       |   |     |       |   |     |       |   |     |       |   |     |     |   |     |     |   |     |       |   |     |       |   |     |       |   |               |     |             |               |  |             |              |  |              |
| <b>Series</b>  |  | <b>95.7</b>  |       |   |     |     |   |     |       |   |     |      |   |     |      |   |     |     |   |     |       |   |     |       |   |     |       |   |     |       |   |               |  |             |              |  |              |  |     |       |   |     |       |   |     |       |   |     |       |   |     |     |   |     |     |   |     |       |   |     |       |   |     |       |   |               |     |             |               |  |             |              |  |              |
| <b>Total</b>   |  | <b>382.2</b> |       |   |     |     |   |     |       |   |     |      |   |     |      |   |     |     |   |     |       |   |     |       |   |     |       |   |     |       |   |               |  |             |              |  |              |  |     |       |   |     |       |   |     |       |   |     |       |   |     |     |   |     |     |   |     |       |   |     |       |   |     |       |   |               |     |             |               |  |             |              |  |              |
|  | <table border="1" style="width:100%; border-collapse: collapse;"> <tr><td>41:</td><td>8.3</td><td>↘</td></tr> <tr><td>42:</td><td>9.3</td><td>→</td></tr> <tr><td>43:</td><td>9.3</td><td>↖</td></tr> <tr><td>44:</td><td>9.1</td><td>↘</td></tr> <tr><td>45:</td><td>9.3</td><td>↗</td></tr> <tr><td>46:</td><td>9.7</td><td>↖</td></tr> <tr><td>47:</td><td>8.8</td><td>→</td></tr> <tr><td>48:</td><td>9.4</td><td>↘</td></tr> <tr><td>49:</td><td>8.7</td><td>↗</td></tr> <tr><td>50:</td><td>9.0</td><td>↖</td></tr> <tr><td colspan="2"><b>Series</b></td><td><b>90.9</b></td></tr> <tr><td colspan="2"><b>Total</b></td><td><b>473.1</b></td></tr> </table>             | 41:          | 8.3   | ↘ | 42: | 9.3 | → | 43: | 9.3   | ↖ | 44: | 9.1  | ↘ | 45: | 9.3  | ↗ | 46: | 9.7 | ↖ | 47: | 8.8   | → | 48: | 9.4   | ↘ | 49: | 8.7   | ↗ | 50: | 9.0   | ↖ | <b>Series</b> |  | <b>90.9</b> | <b>Total</b> |  | <b>473.1</b> |  <table border="1" style="width:100%; border-collapse: collapse;"> <tr><td>51:</td><td>10.2x</td><td>↘</td></tr> <tr><td>52:</td><td>9.7</td><td>↖</td></tr> <tr><td>53:</td><td>10.0</td><td>↓</td></tr> <tr><td>54:</td><td>7.6</td><td>→</td></tr> <tr><td>55:</td><td>8.8</td><td>↖</td></tr> <tr><td>56:</td><td>9.0</td><td>↖</td></tr> <tr><td>57:</td><td>10.7x</td><td>↘</td></tr> <tr><td>58:</td><td>10.3x</td><td>→</td></tr> <tr><td>59:</td><td>10.3x</td><td>↗</td></tr> <tr><td>60:</td><td>8.6</td><td>↖</td></tr> <tr><td colspan="2"><b>Series</b></td><td><b>95.2</b></td></tr> <tr><td colspan="2"><b>Total</b></td><td><b>568.3</b></td></tr> </table> | 51: | 10.2x | ↘ | 52: | 9.7   | ↖ | 53: | 10.0  | ↓ | 54: | 7.6   | → | 55: | 8.8 | ↖ | 56: | 9.0 | ↖ | 57: | 10.7x | ↘ | 58: | 10.3x | → | 59: | 10.3x | ↗ | 60:           | 8.6 | ↖           | <b>Series</b> |  | <b>95.2</b> | <b>Total</b> |  | <b>568.3</b> |
| 41:  | 8.3  | ↘            |       |   |     |     |   |     |       |   |     |      |   |     |      |   |     |     |   |     |       |   |     |       |   |     |       |   |     |       |   |               |  |             |              |  |              |  |     |       |   |     |       |   |     |       |   |     |       |   |     |     |   |     |     |   |     |       |   |     |       |   |     |       |   |               |     |             |               |  |             |              |  |              |
| 42:  | 9.3  | →            |       |   |     |     |   |     |       |   |     |      |   |     |      |   |     |     |   |     |       |   |     |       |   |     |       |   |     |       |   |               |  |             |              |  |              |  |     |       |   |     |       |   |     |       |   |     |       |   |     |     |   |     |     |   |     |       |   |     |       |   |     |       |   |               |     |             |               |  |             |              |  |              |
| 43:  | 9.3  | ↖            |       |   |     |     |   |     |       |   |     |      |   |     |      |   |     |     |   |     |       |   |     |       |   |     |       |   |     |       |   |               |  |             |              |  |              |  |     |       |   |     |       |   |     |       |   |     |       |   |     |     |   |     |     |   |     |       |   |     |       |   |     |       |   |               |     |             |               |  |             |              |  |              |
| 44:  | 9.1  | ↘            |       |   |     |     |   |     |       |   |     |      |   |     |      |   |     |     |   |     |       |   |     |       |   |     |       |   |     |       |   |               |  |             |              |  |              |  |     |       |   |     |       |   |     |       |   |     |       |   |     |     |   |     |     |   |     |       |   |     |       |   |     |       |   |               |     |             |               |  |             |              |  |              |
| 45:  | 9.3  | ↗            |       |   |     |     |   |     |       |   |     |      |   |     |      |   |     |     |   |     |       |   |     |       |   |     |       |   |     |       |   |               |  |             |              |  |              |  |     |       |   |     |       |   |     |       |   |     |       |   |     |     |   |     |     |   |     |       |   |     |       |   |     |       |   |               |     |             |               |  |             |              |  |              |
| 46:  | 9.7  | ↖            |       |   |     |     |   |     |       |   |     |      |   |     |      |   |     |     |   |     |       |   |     |       |   |     |       |   |     |       |   |               |  |             |              |  |              |  |     |       |   |     |       |   |     |       |   |     |       |   |     |     |   |     |     |   |     |       |   |     |       |   |     |       |   |               |     |             |               |  |             |              |  |              |
| 47:  | 8.8  | →            |       |   |     |     |   |     |       |   |     |      |   |     |      |   |     |     |   |     |       |   |     |       |   |     |       |   |     |       |   |               |  |             |              |  |              |  |     |       |   |     |       |   |     |       |   |     |       |   |     |     |   |     |     |   |     |       |   |     |       |   |     |       |   |               |     |             |               |  |             |              |  |              |
| 48:  | 9.4  | ↘            |       |   |     |     |   |     |       |   |     |      |   |     |      |   |     |     |   |     |       |   |     |       |   |     |       |   |     |       |   |               |  |             |              |  |              |  |     |       |   |     |       |   |     |       |   |     |       |   |     |     |   |     |     |   |     |       |   |     |       |   |     |       |   |               |     |             |               |  |             |              |  |              |
| 49:  | 8.7  | ↗            |       |   |     |     |   |     |       |   |     |      |   |     |      |   |     |     |   |     |       |   |     |       |   |     |       |   |     |       |   |               |  |             |              |  |              |  |     |       |   |     |       |   |     |       |   |     |       |   |     |     |   |     |     |   |     |       |   |     |       |   |     |       |   |               |     |             |               |  |             |              |  |              |
| 50:  | 9.0  | ↖            |       |   |     |     |   |     |       |   |     |      |   |     |      |   |     |     |   |     |       |   |     |       |   |     |       |   |     |       |   |               |  |             |              |  |              |  |     |       |   |     |       |   |     |       |   |     |       |   |     |     |   |     |     |   |     |       |   |     |       |   |     |       |   |               |     |             |               |  |             |              |  |              |
| <b>Series</b>  |  | <b>90.9</b>  |       |   |     |     |   |     |       |   |     |      |   |     |      |   |     |     |   |     |       |   |     |       |   |     |       |   |     |       |   |               |  |             |              |  |              |  |     |       |   |     |       |   |     |       |   |     |       |   |     |     |   |     |     |   |     |       |   |     |       |   |     |       |   |               |     |             |               |  |             |              |  |              |
| <b>Total</b>   |  | <b>473.1</b> |       |   |     |     |   |     |       |   |     |      |   |     |      |   |     |     |   |     |       |   |     |       |   |     |       |   |     |       |   |               |  |             |              |  |              |  |     |       |   |     |       |   |     |       |   |     |       |   |     |     |   |     |     |   |     |       |   |     |       |   |     |       |   |               |     |             |               |  |             |              |  |              |
| 51:  | 10.2x  | ↘            |       |   |     |     |   |     |       |   |     |      |   |     |      |   |     |     |   |     |       |   |     |       |   |     |       |   |     |       |   |               |  |             |              |  |              |  |     |       |   |     |       |   |     |       |   |     |       |   |     |     |   |     |     |   |     |       |   |     |       |   |     |       |   |               |     |             |               |  |             |              |  |              |
| 52:  | 9.7  | ↖            |       |   |     |     |   |     |       |   |     |      |   |     |      |   |     |     |   |     |       |   |     |       |   |     |       |   |     |       |   |               |  |             |              |  |              |  |     |       |   |     |       |   |     |       |   |     |       |   |     |     |   |     |     |   |     |       |   |     |       |   |     |       |   |               |     |             |               |  |             |              |  |              |
| 53:  | 10.0   | ↓            |       |   |     |     |   |     |       |   |     |      |   |     |      |   |     |     |   |     |       |   |     |       |   |     |       |   |     |       |   |               |  |             |              |  |              |  |     |       |   |     |       |   |     |       |   |     |       |   |     |     |   |     |     |   |     |       |   |     |       |   |     |       |   |               |     |             |               |  |             |              |  |              |
| 54:  | 7.6  | →            |       |   |     |     |   |     |       |   |     |      |   |     |      |   |     |     |   |     |       |   |     |       |   |     |       |   |     |       |   |               |  |             |              |  |              |  |     |       |   |     |       |   |     |       |   |     |       |   |     |     |   |     |     |   |     |       |   |     |       |   |     |       |   |               |     |             |               |  |             |              |  |              |
| 55:  | 8.8  | ↖            |       |   |     |     |   |     |       |   |     |      |   |     |      |   |     |     |   |     |       |   |     |       |   |     |       |   |     |       |   |               |  |             |              |  |              |  |     |       |   |     |       |   |     |       |   |     |       |   |     |     |   |     |     |   |     |       |   |     |       |   |     |       |   |               |     |             |               |  |             |              |  |              |
| 56:  | 9.0  | ↖            |       |   |     |     |   |     |       |   |     |      |   |     |      |   |     |     |   |     |       |   |     |       |   |     |       |   |     |       |   |               |  |             |              |  |              |  |     |       |   |     |       |   |     |       |   |     |       |   |     |     |   |     |     |   |     |       |   |     |       |   |     |       |   |               |     |             |               |  |             |              |  |              |
| 57:  | 10.7x  | ↘            |       |   |     |     |   |     |       |   |     |      |   |     |      |   |     |     |   |     |       |   |     |       |   |     |       |   |     |       |   |               |  |             |              |  |              |  |     |       |   |     |       |   |     |       |   |     |       |   |     |     |   |     |     |   |     |       |   |     |       |   |     |       |   |               |     |             |               |  |             |              |  |              |
| 58:  | 10.3x  | →            |       |   |     |     |   |     |       |   |     |      |   |     |      |   |     |     |   |     |       |   |     |       |   |     |       |   |     |       |   |               |  |             |              |  |              |  |     |       |   |     |       |   |     |       |   |     |       |   |     |     |   |     |     |   |     |       |   |     |       |   |     |       |   |               |     |             |               |  |             |              |  |              |
| 59:  | 10.3x  | ↗            |       |   |     |     |   |     |       |   |     |      |   |     |      |   |     |     |   |     |       |   |     |       |   |     |       |   |     |       |   |               |  |             |              |  |              |  |     |       |   |     |       |   |     |       |   |     |       |   |     |     |   |     |     |   |     |       |   |     |       |   |     |       |   |               |     |             |               |  |             |              |  |              |
| 60:  | 8.6  | ↖            |       |   |     |     |   |     |       |   |     |      |   |     |      |   |     |     |   |     |       |   |     |       |   |     |       |   |     |       |   |               |  |             |              |  |              |  |     |       |   |     |       |   |     |       |   |     |       |   |     |     |   |     |     |   |     |       |   |     |       |   |     |       |   |               |     |             |               |  |             |              |  |              |
| <b>Series</b>  |  | <b>95.2</b>  |       |   |     |     |   |     |       |   |     |      |   |     |      |   |     |     |   |     |       |   |     |       |   |     |       |   |     |       |   |               |  |             |              |  |              |  |     |       |   |     |       |   |     |       |   |     |       |   |     |     |   |     |     |   |     |       |   |     |       |   |     |       |   |               |     |             |               |  |             |              |  |              |
| <b>Total</b>   |  | <b>568.3</b> |       |   |     |     |   |     |       |   |     |      |   |     |      |   |     |     |   |     |       |   |     |       |   |     |       |   |     |       |   |               |  |             |              |  |              |  |     |       |   |     |       |   |     |       |   |     |       |   |     |     |   |     |     |   |     |       |   |     |       |   |     |       |   |               |     |             |               |  |             |              |  |              |

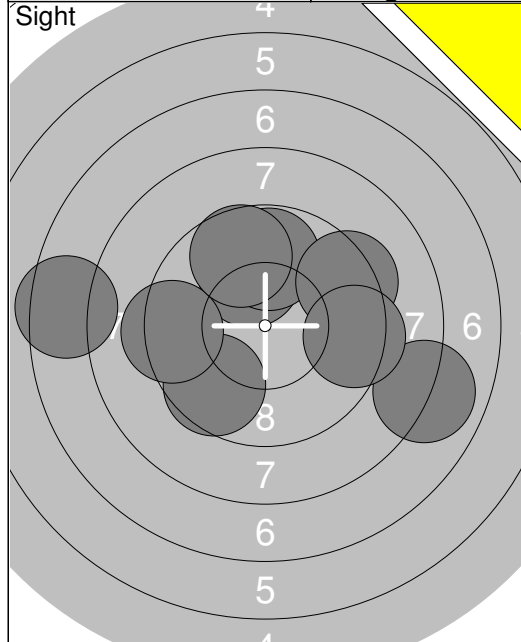


| Relay      | Lane   | Joakim Olsson  |   |
|------------|--|--|---|
| S          |  | Kubikensborg   |   |
| 2014-11-15 |  | Drängsmarksskyttet 2014  | Umeå skytteallians  |
| Sight      |    | 1: 8.5 ↘<br>2: 9.8 ↘<br>3: 9.8 ↘<br>4: 9.6 ↘<br>5: 10.3x ↗<br>6: 10.8x →<br>7: 9.5 ↘<br>8: 10.1 →<br>9: 9.5 →<br>10: 10.3x ↗<br>Series 98.2<br>Total 0.0                     | Sight  11: 9.5 ↘<br>12: 9.8 →<br>13: 10.4x ↗<br>14: 10.5x ↗<br>15: 10.6x ↖<br>16: 10.2x →<br>17: 9.5 ←<br>18: 9.7 ↖<br>19: 8.6 ↘<br>20: 10.5x ↘<br>Series 99.3<br>Total 0.0           |
| 60 Shots   |   | 1: 9.6 ↗<br>2: 10.2x ↘<br>3: 10.5x ↗<br>4: 9.8 ↘<br>5: 10.1 →<br>6: 10.0 ↑<br>7: 9.9 ↖<br>8: 10.0 ↗<br>9: 10.6x ↑<br>10: 9.7 ↗<br>Series 100.4<br>Total 100.4                | 60 Shots  11: 10.2x ↑<br>12: 10.0 ↘<br>13: 10.1 ↗<br>14: 10.0 ↑<br>15: 10.1 ↖<br>16: 10.1 ↖<br>17: 10.3x ↗<br>18: 10.5x ↗<br>19: 9.8 ↗<br>20: 9.5 ↘<br>Series 100.6<br>Total 201.0   |
| 60 Shots   |  | 21: 10.2x ↗<br>22: 8.6 ↗<br>23: 10.3x →<br>24: 9.4 →<br>25: 9.5 ↗<br>26: 9.4 ↗<br>27: 10.3x ↗<br>28: 10.5x ↘<br>29: 10.2x ↖<br>30: 10.4x ↖<br>Series 98.8<br>Total 299.8     | 60 Shots  31: 9.3 ↖<br>32: 10.3x ↗<br>33: 10.6x ↘<br>34: 9.5 →<br>35: 10.6x →<br>36: 9.9 ←<br>37: 9.8 ←<br>38: 10.3x →<br>39: 9.1 ↑<br>40: 10.0 ↗<br>Series 99.4<br>Total 399.2     |
| 60 Shots   |  | 41: 10.5x ↘<br>42: 10.6x ↑<br>43: 10.1 ↘<br>44: 10.4x ↘<br>45: 10.2x ↘<br>46: 9.4 ←<br>47: 10.4x ↘<br>48: 10.6x ↖<br>49: 9.8 ↖<br>50: 10.6x ↗<br>Series 102.6<br>Total 501.8 | 60 Shots  51: 10.5x →<br>52: 10.8x ↘<br>53: 10.2x ←<br>54: 9.4 ↘<br>55: 10.0 →<br>56: 10.6x ↘<br>57: 9.8 ↖<br>58: 10.0 ↖<br>59: 9.8 ↘<br>60: 10.5x ↘<br>Series 101.6<br>Total 603.4 |

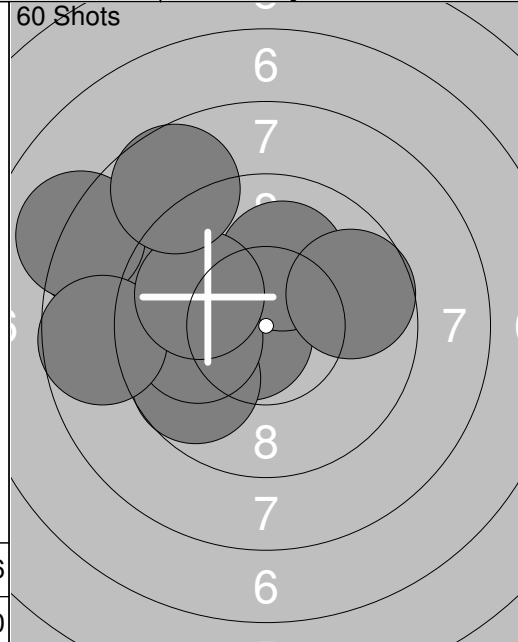
|               |   |               |  |
|---------------|---|---------------|--|
|               | <p>1: 8.2 ↓</p> <p>2: 9.7 ←</p> <p>3: 10.1 ↗</p> <p>4: 6.8 ↑</p> <p>5: 7.3 →</p> <p>6: 9.0 ↗</p> <p>7: 8.6 ↗</p> <p>8: 7.2 ↗</p> <p>9: 7.8 ↓</p> <p>10: 9.8 ↓</p> |               | <p>11: 8.5 ↖</p> <p>12: 10.8x ↖</p> <p>13: 9.5 ↖</p> <p>14: 10.8x ↖</p> <p>15: 9.4 ↓</p> <p>16: 9.2 ←</p> <p>17: 8.0 ↓</p> |
| <b>Series</b> | <b>84.5</b>   | <b>Series</b> | <b>66.2</b>  |
| <b>Total</b>  | <b>0.0</b>  | <b>Total</b>  | <b>0.0</b>   |

|               |  |               |   |
|---------------|--|---------------|---|
|               | <p>1: 9.0 ↖</p> <p>2: 9.6 ↓</p> <p>3: 10.2x ↗</p> <p>4: 7.1 ↖</p> <p>5: 8.5 →</p> <p>6: 9.0 ↑</p> <p>7: 9.1 ↑</p> <p>8: 9.9 ↗</p> <p>9: 8.4 ←</p> <p>10: 8.8 ↓</p> |               | <p>11: 8.7 ↖</p> <p>12: 7.2 ↖</p> <p>13: 7.1 ↖</p> <p>14: 6.0 ↓</p> <p>15: 9.8 →</p> <p>16: 9.9 ←</p> <p>17: 9.2 ↓</p> <p>18: 7.4 ↗</p> <p>19: 9.4 ↗</p> <p>20: 8.3 ↖</p> |
| <b>Series</b> | <b>89.6</b>  | <b>Series</b> | <b>83.0</b>   |
| <b>Total</b>  | <b>89.6</b>  | <b>Total</b>  | <b>172.6</b>  |

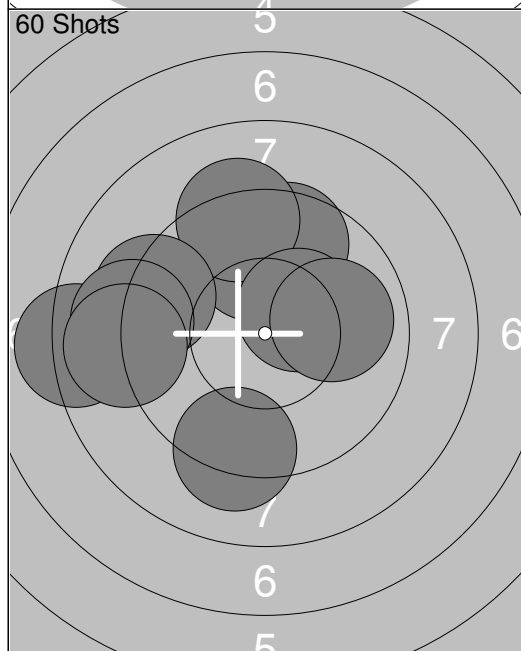
|               |   |               |   |
|---------------|---|---------------|---|
|               | <p>21: 9.8 ↗</p> <p>22: 7.4 ↖</p> <p>23: 9.2 ↓</p> <p>24: 9.2 ↓</p> <p>25: 8.4 ↓</p> <p>26: 8.8 ↓</p> <p>27: 9.3 →</p> <p>28: 6.8 ↓</p> <p>29: 9.3 ↗</p> <p>30: 6.9 ←</p> |               | <p>31: 10.4x ←</p> <p>32: 8.1 ←</p> <p>33: 8.8 →</p> <p>34: 10.0 ←</p> <p>35: 9.2 ↖</p> <p>36: 9.4 ↓</p> <p>37: 9.3 ↖</p> <p>38: 10.1 ↓</p> <p>39: 10.2x ←</p> <p>40: 9.5 ↓</p> |
| <b>Series</b> | <b>85.1</b>   | <b>Series</b> | <b>95.0</b>   |
| <b>Total</b>  | <b>257.7</b>  | <b>Total</b>  | <b>352.7</b>  |



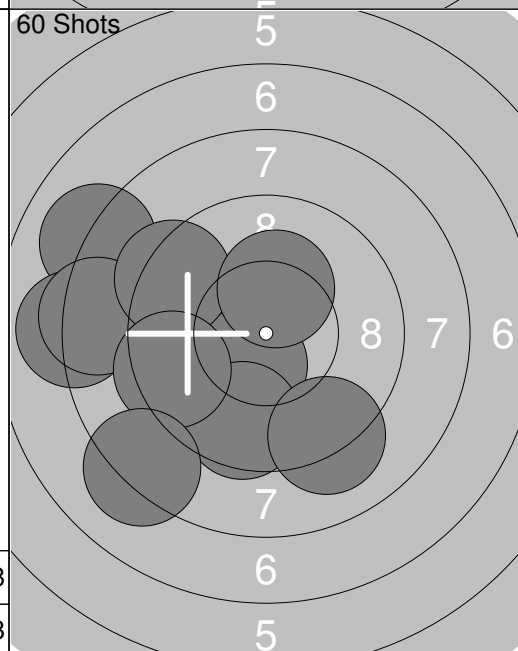
|        |      |      |
|--------|------|------|
| 1:     | 10.0 | ↑    |
| 2:     | 9.6  | ↙    |
| 3:     | 9.3  | ←    |
| 4:     | 9.8  | ↑    |
| 5:     | 9.7  | ↑    |
| 6:     | 9.3  | ↗    |
| 7:     | 8.0  | ↘    |
| 8:     | 7.5  | ←    |
| 9:     | 9.4  | →    |
| Series |      | 82.6 |
| Total  |      | 0.0  |



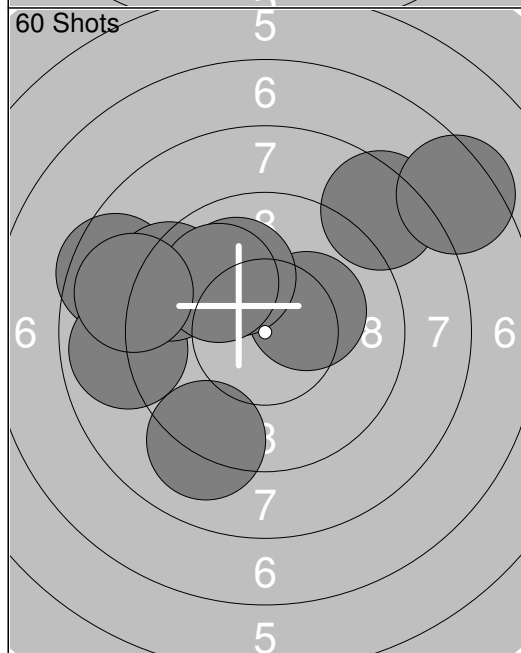
|        |       |      |
|--------|-------|------|
| 1:     | 10.7x | ↙    |
| 2:     | 10.1  | ↑    |
| 3:     | 8.4   | ↙    |
| 4:     | 9.7   | ↗    |
| 5:     | 9.7   | ↙    |
| 6:     | 10.0  | ←    |
| 7:     | 8.1   | ↙    |
| 8:     | 8.7   | ←    |
| 9:     | 9.9   | ↙    |
| 10:    | 8.7   | ↖    |
| Series |       | 94.0 |
| Total  |       | 94.0 |



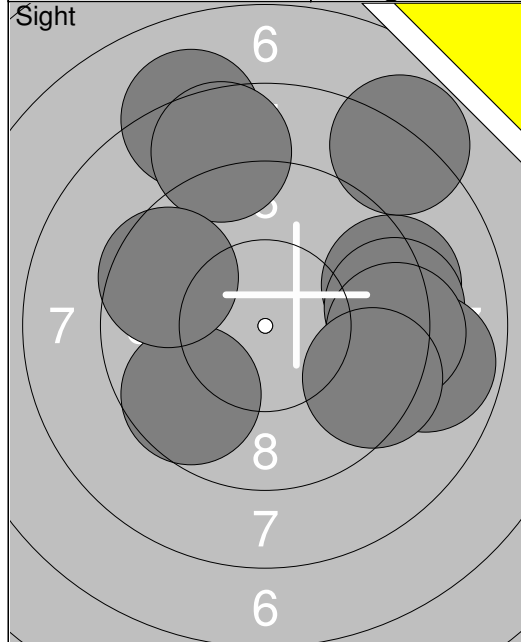
|        |       |       |
|--------|-------|-------|
| 11:    | 9.9   | ↑     |
| 12:    | 9.6   | ↑     |
| 13:    | 9.3   | ↑     |
| 14:    | 8.2   | ←     |
| 15:    | 9.3   | ↙     |
| 16:    | 9.0   | ←     |
| 17:    | 10.4x | ↗     |
| 18:    | 9.2   | ↘     |
| 19:    | 10.0  | →     |
| 20:    | 8.9   | ←     |
| Series |       | 93.8  |
| Total  |       | 187.8 |



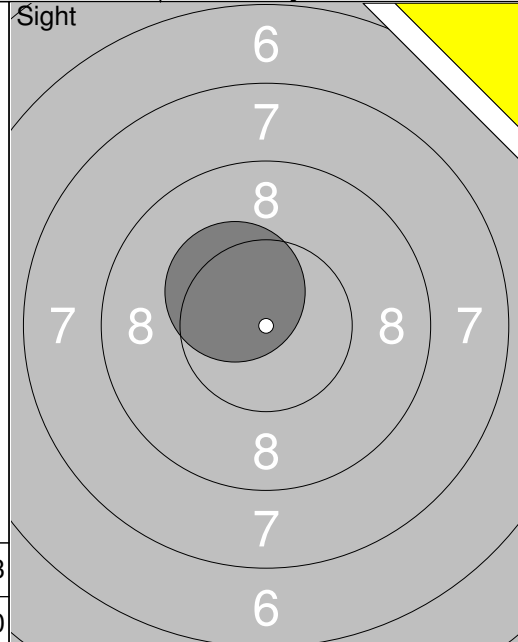
|        |       |       |
|--------|-------|-------|
| 21:    | 8.0   | ↙     |
| 22:    | 10.4x | ↘     |
| 23:    | 8.0   | ←     |
| 24:    | 8.4   | ←     |
| 25:    | 9.6   | ↘     |
| 26:    | 9.3   | ↙     |
| 27:    | 9.1   | ↘     |
| 28:    | 10.3x | ↑     |
| 29:    | 9.4   | ←     |
| 30:    | 8.2   | ↘     |
| Series |       | 90.7  |
| Total  |       | 278.5 |



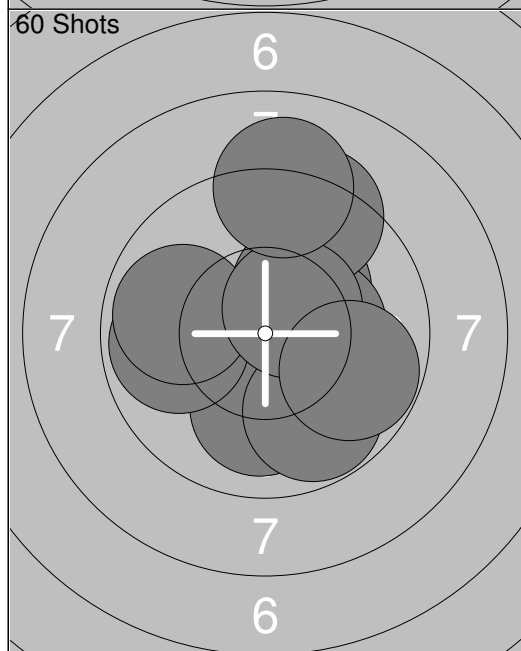
|        |       |       |
|--------|-------|-------|
| 31:    | 8.5   | ↙     |
| 32:    | 10.2x | ↗     |
| 33:    | 8.4   | ↗     |
| 34:    | 10.0  | ↑     |
| 35:    | 9.1   | ↘     |
| 36:    | 8.9   | ←     |
| 37:    | 9.3   | ↙     |
| 38:    | 9.9   | ↖     |
| 39:    | 8.9   | ↙     |
| 40:    | 7.4   | ↗     |
| Series |       | 90.6  |
| Total  |       | 369.1 |



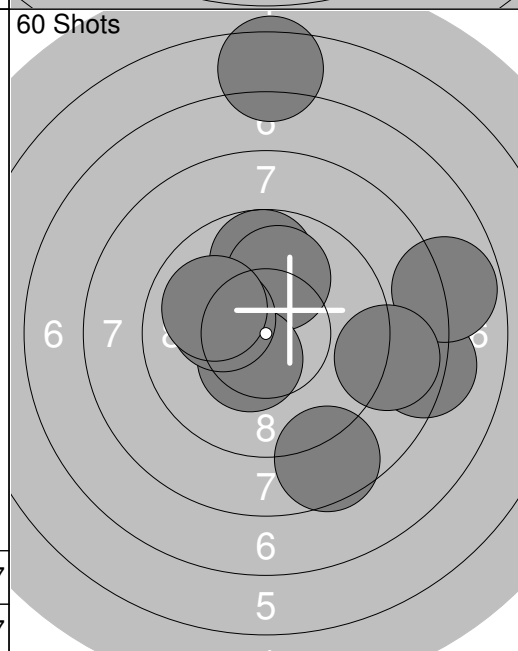
|               |             |
|---------------|-------------|
| 1: 9.3        | →           |
| 2: 9.3        | →           |
| 3: 8.1        | ↑           |
| 4: 8.8        | →           |
| 5: 9.3        | →           |
| 6: 8.7        | ↑           |
| 7: 9.7        | ↙           |
| 8: 8.1        | ↗           |
| 9: 9.6        | ↖           |
| 10: 9.4       | →           |
| <b>Series</b> | <b>90.3</b> |
| <b>Total</b>  | <b>0.0</b>  |



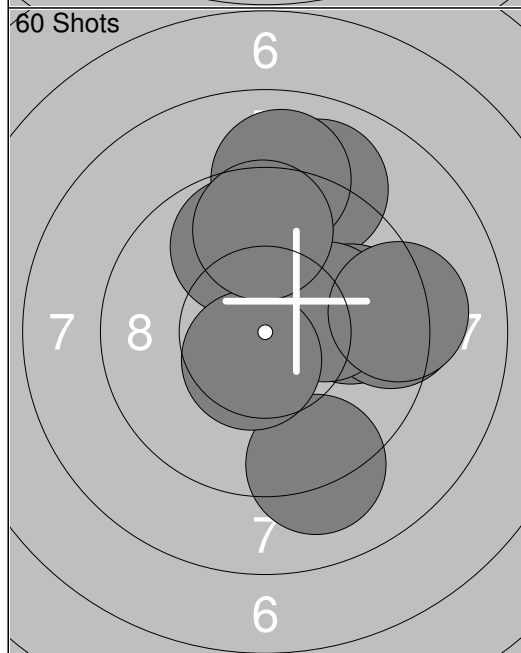
|               |             |
|---------------|-------------|
| 11: 10.4x     | ↖           |
| <b>Series</b> | <b>10.4</b> |
| <b>Total</b>  | <b>0.0</b>  |



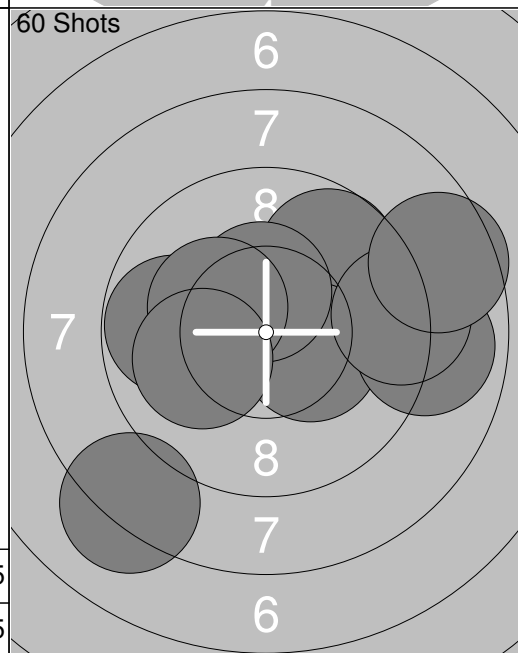
|               |             |
|---------------|-------------|
| 1: 10.2x      | ↗           |
| 2: 10.0       | ↓           |
| 3: 10.3x      | →           |
| 4: 9.8        | ↓           |
| 5: 9.3        | ↑           |
| 6: 9.8        | ←           |
| 7: 9.9        | ←           |
| 8: 10.5x      | ↗           |
| 9: 9.1        | ↑           |
| 10: 9.8       | →           |
| <b>Series</b> | <b>98.7</b> |
| <b>Total</b>  | <b>98.7</b> |



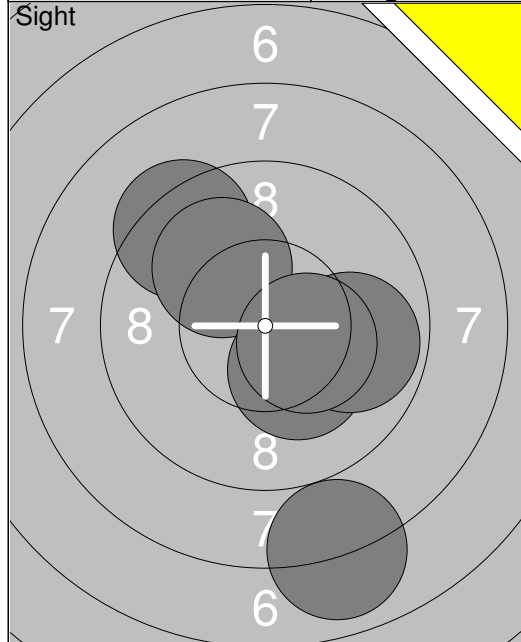
|               |              |
|---------------|--------------|
| 11: 8.6       | ↓            |
| 12: 6.5       | ↑            |
| 13: 9.7       | ↑            |
| 14: 10.0      | ↑            |
| 15: 10.4x     | ↙            |
| 16: 8.2       | →            |
| 17: 7.8       | →            |
| 18: 10.2x     | ↖            |
| 19: 8.9       | →            |
| 20: 10.0      | ↖            |
| <b>Series</b> | <b>90.3</b>  |
| <b>Total</b>  | <b>189.0</b> |



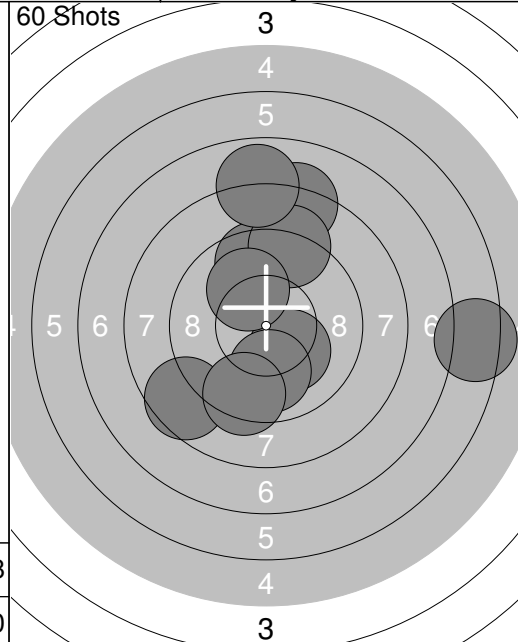
|               |              |
|---------------|--------------|
| 21: 9.0       | ↑            |
| 22: 9.8       | ↑            |
| 23: 9.8       | →            |
| 24: 9.3       | →            |
| 25: 10.1      | →            |
| 26: 9.2       | →            |
| 27: 9.1       | ↓            |
| 28: 10.6x     | ↙            |
| 29: 9.0       | ↑            |
| 30: 9.6       | ↑            |
| <b>Series</b> | <b>95.5</b>  |
| <b>Total</b>  | <b>284.5</b> |



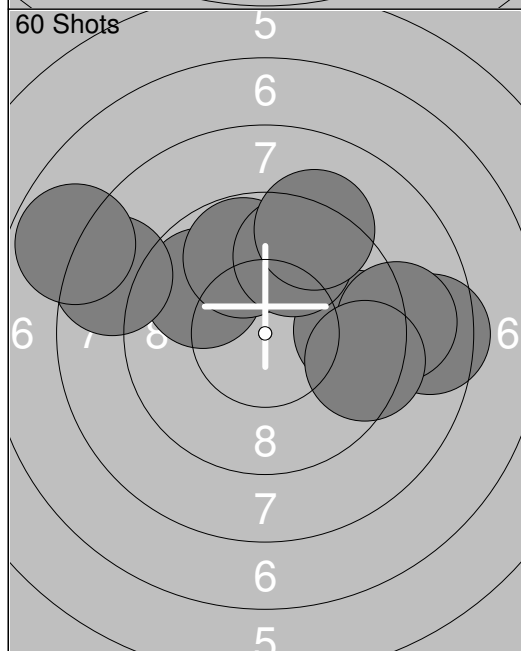
|               |              |
|---------------|--------------|
| 31: 9.7       | ↗            |
| 32: 9.8       | ←            |
| 33: 10.3x     | →            |
| 34: 8.9       | →            |
| 35: 9.2       | →            |
| 36: 8.6       | ↗            |
| 37: 10.4x     | ↑            |
| 38: 10.3x     | ↖            |
| 39: 10.1      | ←            |
| 40: 8.2       | ↙            |
| <b>Series</b> | <b>95.5</b>  |
| <b>Total</b>  | <b>380.0</b> |



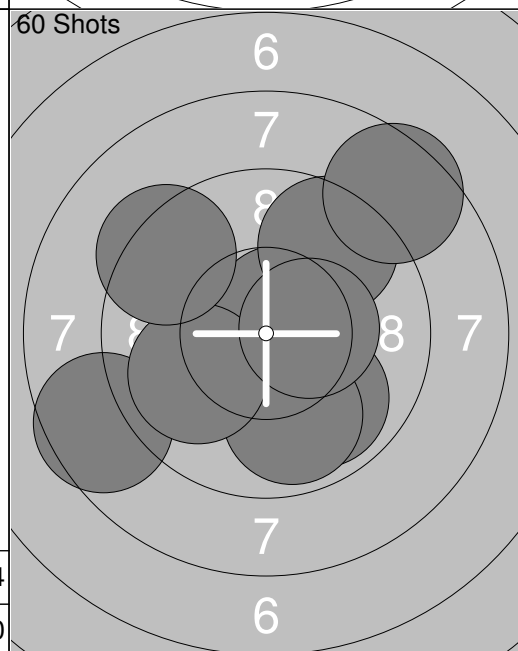
|             |
|-------------|
| 1: 9.3 ↗    |
| 2: 10.0 ↗   |
| 3: 10.3x ↘  |
| 4: 9.8 →    |
| 5: 8.0 ↘    |
| 6: 10.4x →  |
| Series 57.8 |
| Total 0.0   |



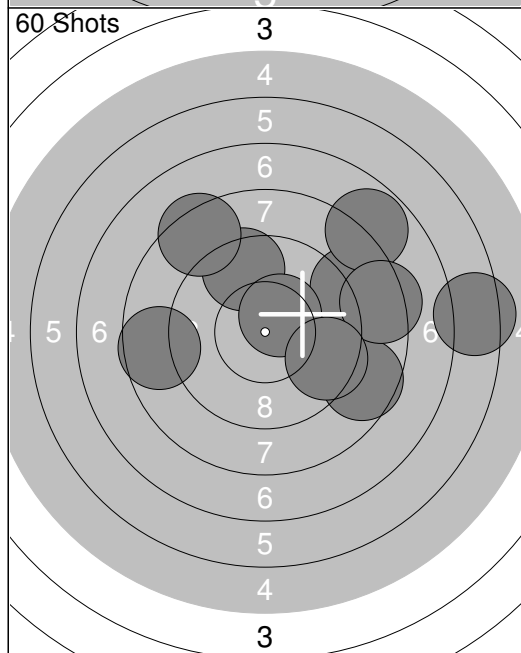
|             |
|-------------|
| 1: 10.2x ↘  |
| 2: 8.6 ↙    |
| 3: 10.0 ↓   |
| 4: 6.4 →    |
| 5: 9.6 ↑    |
| 6: 8.2 ↑    |
| 7: 9.4 ↘    |
| 8: 9.2 ↑    |
| 9: 10.1 ↗   |
| 10: 7.9 ↑   |
| Series 89.6 |
| Total 89.6  |



|             |
|-------------|
| 11: 9.8 ↗   |
| 12: 8.5 →   |
| 13: 9.6 →   |
| 14: 8.5 ↙   |
| 15: 9.0 →   |
| 16: 9.8 ↑   |
| 17: 9.7 ↑   |
| 18: 9.3 ↑   |
| 19: 7.8 ↙   |
| 20: 9.4 →   |
| Series 91.4 |
| Total 181.0 |

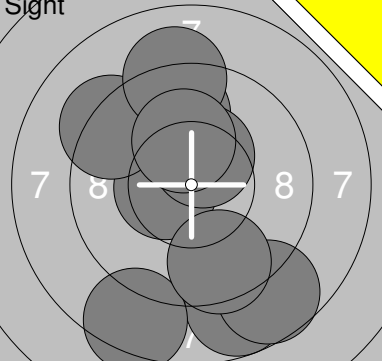
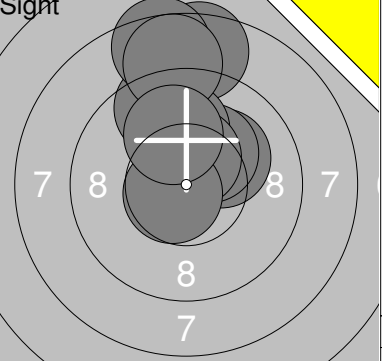


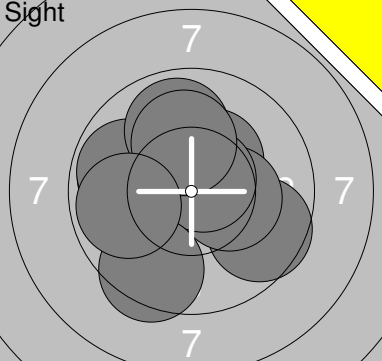
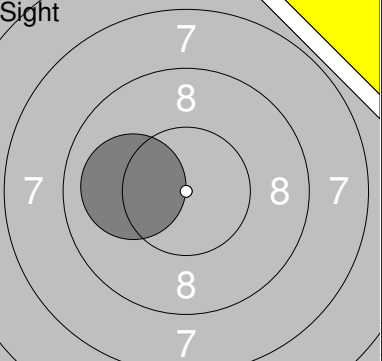
|             |
|-------------|
| 21: 8.6 ↙   |
| 22: 10.5x ↙ |
| 23: 10.6x ↗ |
| 24: 9.6 ↗   |
| 25: 9.9 ↘   |
| 26: 9.9 ↘   |
| 27: 9.9 ↙   |
| 28: 10.4x → |
| 29: 9.3 ↙   |
| 30: 8.5 ↗   |
| Series 97.2 |
| Total 278.2 |

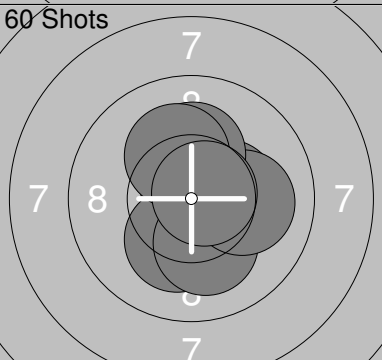
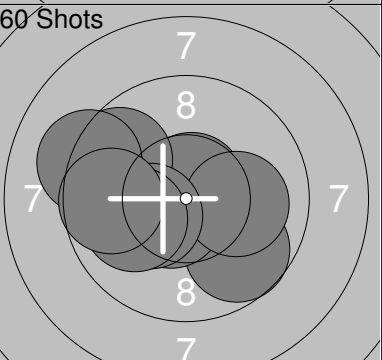


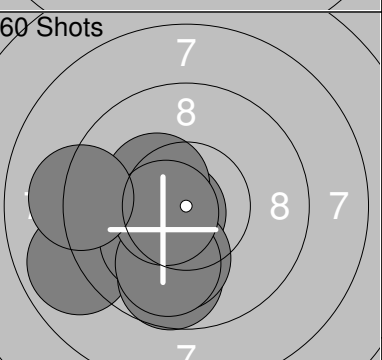
|             |
|-------------|
| 31: 9.5 ↑   |
| 32: 8.8 →   |
| 33: 10.5x ↗ |
| 34: 6.4 →   |
| 35: 7.8 ↗   |
| 36: 8.6 ↘   |
| 37: 8.6 ↙   |
| 38: 8.4 →   |
| 39: 9.5 ↘   |
| 40: 8.4 ↗   |
| Series 86.5 |
| Total 364.7 |

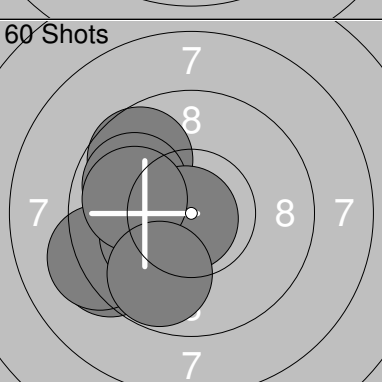
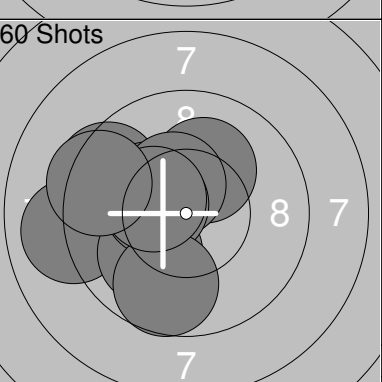


|   |   |   |  |
|---|---|---|--|
| Sight<br> | 1: 8.7 ↘<br>2: 10.5x ←<br>3: 8.7 ↘<br>4: 8.4 ↘<br>5: 9.7 ↗<br>6: 10.4x ↗<br>7: 9.5 ↘<br>8: 9.3 ↗<br>9: 9.1 ↗<br>10: 10.2x ↗ | Sight<br> | 11: 9.5 ↗<br>12: 8.5 ↗<br>13: 10.2x ↗<br>14: 10.3x ↗<br>15: 10.0 ↗<br>16: 10.5x ↗<br>17: 8.4 ↗<br>18: 10.7x ↘<br>19: 8.7 ↗<br>20: 10.0 ↗ |
| <b>Series</b>   | <b>94.5</b>   | <b>Series</b>   | <b>96.8</b>  |
| <b>Total</b>  | <b>0.0</b>  | <b>Total</b>  | <b>0.0</b>   |

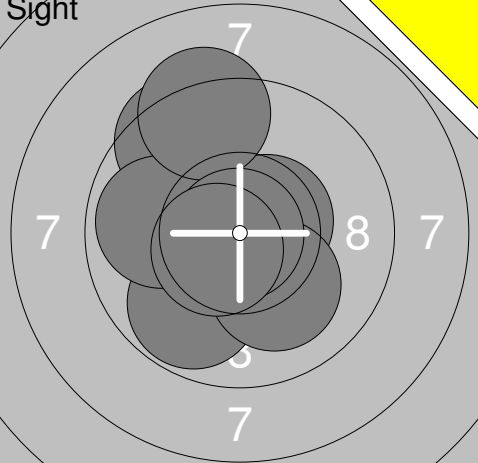
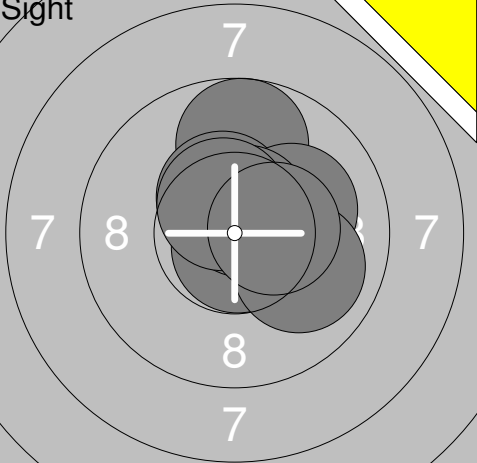
|   |   |   |             |
|---|---|---|-------------|
| Sight<br> | 21: 9.6 ↘<br>22: 10.3x ↗<br>23: 10.3x →<br>24: 9.9 ←<br>25: 9.8 ←<br>26: 9.9 ↗<br>27: 10.7x ↗<br>28: 10.1 ↗<br>29: 9.5 ↘<br>30: 9.9 ← | Sight<br> | 31: 10.0 ←  |
| <b>Series</b>   | <b>100.0</b>  | <b>Series</b>   | <b>10.0</b> |
| <b>Total</b>  | <b>0.0</b>  | <b>Total</b>  | <b>0.0</b>  |



|   |  |   |  |
|---|--|---|--|
| 60 Shots<br> | 1: 10.9x ↗<br>2: 10.5x →<br>3: 10.7x →<br>4: 10.4x →<br>5: 10.2x ↘<br>6: 10.2x ↘<br>7: 10.1 →<br>8: 10.2x ↗<br>9: 10.2x ↗<br>10: 10.7x ↗ | 60 Shots<br> | 11: 9.7 ↘<br>12: 10.6x ↘<br>13: 10.2x ←<br>14: 10.7x ↗<br>15: 9.6 ↗<br>16: 10.1 →<br>17: 9.2 ↗<br>18: 10.3x ←<br>19: 10.0 ←<br>20: 9.7 ← |
| <b>Series</b>   | <b>104.1</b>   | <b>Series</b>   | <b>100.1</b>   |
| <b>Total</b>  | <b>104.1</b>   | <b>Total</b>  | <b>204.2</b>   |

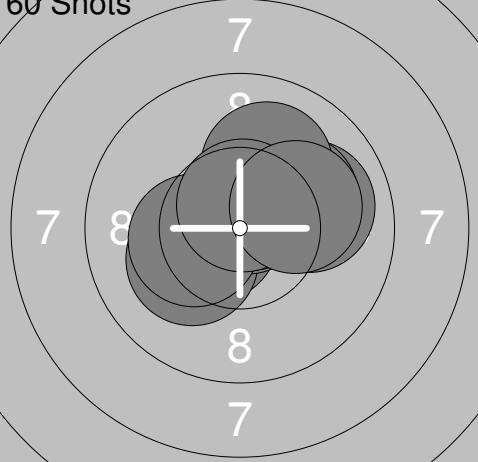
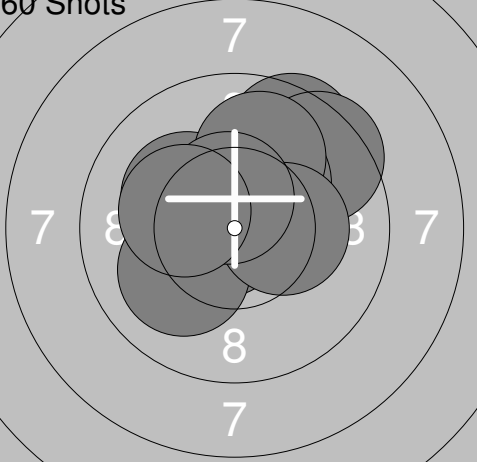
|  |  |  |  |
|--|--|--|--|
| 60 Shots<br> | 21: 9.6 ↗<br>22: 10.7x ↗<br>23: 10.1 ↗<br>24: 10.4x ↗<br>25: 9.8 ↘<br>26: 9.9 ↗<br>27: 10.6x ↗<br>28: 9.8 ←<br>29: 9.2 ↘<br>30: 10.1 ↘ | 60 Shots<br> | 31: 10.7x ←<br>32: 10.4x ←<br>33: 8.9 ←<br>34: 10.3x ↗<br>35: 9.7 ↘<br>36: 10.1 ↘<br>37: 10.0 ↘<br>38: 9.9 ↘<br>39: 10.6x ←<br>40: 9.2 ← |
| <b>Series</b>  | <b>100.2</b>   | <b>Series</b>  | <b>99.8</b>  |
| <b>Total</b>   | <b>304.4</b>   | <b>Total</b>   | <b>404.2</b>   |

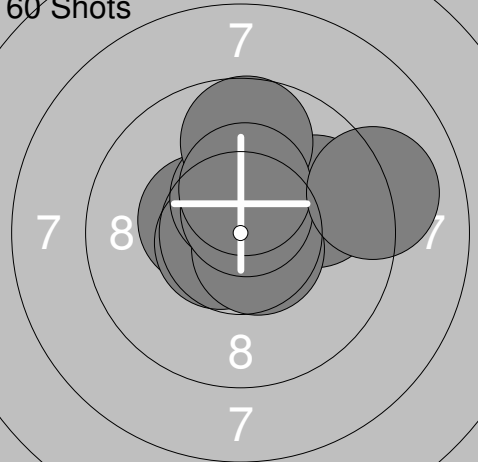
|  |   |  |   |
|--|---|--|---|
| 60 Shots<br> | 41: 9.7 ↗<br>42: 10.3x ←<br>43: 9.5 ←<br>44: 9.9 ↗<br>45: 9.3 ↗<br>46: 9.2 ↗<br>47: 10.2x ↗<br>48: 10.8x ↗<br>49: 10.0 ←<br>50: 9.8 ↘ | 60 Shots<br> | 51: 9.0 ←<br>52: 10.2x ↗<br>53: 9.5 ↗<br>54: 10.2x ↗<br>55: 10.0 ↘<br>56: 10.4x ↗<br>57: 10.4x ←<br>58: 9.7 ↘<br>59: 10.3x ↗<br>60: 9.4 ← |
| <b>Series</b>  | <b>98.7</b>   | <b>Series</b>  | <b>99.1</b>   |
| <b>Total</b>   | <b>502.9</b>  | <b>Total</b>   | <b>602.0</b>  |


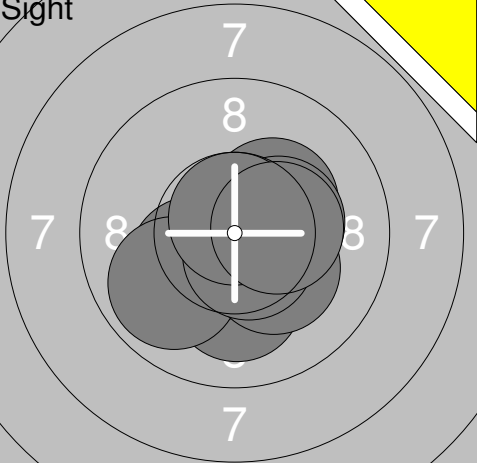


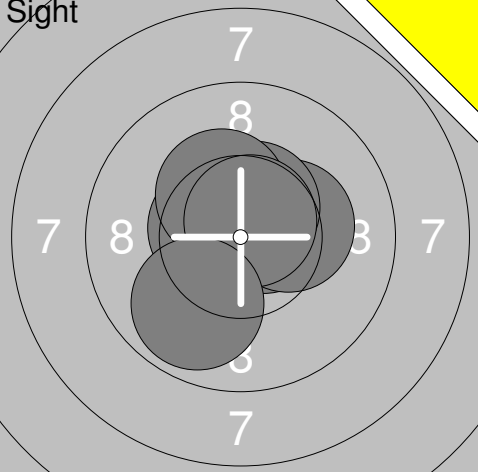

|   |  |   |  |
|---|--|---|--|
| <p>Sight</p>  | <p>1: 10.3x ←<br/>2: 9.8 ↓<br/>3: 10.5x →<br/>4: 10.7x ←<br/>5: 9.5 ↗<br/>6: 9.9 ←<br/>7: 10.1 ↓<br/>8: 9.3 ↑<br/>9: 10.9x ←<br/>10: 10.6x ←</p> <p>Series 101.6<br/>Total 0.0</p> | <p>Sight</p>  | <p>11: 10.8x ↓<br/>12: 10.3x →<br/>13: 10.3x ↑<br/>14: 9.7 ↑<br/>15: 10.4x ↑<br/>16: 10.1 →<br/>17: 10.0 ↘<br/>18: 10.6x ↑<br/>19: 10.5x ↑<br/>20: 10.4x →</p> <p>Series 103.1<br/>Total 0.0</p> |
|---|--|---|--|

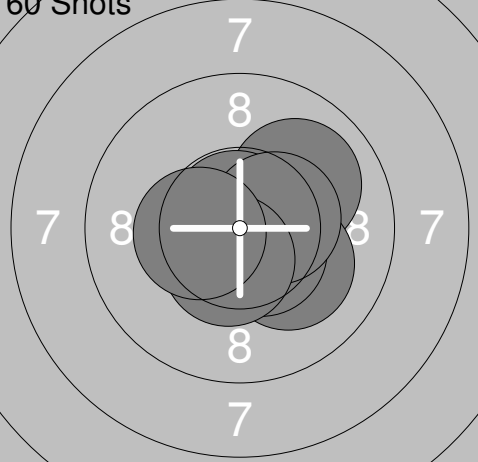

|  |   |   |   |
|--|---|---|---|
| <p>Sight</p>  | <p>21: 10.0 →<br/>22: 10.3x ↗<br/>23: 9.3 ↑<br/>24: 10.4x ←<br/>25: 10.1 ↗<br/>26: 9.2 ↑</p> <p>Series 59.3<br/>Total 0.0</p> | <p>60 Shots</p>  | <p>1: 10.5x ←<br/>2: 10.3x ↖<br/>3: 10.3x ←<br/>4: 10.7x ↑<br/>5: 10.2x ↑<br/>6: 10.6x ↓<br/>7: 10.8x ↑<br/>8: 10.7x ↑<br/>9: 10.8x ←<br/>10: 10.8x →</p> <p>Series 105.7<br/>Total 105.7</p> |
|--|---|---|---|

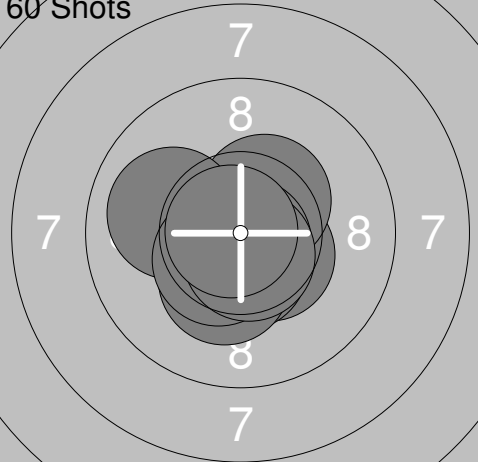
|  |  |  |   |
|--|--|--|---|
| <p>60 Shots</p>  | <p>11: 10.6x ←<br/>12: 10.0 →<br/>13: 10.1 →<br/>14: 10.2x ←<br/>15: 10.7x ↑<br/>16: 10.6x ↑<br/>17: 10.1 ↑<br/>18: 10.3x ←<br/>19: 10.6x ↑<br/>20: 10.1 →</p> <p>Series 103.3<br/>Total 209.0</p> | <p>60 Shots</p>  | <p>21: 9.5 ↗<br/>22: 10.8x ←<br/>23: 10.2x ↖<br/>24: 9.5 ↗<br/>25: 10.1 ←<br/>26: 10.2x ↗<br/>27: 9.9 ↑<br/>28: 10.3x →<br/>29: 10.5x ↑<br/>30: 10.2x ←</p> <p>Series 101.2<br/>Total 310.2</p> |
|--|--|--|---|

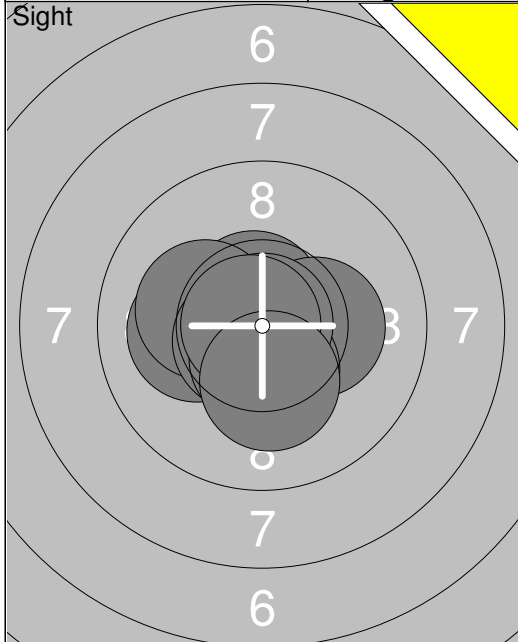
|  |  |  |  |
|--|--|--|--|
| <p>60 Shots</p>  | <p>31: 10.2x ↑<br/>32: 9.9 →<br/>33: 10.4x ←<br/>34: 10.7x ←<br/>35: 10.6x ↘<br/>36: 10.5x ↑<br/>37: 9.7 ↑<br/>38: 10.6x ↑<br/>39: 10.4x ↑<br/>40: 9.1 →</p> <p>Series 102.1<br/>Total 412.3</p> |  |  |
|--|--|--|--|

|  |  |  |  |
|--|--|--|--|
| <b>Sight</b><br> | 1: 9.4 ↓<br>2: 9.3 ↓<br>3: 9.1 ↓<br>4: 9.7 ↓<br>5: 9.6 ↓<br>6: 8.6 ↓<br>7: 9.0 ↓<br>8: 9.8 ↓<br>9: 10.1 ↙<br>10: 10.4x ↓<br><b>Series 95.0</b><br><b>Total 0.0</b> | <b>Sight</b><br> | 11: 10.1 ↓<br>12: 10.8x ↓<br>13: 10.3x ↙<br>14: 9.9 ↙<br>15: 10.3x ↗<br>16: 10.2x ↘<br>17: 10.3x →<br>18: 10.6x ↓<br>19: 10.8x ↑<br>20: 10.4x →<br><b>Series 103.7</b><br><b>Total 0.0</b> |
|--|--|--|--|

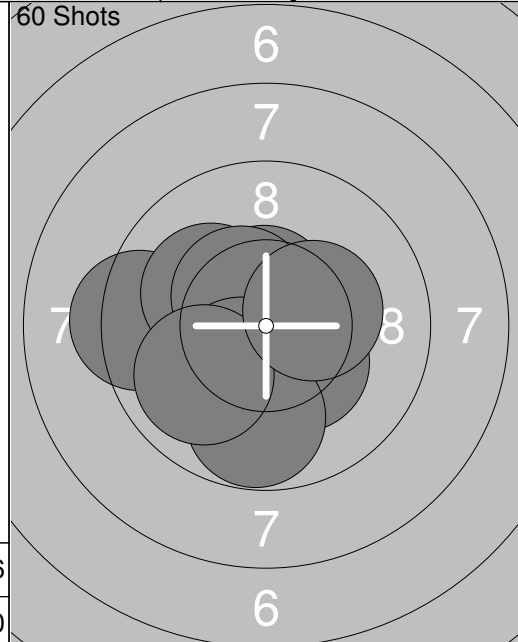
|   |   |  |  |
|---|---|--|--|
| <b>Sight</b><br> | 21: 10.4x →<br>22: 10.5x ↗<br>23: 10.6x →<br>24: 10.3x →<br>25: 10.6x ↖<br>26: 10.5x ↑<br>27: 10.3x ↑<br>28: 10.7x ↑<br>29: 9.9 ↙<br><b>Series 93.8</b><br><b>Total 0.0</b> | <b>60 Shots</b><br> | 1: 10.8x ↖<br>2: 10.7x ↙<br>3: 10.3x ↘<br>4: 10.6x ↖<br>5: 10.6x ↓<br>6: 10.8x ↓<br>7: 10.8x →<br>8: 10.6x ↗<br>9: 10.7x ↓<br>10: 10.5x ↗<br><b>Series 106.4</b><br><b>Total 106.4</b> |
|---|---|--|--|

|   |   |   |  |
|---|---|---|--|
| <b>60 Shots</b><br> | 11: 10.0 ↗<br>12: 10.5x →<br>13: 10.8x ↓<br>14: 10.5x ↘<br>15: 10.1 ↘<br>16: 10.8x ↑<br>17: 10.5x ↘<br>18: 10.5x →<br>19: 10.5x ↓<br>20: 10.4x ↖<br><b>Series 104.6</b><br><b>Total 211.0</b> | <b>60 Shots</b><br> | 21: 10.8x →<br>22: 10.1 ↘<br>23: 10.8x ↓<br>24: 10.8x →<br>25: 10.7x ↗<br>26: 10.6x ↓<br>27: 10.2x ↗<br>28: 10.3x ↘<br>29: 10.5x ↘<br>30: 10.7x ↖<br><b>Series 105.5</b><br><b>Total 316.5</b> |
|---|---|---|--|

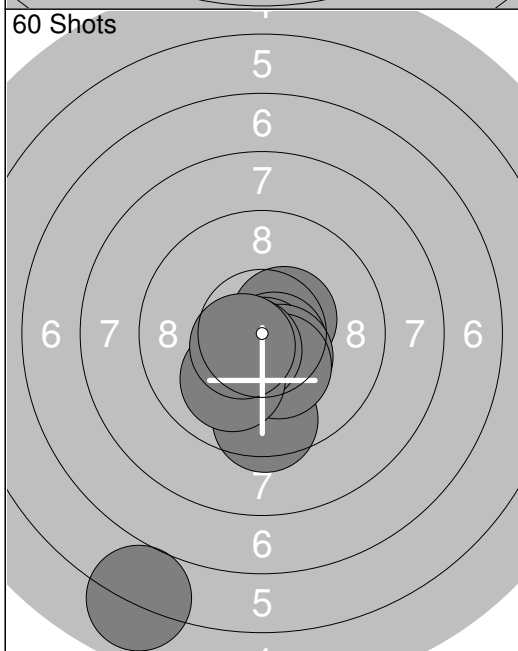
|   |  |  |  |
|---|--|--|--|
| <b>60 Shots</b><br> | 31: 10.6x ↓<br>32: 10.5x ↘<br>33: 10.4x ↗<br>34: 10.8x ↓<br>35: 10.5x ↓<br>36: 10.3x ↓<br>37: 10.0 ↖<br>38: 10.5x ↙<br>39: 10.6x ↓<br>40: 10.8x ↖<br><b>Series 105.0</b><br><b>Total 421.5</b> |  |  |
|---|--|--|--|



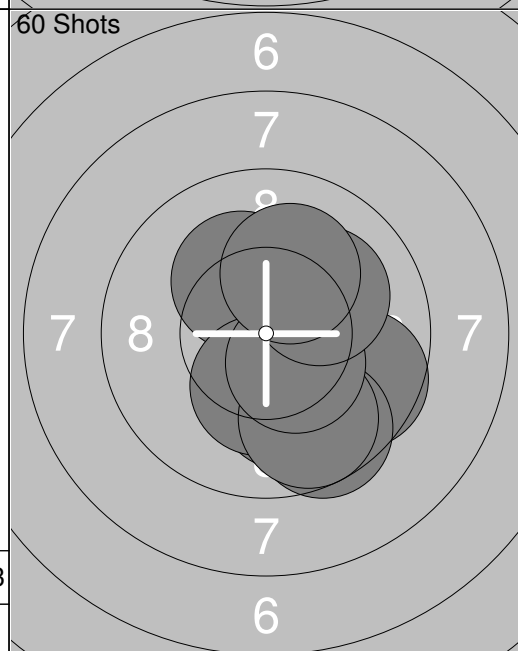
|              |
|--------------|
| 1: 10.1 ←    |
| 2: 10.6x ↗   |
| 3: 10.2x ↖   |
| 4: 10.3x →   |
| 5: 10.4x ↓   |
| 6: 10.6x ↙   |
| 7: 10.5x ↓   |
| 8: 10.9x ↗   |
| 9: 10.8x ←   |
| 10: 10.2x ↓  |
| Series 104.6 |
| Total 0.0    |



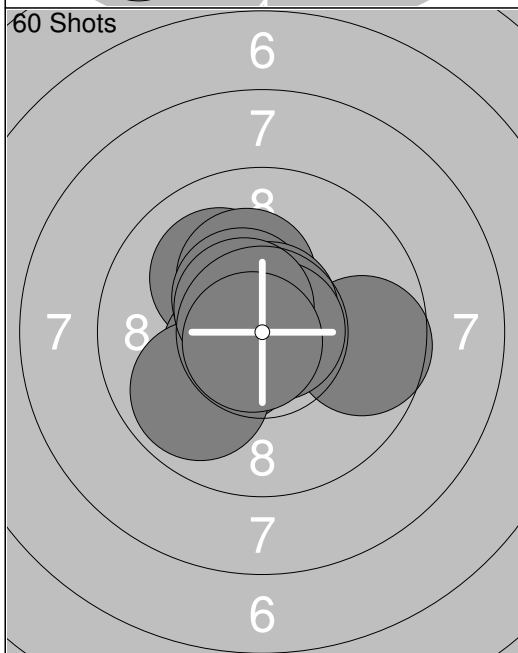
|              |
|--------------|
| 1: 10.3x ↘   |
| 2: 10.7x ↖   |
| 3: 9.3 ←     |
| 4: 10.6x ↗   |
| 5: 10.1 ↖    |
| 6: 10.5x ↙   |
| 7: 10.3x ↘   |
| 8: 9.8 ↓     |
| 9: 9.9 ↙     |
| 10: 10.3x →  |
| Series 101.8 |
| Total 101.8  |



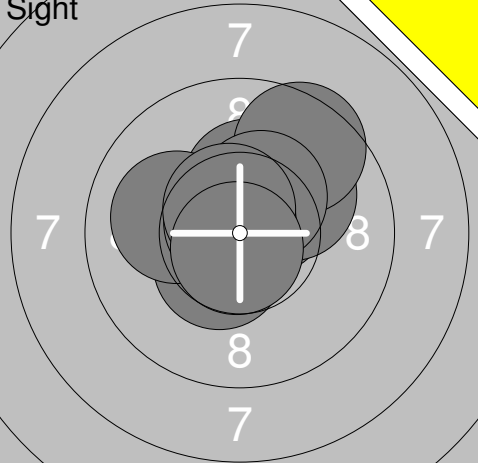
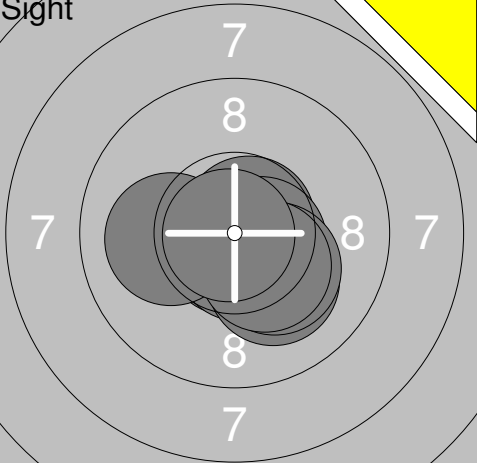
|             |
|-------------|
| 11: 10.5x ↗ |
| 12: 9.5 ↓   |
| 13: 10.7x ↘ |
| 14: 10.7x ↓ |
| 15: 10.4x ↘ |
| 16: 10.3x ↘ |
| 17: 6.0 ↓   |
| 18: 10.6x ↙ |
| 19: 10.0 ↓  |
| 20: 10.6x ↙ |
| Series 99.3 |
| Total 201.1 |

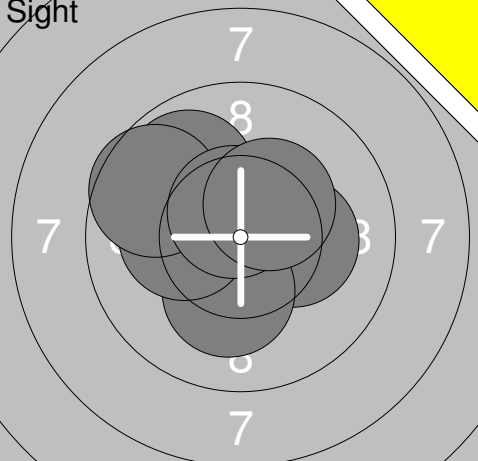
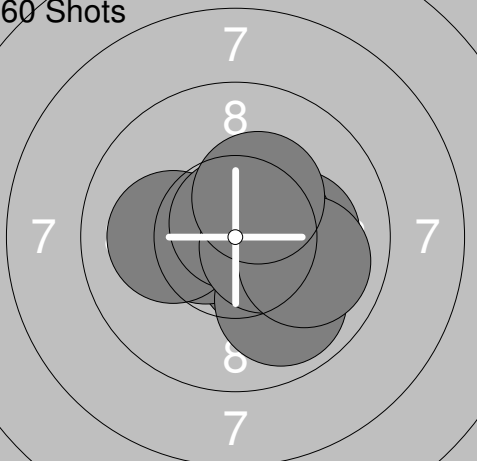


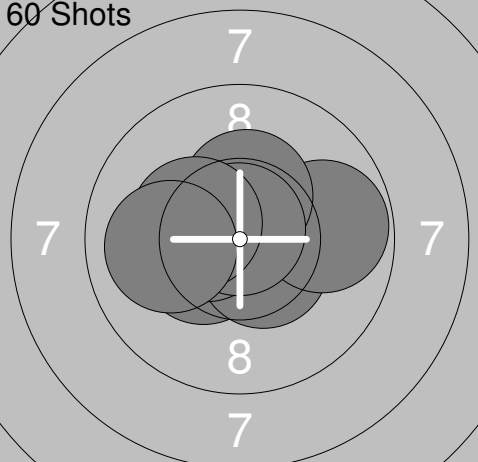

|              |
|--------------|
| 21: 10.2x ↗  |
| 22: 10.2x ↓  |
| 23: 10.1 ↓   |
| 24: 10.3x ↘  |
| 25: 9.6 →    |
| 26: 9.5 ↓    |
| 27: 9.7 ↓    |
| 28: 10.4x ↘  |
| 29: 10.1 ↗   |
| 30: 10.1 ↗   |
| Series 100.2 |
| Total 301.3  |

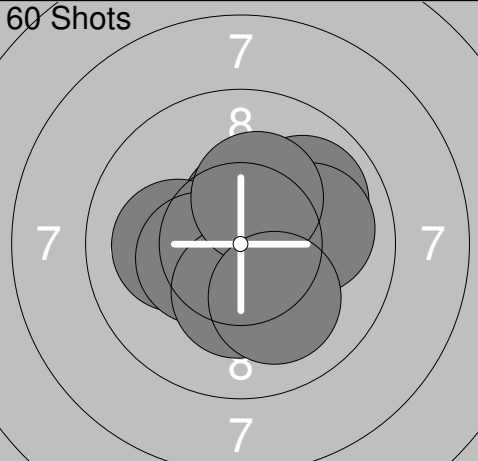


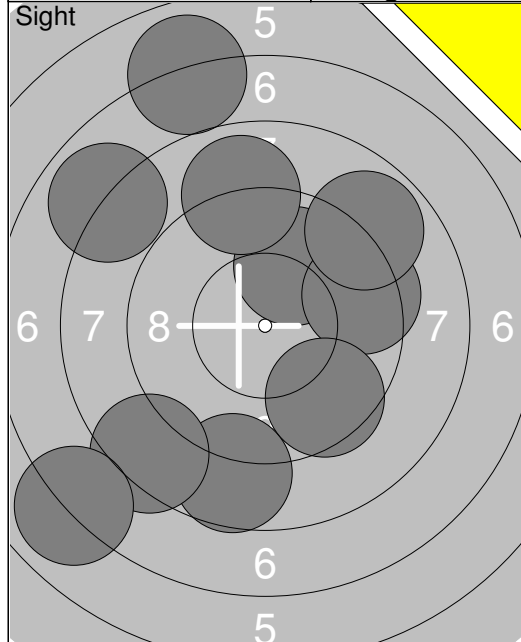
|              |
|--------------|
| 31: 10.1 ↙   |
| 32: 10.2x ↗  |
| 33: 10.5x ↙  |
| 34: 10.4x ↙  |
| 35: 9.7 →    |
| 36: 10.7x ↗  |
| 37: 9.9 ↙    |
| 38: 10.8x →  |
| 39: 10.6x ↙  |
| 40: 10.8x ↙  |
| Series 103.7 |
| Total 405.0  |

|  |  |  |   |
|--|--|--|---|
| <b>Sight</b><br> | 1: 10.5x ↗<br>2: 10.3x ↑<br>3: 10.1 ↗<br>4: 9.5 ↑<br>5: 10.4x ↗<br>6: 10.5x ↘<br>7: 10.1 ←<br>8: 10.8x ↗<br>9: 10.6x ↗<br>10: 10.7x ↘<br><b>Series</b> 103.5<br><b>Total</b> 0.0 | <b>Sight</b><br> | 11: 10.7x ↘<br>12: 10.6x ↘<br>13: 10.7x ↗<br>14: 10.6x ↘<br>15: 10.1 ←<br>16: 10.6x →<br>17: 10.1 ↘<br>18: 10.2x ↘<br>19: 10.3x ↘<br>20: 10.9x ←<br><b>Series</b> 104.8<br><b>Total</b> 0.0 |
|--|--|--|---|

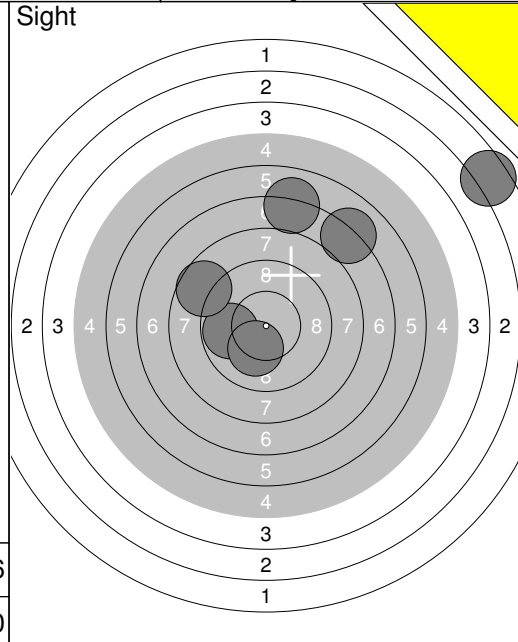
|   |  |  |  |
|---|--|--|--|
| <b>Sight</b><br> | 21: 10.2x →<br>22: 10.5x ←<br>23: 9.9 ↗<br>24: 10.2x ↘<br>25: 10.2x ←<br>26: 9.6 ←<br>27: 10.6x ↑<br>28: 10.4x ↗<br><b>Series</b> 81.6<br><b>Total</b> 0.0 | <b>60 Shots</b><br> | 1: 10.4x ↘<br>2: 10.5x ←<br>3: 10.1 ←<br>4: 10.2x →<br>5: 10.5x →<br>6: 9.9 ↘<br>7: 10.8x ↑<br>8: 10.5x →<br>9: 10.0 →<br>10: 10.3x ↗<br><b>Series</b> 103.2<br><b>Total</b> 103.2 |
|---|--|--|--|

|   |  |   |   |
|---|--|---|---|
| <b>60 Shots</b><br> | 11: 10.4x ←<br>12: 10.6x ↑<br>13: 10.5x ↘<br>14: 10.5x ←<br>15: 9.8 →<br>16: 10.4x ↑<br>17: 10.3x ←<br>18: 10.8x ↑<br>19: 10.3x ←<br>20: 10.0 ←<br><b>Series</b> 103.6<br><b>Total</b> 206.8 | <b>60 Shots</b><br> | 21: 10.6x ←<br>22: 10.3x →<br>23: 10.9x ↘<br>24: 10.7x ↗<br>25: 10.3x ↗<br>26: 10.2x ←<br>27: 10.2x ↘<br>28: 10.5x ↘<br>29: 10.5x ↗<br>30: 10.4x ↑<br><b>Series</b> 104.6<br><b>Total</b> 311.4 |
|---|--|---|---|

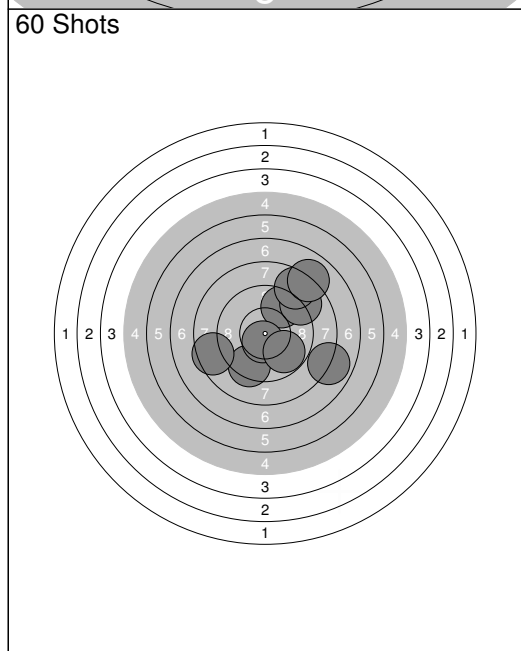
|   |  |  |  |
|---|--|--|--|
| <b>60 Shots</b><br> | 31: 10.7x ←<br>32: 10.5x ↘<br>33: 10.5x ↑<br>34: 9.9 ↗<br>35: 10.1 ←<br>36: 10.4x ←<br>37: 10.3x ↘<br>38: 10.0 →<br>39: 10.3x ↑<br>40: 10.1 ↘<br><b>Series</b> 102.8<br><b>Total</b> 414.2 |  |  |
|---|--|--|--|



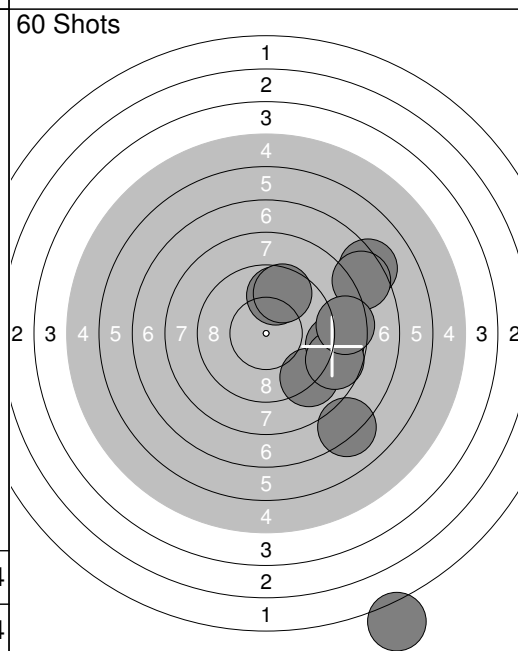
|               |             |   |
|---------------|-------------|---|
| 1:            | 8.7         | ↘ |
| 2:            | 7.9         | ↖ |
| 3:            | 10.0        | ↗ |
| 4:            | 8.3         | ↘ |
| 5:            | 7.0         | ↘ |
| 6:            | 9.4         | → |
| 7:            | 9.5         | ↘ |
| 8:            | 7.0         | ↗ |
| 9:            | 8.9         | ↗ |
| 10:           | 8.9         | ↗ |
| <b>Series</b> | <b>85.6</b> |   |
| <b>Total</b>  | <b>0.0</b>  |   |



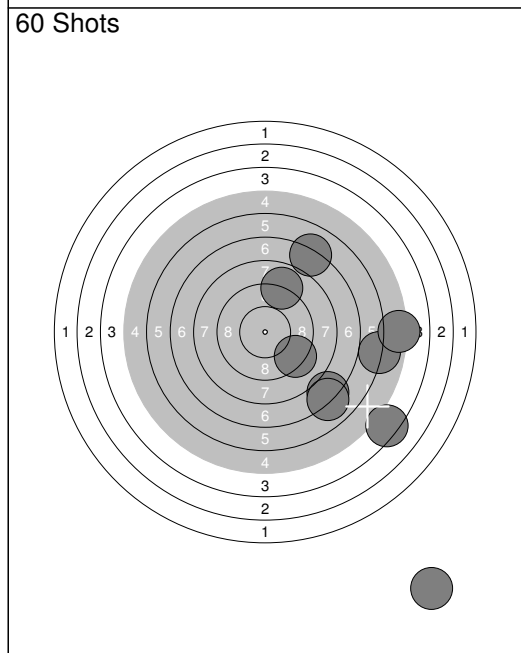
|               |             |   |
|---------------|-------------|---|
| 11:           | 7.1         | ↗ |
| 12:           | 9.8         | ← |
| 13:           | 8.7         | ↖ |
| 14:           | 10.2x       | ↘ |
| 15:           | 7.0         | ↗ |
| 16:           | 2.5         | ↗ |
| <b>Series</b> | <b>45.3</b> |   |
| <b>Total</b>  | <b>0.0</b>  |   |



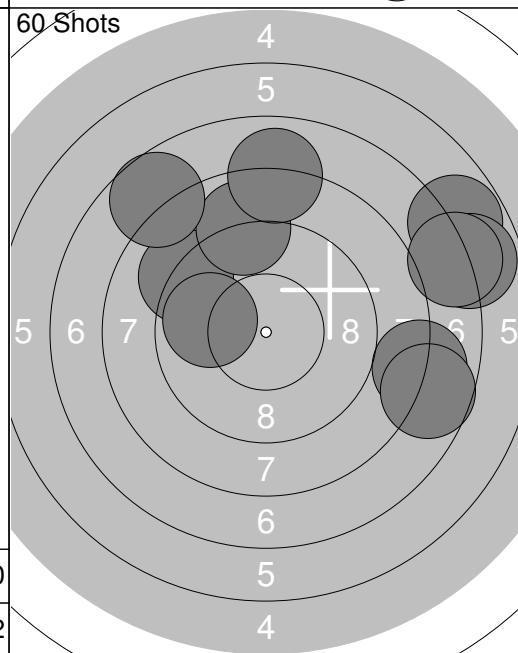
|               |             |   |
|---------------|-------------|---|
| 1:            | 9.4         | ↘ |
| 2:            | 9.6         | ↗ |
| 3:            | 8.5         | ← |
| 4:            | 10.6x       | ↘ |
| 5:            | 9.0         | ↗ |
| 6:            | 7.9         | → |
| 7:            | 9.8         | ↘ |
| 8:            | 8.6         | ↗ |
| 9:            | 8.0         | ↗ |
| 10:           | 0.0         | ↘ |
| <b>Series</b> | <b>81.4</b> |   |
| <b>Total</b>  | <b>81.4</b> |   |



|               |              |   |
|---------------|--------------|---|
| 11:           | 9.1          | ↘ |
| 12:           | 9.7          | ↗ |
| 13:           | 7.3          | ↗ |
| 14:           | 7.6          | ↗ |
| 15:           | 8.8          | → |
| 16:           | 9.6          | ↗ |
| 17:           | 8.7          | → |
| 18:           | 8.5          | → |
| 19:           | 1.3          | ↘ |
| 20:           | 7.2          | ↘ |
| <b>Series</b> | <b>77.8</b>  |   |
| <b>Total</b>  | <b>159.2</b> |   |

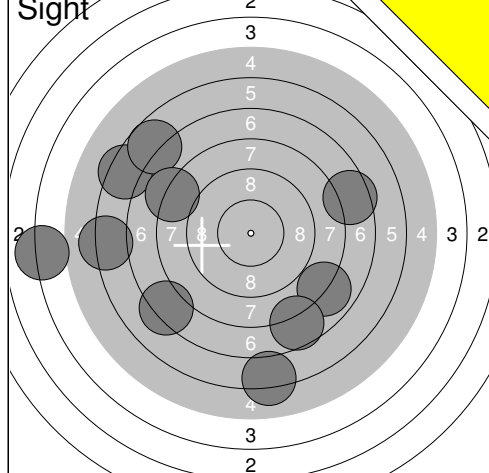


|               |              |   |
|---------------|--------------|---|
| 21:           | 6.0          | → |
| 22:           | 8.9          | ↗ |
| 23:           | 7.1          | ↗ |
| 24:           | 4.3          | ↘ |
| 25:           | 0.0          | ↘ |
| 26:           | 7.2          | ↘ |
| 27:           | 7.0          | ↘ |
| 28:           | 0.0          | ↘ |
| 29:           | 5.2          | → |
| 30:           | 9.3          | ↘ |
| <b>Series</b> | <b>55.0</b>  |   |
| <b>Total</b>  | <b>214.2</b> |   |

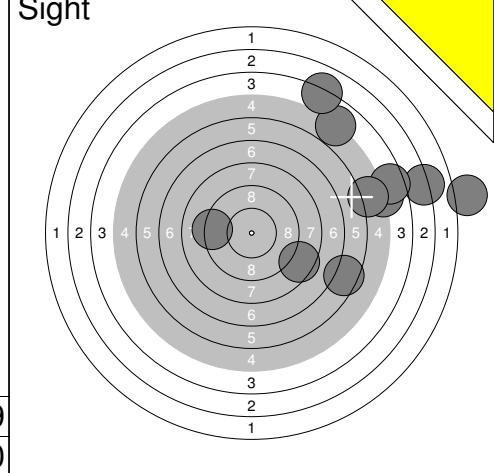


|               |              |   |
|---------------|--------------|---|
| 31:           | 6.8          | ↗ |
| 32:           | 8.0          | → |
| 33:           | 6.9          | ↗ |
| 34:           | 7.7          | → |
| 35:           | 9.1          | ↖ |
| 36:           | 8.9          | ↗ |
| 37:           | 7.1          | ↗ |
| 38:           | 8.0          | ↗ |
| 39:           | 9.9          | ← |
| 40:           | 7.7          | ↖ |
| <b>Series</b> | <b>80.1</b>  |   |
| <b>Total</b>  | <b>294.3</b> |   |

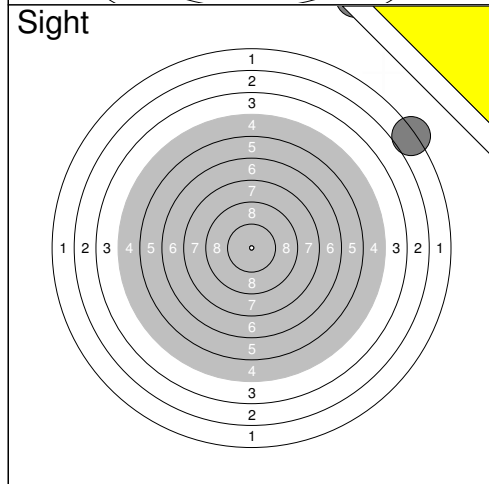




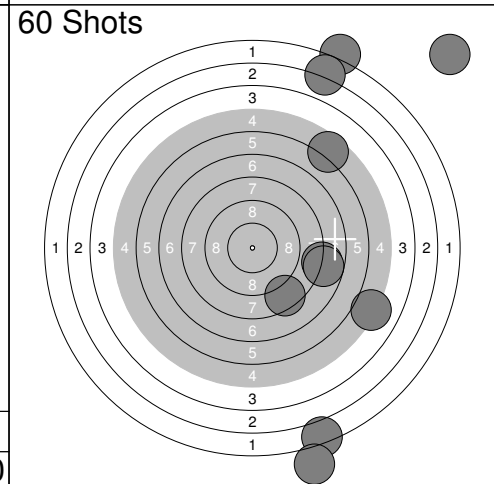
|               |             |   |
|---------------|-------------|---|
| 1:            | 4.1         | ← |
| 2:            | 7.9         | ↘ |
| 3:            | 6.2         | ↓ |
| 4:            | 6.2         | ← |
| 5:            | 7.2         | ↘ |
| 6:            | 7.6         | ↓ |
| 7:            | 6.4         | ↗ |
| 8:            | 7.5         | → |
| 9:            | 6.7         | ↗ |
| 10:           | 8.1         | ↖ |
| <b>Series</b> | <b>67.9</b> |   |
| <b>Total</b>  | <b>0.0</b>  |   |



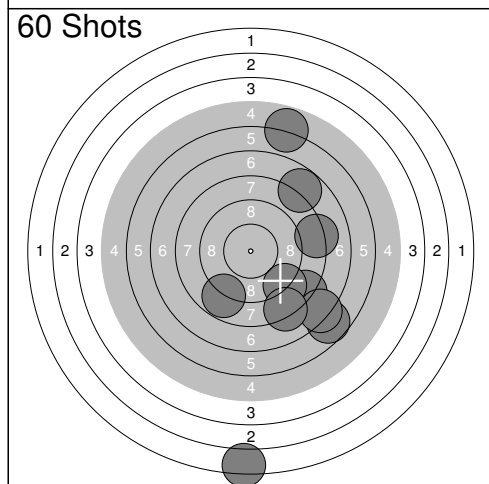
|               |             |   |
|---------------|-------------|---|
| 11:           | 1.3         | → |
| 12:           | 5.0         | ↗ |
| 13:           | 6.5         | ↘ |
| 14:           | 3.0         | → |
| 15:           | 8.5         | ↘ |
| 16:           | 9.2         | ← |
| 17:           | 4.9         | → |
| 18:           | 4.1         | ↗ |
| 19:           | 4.5         | → |
| 20:           | 5.6         | → |
| <b>Series</b> | <b>52.6</b> |   |
| <b>Total</b>  | <b>0.0</b>  |   |



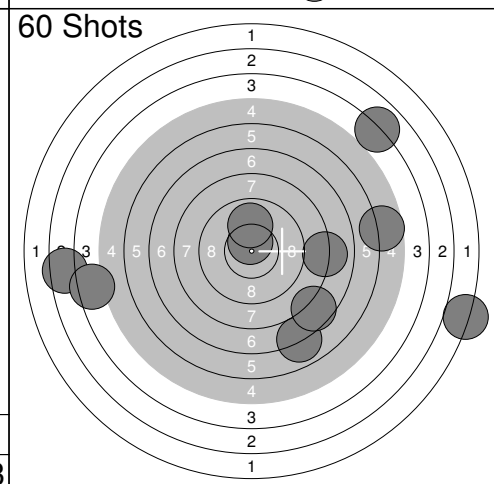
|               |            |   |
|---------------|------------|---|
| 21:           | 2.1        | ↗ |
| 22:           | 0.0        | ↗ |
| <b>Series</b> | <b>2.1</b> |   |
| <b>Total</b>  | <b>0.0</b> |   |



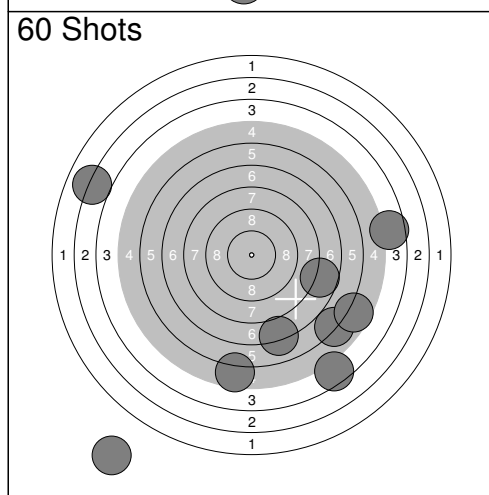
|               |             |   |
|---------------|-------------|---|
| 1:            | 0.0         | ↗ |
| 2:            | 1.6         | ↗ |
| 3:            | 2.8         | ↗ |
| 4:            | 5.6         | ↗ |
| 5:            | 7.8         | → |
| 6:            | 5.1         | ↘ |
| 7:            | 2.1         | ↓ |
| 8:            | 8.4         | ↓ |
| 9:            | 1.1         | ↓ |
| 10:           | 7.7         | → |
| <b>Series</b> | <b>42.2</b> |   |
| <b>Total</b>  | <b>42.2</b> |   |



|               |              |   |
|---------------|--------------|---|
| 11:           | 8.8          | ↘ |
| 12:           | 6.7          | ↘ |
| 13:           | 8.2          | ↘ |
| 14:           | 7.8          | ↗ |
| 15:           | 7.2          | ↘ |
| 16:           | 8.2          | → |
| 17:           | 9.0          | ↘ |
| 18:           | 2.2          | ↓ |
| 19:           | 8.2          | ↘ |
| 20:           | 5.8          | ↗ |
| <b>Series</b> | <b>72.1</b>  |   |
| <b>Total</b>  | <b>114.3</b> |   |

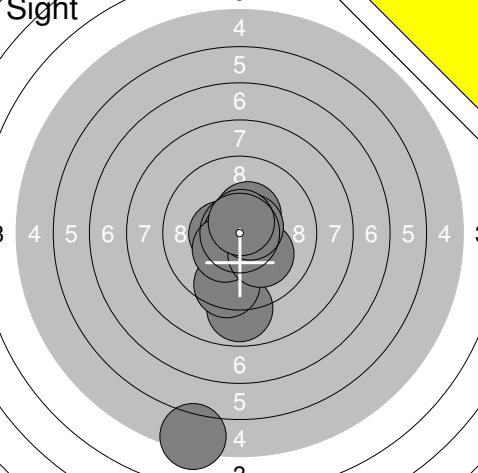
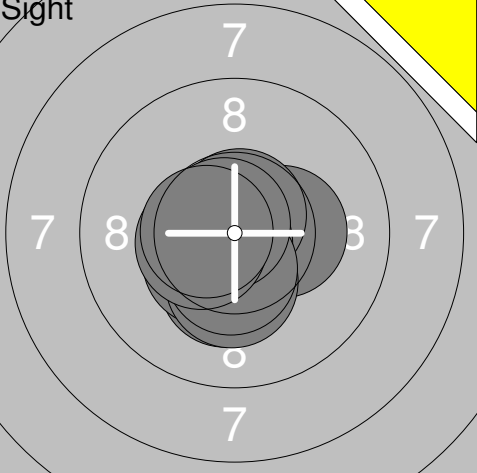



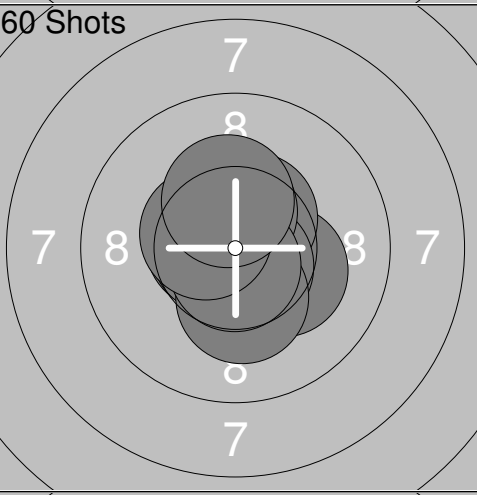
|               |              |   |
|---------------|--------------|---|
| 21:           | 10.6x        | ↗ |
| 22:           | 5.7          | → |
| 23:           | 4.0          | ↗ |
| 24:           | 3.4          | ← |
| 25:           | 7.0          | ↘ |
| 26:           | 7.6          | ↘ |
| 27:           | 9.9          | ↗ |
| 28:           | 4.4          | ← |
| 29:           | 2.0          | → |
| 30:           | 8.0          | → |
| <b>Series</b> | <b>62.6</b>  |   |
| <b>Total</b>  | <b>176.9</b> |   |


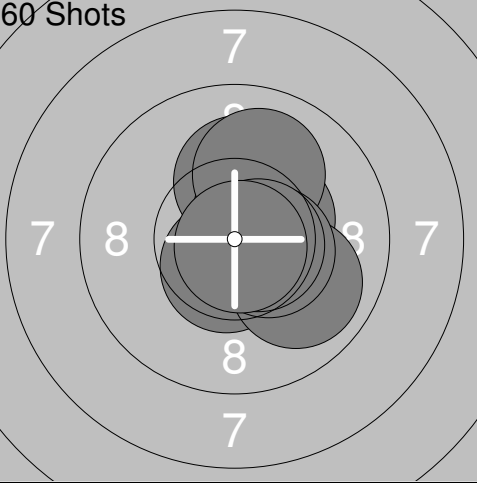



|               |              |   |
|---------------|--------------|---|
| 31:           | 0.0          | → |
| 32:           | 5.9          | ↘ |
| 33:           | 5.6          | ↘ |
| 34:           | 4.6          | → |
| 35:           | 4.4          | ↘ |
| 36:           | 7.7          | → |
| 37:           | 7.1          | ↘ |
| 38:           | 5.6          | ↘ |
| 39:           | 3.0          | ↗ |
| 40:           | 0.0          | ↘ |
| <b>Series</b> | <b>43.9</b>  |   |
| <b>Total</b>  | <b>220.8</b> |   |

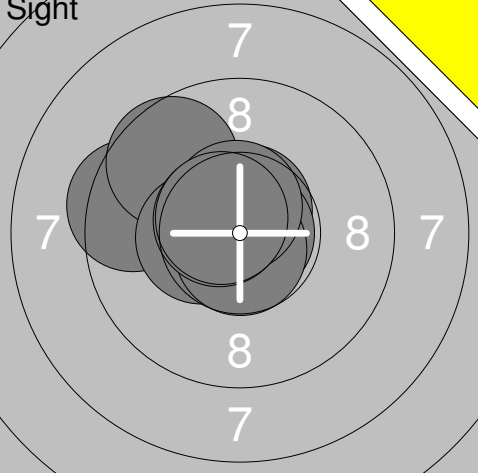
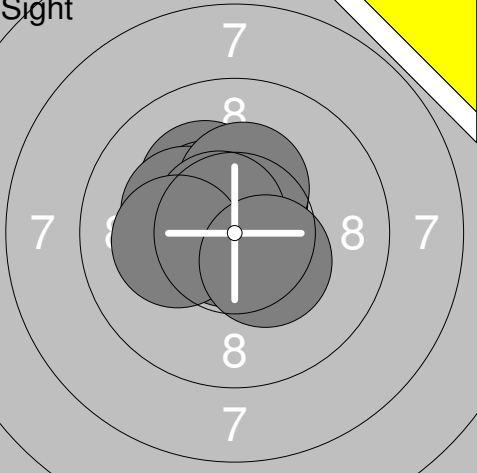
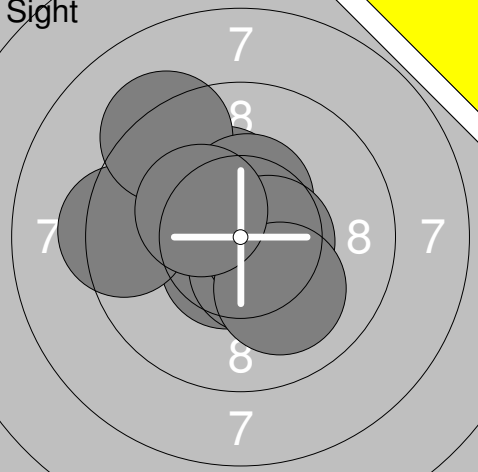
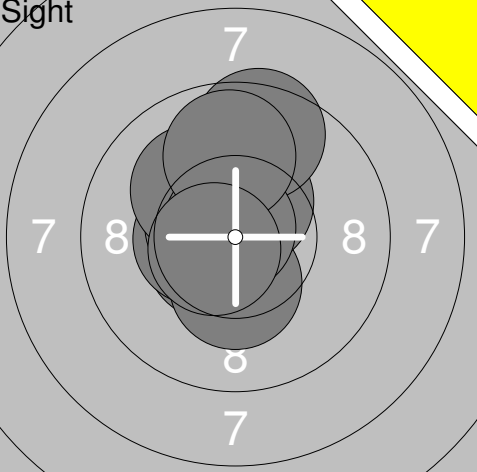
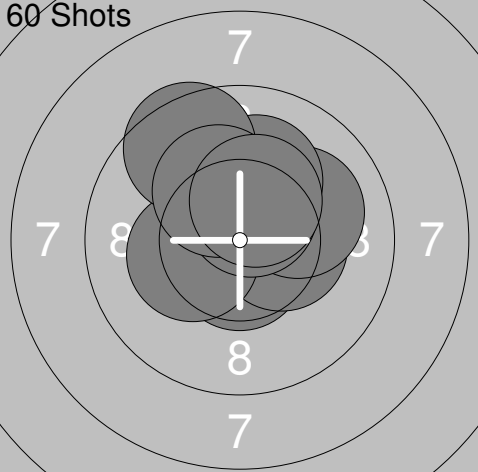




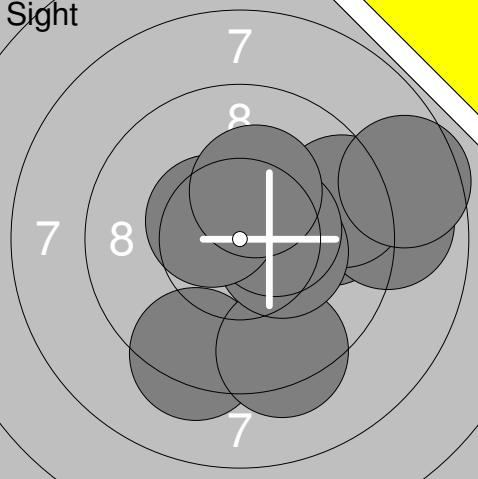
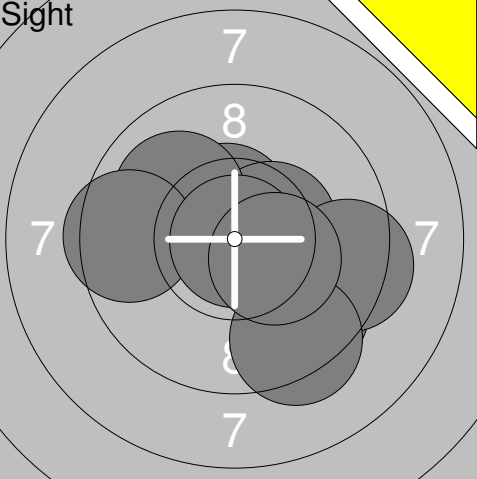
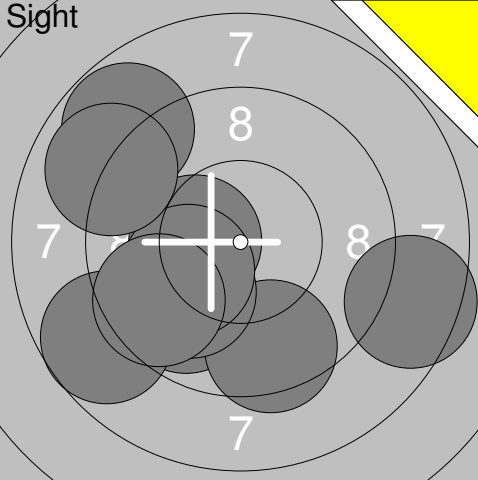
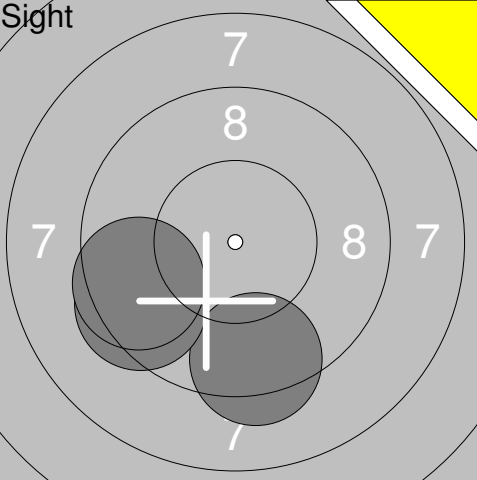
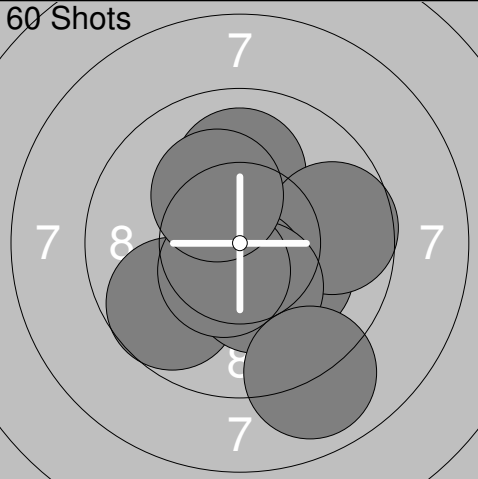
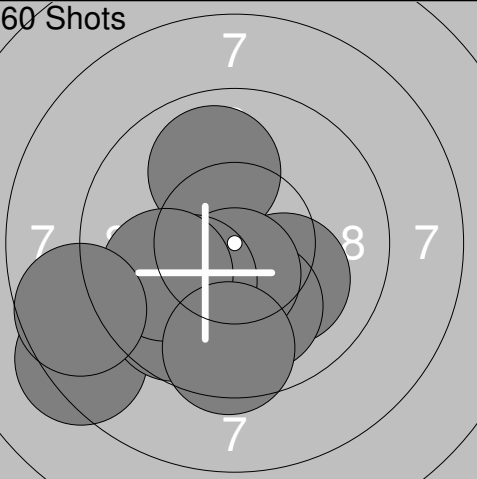
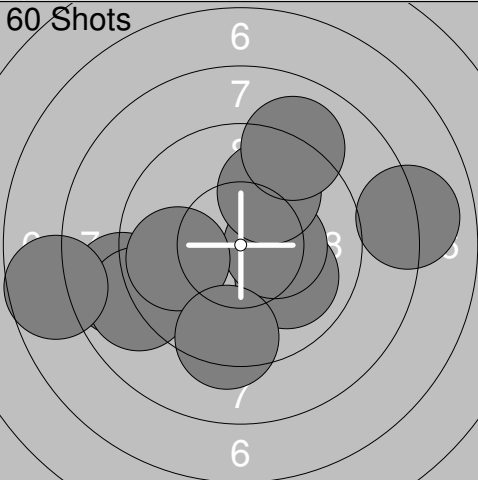
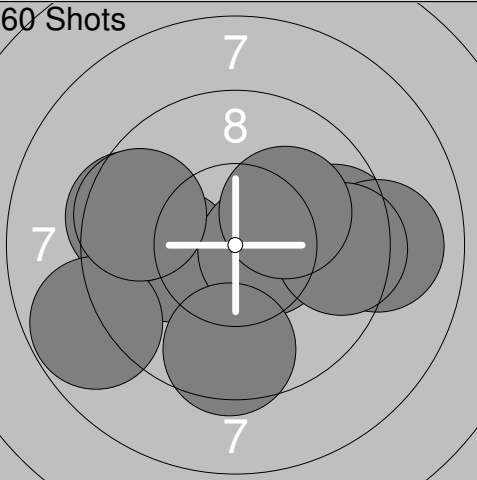
|  |  |    |     |   |    |     |   |    |     |   |    |       |   |    |       |   |    |       |   |    |      |   |    |       |   |    |       |   |     |       |   |               |             |  |              |            |  |  |   |     |       |   |     |       |   |     |       |   |     |       |   |     |       |   |     |       |   |     |       |   |     |       |   |     |       |   |     |       |   |               |              |  |              |            |  |
|--|--|----|-----|---|----|-----|---|----|-----|---|----|-------|---|----|-------|---|----|-------|---|----|------|---|----|-------|---|----|-------|---|-----|-------|---|---------------|-------------|--|--------------|------------|--|--|---|-----|-------|---|-----|-------|---|-----|-------|---|-----|-------|---|-----|-------|---|-----|-------|---|-----|-------|---|-----|-------|---|-----|-------|---|-----|-------|---|---------------|--------------|--|--------------|------------|--|
|  | <table border="1" style="width:100%; border-collapse: collapse;"> <tr><td>1:</td><td>5.3</td><td>↓</td></tr> <tr><td>2:</td><td>8.9</td><td>↓</td></tr> <tr><td>3:</td><td>9.5</td><td>↓</td></tr> <tr><td>4:</td><td>10.5x</td><td>←</td></tr> <tr><td>5:</td><td>10.8x</td><td>←</td></tr> <tr><td>6:</td><td>10.4x</td><td>↙</td></tr> <tr><td>7:</td><td>10.1</td><td>↘</td></tr> <tr><td>8:</td><td>10.4x</td><td>↗</td></tr> <tr><td>9:</td><td>10.6x</td><td>↗</td></tr> <tr><td>10:</td><td>10.7x</td><td>↑</td></tr> <tr><td><b>Series</b></td><td><b>97.2</b></td><td></td></tr> <tr><td><b>Total</b></td><td><b>0.0</b></td><td></td></tr> </table> | 1: | 5.3 | ↓ | 2: | 8.9 | ↓ | 3: | 9.5 | ↓ | 4: | 10.5x | ← | 5: | 10.8x | ← | 6: | 10.4x | ↙ | 7: | 10.1 | ↘ | 8: | 10.4x | ↗ | 9: | 10.6x | ↗ | 10: | 10.7x | ↑ | <b>Series</b> | <b>97.2</b> |  | <b>Total</b> | <b>0.0</b> |  |  | <table border="1" style="width:100%; border-collapse: collapse;"> <tr><td>11:</td><td>10.3x</td><td>↓</td></tr> <tr><td>12:</td><td>10.3x</td><td>→</td></tr> <tr><td>13:</td><td>10.4x</td><td>↙</td></tr> <tr><td>14:</td><td>10.7x</td><td>↑</td></tr> <tr><td>15:</td><td>10.3x</td><td>↓</td></tr> <tr><td>16:</td><td>10.8x</td><td>↙</td></tr> <tr><td>17:</td><td>10.5x</td><td>↓</td></tr> <tr><td>18:</td><td>10.8x</td><td>↖</td></tr> <tr><td>19:</td><td>10.5x</td><td>←</td></tr> <tr><td>20:</td><td>10.6x</td><td>←</td></tr> <tr><td><b>Series</b></td><td><b>105.2</b></td><td></td></tr> <tr><td><b>Total</b></td><td><b>0.0</b></td><td></td></tr> </table> | 11: | 10.3x | ↓ | 12: | 10.3x | → | 13: | 10.4x | ↙ | 14: | 10.7x | ↑ | 15: | 10.3x | ↓ | 16: | 10.8x | ↙ | 17: | 10.5x | ↓ | 18: | 10.8x | ↖ | 19: | 10.5x | ← | 20: | 10.6x | ← | <b>Series</b> | <b>105.2</b> |  | <b>Total</b> | <b>0.0</b> |  |
| 1:   | 5.3  | ↓  |     |   |    |     |   |    |     |   |    |       |   |    |       |   |    |       |   |    |      |   |    |       |   |    |       |   |     |       |   |               |             |  |              |            |  |  |   |     |       |   |     |       |   |     |       |   |     |       |   |     |       |   |     |       |   |     |       |   |     |       |   |     |       |   |     |       |   |               |              |  |              |            |  |
| 2:   | 8.9  | ↓  |     |   |    |     |   |    |     |   |    |       |   |    |       |   |    |       |   |    |      |   |    |       |   |    |       |   |     |       |   |               |             |  |              |            |  |  |   |     |       |   |     |       |   |     |       |   |     |       |   |     |       |   |     |       |   |     |       |   |     |       |   |     |       |   |     |       |   |               |              |  |              |            |  |
| 3:   | 9.5  | ↓  |     |   |    |     |   |    |     |   |    |       |   |    |       |   |    |       |   |    |      |   |    |       |   |    |       |   |     |       |   |               |             |  |              |            |  |  |   |     |       |   |     |       |   |     |       |   |     |       |   |     |       |   |     |       |   |     |       |   |     |       |   |     |       |   |     |       |   |               |              |  |              |            |  |
| 4:   | 10.5x  | ←  |     |   |    |     |   |    |     |   |    |       |   |    |       |   |    |       |   |    |      |   |    |       |   |    |       |   |     |       |   |               |             |  |              |            |  |  |   |     |       |   |     |       |   |     |       |   |     |       |   |     |       |   |     |       |   |     |       |   |     |       |   |     |       |   |     |       |   |               |              |  |              |            |  |
| 5:   | 10.8x  | ←  |     |   |    |     |   |    |     |   |    |       |   |    |       |   |    |       |   |    |      |   |    |       |   |    |       |   |     |       |   |               |             |  |              |            |  |  |   |     |       |   |     |       |   |     |       |   |     |       |   |     |       |   |     |       |   |     |       |   |     |       |   |     |       |   |     |       |   |               |              |  |              |            |  |
| 6:   | 10.4x  | ↙  |     |   |    |     |   |    |     |   |    |       |   |    |       |   |    |       |   |    |      |   |    |       |   |    |       |   |     |       |   |               |             |  |              |            |  |  |   |     |       |   |     |       |   |     |       |   |     |       |   |     |       |   |     |       |   |     |       |   |     |       |   |     |       |   |     |       |   |               |              |  |              |            |  |
| 7:   | 10.1   | ↘  |     |   |    |     |   |    |     |   |    |       |   |    |       |   |    |       |   |    |      |   |    |       |   |    |       |   |     |       |   |               |             |  |              |            |  |  |   |     |       |   |     |       |   |     |       |   |     |       |   |     |       |   |     |       |   |     |       |   |     |       |   |     |       |   |     |       |   |               |              |  |              |            |  |
| 8:   | 10.4x  | ↗  |     |   |    |     |   |    |     |   |    |       |   |    |       |   |    |       |   |    |      |   |    |       |   |    |       |   |     |       |   |               |             |  |              |            |  |  |   |     |       |   |     |       |   |     |       |   |     |       |   |     |       |   |     |       |   |     |       |   |     |       |   |     |       |   |     |       |   |               |              |  |              |            |  |
| 9:   | 10.6x  | ↗  |     |   |    |     |   |    |     |   |    |       |   |    |       |   |    |       |   |    |      |   |    |       |   |    |       |   |     |       |   |               |             |  |              |            |  |  |   |     |       |   |     |       |   |     |       |   |     |       |   |     |       |   |     |       |   |     |       |   |     |       |   |     |       |   |     |       |   |               |              |  |              |            |  |
| 10:  | 10.7x  | ↑  |     |   |    |     |   |    |     |   |    |       |   |    |       |   |    |       |   |    |      |   |    |       |   |    |       |   |     |       |   |               |             |  |              |            |  |  |   |     |       |   |     |       |   |     |       |   |     |       |   |     |       |   |     |       |   |     |       |   |     |       |   |     |       |   |     |       |   |               |              |  |              |            |  |
| <b>Series</b>  | <b>97.2</b>  |    |     |   |    |     |   |    |     |   |    |       |   |    |       |   |    |       |   |    |      |   |    |       |   |    |       |   |     |       |   |               |             |  |              |            |  |  |   |     |       |   |     |       |   |     |       |   |     |       |   |     |       |   |     |       |   |     |       |   |     |       |   |     |       |   |     |       |   |               |              |  |              |            |  |
| <b>Total</b>   | <b>0.0</b>   |    |     |   |    |     |   |    |     |   |    |       |   |    |       |   |    |       |   |    |      |   |    |       |   |    |       |   |     |       |   |               |             |  |              |            |  |  |   |     |       |   |     |       |   |     |       |   |     |       |   |     |       |   |     |       |   |     |       |   |     |       |   |     |       |   |     |       |   |               |              |  |              |            |  |
| 11:  | 10.3x  | ↓  |     |   |    |     |   |    |     |   |    |       |   |    |       |   |    |       |   |    |      |   |    |       |   |    |       |   |     |       |   |               |             |  |              |            |  |  |   |     |       |   |     |       |   |     |       |   |     |       |   |     |       |   |     |       |   |     |       |   |     |       |   |     |       |   |     |       |   |               |              |  |              |            |  |
| 12:  | 10.3x  | →  |     |   |    |     |   |    |     |   |    |       |   |    |       |   |    |       |   |    |      |   |    |       |   |    |       |   |     |       |   |               |             |  |              |            |  |  |   |     |       |   |     |       |   |     |       |   |     |       |   |     |       |   |     |       |   |     |       |   |     |       |   |     |       |   |     |       |   |               |              |  |              |            |  |
| 13:  | 10.4x  | ↙  |     |   |    |     |   |    |     |   |    |       |   |    |       |   |    |       |   |    |      |   |    |       |   |    |       |   |     |       |   |               |             |  |              |            |  |  |   |     |       |   |     |       |   |     |       |   |     |       |   |     |       |   |     |       |   |     |       |   |     |       |   |     |       |   |     |       |   |               |              |  |              |            |  |
| 14:  | 10.7x  | ↑  |     |   |    |     |   |    |     |   |    |       |   |    |       |   |    |       |   |    |      |   |    |       |   |    |       |   |     |       |   |               |             |  |              |            |  |  |   |     |       |   |     |       |   |     |       |   |     |       |   |     |       |   |     |       |   |     |       |   |     |       |   |     |       |   |     |       |   |               |              |  |              |            |  |
| 15:  | 10.3x  | ↓  |     |   |    |     |   |    |     |   |    |       |   |    |       |   |    |       |   |    |      |   |    |       |   |    |       |   |     |       |   |               |             |  |              |            |  |  |   |     |       |   |     |       |   |     |       |   |     |       |   |     |       |   |     |       |   |     |       |   |     |       |   |     |       |   |     |       |   |               |              |  |              |            |  |
| 16:  | 10.8x  | ↙  |     |   |    |     |   |    |     |   |    |       |   |    |       |   |    |       |   |    |      |   |    |       |   |    |       |   |     |       |   |               |             |  |              |            |  |  |   |     |       |   |     |       |   |     |       |   |     |       |   |     |       |   |     |       |   |     |       |   |     |       |   |     |       |   |     |       |   |               |              |  |              |            |  |
| 17:  | 10.5x  | ↓  |     |   |    |     |   |    |     |   |    |       |   |    |       |   |    |       |   |    |      |   |    |       |   |    |       |   |     |       |   |               |             |  |              |            |  |  |   |     |       |   |     |       |   |     |       |   |     |       |   |     |       |   |     |       |   |     |       |   |     |       |   |     |       |   |     |       |   |               |              |  |              |            |  |
| 18:  | 10.8x  | ↖  |     |   |    |     |   |    |     |   |    |       |   |    |       |   |    |       |   |    |      |   |    |       |   |    |       |   |     |       |   |               |             |  |              |            |  |  |   |     |       |   |     |       |   |     |       |   |     |       |   |     |       |   |     |       |   |     |       |   |     |       |   |     |       |   |     |       |   |               |              |  |              |            |  |
| 19:  | 10.5x  | ←  |     |   |    |     |   |    |     |   |    |       |   |    |       |   |    |       |   |    |      |   |    |       |   |    |       |   |     |       |   |               |             |  |              |            |  |  |   |     |       |   |     |       |   |     |       |   |     |       |   |     |       |   |     |       |   |     |       |   |     |       |   |     |       |   |     |       |   |               |              |  |              |            |  |
| 20:  | 10.6x  | ←  |     |   |    |     |   |    |     |   |    |       |   |    |       |   |    |       |   |    |      |   |    |       |   |    |       |   |     |       |   |               |             |  |              |            |  |  |   |     |       |   |     |       |   |     |       |   |     |       |   |     |       |   |     |       |   |     |       |   |     |       |   |     |       |   |     |       |   |               |              |  |              |            |  |
| <b>Series</b>  | <b>105.2</b>   |    |     |   |    |     |   |    |     |   |    |       |   |    |       |   |    |       |   |    |      |   |    |       |   |    |       |   |     |       |   |               |             |  |              |            |  |  |   |     |       |   |     |       |   |     |       |   |     |       |   |     |       |   |     |       |   |     |       |   |     |       |   |     |       |   |     |       |   |               |              |  |              |            |  |
| <b>Total</b>   | <b>0.0</b>   |    |     |   |    |     |   |    |     |   |    |       |   |    |       |   |    |       |   |    |      |   |    |       |   |    |       |   |     |       |   |               |             |  |              |            |  |  |   |     |       |   |     |       |   |     |       |   |     |       |   |     |       |   |     |       |   |     |       |   |     |       |   |     |       |   |     |       |   |               |              |  |              |            |  |

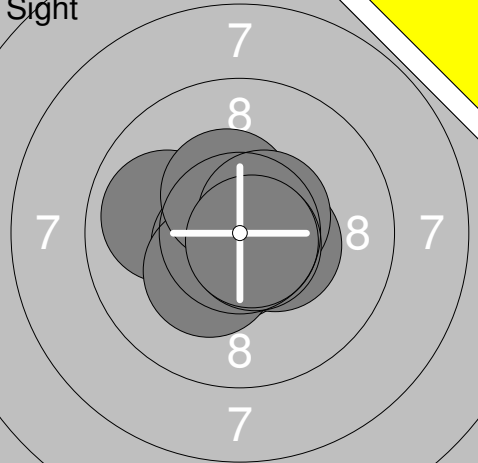

|   |  |     |       |   |               |             |  |              |            |  |   |  |    |       |   |    |       |   |    |       |   |    |       |   |    |       |   |    |       |   |    |       |   |    |       |   |    |       |   |     |       |   |               |              |  |              |              |  |
|---|--|-----|-------|---|---------------|-------------|--|--------------|------------|--|---|--|----|-------|---|----|-------|---|----|-------|---|----|-------|---|----|-------|---|----|-------|---|----|-------|---|----|-------|---|----|-------|---|-----|-------|---|---------------|--------------|--|--------------|--------------|--|
|  | <table border="1" style="width:100%; border-collapse: collapse;"> <tr><td>21:</td><td>10.6x</td><td>↖</td></tr> <tr><td><b>Series</b></td><td><b>10.6</b></td><td></td></tr> <tr><td><b>Total</b></td><td><b>0.0</b></td><td></td></tr> </table> | 21: | 10.6x | ↖ | <b>Series</b> | <b>10.6</b> |  | <b>Total</b> | <b>0.0</b> |  |  | <table border="1" style="width:100%; border-collapse: collapse;"> <tr><td>1:</td><td>10.6x</td><td>←</td></tr> <tr><td>2:</td><td>10.3x</td><td>→</td></tr> <tr><td>3:</td><td>10.5x</td><td>↗</td></tr> <tr><td>4:</td><td>10.7x</td><td>↘</td></tr> <tr><td>5:</td><td>10.7x</td><td>←</td></tr> <tr><td>6:</td><td>10.3x</td><td>↓</td></tr> <tr><td>7:</td><td>10.5x</td><td>↑</td></tr> <tr><td>8:</td><td>10.7x</td><td>↓</td></tr> <tr><td>9:</td><td>10.5x</td><td>↖</td></tr> <tr><td>10:</td><td>10.3x</td><td>↑</td></tr> <tr><td><b>Series</b></td><td><b>105.1</b></td><td></td></tr> <tr><td><b>Total</b></td><td><b>105.1</b></td><td></td></tr> </table> | 1: | 10.6x | ← | 2: | 10.3x | → | 3: | 10.5x | ↗ | 4: | 10.7x | ↘ | 5: | 10.7x | ← | 6: | 10.3x | ↓ | 7: | 10.5x | ↑ | 8: | 10.7x | ↓ | 9: | 10.5x | ↖ | 10: | 10.3x | ↑ | <b>Series</b> | <b>105.1</b> |  | <b>Total</b> | <b>105.1</b> |  |
| 21:   | 10.6x  | ↖   |       |   |               |             |  |              |            |  |   |  |    |       |   |    |       |   |    |       |   |    |       |   |    |       |   |    |       |   |    |       |   |    |       |   |    |       |   |     |       |   |               |              |  |              |              |  |
| <b>Series</b>   | <b>10.6</b>  |     |       |   |               |             |  |              |            |  |   |  |    |       |   |    |       |   |    |       |   |    |       |   |    |       |   |    |       |   |    |       |   |    |       |   |    |       |   |     |       |   |               |              |  |              |              |  |
| <b>Total</b>  | <b>0.0</b>   |     |       |   |               |             |  |              |            |  |   |  |    |       |   |    |       |   |    |       |   |    |       |   |    |       |   |    |       |   |    |       |   |    |       |   |    |       |   |     |       |   |               |              |  |              |              |  |
| 1:  | 10.6x  | ←   |       |   |               |             |  |              |            |  |   |  |    |       |   |    |       |   |    |       |   |    |       |   |    |       |   |    |       |   |    |       |   |    |       |   |    |       |   |     |       |   |               |              |  |              |              |  |
| 2:  | 10.3x  | →   |       |   |               |             |  |              |            |  |   |  |    |       |   |    |       |   |    |       |   |    |       |   |    |       |   |    |       |   |    |       |   |    |       |   |    |       |   |     |       |   |               |              |  |              |              |  |
| 3:  | 10.5x  | ↗   |       |   |               |             |  |              |            |  |   |  |    |       |   |    |       |   |    |       |   |    |       |   |    |       |   |    |       |   |    |       |   |    |       |   |    |       |   |     |       |   |               |              |  |              |              |  |
| 4:  | 10.7x  | ↘   |       |   |               |             |  |              |            |  |   |  |    |       |   |    |       |   |    |       |   |    |       |   |    |       |   |    |       |   |    |       |   |    |       |   |    |       |   |     |       |   |               |              |  |              |              |  |
| 5:  | 10.7x  | ←   |       |   |               |             |  |              |            |  |   |  |    |       |   |    |       |   |    |       |   |    |       |   |    |       |   |    |       |   |    |       |   |    |       |   |    |       |   |     |       |   |               |              |  |              |              |  |
| 6:  | 10.3x  | ↓   |       |   |               |             |  |              |            |  |   |  |    |       |   |    |       |   |    |       |   |    |       |   |    |       |   |    |       |   |    |       |   |    |       |   |    |       |   |     |       |   |               |              |  |              |              |  |
| 7:  | 10.5x  | ↑   |       |   |               |             |  |              |            |  |   |  |    |       |   |    |       |   |    |       |   |    |       |   |    |       |   |    |       |   |    |       |   |    |       |   |    |       |   |     |       |   |               |              |  |              |              |  |
| 8:  | 10.7x  | ↓   |       |   |               |             |  |              |            |  |   |  |    |       |   |    |       |   |    |       |   |    |       |   |    |       |   |    |       |   |    |       |   |    |       |   |    |       |   |     |       |   |               |              |  |              |              |  |
| 9:  | 10.5x  | ↖   |       |   |               |             |  |              |            |  |   |  |    |       |   |    |       |   |    |       |   |    |       |   |    |       |   |    |       |   |    |       |   |    |       |   |    |       |   |     |       |   |               |              |  |              |              |  |
| 10:   | 10.3x  | ↑   |       |   |               |             |  |              |            |  |   |  |    |       |   |    |       |   |    |       |   |    |       |   |    |       |   |    |       |   |    |       |   |    |       |   |    |       |   |     |       |   |               |              |  |              |              |  |
| <b>Series</b>   | <b>105.1</b>   |     |       |   |               |             |  |              |            |  |   |  |    |       |   |    |       |   |    |       |   |    |       |   |    |       |   |    |       |   |    |       |   |    |       |   |    |       |   |     |       |   |               |              |  |              |              |  |
| <b>Total</b>  | <b>105.1</b>   |     |       |   |               |             |  |              |            |  |   |  |    |       |   |    |       |   |    |       |   |    |       |   |    |       |   |    |       |   |    |       |   |    |       |   |    |       |   |     |       |   |               |              |  |              |              |  |

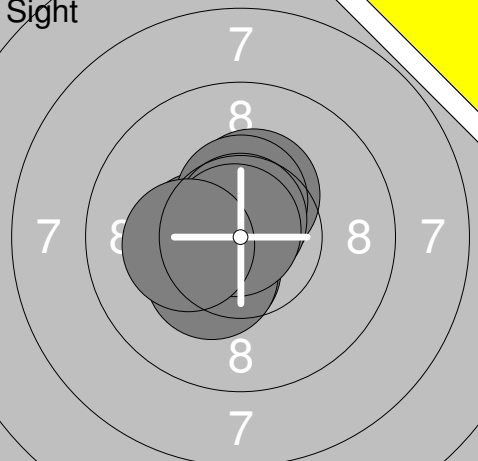
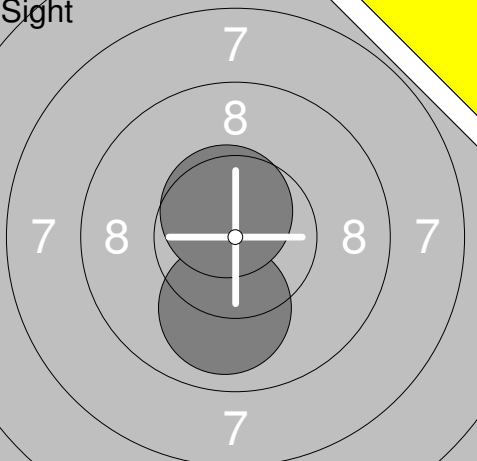
|  |   |     |       |   |     |       |   |     |       |   |     |       |   |     |       |   |     |       |   |     |       |   |     |       |   |     |       |   |     |       |   |               |              |  |              |              |  |  |  |     |       |   |     |       |   |     |       |   |     |       |   |     |      |   |     |       |   |     |     |   |     |       |   |     |       |   |     |       |   |               |              |  |              |              |  |
|--|---|-----|-------|---|-----|-------|---|-----|-------|---|-----|-------|---|-----|-------|---|-----|-------|---|-----|-------|---|-----|-------|---|-----|-------|---|-----|-------|---|---------------|--------------|--|--------------|--------------|--|--|--|-----|-------|---|-----|-------|---|-----|-------|---|-----|-------|---|-----|------|---|-----|-------|---|-----|-----|---|-----|-------|---|-----|-------|---|-----|-------|---|---------------|--------------|--|--------------|--------------|--|
|  | <table border="1" style="width:100%; border-collapse: collapse;"> <tr><td>11:</td><td>10.7x</td><td>↑</td></tr> <tr><td>12:</td><td>10.8x</td><td>→</td></tr> <tr><td>13:</td><td>10.7x</td><td>↖</td></tr> <tr><td>14:</td><td>10.8x</td><td>↓</td></tr> <tr><td>15:</td><td>10.5x</td><td>→</td></tr> <tr><td>16:</td><td>10.3x</td><td>↖</td></tr> <tr><td>17:</td><td>10.7x</td><td>←</td></tr> <tr><td>18:</td><td>10.7x</td><td>←</td></tr> <tr><td>19:</td><td>10.4x</td><td>←</td></tr> <tr><td>20:</td><td>10.6x</td><td>←</td></tr> <tr><td><b>Series</b></td><td><b>106.2</b></td><td></td></tr> <tr><td><b>Total</b></td><td><b>211.3</b></td><td></td></tr> </table> | 11: | 10.7x | ↑ | 12: | 10.8x | → | 13: | 10.7x | ↖ | 14: | 10.8x | ↓ | 15: | 10.5x | → | 16: | 10.3x | ↖ | 17: | 10.7x | ← | 18: | 10.7x | ← | 19: | 10.4x | ← | 20: | 10.6x | ← | <b>Series</b> | <b>106.2</b> |  | <b>Total</b> | <b>211.3</b> |  |  | <table border="1" style="width:100%; border-collapse: collapse;"> <tr><td>21:</td><td>10.2x</td><td>↑</td></tr> <tr><td>22:</td><td>10.5x</td><td>↗</td></tr> <tr><td>23:</td><td>10.7x</td><td>↘</td></tr> <tr><td>24:</td><td>10.4x</td><td>↗</td></tr> <tr><td>25:</td><td>10.0</td><td>↑</td></tr> <tr><td>26:</td><td>10.6x</td><td>↓</td></tr> <tr><td>27:</td><td>9.9</td><td>↘</td></tr> <tr><td>28:</td><td>10.5x</td><td>→</td></tr> <tr><td>29:</td><td>10.6x</td><td>→</td></tr> <tr><td>30:</td><td>10.8x</td><td>↘</td></tr> <tr><td><b>Series</b></td><td><b>104.2</b></td><td></td></tr> <tr><td><b>Total</b></td><td><b>315.5</b></td><td></td></tr> </table> | 21: | 10.2x | ↑ | 22: | 10.5x | ↗ | 23: | 10.7x | ↘ | 24: | 10.4x | ↗ | 25: | 10.0 | ↑ | 26: | 10.6x | ↓ | 27: | 9.9 | ↘ | 28: | 10.5x | → | 29: | 10.6x | → | 30: | 10.8x | ↘ | <b>Series</b> | <b>104.2</b> |  | <b>Total</b> | <b>315.5</b> |  |
| 11:  | 10.7x   | ↑   |       |   |     |       |   |     |       |   |     |       |   |     |       |   |     |       |   |     |       |   |     |       |   |     |       |   |     |       |   |               |              |  |              |              |  |  |  |     |       |   |     |       |   |     |       |   |     |       |   |     |      |   |     |       |   |     |     |   |     |       |   |     |       |   |     |       |   |               |              |  |              |              |  |
| 12:  | 10.8x   | →   |       |   |     |       |   |     |       |   |     |       |   |     |       |   |     |       |   |     |       |   |     |       |   |     |       |   |     |       |   |               |              |  |              |              |  |  |  |     |       |   |     |       |   |     |       |   |     |       |   |     |      |   |     |       |   |     |     |   |     |       |   |     |       |   |     |       |   |               |              |  |              |              |  |
| 13:  | 10.7x   | ↖   |       |   |     |       |   |     |       |   |     |       |   |     |       |   |     |       |   |     |       |   |     |       |   |     |       |   |     |       |   |               |              |  |              |              |  |  |  |     |       |   |     |       |   |     |       |   |     |       |   |     |      |   |     |       |   |     |     |   |     |       |   |     |       |   |     |       |   |               |              |  |              |              |  |
| 14:  | 10.8x   | ↓   |       |   |     |       |   |     |       |   |     |       |   |     |       |   |     |       |   |     |       |   |     |       |   |     |       |   |     |       |   |               |              |  |              |              |  |  |  |     |       |   |     |       |   |     |       |   |     |       |   |     |      |   |     |       |   |     |     |   |     |       |   |     |       |   |     |       |   |               |              |  |              |              |  |
| 15:  | 10.5x   | →   |       |   |     |       |   |     |       |   |     |       |   |     |       |   |     |       |   |     |       |   |     |       |   |     |       |   |     |       |   |               |              |  |              |              |  |  |  |     |       |   |     |       |   |     |       |   |     |       |   |     |      |   |     |       |   |     |     |   |     |       |   |     |       |   |     |       |   |               |              |  |              |              |  |
| 16:  | 10.3x   | ↖   |       |   |     |       |   |     |       |   |     |       |   |     |       |   |     |       |   |     |       |   |     |       |   |     |       |   |     |       |   |               |              |  |              |              |  |  |  |     |       |   |     |       |   |     |       |   |     |       |   |     |      |   |     |       |   |     |     |   |     |       |   |     |       |   |     |       |   |               |              |  |              |              |  |
| 17:  | 10.7x   | ←   |       |   |     |       |   |     |       |   |     |       |   |     |       |   |     |       |   |     |       |   |     |       |   |     |       |   |     |       |   |               |              |  |              |              |  |  |  |     |       |   |     |       |   |     |       |   |     |       |   |     |      |   |     |       |   |     |     |   |     |       |   |     |       |   |     |       |   |               |              |  |              |              |  |
| 18:  | 10.7x   | ←   |       |   |     |       |   |     |       |   |     |       |   |     |       |   |     |       |   |     |       |   |     |       |   |     |       |   |     |       |   |               |              |  |              |              |  |  |  |     |       |   |     |       |   |     |       |   |     |       |   |     |      |   |     |       |   |     |     |   |     |       |   |     |       |   |     |       |   |               |              |  |              |              |  |
| 19:  | 10.4x   | ←   |       |   |     |       |   |     |       |   |     |       |   |     |       |   |     |       |   |     |       |   |     |       |   |     |       |   |     |       |   |               |              |  |              |              |  |  |  |     |       |   |     |       |   |     |       |   |     |       |   |     |      |   |     |       |   |     |     |   |     |       |   |     |       |   |     |       |   |               |              |  |              |              |  |
| 20:  | 10.6x   | ←   |       |   |     |       |   |     |       |   |     |       |   |     |       |   |     |       |   |     |       |   |     |       |   |     |       |   |     |       |   |               |              |  |              |              |  |  |  |     |       |   |     |       |   |     |       |   |     |       |   |     |      |   |     |       |   |     |     |   |     |       |   |     |       |   |     |       |   |               |              |  |              |              |  |
| <b>Series</b>  | <b>106.2</b>  |     |       |   |     |       |   |     |       |   |     |       |   |     |       |   |     |       |   |     |       |   |     |       |   |     |       |   |     |       |   |               |              |  |              |              |  |  |  |     |       |   |     |       |   |     |       |   |     |       |   |     |      |   |     |       |   |     |     |   |     |       |   |     |       |   |     |       |   |               |              |  |              |              |  |
| <b>Total</b>   | <b>211.3</b>  |     |       |   |     |       |   |     |       |   |     |       |   |     |       |   |     |       |   |     |       |   |     |       |   |     |       |   |     |       |   |               |              |  |              |              |  |  |  |     |       |   |     |       |   |     |       |   |     |       |   |     |      |   |     |       |   |     |     |   |     |       |   |     |       |   |     |       |   |               |              |  |              |              |  |
| 21:  | 10.2x   | ↑   |       |   |     |       |   |     |       |   |     |       |   |     |       |   |     |       |   |     |       |   |     |       |   |     |       |   |     |       |   |               |              |  |              |              |  |  |  |     |       |   |     |       |   |     |       |   |     |       |   |     |      |   |     |       |   |     |     |   |     |       |   |     |       |   |     |       |   |               |              |  |              |              |  |
| 22:  | 10.5x   | ↗   |       |   |     |       |   |     |       |   |     |       |   |     |       |   |     |       |   |     |       |   |     |       |   |     |       |   |     |       |   |               |              |  |              |              |  |  |  |     |       |   |     |       |   |     |       |   |     |       |   |     |      |   |     |       |   |     |     |   |     |       |   |     |       |   |     |       |   |               |              |  |              |              |  |
| 23:  | 10.7x   | ↘   |       |   |     |       |   |     |       |   |     |       |   |     |       |   |     |       |   |     |       |   |     |       |   |     |       |   |     |       |   |               |              |  |              |              |  |  |  |     |       |   |     |       |   |     |       |   |     |       |   |     |      |   |     |       |   |     |     |   |     |       |   |     |       |   |     |       |   |               |              |  |              |              |  |
| 24:  | 10.4x   | ↗   |       |   |     |       |   |     |       |   |     |       |   |     |       |   |     |       |   |     |       |   |     |       |   |     |       |   |     |       |   |               |              |  |              |              |  |  |  |     |       |   |     |       |   |     |       |   |     |       |   |     |      |   |     |       |   |     |     |   |     |       |   |     |       |   |     |       |   |               |              |  |              |              |  |
| 25:  | 10.0  | ↑   |       |   |     |       |   |     |       |   |     |       |   |     |       |   |     |       |   |     |       |   |     |       |   |     |       |   |     |       |   |               |              |  |              |              |  |  |  |     |       |   |     |       |   |     |       |   |     |       |   |     |      |   |     |       |   |     |     |   |     |       |   |     |       |   |     |       |   |               |              |  |              |              |  |
| 26:  | 10.6x   | ↓   |       |   |     |       |   |     |       |   |     |       |   |     |       |   |     |       |   |     |       |   |     |       |   |     |       |   |     |       |   |               |              |  |              |              |  |  |  |     |       |   |     |       |   |     |       |   |     |       |   |     |      |   |     |       |   |     |     |   |     |       |   |     |       |   |     |       |   |               |              |  |              |              |  |
| 27:  | 9.9   | ↘   |       |   |     |       |   |     |       |   |     |       |   |     |       |   |     |       |   |     |       |   |     |       |   |     |       |   |     |       |   |               |              |  |              |              |  |  |  |     |       |   |     |       |   |     |       |   |     |       |   |     |      |   |     |       |   |     |     |   |     |       |   |     |       |   |     |       |   |               |              |  |              |              |  |
| 28:  | 10.5x   | →   |       |   |     |       |   |     |       |   |     |       |   |     |       |   |     |       |   |     |       |   |     |       |   |     |       |   |     |       |   |               |              |  |              |              |  |  |  |     |       |   |     |       |   |     |       |   |     |       |   |     |      |   |     |       |   |     |     |   |     |       |   |     |       |   |     |       |   |               |              |  |              |              |  |
| 29:  | 10.6x   | →   |       |   |     |       |   |     |       |   |     |       |   |     |       |   |     |       |   |     |       |   |     |       |   |     |       |   |     |       |   |               |              |  |              |              |  |  |  |     |       |   |     |       |   |     |       |   |     |       |   |     |      |   |     |       |   |     |     |   |     |       |   |     |       |   |     |       |   |               |              |  |              |              |  |
| 30:  | 10.8x   | ↘   |       |   |     |       |   |     |       |   |     |       |   |     |       |   |     |       |   |     |       |   |     |       |   |     |       |   |     |       |   |               |              |  |              |              |  |  |  |     |       |   |     |       |   |     |       |   |     |       |   |     |      |   |     |       |   |     |     |   |     |       |   |     |       |   |     |       |   |               |              |  |              |              |  |
| <b>Series</b>  | <b>104.2</b>  |     |       |   |     |       |   |     |       |   |     |       |   |     |       |   |     |       |   |     |       |   |     |       |   |     |       |   |     |       |   |               |              |  |              |              |  |  |  |     |       |   |     |       |   |     |       |   |     |       |   |     |      |   |     |       |   |     |     |   |     |       |   |     |       |   |     |       |   |               |              |  |              |              |  |
| <b>Total</b>   | <b>315.5</b>  |     |       |   |     |       |   |     |       |   |     |       |   |     |       |   |     |       |   |     |       |   |     |       |   |     |       |   |     |       |   |               |              |  |              |              |  |  |  |     |       |   |     |       |   |     |       |   |     |       |   |     |      |   |     |       |   |     |     |   |     |       |   |     |       |   |     |       |   |               |              |  |              |              |  |

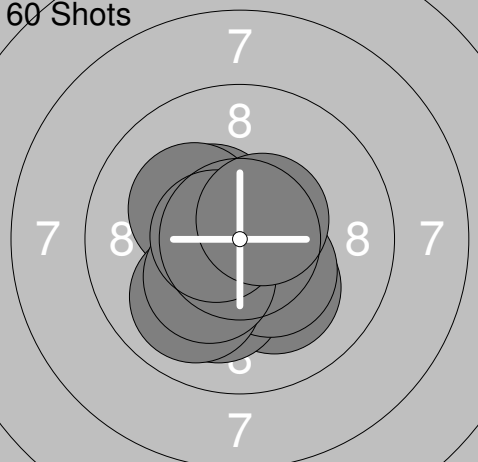
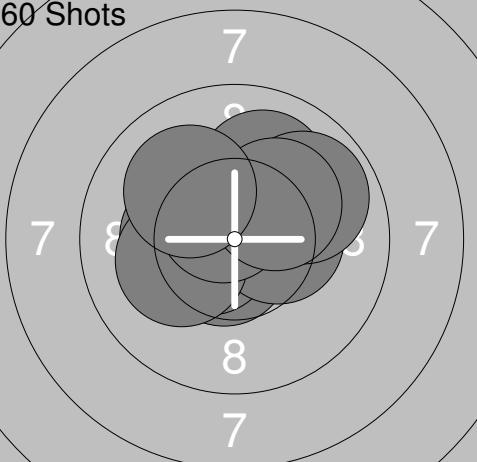
|  |   |     |       |   |     |       |   |     |      |   |     |       |   |     |       |   |     |      |   |     |       |   |     |       |   |     |       |   |     |       |   |               |              |  |              |              |  |  |
|--|---|-----|-------|---|-----|-------|---|-----|------|---|-----|-------|---|-----|-------|---|-----|------|---|-----|-------|---|-----|-------|---|-----|-------|---|-----|-------|---|---------------|--------------|--|--------------|--------------|--|--|
|  | <table border="1" style="width:100%; border-collapse: collapse;"> <tr><td>31:</td><td>10.9x</td><td>↗</td></tr> <tr><td>32:</td><td>10.2x</td><td>→</td></tr> <tr><td>33:</td><td>10.0</td><td>↓</td></tr> <tr><td>34:</td><td>10.3x</td><td>→</td></tr> <tr><td>35:</td><td>10.2x</td><td>↘</td></tr> <tr><td>36:</td><td>10.0</td><td>←</td></tr> <tr><td>37:</td><td>10.4x</td><td>↓</td></tr> <tr><td>38:</td><td>10.6x</td><td>←</td></tr> <tr><td>39:</td><td>10.9x</td><td>→</td></tr> <tr><td>40:</td><td>10.5x</td><td>↓</td></tr> <tr><td><b>Series</b></td><td><b>104.0</b></td><td></td></tr> <tr><td><b>Total</b></td><td><b>419.5</b></td><td></td></tr> </table> | 31: | 10.9x | ↗ | 32: | 10.2x | → | 33: | 10.0 | ↓ | 34: | 10.3x | → | 35: | 10.2x | ↘ | 36: | 10.0 | ← | 37: | 10.4x | ↓ | 38: | 10.6x | ← | 39: | 10.9x | → | 40: | 10.5x | ↓ | <b>Series</b> | <b>104.0</b> |  | <b>Total</b> | <b>419.5</b> |  |  |
| 31:  | 10.9x   | ↗   |       |   |     |       |   |     |      |   |     |       |   |     |       |   |     |      |   |     |       |   |     |       |   |     |       |   |     |       |   |               |              |  |              |              |  |  |
| 32:  | 10.2x   | →   |       |   |     |       |   |     |      |   |     |       |   |     |       |   |     |      |   |     |       |   |     |       |   |     |       |   |     |       |   |               |              |  |              |              |  |  |
| 33:  | 10.0  | ↓   |       |   |     |       |   |     |      |   |     |       |   |     |       |   |     |      |   |     |       |   |     |       |   |     |       |   |     |       |   |               |              |  |              |              |  |  |
| 34:  | 10.3x   | →   |       |   |     |       |   |     |      |   |     |       |   |     |       |   |     |      |   |     |       |   |     |       |   |     |       |   |     |       |   |               |              |  |              |              |  |  |
| 35:  | 10.2x   | ↘   |       |   |     |       |   |     |      |   |     |       |   |     |       |   |     |      |   |     |       |   |     |       |   |     |       |   |     |       |   |               |              |  |              |              |  |  |
| 36:  | 10.0  | ←   |       |   |     |       |   |     |      |   |     |       |   |     |       |   |     |      |   |     |       |   |     |       |   |     |       |   |     |       |   |               |              |  |              |              |  |  |
| 37:  | 10.4x   | ↓   |       |   |     |       |   |     |      |   |     |       |   |     |       |   |     |      |   |     |       |   |     |       |   |     |       |   |     |       |   |               |              |  |              |              |  |  |
| 38:  | 10.6x   | ←   |       |   |     |       |   |     |      |   |     |       |   |     |       |   |     |      |   |     |       |   |     |       |   |     |       |   |     |       |   |               |              |  |              |              |  |  |
| 39:  | 10.9x   | →   |       |   |     |       |   |     |      |   |     |       |   |     |       |   |     |      |   |     |       |   |     |       |   |     |       |   |     |       |   |               |              |  |              |              |  |  |
| 40:  | 10.5x   | ↓   |       |   |     |       |   |     |      |   |     |       |   |     |       |   |     |      |   |     |       |   |     |       |   |     |       |   |     |       |   |               |              |  |              |              |  |  |
| <b>Series</b>  | <b>104.0</b>  |     |       |   |     |       |   |     |      |   |     |       |   |     |       |   |     |      |   |     |       |   |     |       |   |     |       |   |     |       |   |               |              |  |              |              |  |  |
| <b>Total</b>   | <b>419.5</b>  |     |       |   |     |       |   |     |      |   |     |       |   |     |       |   |     |      |   |     |       |   |     |       |   |     |       |   |     |       |   |               |              |  |              |              |  |  |


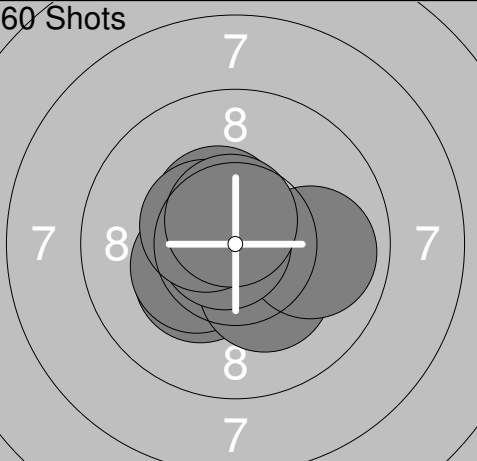
| Relay      | Lane   | Leo Lindgren  |   |
|------------|--|---|---|
| S          | I19  |   |   |
| 2014-11-15 | Drängsmarksskyttet 2014  | Umeå skytteallians  |   |
| Sight      |    | 1: 10.6x ↑<br>2: 10.6x ←<br>3: 9.5 ←<br>4: 9.6 ↗<br>5: 10.4x ←<br>6: 10.8x →<br>7: 10.7x ↓<br>8: 10.6x ↑<br>9: 10.6x ↗<br>10: 10.6x ↗<br>Series 104.0<br>Total 0.0                | Sight  11: 10.2x ↖<br>12: 10.8x ←<br>13: 10.4x ↗<br>14: 10.5x ↑<br>15: 10.3x ←<br>16: 10.3x ↑<br>17: 10.8x ↙<br>18: 10.7x ↗<br>19: 10.2x ←<br>20: 10.4x ↘<br>Series 104.6<br>Total 0.0        |
| Sight      |   | 21: 10.6x ↓<br>22: 10.5x ↓<br>23: 9.4 ←<br>24: 10.3x ↑<br>25: 9.3 ↗<br>26: 10.6x ↑<br>27: 10.4x ↑<br>28: 10.6x →<br>29: 10.1 ↓<br>30: 10.3x ↗<br>Series 102.1<br>Total 0.0        | Sight  31: 10.6x ←<br>32: 10.5x ←<br>33: 10.3x ↓<br>34: 10.6x ↖<br>35: 10.4x ↑<br>36: 10.1 ↗<br>37: 9.5 ↑<br>38: 10.8x ↗<br>39: 9.9 ↑<br>40: 10.6x ←<br>Series 103.3<br>Total 0.0            |
| 60 Shots   |  | 1: 10.5x ↑<br>2: 10.6x ↓<br>3: 10.4x →<br>4: 10.3x ←<br>5: 10.1 →<br>6: 10.1 ↑<br>7: 10.5x ↑<br>8: 9.5 ↗<br>9: 10.2x ↑<br>10: 10.4x ↑<br>Series 102.6<br>Total 102.6              | 60 Shots  11: 10.4x →<br>12: 10.8x ←<br>13: 9.8 ←<br>14: 10.1 ↑<br>15: 10.0 ↓<br>16: 10.6x →<br>17: 10.7x ↑<br>18: 10.1 ↗<br>19: 10.8x →<br>20: 9.6 →<br>Series 102.9<br>Total 205.5        |
| 60 Shots   |  | 21: 10.7x ↘<br>22: 10.3x ↗<br>23: 10.2x ↓<br>24: 10.7x →<br>25: 10.6x ←<br>26: 10.6x ↓<br>27: 10.7x ↘<br>28: 10.5x ↗<br>29: 10.4x ↓<br>30: 10.2x ↓<br>Series 104.9<br>Total 310.4 | 60 Shots  31: 10.8x ↓<br>32: 10.8x ↓<br>33: 10.8x ↗<br>34: 10.3x ↓<br>35: 10.9x ↓<br>36: 10.4x ↓<br>37: 10.7x ↑<br>38: 10.3x ↘<br>39: 10.8x ↓<br>40: 10.5x ↓<br>Series 106.3<br>Total 416.7 |

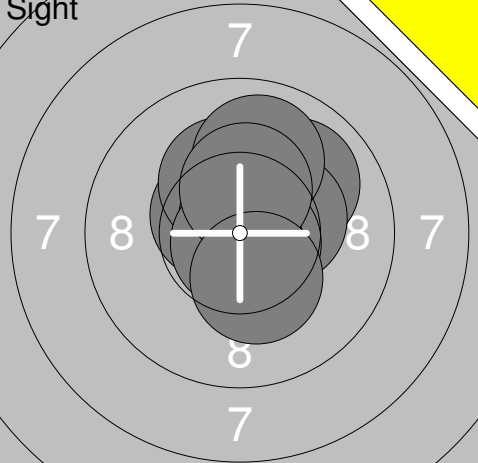
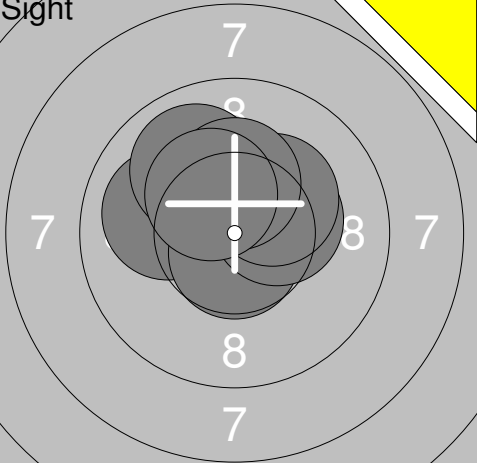
| Relay      | Lane   | Axel Hansson  |  |
|------------|--|---|--|
| S          |  | Kubikensborg  |  |
| 2014-11-15 |  | Drängsmarksskyttet 2014   | Umeå skytteallians   |
| Sight      |    | 1: 9.7 →<br>2: 9.3 ↓<br>3: 8.9 →<br>4: 9.5 →<br>5: 9.3 ↓<br>6: 10.4x →<br>7: 8.6 →<br>8: 10.5x →<br>9: 10.5x ↗<br>10: 10.3x ↑<br>Series 97.0<br>Total 0.0         | Sight  11: 10.5x ↑<br>12: 9.6 ↓<br>13: 10.1 ↓<br>14: 10.4x →<br>15: 9.4 →<br>16: 10.0 ↗<br>17: 9.4 ↓<br>18: 9.5 ←<br>19: 10.9x ↓<br>20: 10.3x →<br>Series 100.1<br>Total 0.0   |
| Sight      |   | 21: 8.5 →<br>22: 9.8 ↓<br>23: 10.3x ←<br>24: 9.5 ↓<br>25: 8.7 ←<br>26: 10.0 ↓<br>27: 10.1 ←<br>28: 9.6 ←<br>29: 8.8 ↗<br>30: 9.0 ↖<br>Series 94.3<br>Total 0.0    | Sight  31: 9.3 ↓<br>32: 9.4 ←<br>33: 9.5 ←<br>Series 28.2<br>Total 0.0  |
| 60 Shots   |  | 1: 10.2x ↘<br>2: 9.7 ↓<br>3: 10.2x ↘<br>4: 10.0 ↑<br>5: 9.7 →<br>6: 10.5x ↓<br>7: 10.3x ↓<br>8: 9.0 ↓<br>9: 10.5x ↓<br>10: 10.2x ↗<br>Series 100.3<br>Total 100.3 | 60 Shots  11: 8.4 ←<br>12: 10.1 ↘<br>13: 9.9 ↑<br>14: 9.7 ↓<br>15: 10.1 ↓<br>16: 10.5x ↓<br>17: 10.2x ↘<br>18: 9.9 ←<br>19: 8.7 ←<br>20: 9.5 ↓<br>Series 97.0<br>Total 197.3 |
| 60 Shots   |  | 21: 10.0 ↘<br>22: 8.8 ←<br>23: 9.0 ←<br>24: 7.7 ←<br>25: 8.0 →<br>26: 10.3x →<br>27: 9.9 ↗<br>28: 9.0 ↗<br>29: 9.8 ←<br>30: 9.3 ↓<br>Series 91.8<br>Total 289.1   | 60 Shots  31: 10.1 ←<br>32: 10.6x →<br>33: 9.5 ←<br>34: 8.8 ←<br>35: 9.5 ↓<br>36: 9.6 →<br>37: 9.0 →<br>38: 9.5 →<br>39: 10.1 ↗<br>40: 9.6 ←<br>Series 96.3<br>Total 385.4   |



|  |   |  |  |
|--|---|--|--|
|  | <p>1: 9.9 ←<br/>2: 10.7x ↓<br/>3: 10.6x ↙<br/>4: 10.4x →<br/>5: 10.6x ↑<br/>6: 10.3x ↘<br/>7: 10.4x ↗<br/>8: 10.6x ↗<br/>9: 10.7x ↘<br/>10: 10.8x ↘</p> <p>Series 105.0<br/>Total 0.0</p> |  | <p>11: 10.5x ↖<br/>12: 10.5x ↑<br/>13: 10.6x ↖<br/>14: 10.4x ↑<br/>15: 10.3x ↑<br/>16: 10.1 ↑<br/>17: 10.2x ↗<br/>18: 10.3x ↗<br/>19: 10.1 ↖<br/>20: 10.2x ↖</p> <p>Series 103.2<br/>Total 0.0</p> |
|--|---|--|--|

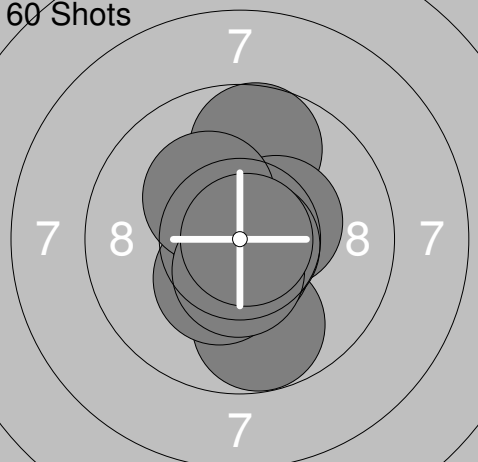
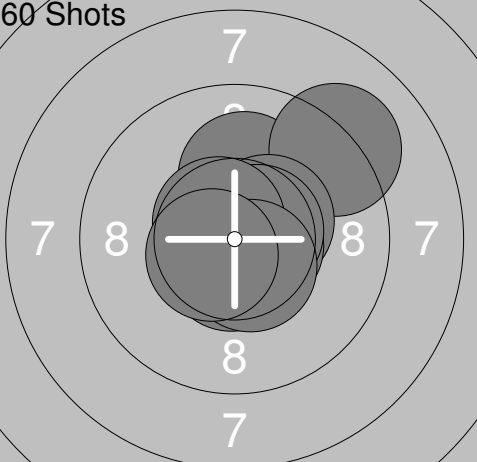
|   |  |   |  |
|---|--|---|--|
|  | <p>21: 10.5x ↑<br/>22: 10.7x ←<br/>23: 10.4x ←<br/>24: 10.4x ↘<br/>25: 10.3x ↘<br/>26: 10.4x ↑<br/>27: 10.5x ↑<br/>28: 10.7x ↑<br/>29: 10.8x ↖<br/>30: 10.2x ←</p> <p>Series 104.9<br/>Total 0.0</p> |  | <p>31: 10.0 ↓<br/>32: 10.6x ↖</p> <p>Series 20.6<br/>Total 0.0</p> |
|---|--|---|--|

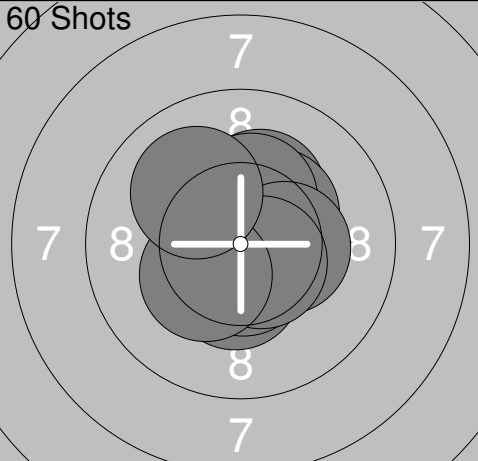
|  |  |  |  |
|--|--|--|--|
| <p>60 Shots</p>  | <p>1: 10.4x ↘<br/>2: 10.1 ↓<br/>3: 10.4x ↗<br/>4: 10.1 ↓<br/>5: 10.2x ↗<br/>6: 10.3x ↘<br/>7: 10.0 ↓<br/>8: 10.3x ↘<br/>9: 10.6x ←<br/>10: 10.5x ↗</p> <p>Series 102.9<br/>Total 102.9</p> |  | <p>11: 10.6x ↘<br/>12: 10.6x ←<br/>13: 10.0 ↑<br/>14: 10.3x ←<br/>15: 10.4x →<br/>16: 10.2x ←<br/>17: 9.9 ↗<br/>18: 10.6x ↖<br/>19: 10.2x ↗<br/>20: 10.1 ↖</p> <p>Series 102.9<br/>Total 205.8</p> |
|--|--|--|--|

|  |  |  |  |
|--|--|--|--|
| <p>60 Shots</p>  | <p>21: 10.5x ↑<br/>22: 10.6x ↗<br/>23: 10.5x ↖<br/>24: 10.8x ←<br/>25: 10.8x ↘<br/>26: 10.6x ↖<br/>27: 10.3x ↘<br/>28: 10.2x ↘<br/>29: 10.7x ↖<br/>30: 10.6x ↘</p> <p>Series 105.6<br/>Total 311.4</p> |  | <p>31: 10.3x ↘<br/>32: 10.6x ↖<br/>33: 10.3x ←<br/>34: 10.3x ↘<br/>35: 10.7x ↖<br/>36: 9.9 →<br/>37: 10.5x ↖<br/>38: 10.8x ←<br/>39: 10.5x ↖<br/>40: 10.6x ↑</p> <p>Series 104.5<br/>Total 415.9</p> |
|--|--|--|--|

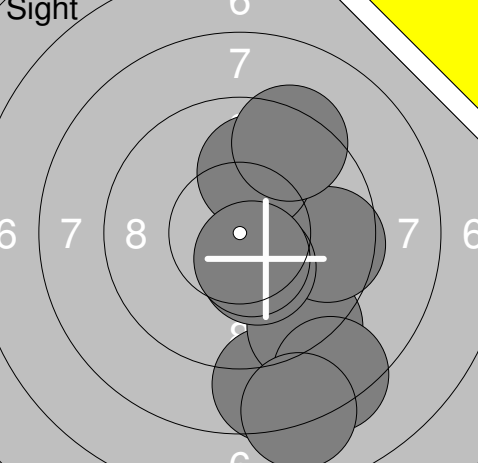
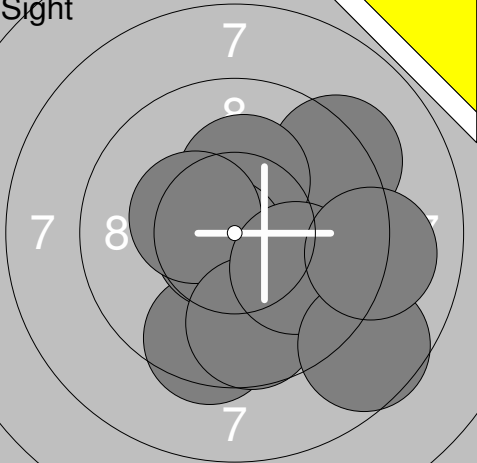
|  |  |  |   |
|--|--|--|---|
| <p><b>Sight</b></p>  | <p>1: 10.6x ↖<br/>2: 10.2x ↑<br/>3: 10.7x ↑<br/>4: 10.0 ↗<br/>5: 10.4x →<br/>6: 9.9 ↑<br/>7: 10.7x ↘<br/>8: 10.8x ↓<br/>9: 10.3x ↑<br/>10: 10.3x ↓</p> <p><b>Series</b> 103.9<br/><b>Total</b> 0.0</p> | <p><b>Sight</b></p>  | <p>11: 10.0 ↖<br/>12: 10.4x ↑<br/>13: 10.7x ↓<br/>14: 10.3x ↑<br/>15: 10.2x ↖<br/>16: 10.4x →<br/>17: 9.9 ↖<br/>18: 10.3x ↗<br/>19: 10.3x ↑<br/>20: 10.3x ↖</p> <p><b>Series</b> 102.8<br/><b>Total</b> 0.0</p> |
|--|--|--|---|

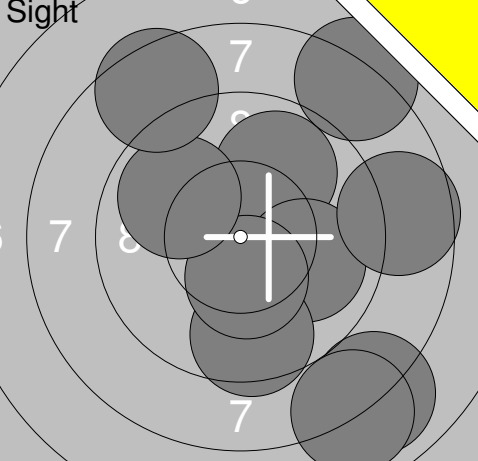
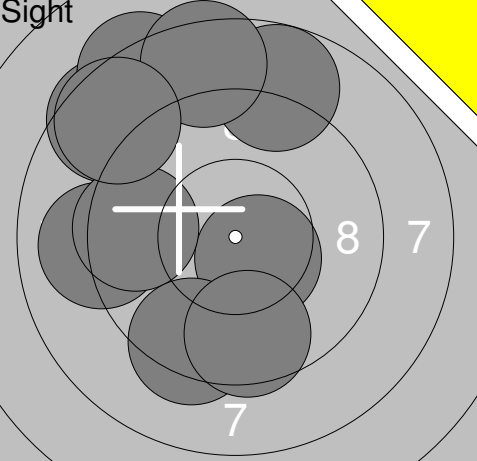
|   |   |  |  |
|---|---|--|--|
| <p><b>Sight</b></p>  | <p>21: 10.4x ↗<br/>22: 10.3x ↑</p> <p><b>Series</b> 20.7<br/><b>Total</b> 0.0</p> | <p><b>60 Shots</b></p>  | <p>1: 10.1 ↗<br/>2: 10.4x ↓<br/>3: 10.1 ↖<br/>4: 10.4x ↖<br/>5: 10.9x ↖<br/>6: 10.7x ↑<br/>7: 10.4x ↑<br/>8: 10.5x ↑<br/>9: 10.1 ↑<br/>10: 10.4x ↖</p> <p><b>Series</b> 104.0<br/><b>Total</b> 104.0</p> |
|---|---|--|--|

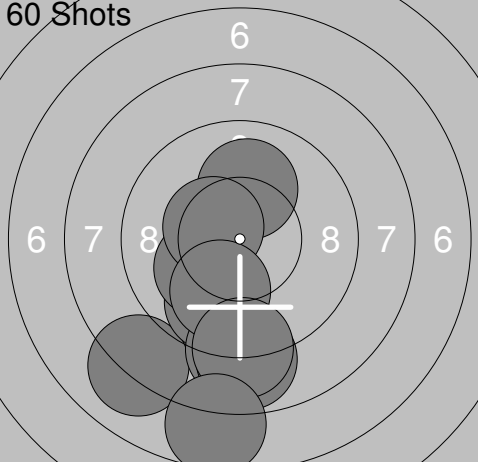
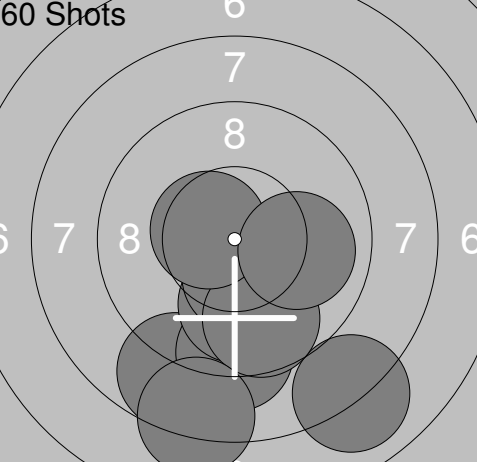
|   |  |   |   |
|---|--|---|---|
| <p><b>60 Shots</b></p>  | <p>11: 9.7 ↑<br/>12: 10.4x →<br/>13: 9.8 ↓<br/>14: 10.4x ↓<br/>15: 10.9x ↓<br/>16: 10.7x ↓<br/>17: 10.7x ↘<br/>18: 10.2x ↖<br/>19: 10.5x ↓<br/>20: 10.9x →</p> <p><b>Series</b> 104.2<br/><b>Total</b> 208.2</p> | <p><b>60 Shots</b></p>  | <p>21: 10.1 ↑<br/>22: 10.6x →<br/>23: 9.1 ↗<br/>24: 10.4x ↗<br/>25: 10.6x ↓<br/>26: 10.6x →<br/>27: 10.6x →<br/>28: 10.7x ↖<br/>29: 10.5x ↓<br/>30: 10.6x ↖</p> <p><b>Series</b> 103.8<br/><b>Total</b> 312.0</p> |
|---|--|---|---|

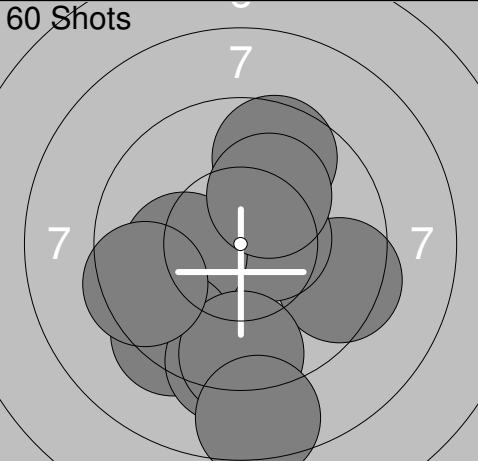
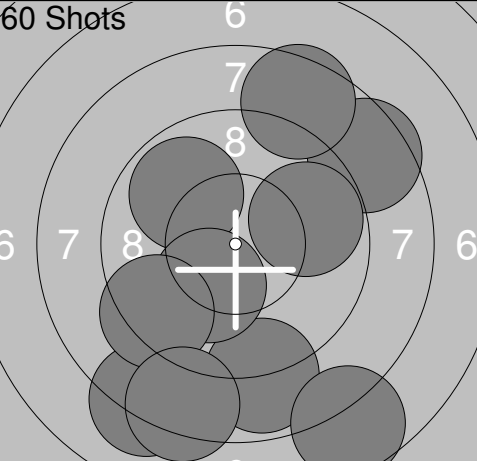
|   |   |  |  |
|---|---|--|--|
| <p><b>60 Shots</b></p>  | <p>31: 10.4x ↓<br/>32: 10.2x ↑<br/>33: 10.6x →<br/>34: 10.6x ↓<br/>35: 10.3x ↗<br/>36: 10.3x ↑<br/>37: 10.4x →<br/>38: 10.6x ↘<br/>39: 10.3x ↖<br/>40: 10.0 ↖</p> <p><b>Series</b> 103.7<br/><b>Total</b> 415.7</p> |  |  |
|---|---|--|--|




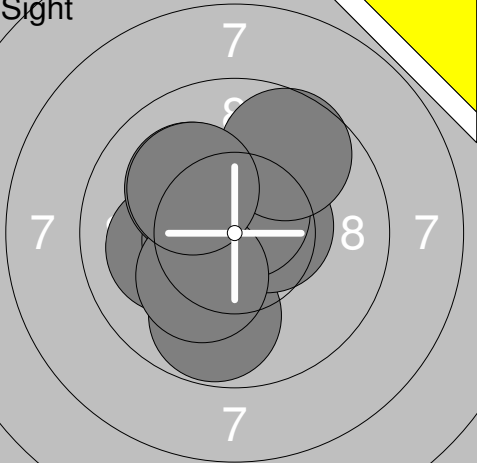
|  |  |             |       |   |    |     |   |    |     |   |    |     |   |    |     |   |    |     |   |    |      |   |    |       |   |    |       |   |     |     |   |               |  |             |              |  |            |  |  |     |      |   |     |     |   |     |     |   |     |       |   |     |       |   |     |       |   |     |     |   |     |      |   |     |     |   |     |     |   |               |  |             |              |  |            |
|--|--|-------------|-------|---|----|-----|---|----|-----|---|----|-----|---|----|-----|---|----|-----|---|----|------|---|----|-------|---|----|-------|---|-----|-----|---|---------------|--|-------------|--------------|--|------------|--|--|-----|------|---|-----|-----|---|-----|-----|---|-----|-------|---|-----|-------|---|-----|-------|---|-----|-----|---|-----|------|---|-----|-----|---|-----|-----|---|---------------|--|-------------|--------------|--|------------|
|  | <table border="1" style="width:100%; border-collapse: collapse;"> <tr><td>1:</td><td>10.4x</td><td>↘</td></tr> <tr><td>2:</td><td>8.6</td><td>↓</td></tr> <tr><td>3:</td><td>9.2</td><td>↓</td></tr> <tr><td>4:</td><td>9.6</td><td>→</td></tr> <tr><td>5:</td><td>8.4</td><td>↓</td></tr> <tr><td>6:</td><td>8.1</td><td>↓</td></tr> <tr><td>7:</td><td>10.0</td><td>↑</td></tr> <tr><td>8:</td><td>10.4x</td><td>↓</td></tr> <tr><td>9:</td><td>10.5x</td><td>↓</td></tr> <tr><td>10:</td><td>9.4</td><td>↑</td></tr> <tr><td colspan="2"><b>Series</b></td><td><b>94.6</b></td></tr> <tr><td colspan="2"><b>Total</b></td><td><b>0.0</b></td></tr> </table> | 1:          | 10.4x | ↘ | 2: | 8.6 | ↓ | 3: | 9.2 | ↓ | 4: | 9.6 | → | 5: | 8.4 | ↓ | 6: | 8.1 | ↓ | 7: | 10.0 | ↑ | 8: | 10.4x | ↓ | 9: | 10.5x | ↓ | 10: | 9.4 | ↑ | <b>Series</b> |  | <b>94.6</b> | <b>Total</b> |  | <b>0.0</b> |  | <table border="1" style="width:100%; border-collapse: collapse;"> <tr><td>11:</td><td>10.0</td><td>→</td></tr> <tr><td>12:</td><td>9.5</td><td>↓</td></tr> <tr><td>13:</td><td>9.3</td><td>↗</td></tr> <tr><td>14:</td><td>10.2x</td><td>↑</td></tr> <tr><td>15:</td><td>10.7x</td><td>↙</td></tr> <tr><td>16:</td><td>10.4x</td><td>↖</td></tr> <tr><td>17:</td><td>9.7</td><td>↓</td></tr> <tr><td>18:</td><td>10.0</td><td>↘</td></tr> <tr><td>19:</td><td>8.6</td><td>↘</td></tr> <tr><td>20:</td><td>9.1</td><td>→</td></tr> <tr><td colspan="2"><b>Series</b></td><td><b>97.5</b></td></tr> <tr><td colspan="2"><b>Total</b></td><td><b>0.0</b></td></tr> </table> | 11: | 10.0 | → | 12: | 9.5 | ↓ | 13: | 9.3 | ↗ | 14: | 10.2x | ↑ | 15: | 10.7x | ↙ | 16: | 10.4x | ↖ | 17: | 9.7 | ↓ | 18: | 10.0 | ↘ | 19: | 8.6 | ↘ | 20: | 9.1 | → | <b>Series</b> |  | <b>97.5</b> | <b>Total</b> |  | <b>0.0</b> |
| 1:   | 10.4x  | ↘           |       |   |    |     |   |    |     |   |    |     |   |    |     |   |    |     |   |    |      |   |    |       |   |    |       |   |     |     |   |               |  |             |              |  |            |  |  |     |      |   |     |     |   |     |     |   |     |       |   |     |       |   |     |       |   |     |     |   |     |      |   |     |     |   |     |     |   |               |  |             |              |  |            |
| 2:   | 8.6  | ↓           |       |   |    |     |   |    |     |   |    |     |   |    |     |   |    |     |   |    |      |   |    |       |   |    |       |   |     |     |   |               |  |             |              |  |            |  |  |     |      |   |     |     |   |     |     |   |     |       |   |     |       |   |     |       |   |     |     |   |     |      |   |     |     |   |     |     |   |               |  |             |              |  |            |
| 3:   | 9.2  | ↓           |       |   |    |     |   |    |     |   |    |     |   |    |     |   |    |     |   |    |      |   |    |       |   |    |       |   |     |     |   |               |  |             |              |  |            |  |  |     |      |   |     |     |   |     |     |   |     |       |   |     |       |   |     |       |   |     |     |   |     |      |   |     |     |   |     |     |   |               |  |             |              |  |            |
| 4:   | 9.6  | →           |       |   |    |     |   |    |     |   |    |     |   |    |     |   |    |     |   |    |      |   |    |       |   |    |       |   |     |     |   |               |  |             |              |  |            |  |  |     |      |   |     |     |   |     |     |   |     |       |   |     |       |   |     |       |   |     |     |   |     |      |   |     |     |   |     |     |   |               |  |             |              |  |            |
| 5:   | 8.4  | ↓           |       |   |    |     |   |    |     |   |    |     |   |    |     |   |    |     |   |    |      |   |    |       |   |    |       |   |     |     |   |               |  |             |              |  |            |  |  |     |      |   |     |     |   |     |     |   |     |       |   |     |       |   |     |       |   |     |     |   |     |      |   |     |     |   |     |     |   |               |  |             |              |  |            |
| 6:   | 8.1  | ↓           |       |   |    |     |   |    |     |   |    |     |   |    |     |   |    |     |   |    |      |   |    |       |   |    |       |   |     |     |   |               |  |             |              |  |            |  |  |     |      |   |     |     |   |     |     |   |     |       |   |     |       |   |     |       |   |     |     |   |     |      |   |     |     |   |     |     |   |               |  |             |              |  |            |
| 7:   | 10.0   | ↑           |       |   |    |     |   |    |     |   |    |     |   |    |     |   |    |     |   |    |      |   |    |       |   |    |       |   |     |     |   |               |  |             |              |  |            |  |  |     |      |   |     |     |   |     |     |   |     |       |   |     |       |   |     |       |   |     |     |   |     |      |   |     |     |   |     |     |   |               |  |             |              |  |            |
| 8:   | 10.4x  | ↓           |       |   |    |     |   |    |     |   |    |     |   |    |     |   |    |     |   |    |      |   |    |       |   |    |       |   |     |     |   |               |  |             |              |  |            |  |  |     |      |   |     |     |   |     |     |   |     |       |   |     |       |   |     |       |   |     |     |   |     |      |   |     |     |   |     |     |   |               |  |             |              |  |            |
| 9:   | 10.5x  | ↓           |       |   |    |     |   |    |     |   |    |     |   |    |     |   |    |     |   |    |      |   |    |       |   |    |       |   |     |     |   |               |  |             |              |  |            |  |  |     |      |   |     |     |   |     |     |   |     |       |   |     |       |   |     |       |   |     |     |   |     |      |   |     |     |   |     |     |   |               |  |             |              |  |            |
| 10:  | 9.4  | ↑           |       |   |    |     |   |    |     |   |    |     |   |    |     |   |    |     |   |    |      |   |    |       |   |    |       |   |     |     |   |               |  |             |              |  |            |  |  |     |      |   |     |     |   |     |     |   |     |       |   |     |       |   |     |       |   |     |     |   |     |      |   |     |     |   |     |     |   |               |  |             |              |  |            |
| <b>Series</b>  |  | <b>94.6</b> |       |   |    |     |   |    |     |   |    |     |   |    |     |   |    |     |   |    |      |   |    |       |   |    |       |   |     |     |   |               |  |             |              |  |            |  |  |     |      |   |     |     |   |     |     |   |     |       |   |     |       |   |     |       |   |     |     |   |     |      |   |     |     |   |     |     |   |               |  |             |              |  |            |
| <b>Total</b>   |  | <b>0.0</b>  |       |   |    |     |   |    |     |   |    |     |   |    |     |   |    |     |   |    |      |   |    |       |   |    |       |   |     |     |   |               |  |             |              |  |            |  |  |     |      |   |     |     |   |     |     |   |     |       |   |     |       |   |     |       |   |     |     |   |     |      |   |     |     |   |     |     |   |               |  |             |              |  |            |
| 11:  | 10.0   | →           |       |   |    |     |   |    |     |   |    |     |   |    |     |   |    |     |   |    |      |   |    |       |   |    |       |   |     |     |   |               |  |             |              |  |            |  |  |     |      |   |     |     |   |     |     |   |     |       |   |     |       |   |     |       |   |     |     |   |     |      |   |     |     |   |     |     |   |               |  |             |              |  |            |
| 12:  | 9.5  | ↓           |       |   |    |     |   |    |     |   |    |     |   |    |     |   |    |     |   |    |      |   |    |       |   |    |       |   |     |     |   |               |  |             |              |  |            |  |  |     |      |   |     |     |   |     |     |   |     |       |   |     |       |   |     |       |   |     |     |   |     |      |   |     |     |   |     |     |   |               |  |             |              |  |            |
| 13:  | 9.3  | ↗           |       |   |    |     |   |    |     |   |    |     |   |    |     |   |    |     |   |    |      |   |    |       |   |    |       |   |     |     |   |               |  |             |              |  |            |  |  |     |      |   |     |     |   |     |     |   |     |       |   |     |       |   |     |       |   |     |     |   |     |      |   |     |     |   |     |     |   |               |  |             |              |  |            |
| 14:  | 10.2x  | ↑           |       |   |    |     |   |    |     |   |    |     |   |    |     |   |    |     |   |    |      |   |    |       |   |    |       |   |     |     |   |               |  |             |              |  |            |  |  |     |      |   |     |     |   |     |     |   |     |       |   |     |       |   |     |       |   |     |     |   |     |      |   |     |     |   |     |     |   |               |  |             |              |  |            |
| 15:  | 10.7x  | ↙           |       |   |    |     |   |    |     |   |    |     |   |    |     |   |    |     |   |    |      |   |    |       |   |    |       |   |     |     |   |               |  |             |              |  |            |  |  |     |      |   |     |     |   |     |     |   |     |       |   |     |       |   |     |       |   |     |     |   |     |      |   |     |     |   |     |     |   |               |  |             |              |  |            |
| 16:  | 10.4x  | ↖           |       |   |    |     |   |    |     |   |    |     |   |    |     |   |    |     |   |    |      |   |    |       |   |    |       |   |     |     |   |               |  |             |              |  |            |  |  |     |      |   |     |     |   |     |     |   |     |       |   |     |       |   |     |       |   |     |     |   |     |      |   |     |     |   |     |     |   |               |  |             |              |  |            |
| 17:  | 9.7  | ↓           |       |   |    |     |   |    |     |   |    |     |   |    |     |   |    |     |   |    |      |   |    |       |   |    |       |   |     |     |   |               |  |             |              |  |            |  |  |     |      |   |     |     |   |     |     |   |     |       |   |     |       |   |     |       |   |     |     |   |     |      |   |     |     |   |     |     |   |               |  |             |              |  |            |
| 18:  | 10.0   | ↘           |       |   |    |     |   |    |     |   |    |     |   |    |     |   |    |     |   |    |      |   |    |       |   |    |       |   |     |     |   |               |  |             |              |  |            |  |  |     |      |   |     |     |   |     |     |   |     |       |   |     |       |   |     |       |   |     |     |   |     |      |   |     |     |   |     |     |   |               |  |             |              |  |            |
| 19:  | 8.6  | ↘           |       |   |    |     |   |    |     |   |    |     |   |    |     |   |    |     |   |    |      |   |    |       |   |    |       |   |     |     |   |               |  |             |              |  |            |  |  |     |      |   |     |     |   |     |     |   |     |       |   |     |       |   |     |       |   |     |     |   |     |      |   |     |     |   |     |     |   |               |  |             |              |  |            |
| 20:  | 9.1  | →           |       |   |    |     |   |    |     |   |    |     |   |    |     |   |    |     |   |    |      |   |    |       |   |    |       |   |     |     |   |               |  |             |              |  |            |  |  |     |      |   |     |     |   |     |     |   |     |       |   |     |       |   |     |       |   |     |     |   |     |      |   |     |     |   |     |     |   |               |  |             |              |  |            |
| <b>Series</b>  |  | <b>97.5</b> |       |   |    |     |   |    |     |   |    |     |   |    |     |   |    |     |   |    |      |   |    |       |   |    |       |   |     |     |   |               |  |             |              |  |            |  |  |     |      |   |     |     |   |     |     |   |     |       |   |     |       |   |     |       |   |     |     |   |     |      |   |     |     |   |     |     |   |               |  |             |              |  |            |
| <b>Total</b>   |  | <b>0.0</b>  |       |   |    |     |   |    |     |   |    |     |   |    |     |   |    |     |   |    |      |   |    |       |   |    |       |   |     |     |   |               |  |             |              |  |            |  |  |     |      |   |     |     |   |     |     |   |     |       |   |     |       |   |     |       |   |     |     |   |     |      |   |     |     |   |     |     |   |               |  |             |              |  |            |

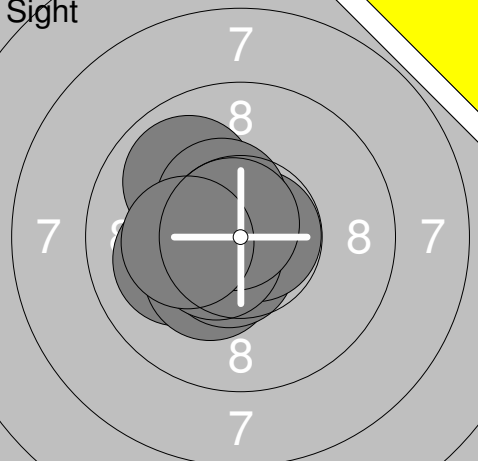
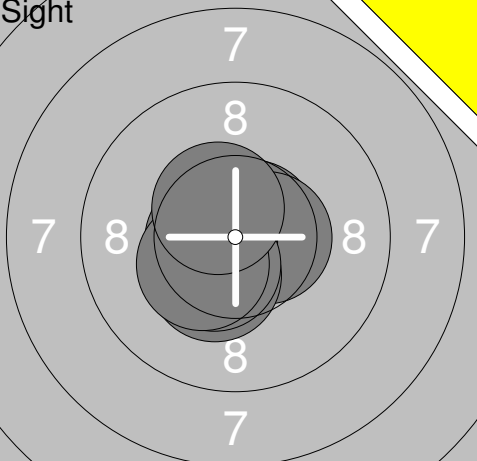
|   |   |             |     |   |     |     |   |     |      |   |     |     |   |     |     |   |     |     |   |     |       |   |     |     |   |     |     |   |     |     |   |               |  |             |              |  |            |   |  |     |     |   |     |     |   |     |     |   |     |     |   |     |       |   |     |     |   |     |     |   |     |     |   |     |     |   |     |     |   |               |  |             |              |  |            |
|---|---|-------------|-----|---|-----|-----|---|-----|------|---|-----|-----|---|-----|-----|---|-----|-----|---|-----|-------|---|-----|-----|---|-----|-----|---|-----|-----|---|---------------|--|-------------|--------------|--|------------|---|--|-----|-----|---|-----|-----|---|-----|-----|---|-----|-----|---|-----|-------|---|-----|-----|---|-----|-----|---|-----|-----|---|-----|-----|---|-----|-----|---|---------------|--|-------------|--------------|--|------------|
|  | <table border="1" style="width:100%; border-collapse: collapse;"> <tr><td>21:</td><td>8.0</td><td>↓</td></tr> <tr><td>22:</td><td>9.9</td><td>↑</td></tr> <tr><td>23:</td><td>10.0</td><td>→</td></tr> <tr><td>24:</td><td>9.5</td><td>↓</td></tr> <tr><td>25:</td><td>8.6</td><td>→</td></tr> <tr><td>26:</td><td>7.9</td><td>↓</td></tr> <tr><td>27:</td><td>10.4x</td><td>↓</td></tr> <tr><td>28:</td><td>8.1</td><td>↑</td></tr> <tr><td>29:</td><td>9.9</td><td>↗</td></tr> <tr><td>30:</td><td>8.5</td><td>↗</td></tr> <tr><td colspan="2"><b>Series</b></td><td><b>90.8</b></td></tr> <tr><td colspan="2"><b>Total</b></td><td><b>0.0</b></td></tr> </table> | 21:         | 8.0 | ↓ | 22: | 9.9 | ↑ | 23: | 10.0 | → | 24: | 9.5 | ↓ | 25: | 8.6 | → | 26: | 7.9 | ↓ | 27: | 10.4x | ↓ | 28: | 8.1 | ↑ | 29: | 9.9 | ↗ | 30: | 8.5 | ↗ | <b>Series</b> |  | <b>90.8</b> | <b>Total</b> |  | <b>0.0</b> |  | <table border="1" style="width:100%; border-collapse: collapse;"> <tr><td>31:</td><td>8.5</td><td>↗</td></tr> <tr><td>32:</td><td>9.1</td><td>↖</td></tr> <tr><td>33:</td><td>8.8</td><td>↑</td></tr> <tr><td>34:</td><td>8.3</td><td>↗</td></tr> <tr><td>35:</td><td>10.5x</td><td>↘</td></tr> <tr><td>36:</td><td>9.5</td><td>↖</td></tr> <tr><td>37:</td><td>8.5</td><td>↑</td></tr> <tr><td>38:</td><td>8.6</td><td>↗</td></tr> <tr><td>39:</td><td>9.3</td><td>↓</td></tr> <tr><td>40:</td><td>9.6</td><td>↓</td></tr> <tr><td colspan="2"><b>Series</b></td><td><b>90.7</b></td></tr> <tr><td colspan="2"><b>Total</b></td><td><b>0.0</b></td></tr> </table> | 31: | 8.5 | ↗ | 32: | 9.1 | ↖ | 33: | 8.8 | ↑ | 34: | 8.3 | ↗ | 35: | 10.5x | ↘ | 36: | 9.5 | ↖ | 37: | 8.5 | ↑ | 38: | 8.6 | ↗ | 39: | 9.3 | ↓ | 40: | 9.6 | ↓ | <b>Series</b> |  | <b>90.7</b> | <b>Total</b> |  | <b>0.0</b> |
| 21:   | 8.0   | ↓           |     |   |     |     |   |     |      |   |     |     |   |     |     |   |     |     |   |     |       |   |     |     |   |     |     |   |     |     |   |               |  |             |              |  |            |   |  |     |     |   |     |     |   |     |     |   |     |     |   |     |       |   |     |     |   |     |     |   |     |     |   |     |     |   |     |     |   |               |  |             |              |  |            |
| 22:   | 9.9   | ↑           |     |   |     |     |   |     |      |   |     |     |   |     |     |   |     |     |   |     |       |   |     |     |   |     |     |   |     |     |   |               |  |             |              |  |            |   |  |     |     |   |     |     |   |     |     |   |     |     |   |     |       |   |     |     |   |     |     |   |     |     |   |     |     |   |     |     |   |               |  |             |              |  |            |
| 23:   | 10.0  | →           |     |   |     |     |   |     |      |   |     |     |   |     |     |   |     |     |   |     |       |   |     |     |   |     |     |   |     |     |   |               |  |             |              |  |            |   |  |     |     |   |     |     |   |     |     |   |     |     |   |     |       |   |     |     |   |     |     |   |     |     |   |     |     |   |     |     |   |               |  |             |              |  |            |
| 24:   | 9.5   | ↓           |     |   |     |     |   |     |      |   |     |     |   |     |     |   |     |     |   |     |       |   |     |     |   |     |     |   |     |     |   |               |  |             |              |  |            |   |  |     |     |   |     |     |   |     |     |   |     |     |   |     |       |   |     |     |   |     |     |   |     |     |   |     |     |   |     |     |   |               |  |             |              |  |            |
| 25:   | 8.6   | →           |     |   |     |     |   |     |      |   |     |     |   |     |     |   |     |     |   |     |       |   |     |     |   |     |     |   |     |     |   |               |  |             |              |  |            |   |  |     |     |   |     |     |   |     |     |   |     |     |   |     |       |   |     |     |   |     |     |   |     |     |   |     |     |   |     |     |   |               |  |             |              |  |            |
| 26:   | 7.9   | ↓           |     |   |     |     |   |     |      |   |     |     |   |     |     |   |     |     |   |     |       |   |     |     |   |     |     |   |     |     |   |               |  |             |              |  |            |   |  |     |     |   |     |     |   |     |     |   |     |     |   |     |       |   |     |     |   |     |     |   |     |     |   |     |     |   |     |     |   |               |  |             |              |  |            |
| 27:   | 10.4x   | ↓           |     |   |     |     |   |     |      |   |     |     |   |     |     |   |     |     |   |     |       |   |     |     |   |     |     |   |     |     |   |               |  |             |              |  |            |   |  |     |     |   |     |     |   |     |     |   |     |     |   |     |       |   |     |     |   |     |     |   |     |     |   |     |     |   |     |     |   |               |  |             |              |  |            |
| 28:   | 8.1   | ↑           |     |   |     |     |   |     |      |   |     |     |   |     |     |   |     |     |   |     |       |   |     |     |   |     |     |   |     |     |   |               |  |             |              |  |            |   |  |     |     |   |     |     |   |     |     |   |     |     |   |     |       |   |     |     |   |     |     |   |     |     |   |     |     |   |     |     |   |               |  |             |              |  |            |
| 29:   | 9.9   | ↗           |     |   |     |     |   |     |      |   |     |     |   |     |     |   |     |     |   |     |       |   |     |     |   |     |     |   |     |     |   |               |  |             |              |  |            |   |  |     |     |   |     |     |   |     |     |   |     |     |   |     |       |   |     |     |   |     |     |   |     |     |   |     |     |   |     |     |   |               |  |             |              |  |            |
| 30:   | 8.5   | ↗           |     |   |     |     |   |     |      |   |     |     |   |     |     |   |     |     |   |     |       |   |     |     |   |     |     |   |     |     |   |               |  |             |              |  |            |   |  |     |     |   |     |     |   |     |     |   |     |     |   |     |       |   |     |     |   |     |     |   |     |     |   |     |     |   |     |     |   |               |  |             |              |  |            |
| <b>Series</b>   |   | <b>90.8</b> |     |   |     |     |   |     |      |   |     |     |   |     |     |   |     |     |   |     |       |   |     |     |   |     |     |   |     |     |   |               |  |             |              |  |            |   |  |     |     |   |     |     |   |     |     |   |     |     |   |     |       |   |     |     |   |     |     |   |     |     |   |     |     |   |     |     |   |               |  |             |              |  |            |
| <b>Total</b>  |   | <b>0.0</b>  |     |   |     |     |   |     |      |   |     |     |   |     |     |   |     |     |   |     |       |   |     |     |   |     |     |   |     |     |   |               |  |             |              |  |            |   |  |     |     |   |     |     |   |     |     |   |     |     |   |     |       |   |     |     |   |     |     |   |     |     |   |     |     |   |     |     |   |               |  |             |              |  |            |
| 31:   | 8.5   | ↗           |     |   |     |     |   |     |      |   |     |     |   |     |     |   |     |     |   |     |       |   |     |     |   |     |     |   |     |     |   |               |  |             |              |  |            |   |  |     |     |   |     |     |   |     |     |   |     |     |   |     |       |   |     |     |   |     |     |   |     |     |   |     |     |   |     |     |   |               |  |             |              |  |            |
| 32:   | 9.1   | ↖           |     |   |     |     |   |     |      |   |     |     |   |     |     |   |     |     |   |     |       |   |     |     |   |     |     |   |     |     |   |               |  |             |              |  |            |   |  |     |     |   |     |     |   |     |     |   |     |     |   |     |       |   |     |     |   |     |     |   |     |     |   |     |     |   |     |     |   |               |  |             |              |  |            |
| 33:   | 8.8   | ↑           |     |   |     |     |   |     |      |   |     |     |   |     |     |   |     |     |   |     |       |   |     |     |   |     |     |   |     |     |   |               |  |             |              |  |            |   |  |     |     |   |     |     |   |     |     |   |     |     |   |     |       |   |     |     |   |     |     |   |     |     |   |     |     |   |     |     |   |               |  |             |              |  |            |
| 34:   | 8.3   | ↗           |     |   |     |     |   |     |      |   |     |     |   |     |     |   |     |     |   |     |       |   |     |     |   |     |     |   |     |     |   |               |  |             |              |  |            |   |  |     |     |   |     |     |   |     |     |   |     |     |   |     |       |   |     |     |   |     |     |   |     |     |   |     |     |   |     |     |   |               |  |             |              |  |            |
| 35:   | 10.5x   | ↘           |     |   |     |     |   |     |      |   |     |     |   |     |     |   |     |     |   |     |       |   |     |     |   |     |     |   |     |     |   |               |  |             |              |  |            |   |  |     |     |   |     |     |   |     |     |   |     |     |   |     |       |   |     |     |   |     |     |   |     |     |   |     |     |   |     |     |   |               |  |             |              |  |            |
| 36:   | 9.5   | ↖           |     |   |     |     |   |     |      |   |     |     |   |     |     |   |     |     |   |     |       |   |     |     |   |     |     |   |     |     |   |               |  |             |              |  |            |   |  |     |     |   |     |     |   |     |     |   |     |     |   |     |       |   |     |     |   |     |     |   |     |     |   |     |     |   |     |     |   |               |  |             |              |  |            |
| 37:   | 8.5   | ↑           |     |   |     |     |   |     |      |   |     |     |   |     |     |   |     |     |   |     |       |   |     |     |   |     |     |   |     |     |   |               |  |             |              |  |            |   |  |     |     |   |     |     |   |     |     |   |     |     |   |     |       |   |     |     |   |     |     |   |     |     |   |     |     |   |     |     |   |               |  |             |              |  |            |
| 38:   | 8.6   | ↗           |     |   |     |     |   |     |      |   |     |     |   |     |     |   |     |     |   |     |       |   |     |     |   |     |     |   |     |     |   |               |  |             |              |  |            |   |  |     |     |   |     |     |   |     |     |   |     |     |   |     |       |   |     |     |   |     |     |   |     |     |   |     |     |   |     |     |   |               |  |             |              |  |            |
| 39:   | 9.3   | ↓           |     |   |     |     |   |     |      |   |     |     |   |     |     |   |     |     |   |     |       |   |     |     |   |     |     |   |     |     |   |               |  |             |              |  |            |   |  |     |     |   |     |     |   |     |     |   |     |     |   |     |       |   |     |     |   |     |     |   |     |     |   |     |     |   |     |     |   |               |  |             |              |  |            |
| 40:   | 9.6   | ↓           |     |   |     |     |   |     |      |   |     |     |   |     |     |   |     |     |   |     |       |   |     |     |   |     |     |   |     |     |   |               |  |             |              |  |            |   |  |     |     |   |     |     |   |     |     |   |     |     |   |     |       |   |     |     |   |     |     |   |     |     |   |     |     |   |     |     |   |               |  |             |              |  |            |
| <b>Series</b>   |   | <b>90.7</b> |     |   |     |     |   |     |      |   |     |     |   |     |     |   |     |     |   |     |       |   |     |     |   |     |     |   |     |     |   |               |  |             |              |  |            |   |  |     |     |   |     |     |   |     |     |   |     |     |   |     |       |   |     |     |   |     |     |   |     |     |   |     |     |   |     |     |   |               |  |             |              |  |            |
| <b>Total</b>  |   | <b>0.0</b>  |     |   |     |     |   |     |      |   |     |     |   |     |     |   |     |     |   |     |       |   |     |     |   |     |     |   |     |     |   |               |  |             |              |  |            |   |  |     |     |   |     |     |   |     |     |   |     |     |   |     |       |   |     |     |   |     |     |   |     |     |   |     |     |   |     |     |   |               |  |             |              |  |            |

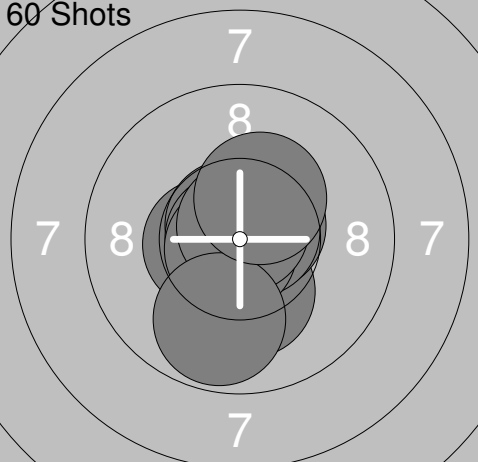
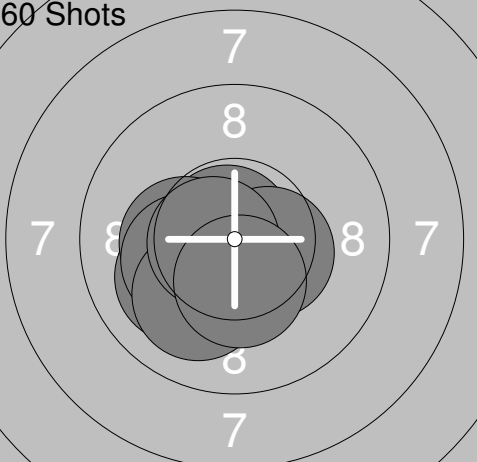
|  |   |              |     |   |    |     |   |    |      |   |    |      |   |    |     |   |    |       |   |    |      |   |    |     |   |    |     |   |     |     |   |               |  |             |              |  |             |  |   |     |      |   |     |     |   |     |     |   |     |     |   |     |      |   |     |       |   |     |     |   |     |       |   |     |      |   |     |     |   |               |  |             |              |  |              |
|--|---|--------------|-----|---|----|-----|---|----|------|---|----|------|---|----|-----|---|----|-------|---|----|------|---|----|-----|---|----|-----|---|-----|-----|---|---------------|--|-------------|--------------|--|-------------|--|---|-----|------|---|-----|-----|---|-----|-----|---|-----|-----|---|-----|------|---|-----|-------|---|-----|-----|---|-----|-------|---|-----|------|---|-----|-----|---|---------------|--|-------------|--------------|--|--------------|
|  | <table border="1" style="width:100%; border-collapse: collapse;"> <tr><td>1:</td><td>8.1</td><td>↙</td></tr> <tr><td>2:</td><td>9.7</td><td>↓</td></tr> <tr><td>3:</td><td>10.1</td><td>↑</td></tr> <tr><td>4:</td><td>10.1</td><td>↖</td></tr> <tr><td>5:</td><td>9.0</td><td>↓</td></tr> <tr><td>6:</td><td>10.4x</td><td>↖</td></tr> <tr><td>7:</td><td>10.0</td><td>↓</td></tr> <tr><td>8:</td><td>8.8</td><td>↓</td></tr> <tr><td>9:</td><td>9.0</td><td>↓</td></tr> <tr><td>10:</td><td>7.6</td><td>↓</td></tr> <tr><td colspan="2"><b>Series</b></td><td><b>92.8</b></td></tr> <tr><td colspan="2"><b>Total</b></td><td><b>92.8</b></td></tr> </table> | 1:           | 8.1 | ↙ | 2: | 9.7 | ↓ | 3: | 10.1 | ↑ | 4: | 10.1 | ↖ | 5: | 9.0 | ↓ | 6: | 10.4x | ↖ | 7: | 10.0 | ↓ | 8: | 8.8 | ↓ | 9: | 9.0 | ↓ | 10: | 7.6 | ↓ | <b>Series</b> |  | <b>92.8</b> | <b>Total</b> |  | <b>92.8</b> |  | <table border="1" style="width:100%; border-collapse: collapse;"> <tr><td>11:</td><td>10.0</td><td>↓</td></tr> <tr><td>12:</td><td>8.7</td><td>↓</td></tr> <tr><td>13:</td><td>9.2</td><td>↓</td></tr> <tr><td>14:</td><td>8.0</td><td>↓</td></tr> <tr><td>15:</td><td>10.0</td><td>↓</td></tr> <tr><td>16:</td><td>10.4x</td><td>↓</td></tr> <tr><td>17:</td><td>9.7</td><td>↓</td></tr> <tr><td>18:</td><td>10.5x</td><td>↖</td></tr> <tr><td>19:</td><td>10.0</td><td>→</td></tr> <tr><td>20:</td><td>8.2</td><td>↓</td></tr> <tr><td colspan="2"><b>Series</b></td><td><b>94.7</b></td></tr> <tr><td colspan="2"><b>Total</b></td><td><b>187.5</b></td></tr> </table> | 11: | 10.0 | ↓ | 12: | 8.7 | ↓ | 13: | 9.2 | ↓ | 14: | 8.0 | ↓ | 15: | 10.0 | ↓ | 16: | 10.4x | ↓ | 17: | 9.7 | ↓ | 18: | 10.5x | ↖ | 19: | 10.0 | → | 20: | 8.2 | ↓ | <b>Series</b> |  | <b>94.7</b> | <b>Total</b> |  | <b>187.5</b> |
| 1:   | 8.1   | ↙            |     |   |    |     |   |    |      |   |    |      |   |    |     |   |    |       |   |    |      |   |    |     |   |    |     |   |     |     |   |               |  |             |              |  |             |  |   |     |      |   |     |     |   |     |     |   |     |     |   |     |      |   |     |       |   |     |     |   |     |       |   |     |      |   |     |     |   |               |  |             |              |  |              |
| 2:   | 9.7   | ↓            |     |   |    |     |   |    |      |   |    |      |   |    |     |   |    |       |   |    |      |   |    |     |   |    |     |   |     |     |   |               |  |             |              |  |             |  |   |     |      |   |     |     |   |     |     |   |     |     |   |     |      |   |     |       |   |     |     |   |     |       |   |     |      |   |     |     |   |               |  |             |              |  |              |
| 3:   | 10.1  | ↑            |     |   |    |     |   |    |      |   |    |      |   |    |     |   |    |       |   |    |      |   |    |     |   |    |     |   |     |     |   |               |  |             |              |  |             |  |   |     |      |   |     |     |   |     |     |   |     |     |   |     |      |   |     |       |   |     |     |   |     |       |   |     |      |   |     |     |   |               |  |             |              |  |              |
| 4:   | 10.1  | ↖            |     |   |    |     |   |    |      |   |    |      |   |    |     |   |    |       |   |    |      |   |    |     |   |    |     |   |     |     |   |               |  |             |              |  |             |  |   |     |      |   |     |     |   |     |     |   |     |     |   |     |      |   |     |       |   |     |     |   |     |       |   |     |      |   |     |     |   |               |  |             |              |  |              |
| 5:   | 9.0   | ↓            |     |   |    |     |   |    |      |   |    |      |   |    |     |   |    |       |   |    |      |   |    |     |   |    |     |   |     |     |   |               |  |             |              |  |             |  |   |     |      |   |     |     |   |     |     |   |     |     |   |     |      |   |     |       |   |     |     |   |     |       |   |     |      |   |     |     |   |               |  |             |              |  |              |
| 6:   | 10.4x   | ↖            |     |   |    |     |   |    |      |   |    |      |   |    |     |   |    |       |   |    |      |   |    |     |   |    |     |   |     |     |   |               |  |             |              |  |             |  |   |     |      |   |     |     |   |     |     |   |     |     |   |     |      |   |     |       |   |     |     |   |     |       |   |     |      |   |     |     |   |               |  |             |              |  |              |
| 7:   | 10.0  | ↓            |     |   |    |     |   |    |      |   |    |      |   |    |     |   |    |       |   |    |      |   |    |     |   |    |     |   |     |     |   |               |  |             |              |  |             |  |   |     |      |   |     |     |   |     |     |   |     |     |   |     |      |   |     |       |   |     |     |   |     |       |   |     |      |   |     |     |   |               |  |             |              |  |              |
| 8:   | 8.8   | ↓            |     |   |    |     |   |    |      |   |    |      |   |    |     |   |    |       |   |    |      |   |    |     |   |    |     |   |     |     |   |               |  |             |              |  |             |  |   |     |      |   |     |     |   |     |     |   |     |     |   |     |      |   |     |       |   |     |     |   |     |       |   |     |      |   |     |     |   |               |  |             |              |  |              |
| 9:   | 9.0   | ↓            |     |   |    |     |   |    |      |   |    |      |   |    |     |   |    |       |   |    |      |   |    |     |   |    |     |   |     |     |   |               |  |             |              |  |             |  |   |     |      |   |     |     |   |     |     |   |     |     |   |     |      |   |     |       |   |     |     |   |     |       |   |     |      |   |     |     |   |               |  |             |              |  |              |
| 10:  | 7.6   | ↓            |     |   |    |     |   |    |      |   |    |      |   |    |     |   |    |       |   |    |      |   |    |     |   |    |     |   |     |     |   |               |  |             |              |  |             |  |   |     |      |   |     |     |   |     |     |   |     |     |   |     |      |   |     |       |   |     |     |   |     |       |   |     |      |   |     |     |   |               |  |             |              |  |              |
| <b>Series</b>  |   | <b>92.8</b>  |     |   |    |     |   |    |      |   |    |      |   |    |     |   |    |       |   |    |      |   |    |     |   |    |     |   |     |     |   |               |  |             |              |  |             |  |   |     |      |   |     |     |   |     |     |   |     |     |   |     |      |   |     |       |   |     |     |   |     |       |   |     |      |   |     |     |   |               |  |             |              |  |              |
| <b>Total</b>   |   | <b>92.8</b>  |     |   |    |     |   |    |      |   |    |      |   |    |     |   |    |       |   |    |      |   |    |     |   |    |     |   |     |     |   |               |  |             |              |  |             |  |   |     |      |   |     |     |   |     |     |   |     |     |   |     |      |   |     |       |   |     |     |   |     |       |   |     |      |   |     |     |   |               |  |             |              |  |              |
| 11:  | 10.0  | ↓            |     |   |    |     |   |    |      |   |    |      |   |    |     |   |    |       |   |    |      |   |    |     |   |    |     |   |     |     |   |               |  |             |              |  |             |  |   |     |      |   |     |     |   |     |     |   |     |     |   |     |      |   |     |       |   |     |     |   |     |       |   |     |      |   |     |     |   |               |  |             |              |  |              |
| 12:  | 8.7   | ↓            |     |   |    |     |   |    |      |   |    |      |   |    |     |   |    |       |   |    |      |   |    |     |   |    |     |   |     |     |   |               |  |             |              |  |             |  |   |     |      |   |     |     |   |     |     |   |     |     |   |     |      |   |     |       |   |     |     |   |     |       |   |     |      |   |     |     |   |               |  |             |              |  |              |
| 13:  | 9.2   | ↓            |     |   |    |     |   |    |      |   |    |      |   |    |     |   |    |       |   |    |      |   |    |     |   |    |     |   |     |     |   |               |  |             |              |  |             |  |   |     |      |   |     |     |   |     |     |   |     |     |   |     |      |   |     |       |   |     |     |   |     |       |   |     |      |   |     |     |   |               |  |             |              |  |              |
| 14:  | 8.0   | ↓            |     |   |    |     |   |    |      |   |    |      |   |    |     |   |    |       |   |    |      |   |    |     |   |    |     |   |     |     |   |               |  |             |              |  |             |  |   |     |      |   |     |     |   |     |     |   |     |     |   |     |      |   |     |       |   |     |     |   |     |       |   |     |      |   |     |     |   |               |  |             |              |  |              |
| 15:  | 10.0  | ↓            |     |   |    |     |   |    |      |   |    |      |   |    |     |   |    |       |   |    |      |   |    |     |   |    |     |   |     |     |   |               |  |             |              |  |             |  |   |     |      |   |     |     |   |     |     |   |     |     |   |     |      |   |     |       |   |     |     |   |     |       |   |     |      |   |     |     |   |               |  |             |              |  |              |
| 16:  | 10.4x   | ↓            |     |   |    |     |   |    |      |   |    |      |   |    |     |   |    |       |   |    |      |   |    |     |   |    |     |   |     |     |   |               |  |             |              |  |             |  |   |     |      |   |     |     |   |     |     |   |     |     |   |     |      |   |     |       |   |     |     |   |     |       |   |     |      |   |     |     |   |               |  |             |              |  |              |
| 17:  | 9.7   | ↓            |     |   |    |     |   |    |      |   |    |      |   |    |     |   |    |       |   |    |      |   |    |     |   |    |     |   |     |     |   |               |  |             |              |  |             |  |   |     |      |   |     |     |   |     |     |   |     |     |   |     |      |   |     |       |   |     |     |   |     |       |   |     |      |   |     |     |   |               |  |             |              |  |              |
| 18:  | 10.5x   | ↖            |     |   |    |     |   |    |      |   |    |      |   |    |     |   |    |       |   |    |      |   |    |     |   |    |     |   |     |     |   |               |  |             |              |  |             |  |   |     |      |   |     |     |   |     |     |   |     |     |   |     |      |   |     |       |   |     |     |   |     |       |   |     |      |   |     |     |   |               |  |             |              |  |              |
| 19:  | 10.0  | →            |     |   |    |     |   |    |      |   |    |      |   |    |     |   |    |       |   |    |      |   |    |     |   |    |     |   |     |     |   |               |  |             |              |  |             |  |   |     |      |   |     |     |   |     |     |   |     |     |   |     |      |   |     |       |   |     |     |   |     |       |   |     |      |   |     |     |   |               |  |             |              |  |              |
| 20:  | 8.2   | ↓            |     |   |    |     |   |    |      |   |    |      |   |    |     |   |    |       |   |    |      |   |    |     |   |    |     |   |     |     |   |               |  |             |              |  |             |  |   |     |      |   |     |     |   |     |     |   |     |     |   |     |      |   |     |       |   |     |     |   |     |       |   |     |      |   |     |     |   |               |  |             |              |  |              |
| <b>Series</b>  |   | <b>94.7</b>  |     |   |    |     |   |    |      |   |    |      |   |    |     |   |    |       |   |    |      |   |    |     |   |    |     |   |     |     |   |               |  |             |              |  |             |  |   |     |      |   |     |     |   |     |     |   |     |     |   |     |      |   |     |       |   |     |     |   |     |       |   |     |      |   |     |     |   |               |  |             |              |  |              |
| <b>Total</b>   |   | <b>187.5</b> |     |   |    |     |   |    |      |   |    |      |   |    |     |   |    |       |   |    |      |   |    |     |   |    |     |   |     |     |   |               |  |             |              |  |             |  |   |     |      |   |     |     |   |     |     |   |     |     |   |     |      |   |     |       |   |     |     |   |     |       |   |     |      |   |     |     |   |               |  |             |              |  |              |


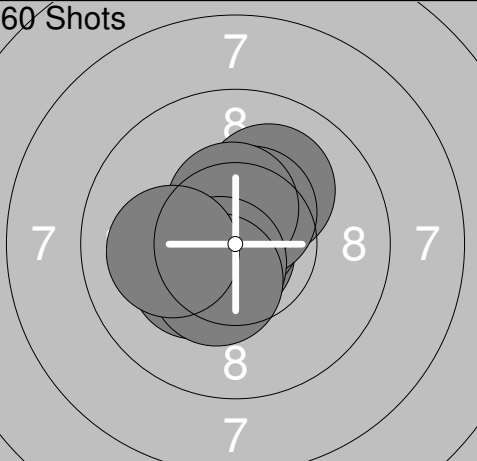
|  |  |              |     |   |     |       |   |     |      |   |     |     |   |     |     |   |     |     |   |     |     |   |     |     |   |     |     |   |     |      |   |               |  |             |              |  |              |  |  |     |     |   |     |     |   |     |     |   |     |     |   |     |     |   |     |       |   |     |     |   |     |     |   |     |     |   |     |     |   |               |  |             |              |  |              |
|--|--|--------------|-----|---|-----|-------|---|-----|------|---|-----|-----|---|-----|-----|---|-----|-----|---|-----|-----|---|-----|-----|---|-----|-----|---|-----|------|---|---------------|--|-------------|--------------|--|--------------|--|--|-----|-----|---|-----|-----|---|-----|-----|---|-----|-----|---|-----|-----|---|-----|-------|---|-----|-----|---|-----|-----|---|-----|-----|---|-----|-----|---|---------------|--|-------------|--------------|--|--------------|
|  | <table border="1" style="width:100%; border-collapse: collapse;"> <tr><td>21:</td><td>9.4</td><td>→</td></tr> <tr><td>22:</td><td>10.5x</td><td>→</td></tr> <tr><td>23:</td><td>10.1</td><td>↖</td></tr> <tr><td>24:</td><td>9.4</td><td>↙</td></tr> <tr><td>25:</td><td>9.3</td><td>↓</td></tr> <tr><td>26:</td><td>9.4</td><td>↓</td></tr> <tr><td>27:</td><td>8.4</td><td>↓</td></tr> <tr><td>28:</td><td>9.6</td><td>↑</td></tr> <tr><td>29:</td><td>9.5</td><td>↖</td></tr> <tr><td>30:</td><td>10.1</td><td>↑</td></tr> <tr><td colspan="2"><b>Series</b></td><td><b>95.7</b></td></tr> <tr><td colspan="2"><b>Total</b></td><td><b>283.2</b></td></tr> </table> | 21:          | 9.4 | → | 22: | 10.5x | → | 23: | 10.1 | ↖ | 24: | 9.4 | ↙ | 25: | 9.3 | ↓ | 26: | 9.4 | ↓ | 27: | 8.4 | ↓ | 28: | 9.6 | ↑ | 29: | 9.5 | ↖ | 30: | 10.1 | ↑ | <b>Series</b> |  | <b>95.7</b> | <b>Total</b> |  | <b>283.2</b> |  | <table border="1" style="width:100%; border-collapse: collapse;"> <tr><td>31:</td><td>8.9</td><td>↓</td></tr> <tr><td>32:</td><td>8.5</td><td>↗</td></tr> <tr><td>33:</td><td>8.5</td><td>↑</td></tr> <tr><td>34:</td><td>9.9</td><td>↗</td></tr> <tr><td>35:</td><td>8.2</td><td>↓</td></tr> <tr><td>36:</td><td>10.2x</td><td>↘</td></tr> <tr><td>37:</td><td>9.3</td><td>↖</td></tr> <tr><td>38:</td><td>7.7</td><td>↓</td></tr> <tr><td>39:</td><td>8.3</td><td>↓</td></tr> <tr><td>40:</td><td>9.8</td><td>→</td></tr> <tr><td colspan="2"><b>Series</b></td><td><b>89.3</b></td></tr> <tr><td colspan="2"><b>Total</b></td><td><b>372.5</b></td></tr> </table> | 31: | 8.9 | ↓ | 32: | 8.5 | ↗ | 33: | 8.5 | ↑ | 34: | 9.9 | ↗ | 35: | 8.2 | ↓ | 36: | 10.2x | ↘ | 37: | 9.3 | ↖ | 38: | 7.7 | ↓ | 39: | 8.3 | ↓ | 40: | 9.8 | → | <b>Series</b> |  | <b>89.3</b> | <b>Total</b> |  | <b>372.5</b> |
| 21:  | 9.4  | →            |     |   |     |       |   |     |      |   |     |     |   |     |     |   |     |     |   |     |     |   |     |     |   |     |     |   |     |      |   |               |  |             |              |  |              |  |  |     |     |   |     |     |   |     |     |   |     |     |   |     |     |   |     |       |   |     |     |   |     |     |   |     |     |   |     |     |   |               |  |             |              |  |              |
| 22:  | 10.5x  | →            |     |   |     |       |   |     |      |   |     |     |   |     |     |   |     |     |   |     |     |   |     |     |   |     |     |   |     |      |   |               |  |             |              |  |              |  |  |     |     |   |     |     |   |     |     |   |     |     |   |     |     |   |     |       |   |     |     |   |     |     |   |     |     |   |     |     |   |               |  |             |              |  |              |
| 23:  | 10.1   | ↖            |     |   |     |       |   |     |      |   |     |     |   |     |     |   |     |     |   |     |     |   |     |     |   |     |     |   |     |      |   |               |  |             |              |  |              |  |  |     |     |   |     |     |   |     |     |   |     |     |   |     |     |   |     |       |   |     |     |   |     |     |   |     |     |   |     |     |   |               |  |             |              |  |              |
| 24:  | 9.4  | ↙            |     |   |     |       |   |     |      |   |     |     |   |     |     |   |     |     |   |     |     |   |     |     |   |     |     |   |     |      |   |               |  |             |              |  |              |  |  |     |     |   |     |     |   |     |     |   |     |     |   |     |     |   |     |       |   |     |     |   |     |     |   |     |     |   |     |     |   |               |  |             |              |  |              |
| 25:  | 9.3  | ↓            |     |   |     |       |   |     |      |   |     |     |   |     |     |   |     |     |   |     |     |   |     |     |   |     |     |   |     |      |   |               |  |             |              |  |              |  |  |     |     |   |     |     |   |     |     |   |     |     |   |     |     |   |     |       |   |     |     |   |     |     |   |     |     |   |     |     |   |               |  |             |              |  |              |
| 26:  | 9.4  | ↓            |     |   |     |       |   |     |      |   |     |     |   |     |     |   |     |     |   |     |     |   |     |     |   |     |     |   |     |      |   |               |  |             |              |  |              |  |  |     |     |   |     |     |   |     |     |   |     |     |   |     |     |   |     |       |   |     |     |   |     |     |   |     |     |   |     |     |   |               |  |             |              |  |              |
| 27:  | 8.4  | ↓            |     |   |     |       |   |     |      |   |     |     |   |     |     |   |     |     |   |     |     |   |     |     |   |     |     |   |     |      |   |               |  |             |              |  |              |  |  |     |     |   |     |     |   |     |     |   |     |     |   |     |     |   |     |       |   |     |     |   |     |     |   |     |     |   |     |     |   |               |  |             |              |  |              |
| 28:  | 9.6  | ↑            |     |   |     |       |   |     |      |   |     |     |   |     |     |   |     |     |   |     |     |   |     |     |   |     |     |   |     |      |   |               |  |             |              |  |              |  |  |     |     |   |     |     |   |     |     |   |     |     |   |     |     |   |     |       |   |     |     |   |     |     |   |     |     |   |     |     |   |               |  |             |              |  |              |
| 29:  | 9.5  | ↖            |     |   |     |       |   |     |      |   |     |     |   |     |     |   |     |     |   |     |     |   |     |     |   |     |     |   |     |      |   |               |  |             |              |  |              |  |  |     |     |   |     |     |   |     |     |   |     |     |   |     |     |   |     |       |   |     |     |   |     |     |   |     |     |   |     |     |   |               |  |             |              |  |              |
| 30:  | 10.1   | ↑            |     |   |     |       |   |     |      |   |     |     |   |     |     |   |     |     |   |     |     |   |     |     |   |     |     |   |     |      |   |               |  |             |              |  |              |  |  |     |     |   |     |     |   |     |     |   |     |     |   |     |     |   |     |       |   |     |     |   |     |     |   |     |     |   |     |     |   |               |  |             |              |  |              |
| <b>Series</b>  |  | <b>95.7</b>  |     |   |     |       |   |     |      |   |     |     |   |     |     |   |     |     |   |     |     |   |     |     |   |     |     |   |     |      |   |               |  |             |              |  |              |  |  |     |     |   |     |     |   |     |     |   |     |     |   |     |     |   |     |       |   |     |     |   |     |     |   |     |     |   |     |     |   |               |  |             |              |  |              |
| <b>Total</b>   |  | <b>283.2</b> |     |   |     |       |   |     |      |   |     |     |   |     |     |   |     |     |   |     |     |   |     |     |   |     |     |   |     |      |   |               |  |             |              |  |              |  |  |     |     |   |     |     |   |     |     |   |     |     |   |     |     |   |     |       |   |     |     |   |     |     |   |     |     |   |     |     |   |               |  |             |              |  |              |
| 31:  | 8.9  | ↓            |     |   |     |       |   |     |      |   |     |     |   |     |     |   |     |     |   |     |     |   |     |     |   |     |     |   |     |      |   |               |  |             |              |  |              |  |  |     |     |   |     |     |   |     |     |   |     |     |   |     |     |   |     |       |   |     |     |   |     |     |   |     |     |   |     |     |   |               |  |             |              |  |              |
| 32:  | 8.5  | ↗            |     |   |     |       |   |     |      |   |     |     |   |     |     |   |     |     |   |     |     |   |     |     |   |     |     |   |     |      |   |               |  |             |              |  |              |  |  |     |     |   |     |     |   |     |     |   |     |     |   |     |     |   |     |       |   |     |     |   |     |     |   |     |     |   |     |     |   |               |  |             |              |  |              |
| 33:  | 8.5  | ↑            |     |   |     |       |   |     |      |   |     |     |   |     |     |   |     |     |   |     |     |   |     |     |   |     |     |   |     |      |   |               |  |             |              |  |              |  |  |     |     |   |     |     |   |     |     |   |     |     |   |     |     |   |     |       |   |     |     |   |     |     |   |     |     |   |     |     |   |               |  |             |              |  |              |
| 34:  | 9.9  | ↗            |     |   |     |       |   |     |      |   |     |     |   |     |     |   |     |     |   |     |     |   |     |     |   |     |     |   |     |      |   |               |  |             |              |  |              |  |  |     |     |   |     |     |   |     |     |   |     |     |   |     |     |   |     |       |   |     |     |   |     |     |   |     |     |   |     |     |   |               |  |             |              |  |              |
| 35:  | 8.2  | ↓            |     |   |     |       |   |     |      |   |     |     |   |     |     |   |     |     |   |     |     |   |     |     |   |     |     |   |     |      |   |               |  |             |              |  |              |  |  |     |     |   |     |     |   |     |     |   |     |     |   |     |     |   |     |       |   |     |     |   |     |     |   |     |     |   |     |     |   |               |  |             |              |  |              |
| 36:  | 10.2x  | ↘            |     |   |     |       |   |     |      |   |     |     |   |     |     |   |     |     |   |     |     |   |     |     |   |     |     |   |     |      |   |               |  |             |              |  |              |  |  |     |     |   |     |     |   |     |     |   |     |     |   |     |     |   |     |       |   |     |     |   |     |     |   |     |     |   |     |     |   |               |  |             |              |  |              |
| 37:  | 9.3  | ↖            |     |   |     |       |   |     |      |   |     |     |   |     |     |   |     |     |   |     |     |   |     |     |   |     |     |   |     |      |   |               |  |             |              |  |              |  |  |     |     |   |     |     |   |     |     |   |     |     |   |     |     |   |     |       |   |     |     |   |     |     |   |     |     |   |     |     |   |               |  |             |              |  |              |
| 38:  | 7.7  | ↓            |     |   |     |       |   |     |      |   |     |     |   |     |     |   |     |     |   |     |     |   |     |     |   |     |     |   |     |      |   |               |  |             |              |  |              |  |  |     |     |   |     |     |   |     |     |   |     |     |   |     |     |   |     |       |   |     |     |   |     |     |   |     |     |   |     |     |   |               |  |             |              |  |              |
| 39:  | 8.3  | ↓            |     |   |     |       |   |     |      |   |     |     |   |     |     |   |     |     |   |     |     |   |     |     |   |     |     |   |     |      |   |               |  |             |              |  |              |  |  |     |     |   |     |     |   |     |     |   |     |     |   |     |     |   |     |       |   |     |     |   |     |     |   |     |     |   |     |     |   |               |  |             |              |  |              |
| 40:  | 9.8  | →            |     |   |     |       |   |     |      |   |     |     |   |     |     |   |     |     |   |     |     |   |     |     |   |     |     |   |     |      |   |               |  |             |              |  |              |  |  |     |     |   |     |     |   |     |     |   |     |     |   |     |     |   |     |       |   |     |     |   |     |     |   |     |     |   |     |     |   |               |  |             |              |  |              |
| <b>Series</b>  |  | <b>89.3</b>  |     |   |     |       |   |     |      |   |     |     |   |     |     |   |     |     |   |     |     |   |     |     |   |     |     |   |     |      |   |               |  |             |              |  |              |  |  |     |     |   |     |     |   |     |     |   |     |     |   |     |     |   |     |       |   |     |     |   |     |     |   |     |     |   |     |     |   |               |  |             |              |  |              |
| <b>Total</b>   |  | <b>372.5</b> |     |   |     |       |   |     |      |   |     |     |   |     |     |   |     |     |   |     |     |   |     |     |   |     |     |   |     |      |   |               |  |             |              |  |              |  |  |     |     |   |     |     |   |     |     |   |     |     |   |     |     |   |     |       |   |     |     |   |     |     |   |     |     |   |     |     |   |               |  |             |              |  |              |

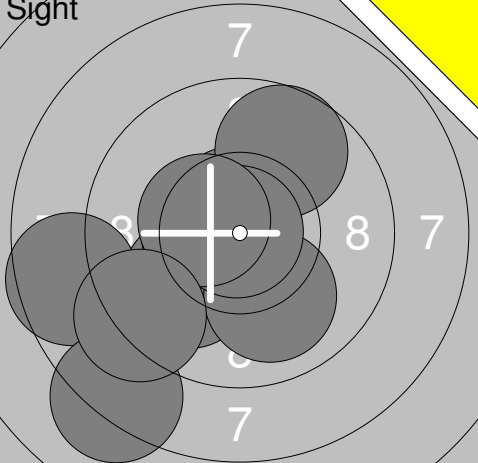
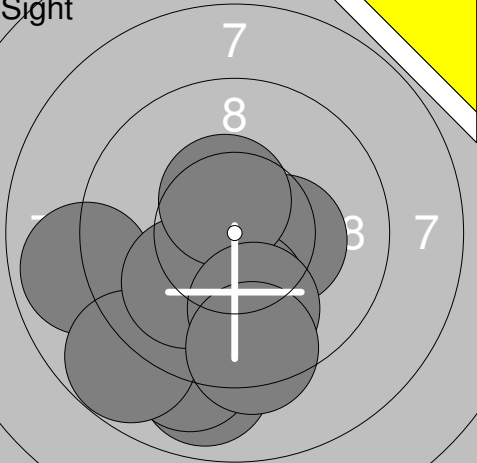


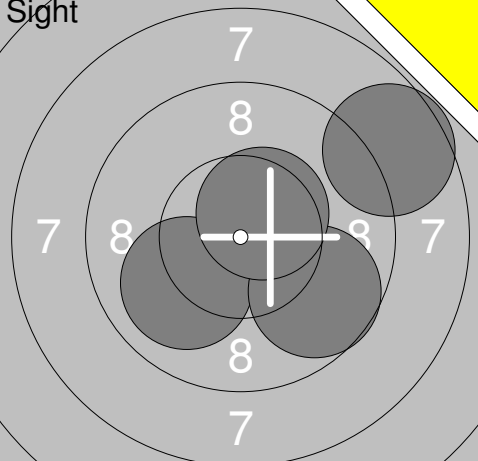
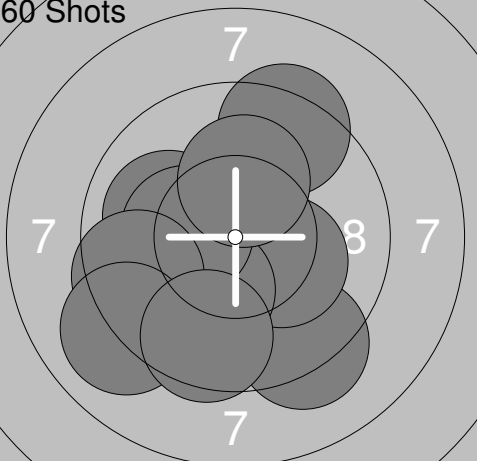
|  |  |  |  |
|--|--|--|--|
| <b>Sight</b><br> | 1: 9.8 ↑<br>2: 9.6 ↑<br>3: 10.4x ↑<br>4: 9.3 ↑<br>5: 10.4x ↘<br>6: 10.5x ↙<br>7: 9.7 ↗<br>8: 10.3x ↗<br>9: 9.9 ↗<br>10: 10.5x ↑<br><hr/> <b>Series</b> 100.4<br><b>Total</b> 0.0 | <b>Sight</b><br> | 11: 10.1 ←<br>12: 9.8 ↓<br>13: 10.6x ←<br>14: 10.5x →<br>15: 10.6x ↑<br>16: 10.6x ↑<br>17: 10.1 ↖<br>18: 10.2x ↘<br>19: 9.7 ↗<br>20: 10.1 ↖<br><hr/> <b>Series</b> 102.3<br><b>Total</b> 0.0 |
|--|--|--|--|

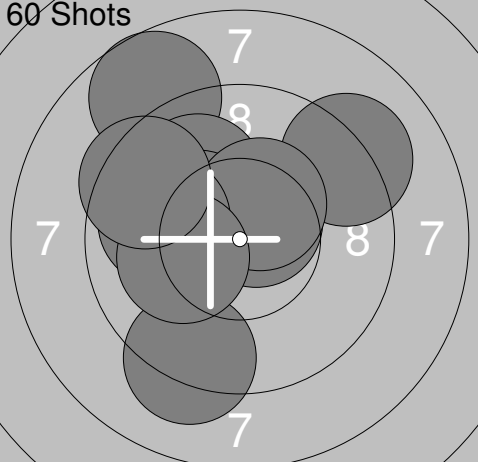
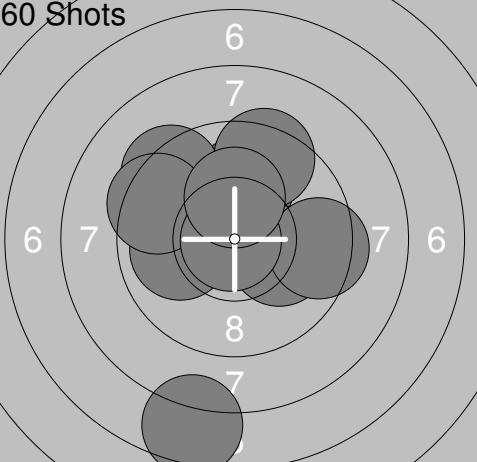
|   |  |   |   |
|---|--|---|---|
| <b>Sight</b><br> | 21: 10.6x ←<br>22: 10.1 ←<br>23: 10.3x ↘<br>24: 9.9 ↖<br>25: 10.6x ↘<br>26: 10.7x →<br>27: 10.4x ↗<br>28: 10.5x ↙<br>29: 10.8x ↗<br>30: 10.2x ←<br><hr/> <b>Series</b> 104.1<br><b>Total</b> 0.0 | <b>Sight</b><br> | 31: 10.7x ↗<br>32: 10.6x ↖<br>33: 10.9x ↑<br>34: 10.5x →<br>35: 10.4x ↘<br>36: 10.6x ←<br>37: 10.5x ↘<br>38: 10.4x ↙<br>39: 10.5x ↗<br><hr/> <b>Series</b> 95.1<br><b>Total</b> 0.0 |
|---|--|---|---|

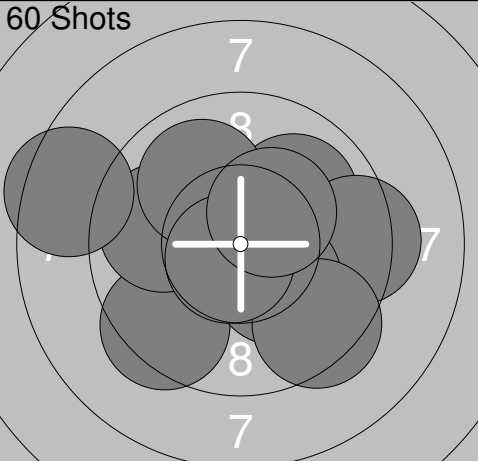
|   |  |   |   |
|---|--|---|---|
| <b>60 Shots</b><br> | 1: 10.2x ↘<br>2: 10.6x ↗<br>3: 10.7x ↗<br>4: 10.5x ←<br>5: 10.7x ↗<br>6: 10.8x ←<br>7: 10.8x ↙<br>8: 10.8x ↑<br>9: 9.8 ↓<br>10: 10.3x ↑<br><hr/> <b>Series</b> 105.2<br><b>Total</b> 105.2 | <b>60 Shots</b><br> | 11: 10.3x ↘<br>12: 10.8x ↖<br>13: 10.1 ←<br>14: 10.3x ←<br>15: 10.5x ↘<br>16: 10.5x →<br>17: 10.2x ←<br>18: 10.1 ↘<br>19: 10.7x ←<br>20: 10.4x ↘<br><hr/> <b>Series</b> 103.9<br><b>Total</b> 209.1 |
|---|--|---|---|

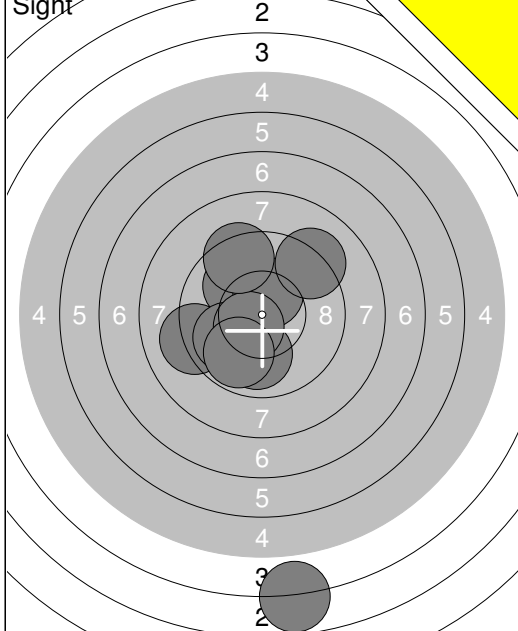
|   |  |   |   |
|---|--|---|---|
| <b>60 Shots</b><br> | 21: 10.5x ↗<br>22: 10.1 →<br>23: 10.5x ↗<br>24: 10.6x ↑<br>25: 10.6x ↘<br>26: 10.4x ←<br>27: 10.6x →<br>28: 10.8x ↙<br>29: 10.4x ↘<br>30: 10.4x ↘<br><hr/> <b>Series</b> 104.9<br><b>Total</b> 314.0 | <b>60 Shots</b><br> | 31: 10.3x ↘<br>32: 10.8x ↘<br>33: 10.7x ←<br>34: 10.8x ↑<br>35: 10.1 ↗<br>36: 10.5x ↑<br>37: 10.5x ↑<br>38: 10.6x ↘<br>39: 10.4x ↘<br>40: 10.1 ←<br><hr/> <b>Series</b> 104.8<br><b>Total</b> 418.8 |
|---|--|---|---|

|   |  |   |   |
|---|--|---|---|
| <p>Sight</p>  | <p>1: 10.0 ↙<br/>2: 10.5x ←<br/>3: 10.7x ↑<br/>4: 10.0 ↓<br/>5: 9.7 ↗<br/>6: 10.9x ↖<br/>7: 8.6 ←<br/>8: 10.4x ←<br/>9: 8.2 ↓<br/>10: 9.2 ↓</p> <p>Series 98.2<br/>Total 0.0</p> | <p>Sight</p>  | <p>11: 8.9 ↓<br/>12: 10.3x →<br/>13: 10.1 ↓<br/>14: 8.9 ←<br/>15: 9.1 ↓<br/>16: 8.8 ↓<br/>17: 10.0 ↖<br/>18: 10.5x ↑<br/>19: 9.9 ↓<br/>20: 9.4 ↓</p> <p>Series 95.9<br/>Total 0.0</p> |
|---|--|---|---|

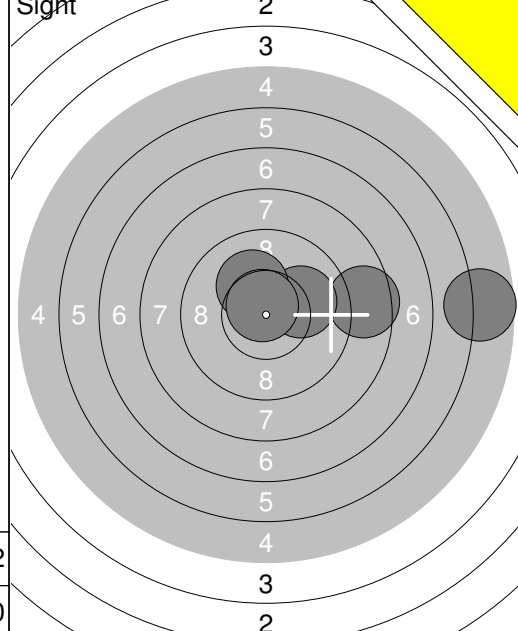
|  |  |   |   |
|--|--|---|---|
| <p>Sight</p>  | <p>21: 10.0 ↙<br/>22: 9.7 ↓<br/>23: 8.6 →<br/>24: 10.5x ↗</p> <p>Series 38.8<br/>Total 0.0</p> | <p>60 Shots</p>  | <p>1: 9.2 ↓<br/>2: 10.0 ←<br/>3: 10.2x →<br/>4: 10.1 ↓<br/>5: 10.3x ←<br/>6: 9.4 ↑<br/>7: 9.5 ←<br/>8: 10.2x ↑<br/>9: 9.0 ↖<br/>10: 9.6 ↓</p> <p>Series 97.5<br/>Total 97.5</p> |
|--|--|---|---|

|  |   |  |  |
|--|---|--|--|
| <p>60 Shots</p>  | <p>11: 9.2 ↓<br/>12: 9.2 →<br/>13: 8.7 ↗<br/>14: 10.0 ↗<br/>15: 10.6x ↗<br/>16: 10.3x ↖<br/>17: 10.4x ↗<br/>18: 9.9 ←<br/>19: 10.1 ←<br/>20: 9.5 ↖</p> <p>Series 97.9<br/>Total 195.4</p> | <p>60 Shots</p>  | <p>21: 10.0 ↑<br/>22: 10.1 →<br/>23: 9.4 →<br/>24: 9.4 ↗<br/>25: 7.6 ↓<br/>26: 10.0 ←<br/>27: 9.4 ↖<br/>28: 9.4 ↑<br/>29: 10.9x ↖<br/>30: 10.2x ↑</p> <p>Series 96.4<br/>Total 291.8</p> |
|--|---|--|--|

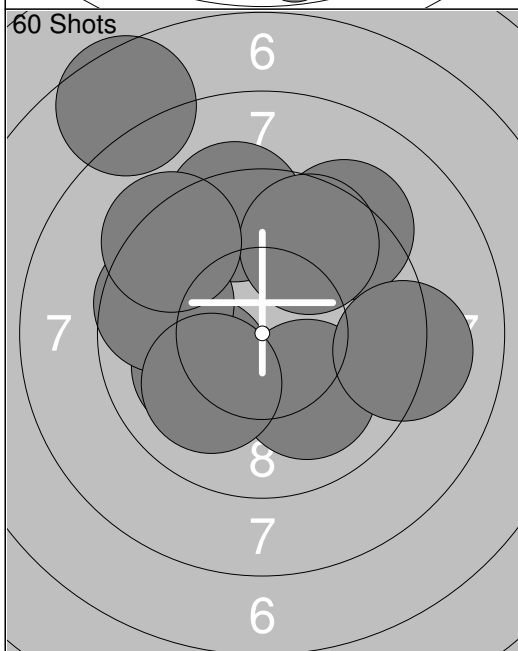
|  |   |  |  |
|--|---|--|--|
| <p>60 Shots</p>  | <p>31: 9.4 ↙<br/>32: 10.0 ↗<br/>33: 9.4 →<br/>34: 10.2x ↓<br/>35: 9.9 ←<br/>36: 10.0 ↗<br/>37: 9.4 ↓<br/>38: 8.5 ←<br/>39: 10.7x ↓<br/>40: 10.3x ↗</p> <p>Series 97.8<br/>Total 389.6</p> |  |  |
|--|---|--|--|



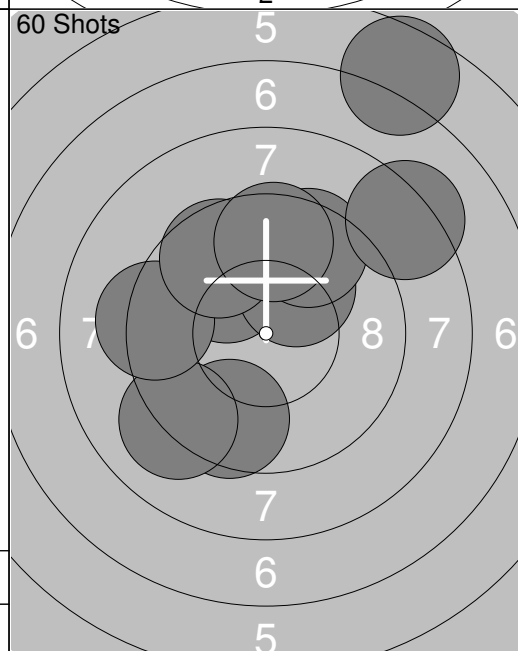
|               |             |   |
|---------------|-------------|---|
| 1:            | 10.0        | ↖ |
| 2:            | 10.0        | ↓ |
| 3:            | 10.4x       | ↗ |
| 4:            | 3.8         | ↓ |
| 5:            | 9.2         | ← |
| 6:            | 9.9         | ← |
| 7:            | 10.5x       | ↙ |
| 8:            | 9.2         | ↗ |
| 9:            | 9.4         | ↖ |
| 10:           | 9.8         | ↙ |
| <b>Series</b> | <b>92.2</b> |   |
| <b>Total</b>  | <b>0.0</b>  |   |



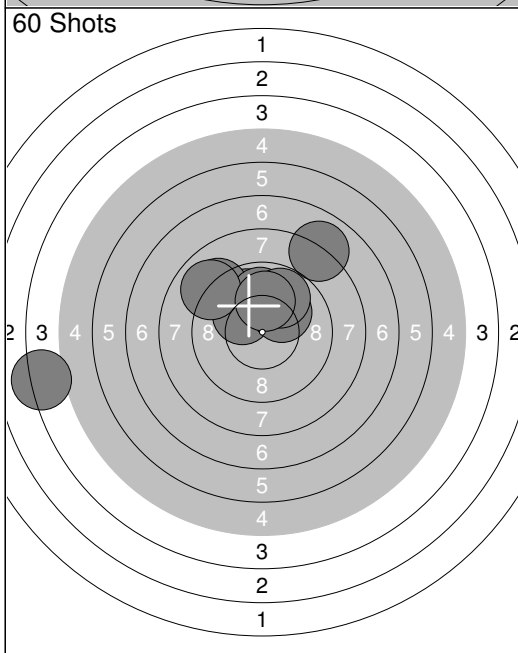
|               |             |   |
|---------------|-------------|---|
| 11:           | 5.7         | → |
| 12:           | 8.5         | → |
| 13:           | 10.1        | ↗ |
| 14:           | 10.2x       | ↖ |
| 15:           | 10.7x       | ↖ |
| <b>Series</b> | <b>45.2</b> |   |
| <b>Total</b>  | <b>0.0</b>  |   |



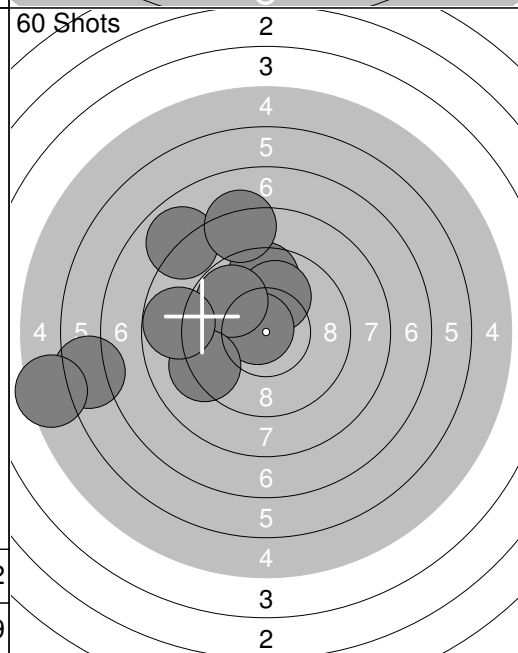
|               |             |   |
|---------------|-------------|---|
| 1:            | 9.3         | ↗ |
| 2:            | 10.1        | ← |
| 3:            | 10.0        | ↓ |
| 4:            | 9.1         | → |
| 5:            | 9.4         | ↑ |
| 6:            | 9.6         | ← |
| 7:            | 7.6         | ↗ |
| 8:            | 10.0        | ↙ |
| 9:            | 9.7         | ↗ |
| 10:           | 9.3         | ↖ |
| <b>Series</b> | <b>94.1</b> |   |
| <b>Total</b>  | <b>94.1</b> |   |



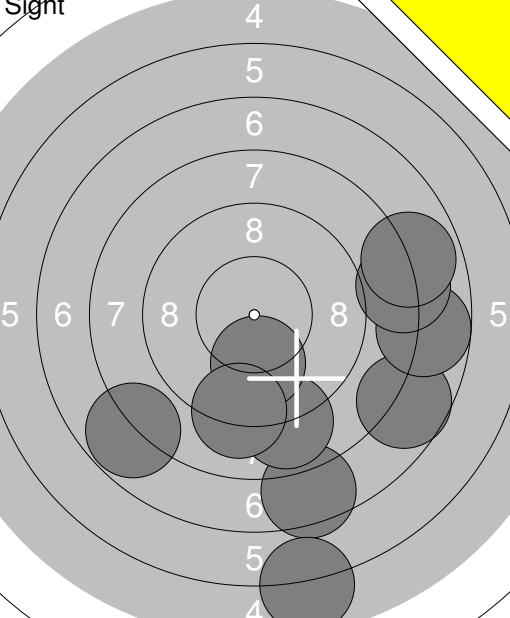
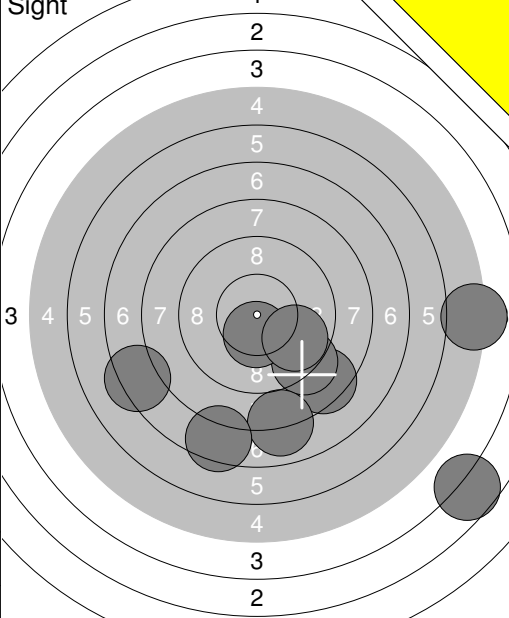
|               |              |   |
|---------------|--------------|---|
| 11:           | 10.0         | ↖ |
| 12:           | 10.1         | ↗ |
| 13:           | 9.6          | ↓ |
| 14:           | 9.1          | ← |
| 15:           | 9.5          | ↗ |
| 16:           | 6.6          | ↗ |
| 17:           | 9.3          | ← |
| 18:           | 9.6          | ↖ |
| 19:           | 8.2          | ↗ |
| 20:           | 9.6          | ↑ |
| <b>Series</b> | <b>91.6</b>  |   |
| <b>Total</b>  | <b>185.7</b> |   |

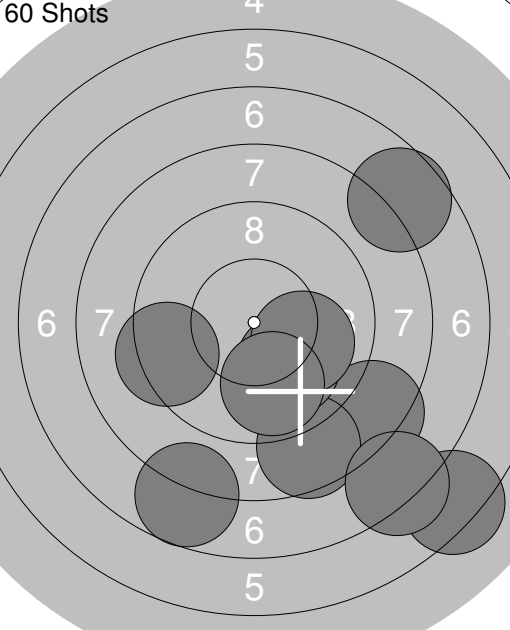
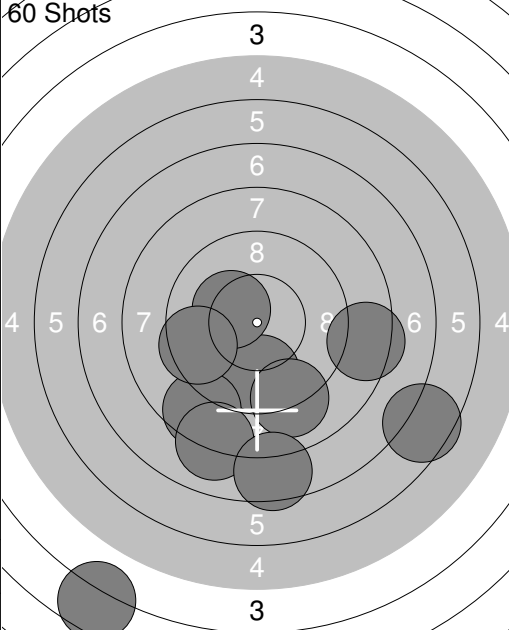


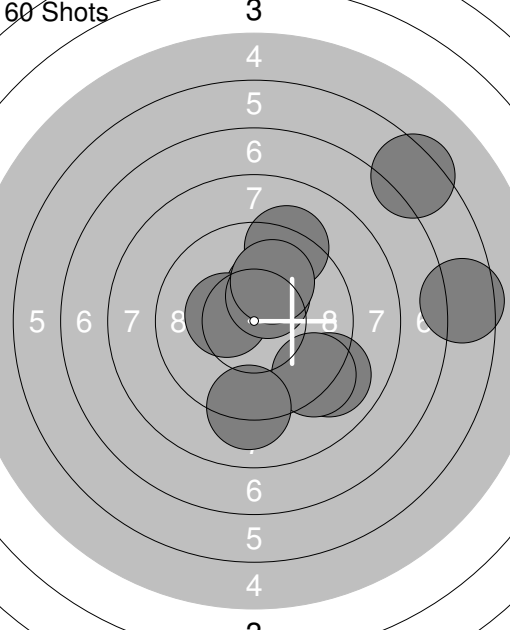
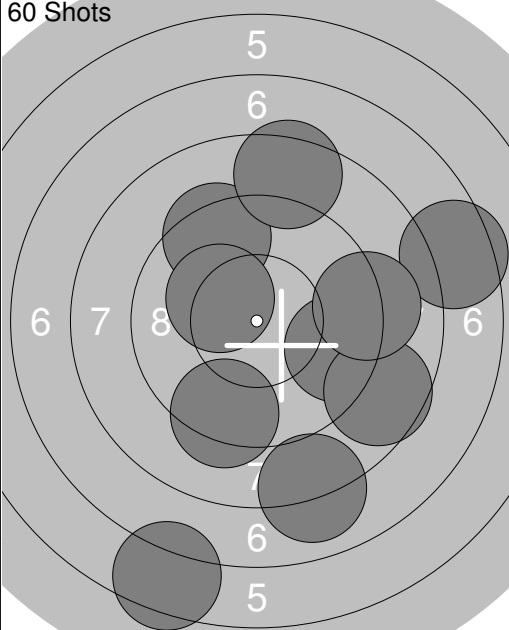
|               |              |   |
|---------------|--------------|---|
| 21:           | 9.9          | ↖ |
| 22:           | 8.0          | ↗ |
| 23:           | 4.2          | ← |
| 24:           | 9.1          | ↖ |
| 25:           | 9.9          | ↑ |
| 26:           | 10.2x        | ↖ |
| 27:           | 10.1         | ↗ |
| 28:           | 9.0          | ↖ |
| 29:           | 9.8          | ↗ |
| 30:           | 10.0         | ↑ |
| <b>Series</b> | <b>90.2</b>  |   |
| <b>Total</b>  | <b>275.9</b> |   |

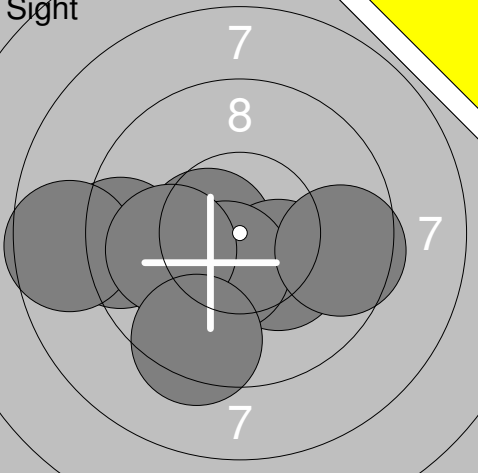
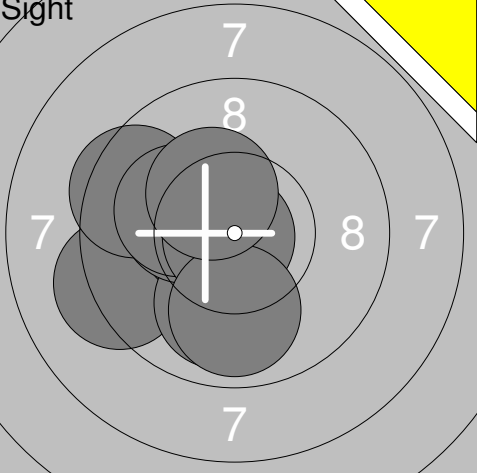
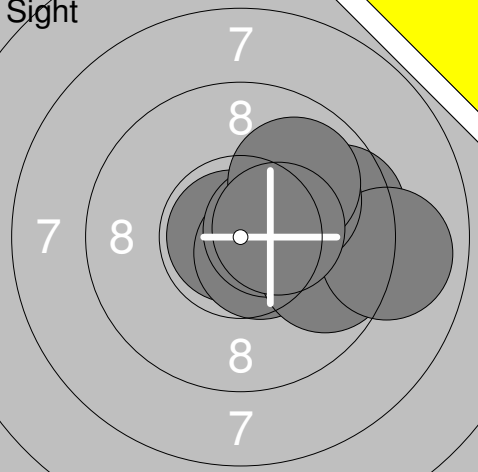
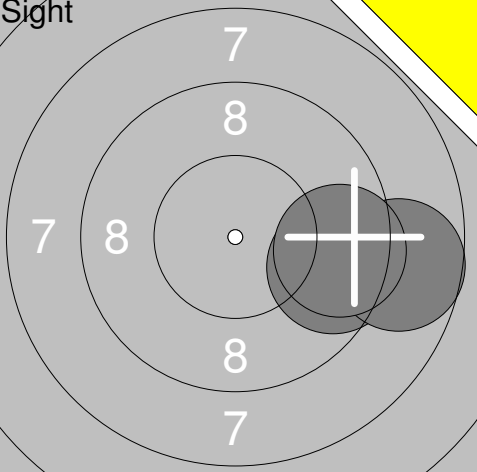
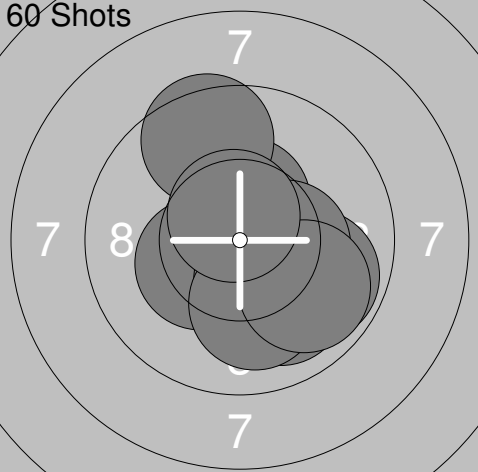
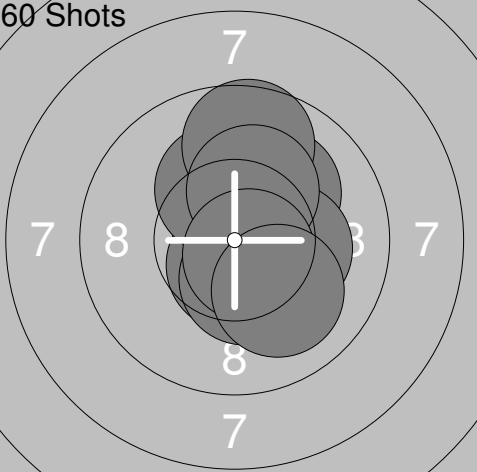
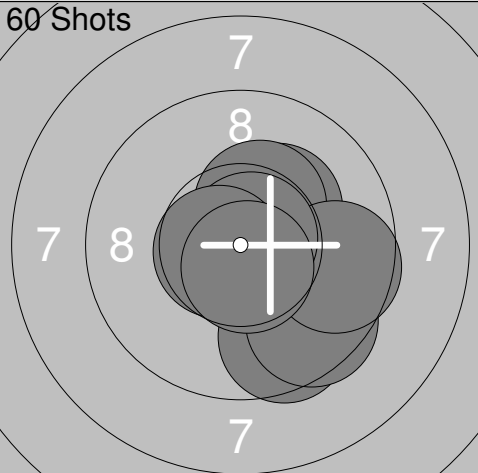
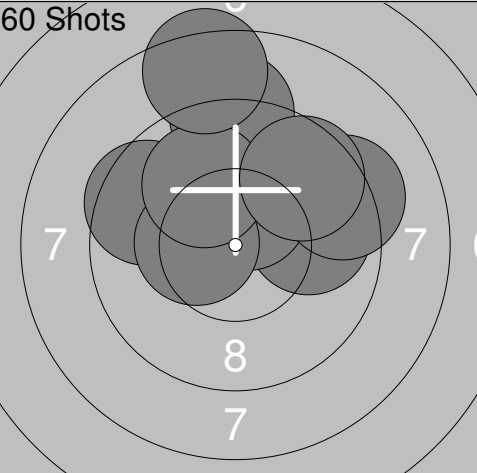


|               |              |   |
|---------------|--------------|---|
| 31:           | 7.9          | ↖ |
| 32:           | 6.5          | ← |
| 33:           | 9.6          | ↑ |
| 34:           | 8.3          | ↑ |
| 35:           | 10.0         | ↑ |
| 36:           | 10.7x        | ↖ |
| 37:           | 5.4          | ← |
| 38:           | 9.8          | ↖ |
| 39:           | 9.2          | ← |
| 40:           | 8.8          | ← |
| <b>Series</b> | <b>86.2</b>  |   |
| <b>Total</b>  | <b>362.1</b> |   |

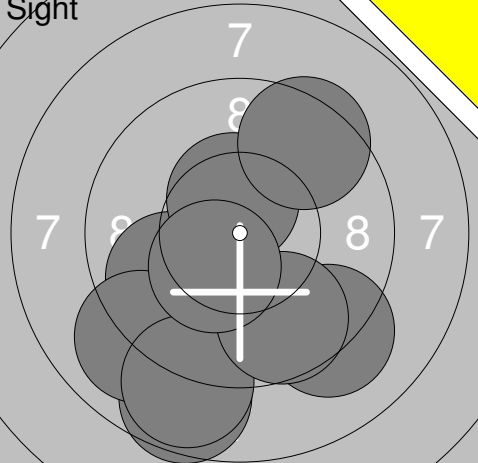
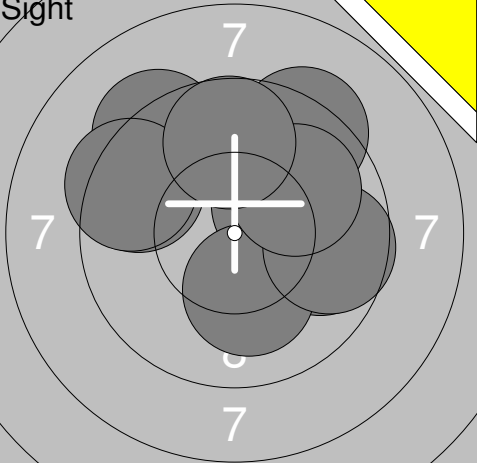
|  |  |  |
|--|--|--|
| <p><b>Sight</b></p>  <p>1: 7.7 →<br/>2: 7.5 ↓<br/>3: 7.8 →<br/>4: 8.1 →<br/>5: 8.9 ↓<br/>6: 5.8 ↓<br/>7: 7.9 →<br/>8: 7.8 ↙<br/>9: 10.0 ↓<br/>10: 9.1 ↓</p> <p>Series 80.6<br/>Total 0.0</p> |  | <p><b>Sight</b></p>  <p>11: 8.4 ↓<br/>12: 9.2 ↓<br/>13: 10.4x ↓<br/>14: 8.0 ↓<br/>15: 9.8 →<br/>16: 5.1 →<br/>17: 7.3 ↙<br/>18: 3.7 ↓<br/>19: 7.5 ↓</p> <p>Series 69.4<br/>Total 0.0</p> |
|--|--|--|

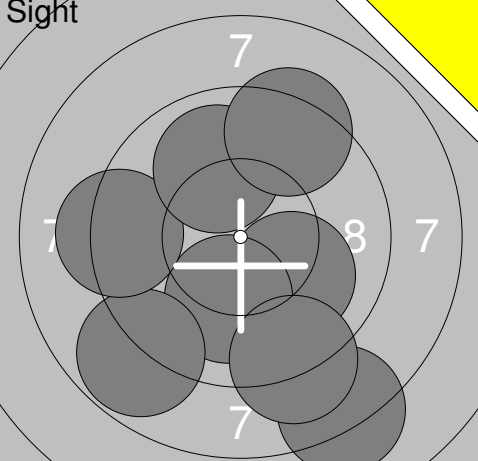
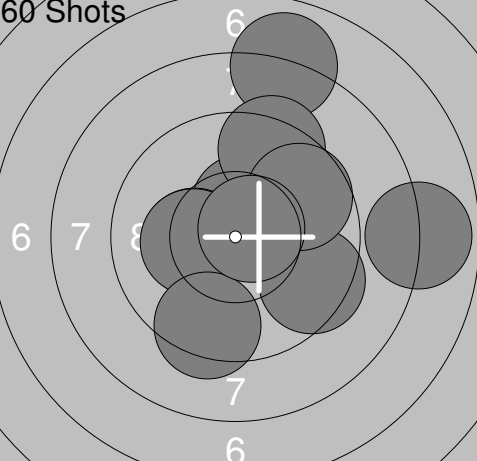
|  |  |  |
|--|--|--|
| <p><b>60 Shots</b></p>  <p>1: 9.3 ↙<br/>2: 7.7 ↓<br/>3: 8.4 ↓<br/>4: 8.6 ↓<br/>5: 10.0 ↓<br/>6: 6.3 ↓<br/>7: 7.2 ↓<br/>8: 10.0 →<br/>9: 9.8 ↓<br/>10: 7.7 ↗</p> <p>Series 85.0<br/>Total 85.0</p> |  | <p><b>60 Shots</b></p>  <p>11: 9.8 ↓<br/>12: 3.6 ↙<br/>13: 9.1 ↓<br/>14: 8.6 ↙<br/>15: 10.3x ↙<br/>16: 8.1 ↓<br/>17: 9.5 ↙<br/>18: 8.4 →<br/>19: 6.5 ↓<br/>20: 7.5 ↓</p> <p>Series 81.4<br/>Total 166.4</p> |
|--|--|--|

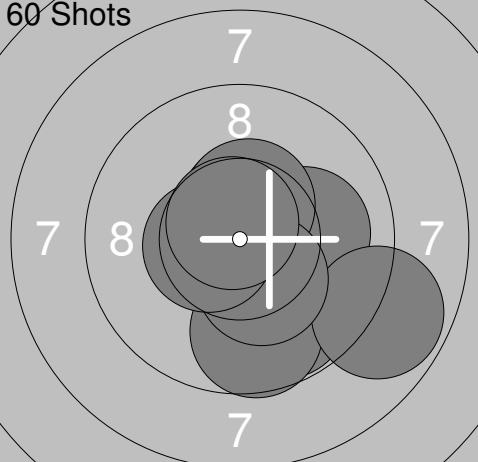
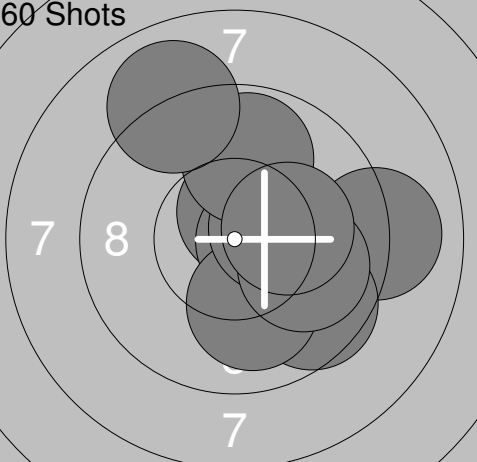
|  |  |   |
|--|--|---|
| <p><b>60 Shots</b></p>  <p>21: 6.4 ↗<br/>22: 6.5 →<br/>23: 9.0 ↓<br/>24: 10.3x ↗<br/>25: 10.4x ↙<br/>26: 9.2 ↗<br/>27: 10.3x ↗<br/>28: 9.3 ↓<br/>29: 10.0 ↗<br/>30: 9.1 ↓</p> <p>Series 90.5<br/>Total 256.9</p> |  | <p><b>60 Shots</b></p>  <p>31: 9.3 ↓<br/>32: 8.0 ↓<br/>33: 9.5 →<br/>34: 7.5 →<br/>35: 9.4 ↗<br/>36: 6.5 ↓<br/>37: 8.5 ↗<br/>38: 8.6 ↓<br/>39: 10.2x ↙<br/>40: 9.1 →</p> <p>Series 86.6<br/>Total 343.5</p> |
|--|--|---|

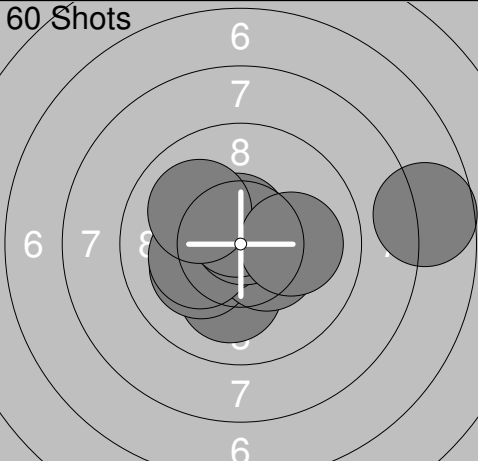
| Relay      | Lane   | Vilhelm Lundstedt   |   |
|------------|--|---|---|
| S          |  | Ramselefors   |   |
| 2014-11-15 |  | Drängsmarksskyttet 2014   | Umeå skytteallians  |
| Sight      |    | 1: 9.3 ←<br>2: 8.6 ←<br>3: 10.4x ↙<br>4: 10.0 ↘<br>5: 10.5x ←<br>6: 10.3x ↘<br>7: 10.5x ↘<br>8: 10.0 ←<br>9: 9.6 →<br>10: 9.4 ↘<br>Series 98.6<br>Total 0.0                 | Sight  11: 10.3x ↘<br>12: 9.3 ←<br>13: 10.6x ←<br>14: 10.0 ↘<br>15: 10.3x ↙<br>16: 9.5 ↙<br>17: 10.2x ↙<br>18: 10.9x ↙<br>19: 9.9 ↘<br>20: 10.3x ↗<br>Series 101.3<br>Total 0.0           |
| Sight      |   | 21: 10.3x →<br>22: 10.8x ←<br>23: 9.6 →<br>24: 10.6x ↘<br>25: 10.6x →<br>26: 9.7 →<br>27: 9.0 →<br>28: 10.1 ↗<br>29: 9.9 ↗<br>30: 10.4x →<br>Series 101.0<br>Total 0.0      | Sight  31: 9.6 →<br>32: 8.7 →<br>33: 9.5 →<br>Series 27.8<br>Total 0.0   |
| 60 Shots   |  | 1: 9.8 →<br>2: 10.3x ←<br>3: 10.4x ↑<br>4: 10.3x →<br>5: 10.3x ↘<br>6: 10.0 ↘<br>7: 10.1 ↘<br>8: 9.9 ↘<br>9: 9.5 ↗<br>10: 10.6x ↑<br>Series 101.2<br>Total 101.2            | 60 Shots  11: 10.6x ↘<br>12: 10.1 ↗<br>13: 10.4x ↑<br>14: 10.2x ↑<br>15: 10.2x →<br>16: 9.7 ↑<br>17: 10.2x ↑<br>18: 10.4x ↘<br>19: 10.7x ↘<br>20: 10.1 ↘<br>Series 102.6<br>Total 203.8 |
| 60 Shots   |  | 21: 10.5x →<br>22: 10.3x ↗<br>23: 10.7x →<br>24: 9.6 ↘<br>25: 9.5 ↘<br>26: 10.4x ↗<br>27: 9.6 →<br>28: 10.8x ↗<br>29: 10.6x ←<br>30: 10.6x ↘<br>Series 102.6<br>Total 306.4 | 60 Shots  31: 9.9 ↗<br>32: 9.9 →<br>33: 9.0 ↑<br>34: 9.5 ↙<br>35: 10.4x ↑<br>36: 10.4x ←<br>37: 10.0 ↗<br>38: 8.4 ↑<br>39: 9.3 →<br>40: 9.6 ↗<br>Series 96.4<br>Total 402.8             |



|  |  |  |  |
|--|--|--|--|
| <b>Sight</b><br> | 1: 8.6 ↓<br>2: 9.8 ↙<br>3: 10.0 ↓<br>4: 9.2 ↘<br>5: 9.0 ↙<br>6: 8.8 ↓<br>7: 9.7 ↘<br>8: 10.5x ↑<br>9: 10.4x ↘<br>10: 9.4 ↗<br><hr/> <b>Series</b> 95.4<br><b>Total</b> 0.0 | <b>Sight</b><br> | 11: 9.5 ↖<br>12: 9.3 ↗<br>13: 10.2x ↗<br>14: 9.3 ↗<br>15: 9.8 →<br>16: 10.2x ↓<br>17: 9.7 →<br>18: 9.9 ↗<br>19: 9.4 ↖<br>20: 9.7 ↑<br><hr/> <b>Series</b> 97.0<br><b>Total</b> 0.0 |
|--|--|--|--|

|   |  |  |  |
|---|--|--|--|
| <b>Sight</b><br> | 21: 10.1 ↘<br>22: 10.1 ↓<br>23: 8.2 ↘<br>24: 9.1 ↘<br>25: 8.8 ↘<br>26: 9.3 ←<br>27: 9.9 ↑<br>28: 9.3 ↑<br><hr/> <b>Series</b> 74.8<br><b>Total</b> 0.0 | <b>60 Shots</b><br> | 1: 8.0 ↑<br>2: 10.4x ↑<br>3: 9.4 ↑<br>4: 10.3x ←<br>5: 10.2x ←<br>6: 9.5 ↘<br>7: 9.7 ↗<br>8: 7.9 →<br>9: 9.4 ↓<br>10: 10.6x ↗<br><hr/> <b>Series</b> 95.4<br><b>Total</b> 95.4 |
|---|--|--|--|

|   |   |   |  |
|---|---|---|--|
| <b>60 Shots</b><br> | 11: 10.0 ↘<br>12: 9.8 ↓<br>13: 10.5x ↑<br>14: 10.1 →<br>15: 10.5x ↑<br>16: 9.7 ↓<br>17: 8.8 ↘<br>18: 10.3x ↓<br>19: 10.5x ←<br>20: 10.7x ↗<br><hr/> <b>Series</b> 100.9<br><b>Total</b> 196.3 | <b>60 Shots</b><br> | 21: 9.0 →<br>22: 10.6x ↑<br>23: 10.6x →<br>24: 9.6 ↘<br>25: 10.0 ↓<br>26: 10.4x →<br>27: 9.9 ↑<br>28: 10.0 →<br>29: 9.0 ↗<br>30: 10.2x →<br><hr/> <b>Series</b> 99.3<br><b>Total</b> 295.6 |
|---|---|---|--|

|   |  |  |  |
|---|--|--|--|
| <b>60 Shots</b><br> | 31: 10.1 ↓<br>32: 7.7 →<br>33: 10.2x ↙<br>34: 10.4x ↘<br>35: 10.6x ←<br>36: 10.2x ←<br>37: 10.7x ↑<br>38: 10.6x ↑<br>39: 10.0 ↗<br>40: 10.1 →<br><hr/> <b>Series</b> 100.6<br><b>Total</b> 396.2 |  |  |
|---|--|--|--|