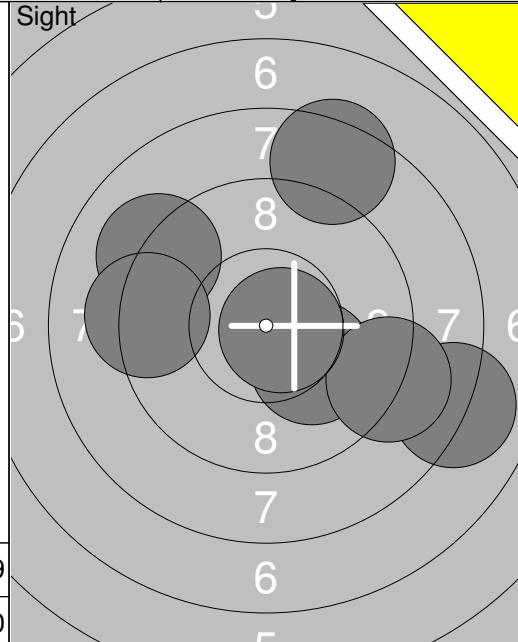
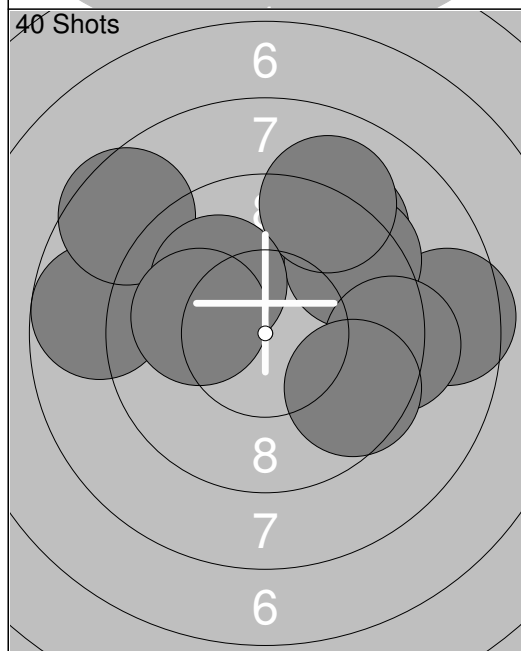


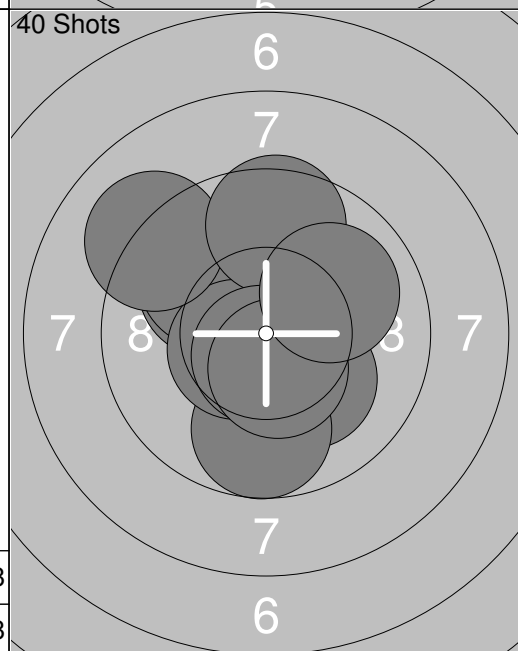
1:	10.3x ↗
2:	9.6 ↗
3:	8.9 →
4:	8.0 ↗
5:	8.3 ↗
6:	7.7 ←
7:	6.1 ↗
8:	7.9 ←
9:	9.8 ←
10:	10.3x ↗
Series	86.9
Total	0.0



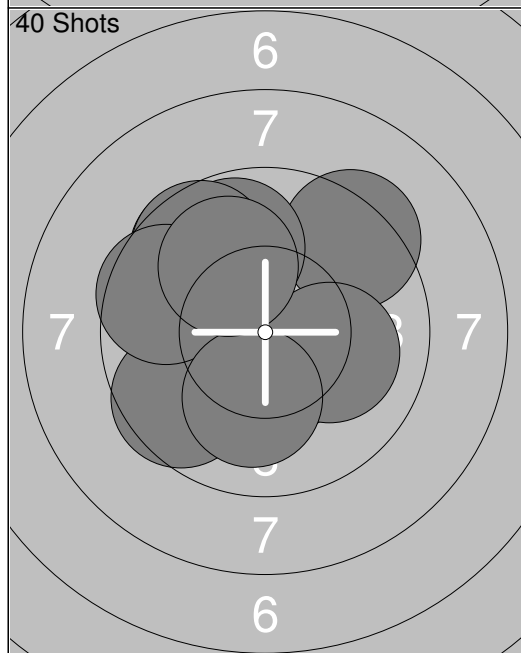
11:	8.0 →
12:	10.1 ↘
13:	9.1 ↗
14:	9.0 →
15:	9.3 ←
16:	10.7x →
17:	8.4 ↗
Series	64.6
Total	0.0



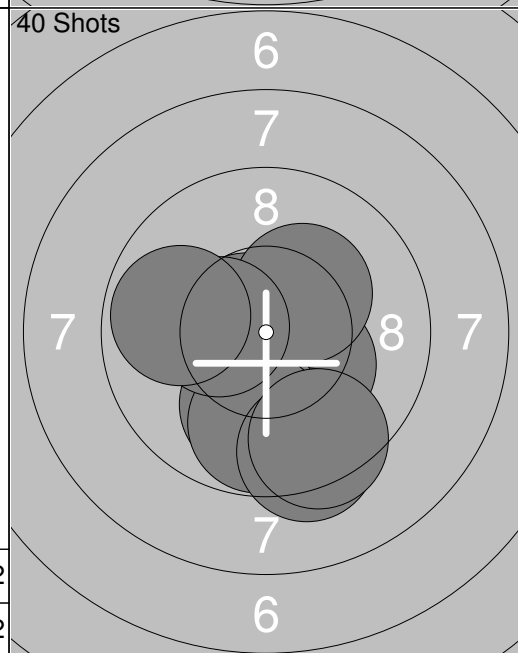
1:	8.8 ←
2:	9.3 ↗
3:	8.5 →
4:	9.5 ↗
5:	9.1 ↗
6:	9.3 →
7:	9.6 ↘
8:	8.6 ↗
9:	10.0 ↗
10:	10.1 ←
Series	92.8
Total	92.8



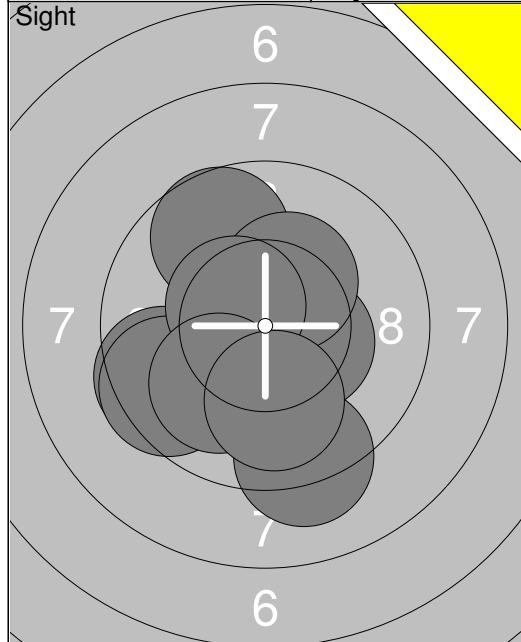
11:	10.2x ↘
12:	10.0 ↗
13:	9.7 ↓
14:	9.9 ↗
15:	10.5x ↙
16:	9.1 ↗
17:	9.6 ↗
18:	10.7x ↓
19:	10.5x ↓
20:	10.0 ↗
Series	100.2
Total	193.0



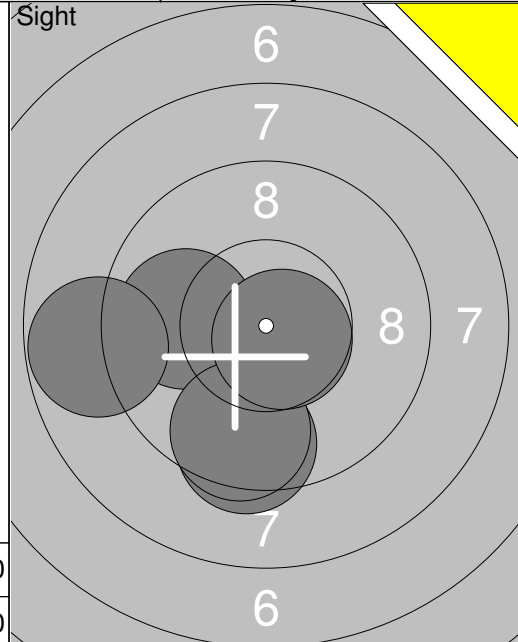
21:	10.5x ↓
22:	9.3 ↗
23:	10.1 →
24:	9.6 ←
25:	9.6 ↗
26:	9.8 ↗
27:	9.6 ↗
28:	9.6 ←
29:	10.1 ↓
30:	10.0 ↗
Series	98.2
Total	291.2



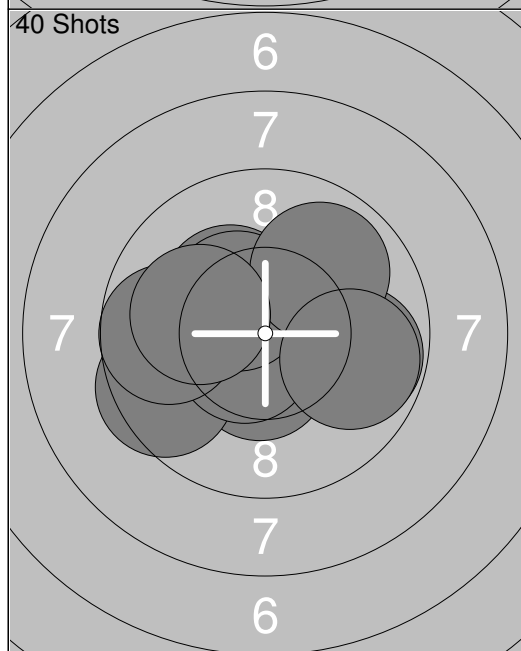
31:	10.3x ↘
32:	9.5 ↓
33:	10.7x ↙
34:	10.0 ↓
35:	9.8 ↓
36:	9.3 ↓
37:	10.3x ↗
38:	9.4 ↓
39:	10.3x ↙
40:	9.8 ←
Series	99.4
Total	390.6



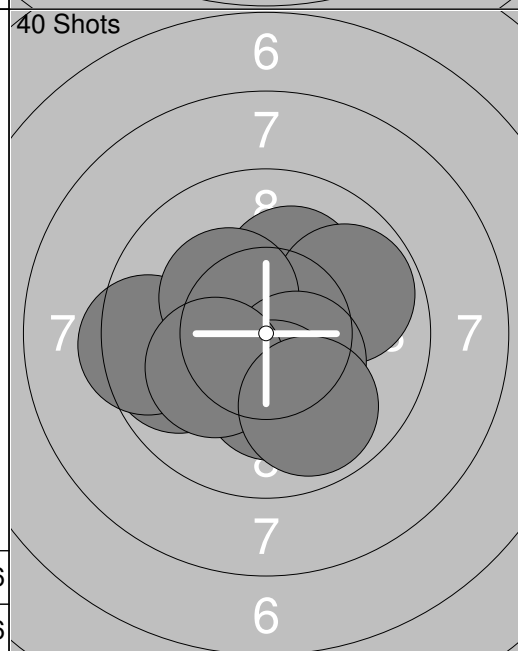
1: 10.9x →
2: 10.4x →
3: 9.5 ←
4: 9.2 ↓
5: 9.5 ←
6: 9.7 ↑
7: 10.3x ↑
8: 10.5x ↖
9: 10.0 ↓
10: 10.0 ↓
Series 100.0
Total 0.0



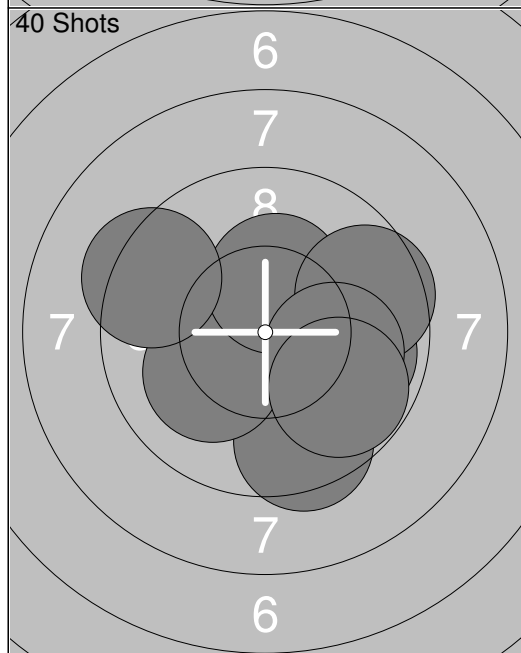
11: 9.4 ↓
12: 9.9 ←
13: 9.6 ↓
14: 8.8 ←
15: 10.7x ↘
Series 48.4
Total 0.0



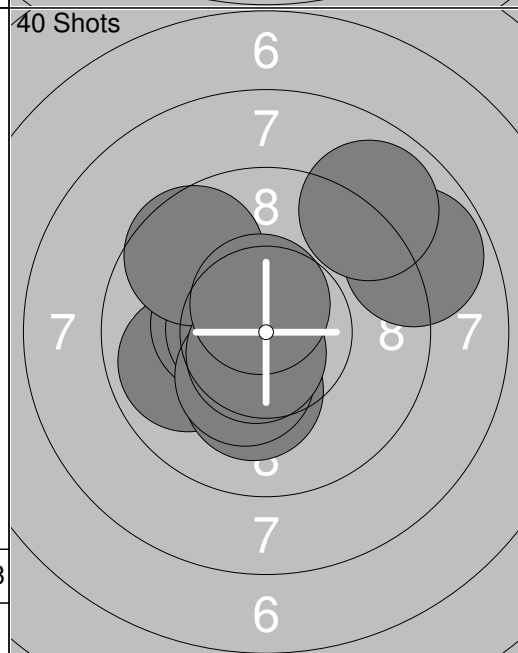
1: 9.8 →
2: 10.5x ↓
3: 9.5 ←
4: 10.6x ↙
5: 9.7 ←
6: 10.3x ↗
7: 10.4x ↗
8: 9.9 ↗
9: 9.8 →
10: 10.1 ←
Series 100.6
Total 100.6



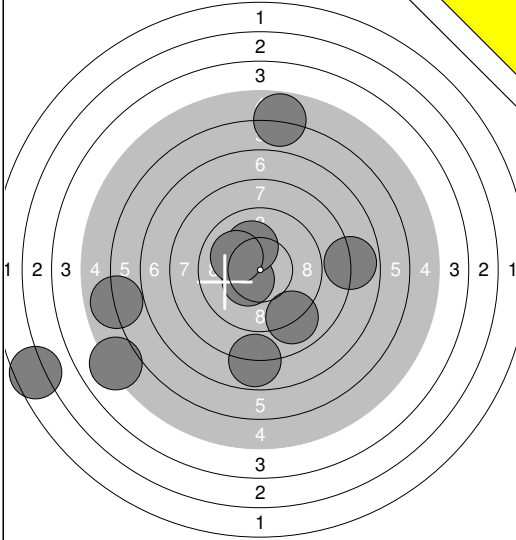
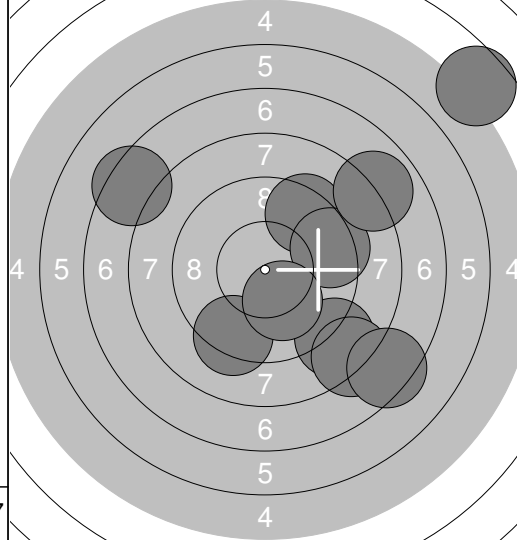
11: 10.1 ↑
12: 9.8 ←
13: 9.8 →
14: 10.1 ←
15: 9.4 ←
16: 10.3x ↖
17: 10.4x ↘
18: 10.2x ↓
19: 10.2x ↙
20: 9.9 ↓
Series 100.2
Total 200.8



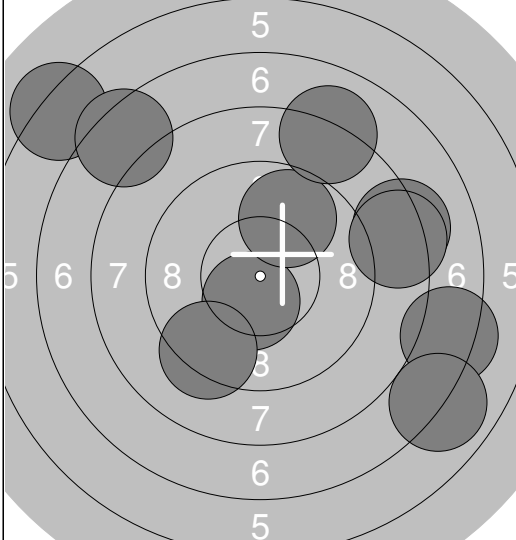
21: 10.1 ↘
22: 10.7x ↓
23: 9.5 ↓
24: 10.1 ←
25: 10.3x ↑
26: 9.9 →
27: 9.6 →
28: 10.0 →
29: 9.3 ←
30: 9.8 ↓
Series 99.3
Total 300.1

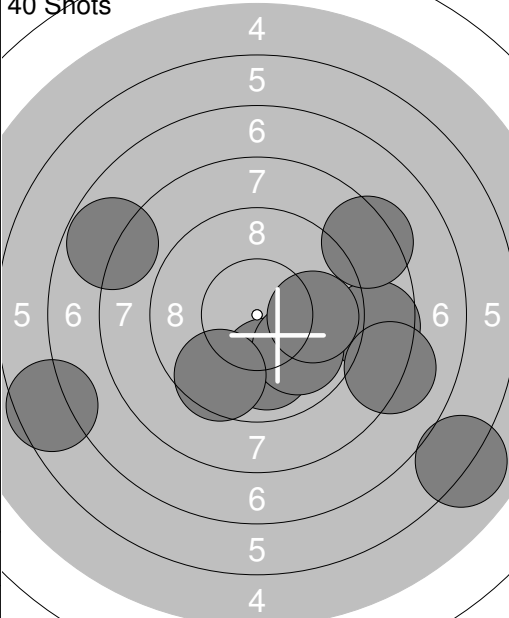


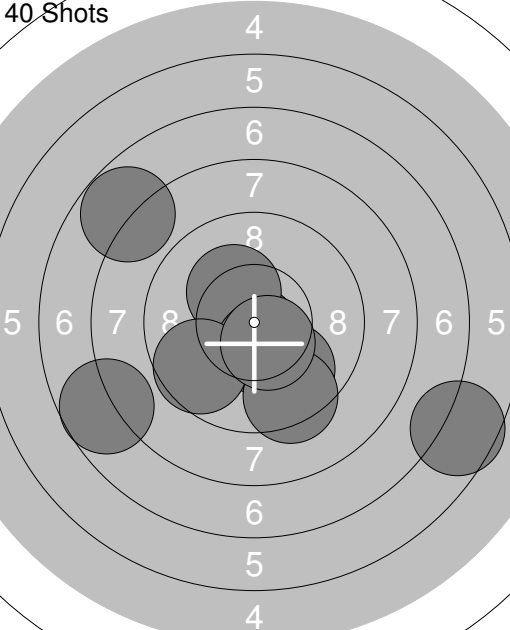
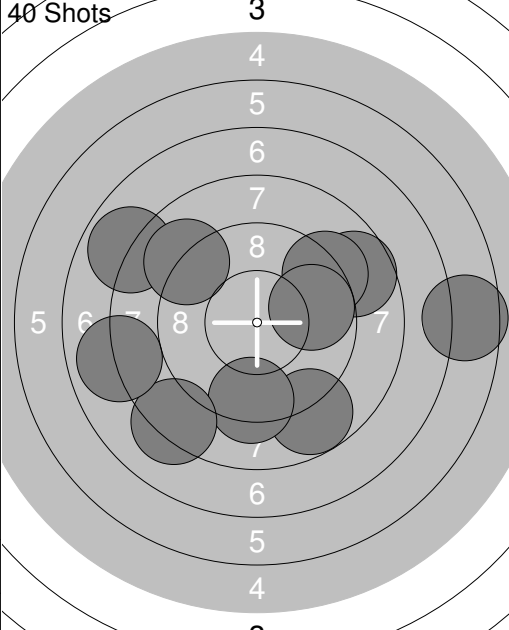
31: 9.9 ←
32: 10.4x ↖
33: 10.6x ↖
34: 10.2x ↓
35: 10.3x ↓
36: 9.6 ↖
37: 8.8 →
38: 8.9 ↗
39: 10.7x ↓
40: 10.6x ↑
Series 100.0
Total 400.1

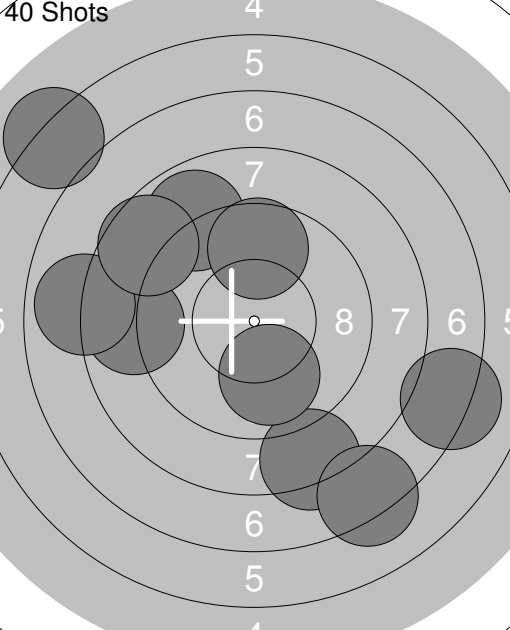
<p>Sight</p> 	<p>1: 7.9 ↓</p> <p>2: 10.4x ↙</p> <p>3: 7.9 →</p> <p>4: 5.1 ↙</p> <p>5: 10.1 ↗</p> <p>6: 9.0 ↘</p> <p>7: 2.6 ↙</p> <p>8: 5.9 ↙</p> <p>9: 5.8 ↗</p> <p>10: 10.0 ↙</p> <p>Series 74.7</p> <p>Total 0.0</p>	<p>40 Shots</p>  <p>1: 8.7 ↘</p> <p>2: 4.6 ↗</p> <p>3: 9.4 ↗</p> <p>4: 8.2 ↘</p> <p>5: 9.4 →</p> <p>6: 7.4 ↙</p> <p>7: 9.3 ↘</p> <p>8: 7.4 ↘</p> <p>9: 7.9 ↗</p> <p>10: 10.1 ↘</p> <p>Series 82.4</p> <p>Total 82.4</p>
---	--	---

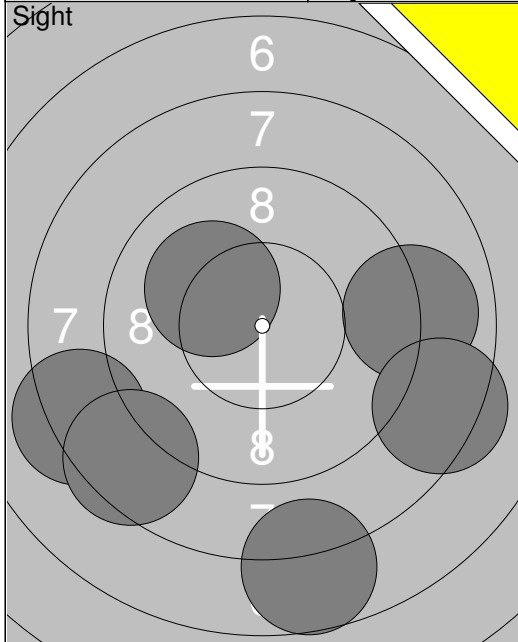
<p>40 Shots</p> 	<p>11: 8.5 ↗</p> <p>12: 8.9 ↙</p> <p>13: 9.0 ↘</p> <p>14: 5.8 →</p> <p>15: 8.2 ↘</p> <p>16: 7.8 ↗</p> <p>17: 9.7 ↙</p> <p>18: 7.2 ↗</p> <p>19: 7.2 ↘</p> <p>20: 8.4 →</p> <p>Series 80.7</p> <p>Total 163.1</p>	<p>40 Shots</p>  <p>21: 9.8 ↗</p> <p>22: 9.2 ↘</p> <p>23: 9.2 ↙</p> <p>24: 7.8 ↙</p> <p>25: 9.7 ↘</p> <p>26: 10.7x →</p> <p>27: 9.7 ↘</p> <p>28: 9.7 ↘</p> <p>29: 9.6 ↘</p> <p>30: 5.8 →</p> <p>Series 91.2</p> <p>Total 254.3</p>
---	---	---

<p>40 Shots</p> 	<p>31: 6.2 ↙</p> <p>32: 10.5x ↘</p> <p>33: 8.2 →</p> <p>34: 8.3 →</p> <p>35: 9.8 ↗</p> <p>36: 9.3 ↘</p> <p>37: 7.3 →</p> <p>38: 8.1 ↗</p> <p>39: 7.0 ↘</p> <p>40: 7.4 ↙</p> <p>Series 82.1</p> <p>Total 336.4</p>	
--	---	--

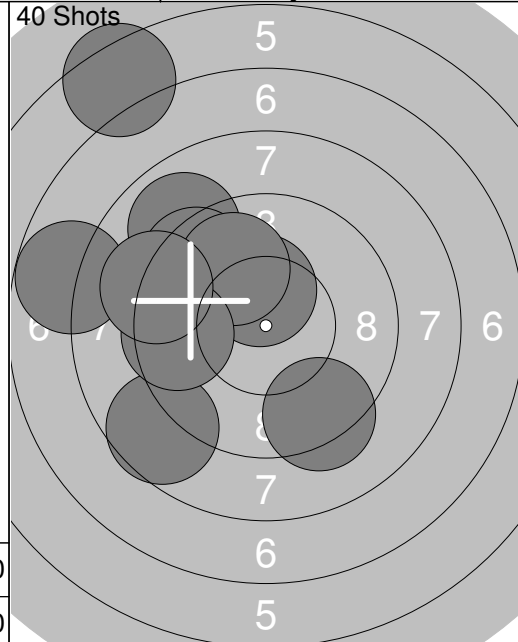
<p>Sight</p> 	<p>1: 9.7 ↖</p> <p>2: 7.1 ←</p> <p>3: 9.7 ↓</p> <p>4: 5.5 ←</p> <p>5: 9.1 ↘</p> <p>6: 9.1 ↓</p> <p>7: 8.8 ↘</p>	<p>40 Shots</p> 	<p>1: 8.6 →</p> <p>2: 6.6 ↙</p> <p>3: 6.0 ↘</p> <p>4: 10.0 ↓</p> <p>5: 8.4 ↗</p> <p>6: 7.8 ↖</p> <p>7: 9.9 ↓</p> <p>8: 8.1 →</p> <p>9: 9.6 ↙</p> <p>10: 9.9 →</p>
Series 59.0		Series 84.9	
Total 0.0		Total 84.9	

<p>40 Shots</p> 	<p>11: 10.7x ↓</p> <p>12: 10.3x ↗</p> <p>13: 10.4x ↓</p> <p>14: 7.7 ←</p> <p>15: 9.9 ↓</p> <p>16: 6.6 →</p> <p>17: 7.8 ↗</p> <p>18: 9.4 ↓</p> <p>19: 9.6 ↙</p> <p>20: 10.5x ↓</p>	<p>40 Shots</p> 	<p>21: 7.9 ↖</p> <p>22: 9.0 ↗</p> <p>23: 8.8 ↓</p> <p>24: 9.3 ↓</p> <p>25: 8.7 ↗</p> <p>26: 8.2 ↙</p> <p>27: 9.2 ↗</p> <p>28: 8.0 ←</p> <p>29: 6.6 →</p> <p>30: 9.8 →</p>
Series 92.9		Series 85.5	
Total 177.8		Total 263.3	

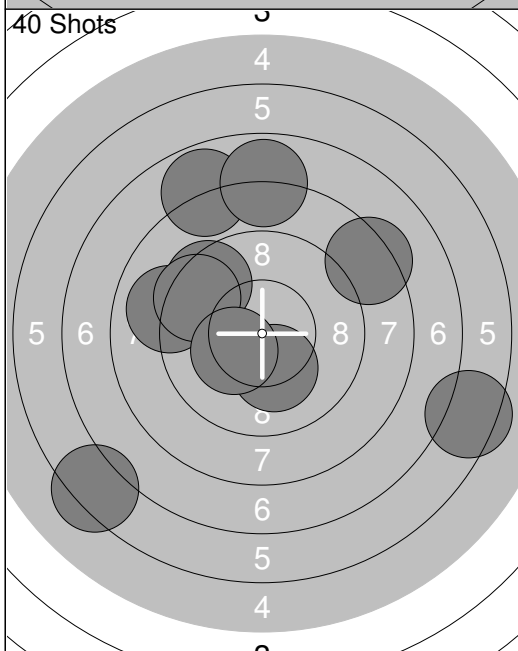
<p>40 Shots</p> 	<p>31: 8.3 ↓</p> <p>32: 10.0 ↓</p> <p>33: 8.8 ←</p> <p>34: 7.9 ←</p> <p>35: 6.1 ↗</p> <p>36: 8.9 ↗</p> <p>37: 7.2 ↓</p> <p>38: 7.2 ↓</p> <p>39: 8.6 ↗</p> <p>40: 9.7 ↑</p>		
Series 82.7			
Total 346.0			



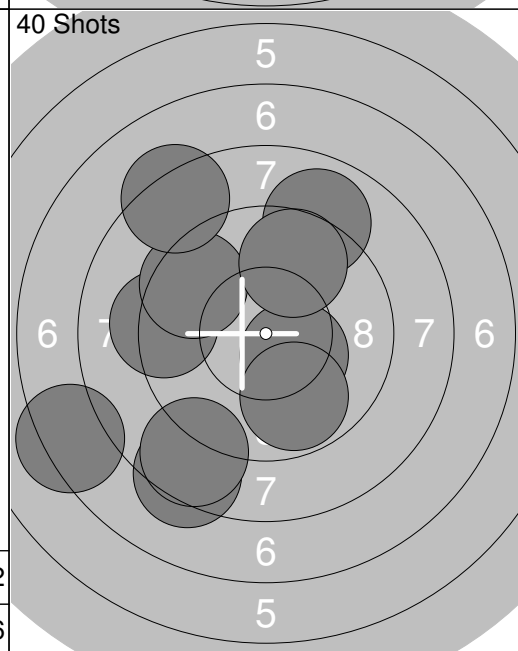
1: 9.0	→
2: 8.3	↙
3: 8.5	↘
4: 7.7	↓
5: 8.4	→
6: 10.1	↖
Series 52.0	
Total 0.0	



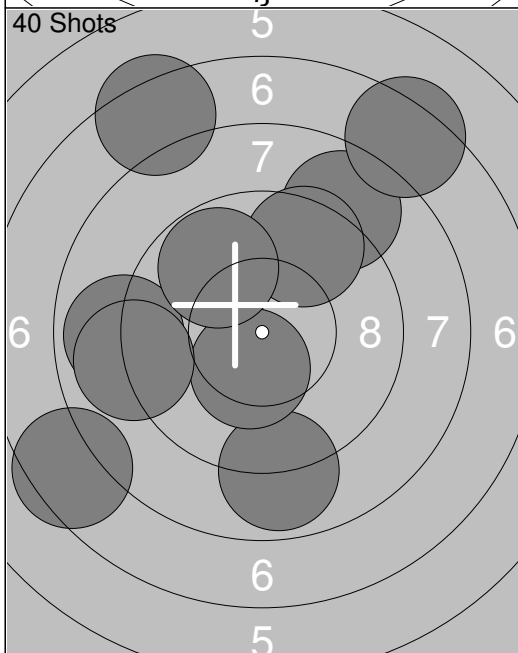
1: 8.6	↘
2: 10.4x	↗
3: 8.9	↗
4: 9.5	↗
5: 9.3	↘
6: 7.8	↖
7: 9.9	↗
8: 6.4	↗
9: 9.5	↖
10: 9.1	↖
Series 89.4	
Total 89.4	



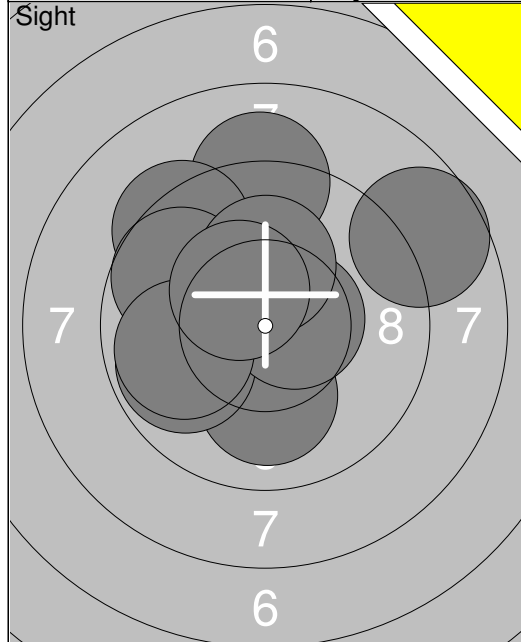
11: 9.0	↖
12: 9.5	↗
13: 9.4	↖
14: 8.3	↗
15: 7.9	↗
16: 7.9	↑
17: 6.4	→
18: 10.2x	↘
19: 6.3	↙
20: 10.3x	↖
Series 85.2	
Total 174.6	



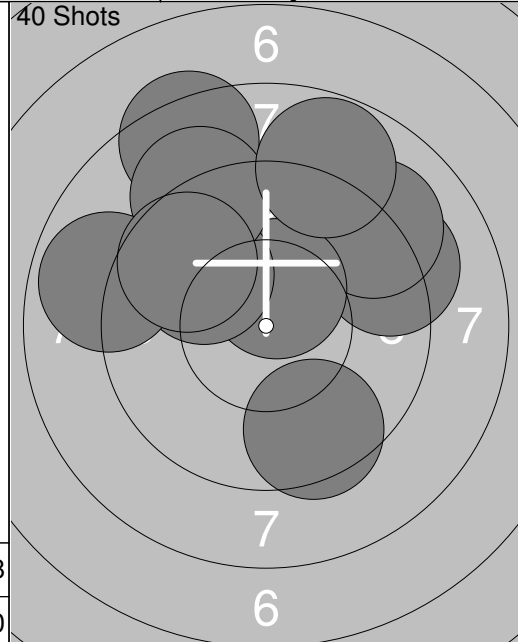
21: 8.3	↘
22: 10.4x	↘
23: 9.3	↖
24: 9.0	↗
25: 9.8	↘
26: 9.5	↖
27: 8.7	↘
28: 8.3	↗
29: 9.7	↗
30: 7.3	↖
Series 90.3	
Total 264.9	



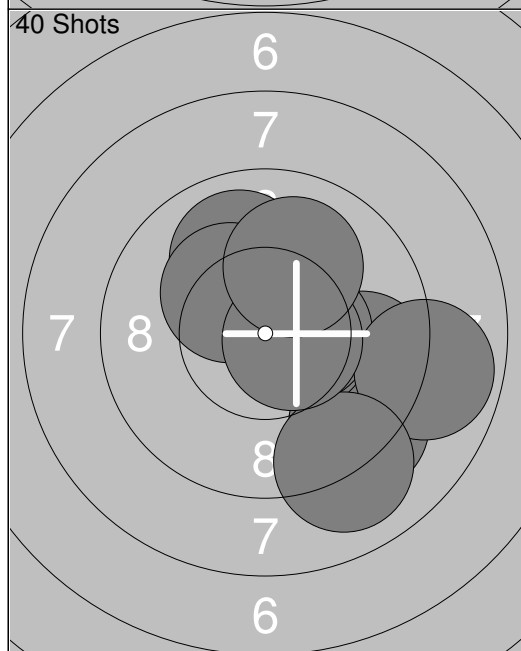
31: 7.5	↙
32: 8.9	↓
33: 8.8	↗
34: 7.4	↗
35: 10.4x	↘
36: 8.9	↖
37: 9.0	↖
38: 9.5	↗
39: 7.4	↗
40: 9.8	↖
Series 87.6	
Total 352.5	



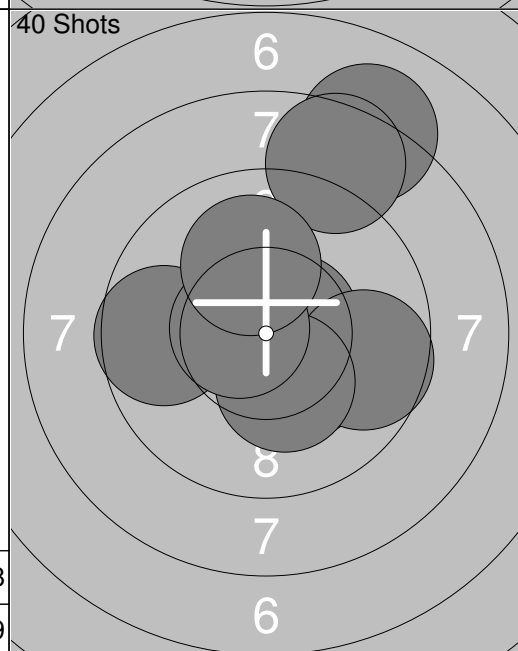
1:	10.1	↓
2:	9.8	↙
3:	9.1	↑
4:	9.3	↗
5:	10.6x	→
6:	9.7	↖
7:	9.9	←
8:	8.7	↗
9:	10.2x	↑
10:	10.4x	↖
Series		97.8
Total		0.0



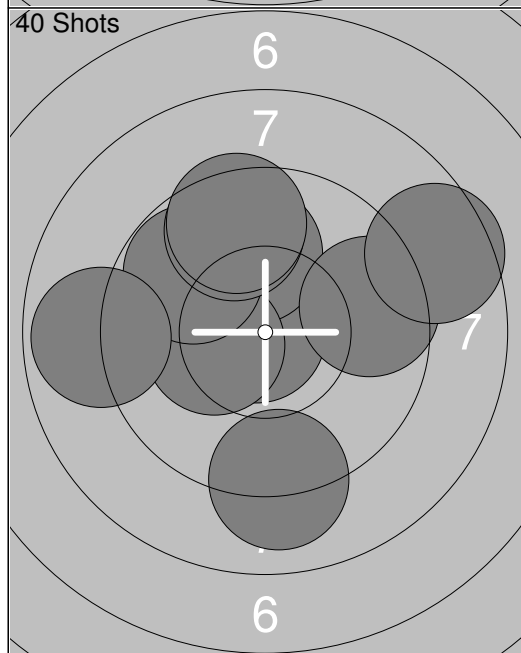
1:	9.2	↗
2:	9.1	↗
3:	10.5x	↑
4:	9.9	↖
5:	8.4	↑
6:	9.1	↖
7:	8.9	↖
8:	9.7	↖
9:	9.5	↓
10:	8.8	↑
Series		93.1
Total		93.1



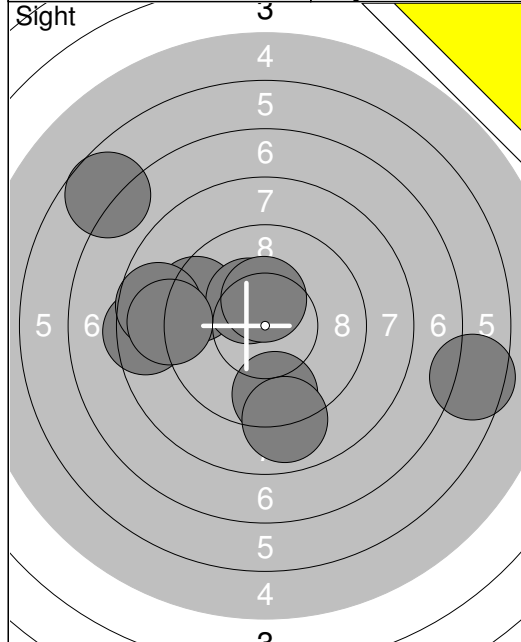
11:	9.3	↘
12:	10.0	↑
13:	9.7	→
14:	10.3x	↖
15:	10.5x	→
16:	10.5x	→
17:	8.9	→
18:	9.0	↓
19:	10.6x	→
20:	10.0	↑
Series		98.8
Total		191.9



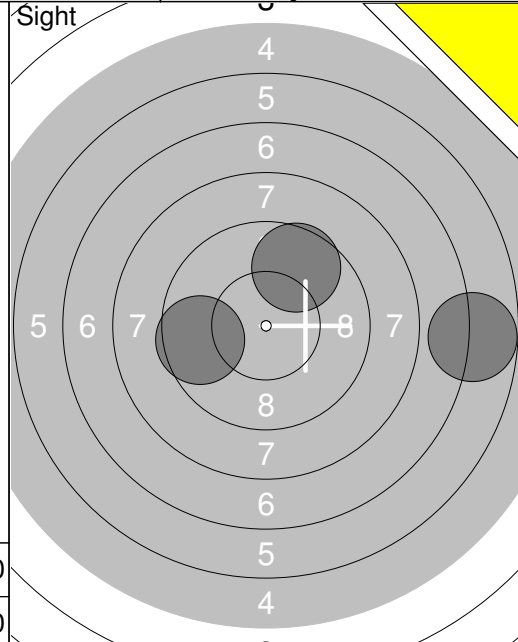
21:	10.7x	↗
22:	9.6	←
23:	10.3x	↘
24:	10.6x	↗
25:	8.1	↑
26:	9.7	→
27:	10.3x	↓
28:	8.6	↑
29:	10.6x	↖
30:	10.1	↑
Series		98.6
Total		290.5



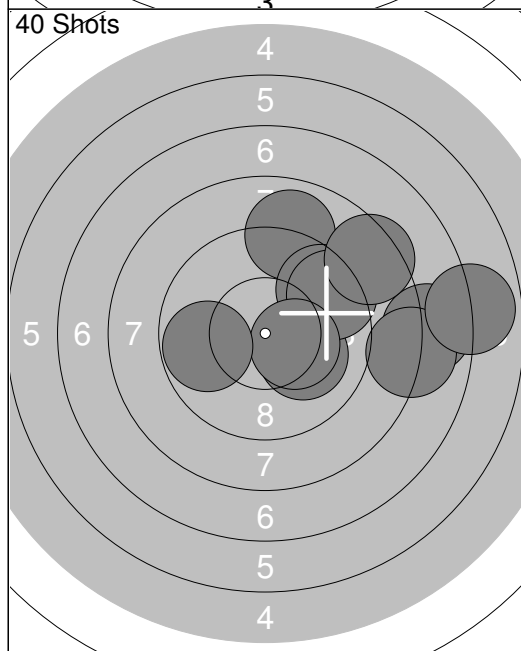
31:	10.8x	←
32:	9.9	↑
33:	10.3x	←
34:	9.6	→
35:	9.8	↖
36:	8.9	←
37:	9.6	↑
38:	9.5	↑
39:	8.6	↗
40:	9.1	↓
Series		96.1
Total		386.6



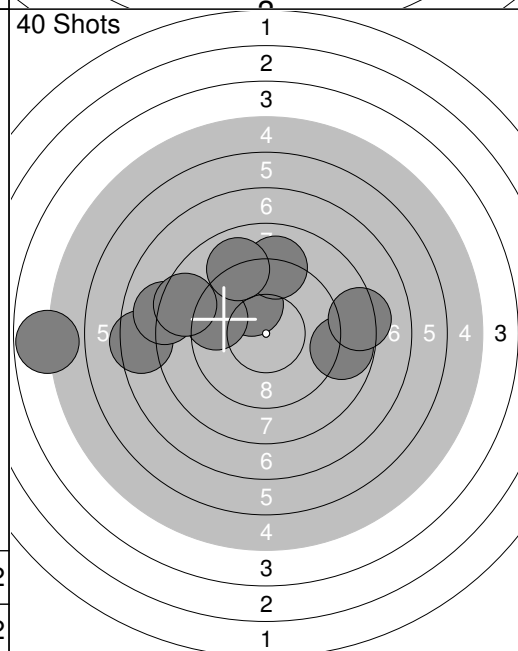
1: 9.5	↓
2: 9.4	←
3: 10.3x	↗
4: 6.7	↗
5: 6.5	→
6: 8.5	←
7: 9.0	↓
8: 10.4x	↑
9: 8.7	←
10: 9.0	←
Series 88.0	
Total 0.0	



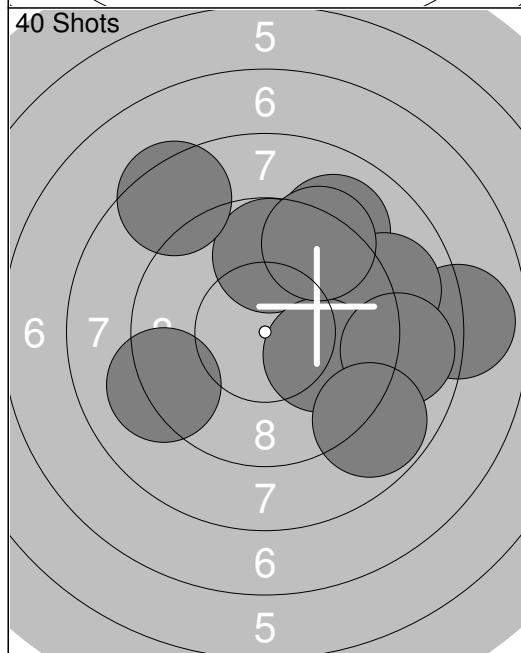
11: 9.6	←
12: 6.8	→
13: 9.6	↗
Series 26.0	
Total 0.0	



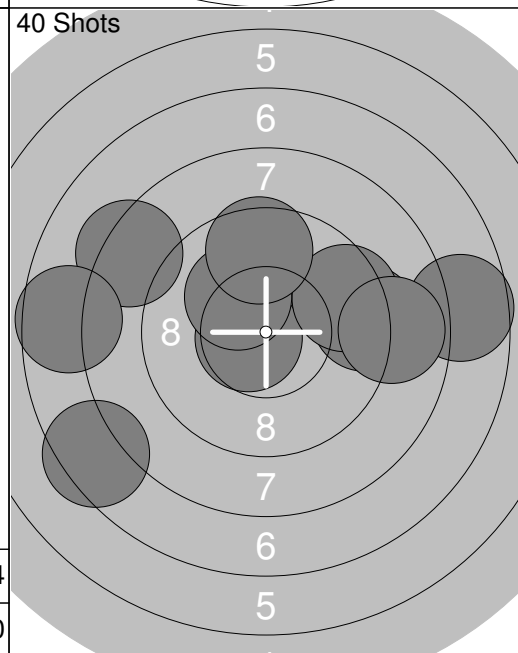
1: 7.8	→
2: 8.1	→
3: 10.1	↘
4: 8.9	↑
5: 9.5	↗
6: 9.4	↗
7: 8.4	↗
8: 10.3x	→
9: 9.8	←
10: 6.9	→
Series 89.2	
Total 89.2	



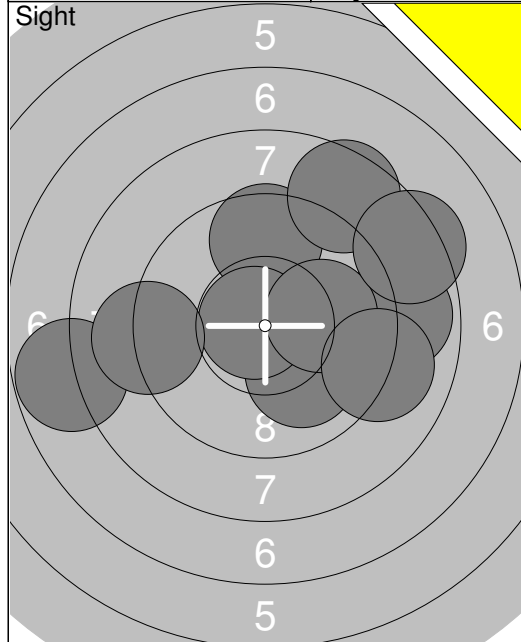
11: 10.0	↖
12: 8.8	→
13: 8.3	→
14: 4.8	←
15: 9.5	←
16: 7.4	←
17: 8.0	←
18: 9.1	↑
19: 8.5	←
20: 9.0	↖
Series 83.4	
Total 172.6	



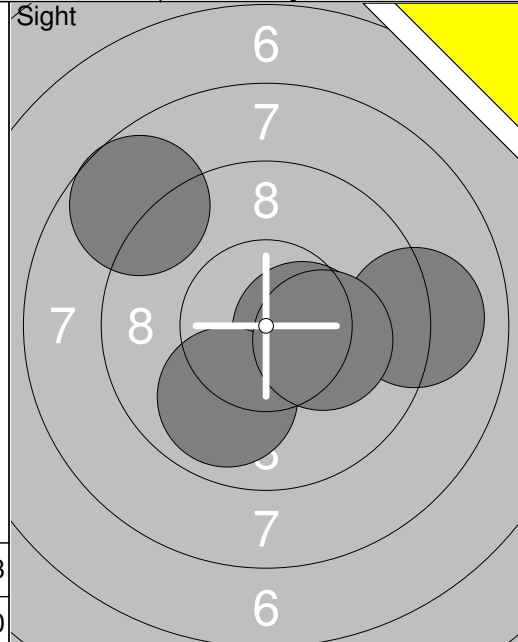
21: 7.9	→
22: 9.1	↗
23: 9.0	→
24: 9.8	↑
25: 10.0	→
26: 8.9	→
27: 8.4	↗
28: 8.8	↘
29: 9.2	←
30: 9.3	↗
Series 90.4	
Total 263.0	



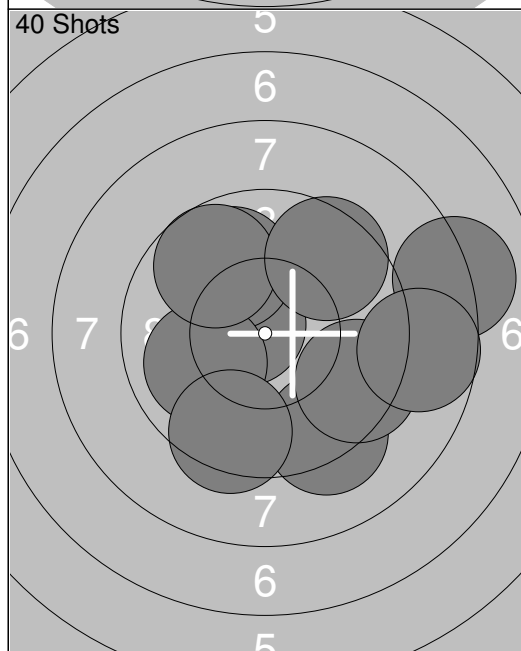
31: 9.3	→
32: 8.3	↖
33: 7.7	→
34: 10.6x	←
35: 9.5	→
36: 10.2x	↖
37: 7.6	←
38: 7.4	↖
39: 8.8	→
40: 9.6	↑
Series 89.0	
Total 352.0	



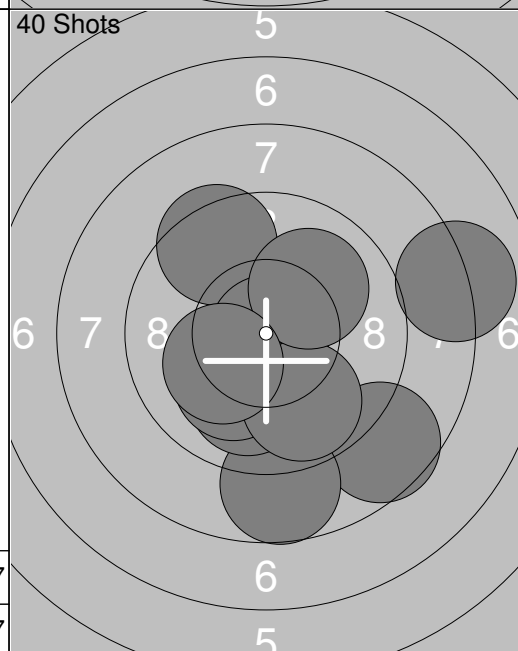
1:	9.6	↑
2:	10.0	↓
3:	10.8x	↙
4:	8.9	→
5:	7.8	←
6:	10.1	→
7:	8.6	↗
8:	8.3	↗
9:	9.1	←
10:	9.1	→
Series		92.3
Total		0.0



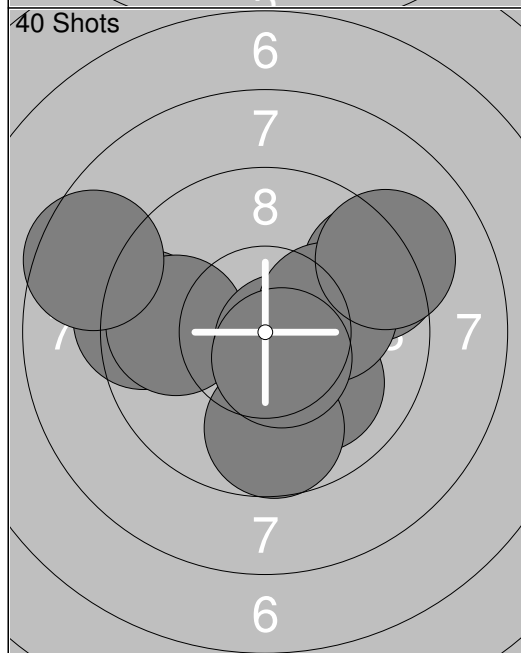
11:	10.5x	→
12:	9.9	↙
13:	9.1	→
14:	8.7	↖
15:	10.2x	→
Series		48.4
Total		0.0



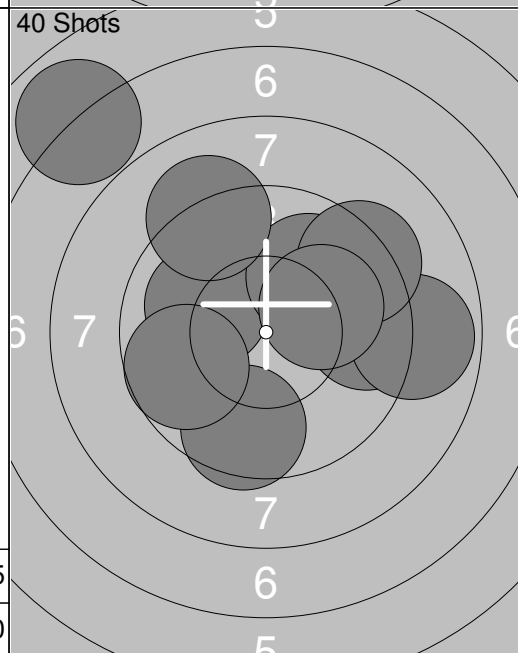
1:	9.3	↓
2:	10.6x	↙
3:	9.9	↑
4:	10.0	↙
5:	9.4	↓
6:	9.7	↗
7:	9.5	↗
8:	9.5	↓
9:	8.1	→
10:	8.7	→
Series		94.7
Total		94.7



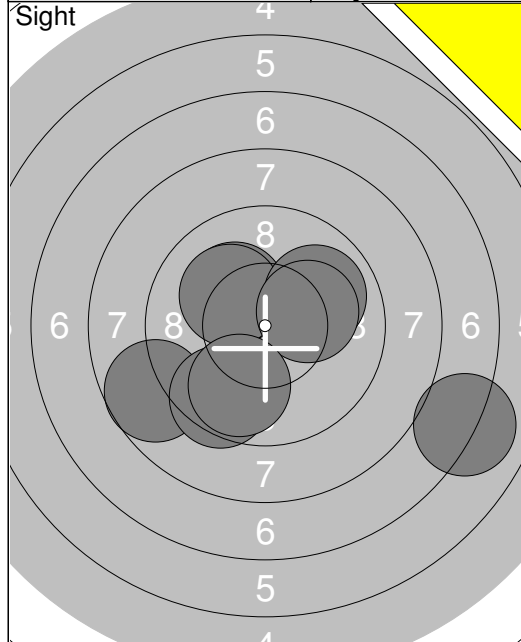
11:	8.6	↓
12:	8.7	↓
13:	10.0	↓
14:	9.5	↖
15:	10.9x	→
16:	10.1	↙
17:	9.8	↓
18:	8.0	→
19:	10.0	↗
20:	10.2x	↙
Series		95.8
Total		190.5



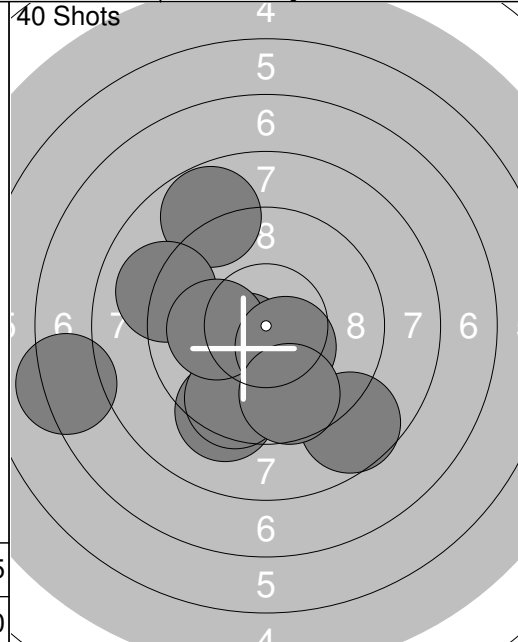
21:	9.4	←
22:	9.8	←
23:	9.4	↗
24:	10.0	↓
25:	9.7	↓
26:	10.7x	→
27:	10.1	→
28:	8.6	←
29:	9.2	↗
30:	10.6x	↓
Series		97.5
Total		288.0



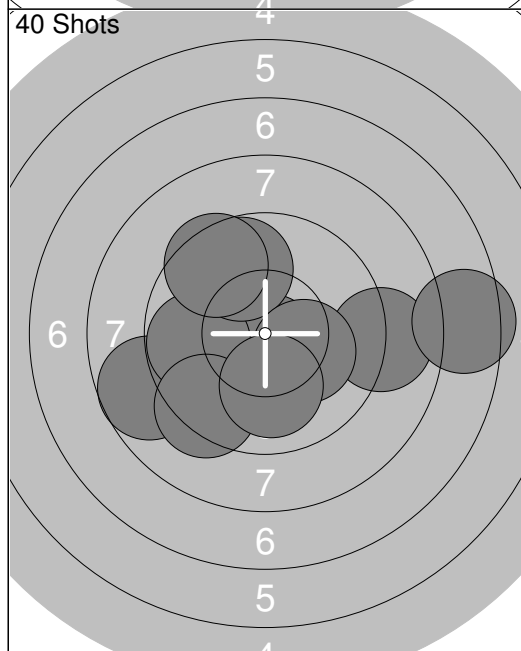
31:	9.5	↓
32:	10.0	↖
33:	9.5	→
34:	9.7	↙
35:	8.9	→
36:	9.9	↗
37:	6.9	↖
38:	9.3	↗
39:	10.1	↗
40:	9.1	↖
Series		92.9
Total		380.9



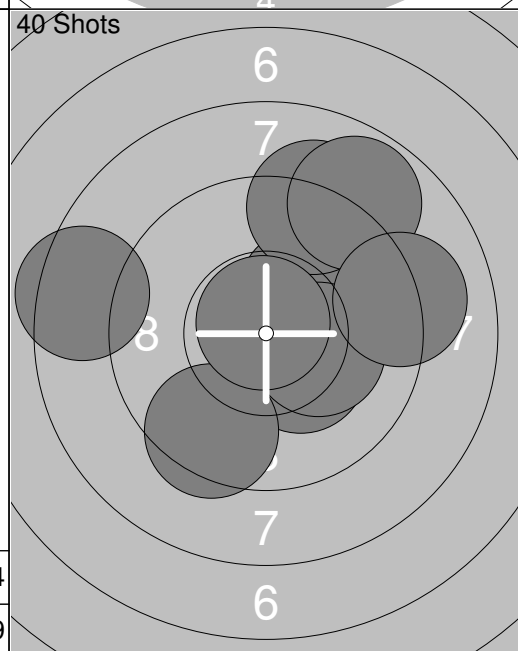
1:	7.1	↘
2:	10.2x	↖
3:	8.7	↙
4:	10.1	↖
5:	9.9	↗
6:	9.5	↙
7:	10.2x	→
8:	9.8	↙
Series		75.5
Total		0.0



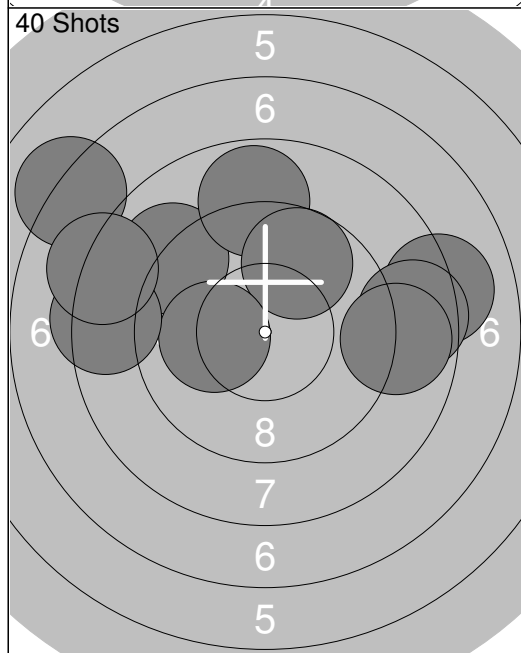
1:	8.8	↖
2:	10.5x	↙
3:	9.1	↙
4:	9.3	↙
5:	7.3	←
6:	8.7	↙
7:	9.6	↙
8:	10.1	←
9:	10.4x	↙
10:	9.7	↙
Series		93.5
Total		93.5



11:	8.7	↙
12:	10.7x	↙
13:	9.8	←
14:	9.3	↙
15:	8.9	→
16:	9.8	↖
17:	10.2x	→
18:	7.5	→
19:	9.5	↖
20:	10.0	↙
Series		94.4
Total		187.9

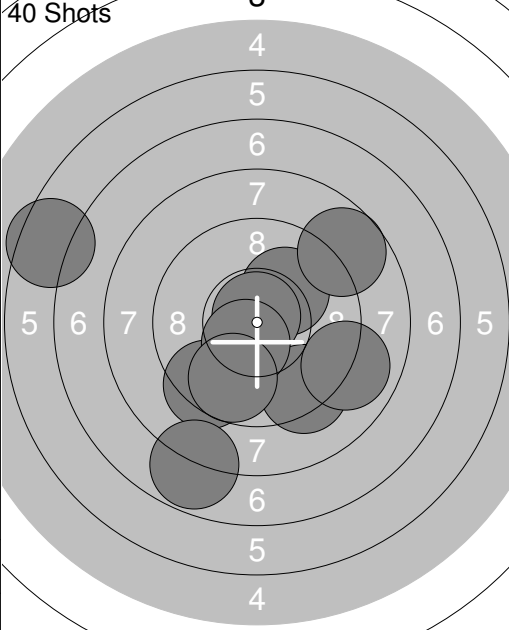


21:	10.2x	↗
22:	10.3x	↙
23:	10.3x	→
24:	9.1	↖
25:	8.4	←
26:	8.8	↖
27:	10.2x	→
28:	9.5	↙
29:	10.8x	↖
30:	9.1	→
Series		96.7
Total		284.6



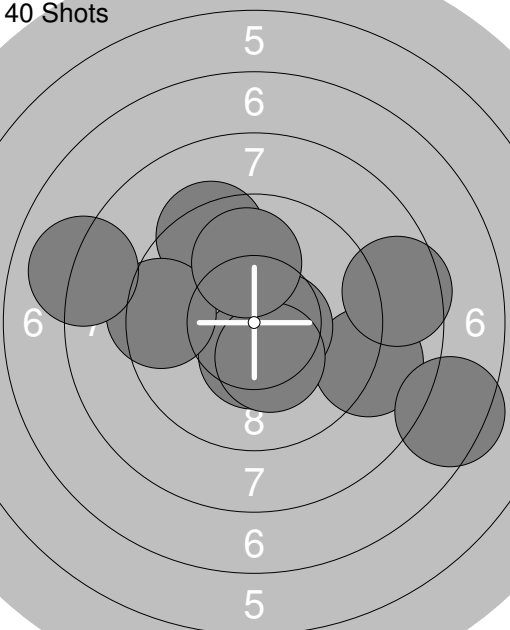
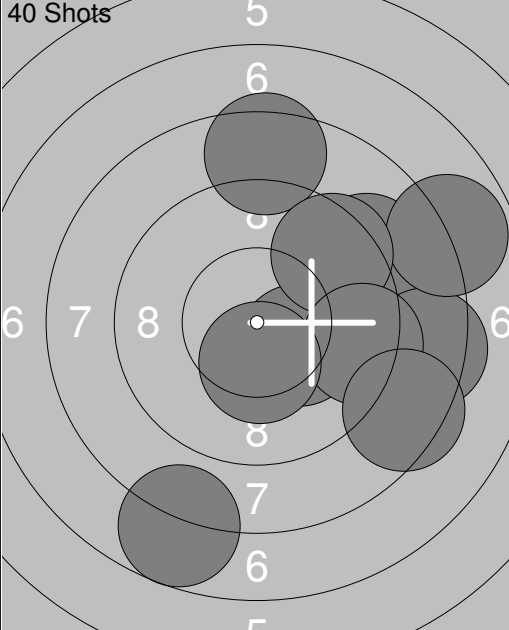
31:	9.1	↖
32:	7.1	↖
33:	8.8	↖
34:	8.1	→
35:	9.7	↖
36:	10.1	←
37:	8.6	→
38:	8.8	→
39:	8.4	←
40:	8.1	↖
Series		86.8
Total		371.4

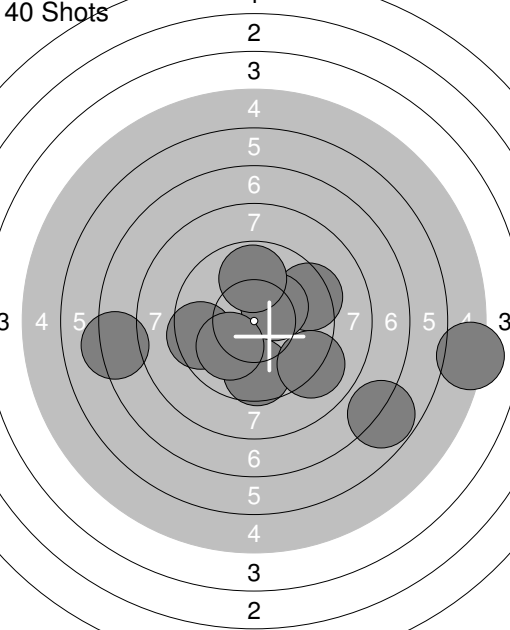
<p>Sight</p> 	<p>1: 8.2 ↗ 2: 10.6x↖ 3: 9.0 ↘ 4: 10.2x↖ 5: 9.5 ↗ 6: 9.7 ← 7: 8.8 ↖ 8: 9.8 ← 9: 9.3 ↑ 10: 9.6 ↗</p> <p>Series 94.7 Total 0.0</p>	<p>Sight</p> 	<p>11: 8.9 ← 12: 7.4 ↖ 13: 8.6 ↗ 14: 10.0 ↘ 15: 10.3x↓ 16: 7.2 ← 17: 9.8 →</p> <p>Series 62.2 Total 0.0</p>
--	--	--	---

<p>40 Shots</p> 	<p>1: 10.5x↖ 2: 9.4 → 3: 8.7 ← 4: 10.6x↓ 5: 8.2 → 6: 8.6 ↓ 7: 8.2 ↗ 8: 10.4x→ 9: 9.8 ↘ 10: 9.6 ↗</p> <p>Series 94.0 Total 94.0</p>	<p>40 Shots</p> 	<p>11: 9.4 ↘ 12: 9.3 ↘ 13: 10.1 ↗ 14: 10.8x↑ 15: 10.5x↓ 16: 9.0 → 17: 7.8 ↓ 18: 6.5 ← 19: 9.7 ↓ 20: 8.7 ↗</p> <p>Series 91.8 Total 185.8</p>
--	--	--	--

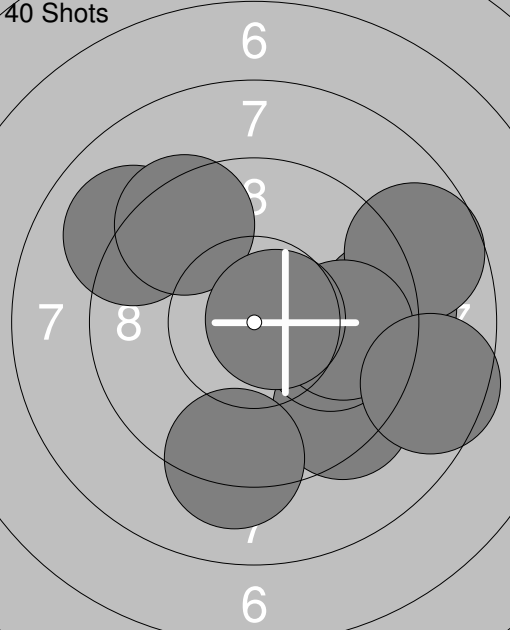
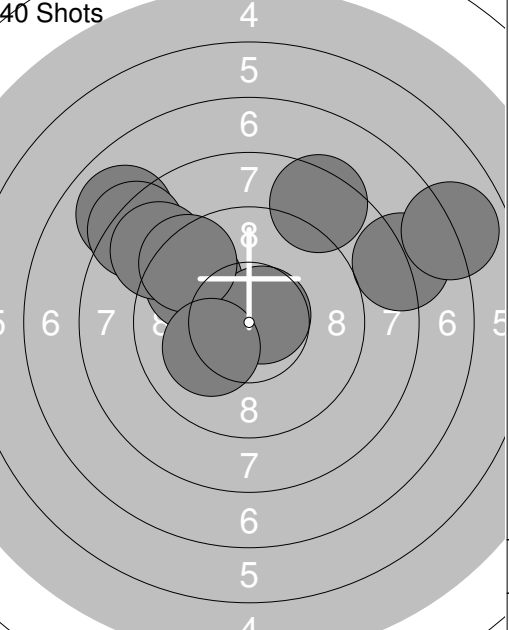
<p>40 Shots</p> 	<p>21: 10.0 → 22: 9.4 → 23: 9.4 → 24: 9.1 ← 25: 9.3 ↓ 26: 9.4 ↓ 27: 9.7 ← 28: 6.3 ↓ 29: 9.6 → 30: 7.5 ↖</p> <p>Series 89.7 Total 275.5</p>	<p>40 Shots</p> 	<p>31: 10.5x↓ 32: 8.3 → 33: 8.6 ← 34: 8.0 → 35: 10.4x↖ 36: 9.1 → 37: 10.1 ↑ 38: 10.7x→ 39: 7.8 → 40: 8.5 ↓</p> <p>Series 92.0 Total 367.5</p>
---	--	---	---

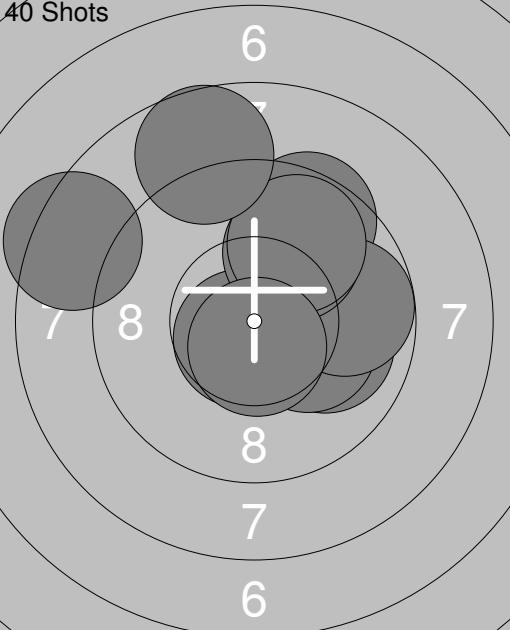
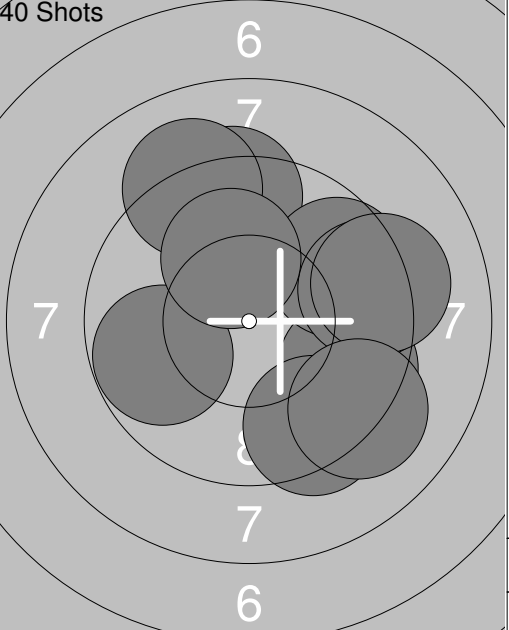
<p>Sight</p> 	<p>1: 9.6 ↓</p> <p>2: 9.0 ↗</p> <p>3: 9.3 ←</p> <p>4: 9.2 →</p> <p>5: 8.7 ↗</p> <p>6: 8.3 ←</p> <p>7: 10.3x ←</p> <p>8: 7.8 →</p> <p>9: 8.3 →</p> <p>10: 9.6 ↓</p> <hr/> <p>Series 90.1</p> <hr/> <p>Total 0.0</p>	<p>40 Shots</p>  <p>1: 7.6 ↓</p> <p>2: 9.6 ↗</p> <p>3: 9.5 ↓</p> <p>4: 8.5 ↗</p> <p>5: 9.3 ↗</p> <p>6: 8.4 ←</p> <p>7: 8.6 ↓</p> <p>8: 9.5 ↓</p> <p>9: 8.6 ←</p> <p>10: 9.1 ←</p> <hr/> <p>Series 88.7</p> <hr/> <p>Total 88.7</p>
---	--	--

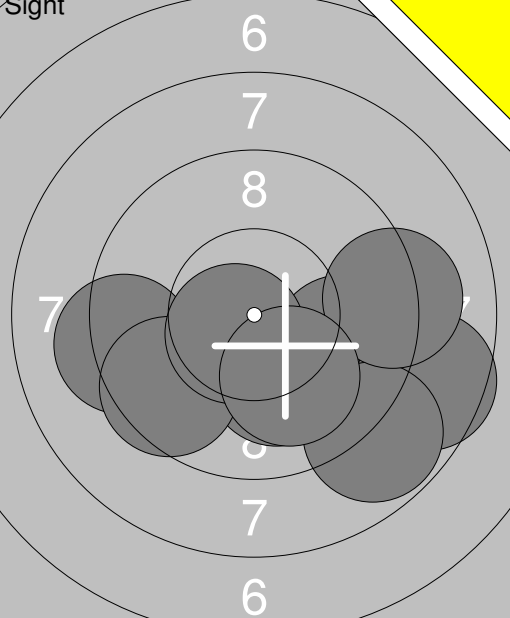
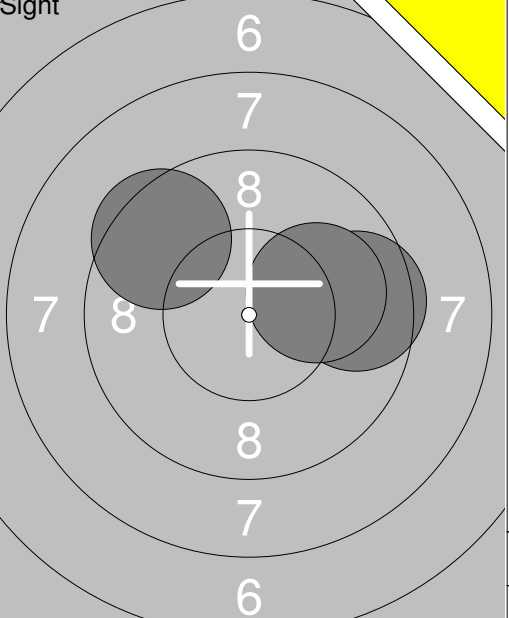
<p>40 Shots</p> 	<p>11: 9.0 →</p> <p>12: 10.6x →</p> <p>13: 8.6 →</p> <p>14: 9.4 ↗</p> <p>15: 10.4x ↓</p> <p>16: 7.4 →</p> <p>17: 10.3x ↓</p> <p>18: 9.4 ←</p> <p>19: 10.0 ↑</p> <p>20: 8.0 ←</p> <hr/> <p>Series 93.1</p> <hr/> <p>Total 181.8</p>	<p>40 Shots</p>  <p>21: 9.1 ↗</p> <p>22: 8.4 →</p> <p>23: 8.5 ↑</p> <p>24: 10.2x →</p> <p>25: 7.9 ↗</p> <p>26: 9.5 ↗</p> <p>27: 9.4 →</p> <p>28: 7.7 ↓</p> <p>29: 10.4x ↓</p> <p>30: 8.4 →</p> <hr/> <p>Series 89.5</p> <hr/> <p>Total 271.3</p>
---	--	---

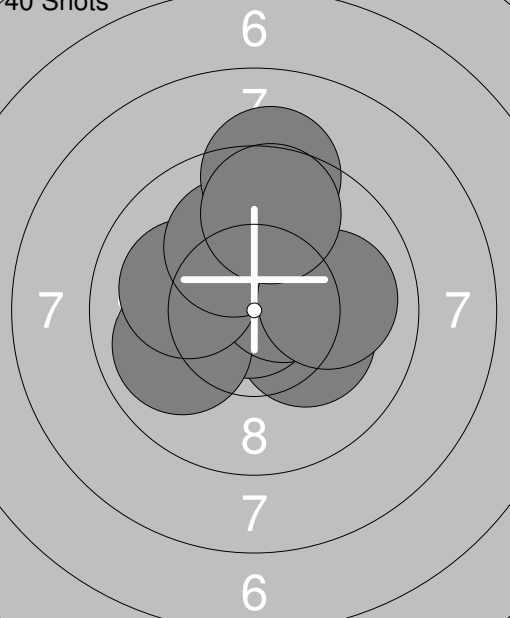
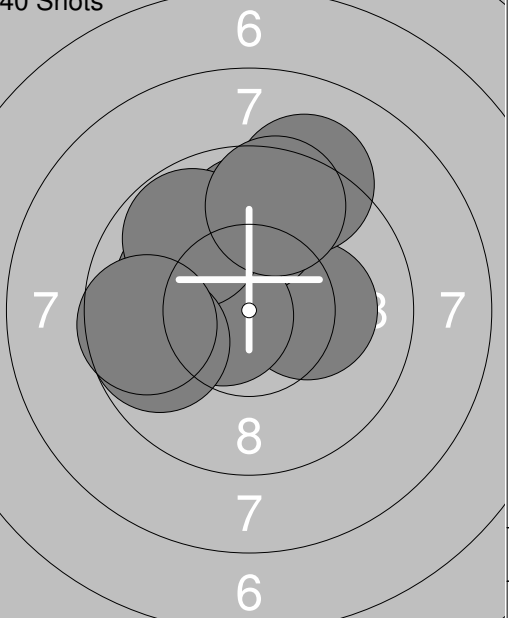
<p>40 Shots</p> 	<p>31: 9.4 ↗</p> <p>32: 9.5 ←</p> <p>33: 10.3x ↗</p> <p>34: 5.2 →</p> <p>35: 9.6 ↓</p> <p>36: 9.1 →</p> <p>37: 10.0 ↙</p> <p>38: 7.2 ←</p> <p>39: 9.8 ↑</p> <p>40: 6.8 ↓</p> <hr/> <p>Series 86.9</p> <hr/> <p>Total 358.2</p>	
--	--	--

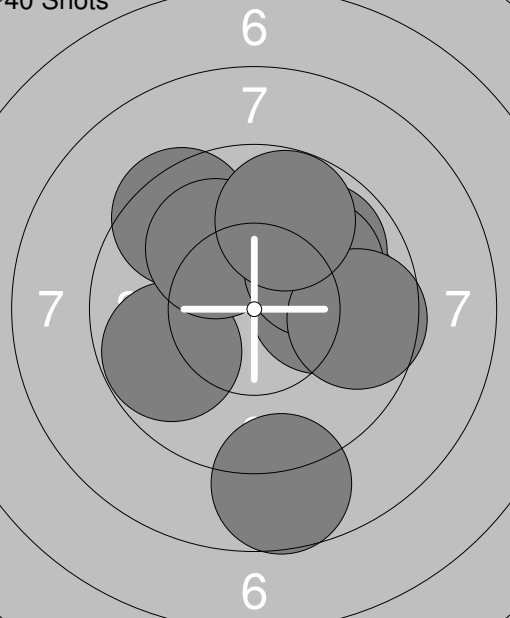
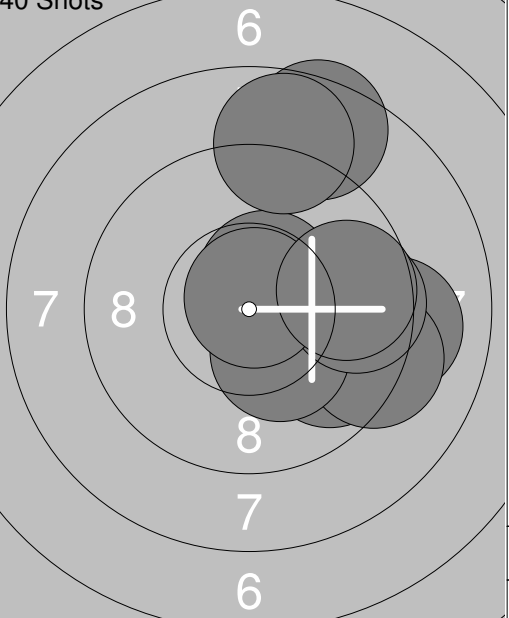
<p>Sight</p> 	<p>1: 8.2 ↘ 2: 7.8 ← 3: 7.3 ← 4: 9.0 ↑ 5: 10.1 ← 6: 9.9 ← 7: 8.3 ↓ 8: 9.8 ↓ 9: 6.7 ↗ 10: 7.9 ←</p> <p>Series 85.0 Total 0.0</p>	<p>Sight</p> 	<p>11: 9.1 ↙ 12: 9.7 ↗ 13: 9.5 ↗</p> <p>Series 28.3 Total 0.0</p>
---	---	---	---

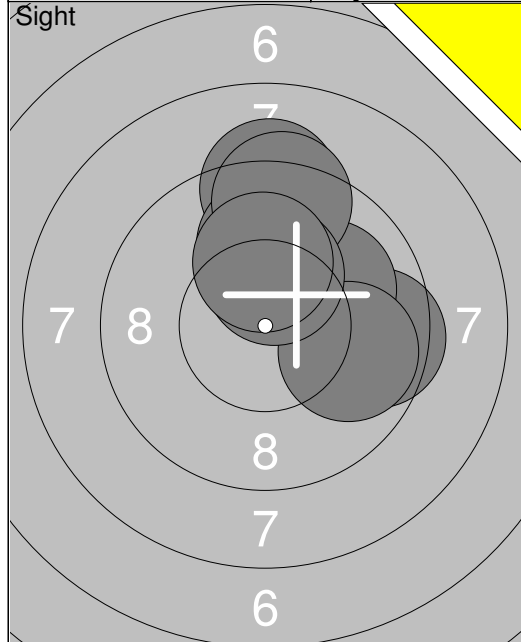
<p>40 Shots</p> 	<p>1: 9.2 → 2: 9.4 ↓ 3: 9.9 → 4: 8.7 → 5: 9.0 ↗ 6: 9.4 ↗ 7: 9.2 ↓ 8: 9.8 → 9: 8.6 → 10: 10.7x →</p> <p>Series 93.9 Total 93.9</p>	<p>40 Shots</p> 	<p>11: 8.0 ↙ 12: 9.7 ↙ 13: 10.7x ↗ 14: 8.3 ↙ 15: 8.9 ↗ 16: 9.4 ↙ 17: 8.4 ↑ 18: 8.0 → 19: 6.9 → 20: 10.1 ↙</p> <p>Series 88.4 Total 182.3</p>
---	---	---	--

<p>40 Shots</p> 	<p>21: 9.5 ↗ 22: 10.0 → 23: 10.7x ↓ 24: 10.2x → 25: 9.8 → 26: 9.9 ↗ 27: 9.8 ↗ 28: 8.7 ↗ 29: 8.4 ← 30: 10.6x ↓</p> <p>Series 97.6 Total 279.9</p>	<p>40 Shots</p> 	<p>31: 9.6 → 32: 9.3 ↑ 33: 9.6 ↗ 34: 9.4 → 35: 9.2 → 36: 9.1 ↑ 37: 9.4 ↓ 38: 9.8 ← 39: 9.2 ↓ 40: 10.1 ↑</p> <p>Series 94.7 Total 374.6</p>
--	--	--	--

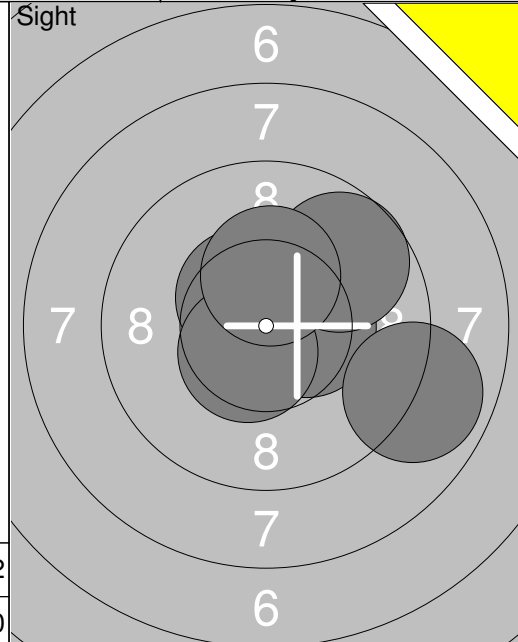
 <p style="text-align:center;">Sight</p>	<p>1: 10.1 ↓</p> <p>2: 9.4 →</p> <p>3: 9.2 ←</p> <p>4: 9.8 →</p> <p>5: 9.5 ↙</p> <p>6: 10.6x ↙</p> <p>7: 8.6 →</p> <p>8: 8.8 ↘</p> <p>9: 9.2 →</p> <p>10: 10.0 ↓</p> <hr/> <p>Series 95.2</p> <hr/> <p>Total 0.0</p>	 <p style="text-align:center;">Sight</p>	<p>11: 9.6 →</p> <p>12: 9.5 ↖</p> <p>13: 10.1 →</p> <hr/> <p>Series 29.2</p> <hr/> <p>Total 0.0</p>
--	--	--	---

 <p style="text-align:center;">40 Shots</p>	<p>1: 10.6x ↑</p> <p>2: 10.2x →</p> <p>3: 10.9x ↖</p> <p>4: 9.9 ←</p> <p>5: 10.5x ↗</p> <p>6: 10.1 ←</p> <p>7: 10.1 ↑</p> <p>8: 10.0 →</p> <p>9: 9.2 ↑</p> <p>10: 9.7 ↑</p> <hr/> <p>Series 101.2</p> <hr/> <p>Total 101.2</p>	 <p style="text-align:center;">40 Shots</p>	<p>11: 10.2x ↖</p> <p>12: 10.2x →</p> <p>13: 9.9 ↑</p> <p>14: 9.2 ↑</p> <p>15: 10.1 ↖</p> <p>16: 10.6x ←</p> <p>17: 9.8 ↖</p> <p>18: 9.6 ↑</p> <p>19: 9.7 ←</p> <p>20: 9.6 ←</p> <hr/> <p>Series 98.9</p> <hr/> <p>Total 200.1</p>
--	--	--	--

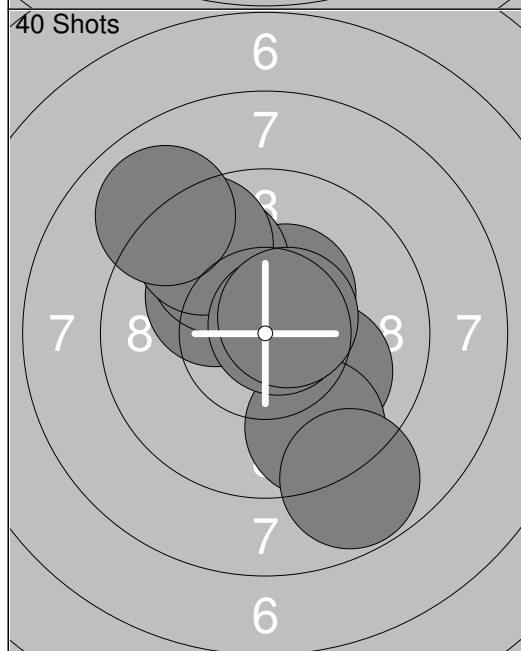
 <p style="text-align:center;">40 Shots</p>	<p>21: 9.8 ←</p> <p>22: 9.5 ↖</p> <p>23: 9.9 →</p> <p>24: 10.1 →</p> <p>25: 9.9 ↗</p> <p>26: 10.0 ↖</p> <p>27: 8.7 ↓</p> <p>28: 10.0 ↗</p> <p>29: 9.6 →</p> <p>30: 9.8 ↑</p> <hr/> <p>Series 97.3</p> <hr/> <p>Total 297.4</p>	 <p style="text-align:center;">40 Shots</p>	<p>31: 10.5x ↑</p> <p>32: 8.5 ↑</p> <p>33: 9.1 →</p> <p>34: 9.7 →</p> <p>35: 8.8 ↑</p> <p>36: 9.2 →</p> <p>37: 10.3x ↘</p> <p>38: 9.6 →</p> <p>39: 10.8x ↑</p> <p>40: 9.7 →</p> <hr/> <p>Series 96.2</p> <hr/> <p>Total 393.6</p>
---	--	---	---



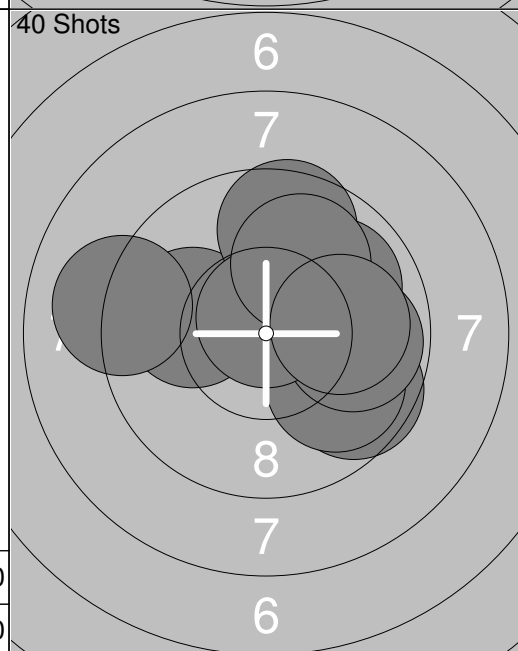
1:	9.5	→
2:	10.0	↗
3:	9.2	↑
4:	9.9	↑
5:	9.4	↑
7:	9.8	→
9:	10.3x	↑
10:	10.1	↑
Series		78.2
Total		0.0



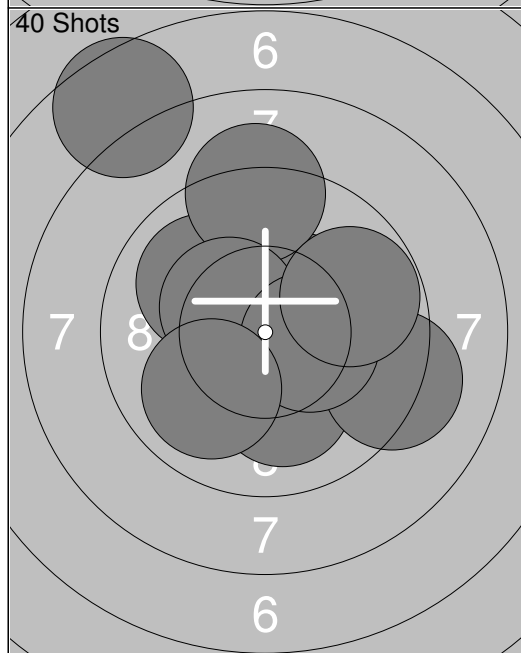
11:	10.4x	→
12:	10.5x	↖
13:	8.9	→
14:	10.5x	↙
15:	9.7	↗
16:	10.3x	↑
Series		60.3
Total		0.0



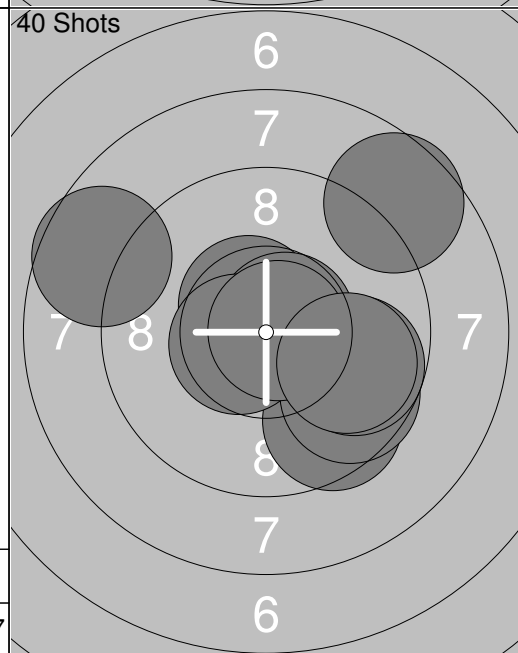
1:	10.1	↘
2:	10.2x	↖
3:	10.4x	↗
4:	9.9	↗
5:	9.6	↗
6:	9.0	↗
7:	9.6	↘
8:	10.8x	↗
9:	8.8	↘
10:	10.6x	↗
Series		99.0
Total		99.0



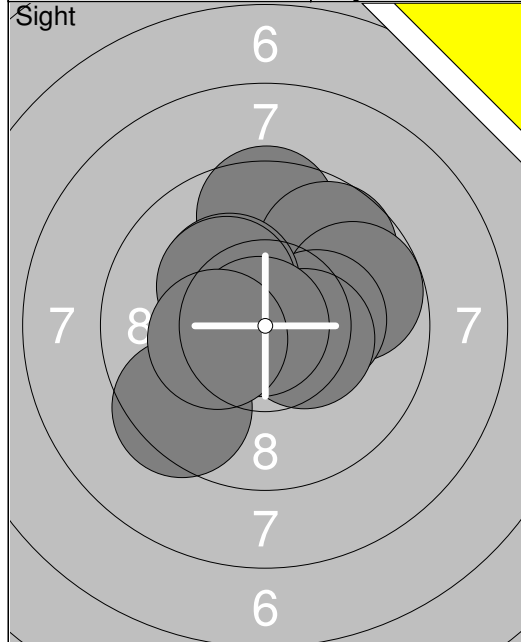
11:	9.6	↘
12:	9.9	↗
13:	10.0	←
14:	9.6	↑
15:	9.9	↘
16:	9.8	→
17:	10.7x	↑
18:	10.0	↗
19:	9.1	←
20:	10.0	→
Series		98.6
Total		197.6



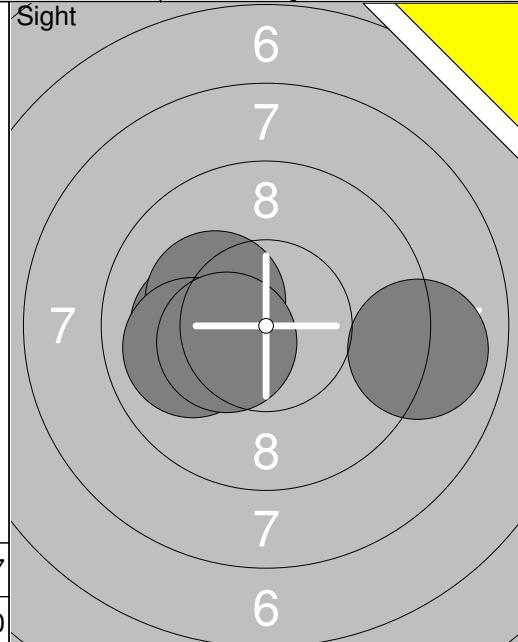
21:	10.0	↖
22:	7.6	↗
23:	10.4x	↗
24:	9.2	↑
25:	10.4x	↖
26:	10.1	↘
27:	9.2	→
28:	10.4x	→
29:	10.0	↙
30:	9.8	→
Series		97.1
Total		294.7



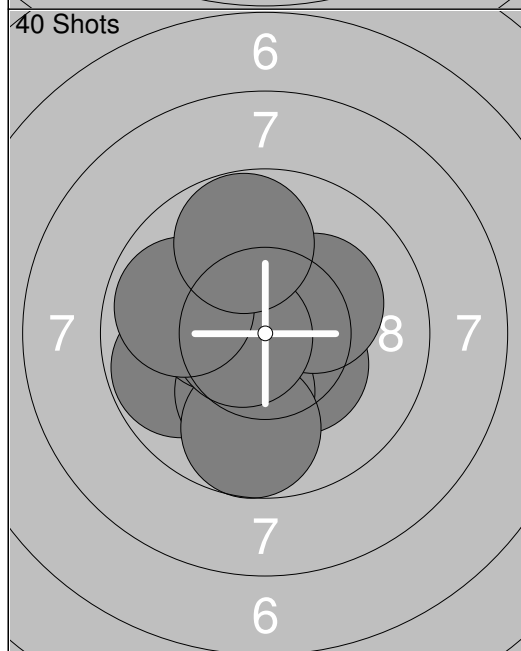
31:	10.5x	↖
32:	10.7x	↗
33:	9.5	↘
34:	9.6	↘
35:	8.6	↖
36:	10.6x	↙
37:	10.8x	→
38:	8.6	↗
39:	9.7	→
40:	9.8	→
Series		98.4
Total		393.1



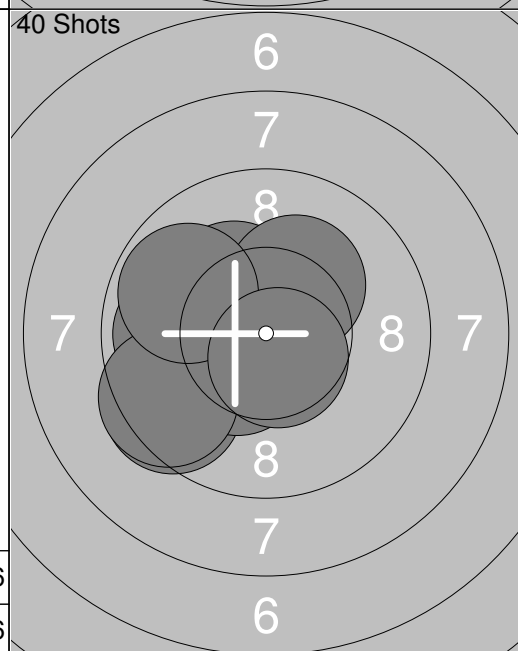
1:	9.5	↙
2:	9.5	↑
3:	9.7	↗
4:	9.7	→
5:	10.3x	→
6:	10.2x	↖
7:	10.2x	↖
8:	10.4x	→
9:	10.9x	←
10:	10.3x	←
Series		100.7
Total		0.0



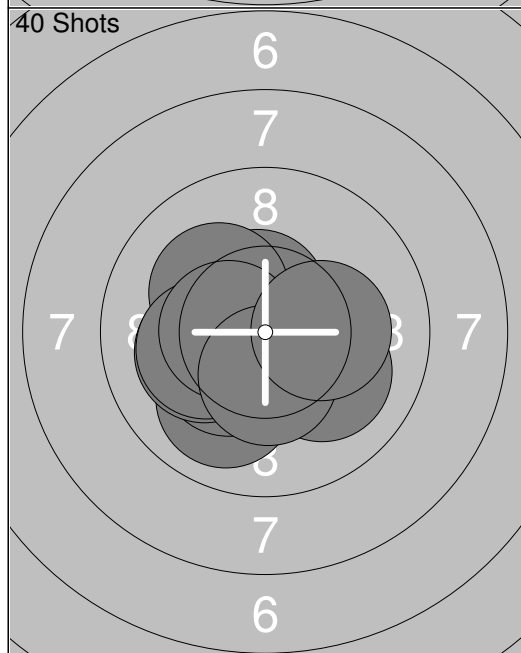
11:	10.1	←
12:	10.2x	↖
13:	9.0	→
14:	10.0	←
15:	10.4x	↙
Series		49.7
Total		0.0



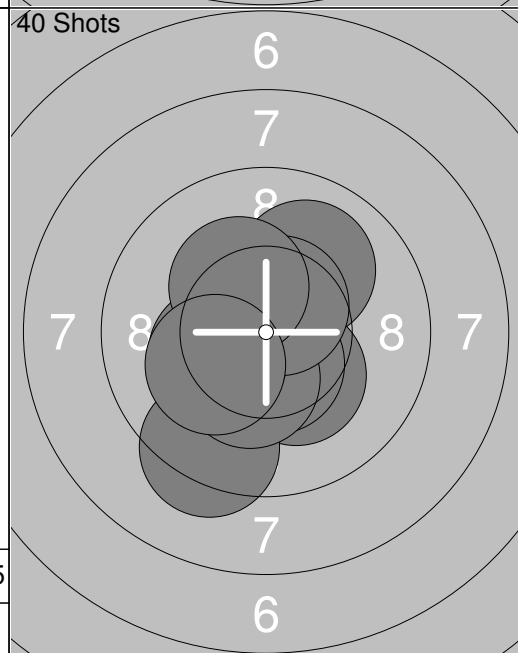
1:	10.4x	↘
2:	9.8	←
3:	10.2x	↘
4:	9.7	↓
5:	10.4x	↙
6:	10.5x	↑
7:	10.2x	↗
8:	10.7x	↙
9:	9.9	←
10:	9.8	↑
Series		101.6
Total		101.6



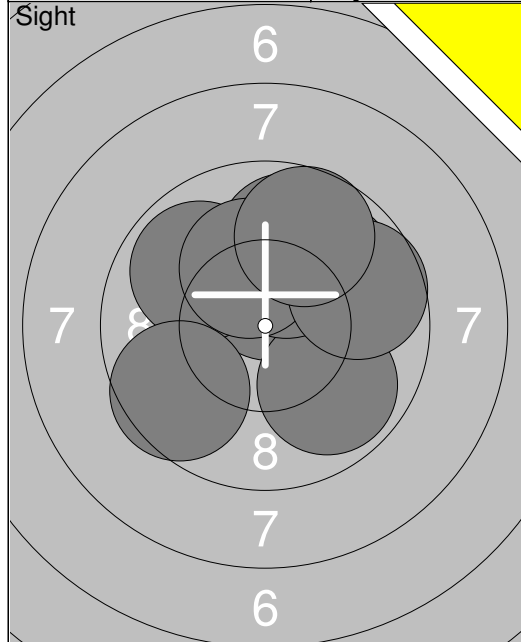
11:	10.3x	↖
12:	10.2x	↙
13:	10.6x	↙
14:	9.5	↙
15:	10.2x	↗
16:	9.9	←
17:	10.4x	↙
18:	9.5	↙
19:	9.8	↖
20:	10.6x	↘
Series		101.0
Total		202.6



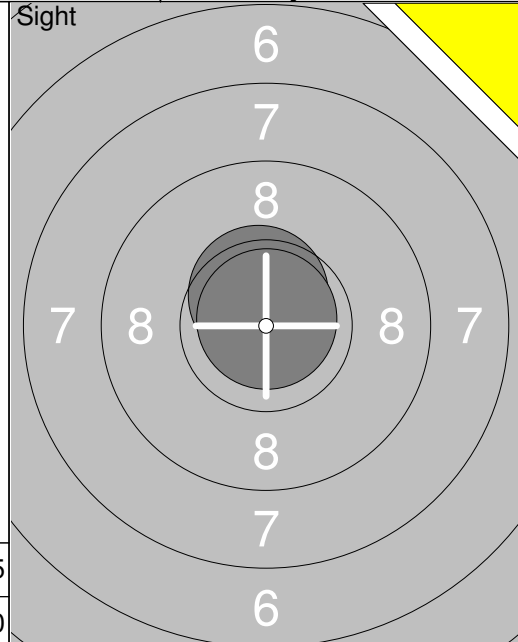
21:	10.0	↘
22:	10.3x	↙
23:	10.1	←
24:	10.1	↘
25:	10.5x	↑
26:	10.2x	↖
27:	10.2x	↙
28:	10.5x	←
29:	10.4x	↘
30:	10.2x	→
Series		102.5
Total		305.1



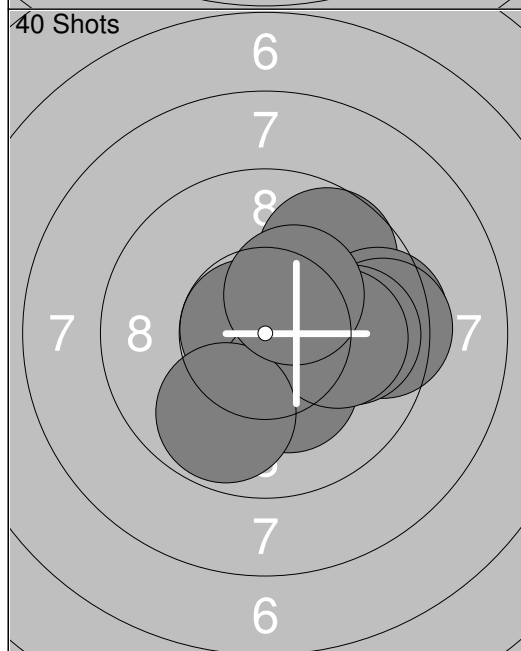
31:	10.0	↗
32:	10.3x	↘
33:	10.5x	↘
34:	9.3	↘
35:	10.5x	↗
36:	10.3x	↘
37:	10.3x	↙
38:	10.6x	↗
39:	10.3x	↖
40:	10.2x	↙
Series		102.3
Total		407.4



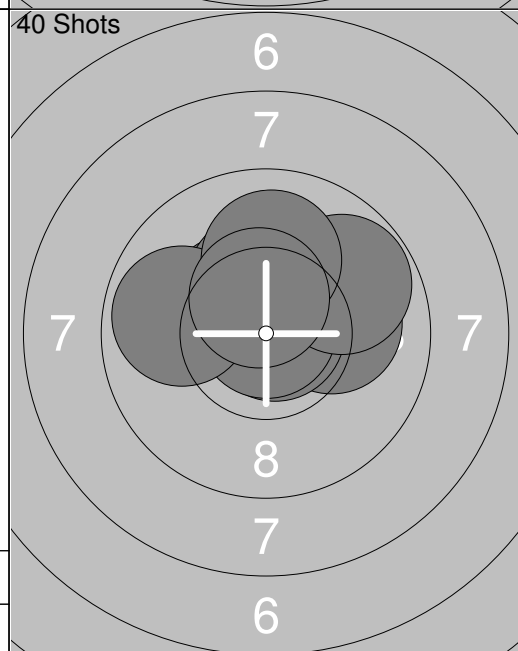
1: 10.5x ↑
2: 9.9 ↖
3: 9.9 ↗
4: 9.9 ↘
5: 10.2x ↑
6: 9.9 ↑
7: 9.6 ↙
8: 10.2x ↑
9: 9.7 →
10: 9.7 ↑
Series 99.5
Total 0.0



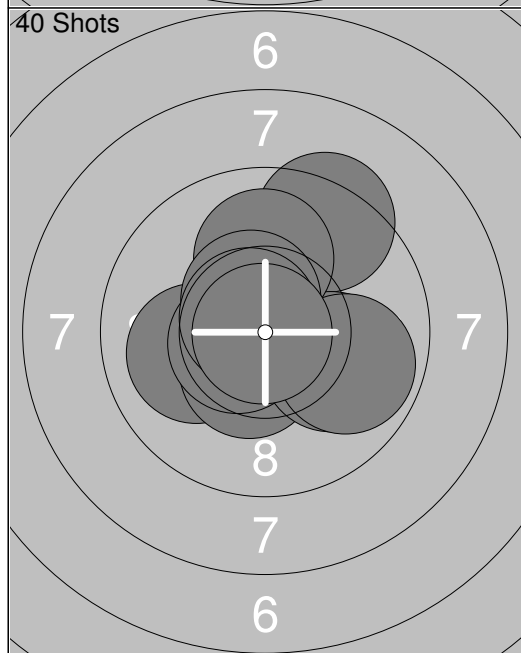
11: 10.6x ↑
12: 10.9x ↑
Series 21.5
Total 0.0



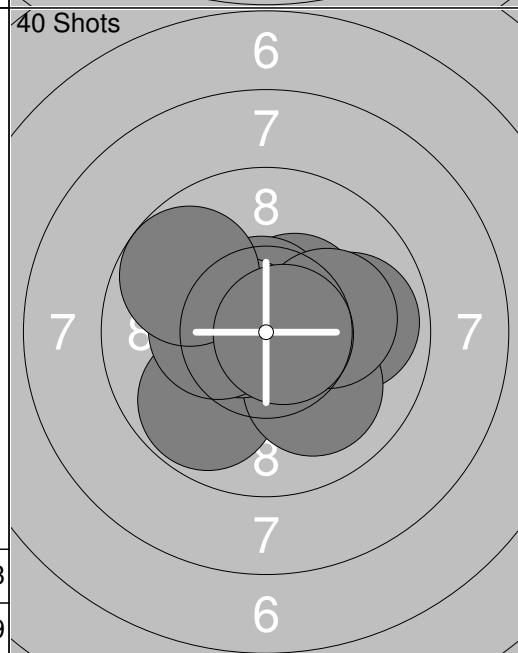
1: 10.8x ↖
2: 10.3x →
3: 9.7 ↗
4: 9.5 →
5: 9.5 →
6: 9.9 →
7: 10.3x ↘
8: 10.0 →
9: 9.8 ↘
10: 10.3x ↗
Series 100.1
Total 100.1



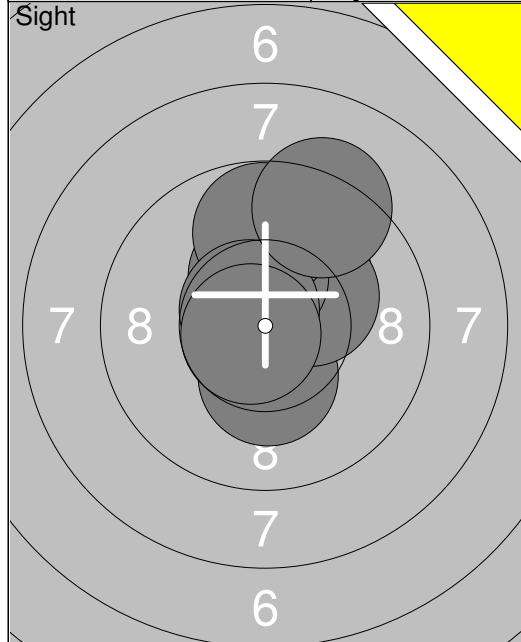
11: 10.8x ↑
12: 10.1 →
13: 10.4x ↖
14: 10.3x ↑
15: 10.8x →
16: 10.9x ↑
17: 9.8 ↗
18: 9.9 ↖
19: 10.0 ↑
20: 10.5x ↑
Series 103.5
Total 203.6



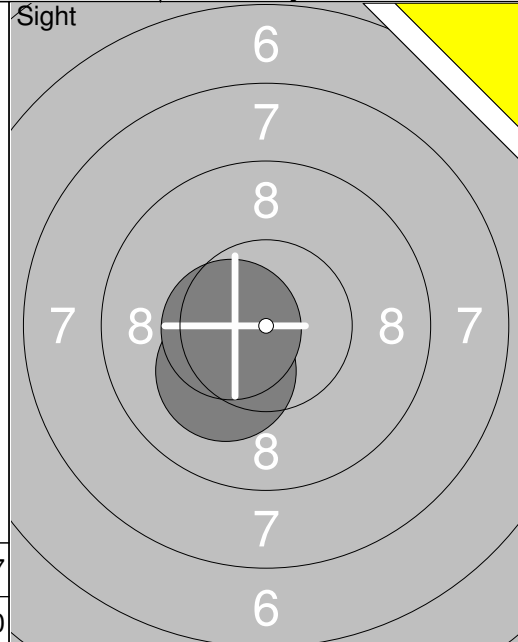
21: 10.0 ↖
22: 10.4x ↘
23: 9.4 ↗
24: 10.6x ↖
25: 10.0 →
26: 9.8 →
27: 10.0 ↑
28: 10.5x ↑
29: 10.7x ↖
30: 10.9x ↖
Series 102.3
Total 305.9



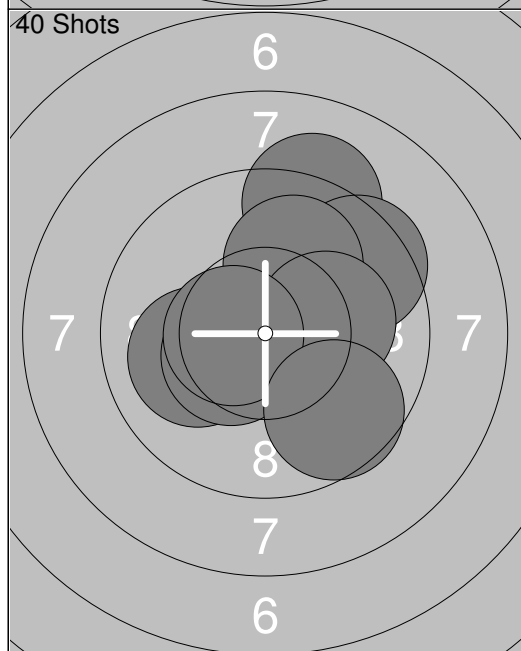
31: 9.8 ↘
32: 10.4x ↗
33: 9.9 →
34: 10.6x ↑
35: 10.0 ↘
36: 10.6x ↖
37: 10.3x ↖
38: 10.2x →
39: 9.7 ↖
40: 10.7x →
Series 102.2
Total 408.1



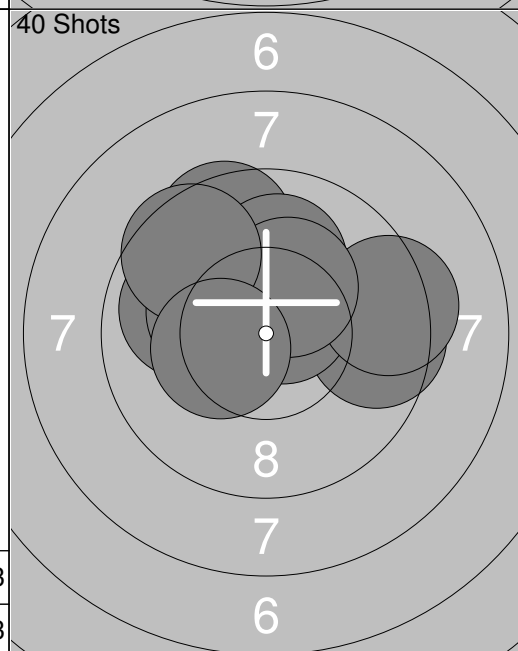
1: 9.5 ↗
2: 10.7x ↖
3: 10.1 ↗
4: 10.3x ↓
5: 10.3x ↗
6: 10.3x ↑
7: 9.8 ↑
8: 10.7x ↖
9: 9.3 ↗
10: 10.7x ↖
Series 101.7
Total 0.0



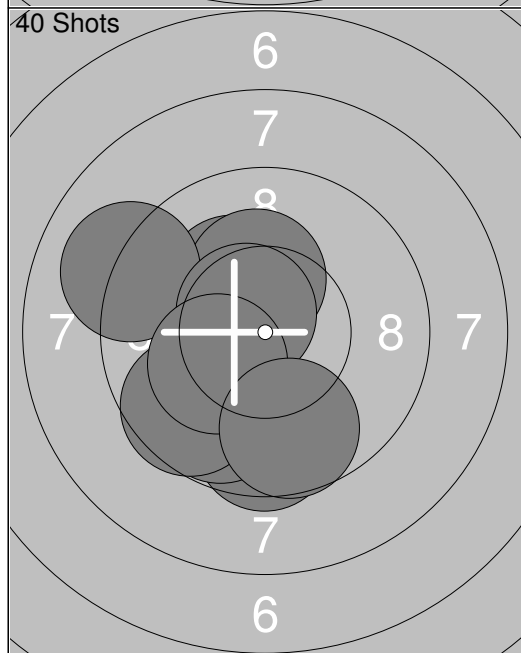
11: 10.2x ↘
12: 10.5x ←
Series 20.7
Total 0.0



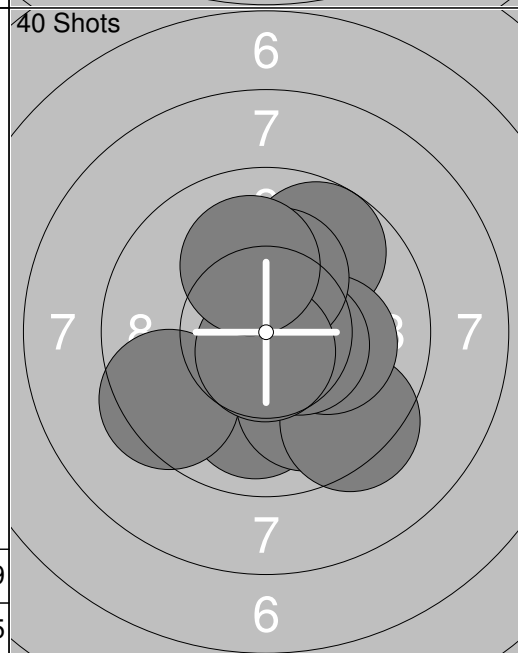
1: 10.2x ↗
2: 9.2 ↑
3: 9.5 ↗
4: 10.7x ↗
5: 10.0 ↑
6: 10.0 ←
7: 10.4x ↖
8: 10.2x →
9: 10.5x ←
10: 9.6 ↘
Series 100.3
Total 100.3



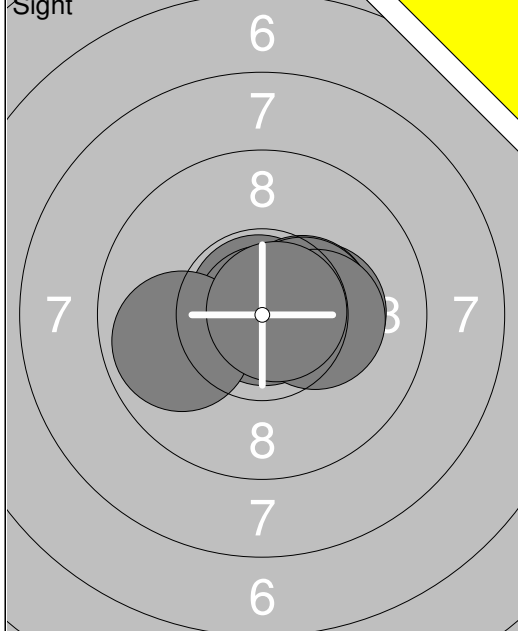
11: 9.5 →
12: 9.5 ↖
13: 9.9 ←
14: 10.0 ↑
15: 10.6x ↗
16: 10.3x ↖
17: 9.3 →
18: 10.3x ↑
19: 9.6 ↖
20: 10.3x ↖
Series 99.3
Total 199.6



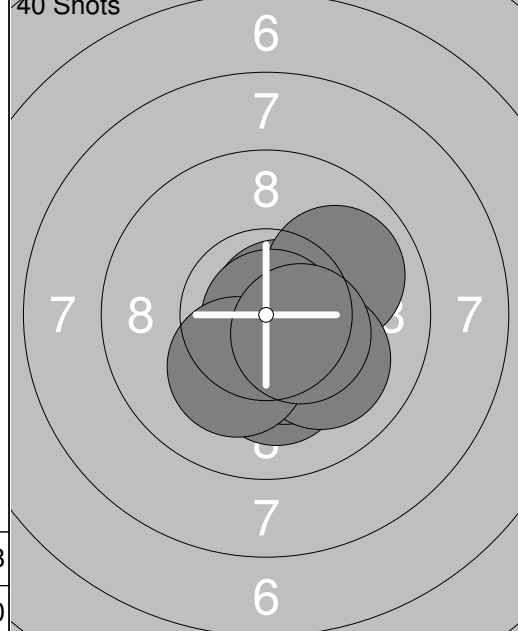
21: 10.2x ↖
22: 10.3x ↑
23: 9.8 ↓
24: 9.6 ↓
25: 9.1 ↖
26: 10.6x ↖
27: 9.8 ↓
28: 9.6 ↖
29: 10.2x ↖
30: 9.7 ↓
Series 98.9
Total 298.5



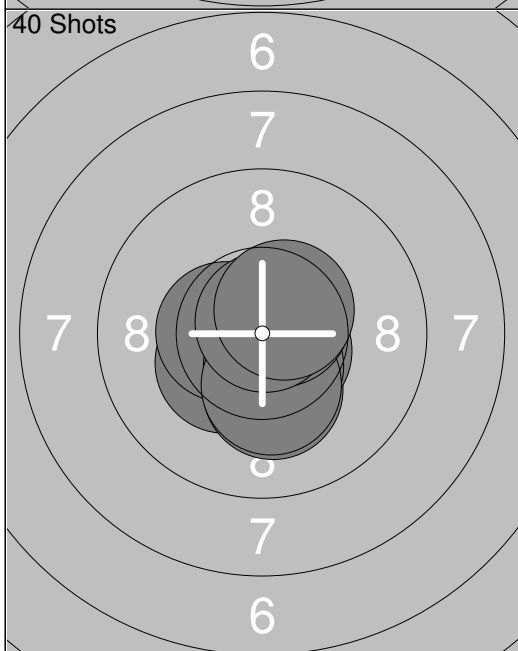
31: 10.0 ↓
32: 9.8 ↗
33: 9.9 ↓
34: 9.4 ↘
35: 10.2x →
36: 9.4 ←
37: 10.5x →
38: 10.2x ↑
39: 10.7x ↓
40: 10.1 ↑
Series 100.2
Total 398.7



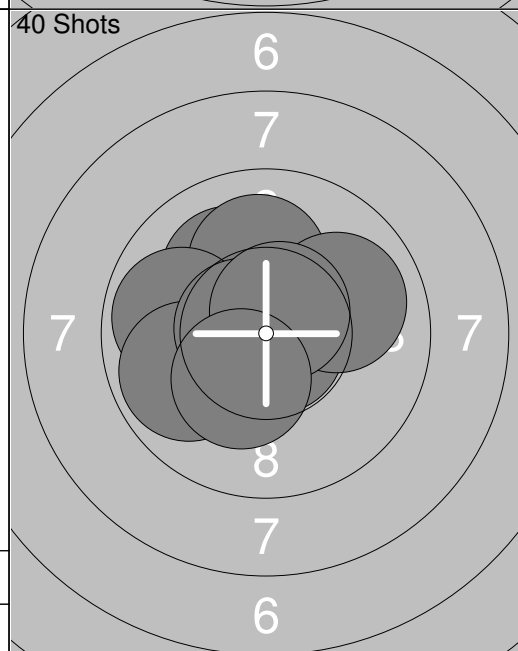
1: 10.3x →
2: 10.8x ↗
3: 10.4x →
4: 10.4x →
5: 10.9x →
6: 10.3x →
7: 9.9 ←
8: 10.8x →
Series 83.8
Total 0.0



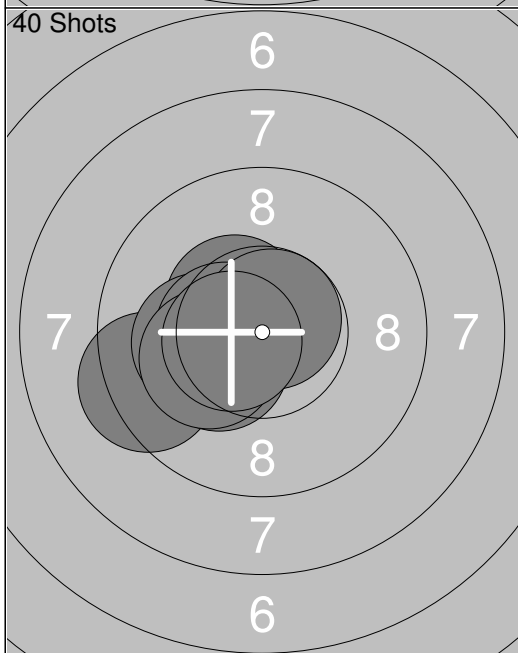
1: 10.8x →
2: 10.5x ↓
3: 10.7x →
4: 10.2x ↓
5: 9.9 ↗
6: 10.4x ↓
7: 10.9x ↓
8: 10.0 ↘
9: 10.2x ↓
10: 10.4x ↘
Series 104.0
Total 104.0



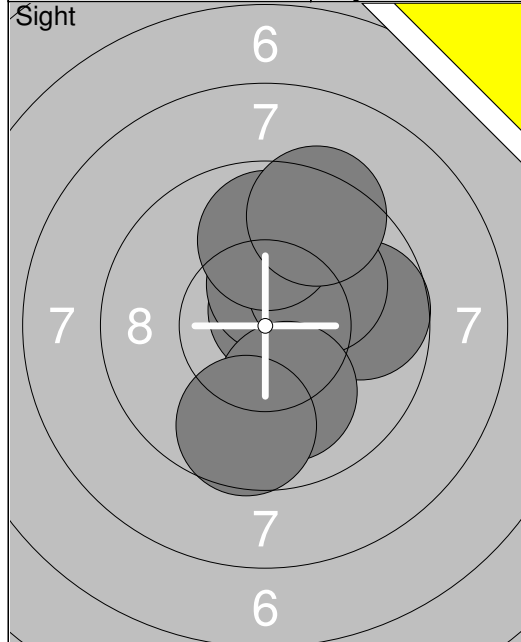
11: 10.3x ↙
12: 10.2x ↓
13: 10.8x ←
14: 10.5x ←
15: 10.6x ↘
16: 10.5x ↓
17: 10.3x ↓
18: 10.6x ↗
19: 10.8x ↗
20: 10.5x ↗
Series 105.1
Total 209.1



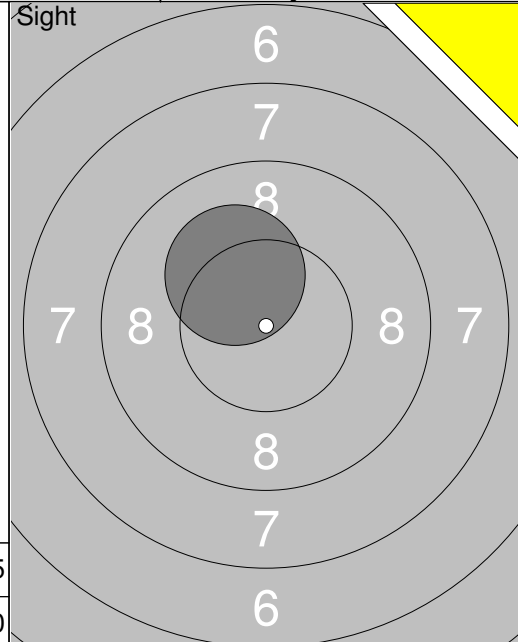
21: 10.8x ↘
22: 10.7x ↖
23: 10.1 ↗
24: 10.1 ↗
25: 9.9 ←
26: 9.9 ↙
27: 10.0 ↗
28: 10.7x ↖
29: 10.6x ↗
30: 10.3x ↓
Series 103.1
Total 312.2



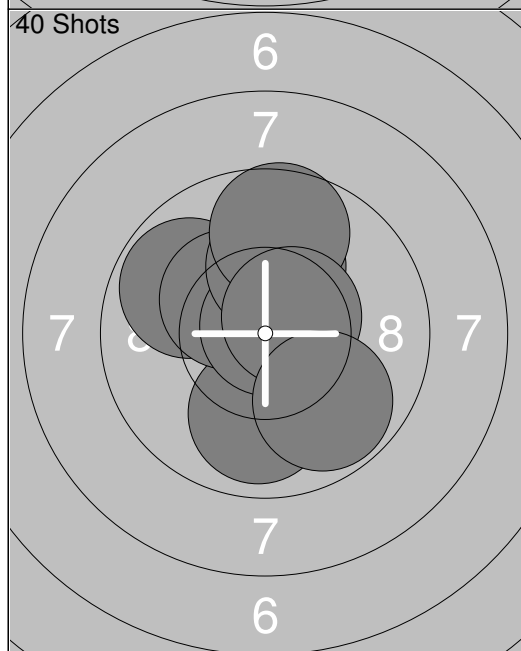
31: 10.6x ←
32: 10.8x ↖
33: 9.4 ←
34: 10.5x ↖
35: 10.2x ←
36: 10.3x ↙
37: 10.5x ←
38: 10.7x ↗
39: 10.2x ↙
40: 10.5x ↙
Series 103.7
Total 415.9



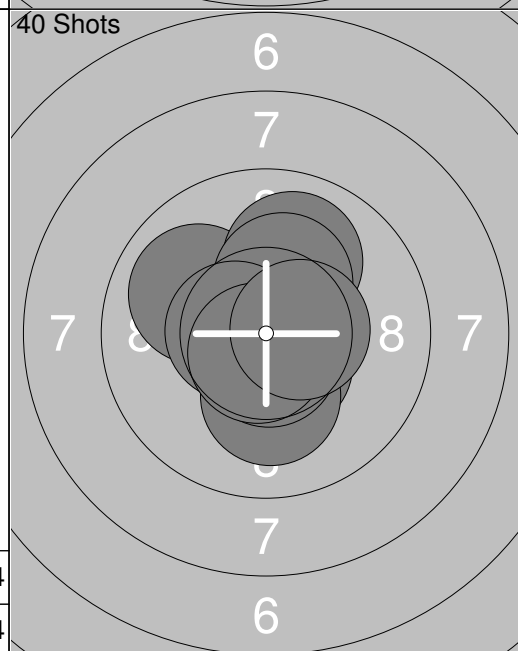
1:	10.5x ↗
2:	10.7x ↗
3:	10.0 ↗
4:	9.7 →
5:	10.4x ↑
6:	10.1 ↗
7:	9.9 ↑
8:	9.4 ↑
9:	10.1 ↓
10:	9.7 ↓
Series	100.5
Total	0.0



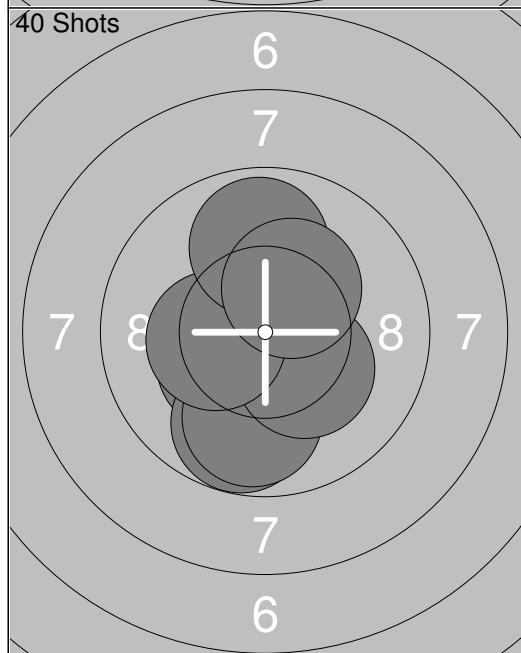
11:	10.2x ↖
Series	10.2
Total	0.0



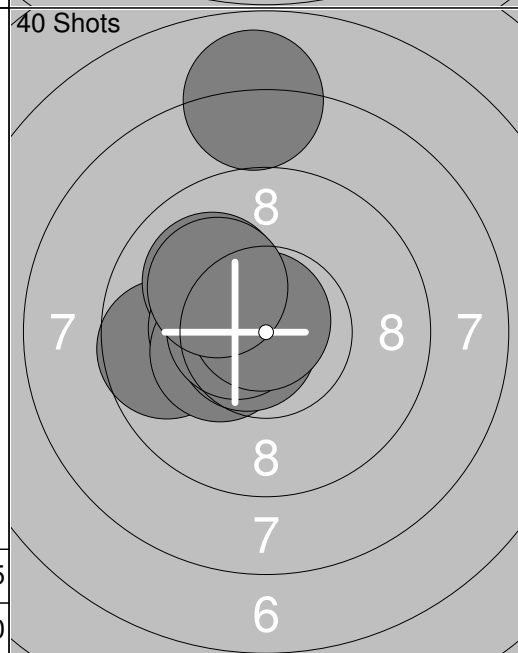
1:	10.7x ↗
2:	9.9 ↓
3:	10.8x ↗
4:	9.8 ↖
5:	10.3x ↖
6:	10.8x ↗
7:	10.1 ↑
8:	9.6 ↑
9:	10.6x ↗
10:	9.8 ↓
Series	102.4
Total	102.4



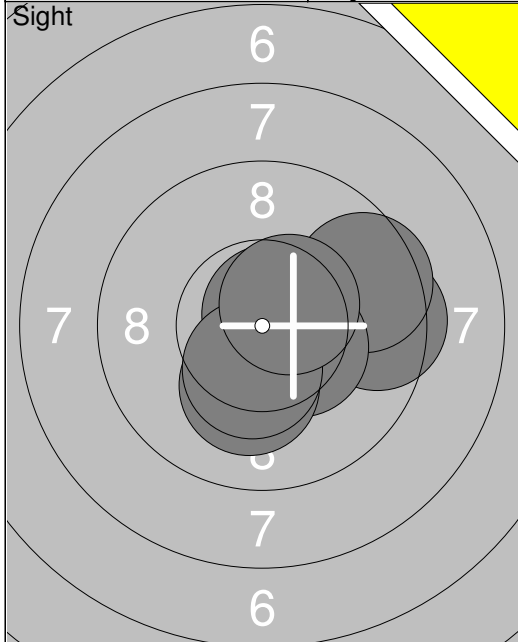
11:	10.0 ↖
12:	10.0 ↑
13:	10.5x ↓
14:	10.7x →
15:	10.2x ↓
16:	10.3x ↑
17:	10.5x ←
18:	10.7x ↓
19:	10.7x ↓
20:	10.5x →
Series	104.1
Total	206.5



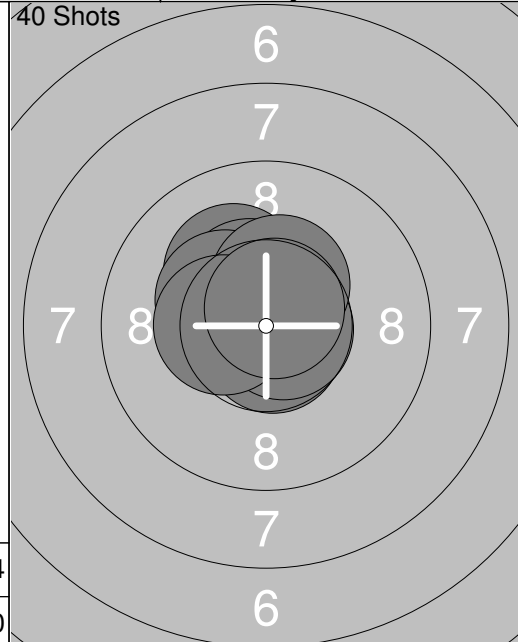
21:	10.7x ↗
22:	10.6x ↘
23:	10.3x ↖
24:	9.8 ↓
25:	10.4x ↘
26:	9.9 ↓
27:	10.3x ↘
28:	10.3x ←
29:	9.9 ↑
30:	10.3x ↗
Series	102.5
Total	309.0



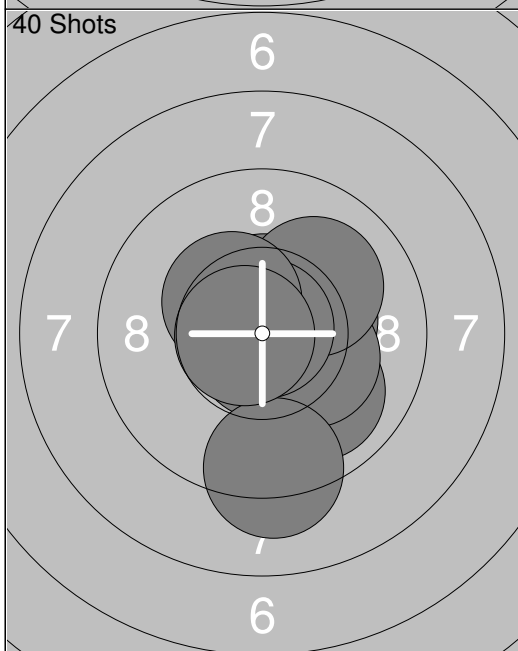
31:	9.7 ←
32:	10.0 ↖
33:	10.6x ↖
34:	8.0 ↑
35:	10.3x ←
36:	10.3x ↖
37:	10.7x ↖
38:	10.6x ↖
39:	10.8x ↗
40:	10.1 ↖
Series	101.1
Total	410.1



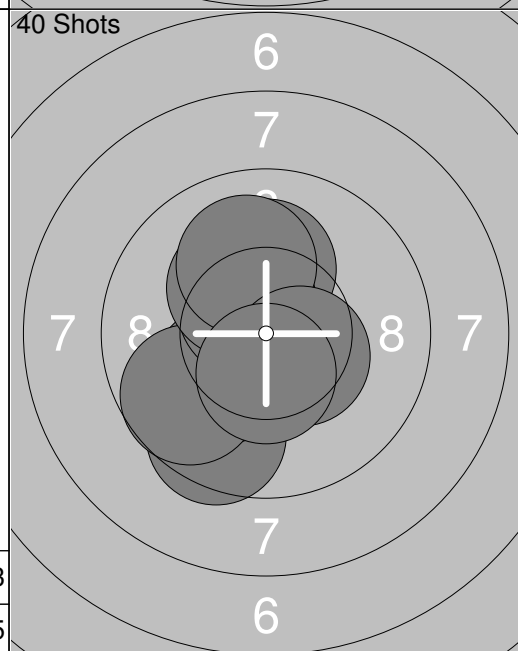
1: 9.5 →
2: 9.6 →
3: 10.8x ↗
4: 10.4x →
5: 10.2x ↓
6: 10.4x ↓
7: 10.5x ↗
Series 71.4
Total 0.0



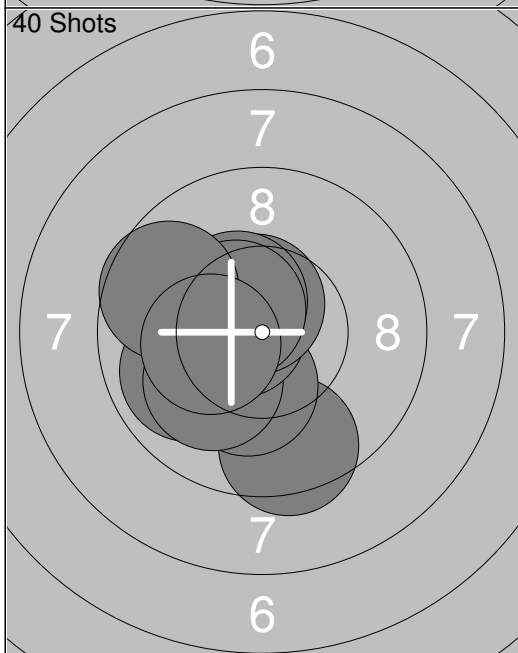
1: 10.2x ↗
2: 10.8x ←
3: 10.7x ↓
4: 10.7x →
5: 10.6x ↖
6: 10.4x ↗
7: 10.3x ↖
8: 10.4x ↑
9: 10.4x ←
10: 10.7x ↑
Series 105.2
Total 105.2




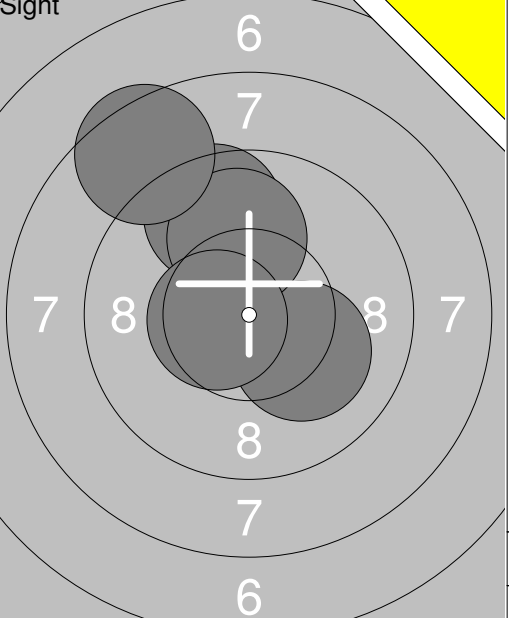
11: 10.4x →
12: 10.7x ↓
13: 10.0 ↓
14: 10.6x ↑
15: 10.3x →
16: 10.1 ↗
17: 10.9x ↑
18: 10.4x ↖
19: 9.2 ↓
20: 10.7x ←
Series 103.3
Total 208.5

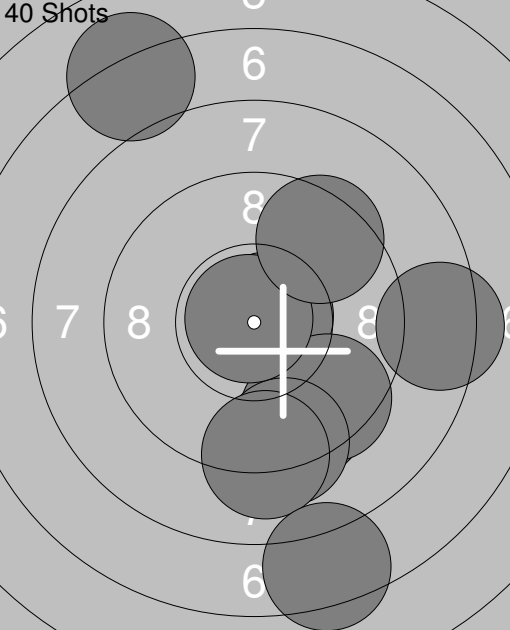
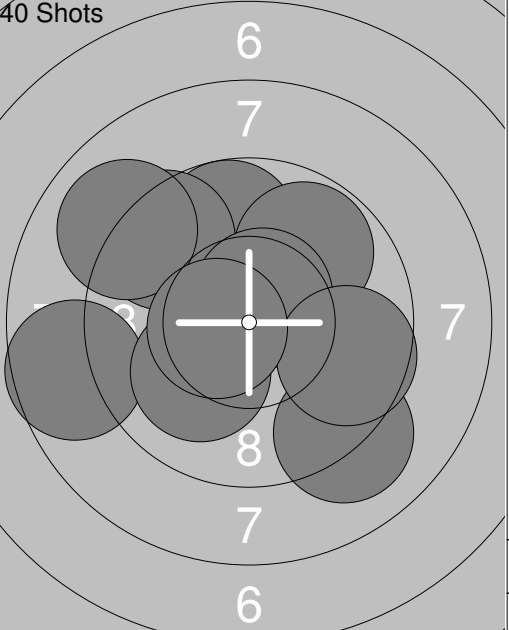


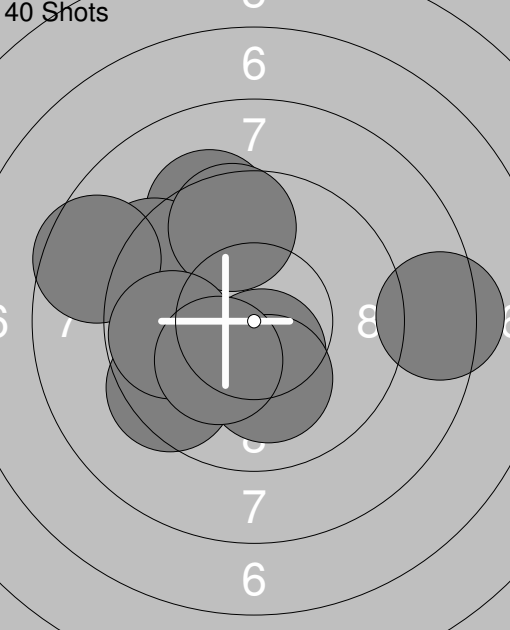
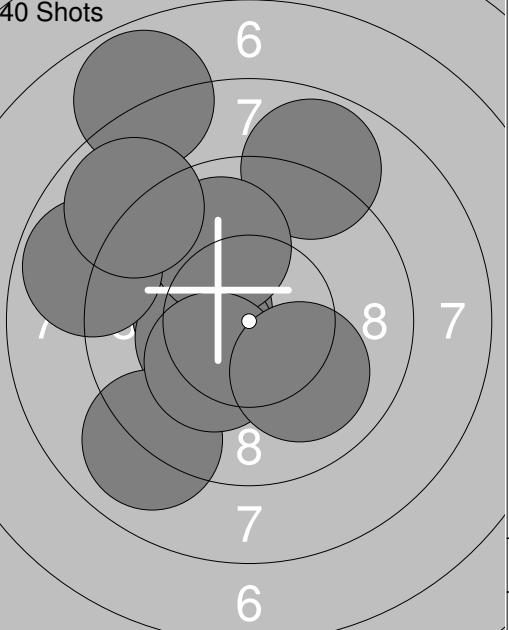
21: 10.6x ↓
22: 9.5 ↓
23: 10.2x ↖
24: 9.7 ↖
25: 10.1 ↑
26: 10.6x ↖
27: 10.3x ↖
28: 10.0 ↑
29: 10.4x →
30: 10.4x ↓
Series 101.8
Total 310.3

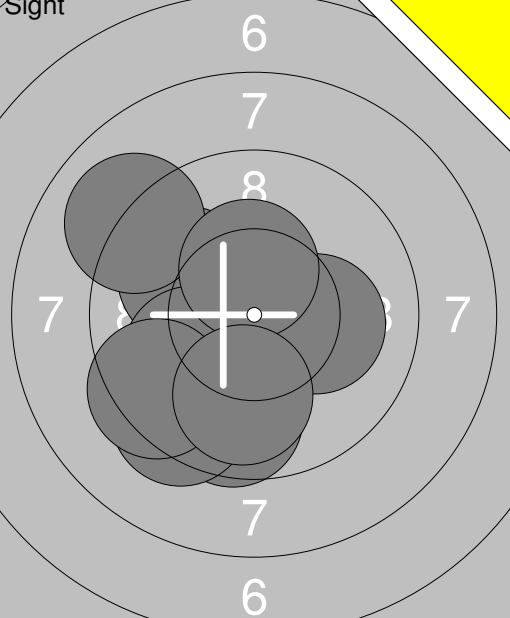



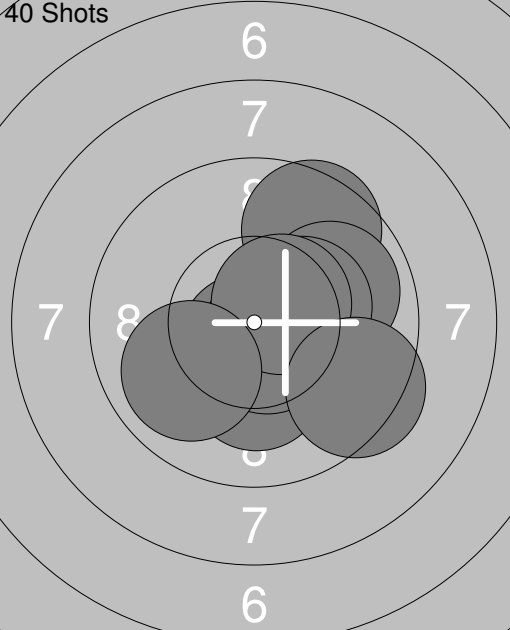
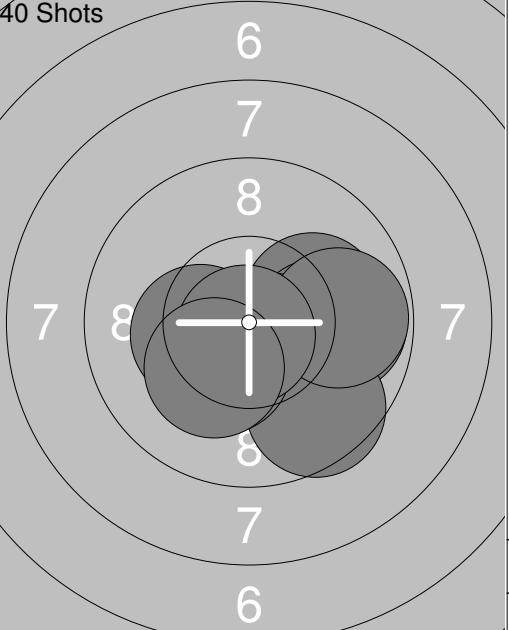
31: 9.9 ↖
32: 9.5 ↓
33: 10.2x ↓
34: 10.1 ↖
35: 10.6x ←
36: 10.6x ↑
37: 10.4x ↖
38: 10.5x ↖
39: 9.7 ↖
40: 10.3x ←
Series 101.8
Total 412.1

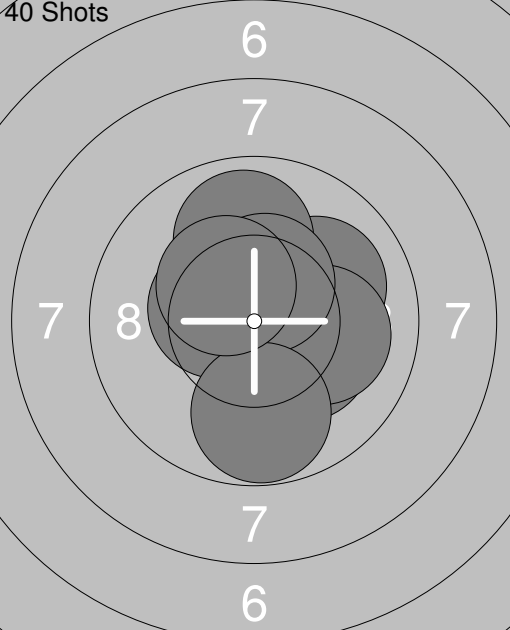
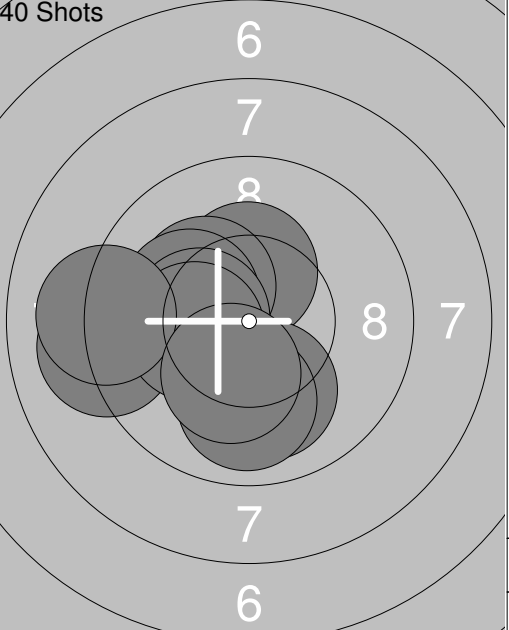
<p>Sight</p> 	<p>1: 6.8 ↗ 2: 8.6 ↑ 3: 10.1 ↖ 4: 8.7 ↑ 5: 8.8 ↑ 6: 9.7 ↑ 7: 9.9 → 8: 8.2 ↑ 9: 10.6x ↑ 10: 9.1 ↑</p> <p>Series 90.5 Total 0.0</p>	<p>Sight</p> 	<p>11: 10.1 ↘ 12: 9.6 ↑ 13: 10.0 ↑ 14: 8.5 ↖ 15: 10.5x ←</p> <p>Series 48.7 Total 0.0</p>
--	---	--	---

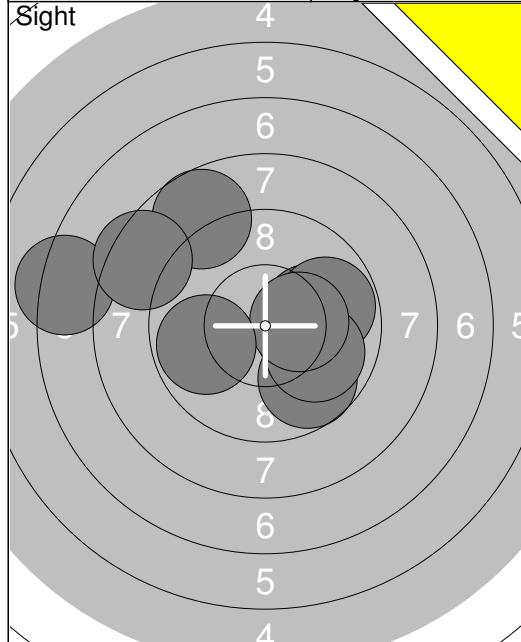
<p>40 Shots</p> 	<p>1: 8.4 → 2: 9.5 ↘ 3: 10.7x → 4: 9.5 ↘ 5: 9.2 ↘ 6: 9.1 ↘ 7: 10.9x ↖ 8: 9.5 ↗ 9: 7.4 ↘ 10: 7.1 ↑</p> <p>Series 91.3 Total 91.3</p>	<p>40 Shots</p> 	<p>11: 8.6 ← 12: 9.1 ↘ 13: 10.1 ↖ 14: 9.7 ↑ 15: 9.8 ↗ 16: 9.4 ↖ 17: 10.6x ↑ 18: 9.0 ↖ 19: 9.6 → 20: 10.5x ←</p> <p>Series 96.4 Total 187.7</p>
--	---	--	--

<p>40 Shots</p> 	<p>21: 9.3 ↑ 22: 8.4 → 23: 9.3 ↖ 24: 10.5x ↘ 25: 9.5 ↖ 26: 8.6 ↖ 27: 9.6 ↑ 28: 10.1 ↘ 29: 9.8 ← 30: 10.2x ↘</p> <p>Series 95.3 Total 283.0</p>	<p>40 Shots</p> 	<p>31: 10.3x ← 32: 10.4x ← 33: 8.9 ↑ 34: 9.0 ↖ 35: 9.9 ↑ 36: 10.3x ↖ 37: 8.8 ← 38: 10.0 ↘ 39: 7.8 ↑ 40: 8.9 ↖</p> <p>Series 94.3 Total 377.3</p>
---	--	---	--

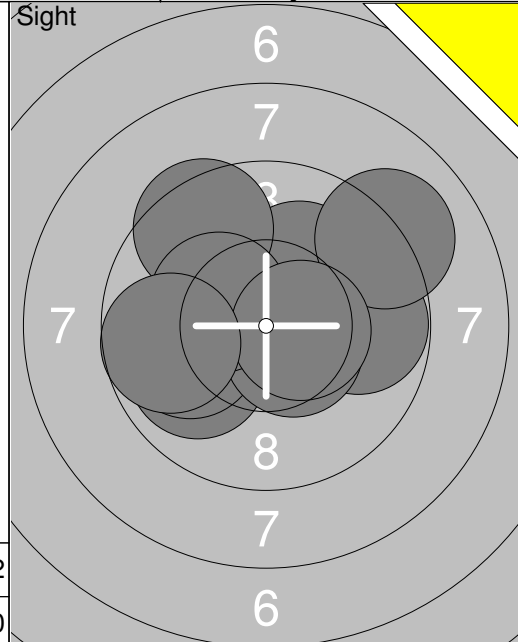
<p>Sight</p> 	<p>1: 9.6 ↓ 2: 9.4 ↓ 3: 10.2x → 4: 9.8 ↙ 5: 10.0 ↖ 6: 9.0 ↖ 7: 10.0 ↙ 8: 9.4 ↙ 9: 10.4x ↑ 10: 9.9 ↓</p> <p>Series 97.7 Total 0.0</p>	<p>Sight</p> 	<p>11: 9.8 ↗ 12: 10.4x ↓ 13: 9.3 ↑ 14: 10.5x ↖ 15: 10.2x ↑ 16: 10.3x ↗</p> <p>Series 60.5 Total 0.0</p>
---	--	---	---

<p>40 Shots</p> 	<p>1: 10.2x → 2: 10.7x ↓ 3: 9.6 ↗ 4: 10.2x ↓ 5: 10.6x ↓ 6: 9.9 → 7: 10.3x → 8: 10.5x ↗ 9: 9.9 ↙ 10: 9.4 ↘</p> <p>Series 101.3 Total 101.3</p>	<p>40 Shots</p> 	<p>11: 10.1 → 12: 10.0 → 13: 10.6x ↓ 14: 9.8 → 15: 9.6 ↓ 16: 10.3x ↓ 17: 10.3x ← 18: 9.8 → 19: 10.8x ↓ 20: 10.2x ↙</p> <p>Series 101.5 Total 202.8</p>
---	---	---	--

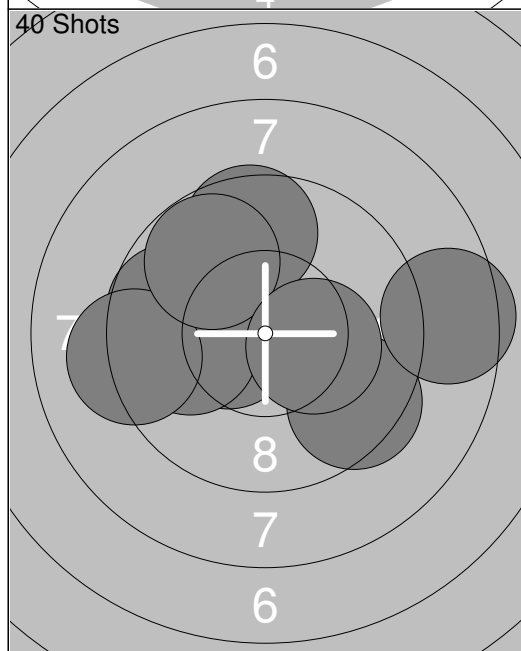
<p>40 Shots</p> 	<p>21: 10.2x ↘ 22: 10.2x ↗ 23: 10.4x ↓ 24: 10.0 ↗ 25: 9.9 ↑ 26: 10.1 → 27: 10.5x ↖ 28: 10.5x ↑ 29: 9.8 ↓ 30: 10.4x ↖</p> <p>Series 102.0 Total 304.8</p>	<p>40 Shots</p> 	<p>31: 10.3x ↑ 32: 10.2x ↖ 33: 10.0 ↓ 34: 9.9 ↓ 35: 10.1 ↖ 36: 10.3x ← 37: 9.1 ← 38: 10.2x ← 39: 9.1 ← 40: 10.2x ↓</p> <p>Series 99.4 Total 404.2</p>
--	--	--	---



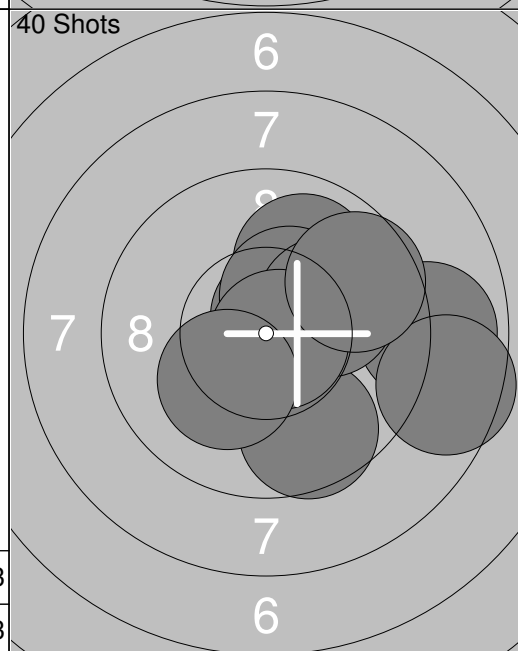
1: 10.2x	→
2: 9.7	↘
3: 10.1	→
4: 9.8	→
5: 9.9	↘
6: 10.3x	→
7: 9.8	←
8: 7.3	←
9: 8.7	↗
10: 8.4	←
Series	94.2
Total	0.0



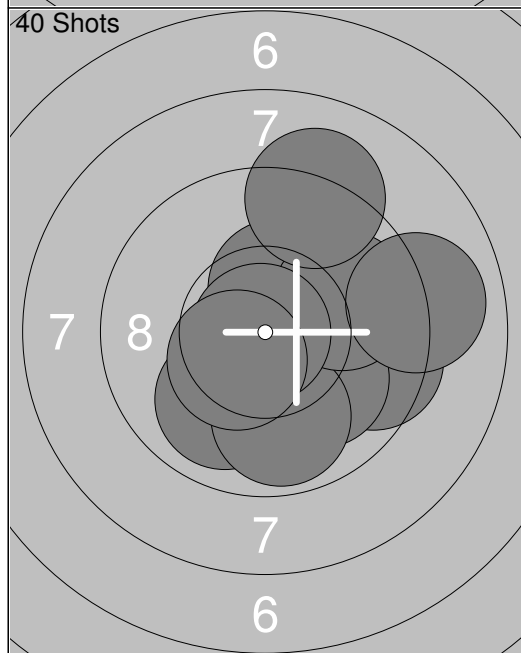
11: 9.9	←
12: 10.1	↗
13: 9.5	↖
14: 9.9	←
15: 9.8	→
16: 10.5x	↘
17: 10.3x	←
18: 9.1	↗
19: 10.5x	→
20: 9.7	←
Series	99.3
Total	0.0



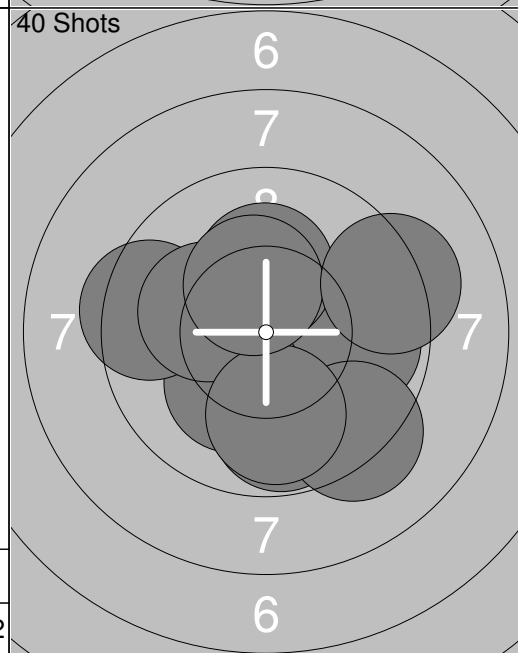
1: 9.7	←
2: 10.4x	↖
3: 10.4x	←
4: 9.5	↘
5: 9.9	←
6: 9.2	←
7: 9.6	↑
8: 9.8	↗
9: 8.5	→
10: 10.3x	→
Series	97.3
Total	97.3



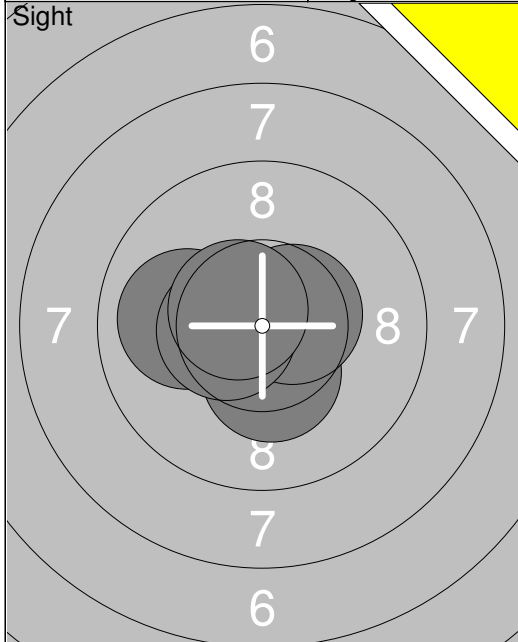
11: 8.9	→
12: 9.9	↗
13: 10.7x	↗
14: 8.6	→
15: 9.6	↓
16: 10.4x	↗
17: 10.1	↗
18: 10.8x	↘
19: 9.6	↗
20: 10.2x	↘
Series	98.8
Total	196.1



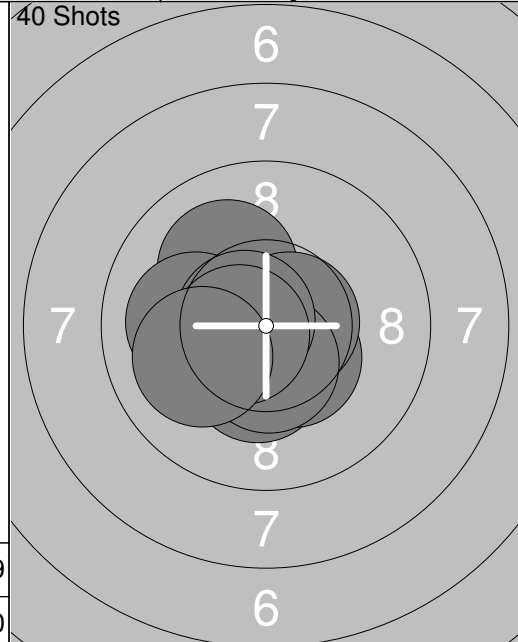
21: 9.5	→
22: 10.0	↘
23: 10.0	↘
24: 9.9	↓
25: 10.4x	↑
26: 9.9	→
27: 10.9x	←
28: 9.1	↑
29: 10.4x	↙
30: 9.0	→
Series	99.1
Total	295.2



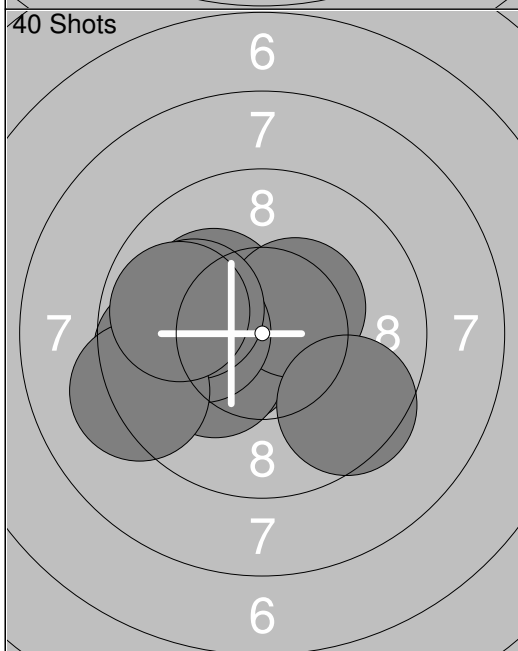
31: 9.9	→
32: 10.2x	↑
33: 10.2x	↙
34: 9.4	←
35: 9.8	↓
36: 9.3	↓
37: 10.2x	←
38: 9.9	↓
39: 10.3x	↑
40: 9.2	→
Series	98.4
Total	393.6



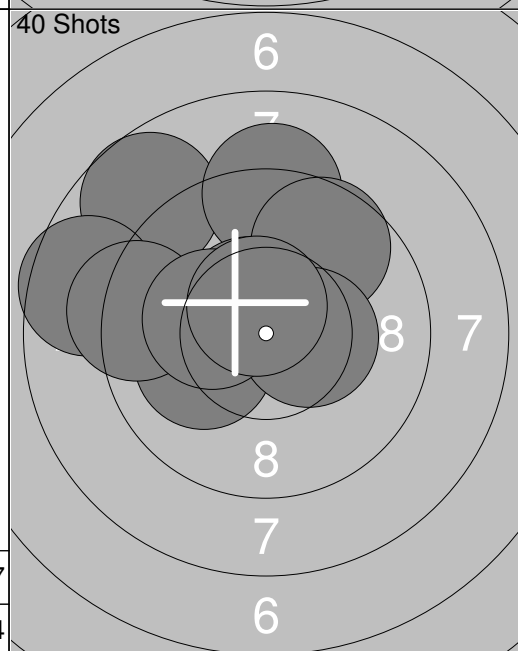
1:	10.3x ↓
2:	10.0 ←
3:	10.5x →
4:	10.5x ←
5:	10.6x ↖
Series 51.9	
Total 0.0	



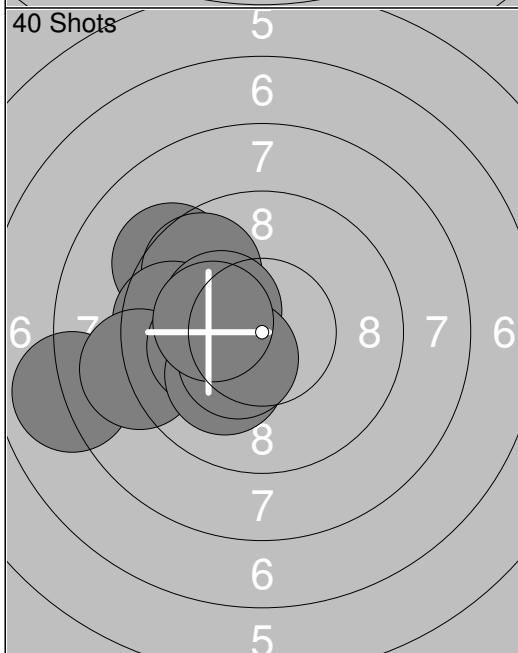
1:	10.3x ↓
2:	10.1 ↗
3:	10.0 ←
4:	10.5x ↓
5:	10.4x ↓
6:	10.6x →
7:	10.5x ↓
8:	10.7x ←
9:	10.6x ←
10:	10.0 ←
Series 103.7	
Total 103.7	



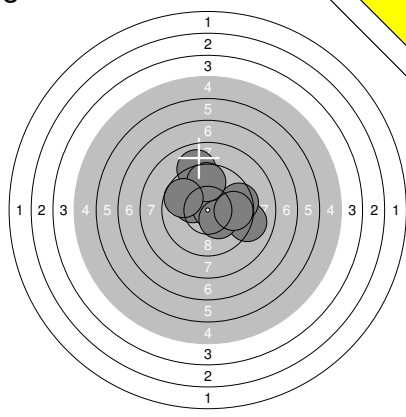
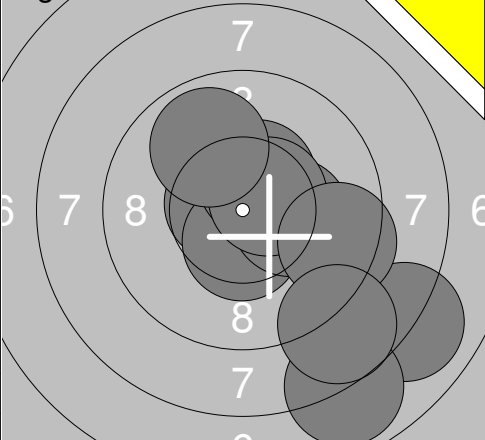
11:	9.7 ←
12:	10.4x ←
13:	10.2x ←
14:	10.2x ↖
15:	10.4x ↗
16:	10.2x ←
17:	10.0 ←
18:	9.5 ↓
19:	9.2 ←
20:	9.9 ←
Series 99.7	
Total 203.4	

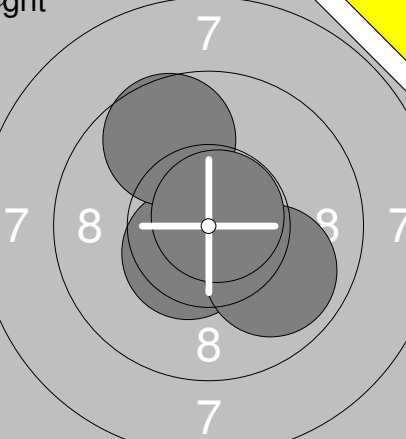
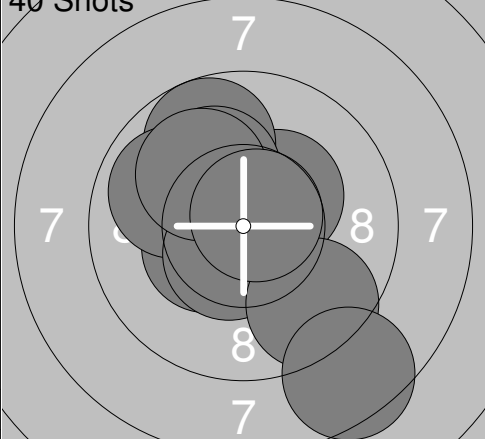


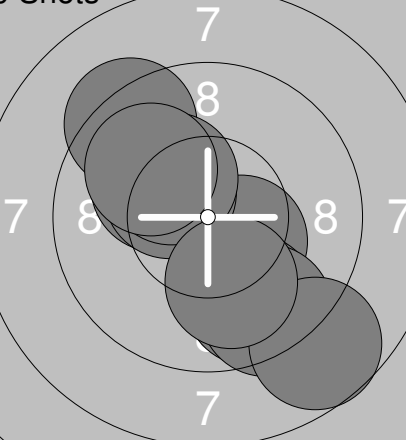
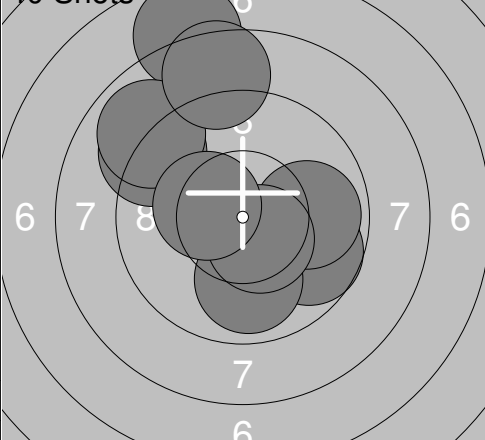
21:	8.7 ↖
22:	9.2 ↑
23:	10.6x ↖
24:	10.1 ←
25:	9.6 ↗
26:	10.4x →
27:	8.6 ←
28:	9.3 ←
29:	10.2x ←
30:	10.6x ↗
Series 97.3	
Total 300.7	

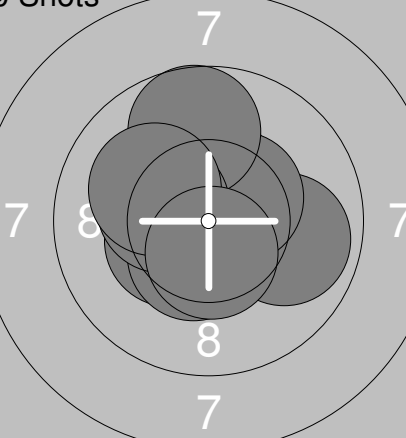


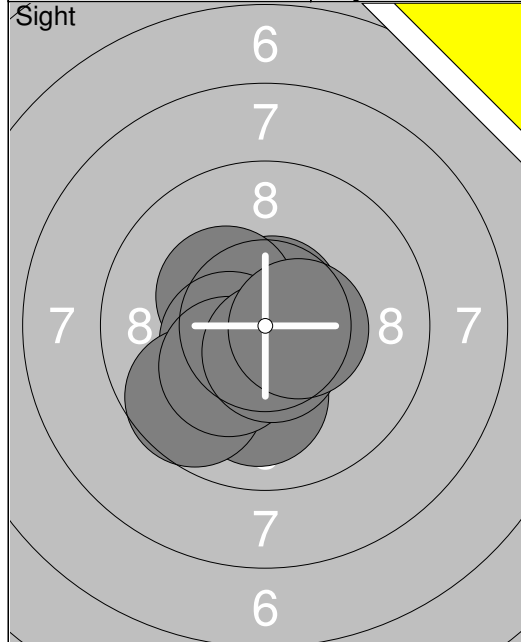
31:	9.3 ↖
32:	9.7 ↗
33:	9.6 ←
34:	10.3x ↖
35:	8.0 ←
36:	9.0 ←
37:	10.1 ←
38:	10.1 ↓
39:	10.4x ↓
40:	10.2x ←
Series 96.7	
Total 397.4	

Sight 	1: 9.1 → 2: 10.2x ↖ 3: 10.7x → 4: 9.0 ↑ 5: 9.5 → 6: 10.3x ↘ 7: 0.0 ↑ 8: 9.7 ↑ 9: 9.8 → 10: 9.7 ↖ <hr/> Series 88.0 Total 0.0	Sight 	11: 10.6x ↖ 12: 10.5x ↓ 13: 8.0 ↘ 14: 10.2x → 15: 10.4x ↗ 16: 10.5x ↗ 17: 9.5 ↘ 18: 9.9 ↗ 19: 7.9 ↓ 20: 8.7 ↓	<hr/> Series 96.2 Total 0.0
---	---	--	--	--

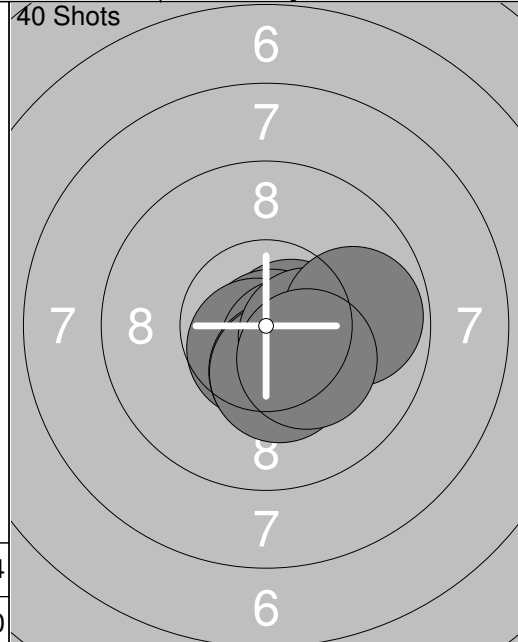
Sight 	21: 10.9x ↘ 22: 10.5x ↘ 23: 9.9 ↘ 24: 9.7 ↗ 25: 10.8x ↗ <hr/> Series 51.8 Total 0.0	40 Shots 	1: 10.3x ↗ 2: 9.8 ↗ 3: 10.4x ↖ 4: 9.9 ↖ 5: 10.5x ↘ 6: 9.5 ↘ 7: 8.5 ↘ 8: 10.1 ↗ 9: 10.1 ↗ 10: 10.7x ↗	<hr/> Series 99.8 Total 99.8
--	---	--	---	---

40 Shots 	11: 10.4x ↘ 12: 9.7 ↘ 13: 9.5 ↘ 14: 9.3 ↗ 15: 10.1 ↗ 16: 8.7 ↘ 17: 10.3x ↗ 18: 10.2x ↗ 19: 10.0 ↘ 20: 9.9 ↗ <hr/> Series 98.1 Total 197.9	40 Shots 	21: 9.1 ↗ 22: 9.9 → 23: 7.8 ↗ 24: 9.7 ↘ 25: 9.9 ↘ 26: 8.9 ↗ 27: 9.9 → 28: 10.5x ↘ 29: 8.6 ↑ 30: 10.3x ↖	<hr/> Series 94.6 Total 292.5
--	--	---	--	--

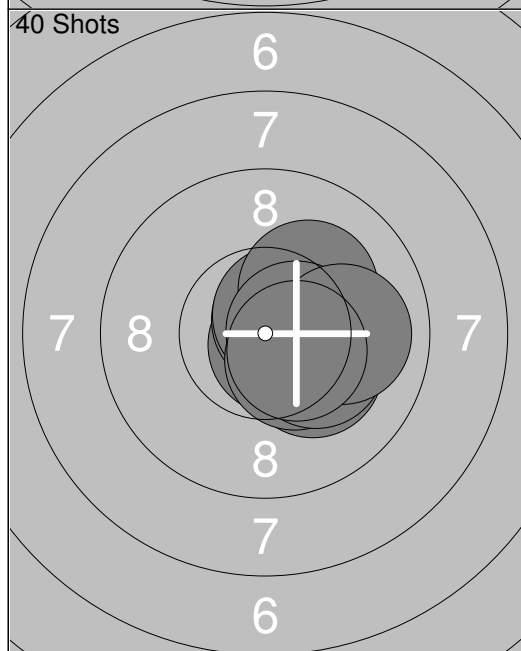
40 Shots 	31: 10.4x ↖ 32: 10.5x ↘ 33: 10.2x ↑ 34: 9.9 → 35: 10.2x ↗ 36: 10.4x ↗ 37: 9.7 ↑ 38: 10.3x ↖ 39: 10.1 ↖ 40: 10.5x ↓ <hr/> Series 102.2 Total 394.7			
--	--	--	--	--



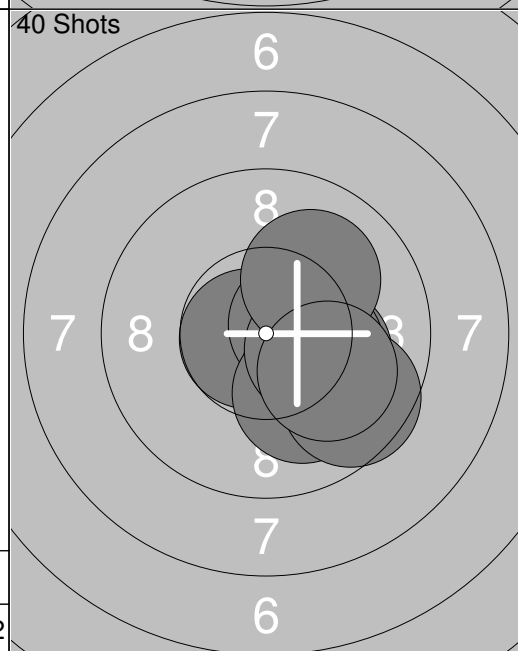
1:	10.7x ↖
2:	10.7x ↗
3:	10.3x ↖
4:	10.5x ↙
5:	10.1 ↓
6:	9.7 ↙
7:	10.3x ↙
8:	10.6x ↓
9:	10.5x →
Series 93.4	
Total 0.0	



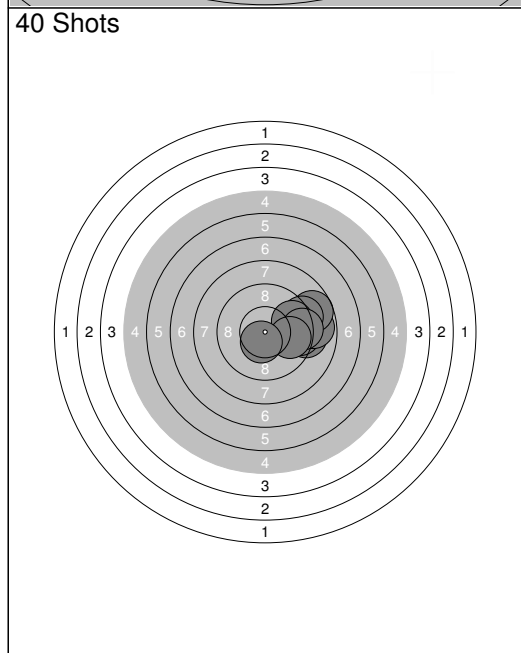
1:	10.6x →
2:	10.8x ↓
3:	10.4x ↘
4:	10.6x ↓
5:	10.5x ↘
6:	10.4x ↓
7:	10.3x ↓
8:	10.4x →
9:	9.8 →
10:	10.3x ↓
Series 104.1	
Total 104.1	



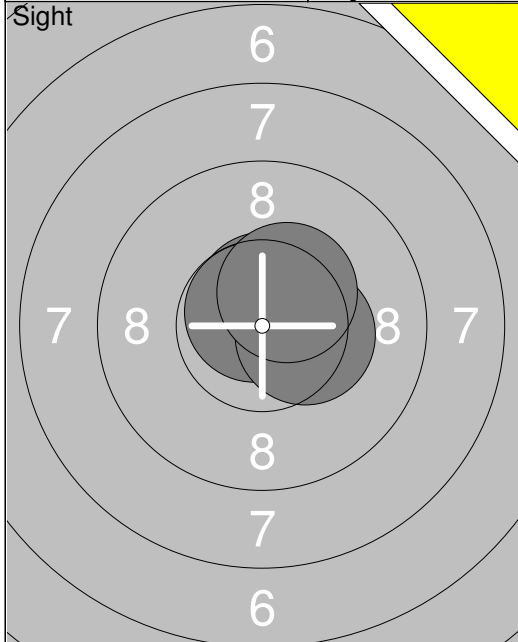
11:	10.7x ↘
12:	10.7x ↗
13:	10.2x ↘
14:	10.6x ↗
15:	10.4x ↘
16:	10.2x ↗
17:	10.2x ↘
18:	10.6x →
19:	10.0 →
20:	10.5x ↘
Series 104.1	
Total 208.2	



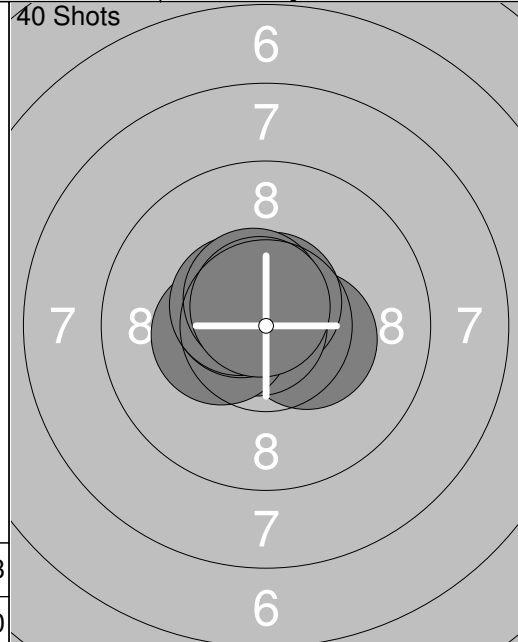
21:	10.2x →
22:	10.7x ↙
23:	10.5x →
24:	10.0 ↘
25:	10.2x ↘
26:	10.1 ↓
27:	10.3x →
28:	9.6 ↘
29:	10.1 ↗
30:	10.0 ↘
Series 101.7	
Total 309.9	



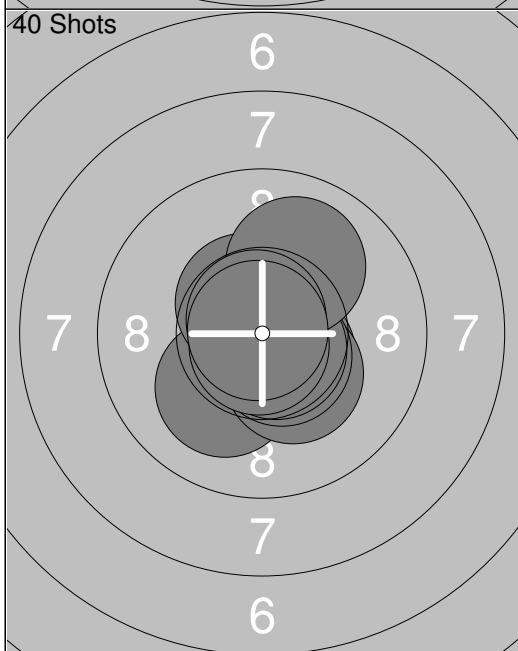
31:	9.2 →
32:	9.5 →
33:	8.9 →
34:	8.7 ↗
35:	9.2 ↗
36:	9.7 ↗
37:	9.3 →
38:	0.0 ↗
39:	9.8 →
40:	10.5x ↓
Series 84.8	
Total 394.7	



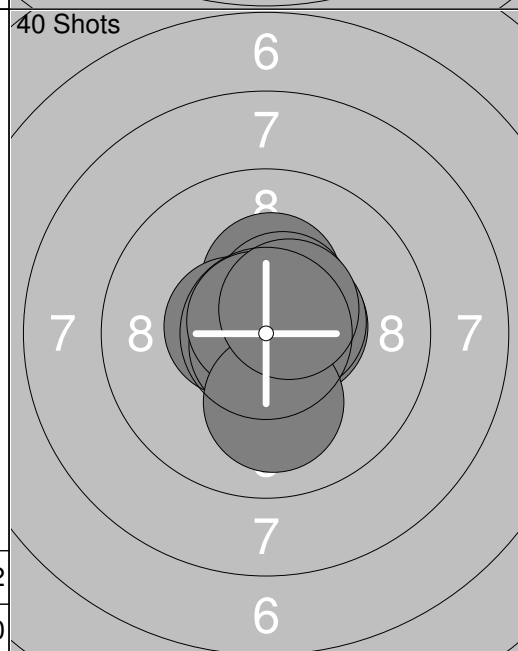
1:	10.7x	↑
2:	10.8x	↖
3:	10.4x	→
4:	10.4x	↗
Series 42.3		
Total 0.0		



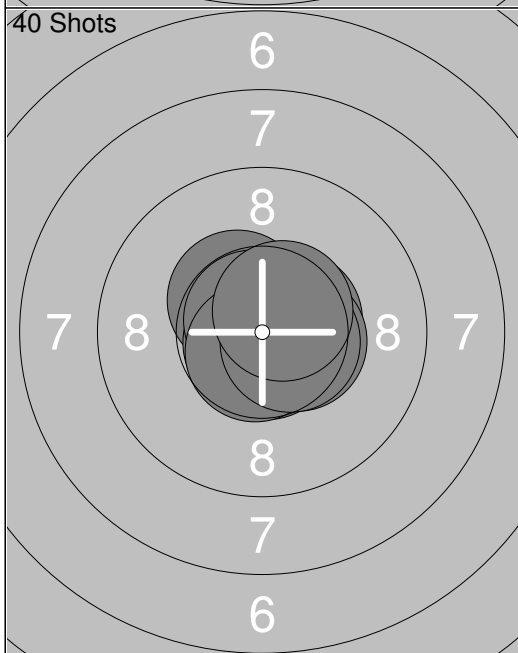
1:	10.4x	→
2:	10.6x	↖
3:	10.6x	↑
4:	10.8x	←
5:	10.4x	←
6:	10.6x	↖
7:	10.6x	↖
8:	10.5x	↖
9:	10.6x	↑
10:	10.7x	↑
Series 105.8		
Total 105.8		



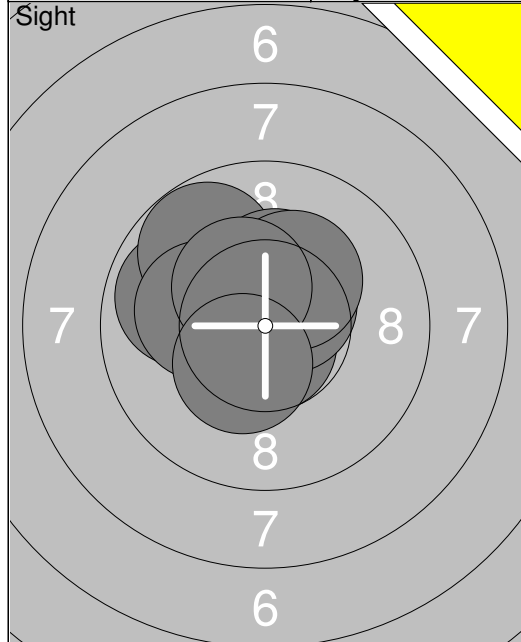
11:	10.1	↘
12:	10.5x	↘
13:	10.3x	↘
14:	10.5x	↖
15:	10.6x	↘
16:	10.7x	↘
17:	10.0	↑
18:	10.8x	↖
19:	10.8x	↘
20:	10.9x	↖
Series 105.2		
Total 211.0		



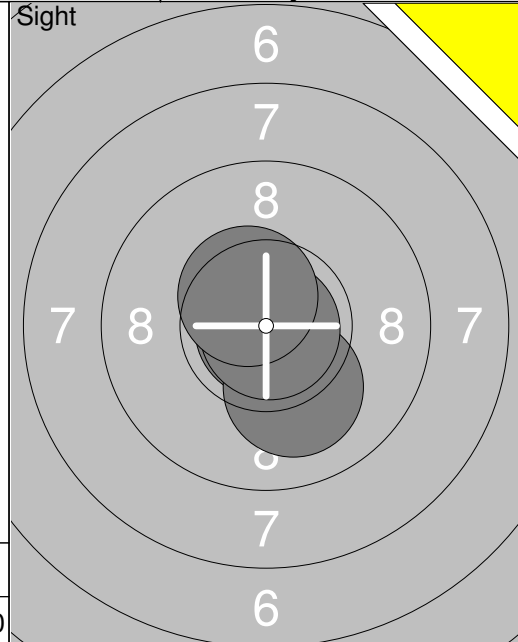
21:	10.3x	↑
22:	10.5x	←
23:	10.5x	→
24:	10.8x	↗
25:	10.5x	↑
26:	10.8x	↘
27:	10.5x	→
28:	10.8x	↖
29:	10.1	↓
30:	10.5x	↗
Series 105.3		
Total 316.3		



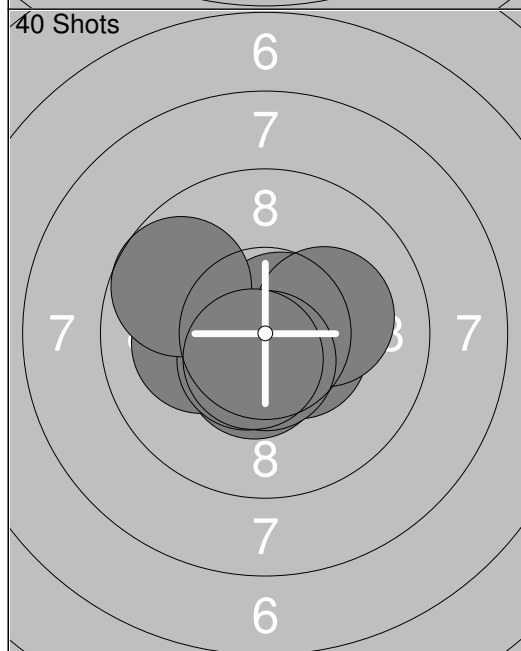
31:	10.4x	↖
32:	10.7x	↓
33:	10.5x	→
34:	10.7x	→
35:	10.5x	→
36:	10.8x	↘
37:	10.8x	↖
38:	10.7x	↓
39:	10.6x	→
40:	10.6x	↗
Series 106.3		
Total 422.6		



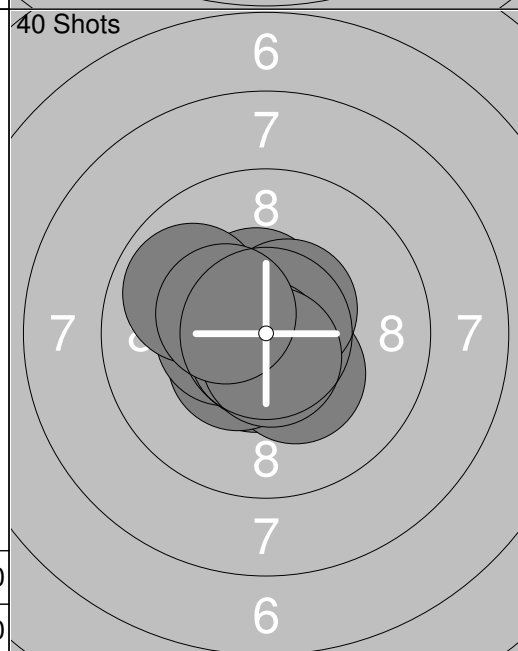
1:	10.7x ↓
2:	10.6x ↗
3:	9.9 ←
4:	10.5x ↗
5:	9.8 ↖
6:	10.3x ↑
7:	10.2x ←
8:	10.3x ↗
9:	10.4x ↖
10:	10.4x ↓
Series	103.1
Total	0.0



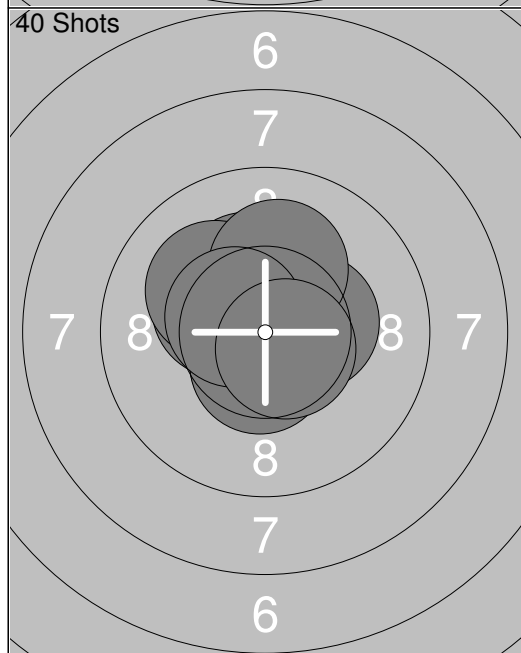
11:	10.9x ↓
12:	10.1 ↓
13:	10.9x ↘
14:	10.5x ↖
Series	42.4
Total	0.0



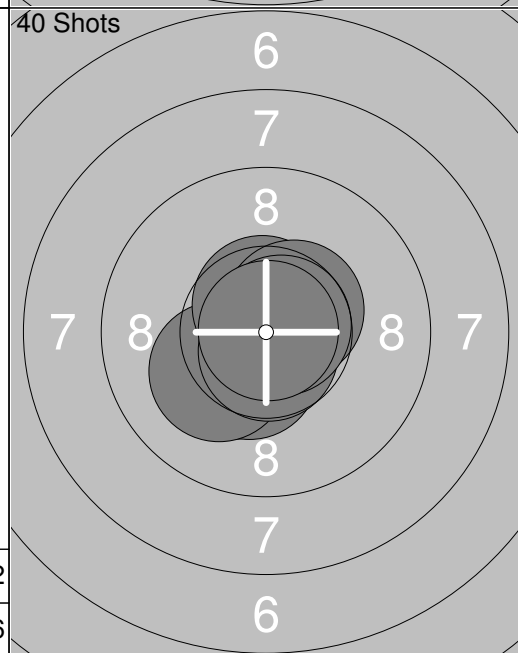
1:	10.5x ↓
2:	10.6x ↘
3:	10.7x ↗
4:	10.5x →
5:	10.2x →
6:	10.6x ↓
7:	10.1 ←
8:	10.5x ↘
9:	9.7 ↖
10:	10.6x ↓
Series	104.0
Total	104.0



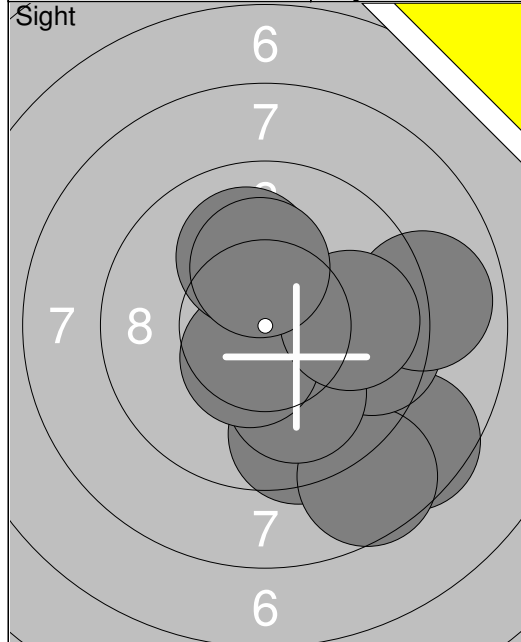
11:	10.5x ↗
12:	10.6x ↓
13:	10.3x ↘
14:	10.5x ↘
15:	10.4x ←
16:	10.5x ↗
17:	9.9 ←
18:	10.7x ↓
19:	10.6x ↓
20:	10.4x ↖
Series	104.4
Total	208.4



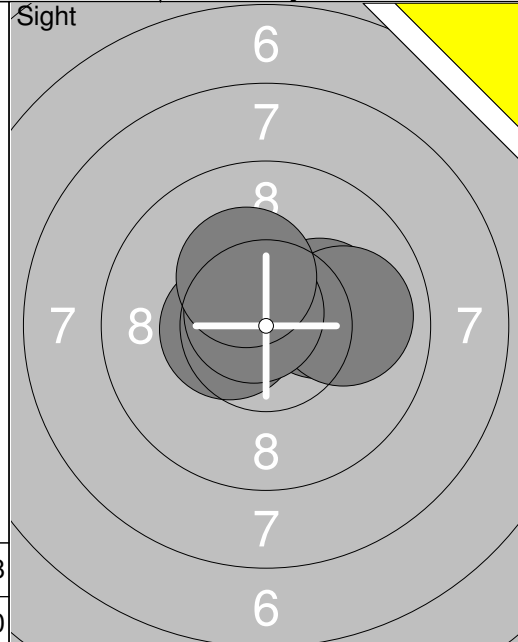
21:	10.3x ↗
22:	10.4x →
23:	10.3x ↖
24:	10.1 ↖
25:	10.8x ↓
26:	10.6x ↓
27:	10.5x ↓
28:	10.1 ↑
29:	10.5x ↖
30:	10.6x ↘
Series	104.2
Total	312.6



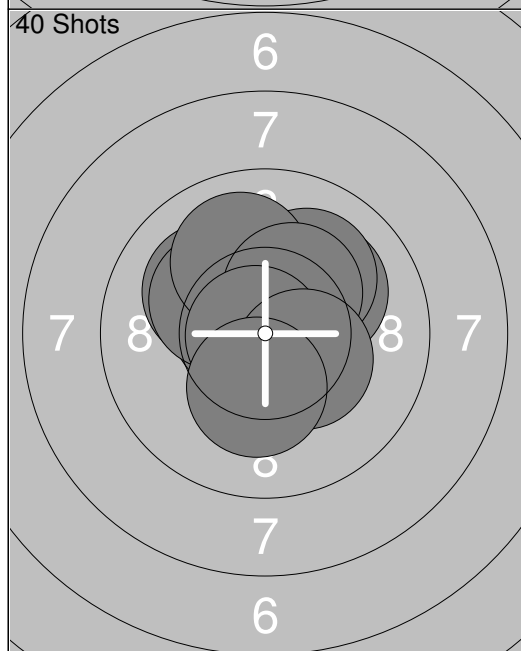
31:	10.7x ↗
32:	10.3x ↘
33:	10.4x ↓
34:	10.2x ↘
35:	10.6x ↑
36:	10.7x ↗
37:	10.5x ↗
38:	10.7x ↓
39:	10.7x →
40:	10.9x ↗
Series	105.7
Total	418.3



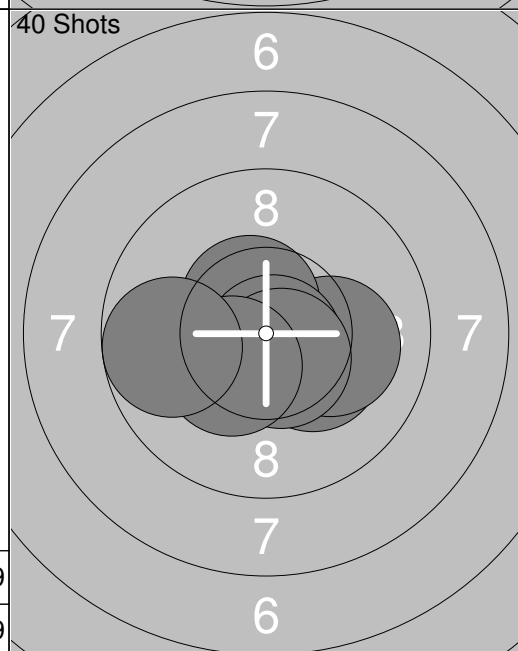
1:	8.6	↘
2:	9.5	↘
3:	8.6	↘
4:	9.6	→
5:	10.0	↘
6:	10.5x	↘
7:	8.9	→
8:	9.9	→
9:	10.0	↑
10:	10.2x	↑
Series		95.8
Total		0.0



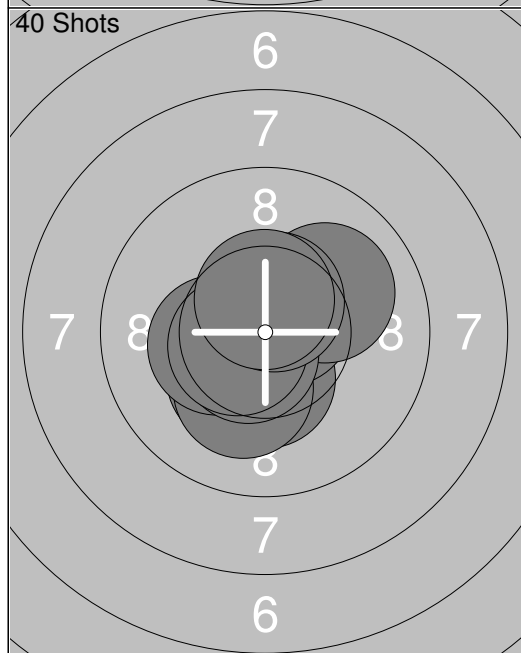
11:	10.5x	←
12:	10.2x	→
13:	10.0	→
14:	10.7x	↖
15:	10.3x	↗
Series		51.7
Total		0.0



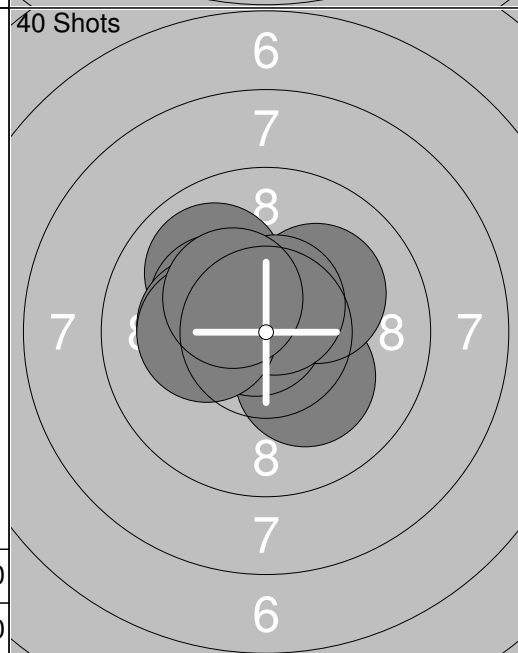
1:	10.6x	↖
2:	10.1	↖
3:	10.2x	↖
4:	10.1	↗
5:	10.1	↗
6:	10.0	↑
7:	10.3x	↗
8:	10.8x	←
9:	10.4x	↘
10:	10.3x	↓
Series		102.9
Total		102.9



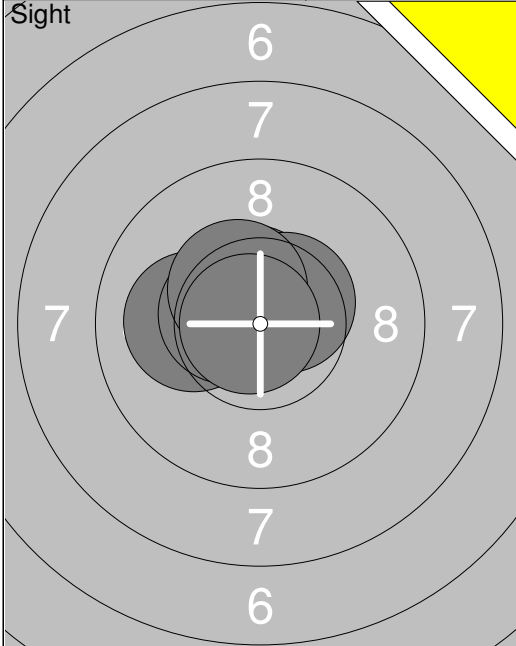
11:	10.2x	↘
12:	10.1	→
13:	10.7x	↙
14:	10.5x	↙
15:	10.7x	↙
16:	10.5x	↖
17:	10.8x	↘
18:	10.6x	↘
19:	10.3x	↙
20:	9.7	←
Series		104.1
Total		207.0



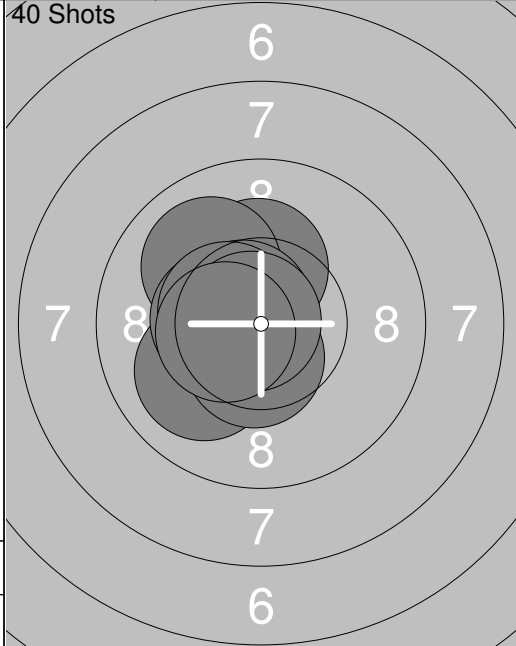
21:	10.4x	↓
22:	10.6x	↗
23:	10.3x	↙
24:	10.2x	↙
25:	10.3x	←
26:	10.0	↗
27:	10.6x	↙
28:	10.6x	↙
29:	10.5x	↑
30:	10.5x	↑
Series		104.0
Total		311.0



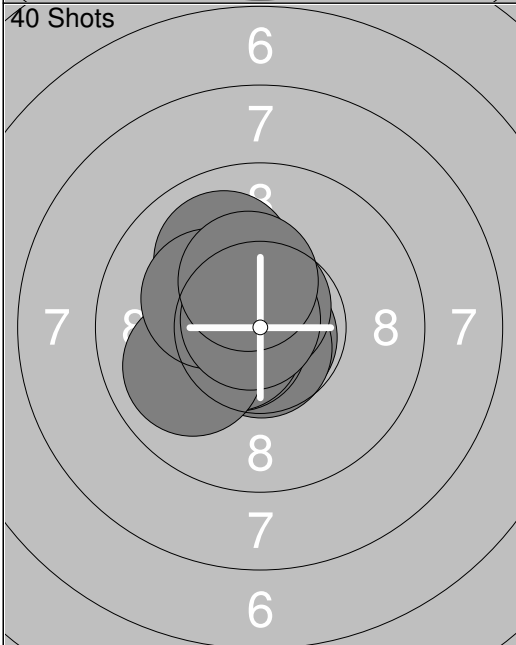
31:	10.2x	↘
32:	10.1	↗
33:	10.3x	↖
34:	10.8x	↖
35:	9.9	↖
36:	10.3x	↖
37:	10.6x	↑
38:	10.2x	←
39:	10.2x	←
40:	10.3x	↖
Series		102.9
Total		413.9



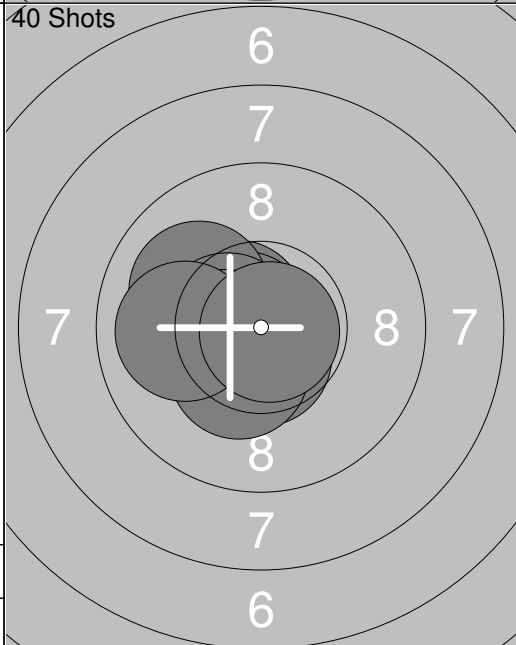
1:	10.6x ↑
2:	10.1 ←
3:	10.5x ↗
4:	10.5x ↙
5:	10.4x ↗
6:	10.8x ←
Series 62.9	
Total 0.0	



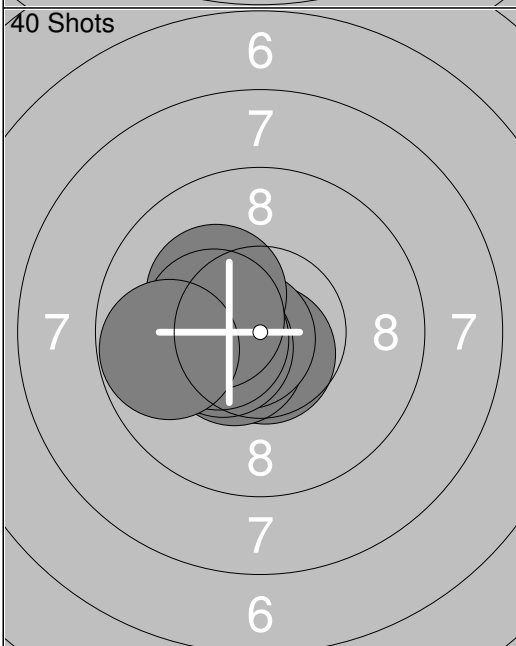
1:	10.2x ↑
2:	10.0 ↙
3:	10.7x ↙
4:	10.0 ↖
5:	10.7x ↖
6:	10.4x ←
7:	10.5x ↓
8:	10.5x ↙
9:	10.8x ↙
10:	10.5x ←
Series 104.3	
Total 104.3	



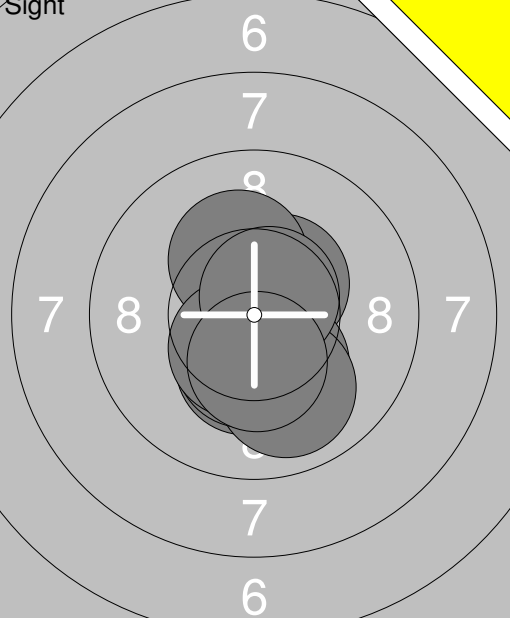
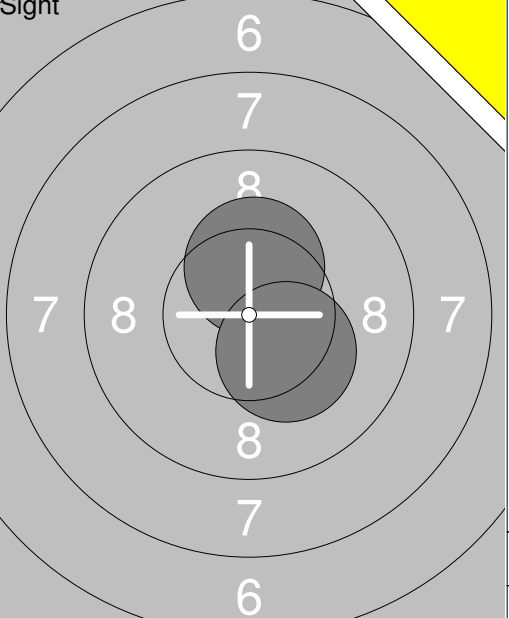
11:	10.8x ↓
12:	10.0 ↗
13:	10.7x ↓
14:	10.6x ↙
15:	10.7x ↑
16:	10.6x ↙
17:	10.0 ←
18:	10.2x ↖
19:	10.8x ↖
20:	10.3x ↑
Series 104.7	
Total 209.0	

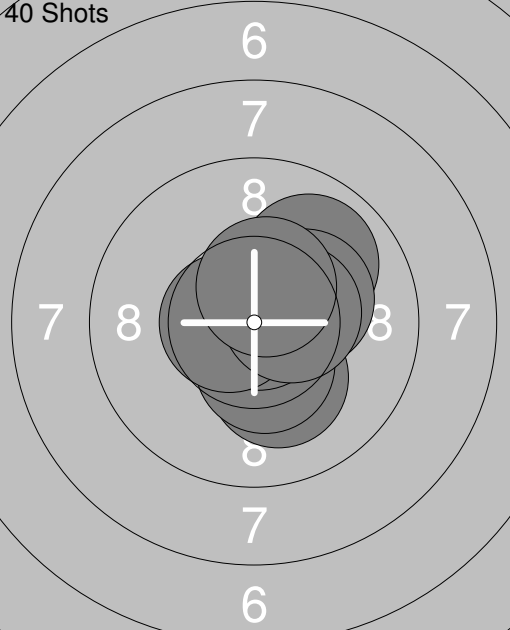
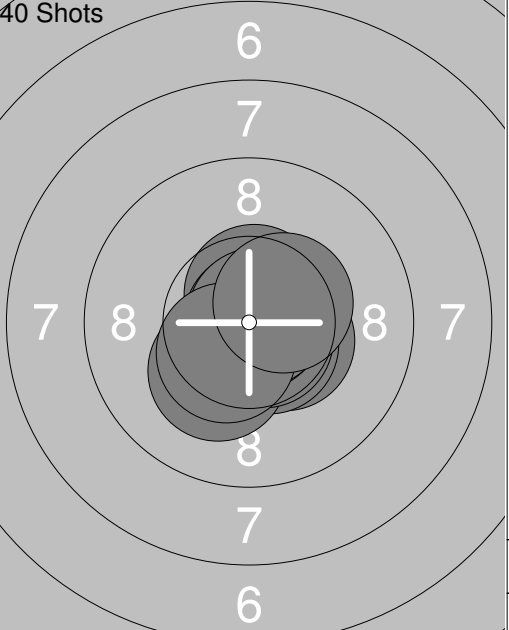


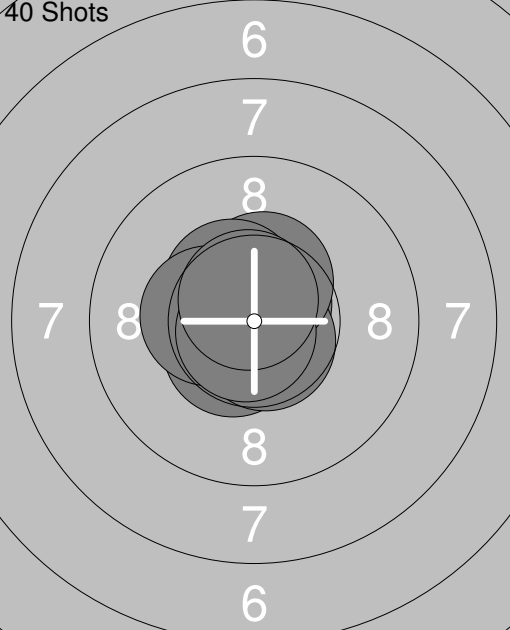
21:	10.6x ↓
22:	10.3x ←
23:	10.6x ↖
24:	10.7x ↖
25:	10.0 ↖
26:	10.5x ←
27:	10.5x ←
28:	10.3x ↓
29:	10.0 ←
30:	10.8x ↘
Series 104.3	
Total 313.3	

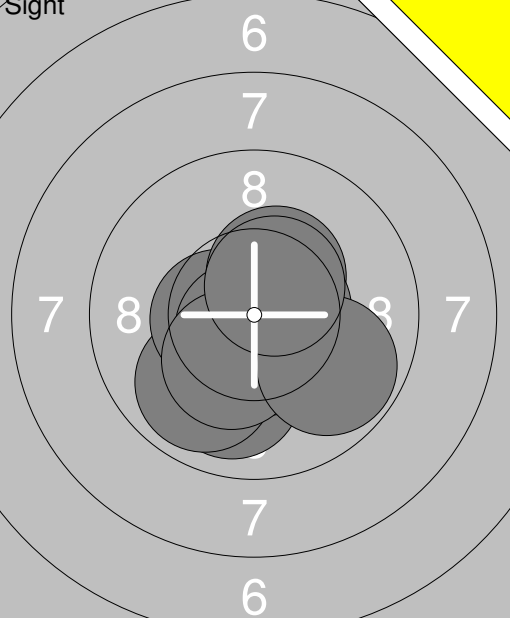
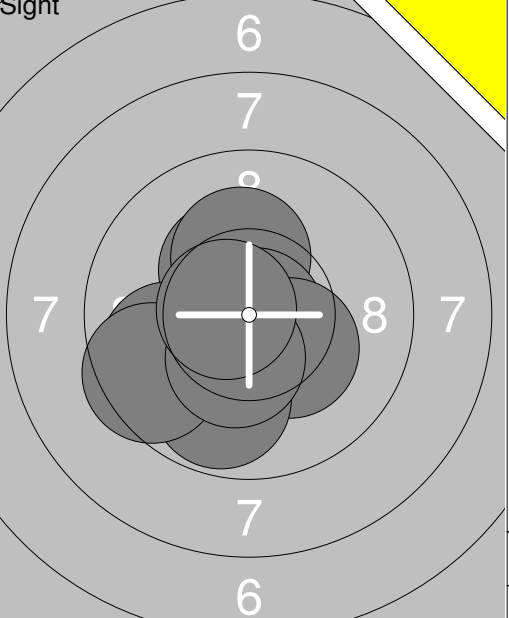


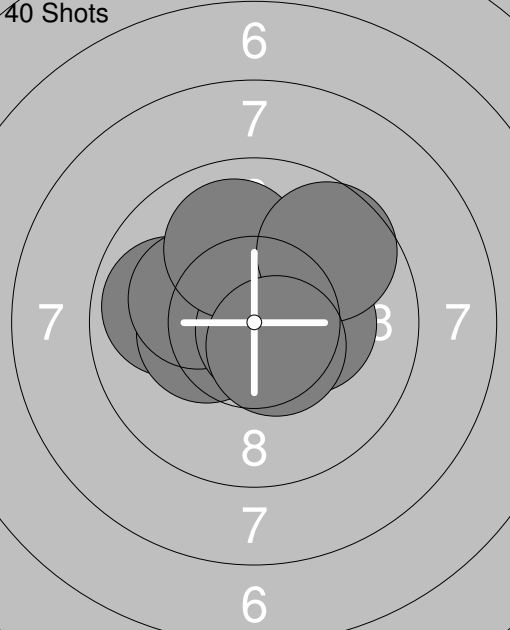
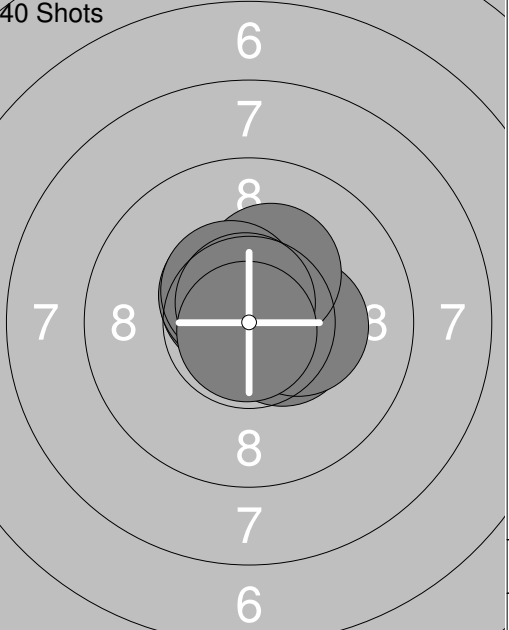
31:	10.7x ↓
32:	10.5x ↙
33:	10.5x ←
34:	10.7x ↙
35:	10.3x ←
36:	10.2x ↖
37:	10.4x ↙
38:	10.4x ←
39:	10.3x ←
40:	9.8 ←
Series 103.8	
Total 417.1	

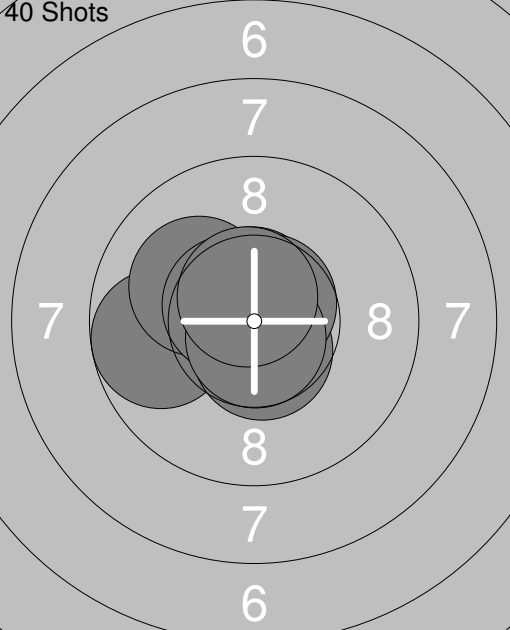
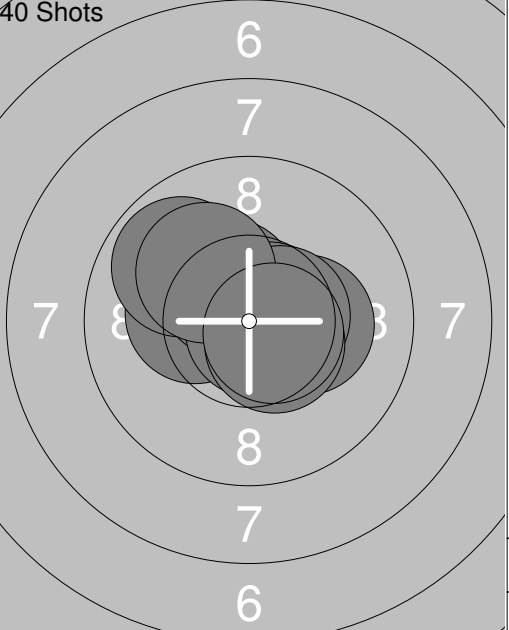
<p>Sight</p>  <p style="text-align: center;">6 7 8 7 8 7 6</p>	<p>1: 10.6x ↗ 2: 10.3x ↓ 3: 10.4x ↗ 4: 10.2x ↑ 5: 10.2x ↓ 6: 9.9 ↓ 7: 10.4x ↓ 8: 10.5x ↓ 9: 10.7x ↗ 10: 10.4x ↓</p> <p>Series 103.6 Total 0.0</p>	<p>Sight</p>  <p style="text-align: center;">6 7 8 7 8 7 6</p> <p>11: 10.3x ↑ 12: 10.3x ↓</p> <p>Series 20.6 Total 0.0</p>
---	---	---

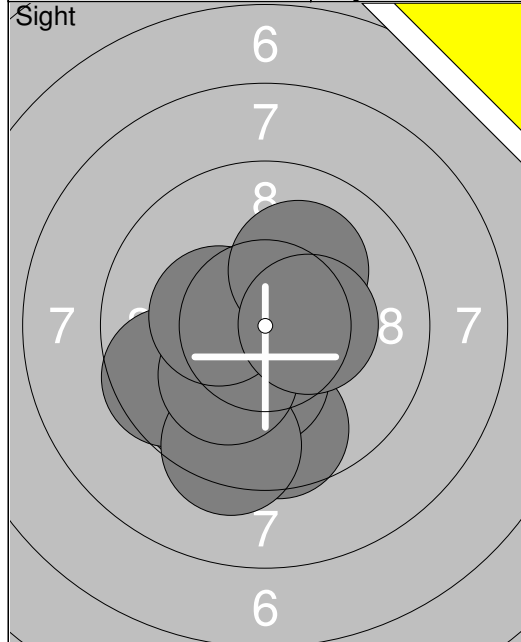
<p>40 Shots</p>  <p style="text-align: center;">6 7 8 7 8 7 6</p>	<p>1: 10.2x ↓ 2: 9.9 ↗ 3: 10.4x ↓ 4: 10.2x ↗ 5: 10.8x ↗ 6: 10.7x ↗ 7: 10.9x ↗ 8: 10.6x ← 9: 10.5x → 10: 10.5x ↑</p> <p>Series 104.7 Total 104.7</p>	<p>40 Shots</p>  <p style="text-align: center;">6 7 8 7 8 7 6</p> <p>11: 10.4x → 12: 10.6x ↓ 13: 10.2x ↓ 14: 10.9x ↗ 15: 10.7x ↓ 16: 10.6x ↑ 17: 10.9x → 18: 10.8x → 19: 10.5x ↓ 20: 10.4x ↗</p> <p>Series 106.0 Total 210.7</p>
---	---	--

<p>40 Shots</p>  <p style="text-align: center;">6 7 8 7 8 7 6</p>	<p>21: 10.7x ↑ 22: 10.5x ↓ 23: 10.9x ↖ 24: 10.6x ← 25: 10.7x ↓ 26: 10.4x ↑ 27: 10.5x ↖ 28: 10.4x ← 29: 10.8x ↓ 30: 10.7x ↑</p> <p>Series 106.2 Total 316.9</p>	<p>40 Shots</p>  <p style="text-align: center;">6 7 8 7 8 7 6</p> <p>31: 10.6x ↖ 32: 10.6x ← 33: 9.9 ↑ 34: 10.5x ↓ 35: 10.7x ↓ 36: 10.3x ← 37: 10.8x ← 38: 10.9x → 39: 10.2x ↓ 40: 10.5x ←</p> <p>Series 105.0 Total 421.9</p>
--	--	---

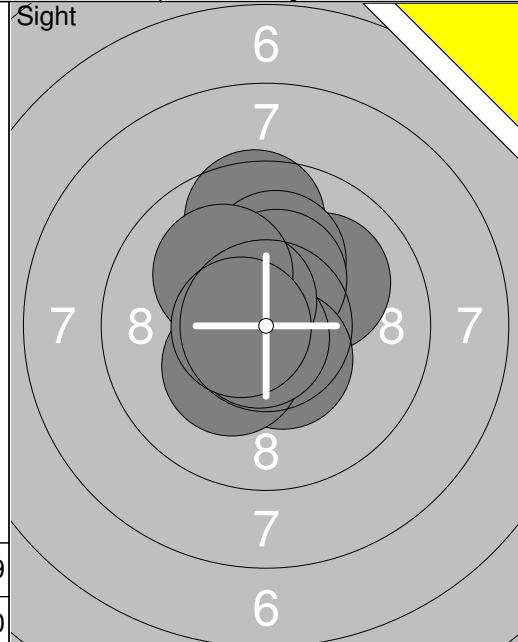
<p>Sight</p>  <p style="text-align: center;">6 7 8 7 8 7 7 6</p>	<p>1: 10.0 ↓ 2: 9.9 ↓ 3: 10.5x ← 4: 10.4x ↗ 5: 10.5x ↓ 6: 10.7x ↓ 7: 10.6x → 8: 10.3x ↓ 9: 9.8 ↘ 10: 10.5x ↗</p> <p>Series 103.2 Total 0.0</p>	<p>Sight</p>  <p style="text-align: center;">6 7 8 7 8 7 7 6</p>	<p>11: 10.3x ↗ 12: 10.2x ↗ 13: 10.7x ↓ 14: 10.9x ↘ 15: 10.3x ↘ 16: 9.8 ← 17: 9.8 ↓ 18: 9.5 ← 19: 10.4x ↓ 20: 10.7x ←</p> <p>Series 102.6 Total 0.0</p>
---	--	---	--

<p>40 Shots</p>  <p style="text-align: center;">6 7 8 7 8 7 8 7 6</p>	<p>1: 9.9 ← 2: 10.4x ↗ 3: 10.3x ← 4: 10.6x ↗ 5: 10.2x ← 6: 10.8x ↘ 7: 10.3x → 8: 10.0 ↑ 9: 9.7 ↗ 10: 10.5x ↘</p> <p>Series 102.7 Total 102.7</p>	<p>40 Shots</p>  <p style="text-align: center;">6 7 8 7 8 7 8 7 6</p>	<p>11: 10.5x → 12: 10.9x ↓ 13: 10.6x ↗ 14: 10.3x → 15: 10.6x ↗ 16: 10.3x ↗ 17: 10.5x ↗ 18: 10.5x ↗ 19: 10.7x ↗ 20: 10.8x ↓</p> <p>Series 105.7 Total 208.4</p>
---	--	---	--

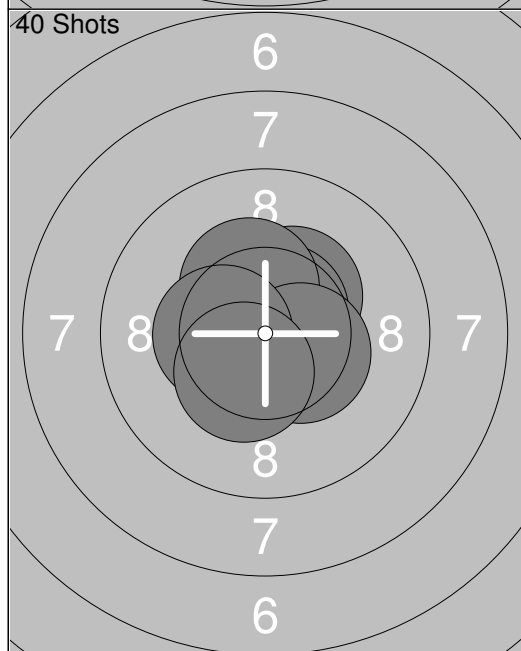
<p>40 Shots</p>  <p style="text-align: center;">6 7 8 7 8 7 8 7 6</p>	<p>21: 10.6x ↗ 22: 10.5x ← 23: 9.7 ← 24: 10.6x ↓ 25: 10.7x ↗ 26: 10.8x ↗ 27: 10.1 ← 28: 10.6x ↗ 29: 10.7x ↓ 30: 10.6x ↗</p> <p>Series 104.9 Total 313.3</p>	<p>40 Shots</p>  <p style="text-align: center;">6 7 8 7 8 7 8 7 6</p>	<p>31: 10.3x ← 32: 10.4x ↗ 33: 9.8 ← 34: 10.7x → 35: 10.2x → 36: 10.8x ↓ 37: 10.6x → 38: 10.1 ↗ 39: 10.5x ↓ 40: 10.6x →</p> <p>Series 104.0 Total 417.3</p>
--	---	--	---



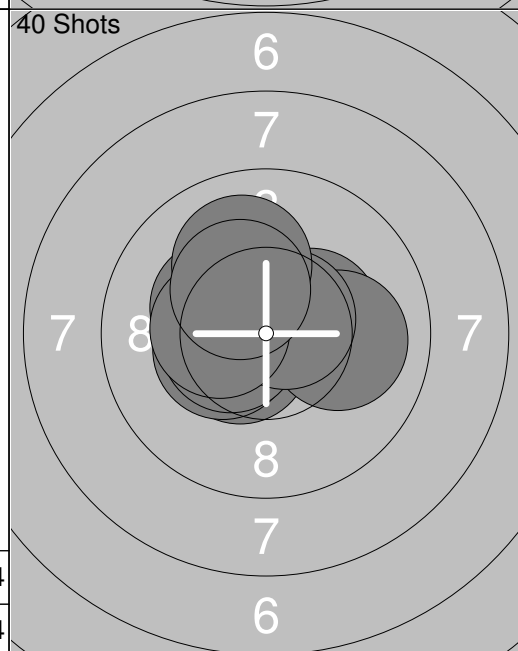
1: 9.8 ↘
2: 10.1 ↘
3: 9.6 ↙
4: 9.6 ↓
5: 10.3x ↓
6: 9.4 ↓
7: 10.2x ↘
8: 10.4x ↙
9: 10.1 ↗
10: 10.4x →
Series 99.9
Total 0.0



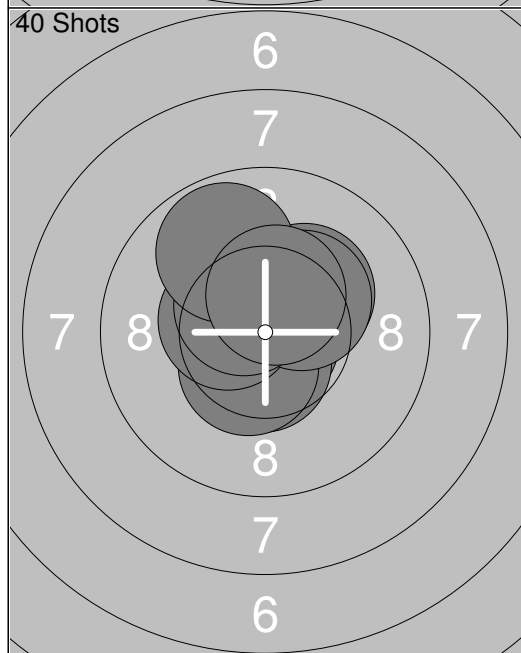
11: 9.6 ↑
12: 10.1 ↗
13: 10.1 ↑
14: 10.3x ↑
15: 10.5x ↓
16: 10.3x ↘
17: 10.8x ↓
18: 10.5x ↖
19: 10.1 ↖
20: 10.6x ↙
Series 102.9
Total 0.0



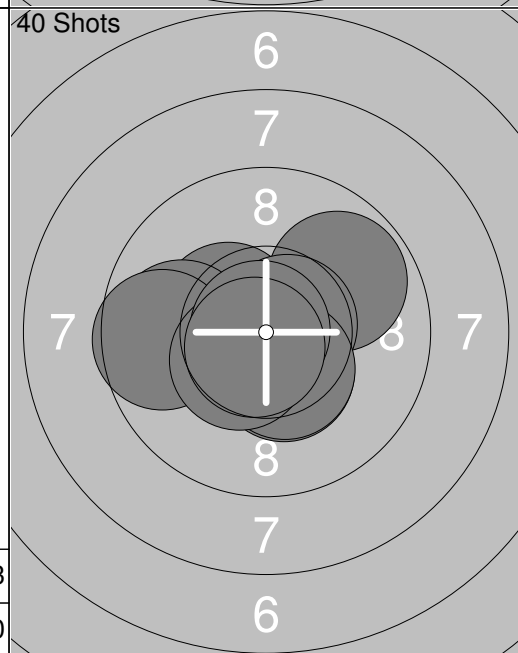
1: 10.8x ↙
2: 10.8x →
3: 10.6x ↓
4: 10.7x ↖
5: 10.4x ↗
6: 10.6x ↗
7: 10.3x ↖
8: 10.4x →
9: 10.4x ↙
10: 10.4x ↘
Series 105.4
Total 105.4



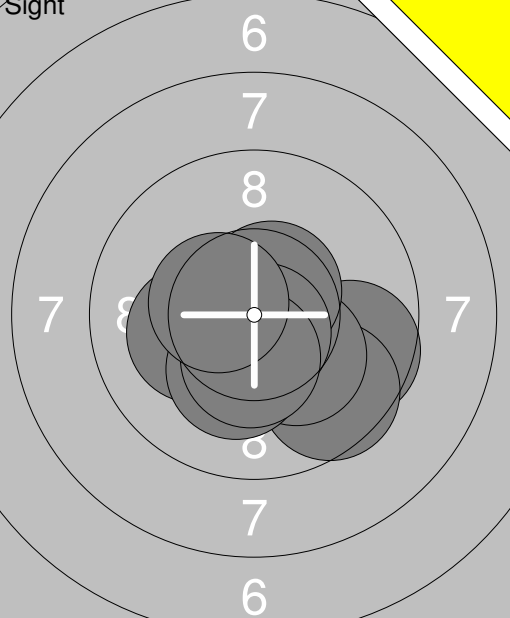
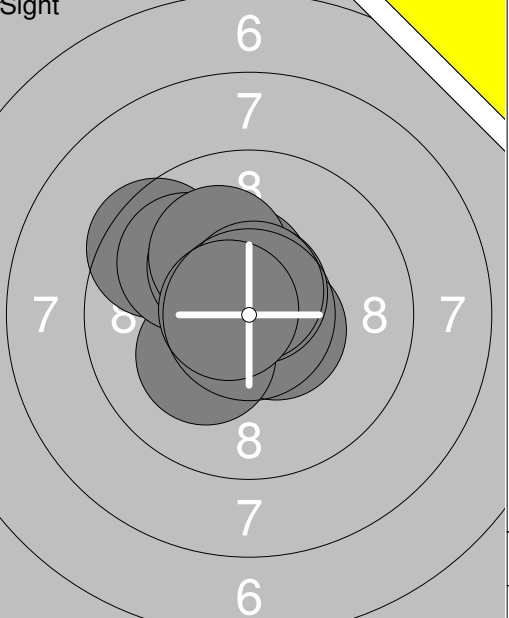
11: 10.5x ↘
12: 10.4x ↙
13: 10.3x →
14: 10.0 →
15: 10.5x ↙
16: 10.6x ↗
17: 10.3x ↖
18: 10.4x ↙
19: 10.0 ↑
20: 10.3x ↖
Series 103.3
Total 208.7

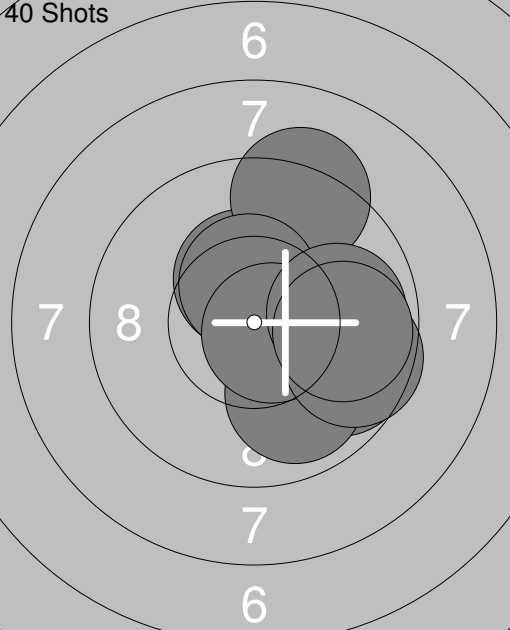
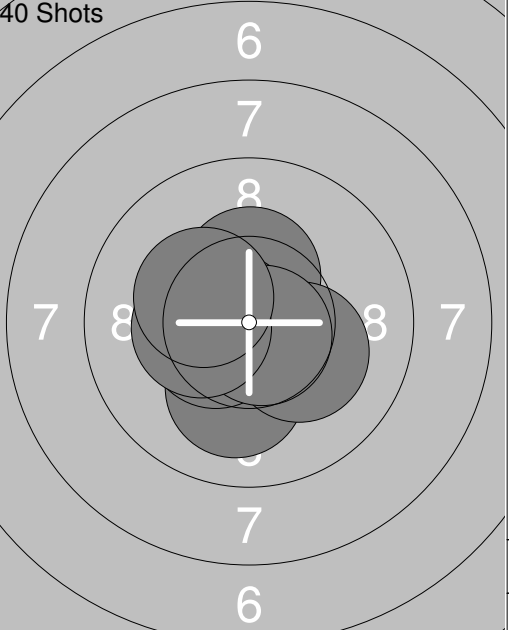


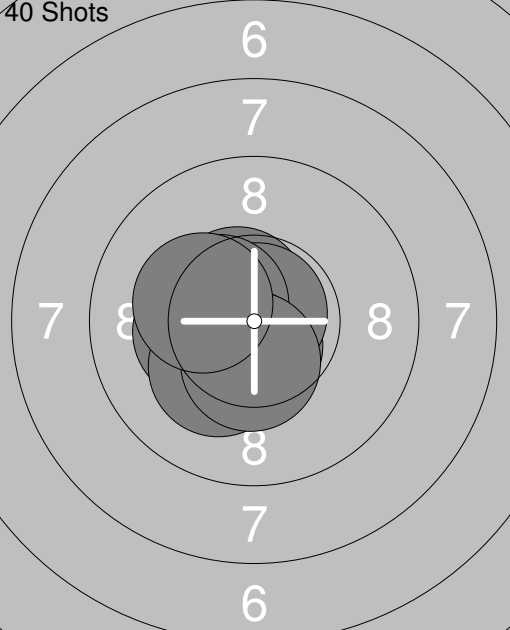
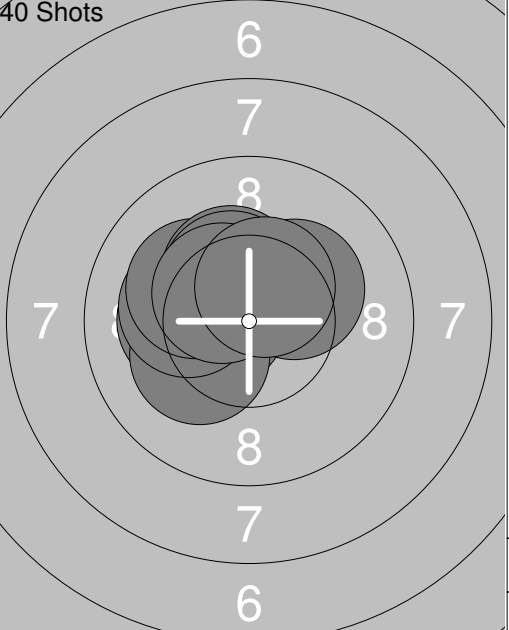
21: 10.8x ↓
22: 10.2x ↗
23: 10.6x ↓
24: 10.6x ↖
25: 10.5x ↓
26: 10.5x ↙
27: 10.3x ↗
28: 10.5x ↖
29: 9.8 ↗
30: 10.5x ↑
Series 104.3
Total 313.0

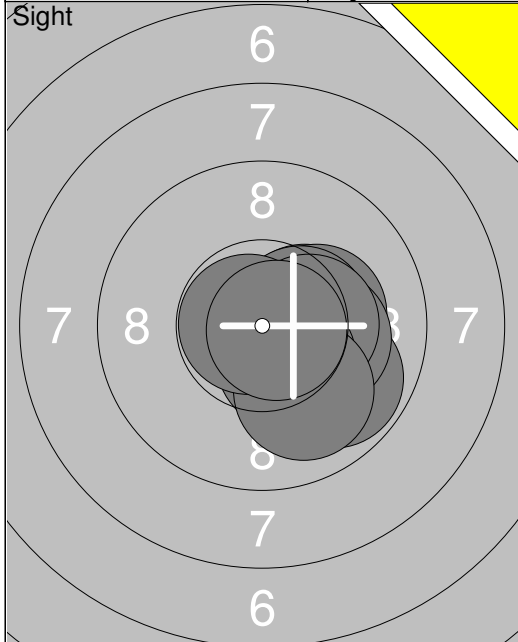


31: 10.4x ↖
32: 9.8 ↗
33: 10.4x ↓
34: 10.7x →
35: 9.9 ←
36: 9.6 ←
37: 10.4x ↓
38: 10.5x ↘
39: 10.9x ↙
40: 10.7x ↘
Series 103.3
Total 416.3

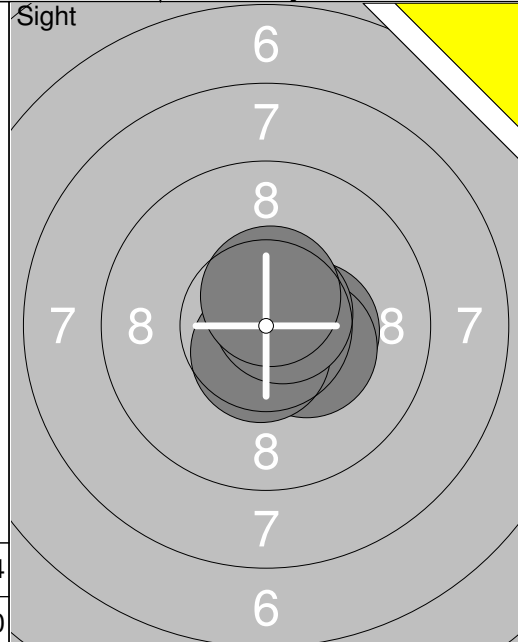
<p>Sight</p> 	<p>1: 9.6 →</p> <p>2: 9.6 ↘</p> <p>3: 10.2x ↘</p> <p>4: 10.4x ↘</p> <p>5: 10.6x ↗</p> <p>6: 10.7x ↘</p> <p>7: 10.2x ←</p> <p>8: 10.2x ↘</p> <p>9: 10.4x ↘</p> <p>10: 10.5x ←</p>	<p>Sight</p> 	<p>11: 10.6x →</p> <p>12: 10.2x ↙</p> <p>13: 9.5 ↖</p> <p>14: 10.4x ↑</p> <p>15: 9.9 ↖</p> <p>16: 10.7x ↑</p> <p>17: 10.2x ↖</p> <p>18: 10.1 ↖</p> <p>19: 10.6x ↑</p> <p>20: 10.7x ←</p>
Series 102.4	Total 0.0	Series 102.9	Total 0.0

<p>40 Shots</p> 	<p>1: 10.4x ↑</p> <p>2: 9.3 ↑</p> <p>3: 10.4x ↑</p> <p>4: 9.7 →</p> <p>5: 10.1 →</p> <p>6: 9.9 ↘</p> <p>7: 10.7x →</p> <p>8: 9.9 →</p> <p>9: 9.6 →</p> <p>10: 9.8 →</p>	<p>40 Shots</p> 	<p>11: 10.9x ↑</p> <p>12: 10.7x ↘</p> <p>13: 10.4x ↑</p> <p>14: 10.1 ↘</p> <p>15: 10.7x ←</p> <p>16: 10.2x →</p> <p>17: 10.5x ←</p> <p>18: 10.7x ↘</p> <p>19: 10.3x ←</p> <p>20: 10.3x ←</p>
Series 99.8	Total 99.8	Series 104.8	Total 204.6

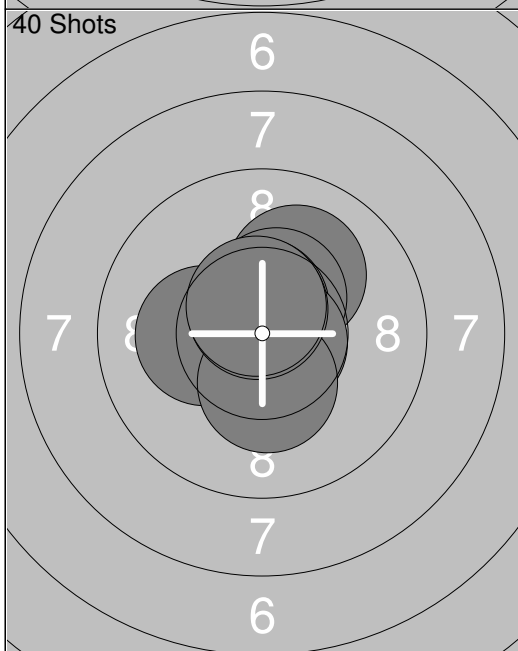
<p>40 Shots</p> 	<p>21: 10.6x ↘</p> <p>22: 10.5x ↙</p> <p>23: 10.3x ←</p> <p>24: 10.6x ↖</p> <p>25: 10.8x ↑</p> <p>26: 10.4x ←</p> <p>27: 10.5x ↘</p> <p>28: 10.2x ↙</p> <p>29: 10.4x ↘</p> <p>30: 10.3x ←</p>	<p>40 Shots</p> 	<p>31: 10.5x ←</p> <p>32: 10.2x ←</p> <p>33: 10.2x ↙</p> <p>34: 10.2x ←</p> <p>35: 10.2x ↖</p> <p>36: 10.3x ↑</p> <p>37: 10.4x ↑</p> <p>38: 10.5x ↖</p> <p>39: 10.2x ↗</p> <p>40: 10.5x ↑</p>
Series 104.6	Total 309.2	Series 103.2	Total 412.4



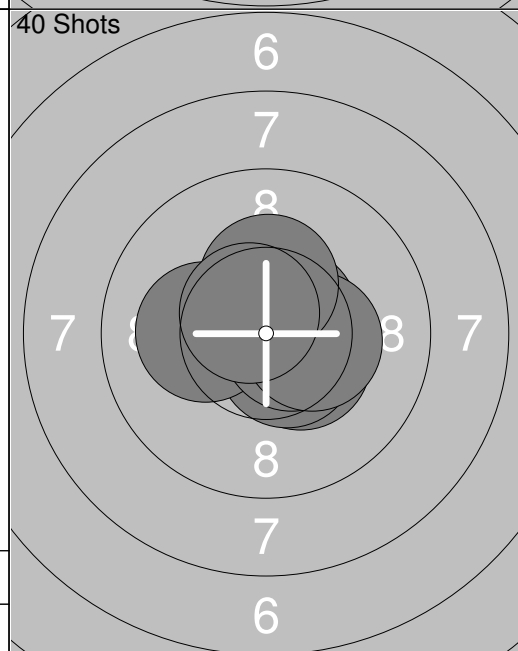
1:	10.4x →
2:	9.8 ↘
3:	10.2x →
4:	10.4x →
5:	10.2x →
6:	10.4x →
7:	10.4x ↘
8:	10.0 ↘
9:	10.8x ←
10:	10.8x →
Series	103.4
Total	0.0



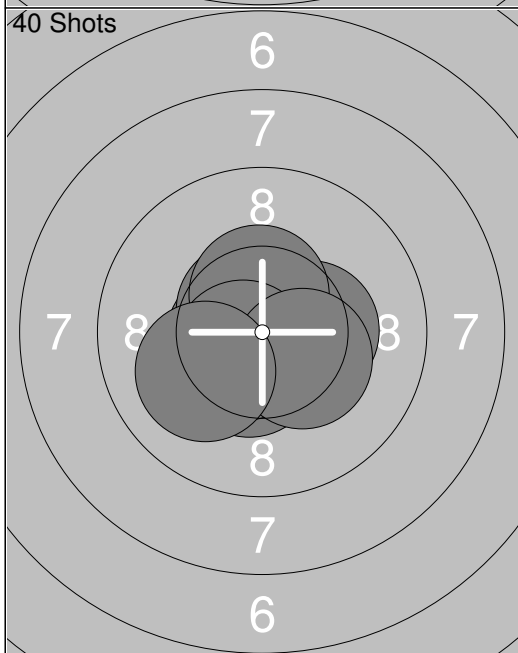
11:	10.4x →
12:	10.4x ↘
13:	10.6x ↓
14:	10.7x ↗
15:	10.6x ↑
Series	52.7
Total	0.0



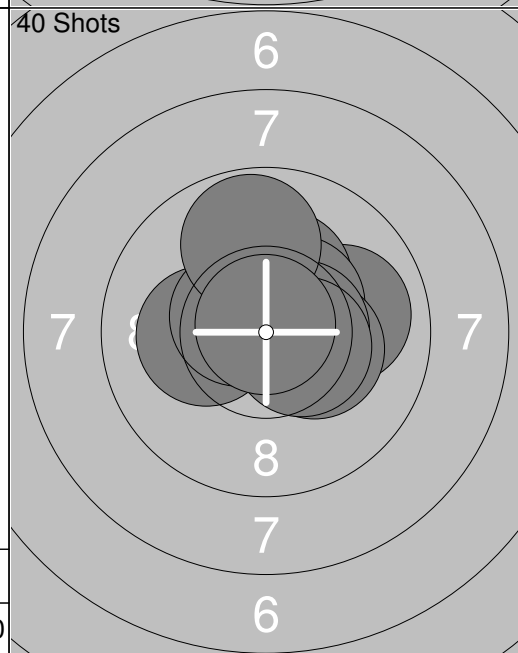
1:	10.1 ↗
2:	10.8x ↘
3:	10.5x ↗
4:	10.6x ↑
5:	10.7x ↙
6:	10.7x ↘
7:	10.2x ←
8:	10.3x ↓
9:	10.6x ↑
10:	10.6x ↑
Series	105.1
Total	105.1



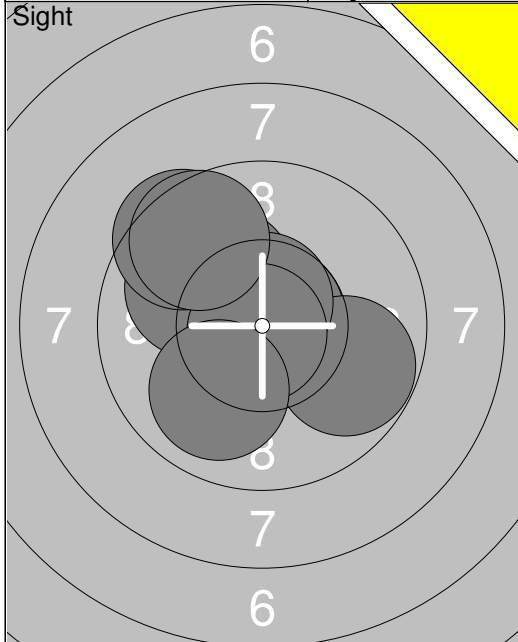
11:	10.5x ↑
12:	10.4x ↘
13:	10.7x ↙
14:	10.5x ↓
15:	10.2x ←
16:	10.6x →
17:	10.6x ↗
18:	10.4x →
19:	10.3x ↑
20:	10.6x ↖
Series	104.8
Total	209.9



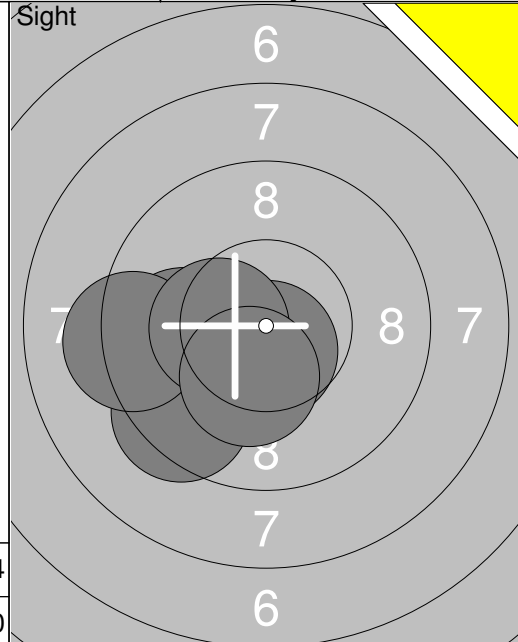
21:	10.6x ↑
22:	10.6x ←
23:	10.4x →
24:	10.9x ←
25:	10.6x ↖
26:	10.5x ↓
27:	10.5x ↑
28:	10.6x ↙
29:	10.3x ↘
30:	10.1 ↙
Series	105.1
Total	315.0



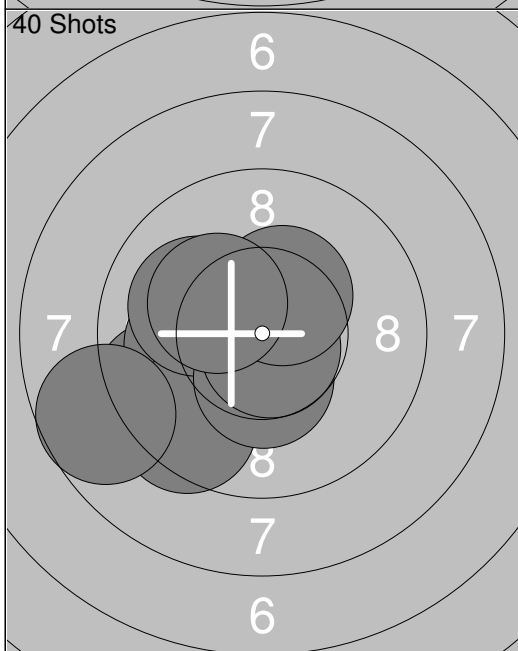
31:	10.0 →
32:	10.3x ↑
33:	10.4x ↗
34:	10.3x →
35:	10.2x ←
36:	10.5x →
37:	10.5x ↘
38:	10.6x ↖
39:	9.8 ↑
40:	10.9x ↑
Series	103.5
Total	418.5



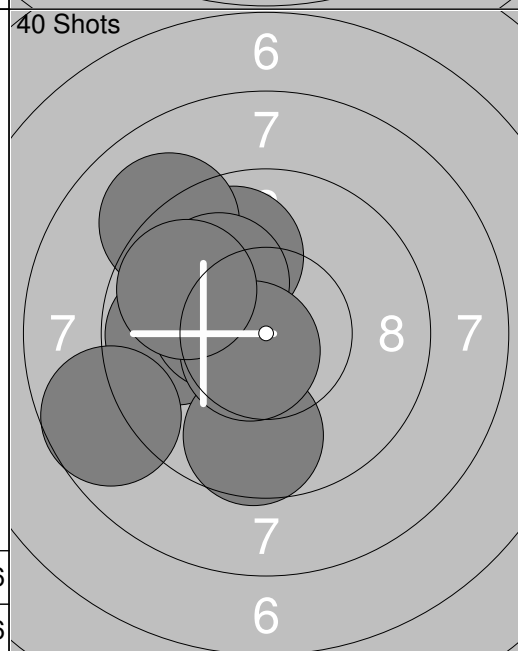
1:	10.2x ↖
2:	10.8x ↗
3:	10.0 ↖
4:	9.8 →
5:	10.7x ↑
6:	10.0 ↖
7:	10.8x ↘
8:	9.5 ↖
9:	10.0 ↘
10:	9.6 ↖
Series 101.4	
Total 0.0	



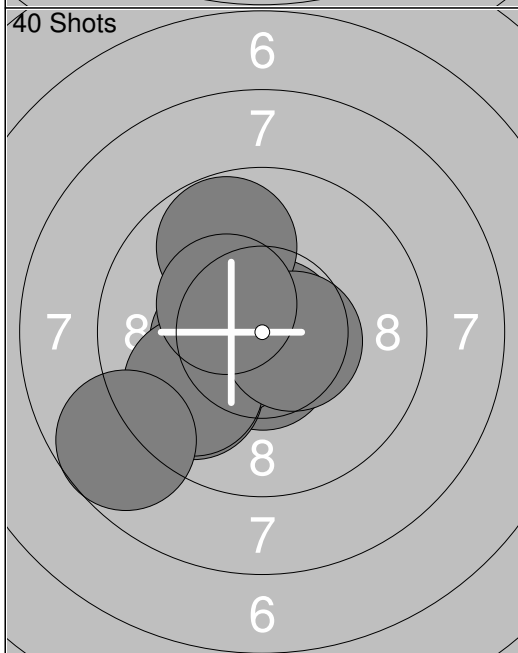
11:	9.9 ←
12:	10.1 ↖
13:	9.4 ↘
14:	10.6x ↓
15:	9.2 ←
16:	10.4x ←
17:	10.3x ↓
Series 69.9	
Total 0.0	



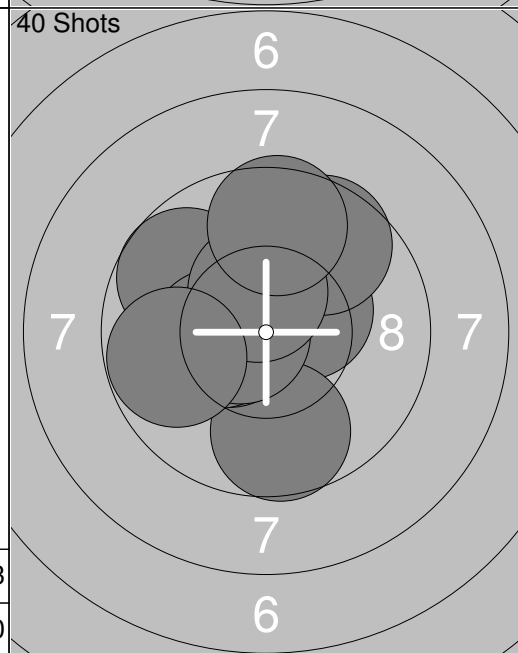
1:	9.5 ←
2:	9.9 ←
3:	10.1 ←
4:	9.5 ↘
5:	10.1 ↖
6:	10.4x ↓
7:	10.7x ↘
8:	10.4x ↗
9:	8.7 ←
10:	10.3x ↖
Series 99.6	
Total 99.6	



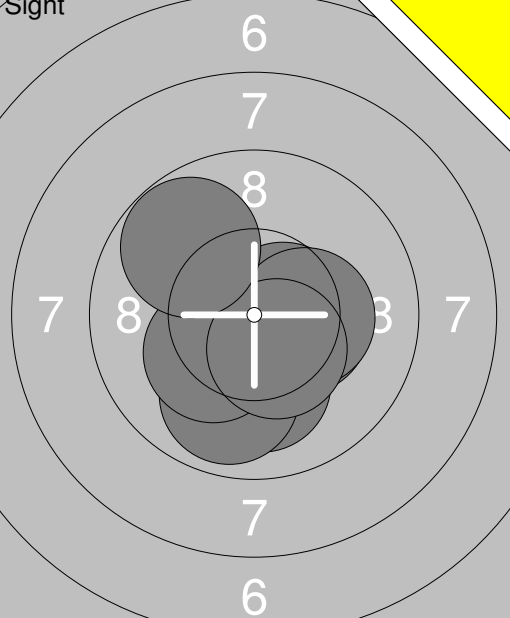
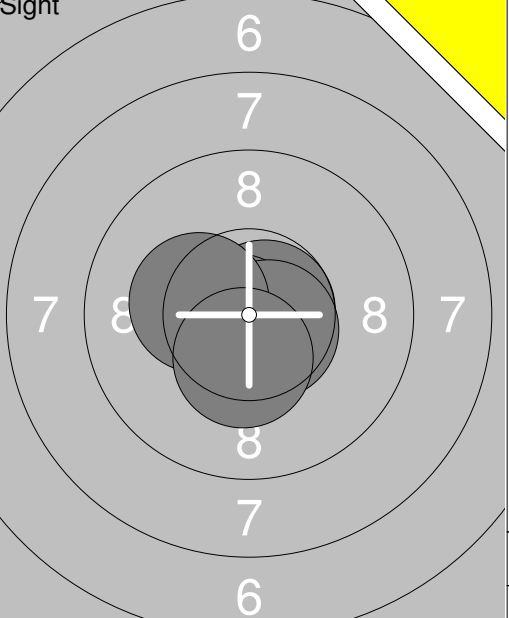
11:	9.8 ←
12:	9.6 ↓
13:	10.4x ←
14:	9.9 ↗
15:	8.7 ←
16:	10.0 ↖
17:	9.1 ↗
18:	10.1 ↗
19:	10.7x ↘
20:	9.8 ↖
Series 98.1	
Total 197.7	

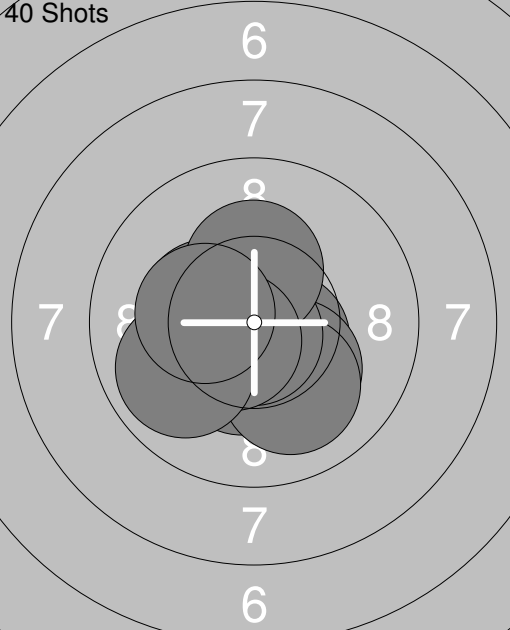
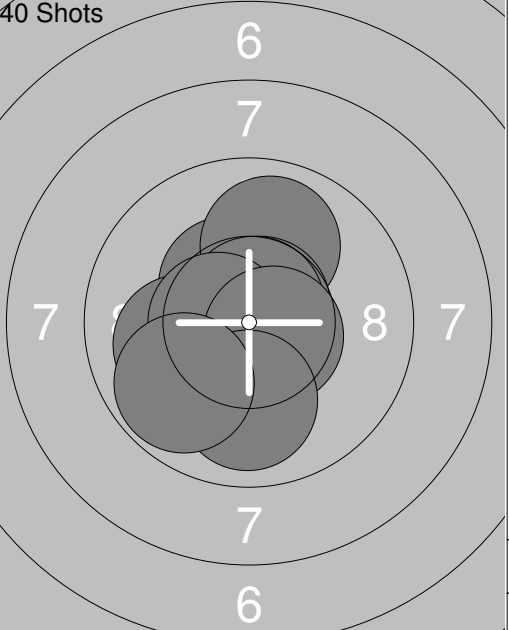


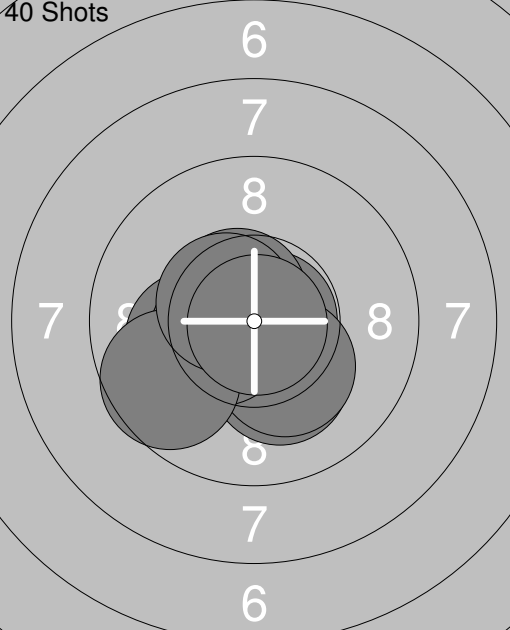
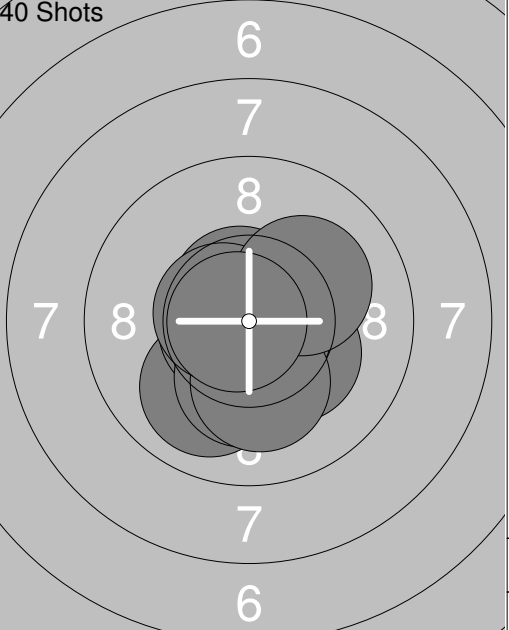
21:	10.6x ↓
22:	10.8x ↗
23:	9.8 ↖
24:	10.5x ←
25:	10.4x ←
26:	9.8 ↖
27:	9.8 ↗
28:	10.5x →
29:	8.7 ↖
30:	10.4x ↖
Series 101.3	
Total 299.0	

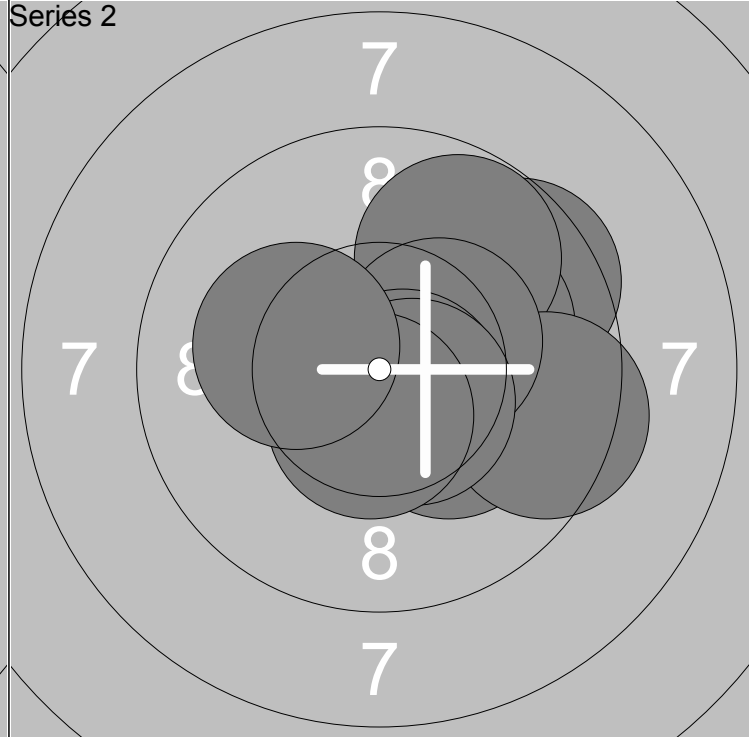
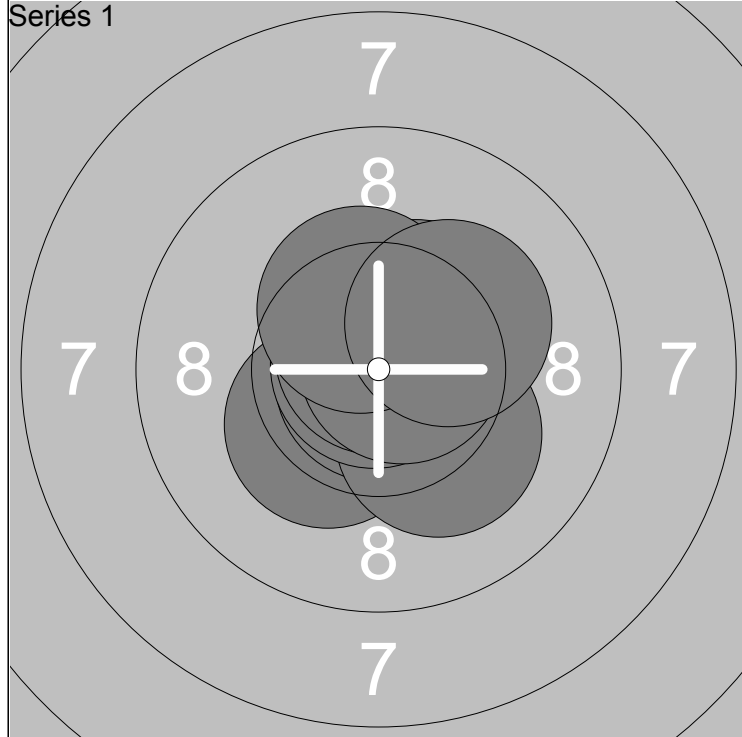


31:	9.7 ↖
32:	10.4x ↗
33:	9.7 ↓
34:	10.5x ←
35:	10.3x ←
36:	9.6 ↗
37:	10.6x ←
38:	10.4x ↗
39:	9.8 ←
40:	9.6 ↑
Series 100.6	
Total 399.6	

<p>Sight</p> 	<p>1: 10.4x →</p> <p>2: 10.6x →</p> <p>3: 10.2x ↓</p> <p>4: 10.5x ↙</p> <p>5: 10.1 ↓</p> <p>6: 9.9 ↓</p> <p>7: 10.2x ↙</p> <p>8: 10.3x →</p> <p>9: 10.4x ↓</p> <p>10: 9.8 ↖</p>	<p>Sight</p> 	<p>11: 10.7x →</p> <p>12: 10.7x ↙</p> <p>13: 10.6x ↘</p> <p>14: 10.3x ↖</p> <p>15: 10.4x ↓</p>
Series	102.4	Series	52.7
Total	0.0	Total	0.0

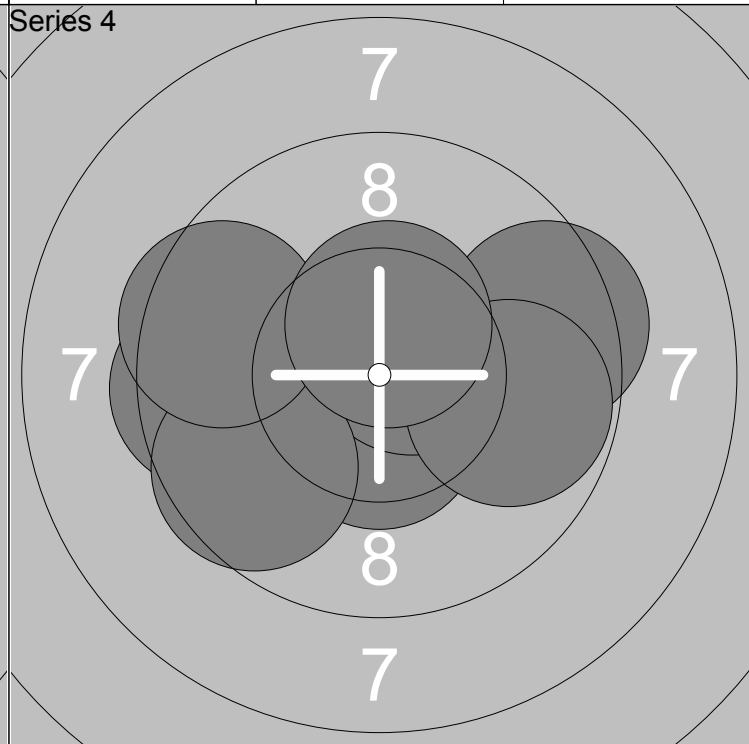
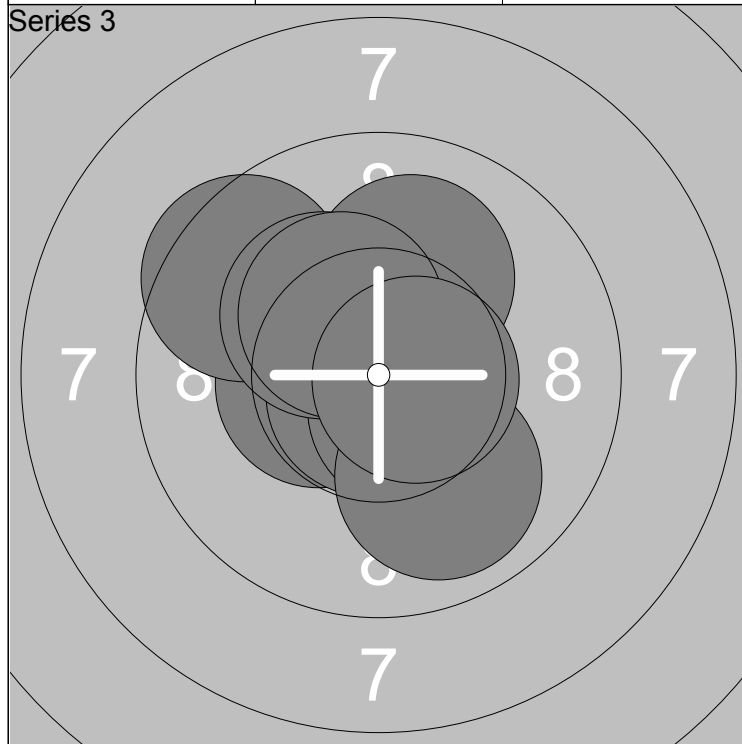
<p>40 Shots</p> 	<p>1: 10.4x ↓</p> <p>2: 10.6x ↘</p> <p>3: 10.4x ↖</p> <p>4: 10.2x ↘</p> <p>5: 10.0 ↓</p> <p>6: 10.8x ↓</p> <p>7: 10.3x ↑</p> <p>8: 10.6x ↙</p> <p>9: 9.9 ↙</p> <p>10: 10.3x ↖</p>	<p>40 Shots</p> 	<p>11: 10.4x ↖</p> <p>12: 10.1 ↖</p> <p>13: 9.9 ↑</p> <p>14: 10.2x ↓</p> <p>15: 10.7x ↗</p> <p>16: 10.7x ↑</p> <p>17: 10.6x ↖</p> <p>18: 10.6x ↘</p> <p>19: 9.9 ↓</p> <p>20: 9.8 ↙</p>
Series	103.5	Series	102.9
Total	103.5	Total	206.4

<p>40 Shots</p> 	<p>21: 10.6x ↖</p> <p>22: 10.8x →</p> <p>23: 10.2x ↖</p> <p>24: 10.6x ↗</p> <p>25: 10.2x ↓</p> <p>26: 10.2x ↓</p> <p>27: 10.5x ↖</p> <p>28: 9.6 ↙</p> <p>29: 10.5x ↖</p> <p>30: 10.9x ↓</p>	<p>40 Shots</p> 	<p>31: 10.6x ↗</p> <p>32: 10.0 ↙</p> <p>33: 10.7x ↖</p> <p>34: 10.3x ↘</p> <p>35: 10.7x ↘</p> <p>36: 10.2x ↓</p> <p>37: 10.2x ↓</p> <p>38: 10.6x ↖</p> <p>39: 10.1 ↗</p> <p>40: 10.8x ↖</p>
Series	104.1	Series	104.2
Total	310.5	Total	414.7



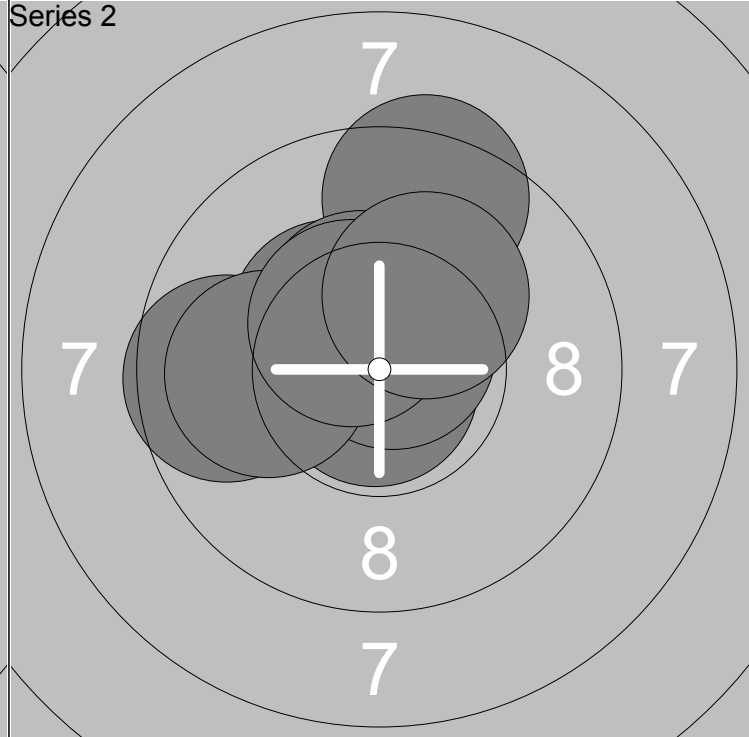
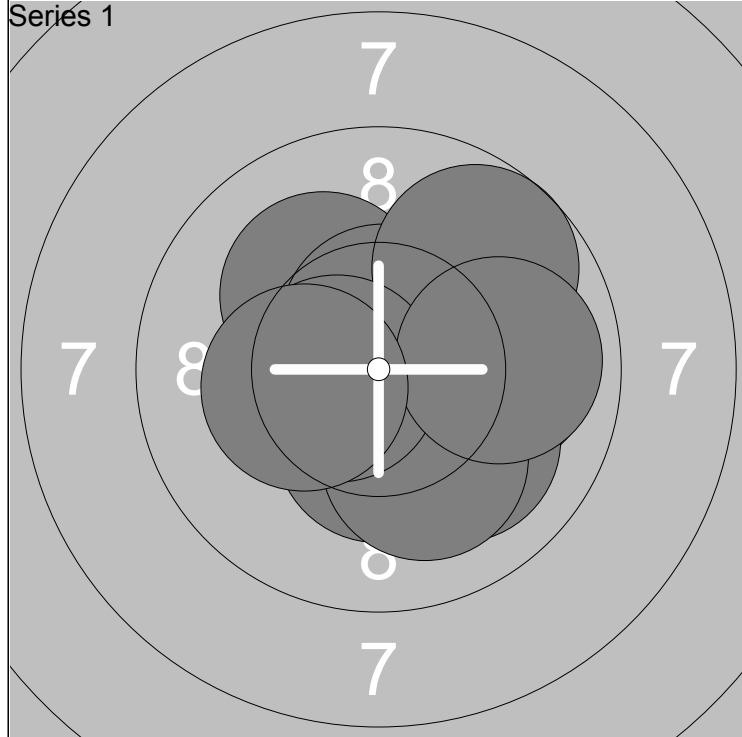
1: 10.3x ↙	6: 10.8x ↑	Series 105.3
2: 10.9x ↓	7: 10.4x ↗	
3: 10.4x ↗	8: 10.7x →	Total 105.3
4: 10.2x ↘	9: 10.4x ↑	
5: 10.9x ↖	10: 10.3x ↗	

11: 9.5 ↗	16: 10.4x ↗	Series 101.6
12: 10.1 →	17: 10.7x ↘	
13: 9.8 ↗	18: 10.6x ↘	Total 206.9
14: 10.2x ↘	19: 10.6x ↓	
15: 9.5 →	20: 10.2x ←	



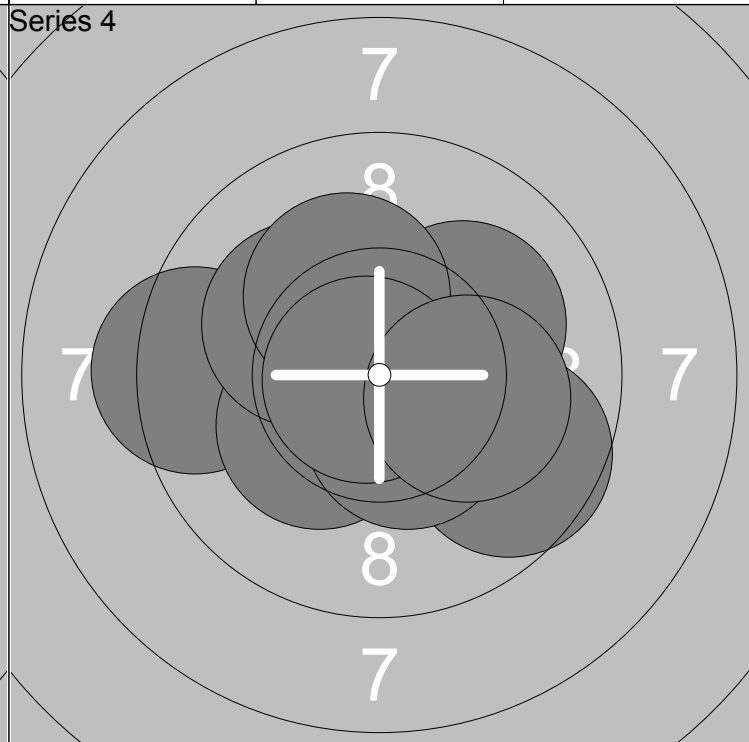
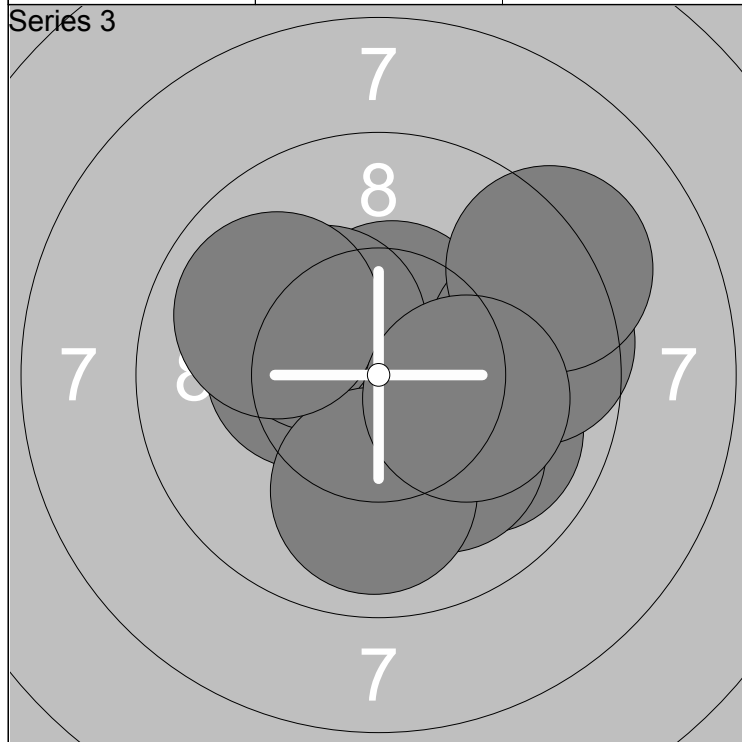
21: 10.1 ↑	26: 10.6x ↘	Series 103.1
22: 10.7x ↖	27: 9.9 ↘	
23: 10.4x ←	28: 10.2x ↗	Total 310.0
24: 10.8x ↘	29: 10.3x ↗	
25: 9.5 ↖	30: 10.6x →	

31: 9.5 ←	36: 9.6 ↖	Series 100.4
32: 10.7x ↗	37: 9.5 ←	
33: 10.3x ←	38: 9.4 →	Total 410.4
34: 10.5x ↓	39: 9.8 →	
35: 10.6x ↗	40: 10.5x ↑	



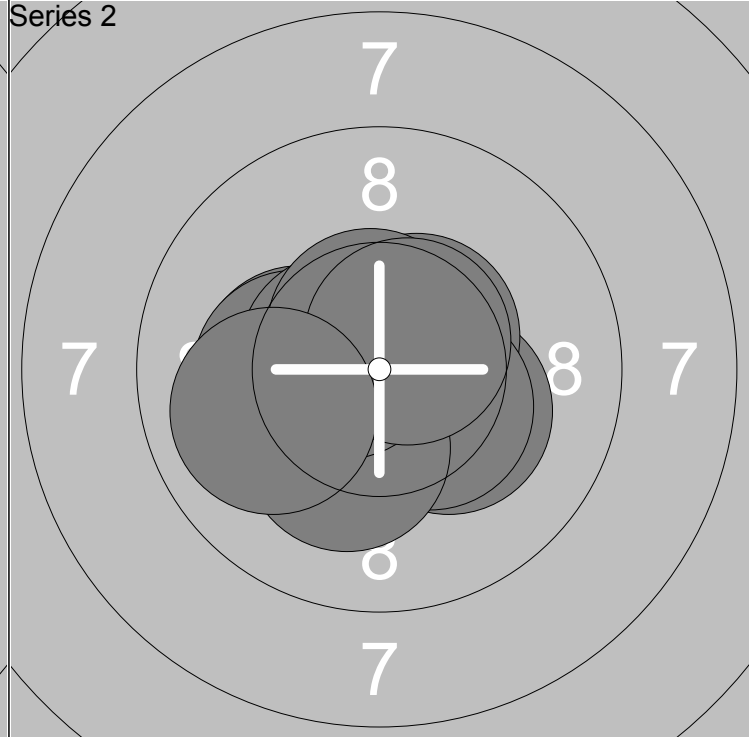
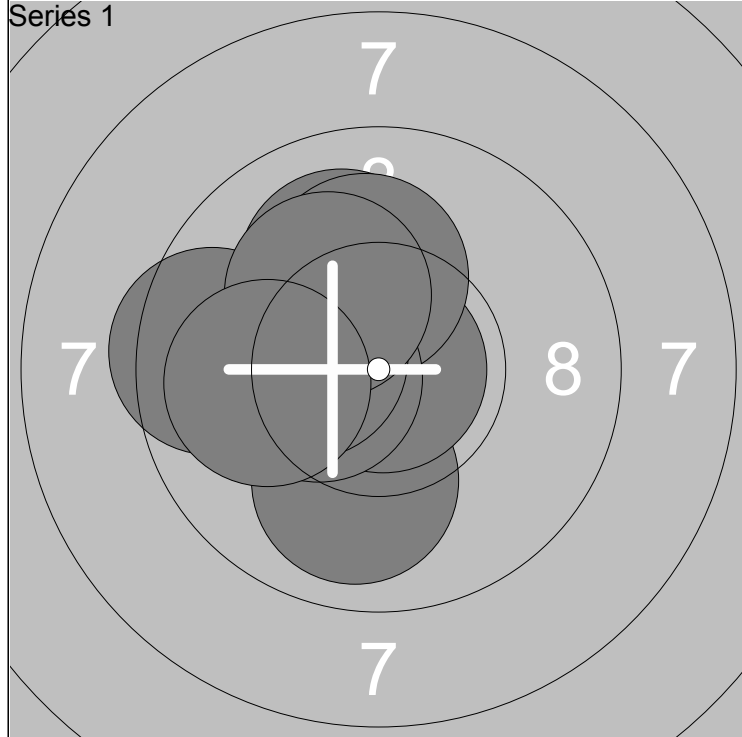
1: 10.0 →	6: 10.6x ↑	Series 101.7
2: 10.3x ↓	7: 9.7 ↗	
3: 10.0 ↘	8: 10.6x ←	Total 101.7
4: 10.1 ↙	9: 9.9 →	
5: 10.2x ↗	10: 10.3x ←	

11: 9.6 ←	16: 9.4 ↑	Series 102.5
12: 10.8x ↓	17: 10.5x ↑	
13: 10.4x ↖	18: 10.0 ←	Total 204.2
14: 10.4x ↑	19: 10.5x ↗	
15: 10.7x ↗	20: 10.2x ↗	



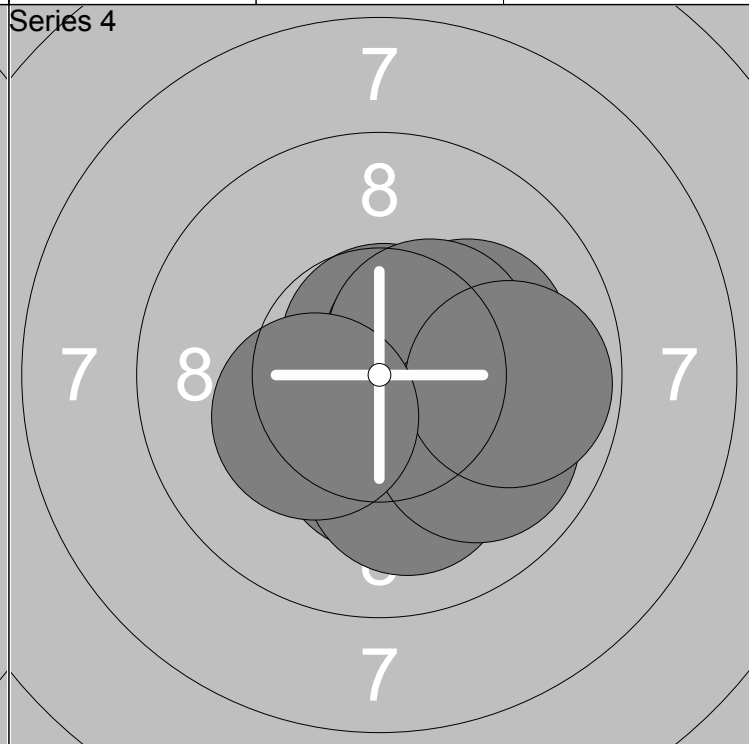
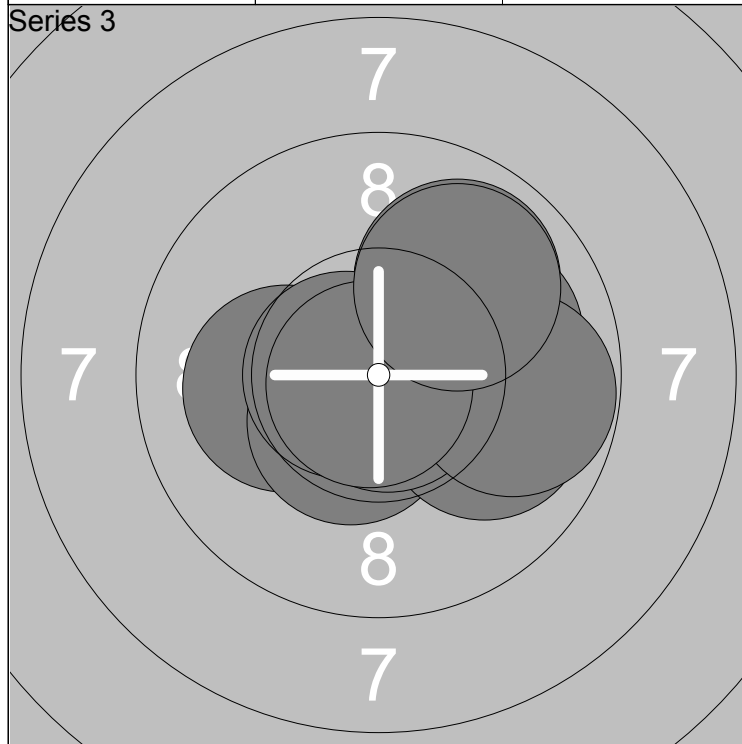
21: 10.4x ←	26: 9.2 ↗	Series 100.1
22: 10.5x ↑	27: 10.1 ↘	
23: 9.9 ↘	28: 10.0 ↓	Total 304.3
24: 9.6 →	29: 9.9 ↗	
25: 10.3x ↗	30: 10.2x →	

31: 9.7 ↘	36: 10.1 ↗	Series 101.7
32: 9.3 ←	37: 10.2x ↑	
33: 10.3x ↙	38: 10.4x ↓	Total 406.0
34: 10.5x ↑	39: 10.8x ←	
35: 10.2x ↖	40: 10.2x →	



1: 9.9 ↓	6: 9.5 ←	Series 101.5
2: 10.0 ↑	7: 10.4x ←	
3: 10.2x ↗	8: 10.3x ←	Total 101.5
4: 10.9x →	9: 10.2x ↗	
5: 10.1 ↑	10: 10.0 ←	

11: 10.2x →	16: 10.2x ←	Series 103.5
12: 10.5x ↗	17: 10.6x ←	
13: 10.3x ←	18: 10.6x ↑	Total 205.0
14: 10.4x ↘	19: 10.6x ↗	
15: 10.2x ↓	20: 9.9 ←	



21: 10.2x ←	26: 10.8x ↓	Series 102.6
22: 9.9 ↗	27: 10.0 →	
23: 10.5x ↓	28: 9.8 →	Total 307.6
24: 10.7x ←	29: 10.8x ↙	
25: 10.0 →	30: 9.9 ↗	

31: 10.3x ↓	36: 10.4x ↗	Series 102.8
32: 10.7x ↓	37: 10.1 ↓	
33: 10.7x ↑	38: 9.9 ↘	Total 410.4
34: 10.1 →	39: 9.8 →	
35: 10.5x ↗	40: 10.3x ↙	