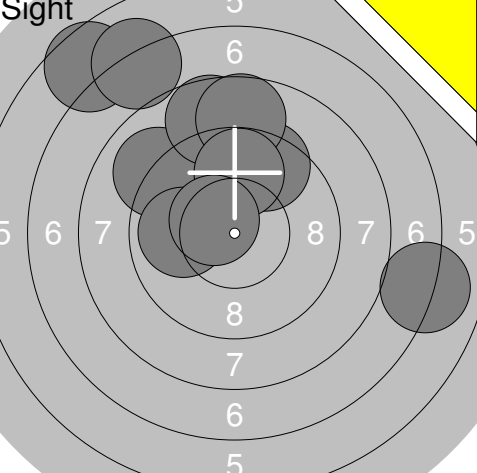
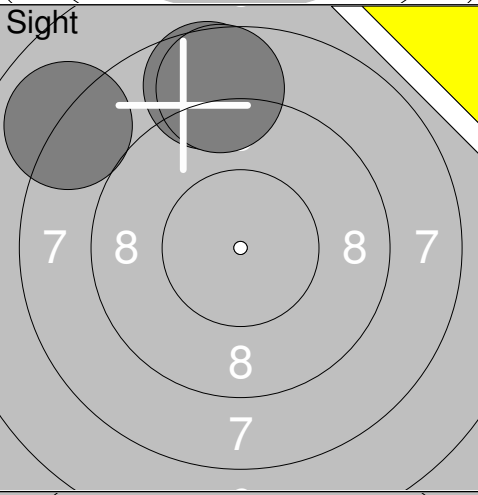
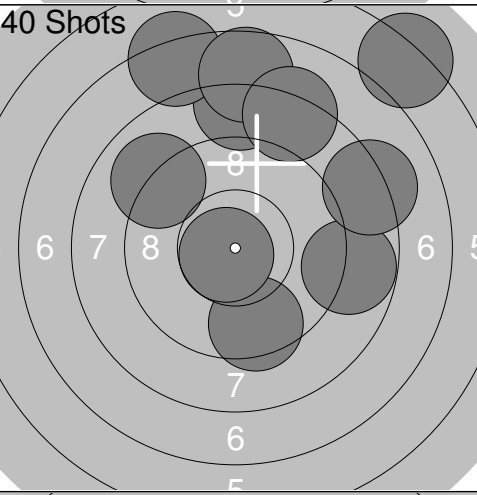
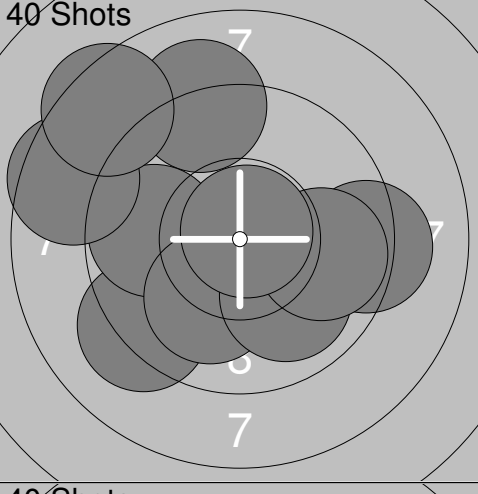
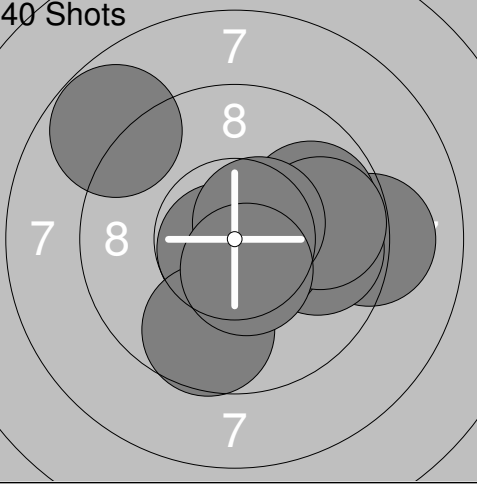
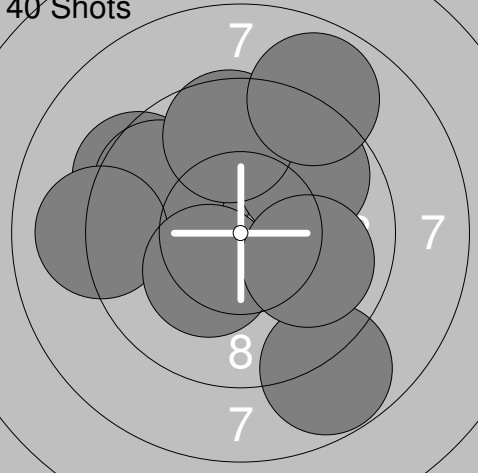
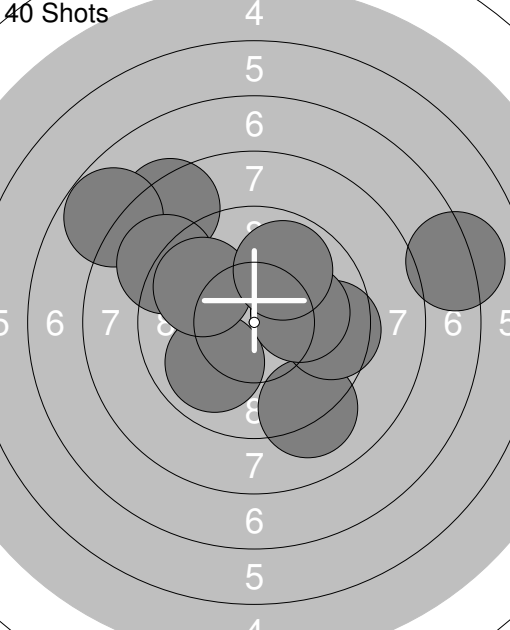
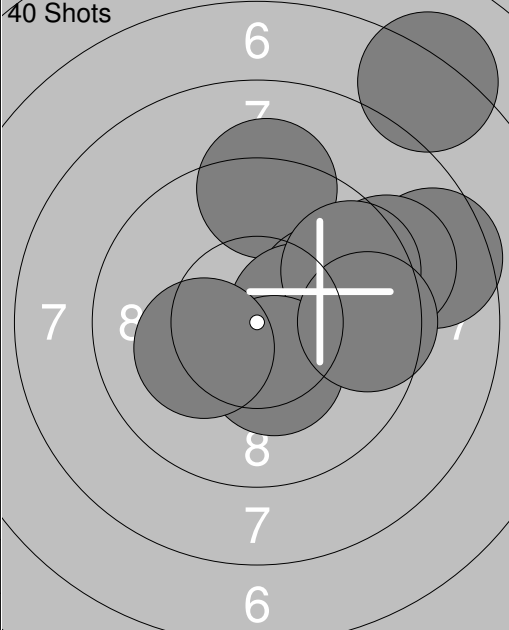
	<p>1: 5.4 ↖ 2: 9.3 ↗ 3: 7.6 ↑ 4: 8.5 ↗ 5: 7.3 ↑ 6: 6.7 ↗ 7: 6.5 ↗ 8: 7.0 ↗ 9: 6.0 ↑ 10: 6.5 ↖</p> <p>Series 70.8 Total 0.0</p>		<p>11: 6.6 ↗ 12: 7.1 ↗ 13: 9.0 ↖ 14: 8.7 ↑ 15: 9.9 ← 16: 9.5 ↑ 17: 8.7 ↑ 18: 9.8 ↑ 19: 7.0 → 20: 10.5x ↖</p> <p>Series 86.8 Total 0.0</p>
--	--	--	---

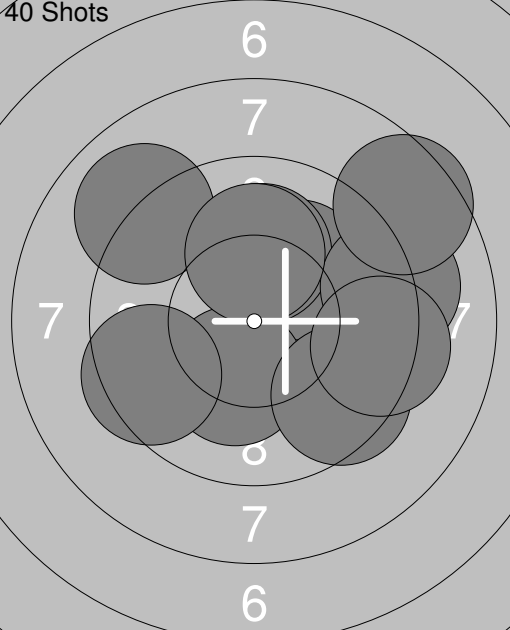
	<p>21: 8.0 ↖ 22: 8.6 ↑ 23: 8.7 ↑</p> <p>Series 25.3 Total 0.0</p>		<p>1: 8.2 ↑ 2: 7.2 ↑ 3: 7.7 ↑ 4: 6.2 ↗ 5: 8.2 ↑ 6: 8.8 → 7: 9.0 ↗ 8: 9.5 ↓ 9: 8.2 → 10: 10.7x ↙</p> <p>Series 83.7 Total 83.7</p>
---	---	---	---

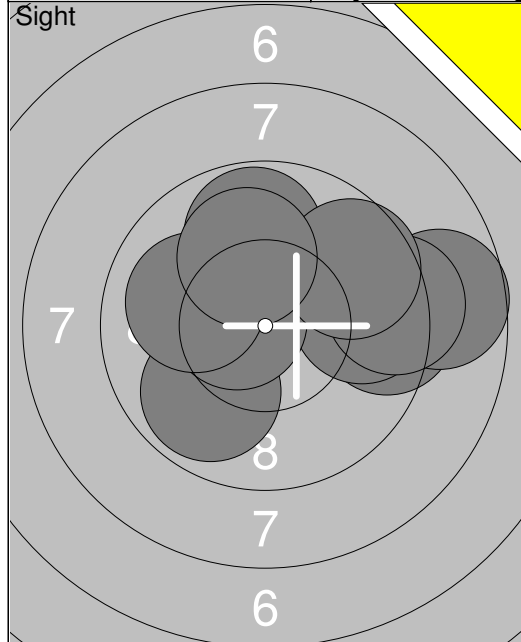
	<p>11: 9.1 ↑ 12: 9.2 ↙ 13: 9.8 ← 14: 10.1 ↓ 15: 8.5 ← 16: 8.4 ↗ 17: 10.0 ↓ 18: 9.2 → 19: 9.8 → 20: 10.8x ↗</p> <p>Series 94.9 Total 178.6</p>		<p>21: 9.1 → 22: 9.8 → 23: 9.8 → 24: 10.7x ↙ 25: 10.6x → 26: 8.8 ↗ 27: 9.8 → 28: 10.6x ↗ 29: 9.7 ↓ 30: 10.5x ↓</p> <p>Series 99.4 Total 278.0</p>
--	---	--	---

	<p>31: 10.0 ↖ 32: 9.8 ↗ 33: 8.8 ↙ 34: 9.4 ↗ 35: 9.7 ↗ 36: 9.1 ← 37: 9.6 ↑ 38: 8.9 ↗ 39: 10.3x ↙ 40: 10.0 →</p> <p>Series 95.6 Total 373.6</p>		
--	---	--	--

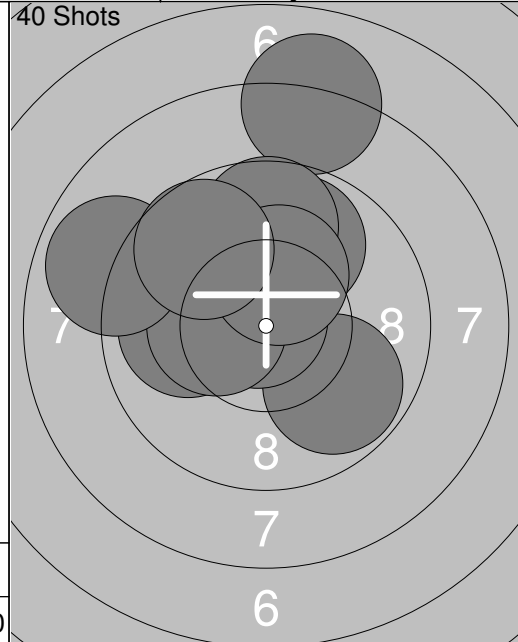
 <p>Sight</p>	<p>40 Shots</p> 	<p>1: 9.4 ↑</p> <p>2: 8.9 →</p> <p>3: 9.6 ←</p> <p>4: 10.6x ↗</p> <p>5: 9.2 ↘</p> <p>6: 8.9 →</p> <p>7: 8.4 →</p> <p>8: 9.4 ←</p> <p>9: 7.3 ↑</p> <p>10: 9.5 ←</p> <hr/> <p>Series 91.2</p> <p>Total 0.0</p>	<p>1: 9.2 →</p> <p>2: 9.3 ↗</p> <p>3: 7.9 ←</p> <p>4: 10.7x ↙</p> <p>5: 10.4x ↘</p> <p>6: 7.3 →</p> <p>7: 8.0 ↗</p> <p>8: 8.4 →</p> <p>9: 9.2 ↘</p> <p>10: 10.0 ↗</p> <hr/> <p>Series 90.4</p> <p>Total 90.4</p>
---	--	--	--

 <p>40 Shots</p>	<p>40 Shots</p> 	<p>11: 8.4 ↗</p> <p>12: 9.1 ↘</p> <p>13: 9.9 ↙</p> <p>14: 7.8 ↗</p> <p>15: 9.0 ↗</p> <p>16: 9.6 →</p> <p>17: 9.8 ↗</p> <p>18: 10.1 →</p> <p>19: 7.2 →</p> <p>20: 9.9 ↗</p> <hr/> <p>Series 90.8</p> <p>Total 181.2</p>	<p>21: 9.2 ↑</p> <p>22: 10.0 →</p> <p>23: 8.6 →</p> <p>24: 10.4x →</p> <p>25: 9.1 →</p> <p>26: 7.2 ↗</p> <p>27: 9.6 ↗</p> <p>28: 10.4x ↘</p> <p>29: 9.5 →</p> <p>30: 10.2x ↙</p> <hr/> <p>Series 94.2</p> <p>Total 275.4</p>
---	---	--	--

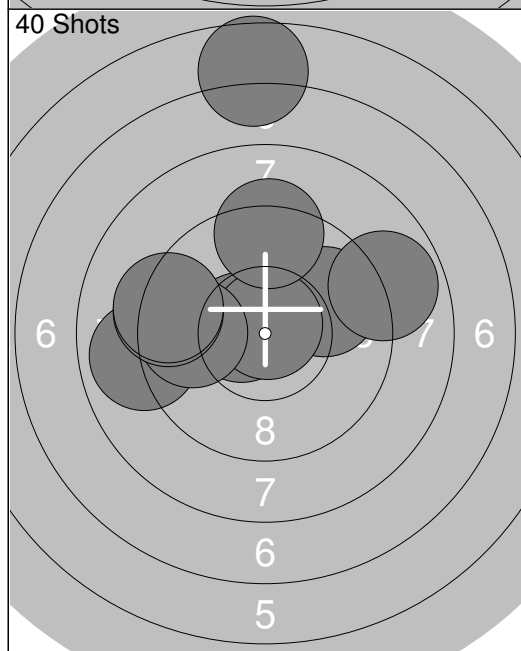
 <p>40 Shots</p>	<p>31: 10.1 ↗</p> <p>32: 10.1 ↑</p> <p>33: 9.2 →</p> <p>34: 10.2x ↘</p> <p>35: 8.5 ↗</p> <p>36: 9.5 ↘</p> <p>37: 9.0 ↗</p> <p>38: 9.3 →</p> <p>39: 9.5 ←</p> <p>40: 10.1 ↑</p> <hr/> <p>Series 95.5</p> <p>Total 370.9</p>	
--	--	--



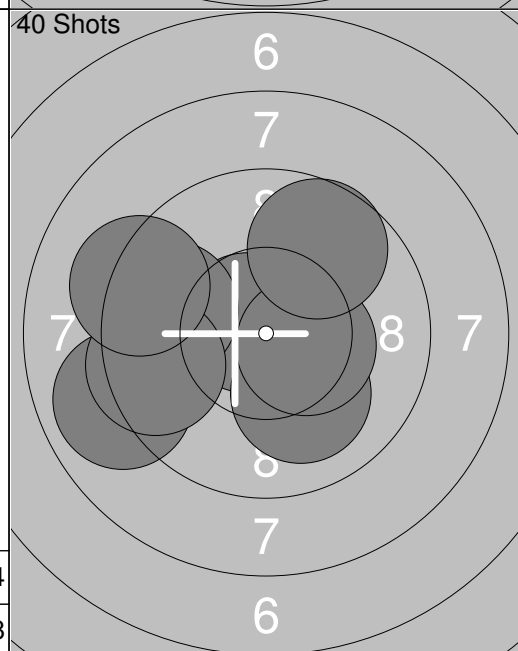
1: 9.9 ↙
2: 9.4 →
3: 9.7 →
4: 10.6x↙
5: 10.0 ↖
6: 9.8 ↑
7: 8.7 →
8: 9.3 →
9: 9.6 ↗
10: 10.1 ↑
Series 97.1
Total 0.0



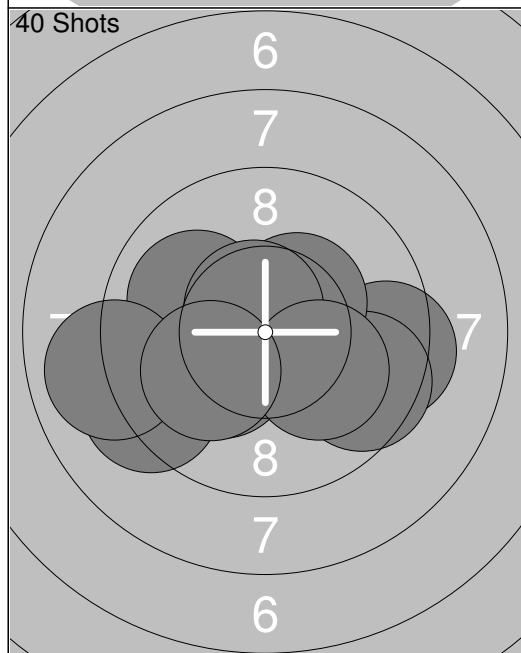
1: 9.8 ↘
2: 8.1 ↑
3: 9.8 ↑
4: 10.8x↖
5: 9.7 ↑
6: 10.0 ↖
7: 10.3x↖
8: 8.9 ↖
9: 10.3x↑
10: 9.7 ↙
Series 97.4
Total 97.4



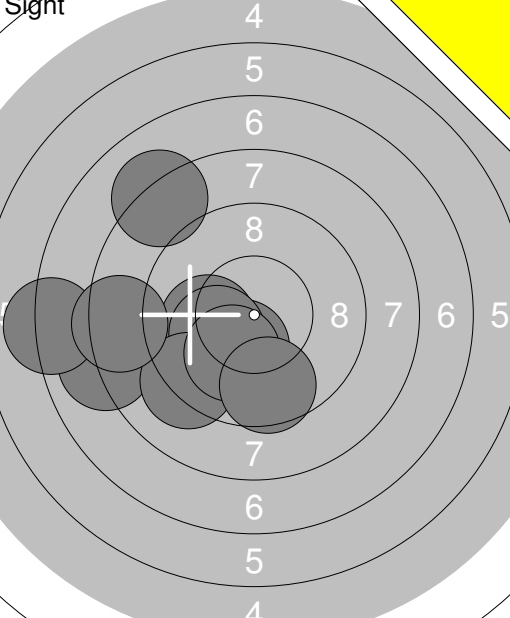
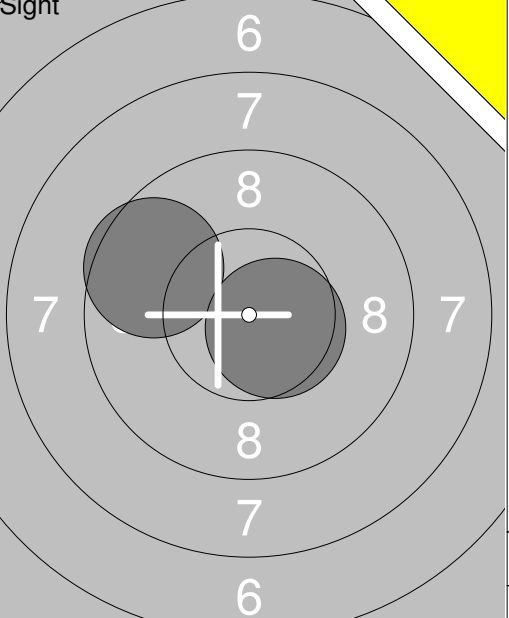
11: 9.9 ↗
12: 6.6 ↑
13: 8.9 ↖
14: 10.6x↖
15: 10.8x↑
16: 9.8 ↖
17: 9.3 ↑
18: 8.9 ↗
19: 9.3 ↖
20: 9.3 ↖
Series 93.4
Total 190.8

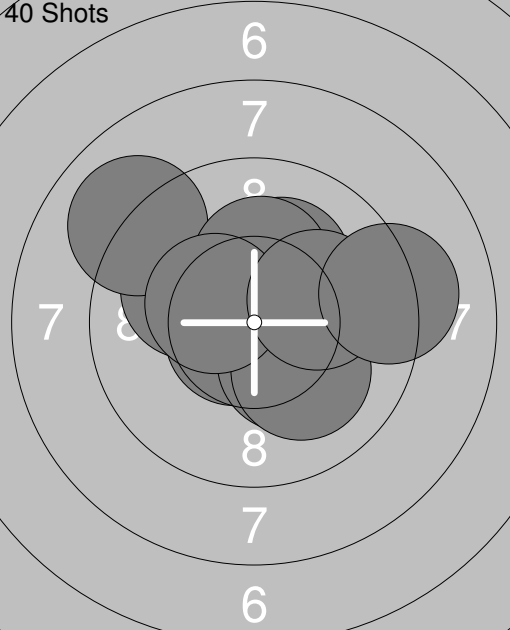
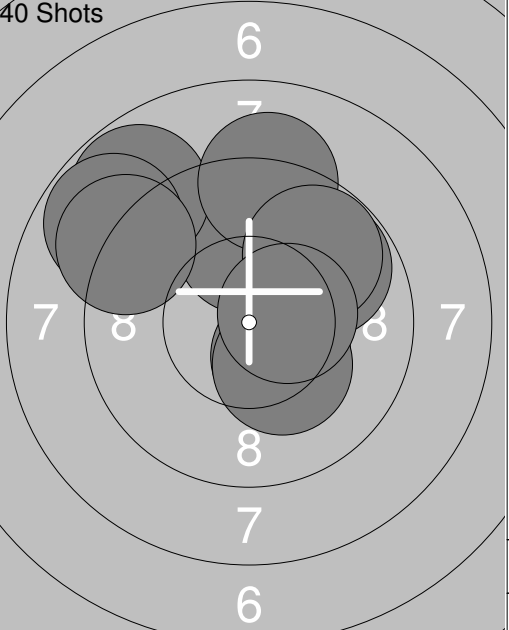


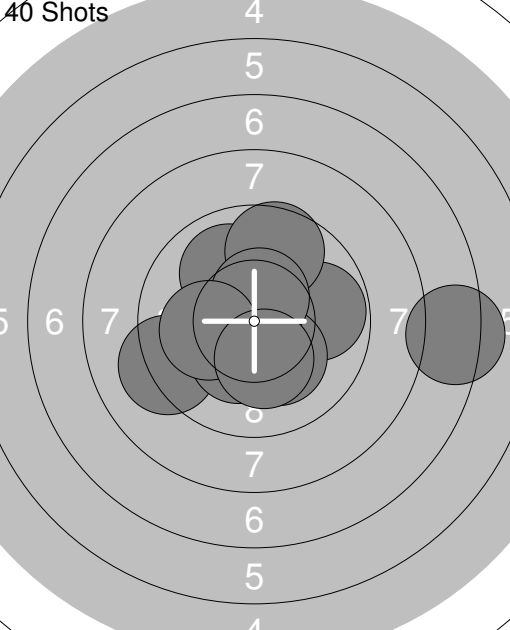
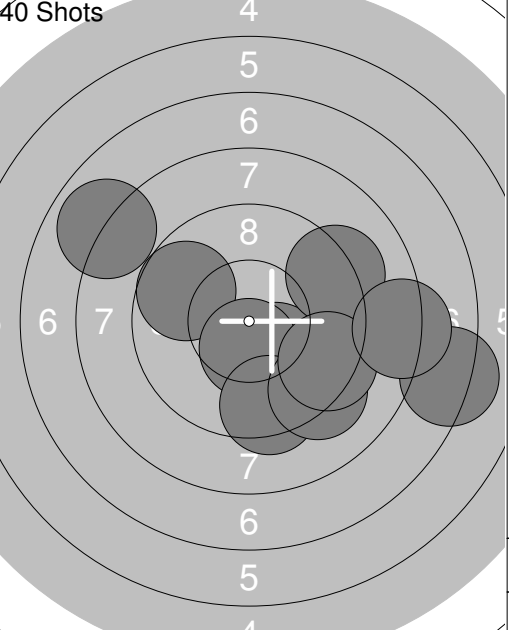
21: 10.8x→
22: 10.8x→
23: 8.9 ↖
24: 10.7x↖
25: 10.1 ↘
26: 9.7 ↖
27: 10.4x→
28: 9.5 ↖
29: 9.7 ↑
30: 9.2 ↖
Series 99.8
Total 290.6

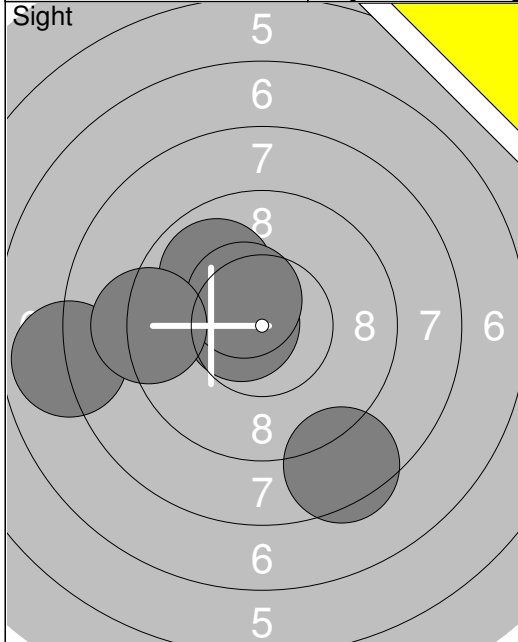


31: 9.4 →
32: 10.2x↙
33: 10.0 ↖
34: 9.6 ↘
35: 10.4x↗
36: 9.2 ↖
37: 10.6x↗
38: 10.1 ↘
39: 9.0 ↖
40: 10.1 ↙
Series 98.6
Total 389.2

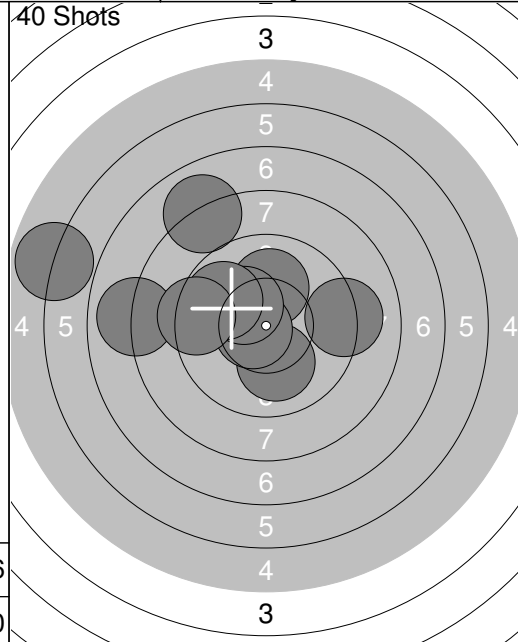
<p><b>Sight</b></p> 	<p>1: 8.1 ↗ 2: 10.1 ← 3: 8.0 ← 4: 10.3x ↓ 5: 10.2x ↙ 6: 7.2 ← 7: 9.2 ↙ 8: 8.4 ← 9: 10.1 ↙ 10: 9.6 ↓</p> <p>Series 91.2 Total 0.0</p>	<p><b>Sight</b></p> 	<p>11: 9.6 ↗ 12: 10.6x ↘</p> <p>Series 20.2 Total 0.0</p>
--	--	--	---

<p><b>40 Shots</b></p> 	<p>1: 10.7x ↙ 2: 10.0 ↗ 3: 9.0 ↗ 4: 10.3x ↘ 5: 10.2x ↗ 6: 10.2x ↗ 7: 10.1 ↘ 8: 10.4x ↗ 9: 10.1 → 10: 9.2 →</p> <p>Series 100.2 Total 100.2</p>	<p><b>40 Shots</b></p> 	<p>11: 9.9 ↑ 12: 10.4x ↘ 13: 8.8 ↗ 14: 8.8 ↗ 15: 9.1 ↗ 16: 9.8 ↗ 17: 10.3x ↘ 18: 9.1 ↑ 19: 9.8 ↗ 20: 10.4x →</p> <p>Series 96.4 Total 196.6</p>
--	--	--	---

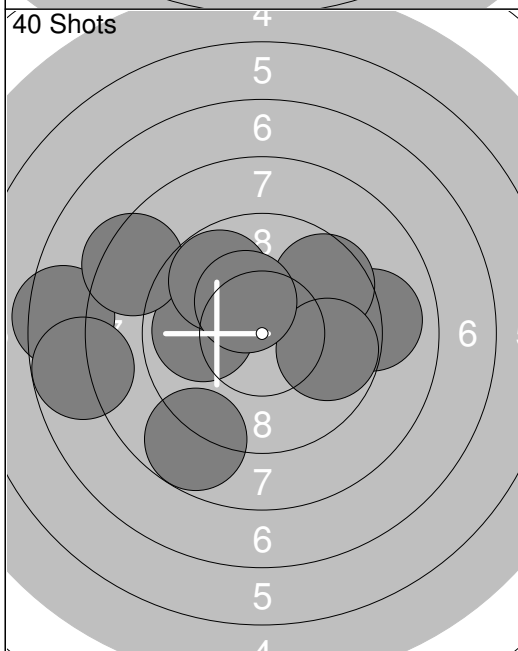
<p><b>40 Shots</b></p> 	<p>21: 10.0 ↗ 22: 9.2 ← 23: 9.8 → 24: 10.2x ↘ 25: 9.6 ↑ 26: 7.3 → 27: 10.3x ↘ 28: 10.5x ↑ 29: 10.1 ← 30: 10.2x ↘</p> <p>Series 97.2 Total 293.8</p>	<p><b>40 Shots</b></p> 	<p>31: 9.7 ↗ 32: 10.2x ↘ 33: 10.5x ↘ 34: 9.2 → 35: 7.2 → 36: 9.4 ↓ 37: 9.2 ↘ 38: 9.4 ↘ 39: 8.2 → 40: 7.9 ↗</p> <p>Series 90.9 Total 384.7</p>
---	---	---	---



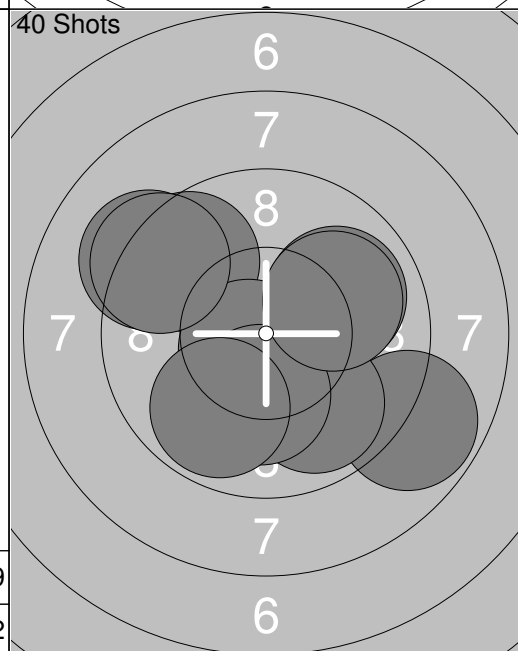
1:	9.9	↖
2:	10.6x	←
3:	10.5x	↖
4:	8.5	↘
5:	7.9	←
6:	9.2	←
<b>Series</b>		<b>56.6</b>
<b>Total</b>		<b>0.0</b>



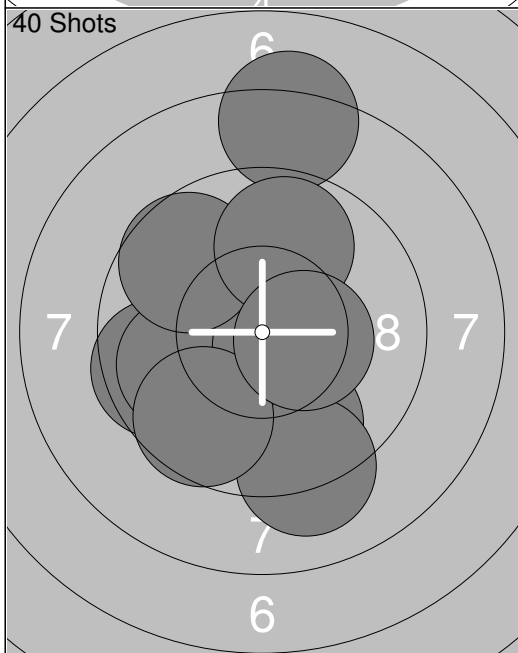
1:	9.2	→
2:	10.1	↑
3:	10.1	↓
4:	8.0	↖
5:	10.6x	←
6:	5.9	←
7:	10.3x	↖
8:	9.8	↖
9:	8.0	←
10:	9.3	←
<b>Series</b>		<b>91.3</b>
<b>Total</b>		<b>91.3</b>



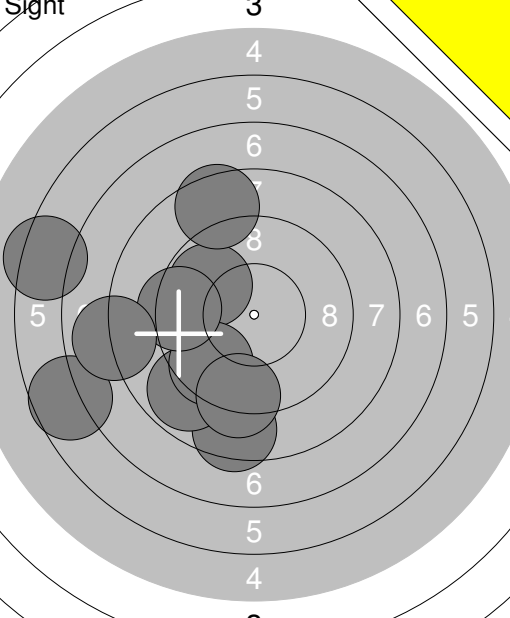
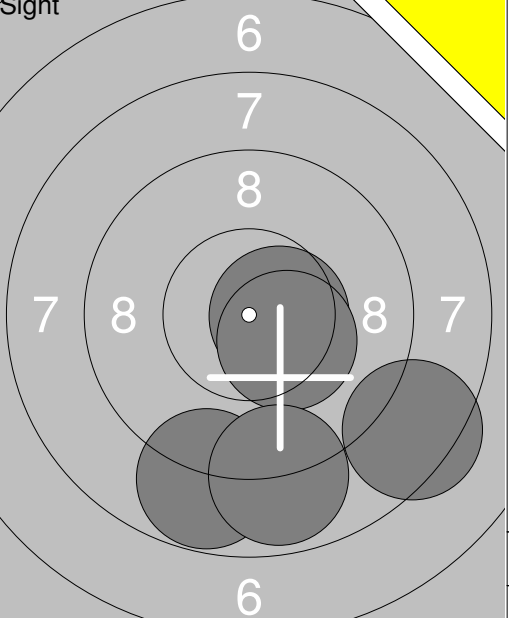
11:	8.8	↘
12:	9.9	←
13:	7.5	←
14:	8.4	↖
15:	7.8	←
16:	9.8	↖
17:	9.0	→
18:	9.6	↖
19:	9.8	→
20:	10.3x	↖
<b>Series</b>		<b>90.9</b>
<b>Total</b>		<b>182.2</b>

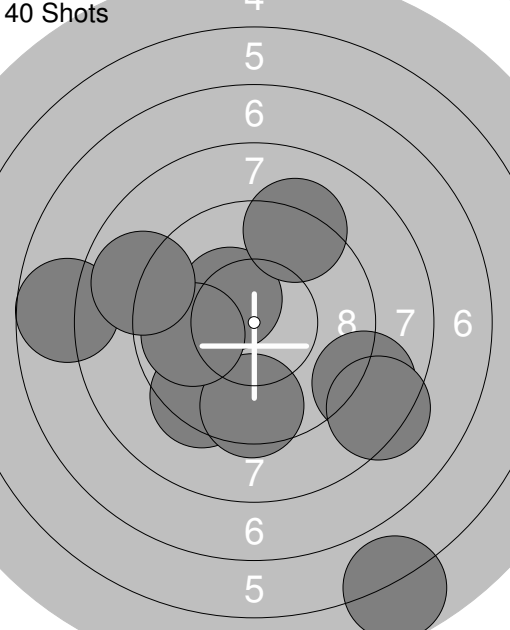
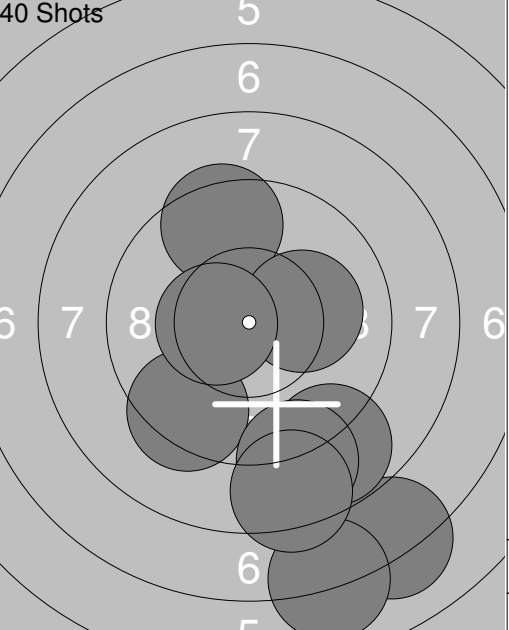


21:	8.8	↘
22:	9.6	↖
23:	9.2	↖
24:	9.9	↘
25:	10.7x	←
26:	10.2x	↓
27:	9.8	↘
28:	9.9	↖
29:	9.3	↖
30:	10.0	↖
<b>Series</b>		<b>97.4</b>
<b>Total</b>		<b>279.6</b>



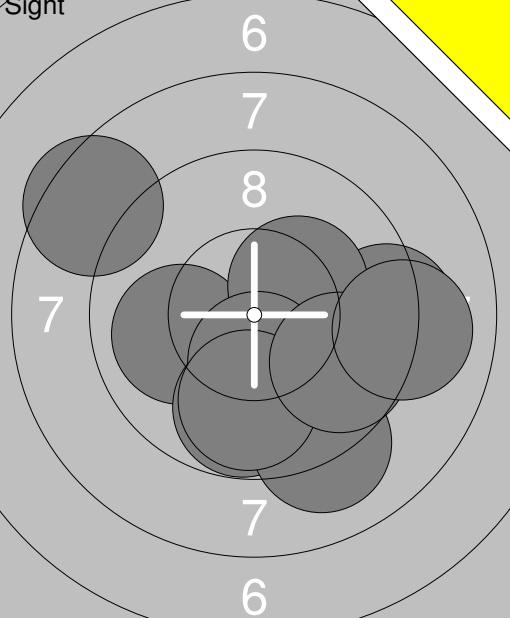
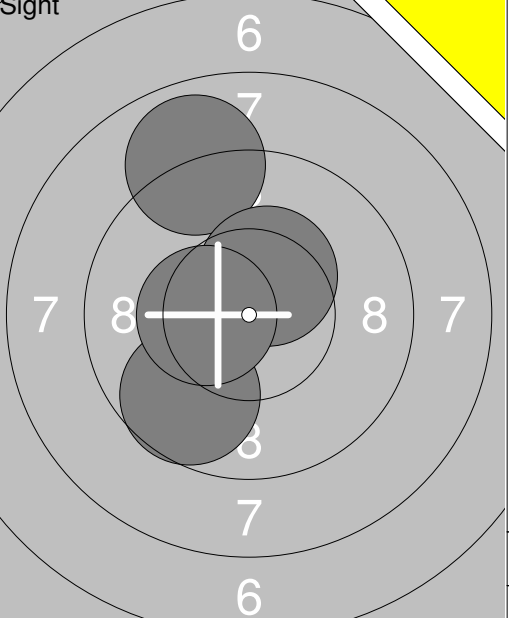
31:	9.6	←
32:	8.2	↑
33:	9.9	←
34:	10.6x	↘
35:	9.7	↖
36:	9.7	↘
37:	9.2	↘
38:	9.6	↘
39:	9.8	↖
40:	10.4x	→
<b>Series</b>		<b>96.7</b>
<b>Total</b>		<b>376.3</b>

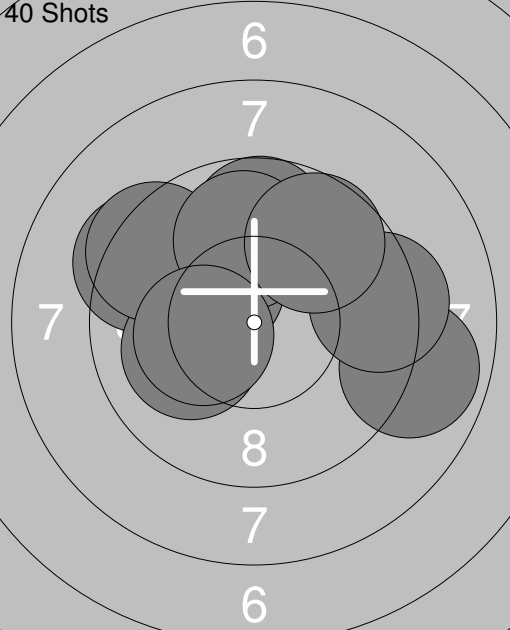
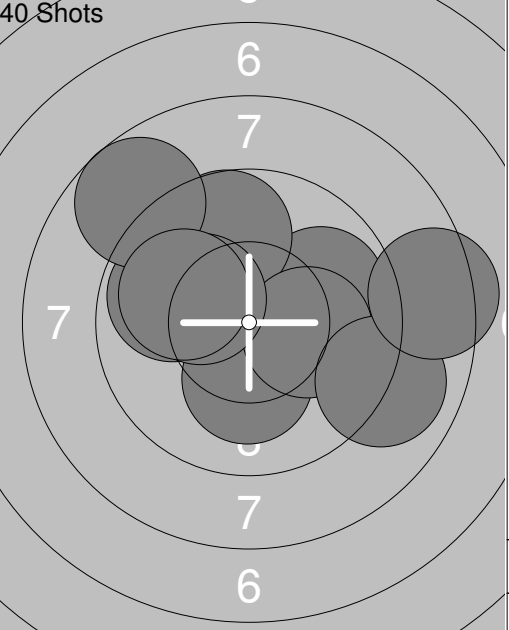
 <p>Sight</p> <p>3 4 5 6 7 8 8 7 6 5 6 5 4 3</p>	<p>1: 9.8 ↖ 2: 8.5 ↓ 3: 6.4 ↖ 4: 8.8 ↘ 5: 8.5 ↗ 6: 9.6 ↘ 7: 9.2 ↓ 8: 9.3 ↖ 9: 6.7 ↖ 10: 7.9 ↖</p> <p>Series 84.7 Total 0.0</p>	 <p>Sight</p> <p>6 7 8 8 7 6 6 7 8 7 6</p> <p>11: 10.6x → 12: 8.8 ↓ 13: 10.4x ↘ 14: 8.9 ↓ 15: 8.4 ↘</p> <p>Series 47.1 Total 0.0</p>
--	--	--

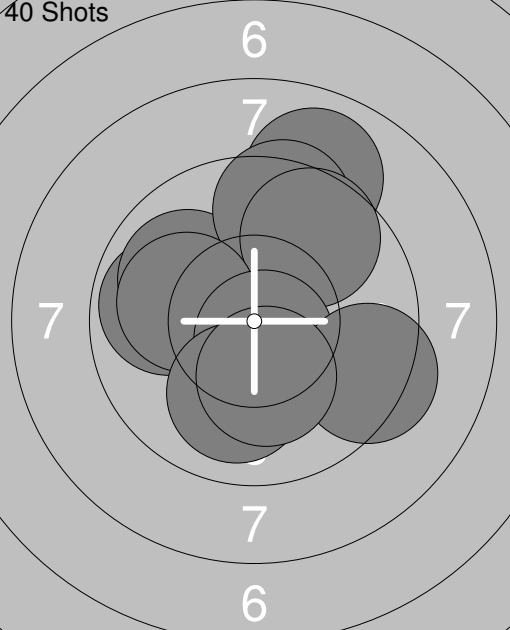
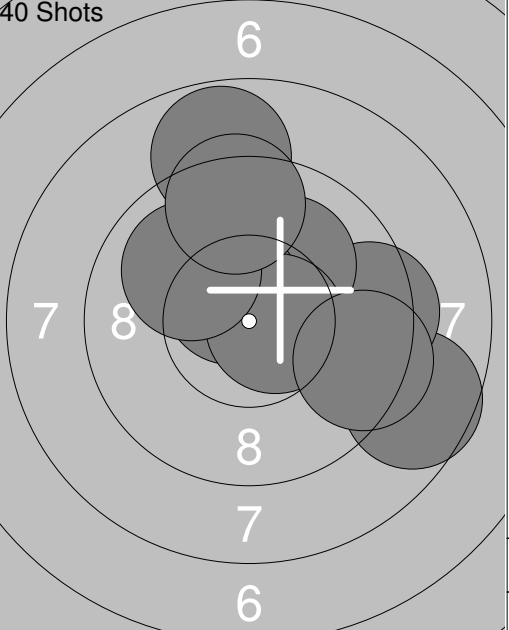
 <p>40 Shots</p> <p>5 6 7 8 7 6 7 6 5</p>	<p>1: 7.7 ↖ 2: 10.4x ↖ 3: 9.4 ↘ 4: 8.8 ↘ 5: 9.2 ↗ 6: 5.8 ↓ 7: 9.5 ↓ 8: 9.9 ↖ 9: 8.4 ↘ 10: 8.9 ↖</p> <p>Series 88.0 Total 88.0</p>	 <p>40 Shots</p> <p>5 6 7 8 7 6 7 6 6 7 8 7 6 6</p> <p>11: 8.2 ↓ 12: 9.4 ↘ 13: 7.2 ↓ 14: 7.0 ↓ 15: 9.5 ↗ 16: 10.2x → 17: 10.5x ← 18: 8.8 ↓ 19: 8.8 ↓ 20: 8.4 ↓</p> <p>Series 88.0 Total 176.0</p>
--	---	--

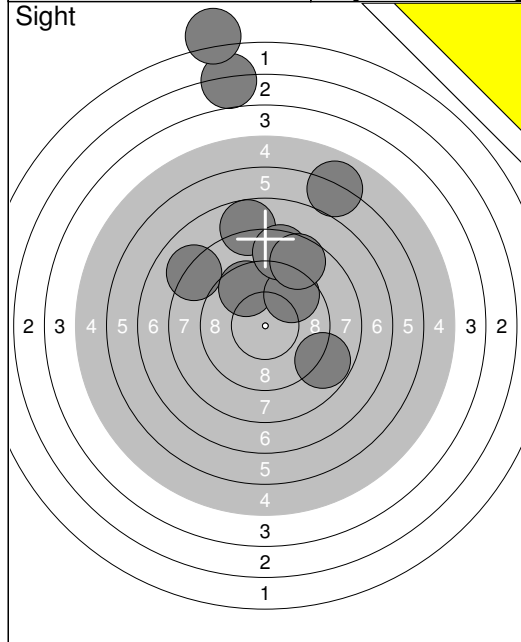
 <p>40 Shots</p> <p>5 6 7 8 7 6 6 7 6 6 5</p>	<p>21: 9.5 → 22: 9.0 ↗ 23: 8.7 ↖ 24: 9.1 ↓ 25: 7.8 ↗ 26: 10.0 ↓ 27: 10.8x ← 28: 10.1 ↗ 29: 7.9 → 30: 10.1 ↓</p> <p>Series 93.0 Total 269.0</p>	 <p>40 Shots</p> <p>5 6 7 8 7 6 6 7 8 7 6 6 5</p> <p>31: 9.8 ↓ 32: 9.4 ↘ 33: 8.0 ↓ 34: 8.4 ↘ 35: 5.6 ↘ 36: 7.1 ↓ 37: 8.3 ↓ 38: 9.1 ↓ 39: 9.3 ↖ 40: 10.5x ↗</p> <p>Series 85.5 Total 354.5</p>
---	--	---



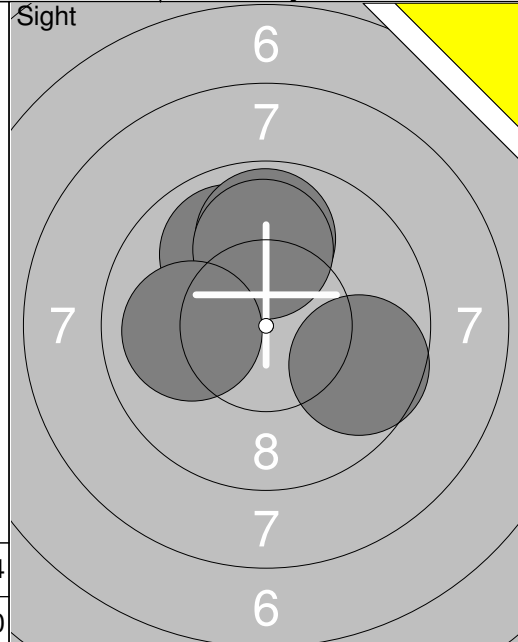
 <p style="text-align:center;">Sight</p>	<p>1: 10.0 ←</p> <p>2: 9.3 →</p> <p>3: 10.3x ↗</p> <p>4: 9.8 ↓</p> <p>5: 9.1 ↓</p> <p>6: 10.4x ↓</p> <p>7: 9.9 ↓</p> <p>8: 9.7 ↘</p> <p>9: 9.0 →</p> <p>10: 8.5 ↖</p>	 <p style="text-align:center;">Sight</p>	<p>11: 8.9 ↗</p> <p>12: 10.4x ↗</p> <p>13: 9.7 ↘</p> <p>14: 10.4x ←</p>
Series	96.0	Series	39.4
Total	0.0	Total	0.0

 <p style="text-align:center;">40 Shots</p>	<p>1: 9.3 ↖</p> <p>2: 9.7 ↑</p> <p>3: 8.9 →</p> <p>4: 9.3 →</p> <p>5: 10.1 ←</p> <p>6: 10.2x ↖</p> <p>7: 9.4 ↖</p> <p>8: 9.9 ↑</p> <p>9: 9.7 ↗</p> <p>10: 10.3x ←</p>	 <p style="text-align:center;">40 Shots</p>	<p>11: 9.9 →</p> <p>12: 9.8 ←</p> <p>13: 9.7 ↑</p> <p>14: 10.2x ↓</p> <p>15: 10.1 →</p> <p>16: 10.2x ↖</p> <p>17: 9.0 →</p> <p>18: 8.4 →</p> <p>19: 8.7 ↖</p> <p>20: 10.0 ↖</p>
Series	96.8	Series	96.0
Total	96.8	Total	192.8

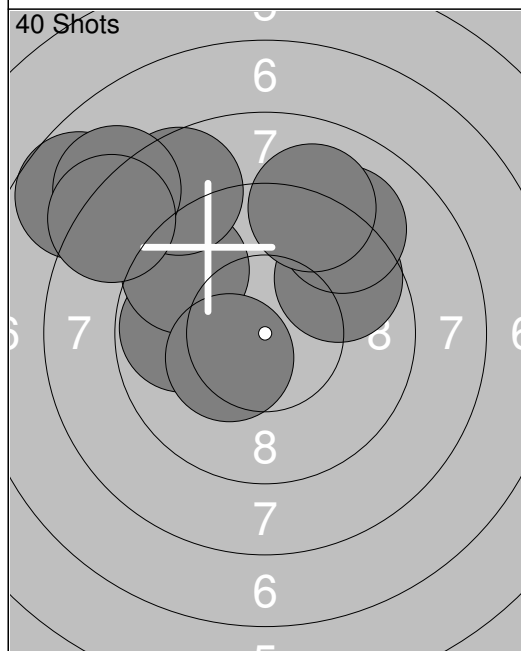
 <p style="text-align:center;">40 Shots</p>	<p>21: 9.8 ←</p> <p>22: 9.0 ↑</p> <p>23: 9.9 ↖</p> <p>24: 9.5 ↑</p> <p>25: 9.7 ↗</p> <p>26: 10.1 ←</p> <p>27: 10.7x ↓</p> <p>28: 9.4 →</p> <p>29: 10.0 ↓</p> <p>30: 10.2x ↓</p>	 <p style="text-align:center;">40 Shots</p>	<p>31: 10.2x ↖</p> <p>32: 8.6 →</p> <p>33: 9.4 →</p> <p>34: 10.1 ↗</p> <p>35: 10.6x ↖</p> <p>36: 10.6x →</p> <p>37: 10.0 ↖</p> <p>38: 9.4 →</p> <p>39: 8.8 ↑</p> <p>40: 9.4 ↑</p>
Series	98.3	Series	97.1
Total	291.1	Total	388.2



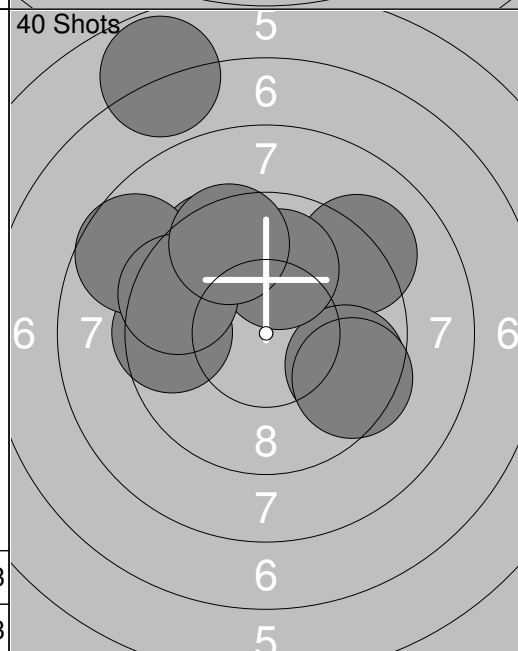
1:	3.0	↑
2:	1.5	↑
3:	6.0	↗
4:	7.7	↑
5:	8.8	↘
6:	8.1	↖
7:	9.6	↖
8:	9.6	↗
9:	8.5	↑
10:	8.6	↗
<b>Series</b>	<b>71.4</b>	
<b>Total</b>	<b>0.0</b>	



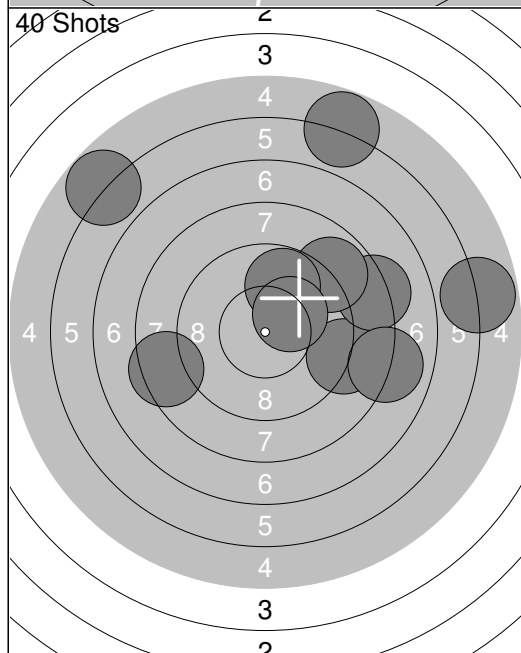
11:	9.9	↖
12:	9.7	↘
13:	9.8	↑
14:	10.0	↑
15:	10.0	←
<b>Series</b>	<b>49.4</b>	
<b>Total</b>	<b>0.0</b>	



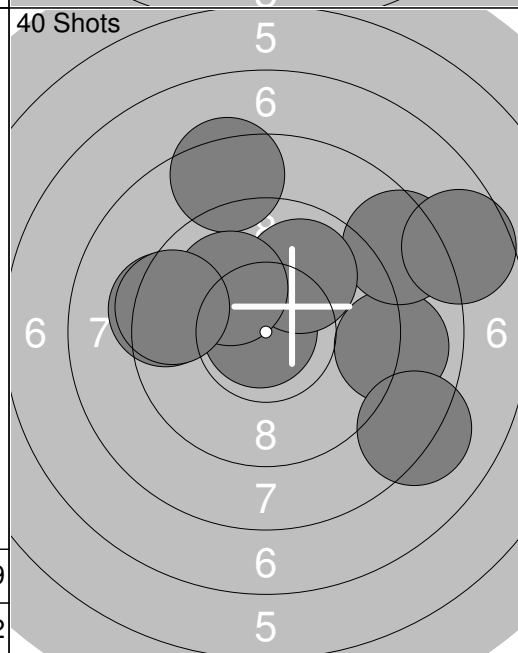
1:	9.8	←
2:	7.7	↖
3:	9.7	↗
4:	9.1	↗
5:	9.1	↑
6:	9.5	↖
7:	8.6	↖
8:	8.1	↖
9:	10.4x	↙
10:	8.3	↖
<b>Series</b>	<b>90.3</b>	
<b>Total</b>	<b>90.3</b>	



11:	9.5	↖
12:	9.2	↗
13:	6.8	↑
14:	9.6	←
15:	9.7	↘
16:	8.7	↖
17:	10.0	↑
18:	9.5	↖
19:	9.5	↘
20:	9.5	↑
<b>Series</b>	<b>92.0</b>	
<b>Total</b>	<b>182.3</b>	

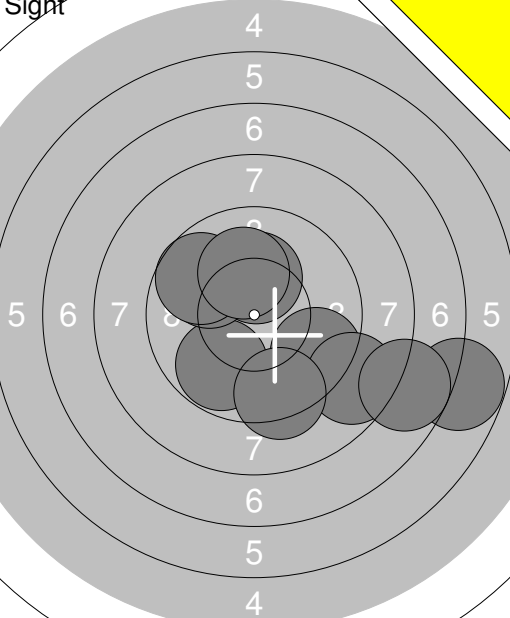
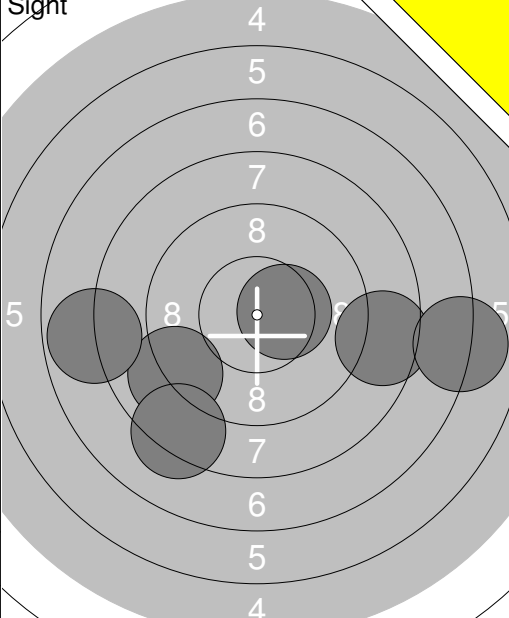


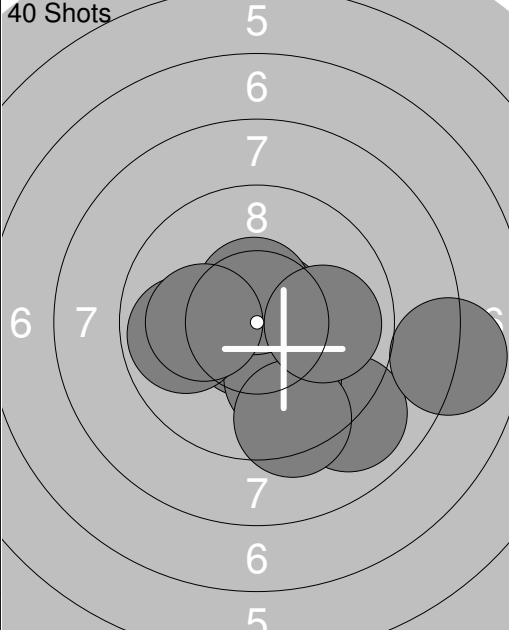
21:	9.0	↘
22:	8.2	↘
23:	8.9	↗
24:	9.8	↑
25:	10.2x	↗
26:	5.8	↖
27:	5.8	↑
28:	8.0	↘
29:	5.8	↘
30:	8.4	←
<b>Series</b>	<b>79.9</b>	
<b>Total</b>	<b>262.2</b>	



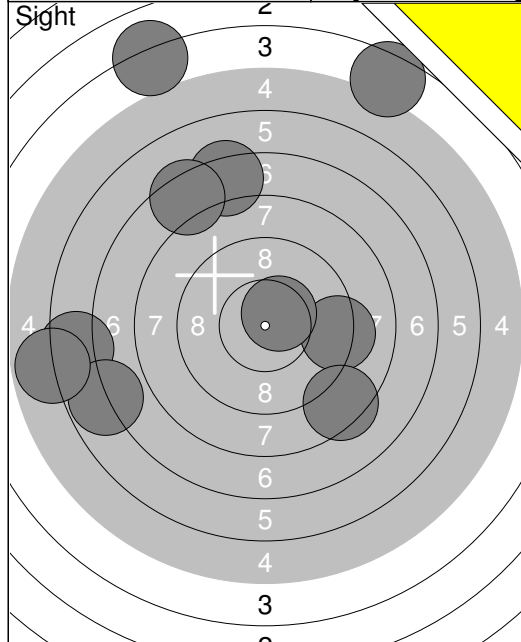
31:	10.9x	↙
32:	9.0	↘
33:	8.2	↘
34:	9.3	←
35:	8.5	↗
36:	8.4	↑
37:	9.9	↗
38:	10.1	↖
39:	9.4	←
40:	7.6	↗
<b>Series</b>	<b>91.3</b>	
<b>Total</b>	<b>353.5</b>	



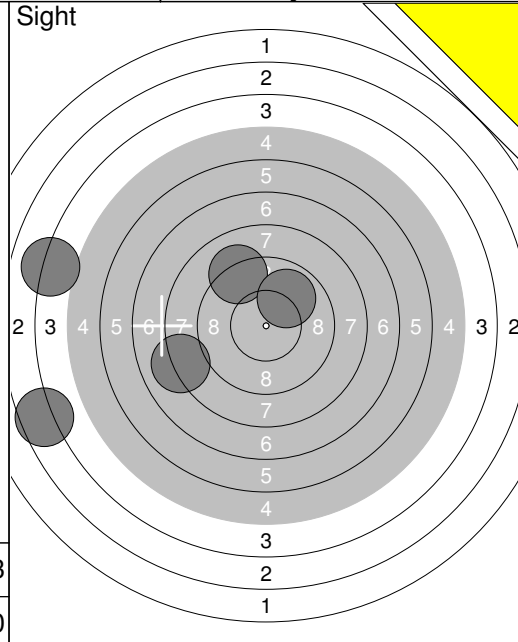
<p>Sight</p> 	<p>1: 9.5 ↘ 2: 6.8 → 3: 8.7 ↘ 4: 7.7 → 5: 9.8 ↙ 6: 10.2x ↑ 7: 9.9 ↗ 8: 9.3 ↘ 9: 9.7 ↗ 10: 10.1 ↑</p> <p>Series 91.7 Total 0.0</p>	<p>Sight</p> 	<p>11: 9.1 ↙ 12: 8.5 → 13: 7.8 ← 14: 8.3 ↙ 15: 7.1 → 16: 10.4x →</p> <p>Series 51.2 Total 0.0</p>
---	---	---	---

<p>40 Shots</p> 	<p>1: 10.1 → 2: 9.1 ↘ 3: 10.7x ↘ 4: 9.9 ↘ 5: 9.2 ← 6: 9.5 ↑ 7: 8.7 ↘ 8: 9.3 ↗ 9: 9.9 ↘ 10: 8.3 ←</p> <p>Series 94.7 Total 94.7</p>	<p>40 Shots</p> 	<p>11: 9.0 ↘ 12: 10.7x ↗ 13: 10.7x ↙ 14: 10.0 ↘ 15: 9.4 ↘ 16: 10.5x ↑ 17: 9.9 ← 18: 8.0 → 19: 10.1 ← 20: 9.9 →</p> <p>Series 98.2 Total 192.9</p>
---	--	---	---

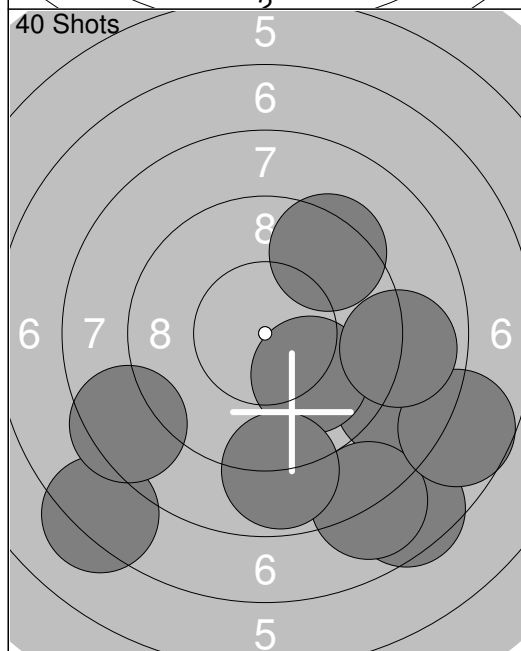
<p>40 Shots</p> 	<p>21: 9.7 ↗ 22: 8.7 → 23: 9.7 ↗ 24: 8.6 ↘ 25: 10.0 ↘ 26: 9.3 ↘ 27: 9.4 ↘ 28: 9.7 ↙ 29: 10.7x ↙ 30: 10.8x ↙</p> <p>Series 96.6 Total 289.5</p>	<p>40 Shots</p> 	<p>31: 9.6 ↙ 32: 9.2 ↗ 33: 10.3x ↗ 34: 9.2 ↘ 35: 9.1 ↘ 36: 8.7 ↗ 37: 9.2 → 38: 10.0 ← 39: 9.2 ↘ 40: 8.7 →</p> <p>Series 93.2 Total 382.7</p>
--	--	--	--



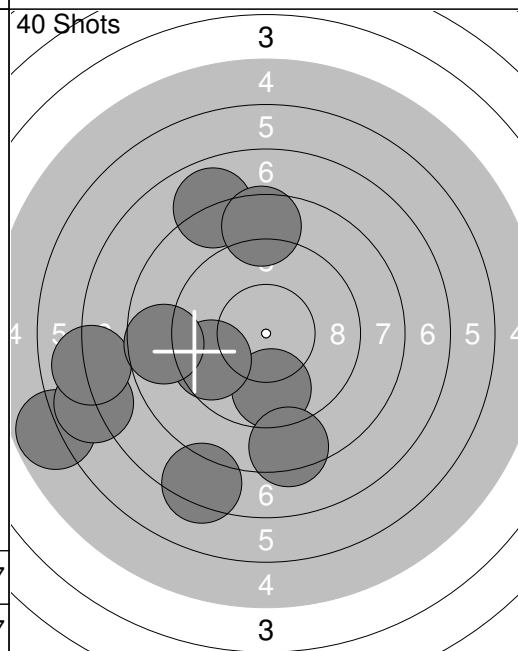
1: 7.3	↗
2: 4.1	↗
3: 9.2	→
4: 6.4	←
5: 6.8	←
6: 7.4	↗
7: 5.8	←
8: 4.4	↗
9: 8.4	↘
10: 10.5x	↗
<b>Series</b>	<b>70.3</b>
<b>Total</b>	<b>0.0</b>



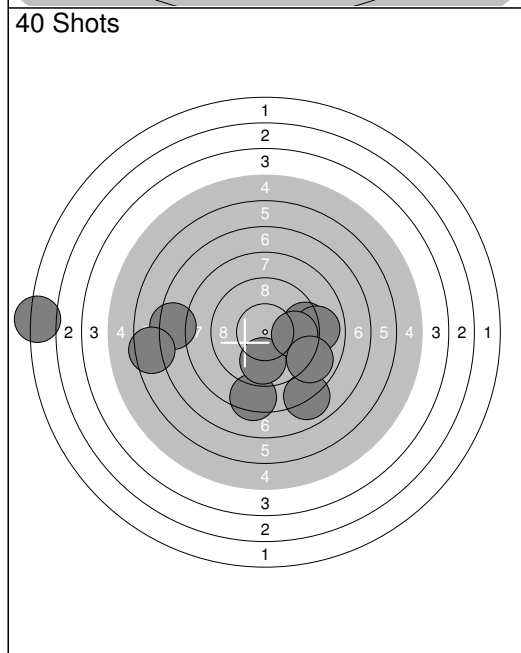
11: 8.1	↖
12: 3.6	↖
13: 9.1	↗
14: 4.1	↖
15: 9.9	↗
<b>Series</b>	<b>34.8</b>
<b>Total</b>	<b>0.0</b>



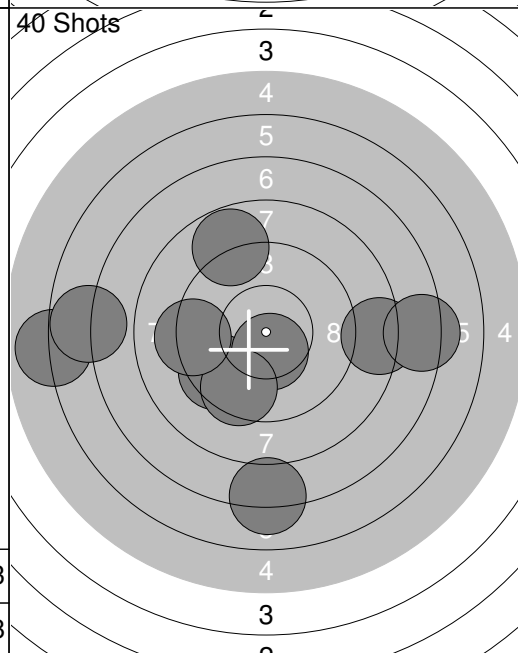
1: 7.5	↘
2: 8.7	↘
3: 7.2	↘
4: 10.0	↘
5: 8.0	↘
6: 8.4	↖
7: 9.4	↗
8: 7.7	↘
9: 8.9	↘
10: 8.9	→
<b>Series</b>	<b>84.7</b>
<b>Total</b>	<b>84.7</b>



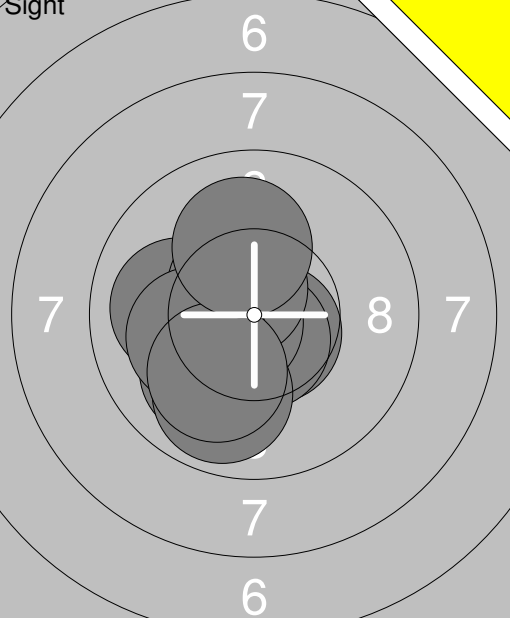
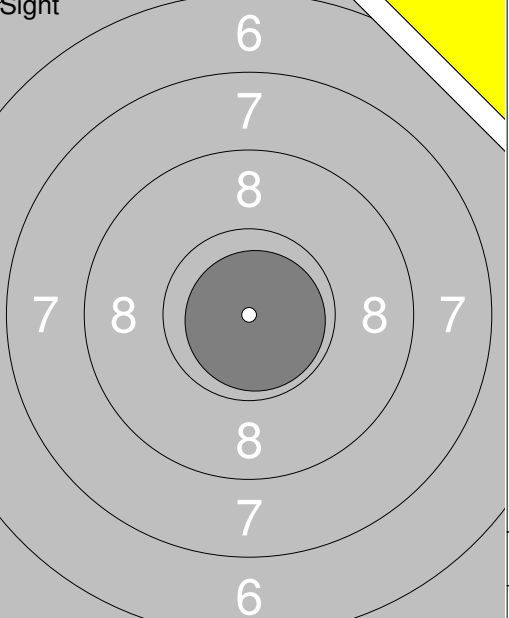
11: 5.8	↖
12: 6.8	↖
13: 7.3	↘
14: 7.9	↗
15: 9.7	↘
16: 8.4	↘
17: 7.0	←
18: 9.6	↖
19: 8.6	↑
20: 8.7	←
<b>Series</b>	<b>79.8</b>
<b>Total</b>	<b>164.5</b>

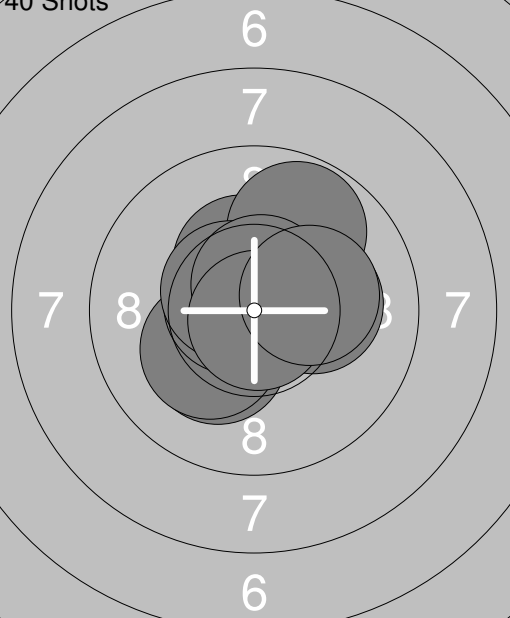
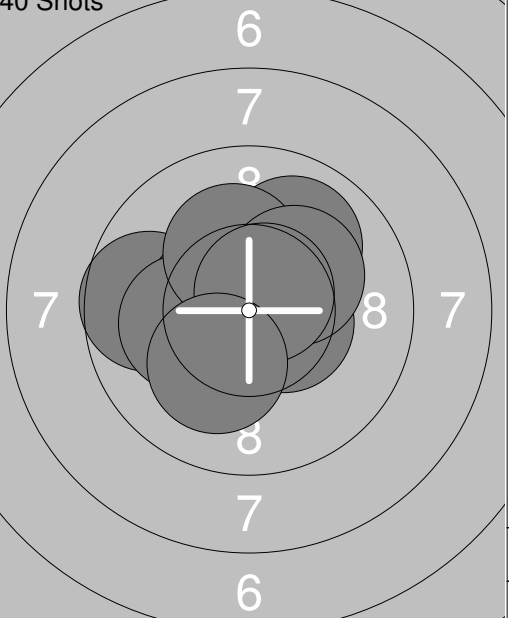


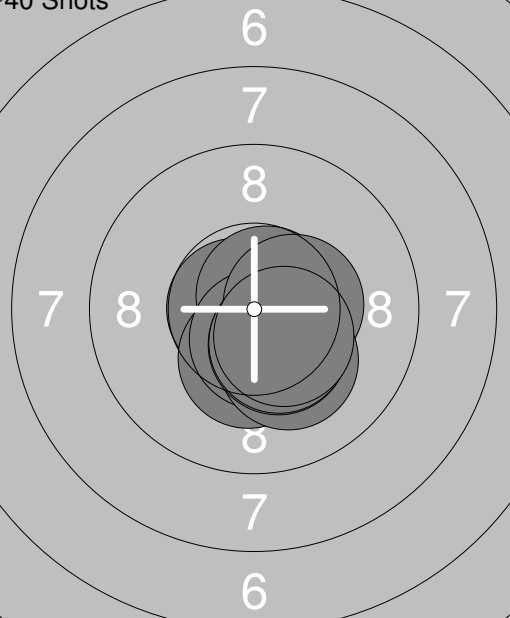
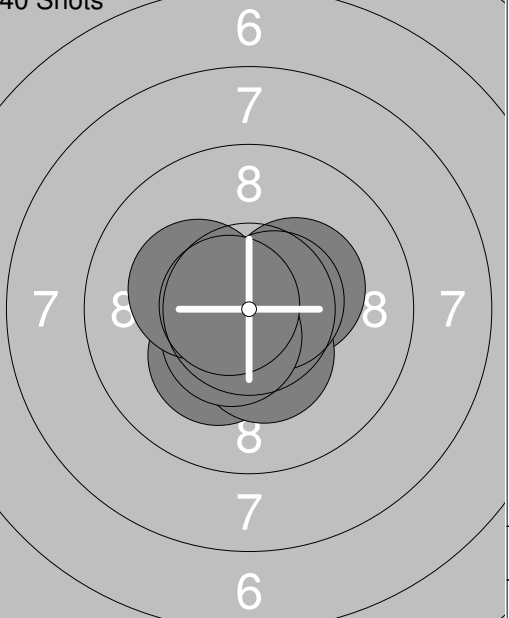
21: 9.4	→
22: 9.0	→
23: 8.4	↘
24: 2.1	←
25: 7.4	←
26: 9.8	↘
27: 9.8	→
28: 8.0	↘
29: 8.9	↘
30: 6.5	←
<b>Series</b>	<b>79.3</b>
<b>Total</b>	<b>243.8</b>

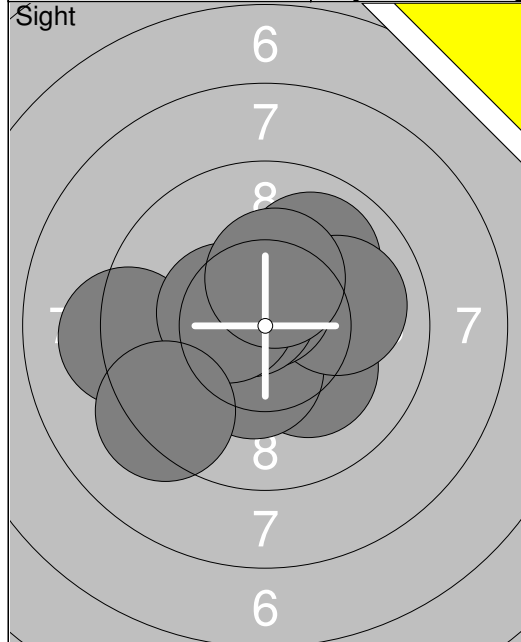


31: 8.8	↗
32: 9.5	↖
33: 10.5x	↘
34: 7.1	↘
35: 6.0	←
36: 8.3	→
37: 9.5	↘
38: 9.2	←
39: 7.3	→
40: 6.8	←
<b>Series</b>	<b>83.0</b>
<b>Total</b>	<b>326.8</b>

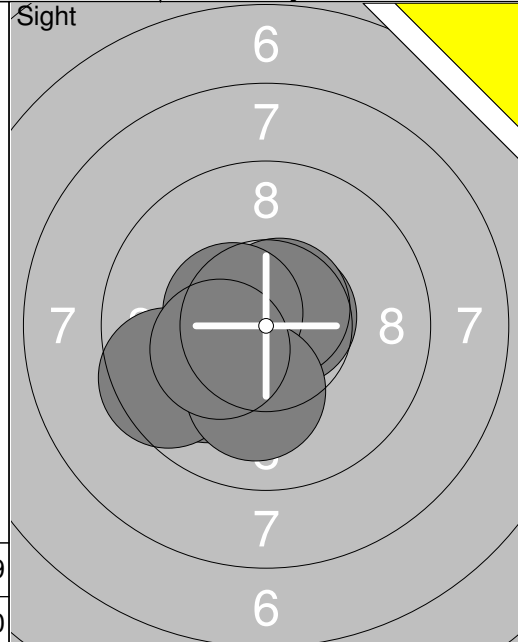
<p>Sight</p> 	<p>1: 10.0 ↙                  2: 10.6x ↘                  3: 10.6x ↓                  4: 10.7x ↙                  5: 10.0 ←                  6: 10.6x ↗                  7: 9.9 ↓                  8: 10.2x ↙                  9: 10.1 ↓                  10: 10.1 ↑</p> <p>Series 102.8                  Total 0.0</p>	<p>Sight</p> 	<p>11: 10.8x ↘</p> <p>Series 10.8                  Total 0.0</p>
---	---	---	--

<p>40 Shots</p> 	<p>1: 10.2x ↘                  2: 10.3x ↑                  3: 9.8 ↗                  4: 10.2x ↘                  5: 10.7x ↙                  6: 10.6x ↗                  7: 10.2x →                  8: 10.6x ↑                  9: 10.8x ↓                  10: 10.2x →</p> <p>Series 103.6                  Total 103.6</p>	<p>40 Shots</p> 	<p>11: 10.4x ↗                  12: 9.7 ←                  13: 10.5x ↙                  14: 10.2x ↙                  15: 10.0 ↗                  16: 10.2x ↑                  17: 10.5x →                  18: 10.2x ↗                  19: 10.7x ↗                  20: 10.2x ↓</p> <p>Series 102.6                  Total 206.2</p>
---	---	---	---

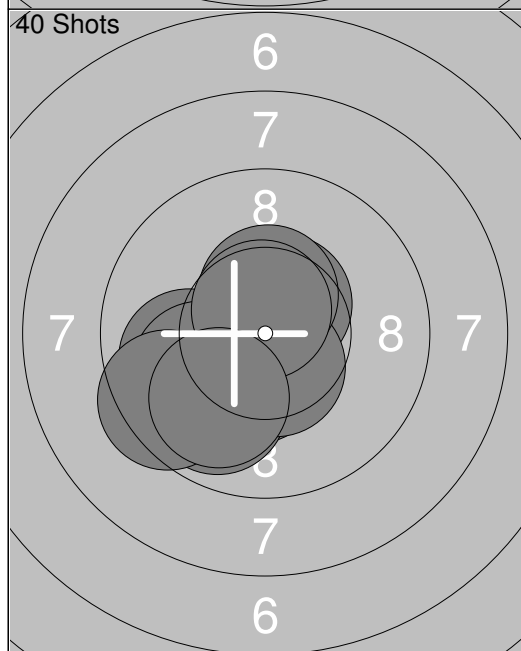
<p>40 Shots</p> 	<p>21: 10.6x →                  22: 10.7x ←                  23: 10.3x ↓                  24: 10.7x ↗                  25: 10.6x ↓                  26: 10.4x →                  27: 10.2x ↓                  28: 10.4x ↓                  29: 10.4x ↓                  30: 10.4x ↓</p> <p>Series 104.7                  Total 310.9</p>	<p>40 Shots</p> 	<p>31: 10.5x ↓                  32: 10.2x ↓                  33: 10.6x ←                  34: 10.7x →                  35: 10.3x →                  36: 10.4x ↓                  37: 10.6x →                  38: 10.5x ↓                  39: 10.3x ↙                  40: 10.7x ↙</p> <p>Series 104.8                  Total 415.7</p>
--	--	--	--



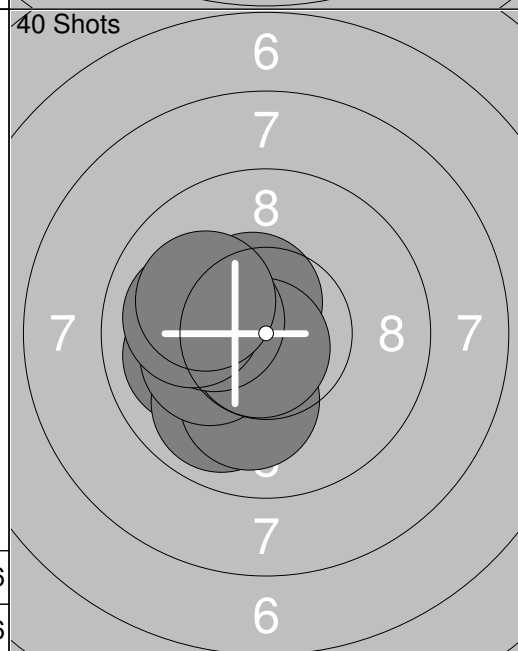
1: 10.2x ↘
2: 9.9 ↗
3: 10.4x ↓
4: 10.0 →
5: 10.6x ↑
6: 10.6x ↖
7: 9.2 ←
8: 10.4x ↙
9: 9.3 ↘
10: 10.3x ↑
<b>Series</b> 100.9
<b>Total</b> 0.0



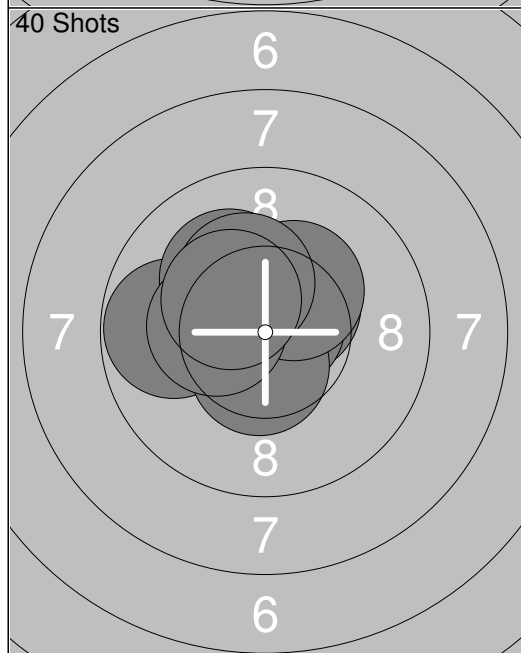
11: 10.7x →
12: 10.7x ↗
13: 10.0 ↙
14: 9.5 ←
15: 10.5x ↖
16: 10.1 ↓
17: 10.3x ↙
<b>Series</b> 71.8
<b>Total</b> 0.0



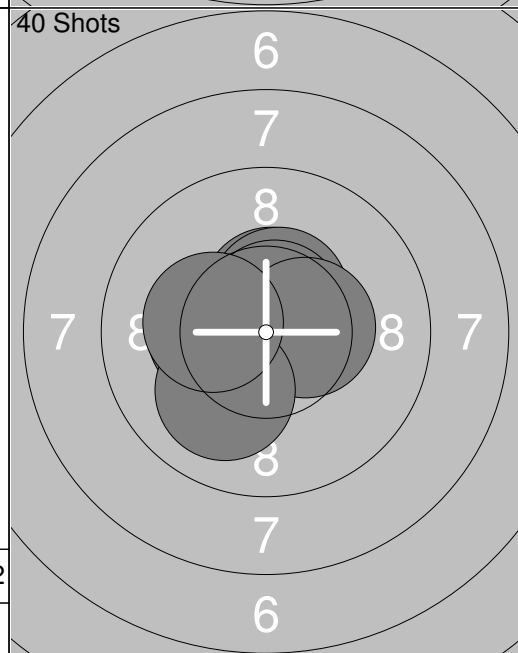
1: 10.4x ↓
2: 9.9 ←
3: 9.9 ↘
4: 10.5x ↗
5: 10.0 ←
6: 9.4 ←
7: 10.5x ↓
8: 10.5x ↑
9: 10.6x ↑
10: 9.9 ↘
<b>Series</b> 101.6
<b>Total</b> 101.6



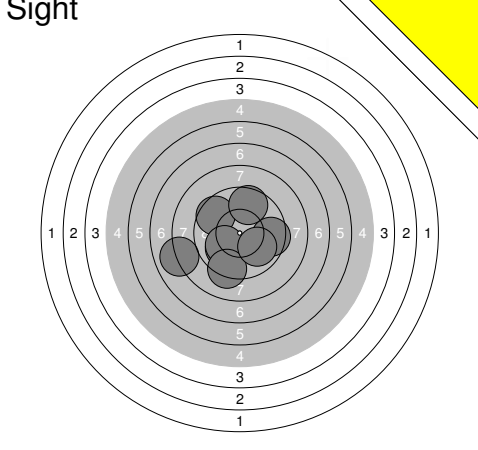
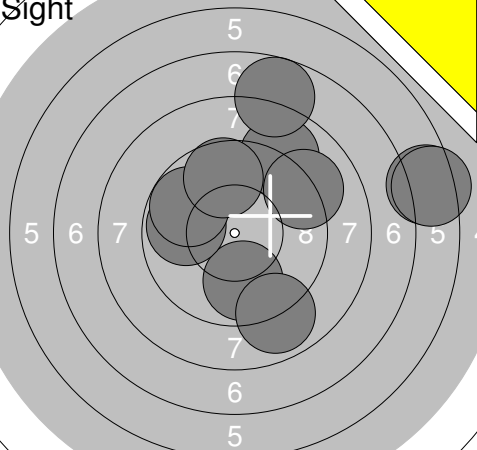
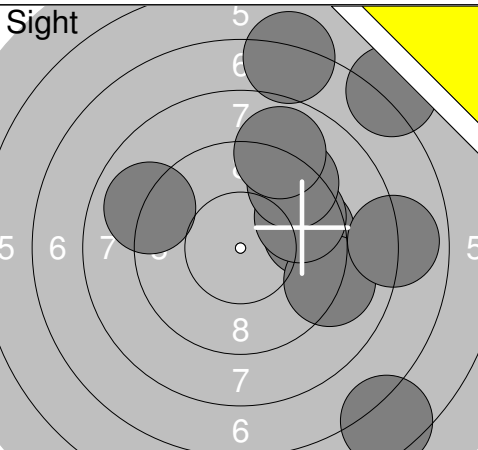
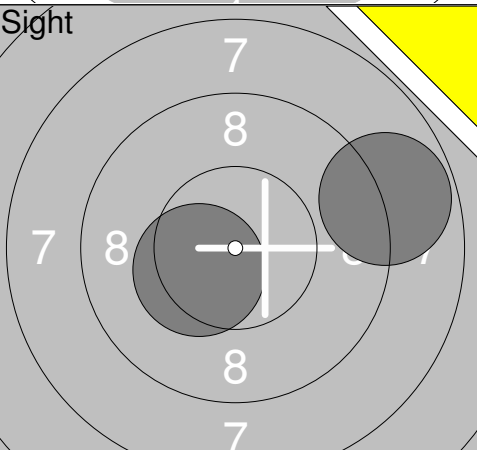
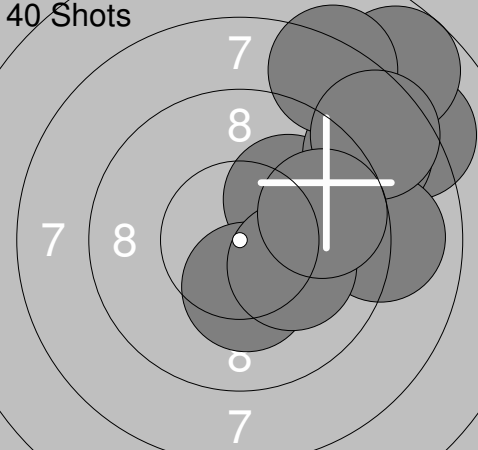
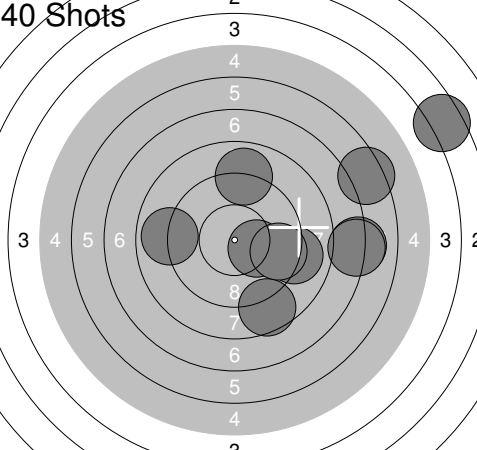
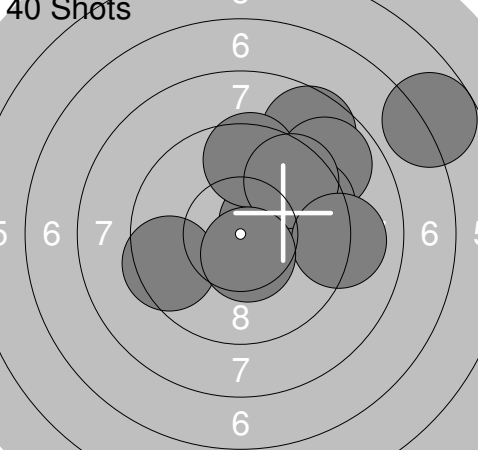
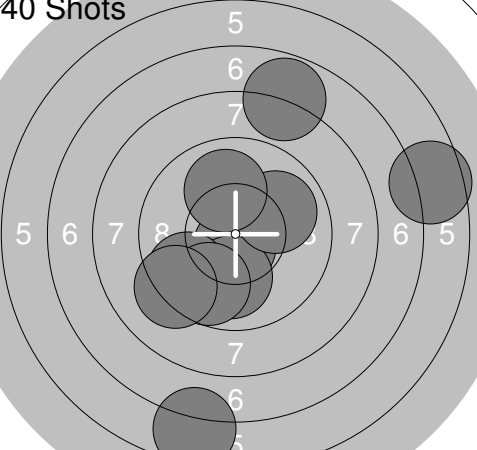
11: 10.5x ↖
12: 10.0 ←
13: 10.4x ↙
14: 9.9 ↘
15: 10.1 ↓
16: 10.2x ↙
17: 10.8x ↓
18: 10.3x ↙
19: 10.0 ←
20: 10.1 ↙
<b>Series</b> 102.3
<b>Total</b> 203.9



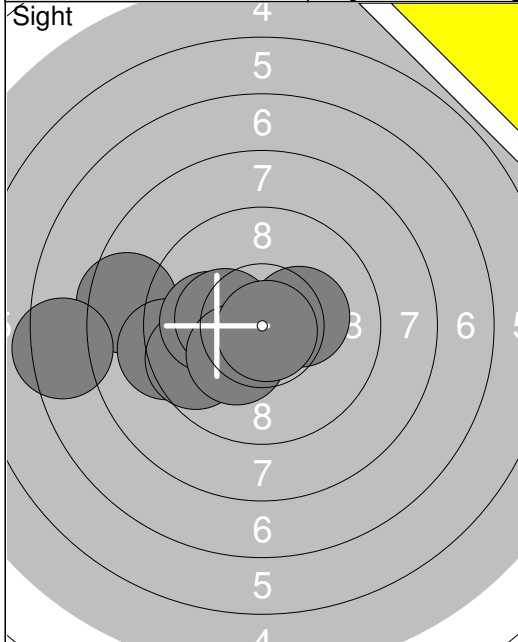
21: 10.2x ↙
22: 10.5x ↗
23: 10.8x ↗
24: 9.8 ←
25: 10.5x ↓
26: 10.3x ↗
27: 10.1 ↖
28: 10.3x ↙
29: 10.3x ↑
30: 10.4x ↖
<b>Series</b> 103.2
<b>Total</b> 307.1



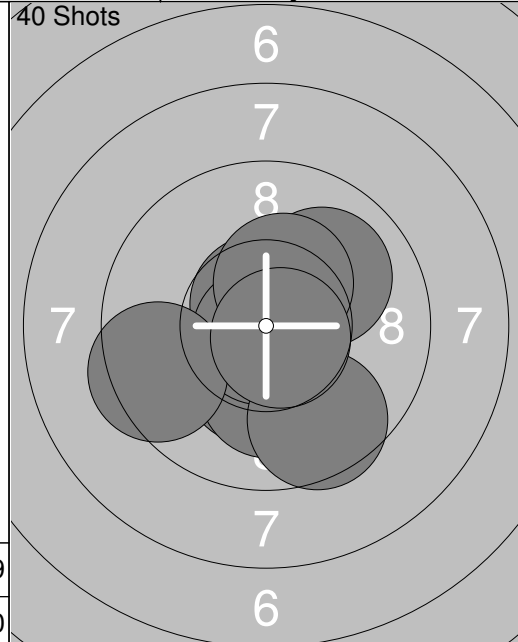
31: 10.8x ↗
32: 10.5x ↙
33: 10.5x ↑
34: 10.7x ↑
35: 10.5x ↑
36: 10.7x ↑
37: 10.3x ↙
38: 10.4x →
39: 10.0 ↘
40: 10.3x ↙
<b>Series</b> 104.7
<b>Total</b> 411.8

Relay	Lane	Ella Jacobsson	
S		Kubikenborgs Uskf (Vn)	
07.02.2015		Skyttiaden Regionfinal 2015	Umeå skytteallians
Sight		1: 9.9 ↘ 2: 0.0 ↗ 3: 9.6 ↖ 4: 8.0 ← 5: 9.5 → 6: 10.0 ↙ 7: 10.1 ← 8: 9.2 ↓ 9: 9.9 ↘ 10: 9.6 ↑ Series 85.8 Total 0.0	Sight  11: 6.5 → 12: 9.8 ↓ 13: 6.4 → 14: 8.9 ↓ 15: 9.0 ↗ 16: 9.8 ← 17: 9.8 ↖ 18: 9.1 ↗ 19: 9.7 ↑ 20: 7.7 ↑ Series 86.7 Total 0.0
Sight		21: 9.6 → 22: 9.1 → 23: 9.6 → 24: 9.3 ↗ 25: 6.7 ↗ 26: 6.5 ↓ 27: 8.9 ↗ 28: 9.0 ← 29: 8.0 → 30: 7.1 ↑ Series 83.8 Total 0.0	Sight  31: 8.8 → 32: 10.4x ↙ Series 19.2 Total 0.0
40 Shots		1: 8.2 ↗ 2: 7.8 ↗ 3: 10.1 ↗ 4: 8.8 ↗ 5: 8.3 ↗ 6: 9.0 → 7: 8.6 ↗ 8: 10.3x ↓ 9: 10.1 ↘ 10: 9.8 → Series 91.0 Total 91.0	40 Shots  11: 7.1 → 12: 10.2x → 13: 9.0 → 14: 8.9 ← 15: 3.5 ↗ 16: 7.1 → 17: 8.6 ↓ 18: 6.4 ↗ 19: 9.0 ↑ 20: 9.5 → Series 79.3 Total 170.3
40 Shots		21: 8.6 ↗ 22: 10.4x → 23: 8.9 ↗ 24: 9.6 → 25: 9.5 ← 26: 9.5 ↑ 27: 9.6 ↗ 28: 6.7 ↗ 29: 9.1 → 30: 10.5x ↓ Series 92.4 Total 262.7	40 Shots  31: 10.7x ↓ 32: 10.0 ↓ 33: 6.6 ↓ 34: 6.6 → 35: 7.8 ↑ 36: 9.9 ↗ 37: 9.6 ↖ 38: 9.7 ↓ 39: 10.0 ↑ 40: 9.2 ↙ Series 90.1 Total 352.8

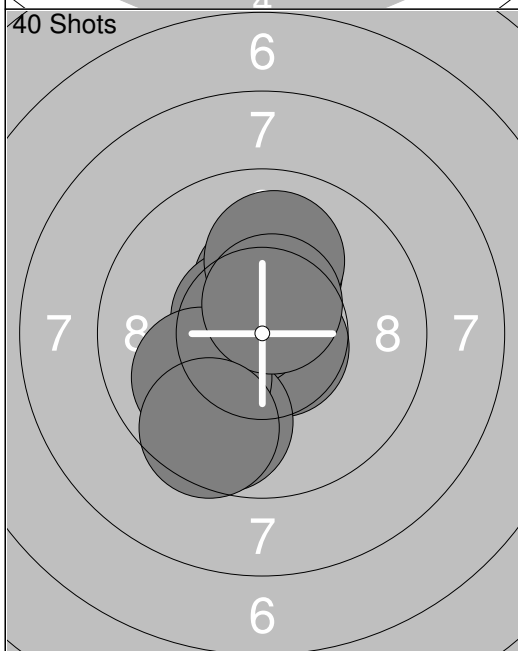




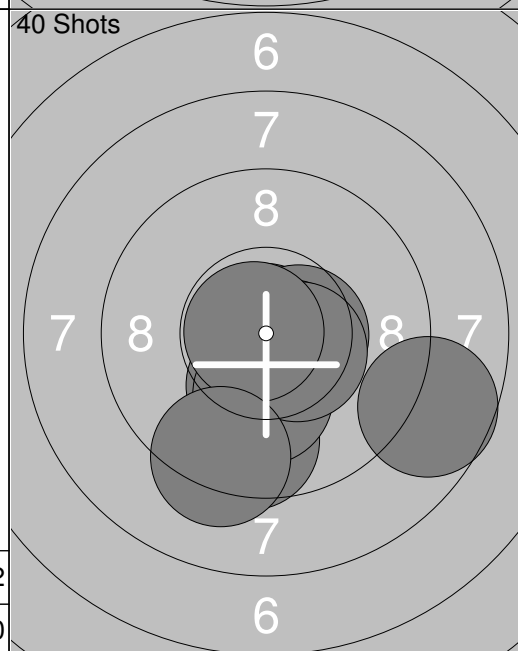
1:	8.5	←
2:	7.4	←
3:	9.2	←
4:	9.6	←
5:	10.3x	→
6:	10.0	←
7:	10.5x	↙
8:	10.3x	↙
9:	10.3x	↙
10:	10.8x	↘
Series		96.9
Total		0.0



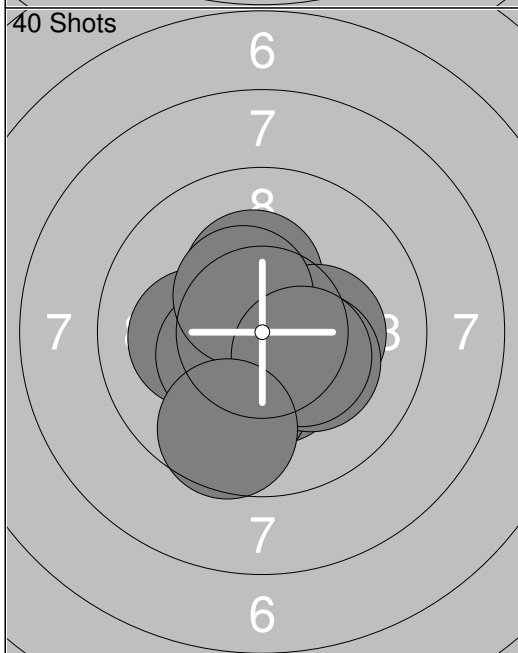
1:	10.7x	↘
2:	10.3x	↘
3:	10.2x	↘
4:	10.7x	↗
5:	10.8x	↘
6:	10.0	↗
7:	9.6	↘
8:	10.4x	↗
9:	9.4	←
10:	10.7x	↘
Series		102.8
Total		102.8



11:	10.5x	↘
12:	10.2x	↗
13:	10.3x	↗
14:	10.7x	↘
15:	10.6x	↙
16:	10.0	↗
17:	9.7	↘
18:	10.0	←
19:	10.6x	↗
20:	9.6	↘
Series		102.2
Total		205.0

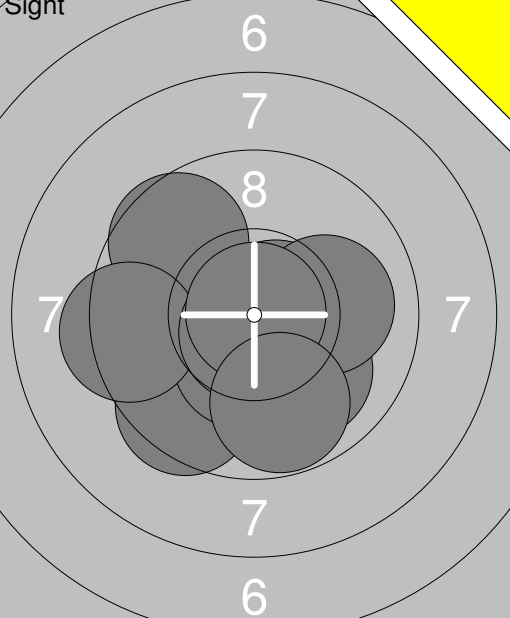
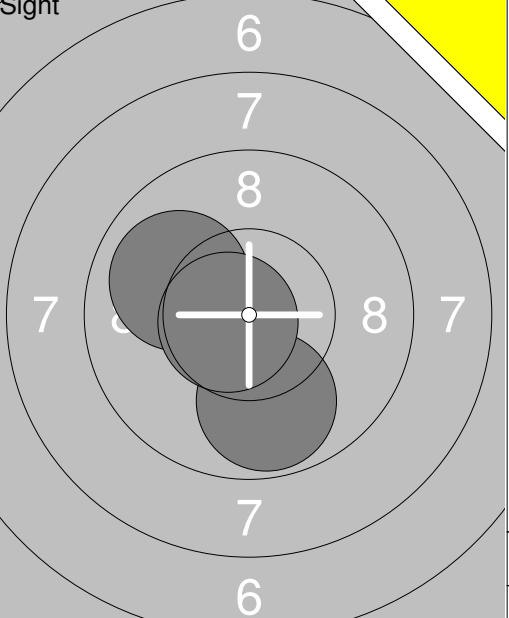


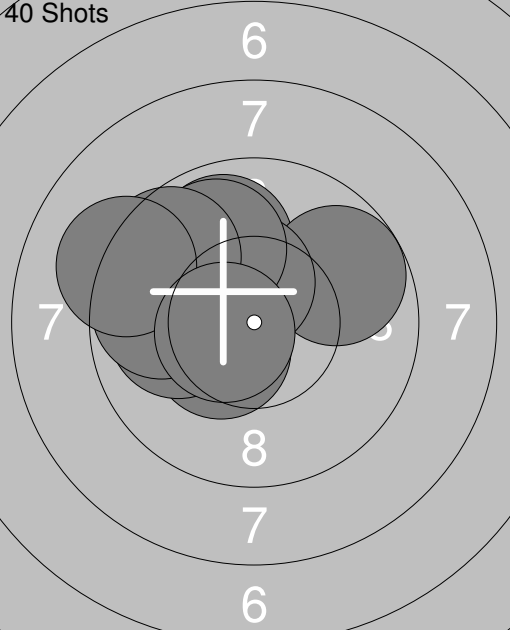
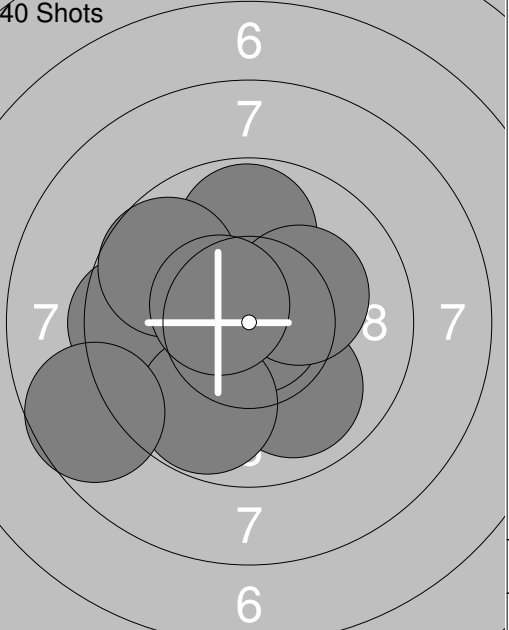
21:	10.9x	←
22:	10.3x	↘
23:	10.5x	→
24:	10.6x	↘
25:	9.6	↘
26:	10.2x	↘
27:	10.5x	↘
28:	10.8x	←
29:	9.3	↘
30:	8.7	→
Series		101.4
Total		306.4

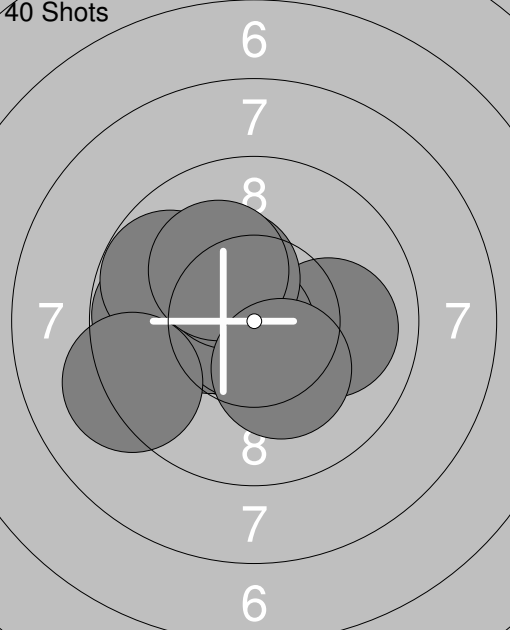
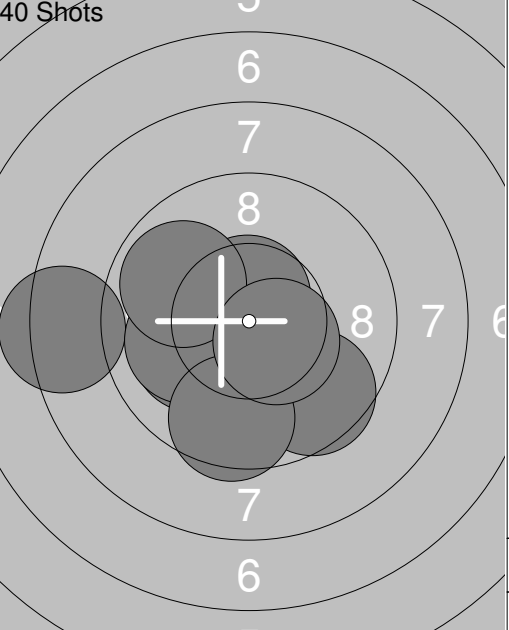


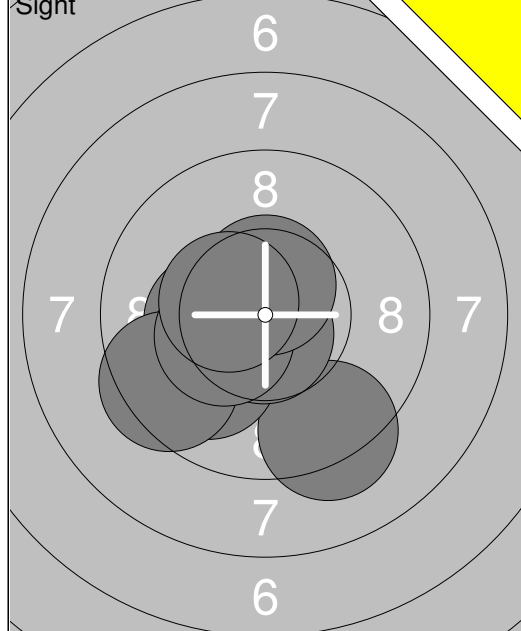
31:	10.3x	↗
32:	10.4x	↘
33:	10.1	←
34:	10.0	↘
35:	10.3x	→
36:	10.4x	↙
37:	10.4x	↗
38:	10.2x	↘
39:	10.4x	↘
40:	9.6	↘
Series		102.1
Total		408.5



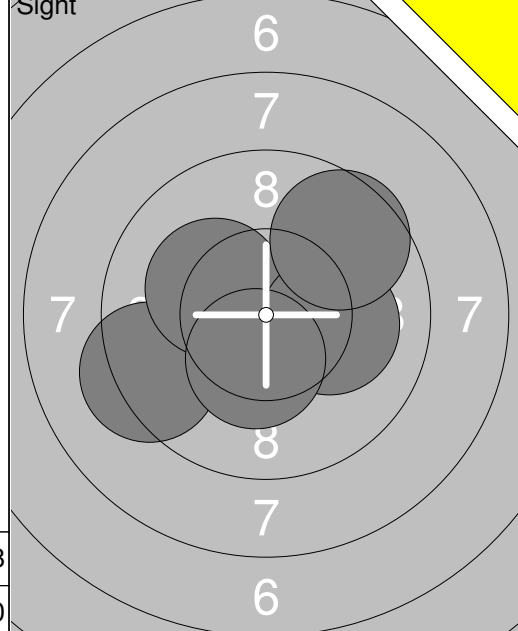
 <p style="text-align:center;">Sight</p>	<p>1: 9.5 ↘</p> <p>2: 10.0 ↘</p> <p>3: 10.4x ↓</p> <p>4: 10.7x →</p> <p>5: 9.6 ↖</p> <p>6: 10.0 →</p> <p>7: 9.3 ←</p> <p>8: 10.7x ↓</p> <p>9: 10.9x ↗</p> <p>10: 9.8 ↓</p> <hr/> <p>Series 100.9</p> <hr/> <p>Total 0.0</p>	 <p style="text-align:center;">Sight</p>	<p>11: 10.0 ↖</p> <p>12: 9.8 ↓</p> <p>13: 10.7x ←</p> <hr/> <p>Series 30.5</p> <hr/> <p>Total 0.0</p>
--	---	--	---

 <p style="text-align:center;">40 Shots</p>	<p>1: 9.9 ↖</p> <p>2: 9.7 ↗</p> <p>3: 10.4x ↑</p> <p>4: 9.9 ↖</p> <p>5: 10.4x ↙</p> <p>6: 10.0 ←</p> <p>7: 9.8 ←</p> <p>8: 9.6 ↖</p> <p>9: 9.2 ←</p> <p>10: 10.6x ←</p> <hr/> <p>Series 99.5</p> <hr/> <p>Total 99.5</p>	 <p style="text-align:center;">40 Shots</p>	<p>11: 10.8x ↘</p> <p>12: 10.0 ↓</p> <p>13: 10.9x →</p> <p>14: 9.8 ↑</p> <p>15: 9.5 ←</p> <p>16: 9.8 ↓</p> <p>17: 10.2x ↗</p> <p>18: 8.7 ←</p> <p>19: 9.7 ↖</p> <p>20: 10.5x ↖</p> <hr/> <p>Series 99.9</p> <hr/> <p>Total 199.4</p>
--	--	--	--

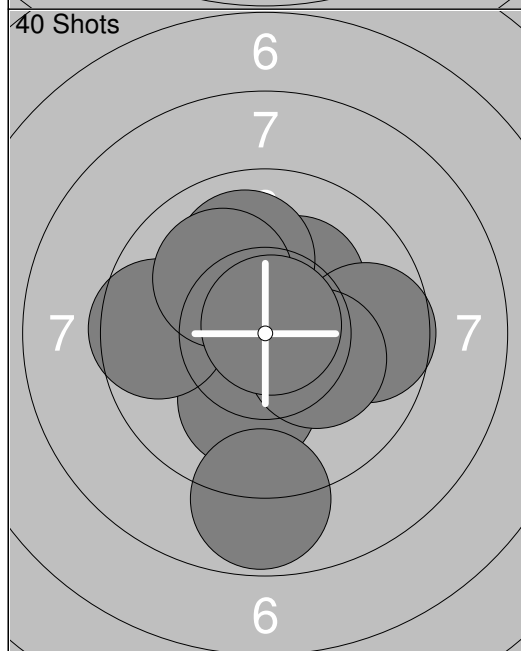
 <p style="text-align:center;">40 Shots</p>	<p>21: 10.6x ←</p> <p>22: 10.0 →</p> <p>23: 10.4x ←</p> <p>24: 9.8 ←</p> <p>25: 9.8 ↖</p> <p>26: 10.8x ↙</p> <p>27: 10.3x ↗</p> <p>28: 10.2x ↗</p> <p>29: 9.2 ←</p> <p>30: 10.3x ↓</p> <hr/> <p>Series 101.4</p> <hr/> <p>Total 300.8</p>	 <p style="text-align:center;">40 Shots</p>	<p>31: 8.3 ←</p> <p>32: 10.8x ↑</p> <p>33: 9.6 ↓</p> <p>34: 10.7x ↙</p> <p>35: 10.1 ↙</p> <p>36: 10.6x ↑</p> <p>37: 10.0 ←</p> <p>38: 9.6 ↓</p> <p>39: 9.9 ↖</p> <p>40: 10.5x ↘</p> <hr/> <p>Series 100.1</p> <hr/> <p>Total 400.9</p>
---	---	---	--



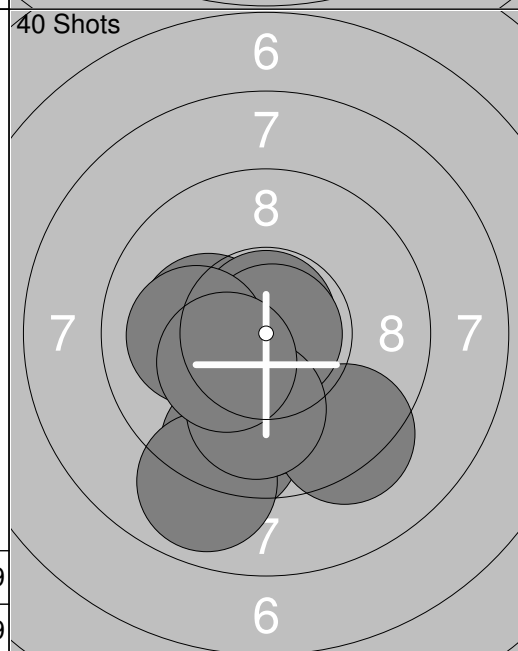
1: 9.3 ↘
2: 10.8x ↙
3: 10.3x ←
4: 10.0 ↙
5: 10.7x ↘
6: 9.5 ↙
7: 10.7x ↘
8: 10.4x ↙
9: 10.6x ↑
10: 10.5x ↙
Series 102.8
Total 0.0



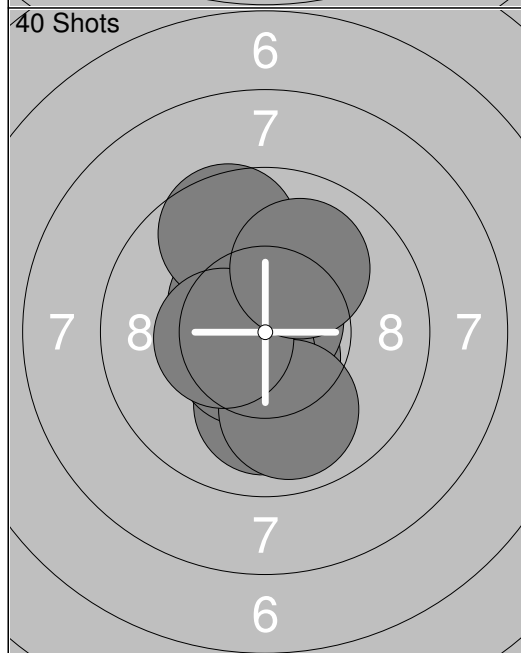
11: 9.3 ↙
12: 10.2x ↙
13: 10.1 →
14: 10.4x ↘
15: 9.6 ↗
Series 49.6
Total 0.0



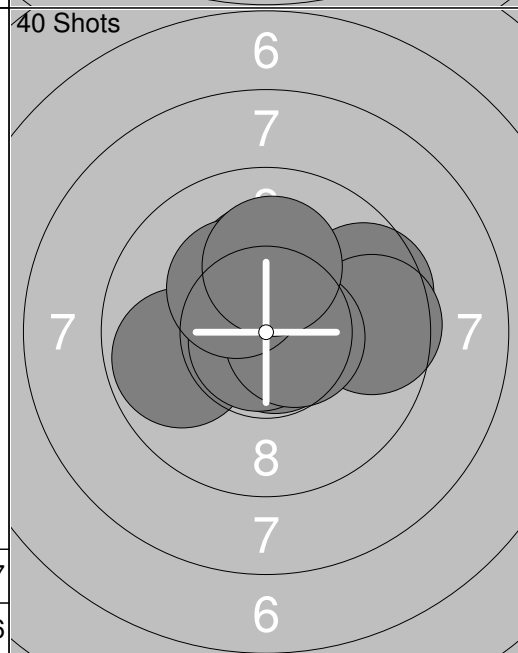
1: 10.4x ↗
2: 10.1 ↘
3: 10.2x ↗
4: 9.7 →
5: 8.8 ↘
6: 10.0 ↑
7: 10.2x →
8: 9.6 ←
9: 10.1 ↖
10: 10.8x ↗
Series 99.9
Total 99.9



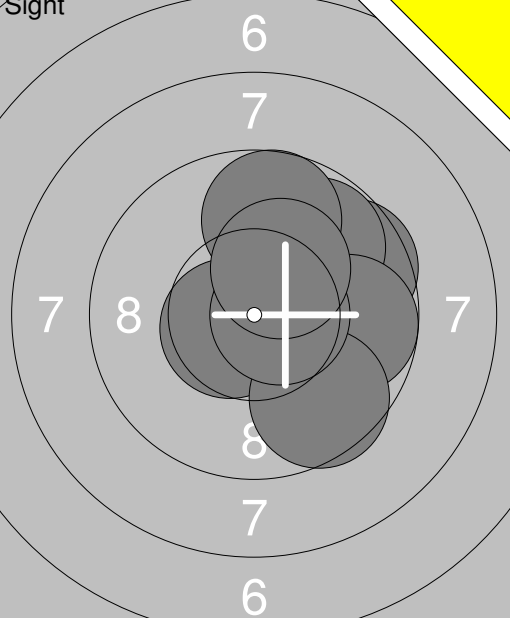
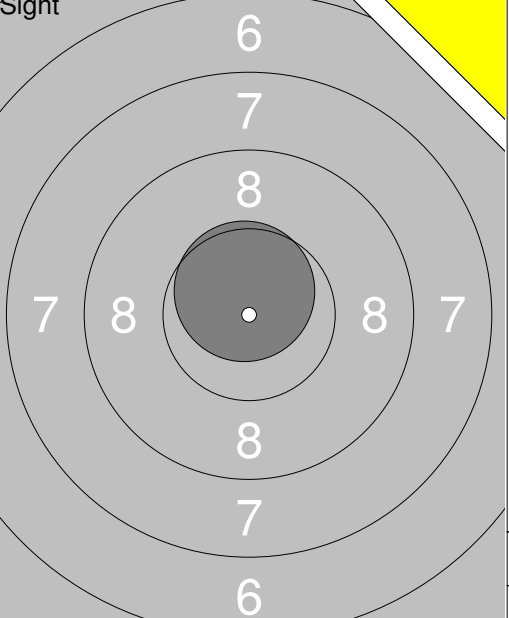
11: 9.5 ↘
12: 10.0 ↘
13: 10.2x ↙
14: 9.3 ↘
15: 10.8x ↑
16: 10.9x →
17: 8.9 ↘
18: 10.0 ↘
19: 10.1 ←
20: 10.3x ↙
Series 100.0
Total 199.9

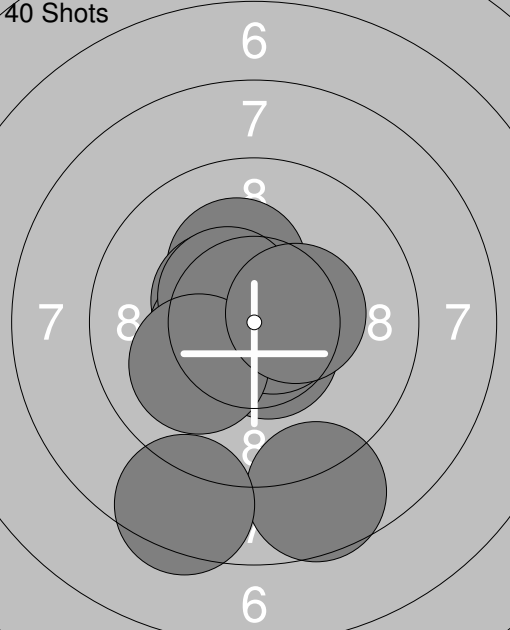
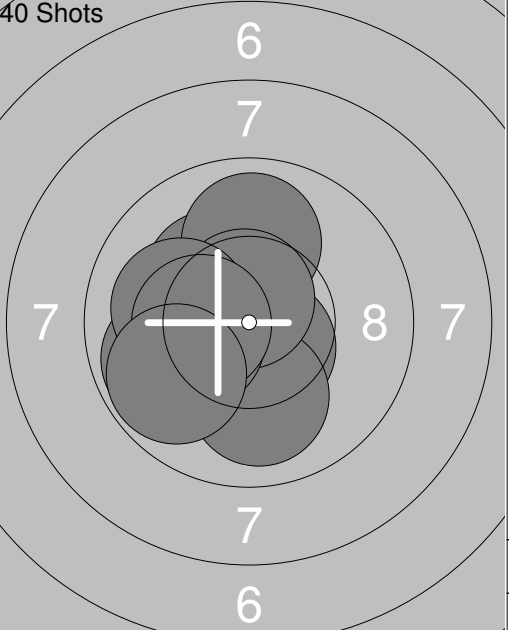


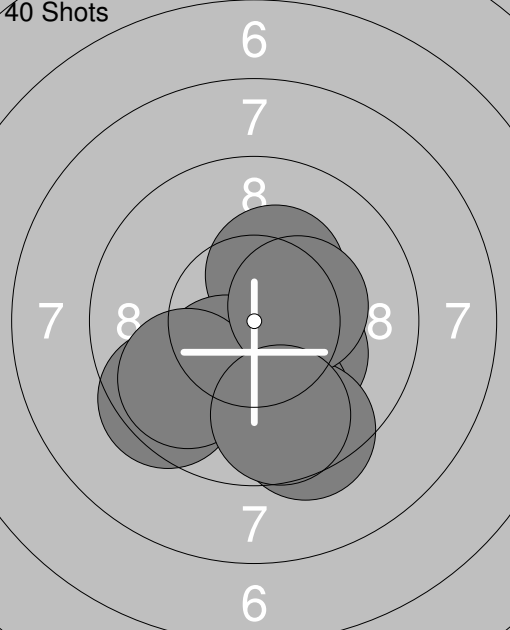
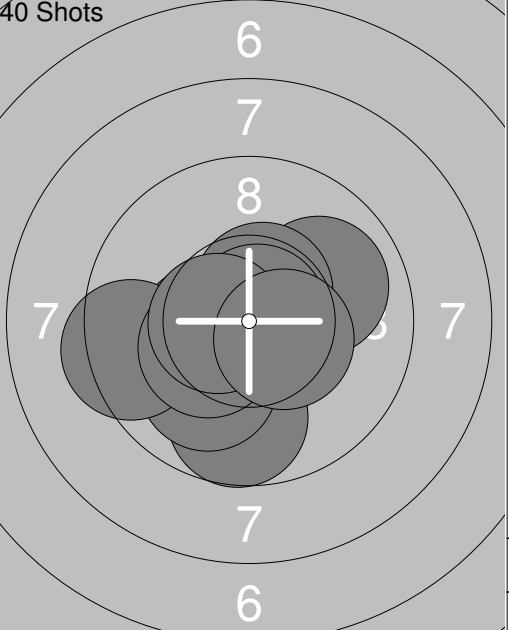
21: 10.4x ↙
22: 10.4x ↘
23: 10.6x ↘
24: 10.0 ↘
25: 10.8x ↗
26: 10.6x ↙
27: 9.6 ↑
28: 9.9 ↘
29: 10.4x ←
30: 10.0 ↗
Series 102.7
Total 302.6

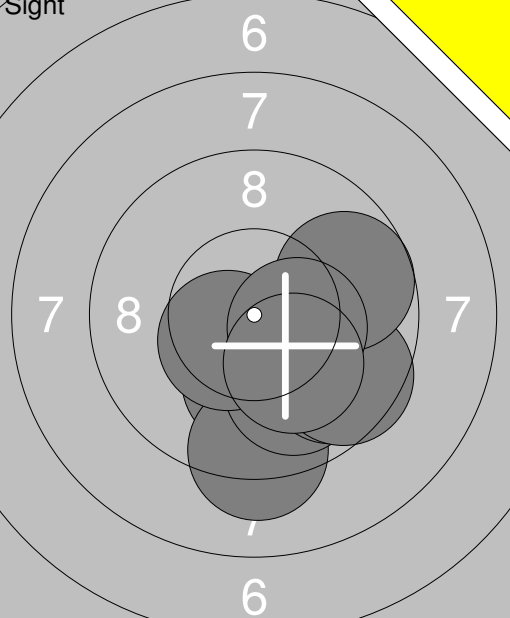



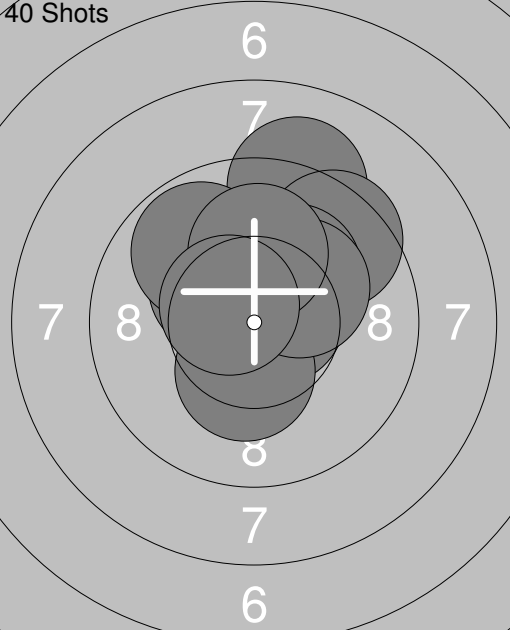
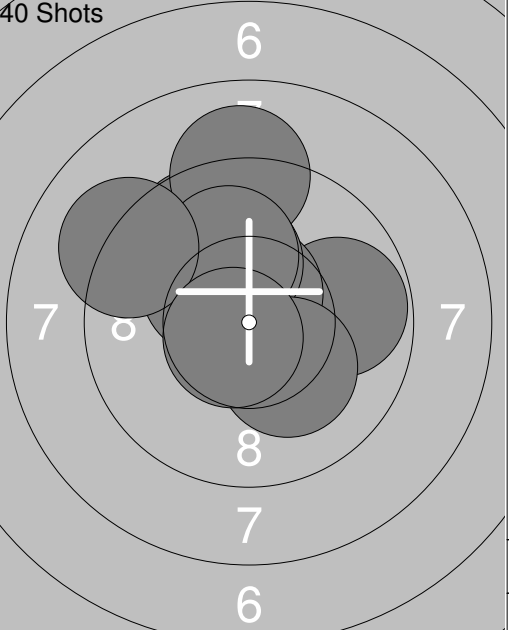
31: 10.8x ↘
32: 10.4x ↑
33: 10.2x ↑
34: 9.6 →
35: 9.6 →
36: 9.8 ←
37: 10.8x ↙
38: 10.6x →
39: 10.3x ↖
40: 10.1 ↑
Series 102.2
Total 404.8

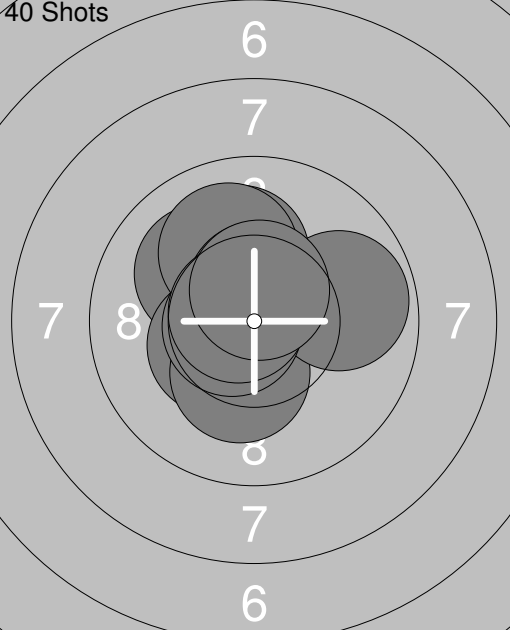
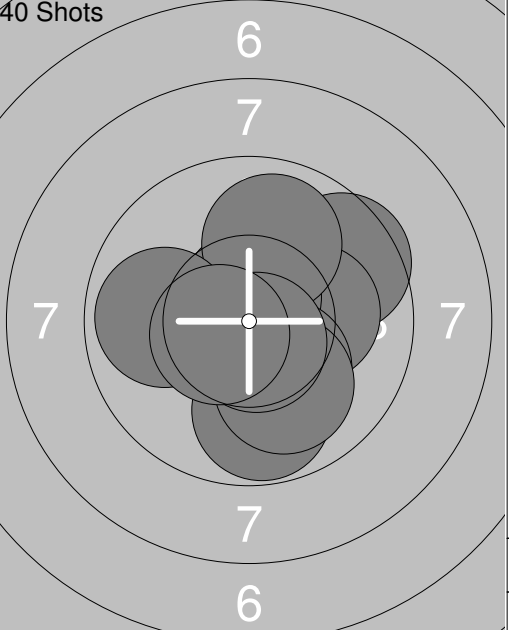
 <p style="text-align:center;">Sight</p>	<p>1: 10.6x →</p> <p>2: 9.6 ↗</p> <p>3: 10.7x ↘</p> <p>4: 9.8 ↗</p> <p>5: 9.7 →</p> <p>6: 10.6x ↙</p> <p>7: 9.6 ↘</p> <p>8: 9.7 ↑</p> <p>9: 10.6x →</p> <p>10: 10.3x ↗</p>	 <p style="text-align:center;">Sight</p>	<p>11: 10.6x ↑</p>
Series 101.2		Series 10.6	
Total 0.0		Total 0.0	

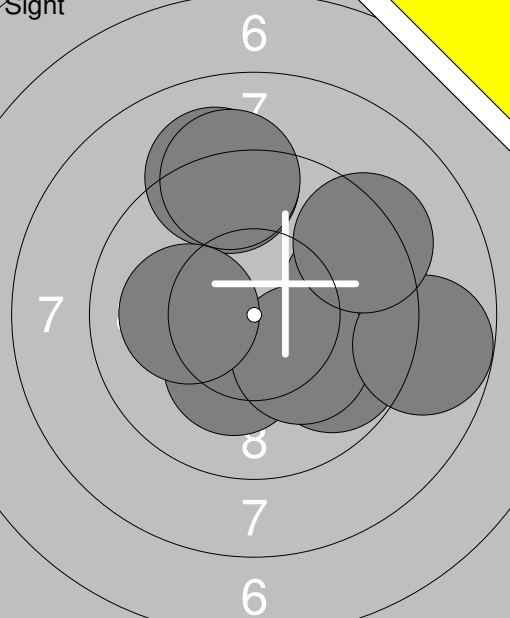
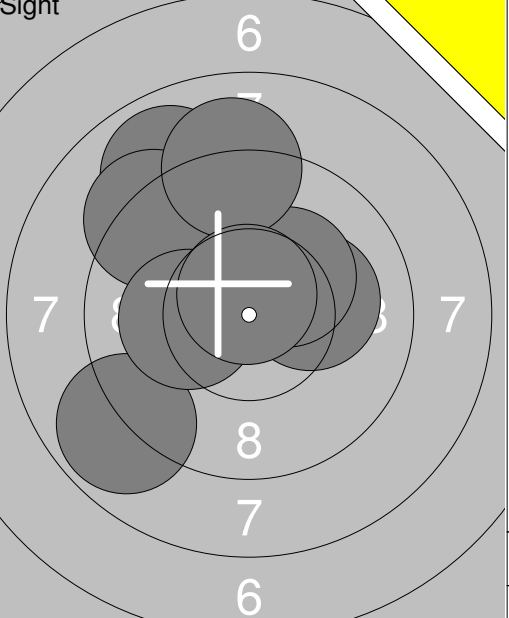
 <p style="text-align:center;">40 Shots</p>	<p>1: 10.2x ↑</p> <p>2: 10.6x ↘</p> <p>3: 10.4x ↖</p> <p>4: 10.5x ↙</p> <p>5: 8.6 ↘</p> <p>6: 10.7x →</p> <p>7: 8.5 ↘</p> <p>8: 10.5x ↖</p> <p>9: 10.1 ↙</p> <p>10: 10.4x →</p>	 <p style="text-align:center;">40 Shots</p>	<p>11: 10.3x ↖</p> <p>12: 10.6x ↘</p> <p>13: 9.9 ↙</p> <p>14: 10.0 ↘</p> <p>15: 9.9 ↑</p> <p>16: 10.6x ↑</p> <p>17: 10.2x ↙</p> <p>18: 10.1 ←</p> <p>19: 10.3x ↙</p> <p>20: 9.8 ↙</p>
Series 100.5		Series 101.7	
Total 100.5		Total 202.2	

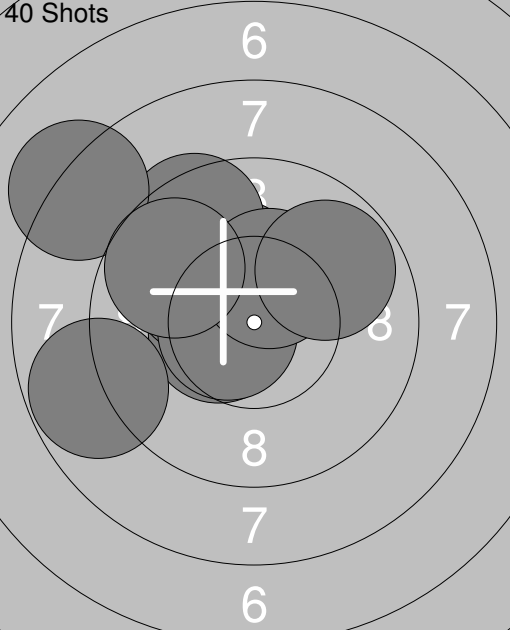
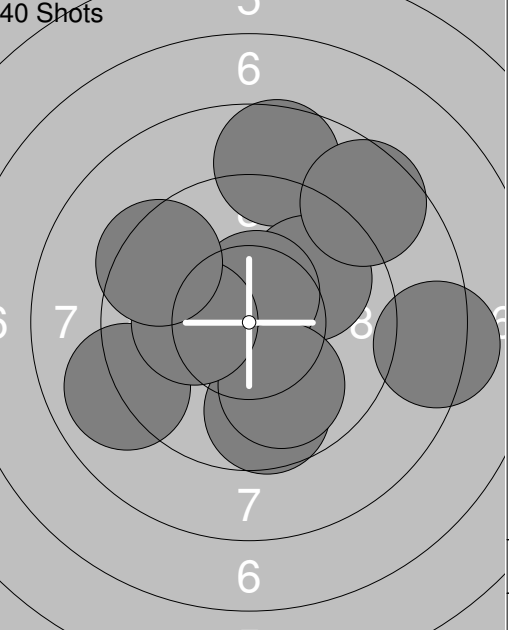
 <p style="text-align:center;">40 Shots</p>	<p>21: 9.5 ↙</p> <p>22: 10.4x ↘</p> <p>23: 10.3x ↘</p> <p>24: 9.9 ↘</p> <p>25: 9.4 ↘</p> <p>26: 10.3x ↑</p> <p>27: 10.3x ↘</p> <p>28: 9.8 ↙</p> <p>29: 10.4x →</p> <p>30: 9.7 ↘</p>	 <p style="text-align:center;">40 Shots</p>	<p>31: 10.0 ↗</p> <p>32: 9.7 ↘</p> <p>33: 10.0 ↘</p> <p>34: 10.4x ↙</p> <p>35: 10.5x ↑</p> <p>36: 10.8x ↗</p> <p>37: 9.4 ←</p> <p>38: 10.3x ↙</p> <p>39: 10.6x ↙</p> <p>40: 10.5x ↘</p>
Series 100.0		Series 102.2	
Total 302.2		Total 404.4	

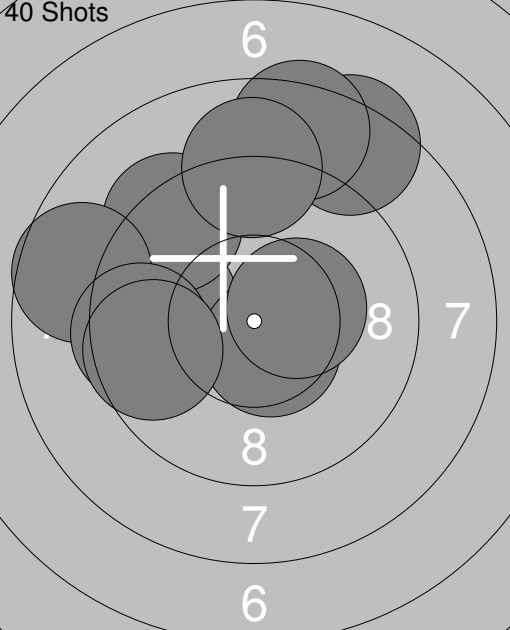
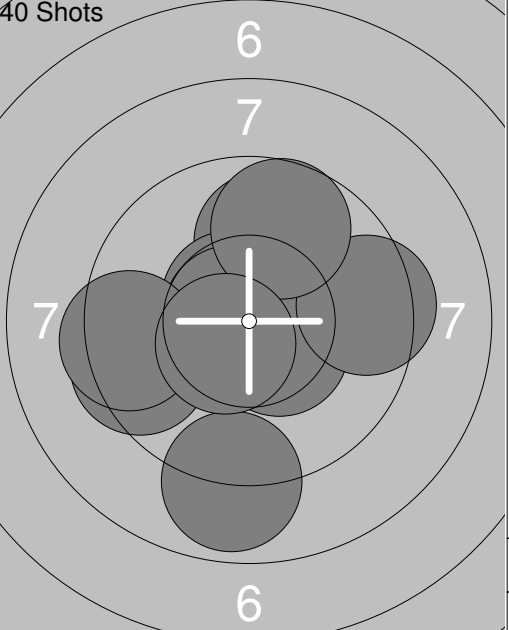
	<p>Sight</p> <p>1: 10.2x ↘</p> <p>2: 10.1 ↓</p> <p>3: 9.2 ↓</p> <p>4: 9.9 ↘</p> <p>5: 9.7 ↘</p> <p>6: 9.6 ↘</p> <p>7: 9.7 →</p> <p>8: 10.5x ↙</p> <p>9: 10.4x →</p> <p>10: 10.2x ↘</p> <p>Series 99.5</p> <p>Total 0.0</p>		<p>Sight</p> <p>11: 10.4x ↘</p> <p>12: 10.6x ↘</p> <p>Series 21.0</p> <p>Total 0.0</p>
--	--	--	--

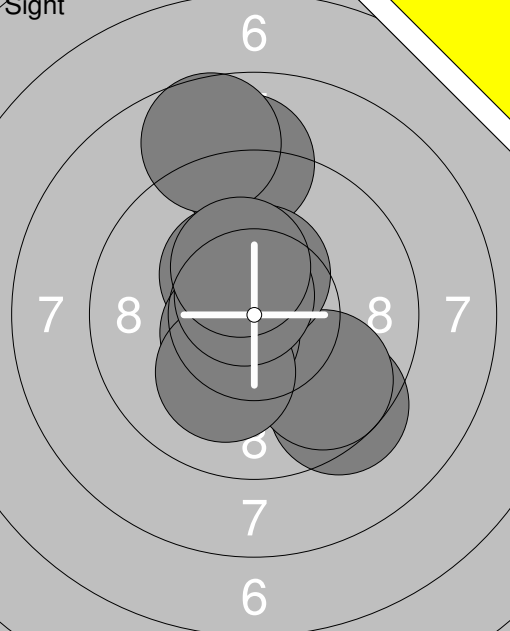
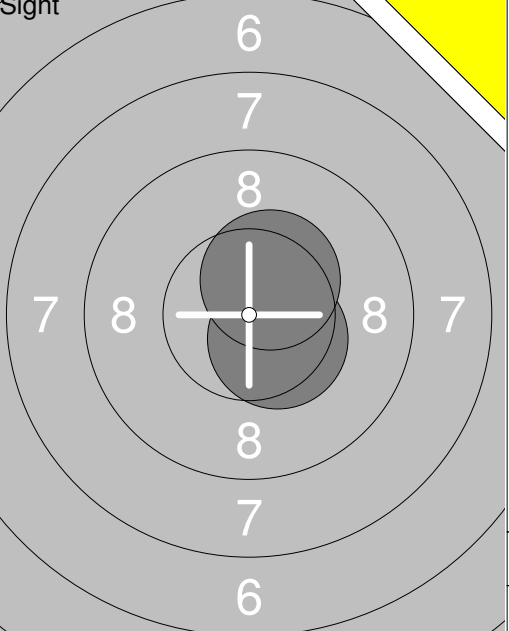
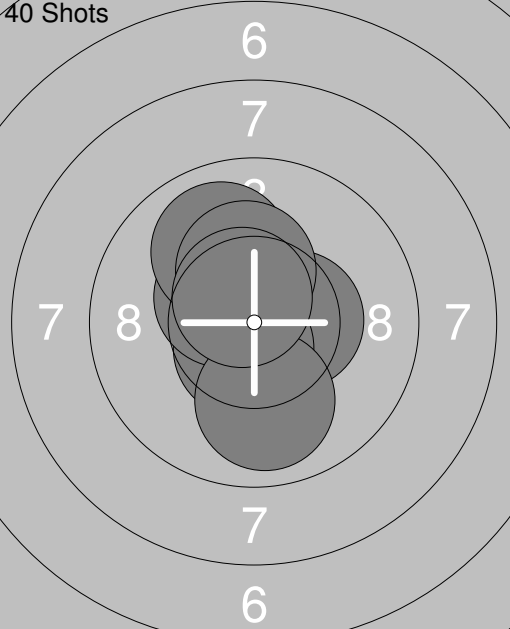
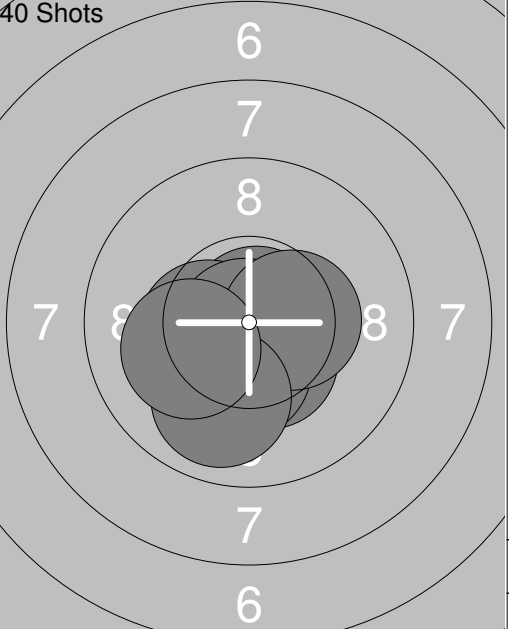
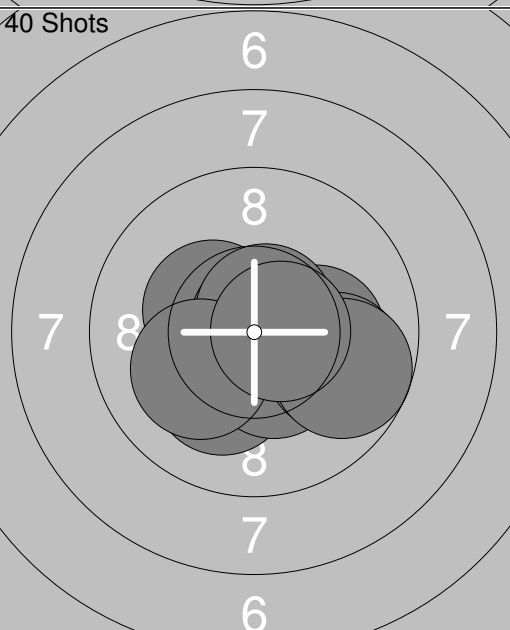
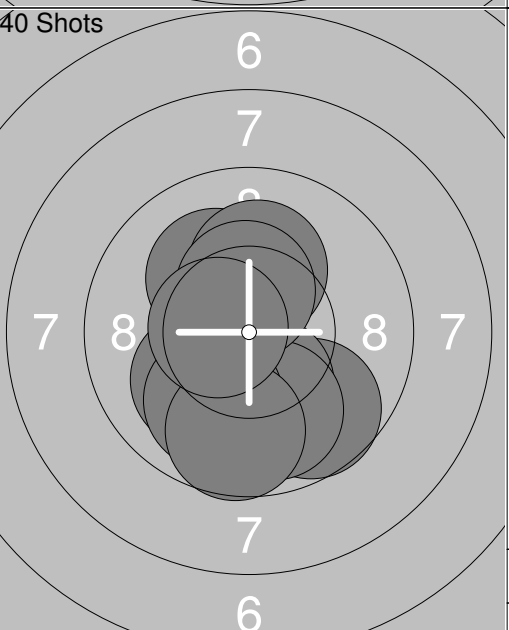
	<p>40 Shots</p> <p>1: 10.3x ↖</p> <p>2: 10.7x →</p> <p>3: 10.3x ↓</p> <p>4: 9.1 ↑</p> <p>5: 9.5 ↗</p> <p>6: 10.2x ↗</p> <p>7: 10.2x ↗</p> <p>8: 9.8 ↖</p> <p>9: 10.1 ↑</p> <p>10: 10.6x ↖</p> <p>Series 100.8</p> <p>Total 100.8</p>		<p>40 Shots</p> <p>11: 9.7 ↖</p> <p>12: 9.8 →</p> <p>13: 10.6x ↑</p> <p>14: 10.3x ↖</p> <p>15: 9.1 ↑</p> <p>16: 10.2x ↑</p> <p>17: 10.1 ↑</p> <p>18: 9.1 ↖</p> <p>19: 10.2x ↘</p> <p>20: 10.7x ↙</p> <p>Series 99.8</p> <p>Total 200.6</p>
---	--	---	--

	<p>40 Shots</p> <p>21: 10.1 ↖</p> <p>22: 10.4x ↙</p> <p>23: 10.3x ↓</p> <p>24: 9.8 →</p> <p>25: 10.1 ↑</p> <p>26: 10.7x ↙</p> <p>27: 10.0 ↑</p> <p>28: 10.6x ↑</p> <p>29: 10.7x ↖</p> <p>30: 10.5x ↑</p> <p>Series 103.2</p> <p>Total 303.8</p>		<p>40 Shots</p> <p>31: 9.6 ↗</p> <p>32: 9.8 ↓</p> <p>33: 10.2x →</p> <p>34: 10.6x ↑</p> <p>35: 10.2x ↘</p> <p>36: 10.0 ↓</p> <p>37: 9.9 ↑</p> <p>38: 9.9 ←</p> <p>39: 10.7x ↘</p> <p>40: 10.5x ↙</p> <p>Series 101.4</p> <p>Total 405.2</p>
--	---	--	---

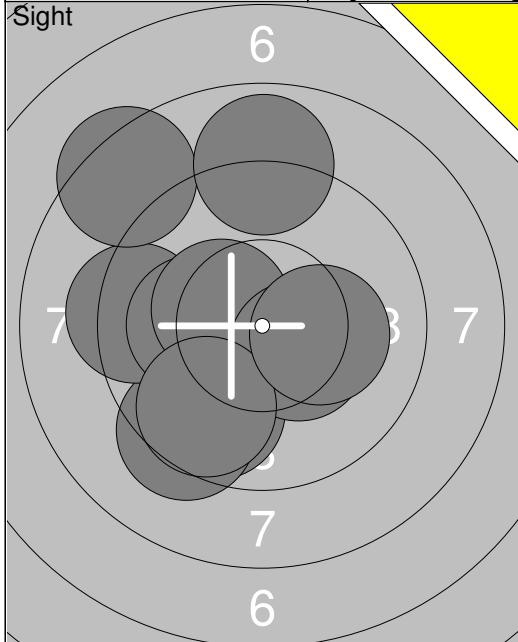
 <p style="text-align:center;">Sight</p>	<p>1: 9.2 ↑</p> <p>2: 9.7 →</p> <p>3: 9.8 ↘</p> <p>4: 9.1 ↑</p> <p>5: 10.3x ↓</p> <p>6: 10.2x ↘</p> <p>7: 9.2 ↑</p> <p>8: 8.8 →</p> <p>9: 9.3 ↗</p> <p>10: 10.1 ←</p>	 <p style="text-align:center;">Sight</p>	<p>11: 8.9 ↖</p> <p>12: 9.2 ↖</p> <p>13: 10.2x →</p> <p>14: 8.9 ↙</p> <p>15: 10.3x ↗</p> <p>16: 9.1 ↑</p> <p>17: 10.2x ←</p> <p>18: 10.7x ↑</p>
Series	95.7	Series	77.5
Total	0.0	Total	0.0

 <p style="text-align:center;">40 Shots</p>	<p>1: 10.5x ←</p> <p>2: 10.1 ↖</p> <p>3: 10.2x ↑</p> <p>4: 9.5 ↑</p> <p>5: 10.6x ←</p> <p>6: 8.1 ↖</p> <p>7: 10.4x ↑</p> <p>8: 8.8 ←</p> <p>9: 9.8 ↗</p> <p>10: 9.7 ↖</p>	 <p style="text-align:center;">40 Shots</p>	<p>11: 8.7 ↑</p> <p>12: 9.9 ↗</p> <p>13: 9.0 ↙</p> <p>14: 10.5x ↑</p> <p>15: 9.7 ↓</p> <p>16: 9.9 ↓</p> <p>17: 8.6 ↗</p> <p>18: 10.2x ←</p> <p>19: 9.4 ↖</p> <p>20: 8.3 →</p>
Series	97.7	Series	94.2
Total	97.7	Total	191.9

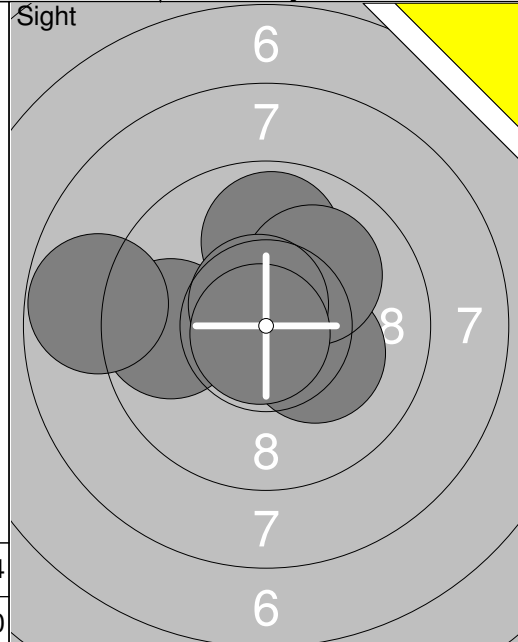
 <p style="text-align:center;">40 Shots</p>	<p>21: 9.8 ←</p> <p>22: 9.3 ↗</p> <p>23: 8.7 ←</p> <p>24: 8.4 ↗</p> <p>25: 8.5 ↑</p> <p>26: 9.0 ↑</p> <p>27: 10.6x ↓</p> <p>28: 10.4x →</p> <p>29: 9.5 ←</p> <p>30: 9.6 ←</p>	 <p style="text-align:center;">40 Shots</p>	<p>31: 8.9 ↓</p> <p>32: 9.9 ↑</p> <p>33: 10.6x ↖</p> <p>34: 10.7x ←</p> <p>35: 10.5x ↘</p> <p>36: 9.4 →</p> <p>37: 9.4 ←</p> <p>38: 9.4 ←</p> <p>39: 9.7 ↑</p> <p>40: 10.5x ↙</p>
Series	93.8	Series	99.0
Total	285.7	Total	384.7

<p>Sight</p>  <p style="text-align: center;">6 7 8 8 7 6 7</p>	<p>1: 9.4 ↘ 2: 9.7 ↘ 3: 9.0 ↑ 4: 8.7 ↑ 5: 10.4x ↖ 6: 10.4x ↑ 7: 10.6x ↙ 8: 10.1 ↓ 9: 10.7x ↖ 10: 10.3x ↑</p> <p>Series 99.3 Total 0.0</p>	<p>Sight</p>  <p style="text-align: center;">6 7 8 7 8 8 7 8 7 6</p> <p>11: 10.5x ↘ 12: 10.4x ↗</p> <p>Series 20.9 Total 0.0</p>
<p>40 Shots</p>  <p style="text-align: center;">6 7 8 7 8 8 7 7 6</p>	<p>1: 10.6x ↑ 2: 10.5x ↓ 3: 10.7x → 4: 10.4x → 5: 10.6x ↓ 6: 10.4x ↖ 7: 10.0 ↗ 8: 9.9 ↓ 9: 10.3x ↑ 10: 10.6x ↖</p> <p>Series 104.0 Total 104.0</p>	<p>40 Shots</p>  <p style="text-align: center;">6 7 8 7 8 8 7 7 6</p> <p>11: 10.8x ↗ 12: 10.8x ↓ 13: 10.6x ↘ 14: 10.4x ↙ 15: 10.4x ↓ 16: 10.9x ↘ 17: 10.4x ↓ 18: 10.4x → 19: 9.9 ↓ 20: 10.1 ↙</p> <p>Series 104.7 Total 208.7</p>
<p>40 Shots</p>  <p style="text-align: center;">6 7 8 7 8 8 7 8 7 6</p>	<p>21: 10.2x ↘ 22: 10.4x ↓ 23: 10.2x → 24: 10.4x ↖ 25: 10.8x ↗ 26: 9.9 → 27: 10.7x ↗ 28: 9.7 → 29: 10.1 ↙ 30: 10.6x →</p> <p>Series 103.0 Total 311.7</p>	<p>40 Shots</p>  <p style="text-align: center;">6 7 8 7 8 8 7 7 6</p> <p>31: 10.1 ↙ 32: 9.7 ↓ 33: 10.3x ↓ 34: 9.9 ↓ 35: 10.1 ↖ 36: 10.2x ↑ 37: 10.0 ↓ 38: 10.4x ↑ 39: 9.7 ↓ 40: 10.5x ↙</p> <p>Series 100.9 Total 412.6</p>

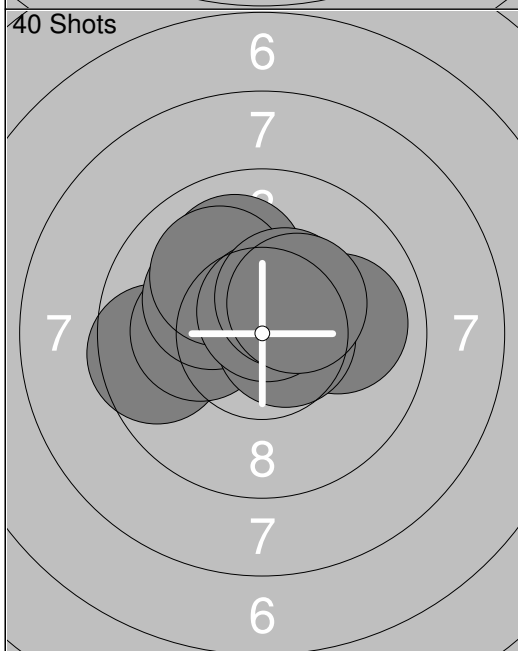




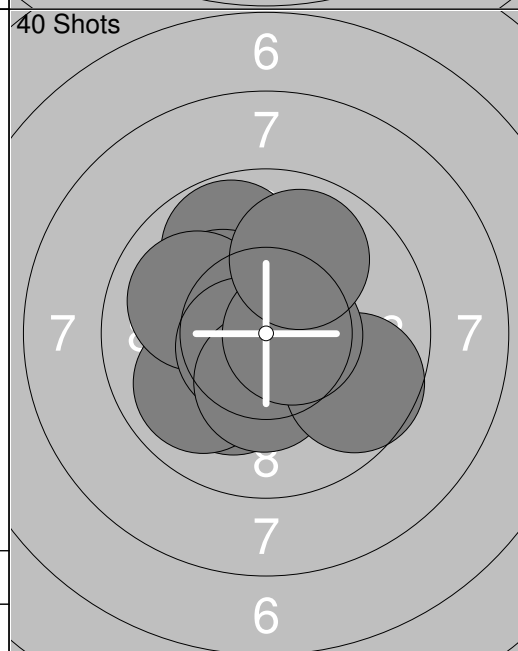
1:	9.7	↘
2:	9.3	↘
3:	9.3	←
4:	10.1	←
5:	10.4x	↙
6:	10.4x	→
7:	9.7	↘
8:	8.4	↗
9:	8.9	↑
10:	10.2x	→
Series	96.4	
Total	0.0	



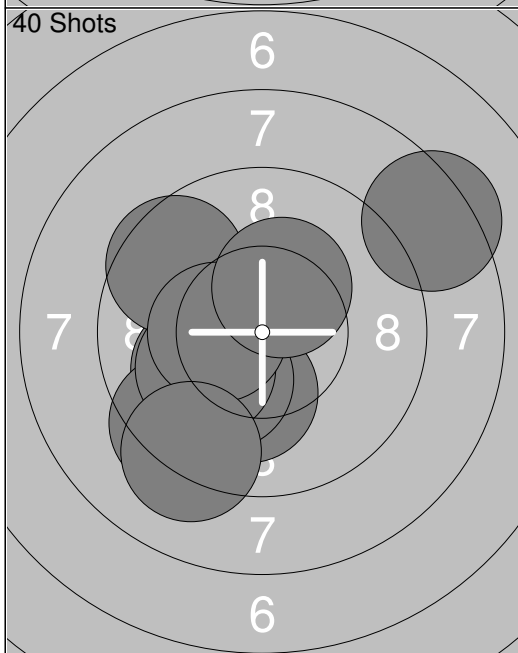
11:	9.7	←
12:	9.9	↑
13:	10.2x	→
14:	10.1	↗
15:	8.8	←
16:	10.7x	↖
17:	10.8x	↘
Series	70.2	
Total	0.0	



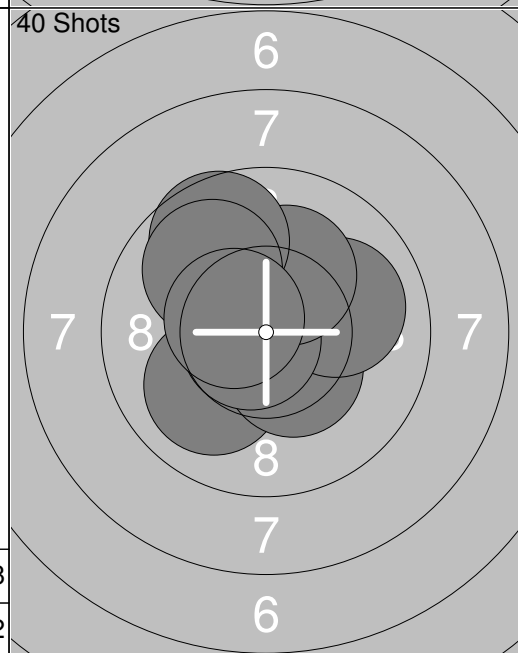
1:	9.6	←
2:	10.0	→
3:	10.0	↗
4:	10.2x	←
5:	10.2x	↙
6:	10.0	↗
7:	10.6x	→
8:	10.7x	↑
9:	10.4x	↗
10:	10.4x	↗
Series	102.1	
Total	102.1	



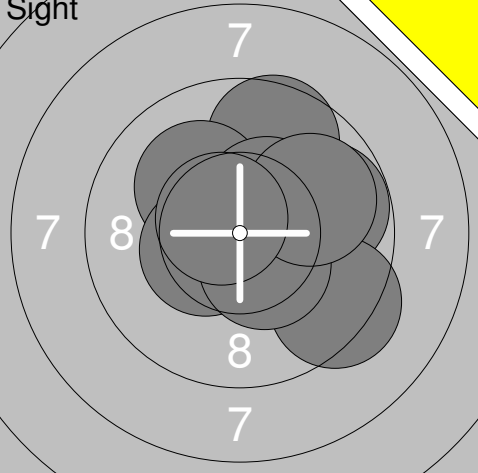
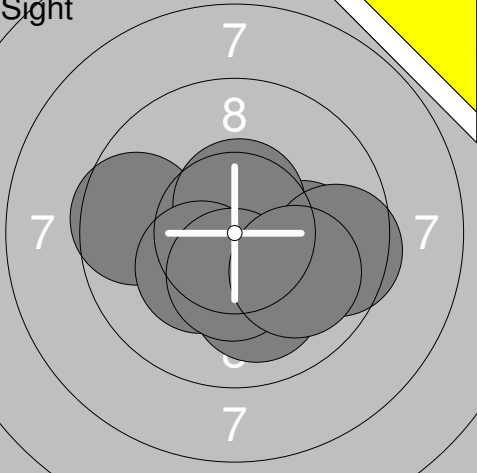
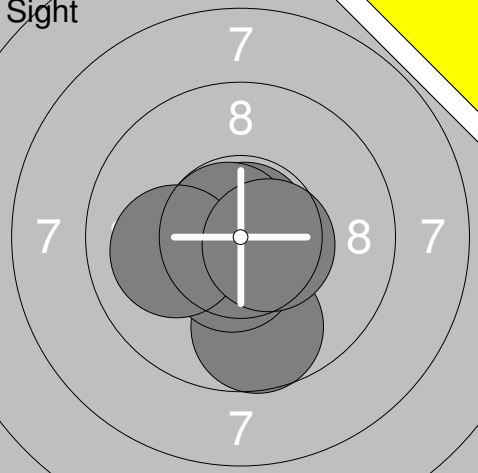
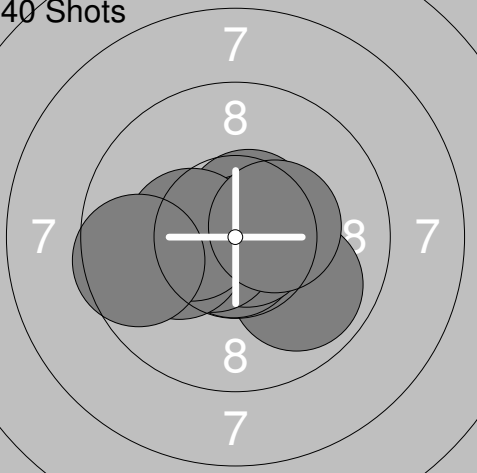

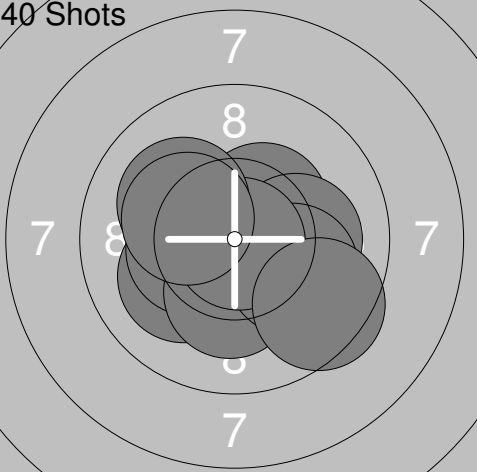
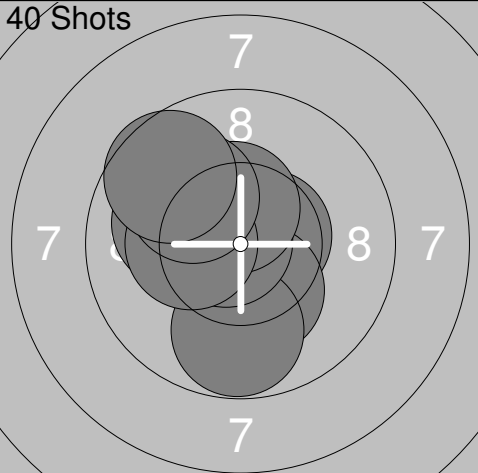
11:	9.8	↖
12:	10.3x	↙
13:	10.2x	↘
14:	9.9	↙
15:	10.0	↙
16:	10.6x	↘
17:	10.3x	↓
18:	9.7	→
19:	10.6x	→
20:	9.9	↗
Series	101.3	
Total	203.4	

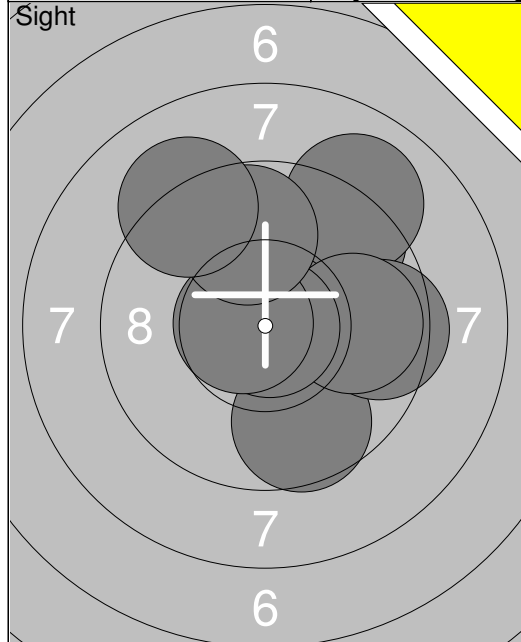


21:	10.0	↙
22:	9.6	↖
23:	8.4	↗
24:	10.2x	↓
25:	10.2x	↘
26:	9.4	↙
27:	10.1	↙
28:	10.4x	←
29:	10.3x	↗
30:	9.2	↘
Series	97.8	
Total	301.2	

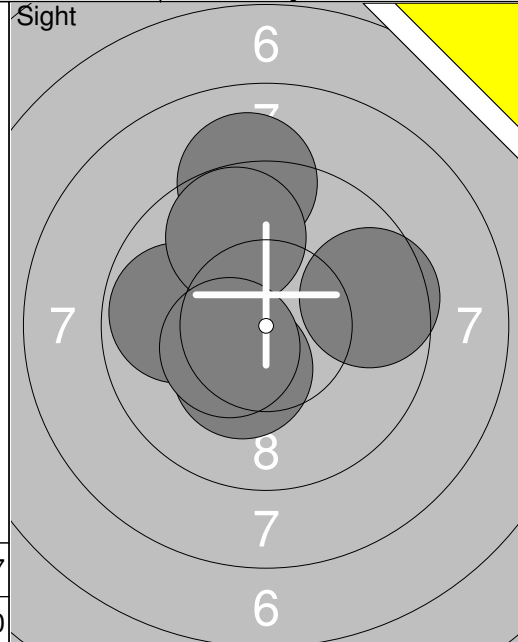


31:	10.8x	↘
32:	10.0	↙
33:	10.8x	↘
34:	10.4x	↘
35:	10.0	→
36:	10.7x	↙
37:	10.2x	↗
38:	9.6	↖
39:	9.9	↖
40:	10.5x	↙
Series	102.9	
Total	404.1	

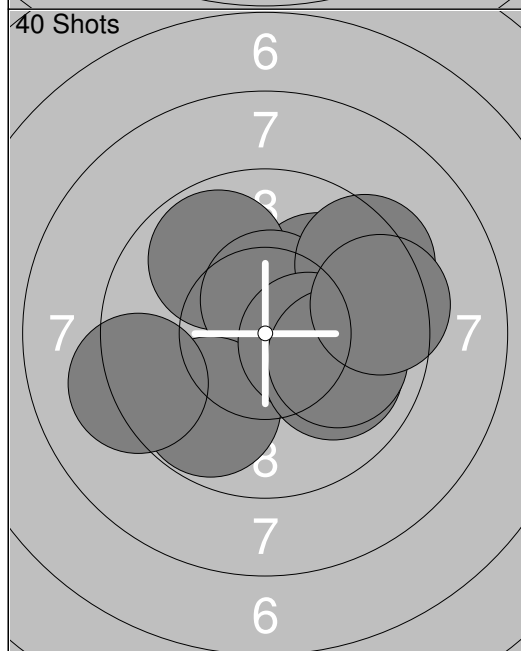
<p>Sight</p> 	<p>1: 9.6 ↗ 2: 10.1 ↗ 3: 9.8 → 4: 10.4x ↗ 5: 10.4x → 6: 9.4 ↓ 7: 10.4x ← 8: 10.4x ↓ 9: 9.9 → 10: 10.6x ↗</p> <p>Series 101.0 Total 0.0</p>	<p>Sight</p> 	<p>11: 10.2x ↘ 12: 10.7x ↓ 13: 9.6 ← 14: 10.0 ↓ 15: 10.0 → 16: 10.6x ↑ 17: 10.3x ↙ 18: 9.6 → 19: 10.4x ↓ 20: 10.0 ↘</p> <p>Series 101.4 Total 0.0</p>
<p>Sight</p> 	<p>21: 10.8x ↗ 22: 9.7 ↓ 23: 10.8x ↗ 24: 10.5x ↓ 25: 10.1 ← 26: 10.6x →</p> <p>Series 62.5 Total 0.0</p>	<p>40 Shots</p> 	<p>1: 9.9 ↘ 2: 10.4x ← 3: 10.6x ↗ 4: 10.7x ↓ 5: 10.8x → 6: 10.6x ← 7: 10.2x ← 8: 10.4x ← 9: 9.6 ← 10: 10.4x →</p> <p>Series 103.6 Total 103.6</p>
<p>40 Shots</p> 	<p>11: 10.7x ↓ 12: 9.4 ↓ 13: 10.3x ↓ 14: 10.6x → 15: 10.7x ↓ 16: 9.9 ↓ 17: 10.6x → 18: 10.2x ↓ 19: 10.2x ↓ 20: 10.2x →</p> <p>Series 102.8 Total 206.4</p>	<p>40 Shots</p> 	<p>21: 10.4x ↗ 22: 10.1 ↙ 23: 10.4x ← 24: 10.2x ↓ 25: 10.1 → 26: 10.1 ↘ 27: 10.9x ↘ 28: 10.1 ↗ 29: 9.5 ↓ 30: 10.3x ↙</p> <p>Series 102.1 Total 308.5</p>
<p>40 Shots</p> 	<p>31: 10.9x ↑ 32: 10.6x → 33: 10.3x ↓ 34: 9.8 ↓ 35: 10.8x ← 36: 10.1 ← 37: 10.5x ↑ 38: 10.3x ← 39: 10.0 ↗ 40: 9.6 ↗</p> <p>Series 102.9 Total 411.4</p>		



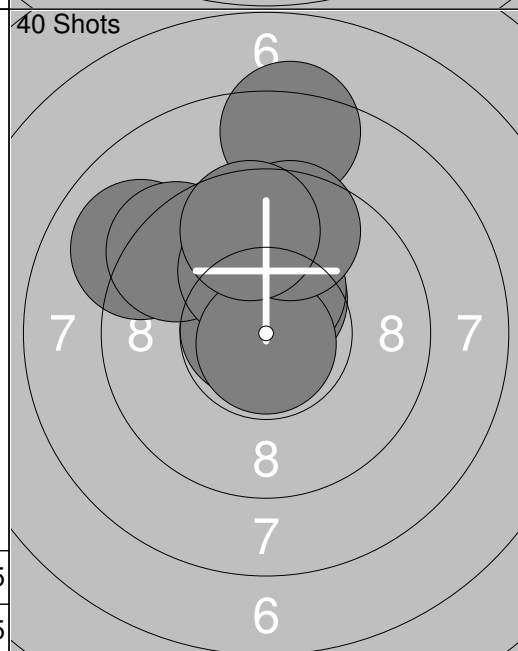
1: 9.5 ↗
2: 9.0 ↗
3: 9.6 ↓
4: 10.8x ↖
5: 9.5 →
6: 9.8 →
7: 10.9x →
8: 10.7x ←
9: 9.8 ↑
10: 9.1 ↖
Series 98.7
Total 0.0



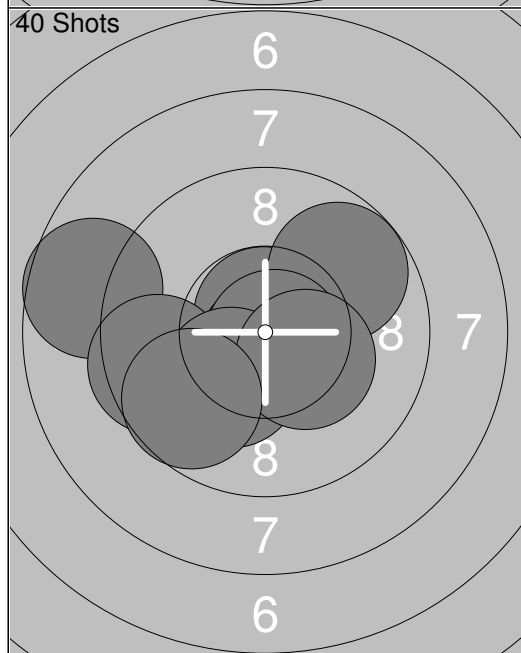
11: 9.1 ↑
12: 9.8 ←
13: 9.8 ↑
14: 10.3x ↓
15: 9.6 →
16: 10.4x ↙
Series 59.0
Total 0.0



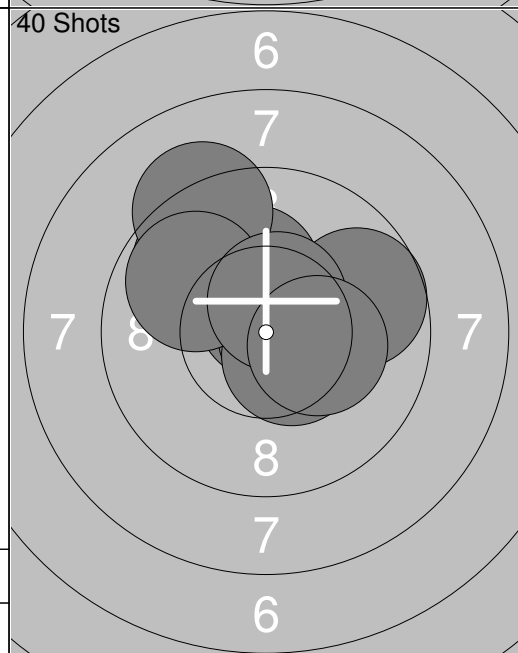
1: 10.0 ↗
2: 9.8 ↖
3: 10.5x ↑
4: 9.8 ↓
5: 9.4 ↗
6: 10.4x →
7: 10.0 →
8: 9.2 ←
9: 10.0 →
10: 9.4 →
Series 98.5
Total 98.5



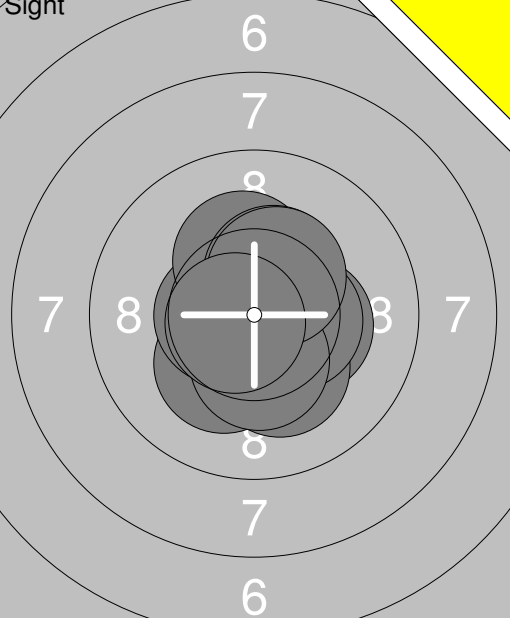
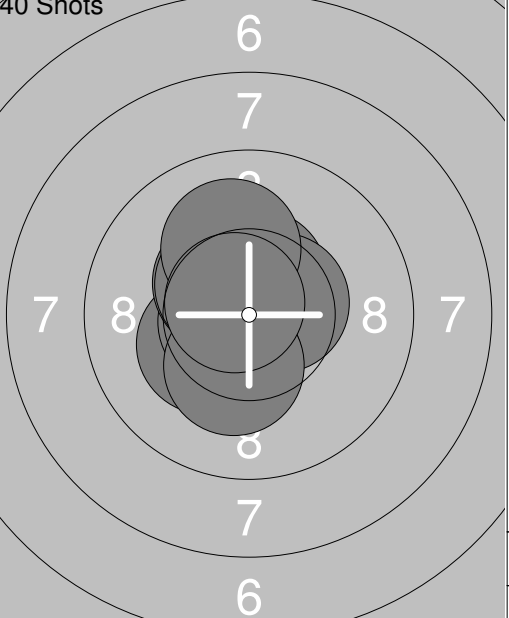
11: 10.7x ↖
12: 9.0 ↖
13: 8.4 ↑
14: 10.5x ↑
15: 9.4 ↖
16: 10.4x ↑
17: 10.1 ↑
18: 10.8x ↓
19: 9.6 ↑
20: 9.6 ↑
Series 98.5
Total 197.0

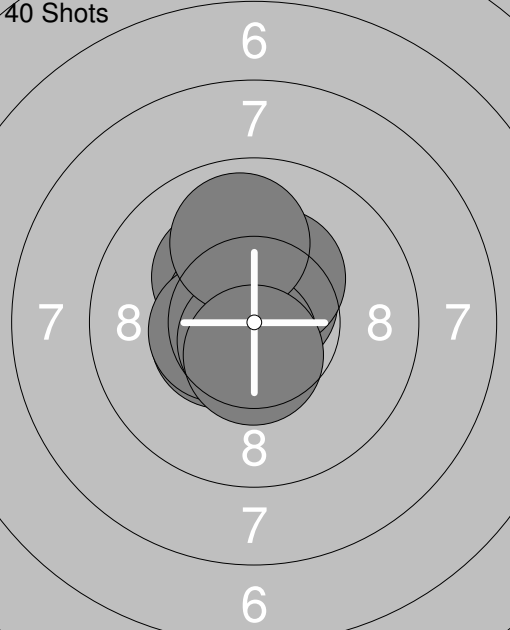
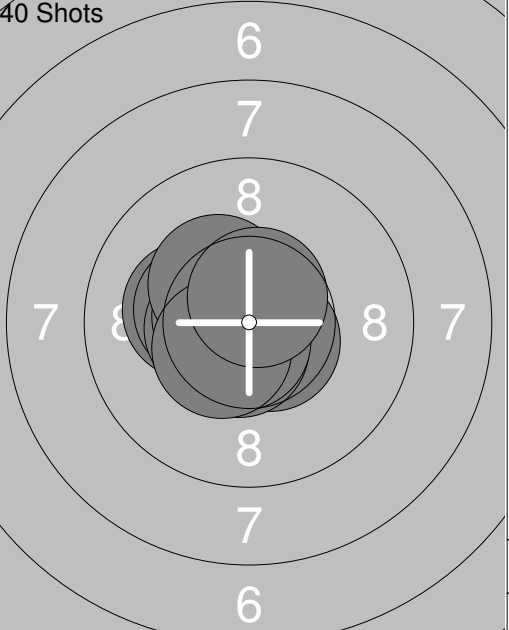


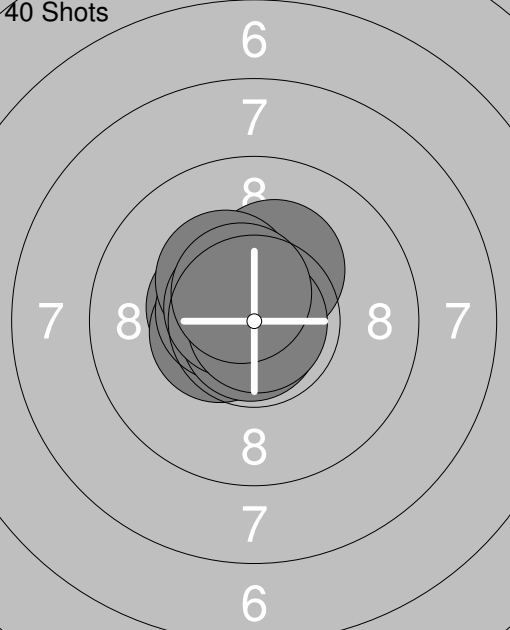
21: 10.8x ↑
22: 10.7x ↓
23: 10.7x ↓
24: 8.7 ←
25: 9.7 ↗
26: 9.5 ←
27: 10.8x ↘
28: 10.2x ↙
29: 10.3x ↘
30: 9.7 ↙
Series 101.1
Total 298.1

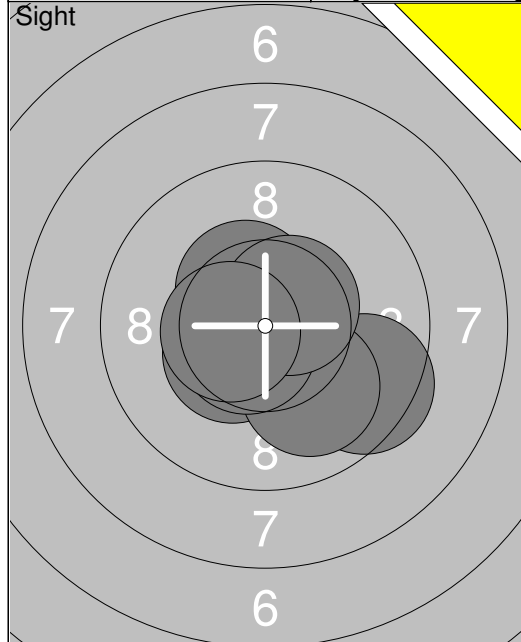


31: 10.7x ↑
32: 10.7x →
33: 10.2x ↑
34: 9.8 ↖
35: 10.5x ↘
36: 9.7 →
37: 9.2 ↑
38: 9.8 ↖
39: 10.5x ↑
40: 10.3x →
Series 101.4
Total 399.5

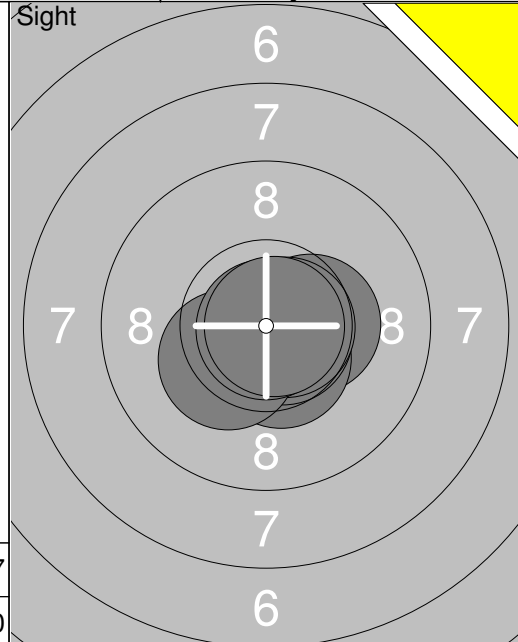
 <p style="font-size: small;">Sight</p>	<p>40 Shots</p> <p>1: 10.3x →</p> <p>2: 10.2x ↓</p> <p>3: 10.2x ↙</p> <p>4: 10.5x →</p> <p>5: 10.4x ↓</p> <p>6: 10.6x ←</p> <p>7: 10.3x ↑</p> <p>8: 10.4x ↗</p> <p>9: 10.4x ↗</p> <p>10: 10.7x ↙</p>		<p>1: 10.5x ↑</p> <p>2: 10.5x →</p> <p>3: 10.3x ↓</p> <p>4: 10.3x ↙</p> <p>5: 10.7x ←</p> <p>6: 10.4x ↖</p> <p>7: 10.3x ↓</p> <p>8: 10.5x ↖</p> <p>9: 10.1 ↑</p> <p>10: 10.7x ↖</p>
Series 104.0	Series 104.3		
Total 0.0	Total 104.3		

 <p style="font-size: small;">40 Shots</p>	<p>11: 10.2x ↖</p> <p>12: 10.6x ↗</p> <p>13: 10.5x ←</p> <p>14: 10.7x ↖</p> <p>15: 10.8x ←</p> <p>16: 10.5x ←</p> <p>17: 10.3x ↑</p> <p>18: 10.7x ↓</p> <p>19: 9.9 ↑</p> <p>20: 10.5x ↓</p>	 <p style="font-size: small;">40 Shots</p>	<p>21: 10.2x ←</p> <p>22: 10.6x ↓</p> <p>23: 10.6x ↓</p> <p>24: 10.3x ←</p> <p>25: 10.5x ←</p> <p>26: 10.6x ←</p> <p>27: 10.3x ↖</p> <p>28: 10.7x ↓</p> <p>29: 10.5x ↙</p> <p>30: 10.6x ↑</p>
Series 104.7	Series 104.9		
Total 209.0	Total 313.9		

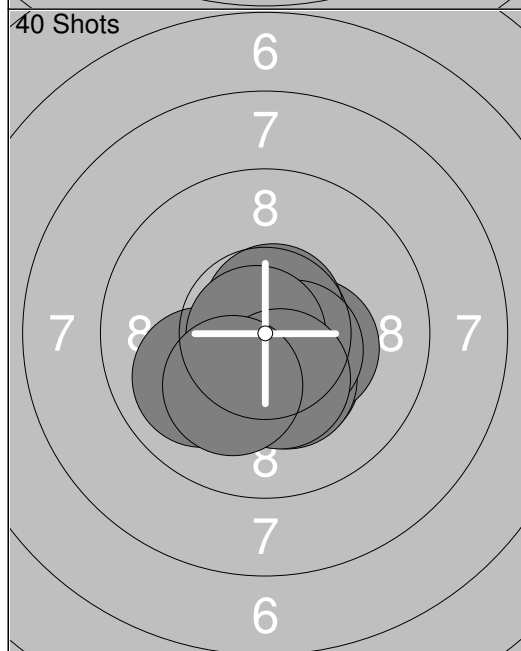
 <p style="font-size: small;">40 Shots</p>	<p>31: 10.4x ←</p> <p>32: 10.5x ←</p> <p>33: 10.7x ↑</p> <p>34: 10.2x ↗</p> <p>35: 10.6x ↖</p> <p>36: 10.8x ↓</p> <p>37: 10.3x ↖</p> <p>38: 10.6x ↖</p> <p>39: 10.9x →</p> <p>40: 10.6x ↗</p>	
Series 105.6		
Total 419.5		



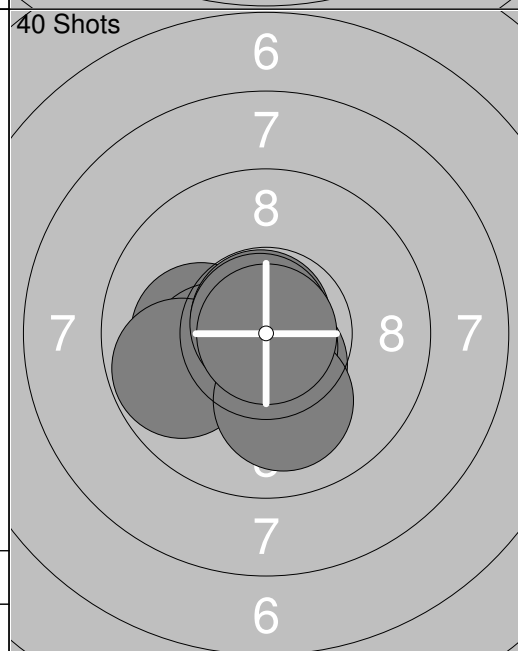
1: 10.5x ↘
2: 9.5 →
3: 10.4x ↙
4: 10.7x ↙
5: 10.5x ↗
6: 10.4x ↗
7: 10.0 ↓
8: 10.6x ↙
9: 10.6x ↗
10: 10.5x ←
Series 103.7
Total 0.0



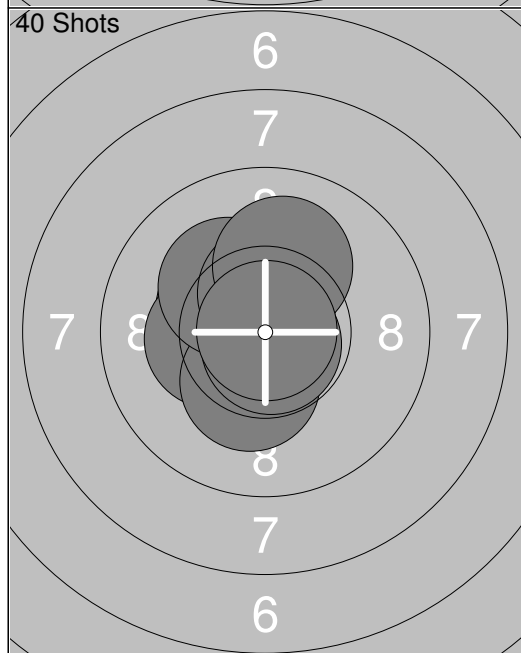
11: 10.4x →
12: 10.5x ↘
13: 10.7x ↘
14: 10.7x →
15: 10.3x ↙
16: 10.9x ↓
17: 10.8x →
Series 74.3
Total 0.0



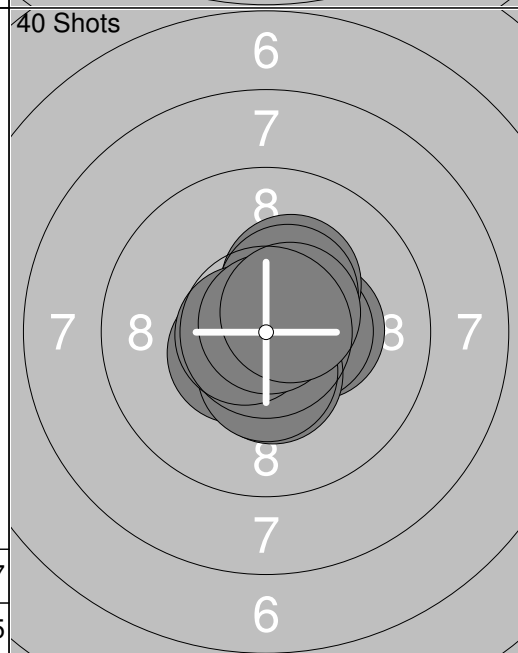
1: 10.3x ↘
2: 10.4x →
3: 10.6x ↘
4: 10.3x ↘
5: 10.0 ←
6: 10.7x ↗
7: 10.5x ↘
8: 10.8x ←
9: 10.3x ↘
10: 10.2x ↙
Series 104.1
Total 104.1



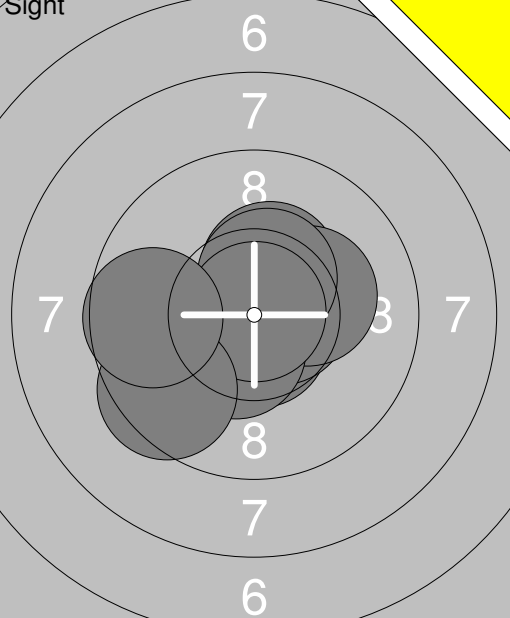
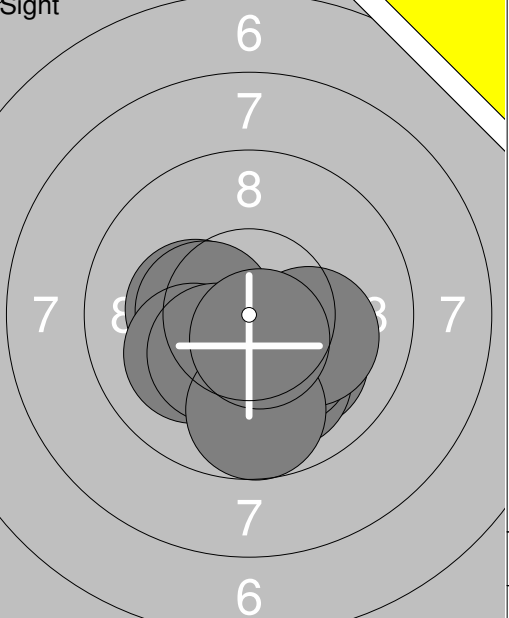
11: 10.5x ↘
12: 10.6x ↘
13: 10.1 ←
14: 10.8x ↘
15: 10.3x ←
16: 9.8 ←
17: 10.1 ↓
18: 10.8x ↗
19: 10.8x ↗
20: 10.9x ↘
Series 104.7
Total 208.8


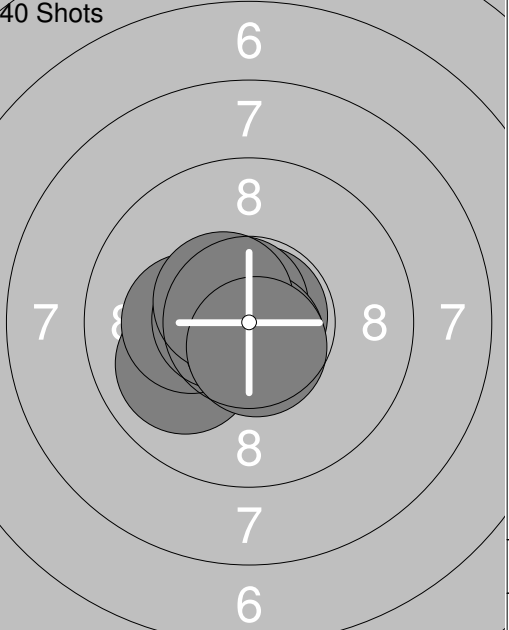


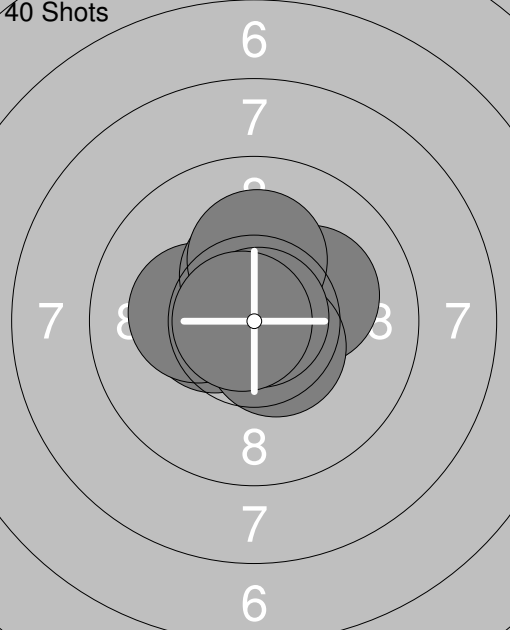
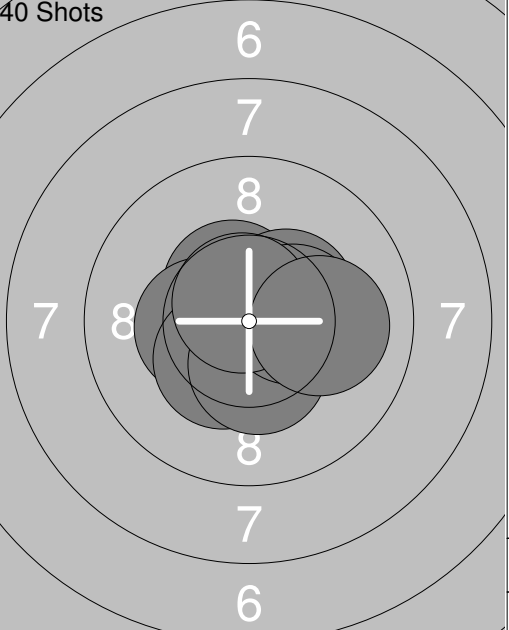
21: 10.4x ↙
22: 10.8x ↙
23: 10.3x ←
24: 10.3x ↘
25: 10.4x ↗
26: 10.2x ↙
27: 10.5x ↗
28: 10.8x ↘
29: 10.1 ↗
30: 10.9x ↗
Series 104.7
Total 313.5



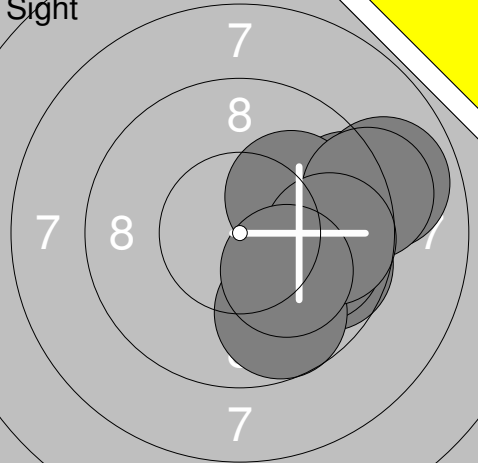
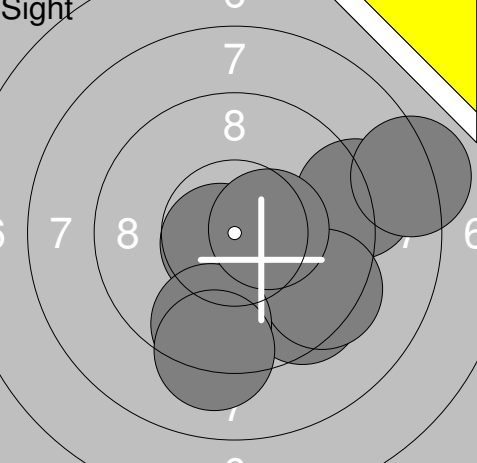
31: 10.3x →
32: 10.5x →
33: 10.3x ↗
34: 10.4x ↗
35: 10.4x ↘
36: 10.5x ↙
37: 10.5x ↓
38: 10.7x ←
39: 10.8x ↗
40: 10.6x ↗
Series 105.0
Total 418.5

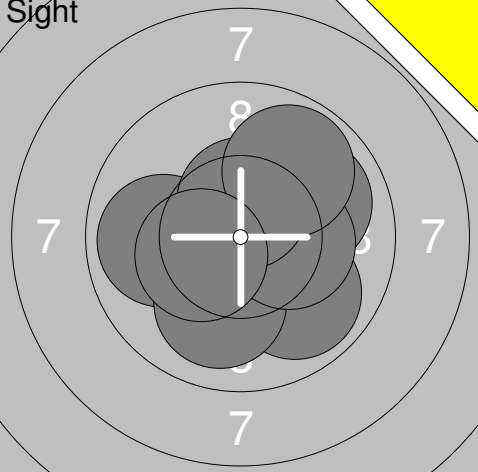
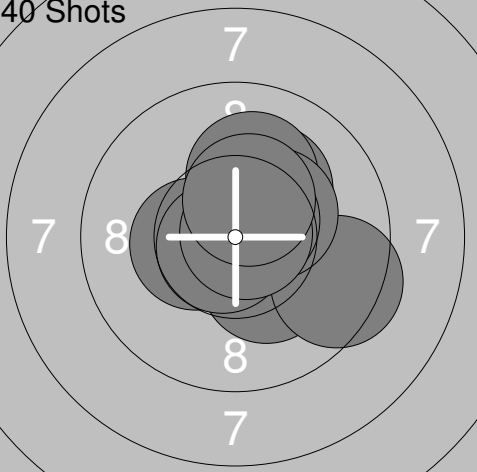
	<p>Sight</p> <p>1: 10.7x ↓</p> <p>2: 10.7x ↗</p> <p>3: 10.4x ↑</p> <p>4: 10.6x →</p> <p>5: 10.2x →</p> <p>6: 10.5x ↓</p> <p>7: 10.5x ↑</p> <p>8: 10.9x ↑</p> <p>9: 9.5 ↙</p> <p>10: 9.7 ←</p>		<p>Sight</p> <p>11: 10.3x ←</p> <p>12: 10.4x ←</p> <p>13: 10.1 ↙</p> <p>14: 10.1 ↓</p> <p>15: 10.0 ↓</p> <p>16: 10.3x ↓</p> <p>17: 10.1 →</p> <p>18: 10.3x ↙</p> <p>19: 9.7 ↓</p> <p>20: 10.6x ↓</p>
Series	103.7	Series	101.9
Total	0.0	Total	0.0

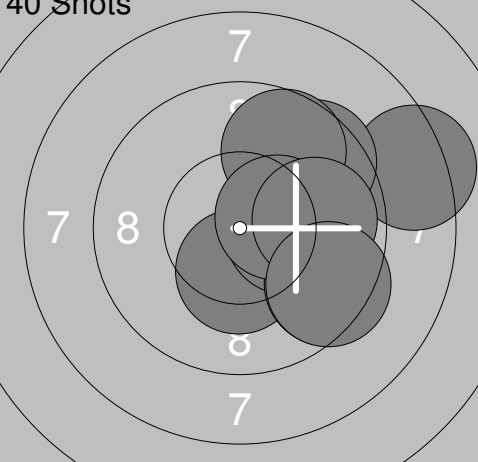
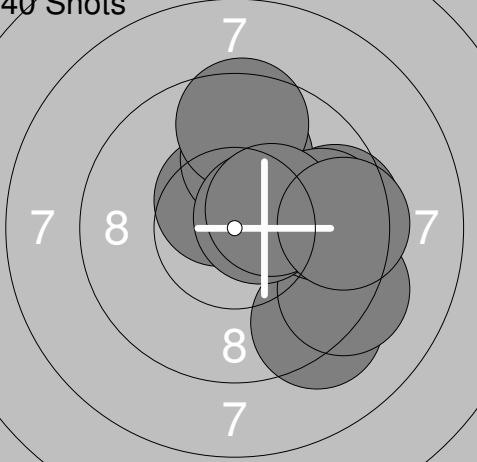
<p>40 Shots</p> 	<p>1: 10.6x ↓</p> <p>2: 10.5x ↓</p> <p>3: 10.7x ↑</p> <p>4: 10.2x ↓</p> <p>5: 10.4x →</p> <p>6: 10.2x →</p> <p>7: 10.6x ←</p> <p>8: 10.4x →</p> <p>9: 10.7x ↓</p> <p>10: 10.5x ↓</p>	<p>40 Shots</p> 	<p>11: 10.4x ←</p> <p>12: 10.4x ←</p> <p>13: 10.0 ↙</p> <p>14: 10.2x ←</p> <p>15: 10.8x ↗</p> <p>16: 10.6x ←</p> <p>17: 10.7x ↖</p> <p>18: 10.7x ↓</p> <p>19: 10.5x ↖</p> <p>20: 10.6x ↓</p>
Series	104.8	Series	104.9
Total	104.8	Total	209.7

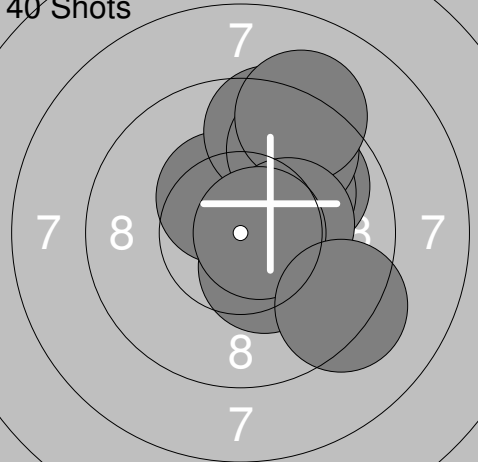
<p>40 Shots</p> 	<p>21: 10.2x →</p> <p>22: 10.5x ←</p> <p>23: 10.2x ←</p> <p>24: 10.9x ↗</p> <p>25: 10.6x ↑</p> <p>26: 10.5x ↓</p> <p>27: 10.4x ↑</p> <p>28: 10.2x ↑</p> <p>29: 10.9x ↗</p> <p>30: 10.8x ←</p>	<p>40 Shots</p> 	<p>31: 10.5x ↖</p> <p>32: 10.4x ↗</p> <p>33: 10.4x ←</p> <p>34: 10.5x ↓</p> <p>35: 10.4x ↓</p> <p>36: 10.6x →</p> <p>37: 10.4x ↓</p> <p>38: 10.4x →</p> <p>39: 10.7x ↖</p> <p>40: 10.1 →</p>
Series	105.2	Series	104.4
Total	314.9	Total	419.3

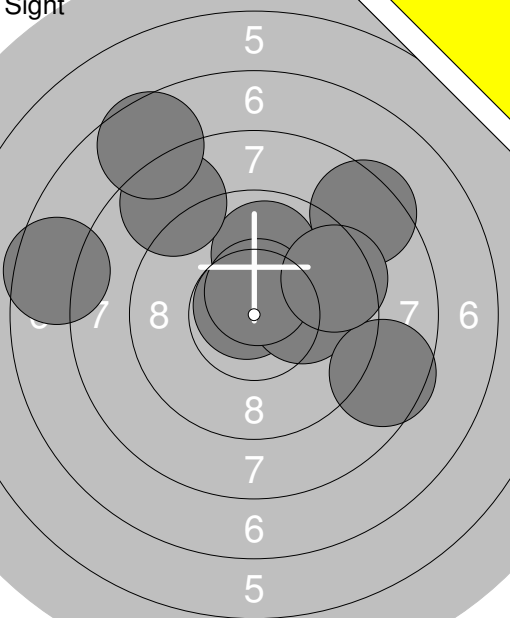
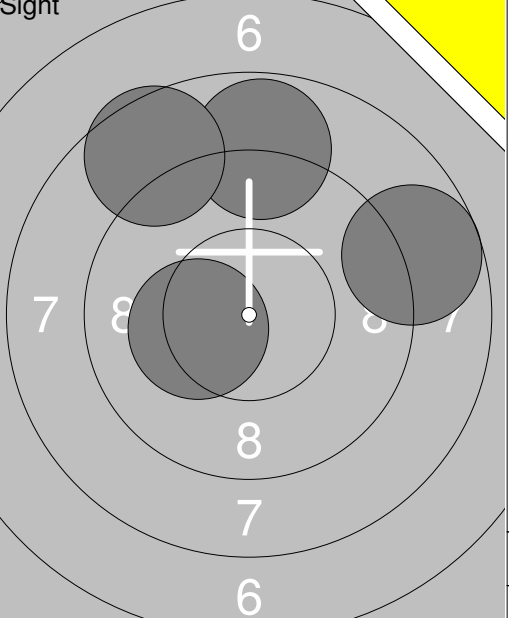


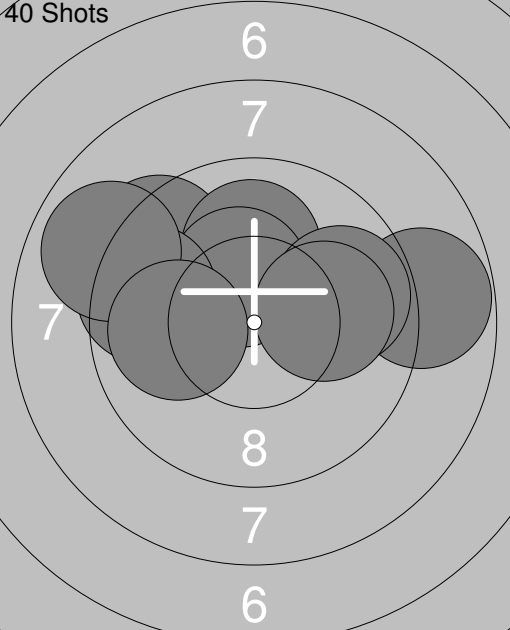
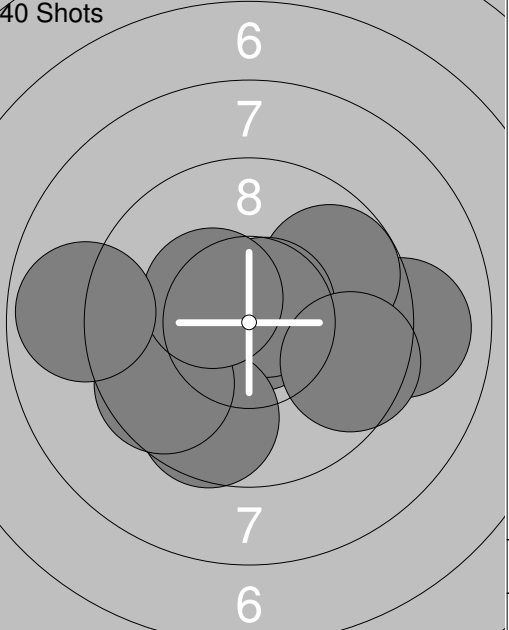
 <p style="text-align:center;">Sight</p>	<p>1: 9.4 →</p> <p>2: 10.0 ↓</p> <p>3: 9.7 →</p> <p>4: 9.9 →</p> <p>5: 9.7 ↓</p> <p>6: 10.1 ↗</p> <p>7: 8.9 →</p> <p>8: 9.1 →</p> <p>9: 9.7 →</p> <p>10: 10.1 ↓</p> <p>Series 96.6</p> <p>Total 0.0</p>	 <p style="text-align:center;">Sight</p>	<p>11: 10.4x ↘</p> <p>12: 9.1 →</p> <p>13: 8.2 →</p> <p>14: 9.5 ↓</p> <p>15: 10.4x ↓</p> <p>16: 9.4 →</p> <p>17: 10.7x ↙</p> <p>18: 9.5 ↓</p> <p>19: 9.2 ↓</p> <p>20: 10.4x →</p> <p>Series 96.8</p> <p>Total 0.0</p>
--	---	--	---

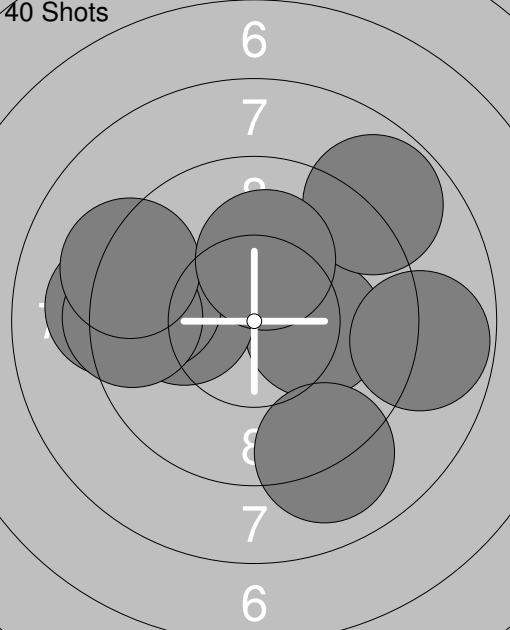
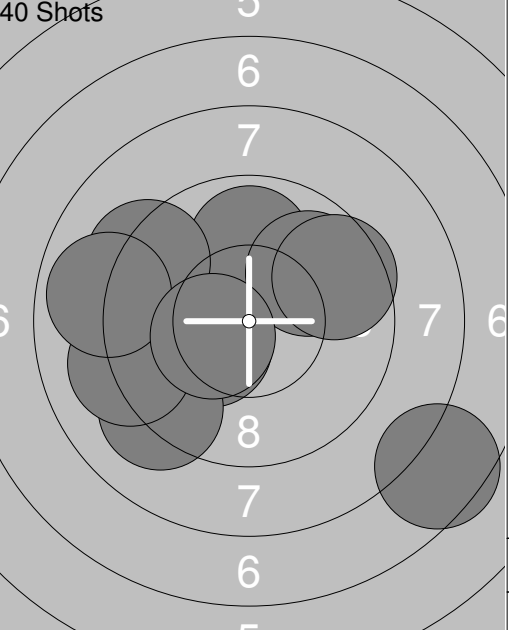
 <p style="text-align:center;">Sight</p>	<p>21: 10.0 →</p> <p>22: 9.9 ↓</p> <p>23: 9.9 ←</p> <p>24: 10.7x ↗</p> <p>25: 10.0 ↓</p> <p>26: 10.8x →</p> <p>27: 10.3x →</p> <p>28: 10.5x ↑</p> <p>29: 9.9 ↗</p> <p>30: 10.4x ←</p> <p>Series 102.4</p> <p>Total 0.0</p>	 <p style="text-align:center;">40 Shots</p>	<p>1: 10.3x ↓</p> <p>2: 10.4x ←</p> <p>3: 10.2x ↗</p> <p>4: 9.5 →</p> <p>5: 10.1 ↑</p> <p>6: 10.7x ↙</p> <p>7: 10.4x ↗</p> <p>8: 10.6x ↗</p> <p>9: 10.8x →</p> <p>10: 10.4x ↑</p> <p>Series 103.4</p> <p>Total 103.4</p>
---	--	--	--

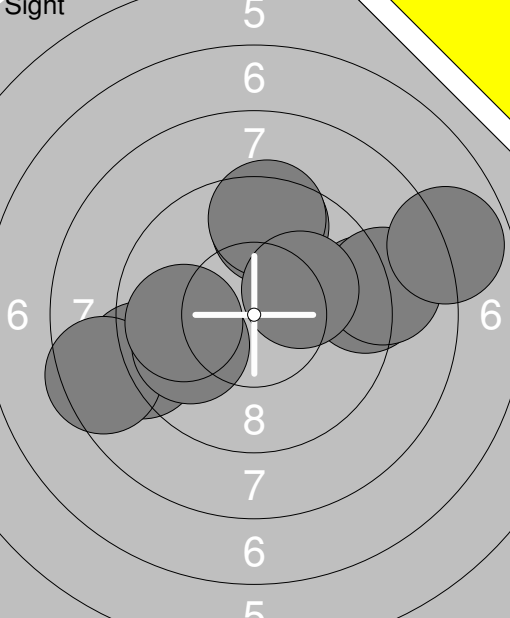
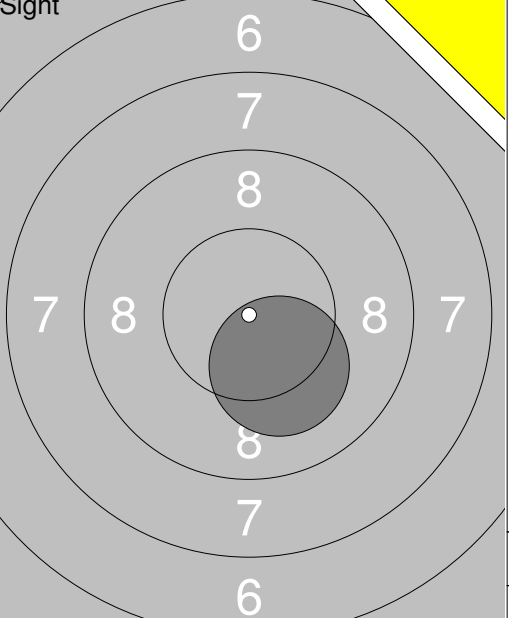
 <p style="text-align:center;">40 Shots</p>	<p>11: 10.3x ↓</p> <p>12: 10.3x →</p> <p>13: 10.3x →</p> <p>14: 9.5 ↓</p> <p>15: 8.3 →</p> <p>16: 9.5 ↗</p> <p>17: 9.7 ↗</p> <p>18: 10.4x →</p> <p>19: 9.9 →</p> <p>20: 9.4 ↓</p> <p>Series 97.6</p> <p>Total 201.0</p>	 <p style="text-align:center;">40 Shots</p>	<p>21: 9.3 ↓</p> <p>22: 9.6 →</p> <p>23: 10.5x ↗</p> <p>24: 10.0 ↑</p> <p>25: 9.5 ↑</p> <p>26: 9.3 ↓</p> <p>27: 9.8 →</p> <p>28: 10.6x →</p> <p>29: 10.4x ↗</p> <p>30: 9.5 →</p> <p>Series 98.5</p> <p>Total 299.5</p>
---	---	---	--

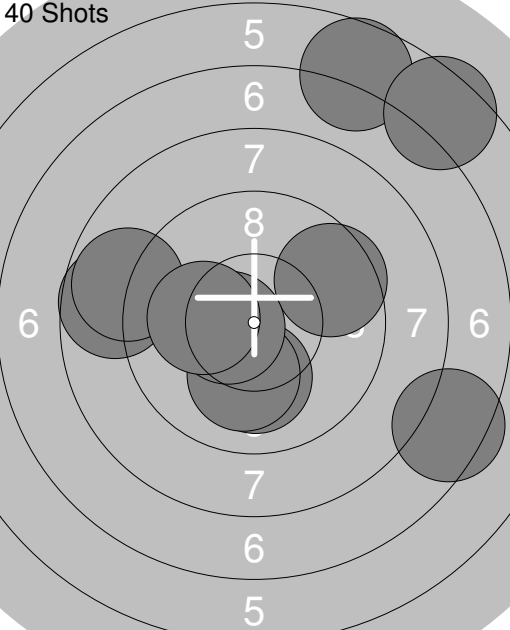
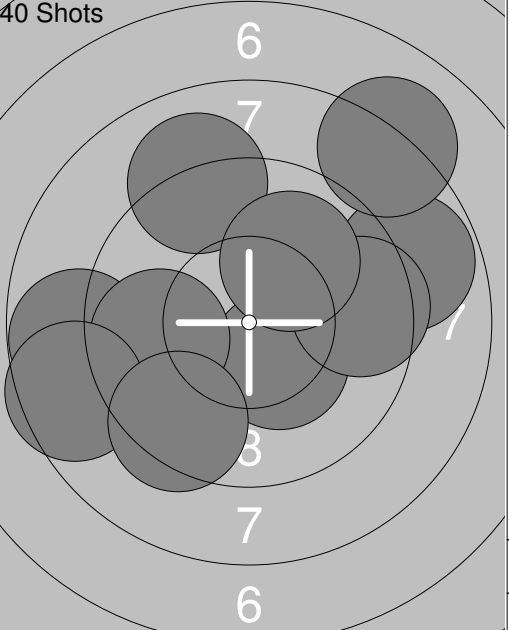
 <p style="text-align:center;">40 Shots</p>	<p>31: 9.9 ↗</p> <p>32: 10.4x ↗</p> <p>33: 10.1 ↗</p> <p>34: 9.5 ↑</p> <p>35: 9.6 ↗</p> <p>36: 10.4x ↓</p> <p>37: 9.2 ↗</p> <p>38: 10.3x →</p> <p>39: 10.7x →</p> <p>40: 9.3 ↓</p> <p>Series 99.4</p> <p>Total 398.9</p>		
---	--	--	--

<p>Sight</p> 	<p>1: 10.8x ↖ 2: 9.9 ↑ 3: 10.1 → 4: 8.6 ↗ 5: 10.6x ↑ 6: 8.6 → 7: 8.5 ↗ 8: 7.6 ← 9: 9.5 → 10: 7.6 ↖</p> <p>Series 91.8 Total 0.0</p>	<p>Sight</p> 	<p>11: 8.8 ↑ 12: 8.7 → 13: 10.3x ← 14: 8.6 ↖</p> <p>Series 36.4 Total 0.0</p>
---	---	---	---

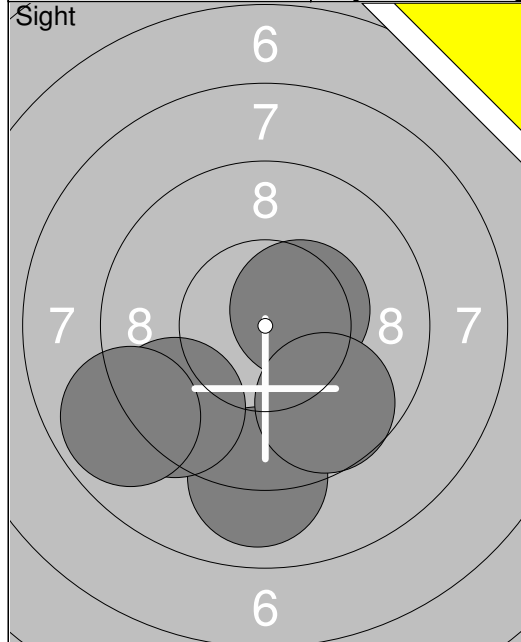
<p>40 Shots</p> 	<p>1: 8.8 → 2: 9.3 ↖ 3: 9.4 ↗ 4: 10.0 ↑ 5: 10.3x ↑ 6: 9.8 → 7: 9.5 ← 8: 8.9 ↖ 9: 10.0 → 10: 10.0 ←</p> <p>Series 96.0 Total 96.0</p>	<p>40 Shots</p> 	<p>11: 10.9x → 12: 10.3x ← 13: 9.0 → 14: 9.8 ↗ 15: 10.7x ↗ 16: 9.6 ↓ 17: 9.6 ← 18: 10.4x ↖ 19: 8.9 ← 20: 9.6 →</p> <p>Series 98.8 Total 194.8</p>
---	--	---	---

<p>40 Shots</p> 	<p>21: 9.2 ← 22: 10.2x → 23: 8.8 ↗ 24: 10.1 ← 25: 9.6 ← 26: 9.4 ← 27: 8.8 → 28: 9.2 ↖ 29: 10.2x ↑ 30: 9.0 ↓</p> <p>Series 94.5 Total 289.3</p>	<p>40 Shots</p> 	<p>31: 9.9 ↑ 32: 9.9 ↗ 33: 10.3x ← 34: 9.2 ↖ 35: 9.1 ← 36: 9.6 ↗ 37: 9.3 ↖ 38: 8.9 ← 39: 7.5 ↓ 40: 10.4x ←</p> <p>Series 94.1 Total 383.4</p>
--	--	--	---

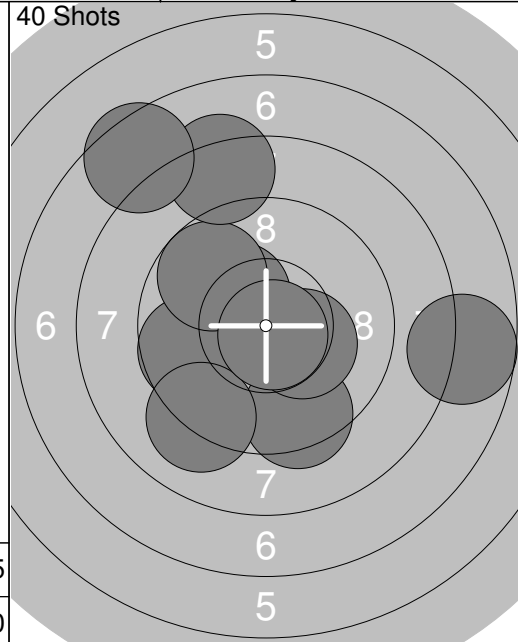
<p>Sight</p> 	<p>1: 9.2 →</p> <p>2: 8.9 →</p> <p>3: 9.1 ←</p> <p>4: 9.6 ↑</p> <p>5: 8.5 ←</p> <p>6: 7.8 →</p> <p>7: 9.9 ←</p> <p>8: 9.9 ←</p> <p>9: 9.5 ↑</p> <p>10: 10.2x ↗</p>	<p>Sight</p>  <p>11: 10.2x ↘</p>
Series 92.6		Series 10.2
Total 0.0		Total 0.0

<p>40 Shots</p> 	<p>1: 10.1 ↓</p> <p>2: 6.7 ↑</p> <p>3: 10.1 ↓</p> <p>4: 9.6 →</p> <p>5: 8.7 ←</p> <p>6: 10.5x ←</p> <p>7: 8.9 ←</p> <p>8: 7.4 →</p> <p>9: 6.5 ↗</p> <p>10: 10.1 ←</p>	<p>40 Shots</p>  <p>11: 10.3x ↘</p> <p>12: 9.1 ↑</p> <p>13: 8.8 →</p> <p>14: 9.5 →</p> <p>15: 8.8 ←</p> <p>16: 10.0 ↑</p> <p>17: 8.1 ↗</p> <p>18: 9.8 ←</p> <p>19: 8.6 ←</p> <p>20: 9.4 ↘</p>
Series 88.6		Series 92.4
Total 88.6		Total 181.0

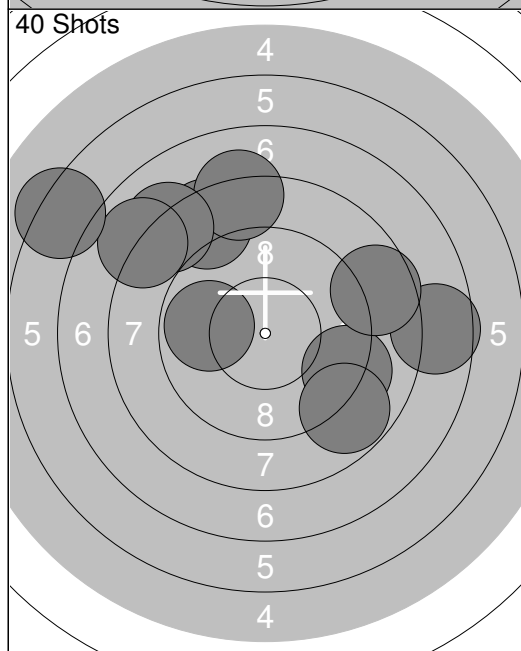
<p>40 Shots</p> 	<p>21: 10.3x ↓</p> <p>22: 8.4 →</p> <p>23: 9.9 ↑</p> <p>24: 8.6 ←</p> <p>25: 8.3 ↑</p> <p>26: 10.6x →</p> <p>27: 10.7x ↘</p> <p>28: 9.2 ↓</p> <p>29: 8.6 →</p> <p>30: 9.0 ↖</p>	<p>40 Shots</p>  <p>31: 9.6 ↗</p> <p>32: 8.0 ←</p> <p>33: 9.7 ↓</p> <p>34: 9.7 ↖</p> <p>35: 10.2x ↖</p> <p>36: 9.5 ↘</p> <p>37: 10.0 ↓</p> <p>38: 8.7 ↖</p> <p>39: 9.4 ↖</p> <p>40: 9.5 ↑</p>
Series 93.6		Series 94.3
Total 274.6		Total 368.9



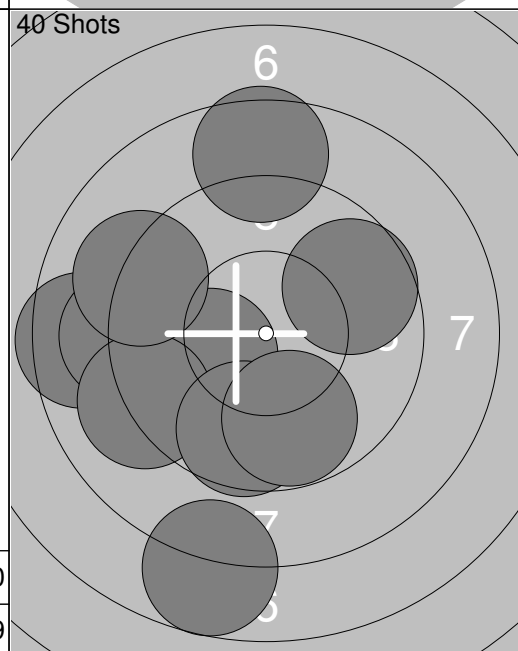
1: 9.0 ↓
2: 10.5x →
3: 9.7 ↓
4: 9.4 ↙
5: 8.9 ↙
<b>Series 47.5</b>
<b>Total 0.0</b>



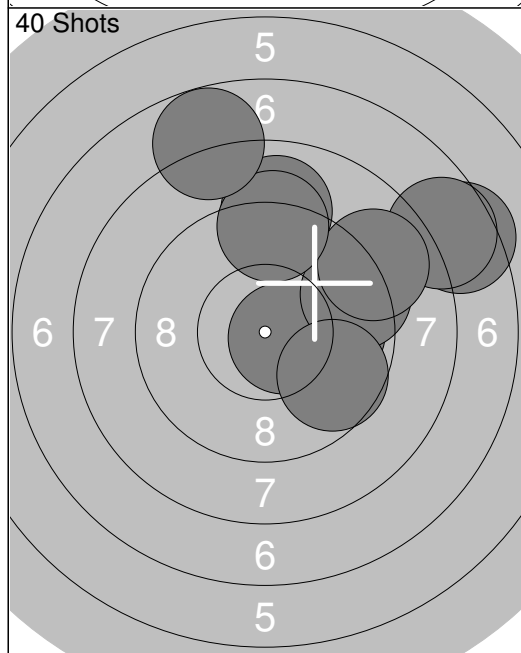
1: 10.3x ↖
2: 9.4 ↓
3: 9.7 ↙
4: 10.3x →
5: 9.8 ↗
6: 7.7 →
7: 9.1 ↙
8: 8.3 ↑
9: 10.8x ↘
10: 7.5 ↖
<b>Series 92.9</b>
<b>Total 92.9</b>



11: 7.6 →
12: 8.5 ↗
13: 8.2 ↑
14: 8.1 ↗
15: 7.9 ↗
16: 9.2 →
17: 8.6 →
18: 9.8 ↙
19: 8.8 ↘
20: 6.3 ↖
<b>Series 83.0</b>
<b>Total 175.9</b>



21: 8.5 ↙
22: 9.1 ↙
23: 7.8 ↓
24: 10.2x ↙
25: 9.1 ↙
26: 9.7 ↗
27: 9.7 ↓
28: 9.8 ↓
29: 9.1 ↙
30: 8.6 ↑
<b>Series 91.6</b>
<b>Total 267.5</b>

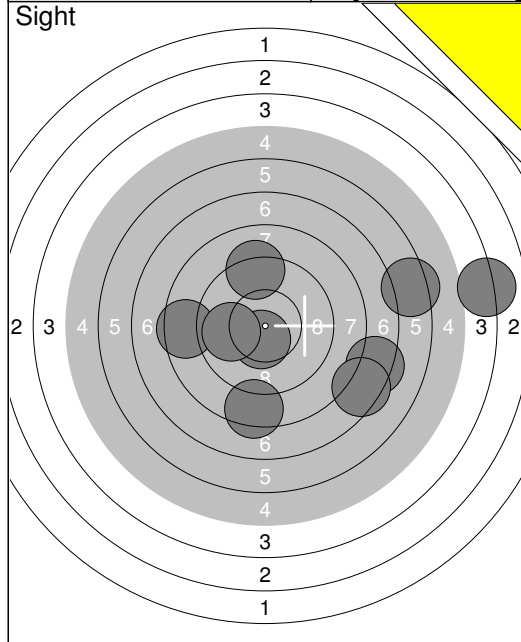


31: 7.4 →
32: 9.9 →
33: 10.6x →
34: 9.4 →
35: 9.0 ↑
36: 7.7 ↗
37: 9.7 ↘
38: 8.9 ↗
39: 9.2 ↑
40: 7.8 ↗
<b>Series 89.6</b>
<b>Total 357.1</b>

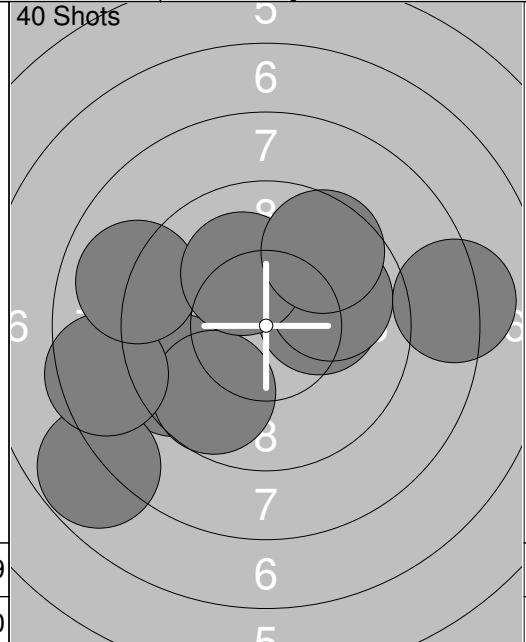
<p><b>Sight</b></p>	1: 9.2 ↗ 2: 9.1 ↑ 3: 9.3 → 4: 10.0 ↗ 5: 9.3 ↗ 6: 10.0 ↗ 7: 9.8 → 8: 10.1 ← 9: 10.1 ↖ 10: 9.5 ↓	<p><b>Sight</b></p>	11: 9.1 ← 12: 10.3x ↓ 13: 9.6 ← 14: 9.8 ← 15: 9.1 ←
<b>Series</b>	96.4	<b>Series</b>	47.9
<b>Total</b>	0.0	<b>Total</b>	0.0

<p><b>40 Shots</b></p>	1: 10.2x → 2: 10.3x ← 3: 9.6 ↓ 4: 10.7x → 5: 10.9x ↗ 6: 8.9 ↗ 7: 9.3 ↗ 8: 8.9 ↓ 9: 9.2 ↓ 10: 10.8x ←	<p><b>40 Shots</b></p>	11: 10.3x ← 12: 8.5 ← 13: 10.0 ↑ 14: 10.0 → 15: 9.3 ↙ 16: 9.8 ↓ 17: 9.2 ↙ 18: 10.3x ↗ 19: 9.6 ← 20: 9.5 ↙
<b>Series</b>	98.8	<b>Series</b>	96.5
<b>Total</b>	98.8	<b>Total</b>	195.3

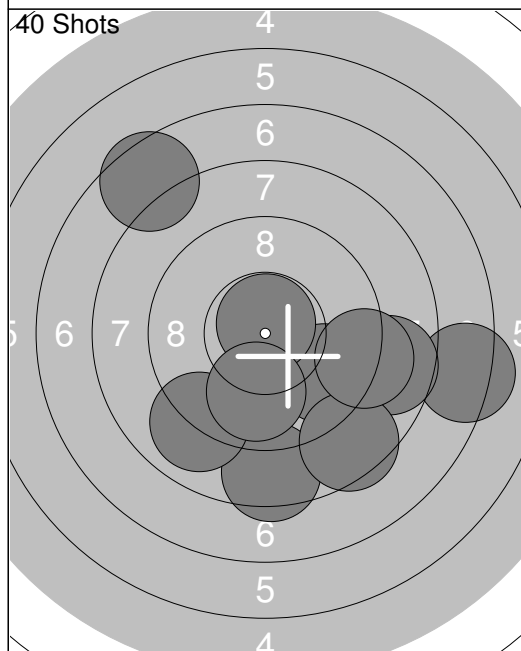
<p><b>40 Shots</b></p>	21: 9.2 ← 22: 10.2x ↓ 23: 9.4 ← 24: 10.1 ← 25: 9.6 → 26: 10.7x ↙ 27: 10.5x ↗ 28: 10.4x ↓ 29: 8.9 ↓ 30: 10.2x ↗	<p><b>40 Shots</b></p>	31: 10.4x ↘ 32: 10.3x ↙ 33: 9.8 → 34: 10.5x ↓ 35: 9.5 → 36: 9.7 ↗ 37: 9.5 ↗ 38: 8.9 → 39: 9.5 ← 40: 9.7 →
<b>Series</b>	99.2	<b>Series</b>	97.8
<b>Total</b>	294.5	<b>Total</b>	392.3



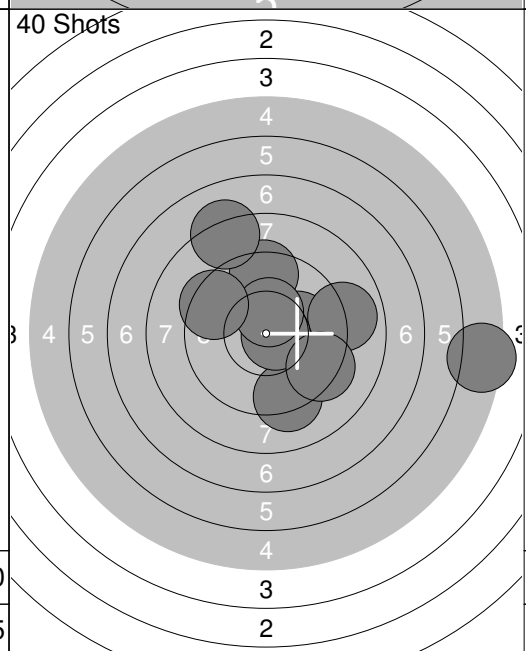
1:	7.4	→
2:	8.4	↓
3:	8.5	←
4:	7.5	→
5:	10.5x	↓
6:	9.2	↑
7:	9.9	←
8:	4.1	→
9:	6.4	→
Series		71.9
Total		0.0



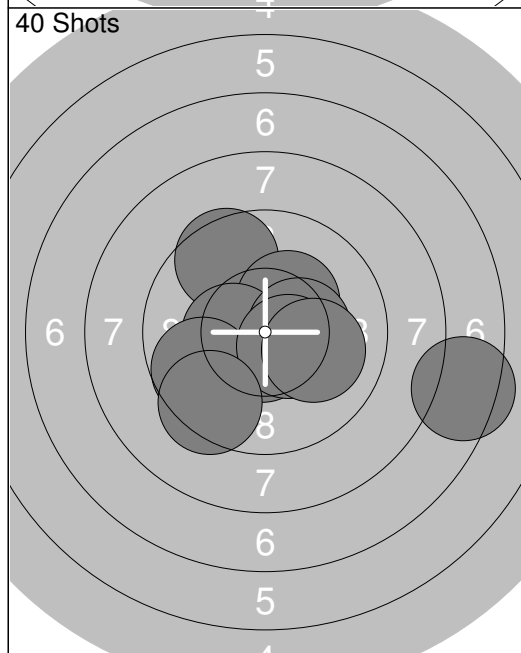
1:	9.5	←
2:	9.7	↓
3:	10.2x	→
4:	7.8	←
5:	8.5	←
6:	9.9	→
7:	9.0	←
8:	8.2	→
9:	10.1	↑
10:	9.6	↗
Series		92.5
Total		92.5



11:	9.7	↘
12:	10.8x	↑
13:	8.5	↓
14:	7.3	→
15:	8.7	→
16:	8.5	↓
17:	9.0	↓
18:	9.9	↓
19:	9.1	→
20:	7.5	↖
Series		89.0
Total		181.5

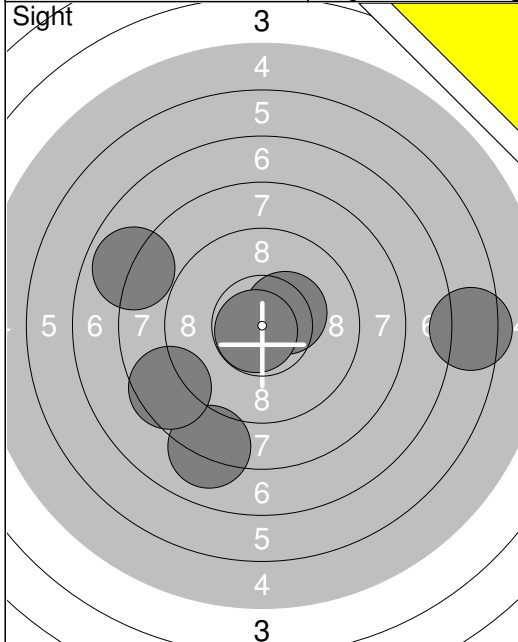


21:	10.1	→
22:	9.4	↑
23:	5.4	→
24:	9.2	↓
25:	8.2	↑
26:	8.9	→
27:	10.7x	→
28:	10.4x	↑
29:	9.3	↘
30:	9.4	←
Series		91.0
Total		272.5

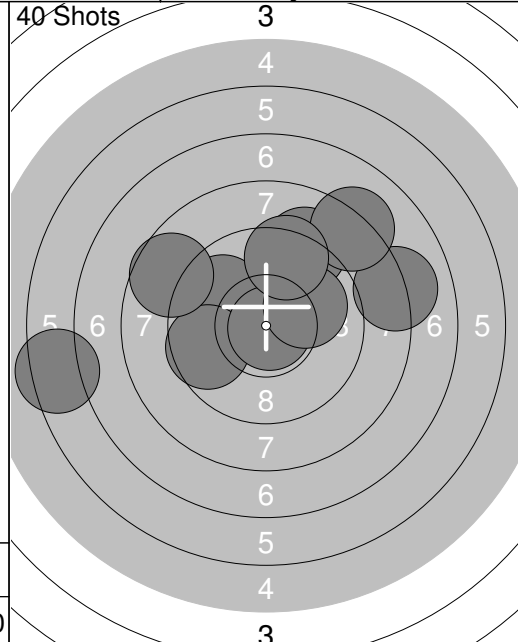


31:	7.4	→
32:	9.5	↖
33:	10.6x	↓
34:	10.3x	↗
35:	10.4x	←
36:	9.7	←
37:	10.4x	→
38:	10.5x	↘
39:	9.4	↓
40:	10.1	→
Series		98.3
Total		370.8

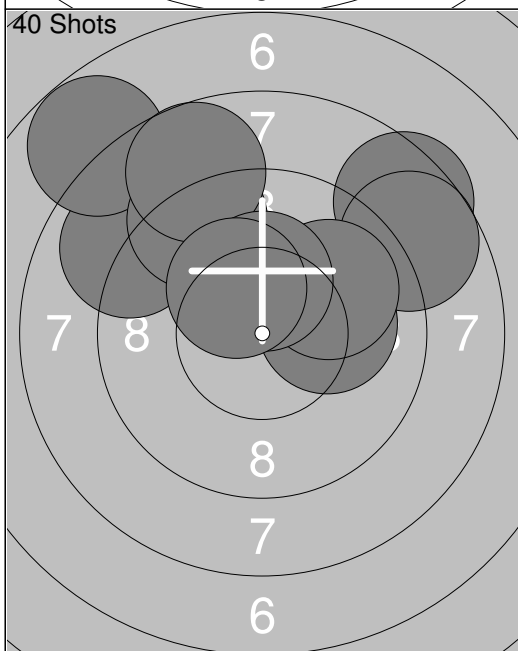




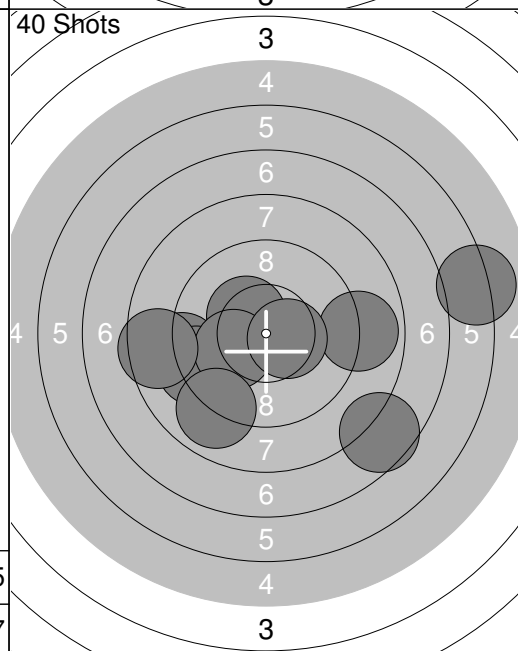
1: 8.1	↓
2: 10.4x	↗
3: 7.9	↖
4: 8.5	↙
5: 6.4	→
6: 10.8x	↙
Series 52.1	
Total 0.0	



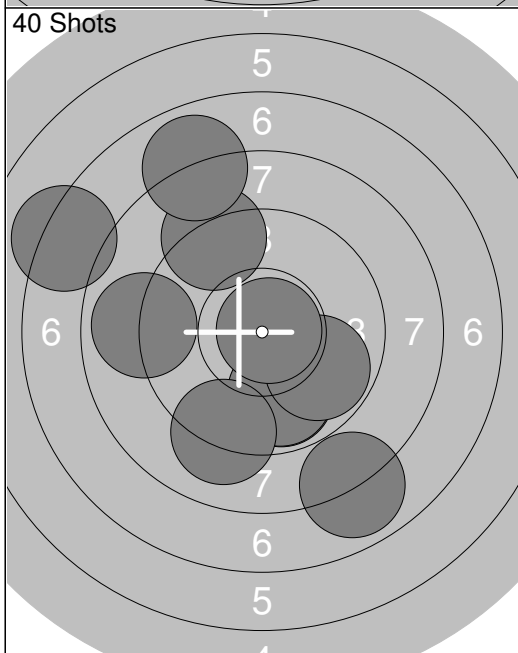
7: 8.1	→
8: 8.7	↖
9: 8.2	↗
10: 9.4	↗
Series 90.2	
Total 90.2	



11: 8.9	↖
12: 8.5	↗
13: 7.8	↖
14: 8.7	↗
15: 10.1	→
16: 9.3	↖
17: 8.7	↖
18: 9.9	↗
19: 10.3x	↑
20: 10.3x	↖
Series 92.5	
Total 182.7	



21: 9.0	↖
22: 6.1	→
23: 10.4x	↖
24: 7.6	↘
25: 9.2	↖
26: 10.1	↖
27: 8.9	→
28: 10.5x	→
29: 8.9	↙
30: 8.5	↖
Series 89.2	
Total 271.9	

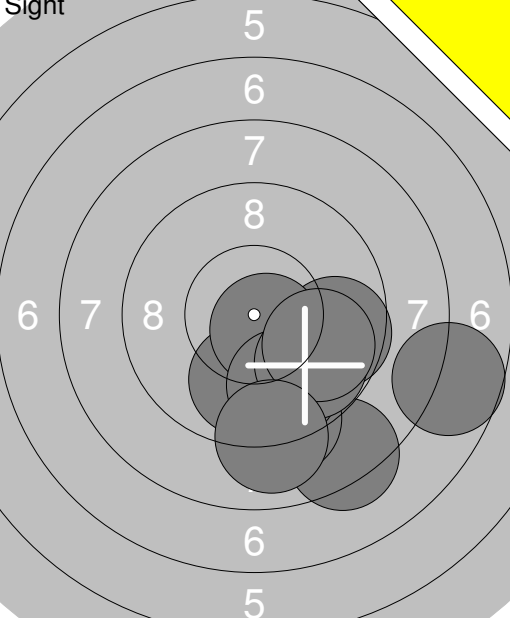
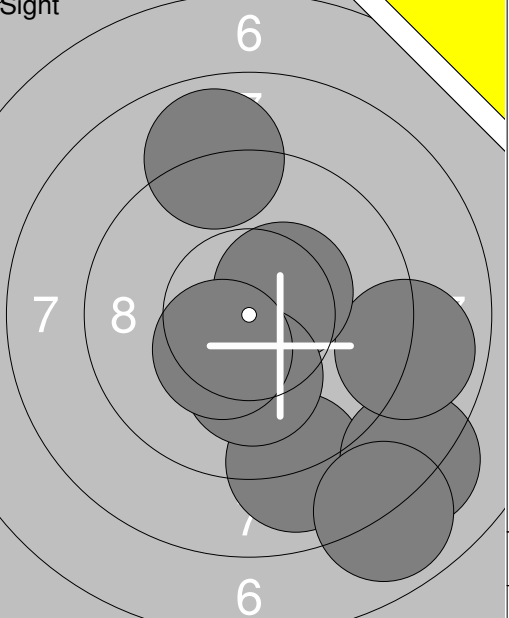


31: 9.9	↓
32: 8.9	↖
33: 9.1	↗
34: 9.9	↓
35: 9.8	↓
36: 7.9	↓
37: 9.1	↓
38: 10.8x	→
39: 7.2	↖
40: 7.9	↖
Series 90.5	
Total 362.4	

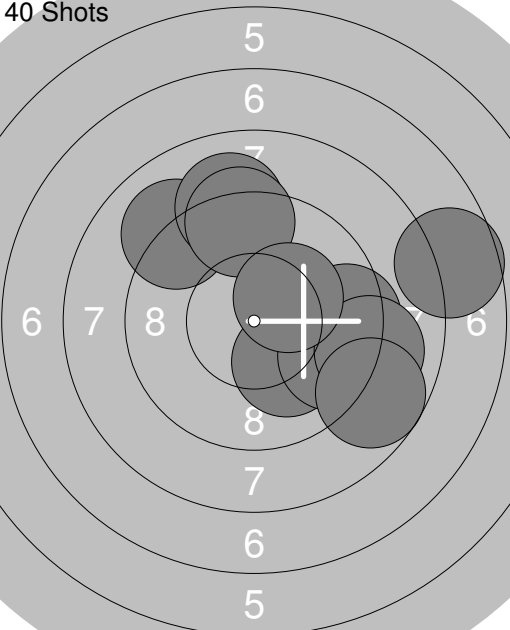
 <p style="text-align:center;">Sight</p>	<p>1: 8.9 ↙</p> <p>2: 7.6 ←</p> <p>3: 8.1 ↗</p> <p>4: 7.8 ↓</p> <p>5: 8.3 ←</p> <p>6: 7.6 ↓</p> <p>7: 9.5 ←</p> <p>8: 8.8 ↗</p> <p>9: 8.4 ↘</p> <p>10: 7.8 ↖</p>	 <p style="text-align:center;">Sight</p>	<p>11: 9.9 ↗</p> <p>12: 7.8 ↘</p> <p>13: 8.0 →</p>
Series 82.8		Series 25.7	
Total 0.0		Total 0.0	

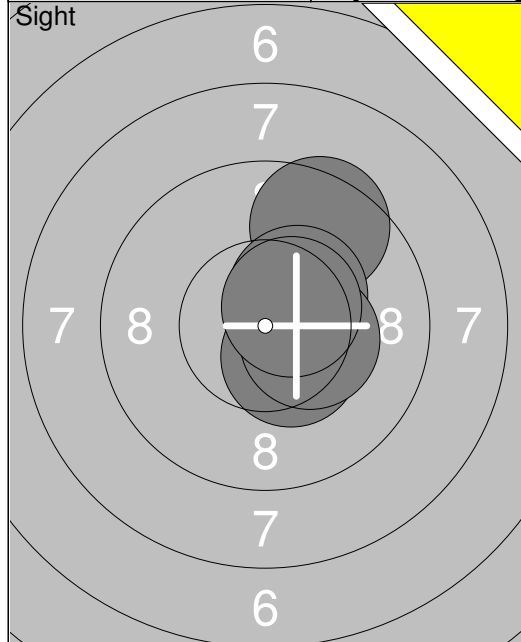
 <p style="text-align:center;">40 Shots</p>	<p>1: 10.5x →</p> <p>2: 9.6 ↘</p> <p>3: 10.0 ↗</p> <p>4: 10.9x ↓</p> <p>5: 7.5 ←</p> <p>6: 9.3 ↓</p> <p>7: 10.2x ↗</p> <p>8: 10.0 ←</p> <p>9: 7.6 ↖</p> <p>10: 10.4x ↖</p>	 <p style="text-align:center;">40 Shots</p>	<p>11: 7.2 ←</p> <p>12: 8.7 ↗</p> <p>13: 8.4 ↗</p> <p>14: 8.4 ←</p> <p>15: 9.9 →</p> <p>16: 9.9 ↓</p> <p>17: 9.4 ↑</p> <p>18: 7.6 ←</p> <p>19: 9.8 ←</p> <p>20: 9.9 ←</p>
Series 96.0		Series 89.2	
Total 96.0		Total 185.2	

 <p style="text-align:center;">40 Shots</p>	<p>21: 10.3x ↘</p> <p>22: 10.1 ↗</p> <p>23: 8.8 ↓</p> <p>24: 9.2 ↗</p> <p>25: 9.6 ←</p> <p>26: 10.6x ←</p> <p>27: 8.8 ↖</p> <p>28: 8.8 ↗</p> <p>29: 6.7 ↓</p> <p>30: 9.2 ↖</p>	 <p style="text-align:center;">40 Shots</p>	<p>31: 10.2x ↓</p> <p>32: 9.8 ←</p> <p>33: 9.7 ←</p> <p>34: 9.0 ↗</p> <p>35: 9.5 ↗</p> <p>36: 8.6 →</p> <p>37: 9.3 ↓</p> <p>38: 9.0 ↓</p> <p>39: 9.1 ←</p> <p>40: 8.2 ←</p>
Series 92.1		Series 92.4	
Total 277.3		Total 369.7	

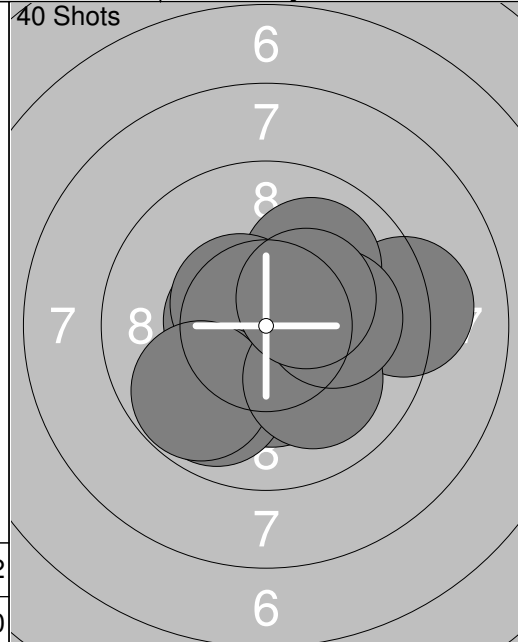
<p><b>Sight</b></p> 	<p>1: 8.3 ↘ 2: 9.6 → 3: 9.9 ↓ 4: 9.2 ↓ 5: 10.6x ↓ 6: 9.7 ↓ 7: 9.8 ↓ 8: 9.8 → 9: 9.0 ↓ 10: 7.7 →</p> <p>Series 93.6 Total 0.0</p>	<p><b>Sight</b></p> 	<p>11: 9.0 ↓ 12: 8.2 ↓ 13: 8.9 ↑ 14: 8.9 → 15: 7.9 ↓ 16: 10.4x ↗ 17: 10.2x ↓ 18: 10.4x ↘</p> <p>Series 73.9 Total 0.0</p>
--	--	--	---

<p><b>40 Shots</b></p> 	<p>1: 8.5 → 2: 9.4 → 3: 7.0 ↓ 4: 9.1 ↓ 5: 8.8 ↓ 6: 10.6x ↓ 7: 8.2 ↓ 8: 9.6 ↗ 9: 8.2 ↓ 10: 9.2 ↘</p> <p>Series 88.6 Total 88.6</p>	<p><b>40 Shots</b></p> 	<p>11: 10.7x ↗ 12: 10.0 ↓ 13: 8.7 ↓ 14: 10.6x ↓ 15: 9.7 ↓ 16: 10.0 ↓ 17: 9.4 → 18: 10.3x → 19: 10.3x → 20: 10.0 ↗</p> <p>Series 99.7 Total 188.3</p>
--	---	--	--

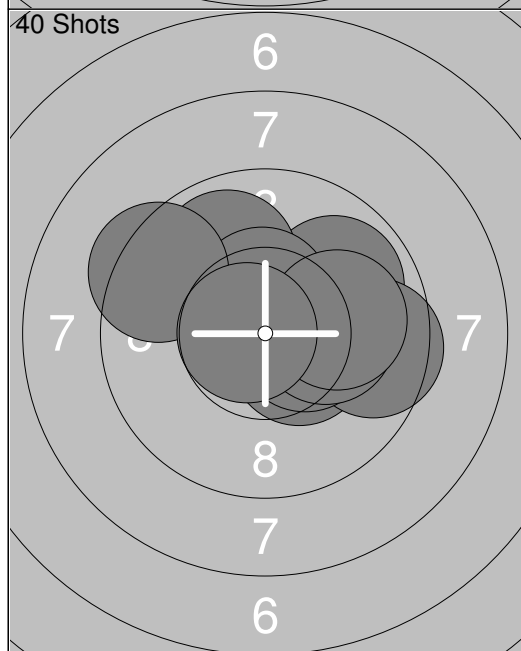
<p><b>40 Shots</b></p> 	<p>21: 9.1 ↗ 22: 10.1 ↓ 23: 9.5 → 24: 9.6 ↓ 25: 9.0 → 26: 9.1 ↑ 27: 7.6 → 28: 9.3 ↑ 29: 10.3x ↗ 30: 8.7 ↓</p> <p>Series 92.3 Total 280.6</p>	<p><b>40 Shots</b></p> 	<p>31: 9.8 ↓ 32: 10.4x ↘ 33: 8.9 → 34: 9.4 → 35: 7.7 ↓ 36: 10.2x → 37: 8.7 ↗ 38: 6.1 → 39: 7.9 ↑ 40: 8.2 ↑</p> <p>Series 87.3 Total 367.9</p>
---	--	---	---



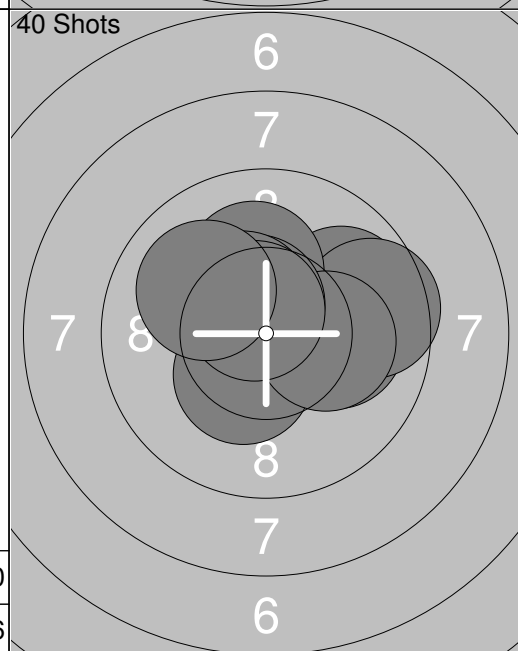
1: 9.5 ↗
2: 10.4x ↘
3: 10.4x ↗
4: 10.4x →
5: 10.5x ↗
Series 51.2
Total 0.0



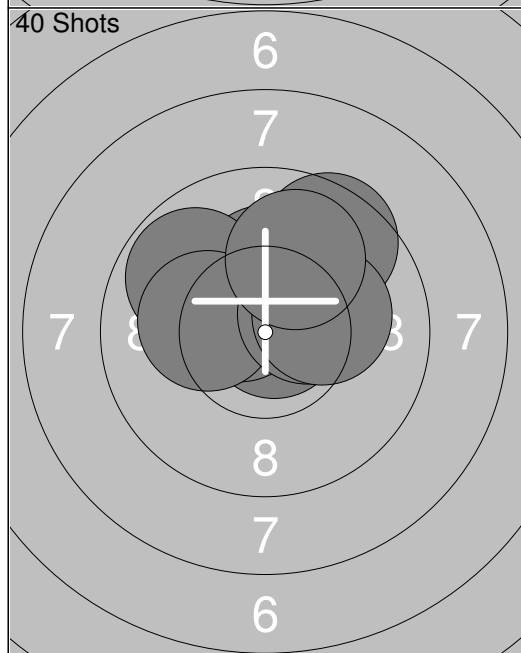
1: 9.2 →
2: 10.0 ↗
3: 10.5x ←
4: 10.3x ↓
5: 10.5x ↖
6: 9.9 ↓
7: 9.8 ↙
8: 10.0 ↓
9: 10.1 →
10: 10.3x ↗
Series 100.6
Total 100.6



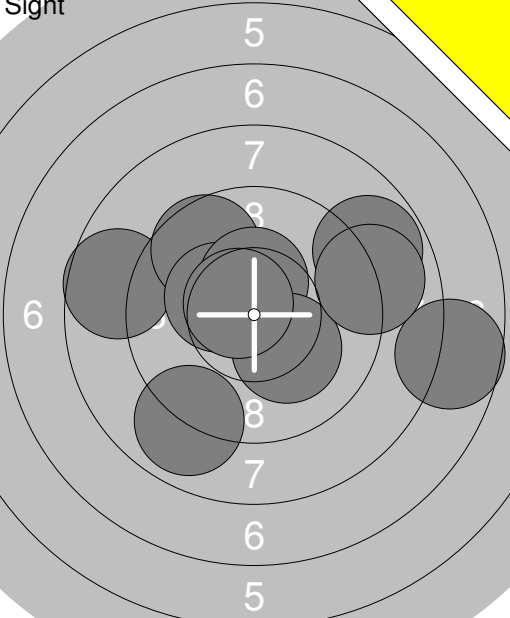
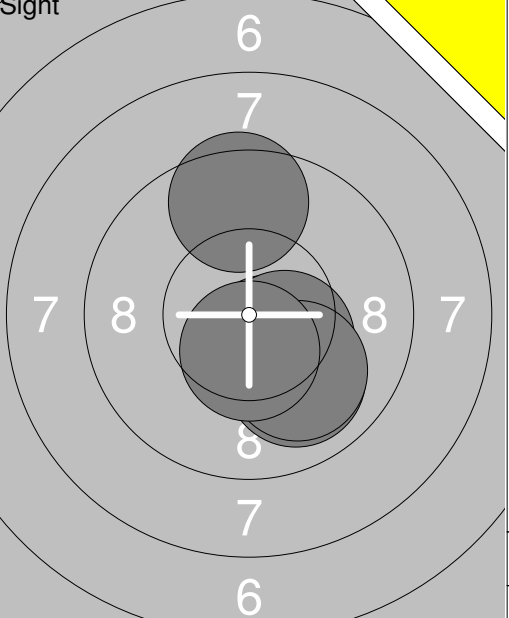
11: 9.9 ↗
12: 10.4x ↘
13: 9.9 ↗
14: 10.5x ↑
15: 9.4 ↖
16: 9.6 →
17: 10.4x →
18: 10.2x →
19: 10.0 →
20: 10.7x ←
Series 101.0
Total 201.6

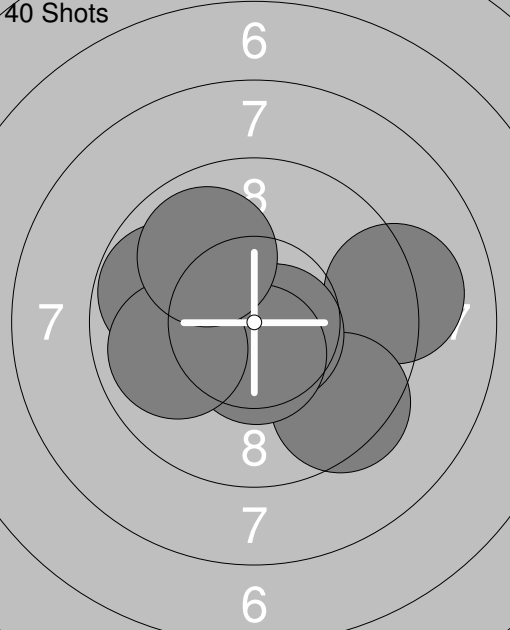
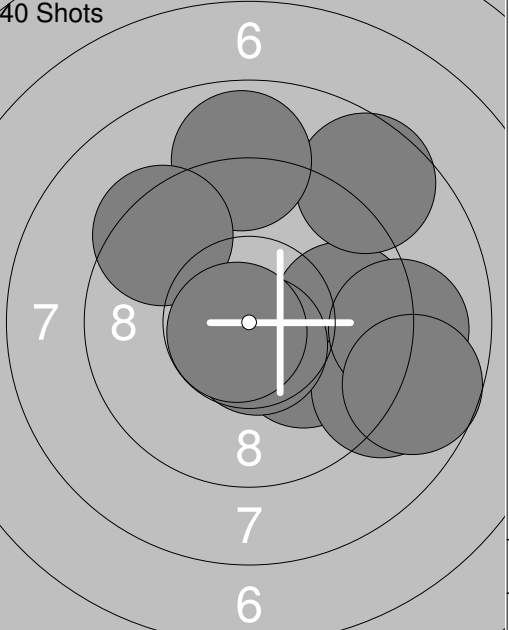


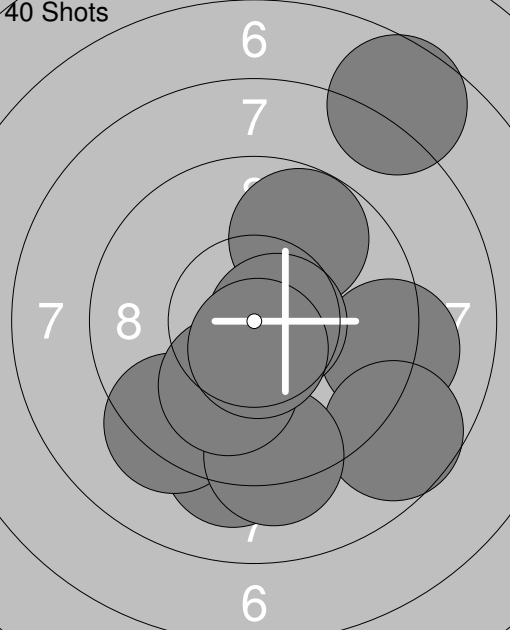
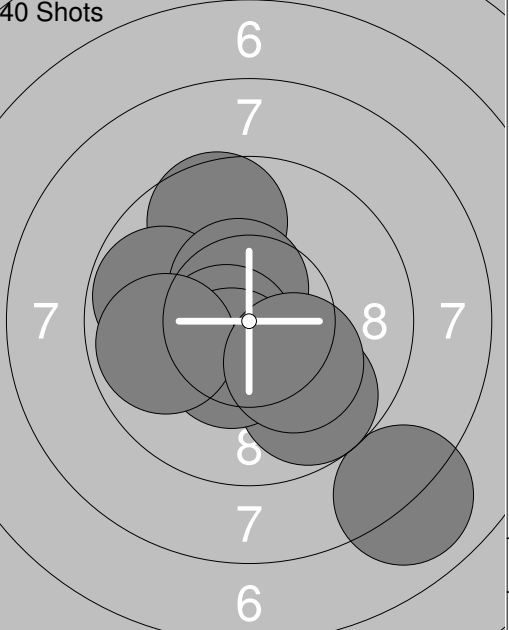
21: 10.1 →
22: 9.9 ↗
23: 9.6 →
24: 10.4x ↓
25: 10.1 ↑
26: 10.2x →
27: 10.6x ↗
28: 10.4x ↖
29: 10.6x ↗
30: 10.0 ↖
Series 101.9
Total 303.5

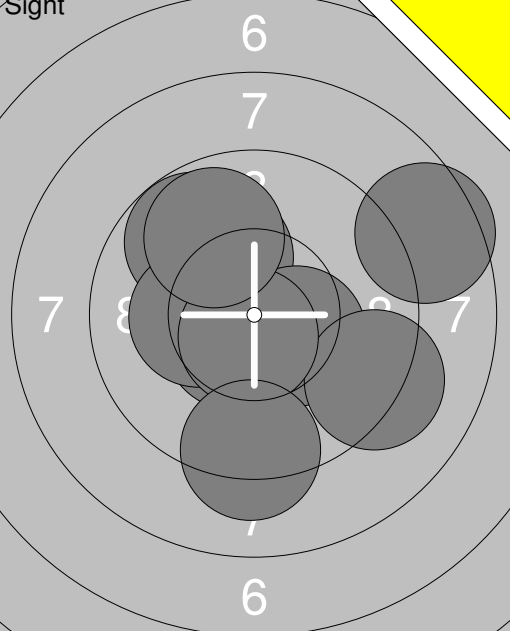
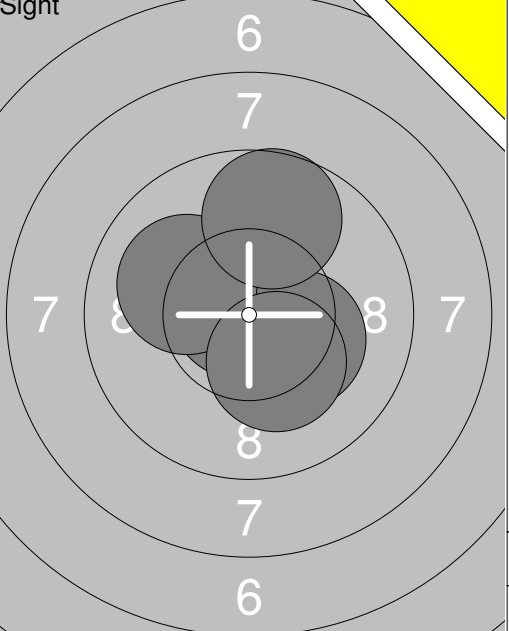
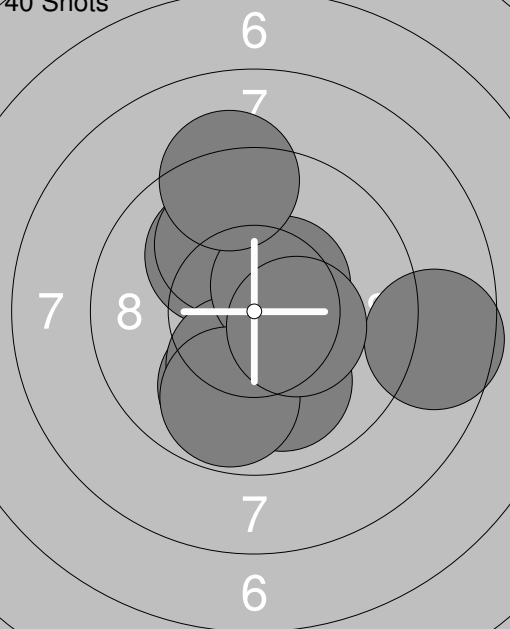
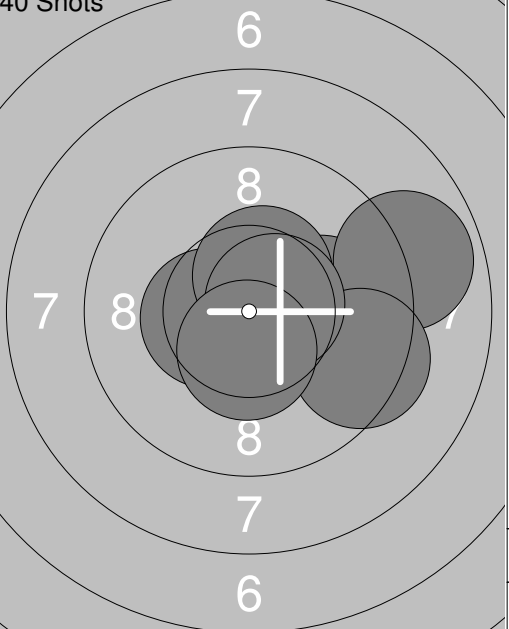
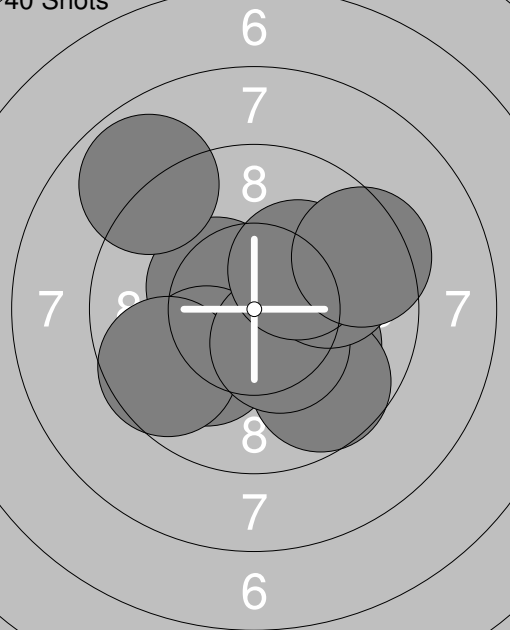
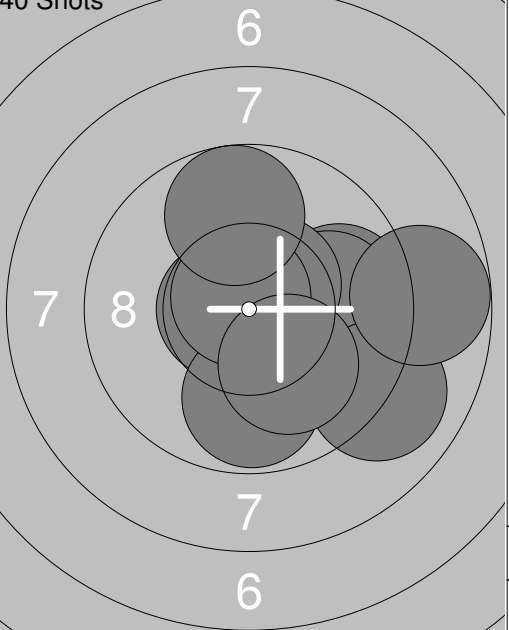


31: 10.2x ↑
32: 10.8x →
33: 10.5x ↑
34: 10.5x ↖
35: 9.6 ↗
36: 9.8 ↖
37: 10.2x ←
38: 10.4x →
39: 10.2x →
40: 9.9 ↗
Series 102.1
Total 405.6

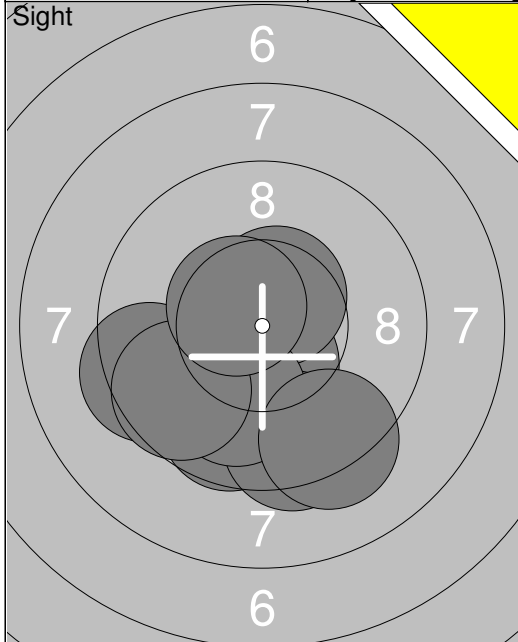
<p><b>Sight</b></p>  <p>5 6 7 8 6 7 8 7 6 5</p>	1: 2: 3: 4: 5: 6: 7: 8: 9: 10:	<p><b>Sight</b></p>  <p>6 7 8 8 7 6 6 7 8 7</p>	11: 12: 13: 14: 15: 16:	<p>8.7 ← 9.6 ↗ 10.3x ↖ 10.4x ↑ 8.8 ↗ 7.7 → 10.2x ↘ 10.6x ↖ 8.9 ↘ 9.0 →</p> <hr/> <p>Series 94.2</p> <hr/> <p>Total 0.0</p>	<p>10.5x ↘ 9.5 ↑ 10.0 ↘ 10.4x ↘ 10.0 ↘ 10.5x ↘</p> <hr/> <p>Series 60.9</p> <hr/> <p>Total 0.0</p>
---	---	---	--	--	--

<p><b>40 Shots</b></p>  <p>6 7 8 7 8 7 6</p>	1: 2: 3: 4: 5: 6: 7: 8: 9: 10:	<p><b>40 Shots</b></p>  <p>6 8 8 7 6</p>	11: 12: 13: 14: 15: 16: 17: 18: 19: 20:	<p>9.8 ← 9.1 → 10.6x ↘ 10.6x ↘ 9.4 ↘ 10.9x ↘ 10.7x ↘ 10.5x ↘ 9.9 ← 9.9 ↖</p> <hr/> <p>Series 101.4</p> <hr/> <p>Total 101.4</p>	<p>10.1 ↘ 9.7 → 8.6 ↗ 9.1 → 8.9 ↑ 10.6x ↘ 9.0 → 9.4 ↗ 10.8x ↖ 8.7 →</p> <hr/> <p>Series 94.9</p> <hr/> <p>Total 196.3</p>
---	---	---	--	---	---

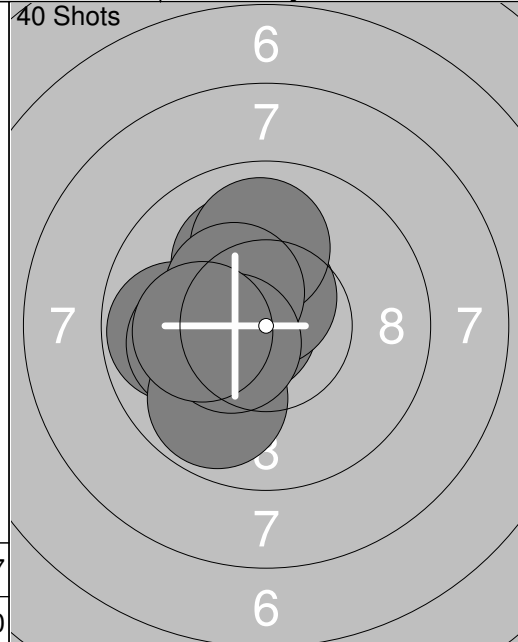
<p><b>40 Shots</b></p>  <p>6 7 8 7 6</p>	21: 22: 23: 24: 25: 26: 27: 28: 29: 30:	<p><b>40 Shots</b></p>  <p>6 7 8 7 6</p>	31: 32: 33: 34: 35: 36: 37: 38: 39: 40:	<p>9.2 → 7.6 ↗ 9.8 ↗ 9.2 ↘ 9.3 ↘ 8.7 ↘ 9.2 ↘ 10.1 ↘ 10.7x → 10.6x ↘</p> <hr/> <p>Series 94.4</p> <hr/> <p>Total 290.7</p>	<p>8.0 ↘ 9.6 ↑ 10.4x ↘ 9.8 ← 10.5x ↑ 9.7 ↘ 10.6x ↖ 10.4x ↘ 9.8 ← 10.2x ↘</p> <hr/> <p>Series 99.0</p> <hr/> <p>Total 389.7</p>
--	--	--	--	---	--

<p><b>Sight</b></p>  <p style="text-align: center;">6 7 8 7 6</p>	<p>1: 10.1 ↗ 2: 9.7 ↗ 3: 10.3x ➤ 4: 10.5x ↘ 5: 8.5 ➔ 6: 10.2x ← 7: 9.2 ➤ 8: 10.7x ↘ 9: 9.2 ↓ 10: 9.8 ↗</p> <p>Series 98.2 Total 0.0</p>	<p><b>Sight</b></p>  <p style="text-align: center;">6 7 8 7 6</p>	<p>11: 10.8x ↖ 12: 10.3x ➤ 13: 10.1 ↖ 14: 10.3x ↘ 15: 9.7 ↗</p> <p>Series 51.2 Total 0.0</p>
<p><b>40 Shots</b></p>  <p style="text-align: center;">6 7 8 7 6</p>	<p>1: 8.6 ➔ 2: 10.0 ↘ 3: 10.1 ↗ 4: 9.9 ↘ 5: 10.0 ↗ 6: 10.2x ↘ 7: 10.5x ↗ 8: 9.3 ↗ 9: 9.8 ↘ 10: 10.4x ➤</p> <p>Series 98.8 Total 98.8</p>	<p><b>40 Shots</b></p>  <p style="text-align: center;">6 7 8 7 6</p>	<p>11: 10.6x ↘ 12: 10.4x ← 13: 10.0 ➔ 14: 10.5x ➤ 15: 10.6x ➤ 16: 8.9 ➔ 17: 10.5x ↗ 18: 9.4 ➤ 19: 10.6x ➔ 20: 10.5x ↘</p> <p>Series 102.0 Total 200.8</p>
<p><b>40 Shots</b></p>  <p style="text-align: center;">6 7 8 7 6</p>	<p>21: 10.1 ➤ 22: 10.4x ↖ 23: 10.1 ↘ 24: 9.6 ↖ 25: 9.7 ↘ 26: 10.4x ↘ 27: 9.9 ➔ 28: 8.9 ↗ 29: 10.2x ↗ 30: 9.4 ➔</p> <p>Series 98.7 Total 299.5</p>	<p><b>40 Shots</b></p>  <p style="text-align: center;">6 7 8 7 6</p>	<p>31: 10.7x ← 32: 9.8 ➔ 33: 9.9 ➔ 34: 10.5x ↗ 35: 9.0 ↘ 36: 8.8 ➔ 37: 9.8 ↓ 38: 10.8x ↖ 39: 9.7 ↗ 40: 10.1 ↘</p> <p>Series 99.1 Total 398.6</p>

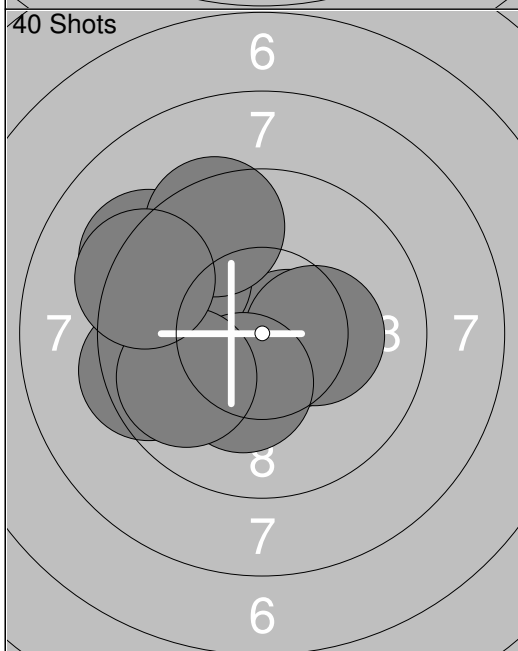




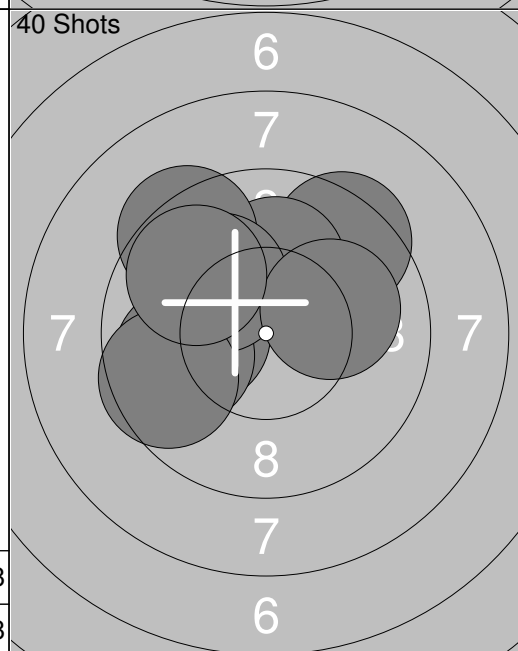
1:	10.8x ↘
2:	10.5x ↓
3:	9.4 ←
4:	9.7 ↓
5:	10.5x ↗
6:	9.4 ↓
7:	10.0 ↓
8:	9.3 ↓
9:	9.6 ←
10:	10.5x ↙
<b>Series</b> 99.7	
<b>Total</b> 0.0	



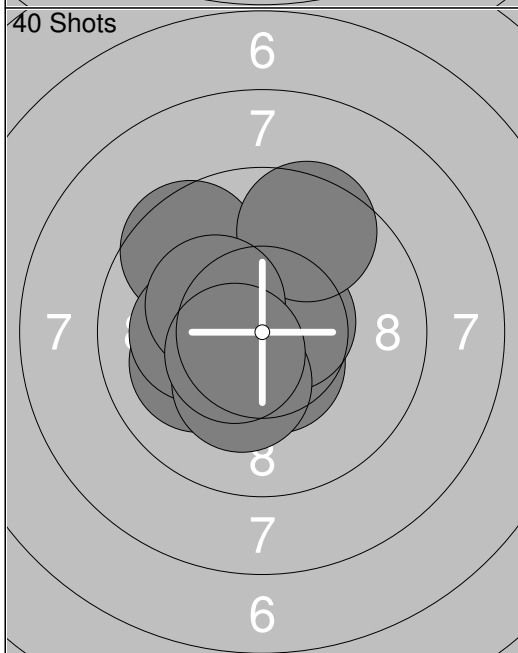
1:	10.7x ←
2:	10.1 ↗
3:	9.8 ←
4:	10.6x ↑
5:	10.0 ↑
6:	10.0 ←
7:	10.4x ↙
8:	9.8 ↓
9:	10.5x ↙
10:	10.1 ←
<b>Series</b> 102.0	
<b>Total</b> 102.0	



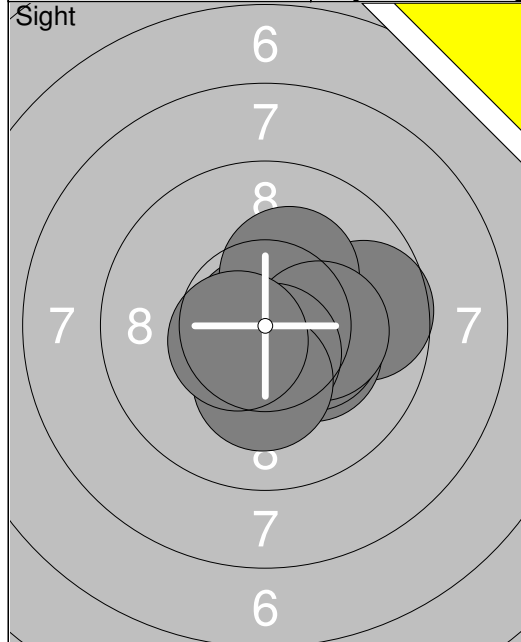
11:	9.2 ↙
12:	10.6x →
13:	9.7 ←
14:	9.4 ←
15:	9.7 ↙
16:	9.5 ↑
17:	10.3x →
18:	10.3x ↓
19:	9.8 ←
20:	9.3 ←
<b>Series</b> 97.8	
<b>Total</b> 199.8	



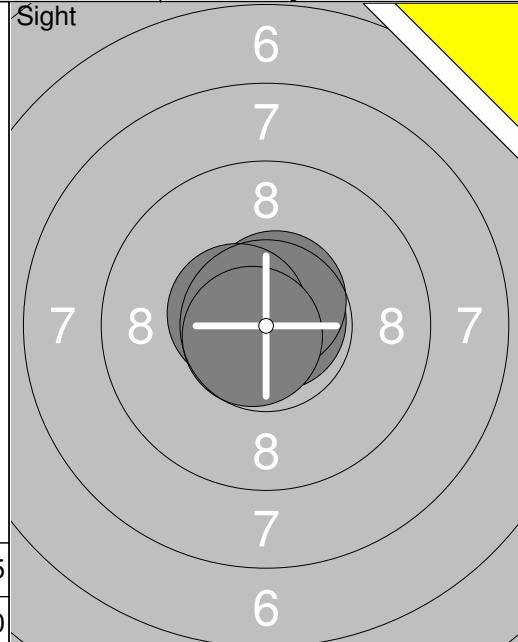
21:	10.0 ↙
22:	9.4 ↗
23:	10.1 ↑
24:	9.3 ↙
25:	10.1 ←
26:	9.9 ←
27:	10.1 ↙
28:	9.6 ←
29:	10.1 →
30:	9.8 ↙
<b>Series</b> 98.4	
<b>Total</b> 298.2	



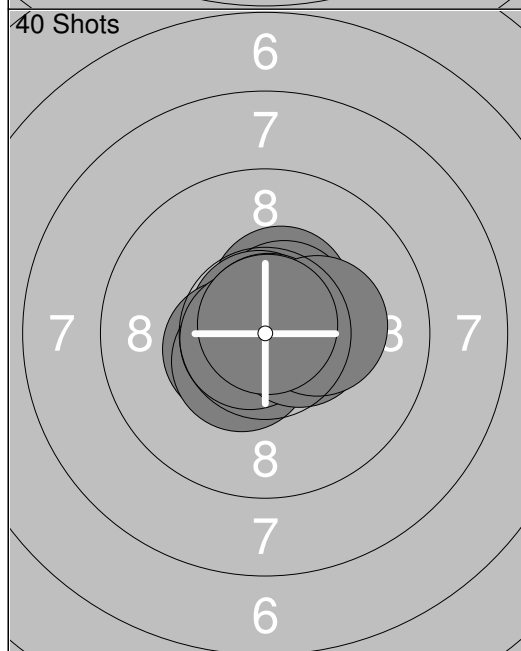
31:	10.6x ←
32:	10.5x ↓
33:	9.6 ↙
34:	10.1 ←
35:	10.2x ←
36:	10.6x →
37:	10.3x ↓
38:	9.5 ↑
39:	10.3x ↙
40:	10.5x ↙
<b>Series</b> 102.2	
<b>Total</b> 400.4	



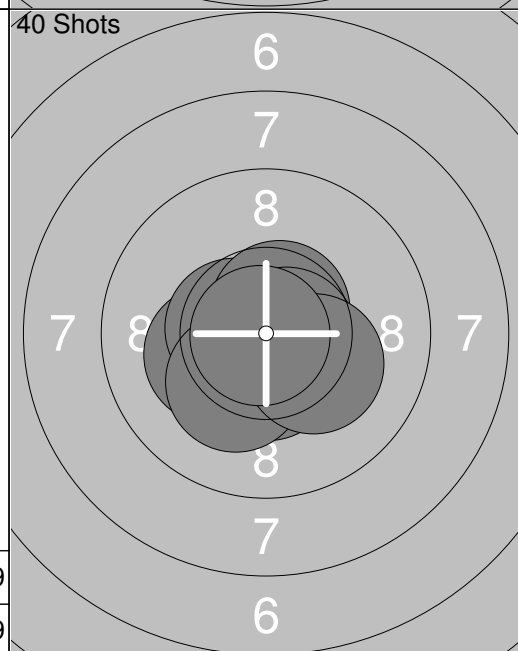
1:	10.5x ↘
2:	9.7 →
3:	10.9x ←
4:	10.3x ↘
5:	10.2x ↗
6:	10.3x →
7:	10.3x →
8:	10.6x ↓
9:	10.2x ↓
10:	10.5x ↙
<b>Series</b>	<b>103.5</b>
<b>Total</b>	<b>0.0</b>



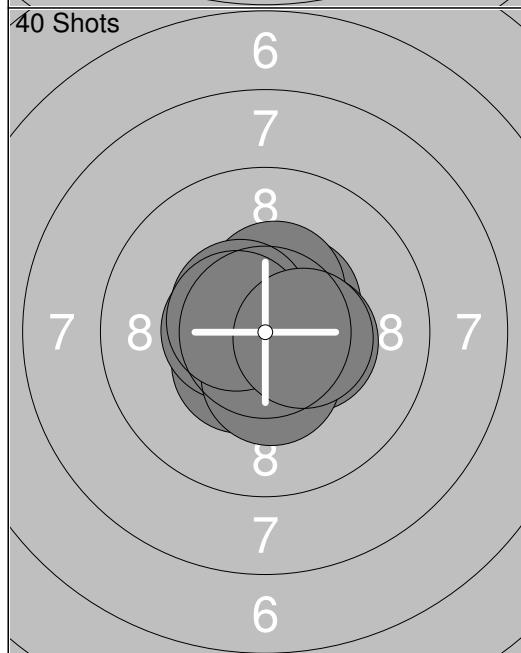
11:	10.8x ↗
12:	10.6x ↗
13:	10.5x ↙
14:	10.7x ↙
<b>Series</b>	<b>42.6</b>
<b>Total</b>	<b>0.0</b>



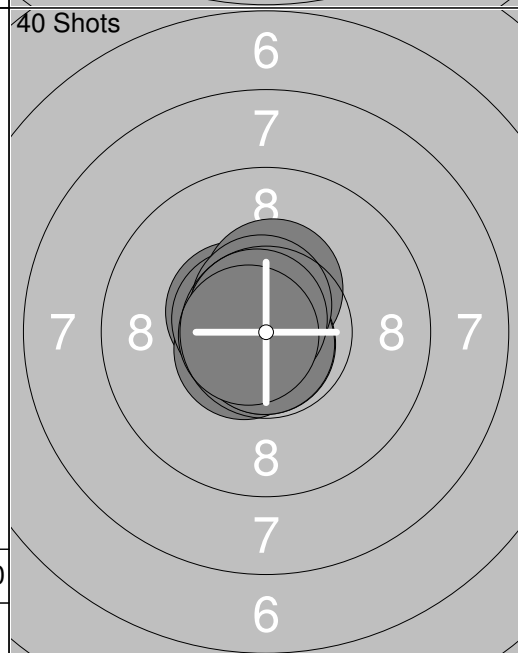
1:	10.4x ↗
2:	10.6x ↗
3:	10.8x ↗
4:	10.5x ↙
5:	10.5x ↙
6:	10.7x ↙
7:	10.8x ↗
8:	10.5x →
9:	10.3x →
10:	10.8x ↗
<b>Series</b>	<b>105.9</b>
<b>Total</b>	<b>105.9</b>



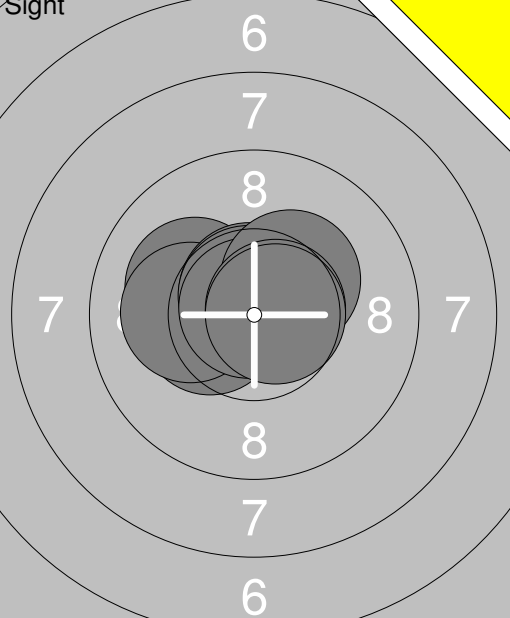
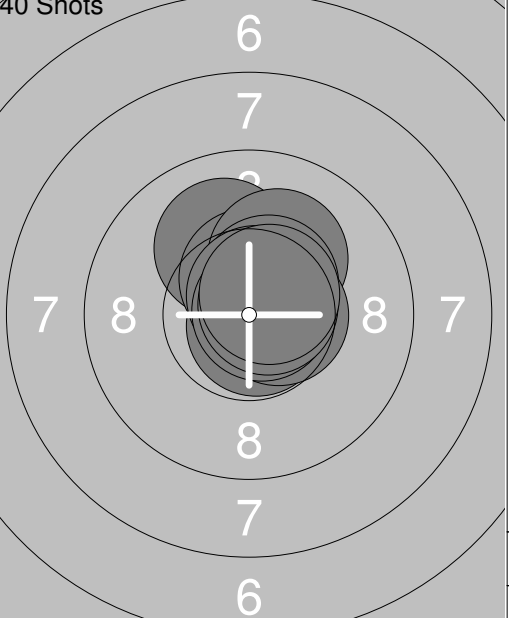
11:	10.7x →
12:	10.2x ↙
13:	10.5x ↓
14:	10.6x ↙
15:	10.6x ↗
16:	10.2x ↙
17:	10.6x →
18:	10.7x →
19:	10.2x ↘
20:	10.9x ↙
<b>Series</b>	<b>105.2</b>
<b>Total</b>	<b>211.1</b>

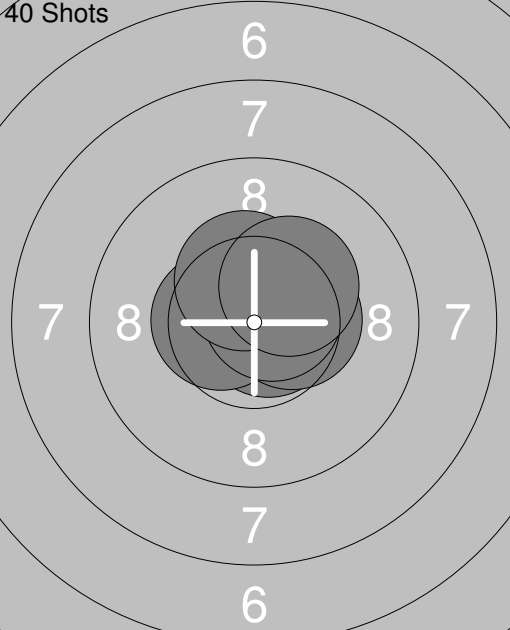
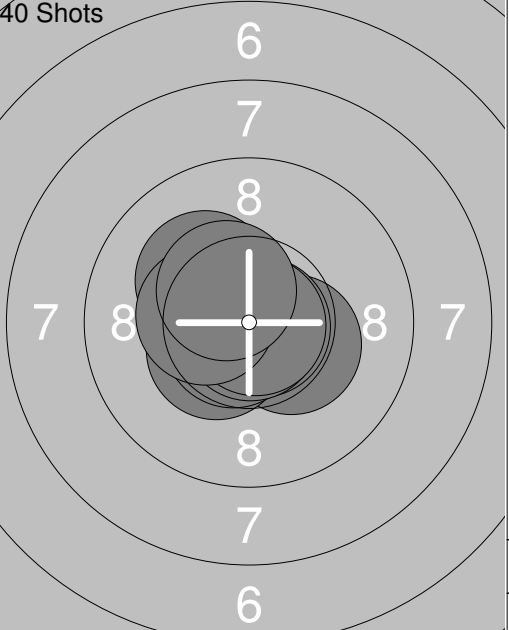


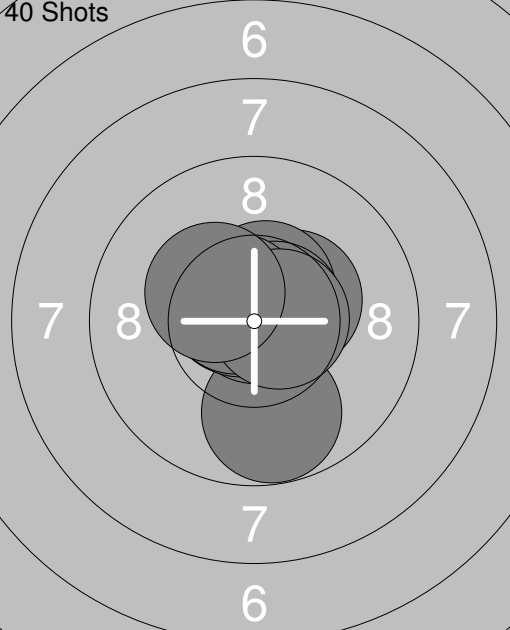
21:	10.5x ↗
22:	10.7x ↙
23:	10.4x →
24:	10.5x ↙
25:	10.4x ↗
26:	10.5x ↙
27:	10.5x ↙
28:	10.4x ↓
29:	10.6x ↙
30:	10.5x →
<b>Series</b>	<b>105.0</b>
<b>Total</b>	<b>316.1</b>

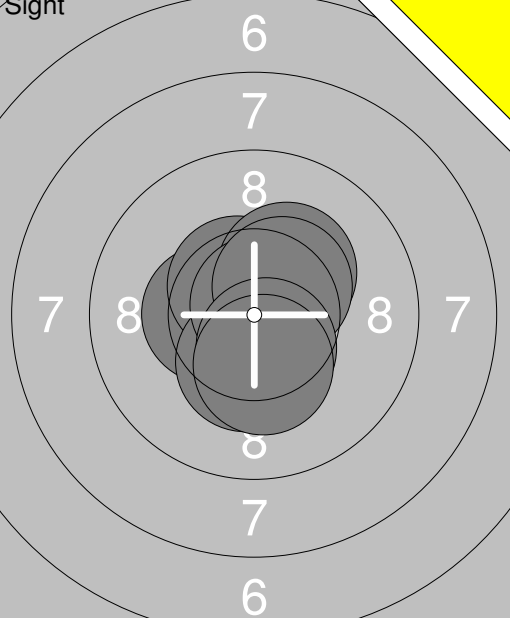
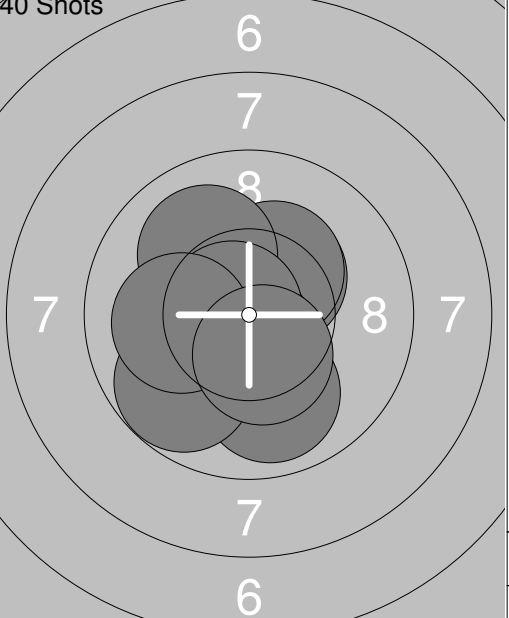


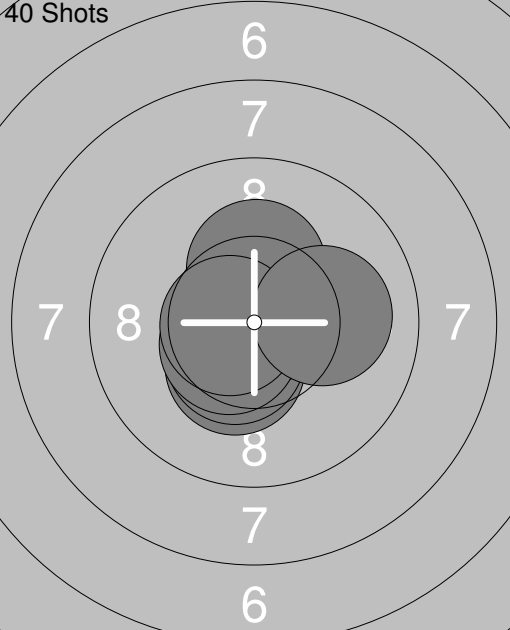
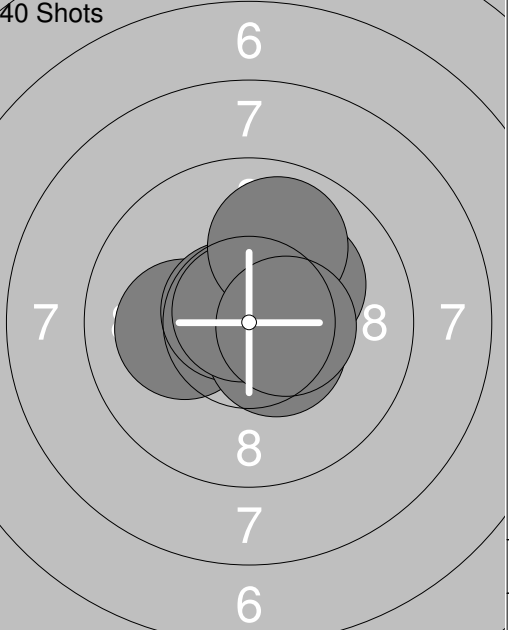
31:	10.5x ↙
32:	10.8x ↙
33:	10.6x ↙
34:	10.4x ↗
35:	10.6x ↙
36:	10.8x ↓
37:	10.8x ↓
38:	10.6x ↗
39:	10.7x ↙
40:	10.7x ↙
<b>Series</b>	<b>106.5</b>
<b>Total</b>	<b>422.6</b>

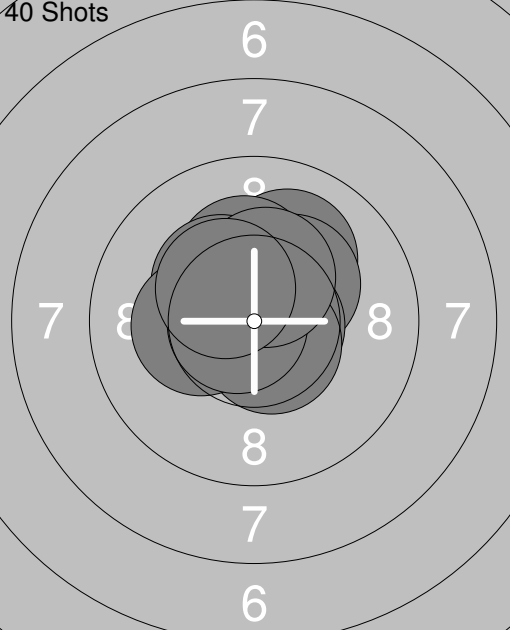
 <p style="text-align: center;">Sight</p>	<p>40 Shots</p> <p>1: 10.4x ←</p> <p>2: 10.1 ↖</p> <p>3: 10.1 ←</p> <p>4: 10.7x ↑</p> <p>5: 10.7x ↑</p> <p>6: 10.8x ↖</p> <p>7: 10.3x ↗</p> <p>8: 10.7x →</p> <p>9: 10.7x →</p>	 <p>40 Shots</p> <p>1: 10.8x ↘</p> <p>2: 10.0 ↗</p> <p>3: 10.5x ↑</p> <p>4: 10.1 ↗</p> <p>5: 10.5x ↗</p> <p>6: 10.6x →</p> <p>7: 10.7x ↑</p> <p>8: 10.8x →</p> <p>9: 10.7x ↗</p> <p>10: 10.6x ↗</p>
Series 94.5	Series 105.3	Series 105.3
Total 0.0	Total 105.3	Total 105.3

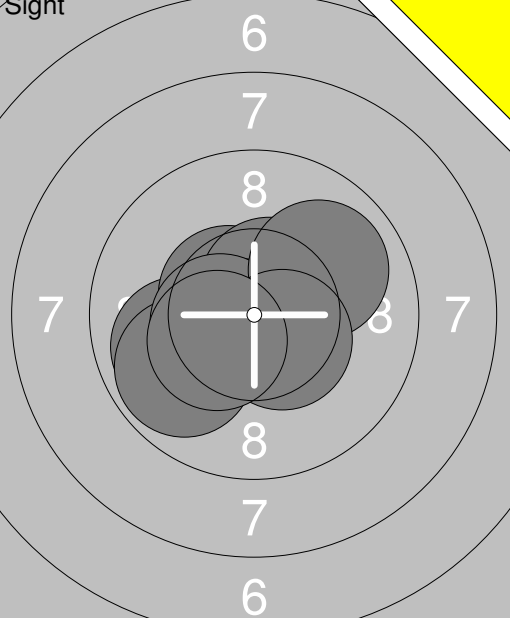
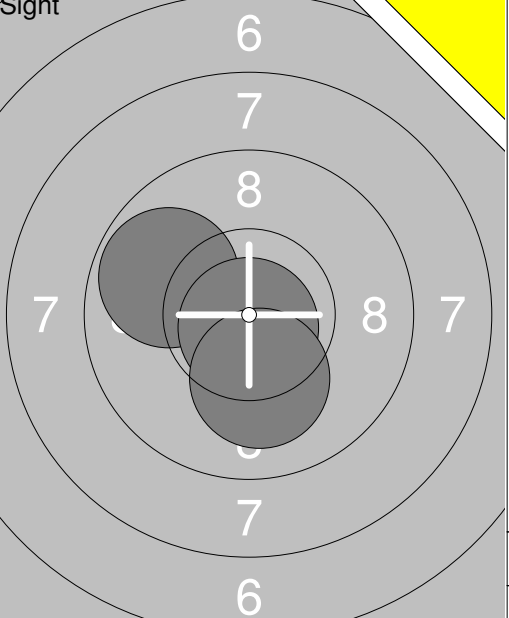
 <p>40 Shots</p>	<p>11: 10.7x ↑</p> <p>12: 10.6x ↑</p> <p>13: 10.5x →</p> <p>14: 10.8x →</p> <p>15: 10.7x ↖</p> <p>16: 10.5x →</p> <p>17: 10.5x ←</p> <p>18: 10.7x ↗</p> <p>19: 10.4x ↑</p> <p>20: 10.3x ↗</p>	 <p>40 Shots</p> <p>21: 10.3x ↘</p> <p>22: 10.2x ↖</p> <p>23: 10.8x →</p> <p>24: 10.4x ↙</p> <p>25: 10.7x ←</p> <p>26: 10.7x ↙</p> <p>27: 10.8x ↓</p> <p>28: 10.9x →</p> <p>29: 10.4x ←</p> <p>30: 10.5x ↖</p>
Series 105.7	Series 105.7	Series 105.7
Total 211.0	Total 316.7	Total 316.7

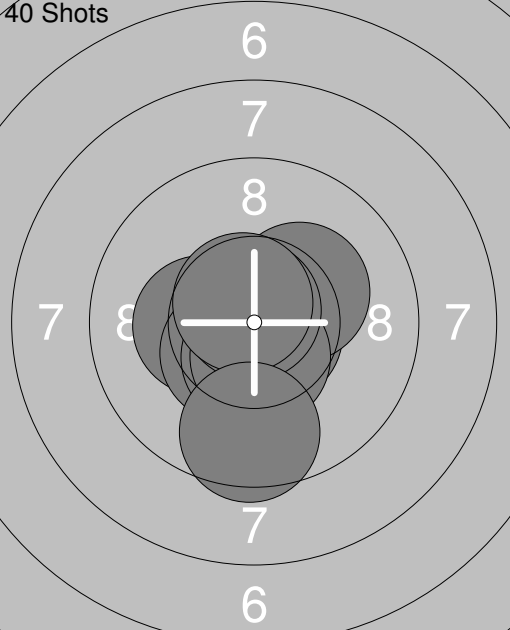
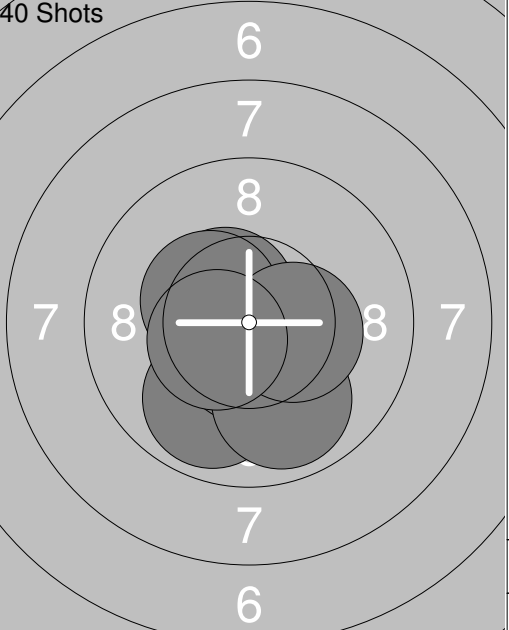
 <p>40 Shots</p>	<p>31: 10.4x ↗</p> <p>32: 10.5x ↑</p> <p>33: 9.8 ↓</p> <p>34: 10.6x ↖</p> <p>35: 10.8x ↑</p> <p>36: 10.7x ↖</p> <p>37: 10.7x ↗</p> <p>38: 10.6x ↖</p> <p>39: 10.6x →</p> <p>40: 10.3x ↖</p>	
Series 105.0		
Total 421.7		

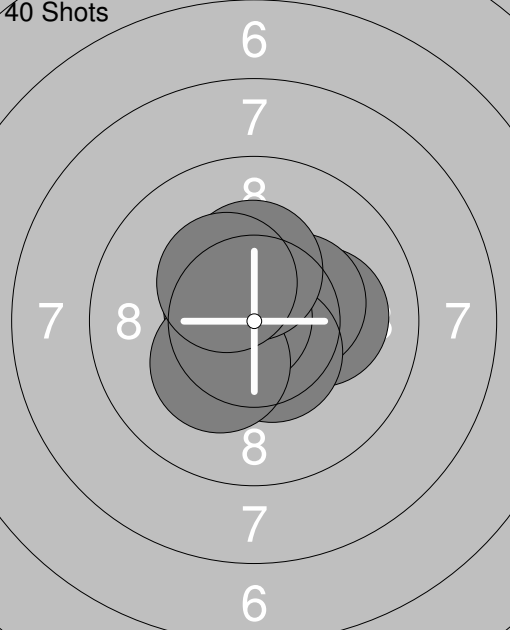
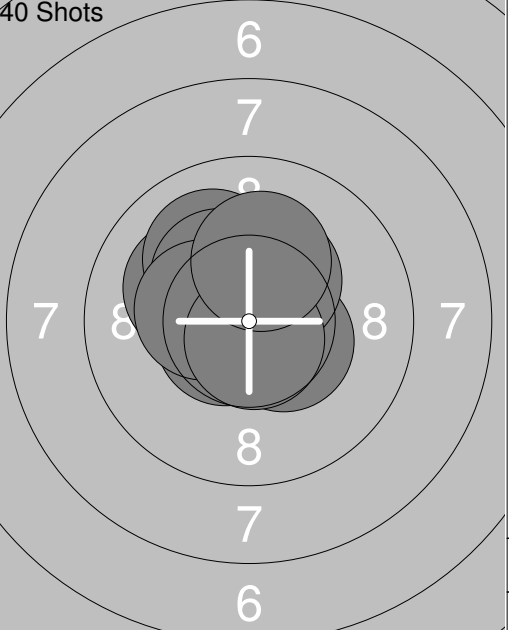
<p>Sight</p> 	<p>40 Shots</p> 	
1: 10.6x ↙ 2: 10.4x ← 3: 10.5x ↖ 4: 10.8x → 5: 10.3x ↓ 6: 10.3x ↗ 7: 10.8x ↗ 8: 10.4x ↗ 9: 10.5x ↓ 10: 10.3x ↓	1: 10.3x ↗ 2: 10.3x ↗ 3: 10.2x ↙ 4: 10.0 ↖ 5: 10.6x ↓ 6: 10.7x ← 7: 9.9 ↓ 8: 9.8 ↙ 9: 10.1 ← 10: 10.4x ↓	
Series 104.9	Series 102.3	
Total 0.0	Total 102.3	

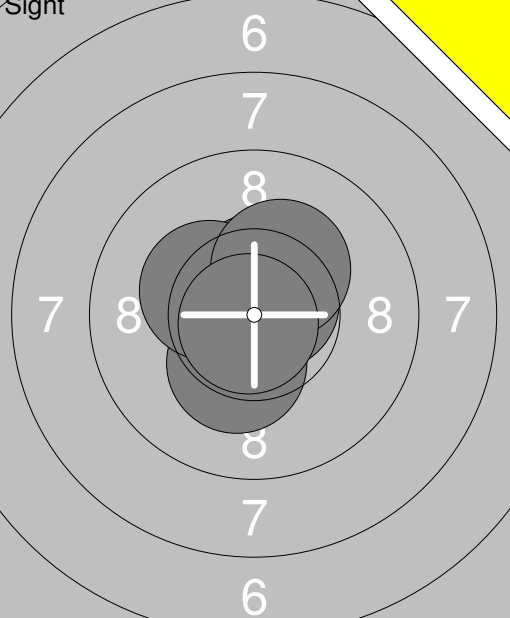
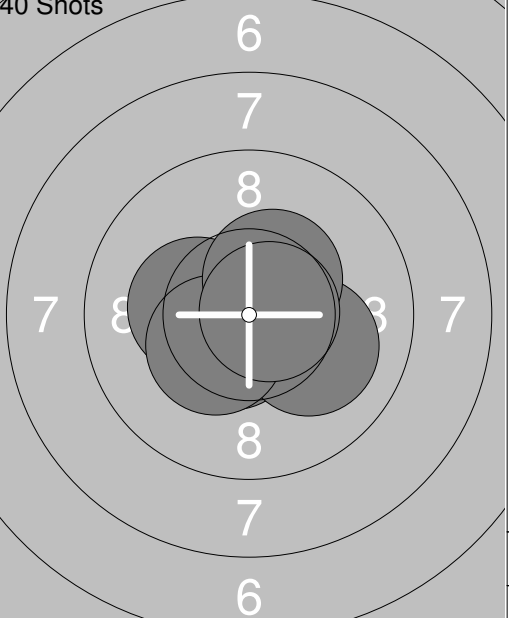
<p>40 Shots</p> 	<p>40 Shots</p> 	
11: 10.4x ↓ 12: 10.9x → 13: 10.7x ↓ 14: 10.7x ← 15: 10.5x ↓ 16: 10.9x ↑ 17: 10.5x ↙ 18: 10.3x ↑ 19: 10.6x ← 20: 10.1 →	21: 10.2x ↗ 22: 10.1 ← 23: 10.8x ↑ 24: 10.7x ↙ 25: 10.5x ↘ 26: 10.4x ↗ 27: 10.8x ↖ 28: 10.2x ↗ 29: 9.9 ↑ 30: 10.5x →	
Series 105.6	Series 104.1	
Total 207.9	Total 312.0	

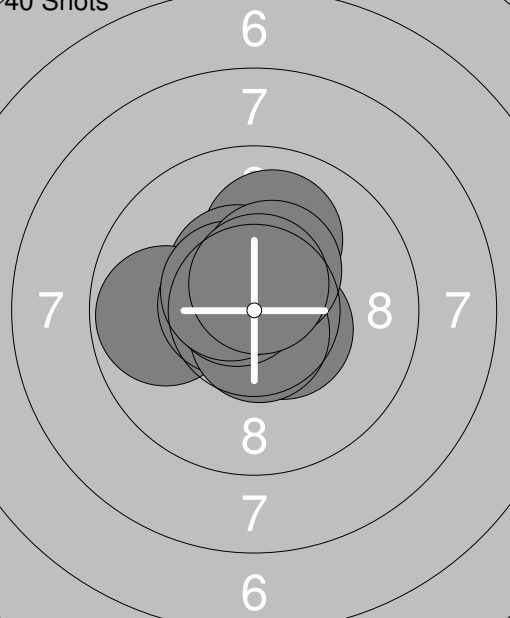
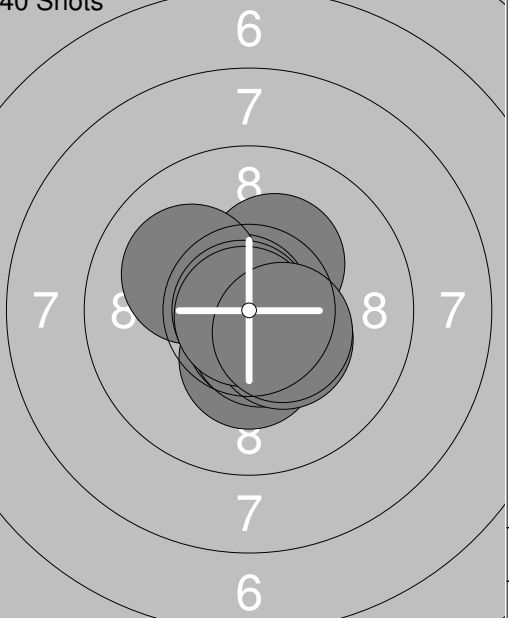
<p>40 Shots</p> 		
31: 10.0 ↗ 32: 10.3x ↗ 33: 10.7x → 34: 10.2x ↑ 35: 10.3x ↖ 36: 10.6x ↓ 37: 10.3x ← 38: 10.7x ← 39: 10.4x ↑ 40: 10.4x ↖		
Series 103.9		
Total 415.9		

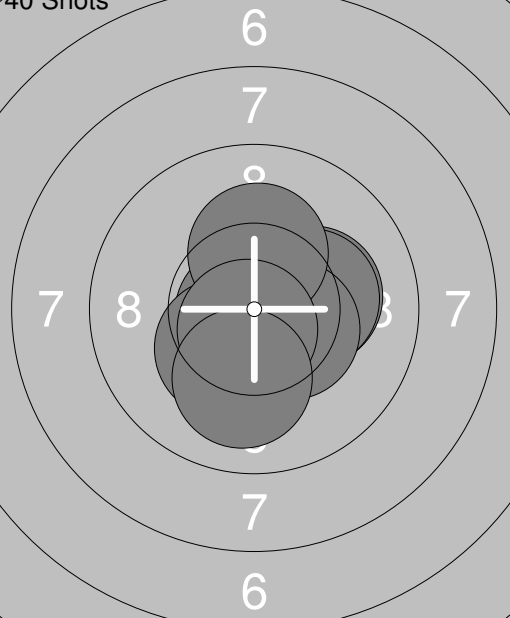
<p>Sight</p> 	<p>1: 9.9 ←</p> <p>2: 10.5x ↖</p> <p>3: 9.8 ↙</p> <p>4: 10.5x ↙</p> <p>5: 10.6x ↗</p> <p>6: 10.7x ↙</p> <p>7: 10.5x ↙</p> <p>8: 10.0 ↗</p> <p>9: 10.5x ↘</p> <p>10: 10.4x ↙</p>	<p>Sight</p> 	<p>11: 9.8 ↖</p> <p>12: 10.8x ↓</p> <p>13: 10.1 ↓</p>
Series	103.4	Series	30.7
Total	0.0	Total	0.0

<p>40 Shots</p> 	<p>1: 10.7x ↘</p> <p>2: 10.3x ↗</p> <p>3: 10.3x ←</p> <p>4: 10.6x ↓</p> <p>5: 10.5x ↙</p> <p>6: 10.5x ↓</p> <p>7: 10.5x ↓</p> <p>8: 10.8x ↑</p> <p>9: 10.7x ↗</p> <p>10: 9.5 ↓</p>	<p>40 Shots</p> 	<p>11: 10.7x ↘</p> <p>12: 9.9 ↙</p> <p>13: 10.7x ↖</p> <p>14: 10.6x ↓</p> <p>15: 10.5x ↖</p> <p>16: 10.7x ↙</p> <p>17: 10.4x ↖</p> <p>18: 9.9 ↓</p> <p>19: 10.4x →</p> <p>20: 10.5x ↙</p>
Series	104.4	Series	104.3
Total	104.4	Total	208.7

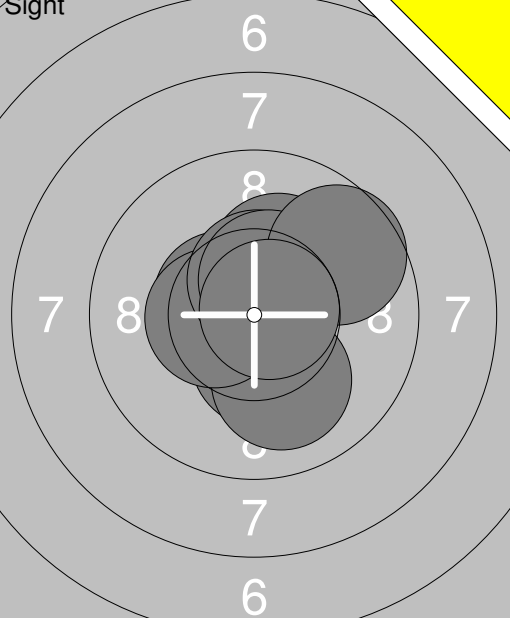
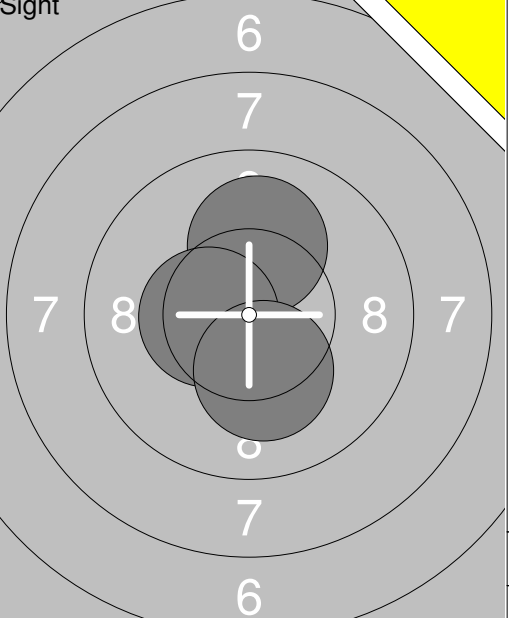
<p>40 Shots</p> 	<p>21: 10.1 →</p> <p>22: 10.8x ↓</p> <p>23: 10.4x ↗</p> <p>24: 10.7x ←</p> <p>25: 10.5x ↓</p> <p>26: 10.7x ↖</p> <p>27: 10.8x ↖</p> <p>28: 10.3x ↙</p> <p>29: 10.3x ↑</p> <p>30: 10.3x ↖</p>	<p>40 Shots</p> 	<p>31: 10.1 ↖</p> <p>32: 10.0 ↖</p> <p>33: 10.6x ↙</p> <p>34: 10.3x ↖</p> <p>35: 10.8x ↑</p> <p>36: 10.4x ↖</p> <p>37: 10.4x ↘</p> <p>38: 10.4x ↗</p> <p>39: 10.7x ↓</p> <p>40: 10.2x ↑</p>
Series	104.9	Series	103.9
Total	313.6	Total	417.5

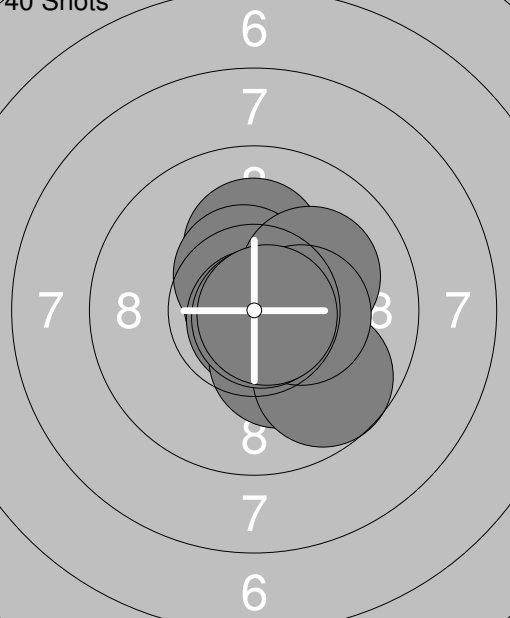
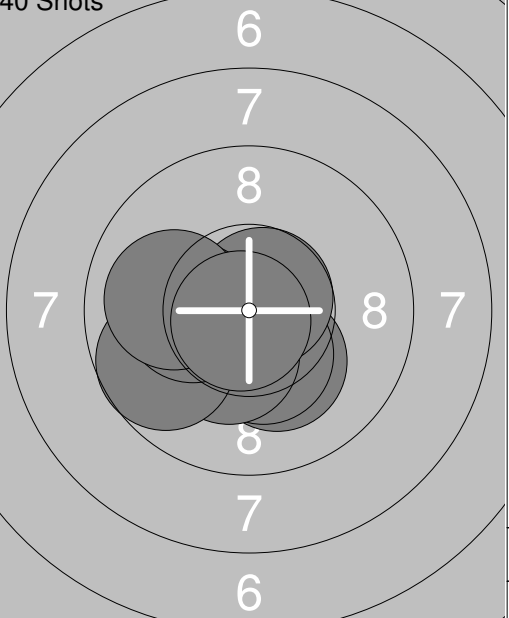
 <p style="font-size: small;">Sight</p>	<p>1: 10.3x ↓</p> <p>2: 10.6x ↑</p> <p>3: 10.9x ↓</p> <p>4: 10.7x ↗</p> <p>5: 10.3x ↖</p> <p>6: 10.3x ↑</p> <p>7: 10.8x ↓</p>	<p>40 Shots</p> 	<p>1: 10.8x ←</p> <p>2: 10.7x ↓</p> <p>3: 10.6x ↗</p> <p>4: 10.9x →</p> <p>5: 10.6x ↓</p> <p>6: 10.3x ←</p> <p>7: 10.1 →</p> <p>8: 10.4x ↙</p> <p>9: 10.4x ↗</p> <p>10: 10.7x →</p>
Series 73.9		Series 105.5	
Total 0.0		Total 105.5	

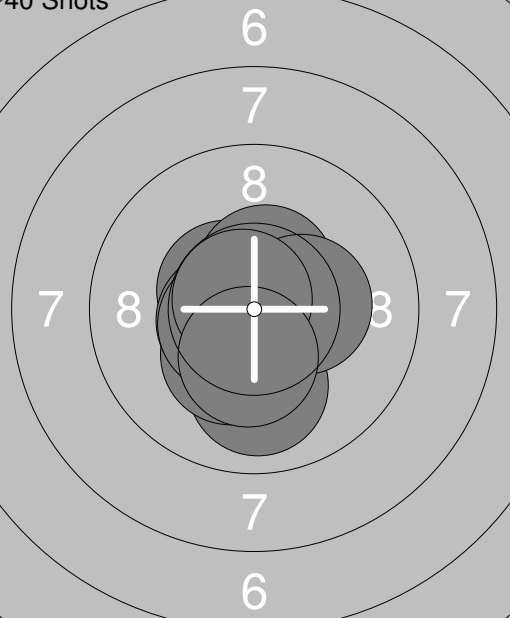
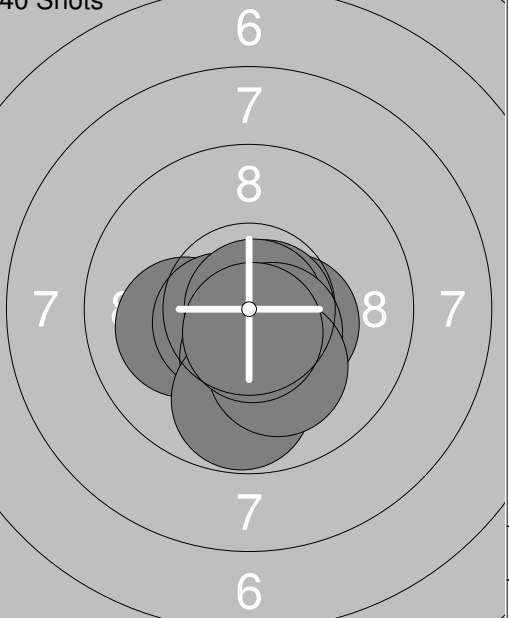
<p>40 Shots</p> 	<p>11: 10.0 ↑</p> <p>12: 10.4x ↗</p> <p>13: 10.5x ↘</p> <p>14: 9.8 ←</p> <p>15: 10.6x ←</p> <p>16: 10.7x ↓</p> <p>17: 10.7x ↖</p> <p>18: 10.6x ↖</p> <p>19: 10.4x ↑</p> <p>20: 10.6x ↑</p>	<p>40 Shots</p> 	<p>21: 10.3x ↗</p> <p>22: 10.3x ↓</p> <p>23: 10.7x ↓</p> <p>24: 10.8x ↖</p> <p>25: 10.6x ↓</p> <p>26: 10.1 ↖</p> <p>27: 10.4x ↘</p> <p>28: 10.9x ←</p> <p>29: 10.9x ↓</p> <p>30: 10.4x ↘</p>
Series 104.3		Series 105.4	
Total 209.8		Total 315.2	

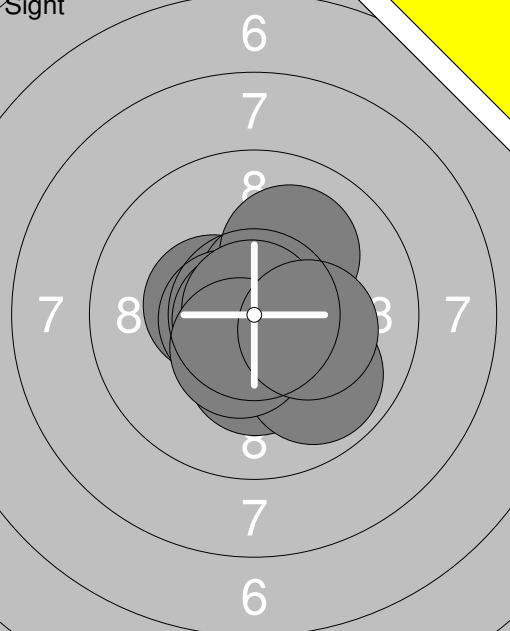
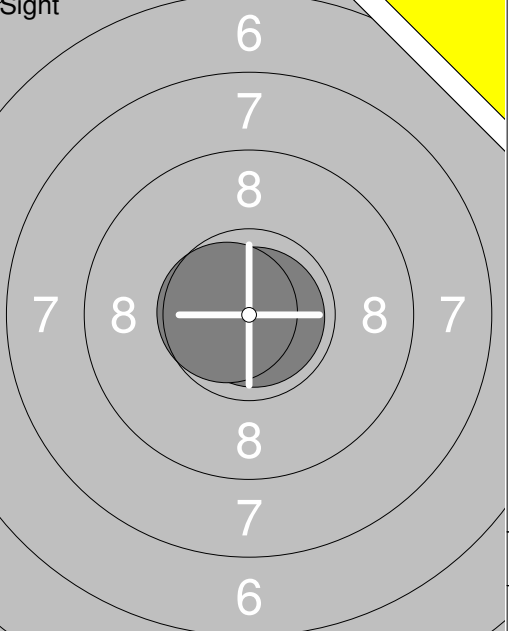
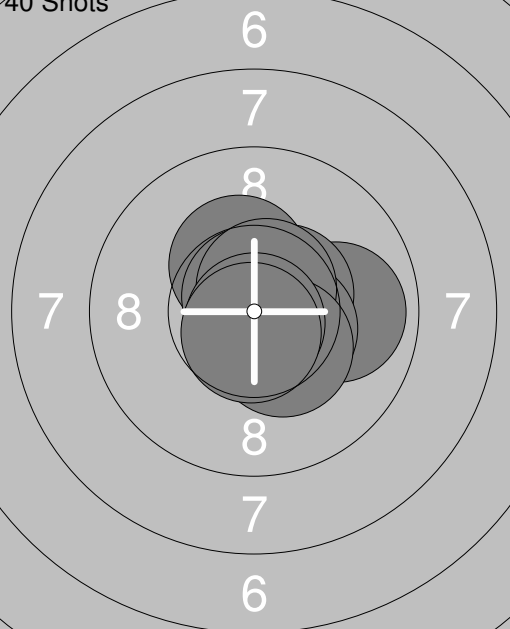
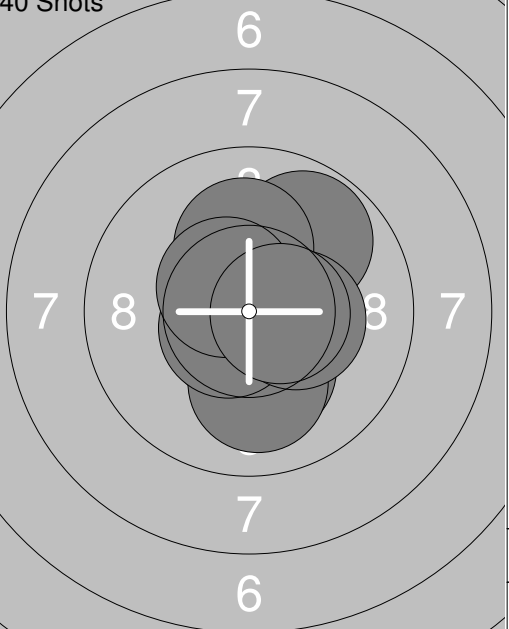
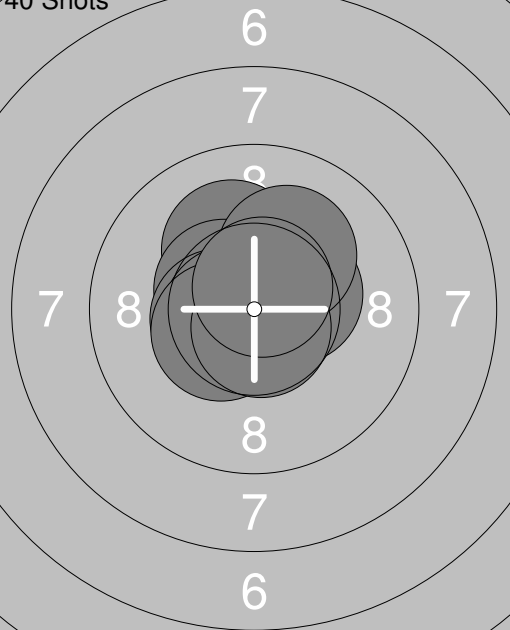
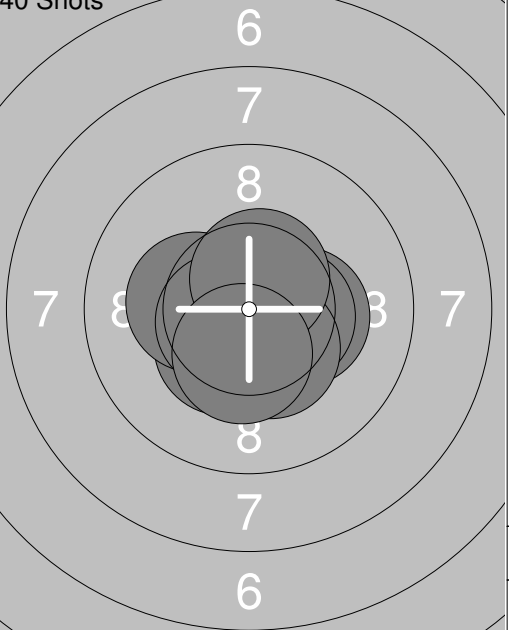
<p>40 Shots</p> 	<p>31: 10.2x →</p> <p>32: 10.7x ↗</p> <p>33: 10.8x ↙</p> <p>34: 10.6x ↓</p> <p>35: 10.2x →</p> <p>36: 10.4x ↘</p> <p>37: 10.3x ↙</p> <p>38: 10.2x ↑</p> <p>39: 10.7x ↓</p> <p>40: 10.1 ↓</p>	
Series 104.2		
Total 419.4		

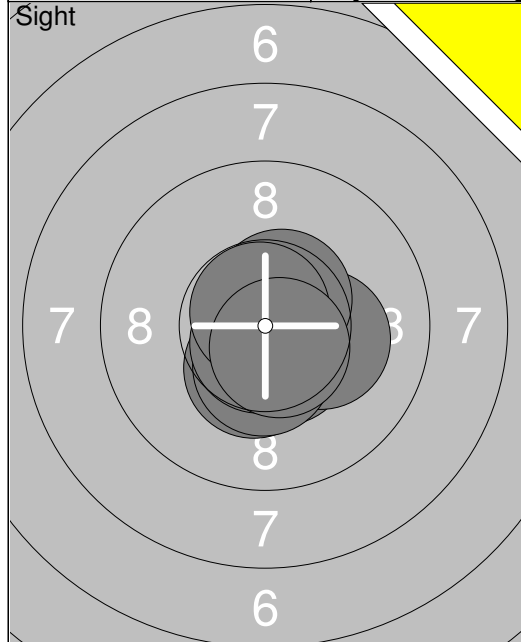


<p><b>Sight</b></p> 	<p>1: 10.4x ↓                  2: 10.5x ↙                  3: 10.0 ↓                  4: 10.2x ↗                  5: 10.4x ←                  7: 10.5x ↑                  8: 10.5x ↗                  9: 9.6 ↗                  10: 10.7x →</p> <p style="text-align: right;">Series 92.8 Total 0.0</p>	<p><b>Sight</b></p>  <p>11: 10.1 ↑                  12: 10.4x ←                  13: 10.2x ↓</p> <p style="text-align: right;">Series 30.7 Total 0.0</p>
--	---	--

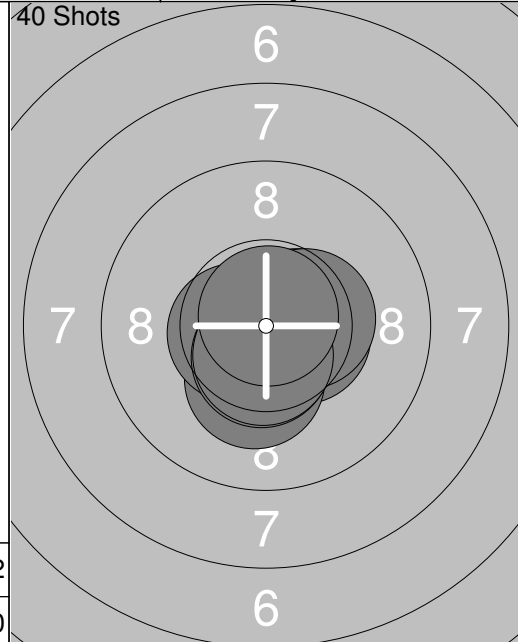
<p><b>40 Shots</b></p> 	<p>1: 10.9x ↑                  2: 10.2x ↑                  3: 10.5x ↑                  4: 10.8x ↓                  5: 10.3x ↓                  6: 10.1 ↗                  7: 9.7 ↓                  8: 10.3x →                  9: 10.8x ↓                  10: 10.8x →</p> <p style="text-align: right;">Series 104.4 Total 104.4</p>	<p><b>40 Shots</b></p>  <p>11: 10.2x ↓                  12: 10.9x ↙                  13: 10.6x ↓                  14: 10.4x ↓                  15: 10.7x ↗                  16: 10.3x ↓                  17: 9.7 ←                  18: 10.2x ←                  19: 10.0 ←                  20: 10.8x ↙</p> <p style="text-align: right;">Series 103.8 Total 208.2</p>
--	--	--

<p><b>40 Shots</b></p> 	<p>21: 10.5x ↙                  22: 10.7x ↙                  23: 10.0 ↓                  24: 10.5x ↗                  25: 10.3x →                  26: 10.3x ↙                  27: 10.6x ←                  28: 10.6x ↙                  29: 10.8x ↙                  30: 10.3x ↓</p> <p style="text-align: right;">Series 104.6 Total 312.8</p>	<p><b>40 Shots</b></p>  <p>31: 10.1 ←                  32: 10.6x ↙                  33: 10.4x →                  34: 10.8x →                  35: 10.9x →                  36: 10.5x ↙                  37: 10.3x ↓                  38: 9.8 ↓                  39: 10.1 ↓                  40: 10.6x ↓</p> <p style="text-align: right;">Series 104.1 Total 416.9</p>
---	---	--

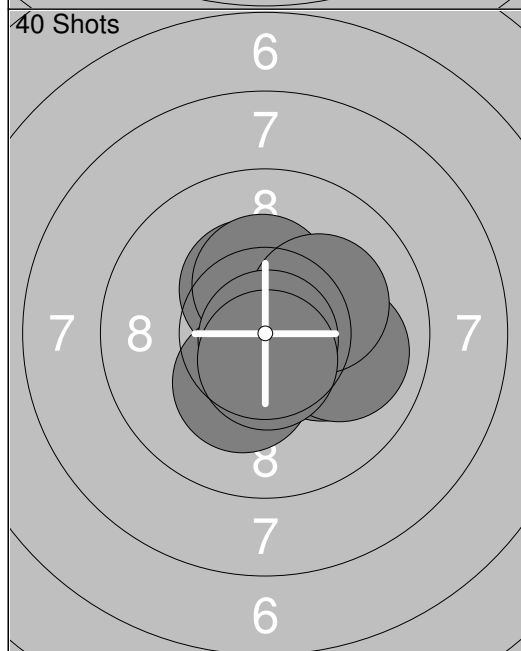
<p>Sight</p>  <p style="text-align:center;">6 7 8 7 8 7 6</p>	<p>1: 10.4x ←</p> <p>2: 10.6x ↗</p> <p>3: 10.1 ↗</p> <p>4: 10.3x ↓</p> <p>5: 9.9 ↘</p> <p>6: 10.6x ←</p> <p>7: 10.8x ←</p> <p>8: 10.9x ↖</p> <p>9: 10.5x ↓</p> <p>10: 10.2x →</p> <hr/> <p>Series 104.3</p> <hr/> <p>Total 0.0</p>	<p>Sight</p>  <p style="text-align:center;">6 7 8 7 8 7 6</p>	<p>11: 10.9x →</p> <p>12: 10.7x ←</p> <hr/> <p>Series 21.6</p> <hr/> <p>Total 0.0</p>
<p>40 Shots</p>  <p style="text-align:center;">6 7 8 7 8 7 6</p>	<p>1: 9.9 →</p> <p>2: 10.3x ↗</p> <p>3: 10.5x ↗</p> <p>4: 10.8x ↗</p> <p>5: 10.8x →</p> <p>6: 10.5x →</p> <p>7: 10.6x ↗</p> <p>8: 10.4x ↓</p> <p>9: 10.8x ↓</p> <p>10: 10.7x ↓</p> <hr/> <p>Series 105.3</p> <hr/> <p>Total 105.3</p>	<p>40 Shots</p>  <p style="text-align:center;">6 7 8 7 8 7 6</p>	<p>11: 9.8 ↗</p> <p>12: 10.2x ↓</p> <p>13: 10.6x ↓</p> <p>14: 10.0 ↓</p> <p>15: 10.5x ↗</p> <p>16: 10.1 ↗</p> <p>17: 10.6x ↘</p> <p>18: 10.3x →</p> <p>19: 10.5x ↖</p> <p>20: 10.5x →</p> <hr/> <p>Series 103.1</p> <hr/> <p>Total 208.4</p>
<p>40 Shots</p>  <p style="text-align:center;">6 7 8 7 8 7 6</p>	<p>21: 10.1 ↗</p> <p>22: 10.9x →</p> <p>23: 10.5x ↖</p> <p>24: 10.5x ←</p> <p>25: 10.4x →</p> <p>26: 10.1 ↗</p> <p>27: 10.7x ←</p> <p>28: 10.4x ↘</p> <p>29: 10.7x ↓</p> <p>30: 10.6x ↗</p> <hr/> <p>Series 104.9</p> <hr/> <p>Total 313.3</p>	<p>40 Shots</p>  <p style="text-align:center;">6 7 8 7 8 7 6</p>	<p>31: 10.4x ↘</p> <p>32: 10.8x ↖</p> <p>33: 10.3x ←</p> <p>34: 10.3x →</p> <p>35: 10.5x →</p> <p>36: 10.4x ↓</p> <p>37: 10.8x ↘</p> <p>38: 10.6x ↘</p> <p>39: 10.5x ↗</p> <p>40: 10.4x ↓</p> <hr/> <p>Series 105.0</p> <hr/> <p>Total 418.3</p>



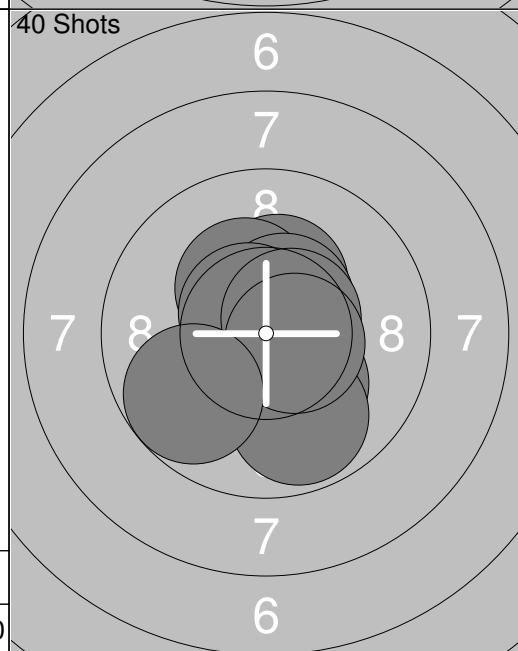
1: 10.5x ↓
2: 10.4x ↓
3: 10.2x →
4: 10.4x ↓
5: 10.6x ↗
6: 10.7x ↓
7: 10.8x ↗
8: 10.6x ↓
<b>Series</b> 84.2
<b>Total</b> 0.0



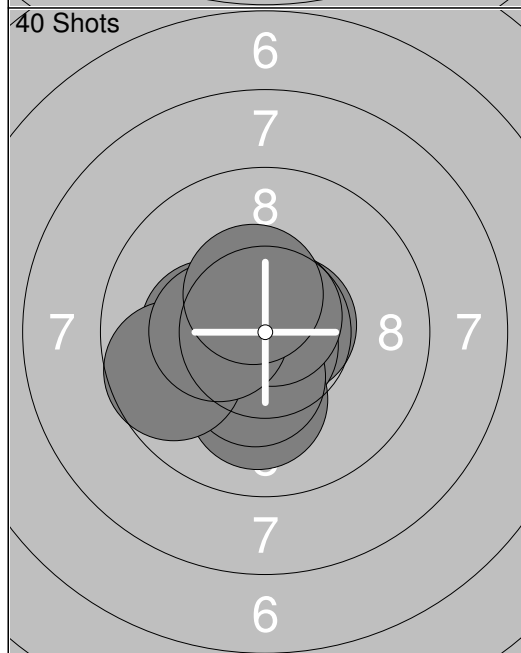
1: 10.7x ↓
2: 10.6x →
3: 10.9x ↓
4: 10.5x →
5: 10.3x ↓
6: 10.6x ←
7: 10.4x →
8: 10.5x ↓
9: 10.6x ↓
10: 10.8x ↗
<b>Series</b> 105.9
<b>Total</b> 105.9



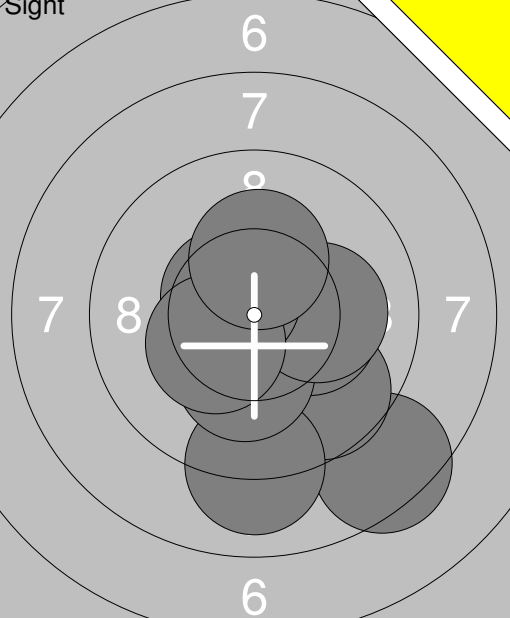
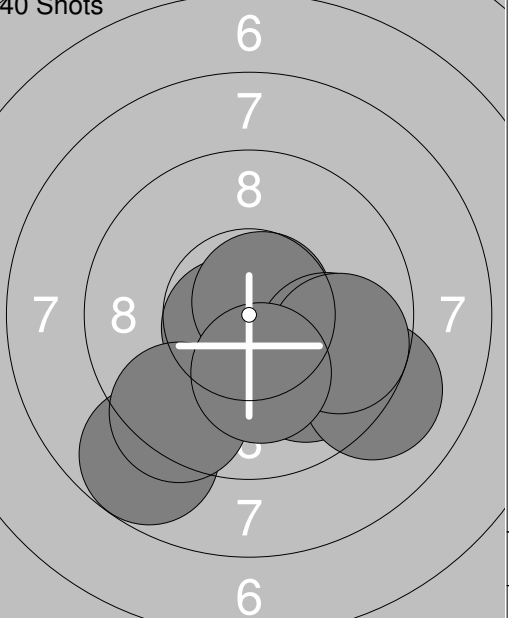
11: 10.4x →
12: 10.2x →
13: 10.4x ↗
14: 10.8x →
15: 10.3x ↓
16: 10.0 →
17: 10.3x ↗
18: 10.2x →
19: 10.9x ↓
20: 10.6x ↓
<b>Series</b> 104.1
<b>Total</b> 210.0

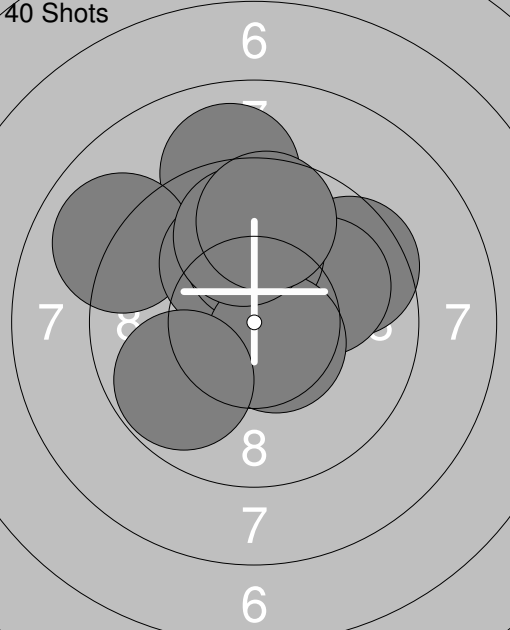
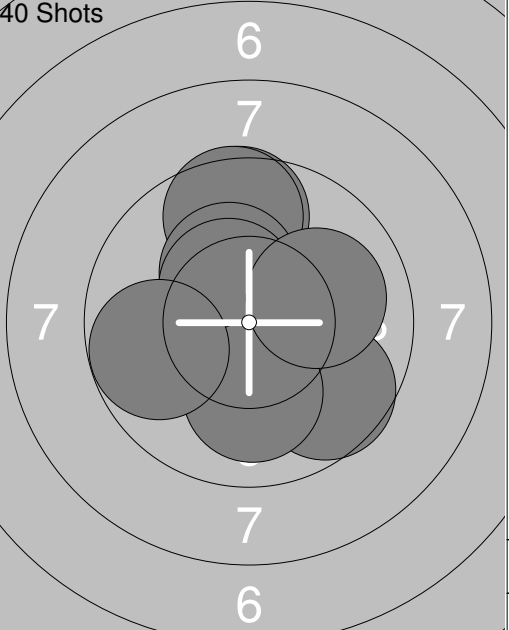


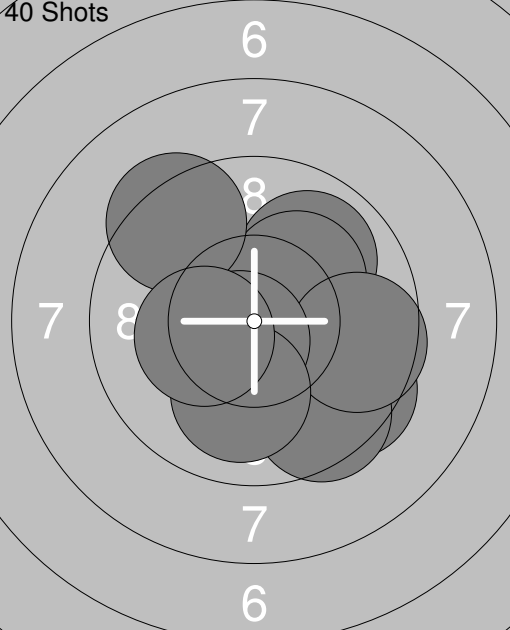
21: 10.2x ↓
22: 10.3x ↗
23: 10.3x ↗
24: 10.7x ↗
25: 10.5x ↗
26: 9.8 ↓
27: 10.6x ↗
28: 10.6x →
29: 10.6x →
30: 9.7 ↙
<b>Series</b> 103.3
<b>Total</b> 313.3

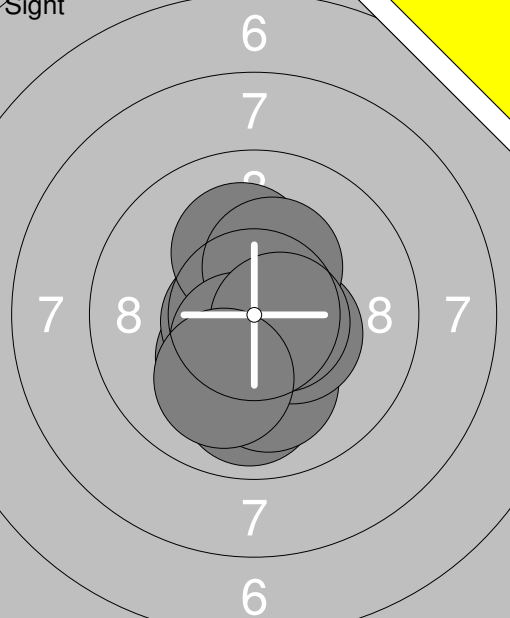
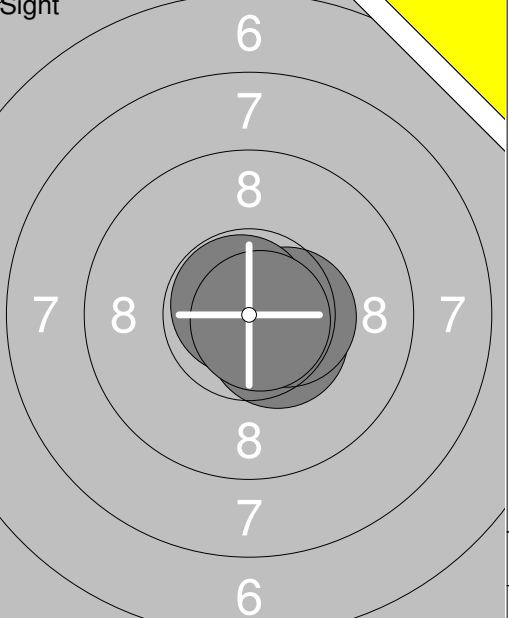


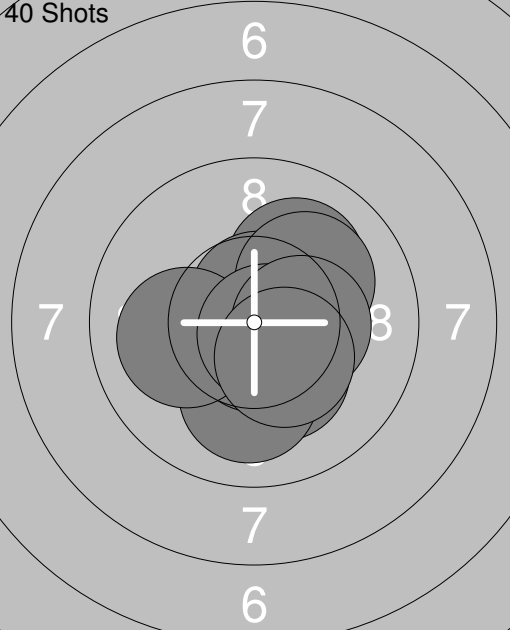
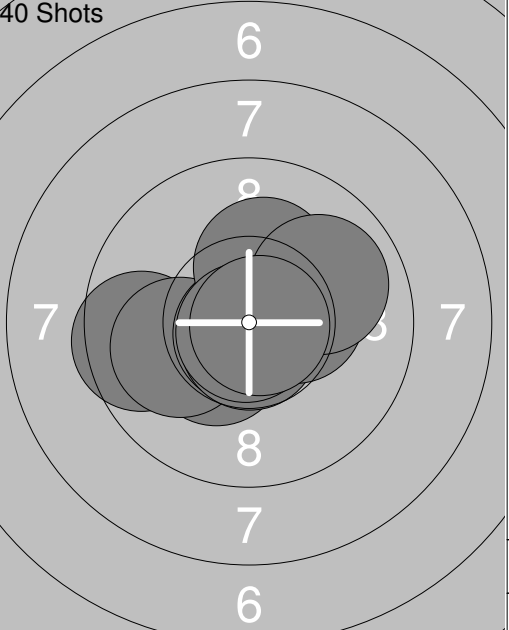
31: 10.7x →
32: 10.8x ↓
33: 10.4x ←
34: 10.1 ↓
35: 10.4x ↓
36: 10.7x ↗
37: 10.3x ←
38: 9.7 ←
39: 10.4x ←
40: 10.4x ↗
<b>Series</b> 103.9
<b>Total</b> 417.2

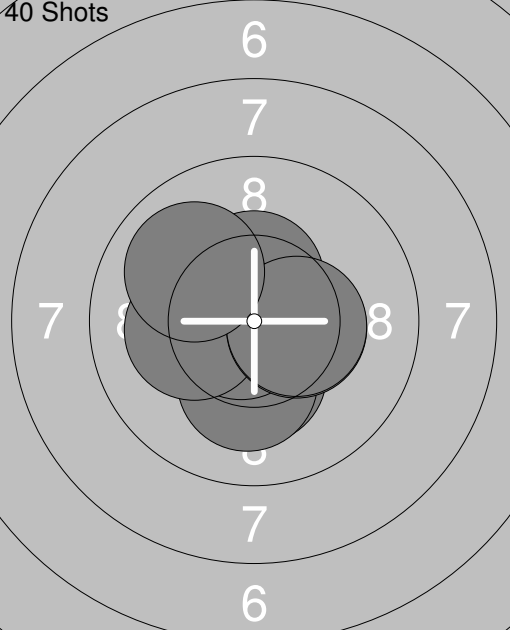
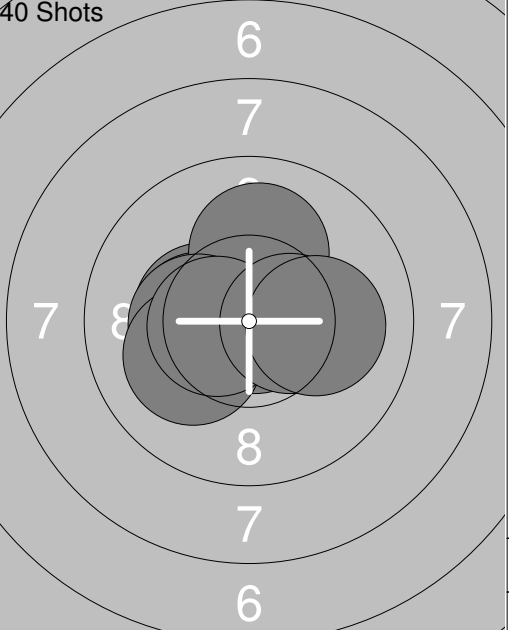
<p>Sight</p> 	<p>1: 8.5 ↘ 2: 9.7 ↘ 3: 9.0 ↓ 4: 10.2x → 5: 10.2x ↓ 6: 10.1 → 7: 10.6x ↖ 8: 10.3x ↙ 9: 10.2x ↑</p>	<p>40 Shots</p> 	<p>1: 10.2x ↘ 2: 10.7x ↙ 3: 10.7x ↗ 4: 9.9 → 5: 8.8 ↓ 6: 9.4 ↓ 7: 9.9 ↓ 8: 9.1 ↓ 9: 9.7 → 10: 10.2x ↓</p>
	Series 88.8		Series 98.6
	Total 0.0		Total 98.6

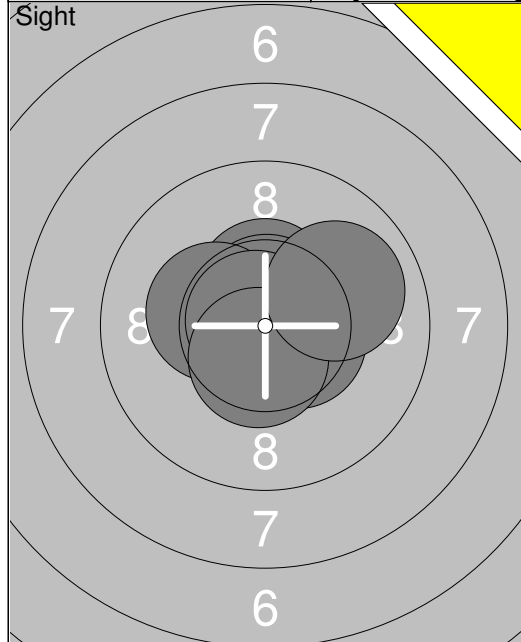
<p>40 Shots</p> 	<p>11: 9.5 ↗ 12: 10.0 ↗ 13: 9.0 ↑ 14: 9.0 ↖ 15: 10.1 ↑ 16: 10.1 ↑ 17: 10.6x ↘ 18: 9.8 ↑ 19: 9.8 ↙ 20: 9.6 ↑</p>	<p>40 Shots</p> 	<p>21: 9.6 ↘ 22: 10.8x ↖ 23: 10.6x ↖ 24: 9.6 ↑ 25: 9.6 ↑ 26: 10.3x ↑ 27: 10.4x ↖ 28: 10.1 ↓ 29: 9.7 ↙ 30: 10.0 ↗</p>
	Series 97.5		Series 100.7
	Total 196.1		Total 296.8

<p>40 Shots</p> 	<p>31: 10.7x ↑ 32: 9.5 ↘ 33: 9.5 ↘ 34: 9.9 ↗ 35: 10.2x ↗ 36: 9.6 → 37: 9.3 ↗ 38: 10.6x ↙ 39: 10.0 ↓ 40: 10.3x ↙</p>		
	Series 99.6		
	Total 396.4		

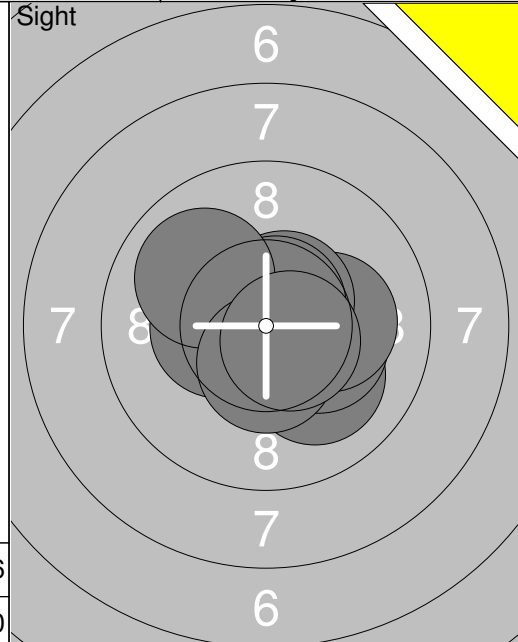
	<p>Sight</p> <p>1: 9.9 ↓</p> <p>2: 10.1 ↓</p> <p>3: 10.3x ↘</p> <p>4: 10.6x ←</p> <p>5: 10.1 ↑</p> <p>6: 10.4x →</p> <p>7: 10.3x ↑</p> <p>8: 10.6x ↘</p> <p>9: 10.6x →</p> <p>10: 10.1 ↓</p>		<p>Sight</p> <p>11: 10.5x ↘</p> <p>12: 10.5x →</p> <p>13: 10.8x ↖</p> <p>14: 10.8x ↘</p>
Series	103.0	Series	42.6
Total	0.0	Total	0.0

<p>40 Shots</p> 	<p>1: 10.1 ↗</p> <p>2: 10.7x ↑</p> <p>3: 10.3x ↘</p> <p>4: 10.1 ↓</p> <p>5: 10.1 ↗</p> <p>6: 10.7x ↘</p> <p>7: 10.1 ←</p> <p>8: 10.7x ↘</p> <p>9: 10.4x →</p> <p>10: 10.4x ↘</p>	<p>40 Shots</p> 	<p>11: 10.4x ↘</p> <p>12: 9.6 ←</p> <p>13: 10.0 ←</p> <p>14: 10.8x ↘</p> <p>15: 10.7x ↓</p> <p>16: 10.2x ↑</p> <p>17: 10.8x ↓</p> <p>18: 10.4x →</p> <p>19: 9.9 ↗</p> <p>20: 10.8x →</p>
Series	103.6	Series	103.6
Total	103.6	Total	207.2

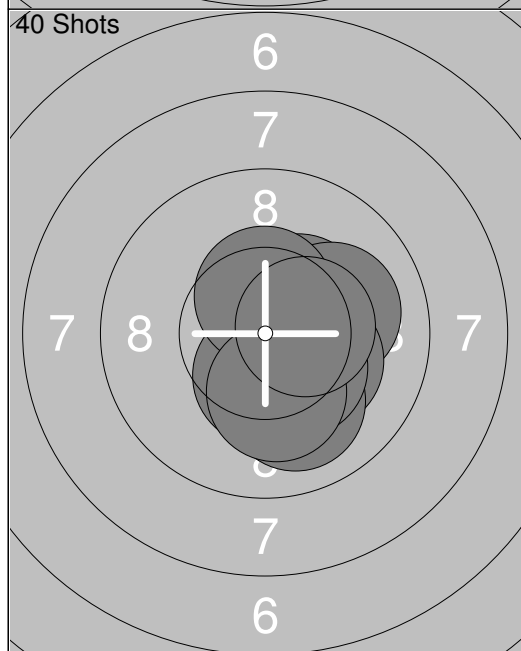
<p>40 Shots</p> 	<p>21: 10.4x ↑</p> <p>22: 10.3x ↘</p> <p>23: 10.6x ←</p> <p>24: 10.6x ↘</p> <p>25: 10.2x ↓</p> <p>26: 10.8x ↖</p> <p>27: 10.2x ←</p> <p>28: 10.4x →</p> <p>29: 10.4x →</p> <p>30: 10.0 ↖</p>	<p>40 Shots</p> 	<p>31: 10.4x ←</p> <p>32: 10.3x ←</p> <p>33: 10.9x →</p> <p>34: 10.8x ←</p> <p>35: 10.1 ↑</p> <p>36: 10.3x ←</p> <p>37: 10.1 ↖</p> <p>38: 10.5x ←</p> <p>39: 10.4x →</p> <p>40: 10.1 →</p>
Series	103.9	Series	103.9
Total	311.1	Total	415.0



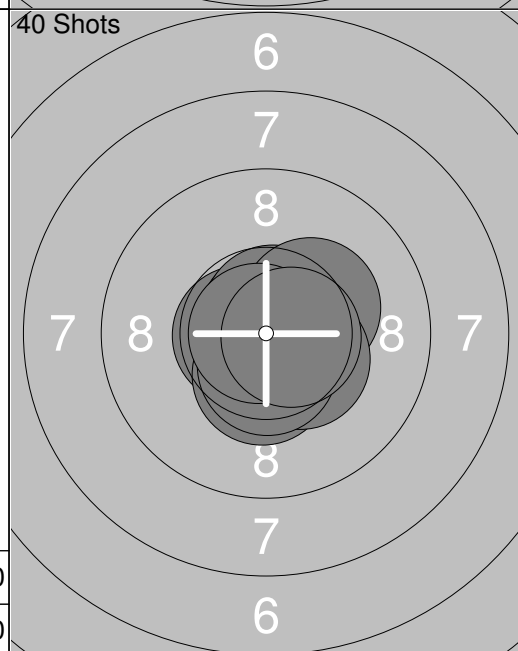
1:	10.6x	←
2:	10.8x	→
3:	10.5x	↑
4:	10.7x	↑
5:	10.5x	→
6:	10.9x	←
7:	10.3x	←
8:	10.8x	←
9:	10.5x	↓
10:	10.0	↗
Series		105.6
Total		0.0



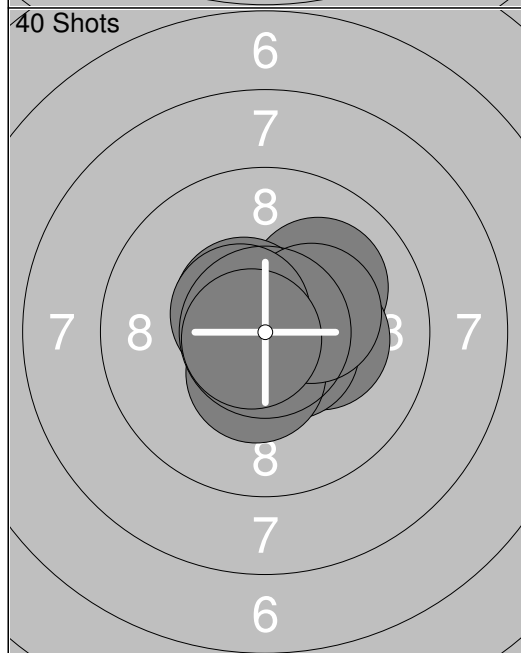
11:	10.1	↘
12:	10.2x	→
13:	10.4x	←
14:	10.2x	→
15:	10.6x	↗
16:	10.7x	↗
17:	10.0	↖
18:	10.5x	↓
19:	10.6x	↘
Series		93.3
Total		0.0



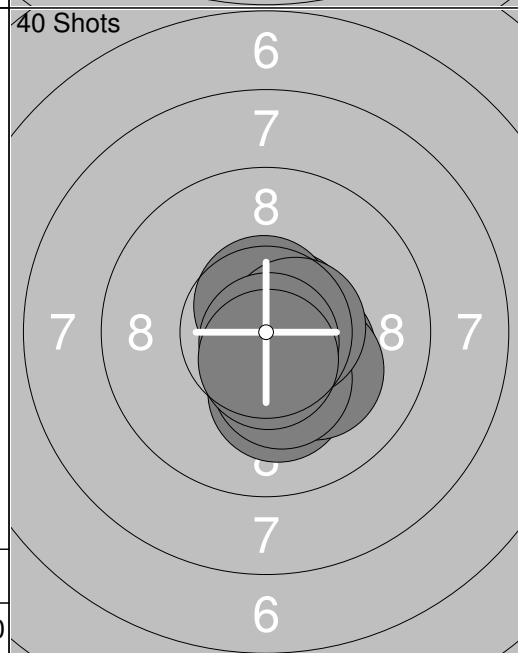
1:	10.4x	↓
2:	10.4x	↗
3:	10.1	→
4:	10.4x	→
5:	10.2x	↘
6:	10.0	↓
7:	10.4x	↘
8:	10.5x	↑
9:	10.2x	↓
10:	10.4x	→
Series		103.0
Total		103.0



11:	10.6x	←
12:	10.8x	↑
13:	10.8x	→
14:	10.4x	↓
15:	10.7x	↗
16:	10.3x	↗
17:	10.4x	↘
18:	10.5x	↓
19:	10.8x	←
20:	10.6x	→
Series		105.9
Total		208.9

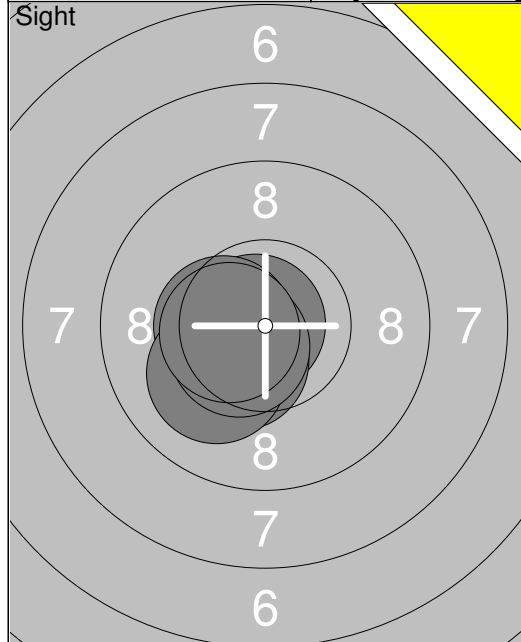


21:	10.1	↗
22:	10.3x	→
23:	10.8x	←
24:	10.7x	↗
25:	10.5x	↖
26:	10.6x	↘
27:	10.4x	↓
28:	10.3x	→
29:	10.6x	↖
30:	10.8x	←
Series		105.1
Total		314.0

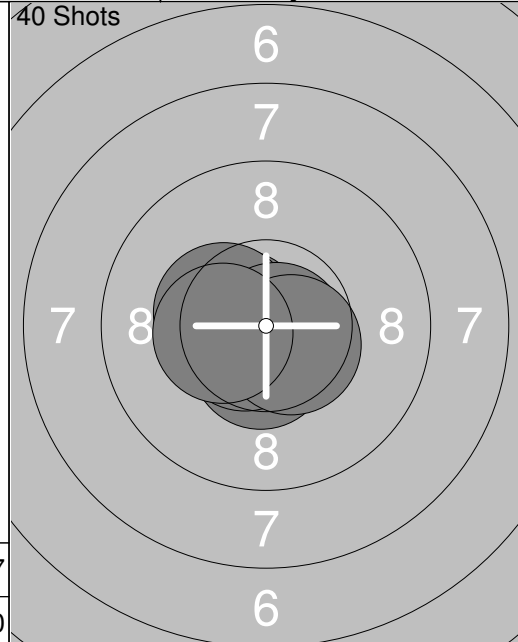


31:	10.7x	→
32:	10.7x	↗
33:	10.6x	↑
34:	10.2x	↓
35:	10.4x	↘
36:	10.2x	↘
37:	10.3x	↓
38:	10.6x	→
39:	10.8x	↓
40:	10.6x	↓
Series		105.1
Total		419.1

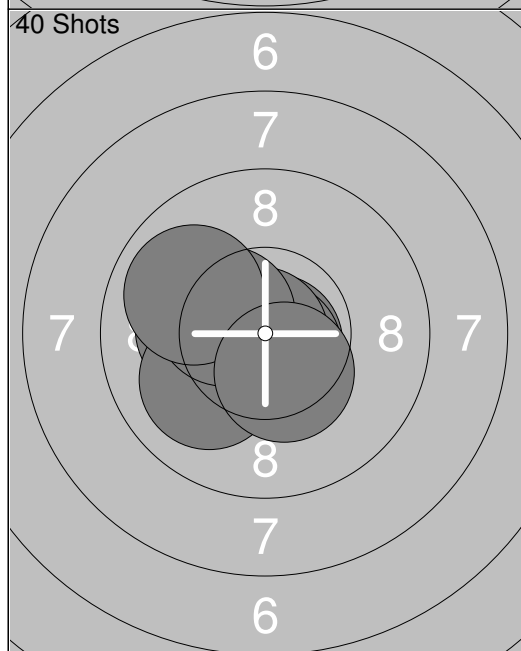




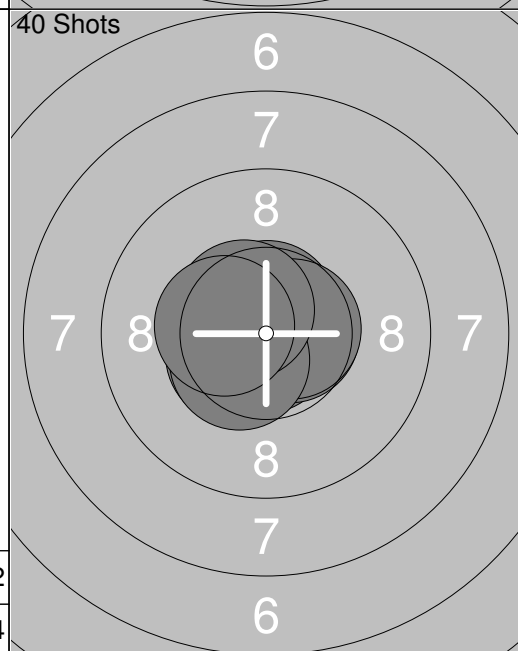
1:	10.8x ←
2:	10.4x ←
3:	10.4x ↙
4:	10.1 ↘
5:	10.5x ↙
6:	10.5x ←
<b>Series 62.7</b>	
<b>Total 0.0</b>	



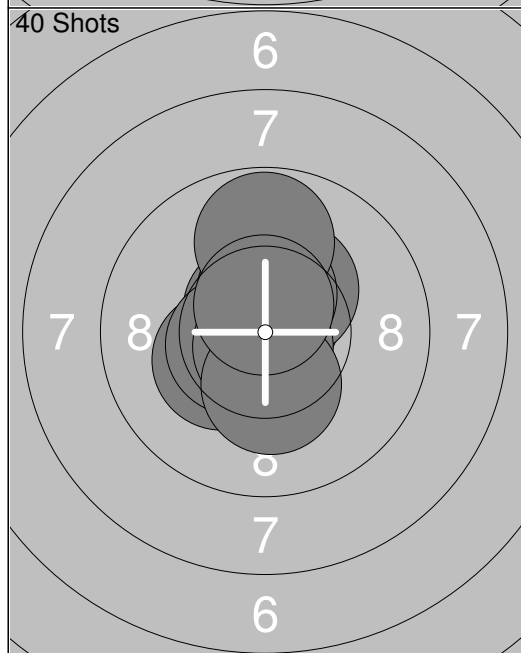
1:	10.4x ←
2:	10.5x ←
3:	10.6x ←
4:	10.4x ←
5:	10.5x ↓
6:	10.4x ←
7:	10.6x ↙
8:	10.8x →
9:	10.6x →
10:	10.4x ←
<b>Series 105.2</b>	
<b>Total 105.2</b>	



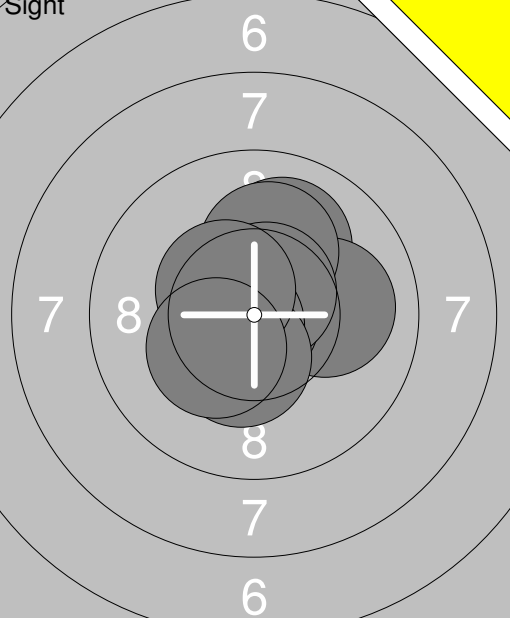
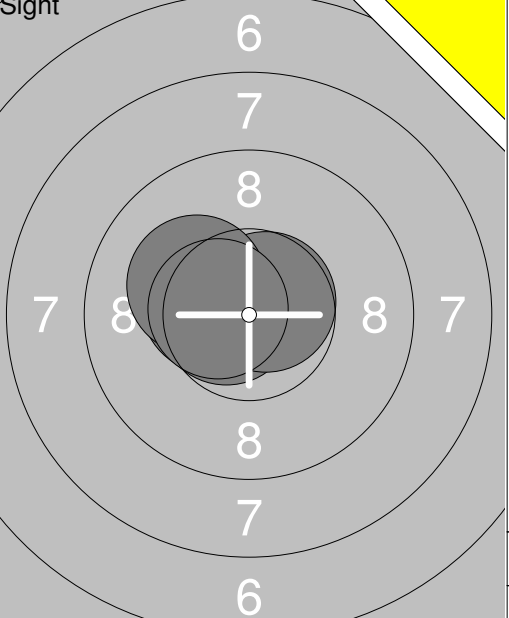
11:	10.3x ←
12:	10.6x ←
13:	10.8x ↓
14:	10.7x ↓
15:	10.2x ←
16:	10.9x ↙
17:	10.0 ↘
18:	10.4x ←
19:	9.9 ↖
20:	10.4x ↓
<b>Series 104.2</b>	
<b>Total 209.4</b>	

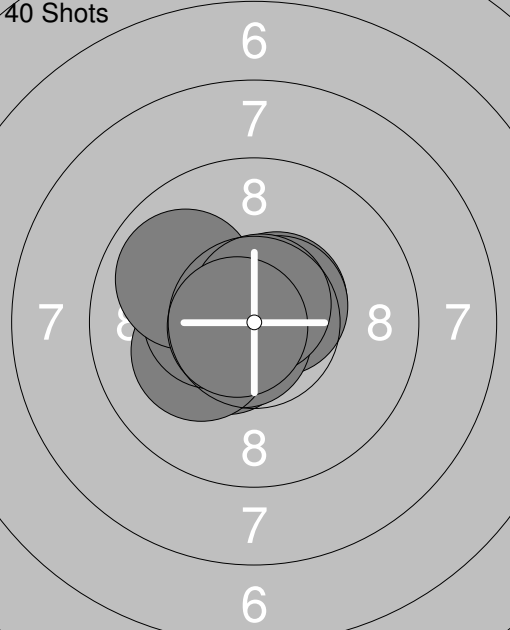
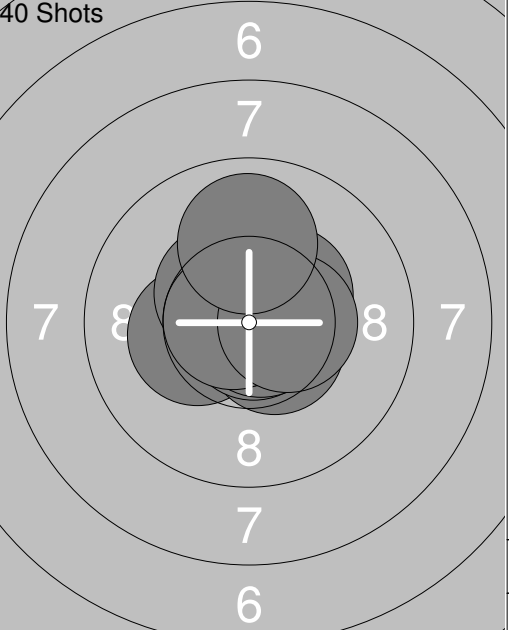


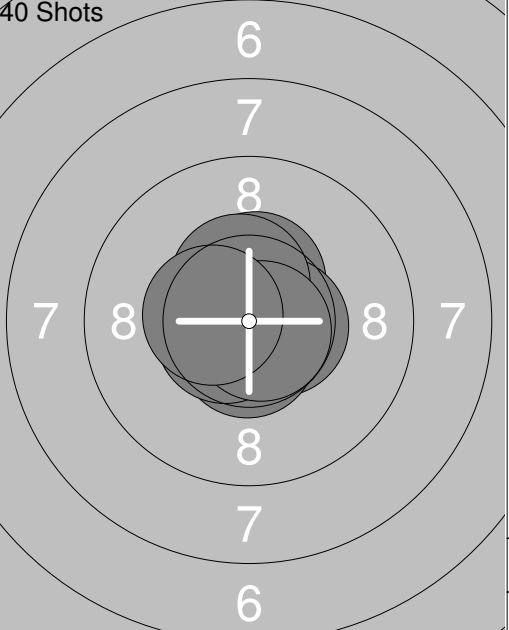
21:	10.4x ←
22:	10.8x ↓
23:	10.5x ↙
24:	10.6x →
25:	10.8x ←
26:	10.7x ↑
27:	10.6x →
28:	10.5x ↙
29:	10.5x ↖
30:	10.4x ←
<b>Series 105.8</b>	
<b>Total 315.2</b>	

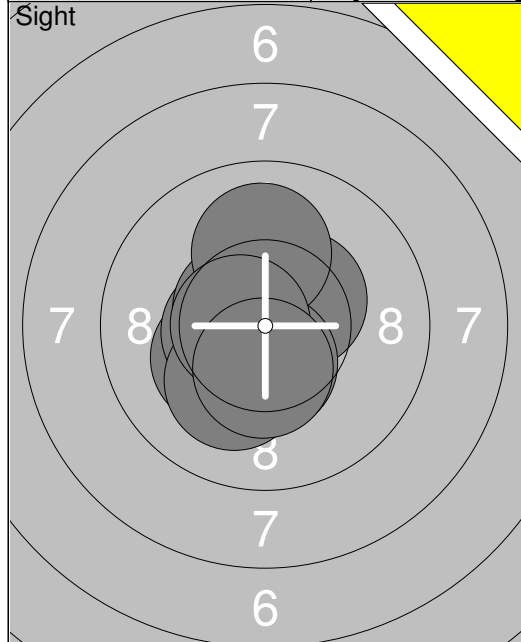


31:	10.6x ↖
32:	10.3x ↙
33:	10.5x ↙
34:	10.7x ↑
35:	10.3x ↗
36:	10.5x ↑
37:	10.8x ↓
38:	10.3x ↓
39:	9.8 ↑
40:	10.6x ↑
<b>Series 104.4</b>	
<b>Total 419.6</b>	

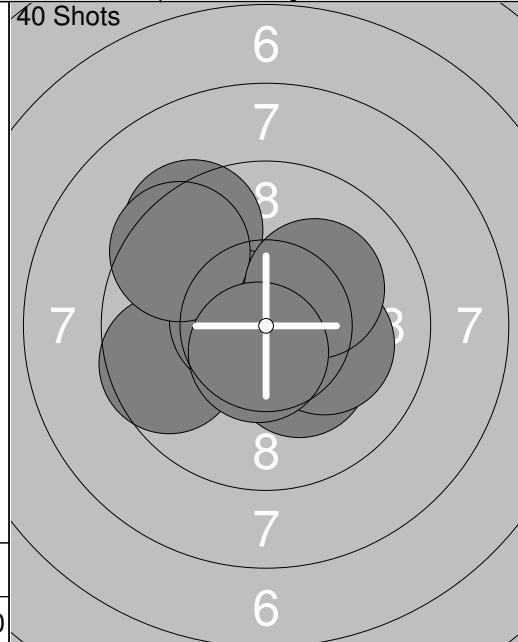
<p>Sight</p> 	<p>1: 10.0 ↗ 2: 10.3x → 3: 10.0 → 4: 10.9x ↙ 5: 10.1 ↑ 6: 10.6x ↗ 7: 10.7x ↙ 8: 10.4x ↓ 9: 10.5x ↘ 10: 10.3x ↙</p> <p>Series 103.8 Total 0.0</p>	<p>Sight</p> 	<p>11: 10.7x ← 12: 10.4x ↙ 13: 10.7x ↗ 14: 10.2x ↙ 15: 10.6x ←</p> <p>Series 52.6 Total 0.0</p>
---	--	---	---

<p>40 Shots</p> 	<p>1: 10.7x ← 2: 10.6x ↗ 3: 10.6x ↗ 4: 10.5x ↙ 5: 10.7x ↙ 6: 10.2x ↙ 7: 10.4x ← 8: 9.9 ↘ 9: 10.7x ↑ 10: 10.7x ←</p> <p>Series 105.0 Total 105.0</p>	<p>40 Shots</p> 	<p>11: 10.3x ← 12: 10.5x ↘ 13: 10.8x ↘ 14: 10.8x → 15: 10.4x ↗ 16: 10.5x ↘ 17: 10.9x ↑ 18: 10.7x ← 19: 10.5x → 20: 9.9 ↑</p> <p>Series 105.3 Total 210.3</p>
---	---	---	--

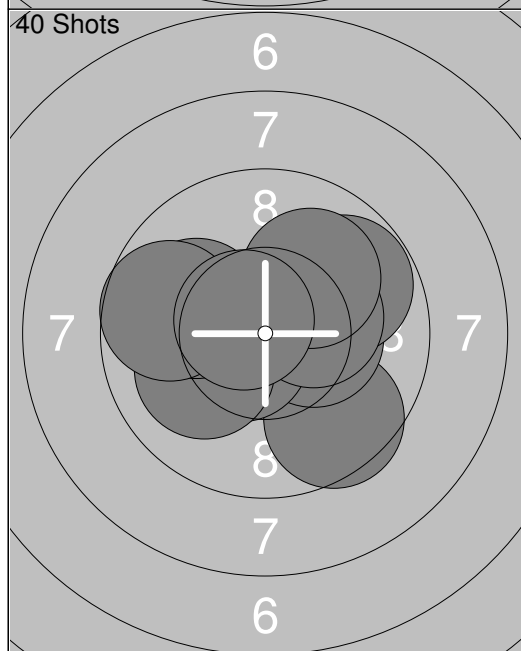
<p>40 Shots</p> 	<p>21: 10.5x ↑ 22: 10.5x ↗ 23: 10.4x ↓ 24: 10.8x ↑ 25: 10.5x ↓ 26: 10.6x ↘ 27: 10.8x ↘ 28: 10.5x ↓ 29: 10.8x ↑ 30: 10.5x ↙</p> <p>Series 105.9 Total 316.2</p>	<p>40 Shots</p> 	<p>31: 10.4x ↑ 32: 10.6x → 33: 10.6x ↓ 34: 10.6x ↙ 35: 10.7x ↙ 36: 10.8x ↙ 37: 10.7x ↘ 38: 10.5x ↑ 39: 10.8x ↘ 40: 10.5x ←</p> <p>Series 106.2 Total 422.4</p>
--	--	--	--



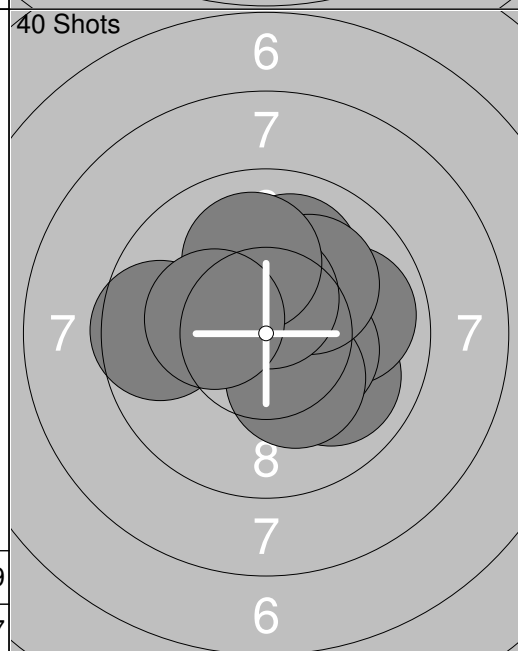
1:	10.2x ↙
2:	10.5x ←
3:	10.6x ↙
4:	10.8x ↙
5:	10.4x ↗
6:	10.0 ↑
7:	10.5x ↓
8:	10.1 ↓
9:	10.6x ←
10:	10.4x ↓
Series	104.1
Total	0.0



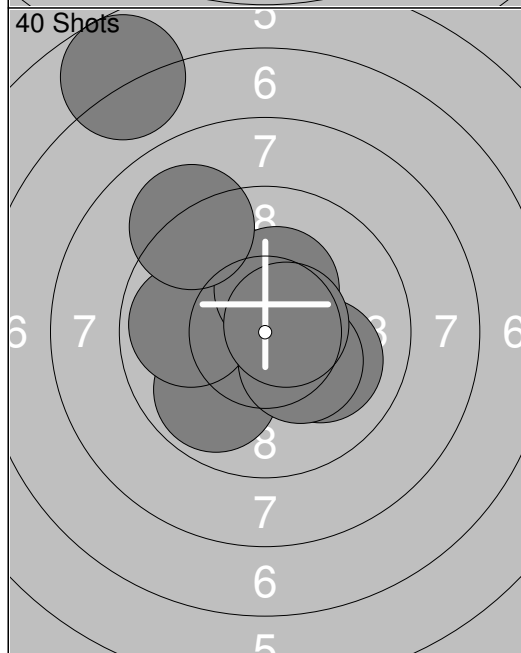
1:	9.4 ↖
2:	10.3x ↘
3:	10.6x ↙
4:	9.6 ←
5:	10.8x ←
6:	10.2x →
7:	10.6x ←
8:	9.5 ↖
9:	10.2x ↗
10:	10.6x ↓
Series	101.8
Total	101.8



11:	9.6 ↓
12:	10.3x →
13:	9.8 ↗
14:	10.6x ↙
15:	10.3x →
16:	10.0 ↗
17:	10.0 ←
18:	10.0 ←
19:	9.7 ←
20:	10.6x ↙
Series	100.9
Total	202.7

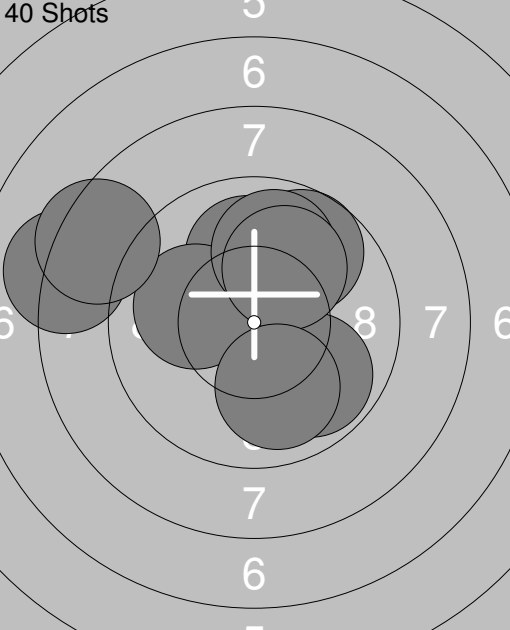
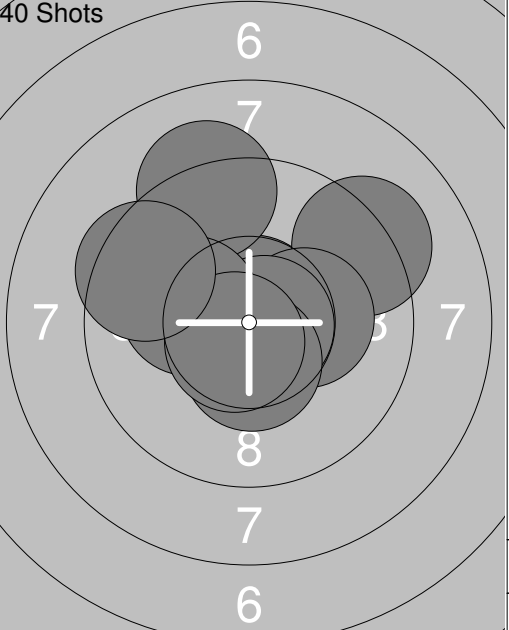


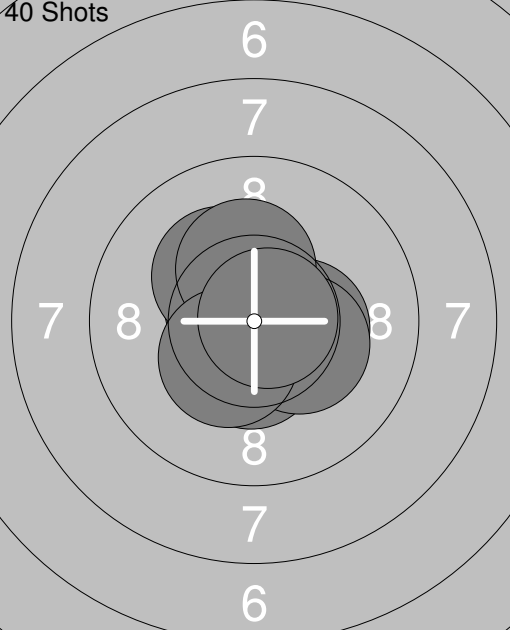
21:	9.6 ←
22:	10.0 ↘
23:	9.9 →
24:	10.0 ↑
25:	10.4x →
26:	10.3x ↘
27:	10.1 ↗
28:	10.5x ↑
29:	10.0 ↑
30:	10.3x ←
Series	101.1
Total	303.8

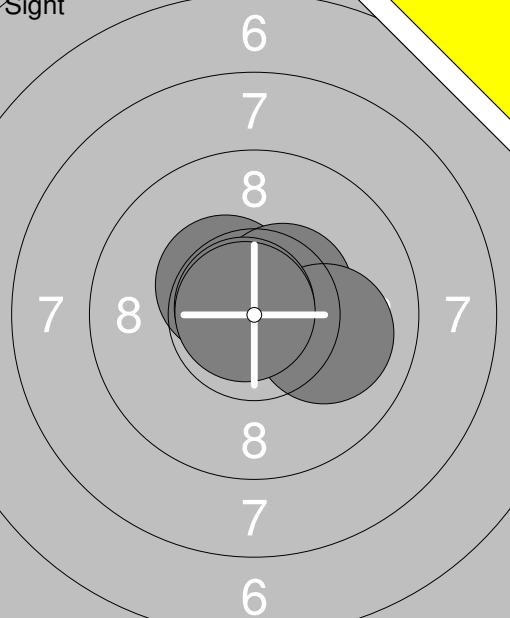
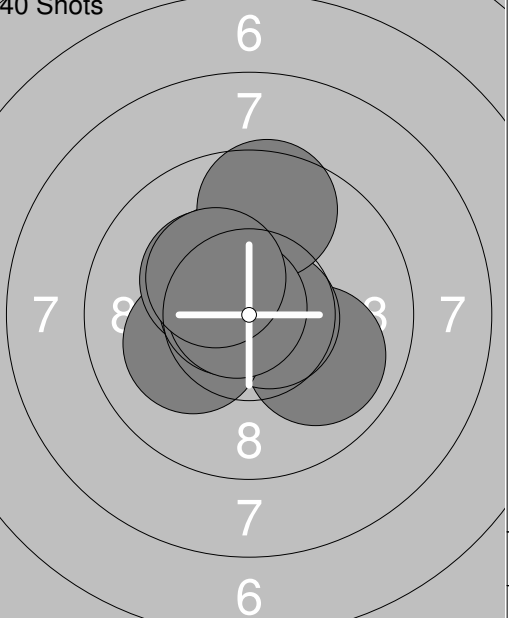


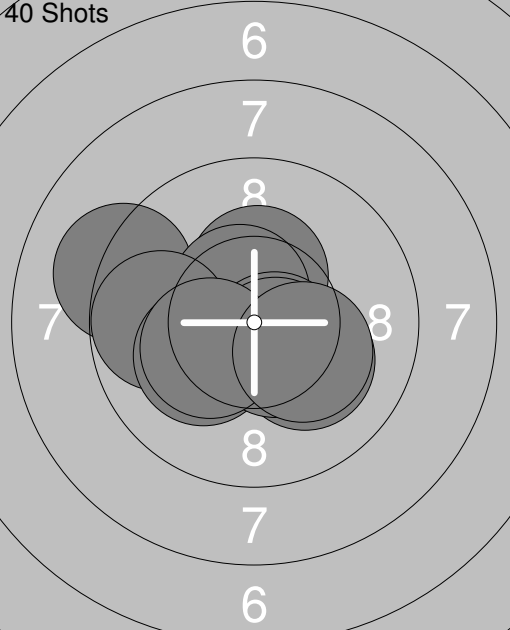
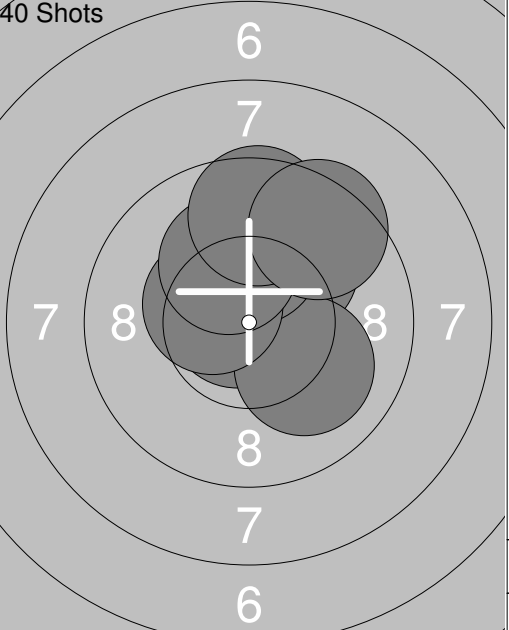
31:	10.3x ↖
32:	10.3x ↘
33:	9.9 ↙
34:	9.9 ←
35:	10.1 →
36:	10.3x ↘
37:	10.3x ↑
38:	9.1 ↖
39:	10.6x →
40:	6.7 ↖
Series	97.5
Total	401.3

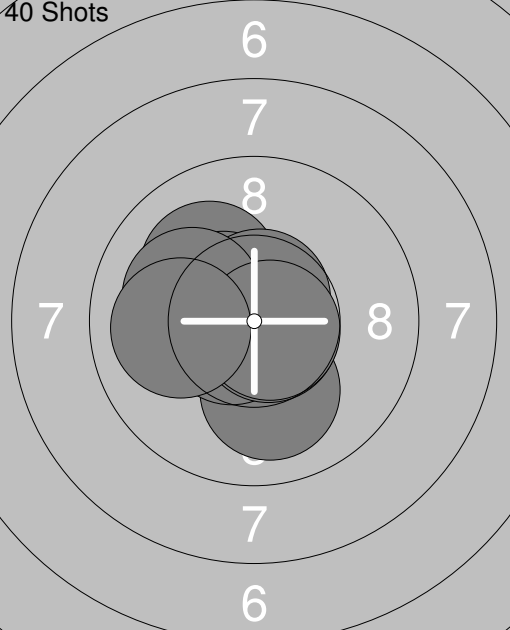
 <p style="text-align: center;">Sight</p>	<p>40 Shots</p> 	
<p>1: 10.2x ↙ 2: 9.7 ↖ 3: 9.8 → 4: 10.6x ↗ 5: 9.5 ↘ 6: 10.1 ← 7: 9.7 ↓ 8: 9.0 ↘ 9: 9.8 ↙ 10: 10.6x →</p>	<p>1: 9.8 ↘ 2: 10.7x → 3: 9.6 ↓ 4: 9.2 ← 5: 9.7 ↙ 6: 10.5x → 7: 9.7 → 8: 8.5 → 9: 10.5x ↑ 10: 10.1 ↗</p>	
Series 99.0	Series 98.3	
Total 0.0	Total 98.3	

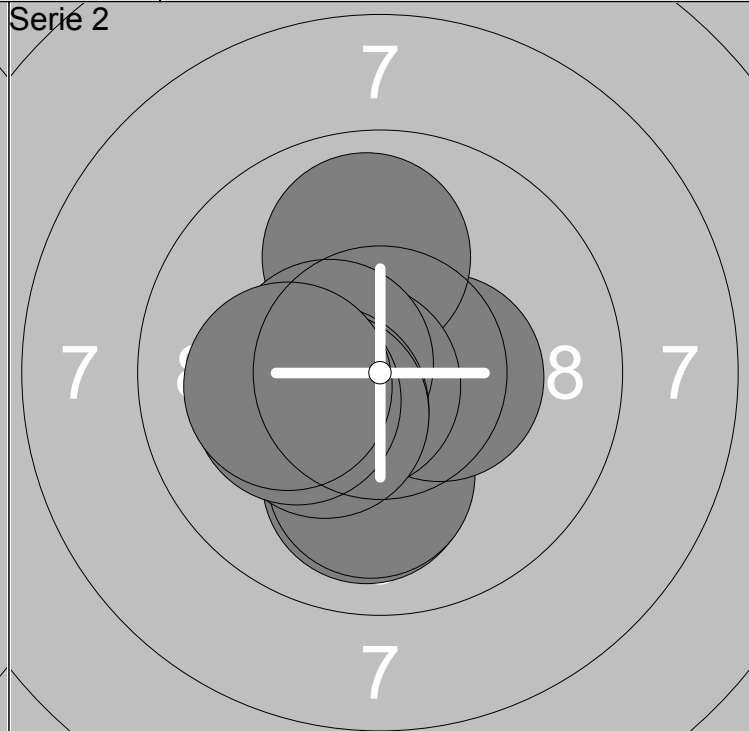
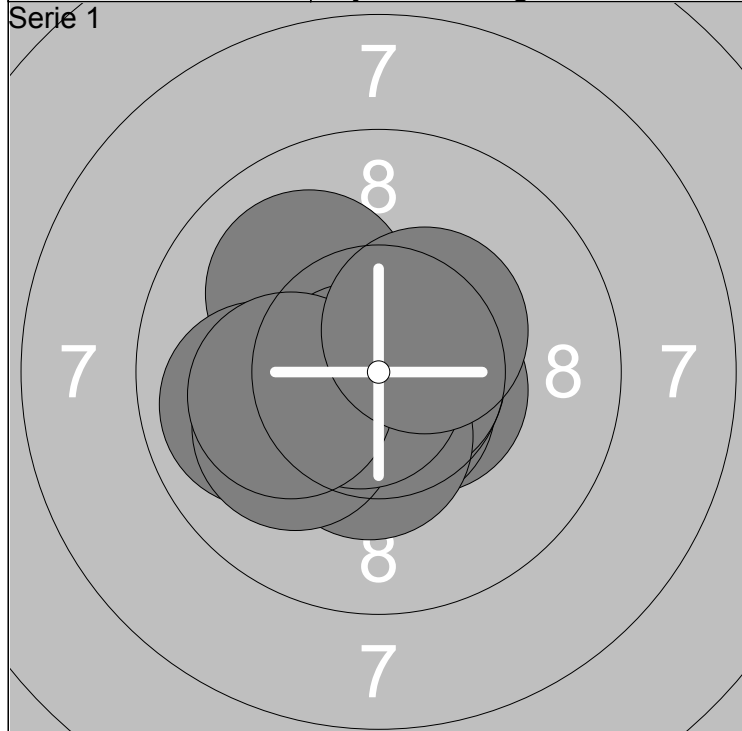
<p>40 Shots</p> 	<p>40 Shots</p> 	
<p>11: 10.0 ↑ 12: 8.2 ← 13: 9.7 ↗ 14: 10.4x ↑ 15: 10.1 ← 16: 8.4 ↖ 17: 9.9 ↘ 18: 9.9 ↑ 19: 10.1 ↗ 20: 10.0 ↓</p>	<p>21: 10.7x ↑ 22: 10.7x ↓ 23: 9.2 ↗ 24: 10.2x → 25: 9.2 ↑ 26: 10.8x → 27: 10.5x ↓ 28: 10.2x ← 29: 10.6x ↙ 30: 9.5 ↖</p>	
Series 96.7	Series 101.6	
Total 195.0	Total 296.6	

<p>40 Shots</p> 		
<p>31: 10.6x ↖ 32: 10.6x ↓ 33: 10.2x ↗ 34: 10.5x ↓ 35: 10.4x → 36: 10.8x ↓ 37: 10.3x ↑ 38: 10.3x → 39: 10.4x ↙ 40: 10.8x →</p>		
Series 104.9		
Total 401.5		

<p><b>Sight</b></p> 	<p>1: 10.4x ↖</p> <p>2: 10.5x ↗</p> <p>3: 10.0 →</p> <p>4: 10.8x ↖</p> <p>5: 10.8x ↙</p>	<p><b>40 Shots</b></p> 		<p>1: 9.9 →</p> <p>2: 10.7x →</p> <p>3: 10.5x ↙</p> <p>4: 10.3x ↖</p> <p>5: 9.6 ↑</p> <p>6: 10.2x ↙</p> <p>7: 10.3x ↖</p> <p>8: 10.7x ↙</p> <p>9: 10.8x ↙</p> <p>10: 10.3x ↖</p>
Series 52.5				Series 103.3
Total 0.0				Total 103.3

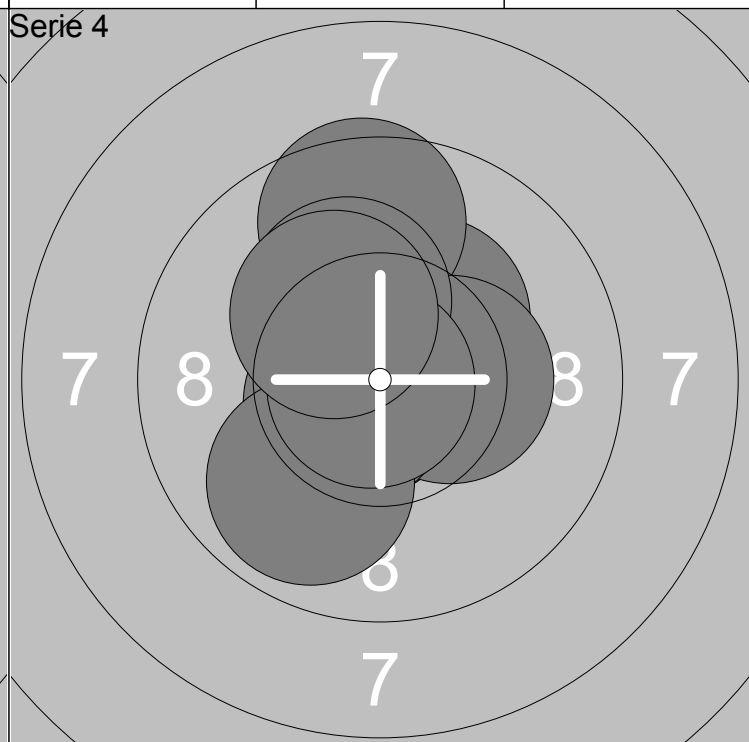
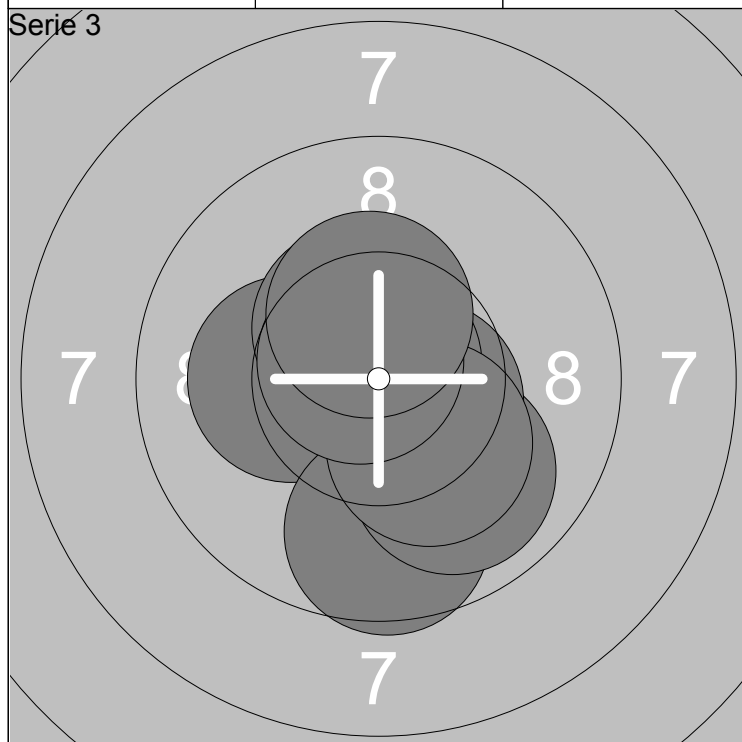
<p><b>40 Shots</b></p> 	<p>11: 9.2 ↙</p> <p>12: 10.4x ↑</p> <p>13: 10.6x ↖</p> <p>14: 10.1 →</p> <p>15: 10.6x ↘</p> <p>16: 9.8 ←</p> <p>17: 10.2x ↙</p> <p>18: 10.5x ↘</p> <p>19: 10.3x ↙</p> <p>20: 10.2x ↘</p>	<p><b>40 Shots</b></p> 		<p>21: 10.2x ↑</p> <p>22: 10.5x ↑</p> <p>23: 10.1 ↗</p> <p>24: 10.8x ↙</p> <p>25: 10.1 ↘</p> <p>26: 10.1 ↑</p> <p>27: 10.4x ↙</p> <p>28: 10.2x ↖</p> <p>29: 9.6 ↑</p> <p>30: 9.5 ↗</p>
Series 101.9				Series 101.5
Total 205.2				Total 306.7

<p><b>40 Shots</b></p> 	<p>31: 10.0 ↓</p> <p>32: 10.8x ↗</p> <p>33: 10.6x ↙</p> <p>34: 10.1 ↖</p> <p>35: 10.7x ↘</p> <p>36: 10.5x ↙</p> <p>37: 10.7x ↑</p> <p>38: 10.1 ↙</p> <p>39: 10.7x ↘</p> <p>40: 10.0 ←</p>			
Series 104.2				
Total 410.9				



1: 10.0 ↗	6: 10.4x ↓	Series 103.6
2: 9.9 ←	7: 10.1 ↙	
3: 10.5x →	8: 10.8x ↙	Total 103.6
4: 10.6x ↓	9: 10.2x ←	
5: 10.7x →	10: 10.4x ↗	

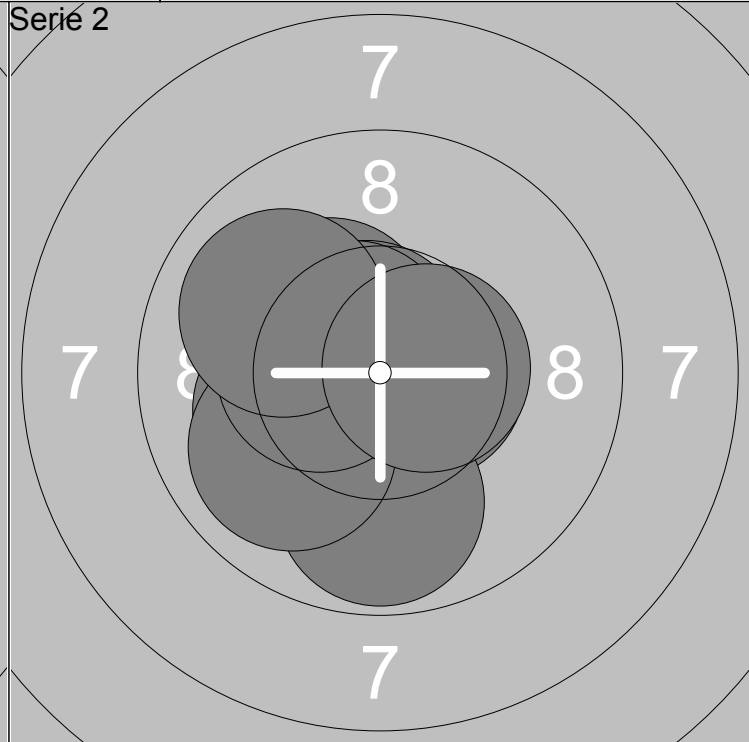
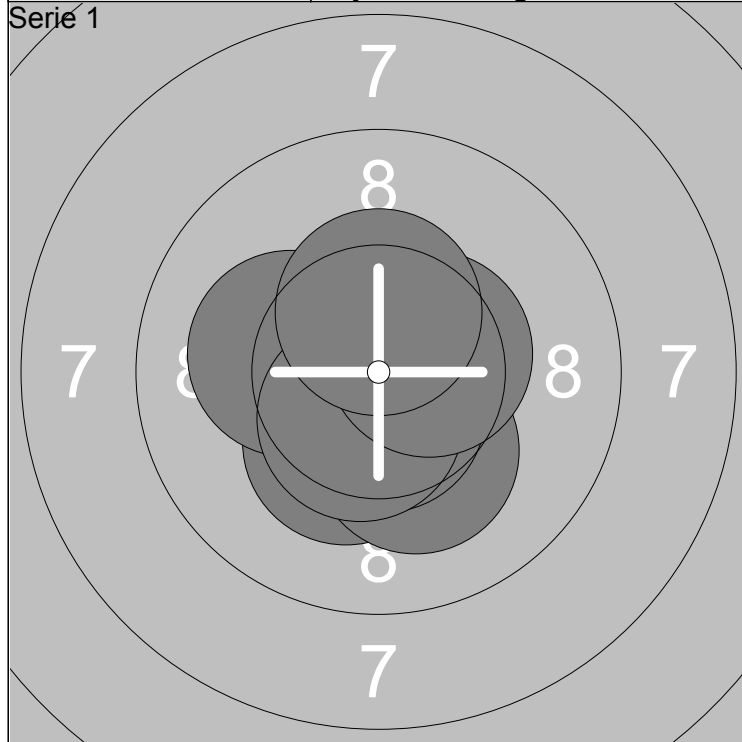
11: 10.0 ↓	16: 10.5x ←	Series 102.6
12: 10.1 ↓	17: 10.4x ↙	
13: 10.4x →	18: 10.3x ↙	Total 206.2
14: 9.9 ↑	19: 10.2x ←	
15: 10.7x ↙	20: 10.1 ←	



21: 10.9x →	26: 10.5x ↗	Series 103.7
22: 10.2x ←	27: 10.8x ↑	
23: 9.6 ↓	28: 10.2x ↘	Total 309.9
24: 9.9 ↓	29: 10.7x ↗	
25: 10.5x ↘	30: 10.4x ↑	

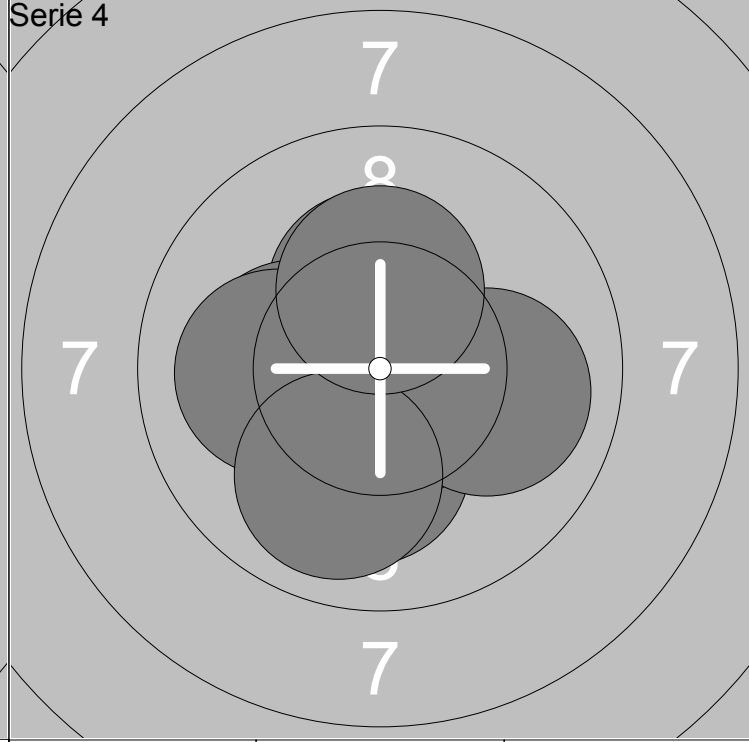
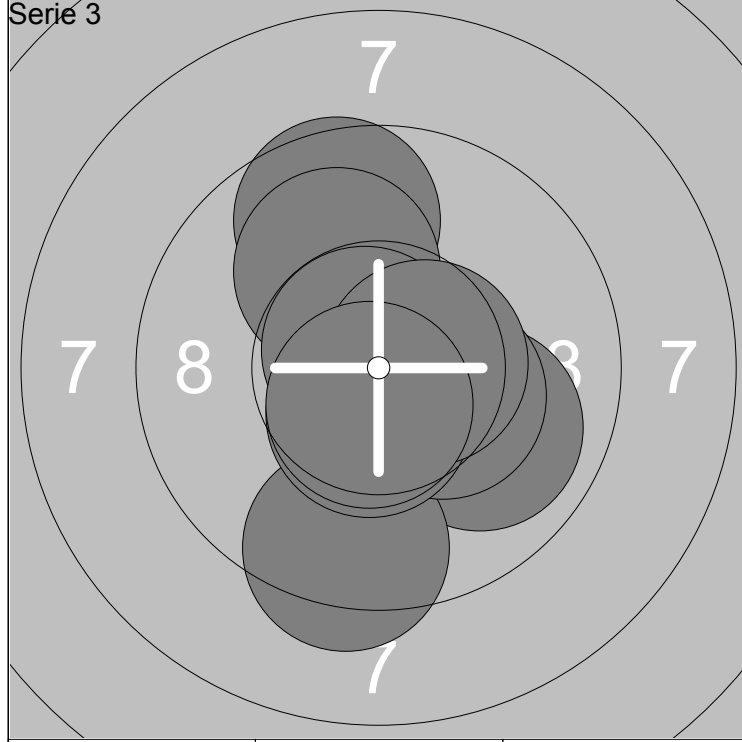
31: 10.7x ↙	36: 10.6x ↙	Series 103.2
32: 10.5x ↙	37: 9.9 ↓	
33: 10.3x ↗	38: 10.2x ↗	Total 413.1
34: 9.6 ↑	39: 10.8x ←	
35: 10.3x →	40: 10.3x ↙	





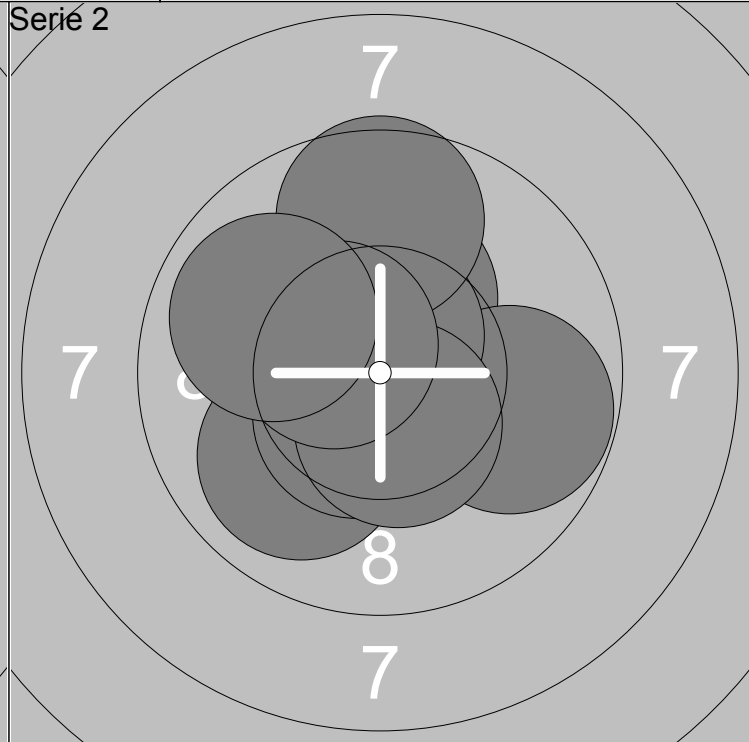
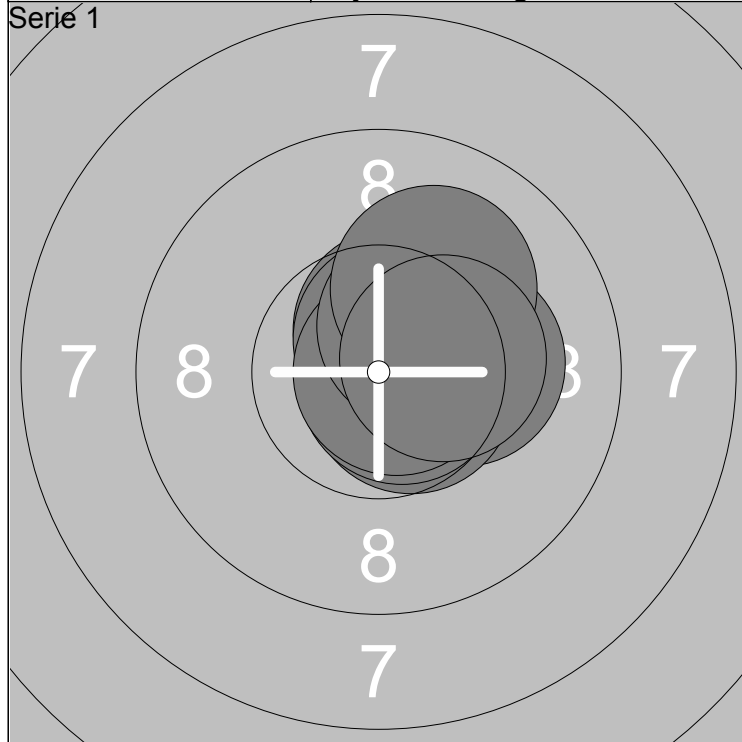
1: 10.8x ↘	6: 10.2x ←	Series	104.7
2: 10.3x ↘	7: 10.6x ↓		
3: 10.7x ↙	8: 10.5x ↓	Total	104.7
4: 10.2x ↓	9: 10.5x →		
5: 10.5x ↗	10: 10.4x ↑		

11: 10.2x ←	16: 9.9 ↙	Series	103.1
12: 10.6x →	17: 10.6x ↗		
13: 10.4x ↖	18: 10.4x ←	Total	207.8
14: 9.8 ↓	19: 10.0 ↖		
15: 10.7x ↗	20: 10.5x →		



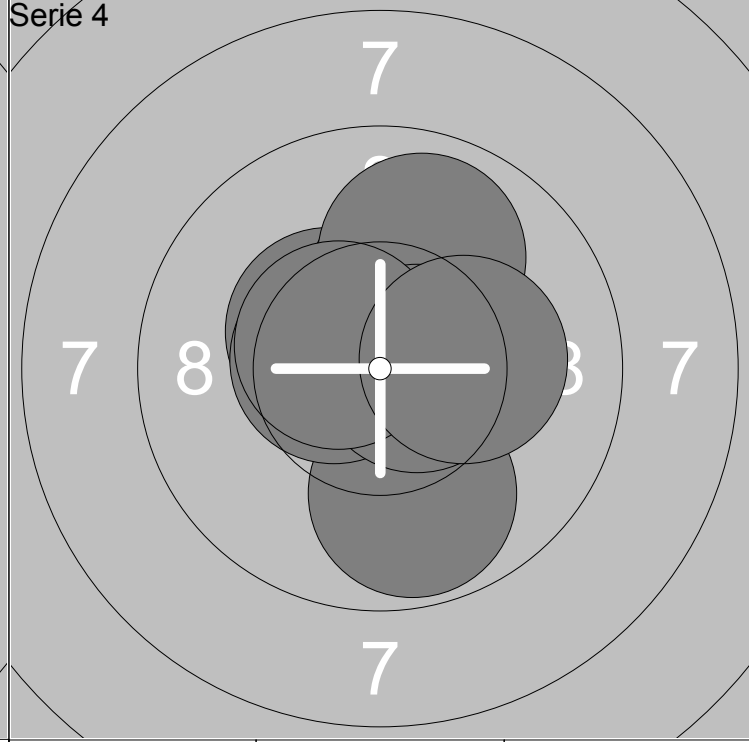
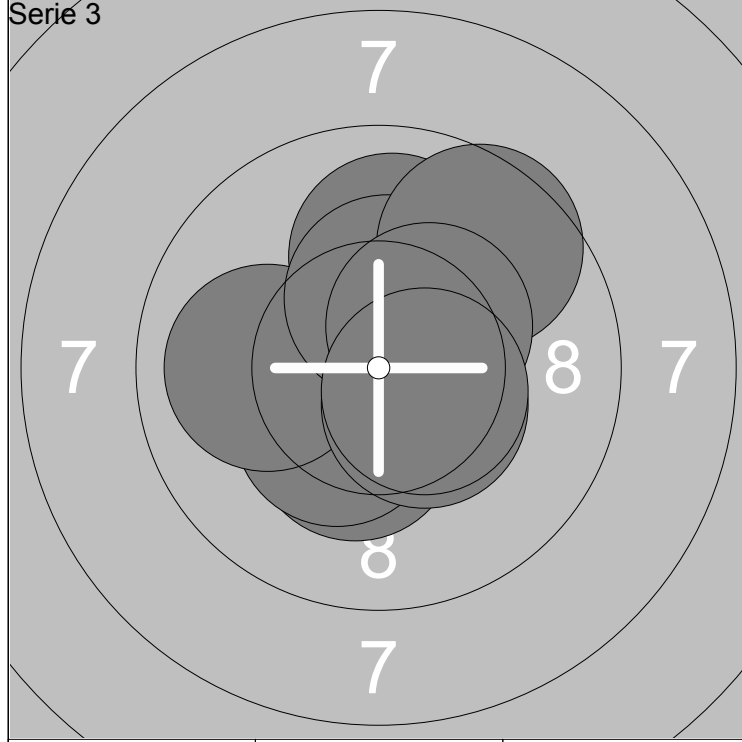
21: 10.4x ↘	26: 9.4 ↓	Series	102.0
22: 9.9 ↘	27: 10.3x →		
23: 9.6 ↗	28: 10.5x ↓	Total	309.8
24: 10.1 ↗	29: 10.5x →		
25: 10.7x ↗	30: 10.6x ↓		

31: 10.1 ↓	36: 10.2x ←	Series	103.2
32: 10.7x ↓	37: 10.0 →		
33: 10.8x ↓	38: 10.1 ←	Total	413.0
34: 10.7x ↙	39: 10.0 ↓		
35: 10.3x ↑	40: 10.3x ↑		



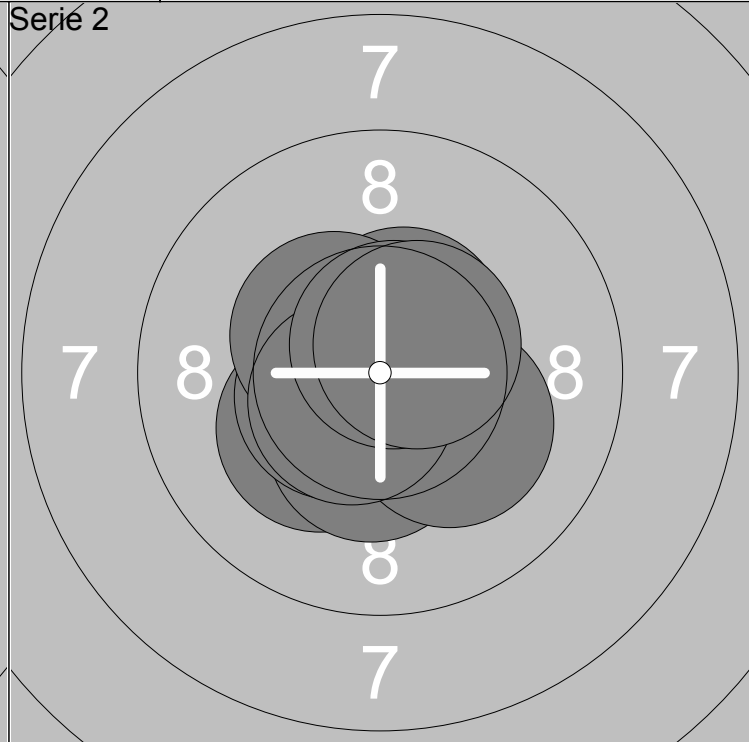
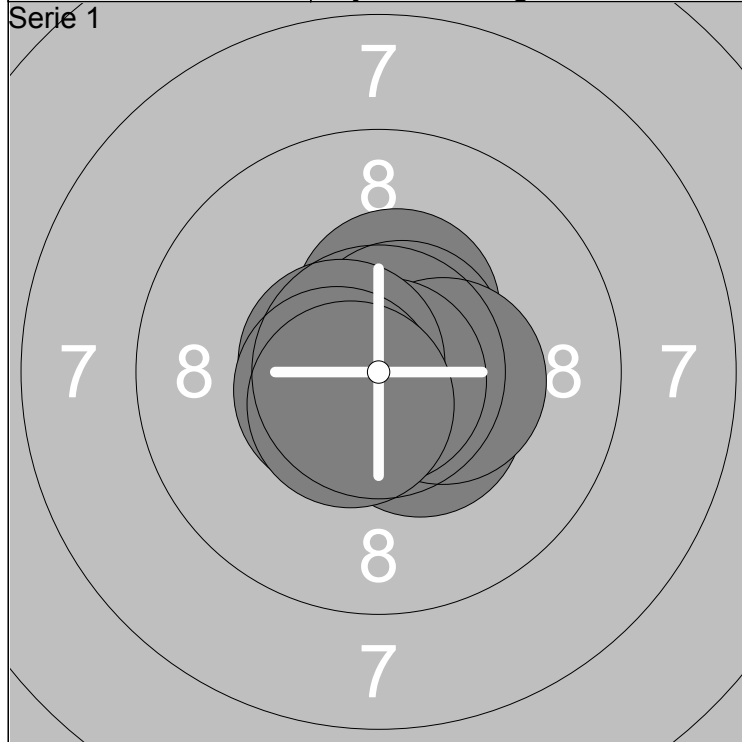
1: 10.5x ↗	6: 10.7x ➡	<b>Series</b> 104.8
2: 10.5x ↗	7: 10.8x ➡	
3: 10.2x ➡	8: 10.4x ↗	<b>Total</b> 104.8
4: 10.6x ↗	9: 10.1 ↗	
5: 10.6x ➡	10: 10.4x ➡	

11: 10.3x ↑	16: 10.6x ↑	<b>Series</b> 102.1
12: 10.0 ↙	17: 9.6 ↑	
13: 10.4x ↖	18: 10.5x ↓	<b>Total</b> 206.9
14: 10.5x ↓	19: 10.5x ↖	
15: 9.8 ➡	20: 9.9 ↖	



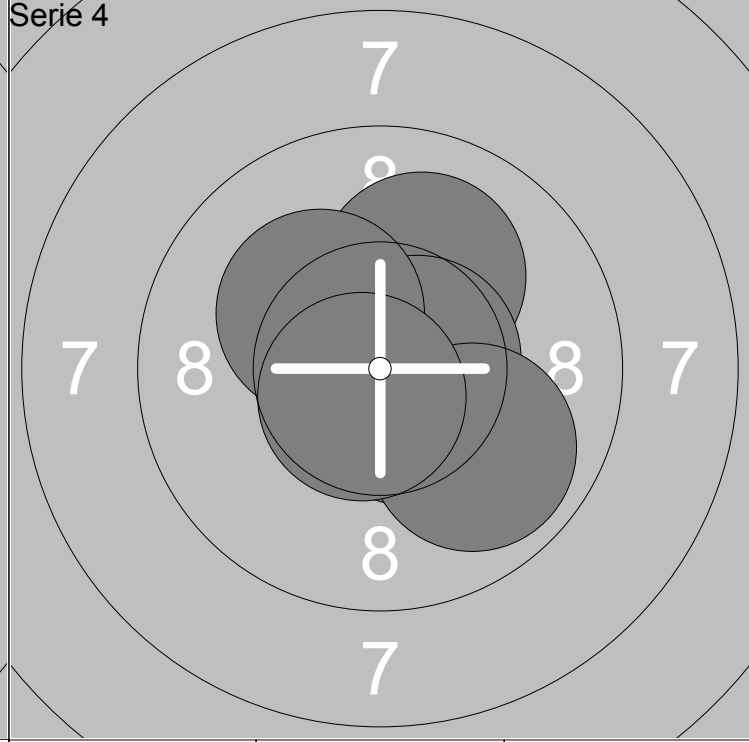
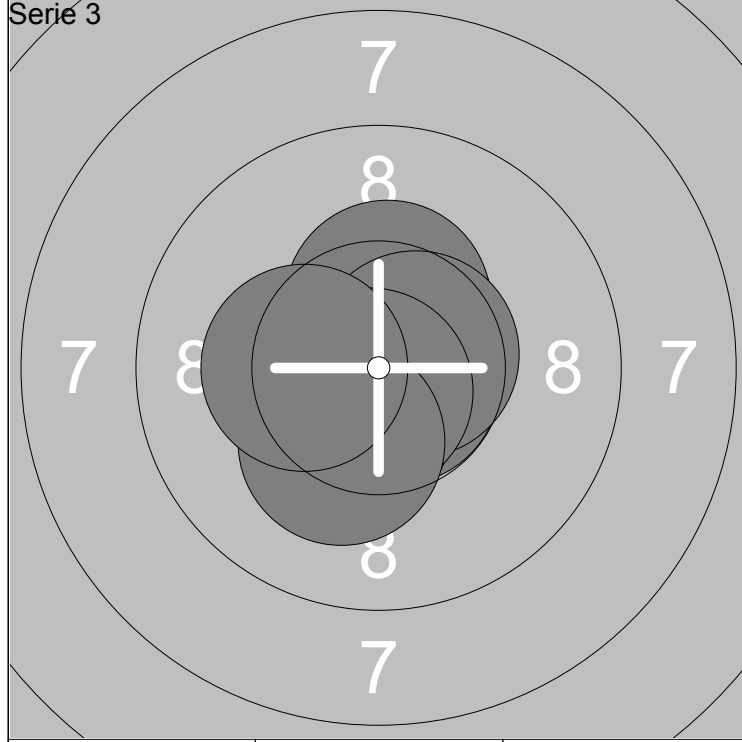
21: 10.4x ↓	26: 10.4x ↑	<b>Series</b> 102.3
22: 10.3x ↓	27: 9.6 ↗	
23: 10.0 ↑	28: 10.4x ↗	<b>Total</b> 309.2
24: 10.3x ↓	29: 10.4x ➡	
25: 10.0 ←	30: 10.5x ➡	

31: 10.4x ↖	36: 10.5x ←	<b>Series</b> 103.4
32: 10.3x ↗	37: 9.9 ↗	
33: 9.8 ↓	38: 10.6x ➡	<b>Total</b> 412.6
34: 10.6x ↗	39: 10.5x ↖	
35: 10.6x ↗	40: 10.2x ➡	



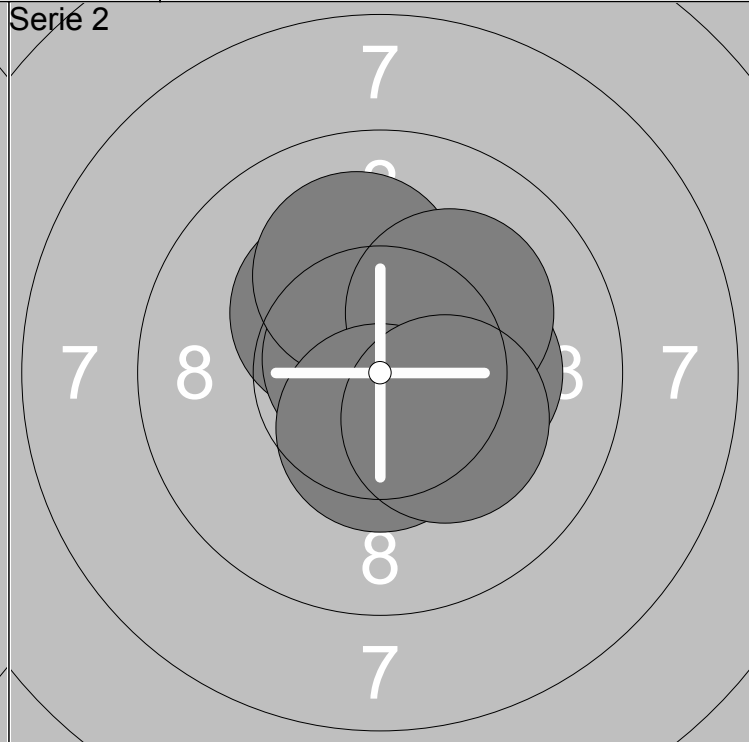
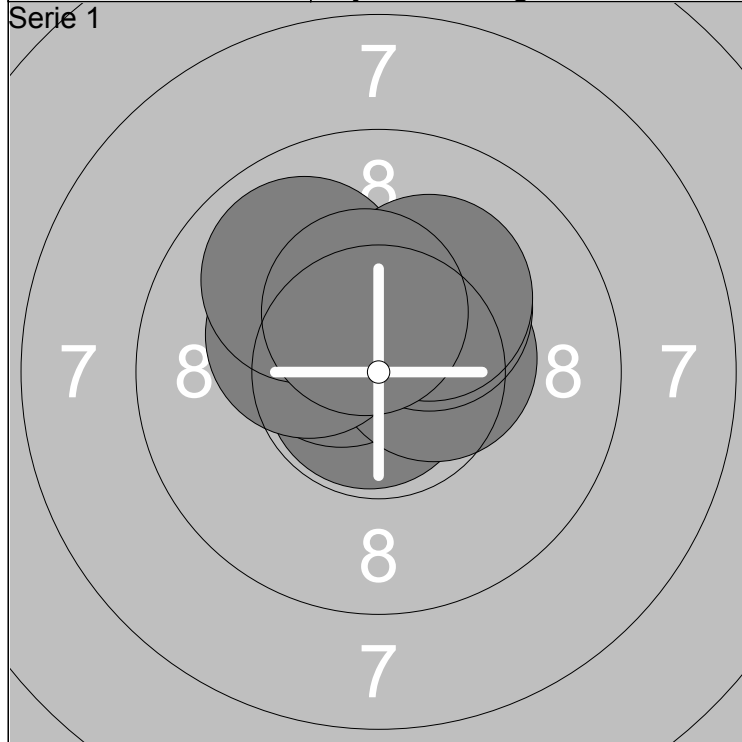
1: 10.7x ↗	6: 10.4x →	Series	105.9
2: 10.4x ↑	7: 10.9x ↓		
3: 10.7x ↘	8: 10.6x ←	Total	105.9
4: 10.6x ↗	9: 10.6x ↙		
5: 10.4x ↘	10: 10.6x ↘		

11: 10.2x ↙	16: 10.5x ↙	Series	104.6
12: 10.5x ↗	17: 10.4x ↖		
13: 10.5x ↘	18: 10.6x ↘	Total	210.5
14: 10.4x ↓	19: 10.7x ↗		
15: 10.2x ↘	20: 10.6x ↗		



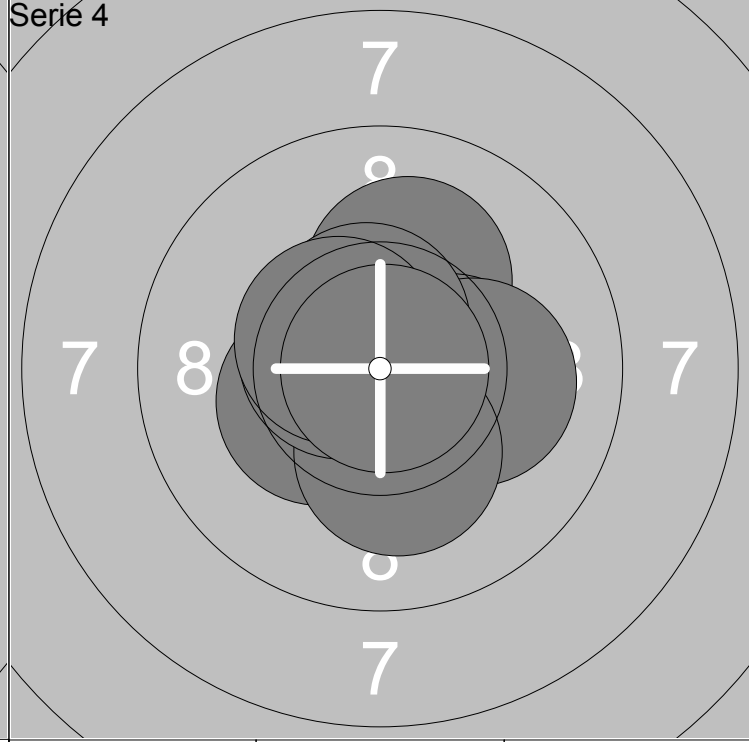
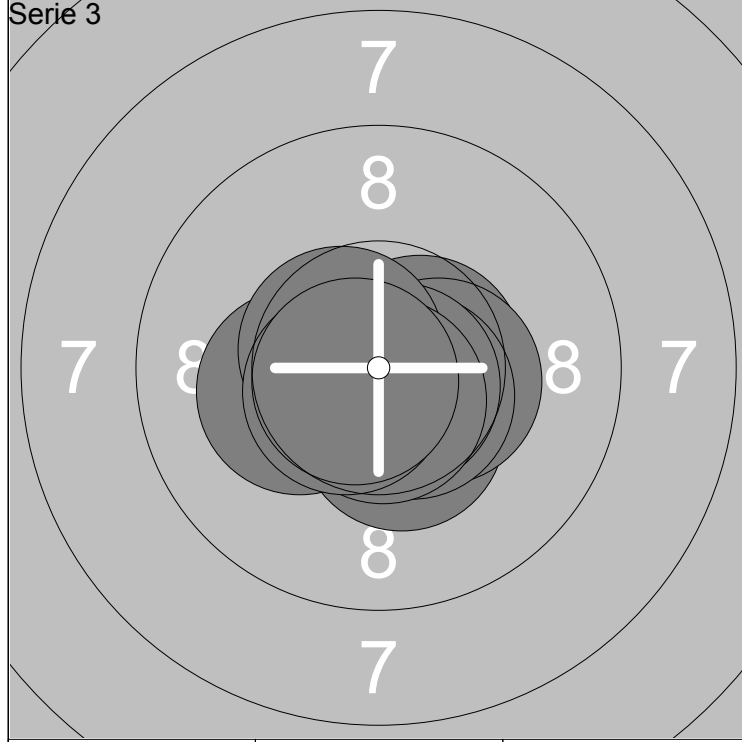
21: 10.5x ↑	26: 10.4x ↘	Series	105.5
22: 10.7x ↗	27: 10.6x →		
23: 10.8x ↑	28: 10.8x ↓	Total	316.0
24: 10.4x ↑	29: 10.2x ↘		
25: 10.8x ↘	30: 10.3x ←		

31: 10.6x ↘	36: 10.6x ↘	Series	104.8
32: 10.7x →	37: 10.6x →		
33: 10.7x →	38: 9.9 ↘	Total	420.8
34: 10.1 ↗	39: 10.2x ↖		
35: 10.7x ↘	40: 10.7x ↘		



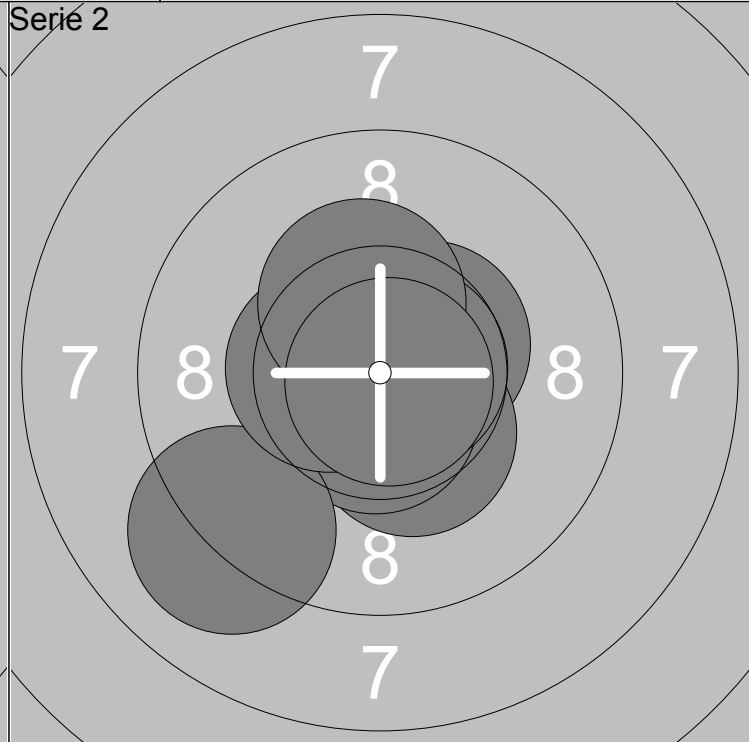
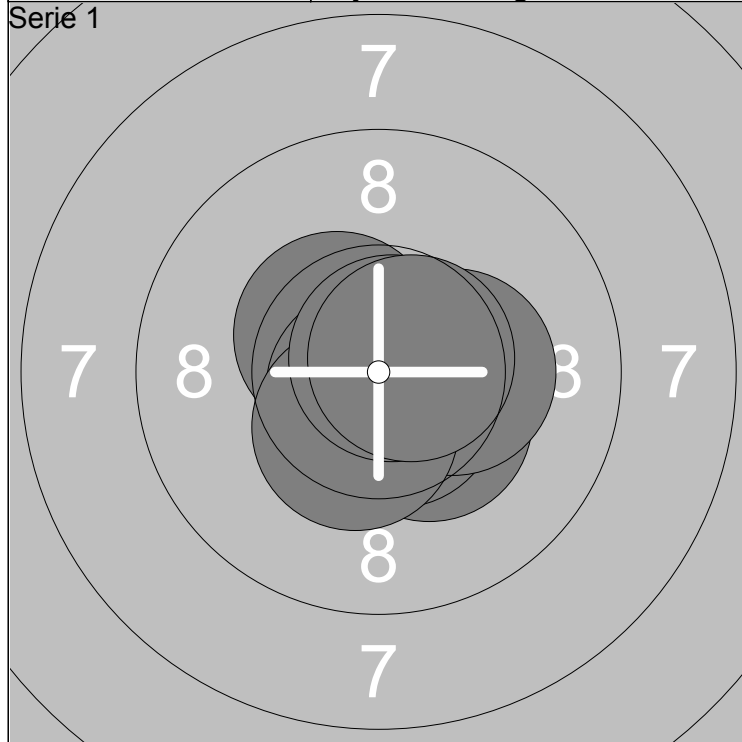
1: 10.6x ↗	6: 10.3x ↖	Series 104.2
2: 10.7x ↑	7: 9.9 ↗	
3: 10.8x ↘	8: 10.2x ↗	Total 104.2
4: 10.6x ↖	9: 10.2x ↗	
5: 10.5x →	10: 10.4x ↑	

11: 10.3x ↖	16: 10.3x →	Series 103.6
12: 10.5x ↘	17: 10.1 ↑	
13: 10.3x ↗	18: 10.1 ↗	Total 207.8
14: 10.8x ↖	19: 10.5x ↓	
15: 10.4x ↑	20: 10.3x ↘	



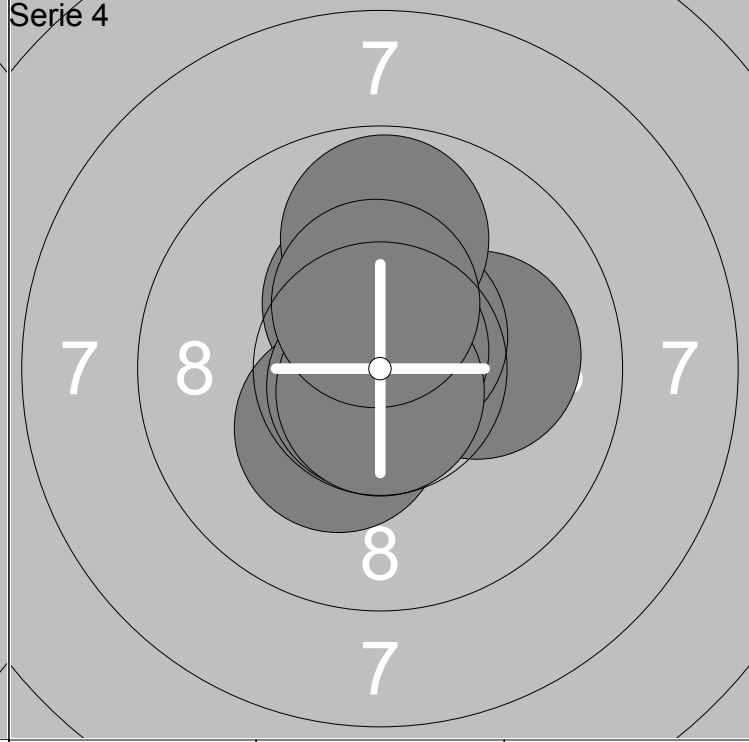
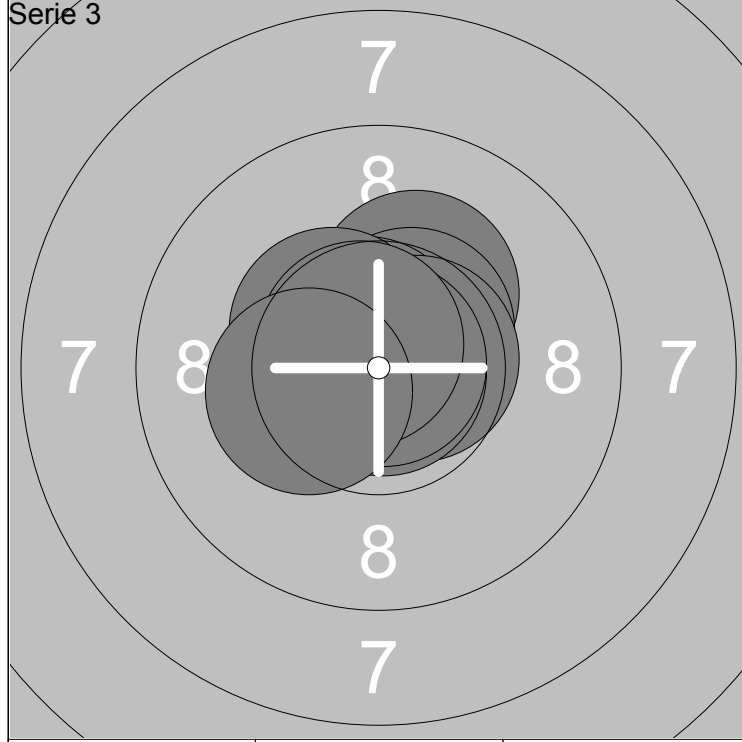
21: 10.4x ↓	26: 10.2x ←	Series 105.5
22: 10.6x →	27: 10.6x ↖	
23: 10.4x →	28: 10.7x ↓	Total 313.3
24: 10.6x ↘	29: 10.6x ↖	
25: 10.7x ↘	30: 10.7x ↖	

31: 10.3x ↖	36: 10.8x ↖	Series 104.6
32: 10.2x ↑	37: 10.6x ↖	
33: 10.3x →	38: 10.6x ↑	Total 417.9
34: 10.2x →	39: 10.5x ↖	
35: 10.2x ↓	40: 10.9x →	



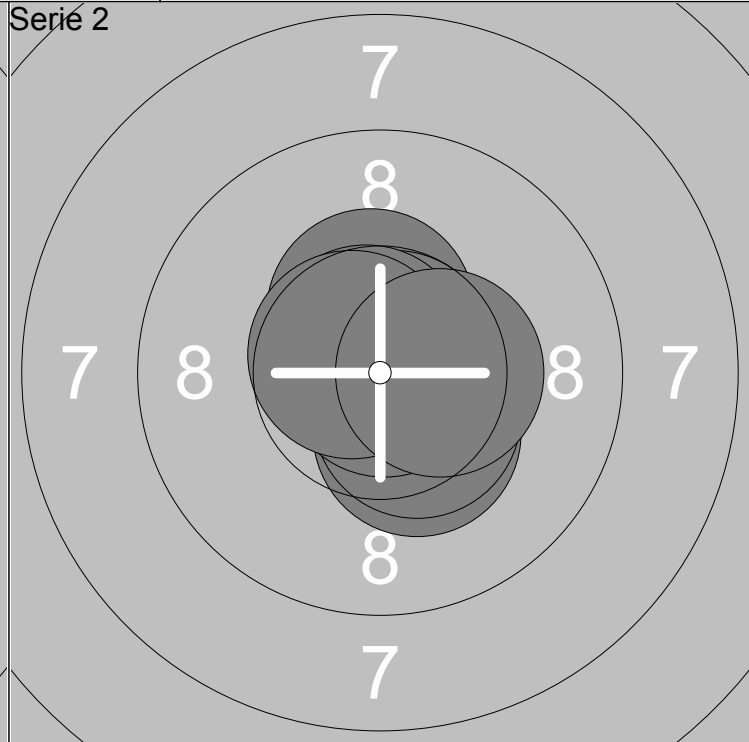
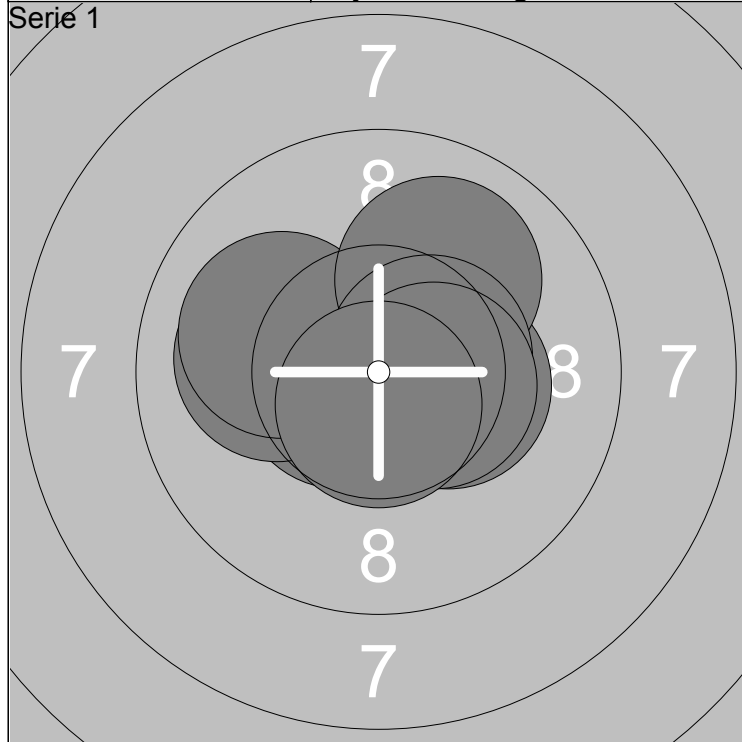
1: 10.9x ↑	6: 10.8x ↙	Series 105.8
2: 10.5x ↘	7: 10.3x →	
3: 10.5x ↗	8: 10.4x ↘	Total 105.8
4: 10.3x ↘	9: 10.8x ↗	
5: 10.6x ↘	10: 10.7x ↗	

11: 10.7x →	16: 10.7x →	Series 104.5
12: 10.5x ↗	17: 9.1 ↘	
13: 10.4x ↘	18: 10.5x ←	Total 210.3
14: 10.6x ↘	19: 10.3x ↑	
15: 10.9x ↗	20: 10.8x ↘	



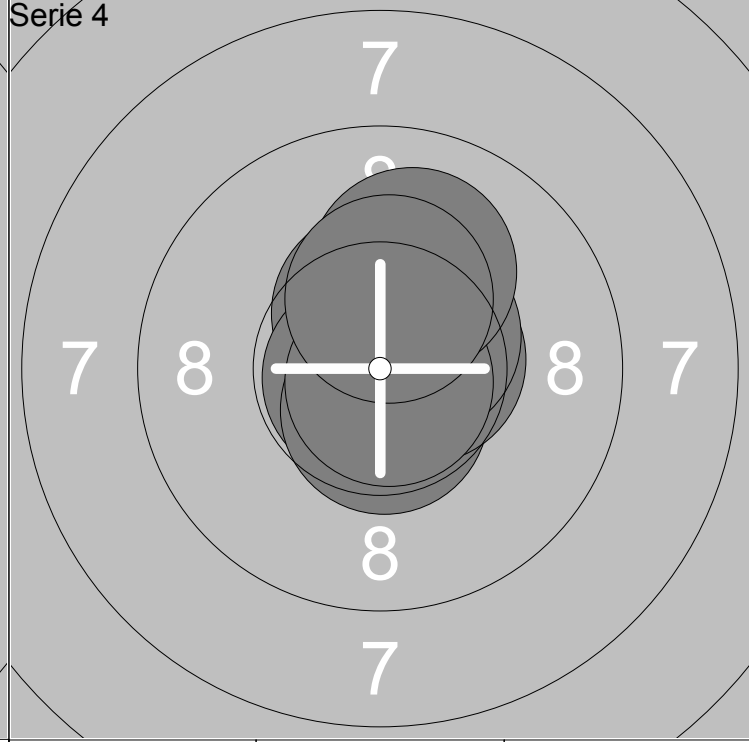
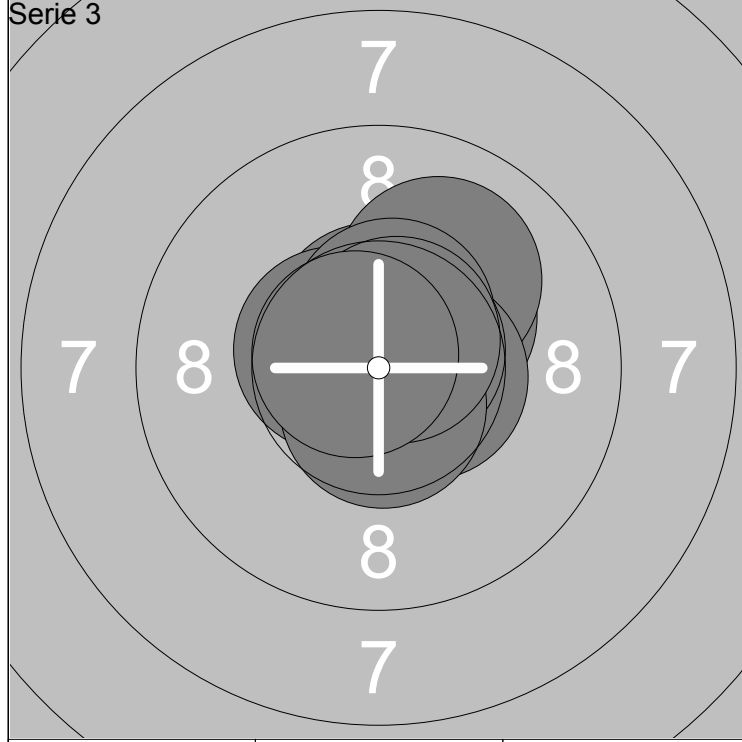
21: 10.2x ↗	26: 10.6x →	Series 106.1
22: 10.5x ↗	27: 10.9x ↘	
23: 10.7x ↗	28: 10.9x ↗	Total 316.4
24: 10.9x →	29: 10.7x ↗	
25: 10.4x ↖	30: 10.3x ←	

31: 10.9x ↙	36: 10.8x ↑	Series 104.9
32: 10.1 →	37: 10.8x ↘	
33: 10.4x ↑	38: 9.8 ↑	Total 421.3
34: 10.3x ↙	39: 10.8x ↘	
35: 10.6x ↗	40: 10.4x ↑	



1: 10.7x ↗	6: 10.4x →	<b>Series</b>	104.1
2: 10.6x ↙	7: 10.0 ↗		
3: 10.6x →	8: 10.5x →	<b>Total</b>	104.1
4: 10.1 ↙	9: 10.4x →		
5: 10.1 ↙	10: 10.7x ↓		

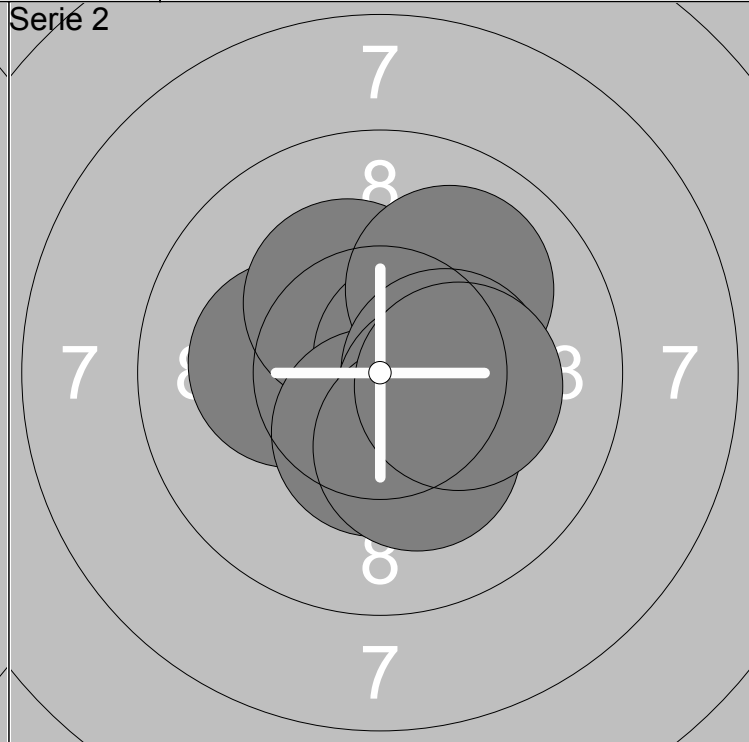
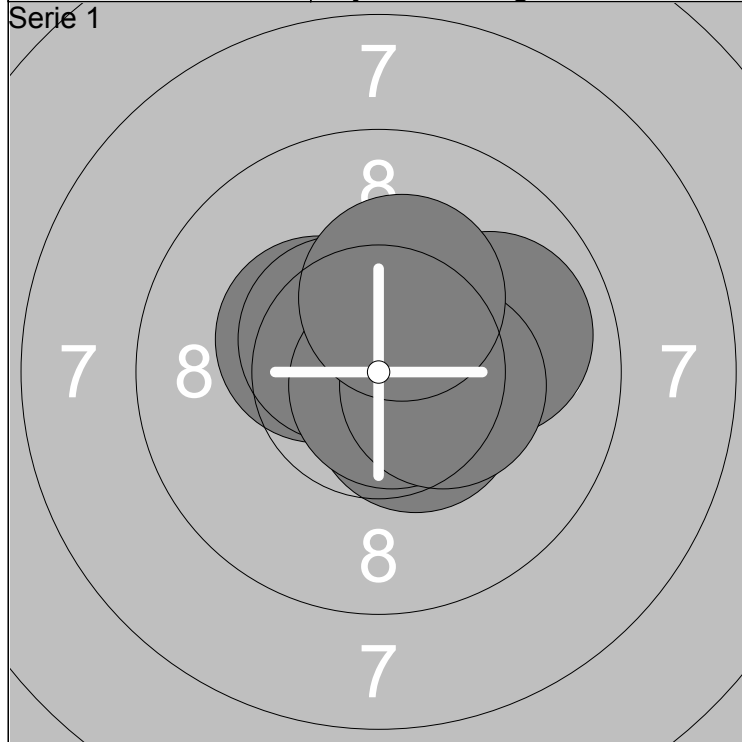
11: 10.7x ↗	16: 10.3x ↓	<b>Series</b>	106.1
12: 10.8x ↗	17: 10.5x ↓		
13: 10.4x ↑	18: 10.9x →	<b>Total</b>	210.2
14: 10.7x ↗	19: 10.7x ↖		
15: 10.7x ↖	20: 10.4x →		



21: 10.3x ↗	26: 10.7x ↗	<b>Series</b>	105.1
22: 10.6x ↑	27: 10.5x ↑		
23: 10.0 ↗	28: 10.6x ↓	<b>Total</b>	315.3
24: 10.6x →	29: 10.6x ↗		
25: 10.5x ↙	30: 10.7x ↖		

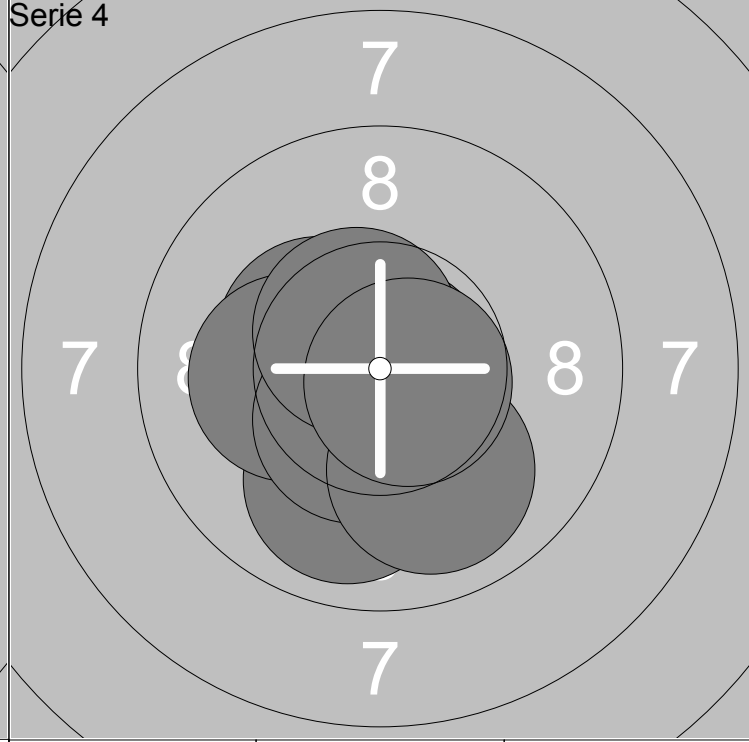
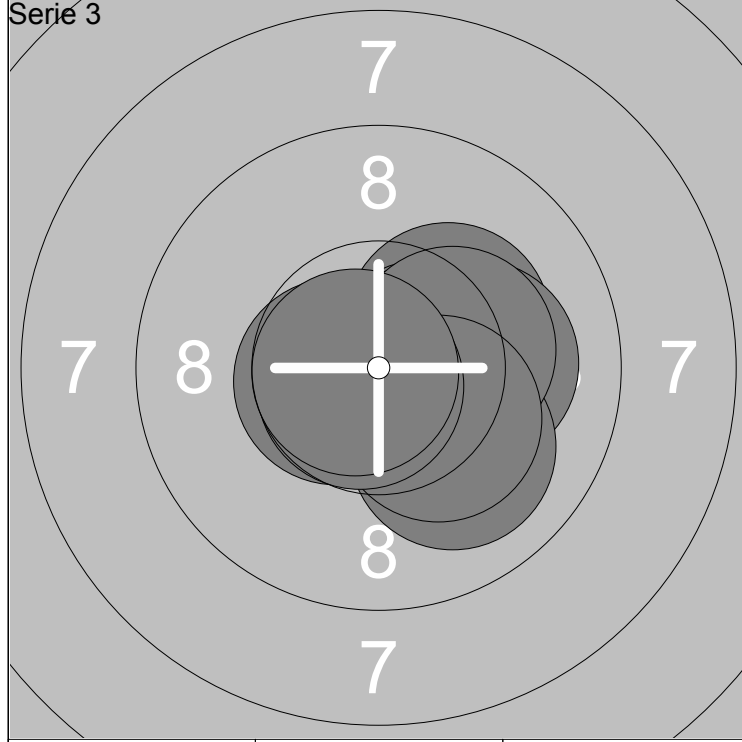
31: 10.5x ↑	36: 10.3x ↑	<b>Series</b>	105.5
32: 10.9x ↗	37: 10.5x ↗		
33: 10.8x ↙	38: 10.8x ↓	<b>Total</b>	420.8
34: 10.6x ↓	39: 10.1 ↑		
35: 10.6x →	40: 10.4x ↑		





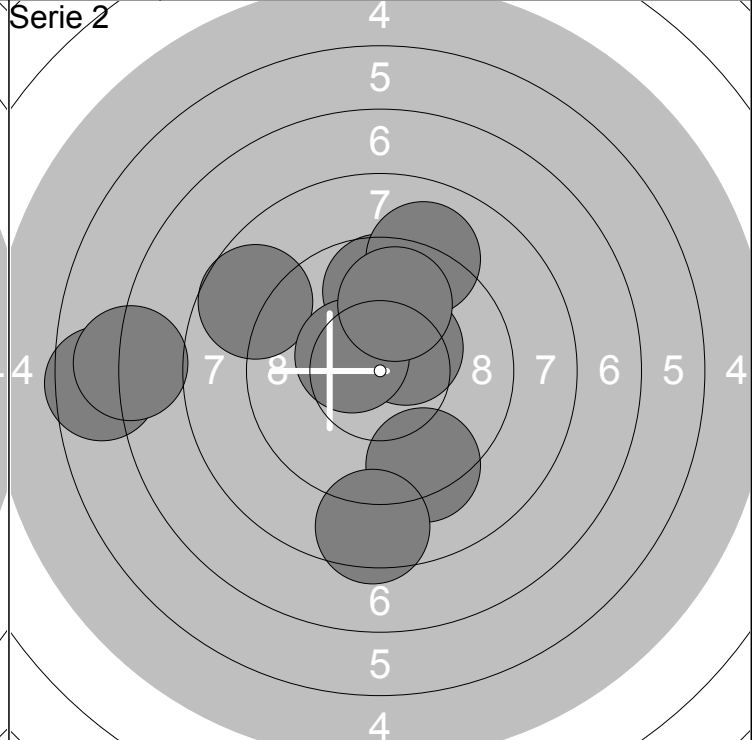
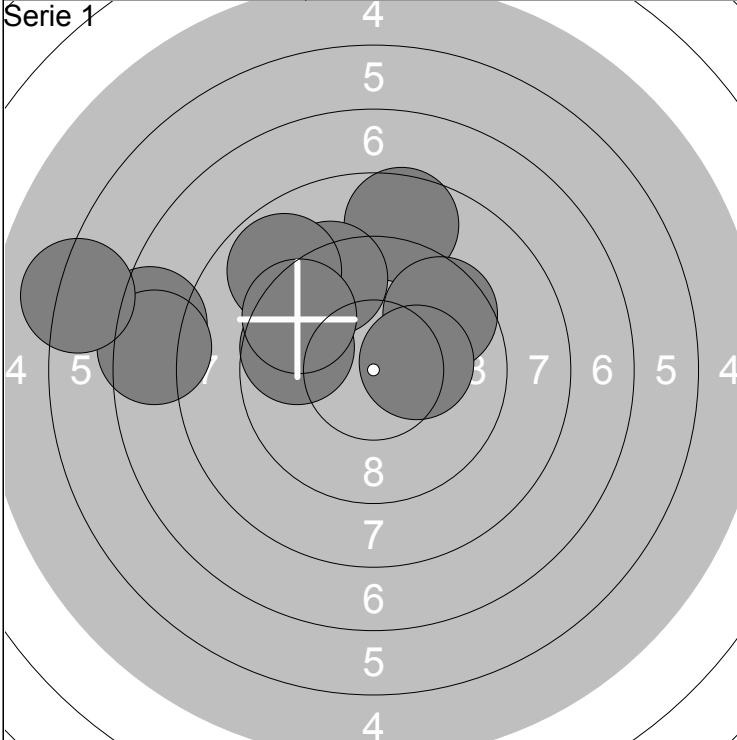
1: 10.9x ↗	6: 10.4x ↗	Series 104.5
2: 10.5x ↘	7: 10.8x ↘	
3: 10.4x ↖	8: 9.9 →	Total 104.5
4: 10.5x ↗	9: 10.4x →	
5: 10.4x →	10: 10.3x ↗	

11: 10.6x ↗	16: 10.4x ↓	Series 103.4
12: 10.2x ←	17: 10.4x →	
13: 10.3x ↖	18: 10.4x ↘	Total 207.9
14: 10.6x →	19: 10.2x ↓	
15: 10.0 ↗	20: 10.3x →	

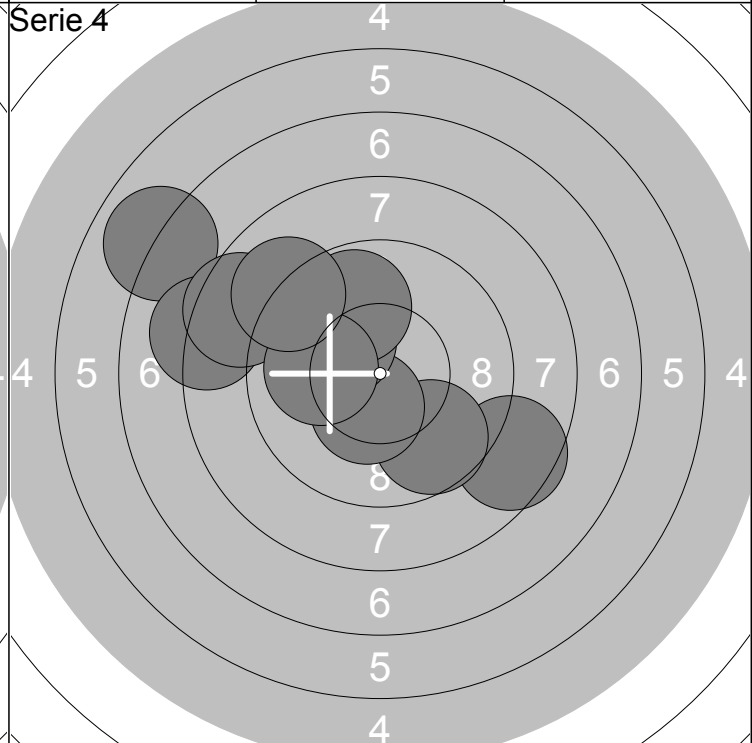
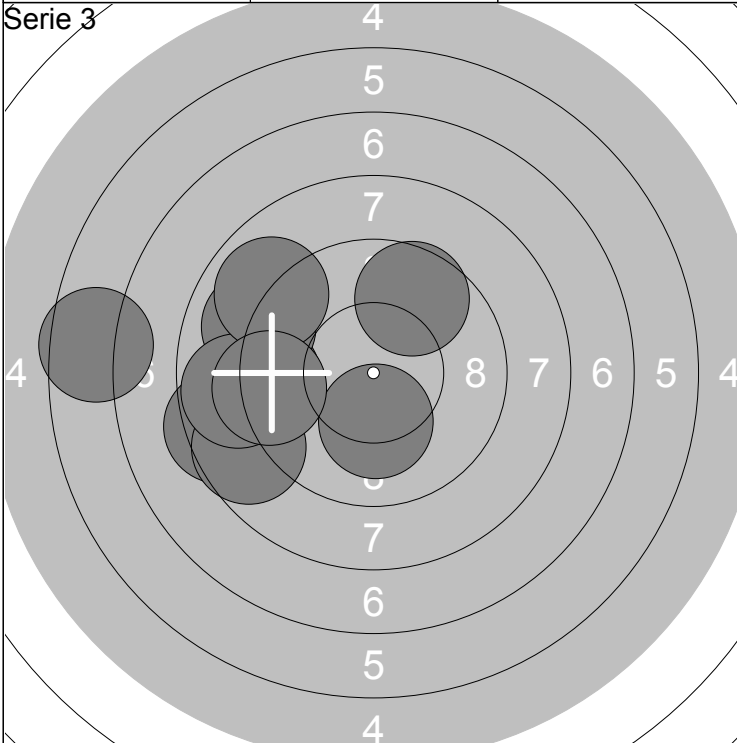


21: 10.2x ↗	26: 10.3x →	Series 104.1
22: 10.1 →	27: 10.3x ↘	
23: 10.5x →	28: 10.6x ←	Total 312.0
24: 10.7x →	29: 10.7x ↘	
25: 10.0 ↘	30: 10.7x ←	

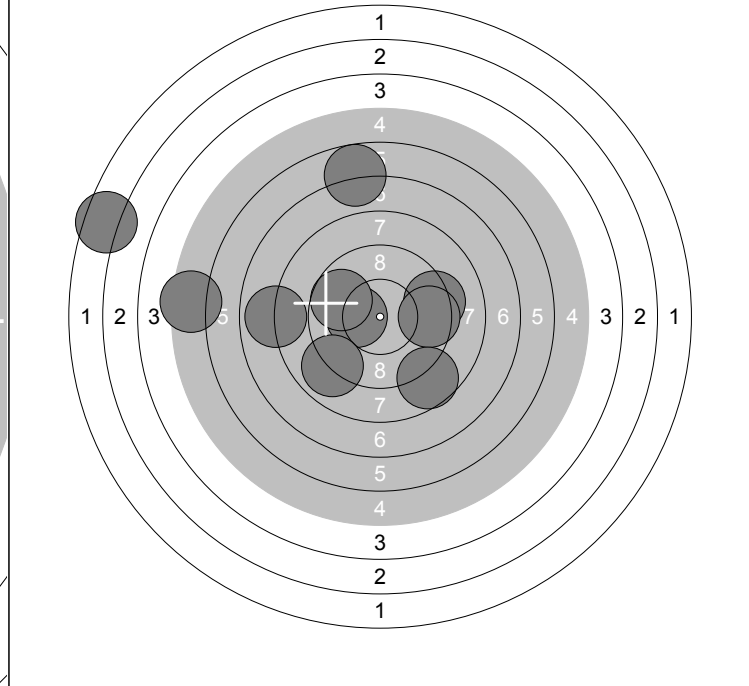
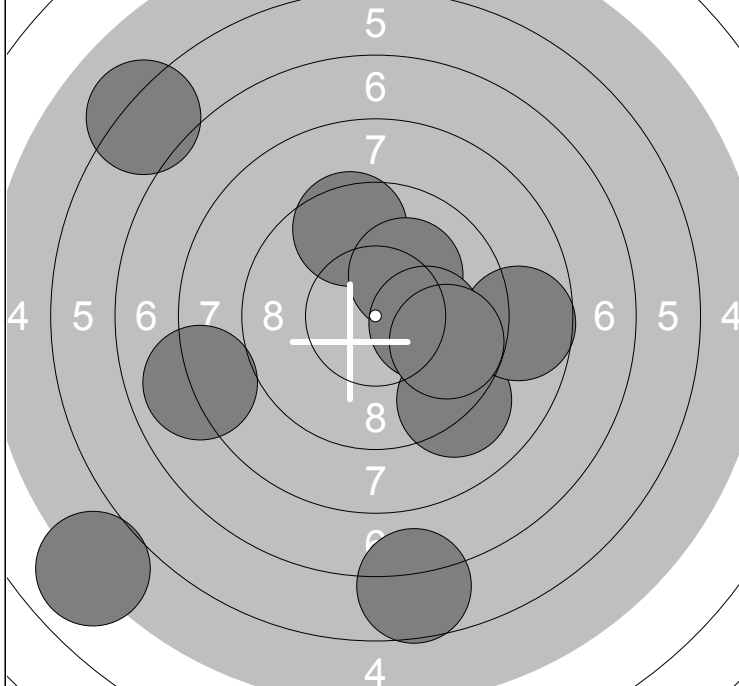
31: 10.8x ↓	36: 10.2x ←	Series 104.4
32: 10.4x ↖	37: 10.5x ↓	
33: 10.4x ↓	38: 10.0 ↓	Total 416.4
34: 9.9 ↓	39: 10.6x ↗	
35: 10.9x →	40: 10.7x ↘	



1: 8.6 ↑	6: 9.7 ←	<b>Series</b>		11: 6.6 ←	16: 10.4x ↗	<b>Series</b>	
2: 9.3 ↗	7: 9.5 ↗		86.9	12: 8.7 ↗	17: 7.0 ←		89.6
3: 9.6 ↗	8: 7.4 ←	<b>Total</b>	86.9	13: 9.3 ↓	18: 9.1 ↑	<b>Total</b>	176.5
4: 8.9 ↗	9: 7.5 ←			14: 8.5 ↓	19: 10.4x ←		
5: 10.2x →	10: 6.2 ←			15: 9.7 ↑	20: 9.9 ↑		

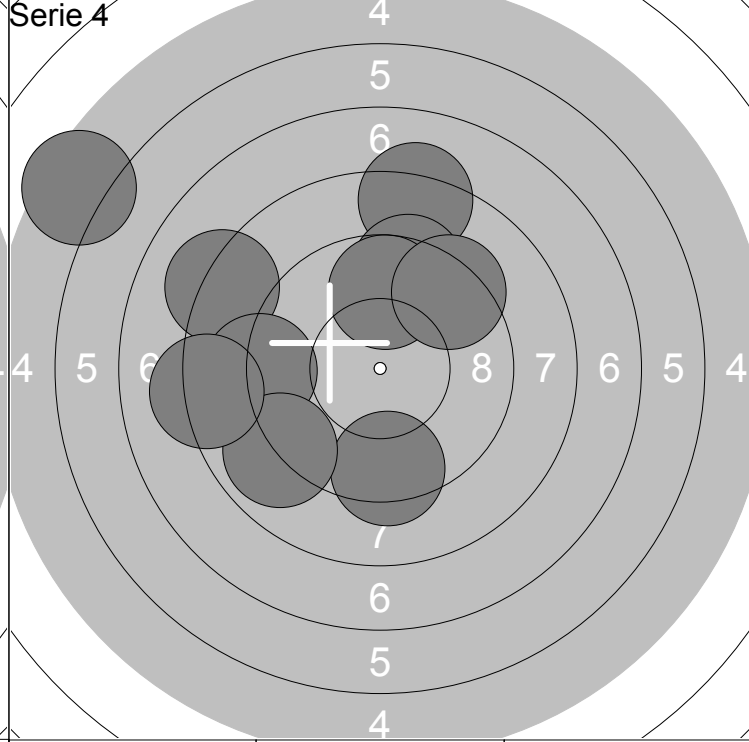
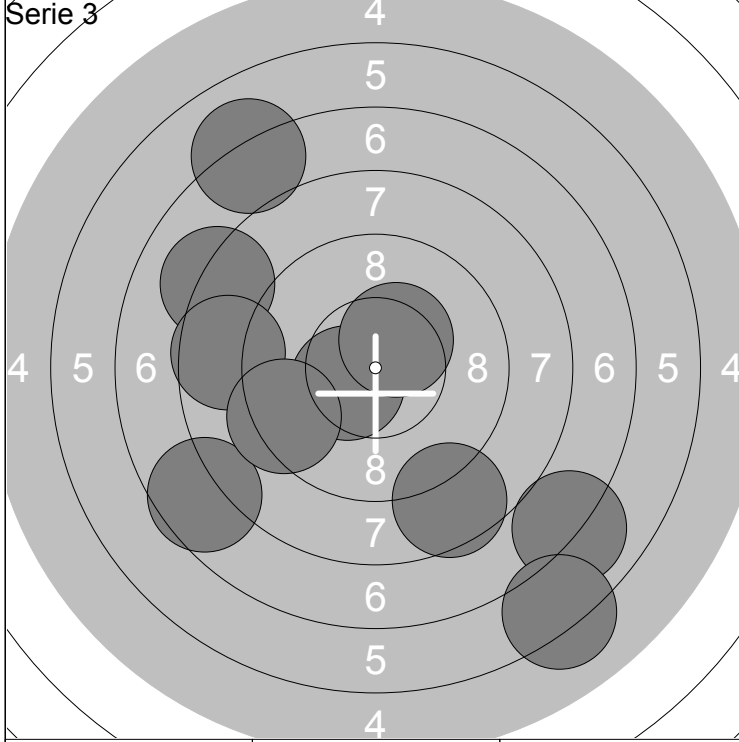


21: 9.2 ←	26: 9.0 ←	<b>Series</b>		31: 8.6 ↘	36: 8.2 ←	<b>Series</b>	
22: 10.2x ↓	27: 8.8 ←		88.7	32: 9.7 ↓	37: 8.6 ←		91.4
23: 8.4 ←	28: 8.9 ↗	<b>Total</b>	265.2	33: 10.4x ↓	38: 9.8 ↑	<b>Total</b>	356.6
24: 8.7 ←	29: 9.6 ↗			34: 10.1 ↗	39: 10.0 ←		
25: 6.6 ←	30: 9.3 ←			35: 6.9 ↗	40: 9.1 ↗		



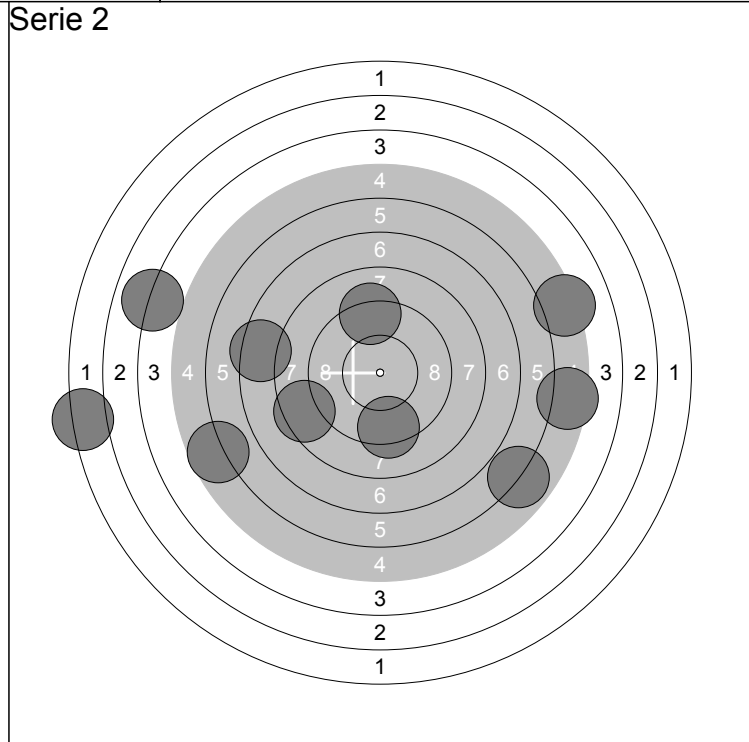
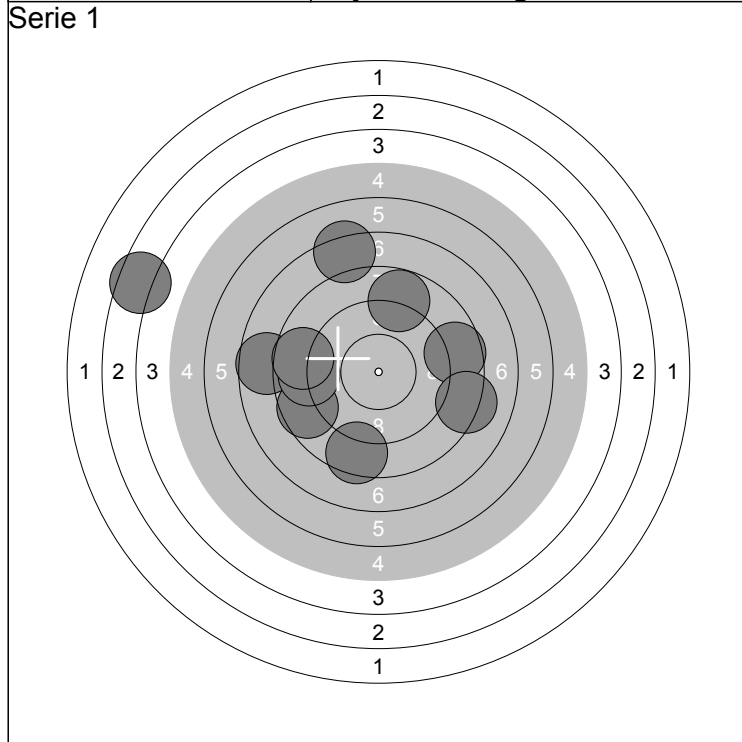
1: 8.0 ←	6: 10.1 →	Series	83.2
2: 9.1 ↘	7: 6.7 ↓		
3: 9.5 ↑	8: 6.2 ↗	Total	83.2
4: 8.7 →	9: 5.0 ↙		
5: 10.2x ↗	10: 9.7 ↘		

11: 10.3x ←	16: 9.0 ↙	Series	79.1
12: 9.7 ↗	17: 6.8 ↑		
13: 9.3 →	18: 5.4 ←	Total	162.3
14: 7.9 ←	19: 8.7 ↘		
15: 9.5 →	20: 2.5 ←		



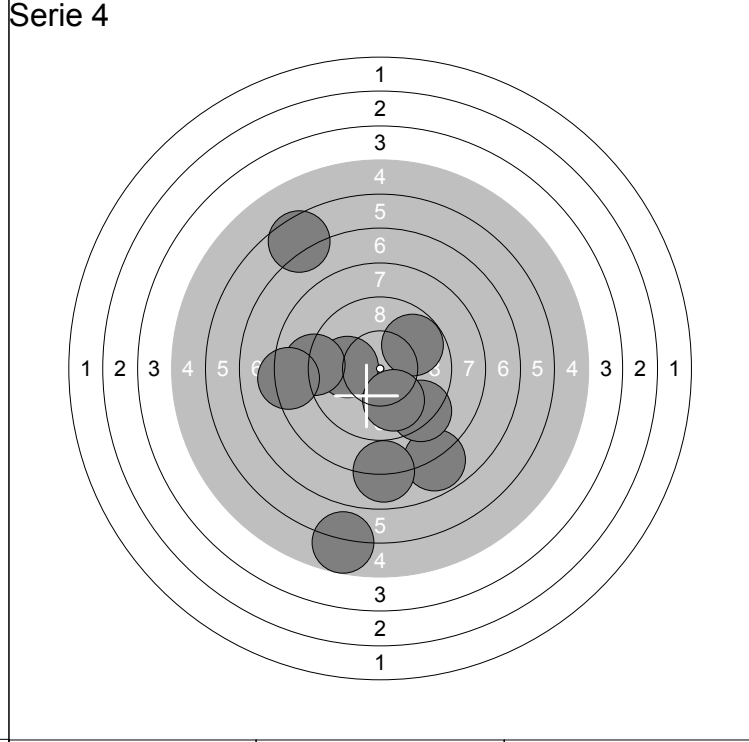
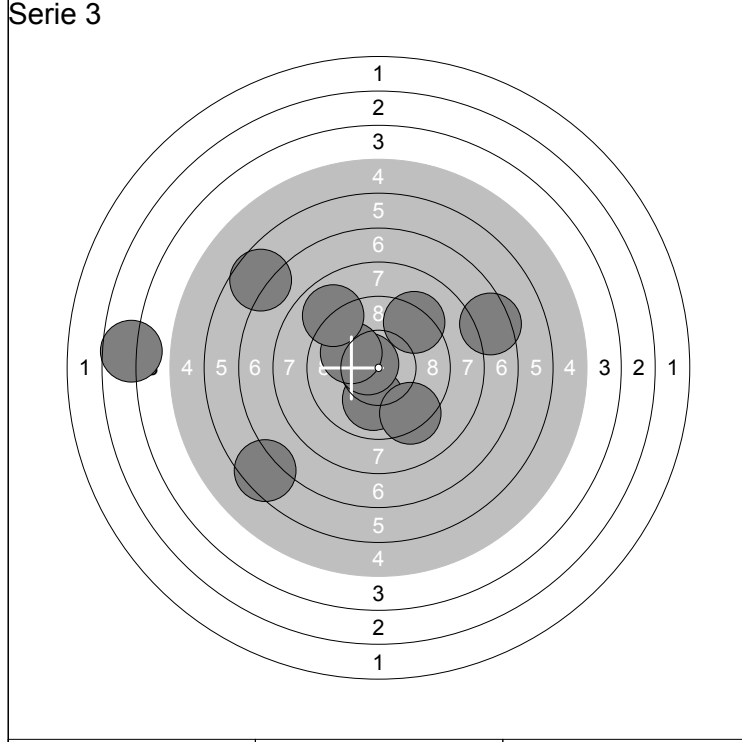
21: 8.1 ↗	26: 6.2 ↘	Series	83.4
22: 8.6 ←	27: 7.6 ↙		
23: 7.0 ↘	28: 9.3 ←	Total	245.7
24: 8.6 ↘	29: 10.4x ↗		
25: 10.5x ←	30: 7.1 ↗		

31: 8.1 ↗	36: 9.4 ↑	Series	85.9
32: 8.3 ↑	37: 9.7 ↑		
33: 9.1 ←	38: 9.4 ↗	Total	331.6
34: 9.4 ↓	39: 8.2 ←		
35: 8.9 ↙	40: 5.4 ↙		



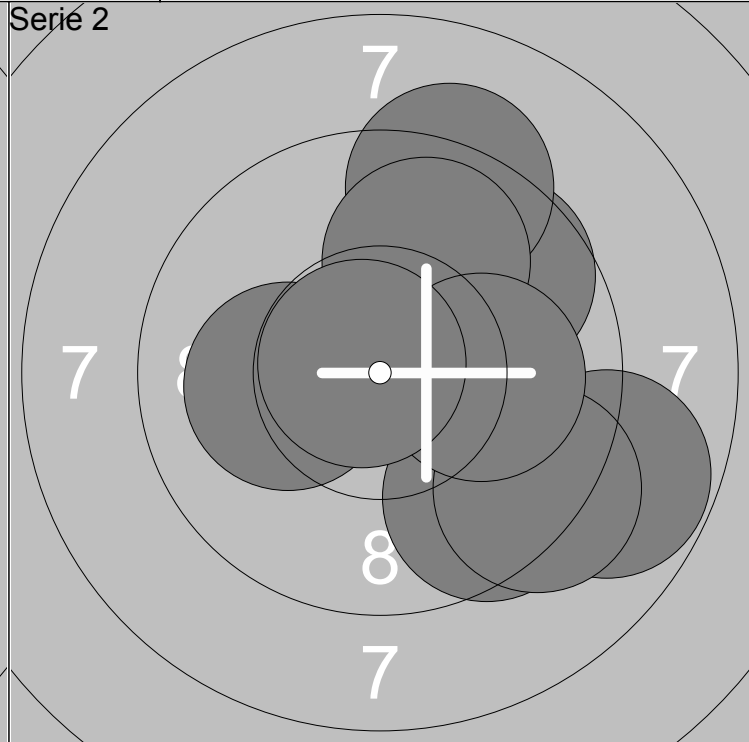
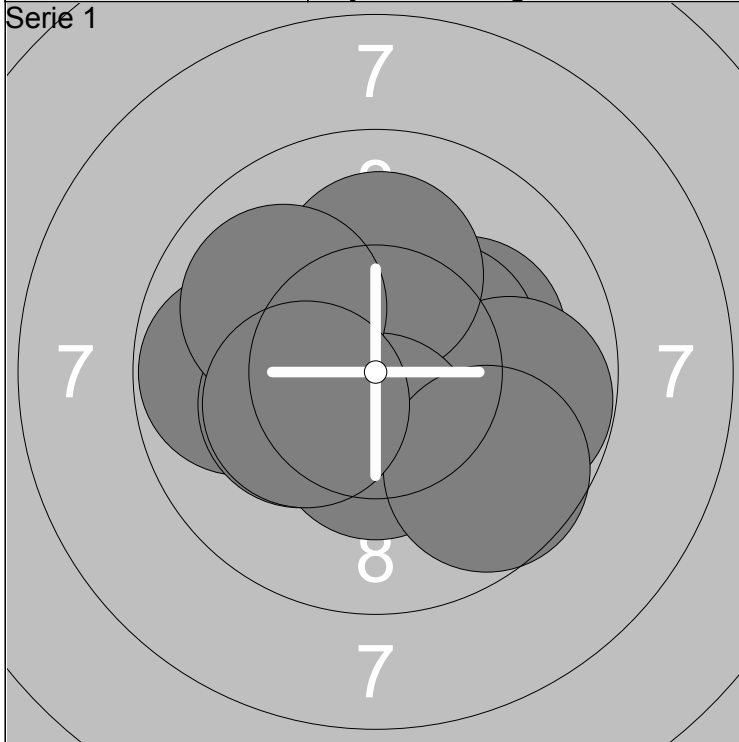
1: 8.8 ↑	6: 3.5 ↖	<b>Series</b> 79.0
2: 8.6 ↙	7: 8.9 ←	
3: 8.7 →	8: 7.3 ↑	<b>Total</b> 79.0
4: 8.5 ↓	9: 8.7 ↖	
5: 7.7 ←	10: 8.3 →	

11: 9.2 ↑	16: 5.7 ↙	<b>Series</b> 62.7
12: 7.4 ←	17: 8.5 ↙	
13: 5.9 ↘	18: 4.0 ↖	<b>Total</b> 141.7
14: 5.4 →	19: 2.1 ←	
15: 9.3 ↓	20: 5.2 →	



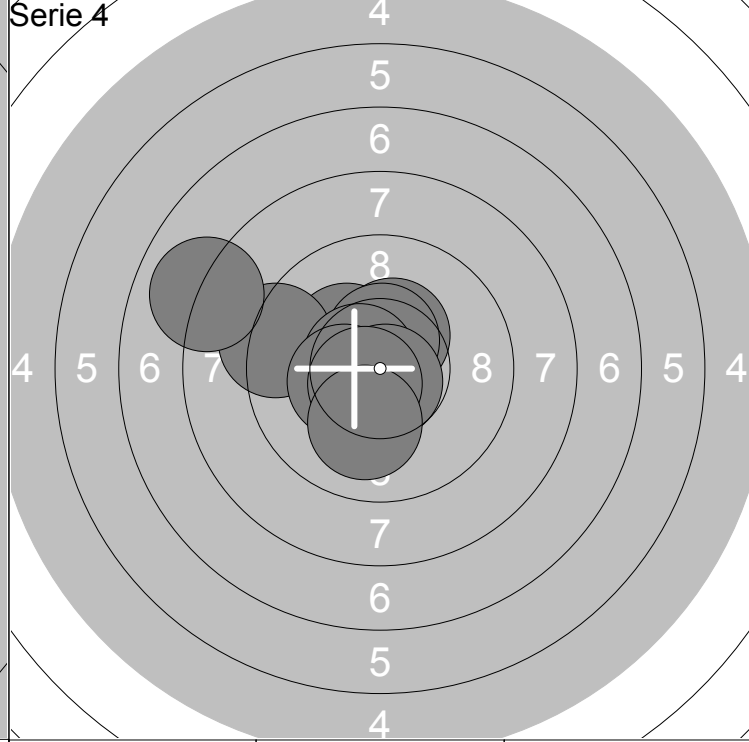
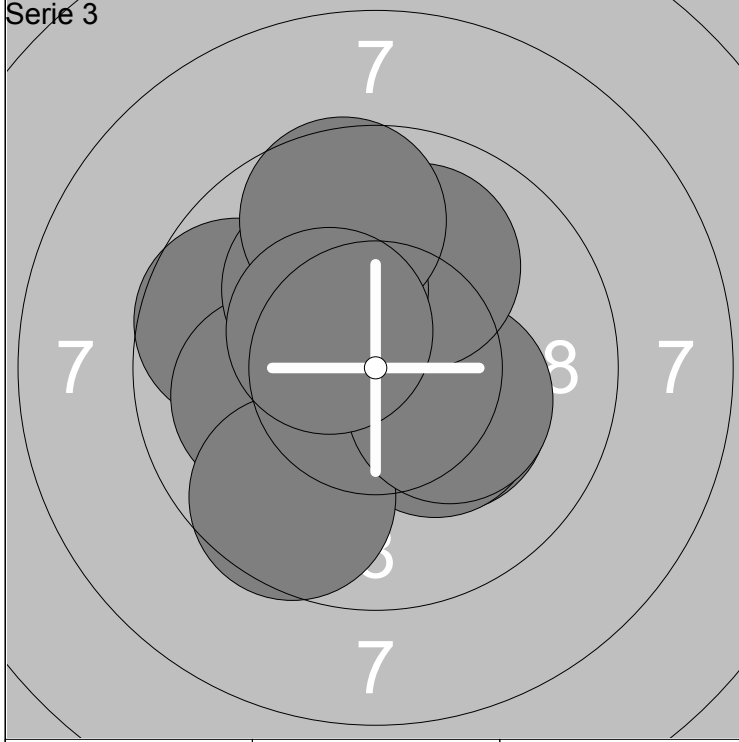
21: 10.0 ↓	26: 6.5 ↙	<b>Series</b> 82.5
22: 7.4 →	27: 10.0 ↖	
23: 3.7 ←	28: 9.4 ↘	<b>Total</b> 224.2
24: 9.3 ↑	29: 6.7 ↗	
25: 10.6x ↖	30: 8.9 ↗	

31: 7.8 ↘	36: 9.8 ↗	<b>Series</b> 84.1
32: 6.5 ↗	37: 9.9 ↓	
33: 9.2 ↘	38: 7.9 ↓	<b>Total</b> 308.3
34: 10.0 ←	39: 8.3 ←	
35: 9.0 ←	40: 5.7 ↓	



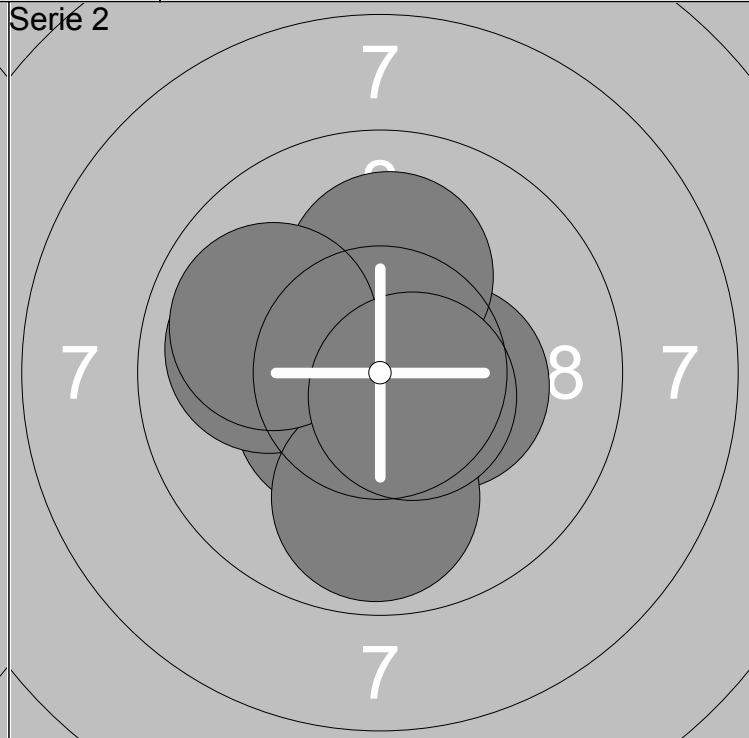
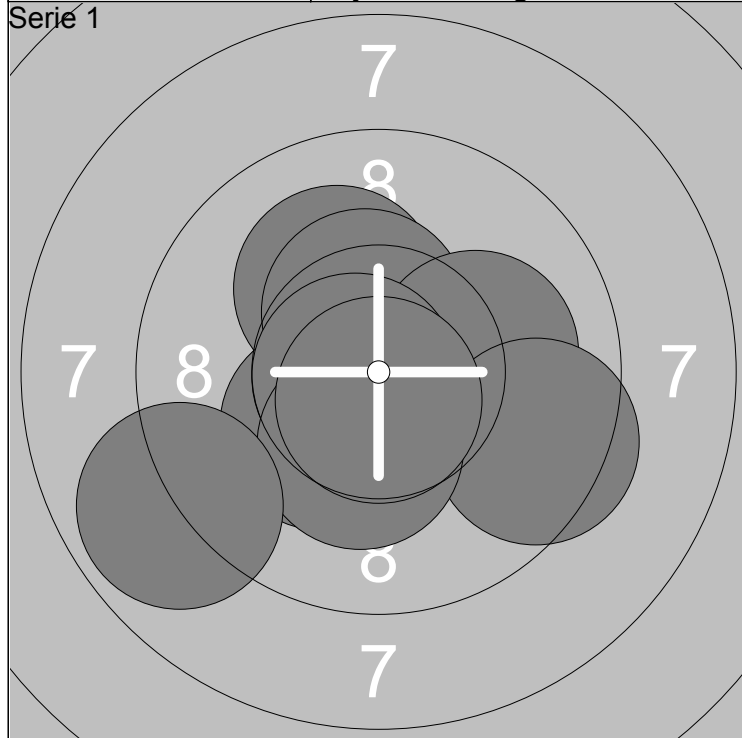
1: 10.1 →	6: 10.1 ↑	<b>Series</b>	<b>100.9</b>
2: 10.4x →	7: 10.4x ↓		
3: 9.8 ←	8: 10.0 ↖	<b>Total</b>	<b>100.9</b>
4: 10.3x ↙	9: 9.7 ↘		
5: 9.8 →	10: 10.3x ↙		

11: 10.3x ↗	16: 9.9 ↑	<b>Series</b>	<b>97.9</b>
12: 9.6 ↘	17: 8.8 →		
13: 9.7 ↗	18: 9.3 ↘	<b>Total</b>	<b>198.8</b>
14: 10.1 ←	19: 10.1 →		
15: 9.3 ↑	20: 10.8x ↖		



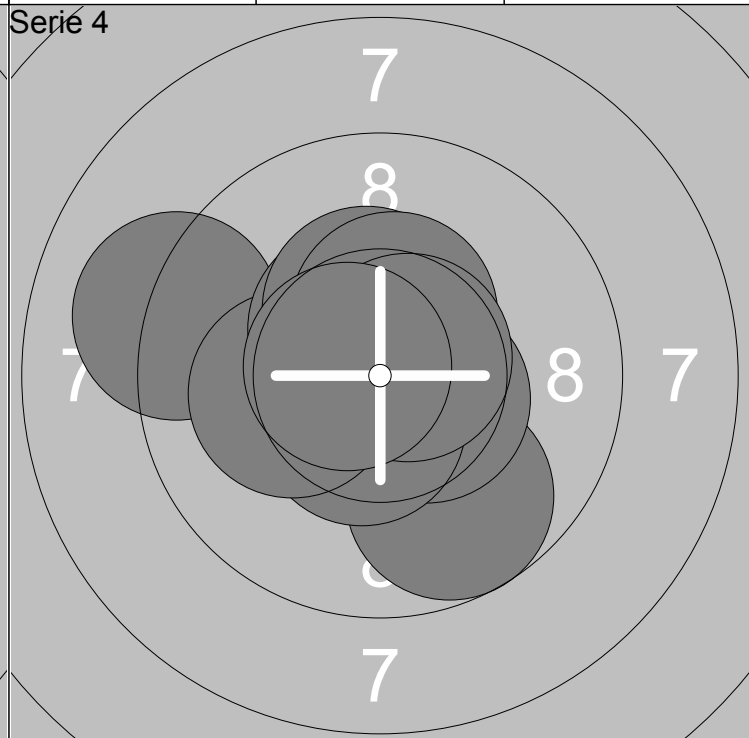
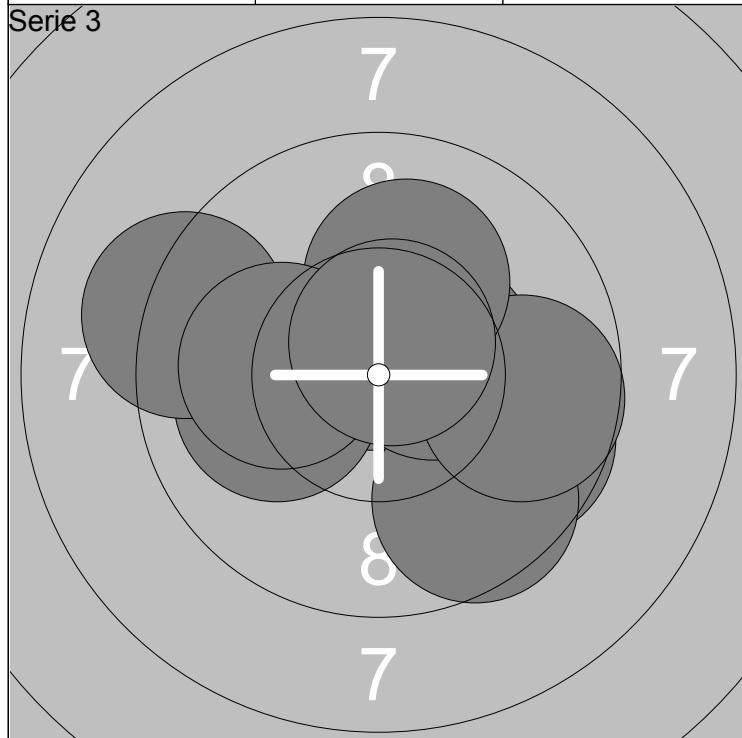
21: 9.7 ←	26: 10.3x →	<b>Series</b>	<b>100.3</b>
22: 10.2x ↘	27: 10.0 ↑		
23: 10.0 ←	28: 10.2x ↗	<b>Total</b>	<b>299.1</b>
24: 10.3x ↘	29: 9.6 ↑		
25: 9.6 ↘	30: 10.4x ↖		

31: 10.3x ↖	36: 10.7x ↓	<b>Series</b>	<b>100.7</b>
32: 10.4x ↑	37: 10.3x ←		
33: 10.5x ↑	38: 8.0 ↖	<b>Total</b>	<b>399.8</b>
34: 9.2 ←	39: 10.6x ↘		
35: 10.6x ↖	40: 10.1 ↓		



1: 10.1 ↗	6: 9.5 →	Series 101.6
2: 10.6x →	7: 10.7x ←	
3: 10.4x ↑	8: 10.3x ↓	Total 101.6
4: 10.3x ↙	9: 8.9 ↙	
5: 10.1 →	10: 10.7x ↓	

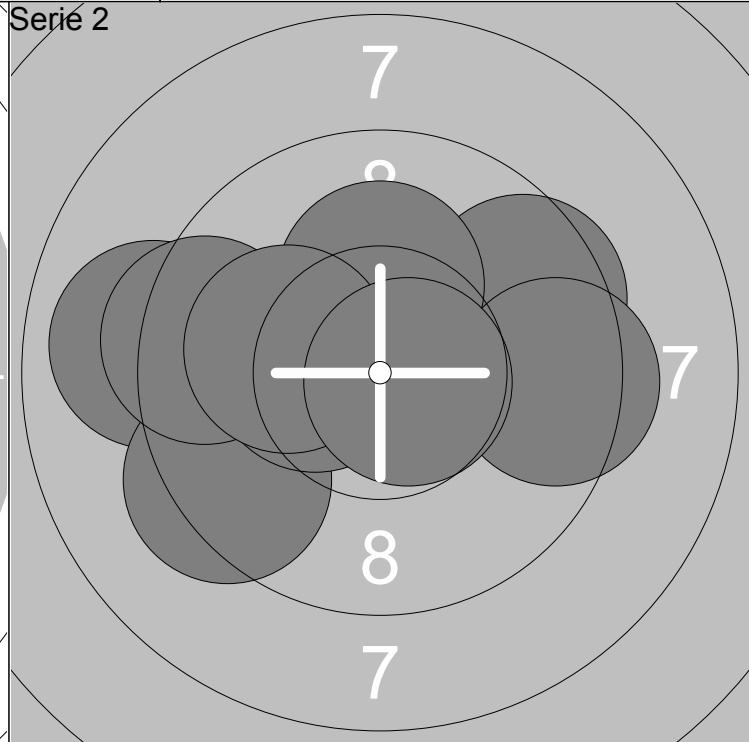
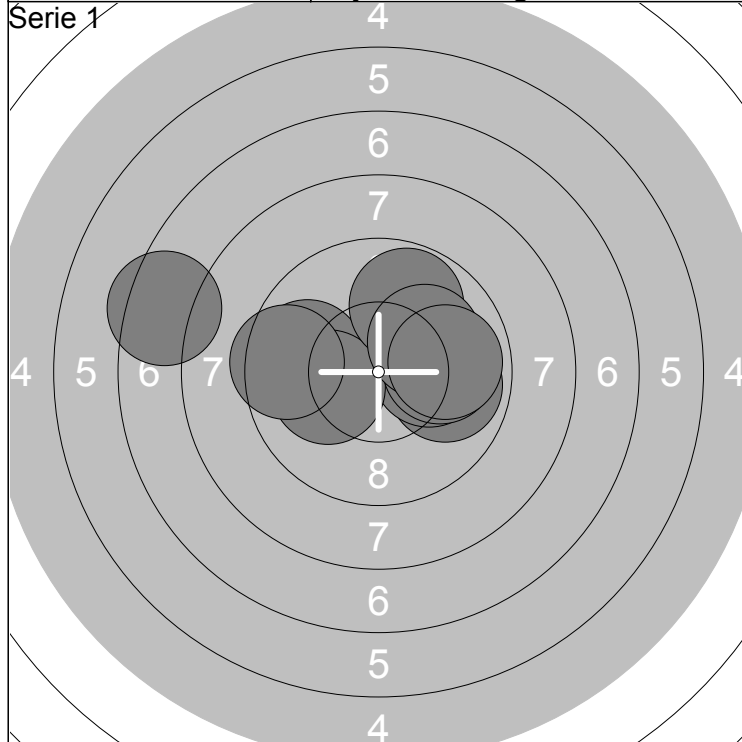
11: 10.4x →	16: 10.0 ←	Series 103.6
12: 10.5x ↙	17: 9.9 ↓	
13: 10.9x ↓	18: 10.1 ↑	Total 205.2
14: 10.8x ←	19: 9.9 ↙	
15: 10.5x ↓	20: 10.6x ↘	



21: 10.7x ↑	26: 10.4x →	Series 100.1
22: 9.7 →	27: 9.7 →	
23: 9.6 ↓	28: 10.1 ↑	Total 305.3
24: 10.0 ←	29: 10.1 ←	
25: 9.2 ←	30: 10.6x ↑	

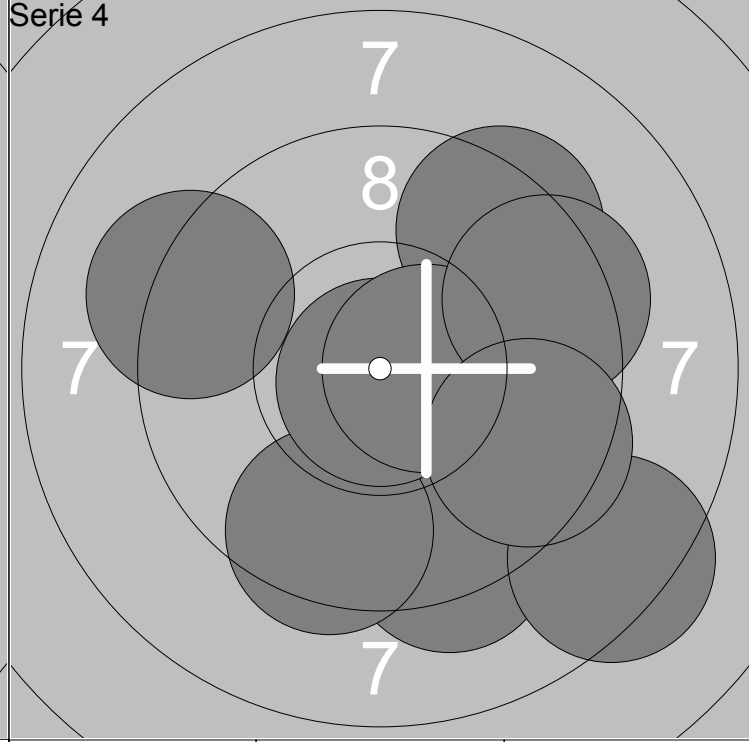
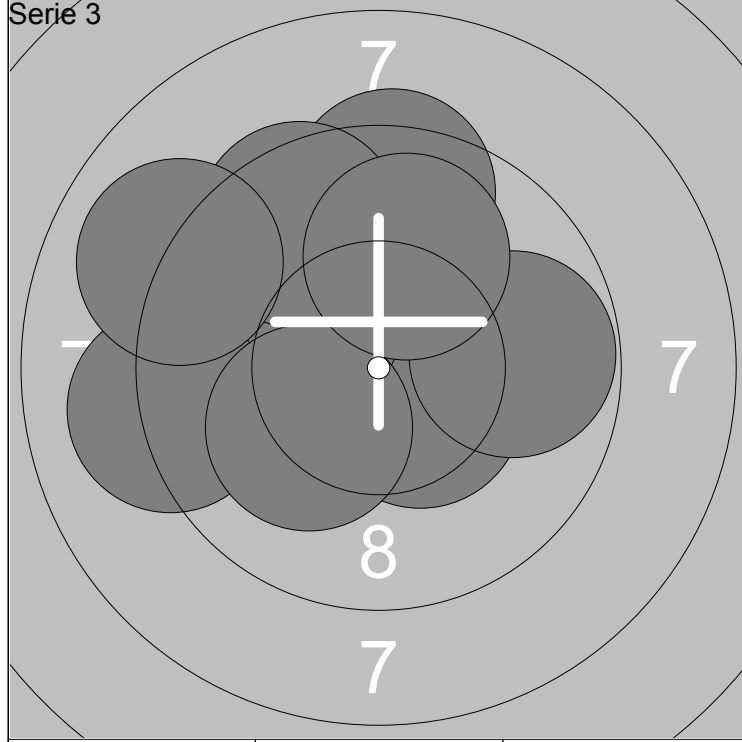
31: 9.8 ↓	36: 10.5x ↗	Series 102.8
32: 10.5x →	37: 10.4x ↑	
33: 9.1 ←	38: 10.4x ↑	Total 408.1
34: 10.5x ↓	39: 10.7x ↗	
35: 10.2x ←	40: 10.7x ←	





1: 9.9 →	6: 10.0 →	Series	96.7
2: 10.2x →	7: 7.4 ←		
3: 9.8 ←	8: 9.8 ↗	Total	96.7
4: 10.1 ←	9: 10.1 ↗		
5: 9.5 ←	10: 9.9 →		

11: 9.7 →	16: 9.5 ↗	Series	97.8
12: 9.0 ←	17: 10.2x ↑		
13: 9.4 ↙	18: 9.4 →	Total	194.5
14: 10.4x ←	19: 10.1 ←		
15: 9.4 ←	20: 10.7x →		



21: 9.4 ↑	26: 9.8 →	Series	98.2
22: 10.4x ↗	27: 9.1 ←		
23: 10.5x ↘	28: 10.2x ↙	Total	292.7
24: 10.2x ↖	29: 10.0 ↑		
25: 9.6 ↗	30: 9.0 ↖		

31: 9.3 ↓	36: 10.8x ↓	Series	95.9
32: 9.5 ↓	37: 8.4 ↘		
33: 9.2 ↖	38: 10.6x →	Total	388.6
34: 9.8 →	39: 9.4 ↗		
35: 9.4 ↗	40: 9.5 ↘		