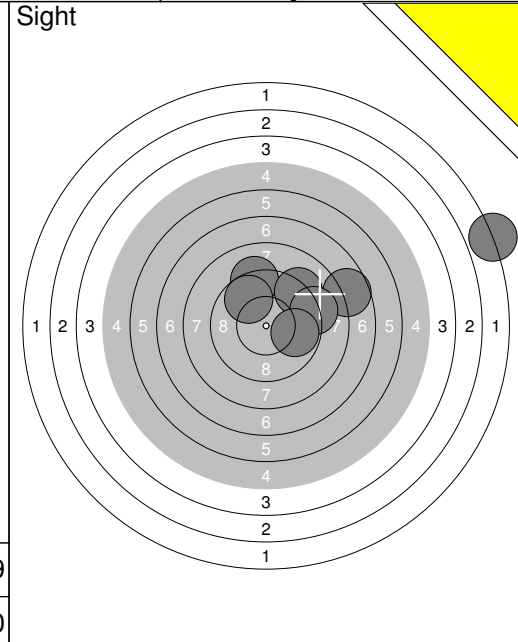
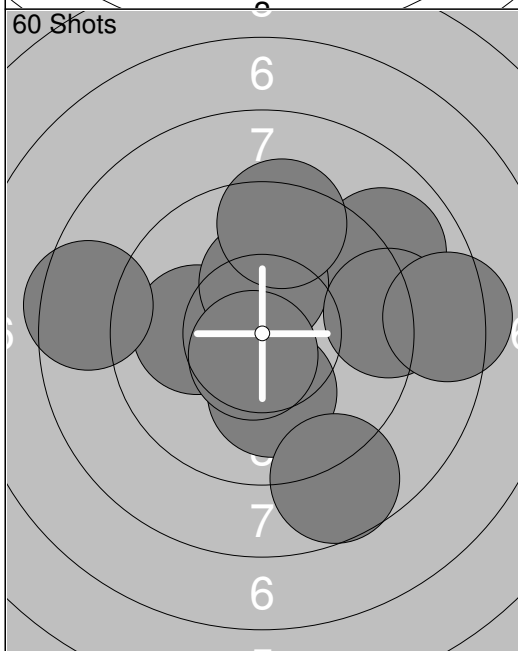


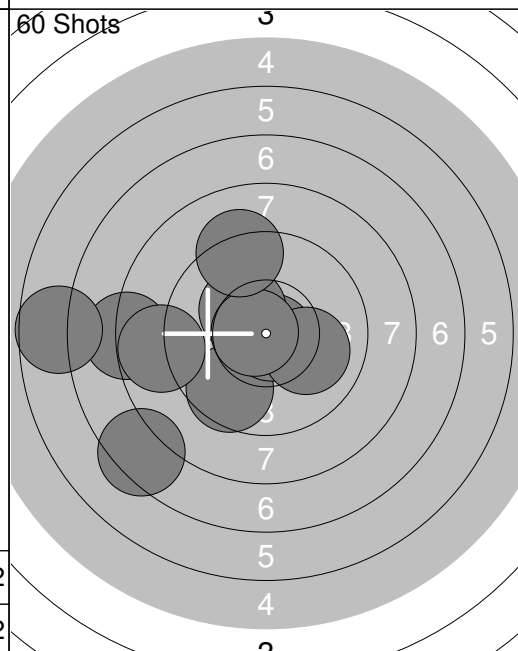
1:	9.4	➔
2:	9.6	↖
3:	8.6	➔
4:	6.8	↔
5:	9.3	↔
6:	9.1	↖
7:	8.2	↖
8:	8.0	➔
9:	10.1	➔
10:	9.8	↖
Series		88.9
Total		0.0



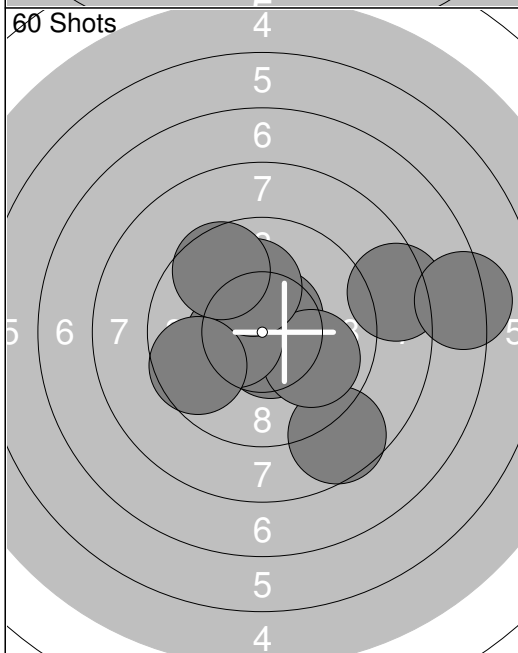
11:	7.7	➔
12:	9.2	↖
13:	9.2	↖
14:	1.9	➔
15:	9.8	↖
16:	9.1	➔
17:	9.9	➔
Series		56.8
Total		0.0



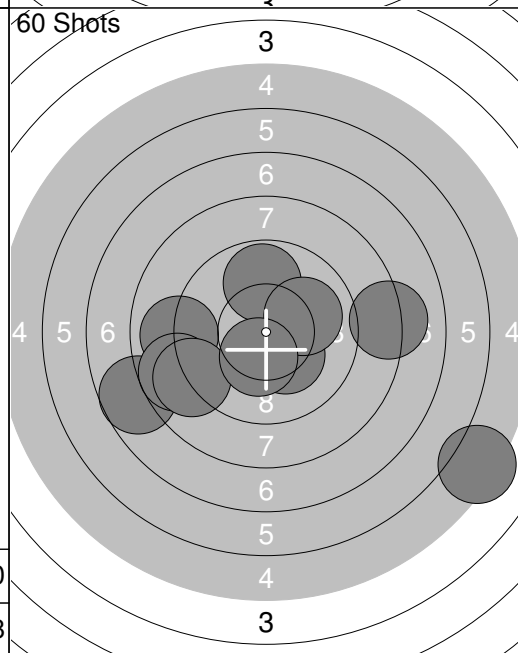
1:	9.0	↖
2:	10.0	↔
3:	10.1	↘
4:	10.3x	↖
5:	8.7	↘
6:	9.2	➔
7:	8.4	➔
8:	10.6x	↘
9:	9.4	↖
10:	8.5	↔
Series		94.2
Total		94.2



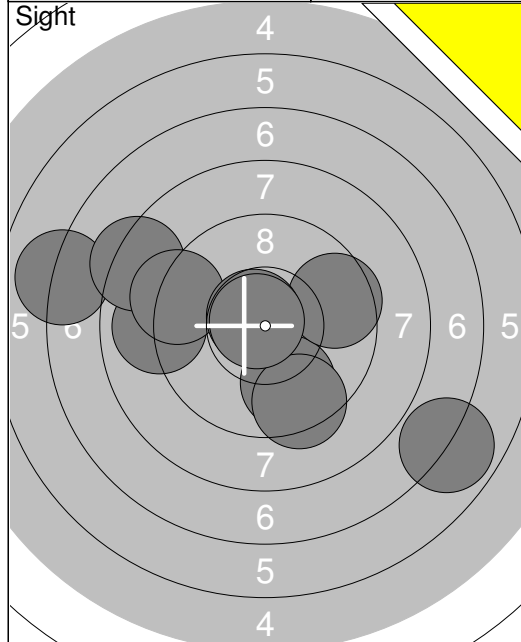
11:	9.6	↘
12:	10.8x	↘
13:	7.4	↘
14:	8.1	↔
15:	8.8	↔
16:	10.3x	↖
17:	10.0	➔
18:	10.7x	↔
19:	6.7	↔
20:	9.2	↖
Series		91.6
Total		185.8



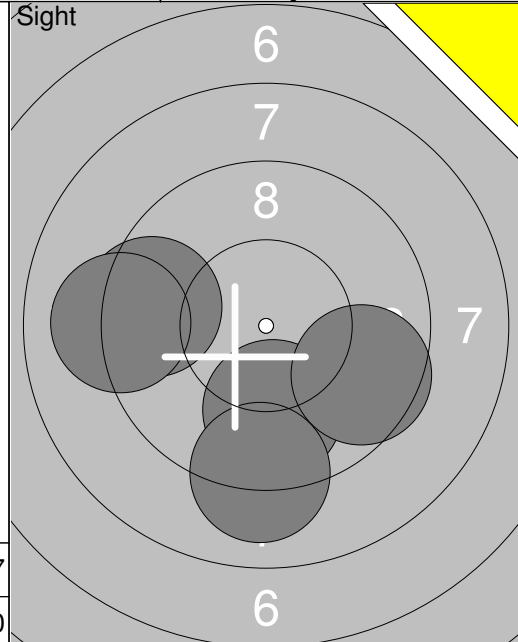
21:	10.6x	↘
22:	8.6	↘
23:	8.4	➔
24:	10.6x	↖
25:	7.2	➔
26:	9.9	➔
27:	10.4x	↔
28:	10.1	↖
29:	9.6	↖
30:	9.6	↔
Series		95.0
Total		280.8



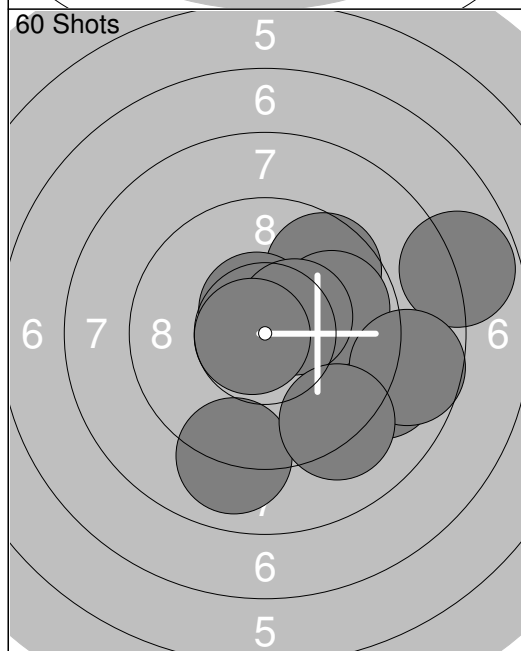
31:	7.7	↔
32:	9.8	↖
33:	10.3x	↘
34:	9.0	↔
35:	8.7	↔
36:	9.0	↔
37:	8.1	➔
38:	10.0	➔
39:	5.3	↘
40:	10.4x	↘
Series		88.3
Total		369.1



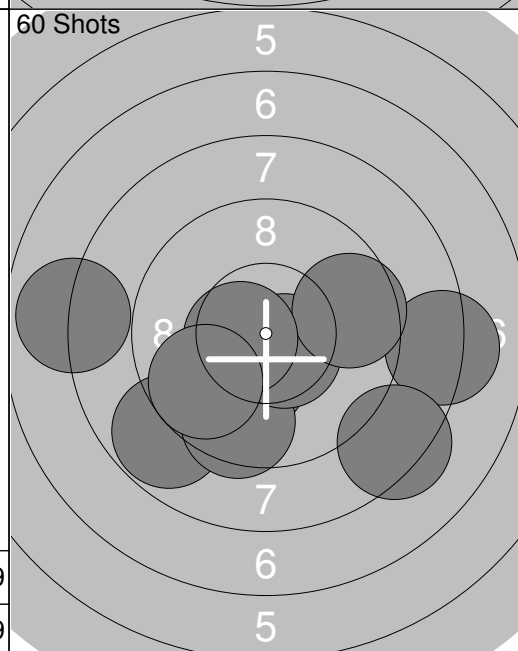
1:	7.0	←
2:	9.0	←
3:	8.3	↖
4:	9.8	↓
5:	9.2	↖
6:	9.6	→
7:	9.4	↓
8:	6.9	↘
9:	10.7x	↖
10:	10.8x	↖
Series		90.7
Total		0.0



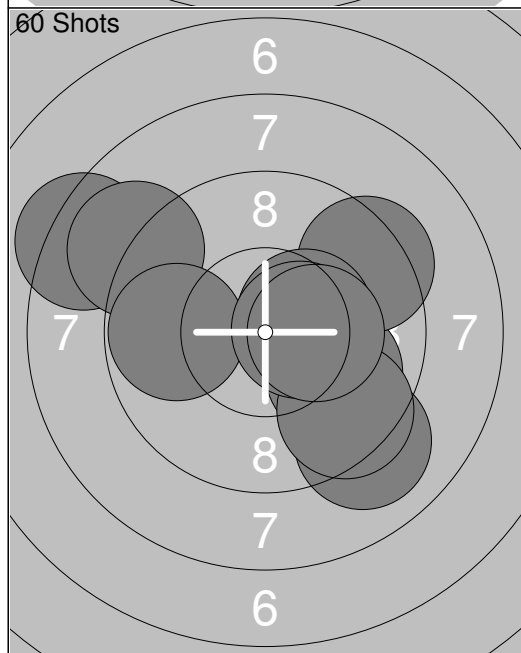
11:	9.9	↓
12:	9.6	↗
13:	9.1	↓
14:	9.5	←
15:	9.1	←
Series		47.2
Total		0.0



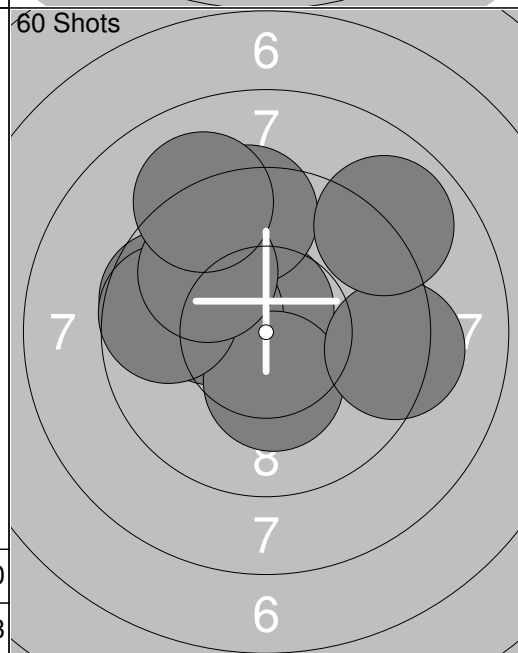
1:	7.8	→
2:	9.0	→
3:	9.0	↓
4:	9.6	↗
5:	9.9	→
6:	10.6x	↖
7:	10.4x	↗
8:	10.7x	←
9:	8.7	→
10:	9.2	↓
Series		94.9
Total		94.9



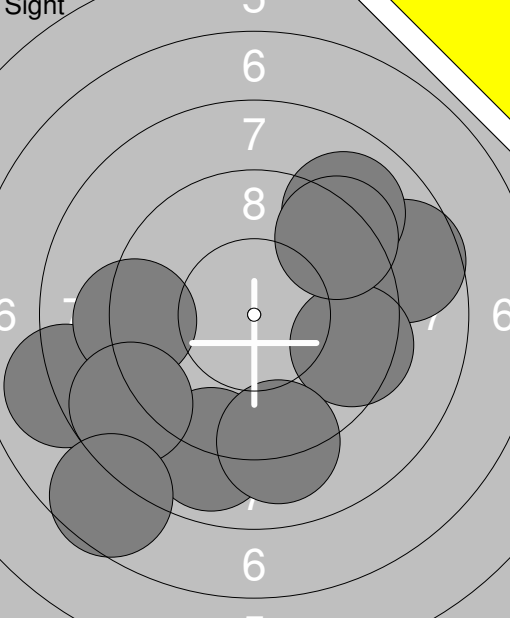
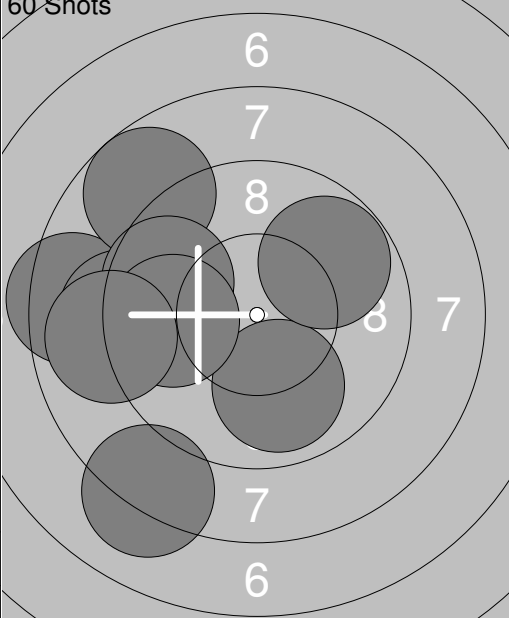
11:	8.8	↖
12:	8.2	→
13:	10.3x	↓
14:	7.9	←
15:	9.5	↓
16:	10.6x	↘
17:	9.6	→
18:	10.5x	←
19:	8.3	↘
20:	9.7	↖
Series		93.4
Total		188.3



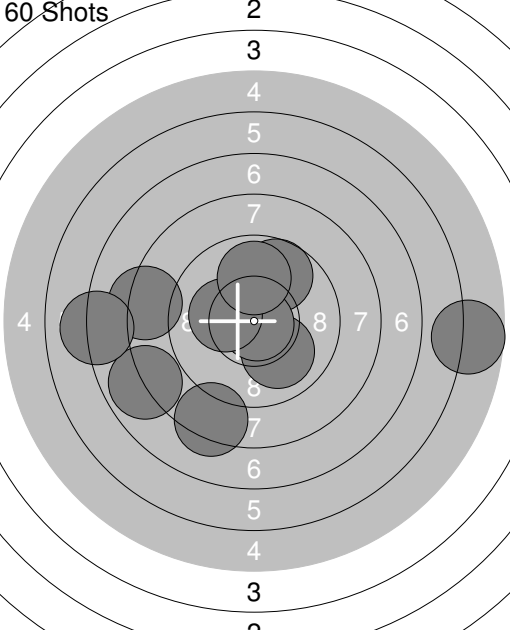
21:	9.9	↘
22:	9.0	↓
23:	8.3	↖
24:	9.4	↗
25:	8.9	↖
26:	10.4x	→
27:	9.5	↓
28:	9.8	←
29:	10.5x	→
30:	10.3x	→
Series		96.0
Total		284.3

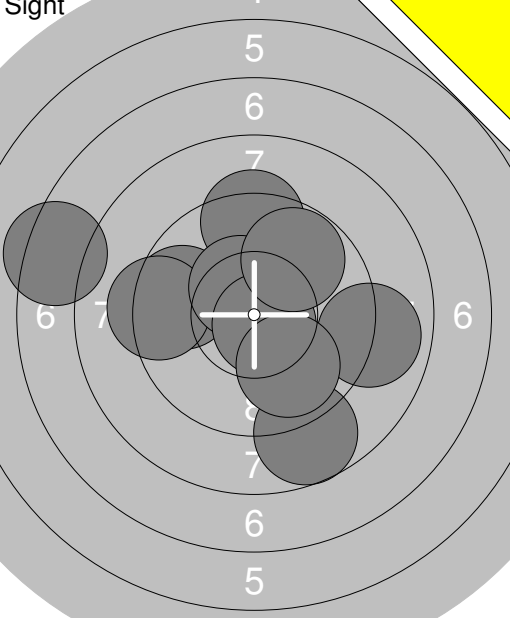
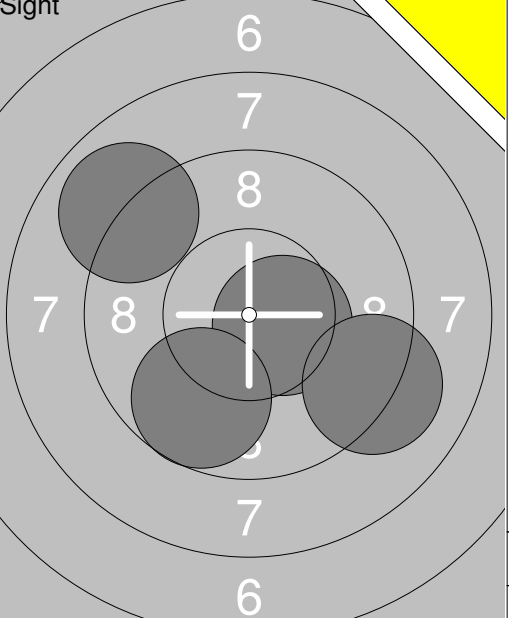


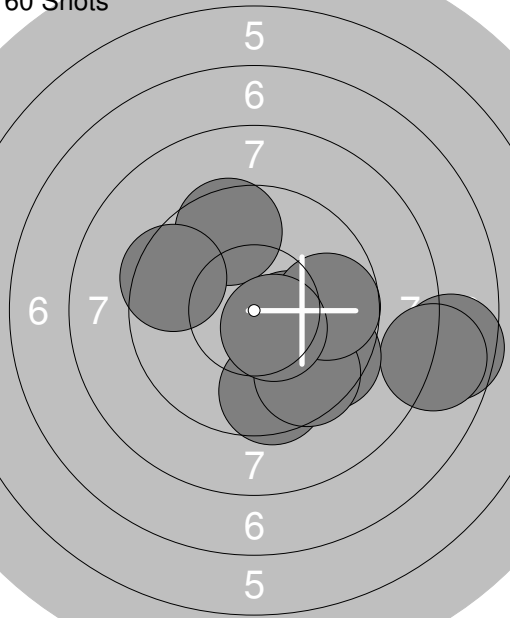
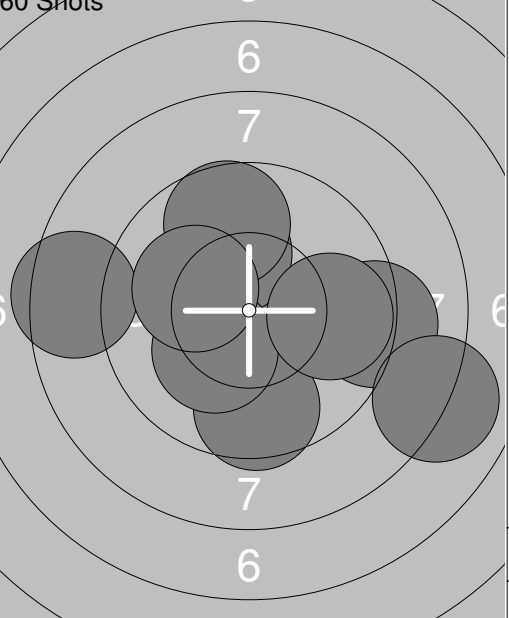
31:	9.6	←
32:	10.7x	↑
33:	9.4	↑
34:	10.2x	←
35:	10.3x	↓
36:	9.7	←
37:	9.9	↗
38:	9.1	↗
39:	9.3	→
40:	8.9	↗
Series		97.1
Total		381.4

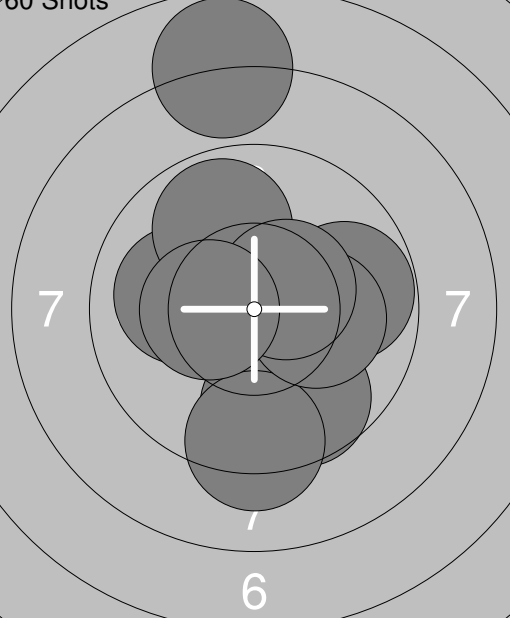
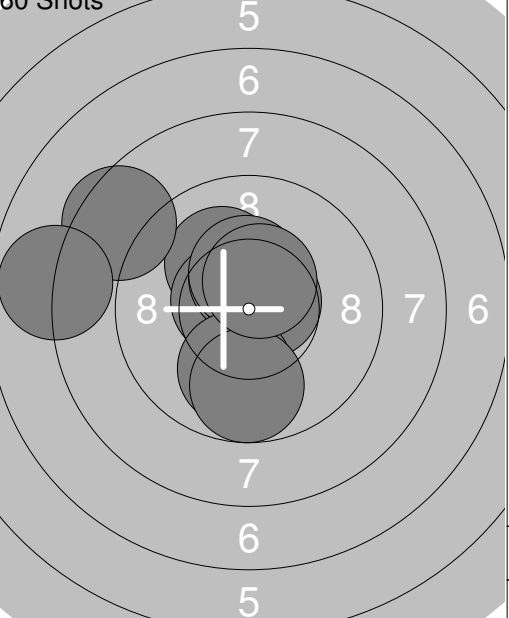
 <p style="text-align:center;">Sight</p>	<p>1: 8.9 ↓</p> <p>2: 8.7 →</p> <p>3: 9.5 →</p> <p>4: 8.0 ←</p> <p>5: 9.0 ↗</p> <p>6: 9.2 ←</p> <p>7: 9.1 ↓</p> <p>8: 8.8 ←</p> <p>9: 9.3 ↗</p> <p>10: 7.6 ↘</p> <hr/> <p>Series 88.1</p> <hr/> <p>Total 0.0</p>	<p style="text-align:center;">60 Shots</p>  <p>1: 8.4 ←</p> <p>2: 8.7 ↗</p> <p>3: 9.2 ←</p> <p>4: 9.7 ←</p> <p>5: 9.9 ↓</p> <p>6: 8.1 ↘</p> <p>7: 9.7 ←</p> <p>8: 9.8 ←</p> <p>9: 9.8 ↗</p> <p>10: 8.9 ←</p> <hr/> <p>Series 92.2</p> <hr/> <p>Total 92.2</p>
--	--	---

<p style="text-align:center;">60 Shots</p> 	<p>11: 9.5 ↓</p> <p>12: 9.1 ←</p> <p>13: 9.9 ↘</p> <p>14: 9.0 ↗</p> <p>15: 9.6 ↗</p> <p>16: 9.7 ↗</p> <p>17: 9.3 ←</p> <p>18: 10.4x ↘</p> <p>19: 8.1 ←</p> <p>20: 8.7 →</p> <hr/> <p>Series 93.3</p> <hr/> <p>Total 185.5</p>	<p style="text-align:center;">60 Shots</p>  <p>21: 9.7 ↘</p> <p>22: 10.2x ←</p> <p>23: 8.4 ←</p> <p>24: 8.8 ←</p> <p>25: 10.3x ↘</p> <p>26: 9.1 →</p> <p>27: 7.8 ↗</p> <p>28: 7.7 ←</p> <p>29: 8.6 ↗</p> <p>30: 9.2 →</p> <hr/> <p>Series 89.8</p> <hr/> <p>Total 275.3</p>
--	---	--

<p style="text-align:center;">60 Shots</p> 	<p>31: 8.3 ←</p> <p>32: 5.7 →</p> <p>33: 9.7 ↗</p> <p>34: 8.3 ↓</p> <p>35: 10.0 ↓</p> <p>36: 10.9x ↘</p> <p>37: 10.2x ←</p> <p>38: 7.9 ←</p> <p>39: 9.9 ↗</p> <p>40: 7.1 ←</p> <hr/> <p>Series 88.0</p> <hr/> <p>Total 363.3</p>	
---	--	--

<p>Sight</p> 	<p>1: 7.4 ←</p> <p>2: 9.3 ↑</p> <p>3: 8.9 →</p> <p>4: 9.7 ←</p> <p>5: 9.3 ←</p> <p>6: 10.4x ↗</p> <p>7: 10.7x ↘</p> <p>8: 8.7 ↓</p> <p>9: 9.8 ↗</p> <p>10: 9.9 ↓</p>	<p>Sight</p> 	<p>11: 10.5x →</p> <p>12: 9.1 ↘</p> <p>13: 8.9 ↖</p> <p>14: 9.7 ↙</p>
Series 94.1		Series 38.2	
Total 0.0		Total 0.0	

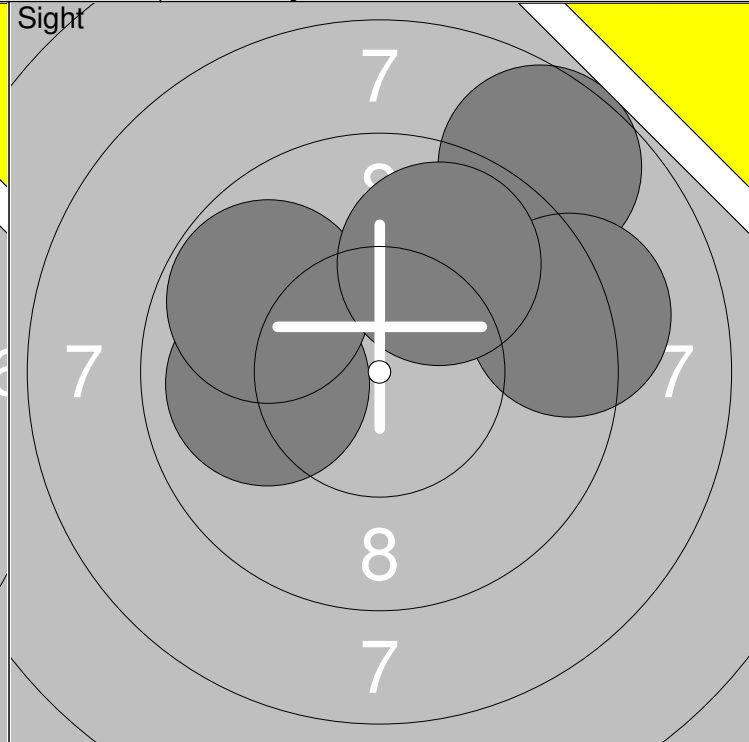
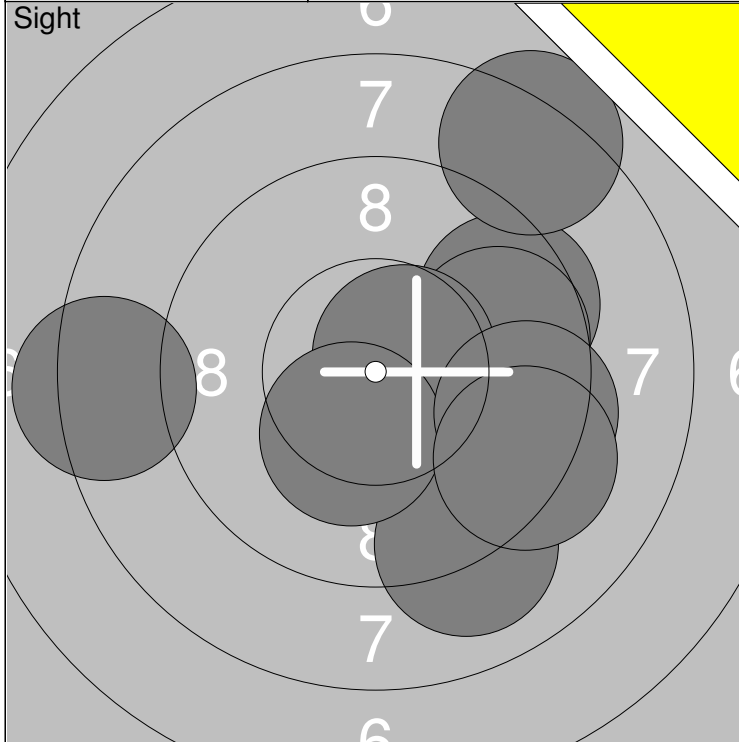
<p>60 Shots</p> 	<p>1: 7.6 →</p> <p>2: 9.6 ↓</p> <p>3: 7.9 →</p> <p>4: 9.5 ↓</p> <p>5: 9.6 ↑</p> <p>6: 10.3x →</p> <p>7: 9.5 ←</p> <p>8: 9.6 ↓</p> <p>9: 9.7 →</p> <p>10: 10.5x ↘</p>	<p>60 Shots</p> 	<p>11: 10.4x ↓</p> <p>12: 9.6 ↓</p> <p>13: 10.1 ↑</p> <p>14: 8.5 ←</p> <p>15: 9.7 ↑</p> <p>16: 10.2x ↙</p> <p>17: 9.2 →</p> <p>18: 9.8 →</p> <p>19: 8.0 →</p> <p>20: 10.1 ←</p>
Series 93.8		Series 95.6	
Total 93.8		Total 189.4	

<p>60 Shots</p> 	<p>21: 9.7 ↓</p> <p>22: 10.0 ←</p> <p>23: 9.8 →</p> <p>24: 9.7 ↓</p> <p>25: 9.3 ↓</p> <p>26: 10.1 →</p> <p>27: 7.8 ↑</p> <p>28: 9.8 ↑</p> <p>29: 10.5x ↗</p> <p>30: 10.4x ←</p>	<p>60 Shots</p> 	<p>31: 10.1 ↖</p> <p>32: 10.6x ↖</p> <p>33: 10.4x ↑</p> <p>34: 10.7x →</p> <p>35: 10.4x ↑</p> <p>36: 10.0 ↓</p> <p>37: 9.7 ↓</p> <p>38: 8.5 ↖</p> <p>39: 7.9 ←</p> <p>40: 10.5x ↑</p>
Series 97.1		Series 98.8	
Total 286.5		Total 385.3	

Relay 1	Lane 6	<h1>Erika Bergqvist</h1>
-------------------	------------------	--------------------------

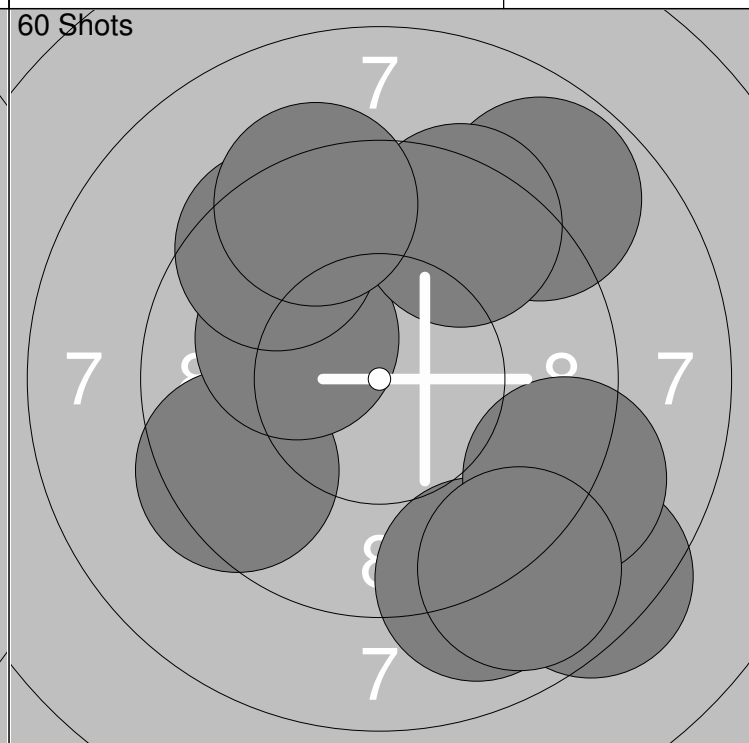
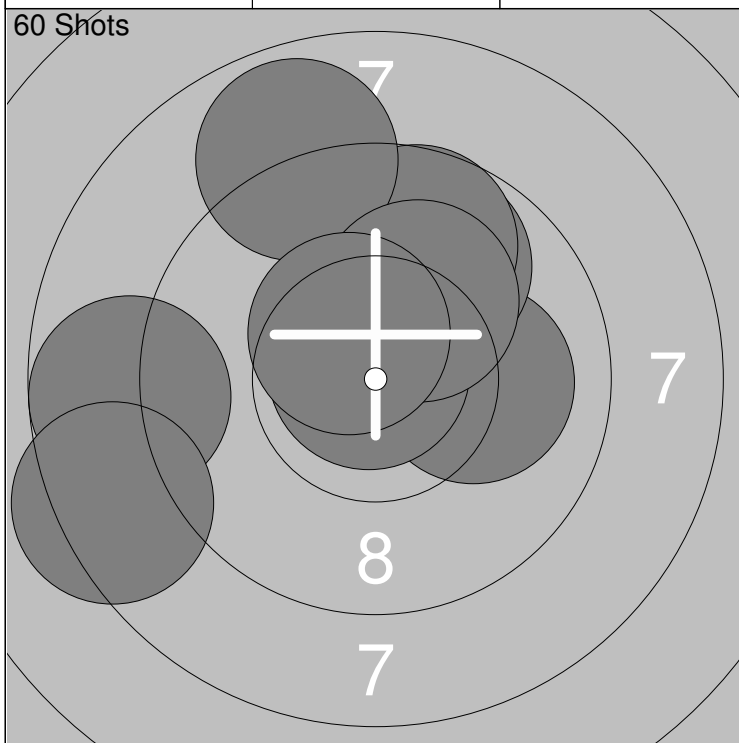
S	Umeå Skf	
---	----------	--

2015-04-18	UME-Kulan 2015	Umeå skytteallians
------------	----------------	--------------------



1: 10.1 →	6: 9.1 ↓	Series	94.6
2: 9.5 ↗	7: 10.3x ↓		
3: 9.7 →	8: 8.3 ←	Total	0.0
4: 10.6x ↗	9: 9.4 →		
5: 8.3 ↗	10: 9.3 ↓		

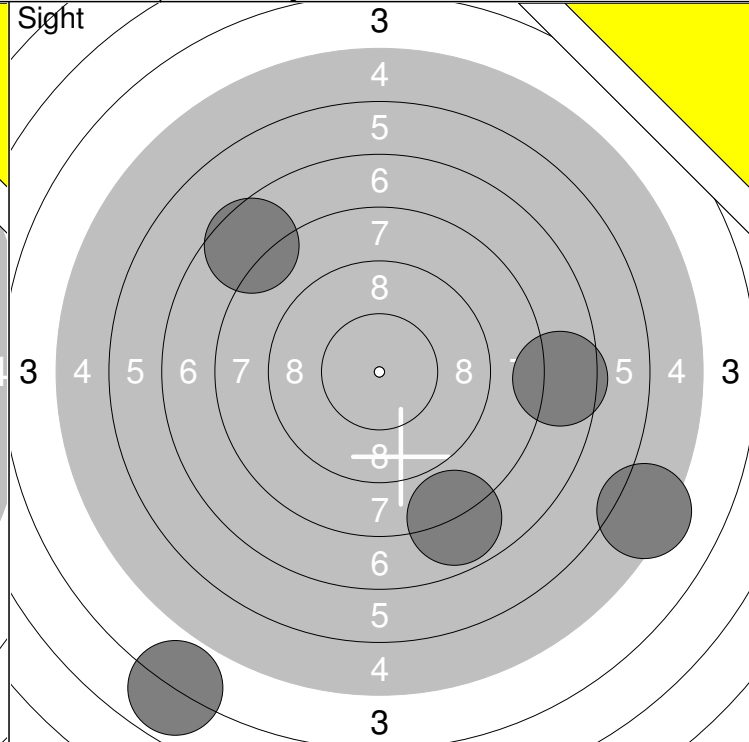
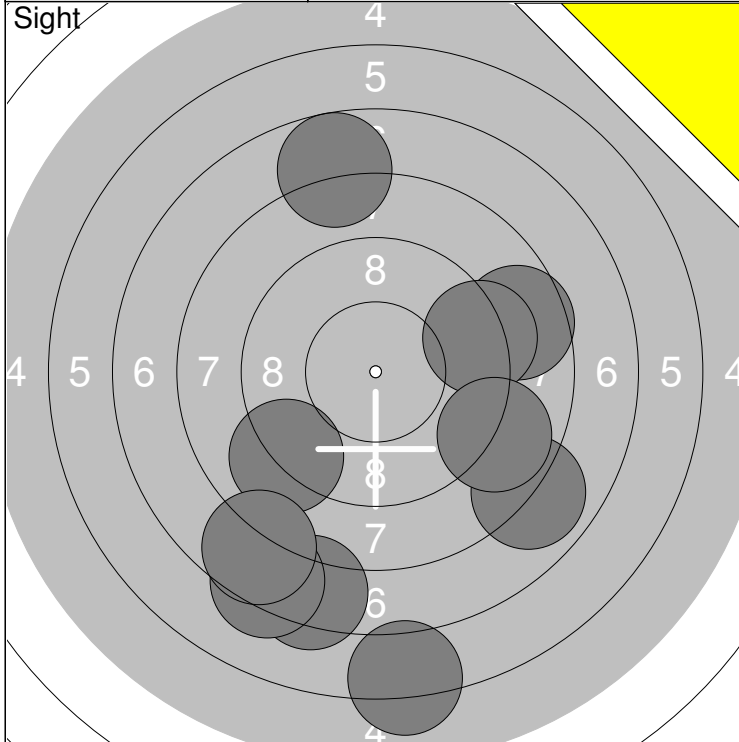
11: 10.0 ←	Series	47.6
12: 8.7 ↗		
13: 9.2 →	Total	0.0
14: 9.8 ↖		
15: 9.9 ↗		



1: 10.1 →	6: 9.7 ↗	Series	97.0
2: 9.8 ↑	7: 8.9 ↗		
3: 10.8x ↖	8: 10.2x ↗	Total	97.0
4: 9.8 ↗	9: 10.5x ↗		
5: 8.8 ←	10: 8.4 ↖		

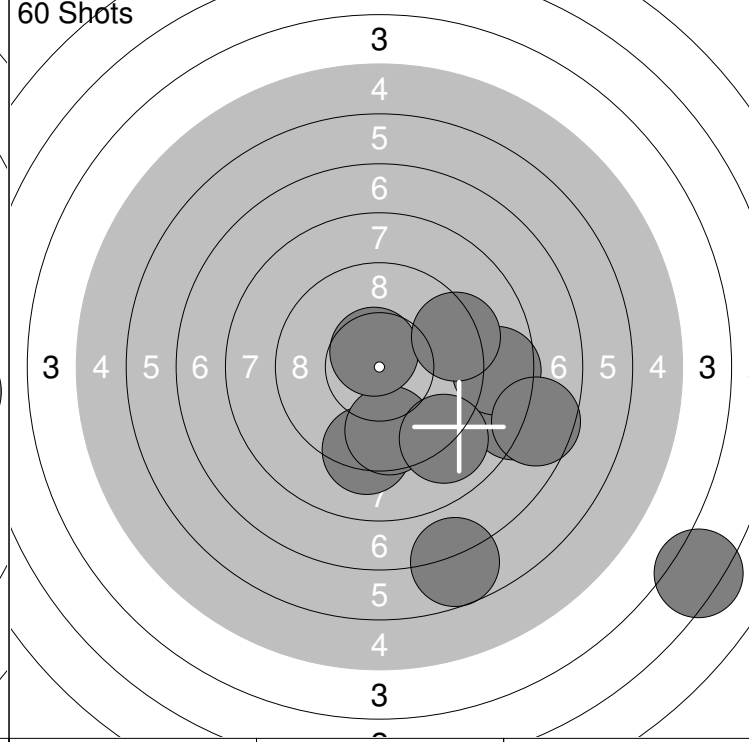
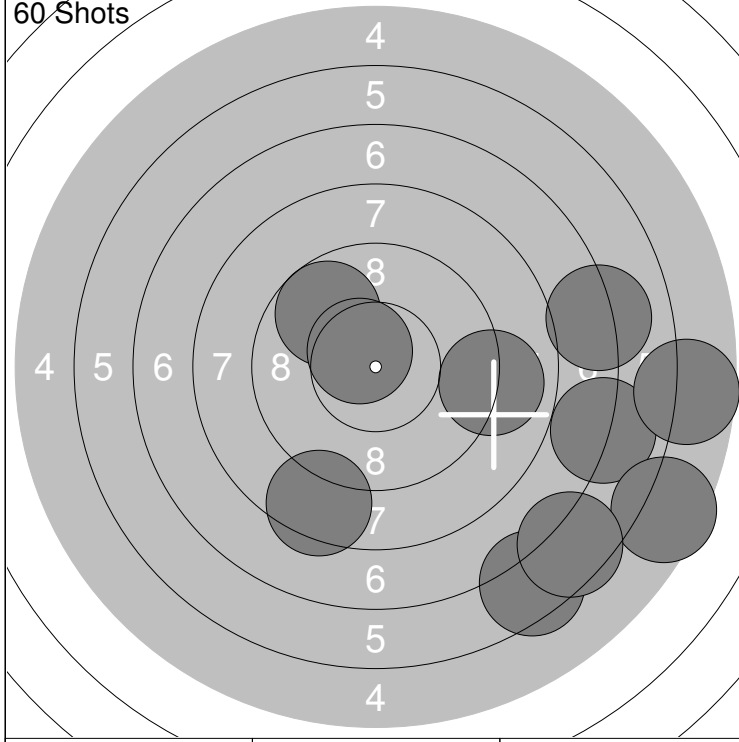
11: 8.4 ↓	16: 9.5 ↖	Series	92.0
12: 9.5 ↖	17: 8.8 ↗		
13: 9.0 ↓	18: 9.4 ↗	Total	189.0
14: 10.1 ↗	19: 9.3 ↗		
15: 9.1 ↓	20: 8.9 ↓		

www.AC-Skytte.com



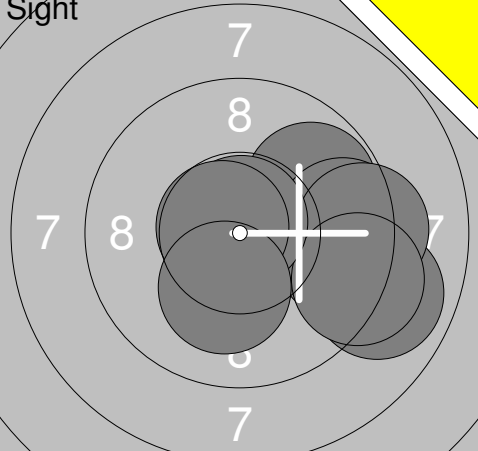
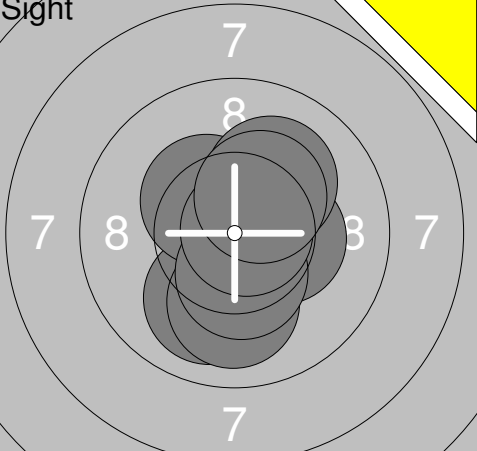
1: 8.6 →	6: 6.2 ↓	Series	79.9
2: 7.4 ↓	7: 7.3 ↓		
3: 7.9 ↘	8: 8.9 →	Total	0.0
4: 7.7 ↑	9: 9.0 ↙		
5: 9.2 →	10: 7.7 ↓		



11: 5.3 →	Series	32.2
12: 3.9 ↓		
13: 7.9 ↘	Total	0.0
14: 7.5 →		
15: 7.6 ↖		

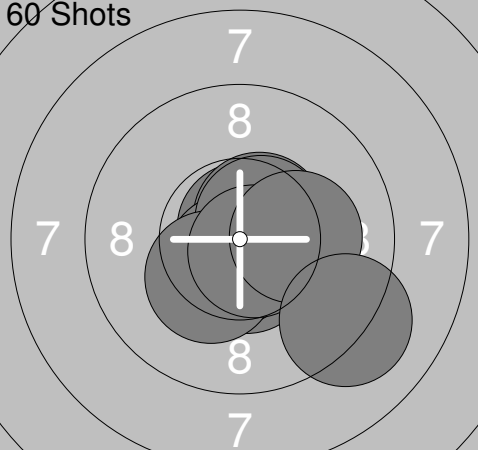




1: 6.4 ↓	6: 5.5 →	Series	76.0
2: 9.7 ↗	7: 9.0 →		
3: 7.0 →	8: 6.5 ↓	Total	76.0
4: 10.6x ↗	9: 7.1 →		
5: 8.5 ↓	10: 5.7 →		

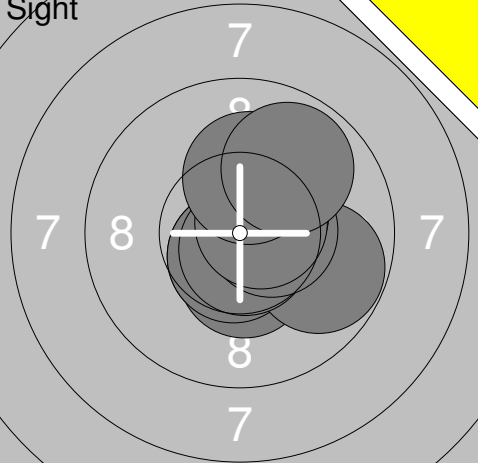
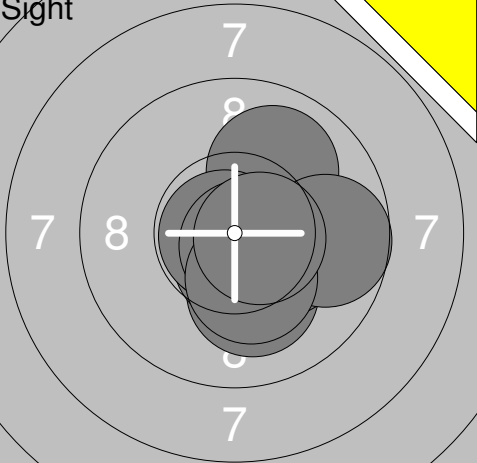
11: 9.3 ↓	16: 8.6 →	Series	82.2
12: 9.7 ↓	17: 6.7 ↓		
13: 10.6x ↗	18: 7.6 →	Total	158.2
14: 3.3 ↓	19: 9.3 →		
15: 8.1 →	20: 9.0 ↓		

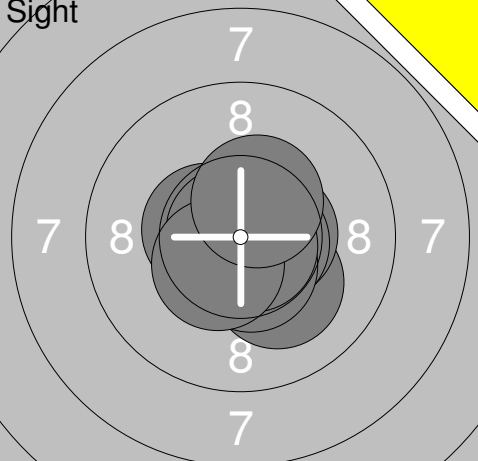
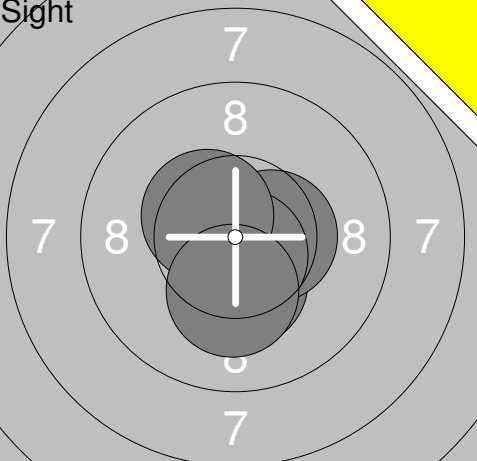
Sight 	1: 9.8 ↗ 2: 8.9 ➤ 3: 9.6 ➔ 4: 9.5 ➔ 5: 9.3 ➔ 6: 9.2 ➤ 7: 10.8x ↑ 8: 10.7x ← 9: 10.2x ↓ <hr/> Series 88.0 Total 0.0	Sight 	11: 10.0 ↓ 12: 10.6x ↑ 13: 10.4x ↗ 14: 10.0 ↓ 15: 10.3x ➔ 17: 10.4x ↓ 18: 10.1 ↗ 19: 10.8x ➔ 20: 10.3x ↗ <hr/> Series 92.9 Total 0.0
--	--	--	--

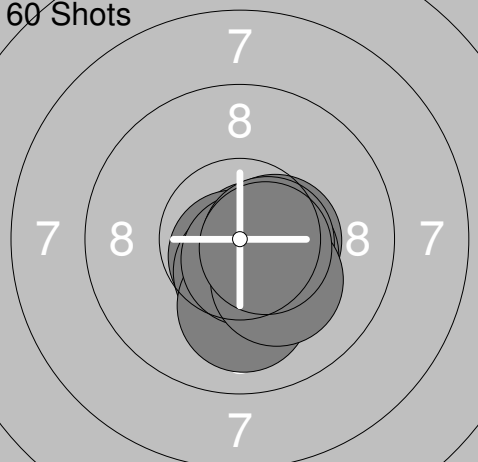
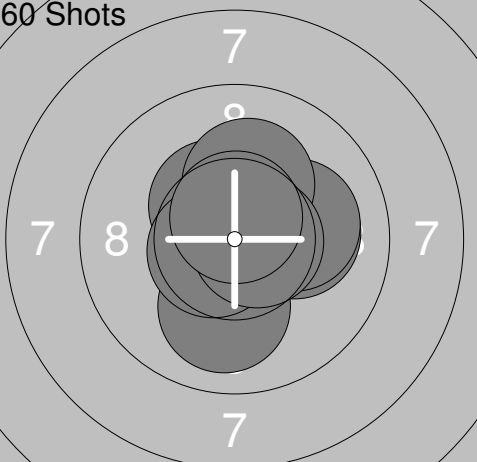
Sight 	21: 10.4x ↑ 22: 10.4x ↗ 23: 10.0 ↑ 24: 9.9 ↗ 25: 10.2x ↑ 26: 10.4x ↗ 27: 10.4x ↗ 28: 10.4x ↗ <hr/> Series 82.1 Total 0.0	60 Shots 	1: 10.8x ➤ 2: 9.8 ➤ 3: 10.7x ➔ 4: 10.5x ↑ 5: 10.1 ➤ 6: 10.5x ↗ 7: 10.9x ➔ 8: 10.3x ↑ 9: 10.1 ➤ 10: 10.6x ➔ <hr/> Series 104.3 Total 104.3
---	---	--	--

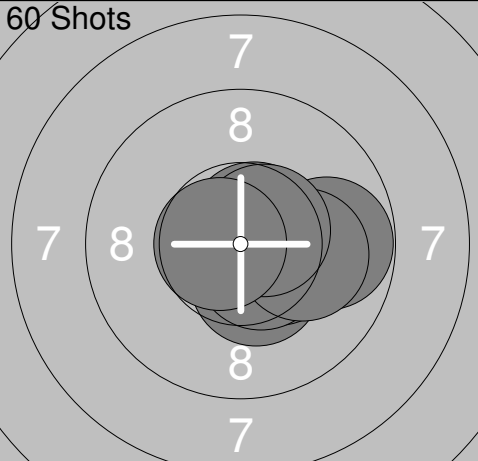
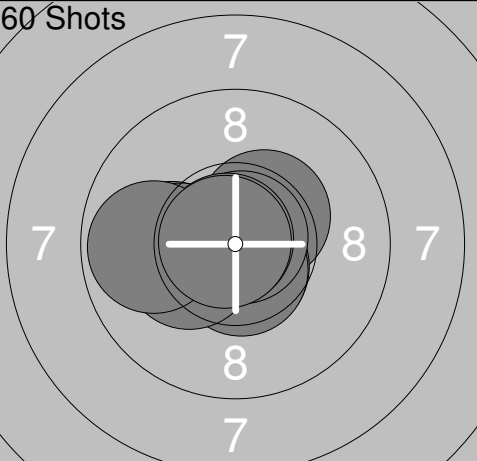
60 Shots 	11: 10.8x ↑ 12: 10.8x ↓ 13: 10.6x ↗ 14: 10.6x ↓ 15: 10.7x ↓ 16: 10.6x ↗ 17: 10.3x ↓ 18: 10.7x ➤ 19: 10.2x ➔ 20: 9.1 ➤ <hr/> Series 104.4 Total 208.7	60 Shots 	21: 10.1 ↓ 22: 10.8x ➔ 23: 10.5x ↓ 24: 10.7x ↗ 25: 10.7x ➤ 26: 9.9 ➤ 27: 10.5x ↓ 28: 10.7x ➤ 29: 10.9x ➤ 30: 10.5x ➔ <hr/> Series 105.3 Total 314.0
---	---	---	--

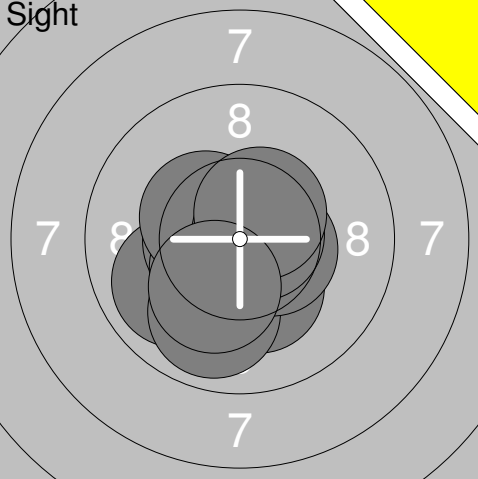
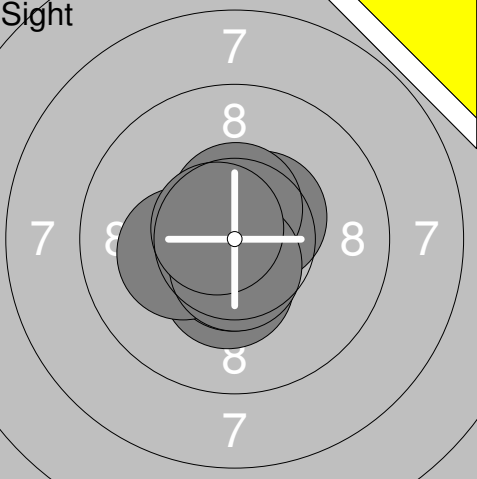

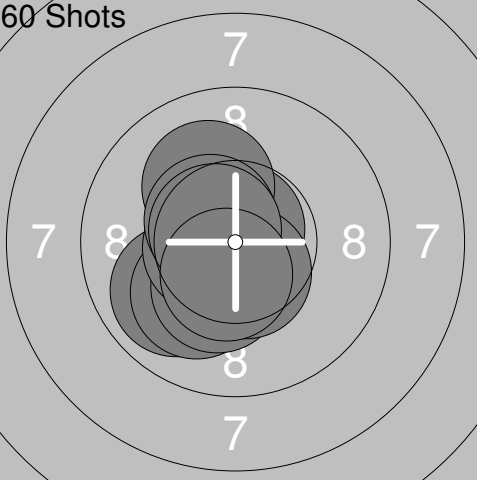

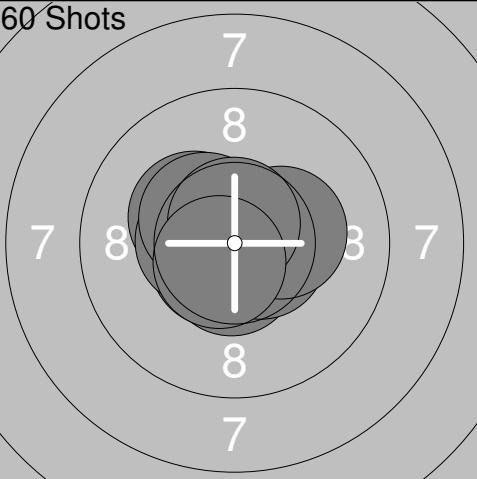

60 Shots 	31: 10.5x ↓ 32: 10.6x ➔ 33: 10.6x ↙ 34: 10.3x ↓ 35: 10.9x ↓ 36: 10.4x ➤ 37: 10.2x ↓ 38: 10.6x ➔ 39: 10.9x ↗ 40: 10.8x ← <hr/> Series 105.8 Total 419.8		
---	---	--	--

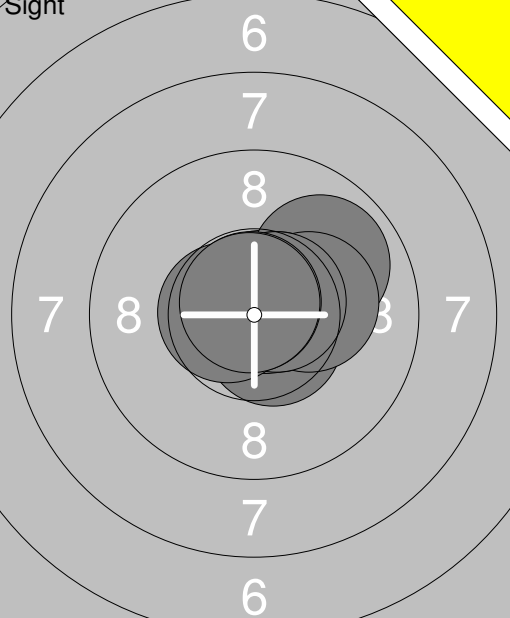
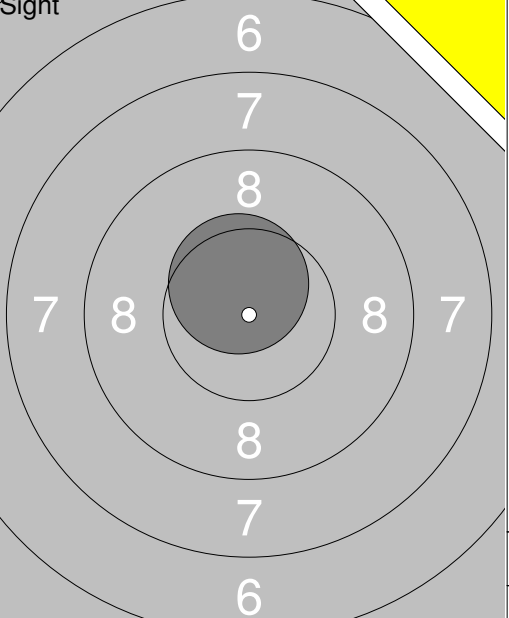
Sight 	1: 10.6x ↓ 2: 10.4x ↓ 3: 10.6x ↓ 4: 9.8 → 5: 10.7x ↓ 6: 10.5x → 7: 10.5x ↗ 8: 10.6x ↗ 9: 10.2x ↑ 10: 9.9 ↗ Series 103.8 Total 0.0	Sight 	11: 10.0 ↗ 12: 10.1 ↓ 13: 10.6x ↓ 14: 10.8x ↙ 15: 10.8x ← 16: 10.3x → 17: 9.7 → 18: 10.7x ↓ 19: 10.3x ↓ 20: 10.6x → Series 103.9 Total 0.0
--	--	--	---

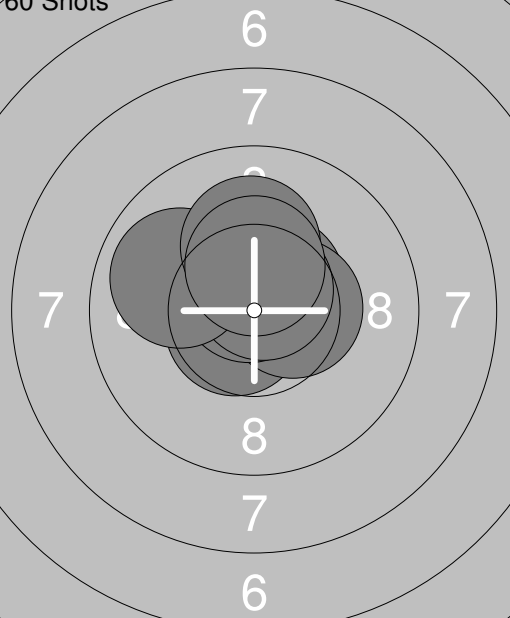
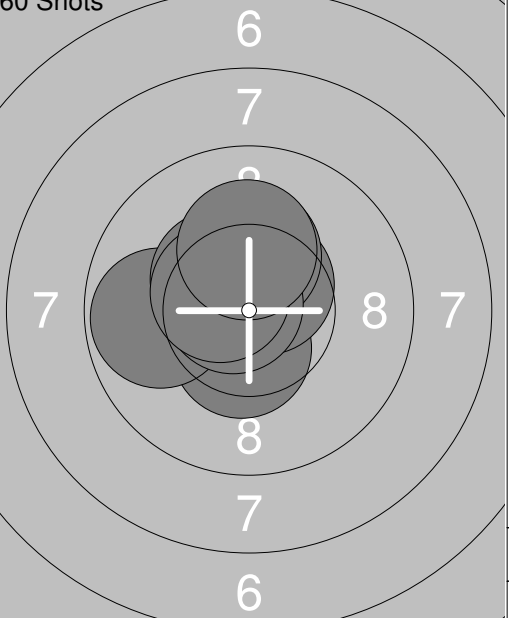
Sight 	21: 10.2x ↓ 22: 10.5x → 23: 10.6x ↓ 24: 10.5x ← 25: 10.6x → 26: 10.5x ↓ 27: 10.8x ↗ 28: 10.8x ↓ 29: 10.5x ↙ 30: 10.4x ↑ Series 105.4 Total 0.0	Sight 	31: 10.3x ↓ 32: 10.5x → 33: 10.7x ↓ 34: 10.5x ↖ 35: 10.2x ↓ Series 52.2 Total 0.0
---	---	---	---

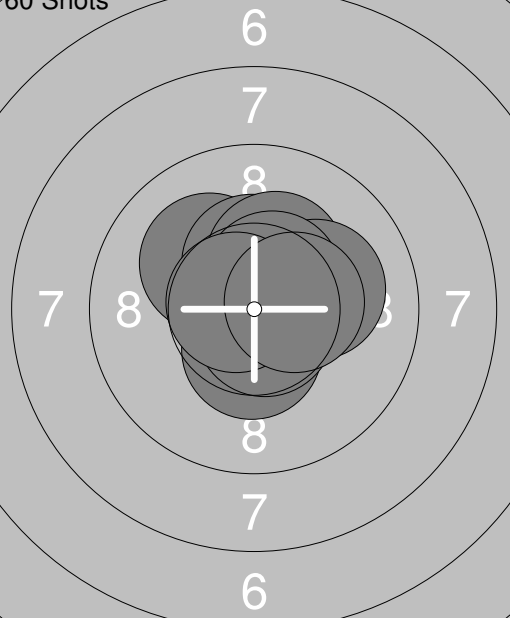
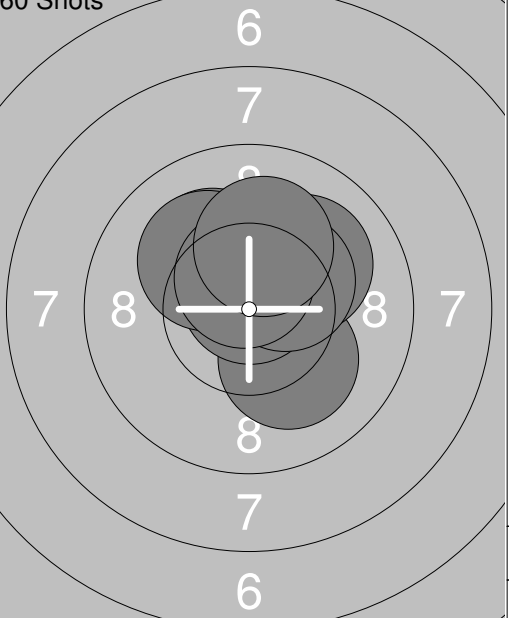
60 Shots 	1: 10.7x → 2: 10.7x ↓ 3: 10.5x ↓ 4: 10.0 ↓ 5: 10.7x ↓ 6: 10.5x → 7: 10.5x ↘ 8: 10.6x → 9: 10.2x ↓ 10: 10.6x → Series 105.0 Total 105.0	60 Shots 	11: 10.0 ↓ 12: 10.4x ↑ 13: 10.5x ↑ 14: 10.4x ↖ 15: 10.1 → 16: 10.1 → 17: 10.6x ↙ 18: 10.2x ↑ 19: 10.6x → 20: 10.6x ↑ Series 103.5 Total 208.5
---	---	---	--

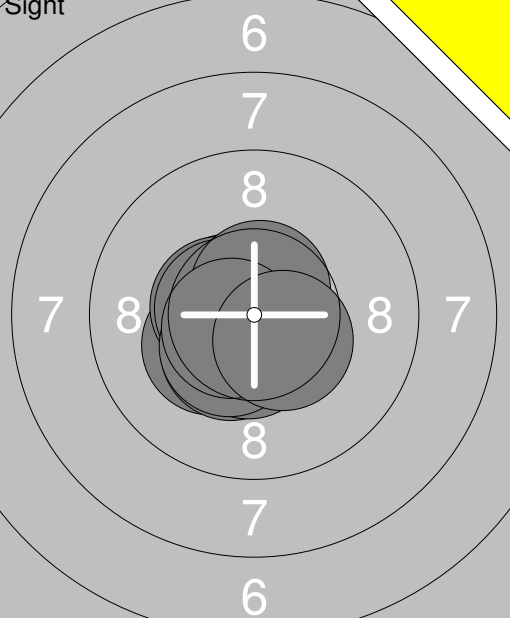
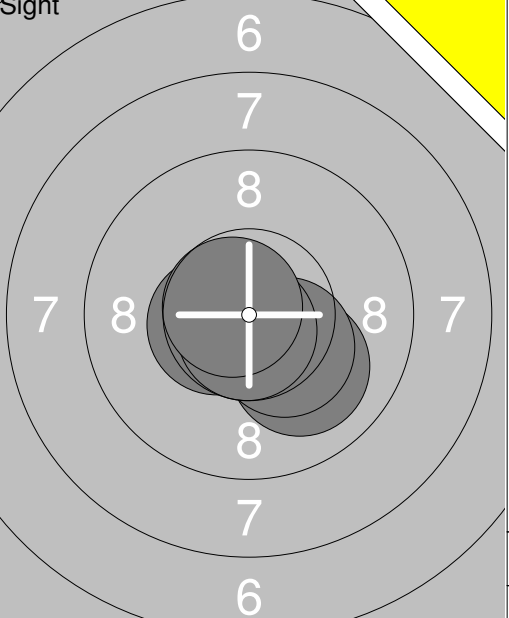
60 Shots 	21: 10.7x ↗ 22: 10.8x → 23: 10.3x → 24: 10.4x ↓ 25: 10.4x ↘ 26: 10.6x ↓ 27: 9.8 → 28: 10.1 → 29: 10.6x ↗ 30: 10.7x ← Series 104.4 Total 312.9	60 Shots 	31: 10.4x ↗ 32: 10.6x ↓ 33: 10.6x ↓ 34: 10.1 ← 35: 10.2x ← 36: 10.3x ← 37: 10.8x ↗ 38: 10.8x ↖ 39: 9.8 ← 40: 10.8x ← Series 104.4 Total 417.3
---	--	---	--


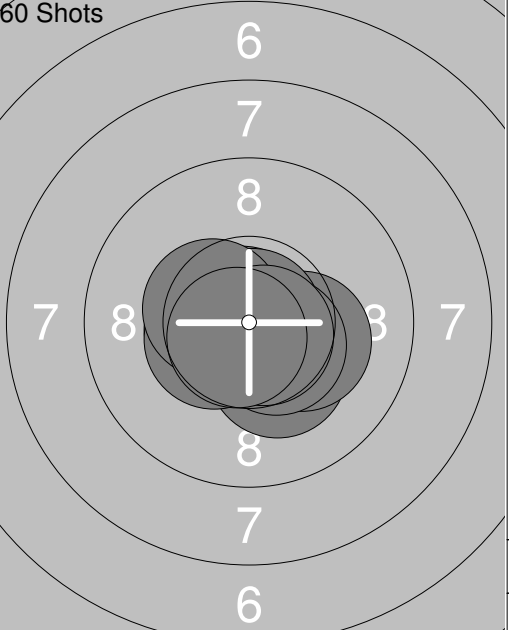
Relay	Lane		
1	10	Leia Kramer	
S	Ramselefors Skf		
2015-04-18	UME-Kulan 2015	Umeå skytteallians	
Sight		1: 9.9 ↙ 2: 10.5x ← 3: 10.4x ↘ 4: 10.4x ↖ 5: 10.3x ↘ 6: 9.9 ↘ 7: 10.5x → 8: 10.7x → 9: 10.5x ↗ 10: 10.2x ↘ Series 103.3 Total 0.0	Sight  11: 10.8x ↖ 12: 10.4x ↓ 13: 10.6x ↓ 14: 10.7x ← 15: 10.5x ↗ 16: 10.7x ← 17: 10.2x ← 18: 10.5x ↑ 19: 10.6x ↓ 20: 10.7x ↖ Series 105.7 Total 0.0
Sight		21: 10.6x ← 22: 10.8x ← Series 21.4 Total 0.0	60 Shots  1: 9.9 ↙ 2: 10.1 ↘ 3: 10.8x ↑ 4: 10.1 ↖ 5: 10.3x ↘ 6: 10.6x ← 7: 10.5x ↖ 8: 10.5x ↓ 9: 10.6x ↖ 10: 10.5x ↓ Series 103.9 Total 103.9
60 Shots		11: 10.9x ↙ 12: 10.6x ↖ 13: 10.7x ↗ 14: 10.8x ← 15: 10.3x ↘ 16: 10.6x ↓ 17: 10.5x ↗ 18: 10.4x → 19: 10.3x ↗ 20: 10.6x ↓ Series 105.7 Total 209.6	60 Shots  21: 10.6x ↖ 22: 10.3x ↖ 23: 10.7x ↓ 24: 10.6x ↓ 25: 10.6x → 26: 10.5x ← 27: 10.4x ↖ 28: 10.3x → 29: 10.7x ↑ 30: 10.6x ↘ Series 105.3 Total 314.9
60 Shots		31: 10.6x ← 32: 10.6x ↓ 33: 10.3x ↗ 34: 10.9x → 35: 10.6x ↓ 36: 10.7x ↗ 37: 10.9x ↗ 38: 10.6x → 39: 10.5x → 40: 10.2x ↙ Series 105.9 Total 420.8	

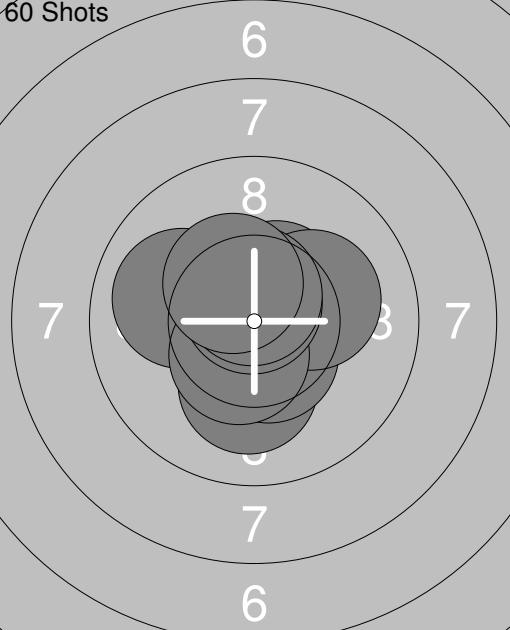
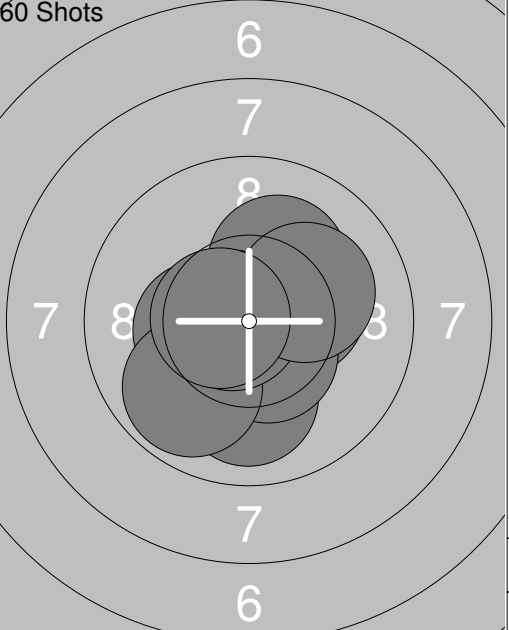
 <p style="text-align:center;">Sight</p>	<p>1: 10.6x ↘</p> <p>2: 10.7x ↗</p> <p>3: 9.9 ↗</p> <p>4: 10.6x ↗</p> <p>5: 10.2x →</p> <p>6: 10.8x ↗</p> <p>7: 10.6x ↗</p> <p>8: 10.8x ↗</p> <p>9: 10.6x ←</p> <p>10: 10.8x ↗</p>	 <p style="text-align:center;">Sight</p>	<p>11: 10.5x ↗</p>
Series 105.6		Series 10.5	
Total 0.0		Total 0.0	

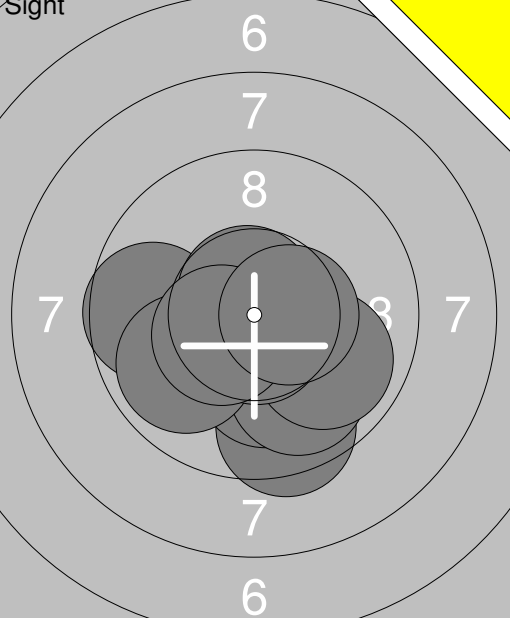
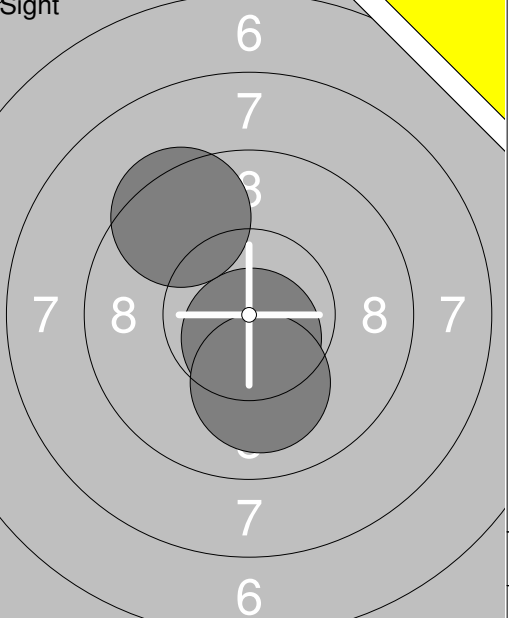
 <p style="text-align:center;">60 Shots</p>	<p>1: 10.7x ↗</p> <p>2: 10.6x ↙</p> <p>3: 10.5x ↗</p> <p>4: 10.5x ↗</p> <p>5: 10.5x →</p> <p>6: 10.7x ↗</p> <p>7: 10.7x ↗</p> <p>8: 9.9 ↙</p> <p>9: 10.1 ↗</p> <p>10: 10.4x ↗</p>	 <p style="text-align:center;">60 Shots</p>	<p>11: 10.5x ↘</p> <p>12: 9.8 ←</p> <p>13: 10.6x ↗</p> <p>14: 10.2x ↗</p> <p>15: 10.6x ↗</p> <p>16: 10.3x ↗</p> <p>17: 10.4x ↗</p> <p>18: 10.7x ↙</p> <p>19: 10.5x ↙</p> <p>20: 10.2x ↗</p>
Series 104.6		Series 103.8	
Total 104.6		Total 208.4	

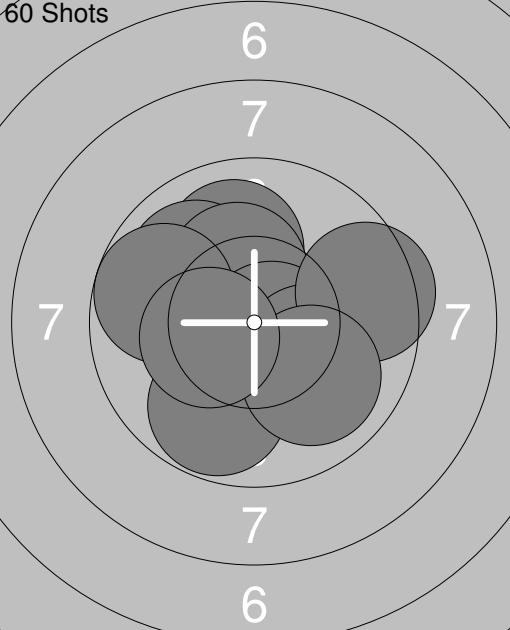
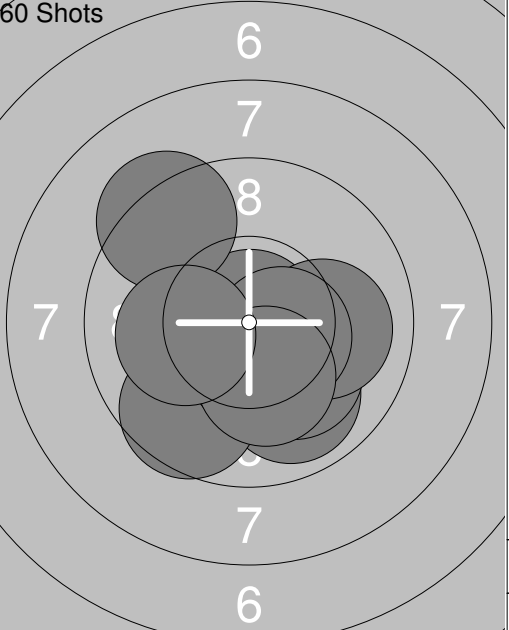
 <p style="text-align:center;">60 Shots</p>	<p>21: 10.6x →</p> <p>22: 10.1 ↙</p> <p>23: 10.4x ↘</p> <p>24: 10.4x ↗</p> <p>25: 10.3x ↗</p> <p>26: 10.7x ↘</p> <p>27: 10.1 →</p> <p>28: 10.5x ↗</p> <p>29: 10.7x ↙</p> <p>30: 10.4x →</p>	 <p style="text-align:center;">60 Shots</p>	<p>31: 10.4x ↗</p> <p>32: 10.2x ↙</p> <p>33: 10.6x ↗</p> <p>34: 10.1 ↘</p> <p>35: 10.8x ↗</p> <p>36: 10.1 ↗</p> <p>37: 10.4x ↗</p> <p>38: 10.1 ↙</p> <p>39: 10.6x ↗</p> <p>40: 10.1 ↗</p>
Series 104.2		Series 103.4	
Total 312.6		Total 416.0	

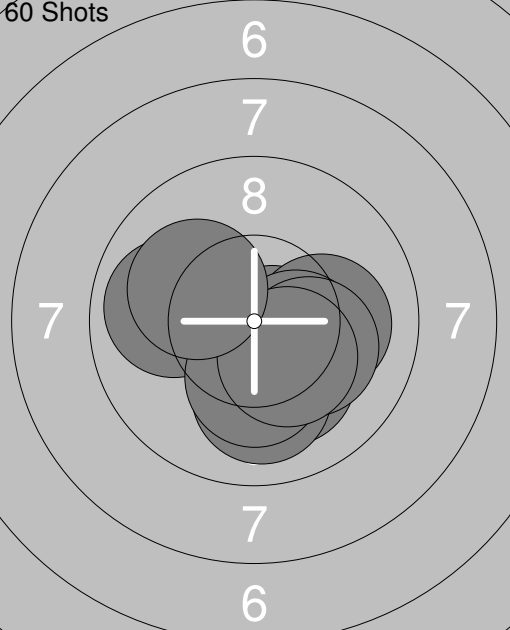
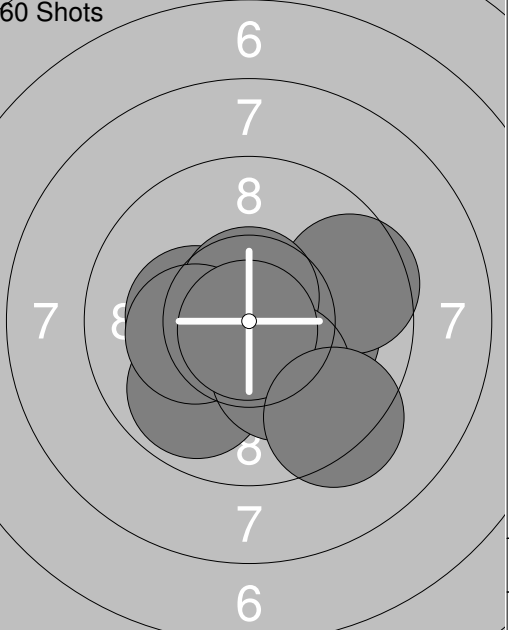
 <p style="text-align: center;">Sight</p>	<p>1: 10.3x ↙</p> <p>2: 10.6x ↖</p> <p>3: 10.5x ↖</p> <p>4: 10.6x ↖</p> <p>5: 10.6x ↑</p> <p>6: 10.4x ↙</p> <p>7: 10.5x ↓</p> <p>8: 10.4x ↙</p> <p>9: 10.6x ↙</p> <p>10: 10.5x ↘</p>	 <p style="text-align: center;">Sight</p>	<p>11: 10.0 ↘</p> <p>12: 10.3x ↘</p> <p>13: 10.5x ↖</p> <p>14: 10.7x ↓</p> <p>15: 10.7x ↖</p>
Series 105.0	Total 0.0	Series 52.2	Total 0.0

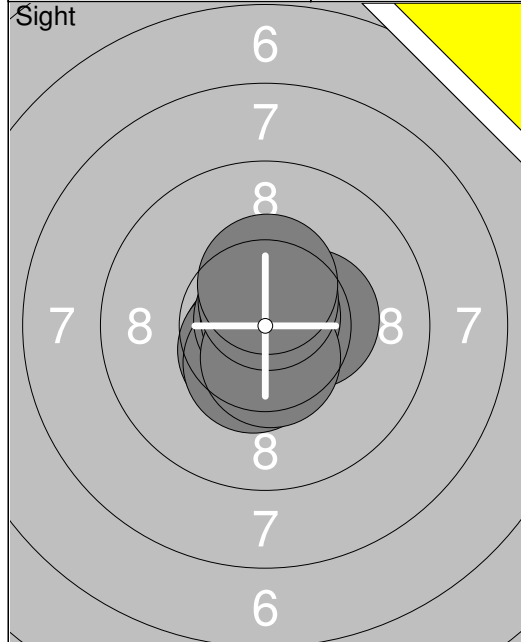
 <p style="text-align: center;">60 Shots</p>	<p>1: 10.5x ↙</p> <p>2: 10.7x ↓</p> <p>3: 10.3x ↓</p> <p>4: 10.2x ↙</p> <p>5: 10.7x ↑</p> <p>6: 10.5x ↙</p> <p>7: 10.9x ↑</p> <p>8: 10.6x ↗</p> <p>9: 10.7x ↓</p> <p>10: 10.9x ↖</p>	 <p style="text-align: center;">60 Shots</p>	<p>11: 10.5x ↖</p> <p>12: 10.3x ↘</p> <p>13: 10.8x ↖</p> <p>14: 10.2x →</p> <p>15: 10.9x ↗</p> <p>16: 10.5x ↖</p> <p>17: 10.5x ↖</p> <p>18: 10.5x ↘</p> <p>19: 10.7x ↘</p> <p>20: 10.7x ↙</p>
Series 106.0	Total 106.0	Series 105.6	Total 211.6

 <p style="text-align: center;">60 Shots</p>	<p>21: 10.6x ↘</p> <p>22: 10.0 ↖</p> <p>23: 10.1 ↓</p> <p>24: 10.5x ↗</p> <p>25: 10.5x ↓</p> <p>26: 10.2x →</p> <p>27: 10.5x ↙</p> <p>28: 10.7x ↑</p> <p>29: 10.6x ↑</p> <p>30: 10.4x ↖</p>	 <p style="text-align: center;">60 Shots</p>	<p>31: 10.0 ↓</p> <p>32: 10.8x ↙</p> <p>33: 10.3x →</p> <p>34: 10.3x ↖</p> <p>35: 10.5x ↘</p> <p>36: 9.8 ↙</p> <p>37: 10.1 ↑</p> <p>38: 10.7x ↖</p> <p>39: 10.1 →</p> <p>40: 10.6x ↖</p>
Series 104.1	Total 315.7	Series 103.2	Total 418.9

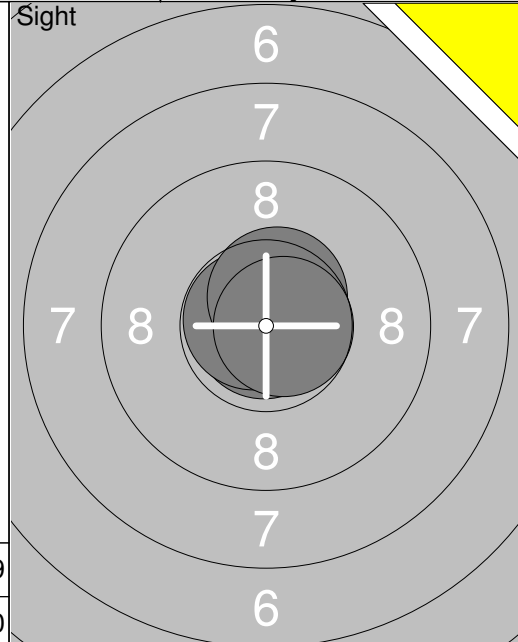
 <p style="text-align:center;">Sight</p>	<p>1: 9.5 ↓</p> <p>2: 10.1 ↓</p> <p>3: 9.7 ←</p> <p>4: 9.9 ↓</p> <p>5: 9.9 →</p> <p>6: 10.7x ↑</p> <p>7: 9.9 ←</p> <p>8: 10.7x ↓</p> <p>9: 10.5x ↙</p> <p>10: 10.5x →</p> <hr/> <p>Series 101.4</p> <hr/> <p>Total 0.0</p>	 <p style="text-align:center;">Sight</p>	<p>11: 10.6x ↓</p> <p>12: 10.1 ↓</p> <p>13: 9.4 ↗</p> <hr/> <p>Series 30.1</p> <hr/> <p>Total 0.0</p>
--	--	--	---

 <p style="text-align:center;">60 Shots</p>	<p>1: 10.0 ↑</p> <p>2: 10.0 ↗</p> <p>3: 10.3x ↑</p> <p>4: 9.7 ←</p> <p>5: 10.7x →</p> <p>6: 9.8 ↓</p> <p>7: 10.1 →</p> <p>8: 9.5 →</p> <p>9: 10.0 ↓</p> <p>10: 10.3x ↙</p> <hr/> <p>Series 100.4</p> <hr/> <p>Total 100.4</p>	 <p style="text-align:center;">60 Shots</p>	<p>11: 9.9 ↓</p> <p>12: 10.9x ↗</p> <p>13: 9.3 ↗</p> <p>14: 9.6 ↓</p> <p>15: 10.4x ↓</p> <p>16: 10.1 ↓</p> <p>17: 10.0 →</p> <p>18: 10.5x →</p> <p>19: 10.2x ↓</p> <p>20: 10.1 ←</p> <hr/> <p>Series 101.0</p> <hr/> <p>Total 201.4</p>
--	---	--	---

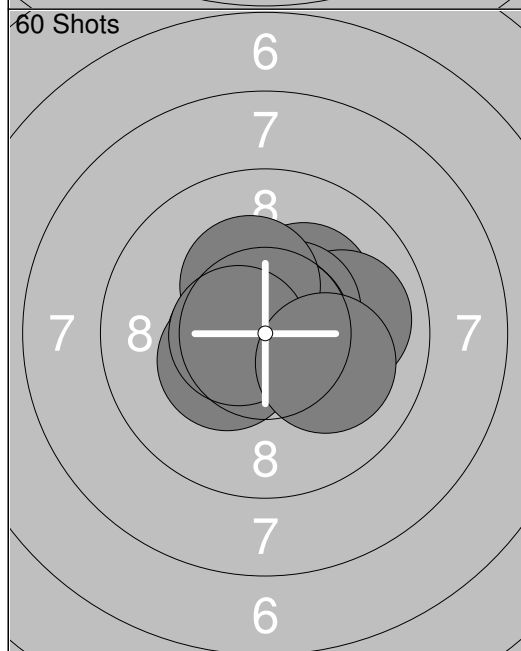
 <p style="text-align:center;">60 Shots</p>	<p>21: 10.1 ↓</p> <p>22: 10.0 ↓</p> <p>23: 10.7x ↓</p> <p>24: 9.9 ←</p> <p>25: 10.1 →</p> <p>26: 10.4x →</p> <p>27: 10.2x ↓</p> <p>28: 10.2x →</p> <p>29: 10.3x ↓</p> <p>30: 10.1 ↗</p> <hr/> <p>Series 102.0</p> <hr/> <p>Total 303.4</p>	 <p style="text-align:center;">60 Shots</p>	<p>31: 10.2x →</p> <p>32: 10.3x ↙</p> <p>33: 9.9 ↓</p> <p>34: 10.5x →</p> <p>35: 9.6 →</p> <p>36: 10.6x ↑</p> <p>37: 10.2x ↙</p> <p>38: 10.2x ↓</p> <p>39: 10.8x ↓</p> <p>40: 9.3 ↓</p> <hr/> <p>Series 101.6</p> <hr/> <p>Total 405.0</p>
---	--	---	--



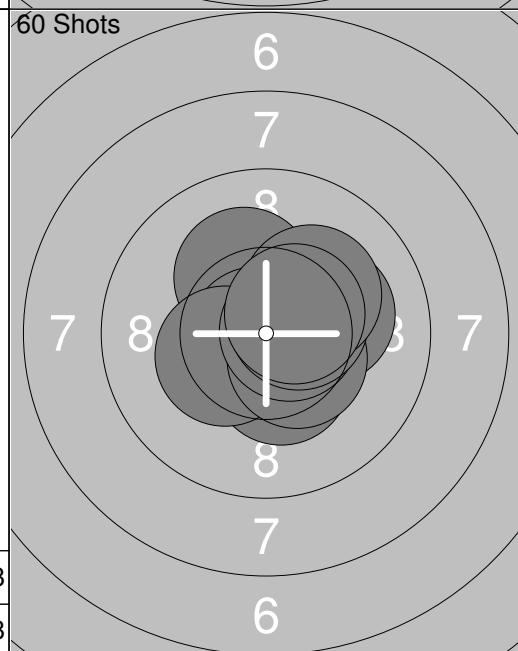
1:	10.6x ↙
2:	10.6x ↙
3:	10.6x ↓
4:	10.5x ↓
5:	10.9x ↑
6:	10.4x →
7:	10.8x ↗
8:	10.5x ↓
9:	10.6x ↑
10:	10.4x ↑
Series	105.9
Total	0.0



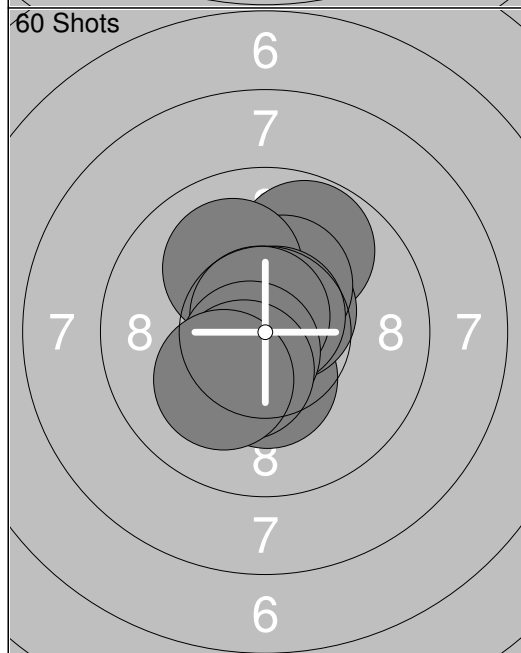
11:	10.7x ↗
12:	10.9x ↙
13:	10.8x ↖
14:	10.6x ↑
15:	10.7x →
Series	53.7
Total	0.0



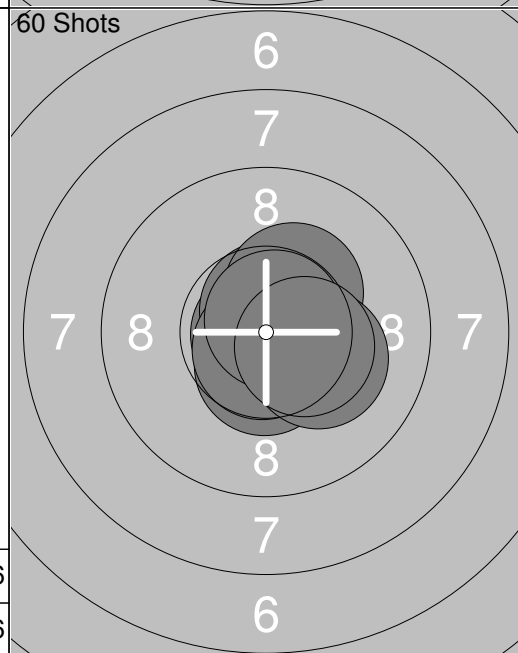
1:	10.2x ↗
2:	10.6x ←
3:	10.4x →
4:	10.0 →
5:	10.5x ↗
6:	10.4x ↙
7:	10.7x ↗
8:	10.3x ↑
9:	10.6x ←
10:	10.1 →
Series	103.8
Total	103.8



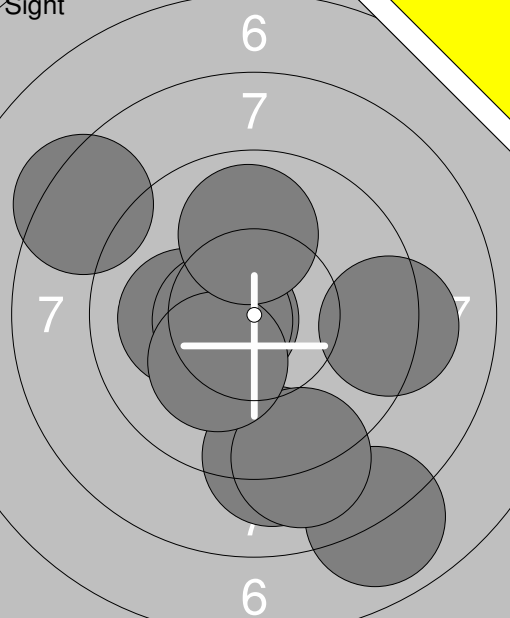
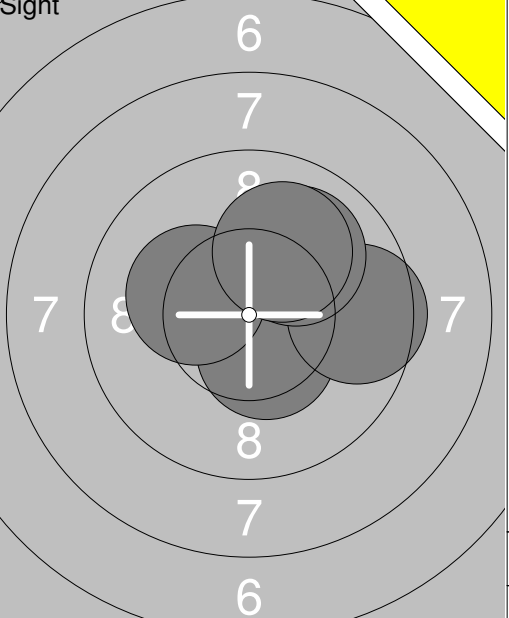
11:	10.2x ↖
12:	10.2x →
13:	10.4x ↓
14:	10.8x ↖
15:	10.4x ↙
16:	10.4x ↘
17:	10.6x →
18:	10.5x →
19:	10.2x ↗
20:	10.5x ↗
Series	104.2
Total	208.0

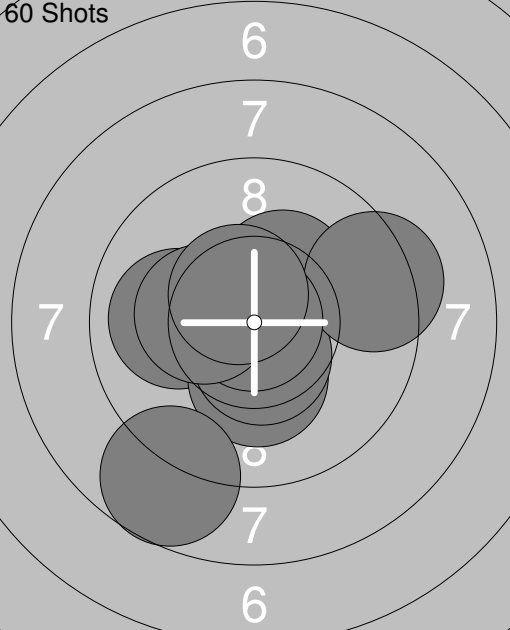
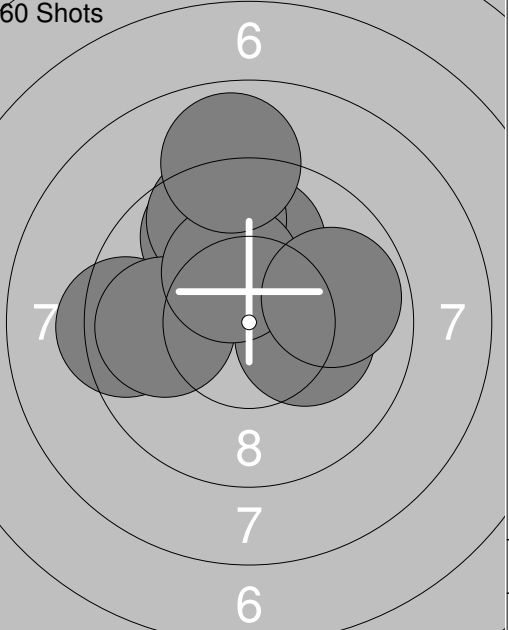


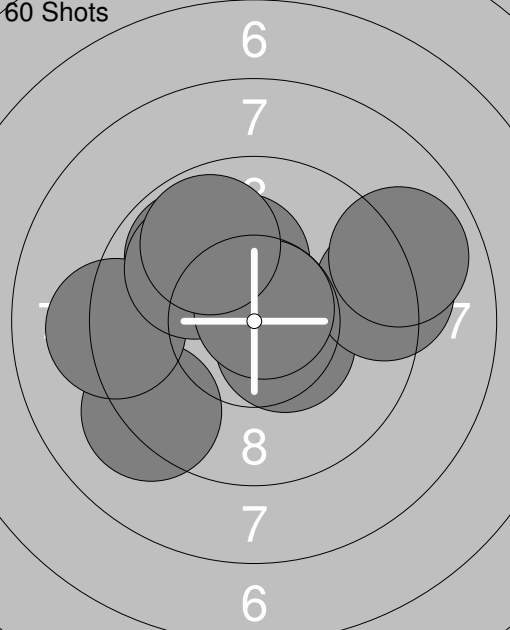
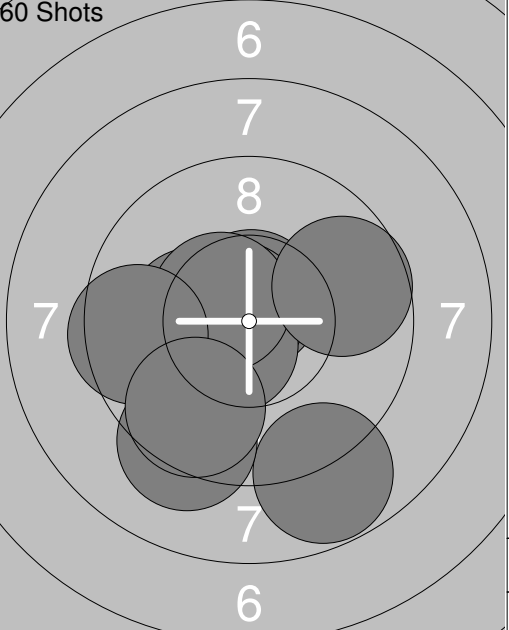
21:	10.4x ↓
22:	9.8 ↑
23:	10.6x ↗
24:	10.3x ↑
25:	10.0 ↖
26:	10.7x ↗
27:	10.7x ↗
28:	10.6x ↙
29:	10.4x ↙
30:	10.1 ↙
Series	103.6
Total	311.6

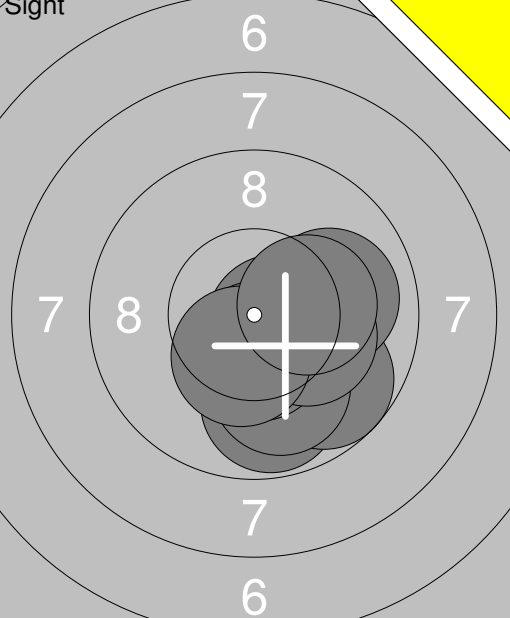
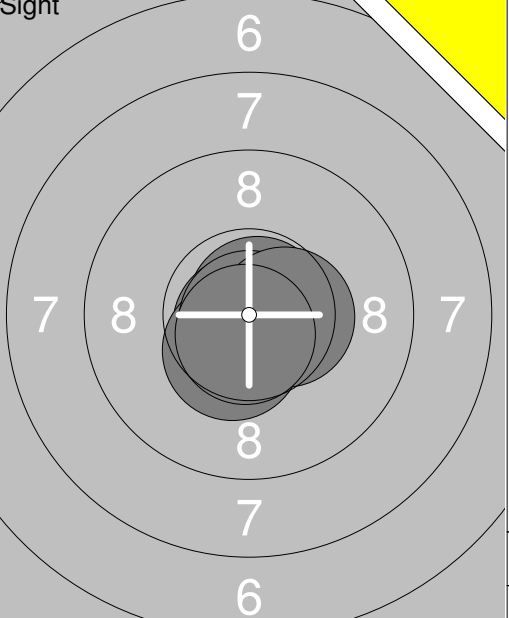



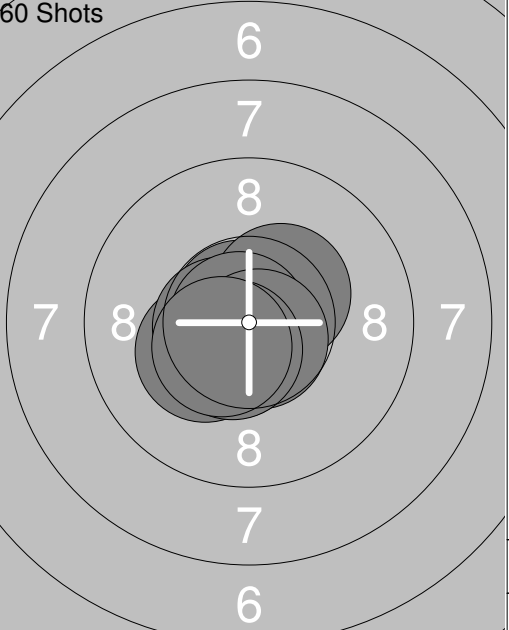
31:	10.9x ↖
32:	10.9x ↘
33:	10.7x ↑
34:	10.3x ↗
35:	10.6x ↘
36:	10.5x ↓
37:	10.7x ↓
38:	10.8x ↗
39:	10.2x →
40:	10.4x →
Series	106.0
Total	417.6


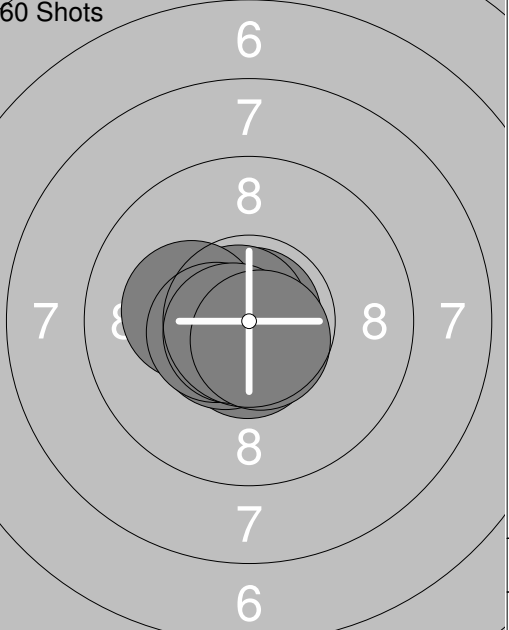
<p>Sight</p>  <p style="text-align: center;">6 7 7 7 6</p>		<p>Sight</p>  <p style="text-align: center;">6 7 8 8 7 6</p>
<p>1: 9.1 ↓</p> <p>2: 7.9 ↓</p> <p>3: 10.1 ←</p> <p>4: 9.0 ↓</p> <p>5: 10.6x ←</p> <p>6: 8.3 ↖</p> <p>7: 10.5x ←</p> <p>8: 10.2x ↙</p> <p>9: 9.9 ↑</p> <p>10: 9.2 →</p>		<p>11: 10.4x ↓</p> <p>12: 9.6 →</p> <p>13: 10.0 ↗</p> <p>14: 10.2x ↖</p> <p>15: 10.0 ↗</p>
Series 94.8		Series 50.2
Total 0.0		Total 0.0

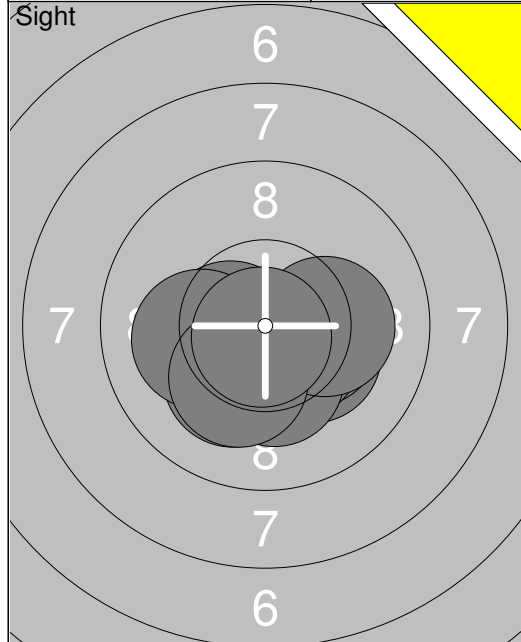
<p>60 Shots</p>  <p style="text-align: center;">6 7 8 7 6</p>		<p>60 Shots</p>  <p style="text-align: center;">6 7 8 7 6</p>
<p>1: 10.0 ←</p> <p>2: 10.9x ↖</p> <p>3: 10.3x ↓</p> <p>4: 8.7 ↓</p> <p>5: 10.3x ↗</p> <p>6: 10.5x ↓</p> <p>7: 9.3 →</p> <p>8: 10.9x ↖</p> <p>9: 10.3x ←</p> <p>10: 10.5x ↖</p>		<p>11: 10.3x →</p> <p>12: 9.8 ↖</p> <p>13: 9.4 ←</p> <p>14: 10.2x →</p> <p>15: 9.9 ↑</p> <p>16: 9.6 ↑</p> <p>17: 9.9 ←</p> <p>18: 10.3x ↖</p> <p>19: 8.9 ↑</p> <p>20: 9.9 →</p>
Series 101.7		Series 98.2
Total 101.7		Total 199.9

<p>60 Shots</p>  <p style="text-align: center;">6 7 8 7 6</p>		<p>60 Shots</p>  <p style="text-align: center;">6 7 8 7 6</p>
<p>21: 10.2x ↑</p> <p>22: 10.5x ↘</p> <p>23: 9.2 →</p> <p>24: 8.9 →</p> <p>25: 9.8 ↖</p> <p>26: 9.2 ↓</p> <p>27: 9.2 ←</p> <p>28: 9.9 ↖</p> <p>29: 10.8x ↗</p> <p>30: 9.8 ↖</p>		<p>31: 10.3x ←</p> <p>32: 10.7x ↑</p> <p>33: 10.7x ↖</p> <p>34: 10.5x ↙</p> <p>35: 10.5x ↖</p> <p>36: 8.8 ↓</p> <p>37: 9.5 ←</p> <p>38: 9.7 →</p> <p>39: 9.2 ↓</p> <p>40: 9.7 ↓</p>
Series 97.5		Series 99.6
Total 297.4		Total 397.0

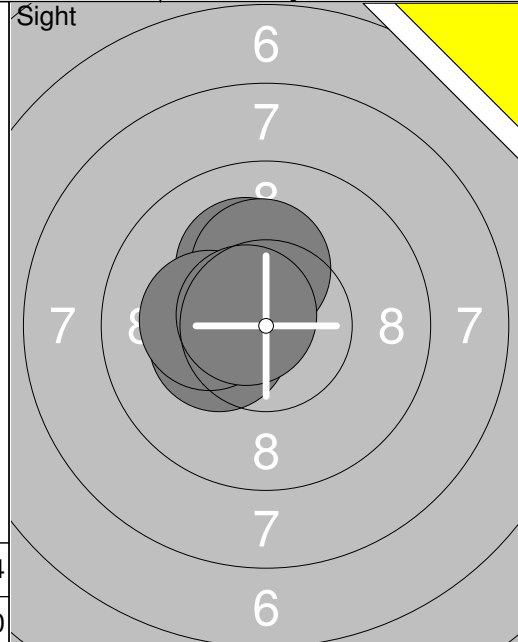
<p>Sight</p> 	<p>1: 9.8 ↓ 2: 10.1 ↓ 3: 9.7 ↓ 4: 10.0 ↓ 5: 10.6x → 6: 10.0 → 7: 10.5x ↓ 8: 10.2x → 9: 10.4x ↓ 10: 10.3x →</p> <p>Series 101.6 Total 0.0</p>	<p>Sight</p> 	<p>11: 10.8x ↗ 12: 10.8x ↓ 13: 10.4x ↓ 14: 10.9x ↓ 15: 10.5x → 16: 10.7x ↓</p> <p>Series 64.1 Total 0.0</p>
--	--	--	---

<p>60 Shots</p> 	<p>1: 10.7x ↓ 2: 10.6x ← 3: 10.7x ↗ 4: 10.7x → 5: 10.9x ↑ 6: 10.7x ↓ 7: 10.5x ← 8: 10.8x ↓ 9: 10.7x ↗ 10: 10.8x ↓</p> <p>Series 107.1 Total 107.1</p>	<p>60 Shots</p> 	<p>11: 10.3x ↙ 12: 10.8x ↑ 13: 10.8x ↖ 14: 10.4x ↗ 15: 10.6x ↓ 16: 10.6x ← 17: 10.8x ← 18: 10.7x ↓ 19: 10.5x ↓ 20: 10.5x ↙</p> <p>Series 106.0 Total 213.1</p>
--	---	--	--

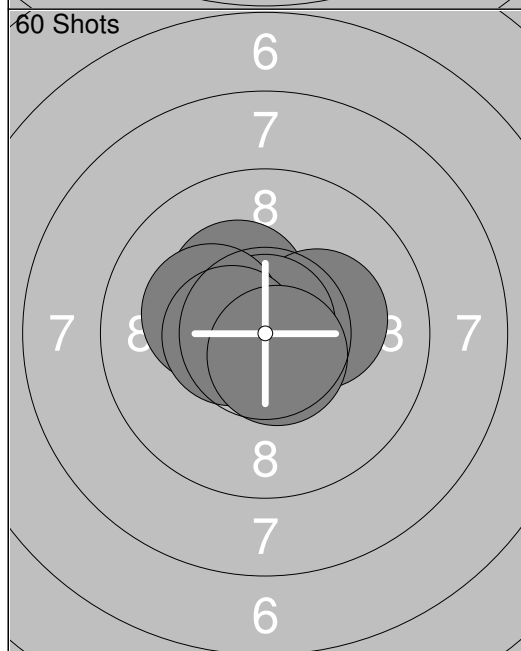
<p>60 Shots</p> 	<p>21: 10.3x ↓ 22: 10.9x ↓ 23: 10.3x ← 24: 10.4x ↙ 25: 10.8x ↗ 26: 10.8x ↗ 27: 10.7x ↗ 28: 10.7x ← 29: 10.3x ← 30: 10.6x ↙</p> <p>Series 105.8 Total 318.9</p>	<p>60 Shots</p> 	<p>31: 10.8x ← 32: 10.8x ↓ 33: 10.6x ↓ 34: 10.9x ↗ 35: 10.6x ↙ 36: 10.8x ↖ 37: 10.2x ← 38: 10.5x ← 39: 10.7x ↙ 40: 10.7x ↓</p> <p>Series 106.6 Total 425.5</p>
---	--	---	--



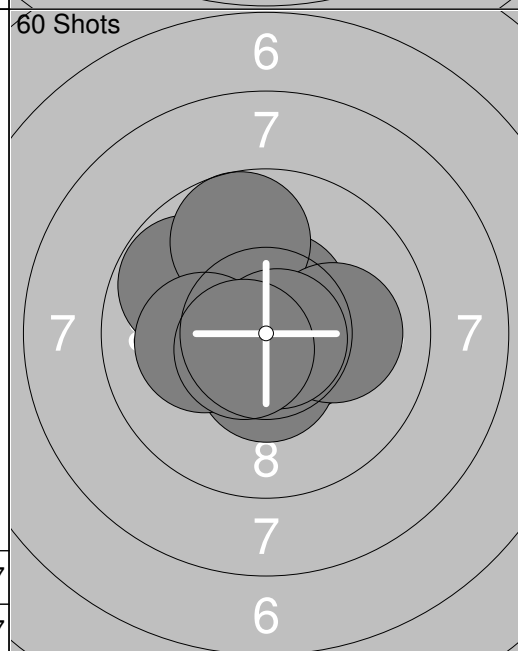
1: 10.3x →
2: 10.3x →
3: 10.5x ↘
4: 10.5x ←
5: 10.3x ↓
6: 10.2x →
7: 10.2x ↘
8: 10.1 ←
9: 10.2x ↘
10: 10.8x ↓
Series 103.4
Total 0.0



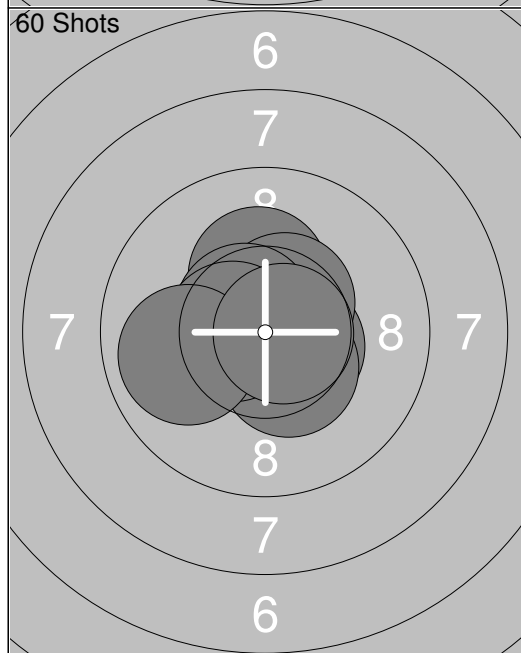
11: 10.2x ↗
12: 10.2x ↑
13: 10.3x ←
14: 10.2x ←
15: 10.7x ↖
Series 51.6
Total 0.0



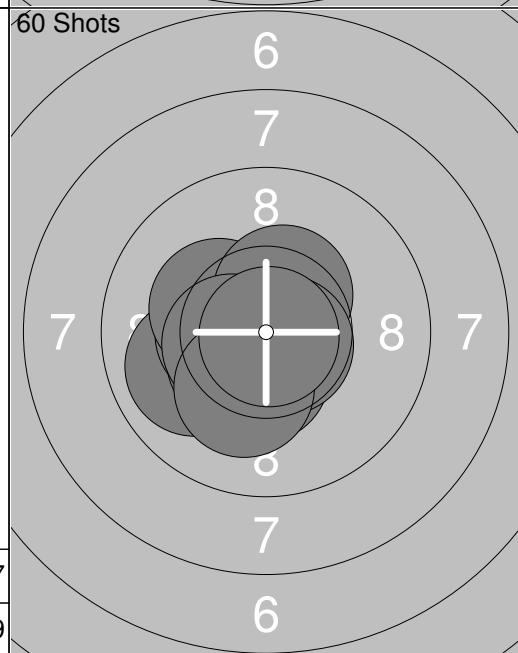
1: 10.9x →
2: 10.5x ←
3: 10.3x ↗
4: 10.8x ←
5: 10.8x ↓
6: 10.3x →
7: 10.8x ↑
8: 10.2x ←
9: 10.5x ←
10: 10.6x ↓
Series 105.7
Total 105.7



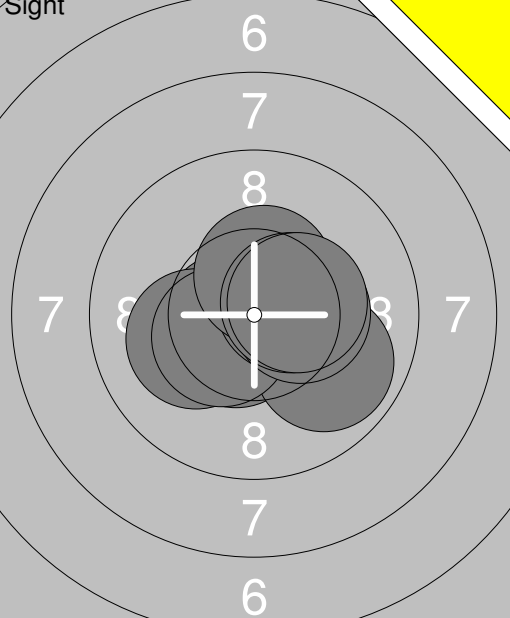
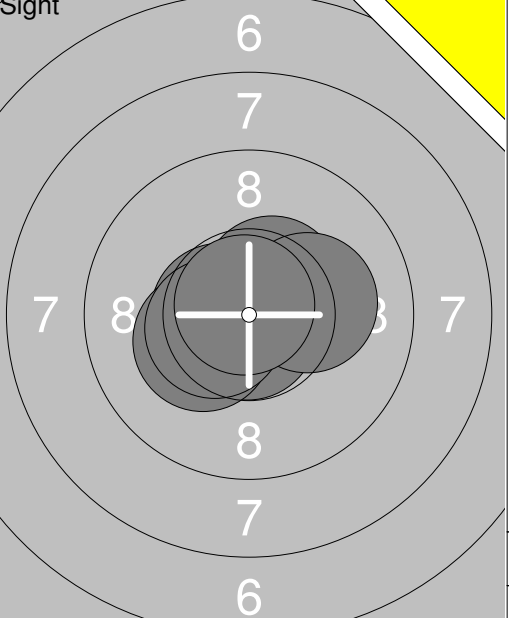
11: 10.5x ↗
12: 10.7x ←
13: 10.6x →
14: 10.5x ↓
15: 9.8 ↖
16: 9.7 ↑
17: 10.1 →
18: 10.8x →
19: 10.2x ←
20: 10.6x ↘
Series 103.5
Total 209.2

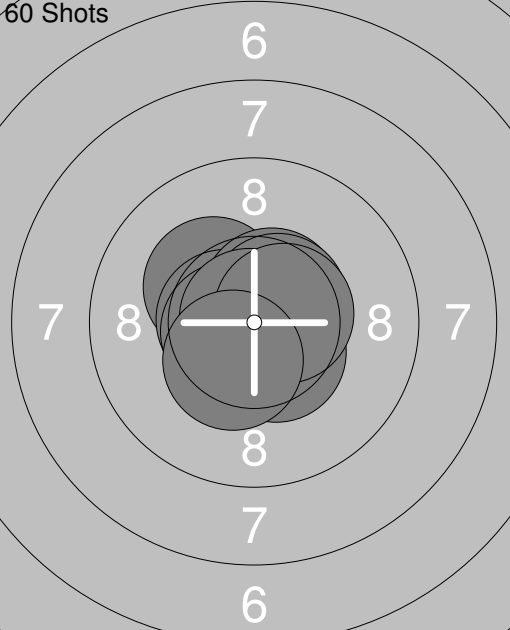
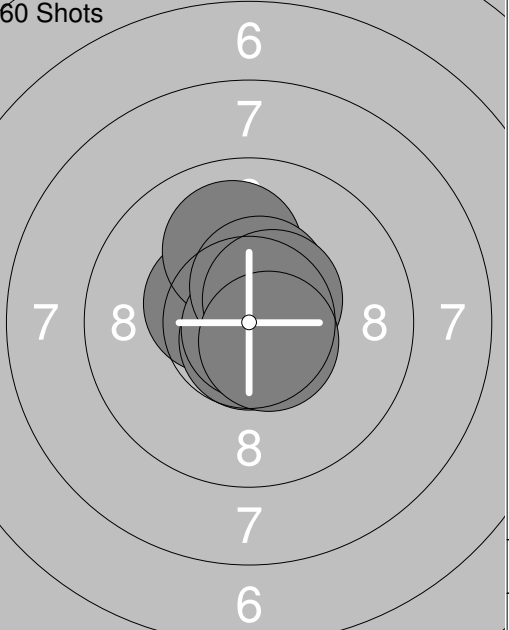


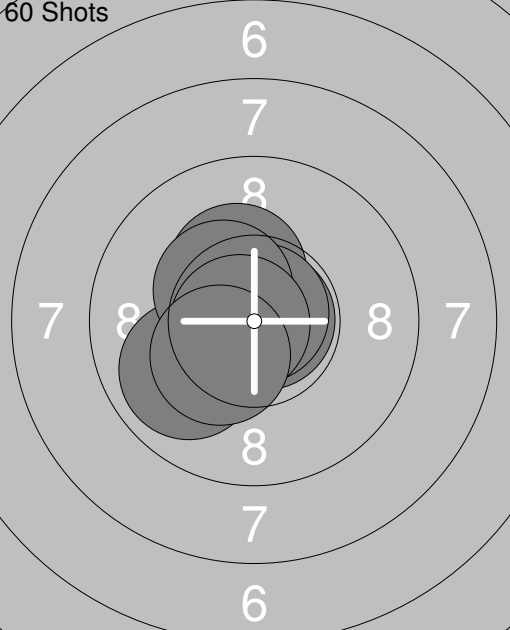
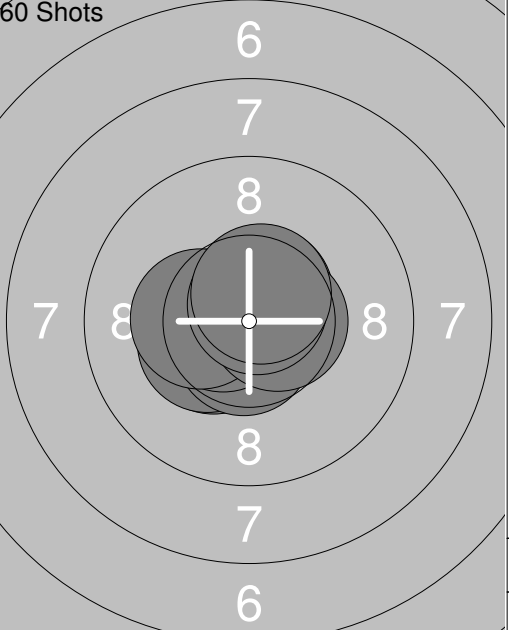
21: 10.5x →
22: 10.8x ↓
23: 10.6x ↖
24: 10.2x ↑
25: 10.5x ↗
26: 10.4x ↓
27: 10.6x ↗
28: 10.5x ←
29: 9.9 ←
30: 10.7x →
Series 104.7
Total 313.9

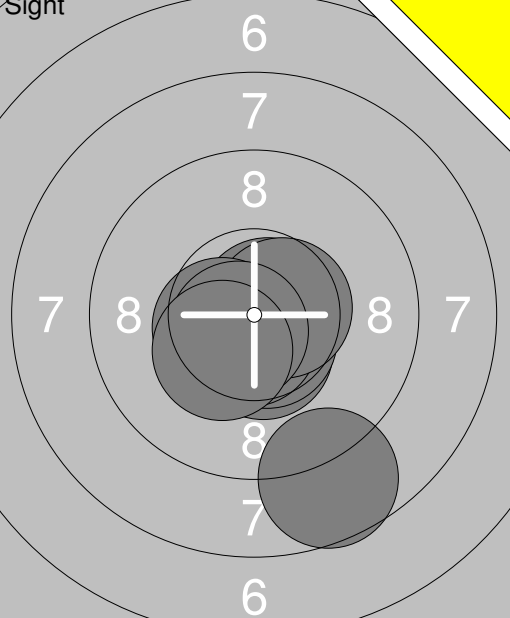
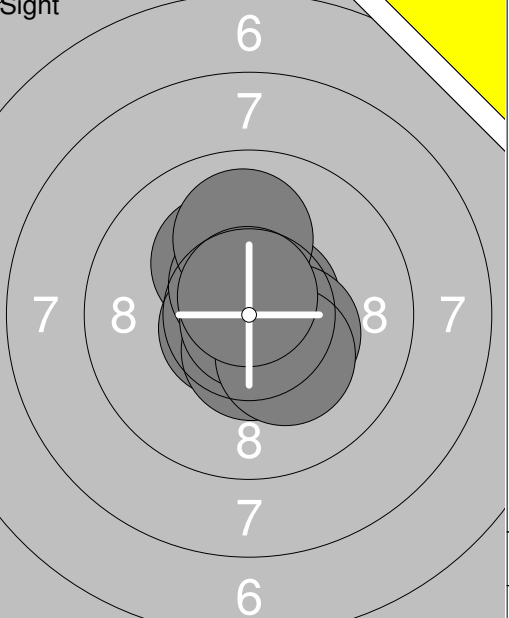


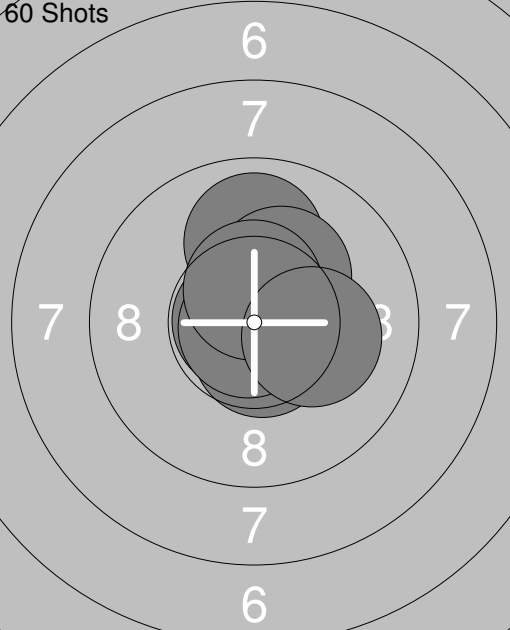
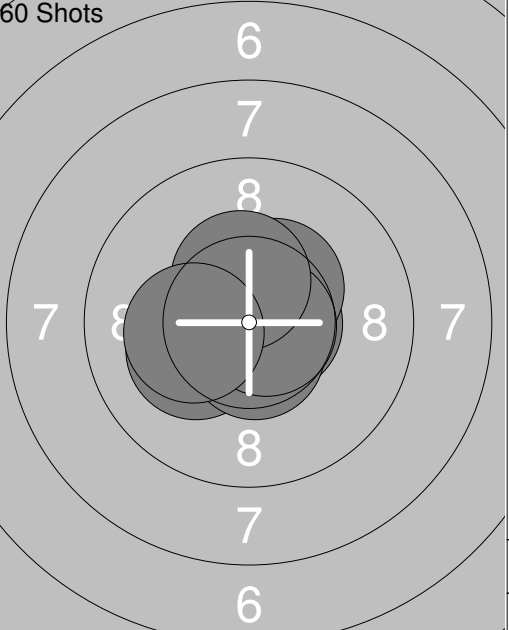
31: 9.9 ←
32: 10.4x ←
33: 10.4x ↘
34: 10.3x ↖
35: 10.4x ↗
36: 10.4x ↓
37: 10.7x ↘
38: 10.5x ←
39: 10.2x ↓
40: 10.9x ↘
Series 104.1
Total 418.0

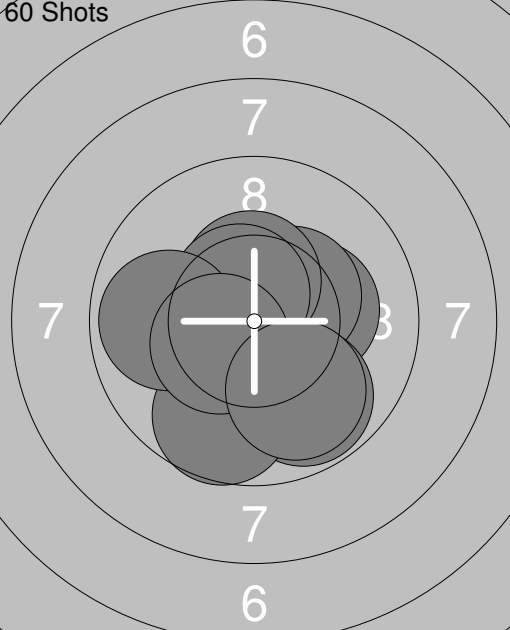
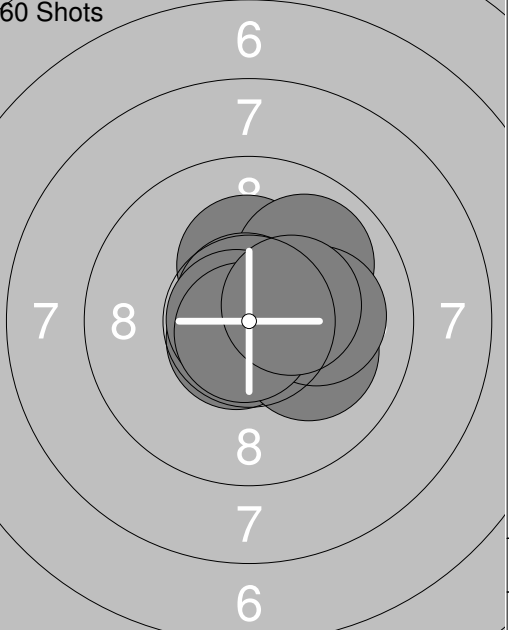
	Sight 1: 10.6x ↘ 2: 10.6x ↙ 3: 10.1 ↙ 4: 9.9 ↘ 5: 10.5x ↙ 6: 10.5x → 7: 10.4x ↗ 8: 10.4x → 9: 10.5x → 10: 10.4x → Series 103.9 Total 0.0		Sight 11: 10.7x ↗ 12: 10.8x ↓ 13: 10.6x ↙ 14: 10.3x ↙ 15: 10.5x ↗ 16: 10.2x → 17: 10.5x ↙ 18: 10.8x ↗ Series 84.4 Total 0.0
--	--	--	---

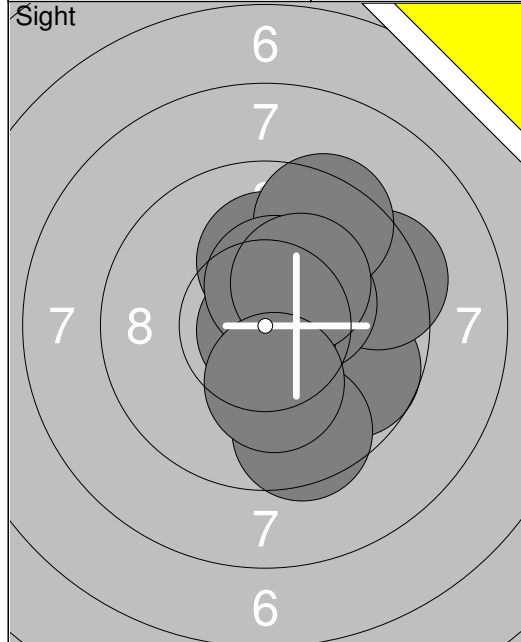
	60 Shots 1: 10.3x ↖ 2: 10.6x ↙ 3: 10.8x ↙ 4: 10.5x ↓ 5: 10.6x ↗ 6: 10.6x ↙ 7: 10.6x ↗ 8: 10.9x ↖ 9: 10.6x → 10: 10.4x ↘ Series 105.9 Total 105.9		60 Shots 11: 10.8x ↖ 12: 10.6x ↗ 13: 10.4x ↖ 14: 10.8x ↓ 15: 10.7x ↓ 16: 10.0 ↗ 17: 10.9x ↓ 18: 10.5x ↗ 19: 10.5x ↗ 20: 10.6x ↘ Series 105.8 Total 211.7
---	--	---	--

	60 Shots 21: 10.6x ↖ 22: 10.8x → 23: 10.4x ↖ 24: 10.3x ↗ 25: 10.4x ↙ 26: 10.8x ↗ 27: 9.9 ↙ 28: 10.4x ↖ 29: 10.8x ↙ 30: 10.3x ↘ Series 104.7 Total 316.4		60 Shots 31: 10.4x ↙ 32: 10.6x ↗ 33: 10.5x ↙ 34: 10.4x ↙ 35: 10.6x ↓ 36: 10.6x ↙ 37: 10.3x ↙ 38: 10.6x → 39: 10.7x ↗ 40: 10.6x ↗ Series 105.3 Total 421.7
--	---	--	---

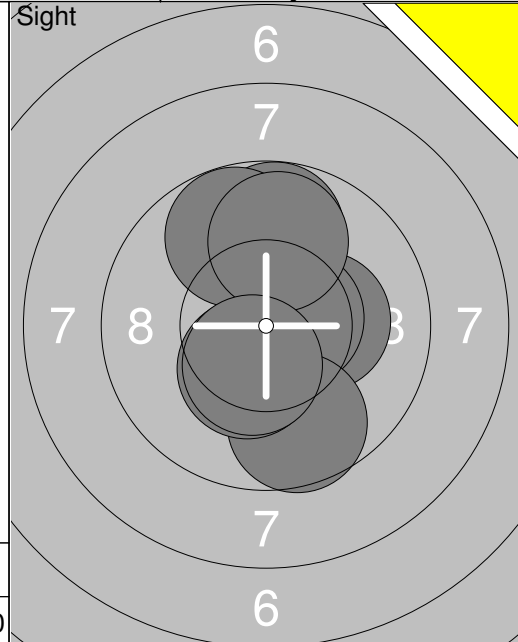
<p>Sight</p> 	<p>1: 8.7 ↘ 2: 10.5x ↘ 3: 10.6x ↘ 4: 10.8x ↘ 5: 10.7x ↘ 6: 10.8x → 7: 10.6x → 8: 10.5x ← 9: 10.7x ↙ 10: 10.3x ↙</p> <p>Series 104.2 Total 0.0</p>	<p>Sight</p> 	<p>11: 10.2x ↗ 12: 10.6x ↗ 13: 10.6x ↙ 14: 10.5x ↗ 15: 10.4x → 16: 10.5x ↘ 17: 10.0 ↑ 18: 10.9x ↘ 19: 10.3x ↘ 20: 10.7x ↑</p> <p>Series 104.7 Total 0.0</p>
--	---	--	---

<p>60 Shots</p> 	<p>1: 10.7x ↑ 2: 10.5x → 3: 9.9 ↑ 4: 10.3x ↗ 5: 10.6x ↘ 6: 10.8x → 7: 10.8x ← 8: 10.8x ↙ 9: 10.5x ↑ 10: 10.2x →</p> <p>Series 105.1 Total 105.1</p>	<p>60 Shots</p> 	<p>11: 10.9x ↘ 12: 10.6x → 13: 10.5x ↗ 14: 10.2x ↙ 15: 10.4x ↗ 16: 10.8x ↘ 17: 10.6x ↘ 18: 10.7x → 19: 10.4x ↑ 20: 10.2x ←</p> <p>Series 105.3 Total 210.4</p>
--	---	--	--

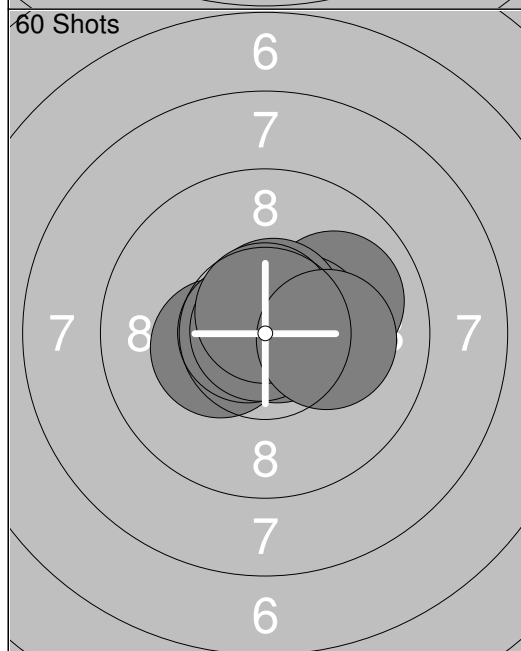
<p>60 Shots</p> 	<p>21: 10.2x → 22: 10.5x ↗ 23: 10.4x ↗ 24: 10.4x ↑ 25: 9.8 ↘ 26: 9.7 ↘ 27: 10.6x ↗ 28: 9.9 ← 29: 10.4x ↙ 30: 9.9 ↘</p> <p>Series 101.8 Total 312.2</p>	<p>60 Shots</p> 	<p>31: 10.2x ↑ 32: 10.7x ↙ 33: 10.4x → 34: 10.1 → 35: 9.9 ↗ 36: 10.7x ↗ 37: 10.1 → 38: 10.8x ← 39: 10.8x ↘ 40: 10.4x →</p> <p>Series 104.1 Total 416.3</p>
---	--	---	--



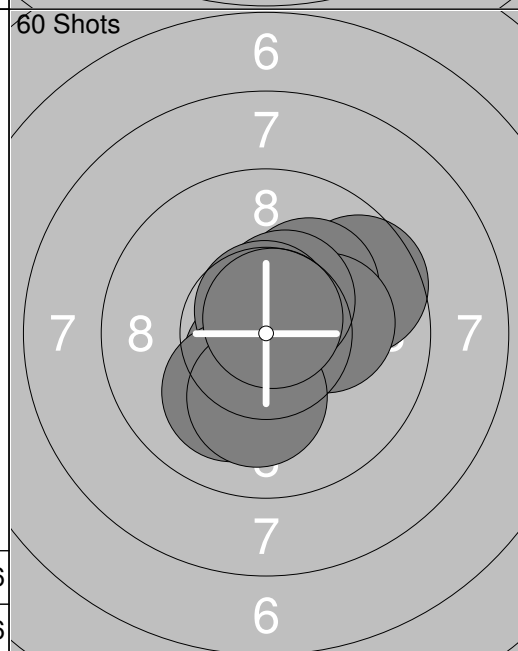
1: 9.7	➤
2: 9.4	➤
3: 10.1	↑
4: 10.3x	➤
5: 9.4	↗
6: 10.9x	↓
7: 10.4x	↑
8: 10.2x	↗
9: 9.5	↓
10: 10.2x	↓
Series	100.1
Total	0.0



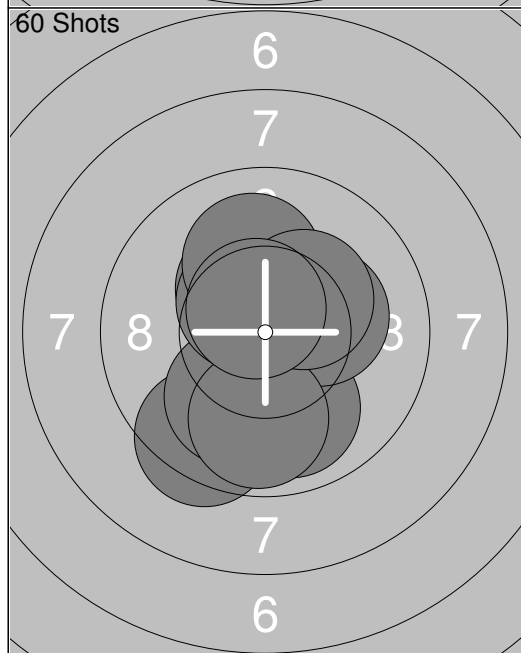
11: 10.3x	➤
12: 10.6x	➤
13: 9.7	↓
14: 10.4x	↓
15: 9.7	↑
16: 9.8	↖
17: 9.9	↑
18: 10.4x	↓
Series	80.8
Total	0.0



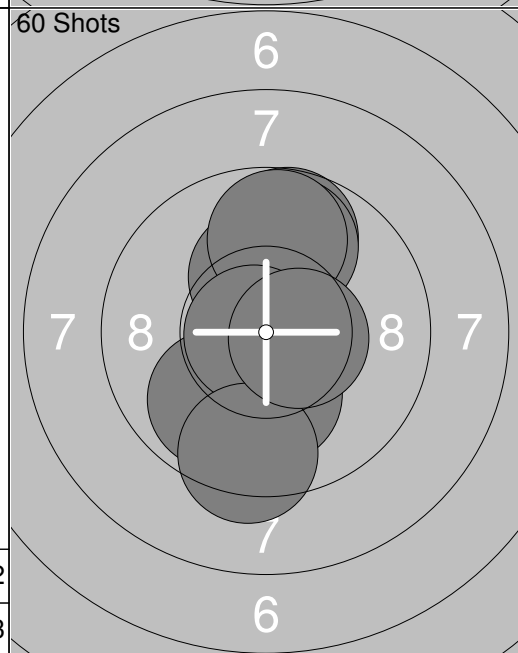
1: 10.0	➤
2: 10.8x	➤
3: 10.4x	←
4: 10.7x	←
5: 10.5x	➤
6: 10.6x	↑
7: 10.8x	↑
8: 10.9x	↖
9: 10.7x	↑
10: 10.2x	➤
Series	105.6
Total	105.6



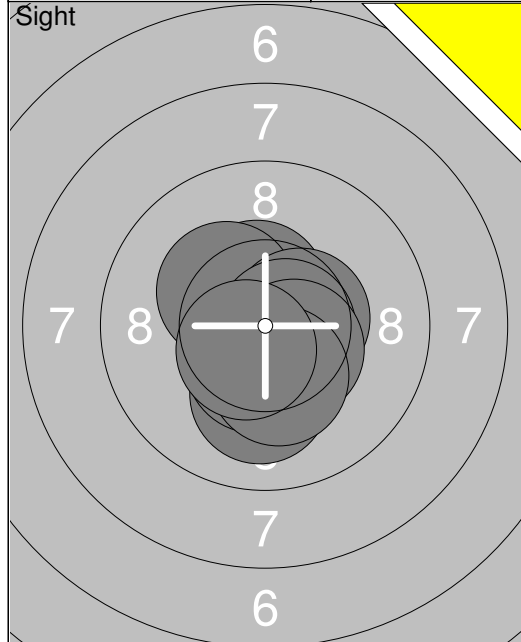
11: 10.6x	↓
12: 9.6	➤
13: 10.8x	↗
14: 10.2x	↗
15: 10.2x	➤
16: 10.5x	↗
17: 10.7x	↑
18: 10.1	↓
19: 10.1	↓
20: 10.7x	↗
Series	103.5
Total	209.1



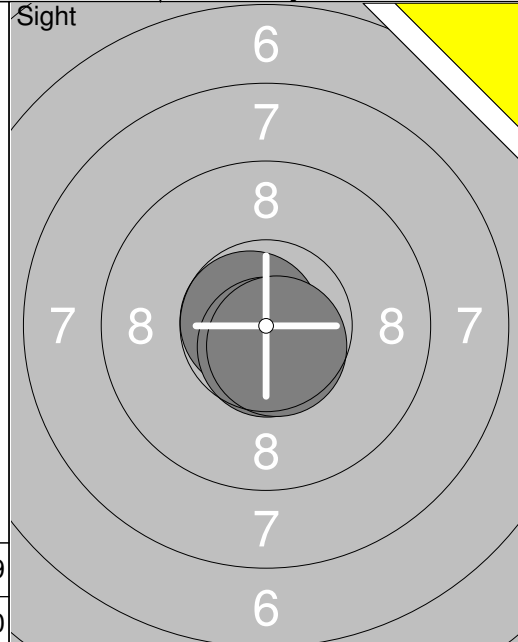
21: 10.3x	↖
22: 9.4	↓
23: 9.9	↓
24: 10.2x	➤
25: 10.0	↓
26: 9.9	↓
27: 10.5x	↖
28: 10.1	↑
29: 10.3x	↗
30: 10.6x	↗
Series	101.2
Total	310.3



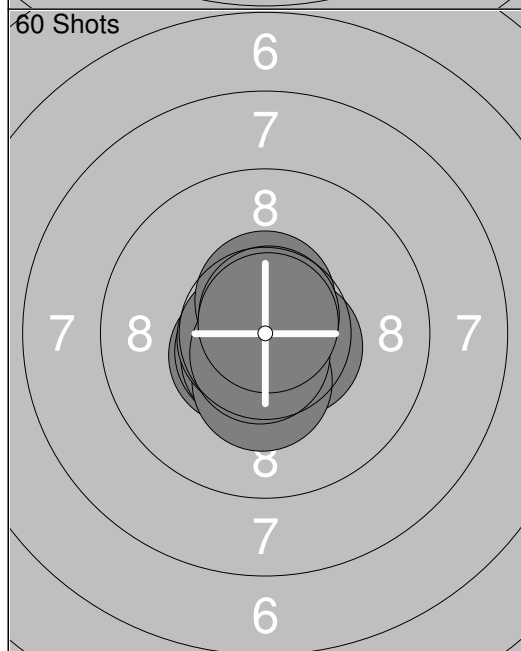
31: 10.3x	↑
32: 10.2x	↓
33: 10.2x	↑
34: 9.9	↖
35: 9.7	↑
36: 9.8	↑
37: 9.8	↑
38: 10.8x	←
39: 9.4	↓
40: 10.5x	➤
Series	100.6
Total	410.9



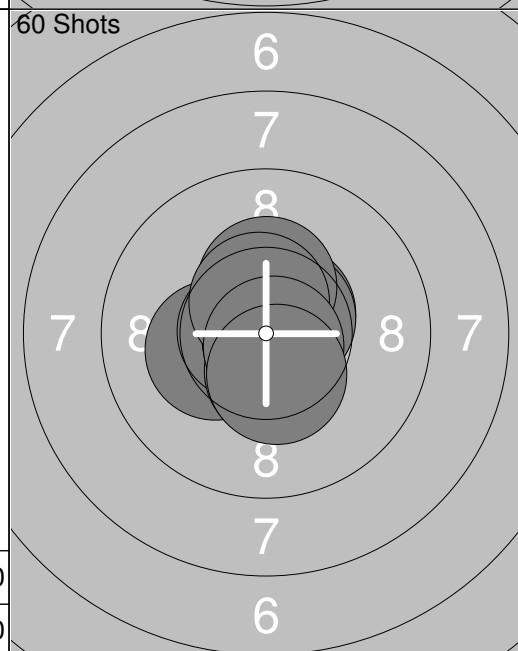
1: 10.1 ↓
2: 10.5x ↓
3: 10.5x ↑
4: 10.9x ↑
5: 10.3x ↖
6: 10.5x →
7: 10.7x →
8: 10.5x ↘
9: 10.3x ↓
10: 10.6x ↙
Series 104.9
Total 0.0



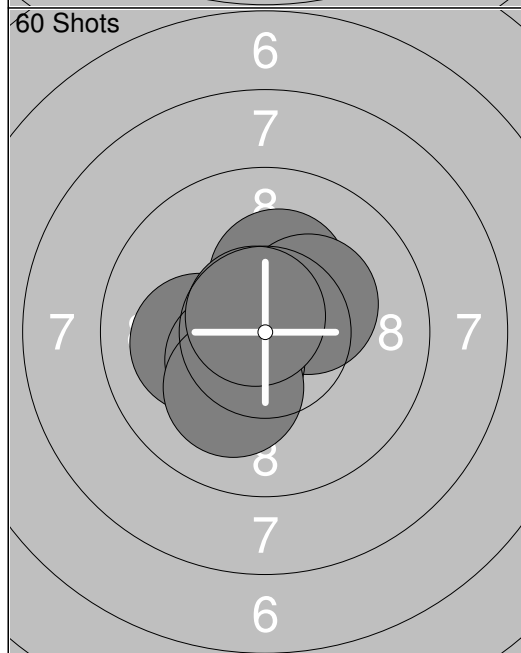
11: 10.7x ↖
12: 10.7x ↓
13: 10.7x ↘
Series 32.1
Total 0.0



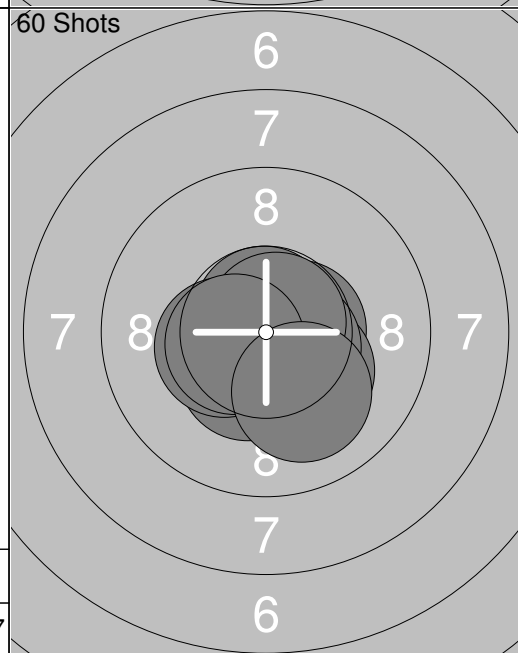
1: 10.6x →
2: 10.5x ↙
3: 10.6x ↙
4: 10.6x ↓
5: 10.3x ↓
6: 10.7x ↖
7: 10.7x ↓
8: 10.5x ↑
9: 10.7x ↑
10: 10.8x ↑
Series 106.0
Total 106.0



11: 10.6x ↗
12: 10.3x ↖
13: 10.7x ↖
14: 10.8x ↘
15: 10.6x ↗
16: 10.4x ↑
17: 10.5x ↓
18: 10.5x ↑
19: 10.8x ↘
20: 10.4x ↓
Series 105.6
Total 211.6



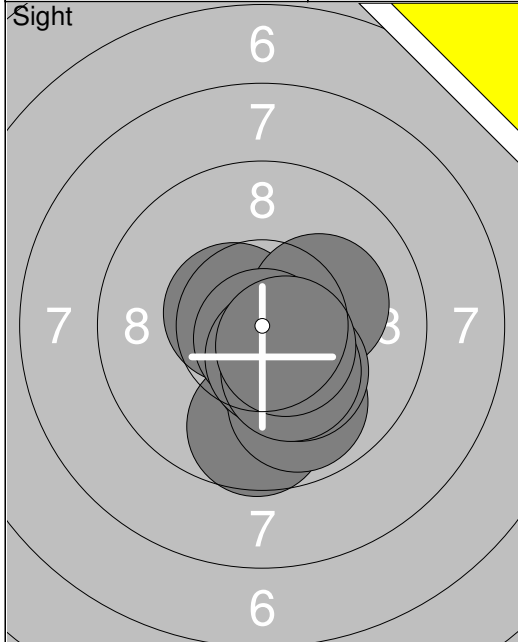
21: 10.7x ↖
22: 10.5x ↗
23: 10.5x ↑
24: 10.2x ↑
25: 10.6x ↖
26: 10.3x ↗
27: 10.1 ←
28: 10.4x ↙
29: 10.1 ↓
30: 10.7x ↖
Series 104.1
Total 315.7



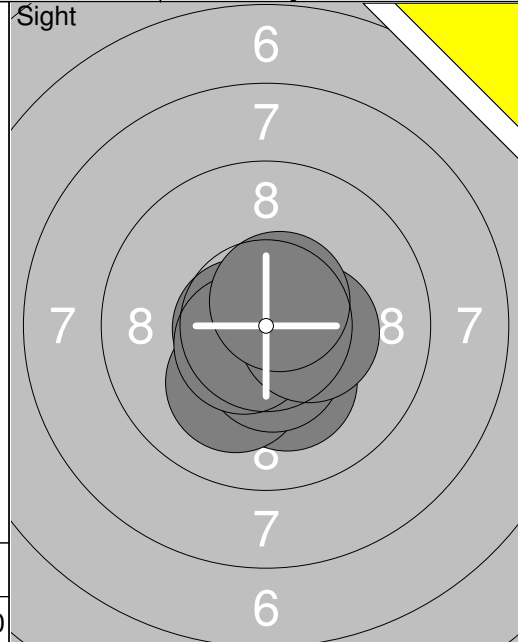
31: 10.4x ↓
32: 10.6x →
33: 10.8x ↙
34: 10.7x ↑
35: 10.3x ↘
36: 10.6x ↘
37: 10.4x ↖
38: 10.8x ↗
39: 10.5x ↖
40: 10.1 ↓
Series 105.2
Total 420.9

S	Ramselefors Skf	
---	-----------------	--

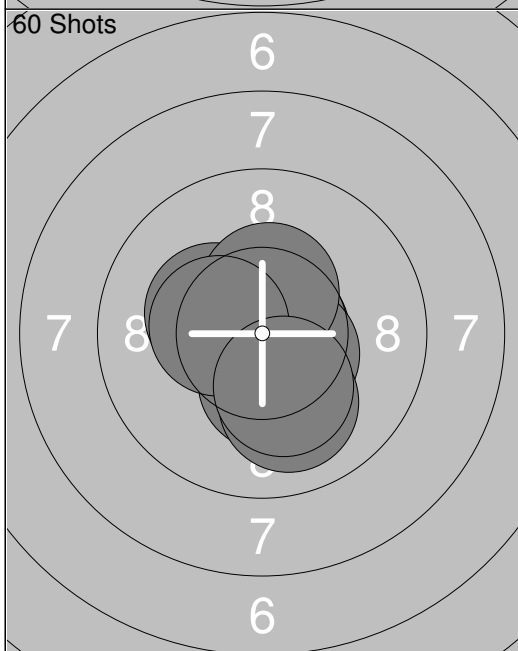
2015-04-18	UME-Kulan 2015	Umeå skytteallians
------------	----------------	--------------------



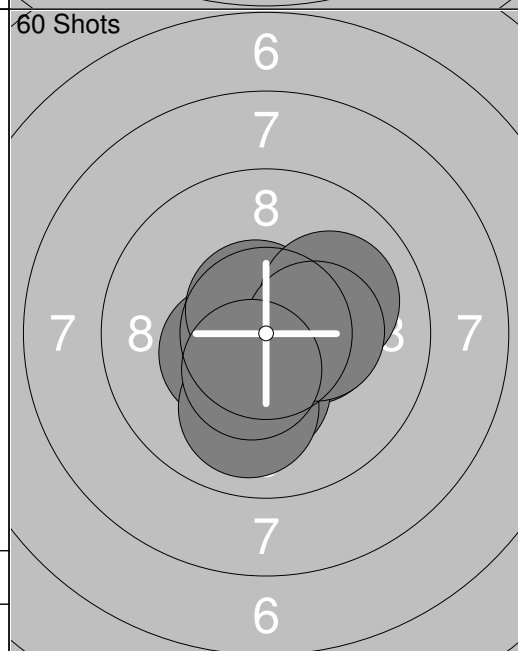
1: 9.7 ↓
2: 10.4x ↓
3: 9.9 ↓
4: 10.5x ↖
5: 10.2x →
6: 10.2x ↓
7: 10.8x ↓
8: 10.5x ↓
9: 10.3x ↓
10: 10.6x ↓
Series 103.1
Total 0.0



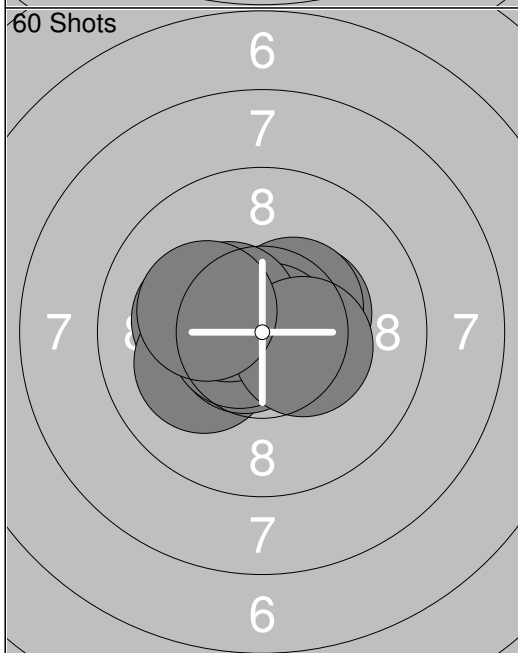
11: 10.7x →
12: 10.8x ↘
13: 10.2x ↓
14: 10.1 ↓
15: 10.7x ←
16: 10.5x ↓
17: 10.6x ↙
18: 10.4x →
19: 10.6x ↗
Series 94.6
Total 0.0



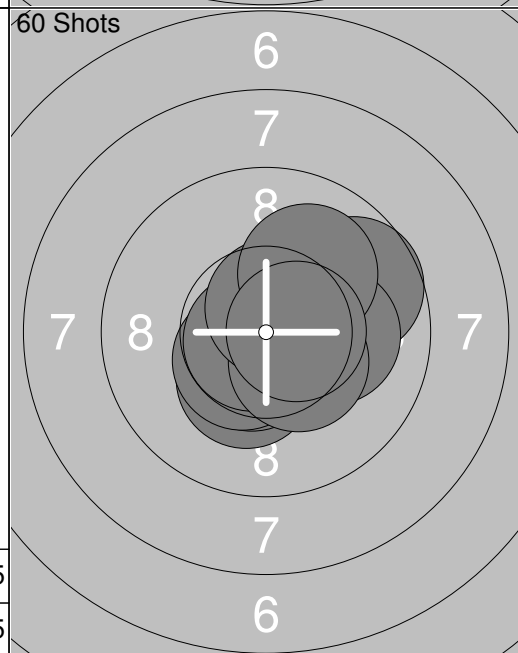
1: 10.8x ←
2: 10.5x ↑
3: 10.3x ↓
4: 10.7x →
5: 10.5x ↘
6: 10.3x ↖
7: 10.4x ↑
8: 10.4x ←
9: 10.0 ↓
10: 10.2x ↓
Series 104.1
Total 104.1



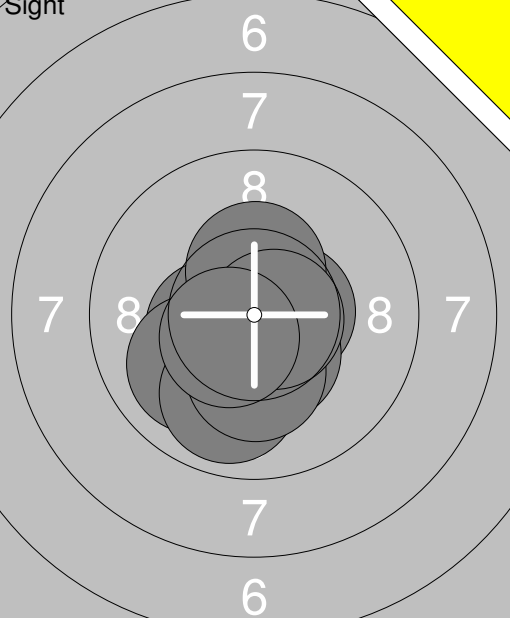
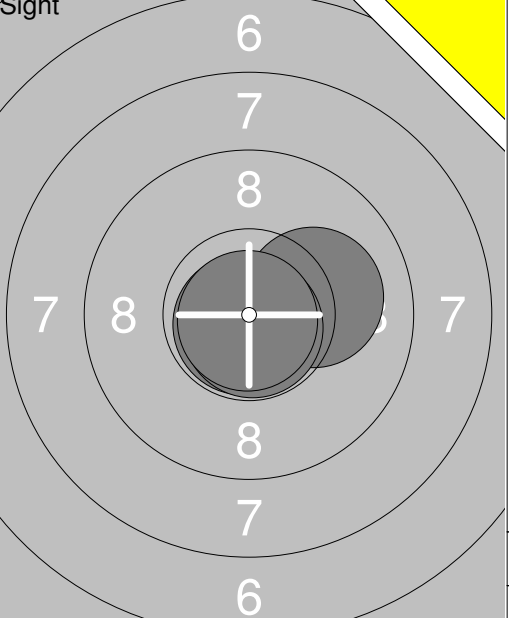
11: 10.8x ←
12: 10.4x →
13: 10.4x ↙
14: 10.7x ↘
15: 10.2x ↓
16: 10.0 ↓
17: 10.6x ↖
18: 10.0 ↗
19: 10.3x →
20: 10.5x ↓
Series 103.9
Total 208.0

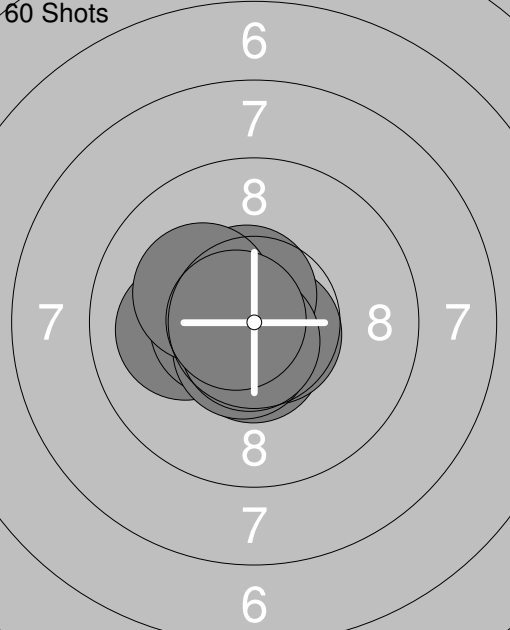
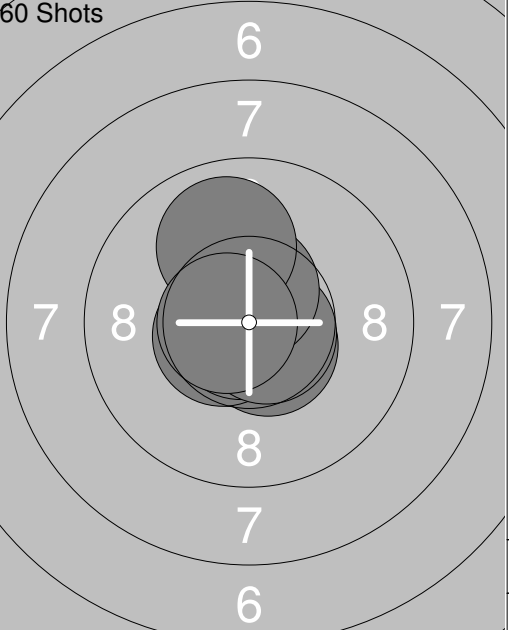


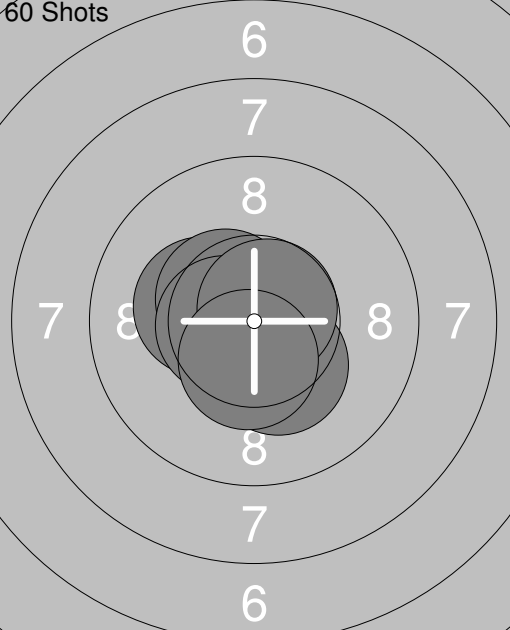
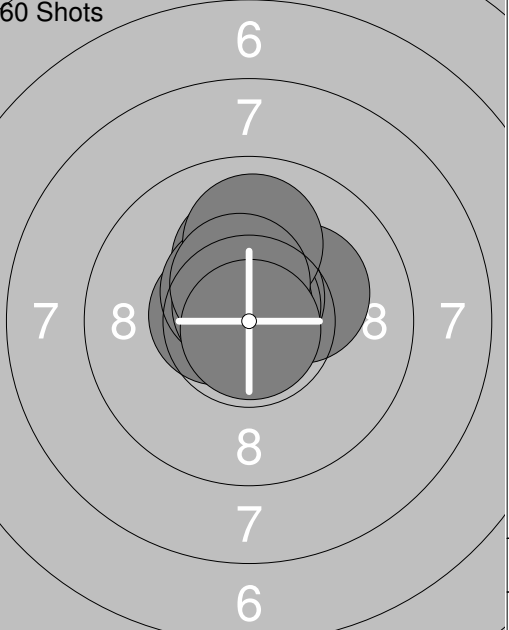
21: 10.2x ←
22: 10.1 ↙
23: 10.7x ↙
24: 10.4x →
25: 10.4x ↗
26: 10.9x →
27: 10.7x ←
28: 10.5x ↖
29: 10.4x →
30: 10.2x ↖
Series 104.5
Total 312.5

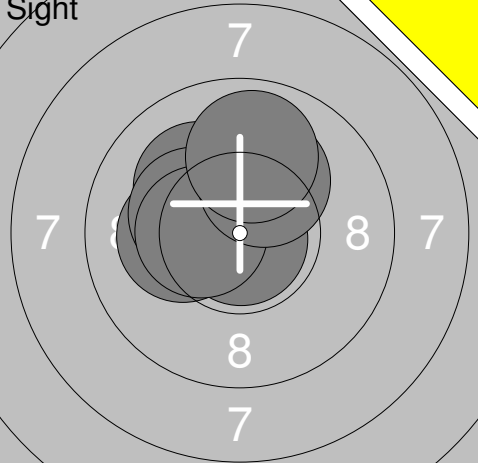
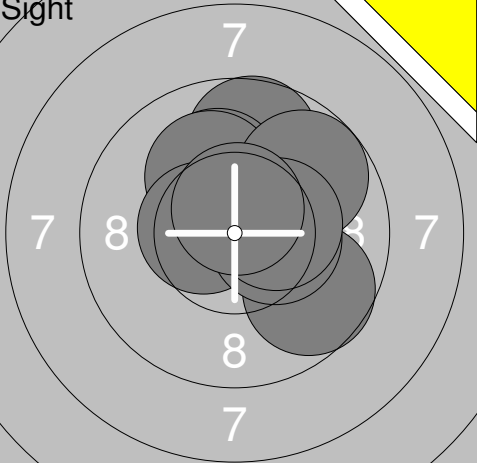



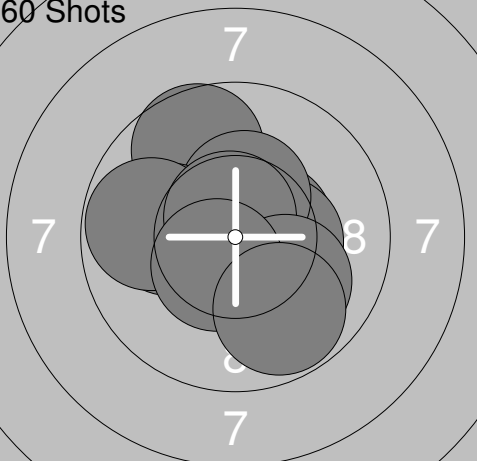
31: 10.3x ↓
32: 9.7 ↗
33: 10.1 →
34: 10.5x ↓
35: 10.5x ↓
36: 10.8x ↙
37: 10.4x ↘
38: 10.6x ↗
39: 10.0 ↗
40: 10.6x →
Series 103.5
Total 416.0


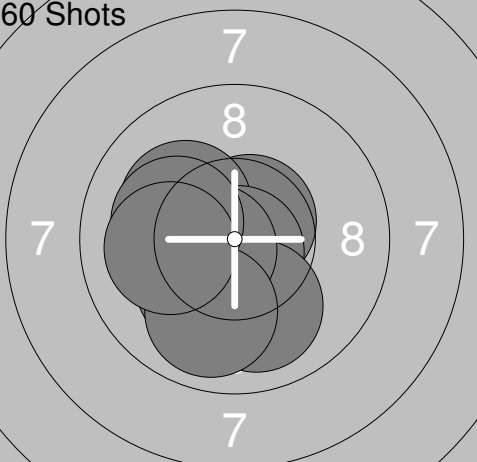
Sight 	1: 10.4x ← 2: 10.5x → 3: 10.4x ↓ 4: 10.0 ← 5: 10.7x ↓ 6: 9.9 ↓ 7: 10.2x ↓ 8: 10.4x ↑ 9: 10.7x → 10: 10.5x ↙ <hr/> Series 103.7 Total 0.0	Sight 	11: 10.8x ↘ 12: 10.1 → 13: 10.8x ↓ 14: 10.9x ↘ <hr/> Series 42.6 Total 0.0
---	---	---	---


60 Shots 	1: 10.6x ↓ 2: 10.1 ← 3: 10.5x ← 4: 10.7x ↘ 5: 10.8x ← 6: 10.6x ↓ 7: 10.6x ↑ 8: 10.2x ↘ 9: 10.7x ↓ 10: 10.7x ← <hr/> Series 105.5 Total 105.5	60 Shots 	11: 10.7x ↘ 12: 10.9x ↓ 13: 10.6x ↓ 14: 10.7x ↘ 15: 10.6x ↘ 16: 10.8x ↘ 17: 10.7x ↘ 18: 10.6x ↑ 19: 9.9 ↑ 20: 10.7x ← <hr/> Series 106.2 Total 211.7
---	---	---	---

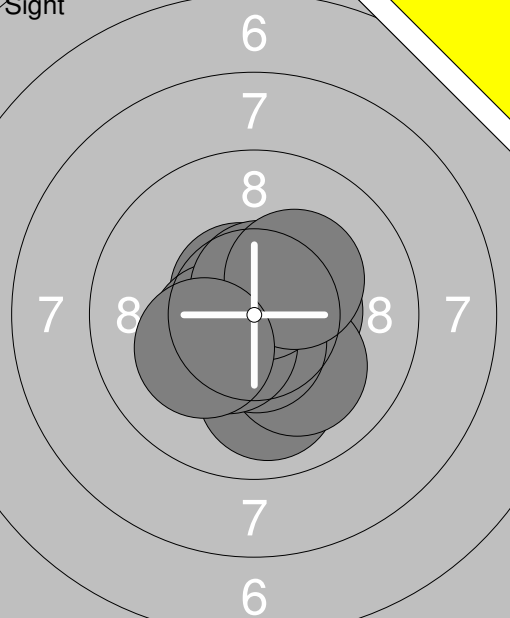
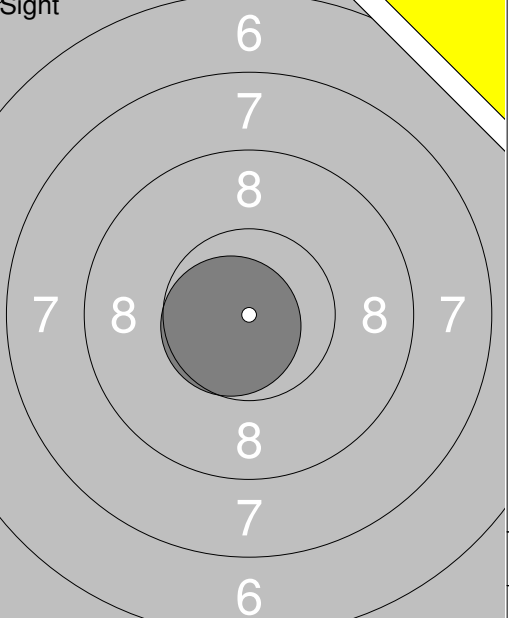
60 Shots 	21: 10.8x ↘ 22: 10.6x ↘ 23: 10.7x ↘ 24: 10.3x ↘ 25: 10.6x ↓ 26: 10.5x ↘ 27: 10.3x ↓ 28: 10.6x ← 29: 10.7x ↗ 30: 10.5x ↓ <hr/> Series 105.6 Total 317.3	60 Shots 	31: 10.2x ↗ 32: 10.6x ↑ 33: 10.2x ↑ 34: 10.8x ↑ 35: 10.6x ↘ 36: 10.5x ↘ 37: 10.7x ↗ 38: 10.0 ↑ 39: 10.5x ↑ 40: 10.8x ↓ <hr/> Series 104.9 Total 422.2
--	---	--	--

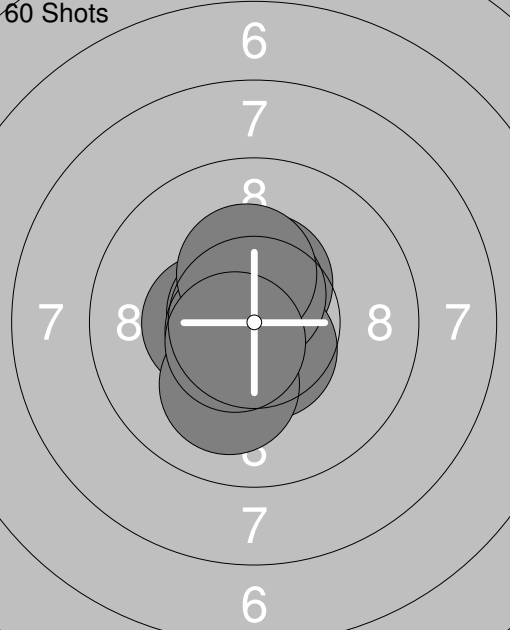
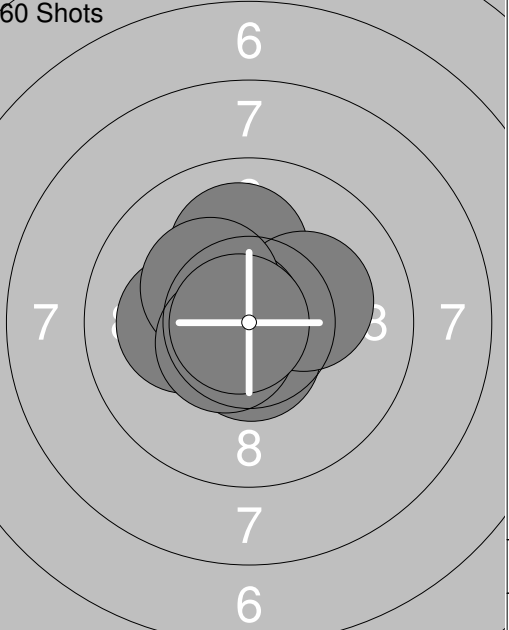
<p>Sight</p> 	<p>1: 10.3x ↑ 2: 10.5x ↗ 3: 10.4x ↑ 4: 10.2x ← 5: 10.9x ↓ 6: 10.1 ↗ 7: 10.3x ↖ 8: 10.4x ← 9: 10.2x ↑ 10: 9.9 ↑</p> <p>Series 103.2 Total 0.0</p>	<p>Sight</p> 	<p>11: 10.2x ↑ 12: 9.7 ↘ 13: 9.7 ↑ 14: 10.1 ↑ 15: 10.1 ↗ 16: 9.8 ↗ 17: 10.5x ← 18: 10.4x → 19: 10.4x → 20: 10.6x ↑</p> <p>Series 101.5 Total 0.0</p>
---	--	---	--

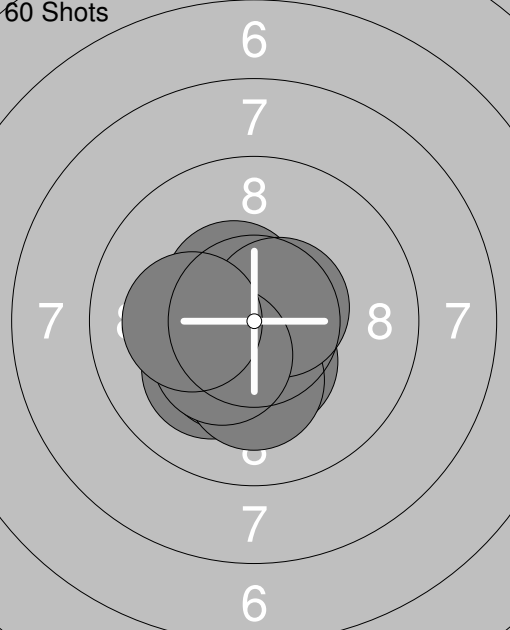
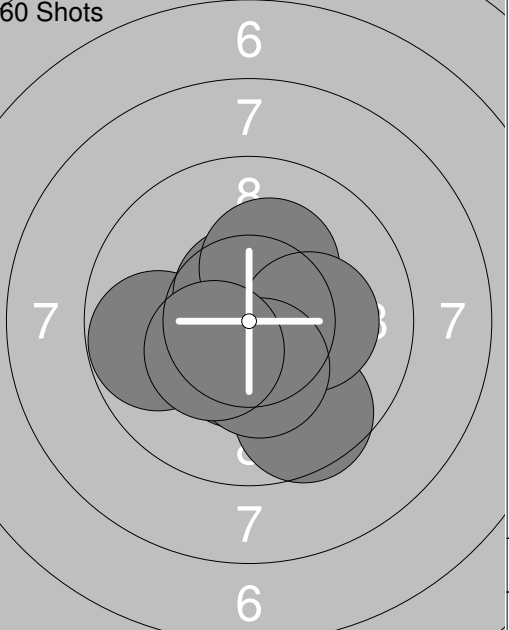
<p>Sight</p> 	<p>21: 10.3x ↓ 22: 10.2x ↖ 23: 9.9 ↗ 24: 10.0 ↗ 25: 10.4x ↑ 26: 10.6x →</p> <p>Series 61.4 Total 0.0</p>	<p>60 Shots</p> 	<p>1: 9.7 ↑ 2: 10.5x → 3: 10.4x → 4: 10.4x ↑ 5: 10.1 ← 6: 9.8 ← 7: 10.7x ↑ 8: 10.1 ↓ 9: 10.5x ↓ 10: 9.8 ↓</p> <p>Series 102.0 Total 102.0</p>
--	--	---	---

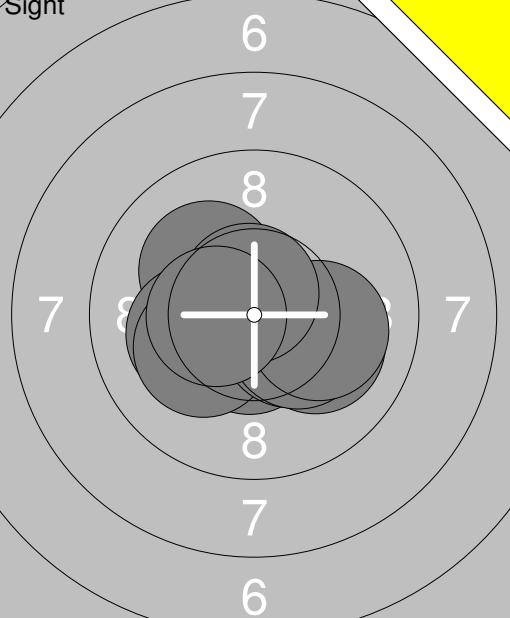
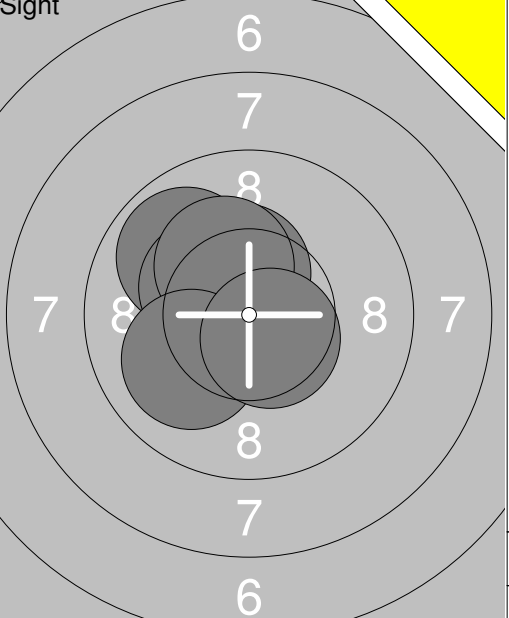
<p>60 Shots</p> 	<p>11: 10.3x ↙ 12: 10.6x ↙ 13: 10.4x ↙ 14: 10.7x ↓ 15: 10.4x ← 16: 10.6x ← 17: 10.6x ↓ 18: 10.8x ↓ 19: 10.7x ↑ 20: 10.5x ←</p> <p>Series 105.6 Total 207.6</p>	<p>60 Shots</p> 	<p>21: 10.6x ↙ 22: 10.2x ↙ 23: 10.6x ↗ 24: 10.2x ↖ 25: 10.8x ↓ 26: 10.0 ↓ 27: 10.6x ← 28: 9.9 ↓ 29: 10.1 ← 30: 10.1 ←</p> <p>Series 103.1 Total 310.7</p>
--	--	--	---

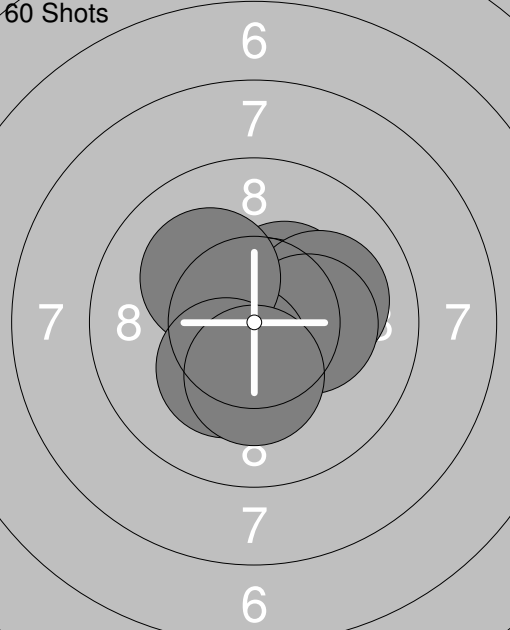
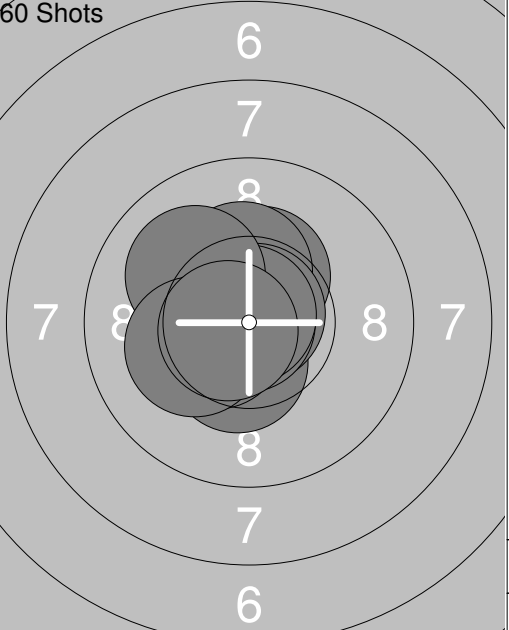
<p>60 Shots</p> 	<p>31: 10.5x ← 32: 10.2x ← 33: 10.3x ← 34: 10.0 ↙ 35: 10.6x ← 36: 10.3x ↑ 37: 10.9x ↓ 38: 10.3x ↙ 39: 10.3x ↓ 40: 10.6x ↙</p> <p>Series 104.0 Total 414.7</p>		
--	---	--	--

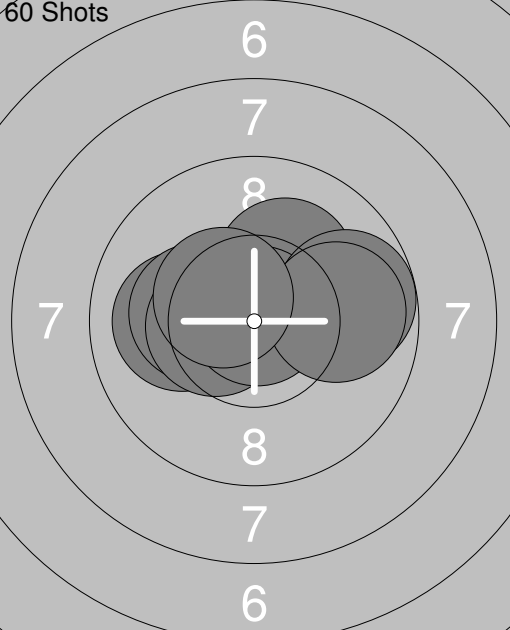
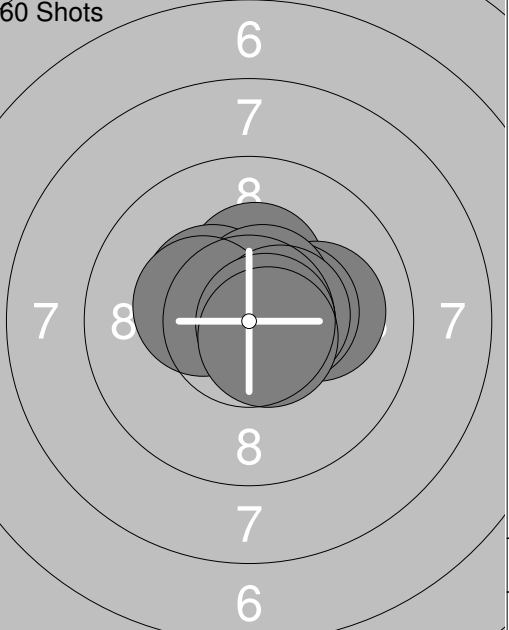
 <p style="text-align: center;">Sight</p>	<p>1: 10.5x →</p> <p>2: 10.0 ↓</p> <p>3: 10.1 ↓</p> <p>4: 10.6x ↓</p> <p>5: 10.6x ↗</p> <p>6: 10.5x ↙</p> <p>7: 10.5x ↙</p> <p>8: 10.6x ↑</p> <p>9: 10.3x ↗</p> <p>10: 10.2x ↙</p>	 <p style="text-align: center;">Sight</p>	<p>11: 10.7x ↙</p>
Series 103.9	Total 0.0	Series 10.7	Total 0.0

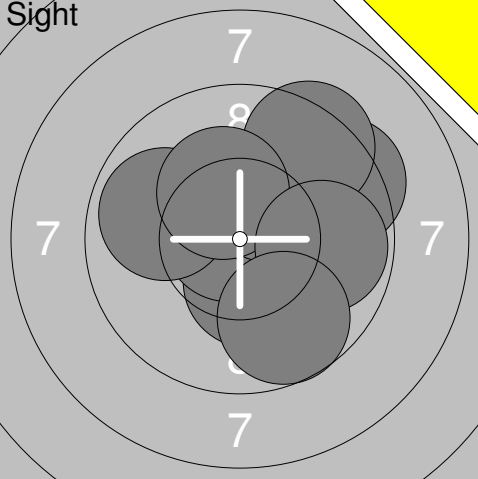
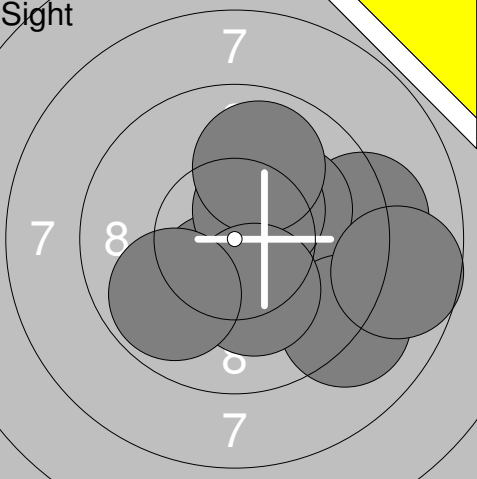
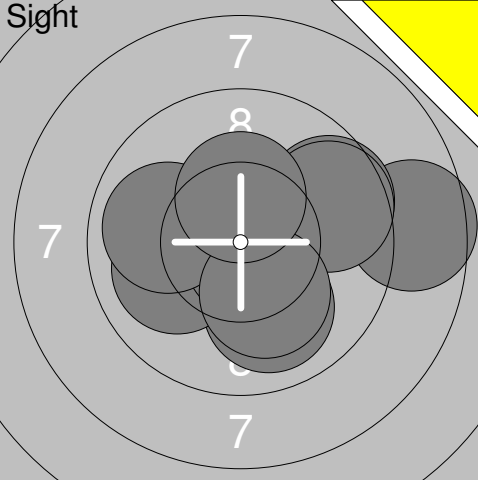
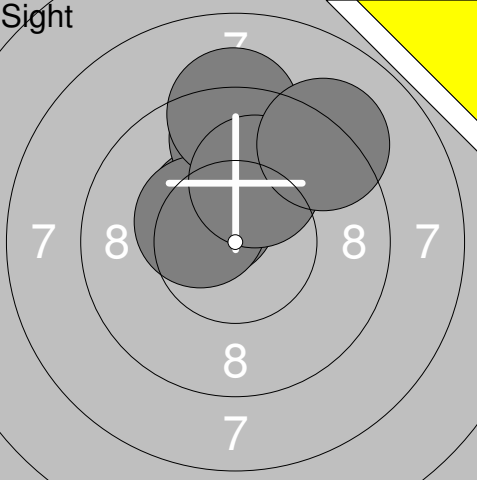
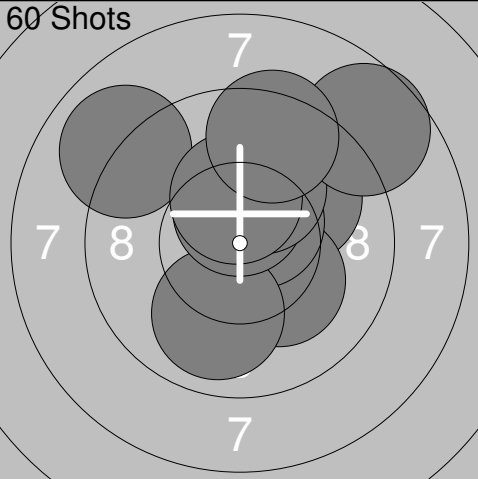
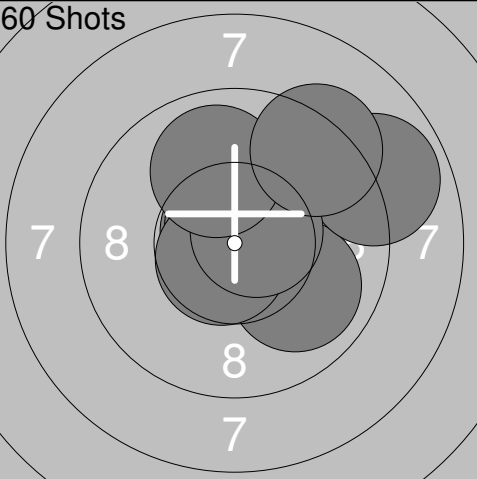
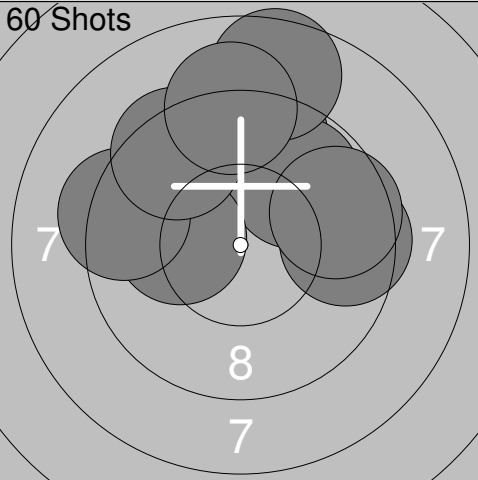
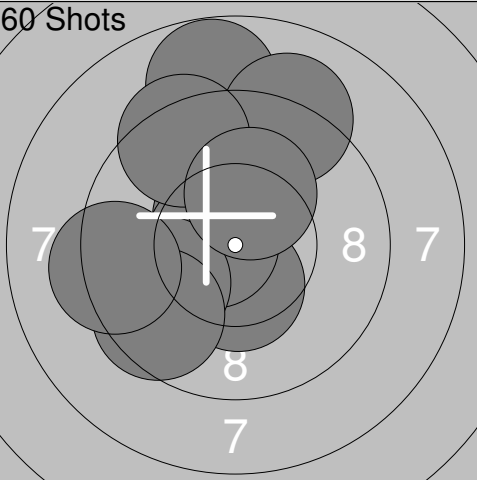
 <p style="text-align: center;">60 Shots</p>	<p>1: 10.4x ↑</p> <p>2: 10.6x ↓</p> <p>3: 10.5x ↙</p> <p>4: 10.4x ←</p> <p>5: 10.1 ↓</p> <p>6: 10.7x ↙</p> <p>7: 10.7x ↙</p> <p>8: 10.6x ↑</p> <p>9: 10.3x ↑</p> <p>10: 10.6x ↙</p>	 <p style="text-align: center;">60 Shots</p>	<p>11: 10.8x ↙</p> <p>12: 10.5x ↙</p> <p>13: 10.1 ←</p> <p>14: 10.1 ↑</p> <p>15: 10.6x ↓</p> <p>16: 10.2x →</p> <p>17: 10.7x ↙</p> <p>18: 10.3x ↙</p> <p>19: 10.6x ↙</p> <p>20: 10.8x ←</p>
Series 104.9	Total 104.9	Series 104.7	Total 209.6

 <p style="text-align: center;">60 Shots</p>	<p>21: 10.4x ↓</p> <p>22: 10.1 ↙</p> <p>23: 10.8x ↓</p> <p>24: 10.4x ↓</p> <p>25: 10.4x ↙</p> <p>26: 10.2x ↓</p> <p>27: 10.5x ↗</p> <p>28: 10.6x →</p> <p>29: 10.4x ↙</p> <p>30: 10.2x ←</p>	 <p style="text-align: center;">60 Shots</p>	<p>31: 10.5x ↓</p> <p>32: 9.8 ←</p> <p>33: 10.2x ↓</p> <p>34: 10.3x ↓</p> <p>35: 10.6x ↑</p> <p>36: 9.6 ↓</p> <p>37: 10.2x ↑</p> <p>38: 10.2x →</p> <p>39: 10.3x ↓</p> <p>40: 10.4x ↙</p>
Series 104.0	Total 313.6	Series 102.1	Total 415.7

	<p>1: 10.1 ↖</p> <p>2: 10.6x ↓</p> <p>3: 10.2x ↙</p> <p>4: 10.2x ↙</p> <p>5: 10.1 →</p> <p>6: 10.4x →</p> <p>7: 10.3x →</p> <p>8: 10.1 →</p> <p>9: 10.7x ↑</p> <p>10: 10.5x ←</p>		<p>11: 9.9 ↖</p> <p>12: 10.4x ↑</p> <p>13: 10.3x ↖</p> <p>14: 10.3x ↑</p> <p>15: 10.0 ↙</p> <p>16: 10.5x ↓</p>
Series	103.2	Series	61.4
Total	0.0	Total	0.0

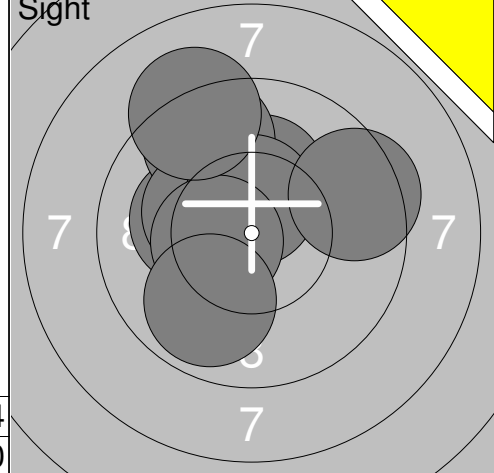
	<p>1: 10.4x ↗</p> <p>2: 10.7x ↙</p> <p>3: 10.5x →</p> <p>4: 10.7x ↗</p> <p>5: 10.1 →</p> <p>6: 10.3x →</p> <p>7: 10.5x ↓</p> <p>8: 10.1 ↖</p> <p>9: 10.3x ↓</p> <p>10: 10.3x ↓</p>		<p>11: 10.3x ↑</p> <p>12: 10.3x ↑</p> <p>13: 10.4x ↓</p> <p>14: 10.8x ↑</p> <p>15: 10.9x ←</p> <p>16: 10.8x ↑</p> <p>17: 10.0 ↖</p> <p>18: 10.5x ↙</p> <p>19: 10.2x ↙</p> <p>20: 10.7x ↙</p>
Series	103.9	Series	104.9
Total	103.9	Total	208.8

	<p>21: 10.5x ↗</p> <p>22: 10.2x ↗</p> <p>23: 10.7x ↖</p> <p>24: 10.0 ←</p> <p>25: 10.2x ←</p> <p>26: 10.5x ←</p> <p>27: 10.9x ↗</p> <p>28: 9.8 →</p> <p>29: 9.9 →</p> <p>30: 10.5x ↖</p>		<p>31: 10.3x ↑</p> <p>32: 10.1 →</p> <p>33: 10.4x →</p> <p>34: 10.6x ↖</p> <p>35: 10.4x ↖</p> <p>36: 10.6x ↑</p> <p>37: 10.3x ↖</p> <p>38: 10.5x →</p> <p>39: 10.7x →</p> <p>40: 10.6x ↓</p>
Series	103.2	Series	104.5
Total	312.0	Total	416.5

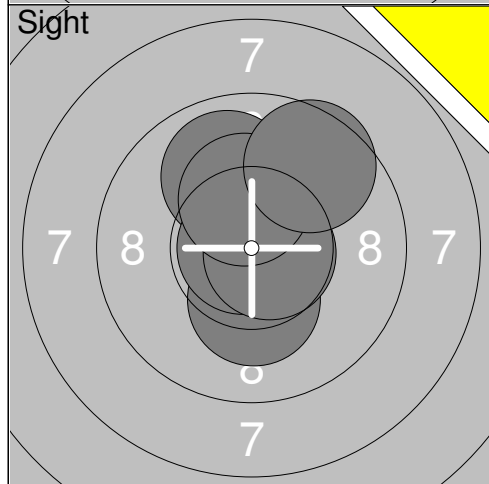
Relay	Lane	William Erlander	
S	28	Umeå Skf	
2015-04-18	UME-Kulan 2015	Umeå skytteallians	
Sight		1: 10.4x ↓ 2: 9.4 → 3: 10.8x ← 4: 10.2x → 5: 10.2x ↗ 6: 9.9 ← 7: 9.4 ↗ 8: 10.3x ↗ 9: 9.8 → 10: 9.7 ↓ Series 100.1 Total 0.0	Sight  12: 9.2 → 13: 10.1 → 14: 9.1 ↘ 15: 10.4x ↓ 16: 10.4x ↗ 17: 9.9 ↑ 18: 10.2x ↓ 19: 8.7 → 20: 9.8 ↙ Series 87.8 Total 0.0
Sight		21: 8.6 → 22: 10.0 ↓ 23: 10.0 ← 24: 10.7x ↓ 25: 9.6 → 26: 10.6x ↗ 27: 9.7 → 28: 9.9 ← 29: 10.2x ↓ 30: 10.3x ↑ Series 99.6 Total 0.0	Sight  31: 10.0 ↑ 32: 9.6 ↑ 33: 10.4x ↗ 34: 9.5 ↑ 35: 10.4x ← 36: 9.2 ↑ 37: 10.1 ↑ 38: 9.2 ↗ Series 78.4 Total 0.0
60 Shots		1: 10.0 ↗ 2: 10.2x ↘ 3: 10.6x ↗ 4: 10.0 ↓ 5: 10.5x ↑ 6: 9.0 ↖ 7: 10.1 ↑ 8: 10.3x ↑ 9: 8.7 ↗ 10: 9.4 ↑ Series 98.8 Total 98.8	60 Shots  11: 10.6x ↑ 12: 10.8x ↖ 13: 10.7x ↑ 14: 10.1 ↑ 15: 10.0 ↘ 16: 8.9 → 17: 10.7x ↘ 18: 10.6x → 19: 9.9 ↑ 20: 9.3 ↗ Series 101.6 Total 200.4
60 Shots		21: 9.5 ↑ 22: 9.8 ↑ 23: 9.8 ↗ 24: 9.5 → 25: 10.1 ← 26: 8.6 ↑ 27: 9.6 → 28: 9.3 ← 29: 9.4 ↗ 30: 9.1 ↑ Series 94.7 Total 295.1	60 Shots  31: 10.5x ↖ 32: 8.8 ↑ 33: 9.1 ↑ 34: 10.4x ↓ 35: 10.6x ← 36: 9.9 ← 37: 9.5 ↙ 38: 9.4 ↖ 39: 10.2x ↑ 40: 9.3 ← Series 97.7 Total 392.8



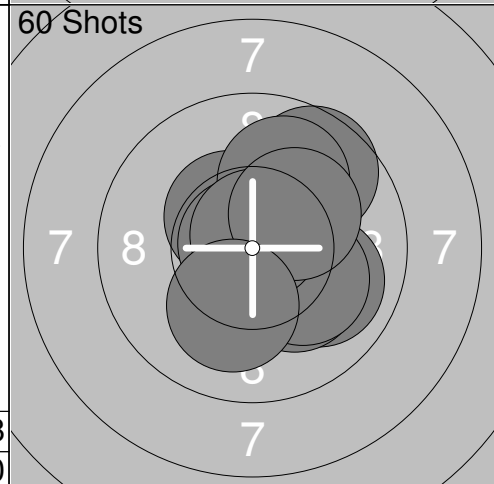
1: 10.2x	↘
3: 10.6x	↓
4: 10.2x	↖
5: 10.2x	↓
6: 10.8x	↙
7: 9.6	↗
8: 10.7x	↑
9: 9.8	↖
10: 10.3x	↗
Series	92.4
Total	0.0



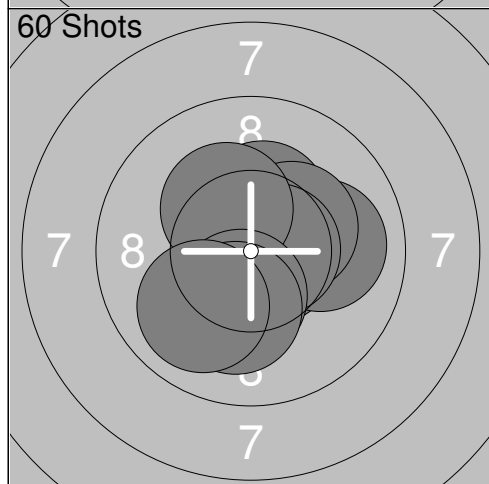
11: 10.2x	↖
12: 10.2x	↑
13: 9.6	↗
14: 10.3x	↖
15: 10.3x	↖
16: 10.5x	↑
17: 10.5x	↙
18: 9.5	→
19: 9.2	↗
20: 9.9	↘
Series	100.2
Total	0.0



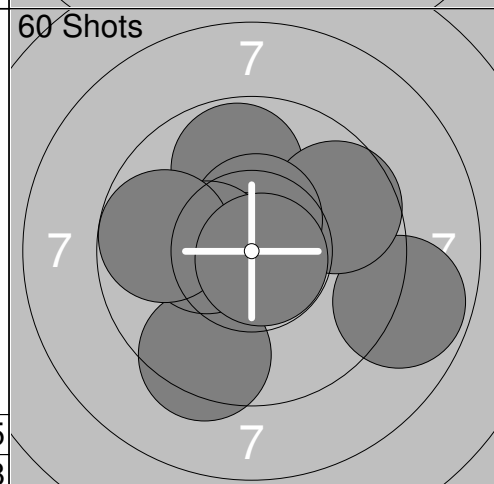
21: 10.2x	↑
22: 10.3x	↓
23: 9.9	↑
24: 10.8x	←
25: 10.7x	→
26: 10.3x	↑
27: 9.6	↗
Series	71.8
Total	0.0



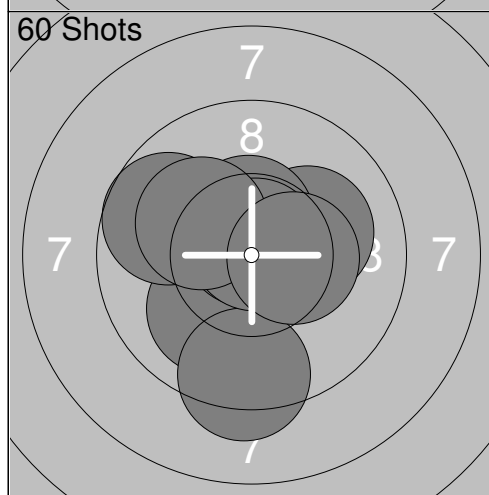
1: 10.4x	↖
2: 10.8x	↙
3: 10.0	→
4: 9.7	↗
5: 10.2x	↘
6: 10.0	↑
7: 10.1	→
8: 10.8x	↑
9: 10.2x	↗
10: 10.1	↓
Series	102.3
Total	102.3



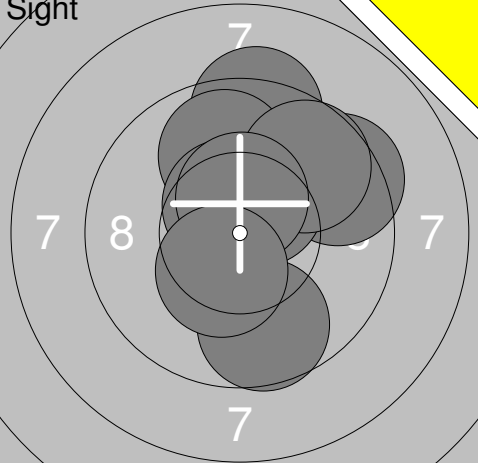
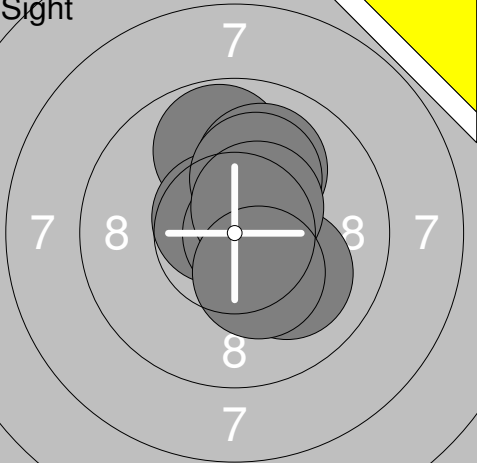
11: 10.8x	↗
12: 10.7x	→
13: 10.3x	↑
14: 10.0	→
15: 10.3x	↗
16: 10.6x	→
17: 10.3x	↖
18: 10.3x	↓
19: 10.2x	↓
20: 10.0	↘
Series	103.5
Total	205.8

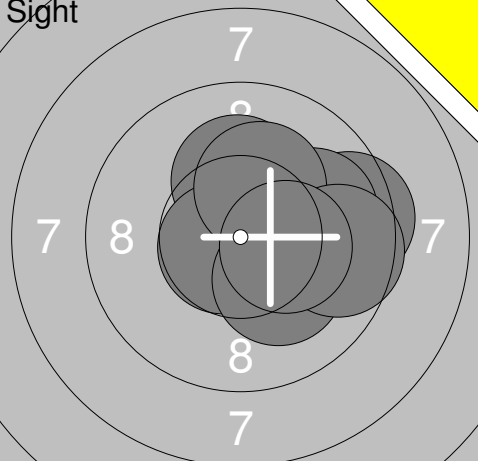
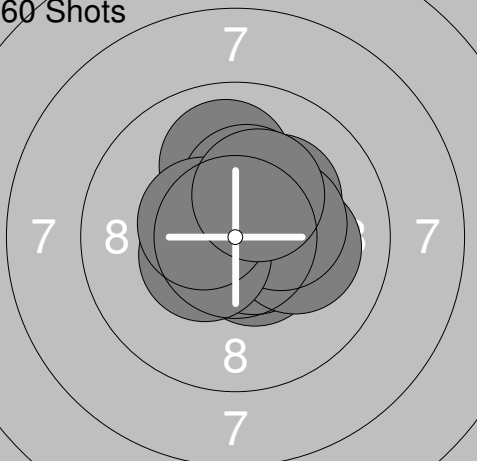


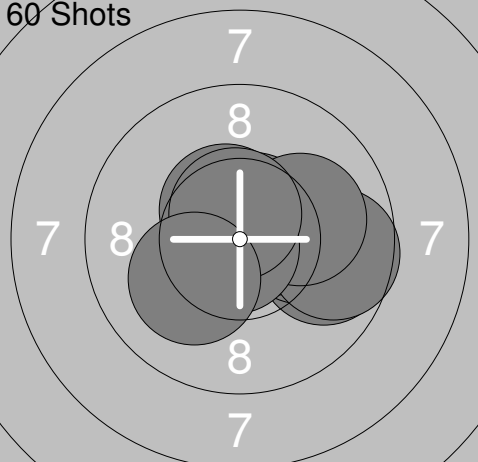
21: 8.8	→
22: 10.4x	↙
23: 9.8	↑
24: 9.7	↗
25: 10.5x	↑
26: 10.8x	↙
27: 9.4	↓
28: 10.3x	←
29: 9.8	←
30: 10.8x	↘
Series	100.3
Total	306.1

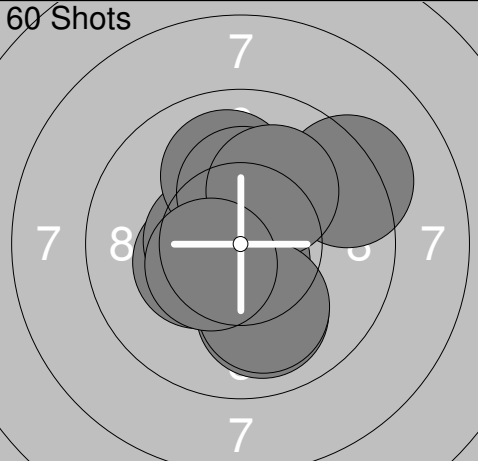


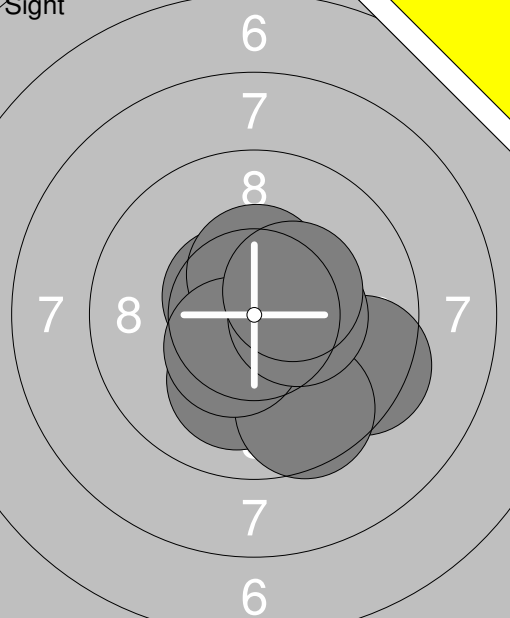
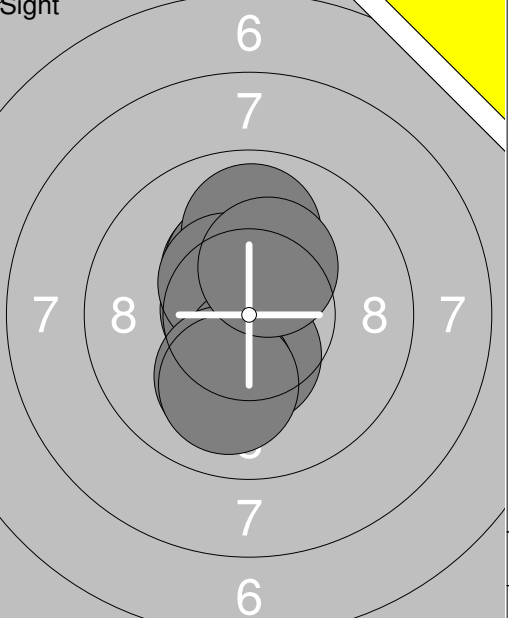
31: 10.3x	↖
32: 10.1	↘
33: 9.7	↖
34: 10.1	→
35: 9.3	↓
36: 10.7x	↑
37: 10.5x	↑
38: 10.8x	↑
39: 10.1	↖
40: 10.4x	→
Series	102.0
Total	408.1

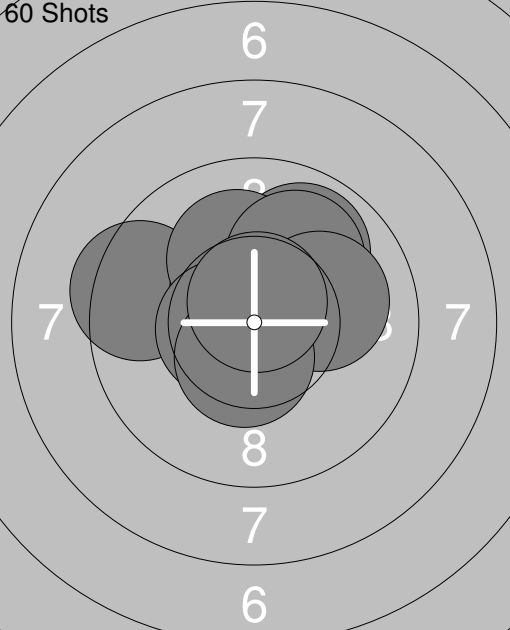
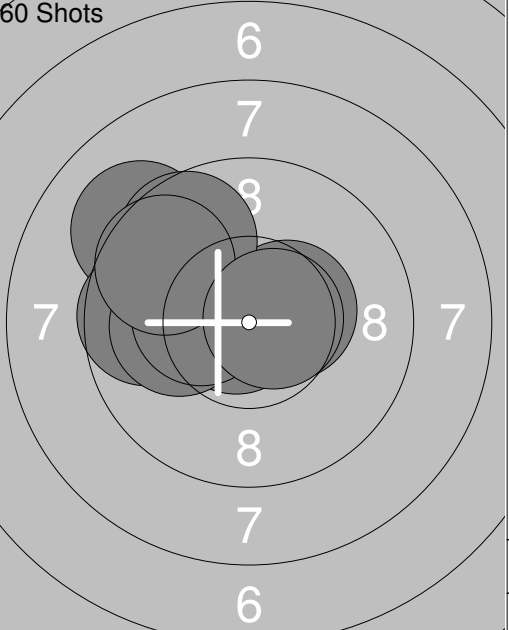
Sight 	1: 9.8 ↗ 2: 9.4 → 3: 9.3 ↑ 4: 10.4x ↗ 5: 9.9 ↑ 6: 9.7 ↗ 7: 10.5x ↗ 8: 10.5x ↑ 9: 9.7 ↓ 10: 10.4x ↓ Series 99.6 Total 0.0	Sight 	11: 9.8 ↑ 12: 10.6x → 13: 10.6x ↗ 14: 10.7x → 15: 10.0 ↗ 16: 10.2x ↓ 17: 10.1 ↓ 18: 10.2x ↑ 19: 10.5x ↗ 20: 10.3x ↓ Series 103.0 Total 0.0
--	---	--	---

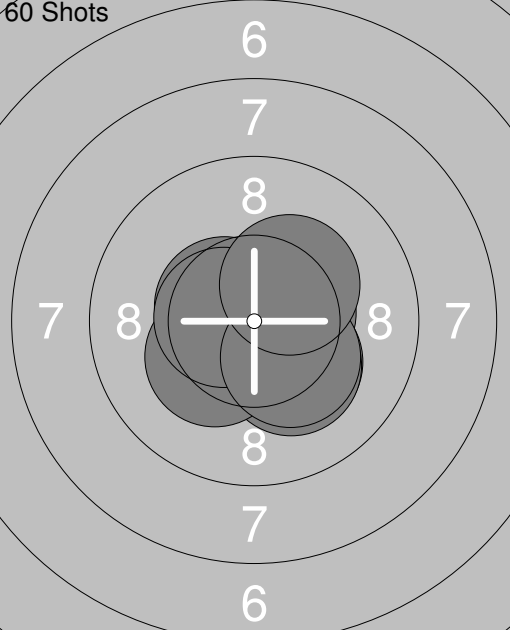
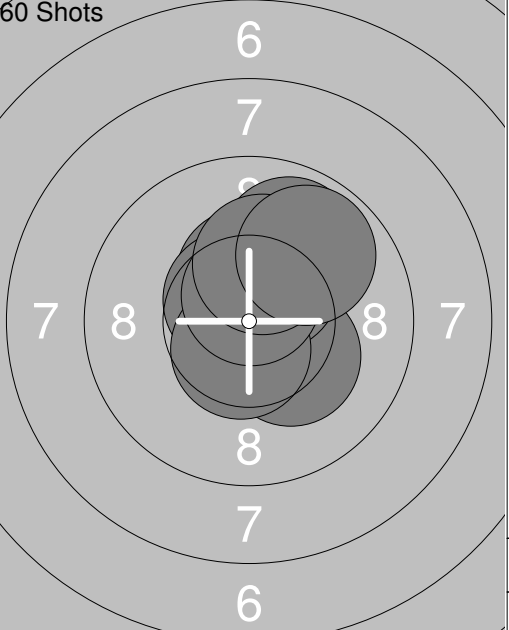
Sight 	21: 10.4x → 22: 10.2x ↑ 23: 10.7x ← 24: 9.5 → 25: 10.2x → 26: 9.9 → 27: 10.2x ↓ 28: 10.2x ↑ 29: 9.6 → 30: 10.3x → Series 101.2 Total 0.0	60 Shots 	1: 10.2x ↗ 2: 10.5x ↓ 3: 10.7x ↓ 4: 10.1 → 5: 10.0 ↑ 6: 10.3x ↑ 7: 10.3x → 8: 10.5x ← 9: 10.5x ← 10: 10.3x ↑ Series 103.4 Total 103.4
---	---	--	--

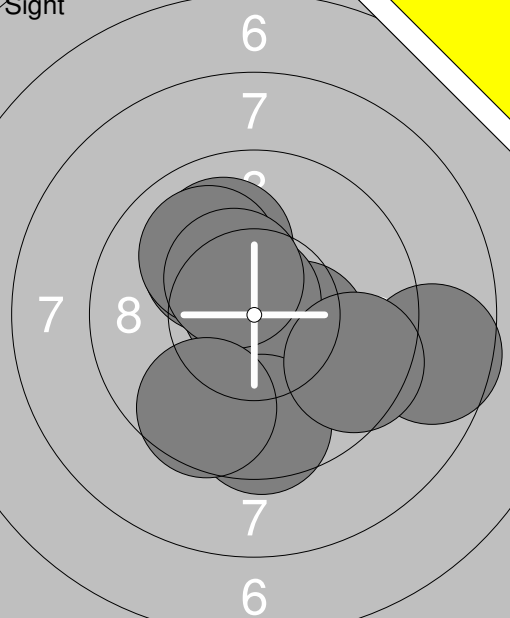
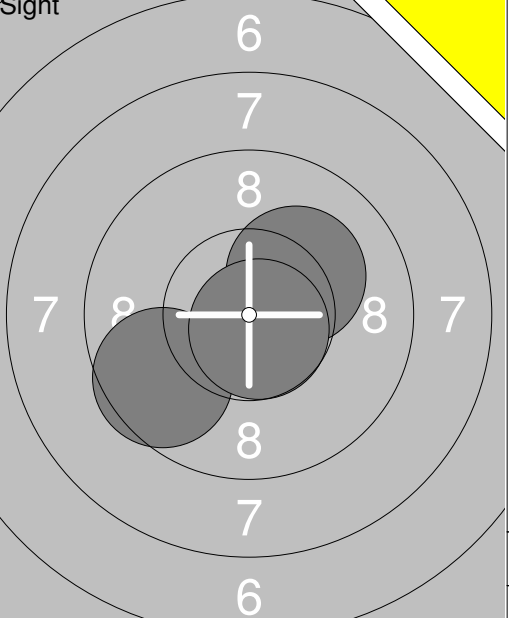
60 Shots 	11: 10.6x ↗ 12: 9.8 → 13: 10.1 → 14: 10.5x → 15: 9.7 → 16: 10.1 → 17: 10.5x ↗ 18: 10.8x ↓ 19: 10.6x ↑ 20: 10.1 ↓ Series 102.8 Total 206.2	60 Shots 	21: 10.2x ← 22: 10.4x ↓ 23: 10.5x ↓ 24: 9.9 ↗ 25: 9.9 ↓ 26: 10.5x ↗ 27: 10.1 ↓ 28: 10.6x ↓ 29: 10.8x → 30: 10.7x ↗ Series 103.6 Total 309.8
---	--	---	--

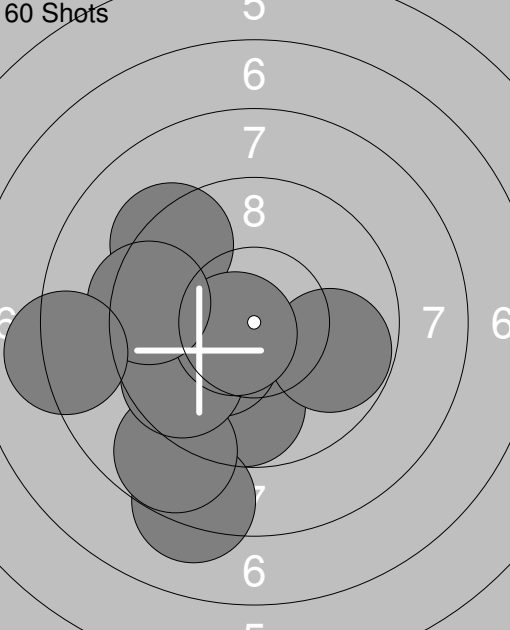
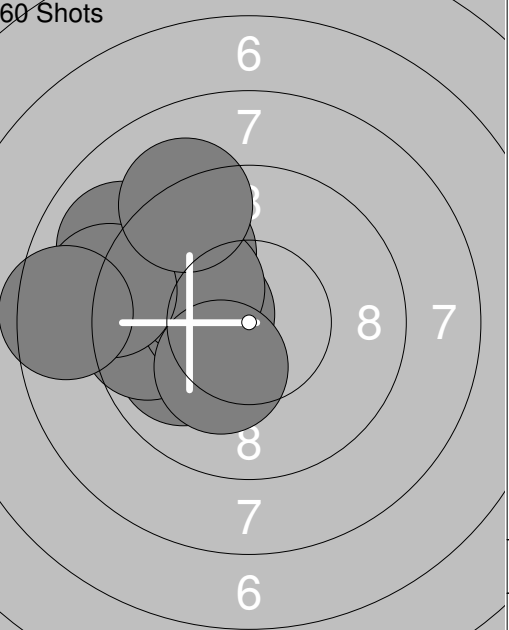
60 Shots 	31: 10.3x ← 32: 10.5x ← 33: 10.0 ↑ 34: 10.7x ↓ 35: 10.3x ↑ 36: 9.3 ↗ 37: 10.0 ↓ 38: 10.1 ↗ 39: 10.1 ↓ 40: 10.5x ↗ Series 101.8 Total 411.6	
---	---	--

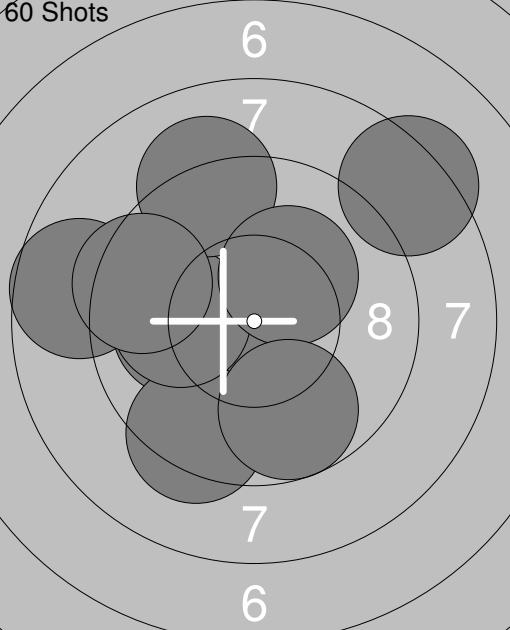
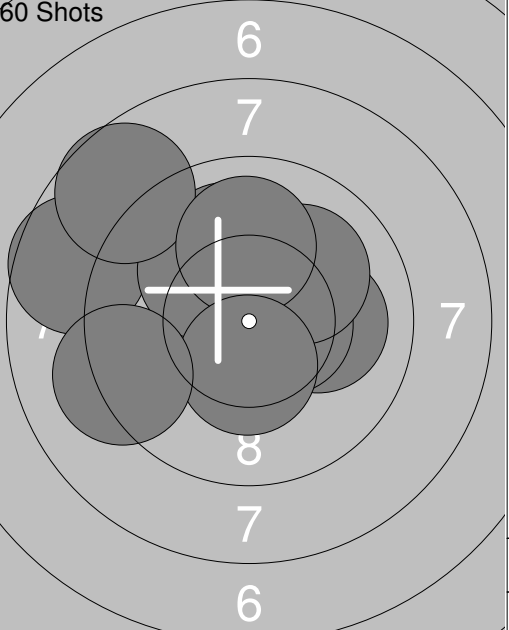
<p>Sight</p> 	<p>1: 10.1 ↓</p> <p>2: 10.6x ↓</p> <p>3: 10.1 ↓</p> <p>4: 9.4 →</p> <p>5: 9.6 ↓</p> <p>6: 10.6x ↖</p> <p>7: 10.4x ↑</p> <p>8: 10.5x ↙</p> <p>9: 10.4x →</p> <p>10: 10.4x ↗</p>	<p>Sight</p> 	<p>11: 10.4x ↗</p> <p>12: 10.3x ↗</p> <p>13: 9.9 ↑</p> <p>14: 10.7x ↖</p> <p>15: 10.5x ↖</p> <p>16: 10.4x ↓</p> <p>17: 10.1 ↓</p> <p>18: 10.0 ↓</p> <p>19: 10.3x ↗</p>
Series 102.1		Series 92.6	
Total 0.0		Total 0.0	

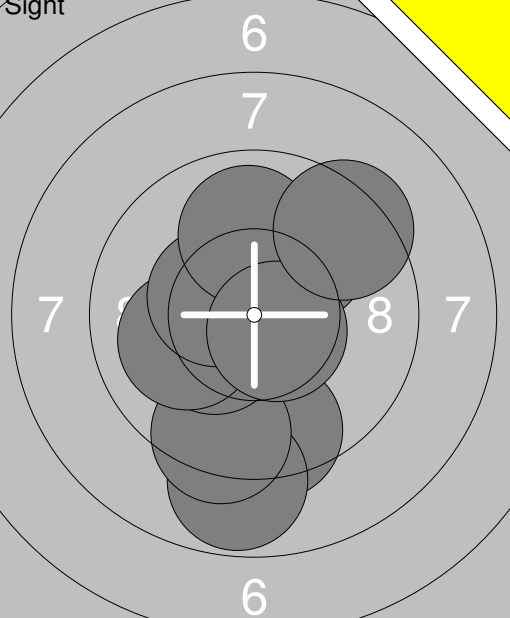
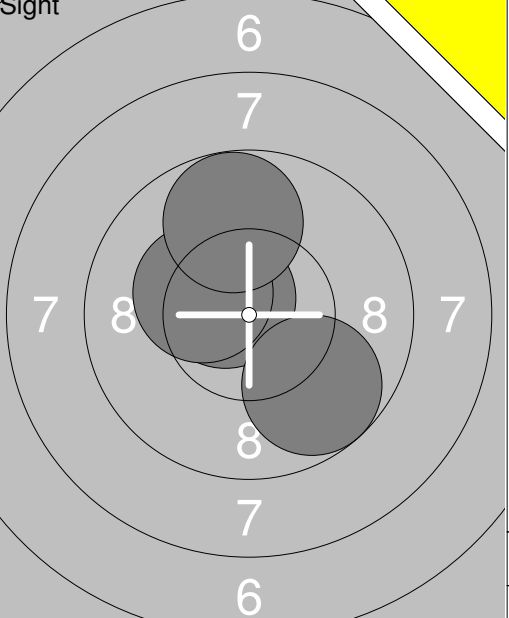
<p>60 Shots</p> 	<p>1: 9.9 ↗</p> <p>2: 10.8x ↗</p> <p>3: 9.4 ←</p> <p>4: 10.5x ↗</p> <p>5: 10.1 ↑</p> <p>6: 10.0 ↗</p> <p>7: 10.1 →</p> <p>8: 10.6x ←</p> <p>9: 10.5x ↓</p> <p>10: 10.7x ↑</p>	<p>60 Shots</p> 	<p>11: 10.8x ←</p> <p>12: 9.1 ↖</p> <p>13: 10.3x ↖</p> <p>14: 9.6 ←</p> <p>15: 10.4x →</p> <p>16: 10.1 ←</p> <p>17: 10.3x ←</p> <p>18: 9.6 ↗</p> <p>19: 9.7 ↖</p> <p>20: 10.6x →</p>
Series 102.6		Series 100.5	
Total 102.6		Total 203.1	

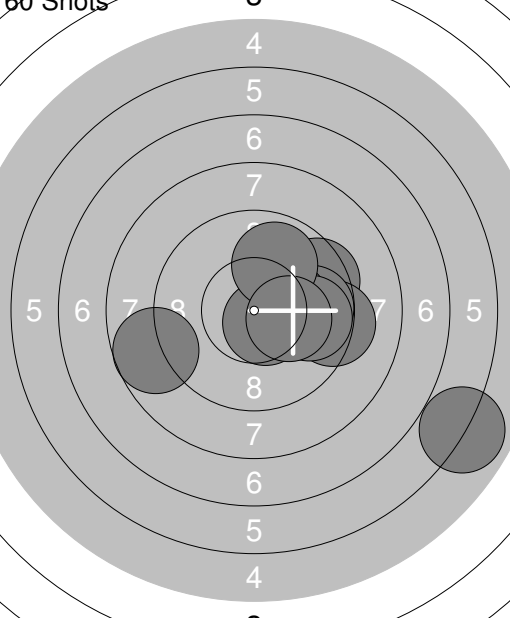
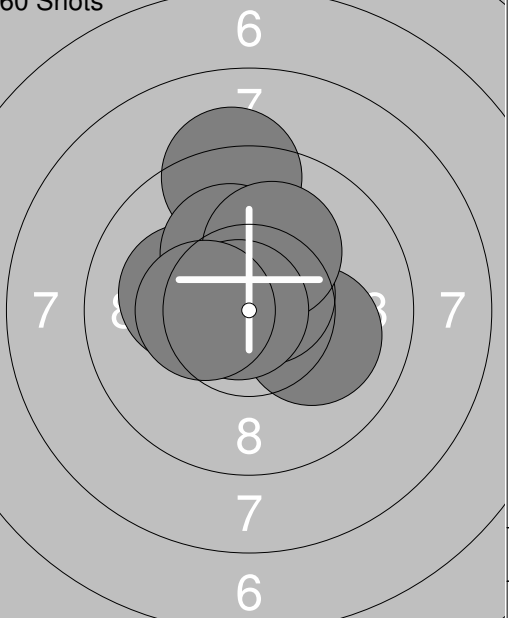
<p>60 Shots</p> 	<p>21: 10.4x ↓</p> <p>22: 10.2x ↓</p> <p>23: 10.5x →</p> <p>24: 10.7x ↗</p> <p>25: 10.5x ↖</p> <p>26: 10.2x ↓</p> <p>27: 10.3x ↙</p> <p>28: 10.6x ←</p> <p>29: 10.3x ↓</p> <p>30: 10.3x ↗</p>	<p>60 Shots</p> 	<p>31: 10.8x ↖</p> <p>32: 10.3x ↙</p> <p>33: 10.4x ↑</p> <p>34: 10.4x ↗</p> <p>35: 9.9 ↗</p> <p>36: 10.6x ↖</p> <p>37: 10.6x ↓</p> <p>38: 10.6x ↑</p> <p>39: 10.2x ↑</p> <p>40: 9.8 ↗</p>
Series 104.0		Series 103.6	
Total 307.1		Total 410.7	

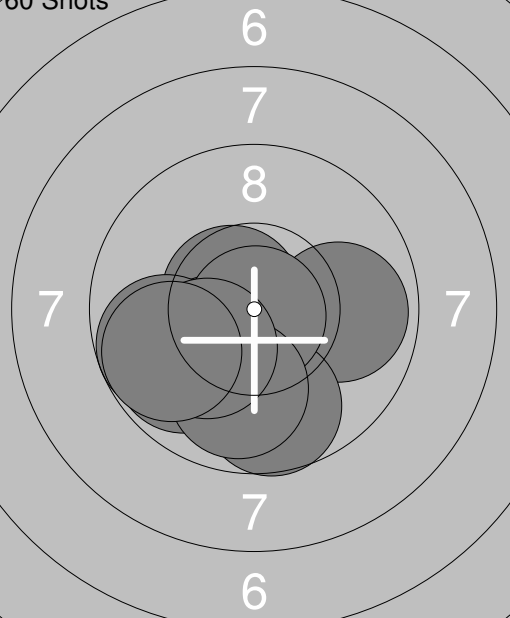
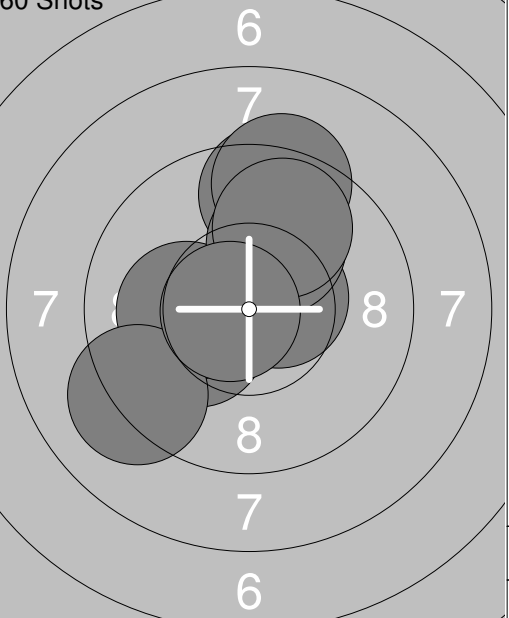
<p>Sight</p> 	<p>1: 10.4x →</p> <p>2: 8.6 →</p> <p>3: 10.8x ↗</p> <p>4: 10.0 ↗</p> <p>5: 10.1 ↗</p> <p>6: 9.6 ↓</p> <p>7: 10.0 ↗</p> <p>8: 9.5 →</p> <p>9: 10.4x ↗</p> <p>10: 9.6 ↓</p> <hr/> <p>Series 99.0</p> <p>Total 0.0</p>	<p>Sight</p> 	<p>11: 9.6 ↙</p> <p>12: 10.2x ↗</p> <p>13: 10.7x ↘</p> <hr/> <p>Series 30.5</p> <p>Total 0.0</p>
---	---	---	--

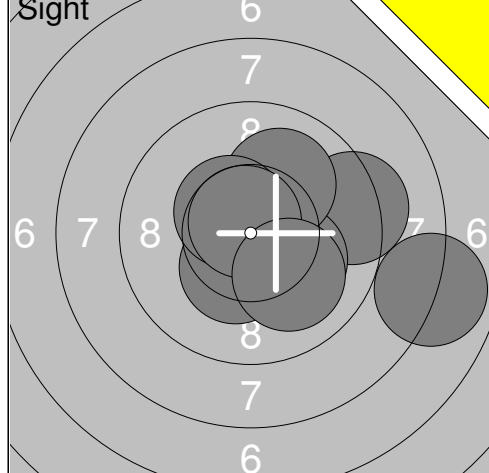
<p>60 Shots</p> 	<p>1: 9.7 ↓</p> <p>2: 8.2 ↓</p> <p>3: 10.2x ↙</p> <p>4: 8.8 ↓</p> <p>5: 9.8 →</p> <p>6: 9.3 ↗</p> <p>7: 9.7 ↙</p> <p>8: 10.6x ↙</p> <p>9: 9.4 ←</p> <p>10: 8.2 ←</p> <hr/> <p>Series 93.9</p> <p>Total 93.9</p>	<p>60 Shots</p> 	<p>11: 9.9 ↙</p> <p>12: 9.6 ←</p> <p>13: 10.4x ↙</p> <p>14: 9.7 ↗</p> <p>15: 9.0 ↗</p> <p>16: 10.1 ↗</p> <p>17: 10.2x ↘</p> <p>18: 9.0 ←</p> <p>19: 9.2 ↗</p> <p>20: 8.5 ←</p> <hr/> <p>Series 95.6</p> <p>Total 189.5</p>
---	---	---	--

<p>60 Shots</p> 	<p>21: 10.0 ←</p> <p>22: 10.2x ↘</p> <p>23: 9.3 ↓</p> <p>24: 8.7 ←</p> <p>25: 10.0 ←</p> <p>26: 9.1 ↗</p> <p>27: 9.4 ←</p> <p>28: 8.3 ↗</p> <p>29: 10.2x ↗</p> <p>30: 9.7 ↓</p> <hr/> <p>Series 94.9</p> <p>Total 284.4</p>	<p>60 Shots</p> 	<p>31: 10.1 →</p> <p>32: 8.7 ↙</p> <p>33: 10.5x →</p> <p>34: 10.0 ↗</p> <p>35: 10.1 ↗</p> <p>36: 8.7 ↗</p> <p>37: 10.1 ↗</p> <p>38: 10.0 ↑</p> <p>39: 10.4x ↓</p> <p>40: 9.2 ↙</p> <hr/> <p>Series 97.8</p> <p>Total 382.2</p>
--	---	--	--

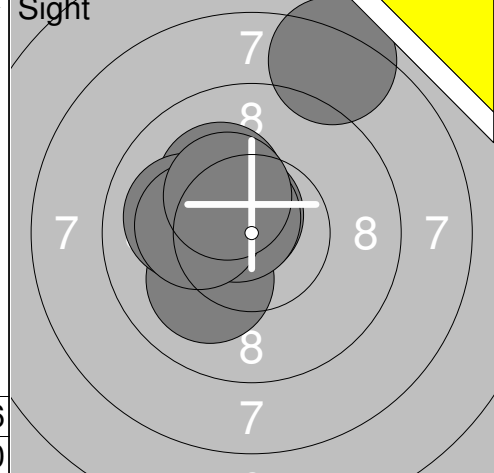
 <p style="text-align:center;">Sight</p>	<p>1: 9.5 ↓</p> <p>2: 8.8 ↓</p> <p>3: 9.4 ↓</p> <p>4: 10.3x ↙</p> <p>5: 10.0 ←</p> <p>6: 10.4x ↖</p> <p>7: 10.0 ↗</p> <p>8: 9.9 ↑</p> <p>9: 10.6x ↘</p> <p>10: 9.4 ↗</p>	 <p style="text-align:center;">Sight</p>	<p>11: 10.6x ↖</p> <p>12: 10.3x ↖</p> <p>13: 9.8 ↑</p> <p>14: 9.7 ↓</p>
Series 98.3	Total 0.0	Series 40.4	Total 0.0

 <p style="text-align:center;">60 Shots</p>	<p>1: 9.5 →</p> <p>2: 9.3 →</p> <p>3: 9.8 →</p> <p>4: 10.3x →</p> <p>5: 8.7 ←</p> <p>6: 10.6x ↘</p> <p>7: 5.9 ↘</p> <p>8: 9.8 →</p> <p>9: 9.9 ↑</p> <p>10: 10.2x →</p>	 <p style="text-align:center;">60 Shots</p>	<p>11: 10.1 →</p> <p>12: 9.2 ↑</p> <p>13: 10.3x ↖</p> <p>14: 10.7x ↗</p> <p>15: 10.3x ↑</p> <p>16: 10.2x ↖</p> <p>17: 10.2x ↖</p> <p>18: 10.1 ↗</p> <p>19: 10.8x ←</p> <p>20: 10.4x ←</p>
Series 94.0	Total 94.0	Series 102.3	Total 196.3

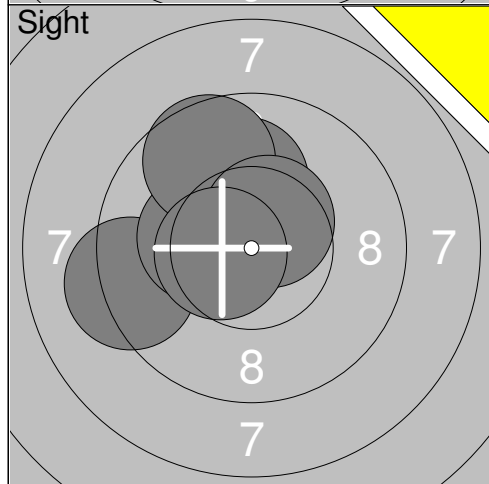
 <p style="text-align:center;">60 Shots</p>	<p>21: 10.6x ↖</p> <p>22: 9.9 →</p> <p>23: 9.7 ↓</p> <p>24: 9.8 ↖</p> <p>25: 10.3x ↖</p> <p>26: 10.9x ↓</p> <p>27: 9.7 ←</p> <p>28: 9.9 ↓</p> <p>29: 10.2x ↖</p> <p>30: 9.8 ↖</p>	 <p style="text-align:center;">60 Shots</p>	<p>31: 10.2x ↖</p> <p>32: 10.8x ↗</p> <p>33: 10.1 ←</p> <p>34: 10.5x →</p> <p>35: 9.2 ↖</p> <p>36: 9.5 ↑</p> <p>37: 10.1 ↗</p> <p>38: 9.3 ↑</p> <p>39: 9.8 ↗</p> <p>40: 10.7x ←</p>
Series 100.8	Total 297.1	Series 100.2	Total 397.3



1:	9.3	→
2:	10.7x	→
3:	10.6x	→
4:	10.2x	↘
5:	10.4x	↘
6:	10.1	↗
7:	10.5x	↗
8:	8.0	→
9:	10.7x	↗
10:	10.1	↘
Series	100.6	
Total	0.0	



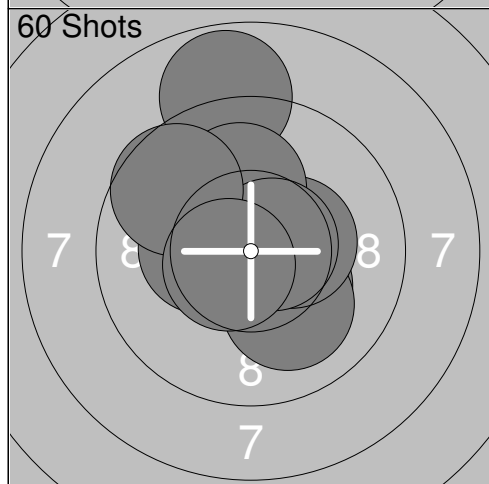
11:	10.6x	↖
13:	10.2x	↖
14:	10.4x	←
15:	10.1	↘
16:	10.6x	↖
17:	10.0	←
18:	10.2x	←
19:	10.3x	↗
20:	8.3	↗
Series	90.7	
Total	0.0	



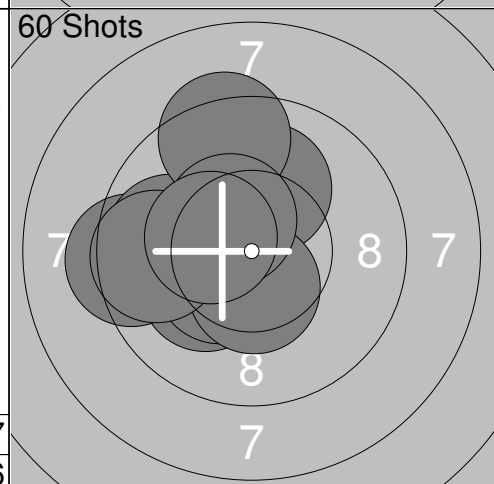
21:	9.2	←
22:	10.3x	←
23:	10.1	↑
24:	9.6	↗
25:	10.5x	↗
26:	10.5x	←
Series	60.2	
Total	0.0	



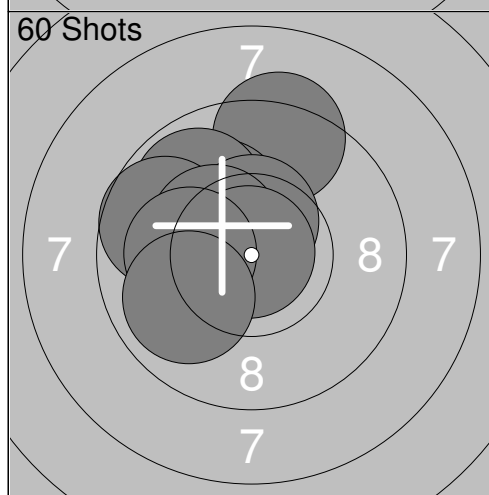
1:	10.5x	→
2:	10.3x	↖
3:	10.3x	↘
4:	10.7x	→
5:	9.9	↗
6:	10.1	←
7:	10.9x	↘
8:	10.2x	←
9:	10.5x	↘
10:	10.5x	↘
Series	103.9	
Total	103.9	



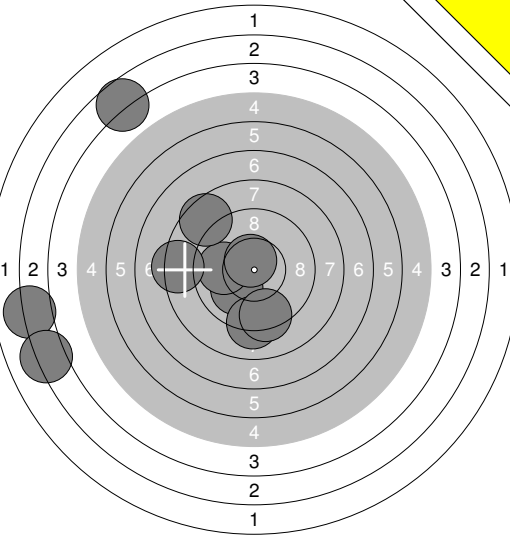
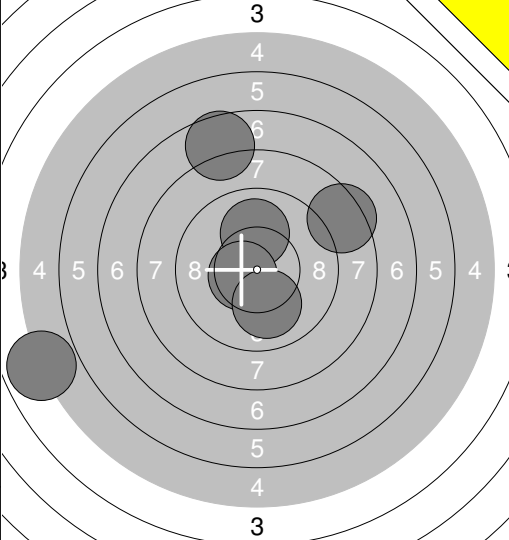
11:	10.3x	↘
12:	10.1	↘
13:	10.4x	→
14:	8.8	↑
15:	10.8x	←
16:	10.3x	←
17:	10.1	↑
18:	10.7x	→
19:	9.6	↖
20:	10.6x	←
Series	101.7	
Total	205.6	



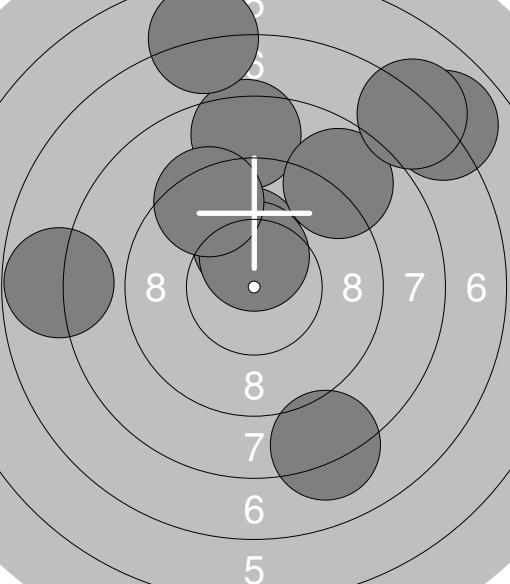
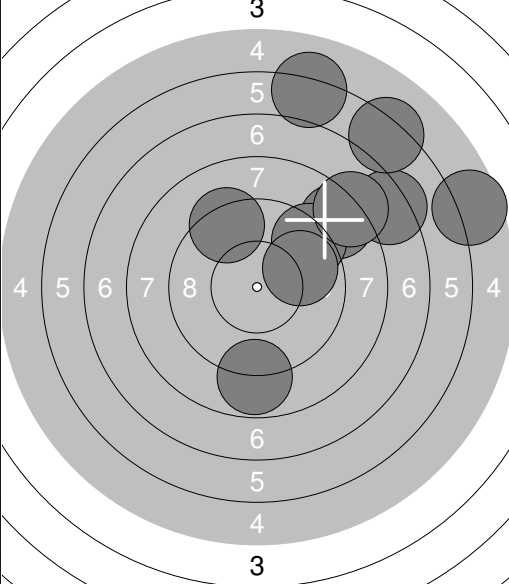
21:	10.2x	↖
22:	10.4x	↖
23:	9.3	←
24:	9.9	←
25:	10.1	↑
26:	10.5x	↘
27:	9.4	↑
28:	9.7	←
29:	10.4x	↗
30:	10.4x	←
Series	100.3	
Total	305.9	

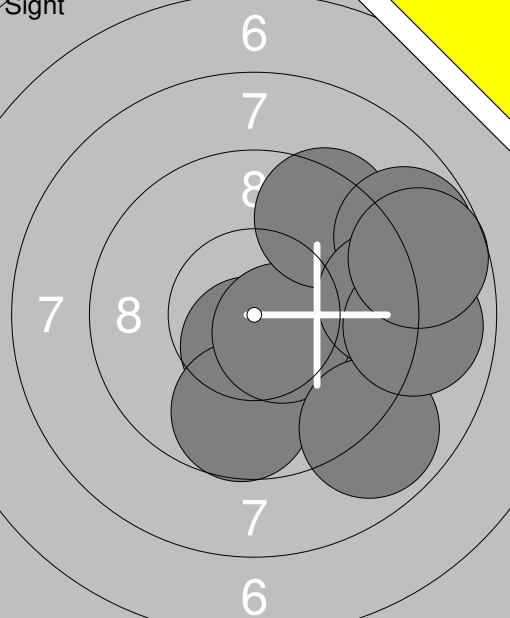
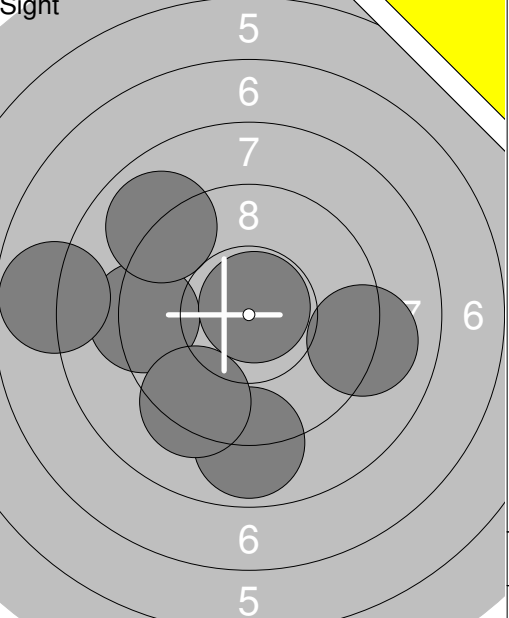


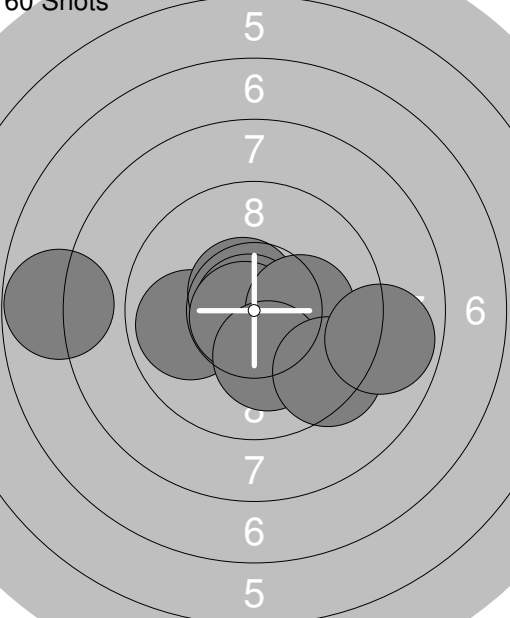
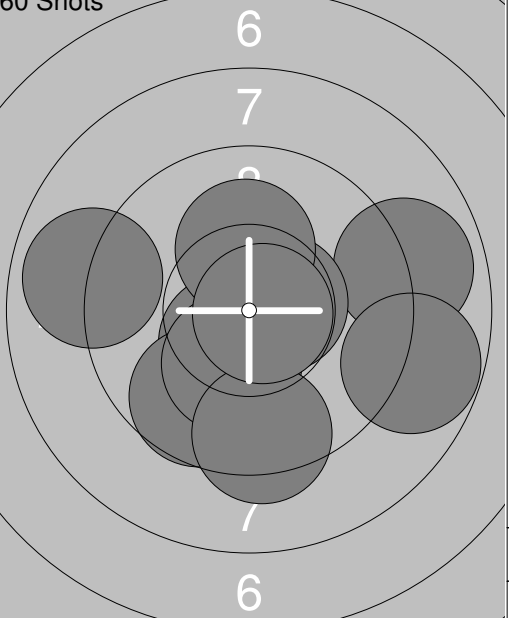
31:	9.3	↑
32:	10.1	↗
33:	10.6x	↗
34:	9.9	↗
35:	9.7	←
36:	10.5x	↑
37:	10.4x	↖
38:	10.9x	↗
39:	10.1	←
40:	9.9	↖
Series	101.4	
Total	407.3	

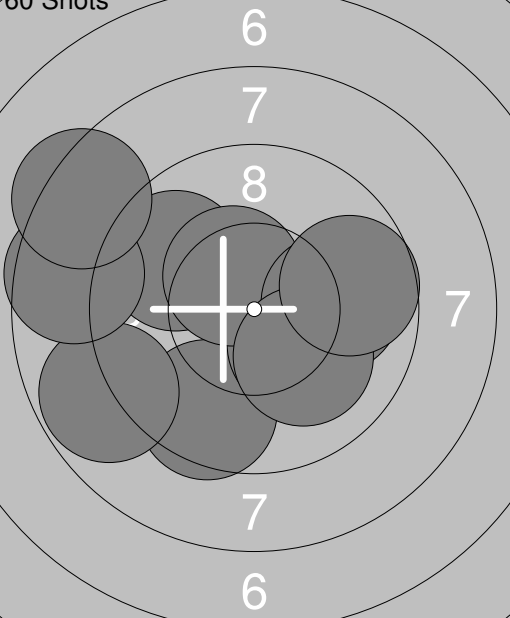
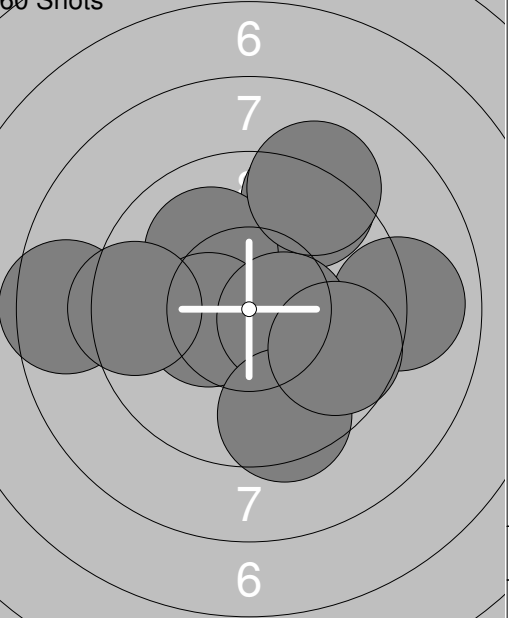
<p>Sight</p> 	<p>1: 10.1 ↙ 2: 9.9 ← 3: 8.3 ← 4: 9.1 ↓ 5: 3.1 ← 6: 3.2 ← 7: 8.6 ↗ 8: 9.3 ↓ 9: 3.7 ↗ 10: 10.6x ↗</p> <table border="1" style="width:100%; border-collapse: collapse;"> <tr><td>Series</td><td style="text-align:right;">75.9</td></tr> <tr><td>Total</td><td style="text-align:right;">0.0</td></tr> </table>	Series	75.9	Total	0.0	<p>Sight</p> 	<p>11: 10.0 ↑ 12: 7.6 ↗ 13: 4.9 ↙ 14: 10.6x ↙ 15: 10.0 ↓ 16: 8.4 ↗</p> <table border="1" style="width:100%; border-collapse: collapse;"> <tr><td>Series</td><td style="text-align:right;">51.5</td></tr> <tr><td>Total</td><td style="text-align:right;">0.0</td></tr> </table>	Series	51.5	Total	0.0
Series	75.9										
Total	0.0										
Series	51.5										
Total	0.0										

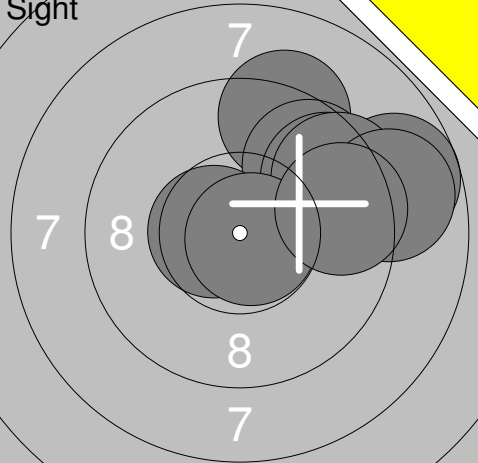
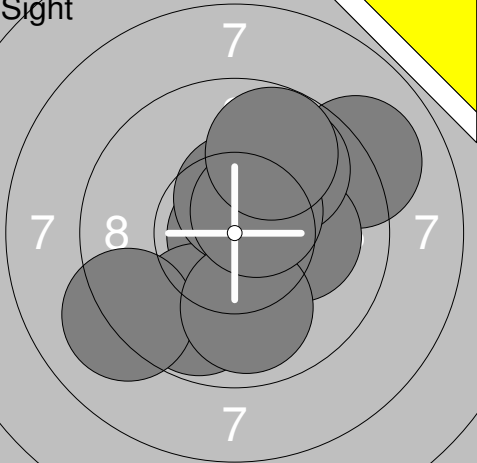
<p>60 Shots</p> 	<p>1: 7.3 ← 2: 9.2 ↙ 3: 8.2 ↙ 4: 10.1 ↑ 5: 8.6 ↓ 6: 8.5 → 7: 4.0 ↓ 8: 8.7 ↓ 9: 10.1 ↓ 10: 9.6 ←</p> <table border="1" style="width:100%; border-collapse: collapse;"> <tr><td>Series</td><td style="text-align:right;">84.3</td></tr> <tr><td>Total</td><td style="text-align:right;">84.3</td></tr> </table>	Series	84.3	Total	84.3	<p>60 Shots</p> 	<p>11: 8.2 ↗ 12: 9.9 ↑ 13: 9.9 ↓ 14: 9.9 ↙ 15: 7.5 ↗ 16: 8.1 ↓ 17: 7.0 ↓ 18: 8.8 → 19: 8.1 → 20: 6.9 ↙</p> <table border="1" style="width:100%; border-collapse: collapse;"> <tr><td>Series</td><td style="text-align:right;">84.3</td></tr> <tr><td>Total</td><td style="text-align:right;">168.6</td></tr> </table>	Series	84.3	Total	168.6
Series	84.3										
Total	84.3										
Series	84.3										
Total	168.6										

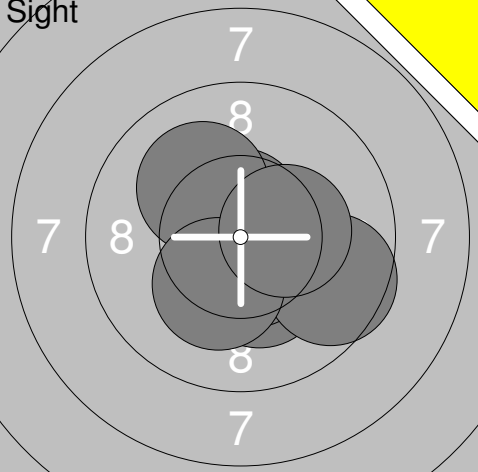
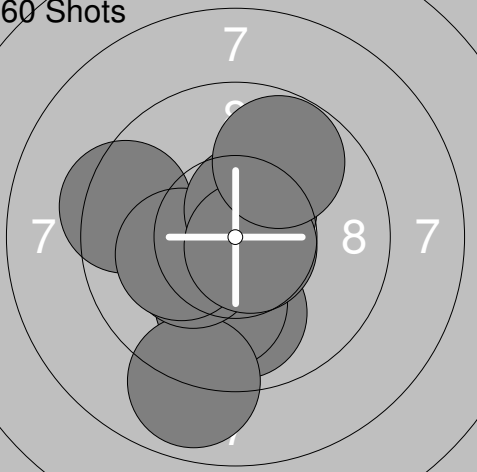
<p>60 Shots</p> 	<p>21: 7.8 ← 22: 8.5 ↑ 23: 6.8 ↑ 24: 10.2x ↑ 25: 10.4x ↑ 26: 9.4 ↗ 27: 6.9 ↗ 28: 8.8 ↗ 29: 7.1 ↗ 30: 8.1 ↓</p> <table border="1" style="width:100%; border-collapse: collapse;"> <tr><td>Series</td><td style="text-align:right;">84.0</td></tr> <tr><td>Total</td><td style="text-align:right;">252.6</td></tr> </table>	Series	84.0	Total	252.6	<p>60 Shots</p> 	<p>31: 8.5 ↗ 32: 6.1 ↑ 33: 9.3 ↗ 34: 5.6 → 35: 9.8 → 36: 8.8 ↓ 37: 7.3 ↗ 38: 6.2 ↗ 39: 8.1 ↗ 40: 9.3 ↗</p> <table border="1" style="width:100%; border-collapse: collapse;"> <tr><td>Series</td><td style="text-align:right;">79.0</td></tr> <tr><td>Total</td><td style="text-align:right;">331.6</td></tr> </table>	Series	79.0	Total	331.6
Series	84.0										
Total	252.6										
Series	79.0										
Total	331.6										

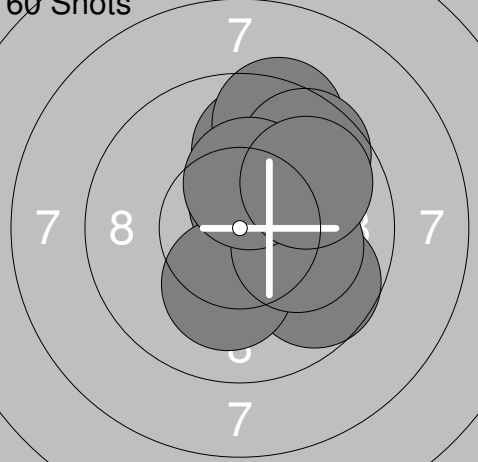
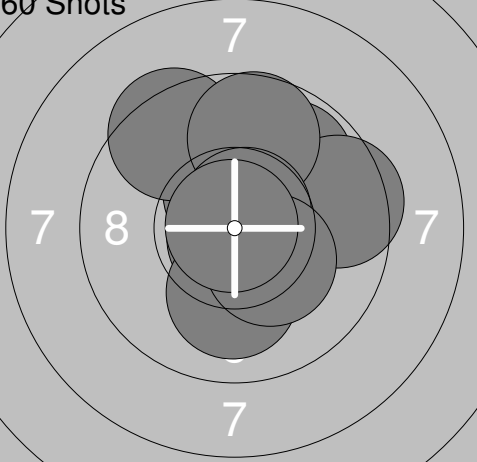
 <p style="text-align:center;">Sight</p>	<p>1: 9.5 →</p> <p>2: 10.5x ↓</p> <p>3: 9.7 ↓</p> <p>4: 10.5x →</p> <p>5: 8.9 →</p> <p>6: 9.4 ↗</p> <p>7: 8.8 →</p> <p>8: 9.2 →</p> <p>9: 8.9 →</p> <p>10: 8.7 →</p> <hr/> <p>Series 94.1</p> <hr/> <p>Total 0.0</p>	 <p style="text-align:center;">Sight</p>	<p>11: 9.3 ←</p> <p>12: 9.1 →</p> <p>13: 8.9 ↓</p> <p>14: 7.8 ←</p> <p>15: 9.3 ↙</p> <p>16: 10.8x ↗</p> <p>17: 9.0 ↖</p> <hr/> <p>Series 64.2</p> <hr/> <p>Total 0.0</p>
--	--	--	--

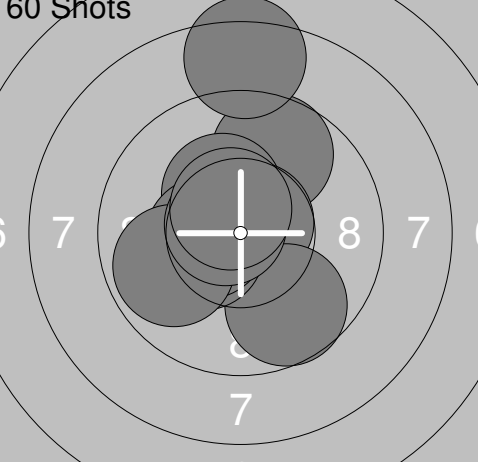
 <p style="text-align:center;">60 Shots</p>	<p>1: 10.5x ↓</p> <p>2: 9.9 ←</p> <p>3: 10.6x ↗</p> <p>4: 10.9x ←</p> <p>5: 10.8x ↙</p> <p>6: 10.2x →</p> <p>7: 10.2x ↓</p> <p>8: 9.4 ↓</p> <p>9: 7.8 ←</p> <p>10: 8.9 →</p> <hr/> <p>Series 99.2</p> <hr/> <p>Total 99.2</p>	 <p style="text-align:center;">60 Shots</p>	<p>11: 10.5x ↙</p> <p>12: 9.7 ↙</p> <p>13: 8.9 →</p> <p>14: 10.6x →</p> <p>15: 10.2x ↓</p> <p>16: 10.2x ↑</p> <p>17: 9.4 ↓</p> <p>18: 10.8x →</p> <p>19: 8.8 →</p> <p>20: 8.9 ←</p> <hr/> <p>Series 98.0</p> <hr/> <p>Total 197.2</p>
--	---	--	---

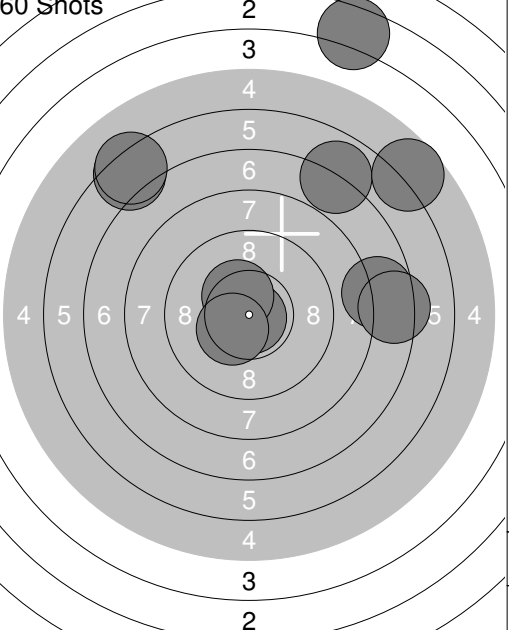
 <p style="text-align:center;">60 Shots</p>	<p>21: 9.5 ↓</p> <p>22: 8.8 ←</p> <p>23: 10.2x →</p> <p>24: 9.8 ↖</p> <p>25: 10.4x ↗</p> <p>26: 10.0 →</p> <p>27: 8.6 ←</p> <p>28: 10.1 ↓</p> <p>29: 9.7 →</p> <p>30: 8.3 ↖</p> <hr/> <p>Series 95.4</p> <hr/> <p>Total 292.6</p>	 <p style="text-align:center;">60 Shots</p>	<p>31: 9.3 ↗</p> <p>32: 10.1 ↖</p> <p>33: 10.4x ←</p> <p>34: 8.5 ←</p> <p>35: 9.0 →</p> <p>36: 10.5x →</p> <p>37: 9.5 ↓</p> <p>38: 9.4 ←</p> <p>39: 9.7 →</p> <p>40: 9.1 ↗</p> <hr/> <p>Series 95.5</p> <hr/> <p>Total 388.1</p>
---	---	---	--

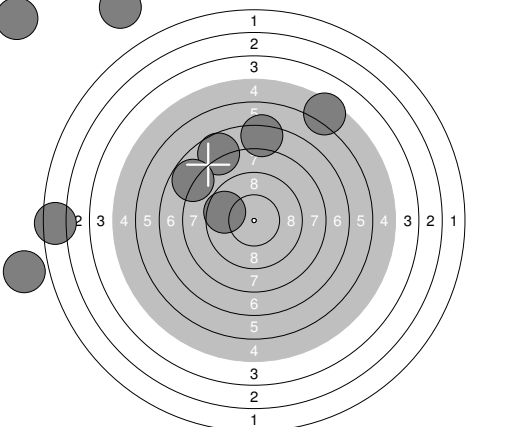
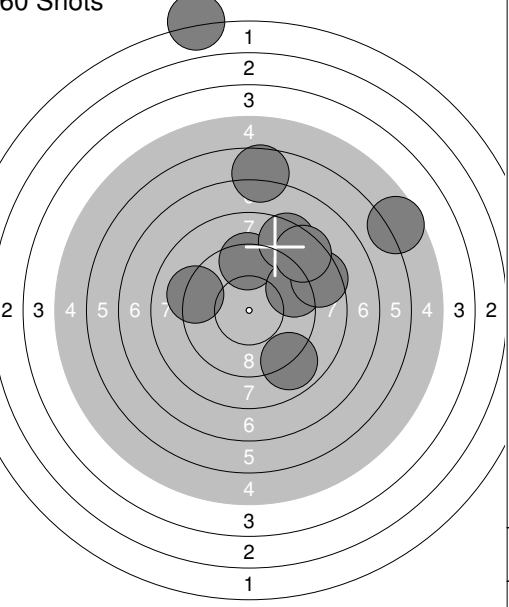
Sight 	1: 9.3 ↗ 2: 9.6 ↗ 3: 9.6 ↗ 4: 8.7 → 5: 10.6x ← 6: 9.4 ↗ 7: 10.8x ↘ 8: 8.9 → 9: 9.5 → <hr/> Series 86.4 Total 0.0	Sight 	11: 9.0 ↗ 12: 10.9x ↓ 13: 9.8 ↓ 14: 9.1 ↙ 15: 10.1 → 16: 9.9 ↗ 17: 10.5x ↑ 18: 9.9 ↓ 19: 10.5x ↗ 20: 9.8 ↑ <hr/> Series 99.5 Total 0.0
--	--	--	---

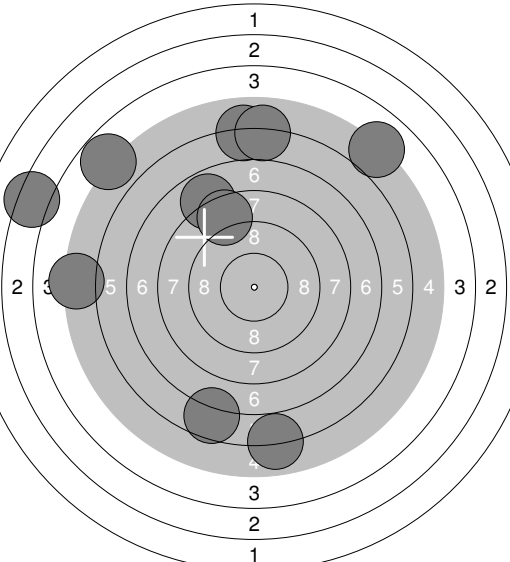
Sight 	21: 10.6x ↑ 22: 10.3x ↓ 23: 10.6x ↓ 24: 10.1 ↗ 25: 9.6 ↘ 26: 10.3x ↓ 27: 10.3x → <hr/> Series 71.8 Total 0.0	60 Shots 	1: 10.3x ↓ 2: 9.9 ↓ 3: 9.4 ← 4: 10.0 ↓ 5: 8.9 ↓ 6: 10.3x ↙ 7: 10.2x ← 8: 10.5x ↗ 9: 10.7x ↘ 10: 9.8 ↗ <hr/> Series 100.0 Total 100.0
---	--	--	---

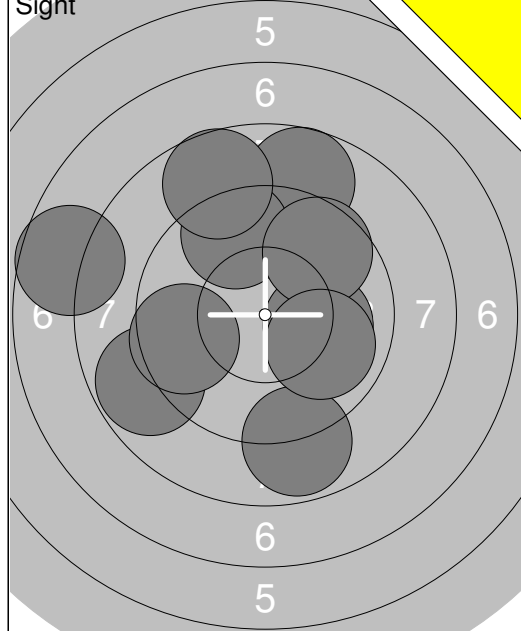
60 Shots 	11: 9.7 ↘ 12: 9.9 ↑ 13: 10.5x ↗ 14: 9.4 ↑ 15: 10.2x ↓ 16: 10.3x → 17: 9.6 ↗ 18: 10.1 ↘ 19: 10.3x ↑ 20: 9.9 ↗ <hr/> Series 99.9 Total 199.9	60 Shots 	21: 10.8x ↓ 22: 10.1 ↓ 23: 10.5x ↑ 24: 9.8 ↗ 25: 9.4 ↖ 26: 9.5 → 27: 9.7 ↑ 28: 10.7x ↗ 29: 10.3x ↘ 30: 10.9x ↖ <hr/> Series 101.7 Total 301.6
---	---	---	--

60 Shots 	31: 9.7 ↑ 32: 10.3x ↗ 33: 10.7x ↗ 34: 9.7 ↓ 35: 10.4x ← 36: 10.4x ← 37: 8.4 ↑ 38: 9.9 ← 39: 10.7x ↖ 40: 10.6x ↑ <hr/> Series 100.8 Total 402.4		
---	---	--	--

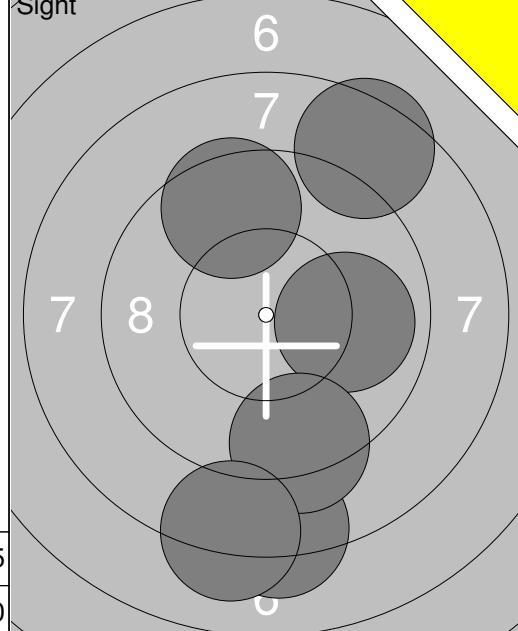
<p>Sight</p> 	<p>1: 1.8 ↑</p> <p>2: 10.2x →</p> <p>3: 8.0 ↑</p> <p>4: 7.0 ↗</p> <p>5: 10.4x ↘</p> <p>6: 0.0 ↖</p>	<p>60 Shots</p> 	<p>1: 6.9 ↗</p> <p>2: 7.7 →</p> <p>3: 10.9x ↘</p> <p>4: 6.4 ↖</p> <p>5: 10.4x ↗</p> <p>6: 7.3 →</p> <p>7: 6.3 ↖</p> <p>8: 3.5 ↑</p> <p>9: 5.7 ↗</p> <p>10: 10.4x ↙</p>
	Series 37.4		Series 75.5
	Total 0.0		Total 75.5

<p>60 Shots</p> 	<p>11: 7.7 ↖</p> <p>12: 5.5 ↗</p> <p>13: 2.4 ←</p> <p>14: 7.8 ↖</p> <p>15: 0.0 ↗</p> <p>16: 0.0 →</p> <p>17: 0.0 ←</p> <p>18: 9.6 ←</p> <p>19: 7.3 ↑</p> <p>20: 0.0 ↖</p>	<p>60 Shots</p> 	<p>21: 9.4 ↑</p> <p>22: 8.5 ↗</p> <p>23: 9.2 ←</p> <p>24: 9.4 ↗</p> <p>25: 8.5 →</p> <p>26: 8.9 ↘</p> <p>27: 5.6 ↗</p> <p>28: 1.7 ↑</p> <p>29: 8.5 ↗</p> <p>30: 6.6 ↑</p>
	Series 40.3		Series 76.3
	Total 115.8		Total 192.1

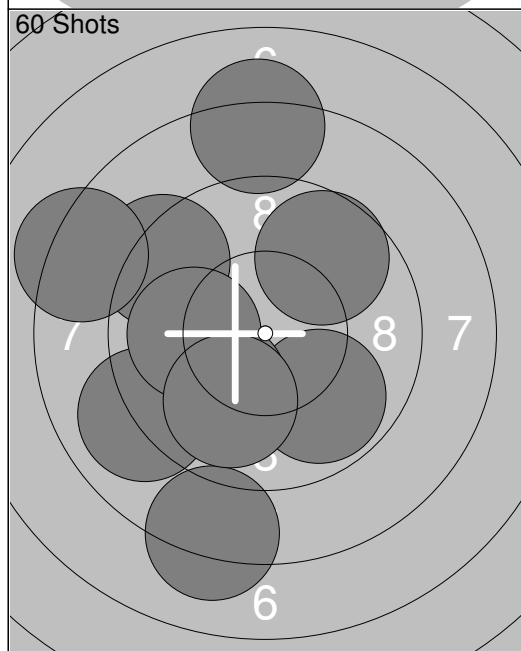
<p>60 Shots</p> 	<p>31: 3.3 ←</p> <p>32: 6.0 ↓</p> <p>33: 6.6 ↓</p> <p>34: 6.0 ↑</p> <p>35: 5.3 ←</p> <p>36: 7.8 ↗</p> <p>37: 5.0 ↗</p> <p>38: 4.8 ↖</p> <p>39: 8.5 ↗</p> <p>40: 6.0 ↑</p>	
	Series 59.3	
	Total 251.4	



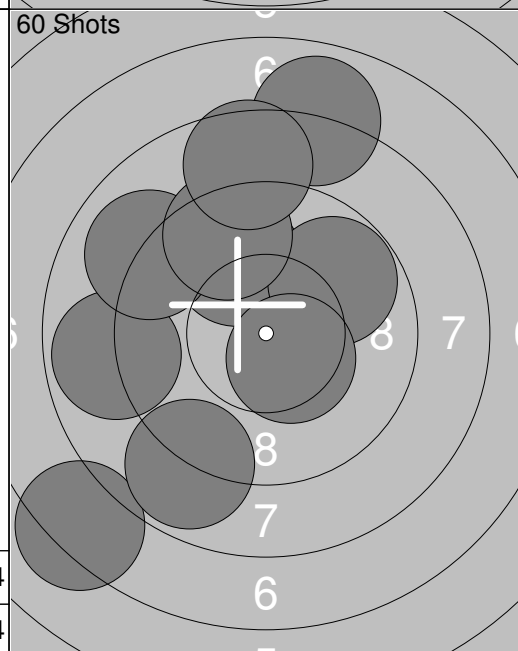
1: 8.7	↑
2: 8.8	↓
3: 9.6	↑
4: 8.7	↑
5: 8.8	←
6: 10.1	→
7: 7.7	←
8: 9.6	←
9: 9.6	↗
10: 9.9	↘
Series	91.5
Total	0.0



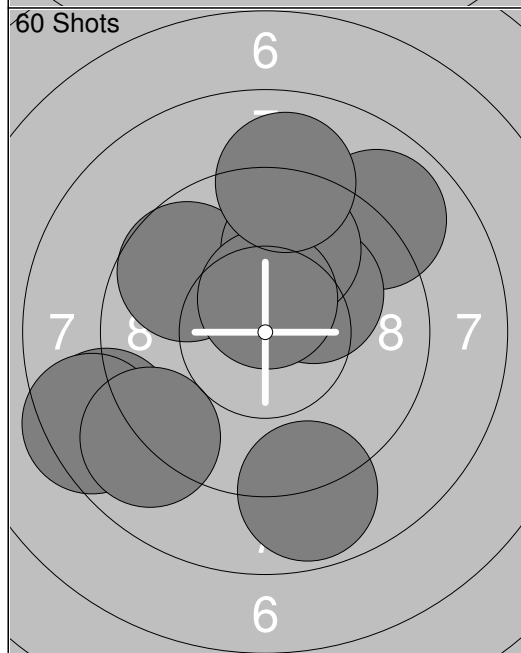
12: 9.9	→
13: 9.5	↑
14: 8.5	↗
15: 8.2	↓
16: 9.3	↓
17: 8.2	↓
Series	53.6
Total	0.0



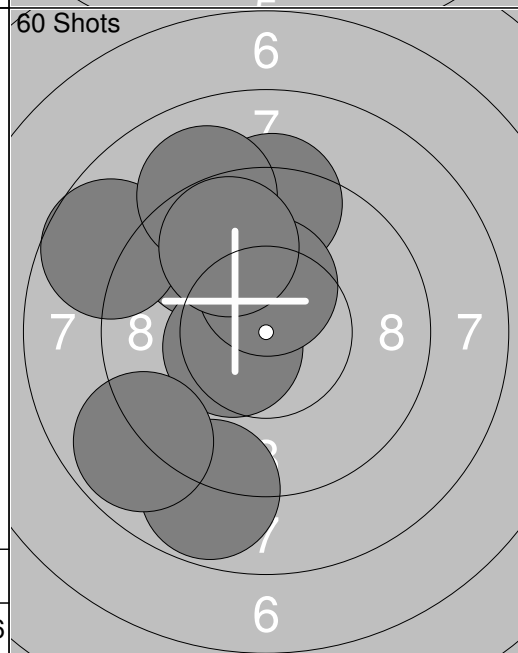
1: 8.2	↑
2: 9.7	↗
3: 9.8	↓
4: 10.0	↓
5: 8.2	↓
6: 9.3	↖
7: 8.3	←
8: 9.0	←
9: 10.0	←
10: 9.9	↓
Series	92.4
Total	92.4



11: 7.2	↙
12: 9.9	↑
13: 7.9	↑
14: 8.8	↓
15: 8.9	←
16: 9.8	↗
17: 9.0	↖
18: 10.5x	↘
19: 9.5	↑
20: 8.6	↑
Series	90.1
Total	182.5



21: 8.6	↙
22: 8.9	↗
23: 8.5	←
24: 9.0	↙
25: 8.9	↓
26: 10.2x	↗
27: 9.7	↖
28: 9.8	↑
29: 10.5x	↑
30: 9.0	↑
Series	93.1
Total	275.6



31: 9.6	↖
32: 9.7	↑
33: 8.7	↖
34: 10.5x	↙
35: 9.3	↑
36: 9.1	↑
37: 8.8	↓
38: 10.4x	↑
39: 8.9	↙
40: 9.8	↑
Series	94.8
Total	370.4

	1: 8.6 ↘	
	2: 8.4 →	
	3: 9.6 ↑	
	5: 9.6 →	
	6: 10.4x ↗	
	7: 10.0 →	
	8: 9.5 ↙	
	9: 8.7 ↗	
	10: 7.9 ↗	
	Series 82.7	
	Total 0.0	

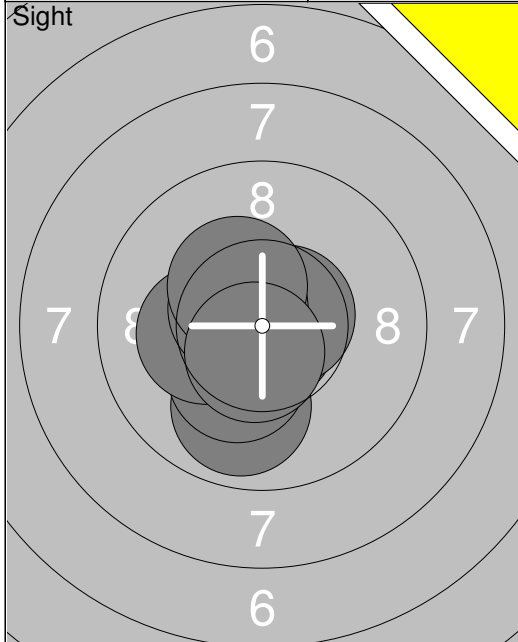
	1: 9.6 ↙	
	2: 9.4 ↘	
	3: 2.6 ↑	
	4: 10.0 →	
	5: 10.0 →	
	6: 10.6x ↗	
	7: 8.7 ↓	
	8: 8.3 ↙	
	9: 9.3 ↙	
	10: 8.5 ↙	
	Series 87.0	
	Total 87.0	

	21: 9.3 ↘	
	22: 10.3x →	
	23: 9.5 ↙	
	24: 9.7 ↙	
	25: 7.9 →	
	26: 10.1 ↑	
	27: 10.0 →	
	28: 9.7 ↙	
	29: 7.1 ↙	
	30: 10.2x ↗	
	Series 93.8	
	Total 272.5	

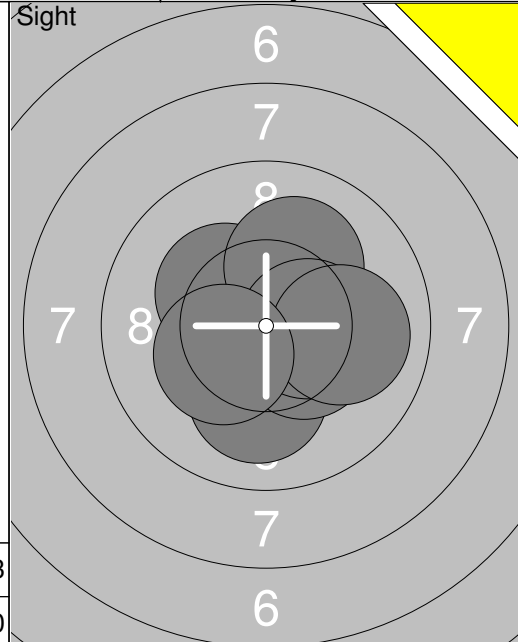
<p>Sight</p>	<p>1: 9.0 ↗ 2: 10.1 → 3: 10.1 → 4: 9.6 ↗ 5: 8.5 ↙ 6: 9.1 ← 7: 7.7 ↘ 8: 8.1 → 9: 7.3 ↓ 10: 9.4 ↑</p> <p>Series 88.9 Total 0.0</p>	<p>Sight</p>	<p>11: 10.7x ↘ 12: 9.8 ↙ 13: 8.3 ↗ 14: 5.2 →</p> <p>Series 34.0 Total 0.0</p>
---------------------	--	---------------------	---

<p>60 Shots</p>	<p>1: 8.5 ↙ 2: 8.8 ↙ 3: 8.7 ↓ 4: 6.9 → 5: 9.7 ↑ 6: 7.3 ↘ 7: 8.8 → 8: 9.1 ↗ 9: 8.7 ↘ 10: 10.0 ↘</p> <p>Series 86.5 Total 86.5</p>	<p>60 Shots</p>	<p>11: 9.8 ↑ 12: 8.0 ↙ 13: 6.0 ↘ 14: 8.6 ← 15: 7.9 ↗ 16: 6.7 ↙ 17: 8.5 ↓ 18: 7.6 → 19: 8.9 ↑ 20: 9.1 ↗</p> <p>Series 81.1 Total 167.6</p>
------------------------	--	------------------------	---

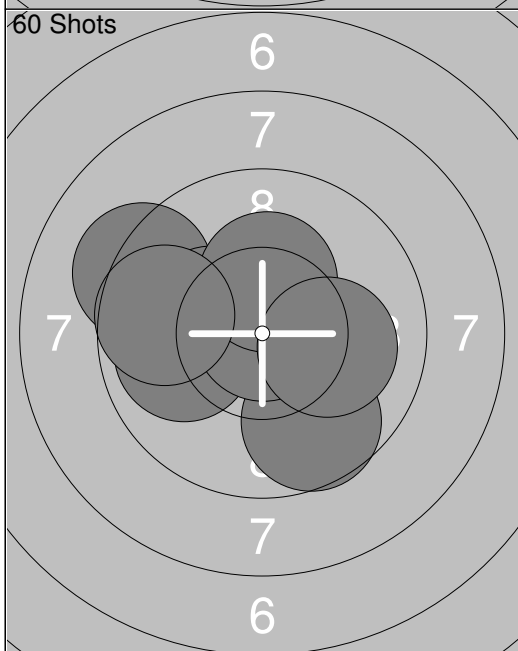
<p>60 Shots</p>	<p>21: 9.7 → 22: 9.4 ↗ 23: 9.2 ↘ 24: 9.1 → 25: 9.0 → 26: 7.3 ↓ 27: 9.2 ↙ 28: 9.6 → 29: 10.3x ↑ 30: 8.7 ↓</p> <p>Series 91.5 Total 259.1</p>	<p>60 Shots</p>	<p>31: 9.9 ↓ 32: 6.9 ↙ 33: 7.2 ↘ 34: 9.3 ↗ 35: 7.2 ← 36: 9.2 ← 37: 9.3 → 38: 7.6 ↙ 39: 8.7 ↘ 40: 9.2 →</p> <p>Series 84.5 Total 343.6</p>
------------------------	---	------------------------	---



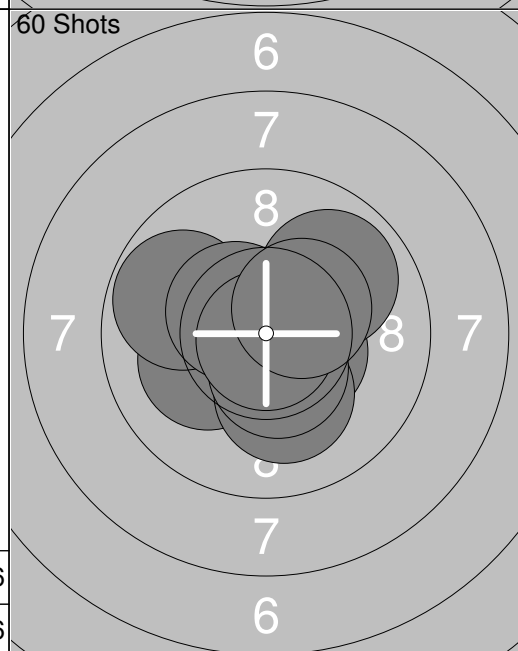
1:	10.9x	↓
2:	10.8x	↘
3:	9.9	↓
4:	10.3x	↘
5:	10.6x	→
6:	10.2x	←
7:	10.6x	↖
8:	10.4x	↖
10:	10.6x	↓
Series		94.3
Total		0.0



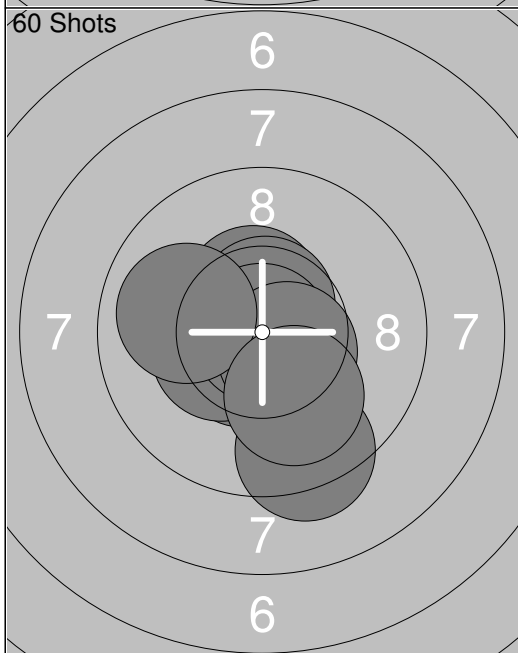
11:	10.5x	↙
12:	10.4x	↙
13:	10.1	↓
14:	10.4x	↘
15:	10.3x	↖
16:	10.1	↗
17:	10.4x	→
18:	10.0	→
19:	10.3x	↙
Series		92.5
Total		0.0



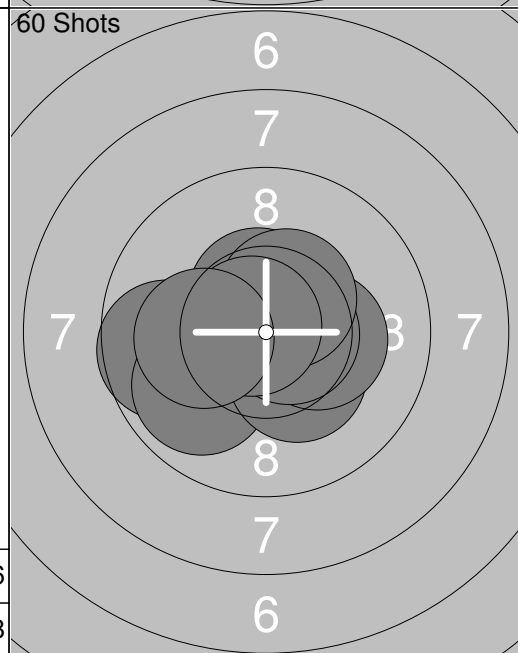
1:	9.2	↖
2:	10.8x	↗
3:	9.7	↓
4:	10.3x	↖
5:	10.7x	↗
6:	9.9	←
7:	10.9x	↗
8:	10.3x	↑
9:	10.1	→
10:	9.7	←
Series		101.6
Total		101.6



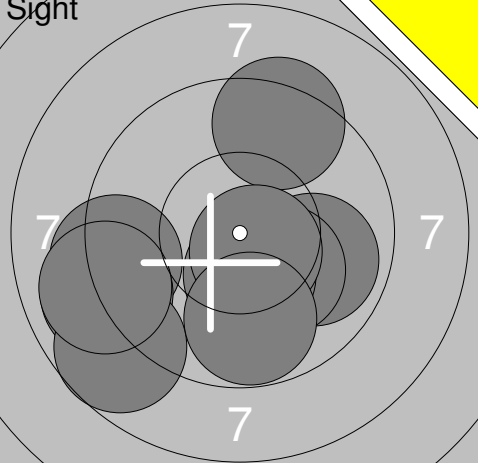
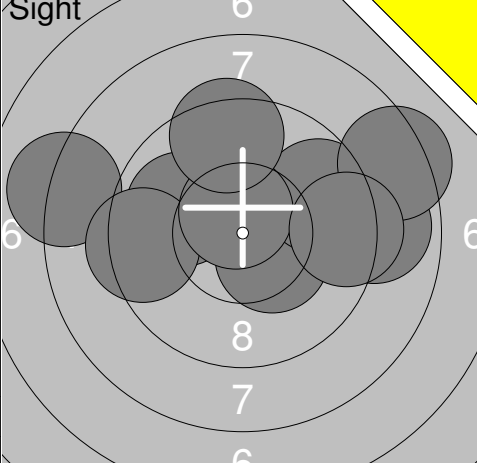
11:	10.8x	↘
12:	10.5x	↘
13:	10.1	←
14:	10.2x	↓
15:	9.8	↖
16:	10.5x	↖
17:	9.9	↗
18:	10.5x	↓
19:	10.9x	↓
20:	10.4x	↗
Series		103.6
Total		205.2


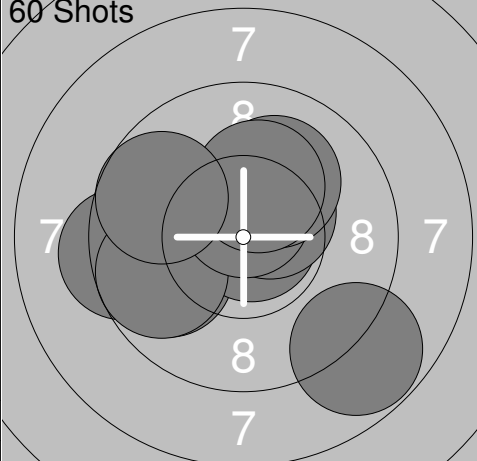


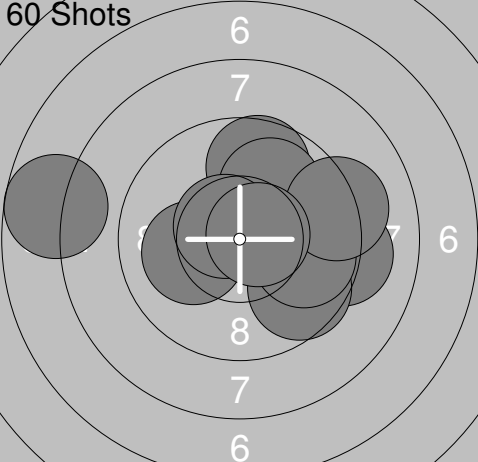
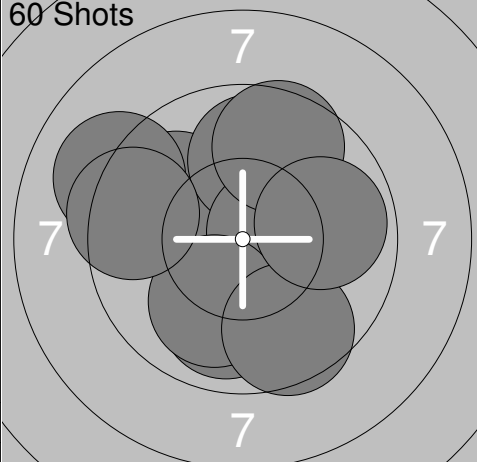
21:	10.6x	↙
22:	10.4x	←
23:	9.3	↓
24:	10.5x	↑
25:	10.8x	↘
26:	10.6x	↑
27:	10.9x	↘
28:	10.5x	↘
29:	10.0	←
30:	10.0	↓
Series		103.6
Total		308.8

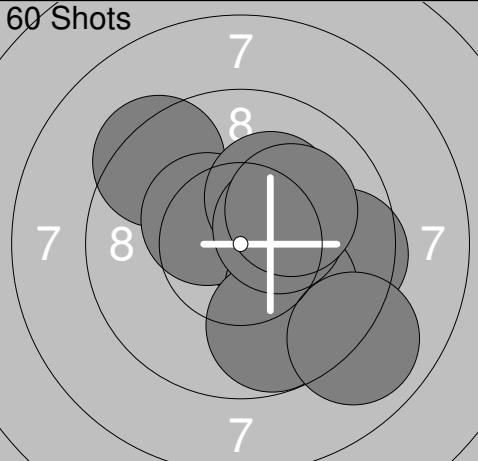


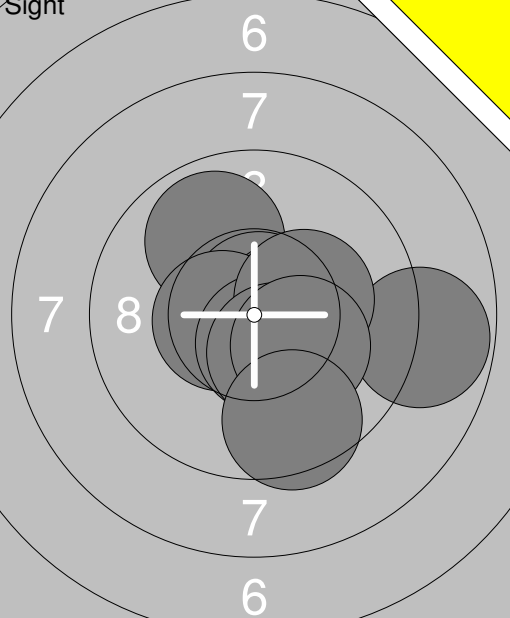
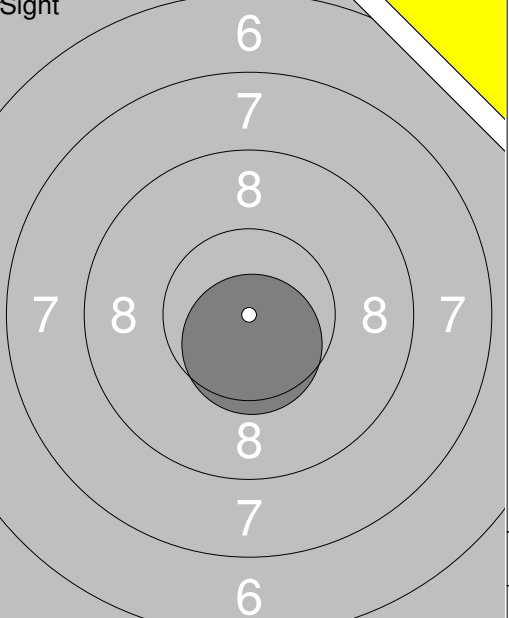
31:	10.9x	↓
32:	9.7	←
33:	9.9	↙
34:	10.3x	↘
35:	10.3x	→
36:	10.5x	↖
37:	10.7x	→
38:	10.5x	↗
39:	10.7x	↖
40:	10.2x	←
Series		103.7
Total		412.5

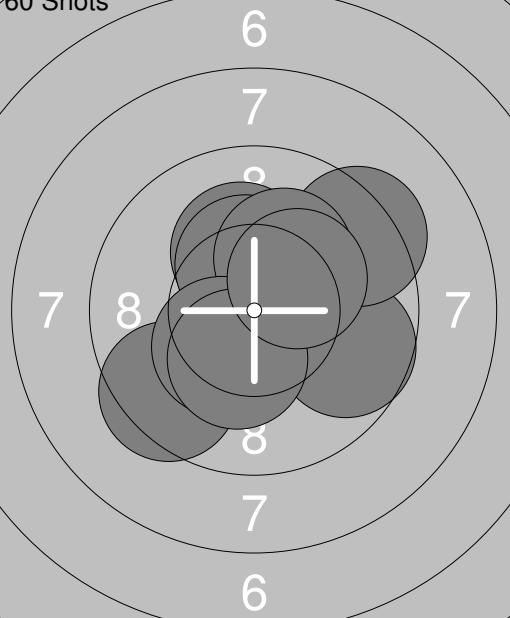
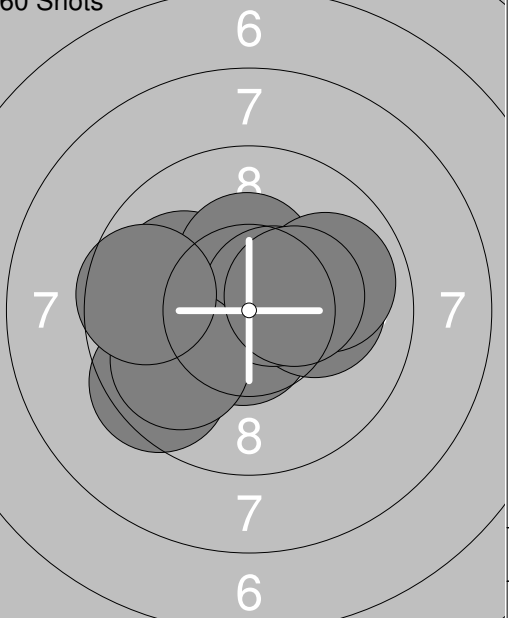
Sight 	1: 9.2 ← 2: 9.0 ← 3: 9.9 → 4: 9.4 ↑ 5: 10.2x ↓ 6: 10.4x ↓ 7: 10.6x ↓ 8: 8.7 ↙ 9: 9.0 ← 10: 9.8 ↓ <hr/> Series 96.2 Total 0.0	Sight 	11: 10.4x ↘ 12: 8.1 ← 13: 9.9 ↖ 14: 9.4 ← 15: 9.6 → 16: 8.9 → 17: 8.3 → 18: 10.6x ↑ 19: 9.3 → 20: 9.4 ↑ <hr/> Series 93.9 Total 0.0
--	---	--	--

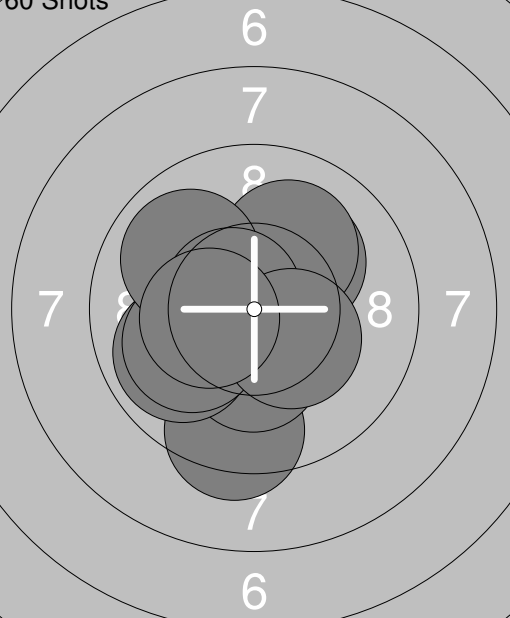
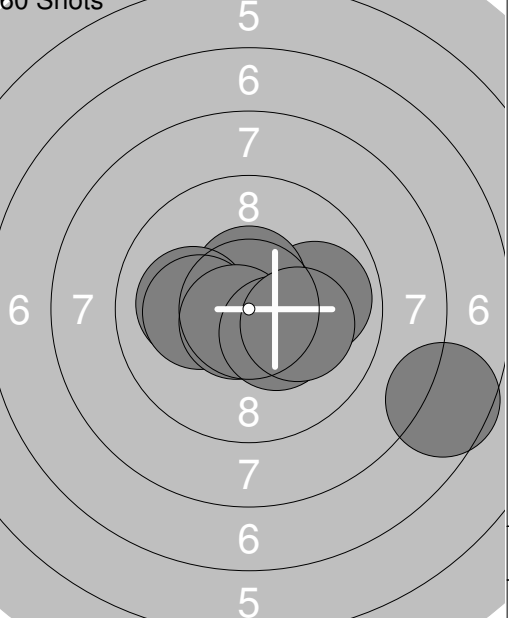
Sight 	21: 10.5x ↓ 22: 9.8 ↗ <hr/> Series 20.3 Total 0.0	60 Shots 	1: 9.8 ← 2: 8.8 ↓ 3: 10.8x → 4: 10.5x ↗ 5: 9.3 ← 6: 9.7 ← 7: 10.6x ↑ 8: 10.1 ↑ 9: 10.2x ↑ 10: 9.7 ↖ <hr/> Series 99.5 Total 99.5
---	--	--	---

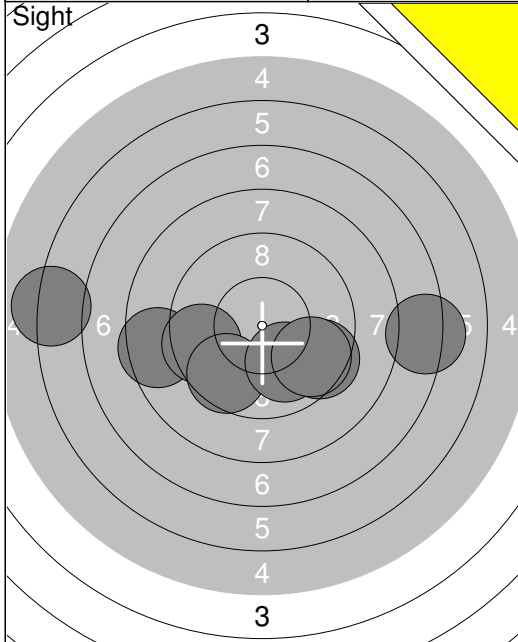
60 Shots 	11: 9.2 → 12: 9.6 ↓ 13: 9.7 ↑ 14: 10.0 ↗ 15: 9.8 → 16: 9.2 → 17: 7.7 ← 18: 10.1 ← 19: 10.6x ↗ 20: 10.6x → <hr/> Series 96.5 Total 196.0	60 Shots 	21: 9.9 ↖ 22: 9.9 ↑ 23: 10.5x → 24: 9.9 ↓ 25: 10.0 ↓ 26: 9.6 ↓ 27: 9.1 ↖ 28: 9.6 ↑ 29: 9.9 → 30: 9.4 ← <hr/> Series 97.8 Total 293.8
---	--	---	---

60 Shots 	31: 9.6 → 32: 10.7x ↑ 33: 9.4 ↗ 34: 10.4x ↗ 35: 10.0 ↓ 36: 9.8 ↓ 37: 9.0 ↓ 38: 10.2x ↑ 39: 10.4x → 40: 10.1 ↗ <hr/> Series 99.6 Total 393.4		
---	--	--	--

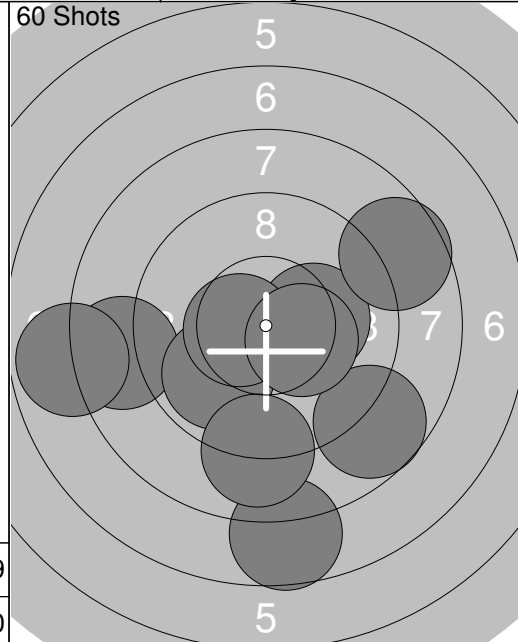
<p>Sight</p>  <p style="text-align: center;">6 7 8 7 6</p>	<p>1: 8.8 →</p> <p>2: 9.9 ↗</p> <p>3: 10.8x ↗</p> <p>4: 10.5x →</p> <p>5: 10.5x ←</p> <p>6: 10.6x ↓</p> <p>7: 10.3x →</p> <p>8: 10.4x ↓</p> <p>9: 10.2x ↘</p> <p>10: 9.5 ↓</p>	<p>Sight</p>  <p style="text-align: center;">6 7 8 8 7 8 7 6</p>	<p>11: 10.6x ↓</p>
Series 101.5		Series 10.6	
Total 0.0		Total 0.0	

<p>60 Shots</p>  <p style="text-align: center;">6 7 8 8 7 6</p>	<p>1: 9.7 →</p> <p>2: 9.3 ↗</p> <p>3: 10.2x ↗</p> <p>4: 10.6x ↗</p> <p>5: 10.4x ↗</p> <p>6: 10.2x ↗</p> <p>7: 9.4 ↘</p> <p>8: 10.3x ↘</p> <p>9: 10.3x ↓</p> <p>10: 10.3x ↗</p>	<p>60 Shots</p>  <p style="text-align: center;">6 7 8 8 7 6</p>	<p>11: 9.5 ↘</p> <p>12: 10.0 ↘</p> <p>13: 10.6x ↓</p> <p>14: 10.3x ↗</p> <p>15: 10.1 →</p> <p>16: 9.9 →</p> <p>17: 10.6x ↗</p> <p>18: 9.9 ↘</p> <p>19: 9.6 ←</p> <p>20: 10.3x →</p>
Series 100.7		Series 100.8	
Total 100.7		Total 201.5	

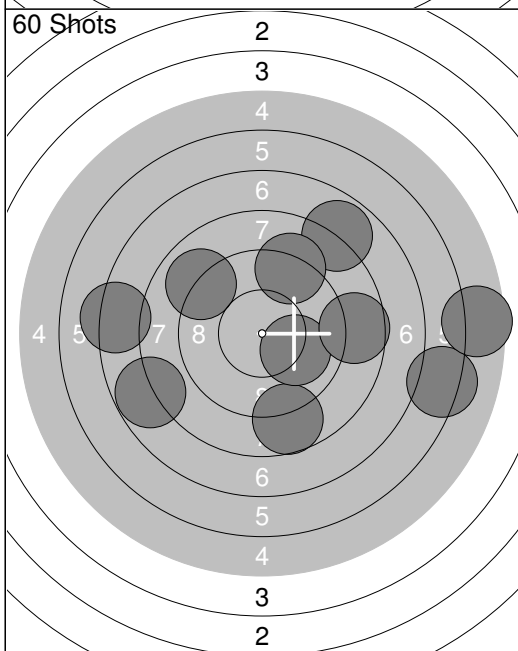
<p>60 Shots</p>  <p style="text-align: center;">6 7 8 8 7 6</p>	<p>21: 9.4 ↓</p> <p>22: 10.3x ↓</p> <p>23: 10.2x ↗</p> <p>24: 10.1 ↗</p> <p>25: 9.9 ↘</p> <p>26: 10.1 ←</p> <p>27: 9.9 ↗</p> <p>28: 10.6x ↘</p> <p>29: 10.3x ↘</p> <p>30: 10.4x ←</p>	<p>60 Shots</p>  <p style="text-align: center;">5 6 7 8 8 7 6 6</p>	<p>31: 10.5x →</p> <p>32: 9.9 →</p> <p>33: 10.5x ↗</p> <p>34: 10.1 ←</p> <p>35: 7.6 →</p> <p>36: 10.2x ←</p> <p>37: 10.4x ↘</p> <p>38: 10.7x ↘</p> <p>39: 10.4x ↘</p> <p>40: 10.2x →</p>
Series 101.2		Series 100.5	
Total 302.7		Total 403.2	



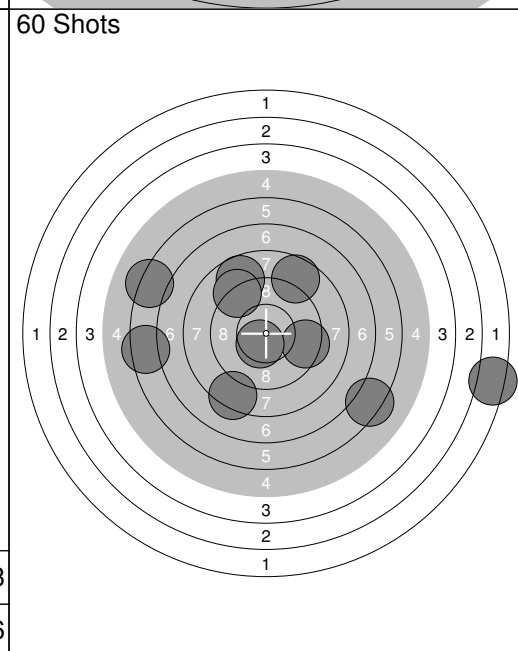
1:	8.5	←
2:	6.1	←
3:	9.5	←
4:	9.4	↘
5:	9.6	↘
6:	10.0	↘
7:	9.6	↘
8:	7.2	→
Series		69.9
Total		0.0



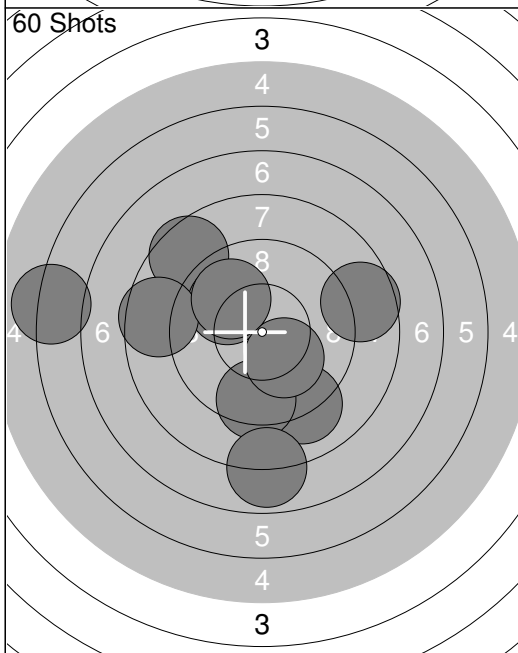
1:	8.6	←
2:	10.2x	→
3:	7.8	←
4:	7.7	↓
5:	8.6	↗
6:	9.9	↙
7:	10.5x	←
8:	8.7	↘
9:	9.0	↓
10:	10.3x	→
Series		91.3
Total		91.3



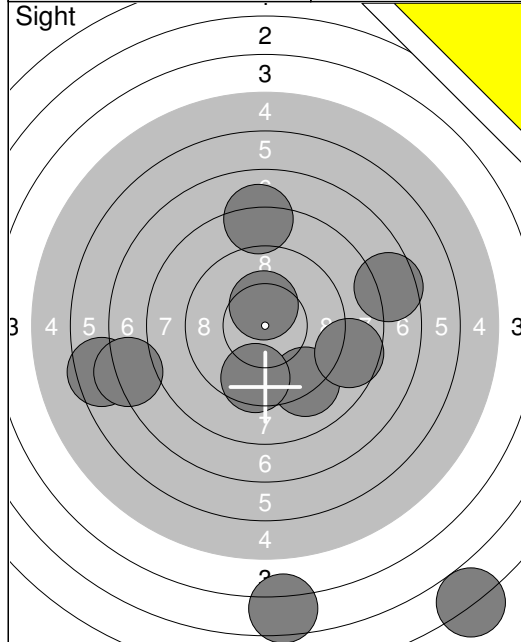
11:	9.0	↗
12:	7.3	←
13:	8.7	↓
14:	10.0	↘
15:	7.9	↗
16:	8.6	→
17:	6.3	→
18:	5.5	→
19:	9.2	↗
20:	7.8	←
Series		80.3
Total		171.6



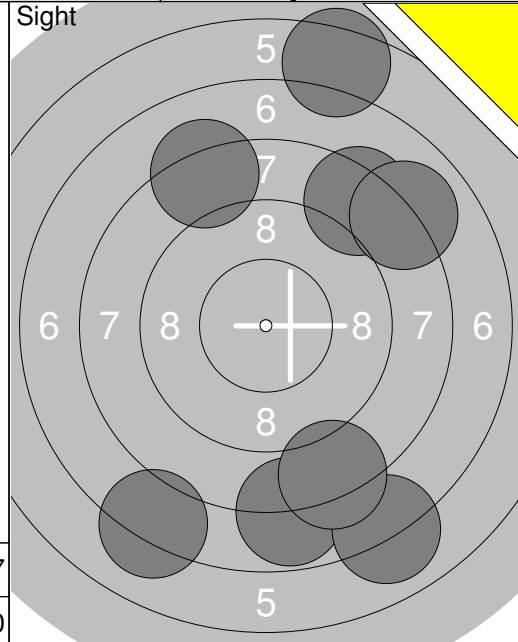
21:	8.7	↗
22:	6.2	←
23:	8.7	↗
24:	9.1	↗
25:	2.3	→
26:	8.3	↓
27:	6.3	↘
28:	9.4	→
29:	10.5x	↘
30:	6.4	←
Series		75.9
Total		247.5



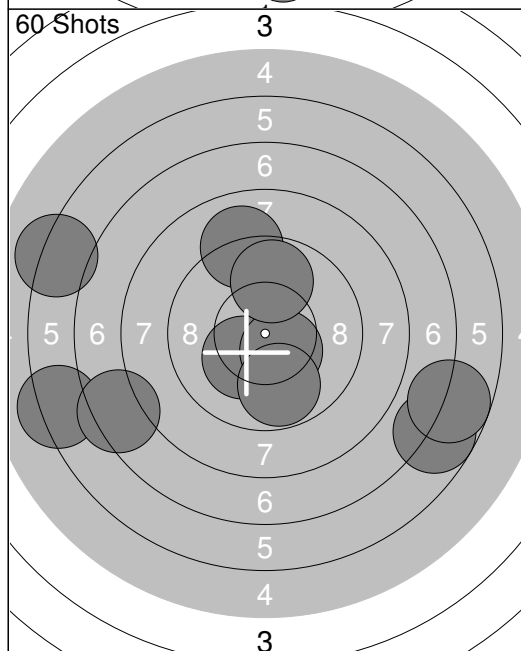
31:	8.6	↗
32:	9.1	↘
33:	8.6	→
34:	9.4	↓
35:	10.0	↗
36:	10.2x	↘
37:	8.6	←
38:	7.9	↓
39:	6.2	←
40:	9.9	↗
Series		88.5
Total		336.0



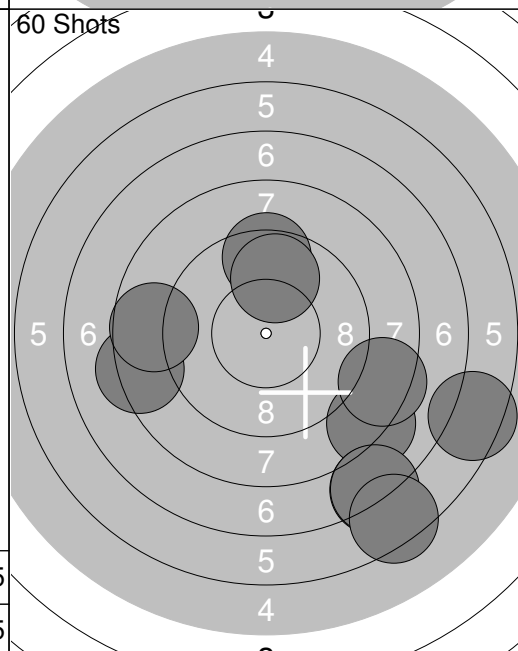
1:	8.2	↑
2:	9.2	↓
3:	3.5	↓
4:	7.6	→
5:	8.6	→
6:	6.5	←
7:	1.9	↓
8:	7.2	←
9:	9.6	↓
10:	10.4x	↑
Series		72.7
Total		0.0



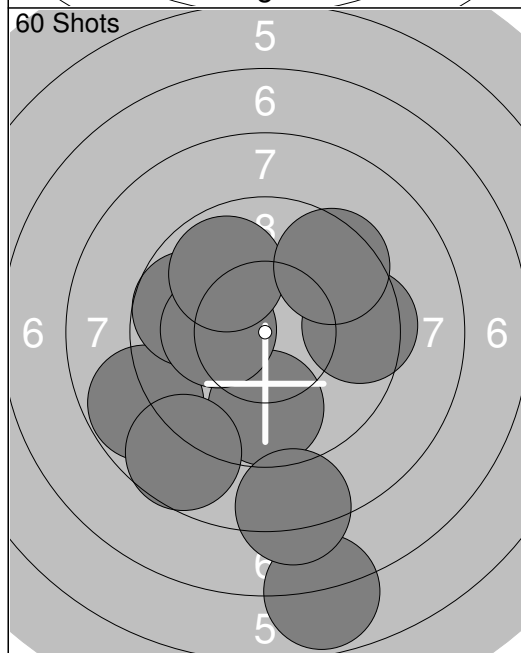
11:	7.8	↓
12:	7.0	↓
13:	8.4	↗
14:	7.2	↙
15:	8.2	↓
16:	6.4	↑
17:	8.0	↗
18:	8.2	↖
Series		61.2
Total		0.0



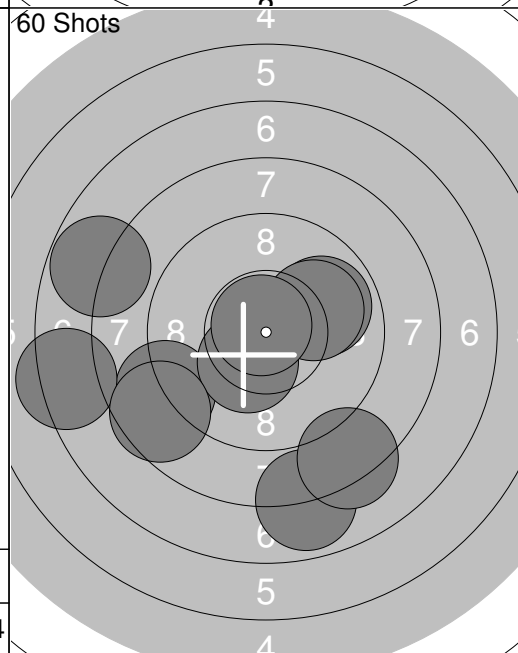
1:	9.0	↑
2:	6.2	←
3:	10.3x	↙
4:	10.4x	↘
5:	6.7	→
6:	6.7	→
7:	7.4	←
8:	9.8	↑
9:	6.2	←
10:	9.8	↓
Series		82.5
Total		82.5



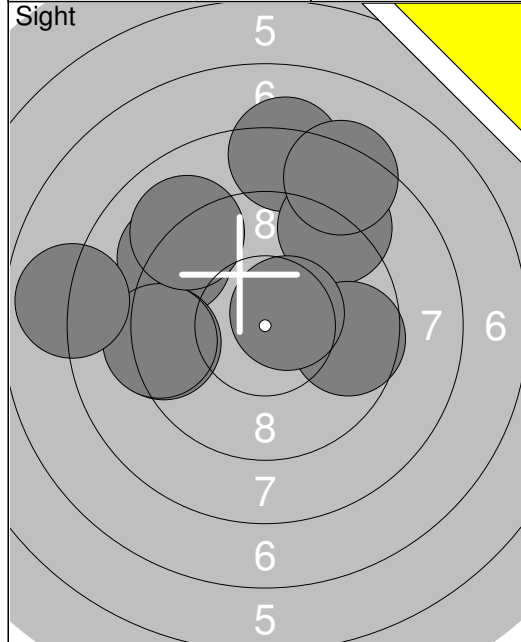
11:	9.4	↑
12:	8.3	←
13:	8.1	↓
14:	7.1	↓
15:	6.5	→
16:	8.4	→
17:	7.1	↓
18:	9.8	↑
19:	8.7	←
20:	6.4	↓
Series		79.8
Total		162.3



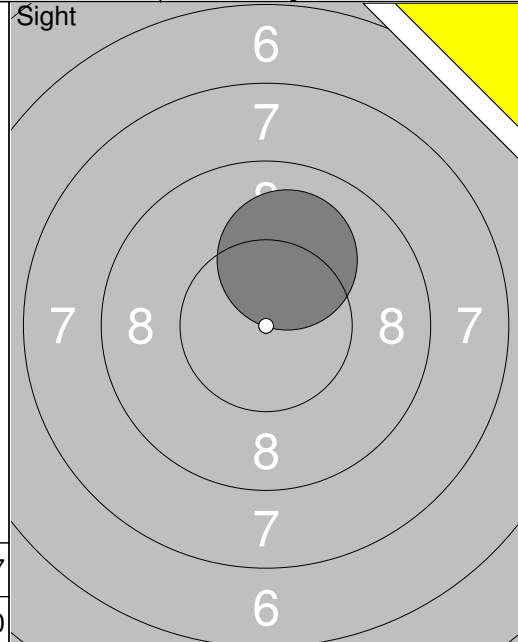
21:	9.8	↓
22:	9.5	→
23:	8.8	←
24:	9.7	←
25:	10.2x	←
26:	6.8	↓
27:	9.9	↑
28:	8.7	↓
29:	8.2	↓
30:	9.5	↗
Series		91.1
Total		253.4



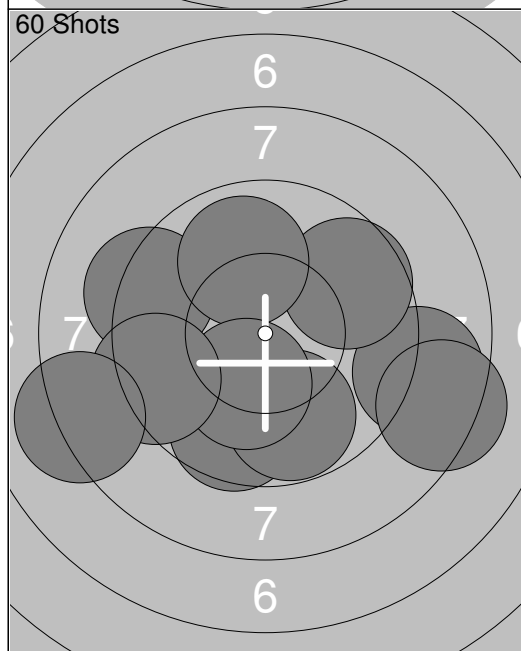
31:	9.9	↗
32:	8.9	←
33:	10.0	↗
34:	7.3	←
35:	7.9	↓
36:	10.3x	↙
37:	7.8	←
38:	8.3	↓
39:	10.8x	↖
40:	8.6	↙
Series		89.8
Total		343.2



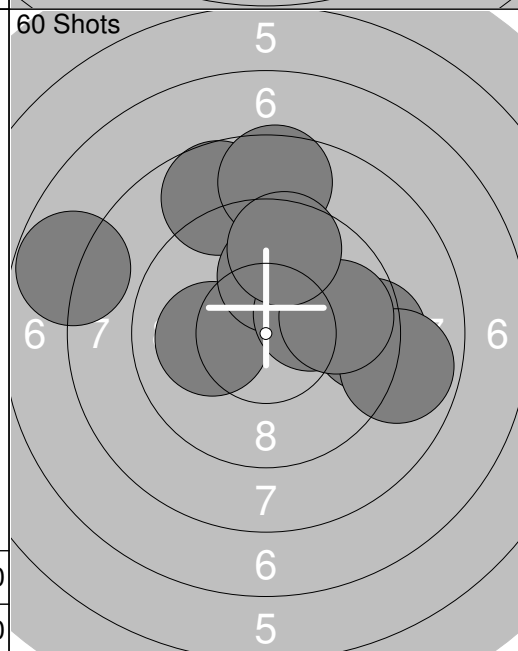
1:	8.2	↑
2:	9.2	↖
3:	9.3	←
4:	9.3	←
5:	9.1	↗
6:	9.1	↗
7:	8.4	↗
8:	7.9	←
9:	9.6	→
10:	10.6x	↗
Series		90.7
Total		0.0



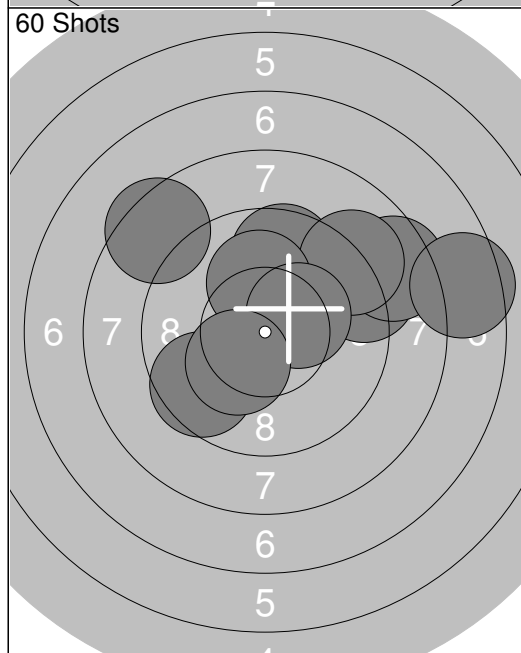
11:	10.1	↑
Series		10.1
Total		0.0



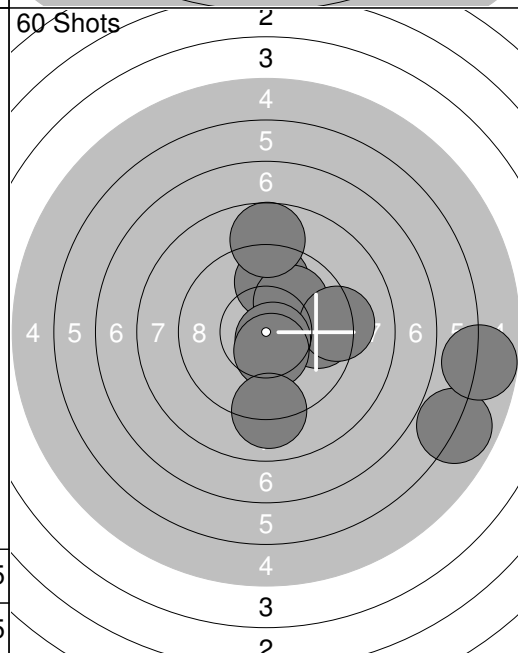
1:	9.3	←
2:	8.8	→
3:	9.6	↓
4:	9.6	↗
5:	9.9	↑
6:	9.8	↓
7:	10.2x	↓
8:	8.3	→
9:	9.3	←
10:	8.2	←
Series		93.0
Total		93.0



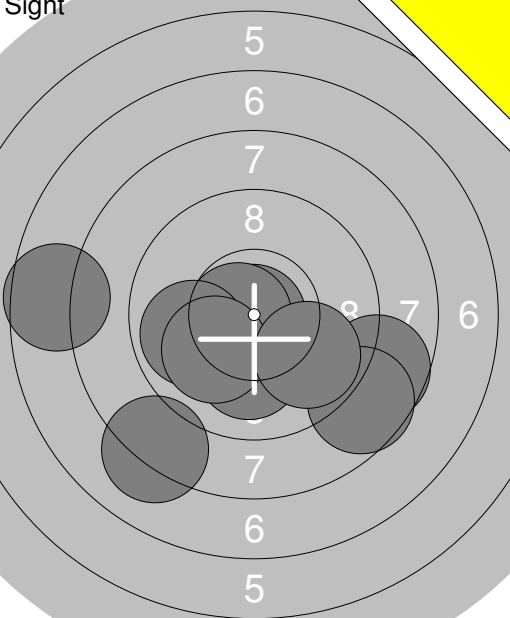
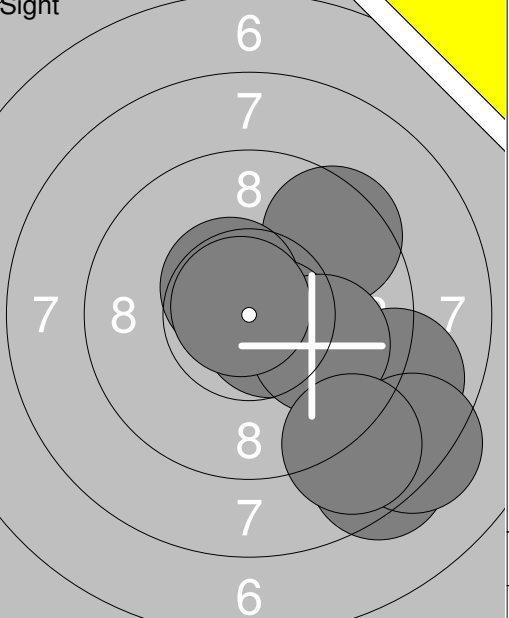
11:	8.7	↖
12:	9.3	→
13:	10.1	←
14:	8.9	→
15:	10.0	↑
16:	7.8	←
17:	8.6	↑
18:	10.2x	↗
19:	9.8	→
20:	9.6	↑
Series		93.0
Total		186.0



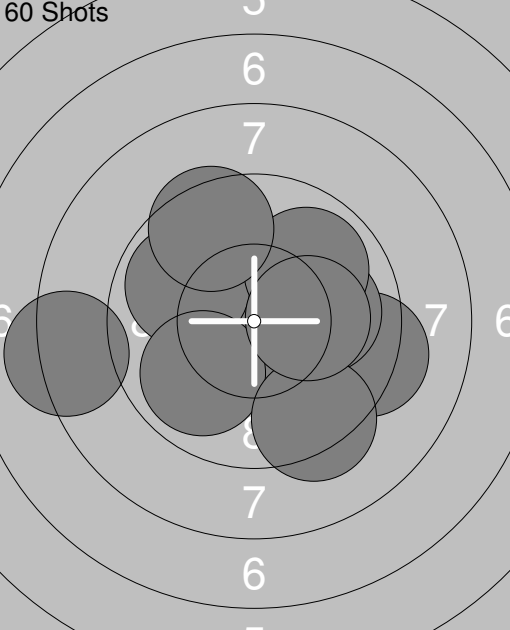
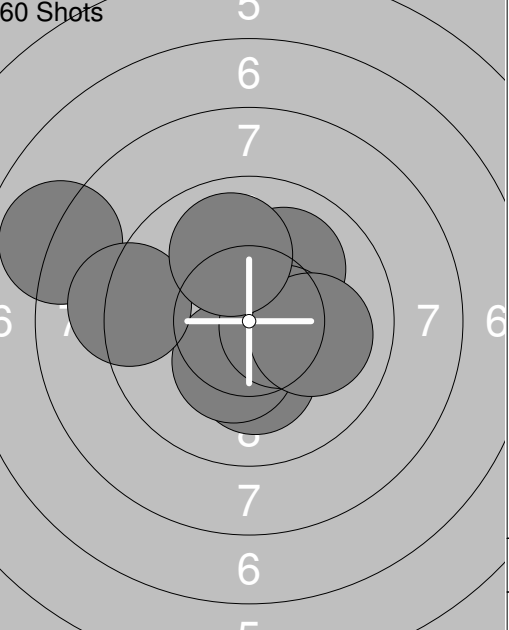
21:	9.6	↑
22:	9.1	→
23:	8.5	↗
24:	8.4	↖
25:	9.1	↗
26:	10.1	↑
27:	7.5	→
28:	9.6	↖
29:	10.3x	↗
30:	10.3x	↖
Series		92.5
Total		278.5

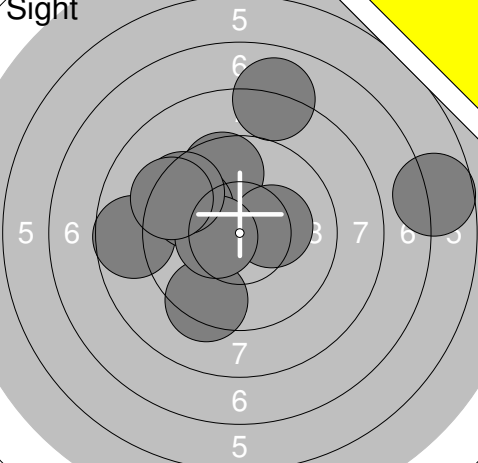
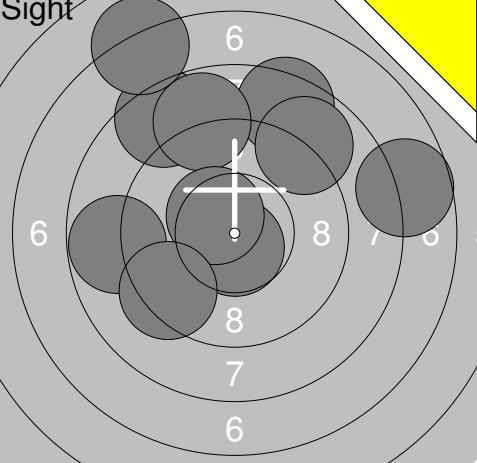


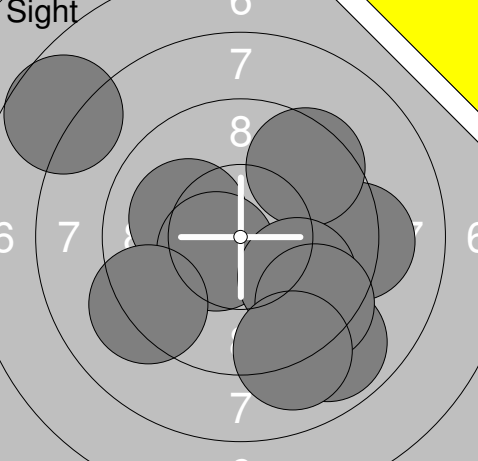

31:	9.7	↑
32:	9.7	→
33:	10.0	↗
34:	9.2	→
35:	8.7	↑
36:	5.9	↘
37:	10.7x	↘
38:	5.8	→
39:	10.5x	↓
40:	9.1	↓
Series		89.3
Total		367.8

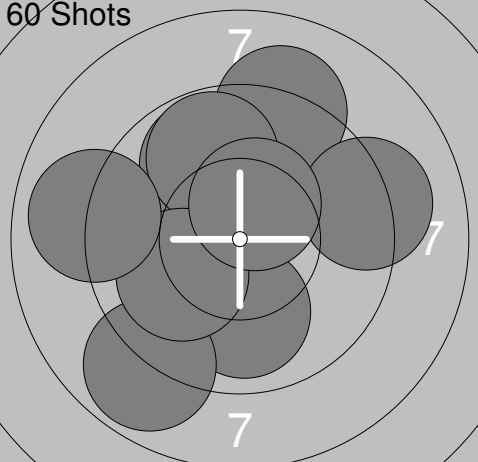
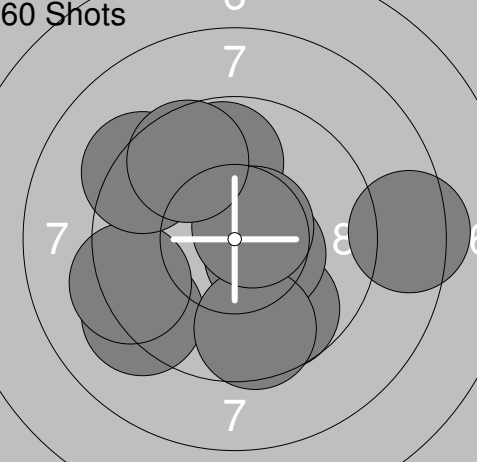
<p>Sight</p> 	<p>1: 8.1 ↘ 2: 8.7 → 3: 8.7 ↘ 4: 10.9x ↘ 5: 10.1 ↓ 6: 7.6 ← 7: 10.7x ← 8: 9.9 ← 9: 10.1 ↘ 10: 9.8 ↘</p>	<p>Sight</p> 	<p>11: 8.4 ↘ 12: 8.9 → 13: 9.5 ↗ 14: 10.5x ↗ 15: 10.6x → 16: 10.0 → 17: 8.3 ↘ 18: 8.8 ↘ 19: 10.8x ↗</p>
Series 94.6		Series 85.8	
Total 0.0		Total 0.0	

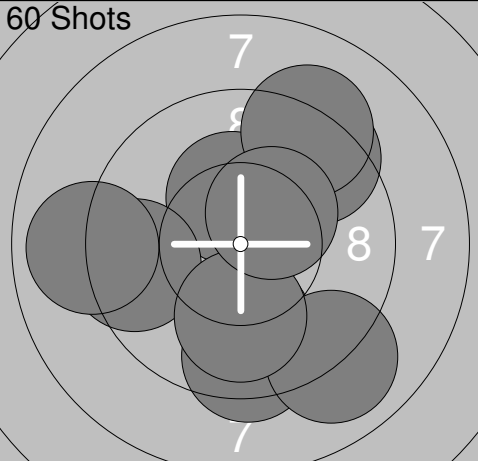
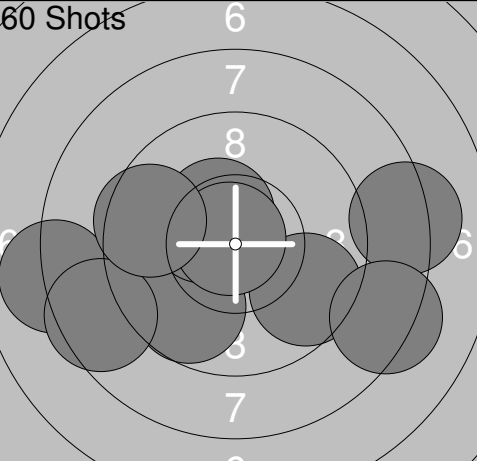
<p>60 Shots</p> 	<p>1: 8.5 → 2: 9.5 ↓ 3: 10.0 → 4: 9.5 ↘ 5: 10.3x ↘ 6: 9.4 ↗ 7: 10.3x ↘ 8: 10.7x ↗ 9: 8.4 ← 10: 9.7 ←</p>	<p>60 Shots</p> 	<p>11: 10.1 ↓ 12: 9.7 → 13: 10.3x → 14: 10.4x ↘ 15: 9.1 ↘ 16: 10.5x ↑ 17: 9.8 → 18: 10.5x ↘ 19: 9.9 ↘ 20: 10.4x ←</p>
Series 96.3		Series 100.7	
Total 96.3		Total 197.0	

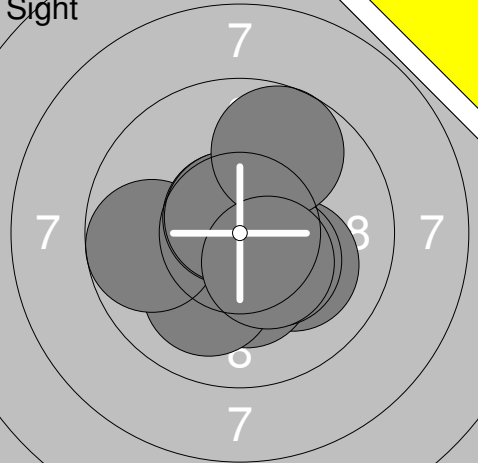
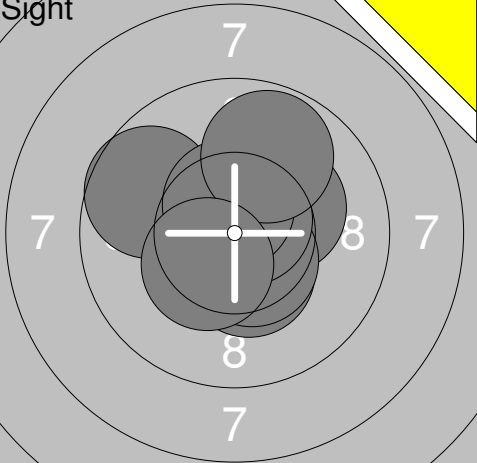
<p>60 Shots</p> 	<p>21: 10.7x → 22: 9.3 → 23: 9.9 ← 24: 10.0 → 25: 9.9 ↗ 26: 9.9 ↘ 27: 8.2 ← 28: 9.3 ↘ 29: 10.2x → 30: 9.5 ↗</p>	<p>60 Shots</p> 	<p>31: 10.2x ↓ 32: 10.3x ↗ 33: 10.4x → 34: 10.3x ↘ 35: 10.0 ↗ 36: 10.5x → 37: 8.0 ← 38: 9.2 ← 39: 10.0 → 40: 10.0 ↗</p>
Series 96.9		Series 98.9	
Total 293.9		Total 392.8	

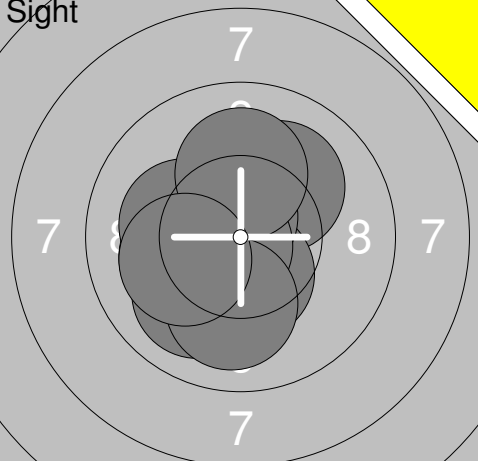
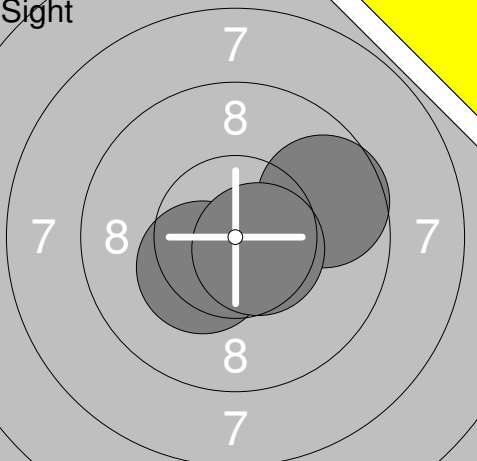
	<p>1: 8.7 ←</p> <p>2: 9.6 ↑</p> <p>3: 9.3 ↓</p> <p>4: 9.8 ↗</p> <p>5: 10.3x →</p> <p>6: 10.4x ←</p> <p>7: 8.0 ↑</p> <p>8: 9.5 ↗</p> <p>9: 6.7 →</p> <p>10: 9.3 ↖</p>		<p>11: 10.7x ↓</p> <p>12: 8.8 ←</p> <p>13: 8.4 ↑</p> <p>14: 8.5 ↗</p> <p>15: 8.8 ↑</p> <p>16: 10.5x ↖</p> <p>17: 7.1 ↗</p> <p>18: 8.9 ↗</p> <p>19: 9.3 ↙</p> <p>20: 7.7 →</p>
Series 91.6 Total 0.0		Series 88.7 Total 0.0	

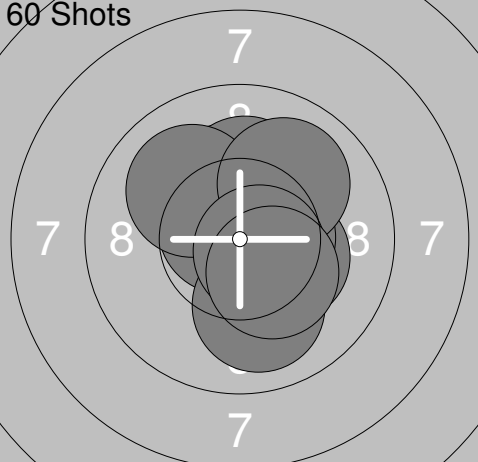
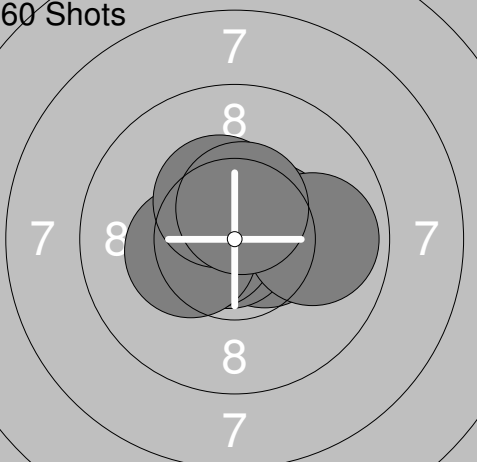
	<p>21: 10.1 ←</p> <p>22: 8.9 ↓</p> <p>23: 9.2 →</p> <p>24: 9.5 ↗</p> <p>25: 10.5x ←</p> <p>26: 9.9 ↓</p> <p>27: 9.4 ↓</p> <p>28: 9.1 ↓</p> <p>29: 7.7 ↗</p> <p>30: 9.2 ↙</p>		<p>31: 10.1 ↗</p> <p>32: 10.3x ↖</p> <p>33: 9.9 ↗</p>
Series 93.5 Total 0.0		Series 30.3 Total 0.0	

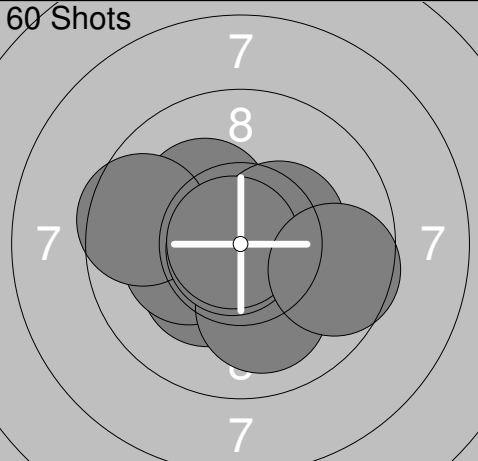
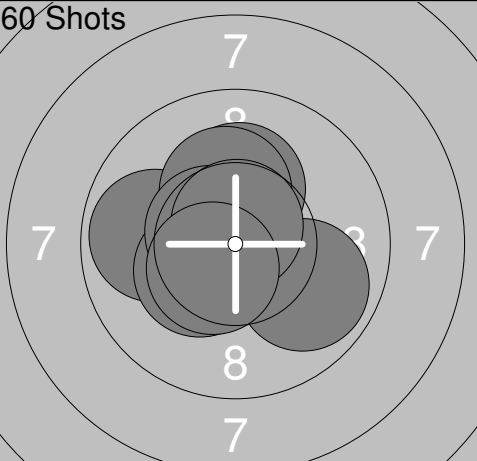
	<p>1: 9.8 ↗</p> <p>2: 9.1 ↑</p> <p>3: 10.2x ↓</p> <p>4: 9.8 ↑</p> <p>5: 9.2 →</p> <p>6: 10.0 ↓</p> <p>7: 8.9 ↙</p> <p>8: 10.0 ←</p> <p>9: 9.0 ←</p> <p>10: 10.4x ↑</p>		<p>11: 9.2 ↙</p> <p>12: 9.7 ↓</p> <p>13: 8.4 →</p> <p>14: 9.3 ←</p> <p>15: 10.4x →</p> <p>16: 9.6 ↓</p> <p>17: 9.8 ↑</p> <p>18: 10.6x ↗</p> <p>19: 9.3 ↖</p> <p>20: 9.6 ↗</p>
Series 96.4 Total 96.4		Series 95.9 Total 192.3	

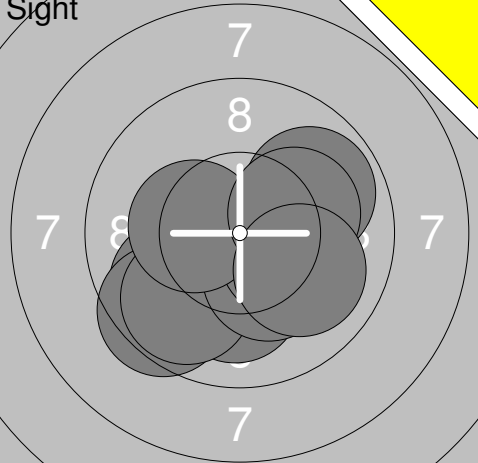
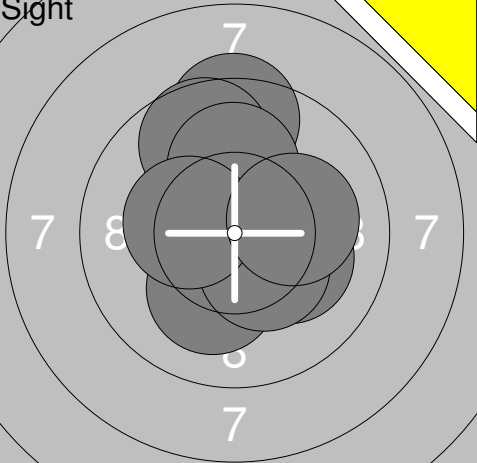
	<p>21: 10.3x ↑</p> <p>22: 9.4 ↗</p> <p>23: 9.8 ↓</p> <p>24: 9.4 ↓</p> <p>25: 9.5 ←</p> <p>26: 9.0 ↓</p> <p>27: 10.0 ↓</p> <p>28: 8.9 ←</p> <p>29: 9.2 ↗</p> <p>30: 10.4x ↗</p>		<p>31: 8.0 ←</p> <p>32: 9.7 ↓</p> <p>33: 9.6 ↓</p> <p>34: 8.5 ←</p> <p>35: 10.4x ↖</p> <p>36: 10.4x ↗</p> <p>37: 8.2 →</p> <p>38: 10.8x ↗</p> <p>39: 9.5 ←</p> <p>40: 8.3 →</p>
Series 95.9 Total 288.2		Series 93.4 Total 381.6	

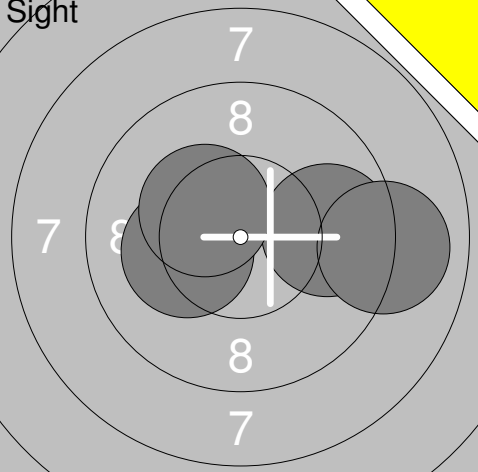
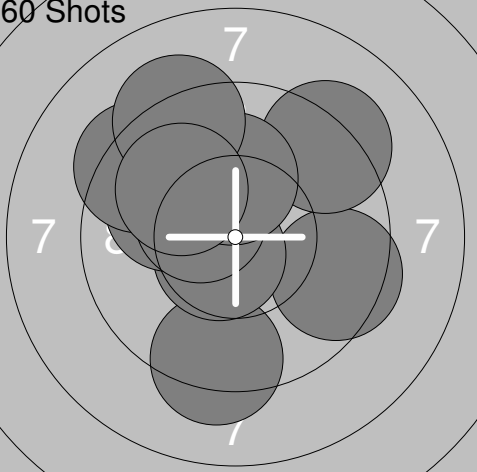
Sight 	1: 10.4x ↓ 2: 10.1 → 3: 10.3x ↓ 4: 10.1 ↓ 5: 9.7 ← 6: 10.3x ↓ 7: 10.7x ↗ 8: 10.7x ↗ 9: 9.7 ↗ 10: 10.4x ↓ <hr/> Series 102.4 Total 0.0	Sight 	11: 10.2x ↗ 12: 10.2x ↗ 13: 10.4x ↓ 14: 10.8x ← 15: 9.7 ← 16: 10.5x ↓ 17: 10.7x ↗ 18: 10.6x ↑ 19: 9.8 ↗ 20: 10.4x ↓ <hr/> Series 103.3 Total 0.0
--	--	--	---

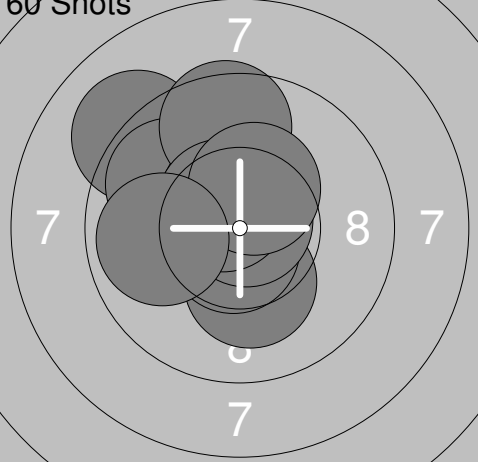
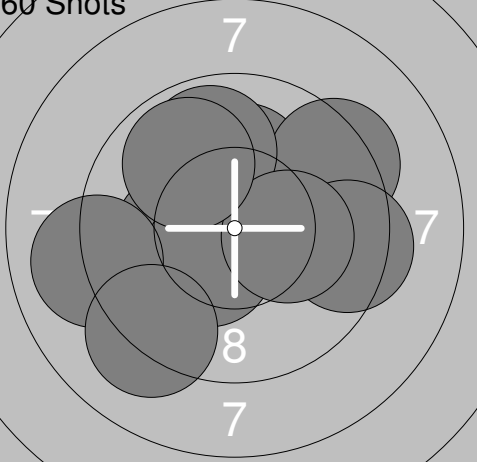
Sight 	21: 10.1 ↗ 22: 10.4x ↓ 23: 10.2x ← 24: 10.7x ↗ 25: 10.7x ← 26: 10.0 ↓ 27: 10.2x ← 28: 10.0 ↓ 29: 10.1 ↑ 30: 10.1 ← <hr/> Series 102.5 Total 0.0	Sight 	31: 10.3x ↓ 32: 9.7 → 33: 10.6x → <hr/> Series 30.6 Total 0.0
---	--	---	---

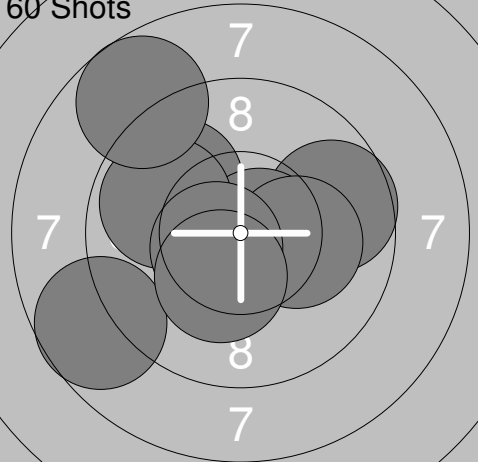
60 Shots 	1: 10.3x → 2: 10.7x ↗ 3: 10.0 ↓ 4: 10.3x ↑ 5: 10.2x ↑ 6: 10.5x → 7: 10.0 ↗ 8: 10.0 ↗ 9: 10.6x ↓ 10: 10.3x ↓ <hr/> Series 102.9 Total 102.9	60 Shots 	11: 10.6x ↗ 12: 10.5x → 13: 10.5x → 14: 10.9x ↗ 15: 10.9x ← 16: 10.6x ← 17: 10.3x ← 18: 9.9 → 19: 10.4x ↑ 20: 10.5x ↑ <hr/> Series 105.1 Total 208.0
---	---	---	---

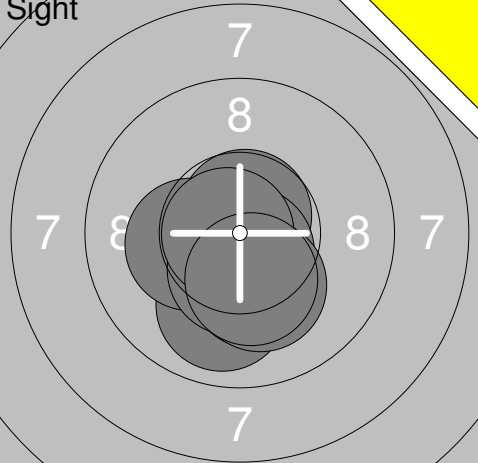
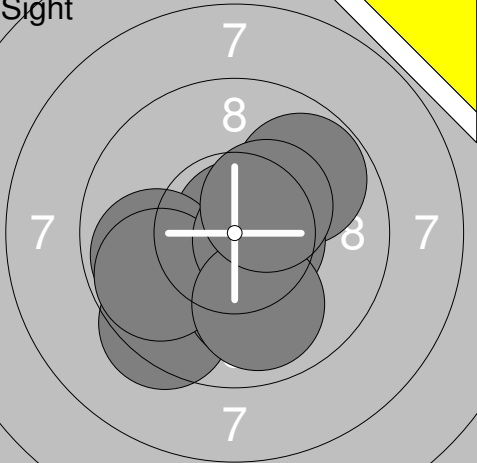
60 Shots 	21: 10.3x ↓ 22: 10.5x ← 23: 10.2x ↗ 24: 10.2x ← 25: 10.4x → 26: 9.6 ← 27: 10.1 ↓ 28: 10.8x ← 29: 10.8x ← 30: 9.6 → <hr/> Series 102.5 Total 310.5	60 Shots 	31: 10.2x ↑ 32: 10.7x ↓ 33: 10.6x ← 34: 9.9 ← 35: 10.2x ↑ 36: 9.9 → 37: 10.4x ↓ 38: 10.6x ← 39: 10.7x ↑ 40: 10.5x ↓ <hr/> Series 103.7 Total 414.2
---	--	---	---


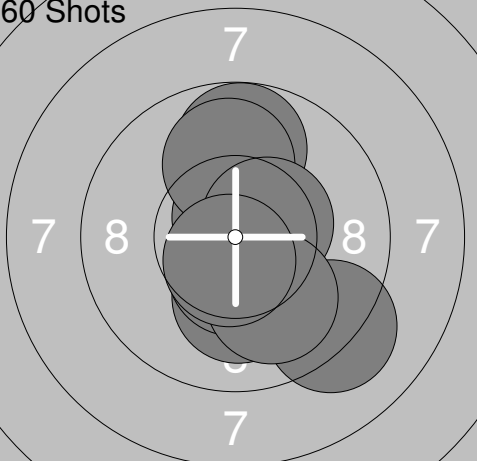
Sight 	1: 10.1 ↓ 2: 9.8 ↙ 3: 9.5 ↘ 4: 9.8 ↘ 5: 10.3x ↓ 6: 9.9 → 7: 10.3x → 8: 10.3x ← 9: 10.2x → 10: 10.0 ↓ <hr/> Series 100.2 Total 0.0	Sight 	11: 9.4 ↑ 12: 10.5x → 13: 10.3x ↗ 14: 9.7 ↑ 15: 10.1 ↑ 16: 10.1 ↓ 17: 10.2x → 18: 10.4x ↓ 19: 10.3x ← 20: 10.1 → <hr/> Series 101.1 Total 0.0
--	--	--	--


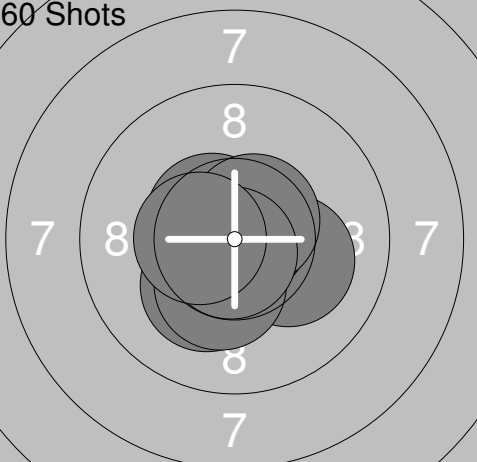
Sight 	21: 9.8 → 22: 10.2x ← 23: 10.3x ↗ 24: 9.0 → <hr/> Series 39.3 Total 0.0	60 Shots 	1: 9.5 → 2: 9.2 ↗ 3: 9.3 ↓ 4: 10.6x ↘ 5: 10.0 ← 6: 9.4 ↗ 7: 10.4x ↗ 8: 10.2x ↑ 9: 9.2 ↗ 10: 10.0 ↗ <hr/> Series 97.8 Total 97.8
---	--	--	--

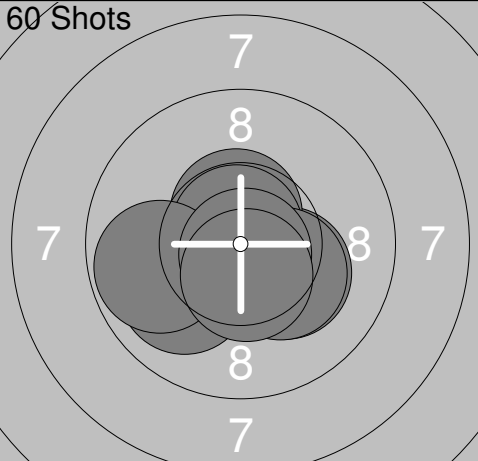
60 Shots 	11: 9.1 ↗ 12: 9.9 ↗ 13: 10.2x ↓ 14: 10.7x ↓ 15: 10.5x ↗ 16: 9.6 ↑ 17: 10.8x ↗ 18: 10.6x ↗ 19: 10.4x ↑ 20: 9.9 ← <hr/> Series 101.7 Total 199.5	60 Shots 	21: 10.2x ← 22: 10.1 ↑ 23: 10.4x ↘ 24: 9.0 ← 25: 9.4 ↗ 26: 9.4 → 27: 9.9 ↑ 28: 10.2x → 29: 9.9 ↗ 30: 9.2 ↘ <hr/> Series 97.7 Total 297.2
---	---	---	---

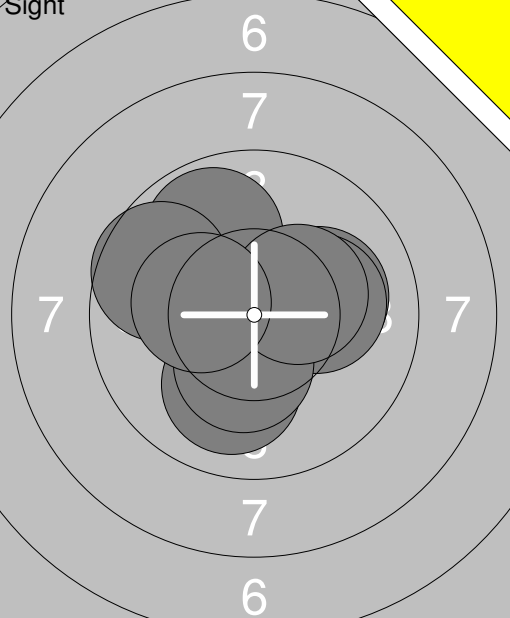
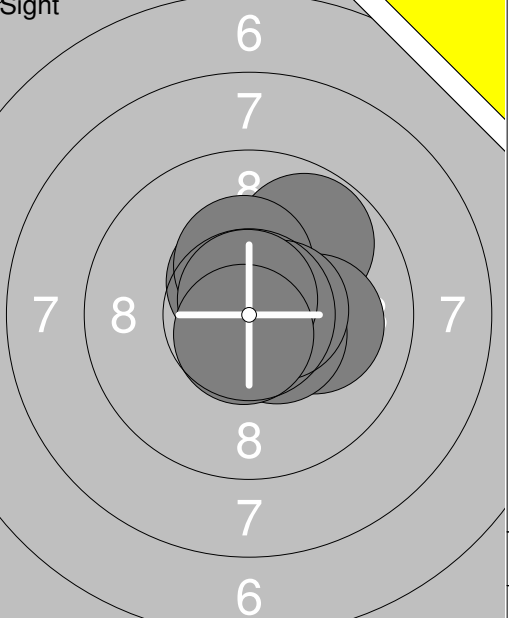
60 Shots 	31: 10.6x ↘ 32: 9.7 → 33: 9.9 ↗ 34: 10.7x → 35: 10.2x → 36: 9.9 ↗ 37: 8.7 ↘ 38: 10.6x ↘ 39: 10.3x ↓ 40: 8.7 ↗ <hr/> Series 99.3 Total 396.5		
---	--	--	--

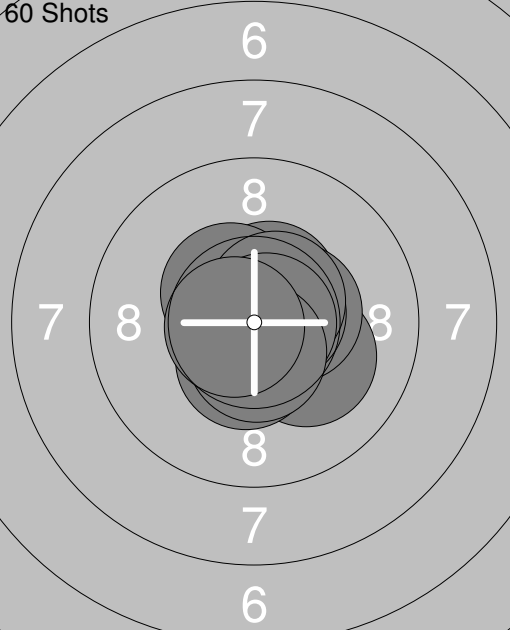
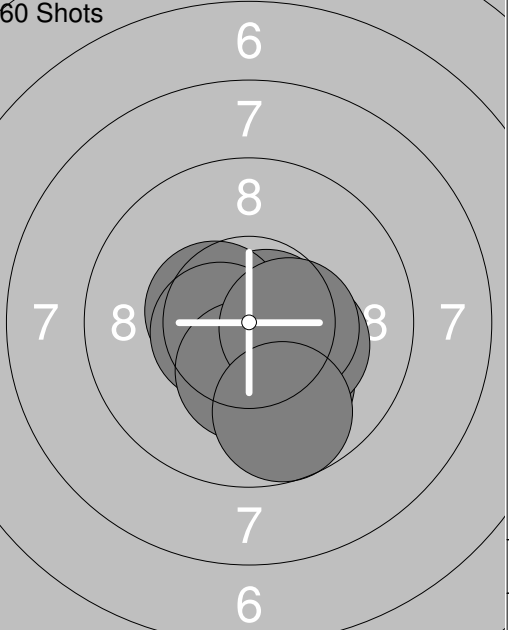
<p>Sight</p> 	<p>1: 10.6x ↓ 2: 9.9 ↓ 3: 10.7x ↑ 4: 10.7x ↓ 5: 10.3x ↓ 6: 10.2x ↓ 7: 10.3x ← 8: 10.4x ↓ 9: 10.8x ← 10: 10.3x ↓</p> <p>Series 104.2 Total 0.0</p>	<p>Sight</p> 	<p>11: 10.0 ↙ 12: 10.8x ↗ 13: 9.4 ↓ 14: 10.1 ↓ 15: 9.8 ↗ 16: 9.9 ← 17: 9.8 ← 18: 10.6x → 19: 9.9 ↓ 20: 10.4x ↗</p> <p>Series 100.7 Total 0.0</p>
--	---	--	--

<p>Sight</p> 	<p>21: 10.1 ↙ 22: 9.9 ↓</p> <p>Series 20.0 Total 0.0</p>	<p>60 Shots</p> 	<p>1: 9.2 ↘ 2: 10.7x ↑ 3: 9.8 ↑ 4: 10.5x ↓ 5: 10.1 ↓ 6: 10.5x ↓ 7: 10.0 ↑ 8: 10.5x → 9: 10.0 ↓ 10: 10.6x ↓</p> <p>Series 101.9 Total 101.9</p>
---	--	--	--

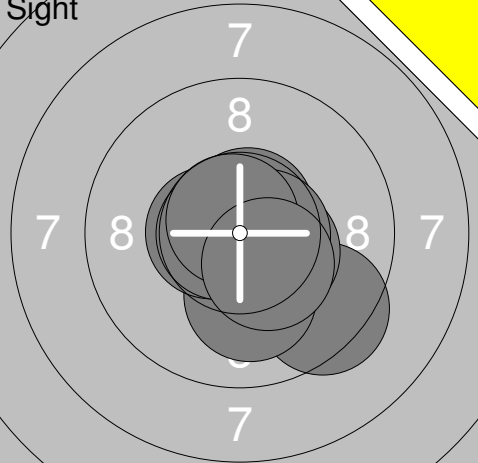
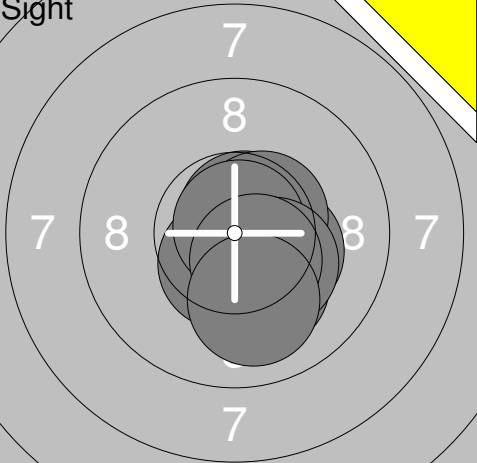
<p>60 Shots</p> 	<p>11: 10.5x → 12: 10.3x ↓ 13: 10.3x ↘ 14: 10.4x ↓ 15: 10.8x ↘ 16: 10.3x → 17: 10.4x ↑ 18: 10.4x ↙ 19: 10.5x ↘ 20: 10.6x ↗</p> <p>Series 104.5 Total 206.4</p>	<p>60 Shots</p> 	<p>21: 10.5x ↖ 22: 10.7x ↗ 23: 10.8x ↙ 24: 10.2x → 25: 10.8x ↗ 26: 10.2x ↙ 27: 10.3x ↓ 28: 10.6x ↗ 29: 10.8x ↓ 30: 10.5x ←</p> <p>Series 105.4 Total 311.8</p>
---	--	---	--


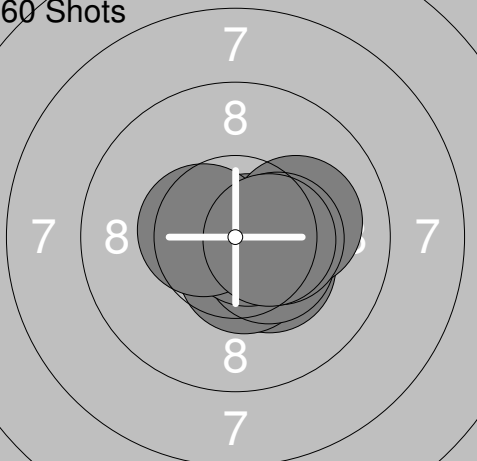
<p>60 Shots</p> 	<p>31: 10.2x ↘ 32: 10.6x ↑ 33: 10.6x ↓ 34: 10.8x ↑ 35: 10.5x ↘ 36: 10.0 ↙ 37: 9.8 ← 38: 10.3x ↘ 39: 10.8x ↘ 40: 10.5x ↓</p> <p>Series 104.1 Total 415.9</p>		
---	---	--	--

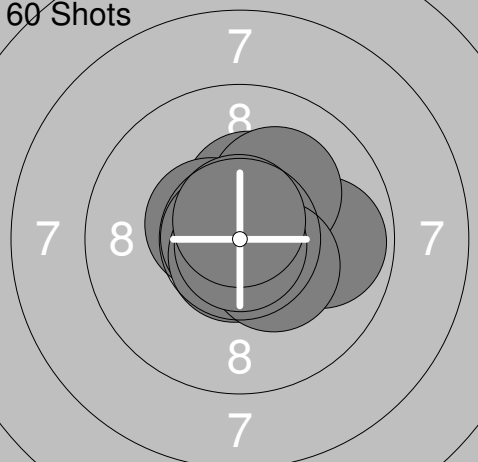
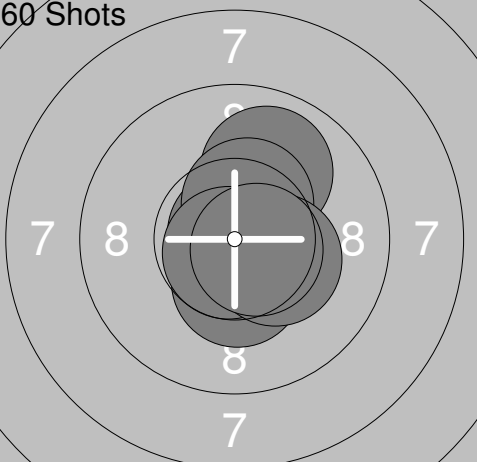
<p>Sight</p>  <p>1: 10.1 → 2: 10.1 → 3: 10.1 ↖ 4: 10.7x ↓ 5: 10.0 ↓ 6: 10.3x ↓ 7: 9.8 ↗ 8: 9.6 ↖ 9: 10.3x → 10: 10.3x ←</p> <p>Series 101.3 Total 0.0</p>		<p>Sight</p>  <p>11: 9.8 ↗ 12: 10.5x ↖ 13: 10.1 → 14: 10.5x ↘ 15: 10.8x ↘ 16: 10.7x → 17: 10.3x ↑ 18: 10.6x → 19: 10.8x ↑ 20: 10.7x ↓</p> <p>Series 104.8 Total 0.0</p>
--	--	--

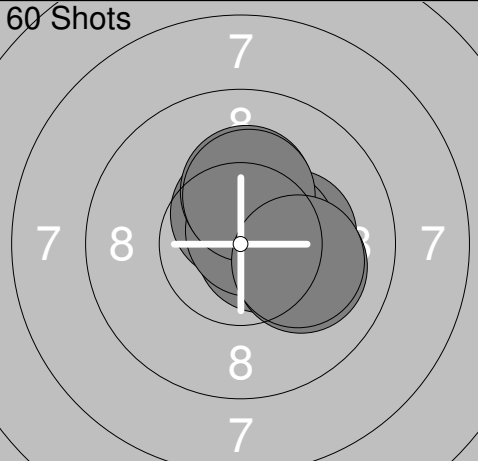
<p>60 Shots</p>  <p>1: 10.5x ↗ 2: 10.2x ↘ 3: 10.5x → 4: 10.7x → 5: 10.5x ↖ 6: 10.6x ↗ 7: 10.5x ↓ 8: 10.8x → 9: 10.6x ↓ 10: 10.7x ←</p> <p>Series 105.6 Total 105.6</p>		<p>60 Shots</p>  <p>11: 10.8x ↓ 12: 10.7x → 13: 10.5x ↖ 14: 10.5x → 15: 10.6x ↖ 16: 10.1 ↓ 17: 10.3x ↓ 18: 10.2x ↘ 19: 10.4x → 20: 9.7 ↓</p> <p>Series 103.8 Total 209.4</p>
--	--	--

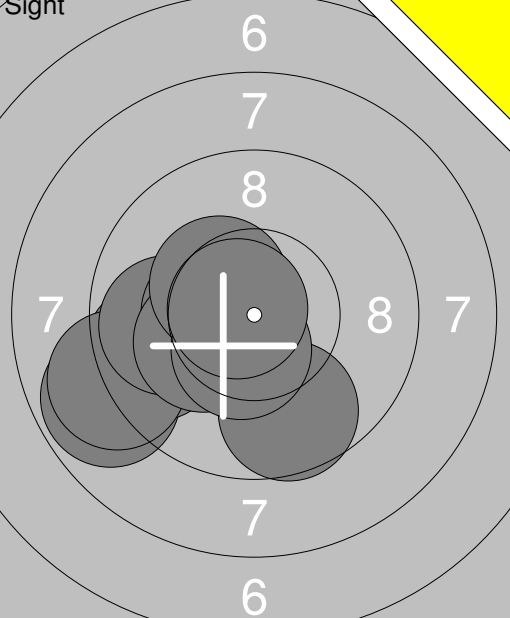
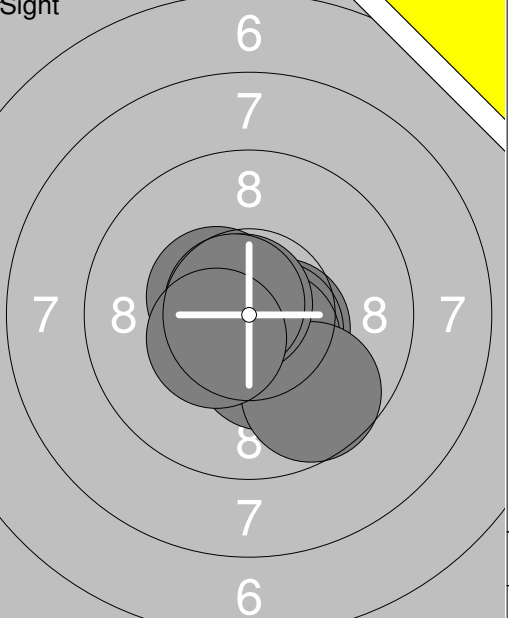
<p>60 Shots</p>  <p>21: 10.7x ← 22: 10.0 ↓ 23: 9.8 ↓ 24: 9.5 ↓ 25: 9.4 ↓ 26: 9.9 ↓ 27: 10.5x ↓ 28: 10.4x ↓ 29: 9.7 ↓ 30: 8.5 ↓</p> <p>Series 98.4 Total 307.8</p>		<p>60 Shots</p>  <p>31: 10.8x ↘ 32: 9.3 ↓ 33: 10.0 ↓ 34: 10.4x ↘ 35: 10.4x ↓ 36: 10.4x ↓ 37: 10.1 ↓ 38: 10.0 ↓ 39: 9.2 ↓ 40: 9.8 ↓</p> <p>Series 100.4 Total 408.2</p>
--	--	---

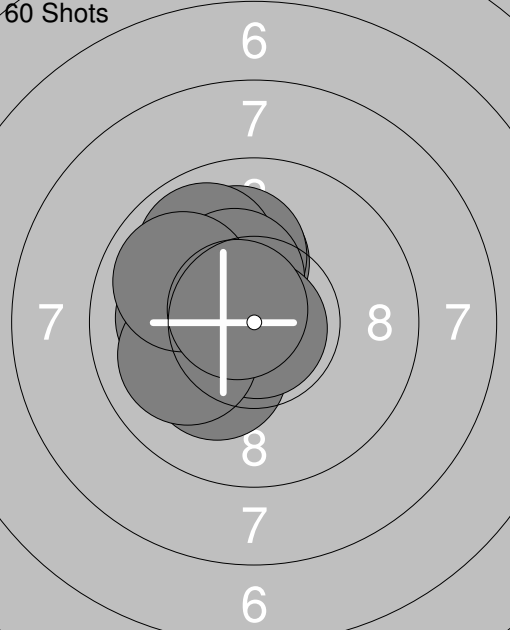
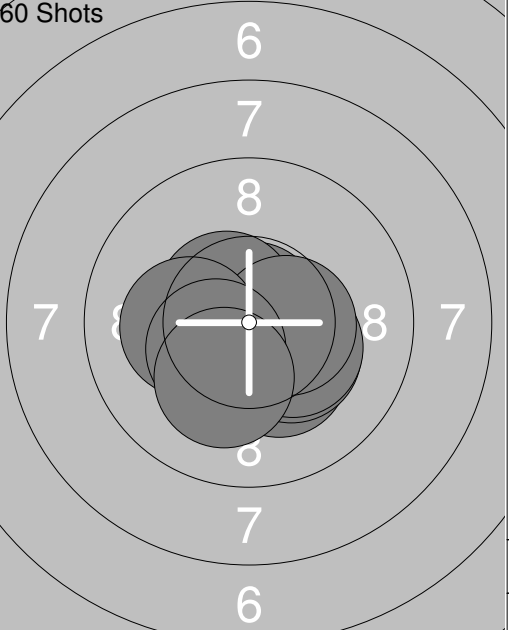
Sight 	1: 9.4 ↘ 2: 10.1 ↓ 3: 10.6x ← 4: 10.4x → 5: 10.8x ← 6: 10.7x ↗ 7: 10.7x ← 8: 10.6x → 9: 10.7x ↗ 10: 10.4x ↘ Series 104.4 Total 0.0	Sight 	11: 10.7x ↗ 12: 10.3x → 13: 10.5x ↗ 14: 10.7x ↓ 15: 10.5x ↓ 16: 10.2x ↓ 17: 10.8x ↗ 18: 10.3x ↓ 19: 10.5x ↓ 20: 10.0 ↓ Series 104.5 Total 0.0
--	---	--	--

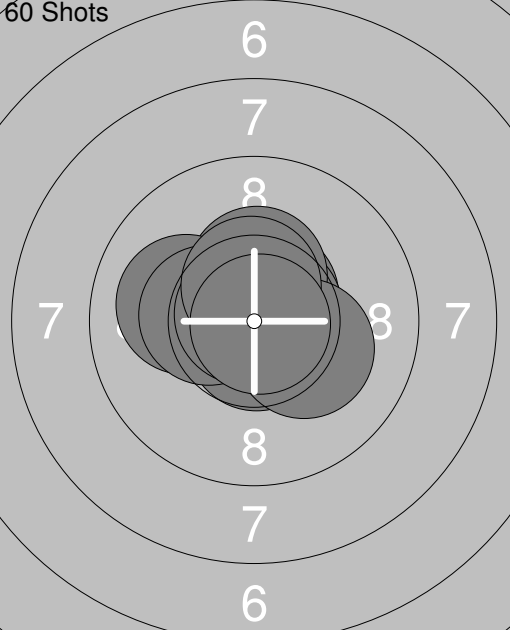
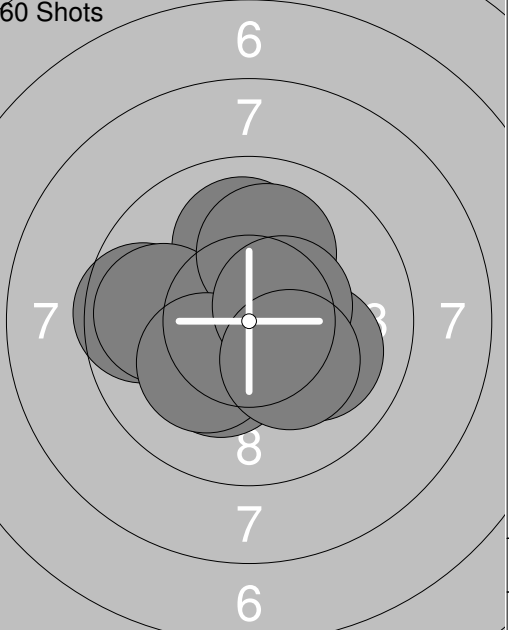
Sight 	21: 9.6 ↘ 22: 10.4x ↙ 23: 10.2x ↗ 24: 10.8x ↗ 25: 10.5x ↓ Series 51.5 Total 0.0	60 Shots 	1: 10.3x ↓ 2: 10.5x ↓ 3: 10.8x ↓ 4: 10.5x ↓ 5: 10.4x ↓ 6: 10.8x → 7: 10.1 → 8: 10.4x → 9: 10.5x ← 10: 10.5x → Series 104.8 Total 104.8
---	---	--	---

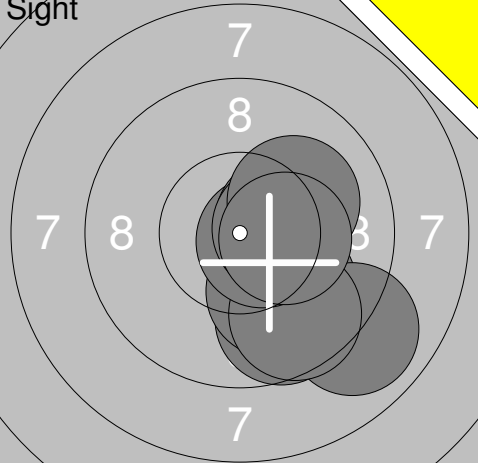
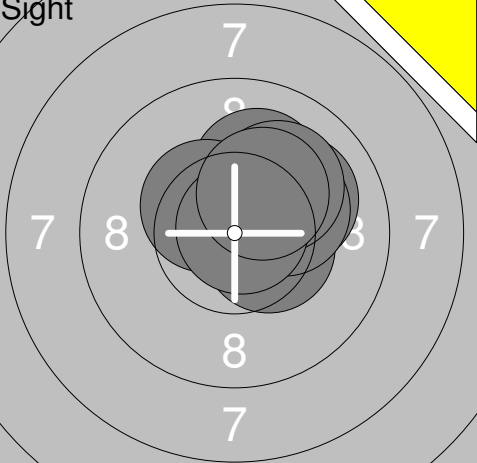
60 Shots 	11: 9.9 → 12: 10.7x ↙ 13: 10.4x ↗ 14: 10.5x ↙ 15: 10.8x ← 16: 10.2x ↗ 17: 10.7x ↓ 18: 10.4x → 19: 10.9x ↓ 20: 10.7x ↑ Series 105.2 Total 210.0	60 Shots 	21: 10.7x ↓ 22: 10.4x ↓ 23: 10.9x ↗ 24: 10.7x → 25: 10.6x → 26: 10.0 ↗ 27: 10.4x ↗ 28: 10.7x ↓ 29: 10.3x → 30: 10.6x → Series 105.3 Total 315.3
---	---	---	--



60 Shots 	31: 10.7x → 32: 10.3x → 33: 10.5x ↗ 34: 10.3x → 35: 10.5x → 36: 10.7x ↗ 37: 10.1 → 38: 10.2x ↗ 39: 10.3x ↗ 40: 10.1 → Series 103.7 Total 419.0		
---	---	--	--


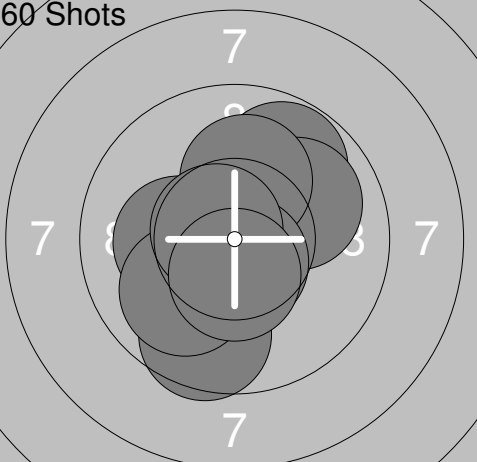
<p>Sight</p> 	<p>1: 8.8 ↙</p> <p>2: 9.6 ↙</p> <p>3: 9.0 ↙</p> <p>4: 9.9 ←</p> <p>5: 10.4x←</p> <p>6: 10.2x↙</p> <p>7: 10.4x↖</p> <p>8: 9.6 ↓</p> <p>9: 10.5x↘</p> <p>10: 10.7x↖</p>	<p>Sight</p> 	<p>11: 10.3x ↘</p> <p>12: 10.5x ↖</p> <p>13: 10.7x ↓</p> <p>14: 10.5x →</p> <p>15: 10.6x →</p> <p>16: 10.5x ↘</p> <p>17: 9.7 ↘</p> <p>18: 10.8x ↖</p> <p>19: 10.7x ↖</p> <p>20: 10.4x ↙</p>
Series 99.1		Series 104.7	
Total 0.0		Total 0.0	

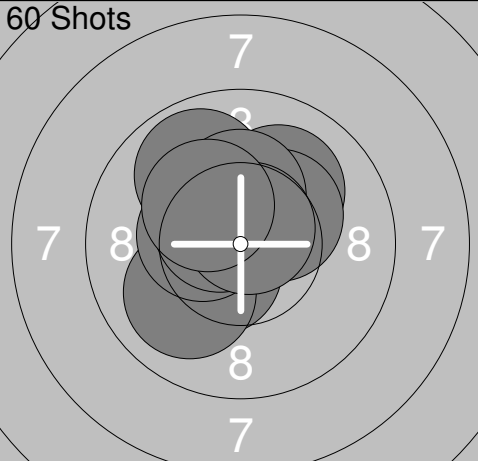
<p>60 Shots</p> 	<p>1: 10.2x ↗</p> <p>2: 10.1 ↗</p> <p>3: 9.9 ↗</p> <p>4: 10.3x ↗</p> <p>5: 10.2x ↘</p> <p>6: 10.1 ←</p> <p>7: 10.9x ↘</p> <p>8: 10.0 ←</p> <p>9: 9.9 ↖</p> <p>10: 10.7x ↖</p>	<p>60 Shots</p> 	<p>11: 10.3x ↘</p> <p>12: 10.8x ↗</p> <p>13: 10.6x ↖</p> <p>14: 10.6x ↘</p> <p>15: 10.3x ↘</p> <p>16: 10.3x →</p> <p>17: 10.5x →</p> <p>18: 10.2x ←</p> <p>19: 10.4x ↙</p> <p>20: 10.2x ↘</p>
Series 102.3		Series 104.2	
Total 102.3		Total 206.5	

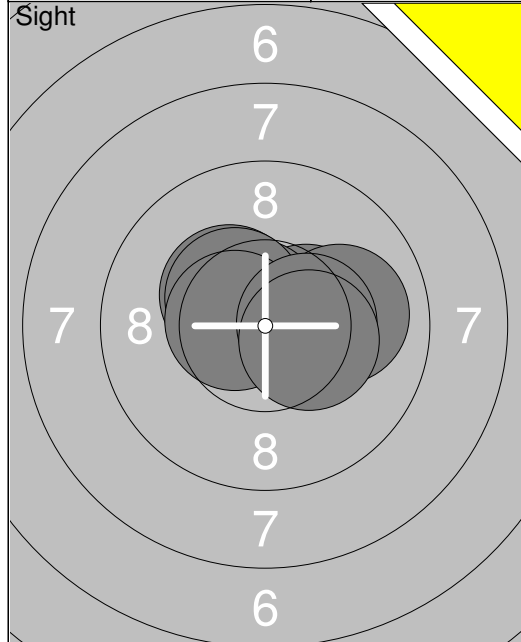
<p>60 Shots</p> 	<p>21: 10.7x ↘</p> <p>22: 10.6x ↗</p> <p>23: 10.7x ↗</p> <p>24: 10.4x ↗</p> <p>25: 10.1 ←</p> <p>26: 10.4x ←</p> <p>27: 10.8x ↖</p> <p>28: 10.2x →</p> <p>29: 10.5x ↗</p> <p>30: 10.9x →</p>	<p>60 Shots</p> 	<p>31: 10.0 ↗</p> <p>32: 9.6 ←</p> <p>33: 10.3x ↘</p> <p>34: 9.9 ←</p> <p>35: 10.6x ↘</p> <p>36: 10.1 ↗</p> <p>37: 10.2x ↙</p> <p>38: 10.0 →</p> <p>39: 10.5x ↗</p> <p>40: 10.2x ↘</p>
Series 105.3		Series 101.4	
Total 311.8		Total 413.2	

<p>Sight</p> 	<p>1: 10.0 ↘ 2: 8.9 ↘ 3: 9.7 ↘ 4: 10.0 ↘ 5: 9.6 ↘ 6: 10.6x → 7: 10.4x → 8: 10.4x → 9: 10.1 ↗ 10: 10.3x →</p> <p>Series 100.0 Total 0.0</p>	<p>Sight</p> 	<p>11: 10.1 ↗ 12: 10.5x ↗ 13: 10.5x → 14: 10.5x → 15: 10.2x ↗ 16: 10.1 ↑ 17: 10.1 ↗ 18: 10.4x ↖ 19: 10.8x ↗ 20: 10.3x ↗</p> <p>Series 103.5 Total 0.0</p>
--	--	--	---

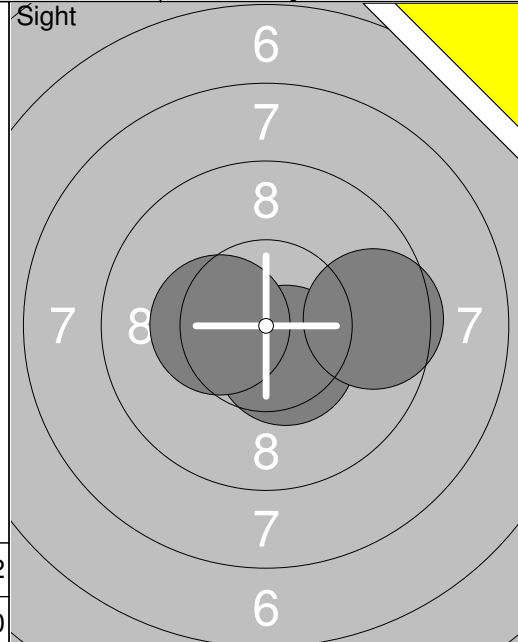
<p>Sight</p> 	<p>21: 10.7x → 22: 10.7x → 23: 10.7x → 24: 10.2x ↑ 25: 10.5x ↑</p> <p>Series 52.8 Total 0.0</p>	<p>60 Shots</p> 	<p>1: 10.4x ↗ 2: 10.5x ↘ 3: 10.5x → 4: 10.2x ↗ 5: 10.4x ↘ 6: 10.5x ↘ 7: 10.4x ↑ 8: 10.9x ↗ 9: 10.7x → 10: 10.2x ↘</p> <p>Series 104.7 Total 104.7</p>
---	---	--	---

<p>60 Shots</p> 	<p>11: 10.2x ↘ 12: 10.5x ↘ 13: 10.4x ↗ 14: 10.5x ↗ 15: 10.8x ↗ 16: 10.7x ↘ 17: 10.5x ↑ 18: 10.7x ↗ 19: 10.6x ↑ 20: 10.4x ↘</p> <p>Series 105.3 Total 210.0</p>	<p>60 Shots</p> 	<p>21: 9.8 ↗ 22: 10.4x ↘ 23: 10.0 ↗ 24: 9.6 ↘ 25: 10.1 ↑ 26: 10.2x ← 27: 10.6x ↘ 28: 10.0 ↘ 29: 10.7x ↖ 30: 10.5x ↘</p> <p>Series 101.9 Total 311.9</p>
---	--	---	---

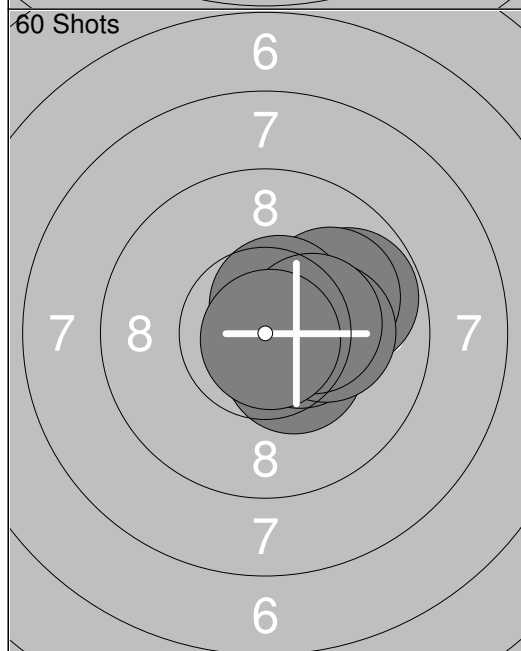
<p>60 Shots</p> 	<p>31: 10.1 ↗ 32: 9.9 ↗ 33: 10.5x ↘ 34: 10.0 ↘ 35: 10.3x ↗ 36: 10.4x ← 37: 10.6x ↗ 38: 10.3x ↑ 39: 10.7x ↗ 40: 10.3x ↖</p> <p>Series 103.1 Total 415.0</p>		
---	--	--	--



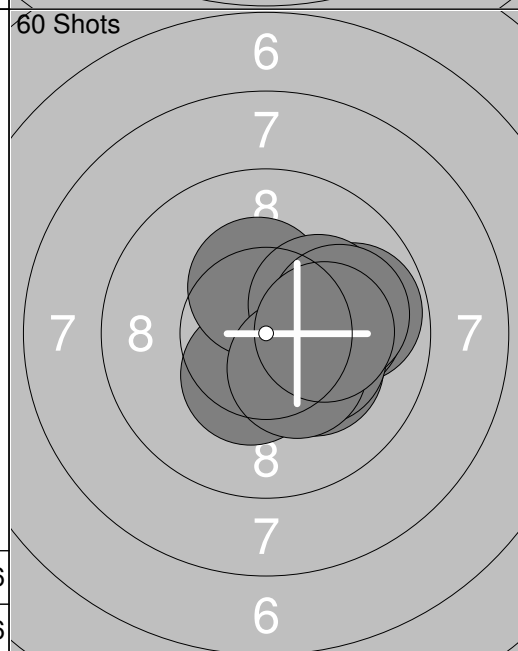
1:	10.5x →
2:	10.4x →
3:	10.4x →
4:	10.7x ↗
5:	10.0 →
6:	10.4x ↖
7:	10.4x ↖
8:	10.6x ←
9:	10.4x →
10:	10.4x →
Series 104.2	
Total 0.0	



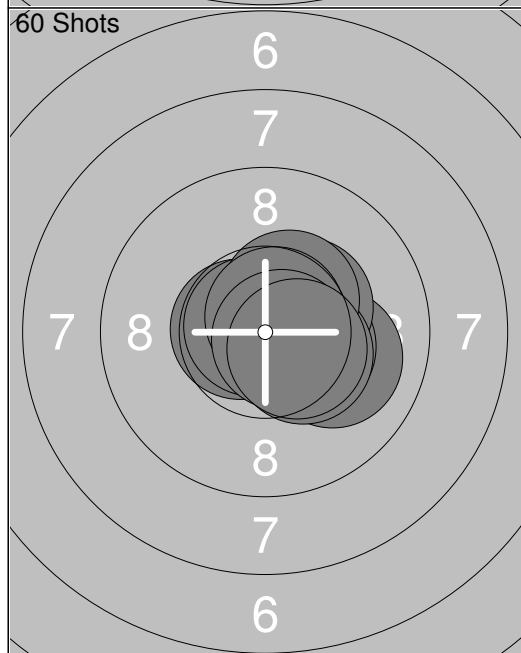
11:	10.5x ↘
12:	10.4x ←
13:	9.6 →
Series 30.5	
Total 0.0	



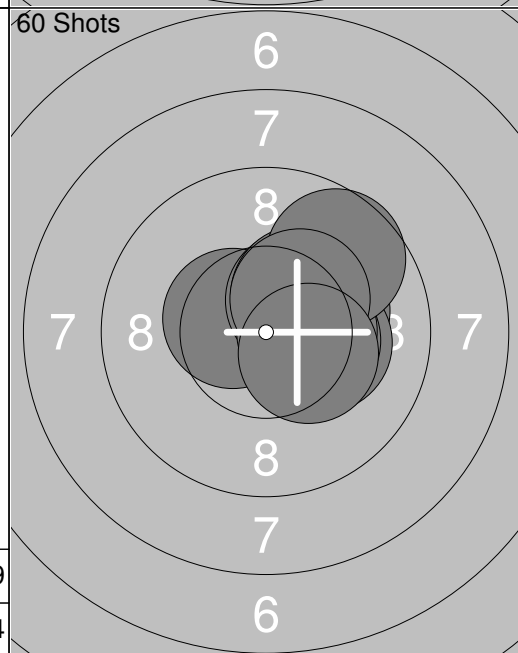
1:	10.7x ↘
2:	10.4x ↘
3:	10.4x →
4:	10.5x →
5:	9.8 →
6:	10.0 ↗
7:	10.2x →
8:	10.5x ↗
9:	10.3x →
10:	10.8x ↘
Series 103.6	
Total 103.6	



11:	10.4x ↘
12:	9.8 →
13:	10.4x ↗
14:	10.1 →
15:	10.2x ↘
16:	10.2x ↗
17:	10.2x →
18:	10.4x ↘
19:	10.0 →
20:	10.2x →
Series 101.9	
Total 205.5	



21:	10.0 →
22:	10.4x →
23:	10.4x ↗
24:	10.6x ←
25:	10.8x ↖
26:	10.4x ↘
27:	10.4x ↗
28:	10.7x ↗
29:	10.7x →
30:	10.5x ↘
Series 104.9	
Total 310.4	

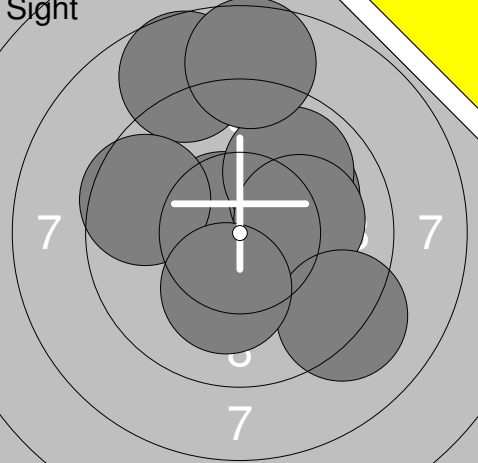
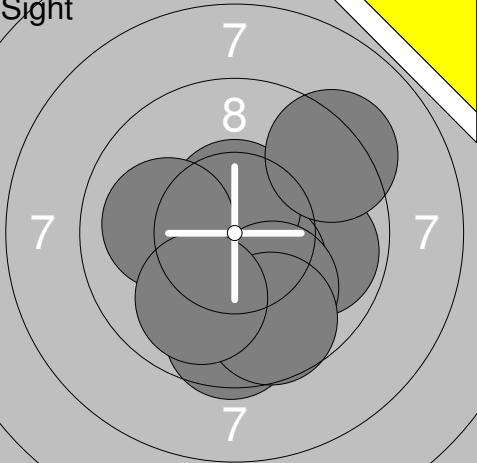


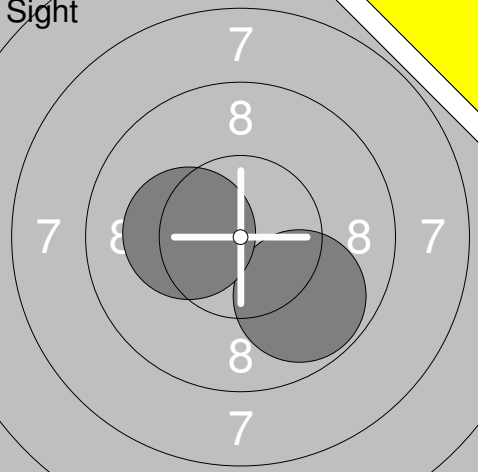

31:	10.5x ↖
32:	10.2x →
33:	10.4x ↗
34:	10.2x →
35:	10.3x ↗
36:	10.4x →
37:	10.4x →
38:	9.7 ↗
39:	10.3x ↗
40:	10.4x ↘
Series 102.8	
Total 413.2	

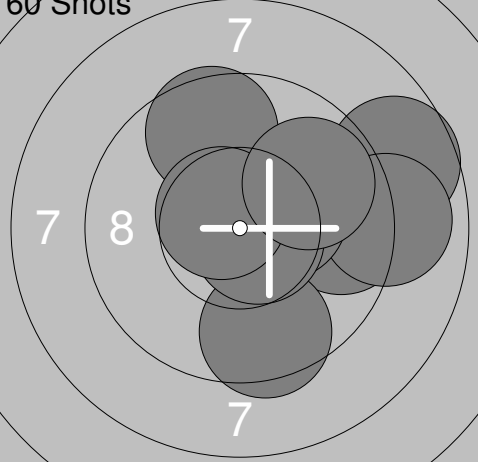
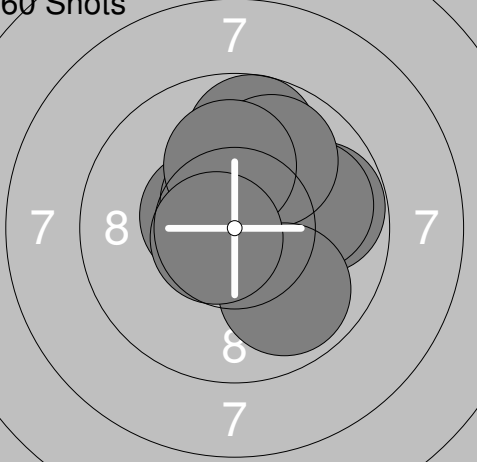
<p>Sight</p>	<p>Sight</p>
---------------------	---------------------

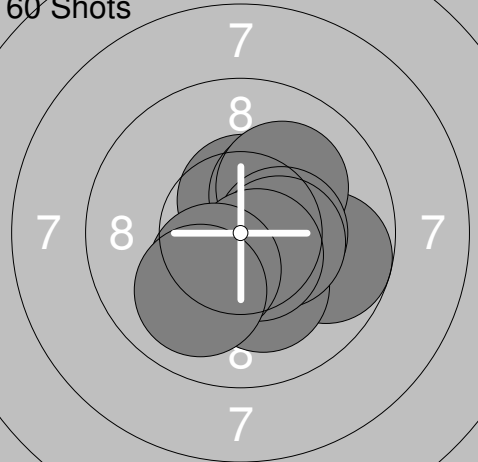
<p>60 Shots</p>	<p>60 Shots</p>
------------------------	------------------------

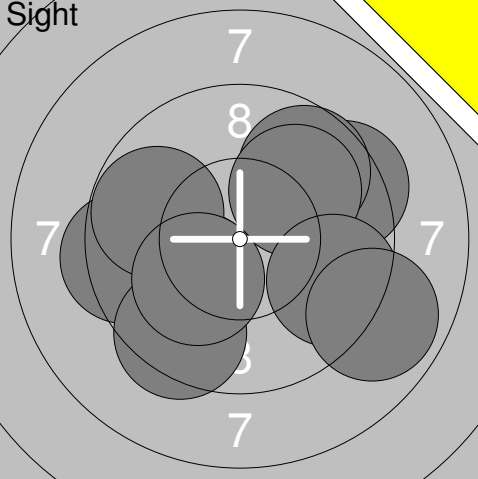
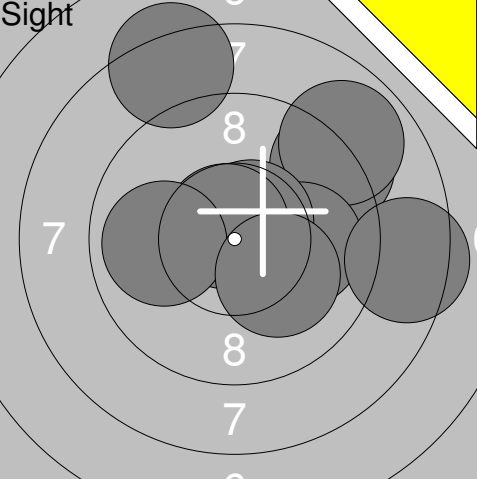
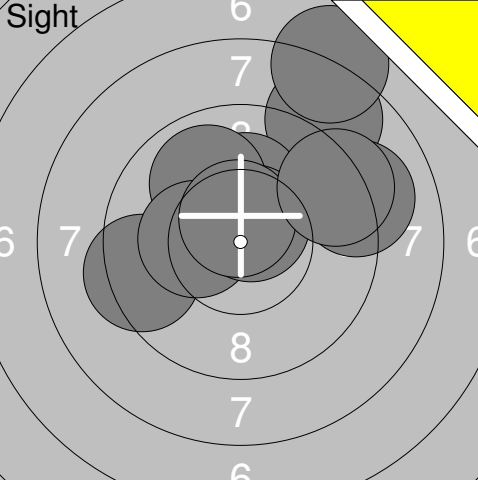
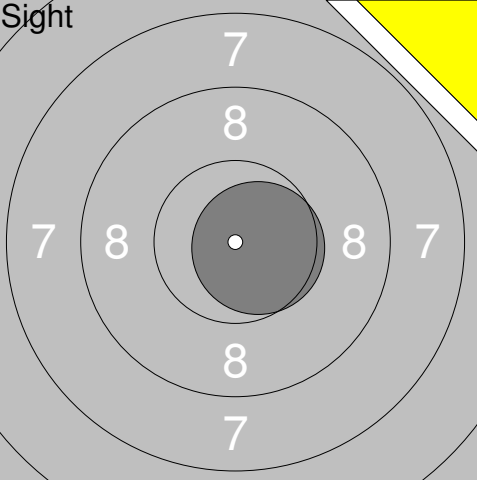
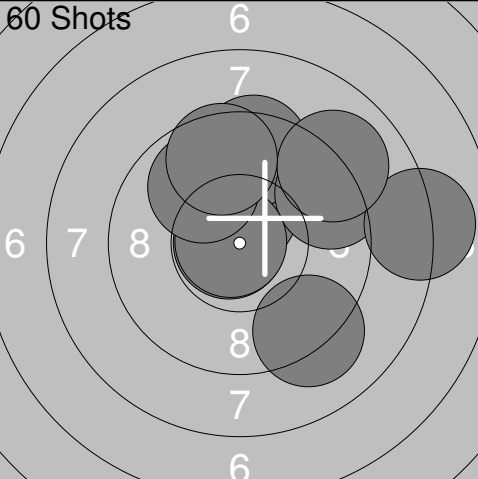
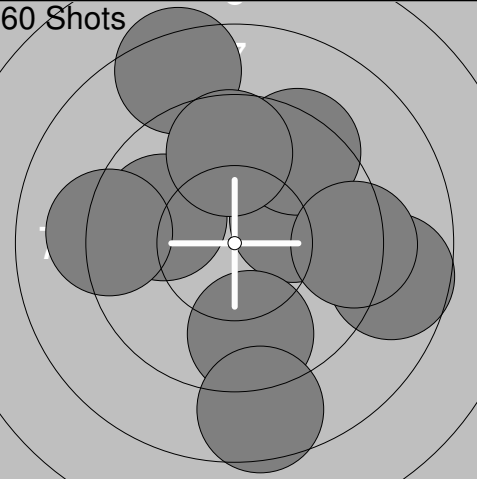
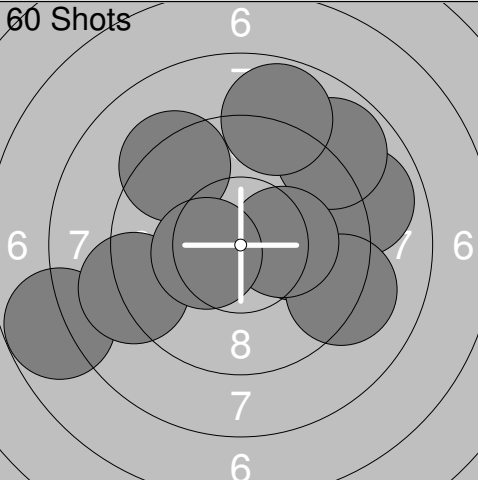
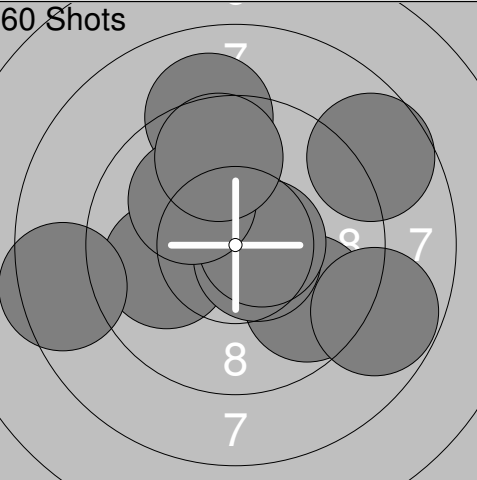
<p>60 Shots</p>	<p>60 Shots</p>
------------------------	------------------------

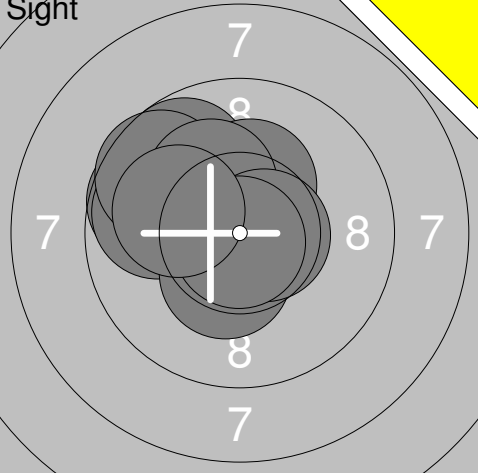
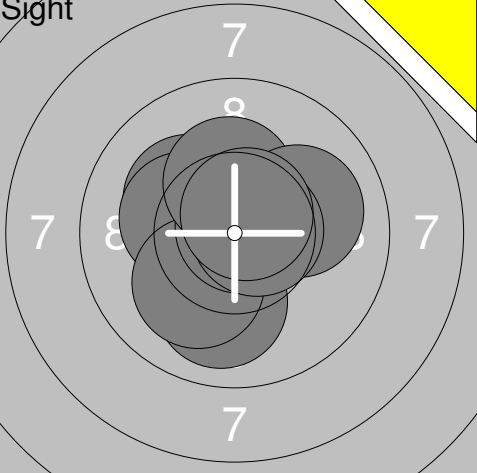
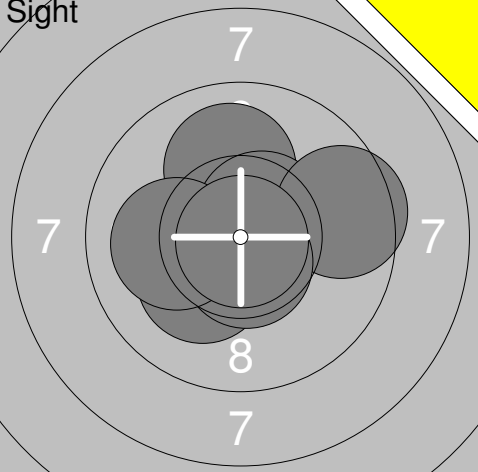

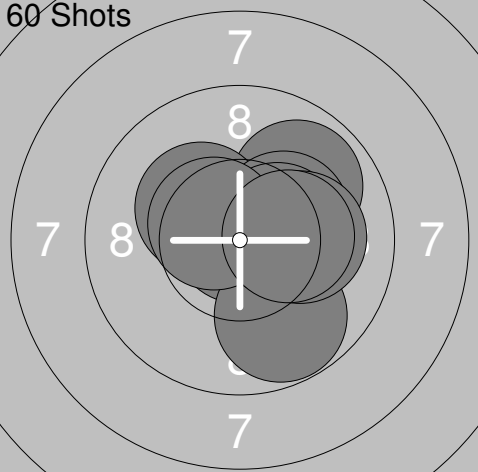
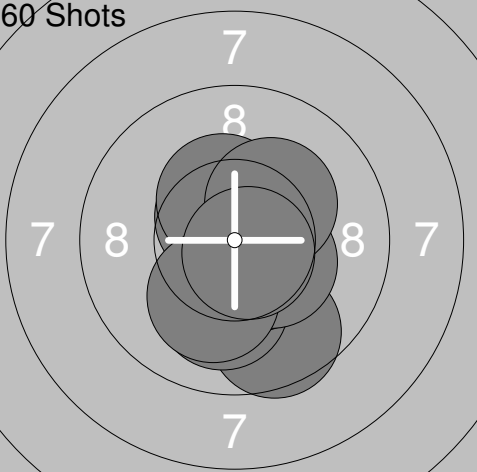
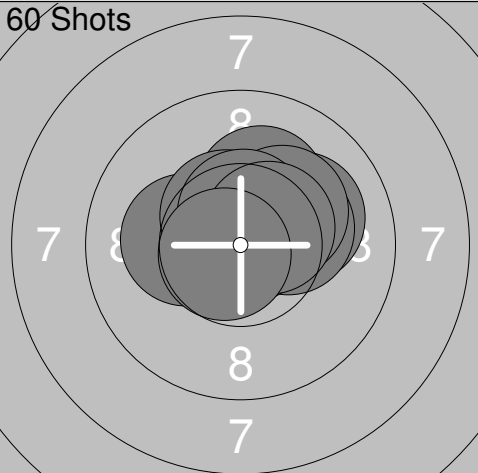
Sight 	1: 10.6x ↘ 2: 10.6x ↗ 3: 10.1 ↗ 4: 9.9 ↗ 5: 10.1 → 6: 9.2 ↘ 7: 8.7 ↗ 8: 8.6 ↑ 9: 9.6 ↖ 10: 10.2x ↓ <hr/> Series 97.6 Total 0.0	Sight 	11: 9.6 ↓ 12: 9.9 → 13: 10.3x ↓ 14: 10.4x ↓ 15: 10.6x ↑ 16: 10.1 ↓ 17: 9.7 ↓ 18: 10.0 ← 19: 9.3 ↗ 20: 10.0 ↓ <hr/> Series 99.9 Total 0.0
--	---	--	---

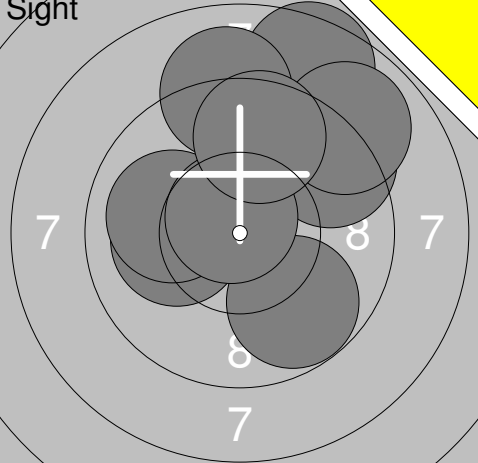
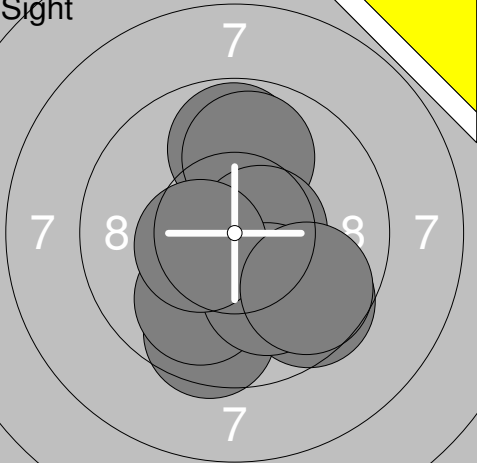
Sight 	21: 9.8 ↘ 22: 10.3x ← <hr/> Series 20.1 Total 0.0	60 Shots 	1: 9.9 ↓ 2: 10.7x ← 3: 10.4x → 4: 10.5x → 5: 10.8x ↗ 6: 10.2x ↘ 7: 9.4 ↓ 8: 9.9 ↓ 9: 9.7 → 10: 10.0 ↓ <hr/> Series 101.5 Total 101.5
---	--	--	---


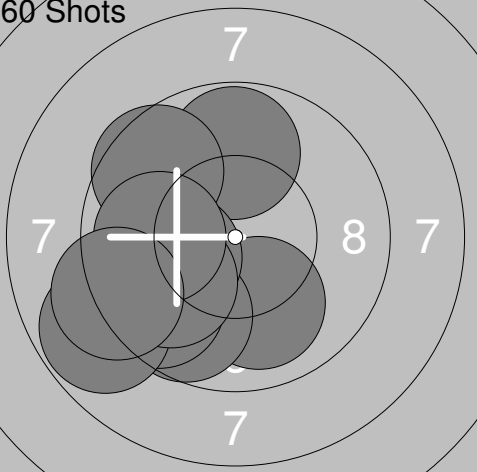
60 Shots 	11: 9.6 → 12: 10.6x ↗ 13: 8.7 ↗ 14: 9.0 → 15: 9.5 ↓ 16: 10.4x → 17: 9.6 ↑ 18: 10.7x ↘ 19: 10.6x ↗ 20: 9.8 ↗ <hr/> Series 98.5 Total 200.0	60 Shots 	21: 10.5x ← 22: 10.6x ↑ 23: 9.7 ↑ 24: 9.8 → 25: 9.9 → 26: 10.1 ↑ 27: 9.9 ↗ 28: 9.9 ↓ 29: 10.1 ↑ 30: 10.7x ← <hr/> Series 101.2 Total 301.2
---	--	---	---

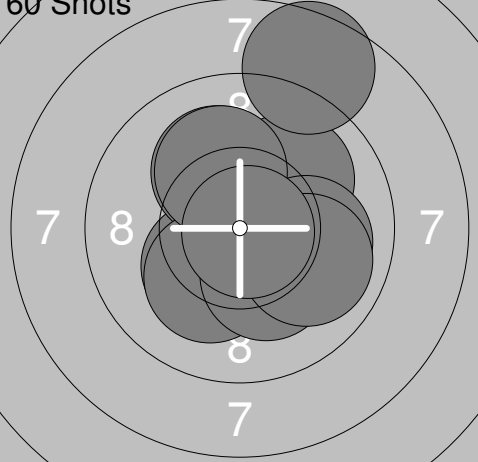
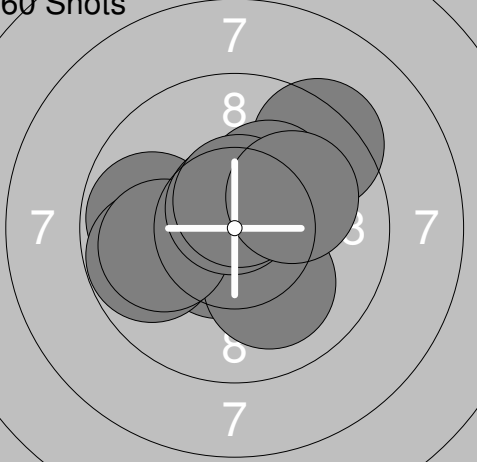
60 Shots 	31: 9.7 → 32: 10.5x ↑ 33: 10.3x ↗ 34: 10.1 ↗ 35: 10.2x ↓ 36: 10.4x → 37: 10.4x → 38: 10.6x ↓ 39: 10.3x ↓ 40: 10.0 ↓ <hr/> Series 102.5 Total 403.7		
---	---	--	--

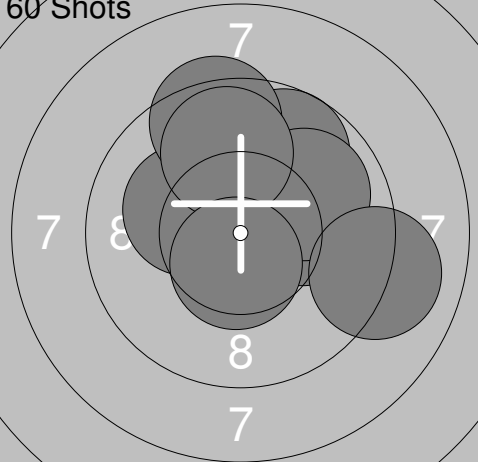
Relay	Lane	Emilia Johansson	
S		Gideå Skf	
2015-04-18		UME-Kulan 2015	Umeå skytteallians
Sight		1: 9.4 ↗ 2: 9.7 ↗ 3: 10.1 ↙ 4: 10.0 ↗ 5: 9.4 ← 6: 9.6 → 7: 9.8 ← 8: 9.4 ↘ 9: 8.9 ↘ 10: 10.2x ↙ Series 96.5 Total 0.0	Sight  11: 9.2 ↗ 12: 8.9 ↗ 13: 10.0 → 14: 8.5 → 15: 10.6x ↗ 17: 10.7x ↗ 18: 9.9 ← 19: 10.1 ↘ 20: 8.3 ↑ Series 86.2 Total 0.0
Sight		21: 8.7 ↗ 22: 9.1 → 23: 9.4 ← 24: 10.2x ↑ 25: 9.9 ↗ 26: 7.9 ↗ 27: 10.3x ← 28: 10.6x ↗ 29: 10.6x ↑ 30: 9.3 → Series 96.0 Total 0.0	Sight  31: 10.6x → Series 10.6 Total 0.0
60 Shots		1: 10.4x ↑ 2: 9.5 ↑ 3: 9.2 ↘ 4: 9.3 ↗ 5: 8.0 → 6: 9.0 ↗ 7: 10.8x ← 8: 10.8x ← 9: 9.9 ↗ 10: 9.6 ↑ Series 96.5 Total 96.5	60 Shots  11: 10.1 ↗ 12: 8.7 → 13: 9.9 ← 14: 9.4 ↗ 15: 9.2 ← 16: 9.7 ↘ 17: 9.3 → 18: 8.6 ↘ 19: 8.4 ↑ 20: 9.7 ↑ Series 93.0 Total 189.5
60 Shots		21: 10.0 → 22: 8.9 → 23: 7.8 ← 24: 9.1 ← 25: 8.9 ↗ 26: 9.3 ↗ 27: 9.2 → 28: 8.8 ↑ 29: 10.3x → 30: 10.4x ← Series 92.7 Total 282.2	60 Shots  31: 8.7 ↗ 32: 9.7 ↘ 33: 9.9 ← 34: 8.5 ← 35: 9.1 ↑ 36: 10.6x → 37: 10.6x → 38: 10.1 ↗ 39: 9.7 ↑ 40: 8.8 → Series 95.7 Total 377.9

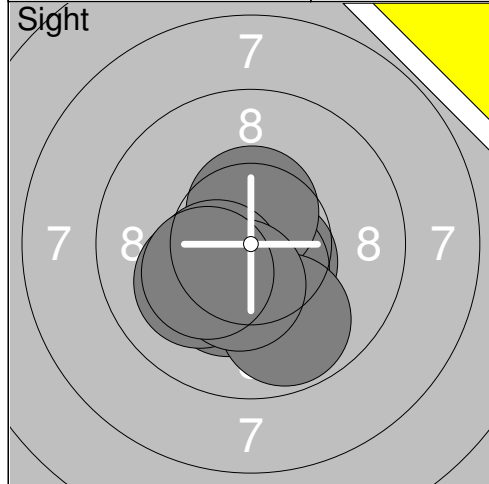
Relay	Lane	Edwin Larsson	
S	Rönnskårs Skf		
2015-04-18	UME-Kulan 2015	Umeå skytteallians	
Sight		1: 9.7 ↖ 2: 9.8 ← 3: 9.8 ↗ 4: 10.3x ↑ 5: 9.6 ↖ 6: 10.2x ↗ 7: 10.4x ↓ 8: 10.6x → 9: 10.8x ↓ 10: 10.1 ← Series 101.3 Total 0.0	Sight  11: 10.2x ↖ 13: 10.3x ← 14: 10.0 ↓ 15: 10.1 ↓ 16: 10.8x ↗ 17: 10.3x ↑ 18: 10.0 → 19: 10.6x → 20: 10.6x ↗ Series 92.9 Total 0.0
Sight		21: 10.3x ↑ 22: 10.0 ↑ 23: 10.6x ↗ 24: 9.5 → 25: 10.2x ↓ 26: 10.6x ↓ 27: 10.1 ← 28: 10.9x ↓ Series 82.2 Total 0.0	60 Shots  1: 10.5x ↘ 2: 10.6x ↗ 3: 10.2x ↗ 4: 10.4x ↓ 5: 10.6x → 6: 10.5x → 7: 10.5x ← 8: 10.5x ↑ 9: 10.4x ↓ 10: 10.6x ↓ Series 104.8 Total 104.8
60 Shots		11: 10.9x ↑ 12: 9.9 ↗ 13: 10.3x ↖ 14: 10.4x → 15: 10.3x ↗ 16: 9.8 ↓ 17: 10.4x → 18: 10.5x ↖ 19: 10.1 → 20: 10.3x → Series 102.9 Total 207.7	60 Shots  21: 10.6x ↖ 22: 9.6 ↓ 23: 10.4x ↓ 24: 10.1 ↓ 25: 10.4x ↑ 26: 10.5x ↓ 27: 10.4x → 28: 10.1 ↓ 29: 10.3x ↗ 30: 10.7x ↘ Series 103.1 Total 310.8
60 Shots		31: 10.1 → 32: 10.2x ← 33: 10.3x → 34: 10.2x ↑ 35: 10.8x ↗ 36: 10.2x ↗ 37: 10.5x ↖ 38: 10.5x ↑ 39: 10.5x ↗ 40: 10.7x ↖ Series 104.0 Total 414.8	

<p>Sight</p> 	<p>1: 9.4 ↗ 2: 8.5 ↑ 4: 9.0 ↑ 5: 8.9 ↗ 6: 10.1 ← 7: 10.0 ← 8: 9.8 ↘ 9: 10.7x ↗ 10: 9.6 ↑</p> <p>Series 86.0 Total 0.0</p>	<p>Sight</p> 	<p>11: 9.8 ↑ 12: 9.9 ↑ 13: 10.6x → 14: 9.6 ↓ 15: 9.9 ↓ 16: 9.6 ↓ 18: 10.1 ↓ 19: 10.5x ← 20: 9.7 ↘</p> <p>Series 89.7 Total 0.0</p>
--	---	--	--

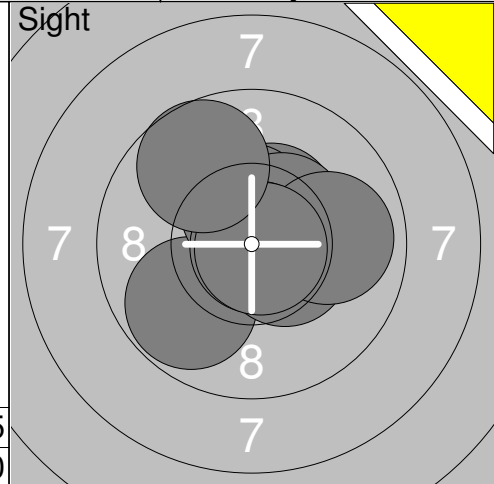
<p>Sight</p> 	<p>21: 9.5 ↓</p> <p>Series 9.5 Total 0.0</p>	<p>60 Shots</p> 	<p>1: 10.0 ↓ 2: 9.8 ↑ 3: 9.7 ↓ 4: 9.6 ← 5: 9.6 ↗ 6: 10.1 ← 7: 8.8 ← 8: 9.9 ← 9: 9.9 ← 10: 9.2 ←</p> <p>Series 96.6 Total 96.6</p>
---	--	--	---

<p>60 Shots</p> 	<p>11: 10.3x ↙ 12: 10.1 ↗ 13: 10.0 ↗ 14: 10.2x ↘ 15: 8.6 ↑ 16: 10.2x ↘ 17: 10.0 → 18: 10.0 → 19: 10.1 ↑ 20: 10.8x →</p> <p>Series 100.3 Total 196.9</p>	<p>60 Shots</p> 	<p>21: 10.6x ↘ 22: 10.1 ↘ 23: 9.8 ← 24: 9.8 ← 25: 10.0 ← 26: 10.7x ↑ 27: 9.4 ↗ 28: 10.2x ↗ 29: 10.6x ↑ 30: 10.1 →</p> <p>Series 101.3 Total 298.2</p>
---	---	---	---

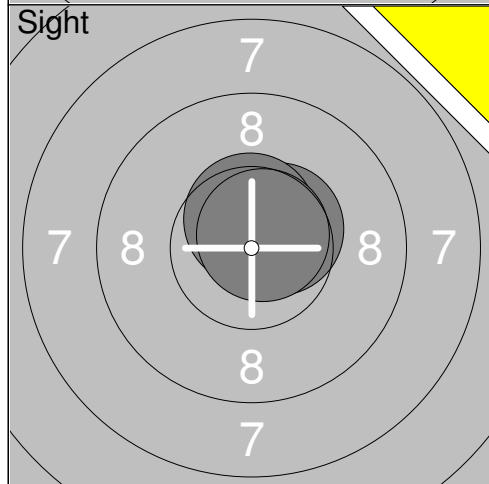
<p>60 Shots</p> 	<p>31: 10.1 → 32: 9.7 ↑ 33: 10.5x ↑ 34: 10.3x ↑ 35: 10.0 ↗ 36: 9.1 → 37: 10.2x ← 38: 9.4 ↑ 39: 9.8 ↑ 40: 10.5x ↓</p> <p>Series 99.6 Total 397.8</p>		
---	---	--	--



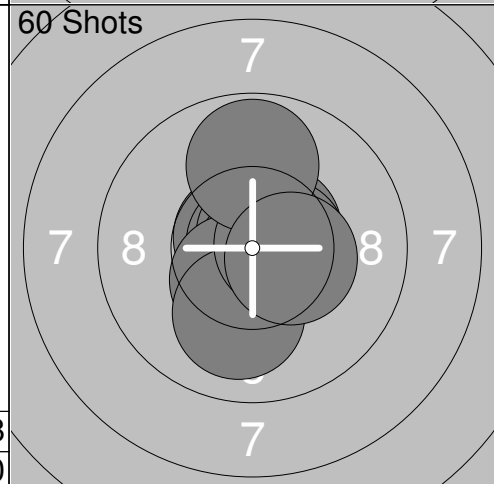
1:	10.6x	↘
2:	10.6x	↘
3:	10.6x	↙
4:	10.5x	↑
5:	10.3x	↘
6:	9.8	↘
7:	10.1	↙
8:	10.4x	↙
9:	10.4x	↘
10:	10.2x	↙
Series	103.5	
Total	0.0	



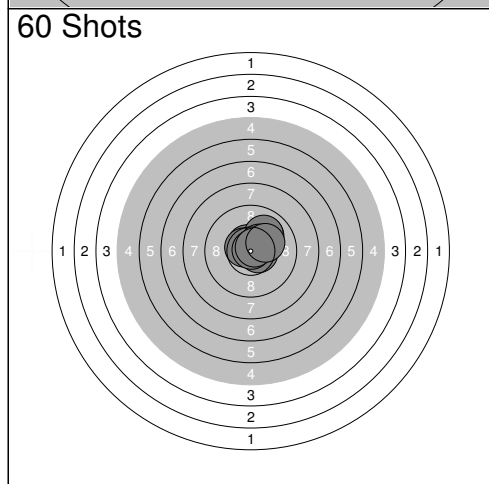
12:	9.8	↙
13:	10.4x	↗
14:	10.5x	↑
15:	10.5x	➔
16:	10.4x	↗
17:	9.9	➔
18:	10.9x	↘
19:	10.8x	➔
20:	9.7	↗
Series	92.9	
Total	0.0	



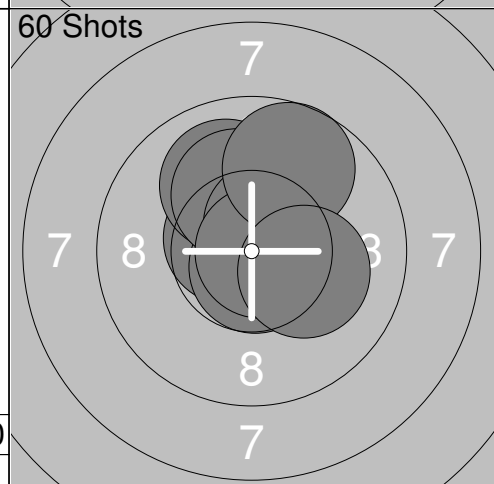
21:	10.5x	↗
22:	10.6x	↑
23:	10.7x	↗
Series	31.8	
Total	0.0	



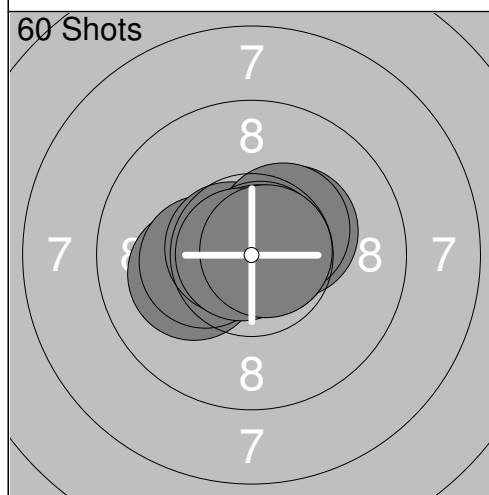
1:	10.7x	↖
2:	10.6x	↗
3:	10.9x	↑
4:	10.7x	↗
5:	10.8x	➔
6:	10.5x	↘
7:	10.1	↘
8:	10.6x	➔
9:	9.8	↑
10:	10.4x	➔
Series	105.1	
Total	105.1	



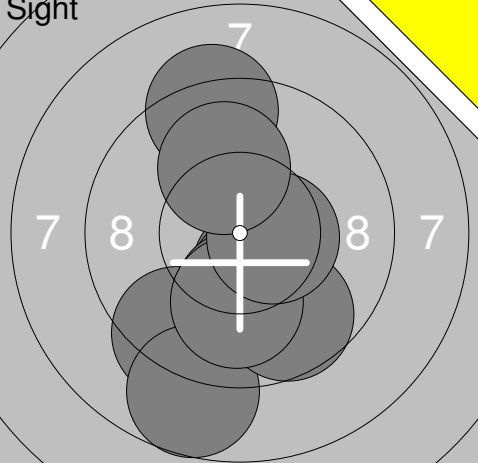
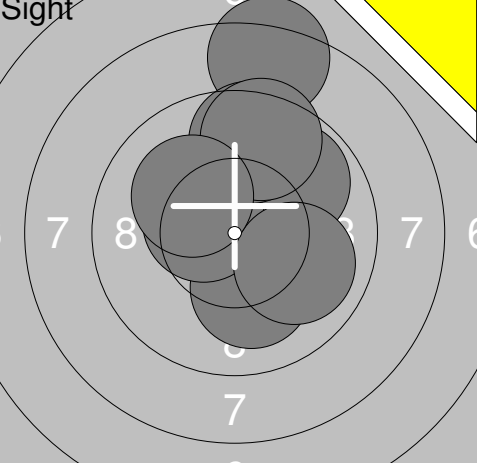
11:	10.0	↗
12:	-	
13:	10.6x	↖
14:	10.6x	➔
15:	10.0	↗
16:	10.6x	↖
17:	10.9x	↑
18:	10.4x	↗
19:	10.7x	↗
20:	10.2x	↗
Series	94.0	
Total	199.1	

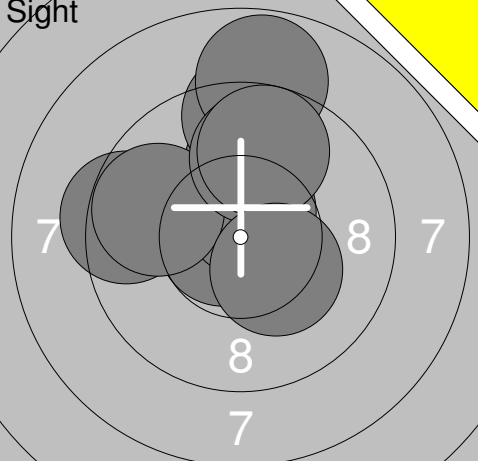
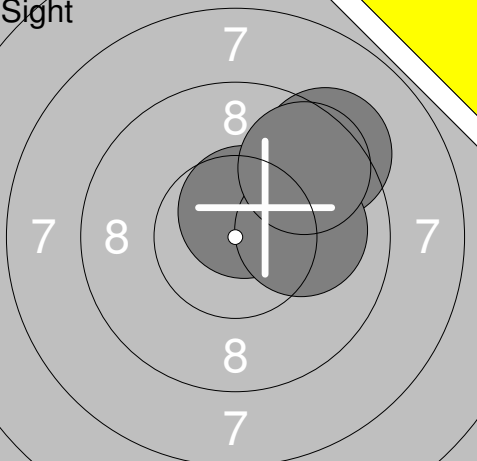


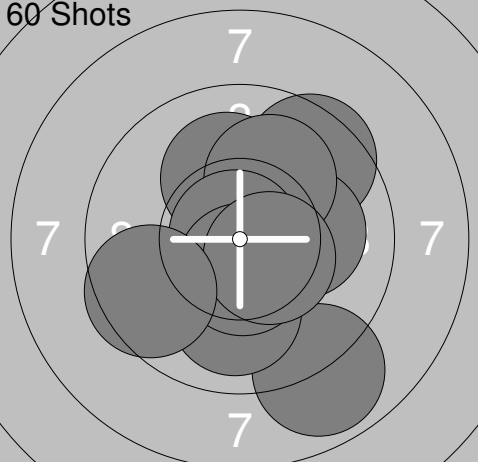
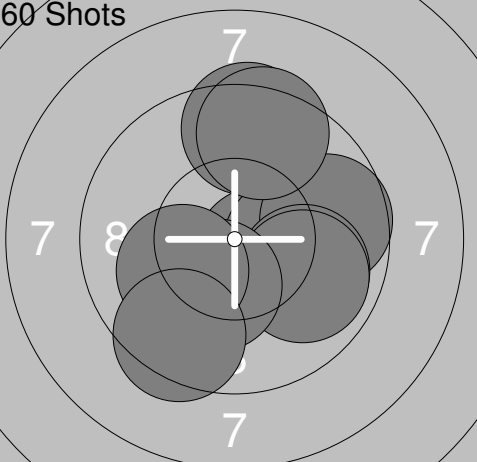
21:	10.6x	↖
22:	10.6x	➔
23:	10.6x	↖
24:	10.0	↑
25:	10.7x	↘
26:	10.2x	↑
27:	10.5x	↗
28:	10.8x	➔
29:	9.7	↗
30:	10.2x	➔
Series	103.9	
Total	303.0	

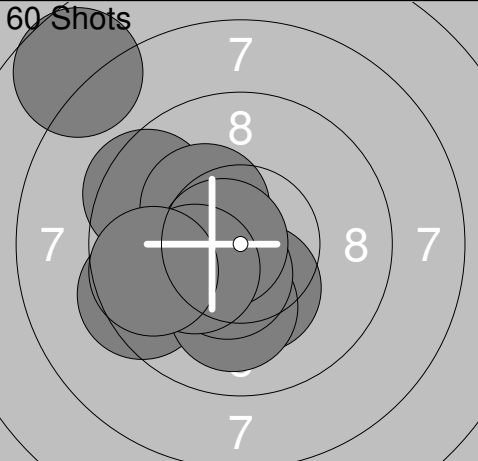
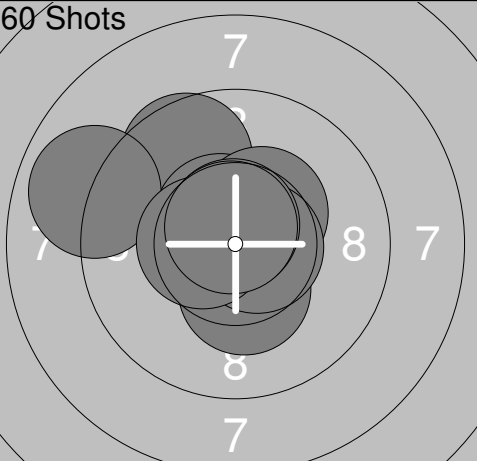


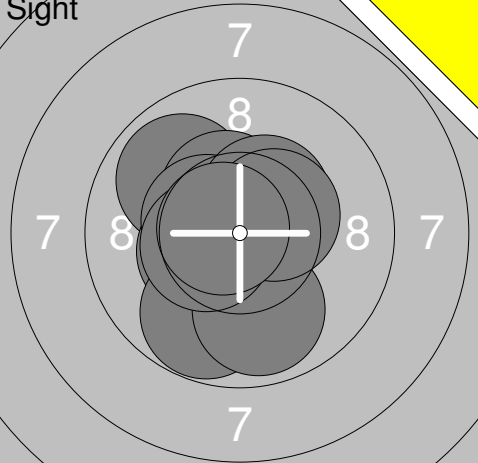
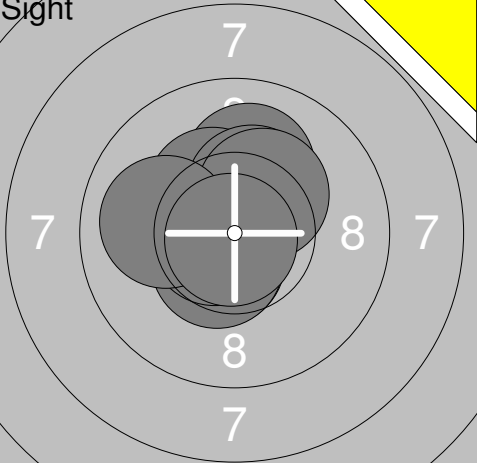
31:	10.7x	➔
32:	10.3x	↗
33:	10.1	↙
34:	10.3x	↙
35:	10.7x	↙
36:	10.4x	↗
37:	10.8x	↗
38:	10.8x	↗
39:	10.8x	↙
40:	10.7x	➔
Series	105.6	
Total	408.6	



	<table style="width:100%; border-collapse: collapse;"> <tr><td>1:</td><td>10.4x</td><td>↘</td></tr> <tr><td>2:</td><td>9.4</td><td>↘</td></tr> <tr><td>3:</td><td>8.7</td><td>↘</td></tr> <tr><td>4:</td><td>10.3x</td><td>↘</td></tr> <tr><td>5:</td><td>10.1</td><td>↘</td></tr> <tr><td>6:</td><td>9.7</td><td>↘</td></tr> <tr><td>7:</td><td>10.0</td><td>↘</td></tr> <tr><td>8:</td><td>10.5x</td><td>→</td></tr> <tr><td>9:</td><td>9.2</td><td>↑</td></tr> <tr><td>10:</td><td>10.0</td><td>↑</td></tr> <tr><td colspan="2">Series</td><td>98.3</td></tr> <tr><td colspan="2">Total</td><td>0.0</td></tr> </table>	1:	10.4x	↘	2:	9.4	↘	3:	8.7	↘	4:	10.3x	↘	5:	10.1	↘	6:	9.7	↘	7:	10.0	↘	8:	10.5x	→	9:	9.2	↑	10:	10.0	↑	Series		98.3	Total		0.0		<table style="width:100%; border-collapse: collapse;"> <tr><td>11:</td><td>10.4x</td><td>↖</td></tr> <tr><td>12:</td><td>10.8x</td><td>→</td></tr> <tr><td>13:</td><td>9.9</td><td>↗</td></tr> <tr><td>14:</td><td>10.1</td><td>↘</td></tr> <tr><td>15:</td><td>10.5x</td><td>↖</td></tr> <tr><td>16:</td><td>10.0</td><td>→</td></tr> <tr><td>17:</td><td>8.3</td><td>↑</td></tr> <tr><td>18:</td><td>9.6</td><td>↑</td></tr> <tr><td>19:</td><td>9.5</td><td>↑</td></tr> <tr><td>20:</td><td>10.1</td><td>↖</td></tr> <tr><td colspan="2">Series</td><td>99.2</td></tr> <tr><td colspan="2">Total</td><td>0.0</td></tr> </table>	11:	10.4x	↖	12:	10.8x	→	13:	9.9	↗	14:	10.1	↘	15:	10.5x	↖	16:	10.0	→	17:	8.3	↑	18:	9.6	↑	19:	9.5	↑	20:	10.1	↖	Series		99.2	Total		0.0
1:	10.4x	↘																																																																									
2:	9.4	↘																																																																									
3:	8.7	↘																																																																									
4:	10.3x	↘																																																																									
5:	10.1	↘																																																																									
6:	9.7	↘																																																																									
7:	10.0	↘																																																																									
8:	10.5x	→																																																																									
9:	9.2	↑																																																																									
10:	10.0	↑																																																																									
Series		98.3																																																																									
Total		0.0																																																																									
11:	10.4x	↖																																																																									
12:	10.8x	→																																																																									
13:	9.9	↗																																																																									
14:	10.1	↘																																																																									
15:	10.5x	↖																																																																									
16:	10.0	→																																																																									
17:	8.3	↑																																																																									
18:	9.6	↑																																																																									
19:	9.5	↑																																																																									
20:	10.1	↖																																																																									
Series		99.2																																																																									
Total		0.0																																																																									

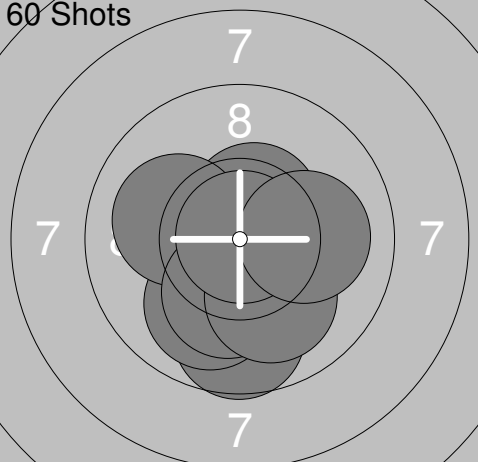
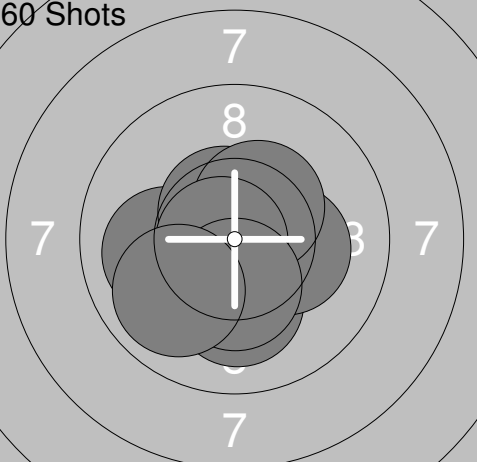
	<table style="width:100%; border-collapse: collapse;"> <tr><td>21:</td><td>10.0</td><td>↑</td></tr> <tr><td>22:</td><td>9.3</td><td>↑</td></tr> <tr><td>23:</td><td>10.7x</td><td>←</td></tr> <tr><td>24:</td><td>10.6x</td><td>↑</td></tr> <tr><td>25:</td><td>9.4</td><td>←</td></tr> <tr><td>26:</td><td>9.8</td><td>←</td></tr> <tr><td>27:</td><td>8.8</td><td>↑</td></tr> <tr><td>28:</td><td>9.9</td><td>↑</td></tr> <tr><td>29:</td><td>9.8</td><td>↑</td></tr> <tr><td>30:</td><td>10.3x</td><td>↘</td></tr> <tr><td colspan="2">Series</td><td>98.6</td></tr> <tr><td colspan="2">Total</td><td>0.0</td></tr> </table>	21:	10.0	↑	22:	9.3	↑	23:	10.7x	←	24:	10.6x	↑	25:	9.4	←	26:	9.8	←	27:	8.8	↑	28:	9.9	↑	29:	9.8	↑	30:	10.3x	↘	Series		98.6	Total		0.0		<table style="width:100%; border-collapse: collapse;"> <tr><td>31:</td><td>10.6x</td><td>↑</td></tr> <tr><td>32:</td><td>9.3</td><td>↗</td></tr> <tr><td>33:</td><td>10.1</td><td>→</td></tr> <tr><td>34:</td><td>9.6</td><td>↗</td></tr> <tr><td colspan="2">Series</td><td>39.6</td></tr> <tr><td colspan="2">Total</td><td>0.0</td></tr> </table>	31:	10.6x	↑	32:	9.3	↗	33:	10.1	→	34:	9.6	↗	Series		39.6	Total		0.0
21:	10.0	↑																																																							
22:	9.3	↑																																																							
23:	10.7x	←																																																							
24:	10.6x	↑																																																							
25:	9.4	←																																																							
26:	9.8	←																																																							
27:	8.8	↑																																																							
28:	9.9	↑																																																							
29:	9.8	↑																																																							
30:	10.3x	↘																																																							
Series		98.6																																																							
Total		0.0																																																							
31:	10.6x	↑																																																							
32:	9.3	↗																																																							
33:	10.1	→																																																							
34:	9.6	↗																																																							
Series		39.6																																																							
Total		0.0																																																							

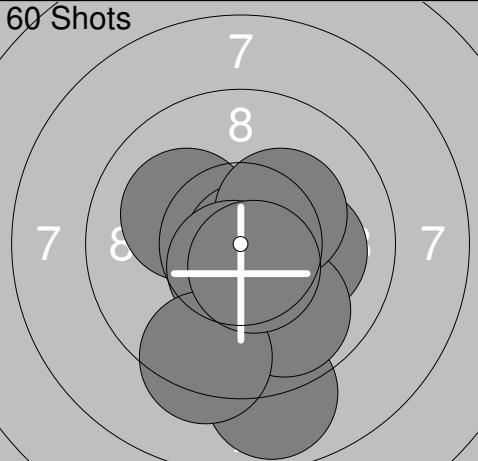
	<table style="width:100%; border-collapse: collapse;"> <tr><td>1:</td><td>10.1</td><td>↑</td></tr> <tr><td>2:</td><td>9.5</td><td>↗</td></tr> <tr><td>3:</td><td>8.9</td><td>↘</td></tr> <tr><td>4:</td><td>10.1</td><td>→</td></tr> <tr><td>5:</td><td>10.1</td><td>↑</td></tr> <tr><td>6:</td><td>10.0</td><td>↘</td></tr> <tr><td>7:</td><td>10.9x</td><td>↖</td></tr> <tr><td>8:</td><td>10.5x</td><td>↘</td></tr> <tr><td>9:</td><td>10.5x</td><td>↘</td></tr> <tr><td>10:</td><td>9.5</td><td>←</td></tr> <tr><td colspan="2">Series</td><td>100.1</td></tr> <tr><td colspan="2">Total</td><td>100.1</td></tr> </table>	1:	10.1	↑	2:	9.5	↗	3:	8.9	↘	4:	10.1	→	5:	10.1	↑	6:	10.0	↘	7:	10.9x	↖	8:	10.5x	↘	9:	10.5x	↘	10:	9.5	←	Series		100.1	Total		100.1		<table style="width:100%; border-collapse: collapse;"> <tr><td>11:</td><td>9.4</td><td>↑</td></tr> <tr><td>12:</td><td>10.5x</td><td>→</td></tr> <tr><td>13:</td><td>10.2x</td><td>→</td></tr> <tr><td>14:</td><td>9.7</td><td>→</td></tr> <tr><td>15:</td><td>9.5</td><td>↑</td></tr> <tr><td>16:</td><td>9.9</td><td>→</td></tr> <tr><td>17:</td><td>9.9</td><td>→</td></tr> <tr><td>18:</td><td>10.3x</td><td>↘</td></tr> <tr><td>19:</td><td>10.1</td><td>↖</td></tr> <tr><td>20:</td><td>9.5</td><td>↘</td></tr> <tr><td colspan="2">Series</td><td>99.0</td></tr> <tr><td colspan="2">Total</td><td>199.1</td></tr> </table>	11:	9.4	↑	12:	10.5x	→	13:	10.2x	→	14:	9.7	→	15:	9.5	↑	16:	9.9	→	17:	9.9	→	18:	10.3x	↘	19:	10.1	↖	20:	9.5	↘	Series		99.0	Total		199.1
1:	10.1	↑																																																																									
2:	9.5	↗																																																																									
3:	8.9	↘																																																																									
4:	10.1	→																																																																									
5:	10.1	↑																																																																									
6:	10.0	↘																																																																									
7:	10.9x	↖																																																																									
8:	10.5x	↘																																																																									
9:	10.5x	↘																																																																									
10:	9.5	←																																																																									
Series		100.1																																																																									
Total		100.1																																																																									
11:	9.4	↑																																																																									
12:	10.5x	→																																																																									
13:	10.2x	→																																																																									
14:	9.7	→																																																																									
15:	9.5	↑																																																																									
16:	9.9	→																																																																									
17:	9.9	→																																																																									
18:	10.3x	↘																																																																									
19:	10.1	↖																																																																									
20:	9.5	↘																																																																									
Series		99.0																																																																									
Total		199.1																																																																									

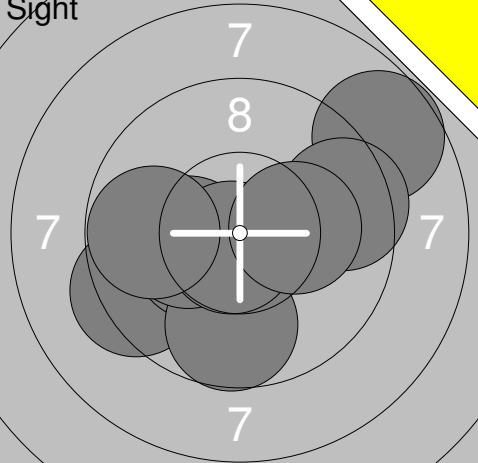
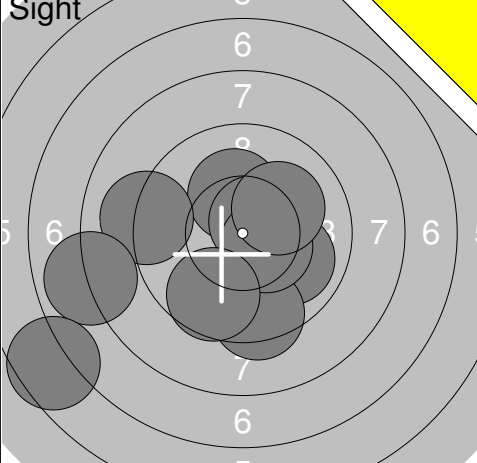
	<table style="width:100%; border-collapse: collapse;"> <tr><td>21:</td><td>9.4</td><td>←</td></tr> <tr><td>22:</td><td>10.3x</td><td>↘</td></tr> <tr><td>23:</td><td>9.5</td><td>↖</td></tr> <tr><td>24:</td><td>10.2x</td><td>↖</td></tr> <tr><td>25:</td><td>10.1</td><td>↘</td></tr> <tr><td>26:</td><td>10.5x</td><td>↘</td></tr> <tr><td>27:</td><td>7.7</td><td>↗</td></tr> <tr><td>28:</td><td>10.7x</td><td>←</td></tr> <tr><td>29:</td><td>10.2x</td><td>↖</td></tr> <tr><td>30:</td><td>9.7</td><td>←</td></tr> <tr><td colspan="2">Series</td><td>98.3</td></tr> <tr><td colspan="2">Total</td><td>297.4</td></tr> </table>	21:	9.4	←	22:	10.3x	↘	23:	9.5	↖	24:	10.2x	↖	25:	10.1	↘	26:	10.5x	↘	27:	7.7	↗	28:	10.7x	←	29:	10.2x	↖	30:	9.7	←	Series		98.3	Total		297.4		<table style="width:100%; border-collapse: collapse;"> <tr><td>31:</td><td>9.6</td><td>↖</td></tr> <tr><td>32:</td><td>10.7x</td><td>↘</td></tr> <tr><td>33:</td><td>10.6x</td><td>↖</td></tr> <tr><td>34:</td><td>10.4x</td><td>↗</td></tr> <tr><td>35:</td><td>8.9</td><td>←</td></tr> <tr><td>36:</td><td>10.3x</td><td>↘</td></tr> <tr><td>37:</td><td>10.7x</td><td>→</td></tr> <tr><td>38:</td><td>10.5x</td><td>←</td></tr> <tr><td>39:</td><td>10.7x</td><td>↑</td></tr> <tr><td>40:</td><td>10.7x</td><td>↑</td></tr> <tr><td colspan="2">Series</td><td>103.1</td></tr> <tr><td colspan="2">Total</td><td>400.5</td></tr> </table>	31:	9.6	↖	32:	10.7x	↘	33:	10.6x	↖	34:	10.4x	↗	35:	8.9	←	36:	10.3x	↘	37:	10.7x	→	38:	10.5x	←	39:	10.7x	↑	40:	10.7x	↑	Series		103.1	Total		400.5
21:	9.4	←																																																																									
22:	10.3x	↘																																																																									
23:	9.5	↖																																																																									
24:	10.2x	↖																																																																									
25:	10.1	↘																																																																									
26:	10.5x	↘																																																																									
27:	7.7	↗																																																																									
28:	10.7x	←																																																																									
29:	10.2x	↖																																																																									
30:	9.7	←																																																																									
Series		98.3																																																																									
Total		297.4																																																																									
31:	9.6	↖																																																																									
32:	10.7x	↘																																																																									
33:	10.6x	↖																																																																									
34:	10.4x	↗																																																																									
35:	8.9	←																																																																									
36:	10.3x	↘																																																																									
37:	10.7x	→																																																																									
38:	10.5x	←																																																																									
39:	10.7x	↑																																																																									
40:	10.7x	↑																																																																									
Series		103.1																																																																									
Total		400.5																																																																									

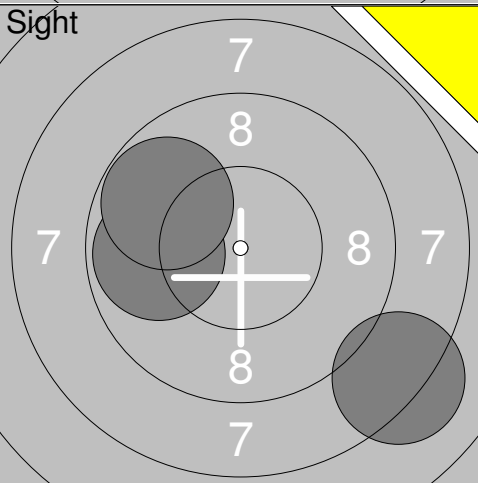
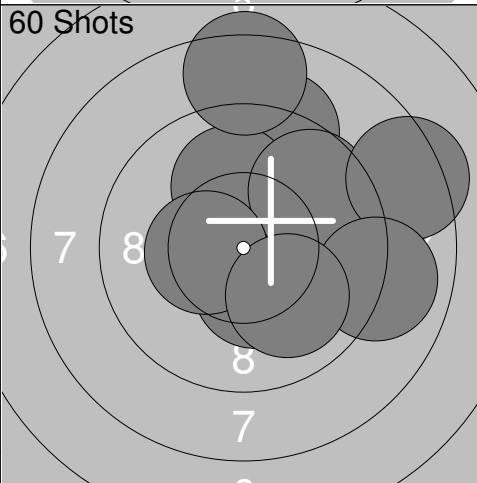
Sight 	1: 9.9 ↖ 2: 10.4x ↗ 3: 10.4x ↙ 4: 9.8 ↓ 5: 10.5x ↖ 6: 10.4x ↗ 7: 9.9 ↓ 8: 10.4x ↗ 9: 10.5x ↖ 10: 10.7x ↖ <hr/> Series 102.9 Total 0.0	Sight 	12: 10.5x ↘ 13: 10.1 ↗ 14: 10.5x ↘ 15: 10.3x ↗ 16: 10.7x ↖ 17: 10.3x ↗ 18: 10.3x ↗ 19: 10.0 ↖ 20: 10.8x ↘ <hr/> Series 93.5 Total 0.0
--	--	--	---

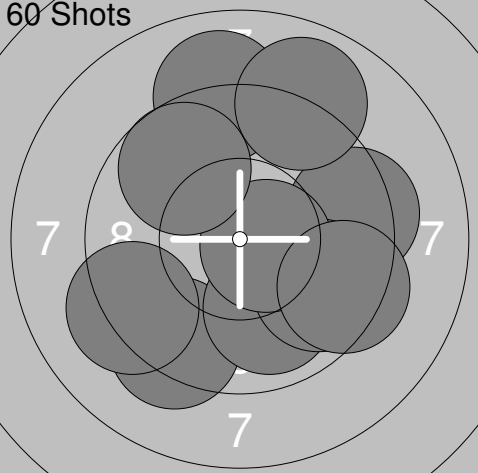
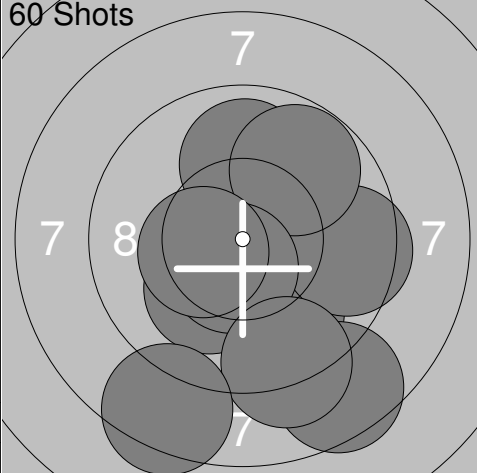
Sight 	21: 10.4x ↖ 22: 10.9x ↓ 23: 10.5x ↗ <hr/> Series 31.8 Total 0.0	60 Shots 	1: 10.2x → 2: 10.1 ↓ 3: 10.8x ↖ 4: 9.6 ↓ 5: 10.5x ↖ 6: 10.7x ↗ 7: 10.8x ↘ 8: 10.1 ↓ 9: 10.8x ↗ 10: 10.6x ↘ <hr/> Series 104.2 Total 104.2
---	---	--	--

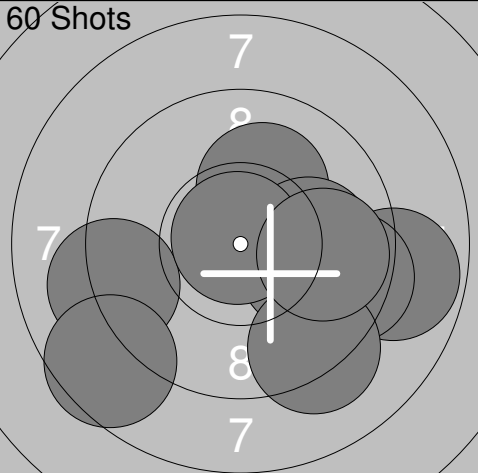
60 Shots 	11: 10.6x ↘ 12: 9.7 ↓ 13: 10.5x ↗ 14: 10.2x ↘ 15: 10.0 ↓ 16: 10.1 ↖ 17: 10.2x ↓ 18: 10.1 ↓ 19: 10.9x ↗ 20: 10.1 → <hr/> Series 102.4 Total 206.6	60 Shots 	21: 10.6x ↖ 22: 10.1 ↓ 23: 10.3x → 24: 10.0 ↖ 25: 10.6x ↗ 26: 10.4x ↗ 27: 10.3x ↘ 28: 10.8x ↖ 29: 10.3x ↓ 30: 9.9 ↘ <hr/> Series 103.3 Total 309.9
---	---	---	---

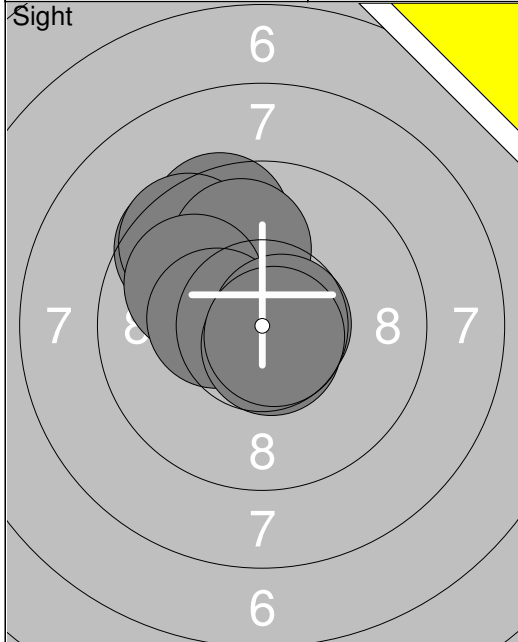
60 Shots 	31: 10.1 ↖ 32: 10.8x → 33: 10.3x ↘ 34: 10.1 → 35: 8.9 ↓ 36: 9.9 ↓ 37: 10.3x ↗ 38: 10.6x ↘ 39: 9.3 ↓ 40: 10.6x ↘ <hr/> Series 100.9 Total 410.8		
---	---	--	--

Sight 	1: 9.3 ↙ 2: 10.3x ↙ 3: 9.7 ↓ 4: 8.7 ↗ 6: 9.5 → 7: 10.2x ← 8: 10.7x ↓ 9: 9.8 ← 10: 10.2x → <hr/> Series 88.4 Total 0.0	Sight 	11: 10.2x ↑ 12: 10.0 → 13: 10.6x ↗ 14: 9.4 ↓ 15: 9.1 ← 16: 10.4x → 17: 7.9 ← 18: 9.7 ↓ 19: 6.6 ↙ 20: 10.1 ↗ <hr/> Series 94.0 Total 0.0
--	---	--	--

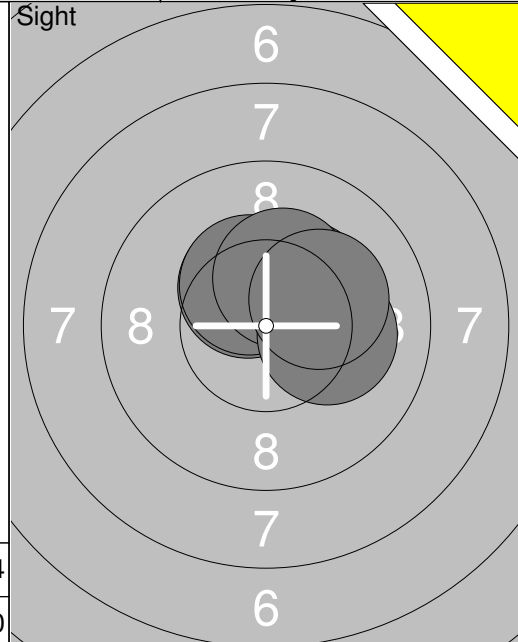
Sight 	21: 8.2 ↘ 22: 9.8 ← 23: 9.8 ↗ <hr/> Series 27.8 Total 0.0	60 Shots 	1: 10.2x ↑ 2: 10.4x ↓ 3: 9.2 ↑ 4: 10.0 ↑ 5: 9.7 ↗ 6: 8.4 ↑ 7: 10.4x ← 8: 8.4 → 9: 9.0 → 10: 10.0 ↓ <hr/> Series 95.7 Total 95.7
---	---	--	--

60 Shots 	11: 9.3 ↙ 12: 9.0 ↑ 13: 9.9 ↓ 14: 9.4 → 15: 9.7 ↘ 16: 10.6x → 17: 9.7 ↗ 18: 8.9 ↗ 19: 9.2 ↙ 20: 9.4 ↘ <hr/> Series 95.1 Total 190.8	60 Shots 	21: 9.9 ↑ 22: 9.9 ↓ 23: 9.5 → 24: 8.6 ↓ 25: 10.1 ↓ 26: 9.8 ↗ 27: 10.5x ↓ 28: 9.2 ↓ 29: 8.4 ↓ 30: 10.4x ← <hr/> Series 96.3 Total 287.1
---	--	---	---

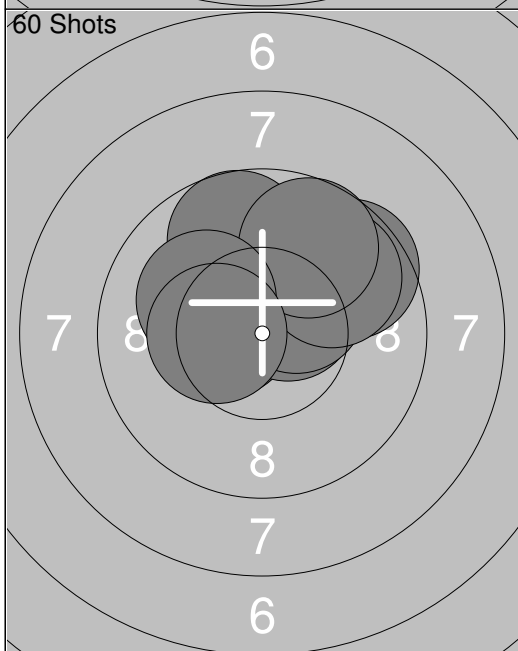
60 Shots 	31: 9.2 ← 32: 8.8 → 33: 10.1 ↑ 34: 10.0 → 35: 10.0 ↘ 36: 10.9x ↗ 37: 9.4 → 38: 9.2 ↓ 39: 8.6 ↙ 40: 9.8 → <hr/> Series 96.0 Total 383.1		
---	---	--	--



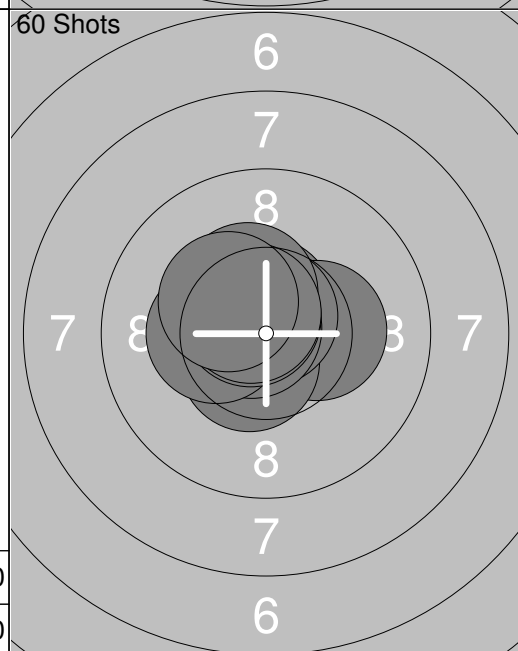
1:	9.5	↗
2:	9.6	↗
3:	10.5x	↗
4:	9.5	↗
5:	9.9	↗
6:	9.9	↖
7:	10.4x	↖
8:	10.7x	→
9:	10.7x	↘
10:	10.7x	↘
Series		101.4
Total		0.0



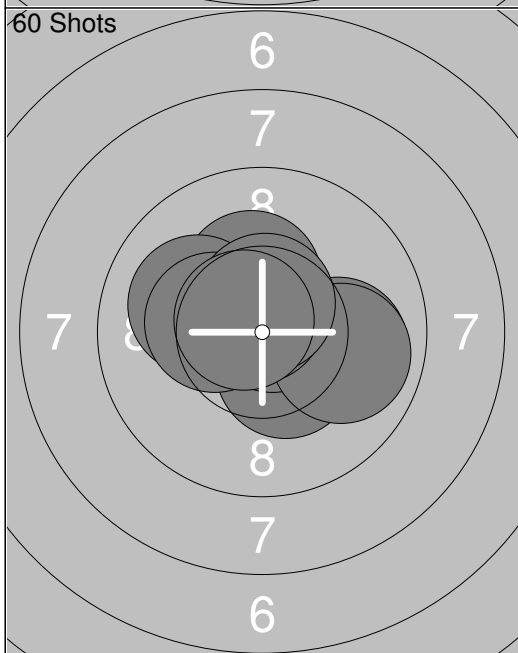
11:	10.3x	↗
12:	10.4x	↖
13:	10.4x	↖
14:	10.3x	↗
15:	10.2x	→
16:	10.2x	↗
Series		61.8
Total		0.0



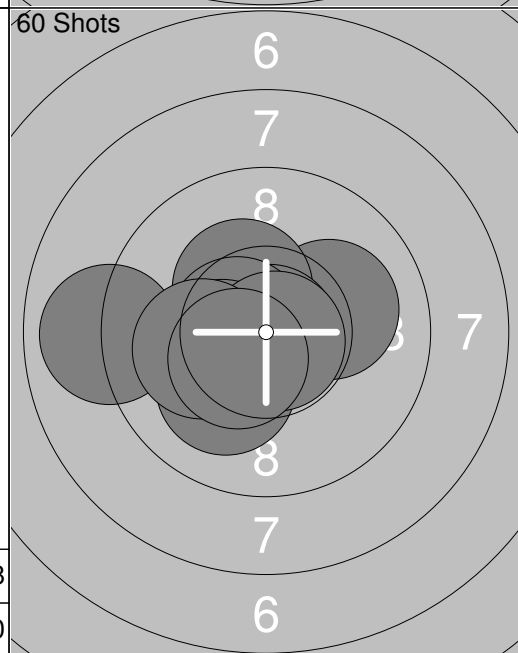
1:	10.3x	↗
2:	10.5x	↖
3:	9.6	↗
4:	10.5x	↗
5:	10.4x	↗
6:	9.7	↗
7:	9.8	↗
8:	9.7	↗
9:	10.1	↖
10:	10.4x	↖
Series		101.0
Total		101.0



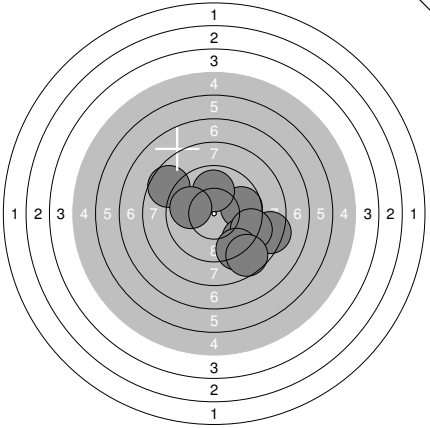
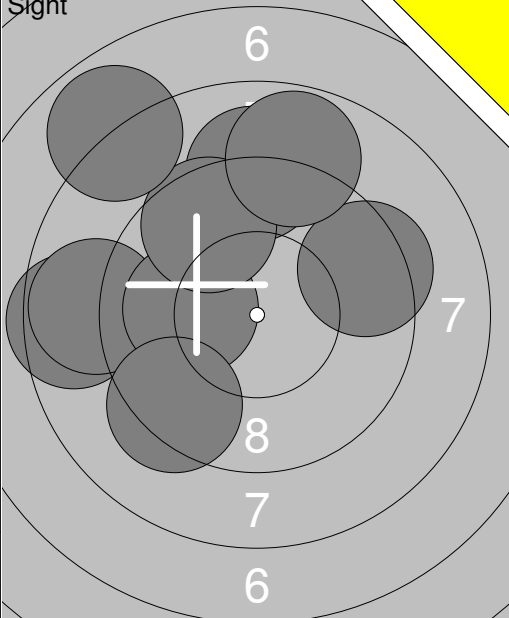
11:	10.6x	↗
12:	10.3x	→
13:	10.5x	↘
14:	10.7x	↗
15:	10.8x	↖
16:	10.3x	↖
17:	10.4x	↗
18:	10.7x	↖
19:	10.6x	↗
20:	10.3x	↖
Series		105.2
Total		206.2

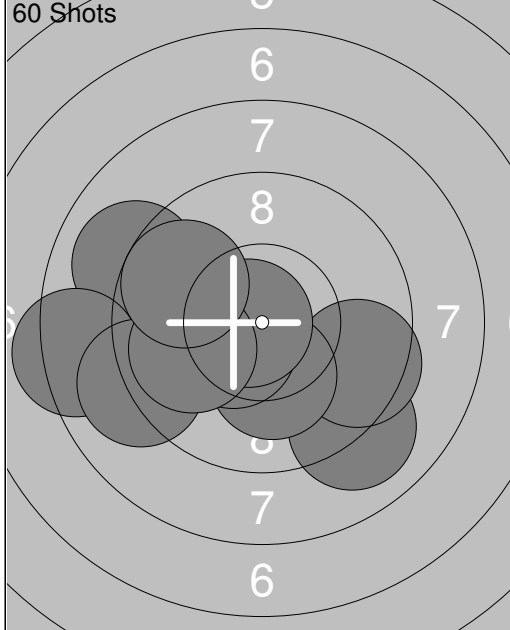
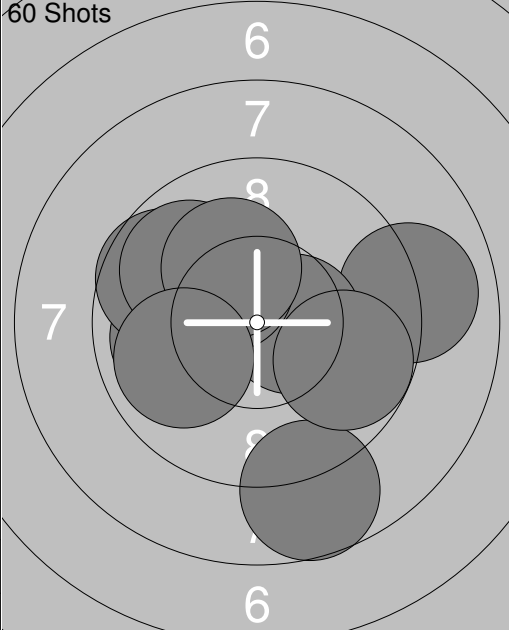


21:	10.4x	↘
22:	10.3x	↗
23:	10.1	↖
24:	10.8x	↗
25:	10.0	→
26:	9.9	→
27:	10.3x	↖
28:	10.7x	↗
29:	10.6x	↗
30:	10.7x	↖
Series		103.8
Total		310.0

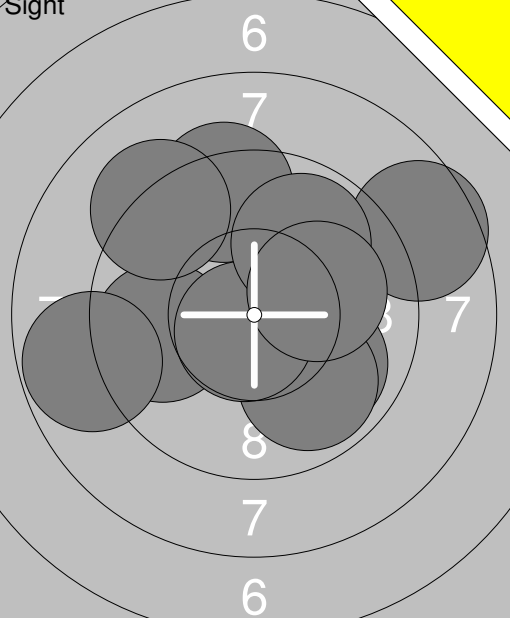
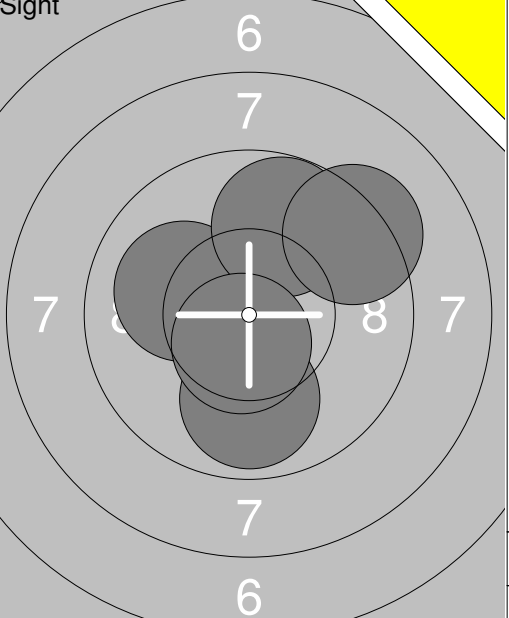


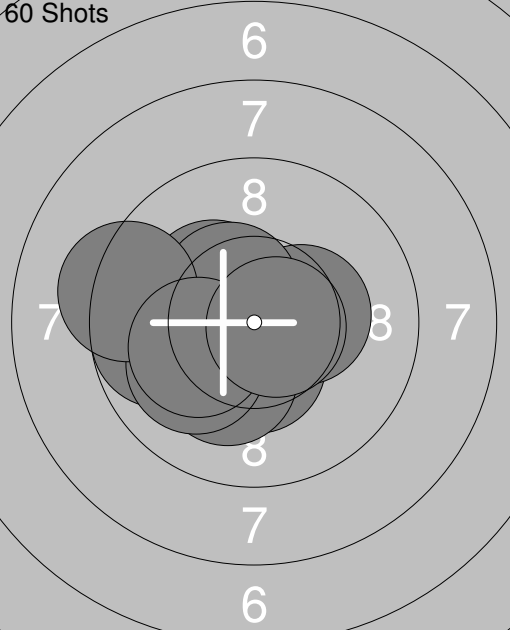
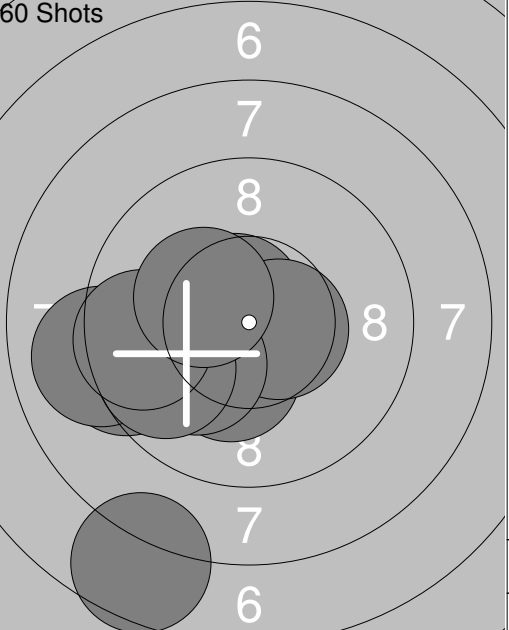
31:	10.1	→
32:	10.3x	↖
33:	10.1	↘
34:	10.9x	↘
35:	10.6x	↖
36:	9.0	←
37:	10.4x	↖
38:	10.8x	↘
39:	10.1	←
40:	10.5x	↘
Series		102.8
Total		412.8

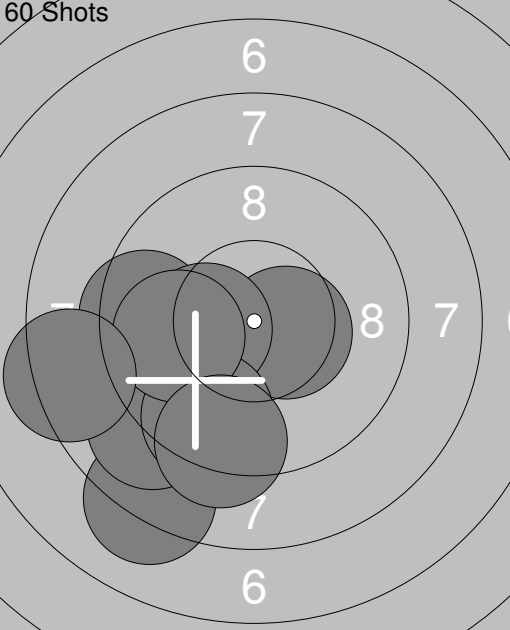
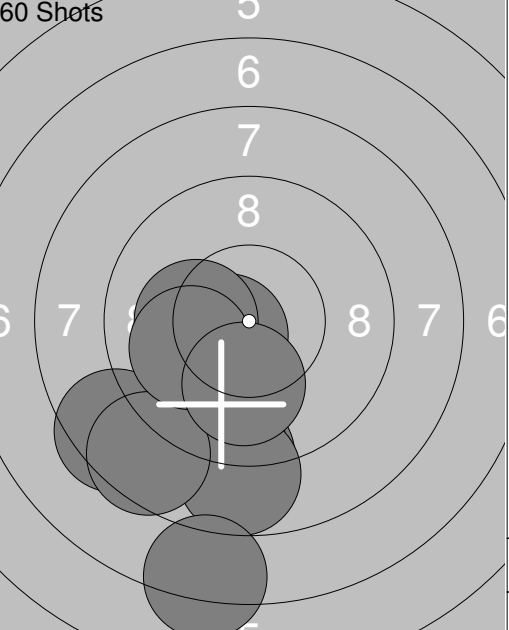
<p>Sight</p> 	<p>1: 9.7 →</p> <p>2: 8.4 →</p> <p>3: 9.3 ↓</p> <p>4: 9.2 →</p> <p>5: 9.1 ↓</p> <p>6: -</p> <p>7: 10.0 ↑</p> <p>8: 8.7 ↓</p> <p>9: 8.7 ↗</p> <p>10: 9.9 ←</p>	<p>Sight</p> 	<p>11: 9.1 ↑</p> <p>12: 8.5 ←</p> <p>13: 8.8 ←</p> <p>14: 9.4 →</p> <p>15: 10.1 ←</p> <p>16: 9.6 ↖</p> <p>17: 9.3 ↙</p> <p>18: 7.9 ↖</p> <p>19: 8.8 ↑</p>
Series	83.0	Series	81.5
Total	0.0	Total	0.0

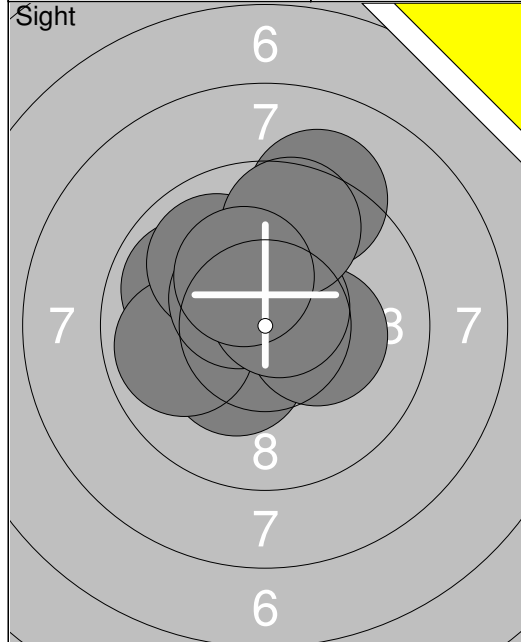
<p>60 Shots</p> 	<p>1: 9.0 ↓</p> <p>2: 9.5 →</p> <p>3: 10.2x ↓</p> <p>4: 9.0 ↖</p> <p>5: 8.3 ←</p> <p>6: 9.1 ←</p> <p>7: 10.4x ↙</p> <p>8: 10.8x ←</p> <p>9: 9.9 ←</p> <p>10: 9.7 ↖</p>	<p>60 Shots</p> 	<p>11: 9.0 →</p> <p>12: 10.5x →</p> <p>13: 9.9 ←</p> <p>14: 9.7 ↖</p> <p>15: 10.3x ↖</p> <p>16: 8.7 ↓</p> <p>17: 9.9 ↖</p> <p>18: 10.2x ↖</p> <p>19: 9.9 ←</p> <p>20: 9.8 →</p>
Series	95.9	Series	97.9
Total	95.9	Total	193.8

<p>60 Shots</p> 	<p>21: 9.1 ←</p> <p>22: 10.6x ↑</p> <p>23: 9.3 ↑</p> <p>24: 9.9 ↓</p> <p>25: 8.3 →</p> <p>26: 9.6 →</p> <p>27: 8.0 ↗</p> <p>28: 9.5 ↑</p> <p>29: 10.6x →</p> <p>30: 10.5x ↓</p>	<p>60 Shots</p> 	<p>31: 9.7 ↑</p> <p>32: 10.4x →</p> <p>33: 9.3 ←</p> <p>34: 9.1 ↖</p> <p>35: 9.9 ↖</p> <p>36: 9.8 ↑</p> <p>37: 9.6 →</p> <p>38: 8.7 ↑</p> <p>39: 9.2 ←</p> <p>40: 9.1 ←</p>
Series	95.4	Series	94.8
Total	289.2	Total	384.0

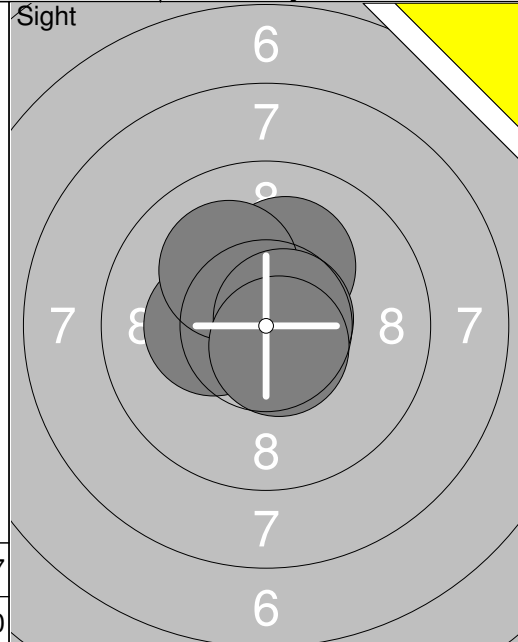
<p>Sight</p>  <p>1: 9.3 ↑ 2: 9.9 ↘ 3: 9.8 ← 4: 8.8 ← 5: 8.6 → 6: 9.9 ↘ 7: 10.7x ↘ 8: 9.9 ↗ 9: 9.1 ↖ 10: 10.1 →</p> <p>Series 96.1 Total 0.0</p>		<p>Sight</p>  <p>11: 9.9 ↓ 12: 10.1 ↖ 13: 9.8 ↑ 14: 9.3 ↗ 15: 10.6x ↓</p> <p>Series 49.7 Total 0.0</p>
--	--	---

<p>60 Shots</p>  <p>1: 9.7 ← 2: 10.4x ↓ 3: 10.3x ↖ 4: 10.3x → 5: 10.2x ↘ 6: 10.5x ↖ 7: 10.0 ← 8: 9.3 ← 9: 10.2x ↖ 10: 10.7x →</p> <p>Series 101.6 Total 101.6</p>		<p>60 Shots</p>  <p>11: 7.6 ↓ 12: 10.6x ↖ 13: 9.3 ← 14: 10.3x ↘ 15: 9.0 ← 16: 10.6x → 17: 10.1 ↖ 18: 9.7 ← 19: 9.6 ← 20: 10.3x ↖</p> <p>Series 97.1 Total 198.7</p>
---	--	---

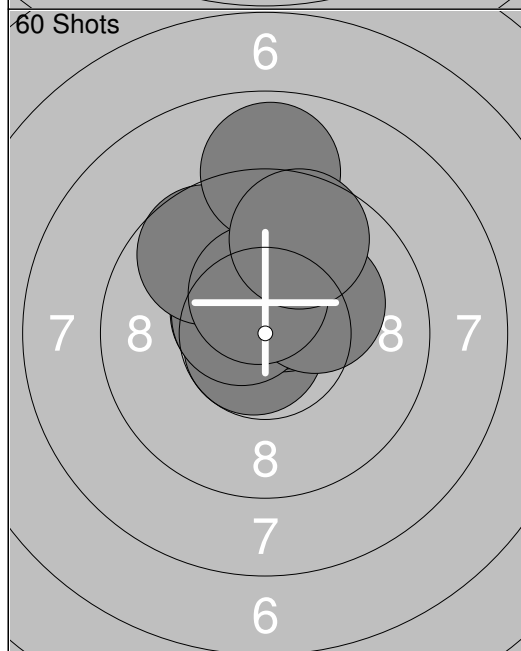
<p>60 Shots</p>  <p>21: 8.2 ↓ 22: 10.5x → 23: 10.1 ← 24: 9.5 ← 25: 9.0 ↘ 26: 10.3x ↖ 27: 9.5 ↘ 28: 9.9 ← 29: 8.3 ← 30: 9.3 ↓</p> <p>Series 94.6 Total 293.3</p>		<p>60 Shots</p>  <p>31: 8.5 ↖ 32: 9.0 ↓ 33: 9.2 ↓ 34: 10.6x ↖ 35: 8.7 ↓ 36: 7.2 ↓ 37: 8.6 ↖ 38: 10.2x ↖ 39: 10.0 ← 40: 10.0 ↓</p> <p>Series 92.0 Total 385.3</p>
--	--	---



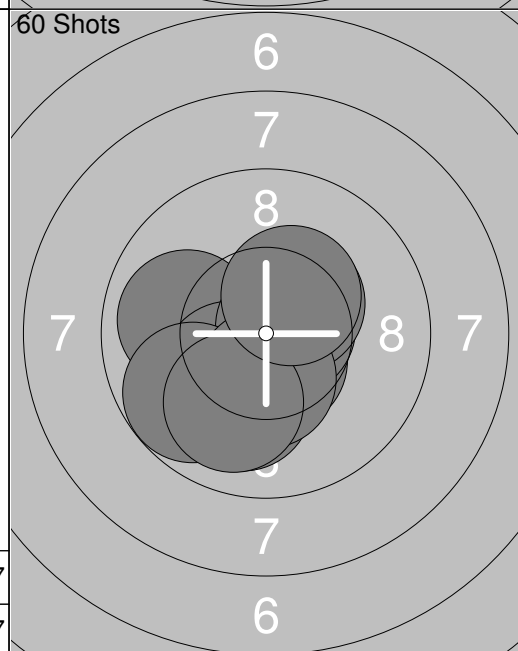
1: 9.2 ↗
2: 10.3x ↘
3: 9.9 ↖
4: 9.9 ←
5: 10.3x →
6: 9.9 ↗
7: 10.5x ↘
8: 10.7x ↗
9: 9.7 ↗
10: 10.3x ↖
Series 100.7
Total 0.0



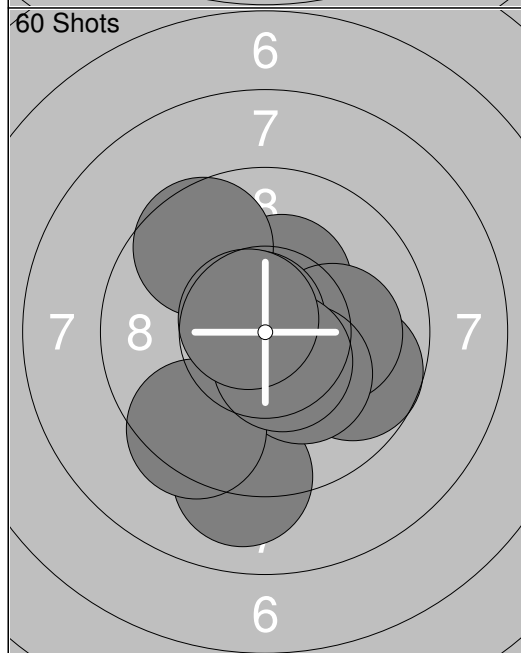
11: 10.3x ←
12: 10.2x ↗
13: 10.1 ↖
14: 10.7x →
15: 10.6x ↘
Series 51.9
Total 0.0



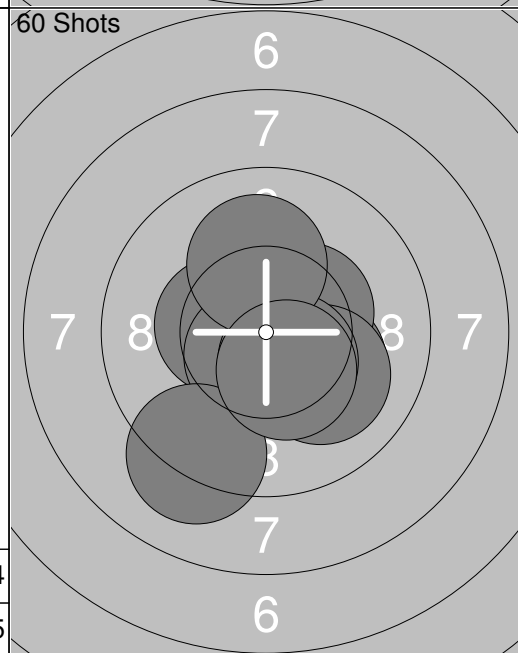
1: 10.7x ↘
2: 10.5x ↗
3: 10.5x ↖
4: 10.5x ↗
5: 10.6x ↖
6: 10.2x →
7: 9.7 ↖
8: 10.4x ↗
9: 8.9 ↗
10: 9.7 ↗
Series 101.7
Total 101.7



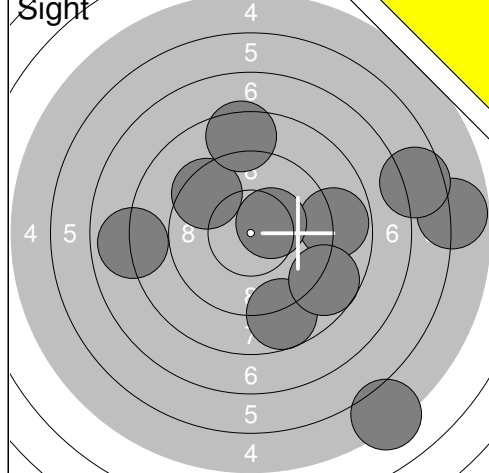
11: 10.6x ↘
12: 9.9 ←
13: 10.3x ↘
14: 10.7x →
15: 10.0 ↘
16: 9.7 ↖
17: 10.4x ↗
18: 10.4x ↘
19: 10.0 ↘
20: 10.4x ↗
Series 102.4
Total 204.1



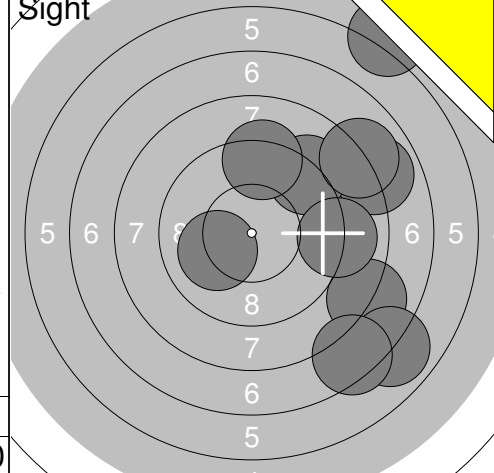
21: 10.3x ↗
22: 9.7 →
23: 9.1 ↘
24: 10.1 →
25: 10.2x ↘
26: 9.6 ↗
27: 10.8x ↗
28: 9.4 ↘
29: 10.5x ↘
30: 10.7x ↖
Series 100.4
Total 304.5



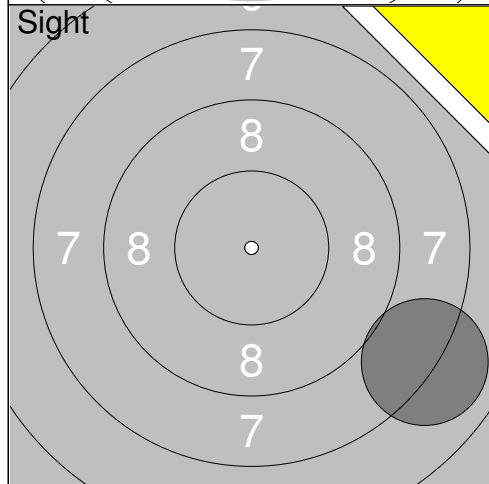
31: 10.4x ←
32: 10.2x ↘
33: 10.5x →
34: 10.4x →
35: 10.6x ↘
36: 10.1 ↘
37: 10.5x ↘
38: 10.1 ↗
39: 9.2 ↘
40: 10.4x ↘
Series 102.4
Total 406.9



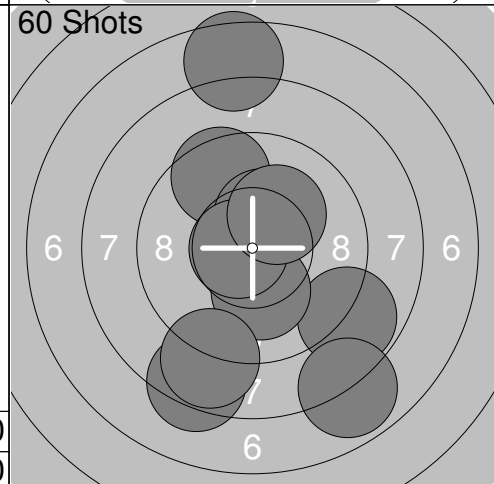
1:	5.2	↘
2:	9.5	↗
3:	8.7	↙
4:	8.8	→
5:	8.7	↘
6:	7.9	←
7:	10.4x	↗
8:	5.8	→
9:	6.6	→
10:	8.5	↑
Series		80.1
Total		0.0



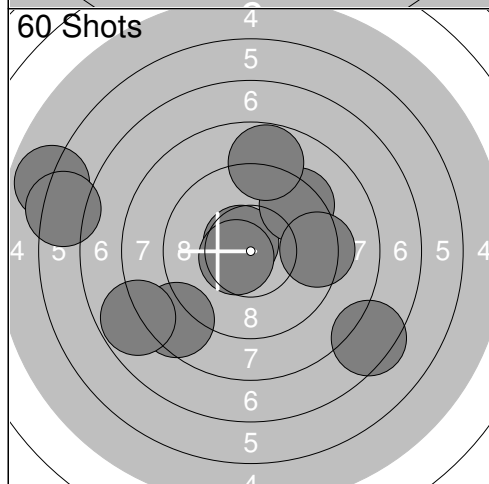
11:	7.9	↗
12:	8.0	↘
13:	9.1	↗
14:	8.0	↗
15:	5.6	↗
16:	9.0	→
17:	10.1	←
18:	6.9	↘
19:	9.3	↑
20:	7.4	↘
Series		81.3
Total		0.0



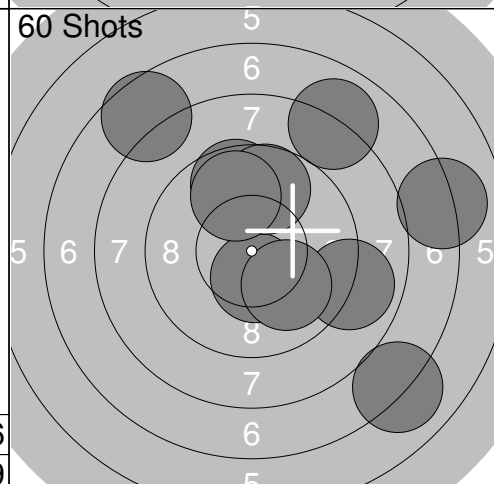
21:	8.0	↘
Series		8.0
Total		0.0



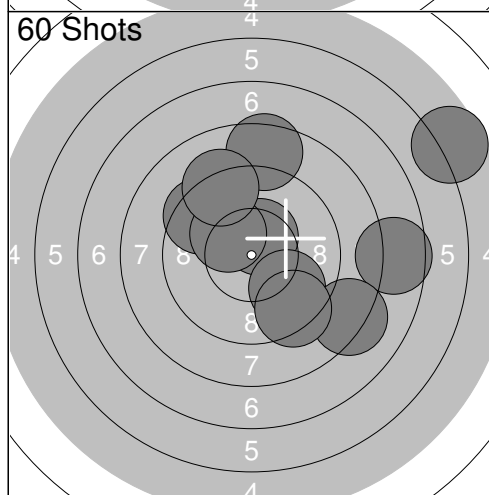
1:	8.3	↘
2:	7.5	↑
3:	8.8	↘
4:	10.2x	↘
5:	7.9	↘
6:	9.5	↗
7:	10.4x	↗
8:	10.7x	←
9:	10.2x	↗
10:	8.8	↘
Series		92.3
Total		92.3



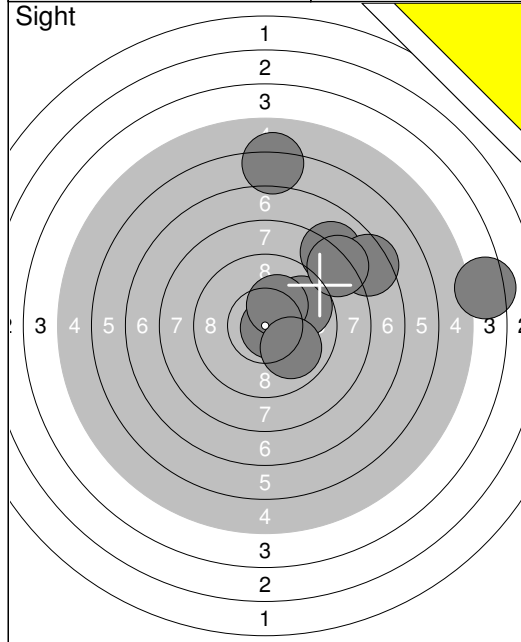
11:	10.6x	↗
12:	5.9	←
13:	8.5	↙
14:	7.4	↘
15:	9.4	↗
16:	9.3	→
17:	6.3	←
18:	7.8	←
19:	10.6x	←
20:	8.8	↑
Series		84.6
Total		176.9



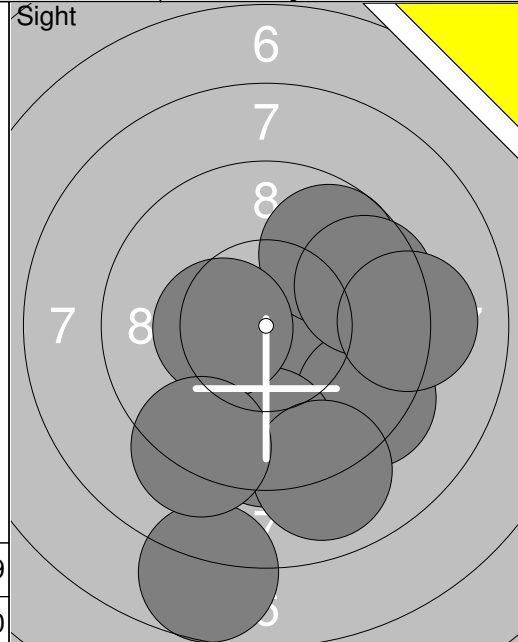
21:	8.9	→
22:	10.4x	↘
23:	9.6	↑
24:	9.7	↑
25:	7.6	↗
26:	9.8	↑
27:	7.1	→
28:	10.0	↘
29:	8.0	↗
30:	7.0	↘
Series		88.1
Total		265.0



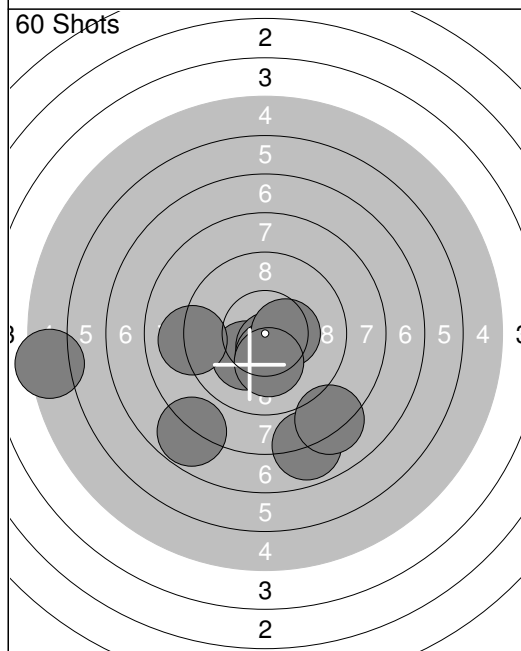
31:	10.5x	↗
32:	7.6	→
33:	9.8	↘
34:	8.2	↘
35:	9.4	↗
36:	8.5	↑
37:	5.6	↗
38:	10.2x	↗
39:	9.2	↗
40:	9.3	↘
Series		88.3
Total		353.3



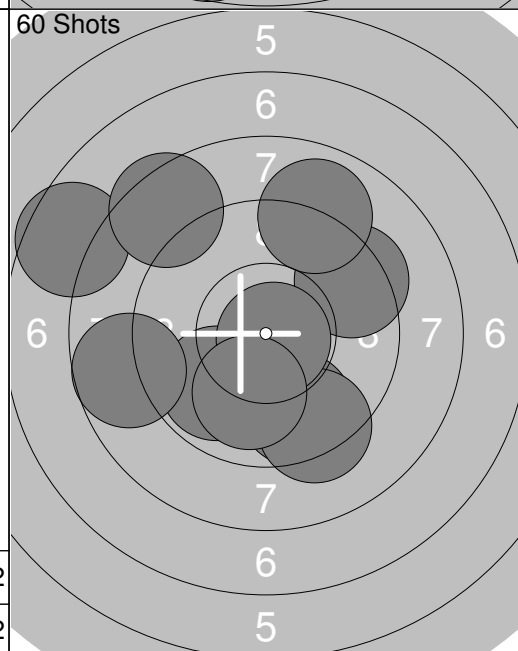
1:	8.0	↗
2:	6.2	↑
3:	9.7	↗
4:	10.8x	→
5:	7.4	↗
7:	10.2x	↗
8:	10.0	↘
9:	4.4	→
10:	8.2	↗
Series		74.9
Total		0.0



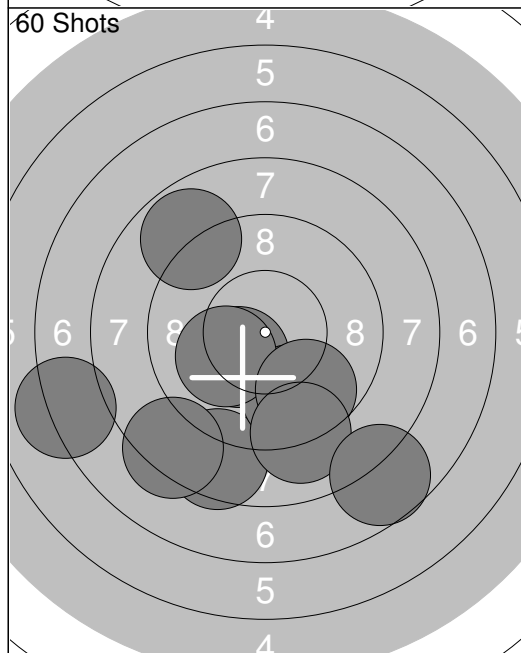
11:	10.3x	↘
12:	9.4	↘
13:	9.7	↗
14:	9.6	→
15:	7.7	↘
16:	9.5	↘
17:	9.1	→
18:	9.0	↘
19:	10.4x	←
20:	9.2	↘
Series		93.9
Total		0.0



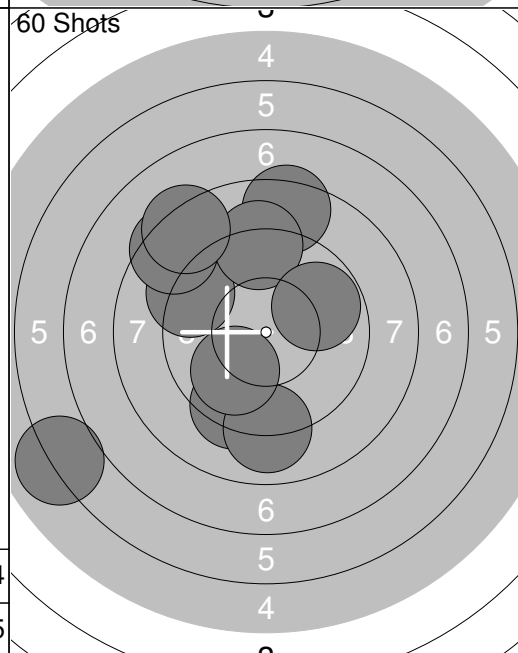
1:	7.8	↘
2:	10.2x	↘
3:	10.6x	↘
4:	10.4x	↘
5:	9.1	←
6:	7.9	↘
7:	8.2	↘
8:	5.4	←
9:	10.4x	→
10:	10.2x	↘
Series		90.2
Total		90.2



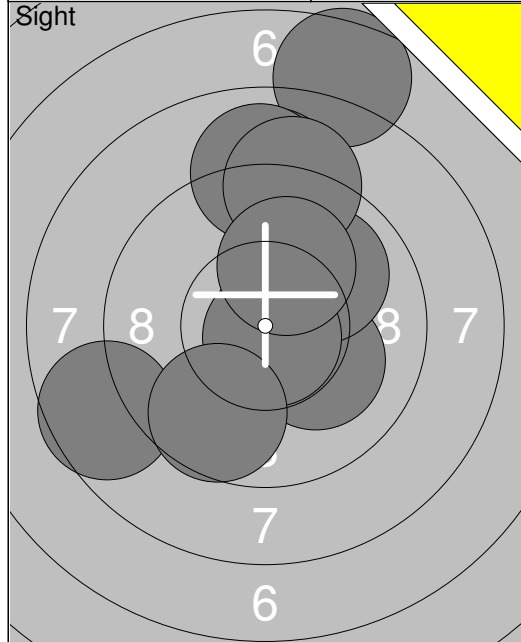
11:	9.9	↙
12:	9.4	↗
13:	7.6	↖
14:	9.7	↘
15:	9.3	↘
16:	9.0	↗
17:	8.5	↗
18:	8.7	←
19:	10.8x	↘
20:	10.0	↘
Series		92.9
Total		183.1



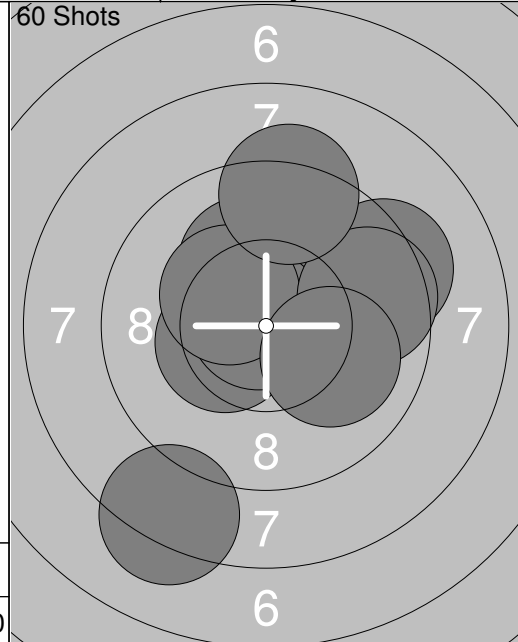
21:	10.3x	↘
22:	8.5	↘
23:	9.7	↘
24:	10.1	←
25:	8.8	↗
26:	9.7	↘
27:	9.1	↘
28:	8.3	↘
29:	7.2	←
30:	7.7	↘
Series		89.4
Total		272.5



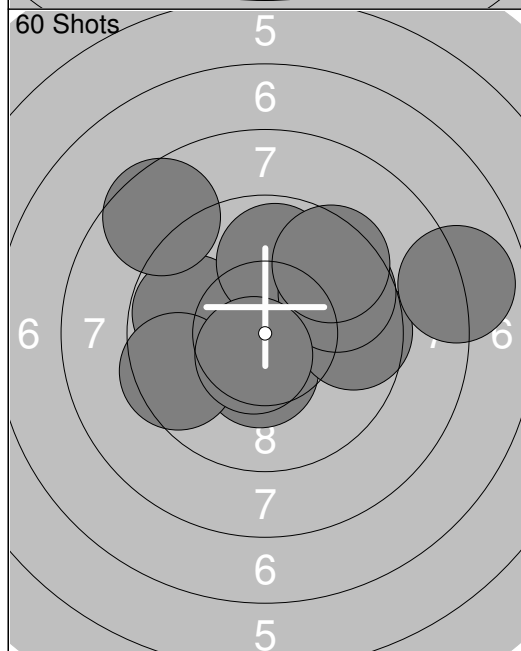
31:	9.2	↖
32:	8.4	↑
33:	8.5	↖
34:	6.0	↖
35:	9.2	↑
36:	8.3	↗
37:	9.8	↗
38:	9.3	↘
39:	9.0	↘
40:	9.9	↙
Series		87.6
Total		360.1



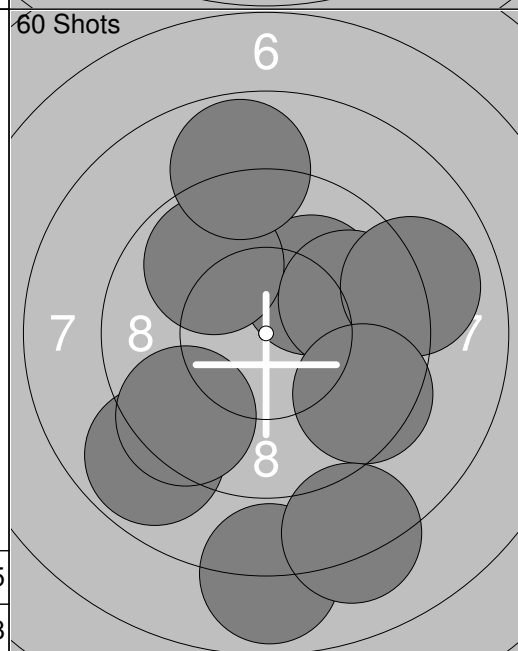
1:	10.2x ↘
2:	7.6 ↑
3:	10.0 ↗
4:	9.0 ↑
5:	8.6 ↙
6:	10.8x ↘
7:	9.0 ↑
8:	9.1 ↑
9:	9.7 ↘
10:	10.1 ↑
Series 94.1	
Total 0.0	



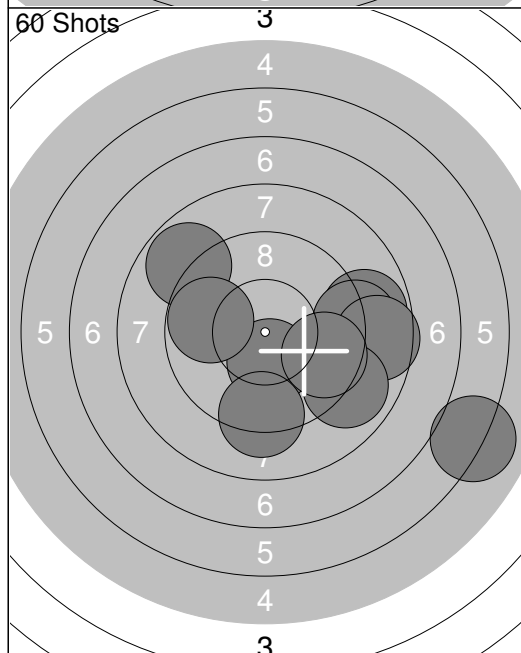
1:	8.2 ↙
2:	10.4x →
3:	10.1 ↑
4:	9.3 ↗
5:	10.4x ↙
6:	10.8x ↙
7:	10.3x ↙
8:	9.6 →
9:	10.0 →
10:	9.2 ↑
Series 98.3	
Total 98.3	



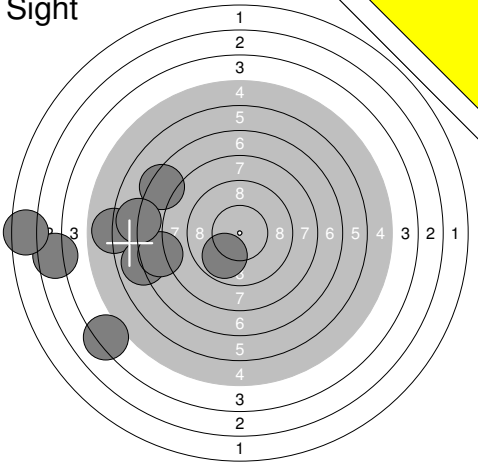
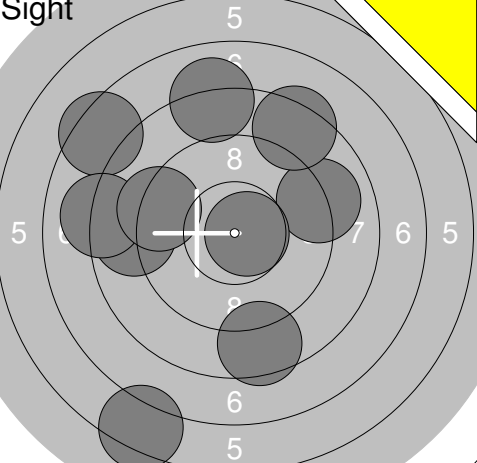
11:	10.4x ↘
12:	9.6 →
13:	9.8 ↙
14:	9.9 ↑
15:	7.9 →
16:	9.7 ↗
17:	9.5 ↗
18:	9.5 ↙
19:	10.6x ↘
20:	8.6 ↙
Series 95.5	
Total 193.8	

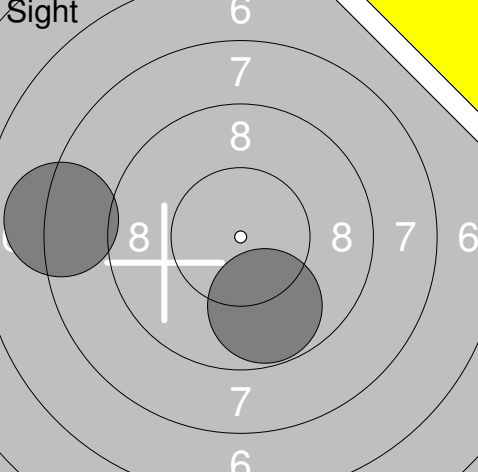
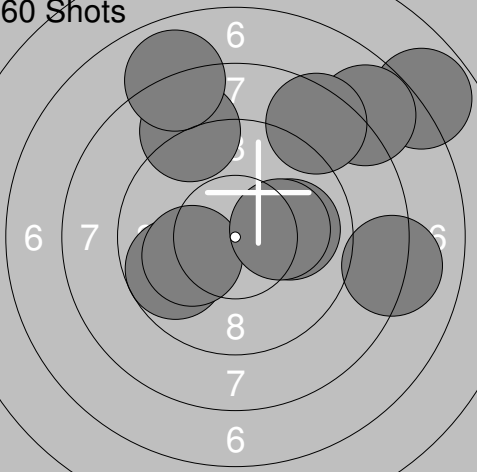


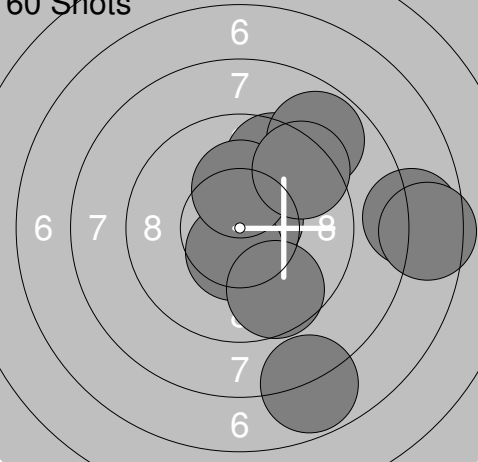
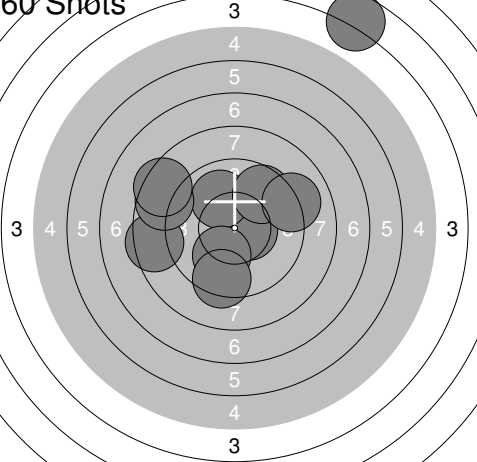
21:	10.1 ↗
22:	7.9 ↓
23:	8.8 ↙
24:	9.8 ↙
25:	9.8 →
26:	9.5 ↙
27:	9.0 →
28:	8.8 ↑
29:	9.5 →
30:	8.2 ↘
Series 91.4	
Total 285.2	

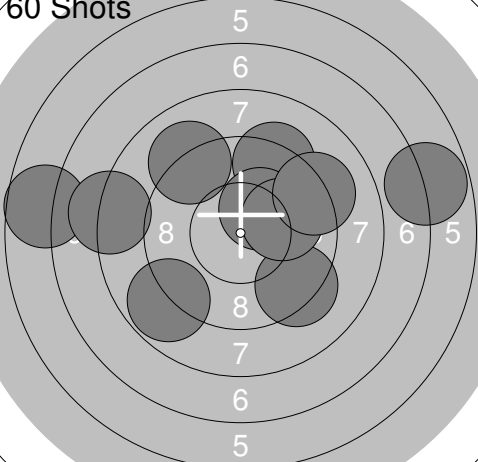


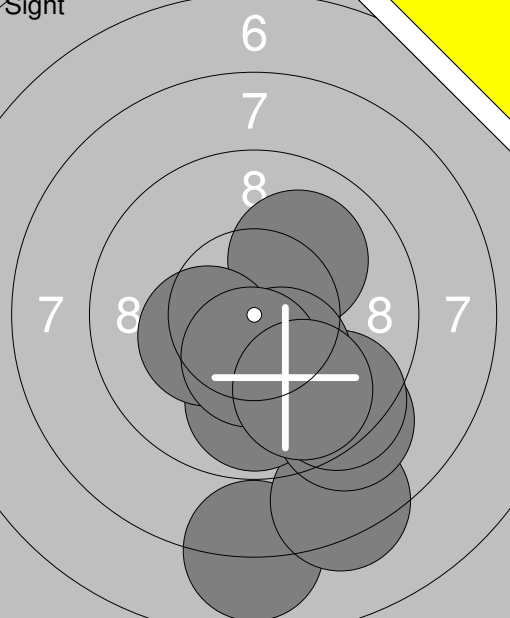
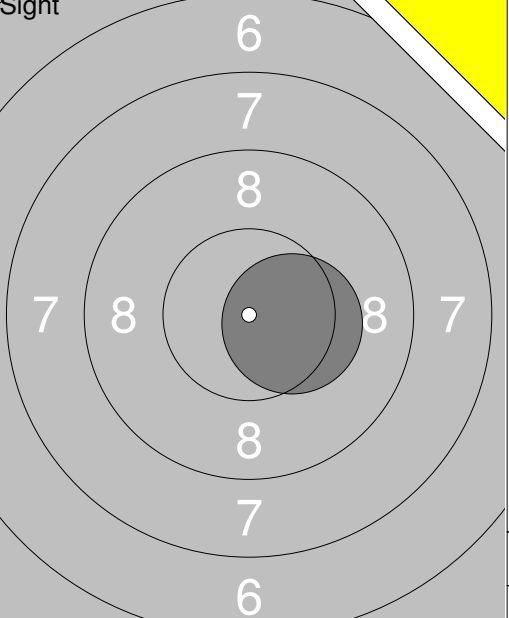
31:	8.8 →
32:	9.1 →
33:	10.3x ↘
34:	8.6 →
35:	9.2 ↓
36:	8.8 ↗
37:	9.8 ↙
38:	6.1 ↘
39:	8.9 ↘
40:	9.6 →
Series 89.2	
Total 374.4	

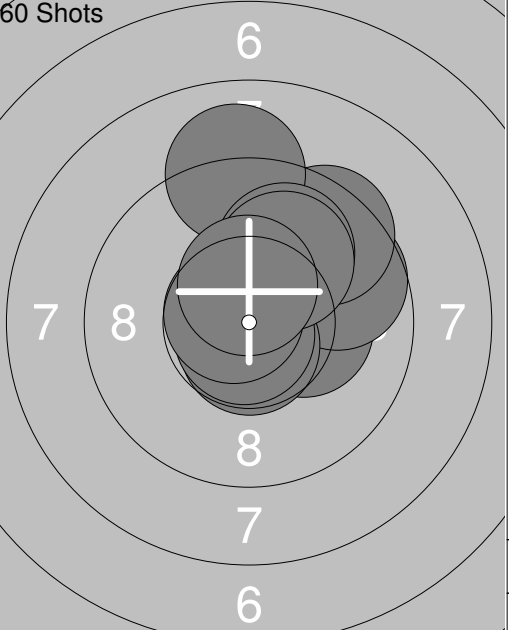
	<table style="width:100%; border-collapse: collapse;"> <tr><td>1:</td><td>5.9</td><td>←</td></tr> <tr><td>2:</td><td>4.2</td><td>↙</td></tr> <tr><td>3:</td><td>7.0</td><td>←</td></tr> <tr><td>4:</td><td>7.7</td><td>←</td></tr> <tr><td>5:</td><td>3.5</td><td>←</td></tr> <tr><td>7:</td><td>7.3</td><td>↙</td></tr> <tr><td>8:</td><td>2.4</td><td>←</td></tr> <tr><td>9:</td><td>9.9</td><td>↘</td></tr> <tr><td>10:</td><td>6.9</td><td>←</td></tr> <tr><td colspan="2">Series</td><td>54.8</td></tr> <tr><td colspan="2">Total</td><td>0.0</td></tr> </table>	1:	5.9	←	2:	4.2	↙	3:	7.0	←	4:	7.7	←	5:	3.5	←	7:	7.3	↙	8:	2.4	←	9:	9.9	↘	10:	6.9	←	Series		54.8	Total		0.0	 <table style="width:100%; border-collapse: collapse;"> <tr><td>11:</td><td>6.3</td><td>↘</td></tr> <tr><td>12:</td><td>7.4</td><td>↖</td></tr> <tr><td>13:</td><td>8.1</td><td>↑</td></tr> <tr><td>14:</td><td>8.8</td><td>←</td></tr> <tr><td>15:</td><td>9.0</td><td>→</td></tr> <tr><td>16:</td><td>8.1</td><td>←</td></tr> <tr><td>17:</td><td>10.7x</td><td>→</td></tr> <tr><td>18:</td><td>9.3</td><td>←</td></tr> <tr><td>19:</td><td>8.5</td><td>↘</td></tr> <tr><td>20:</td><td>8.4</td><td>↗</td></tr> <tr><td colspan="2">Series</td><td>84.6</td></tr> <tr><td colspan="2">Total</td><td>0.0</td></tr> </table>	11:	6.3	↘	12:	7.4	↖	13:	8.1	↑	14:	8.8	←	15:	9.0	→	16:	8.1	←	17:	10.7x	→	18:	9.3	←	19:	8.5	↘	20:	8.4	↗	Series		84.6	Total		0.0
1:	5.9	←																																																																					
2:	4.2	↙																																																																					
3:	7.0	←																																																																					
4:	7.7	←																																																																					
5:	3.5	←																																																																					
7:	7.3	↙																																																																					
8:	2.4	←																																																																					
9:	9.9	↘																																																																					
10:	6.9	←																																																																					
Series		54.8																																																																					
Total		0.0																																																																					
11:	6.3	↘																																																																					
12:	7.4	↖																																																																					
13:	8.1	↑																																																																					
14:	8.8	←																																																																					
15:	9.0	→																																																																					
16:	8.1	←																																																																					
17:	10.7x	→																																																																					
18:	9.3	←																																																																					
19:	8.5	↘																																																																					
20:	8.4	↗																																																																					
Series		84.6																																																																					
Total		0.0																																																																					

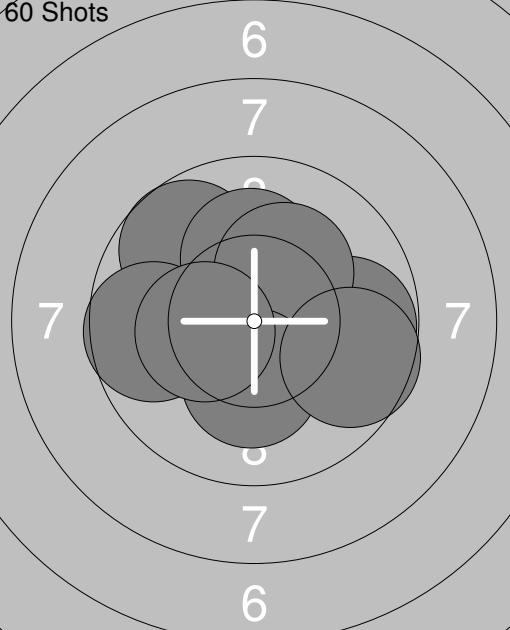
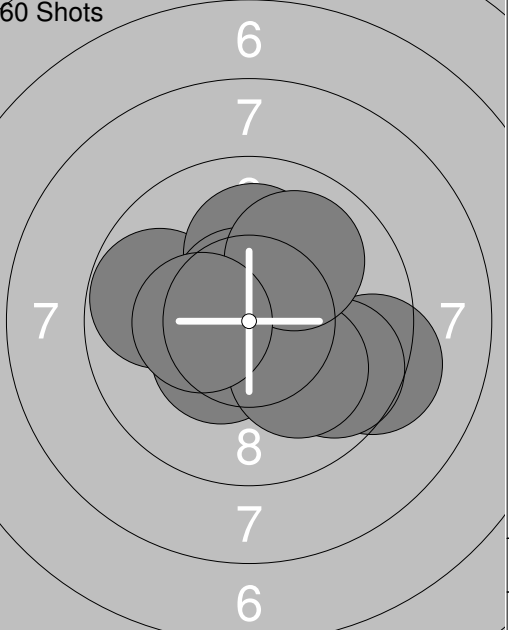
 <table style="width:100%; border-collapse: collapse;"> <tr><td>21:</td><td>9.8</td><td>↘</td></tr> <tr><td>22:</td><td>8.1</td><td>←</td></tr> <tr><td colspan="2">Series</td><td>17.9</td></tr> <tr><td colspan="2">Total</td><td>0.0</td></tr> </table>	21:	9.8	↘	22:	8.1	←	Series		17.9	Total		0.0	 <table style="width:100%; border-collapse: collapse;"> <tr><td>1:</td><td>8.9</td><td>↗</td></tr> <tr><td>2:</td><td>9.7</td><td>←</td></tr> <tr><td>3:</td><td>8.1</td><td>→</td></tr> <tr><td>4:</td><td>10.0</td><td>→</td></tr> <tr><td>5:</td><td>6.8</td><td>↗</td></tr> <tr><td>6:</td><td>8.0</td><td>↗</td></tr> <tr><td>7:</td><td>10.1</td><td>←</td></tr> <tr><td>8:</td><td>10.1</td><td>→</td></tr> <tr><td>9:</td><td>7.8</td><td>↗</td></tr> <tr><td>10:</td><td>8.5</td><td>↗</td></tr> <tr><td colspan="2">Series</td><td>88.0</td></tr> <tr><td colspan="2">Total</td><td>88.0</td></tr> </table>	1:	8.9	↗	2:	9.7	←	3:	8.1	→	4:	10.0	→	5:	6.8	↗	6:	8.0	↗	7:	10.1	←	8:	10.1	→	9:	7.8	↗	10:	8.5	↗	Series		88.0	Total		88.0
21:	9.8	↘																																															
22:	8.1	←																																															
Series		17.9																																															
Total		0.0																																															
1:	8.9	↗																																															
2:	9.7	←																																															
3:	8.1	→																																															
4:	10.0	→																																															
5:	6.8	↗																																															
6:	8.0	↗																																															
7:	10.1	←																																															
8:	10.1	→																																															
9:	7.8	↗																																															
10:	8.5	↗																																															
Series		88.0																																															
Total		88.0																																															

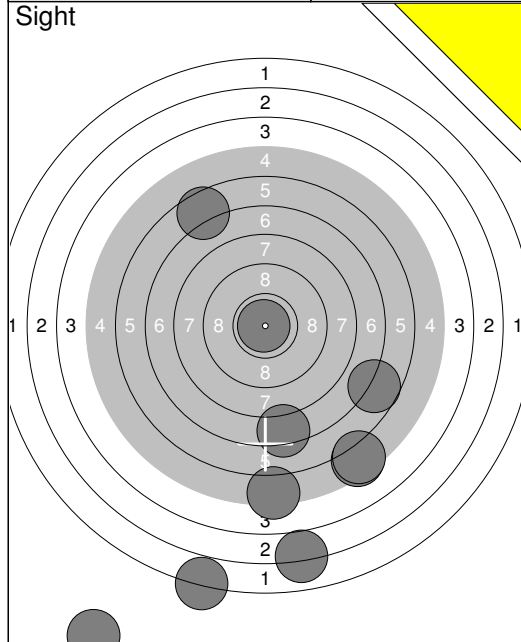
 <table style="width:100%; border-collapse: collapse;"> <tr><td>11:</td><td>10.6x</td><td>↗</td></tr> <tr><td>12:</td><td>7.8</td><td>↘</td></tr> <tr><td>13:</td><td>10.5x</td><td>↘</td></tr> <tr><td>14:</td><td>9.6</td><td>↗</td></tr> <tr><td>15:</td><td>7.8</td><td>→</td></tr> <tr><td>16:</td><td>10.2x</td><td>↑</td></tr> <tr><td>17:</td><td>8.8</td><td>↗</td></tr> <tr><td>18:</td><td>9.6</td><td>↘</td></tr> <tr><td>19:</td><td>7.5</td><td>→</td></tr> <tr><td>20:</td><td>9.4</td><td>↗</td></tr> <tr><td colspan="2">Series</td><td>91.8</td></tr> <tr><td colspan="2">Total</td><td>179.8</td></tr> </table>	11:	10.6x	↗	12:	7.8	↘	13:	10.5x	↘	14:	9.6	↗	15:	7.8	→	16:	10.2x	↑	17:	8.8	↗	18:	9.6	↘	19:	7.5	→	20:	9.4	↗	Series		91.8	Total		179.8	 <table style="width:100%; border-collapse: collapse;"> <tr><td>21:</td><td>3.7</td><td>↗</td></tr> <tr><td>22:</td><td>10.5x</td><td>→</td></tr> <tr><td>23:</td><td>8.5</td><td>←</td></tr> <tr><td>24:</td><td>10.0</td><td>↖</td></tr> <tr><td>25:</td><td>8.7</td><td>←</td></tr> <tr><td>26:</td><td>10.0</td><td>↘</td></tr> <tr><td>27:</td><td>9.4</td><td>↘</td></tr> <tr><td>28:</td><td>9.6</td><td>↗</td></tr> <tr><td>29:</td><td>9.1</td><td>↗</td></tr> <tr><td>30:</td><td>8.4</td><td>←</td></tr> <tr><td colspan="2">Series</td><td>87.9</td></tr> <tr><td colspan="2">Total</td><td>267.7</td></tr> </table>	21:	3.7	↗	22:	10.5x	→	23:	8.5	←	24:	10.0	↖	25:	8.7	←	26:	10.0	↘	27:	9.4	↘	28:	9.6	↗	29:	9.1	↗	30:	8.4	←	Series		87.9	Total		267.7
11:	10.6x	↗																																																																							
12:	7.8	↘																																																																							
13:	10.5x	↘																																																																							
14:	9.6	↗																																																																							
15:	7.8	→																																																																							
16:	10.2x	↑																																																																							
17:	8.8	↗																																																																							
18:	9.6	↘																																																																							
19:	7.5	→																																																																							
20:	9.4	↗																																																																							
Series		91.8																																																																							
Total		179.8																																																																							
21:	3.7	↗																																																																							
22:	10.5x	→																																																																							
23:	8.5	←																																																																							
24:	10.0	↖																																																																							
25:	8.7	←																																																																							
26:	10.0	↘																																																																							
27:	9.4	↘																																																																							
28:	9.6	↗																																																																							
29:	9.1	↗																																																																							
30:	8.4	←																																																																							
Series		87.9																																																																							
Total		267.7																																																																							

 <table style="width:100%; border-collapse: collapse;"> <tr><td>31:</td><td>6.7</td><td>←</td></tr> <tr><td>32:</td><td>9.3</td><td>↘</td></tr> <tr><td>33:</td><td>9.3</td><td>↗</td></tr> <tr><td>34:</td><td>10.3x</td><td>↗</td></tr> <tr><td>35:</td><td>10.0</td><td>→</td></tr> <tr><td>36:</td><td>6.8</td><td>→</td></tr> <tr><td>37:</td><td>8.1</td><td>←</td></tr> <tr><td>38:</td><td>9.2</td><td>↗</td></tr> <tr><td>39:</td><td>8.8</td><td>↘</td></tr> <tr><td>40:</td><td>9.1</td><td>↖</td></tr> <tr><td colspan="2">Series</td><td>87.6</td></tr> <tr><td colspan="2">Total</td><td>355.3</td></tr> </table>	31:	6.7	←	32:	9.3	↘	33:	9.3	↗	34:	10.3x	↗	35:	10.0	→	36:	6.8	→	37:	8.1	←	38:	9.2	↗	39:	8.8	↘	40:	9.1	↖	Series		87.6	Total		355.3	
31:	6.7	←																																			
32:	9.3	↘																																			
33:	9.3	↗																																			
34:	10.3x	↗																																			
35:	10.0	→																																			
36:	6.8	→																																			
37:	8.1	←																																			
38:	9.2	↗																																			
39:	8.8	↘																																			
40:	9.1	↖																																			
Series		87.6																																			
Total		355.3																																			

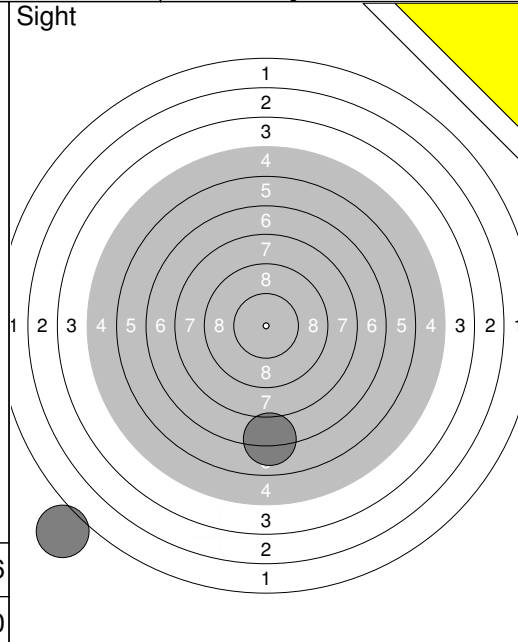
<p>Sight</p>  <p>Series 95.5 Total 0.0</p>	<p>1: 7.9 ↓ 2: 8.3 ↓ 3: 9.8 ↓ 4: 10.1 ↗ 5: 9.2 ↓ 6: 10.3x ← 7: 9.4 ↓ 8: 10.3x ↓ 9: 10.4x ↓ 10: 9.8 ↓</p>	<p>Sight</p>  <p>Series 10.4 Total 0.0</p> <p>11: 10.4x →</p>
---	--	--

<p>60 Shots</p>  <p>Series 98.0 Total 98.0</p>	<p>1: 8.9 ↓ 2: 9.8 ↓ 3: 10.5x → 4: 10.0 ← 5: 9.1 → 6: 9.9 ← 7: 9.5 → 8: 9.5 ↓ 9: 10.5x ← 10: 10.3x ↑</p>	<p>60 Shots</p>  <p>Series 101.1 Total 199.1</p> <p>11: 10.3x → 12: 9.7 ↗ 13: 10.7x ↓ 14: 9.5 ↗ 15: 9.0 ↑ 16: 10.8x ↓ 17: 9.9 ↗ 18: 10.0 ↗ 19: 10.7x ← 20: 10.5x ↑</p>
--	--	--

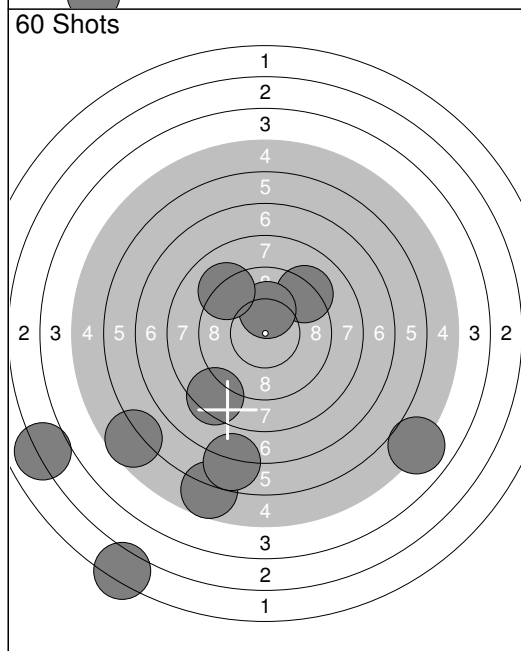
<p>60 Shots</p>  <p>Series 100.6 Total 299.7</p>	<p>21: 10.6x ↑ 22: 10.4x → 23: 9.7 ↗ 24: 10.1 ↑ 25: 9.8 → 26: 10.2x ↗ 27: 10.2x ↓ 28: 9.7 ← 29: 9.6 → 30: 10.3x ←</p>	<p>60 Shots</p>  <p>Series 101.2 Total 400.9</p> <p>31: 9.3 → 32: 10.9x ↑ 33: 9.8 ← 34: 10.4x ← 35: 9.7 → 36: 10.1 ↑ 37: 10.6x ↑ 38: 10.1 ↓ 39: 10.0 ↗ 40: 10.3x ←</p>
---	---	---



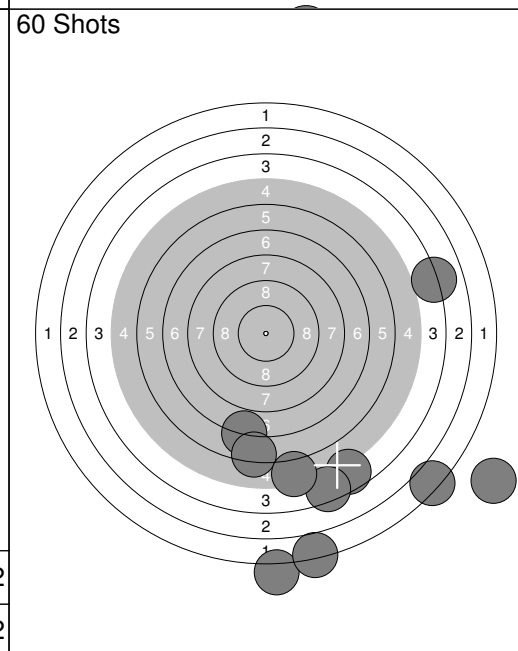
11:	0.0	↘
12:	1.1	↙
13:	7.1	↘
Series	8.2	
Total	0.0	



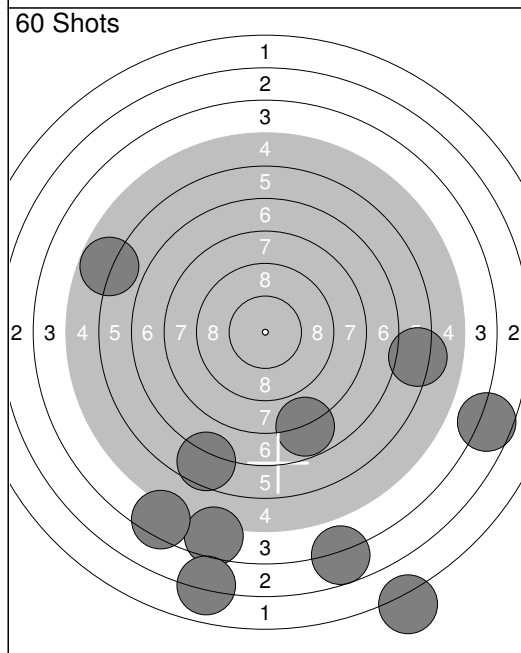
Series	8.2	
Total	0.0	



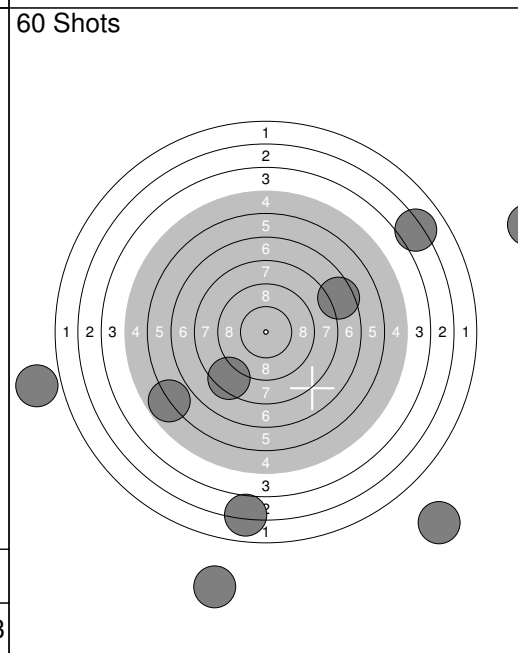
11:	4.6	↘
12:	1.5	↘
13:	6.9	↘
14:	4.4	↘
15:	6.2	↘
16:	4.0	→
17:	2.0	↘
18:	2.1	↘
19:	5.3	↘
20:	0.0	↘
Series	37.0	
Total	102.2	



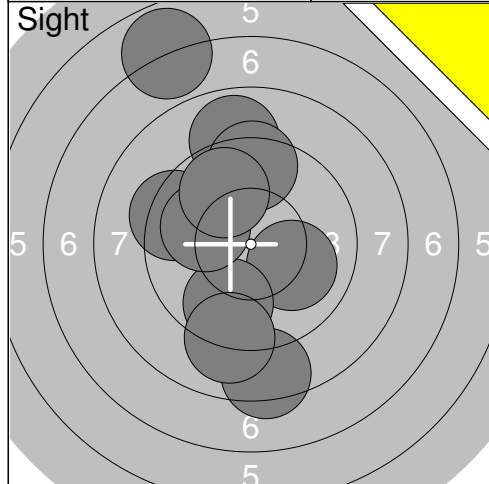
Series	37.0	
Total	102.2	



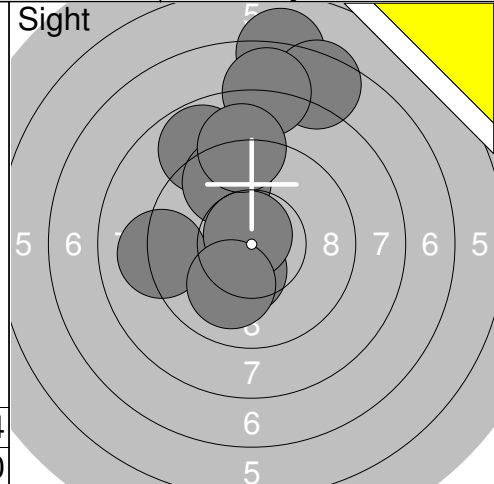
31:	0.0	↘
32:	0.0	↘
33:	7.5	↗
34:	0.0	→
35:	8.4	↙
36:	5.8	↙
37:	3.0	↘
38:	3.1	↗
39:	0.0	→
40:	0.0	←
Series	27.8	
Total	177.1	



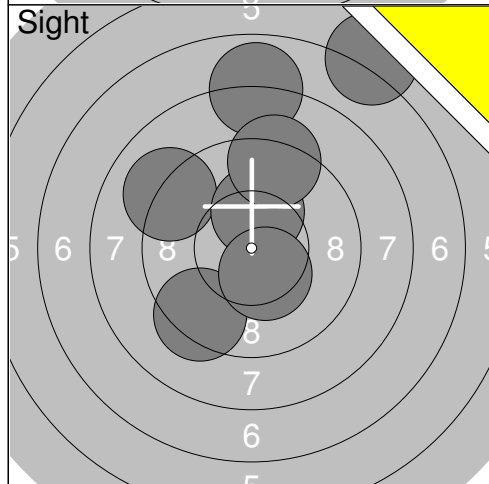
Series	27.8	
Total	177.1	



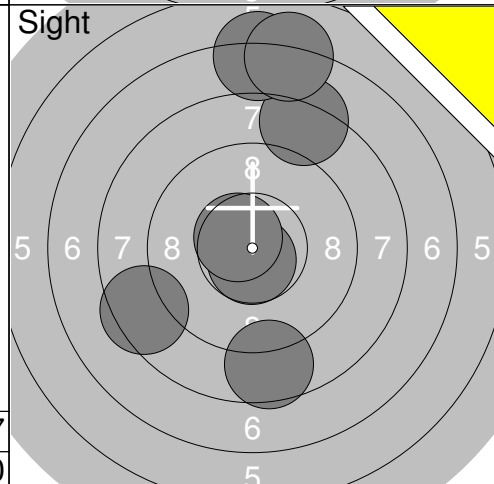
1:	10.0	↘
2:	8.4	↓
3:	9.7	↓
4:	6.8	↗
5:	9.3	↖
6:	8.9	↑
7:	9.1	↓
8:	10.0	↖
9:	9.4	↑
10:	9.8	↗
Series		91.4
Total		0.0



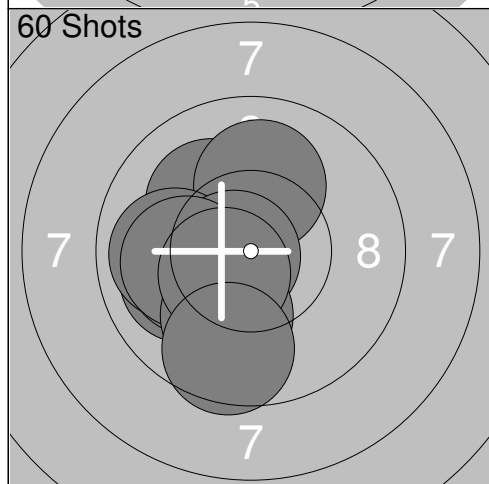
11:	8.8	↖
12:	10.4x	↓
13:	9.1	←
14:	7.0	↑
15:	9.6	↖
16:	7.5	↗
17:	7.9	↑
18:	10.8x	↖
19:	10.1	↓
20:	9.0	↑
Series		90.2
Total		0.0



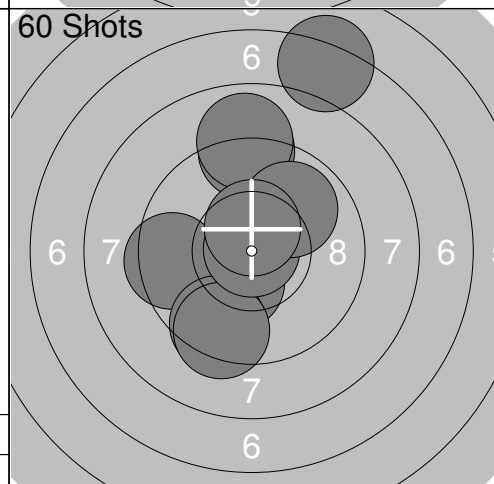
21:	6.6	↗
22:	7.9	↑
24:	9.3	↓
26:	9.1	↖
28:	10.2x	↑
29:	10.4x	↓
30:	9.2	↑
Series		62.7
Total		0.0



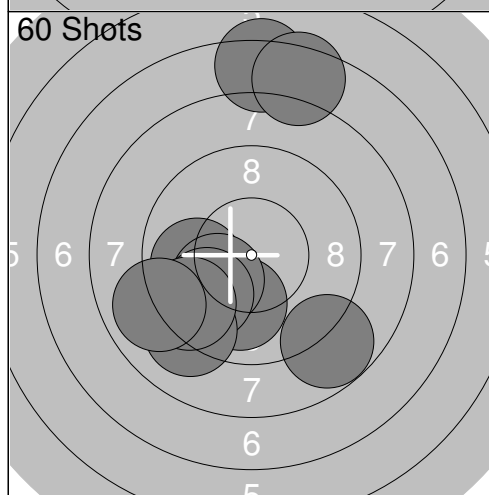
31:	8.2	↗
32:	10.7x	↓
33:	8.6	↓
34:	10.6x	↖
35:	7.1	↑
36:	8.5	↖
37:	7.1	↑
Series		60.8
Total		0.0



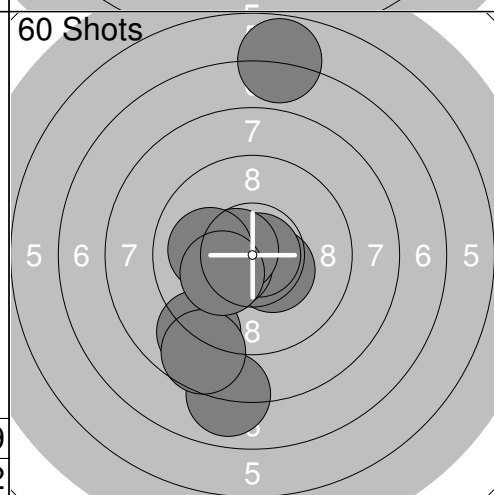
1:	10.0	←
2:	10.1	↖
3:	10.1	↑
4:	10.1	←
5:	9.9	←
6:	10.7x	←
7:	10.1	←
8:	10.0	↓
9:	10.5x	↖
10:	9.6	↓
Series		101.1
Total		101.1



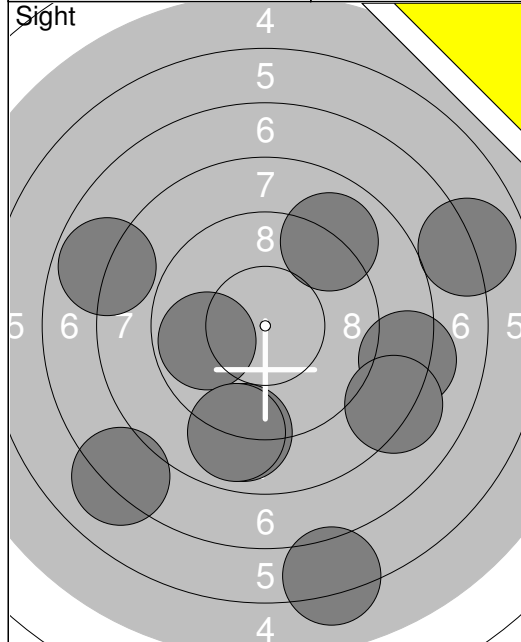
11:	9.1	↑
12:	10.3x	↓
13:	9.5	←
14:	8.9	↑
15:	9.5	↓
16:	9.4	↓
17:	10.9x	↑
18:	9.9	↗
19:	7.2	↑
20:	10.5x	↑
Series		95.2
Total		196.3



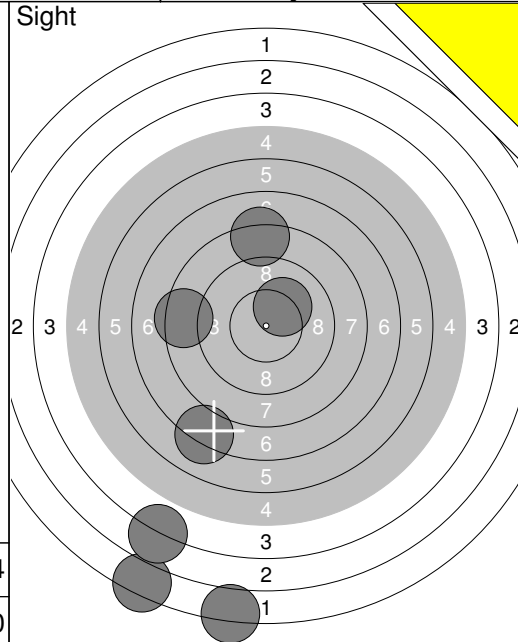
21:	10.0	↓
22:	9.9	←
23:	7.3	↑
24:	8.8	↘
25:	7.5	↑
26:	10.1	↖
27:	9.8	↖
28:	9.1	↖
29:	9.5	↖
30:	8.9	↖
Series		90.9
Total		287.2



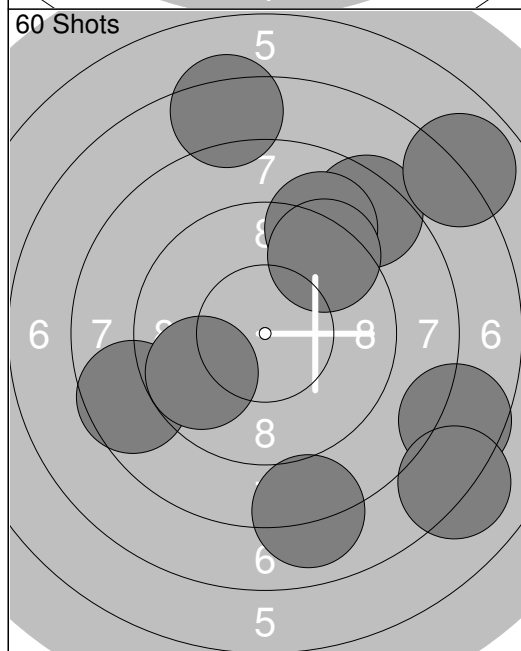
31:	10.4x	↘
32:	6.8	↑
33:	9.0	↓
34:	10.8x	→
35:	10.4x	↖
36:	10.6x	↖
37:	10.1	←
38:	8.0	↓
39:	8.7	↓
40:	10.2x	↖
Series		95.0
Total		382.2



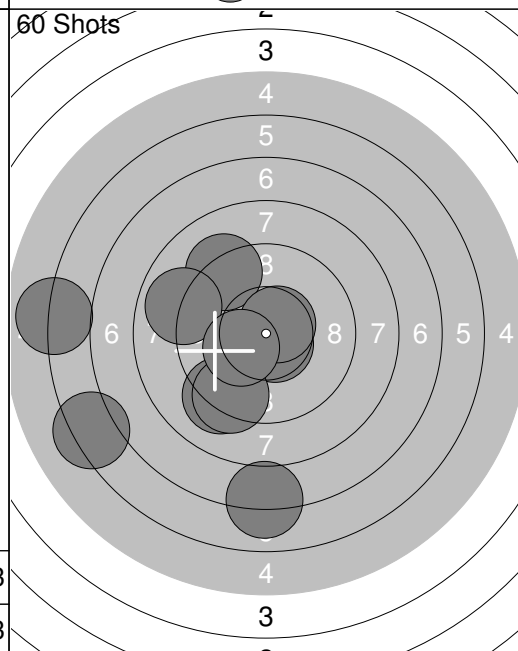
1: 8.3 →
2: 9.0 ↓
3: 7.9 ←
4: 9.8 ←
5: 9.0 ↗
6: 8.2 ↘
7: 7.0 →
8: 8.9 ↓
9: 6.2 ↓
10: 7.1 ↙
Series 81.4
Total 0.0



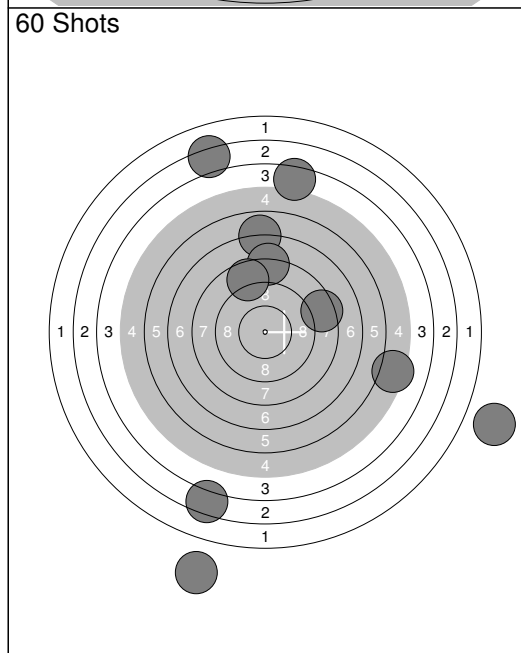
11: 2.1 ↓
12: 2.2 ↓
13: 3.8 ↓
14: 7.1 ↓
15: 8.2 ↑
16: 10.2x ↗
17: 8.4 ←
Series 42.0
Total 0.0



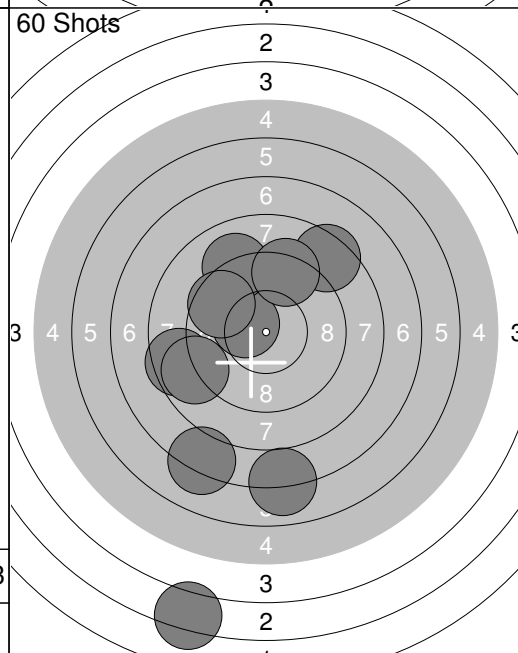
1: 8.4 ↗
2: 7.6 →
3: 7.4 ↑
4: 8.6 ←
5: 9.1 ↗
6: 7.1 ↘
7: 6.9 ↗
8: 9.8 ←
9: 9.4 ↗
10: 8.0 ↓
Series 82.3
Total 82.3



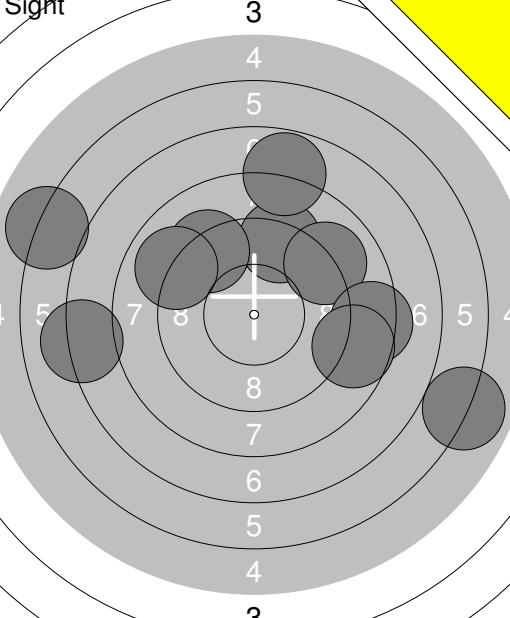
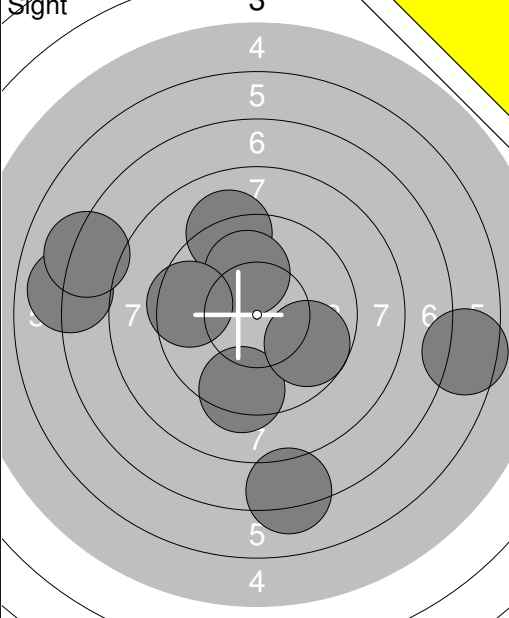
11: 9.2 ↓
12: 6.3 ←
13: 9.2 ↖
14: 7.1 ↓
15: 10.6x ↘
16: 6.0 ←
17: 10.6x ↗
18: 8.9 ←
19: 9.3 ↓
20: 10.3x ↙
Series 87.5
Total 169.8

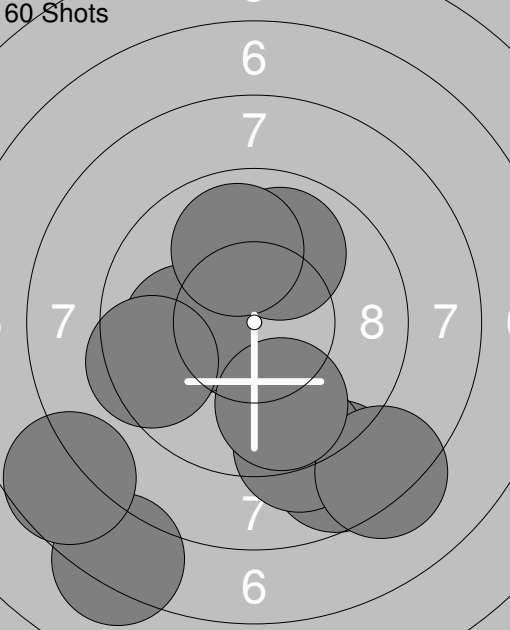
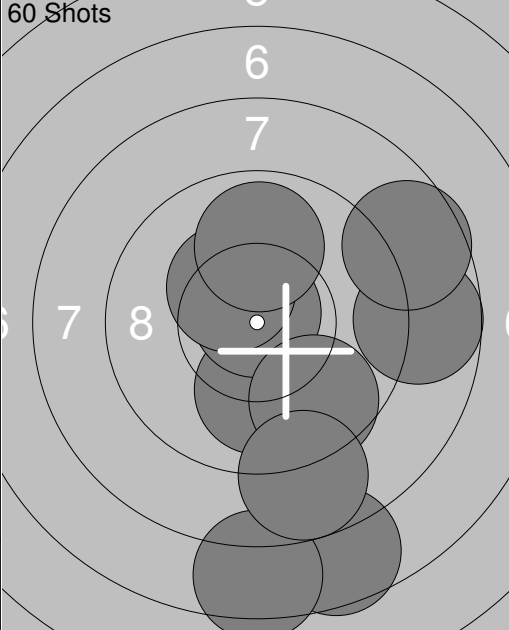


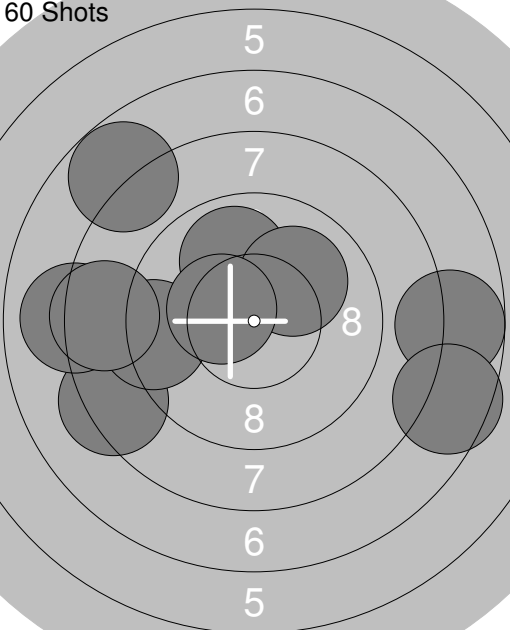
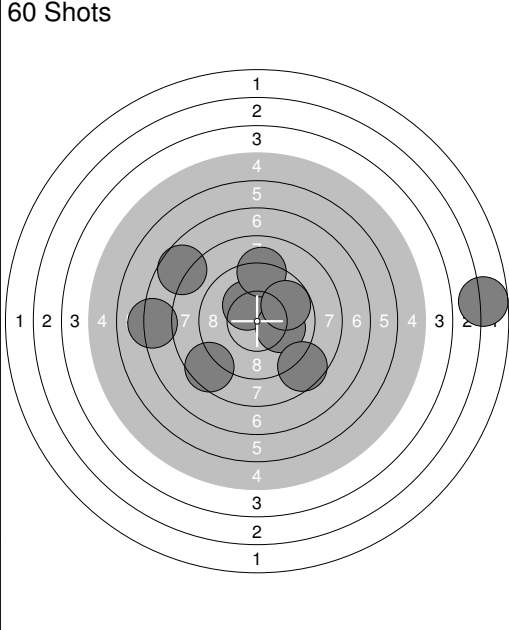
21: 0.0 ↓
22: 3.4 ↓
23: 3.2 ↑
24: 5.3 →
25: 0.0 →
26: 6.9 ↑
27: 4.4 ↑
28: 8.4 →
29: 8.1 ↑
30: 8.6 ↑
Series 48.3
Total 218.1

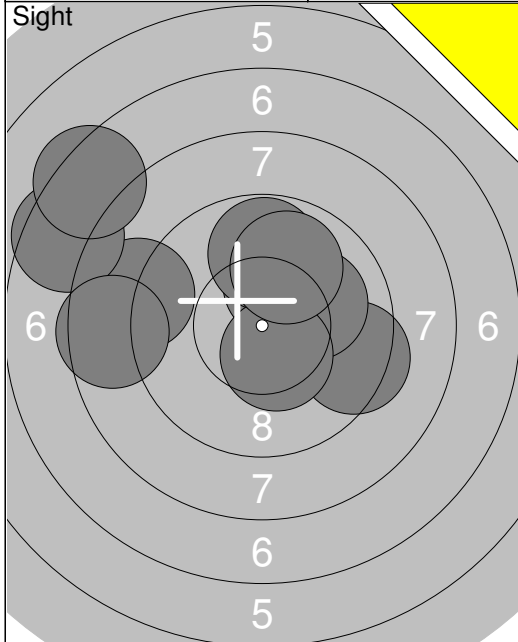


31: 10.4x ↖
32: 7.0 ↓
33: 8.5 ←
34: 9.1 ↖
35: 7.2 ↓
36: 8.4 ↗
37: 3.2 ↓
38: 9.3 ↑
39: 9.6 ←
40: 8.8 ↙
Series 81.5
Total 299.6

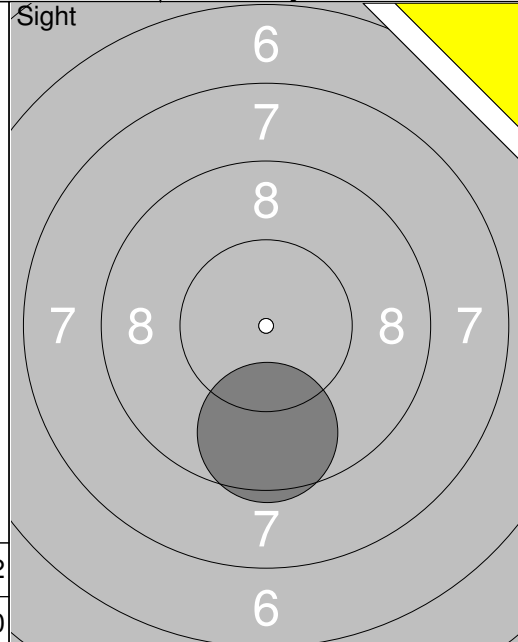
<p>Sight</p>  <p style="text-align: center;">3</p>	<p>1: 9.3 ↗</p> <p>2: 7.8 ↗</p> <p>3: 9.2 ↗</p> <p>4: 6.0 →</p> <p>5: 7.2 ←</p> <p>6: 9.0 ↗</p> <p>7: 8.4 →</p> <p>8: 8.7 →</p> <p>9: 9.0 ↗</p> <p>10: 6.1 ↖</p>	<p>Sight</p>  <p style="text-align: center;">3</p>	<p>11: 9.4 ↓</p> <p>12: 6.5 →</p> <p>13: 7.2 ↓</p> <p>14: 7.0 ←</p> <p>15: 9.2 ↗</p> <p>16: 9.7 →</p> <p>17: 10.1 ↗</p> <p>18: 7.2 ←</p> <p>19: 9.5 ←</p>
Series 80.7	Series 75.8		
Total 0.0	Total 0.0		

<p>60 Shots</p> 	<p>1: 10.0 ↗</p> <p>2: 10.0 ←</p> <p>3: 8.7 ↓</p> <p>4: 9.2 ↓</p> <p>5: 7.2 ↓</p> <p>6: 7.7 ↖</p> <p>7: 8.3 ↓</p> <p>8: 9.8 ↓</p> <p>9: 9.9 ↗</p> <p>10: 9.5 ←</p>	<p>60 Shots</p> 	<p>11: 10.0 ↓</p> <p>12: 7.6 ↓</p> <p>13: 10.8x ↗</p> <p>14: 8.7 →</p> <p>15: 7.5 ↓</p> <p>16: 9.6 ↓</p> <p>17: 8.7 ↓</p> <p>18: 10.4x ↖</p> <p>19: 9.9 ↗</p> <p>20: 8.6 ↗</p>
Series 90.3	Series 91.8		
Total 90.3	Total 182.1		

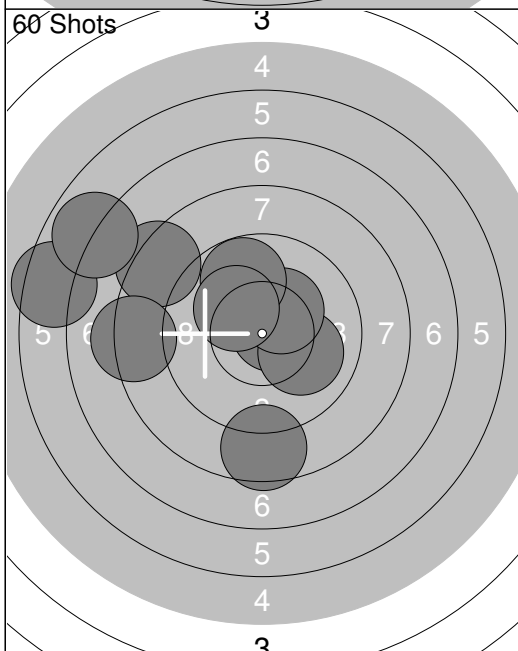
<p>60 Shots</p> 	<p>21: 8.3 ↖</p> <p>22: 9.3 ←</p> <p>23: 7.8 →</p> <p>24: 9.9 ↗</p> <p>25: 8.0 ←</p> <p>26: 10.1 ↗</p> <p>27: 7.5 →</p> <p>28: 7.8 ↗</p> <p>29: 8.5 ←</p> <p>30: 10.4x ↖</p>	<p>60 Shots</p> 	<p>31: 2.7 →</p> <p>32: 10.3x ↗</p> <p>33: 10.3x ↖</p> <p>34: 10.1 →</p> <p>35: 9.2 ↗</p> <p>36: 8.6 ↓</p> <p>37: 9.8 ↗</p> <p>38: 7.7 ↖</p> <p>39: 8.5 ↖</p> <p>40: 7.2 ←</p>
Series 87.6	Series 84.4		
Total 269.7	Total 354.1		



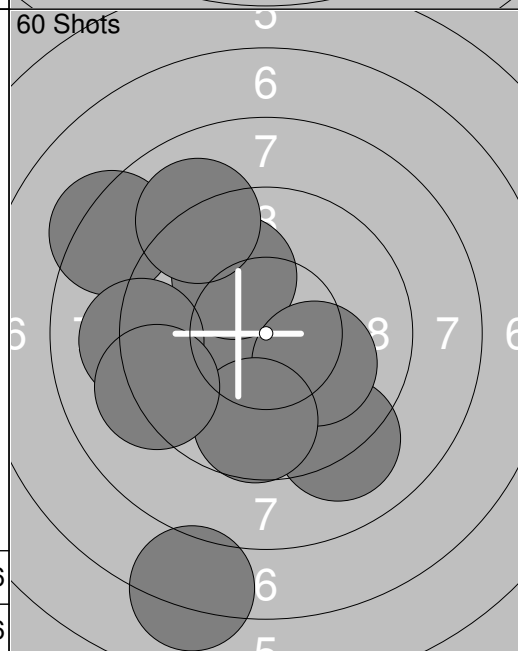
1:	8.9	←
2:	7.5	↖
3:	10.2x	↗
4:	9.4	→
5:	7.4	↖
6:	10.1	↗
7:	10.4x	↘
8:	9.8	↑
9:	8.6	←
10:	9.9	↗
Series		92.2
Total		0.0



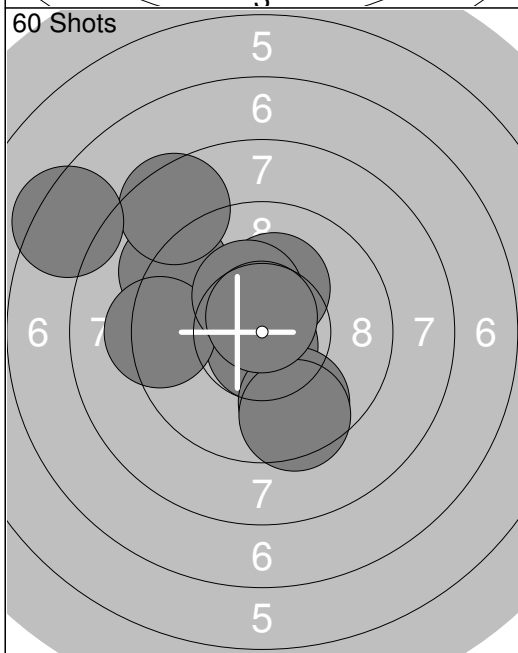
11:	9.6	↓
Series		9.6
Total		0.0



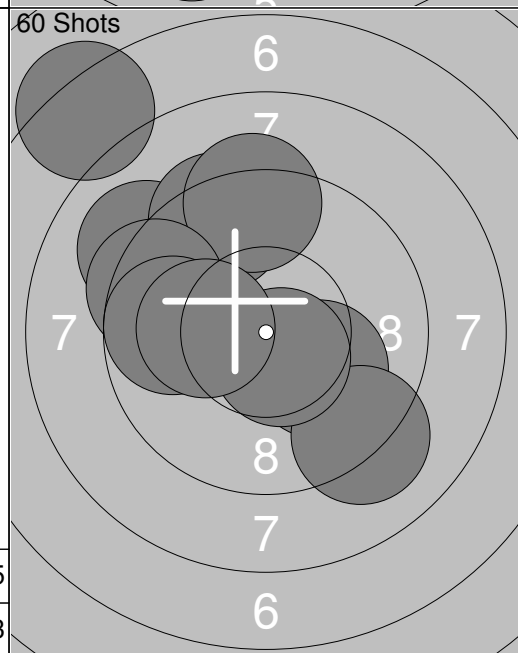
1:	10.7x	→
2:	6.5	←
3:	8.3	↖
4:	10.1	→
5:	6.9	↖
6:	8.6	↓
7:	8.2	←
8:	10.3x	↗
9:	9.8	↑
10:	10.2x	↖
Series		89.6
Total		89.6



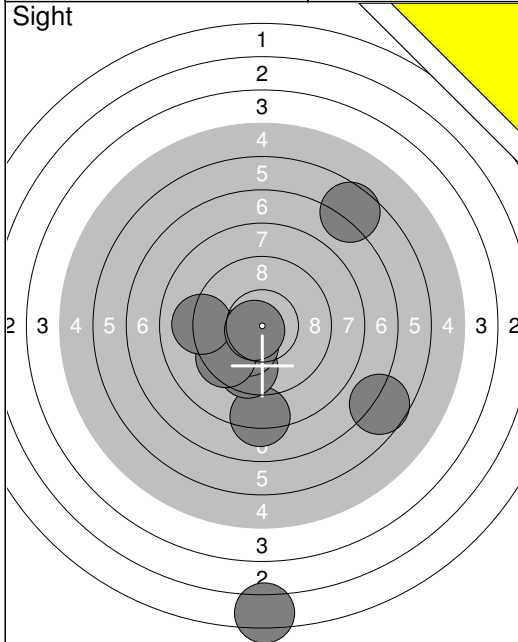
11:	8.3	↖
12:	10.4x	←
13:	10.0	↗
14:	9.1	↘
15:	10.1	↘
16:	9.2	←
17:	9.7	↓
18:	7.1	↓
19:	9.1	↗
20:	9.2	↖
Series		92.2
Total		181.8



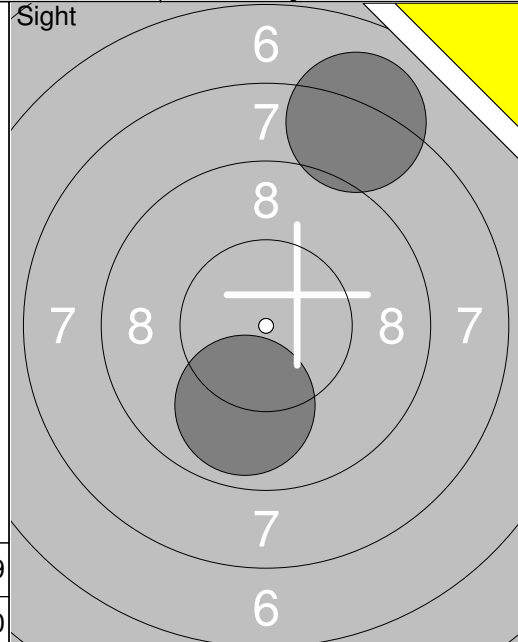
21:	10.7x	↓
22:	9.2	↖
23:	9.3	←
24:	9.7	↓
25:	8.5	↖
26:	10.2x	↗
27:	9.5	↓
28:	7.4	↖
29:	10.3x	↖
30:	10.7x	↗
Series		95.5
Total		277.3



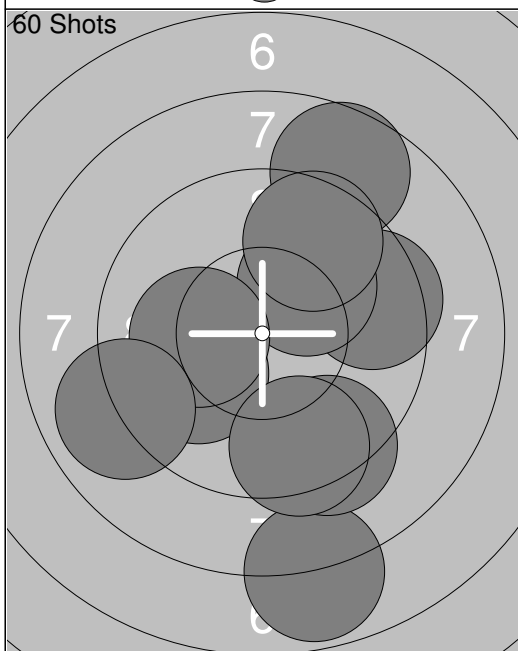
31:	9.1	↖
32:	10.1	↘
33:	9.1	↘
34:	9.4	↗
35:	9.3	↑
36:	9.4	←
37:	7.3	↖
38:	10.6x	↘
39:	9.7	←
40:	10.2x	←
Series		94.2
Total		371.5



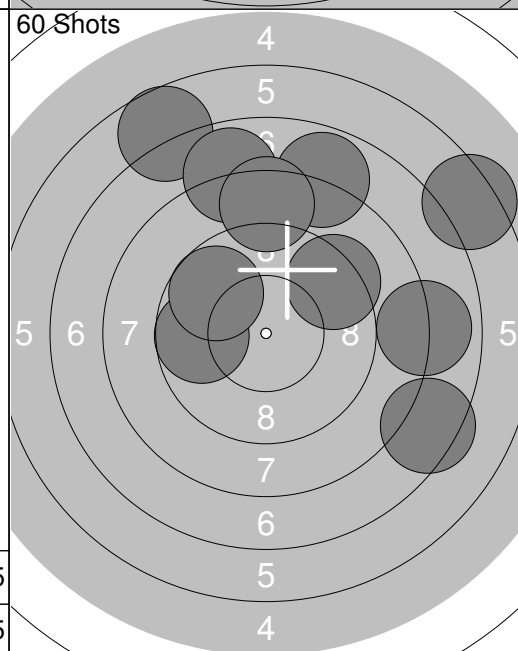
1:	8.2	↓
2:	6.7	→
3:	9.6	↓
4:	6.6	↗
5:	2.3	↓
6:	10.0	←
7:	10.2x	↙
8:	9.5	↙
9:	9.1	←
10:	10.7x	↙
Series	82.9	
Total	0.0	



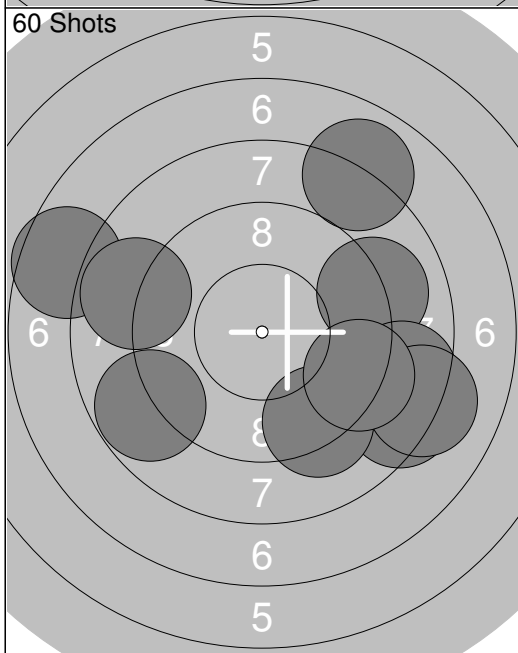
11:	8.1	↗
12:	9.9	↓
Series	18.0	
Total	0.0	



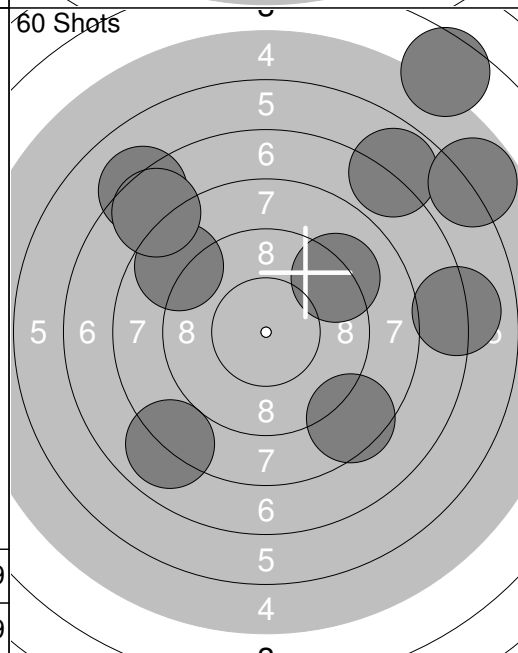
1:	8.7	↗
2:	9.5	→
3:	10.0	←
4:	7.8	↓
5:	10.1	↗
6:	10.1	←
7:	9.3	↓
8:	9.0	←
9:	9.4	↓
10:	9.6	↗
Series	93.5	
Total	93.5	



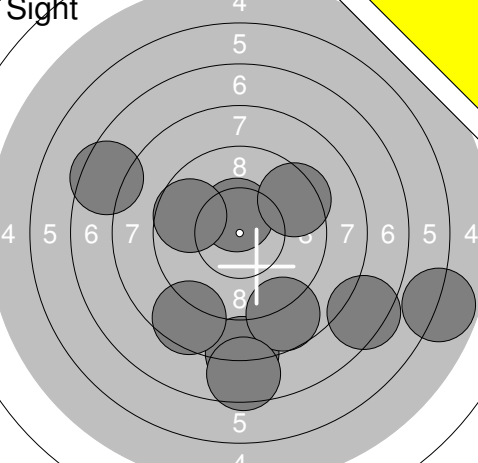
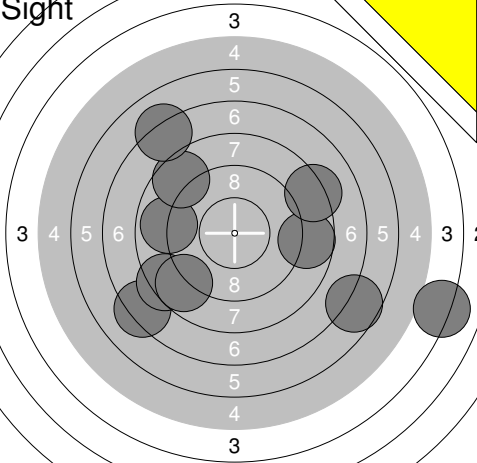
11:	9.7	←
12:	6.7	↗
13:	9.7	↖
14:	7.9	↑
15:	7.9	→
16:	7.9	↑
17:	7.4	↘
18:	9.4	↗
19:	6.4	↗
20:	8.5	↑
Series	81.5	
Total	175.0	

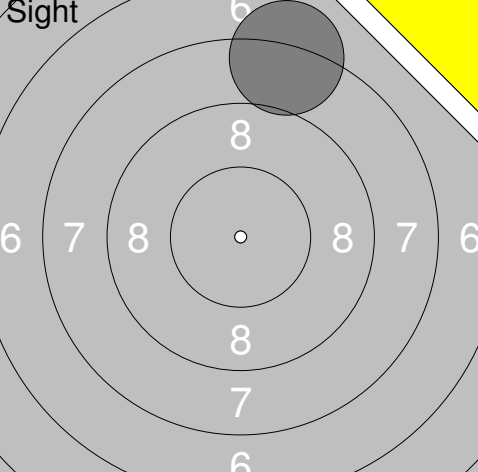
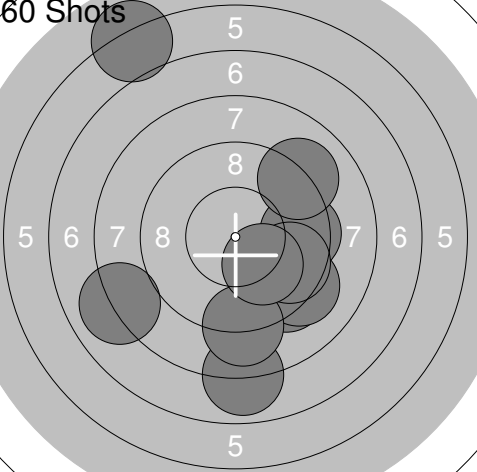


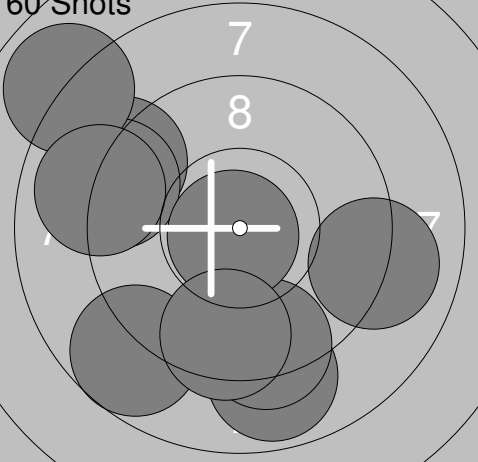
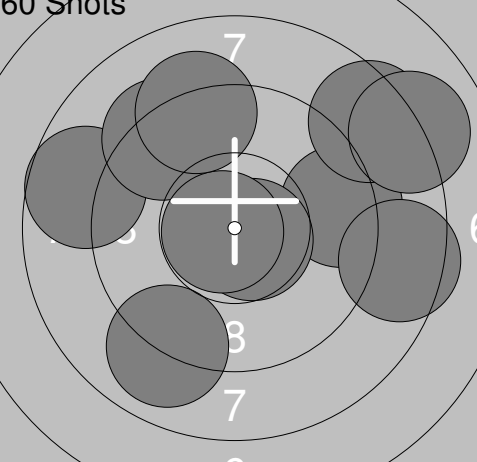
21:	8.8	←
22:	9.1	→
23:	8.4	↘
24:	9.3	↓
25:	8.6	→
26:	8.0	↗
27:	8.1	→
28:	7.6	←
29:	9.2	↘
30:	8.8	←
Series	85.9	
Total	260.9	

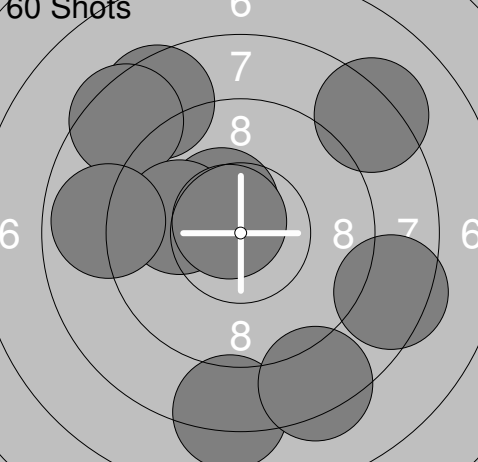


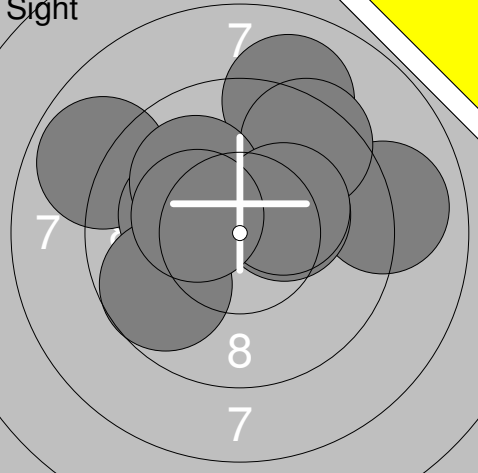
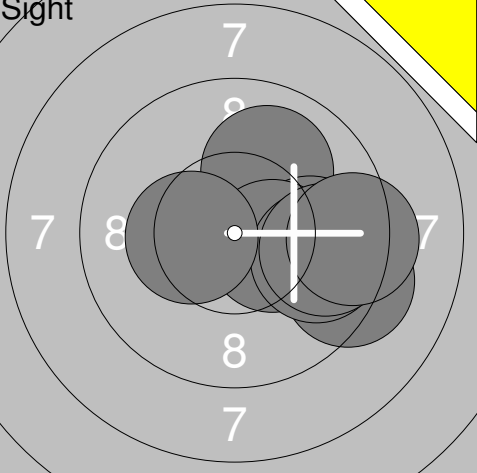
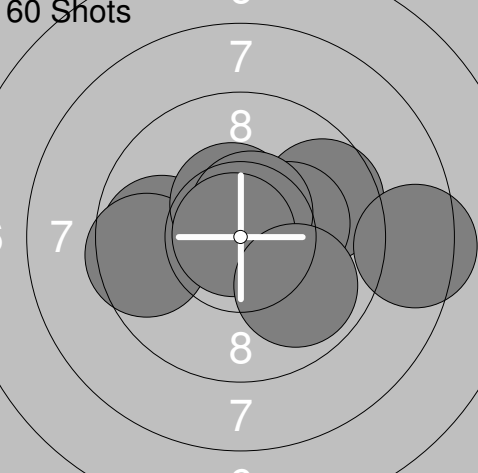

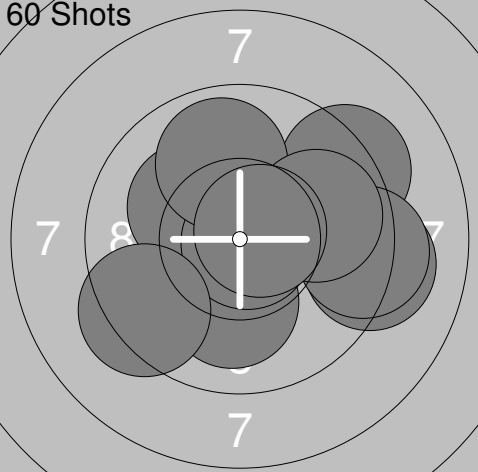
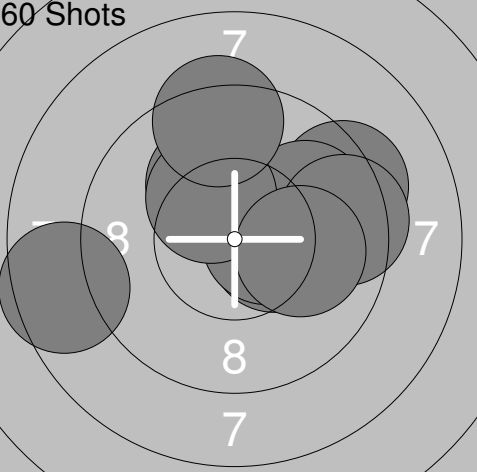
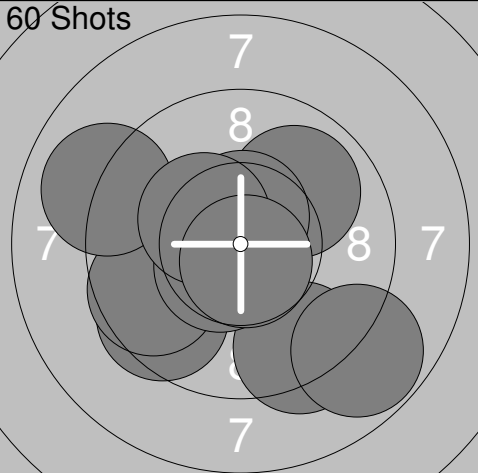
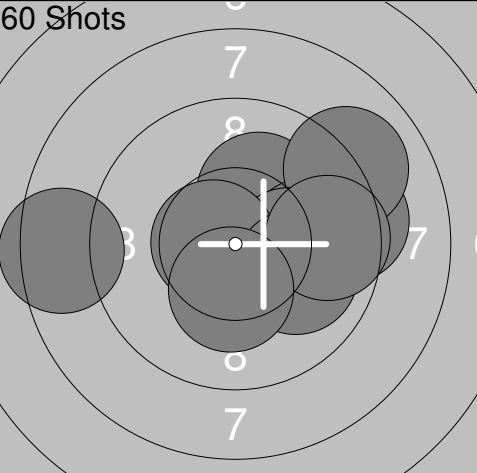
31:	7.2	↖
32:	8.0	↙
33:	8.7	↖
34:	8.5	↘
35:	6.8	↗
36:	9.2	↗
37:	4.6	↗
38:	7.7	↖
39:	7.1	→
40:	5.8	↗
Series	73.6	
Total	334.5	

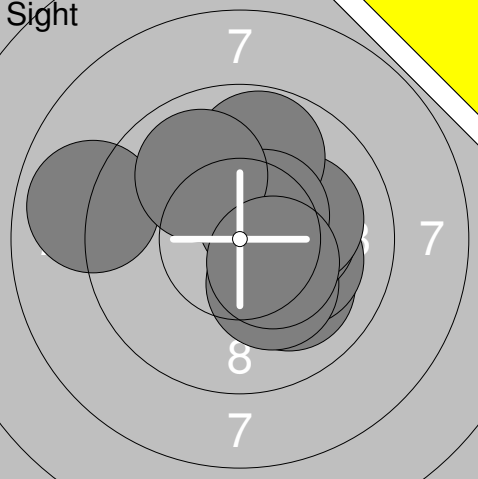
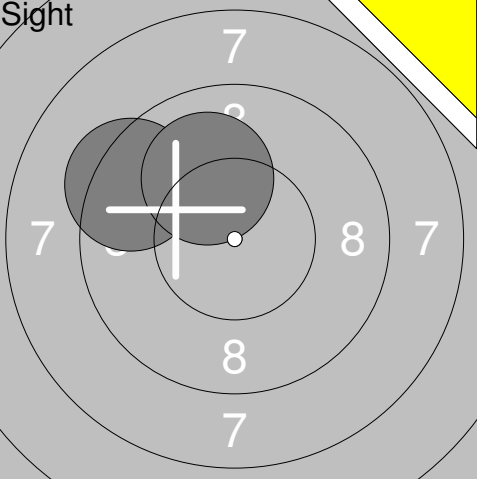
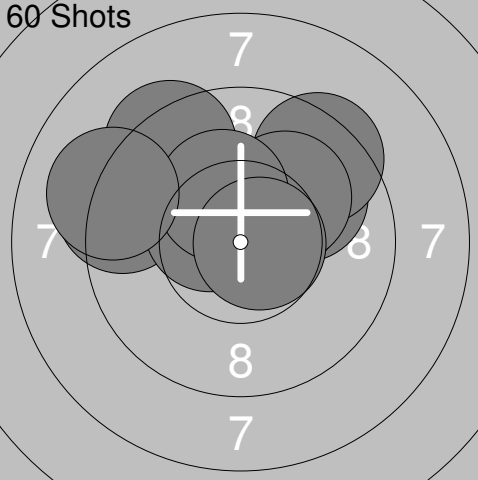
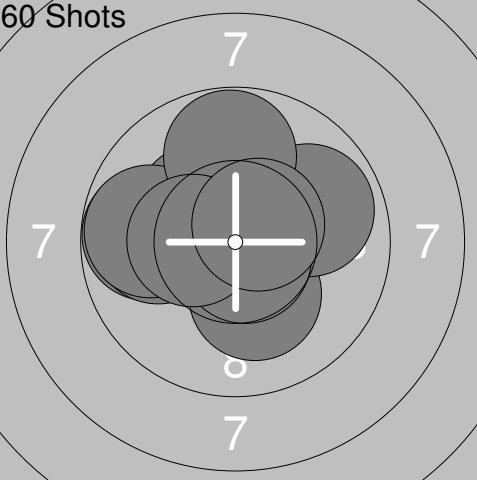
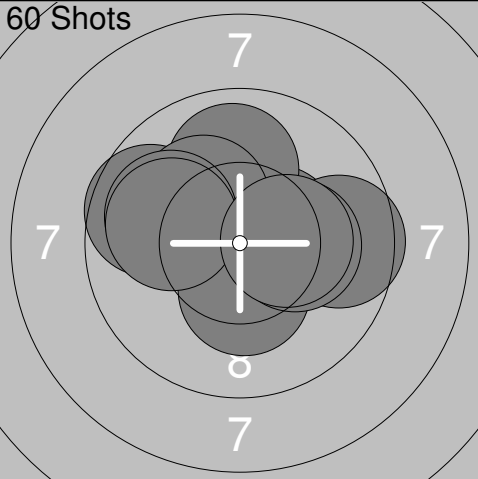
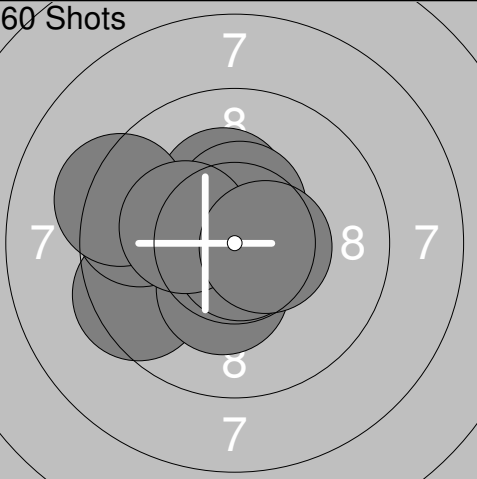
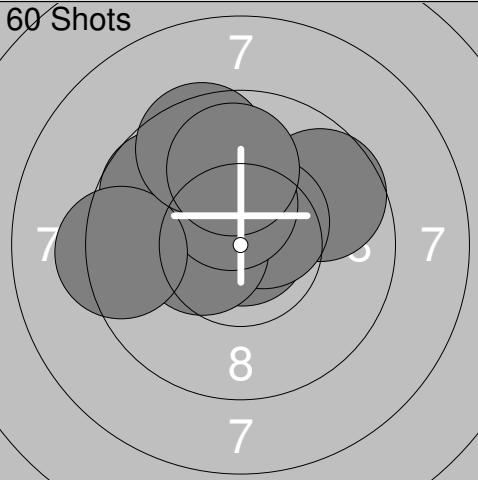
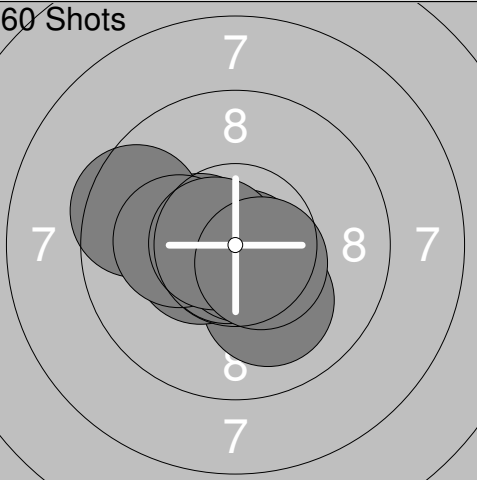
Sight 	1: 8.0 ↓ 2: 8.7 ↓ 3: 7.4 ↓ 4: 7.5 ↗ 5: 10.5x ↑ 6: 5.8 → 7: 9.4 ↗ 8: 9.7 ↖ 9: 8.5 ↓ 10: 7.5 ↓ <hr/> Series 83.0 Total 0.0	Sight 	11: 7.3 ↖ 12: 8.7 → 13: 6.7 ↘ 14: 8.2 → 15: 8.3 ↖ 16: 8.9 ← 17: 8.7 ↖ 18: 4.1 → 19: 8.6 ↗ 20: 7.1 ↗ <hr/> Series 76.6 Total 0.0
--	---	--	--

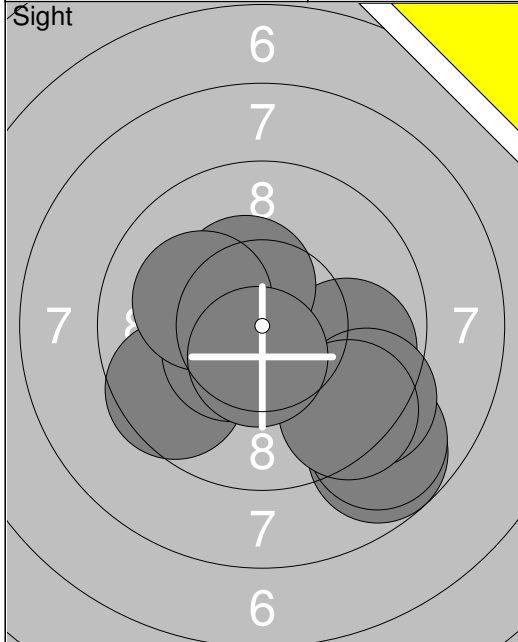
Sight 	21: 8.1 ↑ <hr/> Series 8.1 Total 0.0	60 Shots 	1: 9.3 ↘ 2: 7.9 ↓ 3: 8.0 ← 4: 9.5 → 5: 9.2 ↘ 6: 9.6 ↘ 7: 9.0 ↓ 8: 9.1 ↗ 9: 10.1 ↘ 10: 6.1 ↗ <hr/> Series 87.8 Total 87.8
---	--	--	---

60 Shots 	11: 8.9 ↓ 12: 9.1 ↗ 13: 9.1 ↖ 14: 9.1 → 15: 7.9 ↗ 16: 9.3 ↓ 17: 9.0 ← 18: 8.7 ↘ 19: 10.8x ↘ 20: 9.5 ↓ <hr/> Series 91.4 Total 179.2	60 Shots 	21: 9.4 → 22: 8.7 ← 23: 8.4 ↗ 24: 10.6x ↘ 25: 9.3 ↗ 26: 9.0 ↓ 27: 10.8x ← 28: 8.0 → 29: 9.2 ↑ 30: 8.5 → <hr/> Series 91.9 Total 271.1
---	--	---	--

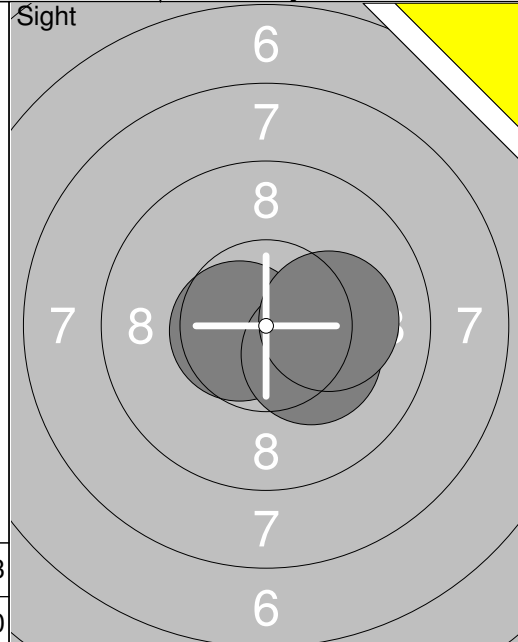
60 Shots 	31: 8.5 ↗ 32: 8.2 ↓ 33: 8.5 ↗ 34: 10.4x ↗ 35: 8.4 ↘ 36: 10.0 ← 37: 8.3 ↓ 38: 8.9 ← 39: 8.2 ↗ 40: 10.7x ↗ <hr/> Series 90.1 Total 361.2		
---	---	--	--

<p>Sight</p> 	<p>1: 8.9 ↖ 2: 9.0 ↗ 3: 10.2x ↖ 4: 9.0 → 5: 9.5 ↗ 6: 9.7 ↖ 7: 10.3x → 8: 10.0 ↗ 9: 10.3x → 10: 10.3x ↖</p> <p>Series 97.2 Total 0.0</p>	<p>Sight</p> 	<p>11: 10.0 ↗ 12: 9.9 → 13: 9.3 ↘ 14: 10.4x ↘ 15: 9.8 ↘ 16: 10.4x ↖ 17: 9.7 → 18: 9.4 →</p> <p>Series 78.9 Total 0.0</p>
<p>60 Shots</p> 	<p>1: 10.8x ↖ 2: 9.7 → 3: 9.8 ↖ 4: 8.4 → 5: 9.6 ↖ 6: 10.2x → 7: 10.5x ↗ 8: 10.6x ↗ 9: 10.9x ↖ 10: 9.9 ↘</p> <p>Series 100.4 Total 100.4</p>	<p>60 Shots</p> 	<p>11: 10.1 → 12: 10.6x ↖ 13: 10.2x ↖ 14: 10.5x ↖ 15: 10.8x → 16: 10.5x ↖ 17: 9.8 ↗ 18: 10.7x ↘ 19: 10.1 → 20: 10.2x ↗</p> <p>Series 103.5 Total 203.9</p>
<p>60 Shots</p> 	<p>21: 10.1 ↓ 22: 10.2x ↖ 23: 9.3 ↗ 24: 9.2 → 25: 10.8x ↘ 26: 9.3 → 27: 9.9 ↗ 28: 9.9 → 29: 9.3 ↖ 30: 10.7x →</p> <p>Series 98.7 Total 302.6</p>	<p>60 Shots</p> 	<p>31: 10.1 ↗ 32: 8.5 ↖ 33: 10.4x → 34: 10.5x → 35: 9.3 ↗ 36: 9.9 → 37: 9.4 → 38: 10.3x ↗ 39: 9.3 ↗ 40: 10.0 →</p> <p>Series 97.7 Total 400.3</p>
<p>60 Shots</p> 	<p>41: 9.9 ↗ 42: 9.5 ↖ 43: 9.3 ↘ 44: 9.6 ↖ 45: 9.0 ↖ 46: 10.6x ↗ 47: 8.8 ↘ 48: 10.5x ↖ 49: 10.4x ↖ 50: 10.7x ↘</p> <p>Series 98.3 Total 498.6</p>	<p>60 Shots</p> 	<p>51: 10.2x ↗ 52: 9.9 → 53: 9.3 → 54: 9.0 ↗ 55: 10.2x → 56: 10.6x ↖ 57: 10.0 ↘ 58: 9.6 → 59: 8.4 ↖ 60: 10.3x ↘</p> <p>Series 97.5 Total 596.1</p>

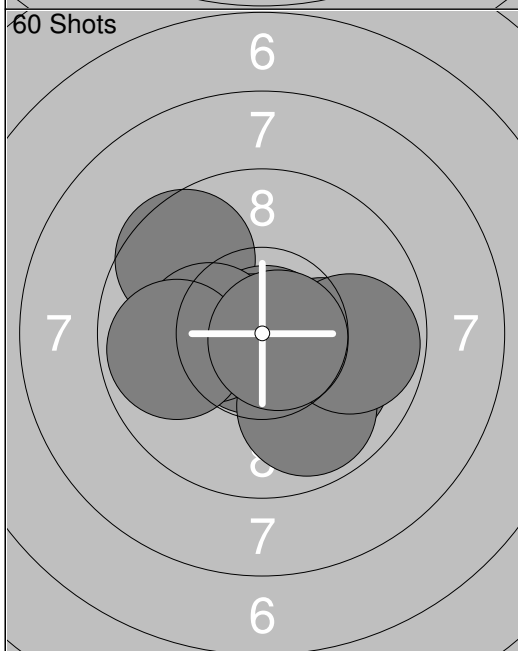
Relay	Lane	Jörgen Pålsson	
S	6	Umeå Skf	
2015-04-18	UME-Kulan 2015	Umeå skytteallians	
Sight		1: 10.0 ↘ 2: 10.1 → 3: 10.2x ↘ 4: 10.3x → 5: 8.9 ← 6: 10.1 → 7: 9.8 ↑ 8: 10.5x ↗ 9: 9.9 ↗ 10: 10.4x ↘ Series 100.2 Total 0.0	Sight  11: 9.4 ↖ 12: 10.1 ↗ Series 19.5 Total 0.0
60 Shots		1: 9.9 ↗ 2: 9.4 ↗ 3: 9.3 ← 4: 10.3x ↗ 5: 10.1 ↗ 6: 10.5x ↖ 7: 9.4 ↗ 8: 10.3x ↗ 9: 9.1 ← 10: 10.7x → Series 99.0 Total 99.0	60 Shots  11: 10.3x ↖ 12: 9.8 ← 13: 9.9 ← 14: 10.2x ↘ 15: 9.9 → 16: 9.8 ← 17: 10.7x ↘ 18: 9.8 ↑ 19: 10.4x ← 20: 10.6x ↗ Series 101.4 Total 200.4
60 Shots		21: 9.7 ← 22: 10.5x → 23: 10.0 ↑ 24: 10.2x ↗ 25: 10.0 ← 26: 10.3x ↘ 27: 9.6 → 28: 10.2x → 29: 10.0 ← 30: 10.3x → Series 100.8 Total 301.2	60 Shots  31: 10.3x ↑ 32: 9.8 ← 33: 9.5 ↖ 34: 10.3x ↘ 35: 10.8x ↘ 36: 10.5x ↑ 37: 9.6 ← 38: 9.3 ← 39: 10.3x ← 40: 10.5x → Series 100.9 Total 402.1
60 Shots		41: 9.7 ↖ 42: 10.3x ↑ 43: 10.9x ↗ 44: 9.7 ↗ 45: 10.5x ↗ 46: 10.4x ← 47: 10.4x ↑ 48: 9.3 ← 49: 9.6 ↗ 50: 9.9 ↑ Series 100.7 Total 502.8	60 Shots  51: 10.6x ↖ 52: 10.1 ↘ 53: 10.5x ← 54: 10.4x ← 55: 10.8x ↘ 56: 10.8x ↘ 57: 9.5 ↖ 58: 10.2x ← 59: 10.7x ← 60: 10.5x ↘ Series 104.1 Total 606.9



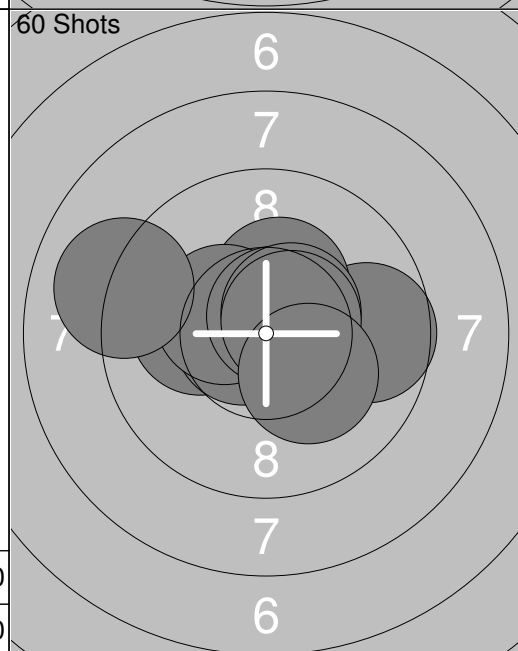
1: 8.8 ↘
2: 9.8 →
3: 9.6 ↙
4: 8.9 ↘
5: 9.3 ↘
6: 9.4 ↘
7: 10.4x ↙
8: 10.4x ↗
9: 10.1 ←
10: 10.6x ↓
Series 97.3
Total 0.0



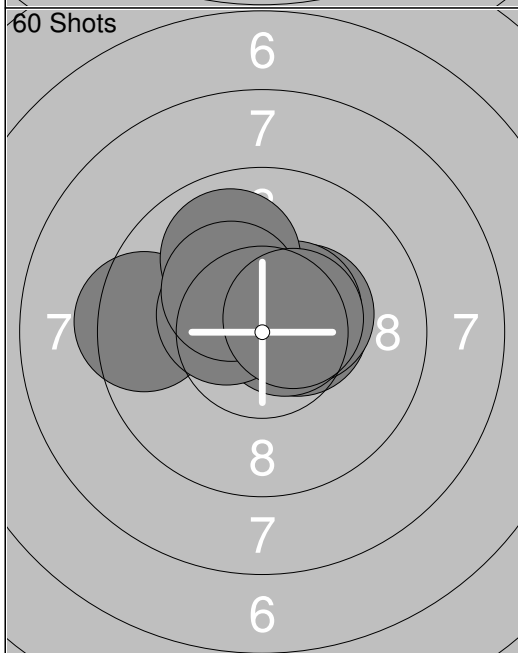
11: 10.6x ←
12: 10.3x ↘
13: 10.1 →
Series 31.0
Total 0.0



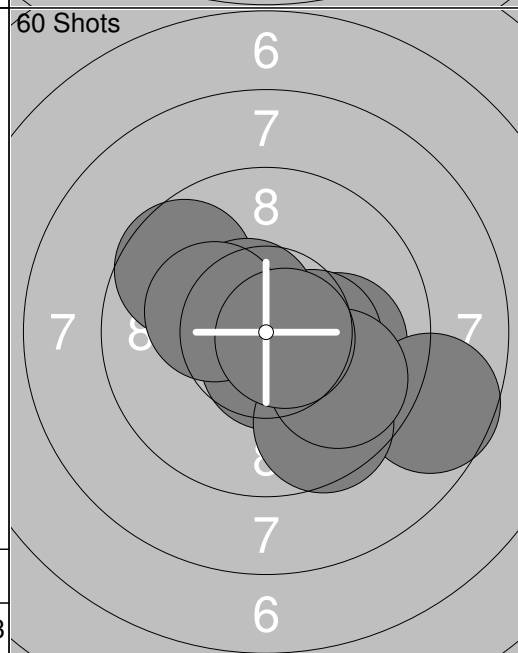
1: 9.6 ↗
2: 10.0 ↘
3: 10.9x ↘
4: 10.8x ↙
5: 10.3x ←
6: 10.2x →
7: 9.9 ↘
8: 9.8 ←
9: 9.8 →
10: 10.7x ↘
Series 102.0
Total 102.0



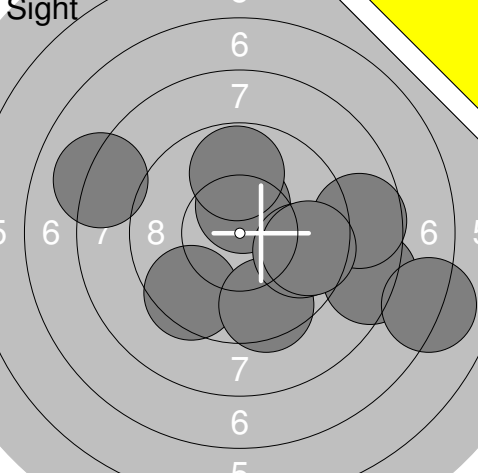
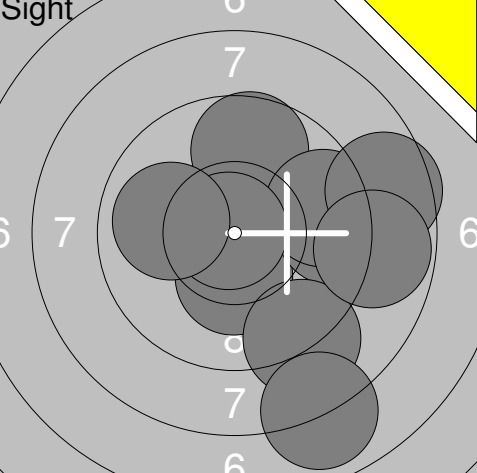
11: 9.7 →
12: 10.3x ↗
13: 10.1 ←
14: 10.7x ←
15: 10.4x ↙
16: 10.7x ↗
17: 10.5x ↗
18: 9.0 ←
19: 10.6x ↗
20: 10.2x ↘
Series 102.2
Total 204.2

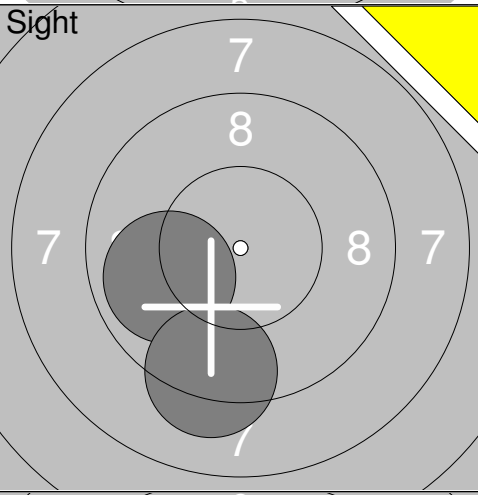
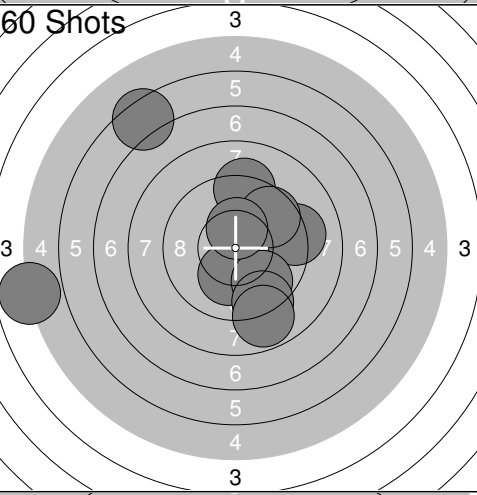


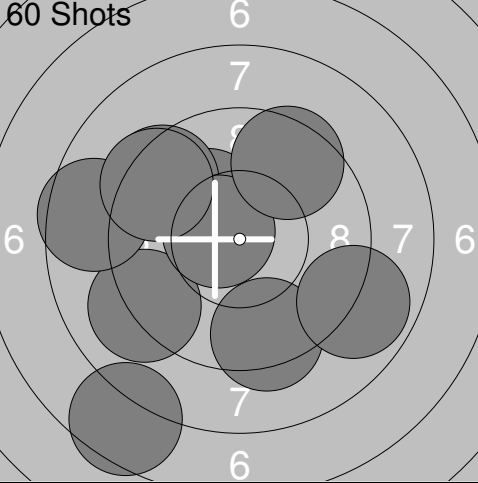
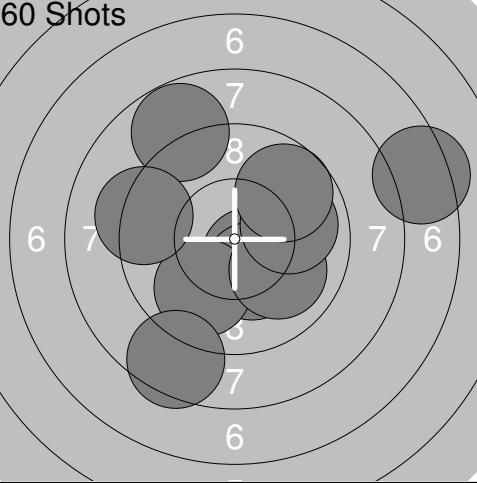
21: 10.6x ↗
22: 9.4 ←
23: 10.5x →
24: 10.4x →
25: 10.5x ↗
26: 9.9 ↗
27: 10.6x →
28: 10.4x ↙
29: 10.3x ↗
30: 10.5x →
Series 103.1
Total 307.3

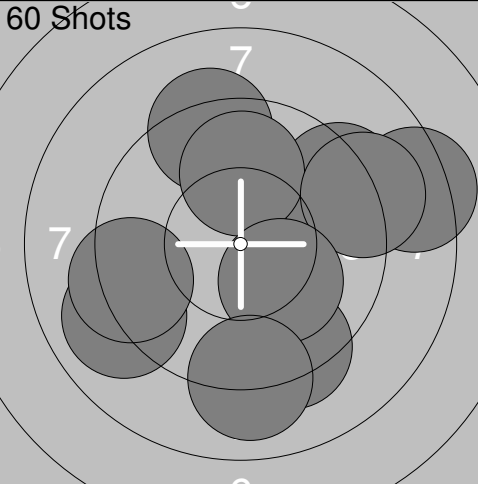


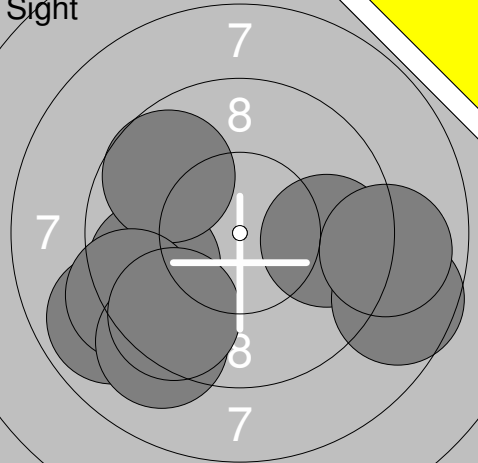
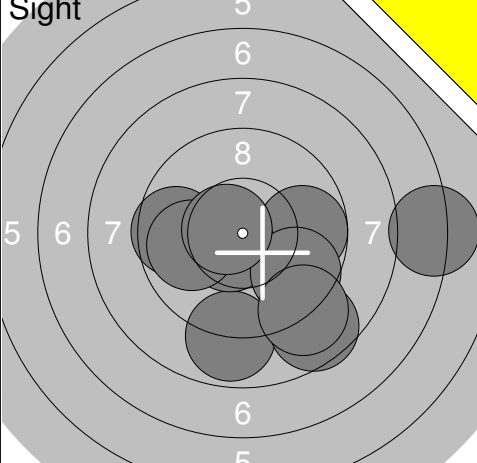
31: 10.0 →
32: 9.6 ↗
33: 10.6x ↓
34: 8.7 →
35: 10.4x →
36: 9.6 ↘
37: 10.6x ↗
38: 10.2x ↙
39: 9.9 ↘
40: 10.7x →
Series 100.3
Total 407.6


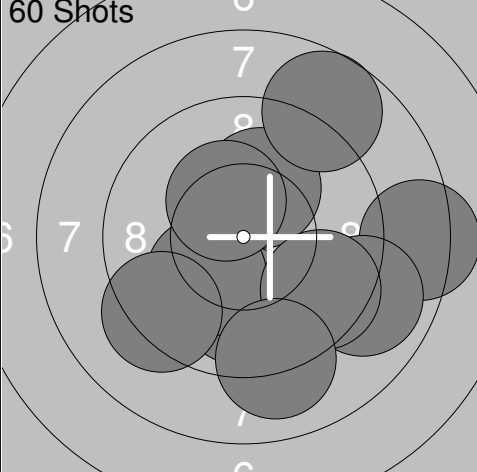
	<table style="width:100%; border-collapse: collapse;"> <tr><td>1:</td><td>8.1</td><td>↖</td></tr> <tr><td>2:</td><td>9.5</td><td>↙</td></tr> <tr><td>3:</td><td>9.5</td><td>↘</td></tr> <tr><td>4:</td><td>8.3</td><td>→</td></tr> <tr><td>5:</td><td>10.4x</td><td>↑</td></tr> <tr><td>6:</td><td>8.7</td><td>→</td></tr> <tr><td>7:</td><td>9.8</td><td>→</td></tr> <tr><td>8:</td><td>9.8</td><td>↑</td></tr> <tr><td>9:</td><td>9.6</td><td>→</td></tr> <tr><td>10:</td><td>7.1</td><td>→</td></tr> <tr><td colspan="2">Series</td><td>90.8</td></tr> <tr><td colspan="2">Total</td><td>0.0</td></tr> </table>	1:	8.1	↖	2:	9.5	↙	3:	9.5	↘	4:	8.3	→	5:	10.4x	↑	6:	8.7	→	7:	9.8	→	8:	9.8	↑	9:	9.6	→	10:	7.1	→	Series		90.8	Total		0.0		<table style="width:100%; border-collapse: collapse;"> <tr><td>11:</td><td>9.7</td><td>↑</td></tr> <tr><td>12:</td><td>10.3x</td><td>↓</td></tr> <tr><td>13:</td><td>9.4</td><td>→</td></tr> <tr><td>14:</td><td>9.0</td><td>↘</td></tr> <tr><td>15:</td><td>9.5</td><td>→</td></tr> <tr><td>16:</td><td>10.9x</td><td>↖</td></tr> <tr><td>17:</td><td>7.9</td><td>↘</td></tr> <tr><td>18:</td><td>10.0</td><td>←</td></tr> <tr><td>19:</td><td>8.6</td><td>→</td></tr> <tr><td>20:</td><td>8.8</td><td>→</td></tr> <tr><td colspan="2">Series</td><td>94.1</td></tr> <tr><td colspan="2">Total</td><td>0.0</td></tr> </table>	11:	9.7	↑	12:	10.3x	↓	13:	9.4	→	14:	9.0	↘	15:	9.5	→	16:	10.9x	↖	17:	7.9	↘	18:	10.0	←	19:	8.6	→	20:	8.8	→	Series		94.1	Total		0.0
1:	8.1	↖																																																																									
2:	9.5	↙																																																																									
3:	9.5	↘																																																																									
4:	8.3	→																																																																									
5:	10.4x	↑																																																																									
6:	8.7	→																																																																									
7:	9.8	→																																																																									
8:	9.8	↑																																																																									
9:	9.6	→																																																																									
10:	7.1	→																																																																									
Series		90.8																																																																									
Total		0.0																																																																									
11:	9.7	↑																																																																									
12:	10.3x	↓																																																																									
13:	9.4	→																																																																									
14:	9.0	↘																																																																									
15:	9.5	→																																																																									
16:	10.9x	↖																																																																									
17:	7.9	↘																																																																									
18:	10.0	←																																																																									
19:	8.6	→																																																																									
20:	8.8	→																																																																									
Series		94.1																																																																									
Total		0.0																																																																									

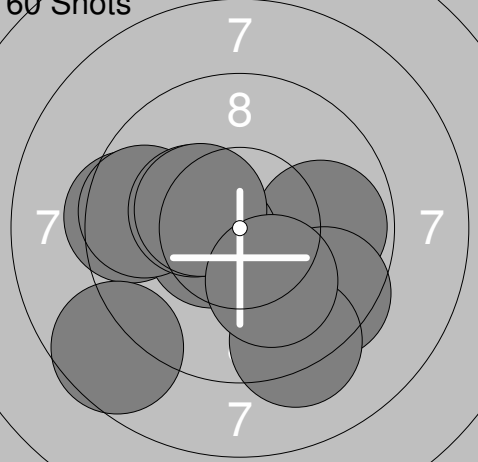
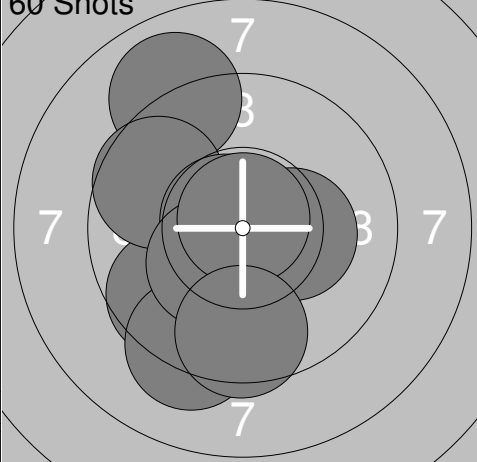
	<table style="width:100%; border-collapse: collapse;"> <tr><td>21:</td><td>9.9</td><td>←</td></tr> <tr><td>22:</td><td>9.2</td><td>↓</td></tr> <tr><td colspan="2">Series</td><td>19.1</td></tr> <tr><td colspan="2">Total</td><td>0.0</td></tr> </table>	21:	9.9	←	22:	9.2	↓	Series		19.1	Total		0.0		<table style="width:100%; border-collapse: collapse;"> <tr><td>1:</td><td>4.9</td><td>←</td></tr> <tr><td>2:</td><td>10.2x</td><td>↓</td></tr> <tr><td>3:</td><td>9.2</td><td>→</td></tr> <tr><td>4:</td><td>9.7</td><td>↘</td></tr> <tr><td>5:</td><td>9.2</td><td>↑</td></tr> <tr><td>6:</td><td>9.2</td><td>↘</td></tr> <tr><td>7:</td><td>9.6</td><td>↗</td></tr> <tr><td>8:</td><td>8.8</td><td>↘</td></tr> <tr><td>9:</td><td>6.4</td><td>↗</td></tr> <tr><td>10:</td><td>10.4x</td><td>↑</td></tr> <tr><td colspan="2">Series</td><td>87.6</td></tr> <tr><td colspan="2">Total</td><td>87.6</td></tr> </table>	1:	4.9	←	2:	10.2x	↓	3:	9.2	→	4:	9.7	↘	5:	9.2	↑	6:	9.2	↘	7:	9.6	↗	8:	8.8	↘	9:	6.4	↗	10:	10.4x	↑	Series		87.6	Total		87.6
21:	9.9	←																																																	
22:	9.2	↓																																																	
Series		19.1																																																	
Total		0.0																																																	
1:	4.9	←																																																	
2:	10.2x	↓																																																	
3:	9.2	→																																																	
4:	9.7	↘																																																	
5:	9.2	↑																																																	
6:	9.2	↘																																																	
7:	9.6	↗																																																	
8:	8.8	↘																																																	
9:	6.4	↗																																																	
10:	10.4x	↑																																																	
Series		87.6																																																	
Total		87.6																																																	

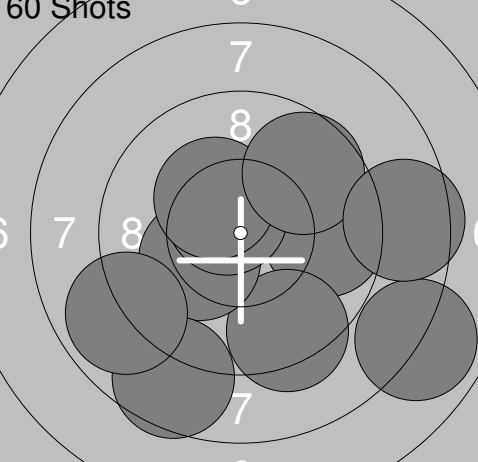
	<table style="width:100%; border-collapse: collapse;"> <tr><td>11:</td><td>7.6</td><td>↘</td></tr> <tr><td>12:</td><td>10.2x</td><td>↗</td></tr> <tr><td>13:</td><td>9.4</td><td>↘</td></tr> <tr><td>14:</td><td>9.1</td><td>←</td></tr> <tr><td>15:</td><td>8.9</td><td>↘</td></tr> <tr><td>16:</td><td>8.6</td><td>←</td></tr> <tr><td>17:</td><td>9.4</td><td>↗</td></tr> <tr><td>18:</td><td>10.6x</td><td>↖</td></tr> <tr><td>19:</td><td>9.4</td><td>↗</td></tr> <tr><td>20:</td><td>9.5</td><td>↗</td></tr> <tr><td colspan="2">Series</td><td>92.7</td></tr> <tr><td colspan="2">Total</td><td>180.3</td></tr> </table>	11:	7.6	↘	12:	10.2x	↗	13:	9.4	↘	14:	9.1	←	15:	8.9	↘	16:	8.6	←	17:	9.4	↗	18:	10.6x	↖	19:	9.4	↗	20:	9.5	↗	Series		92.7	Total		180.3		<table style="width:100%; border-collapse: collapse;"> <tr><td>21:</td><td>10.5x</td><td>↘</td></tr> <tr><td>22:</td><td>10.3x</td><td>↘</td></tr> <tr><td>23:</td><td>9.9</td><td>↘</td></tr> <tr><td>24:</td><td>7.4</td><td>→</td></tr> <tr><td>25:</td><td>10.0</td><td>↘</td></tr> <tr><td>26:</td><td>8.8</td><td>↗</td></tr> <tr><td>27:</td><td>9.9</td><td>→</td></tr> <tr><td>28:</td><td>9.7</td><td>↗</td></tr> <tr><td>29:</td><td>8.5</td><td>↘</td></tr> <tr><td>30:</td><td>9.2</td><td>←</td></tr> <tr><td colspan="2">Series</td><td>94.2</td></tr> <tr><td colspan="2">Total</td><td>274.5</td></tr> </table>	21:	10.5x	↘	22:	10.3x	↘	23:	9.9	↘	24:	7.4	→	25:	10.0	↘	26:	8.8	↗	27:	9.9	→	28:	9.7	↗	29:	8.5	↘	30:	9.2	←	Series		94.2	Total		274.5
11:	7.6	↘																																																																									
12:	10.2x	↗																																																																									
13:	9.4	↘																																																																									
14:	9.1	←																																																																									
15:	8.9	↘																																																																									
16:	8.6	←																																																																									
17:	9.4	↗																																																																									
18:	10.6x	↖																																																																									
19:	9.4	↗																																																																									
20:	9.5	↗																																																																									
Series		92.7																																																																									
Total		180.3																																																																									
21:	10.5x	↘																																																																									
22:	10.3x	↘																																																																									
23:	9.9	↘																																																																									
24:	7.4	→																																																																									
25:	10.0	↘																																																																									
26:	8.8	↗																																																																									
27:	9.9	→																																																																									
28:	9.7	↗																																																																									
29:	8.5	↘																																																																									
30:	9.2	←																																																																									
Series		94.2																																																																									
Total		274.5																																																																									

	<table style="width:100%; border-collapse: collapse;"> <tr><td>31:</td><td>8.3</td><td>→</td></tr> <tr><td>32:</td><td>9.0</td><td>←</td></tr> <tr><td>33:</td><td>9.3</td><td>↑</td></tr> <tr><td>34:</td><td>9.3</td><td>↗</td></tr> <tr><td>35:</td><td>9.9</td><td>↑</td></tr> <tr><td>36:</td><td>9.1</td><td>→</td></tr> <tr><td>37:</td><td>9.3</td><td>↘</td></tr> <tr><td>38:</td><td>10.2x</td><td>↘</td></tr> <tr><td>39:</td><td>9.0</td><td>↓</td></tr> <tr><td>40:</td><td>9.3</td><td>←</td></tr> <tr><td colspan="2">Series</td><td>92.7</td></tr> <tr><td colspan="2">Total</td><td>367.2</td></tr> </table>	31:	8.3	→	32:	9.0	←	33:	9.3	↑	34:	9.3	↗	35:	9.9	↑	36:	9.1	→	37:	9.3	↘	38:	10.2x	↘	39:	9.0	↓	40:	9.3	←	Series		92.7	Total		367.2		
31:	8.3	→																																					
32:	9.0	←																																					
33:	9.3	↑																																					
34:	9.3	↗																																					
35:	9.9	↑																																					
36:	9.1	→																																					
37:	9.3	↘																																					
38:	10.2x	↘																																					
39:	9.0	↓																																					
40:	9.3	←																																					
Series		92.7																																					
Total		367.2																																					

Sight 	1: 9.8 → 2: 9.2 ← 3: 8.6 → 4: 8.9 ← 5: 9.0 → 6: 9.7 ← 7: 9.7 → 8: 9.3 ← 9: 9.1 ↓ 10: 9.5 ↓ <hr/> Series 92.8 Total 0.0	Sight 	11: 8.9 ↓ 12: 9.6 ← 13: 9.8 → 14: 8.6 ↓ 15: 7.1 → 16: 10.6x ↓ 17: 9.6 ↓ 18: 9.0 ↓ 19: 9.9 ← 20: 10.6x ← <hr/> Series 93.7 Total 0.0
--	---	--	--

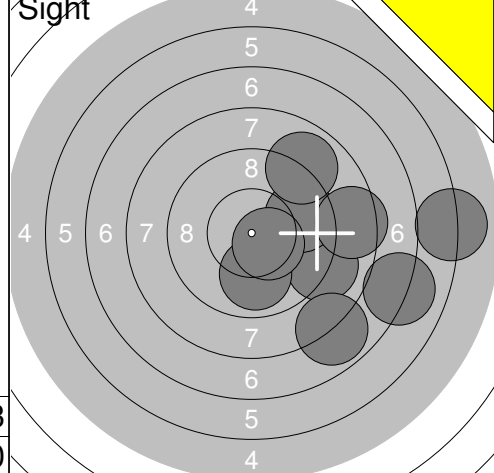
Sight 	21: 10.0 ↗ 22: 9.0 ↗ <hr/> Series 19.0 Total 0.0	60 Shots 	1: 10.2x ↗ 2: 8.7 ↗ 3: 8.3 → 4: 9.9 ↓ 5: 10.1 ↓ 6: 9.0 → 7: 9.3 ↓ 8: 9.6 → 9: 9.1 ↓ 10: 10.3x ↗ <hr/> Series 94.5 Total 94.5
---	---	--	---

60 Shots 	11: 9.8 → 12: 9.5 ↓ 13: 9.5 ← 14: 8.6 ↓ 15: 10.5x ← 16: 9.6 ← 17: 10.3x ← 18: 9.2 ↓ 19: 10.4x ← 20: 10.1 ↓ <hr/> Series 97.5 Total 192.0	60 Shots 	21: 9.0 ↗ 22: 9.6 ↓ 23: 9.7 ↓ 24: 9.7 ← 25: 9.2 ↓ 26: 10.3x → 27: 10.7x ← 28: 10.3x ↓ 29: 10.8x ↑ 30: 9.5 ↓ <hr/> Series 98.8 Total 290.8
---	---	---	--

60 Shots 	31: 9.7 → 32: 9.4 ↓ 33: 10.2x ← 34: 7.9 → 35: 8.6 ↓ 36: 8.9 ← 37: 10.6x ↗ 38: 10.3x ↗ 39: 9.7 ↗ 40: 8.5 → <hr/> Series 93.8 Total 384.6		
---	--	--	--



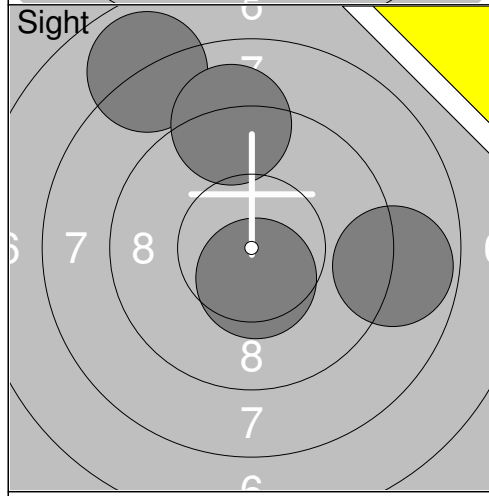
1:	8.1	➔
2:	9.3	➔
4:	9.1	➔
5:	7.7	➔
6:	10.3x	↗
7:	10.1	➔
8:	7.4	➔
9:	9.2	➔
10:	10.1	←



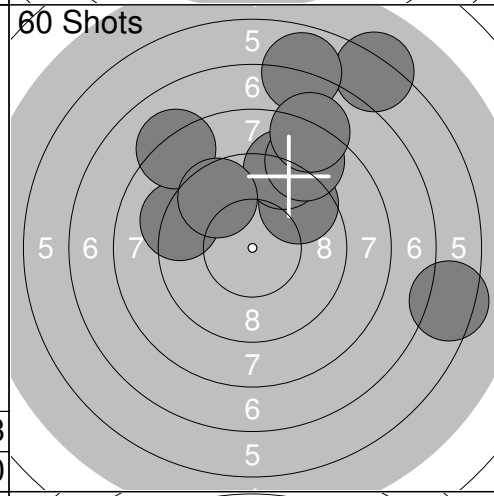
11:	9.1	➔
12:	6.0	➔
13:	7.1	➔
14:	9.7	➔
15:	8.9	↗
17:	7.9	↘
18:	8.5	➔
19:	9.9	↓
20:	10.5x	➔

Series	81.3
Total	0.0

Series	77.6
Total	0.0



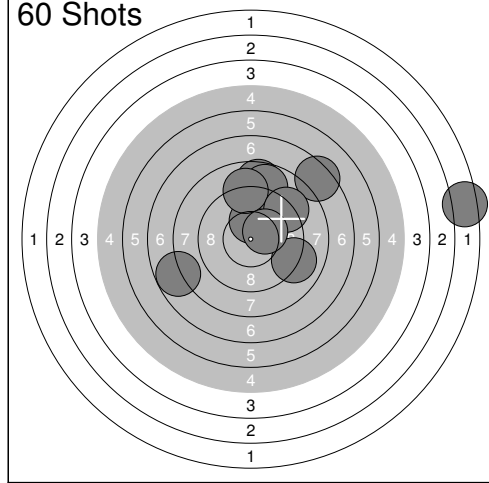
21:	7.9	↗
22:	8.8	➔
23:	9.1	↗
24:	10.5x	↓



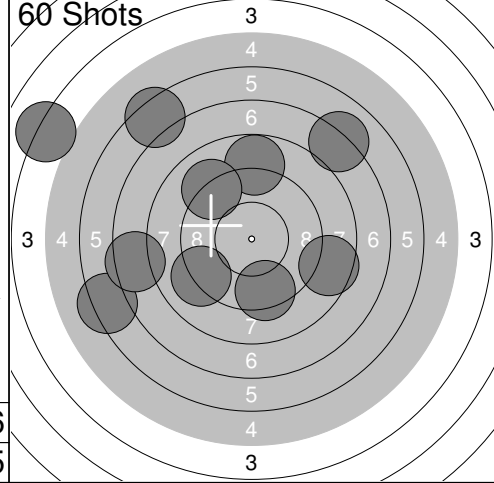
1:	9.2	↖
2:	8.2	↗
3:	9.5	↗
4:	9.1	↗
5:	9.6	↗
6:	6.2	↗
7:	6.9	↗
8:	8.7	↗
9:	8.1	↗
10:	6.4	➔

Series	36.3
Total	0.0

Series	81.9
Total	81.9



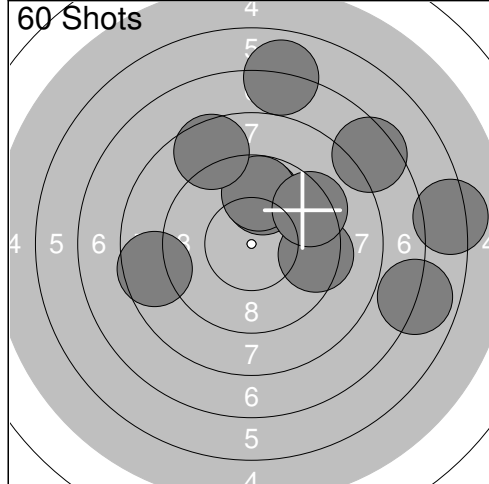
11:	8.6	↗
12:	10.2x	↗
13:	8.8	↗
14:	9.0	➔
15:	7.4	↗
16:	7.8	↖
17:	9.0	↗
18:	2.4	➔
19:	9.1	↗
20:	10.3x	➔



21:	6.3	↖
22:	9.1	↖
23:	6.3	↗
24:	8.8	↗
25:	4.1	↖
26:	9.1	↗
27:	9.4	↓
28:	8.5	➔
29:	7.1	↗
30:	7.4	↖

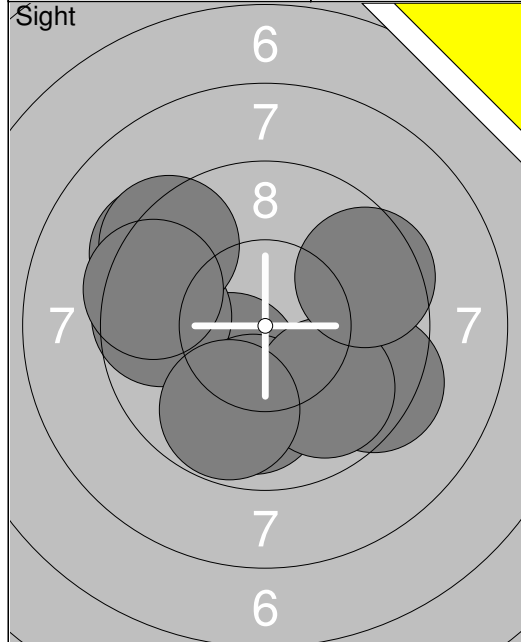
Series	82.6
Total	164.5

Series	76.1
Total	240.6

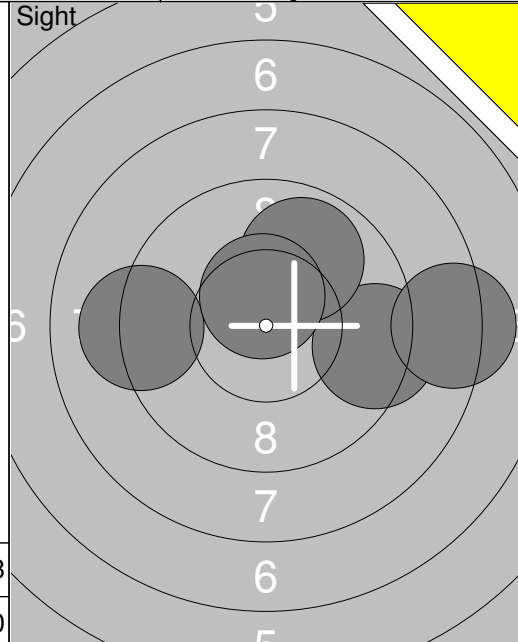


31:	9.8	↗
32:	9.4	➔
33:	9.7	↗
34:	7.0	↗
35:	7.5	↗
36:	9.3	↗
37:	6.2	➔
38:	6.9	➔
39:	8.6	↗
40:	8.6	↖

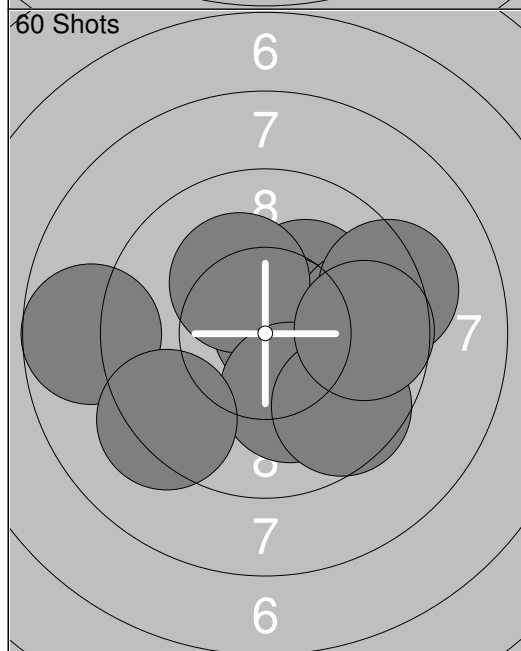
Series	83.0
Total	323.6



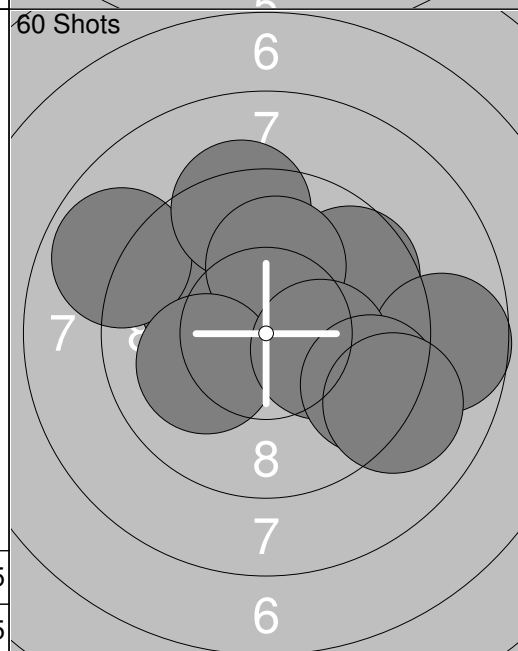
1:	9.3	↖
2:	10.3x	↙
3:	9.6	←
4:	9.3	↗
5:	9.4	→
6:	9.9	↓
7:	9.8	↘
8:	9.5	↗
9:	9.8	↓
10:	9.4	↖
Series		96.3
Total		0.0



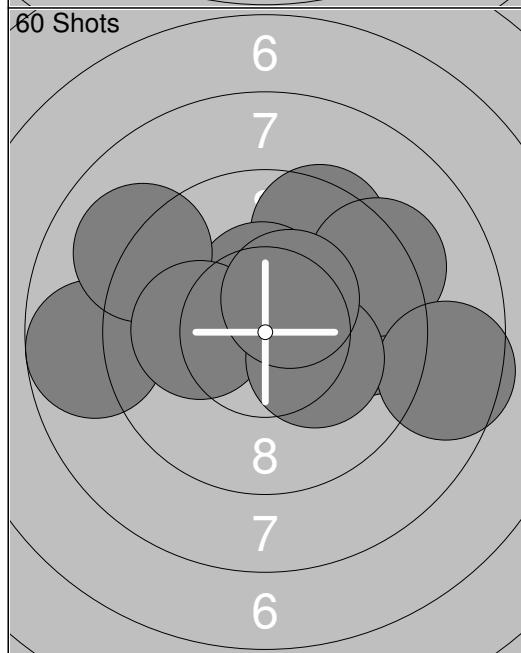
12:	9.4	→
13:	9.2	←
14:	9.9	↗
15:	10.5x	↗
16:	8.3	→
Series		47.3
Total		0.0



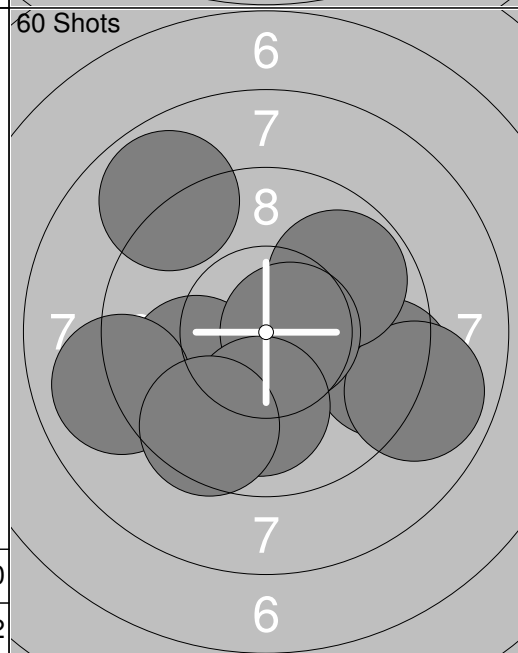
1:	10.2x	↗
2:	10.7x	→
3:	9.7	→
4:	10.2x	↖
5:	9.3	→
6:	8.7	←
7:	10.1	↓
8:	9.3	↙
9:	9.6	↘
10:	9.7	→
Series		97.5
Total		97.5



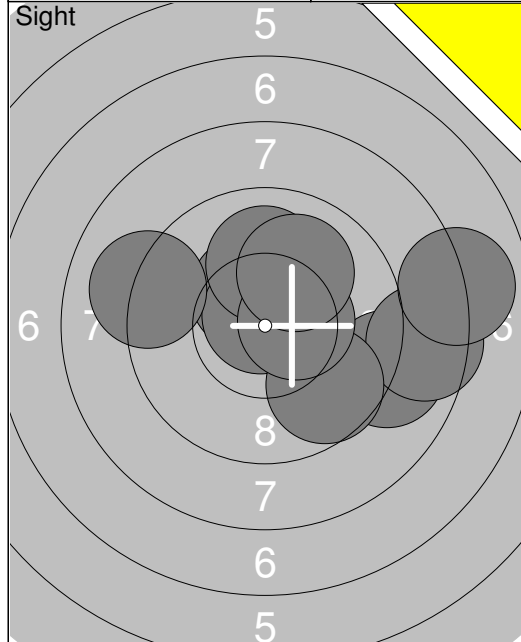
11:	9.7	↗
12:	10.1	↖
13:	8.9	↖
14:	8.7	→
15:	9.3	↗
16:	10.1	↗
17:	10.1	↖
18:	10.2x	→
19:	9.5	→
20:	9.1	↘
Series		95.7
Total		193.2



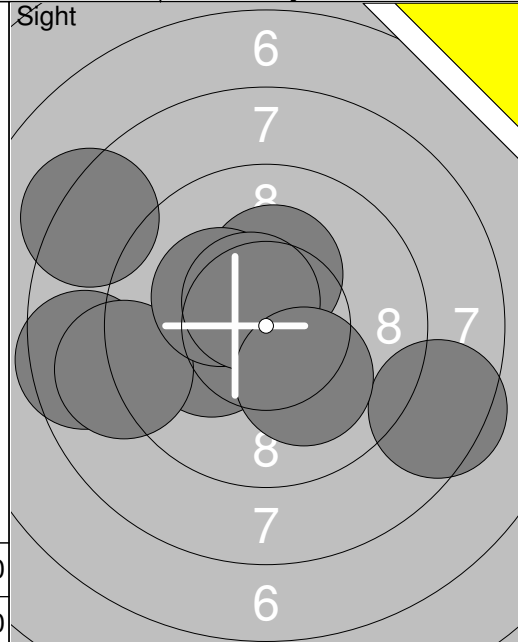
21:	9.5	↗
22:	10.4x	↗
23:	8.7	←
24:	9.1	↖
25:	9.7	→
26:	9.3	↗
27:	8.6	→
28:	10.1	←
29:	10.2x	→
30:	10.4x	↗
Series		96.0
Total		289.2



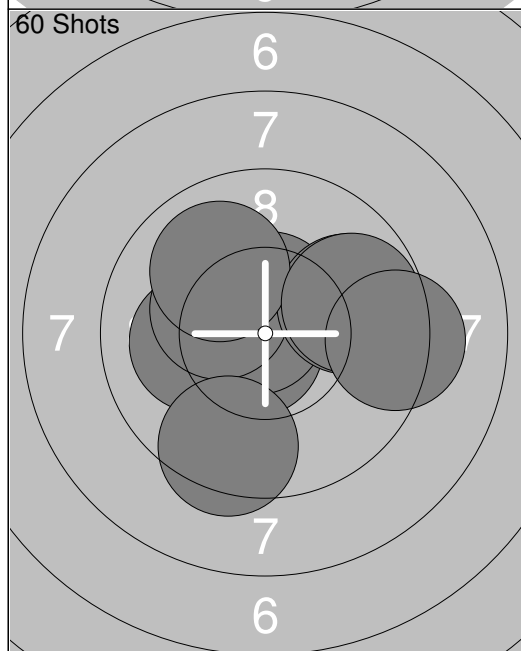
31:	9.4	→
32:	8.9	→
33:	10.1	↙
34:	9.8	↗
35:	10.0	↖
36:	10.6x	→
37:	10.0	↓
38:	9.0	↖
39:	8.9	↖
40:	9.6	↙
Series		96.3
Total		385.5



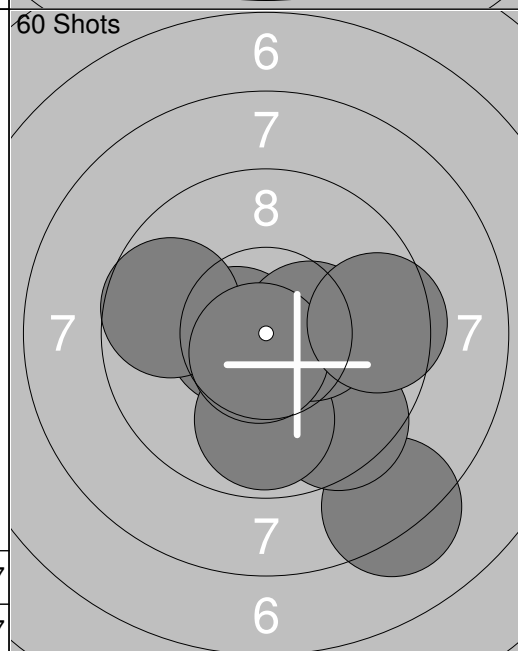
1: 9.0	➔
2: 8.5	➔
3: 8.0	➔
4: 10.4x	↖
5: 10.8x	↖
6: 10.0	↑
7: 9.7	↘
8: 10.5x	➔
9: 9.1	←
10: 10.0	↗
Series 96.0	
Total 0.0	



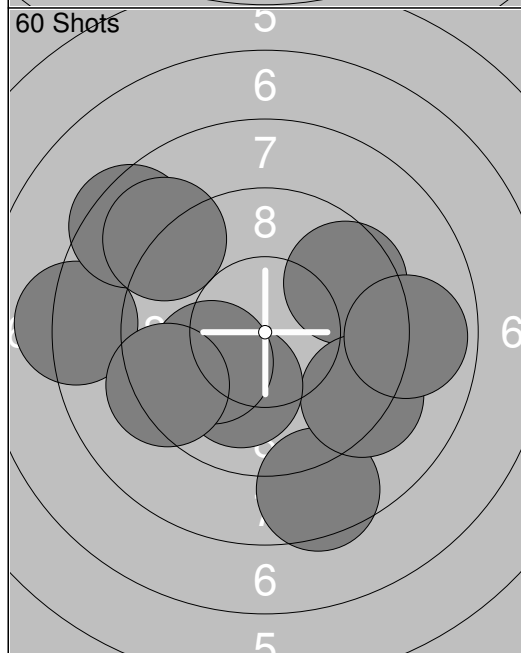
11: 10.2x	↙
12: 8.3	↖
13: 8.5	➔
14: 10.5x	↖
15: 10.3x	↑
16: 8.6	←
17: 9.0	←
18: 10.2x	↙
19: 10.6x	↖
20: 10.1	↘
Series 96.3	
Total 0.0	



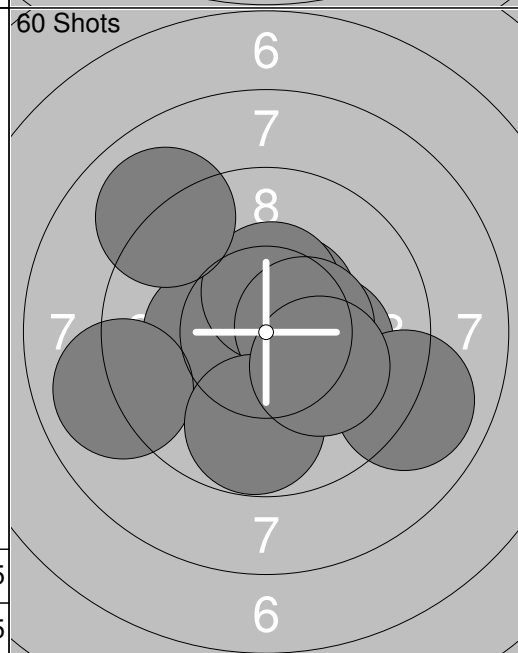
1: 10.7x	↙
2: 10.5x	↑
3: 10.1	←
4: 10.8x	↖
5: 10.3x	↙
6: 9.8	➔
7: 10.0	↗
8: 9.4	↘
9: 9.8	➔
10: 9.3	➔
Series 100.7	
Total 100.7	



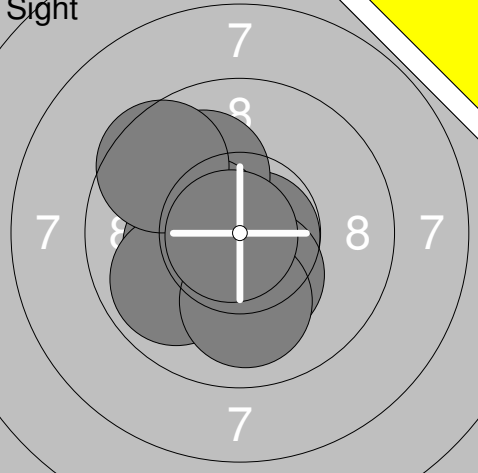
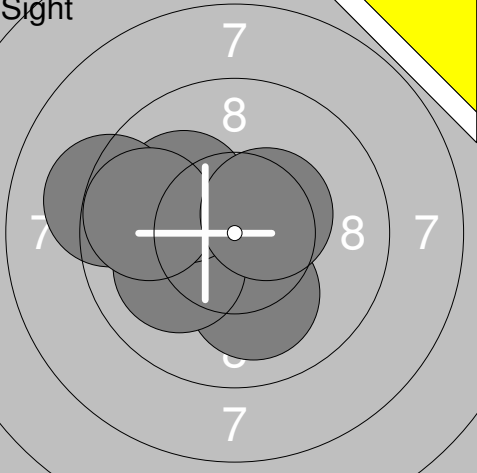
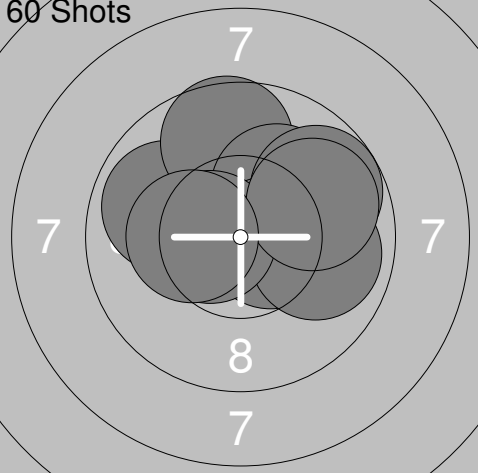
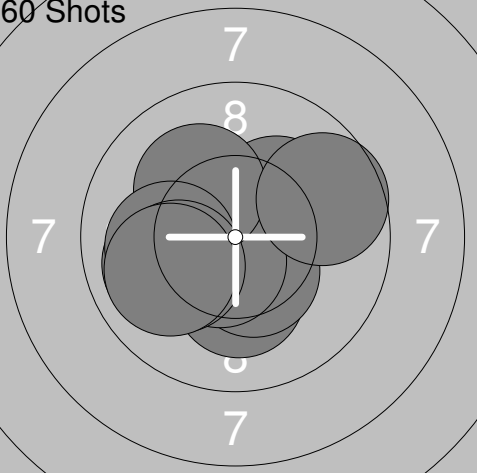

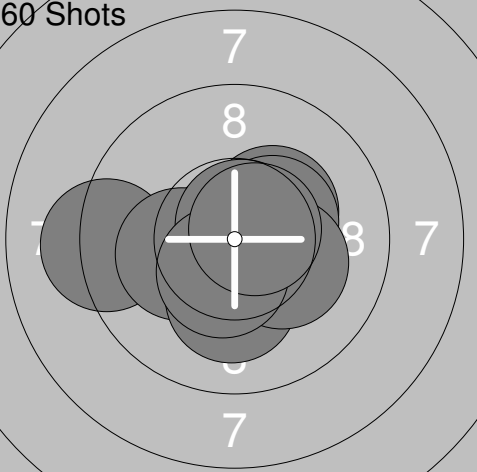
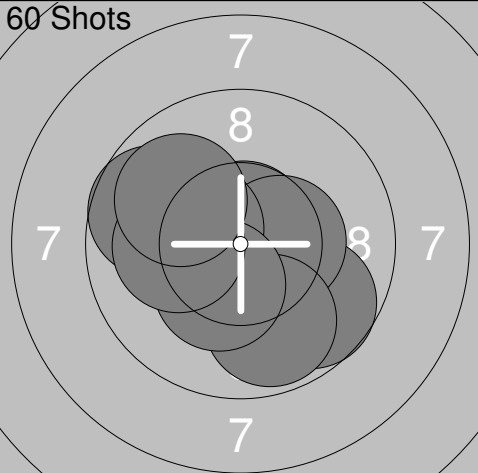
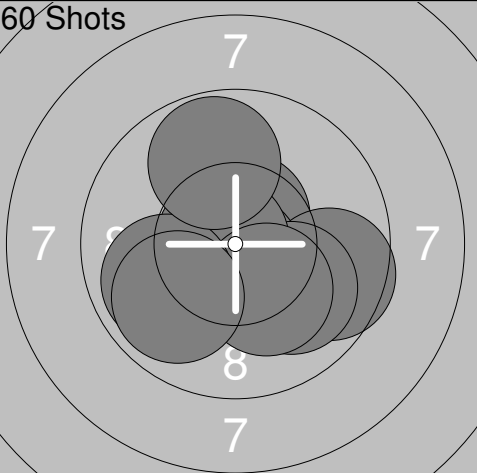
11: 8.2	↘
12: 9.7	↘
13: 10.2x	↘
14: 9.5	↘
15: 10.6x	←
16: 9.7	←
17: 9.8	↓
18: 10.4x	➔
19: 10.7x	↘
20: 9.5	➔
Series 98.3	
Total 199.0	


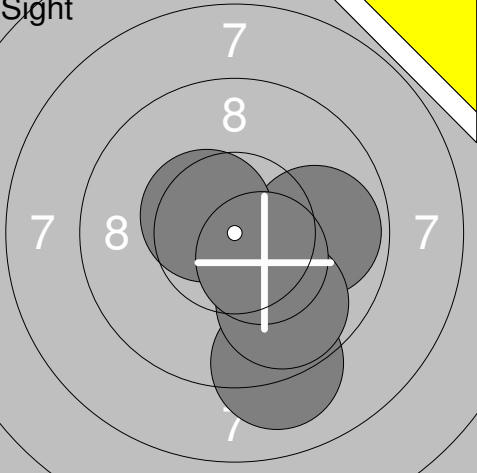


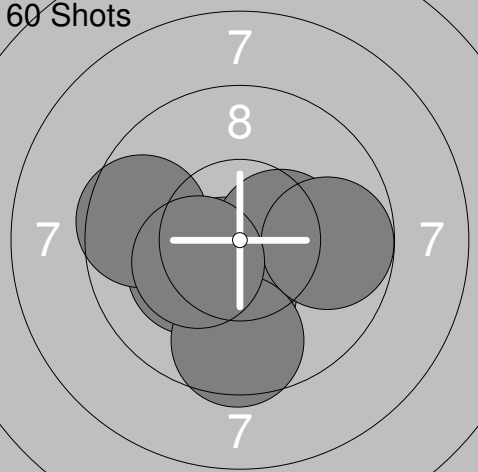
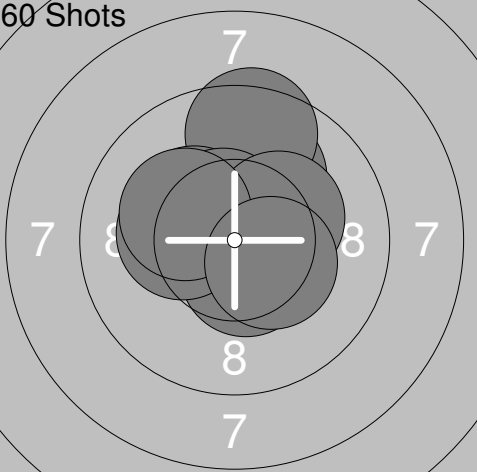
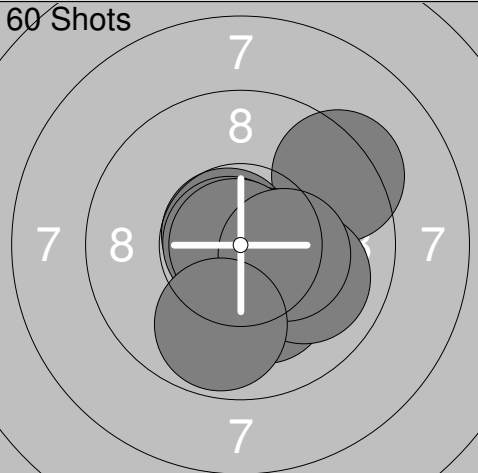
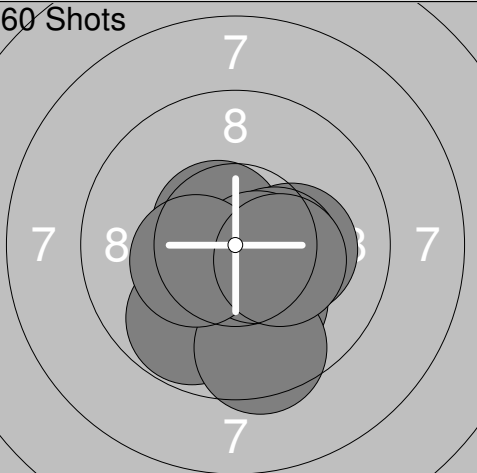


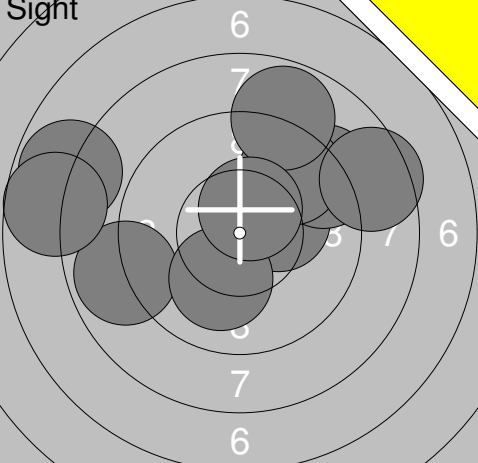
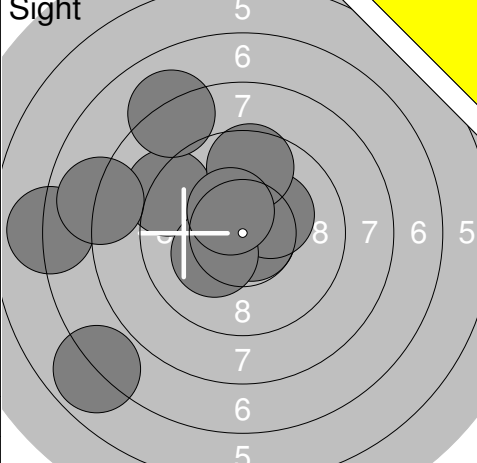
21: 8.2	←
22: 9.6	↗
23: 8.5	↘
24: 9.3	↘
25: 8.5	↖
26: 10.1	↘
27: 10.1	←
28: 8.9	➔
29: 9.3	←
30: 9.0	↖
Series 91.5	
Total 290.5	

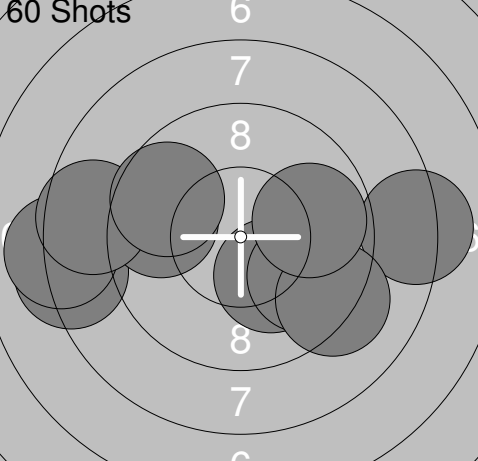
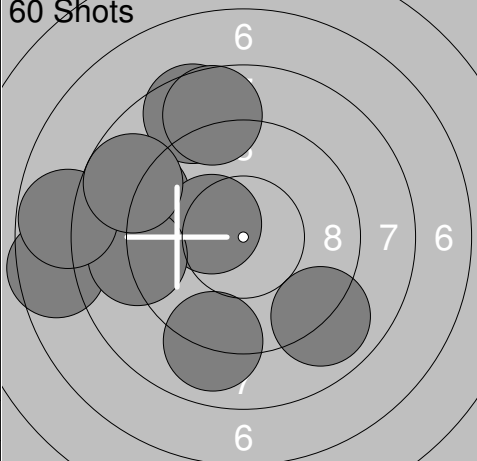


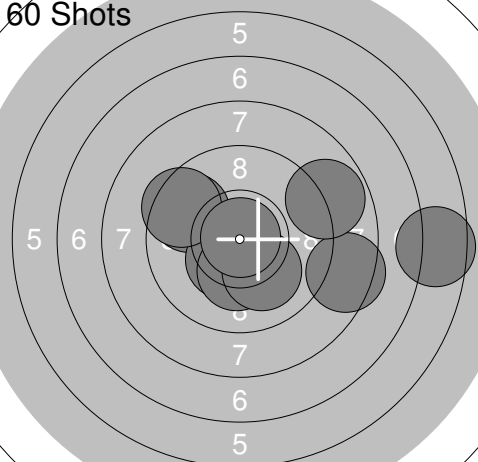
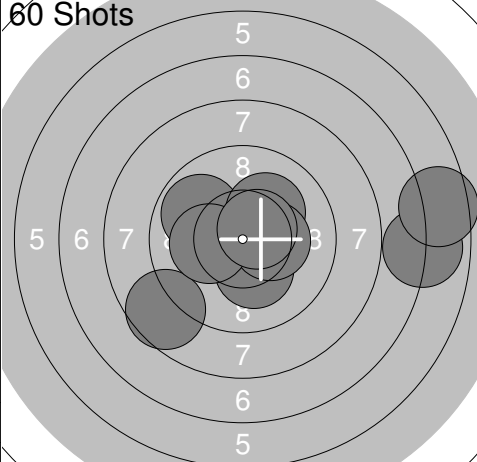
31: 10.2x	➔
32: 10.5x	↗
33: 10.3x	←
34: 10.4x	↑
35: 9.0	↖
36: 10.5x	➔
37: 9.0	←
38: 9.8	↘
39: 9.0	➔
40: 10.1	↘
Series 98.8	
Total 389.3	

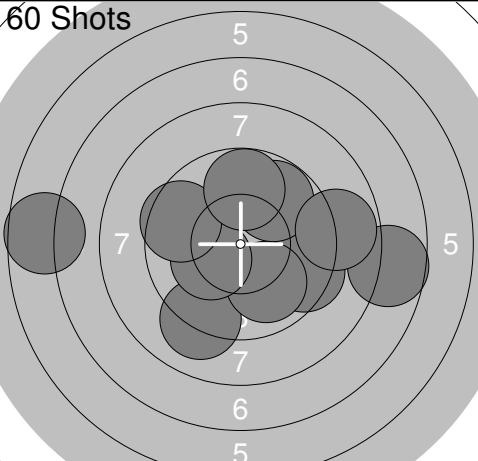
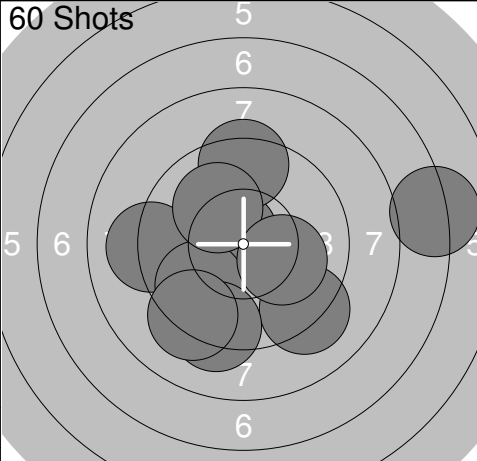
Sight		1: 10.8x → 2: 10.0 ↗ 3: 10.3x ↓ 4: 10.4x ← 5: 10.6x ↙ 6: 10.2x ← 7: 9.9 ← 8: 9.6 ↗ 9: 10.0 ↓ 10: 10.8x ←	Sight		11: 10.3x ← 12: 10.1 ↓ 13: 10.1 ← 14: 10.1 ↗ 15: 9.2 ← 16: 9.8 ← 17: 10.4x ↗
	Series 102.6			Series 70.0	
	Total 0.0			Total 0.0	
60 Shots		1: 10.0 ← 2: 9.9 ← 3: 9.7 ↑ 4: 10.1 ↗ 5: 10.5x → 6: 9.8 ↗ 7: 9.9 → 8: 10.5x ← 9: 9.9 → 10: 10.3x ←	60 Shots		11: 10.2x ↓ 12: 10.2x ↗ 13: 10.0 ← 14: 10.4x ↓ 15: 10.6x ↓ 16: 10.2x ↖ 17: 9.7 → 18: 10.1 ← 19: 10.1 ← 20: 10.0 ←
	Series 100.6			Series 101.5	
	Total 100.6			Total 202.1	
60 Shots		21: 9.8 ↑ 22: 10.7x → 23: 10.4x → 24: 9.8 ↑ 25: 10.1 ↑ 26: 9.8 ↑ 27: 10.3x ↗ 28: 10.2x ↗ 29: 10.0 ↗ 30: 9.6 ↑	60 Shots		31: 10.9x ← 32: 9.2 ← 33: 10.2x ← 34: 10.3x ↗ 35: 10.2x ↓ 36: 10.4x → 37: 10.2x → 38: 10.7x ↗ 39: 10.5x ↓ 40: 10.6x →
	Series 100.7			Series 103.2	
	Total 302.8			Total 406.0	
60 Shots		41: 10.7x ↑ 42: 9.9 ↖ 43: 9.7 ↓ 44: 10.4x → 45: 9.8 ↓ 46: 9.7 ↖ 47: 10.3x ← 48: 10.3x ↓ 49: 10.1 ← 50: 10.0 ↗	60 Shots		51: 10.2x ↙ 52: 10.6x ↑ 53: 9.6 → 54: 10.8x ↓ 55: 10.0 ↓ 56: 10.8x ← 57: 10.2x ↓ 58: 9.9 ← 59: 9.9 ← 60: 9.8 ↑
	Series 100.9			Series 101.8	
	Total 506.9			Total 608.7	

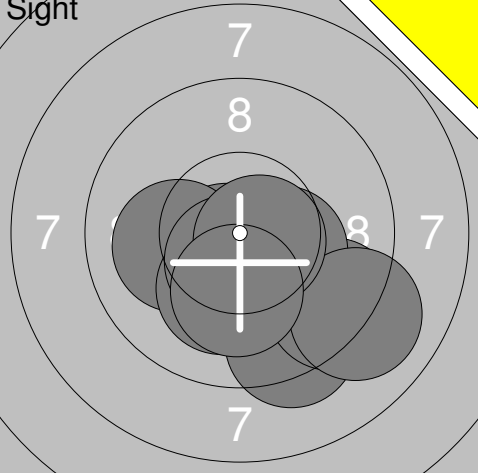
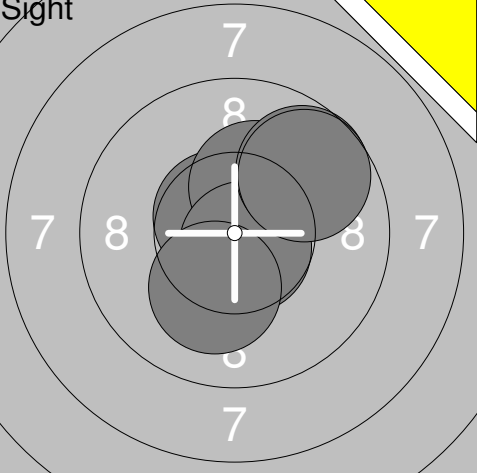

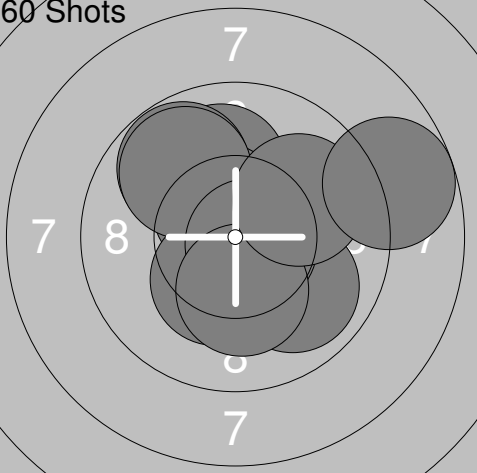
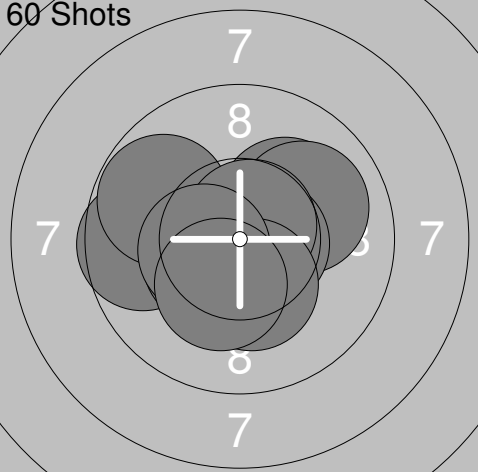
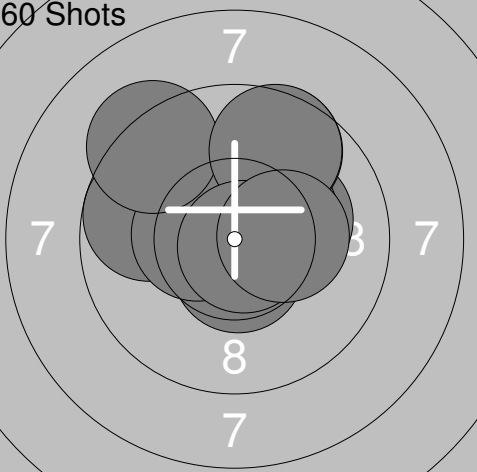
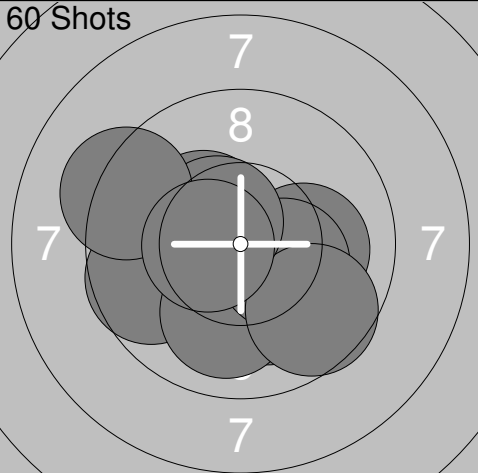
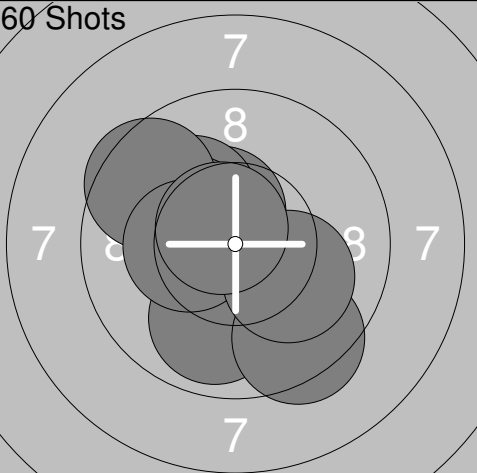
Relay	Lane	Joakim Olsson	
S		Kubikenborgs Uskf	
2015-04-18	UME-Kulan 2015	Umeå skytteallians	
Sight		1: 10.1 ↓ 2: 10.9x → 3: 10.5x ↗ 4: 10.5x → 5: 10.7x ↓ 6: 10.1 ↓ 7: 10.5x ↓ 8: 10.7x ↗ 9: 9.4 ↓ 10: 10.0 ↓ Series 103.4 Total 0.0	Sight  11: 9.9 → 12: 9.1 ↓ 13: 10.5x ↗ 14: 9.8 ↓ 15: 10.5x ↓ Series 49.8 Total 0.0
60 Shots		1: 10.3x ↓ 2: 10.7x ↗ 3: 9.9 ↓ 4: 10.2x ↖ 5: 10.1 → 6: 9.2 ↓ 7: 10.5x ↗ 8: 10.8x ↓ 9: 9.7 → 10: 10.2x ↓ Series 101.6 Total 101.6	60 Shots  11: 10.7x ↗ 12: 9.7 ↓ 13: 10.4x ↓ 14: 10.2x ↓ 15: 10.4x → 16: 10.0 → 17: 9.8 ↓ 18: 10.2x ↓ 19: 9.6 ↓ 20: 10.6x ← Series 101.6 Total 203.2
60 Shots		21: 10.3x ↓ 22: 10.3x ↓ 23: 10.6x ↓ 24: 10.3x ↓ 25: 10.4x → 26: 10.2x ← 27: 9.6 ↓ 28: 9.8 → 29: 9.6 ← 30: 10.3x ← Series 101.4 Total 304.6	60 Shots  31: 10.5x ↓ 32: 10.0 ↗ 33: 10.6x → 34: 9.5 ↑ 35: 10.3x ↖ 36: 10.6x ↗ 37: 10.2x ← 38: 10.3x → 39: 10.2x ↖ 40: 10.4x ↓ Series 102.6 Total 407.2
60 Shots		41: 9.3 ↗ 42: 10.5x ↓ 43: 10.7x ↖ 44: 10.2x ↓ 45: 10.0 → 46: 10.8x ← 47: 10.6x → 48: 10.9x ← 49: 10.3x → 50: 9.8 ↓ Series 103.1 Total 510.3	60 Shots  51: 10.6x ↓ 52: 10.6x ↗ 53: 9.8 ↓ 54: 10.1 ↓ 55: 9.5 ↓ 56: 10.2x → 57: 10.4x → 58: 10.6x ↓ 59: 10.4x ← 60: 10.3x → Series 102.5 Total 612.8

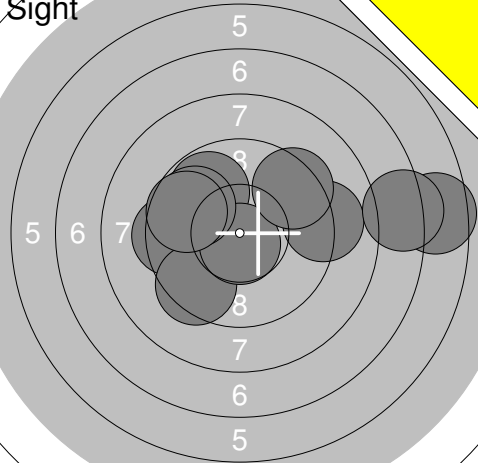
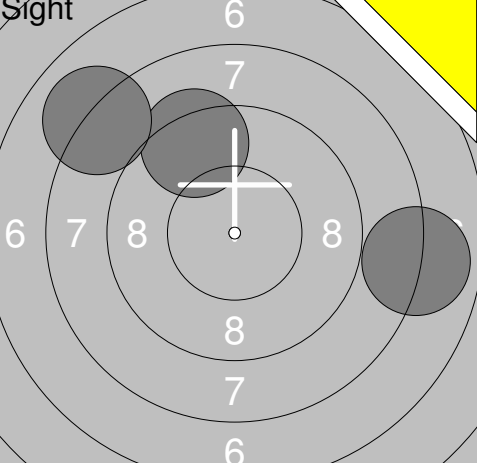
Sight 	1: 10.2x → 2: 9.2 → 3: 8.9 ← 4: 7.8 ← 5: 10.1 ↓ 6: 9.6 ↗ 7: 8.5 → 8: 7.7 ← 9: 8.8 ↑ 10: 10.5x ↑ <hr/> Series 91.3 Total 0.0	Sight 	11: 10.7x → 12: 9.2 ↖ 13: 6.9 ↙ 14: 8.1 ↗ 15: 10.3x ↗ 16: 10.2x ↙ 17: 7.0 ← 18: 9.6 ↑ 19: 8.0 ← 20: 10.4x ↗ <hr/> Series 90.4 Total 0.0
--	--	--	--

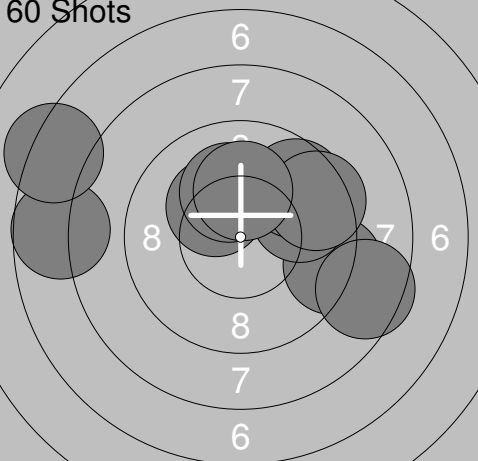
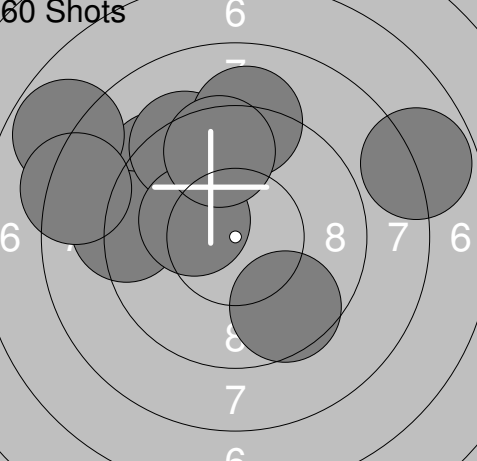
60 Shots 	1: 10.2x ↓ 2: 8.2 ← 3: 8.1 ← 4: 9.7 ← 5: 9.8 ↓ 6: 8.6 ← 7: 8.2 → 8: 9.2 ↓ 9: 9.8 → 10: 9.6 ↖ <hr/> Series 91.4 Total 91.4	60 Shots 	11: 7.6 ← 12: 9.0 ↓ 13: 9.0 ↖ 14: 8.6 ↗ 15: 10.3x ↖ 16: 9.0 ← 17: 8.7 ↑ 18: 7.8 ← 19: 8.7 ↖ 20: 9.0 ↓ <hr/> Series 87.7 Total 179.1
--	--	--	--

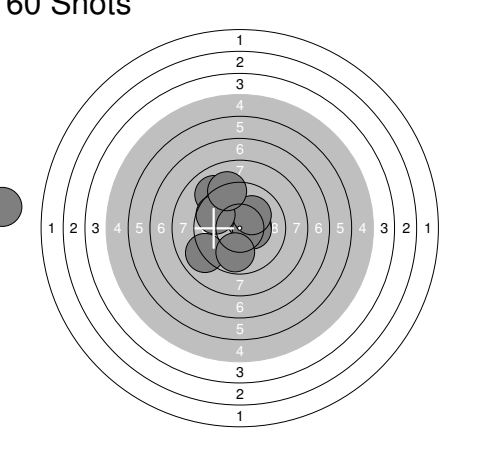
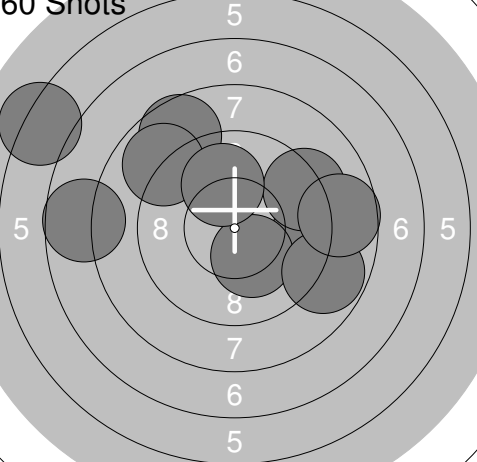
60 Shots 	21: 10.6x ↓ 22: 8.5 → 23: 9.7 ↗ 24: 6.6 → 25: 10.4x ↙ 26: 10.2x ↓ 27: 9.5 ↖ 28: 10.1 ↓ 29: 10.9x ↗ 30: 8.8 → <hr/> Series 95.3 Total 274.4	60 Shots 	31: 10.7x ↙ 32: 10.2x ↓ 33: 8.6 ↙ 34: 9.9 ↖ 35: 6.9 → 36: 10.2x ↗ 37: 10.3x → 38: 10.2x ← 39: 10.6x ↗ 40: 6.5 → <hr/> Series 94.1 Total 368.5
---	---	---	--

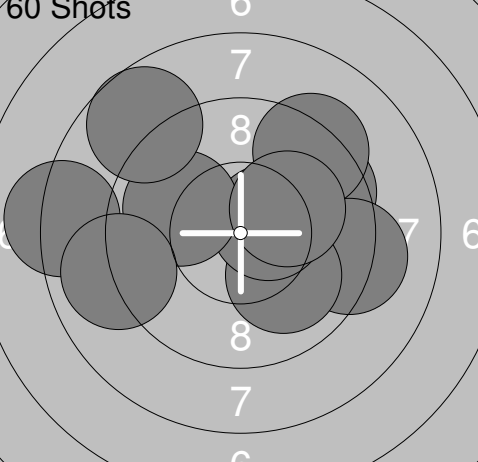
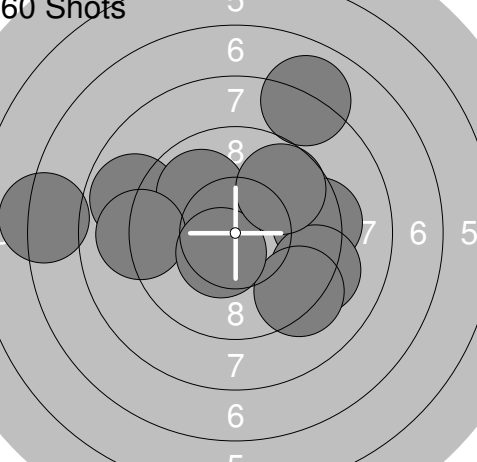
60 Shots 	41: 9.4 → 42: 9.1 ↓ 43: 10.0 ↓ 44: 7.7 → 45: 10.2x ← 46: 9.8 ↗ 47: 9.5 ↖ 48: 8.8 → 49: 9.8 ↑ 50: 6.7 ← <hr/> Series 91.0 Total 459.5	60 Shots 	51: 10.7x ↖ 52: 9.2 ↓ 53: 9.1 ← 54: 9.8 ↙ 55: 9.4 ↑ 56: 7.1 → 57: 9.2 ↓ 58: 9.2 ↙ 59: 10.1 ↗ 60: 10.1 → <hr/> Series 93.9 Total 553.4
---	---	---	--

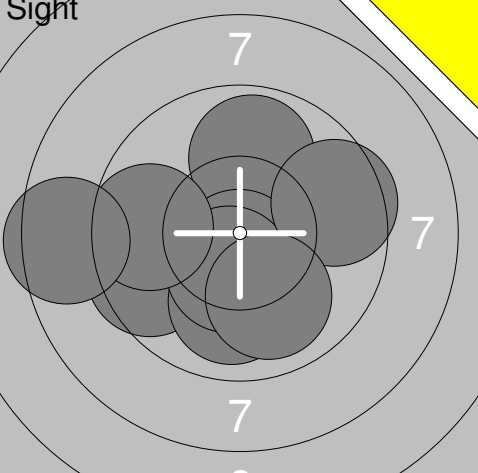
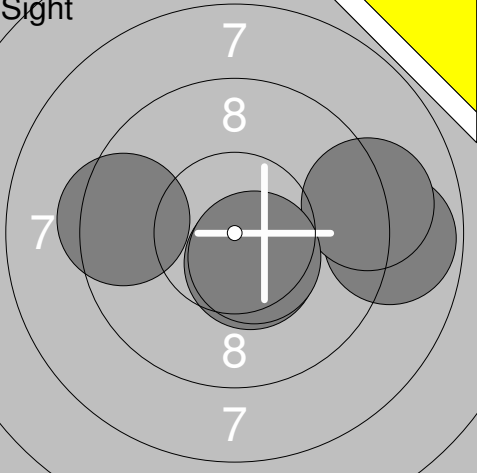
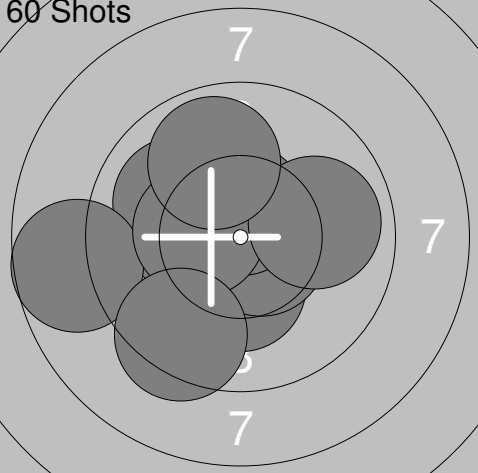
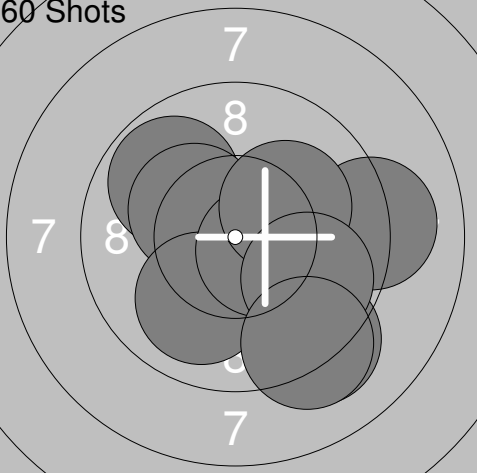
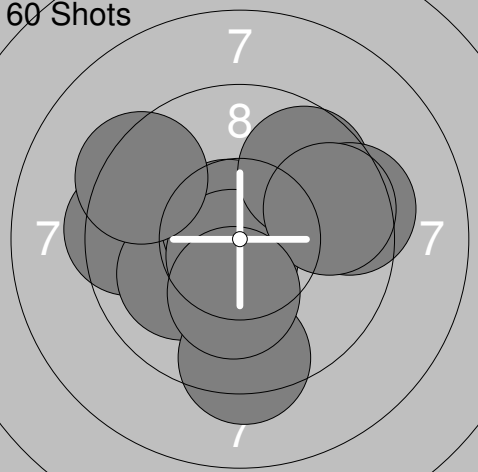
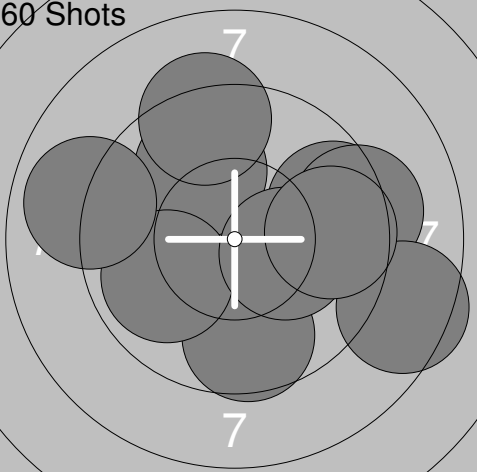
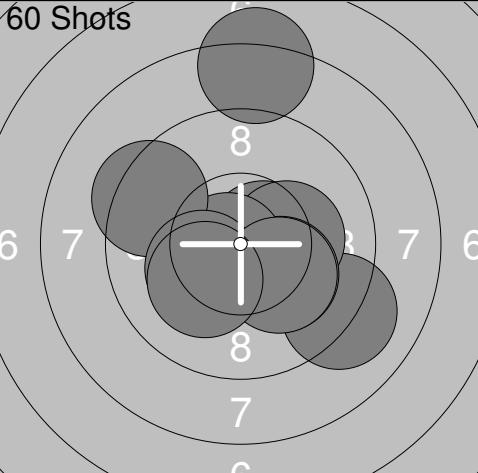
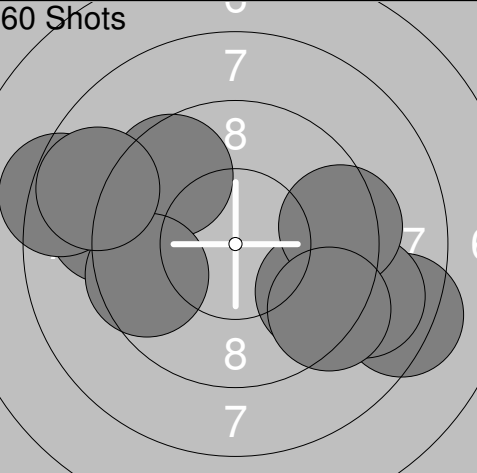
<p>Sight</p> 	<p>1: 9.3 ↘ 2: 9.4 ↘ 3: 10.7x ↘ 4: 10.3x → 5: 10.1 ← 6: 10.2x ↓ 7: 10.5x ↓ 8: 9.0 ↘ 9: 10.7x → 10: 10.2x ↓</p> <p>Series 100.4 Total 0.0</p>	<p>Sight</p> 	<p>11: 10.6x ↖ 12: 10.3x ↑ 13: 10.7x ↘ 14: 9.7 ↗ 15: 10.2x ↓ 16: 9.7 ↗</p> <p>Series 61.2 Total 0.0</p>
<p>60 Shots</p> 	<p>1: 9.6 → 2: 10.2x ↗ 3: 9.9 ← 4: 9.9 ← 5: 10.7x → 6: 10.7x ↓ 7: 10.2x ↓ 8: 10.7x ↑ 9: 10.4x ↓ 10: 10.3x ↙</p> <p>Series 102.6 Total 102.6</p>	<p>60 Shots</p> 	<p>11: 10.0 ↑ 12: 10.5x ↗ 13: 10.3x ↓ 14: 9.8 ↗ 15: 9.9 ↘ 16: 9.9 ↗ 17: 10.7x → 18: 10.2x ↓ 19: 10.0 ↗ 20: 8.8 →</p> <p>Series 100.1 Total 202.7</p>
<p>60 Shots</p> 	<p>21: 9.6 ← 22: 10.4x ↙ 23: 10.2x ↗ 24: 9.8 ↖ 25: 10.0 → 26: 10.6x → 27: 10.7x ↗ 28: 10.3x ↓ 29: 10.4x ← 30: 10.3x ↓</p> <p>Series 102.3 Total 305.0</p>	<p>60 Shots</p> 	<p>31: 10.6x ↓ 32: 10.2x → 33: 10.4x ↗ 34: 9.7 ← 35: 9.6 ↑ 36: 10.4x ← 37: 9.3 ↗ 38: 9.6 ↑ 39: 10.8x ↘ 40: 10.3x →</p> <p>Series 100.9 Total 405.9</p>
<p>60 Shots</p> 	<p>41: 10.1 ↓ 42: 9.7 ← 43: 10.1 → 44: 10.3x ↗ 45: 10.0 ↓ 46: 10.3x ↘ 47: 9.6 ↘ 48: 10.5x ↗ 49: 9.3 ↖ 50: 10.5x ←</p> <p>Series 100.4 Total 506.3</p>	<p>60 Shots</p> 	<p>51: 10.5x ↗ 52: 9.9 ↓ 53: 10.7x ↖ 54: 10.1 ↗ 55: 10.3x ↖ 56: 9.5 ↗ 57: 9.4 ↘ 58: 10.3x ← 59: 10.1 ↘ 60: 10.7x ↗</p> <p>Series 101.5 Total 607.8</p>

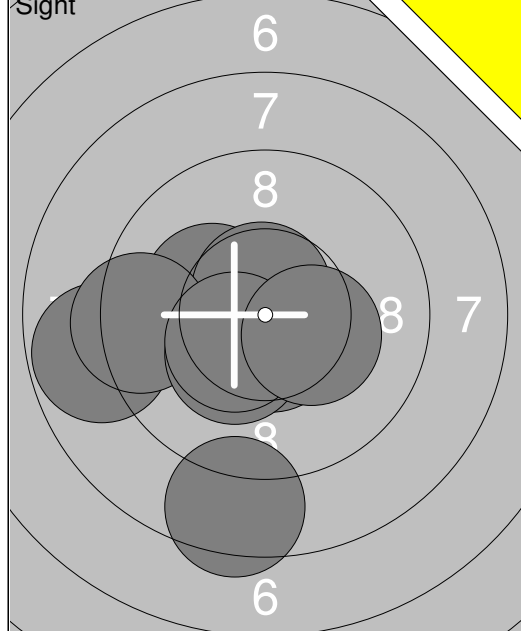
	<table style="width:100%; border-collapse: collapse;"> <tr><td>1:</td><td>9.8</td><td>↗</td></tr> <tr><td>2:</td><td>9.5</td><td>←</td></tr> <tr><td>3:</td><td>6.6</td><td>→</td></tr> <tr><td>4:</td><td>9.4</td><td>↙</td></tr> <tr><td>5:</td><td>9.1</td><td>→</td></tr> <tr><td>6:</td><td>10.7x</td><td>↓</td></tr> <tr><td>7:</td><td>9.4</td><td>↗</td></tr> <tr><td>8:</td><td>9.8</td><td>↖</td></tr> <tr><td>9:</td><td>9.7</td><td>↖</td></tr> <tr><td>10:</td><td>7.3</td><td>→</td></tr> <tr><td colspan="2">Series</td><td>91.3</td></tr> <tr><td colspan="2">Total</td><td>0.0</td></tr> </table>	1:	9.8	↗	2:	9.5	←	3:	6.6	→	4:	9.4	↙	5:	9.1	→	6:	10.7x	↓	7:	9.4	↗	8:	9.8	↖	9:	9.7	↖	10:	7.3	→	Series		91.3	Total		0.0	 <table style="width:100%; border-collapse: collapse;"> <tr><td>11:</td><td>9.3</td><td>↗</td></tr> <tr><td>12:</td><td>7.9</td><td>→</td></tr> <tr><td>13:</td><td>8.0</td><td>↗</td></tr> <tr><td colspan="2">Series</td><td>25.2</td></tr> <tr><td colspan="2">Total</td><td>0.0</td></tr> </table>	11:	9.3	↗	12:	7.9	→	13:	8.0	↗	Series		25.2	Total		0.0
1:	9.8	↗																																																			
2:	9.5	←																																																			
3:	6.6	→																																																			
4:	9.4	↙																																																			
5:	9.1	→																																																			
6:	10.7x	↓																																																			
7:	9.4	↗																																																			
8:	9.8	↖																																																			
9:	9.7	↖																																																			
10:	7.3	→																																																			
Series		91.3																																																			
Total		0.0																																																			
11:	9.3	↗																																																			
12:	7.9	→																																																			
13:	8.0	↗																																																			
Series		25.2																																																			
Total		0.0																																																			

	<table style="width:100%; border-collapse: collapse;"> <tr><td>1:</td><td>9.2</td><td>→</td></tr> <tr><td>2:</td><td>10.3x</td><td>↗</td></tr> <tr><td>3:</td><td>9.8</td><td>→</td></tr> <tr><td>4:</td><td>10.1</td><td>↑</td></tr> <tr><td>5:</td><td>9.6</td><td>↗</td></tr> <tr><td>6:</td><td>7.7</td><td>←</td></tr> <tr><td>7:</td><td>9.4</td><td>→</td></tr> <tr><td>8:</td><td>7.3</td><td>←</td></tr> <tr><td>9:</td><td>10.1</td><td>↑</td></tr> <tr><td>10:</td><td>8.5</td><td>→</td></tr> <tr><td colspan="2">Series</td><td>92.0</td></tr> <tr><td colspan="2">Total</td><td>92.0</td></tr> </table>	1:	9.2	→	2:	10.3x	↗	3:	9.8	→	4:	10.1	↑	5:	9.6	↗	6:	7.7	←	7:	9.4	→	8:	7.3	←	9:	10.1	↑	10:	8.5	→	Series		92.0	Total		92.0	 <table style="width:100%; border-collapse: collapse;"> <tr><td>11:</td><td>9.3</td><td>↗</td></tr> <tr><td>12:</td><td>9.2</td><td>←</td></tr> <tr><td>13:</td><td>7.8</td><td>→</td></tr> <tr><td>14:</td><td>9.3</td><td>↗</td></tr> <tr><td>15:</td><td>9.6</td><td>↙</td></tr> <tr><td>16:</td><td>7.8</td><td>↗</td></tr> <tr><td>17:</td><td>10.2x</td><td>←</td></tr> <tr><td>18:</td><td>9.1</td><td>↑</td></tr> <tr><td>19:</td><td>9.6</td><td>↑</td></tr> <tr><td>20:</td><td>8.3</td><td>←</td></tr> <tr><td colspan="2">Series</td><td>90.2</td></tr> <tr><td colspan="2">Total</td><td>182.2</td></tr> </table>	11:	9.3	↗	12:	9.2	←	13:	7.8	→	14:	9.3	↗	15:	9.6	↙	16:	7.8	↗	17:	10.2x	←	18:	9.1	↑	19:	9.6	↑	20:	8.3	←	Series		90.2	Total		182.2
1:	9.2	→																																																																								
2:	10.3x	↗																																																																								
3:	9.8	→																																																																								
4:	10.1	↑																																																																								
5:	9.6	↗																																																																								
6:	7.7	←																																																																								
7:	9.4	→																																																																								
8:	7.3	←																																																																								
9:	10.1	↑																																																																								
10:	8.5	→																																																																								
Series		92.0																																																																								
Total		92.0																																																																								
11:	9.3	↗																																																																								
12:	9.2	←																																																																								
13:	7.8	→																																																																								
14:	9.3	↗																																																																								
15:	9.6	↙																																																																								
16:	7.8	↗																																																																								
17:	10.2x	←																																																																								
18:	9.1	↑																																																																								
19:	9.6	↑																																																																								
20:	8.3	←																																																																								
Series		90.2																																																																								
Total		182.2																																																																								

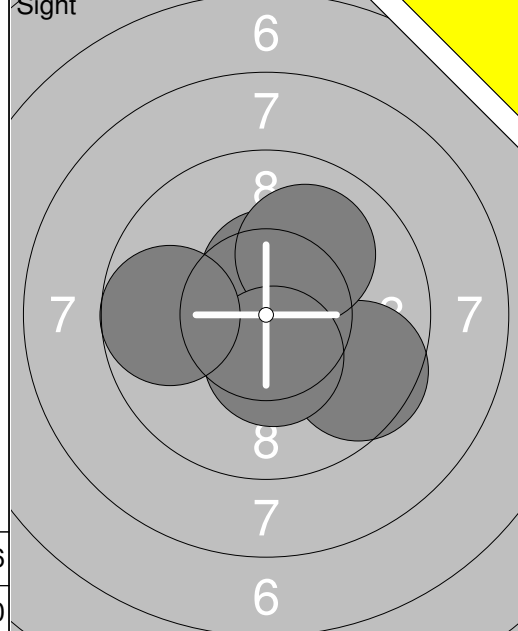
	<table style="width:100%; border-collapse: collapse;"> <tr><td>21:</td><td>9.0</td><td>↖</td></tr> <tr><td>22:</td><td>10.4x</td><td>→</td></tr> <tr><td>23:</td><td>10.5x</td><td>↗</td></tr> <tr><td>24:</td><td>10.4x</td><td>→</td></tr> <tr><td>25:</td><td>0.0</td><td>←</td></tr> <tr><td>26:</td><td>10.1</td><td>↗</td></tr> <tr><td>27:</td><td>9.7</td><td>↖</td></tr> <tr><td>28:</td><td>9.2</td><td>↑</td></tr> <tr><td>29:</td><td>9.0</td><td>↙</td></tr> <tr><td>30:</td><td>9.8</td><td>↓</td></tr> <tr><td colspan="2">Series</td><td>88.1</td></tr> <tr><td colspan="2">Total</td><td>270.3</td></tr> </table>	21:	9.0	↖	22:	10.4x	→	23:	10.5x	↗	24:	10.4x	→	25:	0.0	←	26:	10.1	↗	27:	9.7	↖	28:	9.2	↑	29:	9.0	↙	30:	9.8	↓	Series		88.1	Total		270.3	 <table style="width:100%; border-collapse: collapse;"> <tr><td>31:</td><td>8.6</td><td>↗</td></tr> <tr><td>32:</td><td>9.2</td><td>→</td></tr> <tr><td>33:</td><td>10.2x</td><td>↙</td></tr> <tr><td>34:</td><td>9.2</td><td>↗</td></tr> <tr><td>35:</td><td>6.2</td><td>↖</td></tr> <tr><td>36:</td><td>8.8</td><td>↙</td></tr> <tr><td>37:</td><td>7.7</td><td>←</td></tr> <tr><td>38:</td><td>8.7</td><td>→</td></tr> <tr><td>39:</td><td>8.9</td><td>↗</td></tr> <tr><td>40:</td><td>10.0</td><td>↑</td></tr> <tr><td colspan="2">Series</td><td>87.5</td></tr> <tr><td colspan="2">Total</td><td>357.8</td></tr> </table>	31:	8.6	↗	32:	9.2	→	33:	10.2x	↙	34:	9.2	↗	35:	6.2	↖	36:	8.8	↙	37:	7.7	←	38:	8.7	→	39:	8.9	↗	40:	10.0	↑	Series		87.5	Total		357.8
21:	9.0	↖																																																																								
22:	10.4x	→																																																																								
23:	10.5x	↗																																																																								
24:	10.4x	→																																																																								
25:	0.0	←																																																																								
26:	10.1	↗																																																																								
27:	9.7	↖																																																																								
28:	9.2	↑																																																																								
29:	9.0	↙																																																																								
30:	9.8	↓																																																																								
Series		88.1																																																																								
Total		270.3																																																																								
31:	8.6	↗																																																																								
32:	9.2	→																																																																								
33:	10.2x	↙																																																																								
34:	9.2	↗																																																																								
35:	6.2	↖																																																																								
36:	8.8	↙																																																																								
37:	7.7	←																																																																								
38:	8.7	→																																																																								
39:	8.9	↗																																																																								
40:	10.0	↑																																																																								
Series		87.5																																																																								
Total		357.8																																																																								

	<table style="width:100%; border-collapse: collapse;"> <tr><td>41:</td><td>9.6</td><td>↗</td></tr> <tr><td>42:</td><td>9.2</td><td>→</td></tr> <tr><td>43:</td><td>10.0</td><td>↙</td></tr> <tr><td>44:</td><td>10.5x</td><td>→</td></tr> <tr><td>45:</td><td>9.3</td><td>↗</td></tr> <tr><td>46:</td><td>9.9</td><td>↖</td></tr> <tr><td>47:</td><td>8.2</td><td>←</td></tr> <tr><td>48:</td><td>10.1</td><td>↗</td></tr> <tr><td>49:</td><td>8.7</td><td>↗</td></tr> <tr><td>50:</td><td>9.0</td><td>←</td></tr> <tr><td colspan="2">Series</td><td>94.5</td></tr> <tr><td colspan="2">Total</td><td>452.3</td></tr> </table>	41:	9.6	↗	42:	9.2	→	43:	10.0	↙	44:	10.5x	→	45:	9.3	↗	46:	9.9	↖	47:	8.2	←	48:	10.1	↗	49:	8.7	↗	50:	9.0	←	Series		94.5	Total		452.3	 <table style="width:100%; border-collapse: collapse;"> <tr><td>51:</td><td>8.0</td><td>↗</td></tr> <tr><td>52:</td><td>8.9</td><td>←</td></tr> <tr><td>53:</td><td>9.9</td><td>↗</td></tr> <tr><td>54:</td><td>9.3</td><td>→</td></tr> <tr><td>55:</td><td>7.2</td><td>←</td></tr> <tr><td>56:</td><td>9.2</td><td>↙</td></tr> <tr><td>57:</td><td>9.2</td><td>↙</td></tr> <tr><td>58:</td><td>9.1</td><td>←</td></tr> <tr><td>59:</td><td>10.5x</td><td>↙</td></tr> <tr><td>60:</td><td>9.7</td><td>↗</td></tr> <tr><td colspan="2">Series</td><td>91.0</td></tr> <tr><td colspan="2">Total</td><td>543.3</td></tr> </table>	51:	8.0	↗	52:	8.9	←	53:	9.9	↗	54:	9.3	→	55:	7.2	←	56:	9.2	↙	57:	9.2	↙	58:	9.1	←	59:	10.5x	↙	60:	9.7	↗	Series		91.0	Total		543.3
41:	9.6	↗																																																																								
42:	9.2	→																																																																								
43:	10.0	↙																																																																								
44:	10.5x	→																																																																								
45:	9.3	↗																																																																								
46:	9.9	↖																																																																								
47:	8.2	←																																																																								
48:	10.1	↗																																																																								
49:	8.7	↗																																																																								
50:	9.0	←																																																																								
Series		94.5																																																																								
Total		452.3																																																																								
51:	8.0	↗																																																																								
52:	8.9	←																																																																								
53:	9.9	↗																																																																								
54:	9.3	→																																																																								
55:	7.2	←																																																																								
56:	9.2	↙																																																																								
57:	9.2	↙																																																																								
58:	9.1	←																																																																								
59:	10.5x	↙																																																																								
60:	9.7	↗																																																																								
Series		91.0																																																																								
Total		543.3																																																																								

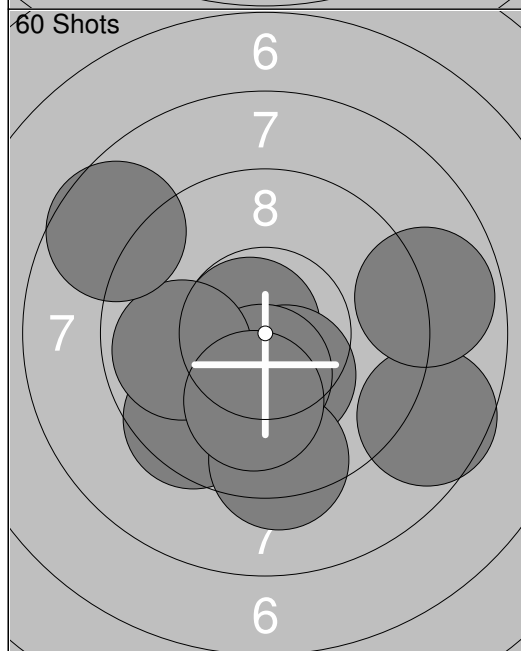
<p>Sight</p>  <p style="text-align: center;">7</p>	<p>1: 9.6 ← 2: 10.7x ↗ 3: 9.9 ↑ 4: 10.7x ↓ 5: 10.0 ↓ 6: 10.4x ↓ 7: 9.7 ← 8: 8.5 ← 9: 9.5 → 10: 10.0 ↓</p> <p>Series 99.0 Total 0.0</p>	<p>Sight</p>  <p style="text-align: center;">7</p>	<p>11: 8.8 → 12: 9.1 → 13: 10.5x ↓ 14: 9.4 ← 15: 10.5x ↓</p> <p>Series 48.3 Total 0.0</p>
<p>60 Shots</p>  <p style="text-align: center;">7</p>	<p>1: 10.3x ↓ 2: 10.6x ↘ 3: 10.2x ← 4: 10.0 ↖ 5: 8.7 ← 6: 10.6x ↑ 7: 10.4x ← 8: 9.9 → 9: 9.9 ↑ 10: 9.4 ↓</p> <p>Series 100.0 Total 100.0</p>	<p>60 Shots</p>  <p style="text-align: center;">7</p>	<p>11: 10.3x ↘ 12: 9.8 ↗ 13: 10.3x ↗ 14: 10.0 ↓ 15: 9.1 → 16: 10.5x ↘ 17: 9.2 ↓ 18: 10.2x ↗ 19: 9.8 ↓ 20: 9.2 ↓</p> <p>Series 98.4 Total 198.4</p>
<p>60 Shots</p>  <p style="text-align: center;">7</p>	<p>21: 9.5 ← 22: 10.0 ← 23: 9.3 ↓ 24: 10.7x ↗ 25: 10.7x ↓ 26: 9.4 ↖ 27: 9.7 ↗ 28: 9.4 → 29: 9.7 → 30: 10.2x ↓</p> <p>Series 98.6 Total 297.0</p>	<p>60 Shots</p>  <p style="text-align: center;">7</p>	<p>31: 9.9 ↗ 32: 9.5 → 33: 9.3 → 34: 9.6 ↓ 35: 9.9 ← 36: 10.2x → 37: 9.3 ↑ 38: 8.9 ← 39: 8.5 ↘ 40: 9.6 →</p> <p>Series 94.7 Total 391.7</p>
<p>60 Shots</p>  <p style="text-align: center;">7</p>	<p>41: 9.1 ↘ 42: 10.6x → 43: 10.2x → 44: 10.2x ↘ 45: 8.2 ↑ 46: 10.7x ← 47: 9.4 ↖ 48: 10.3x ← 49: 10.2x ↘ 50: 10.2x ↘</p> <p>Series 99.1 Total 490.8</p>	<p>60 Shots</p>  <p style="text-align: center;">7</p>	<p>51: 9.1 ← 52: 9.6 ↗ 53: 9.6 ← 54: 8.3 ↓ 55: 8.3 ↖ 56: 8.9 ↘ 57: 9.6 ↘ 58: 9.4 → 59: 9.3 ↓ 60: 8.8 ↖</p> <p>Series 90.9 Total 581.7</p>



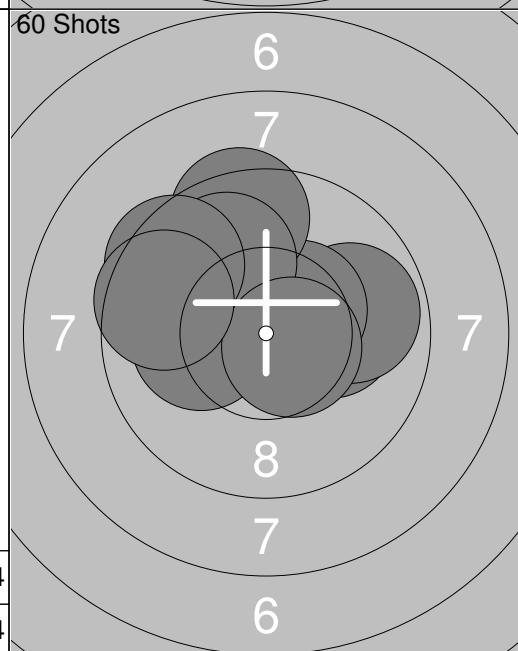
1: 10.4x	←
2: 8.8	←
3: 10.2x	↖
4: 8.5	↓
5: 10.6x	↓
6: 10.7x	↑
7: 9.4	←
8: 10.3x	↙
9: 10.4x	↙
10: 10.3x	→
Series	99.6
Total	0.0



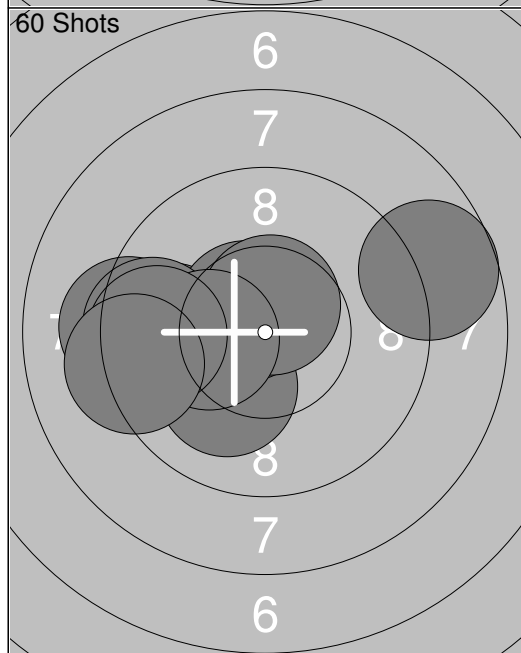
11: 10.8x	→
12: 9.6	↘
13: 10.5x	↑
14: 10.0	↗
15: 10.4x	↓
16: 9.7	←
Series	61.0
Total	0.0



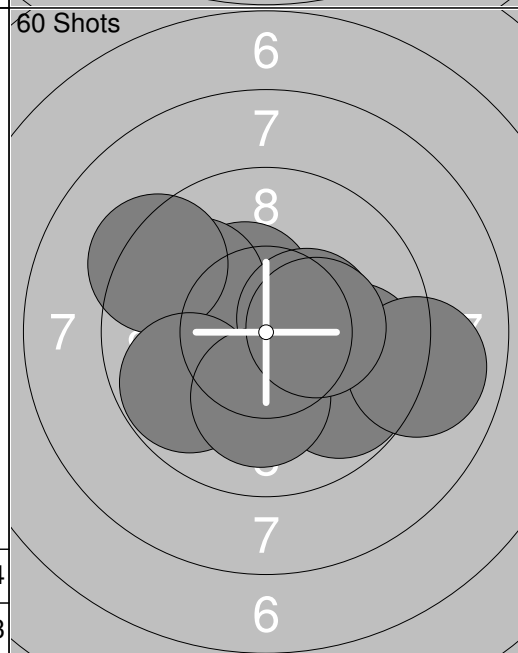
1: 10.7x	↖
2: 10.4x	↓
3: 9.5	↙
4: 9.3	↓
5: 10.4x	↓
6: 9.9	←
7: 8.6	↖
8: 8.6	→
9: 8.9	→
10: 10.1	↓
Series	96.4
Total	96.4



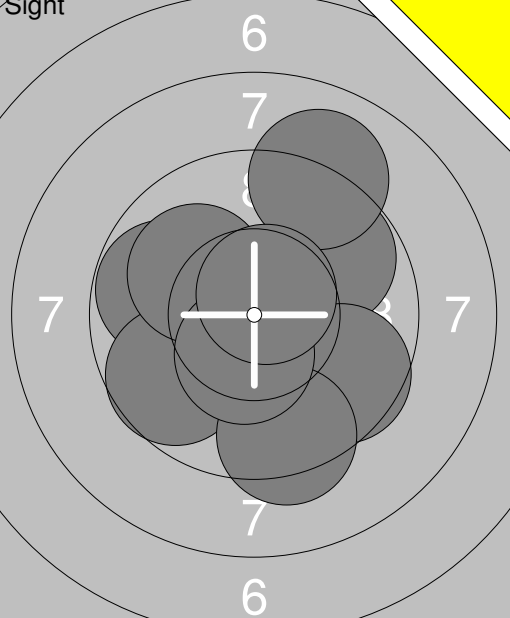
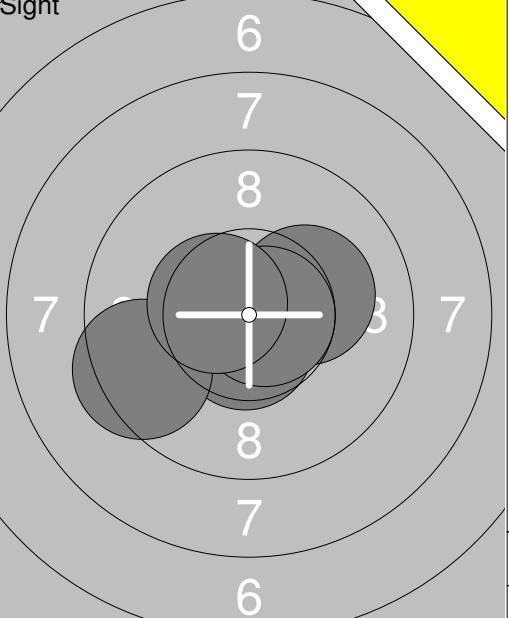
11: 10.2x	→
12: 9.9	↖
13: 9.8	→
14: 10.5x	↗
15: 10.1	←
16: 9.4	↑
17: 9.9	↗
18: 10.6x	→
19: 9.5	↖
20: 9.6	←
Series	99.5
Total	195.9

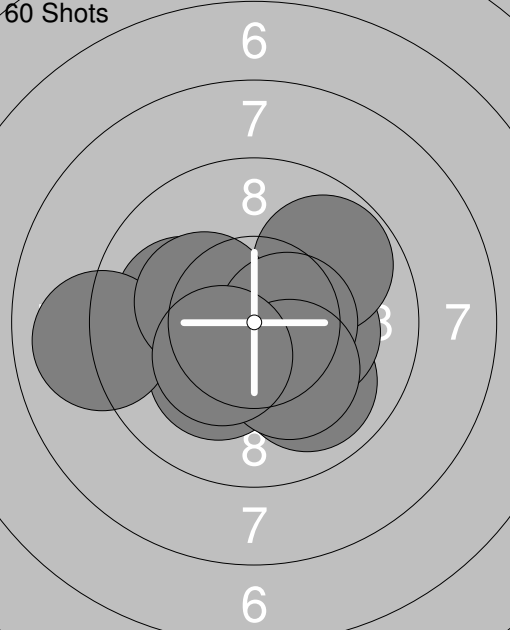
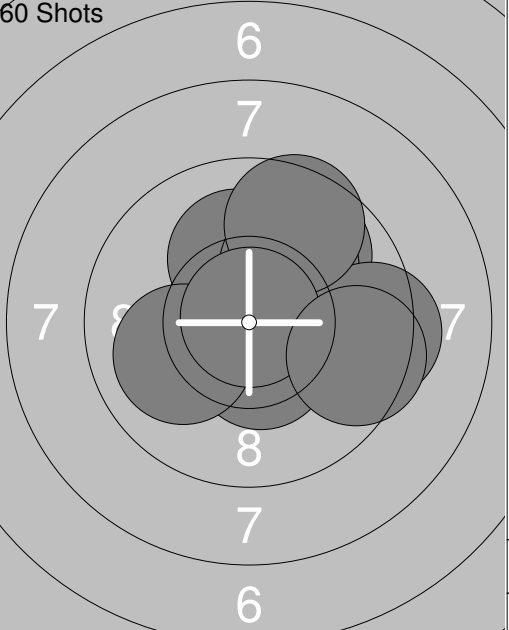


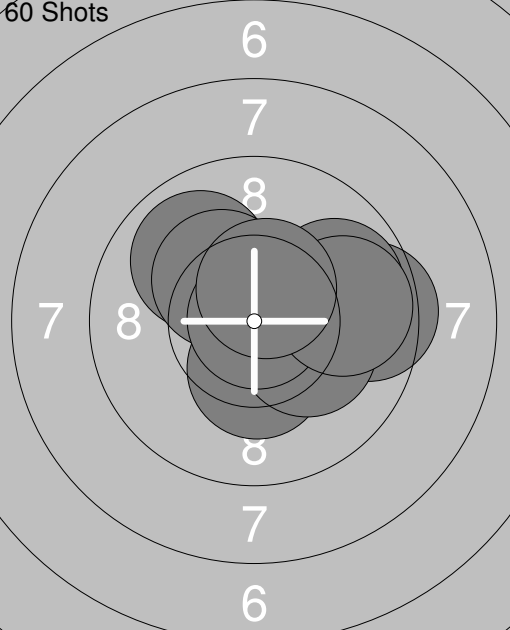
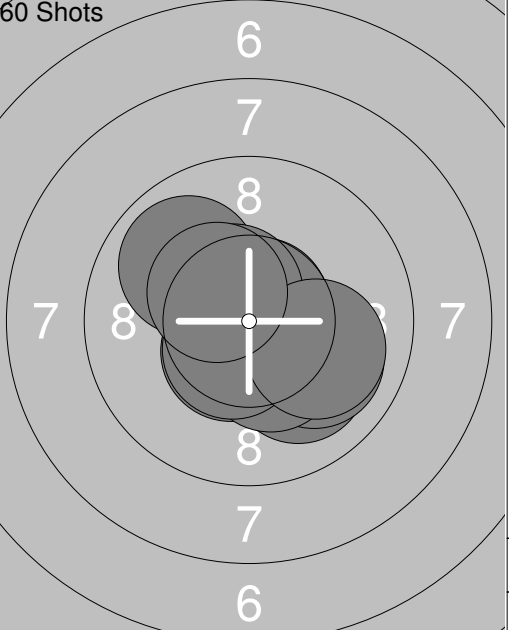
21: 9.2	←
22: 9.7	←
23: 10.1	↙
24: 10.6x	↖
25: 8.7	→
26: 9.5	←
27: 10.6x	↑
28: 10.2x	←
29: 9.6	←
30: 9.2	←
Series	97.4
Total	293.3

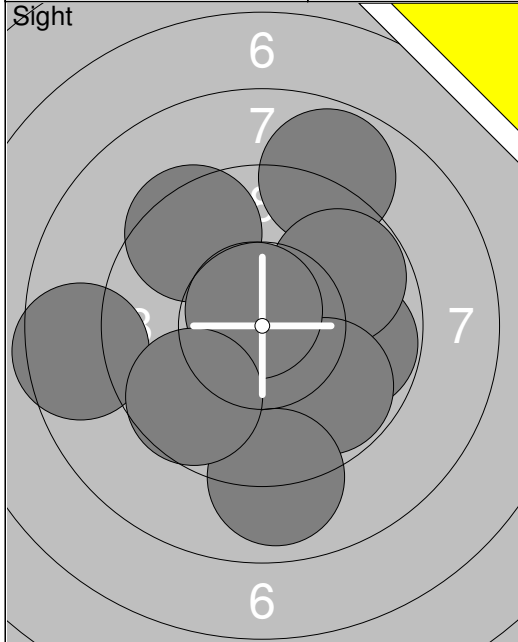


31: 9.8	→
32: 10.4x	↗
33: 9.9	↖
34: 10.4x	→
35: 9.3	↖
36: 9.8	↘
37: 9.8	←
38: 10.1	↓
39: 9.0	→
40: 10.3x	→
Series	98.8
Total	392.1

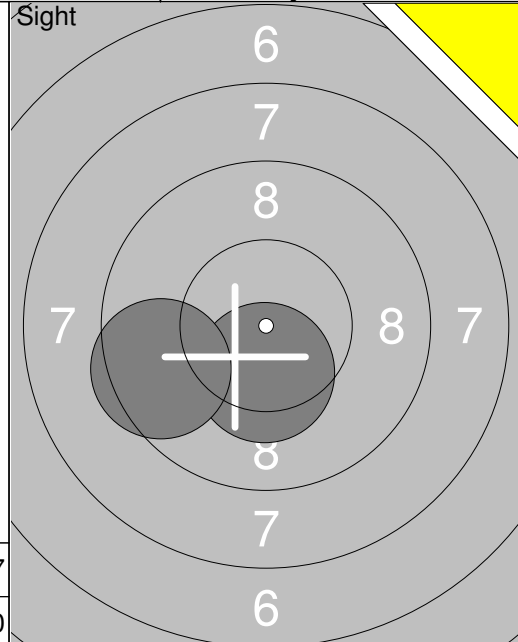
<p>Sight</p>  <p>1: 9.8 ← 2: 9.8 ↗ 3: 10.5x ↓ 4: 9.7 ← 5: 9.6 ↘ 6: 9.0 ↗ 7: 9.4 ↓ 8: 10.1 ↖ 9: 10.4x ↓ 10: 10.6x ↗</p> <p>Series 98.9 Total 0.0</p>		<p>Sight</p>  <p>11: 10.2x → 12: 10.6x ↓ 13: 10.7x → 14: 9.4 ← 15: 10.5x ↖</p> <p>Series 51.4 Total 0.0</p>
--	--	--

<p>60 Shots</p>  <p>1: 10.2x ↓ 2: 10.0 ← 3: 9.0 ← 4: 9.9 ↓ 5: 10.2x → 6: 9.8 ↗ 7: 10.3x ↖ 8: 10.5x → 9: 10.2x ↓ 10: 10.4x ↖</p> <p>Series 100.5 Total 100.5</p>		<p>60 Shots</p>  <p>11: 9.9 ↗ 12: 10.6x ↖ 13: 10.1 ↑ 14: 10.1 ↗ 15: 9.4 → 16: 9.6 ↗ 17: 10.5x ↓ 18: 10.0 ← 19: 10.9x ↑ 20: 9.5 →</p> <p>Series 100.6 Total 201.1</p>
---	--	--

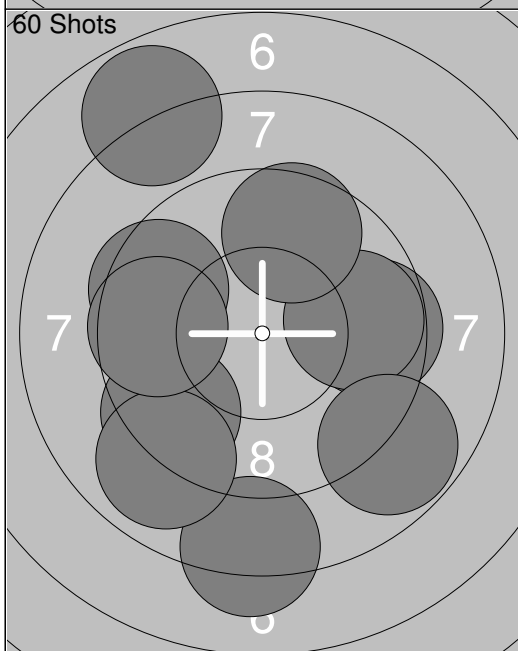
<p>60 Shots</p>  <p>21: 9.9 ↖ 22: 9.5 → 23: 9.8 → 24: 10.3x ↓ 25: 10.4x → 26: 10.2x → 27: 10.3x ↖ 28: 10.9x ↗ 29: 9.8 → 30: 10.5x ↗</p> <p>Series 101.6 Total 302.7</p>		<p>60 Shots</p>  <p>31: 10.0 ↓ 32: 10.5x ↖ 33: 10.0 → 34: 10.4x ↓ 35: 9.9 ↖ 36: 10.7x ↗ 37: 10.5x ↖ 38: 10.5x ↖ 39: 10.0 → 40: 10.4x ↖</p> <p>Series 102.9 Total 405.6</p>
--	--	---



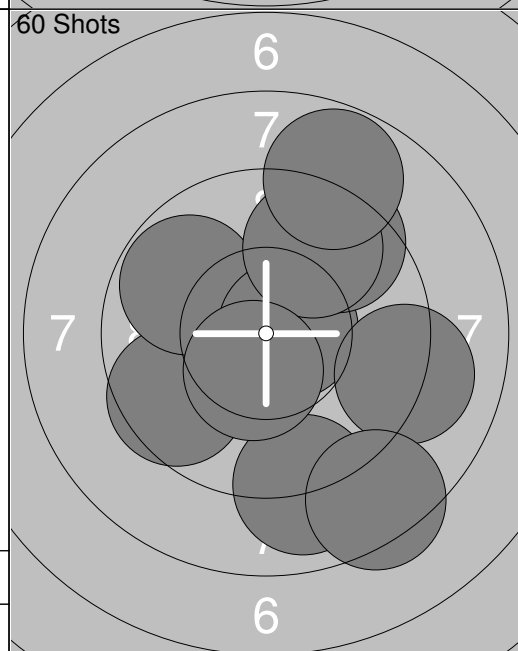
1:	8.8	↗
2:	9.8	→
3:	9.4	↗
4:	10.1	↘
5:	9.8	↗
6:	9.8	↘
7:	10.7x	↗
8:	8.6	←
9:	9.0	↘
10:	9.7	↘
Series		95.7
Total		0.0



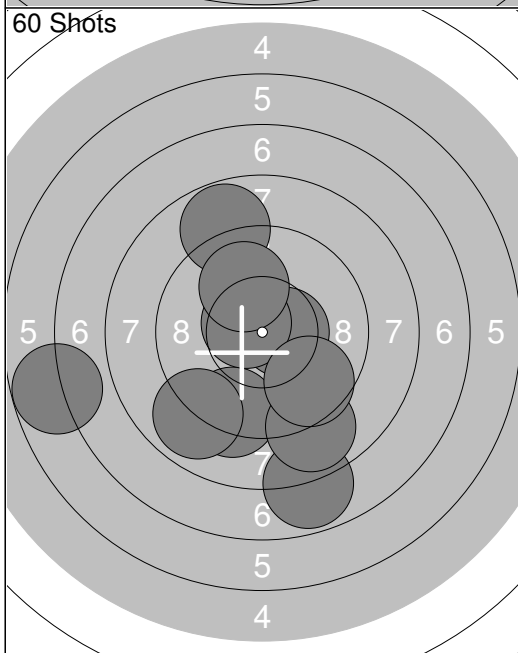
12:	10.4x	↘
13:	9.5	↖
Series		19.9
Total		0.0



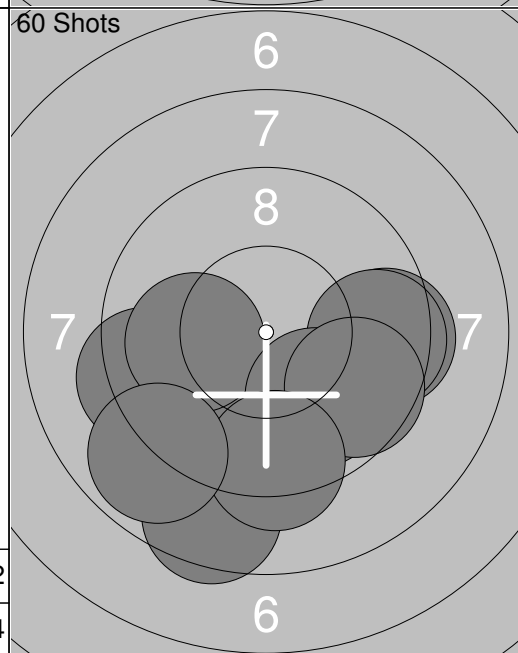
1:	9.5	↖
2:	8.2	↘
3:	9.4	↖
4:	9.5	→
5:	9.8	→
6:	7.8	↗
7:	8.8	↘
8:	9.6	↗
9:	8.9	↘
10:	9.6	←
Series		91.1
Total		91.1



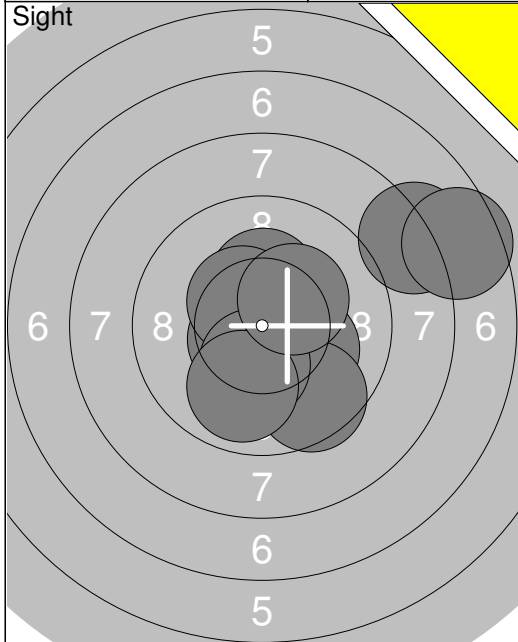
11:	9.6	↖
12:	9.8	↖
13:	10.7x	→
14:	9.0	↘
15:	9.1	→
16:	8.4	↘
17:	9.5	↗
18:	9.7	↗
19:	8.8	↗
20:	10.5x	↘
Series		95.1
Total		186.2



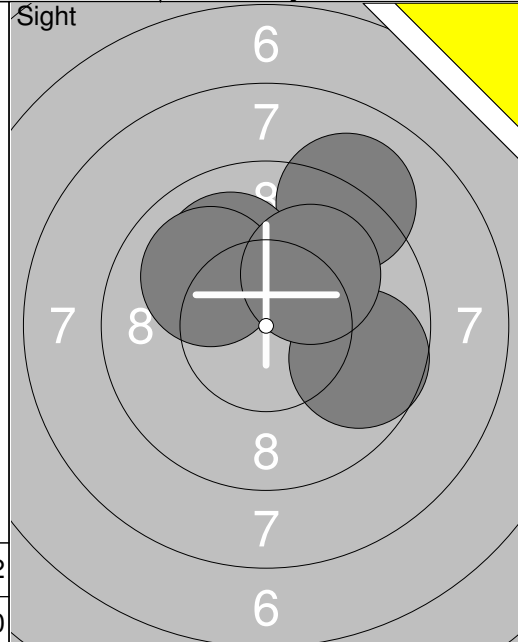
21:	10.5x	→
22:	9.3	↘
23:	8.8	↗
24:	10.6x	↖
25:	10.0	↗
26:	7.8	↘
27:	8.9	↘
28:	6.8	←
29:	9.6	↘
30:	8.9	↘
Series		91.2
Total		277.4



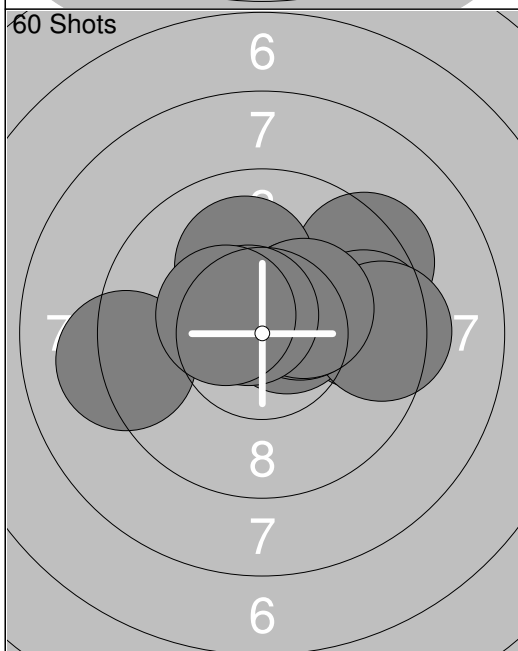
31:	9.3	↖
32:	9.4	↖
33:	9.4	→
34:	10.0	←
35:	9.5	→
36:	8.5	↘
37:	9.9	↘
38:	9.6	↘
39:	9.3	↘
40:	8.9	↖
Series		93.8
Total		371.2



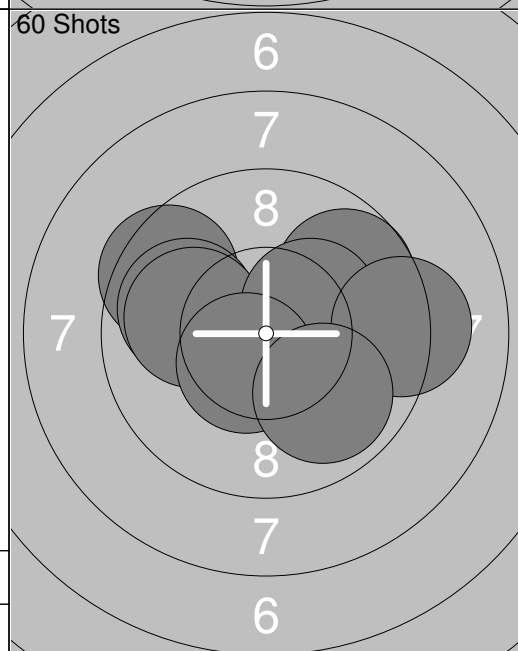
1:	8.1	↗
2:	7.5	→
3:	10.6x	↙
4:	10.2x	→
5:	9.6	↓
6:	10.3x	↑
7:	10.4x	↖
8:	10.3x	↓
9:	9.9	↓
10:	10.3x	↗
Series		97.2
Total		0.0



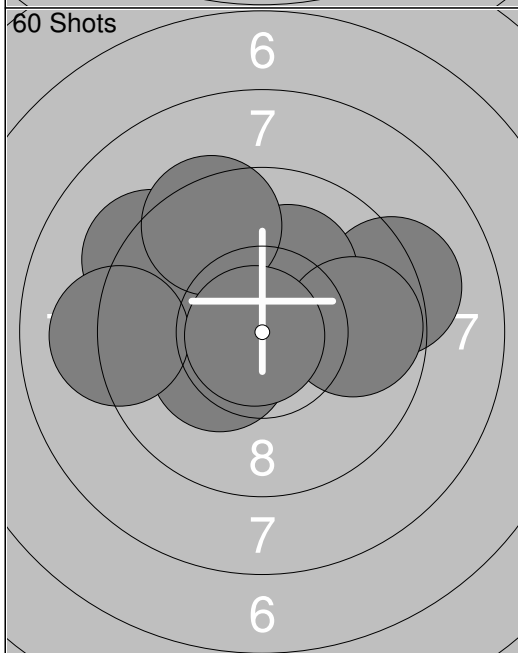
11:	9.1	↗
12:	10.0	↖
13:	9.7	→
14:	10.0	↖
15:	10.1	↗
Series		48.9
Total		0.0



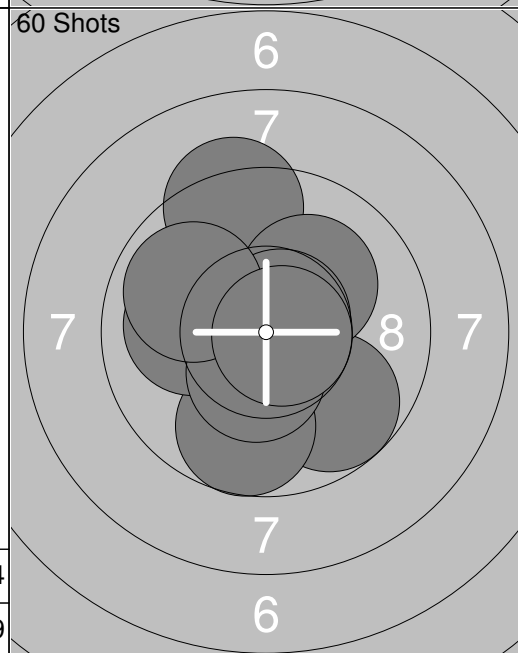
1:	9.4	↗
2:	9.6	→
3:	10.6x	→
4:	9.4	→
5:	9.2	←
6:	10.1	↑
7:	10.4x	↗
8:	10.3x	↗
9:	10.7x	↖
10:	10.4x	↖
Series		100.1
Total		100.1



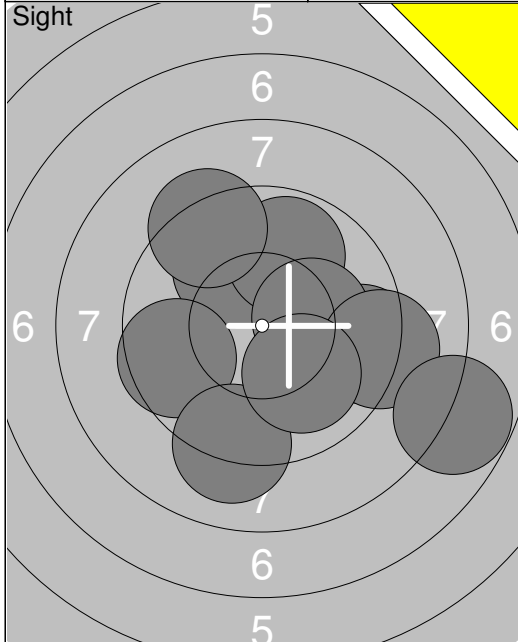
11:	10.0	→
12:	9.5	↖
13:	9.9	←
14:	10.0	←
15:	10.4x	→
16:	9.7	↗
17:	10.3x	↗
18:	9.2	→
19:	10.5x	↙
20:	9.9	↘
Series		99.4
Total		199.5



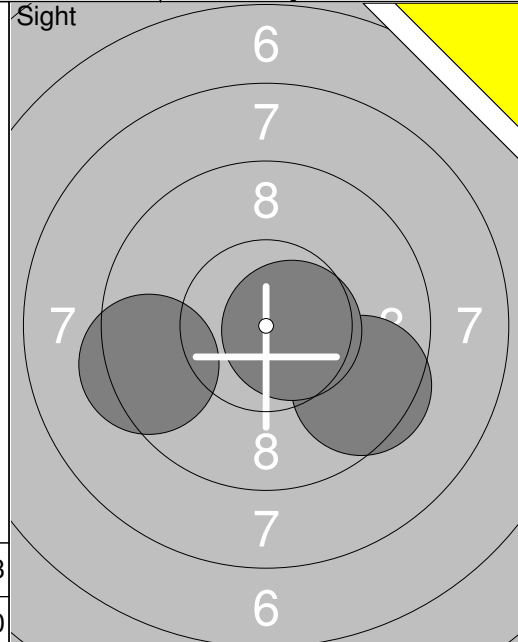
21:	9.2	→
22:	10.1	↗
23:	9.5	↖
24:	9.9	↖
25:	10.3x	↙
26:	9.3	↖
27:	9.4	↗
28:	9.1	←
29:	9.8	→
30:	10.8x	↙
Series		97.4
Total		296.9



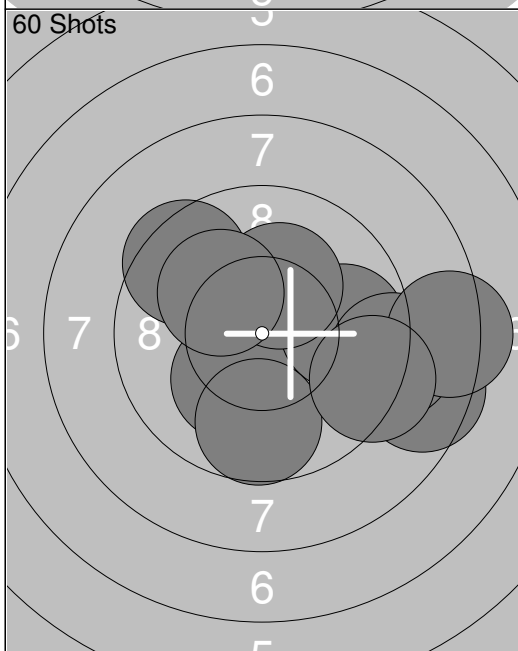
31:	10.4x	↗
32:	9.3	↑
33:	9.8	↘
34:	9.7	↓
35:	10.0	←
36:	10.1	↗
37:	10.4x	↘
38:	10.7x	↗
39:	9.9	↖
40:	10.7x	→
Series		101.0
Total		397.9



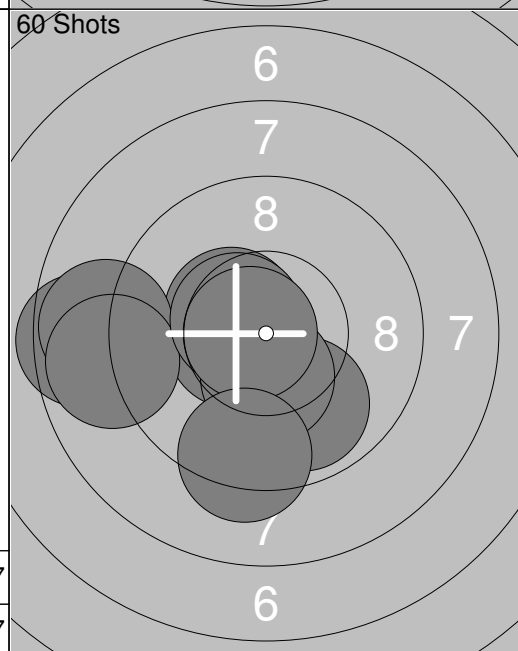
1:	10.0	↗
2:	9.6	↖
3:	9.4	→
4:	9.8	↗
5:	10.2x	→
6:	9.3	↗
7:	9.1	→
8:	7.8	↘
9:	9.1	↓
10:	10.0	↘
Series		94.3
Total		0.0



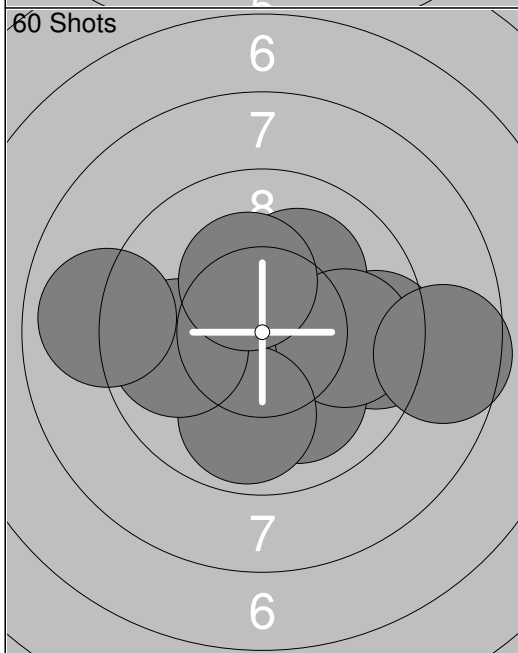
11:	9.4	↖
12:	9.5	↘
13:	10.6x	→
Series		29.5
Total		0.0



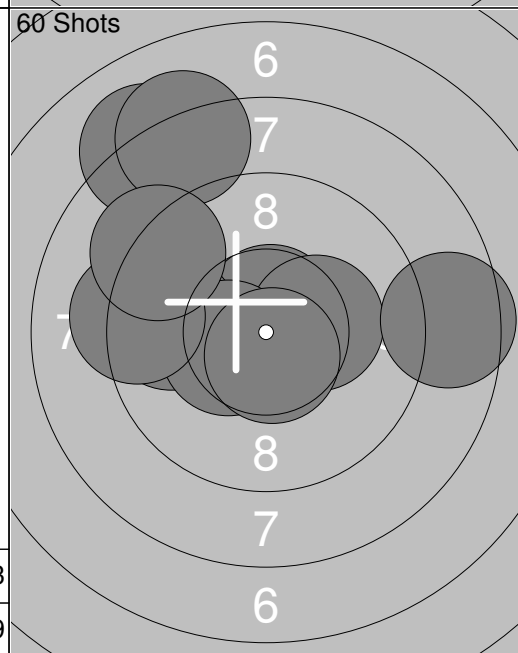
1:	10.2x	↘
2:	9.8	→
3:	9.7	↓
4:	8.5	→
5:	9.1	→
6:	8.3	→
7:	9.3	↘
8:	9.5	↗
9:	10.2x	↗
10:	10.1	↖
Series		94.7
Total		94.7



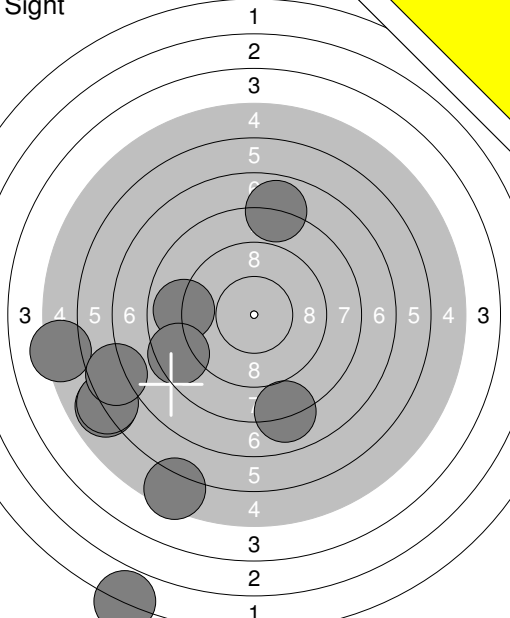
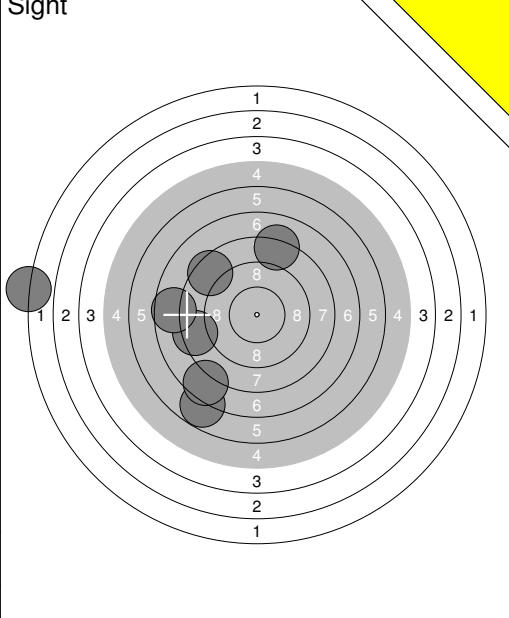
11:	10.4x	↖
12:	8.5	↖
13:	10.5x	↖
14:	8.8	↖
15:	9.9	↘
16:	10.4x	↓
17:	8.9	↖
18:	10.5x	↖
19:	10.7x	↖
20:	9.3	↓
Series		97.9
Total		192.6

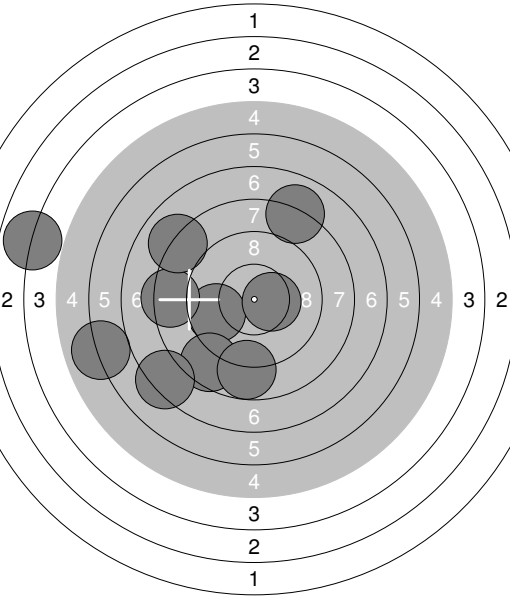
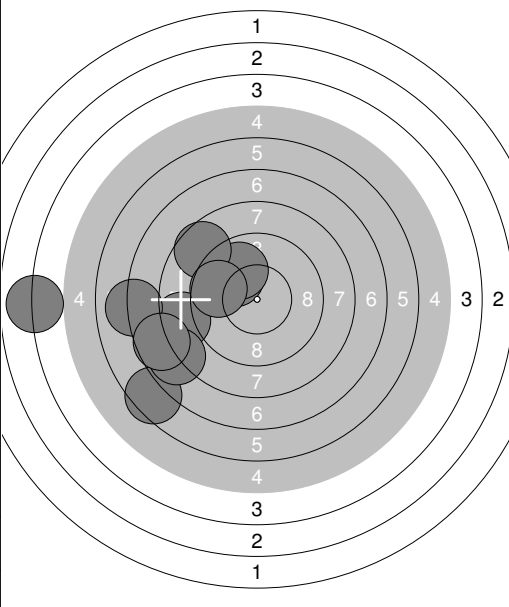


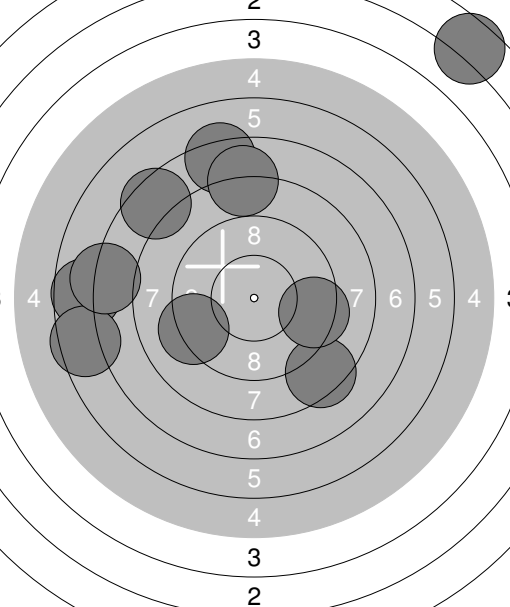
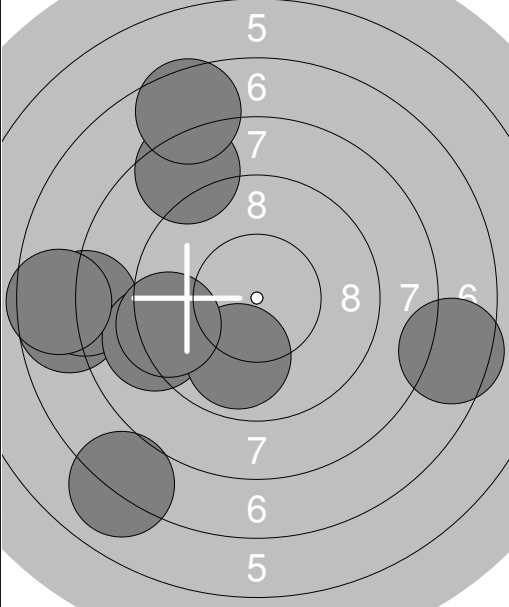
21:	9.5	→
22:	10.1	↗
23:	10.2x	↘
24:	10.0	↘
25:	9.9	→
26:	9.9	↓
27:	9.9	↖
28:	8.6	→
29:	10.3x	↗
30:	8.9	↖
Series		97.3
Total		289.9

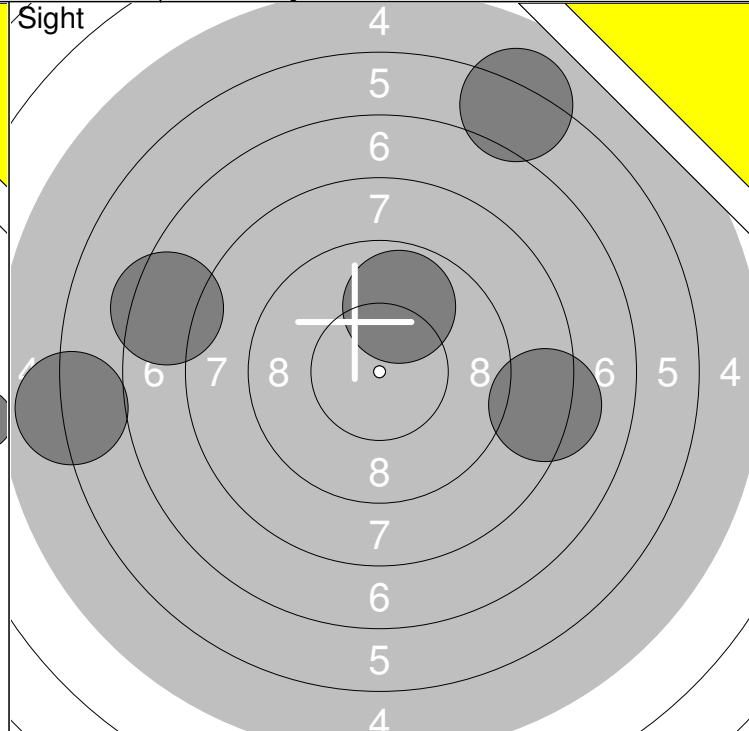
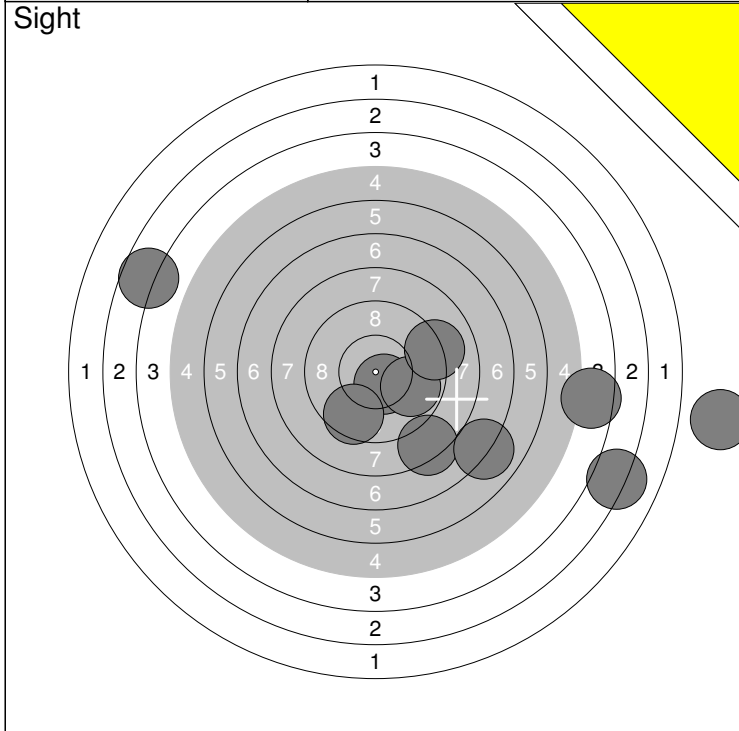


31:	10.7x	↗
32:	9.7	↖
33:	8.1	↖
34:	10.3x	→
35:	8.2	↗
36:	10.4x	↖
37:	9.2	↖
38:	8.5	→
39:	10.6x	↘
40:	9.2	↖
Series		94.9
Total		384.8

Sight 	1: 5.4 ↘ 2: 7.9 ↑ 3: 8.9 ← 4: 5.9 ← 5: 1.9 ↘ 6: 8.0 ↘ 7: 5.3 ← 8: 8.5 ← 9: 6.0 ← 10: 6.6 ← <hr/> Series 64.4 Total 0.0	Sight 		11: 8.5 ↖ 12: 8.4 ← 13: 6.8 ↘ 14: 7.6 ↘ 15: 8.2 ↑ 16: 1.8 ← 17: 7.6 ← <hr/> Series 48.9 Total 0.0
--	---	--	--	---

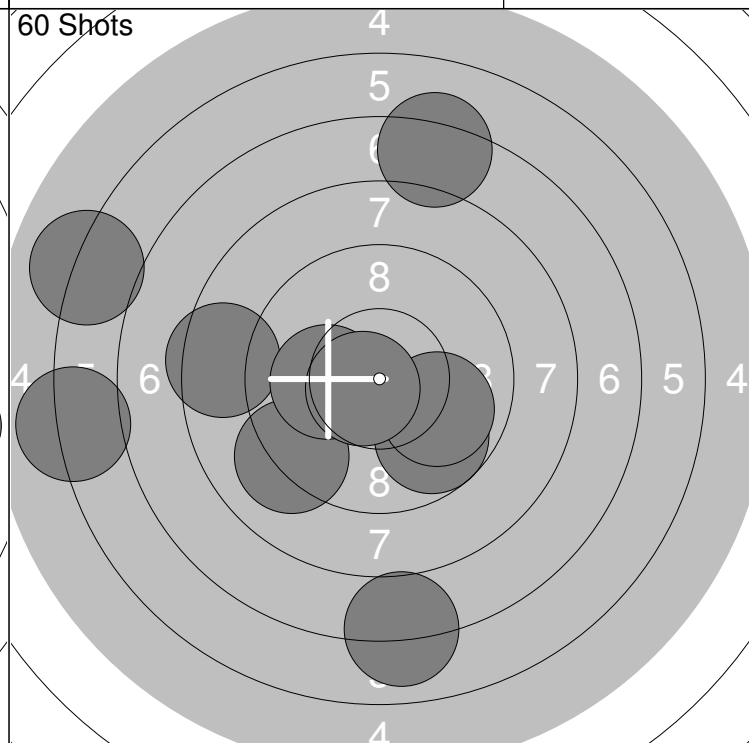
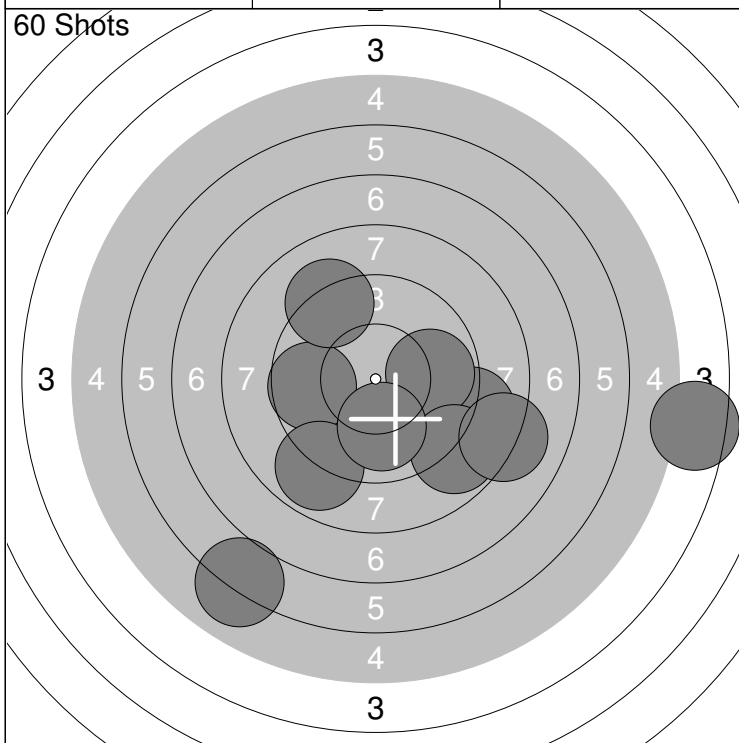
60 Shots 	1: 9.7 ← 2: 8.4 ← 3: 8.6 ↘ 4: 6.0 ← 5: 8.0 ↑ 6: 8.0 ↖ 7: 10.4x → 8: 8.8 ↘ 9: 7.3 ↘ 10: 3.9 ← <hr/> Series 79.1 Total 79.1	60 Shots 		11: 6.5 ↘ 12: 8.5 ← 13: 7.0 ← 14: 10.0 ↖ 15: 9.9 ↑ 16: 8.6 ↖ 17: 9.7 ← 18: 4.0 ← 19: 7.8 ↘ 20: 7.7 ↘ <hr/> Series 79.7 Total 158.8
--	--	--	--	---

60 Shots 	21: 7.3 ↑ 22: 2.6 ↗ 23: 7.9 ↑ 24: 8.4 ↘ 25: 7.5 ↖ 26: 6.7 ← 27: 9.4 → 28: 6.5 ← 29: 7.1 ← 30: 9.2 ↘ <hr/> Series 72.6 Total 231.4	60 Shots 		31: 7.5 → 32: 7.7 ← 33: 8.5 ↖ 34: 8.0 ← 35: 7.6 ↖ 36: 9.1 ← 37: 7.0 ↘ 38: 9.9 ↘ 39: 7.6 ← 40: 9.4 ← <hr/> Series 82.3 Total 313.7
---	--	---	--	--



1: 10.5x ↘	6: 9.1 →	Series	65.5
2: 0.0 →	7: 3.1 →		Total
3: 8.3 ↘	8: 9.5 ↘		
4: 9.8 ↘	9: 4.5 →		
5: 3.7 ↗	10: 7.0 ↘		

11: 6.0 ←	Series	37.7
12: 9.9 ↑		Total
13: 6.2 ↗		
14: 7.4 ←		
15: 8.2 →		



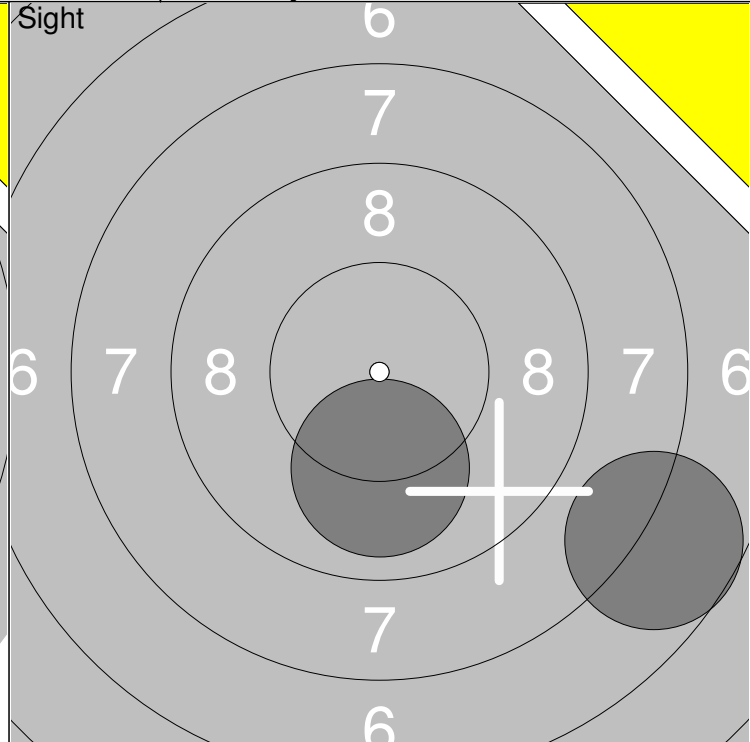
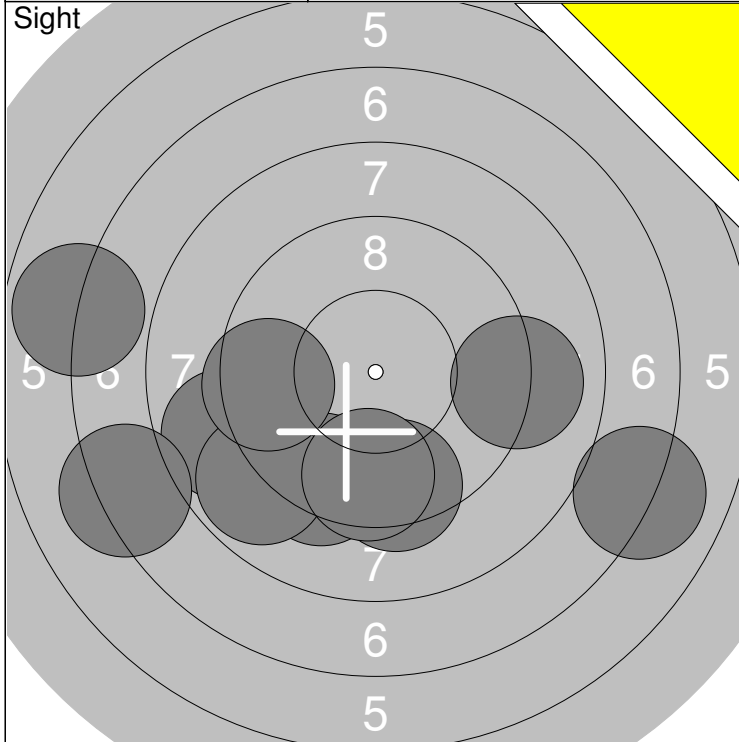
1: 8.9 →	6: 8.8 ↘	Series	83.9
2: 9.7 ←	7: 8.9 ↘		Total
3: 4.5 →	8: 10.0 ↘		
4: 9.2 ↗	9: 6.0 ↘		
5: 9.8 →	10: 8.1 ↘		

11: 9.7 ↘	16: 6.1 ←	Series	84.4
12: 7.3 ↑	17: 9.1 ↘		Total
13: 9.9 →	18: 10.1 ←		
14: 6.1 ←	19: 10.6x ↘		
15: 8.5 ←	20: 7.0 ↓		

Relay 3	Lane 26	Carl Bergling
--------------------------	--------------------------	----------------------

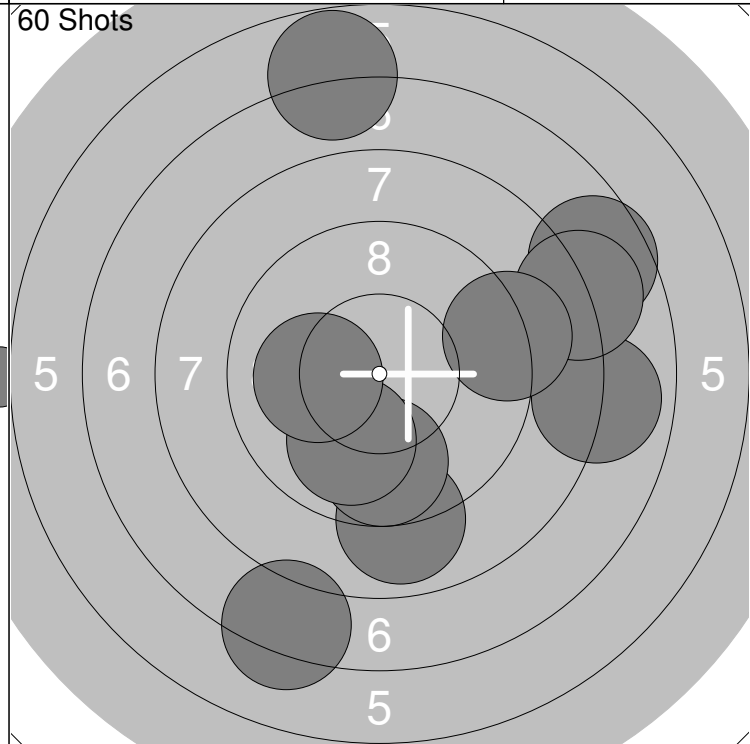
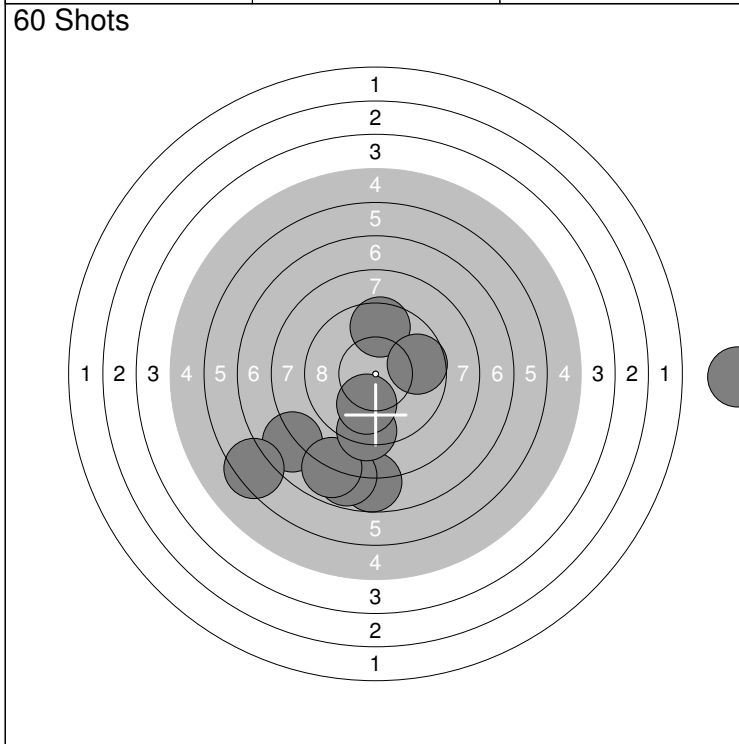
S	Umeå Skf		
----------	-----------------	--	--

2015-04-18	UME-Kulan 2015	Umeå skytteallians
-------------------	-----------------------	---------------------------



1: 8.8 ↙	6: 9.6 ↓	Series	85.6
2: 9.3 ↓	7: 9.0 →		
3: 6.9 ↙	8: 7.0 →	Total	0.0
4: 8.9 ↙	9: 9.5 ←		
5: 9.4 ↓	10: 7.2 ↙		

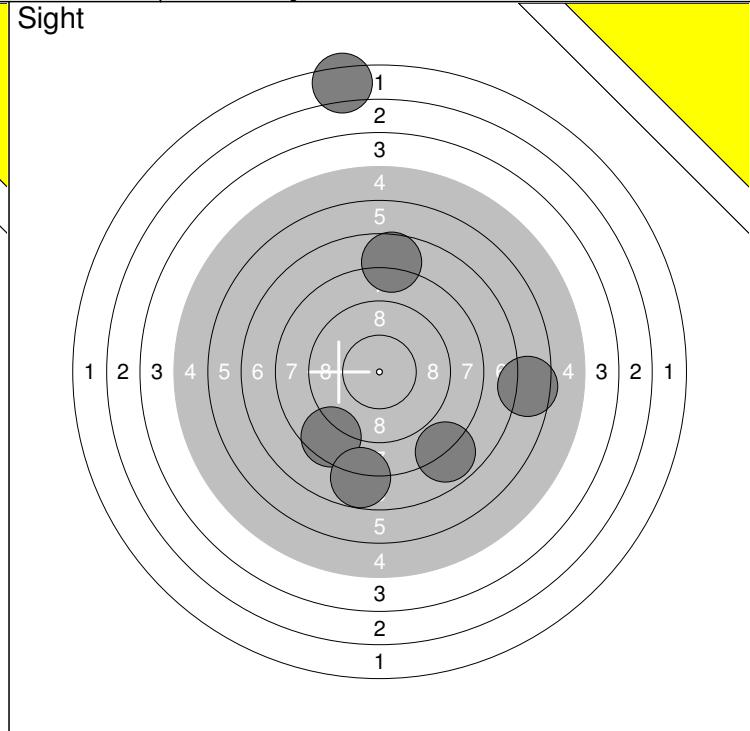
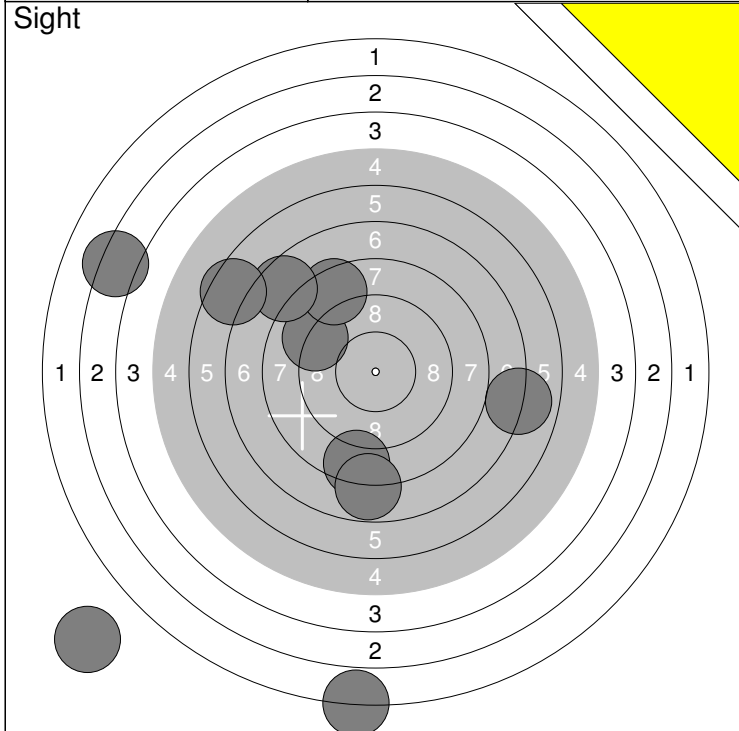
11: 7.7 →	Series	17.7
12: 10.0 ↓		
Total		0.0



1: 7.8 ↙	6: 7.9 ↓	Series	76.2
2: 6.4 ↙	7: 9.6 ↑		
3: 0.0 →	8: 9.2 ↓	Total	76.2
4: 7.8 ↓	9: 10.0 ↓		
5: 7.8 ↓	10: 9.7 →		

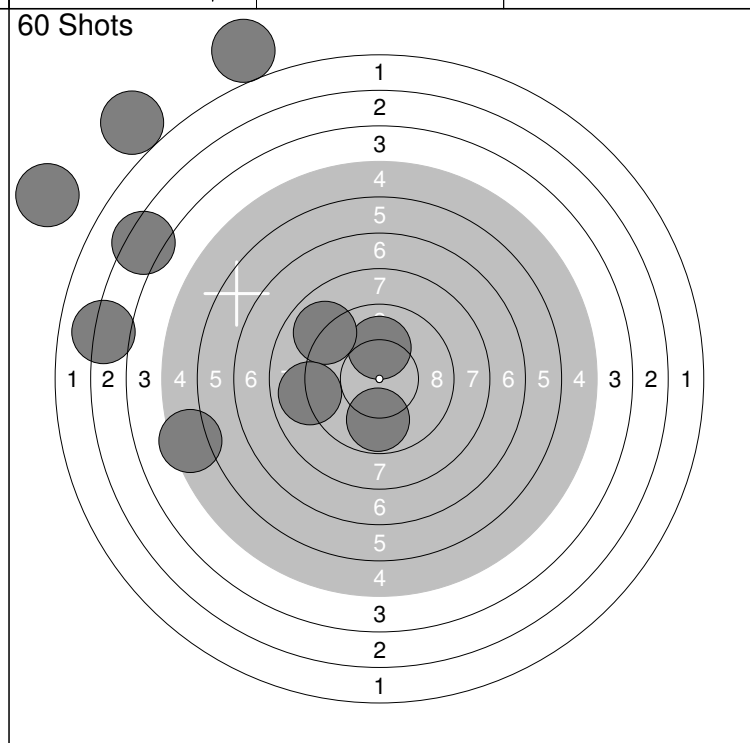
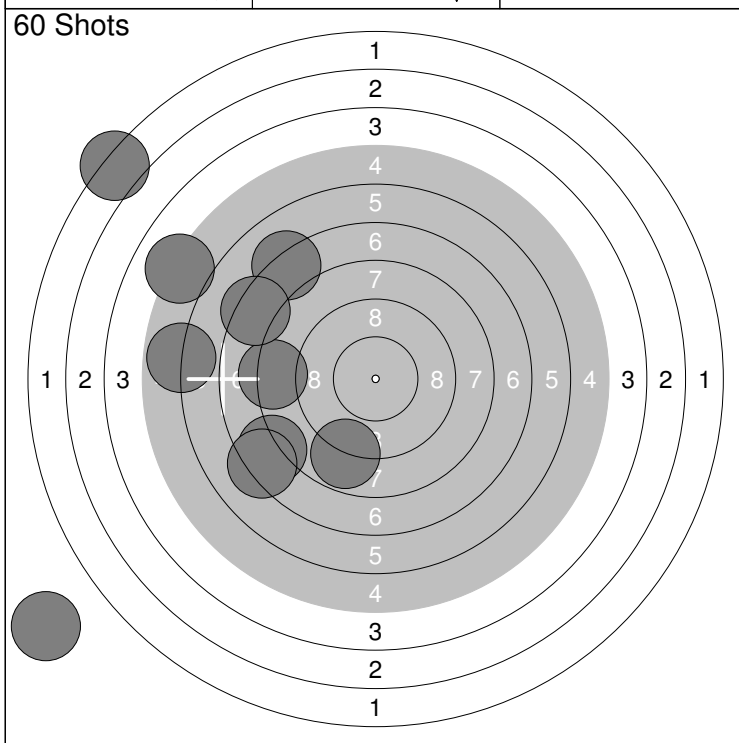
11: 7.9 →	16: 10.0 ↓	Series	85.4
12: 7.6 →	17: 10.1 ←		
13: 8.9 ↓	18: 8.0 →	Total	161.6
14: 7.3 ↓	19: 9.1 →		
15: 9.7 ↓	20: 6.8 ↑		

www.AC-Skytte.com



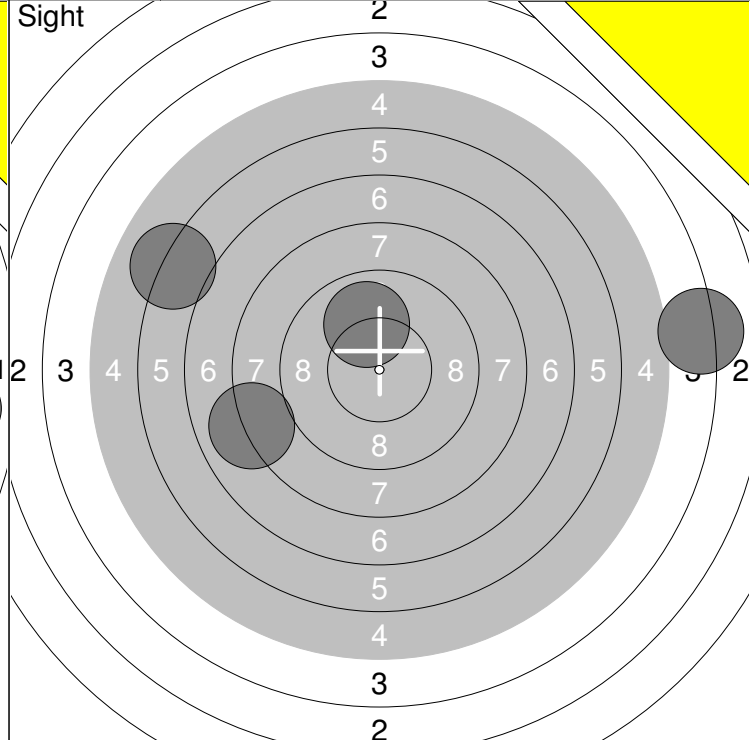
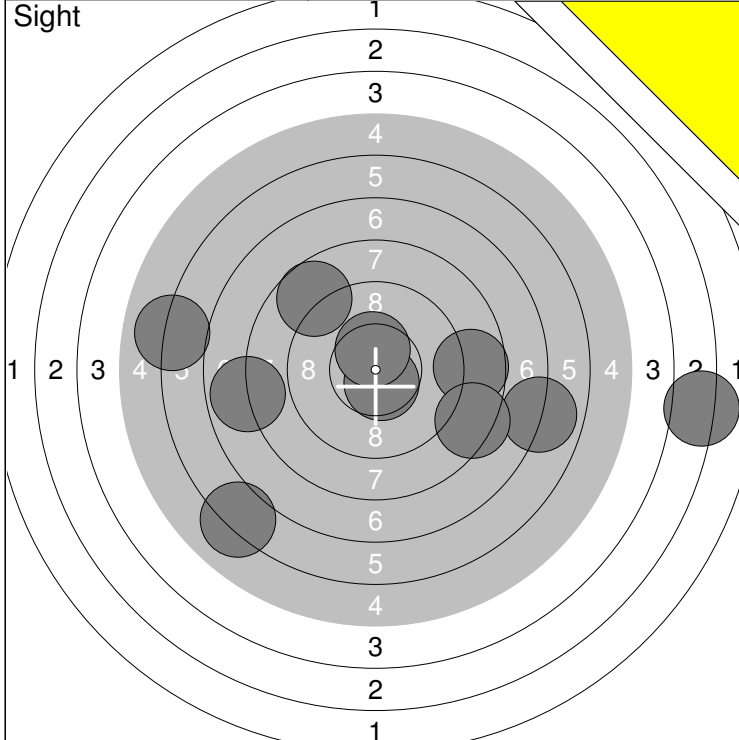
1: 8.4 ↓	6: 7.8 ↓	Series 60.0
2: 7.0 →	7: 3.3 ↖	
3: 9.0 ↖	8: 7.6 ↗	Total 0.0
4: 0.0 ↙	9: 6.5 ↗	
5: 8.5 ↗	10: 1.9 ↓	

11: 2.3 ↑	16: 8.5 ↙	Series 40.7
12: 0.0 ←	17: 7.8 ↓	
13: 6.5 →		Total 0.0
14: 7.9 ↙		
15: 7.7 ↑		



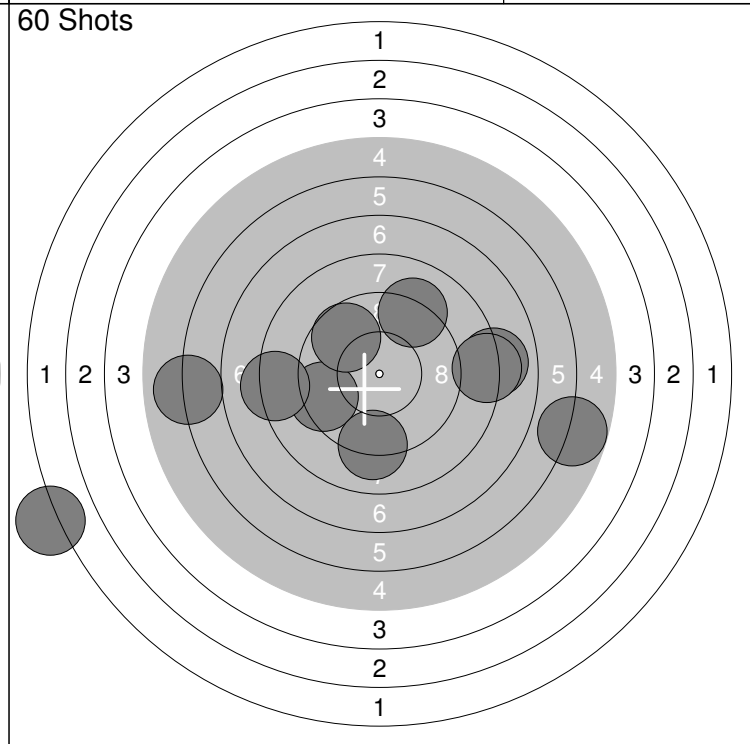
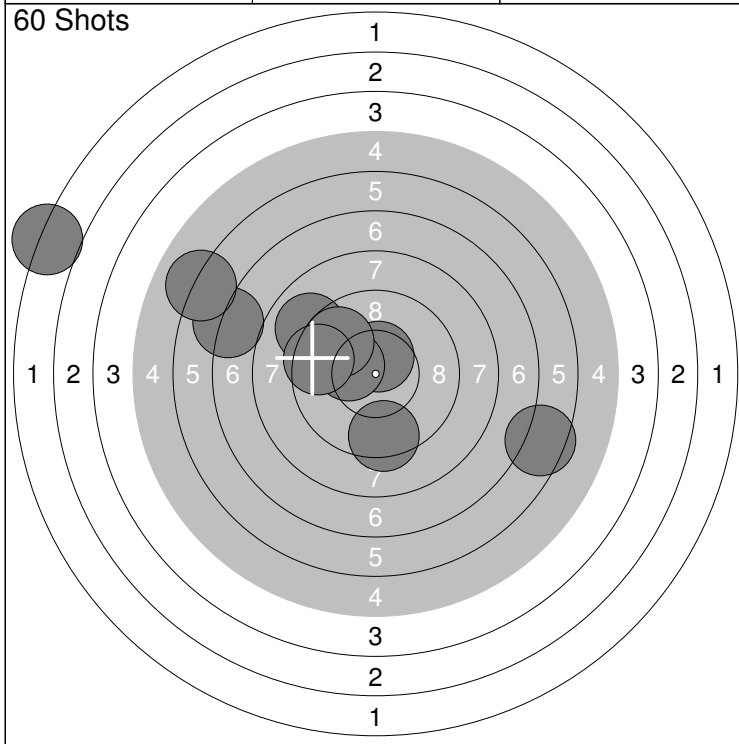
1: 7.7 ↙	6: 5.1 ↖	Series 59.6
2: 7.2 ↗	7: 8.3 ←	
3: 8.8 ↓	8: 7.3 ↙	Total 59.6
4: 5.8 ←	9: 7.3 ↗	
5: 2.1 ↗	10: 0.0 ↙	

11: 10.1 ↑	16: 5.4 ←	Series 51.6
12: 8.9 ↖	17: 3.3 ↖	
13: 3.1 ←	18: 9.8 ↓	Total 111.2
14: 1.0 ↗	19: 0.0 ↖	
15: 1.0 ↑	20: 9.0 ←	



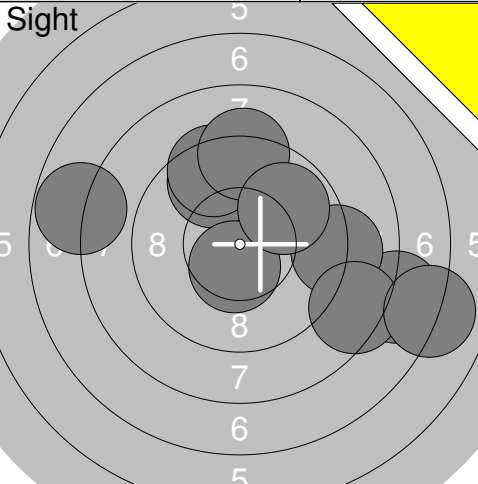
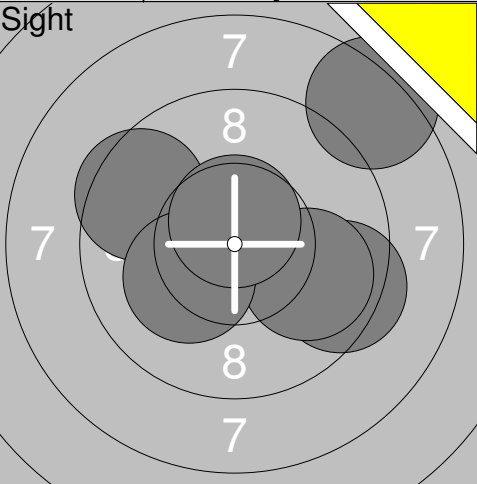
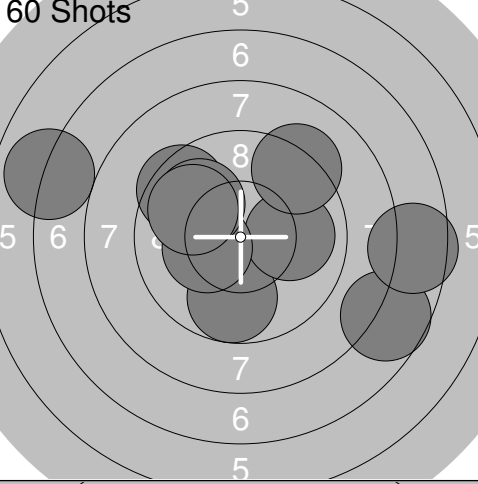
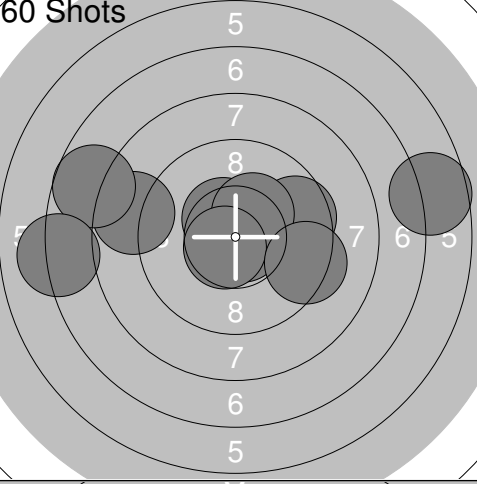
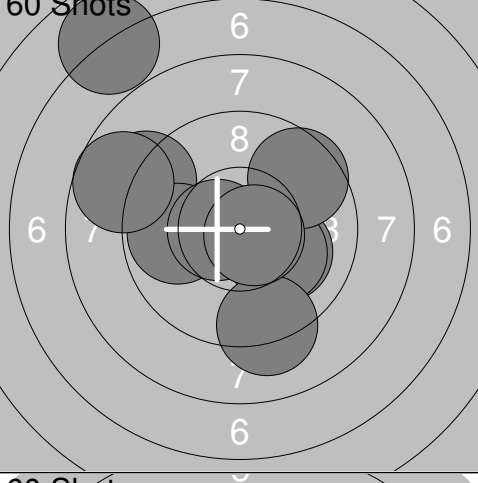
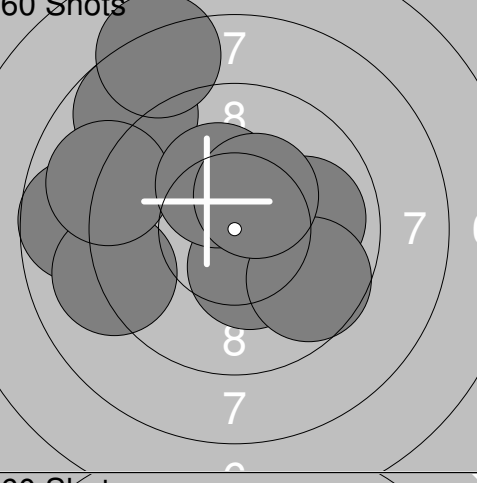
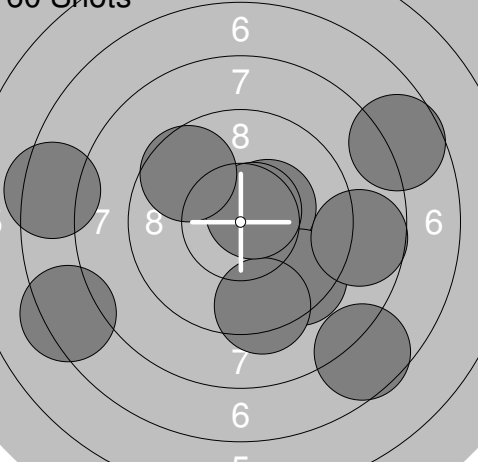
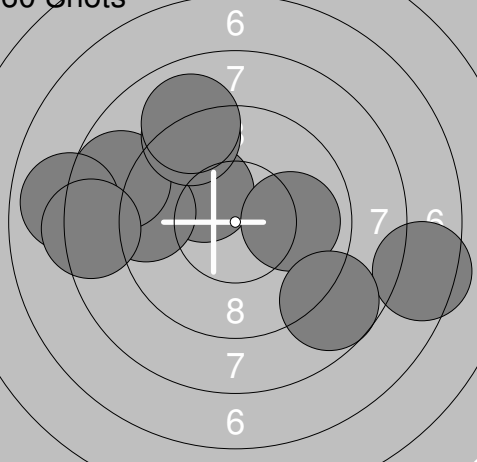
1: 6.1 ↙	6: 10.6x ↓	Series 76.8
2: 8.7 →	7: 7.9 ←	
3: 8.7 ↗	8: 6.9 →	Total 0.0
4: 3.1 →	9: 10.5x ↑	
5: 6.0 ←	10: 8.3 ↘	

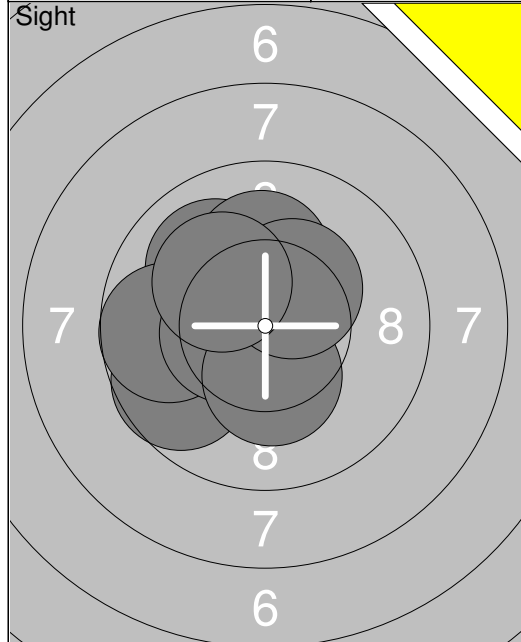
11: 10.0 ↑	Series 28.2
12: 8.0 ←	
13: 4.1 →	Total 0.0
14: 6.1 ↖	



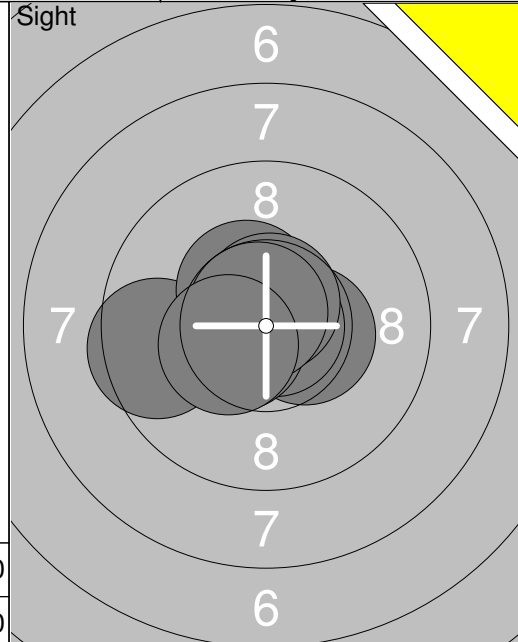
1: 10.5x ↑	6: 9.4 ↓	Series 79.8
2: 10.2x ←	7: 6.0 ↗	
3: 7.0 ←	8: 6.5 →	Total 79.8
4: 9.0 ↗	9: 2.0 ↗	
5: 9.7 ↗	10: 9.5 ←	

11: 1.6 ←	16: 8.2 ←	Series 75.2
12: 9.2 ↗	17: 9.1 ↓	
13: 6.0 ←	18: 9.7 ↗	Total 155.0
14: 9.4 ←	19: 8.2 →	
15: 8.0 →	20: 5.8 ↘	

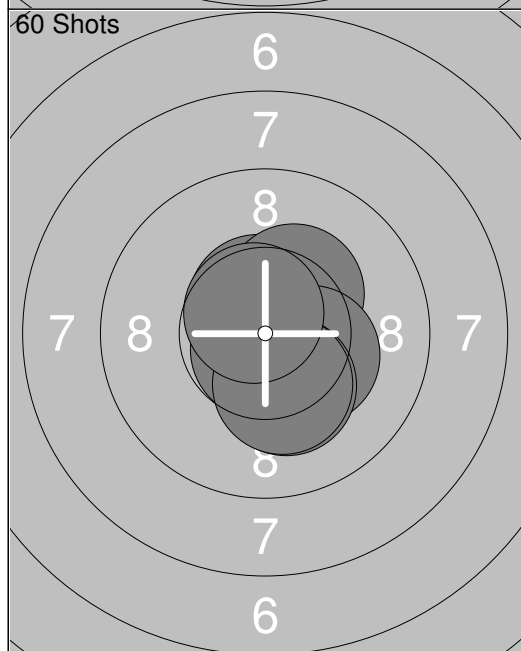
Relay	Lane	Emil Nordlund	
S		Drängsmarks Skf	
2015-04-18	UME-Kulan 2015	Umeå skytteallians	
Sight		1: 9.6 ↗ 2: 7.7 → 3: 9.4 ↗ 4: 9.2 ↑ 5: 9.1 → 6: 7.8 ← 7: 8.4 ↘ 8: 7.0 → 9: 10.5x ↓ 10: 9.9 ↗ Series 88.6 Total 0.0	Sight  11: 9.5 ↖ 12: 9.4 → 13: 8.3 ↗ 14: 9.9 → 15: 10.2x ↙ 16: 10.6x ↑ Series 57.9 Total 0.0
60 Shots		1: 9.7 ↓ 2: 10.0 → 3: 10.3x ← 4: 9.5 ↗ 5: 7.7 ↘ 6: 9.9 ↗ 7: 7.0 ← 8: 9.2 ↗ 9: 9.9 ↗ 10: 7.5 → Series 90.7 Total 90.7	60 Shots  11: 10.8x → 12: 9.6 → 13: 8.7 ← 14: 6.7 → 15: 10.5x ↗ 16: 7.7 ← 17: 7.1 ← 18: 10.3x ↗ 19: 10.6x ↙ 20: 9.3 → Series 91.3 Total 182.0
60 Shots		21: 9.1 ↖ 22: 9.9 ← 23: 10.6x ← 24: 10.1 → 25: 10.2x ↘ 26: 9.6 ↗ 27: 9.2 ↓ 28: 10.7x → 29: 6.9 ↗ 30: 8.7 ↖ Series 95.0 Total 277.0	60 Shots  31: 9.9 → 32: 10.4x ↓ 33: 8.7 ← 34: 8.8 ↗ 35: 9.1 ← 36: 9.7 ↘ 37: 8.2 ↗ 38: 9.0 ← 39: 10.3x ↗ 40: 10.4x ↗ Series 94.5 Total 371.5
60 Shots		41: 7.3 ← 42: 7.4 ← 43: 7.7 → 44: 10.4x ↗ 45: 9.5 ↘ 46: 9.3 ↓ 47: 10.6x ↗ 48: 7.6 ↓ 49: 8.7 → 50: 9.6 ↗ Series 88.1 Total 459.6	60 Shots  51: 10.2x ↗ 52: 9.3 ← 53: 9.9 → 54: 8.7 ← 55: 9.2 ↗ 56: 7.9 ← 57: 7.5 → 58: 8.7 ↓ 59: 8.3 ← 60: 9.0 ↗ Series 88.7 Total 548.3



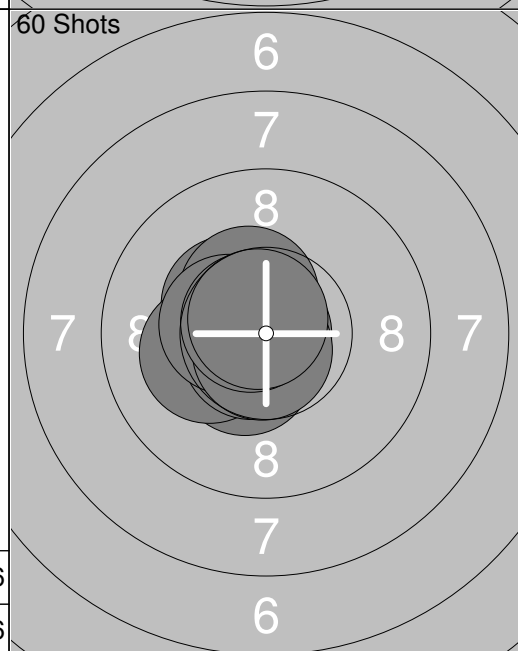
1: 9.7 ↙
2: 10.0 ↗
3: 10.5x ↘
4: 9.7 ←
5: 10.1 ↑
6: 10.5x ←
7: 10.6x ↑
8: 10.3x ↓
9: 10.4x ↗
10: 10.2x ↘
Series 102.0
Total 0.0



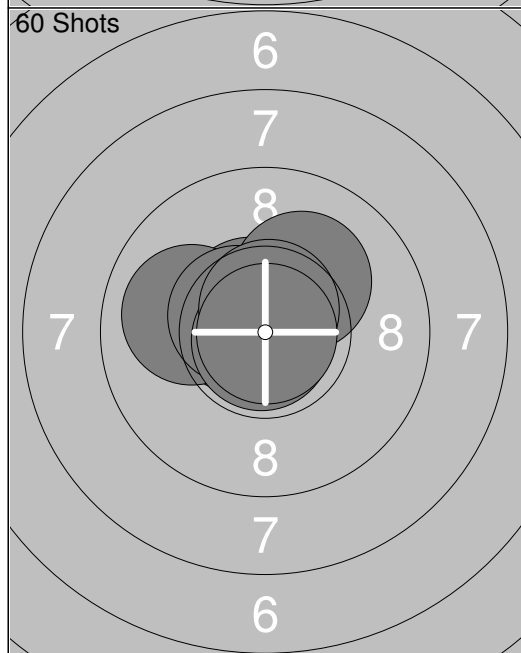
11: 9.5 ↙
12: 10.4x →
13: 10.8x →
14: 10.4x ↖
15: 10.5x ↙
16: 10.7x ↑
17: 10.7x ↖
18: 10.4x ↙
Series 83.4
Total 0.0



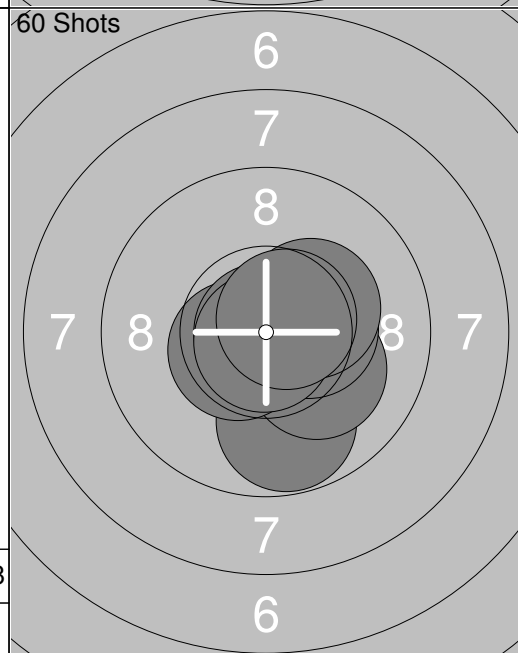
1: 10.6x ↑
2: 10.7x ↑
3: 10.3x ↗
4: 10.7x ↓
5: 10.5x ↘
6: 10.3x ↓
7: 10.3x →
8: 10.2x ↓
9: 10.3x ↓
10: 10.7x ↖
Series 104.6
Total 104.6



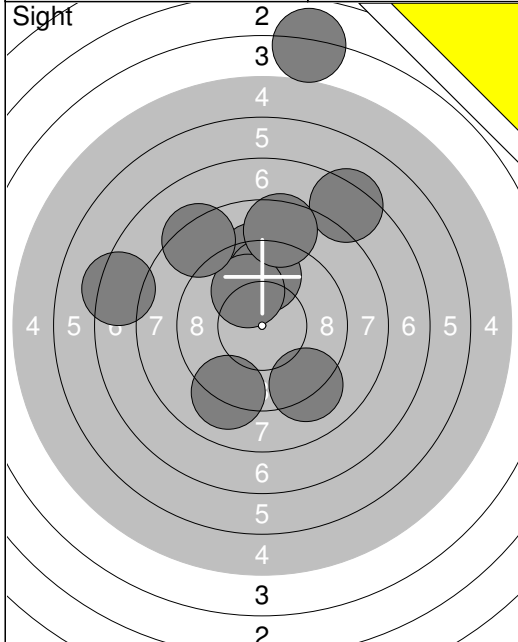
11: 10.9x ←
12: 10.4x ↖
13: 10.4x ↖
14: 10.5x ↓
15: 10.2x ←
16: 10.7x ↓
17: 10.5x ←
18: 10.7x ↓
19: 10.7x ↖
20: 10.7x ↖
Series 105.7
Total 210.3



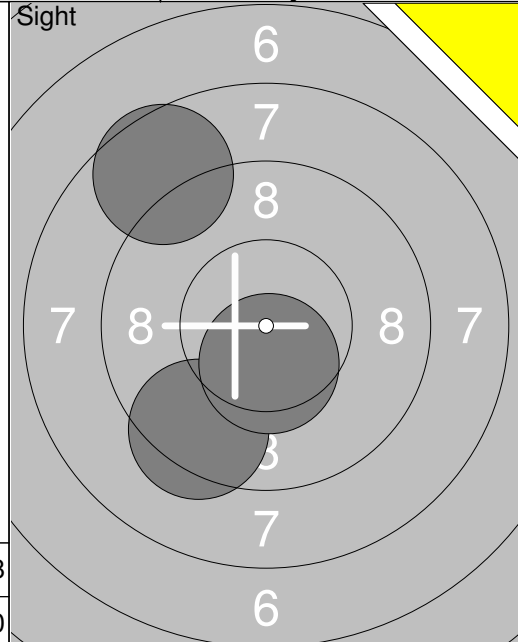
21: 10.6x ←
22: 10.6x ↖
23: 10.0 ←
24: 10.6x ↑
25: 10.9x ←
26: 10.5x ↖
27: 10.2x ↗
28: 10.8x ↓
29: 10.7x ↑
30: 10.9x ↓
Series 105.8
Total 316.1



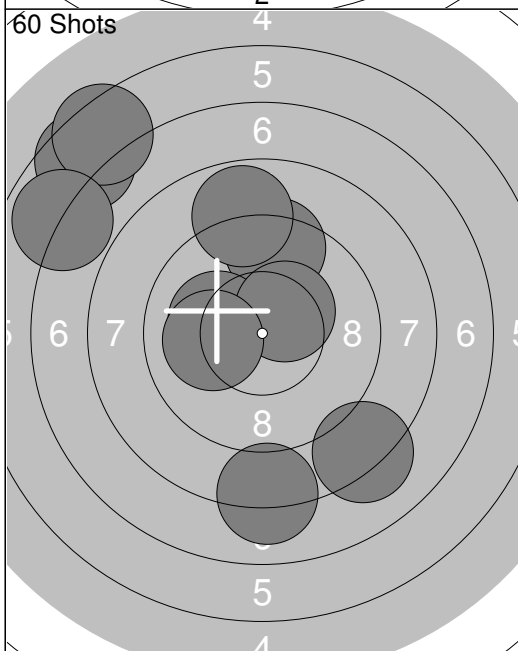
31: 10.5x →
32: 10.5x ↓
33: 9.8 ↓
34: 10.1 ↓
35: 10.5x ↙
36: 10.4x →
37: 10.3x ↗
38: 10.9x ←
39: 10.8x ↓
40: 10.6x ↗
Series 104.4
Total 420.5



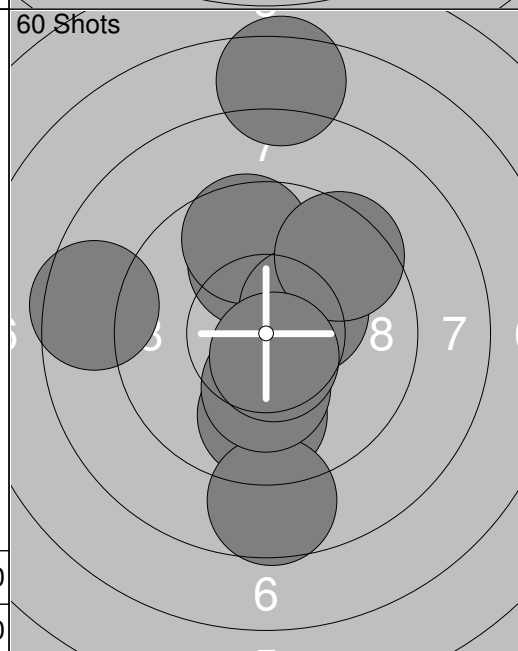
1:	4.0	↑
2:	7.3	←
3:	9.3	↑
4:	9.7	↑
5:	10.0	↑
6:	7.4	↗
7:	9.1	↘
8:	9.1	↘
9:	8.6	↑
10:	8.3	↖
Series		82.8
Total		0.0



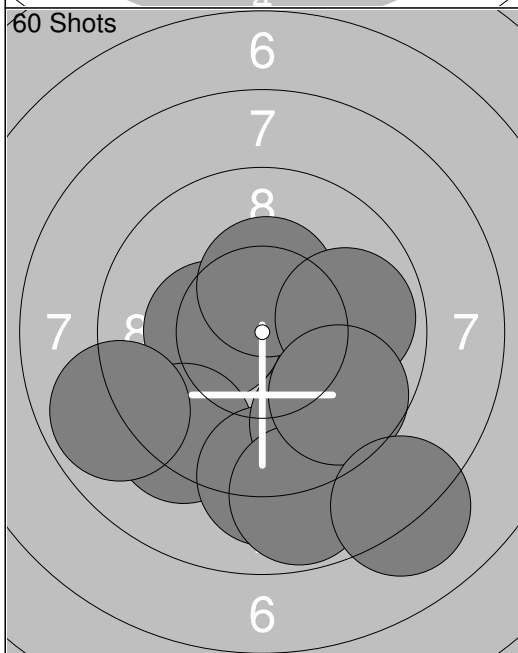
11:	9.4	↙
12:	8.6	↖
13:	10.5x	↓
Series		28.5
Total		0.0



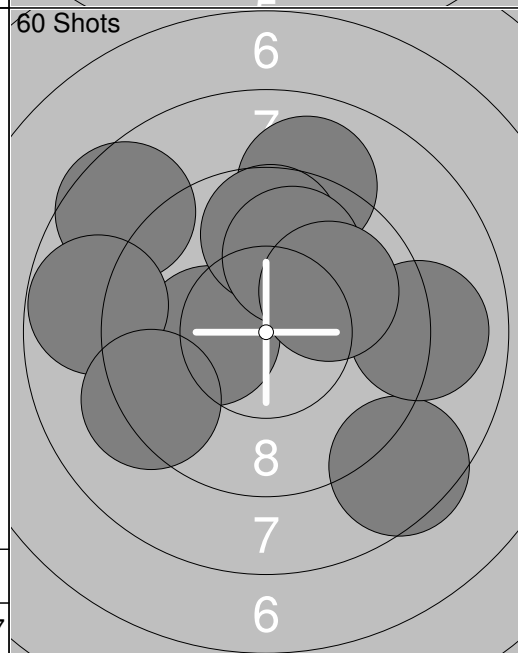
1:	9.4	↑
2:	10.1	←
3:	6.6	↗
4:	6.4	↗
5:	6.9	↗
6:	10.4x	↗
7:	8.2	↘
8:	10.1	←
9:	8.8	↑
10:	8.1	↓
Series		85.0
Total		85.0



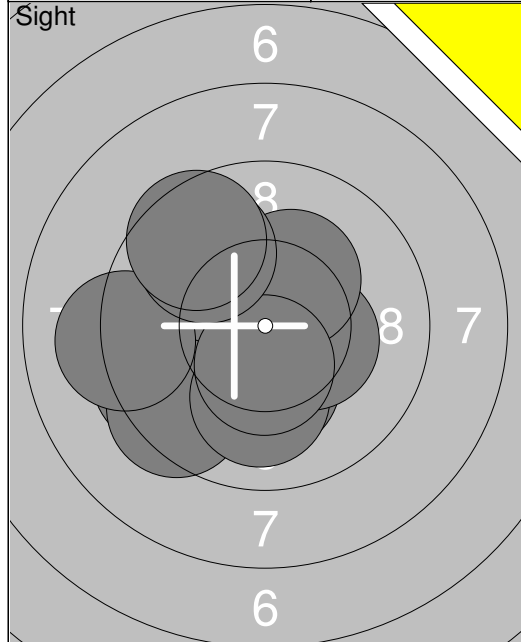
11:	9.8	↓
12:	8.6	↓
13:	10.0	↑
14:	9.6	↑
15:	7.5	↑
16:	10.3x	↗
17:	9.5	↗
18:	8.5	←
19:	10.2x	↓
20:	10.6x	↓
Series		94.6
Total		179.6



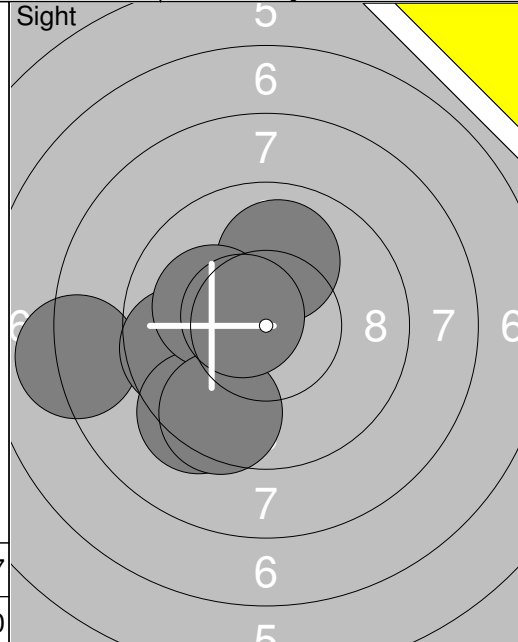
21:	10.3x	←
22:	9.3	↘
23:	10.4x	↑
24:	9.1	↓
25:	8.9	←
26:	9.6	↘
27:	9.9	→
28:	8.8	↓
29:	9.7	↘
30:	8.1	↓
Series		94.1
Total		273.7



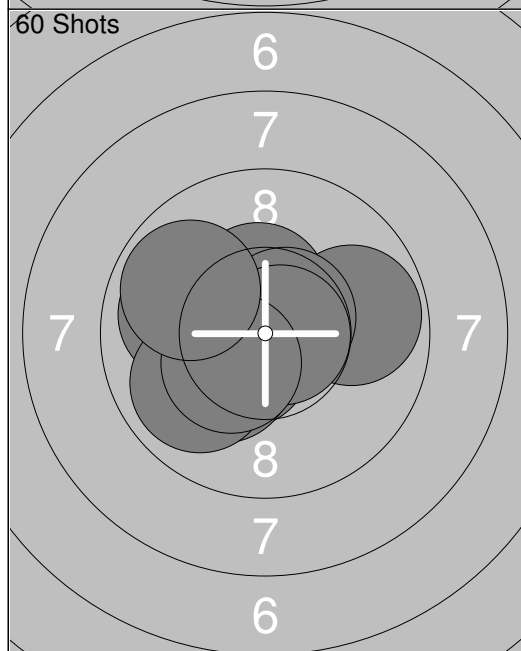
31:	9.0	↑
32:	8.6	↖
33:	10.2x	←
34:	8.8	←
35:	9.7	↑
36:	9.9	↑
37:	8.5	↘
38:	9.0	→
39:	10.0	↗
40:	9.2	↙
Series		92.9
Total		366.6



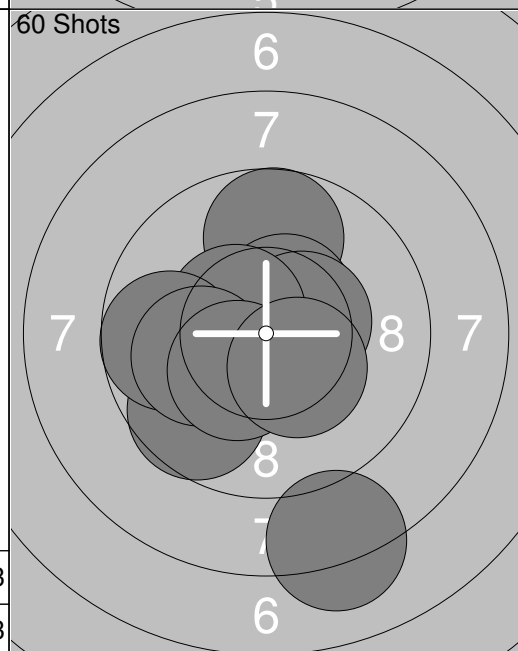
1: 9.5	←
2: 10.2x	↓
3: 9.4	↙
4: 10.0	↓
5: 10.4x	→
6: 10.3x	↗
7: 10.4x	↓
8: 9.2	←
9: 9.7	↗
10: 9.6	↖
Series	98.7
Total	0.0



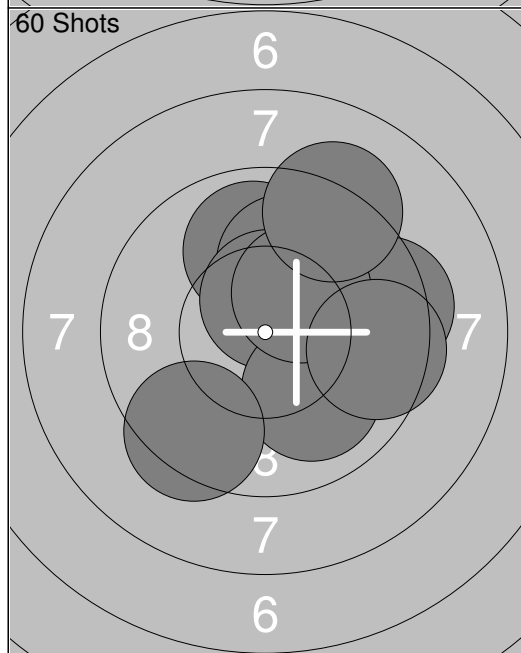
11: 8.2	←
12: 9.7	↙
13: 9.4	↙
14: 10.0	↑
15: 10.1	↙
16: 9.5	↙
17: 10.6x	↖
Series	67.5
Total	0.0



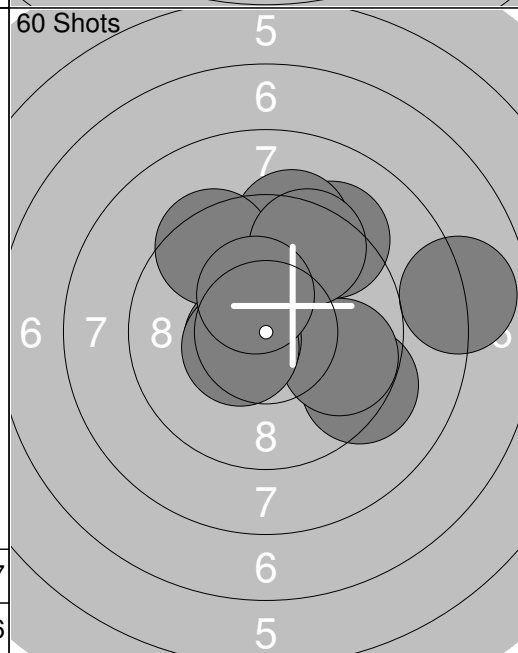
1: 10.5x	↙
2: 9.9	←
3: 10.4x	↑
4: 9.8	→
5: 10.6x	↗
6: 10.8x	→
7: 10.2x	↙
8: 9.9	↙
9: 10.4x	↙
10: 9.8	↖
Series	102.3
Total	102.3



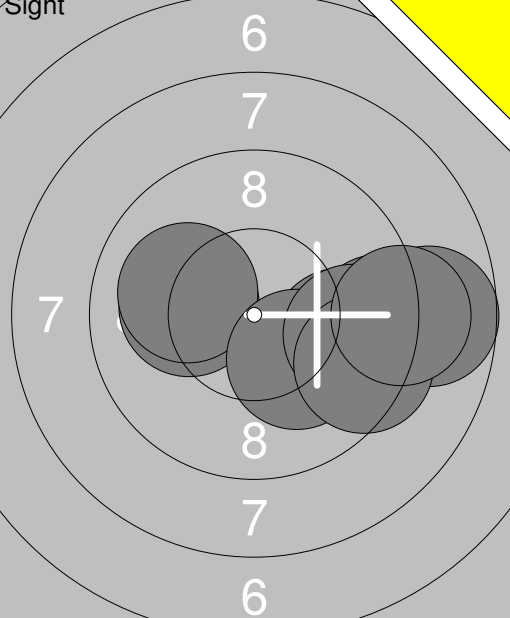
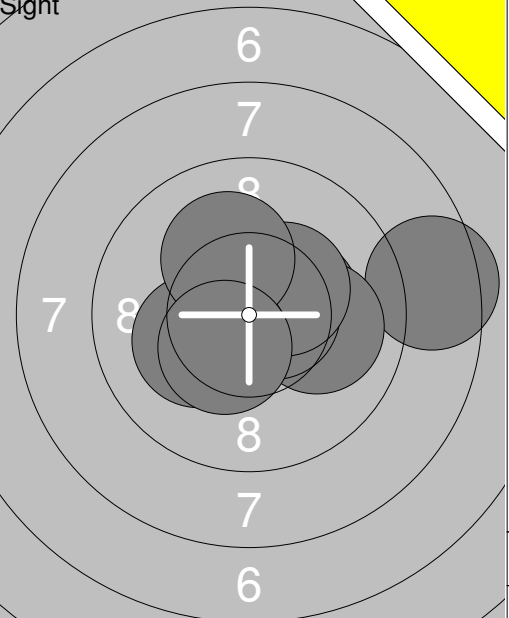
11: 8.2	↓
12: 9.7	↑
13: 9.6	↙
14: 10.5x	↗
15: 10.5x	→
16: 10.5x	↖
17: 9.7	←
18: 10.1	←
19: 10.4x	↙
20: 10.4x	↘
Series	99.6
Total	201.9

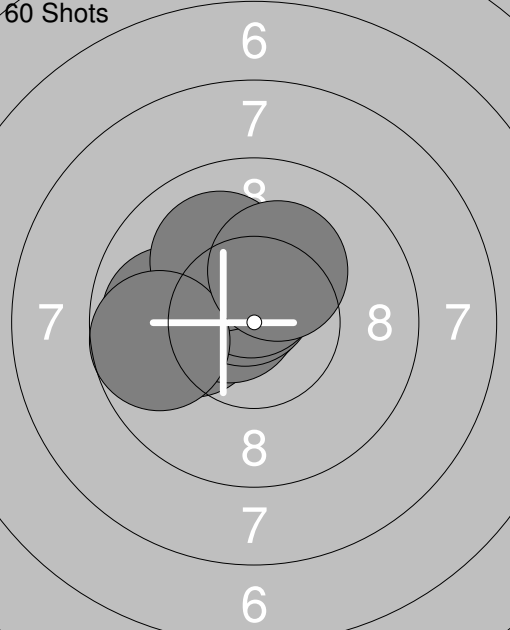
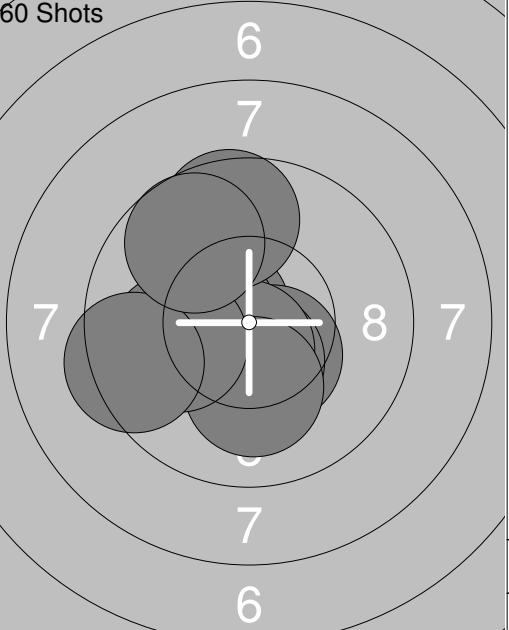


21: 9.9	↑
22: 10.0	↑
23: 10.5x	↗
24: 10.5x	↑
25: 10.0	↓
26: 9.4	→
27: 10.3x	↗
28: 9.4	↙
29: 9.2	↗
30: 9.5	→
Series	98.7
Total	300.6

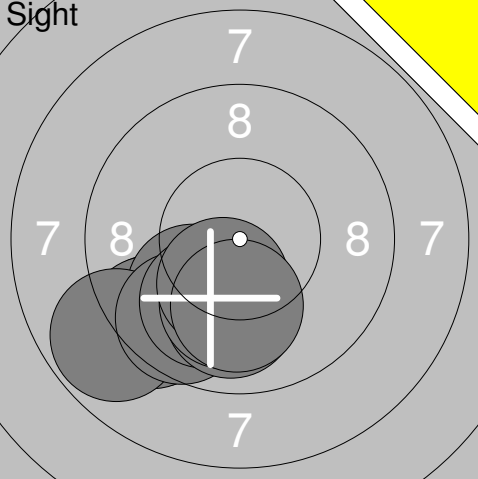
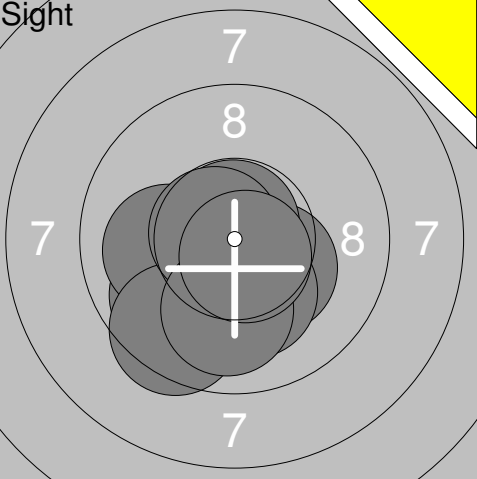
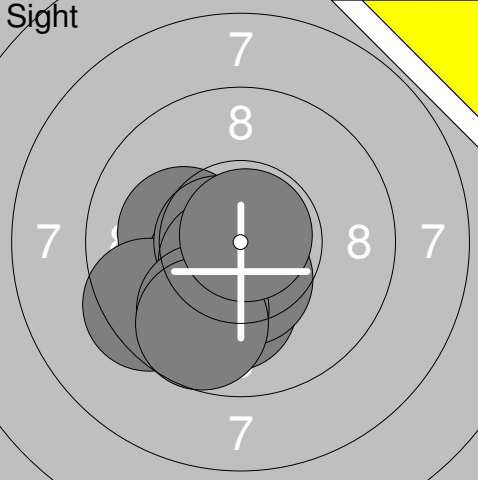
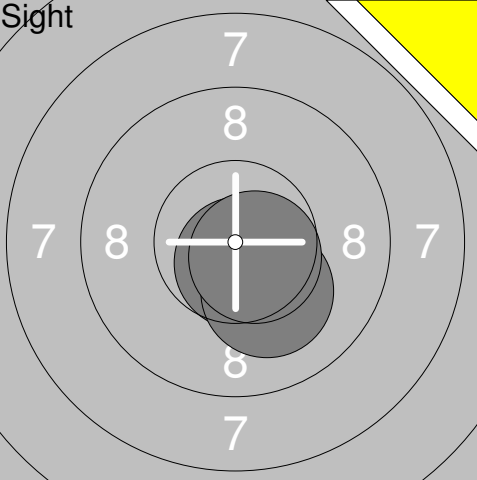

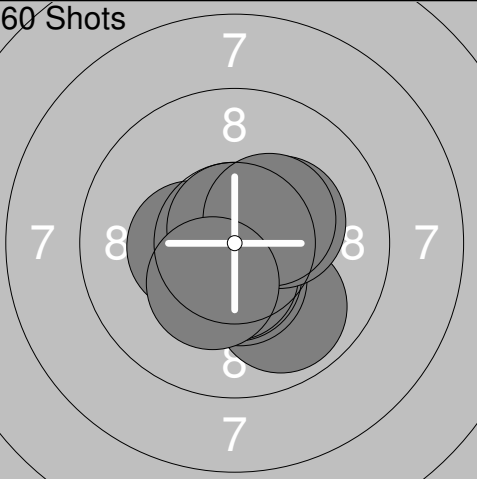
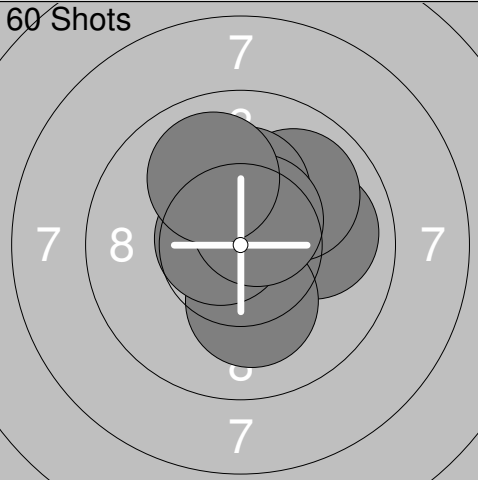
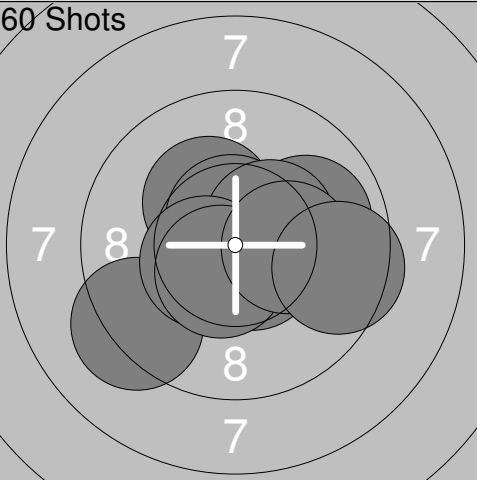



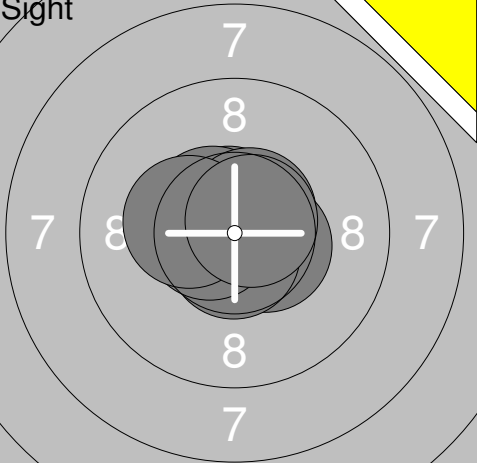
31: 9.3	↘
32: 9.2	↗
33: 8.0	→
34: 9.8	↘
35: 9.3	↑
36: 9.4	↖
37: 9.5	↗
38: 10.6x	←
39: 10.5x	↙
40: 10.4x	↑
Series	96.0
Total	396.6



<p>Sight</p> 	<p>1: 10.1 ←</p> <p>2: 10.1 ↖</p> <p>3: 9.3 →</p> <p>4: 9.5 →</p> <p>5: 9.8 →</p> <p>6: 8.7 →</p> <p>7: 10.2x ↘</p> <p>8: 9.7 →</p> <p>9: 9.4 →</p> <p>10: 9.1 →</p> <hr/> <p>Series 95.9</p> <hr/> <p>Total 0.0</p>	<p>Sight</p> 	<p>11: 8.5 →</p> <p>12: 10.3x →</p> <p>13: 10.0 →</p> <p>14: 10.6x →</p> <p>15: 10.4x ↗</p> <p>16: 10.4x ↘</p> <p>17: 10.2x ↘</p> <p>18: 10.1 ↖</p> <p>19: 10.4x ↘</p> <hr/> <p>Series 90.9</p> <hr/> <p>Total 0.0</p>
---	--	---	--

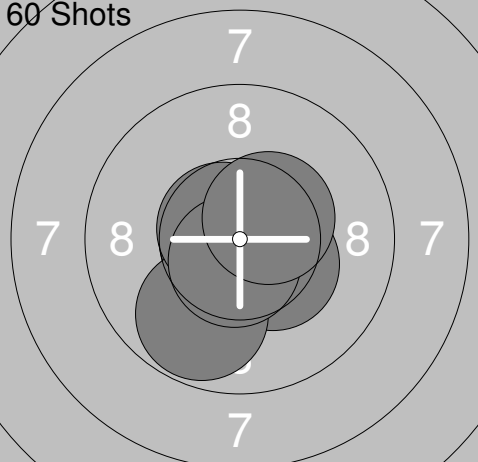
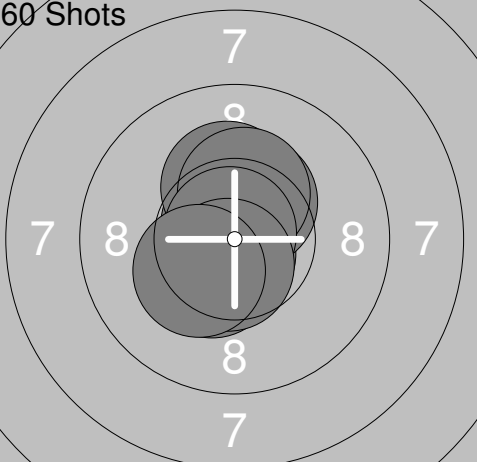
<p>60 Shots</p> 	<p>1: 10.2x ←</p> <p>2: 10.6x ↘</p> <p>3: 9.9 ←</p> <p>4: 10.5x ↖</p> <p>5: 10.6x ↖</p> <p>6: 10.6x ↗</p> <p>7: 10.5x ↗</p> <p>8: 10.1 ↖</p> <p>9: 9.7 ←</p> <p>10: 10.2x ↗</p> <hr/> <p>Series 102.9</p> <hr/> <p>Total 102.9</p>	<p>60 Shots</p> 	<p>11: 10.6x ↖</p> <p>12: 10.4x ↘</p> <p>13: 10.4x ↖</p> <p>14: 10.4x ↘</p> <p>15: 10.6x ↘</p> <p>16: 10.1 ↘</p> <p>17: 10.0 ←</p> <p>18: 9.6 ↖</p> <p>19: 9.4 ←</p> <p>20: 9.7 ↖</p> <hr/> <p>Series 101.2</p> <hr/> <p>Total 204.1</p>
---	--	---	--


<p>60 Shots</p> 	<p>21: 10.1 ↘</p> <p>22: 10.0 ↗</p> <p>23: 10.2x ↗</p> <p>24: 10.0 ↘</p> <p>25: 10.2x ↘</p> <p>26: 10.5x ↘</p> <p>27: 10.8x ↘</p> <p>28: 10.7x ↘</p> <p>29: 10.5x ↘</p> <p>30: 9.7 ↗</p> <hr/> <p>Series 102.7</p> <hr/> <p>Total 306.8</p>	<p>60 Shots</p> 	<p>31: 9.9 ↖</p> <p>32: 10.0 ↘</p> <p>33: 10.2x ↘</p> <p>34: 10.7x ↘</p> <p>35: 10.4x ↗</p> <p>36: 10.6x ↖</p> <p>37: 10.9x ←</p> <p>38: 10.5x ←</p> <p>39: 10.4x ↘</p> <p>40: 10.6x ↗</p> <hr/> <p>Series 104.2</p> <hr/> <p>Total 411.0</p>
--	---	--	---

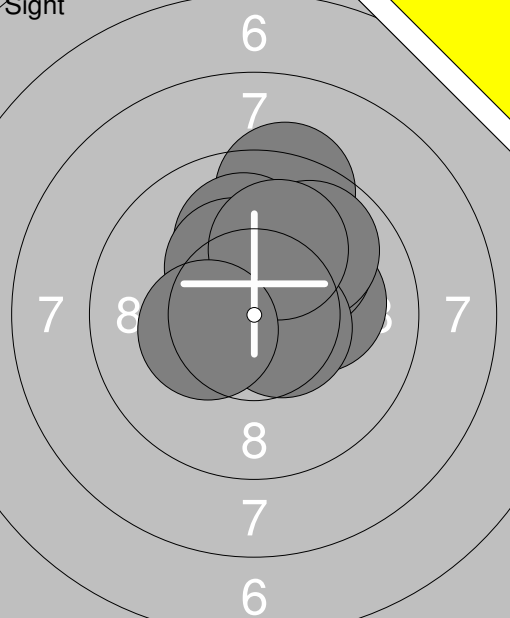
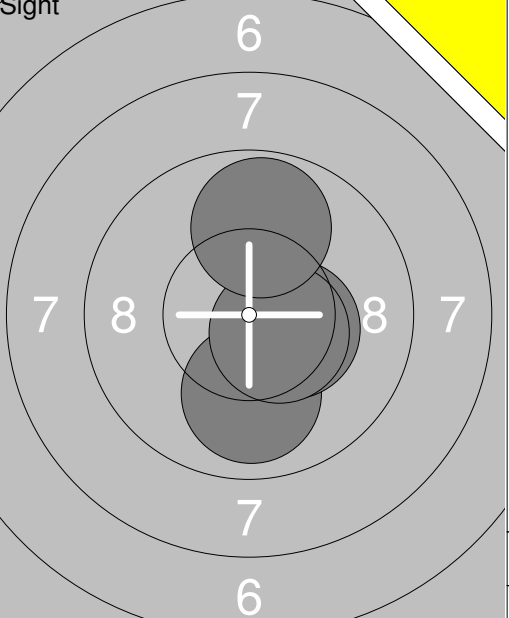
Relay	Lane	Rasmus Andersson	
S		Flarkens Uskf	
2015-04-18	UME-Kulan 2015	Umeå skytteallians	
Sight		1: 9.4 ↘ 2: 9.3 ↘ 3: 10.0 ↘ 4: 8.8 ↘ 5: 9.6 ↘ 6: 10.0 ↘ 7: 10.0 ↓ 8: 10.1 ↓ 9: 10.3x ↓ 10: 10.0 ↓ Series 97.5 Total 0.0	Sight  11: 9.9 ↘ 12: 9.8 ↘ 13: 10.3x ↘ 14: 10.2x ↓ 15: 10.8x ↑ 16: 10.0 ← 17: 9.5 ↘ 18: 10.7x ← 19: 10.0 ↓ 20: 10.7x ↓ Series 101.9 Total 0.0
Sight		21: 10.2x ← 22: 10.5x ↘ 23: 9.4 ↘ 24: 10.1 ↓ 25: 10.7x ← 26: 10.6x ↘ 27: 10.4x ↓ 28: 9.9 ↘ 29: 9.7 ↘ 30: 10.8x ↗ Series 102.3 Total 0.0	Sight  31: 10.7x ↓ 32: 10.2x ↓ 33: 10.6x ↘ Series 31.5 Total 0.0
60 Shots		1: 10.5x ↘ 2: 10.3x ↘ 3: 10.1 ↘ 4: 10.5x ↓ 5: 9.3 ↓ 6: 10.0 ↘ 7: 9.9 ↘ 8: 10.5x ↘ 9: 10.3x ↗ 10: 10.1 ↓ Series 101.5 Total 101.5	60 Shots  11: 9.9 ↘ 12: 10.8x ↓ 13: 10.4x ↓ 14: 10.5x ↓ 15: 10.4x ← 16: 10.5x ↓ 17: 10.3x ↗ 18: 10.8x ↑ 19: 10.4x ↗ 20: 10.3x ↓ Series 104.3 Total 205.8
60 Shots		21: 10.6x ↗ 22: 10.6x ↘ 23: 10.0 → 24: 10.0 ↗ 25: 10.3x ↑ 26: 10.2x ↓ 27: 10.2x ↑ 28: 10.7x ← 29: 10.5x ↗ 30: 10.0 ↗ Series 103.1 Total 308.9	60 Shots  31: 10.3x ↗ 32: 10.6x ↑ 33: 10.6x ↘ 34: 9.3 ↘ 35: 9.9 → 36: 10.4x ↗ 37: 10.5x ← 38: 10.5x ↓ 39: 10.2x → 40: 9.5 → Series 101.8 Total 410.7

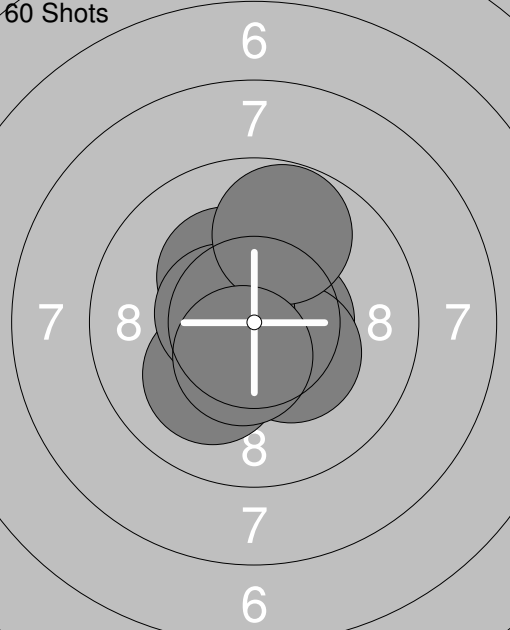
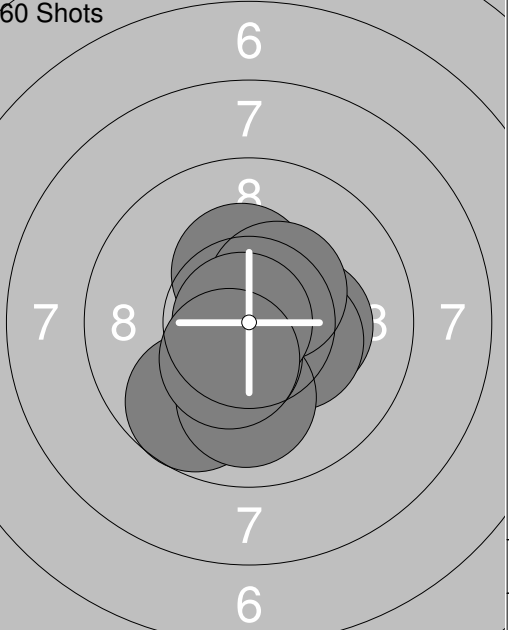
Sight 	1: 9.8 ↓ 2: 10.1 ↓ 3: 10.3x ↓ 4: 10.6x ← 5: 10.8x ↓ 6: 10.2x ↗ 7: 10.4x → 8: 10.5x ↑ 9: 10.8x ← 10: 10.6x → <hr/> Series 104.1 Total 0.0	Sight 	11: 10.8x ↗ 12: 10.5x → 13: 10.7x ↑ 14: 10.5x ↗ 15: 10.7x ← 16: 10.6x ↗ 17: 10.7x ↓ 18: 10.6x ← 19: 10.3x ← 20: 10.7x ↗ <hr/> Series 106.1 Total 0.0
--	---	--	---

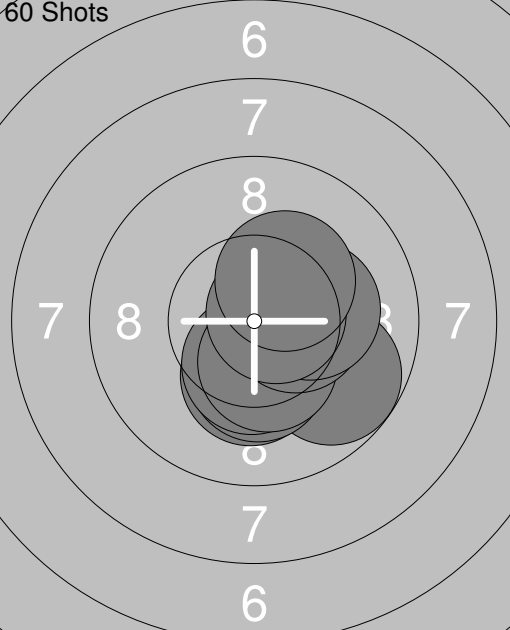
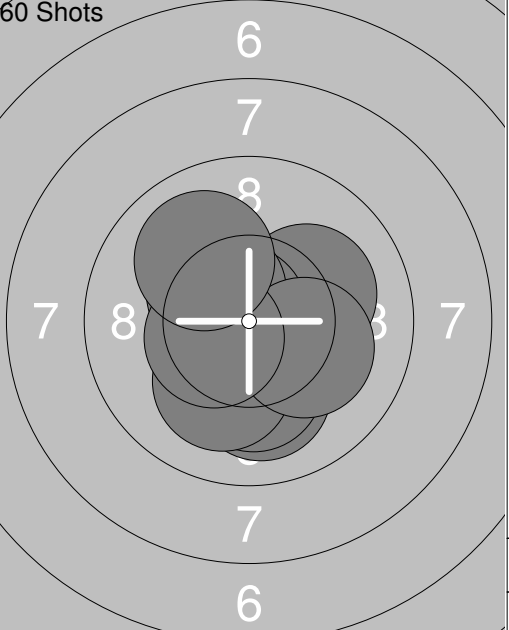
Sight 	21: 10.6x → <hr/> Series 10.6 Total 0.0	60 Shots 	1: 10.7x → 2: 10.4x ↑ 3: 10.4x → 4: 10.4x ↓ 5: 10.3x ↓ 6: 10.4x ↓ 7: 10.5x → 8: 10.7x ↑ 9: 10.9x ↓ 10: 10.6x ↓ <hr/> Series 105.3 Total 105.3
---	---	--	--


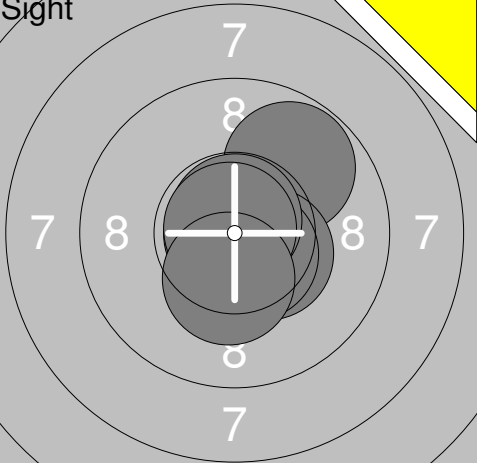
60 Shots 	11: 10.7x ↓ 12: 10.8x ↓ 13: 10.4x ↓ 14: 10.8x ↑ 15: 10.7x ← 16: 9.8 ↓ 17: 10.8x ↓ 18: 10.7x ↗ 19: 10.6x ↓ 20: 10.5x ↗ <hr/> Series 105.8 Total 211.1	60 Shots 	21: 10.7x ↓ 22: 10.4x ↑ 23: 10.7x ↗ 24: 10.2x ↑ 25: 10.3x ↑ 26: 10.7x ↓ 27: 10.8x ↗ 28: 10.4x ↓ 29: 10.6x ↓ 30: 10.3x ↓ <hr/> Series 105.1 Total 316.2
---	---	---	---


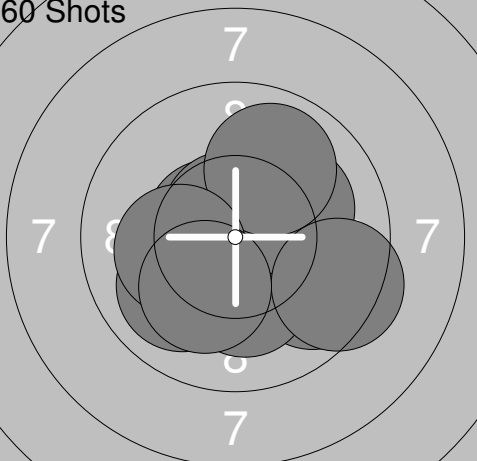
60 Shots 	31: 10.7x ← 32: 10.8x → 33: 10.6x → 34: 10.7x ↓ 35: 10.4x ↓ 36: 10.8x → 37: 10.2x → 38: 10.4x ↓ 39: 10.6x ↗ 40: 10.7x ↓ <hr/> Series 105.9 Total 422.1		
---	---	--	--

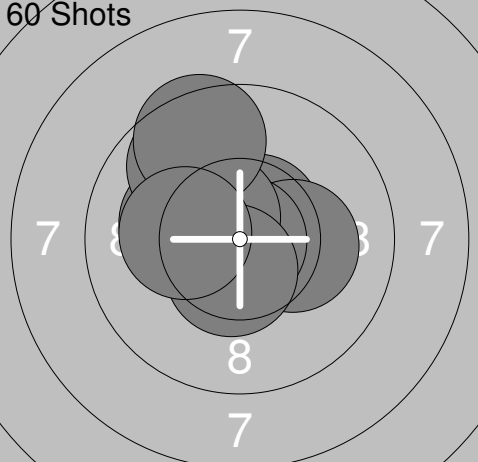
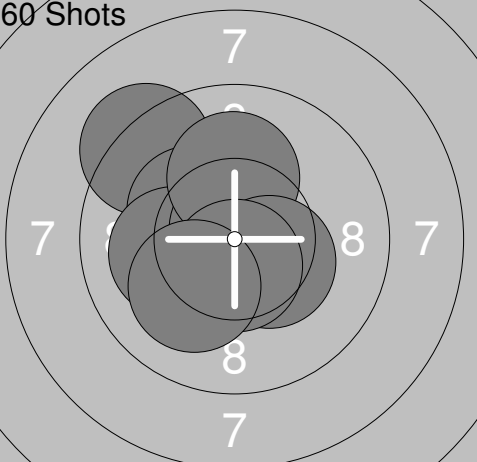
<p>Sight</p> 	<p>1: 9.3 ↑ 2: 10.5x ↑ 3: 10.1 → 4: 10.0 ↗ 5: 10.0 ↑ 6: 9.9 ↗ 7: 10.3x ↑ 8: 10.6x → 9: 10.1 ↑ 10: 10.3x ←</p> <p>Series 101.1 Total 0.0</p>	<p>Sight</p> 	<p>11: 9.9 ↓ 12: 10.4x → 13: 10.5x → 14: 9.8 ↑</p> <p>Series 40.6 Total 0.0</p>
---	---	---	---

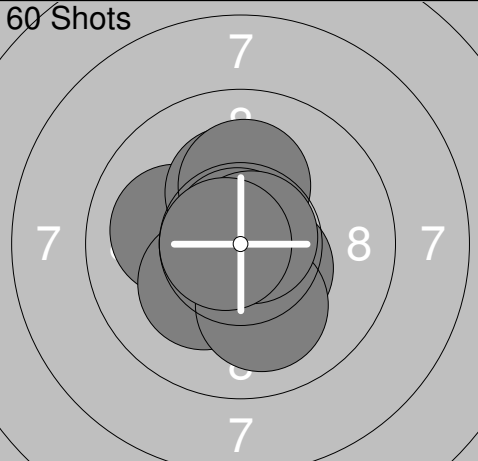
<p>60 Shots</p> 	<p>1: 10.7x ← 2: 10.7x ↓ 3: 10.3x ↗ 4: 10.1 ↓ 5: 10.6x → 6: 10.8x ↓ 7: 10.3x → 8: 10.6x ← 9: 9.8 ↑ 10: 10.5x ↓</p> <p>Series 104.4 Total 104.4</p>	<p>60 Shots</p> 	<p>11: 10.3x ↑ 12: 10.9x → 13: 10.3x → 14: 10.3x → 15: 9.7 ↓ 16: 10.0 ↓ 17: 10.4x ↗ 18: 10.5x ↓ 19: 10.9x ← 20: 10.4x ↓</p> <p>Series 103.7 Total 208.1</p>
---	--	---	---

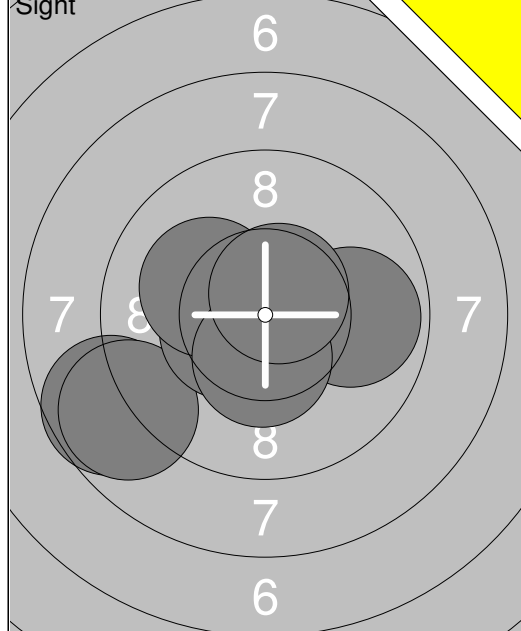
<p>60 Shots</p> 	<p>21: 10.3x ↓ 22: 9.7 → 23: 10.5x ↓ 24: 10.3x ↓ 25: 10.4x ↓ 26: 10.4x ↓ 27: 10.4x → 28: 10.2x → 29: 10.7x → 30: 10.3x ↗</p> <p>Series 103.2 Total 311.3</p>	<p>60 Shots</p> 	<p>31: 10.1 → 32: 10.0 ↓ 33: 10.8x ← 34: 10.4x ↓ 35: 10.2x ↓ 36: 10.4x ← 37: 10.1 ↓ 38: 10.2x → 39: 10.5x ← 40: 10.0 ↖</p> <p>Series 102.7 Total 414.0</p>
--	--	--	--

Sight 	1: 8.9 ↘ 2: 8.7 ↘ 3: 9.0 ↘ 4: 9.0 ↘ 5: 9.8 ↘ 6: 10.9x ↘ 7: 9.9 ↘ 8: 10.4x ↘ 9: 9.8 ↘ 10: 10.4x ↘ <hr/> Series 96.8 Total 0.0	Sight 	11: 10.8x ↘ 12: 10.6x ↘ 13: 9.8 ↗ 14: 10.8x → 15: 10.4x ↘ 16: 10.9x ← 17: 10.6x ↘ 18: 10.8x ↑ 19: 10.9x ↗ 20: 10.3x ↘ <hr/> Series 105.9 Total 0.0
--	---	--	---

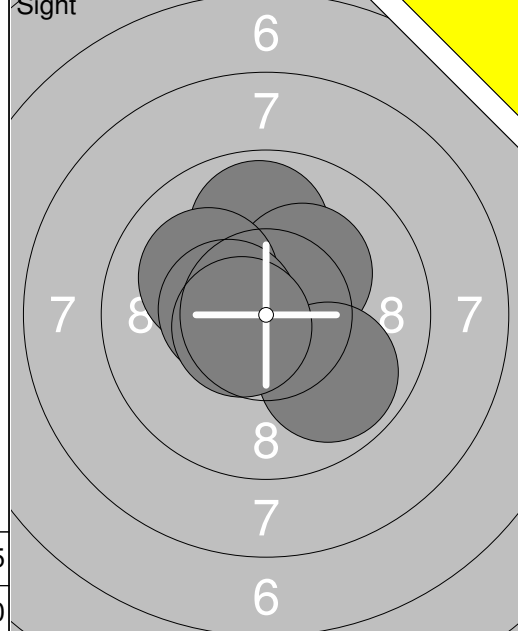
Sight 	21: 10.5x ↗ 22: 10.2x ↑ 23: 10.5x ↘ <hr/> Series 31.2 Total 0.0	60 Shots 	1: 10.0 ↘ 2: 9.7 ↘ 3: 10.2x ↘ 4: 10.6x ↖ 5: 10.7x ↑ 6: 10.1 ↗ 7: 9.9 ↑ 8: 9.4 → 9: 10.2x ← 10: 10.2x ↘ <hr/> Series 101.0 Total 101.0
---	---	--	--

60 Shots 	11: 10.2x ← 12: 10.6x ↗ 13: 10.2x → 14: 9.8 ↗ 15: 10.4x ← 16: 10.9x ↘ 17: 10.5x ↗ 18: 9.5 ↗ 19: 10.5x ↘ 20: 10.2x ← <hr/> Series 102.8 Total 203.8	60 Shots 	21: 9.3 ↗ 22: 10.5x ← 23: 10.3x ↑ 24: 10.3x ↖ 25: 10.1 ← 26: 10.8x ↑ 27: 10.1 ↑ 28: 10.4x → 29: 10.6x ↘ 30: 10.1 ↘ <hr/> Series 102.5 Total 306.3
---	---	---	--

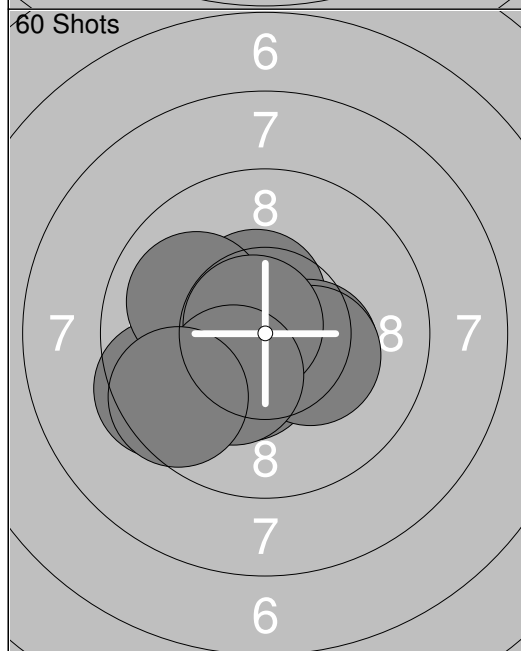
60 Shots 	31: 10.1 ← 32: 10.2x ↑ 33: 10.9x ↗ 34: 10.2x ↘ 35: 10.5x ↘ 36: 10.2x ↑ 37: 10.1 ↘ 38: 10.8x ↑ 39: 10.8x ↗ 40: 10.7x ← <hr/> Series 104.5 Total 410.8		
---	---	--	--



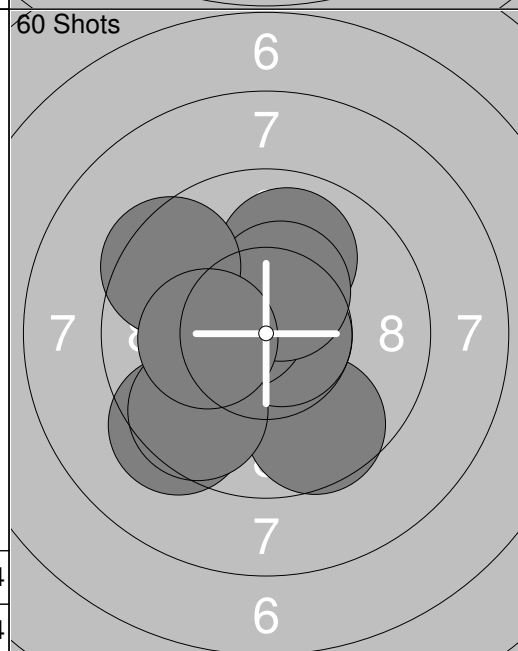
1: 8.7 ↙
2: 8.8 ↙
3: 10.7x ↓
4: 10.9x ↓
5: 10.9x ↑
6: 10.5x ↙
7: 9.9 →
8: 10.1 ↙
9: 10.4x ↓
10: 10.6x ↗
Series 101.5
Total 0.0



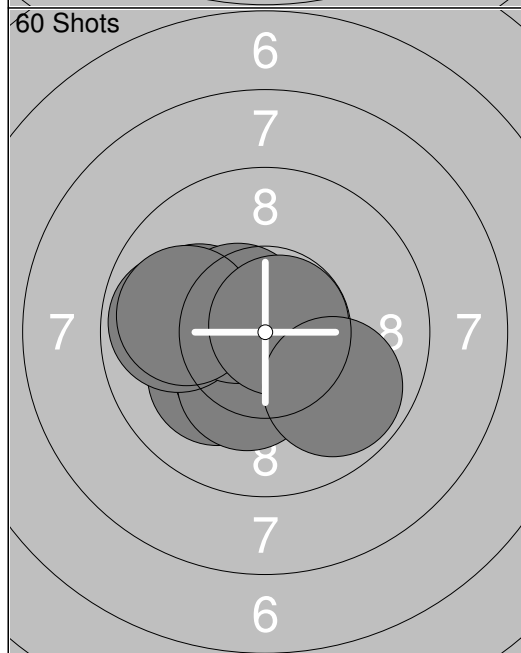
11: 9.9 ↑
12: 10.2x ↗
13: 10.1 ↙
14: 10.5x ↙
15: 9.9 ↘
16: 10.6x ↙
Series 61.2
Total 0.0



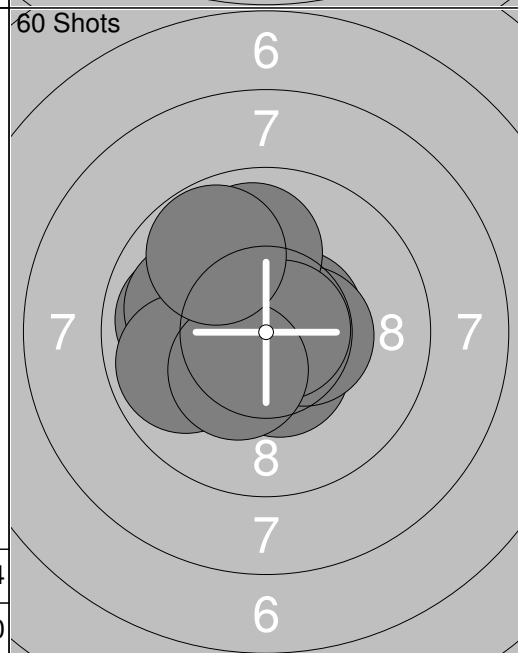
1: 9.5 ↙
2: 10.4x ↓
3: 10.5x ↑
4: 10.6x ↙
5: 10.4x →
6: 10.0 ↙
7: 10.3x →
8: 10.8x ↙
9: 10.3x ↓
10: 9.6 ↙
Series 102.4
Total 102.4



11: 9.6 ↓
12: 10.5x ↙
13: 9.3 ↙
14: 10.7x →
15: 9.9 ↑
16: 10.5x ↙
17: 10.4x ↑
18: 9.6 ↙
19: 9.5 ↙
20: 10.2x ↙
Series 100.2
Total 202.6



21: 10.1 ↙
22: 10.7x ↙
23: 10.1 ↙
24: 10.4x ↓
25: 10.3x ↓
26: 9.8 ↙
27: 10.5x ↙
28: 9.9 ↙
29: 10.8x →
30: 9.8 ↘
Series 102.4
Total 305.0

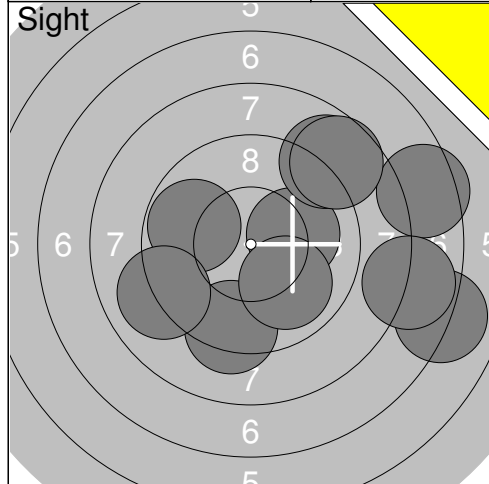


31: 10.5x ↓
32: 10.6x →
33: 9.9 ↙
34: 10.5x →
35: 10.0 ↙
36: 9.9 ↑
37: 9.9 ↙
38: 10.8x →
39: 10.3x ↓
40: 9.8 ↗
Series 102.2
Total 407.2

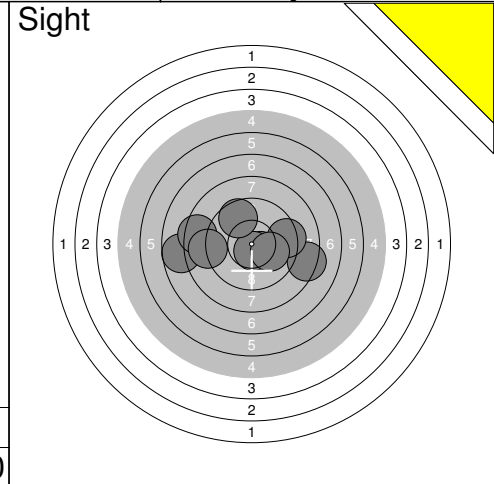
Relay **3** Lane **39** **Linus Karlsson**

S Kyrkås Skf

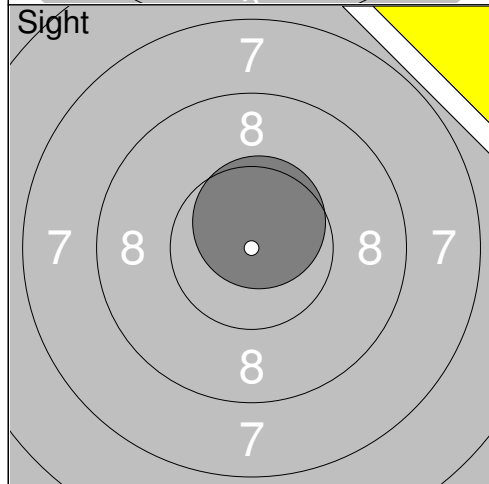
2015-04-18 UME-Kulan 2015 Umeå skytteallians



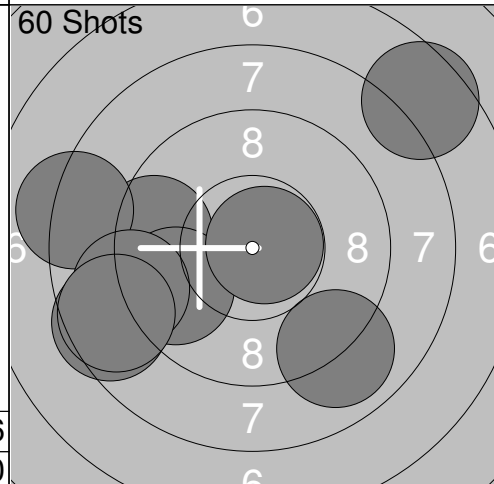
1:	9.3	↓
2:	10.1	→
3:	10.0	↓
4:	7.5	→
5:	8.8	↗
6:	7.1	→
7:	7.8	→
8:	8.7	↗
9:	9.8	←
10:	9.0	↙
Series	88.1	
Total	0.0	



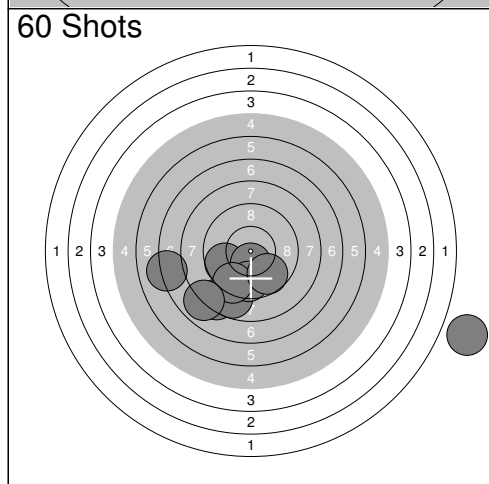
11:	8.3	→
12:	10.4x	↘
13:	9.3	→
14:	10.6x	↓
15:	10.0	→
16:	7.7	←
17:	8.4	←
18:	9.0	←
19:	0.0	↓
20:	9.6	↗
Series	83.3	
Total	0.0	



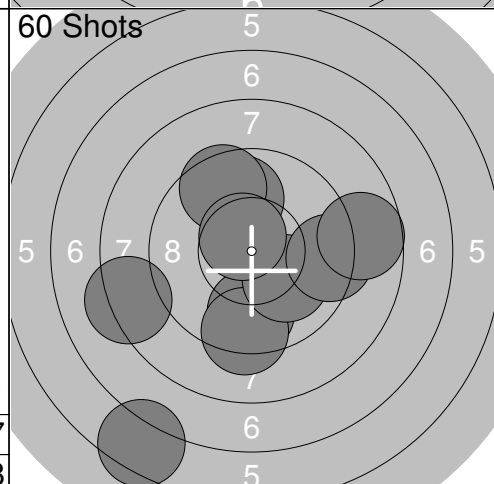
21:	10.6x	↗
Series	10.6	
Total	0.0	



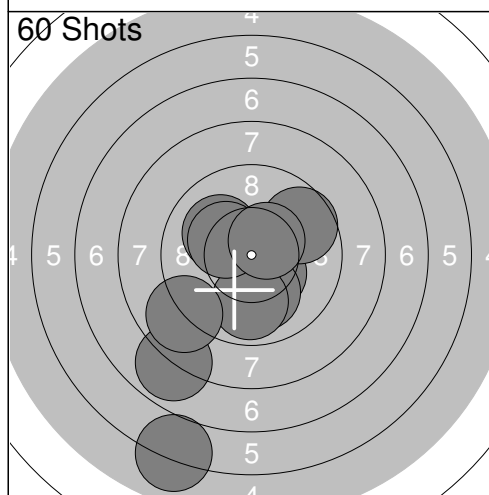
1:	9.2	←
2:	7.6	↗
3:	9.4	←
4:	9.7	←
5:	9.0	↓
6:	8.5	←
7:	8.2	←
8:	9.0	←
9:	10.8x	→
10:	8.7	←
Series	90.1	
Total	90.1	



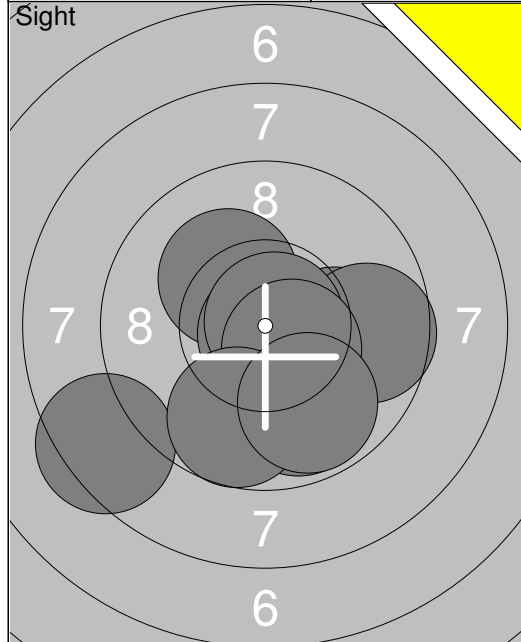
11:	9.7	←
12:	8.3	↓
13:	8.7	↓
14:	10.4x	↓
15:	0.0	→
16:	9.6	↓
17:	9.3	↓
18:	9.7	↓
19:	7.9	↙
20:	7.1	←
Series	80.7	
Total	170.8	



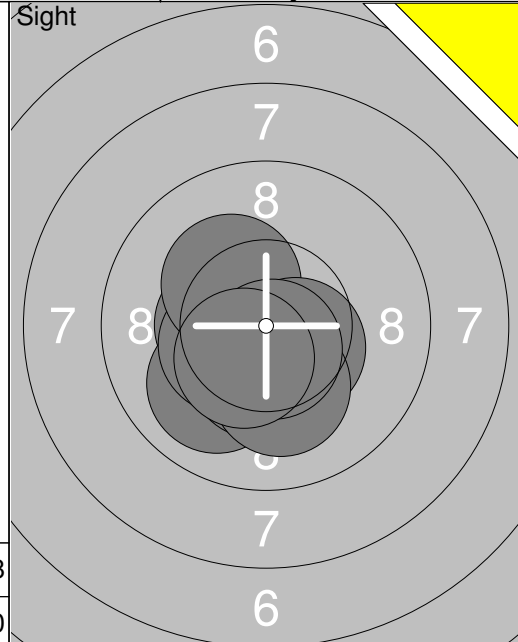
21:	9.7	↓
22:	8.2	←
23:	9.9	↗
24:	9.3	↓
25:	6.4	↓
26:	10.1	↘
27:	9.5	↗
28:	9.4	→
29:	10.6x	↗
30:	8.7	→
Series	91.8	
Total	262.6	



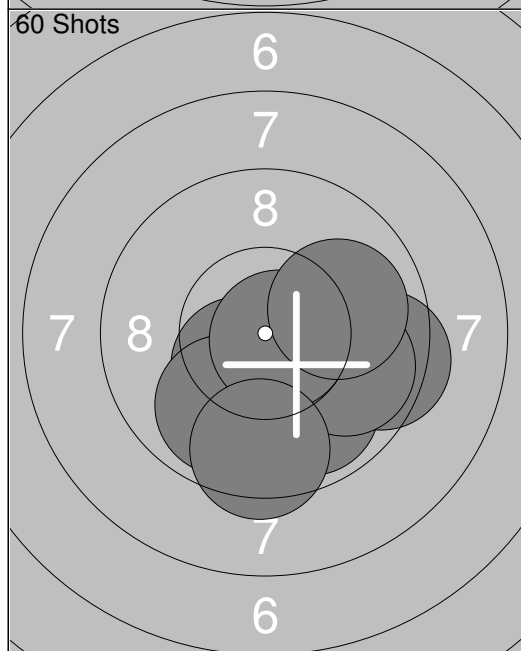
31:	10.4x	↘
32:	10.1	↗
33:	10.1	↓
34:	9.9	↓
35:	9.6	↗
36:	7.9	↙
37:	8.9	←
38:	6.0	↓
39:	10.3x	↖
40:	10.5x	↗
Series	93.7	
Total	356.3	



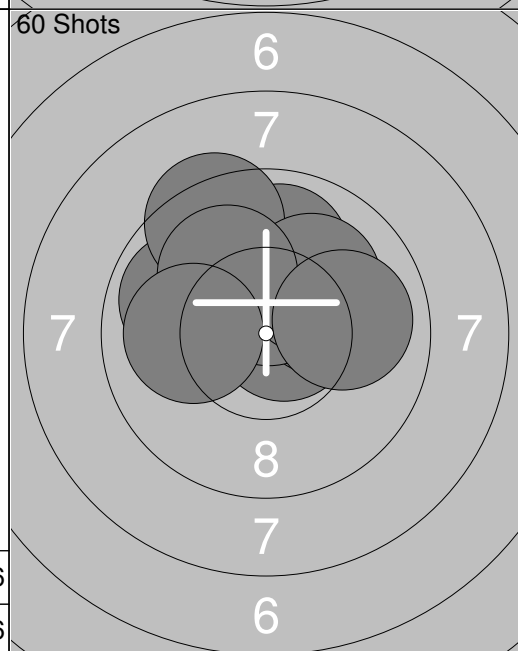
1: 10.1 →
2: 8.4 ↙
3: 9.7 →
4: 10.2x ↗
5: 9.8 ↓
6: 10.8x ↓
7: 10.8x →
8: 10.5x ↘
9: 9.7 ↓
10: 9.8 ↓
Series 99.8
Total 0.0



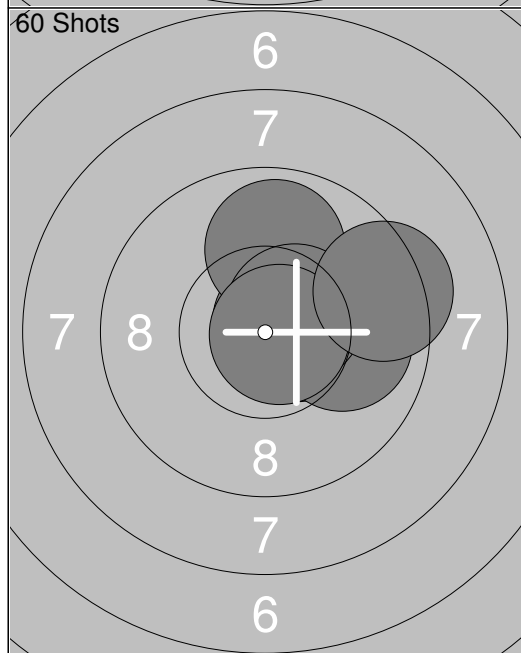
11: 10.4x ←
12: 10.0 ↙
13: 10.4x ↓
14: 10.4x ↙
15: 10.3x ↗
16: 10.5x ↘
17: 10.2x ↓
18: 10.6x ↓
19: 10.4x ↙
Series 93.2
Total 0.0



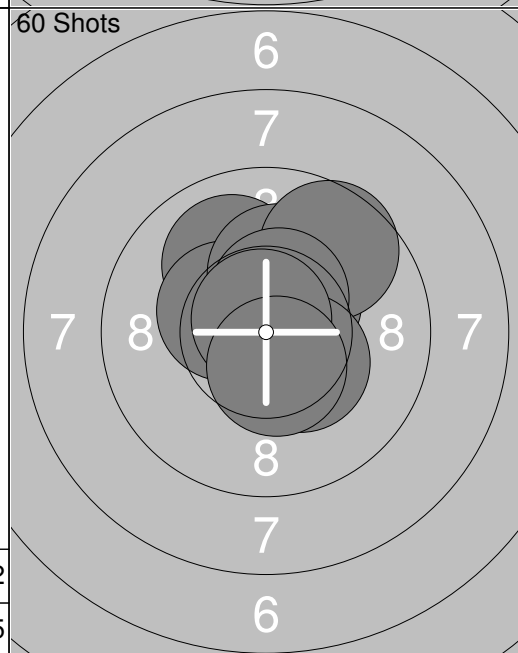
1: 9.9 ↓
2: 10.5x →
3: 10.5x ↓
4: 9.4 →
5: 9.8 →
6: 10.4x ↘
7: 9.9 ↓
8: 10.7x →
9: 9.5 ↓
10: 10.0 →
Series 100.6
Total 100.6



11: 10.7x →
12: 10.1 ↗
13: 9.9 ↑
14: 10.5x ↑
15: 9.9 ←
16: 9.4 ↗
17: 10.1 ↗
18: 10.1 ↖
19: 10.0 ←
20: 10.0 →
Series 100.7
Total 201.3



21: 10.5x →
22: 10.4x ↗
23: 10.7x →
24: 10.6x →
25: 10.4x ↗
26: 9.9 ↑
27: 10.0 →
28: 10.5x ↗
29: 10.8x →
30: 9.4 →
Series 103.2
Total 304.5



31: 10.0 ↖
32: 10.7x ↗
33: 10.4x ↖
34: 10.2x ↑
35: 10.4x ↗
36: 9.6 ↗
37: 10.5x ↑
38: 10.4x ↘
39: 10.8x ↖
40: 10.5x ↓
Series 103.5
Total 408.0