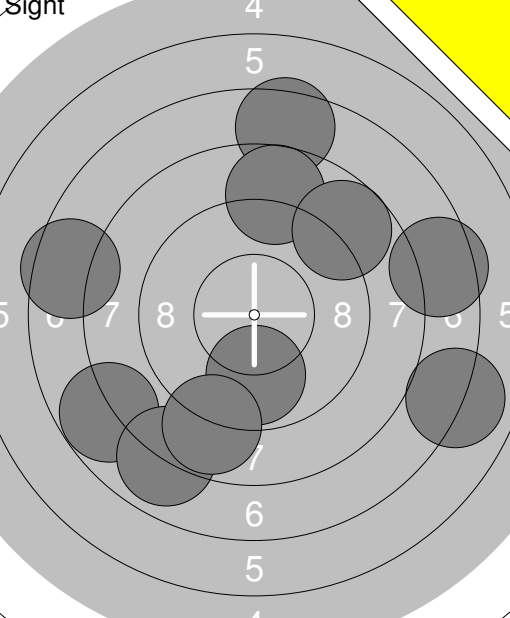
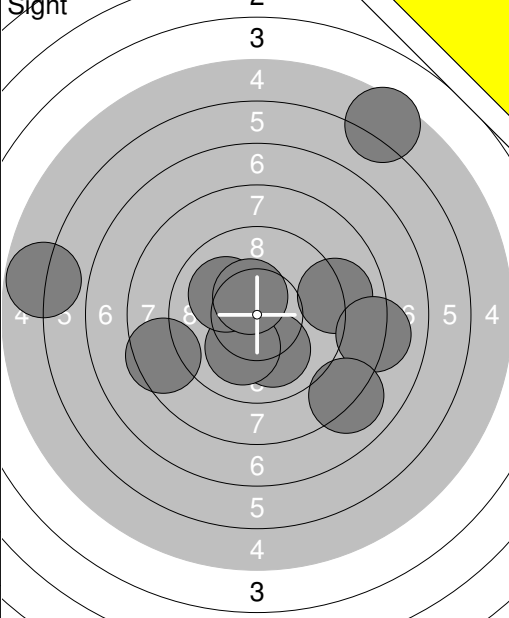
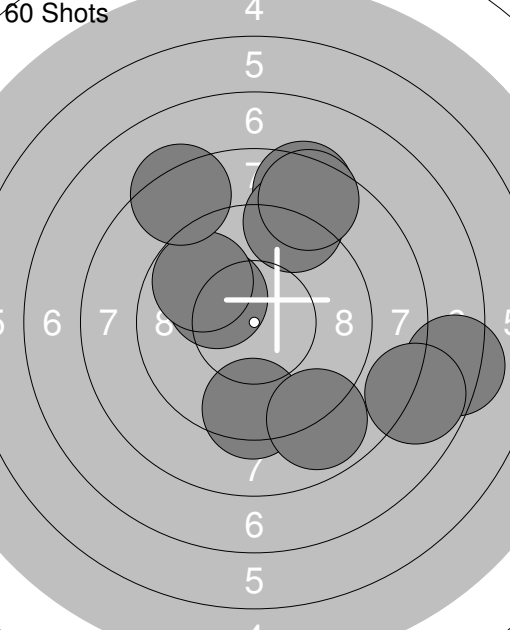
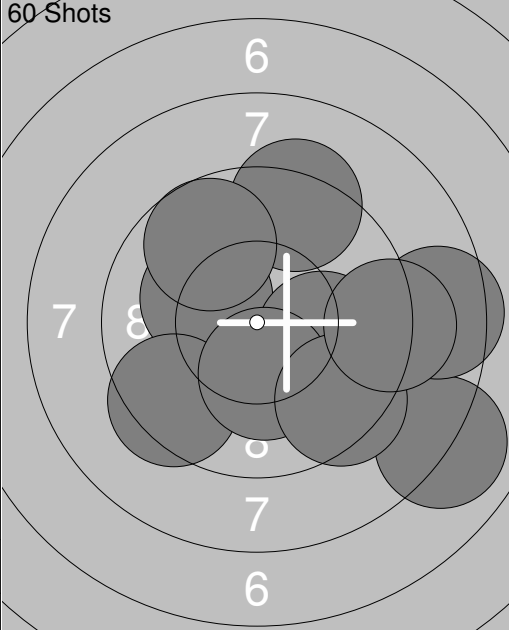
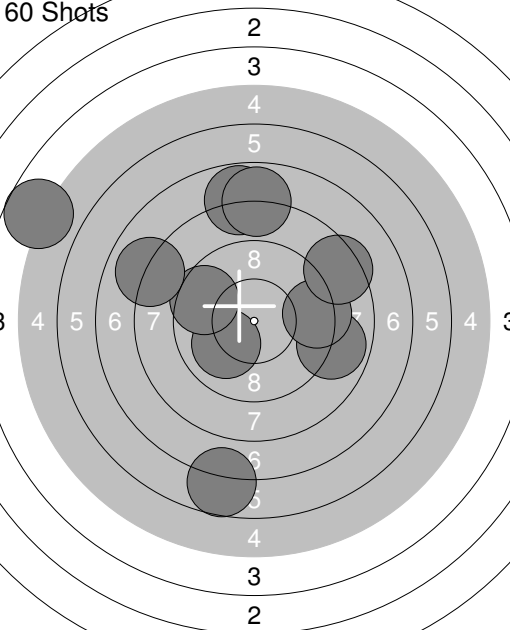
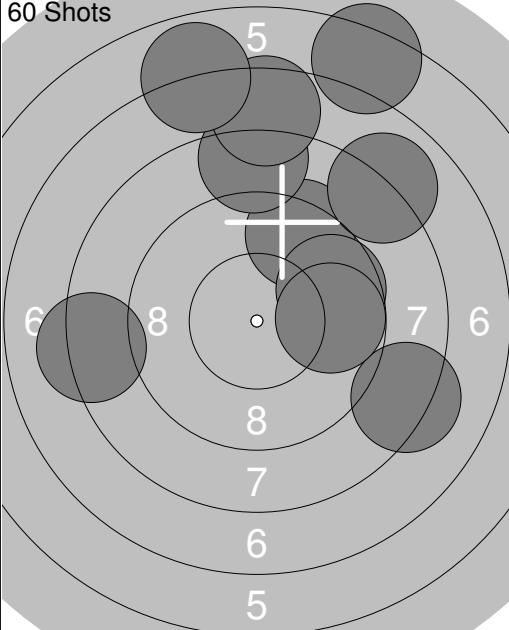


<p>Sight</p> 	<p>1: 7.8 ↙ 2: 7.9 ↘ 3: 7.5 ↑ 4: 9.9 ↓ 5: 7.5 → 6: 8.7 ↑ 7: 8.7 ↗ 8: 7.0 → 9: 7.5 ← 10: 8.8 ↓</p>	<p>Sight</p> 	<p>11: 10.0 ↓ 12: 9.0 → 13: 8.1 → 14: 8.5 ← 15: 5.8 ← 16: 8.1 ↓ 17: 10.1 ↓ 18: 5.5 ↗ 19: 10.1 ↖ 20: 10.5x ↗</p>
Series 81.3		Series 85.7	
Total 0.0		Total 0.0	

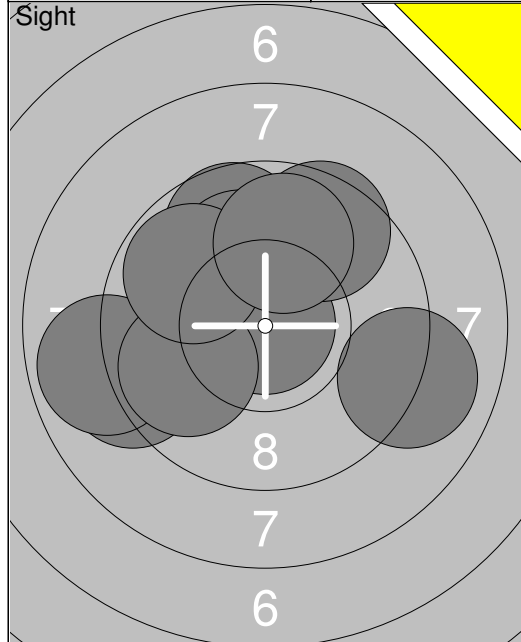
<p>60 Shots</p> 	<p>1: 7.3 → 2: 8.5 ↑ 3: 9.0 ↑ 4: 7.8 → 5: 10.2x ↖ 6: 9.8 ↗ 7: 9.4 ↓ 8: 8.9 ↓ 9: 8.3 ↗ 10: 8.6 ↑</p>	<p>60 Shots</p> 	<p>11: 10.2x ↖ 12: 10.1 → 13: 8.0 ↓ 14: 9.4 ← 15: 9.3 ↑ 16: 9.7 ↗ 17: 10.3x ↓ 18: 9.4 ↓ 19: 8.5 → 20: 9.2 →</p>
Series 87.8		Series 94.1	
Total 87.8		Total 181.9	

<p>60 Shots</p> 	<p>21: 7.8 ↑ 22: 8.9 → 23: 10.0 ↖ 24: 9.5 ← 25: 6.7 ↓ 26: 9.3 → 27: 8.4 ↗ 28: 8.0 ← 29: 7.9 ↑ 30: 4.7 ↖</p>	<p>60 Shots</p> 	<p>31: 9.4 ↑ 32: 8.2 ← 33: 9.6 → 34: 8.3 ↑ 35: 7.5 ↑ 36: 6.9 ↑ 37: 8.0 ↗ 38: 8.2 → 39: 9.8 → 40: 6.3 ↑</p>
Series 81.2		Series 82.2	
Total 263.1		Total 345.3	

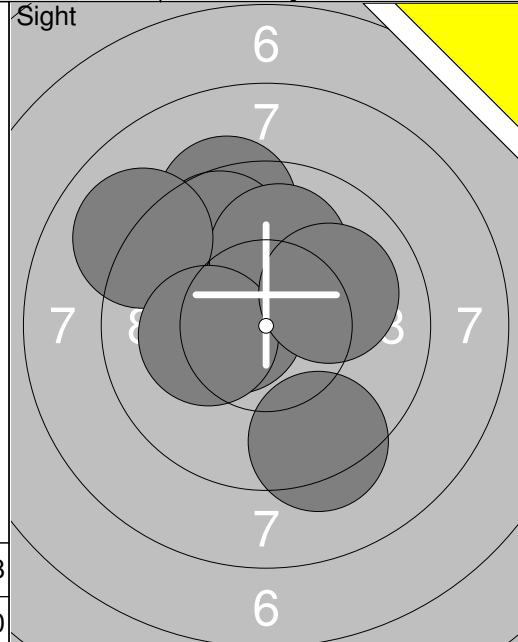
<p>Sight</p>	<p>1: 10.4x ←</p> <p>2: 10.0 →</p> <p>3: 8.5 →</p> <p>4: 9.0 ↓</p> <p>5: 9.8 →</p> <p>6: 9.3 ↓</p> <p>7: 9.3 ↓</p> <p>8: 10.0 ↑</p> <p>9: 10.0 ←</p> <p>10: 8.4 ←</p>	<p>Sight</p>	<p>11: 9.3 ↓</p> <p>12: 10.0 ↓</p> <p>13: 9.7 ↓</p> <p>14: 10.4x →</p> <p>15: 9.8 ←</p>
Series	94.7	Series	49.2
Total	0.0	Total	0.0

<p>60 Shots</p>	<p>1: 10.2x ←</p> <p>2: 10.2x ↓</p> <p>3: 10.2x ↗</p> <p>4: 10.1 ↓</p> <p>5: 9.8 ↓</p> <p>6: 9.4 →</p> <p>7: 10.2x ←</p> <p>8: 10.2x ↓</p> <p>9: 9.6 ↗</p> <p>10: 7.7 ←</p>	<p>60 Shots</p>	<p>11: 9.0 →</p> <p>12: 9.2 ↗</p> <p>13: 7.6 ←</p> <p>14: 9.9 ↓</p> <p>15: 10.0 ↗</p> <p>16: 8.7 →</p> <p>17: 9.4 ←</p> <p>18: 9.8 ↗</p> <p>19: 9.0 ↓</p> <p>20: 10.4x ↗</p>
Series	97.6	Series	93.0
Total	97.6	Total	190.6

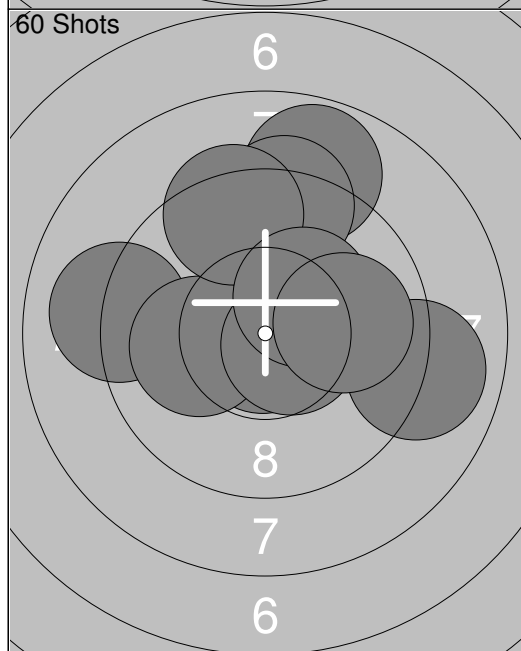
<p>60 Shots</p>	<p>21: 9.5 ↑</p> <p>22: 10.1 ↗</p> <p>23: 9.5 ↗</p> <p>24: 8.0 ↓</p> <p>25: 10.4x ↗</p> <p>26: 9.9 ↗</p> <p>27: 10.3x ↗</p> <p>28: 9.3 ↓</p> <p>29: 8.0 ↗</p> <p>30: 9.8 ↓</p>	<p>60 Shots</p>	<p>31: 9.6 →</p> <p>32: 10.5x ↗</p> <p>33: 10.2x →</p> <p>34: 10.6x ↑</p> <p>35: 8.8 →</p> <p>36: 9.2 →</p> <p>37: 8.8 →</p> <p>38: 10.2x ↓</p> <p>39: 10.4x ↓</p> <p>40: 9.1 →</p>
Series	94.8	Series	97.4
Total	285.4	Total	382.8



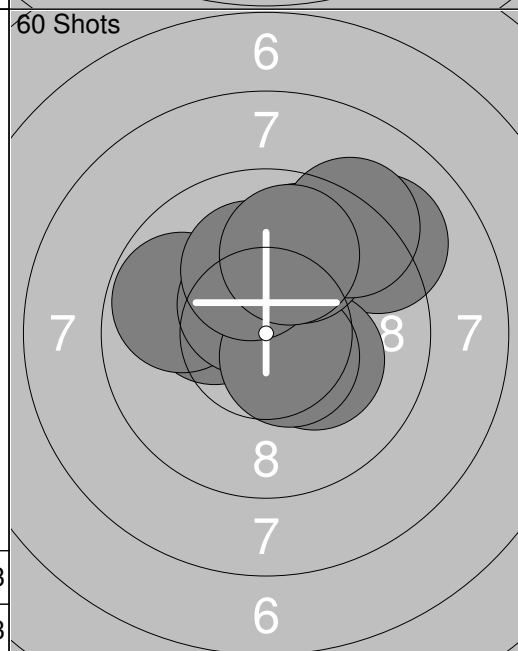
1:	9.7	↗
2:	10.1	↗
3:	9.1	↖
4:	8.9	↖
5:	10.9x	↗
6:	9.8	↖
7:	9.0	↗
8:	9.6	↗
9:	9.8	↖
10:	9.9	↗
Series		96.8
Total		0.0



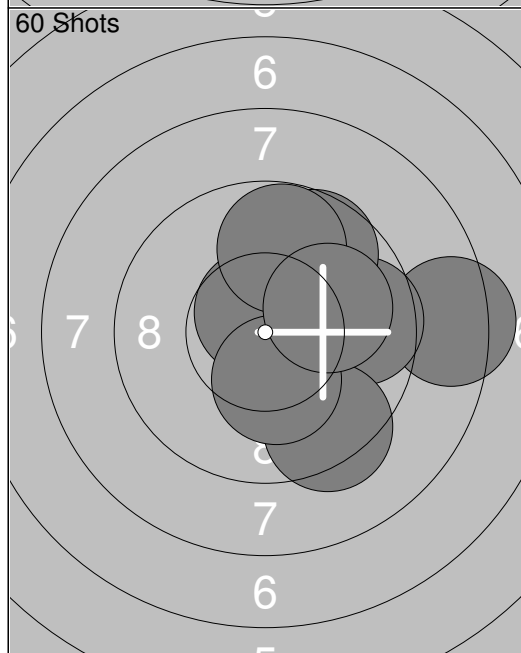
11:	10.5x	↖
12:	9.3	↖
13:	9.7	↖
14:	10.0	↗
15:	9.3	↘
16:	9.0	↖
17:	10.2x	↖
18:	10.0	↗
Series		78.0
Total		0.0



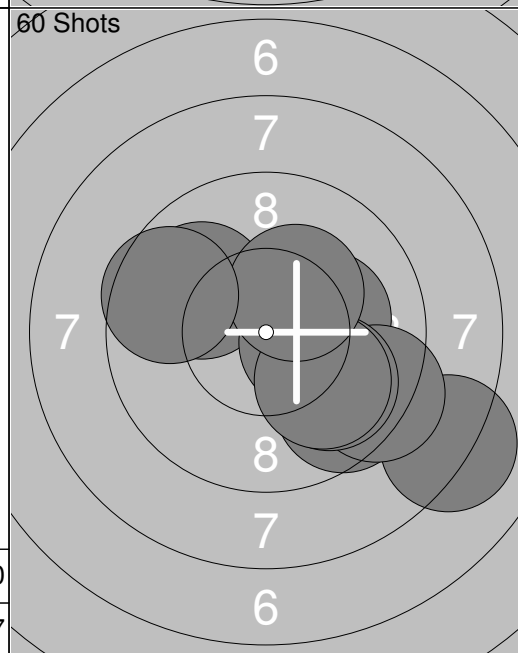
1:	10.8x	↘
2:	9.1	↖
3:	10.1	↖
4:	8.8	↗
5:	9.0	↗
6:	9.3	↗
7:	9.4	↗
8:	10.6x	↗
9:	10.3x	↗
10:	9.9	↗
Series		97.3
Total		97.3



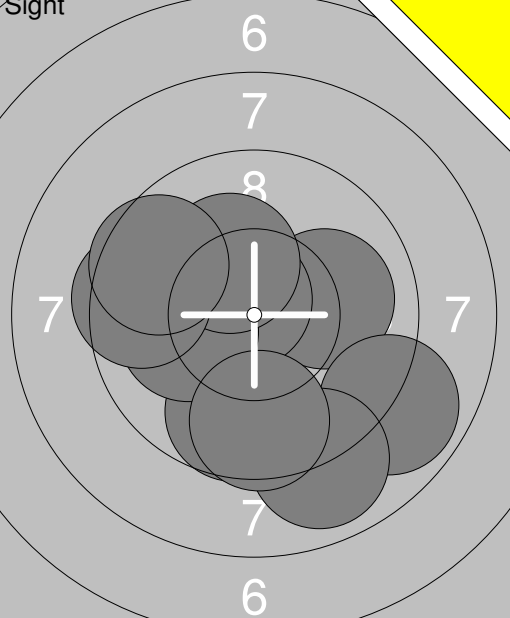
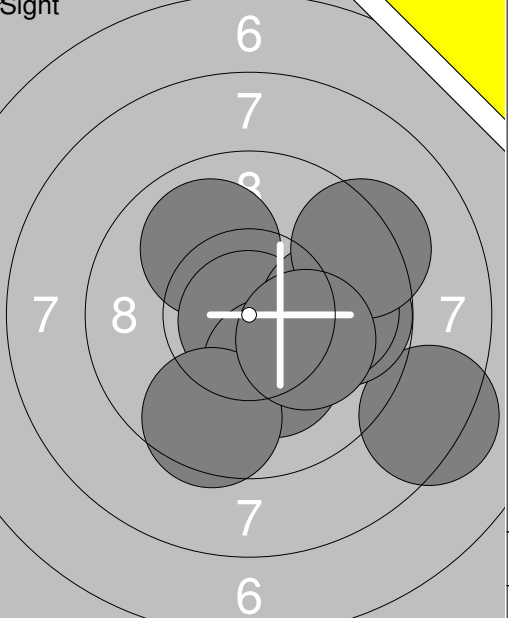
11:	10.3x	↖
12:	9.8	↖
13:	9.1	↗
14:	10.5x	↖
15:	10.2x	↗
16:	10.5x	↘
17:	10.1	↗
18:	9.8	↗
19:	9.2	↗
20:	9.9	↗
Series		99.4
Total		196.7

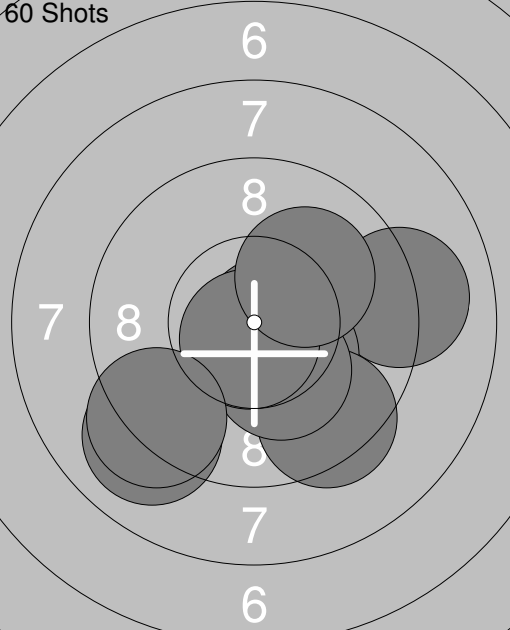
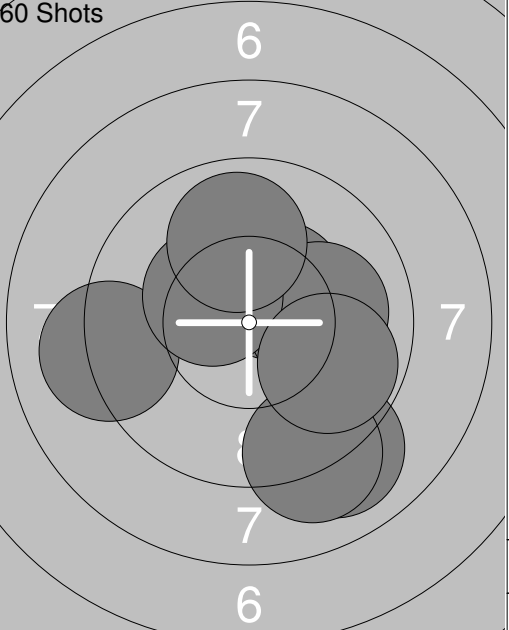


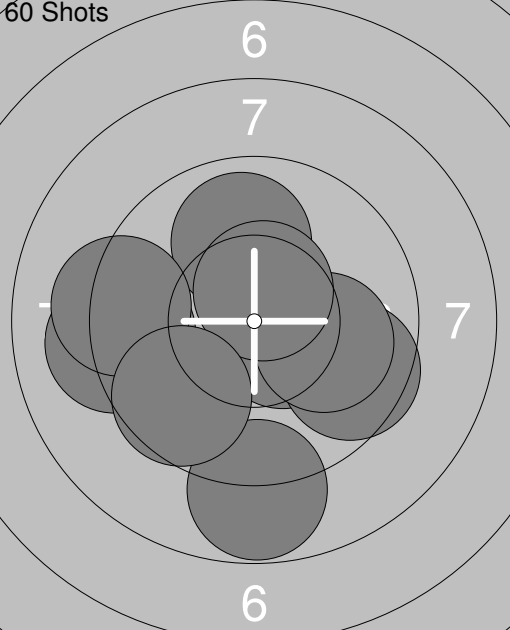
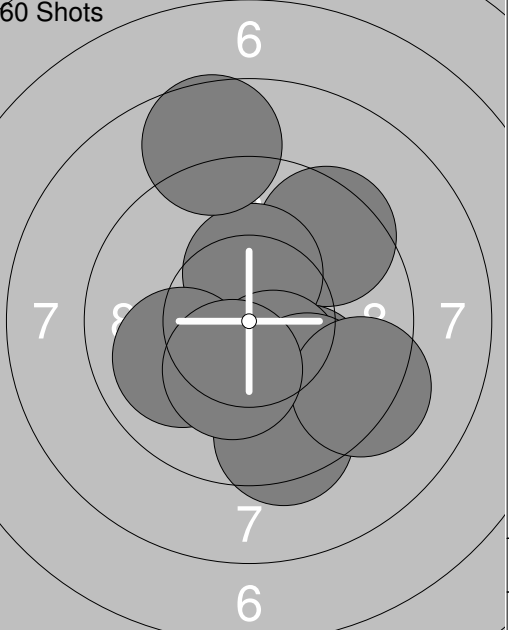
21:	8.4	↗
22:	10.2x	↗
23:	9.9	↗
24:	10.7x	↗
25:	9.6	↗
26:	9.4	↘
27:	10.3x	↘
28:	9.7	↗
29:	9.8	↗
30:	10.0	↗
Series		98.0
Total		294.7



31:	9.9	↖
32:	10.4x	↗
33:	10.2x	↗
34:	8.2	↘
35:	9.6	↘
36:	9.3	↘
37:	9.9	↘
38:	10.0	↘
39:	10.3x	↗
40:	9.6	↖
Series		97.4
Total		392.1

 <p style="text-align:center;">Sight</p>	<p>1: 10.0 →</p> <p>2: 9.7 ↓</p> <p>3: 8.9 ↘</p> <p>4: 8.9 ↓</p> <p>5: 10.7x ↗</p> <p>6: 10.1 ←</p> <p>7: 10.2x ↗</p> <p>8: 9.5 ←</p> <p>9: 9.6 ↓</p> <p>10: 9.6 ↖</p>	 <p style="text-align:center;">Sight</p>	<p>11: 8.3 ↘</p> <p>12: 10.0 ↗</p> <p>13: 10.9x ↓</p> <p>14: 9.8 →</p> <p>15: 9.9 →</p> <p>16: 10.2x ↓</p> <p>17: 9.3 ↗</p> <p>18: 9.6 ↓</p> <p>19: 10.2x →</p>
Series	97.2	Series	88.2
Total	0.0	Total	0.0

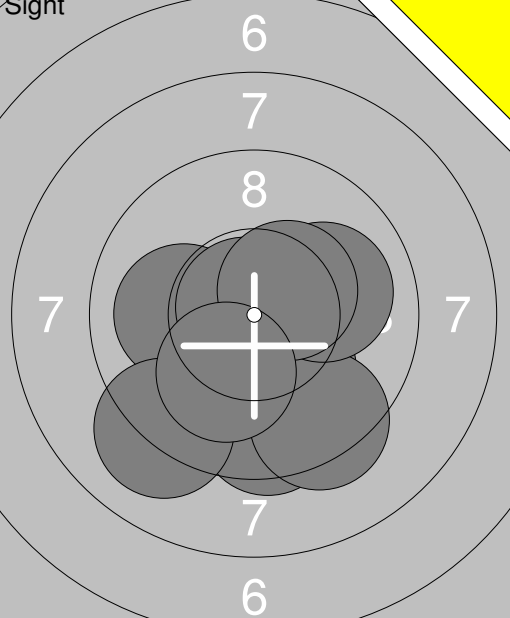
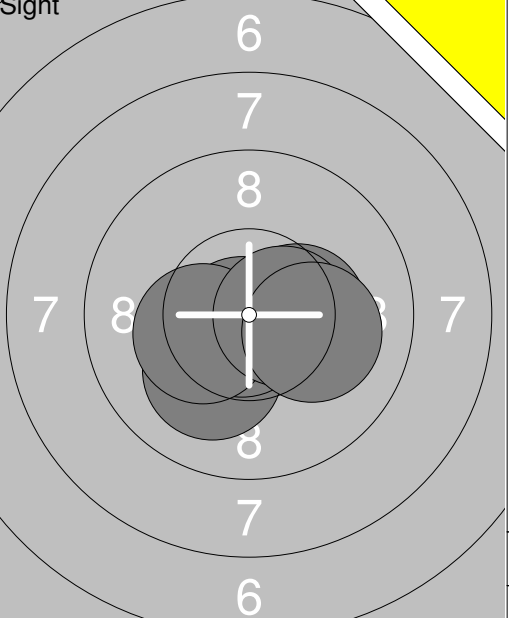
 <p style="text-align:center;">60 Shots</p>	<p>1: 9.1 →</p> <p>2: 10.4x ↓</p> <p>3: 10.3x ↓</p> <p>4: 9.4 ↓</p> <p>5: 10.7x →</p> <p>6: 9.0 ↓</p> <p>7: 10.3x ↓</p> <p>8: 10.7x ↓</p> <p>9: 9.2 ↓</p> <p>10: 10.1 ↗</p>	 <p style="text-align:center;">60 Shots</p>	<p>11: 9.1 ←</p> <p>12: 10.3x ↗</p> <p>13: 10.4x ↗</p> <p>14: 10.1 →</p> <p>15: 10.1 →</p> <p>16: 10.4x ↖</p> <p>17: 9.0 ↓</p> <p>18: 9.1 ↓</p> <p>19: 9.8 →</p> <p>20: 9.9 ↑</p>
Series	99.2	Series	98.2
Total	99.2	Total	197.4

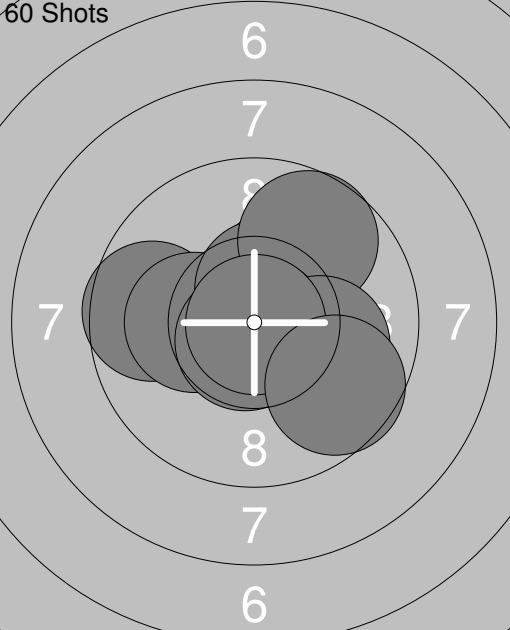
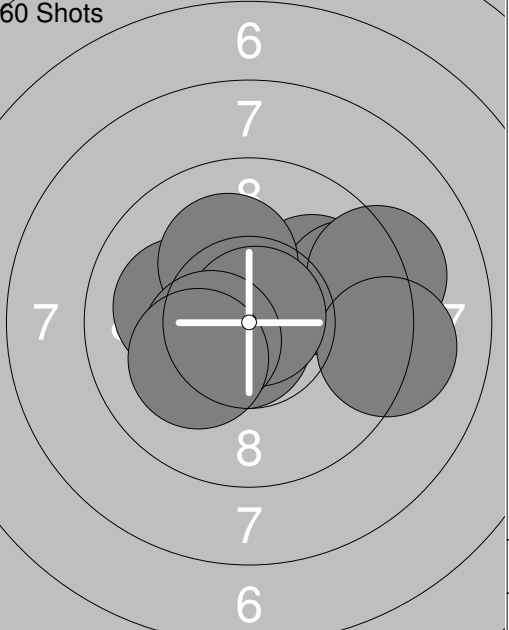
 <p style="text-align:center;">60 Shots</p>	<p>21: 10.5x →</p> <p>22: 9.9 ↑</p> <p>23: 9.6 →</p> <p>24: 9.3 ←</p> <p>25: 8.8 ↓</p> <p>26: 10.0 →</p> <p>27: 10.5x ↑</p> <p>28: 9.2 ←</p> <p>29: 9.2 ←</p> <p>30: 9.6 ↓</p>	 <p style="text-align:center;">60 Shots</p>	<p>31: 9.5 ↗</p> <p>32: 10.3x ↑</p> <p>33: 10.0 ↓</p> <p>34: 10.0 ←</p> <p>35: 10.4x ↓</p> <p>36: 9.9 ↓</p> <p>37: 9.4 ↓</p> <p>38: 9.3 →</p> <p>39: 10.3x ↓</p> <p>40: 8.7 ↑</p>
Series	96.6	Series	97.8
Total	294.0	Total	391.8

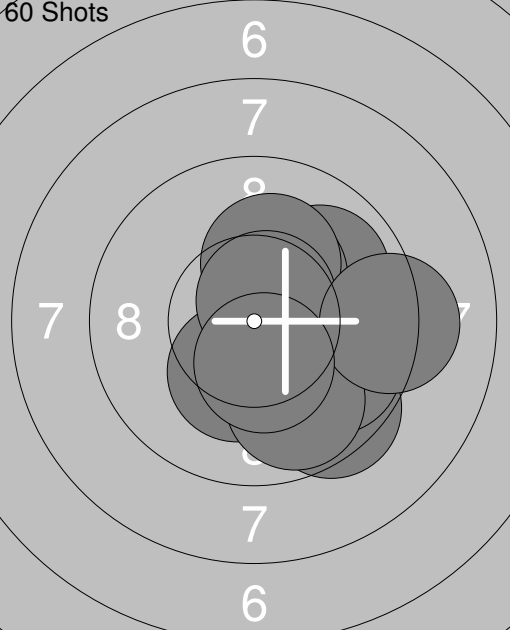
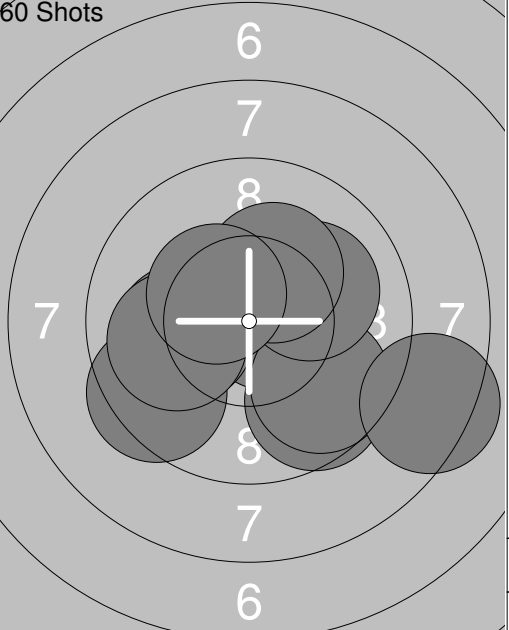
	<p>1: 10.2x →</p> <p>2: 10.2x ↙</p> <p>3: 9.7 →</p> <p>4: 10.5x ↘</p> <p>5: 10.2x ↓</p> <p>6: 9.3 →</p> <p>7: 10.6x ↑</p> <p>8: 9.9 ↓</p> <p>9: 9.8 →</p> <p>10: 10.7x ↗</p>		<p>11: 10.1 ↗</p> <p>12: 9.9 ↙</p>
Series 101.1		Series 20.0	
Total 0.0		Total 0.0	

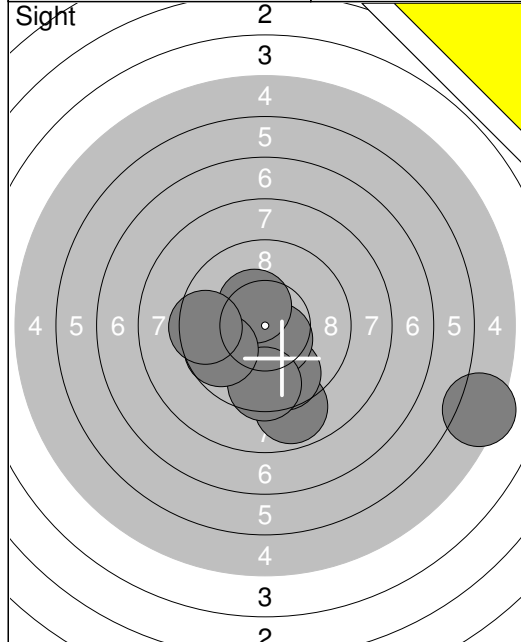
	<p>1: 10.7x ↗</p> <p>2: 10.6x ↓</p> <p>3: 10.3x ↑</p> <p>4: 10.8x ↑</p> <p>5: 10.0 ←</p> <p>6: 10.3x ↙</p> <p>7: 10.9x ↓</p> <p>8: 10.5x ↘</p> <p>9: 9.5 ←</p> <p>10: 10.4x ↙</p>		<p>11: 10.1 ↓</p> <p>12: 10.3x ↙</p> <p>13: 10.7x ↑</p> <p>14: 10.6x ↙</p> <p>15: 9.9 ←</p> <p>16: 10.1 ↓</p> <p>17: 10.7x ↙</p> <p>18: 10.7x ↙</p> <p>19: 10.3x ↑</p> <p>20: 10.2x →</p>
Series 104.0		Series 103.6	
Total 104.0		Total 207.6	

	<p>21: 10.6x ↑</p> <p>22: 10.7x ↑</p> <p>23: 10.4x ↙</p> <p>24: 8.4 ←</p> <p>25: 10.6x →</p> <p>26: 10.5x ↓</p> <p>27: 9.7 →</p> <p>28: 10.5x ↑</p> <p>29: 9.9 →</p> <p>30: 9.8 →</p>		<p>31: 10.2x ↘</p> <p>32: 10.0 →</p> <p>33: 10.0 →</p> <p>34: 10.0 ↓</p> <p>35: 9.8 ↙</p> <p>36: 10.2x →</p> <p>37: 9.3 ←</p> <p>38: 10.4x ↙</p> <p>39: 10.9x ↓</p> <p>40: 10.5x ↙</p>
Series 101.1		Series 101.3	
Total 308.7		Total 410.0	

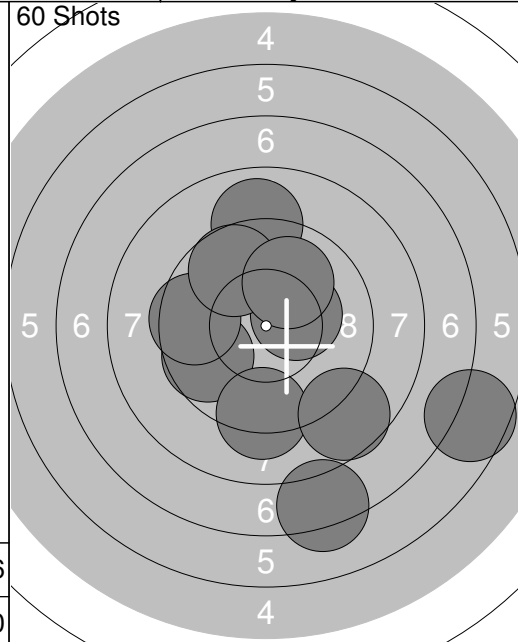
<p>Sight</p>  <p>1: 10.2x ↘ 2: 9.5 ↓ 3: 10.5x ↗ 4: 10.0 ← 5: 9.1 ↙ 6: 9.4 ↘ 7: 10.0 → 8: 10.8x ↖ 9: 10.4x ↗ 10: 10.1 ↘</p> <p>Series 100.0 Total 0.0</p>		<p>Sight</p>  <p>11: 10.3x → 12: 10.1 ↙ 13: 10.8x ↘ 14: 10.3x ↙ 15: 10.5x → 16: 10.1 →</p> <p>Series 62.1 Total 0.0</p>
---	--	--

<p>60 Shots</p>  <p>1: 9.6 ← 2: 10.3x ↗ 3: 10.2x ← 4: 10.5x ↗ 5: 9.7 ↗ 6: 10.9x ↘ 7: 10.7x ↘ 8: 10.1 → 9: 10.9x ↘ 10: 9.6 ↘</p> <p>Series 102.5 Total 102.5</p>		<p>60 Shots</p>  <p>11: 10.1 ← 12: 10.0 ↗ 13: 9.6 → 14: 9.2 → 15: 10.7x ↘ 16: 9.2 → 17: 10.1 ↗ 18: 10.8x ↗ 19: 10.4x ↙ 20: 10.2x ↙</p> <p>Series 100.3 Total 202.8</p>
---	--	--

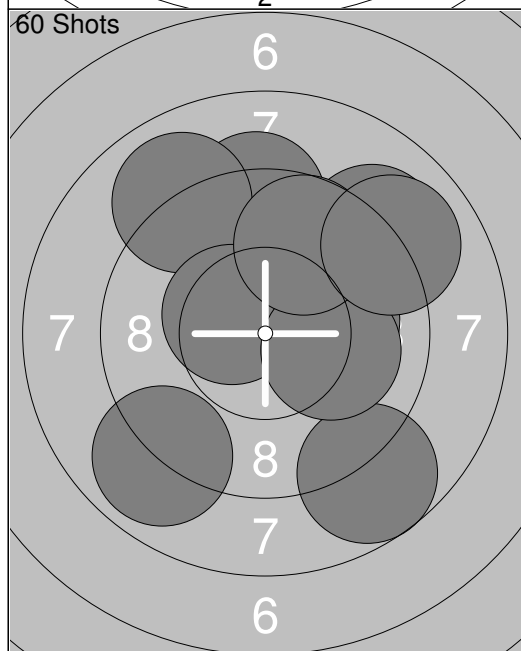
<p>60 Shots</p>  <p>21: 9.9 ↗ 22: 9.5 ↘ 23: 10.3x ↘ 24: 10.3x ↗ 25: 9.8 ↘ 26: 10.2x ↗ 27: 10.7x ↗ 28: 9.8 ↘ 29: 9.2 → 30: 10.4x ↘</p> <p>Series 100.1 Total 302.9</p>		<p>60 Shots</p>  <p>31: 10.7x → 32: 9.6 ↘ 33: 9.7 ↘ 34: 10.1 ↗ 35: 9.5 ↙ 36: 10.1 ← 37: 10.0 ← 38: 8.4 → 39: 10.3x ↗ 40: 10.4x ↖</p> <p>Series 98.8 Total 401.7</p>
--	--	--



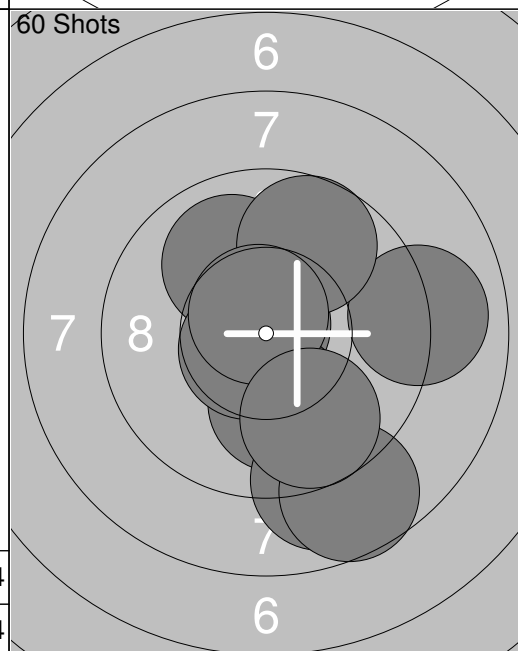
1: 5.4	→
2: 8.9	↓
3: 9.7	↓
4: 10.5x	↓
5: 10.4x	↗
6: 9.5	↓
7: 9.7	↙
8: 9.5	←
Series 73.6	
Total 0.0	



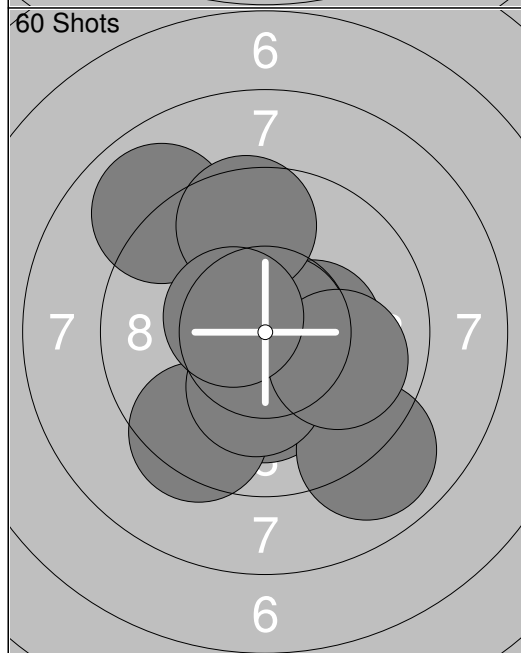
1: 7.3	↓
2: 9.7	↙
3: 9.0	↑
4: 6.6	→
5: 10.3x	→
6: 9.6	←
7: 9.2	↓
8: 9.7	↗
9: 10.0	↗
10: 8.6	↓
Series 90.0	
Total 90.0	



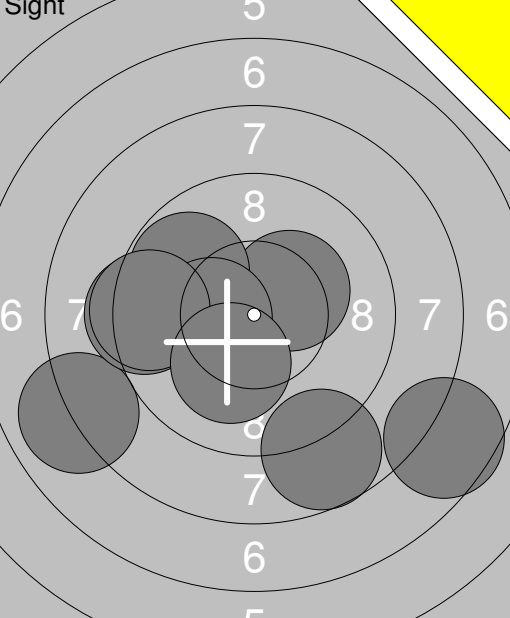
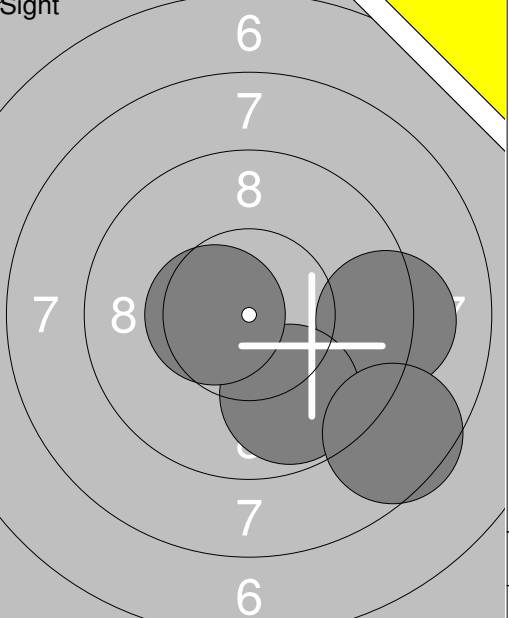
11: 8.9	↓
12: 8.7	↓
13: 10.1	→
14: 9.3	↑
15: 9.0	↗
16: 10.5x	↖
17: 10.1	→
18: 9.1	↗
19: 9.7	↑
20: 9.0	↗
Series 94.4	
Total 184.4	



21: 10.8x	↖
22: 10.1	↓
23: 9.0	→
24: 10.0	↖
25: 10.6x	↙
26: 9.0	↓
27: 9.7	↗
28: 10.7x	↖
29: 8.7	↓
30: 9.7	↓
Series 98.3	
Total 282.7	

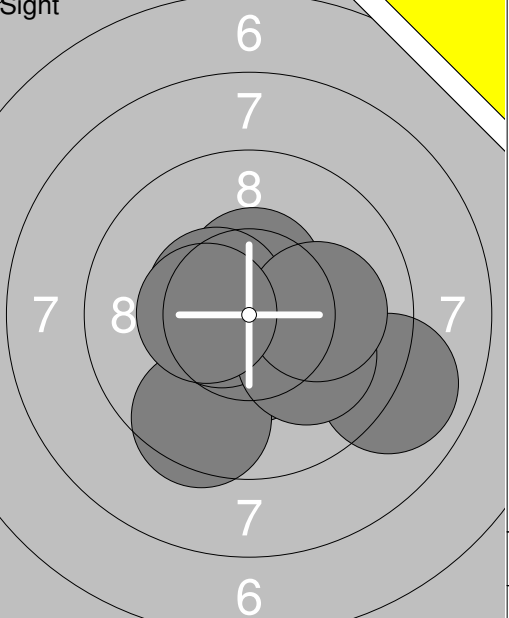


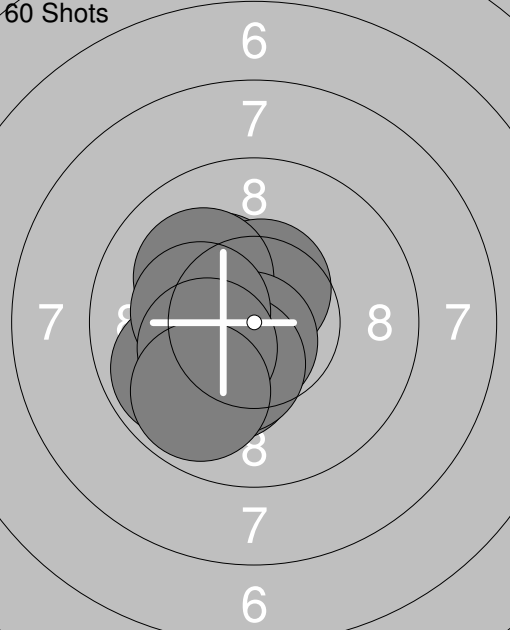
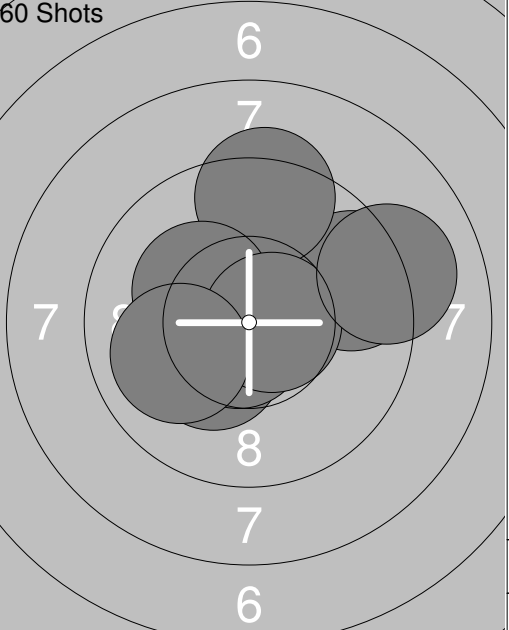
31: 10.2x	↓
32: 10.3x	→
33: 9.0	↓
34: 10.8x	↗
35: 8.9	↗
36: 9.6	↑
37: 9.4	↓
38: 10.2x	↓
39: 10.0	→
40: 10.5x	↖
Series 98.9	
Total 381.6	

	<p>1: 8.0 ←</p> <p>2: 9.3 ←</p> <p>3: 10.0 ←</p> <p>4: 7.6 →</p> <p>5: 10.3x ↗</p> <p>6: 9.8 ←</p> <p>7: 10.3x ←</p> <p>8: 9.4 ←</p> <p>9: 8.7 ↓</p> <p>10: 10.2x ↓</p>	<p>Sight</p>  <p>11: 9.2 →</p> <p>12: 9.8 ↓</p> <p>13: 8.6 ↓</p> <p>14: 10.5x ←</p>
Series 93.6		Series 38.1
Total 0.0		Total 0.0

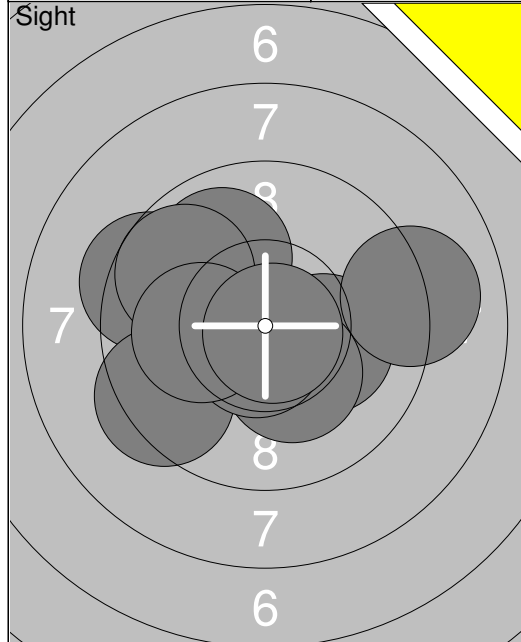
<p>60 Shots</p> 	<p>1: 7.9 →</p> <p>2: 9.9 ←</p> <p>3: 10.4x ↗</p> <p>4: 9.3 ↓</p> <p>5: 10.2x ←</p> <p>6: 10.0 ↗</p> <p>7: 7.4 ←</p> <p>8: 8.8 ↓</p> <p>9: 10.4x ←</p> <p>10: 9.8 ↓</p>	<p>60 Shots</p>  <p>11: 9.8 ↙</p> <p>12: 8.4 ←</p> <p>13: 10.4x ↓</p> <p>14: 10.1 ↓</p> <p>15: 9.6 ←</p> <p>16: 8.5 →</p> <p>17: 8.5 ↓</p> <p>18: 10.1 →</p> <p>19: 8.7 ←</p> <p>20: 9.8 ↙</p>
Series 94.1		Series 93.9
Total 94.1		Total 188.0

<p>60 Shots</p> 	<p>21: 8.6 ↓</p> <p>22: 9.6 →</p> <p>23: 10.5x ↓</p> <p>24: 10.2x ↘</p> <p>25: 10.2x ↖</p> <p>26: 8.9 ←</p> <p>27: 8.8 ←</p> <p>28: 9.1 ←</p> <p>29: 10.3x ↑</p> <p>30: 9.3 ↗</p>	<p>60 Shots</p>  <p>31: 10.6x ↗</p> <p>32: 10.9x ↑</p> <p>33: 8.5 ←</p> <p>34: 9.1 ↓</p> <p>35: 9.7 ↓</p> <p>36: 10.1 ←</p> <p>37: 9.1 ↗</p> <p>38: 8.8 ↙</p> <p>39: 6.5 ←</p> <p>40: 7.7 ↖</p>
Series 95.5		Series 91.0
Total 283.5		Total 374.5

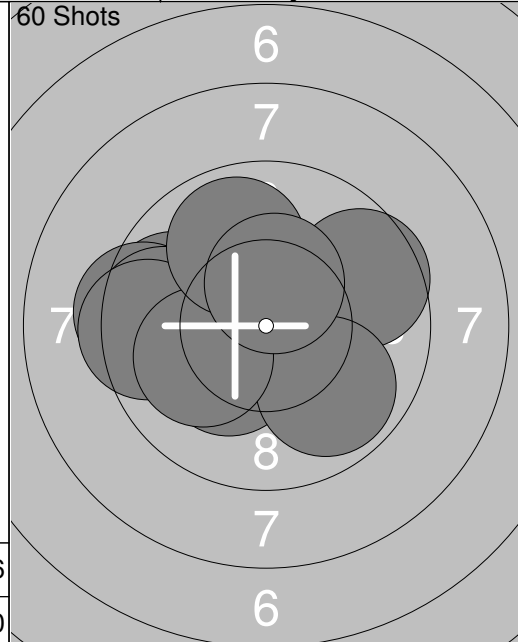
<p>Sight</p> 	<p>1: 9.8 →</p> <p>2: 10.0 →</p> <p>3: 9.9 ↘</p> <p>4: 10.5x ←</p> <p>5: 10.6x ↗</p> <p>6: 10.0 ↙</p> <p>7: 9.3 ←</p> <p>8: 9.9 →</p> <p>9: 8.8 →</p> <p>10: 10.3x ↖</p>	<p>Sight</p> 	<p>11: 10.5x ↓</p> <p>12: 9.5 ↙</p> <p>13: 10.5x ↑</p> <p>14: 9.0 →</p> <p>15: 10.6x ←</p> <p>16: 10.1 ↘</p> <p>17: 10.5x ↖</p> <p>18: 10.1 →</p> <p>19: 10.4x ←</p>
Series	99.1	Series	91.2
Total	0.0	Total	0.0

<p>60 Shots</p> 	<p>1: 10.3x ↖</p> <p>2: 10.5x ↑</p> <p>3: 10.1 ↖</p> <p>4: 10.2x ↓</p> <p>5: 9.8 ↙</p> <p>6: 10.7x ↓</p> <p>7: 10.4x ↓</p> <p>8: 10.2x ←</p> <p>9: 10.3x ↙</p> <p>10: 9.8 ↙</p>	<p>60 Shots</p> 	<p>11: 10.3x ↙</p> <p>12: 10.3x ↗</p> <p>13: 10.9x ↓</p> <p>14: 10.7x ↓</p> <p>15: 9.5 →</p> <p>16: 9.3 ↑</p> <p>17: 10.2x ↖</p> <p>18: 10.7x →</p> <p>19: 10.0 ↙</p> <p>20: 9.1 →</p>
Series	102.3	Series	101.0
Total	102.3	Total	203.3

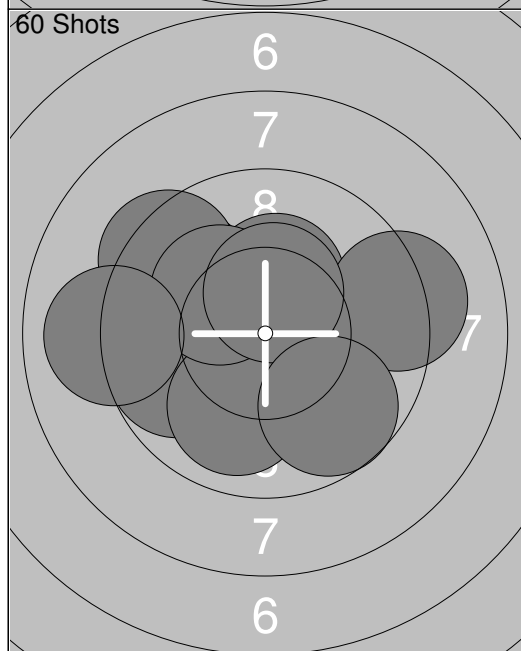
<p>60 Shots</p> 	<p>21: 10.2x ↓</p> <p>22: 8.5 →</p> <p>23: 10.6x ↖</p> <p>24: 9.7 →</p> <p>25: 10.4x ↓</p> <p>26: 9.8 ↘</p> <p>27: 9.5 →</p> <p>28: 10.3x ↖</p> <p>29: 10.1 ↖</p> <p>30: 10.3x ↙</p>	<p>60 Shots</p> 	<p>31: 10.1 →</p> <p>32: 10.2x →</p> <p>33: 9.7 ←</p> <p>34: 10.4x →</p> <p>35: 10.2x ↘</p> <p>36: 10.8x →</p> <p>37: 10.4x ↓</p> <p>38: 9.4 ↙</p> <p>39: 10.4x ↙</p> <p>40: 10.4x ←</p>
Series	99.4	Series	102.0
Total	302.7	Total	404.7



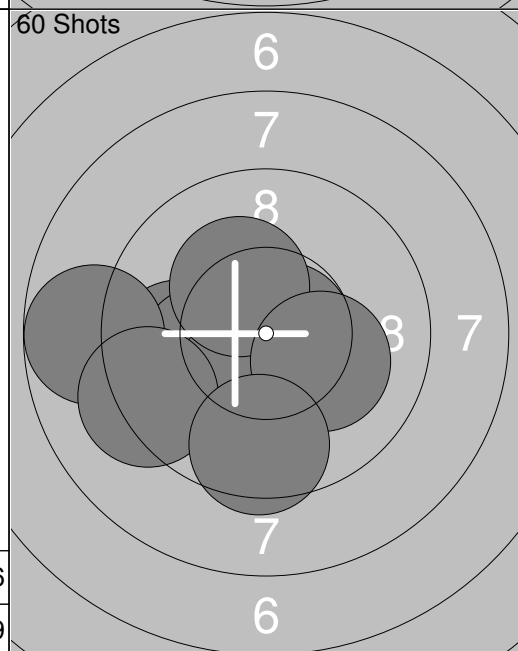
1: 9.4	←
2: 10.2x	→
3: 9.1	→
4: 9.9	↗
5: 9.7	↗
6: 10.3x	↘
7: 9.4	←
8: 10.7x	↘
9: 10.1	←
10: 10.8x	↘
Series	99.6
Total	0.0



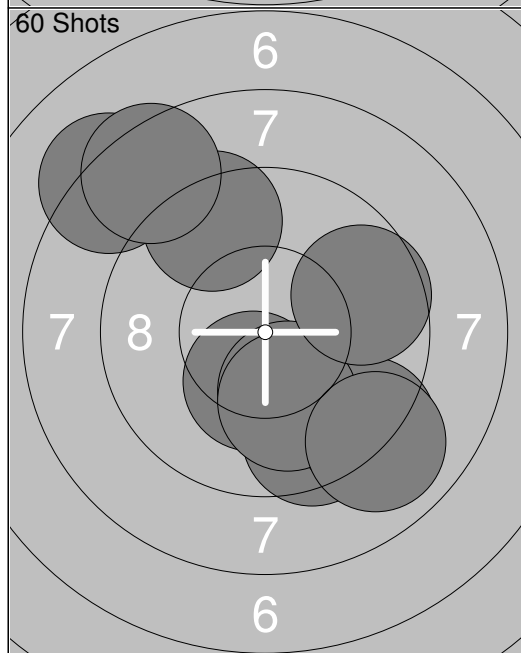
1: 9.7	←
2: 10.3x	↙
3: 9.4	←
4: 9.6	↗
5: 9.9	↘
6: 9.6	←
7: 9.4	←
8: 10.1	←
9: 9.9	↗
10: 10.4x	↗
Series	98.3
Total	98.3



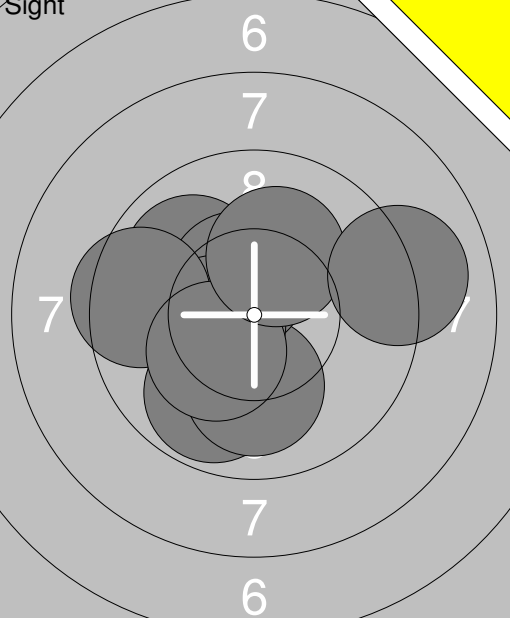
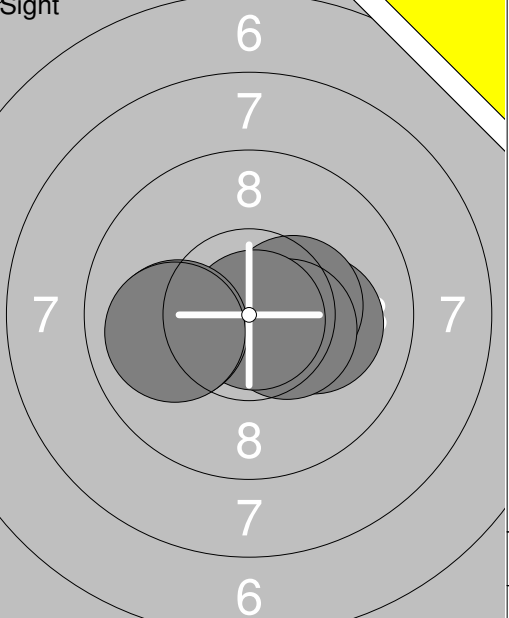
11: 9.7	←
12: 9.7	↖
13: 10.3x	↗
14: 9.2	→
15: 9.4	↗
16: 10.0	↘
17: 10.2x	↖
18: 9.0	←
19: 10.4x	↗
20: 9.7	↘
Series	97.6
Total	195.9

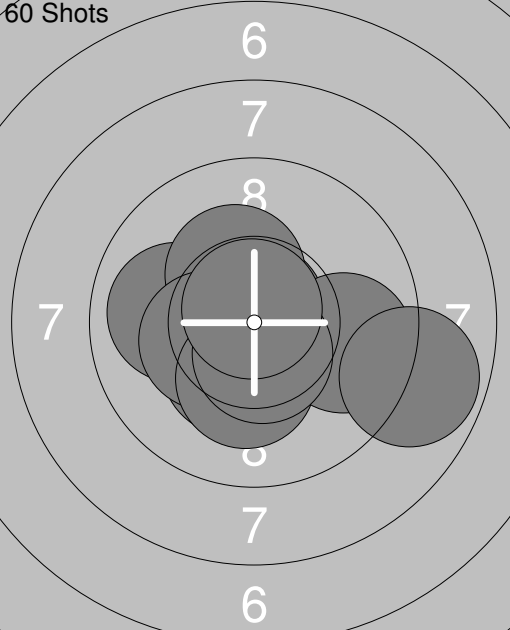
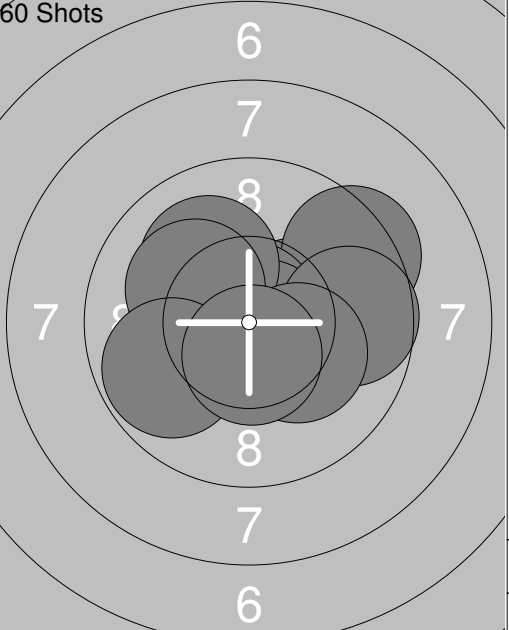


21: 9.8	←
22: 10.5x	↖
23: 10.7x	→
24: 10.2x	↙
25: 8.8	←
26: 10.2x	↘
27: 10.3x	↖
28: 9.2	←
29: 10.2x	↗
30: 9.5	↘
Series	99.4
Total	295.3

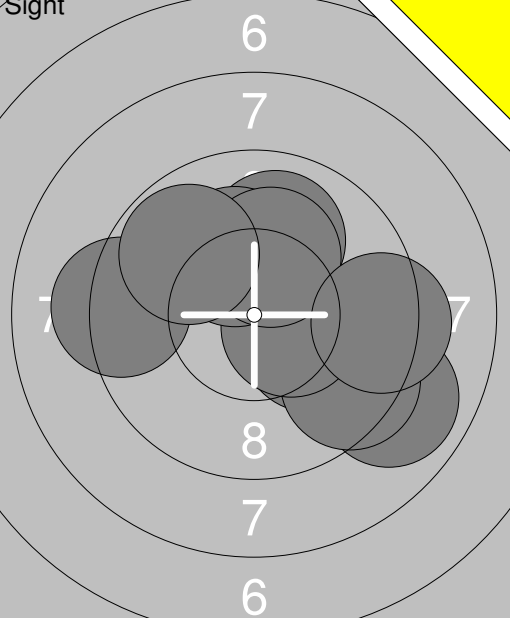
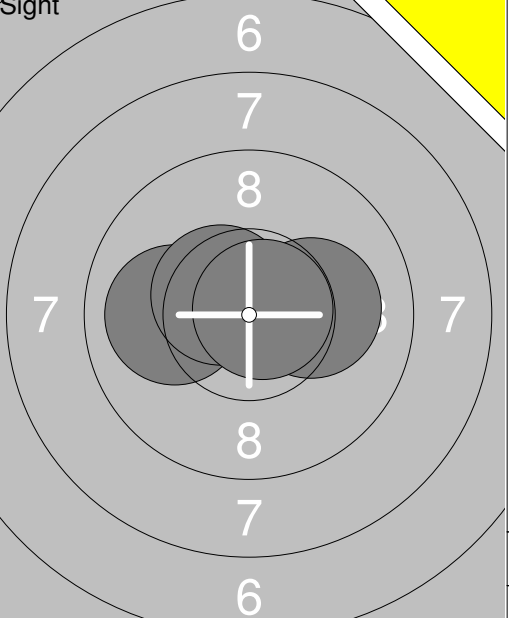


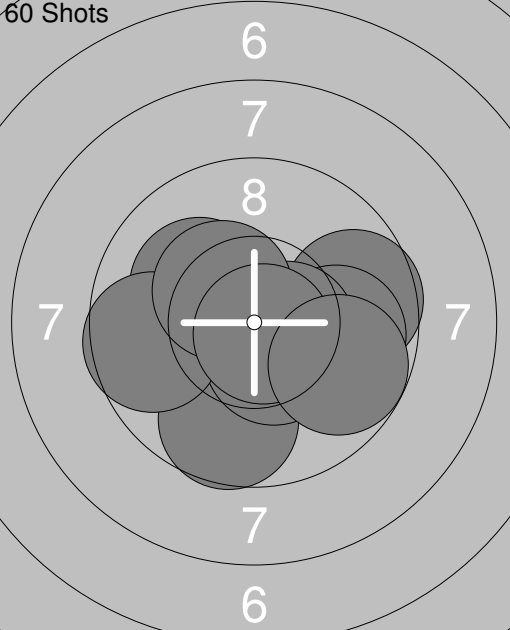
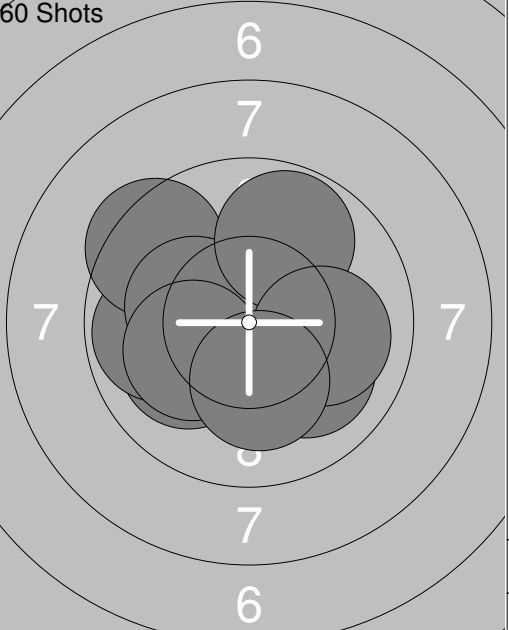
31: 10.3x	↘
32: 9.5	↘
33: 10.1	↘
34: 9.2	↘
35: 9.4	↗
36: 8.2	↗
37: 8.5	↗
38: 10.0	↘
39: 9.0	↘
40: 9.6	→
Series	93.8
Total	389.1

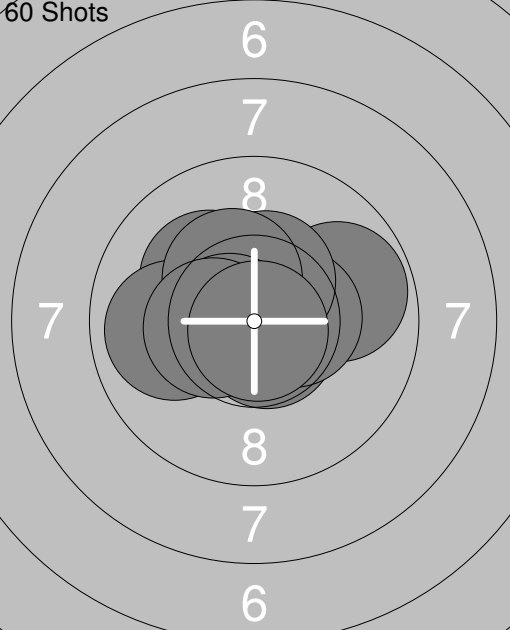
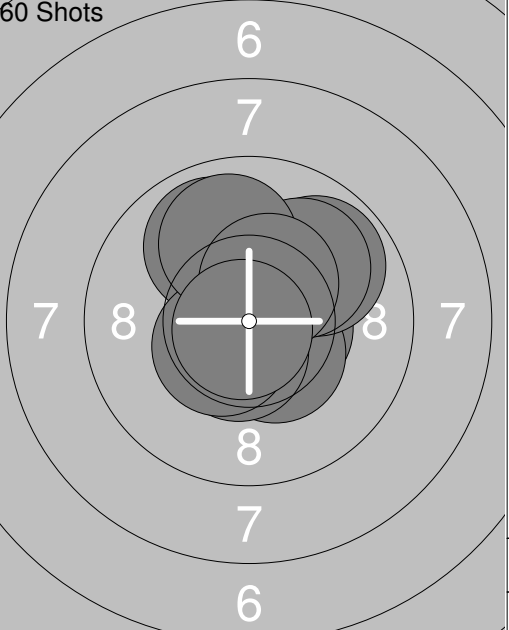
<p>Sight</p>  <p>1: 9.8 ↘ 2: 10.5x ← 3: 9.9 ↖ 4: 10.0 ↓ 5: 10.5x ↗ 6: 10.4x ← 7: 9.5 ← 8: 10.3x ↘ 9: 10.2x ↗ 10: 9.1 →</p> <p>Series 100.2 Total 0.0</p>		<p>Sight</p>  <p>11: 10.1 → 12: 10.4x → 13: 10.4x → 14: 10.8x ↘ 15: 10.0 ← 16: 10.0 ←</p> <p>Series 61.7 Total 0.0</p>
---	--	---

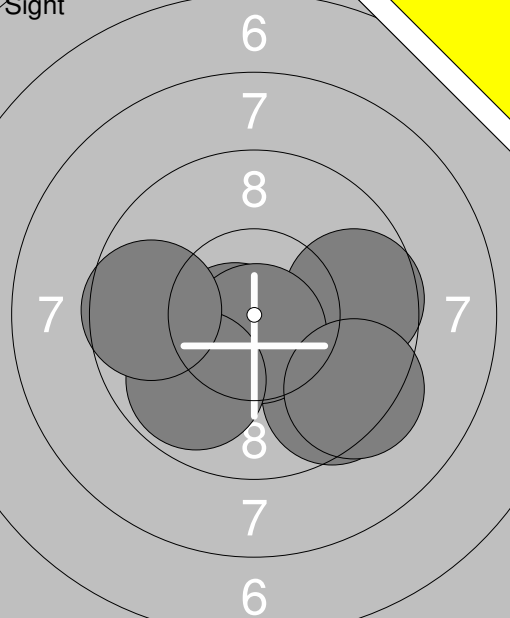
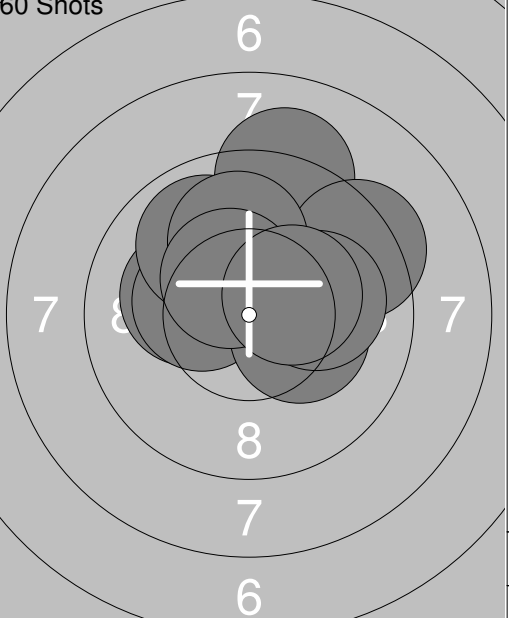
<p>60 Shots</p>  <p>1: 10.8x ↑ 2: 10.0 ← 3: 10.3x ↗ 4: 10.3x ↘ 5: 10.3x ← 6: 10.2x ↓ 7: 9.8 → 8: 10.5x ↓ 9: 8.9 → 10: 10.8x ↑</p> <p>Series 101.9 Total 101.9</p>		<p>60 Shots</p>  <p>11: 10.3x → 12: 9.4 ↗ 13: 10.8x ↑ 14: 10.8x → 15: 9.7 → 16: 10.1 ↗ 17: 10.2x → 18: 10.1 ↖ 19: 9.8 ↘ 20: 10.5x ↓</p> <p>Series 101.7 Total 203.6</p>
---	--	---

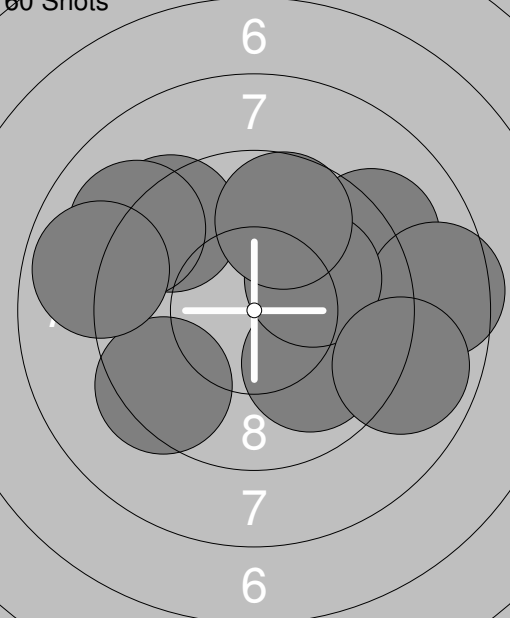
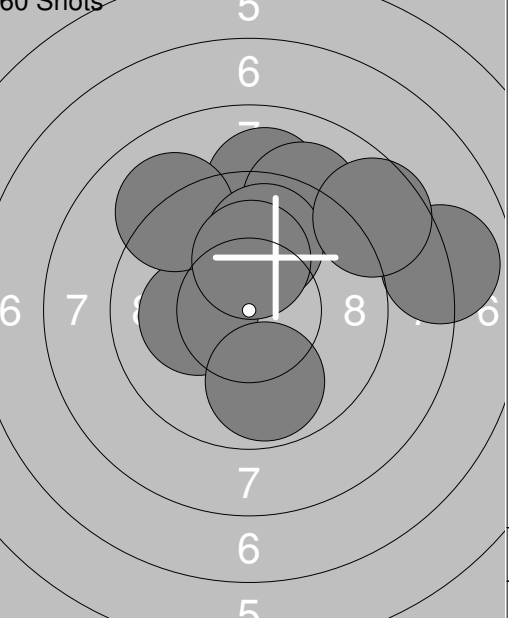
<p>60 Shots</p>  <p>21: 9.7 → 22: 9.0 → 23: 10.2x ↘ 24: 9.6 → 25: 10.2x → 26: 10.3x ↖ 27: 10.3x ↗ 28: 8.3 → 29: 10.0 ↗ 30: 8.9 ←</p> <p>Series 96.5 Total 300.1</p>		<p>60 Shots</p>  <p>31: 8.7 → 32: 9.3 → 33: 10.0 → 34: 10.5x → 35: 10.7x ↖ 36: 10.4x ↗ 37: 9.2 → 38: 10.3x ← 39: 10.1 ← 40: 10.3x ↖</p> <p>Series 99.5 Total 399.6</p>
--	--	---

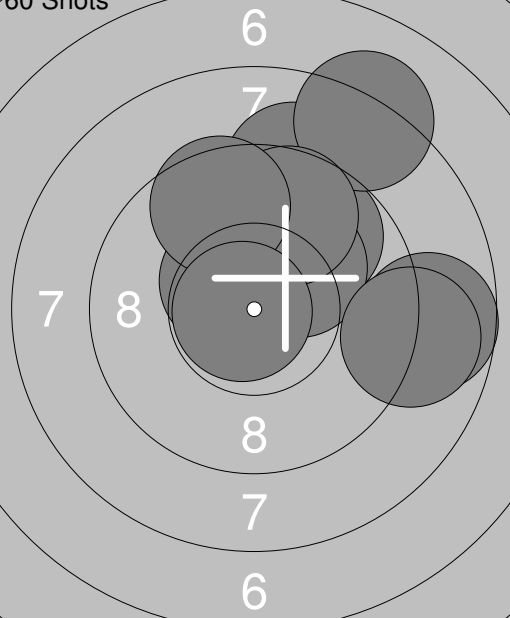
 <p style="text-align:center;">Sight</p>	<p>1: 8.9 →</p> <p>2: 10.1 →</p> <p>3: 9.5 →</p> <p>4: 10.0 ↑</p> <p>5: 10.5x →</p> <p>6: 9.2 ←</p> <p>7: 10.2x ↑</p> <p>8: 10.2x ↑</p> <p>9: 9.3 →</p> <p>10: 9.8 ↖</p>	 <p style="text-align:center;">Sight</p>	<p>11: 10.0 ←</p> <p>12: 10.2x →</p> <p>13: 10.5x ↖</p> <p>14: 10.8x →</p>
Series 97.7		Series 41.5	
Total 0.0		Total 0.0	

 <p style="text-align:center;">60 Shots</p>	<p>1: 9.7 →</p> <p>2: 9.9 →</p> <p>3: 10.1 ↖</p> <p>4: 10.5x →</p> <p>5: 9.7 ↓</p> <p>6: 10.5x ↓</p> <p>7: 9.6 ←</p> <p>8: 10.4x ↗</p> <p>9: 10.8x ↓</p> <p>10: 9.8 →</p>	 <p style="text-align:center;">60 Shots</p>	<p>11: 10.1 ↖</p> <p>12: 9.8 ←</p> <p>13: 10.4x ↑</p> <p>14: 9.4 ↖</p> <p>15: 10.2x ↖</p> <p>16: 10.0 ↓</p> <p>17: 9.8 ↑</p> <p>18: 10.0 →</p> <p>19: 10.2x ↖</p> <p>20: 10.2x ↓</p>
Series 101.0		Series 100.1	
Total 101.0		Total 201.1	

 <p style="text-align:center;">60 Shots</p>	<p>21: 10.2x ↖</p> <p>22: 9.8 →</p> <p>23: 9.9 ←</p> <p>24: 10.7x ↓</p> <p>25: 10.5x →</p> <p>26: 10.4x ↑</p> <p>27: 10.3x ↗</p> <p>28: 10.6x ←</p> <p>29: 10.4x ←</p> <p>30: 10.8x ↓</p>	 <p style="text-align:center;">60 Shots</p>	<p>31: 10.5x →</p> <p>32: 10.4x ↓</p> <p>33: 9.8 ↗</p> <p>34: 9.9 ↖</p> <p>35: 10.5x ↓</p> <p>36: 10.0 ↗</p> <p>37: 10.5x ↖</p> <p>38: 9.9 ↑</p> <p>39: 10.4x ↑</p> <p>40: 10.8x ↖</p>
Series 103.6		Series 102.7	
Total 304.7		Total 407.4	

<p>Sight</p>  <p>Target diagram for Sight showing a cluster of 8 shots centered on the bullseye. The scores for each shot are listed to the right.</p>	<p>1: 9.6 →</p> <p>2: 10.6x ↙</p> <p>3: 9.7 →</p> <p>4: 9.5 ↘</p> <p>5: 10.7x ↓</p> <p>6: 9.8 ↙</p> <p>7: 9.4 ↘</p> <p>8: 9.6 ←</p>	<p>60 Shots</p>  <p>Target diagram for 60 Shots showing a cluster of 10 shots centered on the bullseye. The scores for each shot are listed to the right.</p>		<p>1: 10.2x ↙</p> <p>2: 10.3x ↙</p> <p>3: 9.1 ↑</p> <p>4: 9.3 ↗</p> <p>5: 9.9 ↖</p> <p>6: 10.3x →</p> <p>7: 10.0 ↑</p> <p>8: 10.1 →</p> <p>9: 10.4x ↖</p> <p>10: 10.3x →</p>
Series	78.9	Series	99.9	
Total	0.0	Total	99.9	

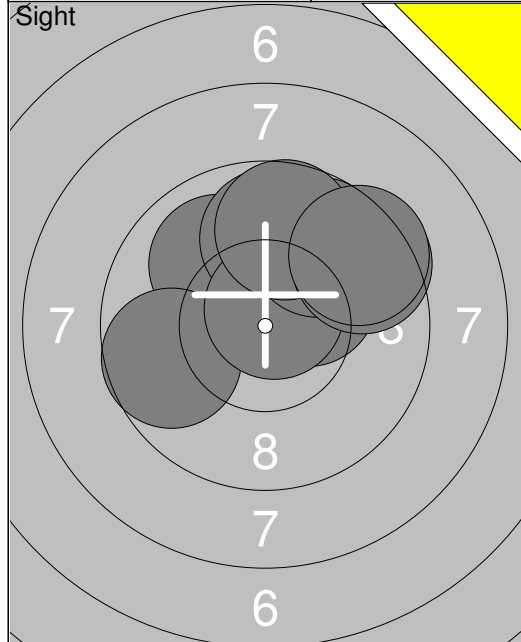
<p>60 Shots</p>  <p>Target diagram for 60 Shots showing a cluster of 10 shots centered on the bullseye. The scores for each shot are listed to the right.</p>	<p>11: 9.4 ↖</p> <p>12: 9.4 ↙</p> <p>13: 9.1 ↖</p> <p>14: 9.1 ↗</p> <p>15: 8.6 →</p> <p>16: 9.9 ↘</p> <p>17: 8.9 ←</p> <p>18: 10.1 ↗</p> <p>19: 8.9 →</p> <p>20: 9.7 ↑</p>	<p>60 Shots</p>  <p>Target diagram for 60 Shots showing a cluster of 10 shots centered on the bullseye. The scores for each shot are listed to the right.</p>		<p>21: 8.0 →</p> <p>22: 9.1 ↑</p> <p>23: 10.1 ↑</p> <p>24: 10.2x ↙</p> <p>25: 9.1 ↗</p> <p>26: 9.1 ↖</p> <p>27: 9.8 ↓</p> <p>28: 9.9 ↑</p> <p>29: 8.6 ↗</p> <p>30: 10.2x ↑</p>
Series	93.1	Series	94.1	
Total	193.0	Total	287.1	

<p>60 Shots</p>  <p>Target diagram for 60 Shots showing a cluster of 10 shots centered on the bullseye. The scores for each shot are listed to the right.</p>	<p>31: 10.5x ↙</p> <p>32: 9.1 ↑</p> <p>33: 9.8 ↗</p> <p>34: 10.2x ↗</p> <p>35: 8.2 ↗</p> <p>36: 9.7 ↑</p> <p>37: 8.7 →</p> <p>38: 9.6 ↑</p> <p>39: 8.9 →</p> <p>40: 10.8x ↙</p>			
Series	95.5			
Total	382.6			

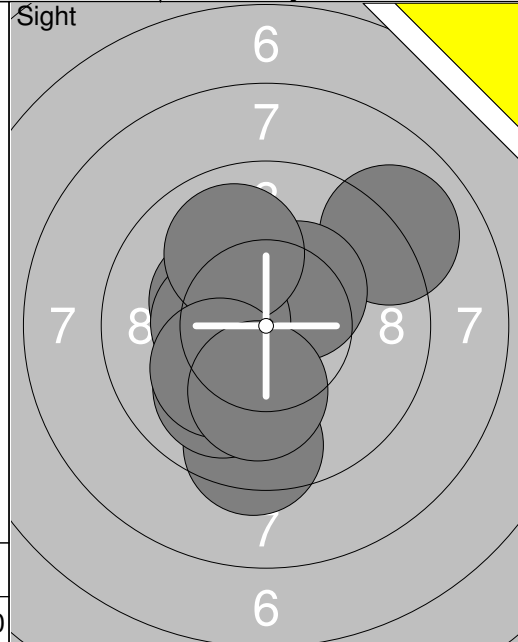
	<p>Sight</p> <p>1: 10.4x →</p> <p>2: 10.4x ←</p> <p>3: 10.3x ↓</p> <p>4: 10.2x ↙</p> <p>5: 10.7x ↓</p> <p>6: 10.4x ↓</p> <p>7: 10.0 ↓</p> <p>8: 9.9 ←</p> <p>9: 10.2x ↗</p> <p>10: 9.8 →</p>		<p>Sight</p> <p>11: 9.6 →</p> <p>12: 9.8 →</p> <p>13: 10.0 ↖</p> <p>14: 10.5x ↖</p> <p>15: 10.6x ↗</p> <p>16: 10.4x ↖</p> <p>17: 10.5x ↖</p> <p>18: 9.8 ←</p> <p>19: 9.7 ←</p>
Series	102.3	Series	90.9
Total	0.0	Total	0.0

	<p>60 Shots</p> <p>1: 10.8x ↓</p> <p>2: 10.3x →</p> <p>3: 10.5x ↗</p> <p>4: 10.5x ↖</p> <p>5: 10.7x ↓</p> <p>6: 10.1 ↓</p> <p>7: 10.0 ↙</p> <p>8: 10.0 ↗</p> <p>9: 10.4x ↓</p> <p>10: 10.1 ↓</p>		<p>60 Shots</p> <p>11: 10.3x →</p> <p>12: 10.4x ↙</p> <p>13: 10.6x ↓</p> <p>14: 10.5x ↙</p> <p>15: 10.0 ↙</p> <p>16: 10.1 →</p> <p>17: 10.5x ←</p> <p>18: 10.7x ↖</p> <p>19: 10.5x →</p> <p>20: 10.2x →</p>
Series	103.4	Series	103.8
Total	103.4	Total	207.2

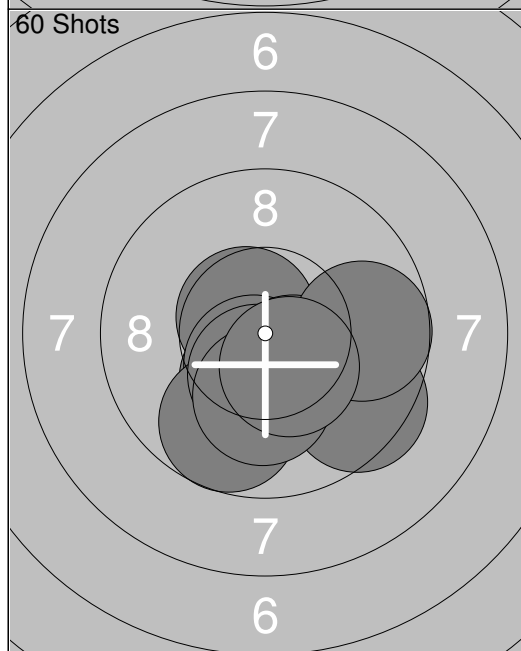
	<p>60 Shots</p> <p>21: 10.0 →</p> <p>22: 10.6x →</p> <p>23: 9.8 ←</p> <p>24: 10.5x →</p> <p>25: 10.5x ↓</p> <p>26: 10.9x ↓</p> <p>27: 10.2x ↖</p> <p>28: 10.6x →</p> <p>29: 10.4x ↖</p> <p>30: 9.8 →</p>		<p>60 Shots</p> <p>31: 10.2x ↓</p> <p>32: 9.5 ←</p> <p>33: 10.4x ↓</p> <p>34: 10.8x ↗</p> <p>35: 10.8x ↖</p> <p>36: 10.0 ↓</p> <p>37: 10.6x →</p> <p>38: 10.5x ↙</p> <p>39: 10.4x ↗</p> <p>40: 9.6 ↓</p>
Series	103.3	Series	102.8
Total	310.5	Total	413.3



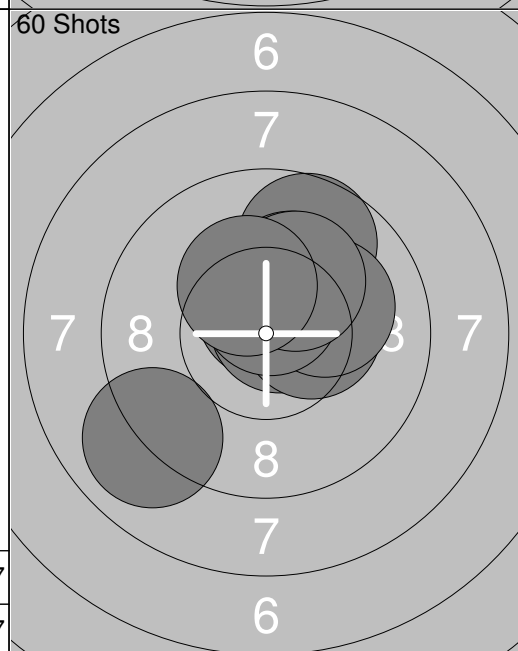
1:	10.2x ↗
2:	10.3x ↗
3:	10.0 ↖
4:	9.8 ↑
5:	9.7 ←
6:	10.7x ↗
7:	9.7 ↗
8:	9.7 ↑
9:	9.5 ↗
10:	9.5 ↗
Series	99.1
Total	0.0



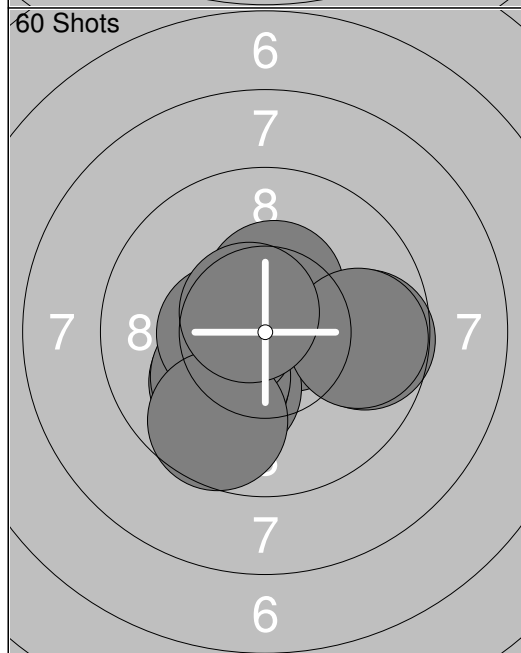
11:	9.0 ↗
12:	10.3x ↖
13:	10.4x ↗
14:	9.4 ↓
15:	10.0 ↘
16:	10.4x ←
17:	9.9 ↖
18:	10.2x ↘
19:	10.1 ↓
Series	89.7
Total	0.0



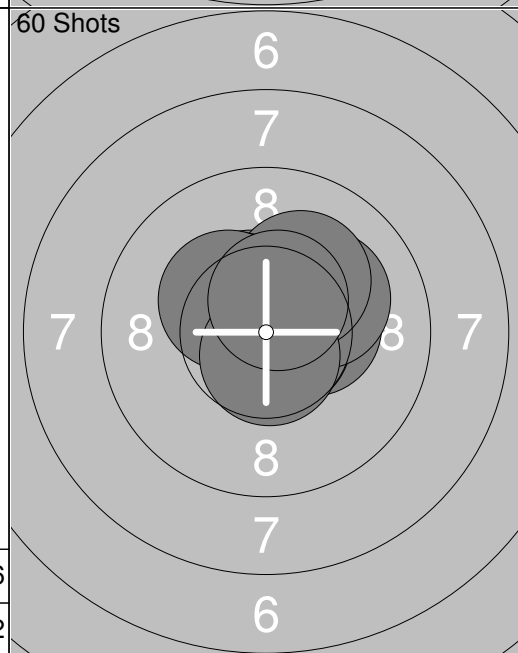
1:	10.6x ↖
2:	10.3x ↓
3:	10.5x ↓
4:	10.4x ↘
5:	9.7 ↓
6:	10.4x ↓
7:	9.5 ↘
8:	9.7 →
9:	10.2x ↓
10:	10.4x ↘
Series	101.7
Total	101.7




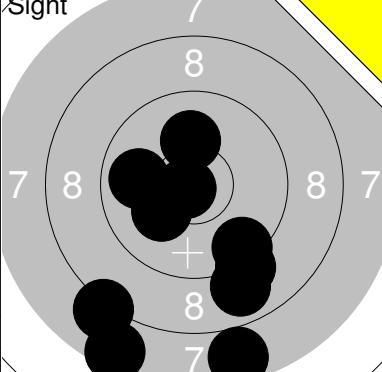
11:	10.7x ↑
12:	10.7x ↗
13:	10.4x →
14:	9.7 ↑
15:	10.1 ↗
16:	10.2x ↑
17:	10.6x ↑
18:	10.2x ↗
19:	10.3x ↖
20:	9.0 ↘
Series	101.9
Total	203.6

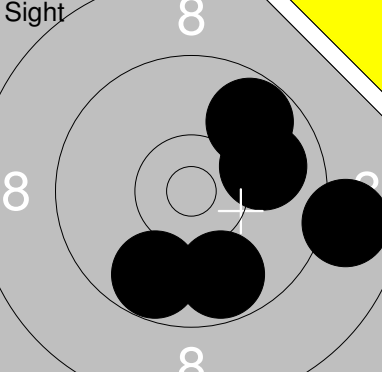
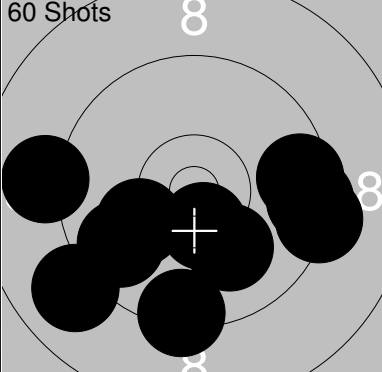


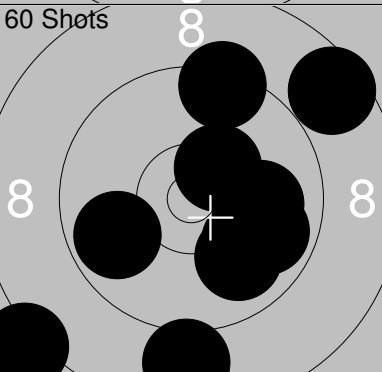
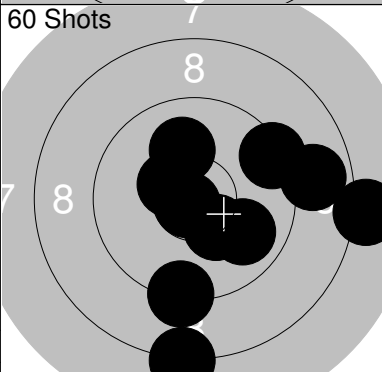
21:	10.6x →
22:	10.1 ↓
23:	10.1 ↘
24:	10.1 ↘
25:	10.5x ←
26:	9.7 ↓
27:	9.7 →
28:	10.4x ↑
29:	9.8 →
30:	10.6x ↖
Series	101.6
Total	305.2

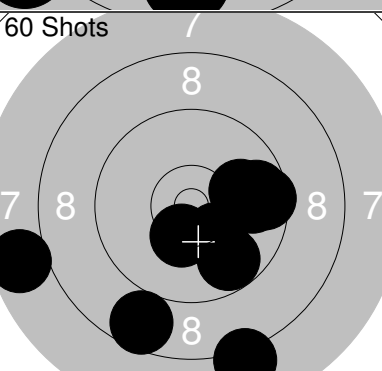
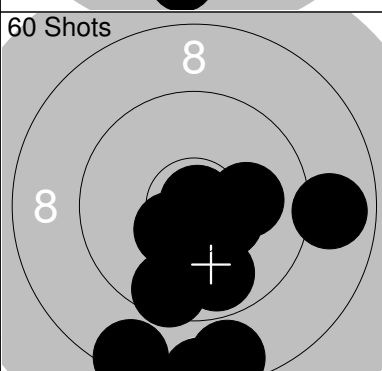


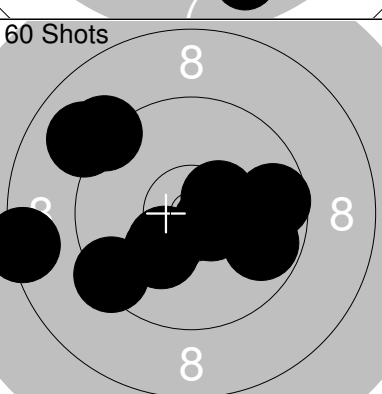
31:	10.7x ↑
32:	10.4x →
33:	10.7x ↘
34:	10.5x ↖
35:	10.1 ↗
36:	10.2x ↗
37:	10.5x ↖
38:	10.3x ↖
39:	10.7x ↓
40:	10.5x ↑
Series	104.6
Total	409.8

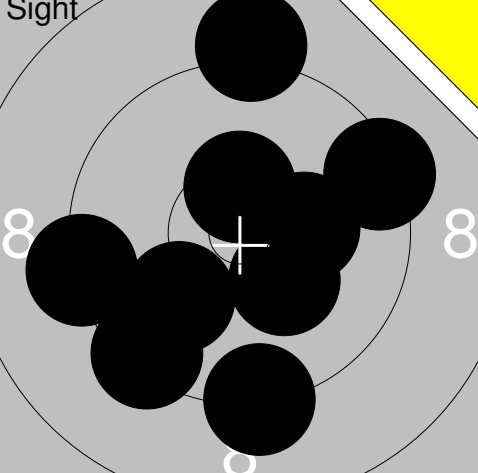
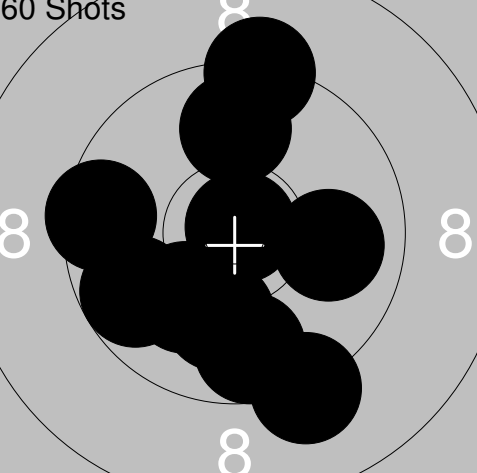
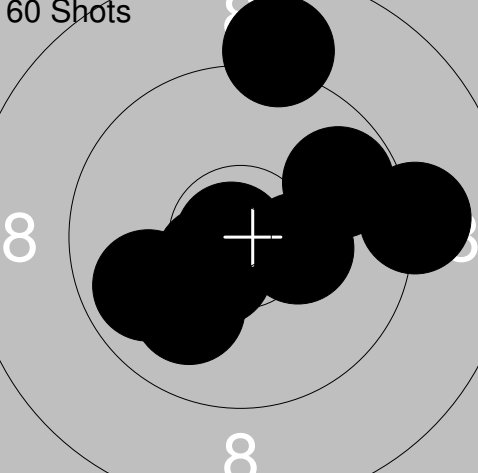
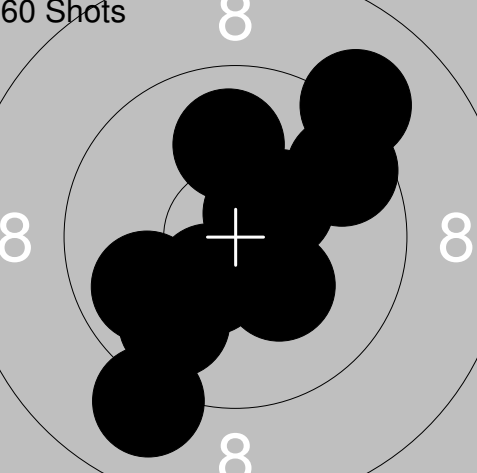
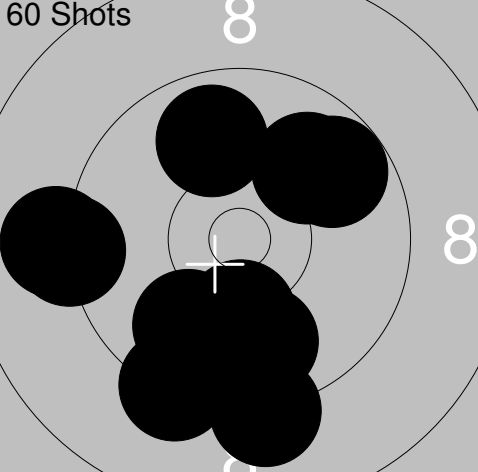
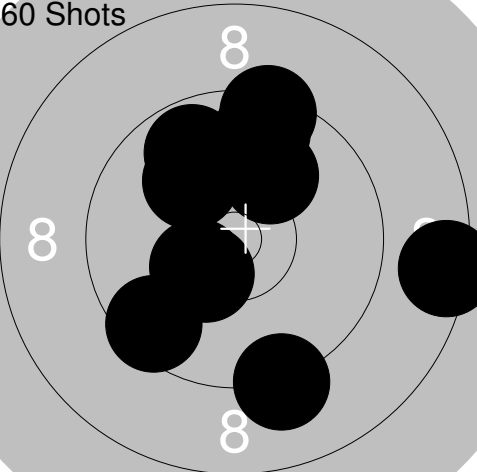
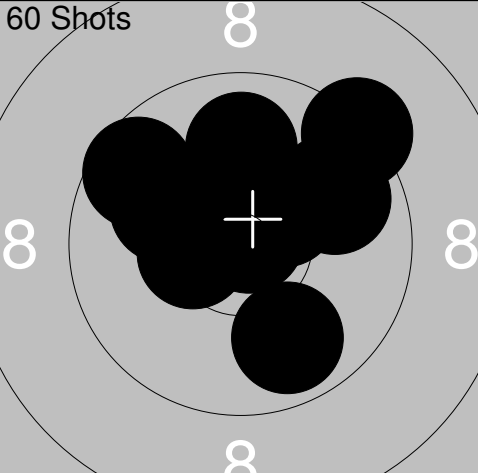
Sight		Sight	
	1: 8.4 ↗ 2: 9.8 → 3: 9.1 → 4: 9.5 ↘ 5: 9.8 → 6: 8.1 ↘ 7: 9.8 ↘ 8: 8.5 ↗ 9: 9.8 ↘ 10: 10.2 ↑		11: 10.8x ← 12: 7.7 ↓ 13: 8.9 ↓ 14: 9.2 ↓ 15: 7.6 ↓ 16: 8.1 ↖ 17: 9.9 ← 18: 9.5 ↓ 19: 10.1 ↑ 20: 10.2 ↘
Series 88.0		Series 87.0	
Total 0.0		Total 0.0	

Sight		60 Shots	
	21: 9.0 → 22: 9.8 ↗ 23: 9.8 ↘ 24: 9.8 ↘ 25: 10.0 →		1: 9.3 → 2: 10.2 ↖ 3: 9.6 → 4: 9.5 → 5: 9.4 ↓ 6: 9.8 ↖ 7: 9.0 ↖ 8: 10.5x ↓ 9: 10.1 ↓ 10: 9.1 ←
Series 46.0		Series 93.0	
Total 0.0		Total 93.0	

60 Shots		60 Shots	
	11: 8.6 ↗ 12: 9.9 ↘ 13: 10.4x ↗ 14: 10.1 ↘ 15: 8.1 ↖ 16: 10.0 ↘ 17: 9.9 ↖ 18: 10.1 → 19: 8.8 ↓ 20: 9.4 ↑		21: 10.1 ↑ 22: 10.8x ↖ 23: 10.3 ↘ 24: 9.3 ↘ 25: 8.0 → 26: 10.5x ↗ 27: 10.0 ↘ 28: 8.2 ↓ 29: 9.4 ↗ 30: 8.9 →
Series 91.0		Series 92.0	
Total 184.0		Total 276.0	

60 Shots		60 Shots	
	31: 8.1 ↓ 32: 9.6 → 33: 9.8 ↘ 34: 10.0 → 35: 8.7 ↘ 36: 7.8 ← 37: 10.3 ↘ 38: 9.8 → 39: 9.9 → 40: 10.4x ↓		41: 10.9x ↗ 42: 8.6 ↓ 43: 9.7 ↘ 44: 10.4x → 45: 10.5x ↖ 46: 8.5 ↓ 47: 9.9 ↓ 48: 8.9 → 49: 10.2 → 50: 8.4 ↓
Series 89.0		Series 90.0	
Total 365.0		Total 455.0	

60 Shots			
	51: 10.6x ↘ 52: 9.8 → 53: 8.4 ← 54: 10.2 ↘ 55: 9.7 → 56: 10.4 ↘ 57: 9.0 ↗ 58: 10.5x ↗ 59: 9.5 ↖ 60: 9.2 ↗		
Series 93.0			
Total 548.0			

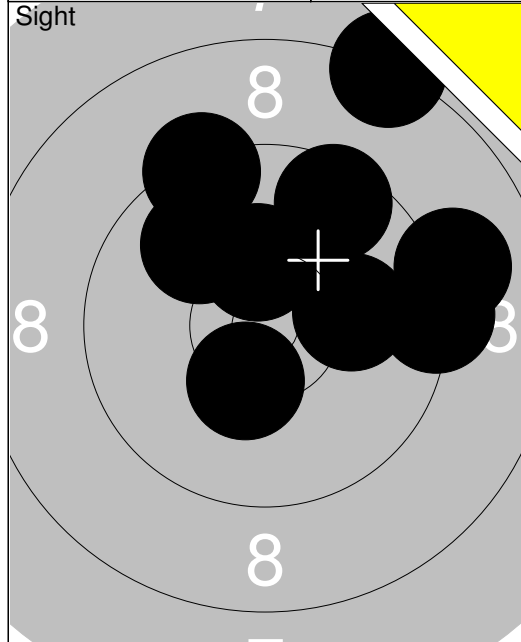
<p>Sight</p> 	<p>60 Shots</p> 	<table style="width:100%; border-collapse: collapse;"> <tr><td>1: 10.5x ↑</td><td>1: 9.8 ↓</td></tr> <tr><td>2: 9.1 ↑</td><td>2: 10.1 ↘</td></tr> <tr><td>3: 9.4 ↘</td><td>3: 9.8 ↙</td></tr> <tr><td>4: 10.1 ↘</td><td>4: 10.1 ↓</td></tr> <tr><td>5: 9.3 ↓</td><td>5: 9.3 ↑</td></tr> <tr><td>6: 9.4 →</td><td>6: 10.0 →</td></tr> <tr><td>7: 9.3 ←</td><td>7: 9.6 ←</td></tr> <tr><td>8: 10.3 ↘</td><td>8: 9.2 ↓</td></tr> <tr><td>9: 10.3 →</td><td>9: 10.9x ↗</td></tr> <tr><td></td><td>10: 9.9 ↑</td></tr> <tr><td>Series 85.0</td><td>Series 94.0</td></tr> <tr><td>Total 0.0</td><td>Total 94.0</td></tr> </table>	1: 10.5x ↑	1: 9.8 ↓	2: 9.1 ↑	2: 10.1 ↘	3: 9.4 ↘	3: 9.8 ↙	4: 10.1 ↘	4: 10.1 ↓	5: 9.3 ↓	5: 9.3 ↑	6: 9.4 →	6: 10.0 →	7: 9.3 ←	7: 9.6 ←	8: 10.3 ↘	8: 9.2 ↓	9: 10.3 →	9: 10.9x ↗		10: 9.9 ↑	Series 85.0	Series 94.0	Total 0.0	Total 94.0
1: 10.5x ↑	1: 9.8 ↓																									
2: 9.1 ↑	2: 10.1 ↘																									
3: 9.4 ↘	3: 9.8 ↙																									
4: 10.1 ↘	4: 10.1 ↓																									
5: 9.3 ↓	5: 9.3 ↑																									
6: 9.4 →	6: 10.0 →																									
7: 9.3 ←	7: 9.6 ←																									
8: 10.3 ↘	8: 9.2 ↓																									
9: 10.3 →	9: 10.9x ↗																									
	10: 9.9 ↑																									
Series 85.0	Series 94.0																									
Total 0.0	Total 94.0																									
<p>60 Shots</p> 	<p>60 Shots</p> 	<table style="width:100%; border-collapse: collapse;"> <tr><td>11: 9.9 ←</td><td>21: 10.0 ↑</td></tr> <tr><td>12: 9.0 ↑</td><td>22: 10.3 ↘</td></tr> <tr><td>13: 10.6x ↘</td><td>23: 10.6x ↗</td></tr> <tr><td>14: 10.9x ←</td><td>24: 9.7 ↗</td></tr> <tr><td>15: 9.8 →</td><td>25: 10.5x ↘</td></tr> <tr><td>16: 10.8x ↘</td><td>26: 10.4x ↗</td></tr> <tr><td>17: 10.5x ↘</td><td>27: 9.2 ↗</td></tr> <tr><td>18: 9.2 →</td><td>28: 9.9 ←</td></tr> <tr><td>19: 10.1 ↘</td><td>29: 9.9 ↘</td></tr> <tr><td>20: 10.4x →</td><td>30: 9.1 ↘</td></tr> <tr><td>Series 96.0</td><td>Series 95.0</td></tr> <tr><td>Total 190.0</td><td>Total 285.0</td></tr> </table>	11: 9.9 ←	21: 10.0 ↑	12: 9.0 ↑	22: 10.3 ↘	13: 10.6x ↘	23: 10.6x ↗	14: 10.9x ←	24: 9.7 ↗	15: 9.8 →	25: 10.5x ↘	16: 10.8x ↘	26: 10.4x ↗	17: 10.5x ↘	27: 9.2 ↗	18: 9.2 →	28: 9.9 ←	19: 10.1 ↘	29: 9.9 ↘	20: 10.4x →	30: 9.1 ↘	Series 96.0	Series 95.0	Total 190.0	Total 285.0
11: 9.9 ←	21: 10.0 ↑																									
12: 9.0 ↑	22: 10.3 ↘																									
13: 10.6x ↘	23: 10.6x ↗																									
14: 10.9x ←	24: 9.7 ↗																									
15: 9.8 →	25: 10.5x ↘																									
16: 10.8x ↘	26: 10.4x ↗																									
17: 10.5x ↘	27: 9.2 ↗																									
18: 9.2 →	28: 9.9 ←																									
19: 10.1 ↘	29: 9.9 ↘																									
20: 10.4x →	30: 9.1 ↘																									
Series 96.0	Series 95.0																									
Total 190.0	Total 285.0																									
<p>60 Shots</p> 	<p>60 Shots</p> 	<table style="width:100%; border-collapse: collapse;"> <tr><td>31: 9.2 ↓</td><td>41: 9.8 ↖</td></tr> <tr><td>32: 9.8 ↗</td><td>42: 10.4x ↘</td></tr> <tr><td>33: 9.1 ←</td><td>43: 9.4 ↑</td></tr> <tr><td>34: 9.2 ←</td><td>44: 9.2 ↓</td></tr> <tr><td>35: 10.2 ↓</td><td>45: 10.4x ↘</td></tr> <tr><td>36: 10.0 ↗</td><td>46: 9.6 ↘</td></tr> <tr><td>37: 9.9 ↑</td><td>47: 10.1 ↖</td></tr> <tr><td>38: 9.9 ↓</td><td>48: 9.7 ↑</td></tr> <tr><td>39: 9.9 ↘</td><td>49: 10.1 ↗</td></tr> <tr><td>40: 9.3 ↘</td><td>50: 8.5 →</td></tr> <tr><td>Series 92.0</td><td>Series 93.0</td></tr> <tr><td>Total 377.0</td><td>Total 470.0</td></tr> </table>	31: 9.2 ↓	41: 9.8 ↖	32: 9.8 ↗	42: 10.4x ↘	33: 9.1 ←	43: 9.4 ↑	34: 9.2 ←	44: 9.2 ↓	35: 10.2 ↓	45: 10.4x ↘	36: 10.0 ↗	46: 9.6 ↘	37: 9.9 ↑	47: 10.1 ↖	38: 9.9 ↓	48: 9.7 ↑	39: 9.9 ↘	49: 10.1 ↗	40: 9.3 ↘	50: 8.5 →	Series 92.0	Series 93.0	Total 377.0	Total 470.0
31: 9.2 ↓	41: 9.8 ↖																									
32: 9.8 ↗	42: 10.4x ↘																									
33: 9.1 ←	43: 9.4 ↑																									
34: 9.2 ←	44: 9.2 ↓																									
35: 10.2 ↓	45: 10.4x ↘																									
36: 10.0 ↗	46: 9.6 ↘																									
37: 9.9 ↑	47: 10.1 ↖																									
38: 9.9 ↓	48: 9.7 ↑																									
39: 9.9 ↘	49: 10.1 ↗																									
40: 9.3 ↘	50: 8.5 →																									
Series 92.0	Series 93.0																									
Total 377.0	Total 470.0																									
<p>60 Shots</p> 	<table style="width:100%; border-collapse: collapse;"> <tr><td>51: 9.3 ↗</td></tr> <tr><td>52: 10.4x ↗</td></tr> <tr><td>53: 9.9 ↗</td></tr> <tr><td>54: 10.0 ↑</td></tr> <tr><td>55: 9.9 ↓</td></tr> <tr><td>56: 10.8x ↗</td></tr> <tr><td>57: 10.1 ↙</td></tr> <tr><td>58: 9.7 ↖</td></tr> <tr><td>59: 9.9 →</td></tr> <tr><td>60: 10.5x ←</td></tr> <tr><td>Series 95.0</td></tr> <tr><td>Total 565.0</td></tr> </table>	51: 9.3 ↗	52: 10.4x ↗	53: 9.9 ↗	54: 10.0 ↑	55: 9.9 ↓	56: 10.8x ↗	57: 10.1 ↙	58: 9.7 ↖	59: 9.9 →	60: 10.5x ←	Series 95.0	Total 565.0													
51: 9.3 ↗																										
52: 10.4x ↗																										
53: 9.9 ↗																										
54: 10.0 ↑																										
55: 9.9 ↓																										
56: 10.8x ↗																										
57: 10.1 ↙																										
58: 9.7 ↖																										
59: 9.9 →																										
60: 10.5x ←																										
Series 95.0																										
Total 565.0																										

<p>Sight</p>	<p>Sight</p>	<table border="1" style="width:100%; border-collapse: collapse;"> <tr><td>1:</td><td>5.5</td><td>↗</td></tr> <tr><td>2:</td><td>9.0</td><td>↖</td></tr> <tr><td>3:</td><td>9.5</td><td>↘</td></tr> <tr><td>4:</td><td>10.0</td><td>↖</td></tr> <tr><td>5:</td><td>6.1</td><td>↘</td></tr> <tr><td>6:</td><td>9.8</td><td>↘</td></tr> <tr><td>7:</td><td>9.3</td><td>↗</td></tr> <tr><td>8:</td><td>9.4</td><td>→</td></tr> <tr><td>9:</td><td>7.9</td><td>↖</td></tr> <tr><td>10:</td><td>8.1</td><td>↗</td></tr> <tr><td colspan="2">Series</td><td>81.0</td></tr> <tr><td colspan="2">Total</td><td>0.0</td></tr> </table>	1:	5.5	↗	2:	9.0	↖	3:	9.5	↘	4:	10.0	↖	5:	6.1	↘	6:	9.8	↘	7:	9.3	↗	8:	9.4	→	9:	7.9	↖	10:	8.1	↗	Series		81.0	Total		0.0
1:	5.5	↗																																				
2:	9.0	↖																																				
3:	9.5	↘																																				
4:	10.0	↖																																				
5:	6.1	↘																																				
6:	9.8	↘																																				
7:	9.3	↗																																				
8:	9.4	→																																				
9:	7.9	↖																																				
10:	8.1	↗																																				
Series		81.0																																				
Total		0.0																																				

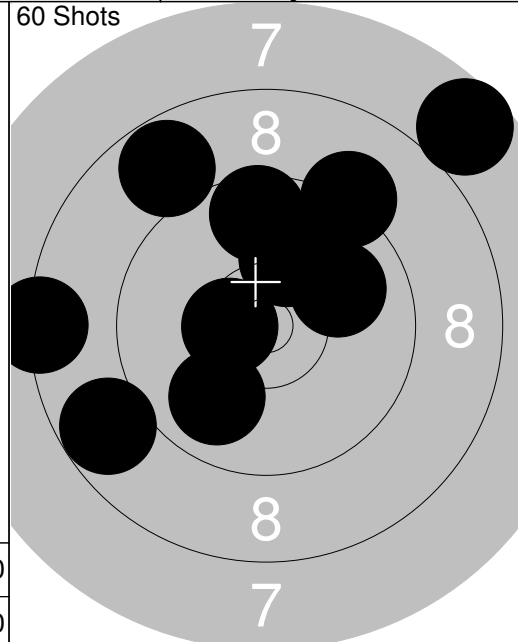
<p>60 Shots</p>	<p>60 Shots</p>	<table border="1" style="width:100%; border-collapse: collapse;"> <tr><td>1:</td><td>9.1</td><td>↗</td></tr> <tr><td>2:</td><td>10.6x</td><td>↖</td></tr> <tr><td>3:</td><td>6.6</td><td>↗</td></tr> <tr><td>4:</td><td>8.7</td><td>↖</td></tr> <tr><td>5:</td><td>9.3</td><td>↗</td></tr> <tr><td>6:</td><td>9.7</td><td>↖</td></tr> <tr><td>7:</td><td>8.5</td><td>↘</td></tr> <tr><td>8:</td><td>9.8</td><td>→</td></tr> <tr><td>9:</td><td>9.0</td><td>↗</td></tr> <tr><td>10:</td><td>9.4</td><td>↗</td></tr> <tr><td colspan="2">Series</td><td>86.0</td></tr> <tr><td colspan="2">Total</td><td>86.0</td></tr> </table>	1:	9.1	↗	2:	10.6x	↖	3:	6.6	↗	4:	8.7	↖	5:	9.3	↗	6:	9.7	↖	7:	8.5	↘	8:	9.8	→	9:	9.0	↗	10:	9.4	↗	Series		86.0	Total		86.0
1:	9.1	↗																																				
2:	10.6x	↖																																				
3:	6.6	↗																																				
4:	8.7	↖																																				
5:	9.3	↗																																				
6:	9.7	↖																																				
7:	8.5	↘																																				
8:	9.8	→																																				
9:	9.0	↗																																				
10:	9.4	↗																																				
Series		86.0																																				
Total		86.0																																				

<p>60 Shots</p>	<p>60 Shots</p>	<table border="1" style="width:100%; border-collapse: collapse;"> <tr><td>21:</td><td>8.8</td><td>↖</td></tr> <tr><td>22:</td><td>9.3</td><td>↘</td></tr> <tr><td>23:</td><td>9.5</td><td>↘</td></tr> <tr><td>24:</td><td>10.1</td><td>→</td></tr> <tr><td>25:</td><td>8.7</td><td>↗</td></tr> <tr><td>26:</td><td>8.0</td><td>↗</td></tr> <tr><td>27:</td><td>8.0</td><td>→</td></tr> <tr><td>28:</td><td>9.8</td><td>↖</td></tr> <tr><td>29:</td><td>8.8</td><td>→</td></tr> <tr><td>30:</td><td>9.2</td><td>↖</td></tr> <tr><td colspan="2">Series</td><td>86.0</td></tr> <tr><td colspan="2">Total</td><td>252.0</td></tr> </table>	21:	8.8	↖	22:	9.3	↘	23:	9.5	↘	24:	10.1	→	25:	8.7	↗	26:	8.0	↗	27:	8.0	→	28:	9.8	↖	29:	8.8	→	30:	9.2	↖	Series		86.0	Total		252.0
21:	8.8	↖																																				
22:	9.3	↘																																				
23:	9.5	↘																																				
24:	10.1	→																																				
25:	8.7	↗																																				
26:	8.0	↗																																				
27:	8.0	→																																				
28:	9.8	↖																																				
29:	8.8	→																																				
30:	9.2	↖																																				
Series		86.0																																				
Total		252.0																																				

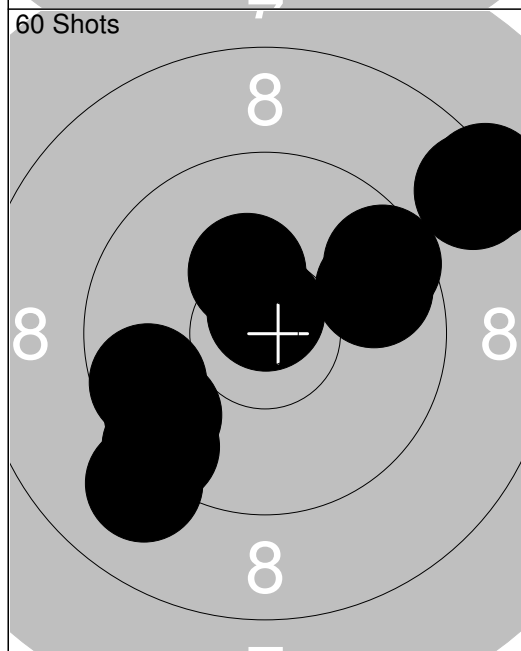
<p>60 Shots</p>	<p>60 Shots</p>	<table border="1" style="width:100%; border-collapse: collapse;"> <tr><td>41:</td><td>9.8</td><td>→</td></tr> <tr><td>42:</td><td>7.2</td><td>↗</td></tr> <tr><td>43:</td><td>10.1</td><td>↗</td></tr> <tr><td>44:</td><td>10.3</td><td>↗</td></tr> <tr><td>45:</td><td>8.8</td><td>↗</td></tr> <tr><td>46:</td><td>8.8</td><td>→</td></tr> <tr><td>47:</td><td>9.5</td><td>↘</td></tr> <tr><td>48:</td><td>9.9</td><td>→</td></tr> <tr><td>49:</td><td>10.0</td><td>↖</td></tr> <tr><td>50:</td><td>10.0</td><td>↖</td></tr> <tr><td colspan="2">Series</td><td>90.0</td></tr> <tr><td colspan="2">Total</td><td>426.0</td></tr> </table>	41:	9.8	→	42:	7.2	↗	43:	10.1	↗	44:	10.3	↗	45:	8.8	↗	46:	8.8	→	47:	9.5	↘	48:	9.9	→	49:	10.0	↖	50:	10.0	↖	Series		90.0	Total		426.0
41:	9.8	→																																				
42:	7.2	↗																																				
43:	10.1	↗																																				
44:	10.3	↗																																				
45:	8.8	↗																																				
46:	8.8	→																																				
47:	9.5	↘																																				
48:	9.9	→																																				
49:	10.0	↖																																				
50:	10.0	↖																																				
Series		90.0																																				
Total		426.0																																				



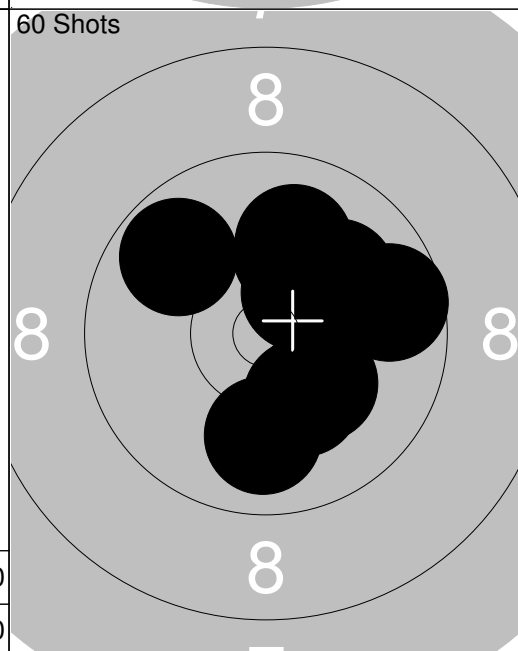
1:	8.2	↗
2:	9.1	→
3:	9.6	↗
4:	9.3	→
5:	10.1	→
6:	10.0	↖
7:	10.4x	↘
8:	10.3	↑
9:	9.4	↗
Series		84.0
Total		0.0



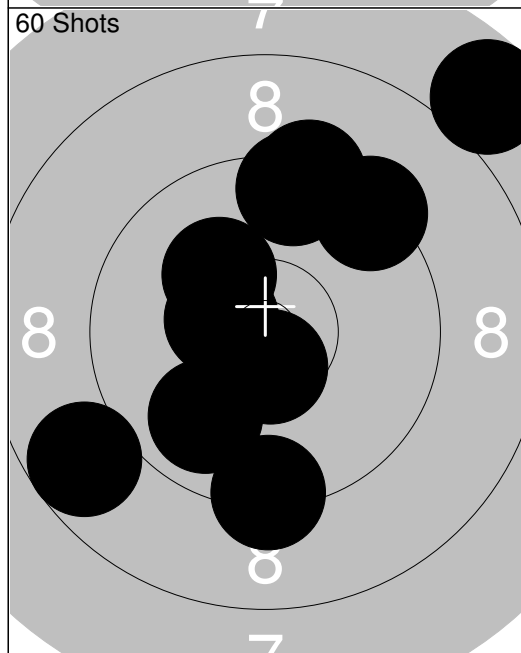
1:	7.7	↗
2:	10.1	↑
3:	8.8	↙
4:	10.5x	←
5:	8.8	↖
6:	9.2	↗
7:	8.4	←
8:	10.0	↗
9:	9.7	↑
10:	10.0	↘
Series		89.0
Total		89.0



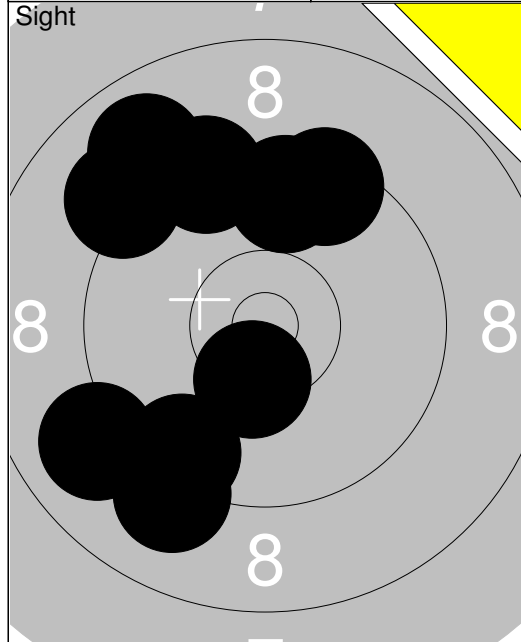
11:	9.7	↙
12:	9.8	→
13:	8.4	↗
14:	9.1	↘
15:	9.7	←
16:	10.7x	↑
17:	9.5	↘
18:	8.6	↗
19:	9.7	↗
20:	10.3	↑
Series		90.0
Total		179.0



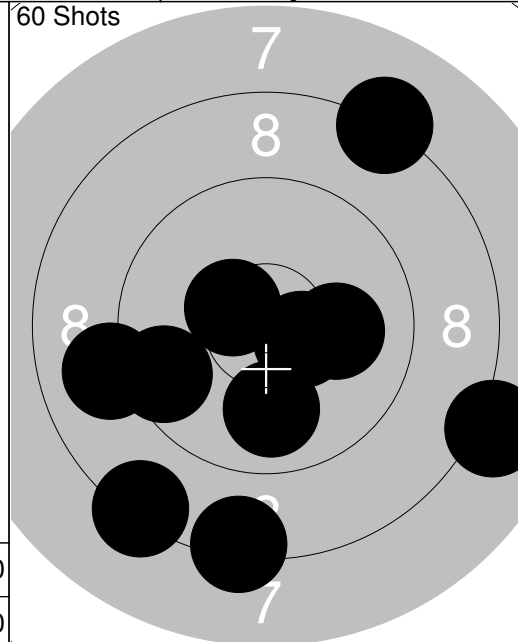
21:	10.0	↓
22:	9.7	→
23:	10.1	↗
24:	10.1	↑
25:	10.3	↘
26:	9.8	↖
27:	10.2	↑
28:	10.3	↘
29:	10.3	↗
30:	10.4x	↗
Series		98.0
Total		277.0



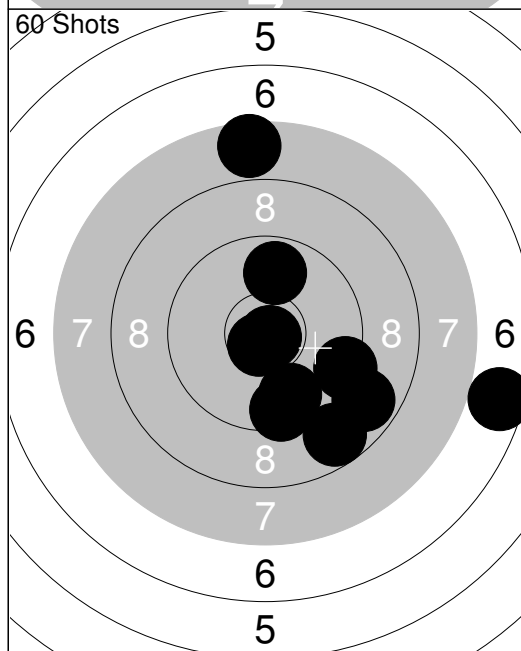
31:	7.8	↗
32:	8.8	↙
33:	9.4	↗
34:	10.2	↖
35:	9.9	↘
36:	9.4	↓
37:	10.5x	←
38:	9.5	↑
39:	10.6x	↘
40:	9.4	↑
Series		90.0
Total		367.0



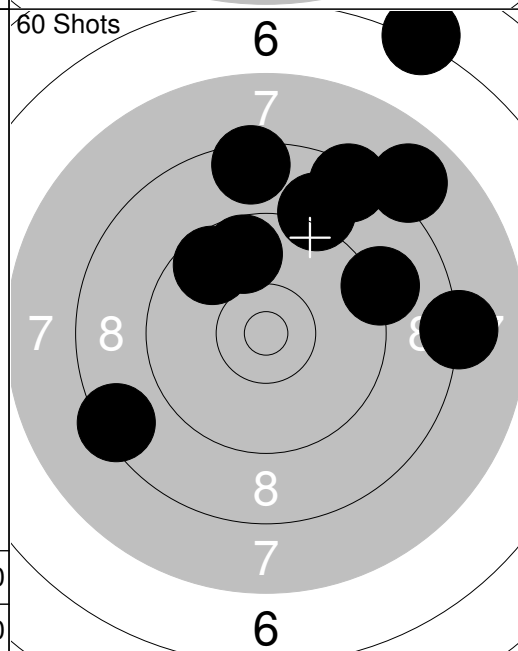
1:	9.0	↙
2:	9.7	↑
3:	9.0	↖
4:	9.5	↗
5:	10.4x	↓
6:	9.1	↓
7:	9.4	↑
8:	9.5	↓
9:	9.2	↖
Series		82.0
Total		0.0



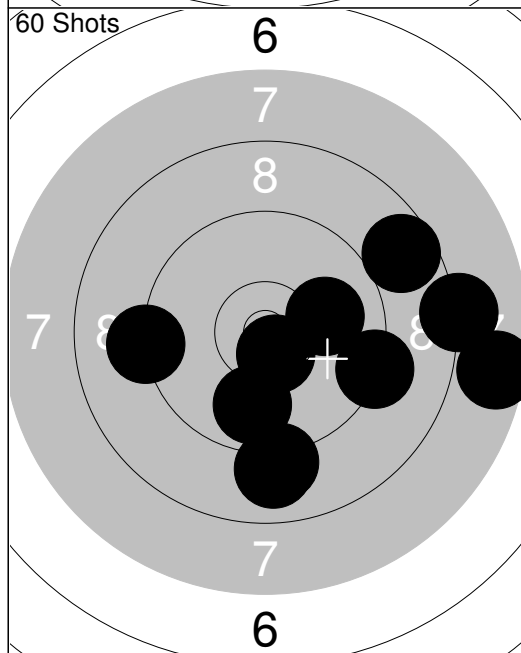
1:	8.4	↓
2:	8.4	↙
3:	10.0	↓
4:	10.1	→
5:	10.5x	→
6:	9.1	↙
7:	8.1	→
8:	8.2	↗
9:	9.6	↙
10:	10.5x	↖
Series		90.0
Total		90.0



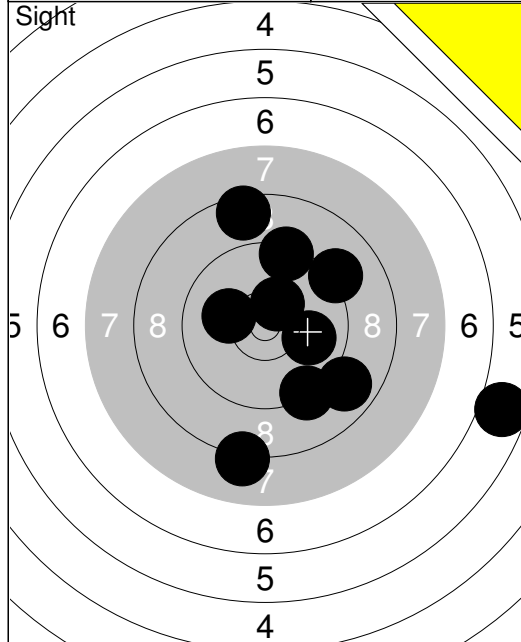
11:	9.6	↓
12:	8.9	↘
13:	9.8	↓
14:	10.7x	↓
15:	9.9	↑
16:	6.7	→
17:	10.8x	↘
18:	7.6	↑
19:	9.4	→
20:	8.8	↓
Series		85.0
Total		175.0



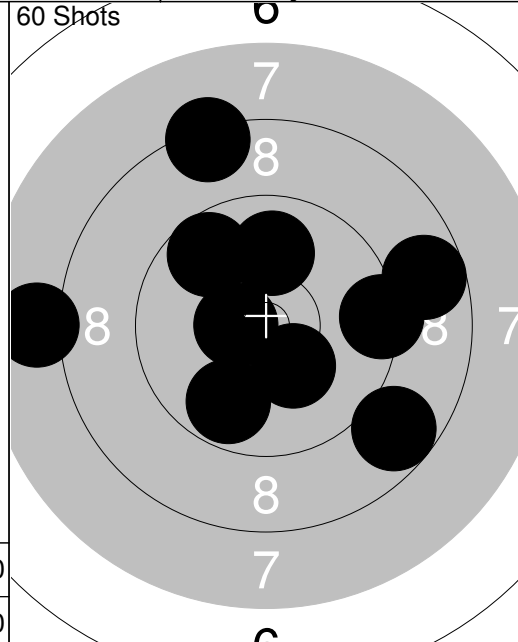
21:	9.2	→
22:	9.8	↑
23:	8.5	↙
24:	9.7	↖
25:	6.1	↗
26:	8.0	↗
27:	8.5	↗
28:	9.1	↗
29:	8.5	↑
30:	8.2	→
Series		82.0
Total		257.0



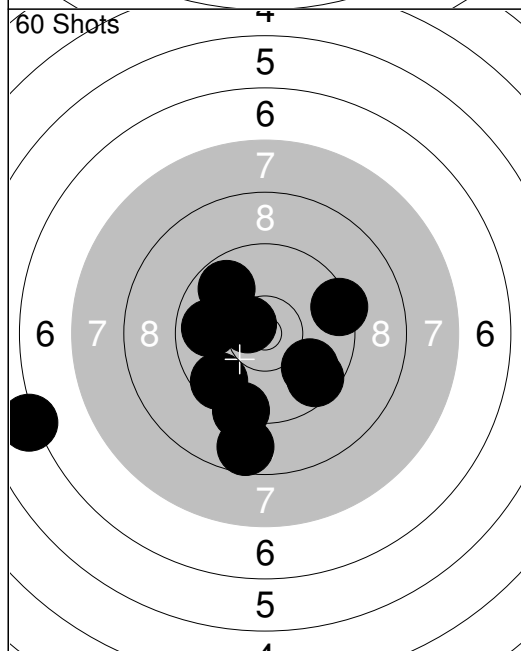
31:	10.1	→
32:	9.9	↓
33:	9.3	→
34:	9.1	↓
35:	10.6x	↓
36:	7.6	→
37:	8.7	↗
38:	9.0	↓
39:	8.2	→
40:	9.3	↙
Series		88.0
Total		345.0



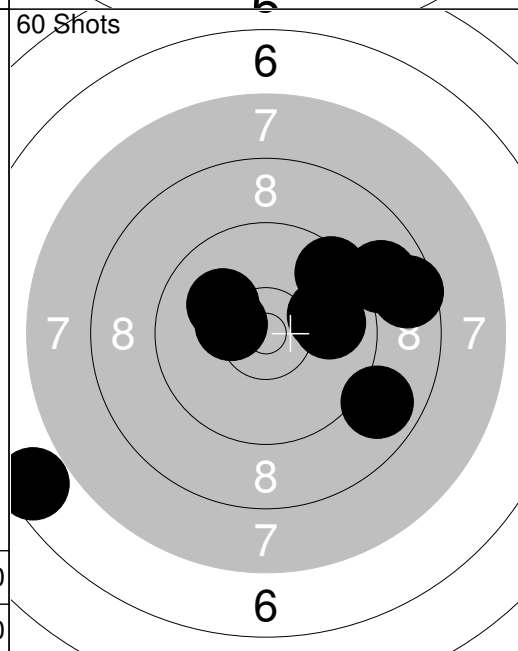
1:	9.4	↗
2:	8.2	↘
3:	8.6	↗
4:	10.4x	↗
5:	5.8	→
6:	10.2	←
7:	9.3	↘
8:	8.9	↘
9:	10.0	→
10:	9.2	↗
Series		86.0
Total		0.0



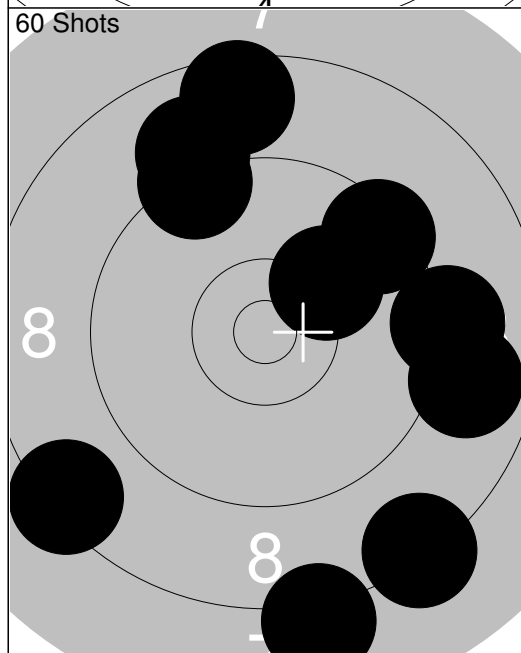
1:	10.0	↗
2:	7.9	←
3:	8.8	→
4:	10.5x	←
5:	9.8	↘
6:	10.3	↘
7:	8.8	↘
8:	9.4	→
9:	8.4	↗
10:	9.8	↖
Series		88.0
Total		88.0



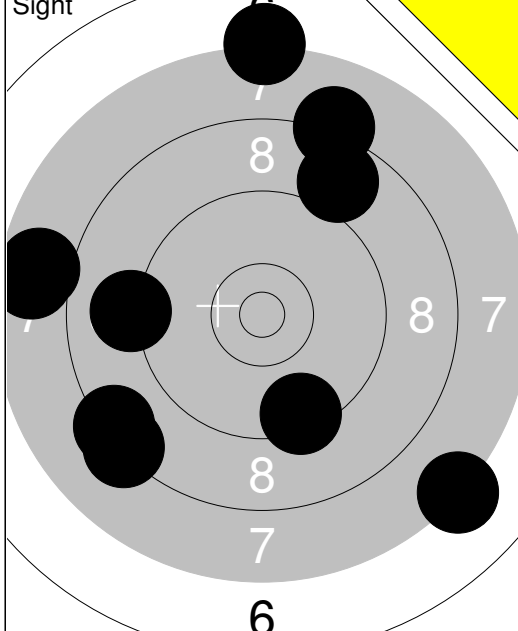
11:	10.6x	↖
12:	9.7	↘
13:	8.7	↘
14:	9.4	→
15:	6.1	←
16:	9.4	↘
17:	9.9	↘
18:	9.8	↗
19:	9.9	←
20:	9.7	↘
Series		87.0
Total		175.0



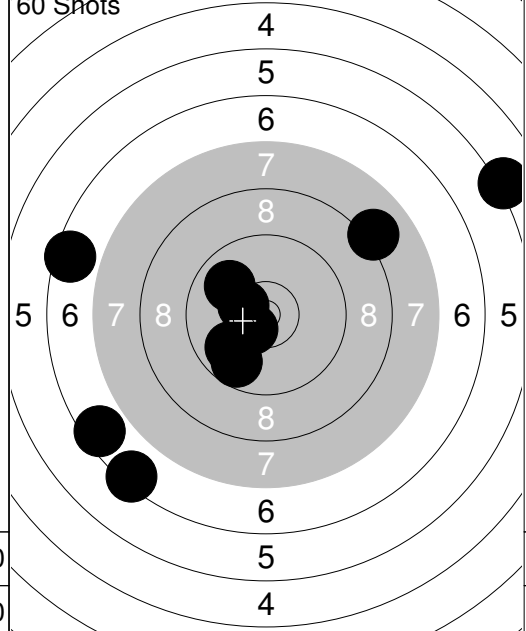
21:	10.2	↖
22:	10.4x	←
23:	10.0	→
24:	9.0	↗
25:	8.9	↘
26:	10.0	→
27:	10.0	→
28:	9.6	↗
29:	6.7	↖
30:	8.7	→
Series		90.0
Total		265.0



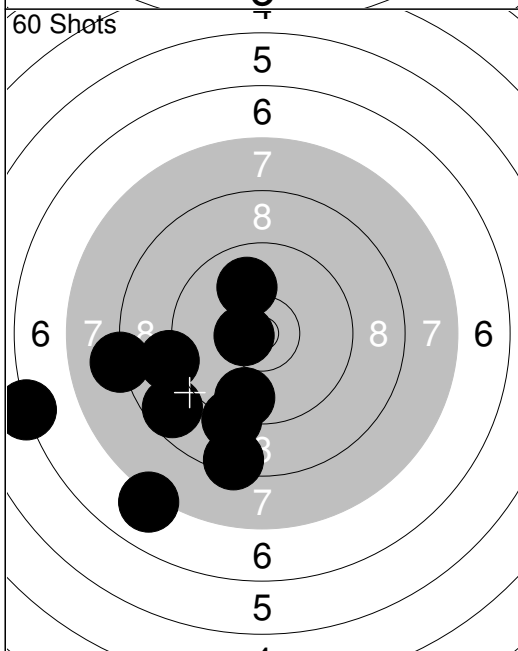
31:	8.1	↘
32:	8.9	→
33:	9.1	↗
34:	8.3	↘
35:	9.5	↗
36:	8.4	↖
37:	8.6	↗
38:	9.2	→
39:	10.2	↗
40:	9.3	↗
Series		86.0
Total		351.0



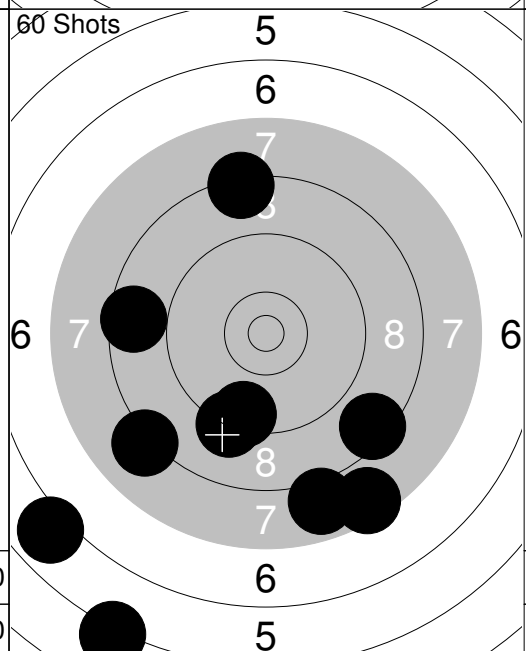
1:	8.8	↗
2:	9.1	←
3:	8.2	↗
4:	7.7	←
5:	8.4	↙
6:	7.8	←
7:	7.2	↗
8:	9.5	↘
9:	8.3	↙
10:	7.3	↘
Series		78.0
Total		0.0



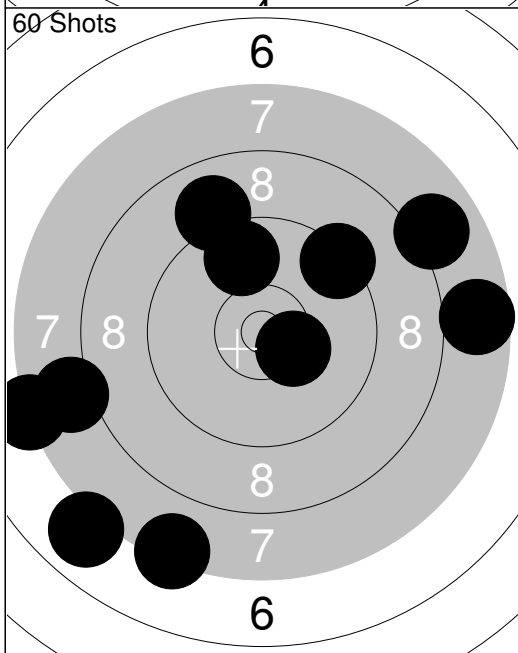
1:	9.9	↙
2:	6.6	←
3:	10.4x	↙
4:	8.1	↗
5:	10.5x	↙
6:	5.1	↗
7:	6.6	↙
8:	10.0	↙
9:	9.8	↙
10:	6.4	↙
Series		79.0
Total		79.0



11:	9.2	↘
12:	8.5	↘
13:	10.6x	←
14:	8.7	↙
15:	8.2	←
16:	6.2	←
17:	9.1	←
18:	7.1	↙
19:	10.0	↗
20:	9.7	↘
Series		84.0
Total		163.0



21:	5.9	↙
22:	7.9	↘
23:	8.4	↗
24:	7.6	↘
25:	8.7	←
26:	5.1	↘
27:	8.5	↘
28:	8.1	↙
29:	9.3	↘
30:	9.5	↘
Series		74.0
Total		237.0

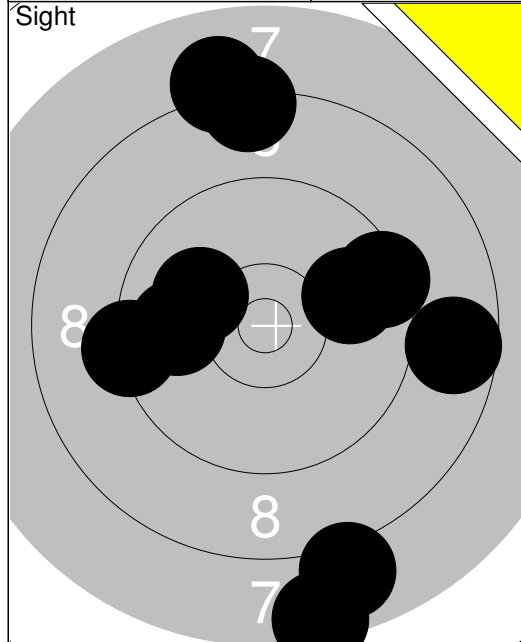


31:	10.4x	↘
32:	7.4	↘
33:	7.7	→
34:	7.0	↙
35:	9.4	↗
36:	7.9	←
37:	9.0	↗
38:	7.3	←
39:	8.0	↗
40:	9.8	↗
Series		80.0
Total		317.0

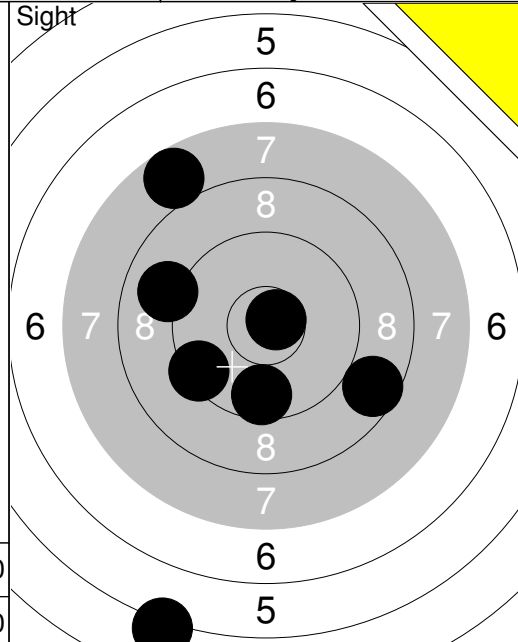
<p>Sight</p>	<p>Sight</p>
--------------	--------------

<p>60 Shots</p>	<p>60 Shots</p>
-----------------	-----------------

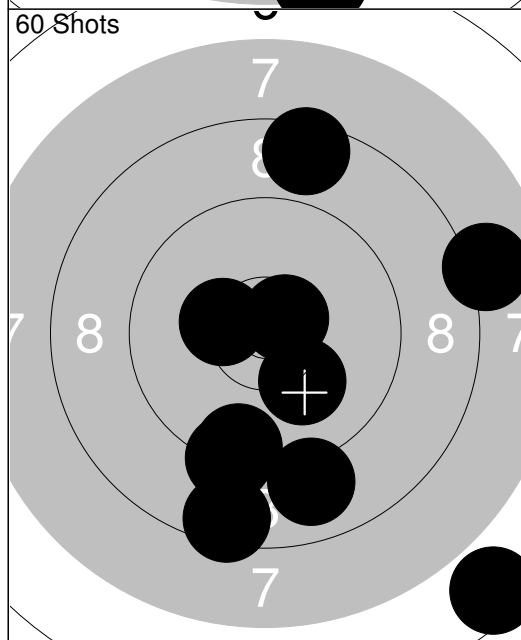
<p>60</p>	<p>60 Shots</p>
-----------	-----------------



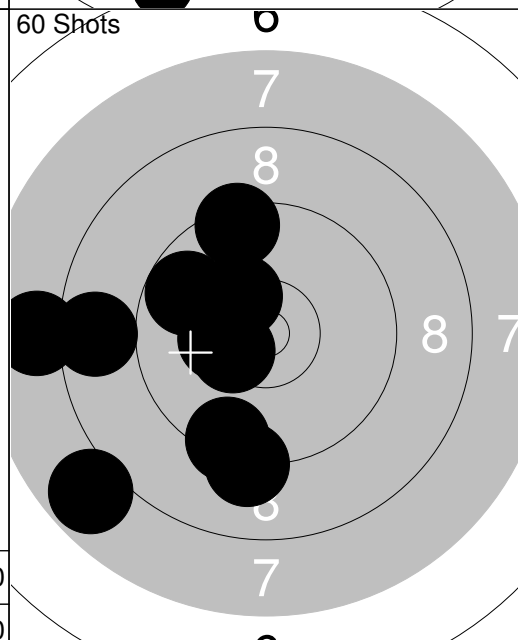
1:	10.1	↖
2:	8.4	↑
3:	9.9	→
4:	8.1	↑
5:	9.9	←
6:	8.8	→
7:	9.4	←
8:	7.9	↓
9:	9.5	→
10:	7.5	↓
Series		84.0
Total		0.0



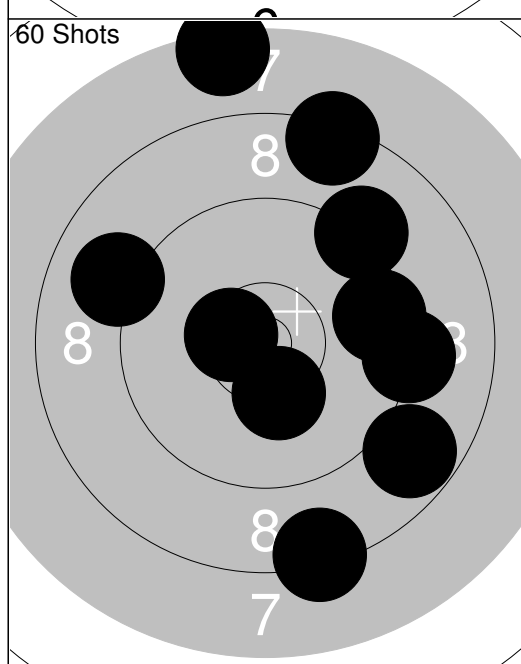
11:	9.7	↓
12:	8.7	↘
13:	9.5	↖
14:	5.1	↓
15:	9.0	←
16:	10.7x	↗
17:	7.8	↖
Series		57.0
Total		0.0



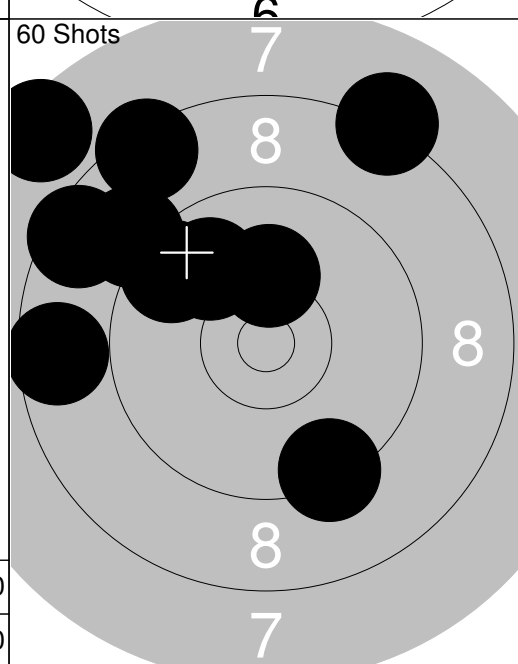
1:	8.0	→
2:	8.6	↓
3:	8.6	↑
4:	10.6x	↗
5:	9.5	↓
6:	9.0	↓
7:	9.3	↓
8:	6.6	↓
9:	10.2	↓
10:	10.4x	↖
Series		87.0
Total		87.0



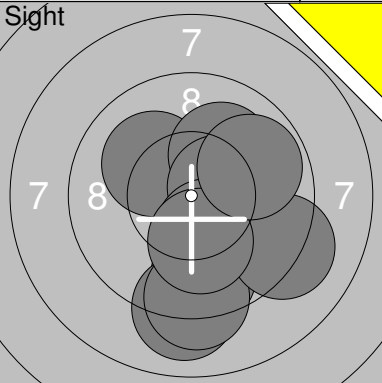
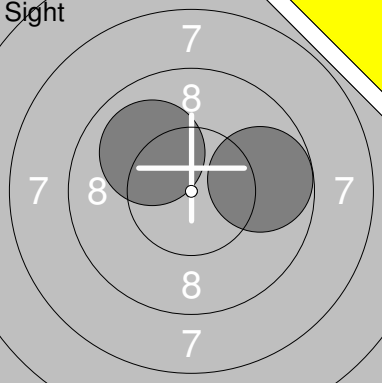
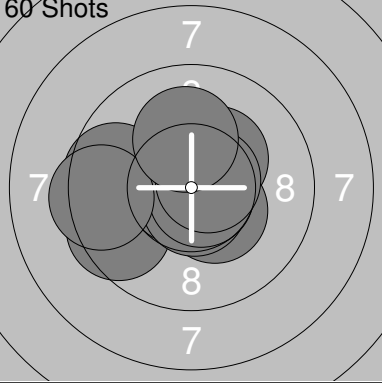
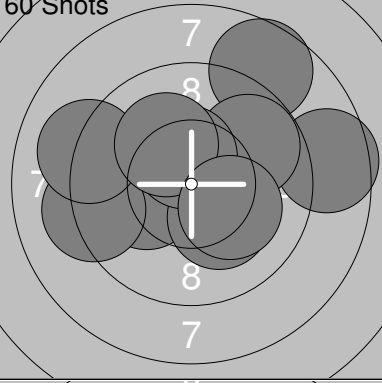
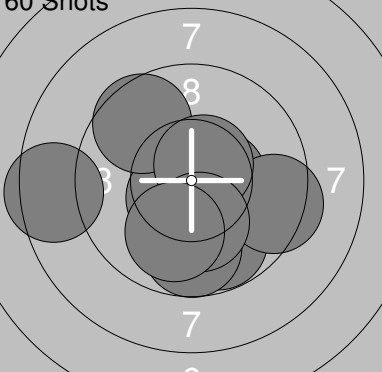
11:	8.7	←
12:	7.9	←
13:	10.3	←
14:	9.5	↑
15:	9.8	↖
16:	7.8	↖
17:	10.4x	↖
18:	9.5	↓
19:	10.5x	↖
20:	9.2	↓
Series		88.0
Total		175.0

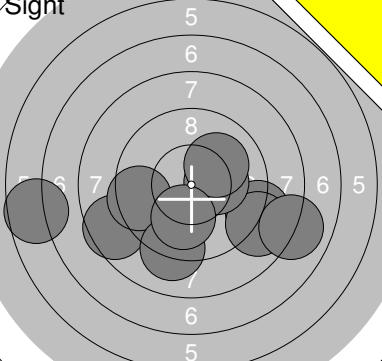
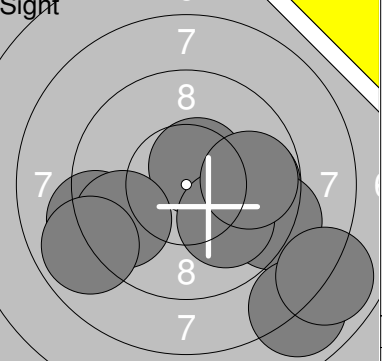


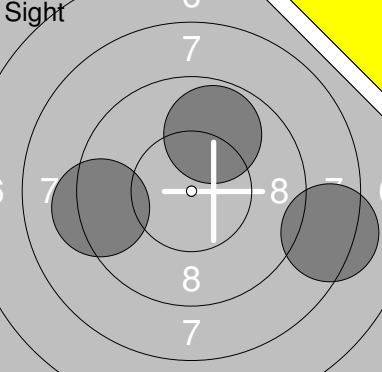
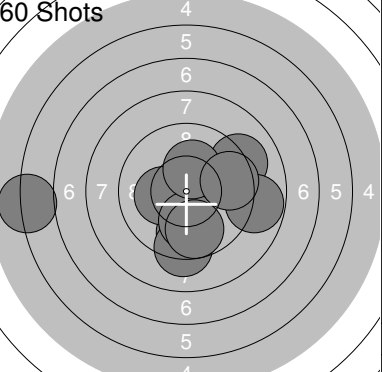
21:	8.4	↓
22:	8.8	↓
23:	9.6	→
24:	9.2	↗
25:	9.2	→
26:	10.5x	↖
27:	10.3	↓
28:	9.1	←
29:	8.4	↑
30:	7.4	↑
Series		87.0
Total		262.0

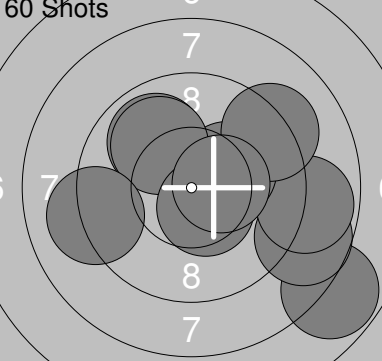
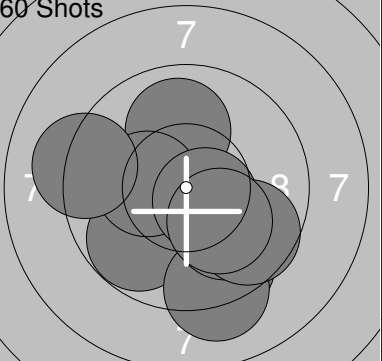


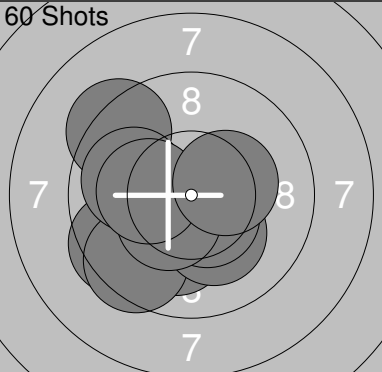
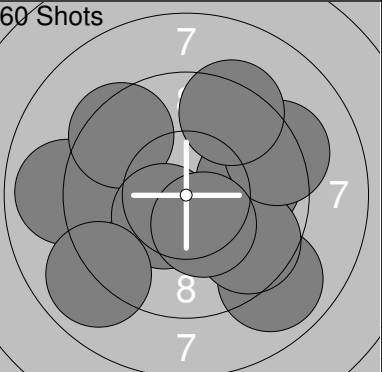
31:	9.9	↖
32:	10.2	↑
33:	8.6	↖
34:	7.6	↖
35:	9.6	↖
36:	8.7	←
37:	8.5	↖
38:	9.4	↓
39:	8.2	↖
40:	9.1	↖
Series		85.0
Total		347.0

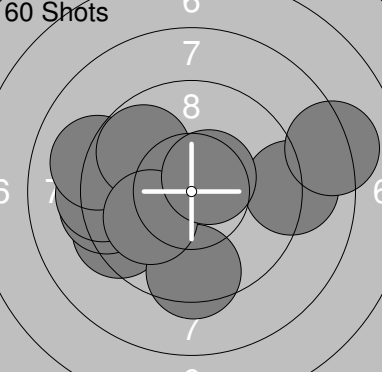
Relay	Lane	William Grydén	
S		Vaksala Skf	
11.10.2015	Månadstest 2015	Umeå skytteallians	
Sight		1: 10.1 ↗ 2: 10.1 ↗ 3: 10.4x → 4: 9.6 ↓ 5: 9.0 ↓ 6: 9.2 ↓ 7: 10.3x ↓ 8: 9.2 ↓ 9: 10.2x ↓ 10: 9.8 →	Sight
		Series 97.9	11: 9.5 ↘ 12: 9.8 ← 13: 10.3x → 14: 8.8 ↓ 15: 9.2 ↓ 16: 8.8 ↓ 17: 10.8x ↗ 18: 10.1 → 19: 10.6x ← 20: 10.6x ↓
		Total 0.0	Series 98.5
			Total 0.0
Sight		21: 10.0 ↗ 22: 9.8 →	60 Shots
		Series 19.8	1: 10.3x ↗ 2: 9.9 ↗ 3: 10.7x ↗ 4: 9.9 ↓ 5: 8.6 ← 6: 9.4 → 7: 10.2x ↓ 8: 9.3 ↓ 9: 10.2x → 10: 10.2x ↓
		Total 0.0	Series 98.7
			Total 98.7
60 Shots		11: 9.5 ← 12: 10.3x ↗ 13: 10.7x ← 14: 9.6 ← 15: 10.4x ↓ 16: 10.7x ↓ 17: 10.7x ↓ 18: 10.6x → 19: 9.4 ← 20: 10.1 ↑	60 Shots
		Series 102.0	21: 10.0 ↓ 22: 10.4x ↗ 23: 10.6x ← 24: 10.9x ↗ 25: 10.4x ↓ 26: 10.7x ↓ 27: 10.5x ← 28: 9.0 ↓ 29: 9.8 ↗ 30: 9.7 ↗
		Total 200.7	Series 102.0
			Total 302.7
60 Shots		31: 8.6 → 32: 10.1 ← 33: 8.7 ↗ 34: 10.2x ↓ 35: 9.2 ← 36: 9.8 → 37: 9.1 ← 38: 10.5x ↗ 39: 10.1 ↗ 40: 10.2x ↓	60 Shots
		Series 96.5	41: 10.6x ← 42: 9.4 ↓ 43: 9.5 → 44: 10.3x → 45: 10.0 ← 46: 9.4 ↓ 47: 9.5 ← 48: 10.5x ↗ 49: 9.6 ↓ 50: 9.6 ↓
		Total 399.2	Series 98.4
			Total 497.6
60 Shots		51: 10.5x → 52: 10.5x ↓ 53: 9.6 ↗ 54: 9.8 ↓ 55: 8.5 ← 56: 9.4 → 57: 10.6x ↗ 58: 9.7 ↓ 59: 10.2x ↓ 60: 10.0 ↓	
		Series 98.8	
		Total 596.4	

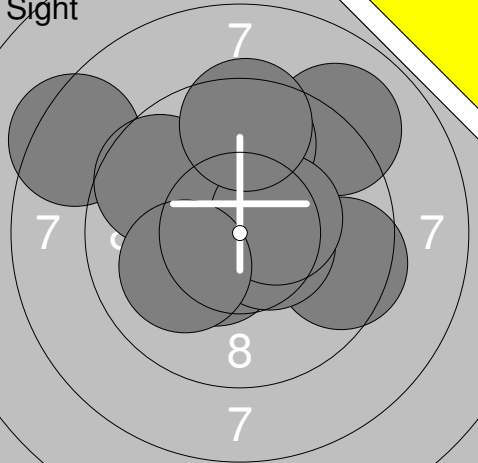
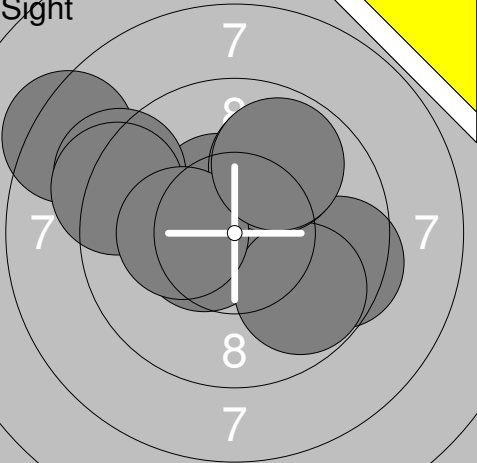
Sight		Sight	
	1: 9.0 → 2: 8.6 ← 3: 8.8 → 4: 10.3x → 5: 6.7 ← 6: 9.5 ← 7: 8.0 → 8: 9.1 ↓ 9: 10.1 ↗ 10: 10.0 ↓		11: 10.6x ↗ 12: 9.2 ← 13: 9.8 → 14: 9.6 ← 15: 9.2 → 16: 8.9 ← 17: 10.0 ↓ 18: 7.9 ↓ 19: 9.8 → 20: 7.9 ↓
Series 90.1		Series 92.9	
Total 0.0		Total 0.0	

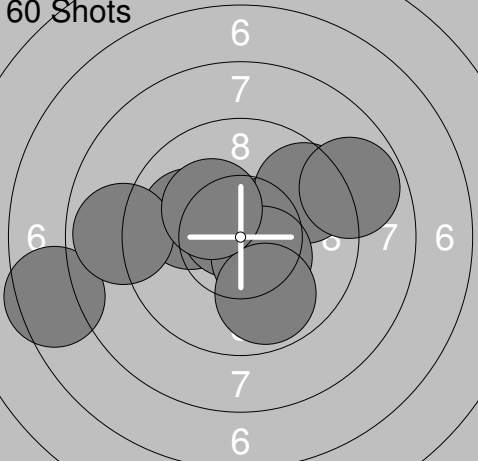
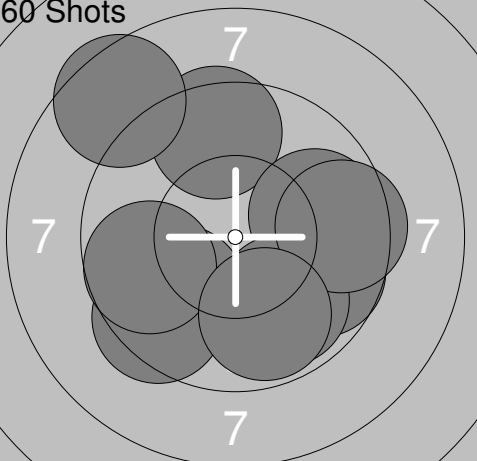
Sight		60 Shots	
	21: 8.3 → 22: 9.3 ← 23: 9.8 ↗		1: 9.7 ↓ 2: 10.2x ← 3: 9.2 ↓ 4: 10.0 ↓ 5: 9.1 ↗ 6: 9.8 ↓ 7: 10.2x ↗ 8: 8.8 → 9: 6.1 ← 10: 9.6 →
Series 27.4		Series 92.7	
Total 0.0		Total 92.7	

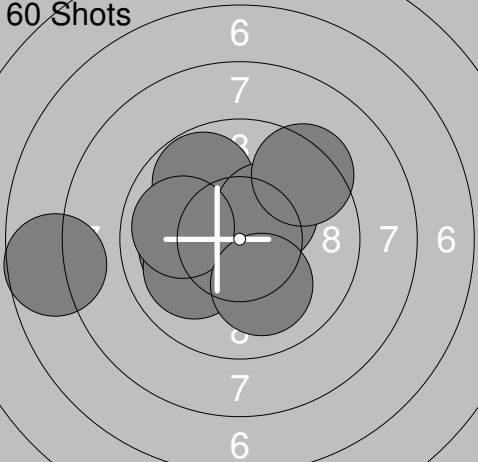
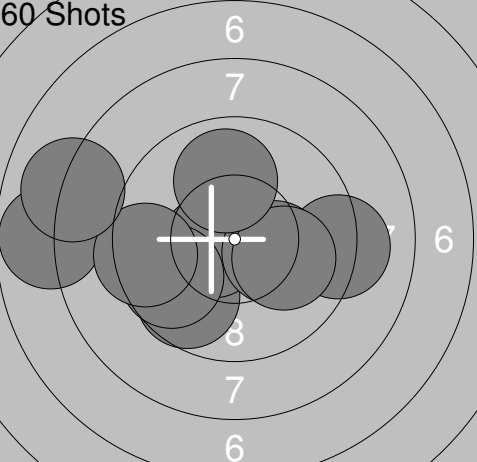
60 Shots		60 Shots	
	11: 7.8 ↓ 12: 9.9 ↗ 13: 8.7 ↓ 14: 8.8 → 15: 10.2x → 16: 9.2 → 17: 10.0 ↗ 18: 10.5x ↓ 19: 9.1 ← 20: 10.4x →		21: 9.5 ↓ 22: 10.0 ↗ 23: 9.8 ↓ 24: 10.3x ← 25: 10.6x ↓ 26: 9.2 ↗ 27: 9.2 ↓ 28: 10.0 ↓ 29: 9.7 ↓ 30: 10.1 ↓
Series 94.6		Series 98.4	
Total 187.3		Total 285.7	

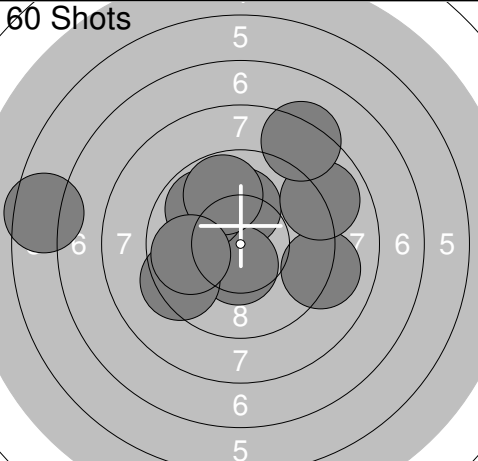
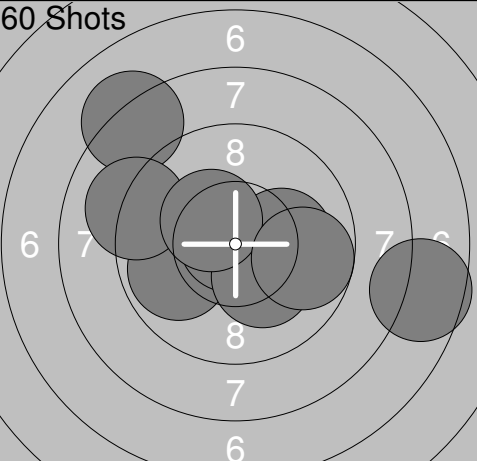
60 Shots		60 Shots	
	31: 9.5 ← 32: 10.1 ↓ 33: 9.5 ↓ 34: 10.2x ↓ 35: 9.3 ↗ 36: 9.9 ← 37: 10.5x ↓ 38: 10.4x ← 39: 10.2x ← 40: 10.3x →		41: 9.9 → 42: 8.9 ↓ 43: 8.9 ← 44: 9.4 ↗ 45: 9.6 ↓ 46: 9.2 → 47: 9.3 ↗ 48: 10.4x ← 49: 10.4x ↓ 50: 8.9 ↙
Series 99.9		Series 94.9	
Total 385.6		Total 480.5	

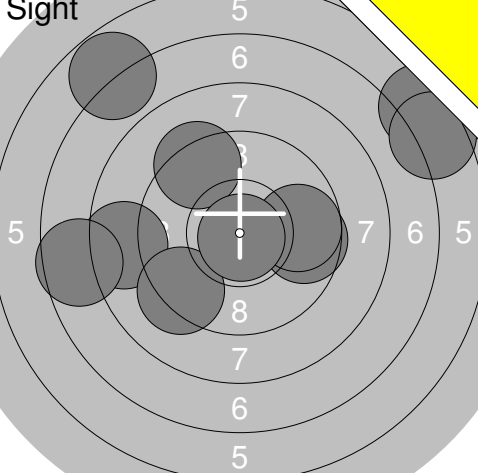
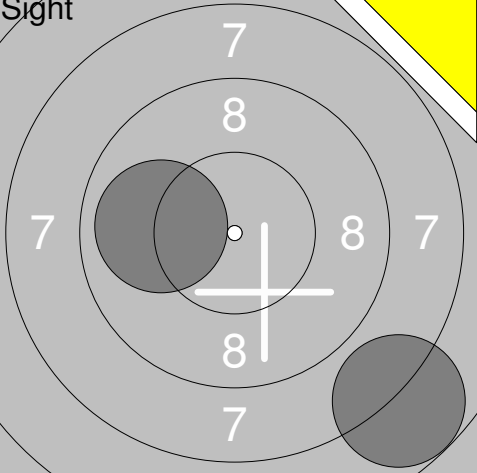
60 Shots			
	51: 9.4 ← 52: 9.3 ← 53: 9.1 → 54: 9.3 ← 55: 9.1 ← 56: 9.8 ↗ 57: 9.4 ↓ 58: 10.0 ← 59: 10.5x ↗ 60: 8.2 →		
Series 94.1			
Total 574.6			

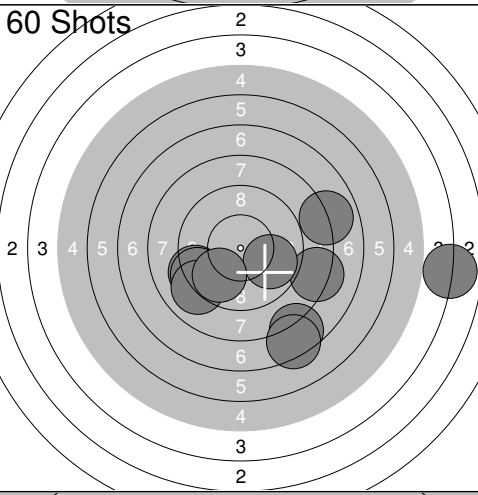
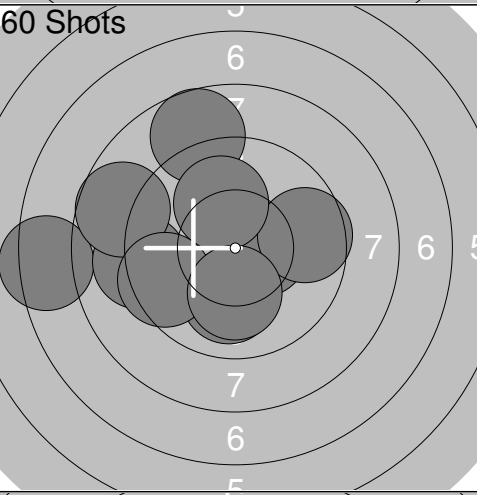
Sight 	1: 10.5x ↙ 2: 9.0 ↗ 3: 9.7 ↑ 4: 9.5 → 5: 8.4 ↗ 6: 10.5x → 7: 9.7 ↗ 8: 10.4x → 9: 9.5 ↑ 10: 10.1 ↙ <hr/> Series 97.3 Total 0.0	Sight 	11: 9.5 → 12: 10.5x ↗ 13: 10.5x ↙ 14: 8.3 ↗ 15: 9.2 ↗ 16: 9.8 ↘ 17: 9.2 ↖ 18: 9.9 ↗ 19: 10.2x ↙ 20: 9.9 ↗ <hr/> Series 97.0 Total 0.0
--	--	--	--

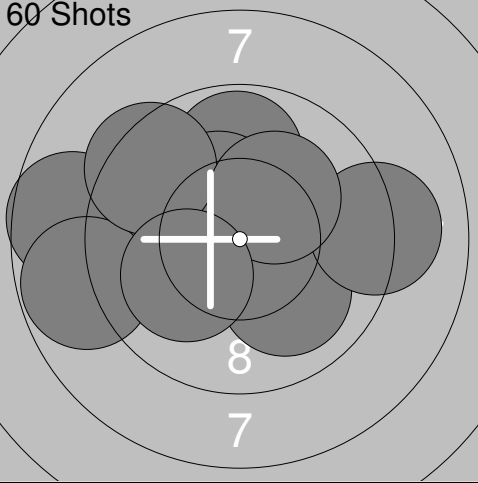
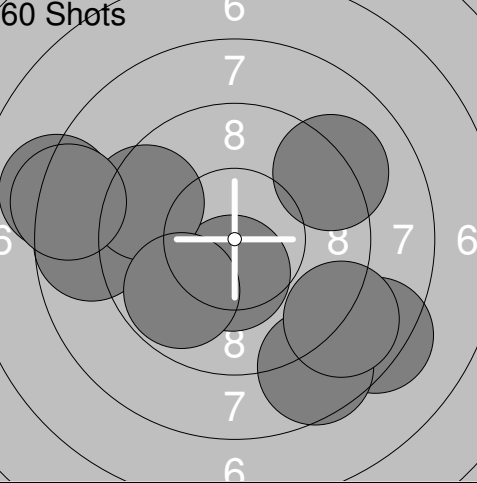
60 Shots 	1: 10.5x → 2: 10.0 ↙ 3: 10.7x ↗ 4: 9.6 ↗ 5: 7.5 ↙ 6: 10.4x ↘ 7: 8.9 ↙ 8: 8.8 → 9: 9.9 ↘ 10: 10.2x ↗ <hr/> Series 96.5 Total 96.5	60 Shots 	11: 9.7 → 12: 9.5 ↑ 13: 9.8 → 14: 9.9 ↘ 15: 9.5 ↘ 16: 9.7 ↙ 17: 9.9 ↘ 18: 9.5 → 19: 8.5 ↗ 20: 9.8 ↘ <hr/> Series 95.8 Total 192.3
--	---	--	--

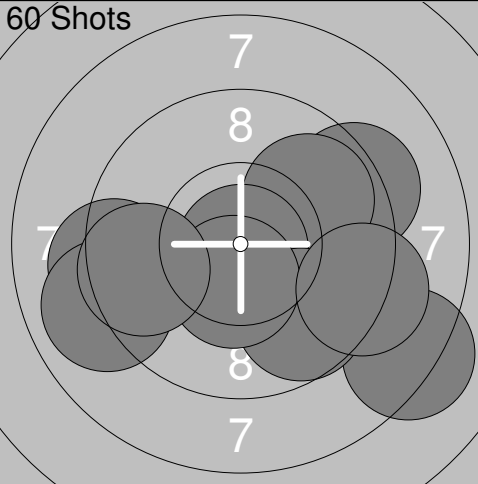
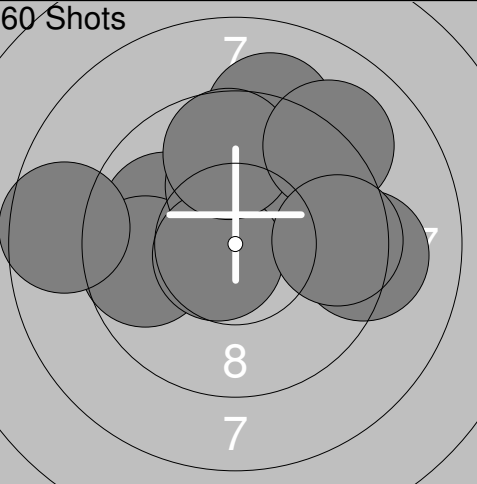
60 Shots 	21: 10.1 ↙ 22: 10.0 ↙ 23: 10.2x ↗ 24: 7.7 ↙ 25: 10.1 ↖ 26: 9.8 ↗ 27: 10.3x ↗ 28: 9.9 ↙ 29: 10.1 ↘ 30: 9.4 ↗ <hr/> Series 97.6 Total 289.9	60 Shots 	31: 9.7 ↘ 32: 9.2 → 33: 7.8 ↙ 34: 10.6x ↙ 35: 10.2x → 36: 10.1 → 37: 9.7 ↙ 38: 9.4 ↙ 39: 8.0 ↙ 40: 9.9 ↑ <hr/> Series 94.6 Total 384.5
---	--	---	---

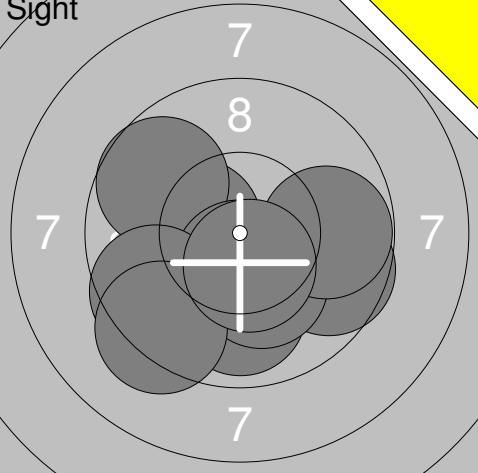
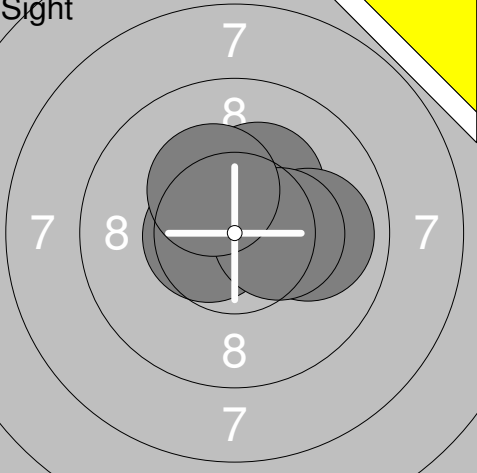
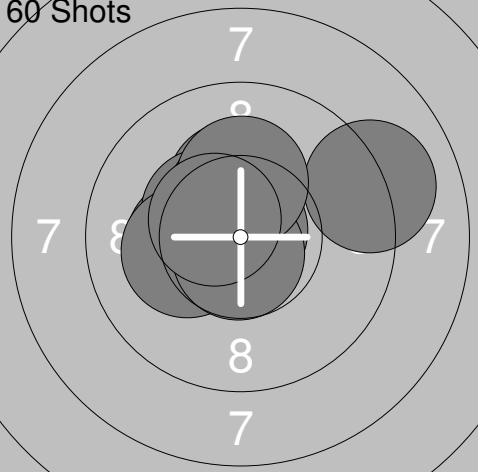
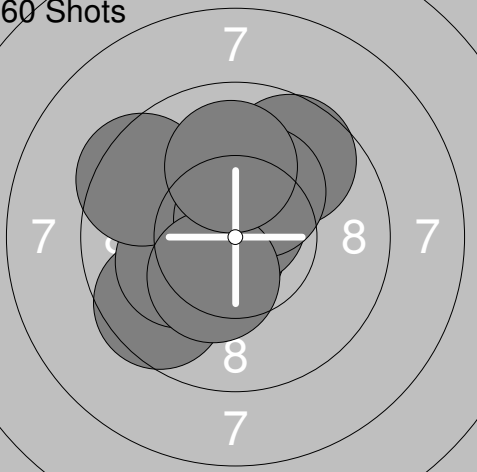
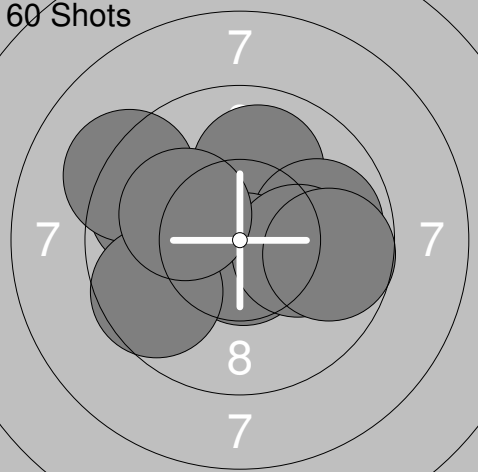
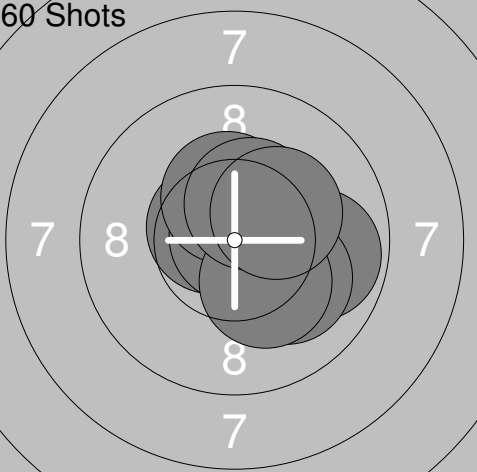
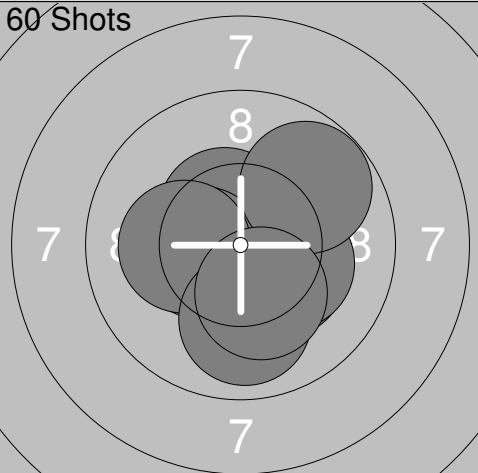
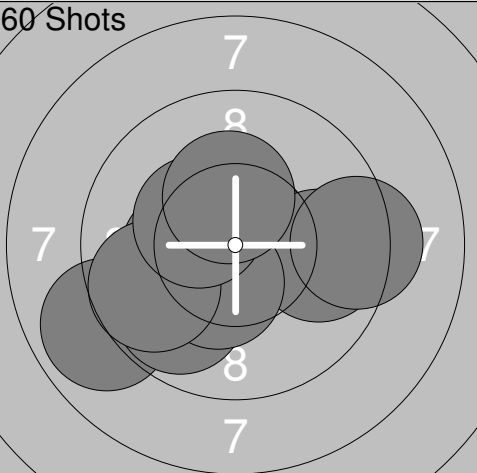
60 Shots 	41: 10.1 ↑ 42: 9.1 → 43: 10.5x ↘ 44: 9.4 ↙ 45: 8.9 ↗ 46: 9.9 ↗ 47: 6.5 ↙ 48: 9.8 ↗ 49: 9.8 ↙ 50: 8.3 ↗ <hr/> Series 92.3 Total 476.8	60 Shots 	51: 10.4x ↘ 52: 9.9 ↙ 53: 8.2 ↗ 54: 10.8x ↗ 55: 10.1 → 56: 7.6 → 57: 10.2x ↘ 58: 9.1 ↙ 59: 10.4x ↗ 60: 9.7 → <hr/> Series 96.4 Total 573.2
---	---	---	---

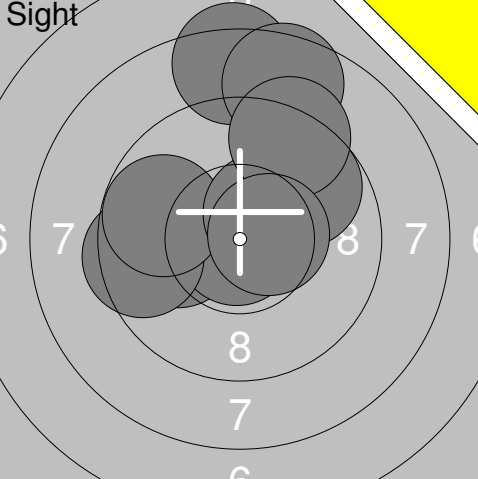
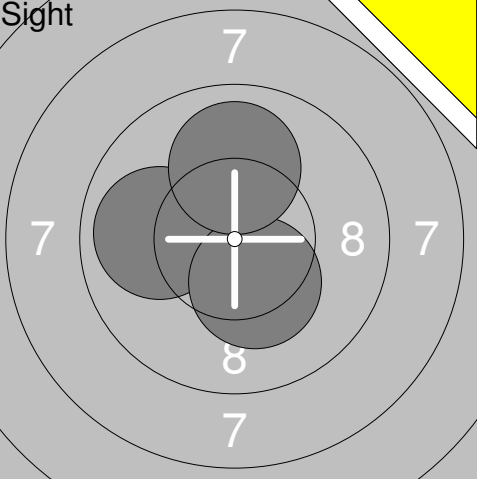
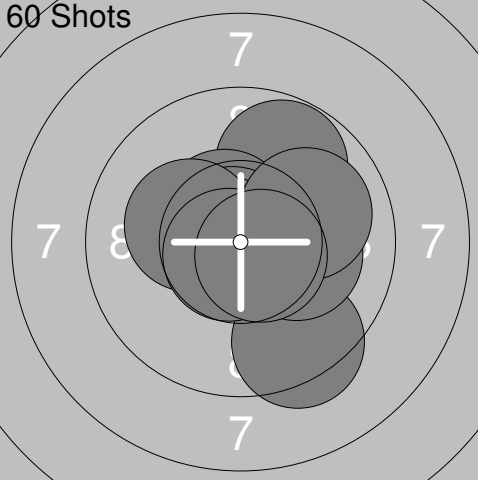
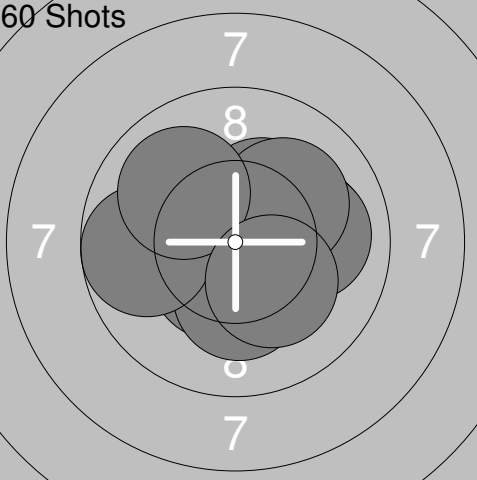
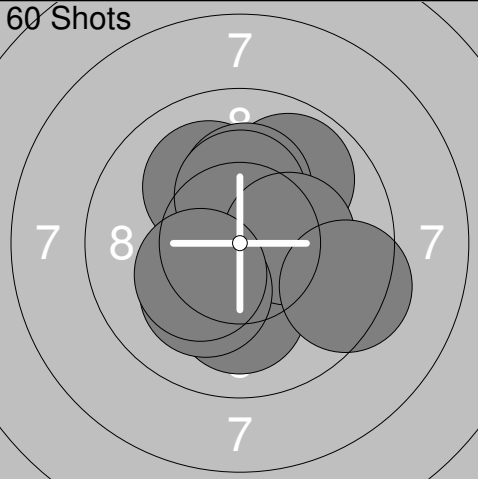
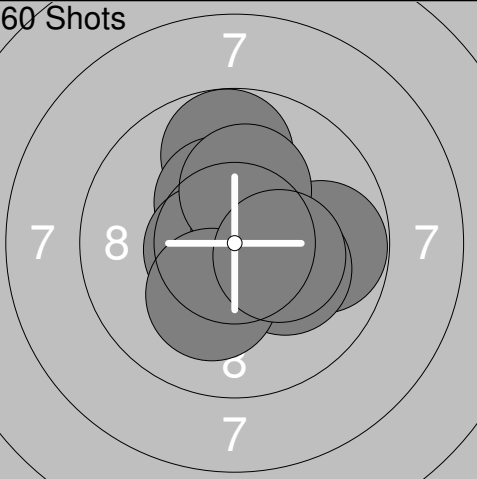
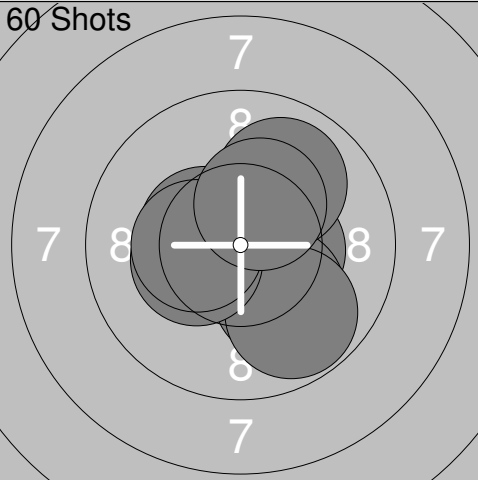
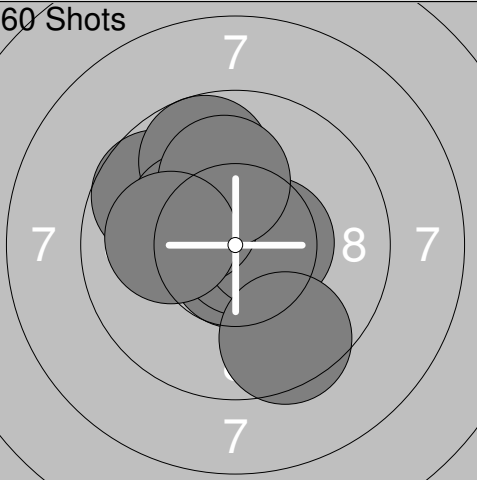
	<p>1: 9.6 → 2: 8.6 ← 3: 9.7 → 4: 6.4 ↗ 5: 6.8 ↗ 6: 6.5 → 7: 9.3 ↘ 8: 7.6 ← 9: 9.3 ↗ 10: 10.9x ↘</p> <p>Series 84.7 Total 0.0</p>		<p>11: 10.0 ← 12: 7.8 ↘</p> <p>Series 17.8 Total 0.0</p>
--	--	--	--

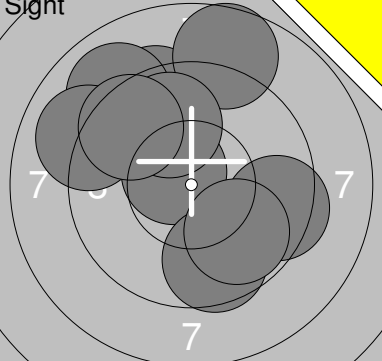
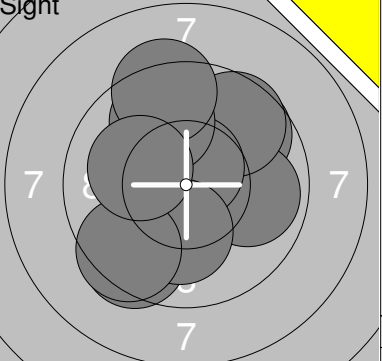
	<p>1: 7.9 → 2: 9.2 ← 3: 8.3 → 4: 3.9 → 5: 9.3 ← 6: 9.9 → 7: 9.0 ↘ 8: 7.6 ↘ 9: 7.4 ↘ 10: 9.8 ↘</p> <p>Series 82.3 Total 82.3</p>		<p>11: 7.4 ← 12: 9.1 ← 13: 10.0 ↘ 14: 8.7 ↗ 15: 8.7 ← 16: 10.5x → 17: 9.6 → 18: 10.1 ↗ 19: 9.5 ← 20: 10.1 ↘</p> <p>Series 93.7 Total 176.0</p>
---	---	---	--

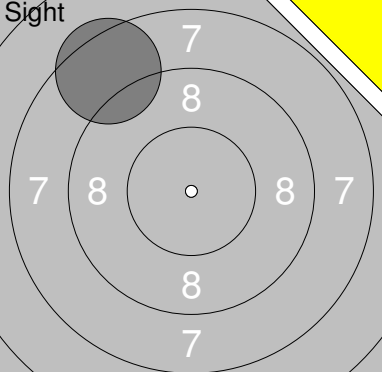
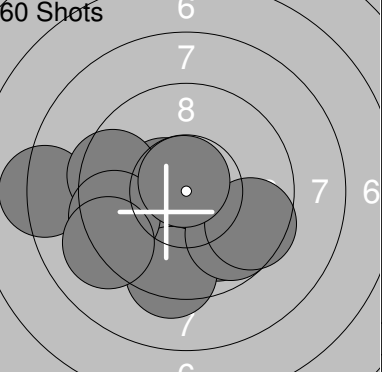
	<p>21: 9.1 ← 22: 9.8 ↗ 23: 10.0 ↘ 24: 10.3x ↗ 25: 8.7 ← 26: 8.8 ← 27: 9.4 ↗ 28: 9.1 → 29: 10.2x ↗ 30: 10.1 ←</p> <p>Series 95.5 Total 271.5</p>		<p>31: 8.1 ← 32: 10.4x ↘ 33: 8.3 ↘ 34: 8.7 ← 35: 9.5 ← 36: 9.1 → 37: 8.6 ↘ 38: 8.9 ↘ 39: 9.8 ↘ 40: 8.3 ←</p> <p>Series 89.7 Total 361.2</p>
--	---	--	---

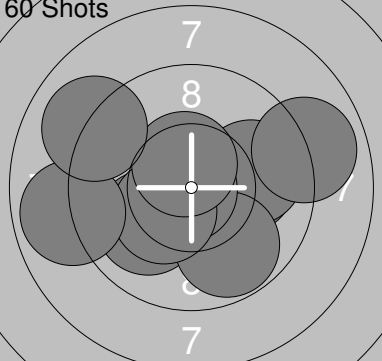
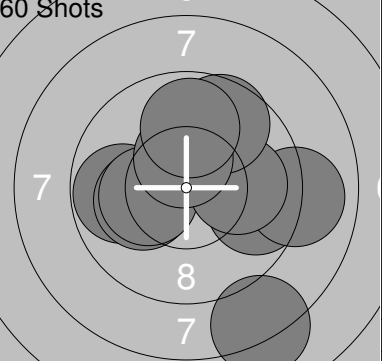
	<p>41: 9.3 → 42: 9.9 → 43: 8.2 ↘ 44: 9.2 ← 45: 10.9x ↘ 46: 9.7 ↘ 47: 9.0 ← 48: 10.4x ↘ 49: 9.6 ← 50: 9.2 →</p> <p>Series 95.4 Total 456.6</p>		<p>51: 9.9 ← 52: 9.7 ← 53: 9.2 ↗ 54: 10.1 ↗ 55: 10.7x ↘ 56: 8.6 ← 57: 9.7 ↗ 58: 9.1 ↗ 59: 9.2 → 60: 9.6 →</p> <p>Series 95.8 Total 552.4</p>
--	---	--	--

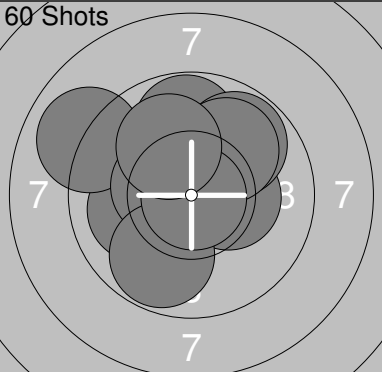
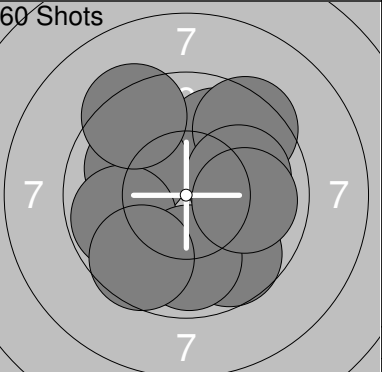
Relay	Lane	Emanuel Söderlund	
S		Kristnehams Skf	
11.10.2015	Månadstest 2015	Umeå skytteallians	
Sight		1: 10.3x ← 2: 9.9 ↓ 3: 9.7 ↗ 4: 9.6 → 5: 10.5x ↓ 6: 9.6 ← 7: 10.2x ↓ 8: 9.3 ↙ 9: 9.8 → 10: 10.5x ↓ Series 99.4 Total 0.0	Sight  11: 10.7x ↑ 12: 10.3x ↗ 13: 10.6x ← 14: 10.0 → 15: 10.4x → 16: 10.3x ↗ Series 62.3 Total 0.0
60 Shots		1: 10.3x ↑ 2: 10.3x ← 3: 10.4x ↗ 4: 10.9x ↑ 5: 10.4x ↑ 6: 10.2x ← 7: 10.7x ↓ 8: 9.1 → 9: 10.2x ↑ 10: 10.5x ↖ Series 103.0 Total 103.0	60 Shots  11: 9.6 ↙ 12: 10.4x ↙ 13: 10.7x ↙ 14: 10.1 ← 15: 9.5 ↖ 16: 10.7x ↑ 17: 9.7 ↗ 18: 10.3x ↑ 19: 10.3x ↙ 20: 10.0 ↑ Series 101.3 Total 204.3
60 Shots		21: 10.4x ↖ 22: 10.0 ↑ 23: 9.9 → 24: 10.7x ↓ 25: 10.1 → 26: 9.7 ↖ 27: 9.2 ↖ 28: 9.6 ↙ 29: 9.7 → 30: 10.1 ↖ Series 99.4 Total 303.7	60 Shots  31: 9.8 → 32: 10.7x ↑ 33: 10.5x → 34: 10.6x ↖ 35: 10.9x ↑ 36: 10.4x ↑ 37: 10.1 ↘ 38: 10.2x ↘ 39: 10.4x ↑ 40: 10.3x ↗ Series 103.9 Total 407.6
60 Shots		41: 10.3x ↘ 42: 10.6x ↙ 43: 10.6x ← 44: 10.5x ↗ 45: 10.3x → 46: 10.4x ← 47: 10.2x ← 48: 9.9 ↓ 49: 9.8 ↗ 50: 10.2x ↓ Series 102.8 Total 510.4	60 Shots  51: 10.7x ↗ 52: 10.3x ← 53: 9.8 → 54: 8.9 ↙ 55: 9.8 ↙ 56: 9.3 → 57: 10.4x ↘ 58: 9.7 ↙ 59: 10.4x ↖ 60: 10.3x ↑ Series 99.6 Total 610.0

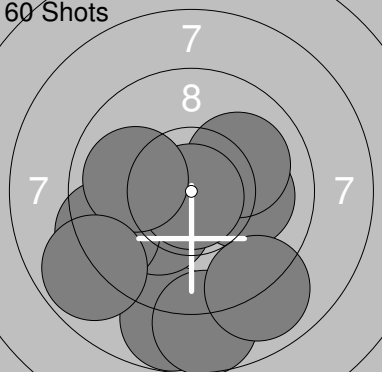
Relay	Lane	Saul Johansson	
S		Ramselefors Skf	
11.10.2015		Månadstest 2015	Umeå skytteallians
Sight		1: 10.0 ← 2: 10.9x ↓ 3: 9.5 ← 4: 9.8 ← 5: 10.4x ↗ 6: 9.8 ↗ 7: 8.4 ↑ 8: 8.6 ↑ 9: 9.3 ↗ 10: 10.5x → Series 97.2 Total 0.0	Sight  11: 9.9 ← 12: 10.3x ↓ 13: 10.0 ↑ Series 30.2 Total 0.0
60 Shots		1: 9.8 ↗ 2: 9.4 ↓ 3: 10.5x ↗ 4: 10.8x ↗ 5: 10.7x ← 6: 10.2x ← 7: 10.7x ↓ 8: 10.2x → 9: 10.0 → 10: 10.6x ↓ Series 102.9 Total 102.9	60 Shots  11: 10.4x ↓ 12: 10.0 → 13: 10.0 → 14: 10.5x → 15: 10.2x ↓ 16: 10.3x ↗ 17: 10.1 ↗ 18: 9.7 ← 19: 10.0 ↗ 20: 10.2x ↓ Series 101.4 Total 204.3
60 Shots		21: 10.5x ↙ 22: 10.1 ↗ 23: 9.9 ↗ 24: 10.1 ↓ 25: 10.2x ↑ 26: 10.3x ↑ 27: 10.3x → 28: 10.2x ↓ 29: 9.4 → 30: 10.3x ↙ Series 101.3 Total 305.6	60 Shots  31: 9.8 ↑ 32: 10.4x ↑ 33: 9.8 → 34: 10.2x → 35: 10.8x → 36: 10.6x ← 37: 10.7x → 38: 10.2x ↑ 39: 10.2x ↓ 40: 10.3x → Series 103.0 Total 408.6
60 Shots		41: 10.9x → 42: 10.7x ↑ 43: 10.4x → 44: 10.1 ↓ 45: 9.8 ↓ 46: 10.4x ← 47: 10.3x ← 48: 10.0 ↗ 49: 10.4x ← 50: 10.3x ↗ Series 103.3 Total 511.9	60 Shots  51: 10.7x ↓ 52: 9.7 ↗ 53: 10.6x → 54: 10.8x → 55: 10.5x → 56: 9.8 ↑ 57: 10.3x ↗ 58: 10.1 ↑ 59: 9.5 ↓ 60: 10.1 ← Series 102.1 Total 614.0

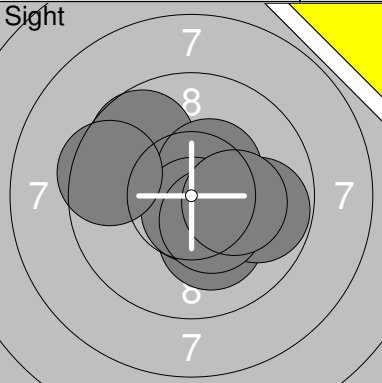

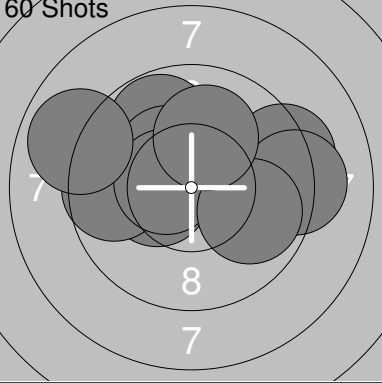
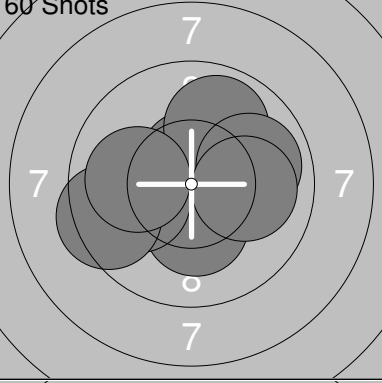
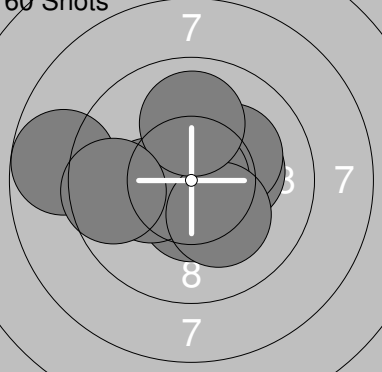
Sight		Sight	
	1: 9.4 ↗ 2: 8.7 ↗ 3: 9.0 ↗ 4: 9.0 ↗ 5: 10.6x ↗ 6: 9.4 → 7: 9.9 ↗ 8: 9.6 ↓ 9: 9.5 ↗ 10: 9.8 ↓		11: 9.7 ↗ 12: 9.9 → 13: 9.6 ↗ 14: 10.6x ↗ 15: 9.5 ↓ 16: 10.1 ↓ 17: 9.8 ↗ 18: 9.5 ↓ 19: 9.3 ↗ 20: 10.1 ↖
Series 94.9		Series 98.1	
Total 0.0		Total 0.0	

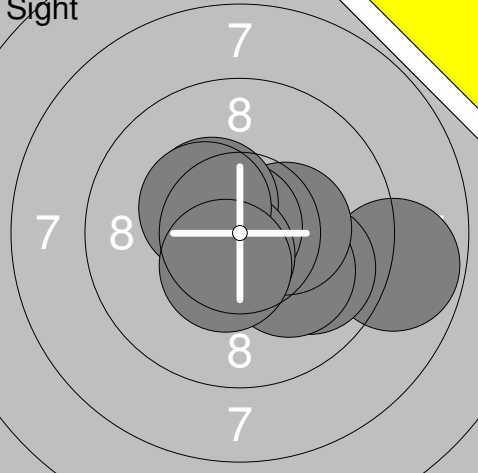
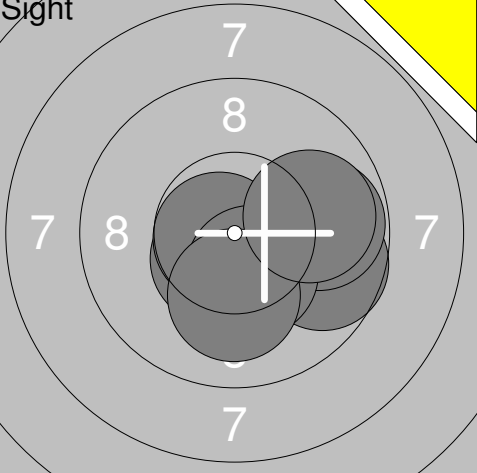
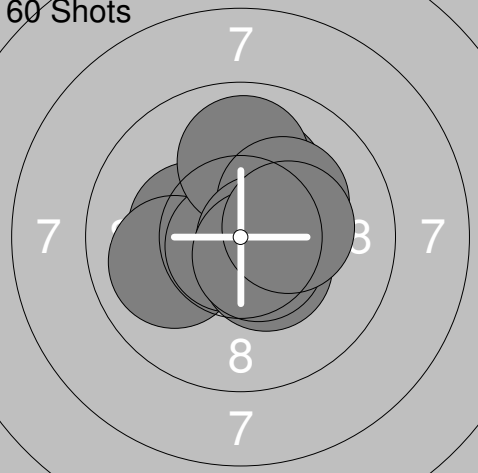
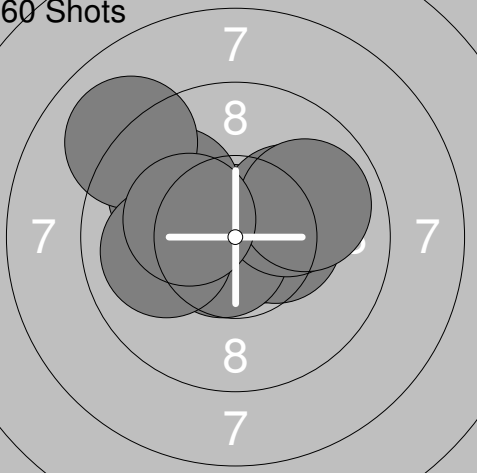
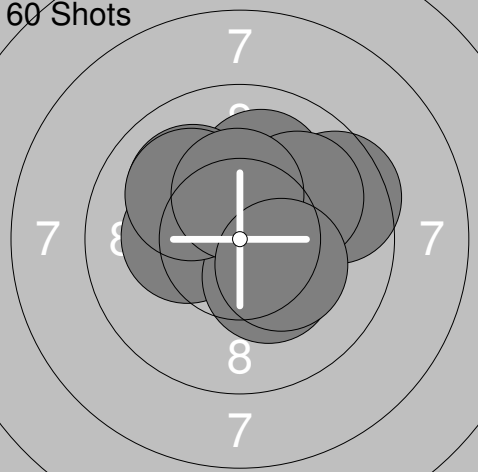
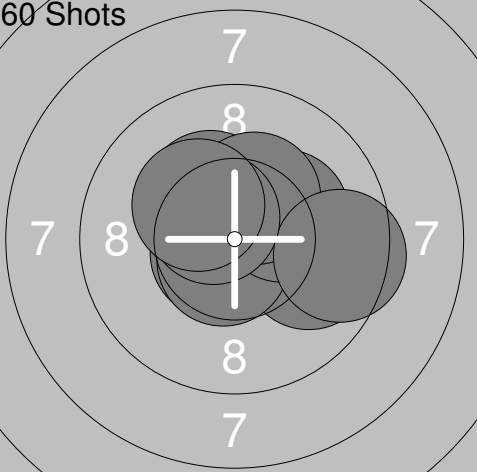
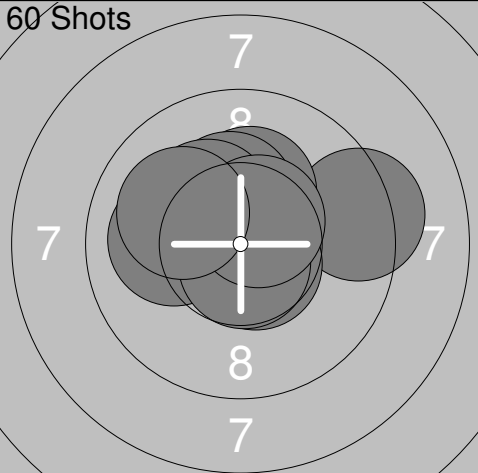
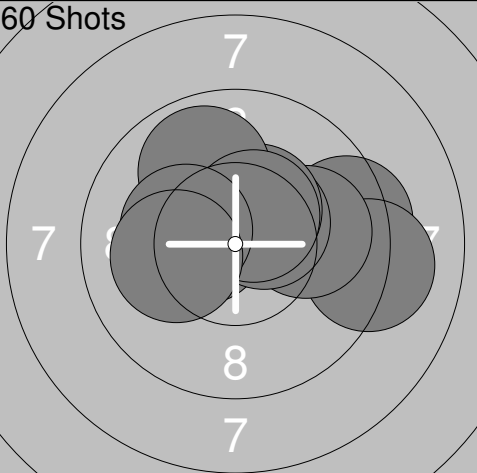
Sight		60 Shots	
	21: 8.5 ↗		1: 8.2 ← 2: 10.5x ← 3: 9.9 ↓ 4: 9.4 ↓ 5: 9.5 ← 6: 9.5 ← 7: 9.7 ↓ 8: 9.6 ↓ 9: 10.7x ↑ 10: 9.1 ↘
Series 8.5		Series 96.1	
Total 0.0		Total 96.1	

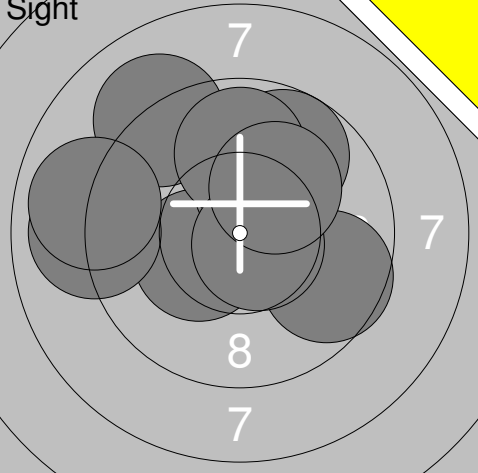
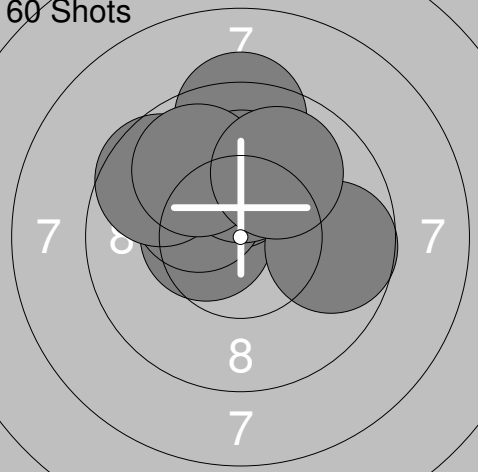
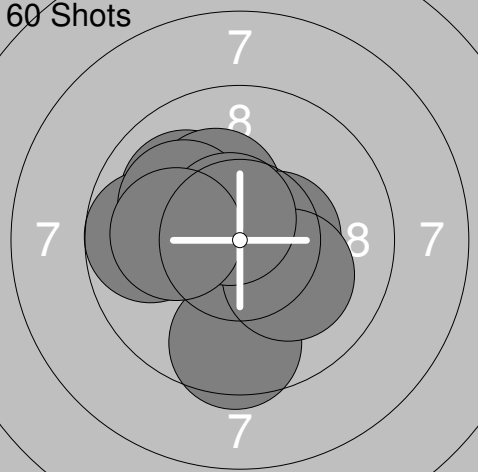
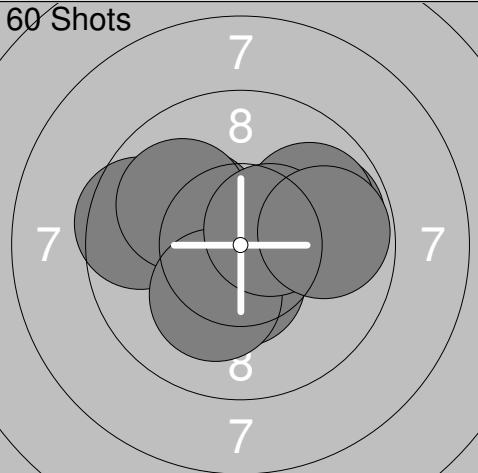
60 Shots		60 Shots	
	11: 10.1 → 12: 10.0 ↓ 13: 9.9 → 14: 9.8 ↓ 15: 10.8x ← 16: 10.3x ← 17: 10.5x ↗ 18: 8.9 ← 19: 9.0 ↗ 20: 8.9 →		21: 9.8 ← 22: 10.1 ← 23: 8.1 ↓ 24: 9.7 → 25: 10.3x ← 26: 9.0 → 27: 10.0 → 28: 9.6 ↗ 29: 10.4x ↑ 30: 9.9 ↑
Series 98.2		Series 96.9	
Total 194.3		Total 291.2	


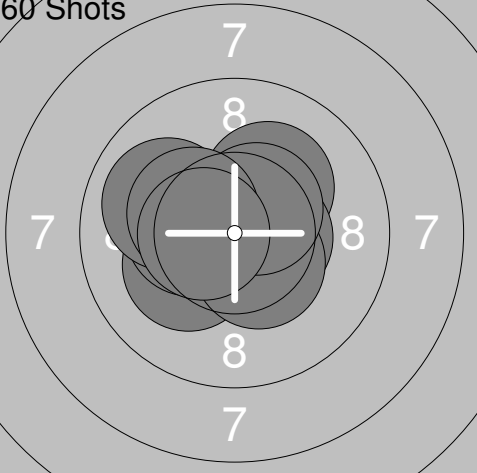

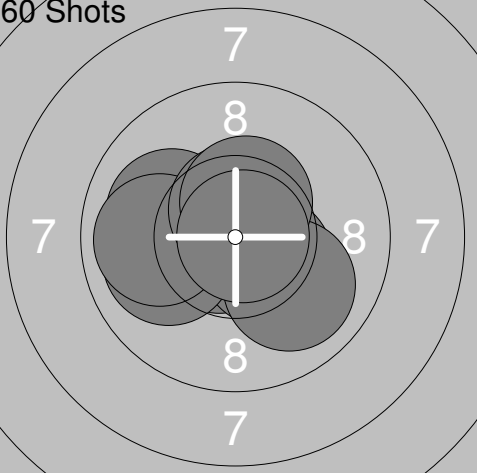
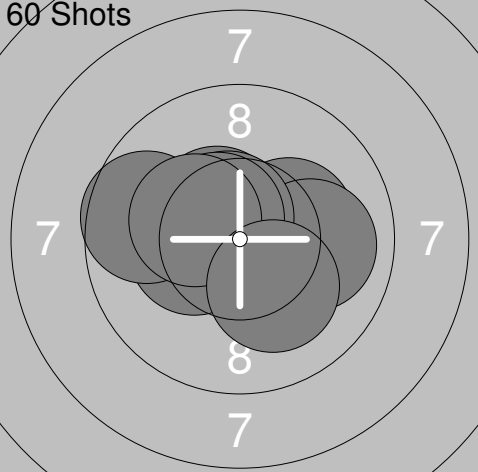

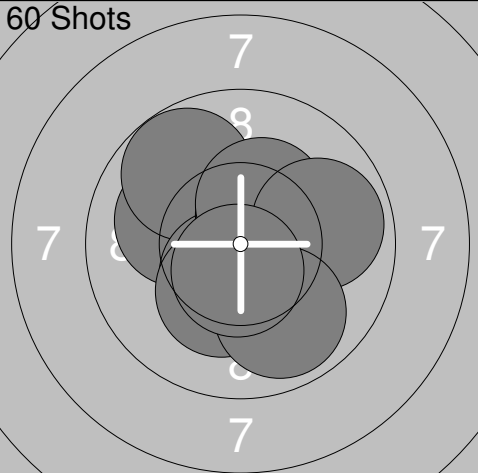
60 Shots		60 Shots	
	31: 10.0 ← 32: 9.0 ↗ 33: 9.8 ↗ 34: 10.3x → 35: 9.8 ↗ 36: 10.5x ← 37: 10.0 ↗ 38: 9.8 ↓ 39: 10.9x ↓ 40: 10.0 ↗		41: 9.9 ↗ 42: 9.4 ↗ 43: 10.0 ↗ 44: 10.0 → 45: 9.7 ↓ 46: 9.8 ← 47: 9.9 ↓ 48: 9.3 ↗ 49: 10.0 → 50: 9.6 ↓
Series 100.1		Series 97.6	
Total 391.3		Total 488.9	

60 Shots			
	51: 8.8 ↓ 52: 10.1 → 53: 10.0 → 54: 10.2x ↓ 55: 8.7 ↓ 56: 9.4 ← 57: 10.9x ↓ 58: 9.0 ↓ 59: 10.0 ← 60: 8.8 ↘		
Series 95.9			
Total 584.8			

Relay	Lane	Mikael Lundell	
2	30		
S	Rasbo Skf		
11.10.2015	Månadstest 2015	Umeå skytteallians	
Sight		1: 9.7 ↖ 2: 10.5x → 3: 10.6x → 4: 10.4x ↗ 5: 10.2x ↓ 6: 9.8 → 7: 10.7x ↓ 8: 10.4x ↓ 9: 10.2x → 10: 9.5 ←	Sight
		Series 102.0	Series 99.4
		Total 0.0	Total 0.0
Sight		11: 10.1 ← 22: 10.7x ↗	60 Shots
		Series 20.8	Series 100.8
		Total 0.0	Total 100.8
60 Shots		11: 10.4x ← 12: 9.6 ← 13: 9.3 → 14: 9.8 ↗ 15: 10.3x ↗ 16: 9.2 → 17: 10.5x ↖ 18: 8.9 ↗ 19: 9.9 ↗ 20: 10.1 ↗	60 Shots
		Series 98.0	Series 100.3
		Total 198.8	Total 299.1
60 Shots		31: 10.6x ← 32: 10.5x ↗ 33: 10.6x ↑ 34: 10.3x ↓ 35: 10.0 ← 36: 9.4 ← 37: 9.9 ↗ 38: 10.0 ← 39: 9.9 → 40: 10.0 →	60 Shots
		Series 101.2	Series 103.9
		Total 400.3	Total 504.2
60 Shots		51: 10.6x ↓ 52: 10.2x → 53: 10.2x → 54: 10.9x → 55: 10.5x ↓ 56: 10.2x ← 57: 10.2x ↓ 58: 8.7 ← 59: 10.0 ↑ 60: 9.6 ←	
		Series 101.1	
		Total 605.3	

Sight 	1: 10.7x → 2: 8.8 → 3: 9.9 ↘ 4: 10.1 ↘ 5: 10.3x → 6: 10.9x ↗ 7: 10.4x ↗ 8: 10.6x ↘ 9: 10.4x ↗ 10: 10.5x ↘ <hr/> Series 102.6 Total 0.0	Sight 	11: 9.7 → 12: 9.8 → 13: 10.5x ↘ 14: 10.7x ← 15: 10.4x ↘ 16: 10.1 ↘ 17: 9.9 → <hr/> Series 71.1 Total 0.0
60 Shots 	1: 10.3x ← 2: 10.2x ↑ 3: 10.0 ← 4: 10.8x ↘ 5: 10.4x ↘ 6: 9.9 ↑ 7: 10.2x ↗ 8: 10.6x → 9: 10.6x ↘ 10: 10.3x → <hr/> Series 103.3 Total 103.3	60 Shots 	11: 10.9x ↗ 12: 10.7x → 13: 10.4x → 14: 10.7x ↘ 15: 9.9 ↖ 16: 10.2x ↗ 17: 9.0 ↖ 18: 9.9 → 19: 10.0 ← 20: 10.3x ← <hr/> Series 102.0 Total 205.3
60 Shots 	21: 10.7x ↑ 22: 9.5 → 23: 10.2x ← 24: 10.0 ↑ 25: 10.3x ↘ 26: 10.0 ↗ 27: 10.0 ↗ 28: 10.1 ↗ 29: 10.3x ↑ 30: 10.3x ↘ <hr/> Series 101.4 Total 306.7	60 Shots 	31: 9.9 → 32: 10.3x ↗ 33: 10.6x ↑ 34: 10.6x ← 35: 10.6x ↘ 36: 10.2x ↗ 37: 10.3x ↑ 38: 9.5 → 39: 10.5x ↗ 40: 10.3x ↖ <hr/> Series 102.8 Total 409.5
60 Shots 	41: 10.8x → 42: 9.3 → 43: 10.1 ← 44: 10.2x ↑ 45: 10.3x ↑ 46: 10.6x ↘ 47: 10.7x ↘ 48: 10.3x ↗ 49: 10.6x ↗ 50: 10.1 ↖ <hr/> Series 103.0 Total 512.5	60 Shots 	51: 10.5x ← 52: 9.4 → 53: 9.1 → 54: 10.0 → 55: 10.5x ↗ 56: 10.4x ↗ 57: 9.9 ↖ 58: 10.5x ↗ 59: 10.3x ← 60: 10.1 ← <hr/> Series 100.7 Total 613.2

Relay	Lane	Jörgen Pålsson	
S	33	Umeå Skf	
11.10.2015	Månadstest 2015	Umeå skytteallians	
Sight		1: 9.6 ↘ 2: 10.3x ↙ 3: 9.0 ← 4: 9.8 ↗ 5: 10.3x ↗ 6: 9.1 ↗ 7: 9.9 ↑ 8: 10.7x ↘ 9: 10.2x ↗ 10: 8.9 ←	Sight
		Series 97.8	Series 28.4
		Total 0.0	Total 0.0
60 Shots		1: 10.1 ↗ 2: 10.5x ← 3: 10.2x ↗ 4: 9.7 → 5: 10.2x ↗ 6: 9.3 ↑ 7: 9.6 ↗ 8: 10.1 ↑ 9: 9.9 ↗ 10: 10.0 ↗	11: 10.1 ↑ 12: 9.6 ↘ 13: 10.2x ↗ 14: 10.8x ↘ 15: 10.0 ↗ 16: 10.7x ↙ 17: 10.2x ↗ 18: 10.1 → 19: 9.1 ↗ 20: 10.3x ←
		Series 99.6	Series 101.1
		Total 99.6	Total 200.7
60 Shots		21: 10.0 ↗ 22: 10.3x ↗ 23: 10.1 ← 24: 9.7 ← 25: 10.5x → 26: 10.1 ↗ 27: 9.6 ↓ 28: 10.1 ↘ 29: 10.6x ↗ 30: 10.1 ←	31: 10.2x ↗ 32: 10.4x ↘ 33: 10.6x ↑ 34: 9.6 → 35: 9.7 ↑ 36: 10.3x ↑ 37: 9.8 ↖ 38: 9.3 ← 39: 10.5x ↙ 40: 9.7 ↗
		Series 101.1	Series 100.1
		Total 301.8	Total 401.9
60 Shots		41: 9.8 → 42: 10.6x ← 43: 10.5x ↓ 44: 10.2x ↗ 45: 9.6 ← 46: 9.9 ↗ 47: 10.0 ↖ 48: 10.2x ↙ 49: 10.5x ↗ 50: 9.8 →	51: 9.4 ↗ 52: 9.9 ← 53: 10.7x ↗ 54: 10.2x ↘ 55: 10.1 ↙ 56: 10.6x ↑ 57: 10.5x ↗ 58: 10.2x ↗ 59: 10.5x ↗ 60: 10.0 →
		Series 101.1	Series 102.1
		Total 503.0	Total 605.1

Sight 	<table border="1" style="width:100%; border-collapse: collapse;"> <tr><td>1:</td><td>10.6x</td><td>↘</td></tr> <tr><td>2:</td><td>10.2x</td><td>↙</td></tr> <tr><td>3:</td><td>10.5x</td><td>↘</td></tr> <tr><td>4:</td><td>10.6x</td><td>↘</td></tr> <tr><td>5:</td><td>10.0</td><td>↘</td></tr> <tr><td>6:</td><td>10.6x</td><td>→</td></tr> <tr><td>7:</td><td>8.8</td><td>↑</td></tr> <tr><td>8:</td><td>10.2x</td><td>←</td></tr> <tr><td>9:</td><td>10.3x</td><td>↘</td></tr> <tr><td>10:</td><td>10.7x</td><td>↘</td></tr> <tr><td>Series</td><td>102.5</td><td></td></tr> <tr><td>Total</td><td>0.0</td><td></td></tr> </table>	1:	10.6x	↘	2:	10.2x	↙	3:	10.5x	↘	4:	10.6x	↘	5:	10.0	↘	6:	10.6x	→	7:	8.8	↑	8:	10.2x	←	9:	10.3x	↘	10:	10.7x	↘	Series	102.5		Total	0.0		60 Shots 	<table border="1" style="width:100%; border-collapse: collapse;"> <tr><td>1:</td><td>10.2x</td><td>↗</td></tr> <tr><td>2:</td><td>10.2x</td><td>↙</td></tr> <tr><td>3:</td><td>10.5x</td><td>→</td></tr> <tr><td>4:</td><td>10.4x</td><td>←</td></tr> <tr><td>5:</td><td>10.0</td><td>↖</td></tr> <tr><td>6:</td><td>10.8x</td><td>←</td></tr> <tr><td>7:</td><td>10.4x</td><td>↘</td></tr> <tr><td>8:</td><td>10.5x</td><td>↗</td></tr> <tr><td>9:</td><td>10.3x</td><td>↖</td></tr> <tr><td>10:</td><td>10.5x</td><td>←</td></tr> <tr><td>Series</td><td>103.8</td><td></td></tr> <tr><td>Total</td><td>103.8</td><td></td></tr> </table>	1:	10.2x	↗	2:	10.2x	↙	3:	10.5x	→	4:	10.4x	←	5:	10.0	↖	6:	10.8x	←	7:	10.4x	↘	8:	10.5x	↗	9:	10.3x	↖	10:	10.5x	←	Series	103.8		Total	103.8	
1:	10.6x	↘																																																																									
2:	10.2x	↙																																																																									
3:	10.5x	↘																																																																									
4:	10.6x	↘																																																																									
5:	10.0	↘																																																																									
6:	10.6x	→																																																																									
7:	8.8	↑																																																																									
8:	10.2x	←																																																																									
9:	10.3x	↘																																																																									
10:	10.7x	↘																																																																									
Series	102.5																																																																										
Total	0.0																																																																										
1:	10.2x	↗																																																																									
2:	10.2x	↙																																																																									
3:	10.5x	→																																																																									
4:	10.4x	←																																																																									
5:	10.0	↖																																																																									
6:	10.8x	←																																																																									
7:	10.4x	↘																																																																									
8:	10.5x	↗																																																																									
9:	10.3x	↖																																																																									
10:	10.5x	←																																																																									
Series	103.8																																																																										
Total	103.8																																																																										
60 Shots 	<table border="1" style="width:100%; border-collapse: collapse;"> <tr><td>11:</td><td>10.5x</td><td>→</td></tr> <tr><td>12:</td><td>10.4x</td><td>↗</td></tr> <tr><td>13:</td><td>10.6x</td><td>→</td></tr> <tr><td>14:</td><td>9.7</td><td>←</td></tr> <tr><td>15:</td><td>10.8x</td><td>↗</td></tr> <tr><td>16:</td><td>10.3x</td><td>←</td></tr> <tr><td>17:</td><td>10.2x</td><td>↗</td></tr> <tr><td>18:</td><td>10.1</td><td>↗</td></tr> <tr><td>19:</td><td>10.8x</td><td>→</td></tr> <tr><td>20:</td><td>9.4</td><td>↗</td></tr> <tr><td>Series</td><td>102.8</td><td></td></tr> <tr><td>Total</td><td>206.6</td><td></td></tr> </table>	11:	10.5x	→	12:	10.4x	↗	13:	10.6x	→	14:	9.7	←	15:	10.8x	↗	16:	10.3x	←	17:	10.2x	↗	18:	10.1	↗	19:	10.8x	→	20:	9.4	↗	Series	102.8		Total	206.6		60 Shots 	<table border="1" style="width:100%; border-collapse: collapse;"> <tr><td>21:</td><td>10.0</td><td>↖</td></tr> <tr><td>22:</td><td>10.7x</td><td>↙</td></tr> <tr><td>23:</td><td>10.4x</td><td>↘</td></tr> <tr><td>24:</td><td>10.0</td><td>←</td></tr> <tr><td>25:</td><td>10.7x</td><td>↑</td></tr> <tr><td>26:</td><td>9.9</td><td>←</td></tr> <tr><td>27:</td><td>10.0</td><td>↘</td></tr> <tr><td>28:</td><td>10.6x</td><td>↑</td></tr> <tr><td>29:</td><td>10.5x</td><td>↑</td></tr> <tr><td>30:</td><td>10.8x</td><td>→</td></tr> <tr><td>Series</td><td>103.6</td><td></td></tr> <tr><td>Total</td><td>310.2</td><td></td></tr> </table>	21:	10.0	↖	22:	10.7x	↙	23:	10.4x	↘	24:	10.0	←	25:	10.7x	↑	26:	9.9	←	27:	10.0	↘	28:	10.6x	↑	29:	10.5x	↑	30:	10.8x	→	Series	103.6		Total	310.2	
11:	10.5x	→																																																																									
12:	10.4x	↗																																																																									
13:	10.6x	→																																																																									
14:	9.7	←																																																																									
15:	10.8x	↗																																																																									
16:	10.3x	←																																																																									
17:	10.2x	↗																																																																									
18:	10.1	↗																																																																									
19:	10.8x	→																																																																									
20:	9.4	↗																																																																									
Series	102.8																																																																										
Total	206.6																																																																										
21:	10.0	↖																																																																									
22:	10.7x	↙																																																																									
23:	10.4x	↘																																																																									
24:	10.0	←																																																																									
25:	10.7x	↑																																																																									
26:	9.9	←																																																																									
27:	10.0	↘																																																																									
28:	10.6x	↑																																																																									
29:	10.5x	↑																																																																									
30:	10.8x	→																																																																									
Series	103.6																																																																										
Total	310.2																																																																										
60 Shots 	<table border="1" style="width:100%; border-collapse: collapse;"> <tr><td>31:</td><td>10.7x</td><td>↗</td></tr> <tr><td>32:</td><td>10.3x</td><td>→</td></tr> <tr><td>33:</td><td>10.0</td><td>→</td></tr> <tr><td>34:</td><td>10.3x</td><td>←</td></tr> <tr><td>35:</td><td>10.5x</td><td>↗</td></tr> <tr><td>36:</td><td>9.7</td><td>←</td></tr> <tr><td>37:</td><td>10.6x</td><td>↗</td></tr> <tr><td>38:</td><td>10.5x</td><td>↗</td></tr> <tr><td>39:</td><td>10.3x</td><td>↖</td></tr> <tr><td>40:</td><td>10.2x</td><td>↘</td></tr> <tr><td>Series</td><td>103.1</td><td></td></tr> <tr><td>Total</td><td>413.3</td><td></td></tr> </table>	31:	10.7x	↗	32:	10.3x	→	33:	10.0	→	34:	10.3x	←	35:	10.5x	↗	36:	9.7	←	37:	10.6x	↗	38:	10.5x	↗	39:	10.3x	↖	40:	10.2x	↘	Series	103.1		Total	413.3		60 Shots 	<table border="1" style="width:100%; border-collapse: collapse;"> <tr><td>41:</td><td>10.5x</td><td>↗</td></tr> <tr><td>42:</td><td>10.5x</td><td>↘</td></tr> <tr><td>43:</td><td>10.6x</td><td>↖</td></tr> <tr><td>44:</td><td>10.5x</td><td>→</td></tr> <tr><td>45:</td><td>10.3x</td><td>↘</td></tr> <tr><td>46:</td><td>10.5x</td><td>↑</td></tr> <tr><td>47:</td><td>10.6x</td><td>←</td></tr> <tr><td>48:</td><td>10.9x</td><td>←</td></tr> <tr><td>49:</td><td>10.2x</td><td>↗</td></tr> <tr><td>50:</td><td>10.8x</td><td>↘</td></tr> <tr><td>Series</td><td>105.4</td><td></td></tr> <tr><td>Total</td><td>518.7</td><td></td></tr> </table>	41:	10.5x	↗	42:	10.5x	↘	43:	10.6x	↖	44:	10.5x	→	45:	10.3x	↘	46:	10.5x	↑	47:	10.6x	←	48:	10.9x	←	49:	10.2x	↗	50:	10.8x	↘	Series	105.4		Total	518.7	
31:	10.7x	↗																																																																									
32:	10.3x	→																																																																									
33:	10.0	→																																																																									
34:	10.3x	←																																																																									
35:	10.5x	↗																																																																									
36:	9.7	←																																																																									
37:	10.6x	↗																																																																									
38:	10.5x	↗																																																																									
39:	10.3x	↖																																																																									
40:	10.2x	↘																																																																									
Series	103.1																																																																										
Total	413.3																																																																										
41:	10.5x	↗																																																																									
42:	10.5x	↘																																																																									
43:	10.6x	↖																																																																									
44:	10.5x	→																																																																									
45:	10.3x	↘																																																																									
46:	10.5x	↑																																																																									
47:	10.6x	←																																																																									
48:	10.9x	←																																																																									
49:	10.2x	↗																																																																									
50:	10.8x	↘																																																																									
Series	105.4																																																																										
Total	518.7																																																																										
60 Shots 	<table border="1" style="width:100%; border-collapse: collapse;"> <tr><td>51:</td><td>10.3x</td><td>→</td></tr> <tr><td>52:</td><td>10.1</td><td>↖</td></tr> <tr><td>53:</td><td>9.8</td><td>↗</td></tr> <tr><td>54:</td><td>10.5x</td><td>↘</td></tr> <tr><td>55:</td><td>10.3x</td><td>↘</td></tr> <tr><td>56:</td><td>10.5x</td><td>↗</td></tr> <tr><td>57:</td><td>10.3x</td><td>↗</td></tr> <tr><td>58:</td><td>9.9</td><td>→</td></tr> <tr><td>59:</td><td>9.9</td><td>↘</td></tr> <tr><td>60:</td><td>10.6x</td><td>↘</td></tr> <tr><td>Series</td><td>102.2</td><td></td></tr> <tr><td>Total</td><td>620.9</td><td></td></tr> </table>	51:	10.3x	→	52:	10.1	↖	53:	9.8	↗	54:	10.5x	↘	55:	10.3x	↘	56:	10.5x	↗	57:	10.3x	↗	58:	9.9	→	59:	9.9	↘	60:	10.6x	↘	Series	102.2		Total	620.9																																							
51:	10.3x	→																																																																									
52:	10.1	↖																																																																									
53:	9.8	↗																																																																									
54:	10.5x	↘																																																																									
55:	10.3x	↘																																																																									
56:	10.5x	↗																																																																									
57:	10.3x	↗																																																																									
58:	9.9	→																																																																									
59:	9.9	↘																																																																									
60:	10.6x	↘																																																																									
Series	102.2																																																																										
Total	620.9																																																																										