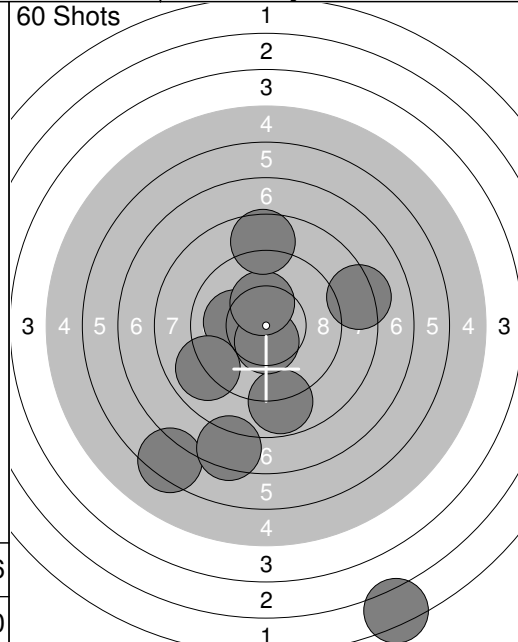
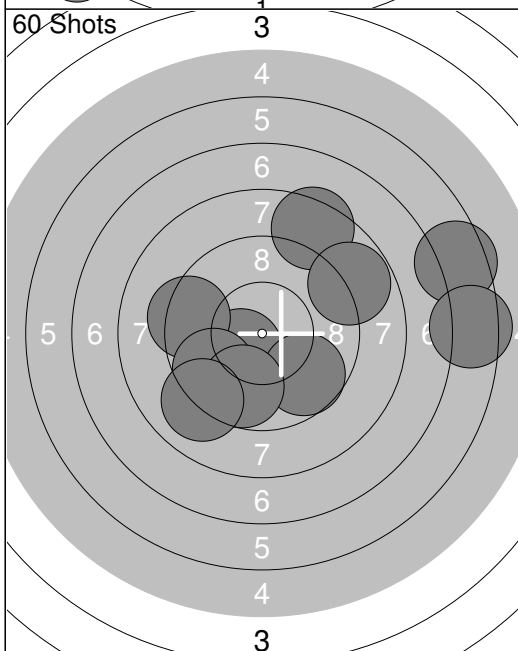


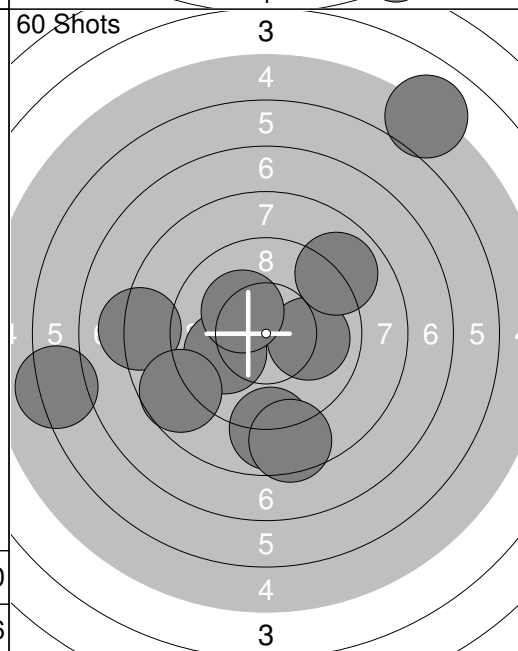
1:	1.9	↘
2:	7.9	↑
3:	10.1	↘
4:	8.8	→
5:	10.5x	→
6:	10.1	←
7:	10.4x	↗
8:	10.0	↑
9:	8.9	←
Series		78.6
Total		0.0



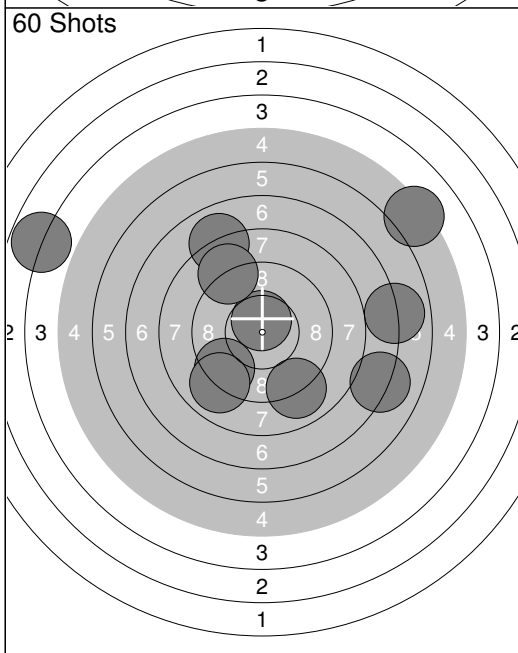
1:	2.3	↘
2:	8.8	↘
3:	8.3	→
4:	10.1	←
5:	10.5x	↘
6:	10.3x	↑
7:	8.9	↙
8:	6.4	↙
9:	8.6	↑
10:	7.4	↘
Series		81.6
Total		81.6



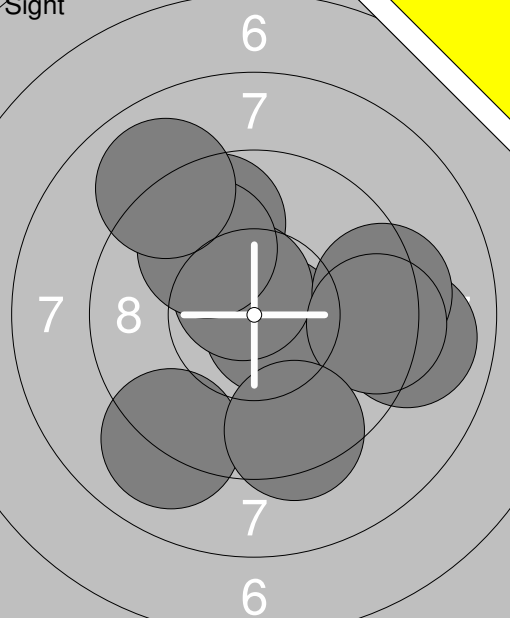
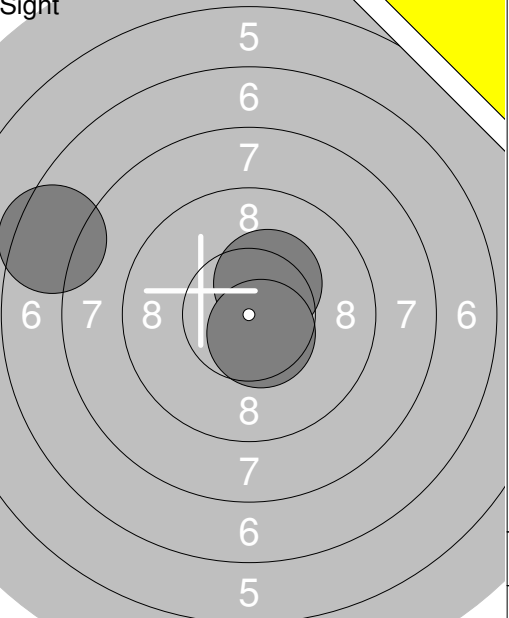
11:	6.5	→
12:	10.4x	↙
13:	6.5	→
14:	9.3	←
15:	8.4	↑
16:	9.7	↘
17:	8.8	→
18:	9.7	↙
19:	9.7	↘
20:	9.0	↘
Series		88.0
Total		169.6

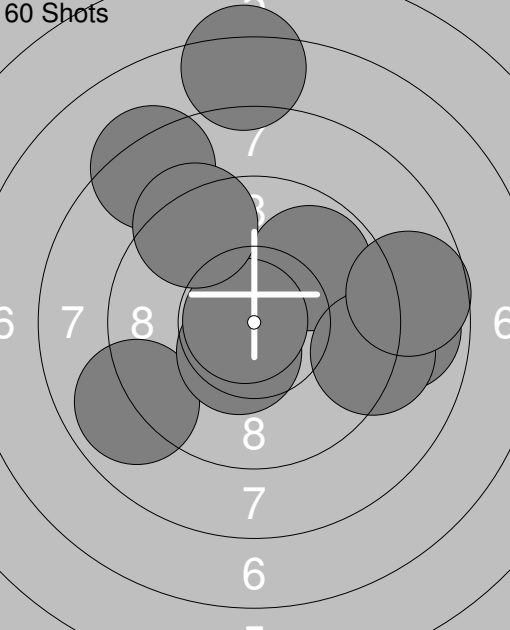
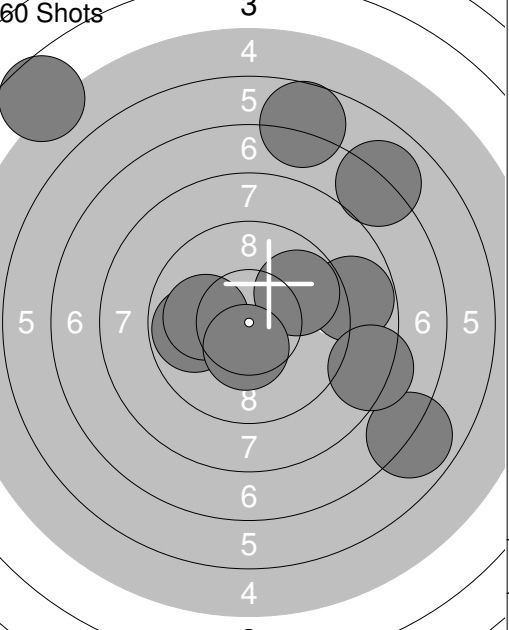


21:	10.0	↙
22:	6.2	←
23:	8.9	↘
24:	8.5	↘
25:	5.1	↗
26:	10.0	→
27:	8.2	←
28:	8.7	↙
29:	8.9	↗
30:	10.2x	↙
Series		84.7
Total		254.3



31:	8.0	↗
32:	9.0	↘
33:	7.0	→
34:	10.6x	↑
35:	7.1	→
36:	9.4	↙
37:	9.0	↙
38:	3.8	←
39:	8.9	↑
40:	5.2	↗
Series		78.0
Total		332.3

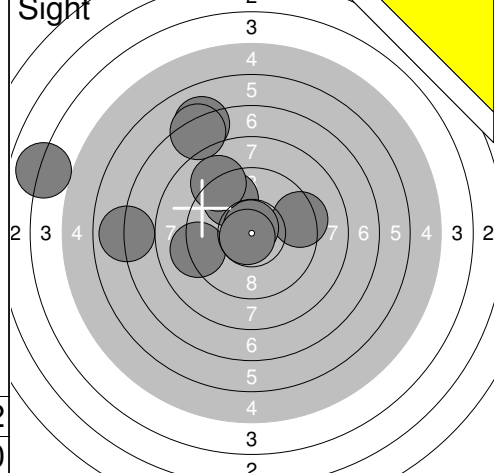
 <p>Sight</p>	<p>1: 9.7 ↗</p> <p>2: 10.7x →</p> <p>3: 10.6x ↗</p> <p>4: 9.9 ↗</p> <p>5: 9.0 ↓</p> <p>6: 9.0 →</p> <p>7: 9.0 ↗</p> <p>8: 9.3 →</p> <p>9: 9.4 →</p> <p>10: 9.4 ↓</p> <p>Series 96.0</p> <p>Total 0.0</p>	 <p>Sight</p>	<p>11: 10.4x ↗</p> <p>12: 10.6x ↓</p> <p>13: 7.5 ←</p> <p>Series 28.5</p> <p>Total 0.0</p>
---	--	---	--

 <p>60 Shots</p>	<p>1: 9.8 ↗</p> <p>2: 8.9 ←</p> <p>3: 10.5x ↓</p> <p>4: 10.8x ←</p> <p>5: 8.9 →</p> <p>6: 9.2 →</p> <p>7: 8.3 ↗</p> <p>8: 9.3 ↗</p> <p>9: 8.7 →</p> <p>10: 7.3 ↑</p> <p>Series 91.7</p> <p>Total 91.7</p>	 <p>60 Shots</p>	<p>11: 6.9 →</p> <p>12: 6.7 ↑</p> <p>13: 7.0 ↗</p> <p>14: 9.8 ←</p> <p>15: 4.6 ↗</p> <p>16: 8.8 →</p> <p>17: 10.0 ←</p> <p>18: 9.8 ↗</p> <p>19: 8.3 →</p> <p>20: 10.4x ↓</p> <p>Series 82.3</p> <p>Total 174.0</p>
---	---	---	--

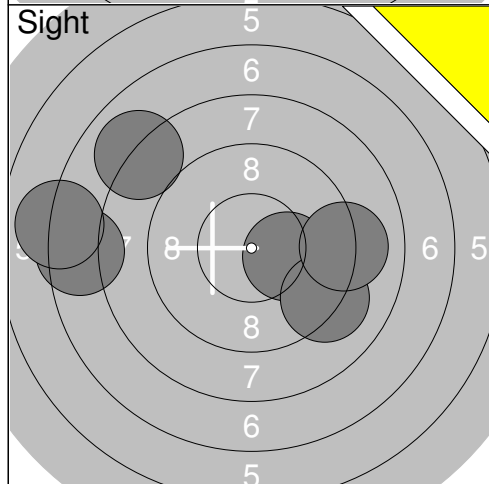
 <p>60 Shots</p>	<p>21: 8.9 ←</p> <p>22: 10.4x ↑</p> <p>23: 10.3x ↓</p> <p>24: 8.9 ↗</p> <p>25: 10.3x ↑</p> <p>26: 8.7 ↗</p> <p>27: 8.3 ←</p> <p>28: 8.8 →</p> <p>29: 7.1 ↗</p> <p>30: 9.5 ↓</p> <p>Series 91.2</p> <p>Total 265.2</p>	 <p>60 Shots</p>	<p>31: 7.6 ↓</p> <p>32: 8.4 ↗</p> <p>33: 10.6x ↗</p> <p>34: 9.9 ↓</p> <p>35: 8.0 ↗</p> <p>36: 8.7 ←</p> <p>37: 9.6 ↗</p> <p>38: 10.7x ↓</p> <p>39: 9.3 ↓</p> <p>40: 8.2 ↗</p> <p>Series 91.0</p> <p>Total 356.2</p>
--	---	--	---



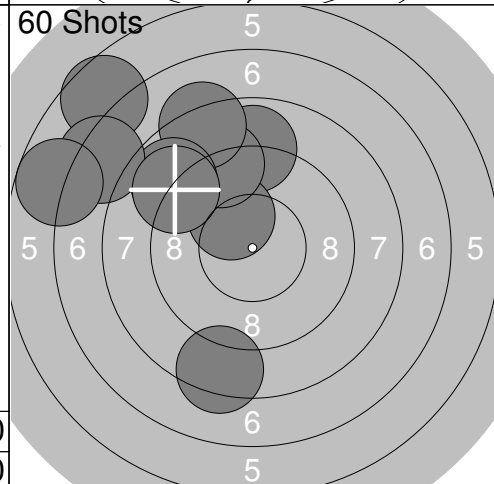
1: 6.8 ↗
2: 9.5 ↓
3: 9.2 ↗
4: 8.3 ←
5: 10.6x ↑
6: 9.8 ←
7: 7.3 ↗
8: 8.5 ←
9: 7.9 ←
10: 9.3 ↗
Series 87.2
Total 0.0



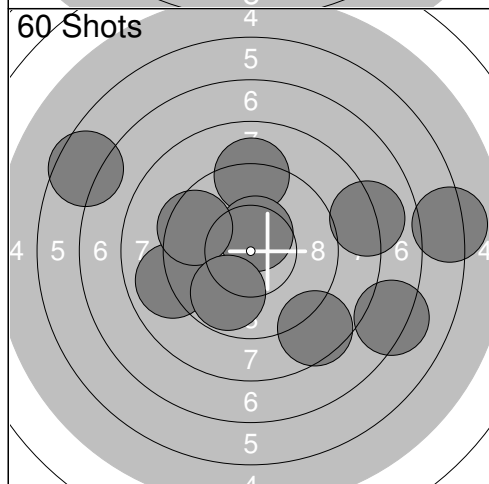
11: 7.1 ↗
12: 9.7 ↗
13: 9.2 ←
14: 9.3 →
15: 7.3 ↗
16: 4.0 ←
17: 10.8x ↑
18: 9.0 ↗
19: 6.9 ←
20: 10.8x ↙
Series 84.1
Total 0.0



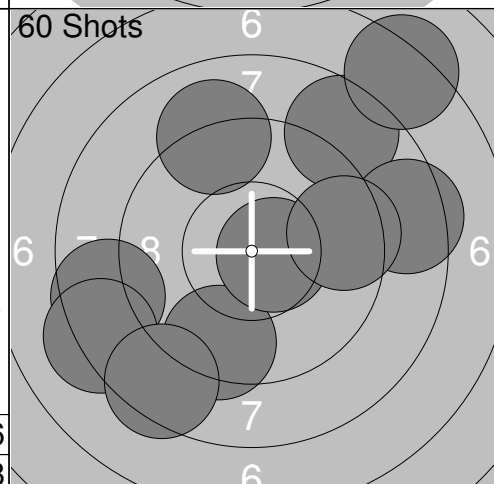
21: 7.5 ←
22: 10.2x →
23: 9.2 ↓
24: 9.1 →
25: 7.0 ←
26: 8.0 ↗
Series 51.0
Total 0.0



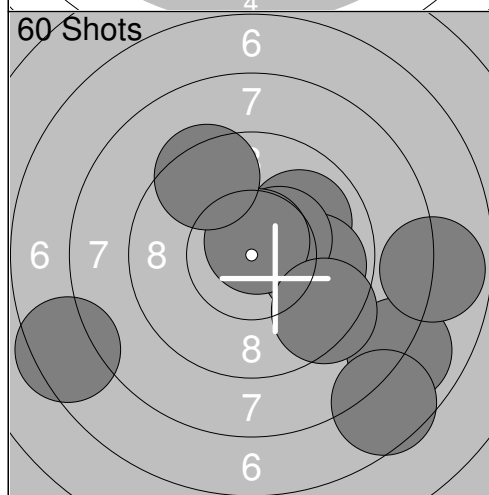
1: 8.9 ↑
2: 10.2x ↗
3: 8.4 ↓
4: 9.1 ↗
5: 8.2 ↗
6: 8.8 ↗
7: 6.6 ↗
8: 7.3 ↗
9: 6.7 ←
10: 9.0 ↗
Series 83.2
Total 83.2



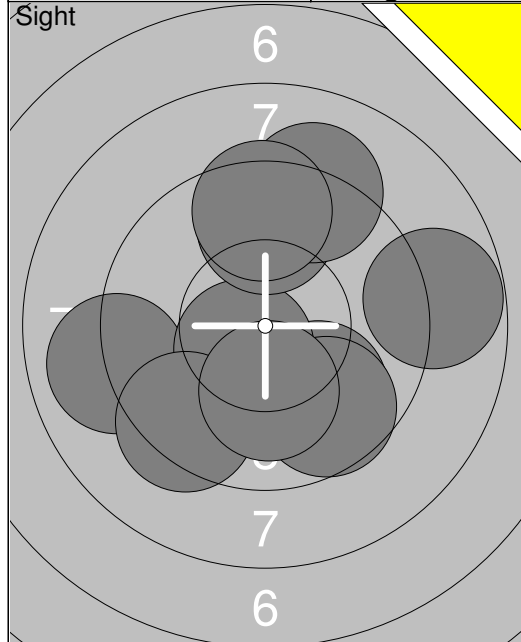
11: 6.6 ←
12: 9.1 ↑
13: 10.5x ↑
14: 9.0 ←
15: 8.1 →
16: 9.5 ↗
17: 8.6 ↓
18: 6.2 →
19: 7.2 ↓
20: 9.8 ↓
Series 84.6
Total 167.8



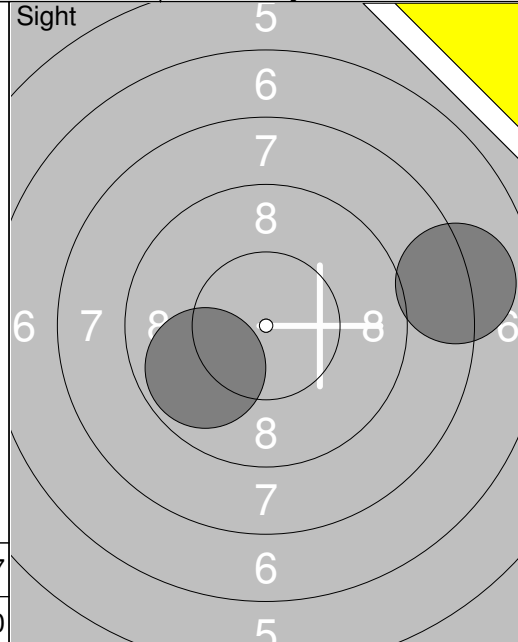
21: 8.6 ←
22: 8.2 ←
23: 8.6 ↗
24: 9.4 ↓
25: 10.6x →
26: 9.1 ↑
27: 8.4 →
28: 9.5 →
29: 7.3 ↗
30: 8.5 ↓
Series 88.2
Total 256.0



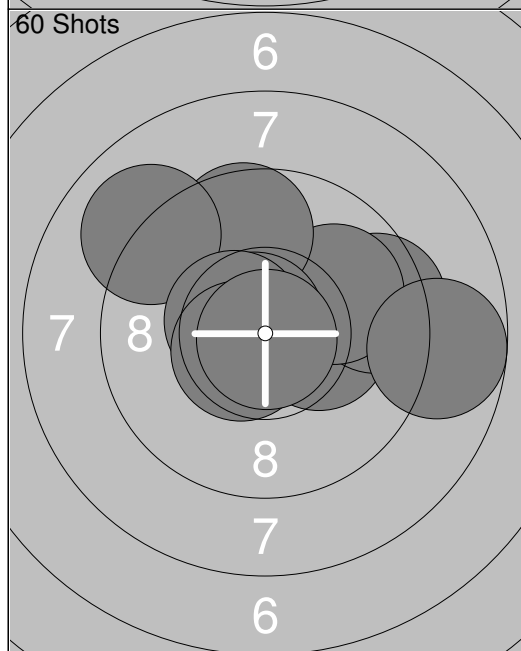
31: 7.4 ←
32: 8.0 ↓
33: 10.0 ↗
34: 7.6 ↓
35: 9.9 →
36: 10.4x ↗
37: 7.9 →
38: 10.7x ↑
39: 9.4 ↓
40: 9.4 ↗
Series 90.7
Total 346.7



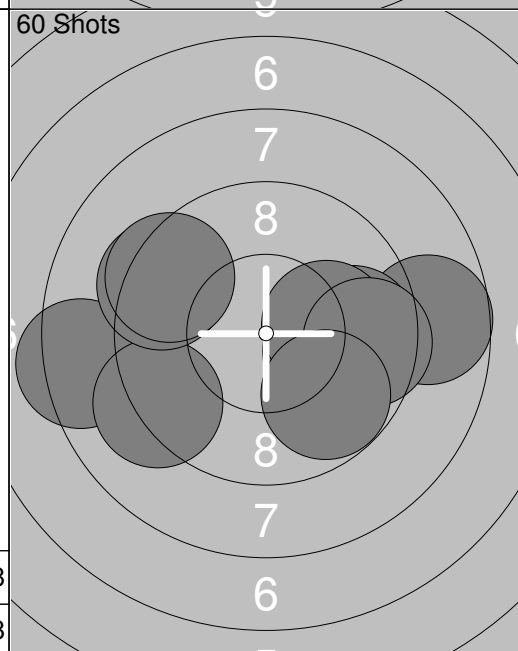
1: 9.0	←
2: 9.9	↘
3: 9.7	↘
4: 10.5x	↙
5: 9.7	↑
6: 9.4	↙
7: 10.1	↓
8: 8.8	→
9: 9.1	↑
10: 9.5	↑
Series	95.7
Total	0.0



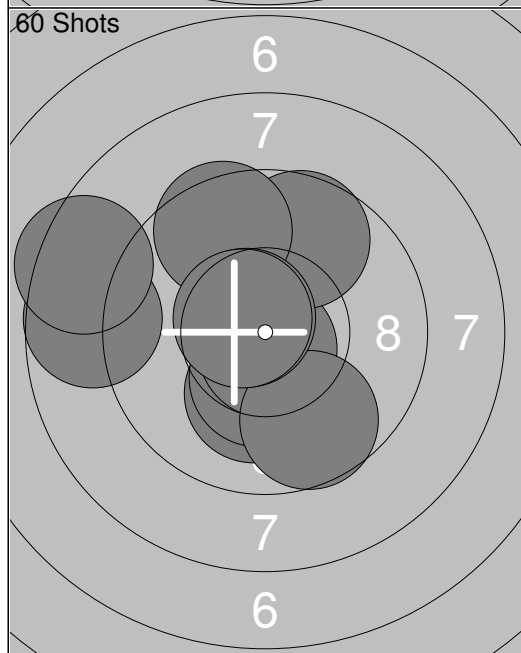
11: 8.1	→
12: 9.9	↙
Series	18.0
Total	0.0



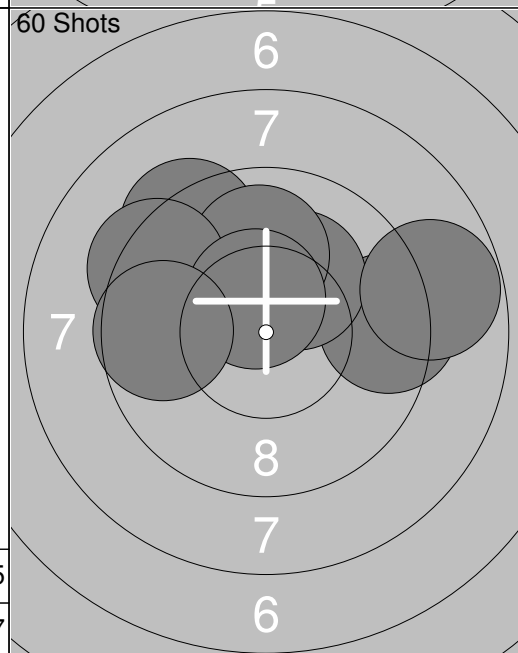
1: 10.3x	→
2: 9.5	→
3: 9.9	↗
4: 9.6	↑
5: 9.0	↖
6: 10.8x	↖
7: 10.5x	↖
8: 10.6x	↙
9: 8.7	→
10: 10.9x	↓
Series	99.8
Total	99.8



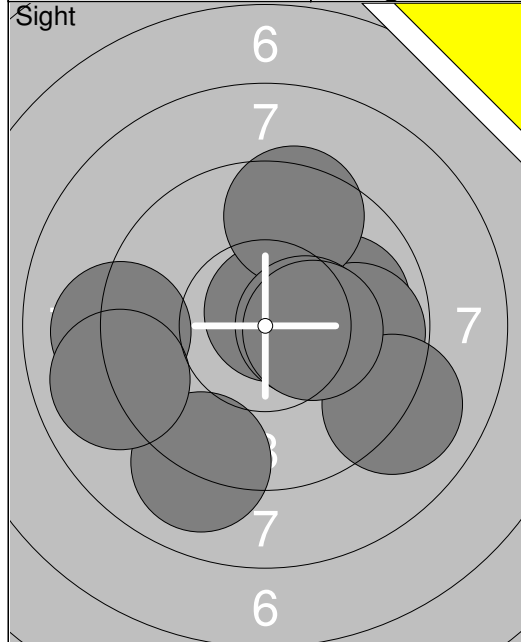
11: 8.4	←
12: 9.2	↙
13: 9.4	↖
14: 8.7	→
15: 9.8	→
16: 10.1	→
17: 10.1	→
18: 9.5	→
19: 9.4	↖
20: 9.8	↘
Series	94.4
Total	194.2



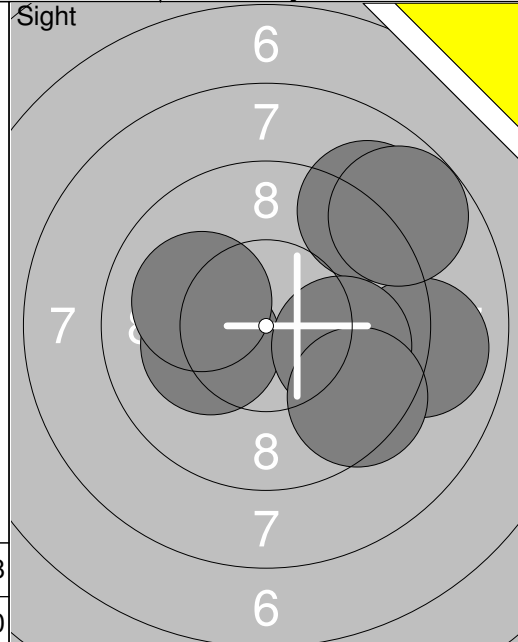
21: 10.1	↓
22: 10.4x	↓
23: 10.7x	↓
24: 9.7	↓
25: 8.7	←
26: 9.7	↑
27: 8.5	←
28: 9.5	↑
29: 10.6x	↖
30: 10.6x	↖
Series	98.5
Total	292.7



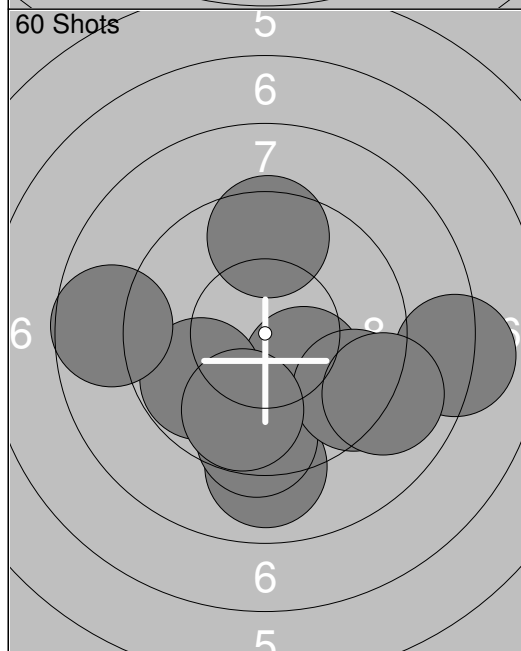
31: 9.3	↖
32: 9.8	↖
33: 9.4	→
34: 10.2x	↗
35: 9.7	↖
36: 10.0	↑
37: 9.3	↖
38: 8.8	→
39: 10.5x	↖
40: 9.6	←
Series	96.6
Total	389.3



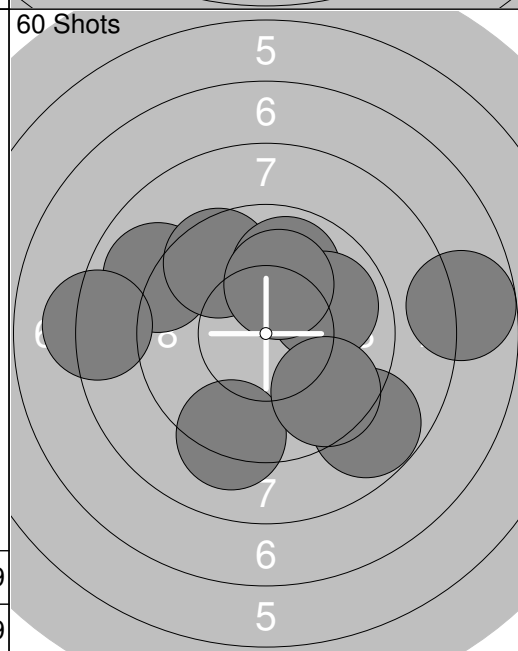
1: 10.0 →
2: 9.8 →
3: 10.7x ↗
4: 9.0 →
5: 9.0 ↓
6: 9.1 ←
7: 9.5 ↑
8: 9.0 ←
9: 10.4x →
10: 10.3x →
Series 96.8
Total 0.0



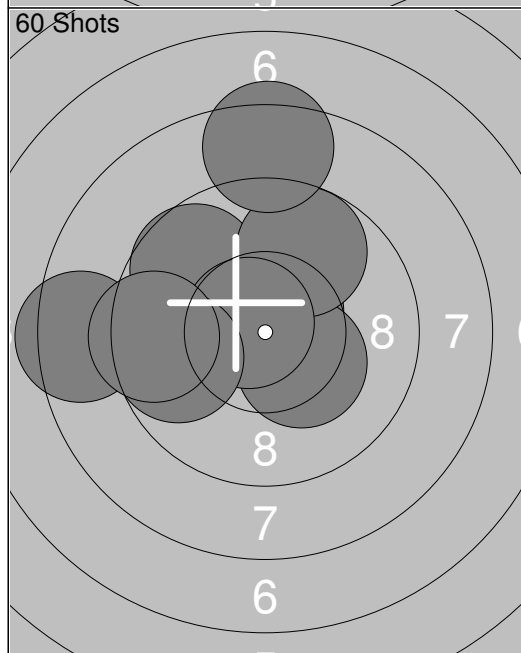
11: 9.0 →
12: 10.2x ↙
13: 9.0 ↗
14: 9.9 →
15: 8.8 ↗
16: 9.5 ↘
17: 10.1 ↙
Series 66.5
Total 0.0



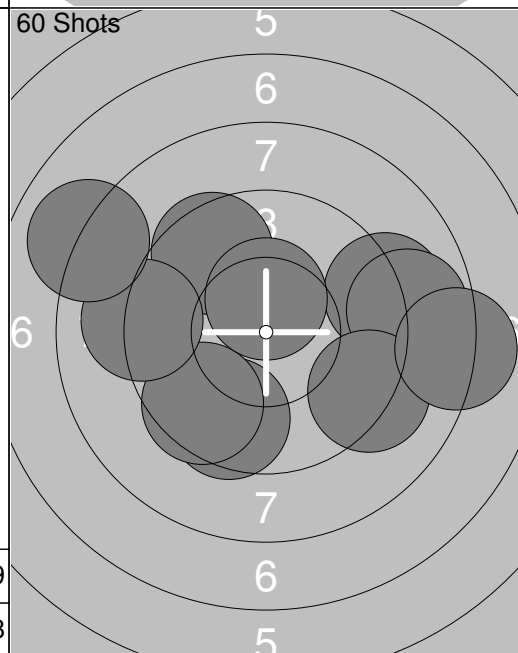
1: 10.2x ↘
2: 8.1 →
3: 9.0 ↓
4: 9.8 ↙
5: 9.4 ↓
6: 9.4 →
7: 9.8 ↓
8: 8.7 ←
9: 9.0 →
10: 9.5 ↑
Series 92.9
Total 92.9



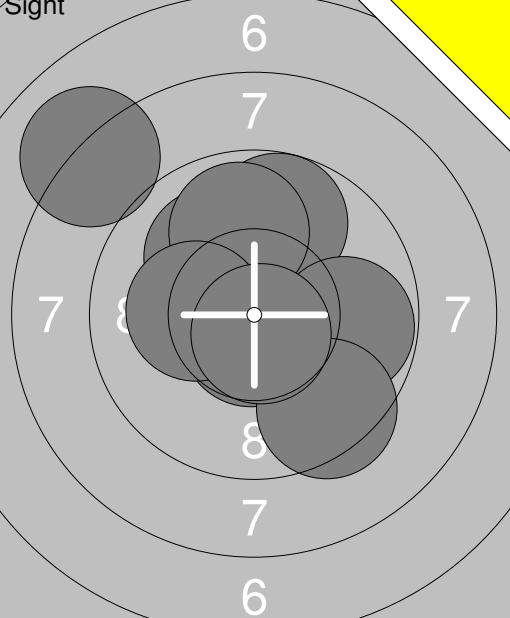
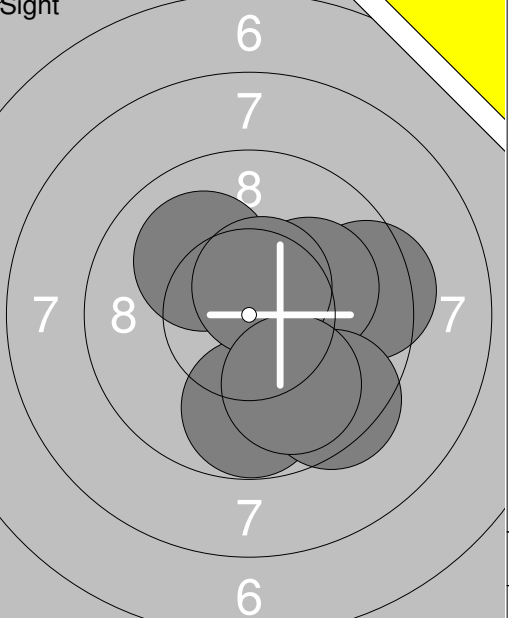
11: 7.7 →
12: 9.0 ↙
13: 8.2 ←
14: 9.2 ↓
15: 9.6 ↗
16: 9.9 ↑
17: 8.8 ↘
18: 9.9 ↗
19: 10.1 ↑
20: 9.6 ↘
Series 92.0
Total 184.9

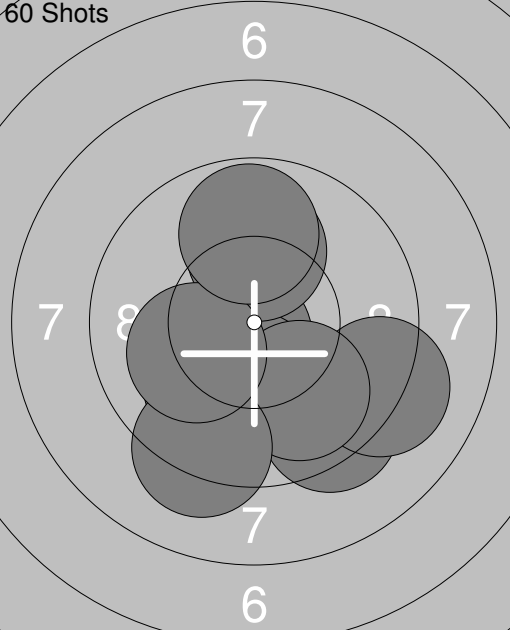
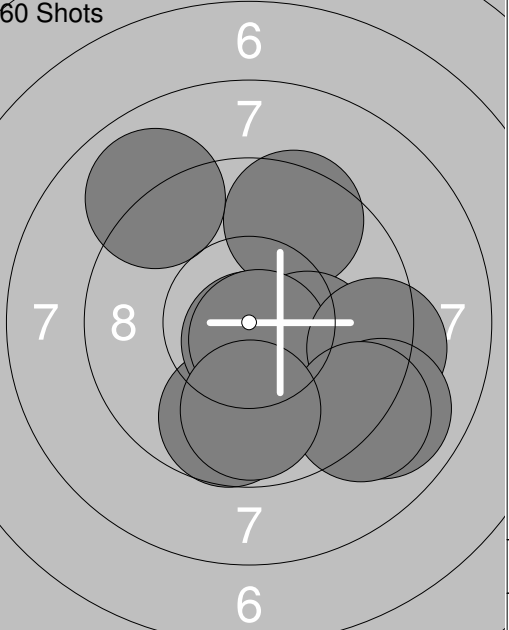


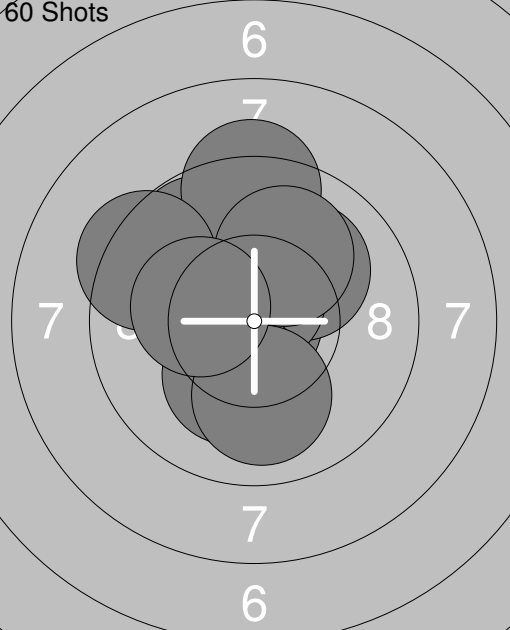
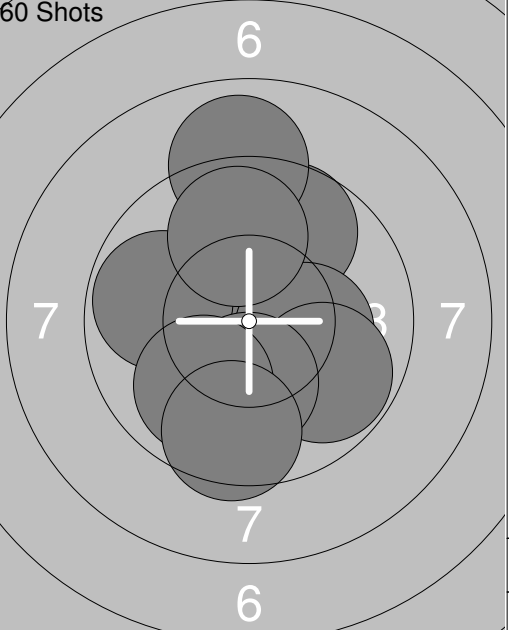
21: 9.9 ←
22: 8.4 ←
23: 9.7 ↙
24: 10.6x ↗
25: 10.3x ↘
26: 9.8 ↗
27: 10.7x ↙
28: 9.7 ←
29: 9.4 ←
30: 8.4 ↑
Series 96.9
Total 281.8

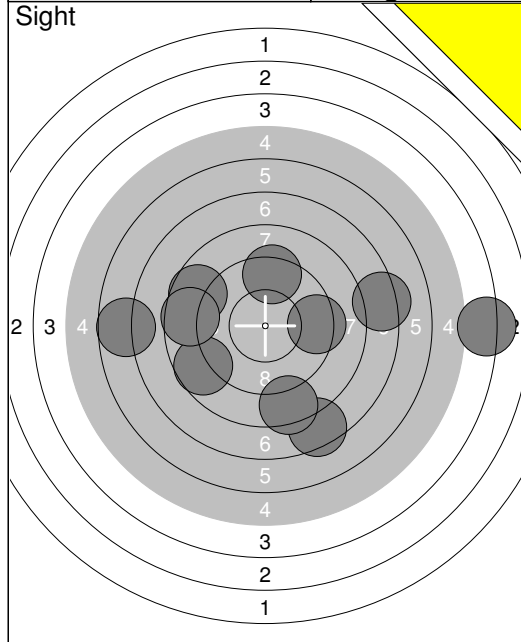


31: 9.6 ↓
32: 9.5 ↙
33: 9.6 ↗
34: 9.1 ←
35: 9.1 →
36: 8.8 →
37: 8.0 ↙
38: 9.2 ↘
39: 8.1 →
40: 10.5x ↑
Series 91.5
Total 373.3

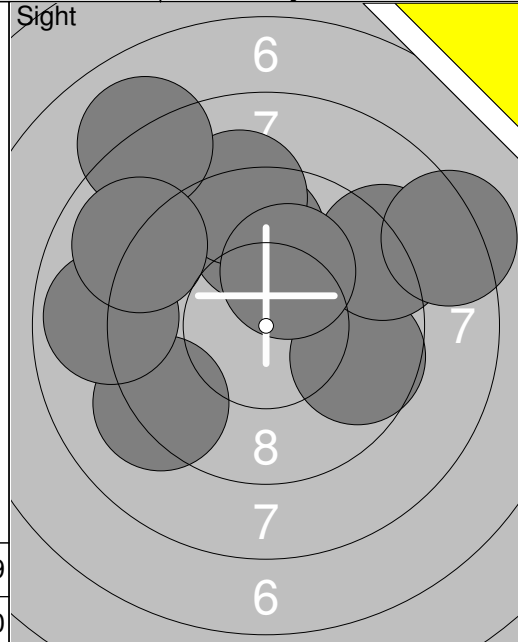
Sight 	1: 8.0 ↖ 2: 10.6x → 3: 10.1 ↖ 4: 9.7 ↑ 5: 9.8 → 6: 9.9 ↑ 7: 10.7x ↓ 8: 9.4 ↓ 9: 10.2x ← 10: 10.7x ↓ <hr/> Series 99.1 Total 0.0	Sight 	11: 10.1 ↖ 12: 9.4 → 13: 10.1 → 14: 9.8 ↓ 15: 9.4 ↘ 16: 10.6x ↑ 17: 9.9 ↓ <hr/> Series 69.3 Total 0.0
--	--	--	---

60 Shots 	1: 10.7x ↓ 2: 9.3 ↓ 3: 9.2 → 4: 10.2x ↓ 5: 10.0 ↓ 6: 10.0 ↑ 7: 9.9 ↓ 8: 9.2 ↓ 9: 10.1 ← 10: 9.8 ↑ <hr/> Series 98.4 Total 98.4	60 Shots 	11: 9.5 ↗ 12: 10.2x → 13: 9.7 ↓ 14: 10.7x ↓ 15: 10.7x ↓ 16: 9.3 → 17: 8.9 ↘ 18: 9.1 ↘ 19: 9.0 ↗ 20: 9.8 ↓ <hr/> Series 96.9 Total 195.3
--	---	--	--

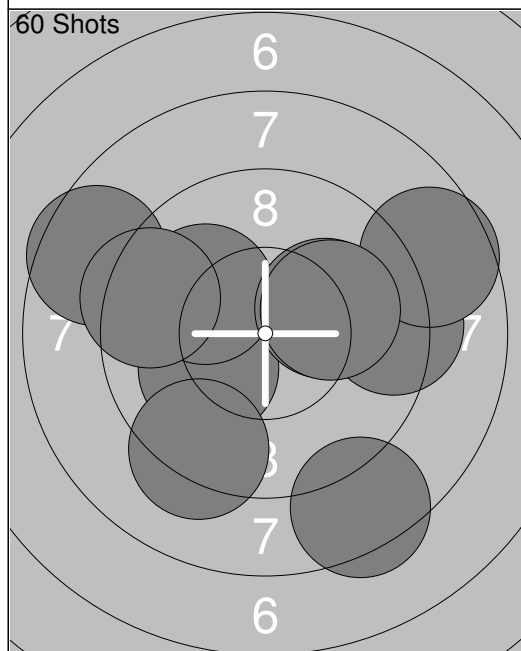
60 Shots 	21: 10.9x ← 22: 10.1 ↗ 23: 9.8 ↖ 24: 10.6x ↑ 25: 10.2x ↓ 26: 9.3 ↑ 27: 10.0 ↓ 28: 10.0 ↗ 29: 9.4 ↖ 30: 10.2x ← <hr/> Series 100.5 Total 295.8	60 Shots 	31: 10.5x ↓ 32: 9.7 ↗ 33: 9.0 ↑ 34: 10.2x → 35: 9.8 ← 36: 9.8 ↘ 37: 9.9 ↑ 38: 10.2x ↓ 39: 10.0 ↘ 40: 9.5 ↓ <hr/> Series 98.6 Total 394.4
---	--	---	---



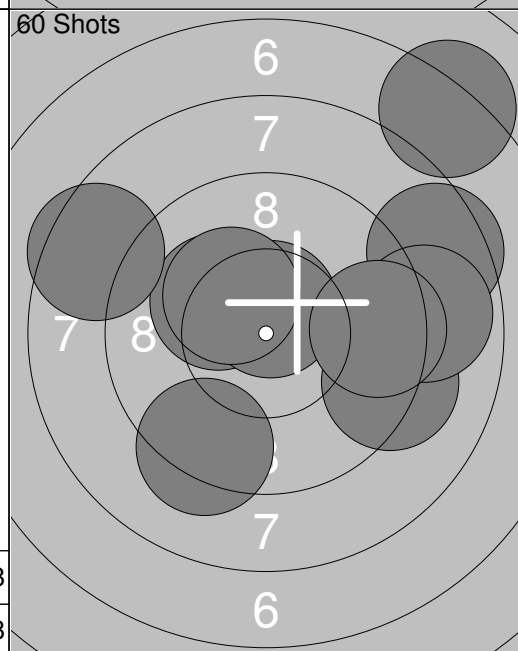
1:	7.5	↘
2:	9.4	↑
3:	9.4	→
4:	4.2	→
5:	8.7	↙
6:	8.7	↖
7:	6.7	←
8:	8.4	↓
9:	8.6	←
10:	7.3	→
Series	78.9	
Total	0.0	



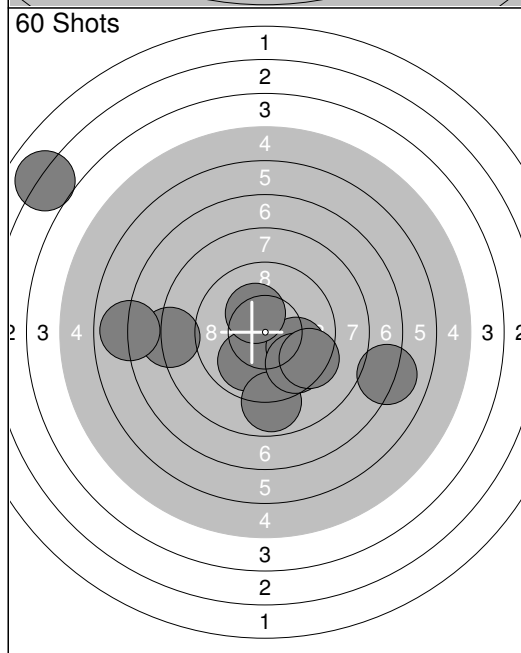
11:	9.7	→
12:	9.8	↑
13:	9.2	↙
14:	8.9	←
15:	9.2	↑
16:	8.1	↖
17:	9.1	↗
18:	9.0	↖
19:	10.2x	↑
20:	8.3	↗
Series	91.5	
Total	0.0	



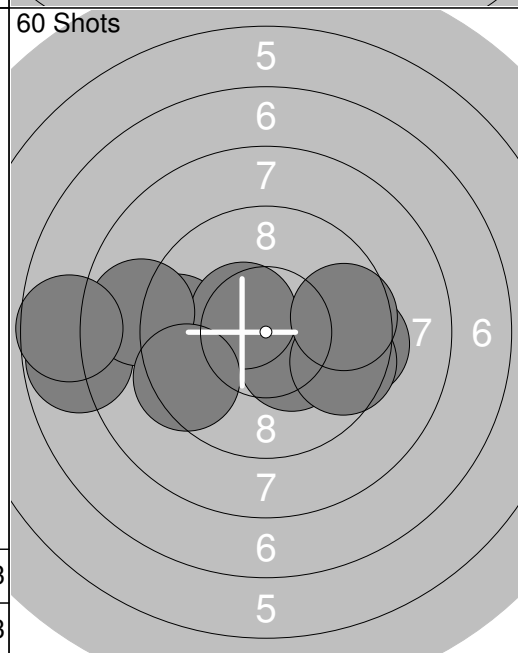
1:	8.4	↘
2:	10.1	↙
3:	9.2	↘
4:	10.0	↖
5:	8.6	↖
6:	9.4	↖
7:	10.1	→
8:	9.3	→
9:	8.6	↗
10:	10.1	→
Series	93.8	
Total	93.8	



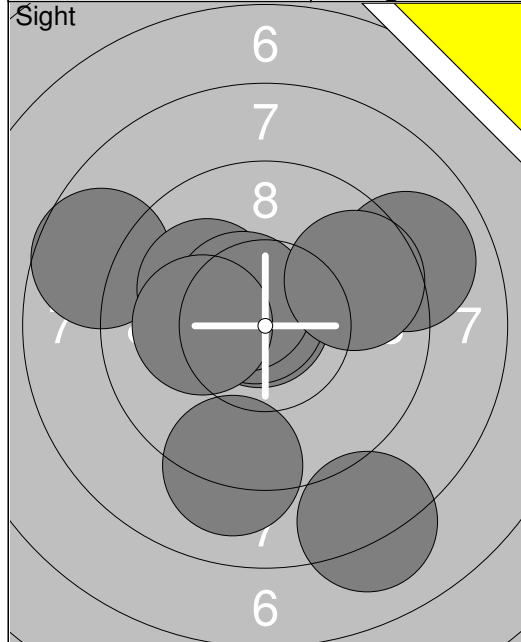
11:	10.2x	↖
12:	8.5	↗
13:	9.2	→
14:	7.2	↗
15:	9.3	↘
16:	8.9	→
17:	8.5	↖
18:	10.6x	↑
19:	9.5	→
20:	10.3x	↖
Series	92.2	
Total	186.0	



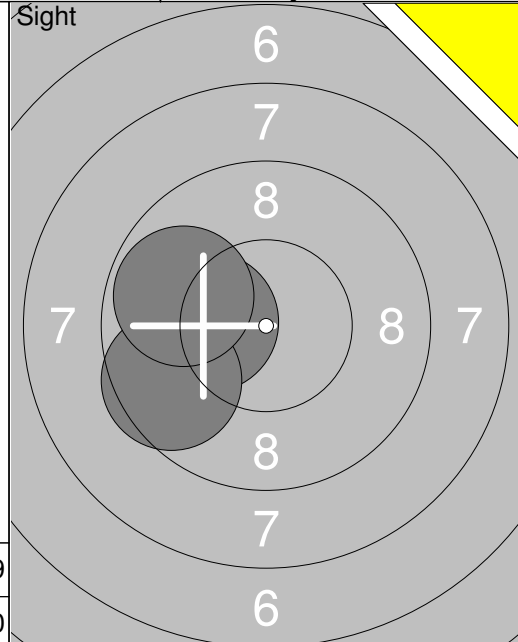
21:	8.1	←
22:	7.1	→
23:	6.9	←
24:	10.0	↘
25:	9.9	↗
26:	3.0	↗
27:	8.9	↓
28:	9.7	↘
29:	9.4	↘
30:	10.3x	↗
Series	83.3	
Total	269.3	



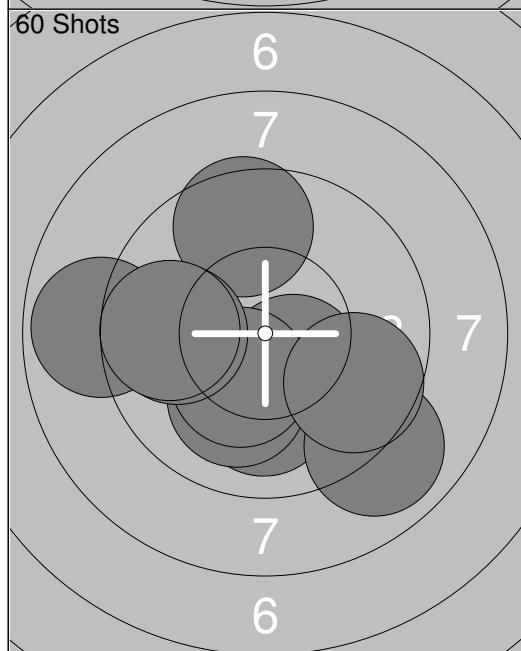
31:	9.4	→
32:	9.5	←
33:	7.8	←
34:	10.3x	↘
35:	9.6	→
36:	10.5x	↖
37:	8.8	←
38:	7.7	←
39:	9.4	↙
40:	9.6	→
Series	92.6	
Total	361.9	



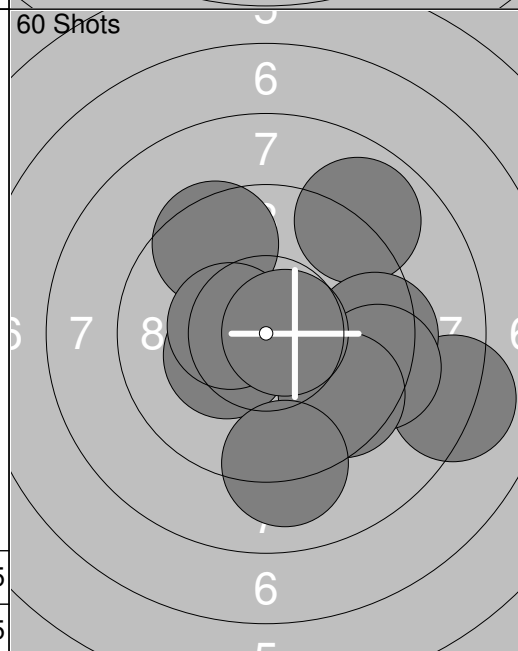
1: 8.7	←
2: 8.1	↓
3: 10.8x	↗
4: 10.1	↗
5: 10.8x	↗
6: 10.5x	↗
7: 10.1	←
8: 9.0	↗
9: 9.1	↓
10: 9.7	↗
Series	96.9
Total	0.0



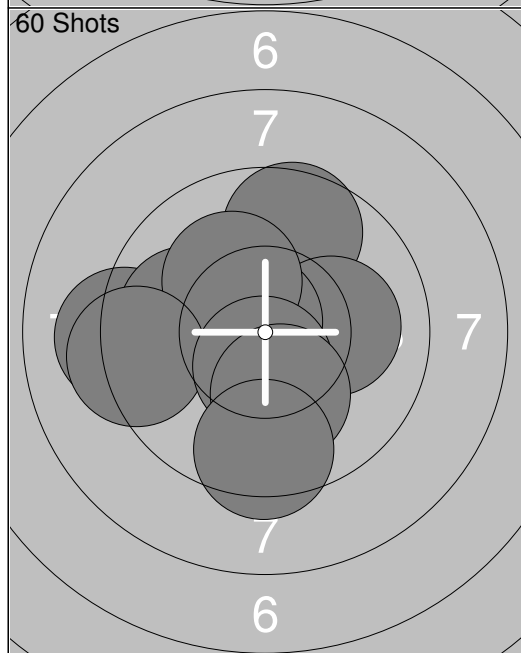
11: 10.2x	←
12: 9.6	↖
13: 9.8	←
Series	29.6
Total	0.0



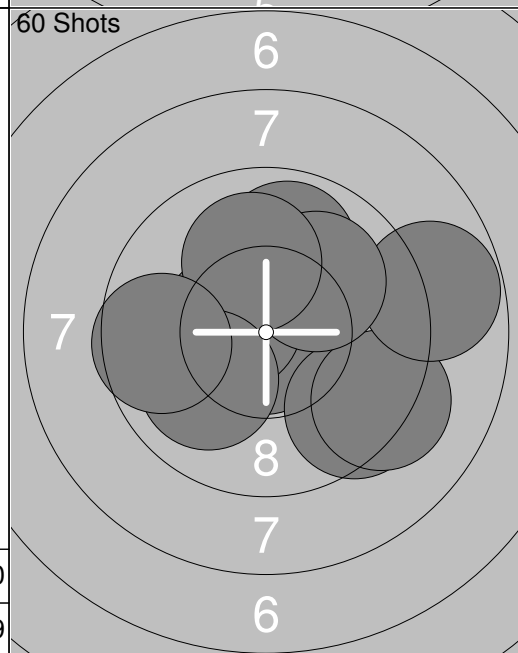
1: 9.6	↑
2: 10.4x	↓
3: 10.0	↓
4: 9.0	↓
5: 10.1	↓
6: 10.3x	↓
7: 9.7	↗
8: 8.9	←
9: 9.8	←
10: 9.7	←
Series	97.5
Total	97.5



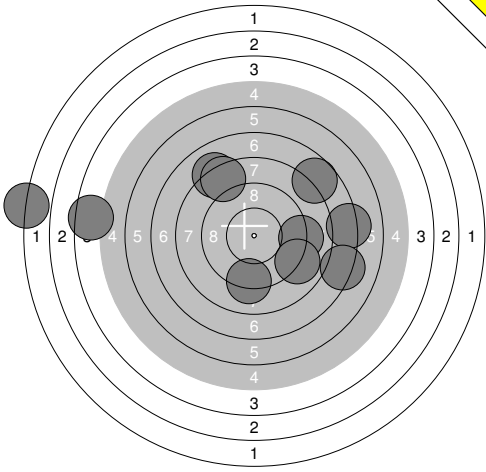
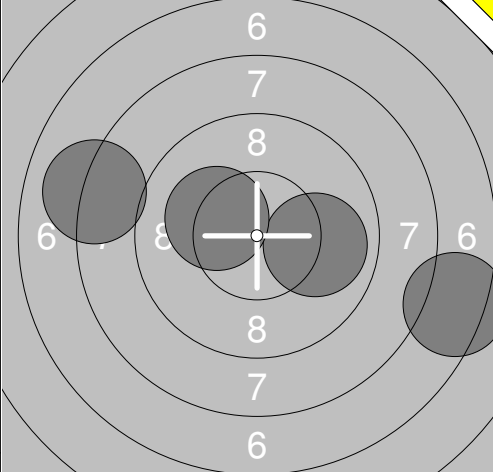
11: 8.2	↗
12: 8.9	↗
13: 10.3x	↖
14: 9.4	→
15: 9.5	↗
16: 9.3	→
17: 9.6	↘
18: 10.4x	←
19: 10.7x	→
20: 9.1	↓
Series	95.4
Total	192.9

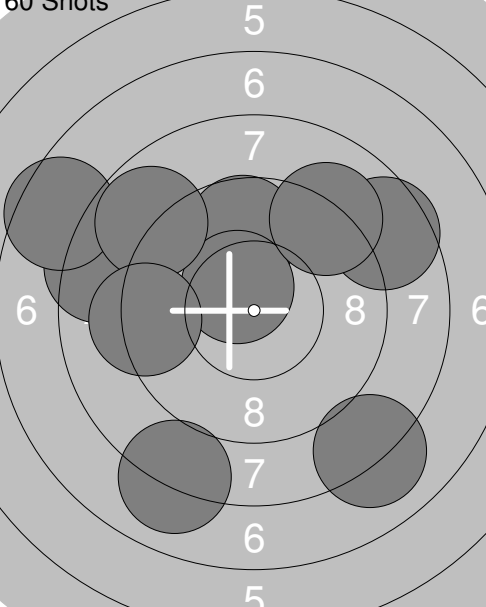
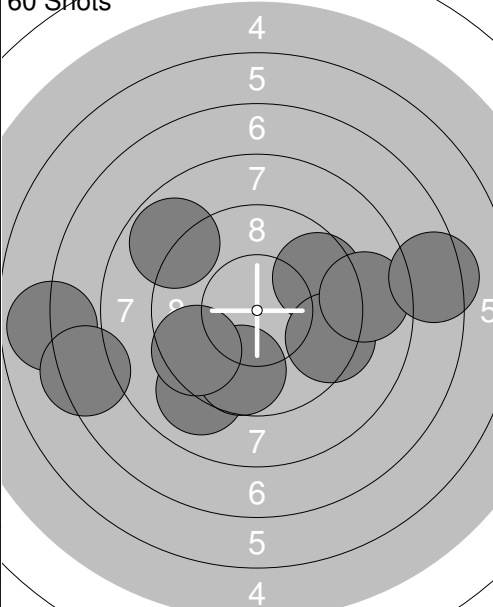


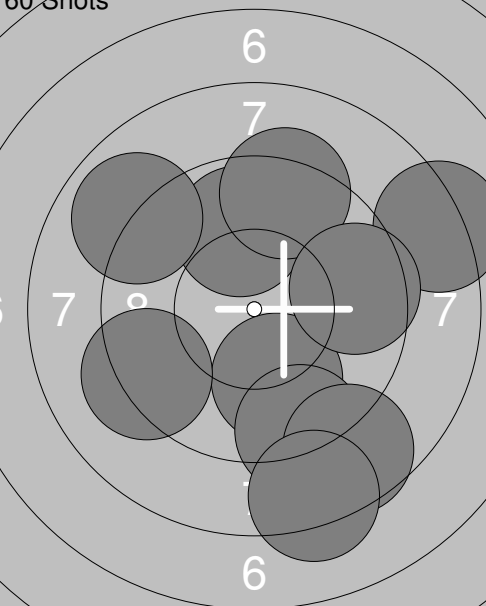
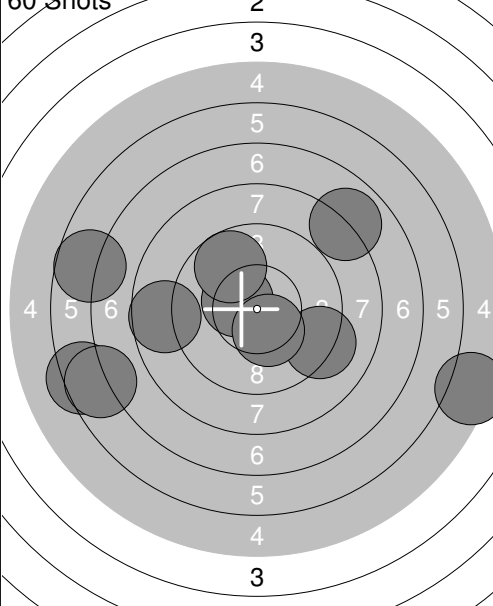
21: 9.2	←
22: 9.6	↑
23: 10.1	→
24: 9.9	←
25: 10.7x	↖
26: 10.2x	↗
27: 9.3	←
28: 10.5x	↓
29: 10.1	↓
30: 9.4	↓
Series	99.0
Total	291.9

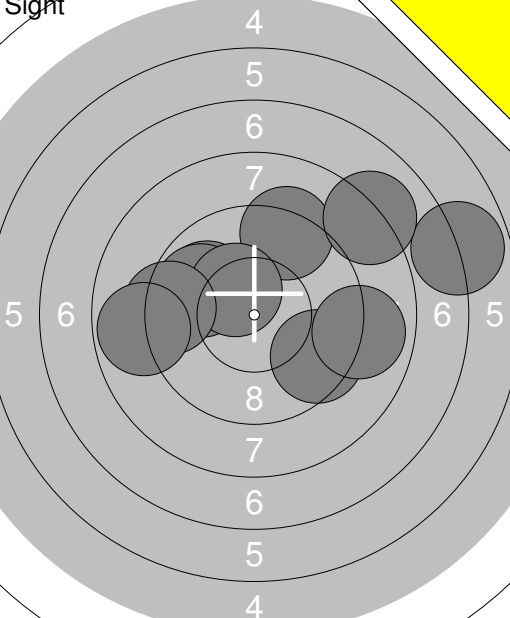
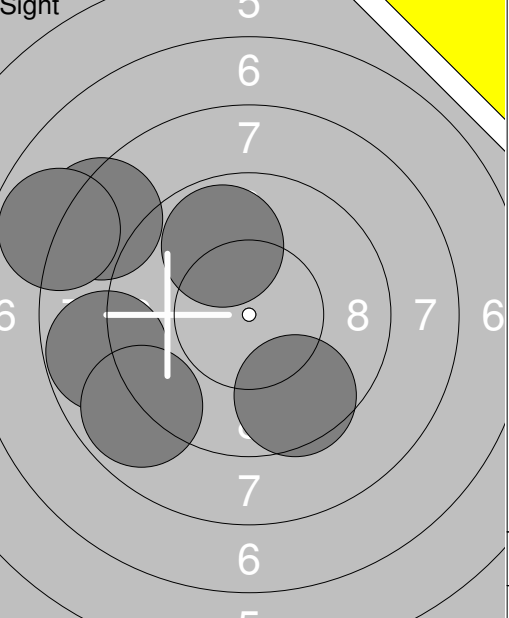


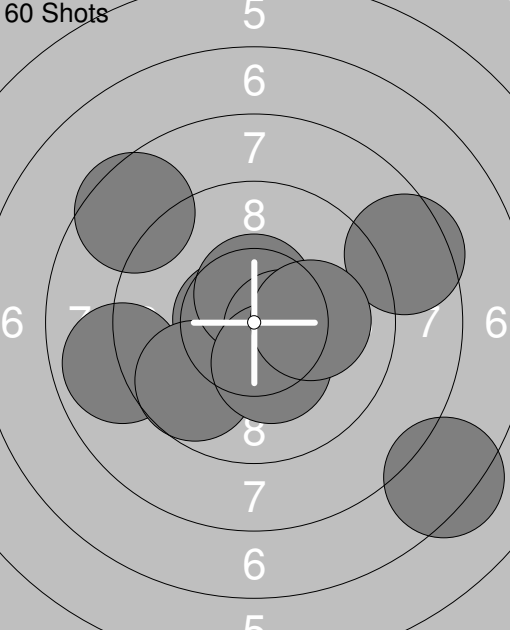
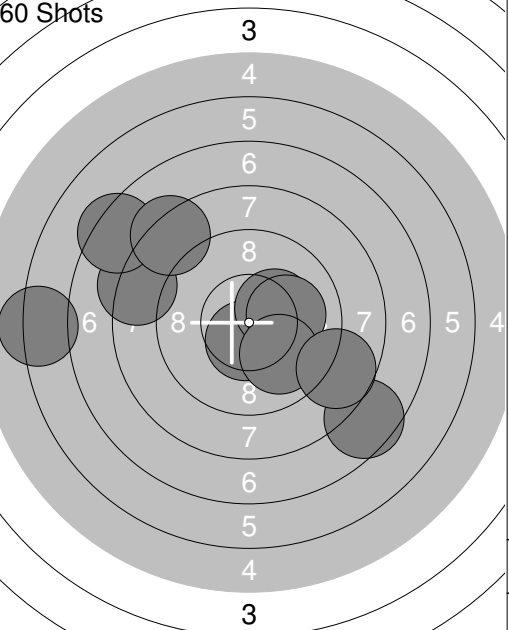
31: 10.8x	↓
32: 9.5	↘
33: 9.3	↘
34: 9.9	↑
35: 8.8	→
36: 10.5x	↖
37: 10.0	↗
38: 10.0	↑
39: 10.0	↖
40: 9.6	←
Series	98.4
Total	390.3

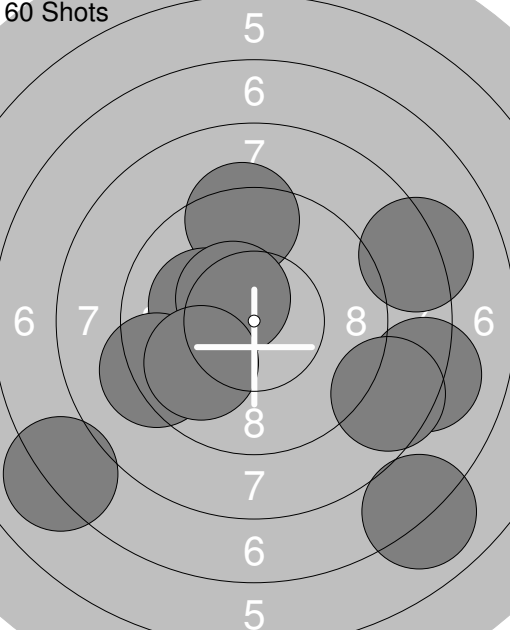
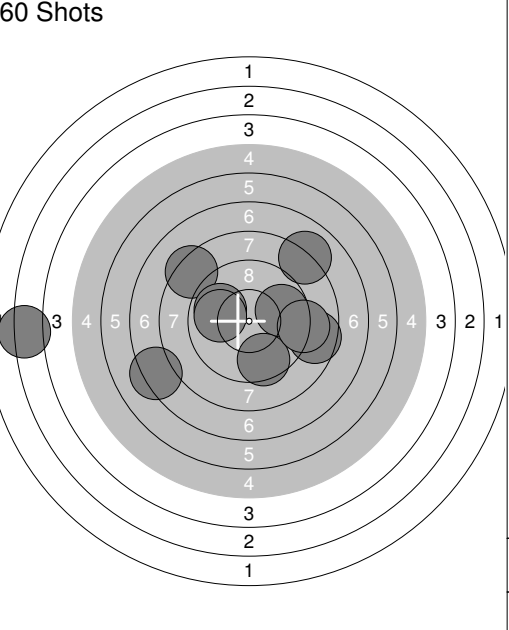
<p>Sight</p> 	<p>1: 7.2 →</p> <p>2: 8.1 ↗</p> <p>3: 1.9 ←</p> <p>4: 4.4 ←</p> <p>5: 9.1 →</p> <p>6: 9.1 ↓</p> <p>7: 9.0 ↘</p> <p>8: 7.2 →</p> <p>9: 8.4 ↗</p> <p>10: 7.7 ↗</p>	<p>Sight</p> 		<p>11: 9.9 →</p> <p>12: 7.4 ↘</p> <p>13: 8.1 ←</p> <p>14: 10.2x ↖</p>
Series 72.1				Series 35.6
Total 0.0				Total 0.0

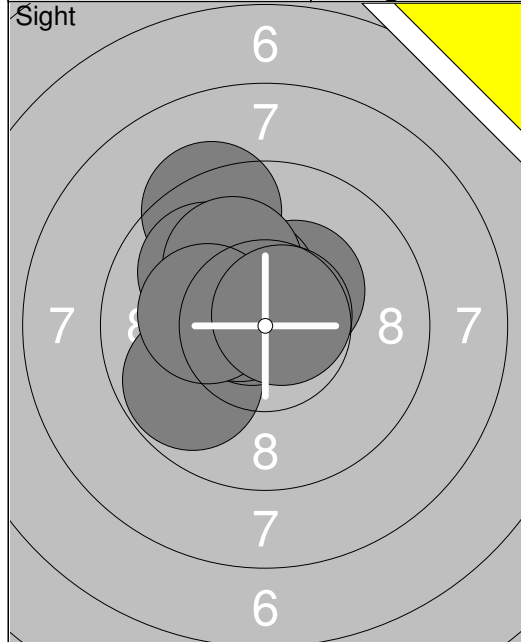
<p>60 Shots</p> 	<p>1: 9.7 ↑</p> <p>2: 8.4 ←</p> <p>3: 7.5 ↖</p> <p>4: 10.5x ↗</p> <p>5: 8.6 ↗</p> <p>6: 8.1 ↓</p> <p>7: 8.8 ↗</p> <p>8: 9.1 ↗</p> <p>9: 9.2 ←</p> <p>10: 8.0 ↓</p>	<p>60 Shots</p> 		<p>11: 6.9 ←</p> <p>12: 8.8 ↖</p> <p>13: 9.6 ↗</p> <p>14: 9.0 ↓</p> <p>15: 9.4 ↘</p> <p>16: 9.7 ↓</p> <p>17: 8.8 →</p> <p>18: 9.5 ←</p> <p>19: 7.4 →</p> <p>20: 7.3 ←</p>
Series 87.9				Series 86.4
Total 87.9				Total 174.3

<p>60 Shots</p> 	<p>21: 10.0 ↓</p> <p>22: 9.2 ↓</p> <p>23: 8.2 →</p> <p>24: 8.6 ↓</p> <p>25: 9.9 ↑</p> <p>26: 9.2 ↖</p> <p>27: 9.3 ↑</p> <p>28: 9.5 →</p> <p>29: 8.3 ↓</p> <p>30: 8.9 ↗</p>	<p>60 Shots</p> 		<p>31: 10.4x ↖</p> <p>32: 9.2 ↘</p> <p>33: 9.7 ↗</p> <p>34: 6.7 ←</p> <p>35: 7.9 ↗</p> <p>36: 8.7 ←</p> <p>37: 10.4x ↓</p> <p>38: 6.3 ←</p> <p>39: 6.7 ←</p> <p>40: 5.3 →</p>
Series 91.1				Series 81.3
Total 265.4				Total 346.7

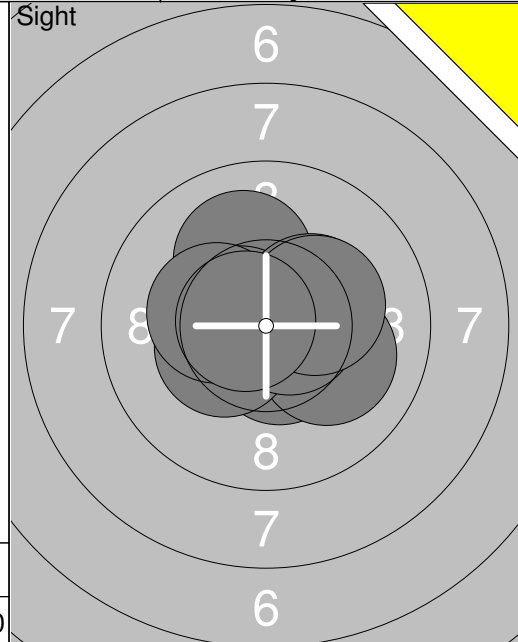
 <p style="font-size: small;">Sight</p>	<p>1: 9.3 ↗</p> <p>2: 6.9 →</p> <p>3: 9.5 ↘</p> <p>4: 9.9 ↗</p> <p>5: 8.1 ↗</p> <p>6: 9.8 ←</p> <p>7: 10.3x ↗</p> <p>8: 9.3 ←</p> <p>9: 8.9 →</p> <p>10: 8.8 ←</p>	 <p style="font-size: small;">Sight</p>	<p>11: 8.8 ←</p> <p>12: 9.9 ↗</p> <p>13: 8.9 ↘</p> <p>14: 8.4 ↗</p> <p>15: 7.9 ←</p> <p>16: 9.6 ↘</p>
Series 90.8	Total 0.0	Series 53.5	Total 0.0

 <p style="font-size: small;">60 Shots</p>	<p>1: 10.6x ←</p> <p>2: 8.9 ←</p> <p>3: 7.3 ↘</p> <p>4: 9.7 ↘</p> <p>5: 8.5 →</p> <p>6: 10.5x ↑</p> <p>7: 10.5x →</p> <p>8: 10.3x ↘</p> <p>9: 8.5 ↗</p> <p>10: 10.1 →</p>	 <p style="font-size: small;">60 Shots</p>	<p>11: 10.5x ↘</p> <p>12: 6.2 ←</p> <p>13: 10.3x →</p> <p>14: 7.6 ↘</p> <p>15: 10.1 →</p> <p>16: 8.3 ←</p> <p>17: 7.4 ↗</p> <p>18: 8.3 ↗</p> <p>19: 10.0 ↘</p> <p>20: 8.7 →</p>
Series 94.9	Total 94.9	Series 87.4	Total 182.3

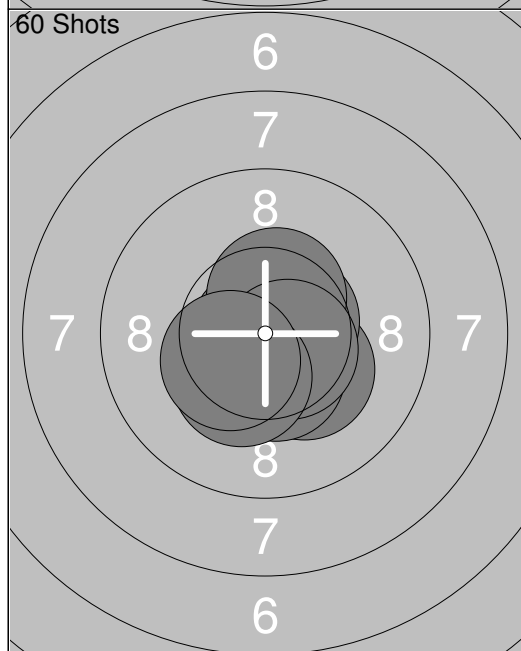
 <p style="font-size: small;">60 Shots</p>	<p>21: 7.1 ↘</p> <p>22: 8.2 →</p> <p>23: 9.4 ↑</p> <p>24: 10.2x ←</p> <p>25: 7.0 ↘</p> <p>26: 8.2 →</p> <p>27: 9.2 ←</p> <p>28: 10.5x ↗</p> <p>29: 9.9 ←</p> <p>30: 8.6 ↘</p>	 <p style="font-size: small;">60 Shots</p>	<p>31: 3.2 ←</p> <p>32: 8.4 ↗</p> <p>33: 9.8 →</p> <p>34: 8.6 →</p> <p>35: 7.3 ↘</p> <p>36: 9.5 ↘</p> <p>37: 9.1 →</p> <p>38: 9.9 ←</p> <p>39: 8.0 ↗</p> <p>40: 10.0 ←</p>
Series 88.3	Total 270.6	Series 83.8	Total 354.4



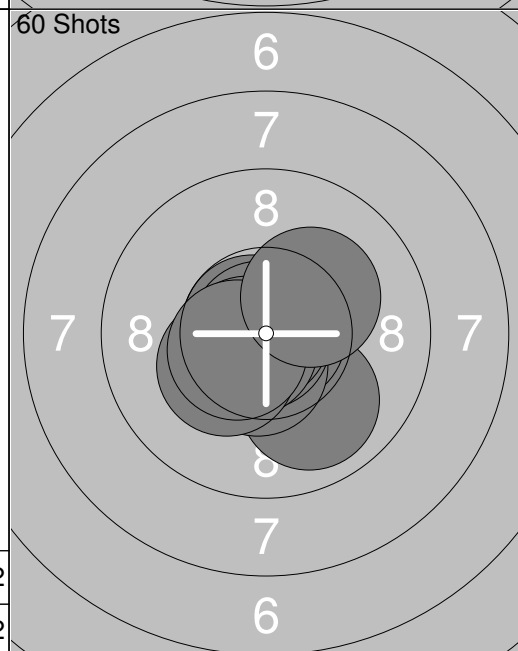
1:	9.8	↙
2:	10.7x	↖
3:	10.4x	↗
4:	10.6x	↖
5:	9.3	↗
6:	9.9	↖
7:	10.4x	↗
8:	10.1	↖
9:	10.2x	↖
10:	10.7x	↗
Series		102.1
Total		0.0



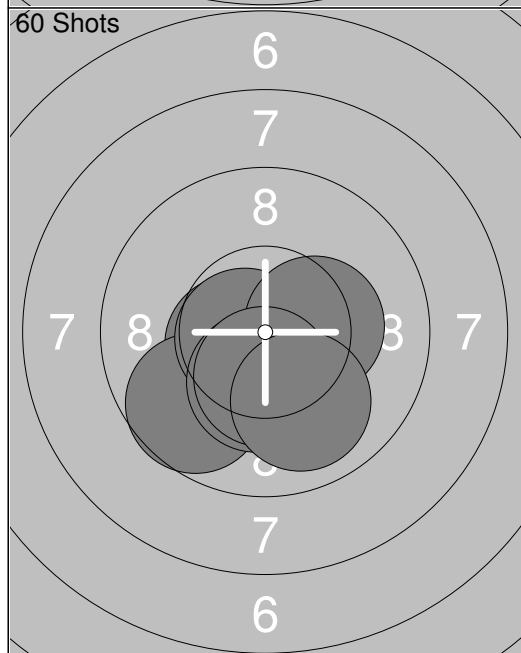
11:	10.1	↗
12:	10.6x	↖
13:	10.5x	↘
14:	10.3x	↗
15:	10.1	↘
16:	10.4x	↖
17:	10.6x	→
18:	10.3x	↖
19:	10.3x	↗
20:	10.7x	↖
Series		103.9
Total		0.0



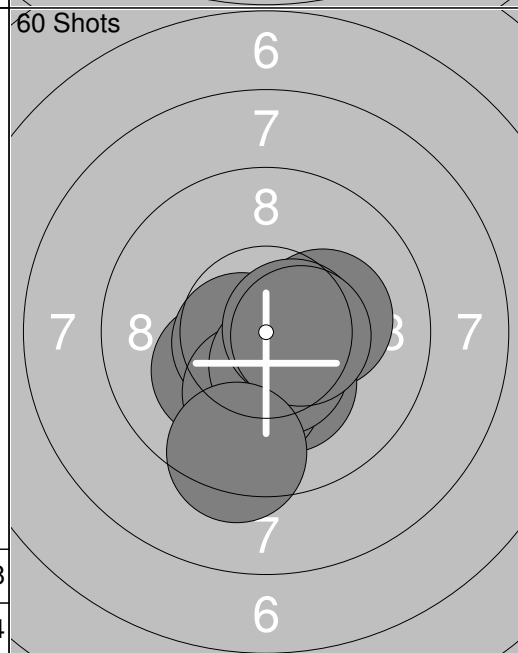
1:	10.3x	↘
2:	10.7x	↗
3:	10.4x	↘
4:	10.6x	↗
5:	10.9x	↖
6:	10.5x	↘
7:	10.5x	↗
8:	10.6x	↘
9:	10.3x	↘
10:	10.4x	↖
Series		105.2
Total		105.2



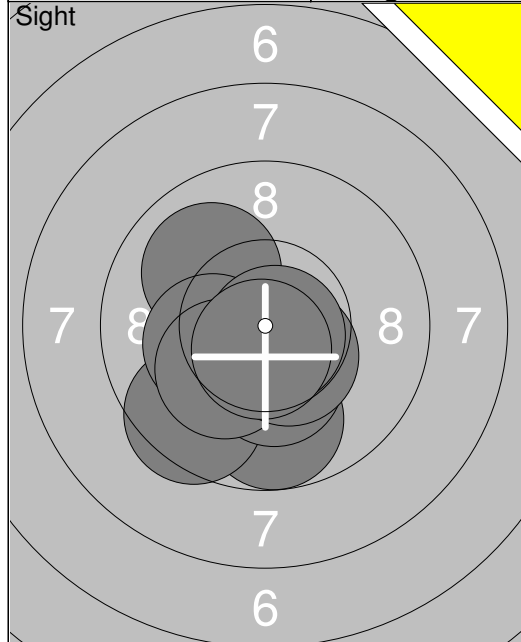
11:	10.7x	↖
12:	9.9	↘
13:	10.8x	→
14:	10.5x	↘
15:	10.9x	↖
16:	10.9x	↖
17:	10.7x	↖
18:	10.3x	↖
19:	10.5x	↖
20:	10.2x	↗
Series		105.4
Total		210.6



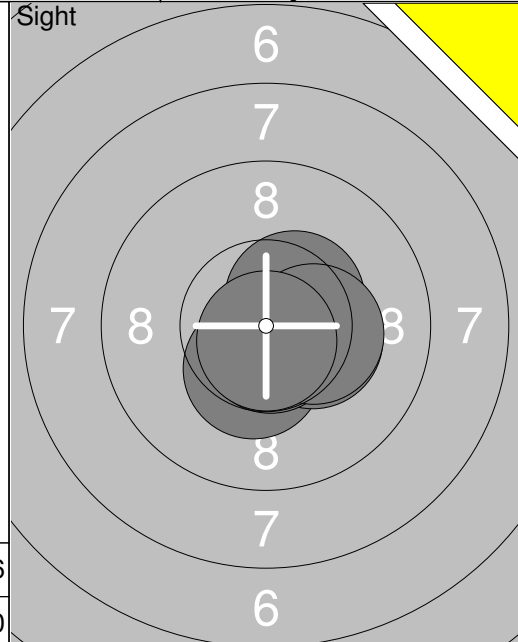
21:	10.6x	↖
22:	10.6x	↖
23:	10.5x	↖
24:	9.7	↙
25:	10.7x	↖
26:	10.7x	↖
27:	10.3x	↘
28:	10.3x	→
29:	10.4x	↘
30:	10.0	↘
Series		103.8
Total		314.4



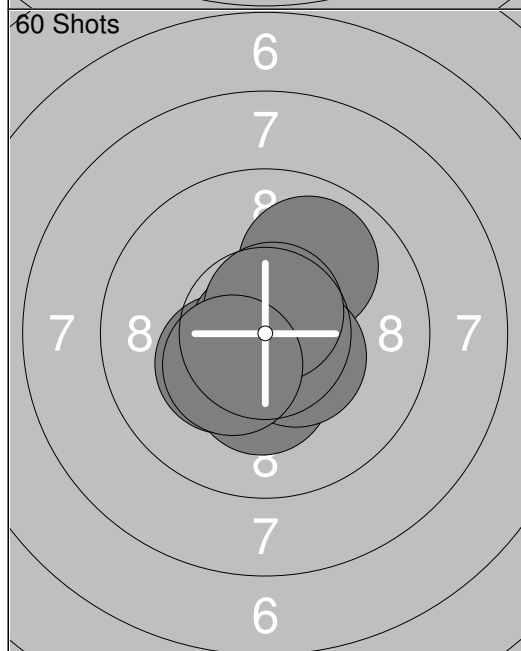
31:	10.2x	→
32:	10.6x	↘
33:	10.2x	↖
34:	10.6x	↖
35:	10.3x	↘
36:	10.2x	↘
37:	10.5x	↘
38:	10.6x	→
39:	10.5x	→
40:	9.4	↘
Series		103.1
Total		417.5



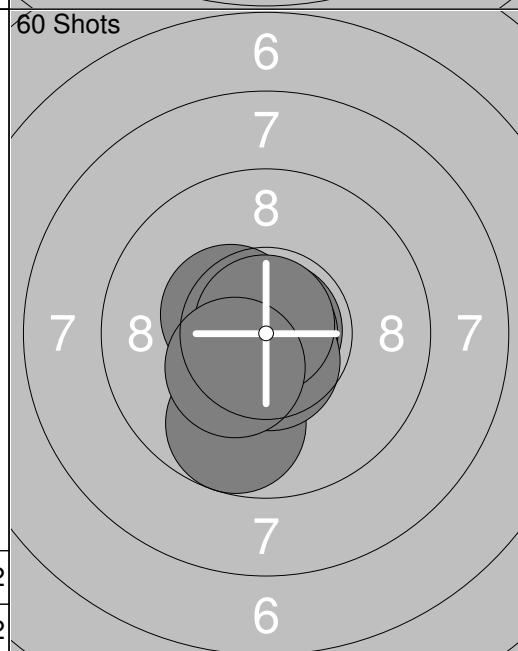
1: 9.8 ↓
2: 9.5 ↙
3: 10.3x ↓
4: 10.7x ↓
5: 10.0 ↖
6: 10.2x ←
7: 10.2x ↙
8: 10.5x ↓
9: 10.8x ↓
10: 10.6x ↓
Series 102.6
Total 0.0



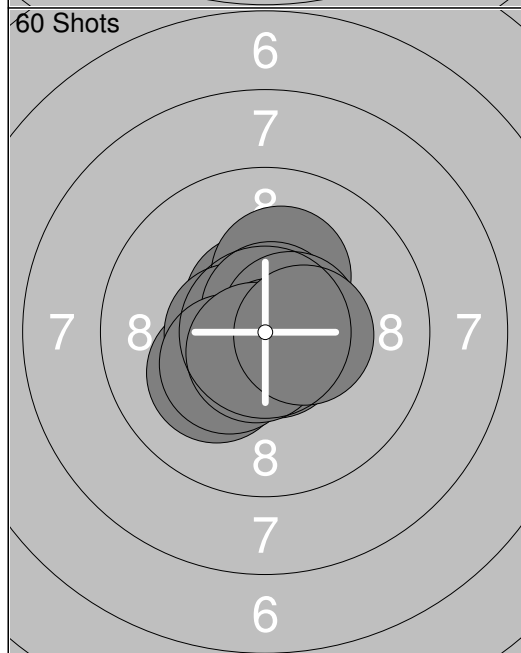
11: 10.4x ↓
12: 10.3x →
13: 10.7x ↓
14: 10.5x ↗
15: 10.3x →
16: 10.8x ↓
Series 63.0
Total 0.0



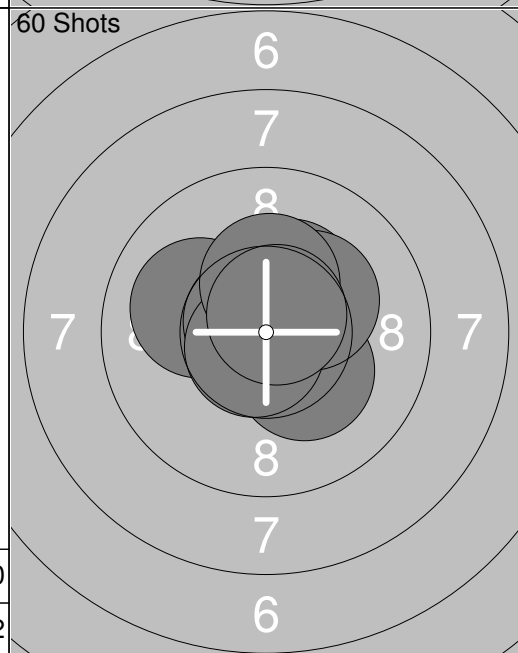
1: 10.3x ←
2: 10.6x ↓
3: 10.8x ↗
4: 9.9 ↗
5: 10.3x ↓
6: 10.9x ↗
7: 10.8x ←
8: 10.5x ↓
9: 10.7x ↗
10: 10.4x ↙
Series 105.2
Total 105.2



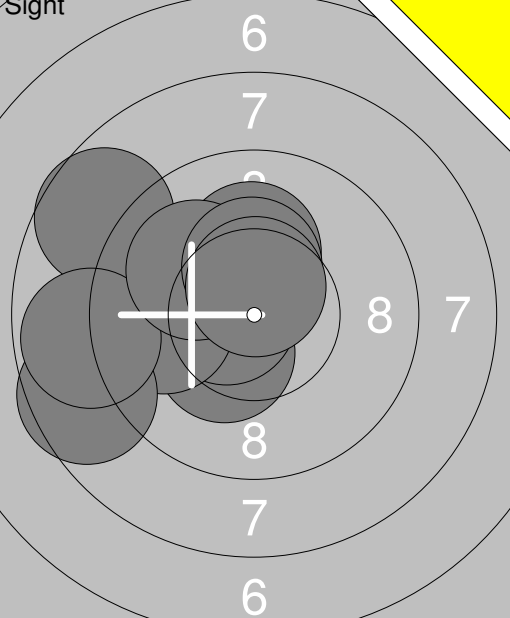
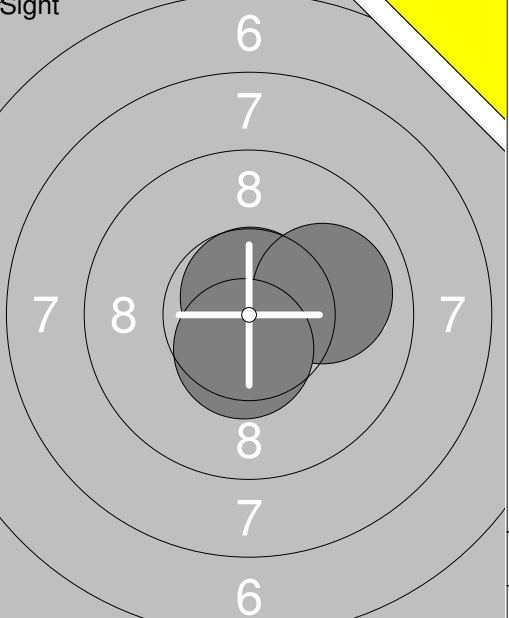
11: 10.6x ↓
12: 10.9x ←
13: 9.7 ↓
14: 10.9x ↗
15: 10.8x ↓
16: 10.4x ←
17: 10.9x ↓
18: 10.6x ↓
19: 10.8x ↗
20: 10.4x ↙
Series 106.0
Total 211.2

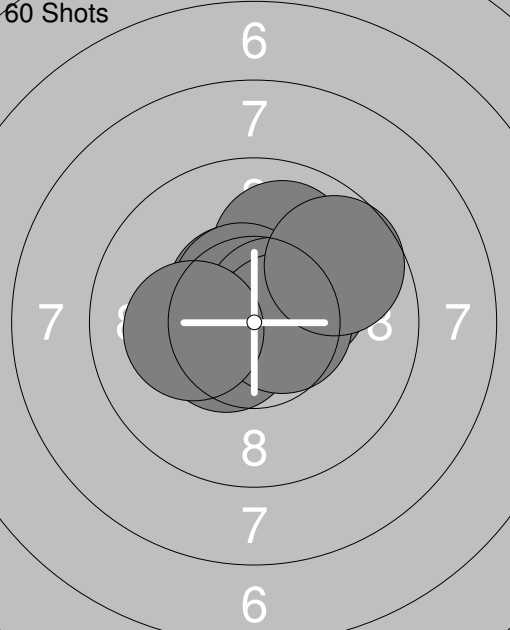
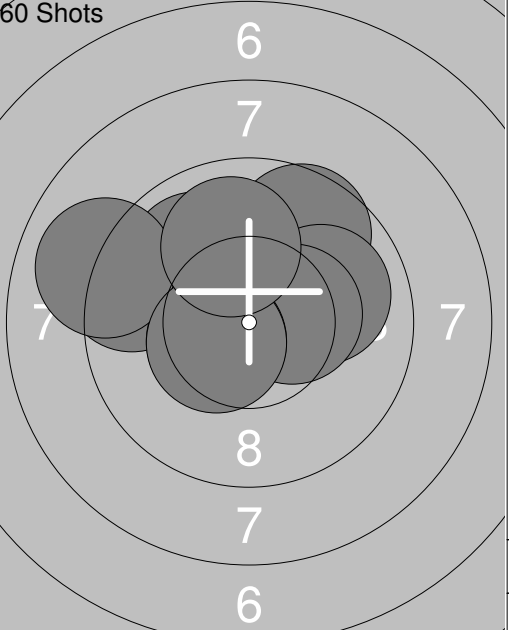


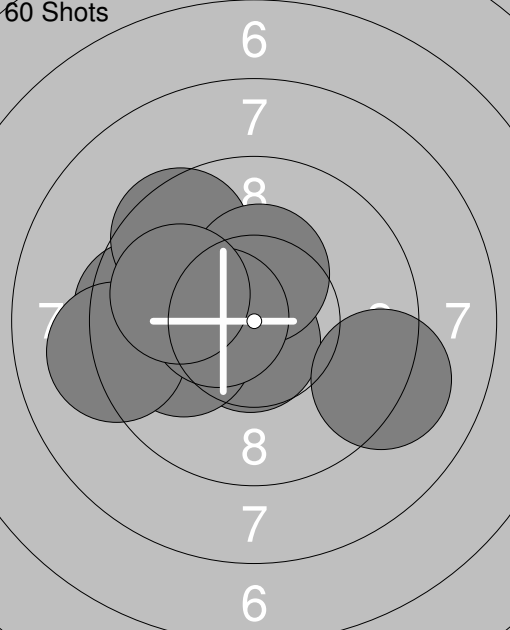
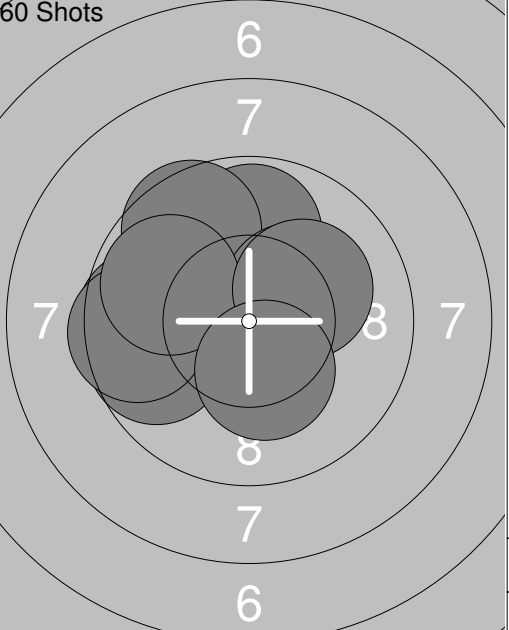
21: 10.6x ↗
22: 10.1 ↙
23: 10.2x ↗
24: 10.6x ←
25: 10.7x ↗
26: 10.6x →
27: 10.7x ↓
28: 10.3x ↙
29: 10.7x ↓
30: 10.5x →
Series 105.0
Total 316.2

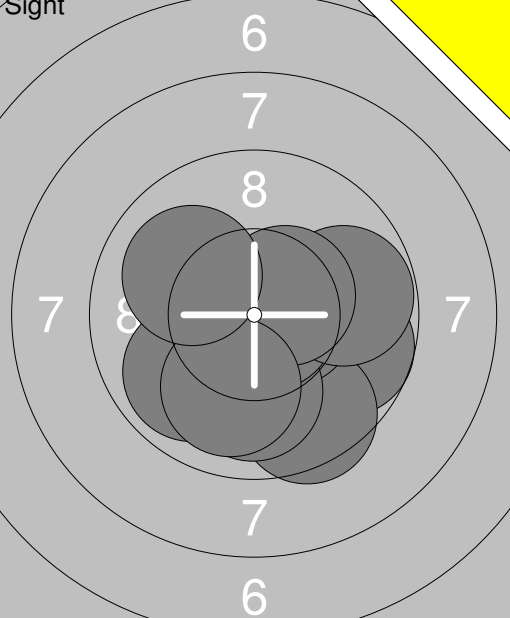
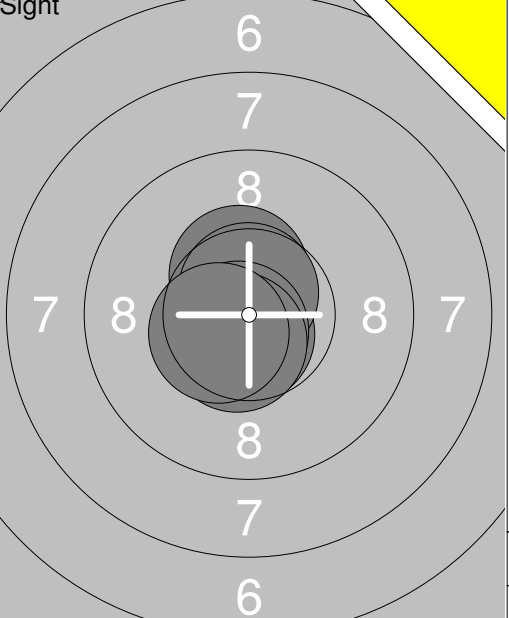


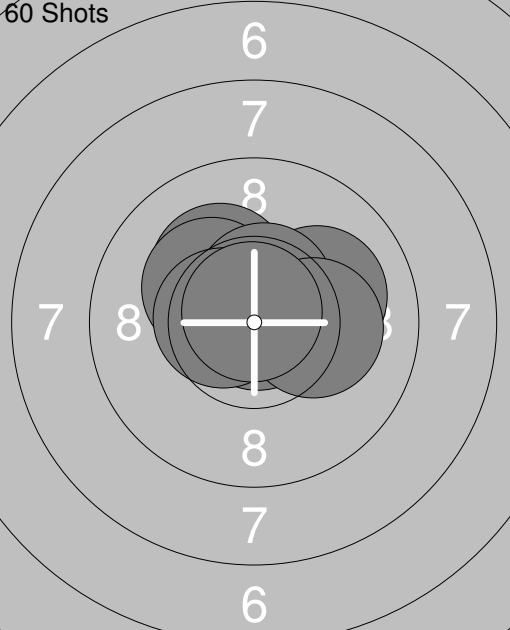
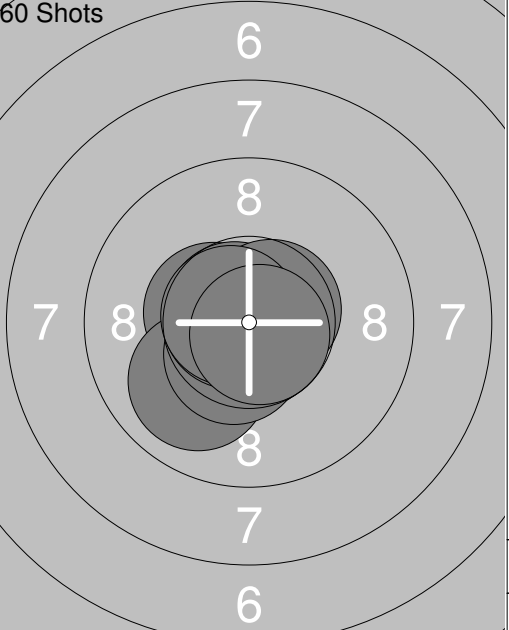
31: 10.9x ←
32: 10.3x ↗
33: 10.1 ←
34: 10.7x ←
35: 10.8x ↗
36: 10.3x ↓
37: 10.3x ↗
38: 10.7x ↙
39: 10.3x ↗
40: 10.7x ↗
Series 105.1
Total 421.3

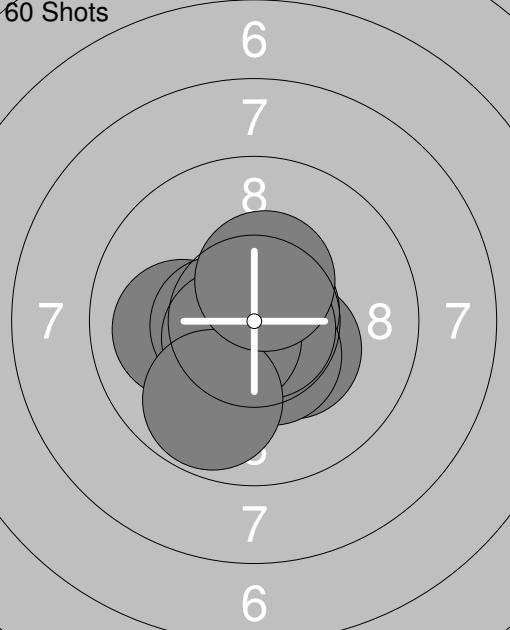
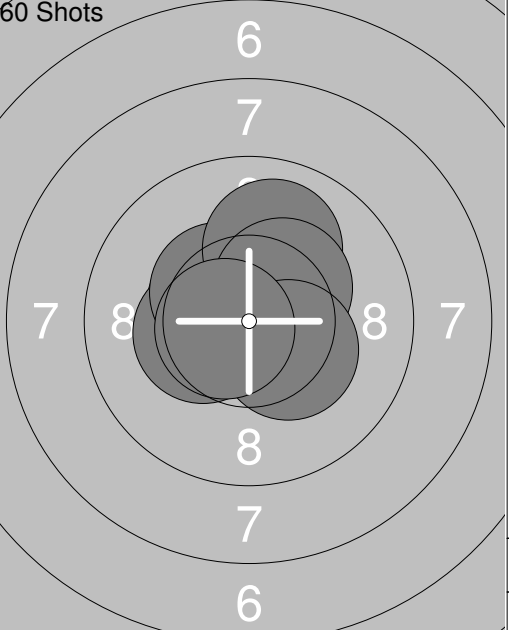
 <p style="text-align:center;">Sight</p>	<p>1: 10.3x ↘</p> <p>2: 10.6x ←</p> <p>3: 9.8 ←</p> <p>4: 8.7 ↖</p> <p>5: 8.6 ←</p> <p>6: 8.8 ←</p> <p>7: 10.1 ↑</p> <p>8: 10.0 ↖</p> <p>9: 10.3x ↑</p> <p>10: 10.6x ↑</p> <hr/> <p>Series 97.8</p> <hr/> <p>Total 0.0</p>	 <p style="text-align:center;">Sight</p>	<p>11: 10.7x ↑</p> <p>12: 10.0 →</p> <p>13: 10.5x ↓</p> <hr/> <p>Series 31.2</p> <hr/> <p>Total 0.0</p>
--	--	--	---


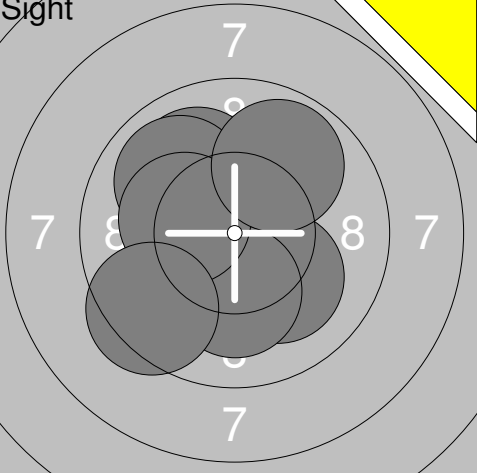

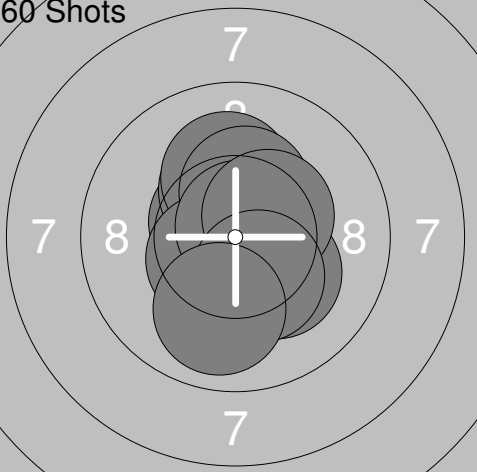
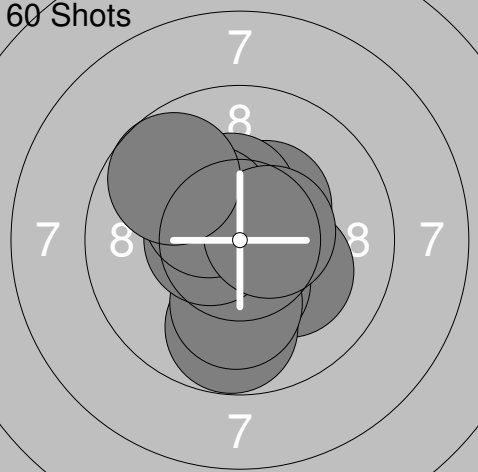
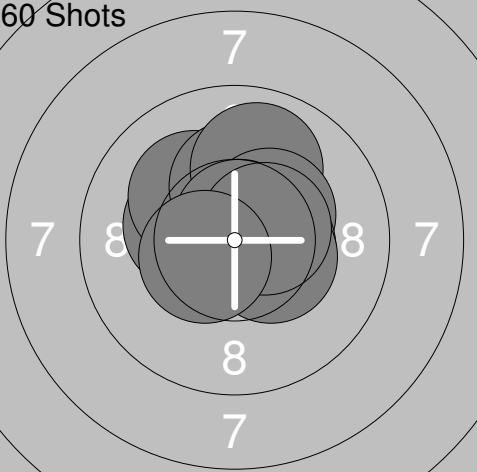
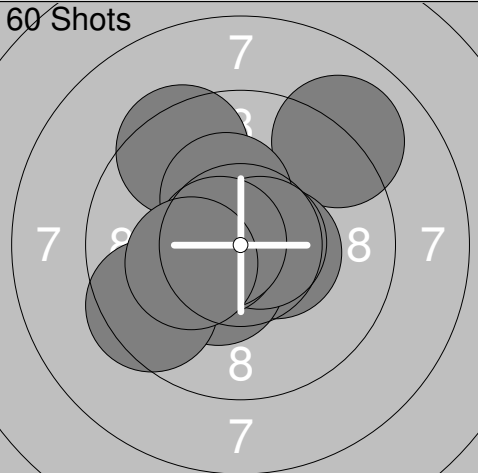
 <p style="text-align:center;">60 Shots</p>	<p>1: 10.5x ↖</p> <p>2: 10.8x ←</p> <p>3: 10.3x ↗</p> <p>4: 10.0 ↑</p> <p>5: 10.5x ↖</p> <p>6: 10.6x ↗</p> <p>7: 10.5x ↙</p> <p>8: 10.6x →</p> <p>9: 10.2x ←</p> <p>10: 9.7 ↗</p> <hr/> <p>Series 103.7</p> <hr/> <p>Total 103.7</p>	 <p style="text-align:center;">60 Shots</p>	<p>11: 9.6 ↗</p> <p>12: 10.4x →</p> <p>13: 10.0 →</p> <p>14: 10.4x →</p> <p>15: 9.4 ←</p> <p>16: 9.9 ↖</p> <p>17: 10.5x ↙</p> <p>18: 9.0 ←</p> <p>19: 10.5x ↙</p> <p>20: 10.0 ↑</p> <hr/> <p>Series 99.7</p> <hr/> <p>Total 203.4</p>
--	--	--	---

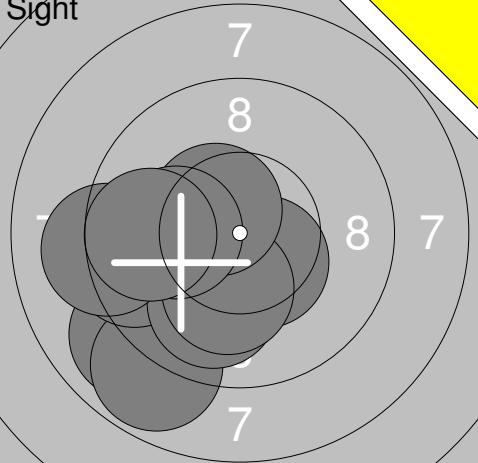
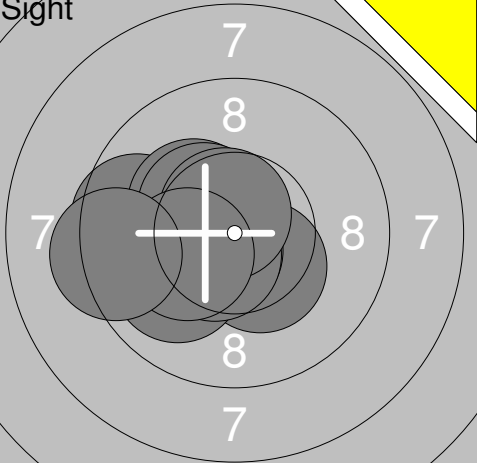
 <p style="text-align:center;">60 Shots</p>	<p>21: 10.5x ↙</p> <p>22: 10.7x ↓</p> <p>23: 9.5 ←</p> <p>24: 10.0 ←</p> <p>25: 9.5 ↖</p> <p>26: 10.4x ↑</p> <p>27: 9.1 ←</p> <p>28: 10.5x ←</p> <p>29: 9.2 →</p> <p>30: 9.9 ←</p> <hr/> <p>Series 99.3</p> <hr/> <p>Total 302.7</p>	 <p style="text-align:center;">60 Shots</p>	<p>31: 9.6 ←</p> <p>32: 9.7 ←</p> <p>33: 10.5x ↗</p> <p>34: 9.8 ↑</p> <p>35: 9.5 ←</p> <p>36: 9.6 ↖</p> <p>37: 10.3x ↗</p> <p>38: 9.8 ←</p> <p>39: 10.1 ↗</p> <p>40: 10.3x ↓</p> <hr/> <p>Series 99.2</p> <hr/> <p>Total 401.9</p>
---	--	---	--

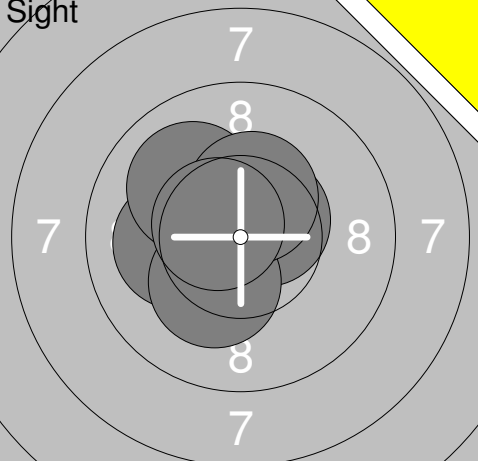
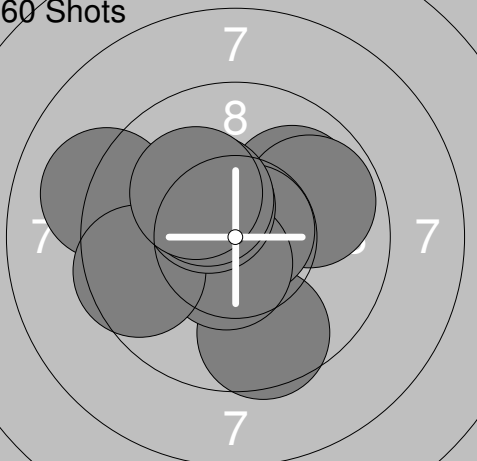
 <p style="text-align:center;">Sight</p>	<p>1: 9.7 →</p> <p>2: 9.5 ↓</p> <p>3: 10.5x →</p> <p>4: 10.0 ↓</p> <p>5: 9.9 ↙</p> <p>6: 10.8x →</p> <p>7: 9.8 →</p> <p>8: 10.5x ↗</p> <p>9: 10.0 ↓</p> <p>10: 10.0 ↖</p>	 <p style="text-align:center;">Sight</p>	<p>11: 10.7x ↓</p> <p>12: 10.4x ↗</p> <p>13: 10.7x ↗</p> <p>14: 10.7x ↓</p> <p>15: 10.6x ↓</p> <p>16: 10.5x ↙</p>
Series 100.7	Total 0.0	Series 63.6	Total 0.0

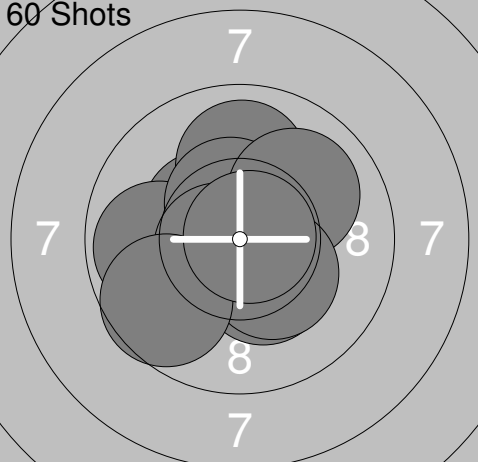
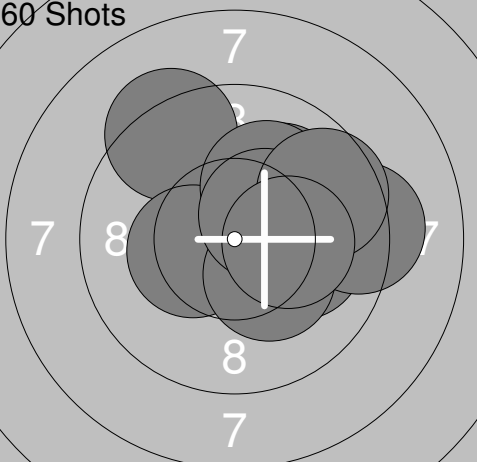
 <p style="text-align:center;">60 Shots</p>	<p>1: 10.2x ↖</p> <p>2: 10.6x ↗</p> <p>3: 10.1 →</p> <p>4: 10.3x ↖</p> <p>5: 10.5x ↗</p> <p>6: 10.8x ↗</p> <p>7: 10.9x ↗</p> <p>8: 10.2x →</p> <p>9: 10.6x ↖</p> <p>10: 10.8x ↗</p>	 <p style="text-align:center;">60 Shots</p>	<p>11: 10.5x ↖</p> <p>12: 10.7x ↖</p> <p>13: 10.7x ↓</p> <p>14: 10.0 ↓</p> <p>15: 10.6x ↗</p> <p>16: 10.7x ↓</p> <p>17: 10.5x ↓</p> <p>18: 10.7x ↖</p> <p>19: 10.7x ↖</p> <p>20: 10.7x ↓</p>
Series 105.0	Total 105.0	Series 105.8	Total 210.8

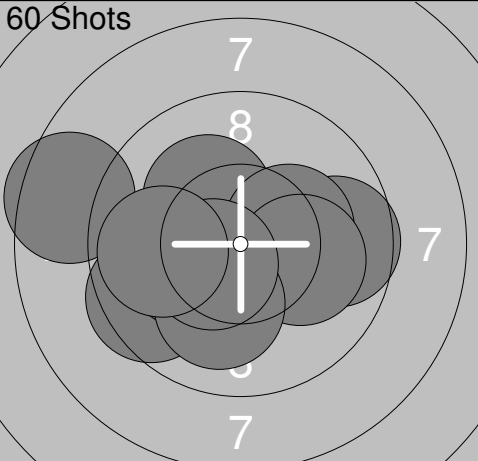
 <p style="text-align:center;">60 Shots</p>	<p>21: 10.4x ↘</p> <p>22: 10.0 ←</p> <p>23: 10.7x ↗</p> <p>24: 10.5x ↙</p> <p>25: 10.5x ←</p> <p>26: 10.5x ↓</p> <p>27: 10.8x ↘</p> <p>28: 10.6x ↙</p> <p>29: 9.8 ↓</p> <p>30: 10.4x ↗</p>	 <p style="text-align:center;">60 Shots</p>	<p>31: 10.7x ↗</p> <p>32: 10.6x ↗</p> <p>33: 10.5x ↖</p> <p>34: 10.3x ←</p> <p>35: 10.5x ↗</p> <p>36: 10.4x ↖</p> <p>37: 10.0 ↗</p> <p>38: 10.3x ↗</p> <p>39: 10.3x ↘</p> <p>40: 10.6x ↖</p>
Series 104.2	Total 315.0	Series 104.2	Total 419.2

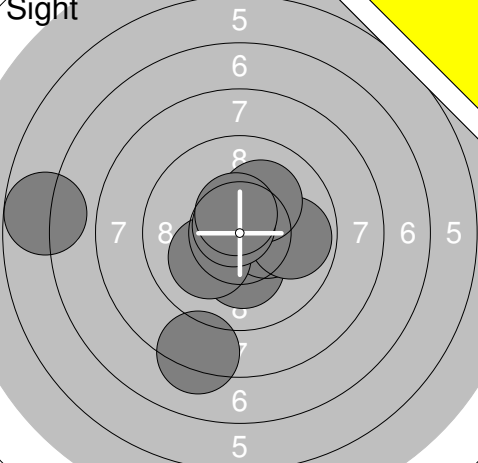
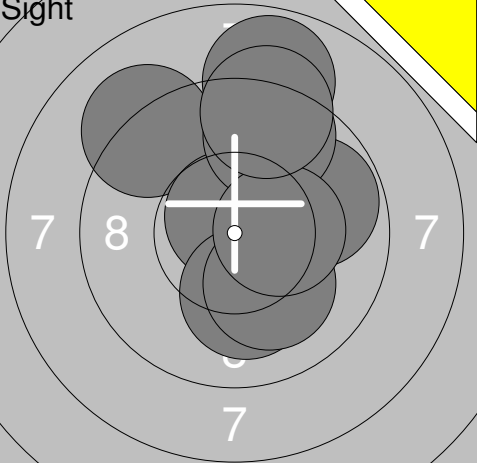
Relay	Lane	Jordan Olsson	
S	20	Umeå	
14.11.2015	Drängsmarksskyttet 2015	Umeå skytteallians	
Sight		1: 10.2x ↙ 2: 10.6x ↗ 3: 10.0 ↑ 4: 10.4x ↑ 5: 10.7x ↗ 6: 10.6x ↙ 7: 10.6x ↑ 8: 10.7x ↑ 9: 10.5x ↙ 10: 10.8x ↗ Series 105.1 Total 0.0	Sight  11: 10.6x ↑ 12: 10.6x ↙ 13: 10.7x ↓ 14: 10.0 ↗ 15: 10.1 ↓ 16: 10.2x ↓ 17: 9.9 ↗ 18: 10.3x ↙ 19: 9.4 ↙ 20: 9.9 ↗ Series 101.7 Total 0.0
Sight		21: 10.7x ↙ Series 10.7 Total 0.0	60 Shots  1: 10.6x ↖ 2: 10.2x ↘ 3: 10.3x ↑ 4: 10.1 ↑ 5: 10.3x ↑ 6: 10.5x ↙ 7: 10.8x ↗ 8: 10.4x ↗ 9: 10.3x ↓ 10: 10.0 ↓ Series 103.5 Total 103.5
60 Shots		11: 10.2x ↘ 12: 10.4x ↓ 13: 9.8 ↓ 14: 10.1 ↓ 15: 10.4x ↗ 16: 10.4x ↑ 17: 10.5x ↙ 18: 10.4x ↗ 19: 10.5x → 20: 9.7 ↗ Series 102.4 Total 205.9	60 Shots  21: 10.3x ↙ 22: 10.1 ↗ 23: 10.2x ↑ 24: 9.9 ↑ 25: 10.4x ↗ 26: 10.5x → 27: 10.7x ↑ 28: 10.4x → 29: 10.5x → 30: 10.5x ↙ Series 103.5 Total 309.4
60 Shots		31: 9.5 ↗ 32: 9.0 ↗ 33: 10.5x → 34: 10.4x ↙ 35: 10.3x ↑ 36: 10.7x → 37: 9.5 ↙ 38: 10.6x ↙ 39: 10.7x ↙ 40: 10.2x ↙ Series 101.4 Total 410.8	


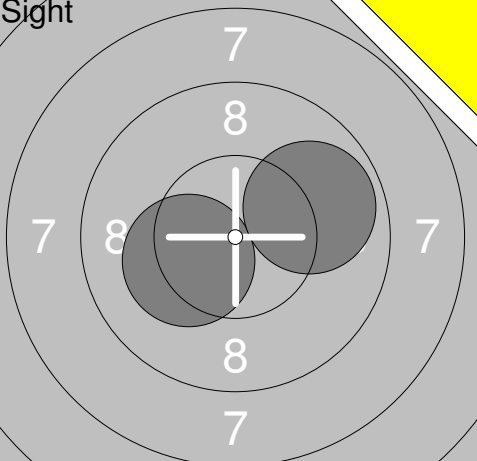
Sight 	1: 9.0 ↙ 2: 8.8 ↓ 3: 9.5 ← 4: 10.5x ↘ 5: 10.0 ↓ 6: 10.2x ↓ 7: 9.1 ← 8: 10.5x ↗ 9: 10.1 ← 10: 9.7 ← <hr/> Series 97.4 Total 0.0	Sight 	11: 10.4x ↘ 12: 9.6 ← 13: 10.6x ↘ 14: 10.0 ↙ 15: 10.5x ↘ 16: 10.3x ↗ 17: 10.4x ↗ 18: 10.7x ↗ 19: 10.3x ← 20: 9.3 ← <hr/> Series 102.1 Total 0.0
--	---	--	--

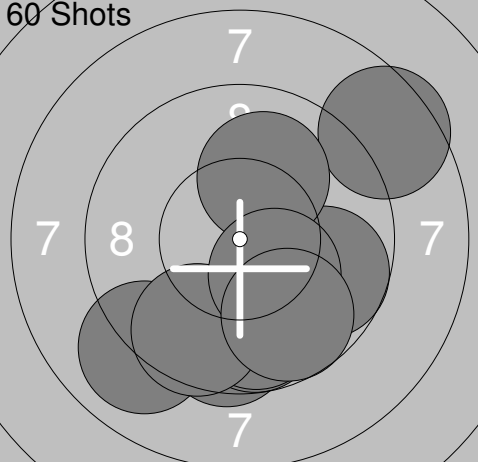
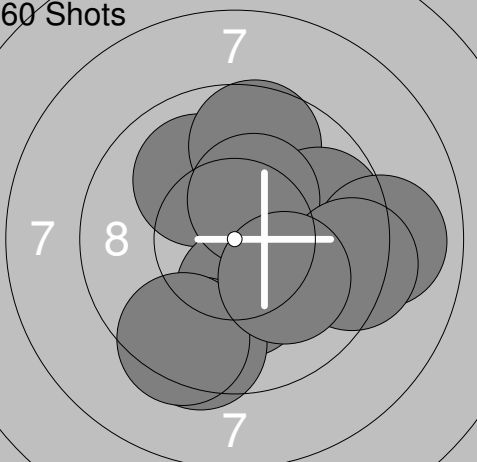
Sight 	21: 10.1 ← 22: 10.0 ↗ 23: 10.6x ↗ 24: 10.3x ↘ 25: 10.4x ↗ 26: 10.6x ↖ <hr/> Series 62.0 Total 0.0	60 Shots 	1: 9.1 ← 2: 9.6 ↓ 3: 10.0 ↗ 4: 9.8 ↗ 5: 10.7x ↗ 6: 10.6x ↓ 7: 9.6 ← 8: 10.4x ↗ 9: 10.3x ↗ 10: 10.2x ↗ <hr/> Series 100.3 Total 100.3
---	--	--	---

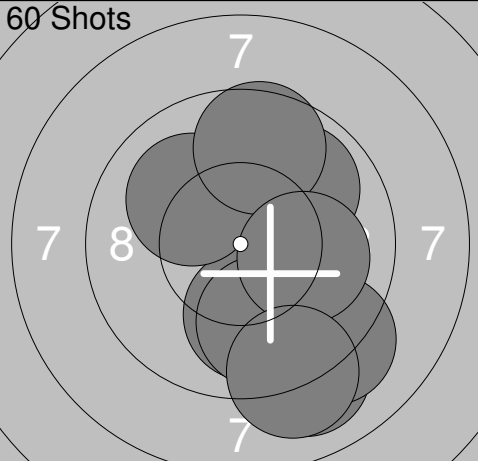
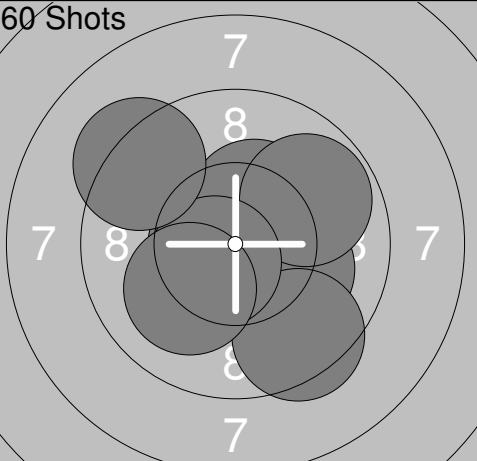
60 Shots 	11: 10.4x ↖ 12: 10.0 ↑ 13: 9.9 ← 14: 10.5x ↑ 15: 10.3x ↘ 16: 10.0 ↗ 17: 10.7x ← 18: 10.3x ↘ 19: 9.7 ↓ 20: 10.8x → <hr/> Series 102.6 Total 202.9	60 Shots 	21: 9.3 ↗ 22: 10.0 ↗ 23: 10.4x ← 24: 10.1 → 25: 10.3x ↘ 26: 10.1 ↗ 27: 10.4x ↗ 28: 9.3 → 29: 9.6 ↗ 30: 10.2x → <hr/> Series 99.7 Total 302.6
---	---	---	---

60 Shots 	31: 9.5 ↙ 32: 8.5 ← 33: 10.2x ← 34: 10.2x ↗ 35: 9.7 → 36: 10.3x → 37: 10.1 → 38: 10.1 ↓ 39: 10.5x ↙ 40: 9.9 ← <hr/> Series 99.0 Total 401.6		
---	--	--	--

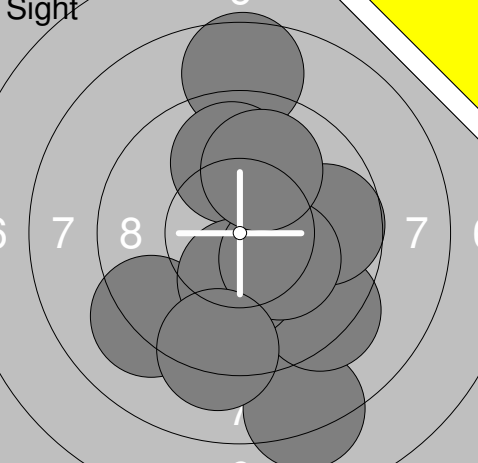
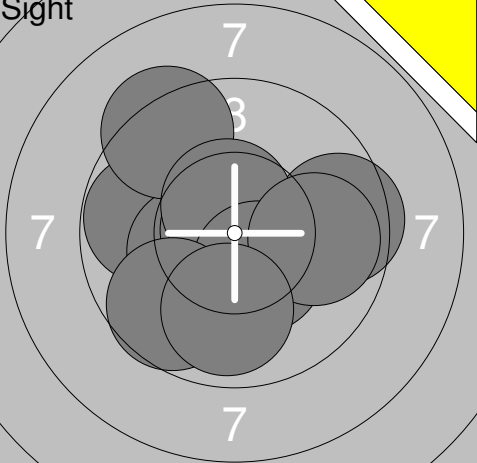
	<p>1: 8.2 ↓</p> <p>2: 10.5x ↓</p> <p>3: 10.2x ↓</p> <p>4: 10.4x →</p> <p>5: 9.9 →</p> <p>6: 10.1 ↙</p> <p>7: 10.1 ↗</p> <p>8: 10.7x ↗</p> <p>9: 10.5x ↑</p> <p>10: 6.8 ←</p>		<p>11: 10.5x ↓</p> <p>12: 9.1 ↗</p> <p>13: 10.7x ↑</p> <p>14: 9.8 →</p> <p>15: 10.1 ↓</p> <p>16: 8.9 ↑</p> <p>17: 9.6 ↑</p> <p>18: 10.1 ↓</p> <p>19: 10.3x →</p> <p>20: 9.3 ↑</p>
Series	97.4	Series	98.4
Total	0.0	Total	0.0

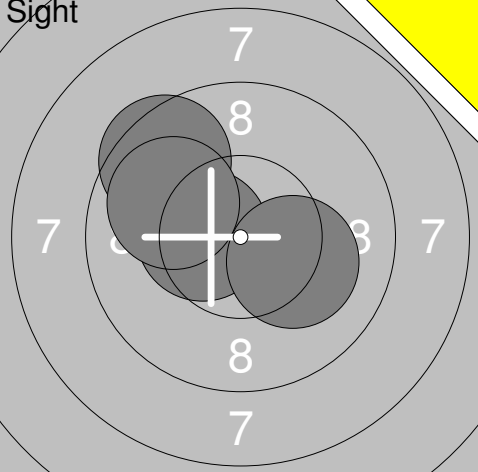
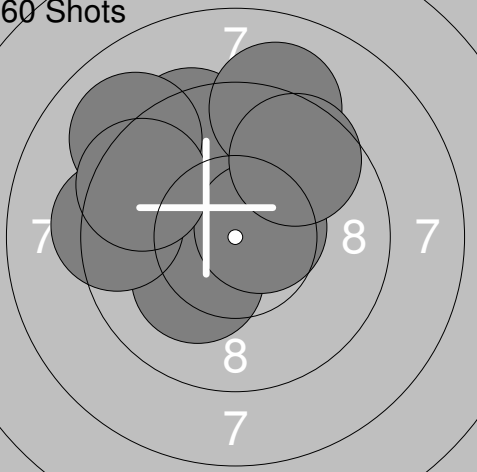
	<p>21: 10.2x ↗</p> <p>22: 10.5x ↑</p> <p>23: 10.2x ↓</p> <p>24: 10.4x ↗</p> <p>25: 10.2x →</p> <p>26: 8.5 ↓</p> <p>27: 10.2x →</p> <p>28: 10.1 ↑</p> <p>29: 10.2x ↓</p> <p>30: 10.6x ↓</p>		<p>31: 10.2x ←</p> <p>32: 9.9 →</p>
Series	101.1	Series	20.1
Total	0.0	Total	0.0

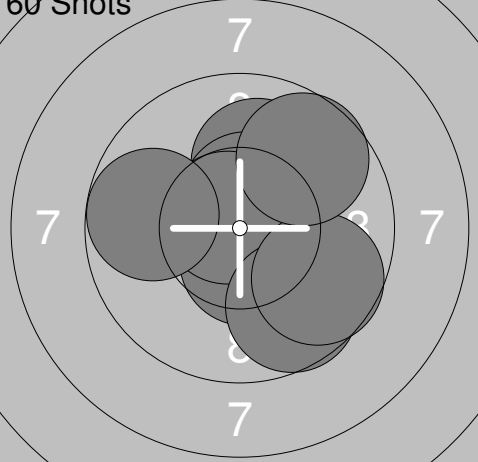
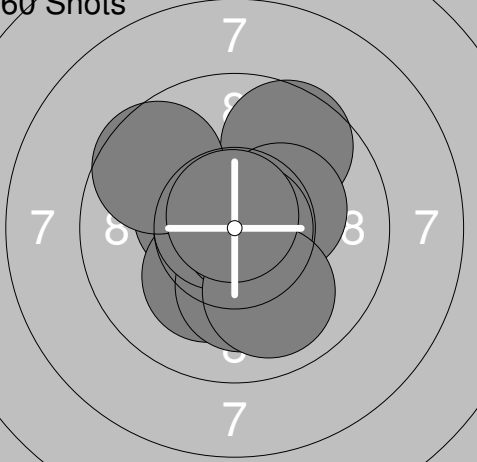
	<p>1: 8.5 ↗</p> <p>2: 9.7 →</p> <p>3: 9.0 ↙</p> <p>4: 9.6 ↓</p> <p>5: 9.8 ↓</p> <p>6: 9.8 ↓</p> <p>7: 9.6 ↙</p> <p>8: 10.1 ↗</p> <p>9: 10.3x ↓</p> <p>10: 9.7 ↓</p>		<p>11: 10.0 ↗</p> <p>12: 9.7 ↑</p> <p>13: 9.8 →</p> <p>14: 10.2x ↓</p> <p>15: 10.4x ↑</p> <p>16: 9.5 ↓</p> <p>17: 9.0 →</p> <p>18: 9.4 ↓</p> <p>19: 9.3 →</p> <p>20: 10.1 ↓</p>
Series	96.1	Series	97.4
Total	96.1	Total	193.5

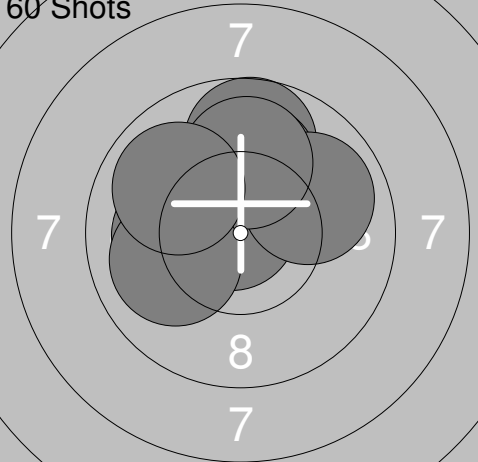
	<p>21: 9.0 ↓</p> <p>22: 9.9 ↗</p> <p>23: 9.8 ↓</p> <p>24: 10.0 ↓</p> <p>25: 9.2 ↓</p> <p>26: 9.9 ↓</p> <p>27: 10.1 ↗</p> <p>28: 9.6 ↑</p> <p>29: 10.1 →</p> <p>30: 9.1 ↓</p>		<p>31: 10.6x →</p> <p>32: 10.7x ←</p> <p>33: 10.5x →</p> <p>34: 10.4x ↑</p> <p>35: 10.2x →</p> <p>36: 9.5 ↓</p> <p>37: 9.8 ↗</p> <p>38: 10.6x ↙</p> <p>39: 9.3 ↗</p> <p>40: 10.1 ↙</p>
Series	96.7	Series	101.7
Total	290.2	Total	391.9

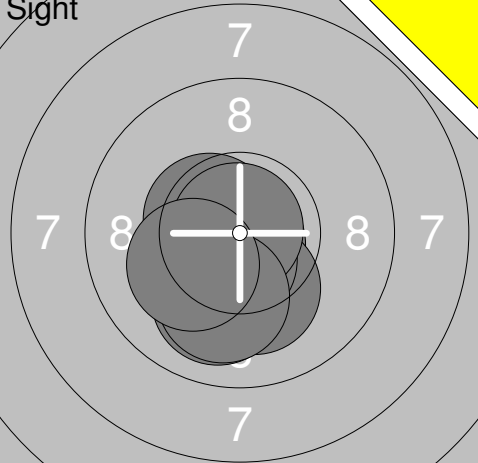
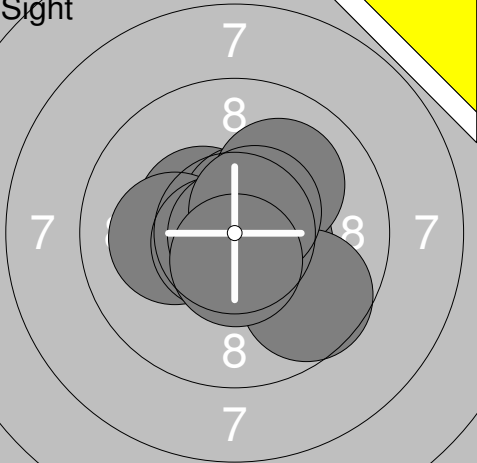
<p>Sight</p>	<p>Sight</p>
<p>Sight</p>	<p>60 Shots</p>
<p>60 Shots</p>	<p>60 Shots</p>
<p>60 Shots</p>	



Sight 	1: 8.2 ↓ 2: 9.3 ↓ 3: 8.6 ↑ 4: 9.2 ↙ 5: 9.9 ↑ 6: 10.3x ↓ 7: 9.7 → 8: 10.2x ↘ 9: 9.2 ↓ 10: 10.0 ↑ <hr/> Series 94.6 Total 0.0	Sight 	11: 9.8 ← 12: 9.5 → 13: 10.3x ← 14: 9.3 ↗ 15: 10.8x ↖ 16: 10.6x ↑ 17: 10.4x ↘ 18: 9.7 ↘ 19: 9.9 → 20: 9.9 ↓ <hr/> Series 100.2 Total 0.0
--	--	--	---

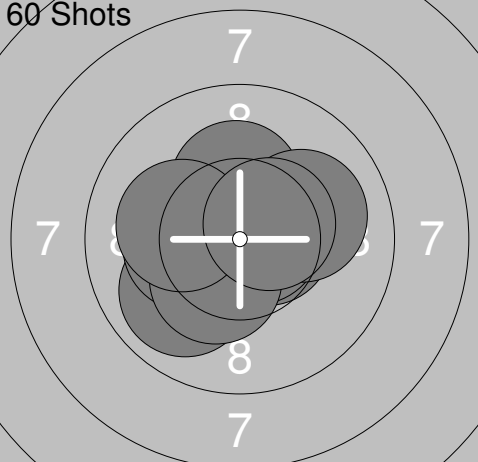

Sight 	21: 10.4x ← 22: 9.5 ↗ 23: 9.9 ↗ 24: 10.2x → <hr/> Series 40.0 Total 0.0	60 Shots 	1: 9.5 ↗ 2: 10.1 ↗ 3: 10.2x ↘ 4: 9.4 ↗ 5: 9.1 ↑ 6: 9.3 ← 7: 9.1 ↗ 8: 10.6x → 9: 9.6 ↗ 10: 9.5 ↖ <hr/> Series 96.4 Total 96.4
---	--	--	---


60 Shots 	11: 10.9x ↙ 12: 10.1 ↑ 13: 10.8x ↗ 14: 10.5x ↓ 15: 10.5x ↑ 16: 10.7x ↗ 17: 9.8 ← 18: 9.7 ↘ 19: 9.7 ↘ 20: 9.7 ↗ <hr/> Series 102.4 Total 198.8	60 Shots 	21: 10.4x ← 22: 9.6 ↗ 23: 10.2x ↘ 24: 10.2x ↓ 25: 10.7x ← 26: 10.3x → 27: 9.6 ↖ 28: 10.8x → 29: 10.0 ↓ 30: 10.8x ↑ <hr/> Series 102.6 Total 301.4
---	--	---	--

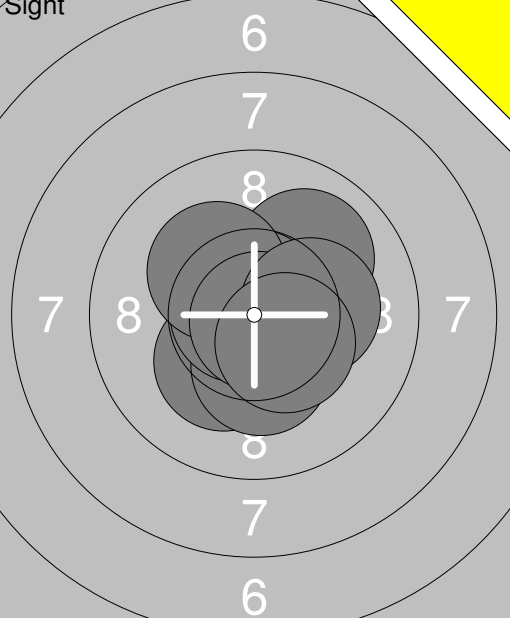
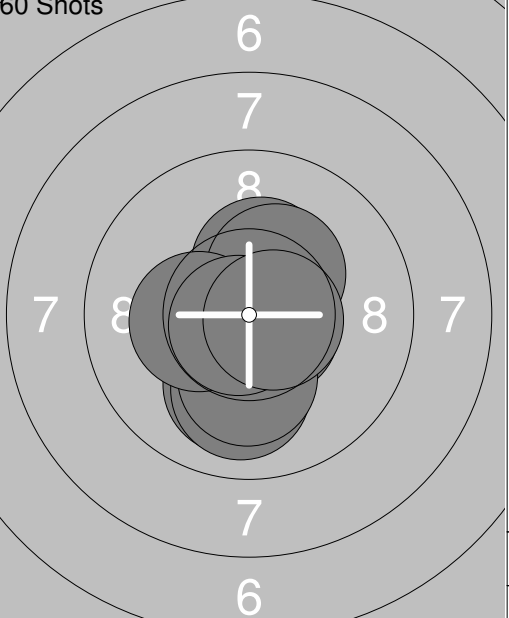
60 Shots 	31: 9.7 ↑ 32: 10.1 ↑ 33: 10.6x ↗ 34: 10.3x ↑ 35: 10.8x ↗ 36: 9.9 → 37: 10.0 ↑ 38: 10.1 ← 39: 10.0 ← 40: 9.9 ↗ <hr/> Series 101.4 Total 402.8		
---	---	--	--

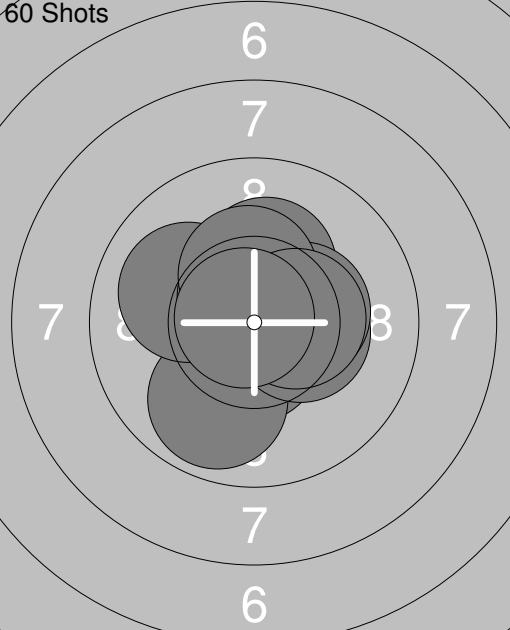
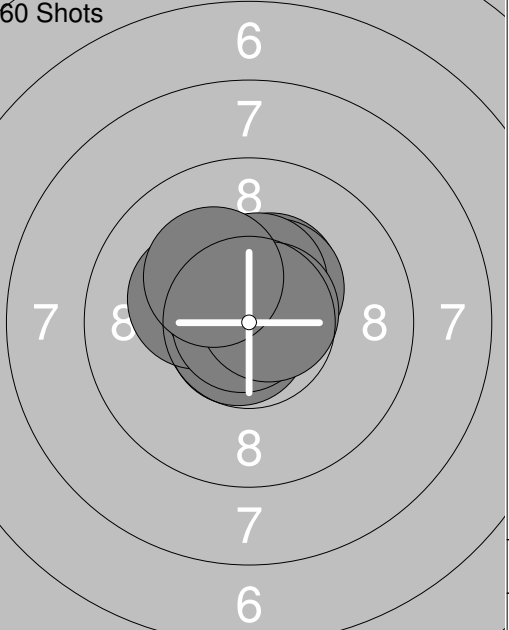
Sight 	1: 10.8x ↓ 2: 10.7x ↙ 3: 10.0 ↓ 4: 10.7x ↓ 5: 10.2x ↓ 6: 10.6x ↓ 7: 10.5x ↖ 8: 10.9x ↗ 9: 10.1 ↓ 10: 10.2x ↙ <hr/> Series 104.7 Total 0.0	Sight 	11: 10.4x ↖ 12: 10.5x → 13: 10.6x ↗ 14: 10.1 ← 15: 10.1 ↗ 16: 10.7x ↙ 17: 10.9x ↓ 18: 9.7 ↘ 19: 10.6x ↗ 20: 10.6x ↓ <hr/> Series 104.2 Total 0.0
--	--	--	---

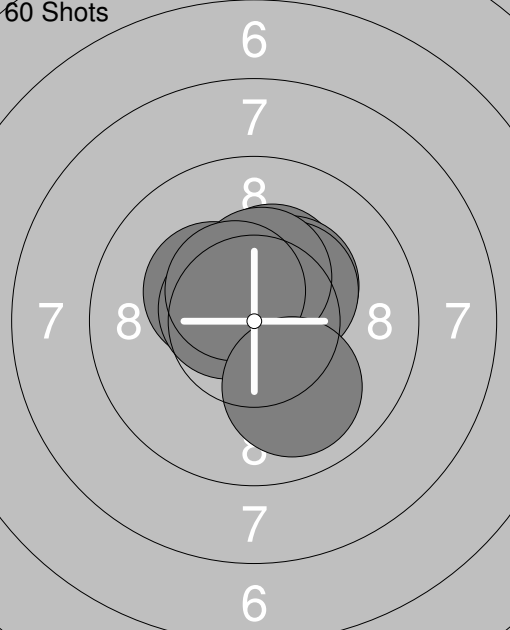
Sight 	21: 10.7x ↘ 22: 10.5x ↘ 23: 10.6x ← 24: 10.6x ↓ 25: 10.5x ↓ <hr/> Series 52.9 Total 0.0	60 Shots 	1: 10.7x ↗ 2: 10.4x ↑ 3: 10.1 ← 4: 10.3x ↑ 5: 10.8x → 6: 10.3x ↓ 7: 10.8x ↓ 8: 10.9x → 9: 10.7x ↑ 10: 10.8x ↘ <hr/> Series 105.8 Total 105.8
---	---	--	---

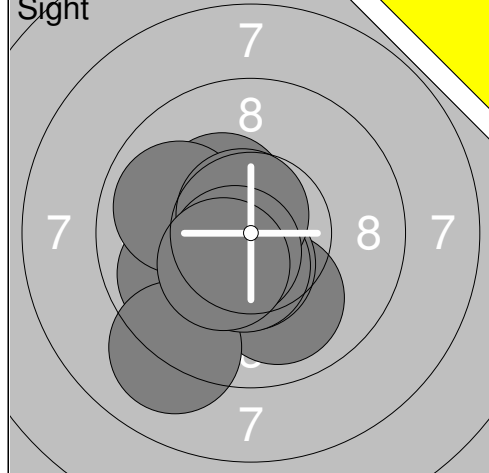
60 Shots 	11: 10.7x ↖ 12: 10.6x → 13: 10.7x → 14: 9.9 ↙ 15: 10.3x ← 16: 10.2x ↑ 17: 10.1 → 18: 10.3x ↓ 19: 10.1 ← 20: 10.5x → <hr/> Series 103.4 Total 209.2	60 Shots 	21: 10.7x ↑ 22: 10.7x ↑ 23: 10.6x ← 24: 10.5x ↖ 25: 10.4x ↖ 26: 9.9 ↗ 27: 10.8x ↑ 28: 10.3x → 29: 10.3x ↘ 30: 10.7x ↓ <hr/> Series 104.9 Total 314.1
---	---	---	---

60 Shots 	31: 10.8x ↓ 32: 10.4x ↙ 33: 10.7x ↓ 34: 10.8x ↖ 35: 10.7x → 36: 10.7x ↘ 37: 10.7x ↘ 38: 10.7x → 39: 10.3x ↗ 40: 10.7x ↗ <hr/> Series 106.5 Total 420.6		
---	---	--	--

 <p style="text-align: center;">Sight</p>	<p>1: 10.0 ↗</p> <p>2: 10.2x ↘</p> <p>3: 10.7x →</p> <p>4: 10.7x ↑</p> <p>5: 10.3x ↓</p> <p>6: 10.8x ←</p> <p>7: 10.2x ↖</p> <p>8: 10.8x ↘</p> <p>9: 10.2x →</p> <p>10: 10.4x ↘</p>	<p>60 Shots</p>  <p>1: 10.7x ↘</p> <p>2: 10.0 ↓</p> <p>3: 10.0 ↓</p> <p>4: 10.6x ↘</p> <p>5: 10.2x ↓</p> <p>6: 10.3x ↑</p> <p>7: 10.3x ↗</p> <p>8: 10.3x ←</p> <p>9: 10.8x ↘</p> <p>10: 10.6x →</p>
Series 104.3	Series 103.8	Series 103.8
Total 0.0	Total 103.8	Total 103.8

<p>60 Shots</p> 	<p>11: 10.6x ↓</p> <p>12: 9.9 ↓</p> <p>13: 10.3x →</p> <p>14: 10.0 ←</p> <p>15: 10.6x ↑</p> <p>16: 10.2x ↑</p> <p>17: 10.3x →</p> <p>18: 10.4x ↑</p> <p>19: 10.4x →</p> <p>20: 10.8x ↖</p>	<p>60 Shots</p>  <p>21: 10.7x ↘</p> <p>22: 10.2x ↖</p> <p>23: 10.4x ↗</p> <p>24: 10.4x ↗</p> <p>25: 10.6x ↖</p> <p>26: 10.7x ↑</p> <p>27: 10.9x ←</p> <p>28: 10.4x ↑</p> <p>29: 10.7x ↗</p> <p>30: 10.2x ↖</p>
Series 103.5	Series 105.2	Series 105.2
Total 207.3	Total 312.5	Total 312.5

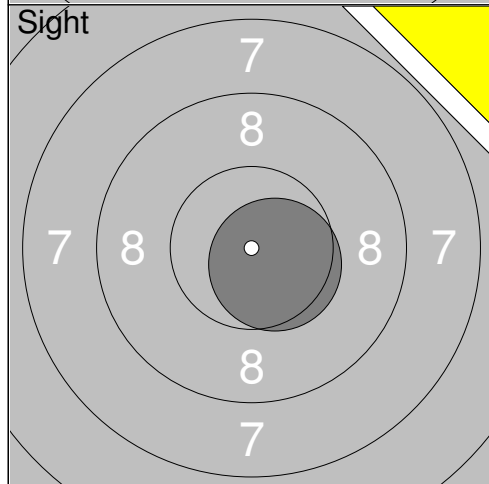
<p>60 Shots</p> 	<p>31: 10.6x ↖</p> <p>32: 10.3x ↑</p> <p>33: 10.3x ↗</p> <p>34: 10.4x ↗</p> <p>35: 10.3x ↖</p> <p>36: 10.6x ↑</p> <p>37: 10.4x ↑</p> <p>38: 10.6x ↖</p> <p>39: 10.5x ↖</p> <p>40: 10.0 ↓</p>	
Series 104.0		
Total 416.5		



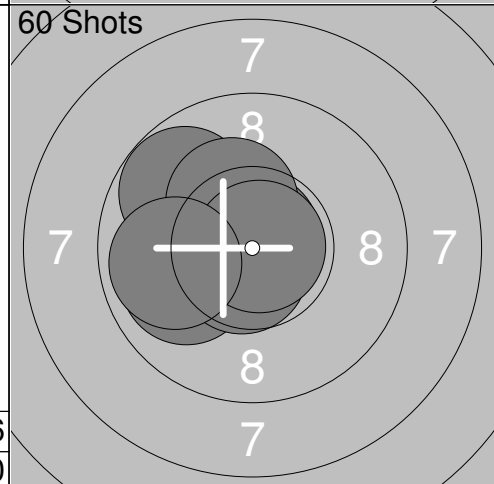
1:	10.0	↘
2:	10.5x	↓
3:	9.9	↙
4:	9.1	↘
5:	10.5x	↓
6:	10.3x	↗
7:	9.9	↖
8:	10.7x	↗
9:	10.6x	↘
10:	10.4x	↘
Series		101.9
Total		0.0



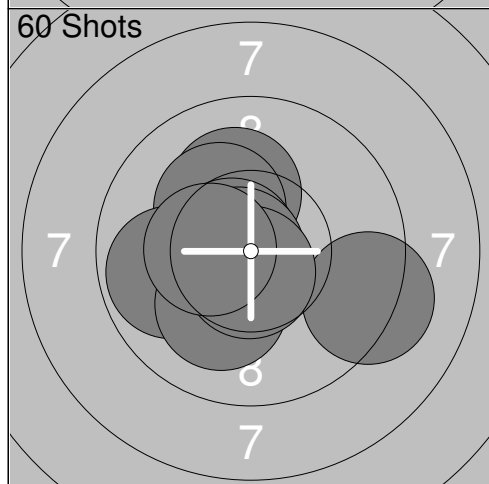
11:	10.1	↑
12:	9.7	↖
13:	10.2x	↖
14:	10.4x	↗
15:	10.1	↓
16:	10.8x	↓
17:	10.5x	↖
18:	10.3x	↖
19:	10.6x	→
20:	10.5x	↓
Series		103.2
Total		0.0



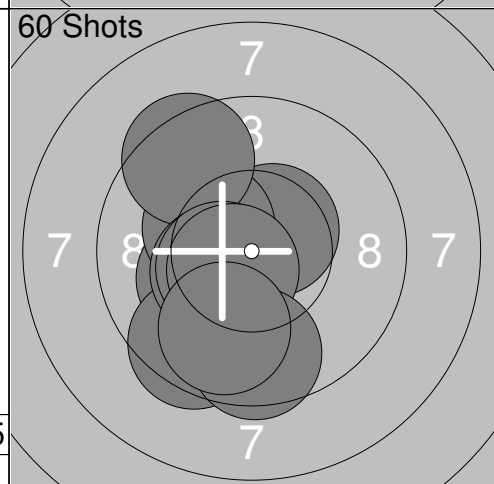
21:	10.6x	↘
Series		10.6
Total		0.0



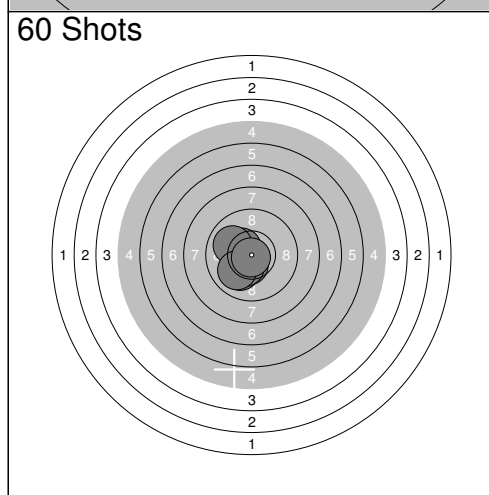
1:	10.3x	↖
2:	10.0	↖
3:	10.4x	↖
4:	10.6x	↓
5:	10.8x	↑
6:	9.8	↖
7:	10.6x	↖
8:	10.3x	↗
9:	10.9x	→
10:	9.9	↖
Series		103.6
Total		103.6



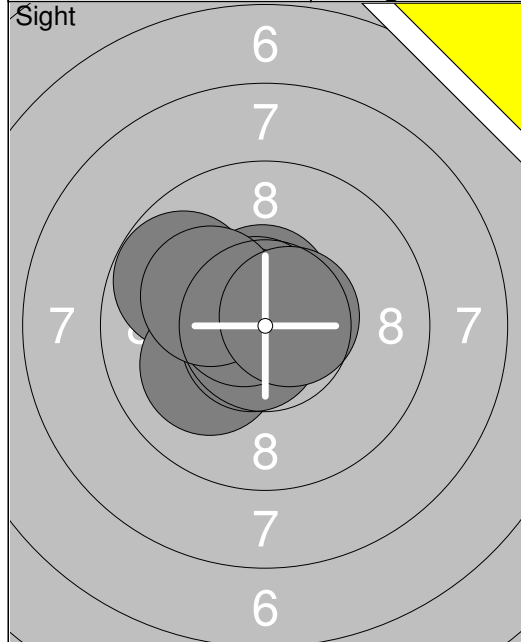
11:	10.5x	↖
12:	10.1	↗
13:	10.2x	↖
14:	9.8	↖
15:	10.1	↘
16:	10.7x	↖
17:	10.8x	↖
18:	9.2	→
19:	10.7x	↓
20:	10.4x	↖
Series		102.5
Total		206.1



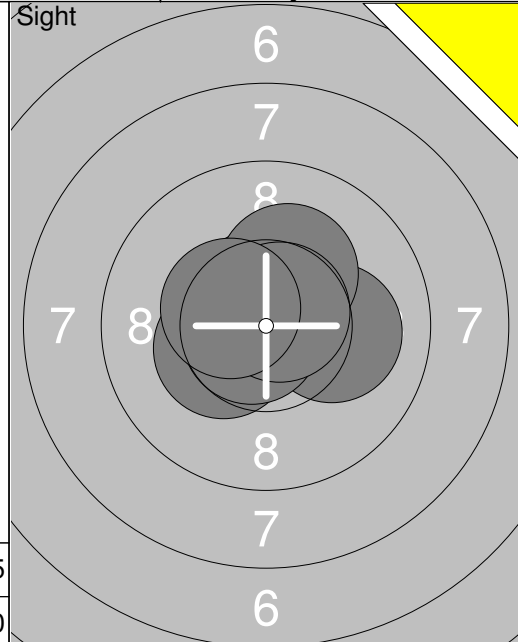
21:	10.5x	↗
22:	10.2x	↖
23:	10.3x	↖
24:	9.5	↓
25:	9.4	↖
26:	10.4x	↖
27:	10.5x	↖
28:	10.6x	↖
29:	9.6	↓
30:	9.8	↓
Series		100.8
Total		306.9



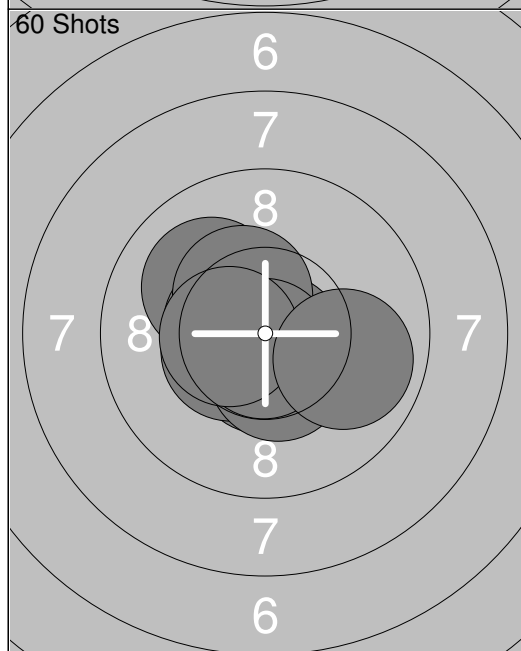
31:	10.1	↓
32:	10.7x	↖
33:	10.5x	↖
34:	10.5x	↓
35:	10.4x	↖
36:	10.3x	↓
37:	10.0	↖
38:	10.0	↖
39:	10.8x	↓
40:	0.0	↓
Series		93.3
Total		400.2



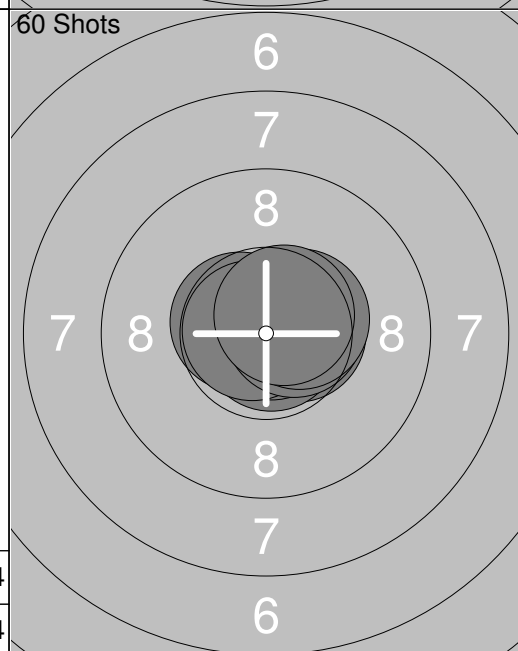
1: 10.3x ↖
2: 9.8 ↖
3: 10.6x ↑
4: 10.7x ↖
5: 10.1 ↙
6: 10.8x ↖
7: 10.7x ↘
8: 10.7x ↖
9: 10.2x ↖
10: 10.6x →
Series 104.5
Total 0.0



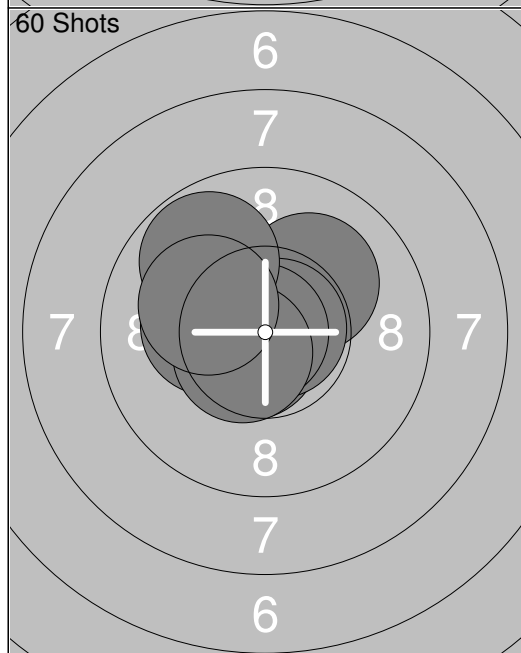
11: 10.6x →
12: 10.1 →
13: 10.6x ↑
14: 10.3x ↙
15: 10.7x ↖
16: 10.8x ↑
17: 10.2x ↑
18: 10.7x ↙
19: 10.7x ↗
20: 10.5x ↖
Series 105.2
Total 0.0



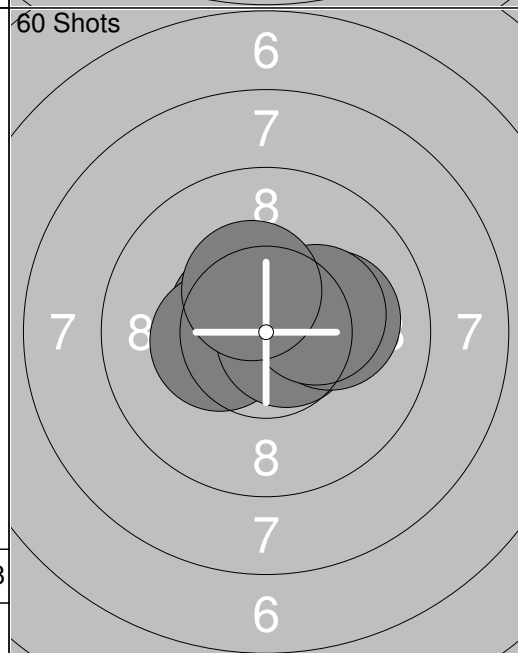
1: 10.6x ↓
2: 10.0 ↖
3: 10.5x ↙
4: 10.4x ↓
5: 10.8x ↘
6: 10.5x ↖
7: 10.4x ↗
8: 10.8x ↓
9: 10.5x ←
10: 9.9 →
Series 104.4
Total 104.4



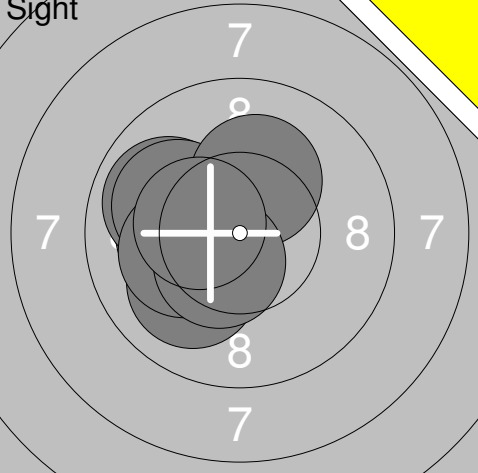
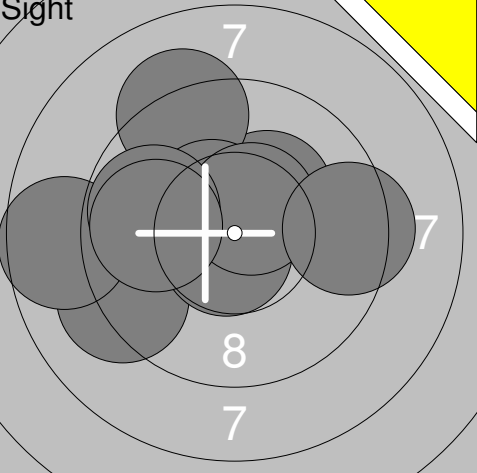
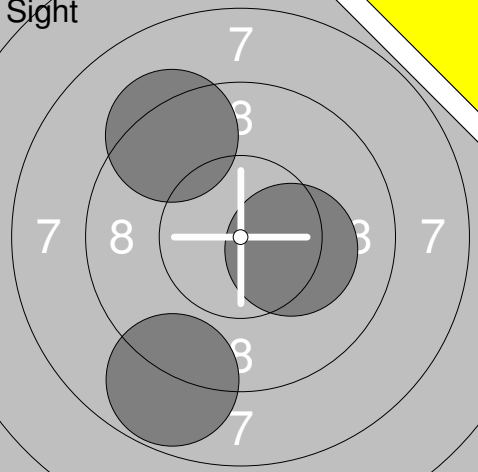
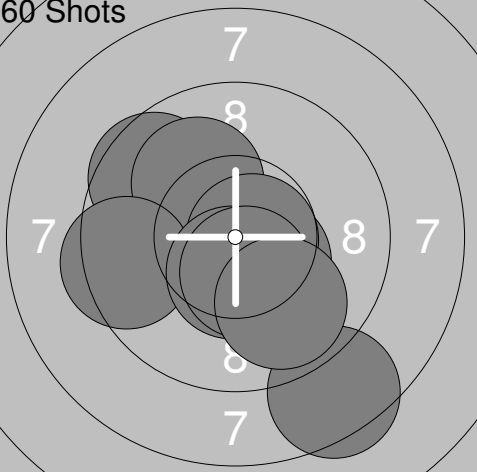
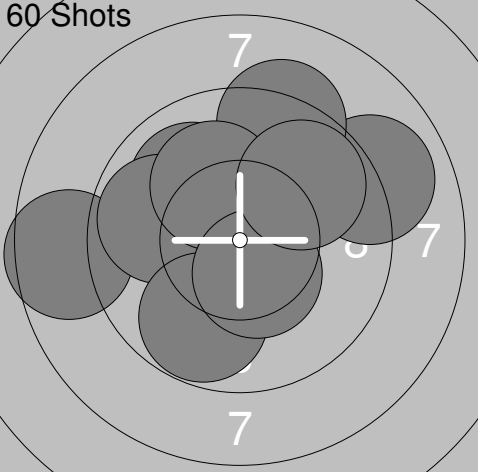
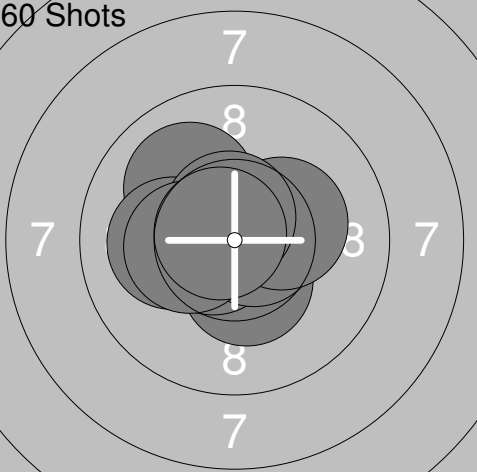
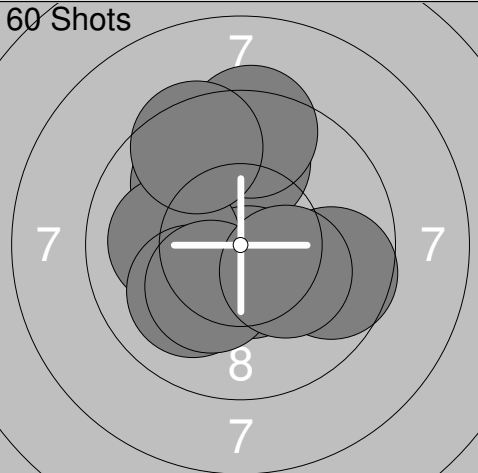
11: 10.7x ↖
12: 10.8x ↗
13: 10.6x →
14: 10.6x ↖
15: 10.8x ↓
16: 10.9x ↗
17: 10.8x ↖
18: 10.6x →
19: 10.5x →
20: 10.6x ↗
Series 106.9
Total 211.3

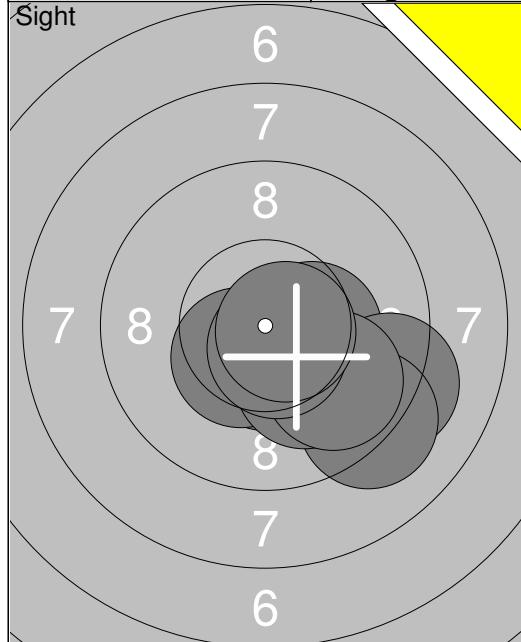


21: 10.8x ↗
22: 10.7x ↘
23: 10.6x ↑
24: 10.1 ↗
25: 10.8x →
26: 10.9x ←
27: 10.3x ↖
28: 10.6x ↘
29: 9.8 ↖
30: 10.2x ↖
Series 104.8
Total 316.1

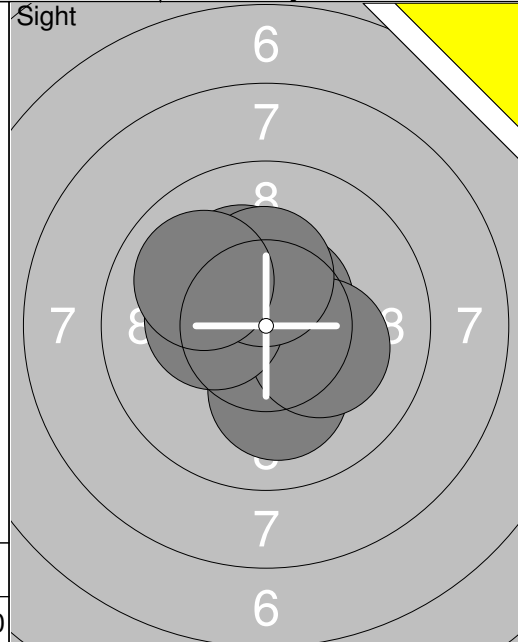


31: 10.7x →
32: 10.6x ↖
33: 10.5x ↖
34: 10.9x ↑
35: 10.4x ←
36: 10.6x →
37: 10.7x →
38: 10.1 →
39: 10.3x →
40: 10.4x ↑
Series 105.2
Total 421.3

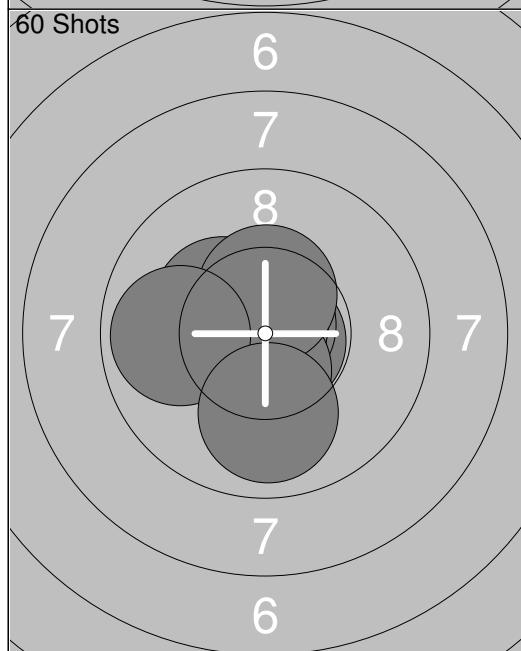
Relay	Lane	Nelly Larsson	
S	30	Drängsmark	
14.11.2015	Drängsmarksskyttet 2015	Umeå skytteallians	
Sight		1: 10.2x ← 2: 9.9 ↖ 3: 10.0 ↖ 4: 10.6x ← 5: 10.3x ↙ 6: 10.0 ↙ 7: 10.2x ↑ 8: 10.2x ← 9: 10.5x ↘ 10: 10.4x ← Series 102.3 Total 0.0	Sight  11: 9.2 ↖ 12: 10.3x ↗ 13: 8.6 ← 14: 9.2 ↗ 15: 10.5x ↗ 16: 10.7x ↘ 17: 10.6x ↗ 18: 9.4 → 19: 9.8 ← 20: 9.9 ← Series 98.2 Total 0.0
Sight		21: 8.8 ↘ 22: 10.2x → 23: 9.3 ↗ Series 28.3 Total 0.0	60 Shots  1: 10.9x ← 2: 10.4x ↘ 3: 9.6 ↗ 4: 10.1 ↗ 5: 9.4 ← 6: 8.5 ↘ 7: 10.7x → 8: 10.5x ↘ 9: 10.4x ↘ 10: 9.9 ↘ Series 100.4 Total 100.4
60 Shots		11: 10.0 ↗ 12: 10.7x ↑ 13: 8.6 ← 14: 9.0 → 15: 9.8 ← 16: 9.8 ↘ 17: 9.3 ↑ 18: 10.1 ↗ 19: 10.4x ↘ 20: 9.8 ↗ Series 97.5 Total 197.9	60 Shots  21: 10.4x ↘ 22: 10.6x ← 23: 10.8x ↑ 24: 10.7x → 25: 10.3x → 26: 10.0 ↗ 27: 10.1 ← 28: 10.6x ↑ 29: 10.3x ← 30: 10.7x ← Series 104.5 Total 302.4
60 Shots		31: 9.9 ↗ 32: 9.8 ↑ 33: 10.6x ↘ 34: 9.4 ↑ 35: 10.0 ← 36: 9.5 ↗ 37: 9.7 → 38: 10.1 ↙ 39: 10.3x ↘ 40: 10.2x → Series 99.5 Total 401.9	



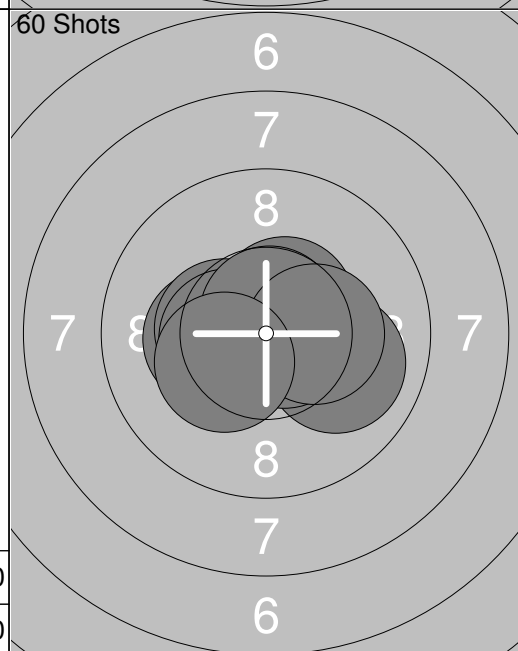
1: 10.3x →
2: 9.2 →
3: 10.5x ↓
4: 9.2 →
5: 10.3x ↓
6: 10.4x ↙
7: 10.1 ↓
8: 9.8 →
9: 10.6x ↓
10: 10.7x →
Series 101.1
Total 0.0



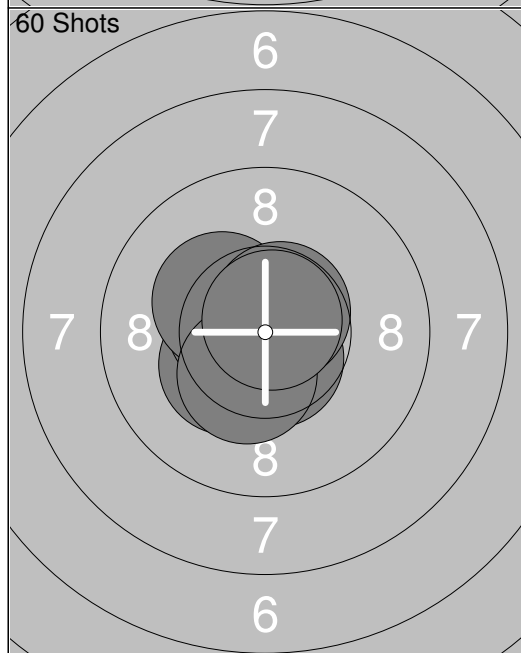
11: 10.5x ↖
12: 10.2x ↖
13: 10.6x ↗
14: 10.6x ↓
15: 10.1 ↓
16: 10.2x →
17: 10.3x ←
18: 10.3x ↑
19: 10.0 ↖
Series 92.8
Total 0.0



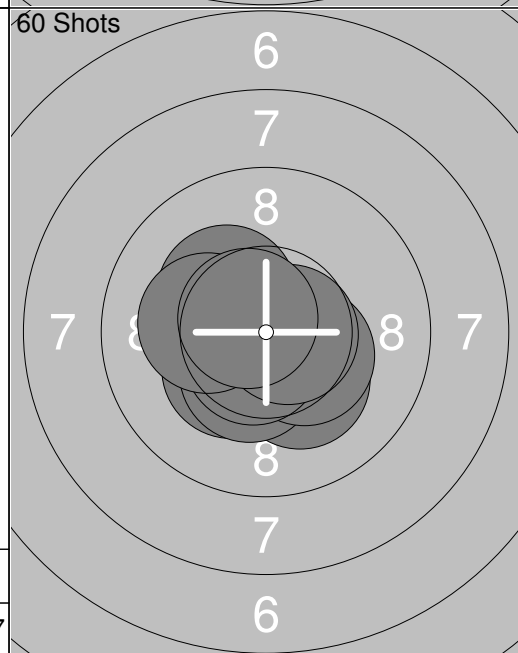
1: 10.7x ↖
2: 10.8x →
3: 10.8x ↑
4: 10.8x ↙
5: 10.8x ↖
6: 10.5x ↓
7: 10.3x ↖
8: 10.5x ↑
9: 9.9 ←
10: 9.9 ↓
Series 105.0
Total 105.0



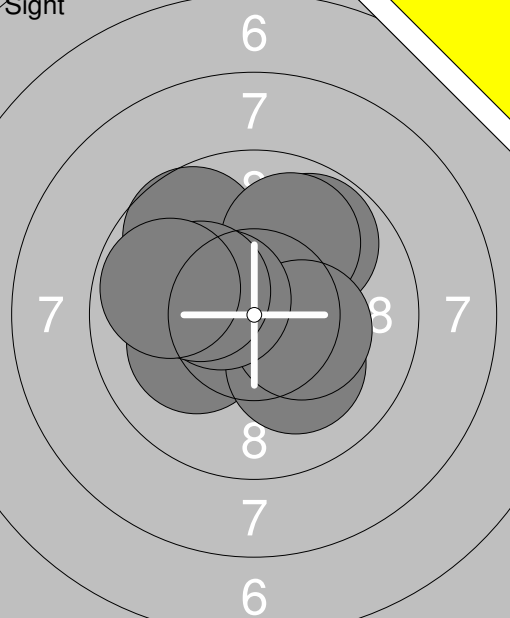
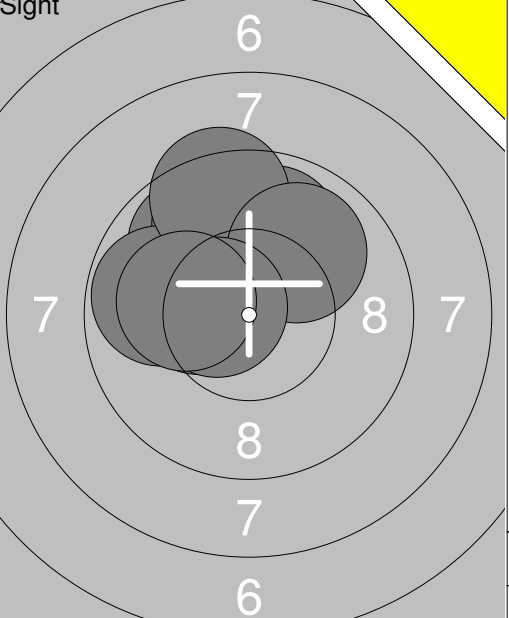
11: 10.3x ←
12: 10.4x ←
13: 10.9x ↙
14: 10.0 →
15: 10.7x →
16: 10.5x ↗
17: 10.5x ←
18: 10.7x ↑
19: 10.3x →
20: 10.3x ↙
Series 104.6
Total 209.6

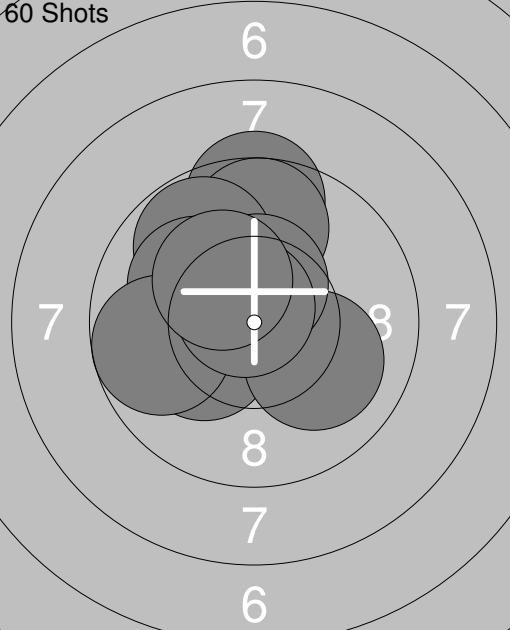
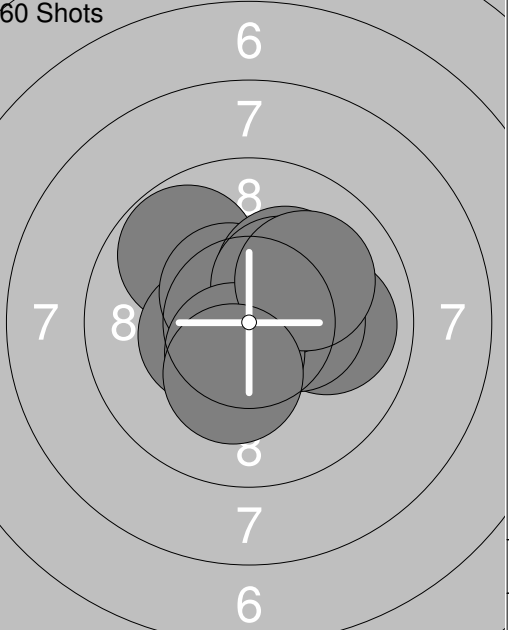


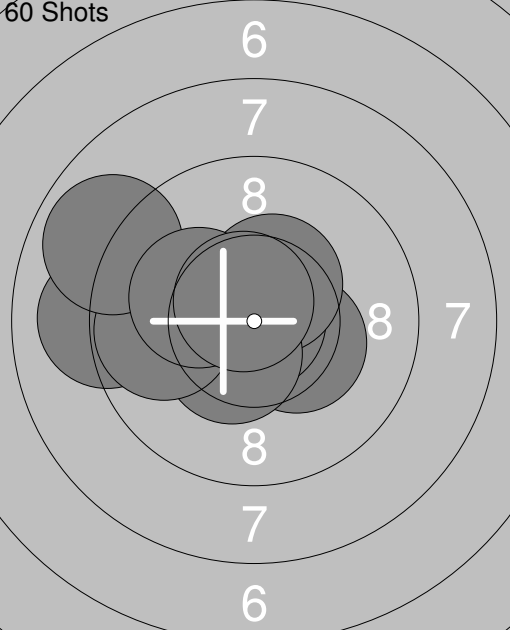
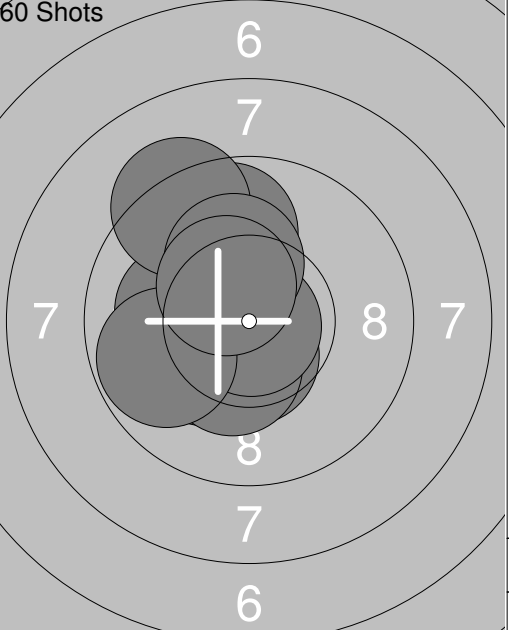
21: 10.8x ↑
22: 10.9x ↓
23: 10.6x ↓
24: 10.3x ↙
25: 10.8x ↑
26: 10.6x ←
27: 10.3x ↖
28: 10.4x ↓
29: 10.6x ↗
30: 10.8x ↗
Series 106.1
Total 315.7

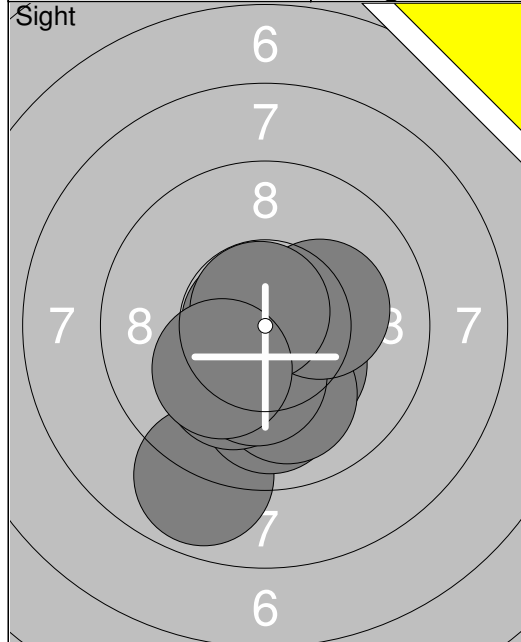


31: 10.4x ↙
32: 10.3x ↖
33: 10.2x ↓
34: 10.3x ↙
35: 10.4x ↓
36: 10.4x →
37: 10.6x ↓
38: 10.7x →
39: 10.2x ←
40: 10.7x ↖
Series 104.2
Total 419.9

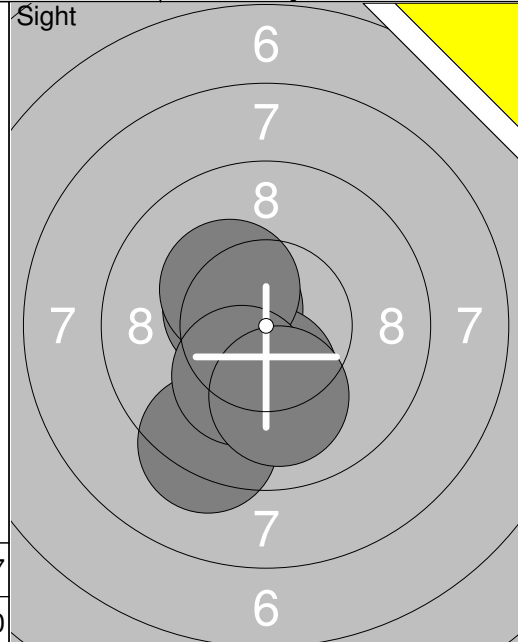
Sight 	1: 9.8 ↗ 2: 9.9 ↗ 3: 9.7 ↗ 4: 9.9 ↗ 5: 10.1 ← 6: 10.1 ↓ 7: 10.3x → 8: 10.5x ↙ 9: 10.2x ↙ 10: 9.8 ← <hr/> Series 100.3 Total 0.0	Sight 	11: 9.9 ↑ 12: 9.8 ↖ 13: 9.7 ↑ 14: 9.8 ← 15: 10.3x ↙ 16: 9.4 ↑ 17: 10.0 ↗ 18: 10.5x ↙ 19: 10.1 ← <hr/> Series 89.5 Total 0.0
---	--	---	---

60 Shots 	1: 9.4 ↑ 2: 9.7 ↑ 3: 9.8 ↗ 4: 10.2x ↙ 5: 10.0 ↓ 6: 10.5x ↑ 7: 10.1 ↖ 8: 9.7 ← 9: 10.7x ↗ 10: 10.3x ↖ <hr/> Series 100.4 Total 100.4	60 Shots 	11: 9.8 ↖ 12: 10.0 → 13: 10.4x ↙ 14: 10.5x ↖ 15: 10.4x → 16: 10.2x ↗ 17: 10.3x ↗ 18: 10.5x ↓ 19: 10.1 ↗ 20: 10.3x ↓ <hr/> Series 102.5 Total 202.9
---	--	---	---

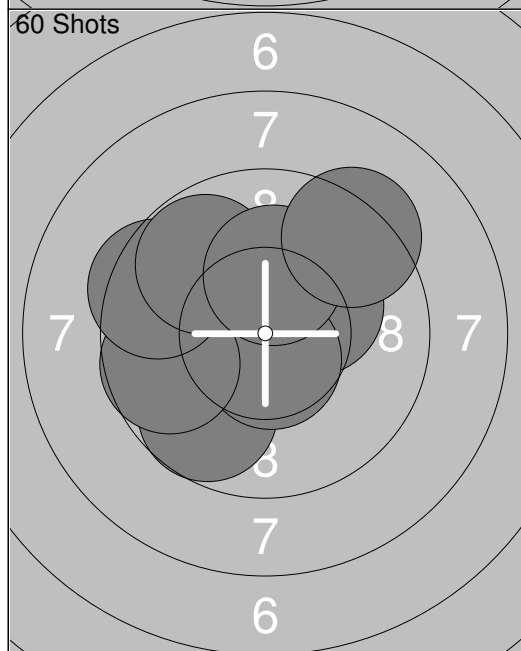
60 Shots 	21: 10.3x → 22: 10.9x → 23: 9.5 ← 24: 10.4x ↗ 25: 10.5x ↓ 26: 9.1 ← 27: 9.8 ← 28: 8.9 ↖ 29: 10.2x ↙ 30: 10.7x ↗ <hr/> Series 100.3 Total 303.2	60 Shots 	31: 10.1 ← 32: 10.5x ↓ 33: 9.8 ↑ 34: 10.3x ↙ 35: 10.3x ↓ 36: 10.9x ↓ 37: 9.8 ← 38: 9.3 ↗ 39: 10.2x ↗ 40: 10.4x ↖ <hr/> Series 101.6 Total 404.8
--	---	--	--



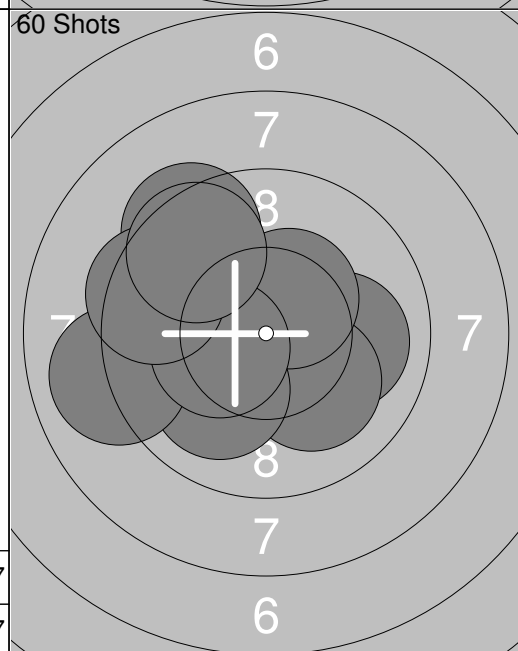
1: 10.3x ↘
2: 8.9 ↘
3: 10.8x ←
4: 10.0 ↘
5: 10.0 ↘
6: 10.2x ↘
7: 10.3x ↘
8: 10.2x →
9: 10.8x ↗
10: 10.2x ↘
Series 101.7
Total 0.0



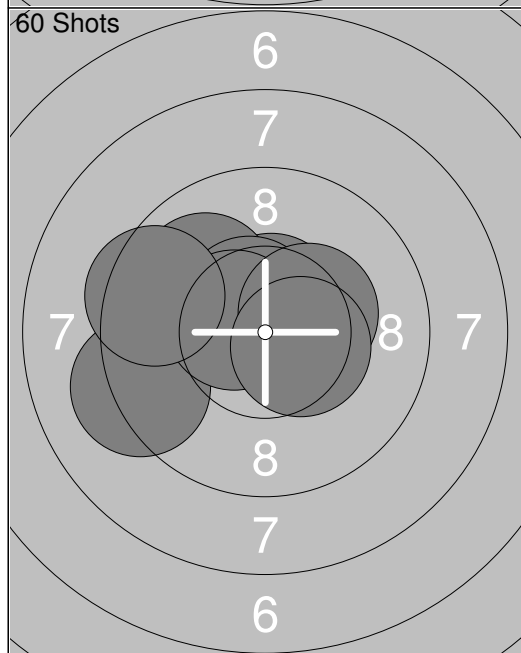
11: 10.5x ↖
12: 10.3x ↘
13: 9.3 ↘
14: 10.3x ↖
15: 10.2x ↘
16: 10.0 ↘
Series 60.6
Total 0.0



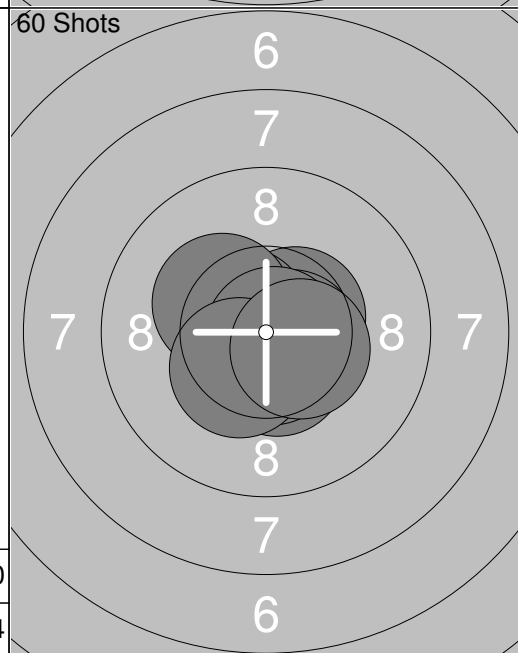
1: 10.2x ↗
2: 10.3x ←
3: 10.4x ↘
4: 9.7 ↘
5: 10.6x ↘
6: 9.7 ←
7: 9.5 ←
8: 9.8 ↗
9: 10.2x ↗
10: 9.3 ↗
Series 99.7
Total 99.7



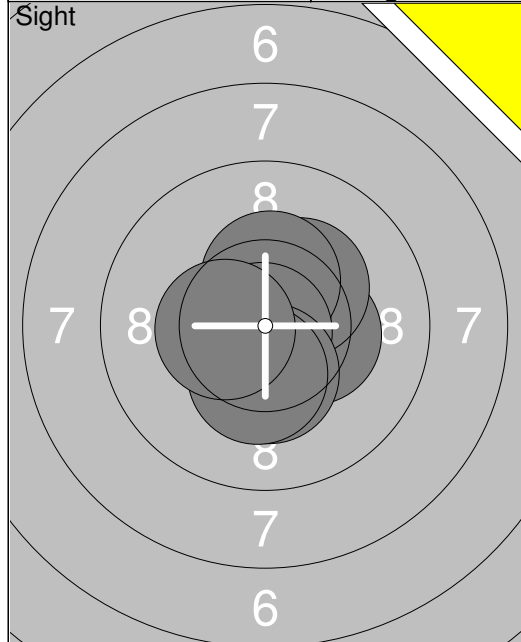
11: 10.0 →
12: 9.4 ↗
13: 10.1 ↘
14: 10.4x ↖
15: 10.4x ↗
16: 10.0 ↘
17: 9.0 ←
18: 10.3x ←
19: 9.5 ←
20: 9.6 ↖
Series 98.7
Total 198.4



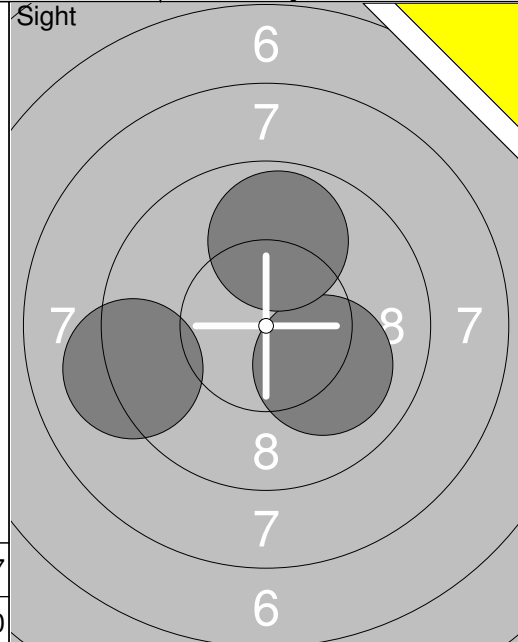
21: 9.2 ←
22: 10.8x ↗
23: 10.0 ↖
24: 10.6x ↗
25: 10.0 ↖
26: 10.6x ↗
27: 10.5x ↖
28: 9.5 ←
29: 10.3x →
30: 10.5x →
Series 102.0
Total 300.4



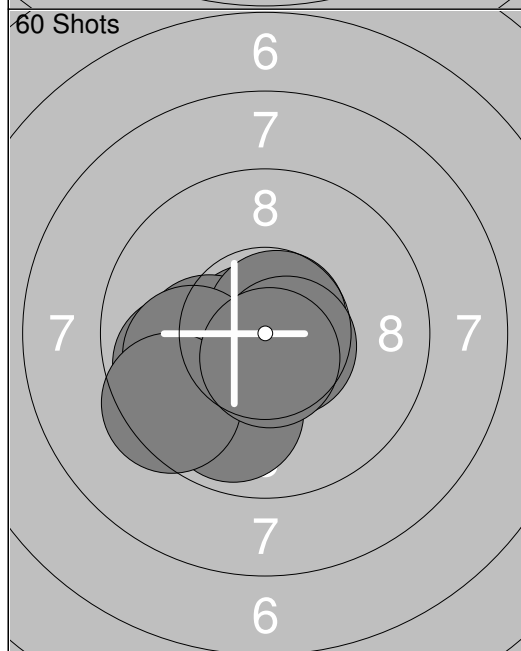
31: 10.5x →
32: 10.6x ↖
33: 10.7x ↘
34: 10.5x ↘
35: 10.3x ↖
36: 10.7x ↘
37: 10.6x →
38: 10.8x →
39: 10.4x ↘
40: 10.5x →
Series 105.6
Total 406.0



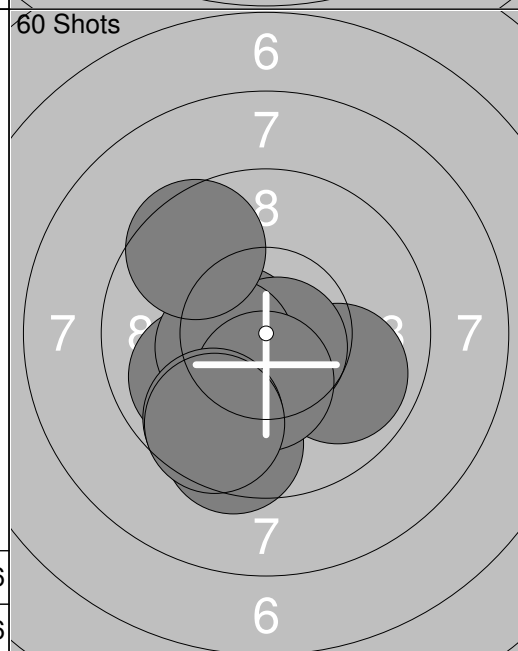
1: 10.5x ↓
2: 10.5x →
3: 10.4x →
4: 10.3x ↗
5: 10.7x ↑
6: 10.4x ↑
7: 10.9x ↓
8: 10.3x ↓
9: 10.3x ↓
10: 10.4x ←
Series 104.7
Total 0.0



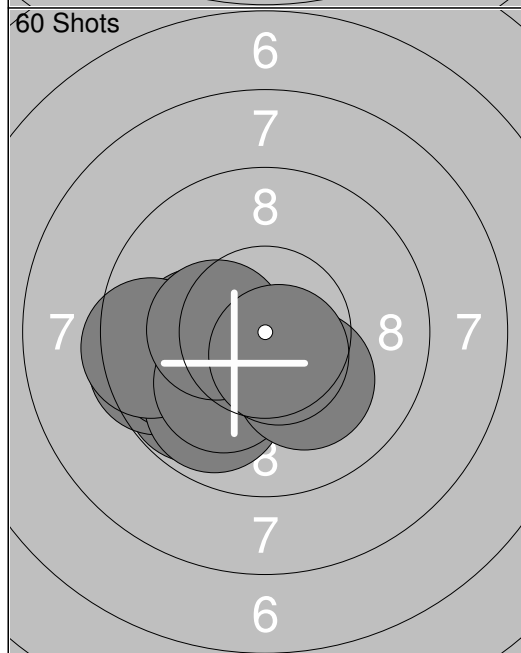
11: 10.1 ↘
12: 9.9 ↑
13: 9.2 ←
Series 29.2
Total 0.0



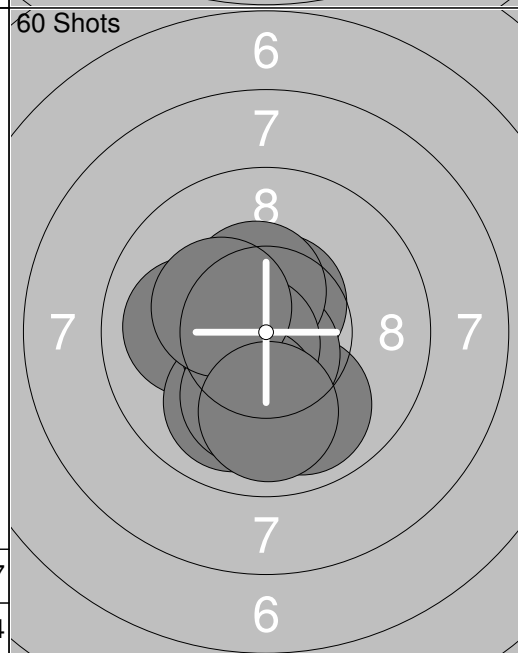
1: 10.5x ↓
2: 10.8x ←
3: 9.8 ←
4: 9.9 ↓
5: 10.2x ←
6: 10.7x ↗
7: 10.0 ←
8: 9.5 ←
9: 10.6x ↘
10: 10.6x ↓
Series 102.6
Total 102.6



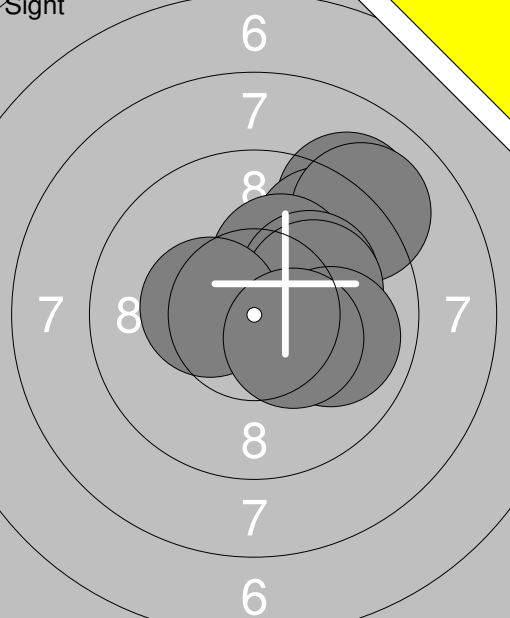
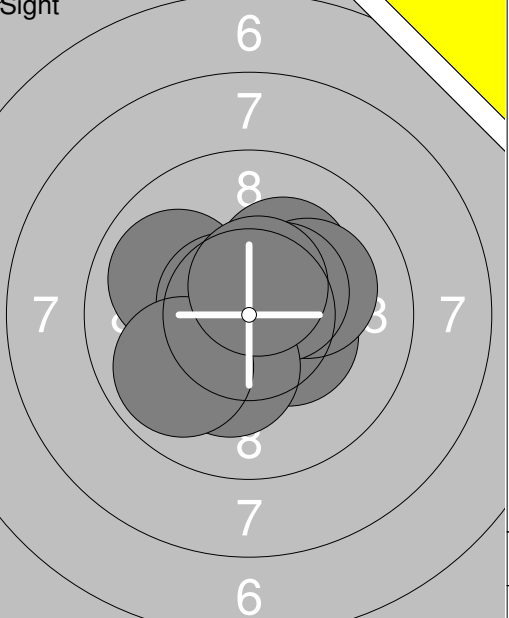
11: 9.9 ↘
12: 10.5x ←
13: 9.9 ←
14: 10.7x ↓
15: 10.4x ←
16: 9.5 ↓
17: 10.3x ↓
18: 9.6 ↖
19: 9.7 ↓
20: 9.6 ↓
Series 100.1
Total 202.7

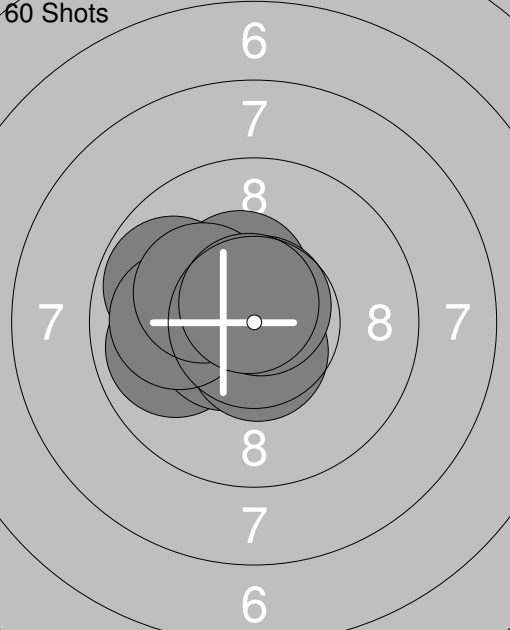
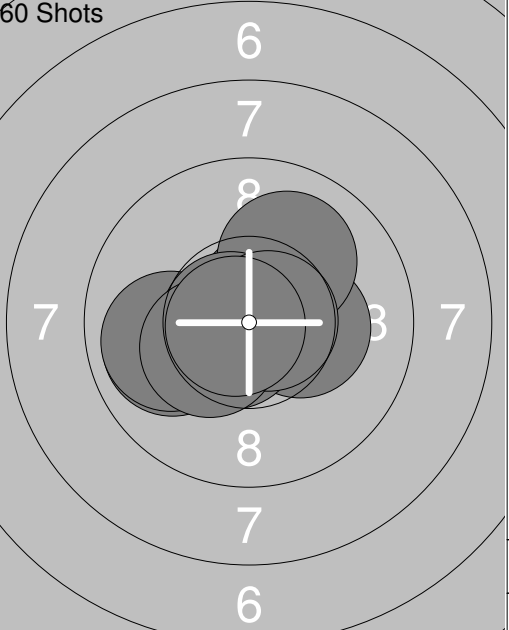


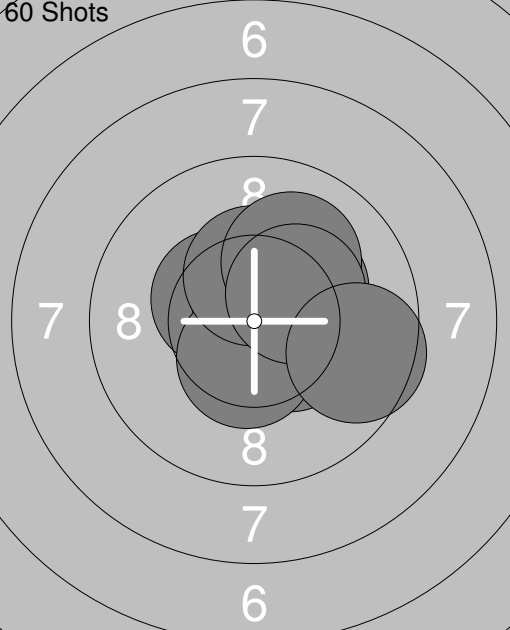
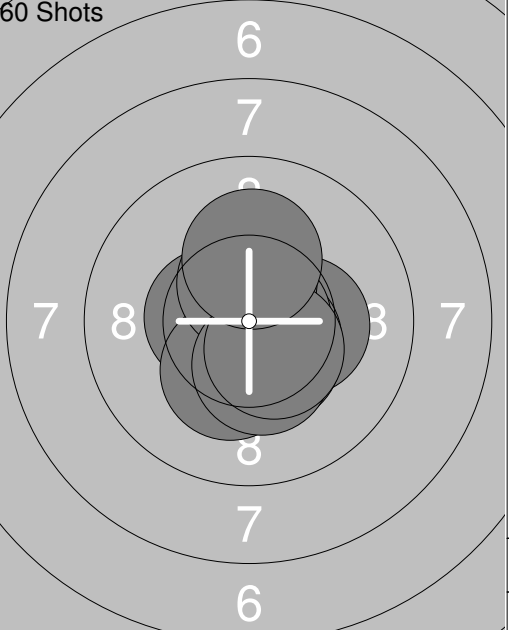
21: 9.8 ↙
22: 9.5 ←
23: 10.1 ←
24: 9.8 ←
25: 9.8 ↓
26: 9.5 ←
27: 10.1 ↓
28: 10.2x ↓
29: 10.3x ←
30: 10.6x ↓
Series 99.7
Total 302.4

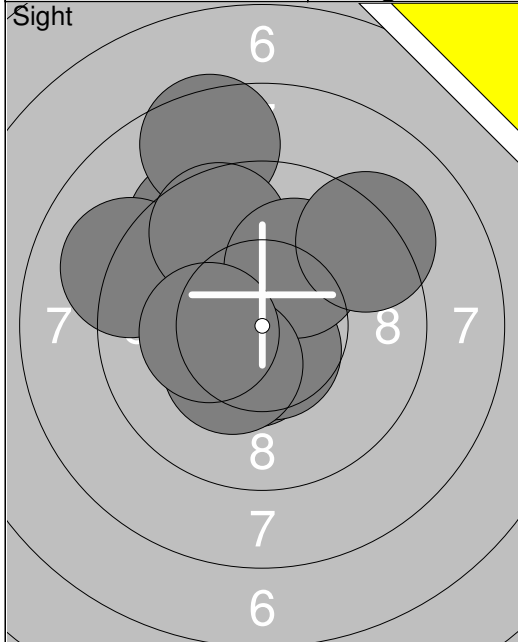


31: 10.6x ↑
32: 9.9 ↓
33: 10.7x ↓
34: 10.4x ↑
35: 10.0 ←
36: 10.0 ↓
37: 10.7x ↙
38: 10.1 ↓
39: 10.3x ↙
40: 9.9 ↓
Series 102.6
Total 405.0

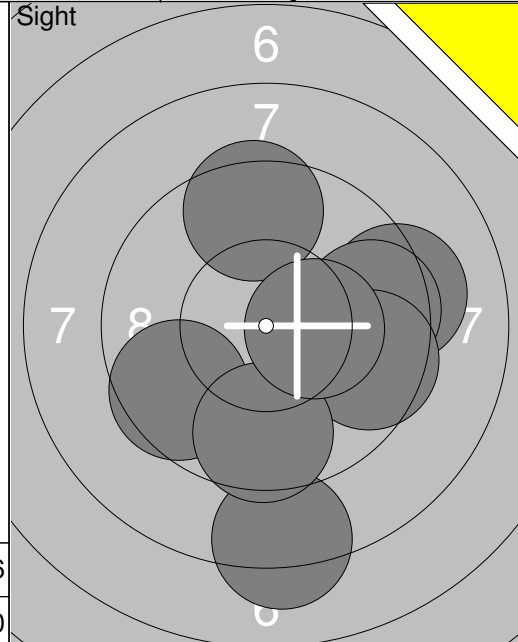
<p>Sight</p>  <p style="text-align: center;">6 7 8 7 8 7 6</p>	1: 9.1 ↗ 2: 9.6 ↗ 3: 9.1 ↗ 4: 10.3x ↗ 5: 10.2x ↗ 6: 10.1 ↗ 7: 10.1 → 8: 9.9 → 9: 10.4x ← 10: 10.4x ↘	<p>Sight</p>  <p style="text-align: center;">6 7 8 7 6 7 6</p>	11: 10.2x ↗ 12: 10.4x ↘ 13: 10.1 → 14: 10.4x ← 15: 9.9 ↖ 16: 10.5x ↗ 17: 10.6x ↖ 18: 10.2x ↓ 19: 9.9 ↙ 20: 10.6x ↗
Series	99.2	Series	102.8
Total	0.0	Total	0.0

<p>60 Shots</p>  <p style="text-align: center;">6 7 8 7 8 7 6</p>	1: 10.5x ↖ 2: 9.9 ← 3: 10.4x ↗ 4: 10.5x ↙ 5: 9.8 ↖ 6: 10.6x ↓ 7: 10.0 ← 8: 10.7x ↗ 9: 10.2x ↖ 10: 10.7x ↗	<p>60 Shots</p>  <p style="text-align: center;">6 7 8 7 8 7 6</p>	11: 9.9 ← 12: 10.3x → 13: 9.9 ← 14: 10.6x ↗ 15: 10.0 ↗ 16: 10.6x ↙ 17: 10.7x ← 18: 10.7x → 19: 10.4x ↙ 20: 10.8x ←
Series	103.3	Series	103.9
Total	103.3	Total	207.2

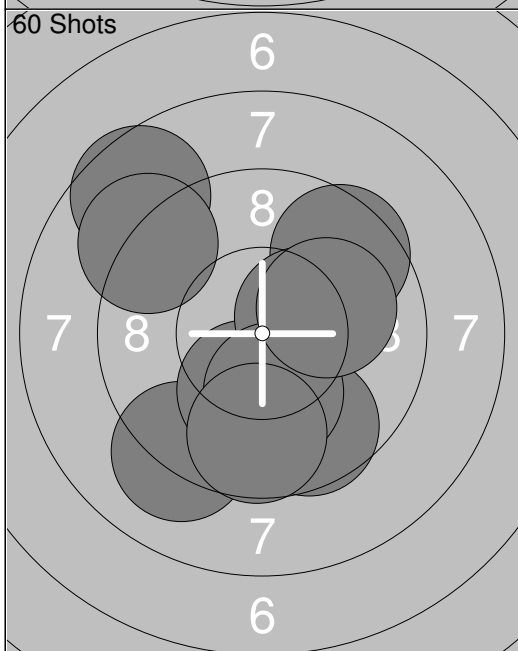
<p>60 Shots</p>  <p style="text-align: center;">6 7 8 7 8 7 6</p>	21: 10.4x ↖ 22: 10.4x ↘ 23: 10.6x ↗ 24: 10.7x ↗ 25: 10.3x ↗ 26: 10.5x ↓ 27: 10.4x ↗ 28: 10.1 ↗ 29: 10.3x ↗ 30: 9.6 →	<p>60 Shots</p>  <p style="text-align: center;">6 7 8 7 8 7 6</p>	31: 10.3x → 32: 10.5x ← 33: 10.6x ↘ 34: 10.8x → 35: 10.4x ↓ 36: 10.3x ↓ 37: 10.5x ↗ 38: 10.4x ↓ 39: 10.5x ↘ 40: 10.2x ↗
Series	103.3	Series	104.5
Total	310.5	Total	415.0



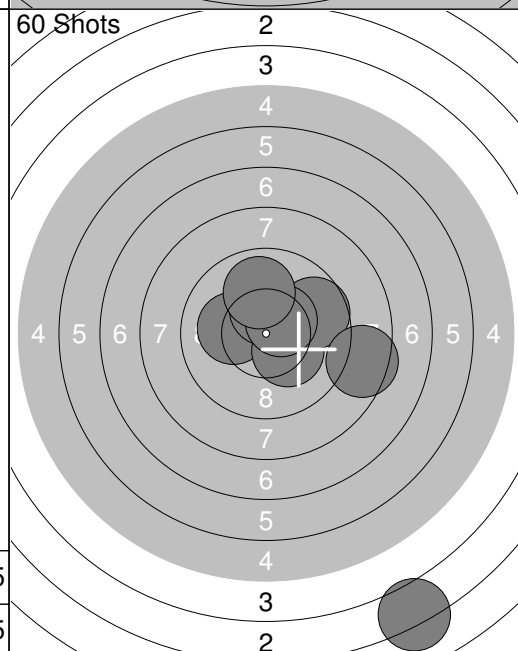
11:	10.2x	→
12:	10.1	→
13:	9.6	↖
14:	9.2	→
15:	9.6	→
16:	9.5	↑
17:	9.6	→
18:	8.2	↓
19:	9.6	↓
20:	10.3x	→
Series		95.9
Total		0.0



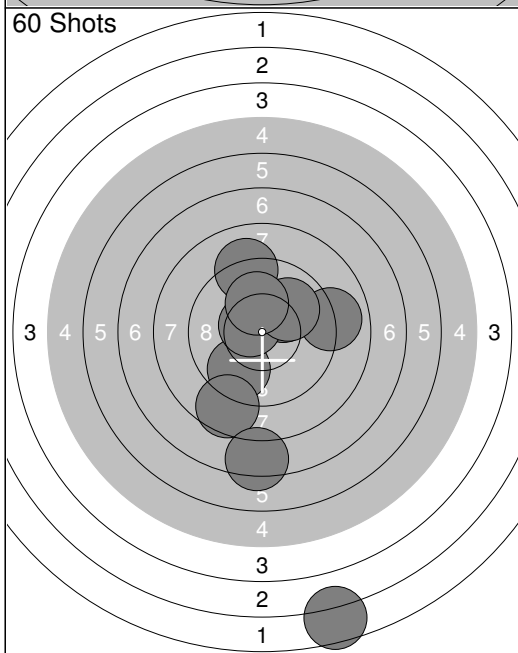
11:	10.5x	→
12:	10.1	↖
13:	10.4x	→
14:	10.3x	↑
15:	10.3x	↘
16:	9.7	→
17:	3.1	↓
18:	10.5x	↗
19:	8.5	→
20:	9.9	↑
Series		93.3
Total		189.8



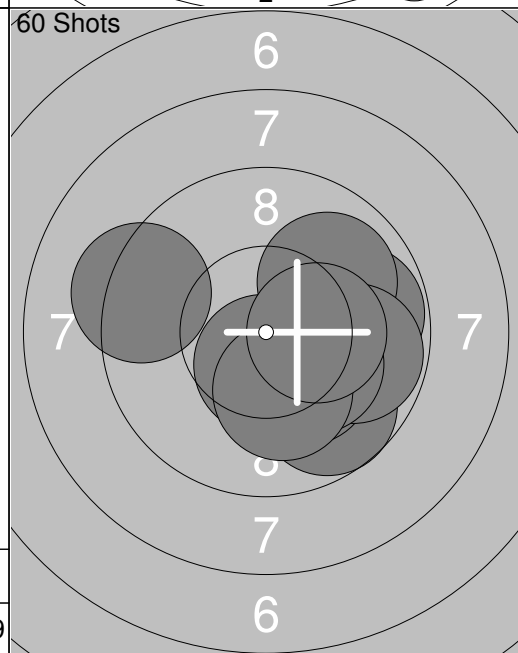
11:	10.5x	→
12:	10.1	↖
13:	10.4x	→
14:	10.3x	↑
15:	10.3x	↘
16:	9.7	→
17:	3.1	↓
18:	10.5x	↗
19:	8.5	→
20:	9.9	↑
Series		93.3
Total		189.8



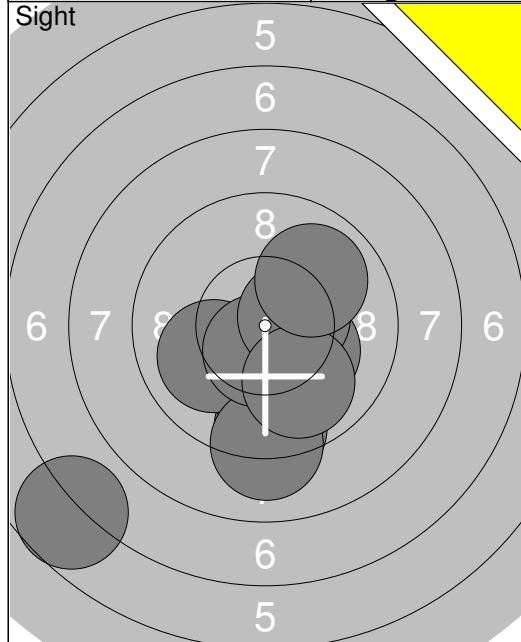
21:	10.1	↗
22:	9.1	↑
23:	9.7	↘
24:	9.0	→
25:	10.6x	↖
26:	8.6	↘
27:	10.0	↗
28:	10.1	↑
29:	7.3	↓
30:	2.6	↓
Series		87.1
Total		276.9



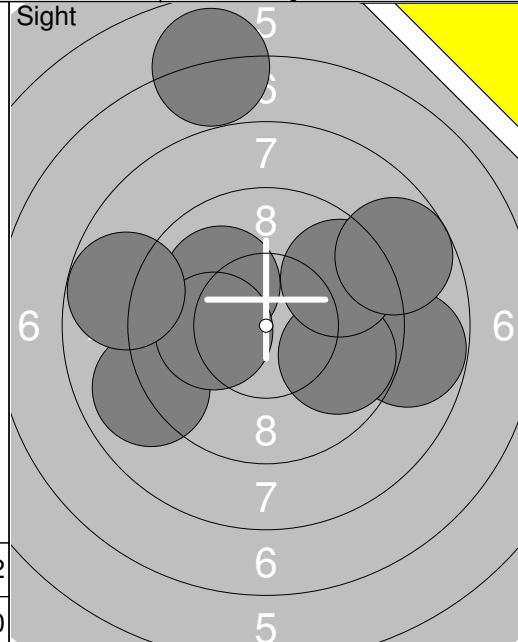
31:	9.8	→
32:	9.3	↖
33:	9.7	↘
34:	10.2x	↘
35:	9.9	↗
36:	9.8	→
37:	10.2x	↘
38:	10.5x	↘
39:	10.2x	↘
40:	10.3x	→
Series		99.9
Total		376.8



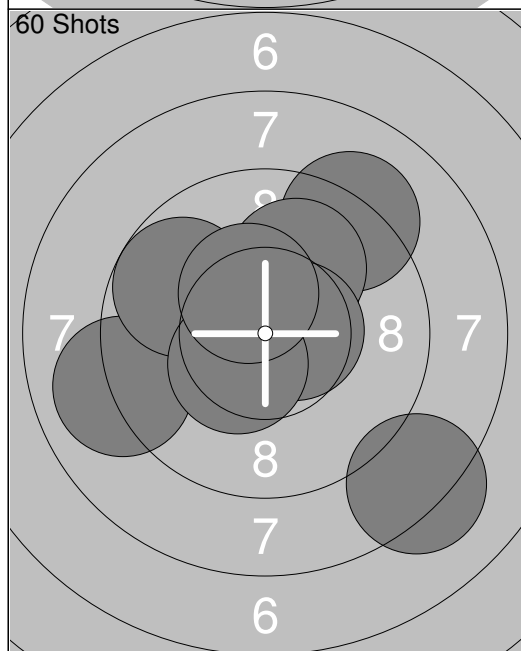
www.AC-Skytte.com		
--------------------------	--	--



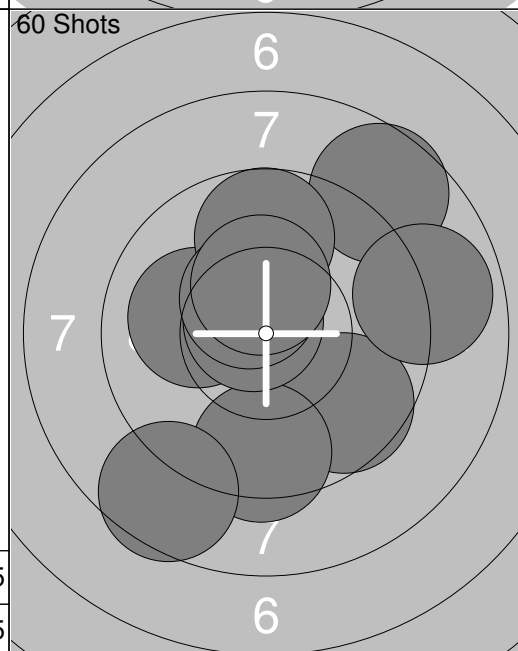
1:	10.2x	↘
2:	9.3	↓
3:	10.1	↓
4:	10.0	↙
5:	9.1	↓
6:	10.5x	↓
7:	10.5x	→
8:	9.9	↓
9:	6.7	↙
10:	9.9	↗
Series	96.2	
Total	0.0	



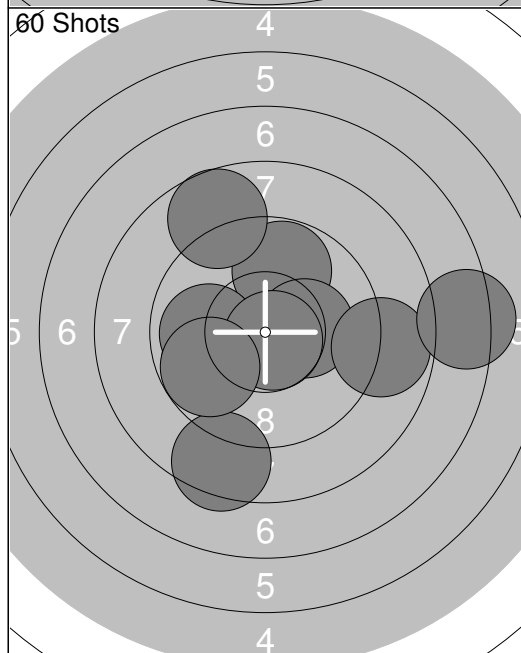
11:	8.8	→
12:	10.0	↖
13:	9.0	↙
14:	10.2x	↙
15:	9.8	→
16:	9.6	↗
17:	6.9	↑
18:	8.7	↗
19:	8.8	↙
Series	81.8	
Total	0.0	



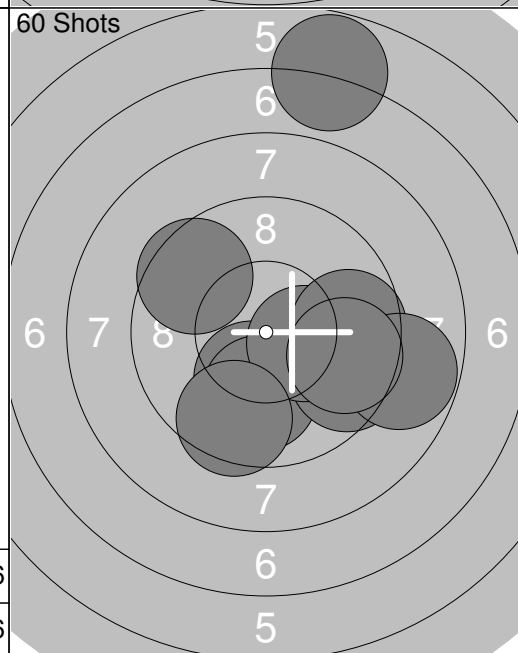
1:	8.2	↘
2:	9.2	↗
3:	9.0	↙
4:	10.6x	↑
5:	10.4x	↗
6:	9.7	↙
7:	10.0	↑
8:	10.6x	→
9:	10.4x	↙
10:	10.4x	↗
Series	98.5	
Total	98.5	




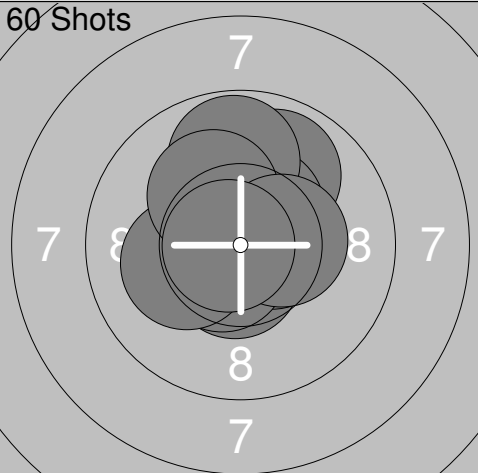
11:	9.6	↘
12:	10.1	↙
13:	9.4	↓
14:	8.7	↗
15:	9.7	↑
16:	10.7x	↙
17:	10.5x	↙
18:	10.3x	↑
19:	8.9	→
20:	8.6	↙
Series	96.5	
Total	195.0	

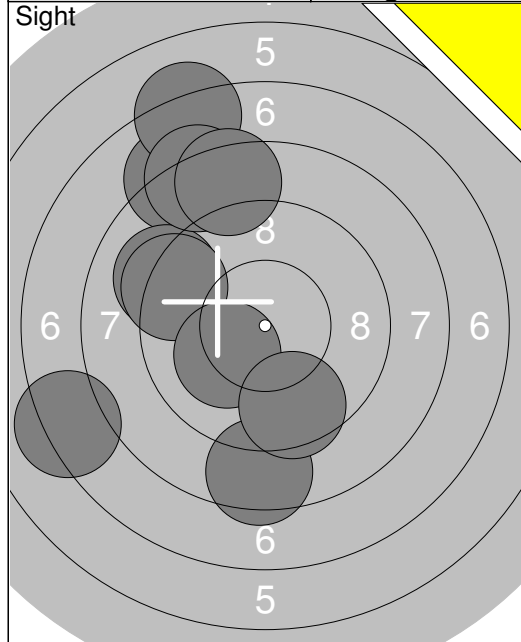


21:	9.8	↑
22:	9.9	↙
23:	9.9	↙
24:	10.2x	→
25:	8.8	→
26:	7.3	→
27:	8.7	↑
28:	10.7x	↘
29:	8.5	↓
30:	9.8	↙
Series	93.6	
Total	288.6	

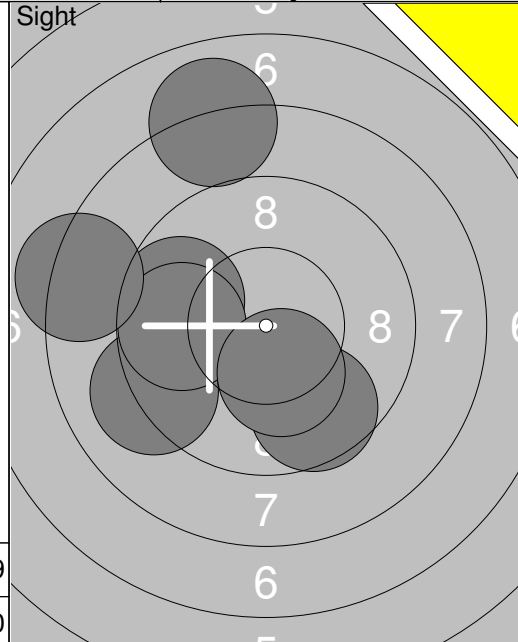


31:	6.8	↑
32:	10.2x	↓
33:	10.0	↓
34:	9.5	→
35:	10.3x	→
36:	9.7	→
37:	9.5	↓
38:	8.8	→
39:	9.7	→
40:	9.5	↖
Series	94.0	
Total	382.6	

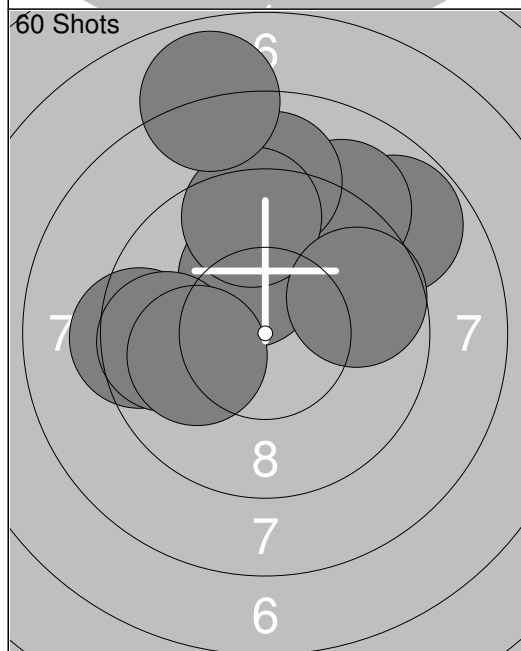
Relay	Lane	Kim Westin	
S	38	Umeå	
14.11.2015	Drängsmarksskyttet 2015	Umeå skytteallians	
Sight		1: 10.3x ← 2: 10.3x ← 3: 10.5x ↓ 4: 10.3x ← 5: 10.5x ↓ 6: 10.1 ↖ 7: 10.1 ↗ 8: 10.2x ↗ 9: 10.1 ↑ 10: 10.3x →	Sight
		Series 102.7	11: 10.3x ↗ 12: 10.6x ↓ 13: 10.4x ↓ 14: 10.7x ↓ 15: 10.5x → 16: 10.3x ↑ 17: 10.4x → 18: 10.2x → 19: 10.5x ↑ 20: 10.7x ↗
		Total 0.0	Series 104.6
			Total 0.0
Sight		21: 10.6x ↑	60 Shots
		Series 10.6	1: 10.0 ↓ 2: 10.6x ↙ 3: 10.1 ↓ 4: 10.8x ↓ 5: 10.6x ↑ 6: 10.1 → 7: 10.4x → 8: 8.5 ↓ 9: 10.5x ↑ 10: 10.5x ↓
		Total 0.0	Series 102.1
			Total 102.1
60 Shots		11: 10.4x ← 12: 10.7x → 13: 10.3x ↖ 14: 10.4x ← 15: 10.6x ↗ 16: 10.6x ← 17: 10.9x ↓ 18: 10.3x ↗ 19: 10.3x ↑ 20: 10.3x →	60 Shots
		Series 104.8	21: 10.4x → 22: 10.8x ↗ 23: 10.2x ↙ 24: 10.5x ↖ 25: 10.4x ↓ 26: 10.2x ↓ 27: 10.9x ↓ 28: 10.6x → 29: 10.5x ↙ 30: 10.2x ←
		Total 206.9	Series 104.7
			Total 311.6
60 Shots		31: 10.6x ↓ 32: 9.9 ↑ 33: 10.5x → 34: 10.4x ↗ 35: 10.6x ↙ 36: 9.8 ↑ 37: 10.2x ← 38: 10.2x ↖ 39: 10.4x → 40: 10.8x ←	
		Series 103.4	
		Total 415.0	



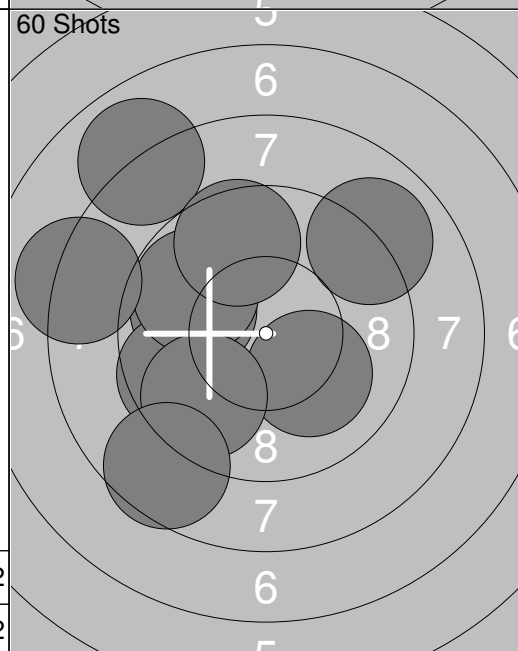
1:	8.1	↗
2:	7.3	↖
3:	8.5	↓
4:	7.2	↗
5:	9.1	↖
6:	9.3	↖
7:	8.2	↗
8:	10.2x	↖
9:	9.5	↓
10:	8.5	↗
Series		85.9
Total		0.0



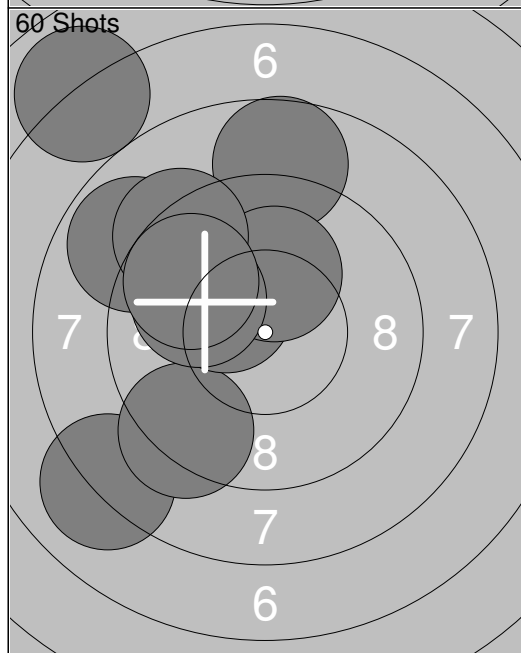
11:	9.7	↖
12:	9.1	↖
13:	9.8	↖
14:	8.2	↖
15:	9.6	↓
16:	10.3x	↓
17:	8.0	↗
Series		64.7
Total		0.0



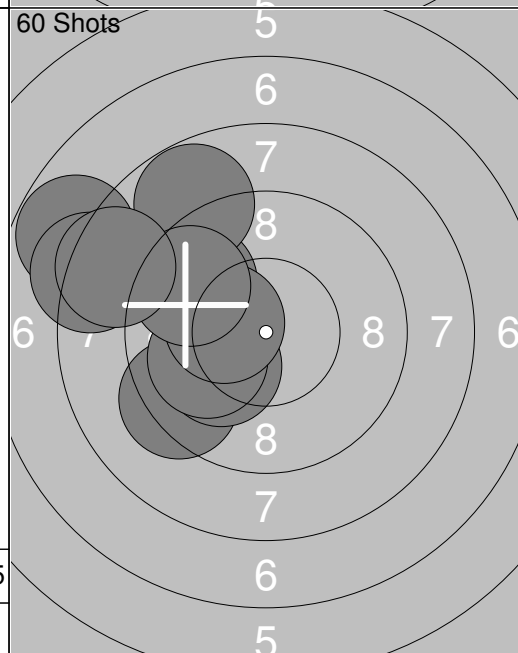
1:	8.8	↗
2:	10.2x	↗
3:	9.1	↗
4:	9.0	↗
5:	9.5	↗
6:	9.3	↖
7:	9.7	↖
8:	10.0	↖
9:	7.9	↗
10:	9.7	↗
Series		93.2
Total		93.2



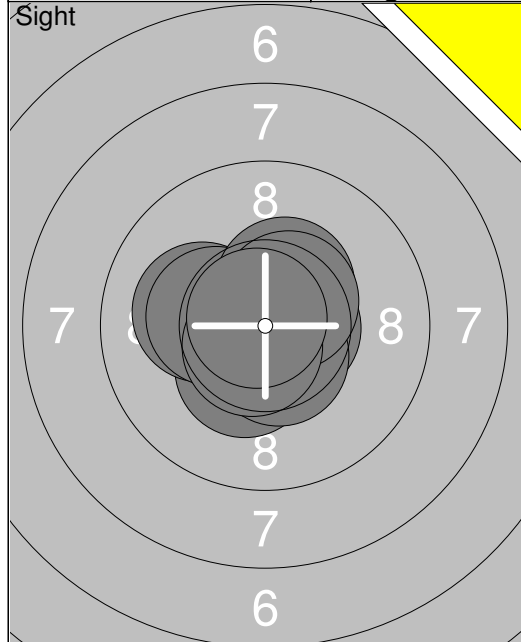
11:	9.9	↖
12:	10.1	↘
13:	9.0	↗
14:	9.6	↖
15:	9.8	↖
16:	7.9	↗
17:	9.7	↖
18:	8.2	↖
19:	9.6	↗
20:	8.6	↘
Series		92.4
Total		185.6



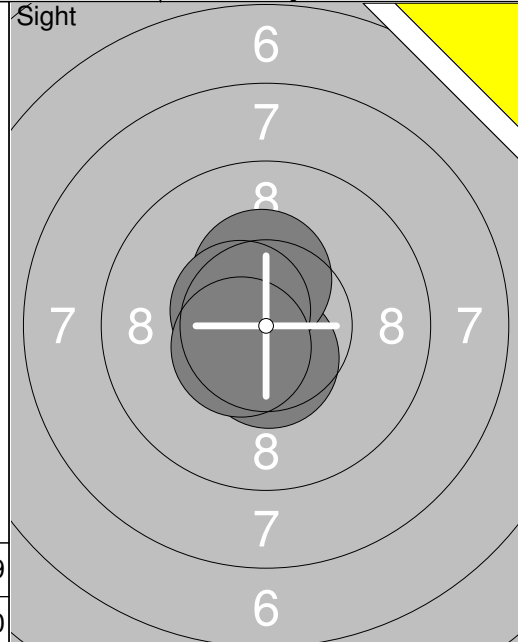
21:	8.7	↗
22:	8.1	↖
23:	9.3	↘
24:	8.9	↖
25:	10.3x	↖
26:	7.0	↗
27:	10.2x	↗
28:	10.0	↖
29:	9.2	↗
30:	9.8	↖
Series		91.5
Total		277.1



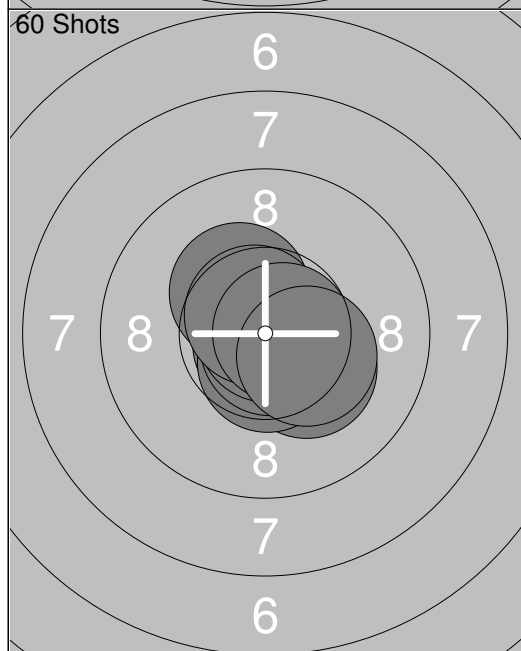
31:	9.7	↖
32:	7.8	↖
33:	8.2	↖
34:	9.3	↘
35:	10.1	↘
36:	10.0	↖
37:	10.3x	↖
38:	8.8	↗
39:	9.6	↖
40:	8.5	↖
Series		92.3
Total		369.4



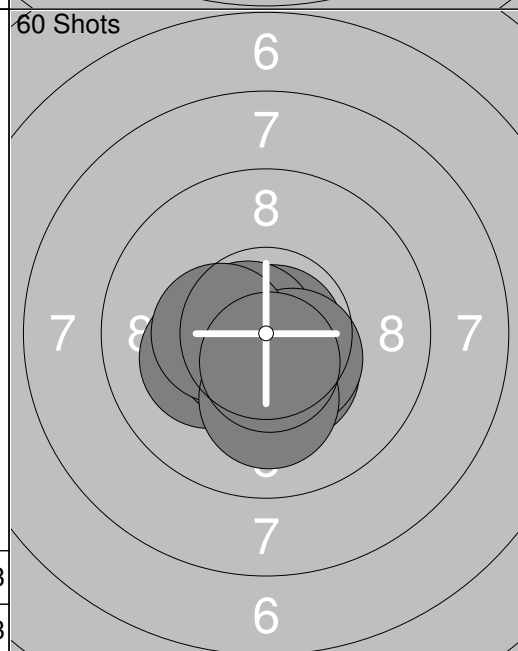
1:	10.4x ↘
2:	10.1 ←
3:	10.3x ←
4:	10.6x →
5:	10.7x ↓
6:	10.4x ↗
7:	10.5x ↓
8:	10.5x ↗
9:	10.6x ↘
10:	10.8x ↖
Series	104.9
Total	0.0



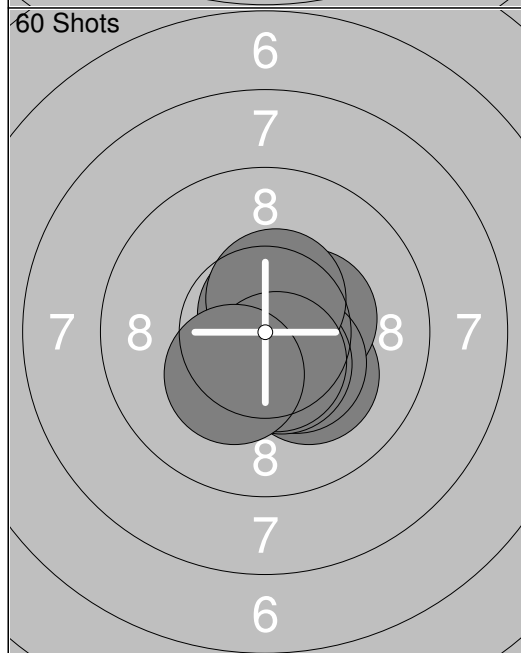
11:	10.5x ↓
12:	10.4x ↑
13:	10.6x ↖
14:	10.5x ↘
Series	42.0
Total	0.0



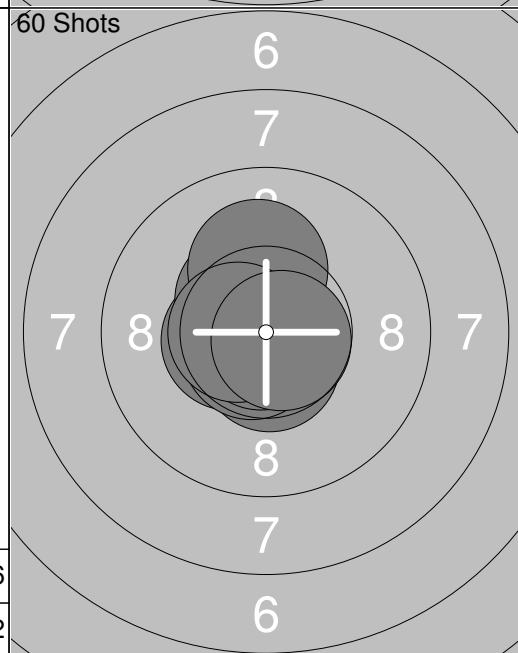
1:	10.8x ↓
2:	10.3x ↘
3:	10.9x ↑
4:	10.6x ↓
5:	10.8x ↓
6:	10.3x ↖
7:	10.9x ↗
8:	10.7x ↖
9:	10.7x →
10:	10.3x ↘
Series	106.3
Total	106.3



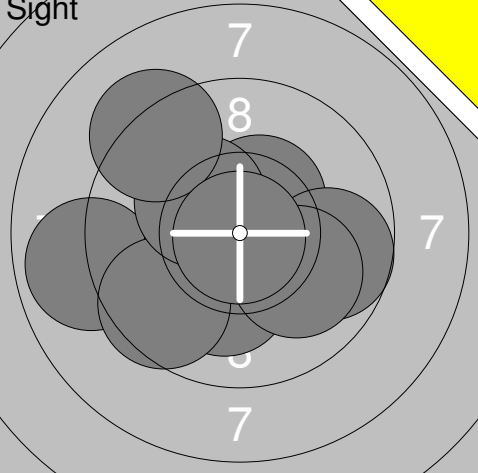
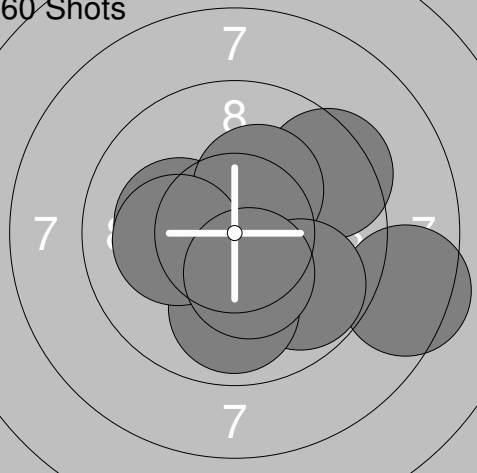
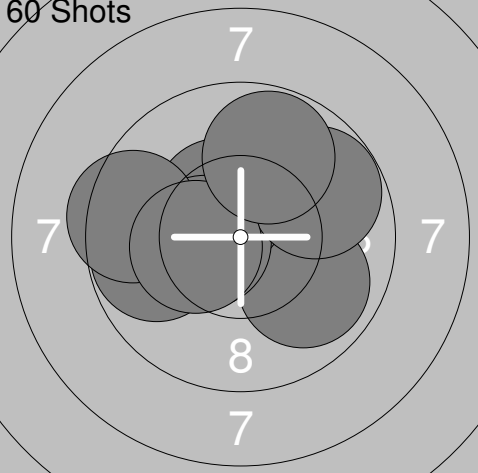
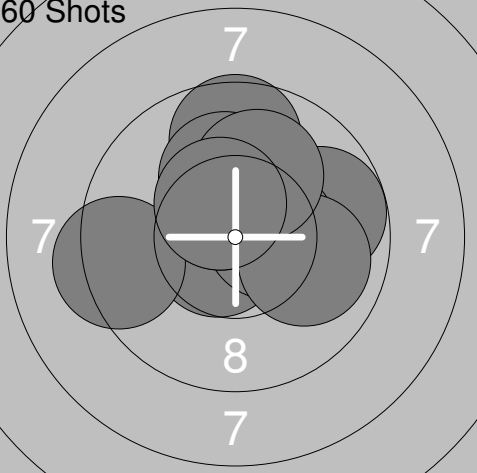
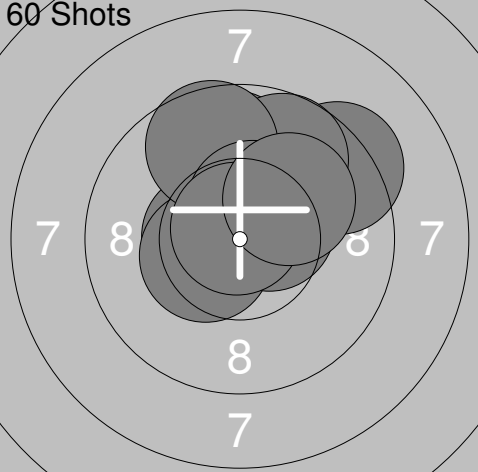
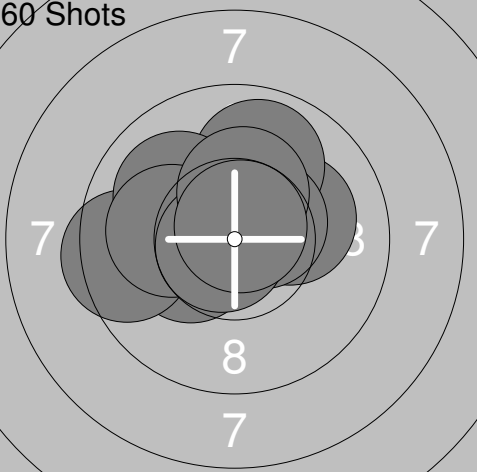
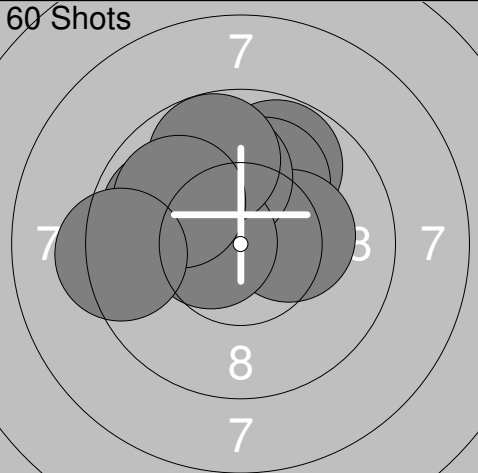
11:	10.4x ↓
12:	10.9x ↘
13:	10.9x →
14:	10.2x ↙
15:	10.6x ↘
16:	10.7x ←
17:	10.5x ↓
18:	10.4x ←
19:	10.1 ↓
20:	10.6x ↓
Series	105.3
Total	211.6

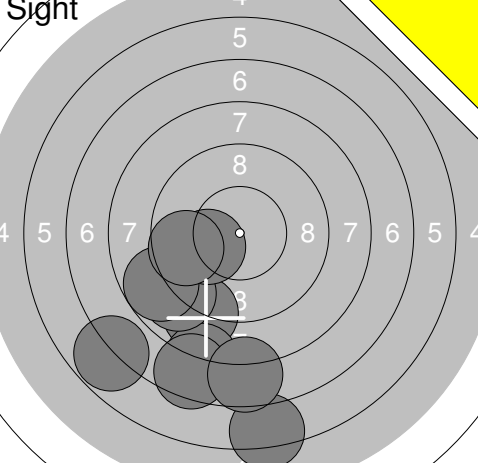
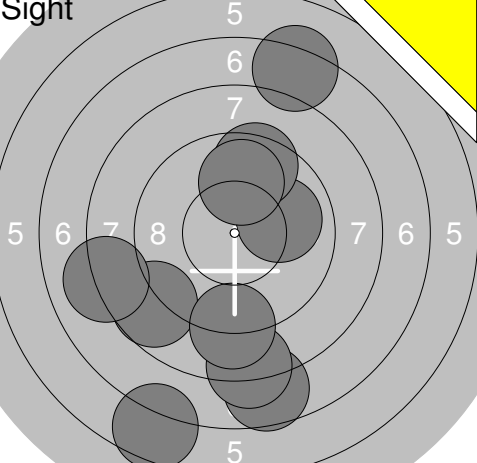


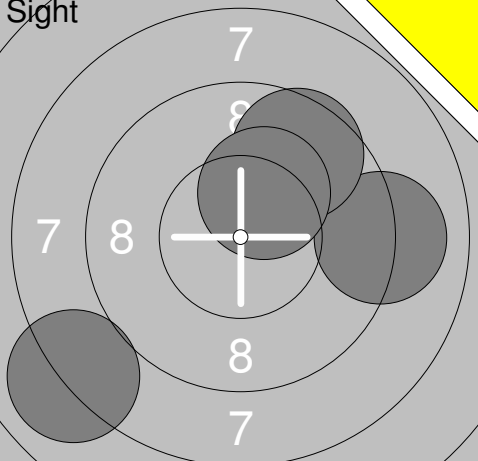
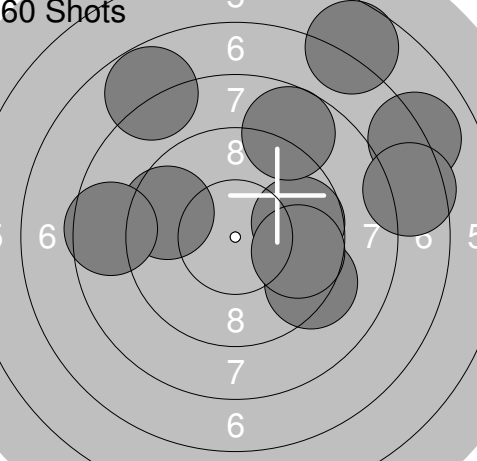
21:	10.7x ↑
22:	10.2x ↘
23:	10.6x →
24:	10.4x →
25:	10.5x ↓
26:	10.4x ↘
27:	10.5x ↓
28:	10.5x ↑
29:	10.5x ↓
30:	10.3x ↘
Series	104.6
Total	316.2

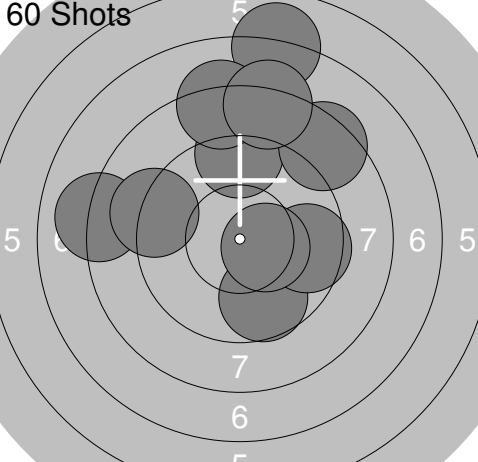
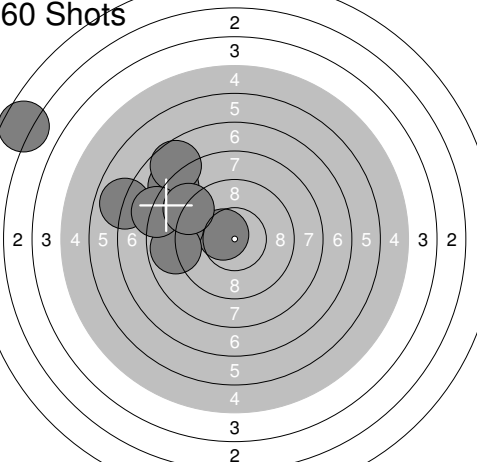


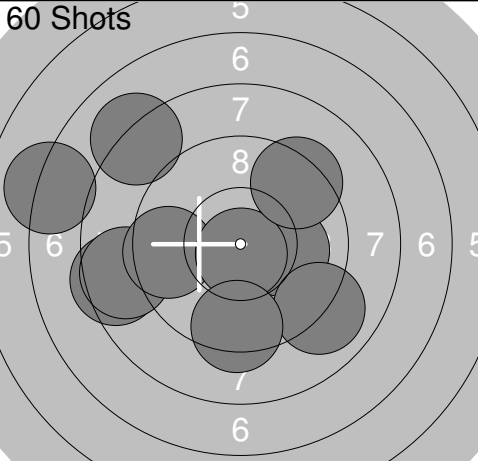
31:	10.8x ↘
32:	10.7x ↓
33:	10.5x ←
34:	10.5x ↖
35:	10.6x ↓
36:	10.7x ↘
37:	10.8x ↓
38:	10.1 ↑
39:	10.6x ←
40:	10.7x ↘
Series	106.0
Total	422.2

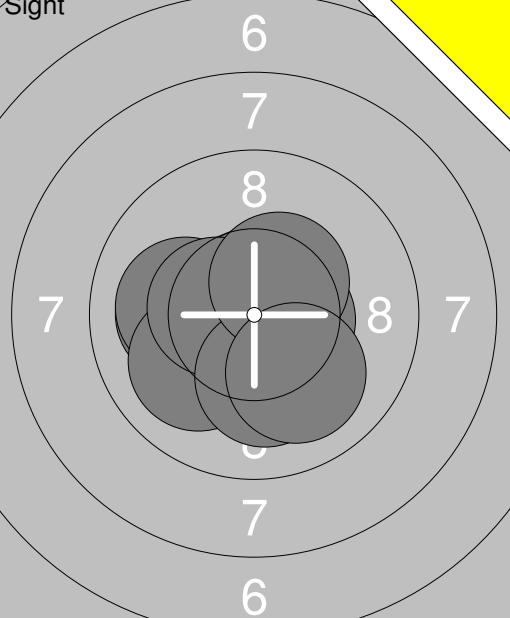
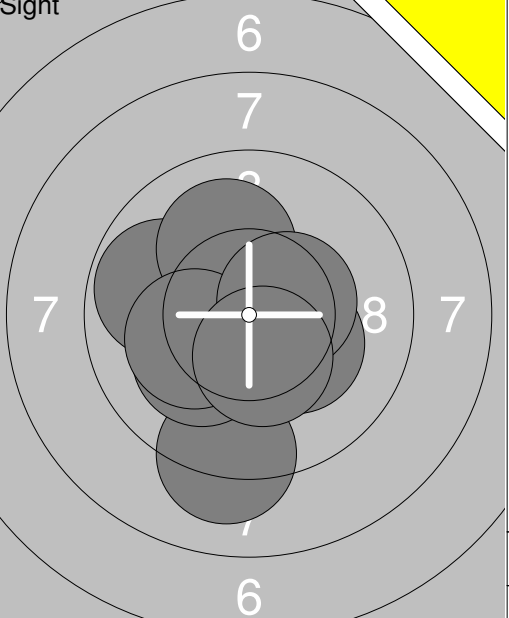
<p>Sight</p> 	<p>1: 10.5x ↗ 2: 8.9 ← 3: 9.7 → 4: 10.5x ← 5: 10.2x ↓ 6: 10.0 → 7: 9.6 ↙ 8: 10.3x ↗ 9: 9.2 ↗ 10: 10.9x ↓</p> <p>Series 99.8 Total 0.0</p>	<p>60 Shots</p> 	<p>1: 10.3x ↓ 2: 10.2x ← 3: 8.5 → 4: 10.7x ↙ 5: 9.4 ↗ 6: 10.3x ↗ 7: 9.8 ↘ 8: 9.9 ↓ 9: 10.2x ← 10: 10.4x ↓</p> <p>Series 99.7 Total 99.7</p>
<p>60 Shots</p> 	<p>11: 10.6x → 12: 9.9 ↘ 13: 10.0 ↗ 14: 10.4x ↗ 15: 10.5x ← 16: 9.8 ← 17: 9.5 ← 18: 9.8 → 19: 10.3x ← 20: 9.8 ↗</p> <p>Series 100.6 Total 200.3</p>	<p>60 Shots</p> 	<p>21: 10.6x ↙ 22: 9.8 → 23: 10.5x → 24: 10.5x ↗ 25: 9.7 ↑ 26: 10.0 → 27: 10.1 ↑ 28: 10.1 ↑ 29: 9.3 ← 30: 10.5x ↗</p> <p>Series 101.1 Total 301.4</p>
<p>60 Shots</p> 	<p>31: 10.5x ← 32: 9.3 ↗ 33: 10.4x ← 34: 9.8 ↑ 35: 9.7 ↗ 36: 9.6 ↑ 37: 10.5x ↗ 38: 10.5x → 39: 10.8x ↗ 40: 10.1 ↗</p> <p>Series 101.2 Total 402.6</p>	<p>60 Shots</p> 	<p>41: 10.3x ← 42: 9.5 ← 43: 10.2x → 44: 9.9 ↑ 45: 10.0 ↙ 46: 10.5x ↗ 47: 10.1 ← 48: 10.8x ← 49: 10.3x ↑ 50: 10.8x ↗</p> <p>Series 102.4 Total 505.0</p>
<p>60 Shots</p> 	<p>51: 9.8 ↗ 52: 9.9 ← 53: 10.1 ↗ 54: 10.5x ↗ 55: 10.3x → 56: 10.0 ↑ 57: 10.5x ← 58: 9.8 ↑ 59: 9.9 ↗ 60: 9.3 ←</p> <p>Series 100.1 Total 605.1</p>		

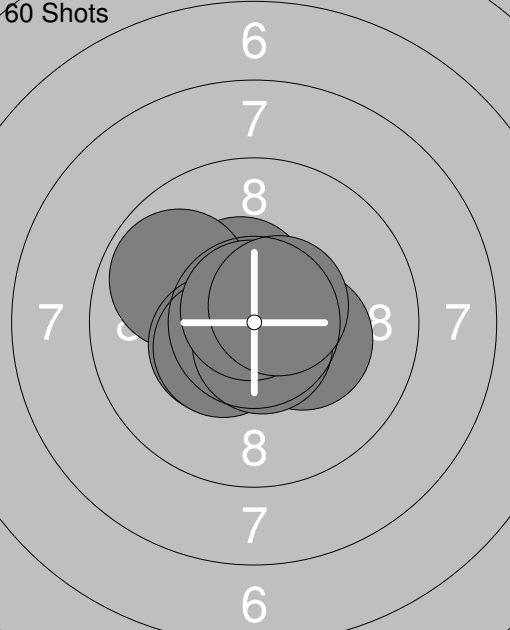
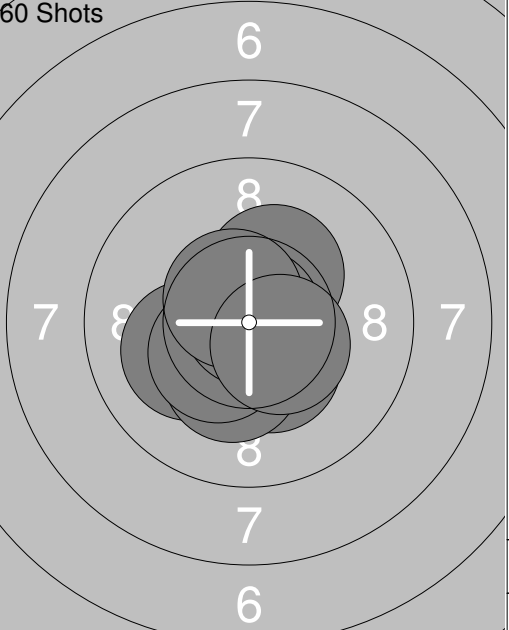
Sight		Sight
	1: 6.8 ↙ 2: 8.8 ↓ 3: 7.8 ↓ 4: 8.9 ↙ 5: 8.7 ↙ 6: 7.5 ↓ 7: 6.2 ↓ 8: 7.6 ↓ 9: 10.1 ← 10: 9.6 ←	
	Series 82.0	Series 84.9
	Total 0.0	Total 0.0

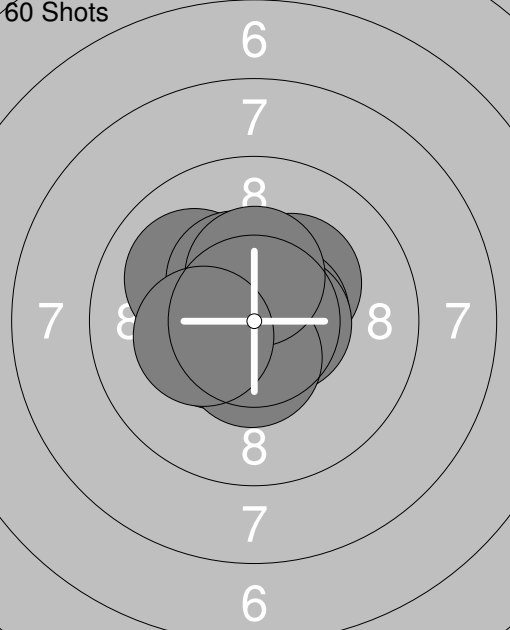
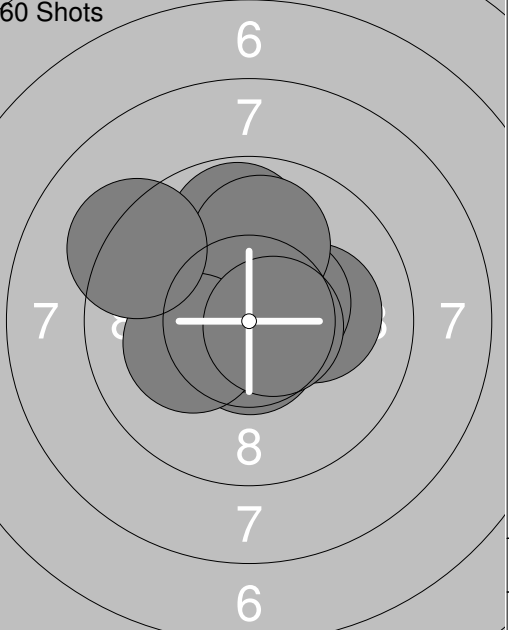
Sight		60 Shots
	21: 8.0 ↙ 22: 9.1 → 23: 9.6 ↗ 24: 10.3x ↗	
	Series 37.0	Series 84.6
	Total 0.0	Total 84.6

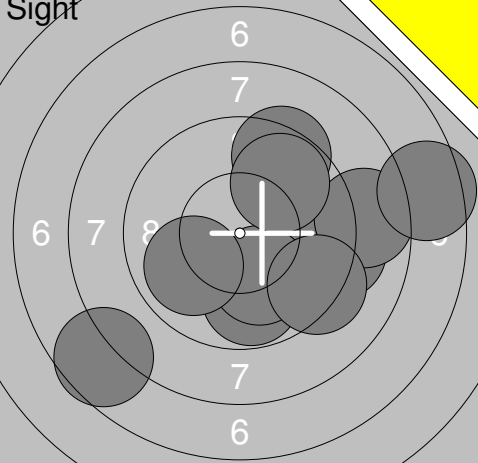
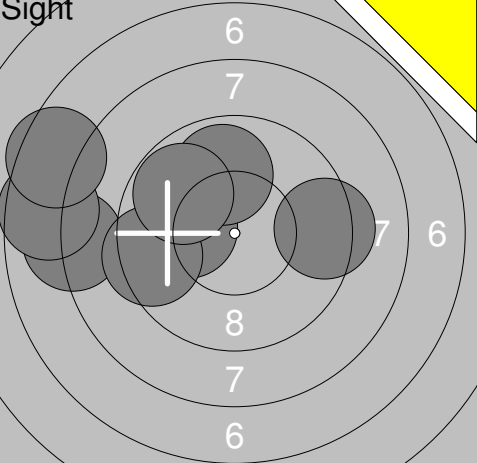
60 Shots		60 Shots
	11: 9.7 ↓ 12: 9.2 ↑ 13: 9.6 → 14: 8.4 ↗ 15: 7.0 ↑ 16: 8.1 ← 17: 8.2 ↑ 18: 8.2 ↑ 19: 10.4x → 20: 9.1 ←	
	Series 87.9	Series 80.0
	Total 172.5	Total 252.5

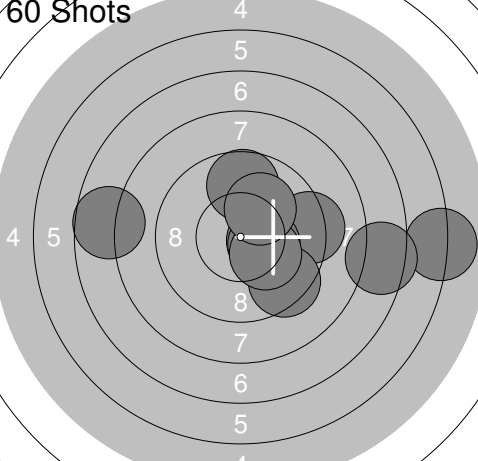
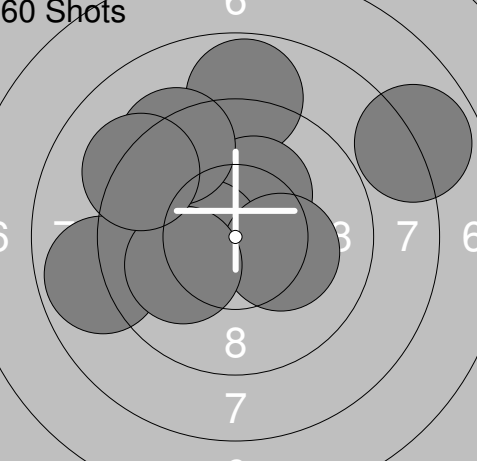
60 Shots		
	31: 8.4 ← 32: 10.1 → 33: 8.6 ← 34: 7.1 ← 35: 8.1 ↗ 36: 9.0 ↓ 37: 9.5 ← 38: 10.8x ↓ 39: 9.3 ↗ 40: 9.3 ↓	
	Series 90.2	
	Total 342.7	

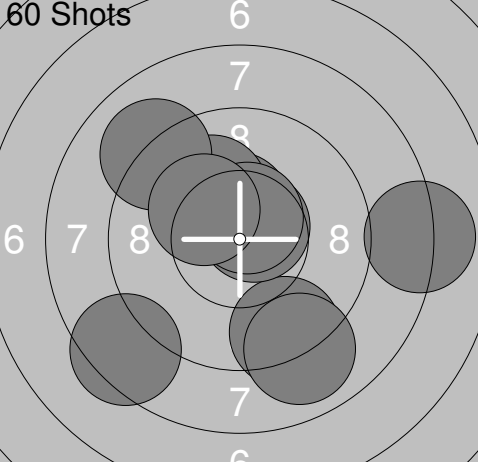
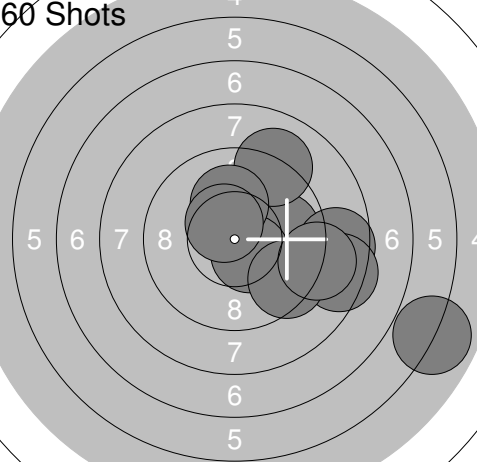
<p>Sight</p>  <p>1: 10.4x ← 2: 10.1 ← 3: 10.7x ↑ 4: 10.1 ← 5: 10.6x → 6: 10.0 ↙ 7: 10.5x ← 8: 10.1 ↓ 9: 10.4x ↗ 10: 10.0 ↓</p> <p>Series 102.9 Total 0.0</p>		<p>Sight</p>  <p>11: 9.2 ↓ 12: 9.8 ← 13: 10.2x ↙ 14: 10.3x ↘ 15: 10.1 ↑ 16: 10.2x ↙ 17: 10.4x → 18: 10.4x ↓</p> <p>Series 80.6 Total 0.0</p>
--	--	--

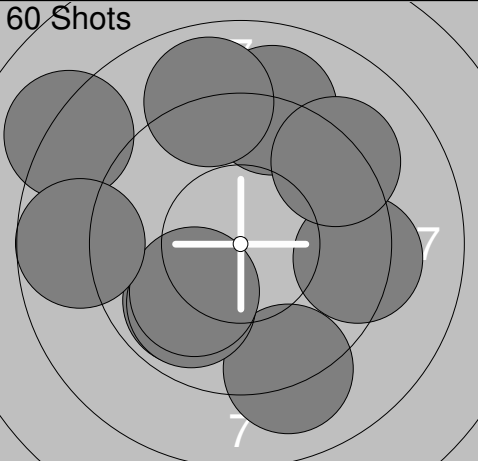
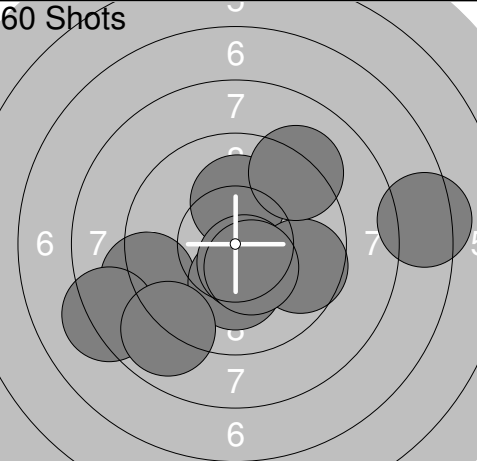
<p>60 Shots</p>  <p>1: 10.7x ↘ 2: 10.5x ↑ 3: 9.9 ↖ 4: 10.4x ↙ 5: 10.7x ↘ 6: 10.4x ↙ 7: 10.3x → 8: 10.7x ↓ 9: 10.8x ↑ 10: 10.6x ↗</p> <p>Series 105.0 Total 105.0</p>		<p>60 Shots</p>  <p>11: 10.7x ↑ 12: 10.5x ↑ 13: 10.4x ↓ 14: 10.1 ← 15: 10.3x ↓ 16: 10.3x ↑ 17: 10.4x ↙ 18: 10.9x ↑ 19: 10.6x ↖ 20: 10.5x ↘</p> <p>Series 104.7 Total 209.7</p>
---	--	---

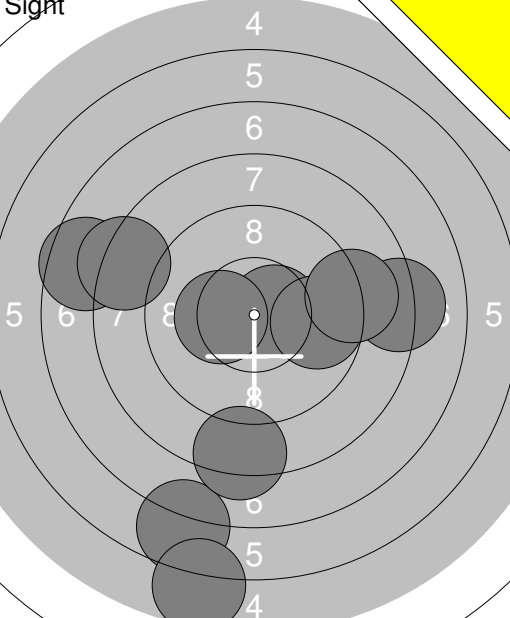
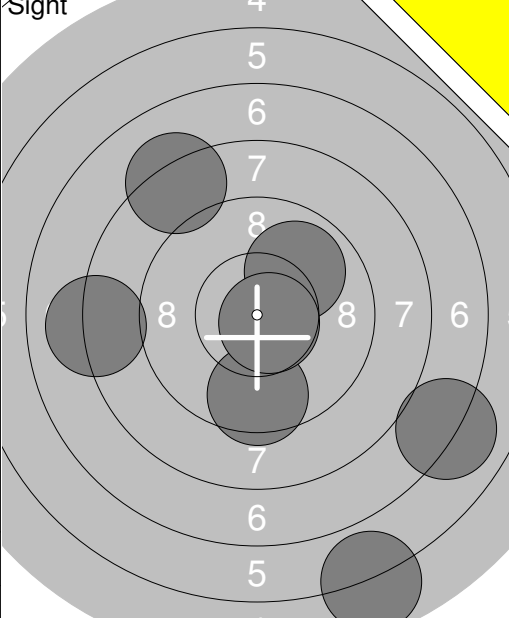
<p>60 Shots</p>  <p>21: 10.3x ↗ 22: 10.5x ← 23: 10.6x → 24: 10.4x ↙ 25: 10.6x → 26: 10.0 ↖ 27: 10.4x ↗ 28: 10.5x ↓ 29: 10.4x ↑ 30: 10.3x ↙</p> <p>Series 104.0 Total 313.7</p>		<p>60 Shots</p>  <p>31: 10.6x ↓ 32: 10.5x ↑ 33: 10.1 → 34: 10.5x ↗ 35: 10.9x ← 36: 9.8 ↑ 37: 10.0 ↑ 38: 10.2x ↙ 39: 10.6x → 40: 9.2 ↖</p> <p>Series 102.4 Total 416.1</p>
--	--	---

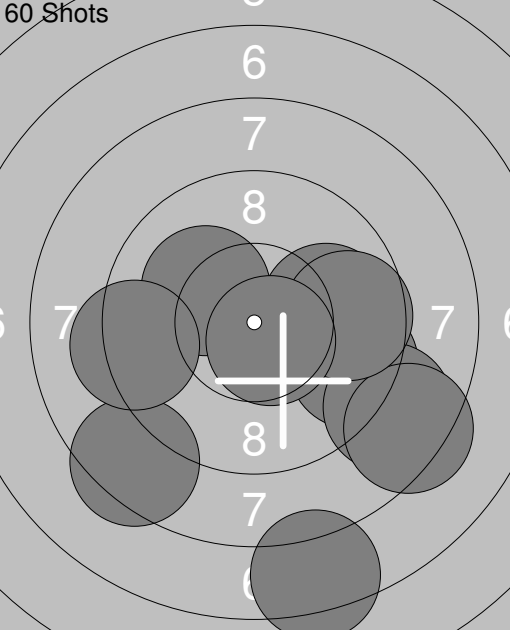
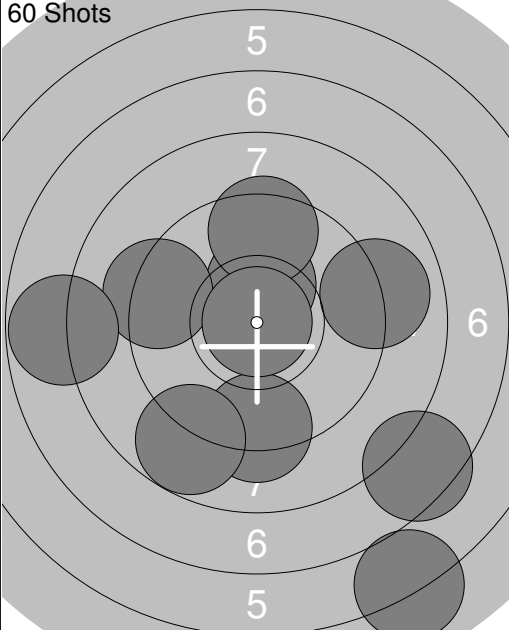
Sight 	1: 9.8 ↓ 2: 9.2 → 3: 10.1 ↓ 4: 9.9 ↙ 5: 7.6 ↙ 6: 8.7 → 7: 7.5 → 8: 9.4 ↗ 9: 9.3 ↘ 10: 9.8 ↗ <hr/> Series 91.3 Total 0.0	Sight 	11: 9.4 → 12: 10.1 ← 13: 8.1 ← 14: 7.6 ← 15: 9.9 ↑ 16: 9.4 ← 17: 9.8 ↗ 18: 7.5 ↙ <hr/> Series 71.8 Total 0.0
--	--	--	---

60 Shots 	1: 6.0 → 2: 9.7 ↑ 3: 7.4 → 4: 10.4x → 5: 9.3 → 6: 10.3x → 7: 9.4 ↓ 8: 10.2x ↓ 9: 7.7 ← 10: 10.1 ↗ <hr/> Series 90.5 Total 90.5	60 Shots 	11: 10.0 ← 12: 7.9 ↗ 13: 8.8 ↑ 14: 10.3x ↗ 15: 8.9 ← 16: 10.5x ← 17: 9.3 ↗ 18: 10.2x → 19: 10.1 ← 20: 9.2 ↗ <hr/> Series 95.2 Total 185.7
--	---	--	--

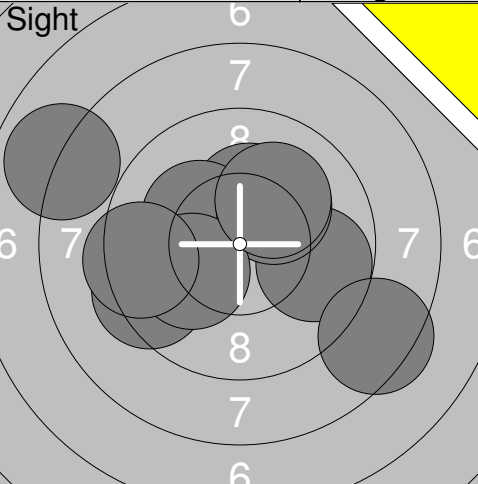
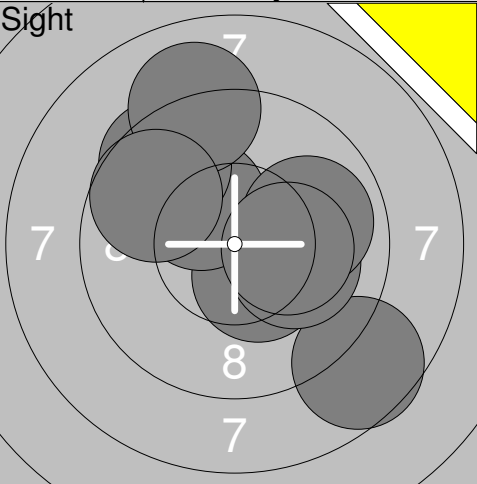
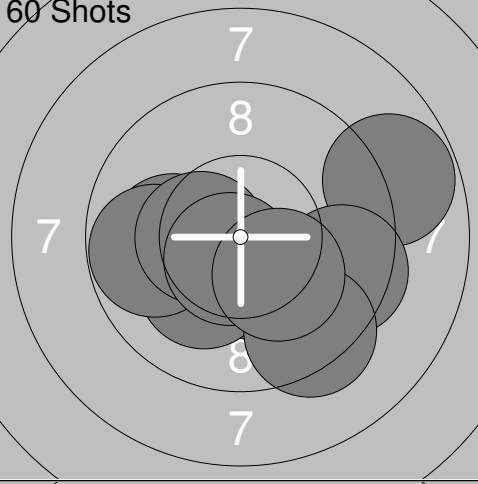
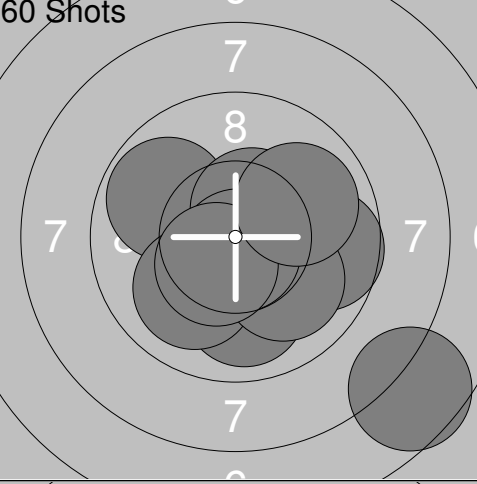
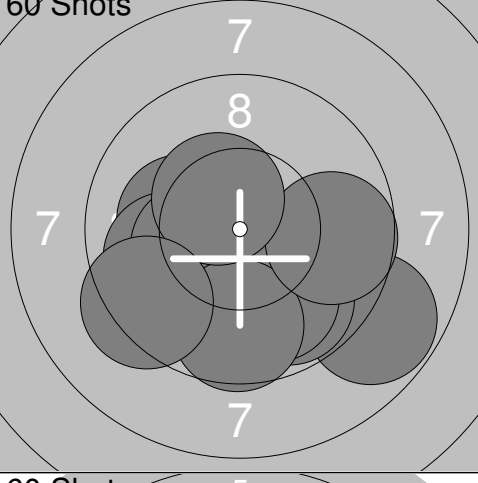
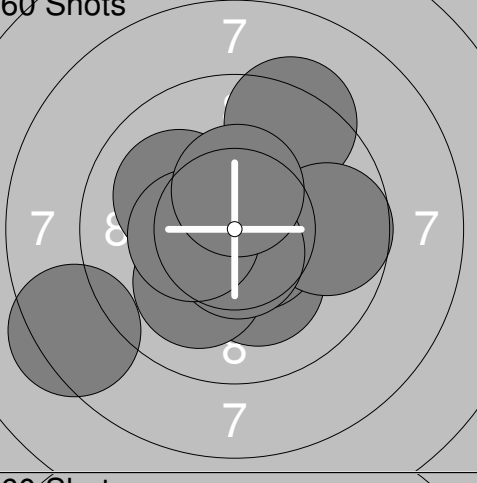
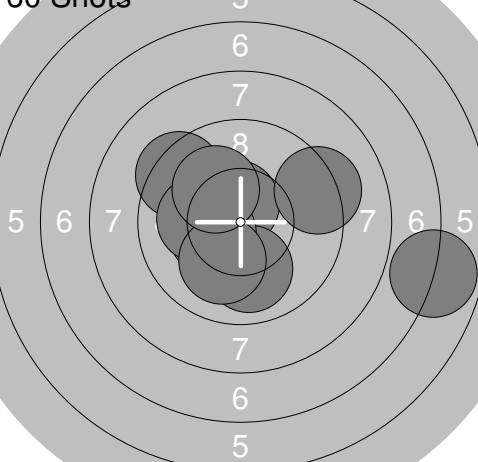
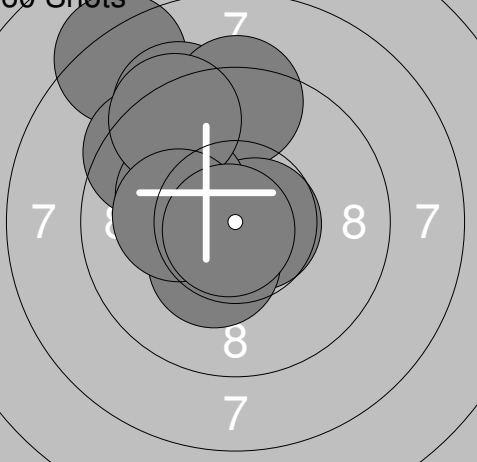
60 Shots 	21: 8.1 → 22: 8.4 ↙ 23: 10.4x ↑ 24: 10.1 ↗ 25: 9.0 ↗ 26: 9.3 ↓ 27: 10.6x ↗ 28: 10.6x ↑ 29: 10.2x ↗ 30: 8.9 ↓ <hr/> Series 95.6 Total 281.3	60 Shots 	31: 9.9 → 32: 9.1 ↗ 33: 5.9 ↘ 34: 10.5x ↘ 35: 8.6 → 36: 8.4 → 37: 10.1 ↑ 38: 10.5x ↗ 39: 9.4 ↘ 40: 9.0 → <hr/> Series 91.4 Total 372.7
---	---	---	---

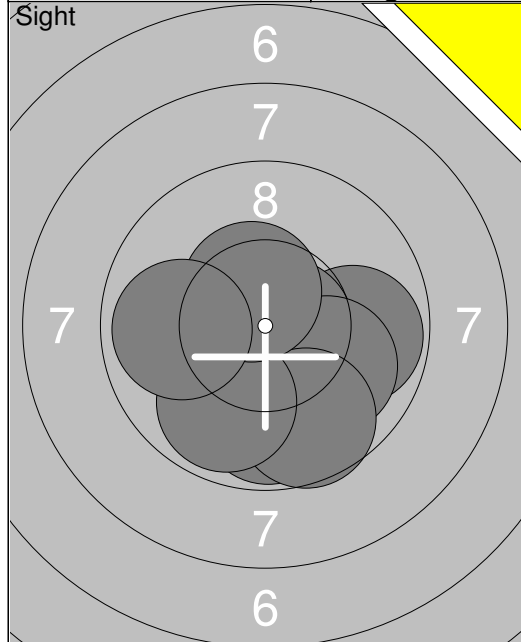
60 Shots 	41: 9.1 ↓ 42: 9.9 ↙ 43: 9.0 ↑ 44: 9.3 → 45: 8.9 ↑ 46: 8.1 ↗ 47: 9.9 ↙ 48: 10.0 ↙ 49: 9.2 ↗ 50: 8.7 ← <hr/> Series 92.1 Total 464.8	60 Shots 	51: 9.2 ← 52: 7.4 → 53: 10.2x ↓ 54: 10.2x ↑ 55: 10.6x ↓ 56: 8.2 ← 57: 9.7 → 58: 8.9 ↙ 59: 10.4x ↘ 60: 9.2 ↗ <hr/> Series 94.0 Total 558.8
---	---	---	--

	1: 7.6 ↙ 2: 6.7 ↓ 3: 8.3 ↓ 4: 10.5x → 5: 10.3x ← 6: 5.6 ↓ 7: 9.7 → 8: 8.2 → 9: 9.0 → 10: 8.3 ↙		11: 5.8 ↓ 12: 8.2 ↗ 13: 7.0 → 14: 9.9 ↗ 15: 8.1 ← 16: 9.5 ↓ 17: 10.7x ↘
Series	84.2	Series	59.2
Total	0.0	Total	0.0

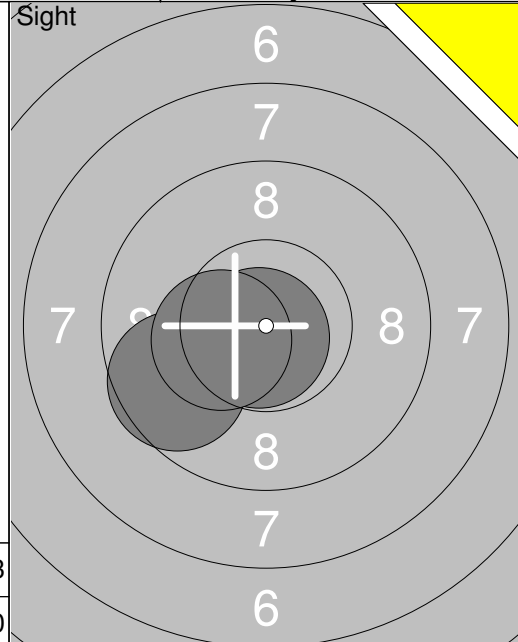
	1: 7.4 ↓ 2: 9.5 → 3: 8.8 ↓ 4: 8.4 ↓ 5: 8.4 ↙ 6: 10.2x ↗ 7: 9.9 → 8: 9.7 → 9: 9.3 ← 10: 10.6x ↘		11: 6.0 ↓ 12: 10.3x ↑ 13: 9.3 ← 14: 9.0 → 15: 9.2 ↓ 16: 9.5 ↑ 17: 10.9x ↑ 18: 7.4 ↓ 19: 8.8 ↙ 20: 7.8 ←
Series	92.2	Series	88.2
Total	92.2	Total	180.4

	21: 8.4 ↙ 22: 8.0 ↓ 23: 8.6 → 24: 10.3x → 25: 7.0 ↗ 26: 10.3x ↓ 27: 9.7 ↓ 28: 9.4 ↖ 29: 9.1 → 30: 8.8 ↓		31: 5.8 ↓ 32: 7.8 ↖ 33: 8.5 ↓ 34: 8.7 ← 35: 8.1 → 36: 7.5 ↖ 37: 8.4 → 38: 9.7 ↗ 39: 7.9 ↓ 40: 7.2 ↗
Series	89.6	Series	79.6
Total	270.0	Total	349.6

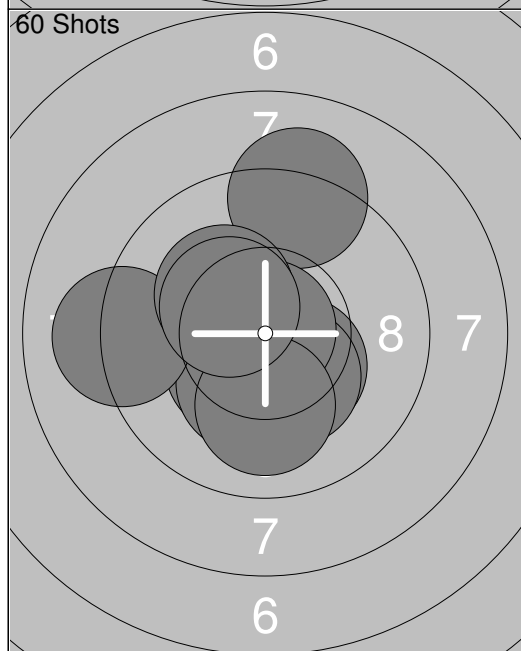
Relay	Lane	Oscar Jacobsson	
S		Ramselefors	
14.11.2015		Drängsmarksskyttet 2015	Umeå skytteallians
Sight		1: 7.9 ↖ 2: 9.4 ↙ 3: 9.8 → 4: 10.3x ↑ 5: 10.2x ↖ 6: 10.2x ↗ 7: 8.4 ↘ 8: 10.1 ↙ 9: 10.1 ↗ 10: 9.4 ↖ Series 95.8 Total 0.0	Sight  11: 10.4x ↘ 12: 10.2x ↗ 13: 8.6 ↘ 14: 9.5 ↗ 15: 9.0 ↗ 16: 10.1 → 17: 9.9 → 18: 9.7 ↗ 19: 10.2x → Series 87.6 Total 0.0
60 Shots		1: 8.8 → 2: 10.0 ↖ 3: 10.3x ↘ 4: 10.2x ↘ 5: 9.8 ↖ 6: 10.4x ↖ 7: 10.6x ↘ 8: 9.5 → 9: 9.4 ↘ 10: 10.2x ↘ Series 99.2 Total 99.2	60 Shots  11: 9.8 ↖ 12: 9.7 → 13: 10.5x ↗ 14: 10.0 ↘ 15: 10.0 ↘ 16: 10.0 ↘ 17: 10.7x ↘ 18: 10.5x ↘ 19: 10.0 → 20: 7.6 ↘ Series 98.8 Total 198.0
60 Shots		21: 10.2x ↖ 22: 8.8 ↘ 23: 9.8 ↘ 24: 9.9 ↖ 25: 10.3x ↖ 26: 9.9 ↘ 27: 9.6 ↘ 28: 9.7 → 29: 10.4x ↗ 30: 9.3 ↘ Series 97.9 Total 295.9	60 Shots  31: 10.2x ↘ 32: 9.3 ↗ 33: 10.6x ↘ 34: 9.7 → 35: 10.1 ↘ 36: 10.1 ↖ 37: 10.6x ↘ 38: 10.4x ↖ 39: 10.4x ↑ 40: 8.4 ↖ Series 99.8 Total 395.7
60 Shots		41: 10.4x ↖ 42: 10.6x ↑ 43: 6.9 → 44: 9.2 → 45: 10.0 ↘ 46: 10.3x ↖ 47: 9.4 ↗ 48: 10.1 ↖ 49: 10.1 ↘ 50: 10.1 ↗ Series 97.1 Total 492.8	60 Shots  51: 8.3 ↗ 52: 9.2 ↗ 53: 9.3 ↑ 54: 10.7x → 55: 9.5 ↗ 56: 10.1 ↖ 57: 10.3x ↘ 58: 9.3 ↗ 59: 10.2x ↖ 60: 10.8x ↘ Series 97.7 Total 590.5



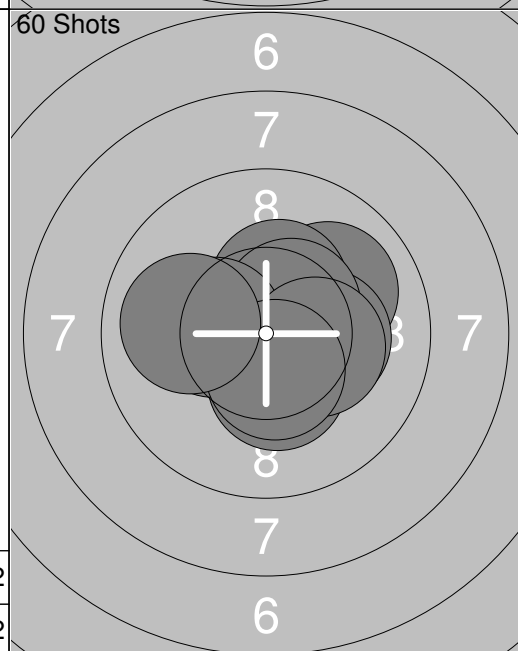
1: 9.8 ↓
2: 10.1 ↓
3: 9.9 ↓
4: 9.8 →
5: 10.7x →
6: 10.0 →
7: 9.7 ↓
8: 9.9 ↓
9: 10.5x ↗
10: 9.9 ←
Series 100.3
Total 0.0



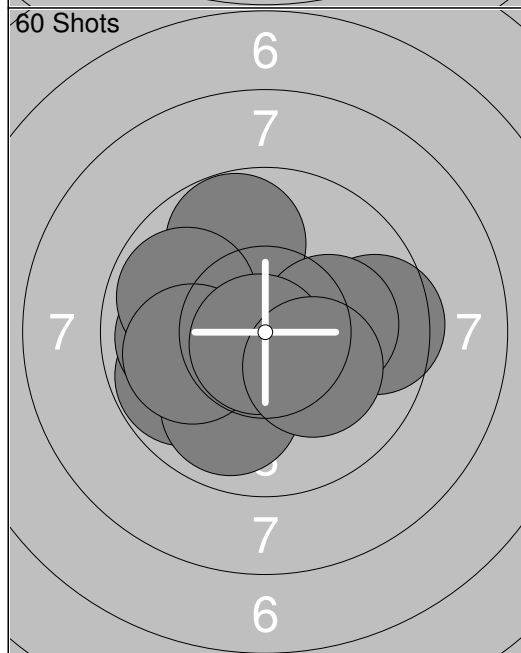
11: 9.6 ↙
12: 10.8x ↘
13: 10.4x ←
Series 30.8
Total 0.0



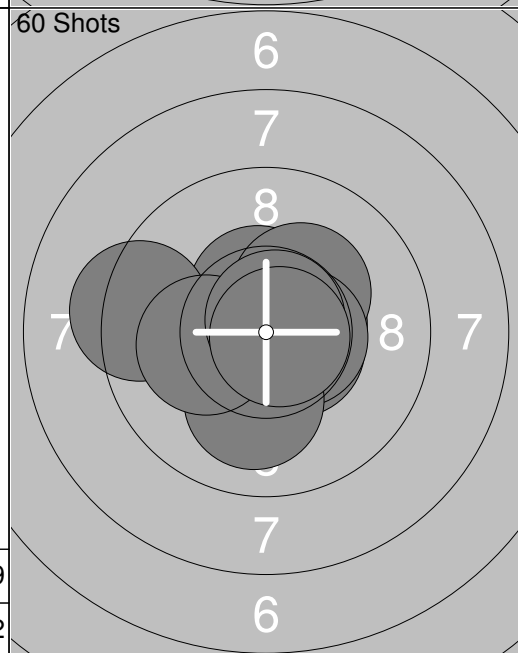
1: 10.4x ↙
2: 10.4x ↘
3: 10.3x ↘
4: 10.3x ↘
5: 9.2 ↑
6: 10.9x ↑
7: 9.1 ←
8: 10.2x ↖
9: 10.0 ↓
10: 10.4x ↖
Series 101.2
Total 101.2



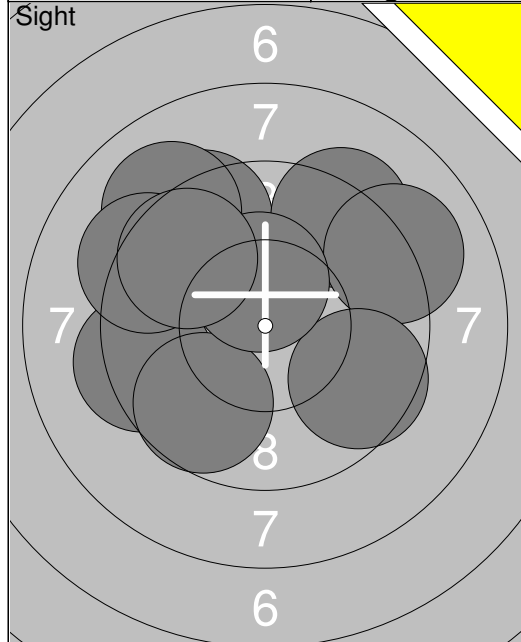
11: 10.3x ↓
12: 10.0 ↗
13: 10.2x →
14: 10.6x ↗
15: 10.4x ↑
16: 10.5x ↗
17: 10.3x ←
18: 10.3x →
19: 10.5x ↓
20: 10.0 ←
Series 103.1
Total 204.3



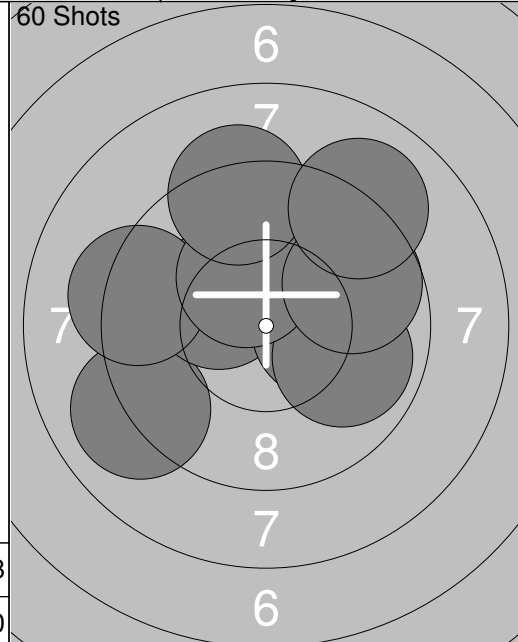
21: 9.5 →
22: 9.8 ↑
23: 10.1 →
24: 9.8 ←
25: 9.9 ←
26: 9.9 ↓
27: 9.9 ↖
28: 10.0 ←
29: 10.8x ↘
30: 10.2x ↘
Series 99.9
Total 304.2



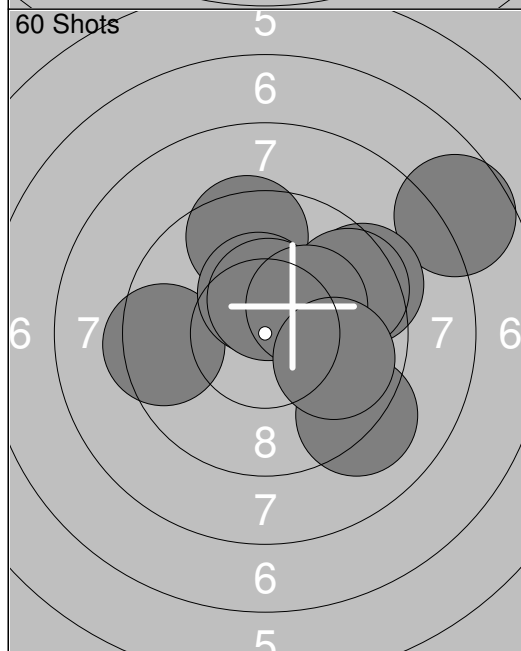
31: 10.5x →
32: 10.5x ↑
33: 10.3x ↗
34: 10.5x →
35: 10.5x →
36: 9.3 ←
37: 10.1 ↓
38: 10.2x ←
39: 10.8x ↗
40: 10.8x →
Series 103.5
Total 407.7



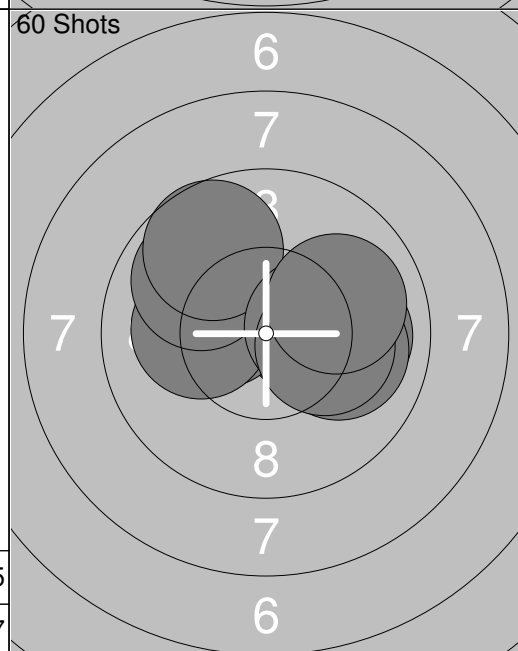
1:	9.4	↖
2:	9.3	↗
3:	9.1	↖
4:	9.3	←
5:	9.7	↙
6:	9.3	↖
7:	9.1	↗
8:	9.6	→
9:	10.4x	↑
10:	9.6	↖
Series		94.8
Total		0.0



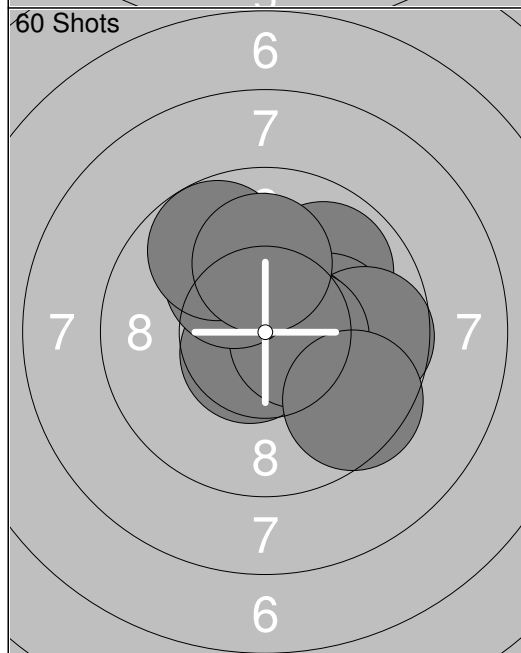
1:	9.0	↙
2:	10.3x	↖
3:	9.3	←
4:	9.3	↗
5:	10.2x	→
6:	9.9	→
7:	10.3x	↖
8:	9.7	↗
9:	9.2	↑
10:	9.0	↗
Series		96.2
Total		96.2



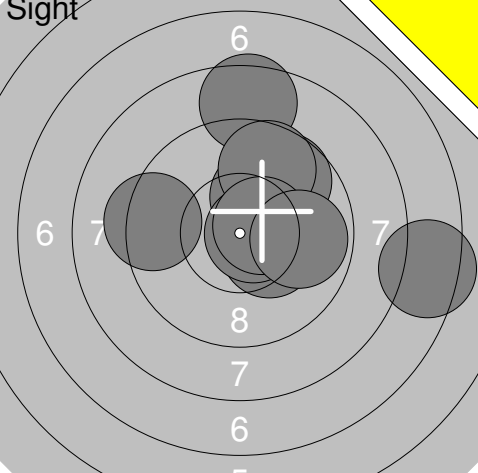
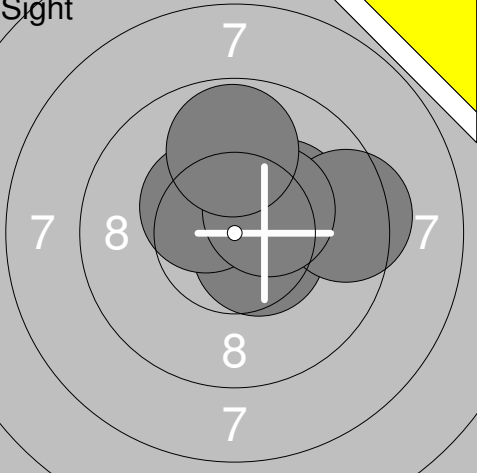
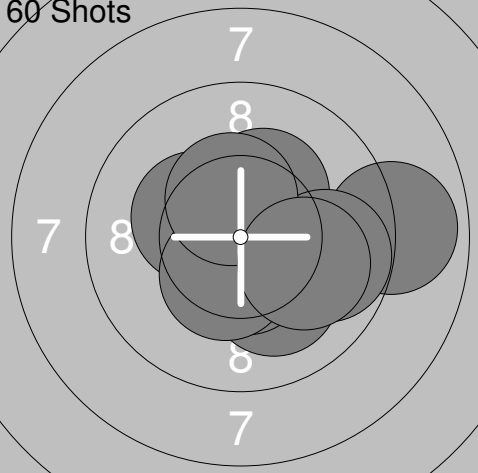
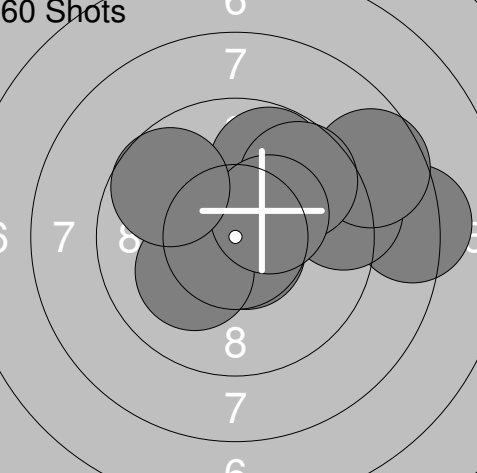
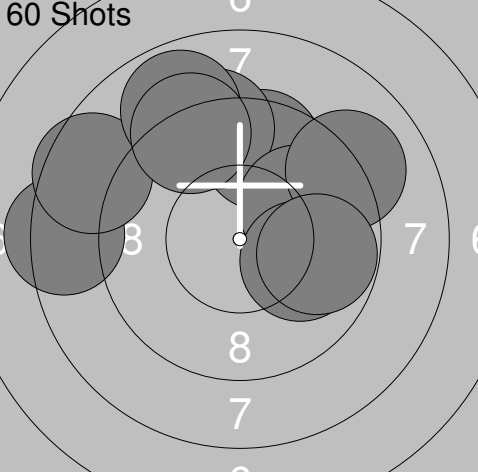
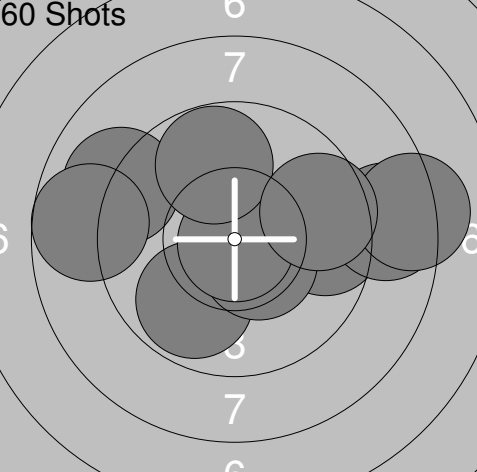
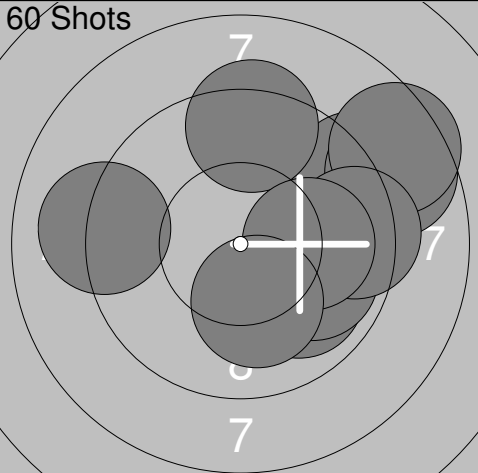
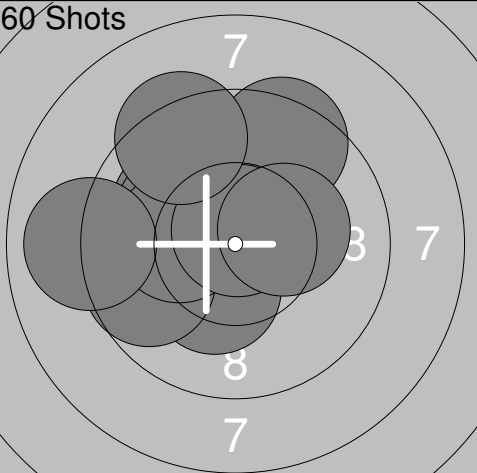
11:	7.7	↗
12:	9.1	↘
13:	9.5	↑
14:	9.3	↗
15:	9.4	←
16:	9.6	↗
17:	10.4x	↑
18:	10.4x	↑
19:	10.2x	↗
20:	9.9	→
Series		95.5
Total		191.7

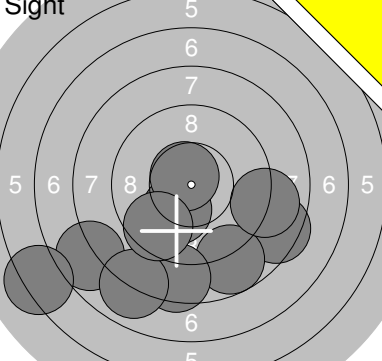
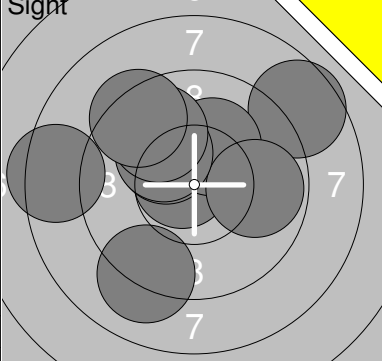



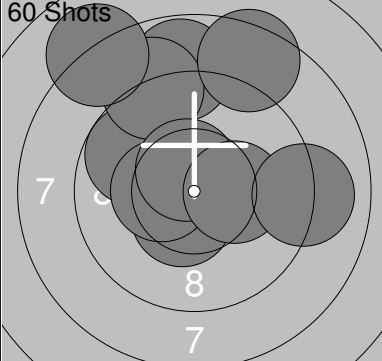
21:	10.4x	→
22:	10.3x	↖
23:	10.1	←
24:	10.0	→
25:	9.9	↖
26:	9.7	↖
27:	10.0	→
28:	10.3x	→
29:	10.2x	→
30:	10.0	↗
Series		100.9
Total		292.6

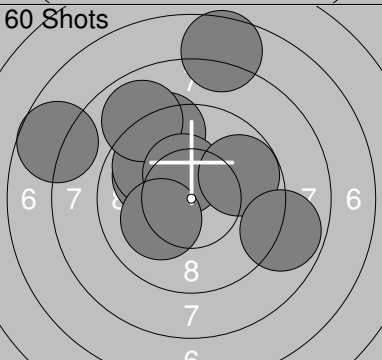
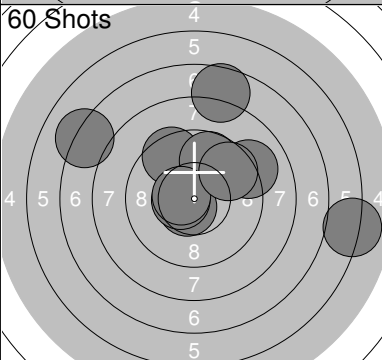


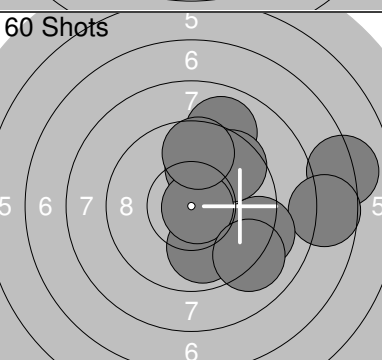
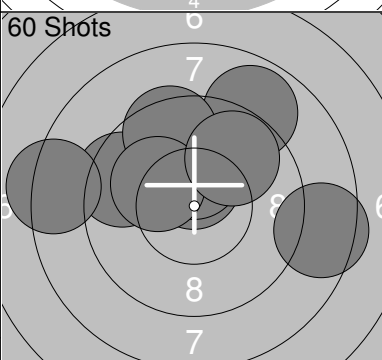
31:	9.9	↗
32:	10.2x	→
33:	9.7	→
34:	10.6x	→
35:	10.6x	↙
36:	10.5x	→
37:	9.5	↘
38:	10.2x	↖
39:	9.7	↖
40:	10.1	↑
Series		101.0
Total		393.6

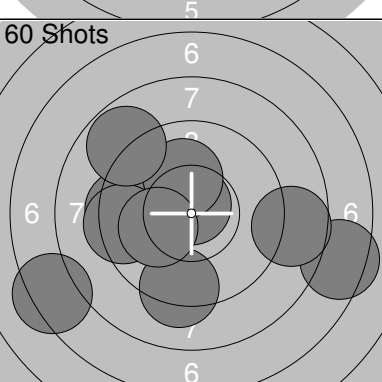
<p>Sight</p> 	<p>1: 10.2x ↗ 2: 7.4 → 3: 8.6 ↑ 4: 9.3 ← 5: 10.3x ↘ 6: 10.7x → 7: 9.7 ↗ 8: 9.7 ↑ 9: 10.5x → 10: 9.9 →</p> <p>Series 96.3 Total 0.0</p>	<p>Sight</p> 	<p>11: 10.2x ↗ 12: 10.6x ↘ 13: 10.4x ↖ 14: 9.4 → 15: 10.4x ↗ 16: 9.8 ↑</p> <p>Series 60.8 Total 0.0</p>
<p>60 Shots</p> 	<p>1: 8.9 → 2: 10.6x ← 3: 10.1 ↘ 4: 10.3x ← 5: 10.5x ↓ 6: 10.4x ↓ 7: 10.3x ↑ 8: 9.8 → 9: 10.4x ↑ 10: 10.0 ↘</p> <p>Series 101.3 Total 101.3</p>	<p>60 Shots</p> 	<p>11: 8.3 → 12: 9.3 → 13: 10.7x ↓ 14: 10.4x ↗ 15: 9.8 ↑ 16: 10.1 ↙ 17: 8.7 → 18: 9.7 ↗ 19: 10.3x ↗ 20: 9.7 ↖</p> <p>Series 97.0 Total 198.3</p>
<p>60 Shots</p> 	<p>21: 9.6 ↑ 22: 9.3 ↑ 23: 10.0 ↗ 24: 9.1 ↗ 25: 8.3 ← 26: 8.6 ← 27: 10.0 ↘ 28: 8.9 ↗ 29: 9.8 → 30: 9.2 ↗</p> <p>Series 92.8 Total 291.1</p>	<p>60 Shots</p> 	<p>31: 9.6 → 32: 9.8 ↘ 33: 10.5x ↓ 34: 8.6 → 35: 9.0 ← 36: 10.9x ↓ 37: 8.7 ← 38: 8.2 → 39: 9.8 ↑ 40: 9.6 →</p> <p>Series 94.7 Total 385.8</p>
<p>60 Shots</p> 	<p>41: 9.1 ↗ 42: 9.9 ↘ 43: 8.7 ↗ 44: 8.5 ↗ 45: 9.3 ↑ 46: 9.9 ↘ 47: 9.1 ← 48: 9.4 → 49: 10.0 → 50: 10.1 ↓</p> <p>Series 94.0 Total 479.8</p>	<p>60 Shots</p> 	<p>51: 10.0 ↖ 52: 10.3x ↓ 53: 10.1 ↖ 54: 9.7 ← 55: 9.5 ↑ 56: 10.2x ← 57: 10.8x ↑ 58: 9.3 ↗ 59: 10.3x → 60: 9.0 ←</p> <p>Series 99.2 Total 579.0</p>

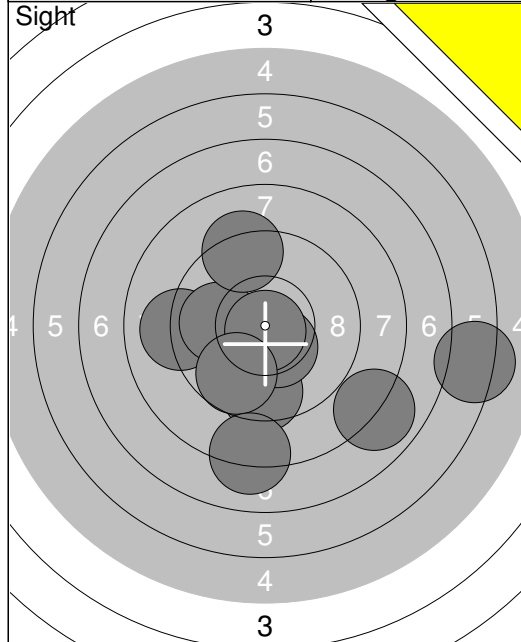
	<p>1: 7.7 ↙</p> <p>2: 8.5 ↘</p> <p>3: 8.7 ↘</p> <p>4: 10.2x ↘</p> <p>5: 9.0 →</p> <p>6: 8.5 ↓</p> <p>7: 6.2 ↙</p> <p>8: 10.7x ↗</p> <p>9: 8.0 ↓</p> <p>10: 9.6 ↙</p>			<p>11: 8.6 ↗</p> <p>12: 8.4 ↙</p> <p>13: 10.7x ↙</p> <p>14: 9.1 ↘</p> <p>15: 10.2x ↗</p> <p>16: 10.2x ↗</p> <p>17: 9.8 →</p> <p>18: 10.1 ↗</p> <p>19: 9.8 ↗</p> <p>20: 9.4 ↗</p>	
Series 87.1				Series 96.3	
Total 0.0				Total 0.0	

	<p>21: 8.9 ↗</p> <p>22: 9.0 ↗</p>			<p>1: 10.5x ↘</p> <p>2: 9.8 ↗</p> <p>3: 8.8 ↗</p> <p>4: 10.4x ↙</p> <p>5: 9.0 ↗</p> <p>6: 8.5 ↗</p> <p>7: 10.6x ↗</p> <p>8: 8.0 ↗</p> <p>9: 10.2x →</p> <p>10: 9.0 →</p>	
Series 17.9				Series 94.8	
Total 0.0				Total 94.8	

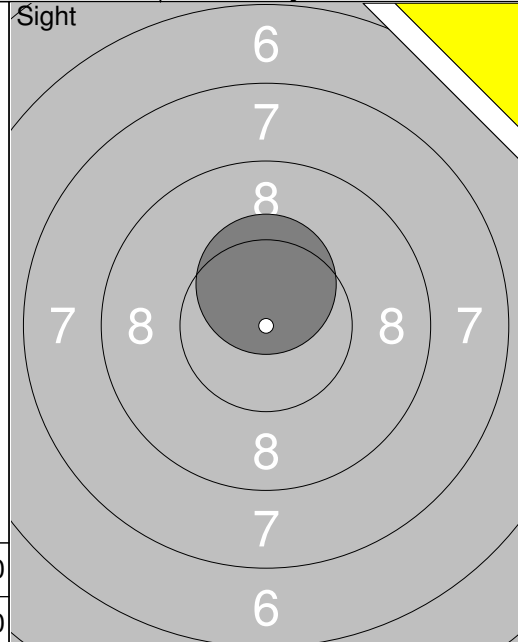
	<p>11: 10.0 ↗</p> <p>12: 9.4 ↗</p> <p>13: 7.6 ↗</p> <p>14: 9.8 ↗</p> <p>15: 8.9 ↗</p> <p>16: 10.4x ↗</p> <p>17: 10.1 ↘</p> <p>18: 9.8 →</p> <p>19: 8.9 →</p> <p>20: 7.7 ↙</p>			<p>21: 9.1 ↗</p> <p>22: 10.6x ↘</p> <p>23: 9.5 ↗</p> <p>24: 10.5x ↙</p> <p>25: 7.6 ↗</p> <p>26: 9.7 ↗</p> <p>27: 7.1 ↗</p> <p>28: 6.1 →</p> <p>29: 10.5x ↙</p> <p>30: 9.6 ↗</p>	
Series 92.6				Series 90.3	
Total 187.4				Total 277.7	

	<p>31: 10.0 ↗</p> <p>32: 7.1 →</p> <p>33: 7.7 →</p> <p>34: 9.2 ↘</p> <p>35: 9.0 ↗</p> <p>36: 9.6 ↗</p> <p>37: 9.9 ↘</p> <p>38: 10.8x →</p> <p>39: 9.1 ↘</p> <p>40: 9.6 ↗</p>			<p>41: 9.5 ↙</p> <p>42: 10.5x ↗</p> <p>43: 8.3 ↙</p> <p>44: 8.5 →</p> <p>45: 8.9 ↗</p> <p>46: 10.2x ↗</p> <p>47: 10.3x ↗</p> <p>48: 9.5 ↗</p> <p>49: 10.1 ↗</p> <p>50: 9.8 ↗</p>	
Series 92.0				Series 95.6	
Total 369.7				Total 465.3	

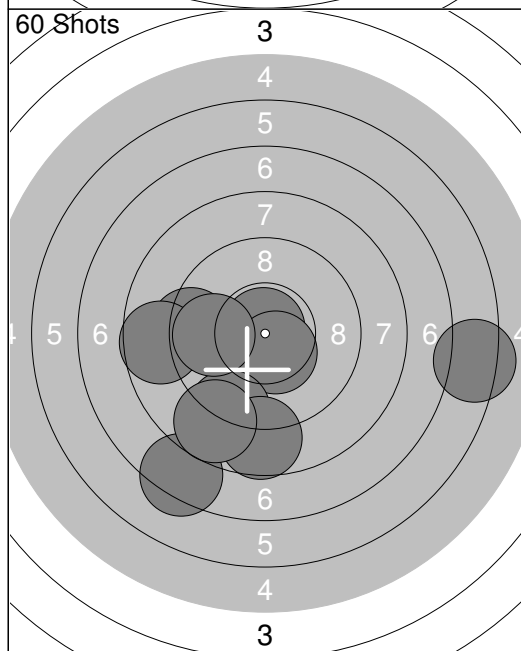
	<p>51: 7.4 →</p> <p>52: 9.4 ↙</p> <p>53: 9.3 ↘</p> <p>54: 9.4 ↙</p> <p>55: 7.3 ↙</p> <p>56: 10.8x ↗</p> <p>57: 8.7 →</p> <p>58: 10.1 ↗</p> <p>59: 10.1 ↙</p> <p>60: 8.8 ↗</p>			
Series 91.3				
Total 556.6				



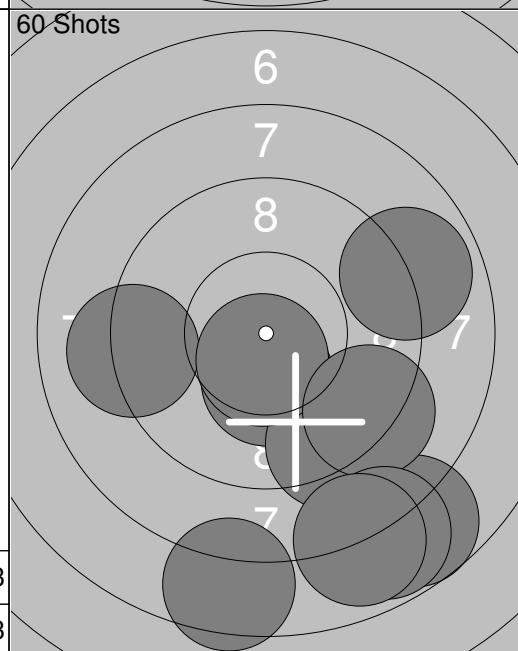
1: 9.1	←
2: 9.9	←
3: 9.5	↓
4: 10.4x	↘
5: 10.8x	↓
6: 9.3	↑
7: 6.3	→
8: 9.7	↘
9: 7.9	↘
10: 8.1	↓
Series	91.0
Total	0.0



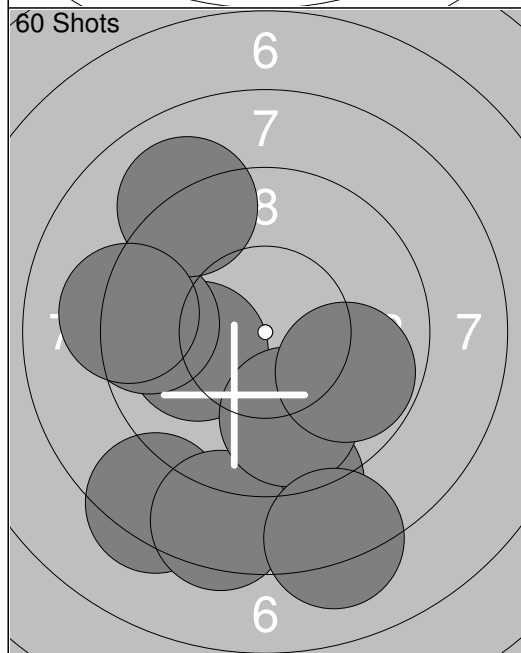
11: 10.4x	↑
Series	10.4
Total	0.0



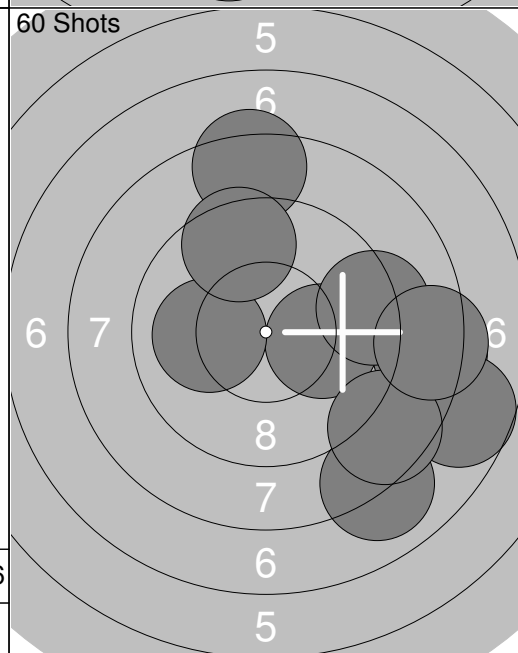
1: 10.8x	↑
2: 7.4	↘
3: 10.5x	↘
4: 9.3	←
5: 9.1	↘
6: 8.7	←
7: 6.3	→
8: 8.7	↓
9: 9.8	←
10: 8.7	↘
Series	89.3
Total	89.3



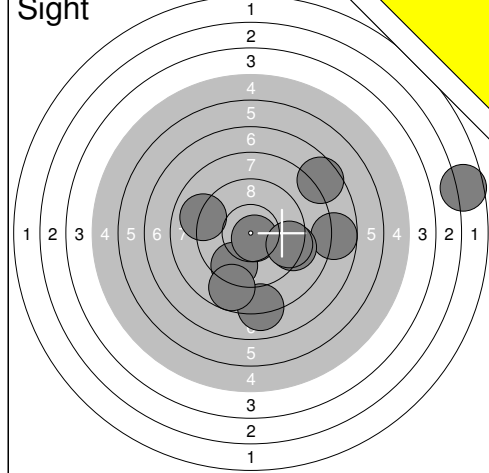
11: 7.5	↓
12: 7.7	↘
13: 10.3x	↓
14: 9.2	↘
15: 9.1	←
16: 10.6x	↘
17: 9.2	↘
18: 8.9	→
19: 7.8	↘
20: 7.9	↘
Series	88.2
Total	177.5



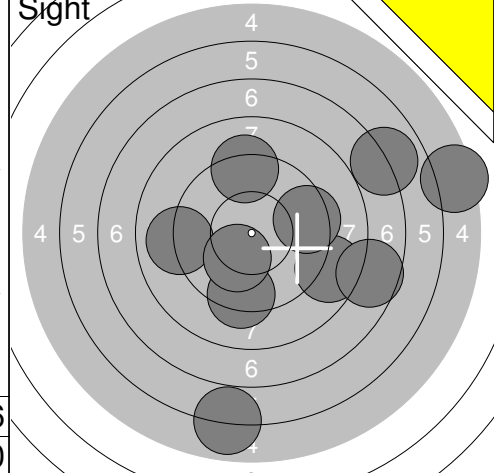
21: 10.1	←
22: 8.4	↘
23: 9.5	←
24: 9.0	↓
25: 8.5	↘
26: 9.8	↘
27: 9.1	↑
28: 8.2	↘
29: 9.8	↘
30: 9.2	←
Series	91.6
Total	269.1



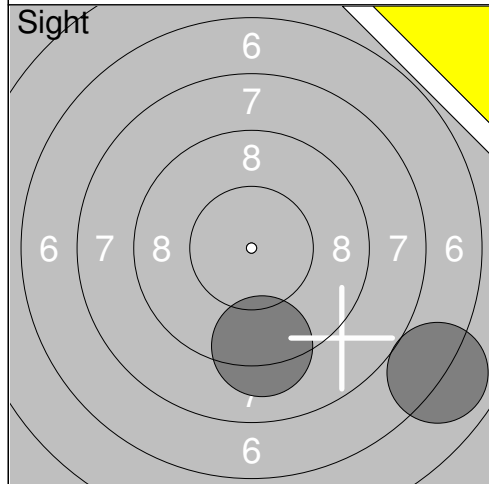
31: 10.1	→
32: 8.0	↘
33: 8.4	→
34: 10.1	←
35: 9.2	→
36: 7.7	↘
37: 8.6	↘
38: 8.4	↑
39: 8.4	→
40: 9.5	↑
Series	88.4
Total	357.5



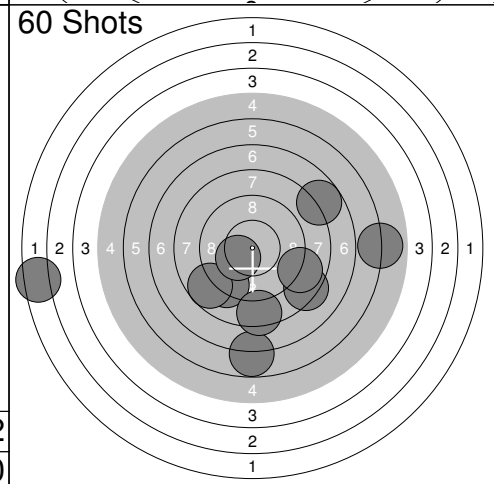
1:	9.5	↓
2:	8.1	↓
3:	10.7x	↓
4:	8.7	↓
5:	2.6	→
6:	7.6	↗
7:	9.0	↖
8:	7.8	→
9:	9.2	↘
10:	9.4	→
Series	82.6	
Total	0.0	



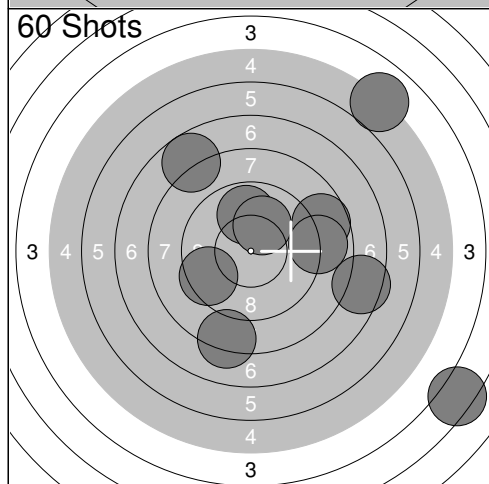
11:	9.2	↑
12:	9.3	↓
13:	5.9	↓
14:	7.0	↗
15:	8.7	↘
16:	9.0	←
17:	9.4	→
18:	5.4	→
19:	7.6	↘
20:	10.2x	↓
Series	81.7	
Total	0.0	



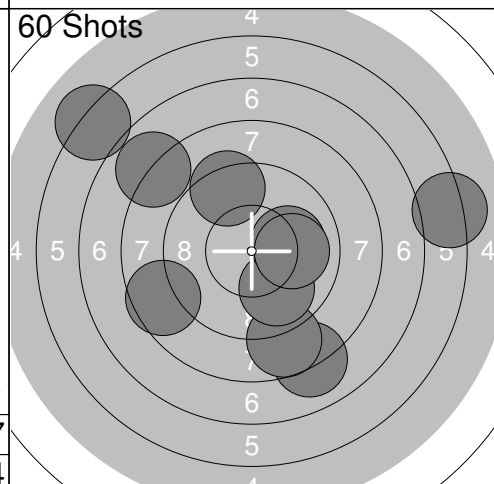
21:	9.2	↓
22:	7.0	↘
Series	16.2	
Total	0.0	



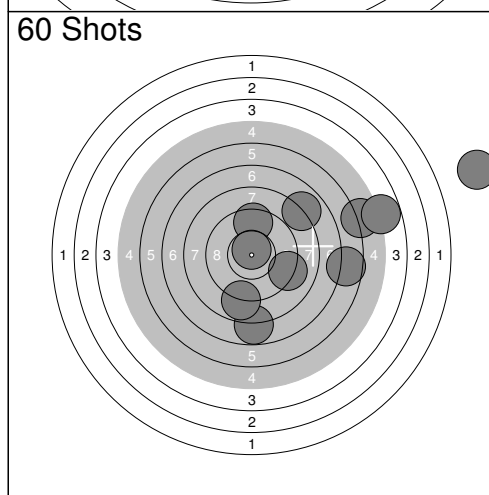
1:	5.9	→
2:	8.3	↘
3:	6.8	↓
4:	9.2	↓
5:	8.7	↖
6:	2.4	←
7:	8.9	↘
8:	7.8	↗
9:	10.3x	↖
10:	8.4	↓
Series	76.7	
Total	76.7	



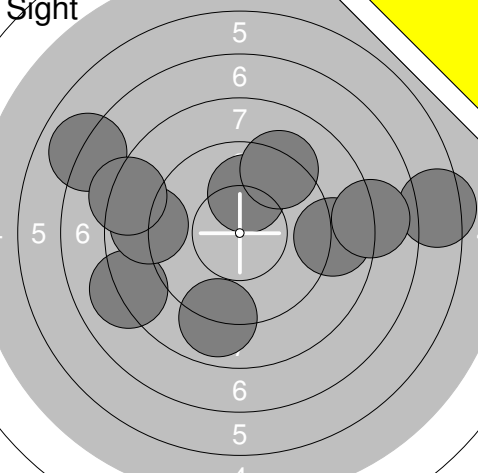
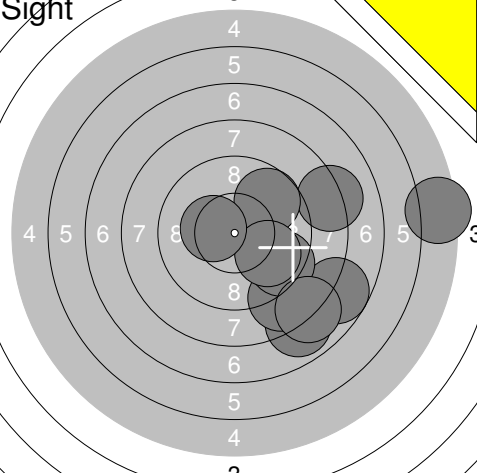
11:	3.3	↘
12:	8.7	↗
13:	7.5	→
14:	9.8	↑
15:	5.0	↗
16:	9.5	←
17:	8.2	↓
18:	7.7	↗
19:	10.1	↑
20:	8.9	→
Series	78.7	
Total	155.4	


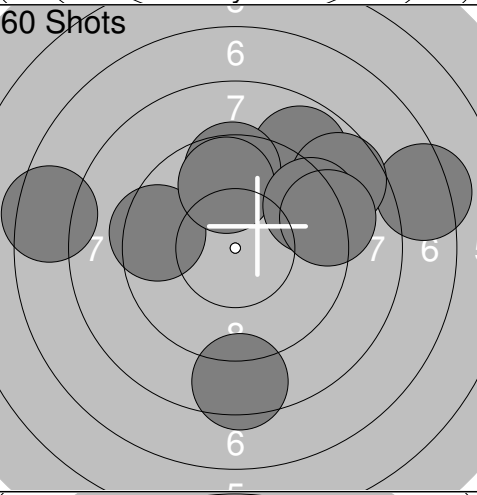


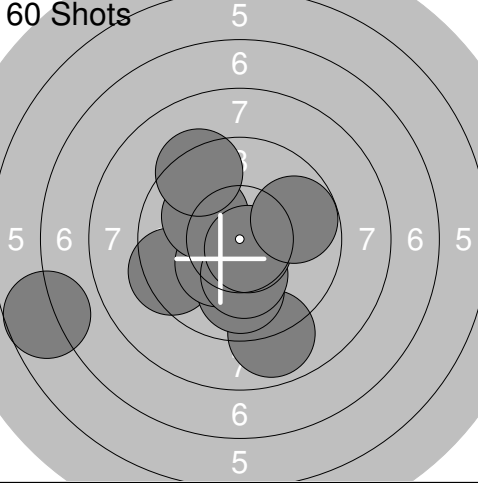
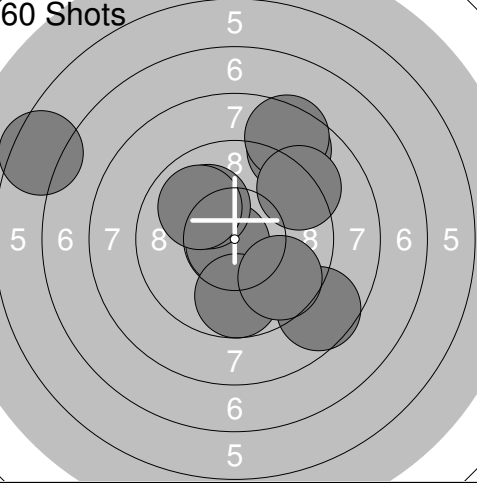
21:	6.1	↖
22:	8.0	↓
23:	8.7	↓
24:	9.9	↓
25:	10.1	→
26:	8.6	←
27:	6.2	→
28:	9.4	↑
29:	10.0	→
30:	7.9	↖
Series	84.9	
Total	240.3	

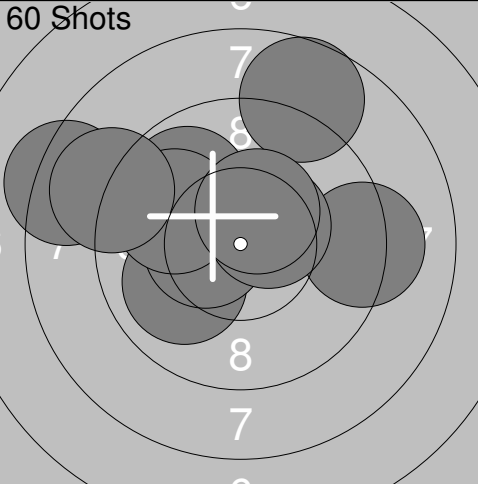


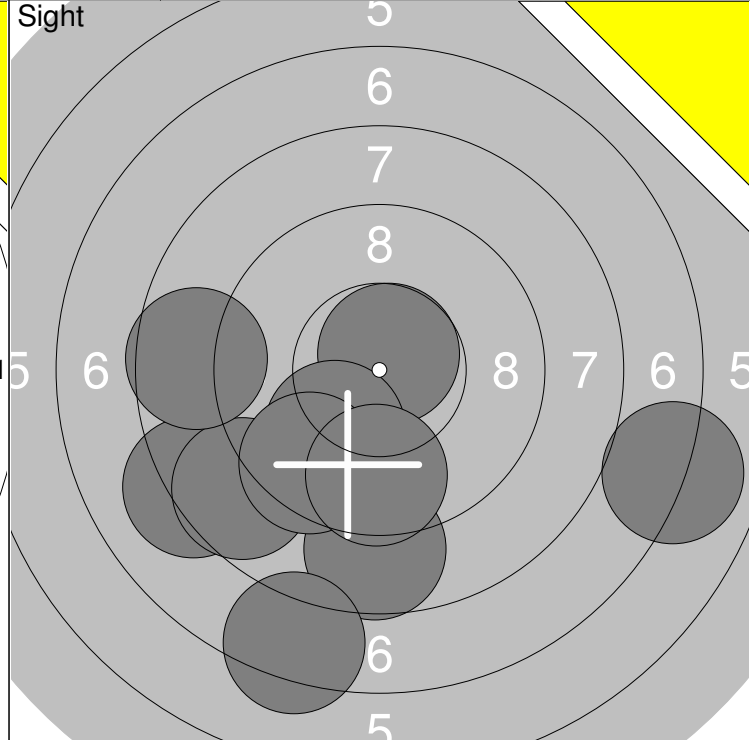
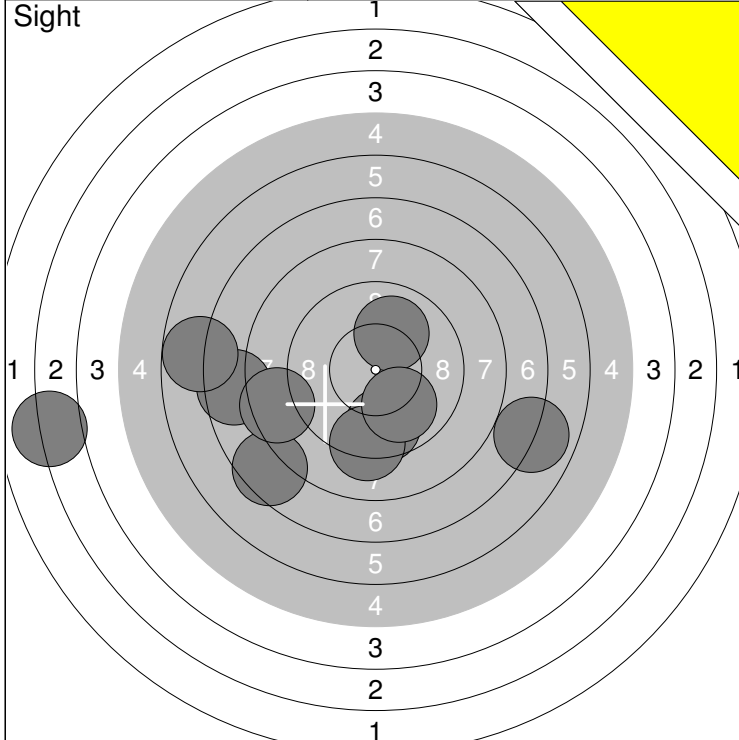
31:	5.7	→
32:	9.1	↘
33:	7.9	↗
34:	4.8	→
35:	9.4	↑
36:	6.6	→
37:	7.8	↓
38:	10.7x	↑
39:	8.8	↓
40:	0.0	→
Series	70.8	
Total	311.1	

	<table style="width:100%; border-collapse: collapse;"> <tr><td>1:</td><td>8.1</td><td>↙</td></tr> <tr><td>2:</td><td>7.0</td><td>↖</td></tr> <tr><td>3:</td><td>8.8</td><td>→</td></tr> <tr><td>4:</td><td>10.0</td><td>↑</td></tr> <tr><td>5:</td><td>9.2</td><td>↗</td></tr> <tr><td>6:</td><td>8.9</td><td>↓</td></tr> <tr><td>7:</td><td>8.9</td><td>←</td></tr> <tr><td>8:</td><td>8.3</td><td>↖</td></tr> <tr><td>9:</td><td>6.4</td><td>→</td></tr> <tr><td>10:</td><td>7.9</td><td>→</td></tr> <tr><td colspan="2">Series</td><td>83.5</td></tr> <tr><td colspan="2">Total</td><td>0.0</td></tr> </table>	1:	8.1	↙	2:	7.0	↖	3:	8.8	→	4:	10.0	↑	5:	9.2	↗	6:	8.9	↓	7:	8.9	←	8:	8.3	↖	9:	6.4	→	10:	7.9	→	Series		83.5	Total		0.0	 <table style="width:100%; border-collapse: collapse;"> <tr><td>11:</td><td>7.8</td><td>↘</td></tr> <tr><td>12:</td><td>7.9</td><td>↘</td></tr> <tr><td>13:</td><td>8.2</td><td>→</td></tr> <tr><td>14:</td><td>8.8</td><td>↘</td></tr> <tr><td>15:</td><td>9.7</td><td>↗</td></tr> <tr><td>16:</td><td>9.4</td><td>↘</td></tr> <tr><td>17:</td><td>9.9</td><td>↘</td></tr> <tr><td>18:</td><td>10.4x</td><td>←</td></tr> <tr><td>19:</td><td>8.1</td><td>↘</td></tr> <tr><td>20:</td><td>5.4</td><td>→</td></tr> <tr><td colspan="2">Series</td><td>85.6</td></tr> <tr><td colspan="2">Total</td><td>0.0</td></tr> </table>	11:	7.8	↘	12:	7.9	↘	13:	8.2	→	14:	8.8	↘	15:	9.7	↗	16:	9.4	↘	17:	9.9	↘	18:	10.4x	←	19:	8.1	↘	20:	5.4	→	Series		85.6	Total		0.0
1:	8.1	↙																																																																								
2:	7.0	↖																																																																								
3:	8.8	→																																																																								
4:	10.0	↑																																																																								
5:	9.2	↗																																																																								
6:	8.9	↓																																																																								
7:	8.9	←																																																																								
8:	8.3	↖																																																																								
9:	6.4	→																																																																								
10:	7.9	→																																																																								
Series		83.5																																																																								
Total		0.0																																																																								
11:	7.8	↘																																																																								
12:	7.9	↘																																																																								
13:	8.2	→																																																																								
14:	8.8	↘																																																																								
15:	9.7	↗																																																																								
16:	9.4	↘																																																																								
17:	9.9	↘																																																																								
18:	10.4x	←																																																																								
19:	8.1	↘																																																																								
20:	5.4	→																																																																								
Series		85.6																																																																								
Total		0.0																																																																								

 <table style="width:100%; border-collapse: collapse;"> <tr><td>21:</td><td>8.2</td><td>↗</td></tr> <tr><td>22:</td><td>10.6x</td><td>→</td></tr> <tr><td colspan="2">Series</td><td>18.8</td></tr> <tr><td colspan="2">Total</td><td>0.0</td></tr> </table>	21:	8.2	↗	22:	10.6x	→	Series		18.8	Total		0.0	<p style="text-align:center;">60 Shots</p>  <table style="width:100%; border-collapse: collapse;"> <tr><td>1:</td><td>9.5</td><td>←</td></tr> <tr><td>2:</td><td>7.3</td><td>→</td></tr> <tr><td>3:</td><td>8.8</td><td>↗</td></tr> <tr><td>4:</td><td>8.7</td><td>↗</td></tr> <tr><td>5:</td><td>9.5</td><td>↑</td></tr> <tr><td>6:</td><td>9.8</td><td>↑</td></tr> <tr><td>7:</td><td>9.3</td><td>↗</td></tr> <tr><td>8:</td><td>7.4</td><td>←</td></tr> <tr><td>9:</td><td>8.5</td><td>↓</td></tr> <tr><td>10:</td><td>9.1</td><td>→</td></tr> <tr><td colspan="2">Series</td><td>87.9</td></tr> <tr><td colspan="2">Total</td><td>87.9</td></tr> </table>	1:	9.5	←	2:	7.3	→	3:	8.8	↗	4:	8.7	↗	5:	9.5	↑	6:	9.8	↑	7:	9.3	↗	8:	7.4	←	9:	8.5	↓	10:	9.1	→	Series		87.9	Total		87.9
21:	8.2	↗																																															
22:	10.6x	→																																															
Series		18.8																																															
Total		0.0																																															
1:	9.5	←																																															
2:	7.3	→																																															
3:	8.8	↗																																															
4:	8.7	↗																																															
5:	9.5	↑																																															
6:	9.8	↑																																															
7:	9.3	↗																																															
8:	7.4	←																																															
9:	8.5	↓																																															
10:	9.1	→																																															
Series		87.9																																															
Total		87.9																																															

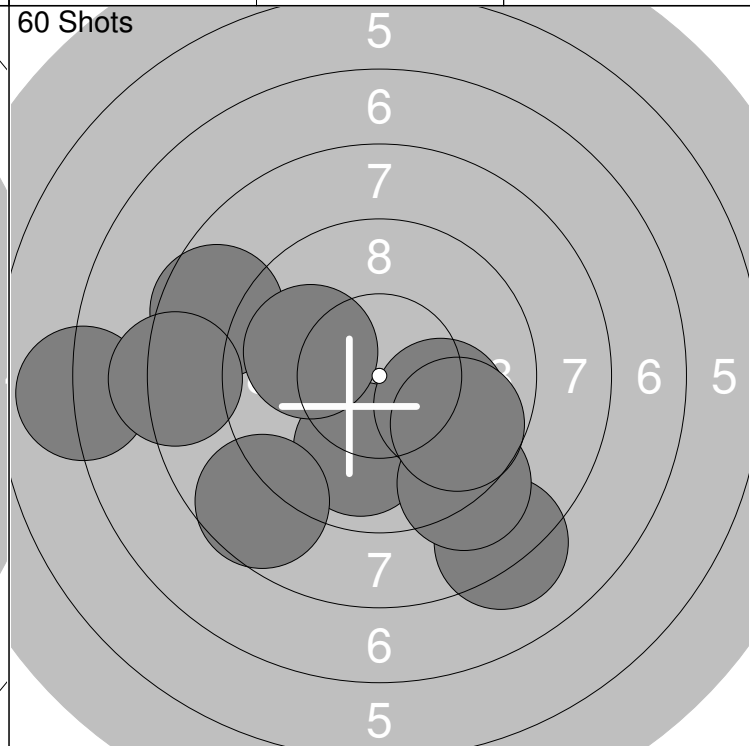
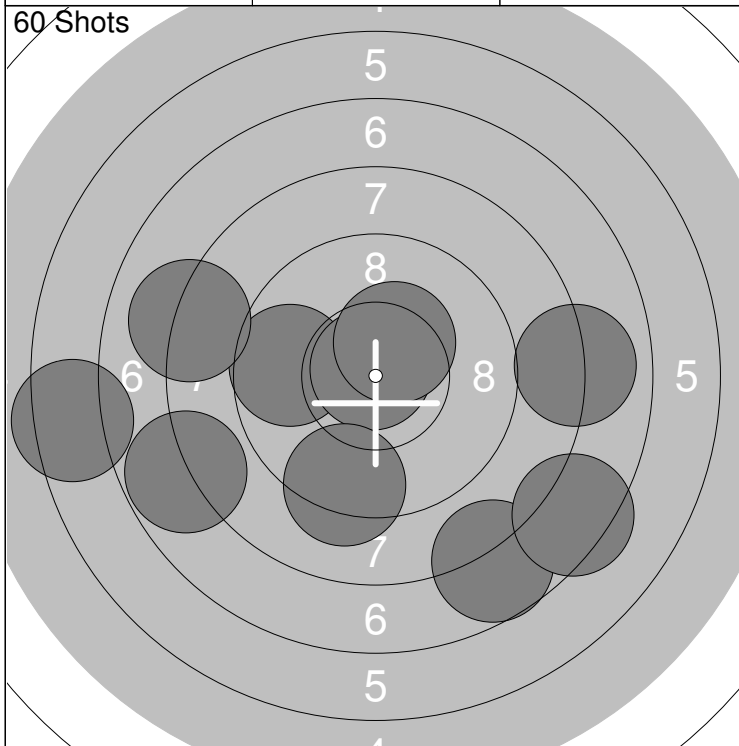
<p style="text-align:center;">60 Shots</p>  <table style="width:100%; border-collapse: collapse;"> <tr><td>11:</td><td>8.9</td><td>↓</td></tr> <tr><td>12:</td><td>9.4</td><td>←</td></tr> <tr><td>13:</td><td>6.7</td><td>←</td></tr> <tr><td>14:</td><td>9.9</td><td>↓</td></tr> <tr><td>15:</td><td>10.3x</td><td>↖</td></tr> <tr><td>16:</td><td>10.2x</td><td>↓</td></tr> <tr><td>17:</td><td>10.1</td><td>↖</td></tr> <tr><td>18:</td><td>10.7x</td><td>↘</td></tr> <tr><td>19:</td><td>9.3</td><td>↗</td></tr> <tr><td>20:</td><td>9.8</td><td>→</td></tr> <tr><td colspan="2">Series</td><td>95.3</td></tr> <tr><td colspan="2">Total</td><td>183.2</td></tr> </table>	11:	8.9	↓	12:	9.4	←	13:	6.7	←	14:	9.9	↓	15:	10.3x	↖	16:	10.2x	↓	17:	10.1	↖	18:	10.7x	↘	19:	9.3	↗	20:	9.8	→	Series		95.3	Total		183.2	<p style="text-align:center;">60 Shots</p>  <table style="width:100%; border-collapse: collapse;"> <tr><td>21:</td><td>8.7</td><td>↗</td></tr> <tr><td>22:</td><td>6.4</td><td>←</td></tr> <tr><td>23:</td><td>10.8x</td><td>↖</td></tr> <tr><td>24:</td><td>9.7</td><td>↓</td></tr> <tr><td>25:</td><td>10.1</td><td>↗</td></tr> <tr><td>26:</td><td>8.6</td><td>↘</td></tr> <tr><td>27:</td><td>8.5</td><td>↗</td></tr> <tr><td>28:</td><td>10.0</td><td>↗</td></tr> <tr><td>29:</td><td>9.7</td><td>↘</td></tr> <tr><td>30:</td><td>9.2</td><td>↗</td></tr> <tr><td colspan="2">Series</td><td>91.7</td></tr> <tr><td colspan="2">Total</td><td>274.9</td></tr> </table>	21:	8.7	↗	22:	6.4	←	23:	10.8x	↖	24:	9.7	↓	25:	10.1	↗	26:	8.6	↘	27:	8.5	↗	28:	10.0	↗	29:	9.7	↘	30:	9.2	↗	Series		91.7	Total		274.9
11:	8.9	↓																																																																							
12:	9.4	←																																																																							
13:	6.7	←																																																																							
14:	9.9	↓																																																																							
15:	10.3x	↖																																																																							
16:	10.2x	↓																																																																							
17:	10.1	↖																																																																							
18:	10.7x	↘																																																																							
19:	9.3	↗																																																																							
20:	9.8	→																																																																							
Series		95.3																																																																							
Total		183.2																																																																							
21:	8.7	↗																																																																							
22:	6.4	←																																																																							
23:	10.8x	↖																																																																							
24:	9.7	↓																																																																							
25:	10.1	↗																																																																							
26:	8.6	↘																																																																							
27:	8.5	↗																																																																							
28:	10.0	↗																																																																							
29:	9.7	↘																																																																							
30:	9.2	↗																																																																							
Series		91.7																																																																							
Total		274.9																																																																							

<p style="text-align:center;">60 Shots</p>  <table style="width:100%; border-collapse: collapse;"> <tr><td>31:</td><td>9.2</td><td>→</td></tr> <tr><td>32:</td><td>10.0</td><td>↖</td></tr> <tr><td>33:</td><td>10.4x</td><td>←</td></tr> <tr><td>34:</td><td>8.7</td><td>↗</td></tr> <tr><td>35:</td><td>9.9</td><td>↗</td></tr> <tr><td>36:</td><td>9.9</td><td>↖</td></tr> <tr><td>37:</td><td>10.5x</td><td>↗</td></tr> <tr><td>38:</td><td>8.3</td><td>←</td></tr> <tr><td>39:</td><td>9.0</td><td>↖</td></tr> <tr><td>40:</td><td>10.4x</td><td>↗</td></tr> <tr><td colspan="2">Series</td><td>96.3</td></tr> <tr><td colspan="2">Total</td><td>371.2</td></tr> </table>	31:	9.2	→	32:	10.0	↖	33:	10.4x	←	34:	8.7	↗	35:	9.9	↗	36:	9.9	↖	37:	10.5x	↗	38:	8.3	←	39:	9.0	↖	40:	10.4x	↗	Series		96.3	Total		371.2		
31:	9.2	→																																				
32:	10.0	↖																																				
33:	10.4x	←																																				
34:	8.7	↗																																				
35:	9.9	↗																																				
36:	9.9	↖																																				
37:	10.5x	↗																																				
38:	8.3	←																																				
39:	9.0	↖																																				
40:	10.4x	↗																																				
Series		96.3																																				
Total		371.2																																				



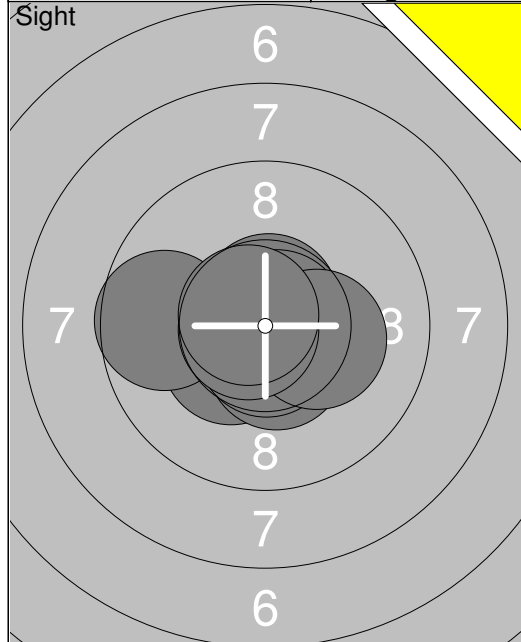
1: 3.1 ←	6: 6.8 ←	Series	79.3
2: 9.6 ↓	7: 7.0 →		
3: 7.5 ↙	8: 10.0 ↗	Total	0.0
4: 7.6 ←	9: 8.5 ←		
5: 9.2 ↓	10: 10.0 ↘		

11: 10.7x ↗	16: 10.0 ↘	Series	88.3
12: 8.2 ←	17: 9.5 ↘		
13: 8.7 ↙	18: 7.3 ↓	Total	0.0
14: 8.7 ↓	19: 8.6 ←		
15: 7.0 →	20: 9.6 ↓		

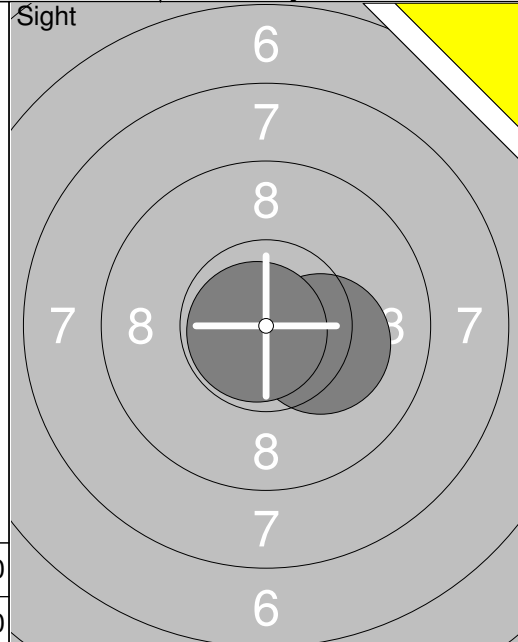


1: 9.7 ←	6: 8.1 ←	Series	85.6
2: 7.8 ↙	7: 7.7 ↘		
3: 8.0 →	8: 7.4 ↘	Total	85.6
4: 10.8x ↗	9: 9.3 ↓		
5: 6.4 ←	10: 10.4x ↗		

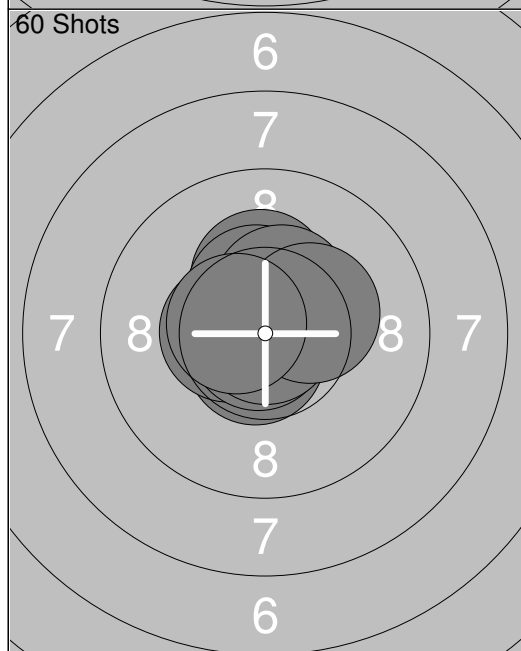
11: 8.2 ↘	16: 10.1 ↗	Series	89.5
12: 9.9 ↓	17: 8.2 ←		
13: 8.6 ↙	18: 9.7 ↘	Total	175.1
14: 7.0 ←	19: 10.0 ↙		
15: 9.1 ↘	20: 8.7 ↘		



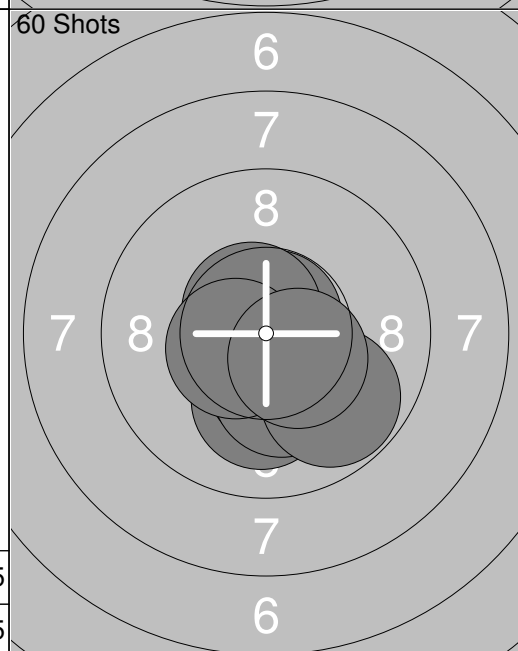
1: 10.5x →
2: 10.4x ↙
3: 10.5x ↓
4: 10.7x ↑
5: 10.8x ↗
6: 10.7x ↓
7: 10.3x →
8: 9.7 ←
9: 10.7x ↙
10: 10.7x ↖
Series 105.0
Total 0.0



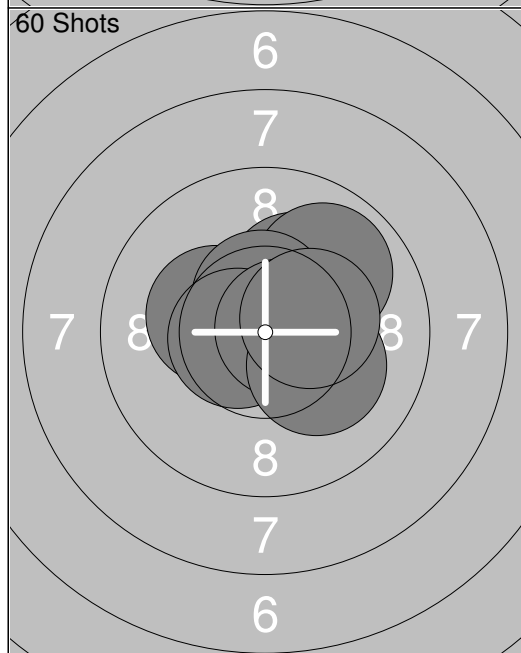
11: 10.2x →
12: 10.8x ↙
Series 21.0
Total 0.0



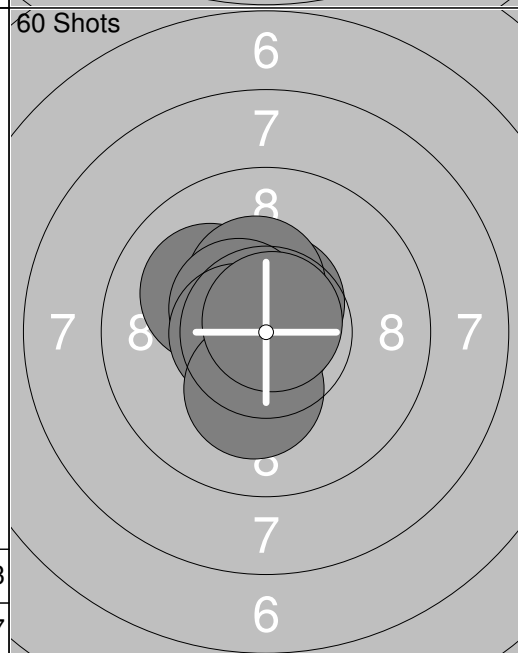
1: 10.6x ↓
2: 10.7x ↖
3: 10.3x ↑
4: 10.4x ↑
5: 10.5x ←
6: 10.8x ↙
7: 10.4x ↑
8: 10.9x ↓
9: 10.3x →
10: 10.6x ↖
Series 105.5
Total 105.5



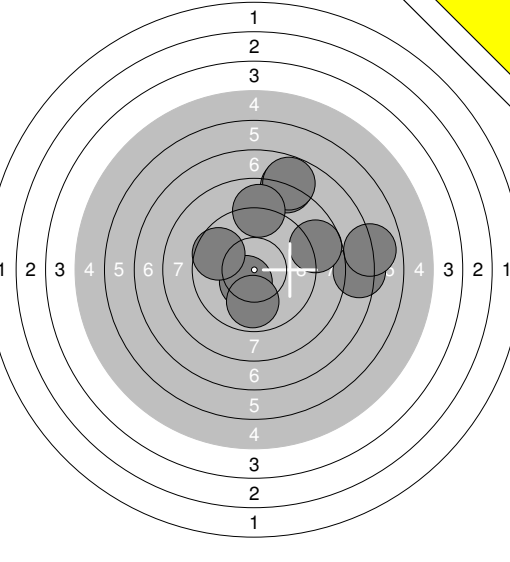
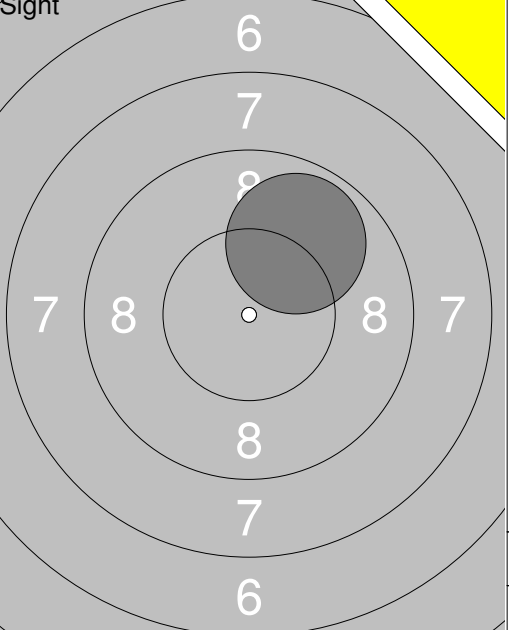
11: 10.1 ↓
12: 10.8x ↑
13: 10.4x ↓
14: 10.7x ↙
15: 10.4x ↓
16: 10.6x ↖
17: 10.2x ↓
18: 10.5x ↙
19: 9.8 ↓
20: 10.4x ↘
Series 103.9
Total 209.4

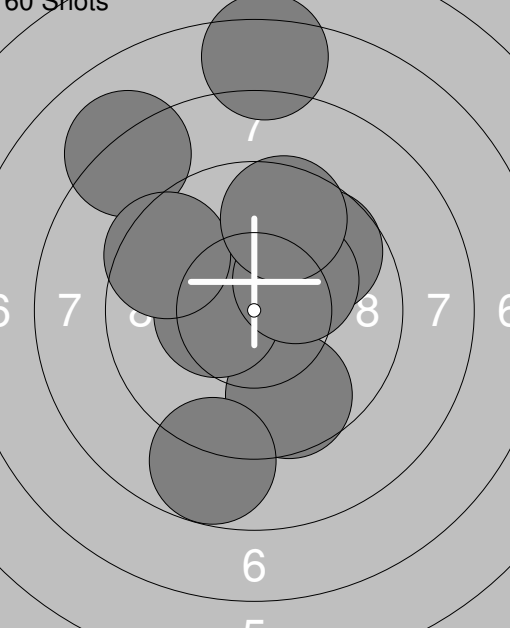
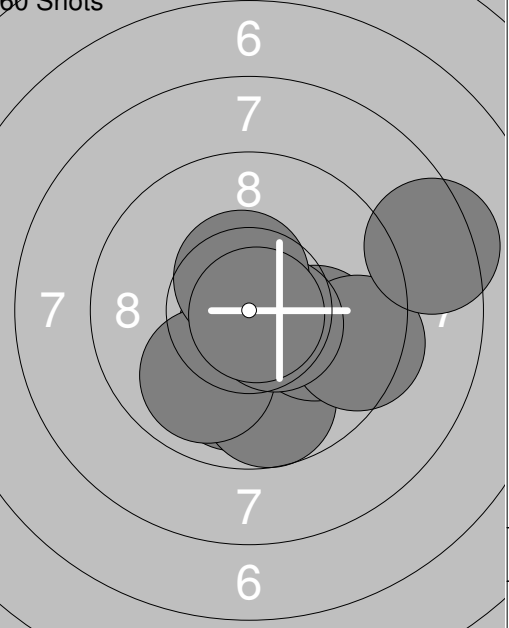


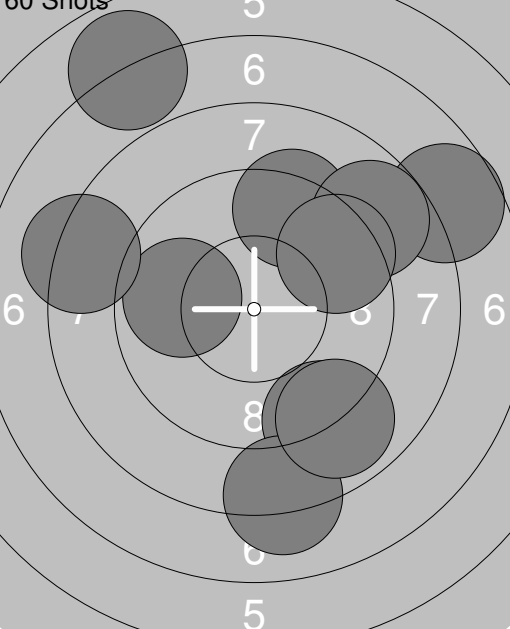
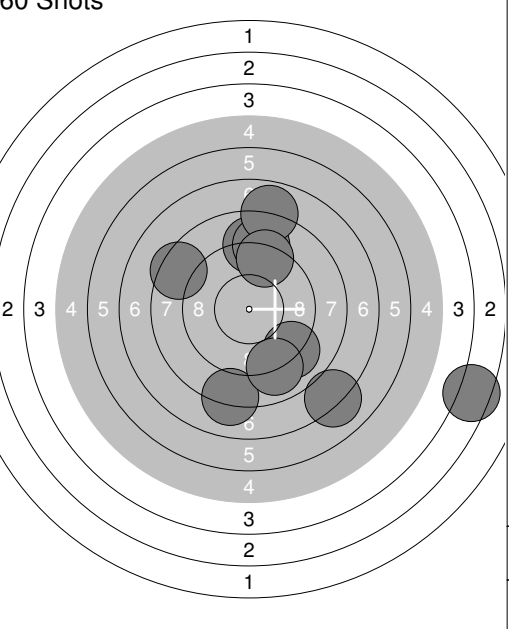
21: 10.2x ↗
22: 10.8x →
23: 9.9 ↗
24: 10.3x ↖
25: 10.7x ↑
26: 10.5x ↑
27: 10.6x ←
28: 10.7x →
29: 10.2x ↘
30: 10.4x →
Series 104.3
Total 313.7

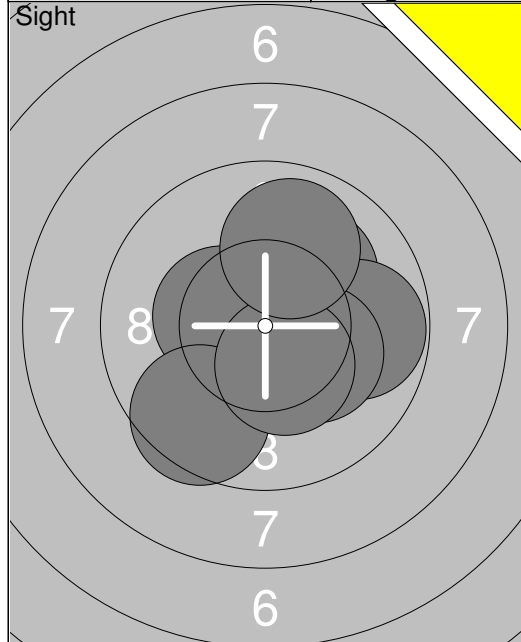


31: 10.8x ↑
32: 10.1 ↖
33: 10.8x ↖
34: 10.6x ↑
35: 10.3x ↑
36: 10.9x ↑
37: 10.5x ↖
38: 10.6x ←
39: 10.2x ↓
40: 10.8x ↗
Series 105.6
Total 419.3

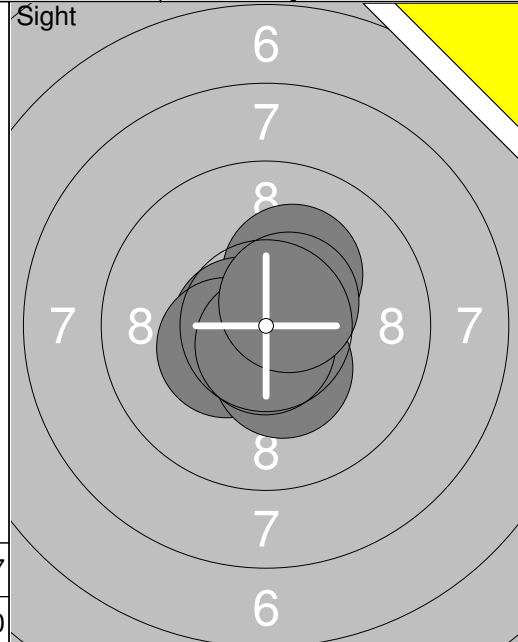
<p>Sight</p> 	<p>1: 0.0 ↓</p> <p>2: 7.9 ↑</p> <p>3: 7.8 ↑</p> <p>4: 7.4 →</p> <p>5: 10.5x ↓</p> <p>6: 9.6 ←</p> <p>7: 7.0 →</p> <p>8: 8.7 →</p> <p>9: 8.9 ↑</p> <p>10: 9.9 ↓</p> <hr/> <p>Series 77.7</p> <hr/> <p>Total 0.0</p>	<p>Sight</p> 	<p>11: 9.9 ↗</p>
--	--	--	------------------

<p>60 Shots</p> 	<p>1: 8.1 ↗</p> <p>2: 7.4 ↑</p> <p>3: 10.6x ←</p> <p>4: 9.7 ↗</p> <p>5: 9.7 ↓</p> <p>6: 10.4x ←</p> <p>7: 10.2x ↗</p> <p>8: 9.5 ←</p> <p>9: 9.6 ↑</p> <p>10: 8.7 ↓</p> <hr/> <p>Series 93.9</p> <hr/> <p>Total 93.9</p>	<p>60 Shots</p> 	<p>11: 10.6x ↓</p> <p>12: 10.0 ↓</p> <p>13: 9.7 ↓</p> <p>14: 10.0 →</p> <p>15: 9.9 ↙</p> <p>16: 9.5 →</p> <p>17: 10.6x →</p> <p>18: 8.4 →</p> <p>19: 10.5x ↑</p> <p>20: 10.8x →</p> <hr/> <p>Series 100.0</p> <hr/> <p>Total 193.9</p>
--	---	--	--

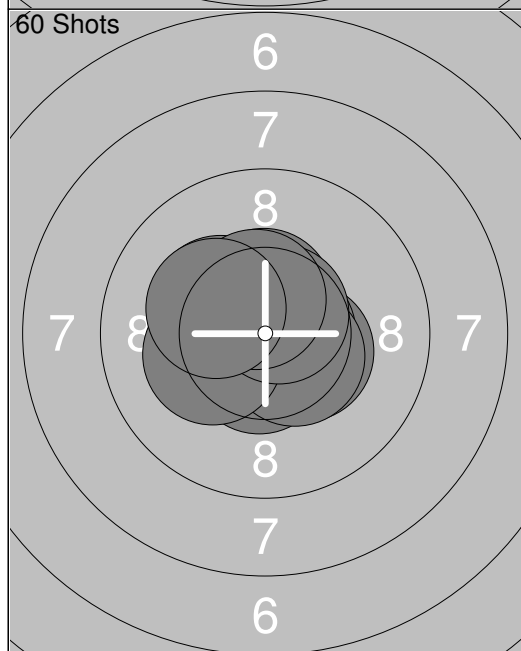
<p>60 Shots</p> 	<p>21: 9.9 ←</p> <p>22: 9.3 ↑</p> <p>23: 8.2 ←</p> <p>24: 9.0 ↓</p> <p>25: 7.7 ↗</p> <p>26: 8.1 ↓</p> <p>27: 6.9 ↑</p> <p>28: 8.8 ↗</p> <p>29: 9.5 ↗</p> <p>30: 8.9 ↓</p> <hr/> <p>Series 86.3</p> <hr/> <p>Total 280.2</p>	<p>60 Shots</p> 	<p>31: 7.1 ↓</p> <p>32: 8.1 ↓</p> <p>33: 8.9 ↑</p> <p>34: 8.4 ↙</p> <p>35: 9.1 ↓</p> <p>36: 8.9 ↑</p> <p>37: 7.9 ↑</p> <p>38: 9.0 ↓</p> <p>39: 9.3 ↑</p> <p>40: 3.5 →</p> <hr/> <p>Series 80.2</p> <hr/> <p>Total 360.4</p>
---	---	---	---



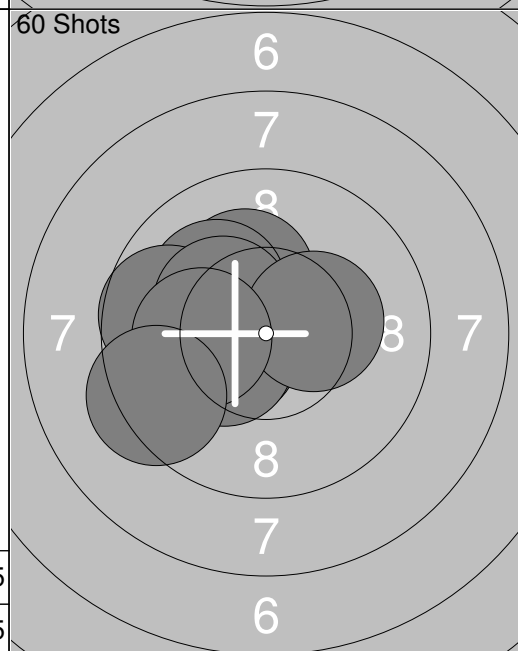
1:	10.6x →
2:	10.1 ↗
3:	9.8 →
4:	10.4x ↘
5:	10.4x ↓
6:	10.4x ←
7:	10.2x ↘
8:	9.5 ↓
9:	10.4x ↓
10:	9.9 ↗
Series	101.7
Total	0.0



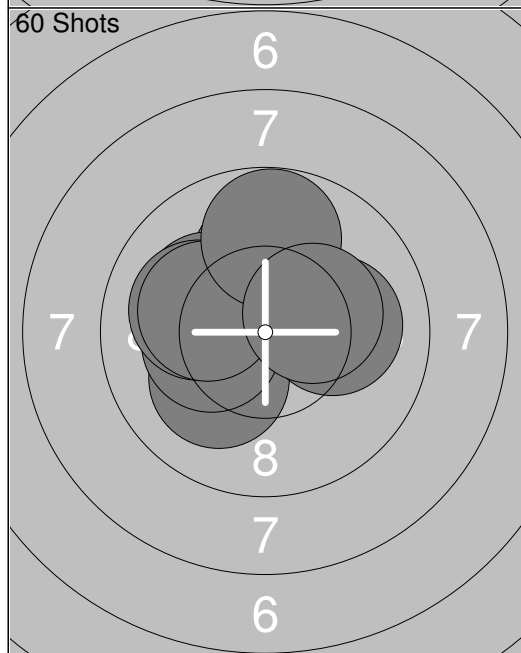
11:	10.2x ↗
12:	10.6x ←
13:	10.4x ↙
14:	10.4x ↓
15:	10.7x ↓
16:	10.5x ↗
Series	62.8
Total	0.0



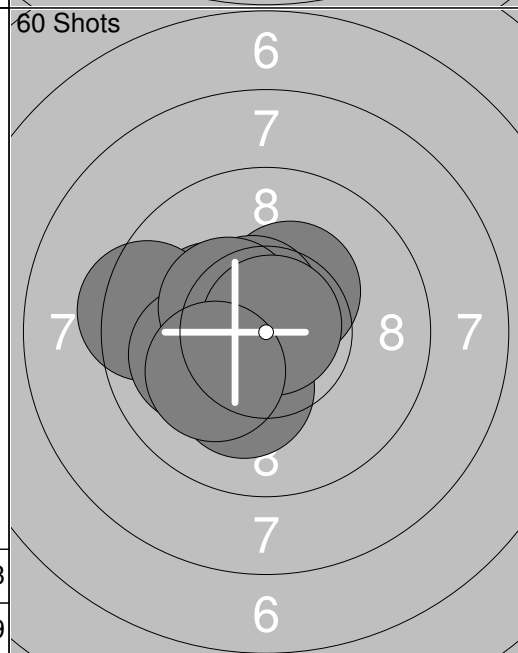
1:	10.3x ↙
2:	10.6x ↓
3:	10.5x ↑
4:	10.4x ↘
5:	10.7x →
6:	10.5x ↘
7:	10.2x ←
8:	10.6x ↗
9:	10.5x ↑
10:	10.2x ↙
Series	104.5
Total	104.5



11:	10.4x ↙
12:	10.4x ←
13:	10.2x ↗
14:	10.1 ↖
15:	10.3x ↙
16:	9.7 ←
17:	10.3x ↙
18:	10.3x →
19:	10.1 ←
20:	9.3 ↙
Series	101.1
Total	205.6



21:	10.0 ↑
22:	10.3x ←
23:	10.1 ↖
24:	10.1 ↓
25:	10.3x ←
26:	10.1 →
27:	10.1 ↖
28:	10.2x ↙
29:	9.8 ↑
30:	10.3x →
Series	101.3
Total	306.9


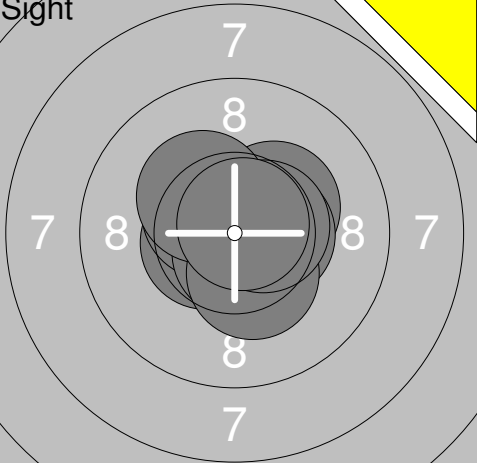




31:	10.2x ↙
32:	10.4x ↙
33:	9.4 ←
34:	10.3x ↗
35:	10.6x ↖
36:	10.0 ←
37:	10.2x ↓
38:	10.4x ↙
39:	10.8x ↗
40:	10.1 ↙
Series	102.4
Total	409.3


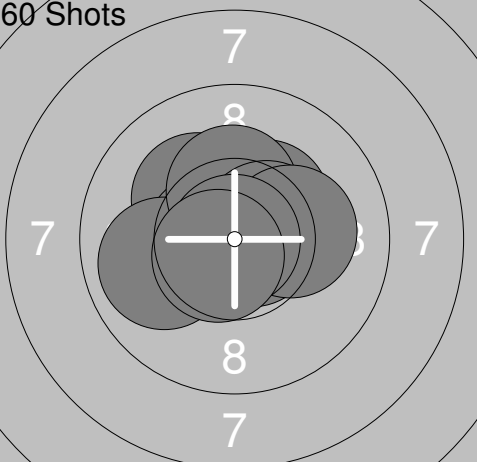
Relay	Lane	Nicole Nygren	
2	25		

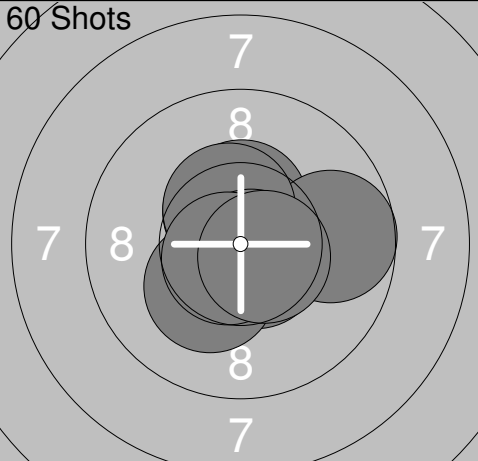
S	Umeå		
---	------	--	--

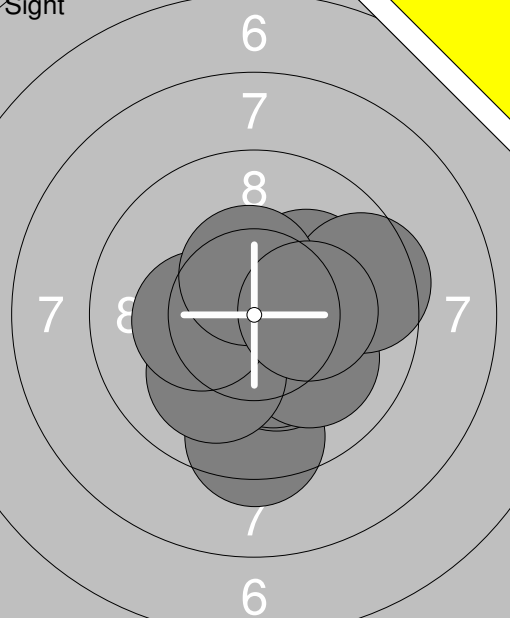
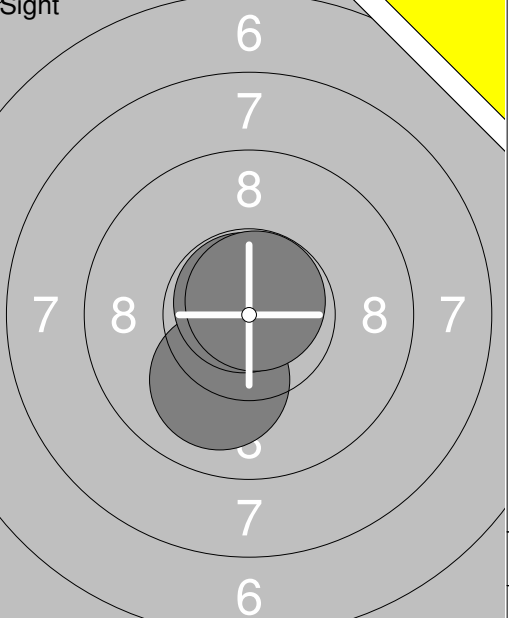
14.11.2015	Drängsmarksskyttet 2015	Umeå skytteallians	
------------	-------------------------	--------------------	--

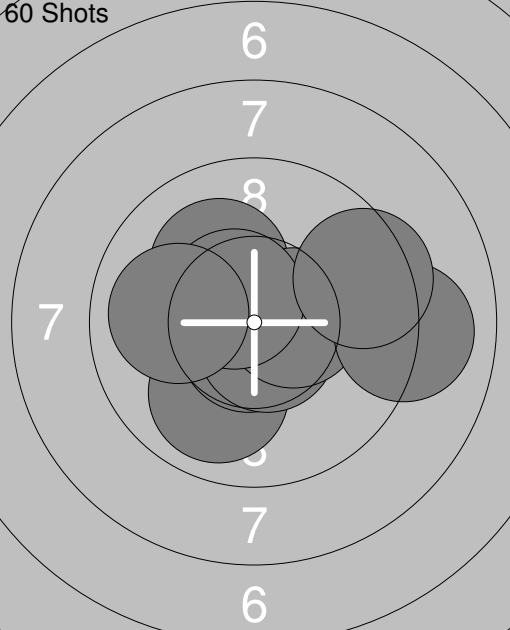
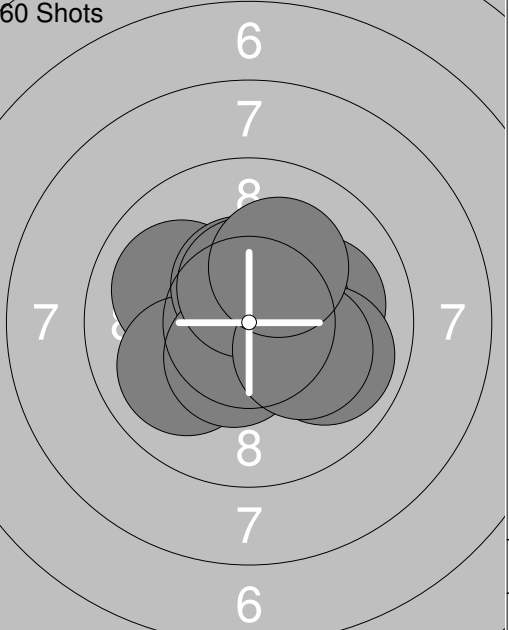
Sight 	1: 10.5x →	Sight 	11: 10.5x ←
	2: 10.3x ←		12: 10.5x ↖
	3: 10.4x ←		13: 10.6x →
	4: 10.3x ↑		14: 10.7x ↓
	5: 10.4x ↑		15: 10.3x ↗
	6: 10.7x ↗		16: 10.3x ↗
	7: 10.3x ↖		17: 10.5x →
	8: 10.8x ↗		18: 10.4x ↓
	9: 10.5x ←		19: 10.6x →
	10: 10.6x ↑		20: 10.8x ↗
Series	104.8	Series	105.2
Total	0.0	Total	0.0

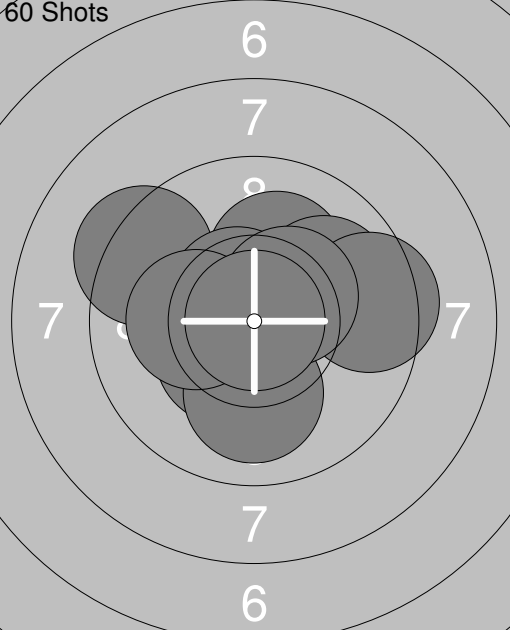
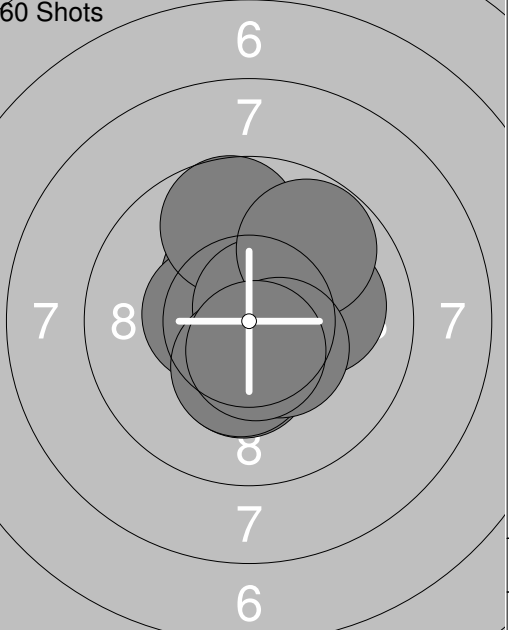
Sight 	21: 10.4x →	60 Shots 	1: 10.1 ↓
	22: 10.7x ↓		2: 10.5x ↑
	23: 10.5x ↓		3: 10.4x →
	24: 10.7x →		4: 10.6x ↓
			5: 10.8x →
			6: 10.5x ↓
			7: 10.7x ←
			8: 10.8x ↗
			9: 10.7x ←
			10: 10.8x ↓
Series	42.3	Series	105.9
Total	0.0	Total	105.9

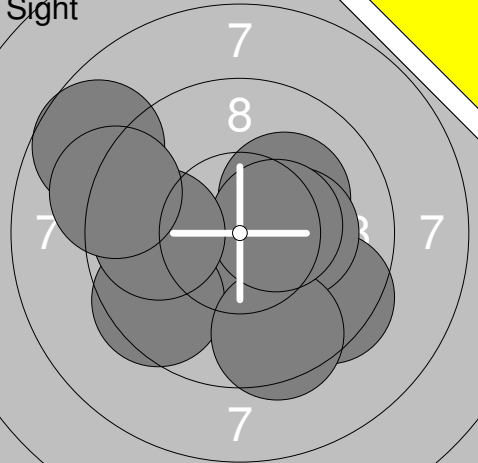
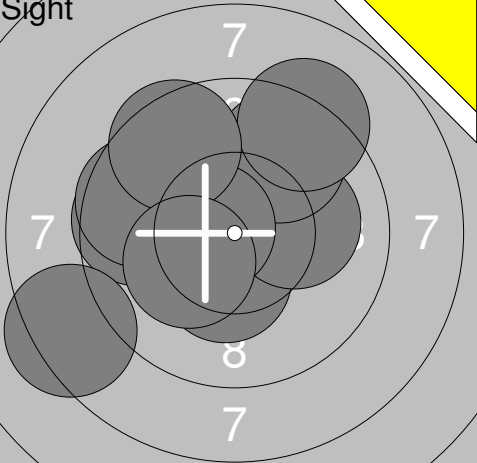
60 Shots 	11: 10.2x ↓	60 Shots 	21: 10.2x ↗
	12: 10.5x ↓		22: 10.7x →
	13: 10.8x ↓		23: 10.6x ←
	14: 10.3x ↓		24: 9.9 ←
	15: 10.5x ↓		25: 10.3x ↗
	16: 10.4x ↓		26: 10.3x ↑
	17: 10.8x ↗		27: 10.5x →
	18: 10.9x ←		28: 10.2x →
	19: 10.6x ↓		29: 10.9x ↓
	20: 10.4x ↓		30: 10.6x ↓
Series	105.4	Series	104.2
Total	211.3	Total	315.5

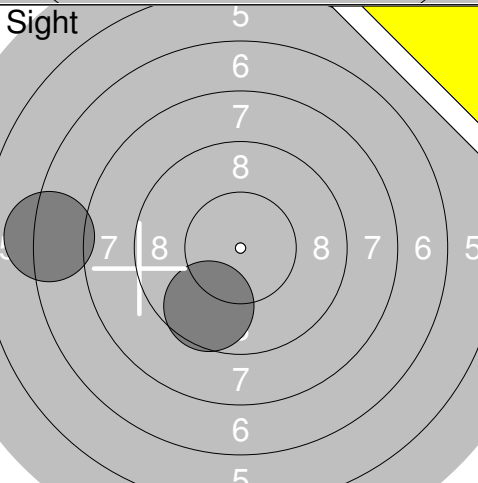
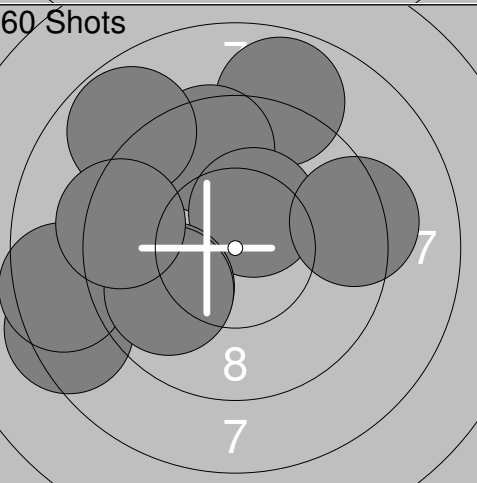
60 Shots 	31: 10.8x ↓		
	32: 10.6x ↓		
	33: 10.2x ↓		
	34: 10.5x ↑		
	35: 10.4x ↑		
	36: 9.7 →		
	37: 10.5x ↑		
	38: 10.7x ↓		
	39: 10.7x ↓		
	40: 10.6x →		
Series	104.7		
Total	420.2		

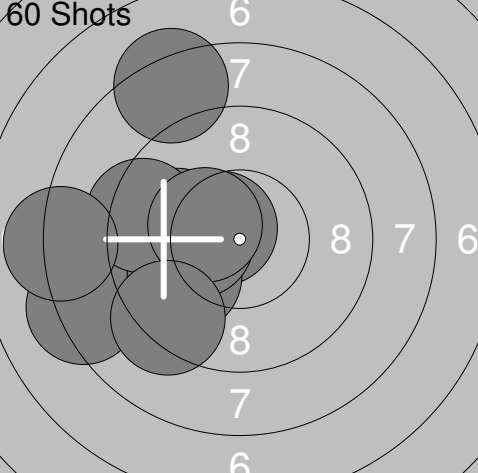
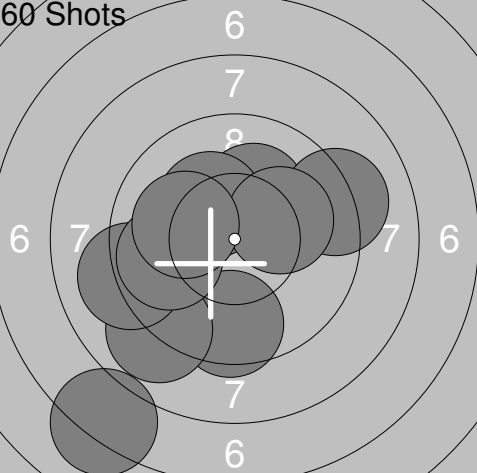
<p>Sight</p>  <p>1: 9.4 ↓ 2: 10.3x ↓ 3: 10.4x ↓ 4: 10.1 → 5: 10.1 ↓ 6: 10.1 ↗ 7: 10.3x ← 8: 9.5 → 9: 10.4x ↑ 10: 10.3x →</p> <p>Series 100.9 Total 0.0</p>		<p>Sight</p>  <p>11: 10.0 ↓ 12: 10.8x ↖ 13: 10.8x ↗</p> <p>Series 31.6 Total 0.0</p>
---	--	--

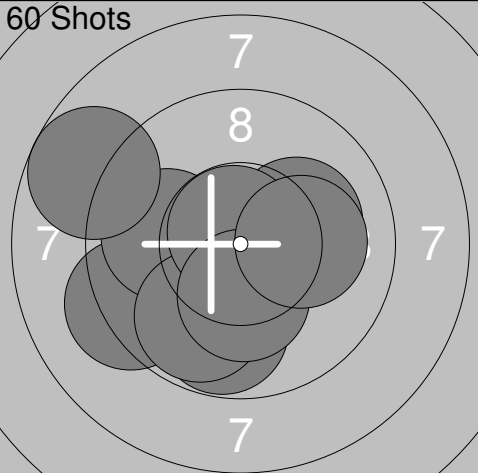
<p>60 Shots</p>  <p>1: 10.1 ↖ 2: 10.7x ← 3: 9.9 ↓ 4: 10.7x ↓ 5: 10.7x ↓ 6: 10.4x → 7: 10.6x ↖ 8: 9.0 → 9: 10.0 ← 10: 9.5 →</p> <p>Series 101.6 Total 101.6</p>		<p>60 Shots</p>  <p>11: 10.1 → 12: 10.5x → 13: 10.0 ↖ 14: 10.0 ↖ 15: 9.9 → 16: 10.5x ↑ 17: 10.5x ↓ 18: 10.5x ↑ 19: 10.2x → 20: 10.2x ↗</p> <p>Series 102.4 Total 204.0</p>
--	--	--

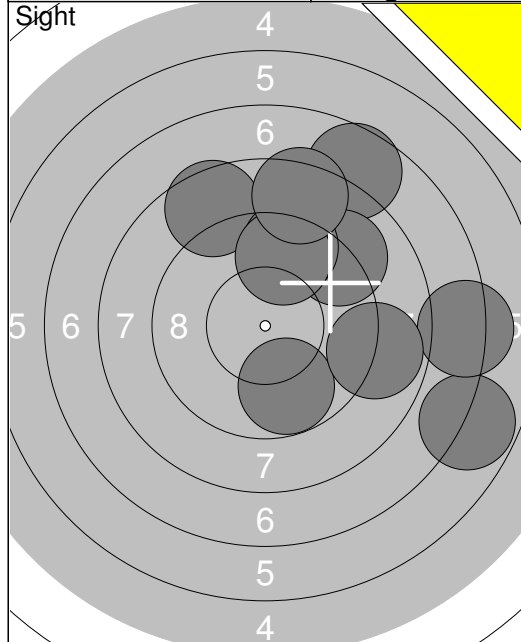
<p>60 Shots</p>  <p>21: 9.3 ↖ 22: 10.1 ↗ 23: 10.0 → 24: 10.6x ↖ 25: 9.5 → 26: 10.4x ↖ 27: 10.0 ↓ 28: 10.4x ↗ 29: 10.2x ← 30: 10.9x →</p> <p>Series 101.4 Total 305.4</p>		<p>60 Shots</p>  <p>31: 10.4x ↖ 32: 10.5x ← 33: 10.3x ↓ 34: 10.1 → 35: 9.7 ↑ 36: 10.7x ↗ 37: 10.4x ↓ 38: 9.8 ↗ 39: 10.4x ↘ 40: 10.6x ↓</p> <p>Series 102.9 Total 408.3</p>
---	--	---

Sight 	1: 9.5 ↘ 2: 10.2x ↗ 3: 10.2x → 4: 8.7 ↖ 5: 10.6x ↓ 6: 9.5 ↙ 7: 9.5 ↘ 8: 10.4x → 9: 9.9 ← 10: 9.2 ← Series 97.7 Total 0.0	Sight 	11: 10.3x ↓ 12: 10.1 → 13: 9.7 ↗ 14: 9.2 ↗ 15: 10.6x ← 16: 9.6 ← 17: 9.6 ← 18: 9.5 ↗ 19: 10.2x ↙ 20: 8.4 ↙ Series 97.2 Total 0.0
--	---	--	---

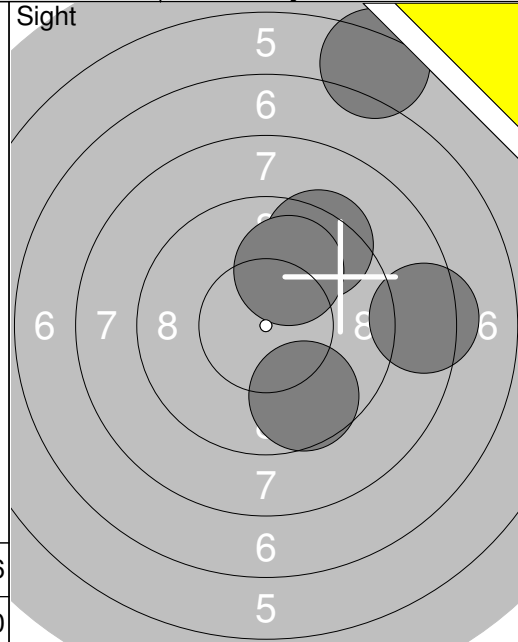
Sight 	21: 9.6 ↘ 22: 7.2 ← Series 16.8 Total 0.0	60 Shots 	1: 8.4 ← 2: 8.9 ↑ 3: 9.6 ↑ 4: 10.4x ↗ 5: 9.9 ← 6: 8.5 ← 7: 8.8 ↗ 8: 9.9 ↙ 9: 9.3 → 10: 9.3 ← Series 93.0 Total 93.0
---	--	--	--

60 Shots 	11: 10.6x ↙ 12: 8.3 ← 13: 9.9 ← 14: 9.9 ↙ 15: 8.3 ↗ 16: 10.3x ← 17: 9.4 ← 18: 8.1 ← 19: 10.4x ↙ 20: 9.3 ↘ Series 94.5 Total 187.5	60 Shots 	21: 9.5 ↓ 22: 9.0 ↙ 23: 10.2x ↗ 24: 9.1 → 25: 10.2x ↗ 26: 9.1 ← 27: 7.2 ↘ 28: 10.1 → 29: 9.8 ← 30: 10.1 ← Series 94.3 Total 281.8
---	--	---	--

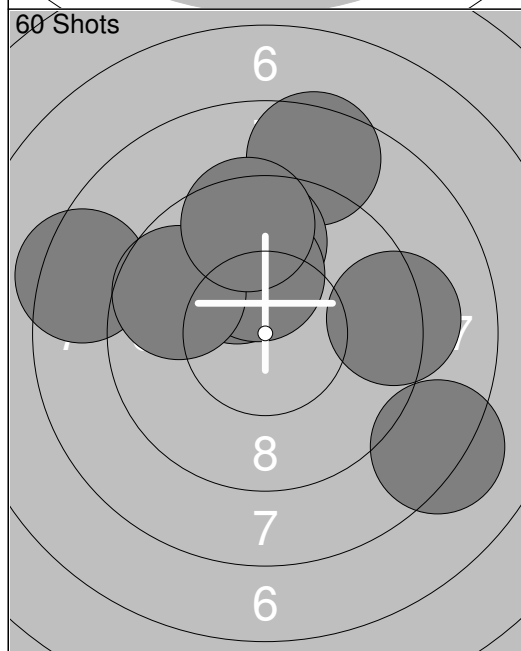
60 Shots 	31: 10.3x ← 32: 10.1 → 33: 9.3 ↙ 34: 9.8 ↓ 35: 10.0 ← 36: 8.7 ↖ 37: 9.8 ↘ 38: 10.8x ↗ 39: 10.3x ↓ 40: 10.1 → Series 99.2 Total 381.0	
---	---	--



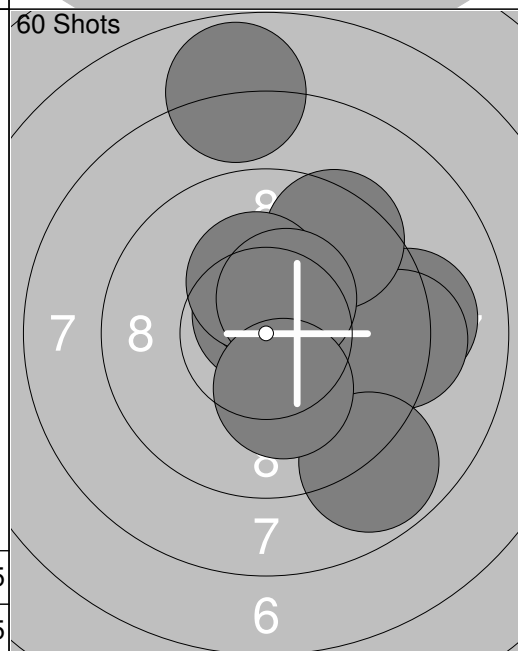
1:	8.6	↗
2:	7.7	↗
3:	6.8	→
4:	9.1	↗
5:	9.4	↗
6:	7.2	→
7:	9.8	↘
8:	8.9	→
9:	9.6	↗
10:	8.5	↗
Series		85.6
Total		0.0



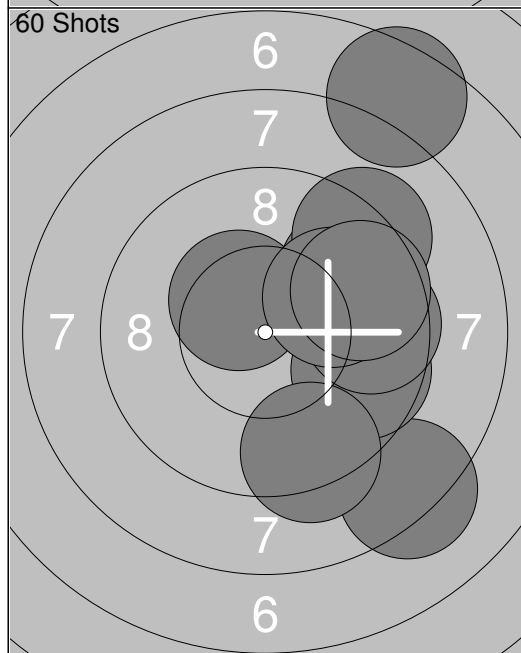
11:	9.6	↘
12:	9.4	↗
13:	8.4	→
14:	6.3	↗
15:	10.0	↗
Series		43.7
Total		0.0



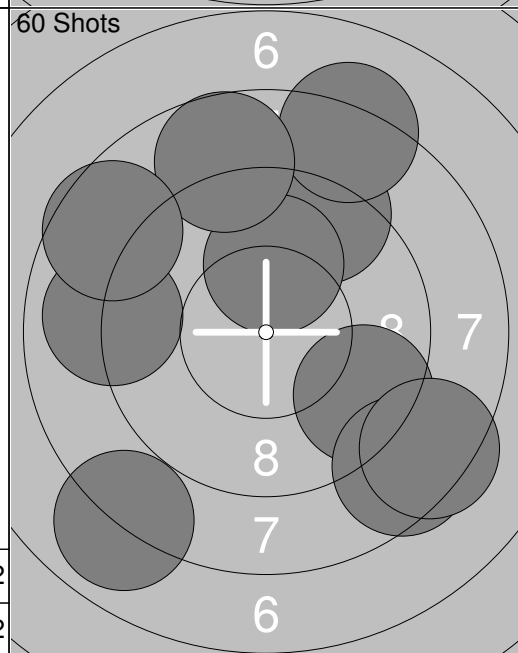
1:	8.5	↗
2:	9.7	↗
3:	8.4	↖
4:	10.0	↗
5:	10.1	↗
6:	10.2x	↗
7:	8.2	↘
8:	9.7	↖
9:	9.5	↗
10:	9.2	→
Series		93.5
Total		93.5



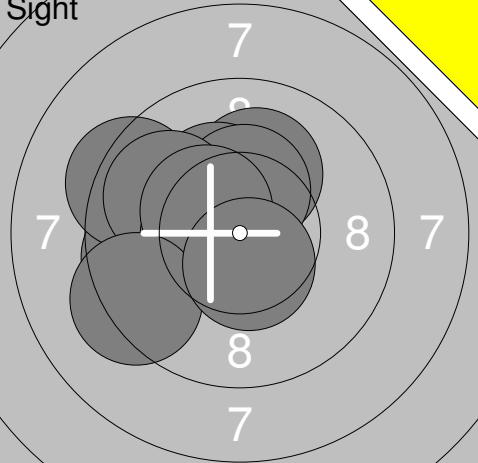
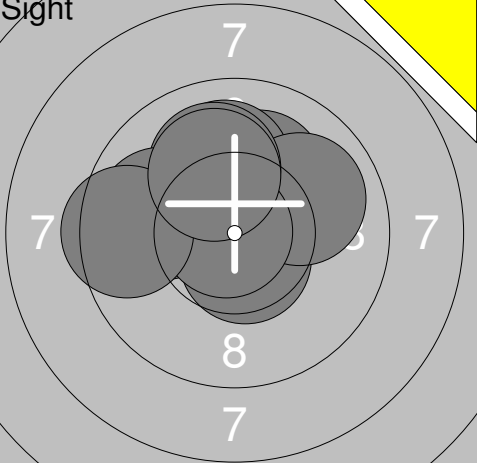
11:	10.7x	↗
12:	10.4x	↗
13:	9.1	→
14:	9.3	→
15:	8.8	↘
16:	9.5	↗
17:	10.3x	↗
18:	10.4x	↗
19:	7.8	↗
20:	10.2x	↘
Series		96.5
Total		190.0

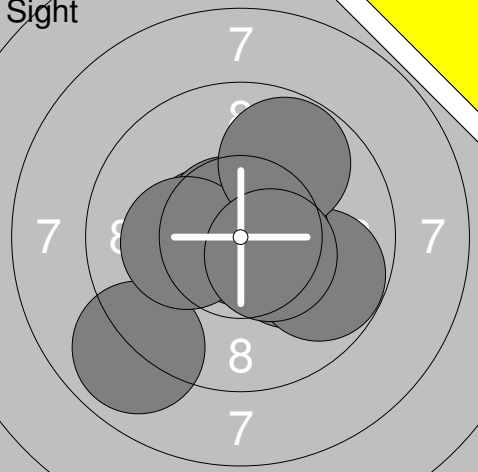
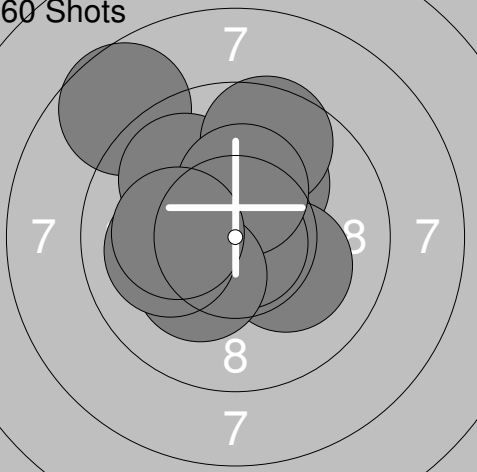


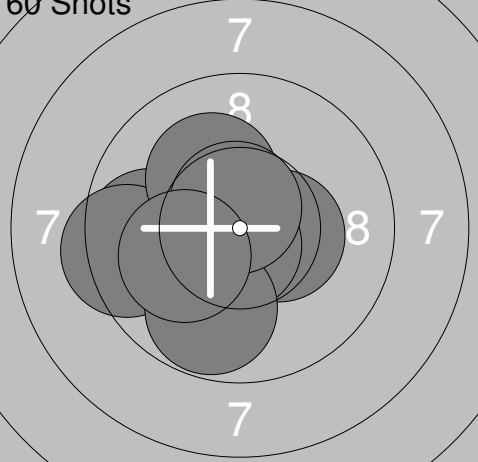
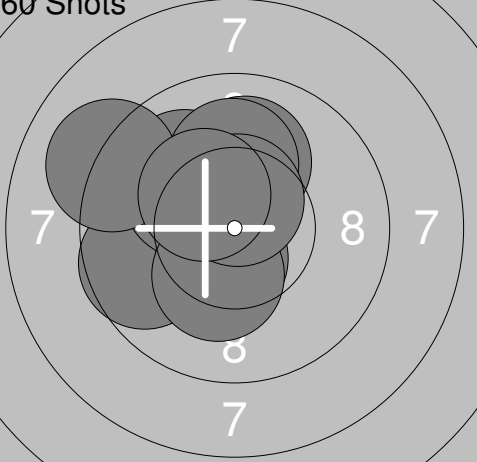
21:	8.3	↘
22:	10.4x	↗
23:	9.7	↗
24:	9.2	↗
25:	9.6	→
26:	9.3	↘
27:	9.6	→
28:	10.0	↗
29:	7.5	↗
30:	9.6	→
Series		93.2
Total		283.2

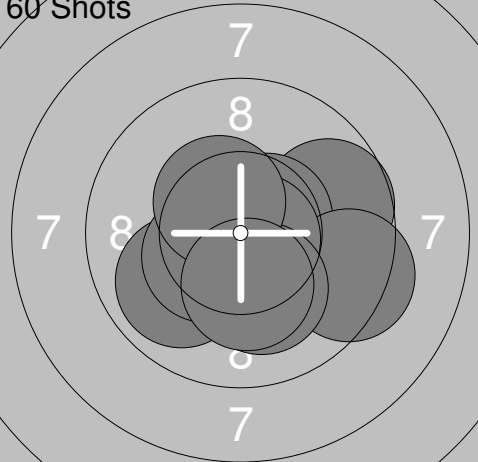


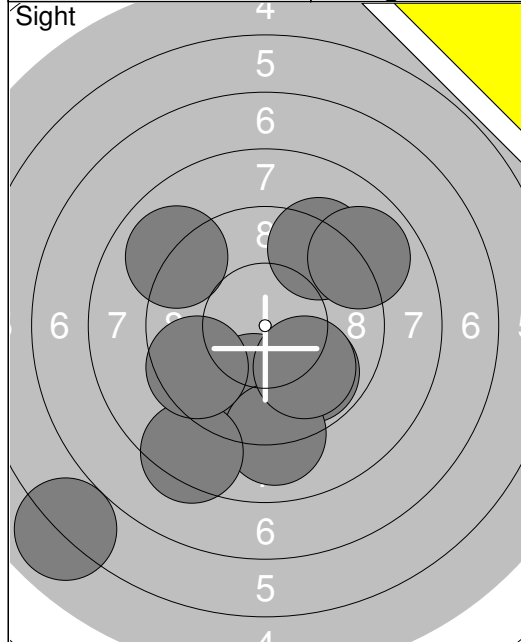
31:	9.5	↘
32:	8.5	↘
33:	7.9	↖
34:	9.3	↗
35:	10.1	↗
36:	8.4	↘
37:	9.0	↖
38:	8.2	↗
39:	8.7	↗
40:	8.6	↖
Series		88.2
Total		371.4

Sight 	1: 10.1 ↑ 2: 10.3x ↗ 3: 9.7 ← 4: 10.4x ↑ 5: 9.3 ↖ 6: 9.9 ↖ 7: 10.5x ← 8: 10.4x ↗ 9: 9.3 ↙ 10: 10.5x ↓ Series 100.4 Total 0.0	Sight 	11: 10.6x ↓ 12: 10.1 ↑ 13: 10.2x ↑ 14: 10.0 ↑ 15: 10.0 → 16: 10.0 ↑ 17: 9.9 ← 18: 10.8x ← 19: 9.5 ← 20: 10.1 ↑ Series 101.2 Total 0.0
--	---	--	--

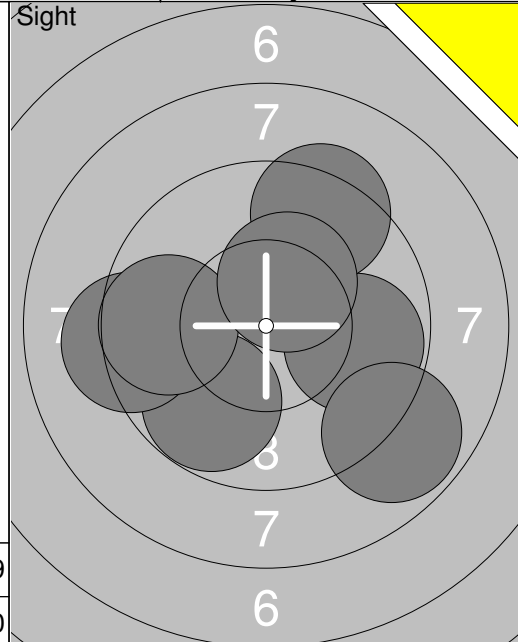
Sight 	21: 10.5x ← 22: 10.2x ↘ 23: 9.8 ↘ 24: 10.9x ↓ 25: 10.7x → 26: 8.9 ↓ 27: 10.7x ↗ 28: 10.2x ← 29: 9.8 ↑ 30: 10.5x ↘ Series 102.2 Total 0.0	60 Shots 	1: 10.1 ↑ 2: 8.7 ↖ 3: 9.9 ↗ 4: 10.2x ↘ 5: 9.6 ↑ 6: 10.8x ↓ 7: 10.3x ↑ 8: 10.3x ↓ 9: 10.1 ← 10: 10.2x ← Series 100.2 Total 100.2
---	---	--	--

60 Shots 	11: 10.5x ↓ 12: 10.4x → 13: 9.7 ← 14: 9.4 ← 15: 10.2x ↑ 16: 10.8x ↗ 17: 10.7x ↓ 18: 9.8 ↓ 19: 10.7x ↑ 20: 10.1 ← Series 102.3 Total 202.5	60 Shots 	21: 9.6 ← 22: 10.5x ↓ 23: 10.2x ↖ 24: 10.3x ↓ 25: 10.1 ↑ 26: 10.0 ↖ 27: 9.1 ↖ 28: 10.1 ↑ 29: 10.6x ↑ 30: 10.3x ↖ Series 100.8 Total 303.3
---	--	---	--

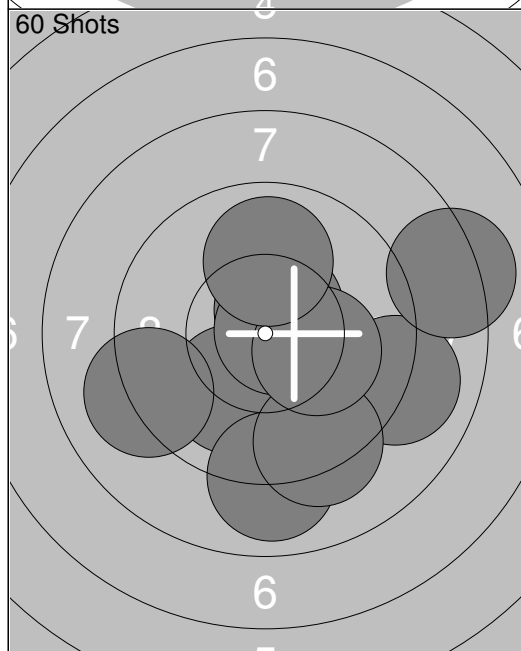
60 Shots 	31: 10.7x → 32: 9.7 → 33: 10.6x ↗ 34: 9.4 → 35: 9.9 ↙ 36: 10.7x → 37: 10.4x ↙ 38: 10.2x ↓ 39: 10.4x ↗ 40: 10.2x ↓ Series 102.2 Total 405.5		
---	---	--	--



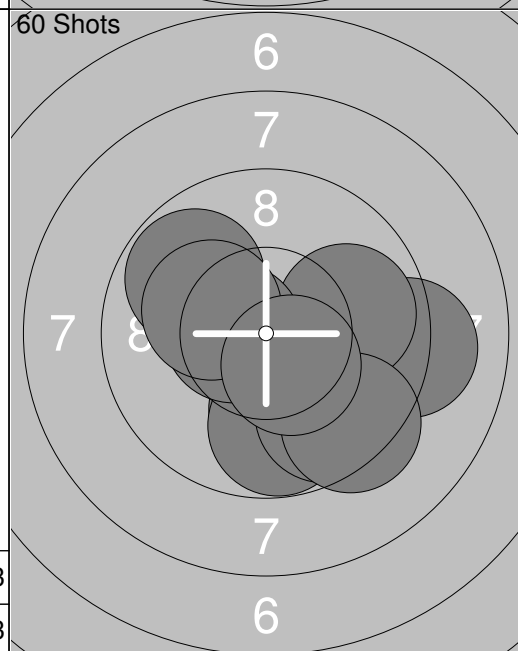
1:	6.0	↙
2:	9.9	↓
3:	9.8	↘
4:	9.1	↓
5:	8.4	↓
6:	9.9	↘
7:	9.3	↗
8:	8.9	↗
9:	9.6	↙
10:	9.0	↖
Series		89.9
Total		0.0



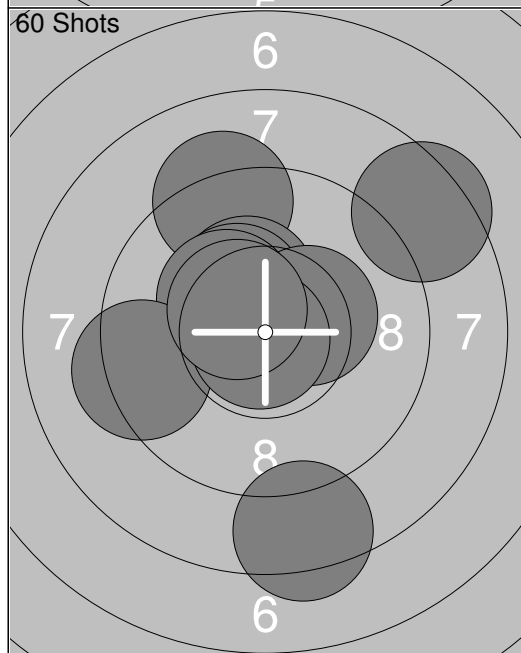
11:	9.8	↙
12:	9.2	←
13:	9.8	→
14:	9.4	↗
15:	8.9	↘
16:	9.7	←
17:	10.3x	↗
Series		67.1
Total		0.0



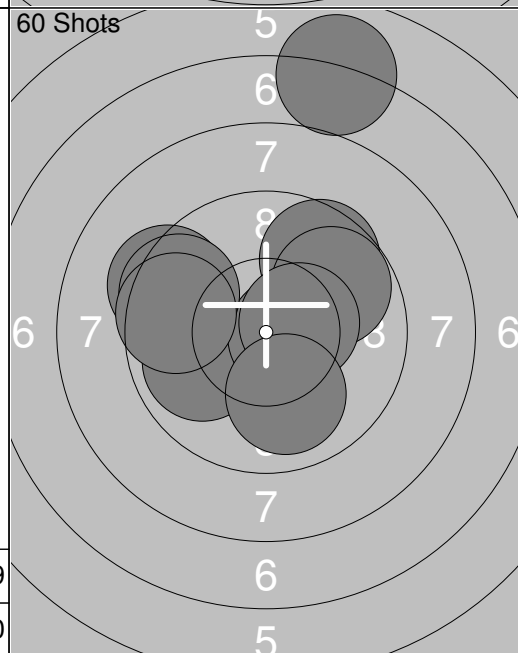
1:	9.0	→
2:	10.1	↙
3:	9.0	↓
4:	10.6x	↗
5:	8.2	→
6:	9.1	←
7:	9.3	↓
8:	10.8x	→
9:	10.2x	→
10:	10.0	↑
Series		96.3
Total		96.3



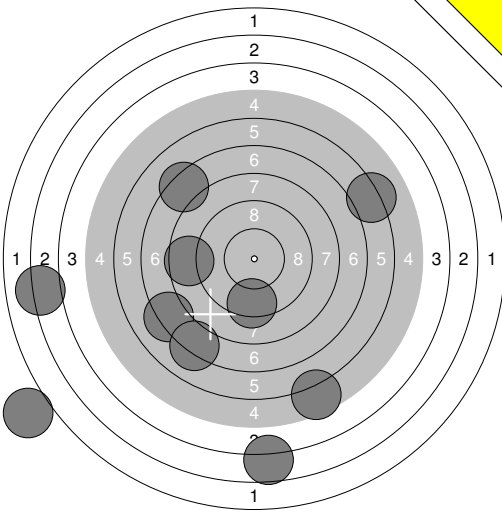
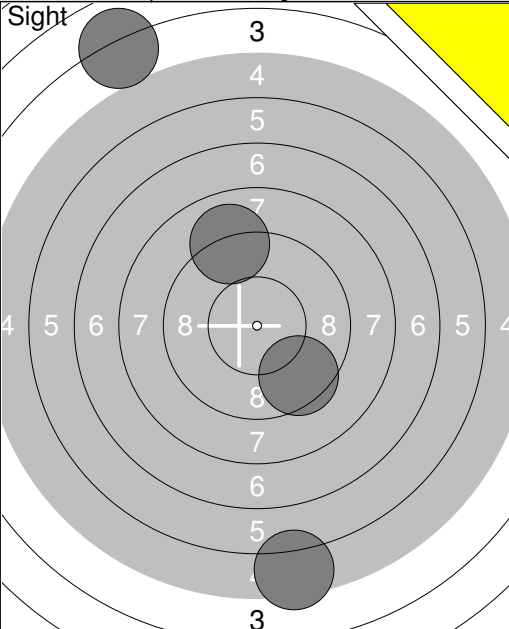
11:	10.0	↓
12:	9.1	→
13:	9.8	↗
14:	9.8	↓
15:	9.7	↘
16:	9.9	→
17:	10.5x	←
18:	10.2x	↖
19:	9.4	↘
20:	10.4x	↘
Series		98.8
Total		195.1

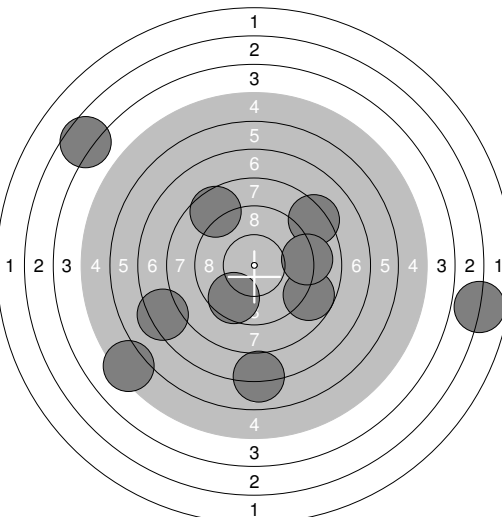
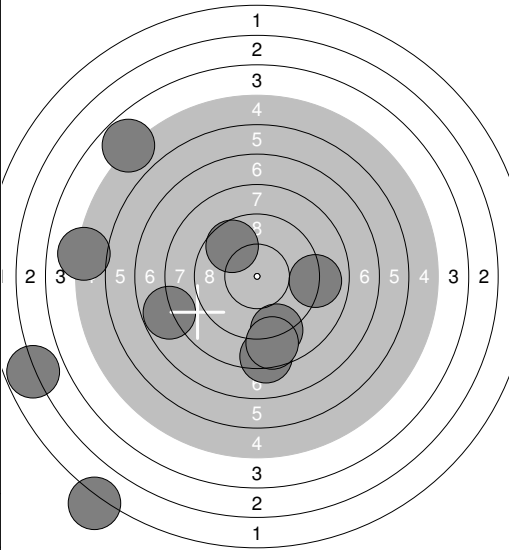


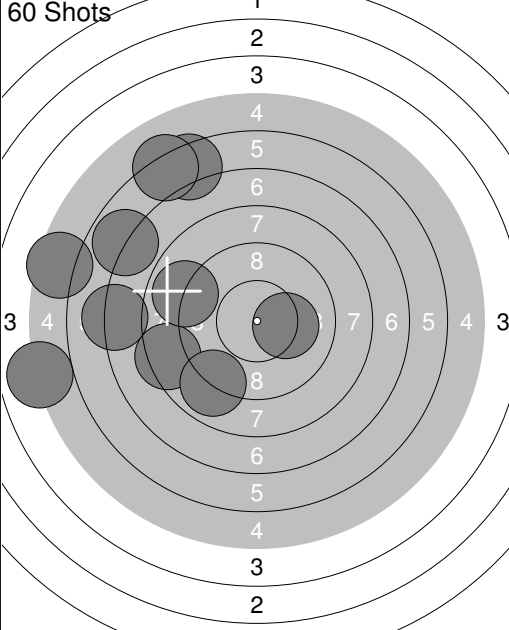
21:	9.2	↑
22:	10.3x	↗
23:	10.3x	↖
24:	10.4x	→
25:	10.3x	↖
26:	8.4	↗
27:	9.3	←
28:	8.4	↓
29:	10.8x	↙
30:	10.5x	↖
Series		97.9
Total		293.0

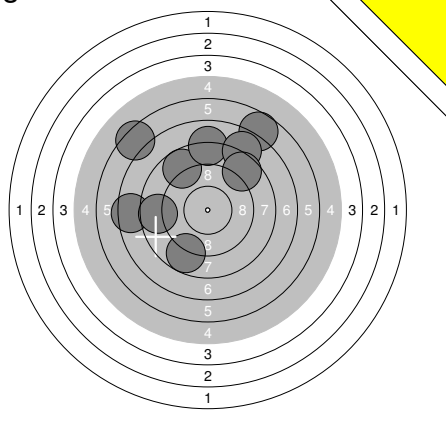
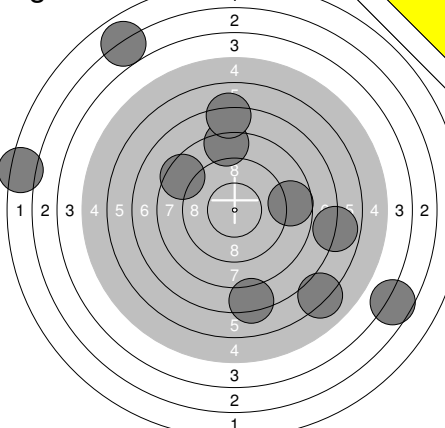


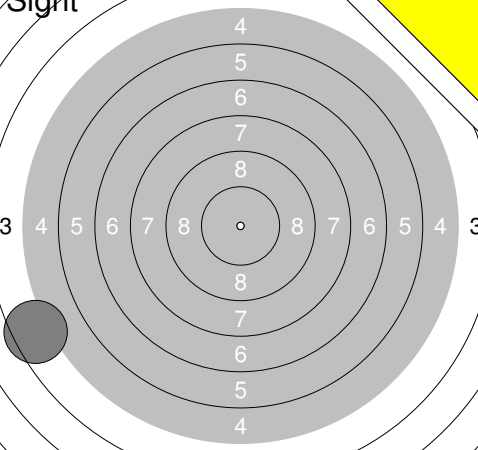
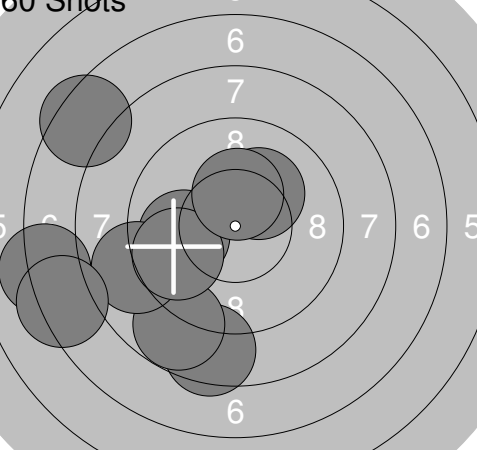
31:	9.9	←
32:	9.6	↗
33:	9.8	↗
34:	7.0	↑
35:	10.6x	→
36:	9.3	←
37:	9.5	←
38:	10.4x	→
39:	9.6	←
40:	10.0	↓
Series		95.7
Total		388.7

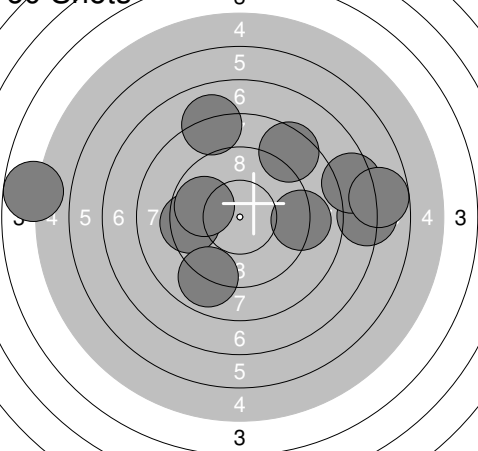
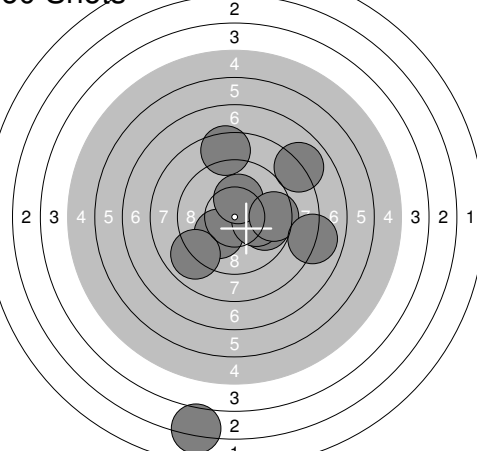
<p>Sight</p> 	<p>1: 7.2 ↙ 2: 7.1 ↘ 3: 5.5 ↓ 4: 9.3 ↓ 5: 3.7 ↓ 6: 6.2 → 7: 8.6 ← 8: 3.1 ← 9: 1.0 ↙ 10: 7.3 ↗</p> <p>Series 59.0 Total 0.0</p>	<p>Sight</p> 	<p>11: 9.5 ↘ 12: 5.4 ↓ 13: 4.0 ↗ 14: 9.0 ↗</p> <p>Series 27.9 Total 0.0</p>
---	--	---	---

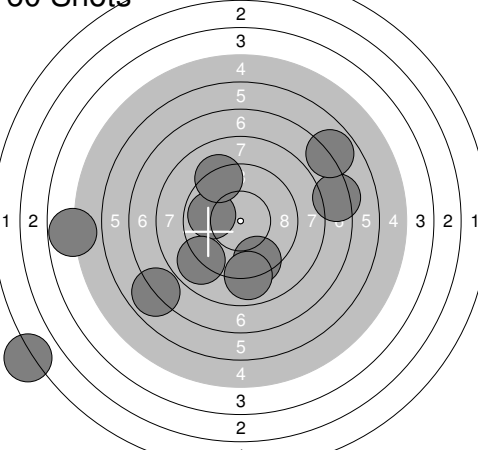
<p>60 Shots</p> 	<p>1: 8.8 ↘ 2: 8.3 ↗ 3: 3.6 ↗ 4: 2.9 → 5: 5.3 ↙ 6: 9.1 → 7: 8.6 ↗ 8: 9.6 ↘ 9: 7.0 ↓ 10: 7.3 ←</p> <p>Series 70.5 Total 70.5</p>	<p>60 Shots</p> 	<p>11: 1.6 ↘ 12: 9.6 ↗ 13: 9.0 ↓ 14: 8.2 ↓ 15: 4.8 ↗ 16: 5.1 ← 17: 9.0 → 18: 2.8 ← 19: 7.8 ← 20: 8.7 ↓</p> <p>Series 66.6 Total 137.1</p>
---	---	---	---

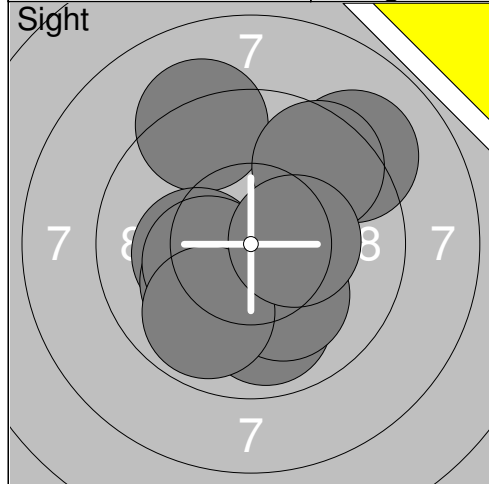
<p>60 Shots</p> 	<p>21: 6.2 ← 22: 9.0 ↓ 23: 7.1 ↘ 24: 7.7 ↓ 25: 8.3 ↗ 26: 9.1 ↘ 27: 7.0 ↗ 28: 9.9 → 29: 5.1 ← 30: 0.0 ←</p> <p>Series 69.4 Total 206.5</p>	<p>60 Shots</p> 	<p>31: 8.4 ← 32: 7.2 ← 33: 8.9 ↘ 34: 5.0 ← 35: 6.4 ↗ 36: 10.2x → 37: 5.5 ← 38: 6.9 ↗ 39: 8.9 ← 40: 6.2 ↗</p> <p>Series 73.6 Total 280.1</p>
--	---	--	---

Sight 	1: 8.7 ↖ 2: 7.4 ← 3: 8.7 ← 4: 6.7 ↗ 5: 0.0 ↓ 6: 8.0 ↑ 7: 7.8 ↗ 8: 8.6 ↗ 9: 8.7 ↓ 10: 6.4 ↖ <hr/> Series 71.0 Total 0.0	Sight 	11: 3.6 ↘ 12: 6.1 ↘ 13: 7.3 ↓ 14: 6.9 → 15: 8.3 ↑ 16: 2.9 ↗ 17: 8.5 ↗ 18: 7.2 ↑ 19: 8.7 → 20: 2.3 ← <hr/> Series 61.8 Total 0.0
---	---	--	--

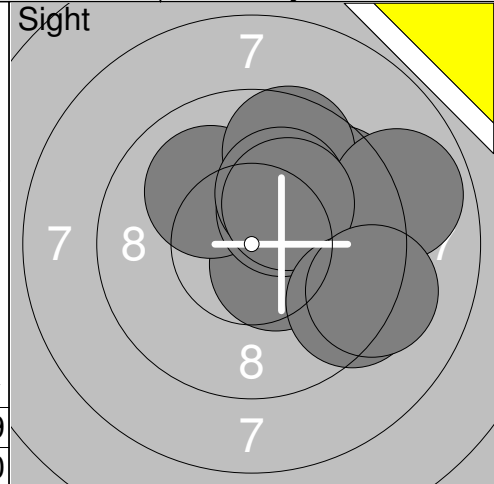
Sight 	21: 4.5 ← <hr/> Series 4.5 Total 0.0	60 Shots 	1: 9.9 ← 2: 7.2 ← 3: 8.5 ↓ 4: 10.2x ↗ 5: 8.7 ↓ 6: 7.4 ↖ 7: 8.9 ← 8: 7.3 ← 9: 9.7 ← 10: 10.3x ↑ <hr/> Series 88.1 Total 88.1
---	--	--	--

60 Shots 	11: 7.2 → 12: 7.5 → 13: 4.8 ← 14: 9.4 ← 15: 9.1 → 16: 6.7 → 17: 9.8 ← 18: 8.1 ↑ 19: 8.5 ↗ 20: 8.9 ↓ <hr/> Series 80.0 Total 168.1	60 Shots 	21: 10.1 ↘ 22: 3.1 ↓ 23: 8.0 ↗ 24: 9.0 ↖ 25: 8.5 ↑ 26: 9.8 → 27: 10.1 → 28: 10.3x ↑ 29: 9.5 → 30: 8.0 → <hr/> Series 86.4 Total 254.5
---	--	---	--

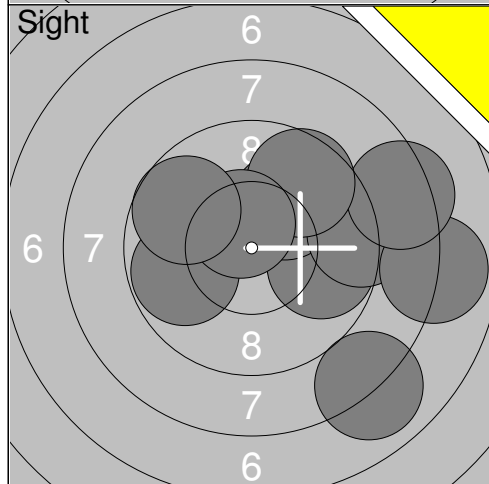
60 Shots 	31: 1.7 ← 32: 7.3 → 33: 9.9 ← 34: 9.4 ↓ 35: 8.9 ↓ 36: 6.9 ↖ 37: 8.9 ↖ 38: 9.2 ↗ 39: 6.8 ↗ 40: 4.8 ← <hr/> Series 73.8 Total 328.3		
---	--	--	--



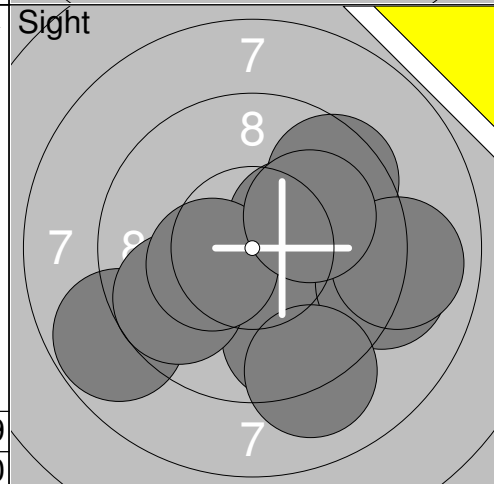
1:	9.9	↓
2:	9.1	↗
3:	9.2	↖
4:	9.6	↗
5:	10.2x	←
6:	10.2x	↙
7:	10.1	↓
8:	10.3x	←
9:	9.9	↓
10:	10.4x	→
Series		98.9
Total		0.0



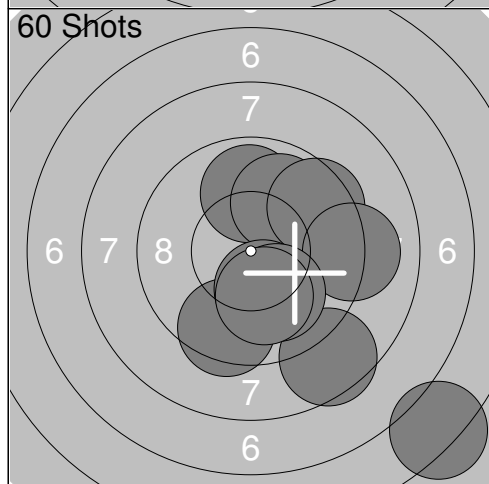
11:	10.5x	↘
12:	10.0	↖
13:	9.6	↗
14:	9.6	↖
15:	10.3x	↗
16:	8.9	→
17:	10.2x	↖
18:	10.2x	↗
19:	9.4	↘
20:	9.2	↘
Series		97.9
Total		0.0



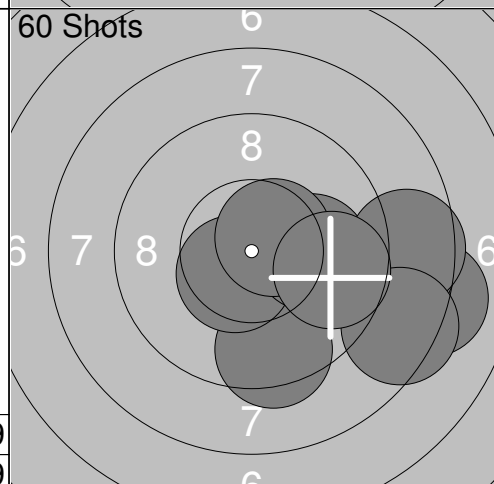
21:	9.8	→
22:	10.1	↖
23:	9.1	→
24:	8.0	↓
25:	7.9	→
26:	8.4	→
27:	9.8	←
28:	9.6	↖
29:	10.5x	↖
30:	9.7	↖
Series		92.9
Total		0.0



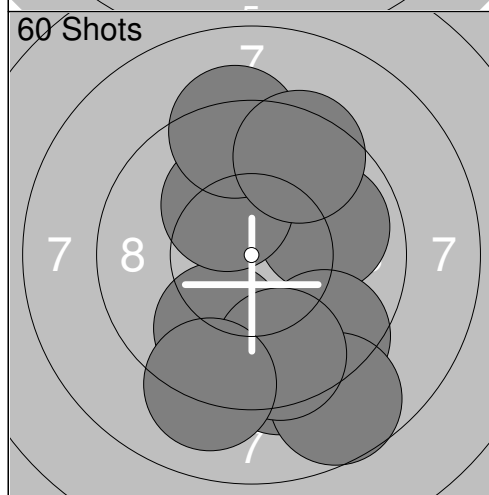
31:	8.8	←
32:	9.5	↖
33:	10.3x	↖
34:	9.7	↓
35:	9.1	→
36:	9.0	→
37:	9.7	←
38:	10.4x	←
39:	10.1	↖
40:	9.1	↓
Series		95.7
Total		0.0



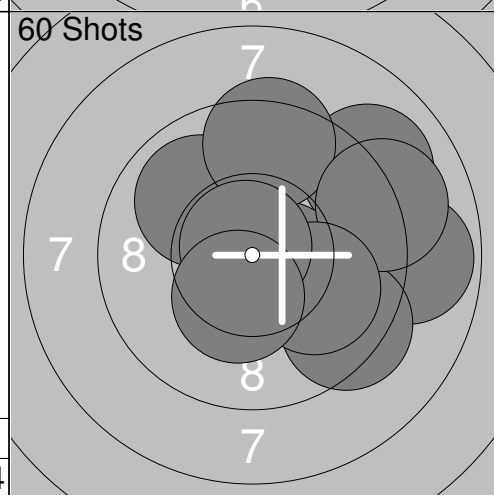
1:	9.9	↑
2:	9.9	↖
3:	8.5	↓
4:	9.5	↓
5:	9.5	↗
6:	9.1	→
7:	6.2	↓
8:	10.2x	↓
9:	10.0	↓
10:	10.1	↓
Series		92.9
Total		92.9



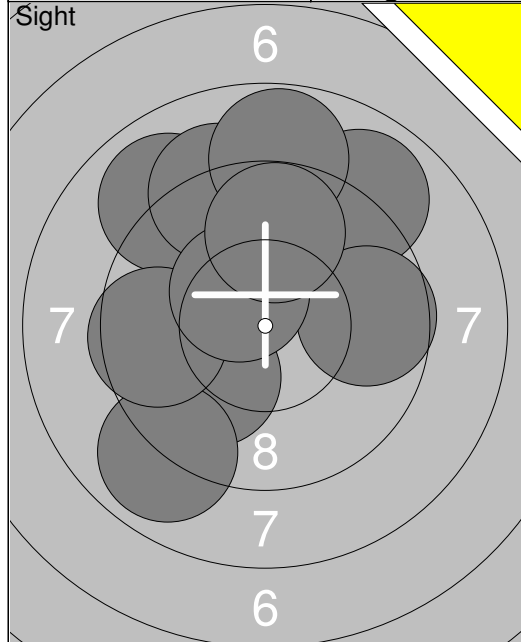
11:	10.4x	↘
12:	8.1	→
13:	9.4	↓
14:	10.5x	↙
15:	10.0	→
16:	8.7	→
17:	8.6	→
18:	10.6x	↖
19:	8.4	↘
20:	9.7	↘
Series		94.4
Total		187.3



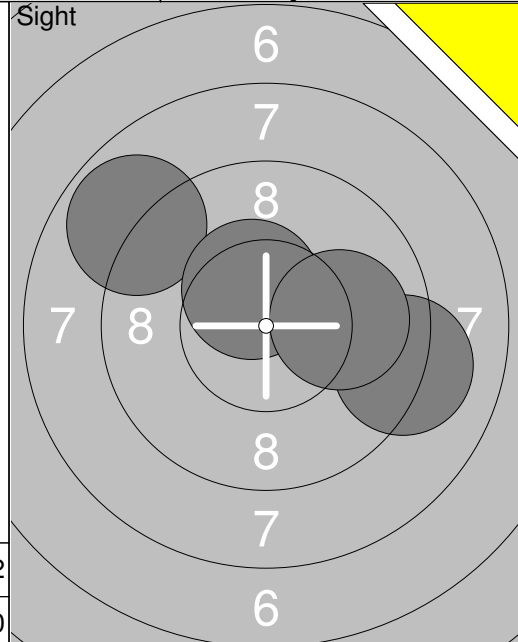
21:	9.9	→
22:	9.9	↓
23:	9.4	↓
24:	10.2x	↖
25:	9.3	↑
26:	9.5	↖
27:	9.5	↘
28:	8.7	↘
29:	9.6	↓
30:	9.1	↓
Series		95.1
Total		282.4



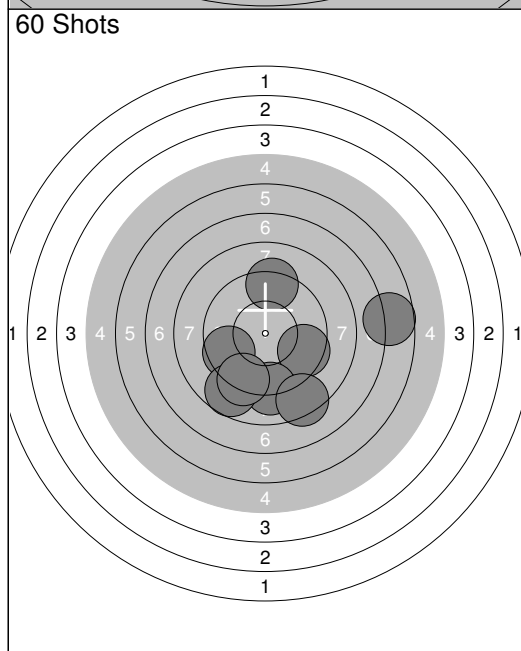
31:	9.0	↖
32:	8.9	→
33:	9.4	↘
34:	10.5x	↘
35:	10.0	↖
36:	9.4	↑
37:	9.1	→
38:	10.0	↘
39:	10.8x	↖
40:	10.4x	↓
Series		97.5
Total		379.9



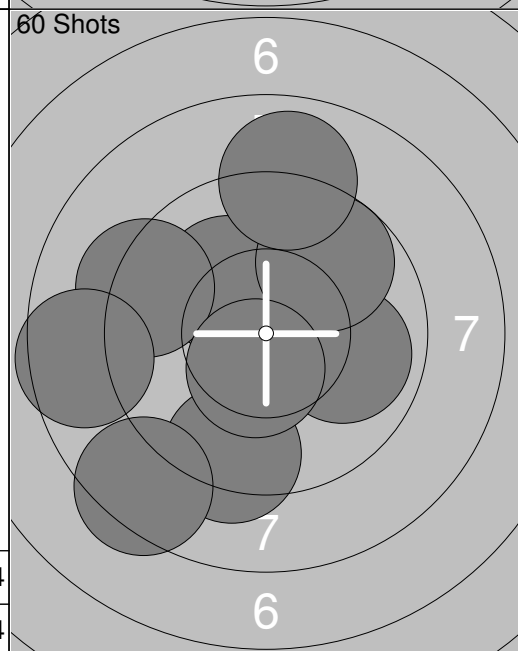
1:	9.0	↖
2:	10.0	↙
3:	8.9	↙
4:	9.2	↖
5:	8.9	↗
6:	9.6	←
7:	8.8	↑
8:	9.6	→
9:	10.4x	↖
10:	9.8	↑
Series		94.2
Total		0.0



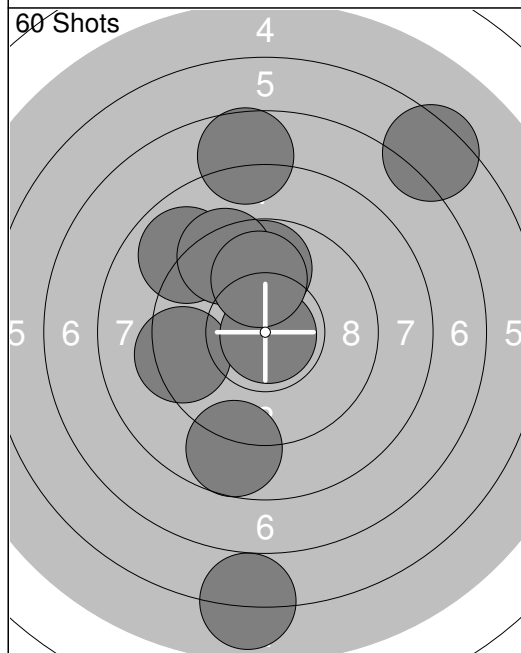
11:	8.9	↖
12:	9.1	→
13:	10.5x	↖
14:	10.0	→
Series		38.5
Total		0.0



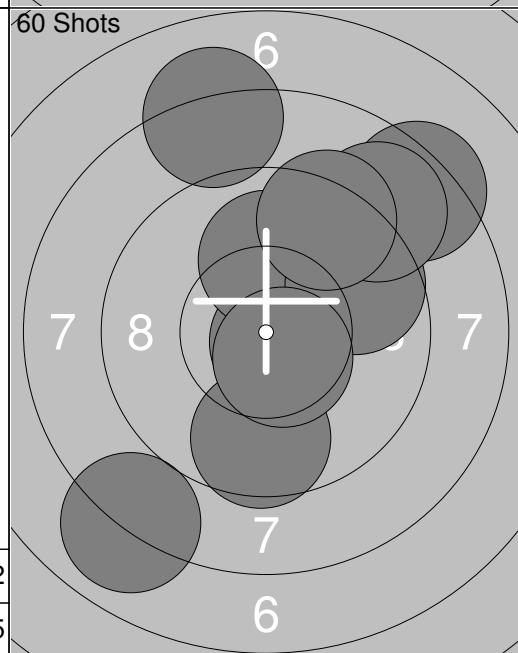
1:	9.3	↑
2:	9.5	→
3:	9.5	↙
4:	9.1	↓
5:	8.4	↘
6:	6.7	→
7:	8.7	↙
8:	9.2	↘
9:	0.0	↓
10:	0.0	↑
Series		70.4
Total		70.4



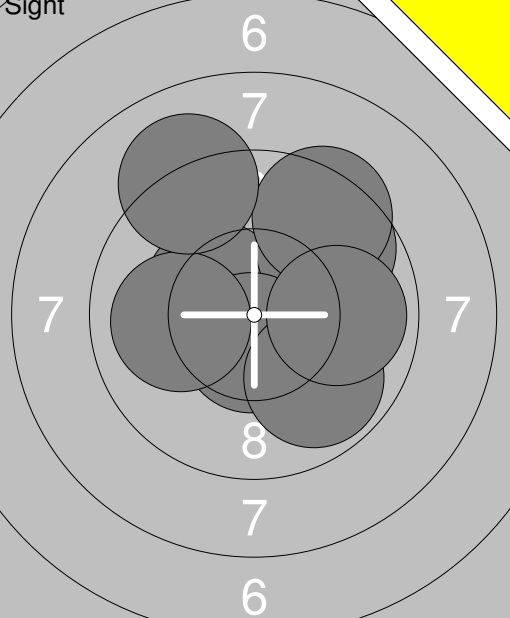
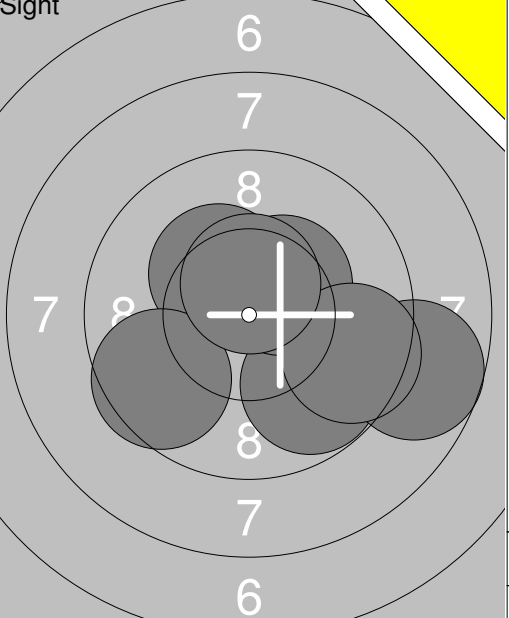
11:	10.1	→
12:	10.1	↖
13:	9.9	→
14:	9.3	↓
15:	9.3	↙
16:	9.8	↗
17:	8.9	↑
18:	8.6	←
19:	8.4	↘
20:	10.5x	↘
Series		94.9
Total		165.3

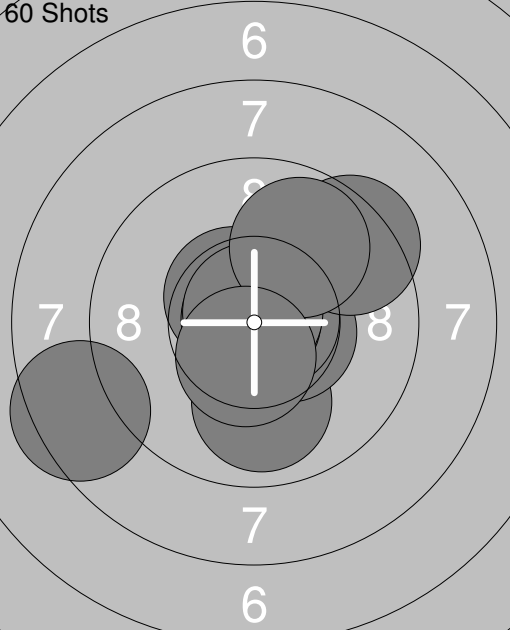
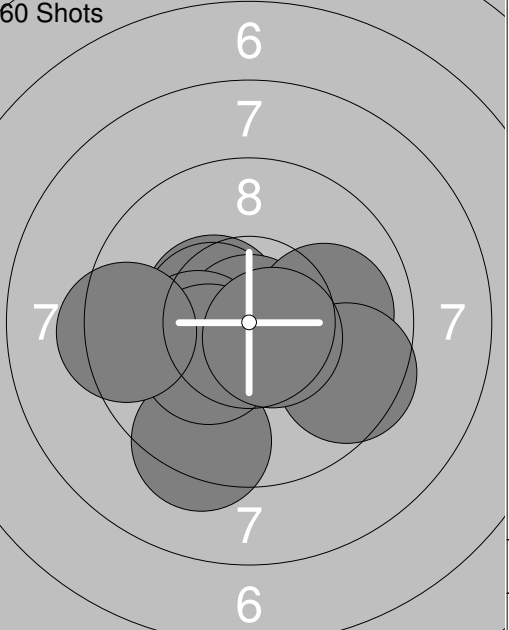


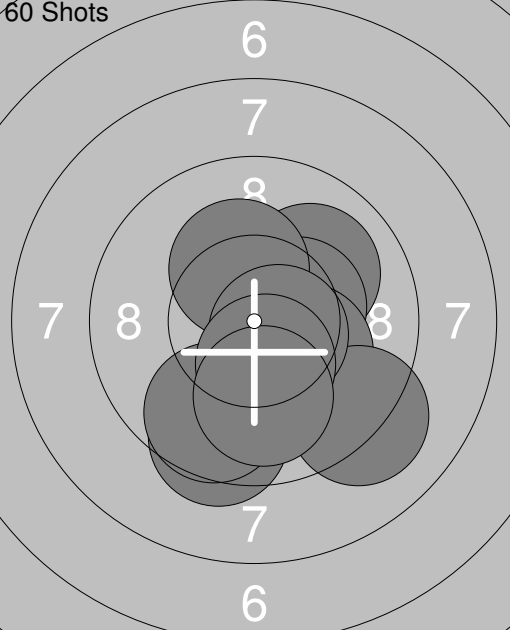
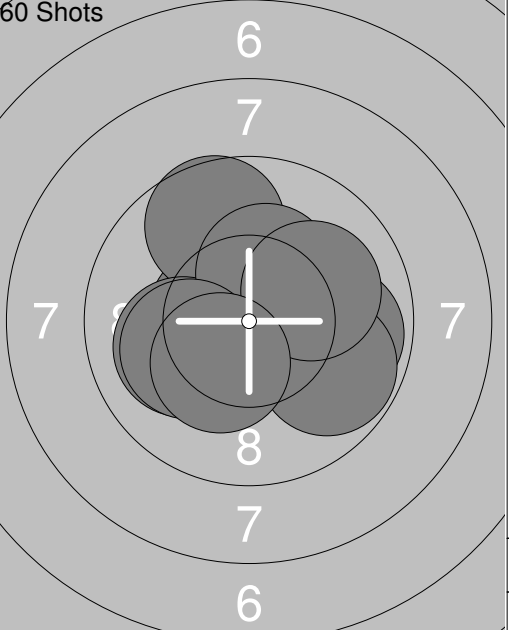
21:	9.4	←
22:	9.8	↑
23:	10.9x	↘
24:	8.7	↓
25:	8.9	↖
26:	7.7	↑
27:	9.4	↖
28:	6.4	↗
29:	10.0	↑
30:	6.0	↓
Series		87.2
Total		252.5

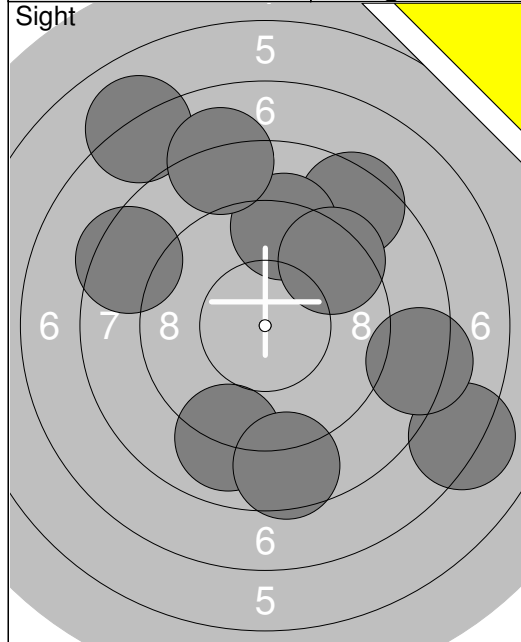


31:	8.3	↗
32:	10.7x	↘
33:	8.0	↙
34:	10.0	↑
35:	9.6	↓
36:	9.7	↗
37:	10.6x	↘
38:	8.1	↑
39:	8.9	↗
40:	9.3	↑
Series		93.2
Total		345.7

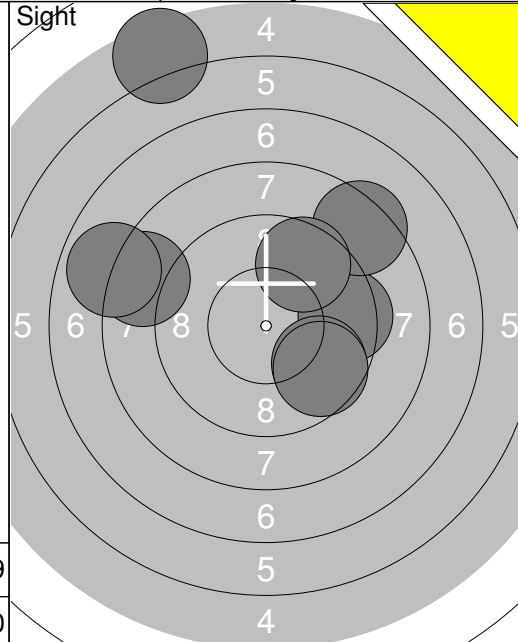
	1: 10.9x ↙ 2: 10.8x ↗ 3: 10.4x ↙ 4: 9.7 ↗ 5: 10.6x ↓ 6: 9.8 ↓ 7: 10.0 ← 8: 9.4 ↗ 9: 9.1 ↗ 10: 9.9 →		11: 10.3x ↖ 12: 9.8 ↓ 13: 10.4x ↗ 14: 9.6 ↖ 15: 8.7 → 16: 9.6 → 17: 10.6x ↑
Series	100.6	Series	69.0
Total	0.0	Total	0.0

	1: 9.9 ↓ 2: 10.5x ↖ 3: 10.5x → 4: 10.8x → 5: 10.9x ↖ 6: 10.8x ↑ 7: 8.5 ← 8: 9.4 ↗ 9: 9.8 ↗ 10: 10.5x ↓		11: 9.3 ↓ 12: 10.4x ↖ 13: 10.5x ↖ 14: 10.9x ↓ 15: 10.0 → 16: 10.3x ↖ 17: 9.5 → 18: 10.3x ↖ 19: 9.4 ← 20: 10.6x ↘
Series	101.6	Series	101.2
Total	101.6	Total	202.8

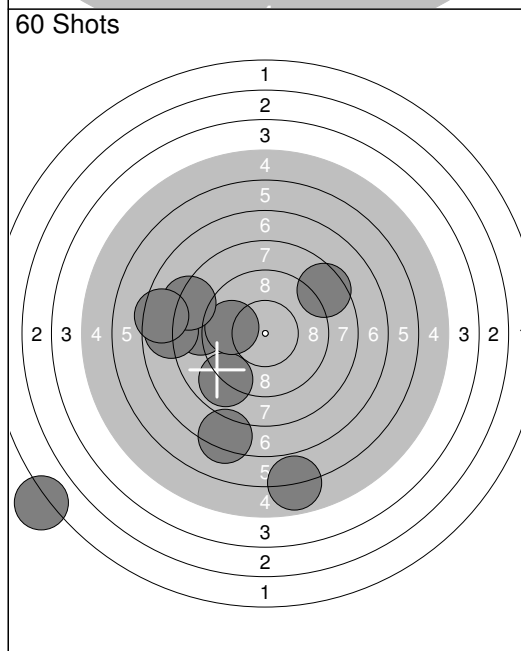
	21: 9.4 ↓ 22: 10.0 ↗ 23: 10.4x → 24: 10.2x ↘ 25: 9.7 ↓ 26: 10.3x ↑ 27: 9.2 ↓ 28: 10.6x ↘ 29: 10.4x ↓ 30: 10.0 ↓		31: 10.6x ↖ 32: 9.7 ↗ 33: 10.3x → 34: 9.9 → 35: 9.8 ↘ 36: 10.0 ← 37: 10.3x ↑ 38: 10.1 ← 39: 10.1 ↗ 40: 10.3x ↖
Series	100.2	Series	101.1
Total	303.0	Total	404.1



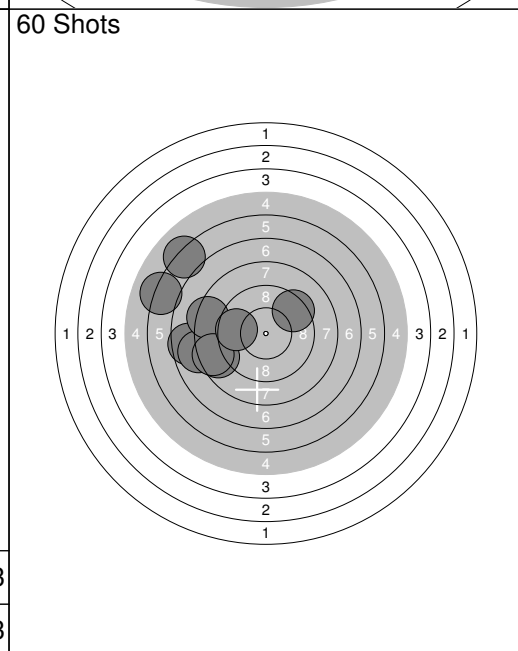
1:	8.5	↗
2:	9.3	↑
3:	7.2	→
4:	9.4	↗
5:	9.0	↓
6:	8.6	↓
7:	7.1	↗
8:	8.3	→
9:	8.4	←
10:	8.1	↑
Series	83.9	
Total	0.0	



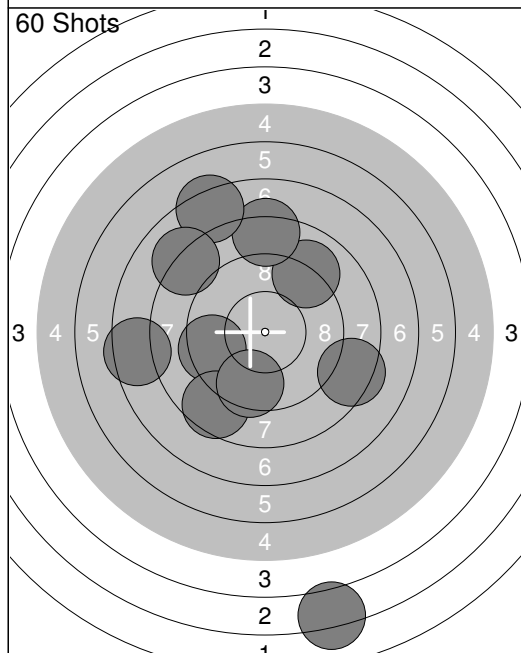
11:	8.5	↖
12:	9.4	→
13:	5.5	↗
14:	7.9	↖
15:	9.7	↘
16:	8.4	↗
17:	9.6	↗
18:	9.6	↘
Series	68.6	
Total	0.0	



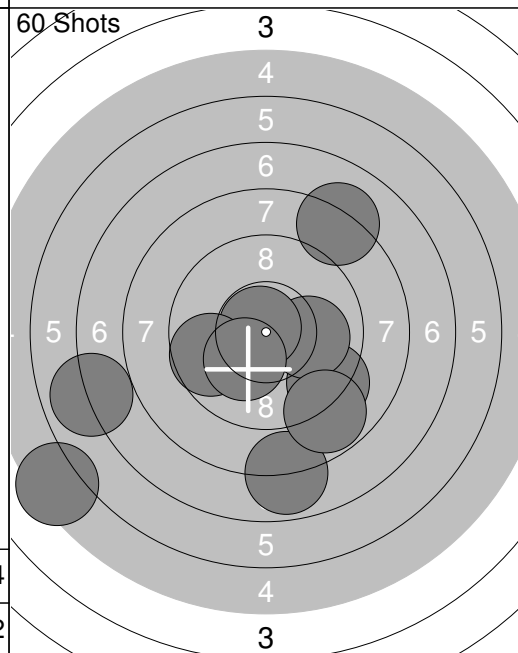
1:	1.6	↖
2:	7.3	↓
3:	8.9	↖
4:	5.9	↓
5:	8.8	←
6:	8.5	↗
7:	7.8	←
8:	9.8	←
9:	8.2	←
10:	7.5	←
Series	74.3	
Total	74.3	



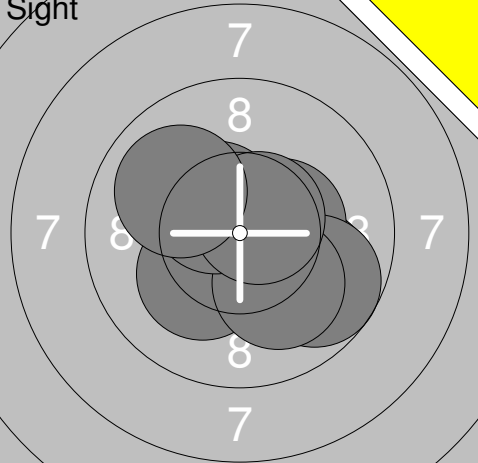
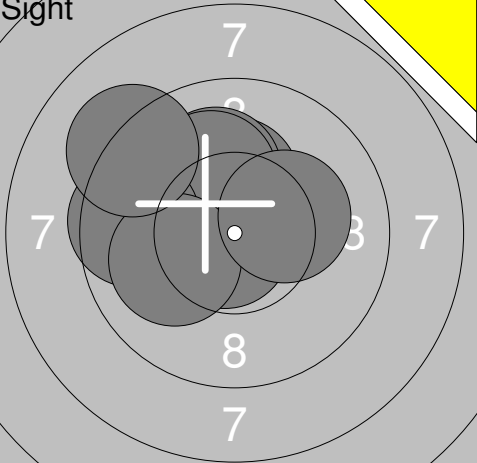
11:	6.1	↖
12:	7.6	←
13:	9.4	↗
14:	8.0	←
15:	8.4	↖
16:	8.7	↖
17:	8.5	←
18:	9.7	←
19:	6.1	↖
20:	0.0	↓
Series	72.5	
Total	146.8	

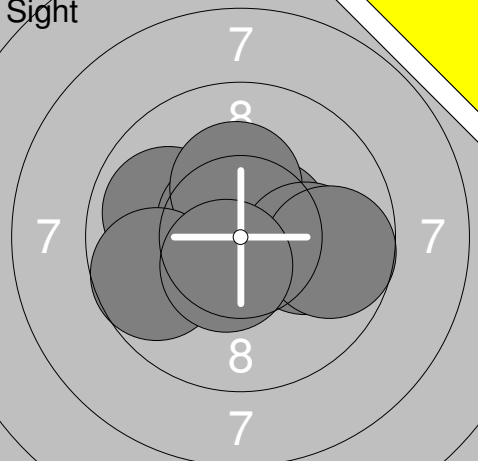
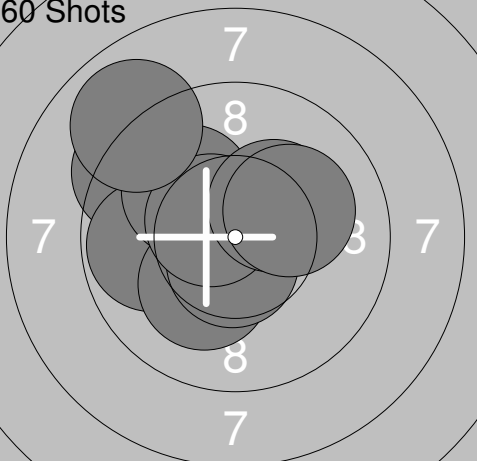


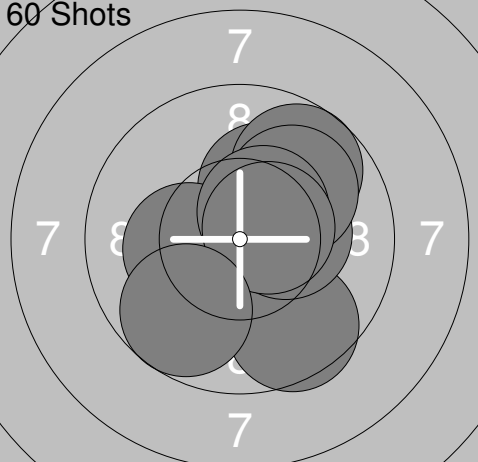
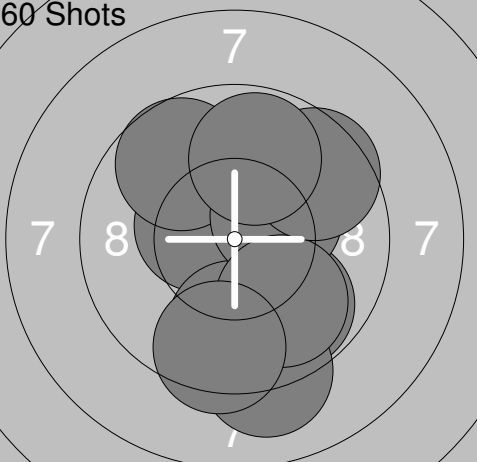
21:	8.4	→
22:	3.2	↓
23:	9.0	↗
24:	9.5	←
25:	8.6	↘
26:	8.3	↑
27:	7.5	←
28:	9.5	↘
29:	7.3	↗
30:	8.1	↖
Series	79.4	
Total	226.2	

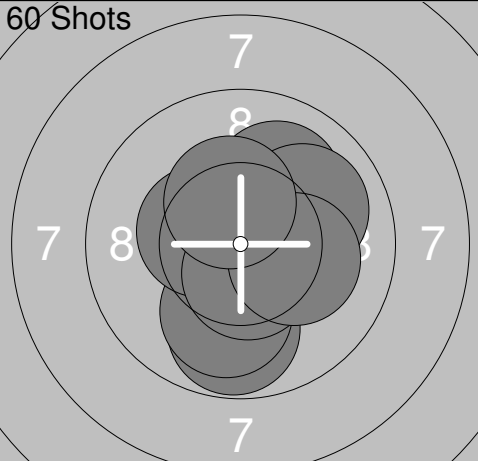


31:	9.2	↘
32:	10.0	→
33:	6.9	←
34:	10.8x	↖
35:	7.9	↓
36:	5.4	↖
37:	9.7	←
38:	8.1	↗
39:	8.8	↘
40:	10.2x	↖
Series	87.0	
Total	313.2	

Sight 	1: 10.5x → 2: 9.9 ↓ 3: 10.4x → 4: 10.4x ↓ 5: 9.7 ↓ 6: 10.2x ↙ 7: 10.1 ↓ 8: 10.5x ↗ 9: 10.6x ↗ 10: 10.0 ↗ <hr/> Series 102.3 Total 0.0	Sight 	11: 10.8x ↙ 12: 10.3x ↑ 13: 10.3x ↗ 14: 10.1 ↖ 15: 10.1 ↗ 16: 10.1 ↗ 17: 9.6 ← 18: 10.1 ← 19: 9.2 ↖ 20: 10.2x → <hr/> Series 100.8 Total 0.0
--	--	--	---

Sight 	21: 9.9 ← 22: 10.6x ↖ 23: 10.6x ↗ 24: 10.7x ↑ 25: 10.6x → 26: 10.3x ↑ 27: 9.7 ← 28: 10.1 → 29: 9.7 → 30: 10.5x ↓ <hr/> Series 102.7 Total 0.0	60 Shots 	1: 9.4 ↖ 2: 10.6x ↓ 3: 9.8 ← 4: 10.2x ↓ 5: 10.1 ↗ 6: 10.6x ↓ 7: 10.5x ↖ 8: 10.3x ↗ 9: 10.1 → 10: 8.9 ↖ <hr/> Series 100.5 Total 100.5
---	--	--	--

60 Shots 	11: 10.7x ↓ 12: 10.2x ↗ 13: 10.2x ← 14: 9.6 ↓ 15: 10.3x → 16: 9.7 ↗ 17: 10.0 ↗ 18: 10.5x ↗ 19: 10.5x → 20: 9.7 ↓ <hr/> Series 101.4 Total 201.9	60 Shots 	21: 9.8 ↓ 22: 10.5x ← 23: 9.8 ↓ 24: 9.7 ↗ 25: 9.1 ↓ 26: 10.3x ↗ 27: 9.9 ↓ 28: 9.6 ↗ 29: 9.8 ↑ 30: 9.5 ↓ <hr/> Series 98.0 Total 299.9
---	--	---	--

60 Shots 	31: 10.6x ↓ 32: 10.8x ← 33: 10.0 ↗ 34: 9.8 ↓ 35: 10.0 ↓ 36: 10.4x ← 37: 10.0 → 38: 10.5x ↓ 39: 10.2x → 40: 10.4x ↑ <hr/> Series 102.7 Total 402.6		
---	--	--	--

<p>Sight</p>	<p>1: 8.6 ↓ 2: 0.0 ↓ 3: 9.2 ↑ 4: 10.1 ↑ 5: 8.8 ↓ 6: 10.5x ← 7: 8.7 ← 8: 7.7 ← 9: 8.6 ← 10: 8.1 ↓</p>	<p>Sight</p>	<p>11: 7.2 ↓ 12: 4.2 ←</p>
Series	80.3	Series	11.4
Total	0.0	Total	0.0

<p>60 Shots</p>	<p>1: 1.6 ← 2: 7.9 ↓ 3: 8.2 ↓ 4: 8.6 ↓ 5: 6.6 ↑ 6: 5.5 ↑ 7: 8.3 ← 8: 9.7 ← 9: 8.7 ← 10: 9.7 ↓</p>	<p>60 Shots</p>	<p>11: 7.7 ↑ 12: 9.1 ↑ 13: 9.0 ↑ 14: 9.5 ↑ 15: 8.2 ← 16: 10.5x ↑ 17: 7.3 ← 18: 9.3 ↓ 19: 8.8 ↑ 20: 9.8 ↗</p>
Series	74.8	Series	89.2
Total	74.8	Total	164.0

<p>60 Shots</p>	<p>21: 5.0 → 22: 7.8 → 23: 6.3 ↑ 24: 9.8 ↑ 25: 10.1 → 26: 10.3x ↗ 27: 9.7 ↓ 28: 9.4 ↓ 29: 10.2x ↑ 30: 9.2 ↓</p>	<p>60 Shots</p>	<p>31: 9.4 ↓ 32: 8.6 ↗ 33: 8.7 ← 34: 8.5 ↓ 35: 10.5x ↑ 36: 8.6 → 37: 9.2 → 38: 9.7 ↓ 39: 9.9 ↗ 40: 9.7 ←</p>
Series	87.8	Series	92.8
Total	251.8	Total	344.6