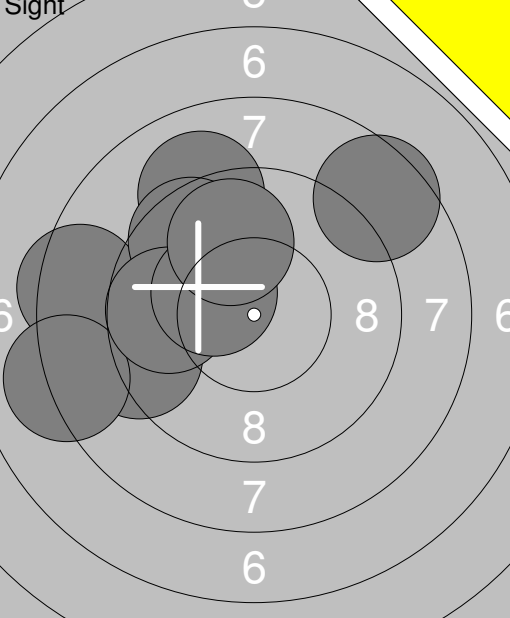
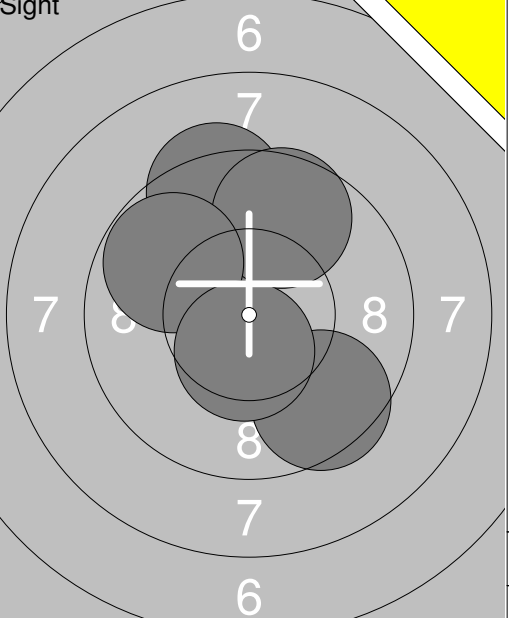
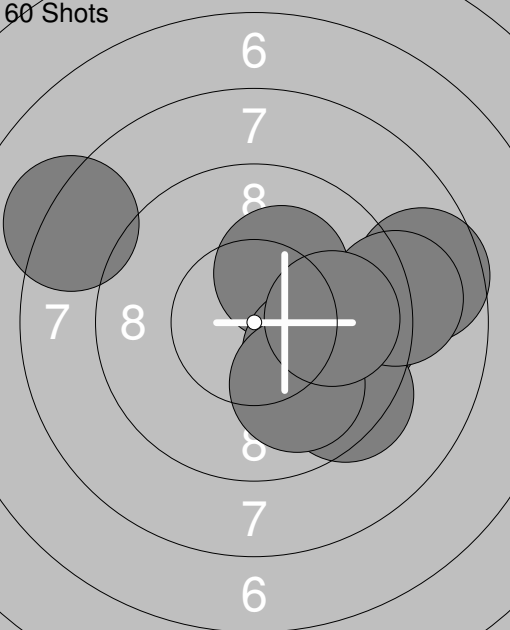
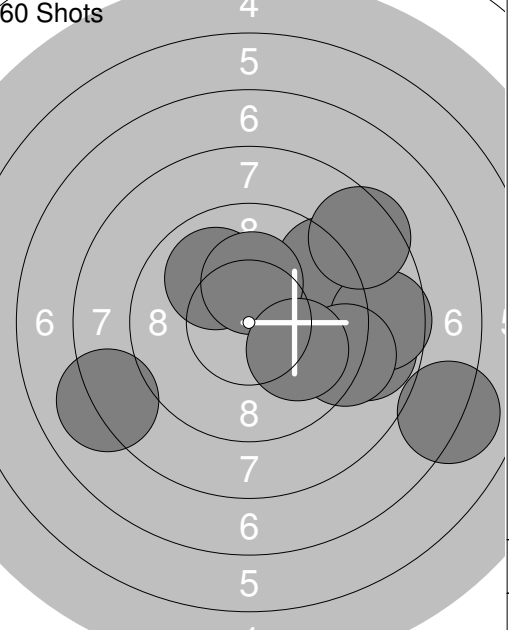
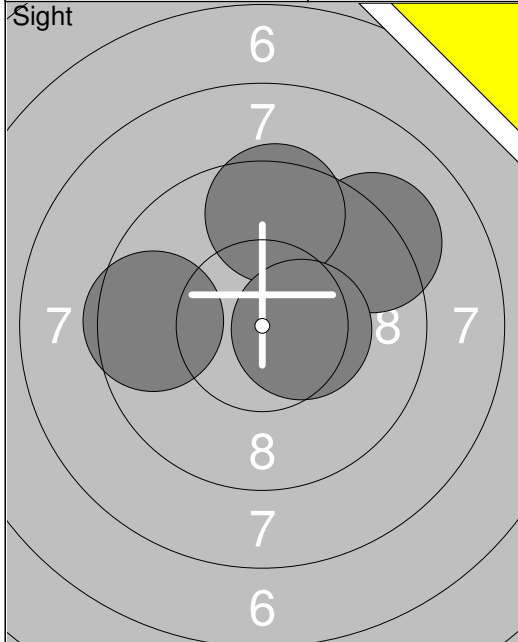


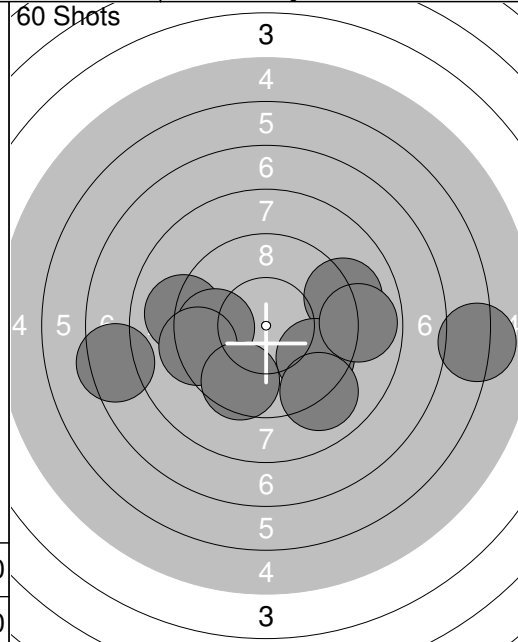
<p>Sight</p> 	<p>Sight</p> 	
<p>1: 9.2 ←</p> <p>2: 9.8 ↗</p> <p>3: 8.5 ↗</p> <p>4: 8.4 ←</p> <p>5: 8.1 ←</p> <p>6: 9.1 ↗</p> <p>7: 9.6 ↗</p> <p>8: 9.7 ←</p> <p>9: 10.3x ↘</p> <p>10: 9.9 ↗</p>	<p>11: 9.9 ↗</p> <p>12: 9.3 ↗</p> <p>13: 9.6 ↗</p> <p>14: 9.5 ↘</p> <p>15: 9.8 ↗</p> <p>16: 10.5x ↓</p>	
Series 88.0	Series 55.0	
Total 0.0	Total 0.0	

<p>60 Shots</p> 	<p>60 Shots</p> 	
<p>1: 10.2x ↗</p> <p>2: 9.9 →</p> <p>3: 9.6 →</p> <p>4: 8.2 ↖</p> <p>5: 8.6 →</p> <p>6: 10.1 ↘</p> <p>7: 9.4 ↘</p> <p>8: 9.1 →</p> <p>9: 9.9 ↘</p> <p>10: 9.9 →</p>	<p>11: 10.0 ↖</p> <p>12: 8.8 →</p> <p>13: 7.1 ↘</p> <p>14: 9.3 ↗</p> <p>15: 8.6 →</p> <p>16: 9.2 →</p> <p>17: 10.3x ↑</p> <p>18: 8.5 ↗</p> <p>19: 8.1 ↖</p> <p>20: 10.0 ↘</p>	
Series 90.0	Series 87.0	
Total 90.0	Total 177.0	

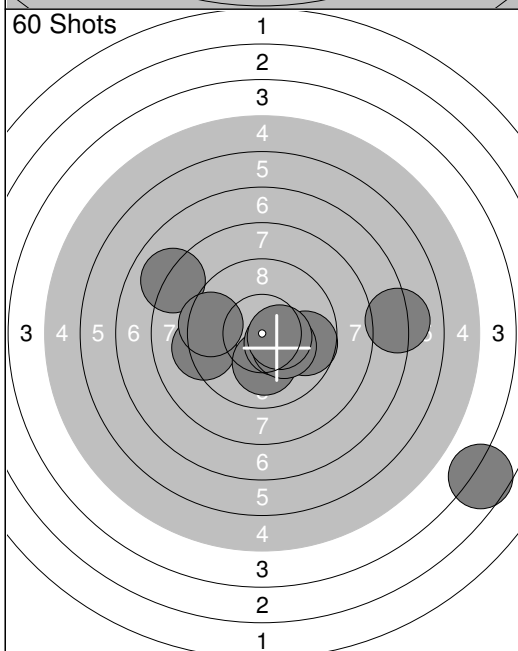
<p>60 Shots</p> 	<p>60 Shots</p> 	
<p>21: 10.3x ↘</p> <p>22: 9.5 →</p> <p>23: 8.4 →</p> <p>24: 9.3 →</p> <p>25: 10.3x ↓</p> <p>26: 8.5 ↗</p> <p>27: 9.7 ↗</p> <p>28: 9.9 ↑</p> <p>29: 9.1 →</p> <p>30: 9.9 ←</p>	<p>31: 9.4 →</p> <p>32: 9.7 ↗</p> <p>33: 9.6 ↖</p> <p>34: 9.7 →</p> <p>35: 9.4 ↘</p> <p>36: 8.5 ↘</p> <p>37: 9.6 ↖</p> <p>38: 10.4x →</p> <p>39: 9.4 →</p> <p>40: 9.9 ↗</p>	
Series 90.0	Series 90.0	
Total 267.0	Total 357.0	



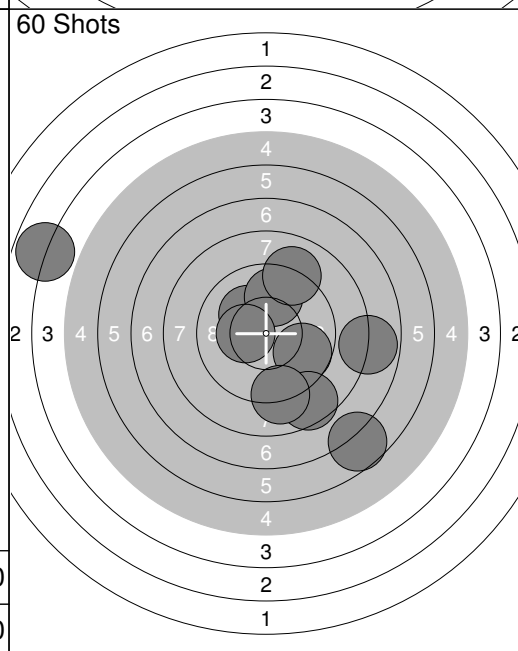
1:	9.2	↗
2:	9.5	↑
3:	10.4x	→
4:	9.6	←
Series		37.0
Total		0.0



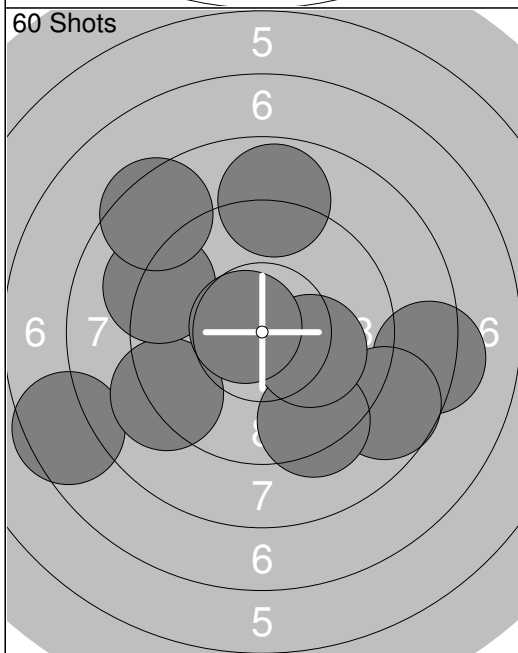
1:	7.4	←
2:	9.1	→
3:	9.6	↘
4:	6.1	→
5:	8.9	→
6:	9.1	←
7:	9.8	←
8:	9.3	←
9:	9.0	↘
10:	9.6	↘
Series		84.0
Total		84.0



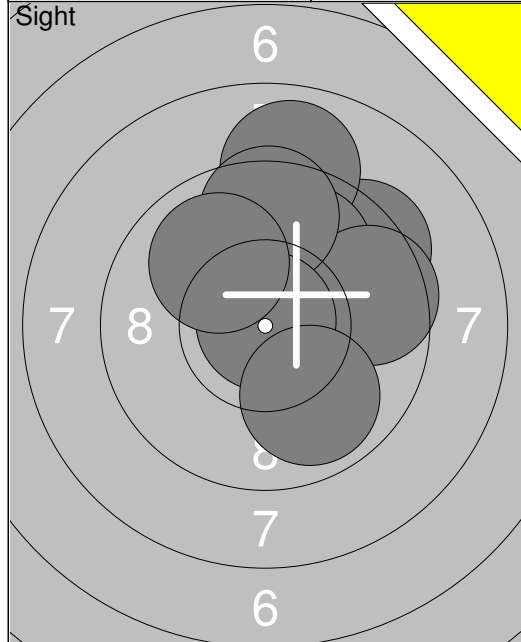
11:	3.6	↘
12:	9.3	←
13:	7.1	→
14:	8.0	↖
15:	10.1	↘
16:	9.7	→
17:	10.5x	↘
18:	9.5	←
19:	10.2x	↘
20:	10.4x	→
Series		85.0
Total		169.0



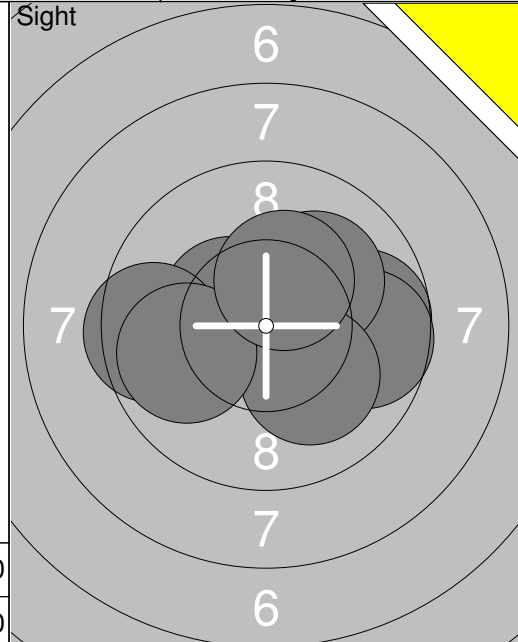
21:	7.8	→
22:	9.7	↘
23:	3.8	←
24:	6.7	↘
25:	10.1	↗
26:	9.8	↑
27:	10.3x	←
28:	8.6	↘
29:	9.1	↘
30:	9.1	↗
Series		80.0
Total		249.0



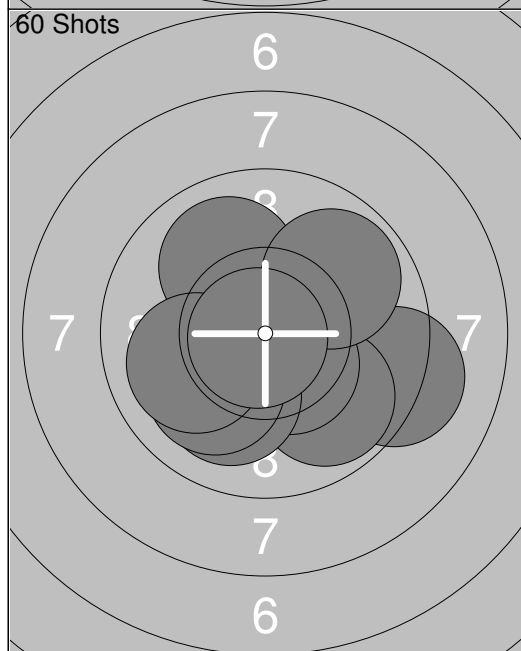
31:	8.9	↑
32:	7.5	←
33:	9.1	←
34:	8.3	→
35:	8.7	↘
36:	9.2	↖
37:	9.3	↘
38:	10.1	↘
39:	8.4	↗
40:	10.7x	←
Series		86.0
Total		335.0



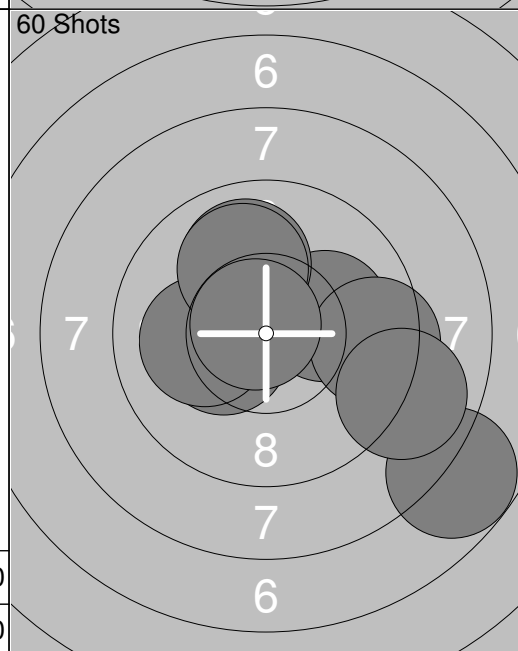
1:	9.9	↗
2:	9.4	↗
3:	9.9	↑
4:	8.9	↑
5:	9.9	↗
6:	9.6	→
7:	9.5	↑
8:	10.9x	↑
9:	9.9	↘
10:	10.0	↖
Series		91.0
Total		0.0



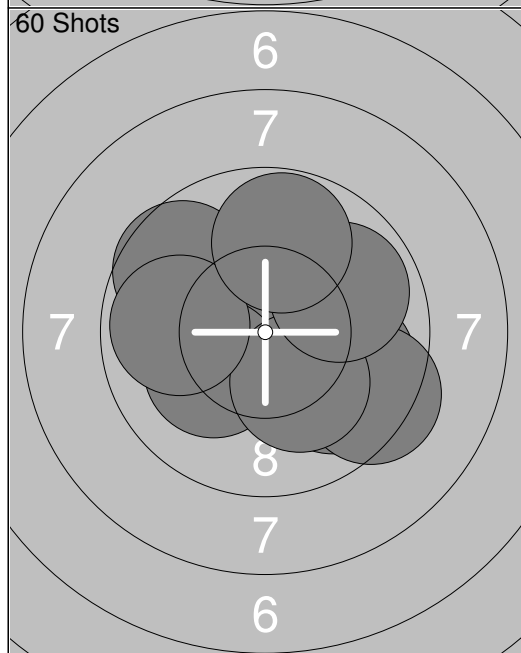
11:	9.7	→
12:	10.4x	↖
13:	9.7	→
14:	10.1	↗
15:	10.1	↘
16:	9.5	←
17:	9.9	←
18:	10.3x	↑
Series		76.0
Total		0.0



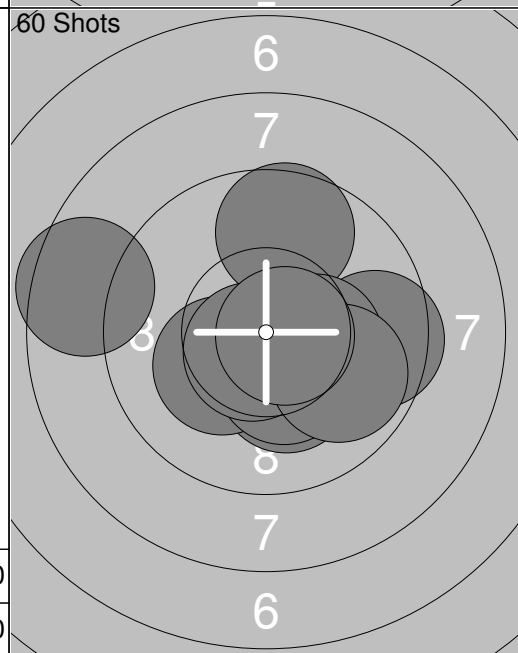
1:	9.2	→
2:	10.1	←
3:	9.8	↘
4:	10.4x	↘
5:	10.0	↘
6:	10.0	↖
7:	10.0	↗
8:	10.0	←
9:	9.9	↗
10:	10.8x	↖
Series		97.0
Total		97.0



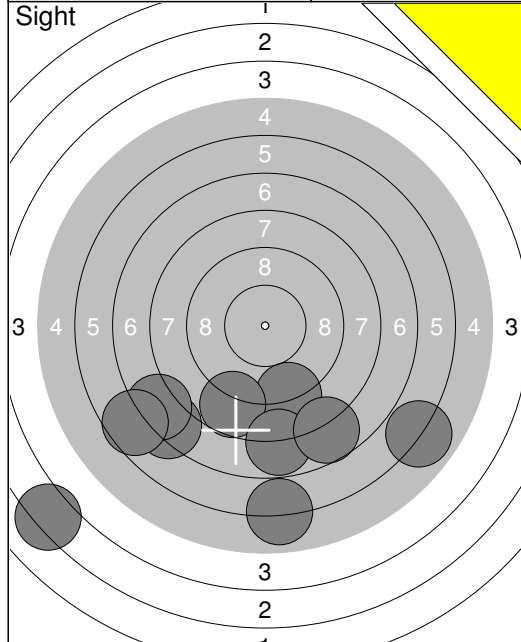
11:	10.3x	←
12:	10.3x	←
13:	7.8	↘
14:	10.1	←
15:	10.1	→
16:	9.5	→
17:	8.9	↘
18:	10.0	↑
19:	10.0	↑
20:	10.8x	↖
Series		94.0
Total		191.0



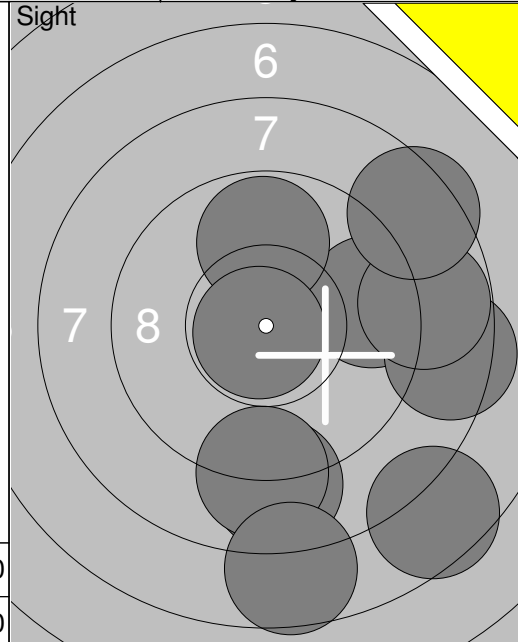
21:	10.8x	↘
22:	9.9	→
23:	9.9	↘
24:	10.2x	↖
25:	9.4	↘
26:	10.2x	↘
27:	9.6	↗
28:	9.9	←
29:	9.9	↗
30:	9.8	↑
Series		93.0
Total		284.0



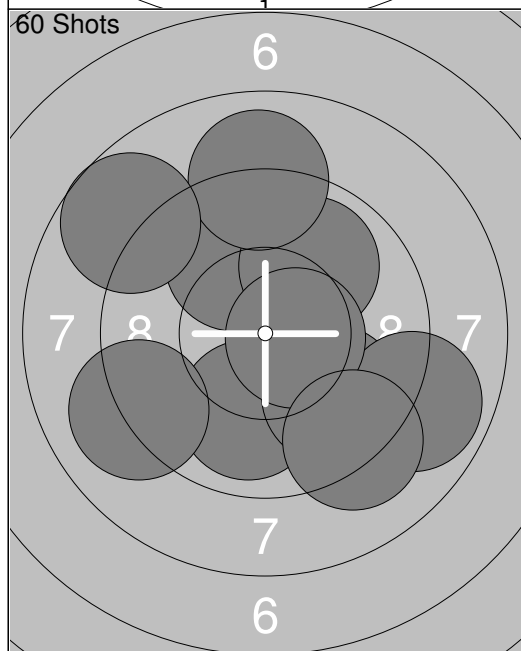
31:	8.5	←
32:	10.2x	↘
33:	10.2x	↖
34:	10.3x	↘
35:	9.6	↑
36:	9.5	→
37:	10.6x	↖
38:	10.3x	→
39:	9.9	↘
40:	10.7x	→
Series		95.0
Total		379.0



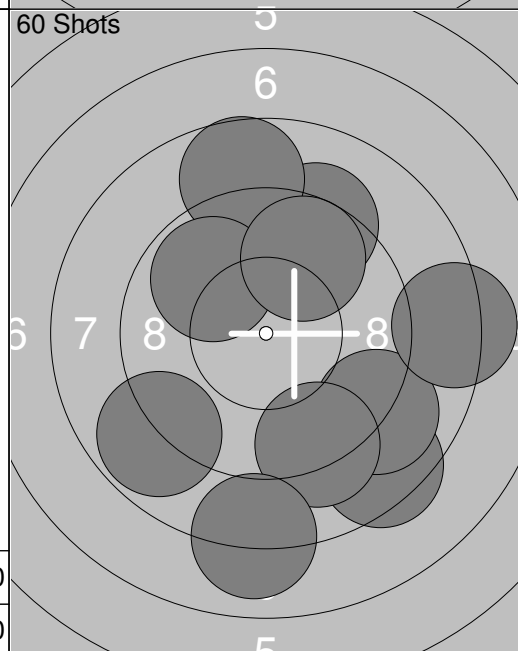
1:	3.2	↙
2:	7.2	↙
3:	7.4	↙
4:	9.0	↓
5:	8.7	↓
6:	7.8	↓
7:	6.6	↙
8:	5.9	↘
9:	7.7	↓
10:	6.0	↓
Series		65.0
Total		0.0



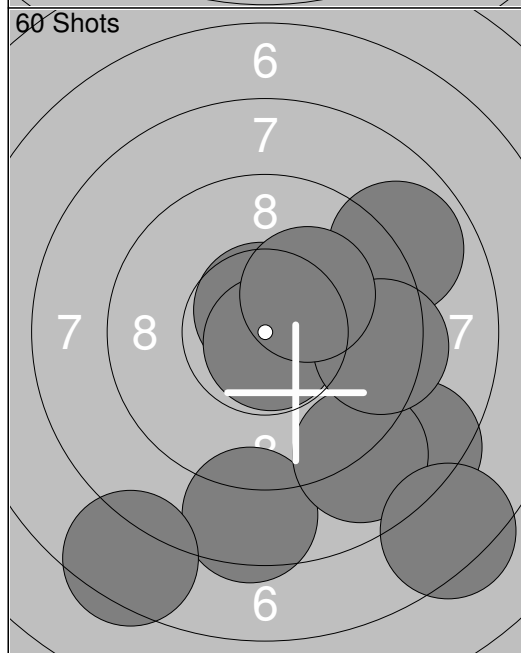
11:	8.8	↓
12:	9.0	↓
13:	7.5	↘
14:	9.5	→
15:	7.6	↓
16:	8.4	→
17:	8.8	→
18:	9.8	↑
19:	8.4	↗
20:	10.8x	↙
Series		83.0
Total		0.0



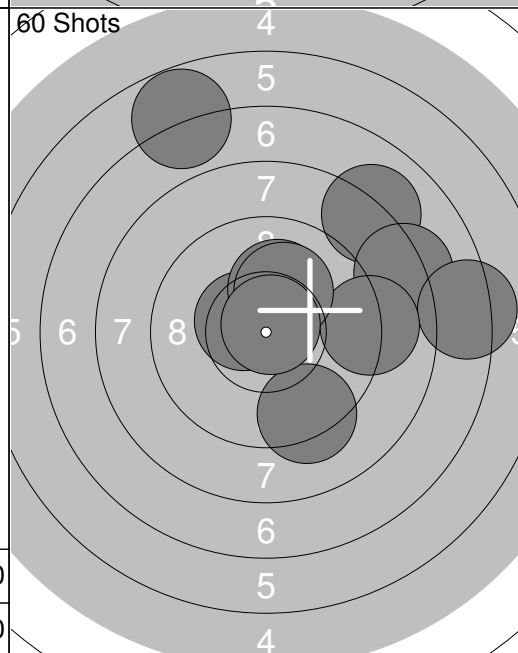
1:	10.0	↓
2:	9.8	↘
3:	8.9	↘
4:	9.9	↗
5:	9.9	↗
6:	9.0	↑
7:	9.1	↙
8:	10.6x	→
9:	9.2	↓
10:	8.7	↖
Series		90.0
Total		90.0



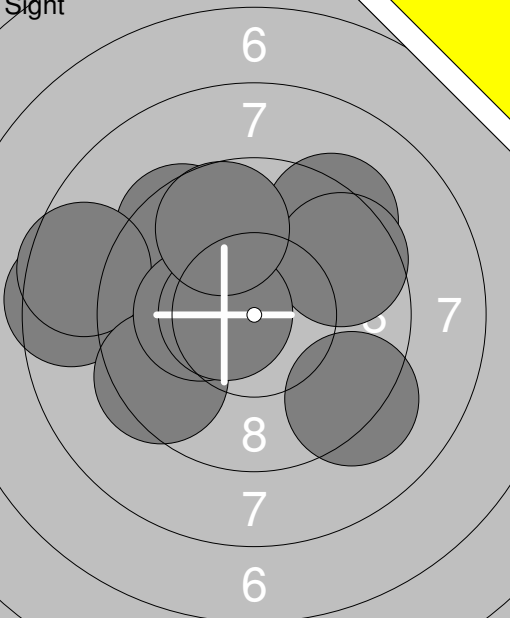
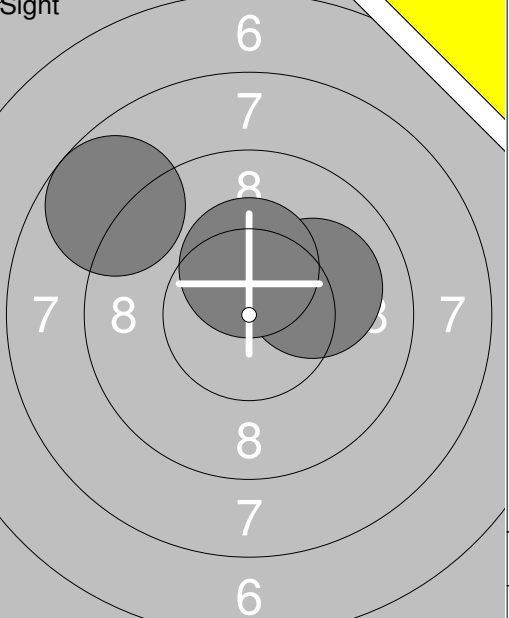
11:	9.2	↗
12:	8.7	↑
13:	8.4	↘
14:	9.0	↘
15:	8.8	↙
16:	9.9	↖
17:	9.2	↓
18:	9.7	↗
19:	8.2	→
20:	8.0	↓
Series		85.0
Total		175.0

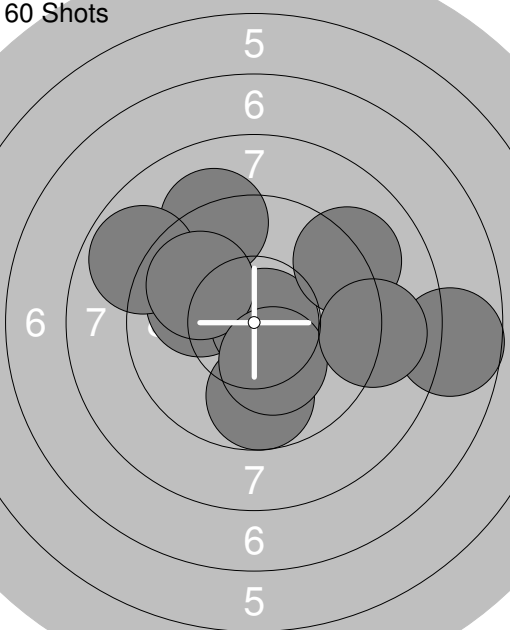
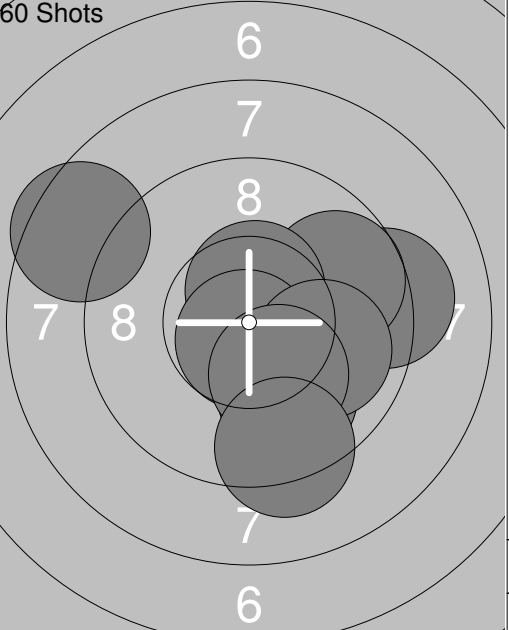


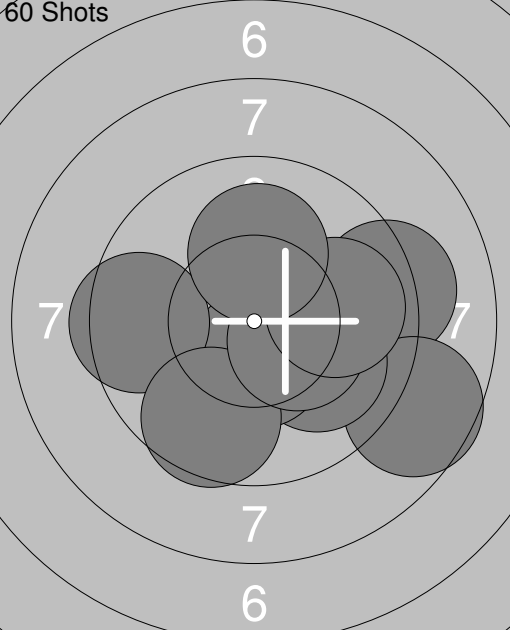
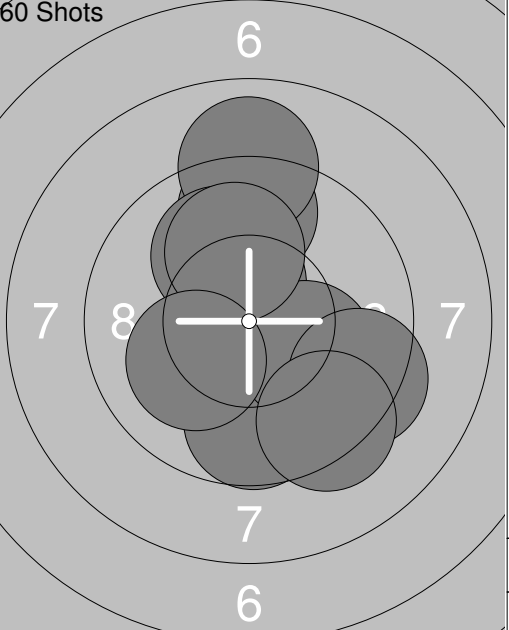
21:	8.5	↘
22:	8.9	↗
23:	10.7x	↑
24:	8.5	↓
25:	10.8x	↘
26:	8.9	↘
27:	9.4	→
28:	7.4	↘
29:	10.2x	↗
30:	7.5	↓
Series		85.0
Total		260.0

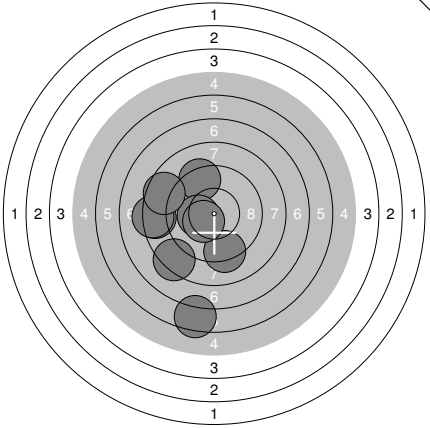
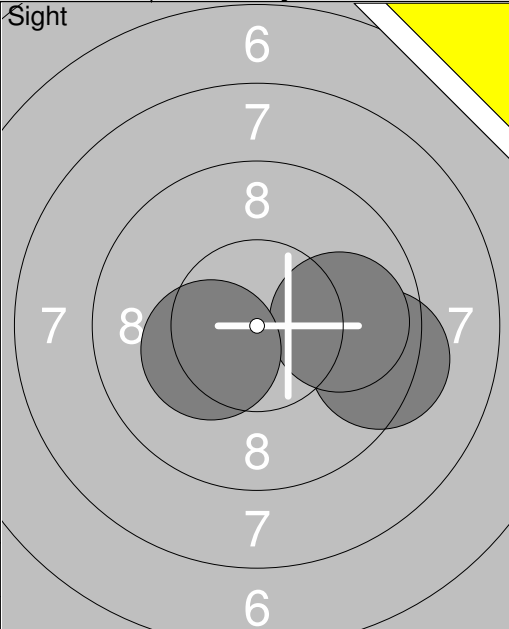


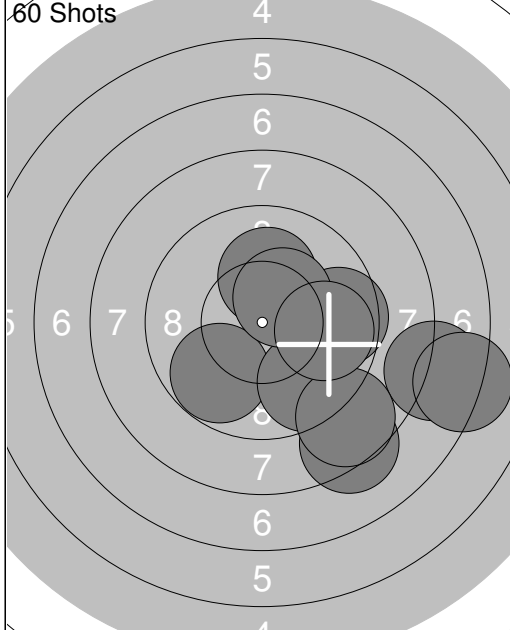
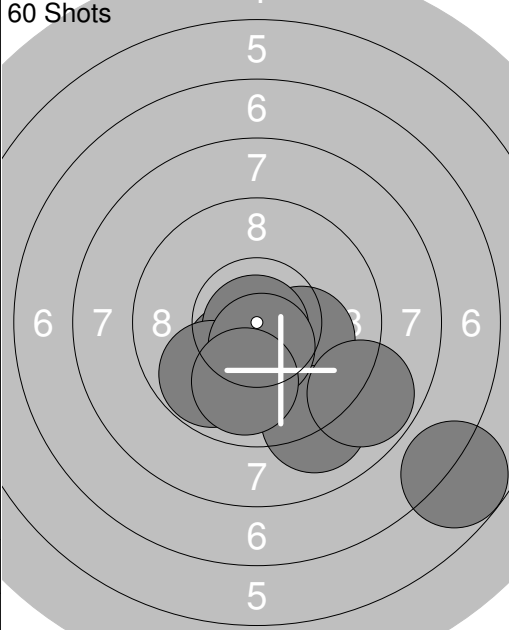
31:	10.5x	↖
32:	8.1	↗
33:	8.2	↗
34:	9.3	↓
35:	7.3	→
36:	9.1	→
37:	10.1	↑
38:	10.2x	↗
39:	10.8x	↗
40:	6.8	↖
Series		87.0
Total		347.0

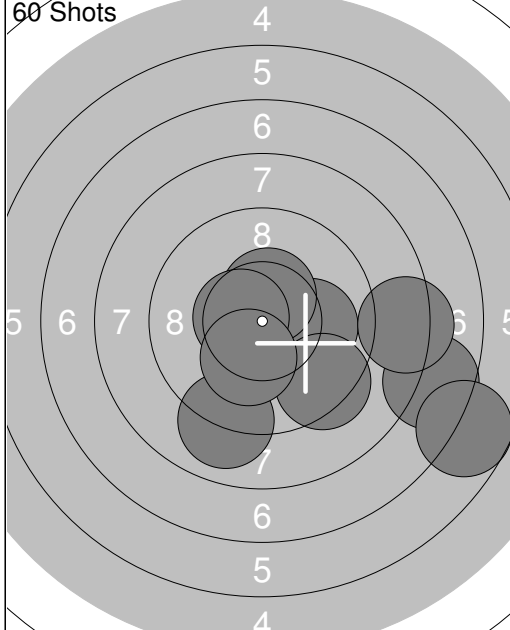
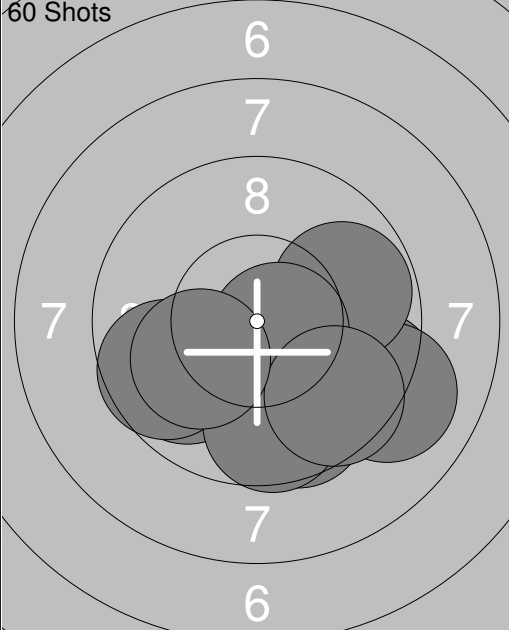
<p>Sight</p> 	<p>1: 8.5 ←</p> <p>2: 9.5 ↗</p> <p>3: 9.2 ↘</p> <p>4: 8.6 ←</p> <p>5: 9.5 ↙</p> <p>6: 9.3 ↗</p> <p>7: 9.6 ↗</p> <p>8: 10.2x←</p> <p>9: 10.6x←</p> <p>10: 9.7 ↗</p> <hr/> <p>Series 90.0</p> <p>Total 0.0</p>	<p>Sight</p> 	<p>11: 8.7 ↖</p> <p>12: 10.1 ↗</p> <p>13: 10.3x ↑</p> <hr/> <p>Series 28.0</p> <p>Total 0.0</p>
---	--	---	---

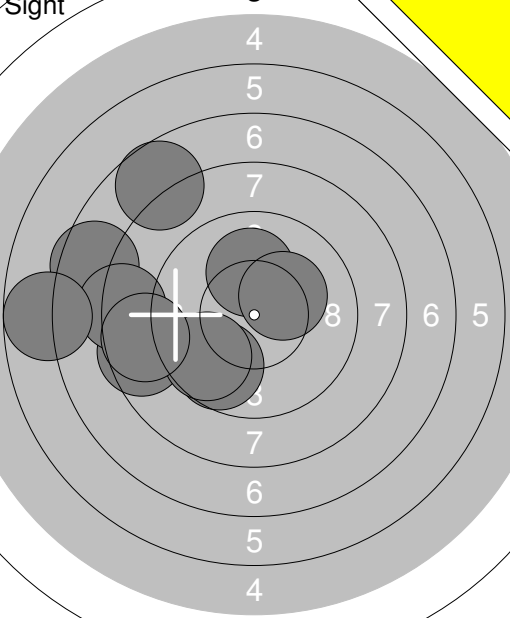
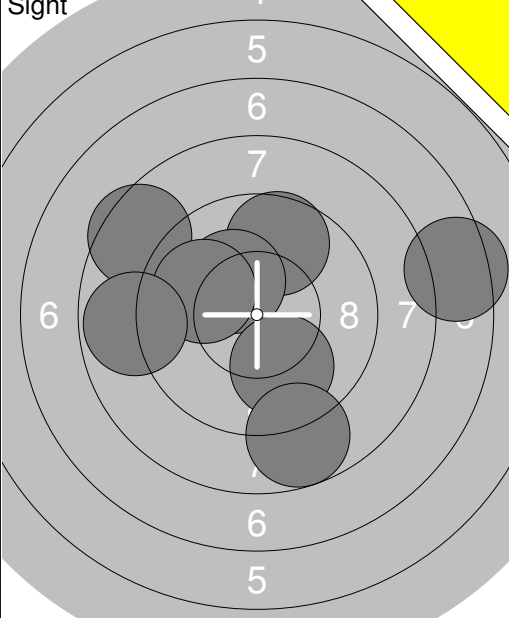
<p>60 Shots</p> 	<p>1: 10.0 ←</p> <p>2: 9.7 ↓</p> <p>3: 9.2 ↗</p> <p>4: 10.8x→</p> <p>5: 8.8 ↗</p> <p>6: 9.9 ↗</p> <p>7: 9.1 ↗</p> <p>8: 10.2x↓</p> <p>9: 7.7 →</p> <p>10: 9.0 →</p> <hr/> <p>Series 90.0</p> <p>Total 90.0</p>	<p>60 Shots</p> 	<p>11: 10.4x→</p> <p>12: 8.5 ↖</p> <p>13: 9.9 ↓</p> <p>14: 9.2 →</p> <p>15: 9.7 ↗</p> <p>16: 10.5x↑</p> <p>17: 10.7x↓</p> <p>18: 10.0 →</p> <p>19: 10.2x↓</p> <p>20: 9.3 ↓</p> <hr/> <p>Series 94.0</p> <p>Total 184.0</p>
---	--	---	--

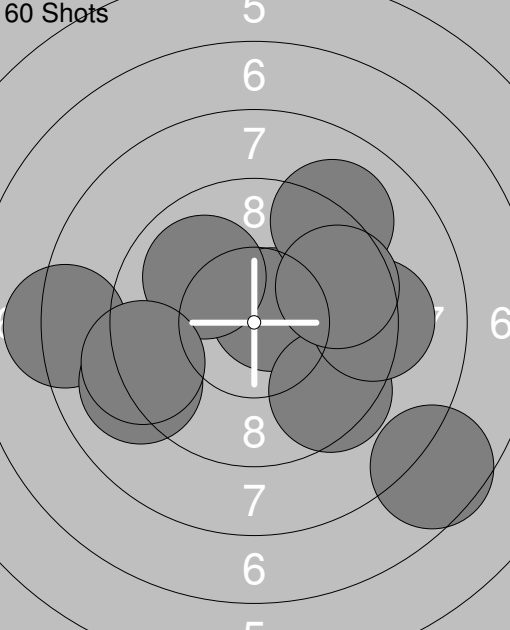
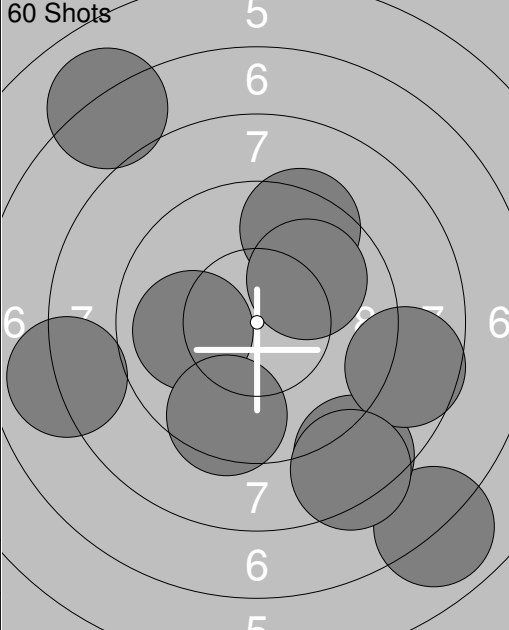
<p>60 Shots</p> 	<p>21: 9.2 →</p> <p>22: 10.1 →</p> <p>23: 8.6 →</p> <p>24: 10.0 →</p> <p>25: 10.5x↓</p> <p>26: 9.5 ←</p> <p>27: 9.6 ↓</p> <p>28: 10.3x→</p> <p>29: 9.9 →</p> <p>30: 10.1 ↑</p> <hr/> <p>Series 94.0</p> <p>Total 278.0</p>	<p>60 Shots</p> 	<p>31: 9.7 ↓</p> <p>32: 9.6 ↑</p> <p>33: 10.4x↗</p> <p>34: 10.1 →</p> <p>35: 9.4 →</p> <p>36: 9.0 ↑</p> <p>37: 10.0 ↗</p> <p>38: 9.3 ↘</p> <p>39: 10.1 ↗</p> <p>40: 10.1 ↙</p> <hr/> <p>Series 95.0</p> <p>Total 373.0</p>
--	--	--	--

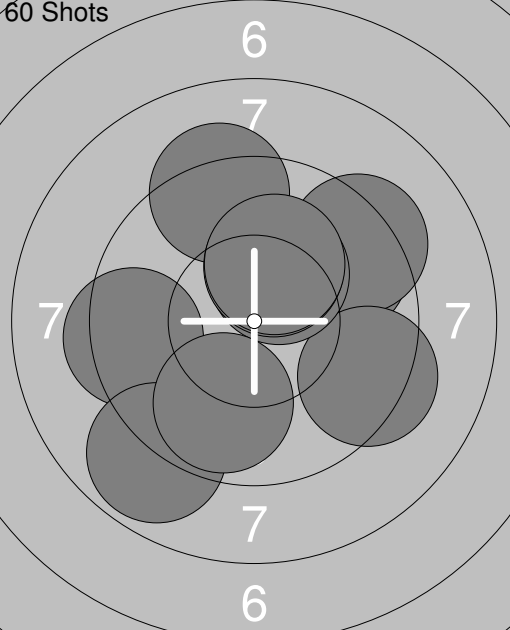
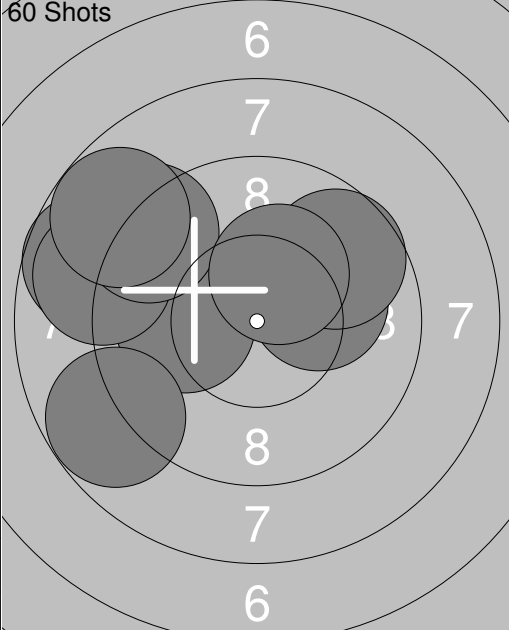
<p>Sight</p> 	<p>1: 8.4 ←</p> <p>2: 0.0 →</p> <p>3: 9.4 ↗</p> <p>4: 9.3 ↓</p> <p>5: 8.3 ←</p> <p>6: 10.3x ←</p> <p>7: 10.4x ↙</p> <p>8: 8.6 ↖</p> <p>9: 8.3 ↘</p> <p>10: 6.4 ↓</p>	<p>Sight</p> 	<p>11: 9.3 →</p> <p>12: 9.9 →</p> <p>13: 10.3x ↙</p>
Series 76.0	Series 28.0		
Total 0.0	Total 0.0		

<p>60 Shots</p> 	<p>1: 9.8 ↘</p> <p>2: 9.6 ↘</p> <p>3: 10.1 ↑</p> <p>4: 8.3 ↓</p> <p>5: 9.6 →</p> <p>6: 7.7 →</p> <p>7: 10.4x ↗</p> <p>8: 8.7 ↘</p> <p>9: 7.2 →</p> <p>10: 9.8 →</p>	<p>60 Shots</p> 	<p>11: 10.1 →</p> <p>12: 10.3x ↘</p> <p>13: 10.1 ↓</p> <p>14: 10.9x ↘</p> <p>15: 9.8 ↖</p> <p>16: 9.1 ↓</p> <p>17: 10.5x ↘</p> <p>18: 8.8 ↘</p> <p>19: 6.8 ↘</p> <p>20: 9.9 ↓</p>
Series 86.0	Series 91.0		
Total 86.0	Total 177.0		

<p>60 Shots</p> 	<p>21: 10.6x ↗</p> <p>22: 7.6 →</p> <p>23: 10.1 →</p> <p>24: 10.5x ↗</p> <p>25: 6.7 →</p> <p>26: 9.0 ↓</p> <p>27: 10.6x ←</p> <p>28: 9.4 ↓</p> <p>29: 10.2x ↘</p> <p>30: 8.3 →</p>	<p>60 Shots</p> 	<p>31: 9.3 →</p> <p>32: 9.8 ↖</p> <p>33: 9.1 →</p> <p>34: 9.8 →</p> <p>35: 10.6x →</p> <p>36: 9.6 ↖</p> <p>37: 9.6 ↓</p> <p>38: 9.6 ↓</p> <p>39: 9.6 ↓</p> <p>40: 10.1 ↖</p>
Series 89.0	Series 92.0		
Total 266.0	Total 358.0		

 <p style="text-align: center;">Sight</p>	<p>1: 7.6 ←</p> <p>2: 8.5 ←</p> <p>3: 7.7 ↗</p> <p>4: 10.1 ↑</p> <p>5: 8.3 ←</p> <p>6: 9.7 ↘</p> <p>7: 9.7 ↘</p> <p>8: 6.8 ←</p> <p>9: 10.2x ↗</p> <p>10: 8.7 ←</p>	 <p style="text-align: center;">Sight</p>	<p>11: 9.7 ↑</p> <p>12: 8.5 ↖</p> <p>13: 10.2x ↖</p> <p>14: 9.9 ↖</p> <p>15: 10.0 ↓</p> <p>16: 7.4 →</p> <p>17: 8.8 ←</p> <p>18: 8.8 ↓</p>
Series 82.0		Series 69.0	
Total 0.0		Total 0.0	

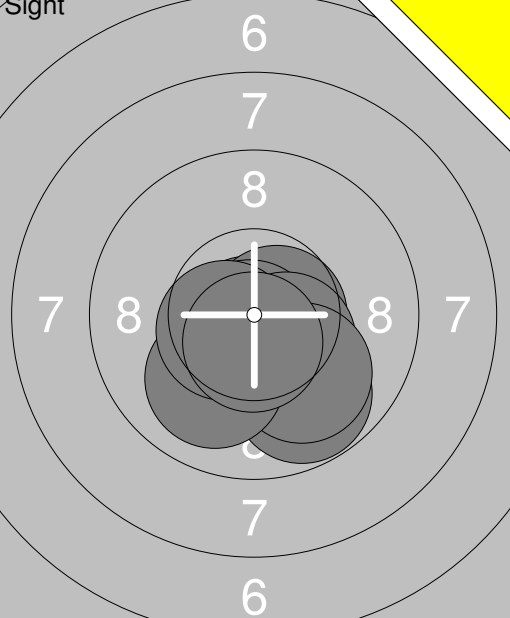
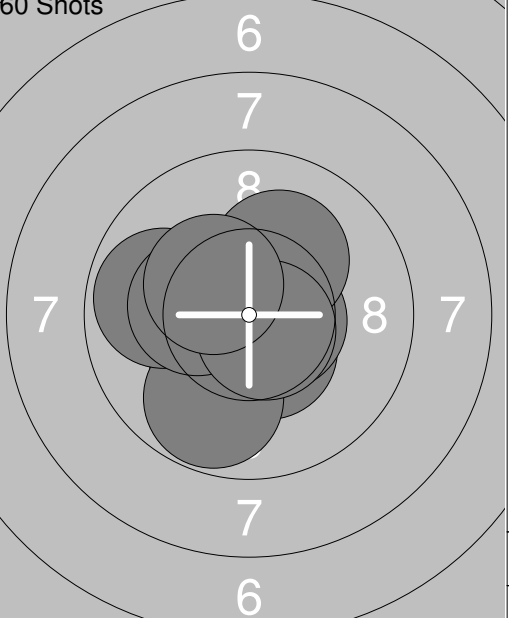
 <p style="text-align: center;">60 Shots</p>	<p>1: 7.6 ↘</p> <p>2: 10.6x ↗</p> <p>3: 8.2 ←</p> <p>4: 9.1 ↗</p> <p>5: 9.1 ←</p> <p>6: 9.5 ↘</p> <p>7: 9.2 →</p> <p>8: 9.6 →</p> <p>9: 10.0 ↖</p> <p>10: 9.2 ←</p>	 <p style="text-align: center;">60 Shots</p>	<p>11: 10.0 ←</p> <p>12: 9.5 ↓</p> <p>13: 6.9 ↓</p> <p>14: 8.0 ←</p> <p>15: 8.5 ↓</p> <p>16: 9.4 ↑</p> <p>17: 8.7 →</p> <p>18: 10.0 ↗</p> <p>19: 8.4 ↓</p> <p>20: 7.1 ↗</p>
Series 89.0		Series 83.0	
Total 89.0		Total 172.0	

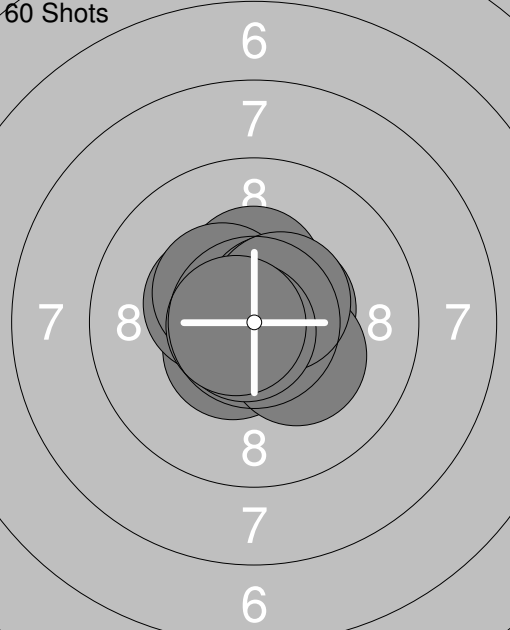
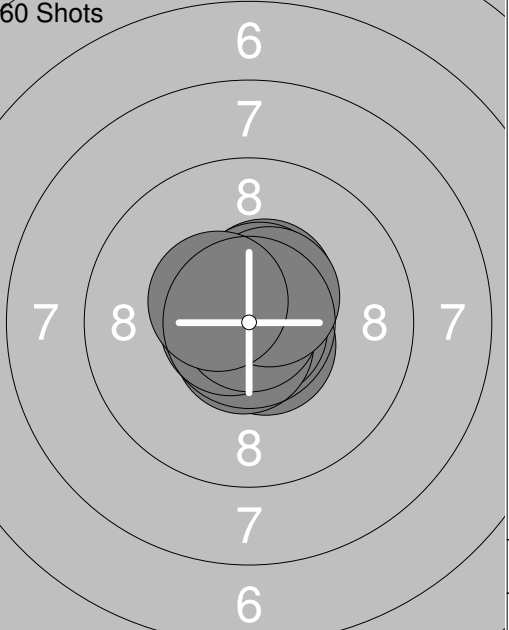
 <p style="text-align: center;">60 Shots</p>	<p>21: 9.3 ↑</p> <p>22: 9.7 ↗</p> <p>23: 9.3 ↗</p> <p>24: 9.4 ←</p> <p>25: 8.9 ↓</p> <p>26: 9.3 ↘</p> <p>27: 10.3x ↗</p> <p>28: 10.2x ↗</p> <p>29: 10.2x ↗</p> <p>30: 9.8 ↓</p>	 <p style="text-align: center;">60 Shots</p>	<p>31: 10.1 →</p> <p>32: 10.0 ←</p> <p>33: 8.7 ←</p> <p>34: 8.9 ↗</p> <p>35: 8.9 ←</p> <p>36: 9.7 ↗</p> <p>37: 9.2 ↗</p> <p>38: 8.8 ←</p> <p>39: 8.8 ↖</p> <p>40: 10.3x ↗</p>
Series 92.0		Series 88.0	
Total 264.0		Total 352.0	

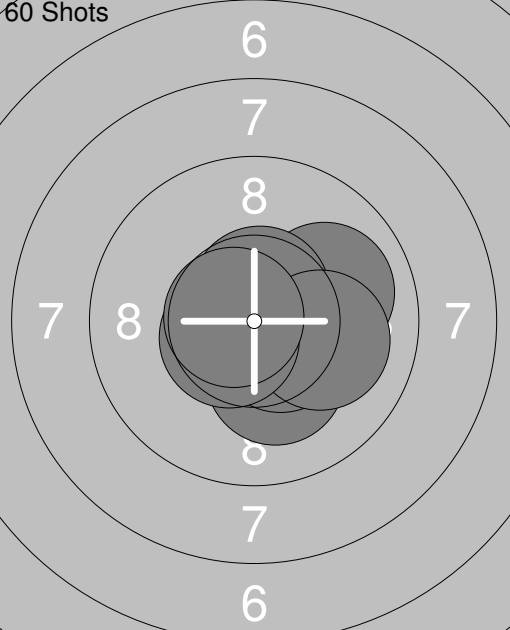
<p>Sight</p>	<table style="width:100%; border-collapse: collapse;"> <tr><td>1: 9.3</td><td>➔</td></tr> <tr><td>2: 8.8</td><td>↗</td></tr> <tr><td>3: 6.3</td><td>↖</td></tr> <tr><td>4: 8.6</td><td>↘</td></tr> <tr><td>5: 9.2</td><td>➔</td></tr> <tr><td>6: 9.6</td><td>↗</td></tr> <tr><td>7: 9.9</td><td>↖</td></tr> <tr><td>8: 10.2x</td><td>↑</td></tr> <tr><td>9: 8.2</td><td>➔</td></tr> <tr><td>10: 9.0</td><td>↑</td></tr> <tr><td colspan="2"><hr/></td></tr> <tr><td>Series</td><td style="text-align:right;">85.0</td></tr> <tr><td colspan="2"><hr/></td></tr> <tr><td>Total</td><td style="text-align:right;">0.0</td></tr> </table>	1: 9.3	➔	2: 8.8	↗	3: 6.3	↖	4: 8.6	↘	5: 9.2	➔	6: 9.6	↗	7: 9.9	↖	8: 10.2x	↑	9: 8.2	➔	10: 9.0	↑	<hr/>		Series	85.0	<hr/>		Total	0.0	<p>60 Shots</p> <table style="width:100%; border-collapse: collapse;"> <tr><td>1: 6.8</td><td>↖</td></tr> <tr><td>2: 9.4</td><td>↗</td></tr> <tr><td>3: 7.1</td><td>↖</td></tr> <tr><td>4: 8.3</td><td>↑</td></tr> <tr><td>5: 10.0</td><td>↖</td></tr> <tr><td>6: 10.4x</td><td>➔</td></tr> <tr><td>7: 9.8</td><td>↘</td></tr> <tr><td>8: 10.6x</td><td>↑</td></tr> <tr><td>9: 7.5</td><td>↗</td></tr> <tr><td>10: 8.2</td><td>↗</td></tr> <tr><td colspan="2"><hr/></td></tr> <tr><td>Series</td><td style="text-align:right;">84.0</td></tr> <tr><td colspan="2"><hr/></td></tr> <tr><td>Total</td><td style="text-align:right;">84.0</td></tr> </table>	1: 6.8	↖	2: 9.4	↗	3: 7.1	↖	4: 8.3	↑	5: 10.0	↖	6: 10.4x	➔	7: 9.8	↘	8: 10.6x	↑	9: 7.5	↗	10: 8.2	↗	<hr/>		Series	84.0	<hr/>		Total	84.0
1: 9.3	➔																																																									
2: 8.8	↗																																																									
3: 6.3	↖																																																									
4: 8.6	↘																																																									
5: 9.2	➔																																																									
6: 9.6	↗																																																									
7: 9.9	↖																																																									
8: 10.2x	↑																																																									
9: 8.2	➔																																																									
10: 9.0	↑																																																									
<hr/>																																																										
Series	85.0																																																									
<hr/>																																																										
Total	0.0																																																									
1: 6.8	↖																																																									
2: 9.4	↗																																																									
3: 7.1	↖																																																									
4: 8.3	↑																																																									
5: 10.0	↖																																																									
6: 10.4x	➔																																																									
7: 9.8	↘																																																									
8: 10.6x	↑																																																									
9: 7.5	↗																																																									
10: 8.2	↗																																																									
<hr/>																																																										
Series	84.0																																																									
<hr/>																																																										
Total	84.0																																																									

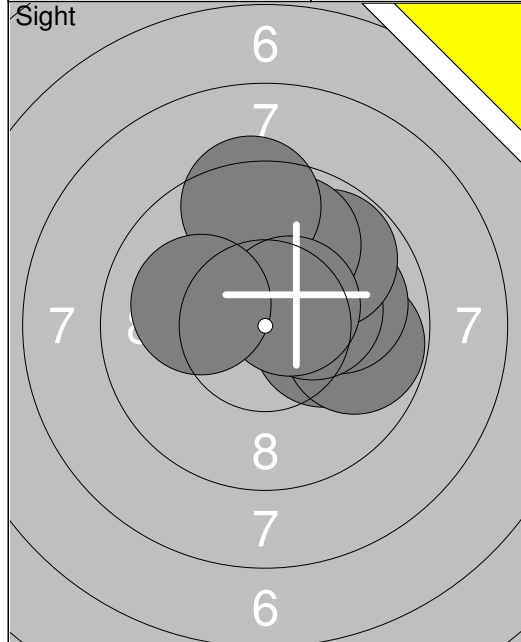
<p>60 Shots</p> <table style="width:100%; border-collapse: collapse;"> <tr><td>11: 9.4</td><td>↘</td></tr> <tr><td>12: 8.2</td><td>↗</td></tr> <tr><td>13: 8.9</td><td>↖</td></tr> <tr><td>14: 8.5</td><td>➔</td></tr> <tr><td>15: 9.6</td><td>↗</td></tr> <tr><td>16: 10.3x</td><td>↗</td></tr> <tr><td>17: 9.5</td><td>↘</td></tr> <tr><td>18: 9.6</td><td>↖</td></tr> <tr><td>19: 9.9</td><td>↗</td></tr> <tr><td>20: 7.5</td><td>↖</td></tr> <tr><td colspan="2"><hr/></td></tr> <tr><td>Series</td><td style="text-align:right;">86.0</td></tr> <tr><td colspan="2"><hr/></td></tr> <tr><td>Total</td><td style="text-align:right;">170.0</td></tr> </table>	11: 9.4	↘	12: 8.2	↗	13: 8.9	↖	14: 8.5	➔	15: 9.6	↗	16: 10.3x	↗	17: 9.5	↘	18: 9.6	↖	19: 9.9	↗	20: 7.5	↖	<hr/>		Series	86.0	<hr/>		Total	170.0	<p>60 Shots</p> <table style="width:100%; border-collapse: collapse;"> <tr><td>21: 9.6</td><td>↘</td></tr> <tr><td>22: 9.8</td><td>↗</td></tr> <tr><td>23: 8.8</td><td>↖</td></tr> <tr><td>24: 9.3</td><td>↖</td></tr> <tr><td>25: 7.3</td><td>➔</td></tr> <tr><td>26: 8.1</td><td>↘</td></tr> <tr><td>27: 9.7</td><td>↘</td></tr> <tr><td>28: 9.2</td><td>➔</td></tr> <tr><td>29: 7.7</td><td>↑</td></tr> <tr><td>30: 9.2</td><td>↖</td></tr> <tr><td colspan="2"><hr/></td></tr> <tr><td>Series</td><td style="text-align:right;">84.0</td></tr> <tr><td colspan="2"><hr/></td></tr> <tr><td>Total</td><td style="text-align:right;">254.0</td></tr> </table>	21: 9.6	↘	22: 9.8	↗	23: 8.8	↖	24: 9.3	↖	25: 7.3	➔	26: 8.1	↘	27: 9.7	↘	28: 9.2	➔	29: 7.7	↑	30: 9.2	↖	<hr/>		Series	84.0	<hr/>		Total	254.0
11: 9.4	↘																																																								
12: 8.2	↗																																																								
13: 8.9	↖																																																								
14: 8.5	➔																																																								
15: 9.6	↗																																																								
16: 10.3x	↗																																																								
17: 9.5	↘																																																								
18: 9.6	↖																																																								
19: 9.9	↗																																																								
20: 7.5	↖																																																								
<hr/>																																																									
Series	86.0																																																								
<hr/>																																																									
Total	170.0																																																								
21: 9.6	↘																																																								
22: 9.8	↗																																																								
23: 8.8	↖																																																								
24: 9.3	↖																																																								
25: 7.3	➔																																																								
26: 8.1	↘																																																								
27: 9.7	↘																																																								
28: 9.2	➔																																																								
29: 7.7	↑																																																								
30: 9.2	↖																																																								
<hr/>																																																									
Series	84.0																																																								
<hr/>																																																									
Total	254.0																																																								

<p>60 Shots</p> <table style="width:100%; border-collapse: collapse;"> <tr><td>31: 8.9</td><td>↑</td></tr> <tr><td>32: 9.9</td><td>↖</td></tr> <tr><td>33: 9.1</td><td>➔</td></tr> <tr><td>34: 9.6</td><td>↗</td></tr> <tr><td>35: 7.9</td><td>↘</td></tr> <tr><td>36: 9.4</td><td>➔</td></tr> <tr><td>37: 9.5</td><td>↖</td></tr> <tr><td>38: 7.8</td><td>➔</td></tr> <tr><td>39: 7.8</td><td>➔</td></tr> <tr><td>40: 8.5</td><td>➔</td></tr> <tr><td colspan="2"><hr/></td></tr> <tr><td>Series</td><td style="text-align:right;">82.0</td></tr> <tr><td colspan="2"><hr/></td></tr> <tr><td>Total</td><td style="text-align:right;">336.0</td></tr> </table>	31: 8.9	↑	32: 9.9	↖	33: 9.1	➔	34: 9.6	↗	35: 7.9	↘	36: 9.4	➔	37: 9.5	↖	38: 7.8	➔	39: 7.8	➔	40: 8.5	➔	<hr/>		Series	82.0	<hr/>		Total	336.0	
31: 8.9	↑																												
32: 9.9	↖																												
33: 9.1	➔																												
34: 9.6	↗																												
35: 7.9	↘																												
36: 9.4	➔																												
37: 9.5	↖																												
38: 7.8	➔																												
39: 7.8	➔																												
40: 8.5	➔																												
<hr/>																													
Series	82.0																												
<hr/>																													
Total	336.0																												

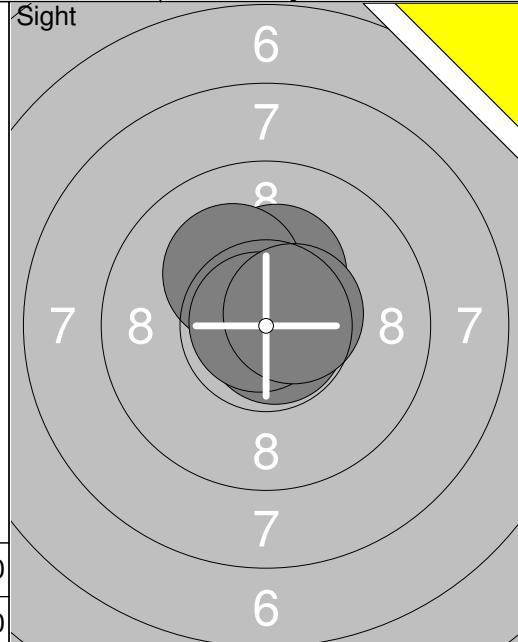
<p>Sight</p> 	<p>1: 10.7x →</p> <p>2: 10.8x ↓</p> <p>3: 10.7x →</p> <p>4: 9.8 ↓</p> <p>5: 10.8x ↓</p> <p>6: 10.4x →</p> <p>7: 10.0 ↓</p> <p>8: 10.0 ↓</p> <p>9: 10.5x ↙</p> <p>10: 10.6x ↓</p>	<p>60 Shots</p> 		<p>1: 10.2x ↙</p> <p>2: 10.8x ↓</p> <p>3: 10.5x ↓</p> <p>4: 9.8 ↓</p> <p>5: 9.8 ←</p> <p>6: 10.3x ←</p> <p>7: 10.6x →</p> <p>8: 10.1 ↗</p> <p>9: 10.7x ↓</p> <p>10: 10.3x ↖</p>
	Series 99.0			Series 98.0
	Total 0.0			Total 98.0

<p>60 Shots</p> 	<p>11: 10.5x ↙</p> <p>12: 10.4x ↑</p> <p>13: 10.5x →</p> <p>14: 10.4x ↖</p> <p>15: 10.4x ↖</p> <p>16: 10.3x ↓</p> <p>17: 10.6x ↗</p> <p>18: 10.5x ↗</p> <p>19: 10.8x ↙</p> <p>20: 10.7x ←</p>	<p>60 Shots</p> 		<p>21: 10.6x ↓</p> <p>22: 10.7x ↑</p> <p>23: 10.5x ↑</p> <p>24: 10.8x ↓</p> <p>25: 10.7x ↓</p> <p>26: 10.5x ↑</p> <p>27: 10.7x ←</p> <p>28: 10.9x ↗</p> <p>29: 10.5x ↗</p> <p>30: 10.5x ↖</p>
	Series 100.0			Series 100.0
	Total 198.0			Total 298.0

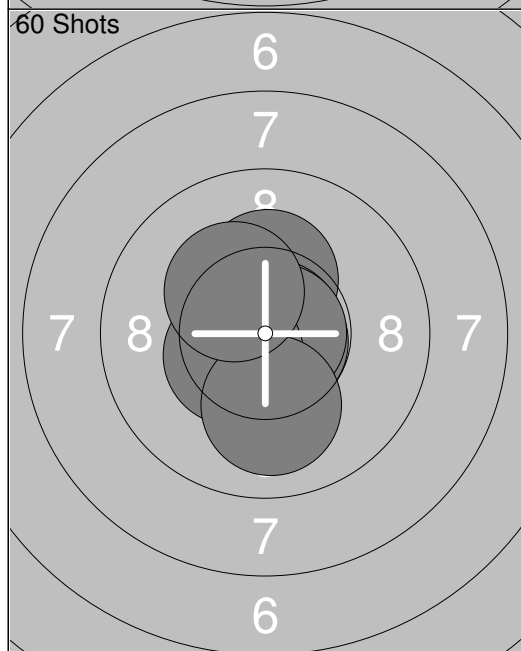
<p>60 Shots</p> 	<p>31: 10.7x ↙</p> <p>32: 10.8x ↙</p> <p>33: 10.8x ↙</p> <p>34: 10.0 →</p> <p>35: 10.2x ↓</p> <p>36: 10.5x ↓</p> <p>37: 10.6x ↑</p> <p>38: 10.1 →</p> <p>39: 10.6x ↙</p> <p>40: 10.7x ←</p>			
	Series 100.0			
	Total 398.0			



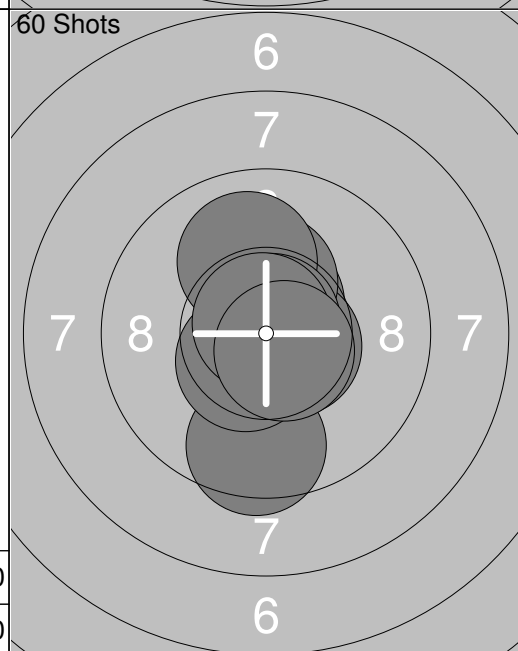
1: 10.1 ↗
2: 10.2x →
3: 9.8 →
4: 10.0 →
5: 10.3x →
6: 9.8 ↗
7: 9.9 ↗
8: 9.4 ↗
9: 10.5x ↗
10: 10.1 ←
Series 96.0
Total 0.0



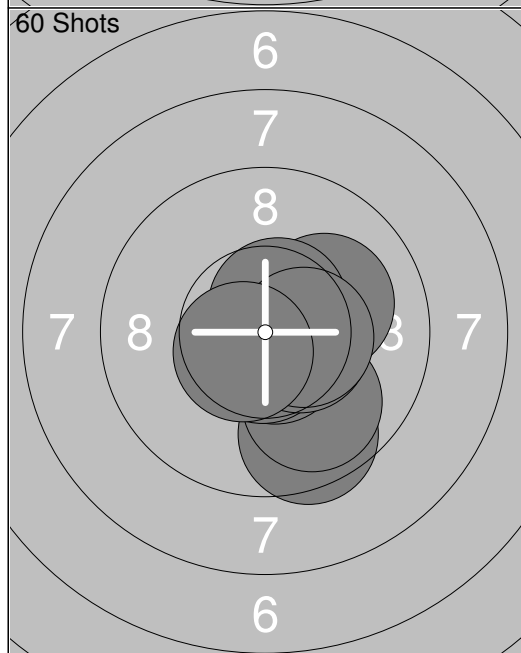
11: 10.8x ↘
12: 10.3x ↗
13: 10.2x ↖
14: 10.9x ↖
15: 10.6x →
Series 50.0
Total 0.0



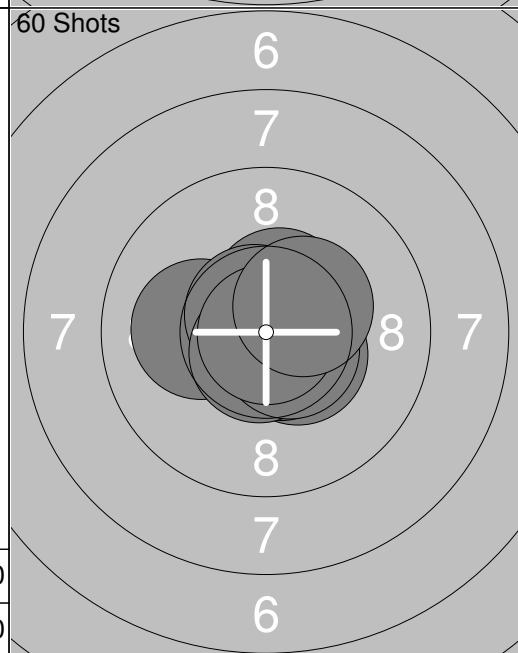
1: 10.6x ↖
2: 10.3x ↗
3: 10.8x ↖
4: 10.8x →
5: 10.6x ↖
6: 10.8x ↘
7: 10.8x →
8: 10.5x ↖
9: 10.0 ↓
10: 10.3x ↖
Series 100.0
Total 100.0



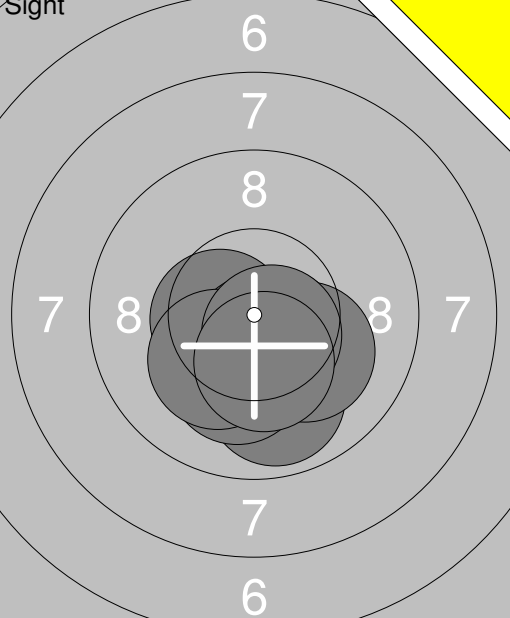
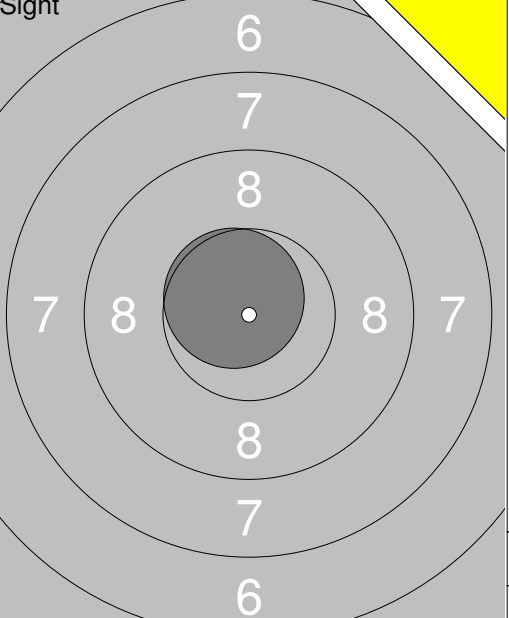
11: 10.7x ↗
12: 10.6x ↗
13: 10.6x →
14: 10.3x ↗
15: 10.0 ↗
16: 9.5 ↓
17: 10.8x ↗
18: 10.5x ↖
19: 10.8x ↗
20: 10.6x ↘
Series 99.0
Total 199.0

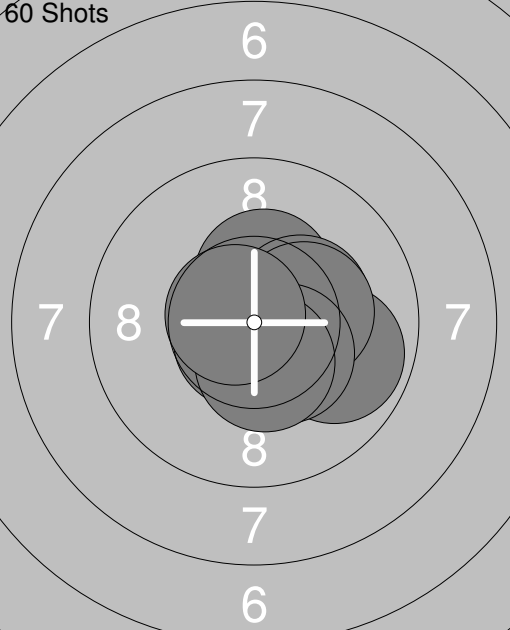
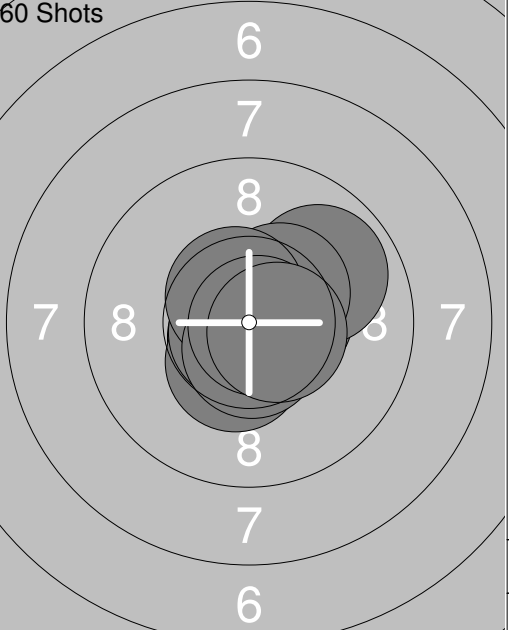


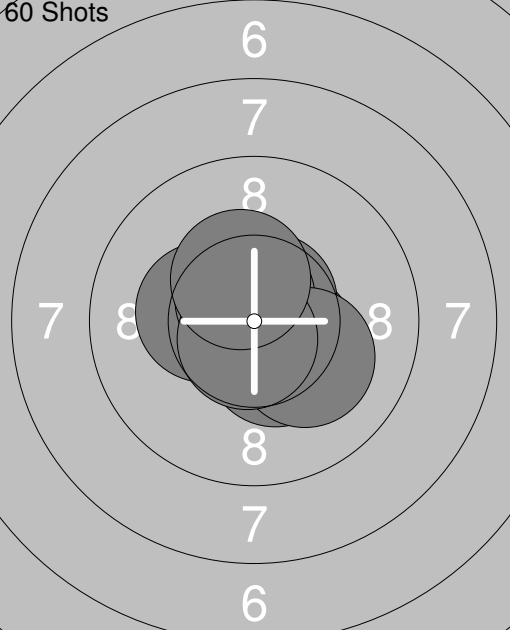
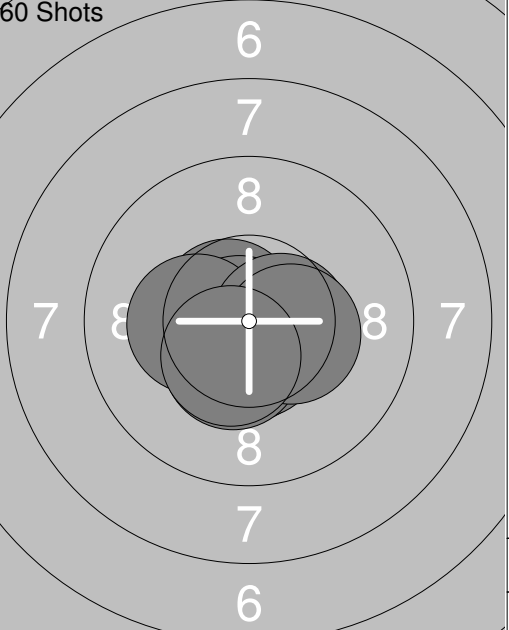
21: 10.5x →
22: 10.1 →
23: 9.5 ↓
24: 9.9 ↓
25: 10.6x ↘
26: 10.7x ↘
27: 10.6x ↗
28: 10.5x →
29: 10.5x →
30: 10.6x ↖
Series 98.0
Total 297.0

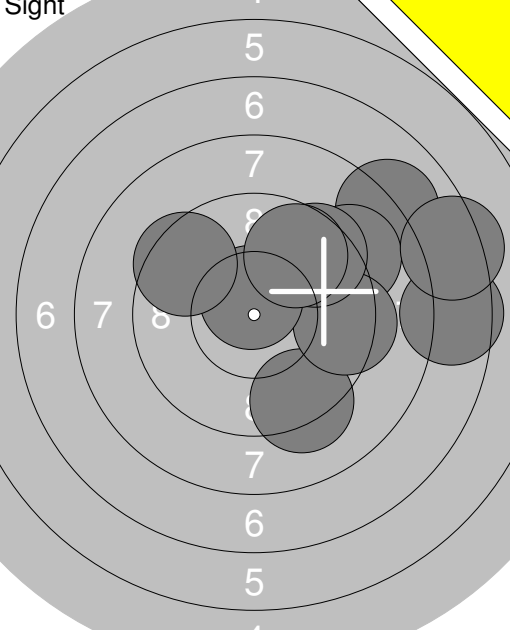
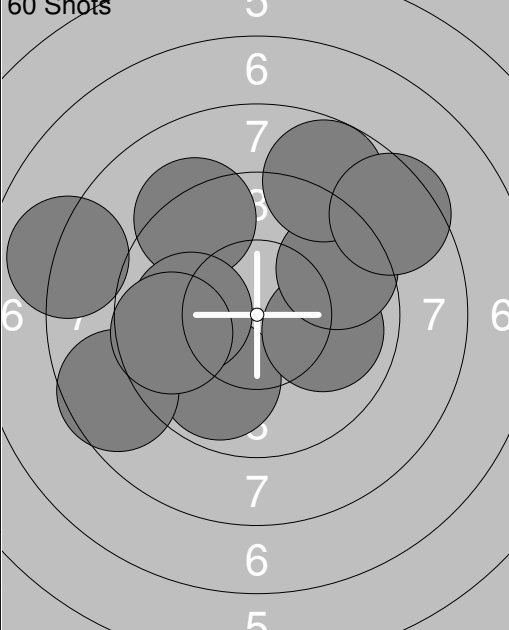


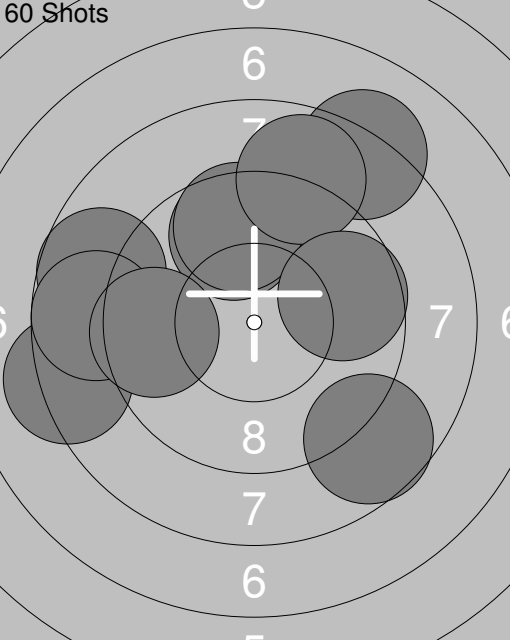
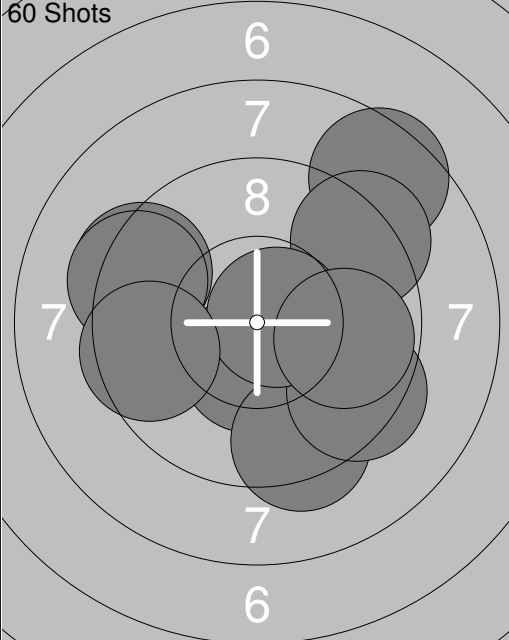
31: 10.5x ↘
32: 10.9x ↓
33: 10.5x ↗
34: 10.1 ←
35: 10.7x ↘
36: 10.7x ↖
37: 10.7x ↘
38: 10.6x ↘
39: 10.9x ↘
40: 10.4x ↗
Series 100.0
Total 397.0

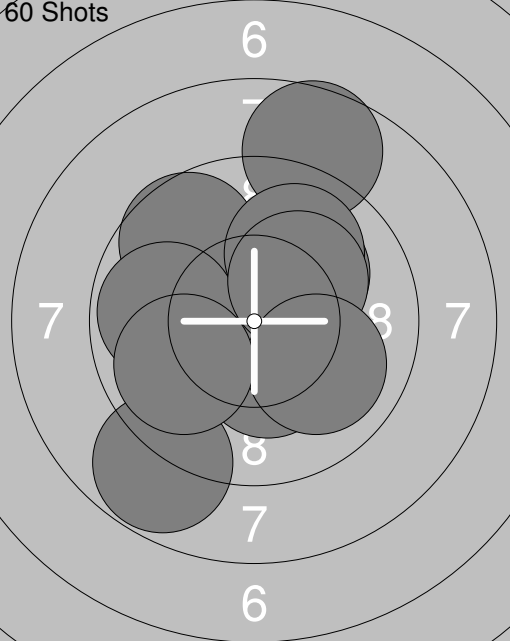
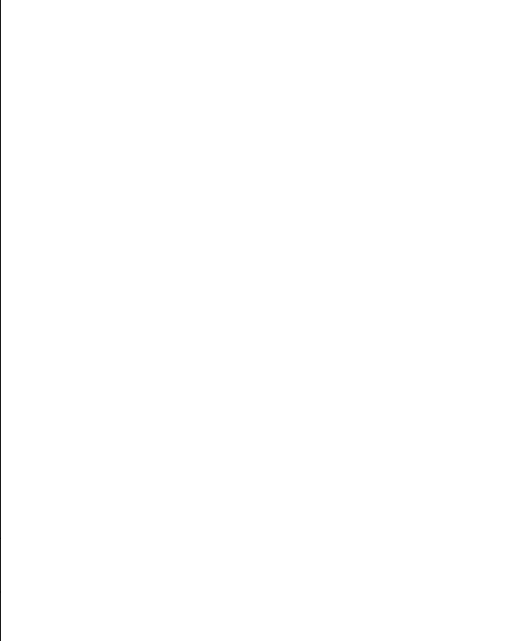
 <p style="text-align:center;">Sight</p>	<p>1: 10.4x ↓</p> <p>2: 9.9 ↓</p> <p>3: 10.5x ↓</p> <p>4: 10.2x ↓</p> <p>5: 10.5x ←</p> <p>6: 10.6x ↓</p> <p>7: 10.2x ↓</p> <p>8: 10.1 →</p> <p>9: 10.6x ↓</p> <p>10: 10.3x ↓</p>	 <p style="text-align:center;">Sight</p>	<p>11: 10.7x ↖</p>
Series 99.0	Total 0.0	Series 10.0	Total 0.0

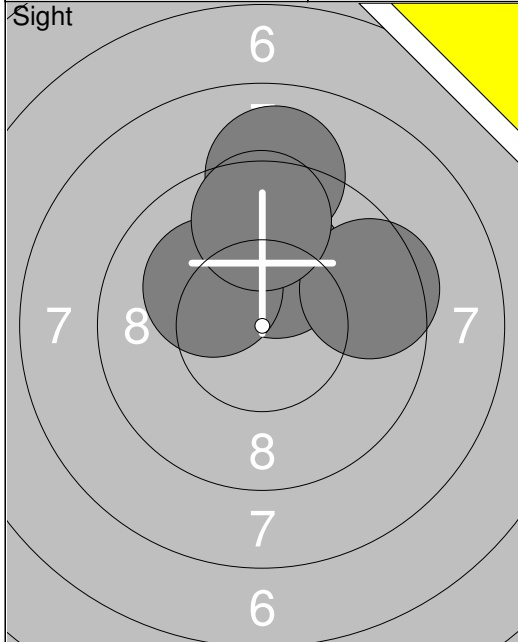
 <p style="text-align:center;">60 Shots</p>	<p>1: 10.6x ↓</p> <p>2: 10.6x ↗</p> <p>3: 10.4x ↑</p> <p>4: 10.3x →</p> <p>5: 9.9 →</p> <p>6: 10.7x ↓</p> <p>7: 10.3x →</p> <p>8: 10.4x ↓</p> <p>9: 10.4x ↓</p> <p>10: 10.7x ↖</p>	 <p style="text-align:center;">60 Shots</p>	<p>11: 10.5x →</p> <p>12: 10.7x ↙</p> <p>13: 10.4x ↓</p> <p>14: 9.9 ↗</p> <p>15: 10.8x ↙</p> <p>16: 10.4x ↗</p> <p>17: 10.6x ↖</p> <p>18: 10.6x ↓</p> <p>19: 10.8x →</p> <p>20: 10.6x →</p>
Series 99.0	Total 99.0	Series 99.0	Total 198.0

 <p style="text-align:center;">60 Shots</p>	<p>21: 10.4x ↓</p> <p>22: 10.5x ↓</p> <p>23: 10.3x ←</p> <p>24: 10.8x ↑</p> <p>25: 10.9x ↖</p> <p>26: 10.7x ↗</p> <p>27: 10.6x ↗</p> <p>28: 10.2x ↓</p> <p>29: 10.7x ↓</p> <p>30: 10.4x ↗</p>	 <p style="text-align:center;">60 Shots</p>	<p>31: 10.5x ↓</p> <p>32: 10.6x ↓</p> <p>33: 10.4x ↓</p> <p>34: 10.6x ↖</p> <p>35: 10.7x ↓</p> <p>36: 10.8x ↖</p> <p>37: 10.3x ←</p> <p>38: 10.5x →</p> <p>39: 10.4x →</p> <p>40: 10.4x ↓</p>
Series 100.0	Total 298.0	Series 100.0	Total 398.0

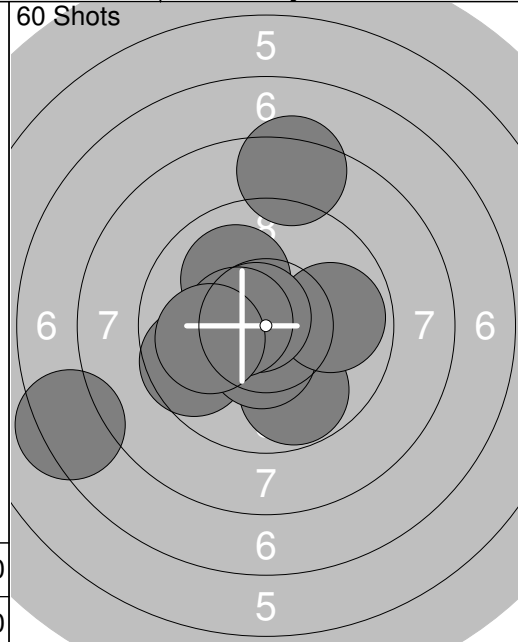
<p>Sight</p> 	<p>60 Shots</p> 	
<p>1: 9.3 ↘</p> <p>2: 7.5 →</p> <p>3: 8.0 ↗</p> <p>4: 9.0 ↗</p> <p>5: 9.4 →</p> <p>6: 10.6x ↑</p> <p>7: 9.5 ↗</p> <p>8: 7.3 →</p> <p>9: 9.7 ↗</p> <p>10: 9.5 ↖</p>	<p>1: 9.9 ↘</p> <p>2: 8.6 ↙</p> <p>3: 8.0 ↖</p> <p>4: 9.3 ↗</p> <p>5: 10.0 ←</p> <p>6: 10.0 →</p> <p>7: 9.6 ↗</p> <p>8: 9.7 ←</p> <p>9: 8.8 ↗</p> <p>10: 8.5 ↗</p>	
Series 86.0	Series 88.0	
Total 0.0	Total 88.0	

<p>60 Shots</p> 	<p>60 Shots</p> 	
<p>11: 9.7 ↑</p> <p>12: 8.7 ↖</p> <p>13: 8.2 ↗</p> <p>14: 8.2 ←</p> <p>15: 9.6 ↑</p> <p>16: 8.9 ↑</p> <p>17: 8.7 ↘</p> <p>18: 8.7 ←</p> <p>19: 9.7 →</p> <p>20: 9.6 ←</p>	<p>21: 8.5 ↗</p> <p>22: 10.4x ↓</p> <p>23: 9.3 ↘</p> <p>24: 9.3 ↗</p> <p>25: 9.4 ↘</p> <p>26: 9.4 ↖</p> <p>27: 9.3 ↖</p> <p>28: 10.7x →</p> <p>29: 9.5 ←</p> <p>30: 9.8 →</p>	
Series 84.0	Series 91.0	
Total 172.0	Total 263.0	

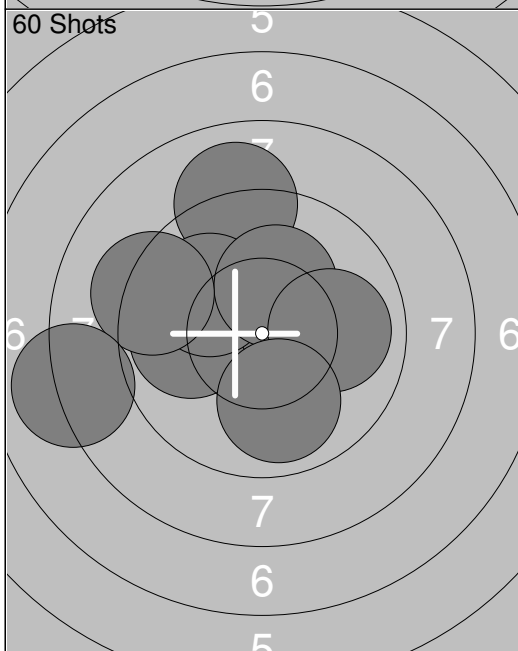
<p>60 Shots</p> 	<p>60 Shots</p> 	
<p>31: 10.3x ↓</p> <p>32: 8.7 ↑</p> <p>33: 10.1 ↗</p> <p>34: 9.6 ↖</p> <p>35: 9.9 ↗</p> <p>36: 8.8 ↘</p> <p>37: 9.8 ←</p> <p>38: 10.2x ↗</p> <p>39: 10.0 ↘</p> <p>40: 9.9 ↖</p>		
Series 92.0		
Total 355.0		



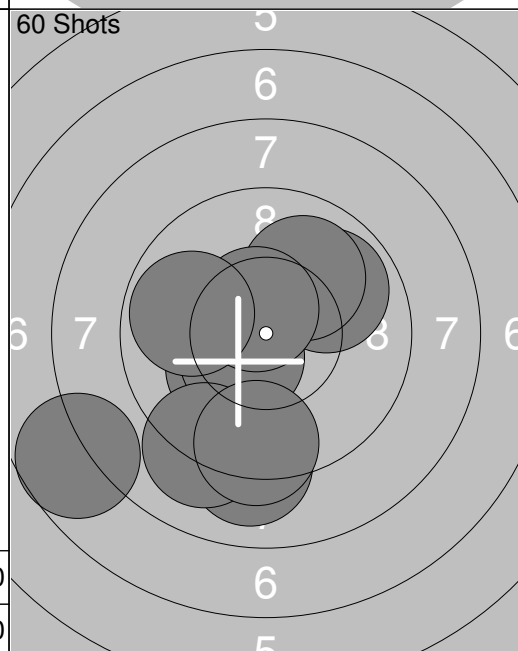
1:	10.2x	↗
2:	9.0	↑
3:	10.2x	↖
4:	9.5	→
5:	9.6	↑
Series		47.0
Total		0.0



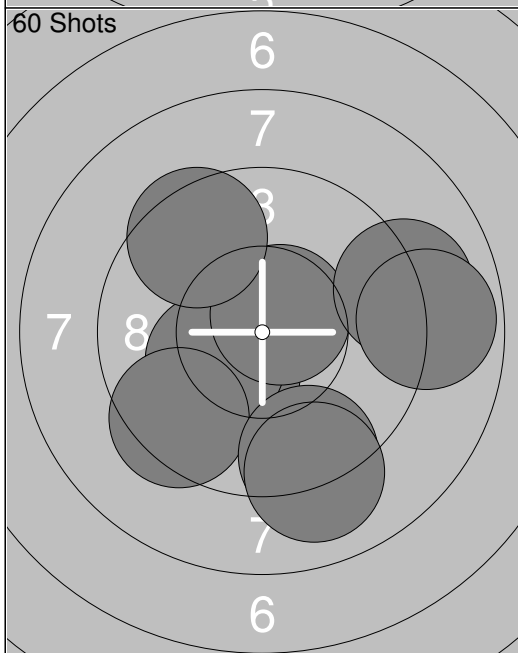
1:	9.8	↘
2:	9.6	↙
3:	10.5x	↘
4:	9.9	→
5:	7.3	↙
6:	10.0	↖
7:	10.7x	↖
8:	8.4	↑
9:	10.5x	↙
10:	10.0	↙
Series		92.0
Total		92.0



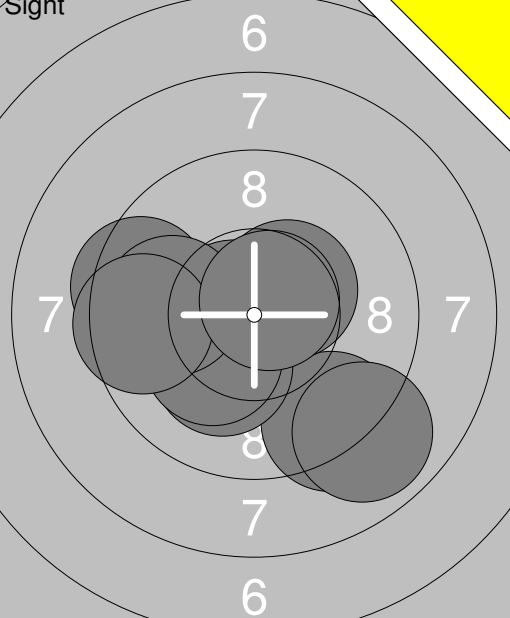
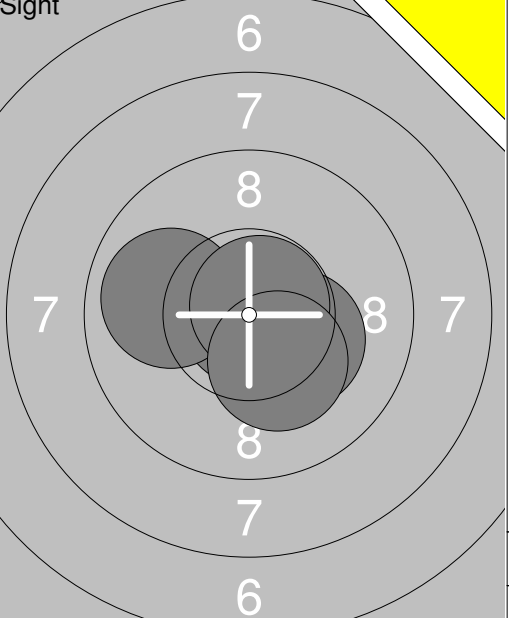
11:	10.6x	→
12:	9.9	←
13:	10.4x	→
14:	9.0	↑
15:	10.0	↖
16:	10.2x	↑
17:	10.0	→
18:	9.9	↘
19:	9.3	↙
20:	8.1	←
Series		94.0
Total		186.0

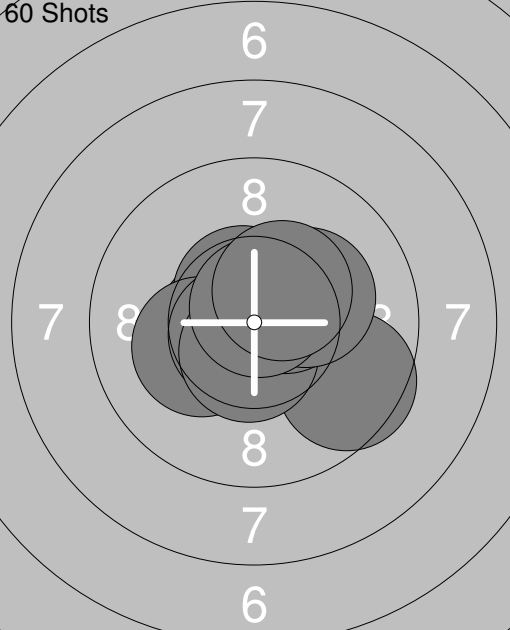
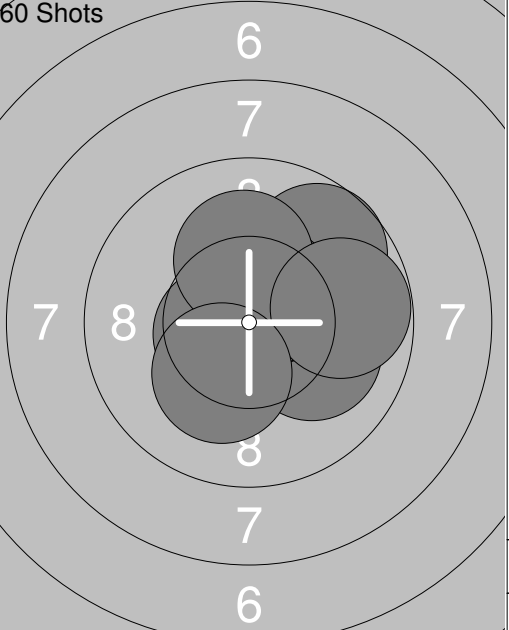


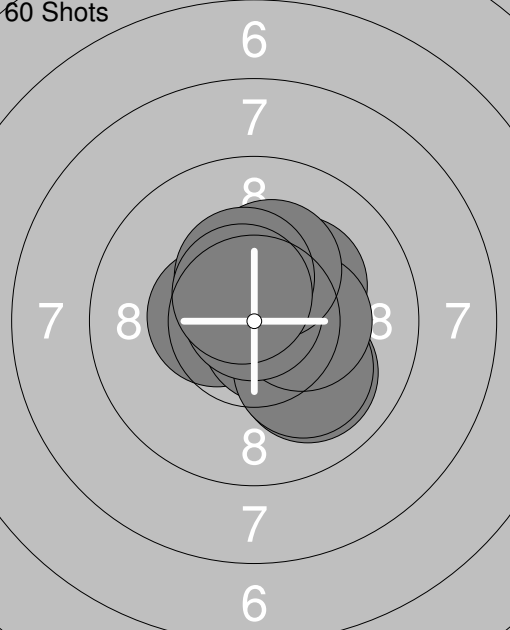
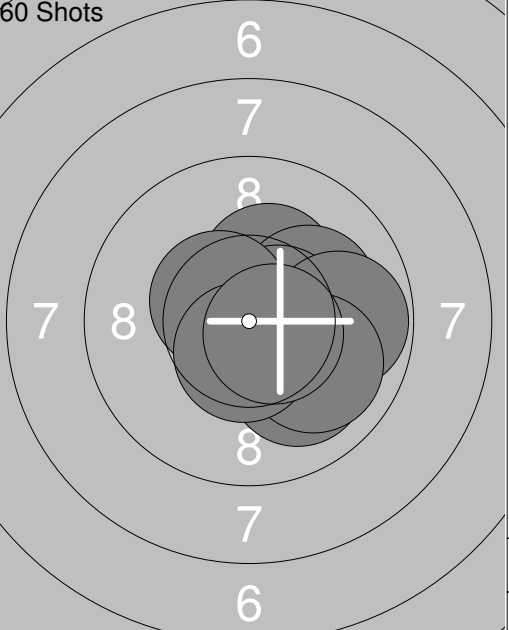
21:	9.9	↗
22:	10.2x	↙
23:	9.1	↘
24:	10.0	↗
25:	10.5x	↙
26:	10.6x	↖
27:	9.8	↙
28:	9.1	↘
29:	9.4	↘
30:	7.7	↙
Series		92.0
Total		278.0

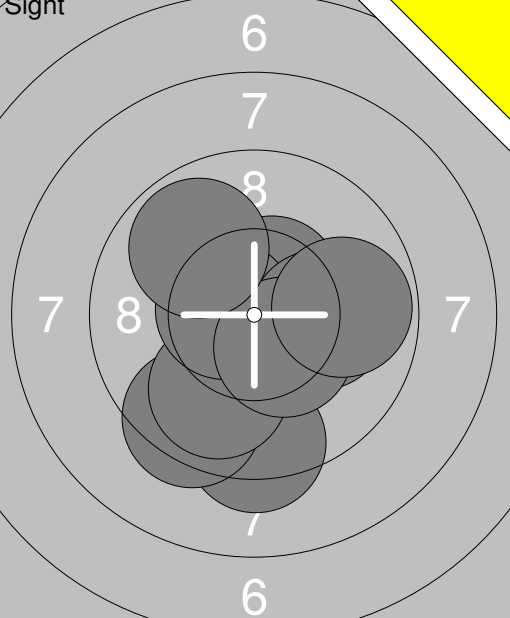
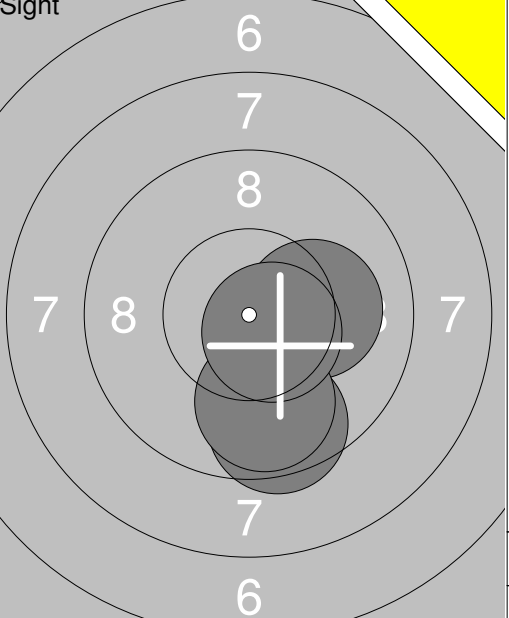


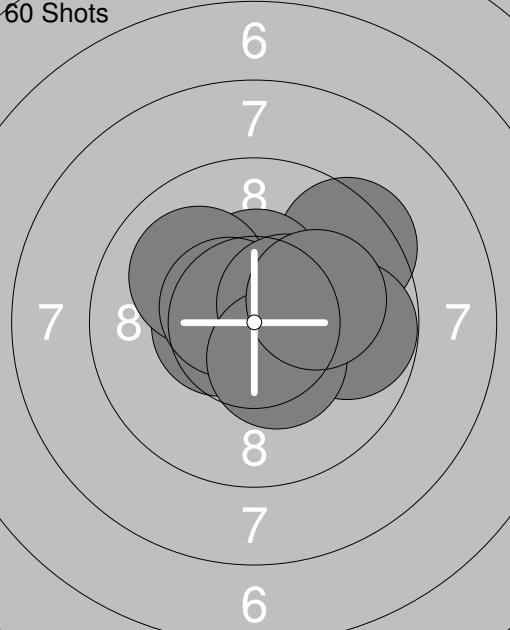
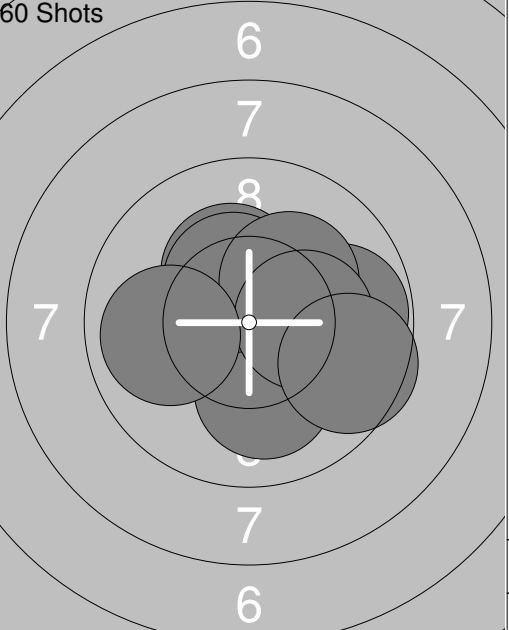
31:	10.1	↙
32:	10.2x	↙
33:	10.2x	↙
34:	10.6x	↗
35:	9.5	↖
36:	9.1	→
37:	9.4	↙
38:	9.3	↘
39:	8.9	→
40:	9.0	↘
Series		93.0
Total		371.0

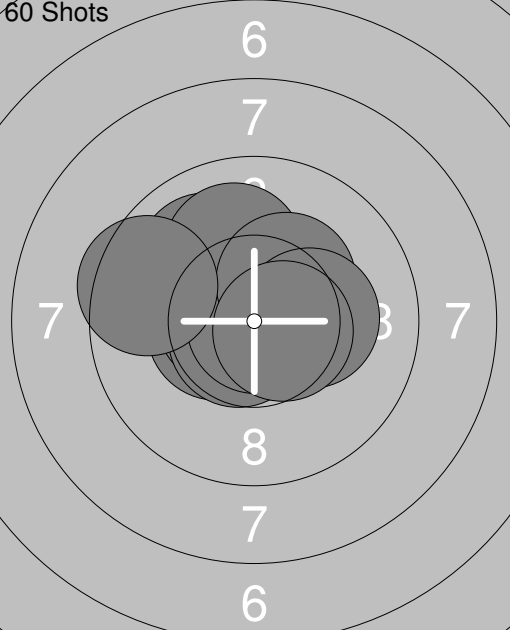
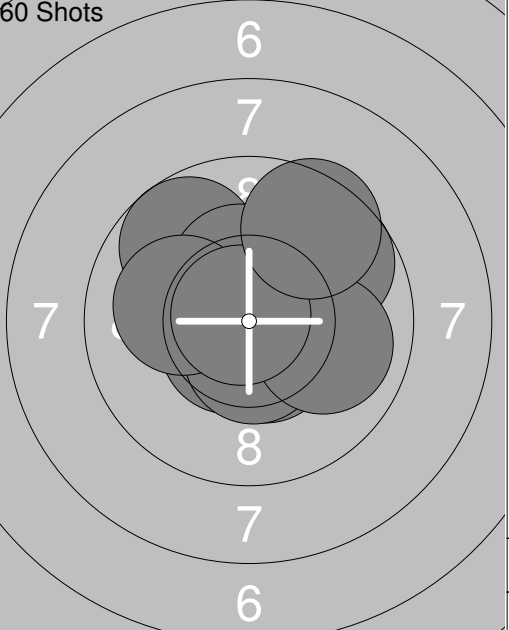
 <p style="text-align:center;">Sight</p>	<p>1: 9.3 ↘ 2: 8.9 ↘ 3: 10.2x ↘ 4: 10.7x ← 5: 10.2x ↘ 6: 9.5 ← 7: 9.9 ← 8: 9.5 ← 9: 10.4x ↗ 10: 10.7x ↗</p> <table border="1" style="width:100%; border-collapse: collapse;"> <tr><td>Series</td><td style="text-align:right;">94.0</td></tr> <tr><td>Total</td><td style="text-align:right;">0.0</td></tr> </table>	Series	94.0	Total	0.0	 <p style="text-align:center;">Sight</p>	<p>11: 10.3x → 12: 10.9x ↓ 13: 9.9 ← 14: 10.8x ↗ 15: 10.3x ↓</p> <table border="1" style="width:100%; border-collapse: collapse;"> <tr><td>Series</td><td style="text-align:right;">49.0</td></tr> <tr><td>Total</td><td style="text-align:right;">0.0</td></tr> </table>	Series	49.0	Total	0.0
Series	94.0										
Total	0.0										
Series	49.0										
Total	0.0										

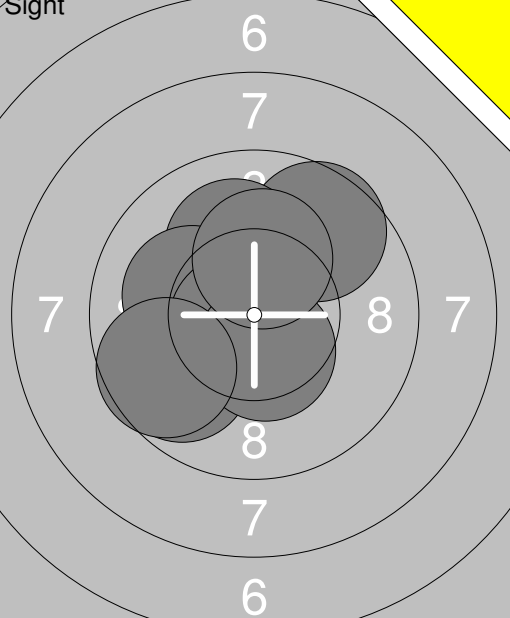
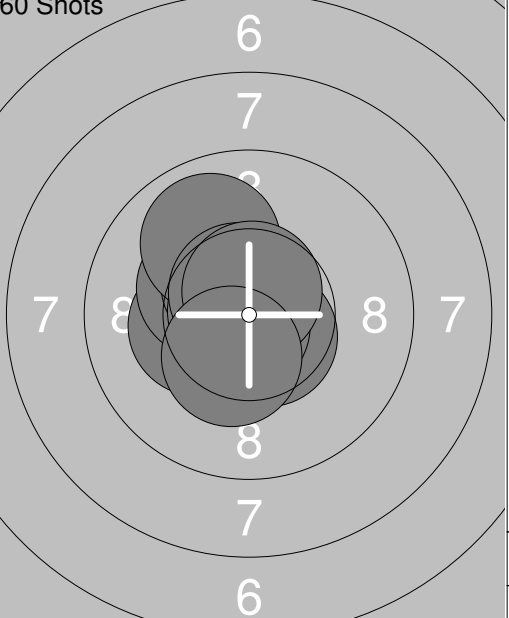
 <p style="text-align:center;">60 Shots</p>	<p>1: 10.6x ← 2: 10.6x ↗ 3: 10.2x ← 4: 10.7x ↘ 5: 9.6 ↘ 6: 10.6x ↓ 7: 10.5x ↗ 8: 10.2x ↗ 9: 10.7x ↗ 10: 10.4x ↗</p> <table border="1" style="width:100%; border-collapse: collapse;"> <tr><td>Series</td><td style="text-align:right;">99.0</td></tr> <tr><td>Total</td><td style="text-align:right;">99.0</td></tr> </table>	Series	99.0	Total	99.0	 <p style="text-align:center;">60 Shots</p>	<p>11: 10.3x → 12: 10.8x ↓ 13: 10.6x ← 14: 10.1 → 15: 10.5x ↗ 16: 9.7 ↗ 17: 10.5x ↗ 18: 10.2x ↑ 19: 9.8 → 20: 10.2x ↓</p> <table border="1" style="width:100%; border-collapse: collapse;"> <tr><td>Series</td><td style="text-align:right;">98.0</td></tr> <tr><td>Total</td><td style="text-align:right;">197.0</td></tr> </table>	Series	98.0	Total	197.0
Series	99.0										
Total	99.0										
Series	98.0										
Total	197.0										

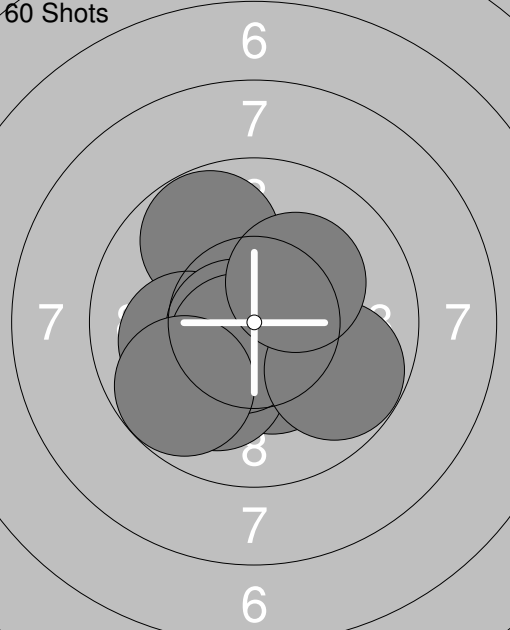
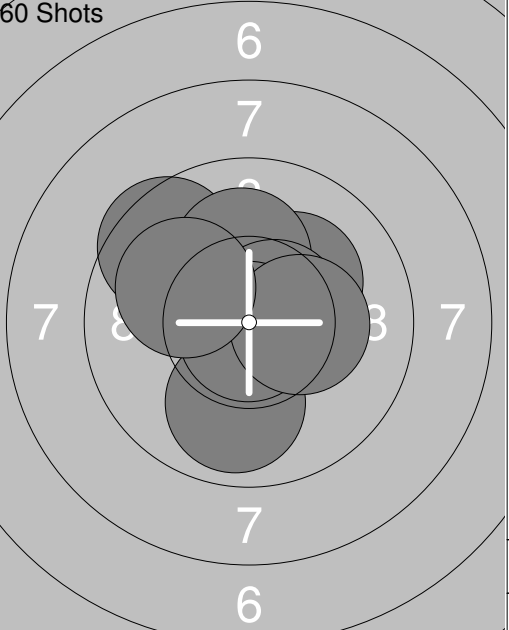
 <p style="text-align:center;">60 Shots</p>	<p>21: 10.2x ↗ 22: 10.5x ← 23: 10.7x → 24: 10.0 ↓ 25: 10.1 ↓ 26: 10.3x → 27: 10.8x ↑ 28: 10.3x ↑ 29: 10.4x ↑ 30: 10.6x ↗</p> <table border="1" style="width:100%; border-collapse: collapse;"> <tr><td>Series</td><td style="text-align:right;">100.0</td></tr> <tr><td>Total</td><td style="text-align:right;">297.0</td></tr> </table>	Series	100.0	Total	297.0	 <p style="text-align:center;">60 Shots</p>	<p>31: 10.6x → 32: 10.3x ↑ 33: 10.1 → 34: 10.6x → 35: 9.8 → 36: 10.5x ← 37: 10.0 ↓ 38: 10.0 ↓ 39: 10.6x ↓ 40: 10.6x →</p> <table border="1" style="width:100%; border-collapse: collapse;"> <tr><td>Series</td><td style="text-align:right;">99.0</td></tr> <tr><td>Total</td><td style="text-align:right;">396.0</td></tr> </table>	Series	99.0	Total	396.0
Series	100.0										
Total	297.0										
Series	99.0										
Total	396.0										

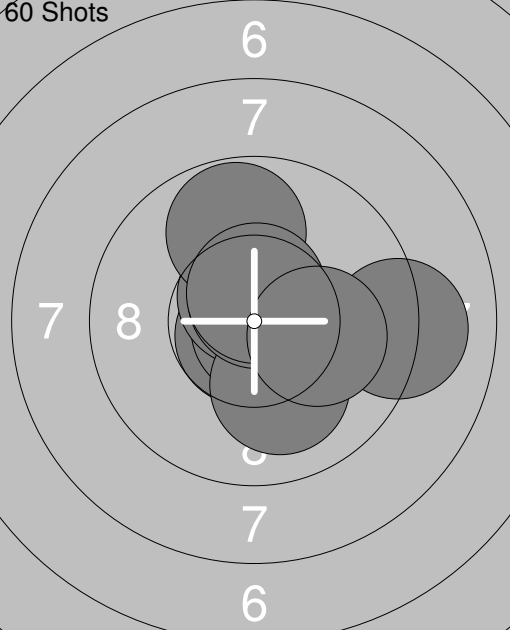
Sight 	Sight 	
1: 9.3 ↓ 2: 9.4 ↘ 3: 10.5x ↗ 4: 10.6x ↘ 5: 9.9 ↓ 6: 10.6x ← 7: 10.1 → 8: 10.4x ↘ 9: 9.8 → 10: 9.8 ↖	11: 10.1 → 12: 9.5 ↓ 13: 9.8 ↓ 14: 10.6x ↘	
Series 95.0	Series 38.0	
Total 0.0	Total 0.0	

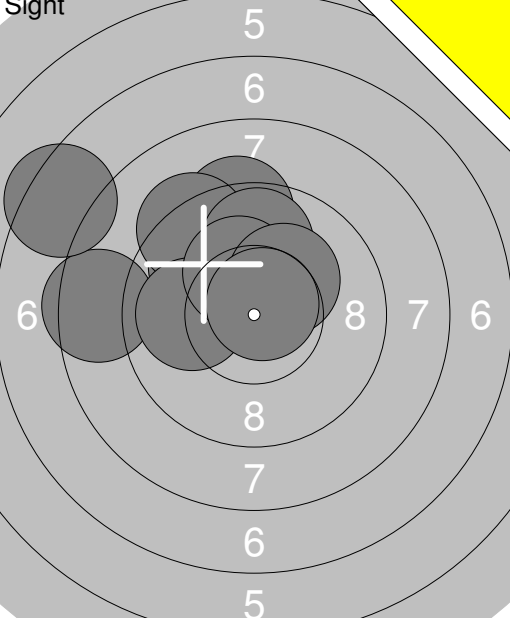
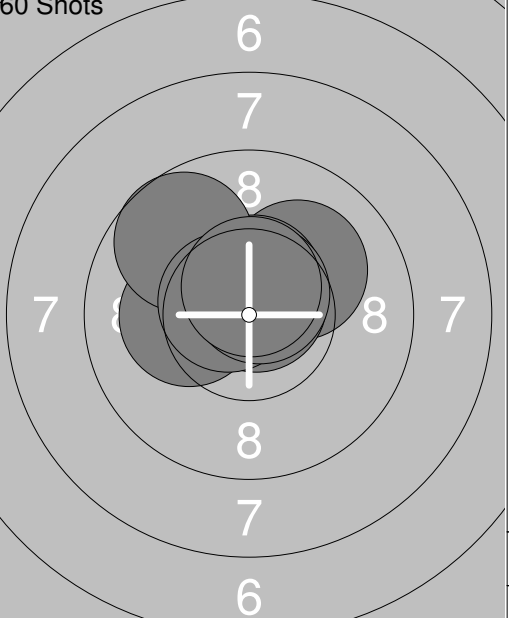
60 Shots 	60 Shots 	
1: 10.5x ↗ 2: 9.4 ↗ 3: 10.5x ← 4: 10.4x ↗ 5: 9.8 → 6: 10.0 ↖ 7: 10.6x ↖ 8: 10.5x ↗ 9: 10.4x ↘ 10: 10.1 →	11: 10.3x ↖ 12: 9.8 → 13: 10.8x ↘ 14: 10.7x → 15: 10.1 ↓ 16: 10.4x ↖ 17: 10.2x ↗ 18: 10.2x → 19: 9.9 ← 20: 9.6 →	
Series 98.0	Series 97.0	
Total 98.0	Total 195.0	

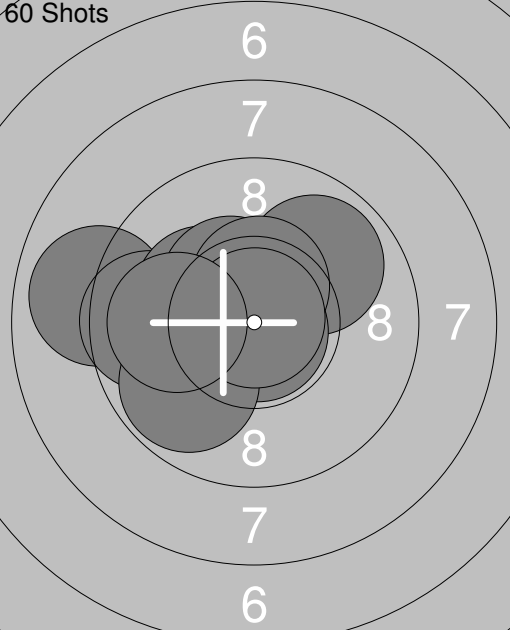
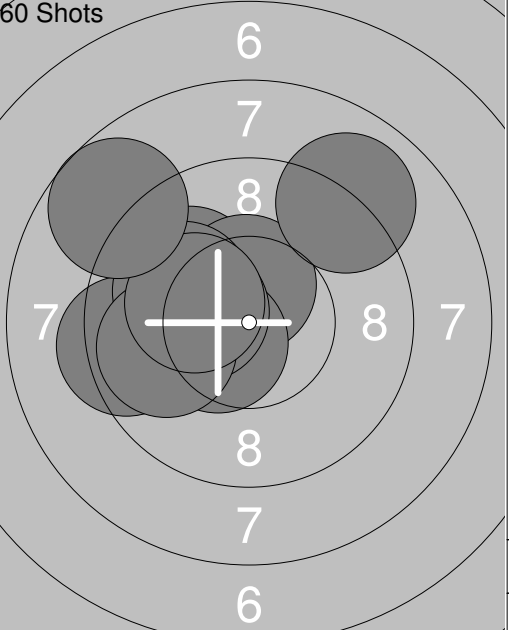
60 Shots 	60 Shots 	
21: 10.5x ← 22: 10.0 ↖ 23: 10.6x ← 24: 10.7x ↘ 25: 10.9x ↘ 26: 10.0 ↗ 27: 10.3x ↗ 28: 10.2x → 29: 9.5 ← 30: 10.6x →	31: 10.6x ↘ 32: 9.7 ↖ 33: 10.5x ↘ 34: 10.3x ↗ 35: 10.5x ↘ 36: 9.7 ↗ 37: 10.0 → 38: 10.1 ← 39: 10.8x ↖ 40: 9.5 ↗	
Series 99.0	Series 97.0	
Total 294.0	Total 391.0	

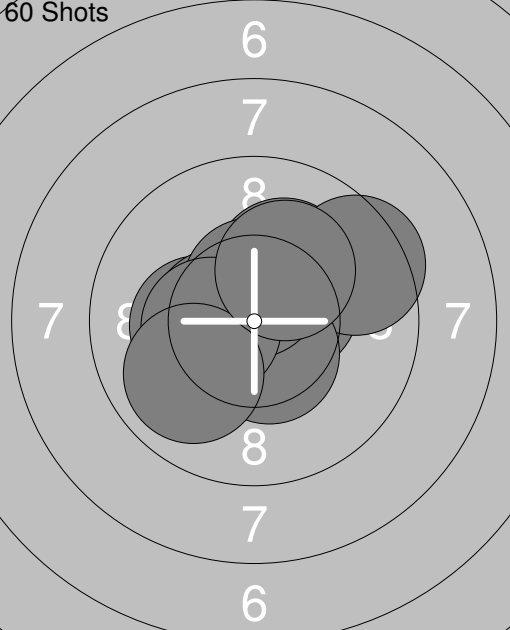
<p>Sight</p> 	<p>1: 9.8 ↙ 2: 10.4x ↗ 3: 9.6 ↗ 4: 10.1 ↑ 5: 10.7x ↓ 6: 10.1 ← 7: 10.7x ↙ 8: 10.5x ↓ 9: 10.2x ↑ 10: 9.6 ↙</p> <p>Series 97.0 Total 0.0</p>	<p>60 Shots</p>  <p>1: 10.3x ↙ 2: 10.3x ↙ 3: 10.6x ↓ 4: 10.5x ↗ 5: 9.9 ↑ 6: 10.8x ↙ 7: 10.8x ↙ 8: 10.6x ↗ 9: 10.7x ↑ 10: 10.4x ↓</p> <p>Series 99.0 Total 99.0</p>
---	--	--

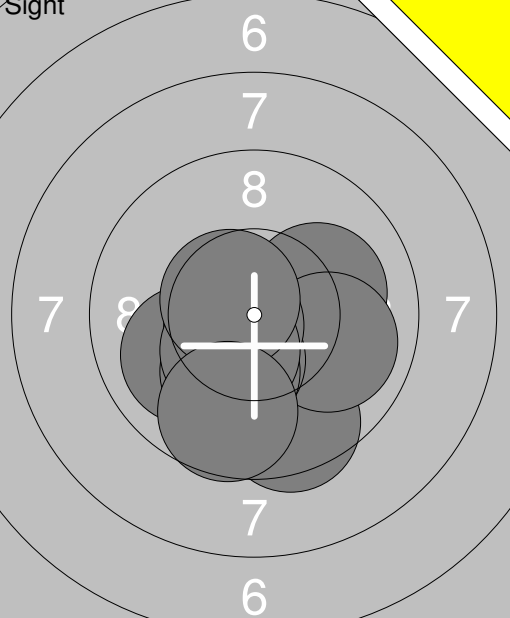
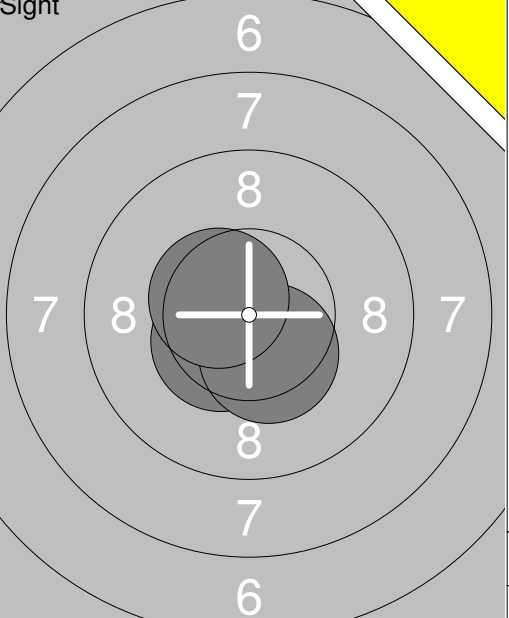
<p>60 Shots</p> 	<p>11: 10.5x ↑ 12: 9.8 ↗ 13: 10.4x ↓ 14: 10.1 ↓ 15: 10.1 ← 16: 10.7x ↙ 17: 10.6x ↙ 18: 9.8 → 19: 10.2x ↗ 20: 9.7 ↙</p> <p>Series 97.0 Total 196.0</p>	<p>60 Shots</p>  <p>21: 10.4x ↑ 22: 9.9 ↓ 23: 10.2x ↗ 24: 9.5 ↙ 25: 10.1 ↑ 26: 10.9x ↓ 27: 10.6x ↗ 28: 10.8x ↓ 29: 10.3x → 30: 10.0 ↙</p> <p>Series 98.0 Total 294.0</p>
---	---	---


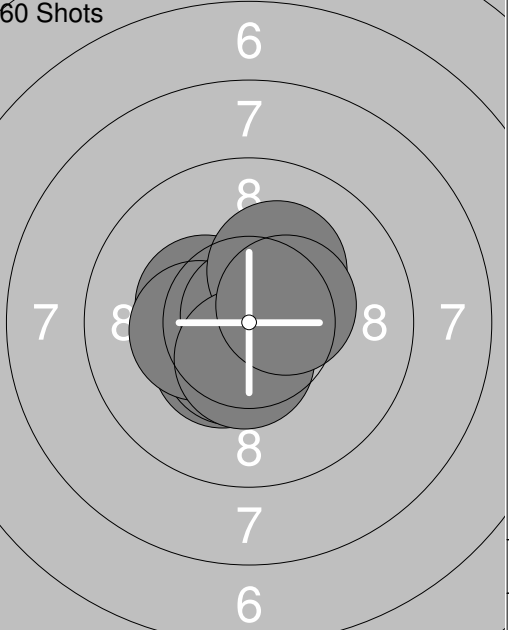
<p>60 Shots</p> 	<p>31: 10.7x ↙ 32: 10.3x ↓ 33: 10.8x ↓ 34: 10.6x ↑ 35: 9.8 ↑ 36: 9.1 → 37: 10.1 ↓ 38: 10.7x ↑ 39: 10.6x ↑ 40: 10.1 →</p> <p>Series 98.0 Total 392.0</p>	
--	---	--

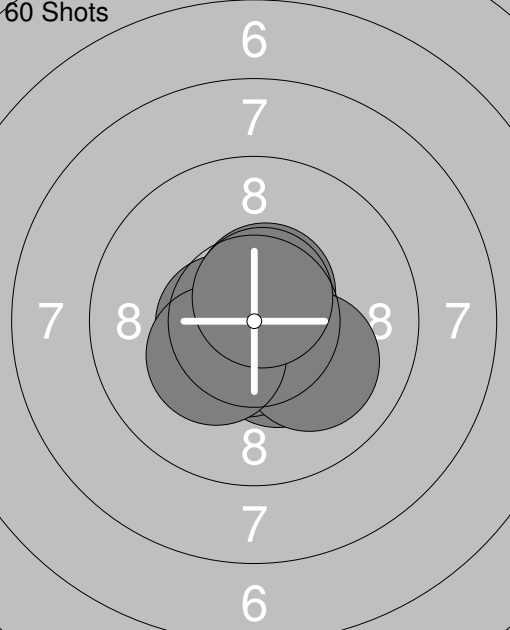
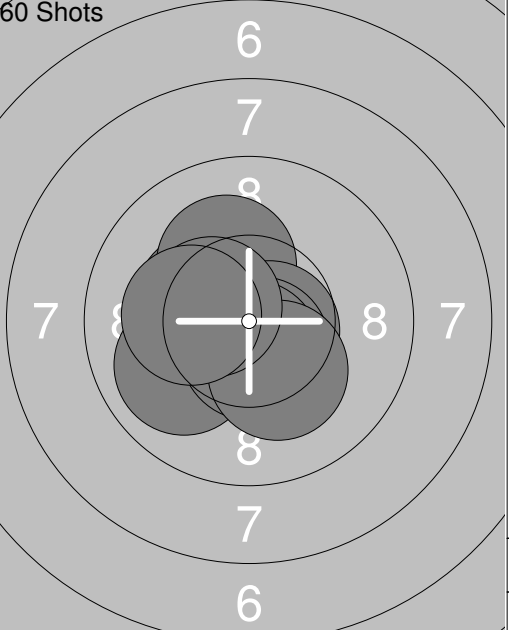
<p>Sight</p> 	<p>60 Shots</p> 	<p>1: 8.5 ←</p> <p>2: 7.4 ↖</p> <p>3: 9.9 ↗</p> <p>4: 9.3 ↑</p> <p>5: 9.3 ↖</p> <p>6: 10.0 ←</p> <p>7: 9.8 ↑</p> <p>8: 10.2x ↗</p> <p>9: 10.2x ↗</p> <p>10: 10.7x ↗</p> <hr/> <p>Series 91.0</p> <p>Total 0.0</p>	<p>1: 10.1 ↗</p> <p>2: 10.6x ↑</p> <p>3: 10.6x ↖</p> <p>4: 10.2x ←</p> <p>5: 10.6x ↑</p> <p>6: 9.7 ↖</p> <p>7: 10.8x ↗</p> <p>8: 10.6x ↖</p> <p>9: 10.6x ↑</p> <p>10: 10.6x ↑</p> <hr/> <p>Series 99.0</p> <p>Total 99.0</p>
---	--	---	--

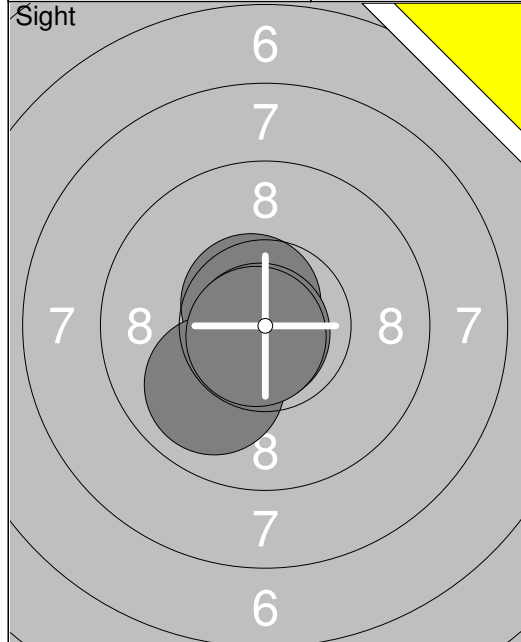
<p>60 Shots</p> 	<p>60 Shots</p> 	<p>11: 8.9 ←</p> <p>12: 9.6 ←</p> <p>13: 9.9 ↗</p> <p>14: 10.8x ↓</p> <p>15: 10.2x ↖</p> <p>16: 10.4x ↖</p> <p>17: 10.5x ↑</p> <p>18: 9.8 ↖</p> <p>19: 10.9x ↑</p> <p>20: 10.0 ←</p> <hr/> <p>Series 95.0</p> <p>Total 194.0</p>	<p>21: 10.0 ↖</p> <p>22: 9.4 ←</p> <p>23: 10.5x ↑</p> <p>24: 10.5x ↖</p> <p>25: 10.3x ←</p> <p>26: 10.0 ↖</p> <p>27: 9.9 ←</p> <p>28: 10.2x ↖</p> <p>29: 9.0 ↗</p> <p>30: 8.7 ↖</p> <hr/> <p>Series 95.0</p> <p>Total 289.0</p>
---	---	--	---

<p>60 Shots</p> 	<p>31: 10.5x ↗</p> <p>32: 10.2x ↗</p> <p>33: 9.5 ↗</p> <p>34: 10.3x ←</p> <p>35: 10.5x ←</p> <p>36: 10.5x ↓</p> <p>37: 10.5x ↑</p> <p>38: 10.4x ←</p> <p>39: 9.9 ↖</p> <p>40: 10.2x ↗</p> <hr/> <p>Series 98.0</p> <p>Total 387.0</p>	
--	---	--

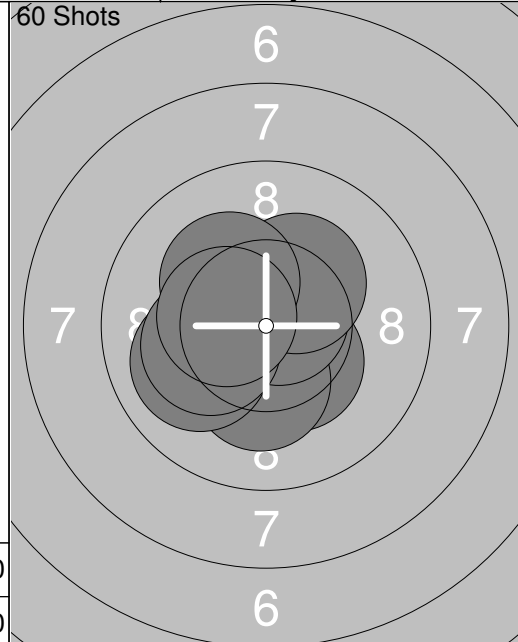
	<p>Sight</p> <p>1: 10.0 ↙</p> <p>2: 9.5 ↓</p> <p>3: 10.1 →</p> <p>4: 9.9 →</p> <p>5: 10.3x ↓</p> <p>6: 10.7x ↙</p> <p>7: 10.2x ↓</p> <p>8: 10.4x ↙</p> <p>9: 10.6x ↙</p> <p>10: 9.7 ↓</p>		<p>Sight</p> <p>11: 10.5x ↙</p> <p>12: 10.4x ↓</p> <p>13: 10.5x ↙</p>
Series	97.0	Series	30.0
Total	0.0	Total	0.0

	<p>60 Shots</p> <p>1: 10.5x ↙</p> <p>2: 10.0 ↓</p> <p>3: 10.6x ↓</p> <p>4: 10.3x ↙</p> <p>5: 10.4x ↙</p> <p>6: 10.6x ↙</p> <p>7: 10.7x ↙</p> <p>8: 10.7x ↓</p> <p>9: 10.4x ↙</p> <p>10: 10.5x ↙</p>		<p>60 Shots</p> <p>11: 10.7x →</p> <p>12: 10.4x ↙</p> <p>13: 10.4x ↙</p> <p>14: 10.3x ↙</p> <p>15: 10.5x ↓</p> <p>16: 10.3x ↙</p> <p>17: 10.9x ↑</p> <p>18: 10.2x ↑</p> <p>19: 10.5x ↓</p> <p>20: 10.4x →</p>
Series	100.0	Series	100.0
Total	100.0	Total	200.0

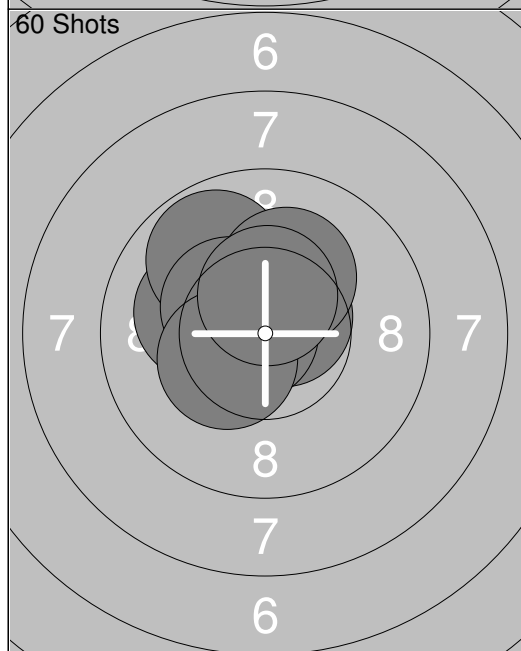
	<p>60 Shots</p> <p>21: 10.9x →</p> <p>22: 10.5x ↓</p> <p>23: 10.6x ↑</p> <p>24: 10.4x ↓</p> <p>25: 10.7x ↓</p> <p>26: 10.6x ↓</p> <p>27: 10.1 ↓</p> <p>28: 10.6x ↙</p> <p>29: 10.3x ↙</p> <p>30: 10.6x ↑</p>		<p>60 Shots</p> <p>31: 10.3x ↙</p> <p>32: 10.9x ↓</p> <p>33: 10.2x ↑</p> <p>34: 10.0 ↙</p> <p>35: 10.7x →</p> <p>36: 10.6x ↓</p> <p>37: 10.6x ↓</p> <p>38: 10.2x ↓</p> <p>39: 10.4x ↙</p> <p>40: 10.2x ↙</p>
Series	100.0	Series	100.0
Total	300.0	Total	400.0



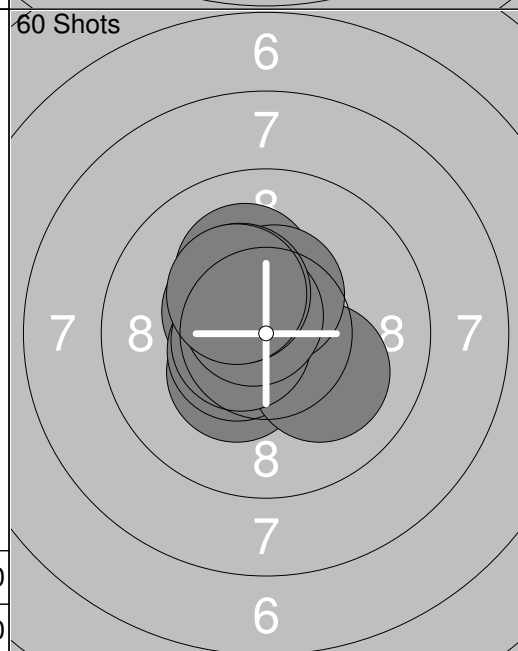
1:	10.6x ↖
2:	10.0 ↙
3:	10.8x ↙
4:	10.8x ↙
Series 40.0	
Total 0.0	



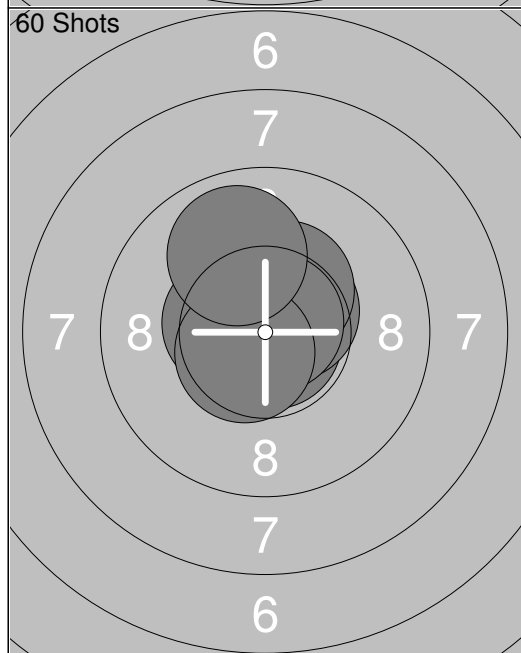
1:	10.4x ↘
2:	10.4x ↙
3:	10.2x ↓
4:	10.8x ↑
5:	10.7x ↗
6:	10.3x ↗
7:	10.0 ↙
8:	10.2x ↙
9:	10.2x ↖
10:	10.4x ↙
Series 100.0	
Total 100.0	



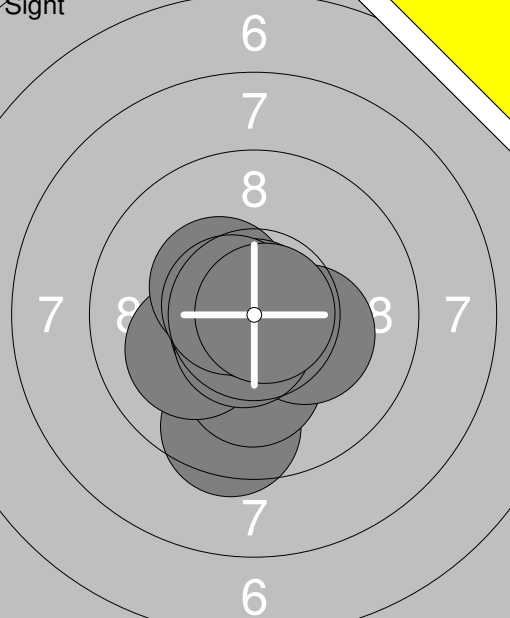
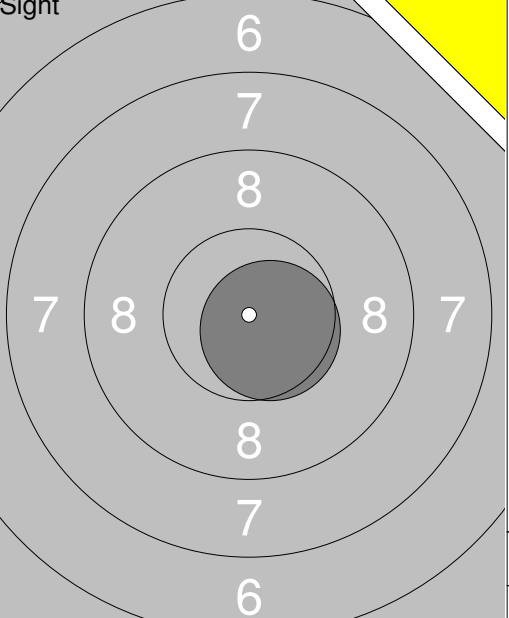
11:	10.6x ↖
12:	10.6x ↗
13:	10.2x ↖
14:	10.1 ↙
15:	9.8 ↗
16:	10.7x ↙
17:	10.2x ↗
18:	10.4x ↖
19:	10.4x ↙
20:	10.5x ↑
Series 99.0	
Total 199.0	

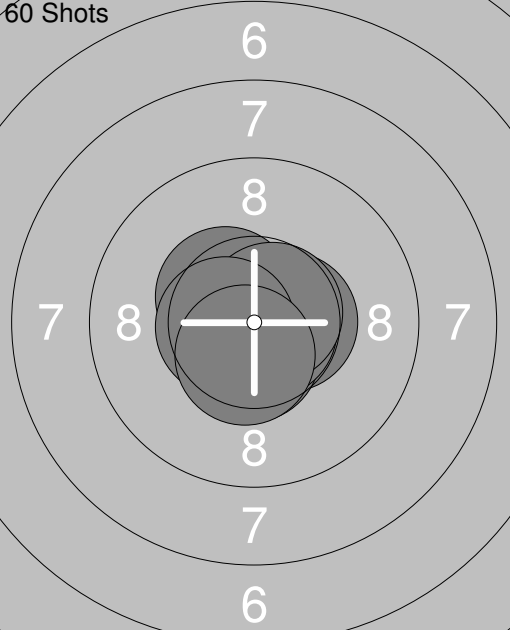
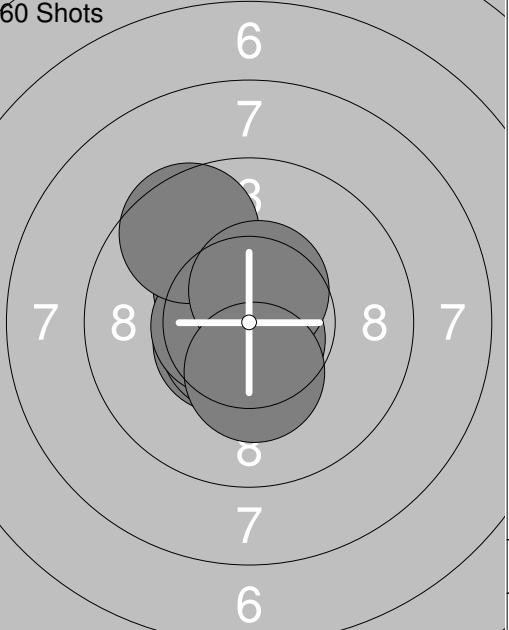


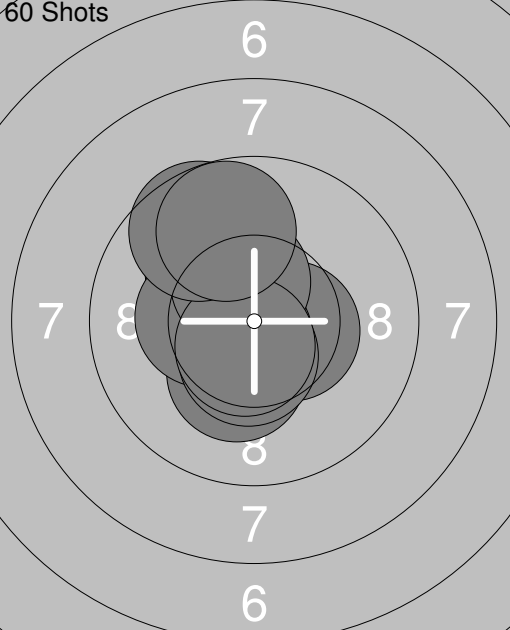
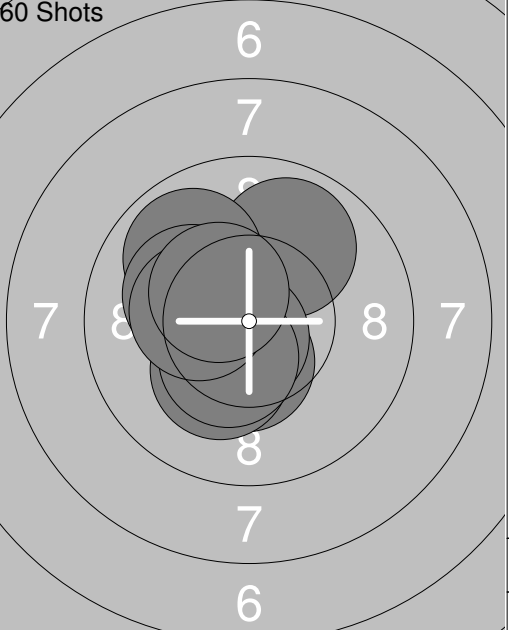
21:	10.4x ↙
22:	10.1 ↗
23:	10.3x ↙
24:	10.5x ↙
25:	10.1 ↘
26:	10.4x ↑
27:	10.6x ↙
28:	10.7x ↖
29:	10.3x ↖
30:	10.3x ↖
Series 100.0	
Total 299.0	

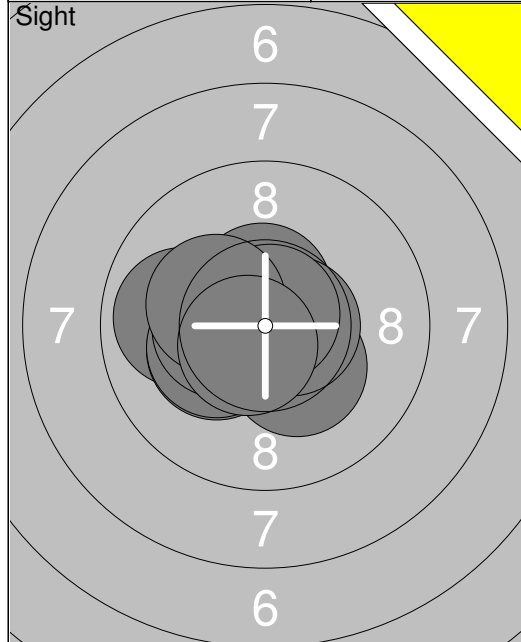


31:	10.8x ↘
32:	10.9x ↑
33:	10.5x ↗
34:	10.8x ↙
35:	10.5x ↙
36:	10.3x ↑
37:	10.4x ↗
38:	10.8x ↗
39:	10.6x ↙
40:	9.9 ↗
Series 99.0	
Total 398.0	

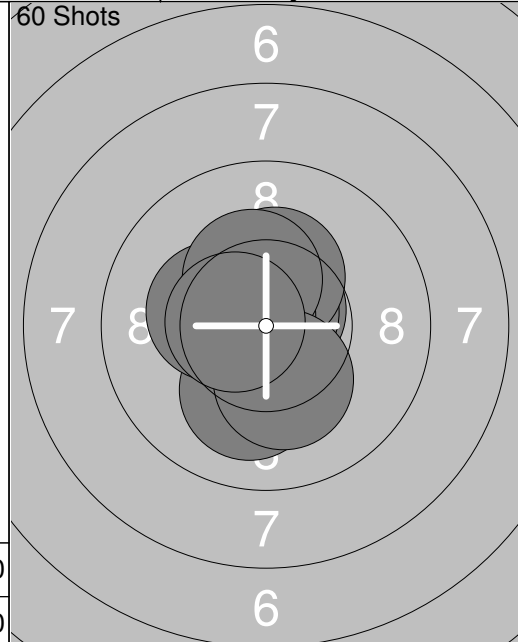
 <p style="text-align:center;">Sight</p>	<p>1: 9.5 ↓</p> <p>2: 10.2x ↓</p> <p>3: 10.1 ↙</p> <p>4: 10.4x ↘</p> <p>5: 10.3x →</p> <p>6: 10.7x ↙</p> <p>7: 10.6x ↓</p> <p>8: 10.9x ↑</p> <p>9: 10.6x ↙</p> <p>10: 10.8x →</p>	 <p style="text-align:center;">Sight</p>	<p>11: 10.6x ↘</p>
Series	99.0	Series	10.0
Total	0.0	Total	0.0

 <p style="text-align:center;">60 Shots</p>	<p>1: 10.5x ↘</p> <p>2: 10.7x →</p> <p>3: 10.8x ↙</p> <p>4: 10.5x →</p> <p>5: 10.7x ↓</p> <p>6: 10.6x ↓</p> <p>7: 10.8x →</p> <p>8: 10.7x →</p> <p>9: 10.6x ←</p> <p>10: 10.5x ↓</p>	 <p style="text-align:center;">60 Shots</p>	<p>11: 10.9x ↙</p> <p>12: 10.8x ↙</p> <p>13: 10.7x ↓</p> <p>14: 10.5x ↙</p> <p>15: 10.6x ↙</p> <p>16: 10.4x ↘</p> <p>17: 10.6x ←</p> <p>18: 9.6 ↖</p> <p>19: 10.5x ↑</p> <p>20: 10.3x ↓</p>
Series	100.0	Series	99.0
Total	100.0	Total	199.0

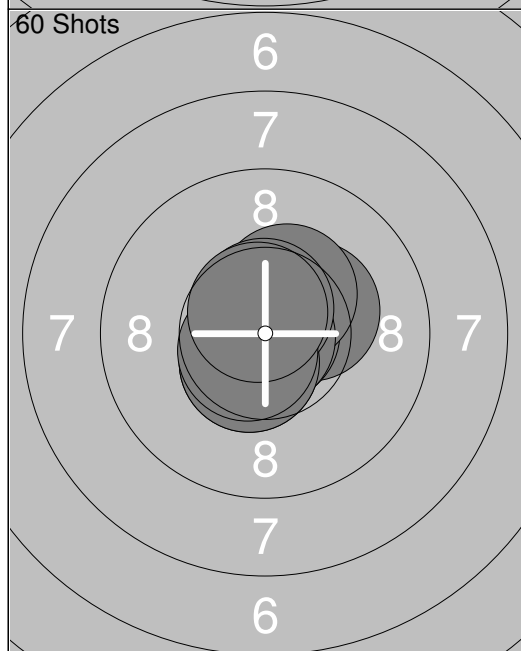
 <p style="text-align:center;">60 Shots</p>	<p>21: 10.5x →</p> <p>22: 10.1 ↖</p> <p>23: 10.7x ↓</p> <p>24: 10.3x ↓</p> <p>25: 10.3x ←</p> <p>26: 10.4x ↑</p> <p>27: 10.5x ↓</p> <p>28: 10.6x ↓</p> <p>29: 9.6 ↖</p> <p>30: 9.7 ↑</p>	 <p style="text-align:center;">60 Shots</p>	<p>31: 10.5x ↙</p> <p>32: 9.9 ↑</p> <p>33: 10.4x ↓</p> <p>34: 9.9 ↖</p> <p>35: 10.2x ↓</p> <p>36: 10.7x ↙</p> <p>37: 10.4x ↙</p> <p>38: 10.1 ↖</p> <p>39: 10.3x ←</p> <p>40: 10.4x ↘</p>
Series	98.0	Series	98.0
Total	297.0	Total	395.0



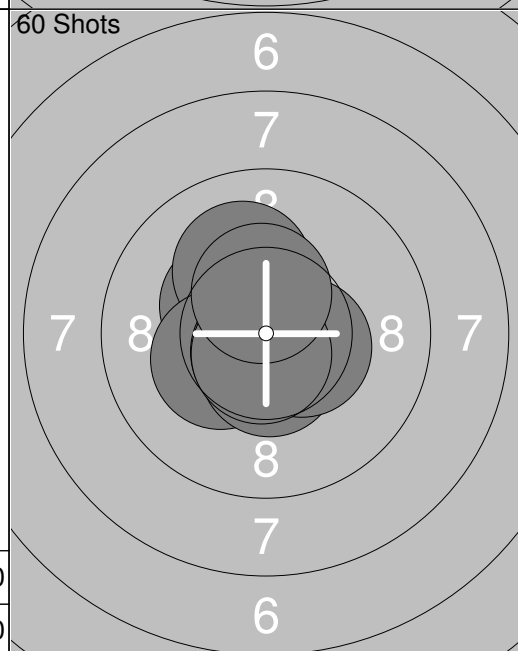
1: 10.3x ↘
2: 9.9 ←
3: 10.3x ↙
4: 10.3x ↙
5: 10.5x ↑
6: 10.6x →
7: 10.4x ←
8: 10.8x ↑
9: 10.3x ↙
10: 10.6x ↘
Series 99.0
Total 0.0



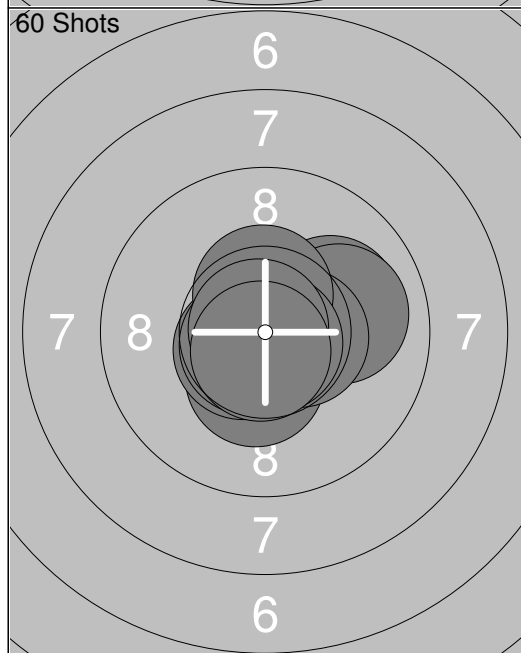
1: 10.7x ↗
2: 10.6x ↑
3: 10.8x ↑
4: 10.3x ↑
5: 10.7x ↙
6: 10.1 ↓
7: 10.3x ↙
8: 10.3x ↑
9: 10.2x ↓
10: 10.6x ↙
Series 100.0
Total 100.0



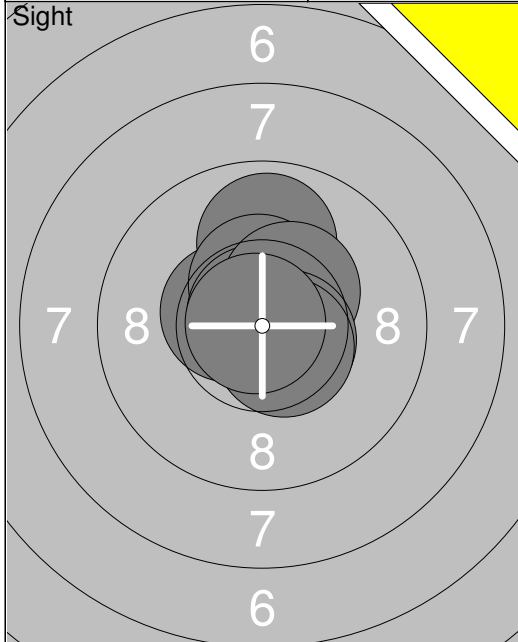
11: 10.5x ↘
12: 10.3x →
13: 10.9x →
14: 10.7x ↑
15: 10.4x ↗
16: 10.9x ↓
17: 10.5x ↘
18: 10.6x ↑
19: 10.6x ↙
20: 10.7x ↗
Series 100.0
Total 200.0



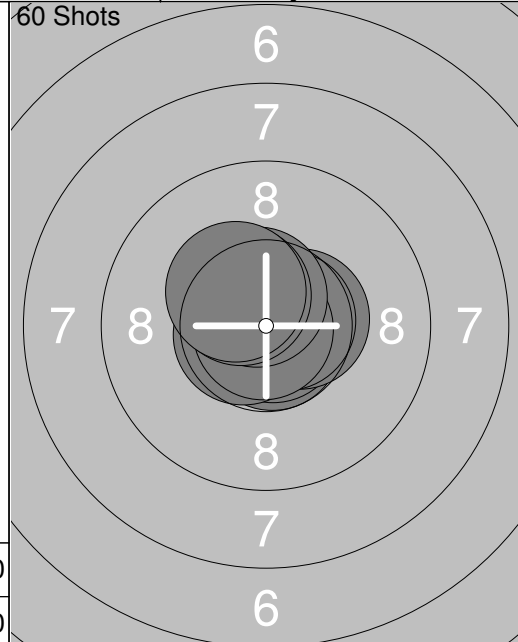
21: 10.4x ↙
22: 10.1 ↑
23: 10.8x ↙
24: 10.6x ↑
25: 10.3x ↙
26: 10.5x ↓
27: 10.7x ↓
28: 10.5x →
29: 10.7x ↓
30: 10.4x ↑
Series 100.0
Total 300.0



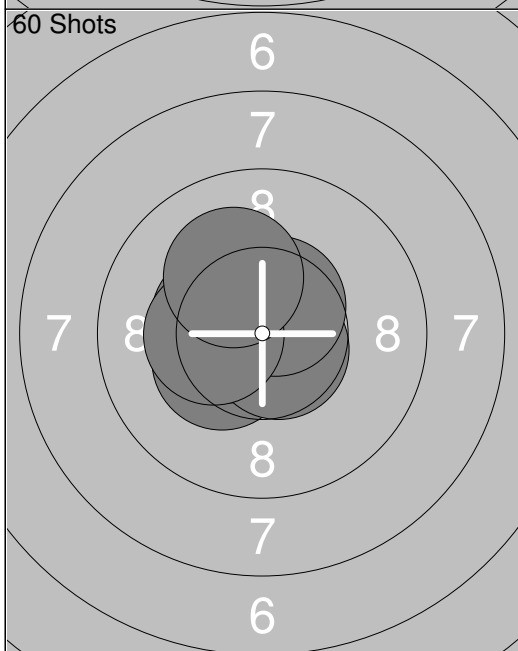
31: 10.1 →
32: 10.0 →
33: 10.4x ↓
34: 10.5x →
35: 10.6x ↙
36: 10.7x ↙
37: 10.5x ↑
38: 10.8x ↘
39: 10.9x ↙
40: 10.7x ↓
Series 100.0
Total 400.0



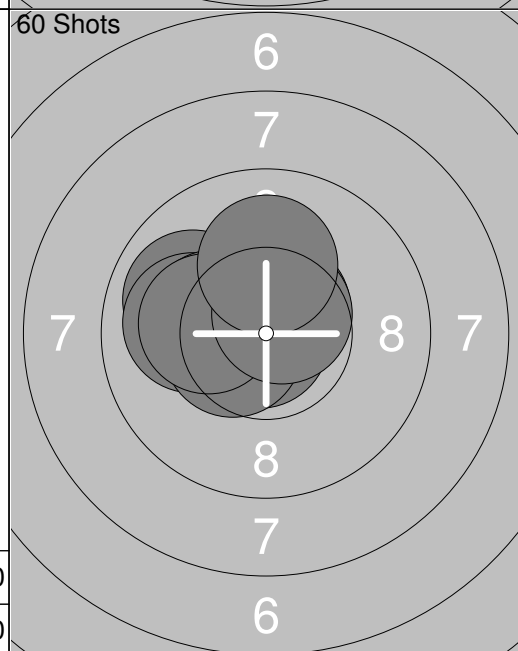
1: 9.9	↑
2: 10.5x	↖
3: 10.4x	↑
4: 10.8x	↖
5: 10.4x	↗
6: 10.6x	↘
7: 10.6x	↘
8: 10.9x	↖
Series 79.0	
Total 0.0	



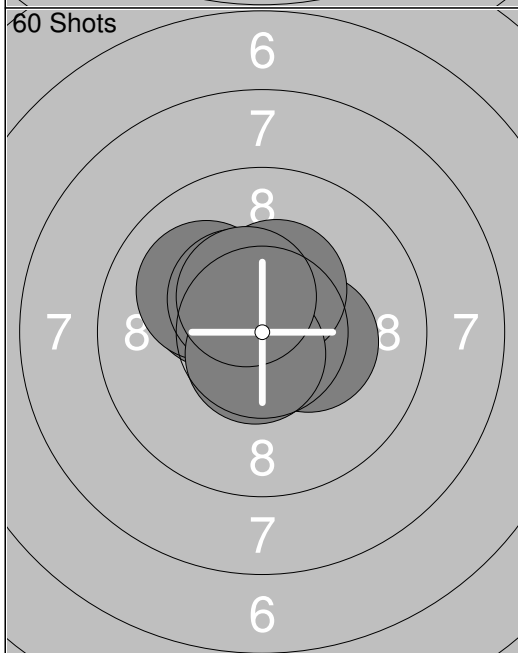
1: 10.7x	↘
2: 10.8x	↘
3: 10.8x	↑
4: 10.5x	→
5: 10.7x	→
6: 10.6x	↖
7: 10.9x	↘
8: 10.6x	↖
9: 10.5x	↖
10: 10.4x	↖
Series 100.0	
Total 100.0	



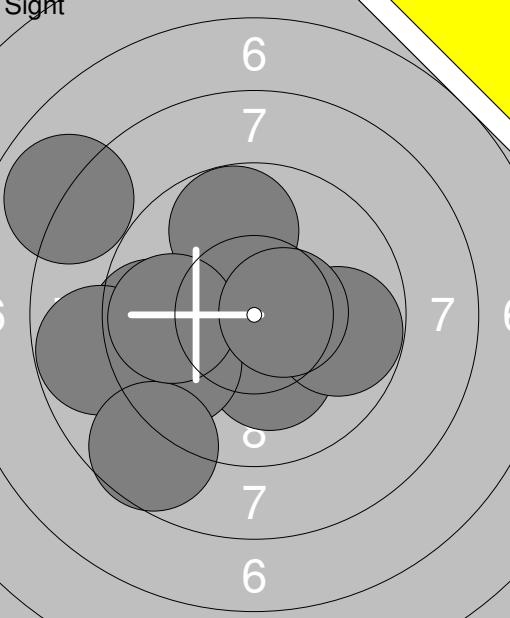
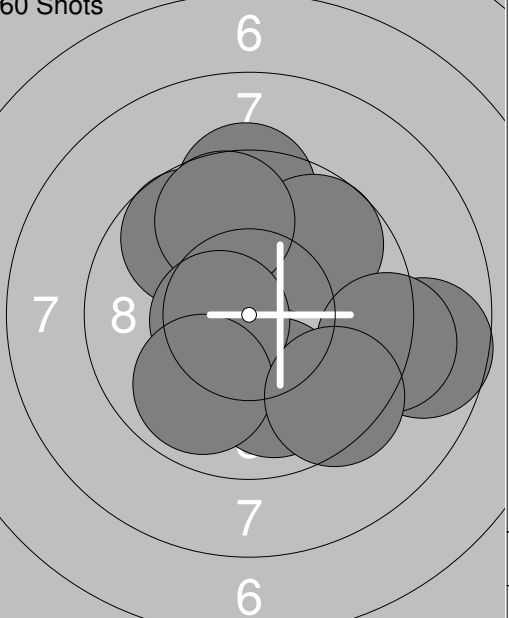
11: 10.3x	↖
12: 10.6x	↖
13: 10.8x	↑
14: 10.4x	↖
15: 10.5x	↖
16: 10.6x	↑
17: 10.7x	↘
18: 10.6x	↗
19: 10.3x	↖
20: 10.1	↖
Series 100.0	
Total 200.0	

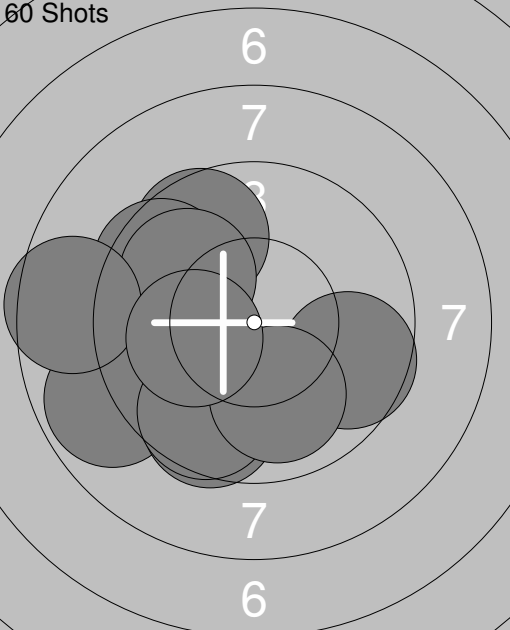
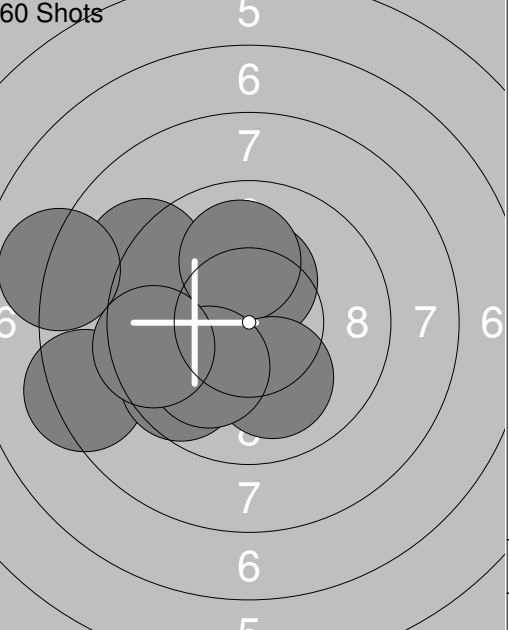


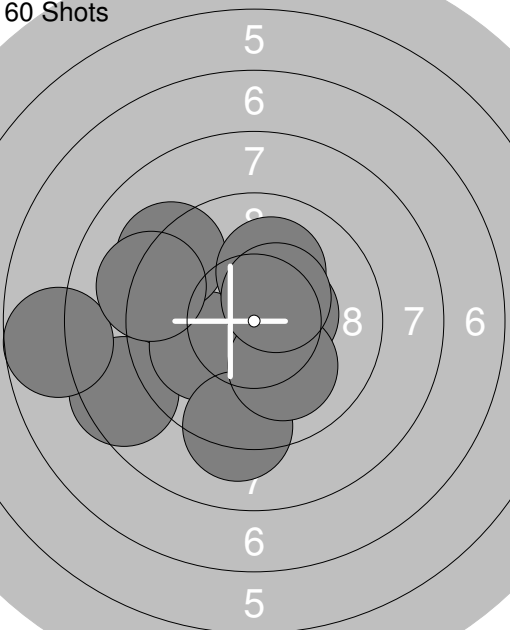
21: 9.9	↖
22: 10.7x	↑
23: 10.0	↖
24: 10.8x	↖
25: 10.3x	↖
26: 10.6x	↗
27: 10.5x	↖
28: 10.2x	↖
29: 10.6x	↗
30: 10.1	↑
Series 99.0	
Total 299.0	

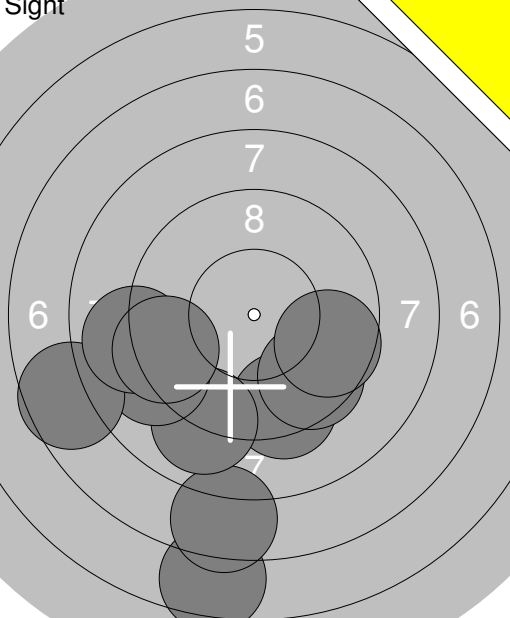
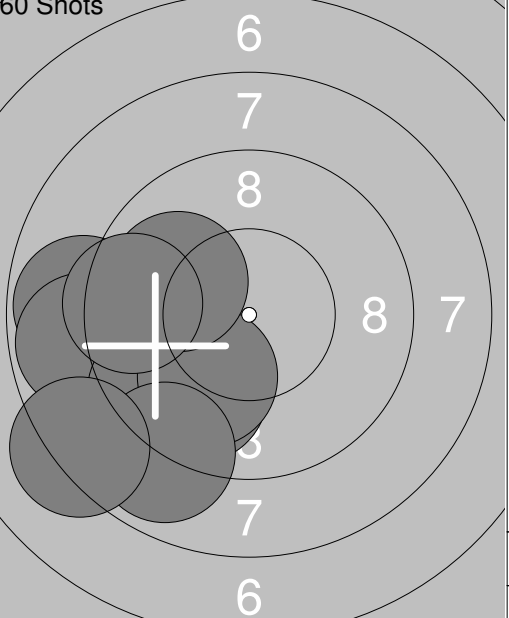


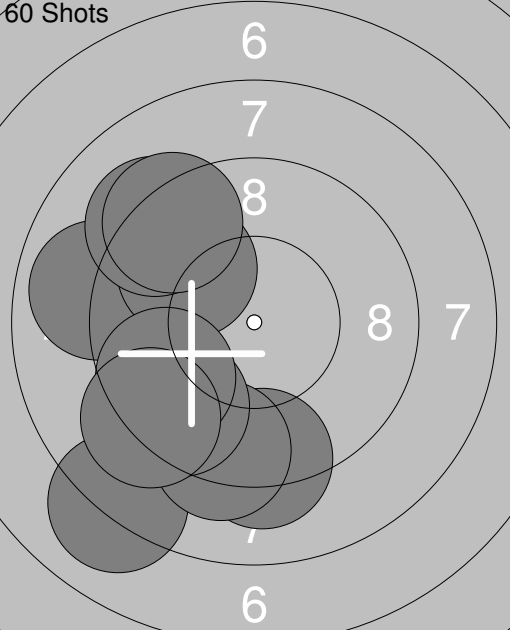
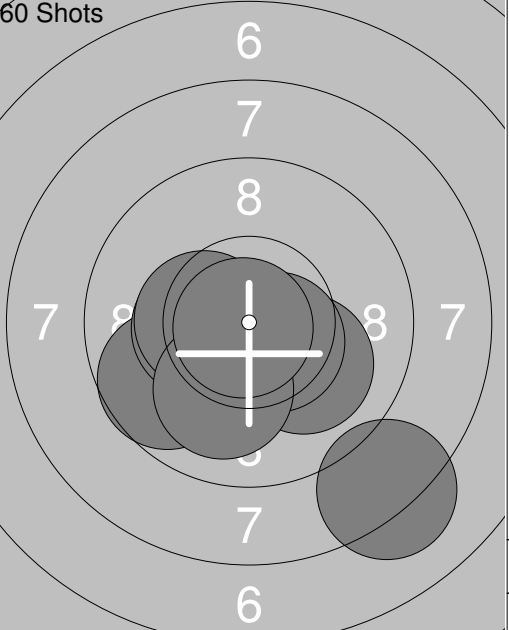
31: 10.5x	↖
32: 10.6x	↖
33: 10.8x	→
34: 10.3x	→
35: 10.2x	↖
36: 10.1	↖
37: 10.4x	↖
38: 10.4x	↑
39: 10.7x	↘
40: 10.5x	↖
Series 100.0	
Total 399.0	

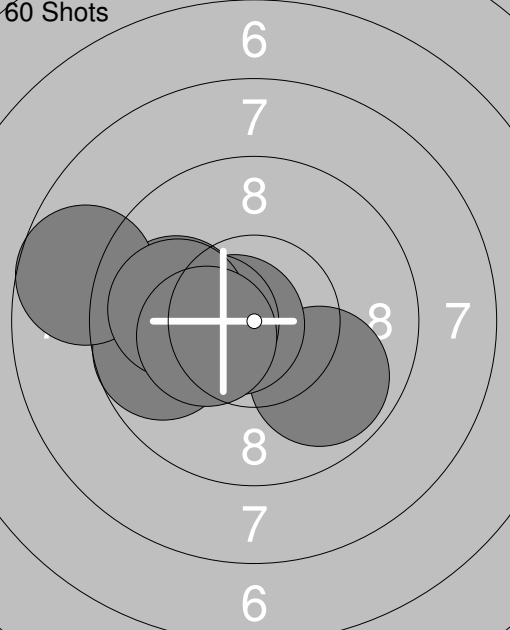
<p>Sight</p> 	<p>60 Shots</p> 	<p>1: 10.2x ↓</p> <p>2: 9.6 ←</p> <p>3: 7.9 ↖</p> <p>4: 9.7 ↙</p> <p>5: 8.8 ←</p> <p>6: 8.7 ↙</p> <p>7: 9.8 ↑</p> <p>8: 9.8 →</p> <p>9: 9.8 ←</p> <p>10: 10.5x →</p> <hr/> <p>Series 88.0</p> <p>Total 0.0</p>	<p>1: 9.4 ↑</p> <p>2: 9.7 ↗</p> <p>3: 10.0 ↓</p> <p>4: 8.7 →</p> <p>5: 9.2 →</p> <p>6: 9.7 ↗</p> <p>7: 9.7 ↑</p> <p>8: 10.6x ←</p> <p>9: 9.9 ↙</p> <p>10: 9.4 ↓</p> <hr/> <p>Series 91.0</p> <p>Total 91.0</p>
---	--	--	--

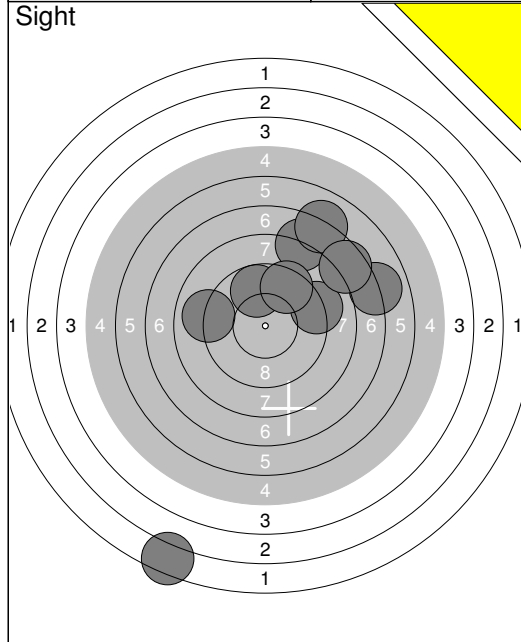
<p>60 Shots</p> 	<p>60 Shots</p> 	<p>11: 9.6 ↗</p> <p>12: 9.6 →</p> <p>13: 8.9 ←</p> <p>14: 9.5 ↖</p> <p>15: 9.9 ↗</p> <p>16: 8.6 ←</p> <p>17: 9.6 ↙</p> <p>18: 9.6 ↙</p> <p>19: 10.0 ↓</p> <p>20: 10.1 ←</p> <hr/> <p>Series 90.0</p> <p>Total 181.0</p>	<p>21: 8.3 ←</p> <p>22: 10.4x ↓</p> <p>23: 9.2 ↖</p> <p>24: 9.6 ↙</p> <p>25: 10.3x ↑</p> <p>26: 8.0 ←</p> <p>27: 10.0 ↑</p> <p>28: 10.1 ↓</p> <p>29: 10.1 ↙</p> <p>30: 9.5 ←</p> <hr/> <p>Series 93.0</p> <p>Total 274.0</p>
---	---	---	--

<p>60 Shots</p> 	<p>31: 8.5 ↙</p> <p>32: 10.5x →</p> <p>33: 10.0 ←</p> <p>34: 9.2 ↖</p> <p>35: 7.7 ←</p> <p>36: 9.2 ↓</p> <p>37: 10.1 ↑</p> <p>38: 9.2 ↖</p> <p>39: 10.1 ↓</p> <p>40: 10.4x ↗</p> <hr/> <p>Series 92.0</p> <p>Total 366.0</p>		
--	--	--	--

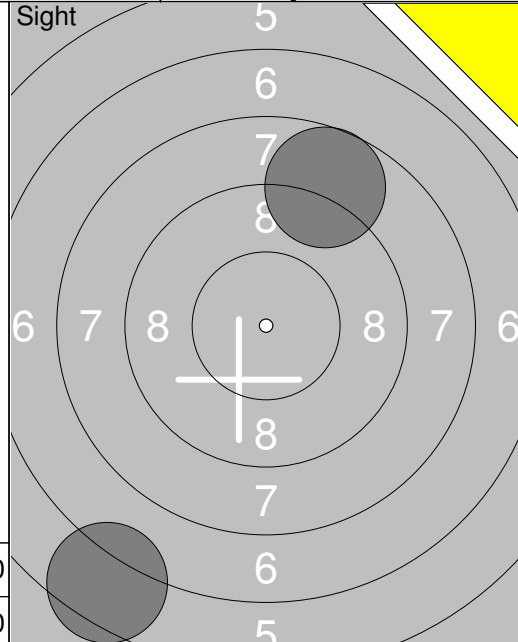
<p>Sight</p> 	<p>60 Shots</p> 	<p>1: 9.4 ↓</p> <p>2: 6.5 ↓</p> <p>3: 7.5 ↓</p> <p>4: 9.0 ↓</p> <p>5: 9.6 ↓</p> <p>6: 9.1 ←</p> <p>7: 9.6 →</p> <p>8: 7.6 ←</p> <p>9: 8.9 ←</p> <p>10: 9.4 ←</p> <hr/> <p>Series 82.0</p> <p>Total 0.0</p>	<p>1: 8.8 ←</p> <p>2: 8.8 ←</p> <p>3: 9.7 ←</p> <p>4: 9.8 ↓</p> <p>5: 9.4 ↓</p> <p>6: 10.0 ↓</p> <p>7: 9.9 ←</p> <p>8: 9.5 ←</p> <p>9: 8.9 ↓</p> <p>10: 8.2 ↓</p> <hr/> <p>Series 87.0</p> <p>Total 87.0</p>
---	--	--	--

<p>60 Shots</p> 	<p>60 Shots</p> 	<p>11: 9.2 ↓</p> <p>12: 8.9 ←</p> <p>13: 9.9 ↗</p> <p>14: 9.2 ↗</p> <p>15: 9.3 ↗</p> <p>16: 8.1 ↓</p> <p>17: 9.3 ↓</p> <p>18: 9.5 ↓</p> <p>19: 9.6 ←</p> <p>20: 9.2 ↓</p> <hr/> <p>Series 88.0</p> <p>Total 175.0</p>	<p>21: 9.7 ←</p> <p>22: 10.1 ↘</p> <p>23: 10.6x ↓</p> <p>24: 10.4x ←</p> <p>25: 10.5x ↘</p> <p>26: 10.3x ←</p> <p>27: 10.4x ←</p> <p>28: 10.0 ↓</p> <p>29: 8.2 ↘</p> <p>30: 10.8x ↘</p> <hr/> <p>Series 97.0</p> <p>Total 272.0</p>
---	---	---	---

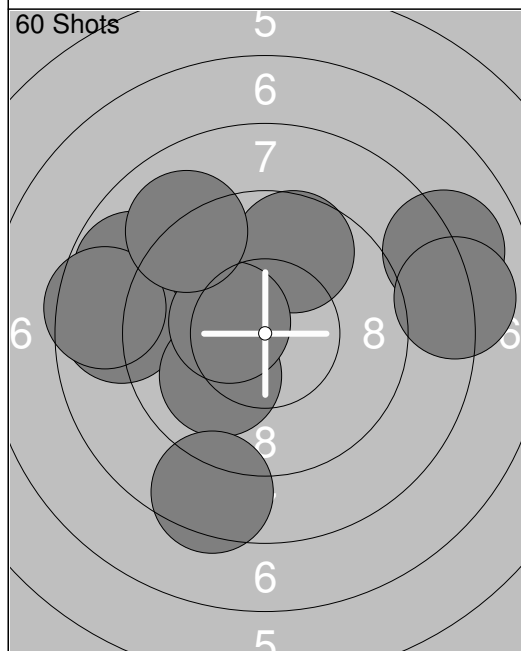
<p>60 Shots</p> 	<p>31: 9.9 ↘</p> <p>32: 10.1 ←</p> <p>33: 9.8 ←</p> <p>34: 9.9 ←</p> <p>35: 9.7 ←</p> <p>36: 10.7x ←</p> <p>37: 8.7 ←</p> <p>38: 10.4x ←</p> <p>39: 10.0 ←</p> <p>40: 10.3x ←</p> <hr/> <p>Series 94.0</p> <p>Total 366.0</p>		
--	---	--	--



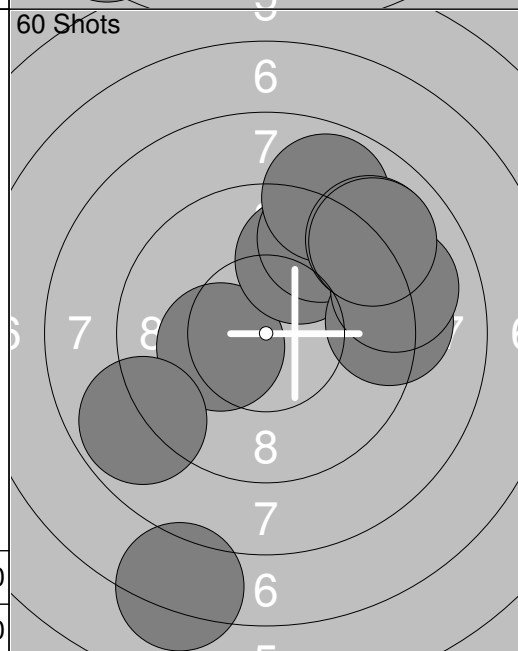
1:	7.9	↗
2:	9.7	↑
3:	7.0	→
4:	7.1	↗
5:	9.1	→
6:	7.6	↗
7:	9.0	←
8:	0.0	↓
9:	2.4	↘
10:	9.5	↗
Series	66.0	
Total	0.0	



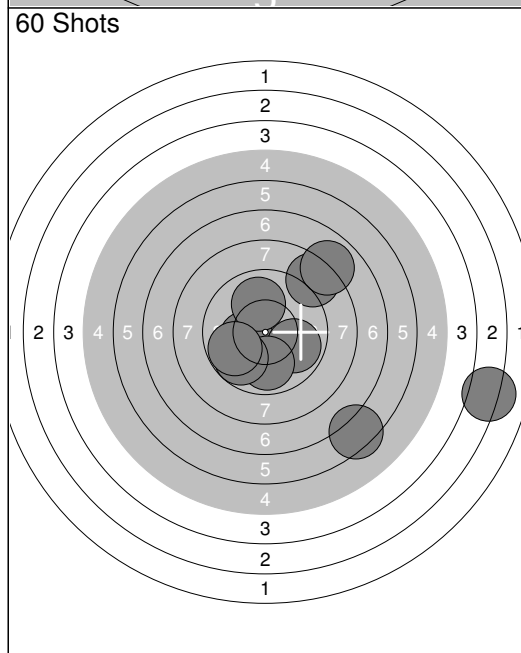
11:	6.5	↘
12:	8.7	↗
Series	14.0	
Total	0.0	



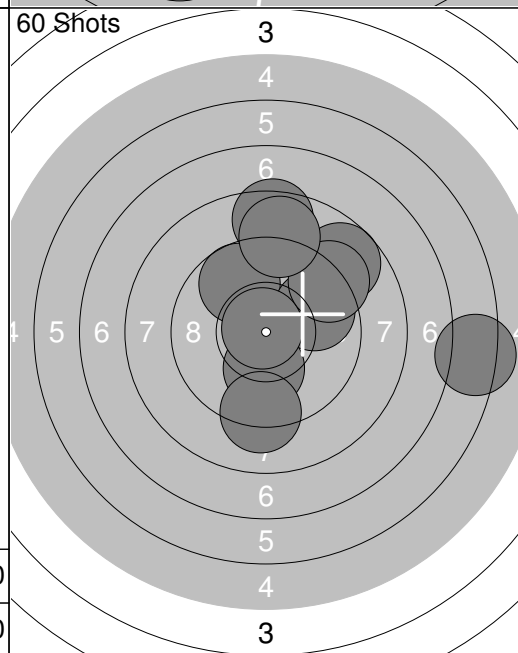
1:	8.8	←
2:	8.1	→
3:	8.8	←
4:	8.1	→
5:	10.0	↘
6:	8.5	↘
7:	9.7	↗
8:	8.6	←
9:	10.4x	↙
10:	9.1	↗
Series	86.0	
Total	86.0	



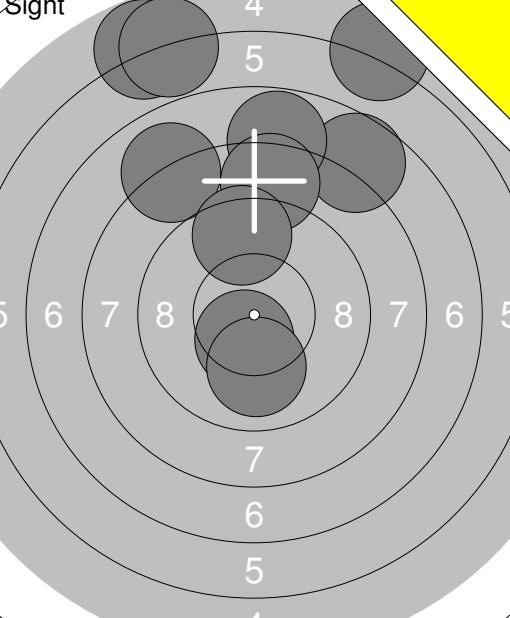
11:	10.3x	↙
12:	9.8	↗
13:	7.2	↘
14:	9.4	↗
15:	8.9	↗
16:	9.2	→
17:	9.0	→
18:	8.8	↙
19:	9.0	↗
20:	9.0	↗
Series	87.0	
Total	173.0	

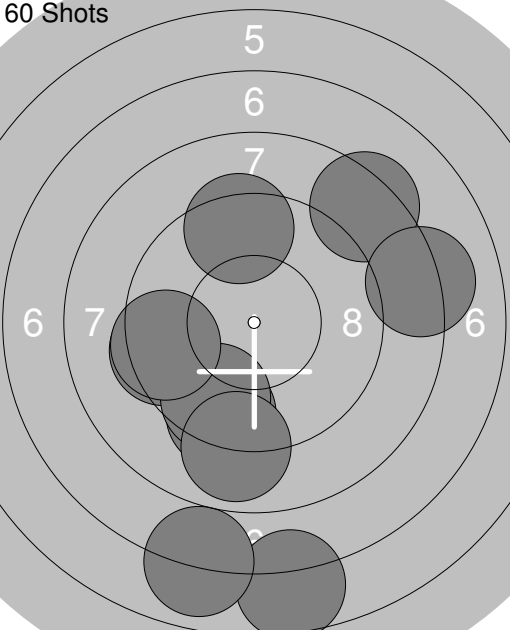
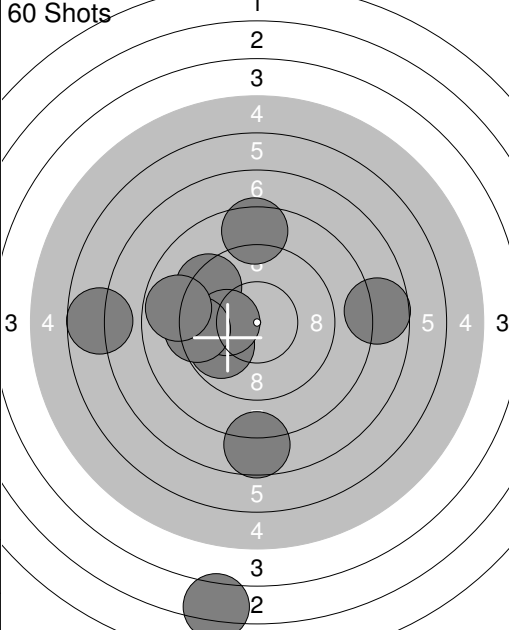


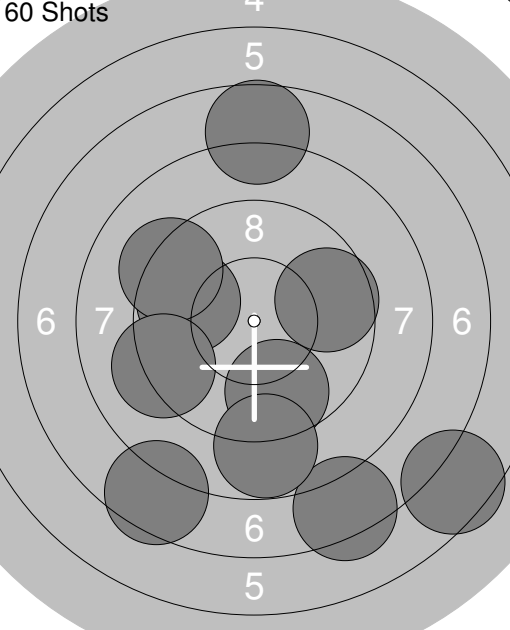
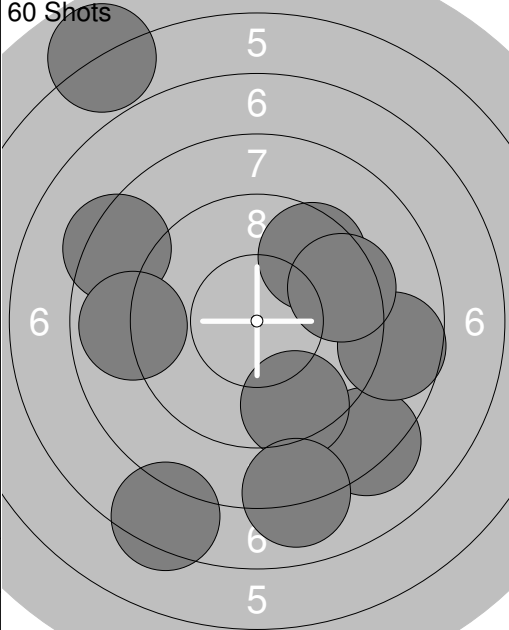
21:	10.3x	↙
22:	6.4	↘
23:	10.0	↑
24:	8.6	↗
25:	9.9	→
26:	3.2	→
27:	9.9	↓
28:	8.0	↗
29:	9.8	↙
30:	9.8	↙
Series	81.0	
Total	254.0	

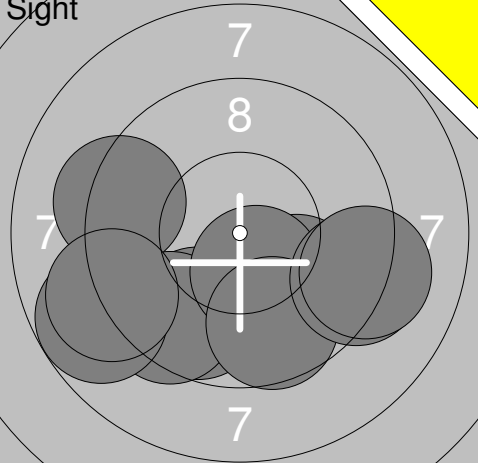
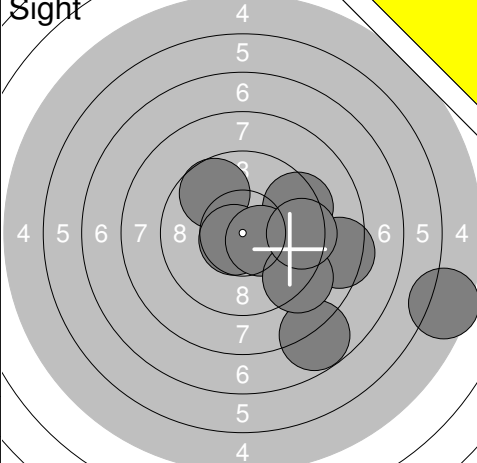


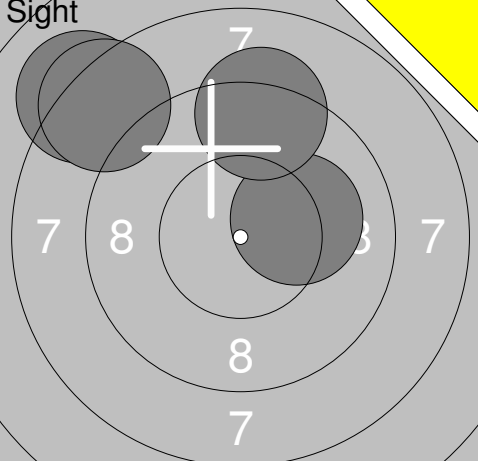
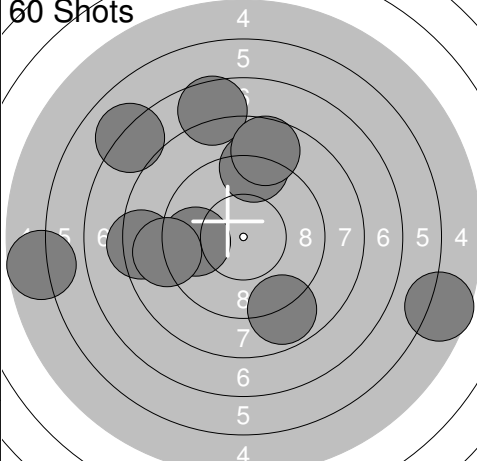
31:	8.7	↗
32:	8.5	↑
33:	9.7	↖
34:	10.2x	↘
35:	9.8	→
36:	10.8x	↖
37:	9.2	↓
38:	9.2	↗
39:	6.3	→
40:	8.8	↑
Series	86.0	
Total	340.0	

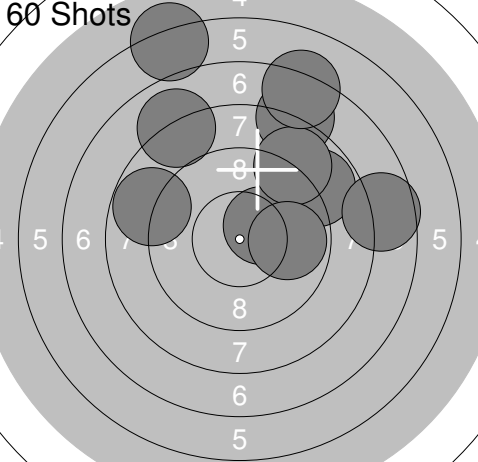
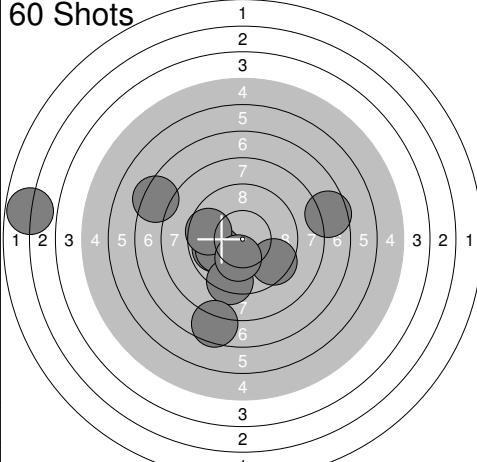
 <p>Sight</p>	<p>1: 10.5x ↓</p> <p>2: 5.7 ↗</p> <p>3: 7.7 ↗</p> <p>4: 7.8 ↑</p> <p>5: 8.0 ↗</p> <p>6: 5.8 ↗</p> <p>7: 10.0 ↓</p> <p>8: 8.6 ↑</p> <p>9: 5.9 ↗</p> <p>10: 9.5 ↑</p> <p>Series 74.0</p> <p>Total 0.0</p>	 <p>Sight</p>	<p>11: 9.6 ↗</p> <p>12: 7.8 ↑</p> <p>13: 7.6 ↑</p> <p>14: 7.4 ↗</p> <p>15: 8.2 ↑</p> <p>16: 7.2 ↗</p> <p>17: 7.1 →</p> <p>18: 8.3 ←</p> <p>19: 9.0 ←</p> <p>Series 69.0</p> <p>Total 0.0</p>
---	---	---	--

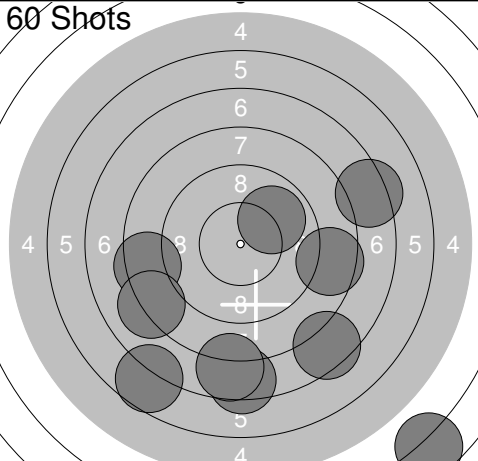
 <p>60 Shots</p>	<p>1: 6.6 ↓</p> <p>2: 8.4 ↗</p> <p>3: 9.4 ←</p> <p>4: 9.4 ↓</p> <p>5: 8.2 →</p> <p>6: 9.6 ↓</p> <p>7: 7.0 ↓</p> <p>8: 9.4 ↑</p> <p>9: 8.9 ↓</p> <p>10: 9.5 ←</p> <p>Series 82.0</p> <p>Total 82.0</p>	 <p>60 Shots</p>	<p>11: 9.8 ←</p> <p>12: 9.3 ↗</p> <p>13: 8.5 ↑</p> <p>14: 6.7 ←</p> <p>15: 7.7 ↓</p> <p>16: 3.2 ↓</p> <p>17: 10.1 ←</p> <p>18: 9.3 ←</p> <p>19: 8.8 ←</p> <p>20: 7.7 →</p> <p>Series 76.0</p> <p>Total 158.0</p>
---	---	---	--

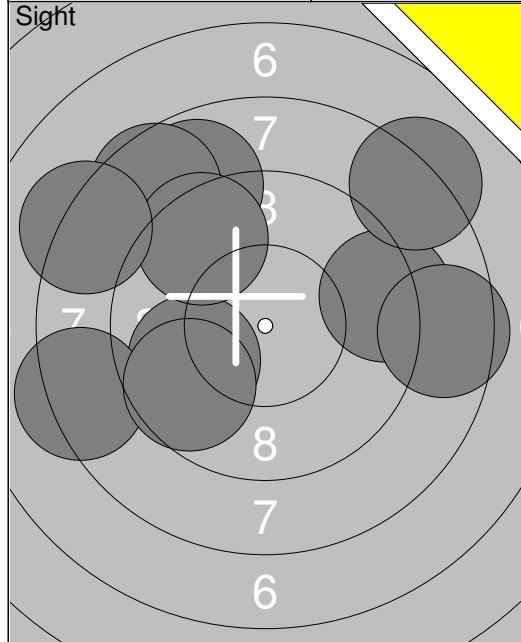
 <p>60 Shots</p>	<p>21: 7.3 ↓</p> <p>22: 7.5 ↓</p> <p>23: 9.8 ←</p> <p>24: 9.7 ↓</p> <p>25: 9.3 ↗</p> <p>26: 6.5 ↘</p> <p>27: 7.7 ↑</p> <p>28: 9.2 ←</p> <p>29: 9.6 →</p> <p>30: 8.8 ↓</p> <p>Series 80.0</p> <p>Total 238.0</p>	 <p>60 Shots</p>	<p>31: 8.3 ↘</p> <p>32: 8.7 →</p> <p>33: 9.4 ↓</p> <p>34: 8.0 ↓</p> <p>35: 9.6 ↗</p> <p>36: 9.4 →</p> <p>37: 7.4 ↓</p> <p>38: 5.9 ↗</p> <p>39: 8.3 ↗</p> <p>40: 8.9 ←</p> <p>Series 79.0</p> <p>Total 317.0</p>
--	---	--	---

	<p>1: 9.7 ↘ 2: 9.9 ↘ 3: 9.5 ↘ 4: 10.4x ↘ 5: 8.8 ↙ 6: 9.3 ↙ 7: 9.7 ↘ 8: 9.0 ↙ 9: 9.2 → 10: 9.2 →</p> <p>Series 90.0 Total 0.0</p>		<p>11: 9.4 → 12: 8.4 → 13: 5.5 → 14: 9.7 ↗ 15: 10.0 → 16: 10.7x ↙ 17: 7.8 ↘ 18: 10.4x → 19: 9.1 ↘ 20: 9.4 →</p> <p>Series 86.0 Total 0.0</p>
--	--	--	--

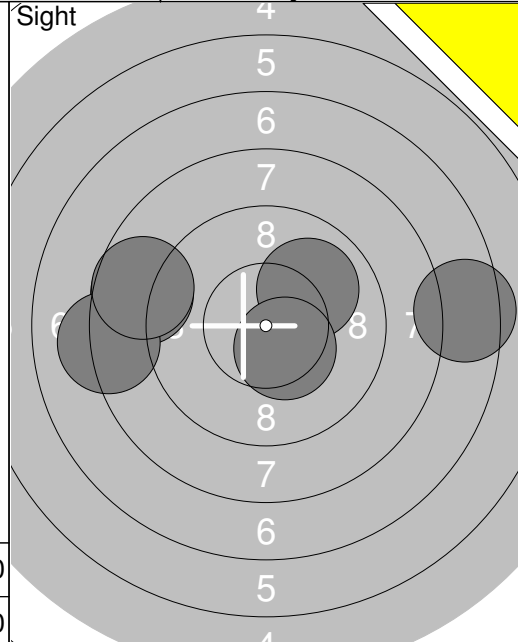
	<p>21: 10.2x → 22: 8.1 ↗ 23: 9.3 ↗ 24: 8.4 ↗</p> <p>Series 35.0 Total 0.0</p>		<p>1: 8.3 ← 2: 8.8 ↘ 3: 9.7 ← 4: 9.1 ↑ 5: 8.9 ← 6: 5.7 ← 7: 7.1 ↗ 8: 7.6 ↑ 9: 8.7 ↑ 10: 5.6 →</p> <p>Series 74.0 Total 74.0</p>
---	---	---	---

	<p>11: 7.9 ↑ 12: 8.8 ← 13: 8.8 → 14: 10.3x → 15: 8.0 ↑ 16: 6.1 ↑ 17: 8.9 ↗ 18: 9.9 → 19: 7.2 ↑ 20: 7.6 →</p> <p>Series 78.0 Total 152.0</p>		<p>21: 9.5 → 22: 2.8 ← 23: 9.9 ← 24: 7.3 ↙ 25: 9.9 ← 26: 7.6 → 27: 9.3 ↘ 28: 9.6 ← 29: 10.2x ↘ 30: 7.6 ↘</p> <p>Series 78.0 Total 230.0</p>
--	---	--	---

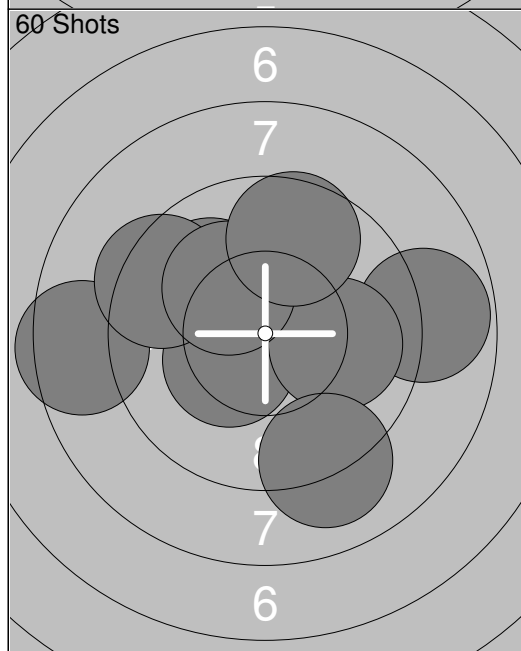
	<p>31: 8.5 → 32: 8.4 ← 33: 3.7 ↘ 34: 7.4 ↘ 35: 8.1 ↙ 36: 7.3 → 37: 9.9 ↗ 38: 7.4 ↘ 39: 7.7 ↘ 40: 6.7 ↘</p> <p>Series 70.0 Total 300.0</p>		
--	---	--	--



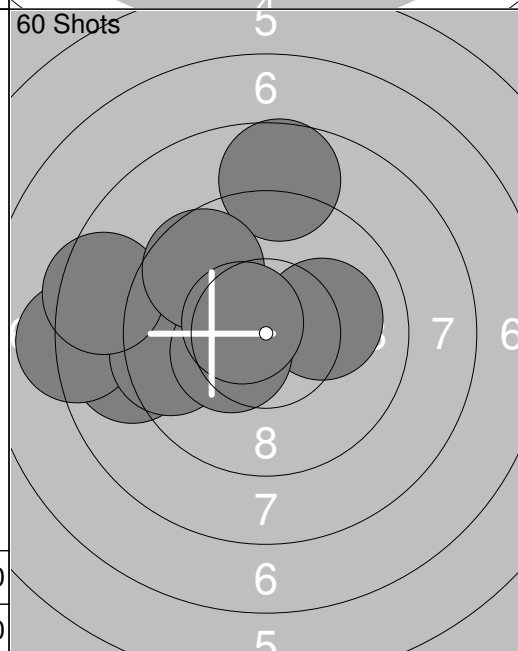
1:	9.9	↙
2:	9.3	→
3:	8.3	↙
4:	8.9	↗
5:	8.6	↗
6:	8.1	↗
7:	9.6	↙
8:	8.5	→
9:	9.5	↗
10:	8.2	↙
Series		84.0
Total		0.0



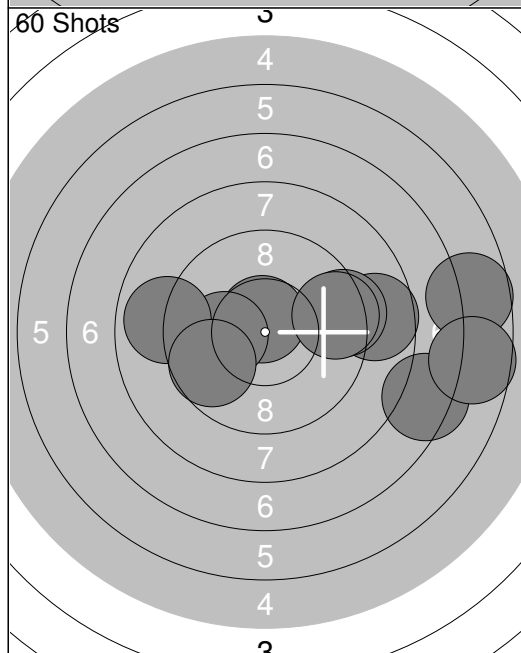
11:	10.0	↗
12:	8.7	↙
13:	8.2	↙
14:	10.4x	↘
15:	7.5	→
16:	8.7	↙
Series		51.0
Total		0.0



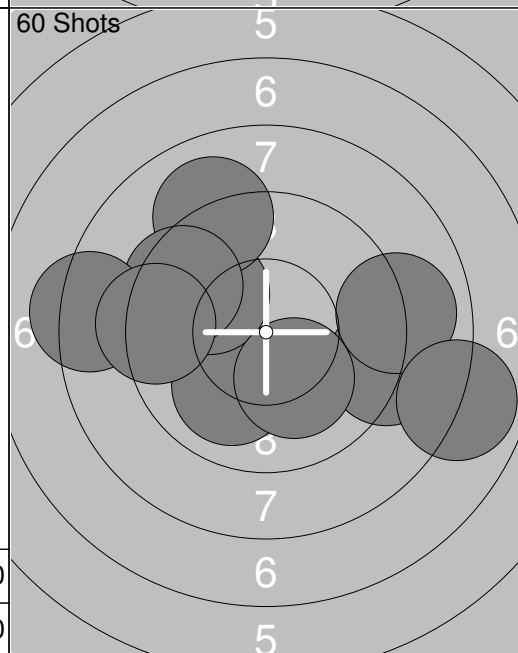
1:	8.5	↙
2:	10.0	↗
3:	10.4x	↙
4:	9.4	↙
5:	8.8	→
6:	10.1	↑
7:	10.0	→
8:	10.2x	↗
9:	9.1	↘
10:	9.6	↑
Series		93.0
Total		93.0



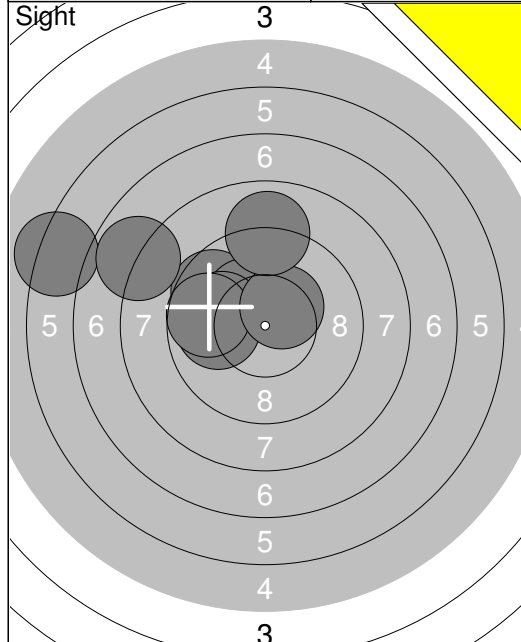
11:	9.4	↙
12:	8.9	↙
13:	8.2	↙
14:	8.7	↑
15:	9.5	↙
16:	10.1	→
17:	8.5	↙
18:	10.4x	↙
19:	9.6	↗
20:	10.6x	↙
Series		89.0
Total		182.0



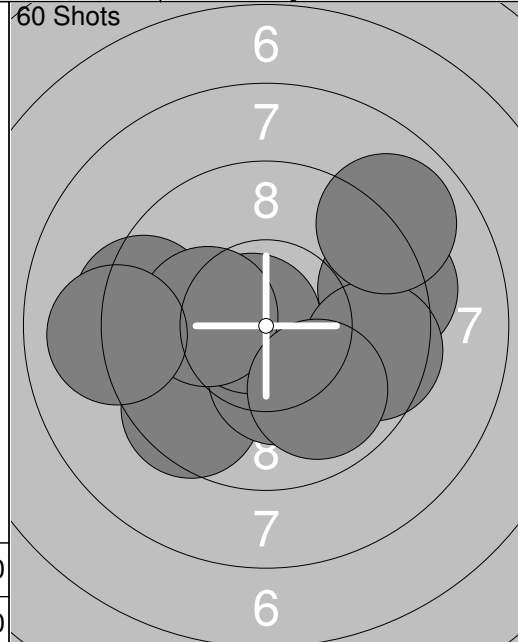
21:	8.7	→
22:	9.3	→
23:	10.7x	↗
24:	10.1	↙
25:	7.4	→
26:	9.5	→
27:	8.9	↙
28:	9.7	↙
29:	6.7	→
30:	6.7	→
Series		82.0
Total		264.0



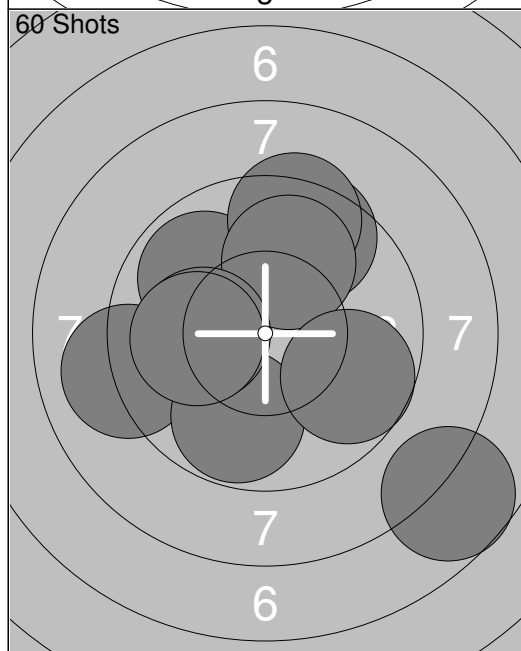
31:	10.0	↘
32:	9.9	↙
33:	9.1	↗
34:	9.1	→
35:	10.1	↘
36:	9.0	→
37:	9.5	↗
38:	8.3	↙
39:	9.3	↙
40:	7.9	→
Series		89.0
Total		353.0



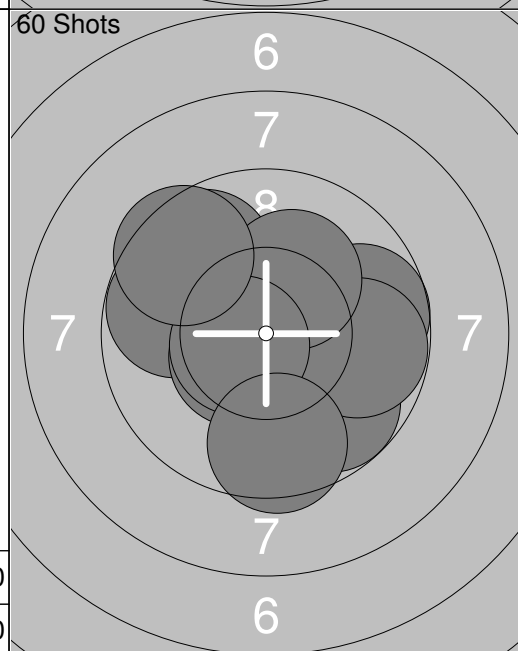
1:	9.8	↖
2:	6.3	↖
3:	9.6	↗
4:	10.3x	↗
5:	10.0	↖
6:	7.9	↖
7:	9.9	↖
8:	9.7	↖
9:	10.4x	↗
10:	9.0	↑
Series		88.0
Total		0.0



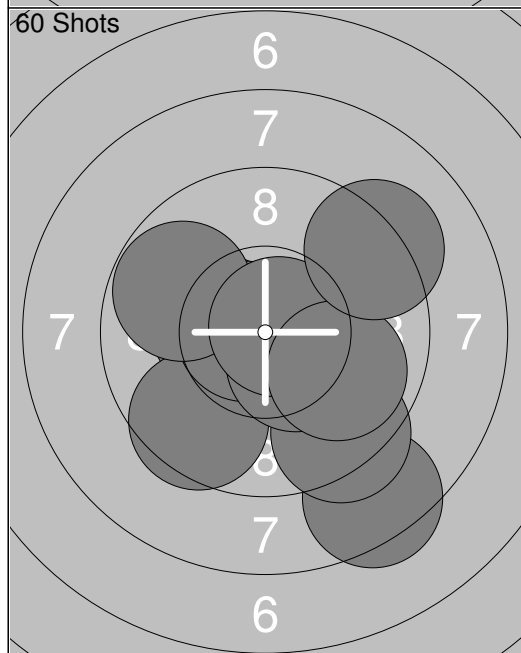
1:	9.5	↘
2:	9.4	↖
3:	10.3x	↓
4:	10.8x	↖
5:	10.2x	↖
6:	9.3	→
7:	9.6	→
8:	9.9	↓
9:	9.0	↖
10:	8.9	↗
Series		92.0
Total		92.0



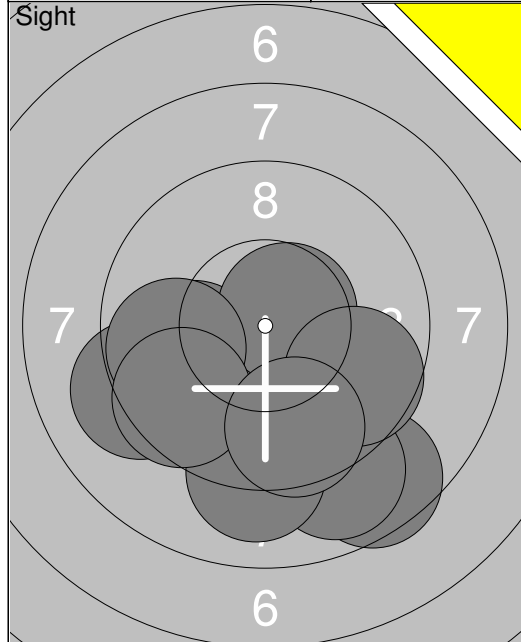
11:	9.5	↗
12:	9.9	↖
13:	9.1	↖
14:	9.8	↓
15:	9.4	↗
16:	7.7	↓
17:	10.0	↗
18:	9.7	↘
19:	10.1	↖
20:	10.0	↖
Series		91.0
Total		183.0



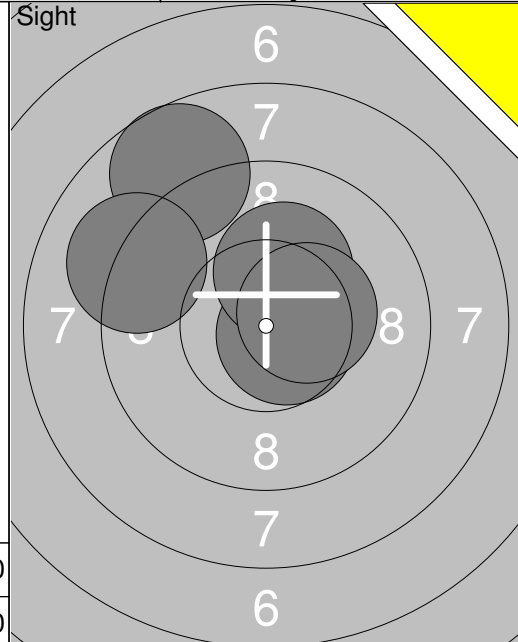
21:	9.7	↘
22:	9.7	→
23:	9.7	↗
24:	9.8	↖
25:	10.5x	↖
26:	9.8	→
27:	10.2x	↗
28:	10.6x	↖
29:	9.5	↖
30:	9.5	↓
Series		93.0
Total		276.0



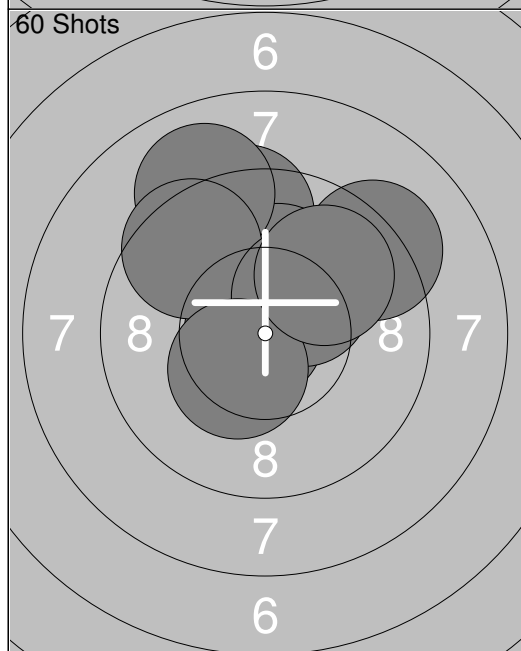
31:	10.4x	↖
32:	8.4	↘
33:	9.6	↘
34:	9.3	↘
35:	10.7x	↖
36:	9.8	↖
37:	10.4x	↘
38:	10.8x	→
39:	9.9	↘
40:	9.2	↗
Series		93.0
Total		369.0



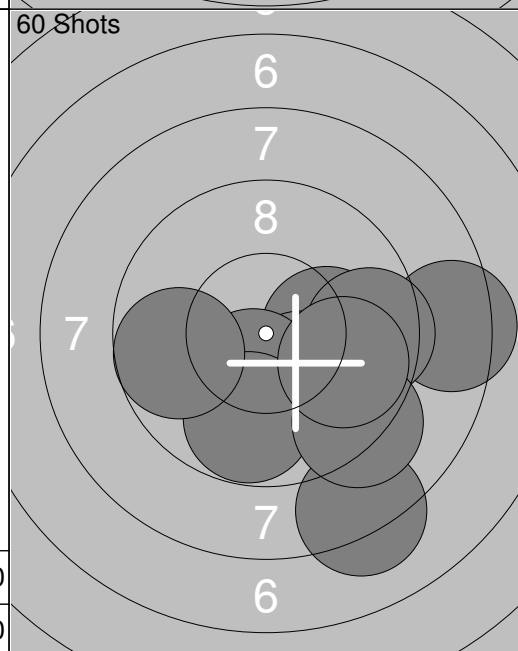
1:	9.2	↙
2:	8.6	↘
3:	10.0	↙
4:	8.9	↘
5:	10.6x	↗
6:	9.6	↘
7:	9.1	↓
8:	9.8	↙
9:	9.6	↙
10:	9.6	↘
Series		90.0
Total		0.0



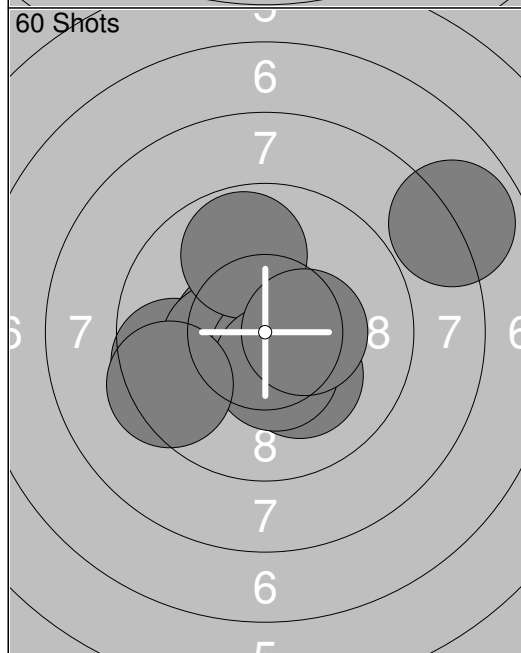
11:	10.7x	↘
12:	8.7	↖
13:	10.2x	↗
14:	9.1	↙
15:	10.4x	↗
Series		47.0
Total		0.0



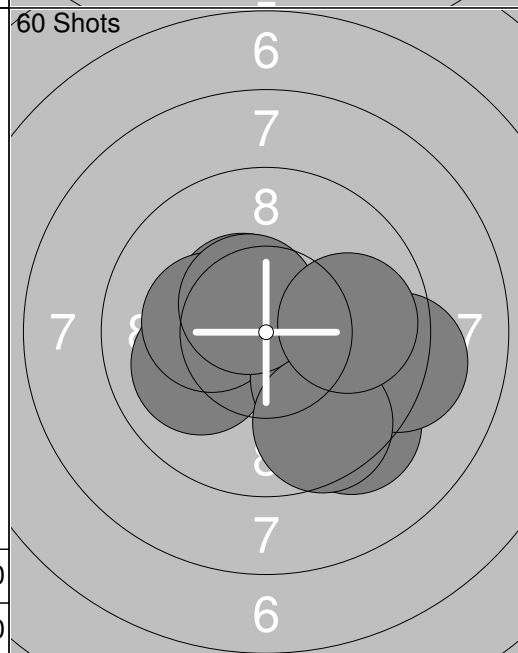
1:	9.9	↖
2:	9.4	↖
3:	10.2x	↗
4:	10.8x	↙
5:	9.2	↗
6:	9.0	↖
7:	9.5	↖
8:	10.3x	↗
9:	10.4x	↘
10:	9.9	↗
Series		94.0
Total		94.0



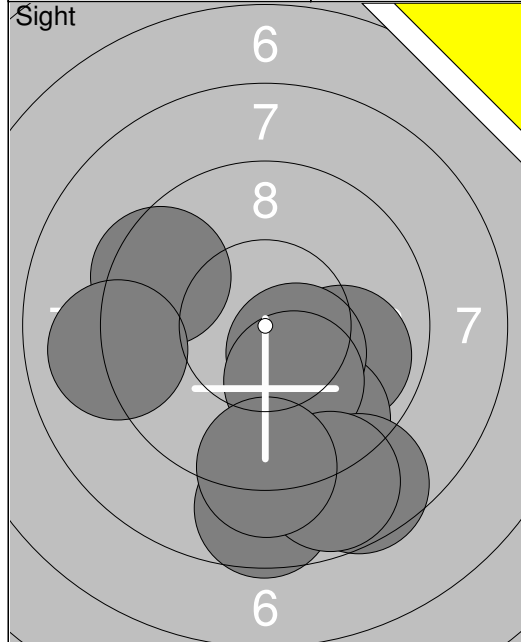
11:	8.4	→
12:	10.1	→
13:	8.2	↘
14:	10.2x	↘
15:	10.4x	↘
16:	9.8	↘
17:	9.5	→
18:	9.2	↘
19:	9.8	→
20:	9.7	↙
Series		91.0
Total		185.0



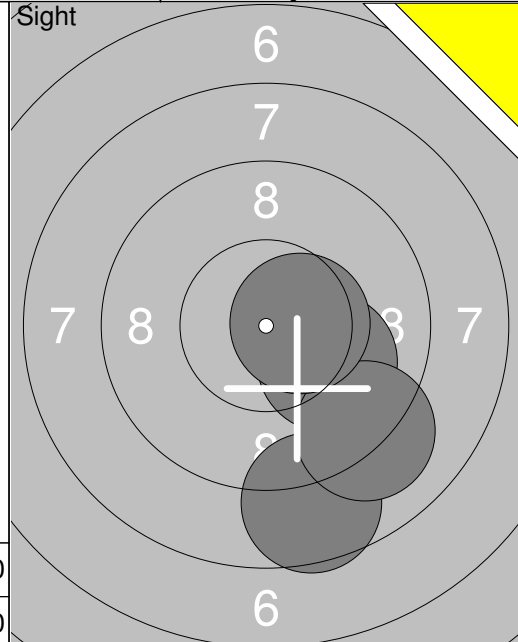
21:	9.6	↙
22:	10.2x	↘
23:	10.5x	↙
24:	10.3x	↙
25:	10.6x	↘
26:	7.9	↗
27:	9.8	↖
28:	10.4x	↘
29:	10.4x	→
30:	9.4	↙
Series		94.0
Total		279.0



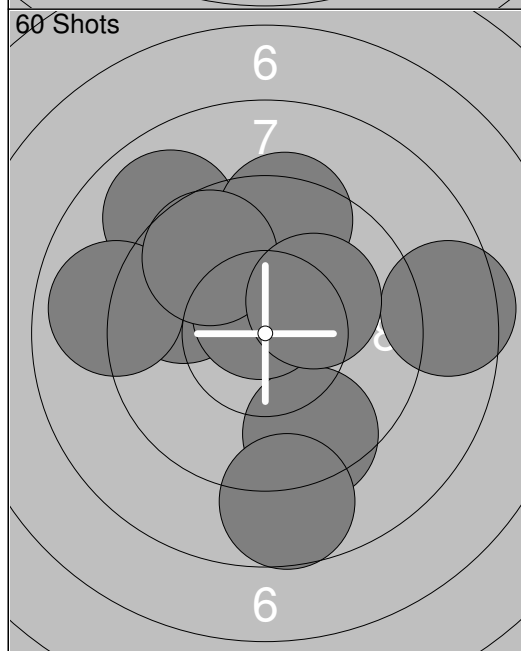
31:	10.0	↙
32:	10.2x	→
33:	9.3	↘
34:	10.5x	↖
35:	10.2x	↙
36:	10.0	↘
37:	10.5x	↖
38:	9.2	→
39:	9.6	↘
40:	9.9	→
Series		96.0
Total		375.0



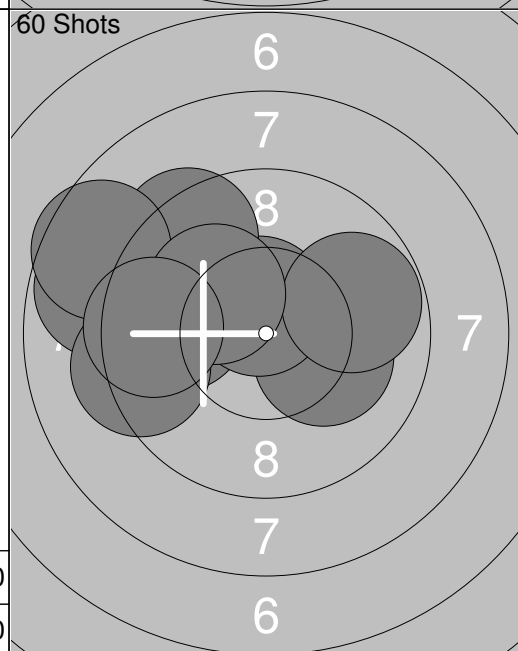
1:	9.9	→
2:	9.6	↓
3:	10.4x	↓
4:	8.6	↓
5:	9.5	↖
6:	10.2x	↓
7:	9.0	←
8:	8.6	↓
9:	8.8	↓
10:	9.1	↓
Series		89.0
Total		0.0



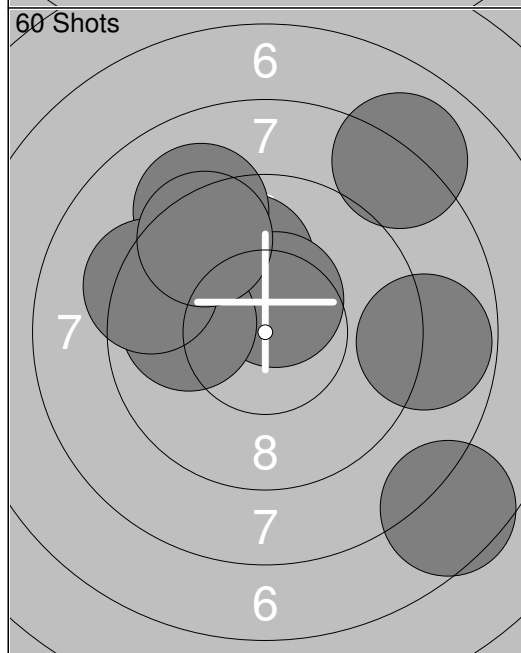
11:	8.6	↓
12:	10.0	↘
13:	9.1	↓
14:	10.5x	→
Series		37.0
Total		0.0



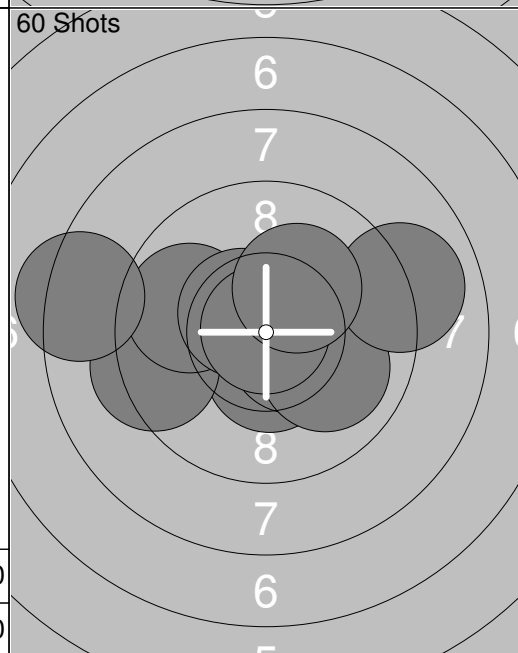
1:	8.5	→
2:	9.8	↖
3:	9.0	↗
4:	9.5	↓
5:	10.6x	↗
6:	8.9	←
7:	9.4	↗
8:	8.7	↓
9:	9.7	↗
10:	10.2x	↗
Series		89.0
Total		89.0



11:	8.8	←
12:	10.2x	↘
13:	9.8	←
14:	10.6x	↗
15:	9.4	↗
16:	9.3	←
17:	8.6	↖
18:	9.8	↗
19:	10.1	↖
20:	9.5	←
Series		91.0
Total		180.0



21:	8.1	↗
22:	10.0	↗
23:	9.6	↖
24:	10.5x	↗
25:	8.8	→
26:	9.9	←
27:	9.1	↗
28:	9.3	↖
29:	9.5	↗
30:	7.6	↓
Series		88.0
Total		268.0

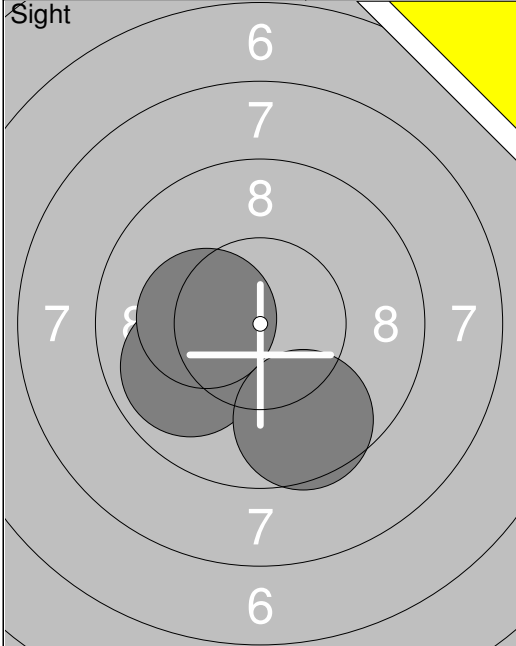


31:	10.5x	↓
32:	9.3	←
33:	10.5x	↘
34:	9.8	←
35:	10.0	↘
36:	10.5x	↖
37:	8.3	←
38:	9.0	↗
39:	10.9x	↗
40:	10.2x	↗
Series		95.0
Total		363.0

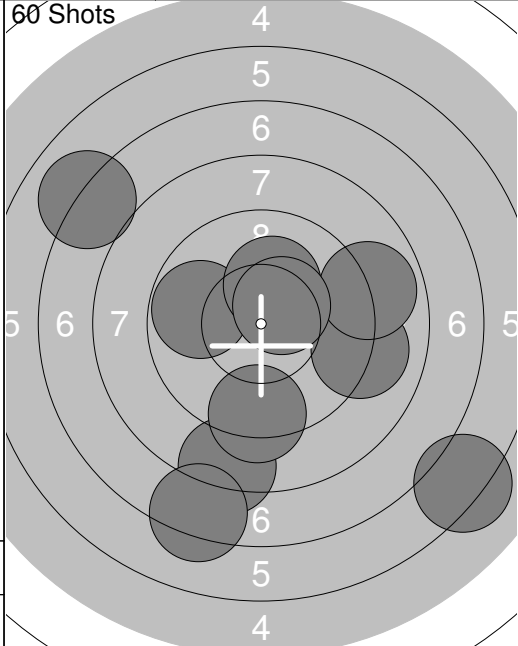
<p>Sight</p>	<p>Sight</p>	<p>1: 9.1 ↙ 2: 10.0 ↓ 3: 10.0 ↑ 4: 9.7 ↗ 5: 10.2x ↘ 6: 10.0 ↓ 7: 10.3x ↓ 8: 9.1 ↑ 9: 9.4 ← 10: 10.1 →</p> <p>Series 96.0 Total 0.0</p>	<p>11: 10.2x →</p> <p>Series 10.0 Total 0.0</p>
---------------------	---------------------	--	---

<p>60 Shots</p>	<p>60 Shots</p>	<p>1: 9.9 → 2: 10.3x → 3: 9.3 → 4: 10.4x ↖ 5: 10.4x ↖ 6: 10.2x → 7: 9.6 ↙ 8: 9.5 ↗ 9: 8.7 → 10: 10.5x ↑</p> <p>Series 94.0 Total 94.0</p>	<p>11: 9.5 ↖ 12: 9.4 ↓ 13: 9.8 ↗ 14: 9.4 ↑ 15: 10.6x ↓ 16: 9.5 ↗ 17: 8.9 ↓ 18: 9.0 ↓ 19: 10.1 → 20: 8.7 ↓</p> <p>Series 90.0 Total 184.0</p>
------------------------	------------------------	---	--

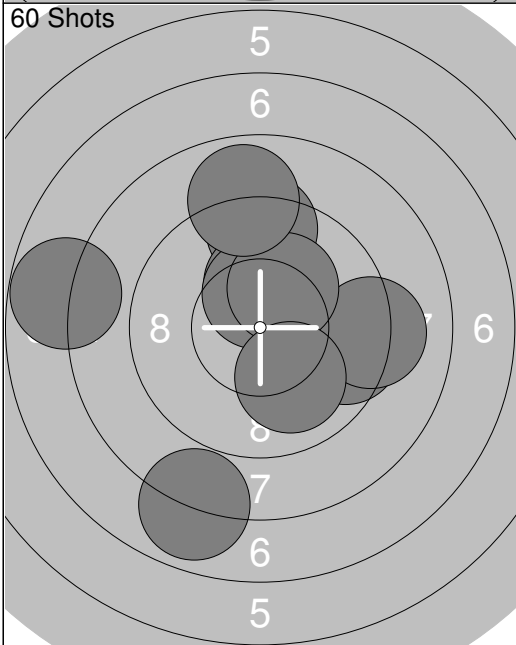
<p>60 Shots</p>	<p>60 Shots</p>	<p>21: 10.2x → 22: 9.8 ↓ 23: 10.0 ↓ 24: 10.3x ↙ 25: 10.0 ← 26: 9.1 → 27: 8.9 ↓ 28: 8.9 ↓ 29: 9.8 ↓ 30: 9.9 ↗</p> <p>Series 92.0 Total 276.0</p>	<p>31: 9.6 ↗ 32: 9.4 ↓ 33: 9.8 → 34: 9.5 ↗ 35: 10.3x ↓ 36: 9.3 ↑ 37: 9.8 ↗ 38: 9.8 → 39: 10.1 ↓ 40: 8.9 →</p> <p>Series 91.0 Total 367.0</p>
------------------------	------------------------	---	--



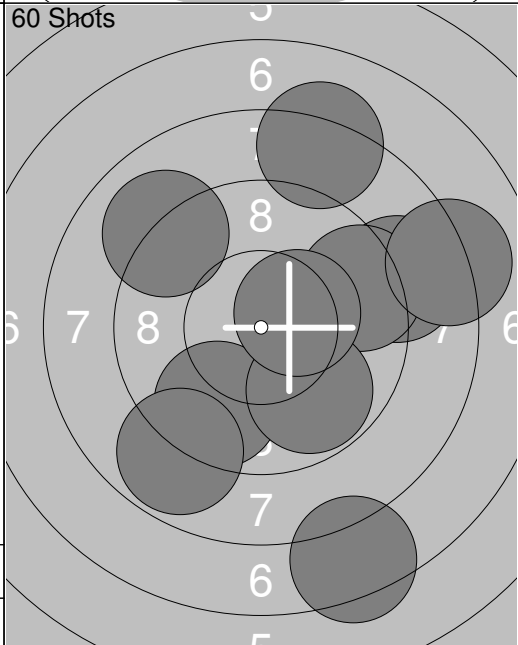
1: 9.9	←
2: 10.3x	←
3: 9.6	↓
Series	28.0
Total	0.0



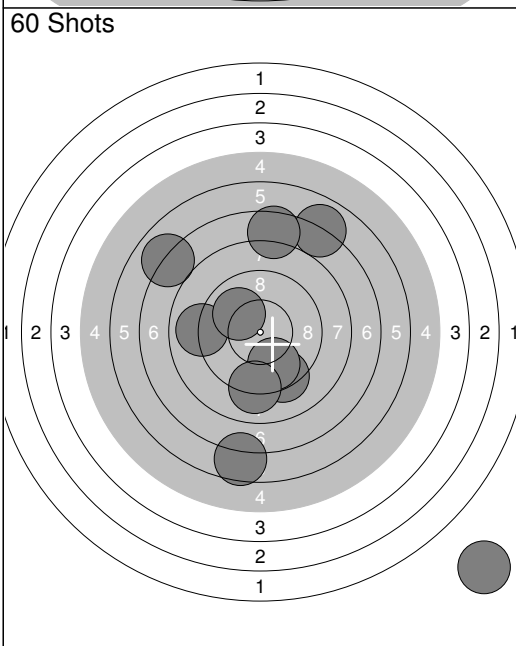
1: 7.0	↖
2: 8.3	↓
3: 9.1	→
4: 8.9	→
5: 9.3	↓
6: 6.2	↘
7: 9.8	←
8: 10.2x	↑
9: 7.3	↓
10: 10.4x	↗
Series	83.0
Total	83.0



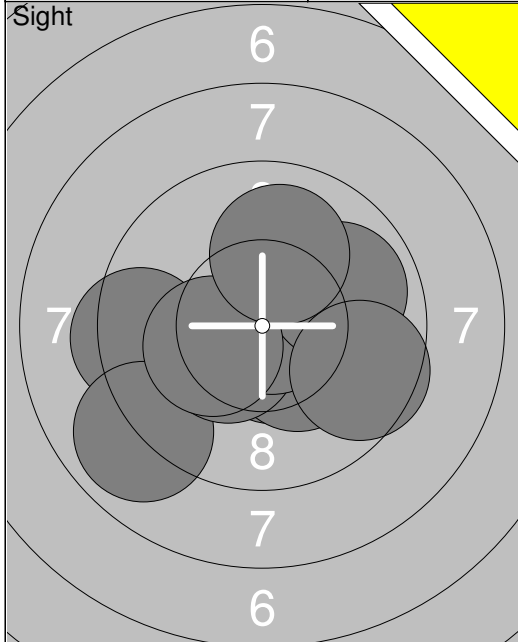
11: 9.4	↑
12: 10.3x	↑
13: 9.5	→
14: 9.2	→
15: 10.4x	↑
16: 10.2x	↗
17: 8.9	↑
18: 10.0	↓
19: 7.9	↓
20: 7.8	←
Series	89.0
Total	172.0



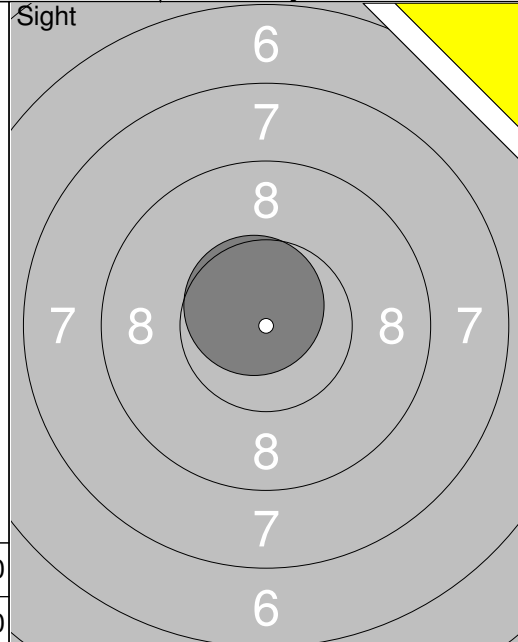
21: 8.9	→
22: 9.7	↙
23: 9.4	→
24: 8.8	↙
25: 9.8	↓
26: 9.0	↖
27: 7.4	↓
28: 10.4x	→
29: 8.2	↑
30: 8.1	→
Series	85.0
Total	257.0



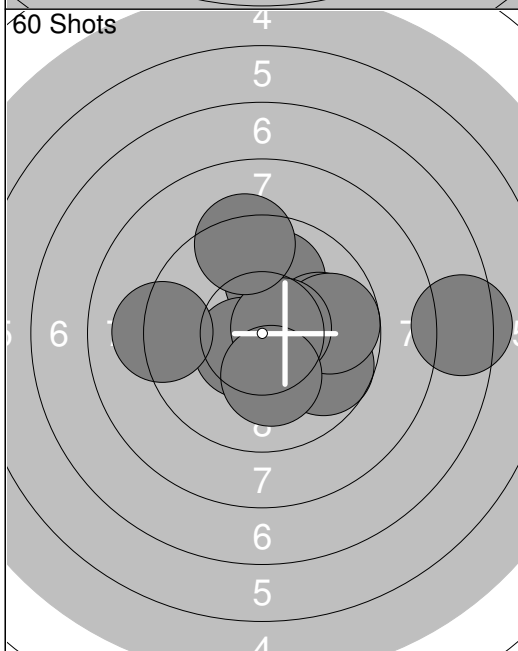
31: 9.3	↓
32: 9.8	↓
33: 7.0	↖
34: 7.0	↗
35: 0.0	↓
36: 7.5	↑
37: 6.6	↓
38: 9.1	↓
39: 9.0	←
40: 10.0	↖
Series	73.0
Total	330.0



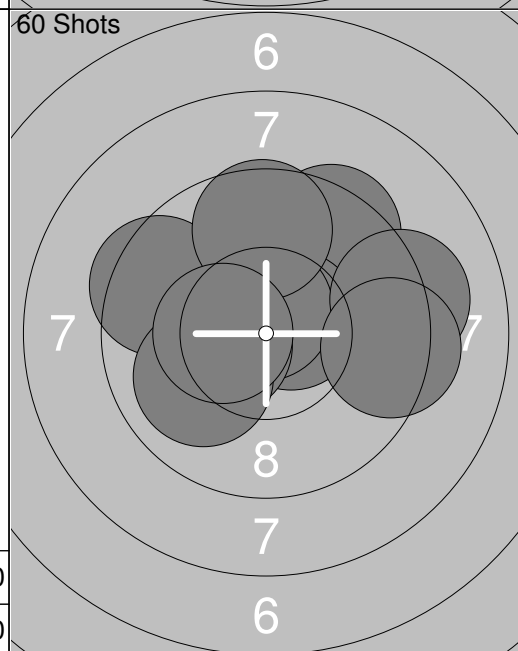
1:	9.4	←
2:	8.9	↙
3:	10.6x	↘
4:	10.3x	↘
5:	10.4x	↙
6:	10.8x	→
7:	9.9	→
8:	10.3x	↙
9:	9.6	→
10:	10.0	↑
Series		95.0
Total		0.0



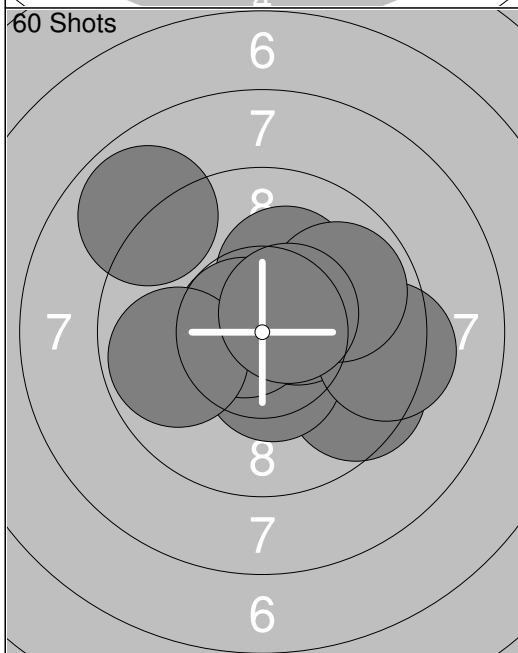
11:	10.6x	↖
Series		10.0
Total		0.0



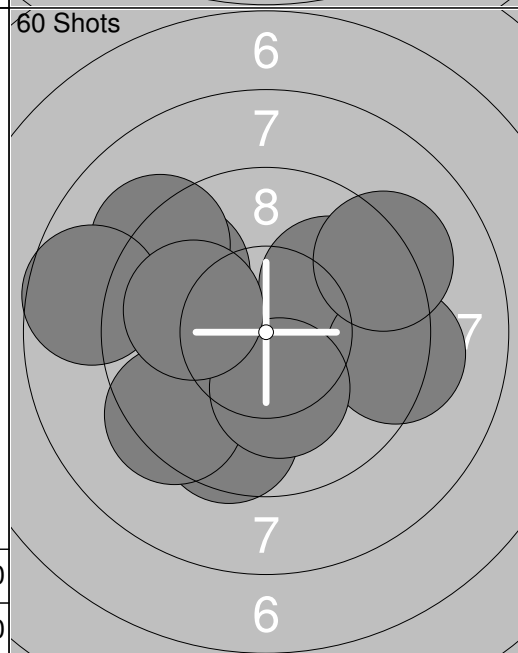
1:	7.4	→
2:	10.0	↑
3:	9.7	→
4:	9.9	→
5:	9.7	→
6:	10.5x	↙
7:	10.6x	→
8:	9.3	↑
9:	9.2	←
10:	10.2x	↘
Series		92.0
Total		92.0



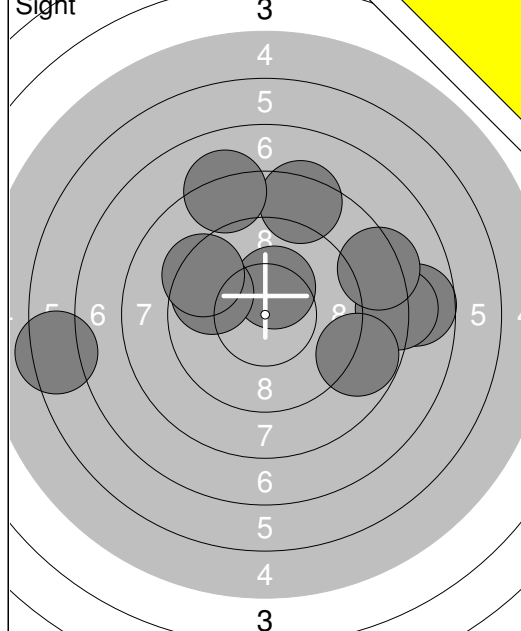
11:	9.4	↗
12:	10.6x	→
13:	10.7x	↑
14:	10.4x	↙
15:	9.5	↖
16:	10.0	↙
17:	9.2	→
18:	9.6	↑
19:	10.4x	↙
20:	9.3	→
Series		95.0
Total		187.0



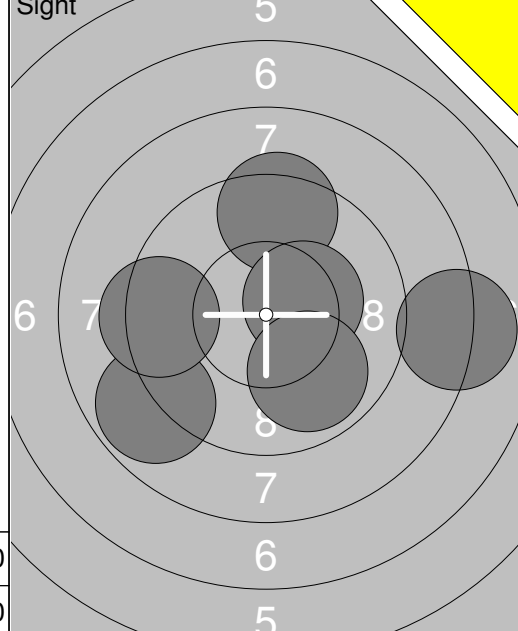
21:	9.5	→
22:	10.4x	↘
23:	10.4x	→
24:	9.4	→
25:	10.2x	↑
26:	9.9	→
27:	10.7x	↙
28:	9.8	←
29:	10.5x	→
30:	8.9	↖
Series		94.0
Total		281.0



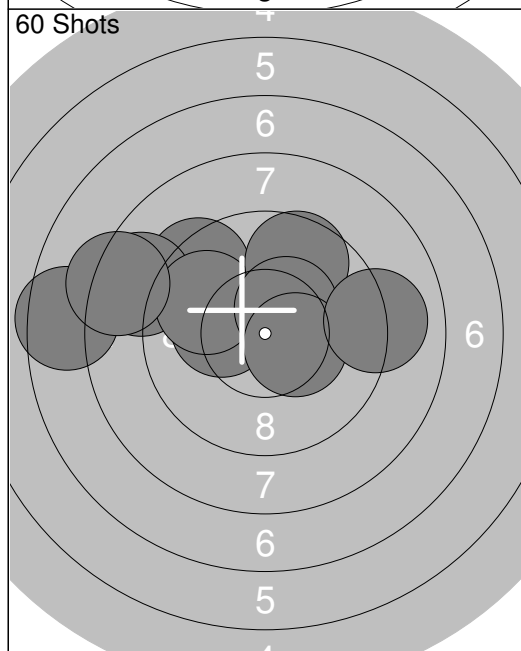
31:	9.6	↖
32:	9.2	↖
33:	10.0	→
34:	9.6	↘
35:	9.4	↙
36:	9.3	→
37:	8.7	←
38:	9.2	↗
39:	10.2x	↘
40:	10.0	↙
Series		92.0
Total		373.0



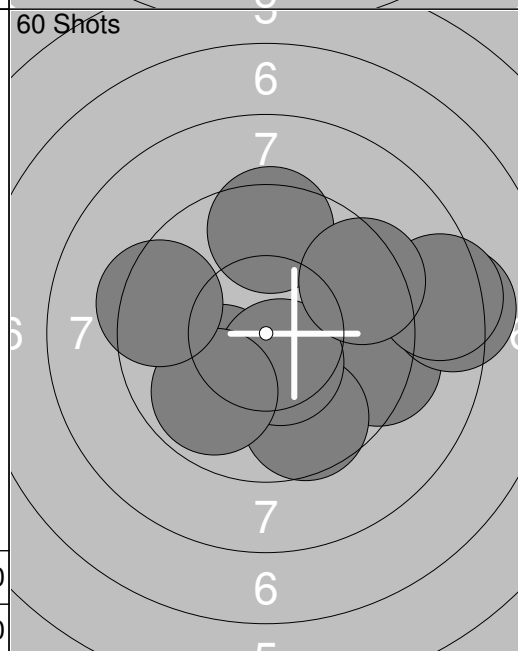
1:	10.3x ↗
2:	7.7 →
3:	8.4 ↗
4:	8.1 →
5:	9.7 ↖
6:	6.4 ←
7:	8.3 →
8:	8.8 →
9:	9.4 ↖
10:	8.2 ↗
Series	81.0
Total	0.0



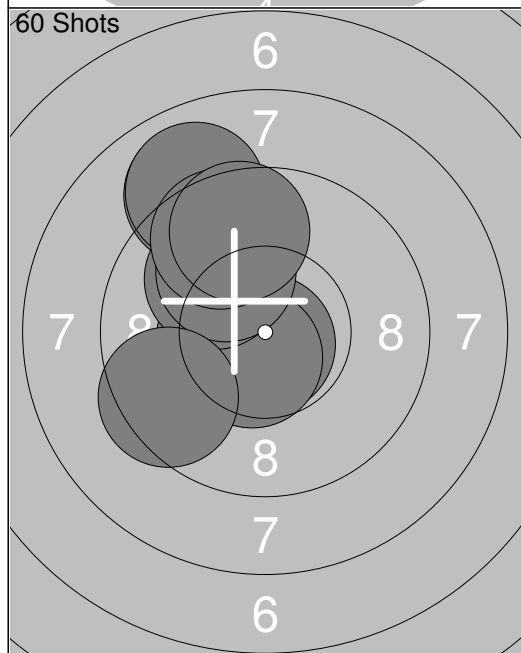
11:	8.1 →
12:	9.4 ↗
13:	8.8 ↖
14:	10.4x →
15:	9.9 ↘
16:	9.4 ←
Series	53.0
Total	0.0



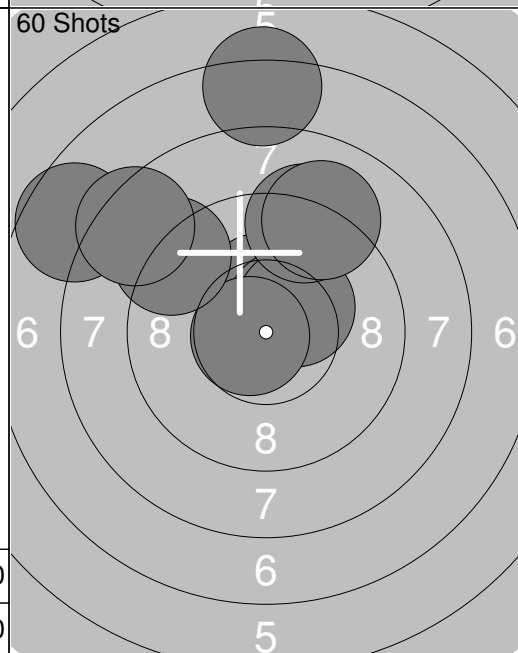
1:	9.4 ↖
2:	8.7 ↖
3:	7.5 ←
4:	10.2x ←
5:	9.8 ↖
6:	9.6 ↗
7:	10.4x ↗
8:	10.4x →
9:	9.0 →
10:	8.3 ←
Series	89.0
Total	89.0



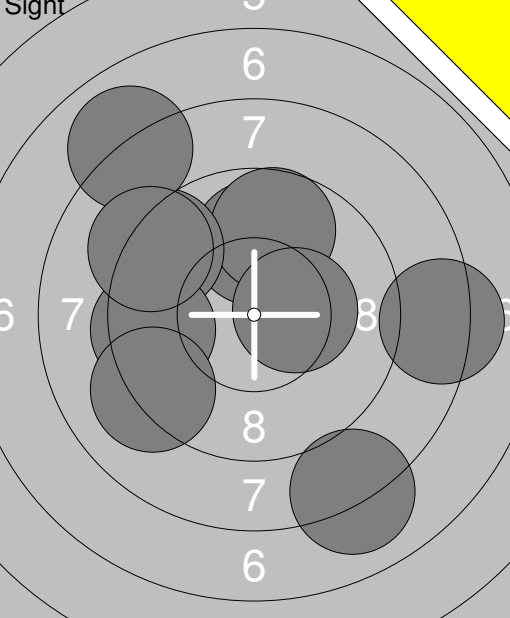

11:	9.3 →
12:	9.5 ↗
13:	8.3 →
14:	10.1 ↖
15:	9.6 ↘
16:	10.5x ↘
17:	8.4 →
18:	9.4 ↗
19:	9.9 ↖
20:	9.4 ←
Series	90.0
Total	179.0

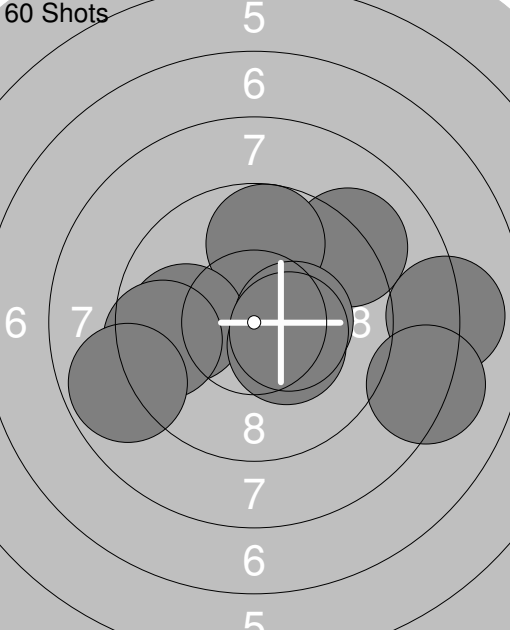
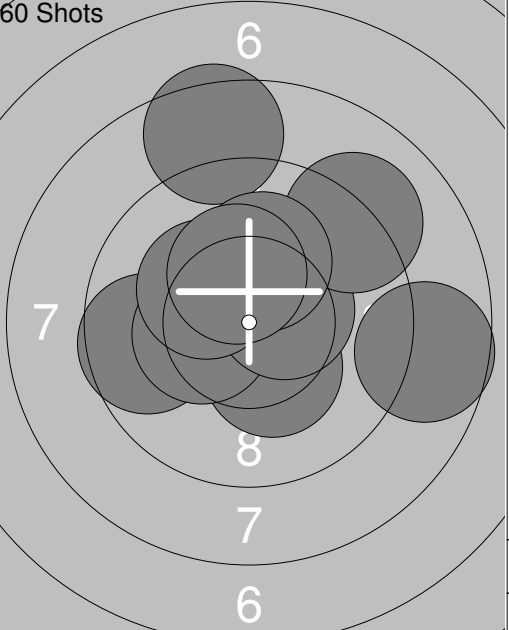


21:	9.0 ↗
22:	10.4x ←
23:	9.0 ↗
24:	10.8x ↘
25:	10.6x ↘
26:	10.0 ↖
27:	10.0 ↗
28:	9.5 ↖
29:	9.6 ↗
30:	9.6 ↗
Series	95.0
Total	274.0

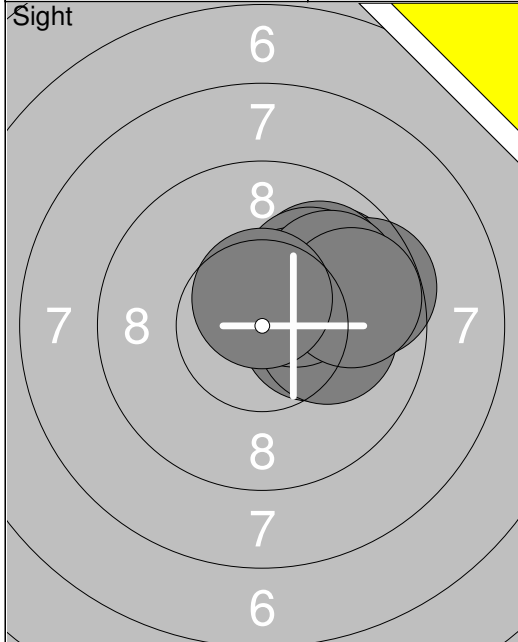


31:	10.4x ↗
32:	10.5x ↗
33:	10.4x ↗
34:	9.2 ↗
35:	10.7x ←
36:	9.1 ↖
37:	7.6 ↖
38:	7.2 ↗
39:	8.4 ↖
40:	9.1 ↗
Series	89.0
Total	363.0

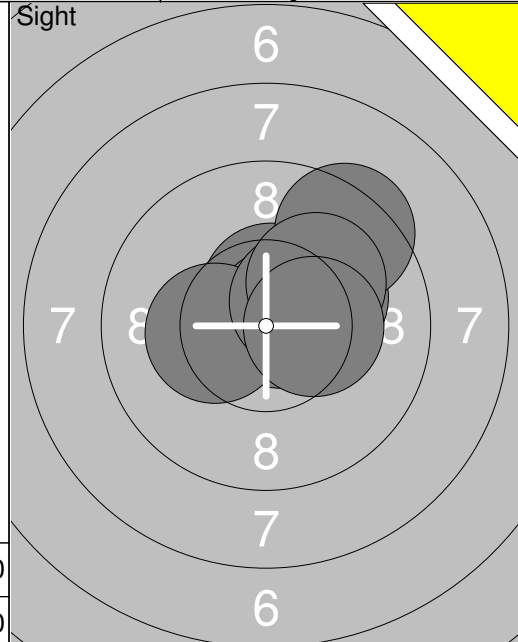
Sight		Sight																								
	<table border="1" style="width:100%; border-collapse: collapse;"> <tr><td>1: 9.9</td><td style="text-align:right;">↑</td></tr> <tr><td>2: 9.7</td><td style="text-align:right;">↑</td></tr> <tr><td>3: 9.3</td><td style="text-align:right;">↖</td></tr> <tr><td>4: 8.1</td><td style="text-align:right;">↘</td></tr> <tr><td>5: 9.5</td><td style="text-align:right;">←</td></tr> <tr><td>6: 9.1</td><td style="text-align:right;">↙</td></tr> <tr><td>7: 8.0</td><td style="text-align:right;">↗</td></tr> <tr><td>8: 8.3</td><td style="text-align:right;">→</td></tr> <tr><td>9: 10.4x</td><td style="text-align:right;">→</td></tr> <tr><td>10: 9.2</td><td style="text-align:right;">↖</td></tr> <tr><td>Series</td><td style="text-align:right;">88.0</td></tr> <tr><td>Total</td><td style="text-align:right;">0.0</td></tr> </table>	1: 9.9	↑	2: 9.7	↑	3: 9.3	↖	4: 8.1	↘	5: 9.5	←	6: 9.1	↙	7: 8.0	↗	8: 8.3	→	9: 10.4x	→	10: 9.2	↖	Series	88.0	Total	0.0	
1: 9.9	↑																									
2: 9.7	↑																									
3: 9.3	↖																									
4: 8.1	↘																									
5: 9.5	←																									
6: 9.1	↙																									
7: 8.0	↗																									
8: 8.3	→																									
9: 10.4x	→																									
10: 9.2	↖																									
Series	88.0																									
Total	0.0																									
		<table border="1" style="width:100%; border-collapse: collapse;"> <tr><td>11: 9.9</td><td style="text-align:right;">↑</td></tr> <tr><td>12: 10.1</td><td style="text-align:right;">↑</td></tr> <tr><td>Series</td><td style="text-align:right;">19.0</td></tr> <tr><td>Total</td><td style="text-align:right;">0.0</td></tr> </table>	11: 9.9	↑	12: 10.1	↑	Series	19.0	Total	0.0																
11: 9.9	↑																									
12: 10.1	↑																									
Series	19.0																									
Total	0.0																									

60 Shots		60 Shots																								
	<table border="1" style="width:100%; border-collapse: collapse;"> <tr><td>1: 9.1</td><td style="text-align:right;">↗</td></tr> <tr><td>2: 9.8</td><td style="text-align:right;">↑</td></tr> <tr><td>3: 9.9</td><td style="text-align:right;">←</td></tr> <tr><td>4: 8.1</td><td style="text-align:right;">→</td></tr> <tr><td>5: 9.5</td><td style="text-align:right;">←</td></tr> <tr><td>6: 10.4x</td><td style="text-align:right;">↘</td></tr> <tr><td>7: 8.2</td><td style="text-align:right;">→</td></tr> <tr><td>8: 8.8</td><td style="text-align:right;">←</td></tr> <tr><td>9: 10.4x</td><td style="text-align:right;">→</td></tr> <tr><td>10: 10.4x</td><td style="text-align:right;">→</td></tr> <tr><td>Series</td><td style="text-align:right;">90.0</td></tr> <tr><td>Total</td><td style="text-align:right;">90.0</td></tr> </table>	1: 9.1	↗	2: 9.8	↑	3: 9.9	←	4: 8.1	→	5: 9.5	←	6: 10.4x	↘	7: 8.2	→	8: 8.8	←	9: 10.4x	→	10: 10.4x	→	Series	90.0	Total	90.0	
1: 9.1	↗																									
2: 9.8	↑																									
3: 9.9	←																									
4: 8.1	→																									
5: 9.5	←																									
6: 10.4x	↘																									
7: 8.2	→																									
8: 8.8	←																									
9: 10.4x	→																									
10: 10.4x	→																									
Series	90.0																									
Total	90.0																									
		<table border="1" style="width:100%; border-collapse: collapse;"> <tr><td>11: 8.7</td><td style="text-align:right;">→</td></tr> <tr><td>12: 10.3x</td><td style="text-align:right;">↘</td></tr> <tr><td>13: 9.6</td><td style="text-align:right;">←</td></tr> <tr><td>14: 10.3x</td><td style="text-align:right;">←</td></tr> <tr><td>15: 8.5</td><td style="text-align:right;">↑</td></tr> <tr><td>16: 10.5x</td><td style="text-align:right;">→</td></tr> <tr><td>17: 10.3x</td><td style="text-align:right;">↖</td></tr> <tr><td>18: 9.1</td><td style="text-align:right;">↗</td></tr> <tr><td>19: 10.2x</td><td style="text-align:right;">↑</td></tr> <tr><td>20: 10.3x</td><td style="text-align:right;">↑</td></tr> <tr><td>Series</td><td style="text-align:right;">94.0</td></tr> <tr><td>Total</td><td style="text-align:right;">184.0</td></tr> </table>	11: 8.7	→	12: 10.3x	↘	13: 9.6	←	14: 10.3x	←	15: 8.5	↑	16: 10.5x	→	17: 10.3x	↖	18: 9.1	↗	19: 10.2x	↑	20: 10.3x	↑	Series	94.0	Total	184.0
11: 8.7	→																									
12: 10.3x	↘																									
13: 9.6	←																									
14: 10.3x	←																									
15: 8.5	↑																									
16: 10.5x	→																									
17: 10.3x	↖																									
18: 9.1	↗																									
19: 10.2x	↑																									
20: 10.3x	↑																									
Series	94.0																									
Total	184.0																									

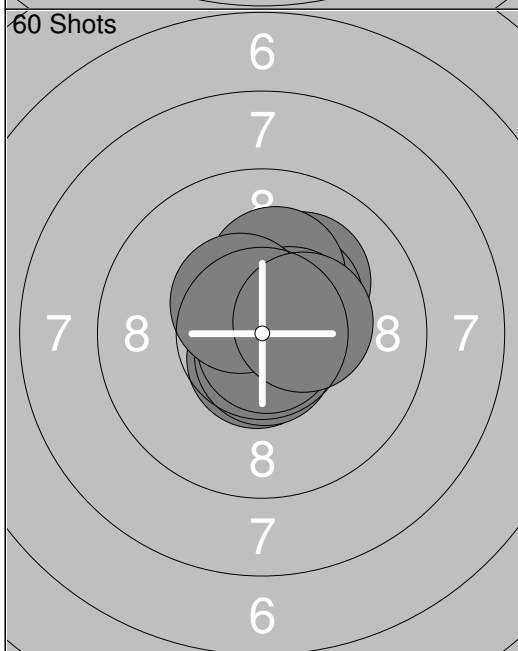
60 Shots		60 Shots																								
	<table border="1" style="width:100%; border-collapse: collapse;"> <tr><td>21: 9.7</td><td style="text-align:right;">↑</td></tr> <tr><td>22: 9.5</td><td style="text-align:right;">←</td></tr> <tr><td>23: 9.4</td><td style="text-align:right;">↘</td></tr> <tr><td>24: 8.0</td><td style="text-align:right;">←</td></tr> <tr><td>25: 9.8</td><td style="text-align:right;">→</td></tr> <tr><td>26: 7.5</td><td style="text-align:right;">→</td></tr> <tr><td>27: 9.8</td><td style="text-align:right;">↘</td></tr> <tr><td>28: 10.1</td><td style="text-align:right;">↘</td></tr> <tr><td>29: 8.2</td><td style="text-align:right;">↘</td></tr> <tr><td>30: 9.1</td><td style="text-align:right;">↑</td></tr> <tr><td>Series</td><td style="text-align:right;">87.0</td></tr> <tr><td>Total</td><td style="text-align:right;">271.0</td></tr> </table>	21: 9.7	↑	22: 9.5	←	23: 9.4	↘	24: 8.0	←	25: 9.8	→	26: 7.5	→	27: 9.8	↘	28: 10.1	↘	29: 8.2	↘	30: 9.1	↑	Series	87.0	Total	271.0	
21: 9.7	↑																									
22: 9.5	←																									
23: 9.4	↘																									
24: 8.0	←																									
25: 9.8	→																									
26: 7.5	→																									
27: 9.8	↘																									
28: 10.1	↘																									
29: 8.2	↘																									
30: 9.1	↑																									
Series	87.0																									
Total	271.0																									
		<table border="1" style="width:100%; border-collapse: collapse;"> <tr><td>31: 9.3</td><td style="text-align:right;">↖</td></tr> <tr><td>32: 10.6x</td><td style="text-align:right;">↘</td></tr> <tr><td>33: 8.8</td><td style="text-align:right;">↑</td></tr> <tr><td>34: 9.9</td><td style="text-align:right;">↑</td></tr> <tr><td>35: 10.0</td><td style="text-align:right;">←</td></tr> <tr><td>36: 9.7</td><td style="text-align:right;">↖</td></tr> <tr><td>37: 9.2</td><td style="text-align:right;">→</td></tr> <tr><td>38: 10.6x</td><td style="text-align:right;">↑</td></tr> <tr><td>39: 10.5x</td><td style="text-align:right;">←</td></tr> <tr><td>40: 9.8</td><td style="text-align:right;">→</td></tr> <tr><td>Series</td><td style="text-align:right;">93.0</td></tr> <tr><td>Total</td><td style="text-align:right;">364.0</td></tr> </table>	31: 9.3	↖	32: 10.6x	↘	33: 8.8	↑	34: 9.9	↑	35: 10.0	←	36: 9.7	↖	37: 9.2	→	38: 10.6x	↑	39: 10.5x	←	40: 9.8	→	Series	93.0	Total	364.0
31: 9.3	↖																									
32: 10.6x	↘																									
33: 8.8	↑																									
34: 9.9	↑																									
35: 10.0	←																									
36: 9.7	↖																									
37: 9.2	→																									
38: 10.6x	↑																									
39: 10.5x	←																									
40: 9.8	→																									
Series	93.0																									
Total	364.0																									



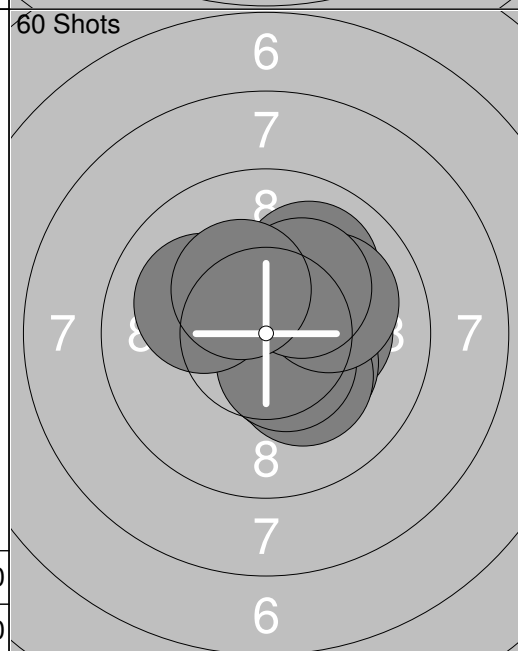
1: 10.3x→
2: 9.9↗
3: 9.5→
4: 10.1→
5: 9.9↗
6: 10.1↗
7: 10.4x↗
8: 9.9↗
9: 9.8→
10: 10.6x↑
Series 95.0
Total 0.0



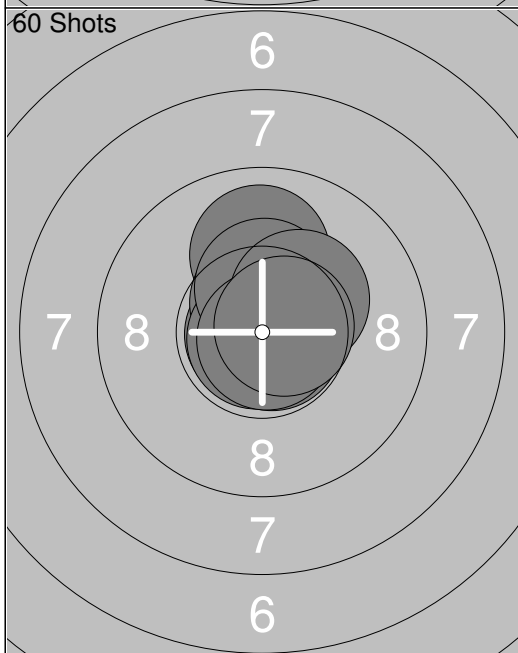
11: 10.5x↑
12: 10.2x↗
13: 10.2x↗
14: 10.7x↗
15: 9.4↗
16: 10.3x←
17: 10.4x↗
18: 10.1↗
19: 10.3x→
Series 89.0
Total 0.0



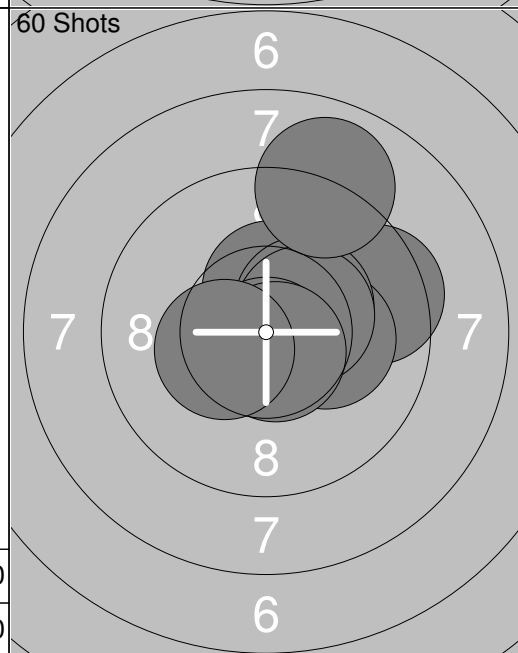
1: 10.7x↑
2: 10.1↗
3: 10.6x↓
4: 10.4x↗
5: 10.2x↑
6: 10.7x↓
7: 10.5x↗
8: 10.8x↓
9: 10.5x↖
10: 10.4x→
Series 100.0
Total 100.0



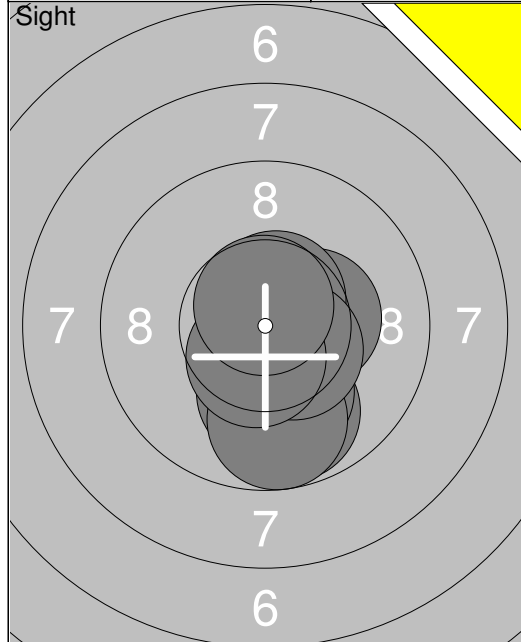
11: 10.0↗
12: 10.2x→
13: 10.4x↓
14: 10.3x↓
15: 10.2x↓
16: 10.5x↓
17: 10.1↖
18: 10.1↗
19: 10.2x↗
20: 10.3x↖
Series 100.0
Total 200.0



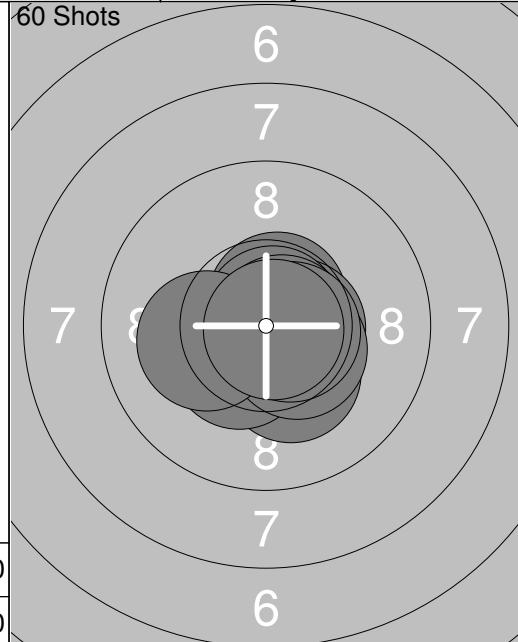
21: 10.8x←
22: 10.4x↑
23: 10.0↑
24: 10.6x↑
25: 10.8x↘
26: 10.8x↘
27: 10.4x↑
28: 10.8x↘
29: 10.3x↗
30: 10.7x→
Series 100.0
Total 300.0



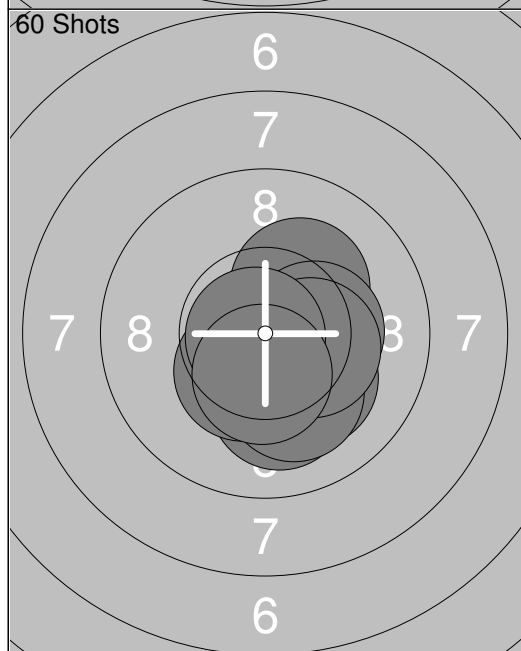
31: 9.5→
32: 10.5x→
33: 10.2x→
34: 10.4x↑
35: 10.4x↗
36: 10.4x↗
37: 10.8x↓
38: 10.7x↓
39: 10.4x←
40: 9.0↑
Series 98.0
Total 398.0



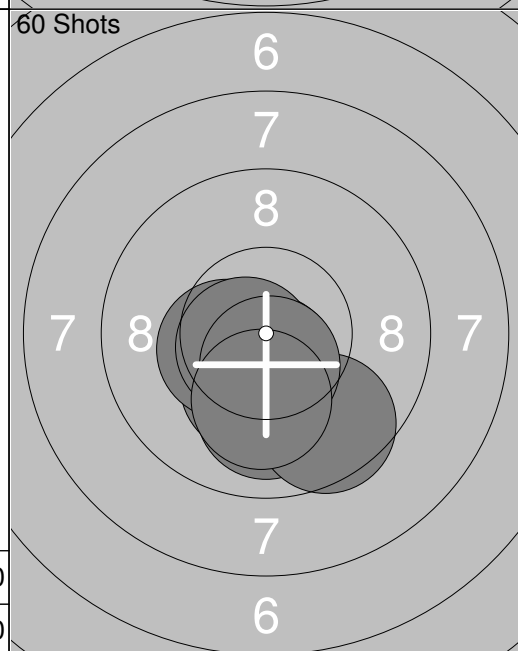
1: 10.5x ↓
2: 10.4x →
3: 9.8 ↓
4: 10.1 ↓
5: 10.1 ↓
6: 9.7 ↓
7: 10.6x ↗
8: 10.5x ↘
9: 10.5x ↓
10: 10.7x ↑
Series 98.0
Total 0.0



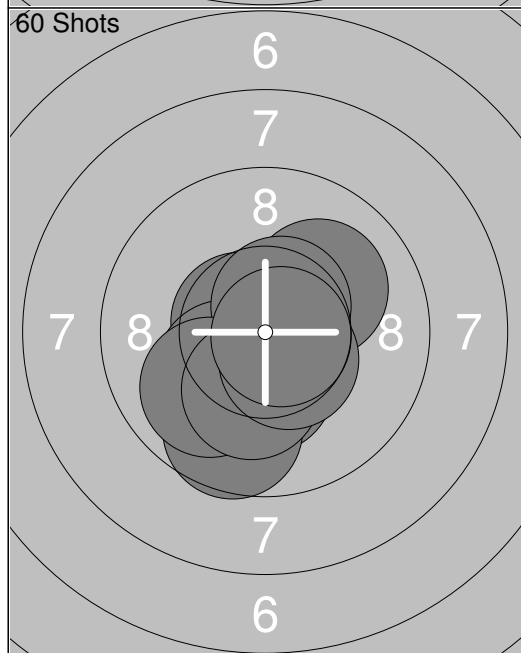
1: 10.6x ↗
2: 10.6x →
3: 10.8x ↗
4: 10.3x ↓
5: 10.4x ↘
6: 10.5x ↘
7: 10.2x ←
8: 10.7x →
9: 10.6x →
10: 10.8x ↘
Series 100.0
Total 100.0



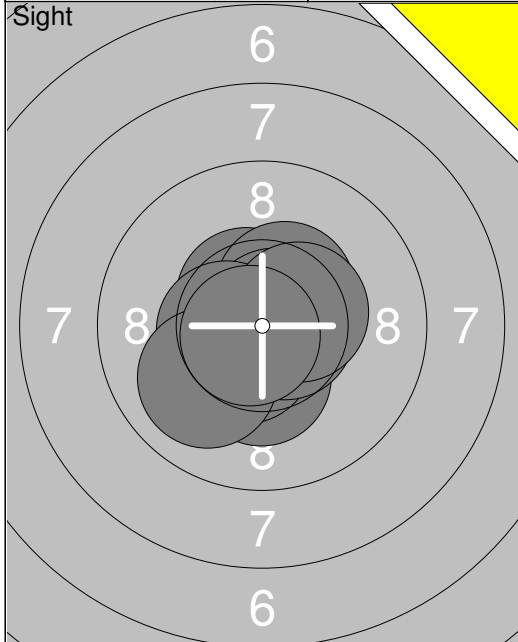
11: 10.2x ↘
12: 10.5x ↓
13: 10.1 ↓
14: 10.2x ↗
15: 10.1 ↓
16: 10.3x →
17: 10.3x →
18: 10.4x ↘
19: 10.8x ←
20: 10.4x ↓
Series 100.0
Total 200.0



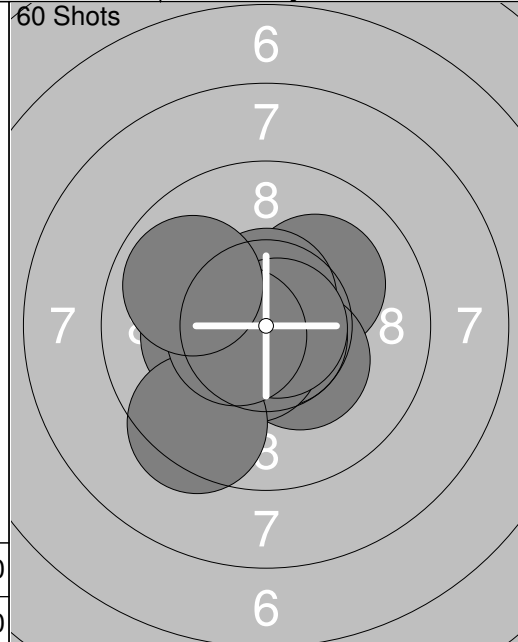
21: 10.6x ↓
22: 10.2x ↓
23: 10.0 ↓
24: 10.4x ↘
25: 10.3x ↓
26: 9.6 ↓
27: 10.4x ←
28: 10.6x ←
29: 10.5x ↓
30: 10.1 ↓
Series 99.0
Total 299.0



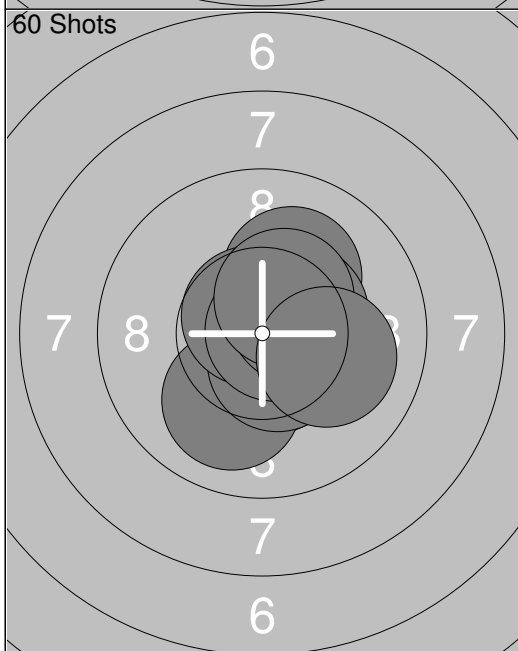
31: 10.6x ←
32: 10.1 ↗
33: 10.3x ↓
34: 10.3x ↘
35: 9.6 ↓
36: 10.6x ↗
37: 10.0 ↘
38: 10.2x ↓
39: 10.5x ↘
40: 10.7x →
Series 99.0
Total 398.0



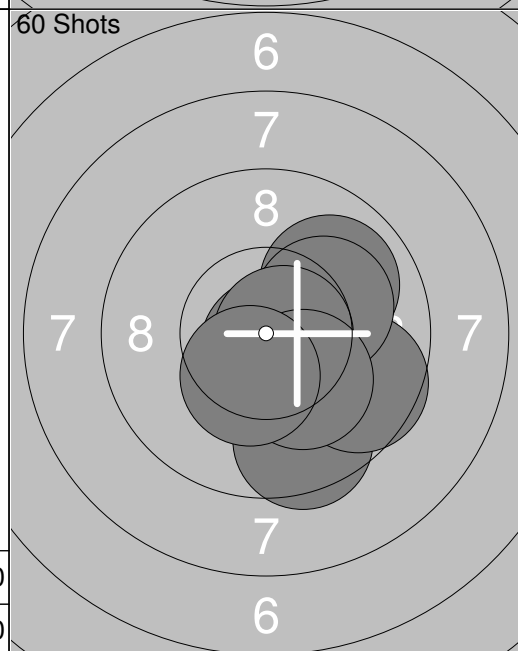
1:	10.3x ↓
2:	10.5x ↗
3:	10.5x ↓
4:	10.4x ↗
5:	10.8x ↗
6:	10.7x →
7:	10.5x ←
8:	10.0 ↓
9:	10.5x →
10:	10.8x ↙
Series	100.0
Total	0.0



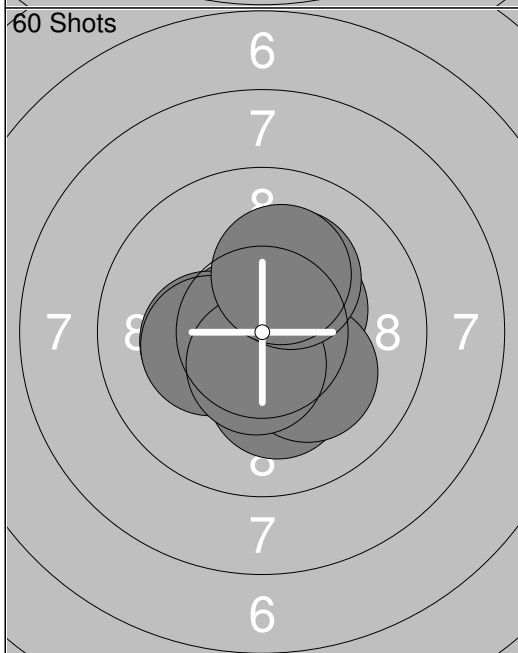
1:	10.1 ↗
2:	10.2x ←
3:	10.6x ↑
4:	10.3x ↓
5:	10.7x ↓
6:	10.6x ↓
7:	10.8x →
8:	9.4 ↓
9:	10.6x ←
10:	9.9 ↙
Series	98.0
Total	98.0



11:	10.5x ↓
12:	10.0 ↓
13:	10.1 ↗
14:	10.5x ↓
15:	10.7x ↗
16:	10.5x ↗
17:	10.8x →
18:	10.4x →
19:	10.4x ↗
20:	10.1 →
Series	100.0
Total	198.0



21:	10.8x ↓
22:	9.5 ↓
23:	10.5x →
24:	9.9 ↗
25:	10.6x →
26:	9.6 →
27:	10.1 ↗
28:	10.7x →
29:	10.2x ↓
30:	10.4x ↓
Series	97.0
Total	295.0

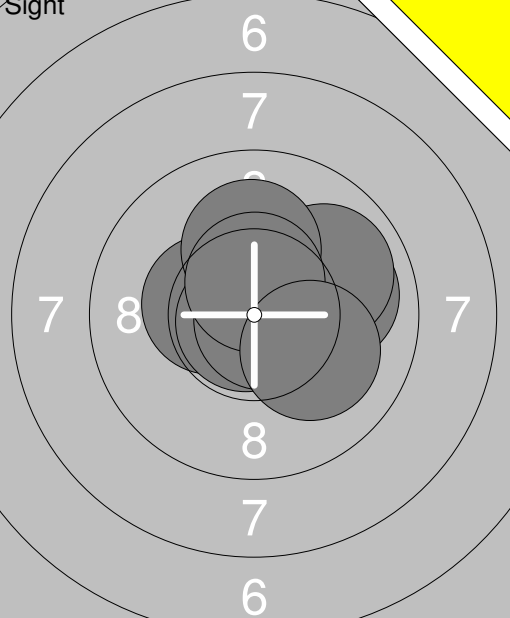
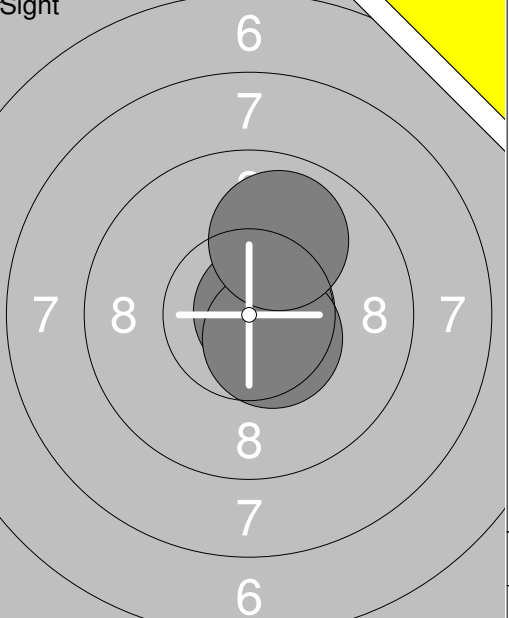


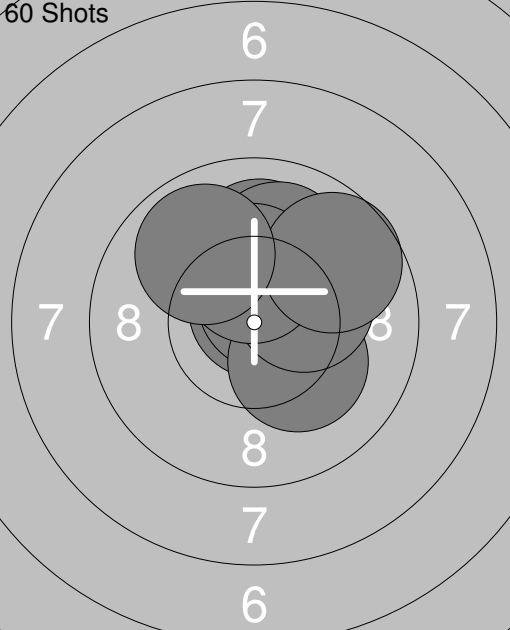
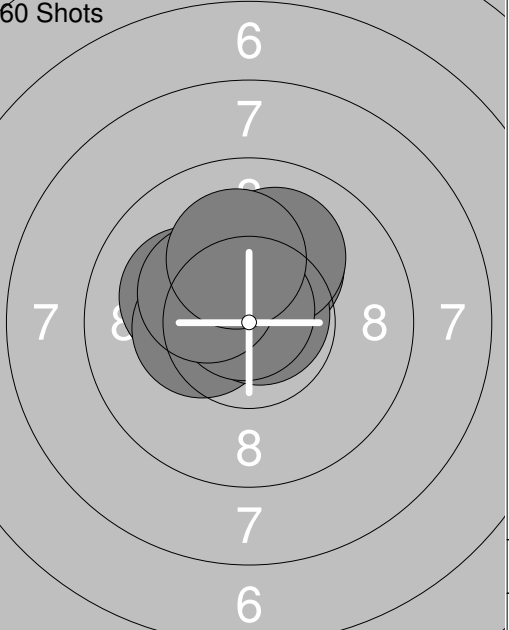
31:	10.7x ←
32:	10.8x ↗
33:	10.4x ↗
34:	10.3x ←
35:	10.2x ↓
36:	10.2x ↓
37:	10.3x ←
38:	10.5x ↓
39:	10.2x ↗
40:	10.2x ↗
Series	100.0
Total	395.0

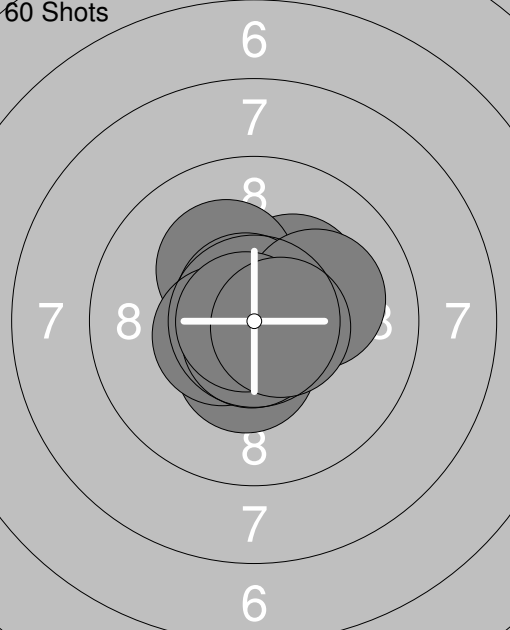
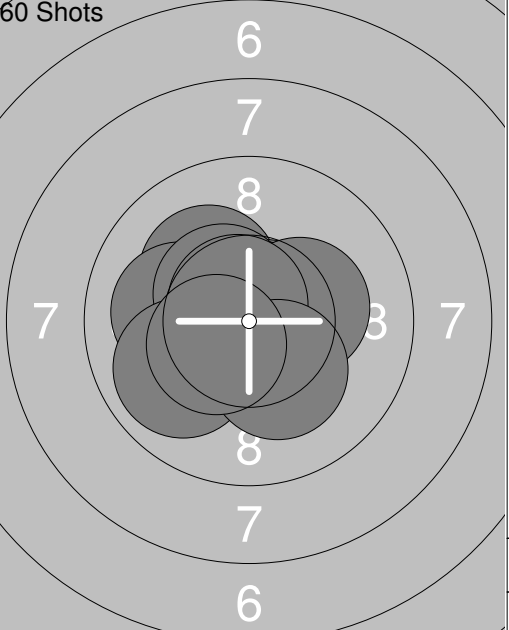
<p>Sight</p>	<p>Sight</p>	<table border="1" style="width:100%; border-collapse: collapse;"> <tr><td>1: 10.2x ↓</td><td>11: 10.4x →</td></tr> <tr><td>2: 10.7x →</td><td>12: 9.6 ←</td></tr> <tr><td>3: 9.8 ↑</td><td>13: 10.5x ↖</td></tr> <tr><td>4: 10.2x ←</td><td>14: 10.8x ←</td></tr> <tr><td>5: 10.3x ↘</td><td>15: 10.5x ↗</td></tr> <tr><td>6: 10.2x ↙</td><td>16: 10.2x ←</td></tr> <tr><td>7: 9.6 ←</td><td>17: 10.6x ↘</td></tr> <tr><td>8: 10.3x ←</td><td></td></tr> <tr><td>9: 10.4x ↘</td><td></td></tr> <tr><td>10: 10.8x ↗</td><td></td></tr> <tr><td>Series 98.0</td><td>Series 69.0</td></tr> <tr><td>Total 0.0</td><td>Total 0.0</td></tr> </table>	1: 10.2x ↓	11: 10.4x →	2: 10.7x →	12: 9.6 ←	3: 9.8 ↑	13: 10.5x ↖	4: 10.2x ←	14: 10.8x ←	5: 10.3x ↘	15: 10.5x ↗	6: 10.2x ↙	16: 10.2x ←	7: 9.6 ←	17: 10.6x ↘	8: 10.3x ←		9: 10.4x ↘		10: 10.8x ↗		Series 98.0	Series 69.0	Total 0.0	Total 0.0
1: 10.2x ↓	11: 10.4x →																									
2: 10.7x →	12: 9.6 ←																									
3: 9.8 ↑	13: 10.5x ↖																									
4: 10.2x ←	14: 10.8x ←																									
5: 10.3x ↘	15: 10.5x ↗																									
6: 10.2x ↙	16: 10.2x ←																									
7: 9.6 ←	17: 10.6x ↘																									
8: 10.3x ←																										
9: 10.4x ↘																										
10: 10.8x ↗																										
Series 98.0	Series 69.0																									
Total 0.0	Total 0.0																									

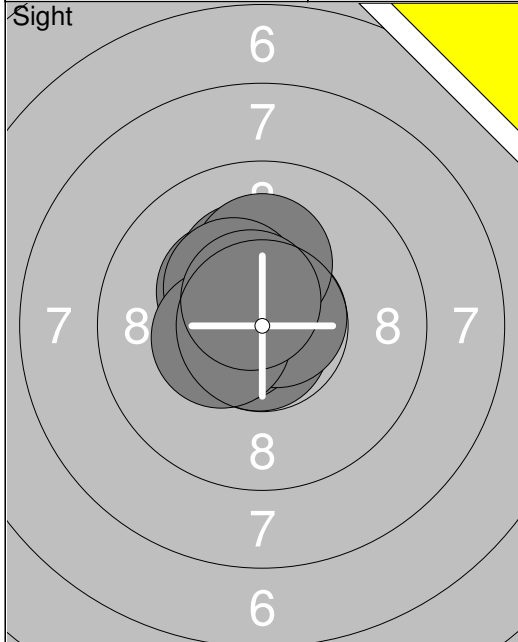
<p>60 Shots</p>	<p>60 Shots</p>	<table border="1" style="width:100%; border-collapse: collapse;"> <tr><td>1: 10.5x ←</td><td>11: 10.3x ↗</td></tr> <tr><td>2: 10.4x →</td><td>12: 10.6x ←</td></tr> <tr><td>3: 10.3x ↗</td><td>13: 10.5x ↘</td></tr> <tr><td>4: 10.2x ↘</td><td>14: 10.5x ↖</td></tr> <tr><td>5: 10.4x ↗</td><td>15: 10.1 ←</td></tr> <tr><td>6: 10.1 ↑</td><td>16: 9.9 →</td></tr> <tr><td>7: 9.9 ↗</td><td>17: 10.6x ↖</td></tr> <tr><td>8: 10.7x ←</td><td>18: 10.5x →</td></tr> <tr><td>9: 10.3x ↗</td><td>19: 10.4x ↘</td></tr> <tr><td>10: 10.5x ↗</td><td>20: 10.5x ↘</td></tr> <tr><td>Series 99.0</td><td>Series 99.0</td></tr> <tr><td>Total 99.0</td><td>Total 198.0</td></tr> </table>	1: 10.5x ←	11: 10.3x ↗	2: 10.4x →	12: 10.6x ←	3: 10.3x ↗	13: 10.5x ↘	4: 10.2x ↘	14: 10.5x ↖	5: 10.4x ↗	15: 10.1 ←	6: 10.1 ↑	16: 9.9 →	7: 9.9 ↗	17: 10.6x ↖	8: 10.7x ←	18: 10.5x →	9: 10.3x ↗	19: 10.4x ↘	10: 10.5x ↗	20: 10.5x ↘	Series 99.0	Series 99.0	Total 99.0	Total 198.0
1: 10.5x ←	11: 10.3x ↗																									
2: 10.4x →	12: 10.6x ←																									
3: 10.3x ↗	13: 10.5x ↘																									
4: 10.2x ↘	14: 10.5x ↖																									
5: 10.4x ↗	15: 10.1 ←																									
6: 10.1 ↑	16: 9.9 →																									
7: 9.9 ↗	17: 10.6x ↖																									
8: 10.7x ←	18: 10.5x →																									
9: 10.3x ↗	19: 10.4x ↘																									
10: 10.5x ↗	20: 10.5x ↘																									
Series 99.0	Series 99.0																									
Total 99.0	Total 198.0																									

<p>60 Shots</p>	<p>60 Shots</p>	<table border="1" style="width:100%; border-collapse: collapse;"> <tr><td>21: 10.6x ←</td><td>31: 10.3x ←</td></tr> <tr><td>22: 10.4x →</td><td>32: 10.6x ↘</td></tr> <tr><td>23: 10.3x →</td><td>33: 10.8x ↗</td></tr> <tr><td>24: 10.8x ↓</td><td>34: 10.4x ↓</td></tr> <tr><td>25: 10.7x ↖</td><td>35: 10.6x ↘</td></tr> <tr><td>26: 10.6x ↑</td><td>36: 10.2x ↑</td></tr> <tr><td>27: 9.9 ↖</td><td>37: 10.5x →</td></tr> <tr><td>28: 10.8x ↖</td><td>38: 10.6x ↖</td></tr> <tr><td>29: 10.7x →</td><td>39: 10.6x ↖</td></tr> <tr><td>30: 10.4x ↗</td><td>40: 10.3x ↑</td></tr> <tr><td>Series 99.0</td><td>Series 100.0</td></tr> <tr><td>Total 297.0</td><td>Total 397.0</td></tr> </table>	21: 10.6x ←	31: 10.3x ←	22: 10.4x →	32: 10.6x ↘	23: 10.3x →	33: 10.8x ↗	24: 10.8x ↓	34: 10.4x ↓	25: 10.7x ↖	35: 10.6x ↘	26: 10.6x ↑	36: 10.2x ↑	27: 9.9 ↖	37: 10.5x →	28: 10.8x ↖	38: 10.6x ↖	29: 10.7x →	39: 10.6x ↖	30: 10.4x ↗	40: 10.3x ↑	Series 99.0	Series 100.0	Total 297.0	Total 397.0
21: 10.6x ←	31: 10.3x ←																									
22: 10.4x →	32: 10.6x ↘																									
23: 10.3x →	33: 10.8x ↗																									
24: 10.8x ↓	34: 10.4x ↓																									
25: 10.7x ↖	35: 10.6x ↘																									
26: 10.6x ↑	36: 10.2x ↑																									
27: 9.9 ↖	37: 10.5x →																									
28: 10.8x ↖	38: 10.6x ↖																									
29: 10.7x →	39: 10.6x ↖																									
30: 10.4x ↗	40: 10.3x ↑																									
Series 99.0	Series 100.0																									
Total 297.0	Total 397.0																									

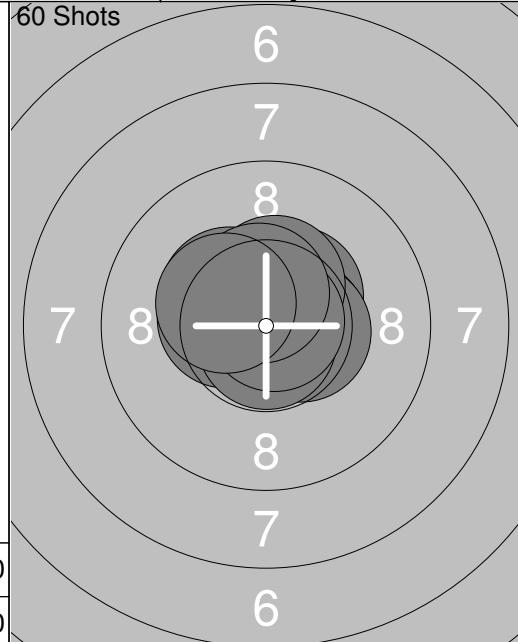
<p>Sight</p> 	<p>1: 10.1 →</p> <p>2: 10.0 →</p> <p>3: 10.7x ↑</p> <p>4: 9.9 →</p> <p>5: 10.4x ←</p> <p>6: 10.8x ↙</p> <p>7: 10.8x ↘</p> <p>8: 10.1 ↑</p> <p>9: 10.5x ↑</p> <p>10: 10.1 ↘</p> <hr/> <p>Series 99.0</p> <p>Total 0.0</p>	<p>Sight</p> 	<p>11: 10.8x →</p> <p>12: 10.5x ↘</p> <p>13: 9.9 ↑</p> <hr/> <p>Series 29.0</p> <p>Total 0.0</p>
--	--	--	--

<p>60 Shots</p> 	<p>1: 10.8x ↑</p> <p>2: 10.0 ↑</p> <p>3: 10.3x ↑</p> <p>4: 10.6x ↗</p> <p>5: 10.2x ↘</p> <p>6: 10.0 ↑</p> <p>7: 10.3x →</p> <p>8: 10.3x ↑</p> <p>9: 9.7 ↗</p> <p>10: 9.9 ↖</p> <hr/> <p>Series 98.0</p> <p>Total 98.0</p>	<p>60 Shots</p> 	<p>11: 10.1 ↖</p> <p>12: 10.4x ←</p> <p>13: 10.8x ↑</p> <p>14: 10.2x ↗</p> <p>15: 10.8x ↗</p> <p>16: 10.5x ↖</p> <p>17: 10.1 ↑</p> <p>18: 10.8x ↑</p> <p>19: 10.3x ↖</p> <p>20: 10.1 ↑</p> <hr/> <p>Series 100.0</p> <p>Total 198.0</p>
--	---	--	---

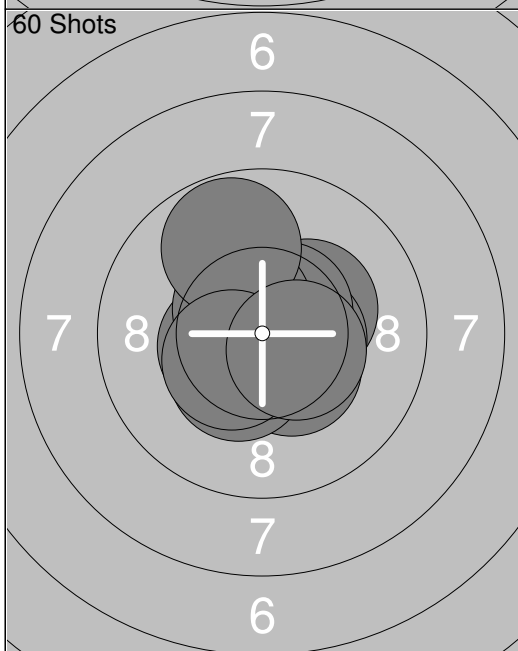
<p>60 Shots</p> 	<p>21: 10.4x ↓</p> <p>22: 10.5x ↑</p> <p>23: 10.3x ↗</p> <p>24: 10.2x ↖</p> <p>25: 10.7x ↖</p> <p>26: 10.1 →</p> <p>27: 10.5x ←</p> <p>28: 10.7x ↓</p> <p>29: 10.8x ←</p> <p>30: 10.6x →</p> <hr/> <p>Series 100.0</p> <p>Total 298.0</p>	<p>60 Shots</p> 	<p>31: 10.2x ↖</p> <p>32: 10.7x ↗</p> <p>33: 10.1 ←</p> <p>34: 10.8x ↗</p> <p>35: 10.5x ↖</p> <p>36: 9.9 ↖</p> <p>37: 10.3x →</p> <p>38: 10.7x ↖</p> <p>39: 10.2x ↓</p> <p>40: 10.4x ↙</p> <hr/> <p>Series 99.0</p> <p>Total 397.0</p>
---	---	---	--



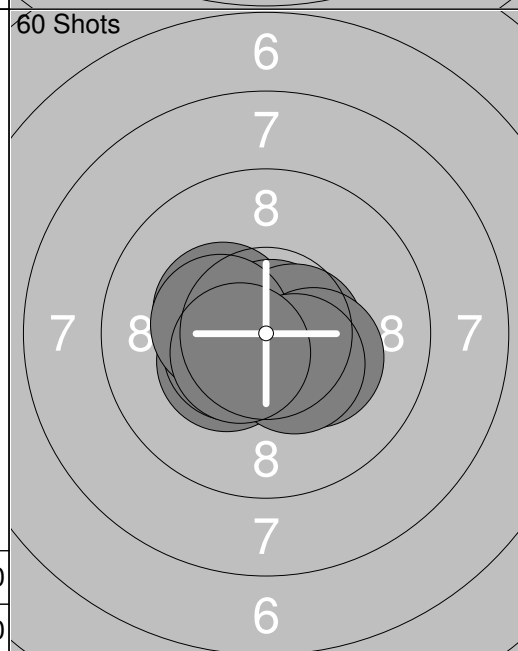
1:	10.4x ↖
2:	10.8x ↓
3:	10.3x ↖
4:	10.6x ←
5:	10.2x ↑
6:	10.7x →
7:	10.2x ↑
8:	10.3x ↖
9:	10.4x ←
10:	10.6x ↖
Series	100.0
Total	0.0



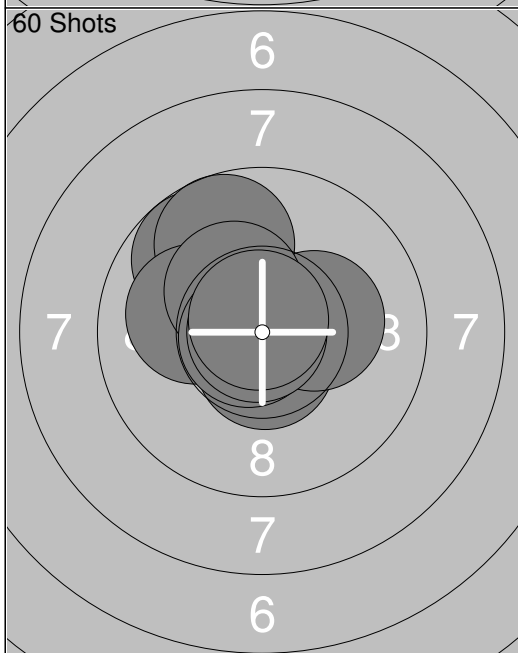
1:	10.4x ↗
2:	10.6x →
3:	10.5x ←
4:	10.4x ↖
5:	10.5x →
6:	10.8x ↓
7:	10.4x ↑
8:	10.8x →
9:	10.5x ↑
10:	10.4x ↖
Series	100.0
Total	100.0



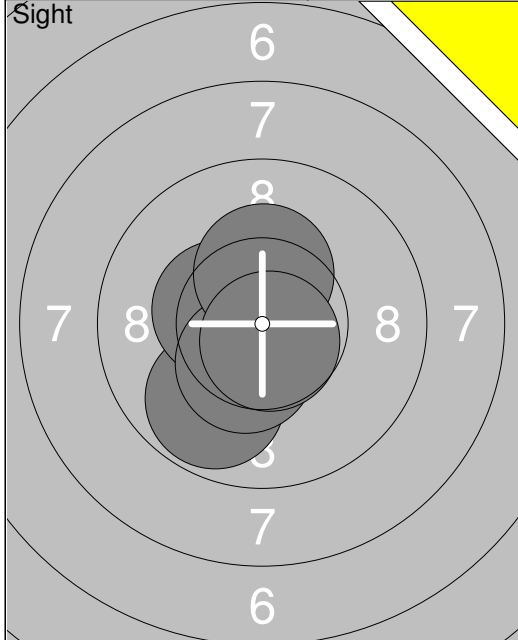
11:	10.5x ←
12:	10.4x ↓
13:	10.3x →
14:	10.5x →
15:	10.4x ↓
16:	10.6x ↗
17:	10.6x ↖
18:	9.8 ↑
19:	10.4x ↙
20:	10.5x →
Series	99.0
Total	199.0



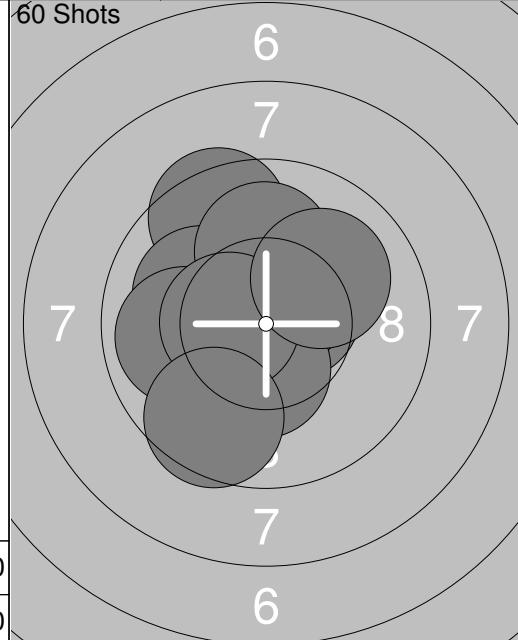
21:	10.3x ↖
22:	10.3x ↙
23:	10.9x ↗
24:	10.6x ↙
25:	10.5x ↙
26:	10.6x →
27:	10.4x ←
28:	10.3x →
29:	10.4x ↓
30:	10.5x ↙
Series	100.0
Total	299.0



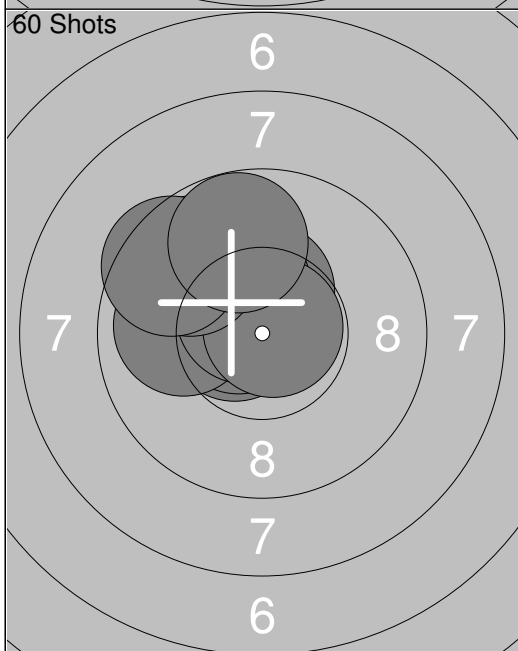
31:	10.6x ↓
32:	10.4x ↖
33:	10.3x →
34:	9.7 ↗
35:	9.7 ↗
36:	10.1 ←
37:	10.3x ↖
38:	10.8x ↙
39:	10.9x ←
40:	10.8x ↖
Series	98.0
Total	397.0



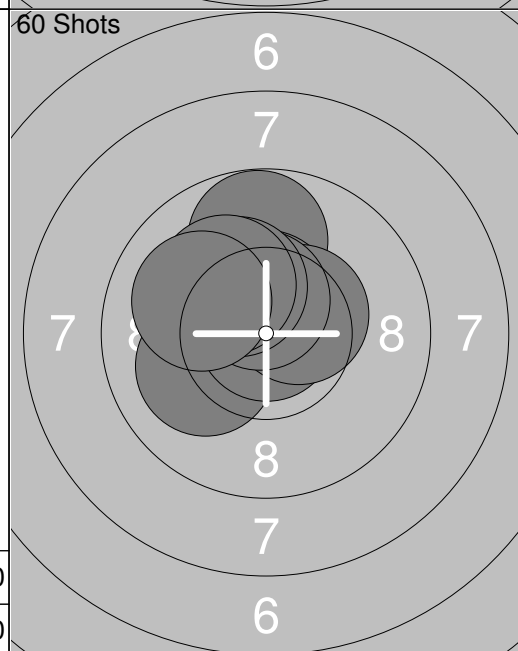
1: 9.8 ↘
2: 10.4x ↙
3: 10.4x ↓
4: 10.3x ↑
5: 10.7x ↓
Series 49.0
Total 0.0



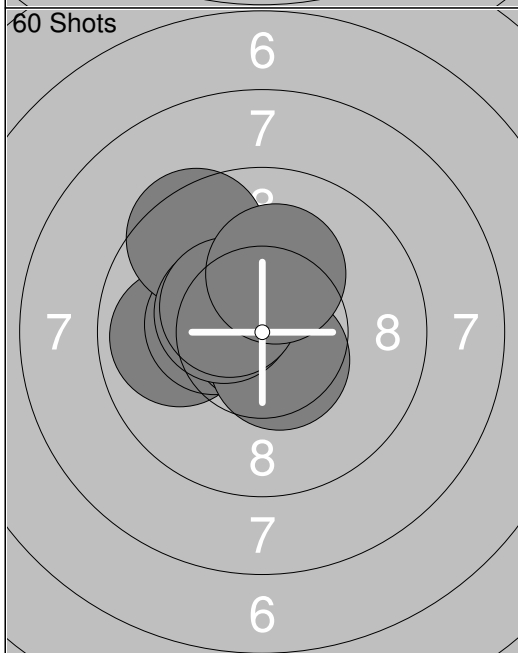
1: 10.6x ↗
2: 10.6x ↗
3: 9.5 ↖
4: 10.1 ↙
5: 10.0 ↑
6: 9.9 ←
7: 10.4x ↓
8: 10.5x ←
9: 10.0 ↗
10: 9.6 ↓
Series 97.0
Total 97.0



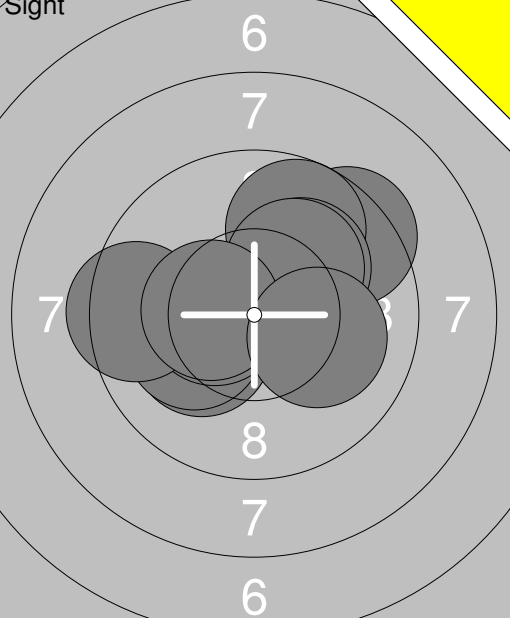
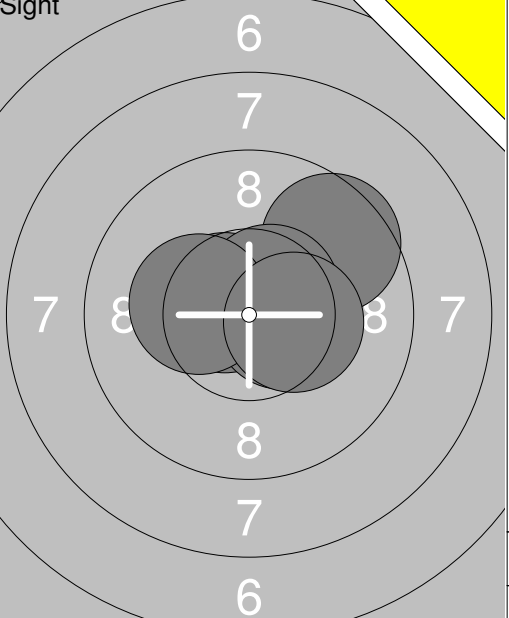
11: 10.6x ←
12: 10.6x ↙
13: 10.4x ↑
14: 9.9 ←
15: 10.3x ↖
16: 10.6x ↖
17: 10.8x ↗
18: 9.7 ↗
19: 9.5 ↖
20: 9.7 ↑
Series 96.0
Total 193.0

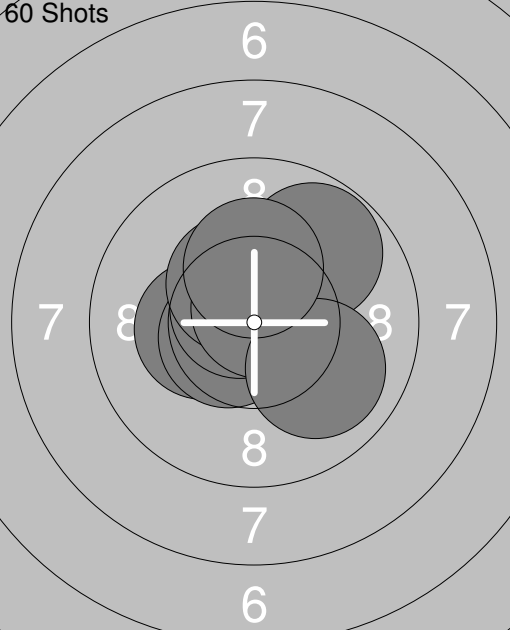
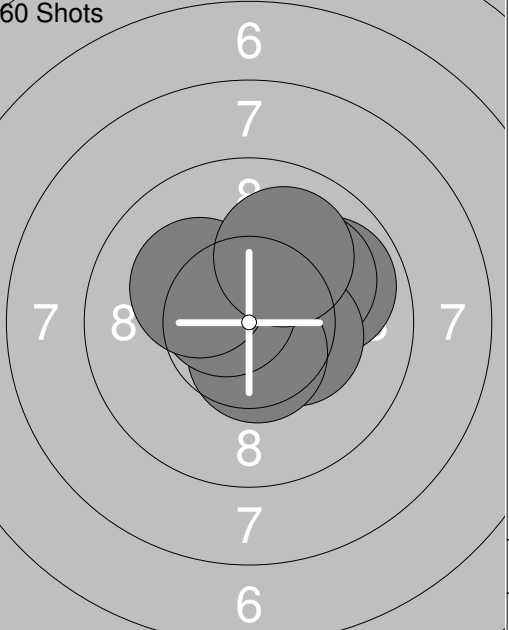


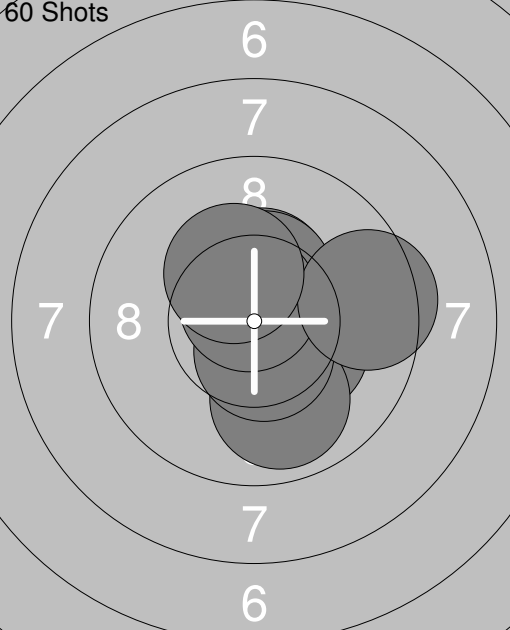
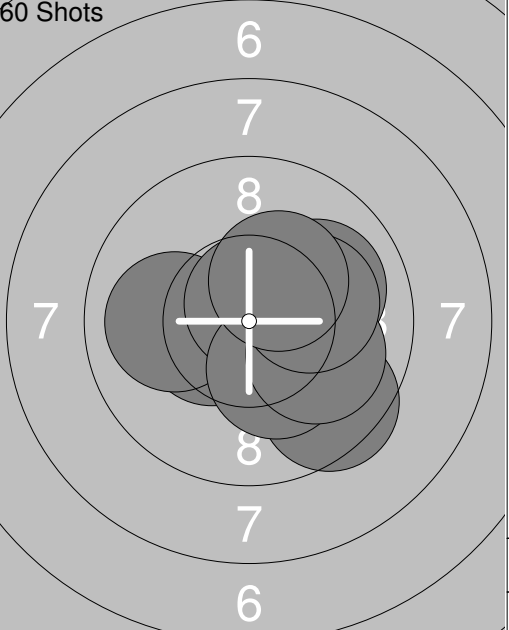
21: 10.3x ←
22: 10.1 ↙
23: 9.8 ↑
24: 10.5x ↑
25: 10.9x ↗
26: 10.5x ↗
27: 10.5x ↑
28: 10.2x ↖
29: 10.1 ↖
30: 10.0 ↙
Series 99.0
Total 292.0

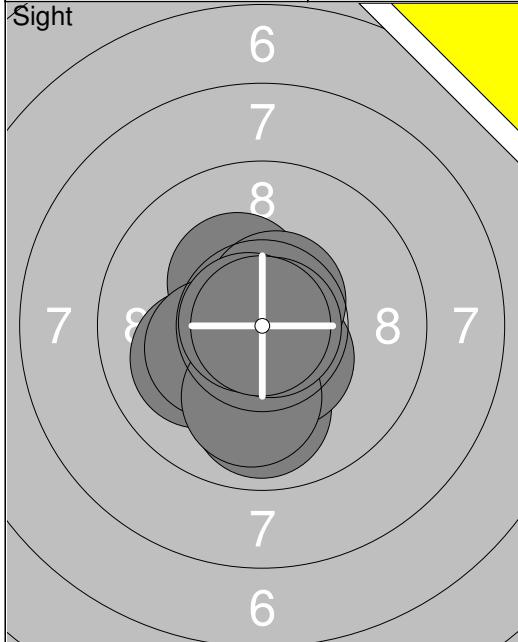


31: 9.9 ←
32: 10.1 ↗
33: 10.7x ↗
34: 10.3x ←
35: 9.5 ↗
36: 10.9x ←
37: 10.5x ↓
38: 10.4x ↙
39: 10.4x ↙
40: 10.2x ↑
Series 98.0
Total 390.0

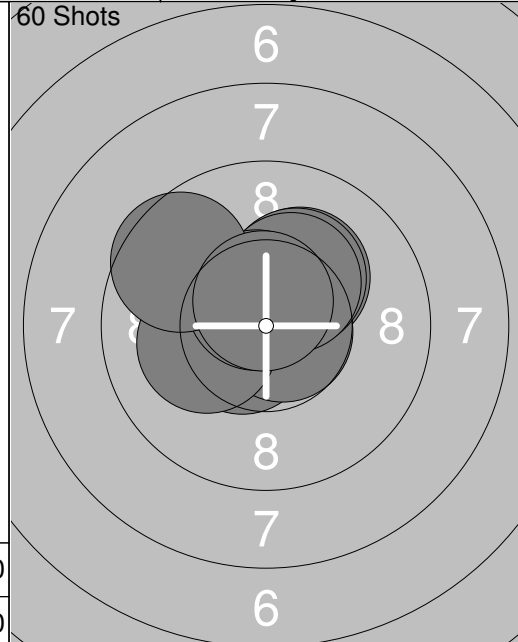
<p>Sight</p> 	<p>1: 9.4 ↗ 2: 9.7 ↑ 3: 10.2x ↙ 4: 10.1 ← 5: 10.1 ↗ 6: 10.4x ← 7: 10.2x ↗ 8: 9.4 ← 9: 10.4x ← 10: 10.1 →</p> <p>Series 97.0 Total 0.0</p>	<p>Sight</p> 	<p>11: 10.6x ↙ 12: 10.5x → 13: 10.3x ↗ 14: 9.6 ↗ 15: 10.6x ↗ 16: 10.3x ← 17: 10.4x →</p> <p>Series 69.0 Total 0.0</p>
--	---	--	---

<p>60 Shots</p> 	<p>1: 10.3x ← 2: 10.6x ↙ 3: 10.0 ↗ 4: 10.7x ↙ 5: 10.4x ↗ 6: 10.4x ↗ 7: 10.7x ↗ 8: 9.8 ↗ 9: 10.0 → 10: 10.3x ↑</p> <p>Series 99.0 Total 99.0</p>	<p>60 Shots</p> 	<p>11: 10.6x → 12: 10.8x ↗ 13: 10.8x ↗ 14: 9.9 ↗ 15: 10.0 ↗ 16: 10.4x → 17: 10.5x ↓ 18: 10.6x ↙ 19: 10.2x ↙ 20: 10.0 ↗</p> <p>Series 99.0 Total 198.0</p>
--	---	--	---

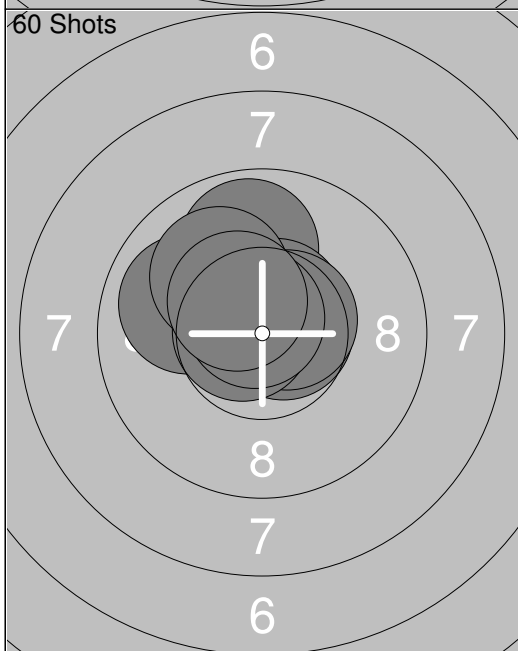
<p>60 Shots</p> 	<p>21: 10.6x ↗ 22: 10.5x → 23: 10.4x ↑ 24: 10.4x ↑ 25: 10.3x → 26: 9.9 ↓ 27: 10.5x ↓ 28: 10.7x ↑ 29: 9.5 → 30: 10.3x ↗</p> <p>Series 98.0 Total 296.0</p>	<p>60 Shots</p> 	<p>31: 10.4x ← 32: 10.0 ← 33: 9.5 ↓ 34: 10.0 ↗ 35: 10.5x → 36: 10.7x ↑ 37: 10.2x ↓ 38: 10.0 → 39: 10.1 → 40: 10.3x ↗</p> <p>Series 99.0 Total 395.0</p>
---	---	---	---



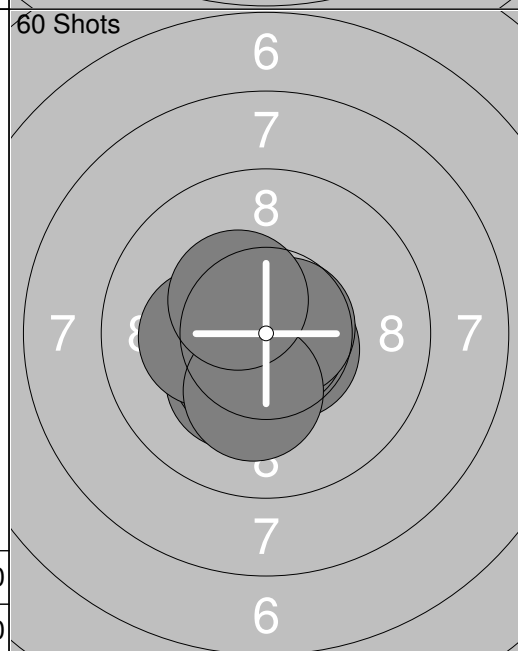
1: 10.3x ↖
2: 10.1 ↙
3: 10.3x ↙
4: 9.9 ↓
5: 10.5x ↘
6: 10.0 ↓
7: 10.6x ↗
8: 10.8x ↖
9: 10.8x →
10: 10.9x ↖
Series 99.0
Total 0.0



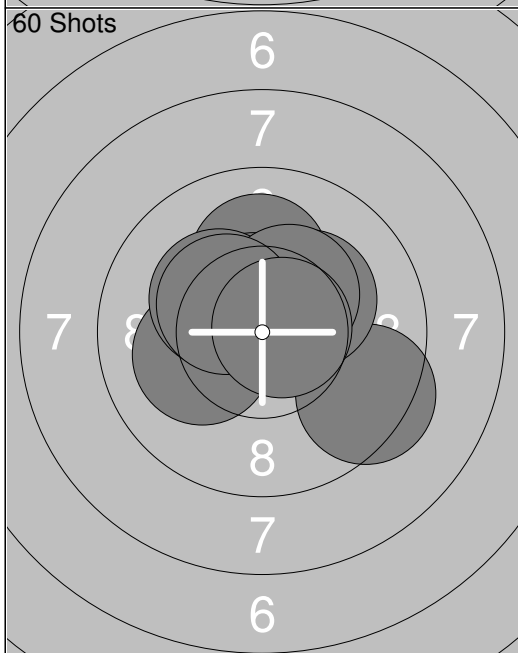
1: 10.6x ↙
2: 10.9x →
3: 10.2x ↗
4: 10.7x →
5: 10.2x ↗
6: 10.2x ↙
7: 10.3x ↗
8: 10.6x ↖
9: 9.6 ↙
10: 10.6x ↗
Series 99.0
Total 99.0



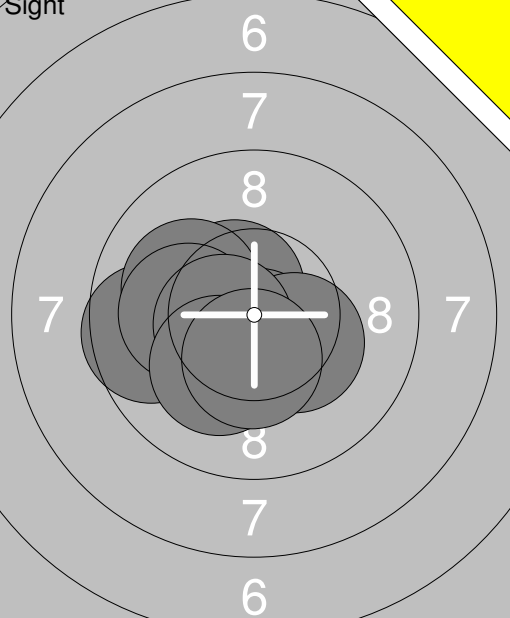
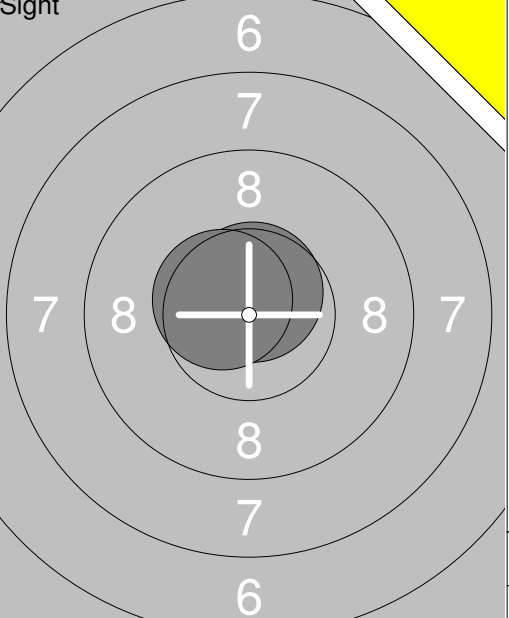
11: 9.9 ↖
12: 9.9 ↗
13: 10.6x ↗
14: 10.7x →
15: 10.6x ↗
16: 10.7x ↖
17: 10.7x ↖
18: 10.0 ↖
19: 10.7x ↗
20: 10.4x ↖
Series 98.0
Total 197.0

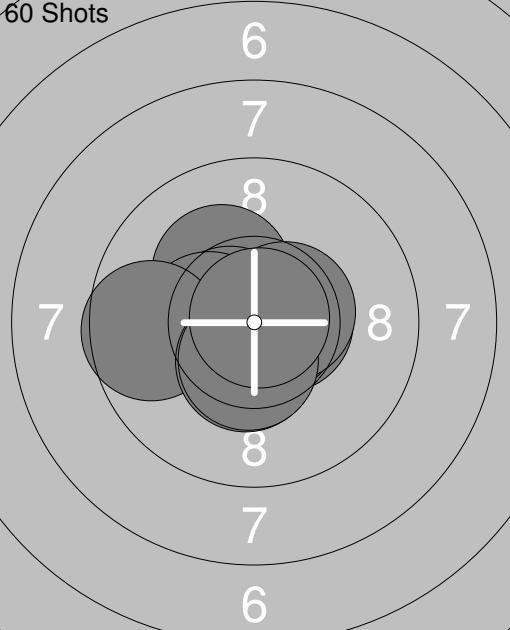
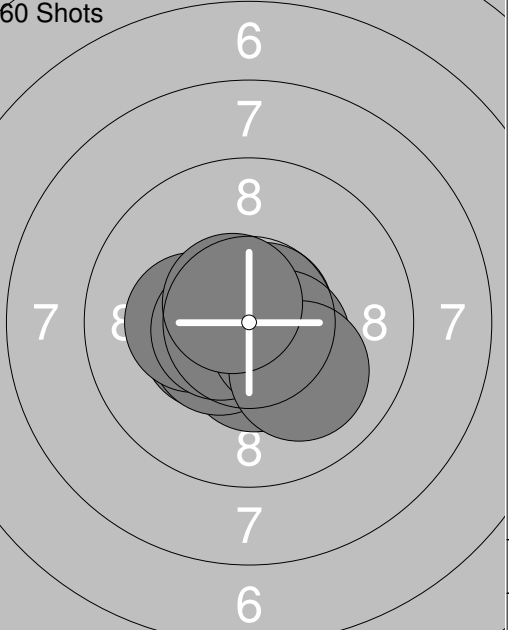


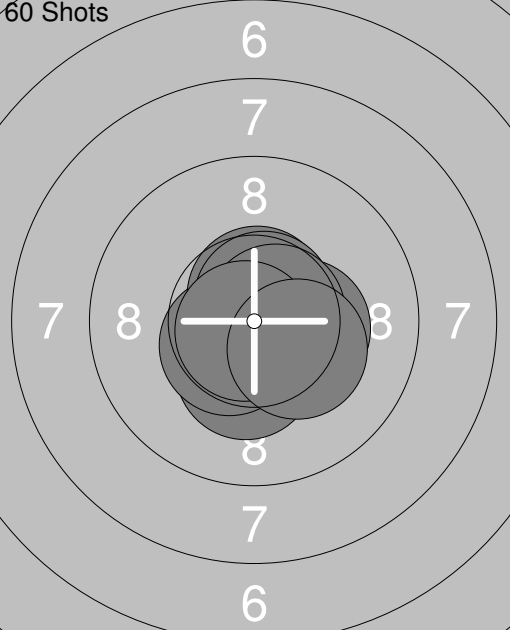
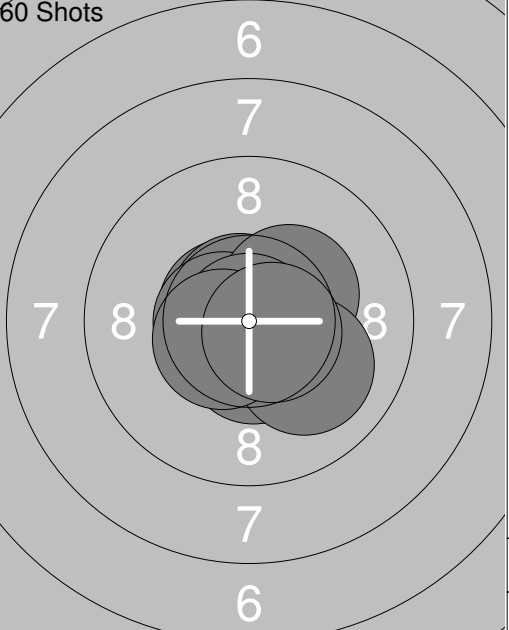
21: 10.2x ↙
22: 10.6x ↙
23: 10.4x ↙
24: 10.6x ↘
25: 10.2x ↙
26: 10.8x →
27: 10.8x ↘
28: 10.7x →
29: 10.2x ↘
30: 10.4x ↖
Series 100.0
Total 297.0

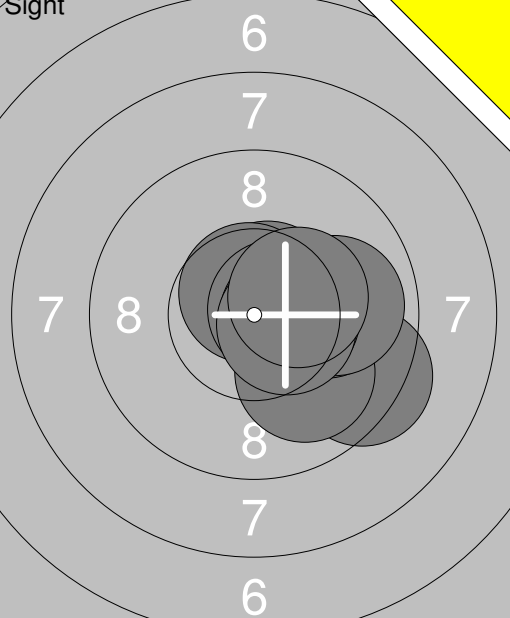
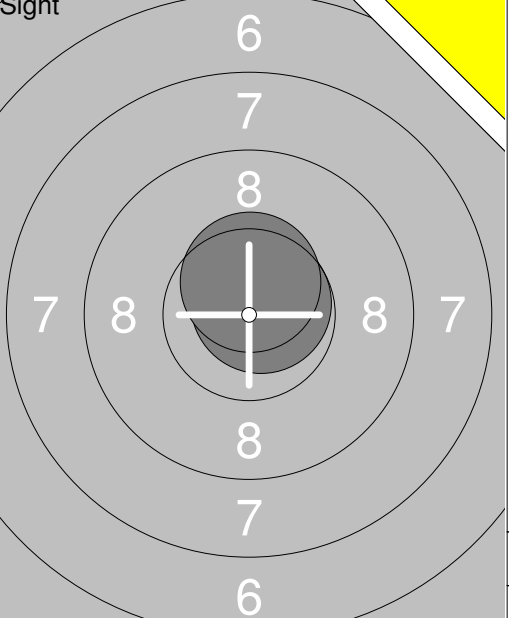


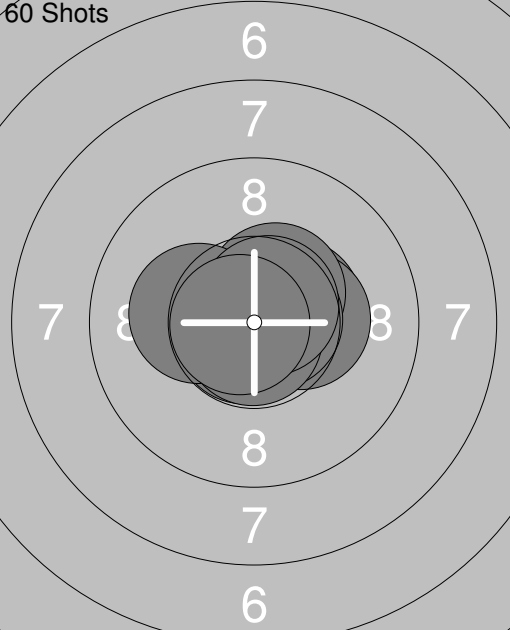
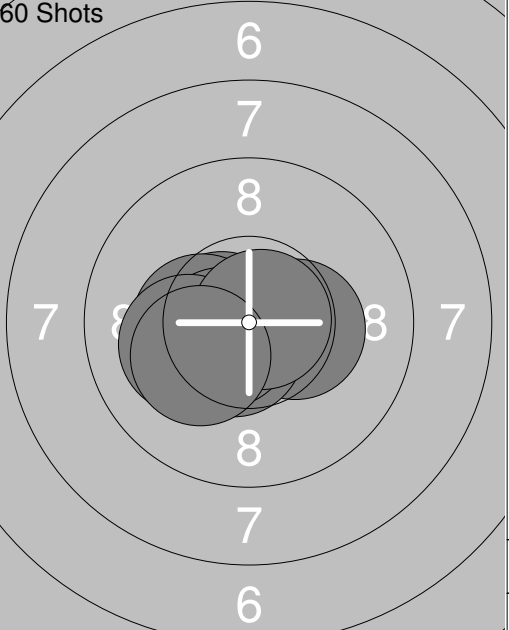
31: 10.1 ↖
32: 10.1 ↗
33: 9.4 →
34: 10.7x ↗
35: 10.2x ↗
36: 10.6x ↗
37: 10.3x ↖
38: 10.4x ↗
39: 10.4x ↖
40: 10.7x →
Series 99.0
Total 396.0

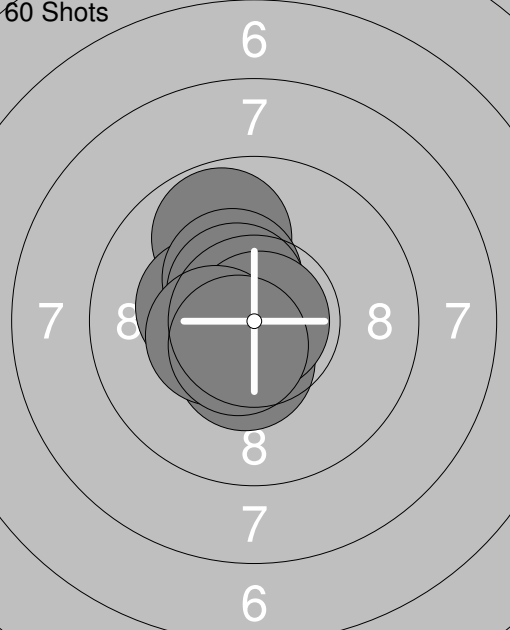
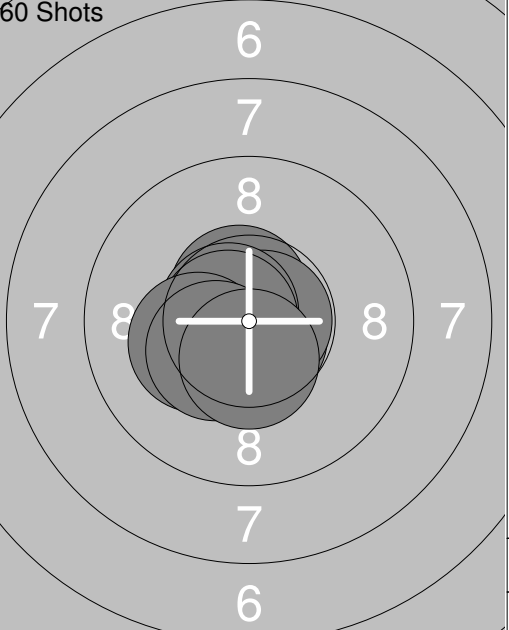
Sight 	1: 9.6 ← 2: 10.5x ↗ 3: 10.5x ↙ 4: 10.6x ↓ 5: 10.1 ← 6: 10.1 ← 7: 10.3x ↘ 8: 10.5x ↙ 9: 10.2x ↘ 10: 10.4x ↓ <hr/> Series 99.0 Total 0.0	Sight 	11: 10.7x ↑ 12: 10.6x ↙ <hr/> Series 20.0 Total 0.0
---	---	---	--

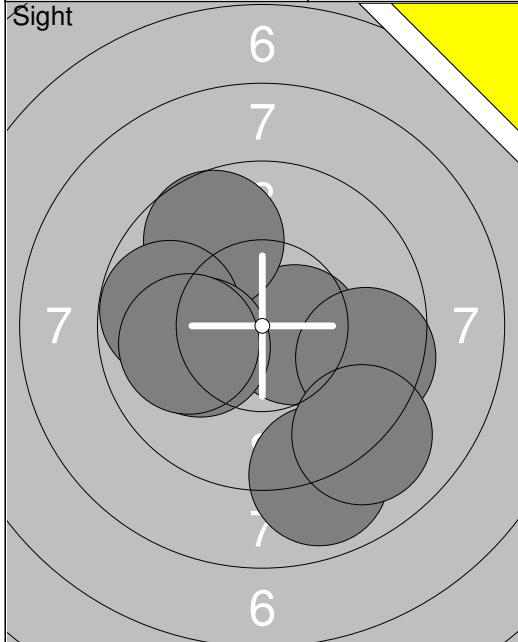
60 Shots 	1: 10.6x → 2: 10.2x ↗ 3: 10.6x ↙ 4: 10.4x ← 5: 9.6 ← 6: 10.4x ↓ 7: 10.7x → 8: 10.5x → 9: 10.5x ↓ 10: 10.9x ↗ <hr/> Series 99.0 Total 99.0	60 Shots 	11: 10.4x ↓ 12: 10.7x ↗ 13: 10.4x ↙ 14: 10.4x ↓ 15: 10.5x ↙ 16: 10.3x ← 17: 10.6x ← 18: 10.5x ↘ 19: 10.1 ↓ 20: 10.6x ↗ <hr/> Series 100.0 Total 199.0
---	--	---	--

60 Shots 	21: 10.5x ↓ 22: 10.4x → 23: 10.3x ↓ 24: 10.5x ↙ 25: 10.6x ↑ 26: 10.7x ↗ 27: 10.6x ↘ 28: 10.7x → 29: 10.8x ↙ 30: 10.3x ↘ <hr/> Series 100.0 Total 299.0	60 Shots 	31: 10.6x ↓ 32: 10.5x ↓ 33: 10.6x ↙ 34: 10.7x ↗ 35: 10.6x ← 36: 10.3x ↗ 37: 10.9x ↓ 38: 10.0 ↓ 39: 10.5x ↙ 40: 10.6x ↘ <hr/> Series 100.0 Total 399.0
--	---	--	--

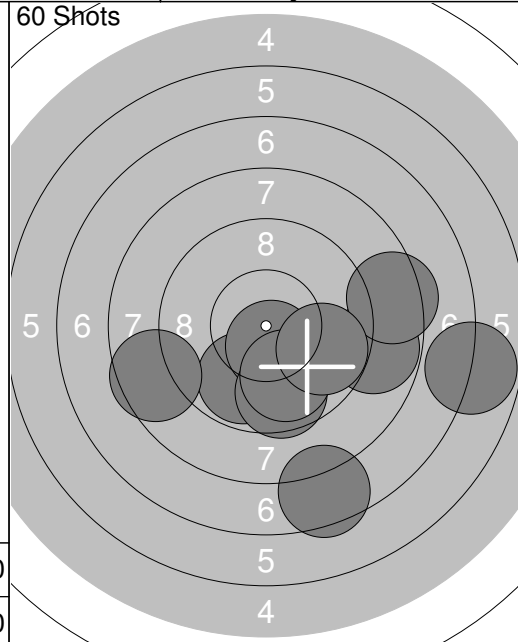
Sight 	1: 9.4 → 2: 10.0 ↘ 3: 10.0 → 4: 10.6x ↗ 5: 10.7x ↑ 6: 9.9 → 7: 10.6x → 8: 10.5x → 9: 10.5x → 10: 10.3x → <hr/> Series 98.0 Total 0.0	Sight 	11: 10.7x ↗ 12: 10.5x ↑ <hr/> Series 20.0 Total 0.0
---	---	---	--

60 Shots 	1: 10.6x ↗ 2: 10.4x → 3: 10.4x → 4: 10.5x ↗ 5: 10.7x → 6: 10.8x ↘ 7: 10.2x ← 8: 10.8x ↓ 9: 10.7x ↗ 10: 10.8x ← <hr/> Series 100.0 Total 100.0	60 Shots 	11: 10.6x ← 12: 10.4x → 13: 10.7x ↙ 14: 10.3x ← 15: 10.6x ↙ 16: 10.6x ↘ 17: 10.6x ↙ 18: 10.1 ← 19: 10.8x → 20: 10.2x ↙ <hr/> Series 100.0 Total 200.0
---	--	---	--

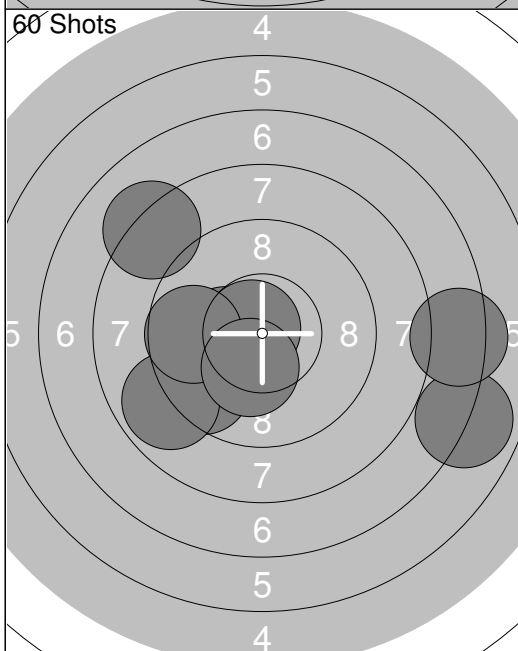
60 Shots 	21: 10.6x ↙ 22: 9.8 ↑ 23: 10.3x ↙ 24: 10.3x ↗ 25: 10.6x ← 26: 10.5x ↗ 27: 10.4x ↓ 28: 10.9x → 29: 10.4x ← 30: 10.6x ↘ <hr/> Series 99.0 Total 299.0	60 Shots 	31: 10.8x ↙ 32: 10.7x ↘ 33: 10.6x ↗ 34: 10.4x ↙ 35: 10.8x → 36: 10.7x ↙ 37: 10.7x ← 38: 10.3x ↙ 39: 10.4x ↙ 40: 10.5x ↓ <hr/> Series 100.0 Total 399.0
--	--	--	---



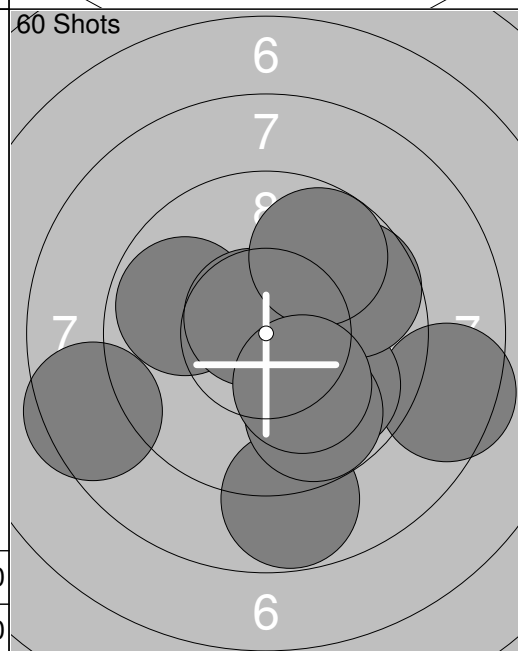
1:	8.9	↘
2:	10.5x	→
3:	9.6	→
4:	9.7	↗
5:	9.8	←
6:	10.1	←
7:	9.1	↘
8:	10.0	←
Series		74.0
Total		0.0



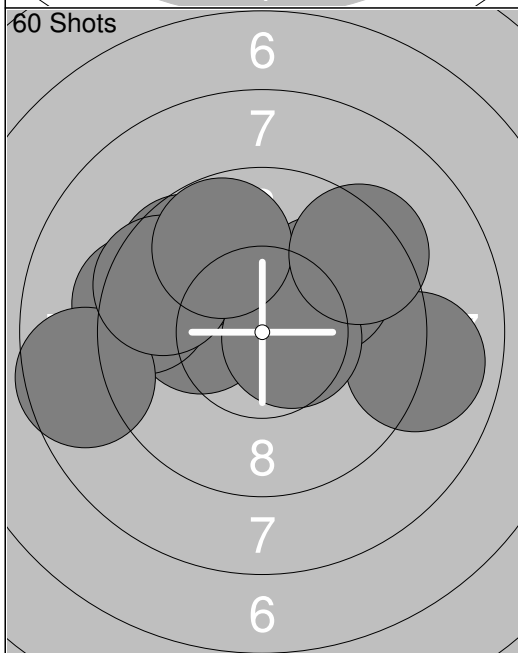
1:	8.8	→
2:	9.8	↘
3:	10.5x	↘
4:	7.5	↘
5:	9.6	↘
6:	6.9	→
7:	8.4	→
8:	8.6	←
9:	9.9	↘
10:	9.8	→
Series		83.0
Total		83.0



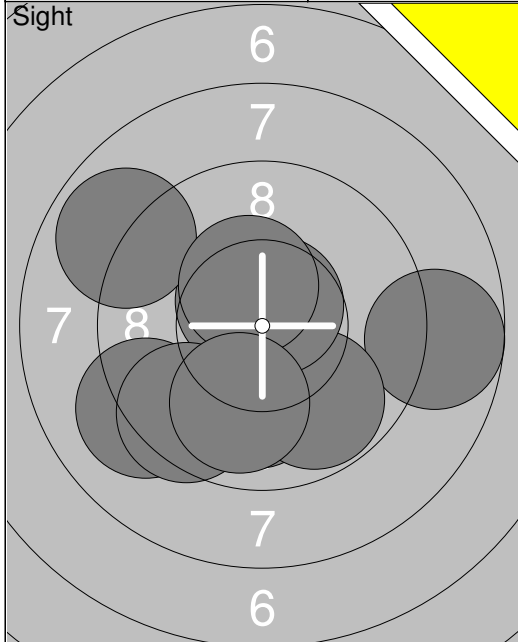
11:	10.3x	←
12:	9.5	↘
13:	10.5x	↙
14:	6.9	→
15:	10.7x	↙
16:	7.3	→
17:	8.2	↗
18:	8.9	←
19:	9.7	←
20:	10.3x	↘
Series		87.0
Total		170.0



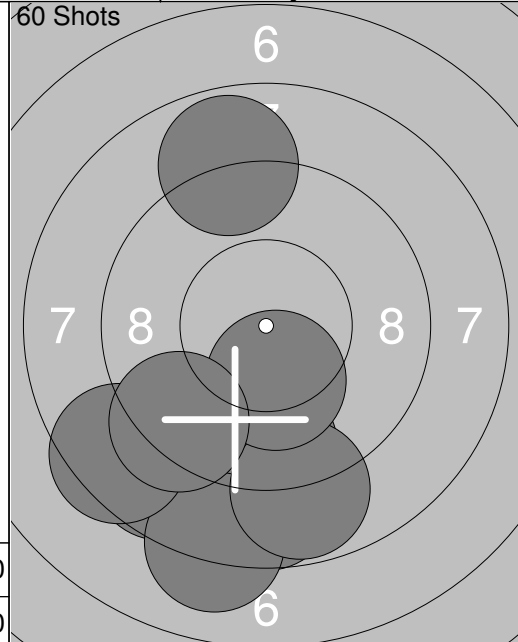
21:	8.8	↘
22:	8.5	→
23:	9.9	←
24:	8.5	↙
25:	9.9	↘
26:	10.7x	↗
27:	9.8	↘
28:	9.7	↗
29:	9.8	↗
30:	10.1	↘
Series		89.0
Total		259.0



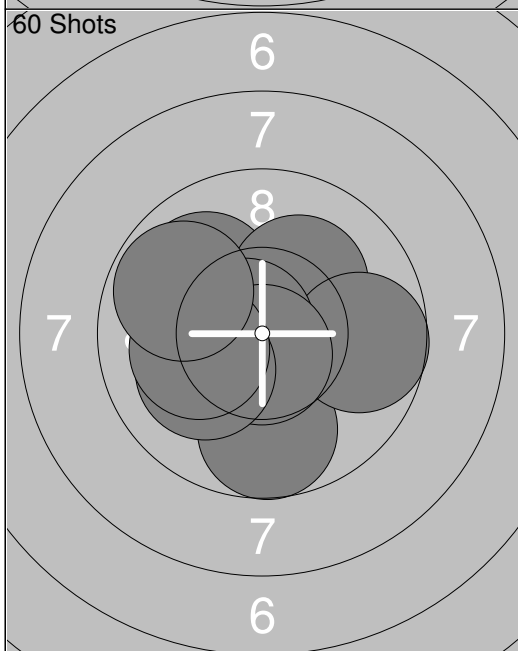
31:	10.2x	←
32:	9.6	↗
33:	9.0	→
34:	10.0	↗
35:	9.4	←
36:	8.6	←
37:	9.5	↙
38:	10.6x	→
39:	9.8	↗
40:	9.4	↗
Series		92.0
Total		351.0



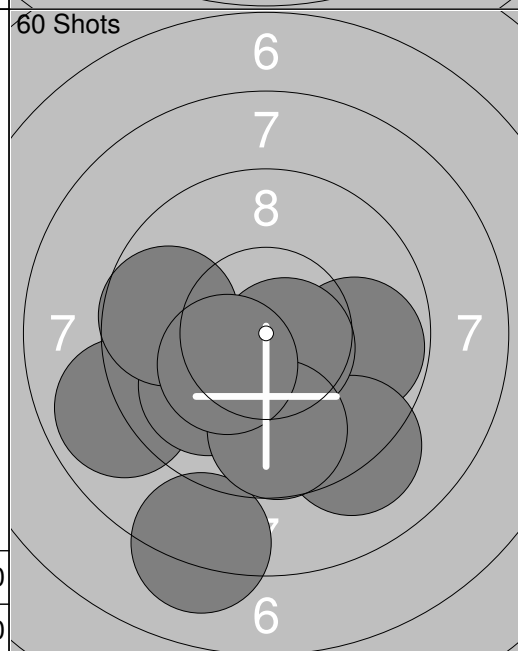
1:	9.1	↙
2:	10.6x	↗
3:	10.0	↓
4:	9.5	↙
5:	8.7	→
6:	9.8	↘
7:	8.9	↖
8:	10.7x	↗
9:	10.4x	↗
10:	9.9	↓
Series		92.0
Total		0.0



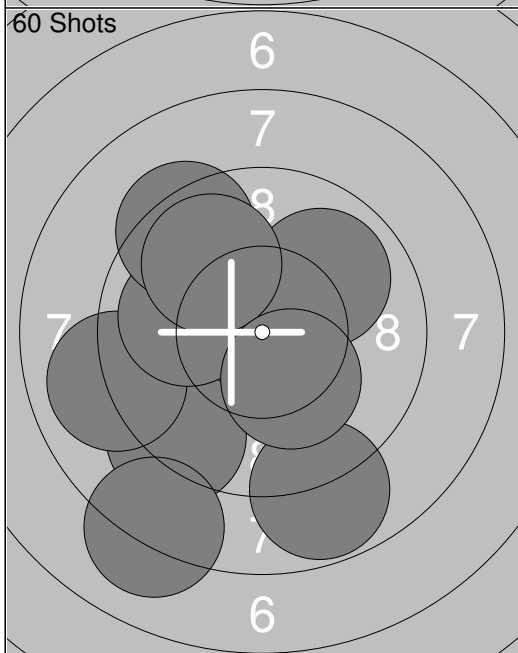
1:	8.7	↙
2:	9.3	↙
3:	8.7	↓
4:	9.4	↓
5:	8.1	↓
6:	8.5	↙
7:	8.8	↓
8:	8.8	↑
9:	10.2x	↓
10:	9.3	↙
Series		85.0
Total		85.0



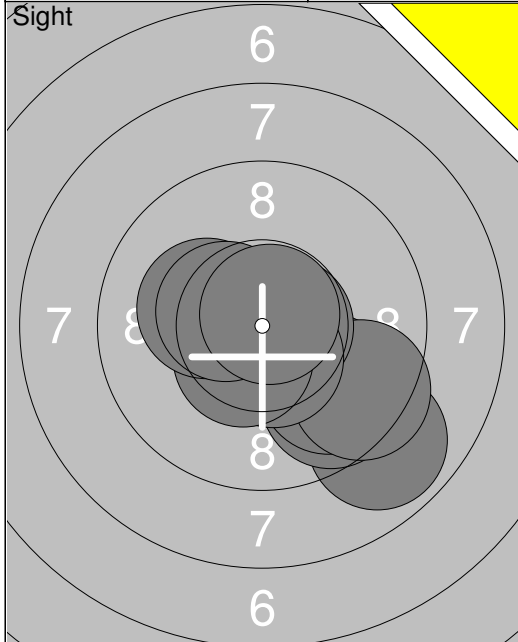
11:	10.0	↖
12:	10.2x	↗
13:	10.7x	↙
14:	9.7	↓
15:	9.7	→
16:	10.7x	↙
17:	10.7x	↓
18:	10.1	↙
19:	10.1	↙
20:	9.8	↖
Series		97.0
Total		182.0



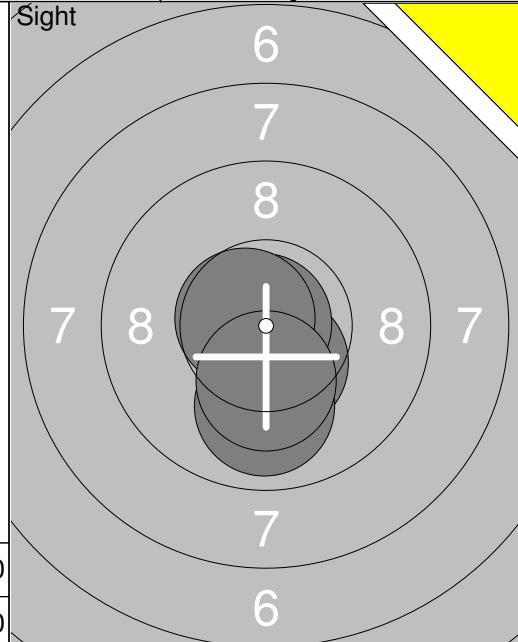
21:	8.1	↓
22:	8.9	↙
23:	10.4x	↓
24:	9.8	→
25:	10.0	↙
26:	9.1	↘
27:	9.7	↖
28:	10.6x	↘
29:	9.7	↓
30:	10.3x	↙
Series		92.0
Total		274.0



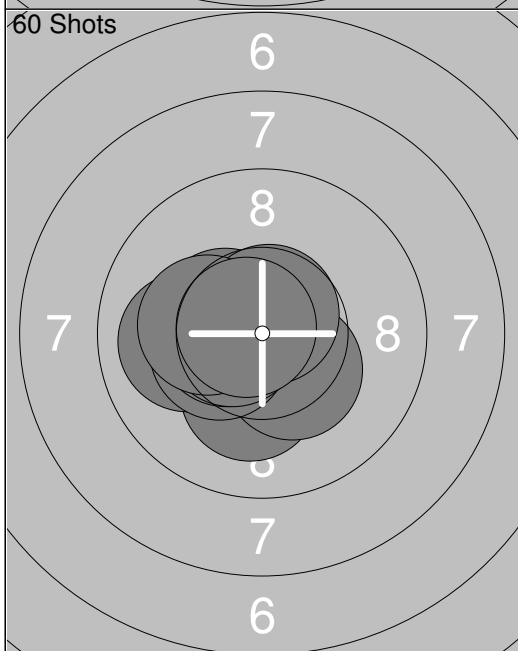
31:	10.5x	↗
32:	8.8	↓
33:	9.2	↙
34:	9.0	↙
35:	8.1	↘
36:	9.9	↗
37:	10.0	↙
38:	9.3	↗
39:	9.9	↗
40:	10.3x	↘
Series		91.0
Total		365.0



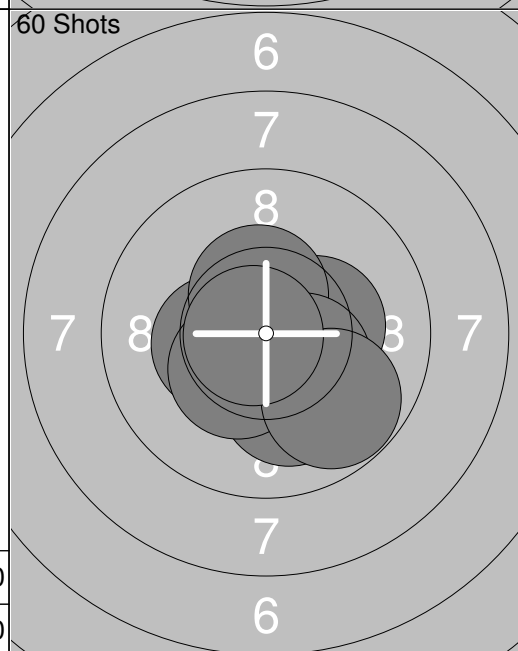
1:	8.9	↘
2:	9.7	↘
3:	9.8	↘
4:	9.5	↘
5:	10.7x	→
6:	10.5x	↘
7:	10.5x	↘
8:	10.2x	↙
9:	10.4x	↙
10:	10.8x	↗
Series	95.0	
Total	0.0	



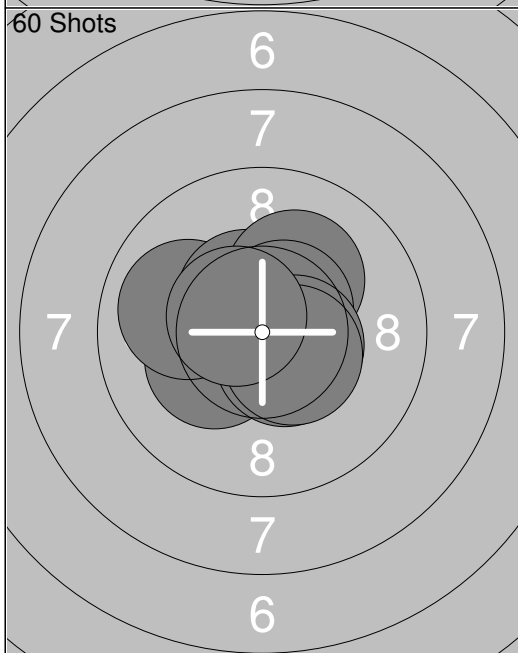
11:	10.5x	↘
12:	10.9x	↙
13:	9.9	↓
14:	10.7x	↙
15:	10.2x	↘
Series	49.0	
Total	0.0	



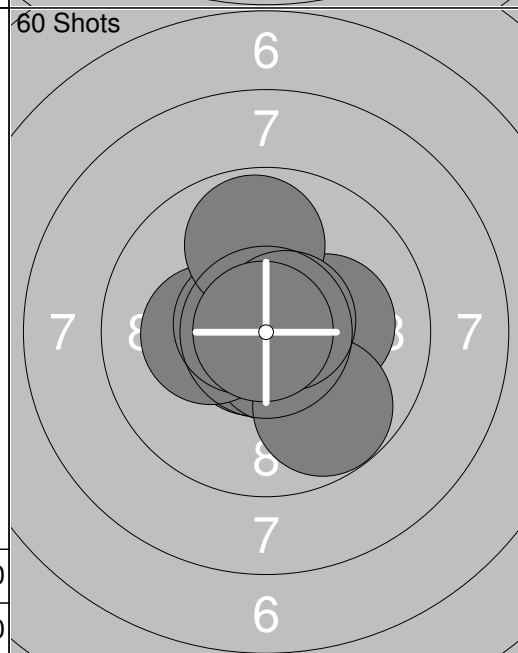
1:	10.4x	↙
2:	10.2x	↘
3:	10.3x	↘
4:	10.7x	↗
5:	10.0	←
6:	10.4x	↙
7:	10.5x	←
8:	10.6x	←
9:	10.2x	←
10:	10.7x	↙
Series	100.0	
Total	100.0	



11:	10.5x	↙
12:	10.7x	↗
13:	10.3x	→
14:	10.4x	←
15:	10.1	↘
16:	10.5x	↗
17:	10.4x	↘
18:	10.4x	↙
19:	9.8	↘
20:	10.8x	←
Series	99.0	
Total	199.0	



21:	10.2x	↙
22:	10.0	←
23:	10.5x	↗
24:	10.2x	↗
25:	10.5x	↘
26:	10.8x	↗
27:	10.6x	↗
28:	10.5x	→
29:	10.5x	↘
30:	10.6x	↙
Series	100.0	
Total	299.0	



31:	10.7x	↙
32:	10.6x	↘
33:	10.2x	←
34:	10.6x	↗
35:	10.2x	→
36:	10.6x	↙
37:	9.8	↗
38:	9.8	↘
39:	10.7x	↗
40:	10.9x	↙
Series	98.0	
Total	397.0	