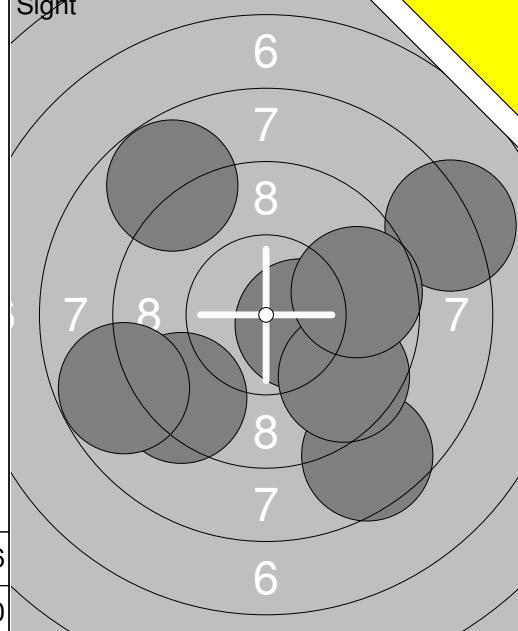
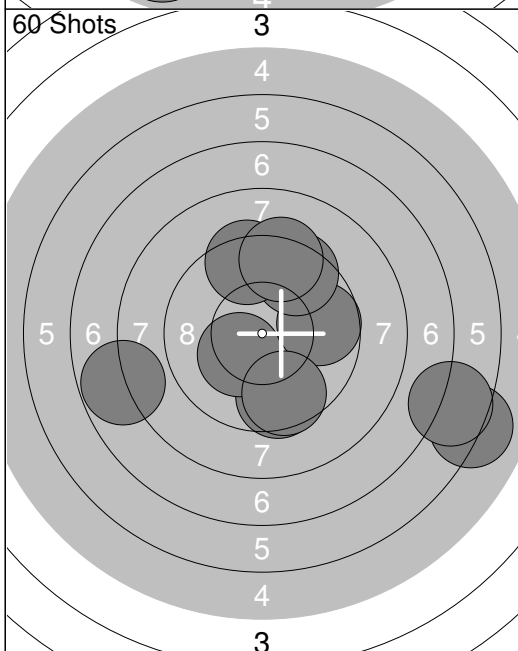


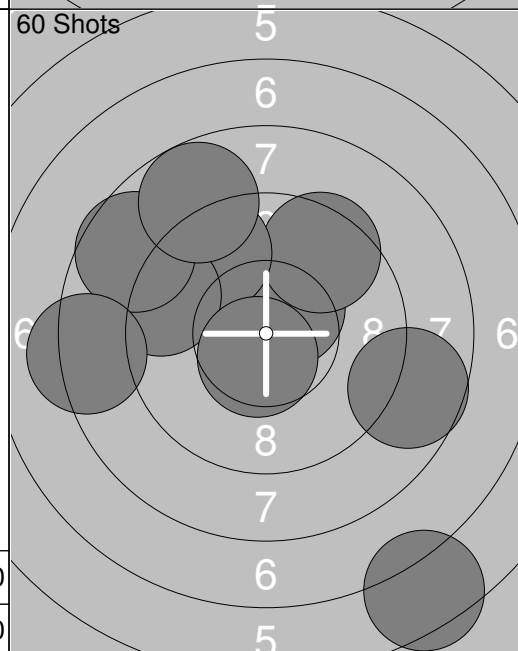
1: 8.9	→
2: 9.4	←
3: 7.5	↗
4: 10.0	↓
5: 8.8	←
6: 9.8	↑
7: 8.4	↘
8: 9.5	↘
9: 8.4	←
10: 5.9	↓
Series	86.6
Total	0.0



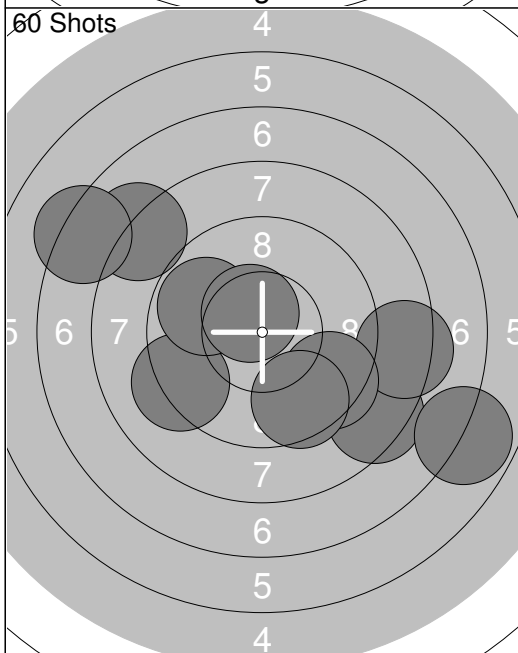
11: 8.1	↗
12: 8.6	↘
13: 8.8	↗
14: 10.5x	→
15: 9.6	↘
16: 9.3	↘
17: 8.8	←
18: 9.7	→
Series	73.4
Total	0.0



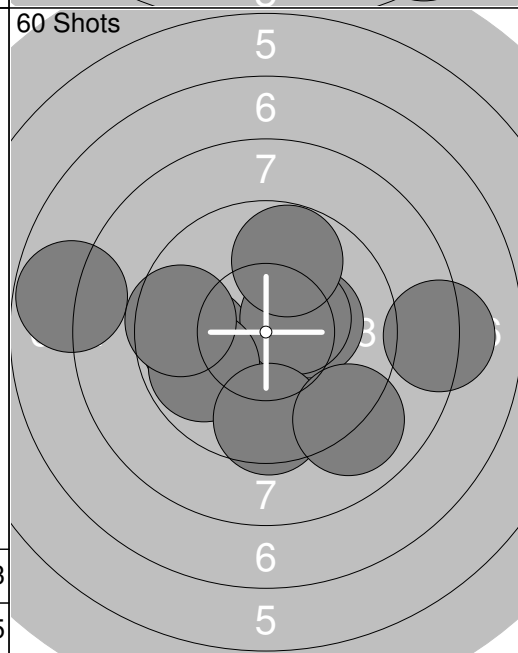
1: 7.8	←
2: 9.6	↓
3: 9.7	→
4: 9.5	↗
5: 6.1	→
6: 10.3x	↙
7: 9.4	↑
8: 9.6	↓
9: 6.7	→
10: 9.3	↑
Series	88.0
Total	88.0



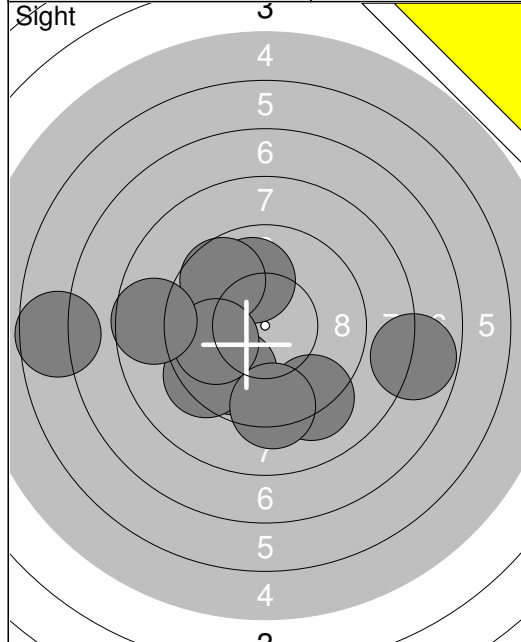
11: 10.5x	↗
12: 9.5	↗
13: 9.5	↗
14: 9.3	←
15: 8.6	↖
16: 10.6x	↓
17: 8.8	↑
18: 6.4	↓
19: 8.7	→
20: 8.3	←
Series	90.2
Total	178.2



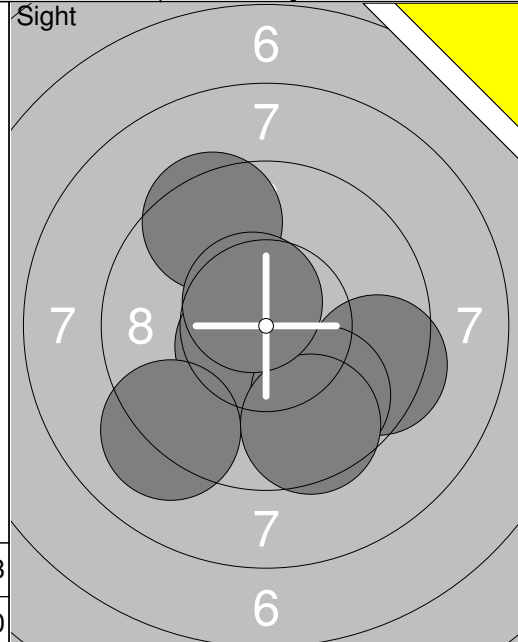
21: 9.2	←
22: 9.8	↖
23: 8.1	↗
24: 8.4	↘
25: 8.4	→
26: 6.8	↘
27: 9.4	↘
28: 10.5x	↗
29: 9.5	↘
30: 7.2	↗
Series	87.3
Total	265.5



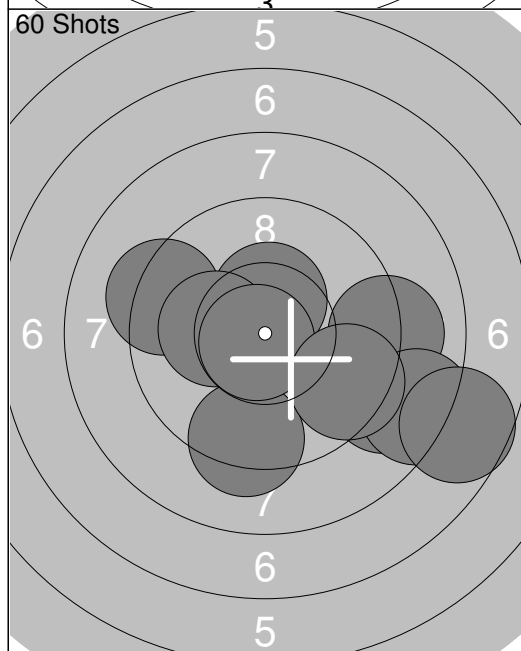
31: 9.8	←
32: 10.3x	→
33: 7.8	←
34: 10.4x	→
35: 9.8	←
36: 9.6	←
37: 8.2	→
38: 9.6	↓
39: 9.0	↘
40: 9.8	↑
Series	94.3
Total	359.8



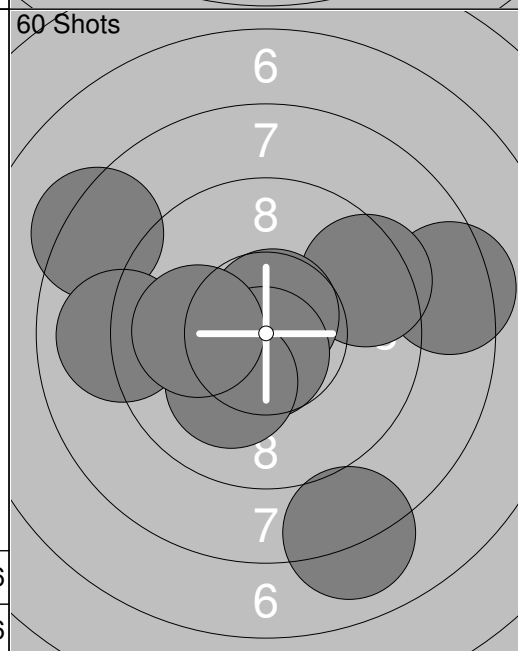
1:	9.2	↘
2:	10.0	↗
3:	7.8	→
4:	9.7	↗
5:	9.8	↘
6:	6.6	←
7:	9.4	↙
8:	9.3	↘
9:	9.9	←
10:	8.6	←
Series		90.3
Total		0.0



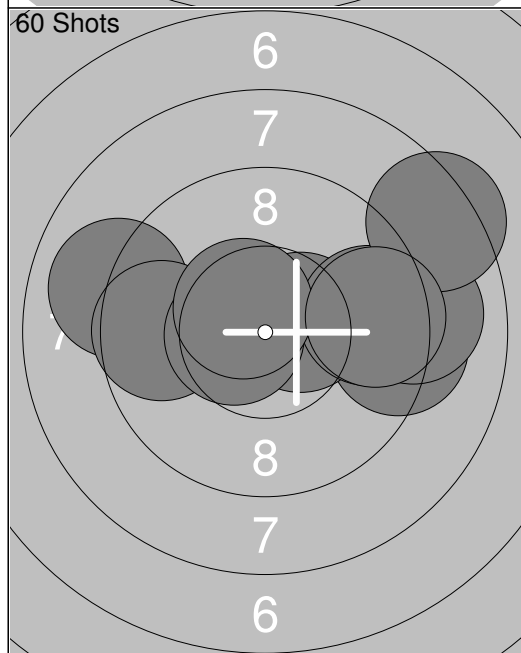
11:	9.4	→
12:	10.6x	↙
13:	9.5	↗
14:	9.8	↘
15:	9.1	↙
16:	9.6	↘
17:	10.6x	↗
Series		68.6
Total		0.0



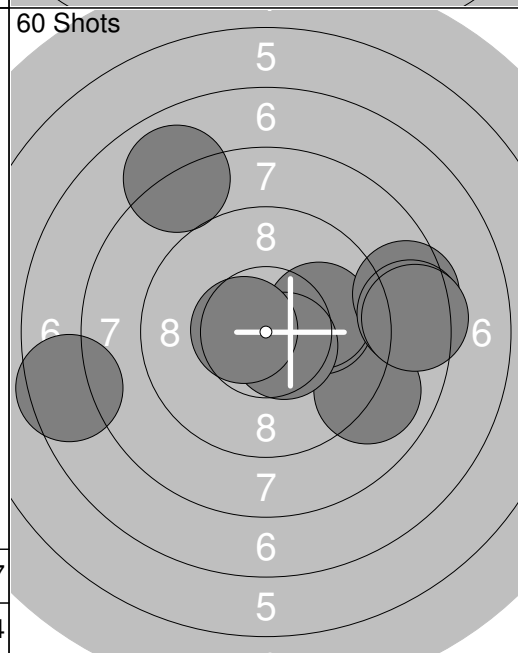
1:	8.9	↘
2:	10.4x	↗
3:	9.1	→
4:	9.3	↘
5:	9.3	↙
6:	10.2x	←
7:	10.8x	↙
8:	8.4	→
9:	9.5	↘
10:	7.7	→
Series		93.6
Total		93.6



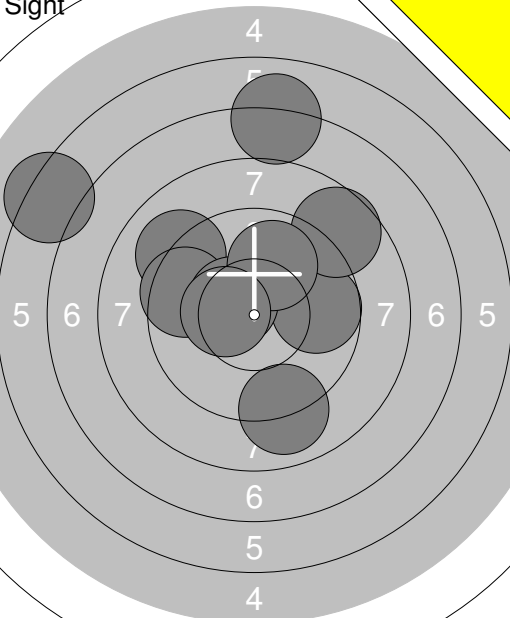
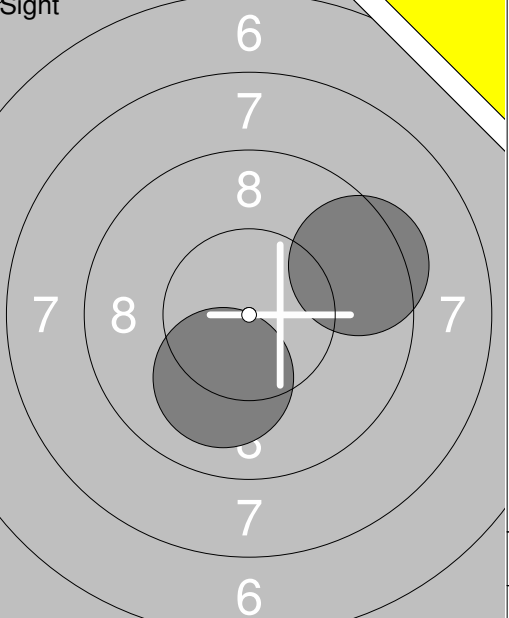
11:	8.3	↙
12:	8.0	↘
13:	8.4	→
14:	10.5x	↙
15:	9.4	↗
16:	10.7x	↗
17:	10.7x	↘
18:	9.0	←
19:	10.1	↙
20:	10.0	←
Series		95.1
Total		188.7

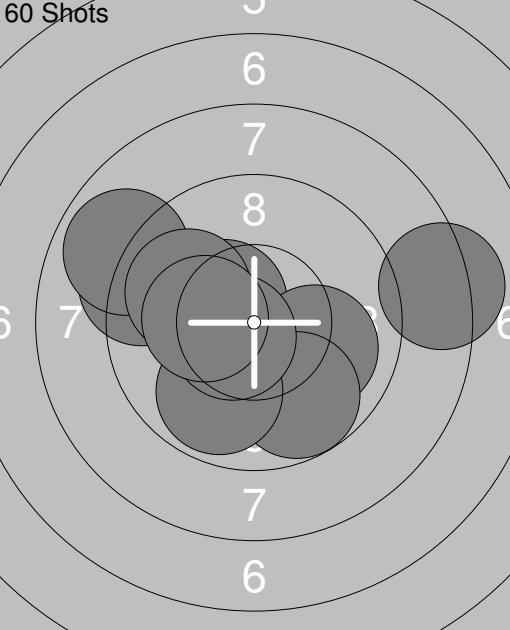
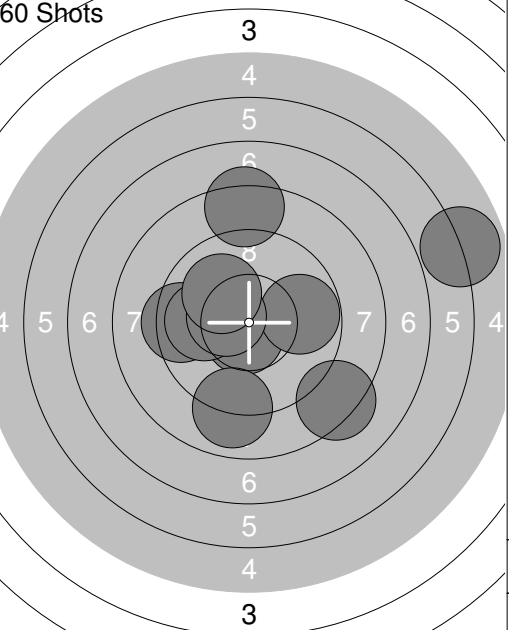


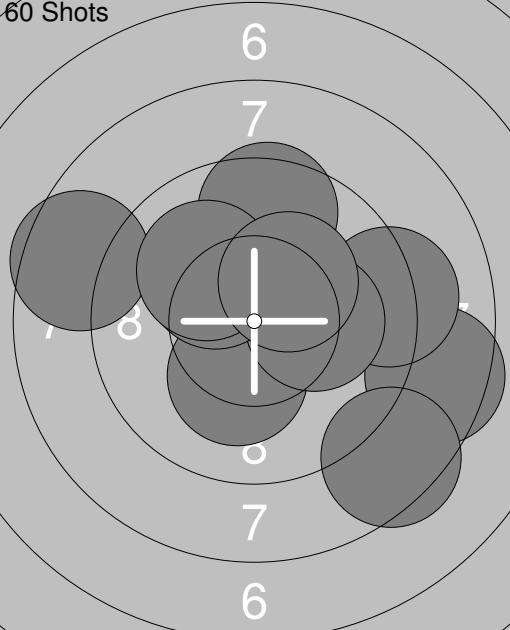
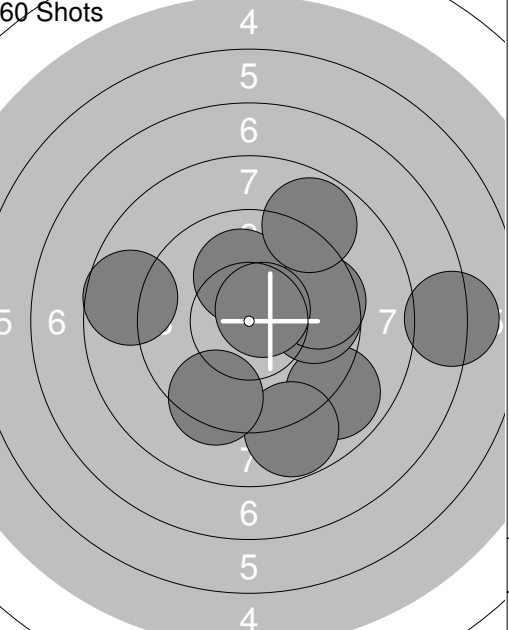
21:	9.0	←
22:	9.2	→
23:	9.6	←
24:	10.5x	→
25:	10.5x	←
26:	9.0	→
27:	9.6	→
28:	10.5x	↗
29:	8.3	↗
30:	9.5	→
Series		95.7
Total		284.4



31:	9.0	↘
32:	10.0	→
33:	10.0	→
34:	8.5	→
35:	8.5	→
36:	8.0	↗
37:	8.4	→
38:	7.5	←
39:	10.6x	↘
40:	10.6x	←
Series		91.1
Total		375.5

 <p style="text-align:center;">Sight</p>	<p>1: 9.0 ↓</p> <p>2: 6.3 ↗</p> <p>3: 9.1 ↗</p> <p>4: 9.7 →</p> <p>5: 7.1 ↑</p> <p>6: 9.5 ←</p> <p>7: 8.7 ↗</p> <p>8: 10.5x ↖</p> <p>9: 9.9 ↑</p> <p>10: 10.4x ←</p>	 <p style="text-align:center;">Sight</p>	<p>11: 9.4 →</p> <p>12: 10.1 ↓</p>
Series 90.2		Series 19.5	
Total 0.0		Total 0.0	

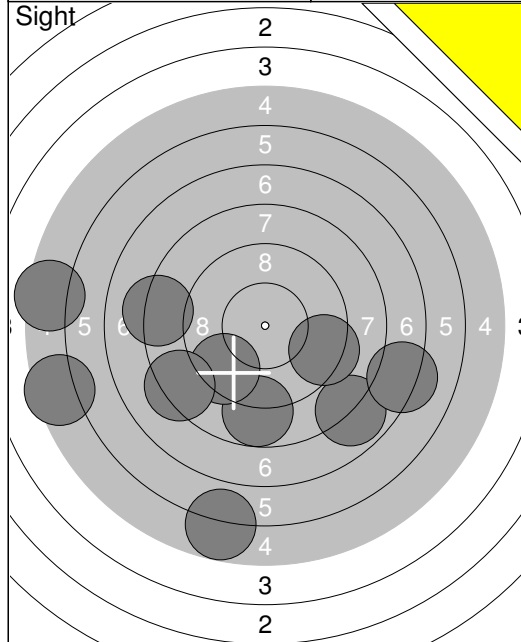
 <p style="text-align:center;">60 Shots</p>	<p>1: 10.4x ↖</p> <p>2: 10.0 →</p> <p>3: 9.8 ↓</p> <p>4: 9.3 ←</p> <p>5: 8.2 →</p> <p>6: 8.9 ↗</p> <p>7: 9.9 ←</p> <p>8: 9.9 ↓</p> <p>9: 10.6x ↖</p> <p>10: 10.3x ←</p>	 <p style="text-align:center;">60 Shots</p>	<p>11: 10.7x ↓</p> <p>12: 8.3 ↑</p> <p>13: 5.9 →</p> <p>14: 9.4 ←</p> <p>15: 9.8 →</p> <p>16: 9.0 ↓</p> <p>17: 9.9 ←</p> <p>18: 10.4x ↖</p> <p>19: 10.1 ↗</p> <p>20: 8.3 ↓</p>
Series 97.3		Series 91.8	
Total 97.3		Total 189.1	

 <p style="text-align:center;">60 Shots</p>	<p>21: 9.5 ↑</p> <p>22: 8.5 →</p> <p>23: 9.2 →</p> <p>24: 8.6 ←</p> <p>25: 10.2x ↓</p> <p>26: 10.2x →</p> <p>27: 10.2x ↗</p> <p>28: 10.1 ↗</p> <p>29: 10.3x ↗</p> <p>30: 8.5 ↓</p>	 <p style="text-align:center;">60 Shots</p>	<p>31: 10.1 ↑</p> <p>32: 8.9 ↓</p> <p>33: 9.7 →</p> <p>34: 9.6 →</p> <p>35: 7.1 →</p> <p>36: 10.6x ↗</p> <p>37: 8.8 ↓</p> <p>38: 9.4 ↓</p> <p>39: 8.8 ↗</p> <p>40: 8.7 ←</p>
Series 95.3		Series 91.7	
Total 284.4		Total 376.1	

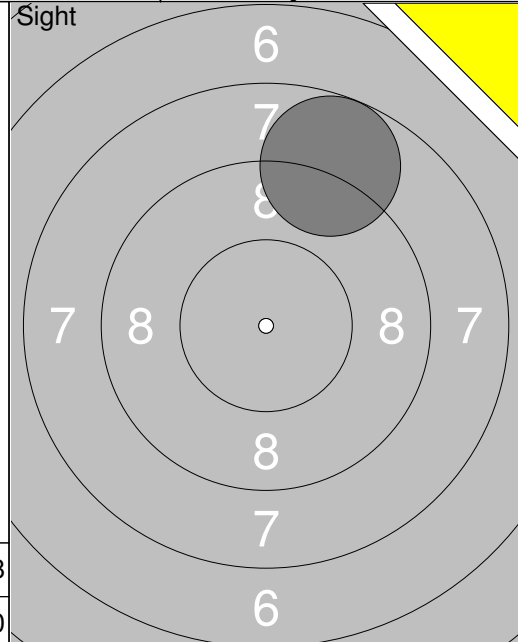
<p>Sight</p>	<p>1: 10.5x ↘ 2: 9.8 ↗ 3: 8.7 ← 4: 8.6 ← 5: 8.7 ↘ 6: 9.9 ↘ 7: 10.6x ↑ 8: 8.8 → 9: 9.0 ↘ 10: 9.8 ↘</p> <p>Series 94.4 Total 0.0</p>	<p>Sight</p>	<p>11: 9.7 → 12: 8.9 →</p> <p>Series 18.6 Total 0.0</p>
---------------------	--	---------------------	---

<p>60 Shots</p>	<p>1: 10.2x → 2: 8.9 ↑ 3: 10.8x ↘ 4: 10.6x ↘ 5: 9.5 ↘ 6: 10.3x ↘ 7: 10.5x ← 8: 9.9 ↘ 9: 10.1 ↖ 10: 10.2x ↑</p> <p>Series 101.0 Total 101.0</p>	<p>60 Shots</p>	<p>11: 9.5 ↖ 12: 9.8 → 13: 8.6 → 14: 9.0 ↗ 15: 9.4 ↖ 16: 9.5 ← 17: 10.3x ↘ 18: 9.4 ↘ 19: 10.5x ← 20: 10.0 ↗</p> <p>Series 96.0 Total 197.0</p>
------------------------	--	------------------------	--

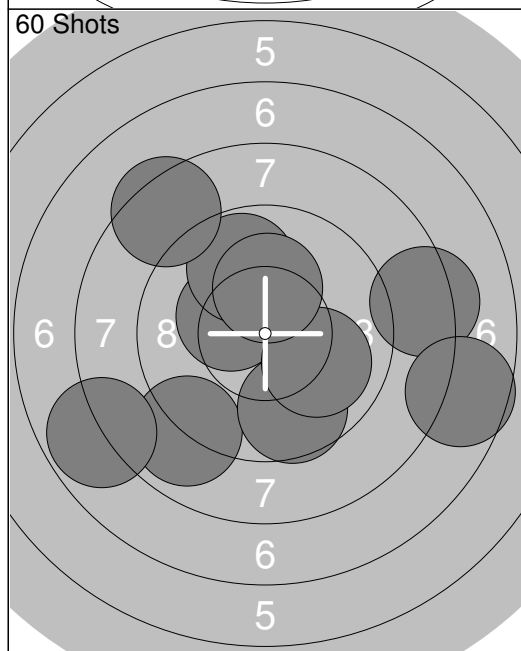
<p>60 Shots</p>	<p>21: 9.7 ↗ 22: 10.1 ↗ 23: 9.3 → 24: 9.9 ← 25: 10.4x ↘ 26: 9.4 ↗ 27: 9.7 ↑ 28: 9.5 ↑ 29: 7.6 → 30: 8.2 →</p> <p>Series 93.8 Total 290.8</p>	<p>60 Shots</p>	<p>31: 9.2 ↘ 32: 9.9 ↗ 33: 9.9 ↓ 34: 8.8 → 35: 9.2 → 36: 9.6 ↘ 37: 10.0 → 38: 10.4x → 39: 9.7 ↗ 40: 9.9 ↓</p> <p>Series 96.6 Total 387.4</p>
------------------------	--	------------------------	--



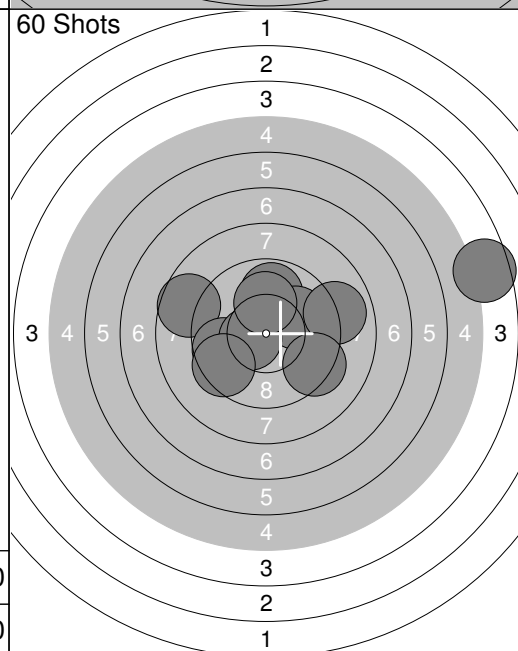
1:	5.8	↓
2:	7.9	↘
3:	7.2	→
4:	8.2	←
5:	8.8	↓
6:	5.4	←
7:	9.4	↙
8:	9.3	→
9:	5.5	←
10:	8.3	↙
Series		75.8
Total		0.0



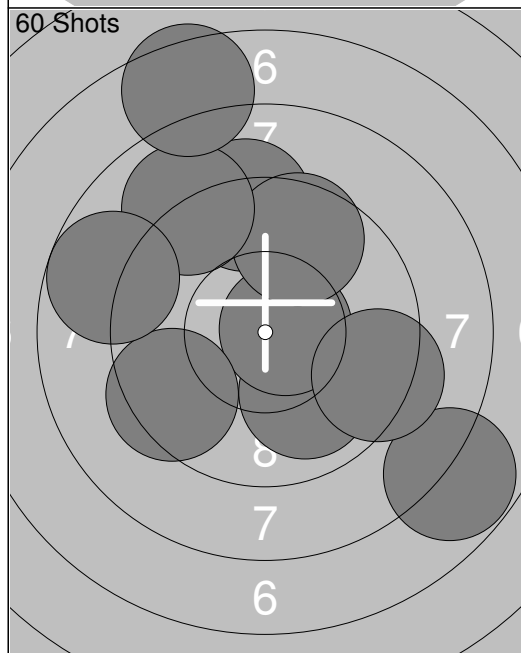
11:	8.8	↗
Series		8.8
Total		0.0



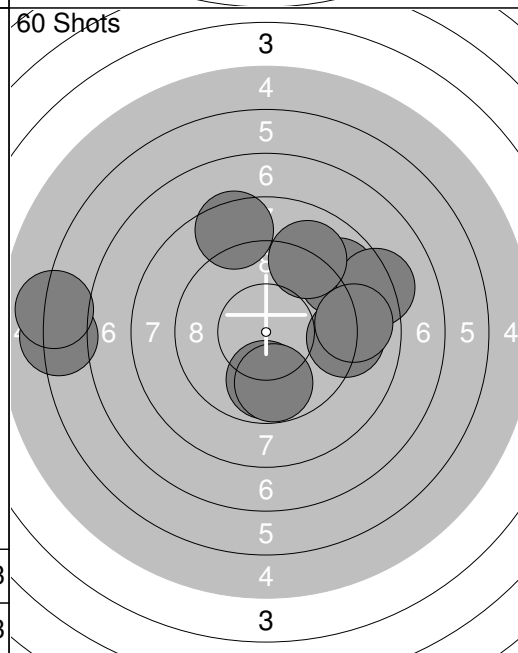
1:	10.3x	↖
2:	8.3	→
3:	9.8	↗
4:	8.9	↘
5:	9.7	↓
6:	7.8	↖
7:	7.6	→
8:	10.0	→
9:	8.4	↗
10:	10.2x	↗
Series		91.0
Total		91.0



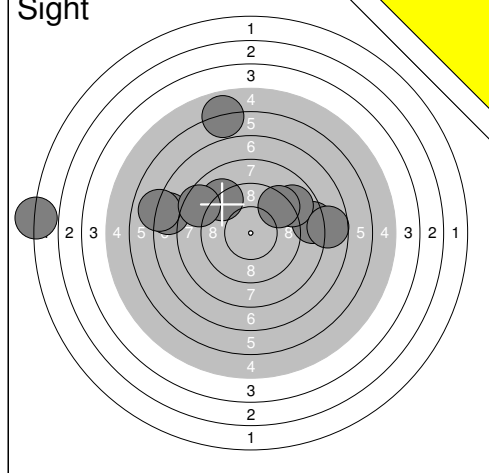
11:	8.7	↖
12:	9.8	↗
13:	10.0	↗
14:	9.7	↖
15:	10.5x	↖
16:	9.5	↖
17:	8.9	→
18:	10.1	↗
19:	4.5	→
20:	9.3	↘
Series		91.0
Total		182.0



21:	10.0	↘
22:	7.8	↘
23:	10.7x	→
24:	9.2	↗
25:	9.3	→
26:	9.6	↗
27:	9.4	↖
28:	9.0	↗
29:	7.5	↗
30:	8.8	←
Series		91.3
Total		273.3

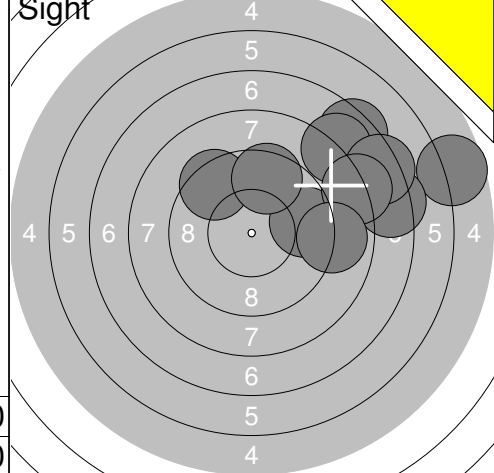


31:	8.9	↗
32:	8.2	→
33:	6.2	←
34:	9.0	↗
35:	9.1	→
36:	8.5	↗
37:	6.1	←
38:	9.9	↓
39:	9.8	↓
40:	8.9	→
Series		84.6
Total		357.9



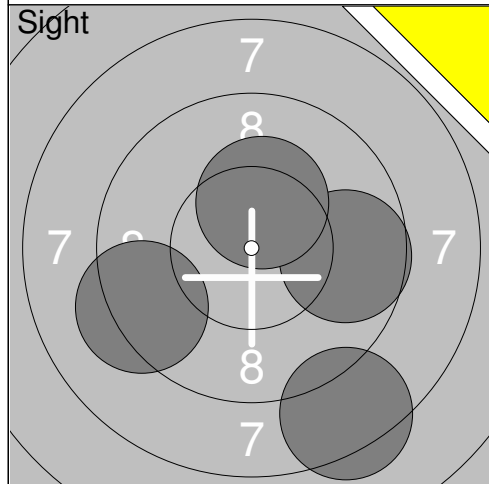
1:	7.4	←
2:	1.9	←
3:	7.0	←
4:	9.1	↗
5:	8.3	→
6:	8.5	↖
7:	8.9	↗
8:	9.3	↗
9:	7.7	→
10:	5.9	↑

Series	74.0
Total	0.0



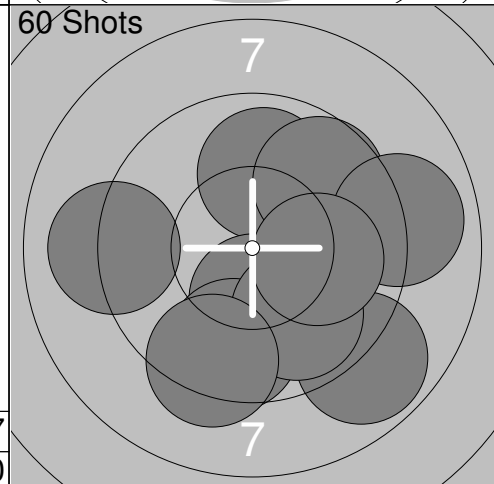
11:	5.7	→
12:	7.4	↗
13:	7.9	↗
14:	9.4	↗
15:	7.4	→
16:	9.6	→
17:	7.4	↗
18:	8.1	↗
19:	9.5	↑
20:	8.9	→

Series	81.3
Total	0.0



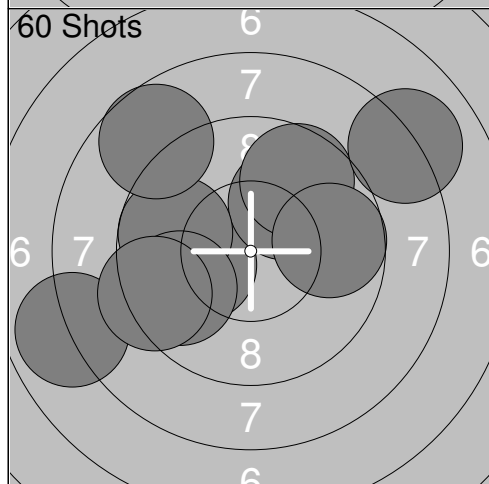
21:	9.3	←
22:	9.7	→
23:	8.4	↓
24:	10.3x	↑

Series	37.7
Total	0.0



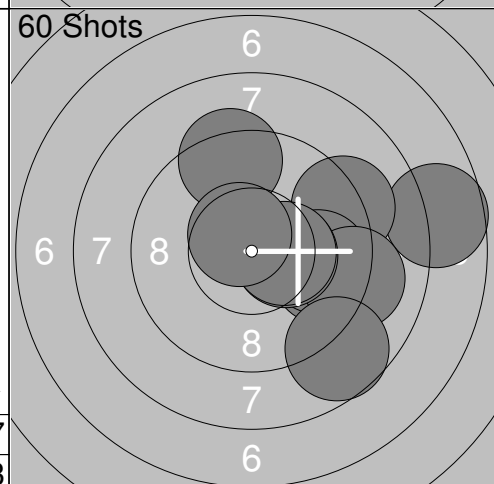
1:	9.9	↑
2:	8.9	↓
3:	9.7	↗
4:	9.1	←
5:	8.9	→
6:	10.2x	↓
7:	9.6	↓
8:	9.9	↓
9:	10.1	→
10:	9.3	↓

Series	95.6
Total	95.6



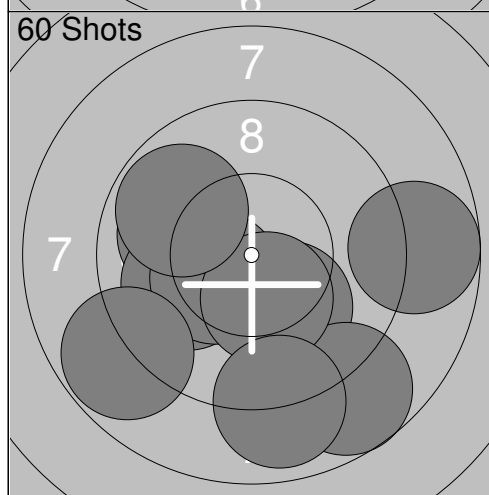
11:	10.1	←
12:	7.9	←
13:	10.0	↗
14:	9.7	←
15:	9.7	←
16:	9.6	↗
17:	8.7	↗
18:	8.0	↗
19:	9.3	←
20:	9.7	→

Series	92.7
Total	188.3



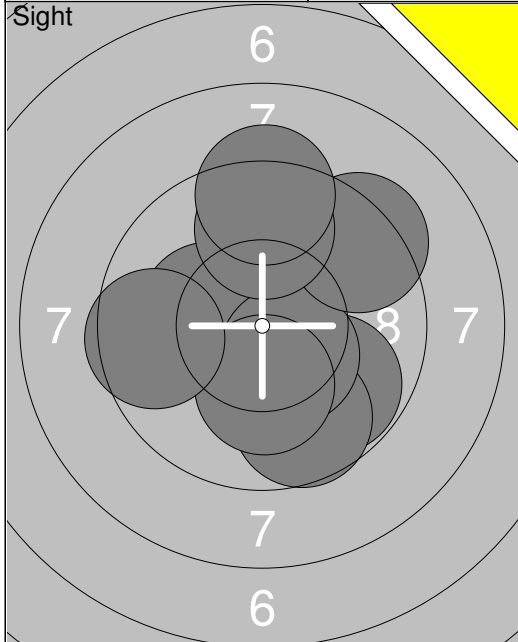
21:	7.7	→
22:	9.3	↑
23:	9.2	↗
24:	9.7	→
25:	9.8	→
26:	9.1	→
27:	10.3x	→
28:	8.7	↓
29:	10.4x	→
30:	10.6x	↗

Series	94.8
Total	283.1

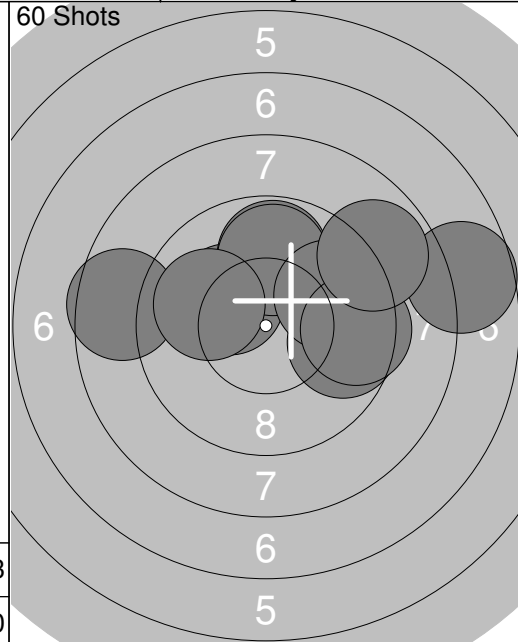


31:	10.0	←
32:	10.1	↓
33:	10.0	←
34:	8.7	↓
35:	10.4x	←
36:	8.8	←
37:	10.3x	↓
38:	9.8	↗
39:	8.9	↓
40:	8.8	→

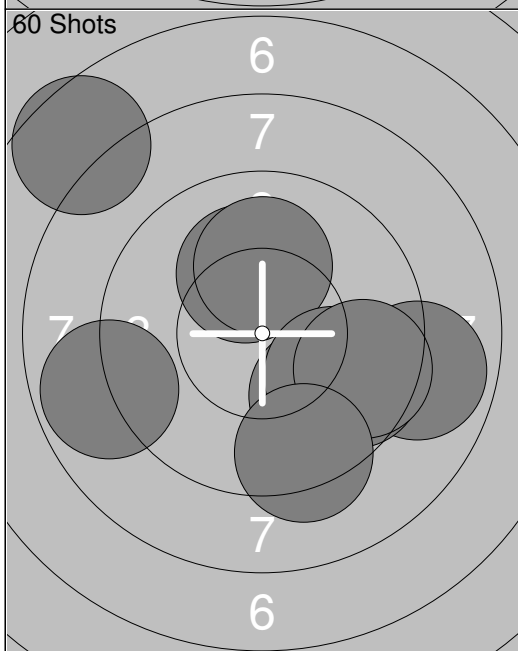
Series	95.8
Total	378.9



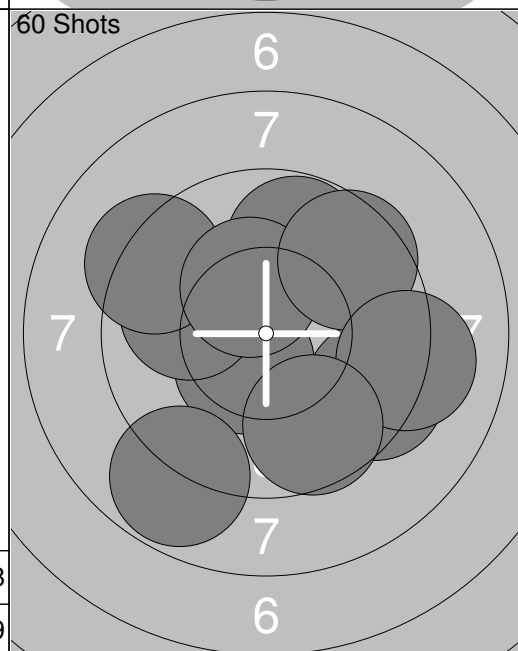
1:	9.8	↘
2:	10.3x	↙
3:	9.7	↓
4:	10.4x	↘
5:	10.2x	↓
6:	9.3	↗
7:	9.6	←
8:	9.7	↑
9:	9.3	↑
Series		88.3
Total		0.0



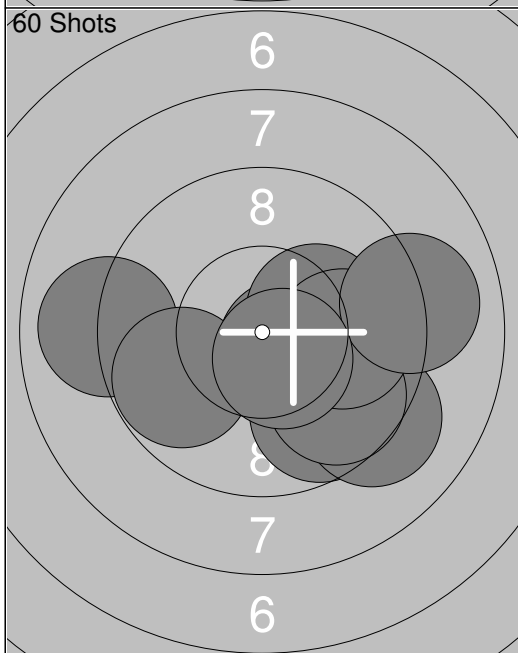
1:	10.2x	↖
2:	9.7	→
3:	8.6	←
4:	9.8	↑
5:	9.9	↑
6:	9.8	↗
7:	7.7	→
8:	9.5	→
9:	8.9	↗
10:	10.0	↖
Series		94.1
Total		94.1



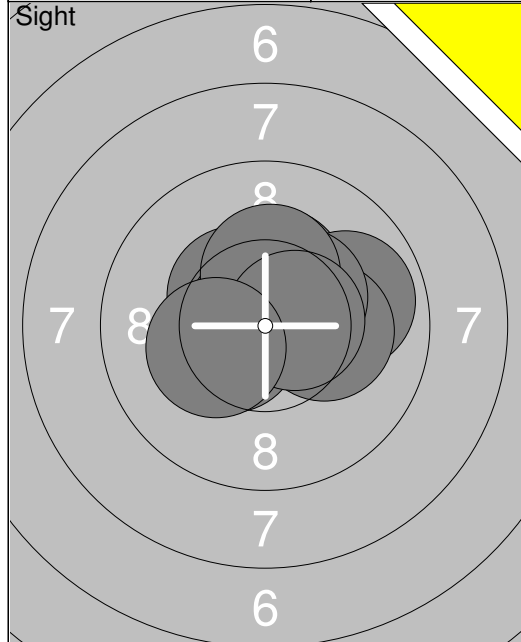
11:	8.8	←
12:	10.1	↑
13:	8.9	→
14:	9.9	↘
15:	9.6	↘
16:	10.1	↑
17:	7.6	↗
18:	9.9	↘
19:	9.6	→
20:	9.3	↓
Series		93.8
Total		187.9



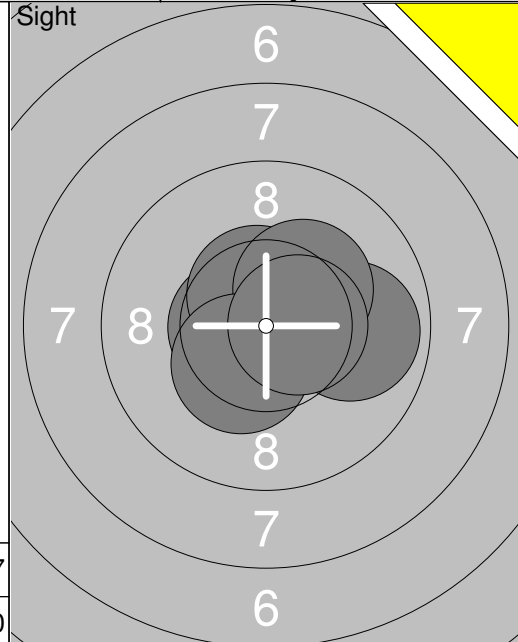
21:	10.5x	↘
22:	9.9	←
23:	9.8	↑
24:	9.3	↖
25:	8.8	↘
26:	9.4	↘
27:	10.3x	↑
28:	9.6	↗
29:	9.1	→
30:	9.6	↓
Series		96.3
Total		284.2



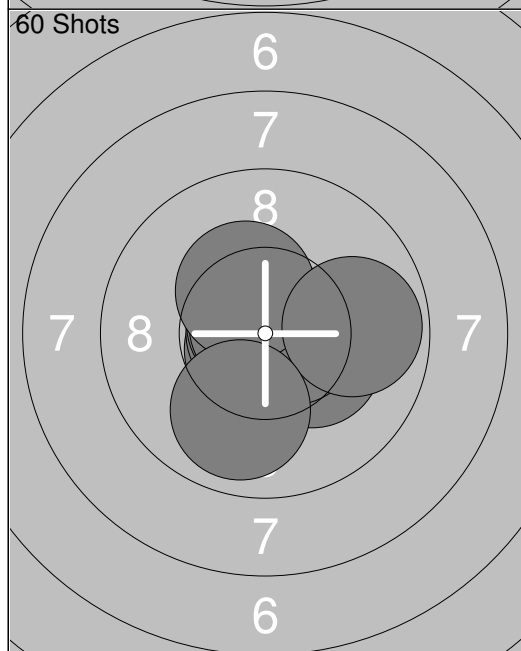
31:	10.6x	↘
32:	9.7	↘
33:	9.2	↘
34:	9.7	↘
35:	9.0	←
36:	9.8	↖
37:	10.2x	→
38:	9.9	→
39:	9.0	→
40:	10.5x	↘
Series		97.6
Total		381.8



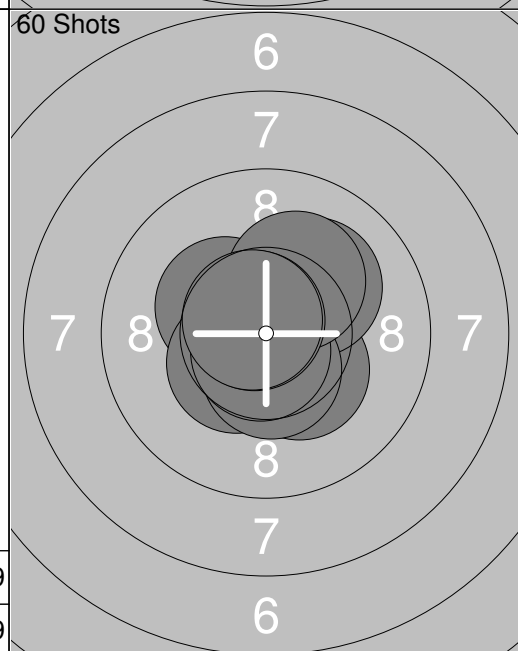
1: 10.3x ↑
2: 9.9 →
3: 10.2x →
4: 10.5x ↙
5: 10.4x ↖
6: 10.8x ↖
7: 10.4x ↗
8: 10.3x ↑
9: 10.6x →
10: 10.3x ↙
Series 103.7
Total 0.0



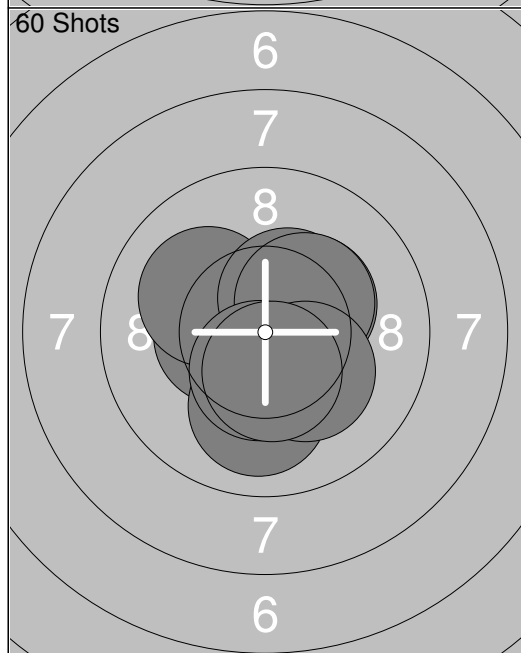
11: 9.9 →
12: 10.4x ↗
13: 10.6x ↖
14: 10.6x ↖
15: 10.3x ↗
16: 10.4x ↙
17: 10.5x →
Series 72.7
Total 0.0



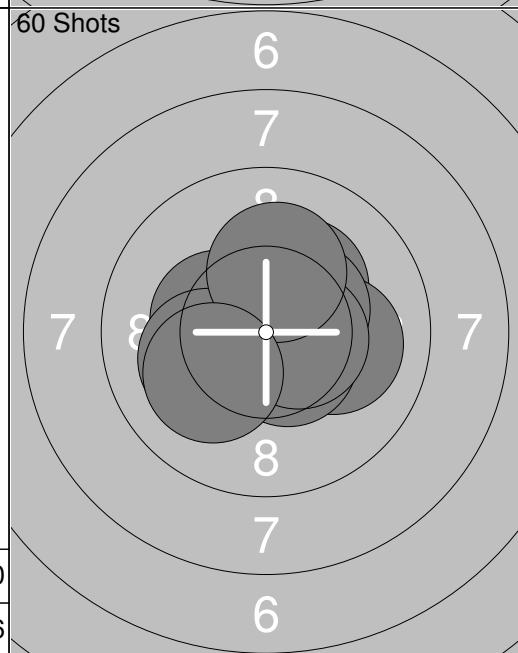
1: 10.7x ↙
2: 10.8x ↖
3: 10.3x →
4: 10.8x ↗
5: 10.8x ↖
6: 10.8x ↖
7: 10.6x →
8: 10.4x ↖
9: 9.8 →
10: 9.9 ↓
Series 104.9
Total 104.9



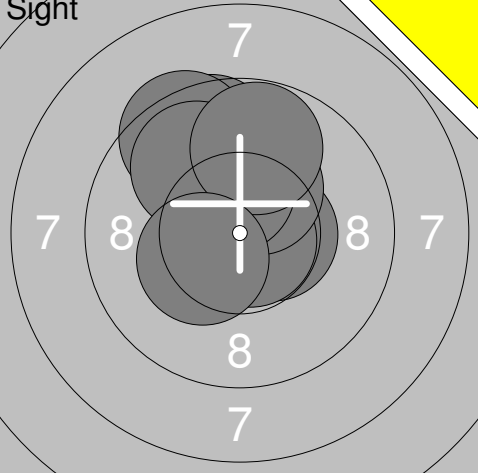
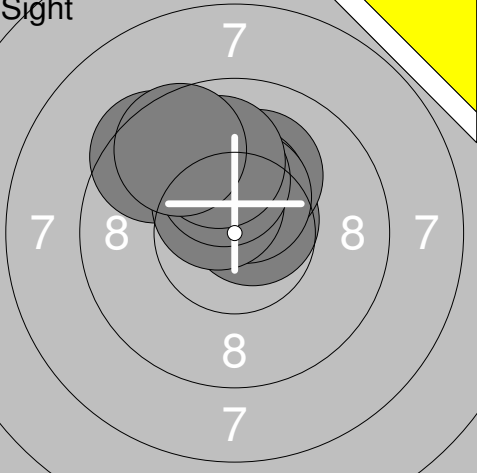
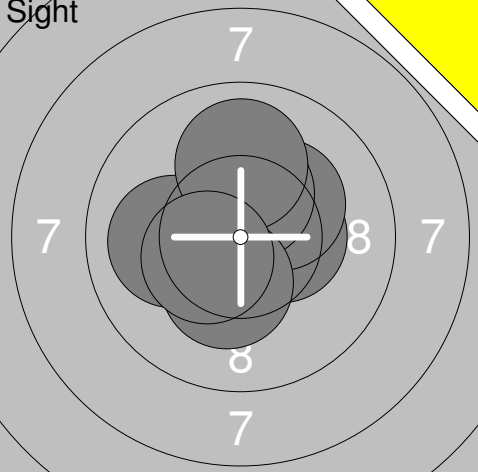
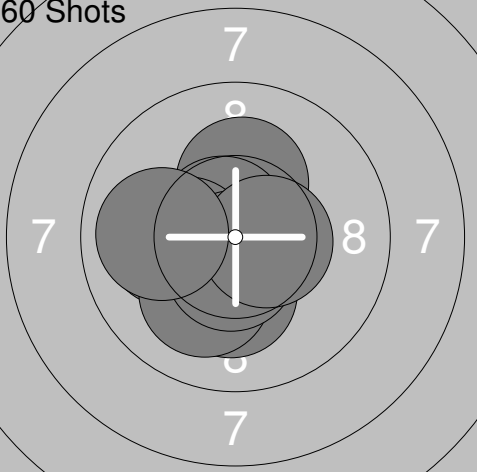
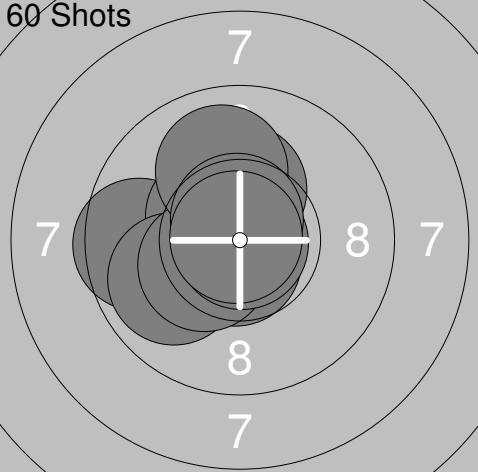
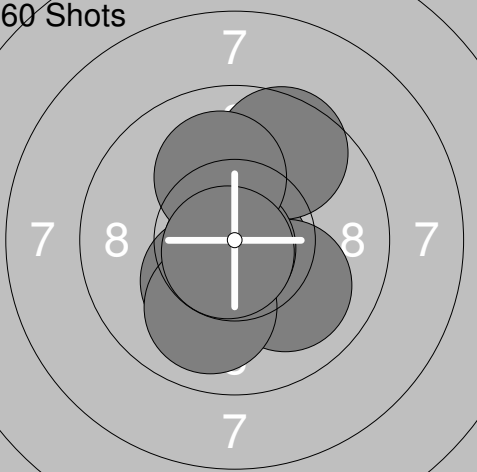
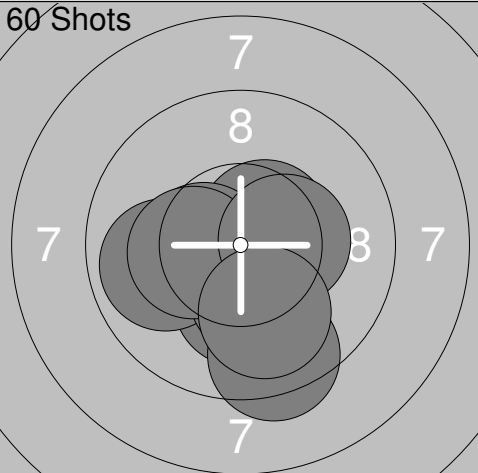
11: 10.8x ↖
12: 10.3x ↖
13: 10.3x ↘
14: 10.4x ↙
15: 10.1 ↗
16: 10.5x ↓
17: 10.7x ↓
18: 10.2x ↗
19: 10.7x ↖
20: 10.7x ↖
Series 104.7
Total 209.6

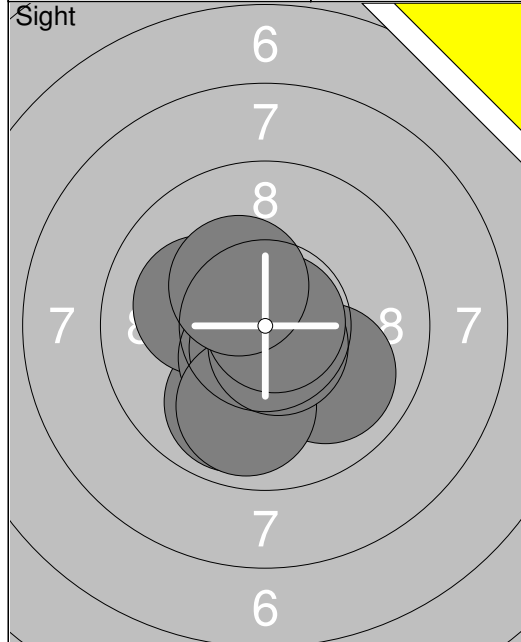


21: 10.4x ↖
22: 10.4x ↖
23: 10.1 ↖
24: 10.4x ↗
25: 10.3x ↗
26: 10.3x ↗
27: 10.0 ↓
28: 10.2x ↘
29: 10.5x ↓
30: 10.4x ↓
Series 103.0
Total 312.6

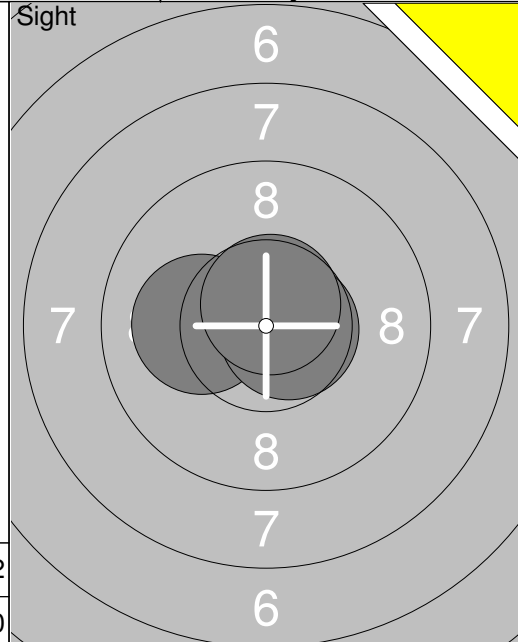


31: 10.5x ↑
32: 10.2x ↗
33: 10.1 →
34: 10.3x ↖
35: 10.4x ↗
36: 10.1 ↖
37: 10.5x ↘
38: 10.5x →
39: 10.2x ↑
40: 10.1 ↖
Series 102.9
Total 415.5

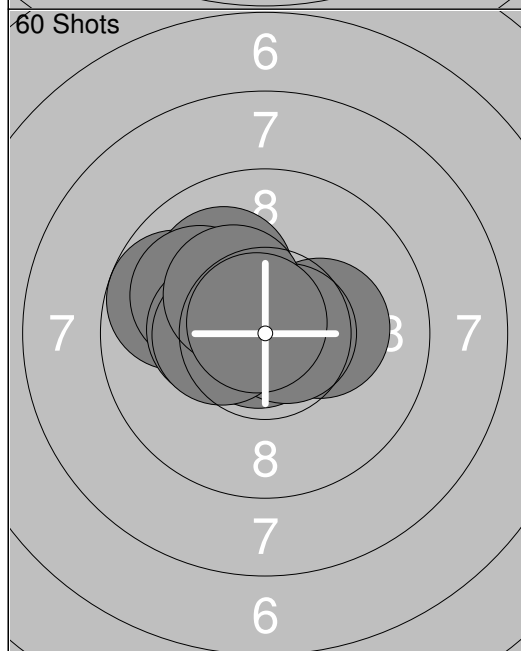
Relay	Lane	Amir Ali Ebrahimi	
S		Ramselefors	
13.02.2016		Vännästräffen 2016	Umeå skytteallians
Sight		1: 10.5x → 2: 10.8x ↘ 3: 9.6 ↑ 4: 10.1 ↑ 5: 10.3x ↑ 6: 10.3x ↑ 7: 9.5 ↗ 8: 9.9 ↗ 9: 9.8 ↑ 10: 10.3x ↙ Series 101.1 Total 0.0	Sight  11: 10.6x ↗ 12: 10.1 ↑ 13: 10.1 ↑ 14: 10.4x ↑ 15: 9.5 ↖ 16: 10.4x ↑ 17: 10.5x ↗ 18: 10.2x ↑ 19: 10.0 ↑ 20: 9.6 ↖ Series 101.4 Total 0.0
Sight		21: 10.4x → 22: 10.3x ↗ 23: 10.4x ↑ 24: 10.3x ↓ 25: 10.0 ← 26: 10.0 ↑ 27: 10.4x ↙ Series 71.8 Total 0.0	60 Shots  1: 10.2x ↓ 2: 10.1 ← 3: 10.2x ↑ 4: 10.7x ↖ 5: 10.3x ← 6: 10.7x ↓ 7: 10.1 ↓ 8: 10.6x ↓ 9: 10.5x → 10: 10.0 ← Series 103.4 Total 103.4
60 Shots		11: 10.7x ↓ 12: 9.6 ← 13: 10.5x ↖ 14: 9.9 ← 15: 10.4x ↙ 16: 10.3x ↑ 17: 10.9x ↓ 18: 10.0 ↑ 19: 10.7x ↑ 20: 10.9x ↖ Series 103.9 Total 207.3	60 Shots  21: 10.5x ↓ 22: 10.6x ↓ 23: 10.8x ↓ 24: 10.3x ↙ 25: 9.6 ↗ 26: 10.0 ↘ 27: 10.0 ↓ 28: 10.8x ↙ 29: 10.1 ↑ 30: 10.8x ↙ Series 103.5 Total 310.8
60 Shots		31: 10.2x ↓ 32: 9.9 ← 33: 10.6x → 34: 9.4 ↓ 35: 10.5x ↗ 36: 10.5x ← 37: 10.3x ↓ 38: 10.3x ← 39: 10.4x → 40: 10.0 ↓ Series 102.1 Total 412.9	



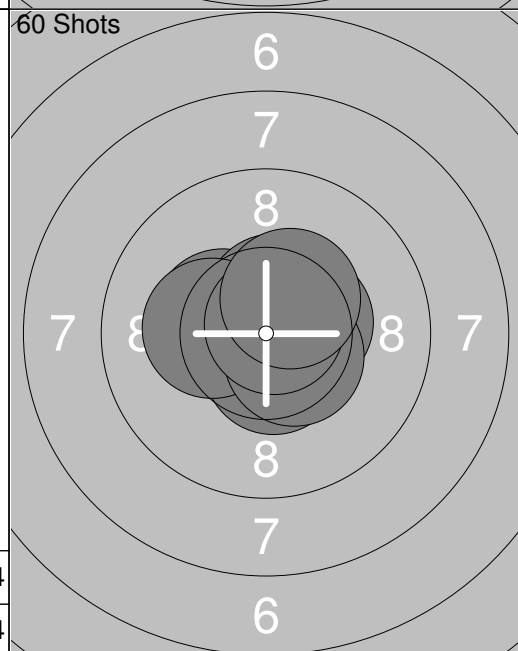
1: 10.3x ↓
2: 9.9 ↓
3: 10.1 ←
4: 10.5x ↓
5: 10.0 →
6: 10.7x ↓
7: 9.9 ↓
8: 10.7x ↓
9: 10.8x →
10: 10.3x ↖
Series 103.2
Total 0.0



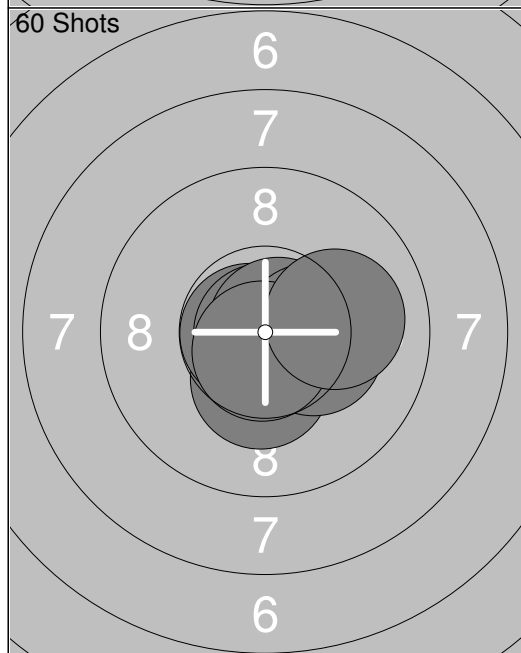
11: 10.1 ←
12: 10.7x →
13: 10.7x ↑
Series 31.5
Total 0.0



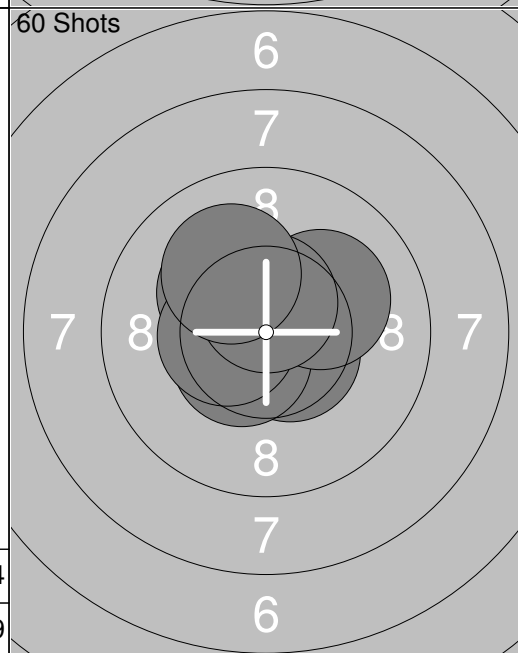
1: 10.8x ↙
2: 10.3x →
3: 9.7 ←
4: 10.1 ↗
5: 10.0 ↖
6: 10.3x ↙
7: 10.7x →
8: 10.4x ↙
9: 10.3x ↗
10: 10.8x ↖
Series 103.4
Total 103.4



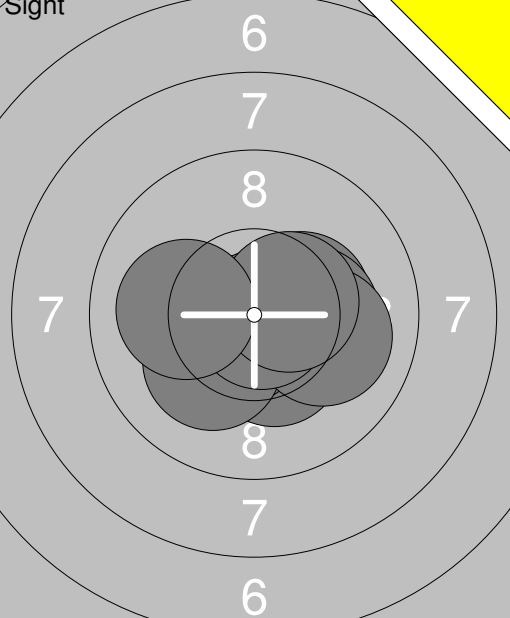
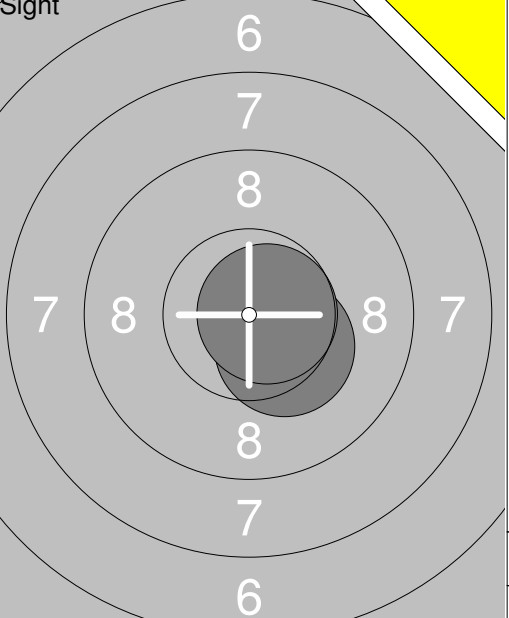
11: 10.5x ↓
12: 10.6x ↑
13: 10.4x ↙
14: 10.6x ↑
15: 10.5x →
16: 10.5x ↓
17: 10.3x ↙
18: 10.5x ↓
19: 10.8x ↗
20: 10.4x ↗
Series 105.1
Total 208.5

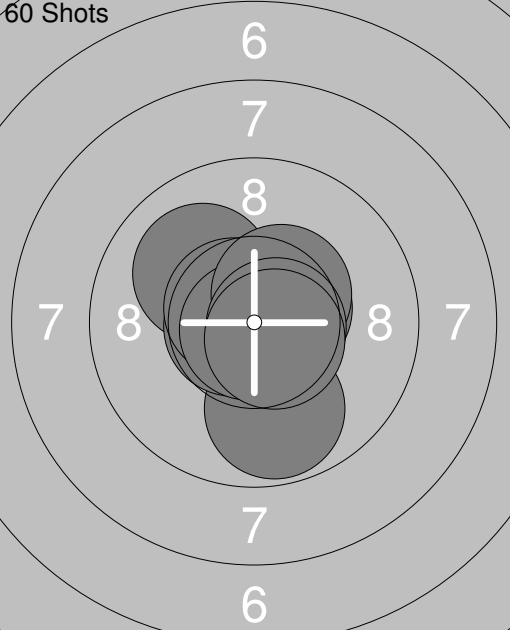
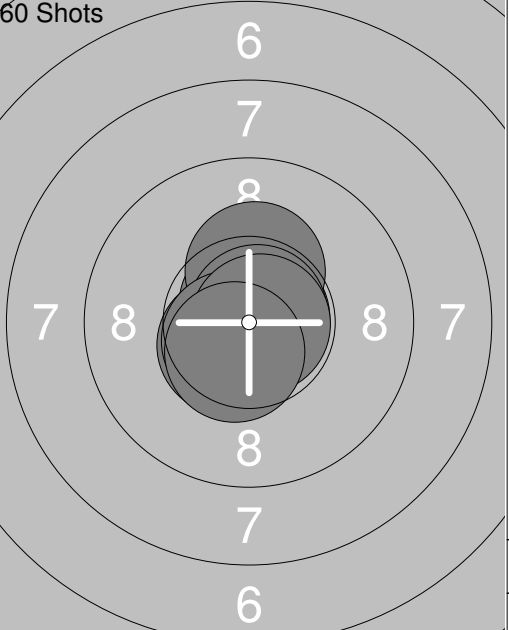


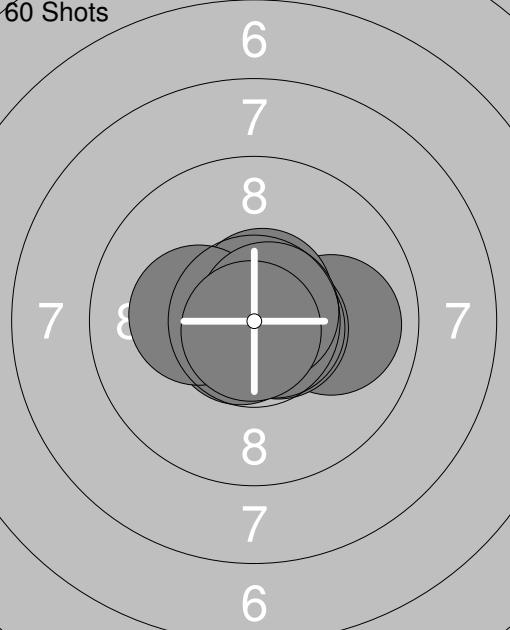
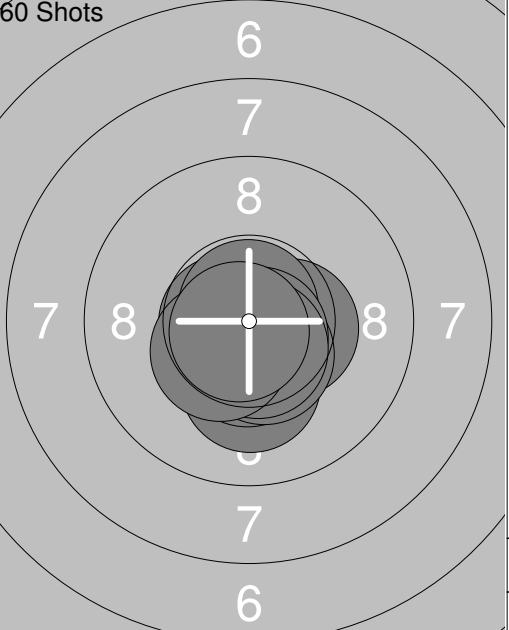
21: 10.4x ↓
22: 10.7x →
23: 10.8x ↙
24: 10.9x ↙
25: 10.4x →
26: 10.8x →
27: 10.4x →
28: 10.3x →
29: 10.7x ↓
30: 10.0 →
Series 105.4
Total 313.9

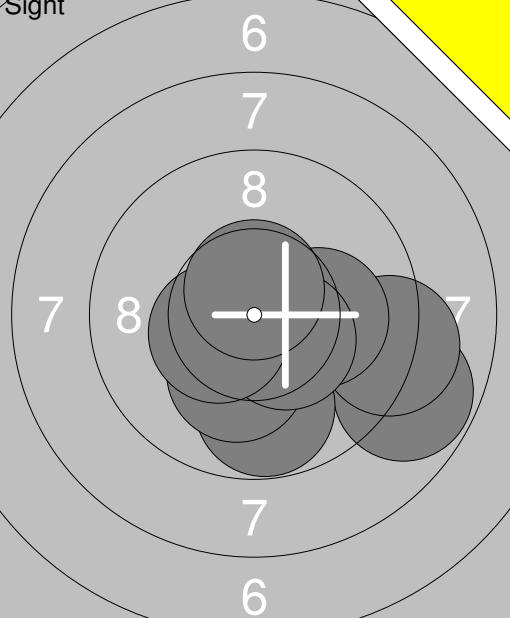
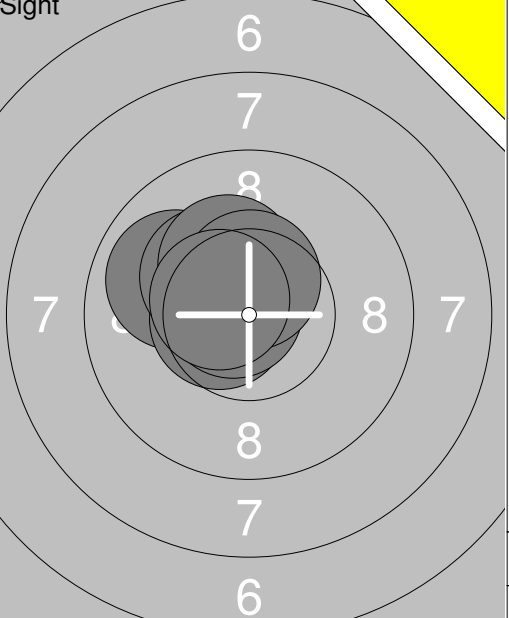


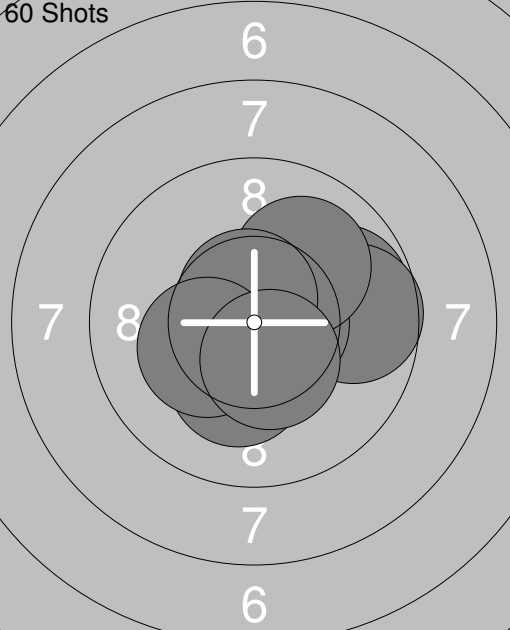
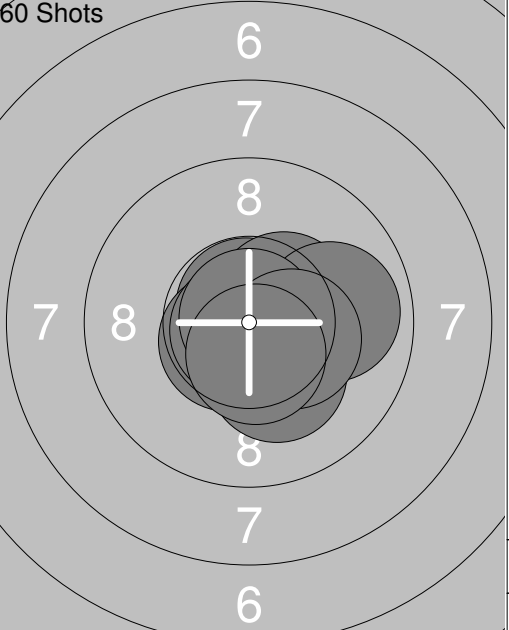
31: 10.6x ↙
32: 10.9x ↖
33: 10.9x ↓
34: 10.5x ↓
35: 10.5x ↙
36: 10.2x ↖
37: 10.5x ↙
38: 10.1 ↗
39: 10.6x ↑
40: 10.1 ↖
Series 104.9
Total 418.8

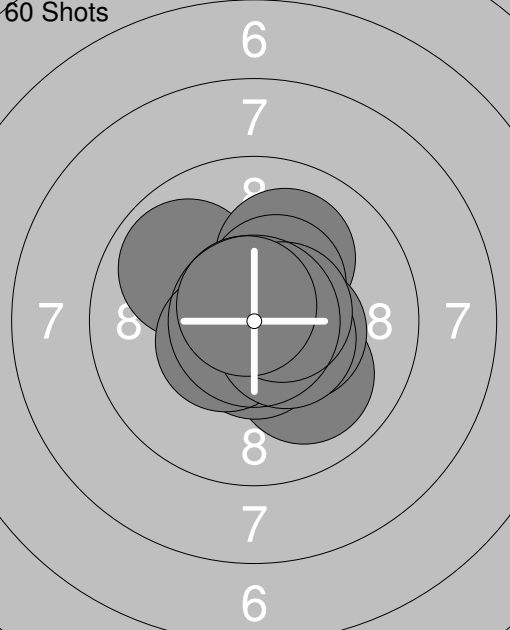
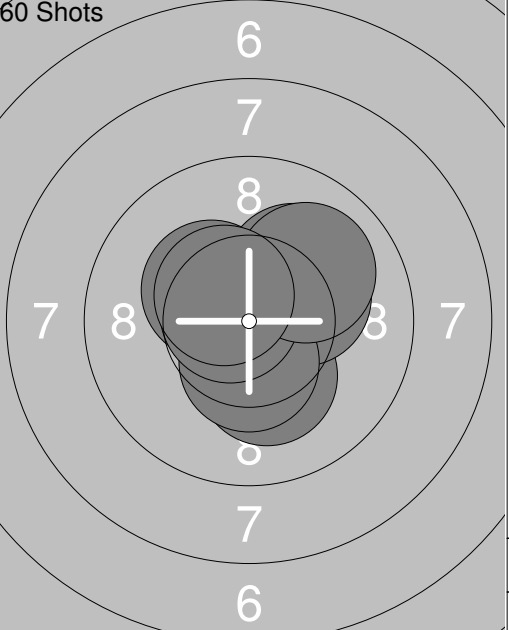
<p>Sight</p> 	<p>1: 10.5x ← 2: 10.4x ↓ 3: 10.6x ↙ 4: 10.2x ↙ 5: 10.3x → 6: 10.2x → 7: 10.0 → 8: 10.8x ↘ 9: 10.5x → 10: 10.1 ←</p> <p>Series 103.6 Total 0.0</p>	<p>Sight</p> 	<p>11: 10.3x ↘ 12: 10.7x →</p> <p>Series 21.0 Total 0.0</p>
---	---	---	---

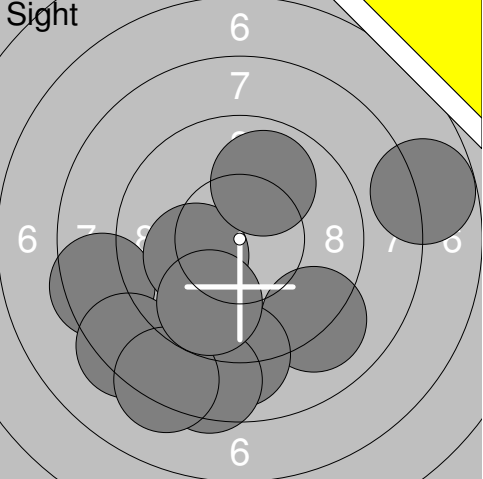
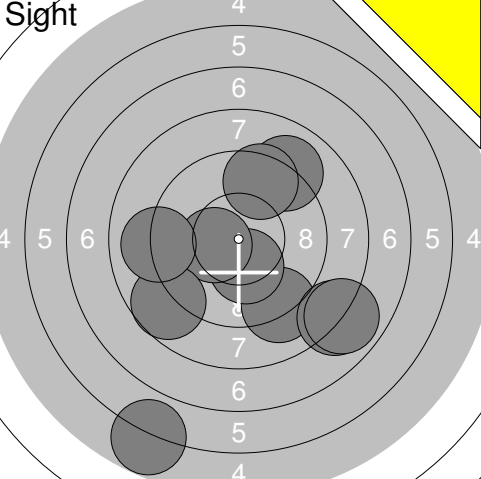
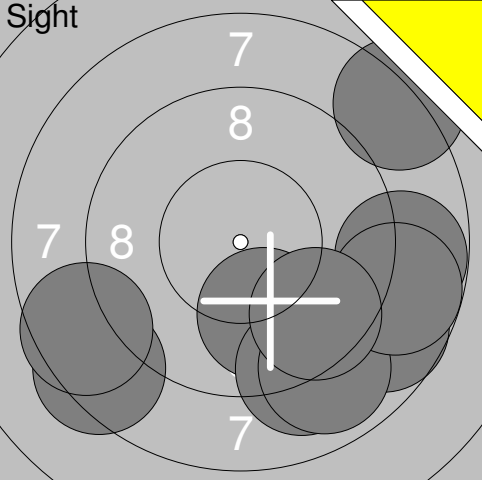
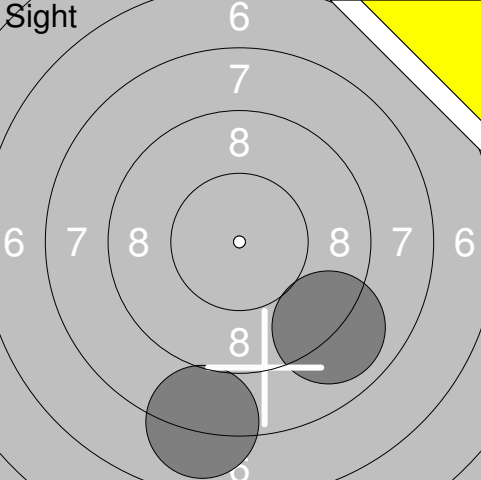
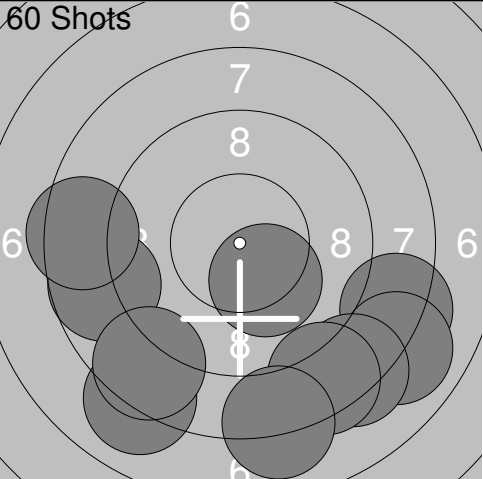
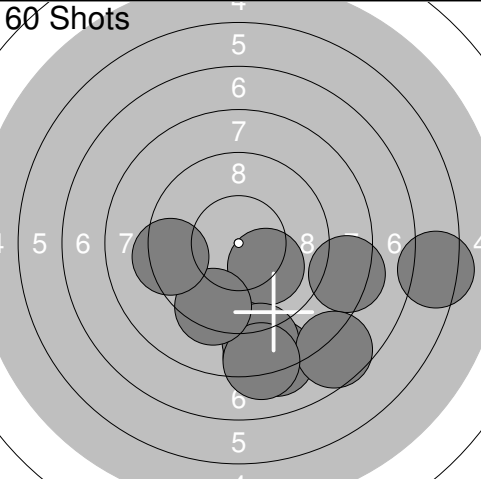
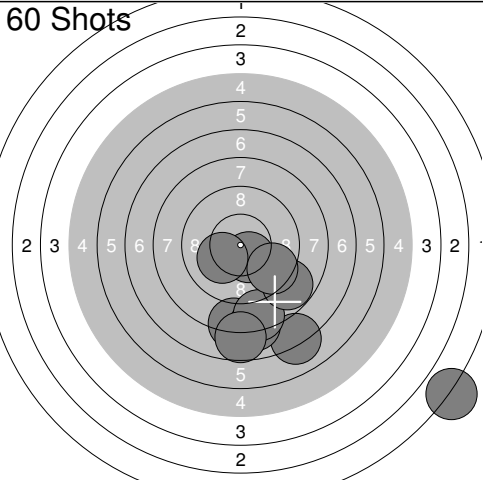
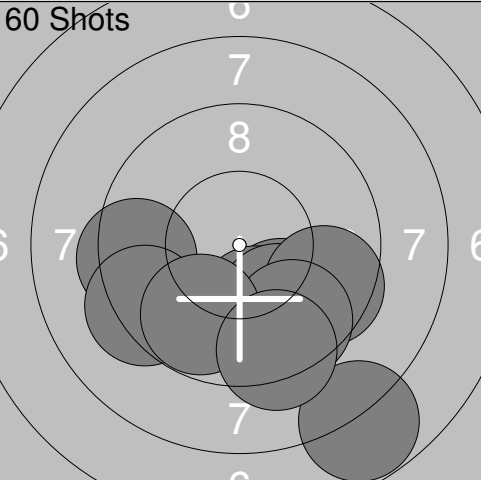
<p>60 Shots</p> 	<p>1: 10.0 ↖ 2: 9.8 ↓ 3: 10.6x → 4: 10.7x ← 5: 10.6x ↖ 6: 10.8x ↙ 7: 10.6x → 8: 10.5x ↗ 9: 10.7x → 10: 10.6x ↘</p> <p>Series 104.9 Total 104.9</p>	<p>60 Shots</p> 	<p>11: 10.8x → 12: 10.8x ↗ 13: 10.7x ↑ 14: 10.8x ↓ 15: 10.5x ↙ 16: 10.3x ↑ 17: 10.8x ↗ 18: 10.6x ↙ 19: 10.8x → 20: 10.5x ↙</p> <p>Series 106.6 Total 211.5</p>
---	--	---	--

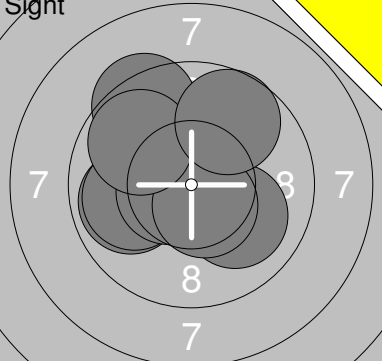
<p>60 Shots</p> 	<p>21: 10.7x ↙ 22: 10.7x ↗ 23: 10.0 → 24: 10.8x → 25: 10.6x ↗ 26: 10.2x ← 27: 10.6x → 28: 10.7x → 29: 10.7x ↗ 30: 10.8x ↘</p> <p>Series 105.8 Total 317.3</p>	<p>60 Shots</p> 	<p>31: 10.2x ↓ 32: 10.4x → 33: 10.5x ↓ 34: 10.7x ← 35: 10.8x ↑ 36: 10.5x ↓ 37: 10.7x ↘ 38: 10.6x ↘ 39: 10.4x ↙ 40: 10.8x ↙</p> <p>Series 105.6 Total 422.9</p>
--	---	--	--

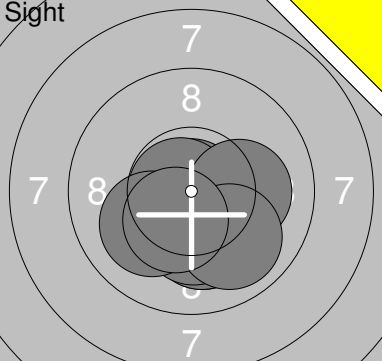
Sight 	1: 8.8 → 2: 9.2 → 3: 10.1 → 4: 9.8 ↓ 5: 10.2x ↓ 6: 10.8x ↘ 7: 10.8x → 8: 10.4x ↘ 9: 10.4x ↙ 10: 10.6x ↑ <hr/> Series 101.1 Total 0.0	Sight 	11: 9.9 ↖ 12: 10.6x ↙ 13: 10.2x ↖ 14: 10.7x ↖ 15: 10.3x ↗ 16: 10.5x ↑ 17: 10.5x ↖ <hr/> Series 72.7 Total 0.0
---	---	---	---

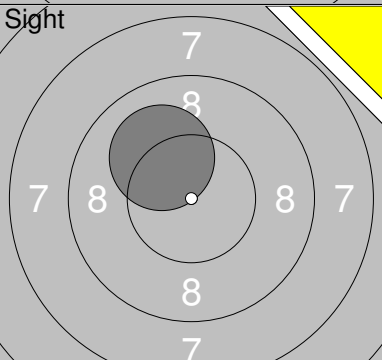
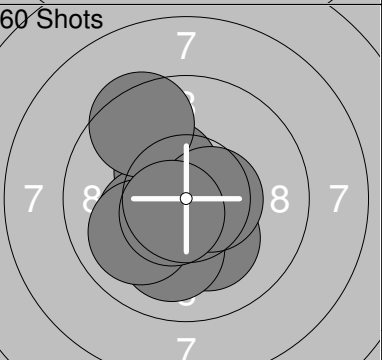
60 Shots 	1: 9.8 → 2: 10.9x ↙ 3: 9.7 → 4: 10.6x → 5: 10.2x ↓ 6: 10.7x ↙ 7: 10.0 ↗ 8: 10.6x ↑ 9: 10.3x ↙ 10: 10.4x ↓ <hr/> Series 103.2 Total 103.2	60 Shots 	11: 10.8x ↑ 12: 10.2x ↓ 13: 10.4x ↗ 14: 9.9 → 15: 10.6x ↙ 16: 10.8x ↘ 17: 10.8x ↙ 18: 10.9x ↑ 19: 10.4x → 20: 10.5x ↓ <hr/> Series 105.3 Total 208.5
---	---	---	---

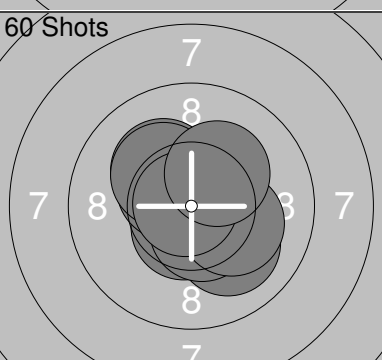
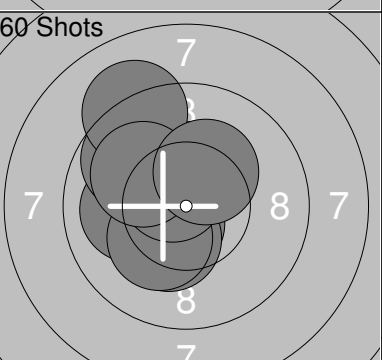
60 Shots 	21: 10.0 ↓ 22: 10.6x ↓ 23: 9.9 ↖ 24: 10.5x ↙ 25: 10.1 ↗ 26: 10.4x ↗ 27: 10.4x → 28: 10.5x ↘ 29: 10.6x → 30: 10.7x ↗ <hr/> Series 103.7 Total 312.2	60 Shots 	31: 10.8x → 32: 10.2x ↓ 33: 10.1 ↗ 34: 10.2x → 35: 10.3x ↖ 36: 10.1 ↗ 37: 10.4x ↓ 38: 10.7x ↖ 39: 10.0 ↗ 40: 10.5x ↖ <hr/> Series 103.3 Total 415.5
--	---	--	--


Relay	Lane	Markus Güzel	
S		Ramselefors	
13.02.2016	Vännästräffen 2016	Umeå skytteallians	
Sight		1: 8.5 ← 2: 7.7 → 3: 8.3 ↙ 4: 9.1 ↘ 5: 10.2x ← 6: 9.0 ↓ 7: 8.5 ↓ 8: 9.9 ↑ 9: 8.3 ↓ 10: 9.8 ↓ Series 89.3 Total 0.0	Sight  11: 9.0 ↗ 12: 9.1 ↓ 13: 10.3x ↓ 14: 10.3x ← 15: 5.8 ↓ 16: 9.5 ↑ 17: 8.7 ↙ 18: 8.0 ↓ 19: 7.9 ↓ 20: 9.0 ← Series 87.6 Total 0.0
Sight		21: 8.4 ↙ 22: 8.8 → 23: 8.6 ← 24: 9.9 ↘ 25: 9.0 ↘ 26: 8.1 ↗ 27: 8.7 ↘ 28: 8.9 ↘ 29: 8.8 → 30: 9.5 ↓ Series 88.7 Total 0.0	Sight  31: 8.0 ↓ 32: 9.0 ↓ Series 17.0 Total 0.0
60 Shots		1: 8.3 → 2: 8.0 ↘ 3: 8.3 ↘ 4: 8.7 ← 5: 8.4 ↘ 6: 8.0 ↘ 7: 10.2x ↘ 8: 8.6 ↘ 9: 8.5 ← 10: 8.0 ↓ Series 85.0 Total 85.0	60 Shots  11: 8.3 → 12: 8.3 ↓ 13: 8.1 ↓ 14: 10.1 ↘ 15: 6.3 → 16: 8.6 ↘ 17: 7.6 ↘ 18: 8.2 ↓ 19: 9.4 ↓ 20: 9.3 ← Series 84.2 Total 169.2
60 Shots		21: 1.8 ↘ 22: 7.1 ↘ 23: 8.2 ↘ 24: 8.1 ↘ 25: 10.4x ↘ 26: 8.4 ↘ 27: 8.8 ↘ 28: 9.5 ↘ 29: 7.7 ↓ 30: 10.2x ↙ Series 80.2 Total 249.4	60 Shots  31: 9.9 ↓ 32: 10.0 ↓ 33: 9.9 ↓ 34: 9.4 ← 35: 9.3 ↙ 36: 7.8 ↘ 37: 9.5 ↘ 38: 9.6 ↓ 39: 9.8 ↓ 40: 9.3 ↓ Series 94.5 Total 343.9

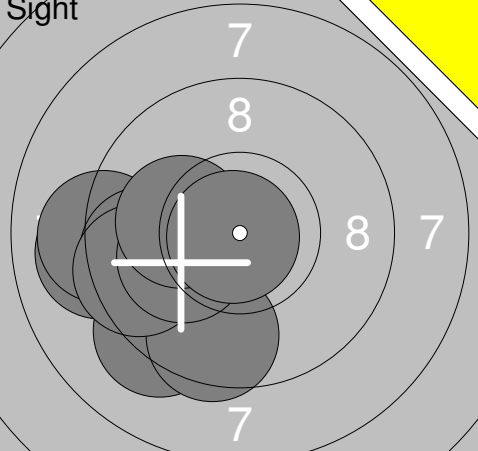
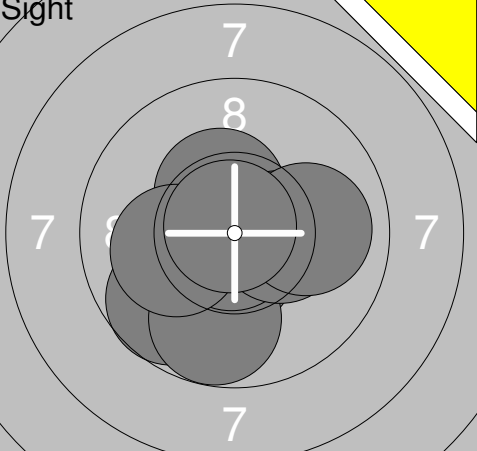
Sight			Sight
	1: 9.4 ↗ 2: 9.9 ← 3: 10.6x ↗ 4: 10.3x ↗ 5: 10.0 ← 6: 10.5x ← 7: 10.0 ↘ 8: 10.5x ↘ 9: 9.8 ↗ 10: 9.7 ↗		11: 10.4x ↘ 12: 10.6x ↗ 13: 10.5x ↗ 14: 10.1 ↗ 15: 9.6 ↗ 16: 10.1 ↘ 17: 9.9 ↗ 18: 10.7x ↘ 19: 10.2x → 20: 10.1 ↗
	Series 100.7		Series 102.2
	Total 0.0		Total 0.0

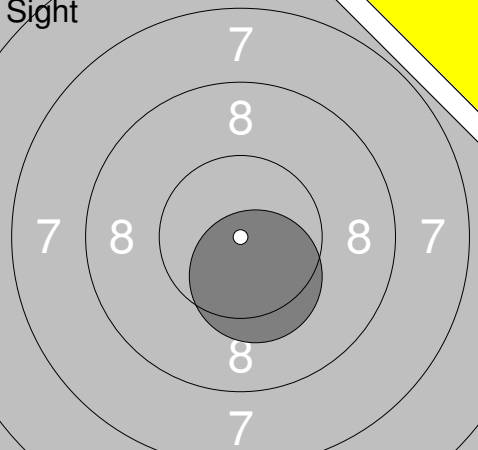
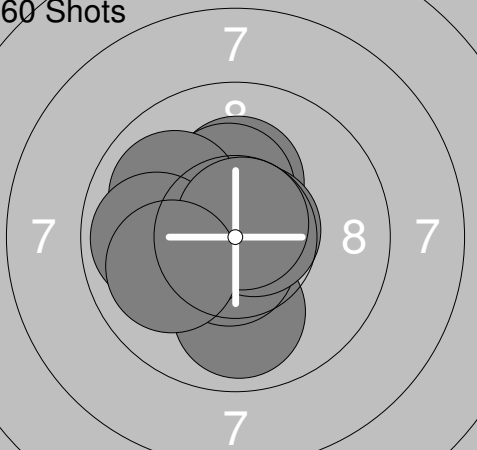
Sight			Sight
	21: 10.2x ↘ 22: 10.4x ↘ 23: 10.2x ↘ 24: 10.9x ← 25: 10.3x ↘ 26: 10.8x ← 27: 10.1 → 28: 10.1 ↘ 29: 9.9 ↘ 30: 10.4x ↘		31: 10.5x ↗ 32: 10.4x ↗ 33: 9.6 ↗ 34: 10.1 ↘ 35: 10.0 ↘ 36: 10.2x ↗ 37: 9.8 ↗ 38: 10.8x ← 39: 9.7 ↘ 40: 9.9 ↘
	Series 103.3		Series 101.0
	Total 0.0		Total 0.0

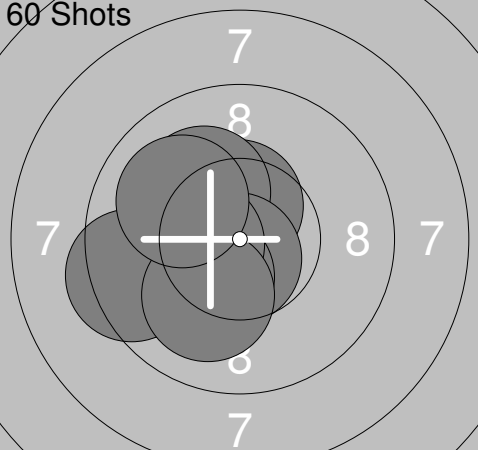
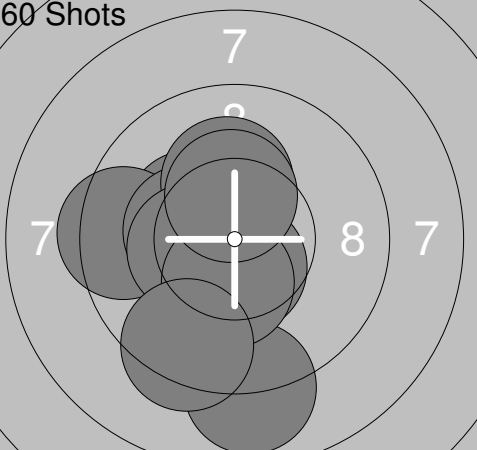
Sight		60 Shots	
	41: 10.1 ↗		1: 10.4x ↗ 2: 10.2x ↘ 3: 10.3x ↘ 4: 10.2x ↘ 5: 10.1 ↘ 6: 10.2x ↘ 7: 9.5 ↗ 8: 10.0 ↘ 9: 10.5x → 10: 10.6x ↘
	Series 10.1		Series 102.0
	Total 0.0		Total 102.0

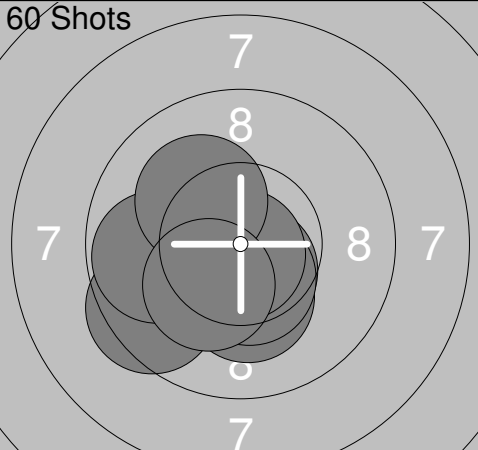
60 Shots		60 Shots	
	11: 10.6x ↘ 12: 10.2x ↗ 13: 10.1 ↘ 14: 10.5x ↗ 15: 10.5x ↘ 16: 10.6x ↗ 17: 10.2x ↗ 18: 10.2x ↘ 19: 10.8x ↗ 20: 10.2x ↗		21: 10.6x ↘ 22: 10.3x ↘ 23: 10.0 ← 24: 10.2x ↘ 25: 9.8 ↗ 26: 10.4x ↗ 27: 9.1 ↗ 28: 10.6x ↗ 29: 10.0 ↗ 30: 10.3x ↗
	Series 103.9		Series 101.3
	Total 205.9		Total 307.2

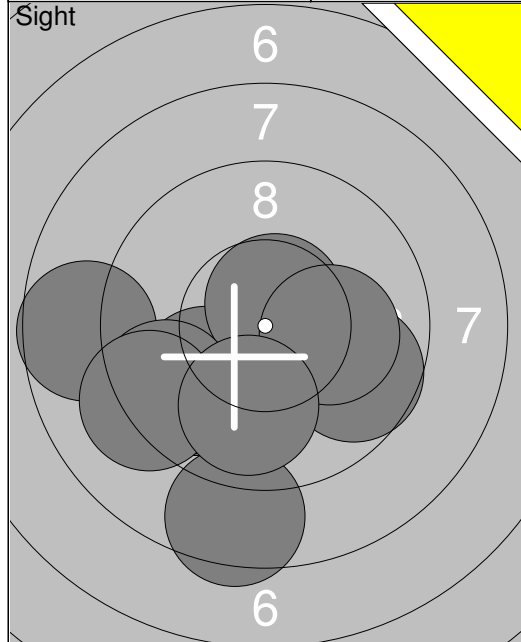
60 Shots			
	31: 10.5x ↗ 32: 10.9x ← 33: 9.9 ↗ 34: 10.7x → 35: 10.7x → 36: 10.4x ↘ 37: 10.6x ↘ 38: 10.6x ← 39: 10.3x ↘ 40: 10.2x ↗		
	Series 104.8		
	Total 412.0		

Sight 	1: 9.1 ← 2: 10.2x ↙ 3: 9.1 ← 4: 9.2 ↘ 5: 9.5 ↓ 6: 9.7 ← 7: 9.5 ← 8: 10.1 ← 9: 10.2x ← 10: 10.8x ↙ <hr/> Series 97.4 Total 0.0	Sight 	11: 10.4x ↗ 12: 9.9 ↘ 13: 10.5x ↓ 14: 9.7 ↘ 15: 9.8 ↓ 16: 10.8x ↓ 17: 10.3x → 18: 10.0 → 19: 10.1 ← 20: 10.8x ↗ <hr/> Series 102.3 Total 0.0
--	--	--	---

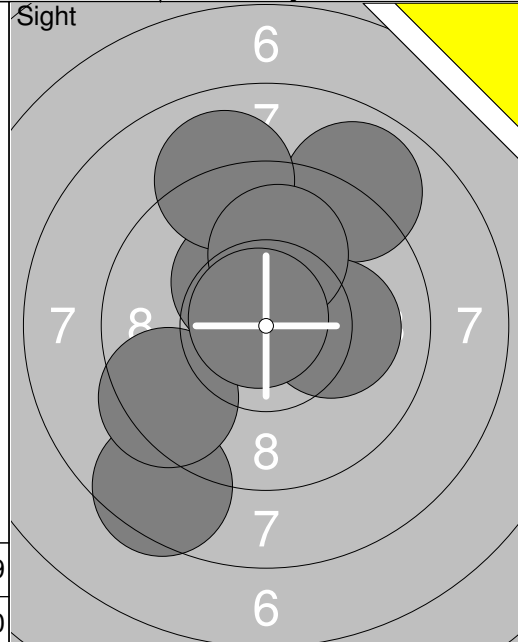
Sight 	21: 10.4x ↓ <hr/> Series 10.4 Total 0.0	60 Shots 	1: 9.9 ↓ 2: 10.6x ↓ 3: 10.2x ↑ 4: 10.3x ↑ 5: 10.7x → 6: 10.3x ← 7: 10.0 ↖ 8: 9.9 ← 9: 10.7x ↗ 10: 10.0 ← <hr/> Series 102.6 Total 102.6
---	---	--	--

60 Shots 	11: 10.6x ← 12: 10.5x ↑ 13: 10.1 ↗ 14: 10.7x ↓ 15: 9.9 ← 16: 10.3x ↘ 17: 10.4x ← 18: 9.4 ← 19: 10.1 ↘ 20: 10.0 ↖ <hr/> Series 102.0 Total 204.6	60 Shots 	21: 10.3x ↖ 22: 9.4 ← 23: 10.3x ← 24: 10.6x ↓ 25: 8.9 ↓ 26: 10.2x ↑ 27: 10.4x ← 28: 10.4x ↓ 29: 10.4x ↑ 30: 9.4 ↓ <hr/> Series 100.3 Total 304.9
---	--	---	---

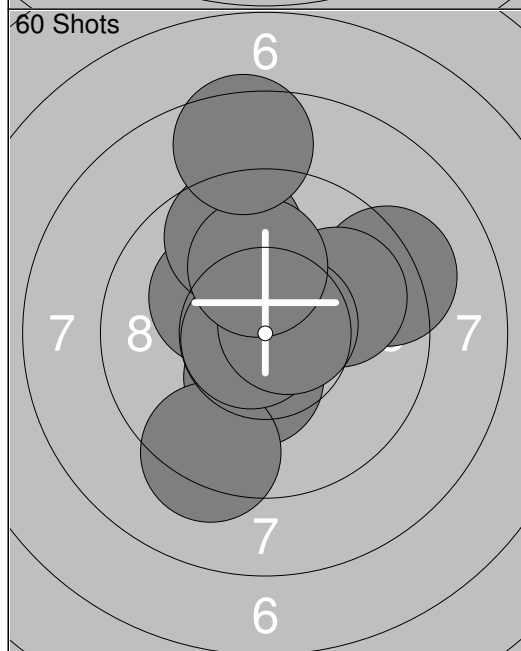
60 Shots 	31: 9.5 ↘ 32: 10.2x ↓ 33: 10.6x ← 34: 10.6x ↓ 35: 9.8 ← 36: 10.5x ↓ 37: 10.5x ↓ 38: 10.8x ↓ 39: 10.2x ↗ 40: 10.3x ↘ <hr/> Series 103.0 Total 407.9		
---	---	--	--



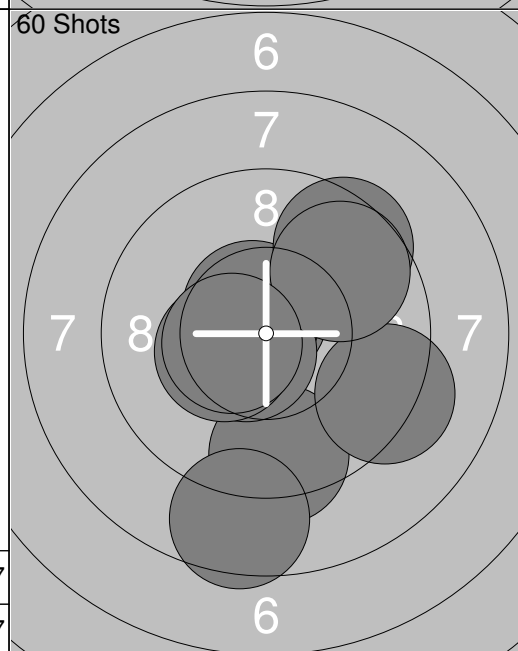
1: 9.7	➔
2: 9.8	↙
3: 8.5	↓
4: 10.0	↙
5: 8.7	←
6: 10.6x	↗
7: 10.1	➔
8: 9.4	↙
9: 9.2	↙
10: 9.9	↓
Series	95.9
Total	0.0



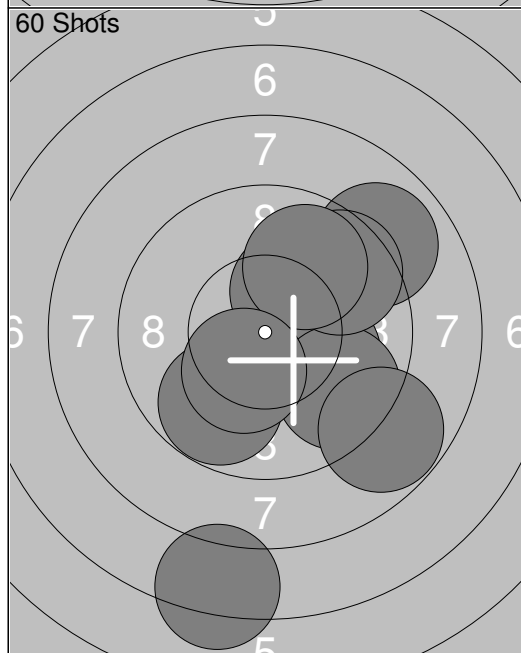
11: 8.5	↙
12: 9.4	↙
13: 8.9	↗
14: 10.3x	↖
15: 10.1	➔
16: 9.0	↗
17: 10.0	↗
18: 10.8x	↖
Series	77.0
Total	0.0



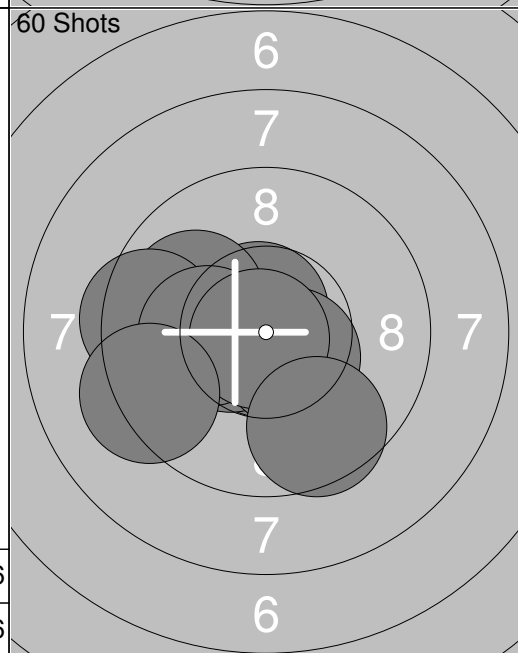
1: 10.2x	↖
2: 10.4x	↓
3: 9.7	↗
4: 9.3	↓
5: 10.8x	↙
6: 9.2	➔
7: 9.9	➔
8: 10.6x	➔
9: 10.1	↗
10: 8.5	↗
Series	98.7
Total	98.7



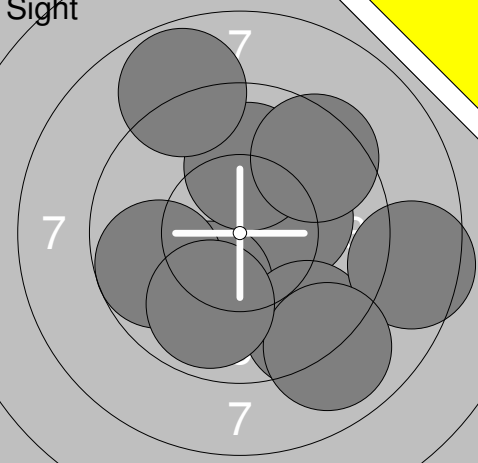
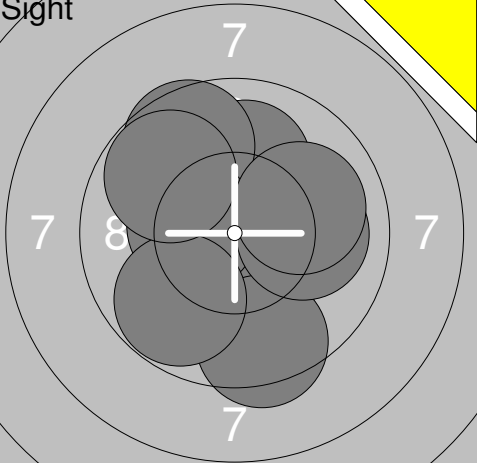
11: 9.4	↓
12: 10.7x	↖
13: 10.6x	↖
14: 10.6x	↙
15: 10.4x	↙
16: 9.5	↗
17: 9.3	➔
18: 8.6	↓
19: 9.7	↗
20: 10.5x	↙
Series	99.3
Total	198.0


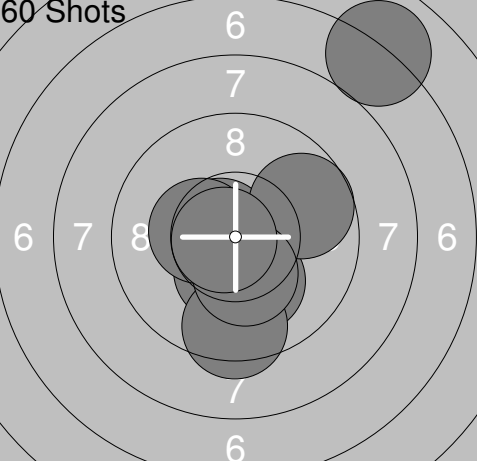


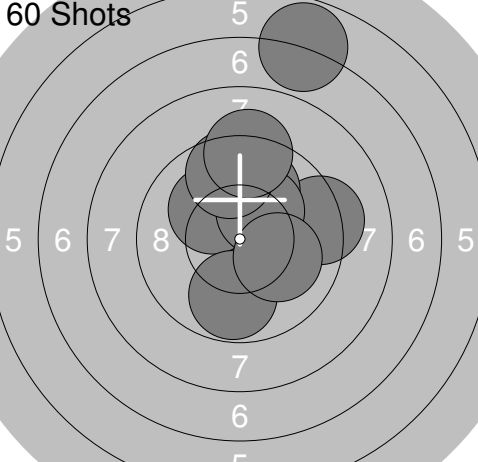
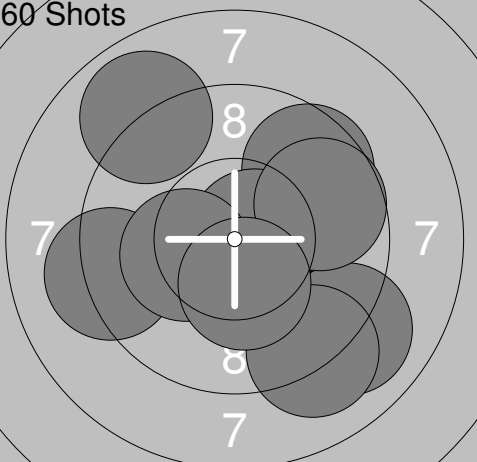
21: 10.3x	↗
22: 8.9	↗
23: 10.1	➔
24: 9.6	➔
25: 9.6	↗
26: 9.8	↙
27: 8.8	➔
28: 9.9	↗
29: 10.3x	↙
30: 7.3	↓
Series	94.6
Total	292.6

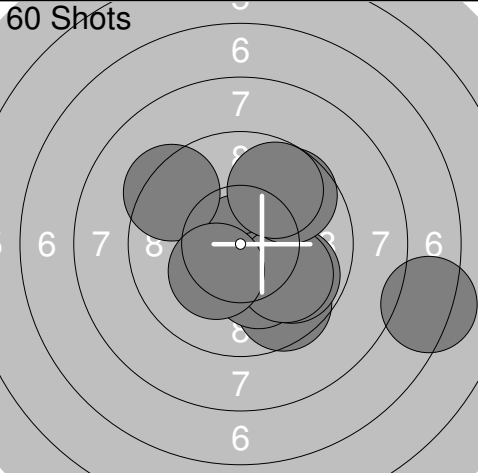


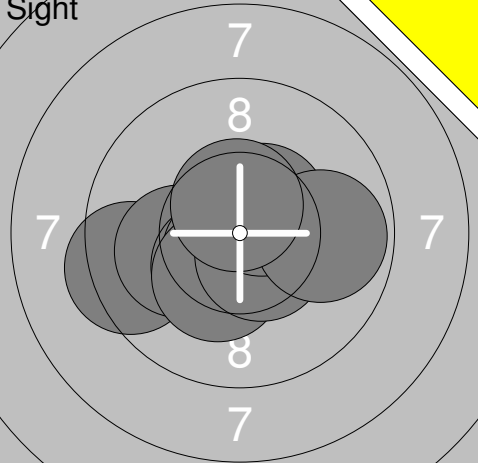
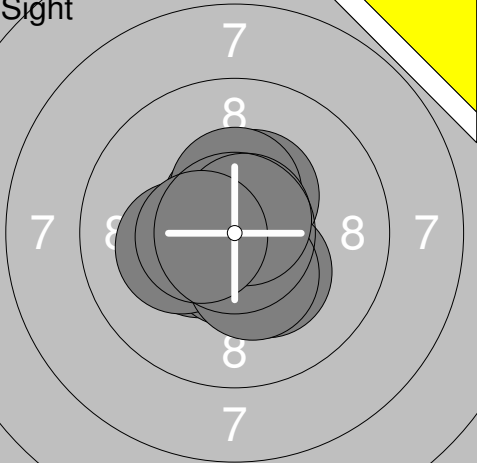
31: 10.8x	↓
32: 10.5x	↙
33: 10.7x	↖
34: 10.5x	↙
35: 10.0	↙
36: 9.4	←
37: 10.2x	↙
38: 10.8x	↙
39: 9.3	↙
40: 9.6	↓
Series	101.8
Total	394.4


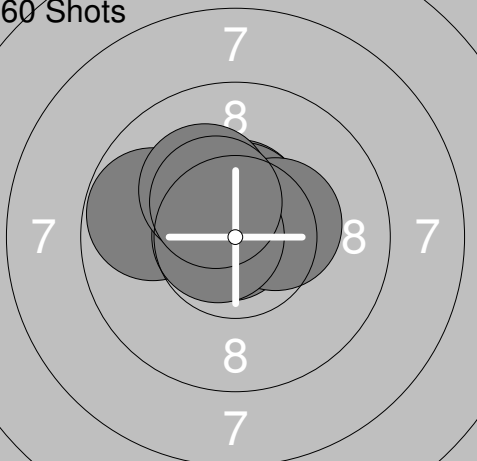
Sight 	1: 10.2x → 2: 10.1 ↓ 3: 10.0 ↑ 4: 9.4 ↓ 5: 8.5 → 6: 9.7 ← 7: 8.9 ↓ 8: 9.5 ↗ 9: 9.9 ↓ 10: 8.8 ↗ <hr/> Series 95.0 Total 0.0	Sight 	11: 10.0 ↑ 12: 10.0 ↓ 13: 10.6x ↓ 14: 9.6 ↗ 15: 9.4 ↓ 16: 10.4x ← 17: 9.8 ↓ 18: 9.8 ↗ 19: 10.0 → 20: 10.0 → <hr/> Series 99.6 Total 0.0
--	---	--	--


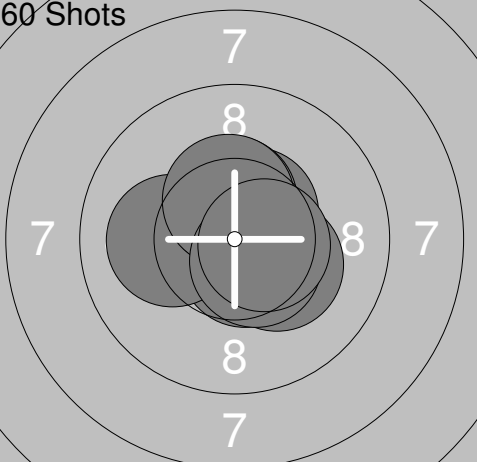
Sight 	21: 10.8x ↓ 22: 8.3 ↓ 23: 10.0 ↓ <hr/> Series 29.1 Total 0.0	60 Shots 	1: 10.7x → 2: 10.2x ↓ 3: 10.7x ← 4: 10.4x ↓ 5: 10.4x ← 6: 9.7 → 7: 9.4 ↓ 8: 10.3x ↓ 9: 10.8x ← 10: 7.0 ↗ <hr/> Series 99.6 Total 99.6
---	--	--	--

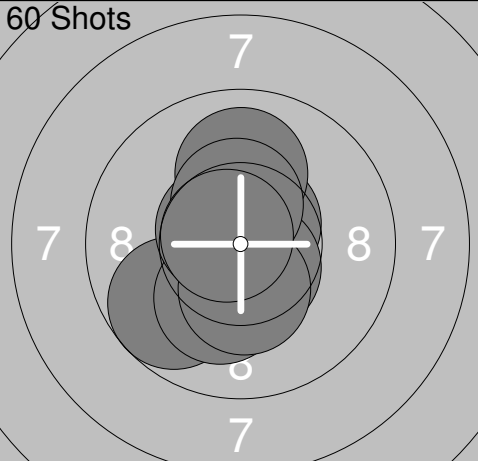
60 Shots 	11: 9.3 → 12: 6.8 ↑ 13: 9.9 ↑ 14: 10.3x ↑ 15: 10.1 ↗ 16: 10.2x ↗ 17: 9.6 ↑ 18: 9.2 ↑ 19: 9.8 ↓ 20: 10.1 → <hr/> Series 95.3 Total 194.9	60 Shots 	21: 9.0 ↓ 22: 8.9 ↗ 23: 9.6 ↗ 24: 10.7x → 25: 10.7x → 26: 9.7 → 27: 9.2 ← 28: 9.1 ↓ 29: 10.3x ← 30: 10.3x ↓ <hr/> Series 97.5 Total 292.4
---	--	---	--

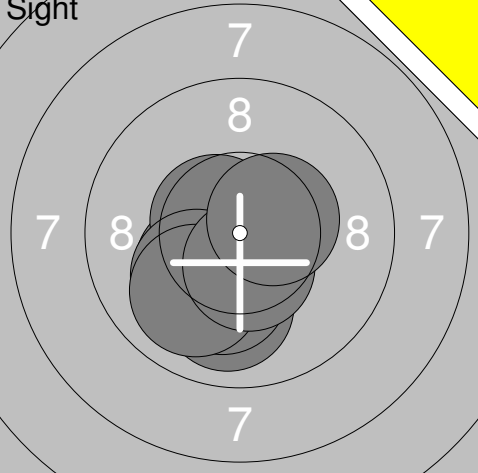

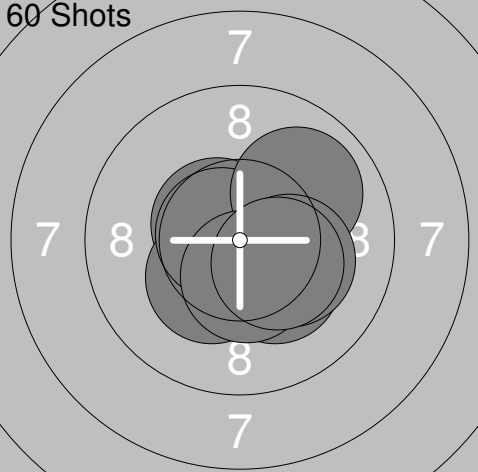
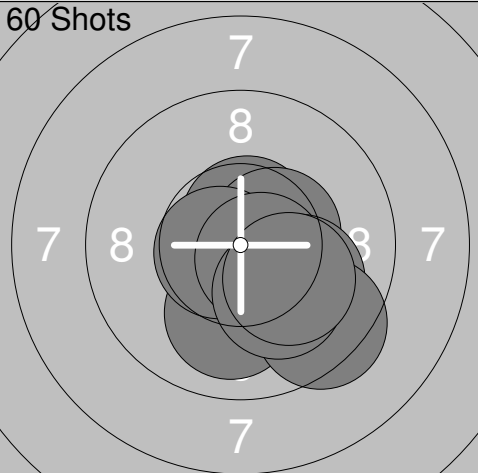
60 Shots 	31: 10.9x ↑ 32: 9.6 ↓ 33: 10.2x ↓ 34: 7.3 → 35: 9.4 ↗ 36: 9.8 ↓ 37: 9.9 ↓ 38: 10.3x ↓ 39: 9.7 ↗ 40: 9.8 ↗ <hr/> Series 96.9 Total 389.3		
---	--	--	--

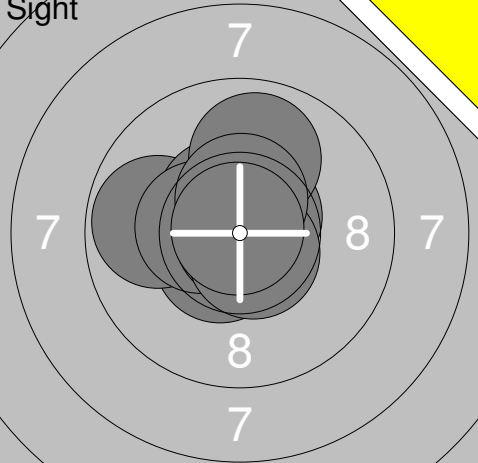
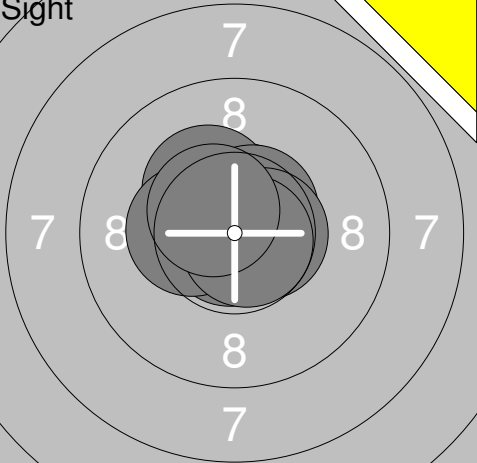
Sight 	1: 9.4 ← 2: 10.5x ↙ 3: 10.1 ← 4: 10.4x ↘ 5: 10.6x ↘ 6: 10.3x ↘ 7: 10.5x ↘ 8: 10.5x ↗ 9: 9.9 → 10: 10.6x ↑ Series 102.8 Total 0.0	Sight 	11: 10.4x ↗ 12: 10.4x ↙ 13: 10.6x ↗ 14: 10.4x ↑ 15: 10.6x ↓ 16: 10.3x ↘ 17: 10.2x ← 18: 10.3x ↓ 19: 10.7x ↗ 20: 10.5x ← Series 104.4 Total 0.0
--	---	--	---

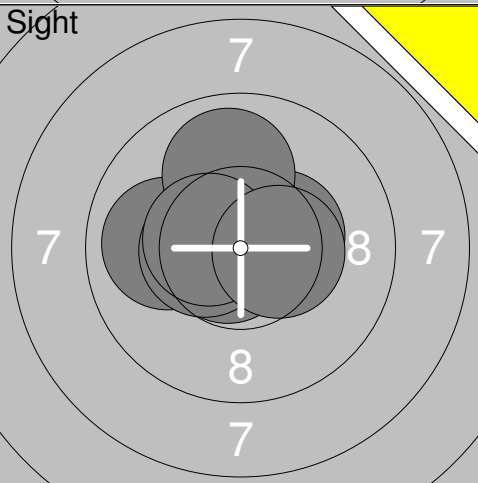
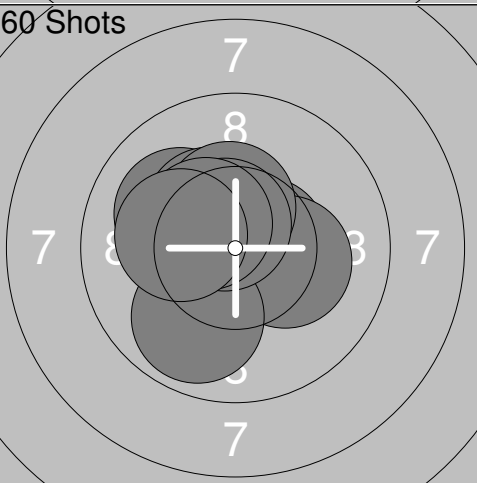
Sight 	21: 10.7x ↗ Series 10.7 Total 0.0	60 Shots 	1: 10.7x ↖ 2: 10.5x ↑ 3: 10.6x ↗ 4: 10.6x ↑ 5: 9.8 ← 6: 10.8x ← 7: 10.4x → 8: 10.7x ← 9: 10.2x ↗ 10: 10.4x ↗ Series 104.7 Total 104.7
---	---	--	--

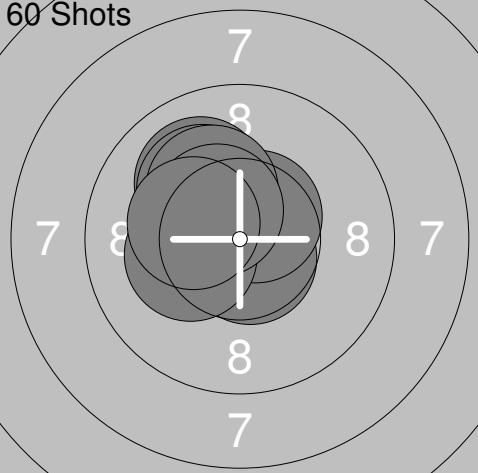

60 Shots 	11: 10.6x ← 12: 10.9x ↘ 13: 10.6x ↗ 14: 10.7x ← 15: 10.6x ← 16: 10.5x → 17: 10.5x → 18: 10.8x ← 19: 10.7x → 20: 10.6x ← Series 106.5 Total 211.2	60 Shots 	21: 10.3x ↘ 22: 10.6x ← 23: 10.6x ↓ 24: 10.6x ↗ 25: 10.5x ↗ 26: 10.1 ← 27: 10.5x ↑ 28: 10.4x ↑ 29: 10.5x ↓ 30: 10.5x → Series 104.6 Total 315.8
---	---	---	--

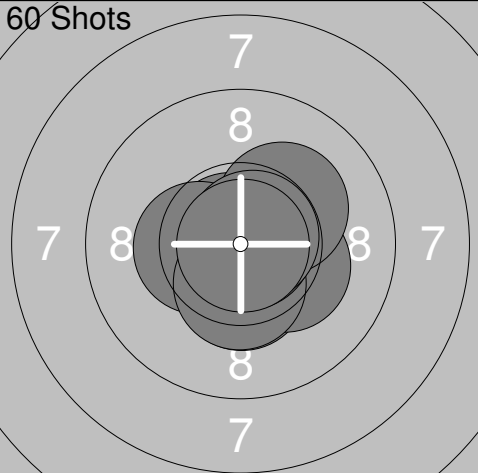
60 Shots 	31: 9.7 ↙ 32: 10.6x ↘ 33: 10.6x ↗ 34: 10.0 ↑ 35: 10.2x ↓ 36: 10.6x ↖ 37: 10.6x ↘ 38: 10.3x ↓ 39: 10.4x ↑ 40: 10.7x ↖ Series 103.7 Total 419.5		
---	--	--	--

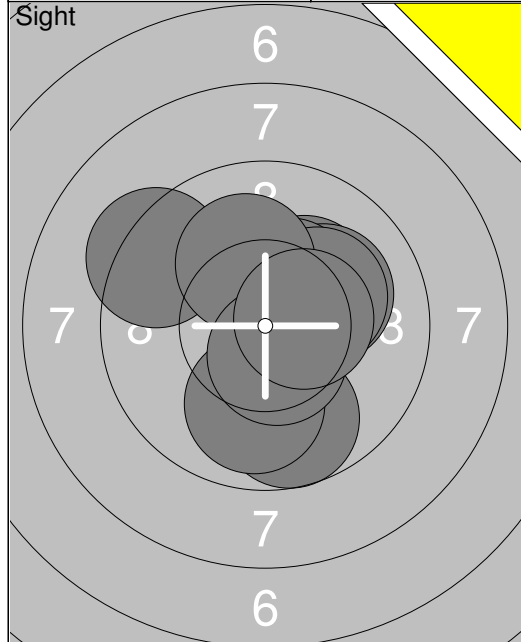
Relay	Lane	Rebecka Dahl	
1	27		
S	Umeå		
13.02.2016	Vännästräffen 2016	Umeå skytteallians	
Sight		1: 10.0 ↓ 2: 10.2x ↓ 3: 10.3x ↙ 4: 10.8x ↘ 5: 10.4x ↙ 6: 10.6x ↖ 7: 10.1 ↙ 8: 10.0 ↙ 9: 10.5x ↓ 10: 10.5x →	Sight
		Series 103.4	11: 10.1 ↗ 12: 10.8x ← 13: 10.7x ↗ 14: 10.4x → 15: 10.1 ↗ 16: 10.1 ↗ 17: 10.2x ↓ 18: 10.3x → 19: 10.3x ↗ 20: 10.4x ↖
		Total 0.0	Series 103.4
			Total 0.0
Sight		21: 10.4x ↗	60 Shots
		Series 10.4	1: 10.4x → 2: 10.2x ← 3: 9.9 ↘ 4: 10.3x ↗ 5: 10.5x → 6: 10.6x ↓ 7: 10.6x ↓ 8: 10.0 ↓ 9: 10.7x ← 10: 10.5x ↓
		Total 0.0	Series 103.7
			Total 103.7
60 Shots		11: 10.7x ↗ 12: 10.6x ↖ 13: 10.3x ↙ 14: 10.4x → 15: 10.7x ← 16: 10.0 ↗ 17: 10.3x ↓ 18: 10.2x → 19: 10.4x ↓ 20: 10.4x ↘	60 Shots
		Series 104.0	21: 10.4x → 22: 10.1 ↘ 23: 10.7x → 24: 10.7x ↖ 25: 10.3x ↗ 26: 9.9 → 27: 10.6x ↓ 28: 9.5 ↗ 29: 10.5x ↓ 30: 10.2x →
		Total 207.7	Series 102.9
			Total 310.6
60 Shots		31: 10.7x → 32: 10.0 ↓ 33: 10.6x ↗ 34: 10.5x → 35: 10.7x ← 36: 10.6x ↓ 37: 10.0 ↓ 38: 9.4 ↓ 39: 10.1 ↓ 40: 10.2x ↓	
		Series 102.8	
		Total 413.4	

<p>Sight</p> 	<p>1: 10.6x ↗ 2: 10.5x ↘ 3: 9.8 ← 4: 10.5x ↗ 5: 10.4x ← 6: 9.9 ↑ 7: 10.9x ↓ 8: 10.6x ↘ 9: 10.5x ↑ 10: 10.9x ↗</p> <p>Series 104.6 Total 0.0</p>	<p>Sight</p> 	<p>11: 10.4x ↖ 12: 10.9x ↗ 13: 10.8x ↘ 14: 10.6x ↑ 15: 10.3x ↖ 16: 10.4x ← 17: 10.6x ↗ 18: 10.6x → 19: 10.8x ↘ 20: 10.5x ↗</p> <p>Series 105.9 Total 0.0</p>
---	---	---	--

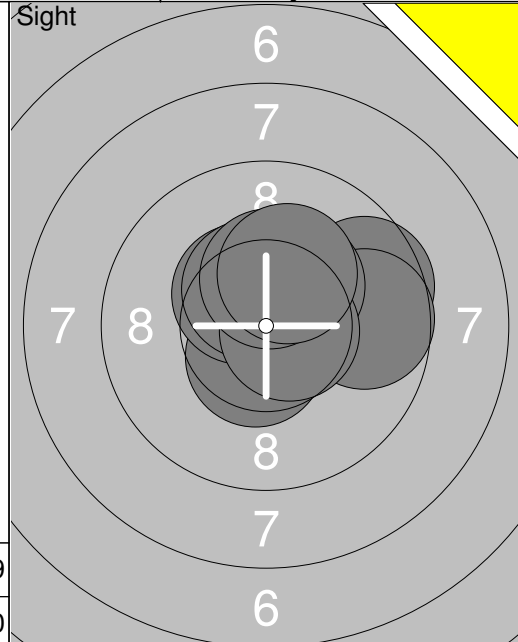
<p>Sight</p> 	<p>21: 10.7x ↖ 22: 10.0 ← 23: 10.4x → 24: 9.9 ↑ 25: 10.5x ← 26: 10.5x ← 27: 10.4x →</p> <p>Series 72.4 Total 0.0</p>	<p>60 Shots</p> 	<p>1: 10.8x ↑ 2: 10.6x → 3: 10.3x → 4: 10.1 ↗ 5: 10.4x ↗ 6: 9.9 ↘ 7: 10.4x ↑ 8: 10.6x ↗ 9: 10.4x ↗ 10: 10.2x ←</p> <p>Series 103.7 Total 103.7</p>
--	--	---	--

<p>60 Shots</p> 	<p>11: 10.0 ↗ 12: 10.7x ↘ 13: 10.5x ← 14: 10.3x ↗ 15: 10.6x ↗ 16: 10.1 ↗ 17: 10.2x ← 18: 10.2x ↗ 19: 10.5x ↗ 20: 10.3x ←</p> <p>Series 103.4 Total 207.1</p>	<p>60 Shots</p> 	<p>21: 10.4x ↖ 22: 10.6x ↖ 23: 10.4x ← 24: 10.6x ← 25: 10.6x ↓ 26: 10.7x ↗ 27: 10.7x ← 28: 10.8x ↖ 29: 10.3x ↑ 30: 10.6x ↑</p> <p>Series 105.7 Total 312.8</p>
--	--	--	--

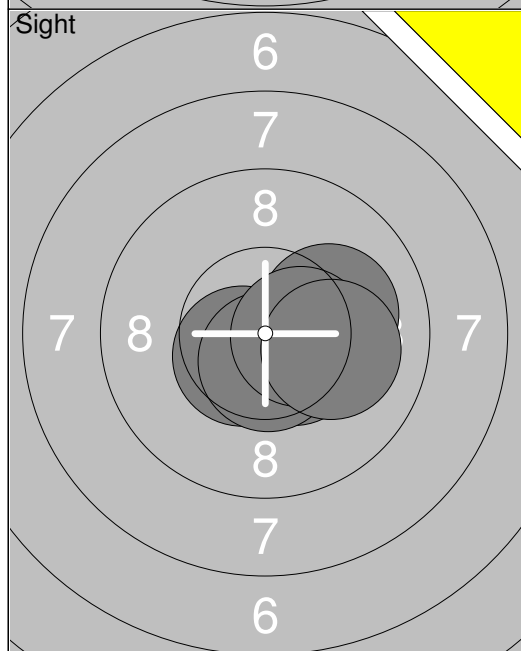
<p>60 Shots</p> 	<p>31: 10.7x ↓ 32: 10.8x ↖ 33: 10.4x ↓ 34: 10.3x → 35: 10.4x ← 36: 10.4x ↓ 37: 10.9x → 38: 10.2x ↗ 39: 10.8x ↗ 40: 10.9x ↘</p> <p>Series 105.8 Total 418.6</p>		
--	--	--	--



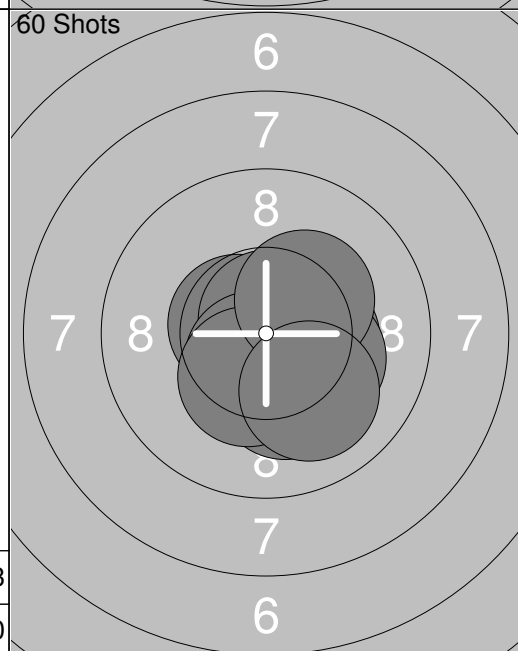
1: 10.2x ↗
2: 10.1 ↗
3: 10.4x ↗
4: 9.3 ↖
5: 10.2x ↗
6: 9.7 ↓
7: 9.9 ↓
8: 10.1 ↗
9: 10.5x ↓
10: 10.5x →
Series 100.9
Total 0.0



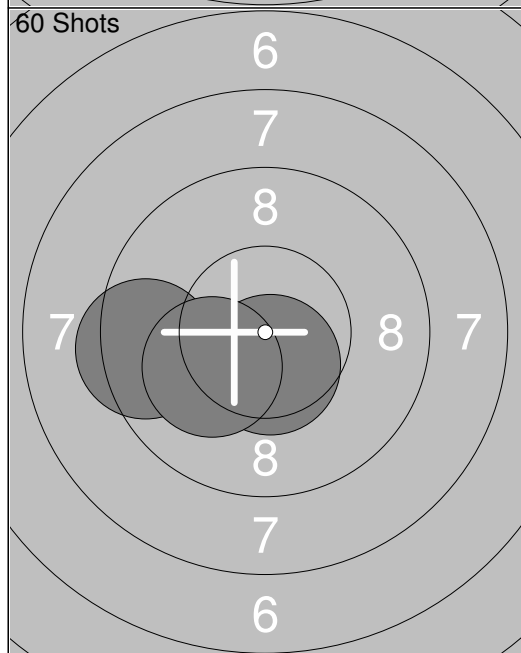
11: 10.5x ↓
12: 9.6 →
13: 10.4x ↖
14: 10.4x ↗
15: 10.4x ↗
16: 9.7 →
17: 10.3x ↗
18: 10.6x →
19: 10.3x ↗
20: 10.2x ↗
Series 102.4
Total 0.0



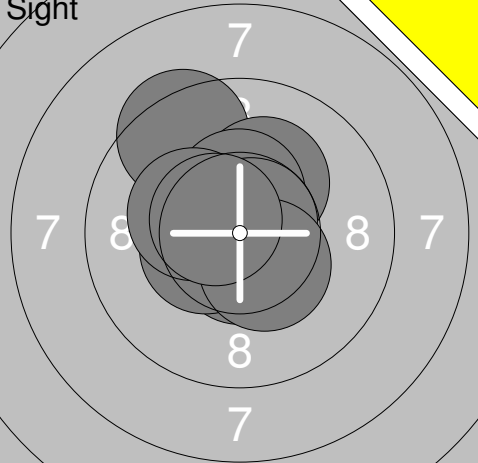
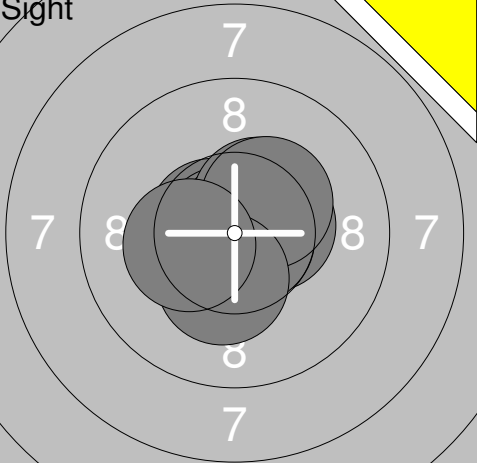
21: 10.5x ↓
22: 10.5x ↖
23: 10.1 →
24: 10.6x ↓
25: 10.5x →
26: 10.1 →
Series 62.3
Total 0.0

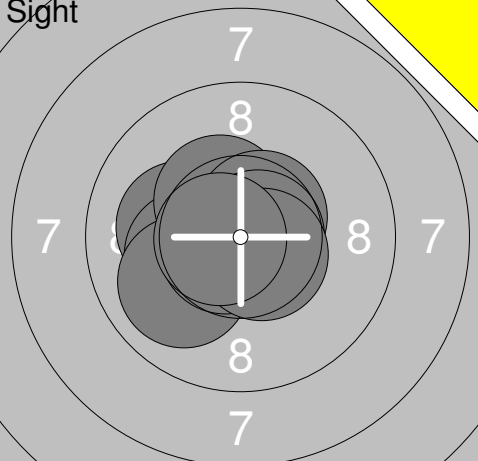




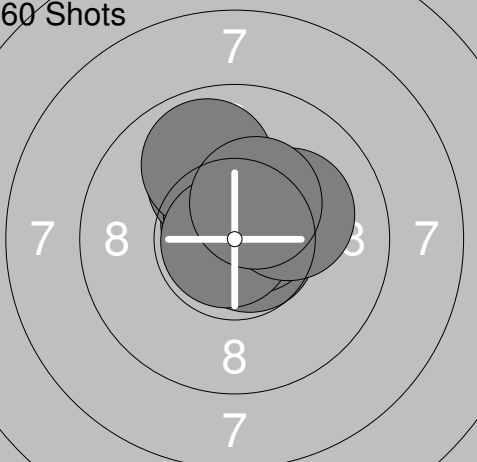
1: 10.6x ↖
2: 10.2x ↓
3: 10.4x →
4: 10.8x ↗
5: 10.6x ↓
6: 10.2x →
7: 10.4x ↓
8: 10.4x ↓
9: 10.3x ↗
10: 10.0 ↓
Series 103.9
Total 103.9

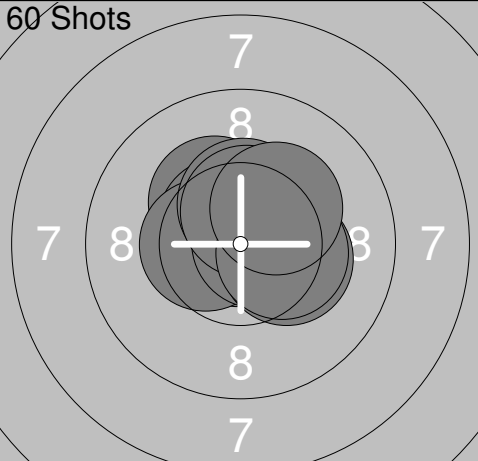
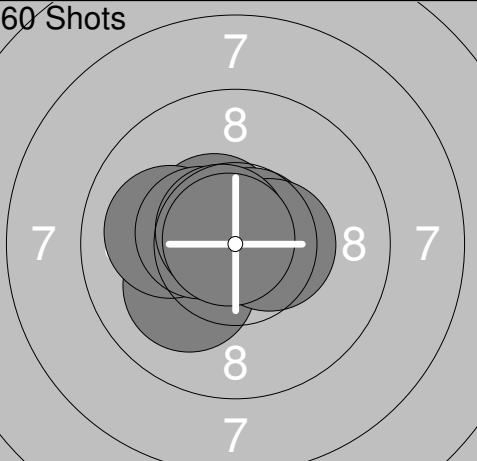


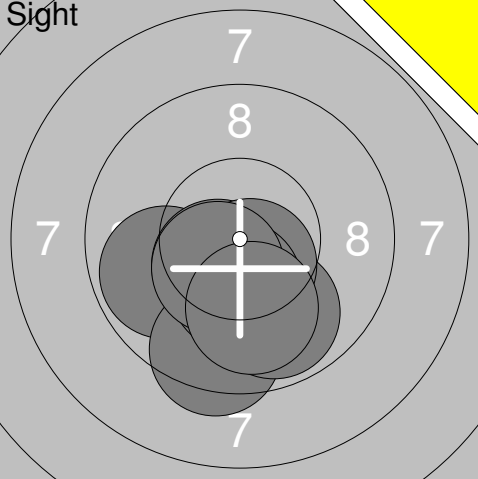
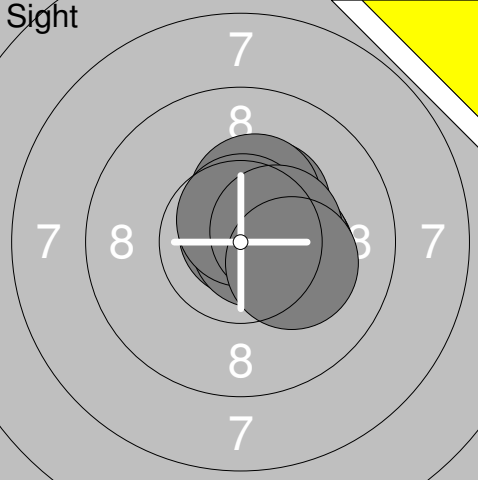
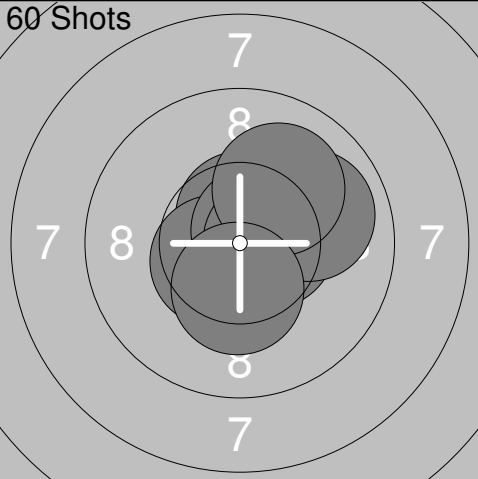
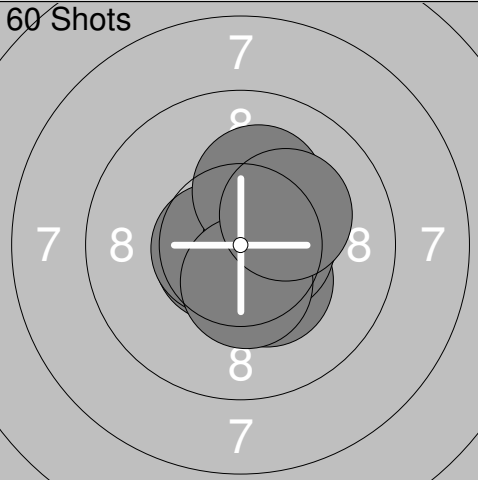
11: 10.5x ↓
12: 9.4 ←
13: 10.1 ↖
Series 30.0
Total 133.9


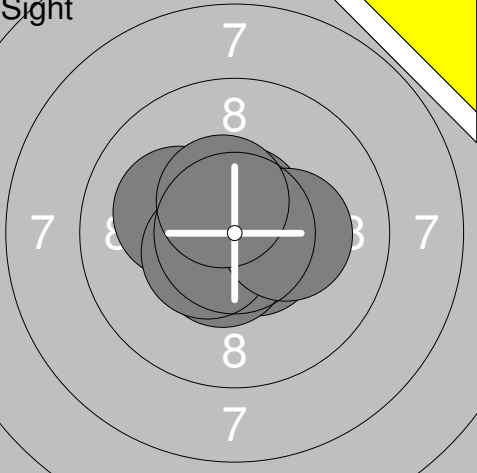


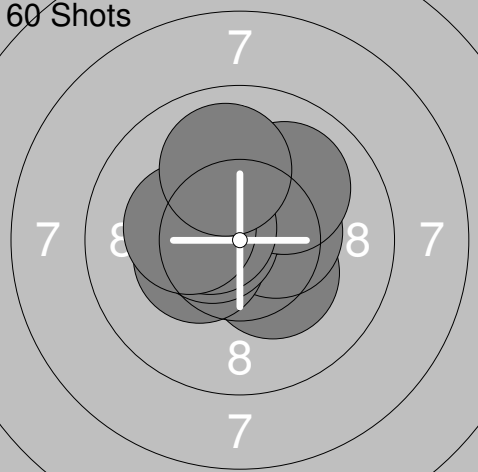
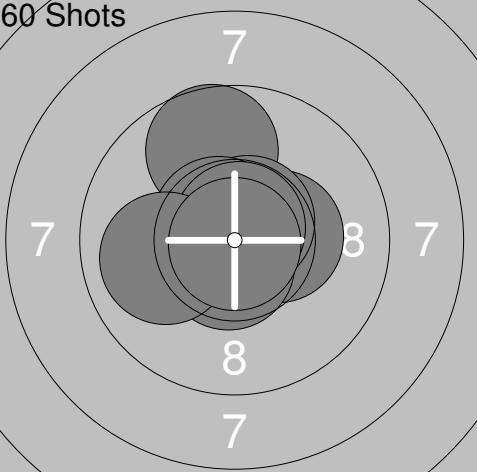
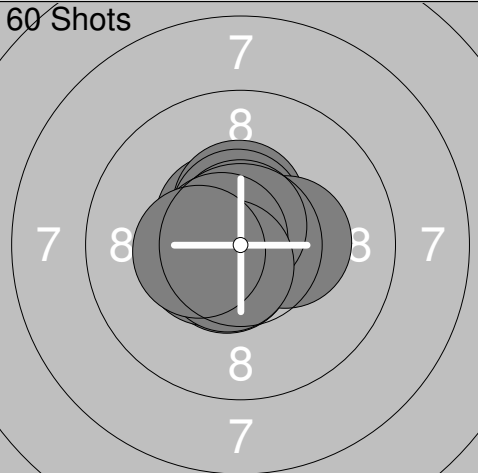
Sight 	1: 9.4 ↗ 2: 10.2x ↗ 3: 10.5x ↗ 4: 10.6x ↓ 5: 10.4x ↑ 6: 10.4x ← 7: 10.8x ↗ 8: 10.4x ↓ 9: 10.3x ← 10: 10.6x ← <hr/> Series 103.6 Total 0.0	Sight 	11: 10.6x ← 12: 10.8x ← 13: 10.8x ↗ 14: 10.7x → 15: 10.5x → 16: 10.8x → 17: 10.4x ↗ 18: 10.4x ↗ 19: 10.3x ↓ 20: 10.3x ← <hr/> Series 105.6 Total 0.0
--	--	--	---

Sight 	21: 10.2x ← 22: 10.2x ← 23: 10.4x ↗ 24: 10.0 ← 25: 10.8x ↓ 26: 10.7x ← 27: 10.6x ↗ 28: 10.7x → 29: 10.6x ↓ 30: 10.7x ← <hr/> Series 104.9 Total 0.0	Sight 	31: 10.9x ↓ 32: 10.8x ↗ 33: 10.9x ↗ 34: 10.5x ↗ <hr/> Series 43.1 Total 0.0
---	--	---	--

60 Shots 	1: 10.8x ← 2: 10.7x ↗ 3: 10.7x ↗ 4: 10.8x ↗ 5: 10.6x ↓ 6: 10.4x ↑ 7: 10.7x ↓ 8: 10.8x ← 9: 10.5x ↗ 10: 10.9x ↗ <hr/> Series 106.9 Total 106.9	60 Shots 	11: 10.7x ↗ 12: 10.1 ↗ 13: 10.7x → 14: 10.7x ↗ 15: 10.5x ↑ 16: 9.9 ↗ 17: 10.5x ↗ 18: 10.8x ← 19: 10.2x ↗ 20: 10.4x ↗ <hr/> Series 104.5 Total 211.4
---	--	---	--

60 Shots 	21: 10.3x ↗ 22: 10.6x ↗ 23: 10.9x ↗ 24: 10.5x ← 25: 10.4x ↑ 26: 10.7x → 27: 10.3x → 28: 10.5x ↑ 29: 10.4x → 30: 10.3x ↗ <hr/> Series 104.9 Total 316.3	60 Shots 	31: 10.5x ↗ 32: 10.6x ← 33: 10.5x ← 34: 10.1 ↓ 35: 10.7x ↗ 36: 10.1 ← 37: 10.5x ← 38: 10.5x → 39: 10.7x ↗ 40: 10.8x ↗ <hr/> Series 105.0 Total 421.3
---	---	---	---

Relay	Lane	Nicolle Nygren	
S	32	Umeå	
13.02.2016	Vännästräffen 2016	Umeå skytteallians	
Sight		1: 9.8 ← 2: 9.4 ↓ 3: 10.4x ↓ 4: 10.5x ↙ 5: 9.9 ↓ 6: 10.6x ↓ 7: 10.3x ↓ 8: 10.5x ↙ 9: 10.0 ↓	11: 10.5x ↗ 12: 10.4x → 14: 10.8x ↗ 15: 10.6x ↑ 16: 10.8x ↓ 17: 10.5x ↖ 18: 10.7x ↖ 19: 10.9x ↑ 20: 10.6x →
		Series 91.4	Series 95.8
		Total 0.0	Total 0.0
Sight		21: 10.8x ↗ 22: 10.3x → 23: 10.4x ↗ 24: 10.4x ↑ 25: 10.3x → 26: 10.6x → 27: 10.7x → 28: 10.6x ↑ 29: 10.4x → 30: 10.2x →	31: 10.8x ↓ 32: 10.4x ← 33: 10.2x ↓ 34: 10.5x ↗ 35: 10.2x → 36: 10.4x ↗ 37: 10.0 ← 38: 10.2x ↖
		Series 104.7	Series 82.7
		Total 0.0	Total 0.0
60 Shots		1: 10.6x ↗ 2: 10.9x → 3: 10.6x ↑ 4: 10.6x ↙ 5: 10.3x ↗ 6: 10.7x ↗ 7: 10.5x → 8: 9.9 → 9: 10.0 ↗ 10: 10.3x ↓	11: 9.8 ↓ 12: 10.5x ← 13: 10.1 ↙ 14: 10.7x ↗ 15: 10.4x → 16: 10.5x ↑ 17: 10.7x ↑ 18: 10.7x ← 19: 10.3x → 20: 10.1 →
		Series 104.4	Series 103.8
		Total 104.4	Total 208.2
60 Shots		21: 10.8x ↗ 22: 10.7x ← 23: 10.5x → 24: 10.4x ↓ 25: 10.7x → 26: 10.6x ← 27: 10.6x → 28: 10.2x ↑ 29: 10.4x ↓ 30: 10.2x ↗	31: 10.7x → 32: 10.7x ↓ 33: 10.2x ↗ 34: 10.9x ↗ 35: 10.4x → 36: 10.3x ↑ 37: 10.5x ↗ 38: 10.5x ↑ 39: 10.5x ↓ 40: 10.4x ↓
		Series 105.1	Series 105.1
		Total 313.3	Total 418.4

Relay	Lane	Kim Westin	
S	34	Umeå	
13.02.2016	Vännästräffen 2016	Umeå skytteallians	
Sight		1: 10.5x → 2: 10.6x ↓ 3: 10.0 ↗ 4: 10.0 ↓ 5: 10.0 ↓ 6: 9.9 ↓ 7: 10.4x ↓ 8: 10.2x ↓ 9: 10.8x ↗ 10: 10.7x ↓ Series 103.1 Total 0.0	Sight  11: 10.7x ↘ 12: 10.3x ← 13: 10.6x ↘ 14: 10.1 ← 15: 10.7x ↑ 16: 10.5x ↓ 17: 10.7x ↑ 18: 10.5x ↙ 19: 10.2x → 20: 10.5x ↑ Series 104.8 Total 0.0
Sight		21: 10.5x ↘ 22: 10.5x → 23: 10.3x ↑ 24: 10.1 ← 25: 10.8x ↗ 26: 10.8x ↗ 27: 10.6x ↘ Series 73.6 Total 0.0	60 Shots  1: 10.3x ↖ 2: 10.8x ↓ 3: 10.6x ← 4: 10.9x ↗ 5: 10.5x ← 6: 10.7x ↙ 7: 10.6x ↘ 8: 10.8x ↓ 9: 10.4x ↙ 10: 10.5x ↑ Series 106.1 Total 106.1
60 Shots		11: 10.3x ↘ 12: 10.8x ↑ 13: 10.4x → 14: 10.2x ↗ 15: 10.4x ← 16: 10.6x ← 17: 10.0 ↗ 18: 10.5x ← 19: 10.3x ← 20: 10.0 ↑ Series 103.5 Total 209.6	60 Shots  21: 10.9x → 22: 10.4x → 23: 9.7 ↑ 24: 10.6x ↓ 25: 10.8x ↖ 26: 10.6x ↗ 27: 10.6x ↖ 28: 10.8x ↑ 29: 10.0 ← 30: 10.9x ↓ Series 105.3 Total 314.9
60 Shots		31: 10.5x ↖ 32: 10.4x ↑ 33: 10.6x ↙ 34: 10.6x ↑ 35: 10.3x → 36: 10.7x ↑ 37: 10.7x ← 38: 10.5x ← 39: 10.6x ↙ 40: 10.4x ← Series 105.3 Total 420.2	

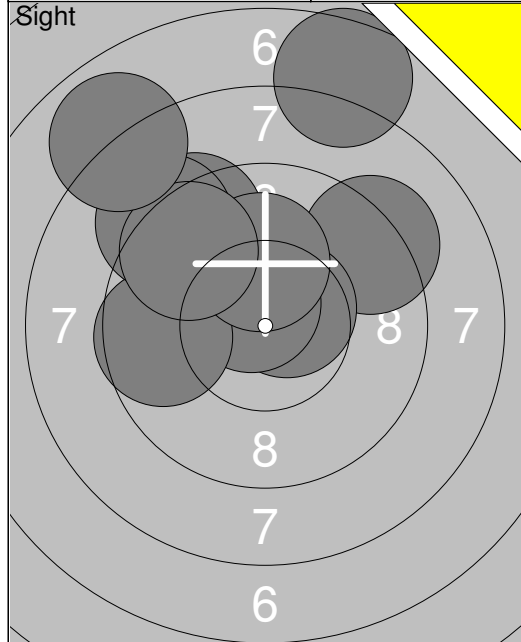
<p>Sight</p>	<p>Sight</p>	
<p>Sight</p>	<p>60 Shots</p>	<p>60 Shots</p>
<p>60 Shots</p>	<p>60 Shots</p>	

Sight 	1: 9.0 ↑ 2: 8.2 ↑ 3: 9.5 ↙ 4: 10.4x ↓ 5: 9.0 ↑ 6: 10.3x ↗ 7: 9.4 ↑ 8: 10.4x ↗ 9: 10.0 ↙ 10: 9.4 ↘ Series 95.6 Total 0.0	Sight 	11: 10.1 ↓ 12: 9.1 ↗ 13: 10.1 → 14: 10.5x ↗ 15: 10.4x ↙ 16: 9.6 ↙ 17: 10.2x ↗ 18: 9.9 ↙ 19: 9.1 ↙ 20: 10.2x ↙ Series 99.2 Total 0.0
-----------	--	-----------	--

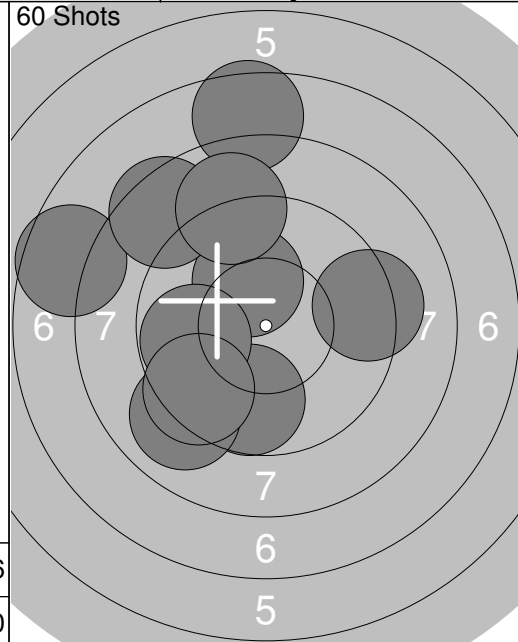
Sight 	21: 9.0 ↗ Series 9.0 Total 0.0	60 Shots 	1: 10.2x ↓ 2: 9.5 ↑ 3: 10.4x ↙ 4: 10.5x ↙ 5: 10.1 → 6: 9.6 ↗ 7: 10.6x → 8: 9.7 ↗ 9: 9.9 ↓ 10: 10.1 ↙ Series 100.6 Total 100.6
-----------	--------------------------------------	--------------	--

60 Shots 	11: 8.9 ↑ 12: 10.5x ↑ 13: 9.7 ↗ 14: 9.7 ↗ 15: 9.8 → 16: 10.1 ↓ 17: 9.9 ↗ 18: 10.0 ↑ 19: 10.9x ↗ 20: 10.3x ↗ Series 99.8 Total 200.4	60 Shots 	21: 10.2x ↗ 22: 9.3 ↑ 23: 10.7x ↓ 24: 10.2x ↗ 25: 9.6 ↓ 26: 8.9 ↑ 27: 10.2x ↓ 28: 10.3x ↓ 29: 10.0 ↙ 30: 9.9 ↓ Series 99.3 Total 299.7
--------------	--	--------------	---

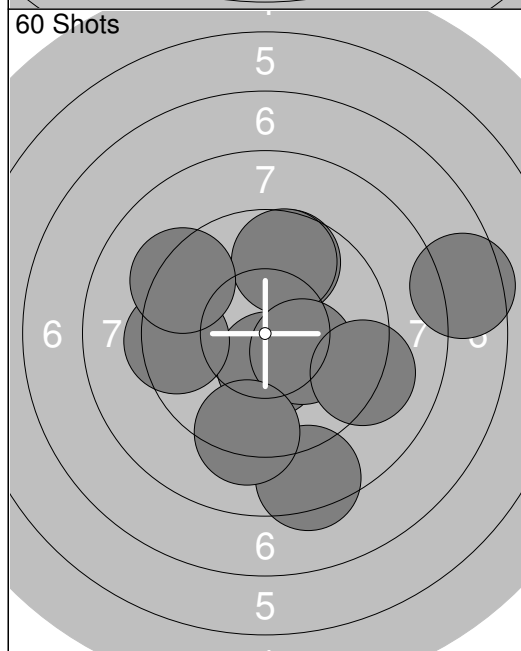
60 Shots 	31: 10.6x → 32: 9.7 ↙ 33: 10.0 ↗ 34: 10.2x ↓ 35: 10.1 ↗ 36: 10.1 → 37: 10.1 ↑ 38: 10.2x ↙ 39: 9.7 ↑ 40: 9.7 ↙ Series 100.4 Total 400.1		
--------------	---	--	--



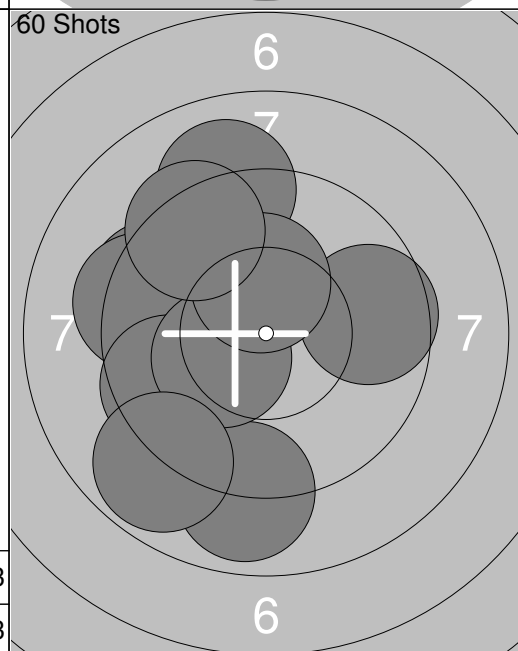
1:	9.2	↗
2:	10.6x	↗
3:	10.6x	↖
4:	7.6	↑
5:	9.6	←
6:	9.3	↗
7:	9.1	↗
8:	10.1	↑
9:	9.6	↗
10:	7.9	↖
Series		93.6
Total		0.0



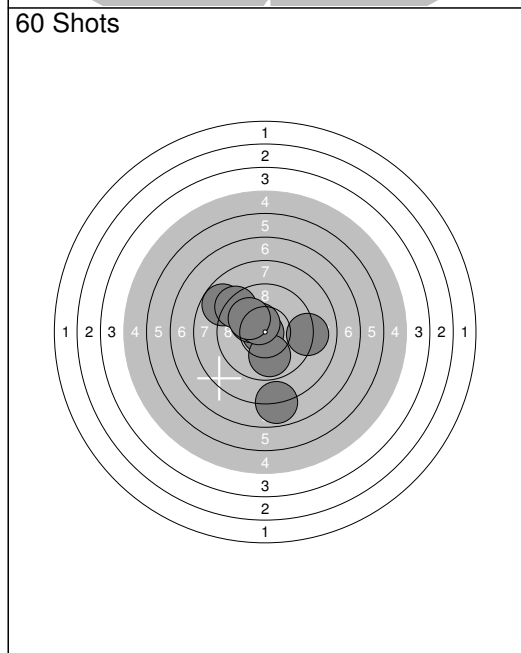
1:	9.7	↓
2:	10.2x	↖
3:	7.5	↑
4:	7.6	↖
5:	8.5	↖
6:	9.0	↖
7:	9.8	←
8:	9.3	→
9:	9.4	↖
10:	9.0	↖
Series		90.0
Total		90.0



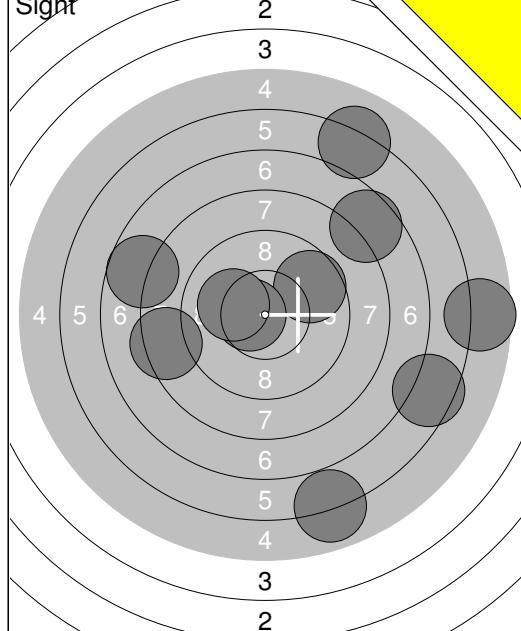
11:	9.7	↑
12:	10.4x	↓
13:	8.4	↓
14:	9.7	↑
15:	7.5	→
16:	9.5	←
17:	10.3x	→
18:	9.3	↗
19:	9.3	↓
20:	9.2	→
Series		93.3
Total		183.3



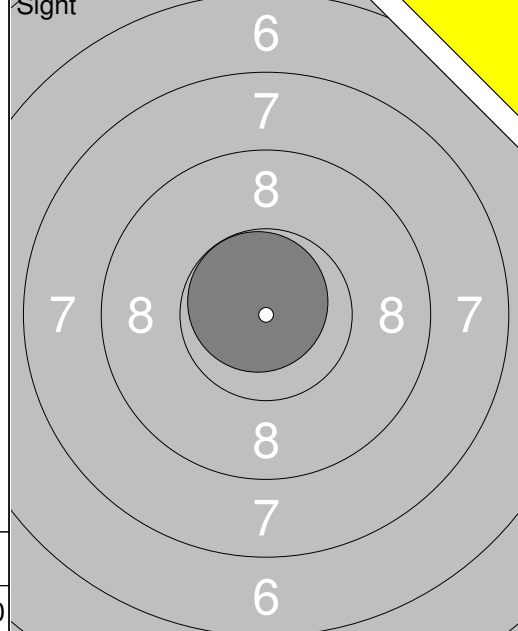
21:	9.4	↖
22:	9.3	↖
23:	9.0	↑
24:	9.6	↖
25:	9.6	→
26:	8.9	↓
27:	10.3x	↖
28:	10.3x	↑
29:	9.3	↖
30:	8.9	↖
Series		94.6
Total		277.9



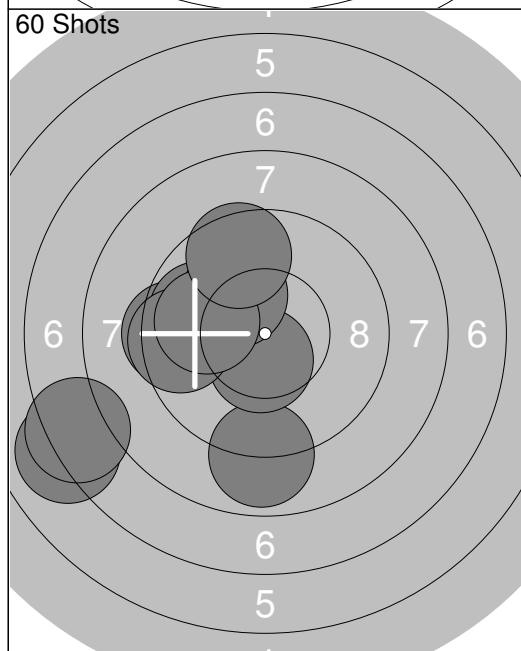
31:	10.9x	↖
32:	0.0	↖
33:	9.9	↓
34:	10.2x	↖
35:	7.9	↓
36:	10.5x	↗
37:	8.8	↗
38:	9.3	↗
39:	10.1	↗
40:	9.1	→
Series		86.7
Total		364.6



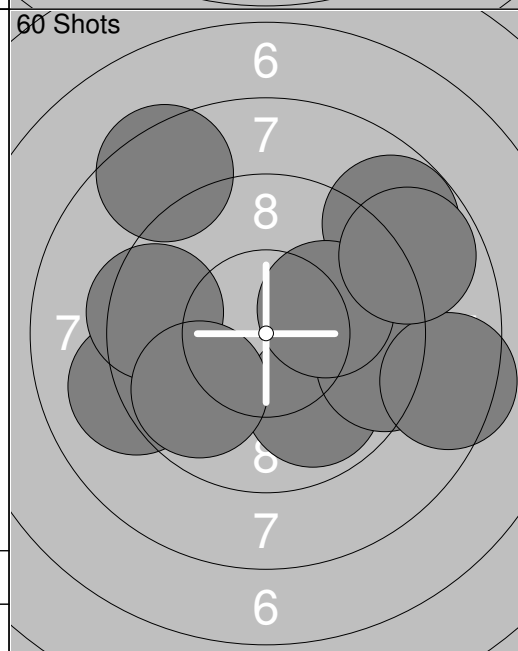
1: 5.6 →
2: 6.1 ↗
3: 7.6 ↗
4: 6.5 →
5: 5.9 ↓
6: 8.4 ←
7: 9.6 ↗
8: 10.6x ←
9: 10.1 ←
10: 7.7 ←
Series 78.1
Total 0.0



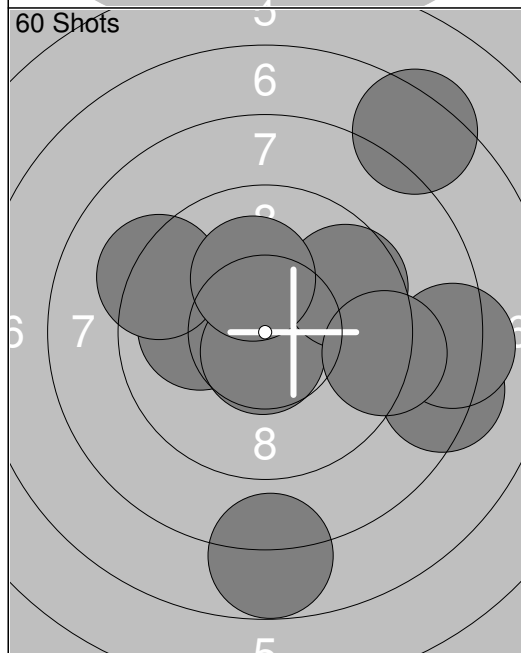
11: 10.8x ↖
Series 10.8
Total 0.0



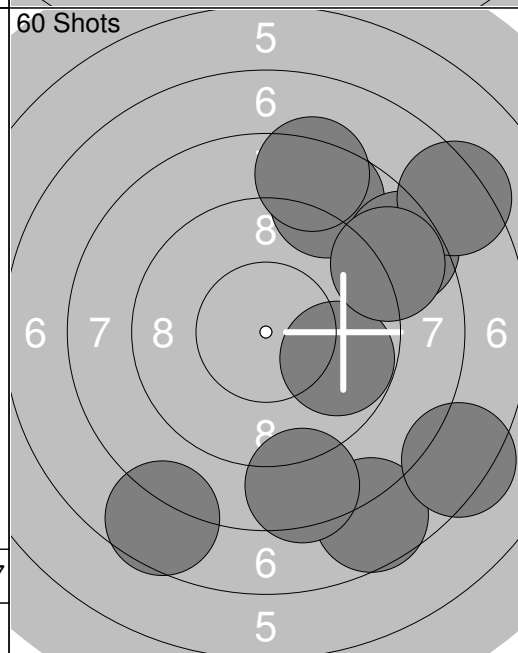
1: 8.9 ↓
2: 7.1 ←
3: 10.5x ↓
4: 9.4 ←
5: 7.4 ←
6: 9.8 ←
7: 10.1 ↗
8: 9.5 ←
9: 9.9 ←
10: 9.5 ↗
Series 92.1
Total 92.1



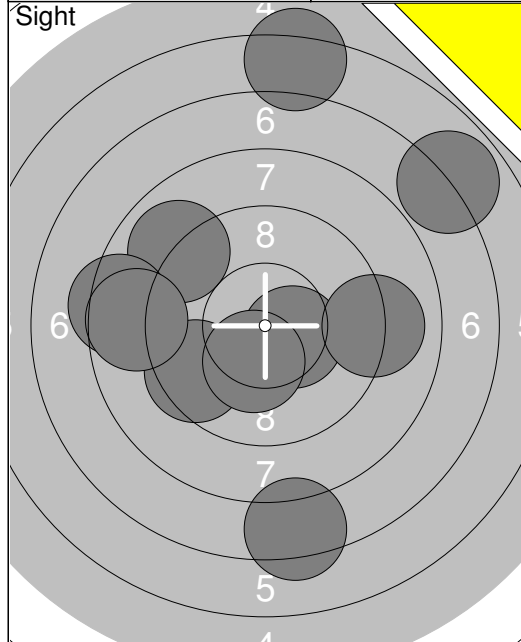
11: 8.5 ↖
12: 9.1 ←
13: 8.8 ↗
14: 9.5 ←
15: 9.9 ↓
16: 9.3 →
17: 9.8 ↖
18: 10.1 →
19: 8.5 →
20: 8.8 ↗
Series 92.3
Total 184.4



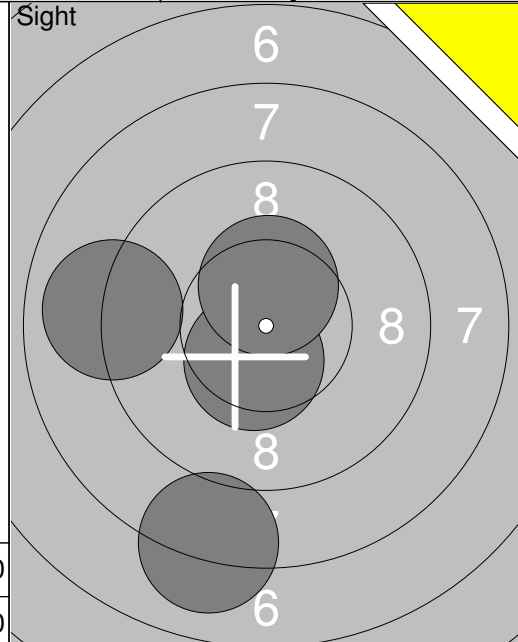
21: 8.3 →
22: 7.8 ↓
23: 10.0 ←
24: 9.2 ↖
25: 10.7x ↓
26: 8.3 →
27: 9.6 ↗
28: 9.2 →
29: 10.2x ↗
30: 7.4 ↗
Series 90.7
Total 275.1



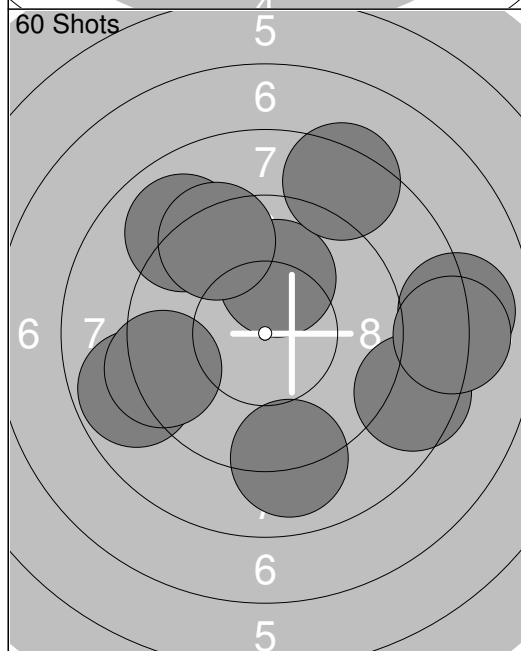
31: 9.8 →
32: 7.7 ↓
33: 7.6 ↖
34: 8.5 ↓
35: 7.3 →
36: 8.7 ↗
37: 8.4 ↗
38: 7.3 ↗
39: 8.4 ↗
40: 8.8 ↗
Series 82.5
Total 357.6



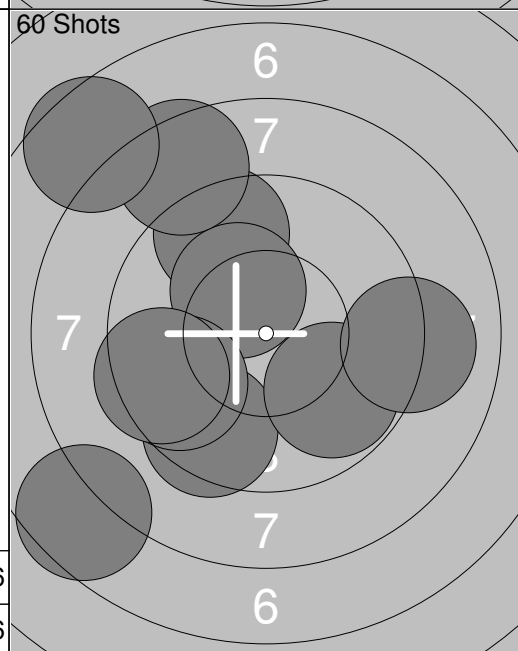
1:	9.5	↙
2:	9.0	↗
3:	6.9	↗
4:	6.3	↑
5:	8.4	←
6:	10.4x	→
7:	8.7	←
8:	10.3x	↘
9:	7.4	↓
10:	9.1	→
Series		86.0
Total		0.0



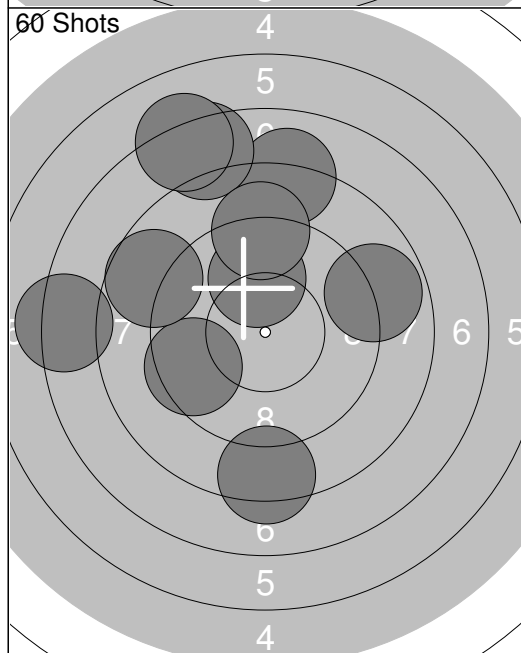
11:	10.5x	↘
12:	10.4x	↑
13:	8.1	↘
14:	9.0	←
Series		38.0
Total		0.0



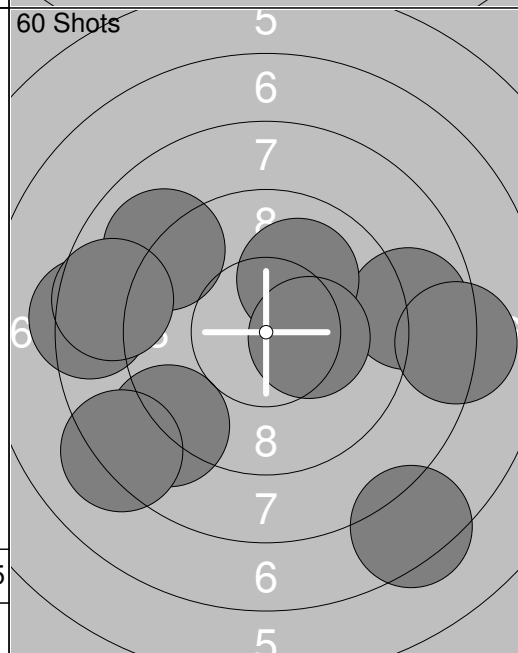
1:	8.8	↙
2:	8.5	→
3:	8.0	→
4:	9.0	↗
5:	10.1	↑
6:	9.0	↘
7:	9.4	↗
8:	8.1	→
9:	8.4	↗
10:	9.3	←
Series		88.6
Total		88.6



11:	9.5	↘
12:	9.5	↗
13:	10.3x	↗
14:	8.5	↗
15:	9.8	↘
16:	9.1	→
17:	7.6	↗
18:	7.6	↘
19:	9.6	←
20:	9.5	←
Series		91.0
Total		179.6



21:	8.1	↑
22:	7.5	↗
23:	8.8	→
24:	10.0	↑
25:	7.3	←
26:	9.5	←
27:	8.3	↓
28:	9.1	↑
29:	8.7	↙
30:	7.2	↗
Series		84.5
Total		264.1

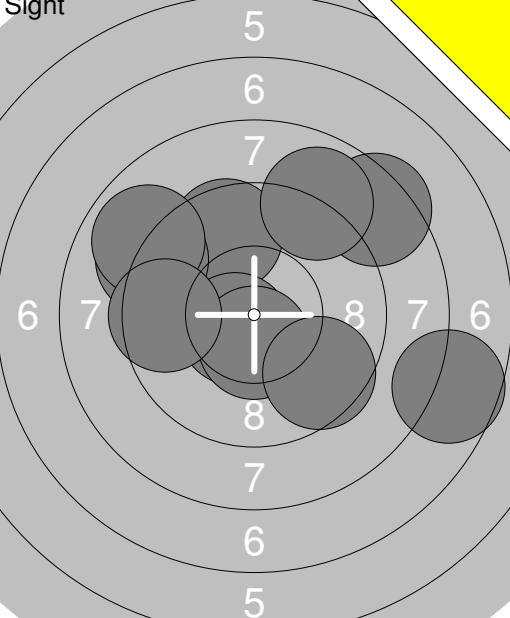
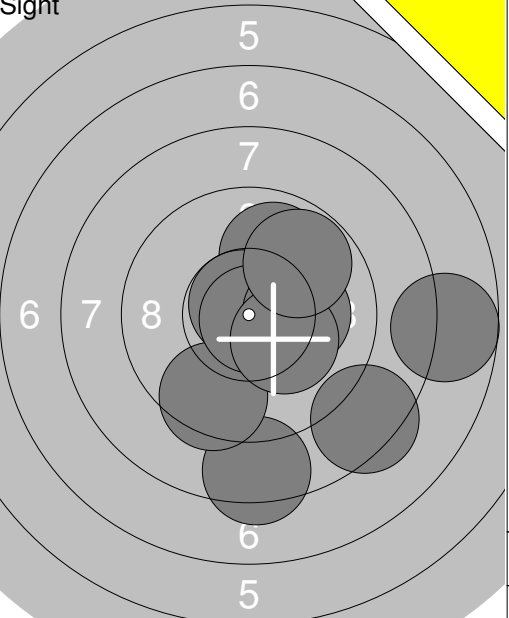


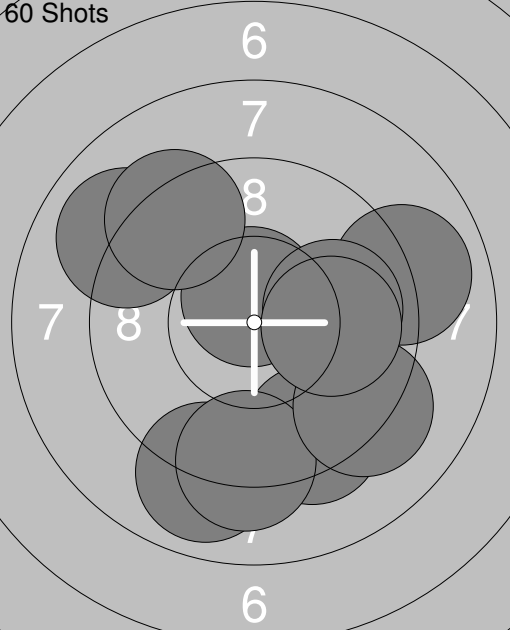
31:	7.4	↘
32:	9.0	↘
33:	8.2	↘
34:	8.3	←
35:	8.8	→
36:	9.0	↙
37:	10.0	↗
38:	8.6	←
39:	10.3x	→
40:	8.2	→
Series		87.8
Total		351.9

<p>Sight</p>	<p>Sight</p>
1: 1.8 ← 2: 9.3 → 3: 6.9 ↘ 4: 7.1 → 5: 3.5 ↘ 6: 7.2 ← 7: 8.5 ← 8: 9.2 ↘ 9: 6.4 ↗ 10: 9.4 ↘ Series 69.3 Total 0.0	11: 8.4 → 12: 6.6 ↘ 13: 10.1 ← 14: 10.0 ↗ Series 35.1 Total 0.0

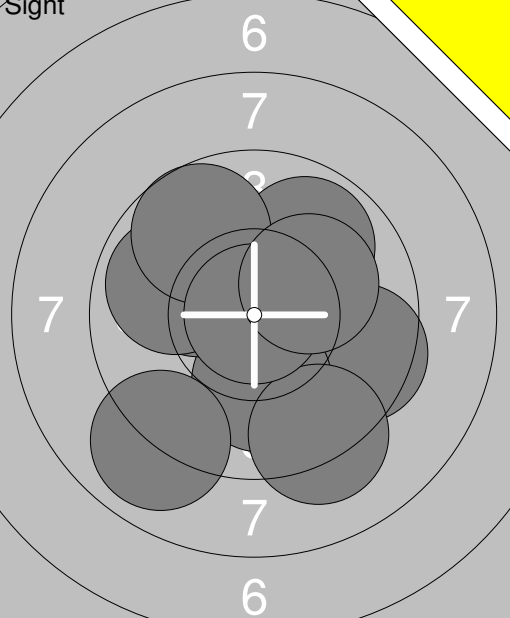
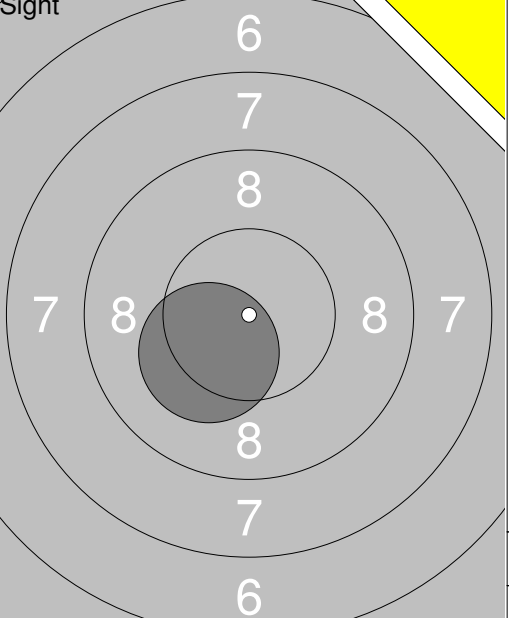
<p>60 Shots</p>	<p>60 Shots</p>
1: 3.3 ← 2: 7.4 → 3: 8.4 ← 4: 9.5 ↗ 5: 9.5 ↘ 6: 7.9 → 7: 9.3 ↗ 8: 9.8 → 9: 7.4 ← 10: 6.9 ← Series 79.4 Total 79.4	11: 10.3x ↘ 12: 9.2 ↗ 13: 8.7 ← 14: 8.3 ↗ 15: 7.8 → 16: 9.9 → 17: 7.8 → 18: 9.5 ↘ 19: 8.2 ← 20: 10.1 ↘ Series 89.8 Total 169.2

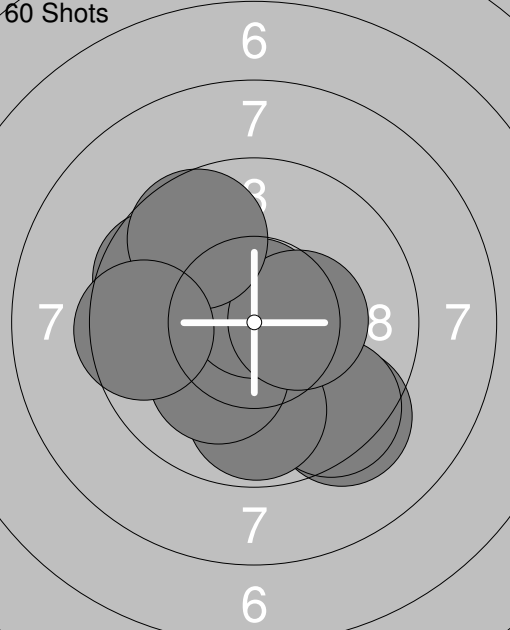
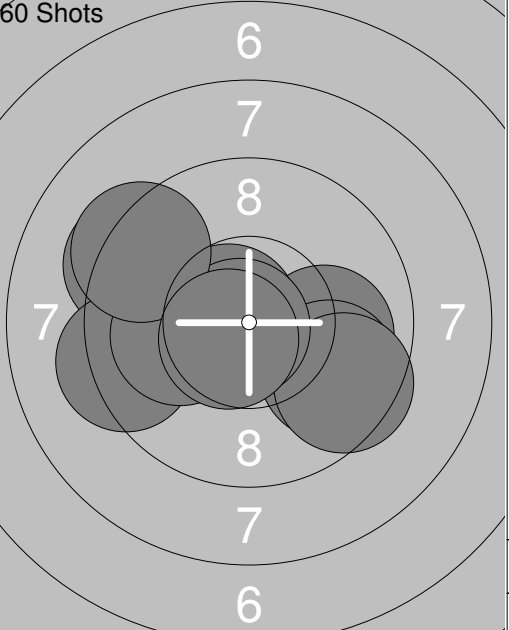
<p>60 Shots</p>	<p>60 Shots</p>
21: 5.4 → 22: 8.9 → 23: 1.9 ← 24: 9.1 ↗ 25: 6.9 ↘ 26: 9.0 ↘ 27: 8.4 ↗ 28: 7.8 ← 29: 6.8 ← 30: 7.0 ← Series 71.2 Total 240.4	31: 5.3 ↗ 32: 3.2 → 33: 6.2 ← 34: 6.2 → 35: 6.8 ↗ 36: 9.1 ↗ 37: 9.0 ↗ 38: 7.1 ↗ 39: 8.4 → 40: 7.1 ↘ Series 68.4 Total 308.8

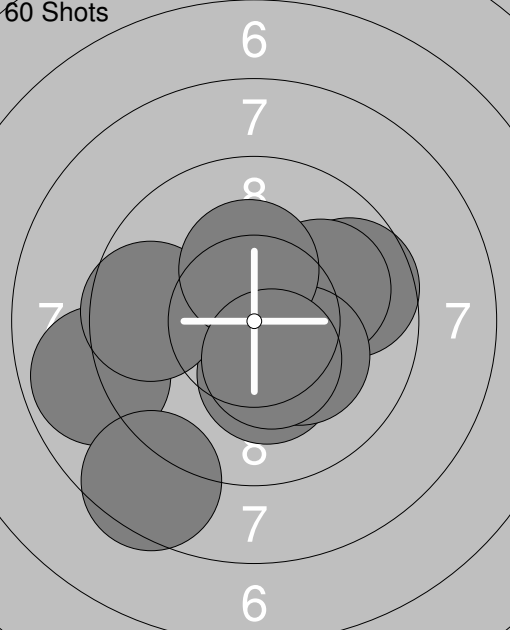
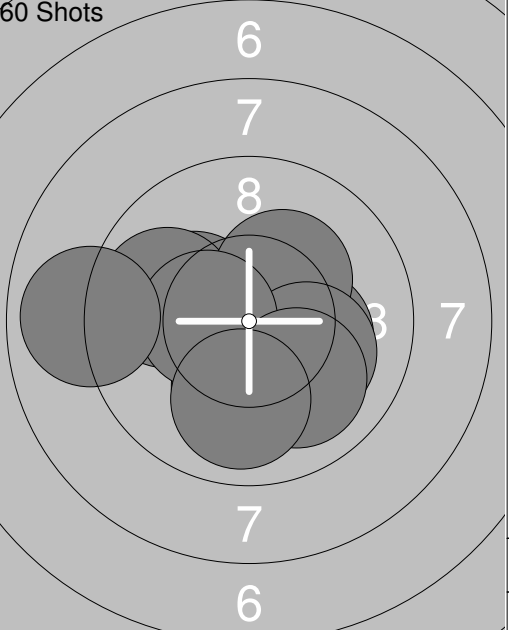
<p>Sight</p> 	<p>1: 8.4 ↗</p> <p>2: 9.6 ↗</p> <p>3: 10.6x ↙</p> <p>4: 9.1 ↖</p> <p>5: 7.7 →</p> <p>6: 8.9 ↗</p> <p>7: 10.5x ↓</p> <p>8: 9.6 ↘</p> <p>9: 8.9 ↗</p> <p>10: 9.5 ←</p>	<p>Sight</p> 	<p>11: 8.4 ↓</p> <p>12: 8.4 ↘</p> <p>13: 9.9 ↗</p> <p>14: 9.5 ↓</p> <p>15: 7.7 →</p> <p>16: 10.7x ↖</p> <p>17: 10.8x ↘</p> <p>18: 10.2x →</p> <p>19: 10.2x ↘</p> <p>20: 9.8 ↗</p>
Series 92.8		Series 95.6	
Total 0.0		Total 0.0	

<p>60 Shots</p> 	<p>1: 10.6x ↑</p> <p>2: 9.3 ↓</p> <p>3: 9.0 ↗</p> <p>4: 8.9 ↓</p> <p>5: 9.2 ↓</p> <p>6: 9.0 →</p> <p>7: 9.2 ↘</p> <p>8: 9.9 →</p> <p>9: 10.0 →</p> <p>10: 9.3 ↗</p>	<p>60 Shots</p> 	<p>11: 8.9 ↘</p> <p>12: 9.1 ←</p> <p>13: 8.1 →</p> <p>14: 9.9 ↓</p> <p>15: 9.5 ↗</p> <p>16: 9.2 ←</p> <p>17: 10.2x ↓</p> <p>18: 9.1 →</p> <p>19: 7.8 ↖</p> <p>20: 10.4x ←</p>
Series 94.4		Series 92.2	
Total 94.4		Total 186.6	

<p>60 Shots</p> 	<p>21: 9.3 ↗</p> <p>22: 9.7 ↑</p> <p>23: 9.3 ↗</p> <p>24: 8.8 ←</p> <p>25: 7.6 ↓</p> <p>26: 9.0 ↓</p> <p>27: 8.0 ↑</p> <p>28: 8.0 →</p> <p>29: 9.0 →</p> <p>30: 9.4 ↖</p>	<p>60 Shots</p> 	<p>31: 9.5 ←</p> <p>32: 9.5 ↖</p> <p>33: 10.0 ↖</p> <p>34: 9.1 ↖</p> <p>35: 10.6x ↑</p> <p>36: 9.6 ↓</p> <p>37: 8.7 ↑</p> <p>38: 7.3 ↖</p> <p>39: 8.3 →</p> <p>40: 8.1 ↗</p>
Series 88.1		Series 90.7	
Total 274.7		Total 365.4	

 <p style="text-align:center;">Sight</p>	<p>1: 9.5 →</p> <p>2: 10.1 ↓</p> <p>3: 10.2x ↖</p> <p>4: 9.9 ↗</p> <p>5: 9.9 ←</p> <p>6: 9.7 ↗</p> <p>7: 9.0 ↓</p> <p>8: 9.2 ↓</p> <p>9: 10.9x ↑</p> <p>10: 10.1 ↗</p>	 <p style="text-align:center;">Sight</p>	<p>11: 10.3x ↙</p>
Series 98.5		Series 10.3	
Total 0.0		Total 0.0	

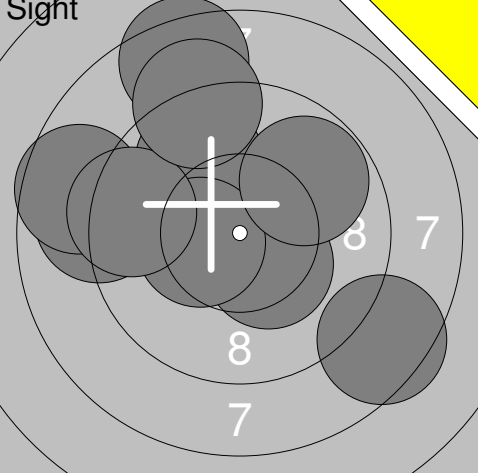
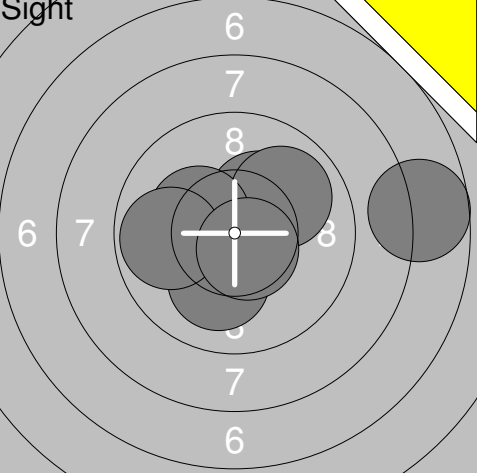

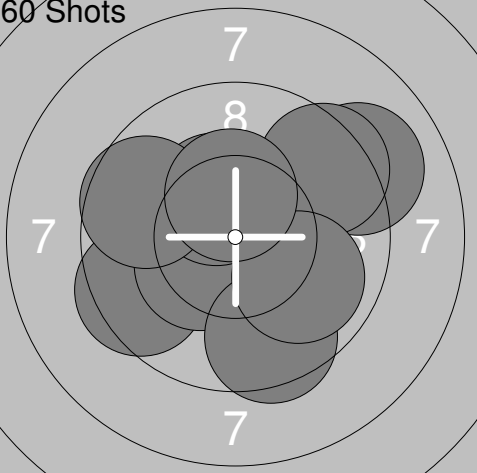
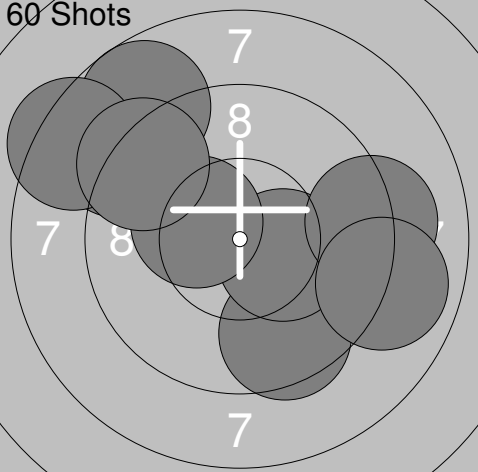
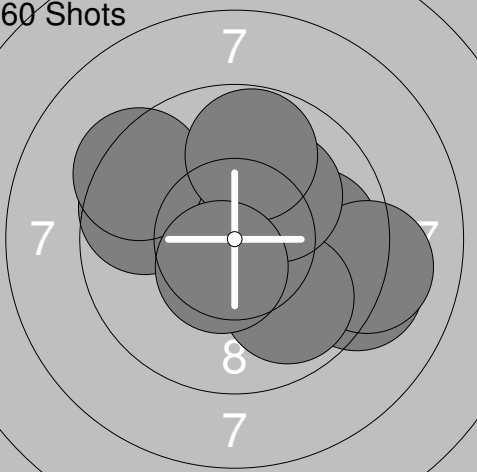
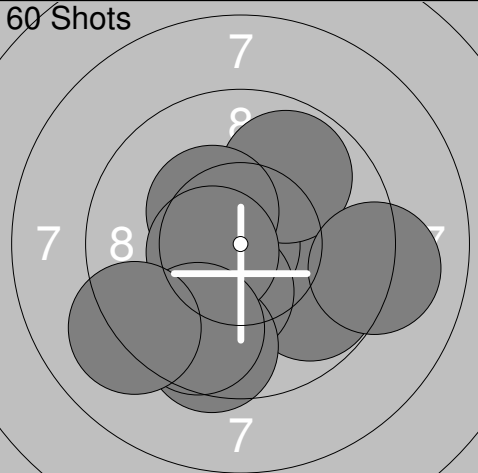
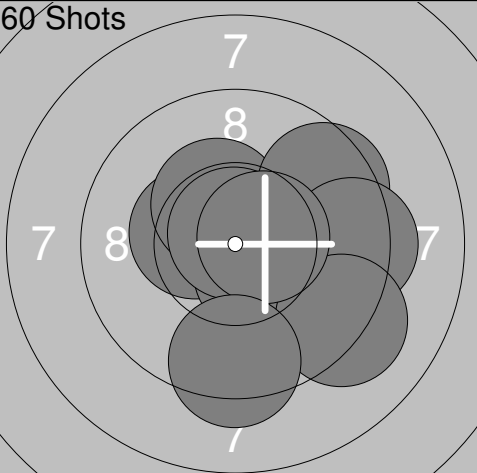
 <p style="text-align:center;">60 Shots</p>	<p>1: 9.3 ↓</p> <p>2: 10.5x ←</p> <p>3: 9.5 ↓</p> <p>4: 9.8 ↓</p> <p>5: 10.2x ↙</p> <p>6: 9.7 ←</p> <p>7: 10.8x ↑</p> <p>8: 10.4x →</p> <p>9: 9.7 ↗</p> <p>10: 9.5 ←</p>	 <p style="text-align:center;">60 Shots</p>	<p>11: 10.0 →</p> <p>12: 9.8 ↘</p> <p>13: 9.5 ↘</p> <p>14: 9.3 ↖</p> <p>15: 10.7x ↖</p> <p>16: 9.3 ←</p> <p>17: 10.1 ←</p> <p>18: 10.8x ↙</p> <p>19: 9.3 ↖</p> <p>20: 10.6x ↙</p>
Series 99.4		Series 99.4	
Total 99.4		Total 198.8	

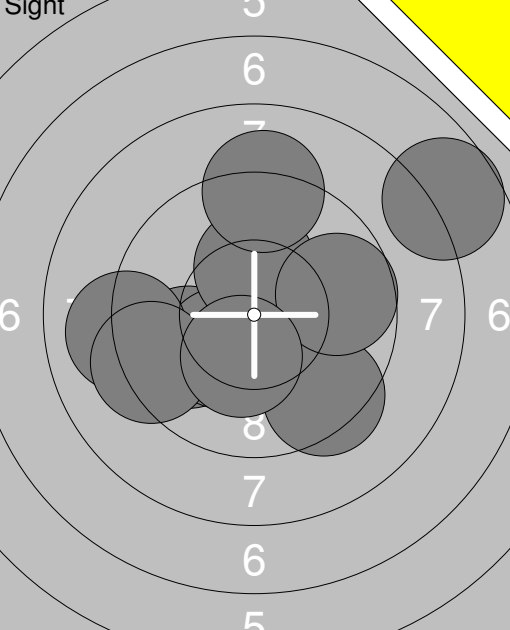
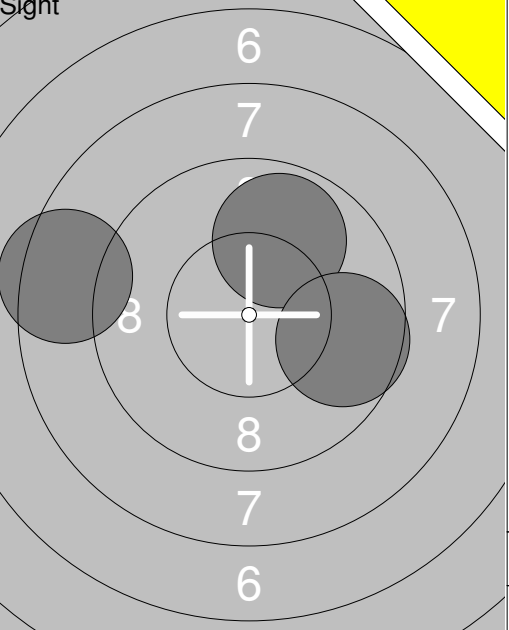
 <p style="text-align:center;">60 Shots</p>	<p>21: 10.6x ↑</p> <p>22: 8.9 ←</p> <p>23: 9.7 →</p> <p>24: 10.0 →</p> <p>25: 8.5 ↓</p> <p>26: 10.3x ↓</p> <p>27: 9.6 ←</p> <p>28: 10.2x ↘</p> <p>29: 10.3x ↑</p> <p>30: 10.4x ↓</p>	 <p style="text-align:center;">60 Shots</p>	<p>31: 10.1 ↓</p> <p>32: 10.2x →</p> <p>33: 10.2x ↖</p> <p>34: 9.9 ←</p> <p>35: 10.3x ↗</p> <p>36: 10.1 ↘</p> <p>37: 10.4x ←</p> <p>38: 10.0 ↓</p> <p>39: 8.9 ←</p> <p>40: 10.0 ↓</p>
Series 98.5		Series 100.1	
Total 297.3		Total 397.4	

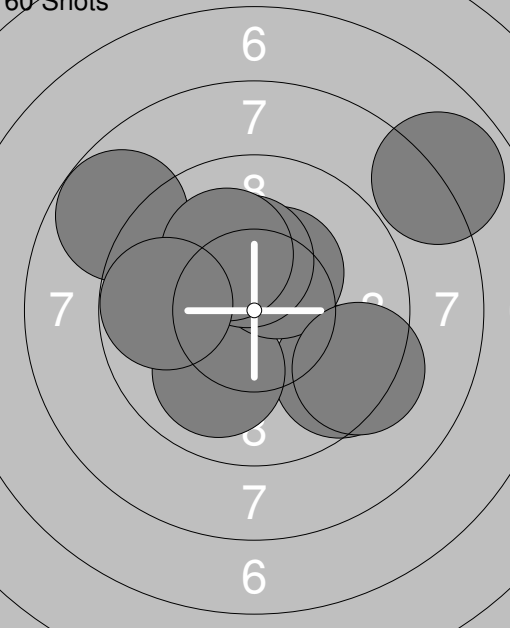
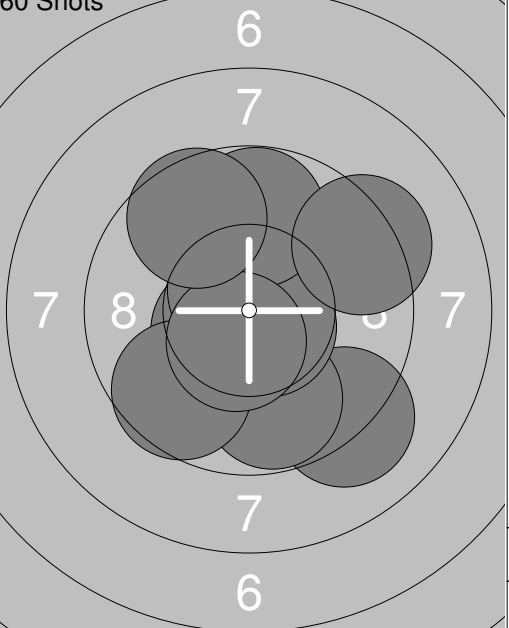
<p>Sight</p>	<p>1: 10.2x →</p> <p>2: 8.8 →</p> <p>3: 10.1 ↗</p> <p>4: 9.5 →</p> <p>5: 9.4 ←</p> <p>6: 10.1 →</p> <p>7: 9.6 →</p> <p>8: 10.7x ↗</p> <p>9: 10.6x ↙</p> <p>10: 10.7x ↙</p> <hr/> <p>Series 99.7</p> <p>Total 0.0</p>	<p>Sight</p>	<p>11: 10.3x ↓</p> <p>12: 9.5 ↗</p> <hr/> <p>Series 19.8</p> <p>Total 0.0</p>
---------------------	--	---------------------	---

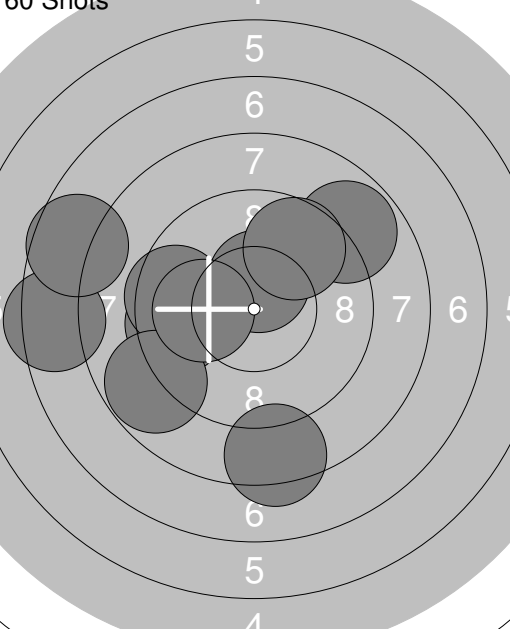
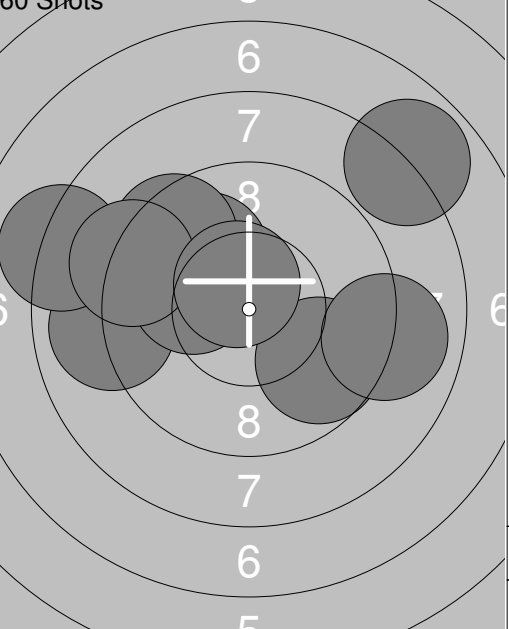
<p>60 Shots</p>	<p>1: 9.6 ↖</p> <p>2: 10.8x ↙</p> <p>3: 10.2x ↓</p> <p>4: 10.7x →</p> <p>5: 10.1 ↖</p> <p>6: 10.3x ↗</p> <p>7: 10.0 ↓</p> <p>8: 9.9 ←</p> <p>9: 9.3 ↙</p> <p>10: 9.0 ↖</p> <hr/> <p>Series 99.9</p> <p>Total 99.9</p>	<p>60 Shots</p>	<p>11: 10.6x →</p> <p>12: 10.3x ↖</p> <p>13: 9.8 ↗</p> <p>14: 10.4x ↗</p> <p>15: 10.1 →</p> <p>16: 10.1 ↗</p> <p>17: 10.1 ↘</p> <p>18: 10.8x ↓</p> <p>19: 10.3x →</p> <p>20: 10.6x ↓</p> <hr/> <p>Series 103.1</p> <p>Total 203.0</p>
------------------------	---	------------------------	---

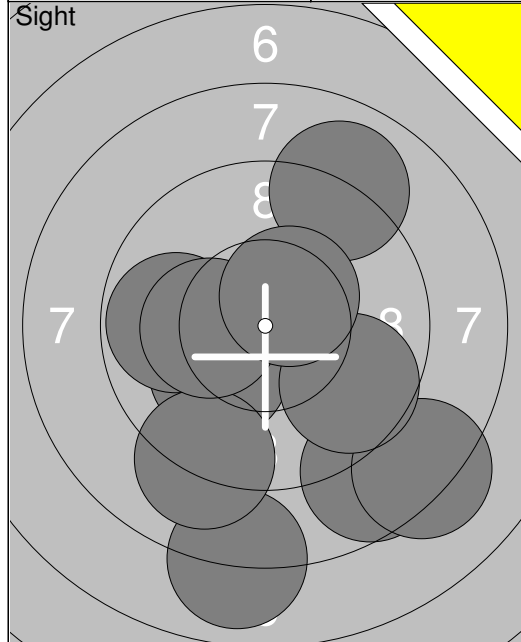
<p>60 Shots</p>	<p>21: 10.7x ↖</p> <p>22: 10.1 ↓</p> <p>23: 10.7x ↙</p> <p>24: 9.2 ↓</p> <p>25: 10.4x ↓</p> <p>26: 9.7 ←</p> <p>27: 10.2x →</p> <p>28: 10.2x ↓</p> <p>29: 10.4x ↙</p> <p>30: 10.1 →</p> <hr/> <p>Series 101.7</p> <p>Total 304.7</p>	<p>60 Shots</p>	<p>31: 10.4x ↙</p> <p>32: 10.7x ↓</p> <p>33: 10.4x ↖</p> <p>34: 10.1 →</p> <p>35: 10.6x ↓</p> <p>36: 10.2x ↓</p> <p>37: 10.4x ↗</p> <p>38: 10.2x ↙</p> <p>39: 9.9 ↓</p> <p>40: 9.5 →</p> <hr/> <p>Series 102.4</p> <p>Total 407.1</p>
------------------------	--	------------------------	---

<p>Sight</p> 	<p>1: 9.8 ↗ 2: 10.4x ↘ 3: 10.4x ← 4: 9.0 ← 5: 8.6 ← 6: 9.4 ← 7: 8.5 ↘ 8: 8.4 ↗ 9: 9.1 ↗ 10: 9.8 ↗</p> <p>Series 93.4 Total 0.0</p>	<p>Sight</p> 	<p>11: 10.3x ↗ 12: 9.9 ↗ 13: 7.7 → 14: 10.3x ← 15: 10.1 ↓ 16: 9.8 ← 17: 10.6x ↘</p> <p>Series 68.7 Total 0.0</p>
<p>60 Shots</p> 	<p>1: 9.3 → 2: 9.1 → 3: 9.8 → 4: 10.5x ↗ 5: 10.6x ← 6: 9.7 ↗ 7: 9.6 ↓ 8: 10.3x ← 9: 9.7 → 10: 10.4x ↓</p> <p>Series 99.0 Total 99.0</p>	<p>60 Shots</p> 	<p>11: 9.5 ← 12: 10.4x ↙ 13: 10.2x ↗ 14: 9.5 ↓ 15: 9.1 ↗ 16: 9.5 ↗ 17: 10.4x ↗ 18: 9.9 ↘ 19: 9.7 ← 20: 10.4x ↑</p> <p>Series 98.6 Total 197.6</p>
<p>60 Shots</p> 	<p>21: 9.5 ↓ 22: 10.3x ↘ 23: 9.2 → 24: 8.9 ↗ 25: 9.0 ↗ 26: 8.7 ↗ 27: 8.4 ↗ 28: 8.9 ↘ 29: 10.3x ← 30: 9.3 ↗</p> <p>Series 92.5 Total 290.1</p>	<p>60 Shots</p> 	<p>31: 9.7 ← 32: 9.4 ↗ 33: 9.9 → 34: 9.2 ↘ 35: 10.4x ↘ 36: 9.1 → 37: 9.9 ↓ 38: 10.1 ↗ 39: 9.8 ↑ 40: 10.5x ↓</p> <p>Series 98.0 Total 388.1</p>
<p>60 Shots</p> 	<p>41: 9.8 ↘ 42: 10.9x ← 43: 9.9 ↗ 44: 10.3x ↓ 45: 9.5 ↓ 46: 10.4x ↗ 47: 10.6x ← 48: 9.7 ↓ 49: 9.1 → 50: 9.1 ↙</p> <p>Series 99.3 Total 487.4</p>	<p>60 Shots</p> 	<p>51: 10.4x ← 52: 10.5x → 53: 10.4x ↗ 54: 10.5x ↘ 55: 9.5 ↗ 56: 9.4 → 57: 10.8x ↑ 58: 9.2 ↘ 59: 10.6x → 60: 9.4 ↓</p> <p>Series 100.7 Total 588.1</p>

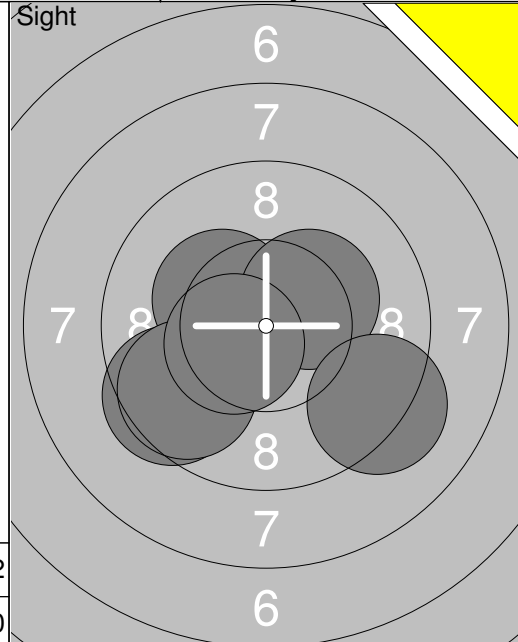
	<p>1: 9.9 ←</p> <p>2: 10.3x ↙</p> <p>3: 9.4 ↘</p> <p>4: 10.3x ↑</p> <p>5: 9.7 →</p> <p>6: 9.1 ←</p> <p>7: 9.1 ↑</p> <p>8: 9.3 ←</p> <p>9: 10.3x ↘</p> <p>10: 7.7 ↗</p>		<p>11: 8.4 ←</p> <p>12: 9.9 ↑</p> <p>13: 9.7 →</p>
Series 95.1	Total 0.0	Series 28.0	Total 0.0

	<p>1: 9.5 ↘</p> <p>2: 10.0 ↘</p> <p>3: 9.8 ←</p> <p>4: 10.3x ↗</p> <p>5: 8.8 ←</p> <p>6: 10.3x ↑</p> <p>7: 10.1 ↗</p> <p>8: 7.9 ↗</p> <p>9: 9.3 ↘</p> <p>10: 9.8 ←</p>		<p>11: 9.1 ↘</p> <p>12: 9.8 ↘</p> <p>13: 10.5x ↙</p> <p>14: 10.7x ↗</p> <p>15: 9.6 ↙</p> <p>16: 10.6x ↘</p> <p>17: 9.8 ↑</p> <p>18: 10.5x ↘</p> <p>19: 9.3 ↗</p> <p>20: 9.6 ↗</p>
Series 95.8	Total 95.8	Series 99.5	Total 195.3

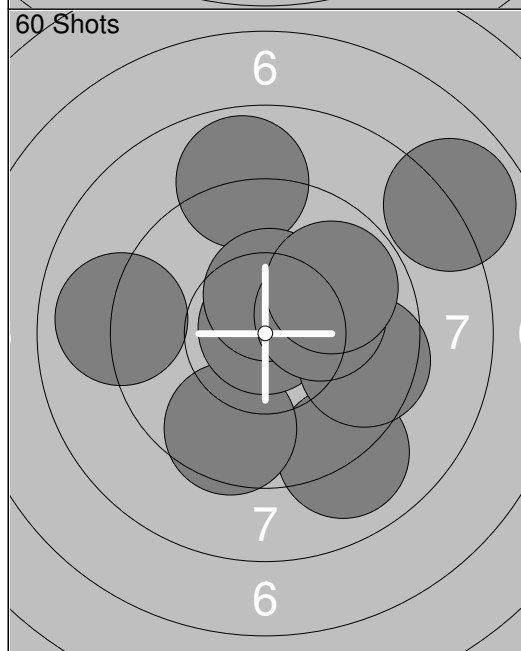
	<p>21: 9.6 ←</p> <p>22: 8.4 ↓</p> <p>23: 10.5x ↑</p> <p>24: 9.5 ←</p> <p>25: 8.8 ←</p> <p>26: 10.1 ←</p> <p>27: 7.4 ←</p> <p>28: 8.8 ↗</p> <p>29: 9.7 ↗</p> <p>30: 7.6 ←</p>		<p>31: 9.0 ←</p> <p>32: 10.0 ↗</p> <p>33: 10.1 ←</p> <p>34: 9.7 ↘</p> <p>35: 8.1 ←</p> <p>36: 7.9 ↗</p> <p>37: 9.5 ↗</p> <p>38: 9.0 →</p> <p>39: 9.2 ←</p> <p>40: 10.6x ↗</p>
Series 90.4	Total 285.7	Series 93.1	Total 378.8



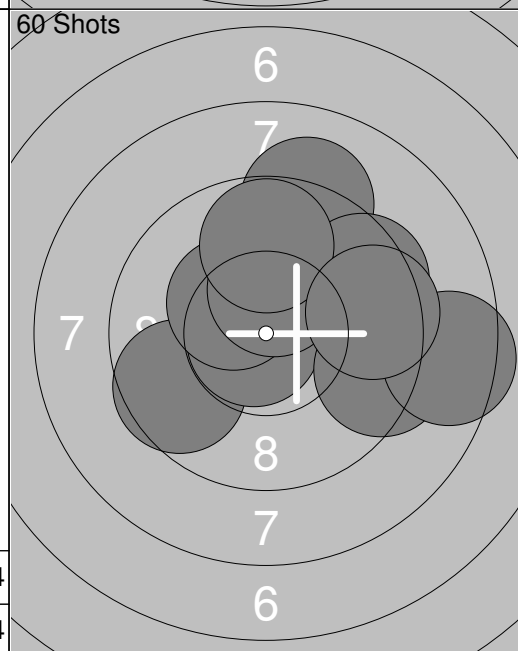
1: 10.1 ↙
2: 9.8 ←
3: 8.6 ↘
4: 8.0 ↓
5: 8.2 ↘
6: 9.7 →
7: 9.1 ↘
8: 9.0 ↗
9: 10.2x ←
10: 10.5x ↗
Series 93.2
Total 0.0



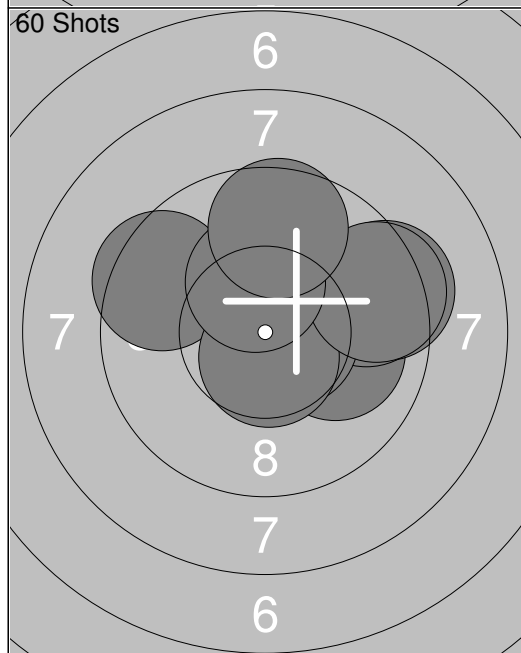
11: 10.3x ↖
12: 10.3x ↗
13: 9.5 ↙
14: 9.2 ↘
15: 9.7 ↙
16: 10.5x ↙
Series 59.5
Total 0.0



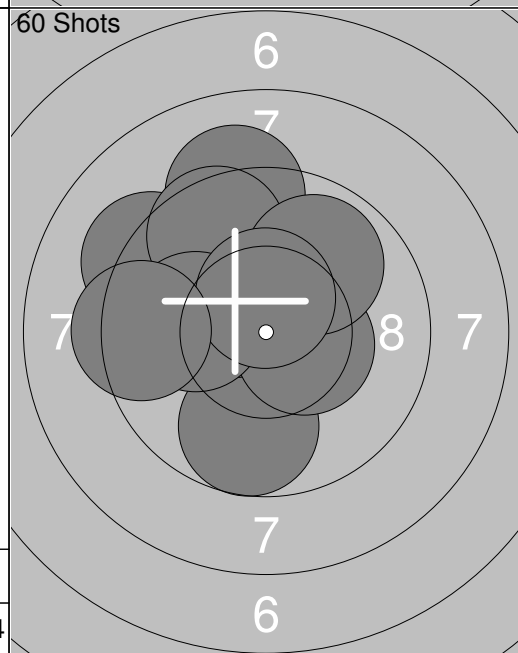
1: 9.0 ↘
2: 9.6 ↘
3: 8.9 ↑
4: 9.0 ←
5: 10.9x ↑
6: 7.9 ↗
7: 10.4x ↑
8: 9.6 →
9: 10.2x →
10: 9.9 ↗
Series 95.4
Total 95.4



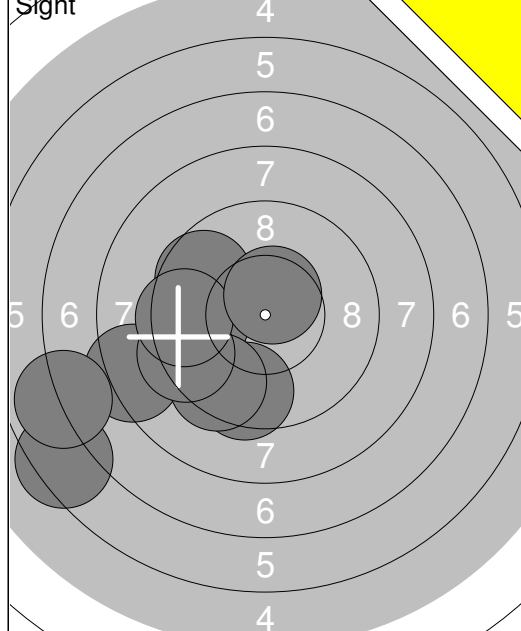
11: 9.1 ↑
12: 9.5 ↗
13: 9.6 ↙
14: 10.8x ↙
15: 10.4x ↖
16: 9.3 →
17: 10.4x ↑
18: 8.5 →
19: 9.8 ↑
20: 9.5 →
Series 96.9
Total 192.3



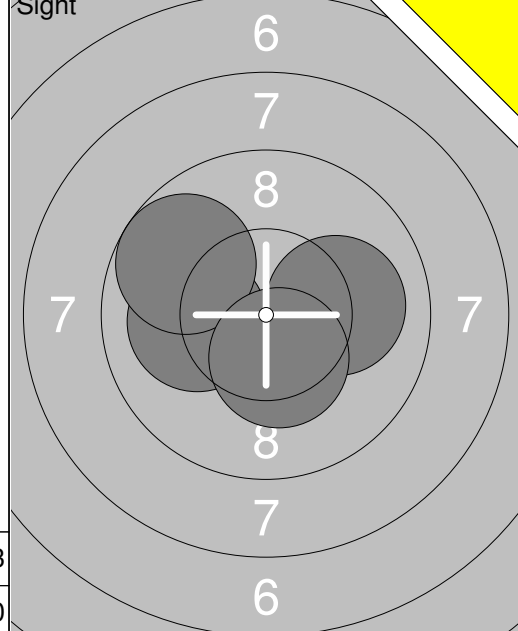
21: 10.0 →
22: 9.3 →
23: 9.6 →
24: 9.5 ↙
25: 10.2x ↑
26: 10.6x →
27: 10.6x ↓
28: 9.4 →
29: 10.3x ↑
30: 9.6 ↑
Series 99.1
Total 291.4



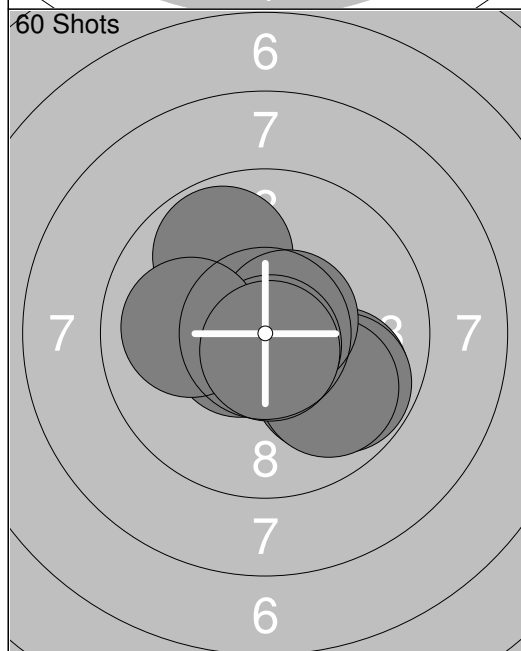
31: 9.7 ↓
32: 10.5x ↖
33: 10.4x →
34: 9.2 ↑
35: 9.2 ↖
36: 9.6 ↗
37: 10.0 ←
38: 9.9 ↗
39: 10.5x ↑
40: 9.4 ←
Series 98.4
Total 389.8



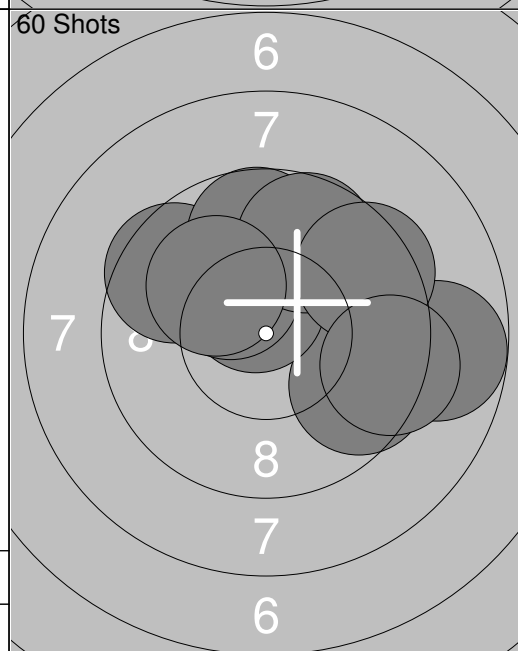
1: 6.4 ↙
2: 9.5 ↓
3: 8.3 ↙
4: 6.9 ↙
5: 9.7 ↙
6: 9.4 ↓
7: 9.7 ↙
8: 9.3 ↙
9: 9.5 ↙
10: 10.6x ↗
Series 89.3
Total 0.0



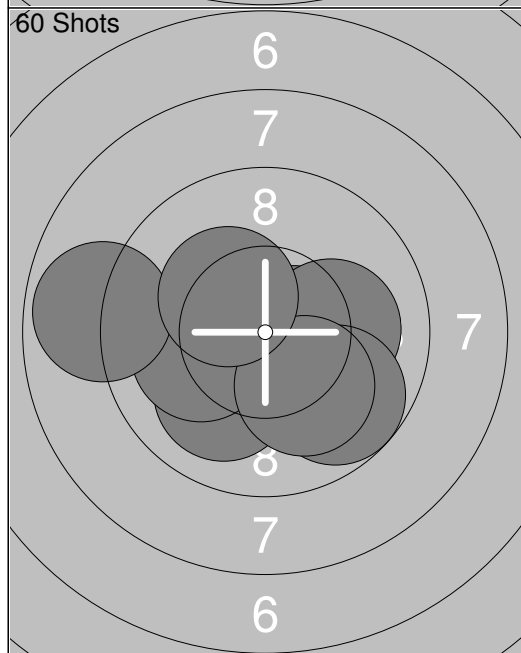
11: 10.1 →
12: 10.1 ←
13: 9.7 ↙
14: 10.4x ↓
Series 40.3
Total 0.0



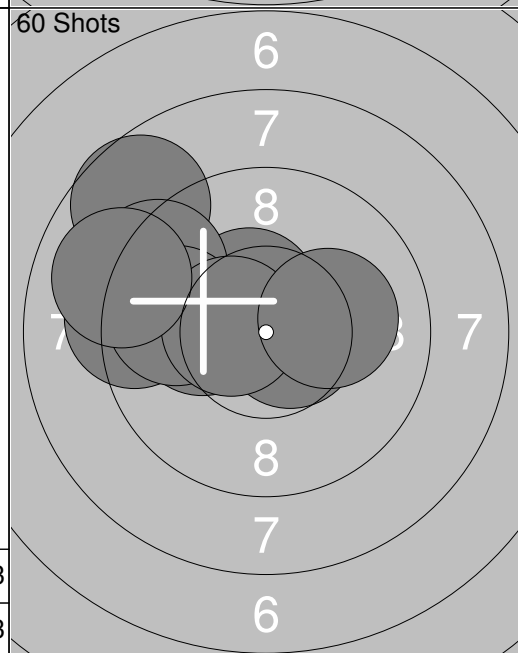
1: 10.0 ↓
2: 9.9 ↘
3: 9.8 ↘
4: 9.9 ↘
5: 9.8 ↗
6: 10.6x ↙
7: 10.6x ↗
8: 10.8x ↓
9: 10.0 ↙
10: 10.7x ↓
Series 102.1
Total 102.1



11: 9.6 ↘
12: 9.5 ↙
13: 10.5x ↗
14: 10.2x ↙
15: 8.8 →
16: 9.7 ↗
17: 9.7 ↗
18: 9.5 ↗
19: 9.3 →
20: 10.1 ↙
Series 96.9
Total 199.0



21: 10.6x →
22: 10.3x ↓
23: 10.1 →
24: 9.7 ↓
25: 10.2x ↙
26: 10.0 ↓
27: 10.1 ↙
28: 10.1 ↓
29: 8.9 ↙
30: 10.3x ↙
Series 100.3
Total 299.3

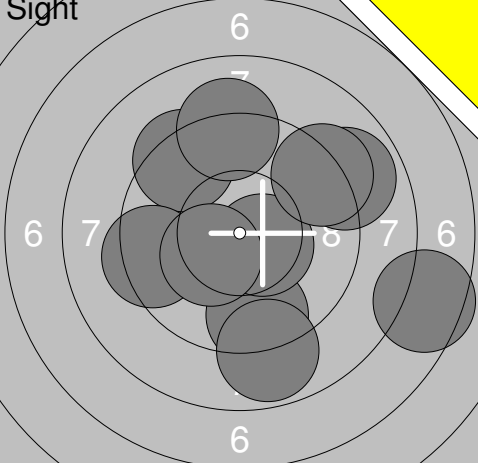
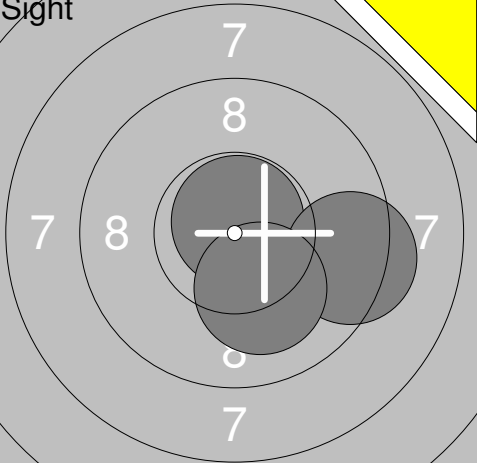


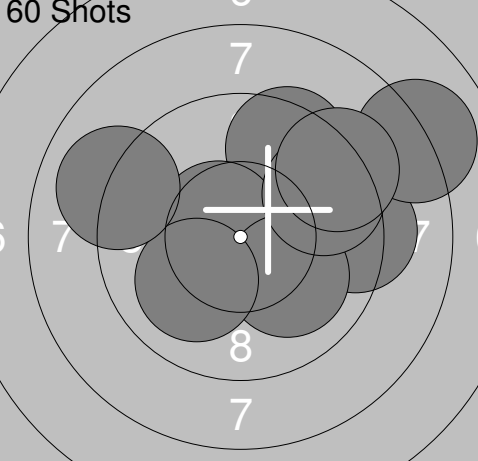
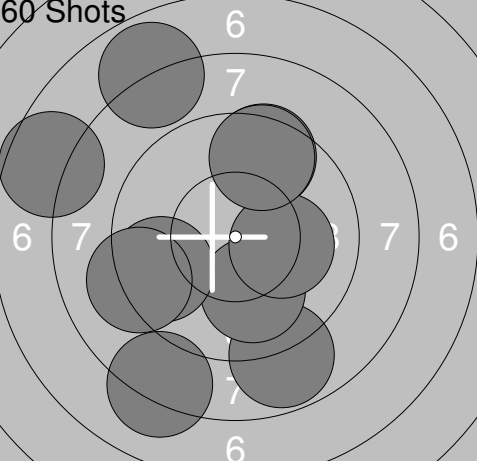
31: 8.7 ↙
32: 9.3 ↙
33: 10.6x →
34: 10.1 ↙
35: 10.5x ↗
36: 9.3 ↙
37: 9.8 ↙
38: 10.5x ↙
39: 9.0 ↙
40: 10.1 →
Series 97.9
Total 397.2

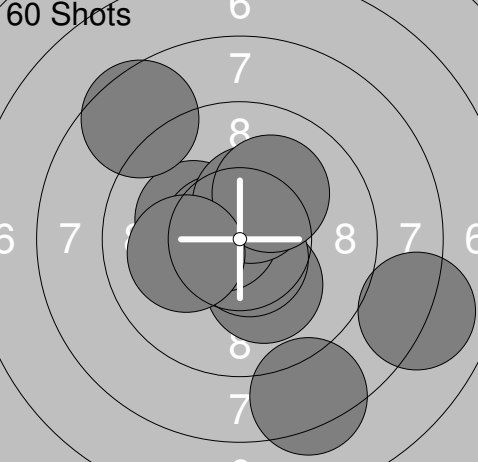
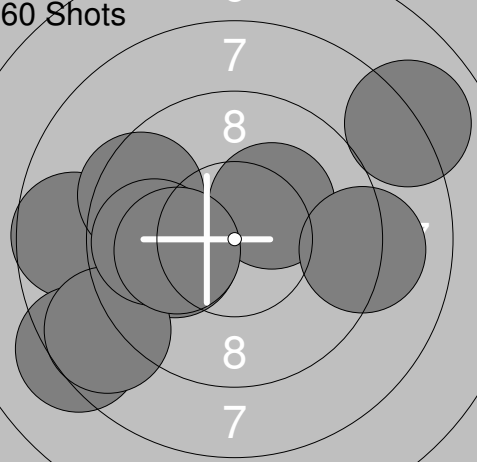
Relay	Lane	Carl Bergling	
2	12		

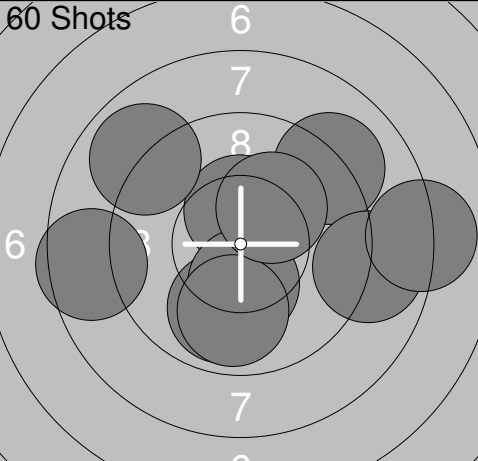
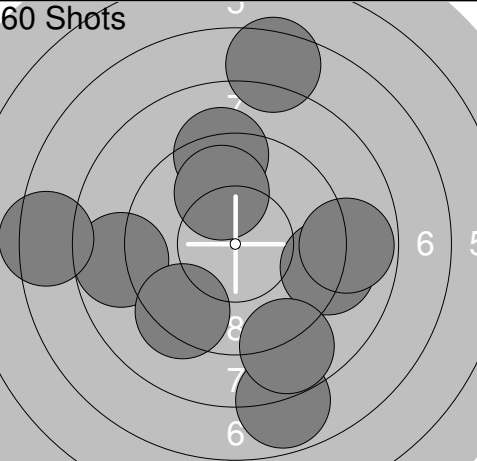
S	Umeå		
---	------	--	--

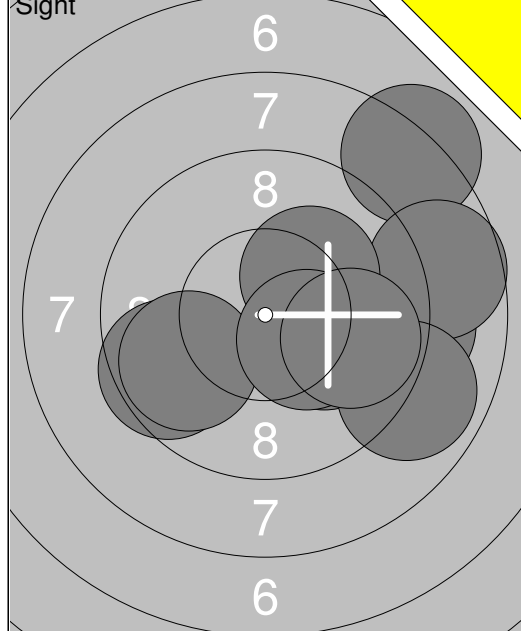
13.02.2016	Vännästräffen 2016	Umeå skytteallians	
------------	--------------------	--------------------	--

Sight 	1: 7.5 →	Sight 	11: 10.8x ↑
	2: 9.5 ↓		12: 9.3 →
	3: 10.5x →		13: 10.1 ↓
4: 8.9 →			
5: 9.3 ↗			
6: 9.4 ←			
7: 9.1 ↑			
8: 8.8 ↓			
9: 9.2 ↗			
10: 10.3x ↙			
Series 92.5		Series 30.2	
Total 0.0		Total 0.0	

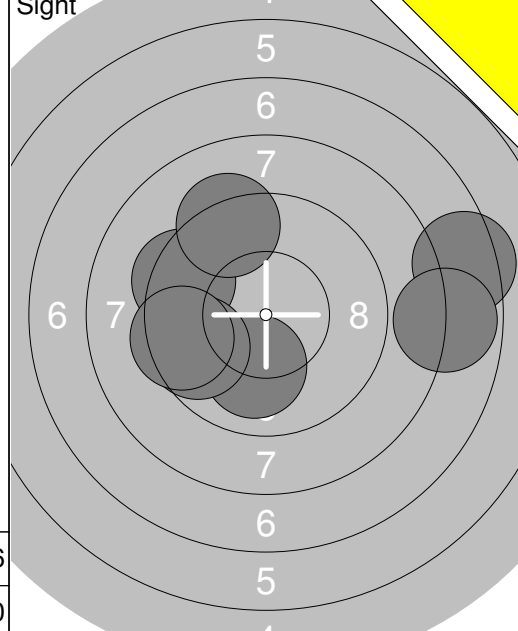
60 Shots 	1: 9.3 →	60 Shots 	11: 8.2 ↓
	2: 8.0 →		12: 7.6 ←
	3: 9.6 ↗		13: 8.8 ↓
4: 9.5 ↑			
5: 10.6x ↗			
6: 10.1 ↓			
7: 9.6 →			
8: 10.0 ↓			
9: 9.0 ←			
10: 9.2 ↗			
Series 94.9		Series 90.5	
Total 94.9		Total 185.4	

60 Shots 	21: 10.2x ↓	60 Shots 	31: 10.2x ↗
	22: 10.2x ←		32: 8.7 ←
	23: 10.6x ↓		33: 8.3 ↙
24: 8.6 ↗			
25: 10.6x ←			
26: 8.3 ↓			
27: 10.4x ↑			
28: 8.0 →			
29: 10.1 ↑			
30: 10.1 ←			
Series 97.1		Series 92.5	
Total 282.5		Total 375.0	

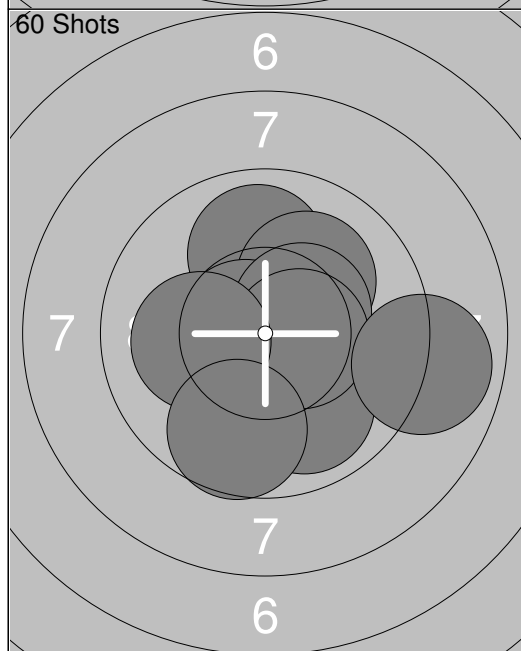
60 Shots 	41: 9.1 ↗	60 Shots 	51: 7.5 ↑
	42: 10.4x ↑		52: 9.2 ↑
	43: 8.9 →		53: 9.1 →
44: 8.9 ↗			
45: 9.9 ↓			
46: 8.5 ←			
47: 10.3x ↓			
48: 9.9 ↓			
49: 10.2x ↗			
50: 8.1 →			
Series 94.2		Series 86.6	
Total 469.2		Total 555.8	



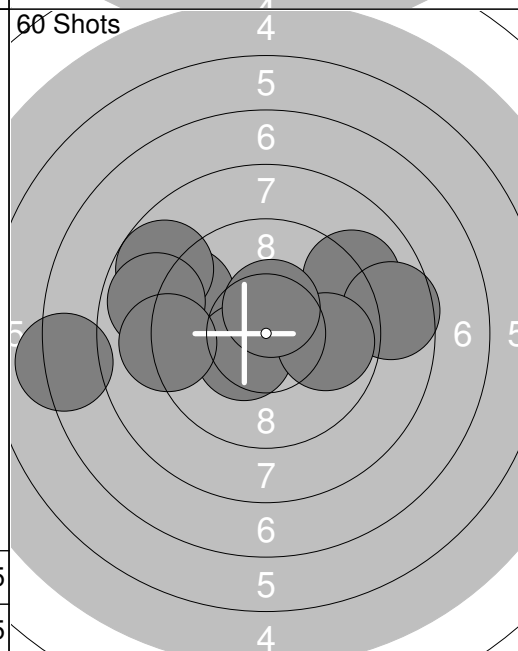
1:	8.2	↗
2:	9.1	→
3:	8.7	→
4:	10.1	→
5:	9.5	↙
6:	10.2x	↗
7:	8.9	→
8:	9.8	↙
9:	10.3x	↘
10:	9.8	→
Series	94.6	
Total	0.0	



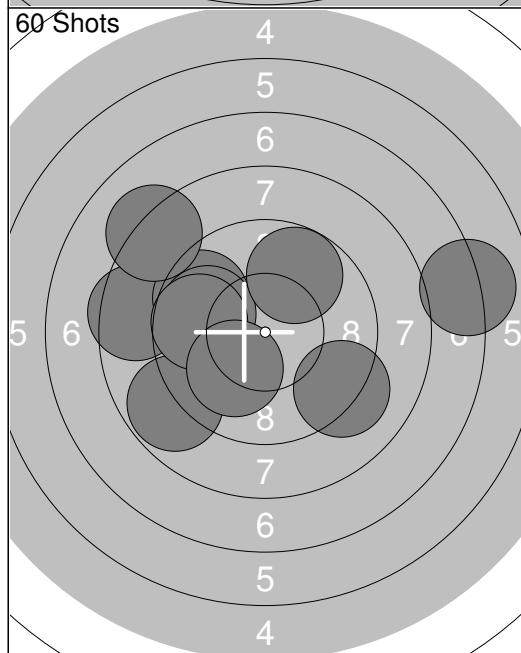
11:	10.0	↓
12:	9.4	↖
13:	7.4	→
14:	9.6	↙
15:	7.9	→
16:	9.4	↙
17:	9.3	↖
Series	63.0	
Total	0.0	



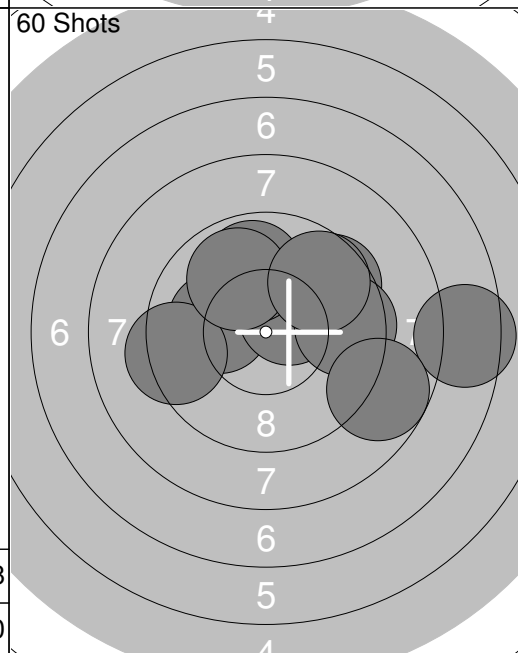
1:	9.9	↓
2:	10.3x	↗
3:	9.9	↑
4:	10.1	↗
5:	10.7x	↙
6:	10.4x	↗
7:	10.5x	→
8:	10.1	←
9:	9.7	↓
10:	8.9	→
Series	100.5	
Total	100.5	



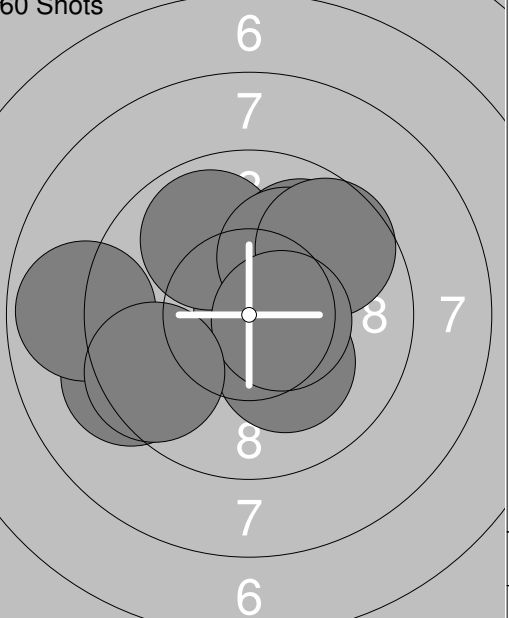
11:	9.3	↖
12:	9.1	↗
13:	8.8	↖
14:	8.9	↙
15:	8.6	→
16:	7.2	←
17:	10.4x	↙
18:	9.1	←
19:	9.8	→
20:	10.5x	↑
Series	91.7	
Total	192.2	

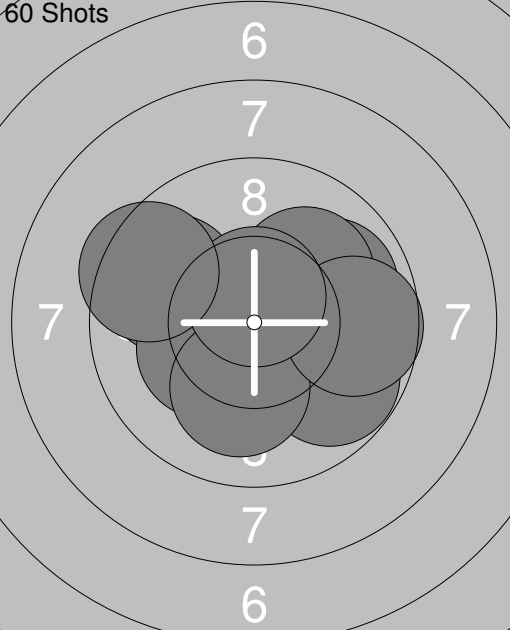
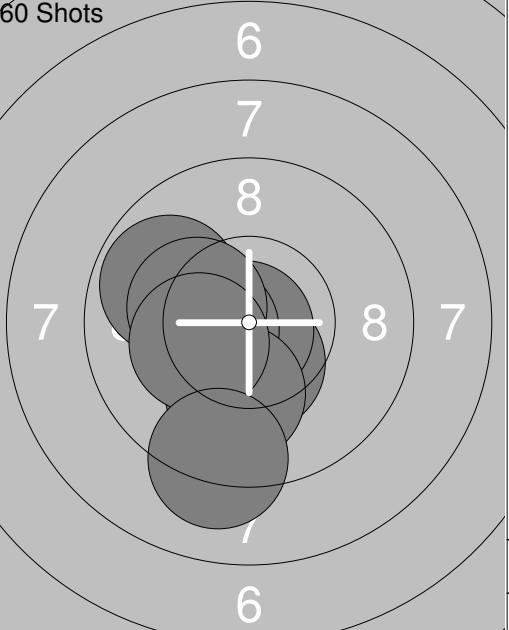


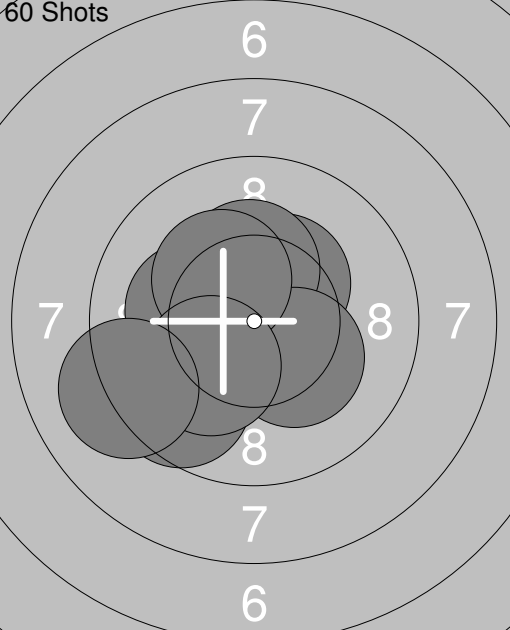
21:	8.5	←
22:	9.6	↖
23:	8.8	↙
24:	8.2	↖
25:	9.8	↙
26:	9.7	←
27:	10.1	↙
28:	9.2	↘
29:	7.1	→
30:	9.8	↗
Series	90.8	
Total	283.0	

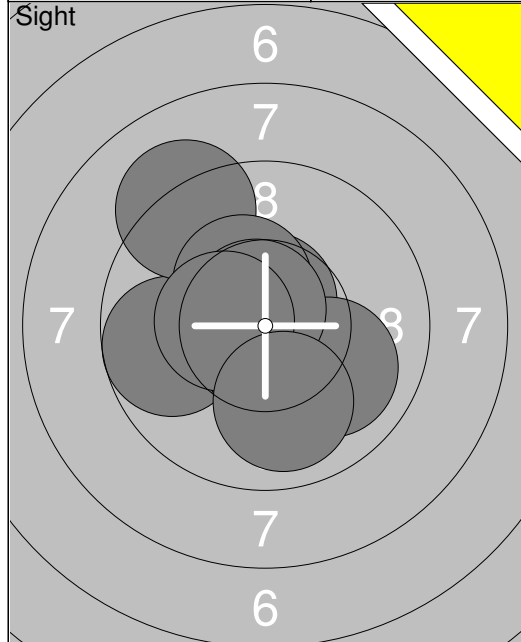


31:	10.1	↙
32:	10.4x	↗
33:	7.5	→
34:	9.6	↗
35:	9.6	→
36:	8.8	↘
37:	9.9	↑
38:	9.3	←
39:	9.9	↖
40:	9.7	↗
Series	94.8	
Total	377.8	

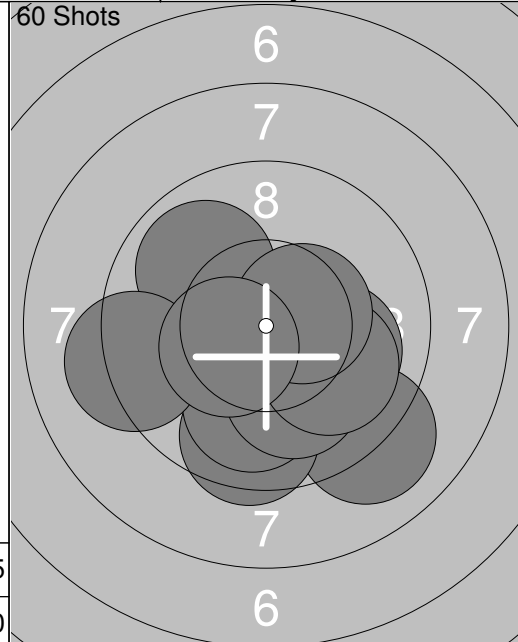
<p>Sight</p> 	<p>1: 8.3 →</p> <p>2: 9.6 ↗</p> <p>3: 9.4 →</p> <p>4: 10.5x ↘</p> <p>5: 10.4x ↘</p> <p>6: 9.1 ↓</p> <p>7: 9.0 ←</p> <p>8: 9.6 ↘</p> <p>9: 10.0 ←</p>	<p>60 Shots</p> 	<p>1: 10.8x →</p> <p>2: 9.9 ↖</p> <p>3: 9.9 ↗</p> <p>4: 9.3 ←</p> <p>5: 8.9 ←</p> <p>6: 10.1 ↗</p> <p>7: 10.2x ↘</p> <p>8: 9.7 ↗</p> <p>9: 10.5x →</p> <p>10: 9.5 ↖</p>
Series 85.9		Series 98.8	
Total 0.0		Total 98.8	

<p>60 Shots</p> 	<p>11: 9.8 ↘</p> <p>12: 9.8 ↖</p> <p>13: 9.9 →</p> <p>14: 10.7x →</p> <p>15: 10.2x ↖</p> <p>16: 10.1 ↓</p> <p>17: 10.1 ↗</p> <p>18: 9.7 →</p> <p>19: 10.6x ↑</p> <p>20: 9.5 ↖</p>	<p>60 Shots</p> 	<p>21: 10.3x ↓</p> <p>22: 10.6x ↓</p> <p>23: 10.4x ↓</p> <p>24: 9.8 ↖</p> <p>25: 10.8x ↘</p> <p>26: 10.4x ↖</p> <p>27: 10.0 ↓</p> <p>28: 10.3x ↖</p> <p>29: 10.3x ↖</p> <p>30: 9.2 ↓</p>
Series 100.4		Series 102.1	
Total 199.2		Total 301.3	

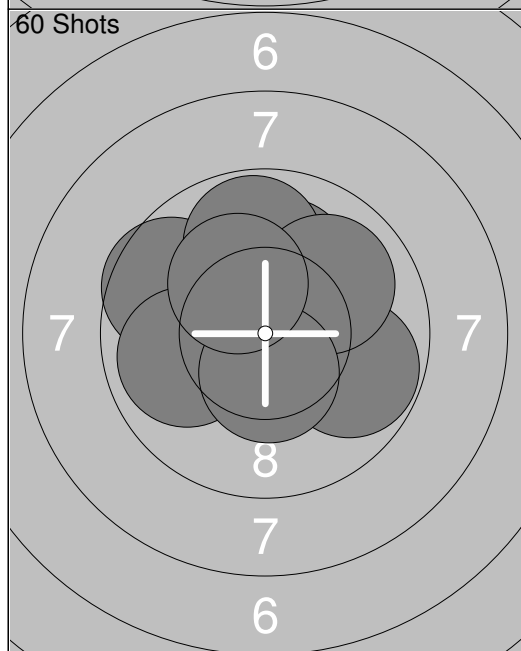
<p>60 Shots</p> 	<p>31: 10.4x ↗</p> <p>32: 10.2x ↖</p> <p>33: 10.0 ↖</p> <p>34: 10.3x ↑</p> <p>35: 10.3x ↘</p> <p>36: 10.2x ↖</p> <p>37: 10.3x ↗</p> <p>38: 9.6 ↘</p> <p>39: 10.2x ↖</p> <p>40: 9.1 ↖</p>		
Series 100.6			
Total 401.9			



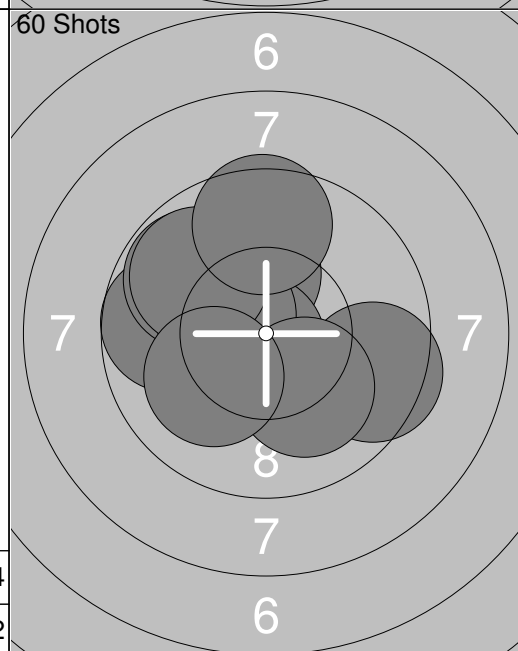
1:	9.7	←
2:	10.6x	↑
3:	10.5x	↓
4:	10.0	→
5:	9.2	↗
6:	10.4x	↖
7:	10.7x	↖
8:	10.4x	←
9:	10.0	↓
Series		91.5
Total		0.0



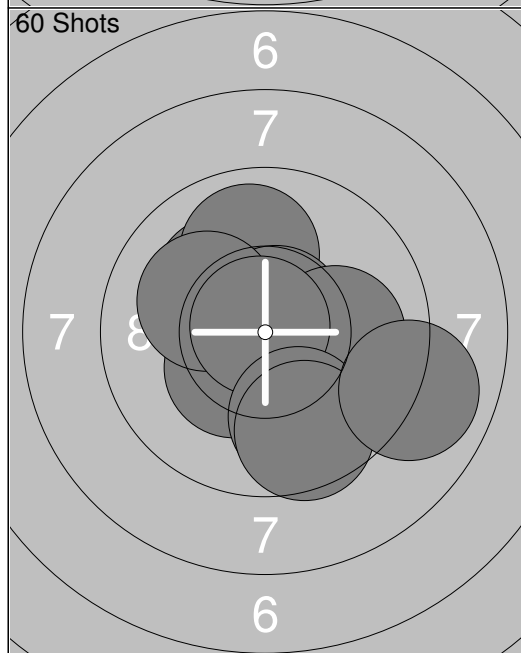
1:	9.1	↓
2:	9.5	↓
3:	10.0	↓
4:	10.1	↓
5:	10.1	→
6:	10.0	→
7:	9.9	↖
8:	9.2	←
9:	10.5x	→
10:	10.4x	↖
Series		98.8
Total		98.8



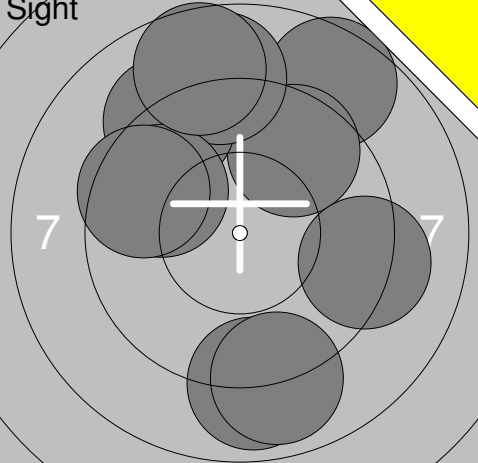
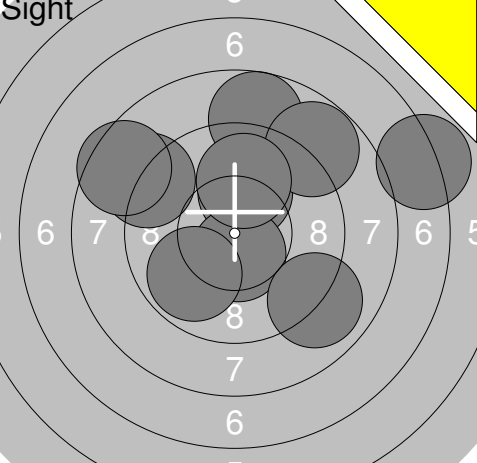
11:	10.1	↑
12:	10.0	↑
13:	9.8	→
14:	9.6	←
15:	10.5x	↖
16:	9.8	↑
17:	10.0	↗
18:	9.9	←
19:	10.5x	↓
20:	10.2x	↖
Series		100.4
Total		199.2

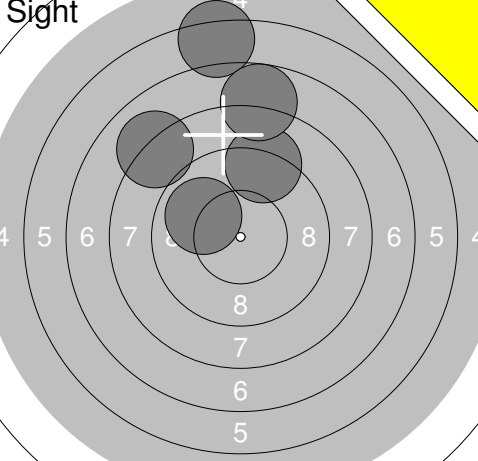
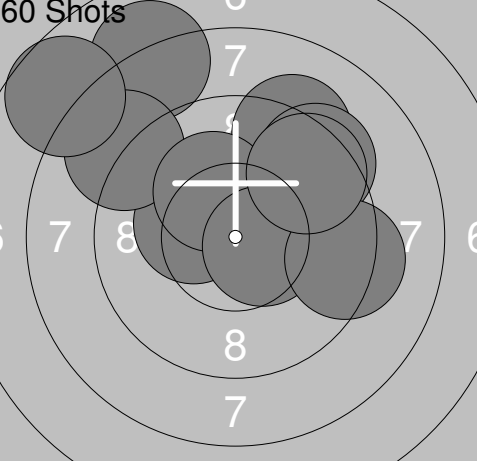


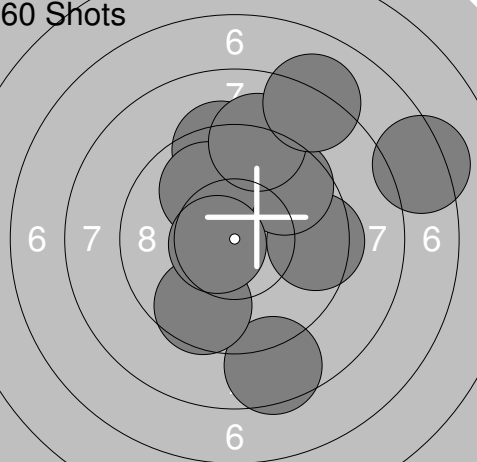
21:	10.2x	↑
22:	9.7	←
23:	9.5	→
24:	10.8x	↖
25:	9.8	↖
26:	10.4x	↖
27:	9.8	↖
28:	9.6	↑
29:	10.1	↓
30:	10.1	↖
Series		100.0
Total		299.2

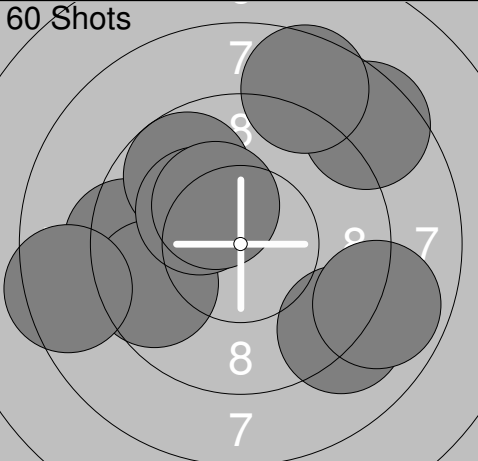


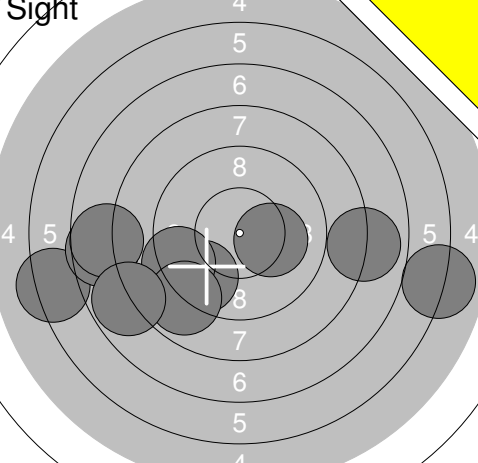
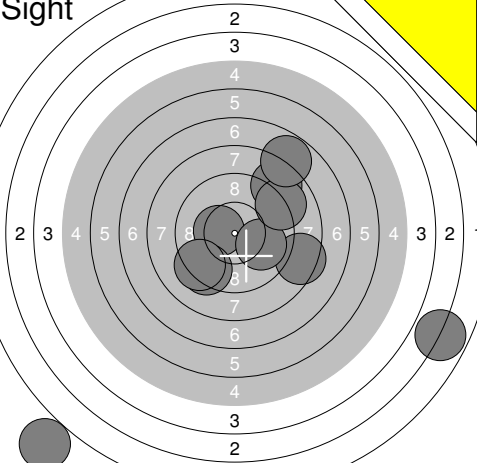
31:	10.2x	↖
32:	9.9	↑
33:	10.7x	↗
34:	10.3x	↖
35:	10.1	↖
36:	10.0	→
37:	10.8x	↖
38:	9.8	↓
39:	9.6	↓
40:	9.0	→
Series		100.4
Total		399.6

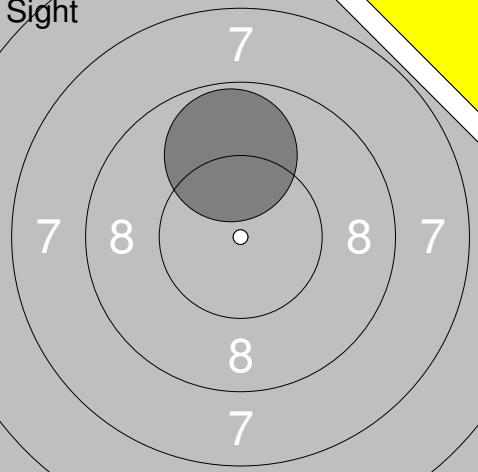
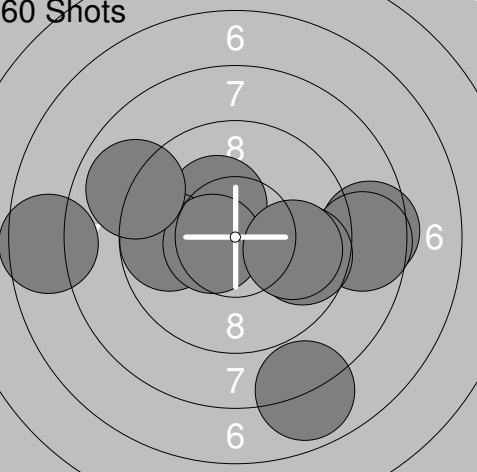
	<table border="1" style="width:100%; border-collapse: collapse;"> <tr><td>1:</td><td>8.6</td><td>↗</td></tr> <tr><td>2:</td><td>9.6</td><td>↗</td></tr> <tr><td>3:</td><td>8.9</td><td>↘</td></tr> <tr><td>4:</td><td>9.2</td><td>↗</td></tr> <tr><td>5:</td><td>8.9</td><td>↘</td></tr> <tr><td>6:</td><td>9.2</td><td>→</td></tr> <tr><td>7:</td><td>8.8</td><td>↑</td></tr> <tr><td>8:</td><td>9.8</td><td>↖</td></tr> <tr><td>9:</td><td>9.5</td><td>↖</td></tr> <tr><td>10:</td><td>8.7</td><td>↑</td></tr> <tr><td colspan="2">Series</td><td>91.2</td></tr> <tr><td colspan="2">Total</td><td>0.0</td></tr> </table>	1:	8.6	↗	2:	9.6	↗	3:	8.9	↘	4:	9.2	↗	5:	8.9	↘	6:	9.2	→	7:	8.8	↑	8:	9.8	↖	9:	9.5	↖	10:	8.7	↑	Series		91.2	Total		0.0		<table border="1" style="width:100%; border-collapse: collapse;"> <tr><td>11:</td><td>7.1</td><td>→</td></tr> <tr><td>12:</td><td>9.0</td><td>↖</td></tr> <tr><td>13:</td><td>10.2x</td><td>↑</td></tr> <tr><td>14:</td><td>8.7</td><td>↑</td></tr> <tr><td>15:</td><td>10.5x</td><td>↓</td></tr> <tr><td>16:</td><td>8.8</td><td>↗</td></tr> <tr><td>17:</td><td>8.5</td><td>↖</td></tr> <tr><td>18:</td><td>9.9</td><td>↑</td></tr> <tr><td>19:</td><td>9.0</td><td>↘</td></tr> <tr><td>20:</td><td>9.9</td><td>↘</td></tr> <tr><td colspan="2">Series</td><td>91.6</td></tr> <tr><td colspan="2">Total</td><td>0.0</td></tr> </table>	11:	7.1	→	12:	9.0	↖	13:	10.2x	↑	14:	8.7	↑	15:	10.5x	↓	16:	8.8	↗	17:	8.5	↖	18:	9.9	↑	19:	9.0	↘	20:	9.9	↘	Series		91.6	Total		0.0
1:	8.6	↗																																																																									
2:	9.6	↗																																																																									
3:	8.9	↘																																																																									
4:	9.2	↗																																																																									
5:	8.9	↘																																																																									
6:	9.2	→																																																																									
7:	8.8	↑																																																																									
8:	9.8	↖																																																																									
9:	9.5	↖																																																																									
10:	8.7	↑																																																																									
Series		91.2																																																																									
Total		0.0																																																																									
11:	7.1	→																																																																									
12:	9.0	↖																																																																									
13:	10.2x	↑																																																																									
14:	8.7	↑																																																																									
15:	10.5x	↓																																																																									
16:	8.8	↗																																																																									
17:	8.5	↖																																																																									
18:	9.9	↑																																																																									
19:	9.0	↘																																																																									
20:	9.9	↘																																																																									
Series		91.6																																																																									
Total		0.0																																																																									

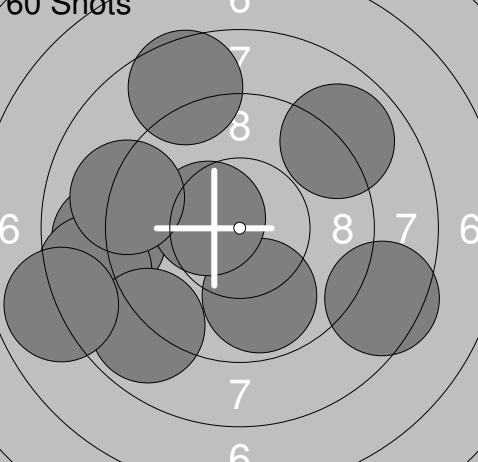
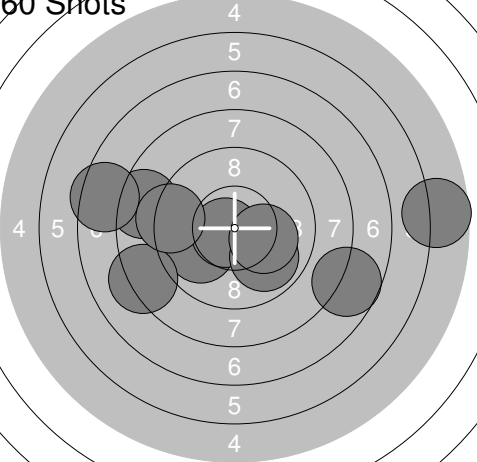
	<table border="1" style="width:100%; border-collapse: collapse;"> <tr><td>21:</td><td>8.1</td><td>↖</td></tr> <tr><td>22:</td><td>9.2</td><td>↑</td></tr> <tr><td>23:</td><td>6.3</td><td>↑</td></tr> <tr><td>24:</td><td>10.0</td><td>↖</td></tr> <tr><td>25:</td><td>7.8</td><td>↑</td></tr> <tr><td colspan="2">Series</td><td>41.4</td></tr> <tr><td colspan="2">Total</td><td>0.0</td></tr> </table>	21:	8.1	↖	22:	9.2	↑	23:	6.3	↑	24:	10.0	↖	25:	7.8	↑	Series		41.4	Total		0.0		<table border="1" style="width:100%; border-collapse: collapse;"> <tr><td>1:</td><td>8.1</td><td>↖</td></tr> <tr><td>2:</td><td>10.3x</td><td>↖</td></tr> <tr><td>3:</td><td>9.2</td><td>↗</td></tr> <tr><td>4:</td><td>8.9</td><td>↖</td></tr> <tr><td>5:</td><td>10.2x</td><td>↗</td></tr> <tr><td>6:</td><td>9.3</td><td>↗</td></tr> <tr><td>7:</td><td>7.7</td><td>↖</td></tr> <tr><td>8:</td><td>10.5x</td><td>→</td></tr> <tr><td>9:</td><td>9.3</td><td>→</td></tr> <tr><td>10:</td><td>9.5</td><td>↗</td></tr> <tr><td colspan="2">Series</td><td>93.0</td></tr> <tr><td colspan="2">Total</td><td>93.0</td></tr> </table>	1:	8.1	↖	2:	10.3x	↖	3:	9.2	↗	4:	8.9	↖	5:	10.2x	↗	6:	9.3	↗	7:	7.7	↖	8:	10.5x	→	9:	9.3	→	10:	9.5	↗	Series		93.0	Total		93.0
21:	8.1	↖																																																										
22:	9.2	↑																																																										
23:	6.3	↑																																																										
24:	10.0	↖																																																										
25:	7.8	↑																																																										
Series		41.4																																																										
Total		0.0																																																										
1:	8.1	↖																																																										
2:	10.3x	↖																																																										
3:	9.2	↗																																																										
4:	8.9	↖																																																										
5:	10.2x	↗																																																										
6:	9.3	↗																																																										
7:	7.7	↖																																																										
8:	10.5x	→																																																										
9:	9.3	→																																																										
10:	9.5	↗																																																										
Series		93.0																																																										
Total		93.0																																																										

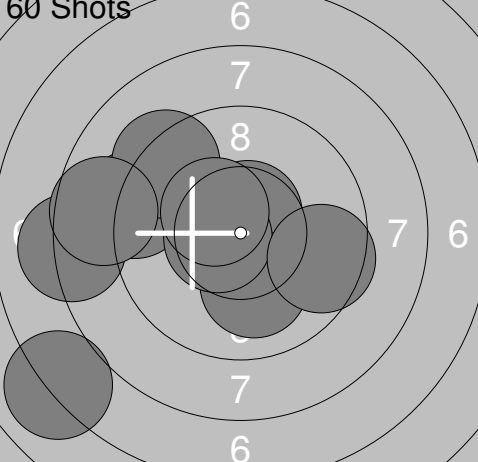
	<table border="1" style="width:100%; border-collapse: collapse;"> <tr><td>11:</td><td>9.8</td><td>↘</td></tr> <tr><td>12:</td><td>9.4</td><td>↗</td></tr> <tr><td>13:</td><td>7.3</td><td>↖</td></tr> <tr><td>14:</td><td>9.9</td><td>↑</td></tr> <tr><td>15:</td><td>8.6</td><td>↘</td></tr> <tr><td>16:</td><td>10.2x</td><td>↖</td></tr> <tr><td>17:</td><td>9.0</td><td>↗</td></tr> <tr><td>18:</td><td>9.8</td><td>↑</td></tr> <tr><td>19:</td><td>10.2x</td><td>↖</td></tr> <tr><td>20:</td><td>8.6</td><td>↑</td></tr> <tr><td colspan="2">Series</td><td>92.8</td></tr> <tr><td colspan="2">Total</td><td>185.8</td></tr> </table>	11:	9.8	↘	12:	9.4	↗	13:	7.3	↖	14:	9.9	↑	15:	8.6	↘	16:	10.2x	↖	17:	9.0	↗	18:	9.8	↑	19:	10.2x	↖	20:	8.6	↑	Series		92.8	Total		185.8		<table border="1" style="width:100%; border-collapse: collapse;"> <tr><td>21:</td><td>8.5</td><td>↘</td></tr> <tr><td>22:</td><td>9.3</td><td>↑</td></tr> <tr><td>23:</td><td>9.5</td><td>→</td></tr> <tr><td>24:</td><td>7.3</td><td>↗</td></tr> <tr><td>25:</td><td>9.6</td><td>↘</td></tr> <tr><td>26:</td><td>9.6</td><td>↗</td></tr> <tr><td>27:</td><td>9.9</td><td>↖</td></tr> <tr><td>28:</td><td>10.6x</td><td>↖</td></tr> <tr><td>29:</td><td>9.1</td><td>↑</td></tr> <tr><td>30:</td><td>8.1</td><td>↗</td></tr> <tr><td colspan="2">Series</td><td>91.5</td></tr> <tr><td colspan="2">Total</td><td>277.3</td></tr> </table>	21:	8.5	↘	22:	9.3	↑	23:	9.5	→	24:	7.3	↗	25:	9.6	↘	26:	9.6	↗	27:	9.9	↖	28:	10.6x	↖	29:	9.1	↑	30:	8.1	↗	Series		91.5	Total		277.3
11:	9.8	↘																																																																									
12:	9.4	↗																																																																									
13:	7.3	↖																																																																									
14:	9.9	↑																																																																									
15:	8.6	↘																																																																									
16:	10.2x	↖																																																																									
17:	9.0	↗																																																																									
18:	9.8	↑																																																																									
19:	10.2x	↖																																																																									
20:	8.6	↑																																																																									
Series		92.8																																																																									
Total		185.8																																																																									
21:	8.5	↘																																																																									
22:	9.3	↑																																																																									
23:	9.5	→																																																																									
24:	7.3	↗																																																																									
25:	9.6	↘																																																																									
26:	9.6	↗																																																																									
27:	9.9	↖																																																																									
28:	10.6x	↖																																																																									
29:	9.1	↑																																																																									
30:	8.1	↗																																																																									
Series		91.5																																																																									
Total		277.3																																																																									

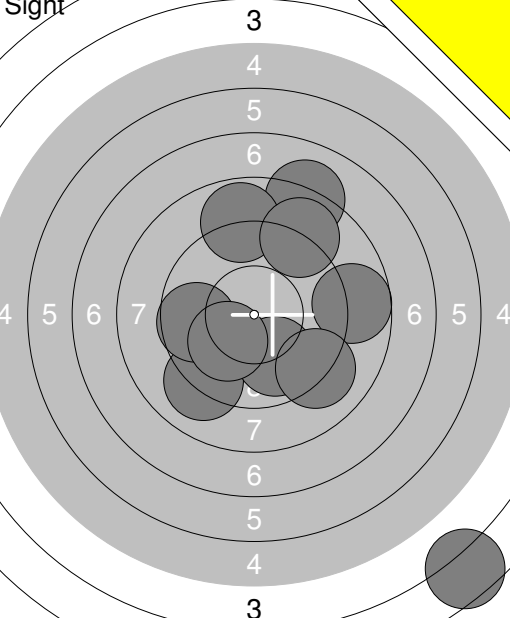
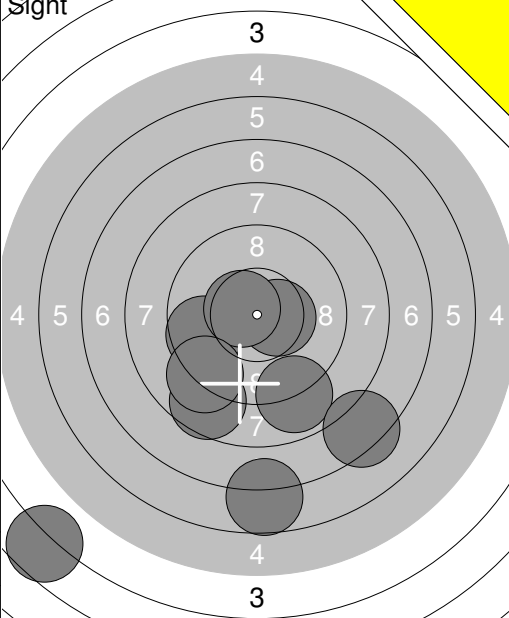
	<table border="1" style="width:100%; border-collapse: collapse;"> <tr><td>31:</td><td>9.4</td><td>↖</td></tr> <tr><td>32:</td><td>9.7</td><td>↗</td></tr> <tr><td>33:</td><td>9.1</td><td>↘</td></tr> <tr><td>34:</td><td>8.9</td><td>→</td></tr> <tr><td>35:</td><td>8.5</td><td>↗</td></tr> <tr><td>36:</td><td>8.6</td><td>↑</td></tr> <tr><td>37:</td><td>9.6</td><td>↖</td></tr> <tr><td>38:</td><td>10.2x</td><td>↗</td></tr> <tr><td>39:</td><td>8.5</td><td>↖</td></tr> <tr><td>40:</td><td>10.3x</td><td>↗</td></tr> <tr><td colspan="2">Series</td><td>92.8</td></tr> <tr><td colspan="2">Total</td><td>370.1</td></tr> </table>	31:	9.4	↖	32:	9.7	↗	33:	9.1	↘	34:	8.9	→	35:	8.5	↗	36:	8.6	↑	37:	9.6	↖	38:	10.2x	↗	39:	8.5	↖	40:	10.3x	↗	Series		92.8	Total		370.1		
31:	9.4	↖																																					
32:	9.7	↗																																					
33:	9.1	↘																																					
34:	8.9	→																																					
35:	8.5	↗																																					
36:	8.6	↑																																					
37:	9.6	↖																																					
38:	10.2x	↗																																					
39:	8.5	↖																																					
40:	10.3x	↗																																					
Series		92.8																																					
Total		370.1																																					

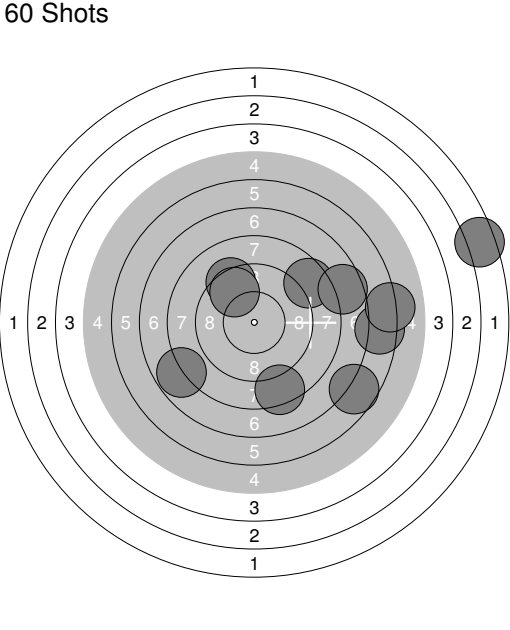
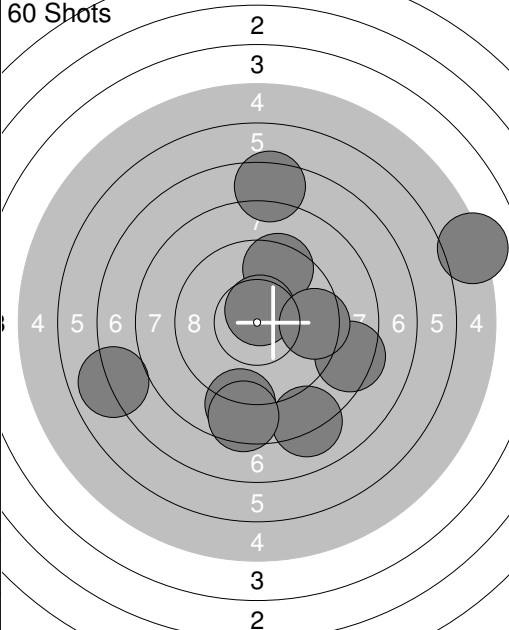
<p>Sight</p> 	<p>1: 6.3 ← 2: 6.0 → 3: 7.6 ← 4: 9.5 ↙ 5: 7.9 → 6: 9.3 ← 7: 10.2x → 8: 8.9 ↙ 9: 7.7 ← 10: 7.8 ↙</p> <p>Series 81.2 Total 0.0</p>	<p>Sight</p> 	<p>11: 10.4x ← 12: 9.3 ↙ 13: 8.7 ↗ 14: 9.3 ↙ 15: 8.4 → 16: 0.0 ↙ 17: 2.8 → 18: 9.9 → 19: 9.0 ↗ 20: 7.8 ↗</p> <p>Series 75.6 Total 0.0</p>
--	--	--	---

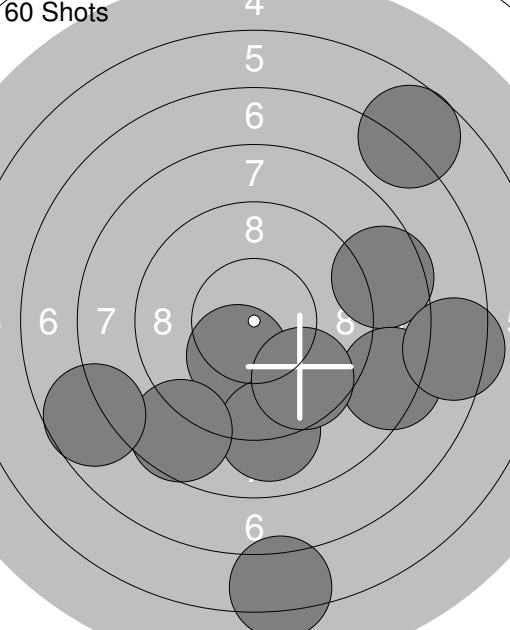
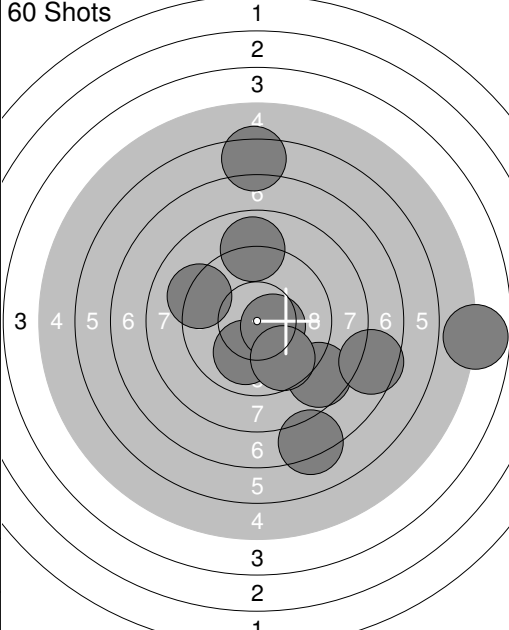
<p>Sight</p> 	<p>21: 9.8 ↑</p> <p>Series 9.8 Total 0.0</p>	<p>60 Shots</p> 	<p>1: 10.3x ↖ 2: 9.8 ← 3: 8.5 → 4: 10.5x ← 5: 8.6 → 6: 7.6 ← 7: 8.9 ↖ 8: 9.7 → 9: 7.9 ↙ 10: 9.9 →</p> <p>Series 91.7 Total 91.7</p>
---	--	--	---

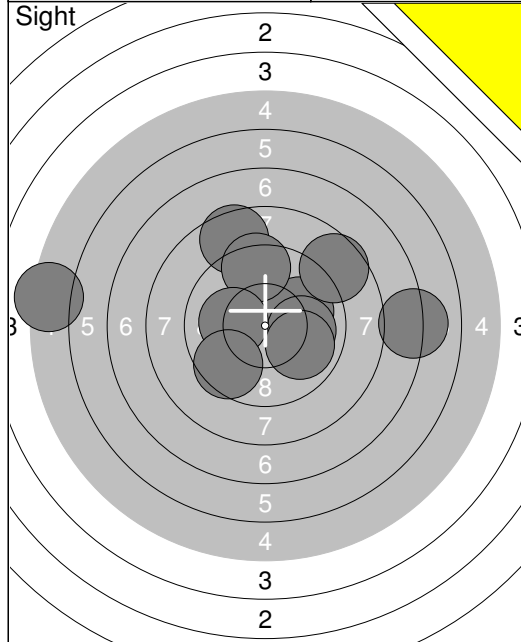
<p>60 Shots</p> 	<p>11: 8.5 → 12: 8.9 ← 13: 8.6 ← 14: 9.9 ↙ 15: 10.4x ← 16: 8.6 ↑ 17: 8.9 ↙ 18: 7.9 ← 19: 9.1 ← 20: 8.9 ↗</p> <p>Series 89.7 Total 181.4</p>	<p>60 Shots</p> 	<p>21: 9.9 ← 22: 8.5 ← 23: 10.7x ← 24: 9.9 ↙ 25: 7.5 ← 26: 8.2 ← 27: 10.1 → 28: 9.3 ← 29: 5.7 → 30: 7.7 →</p> <p>Series 87.5 Total 268.9</p>
---	---	---	--

<p>60 Shots</p> 	<p>31: 8.2 ← 32: 9.1 ← 33: 9.3 ↗ 34: 10.6x ↗ 35: 10.1 ↙ 36: 7.0 ↙ 37: 10.6x ← 38: 8.7 ← 39: 9.5 → 40: 10.4x ↖</p> <p>Series 93.5 Total 362.4</p>		
---	--	--	--

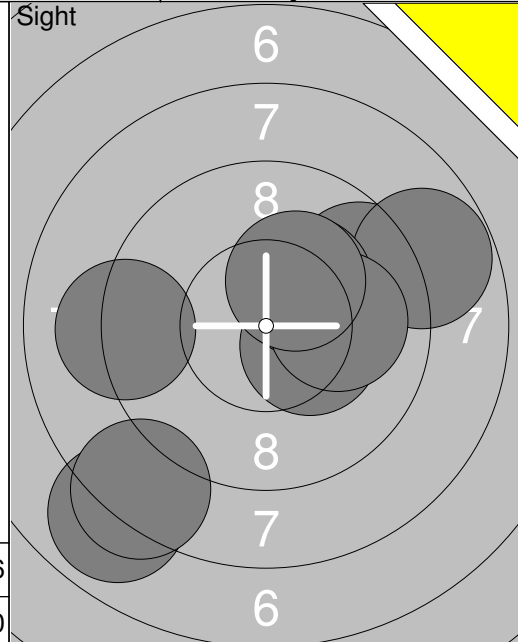
<p>Sight</p>  <p style="text-align:center;">3 4 5 6 7 8 9 10 11 12 13 14 15 16 17 18 19</p>	<p>1: 9.1 ↘ 2: 3.5 ↘ 3: 9.6 ← 4: 9.9 ↘ 5: 10.1 ↘ 6: 8.1 ↗ 7: 8.9 ↗ 8: 8.8 → 9: 9.1 ↘ 10: 8.9 ↗</p> <p>Series 86.0 Total 0.0</p>	<p>Sight</p>  <p style="text-align:center;">3 4 5 6 7 8 9 10 11 12 13 14 15 16 17 18 19</p>	<p>11: 10.5x → 12: 8.9 ↘ 13: 8.6 ↘ 14: 9.6 ← 15: 6.7 ↓ 16: 10.6x ↖ 17: 7.3 ↘ 18: 3.7 ↘ 19: 9.1 ↘</p> <p>Series 75.0 Total 0.0</p>
--	---	--	---

<p>60 Shots</p>  <p style="text-align:center;">1 2 3 4 5 6 7 8 9 10 11 12 13 14 15 16 17 18 19 20</p>	<p>1: 9.3 ↗ 2: 8.5 ↗ 3: 9.7 ↗ 4: 8.4 ↘ 5: 2.4 → 6: 6.4 → 7: 6.7 ↘ 8: 7.6 → 9: 6.1 → 10: 7.8 ↙</p> <p>Series 72.9 Total 72.9</p>	<p>60 Shots</p>  <p style="text-align:center;">2 3 4 5 6 7 8 9 10 11 12 13 14 15 16 17 18 19 20</p>	<p>11: 8.4 → 12: 8.1 ↘ 13: 9.5 ↗ 14: 8.8 ↘ 15: 10.6x ↗ 16: 7.0 ← 17: 5.1 → 18: 9.5 → 19: 7.5 ↗ 20: 8.5 ↘</p> <p>Series 83.0 Total 155.9</p>
---	---	---	---

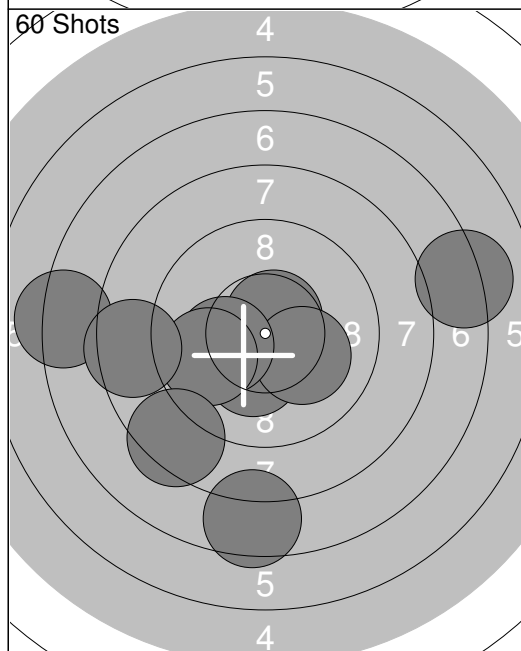
<p>60 Shots</p>  <p style="text-align:center;">4 5 6 7 8 9 10 11 12 13 14 15 16 17 18 19 20</p>	<p>21: 10.3x ↘ 22: 9.0 ↘ 23: 8.6 ↘ 24: 7.7 ← 25: 8.6 → 26: 6.7 ↗ 27: 8.3 → 28: 6.3 ↘ 29: 9.6 ↘ 30: 7.4 →</p> <p>Series 82.5 Total 238.4</p>	<p>60 Shots</p>  <p style="text-align:center;">1 2 3 4 5 6 7 8 9 10 11 12 13 14 15 16 17 18 19 20</p>	<p>31: 8.7 ↘ 32: 4.8 → 33: 10.0 ↘ 34: 10.5x → 35: 9.7 ↘ 36: 7.6 → 37: 7.3 ↘ 38: 9.2 ↖ 39: 6.4 ↗ 40: 8.9 ↗</p> <p>Series 83.1 Total 321.5</p>
--	---	--	--



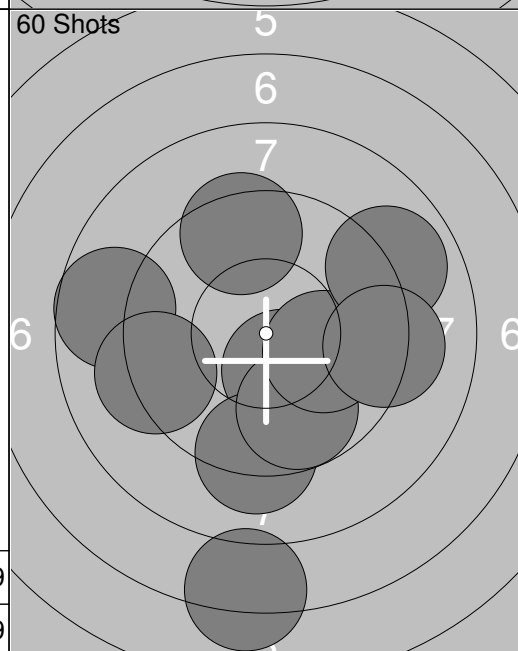
1:	8.6	↗
2:	5.3	←
3:	10.0	→
4:	9.4	↑
5:	8.6	↗
6:	10.0	→
7:	9.9	↘
8:	10.1	←
9:	9.6	↙
10:	7.1	→
Series		88.6
Total		0.0



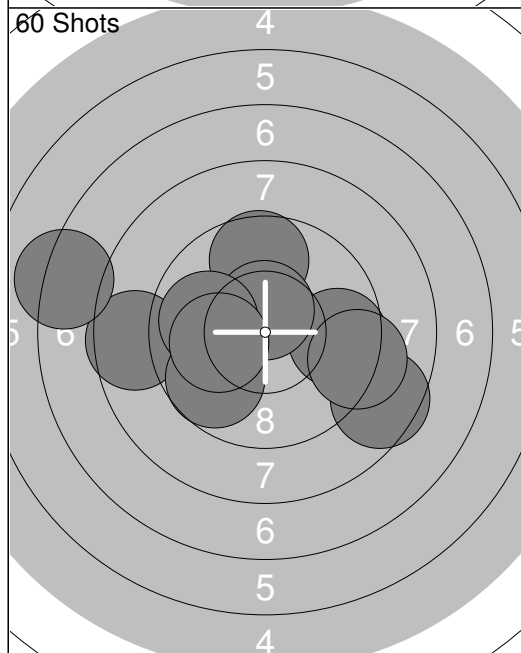
11:	9.6	↗
12:	10.3x	→
13:	9.2	←
14:	8.8	↗
15:	7.9	↙
16:	10.3x	↗
17:	10.0	→
18:	10.3x	↗
19:	8.3	↙
Series		84.7
Total		0.0



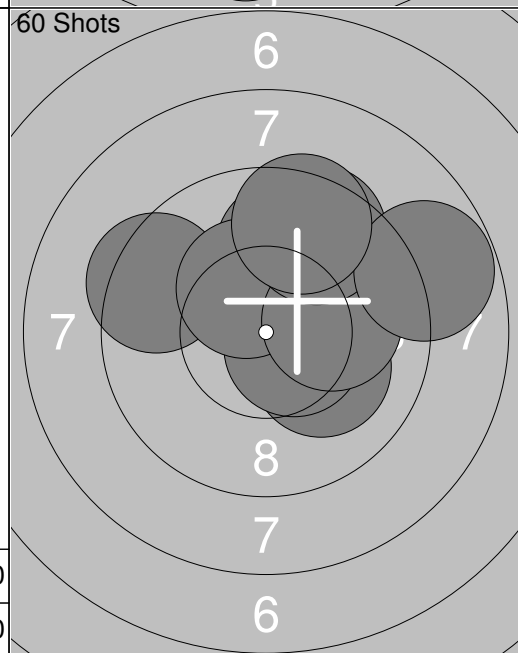
1:	7.5	↓
2:	10.6x	↗
3:	10.3x	↘
4:	10.2x	→
5:	7.2	←
6:	10.2x	←
7:	9.8	←
8:	8.4	↙
9:	7.2	→
10:	8.5	←
Series		89.9
Total		89.9



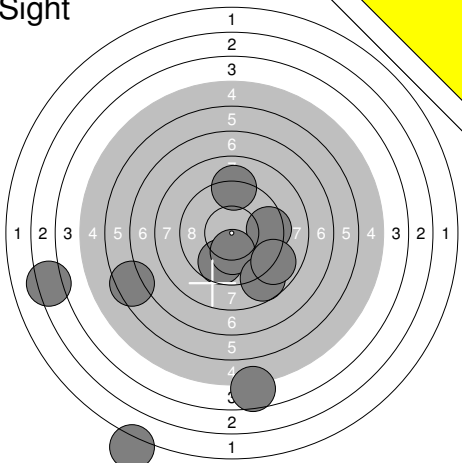
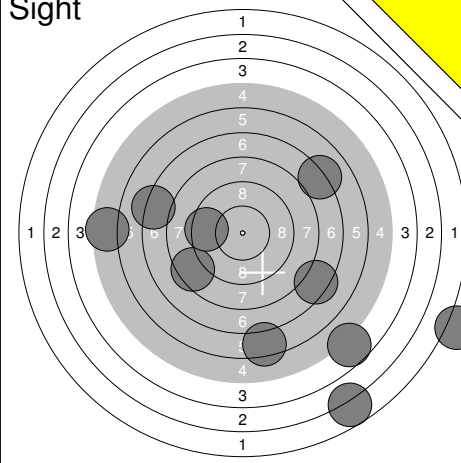
11:	7.2	↓
12:	8.7	←
13:	10.4x	↘
14:	9.4	↑
15:	9.2	↓
16:	9.8	↓
17:	10.1	→
18:	9.2	←
19:	8.9	↗
20:	9.2	→
Series		92.1
Total		182.0

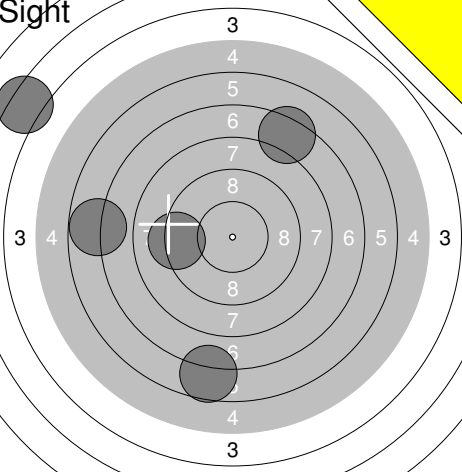
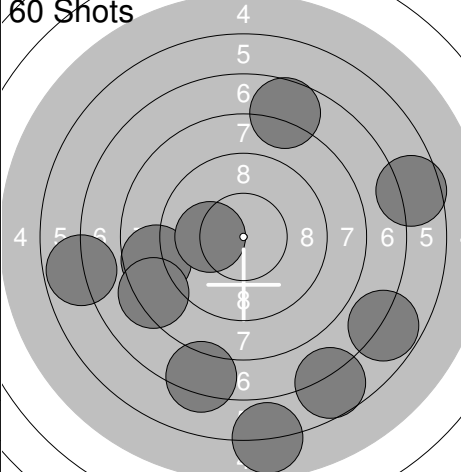


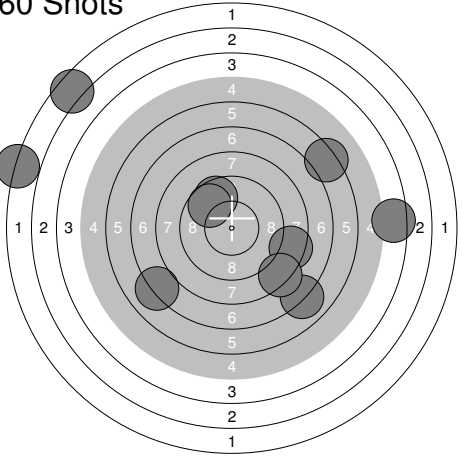
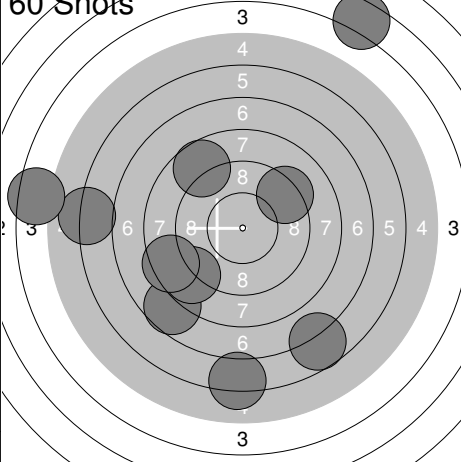
21:	9.6	→
22:	9.6	↑
23:	8.6	←
24:	8.6	↘
25:	9.7	↙
26:	7.2	←
27:	9.2	→
28:	10.5x	↑
29:	9.9	←
30:	10.1	←
Series		93.0
Total		275.0

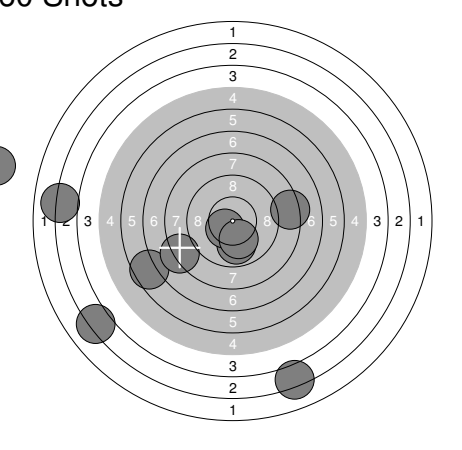


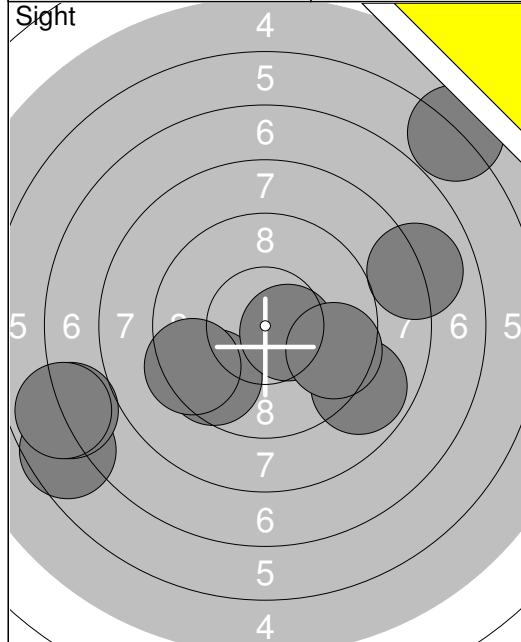
31:	9.4	←
32:	10.1	↘
33:	9.9	↗
34:	10.6x	→
35:	9.9	↑
36:	10.3x	↗
37:	10.1	→
38:	9.5	↗
39:	8.8	→
40:	9.5	↑
Series		98.1
Total		373.1

Sight 	1: 3.3 ← 2: 9.7 ↓ 3: 9.1 ↑ 4: 9.4 → 5: 4.6 ↓ 6: 10.2x ↓ 7: 1.5 ↓ 8: 8.7 ↓ 9: 6.5 ← 10: 8.9 ↓ Series 71.9 Total 0.0	Sight 	11: 5.4 ← 12: 8.4 ↙ 13: 6.3 ↓ 14: 1.4 → 15: 7.1 ↗ 16: 7.3 ↘ 17: 2.7 ↓ 18: 7.2 ← 19: 9.5 ← 20: 4.7 ↓ Series 60.0 Total 0.0
--	---	--	--

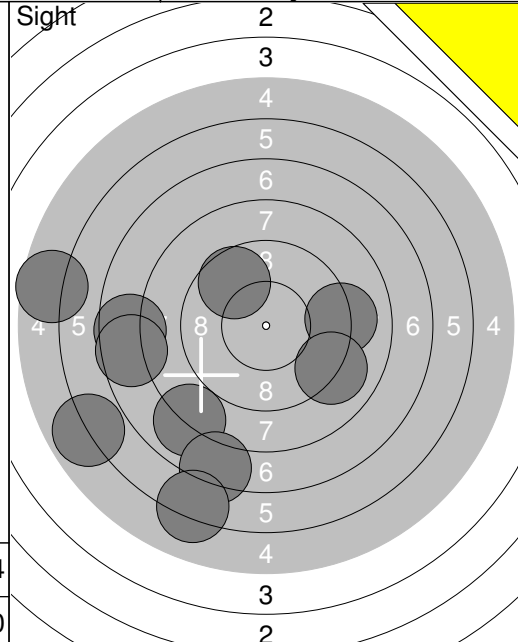
Sight 	21: 9.2 ← 22: 3.3 ↗ 23: 6.8 ← 24: 7.4 ↗ 25: 6.7 ↓ Series 33.4 Total 0.0	60 Shots 	1: 7.3 ↓ 2: 8.7 ← 3: 6.8 ↘ 4: 6.8 ← 5: 5.9 ↓ 6: 7.7 ↑ 7: 8.3 ← 8: 6.6 → 9: 10.1 ← 10: 6.7 ↓ Series 74.9 Total 74.9
---	---	--	---

60 Shots 	11: 8.4 → 12: 9.6 ↗ 13: 2.5 ↗ 14: 9.7 ↗ 15: 2.0 ← 16: 7.0 ↓ 17: 8.2 ↓ 18: 6.2 ↗ 19: 7.1 ← 20: 4.4 → Series 65.1 Total 140.0	60 Shots 	21: 6.7 ↓ 22: 7.7 ↘ 23: 3.5 ↗ 24: 6.2 ↓ 25: 6.1 ← 26: 8.8 ↘ 27: 8.7 ↗ 28: 9.3 ↗ 29: 8.4 ← 30: 4.4 ← Series 69.8 Total 209.8
---	--	---	--

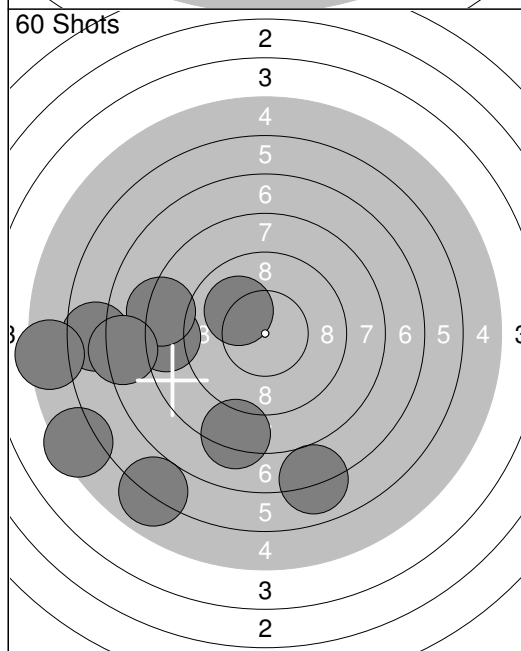
60 Shots 	31: 3.1 ↙ 32: 6.6 ↙ 33: 9.9 ↓ 34: 10.4x ↙ 35: 8.3 → 36: 10.1 ↓ 37: 3.0 ← 38: 3.2 ↓ 39: 0.0 ← 40: 8.1 ↙ Series 62.7 Total 272.5	
---	---	--



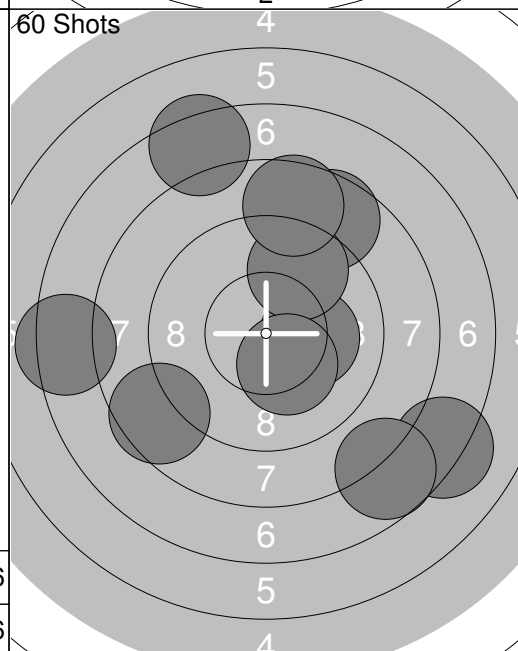
1: 9.6 ↙
2: 6.6 ↙
3: 10.5x →
4: 8.9 ↘
5: 8.0 →
6: 5.9 ↗
7: 9.6 →
8: 7.0 ←
9: 6.9 ←
10: 9.4 ↙
Series 82.4
Total 0.0



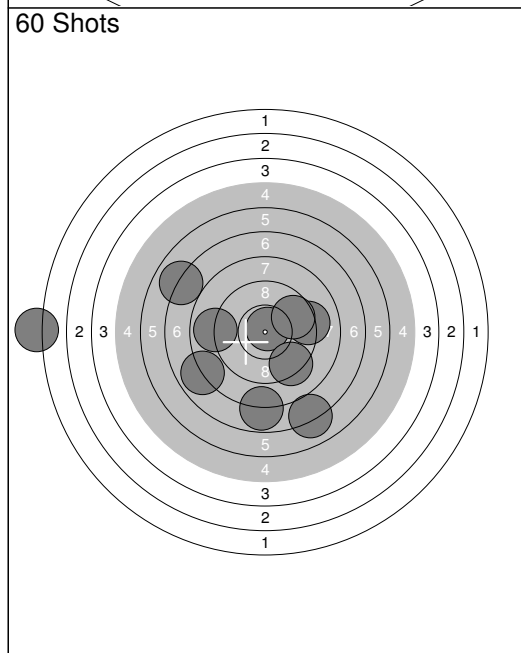
11: 7.6 ←
12: 9.1 →
13: 8.0 ↙
14: 9.6 ↗
15: 7.2 ↘
16: 9.1 ↘
17: 6.2 ↘
18: 5.9 ←
19: 5.6 ←
20: 7.6 ←
Series 75.9
Total 0.0



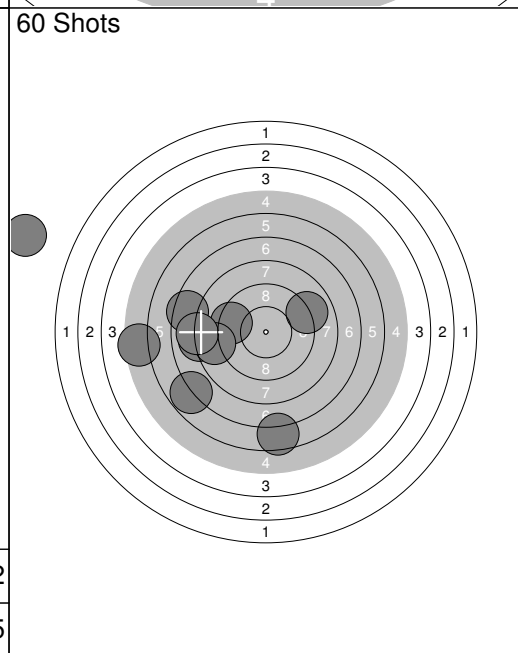
1: 8.3 ↘
2: 8.4 ←
3: 10.0 ↗
4: 6.0 ↘
5: 8.2 ←
6: 6.6 ←
7: 7.0 ↘
8: 5.4 ←
9: 7.3 ←
10: 5.4 ↙
Series 72.6
Total 72.6



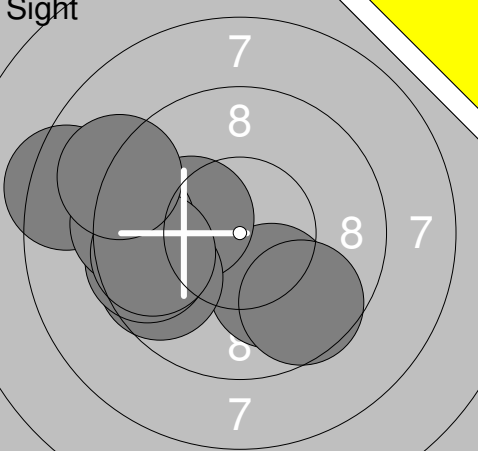
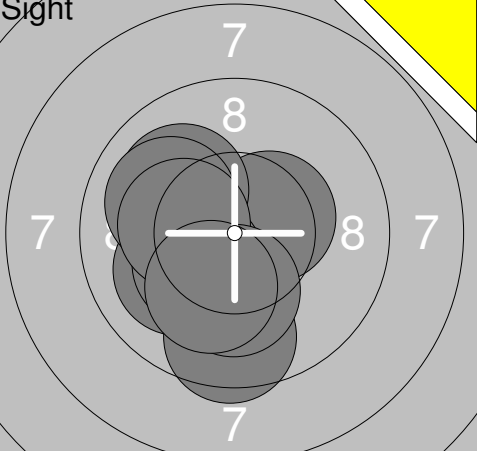
11: 8.6 ↗
12: 7.2 ↘
13: 10.2x →
14: 7.4 ↗
15: 9.7 ↗
16: 10.3x ↘
17: 8.6 ←
18: 8.6 ↗
19: 7.4 ←
20: 7.7 ↘
Series 85.7
Total 158.3


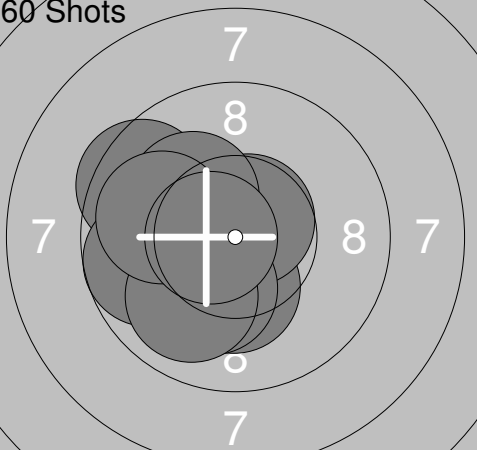


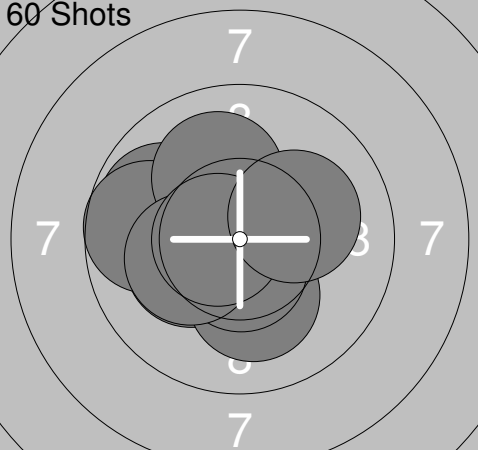

21: 10.8x ↗
22: 9.2 →
23: 7.9 ↙
24: 9.3 ↘
25: 1.6 ←
26: 7.0 ↗
27: 8.9 ←
28: 7.0 ↘
29: 9.7 ↗
30: 7.8 ↘
Series 79.2
Total 237.5

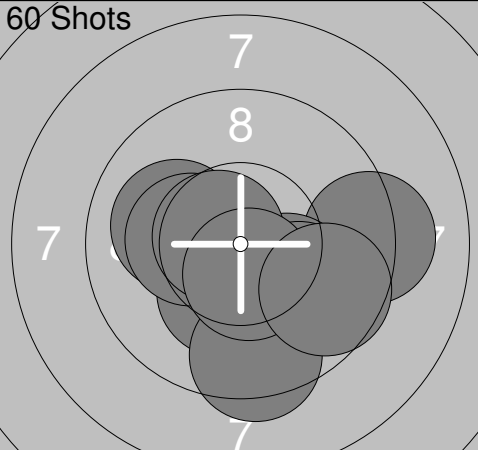


31: 8.0 ←
32: 9.0 →
33: 6.8 ↙
34: 6.5 ↘
35: 5.4 ←
36: 0.0 ←
37: 7.4 ←
38: 9.4 ←
39: 8.7 ←
40: 8.0 ←
Series 69.2
Total 306.7

<p>Sight</p> 	<p>1: 10.1 ↘ 2: 9.8 ← 3: 10.2x ← 4: 9.6 ↙ 5: 8.4 ← 6: 9.6 ↘ 7: 9.6 ← 8: 9.4 ← 9: 9.7 ← 10: 9.1 ↖</p> <p>Series 95.5 Total 0.0</p>	<p>Sight</p> 	<p>11: 10.7x ← 12: 10.4x → 13: 10.0 ↖ 14: 10.1 ↙ 15: 10.0 ↖ 16: 9.5 ↓ 17: 10.3x ↙ 18: 10.3x ← 19: 10.2x ↓ 20: 10.2x ↘</p> <p>Series 101.7 Total 0.0</p>
--	---	--	---

<p>Sight</p> 	<p>21: 10.2x ← 22: 10.7x ↖</p> <p>Series 20.9 Total 0.0</p>	<p>60 Shots</p> 	<p>1: 10.3x ↓ 2: 9.9 ← 3: 10.7x ↗ 4: 9.5 ↖ 5: 10.2x ↓ 6: 10.2x ↖ 7: 9.7 ← 8: 10.0 ↓ 9: 9.9 ← 10: 10.6x ←</p> <p>Series 101.0 Total 101.0</p>
---	---	--	--


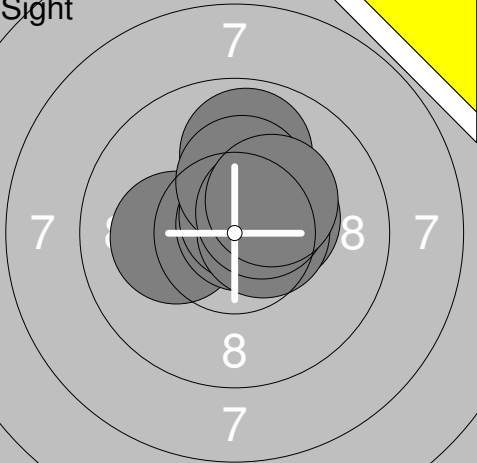
<p>60 Shots</p> 	<p>11: 9.8 ← 12: 10.2x ← 13: 10.2x ↓ 14: 9.7 ← 15: 10.7x ← 16: 10.1 ↗ 17: 10.6x ↓ 18: 10.2x ← 19: 10.7x ← 20: 10.1 →</p> <p>Series 102.3 Total 203.3</p>	<p>60 Shots</p> 	<p>21: 10.5x ← 22: 10.6x ↓ 23: 10.2x ↘ 24: 10.7x ↗ 25: 10.9x ↓ 26: 10.1 ↗ 27: 10.2x ↓ 28: 10.6x ← 29: 10.2x ↙ 30: 10.5x ↖</p> <p>Series 104.5 Total 307.8</p>
---	--	---	---



<p>60 Shots</p> 	<p>31: 10.1 ← 32: 9.2 → 33: 10.2x ↓ 34: 10.0 ↓ 35: 10.3x ↓ 36: 10.3x ← 37: 10.6x ↖ 38: 9.4 ↓ 39: 10.5x ↓ 40: 9.7 ↘</p> <p>Series 100.3 Total 408.1</p>		
---	--	--	--

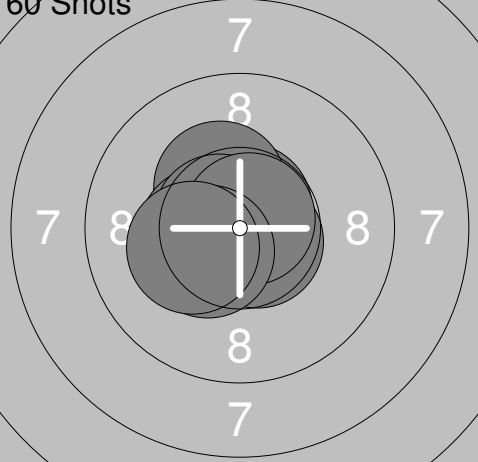

<p>Sight</p>	<p>Sight</p>
---------------------	---------------------


<p>60 Shots</p>	<p>60 Shots</p>
------------------------	------------------------

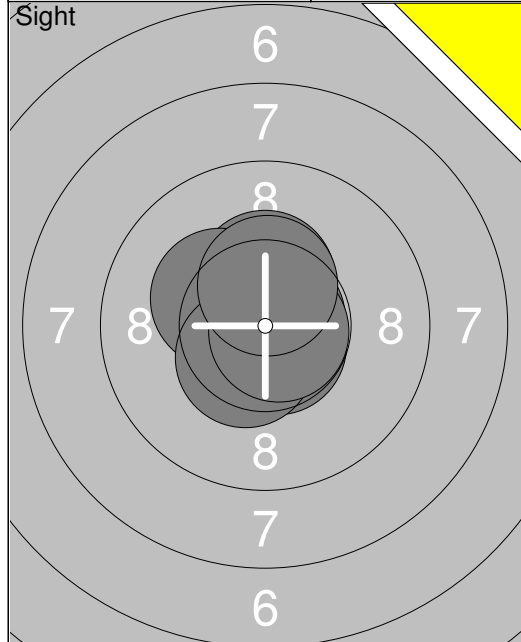
<p>60 Shots</p>	<p>60 Shots</p>
------------------------	------------------------

Sight 	1: 9.7 ↑ 2: 10.4x ↗ 3: 10.2x ↑ 4: 10.1 ↑ 5: 10.3x ← 6: 10.6x ↘ 7: 10.1 ↘ 8: 10.8x ↘ 9: 10.6x ↑ 10: 9.9 ↑ Series 102.7 Total 0.0	Sight 	11: 9.9 ↑ 12: 10.2x ← 13: 10.4x → 14: 10.5x ↑ 15: 10.8x ↗ 16: 10.7x ↑ 17: 10.6x → 18: 10.2x ↑ 19: 10.5x ↗ 20: 10.3x ↗ Series 104.1 Total 0.0
--	--	--	---

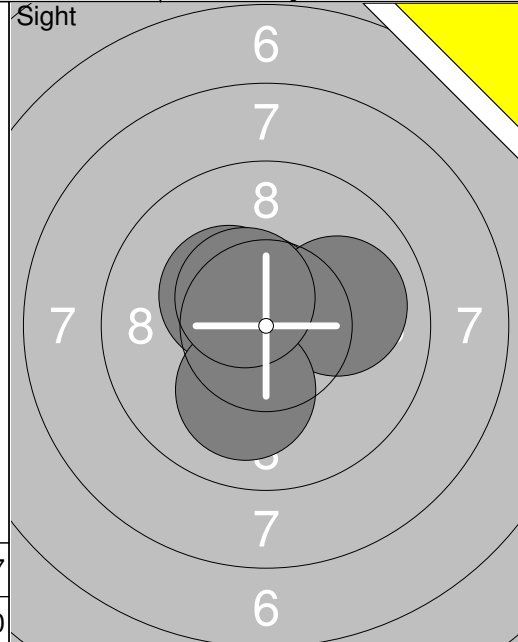
Sight 	21: 10.5x ↗ 22: 10.3x ↗ 23: 10.5x ↗ 24: 10.4x ↓ 25: 10.7x ← 26: 10.5x ↗ 27: 10.8x ↘ Series 73.7 Total 0.0	60 Shots 	1: 10.3x ↗ 2: 10.4x ↑ 3: 10.6x ← 4: 10.6x ↓ 5: 10.4x ↗ 6: 10.6x ↑ 7: 10.5x → 8: 10.6x ↘ 9: 10.8x ↘ 10: 10.8x ↑ Series 105.6 Total 105.6
---	---	--	--

60 Shots 	11: 10.7x ↑ 12: 10.5x ↘ 13: 10.6x ↘ 14: 10.6x ↘ 15: 10.3x ↑ 16: 10.5x ← 17: 10.7x ← 18: 10.8x ↗ 19: 10.4x ↘ 20: 10.3x ← Series 105.4 Total 211.0	60 Shots 	21: 10.5x ↘ 22: 10.5x ↗ 23: 10.5x ← 24: 10.6x ↓ 25: 10.5x ↑ 26: 10.6x ← 27: 10.7x ← 28: 10.4x ↓ 29: 10.4x ← 30: 10.6x ← Series 105.3 Total 316.3
---	---	---	---

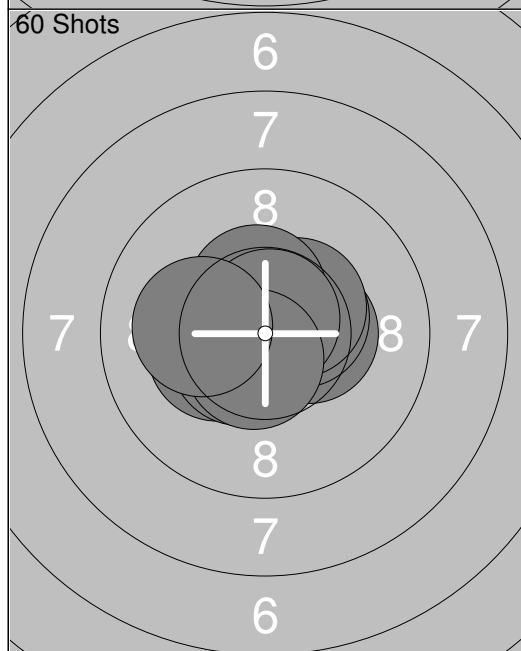
60 Shots 	31: 10.4x ↘ 32: 10.2x ↘ 33: 10.3x ↑ 34: 10.7x ↑ 35: 10.4x ↘ 36: 10.2x ← 37: 10.7x ↓ 38: 10.7x → 39: 10.4x ↓ 40: 10.4x ↓ Series 104.4 Total 420.7		
---	---	--	--



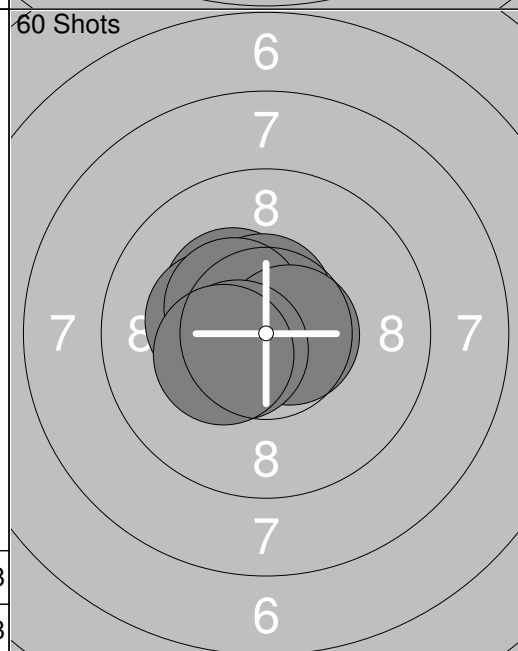
1: 10.5x ↑
2: 10.7x ↓
3: 10.8x ↑
4: 10.5x ↖
5: 10.4x ↑
6: 10.8x ↗
7: 10.3x ↖
8: 10.5x ↓
9: 10.8x →
10: 10.4x ↑
Series 105.7
Total 0.0



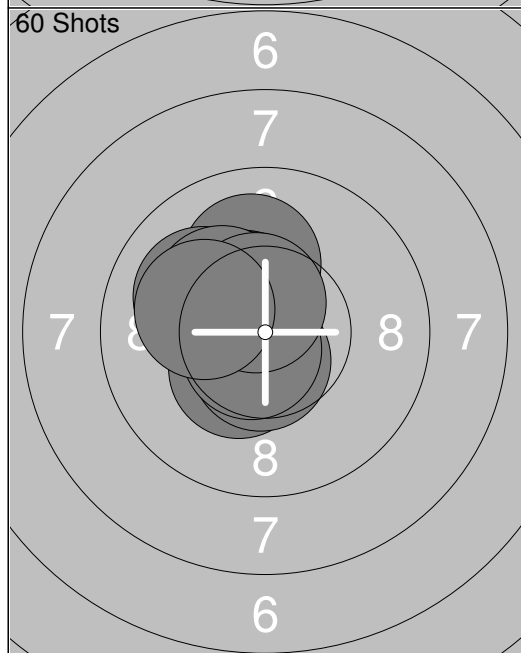
11: 10.7x ↑
12: 10.3x ↖
13: 10.0 →
14: 10.1 ↓
15: 10.5x ↖
Series 51.6
Total 0.0



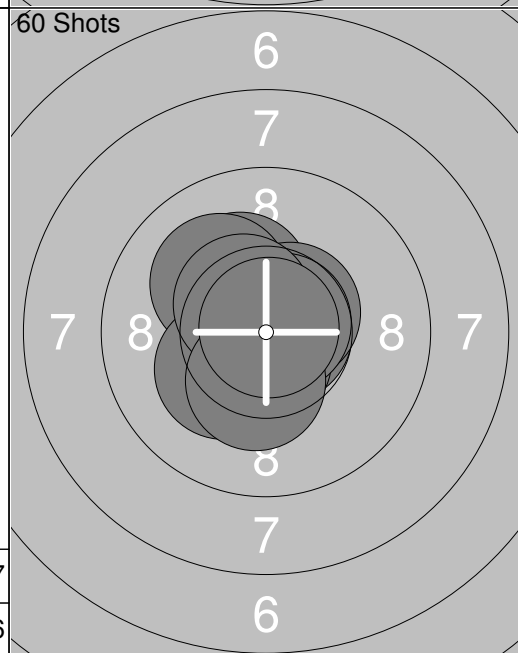
1: 10.3x ←
2: 10.4x →
3: 10.8x ←
4: 10.5x ↖
5: 10.5x ↗
6: 10.4x ↗
7: 10.4x ↑
8: 10.8x ↑
9: 10.6x ↓
10: 10.1 ←
Series 104.8
Total 104.8



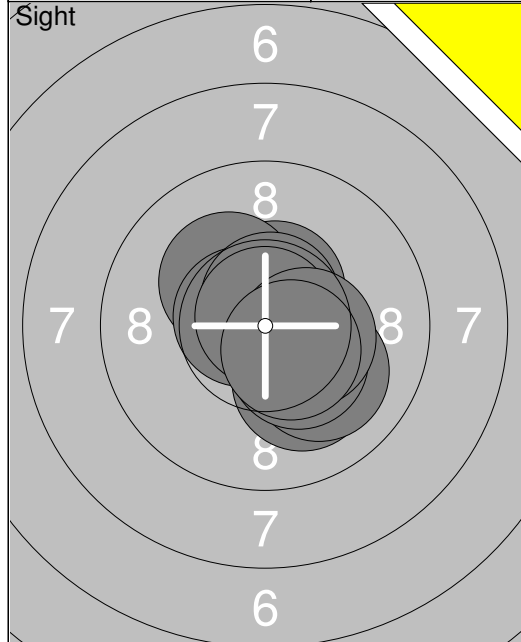
11: 10.8x ←
12: 10.3x ↖
13: 10.6x ↑
14: 10.5x ↖
15: 10.7x ←
16: 10.3x ↖
17: 10.4x ↖
18: 10.7x →
19: 10.5x ↖
20: 10.3x ↖
Series 105.1
Total 209.9



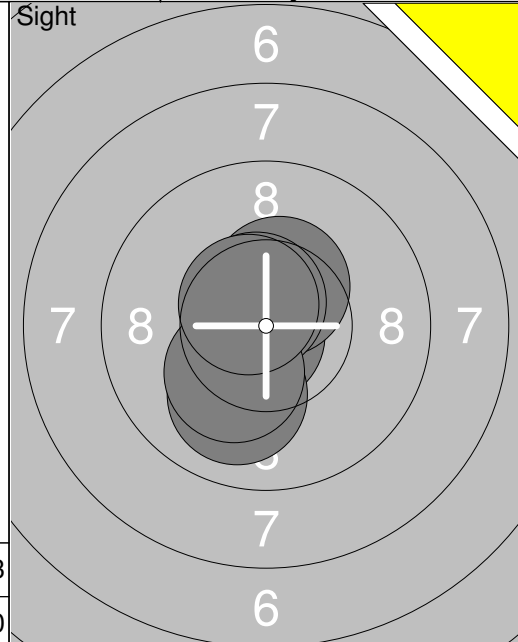
21: 10.4x ↖
22: 10.6x ↓
23: 10.1 ↑
24: 10.0 ↖
25: 10.5x ↖
26: 10.5x ↑
27: 10.7x ↖
28: 10.2x ↖
29: 10.6x ↑
30: 10.1 ←
Series 103.7
Total 313.6



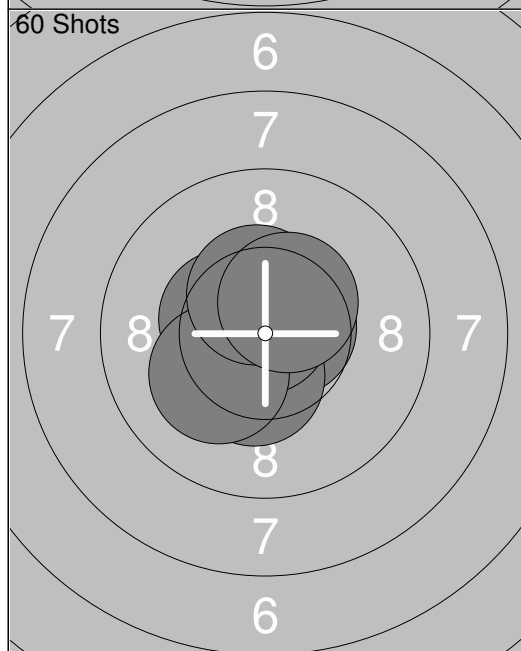
31: 10.2x ↑
32: 10.7x →
33: 10.6x ↗
34: 10.6x ↓
35: 10.1 ↖
36: 10.7x ↗
37: 10.2x ↖
38: 10.5x ↖
39: 10.3x ↓
40: 10.9x ↑
Series 104.8
Total 418.4



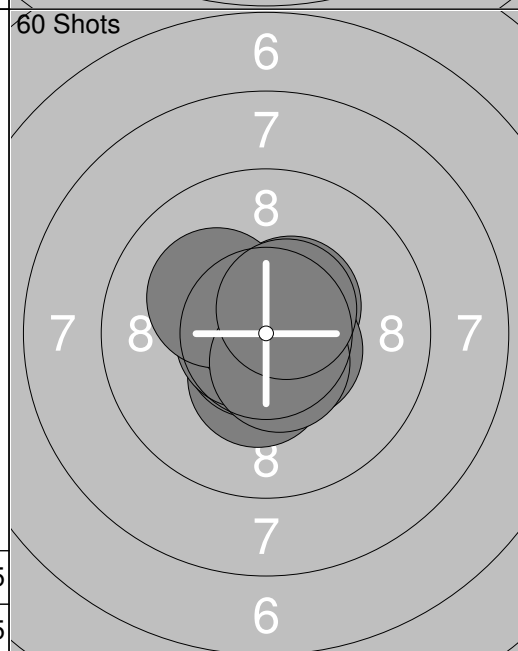
1:	10.5x ↗
2:	10.2x ↖
3:	10.7x ↖
4:	10.6x ↗
5:	10.1 ↘
6:	10.8x ↗
7:	10.1 ↘
8:	10.4x ↘
9:	10.4x →
10:	10.5x ↘
Series	104.3
Total	0.0



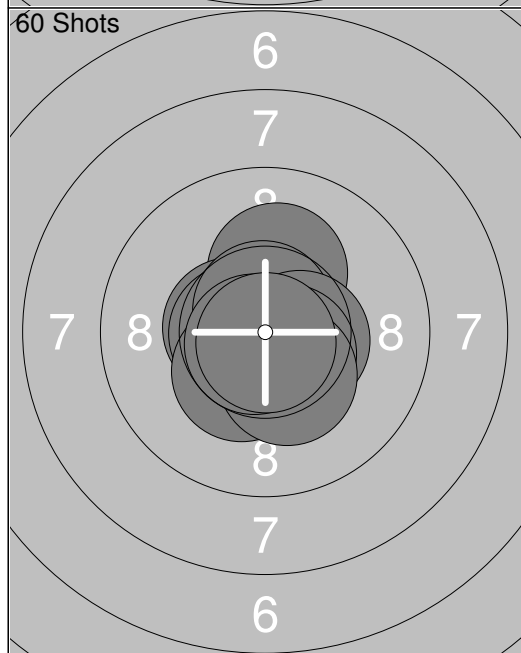
11:	10.8x ↙
12:	10.4x ↗
13:	10.6x ↖
14:	10.0 ↘
15:	10.2x ↙
16:	10.6x ↖
Series	62.6
Total	0.0



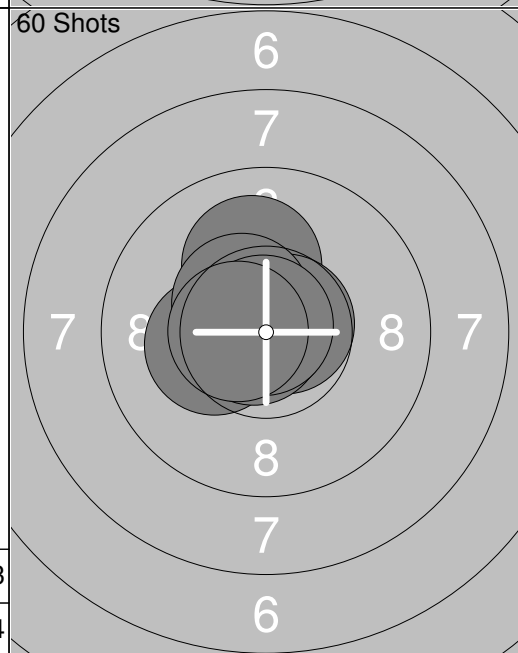
1:	10.8x ↖
2:	10.6x ↖
3:	10.6x ↖
4:	10.7x →
5:	10.5x ↖
6:	10.4x ↘
7:	10.8x ↗
8:	10.2x ↖
9:	10.4x ↗
10:	10.5x ↗
Series	105.5
Total	105.5



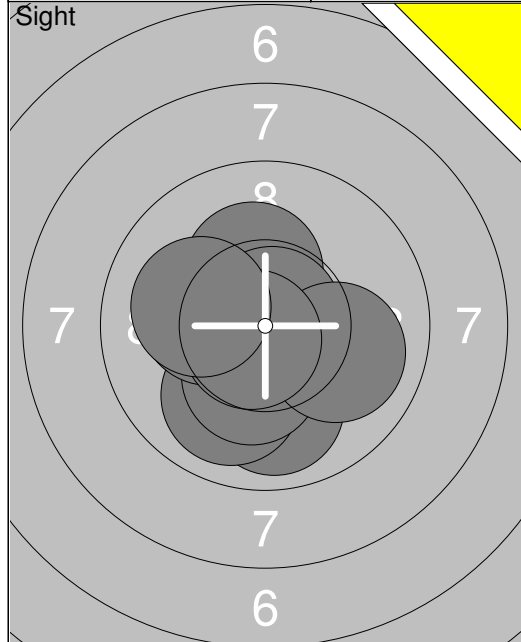
11:	10.4x ↘
12:	10.7x ↘
13:	10.5x ↗
14:	10.7x ↘
15:	10.7x ↖
16:	10.8x ↖
17:	10.6x →
18:	10.2x ↖
19:	10.5x ↘
20:	10.5x ↗
Series	105.6
Total	211.1



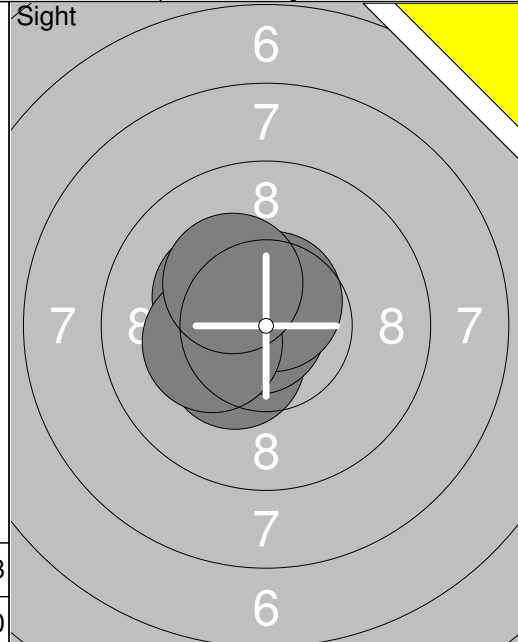
21:	10.2x ↗
22:	10.5x ↖
23:	10.6x ↖
24:	10.7x ↗
25:	10.5x →
26:	10.4x ↘
27:	10.6x ↘
28:	10.3x ↘
29:	10.7x ↖
30:	10.8x ↘
Series	105.3
Total	316.4



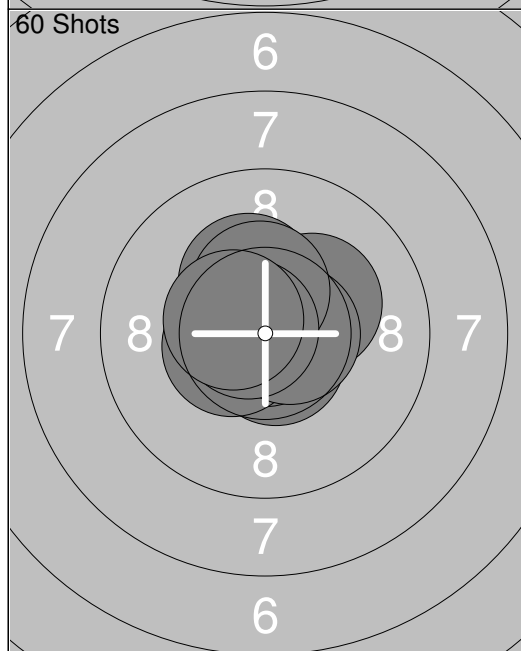
31:	10.8x ↖
32:	10.1 ↗
33:	10.7x →
34:	10.8x ↖
35:	10.9x ↖
36:	10.3x ↖
37:	10.5x ↖
38:	10.8x ↖
39:	10.9x ↖
40:	10.6x ↖
Series	106.4
Total	422.8



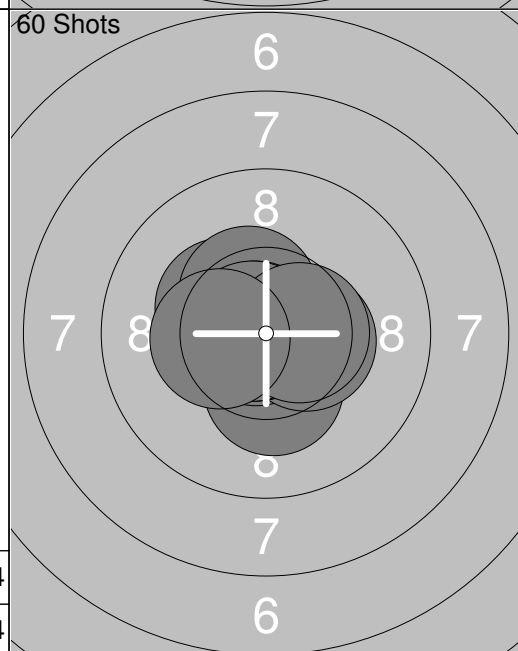
1: 10.6x ↙
2: 9.9 ↓
3: 10.2x ↑
4: 10.0 ↘
5: 10.3x ↓
6: 10.2x ←
7: 10.8x ↗
8: 10.0 →
9: 10.7x ↘
10: 10.1 ←
Series 102.8
Total 0.0



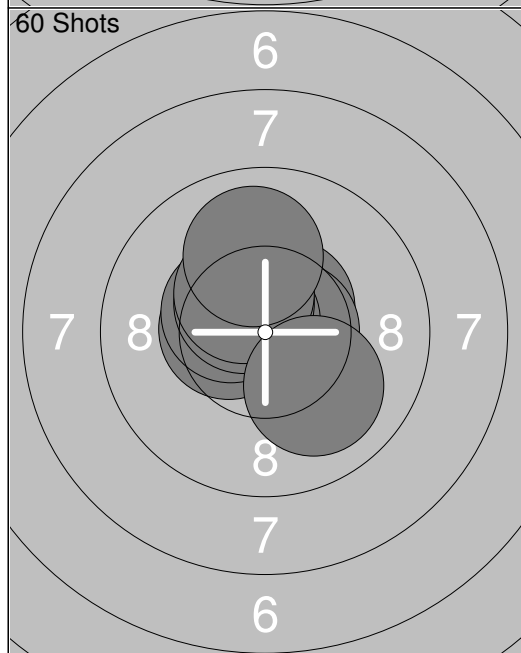
11: 10.4x ↘
12: 10.8x ←
13: 10.6x ↑
14: 10.3x ↘
15: 10.2x ←
16: 10.3x ↘
Series 62.6
Total 0.0



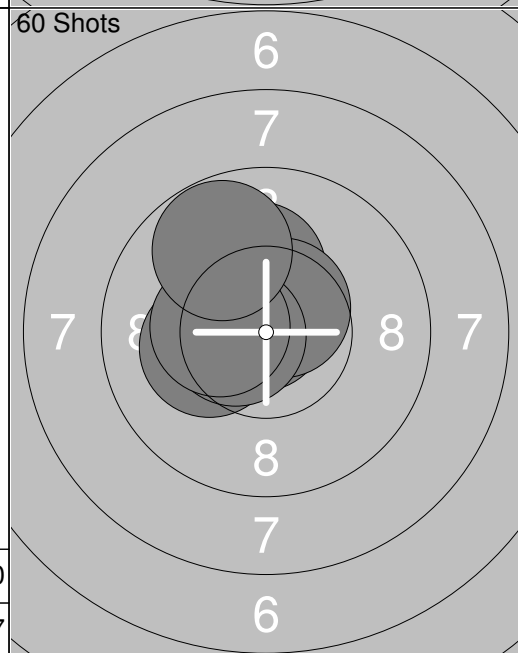
1: 10.6x ↓
2: 10.3x ↑
3: 10.7x ↗
4: 10.9x ↓
5: 10.2x ↗
6: 10.5x ←
7: 10.6x →
8: 10.4x ↑
9: 10.7x ←
10: 10.5x ←
Series 105.4
Total 105.4



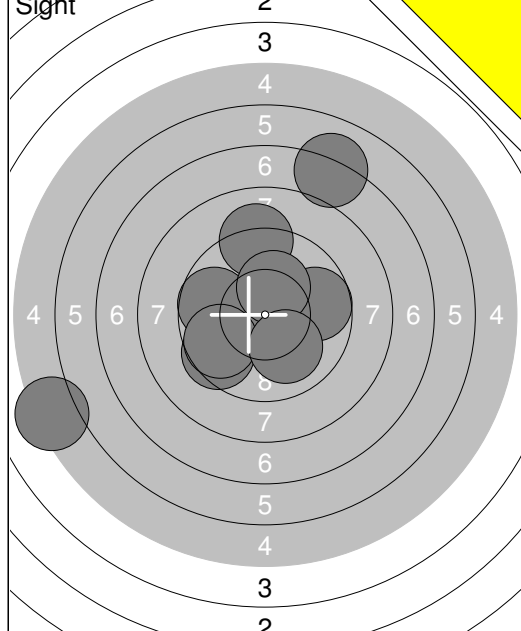
11: 10.3x ↘
12: 10.6x ↓
13: 10.3x ↓
14: 10.4x ↗
15: 10.8x ←
16: 10.4x →
17: 10.8x ←
18: 10.8x ←
19: 10.5x →
20: 10.4x ←
Series 105.3
Total 210.7



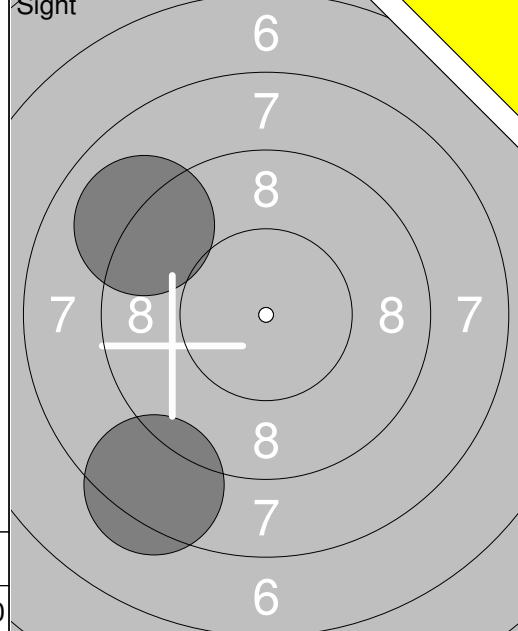
21: 10.3x ↑
22: 10.6x ↗
23: 10.6x →
24: 10.7x ↘
25: 10.5x ←
26: 10.4x ←
27: 10.5x ↗
28: 10.4x ↗
29: 10.0 ↓
30: 10.0 ↑
Series 104.0
Total 314.7



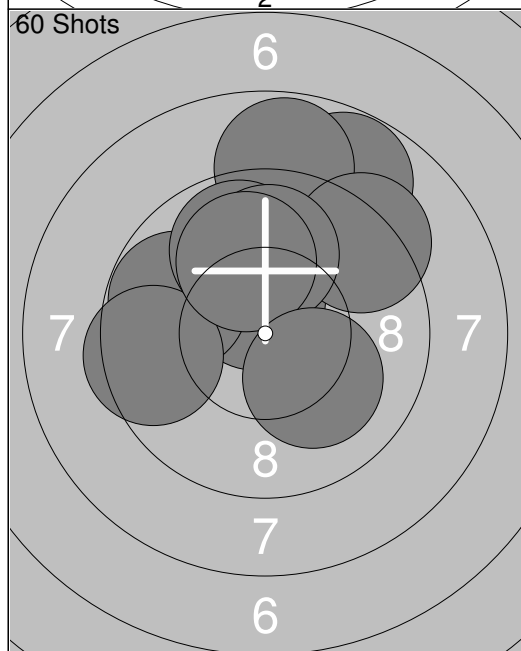
31: 10.3x ↗
32: 10.2x ↑
33: 10.2x ←
34: 10.8x ↘
35: 10.3x ↗
36: 10.7x ↘
37: 10.6x ↗
38: 10.6x ←
39: 10.4x ←
40: 9.8 ↗
Series 103.9
Total 418.6



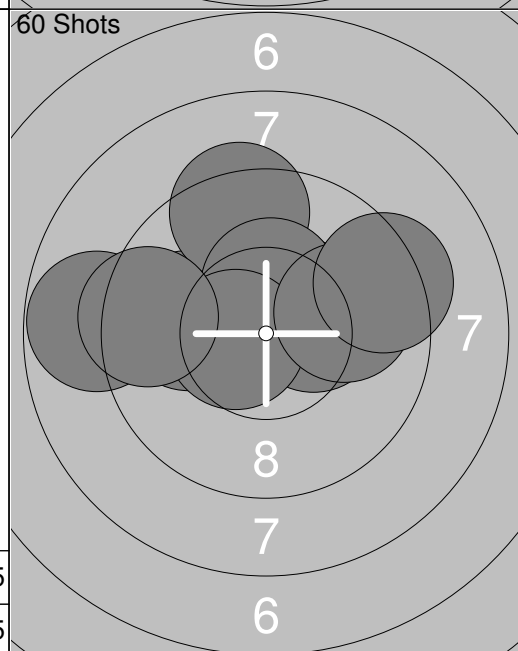
1: 9.5 ↙
2: 10.8x ↗
3: 9.1 ↑
4: 9.7 ←
5: 9.7 →
6: 10.3x ↑
7: 7.1 ↗
8: 5.2 ←
9: 9.7 ←
10: 10.0 ↘
Series 91.1
Total 0.0



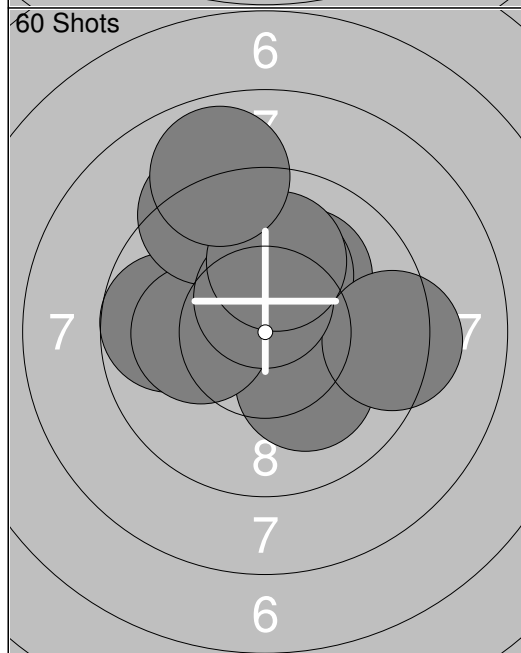
11: 9.0 ↖
12: 8.4 ↘
Series 17.4
Total 0.0



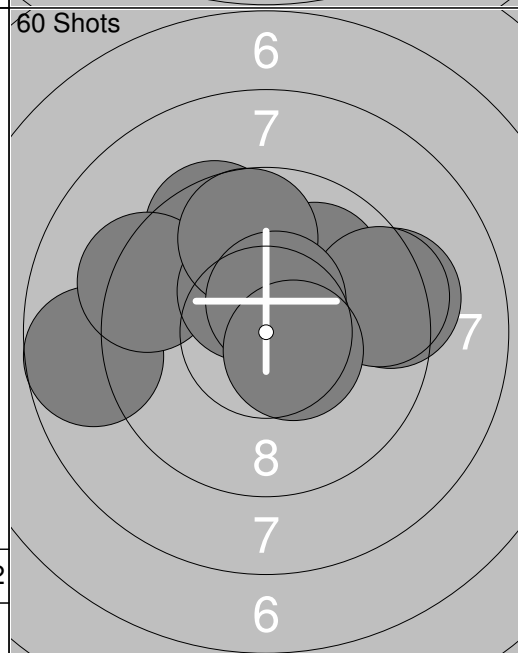
1: 10.5x ↑
2: 8.8 ↗
3: 9.8 ←
4: 8.8 ↑
5: 9.3 ↗
6: 9.5 ←
7: 9.8 ↑
8: 9.9 ↑
9: 10.0 ↑
10: 10.1 ↘
Series 96.5
Total 96.5



11: 9.9 ←
12: 10.4x ↗
13: 10.3x →
14: 9.4 ↑
15: 10.4x ↑
16: 8.8 ←
17: 10.6x ←
18: 9.9 →
19: 9.3 →
20: 9.4 ←
Series 98.4
Total 194.9



21: 10.1 ↗
22: 10.1 ↘
23: 9.7 ←
24: 10.1 ←
25: 9.3 ↗
26: 10.2x ↑
27: 9.3 →
28: 10.5x ↑
29: 10.0 ↑
30: 8.9 ↑
Series 98.2
Total 293.1



31: 8.7 ←
32: 9.5 ↖
33: 9.3 →
34: 10.0 ↗
35: 9.3 ↖
36: 10.4x ↖
37: 9.7 ↑
38: 9.4 →
39: 10.5x ↑
40: 10.5x ↘
Series 97.3
Total 390.4