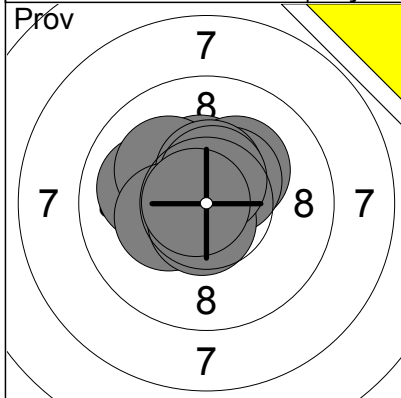


<p>Prov</p>	<p>1: 10.4x ↘ 2: 10.3x ↘ 3: 10.1 ↘ 4: 10.9x → 5: 10.5x ↘ 6: 10.4x ↗ 7: 10.7x ← 8: 10.8x ← 9: 10.8x ↘ 10: 10.4x ↗</p> <table border="1" style="width:100%; border-collapse: collapse;"> <tr><td>Serie</td><td>105.3</td></tr> <tr><td>Total</td><td>422.4</td></tr> </table>	Serie	105.3	Total	422.4	<p>Prov</p>	<p>11: 10.4x ↗ 12: 10.8x → 13: 10.4x → 14: 10.3x → 15: 10.7x ↘ 16: 10.6x ← 17: 10.2x ↘ 18: 10.5x → 19: 10.6x ←</p> <table border="1" style="width:100%; border-collapse: collapse;"> <tr><td>Serie</td><td>94.5</td></tr> <tr><td>Total</td><td>422.4</td></tr> </table>	Serie	94.5	Total	422.4
Serie	105.3										
Total	422.4										
Serie	94.5										
Total	422.4										

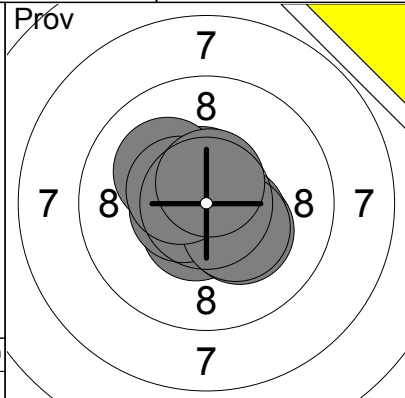
<p>1. Serie 5 Skott</p>	<p>2. Serie 1 Skott</p>								
<p>1: 10.2x ← 2: 10.2x ← 3: 10.4x ↗ 4: 10.2x ↘ 5: 10.4x ↘</p> <table border="1" style="width:100%; border-collapse: collapse;"> <tr><td>Serie</td><td>51.4</td></tr> <tr><td>Total</td><td>473.8</td></tr> </table>	Serie	51.4	Total	473.8	<p>1: 10.0 →</p> <table border="1" style="width:100%; border-collapse: collapse;"> <tr><td>Serie</td><td>10.0</td></tr> <tr><td>Total</td><td>483.8</td></tr> </table>	Serie	10.0	Total	483.8
Serie	51.4								
Total	473.8								
Serie	10.0								
Total	483.8								

<p>3. Serie 1 Skott</p>	<p>4. Serie 1 Skott</p>								
<p>1: 10.3x ↘</p> <table border="1" style="width:100%; border-collapse: collapse;"> <tr><td>Serie</td><td>10.3</td></tr> <tr><td>Total</td><td>494.1</td></tr> </table>	Serie	10.3	Total	494.1	<p>1: 10.7x →</p> <table border="1" style="width:100%; border-collapse: collapse;"> <tr><td>Serie</td><td>10.7</td></tr> <tr><td>Total</td><td>504.8</td></tr> </table>	Serie	10.7	Total	504.8
Serie	10.3								
Total	494.1								
Serie	10.7								
Total	504.8								

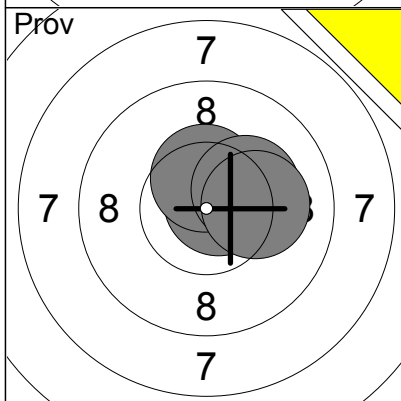
<p>5. Serie 1 Skott</p>	<p>6. Serie 1 Skott</p>								
<p>1: 10.5x ↗</p> <table border="1" style="width:100%; border-collapse: collapse;"> <tr><td>Serie</td><td>10.5</td></tr> <tr><td>Total</td><td>515.3</td></tr> </table>	Serie	10.5	Total	515.3	<p>1: 10.5x ←</p> <table border="1" style="width:100%; border-collapse: collapse;"> <tr><td>Serie</td><td>10.5</td></tr> <tr><td>Total</td><td>525.8</td></tr> </table>	Serie	10.5	Total	525.8
Serie	10.5								
Total	515.3								
Serie	10.5								
Total	525.8								



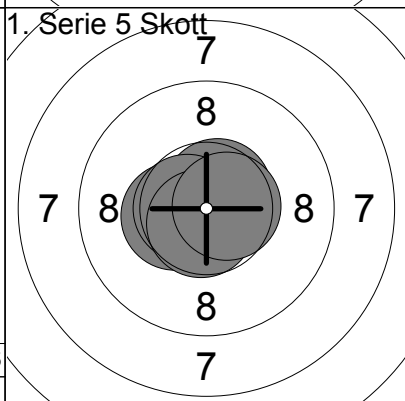
1:	10.4x	↑
2:	10.2x	↗
3:	10.0	←
4:	10.4x	↗
5:	10.1	↗
6:	10.5x	↑
7:	10.3x	←
8:	10.6x	↓
9:	10.6x	↑
10:	10.8x	←
Serie	103.9	
Total	421.1	



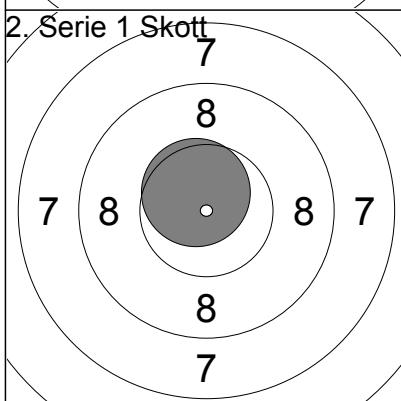
11:	10.5x	↓
12:	10.6x	↑
13:	10.6x	←
14:	10.2x	↘
15:	10.6x	↗
16:	10.4x	↘
17:	10.1	↗
18:	10.3x	↘
19:	10.5x	↗
20:	10.6x	↑
Serie	104.4	
Total	421.1	



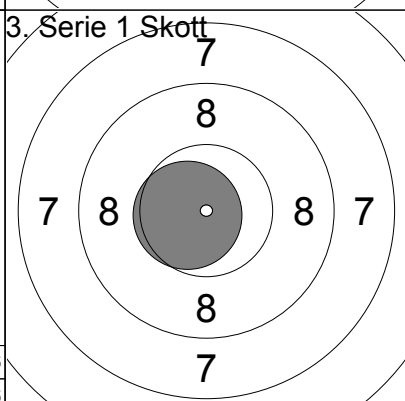
21:	10.7x	↗
22:	10.5x	↑
23:	10.2x	↗
24:	10.1	→
Serie	41.5	
Total	421.1	



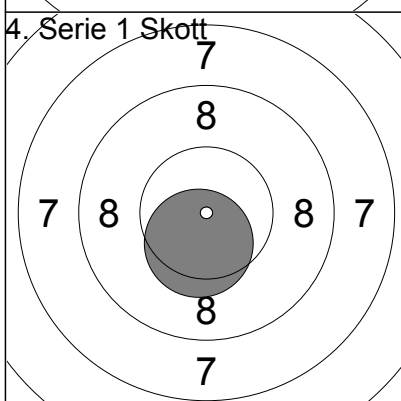
1:	10.6x	↗
2:	10.4x	←
3:	10.6x	←
4:	10.7x	↓
5:	10.6x	→
Serie	52.9	
Total	474.0	



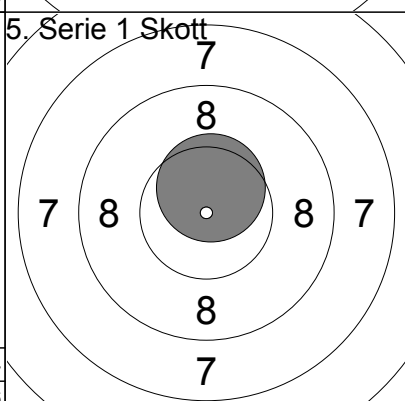
1:	10.6x	↖
Serie	10.6	
Total	484.6	



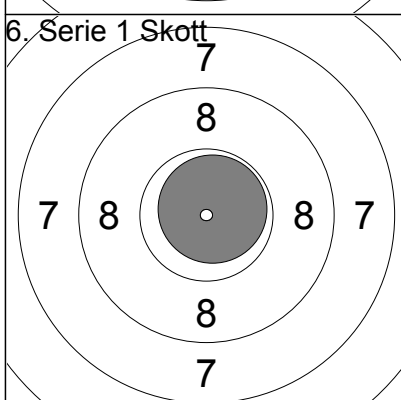
1:	10.6x	←
Serie	10.6	
Total	495.2	



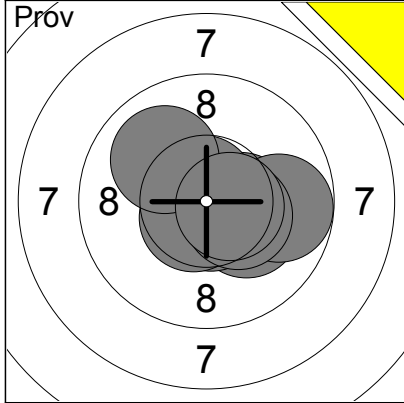
1:	10.4x	↓
Serie	10.4	
Total	505.6	



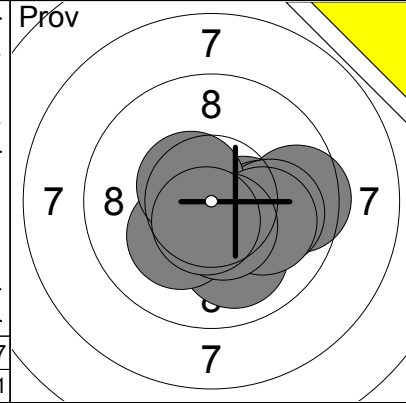
1:	10.5x	↑
Serie	10.5	
Total	516.1	



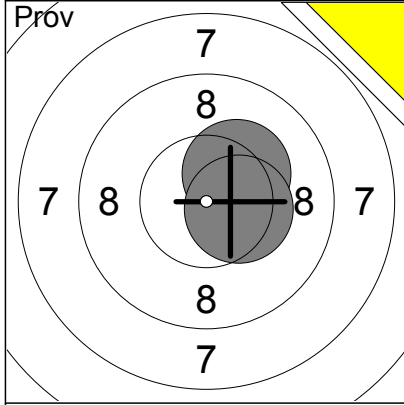
1:	10.8x	↗
Serie	10.8	
Total	526.9	



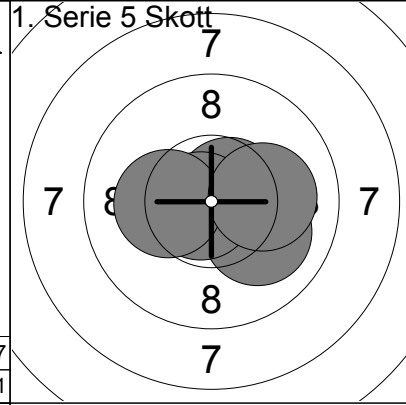
1:	10.4x	→
2:	10.5x	↘
3:	10.7x	↗
4:	10.2x	↘
5:	9.7	→
6:	10.7x	↘
7:	10.6x	↘
8:	10.0	↗
9:	10.4x	↘
10:	10.5x	→
Serie		103.7
Total		421.1



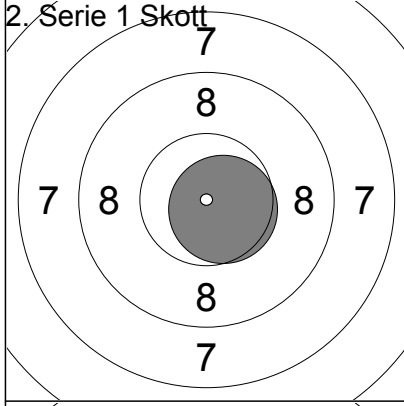
11:	9.5	→
12:	10.4x	→
13:	10.0	↘
14:	10.1	→
15:	10.0	→
16:	10.2x	↘
17:	10.5x	↗
18:	10.0	→
19:	10.5x	↘
20:	10.6x	↘
Serie		101.8
Total		421.1



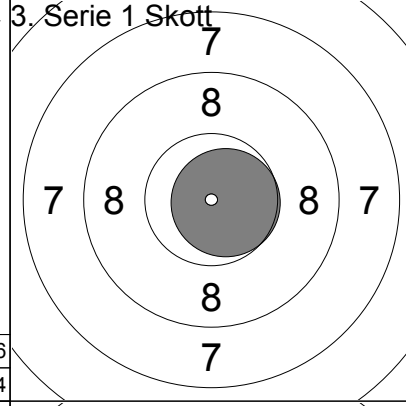
21:	10.3x	↗
22:	10.4x	→
Serie		20.7
Total		421.1



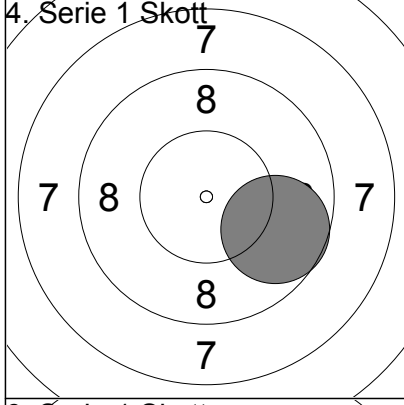
1. Serie 5 Skott		
1:	10.0	↘
2:	10.6x	↗
3:	10.8x	←
4:	10.2x	←
5:	10.1	→
Serie		51.7
Total		472.8



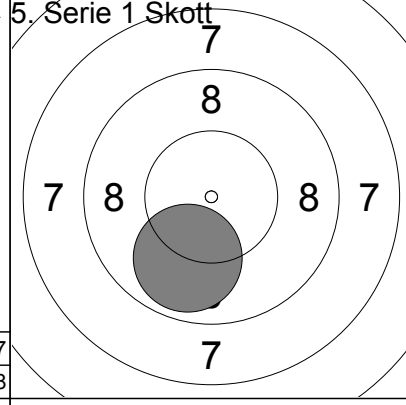
2. Serie 1 Skott		
1:	10.6x	→
Serie		10.6
Total		483.4



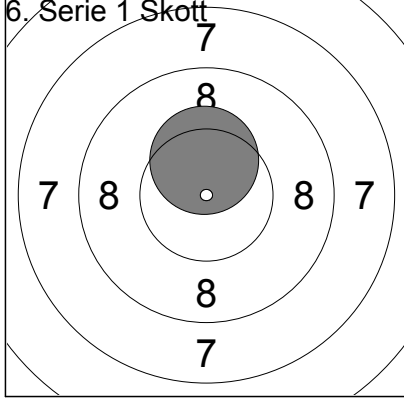
3. Serie 1 Skott		
1:	10.7x	→
Serie		10.7
Total		494.1



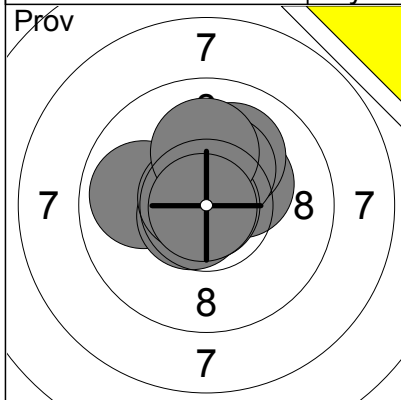
4. Serie 1 Skott		
1:	9.7	→
Serie		9.7
Total		503.8



5. Serie 1 Skott		
1:	9.9	↘
Serie		9.9
Total		513.7

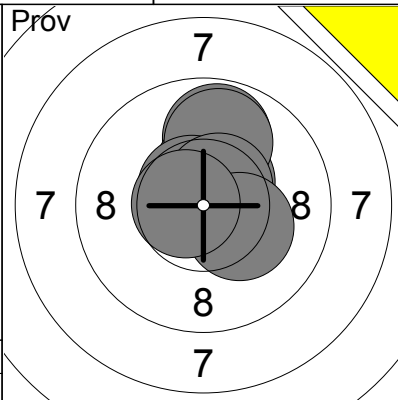


6. Serie 1 Skott		
1:	10.4x	↑
Serie		10.4
Total		524.1



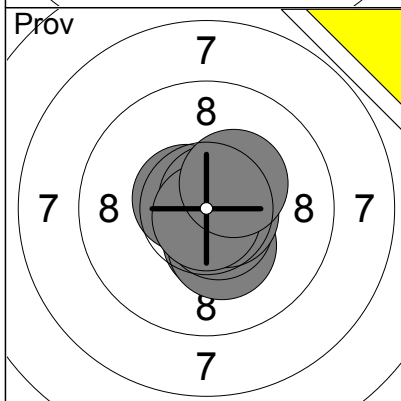
1:	10.7x	↖
2:	10.3x	↗
3:	10.0	↗
4:	9.9	←
5:	10.6x	↙
6:	10.3x	↗
7:	10.7x	↖
8:	10.9x	↘
9:	10.1	↑
10:	10.9x	↙

Serie	104.4
Total	420.4



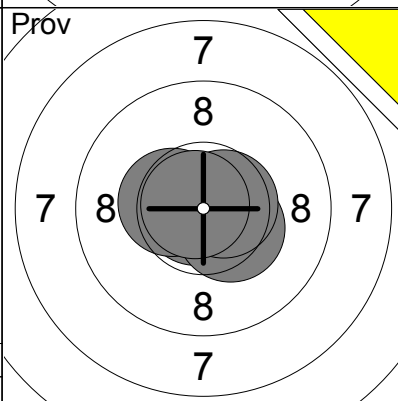
11:	10.5x	↗
12:	10.8x	↑
13:	9.8	↑
14:	10.4x	↑
15:	10.8x	↗
16:	9.9	↑
17:	10.6x	↖
18:	10.6x	↗
19:	10.2x	→
20:	10.7x	←

Serie	104.3
Total	420.4



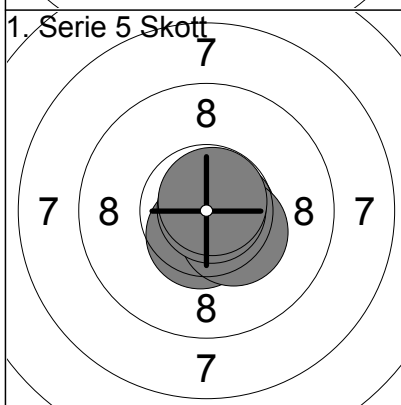
21:	10.4x	↓
22:	10.3x	↓
24:	10.6x	↗
25:	10.7x	↘
26:	10.6x	↘
27:	10.8x	↗
28:	10.6x	→
29:	10.8x	↓
30:	10.3x	↗

Serie	95.1
Total	420.4



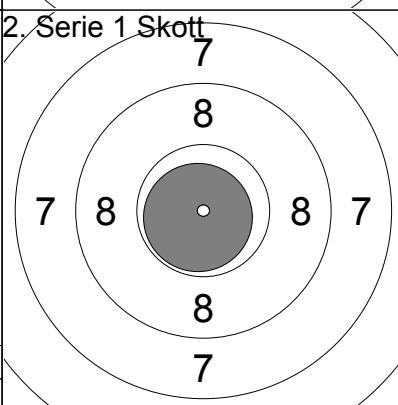
31:	10.8x	←
32:	10.4x	→
33:	10.6x	→
34:	10.4x	←
35:	10.8x	↖

Serie	53.0
Total	420.4



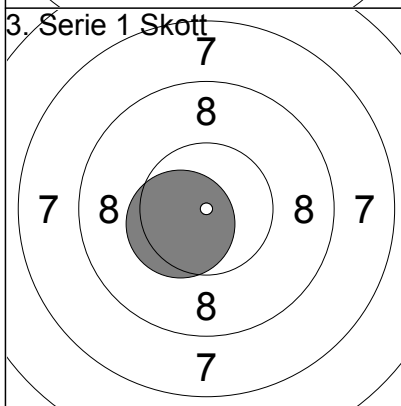
1:	10.7x	→
2:	10.5x	↓
3:	10.4x	↘
4:	10.9x	→
5:	10.8x	↗

Serie	53.3
Total	473.7



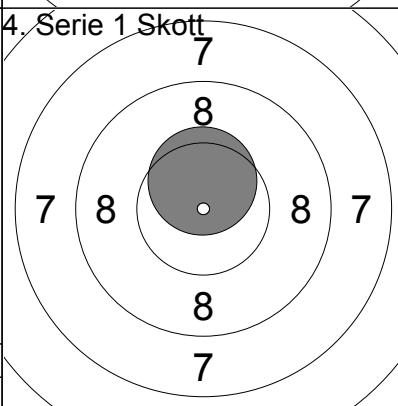
1:	10.8x	↙
----	-------	---

Serie	10.8
Total	484.5



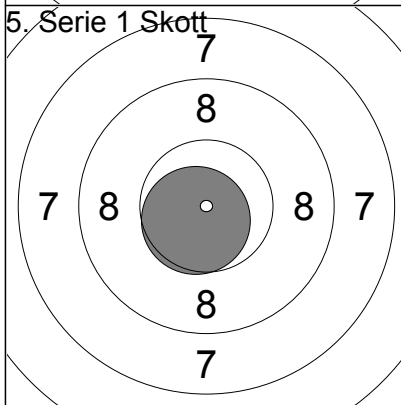
1:	10.5x	↖
----	-------	---

Serie	10.5
Total	495.0



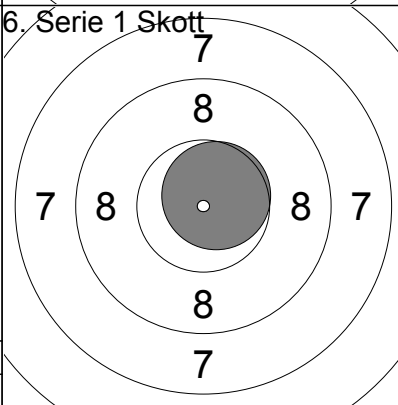
1:	10.5x	↑
----	-------	---

Serie	10.5
Total	505.5



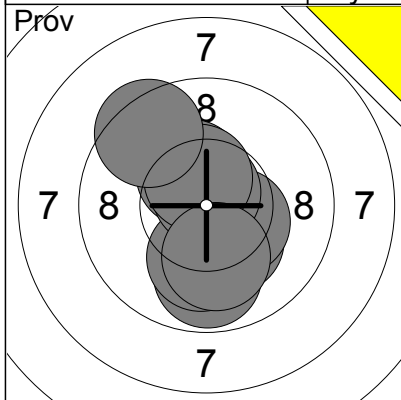
1:	10.6x	↙
----	-------	---

Serie	10.6
Total	516.1



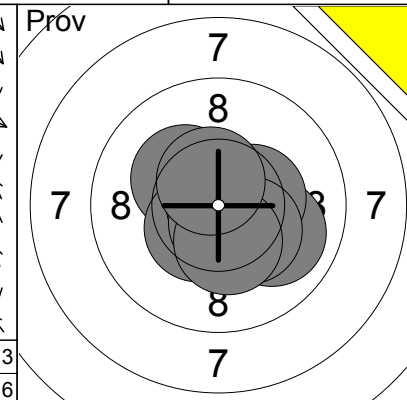
1:	10.7x	↗
----	-------	---

Serie	10.7
Total	526.8



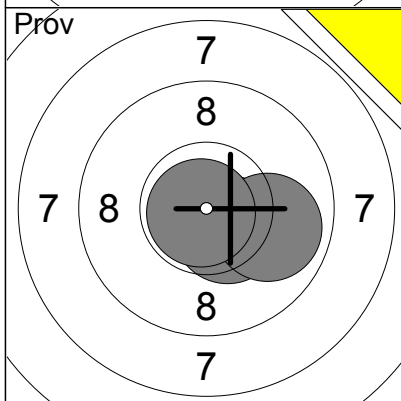
1:	10.6x	↘
2:	10.3x	↘
3:	9.8	↘
4:	10.4x	↘
5:	10.1	↘
6:	10.4x	↗
7:	10.7x	↗
8:	10.5x	↗
9:	10.1	↘
10:	9.4	↗

Serie	102.3
Total	419.6



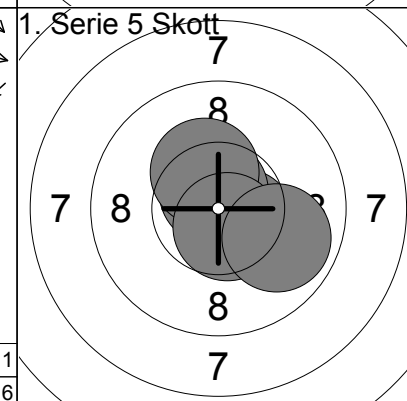
11:	10.2x	↗
12:	10.5x	↘
13:	10.9x	→
14:	10.0	↘
16:	10.7x	↘
17:	10.4x	→
18:	10.3x	↘
19:	10.3x	↘
20:	10.5x	↗

Serie	93.8
Total	419.6



21:	10.4x	↘
22:	9.9	↘
23:	10.8x	↘

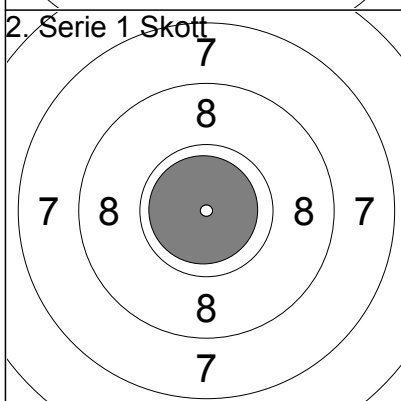
Serie	31.1
Total	419.6



1. Serie 5 Skott

1:	10.5x	→
2:	10.7x	↗
3:	10.3x	↗
4:	10.6x	↘
5:	9.9	↘

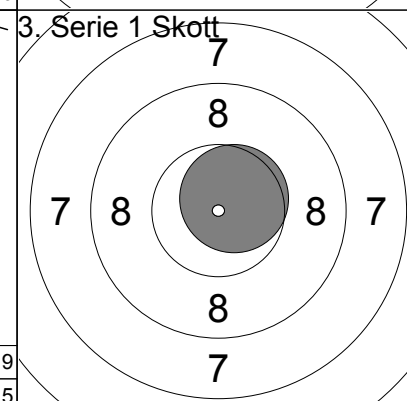
Serie	52.0
Total	471.6



2. Serie 1 Skott

1:	10.9x	←
----	-------	---

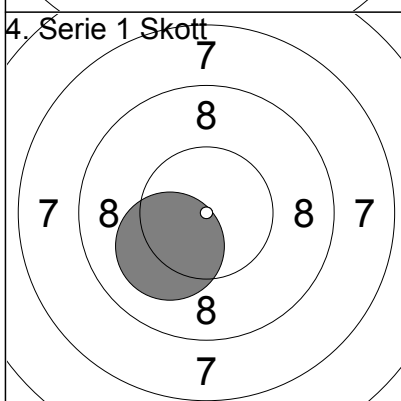
Serie	10.9
Total	482.5



3. Serie 1 Skott

1:	10.6x	↗
----	-------	---

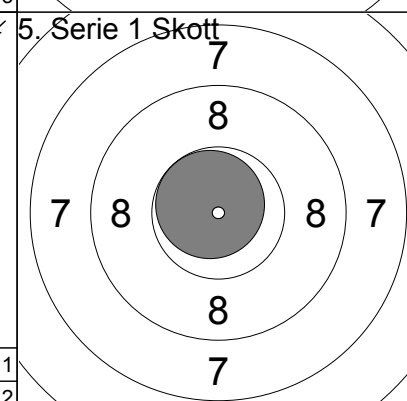
Serie	10.6
Total	493.1



4. Serie 1 Skott

1:	10.1	↘
----	------	---

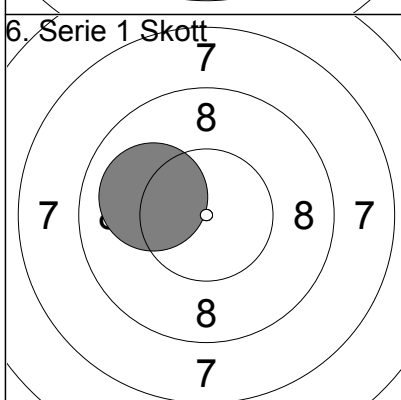
Serie	10.1
Total	503.2



5. Serie 1 Skott

1:	10.8x	↖
----	-------	---

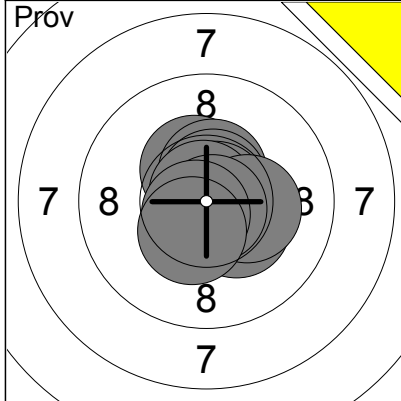
Serie	10.8
Total	514.0



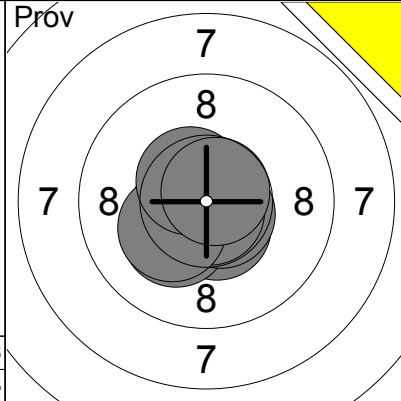
6. Serie 1 Skott

1:	10.0	←
----	------	---

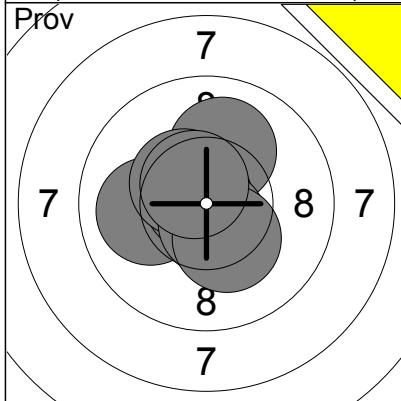
Serie	10.0
Total	524.0



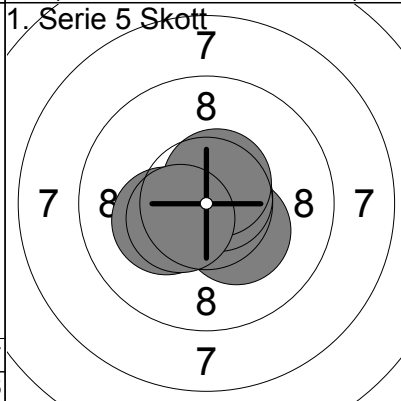
1:	10.4x	↑
2:	10.5x	↑↑
3:	10.6x	↑↑
4:	10.8x	→
5:	10.3x	↓
6:	10.8x	→
7:	10.3x	→
8:	10.8x	↓
9:	10.7x	↓
10:	10.4x	↓
Serie		105.6
Total		424.5



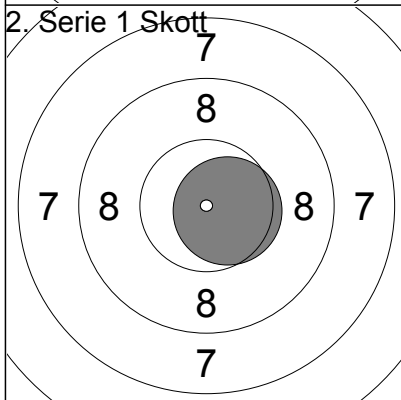
11:	10.5x	↓
12:	10.8x	↗
13:	10.2x	↙
14:	10.8x	↗
15:	10.6x	←
16:	10.6x	↘
17:	10.8x	↘
18:	10.2x	↙
19:	10.5x	↗
20:	10.7x	↗
Serie		105.7
Total		424.5



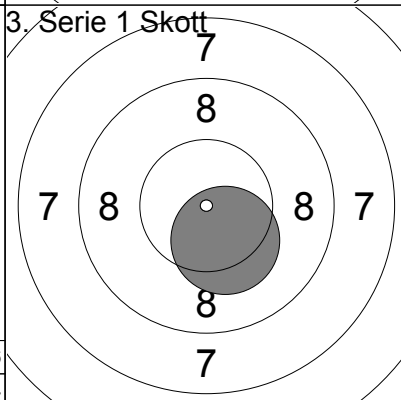
21:	10.0	↑
22:	10.0	←
23:	10.8x	↗
24:	10.4x	↗
25:	10.6x	↘
26:	10.3x	↘
27:	10.6x	↗
Serie		72.7
Total		424.5



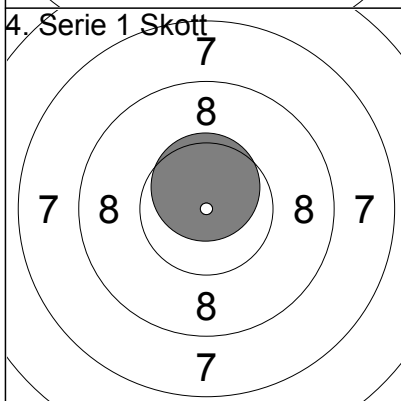
1:	10.3x	↘
2:	10.7x	→
3:	10.2x	←
4:	10.6x	↑
5:	10.5x	←
Serie		52.3
Total		476.8



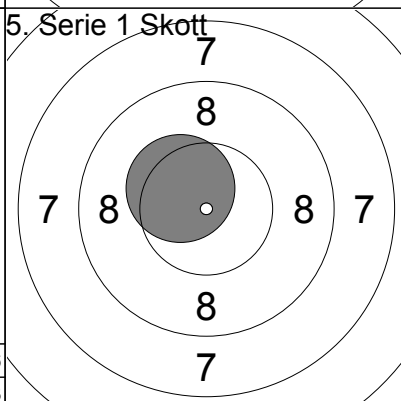
1:	10.6x	→
Serie		10.6
Total		487.4



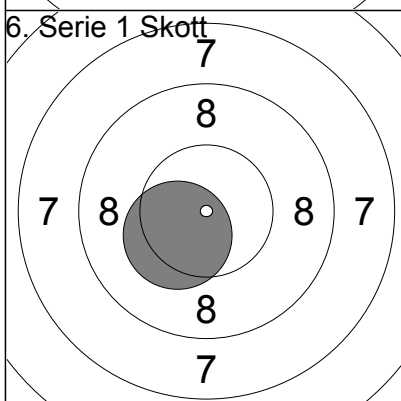
1:	10.3x	↓
Serie		10.3
Total		497.7



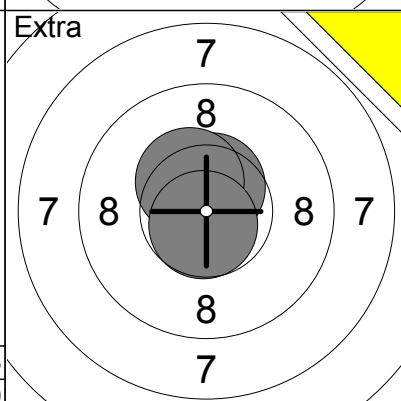
1:	10.6x	↑
Serie		10.6
Total		508.3



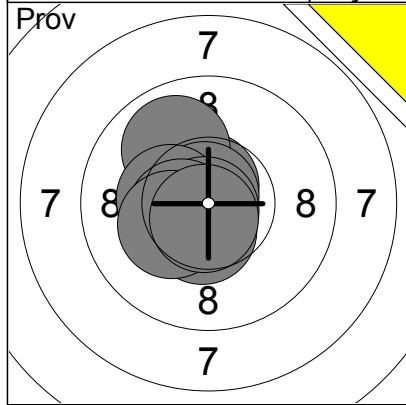
1:	10.4x	↖
Serie		10.4
Total		518.7



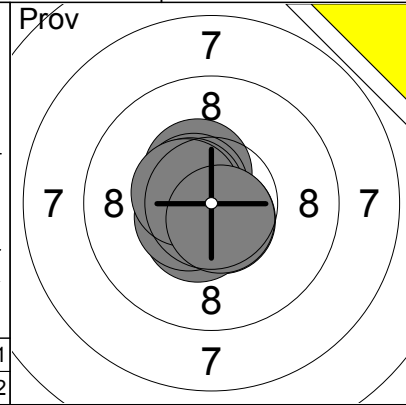
1:	10.3x	↙
Serie		10.3
Total		529.0



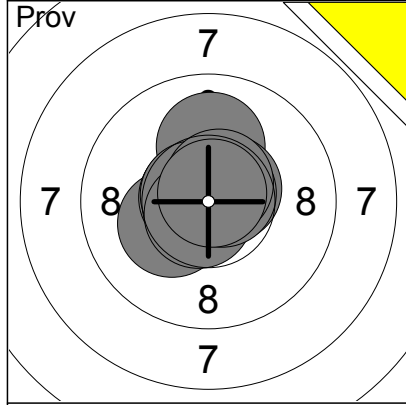
1:	10.5x	↑
2:	10.4x	↗
3:	10.7x	↓
Serie		31.6
Total		529.0



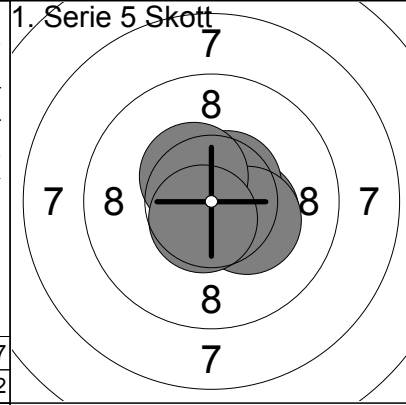
1:	10.6x	↗
2:	10.7x	↗
3:	9.9	↗
4:	10.8x	↗
5:	10.3x	↖
6:	10.5x	↘
7:	10.8x	↘
8:	10.5x	↖
9:	10.3x	↖
10:	10.7x	↘
Serie		105.1
Total		424.2



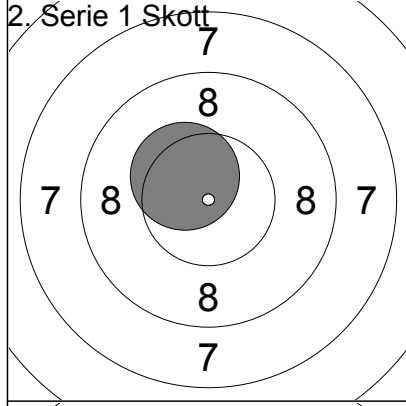
11:	10.8x	↘
12:	10.5x	↖
13:	10.4x	↗
14:	10.6x	↘
15:	10.6x	↗
16:	10.6x	↗
17:	10.5x	↘
18:	10.5x	↖
19:	10.5x	↖
20:	10.7x	↘
Serie		105.7
Total		424.2



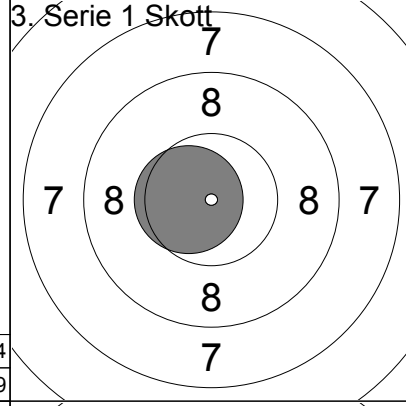
21:	10.0	↑
22:	10.2x	↖
23:	10.7x	↖
24:	10.7x	↖
25:	10.7x	↖
26:	10.6x	↗
27:	10.7x	↘
28:	10.7x	↗
29:	10.6x	↗
30:	10.8x	↗
Serie		105.7
Total		424.2



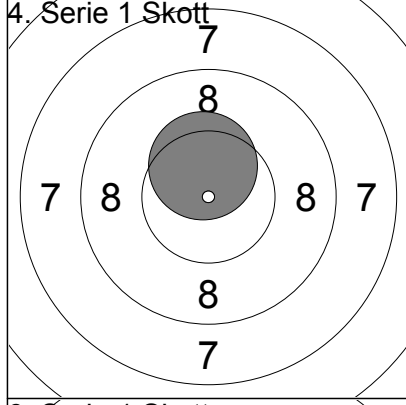
1:	10.4x	→
2:	10.6x	↗
3:	10.3x	→
4:	10.4x	↗
5:	10.6x	↘
Serie		52.3
Total		476.5



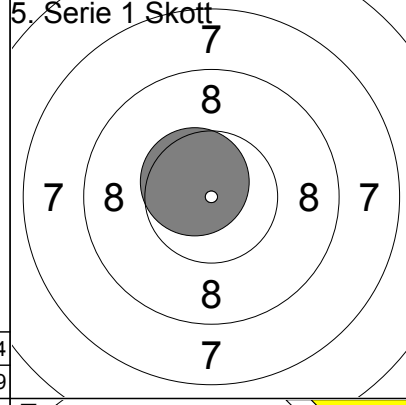
1:	10.4x	↖
Serie		10.4
Total		486.9



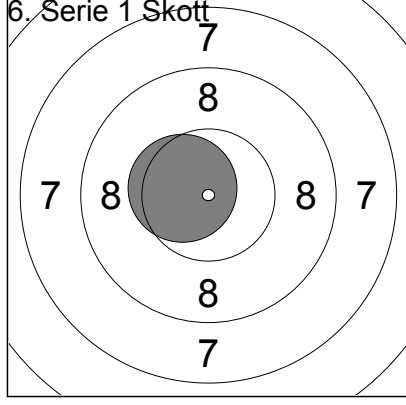
1:	10.6x	←
Serie		10.6
Total		497.5



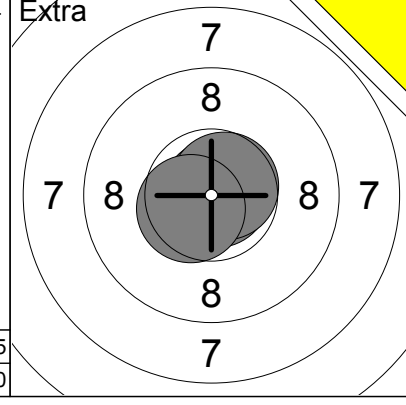
1:	10.4x	↑
Serie		10.4
Total		507.9



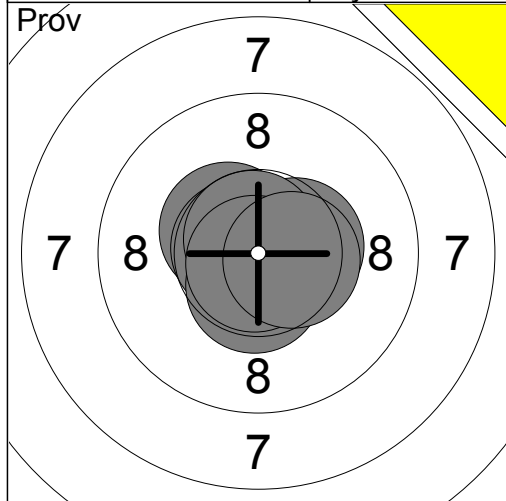
1:	10.6x	↖
Serie		10.6
Total		518.5



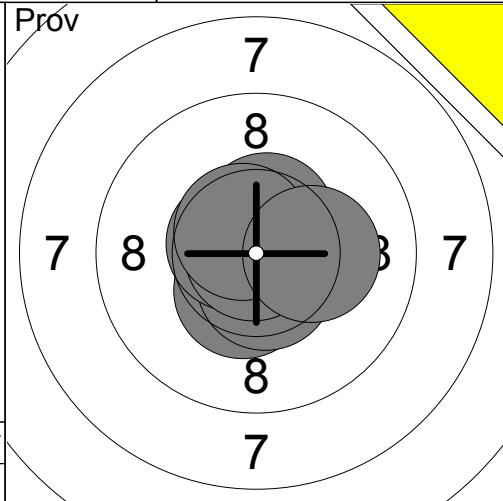
1:	10.5x	↖
Serie		10.5
Total		529.0



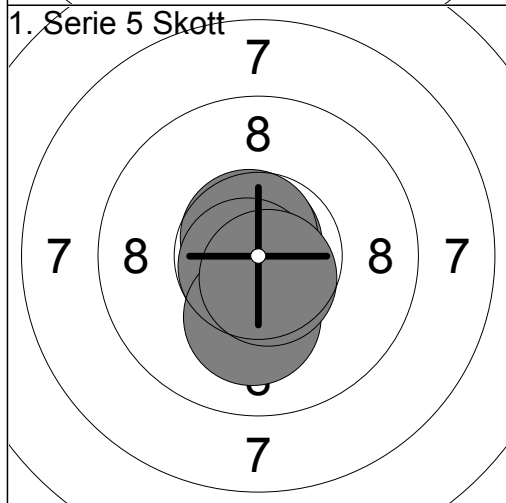
1:	10.9x	→
2:	10.7x	↗
3:	10.5x	↖
Serie		32.1
Total		529.0



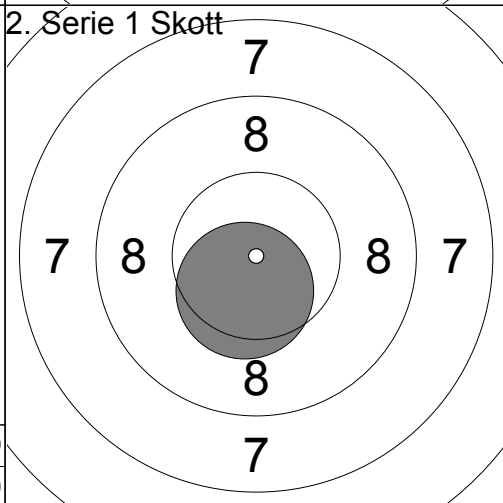
1:	10.5x	↗
2:	10.8x	↘
3:	10.8x	↘
4:	10.7x	↖
5:	10.5x	→
6:	10.8x	↘
7:	10.8x	↗
8:	10.5x	↘
9:	10.8x	↘
10:	10.5x	→
Serie	106.7	
Total	424.1	



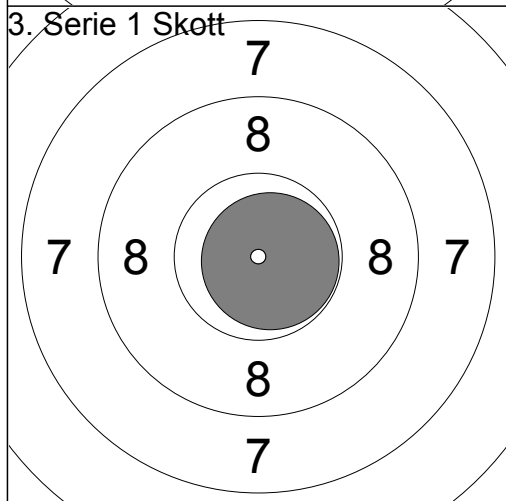
11:	10.6x	↗
12:	10.4x	↘
13:	10.9x	↗
14:	10.5x	↗
15:	10.6x	↘
16:	10.6x	↗
17:	10.9x	↗
18:	10.9x	↖
19:	10.6x	↗
20:	10.2x	→
Serie	106.2	
Total	424.1	



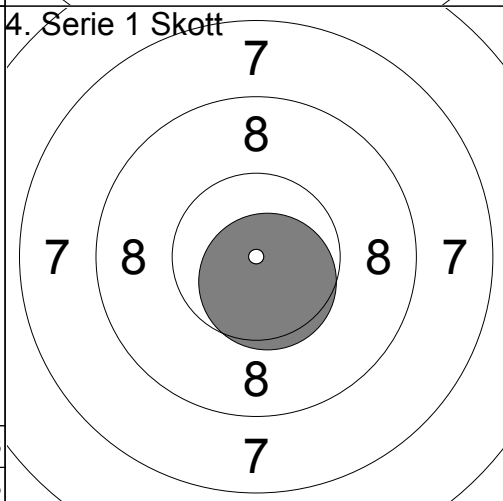
1:	10.8x	↗
2:	10.7x	↗
3:	10.7x	↘
4:	10.1	↘
5:	10.6x	↘
Serie	52.9	
Total	477.0	



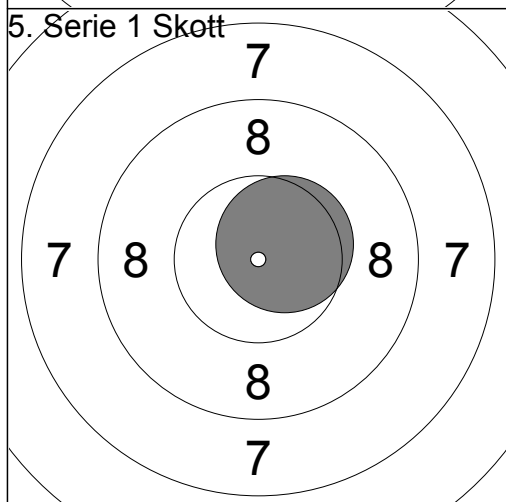
1:	10.5x	↘
Serie	10.5	
Total	487.5	



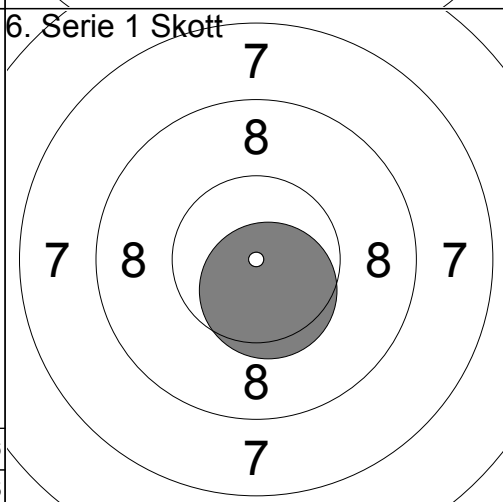
1:	10.8x	→
Serie	10.8	
Total	498.3	



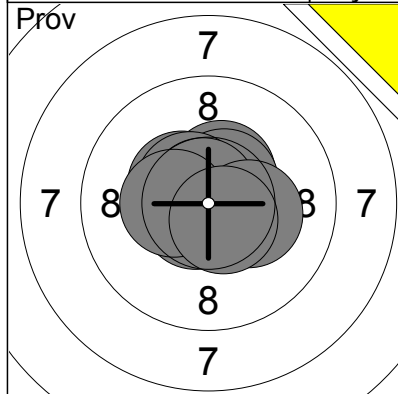
1:	10.6x	↘
Serie	10.6	
Total	508.9	



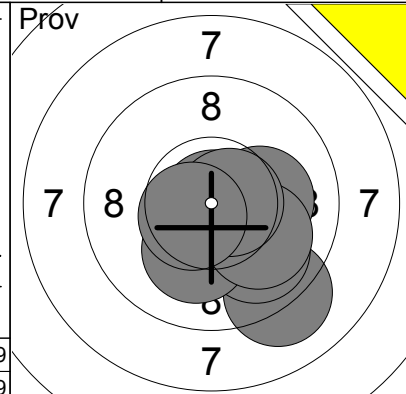
1:	10.6x	↗
Serie	10.6	
Total	519.5	



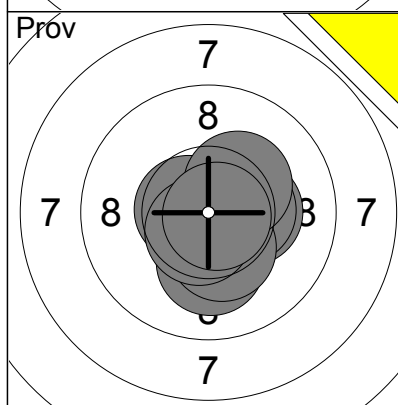
1:	10.5x	↘
Serie	10.5	
Total	530.0	



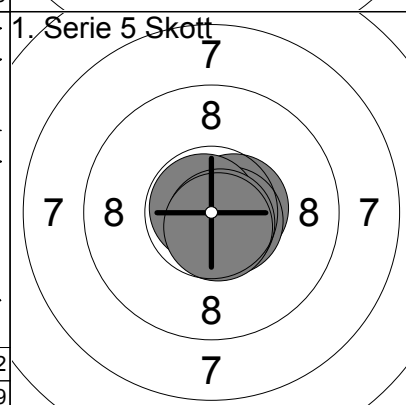
1:	10.4x	←
2:	10.4x	↗
3:	10.5x	↗
4:	10.4x	↗
5:	10.7x	↖
6:	10.5x	↗
7:	10.7x	↗
8:	10.3x	→
9:	10.4x	←
10:	10.6x	↘
Serie	104.9	
Total	423.9	



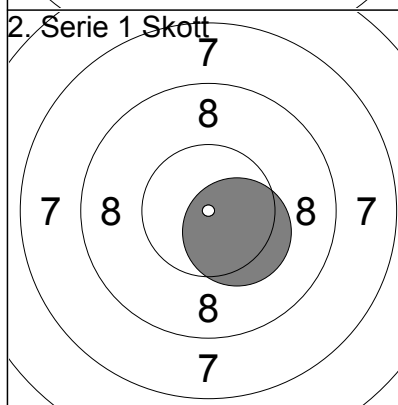
11:	10.2x	→
12:	10.8x	↘
13:	10.9x	→
14:	10.7x	↘
15:	9.1	↘
16:	9.9	↘
17:	10.1	↘
18:	10.0	↘
19:	10.6x	→
20:	10.6x	↙
Serie	102.9	
Total	423.9	



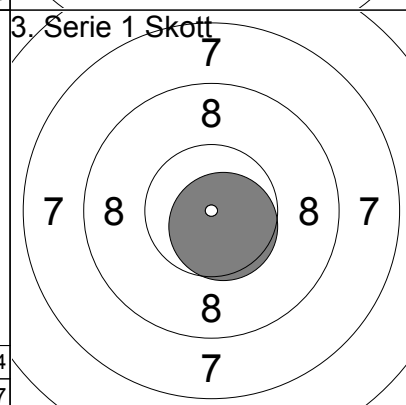
21:	10.3x	→
22:	10.8x	→
23:	10.1	↘
24:	10.6x	←
25:	10.4x	→
26:	10.3x	↘
27:	10.3x	↗
28:	10.6x	↘
29:	10.8x	→
Serie	94.2	
Total	423.9	



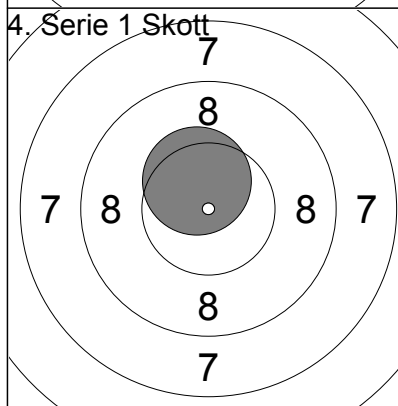
1:	10.6x	→
2:	10.6x	→
3:	10.8x	↗
4:	10.7x	↘
5:	10.7x	↘
Serie	53.4	
Total	477.3	



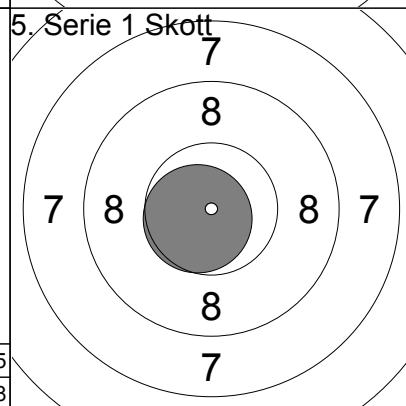
1:	10.4x	↘
Serie	10.4	
Total	487.7	



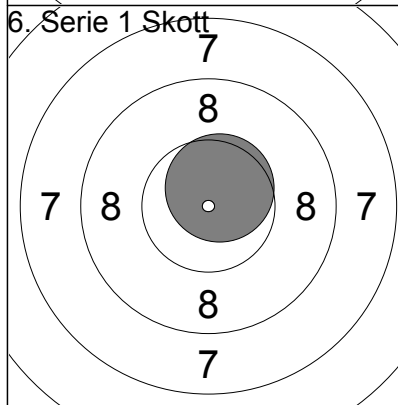
1:	10.6x	↘
Serie	10.6	
Total	498.3	



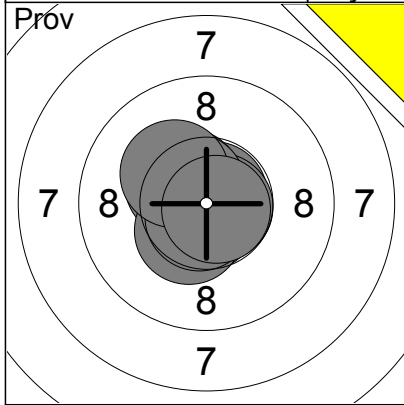
1:	10.5x	↖
Serie	10.5	
Total	508.8	



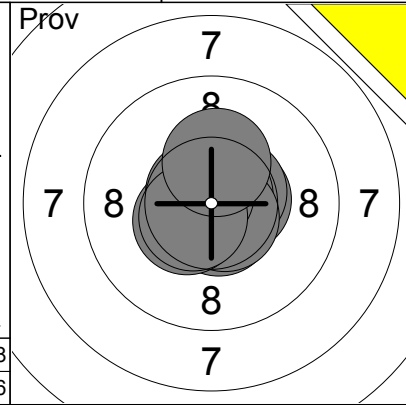
1:	10.7x	↖
Serie	10.7	
Total	519.5	



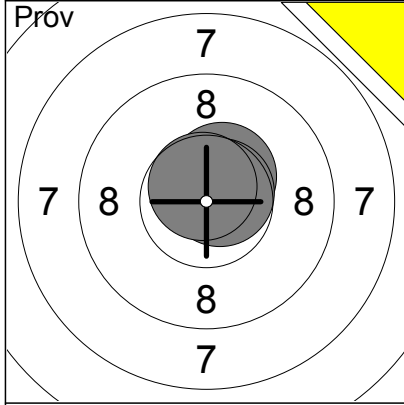
1:	10.6x	↗
Serie	10.6	
Total	530.1	



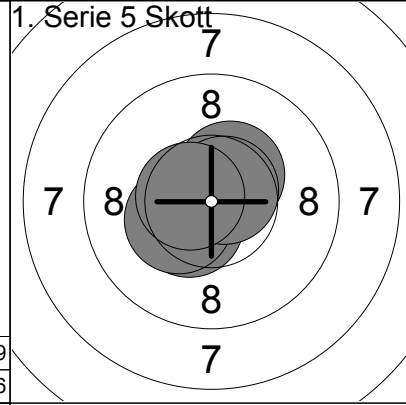
1:	10.8x	↗
2:	10.4x	↗
3:	10.5x	↗
4:	10.7x	↘
5:	10.7x	↘
6:	10.4x	↘
7:	10.6x	↗
8:	10.7x	↘
9:	10.2x	↗
10:	10.8x	↘
Serie		105.8
Total		423.6



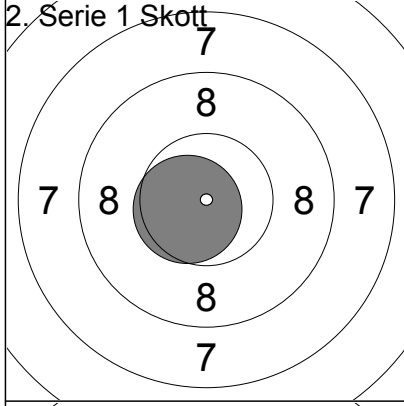
11:	10.5x	→
12:	10.8x	↗
13:	10.6x	↗
14:	10.6x	↘
15:	10.8x	↗
16:	10.6x	↘
17:	10.5x	↙
18:	10.7x	↖
19:	10.6x	↙
20:	10.3x	↑
Serie		106.0
Total		423.6



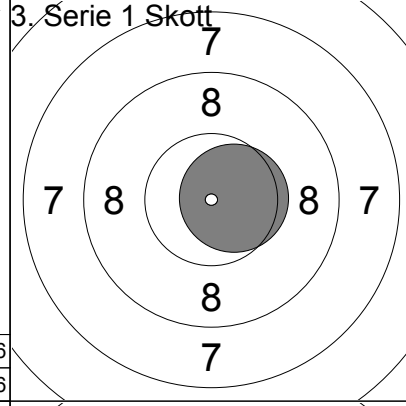
21:	10.5x	↗
22:	10.7x	↗
23:	10.7x	↑
Serie		31.9
Total		423.6



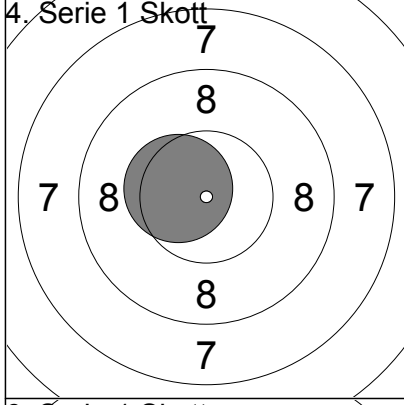
1:	10.4x	↙
2:	10.3x	↙
3:	10.4x	↗
4:	10.7x	↗
5:	10.6x	↙
Serie		52.4
Total		476.0



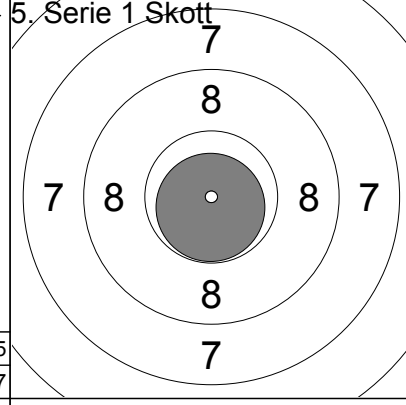
1:	10.6x	↙
Serie		10.6
Total		486.6



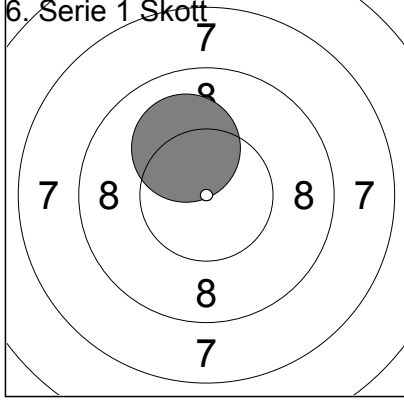
1:	10.6x	→
Serie		10.6
Total		497.2



1:	10.5x	↙
Serie		10.5
Total		507.7



1:	10.8x	↓
Serie		10.8
Total		518.5



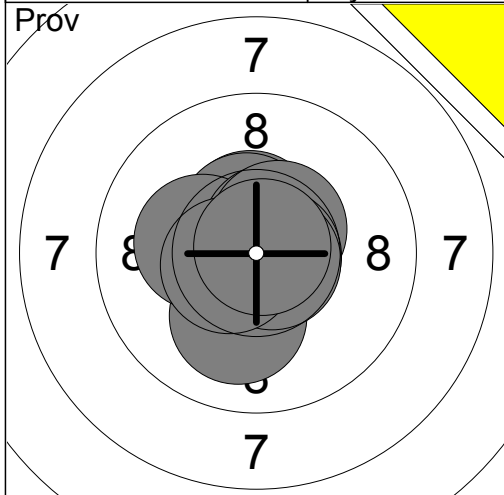
1:	10.1	↖
Serie		10.1
Total		528.6

<p>Pröv</p>	<p>1: 10.7x ↗ 2: 10.4x ➤ 3: 10.8x ➤ 4: 10.7x ↙ 5: 10.3x ↘ 6: 10.7x ➤ 7: 10.6x ↘ 8: 10.1 ➤ 9: 10.4x ➤ 10: 10.8x ↙</p> <table border="1" style="width:100%; border-collapse: collapse;"> <tr><td>Serie</td><td style="text-align: right;">105.5</td></tr> <tr><td>Total</td><td style="text-align: right;">426.1</td></tr> </table>	Serie	105.5	Total	426.1	<p>Pröv</p> <p>11: 10.2x ↗ 12: 10.4x ↙ 13: 10.7x ↙ 14: 10.4x ↗ 15: 10.6x ➤ 16: 10.6x ➤</p> <table border="1" style="width:100%; border-collapse: collapse;"> <tr><td>Serie</td><td style="text-align: right;">62.9</td></tr> <tr><td>Total</td><td style="text-align: right;">426.1</td></tr> </table>	Serie	62.9	Total	426.1
Serie	105.5									
Total	426.1									
Serie	62.9									
Total	426.1									

<p>1. Serie 5 Skott</p> <table border="1" style="width:100%; border-collapse: collapse;"> <tr><td>Serie</td><td style="text-align: right;">52.6</td></tr> <tr><td>Total</td><td style="text-align: right;">478.7</td></tr> </table>	Serie	52.6	Total	478.7	<p>2. Serie 1 Skott</p> <p>1: 10.2x ↗</p> <table border="1" style="width:100%; border-collapse: collapse;"> <tr><td>Serie</td><td style="text-align: right;">10.2</td></tr> <tr><td>Total</td><td style="text-align: right;">488.9</td></tr> </table>	Serie	10.2	Total	488.9
Serie	52.6								
Total	478.7								
Serie	10.2								
Total	488.9								

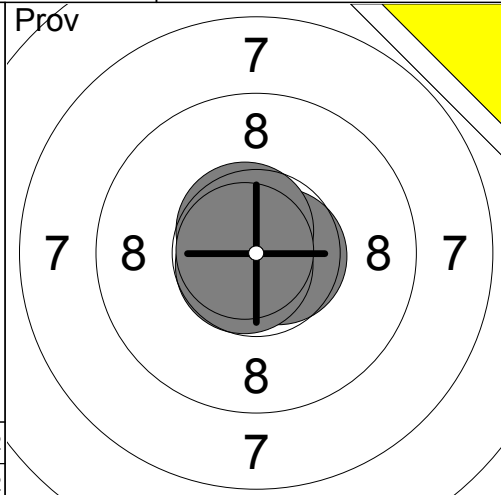
<p>3. Serie 1 Skott</p> <table border="1" style="width:100%; border-collapse: collapse;"> <tr><td>Serie</td><td style="text-align: right;">10.8</td></tr> <tr><td>Total</td><td style="text-align: right;">499.7</td></tr> </table>	Serie	10.8	Total	499.7	<p>4. Serie 1 Skott</p> <p>1: 10.7x ➤</p> <table border="1" style="width:100%; border-collapse: collapse;"> <tr><td>Serie</td><td style="text-align: right;">10.7</td></tr> <tr><td>Total</td><td style="text-align: right;">510.4</td></tr> </table>	Serie	10.7	Total	510.4
Serie	10.8								
Total	499.7								
Serie	10.7								
Total	510.4								

<p>5. Serie 1 Skott</p> <table border="1" style="width:100%; border-collapse: collapse;"> <tr><td>Serie</td><td style="text-align: right;">10.9</td></tr> <tr><td>Total</td><td style="text-align: right;">521.3</td></tr> </table>	Serie	10.9	Total	521.3	<p>6. Serie 1 Skott</p> <p>1: 10.5x ↘</p> <table border="1" style="width:100%; border-collapse: collapse;"> <tr><td>Serie</td><td style="text-align: right;">10.5</td></tr> <tr><td>Total</td><td style="text-align: right;">531.8</td></tr> </table>	Serie	10.5	Total	531.8
Serie	10.9								
Total	521.3								
Serie	10.5								
Total	531.8								



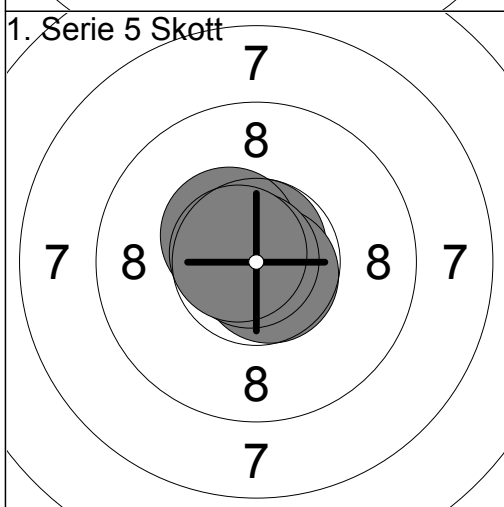
1:	10.5x	↑
2:	10.5x	↑
3:	10.1	↓
4:	10.2x	←
5:	10.6x	↗
6:	10.5x	↗
7:	10.7x	→
8:	10.7x	↘
9:	10.6x	←
10:	10.8x	↖

Serie	105.2
Total	425.2



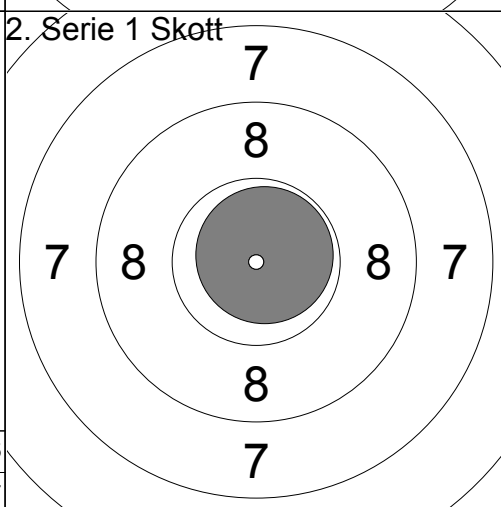
11:	10.7x	→
12:	10.7x	↙
13:	10.6x	↑
14:	10.8x	←

Serie	42.8
Total	425.2



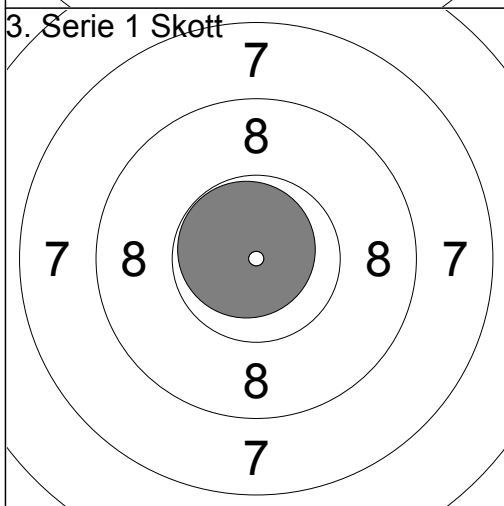
1:	10.8x	↑
2:	10.4x	↗
3:	10.7x	↘
4:	10.9x	↖
5:	10.7x	↖

Serie	53.5
Total	478.7



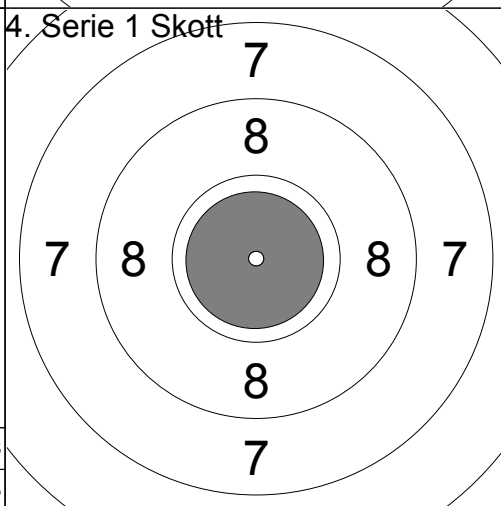
1:	10.8x	↗
----	-------	---

Serie	10.8
Total	489.5



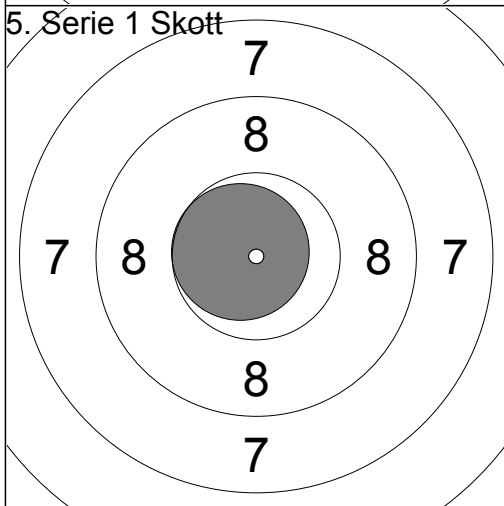
1:	10.8x	↖
----	-------	---

Serie	10.8
Total	500.3



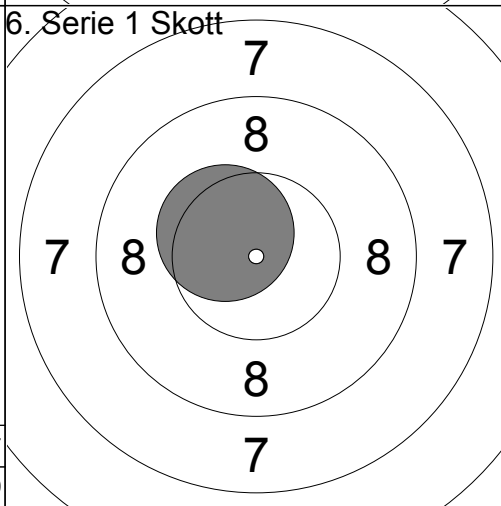
1:	10.9x	↖
----	-------	---

Serie	10.9
Total	511.2



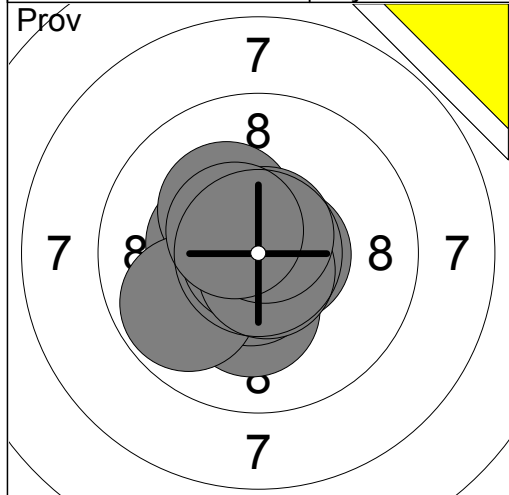
1:	10.7x	←
----	-------	---

Serie	10.7
Total	521.9

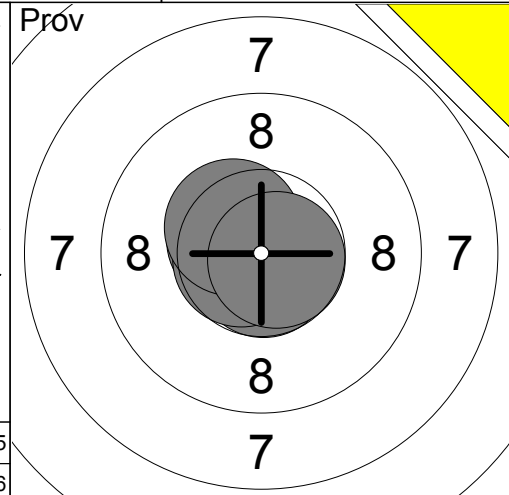


1:	10.4x	↖
----	-------	---

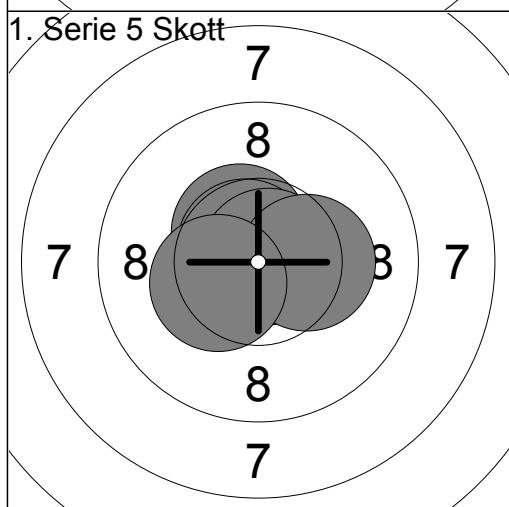
Serie	10.4
Total	532.3



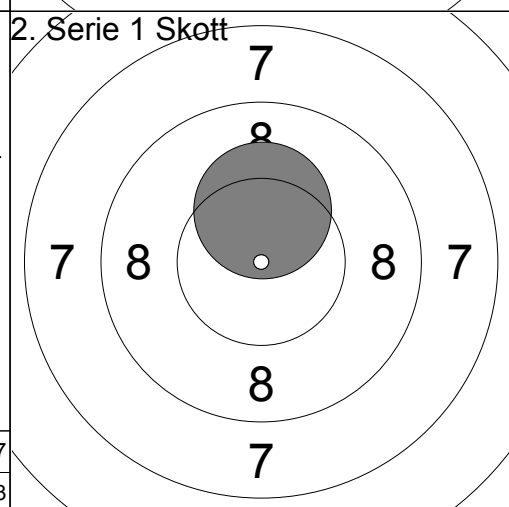
1:	10.4x	←
2:	10.2x	↗
3:	10.2x	↓
4:	10.6x	↓
5:	9.8	↙
6:	10.8x	←
7:	10.6x	→
8:	10.7x	↓
9:	10.7x	↗
10:	10.5x	↖
Serie		104.5
Total		423.6



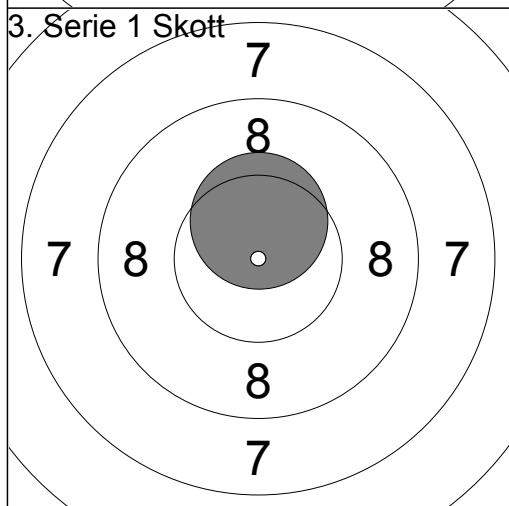
11:	10.7x	↓
12:	10.6x	↗
13:	10.7x	←
14:	10.5x	↗
15:	10.7x	↘
Serie		53.2
Total		423.6



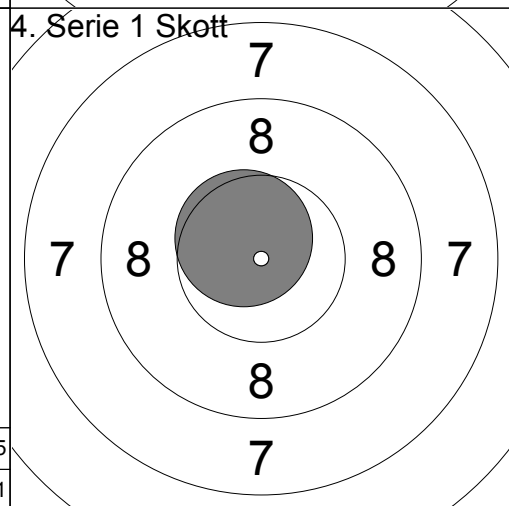
1:	10.5x	↗
2:	10.7x	↗
3:	10.8x	↗
4:	10.3x	→
5:	10.4x	↙
Serie		52.7
Total		476.3



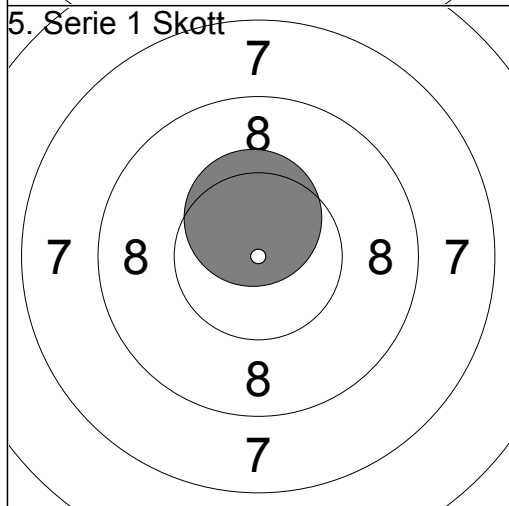
1:	10.3x	↑
Serie		10.3
Total		486.6



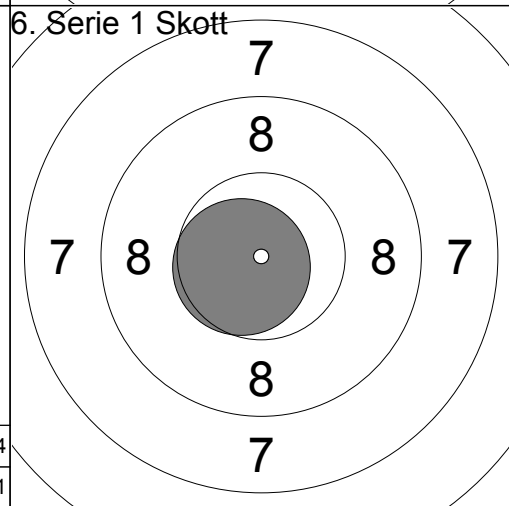
1:	10.5x	↑
Serie		10.5
Total		497.1



1:	10.6x	↖
Serie		10.6
Total		507.7



1:	10.4x	↑
Serie		10.4
Total		518.1



1:	10.7x	↙
Serie		10.7
Total		528.8

<p>Pröv</p>	<table style="width:100%; border-collapse: collapse;"> <tr><td>1:</td><td>9.5</td><td>↓</td></tr> <tr><td>2:</td><td>10.1</td><td>↙</td></tr> <tr><td>3:</td><td>10.3x</td><td>↘</td></tr> <tr><td>4:</td><td>10.1</td><td>↓</td></tr> <tr><td>5:</td><td>10.1</td><td>↓</td></tr> <tr><td>6:</td><td>10.2x</td><td>↓</td></tr> <tr><td>7:</td><td>10.7x</td><td>↘</td></tr> <tr><td>8:</td><td>10.5x</td><td>↑</td></tr> <tr><td>9:</td><td>10.8x</td><td>↗</td></tr> <tr><td>10:</td><td>10.9x</td><td>→</td></tr> </table> <table style="width:100%; border-collapse: collapse; margin-top: 5px;"> <tr><td style="border-top: 1px solid black;">Serie</td><td style="border-top: 1px solid black; text-align: right;">103.2</td></tr> <tr><td style="border-top: 1px solid black;">Total</td><td style="border-top: 1px solid black; text-align: right;">423.5</td></tr> </table>	1:	9.5	↓	2:	10.1	↙	3:	10.3x	↘	4:	10.1	↓	5:	10.1	↓	6:	10.2x	↓	7:	10.7x	↘	8:	10.5x	↑	9:	10.8x	↗	10:	10.9x	→	Serie	103.2	Total	423.5	<p>Pröv</p>	<table style="width:100%; border-collapse: collapse;"> <tr><td>11:</td><td>10.7x</td><td>→</td></tr> <tr><td>12:</td><td>10.8x</td><td>←</td></tr> <tr><td>13:</td><td>10.8x</td><td>←</td></tr> <tr><td>14:</td><td>10.6x</td><td>↘</td></tr> <tr><td>15:</td><td>10.7x</td><td>↓</td></tr> <tr><td>16:</td><td>10.7x</td><td>↗</td></tr> <tr><td>17:</td><td>10.5x</td><td>↓</td></tr> </table> <table style="width:100%; border-collapse: collapse; margin-top: 5px;"> <tr><td style="border-top: 1px solid black;">Serie</td><td style="border-top: 1px solid black; text-align: right;">74.8</td></tr> <tr><td style="border-top: 1px solid black;">Total</td><td style="border-top: 1px solid black; text-align: right;">423.5</td></tr> </table>	11:	10.7x	→	12:	10.8x	←	13:	10.8x	←	14:	10.6x	↘	15:	10.7x	↓	16:	10.7x	↗	17:	10.5x	↓	Serie	74.8	Total	423.5
1:	9.5	↓																																																												
2:	10.1	↙																																																												
3:	10.3x	↘																																																												
4:	10.1	↓																																																												
5:	10.1	↓																																																												
6:	10.2x	↓																																																												
7:	10.7x	↘																																																												
8:	10.5x	↑																																																												
9:	10.8x	↗																																																												
10:	10.9x	→																																																												
Serie	103.2																																																													
Total	423.5																																																													
11:	10.7x	→																																																												
12:	10.8x	←																																																												
13:	10.8x	←																																																												
14:	10.6x	↘																																																												
15:	10.7x	↓																																																												
16:	10.7x	↗																																																												
17:	10.5x	↓																																																												
Serie	74.8																																																													
Total	423.5																																																													

<p>1. Serie 5 Skott</p>	<p>2. Serie 1 Skott</p>																										
<table style="width:100%; border-collapse: collapse;"> <tr><td>1:</td><td>10.8x</td><td>↗</td></tr> <tr><td>2:</td><td>10.3x</td><td>↑</td></tr> <tr><td>3:</td><td>10.4x</td><td>↘</td></tr> <tr><td>4:</td><td>10.7x</td><td>↗</td></tr> <tr><td>5:</td><td>10.4x</td><td>↗</td></tr> </table> <table style="width:100%; border-collapse: collapse; margin-top: 5px;"> <tr><td style="border-top: 1px solid black;">Serie</td><td style="border-top: 1px solid black; text-align: right;">52.6</td></tr> <tr><td style="border-top: 1px solid black;">Total</td><td style="border-top: 1px solid black; text-align: right;">476.1</td></tr> </table>	1:	10.8x	↗	2:	10.3x	↑	3:	10.4x	↘	4:	10.7x	↗	5:	10.4x	↗	Serie	52.6	Total	476.1	<table style="width:100%; border-collapse: collapse;"> <tr><td>1:</td><td>10.2x</td><td>↖</td></tr> </table> <table style="width:100%; border-collapse: collapse; margin-top: 5px;"> <tr><td style="border-top: 1px solid black;">Serie</td><td style="border-top: 1px solid black; text-align: right;">10.2</td></tr> <tr><td style="border-top: 1px solid black;">Total</td><td style="border-top: 1px solid black; text-align: right;">486.3</td></tr> </table>	1:	10.2x	↖	Serie	10.2	Total	486.3
1:	10.8x	↗																									
2:	10.3x	↑																									
3:	10.4x	↘																									
4:	10.7x	↗																									
5:	10.4x	↗																									
Serie	52.6																										
Total	476.1																										
1:	10.2x	↖																									
Serie	10.2																										
Total	486.3																										

<p>3. Serie 1 Skott</p>	<p>4. Serie 1 Skott</p>														
<table style="width:100%; border-collapse: collapse;"> <tr><td>1:</td><td>10.6x</td><td>↑</td></tr> </table> <table style="width:100%; border-collapse: collapse; margin-top: 5px;"> <tr><td style="border-top: 1px solid black;">Serie</td><td style="border-top: 1px solid black; text-align: right;">10.6</td></tr> <tr><td style="border-top: 1px solid black;">Total</td><td style="border-top: 1px solid black; text-align: right;">496.9</td></tr> </table>	1:	10.6x	↑	Serie	10.6	Total	496.9	<table style="width:100%; border-collapse: collapse;"> <tr><td>1:</td><td>10.1</td><td>↑</td></tr> </table> <table style="width:100%; border-collapse: collapse; margin-top: 5px;"> <tr><td style="border-top: 1px solid black;">Serie</td><td style="border-top: 1px solid black; text-align: right;">10.1</td></tr> <tr><td style="border-top: 1px solid black;">Total</td><td style="border-top: 1px solid black; text-align: right;">507.0</td></tr> </table>	1:	10.1	↑	Serie	10.1	Total	507.0
1:	10.6x	↑													
Serie	10.6														
Total	496.9														
1:	10.1	↑													
Serie	10.1														
Total	507.0														

<p>5. Serie 1 Skott</p>	<p>6. Serie 1 Skott</p>														
<table style="width:100%; border-collapse: collapse;"> <tr><td>1:</td><td>10.6x</td><td>↖</td></tr> </table> <table style="width:100%; border-collapse: collapse; margin-top: 5px;"> <tr><td style="border-top: 1px solid black;">Serie</td><td style="border-top: 1px solid black; text-align: right;">10.6</td></tr> <tr><td style="border-top: 1px solid black;">Total</td><td style="border-top: 1px solid black; text-align: right;">517.6</td></tr> </table>	1:	10.6x	↖	Serie	10.6	Total	517.6	<table style="width:100%; border-collapse: collapse;"> <tr><td>1:</td><td>10.4x</td><td>↖</td></tr> </table> <table style="width:100%; border-collapse: collapse; margin-top: 5px;"> <tr><td style="border-top: 1px solid black;">Serie</td><td style="border-top: 1px solid black; text-align: right;">10.4</td></tr> <tr><td style="border-top: 1px solid black;">Total</td><td style="border-top: 1px solid black; text-align: right;">528.0</td></tr> </table>	1:	10.4x	↖	Serie	10.4	Total	528.0
1:	10.6x	↖													
Serie	10.6														
Total	517.6														
1:	10.4x	↖													
Serie	10.4														
Total	528.0														

Prov 	1: 10.0 → 2: 10.6x ↗ 3: 10.7x ↘ 4: 10.7x ↗ 5: 10.7x ← 6: 10.8x ↓ 7: 10.1 ↓ 8: 10.6x ↘ 9: 10.6x ← 10: 10.4x ↙	Prov 	11: 10.8x ↘ 12: 10.7x ↗ 13: 10.9x ↗
Serie 105.2	Total 423.4	Serie 32.4	Total 423.4

1. Serie 5 Skott 	1: 10.4x ↙ 2: 10.7x ↗ 3: 10.6x ← 4: 10.5x ↗ 5: 10.5x ↘	2. Serie 1 Skott 	1: 10.6x ↘
Serie 52.7	Total 476.1	Serie 10.6	Total 486.7

3. Serie 1 Skott 	1: 10.8x →	4. Serie 1 Skott 	1: 10.2x →
Serie 10.8	Total 497.5	Serie 10.2	Total 507.7

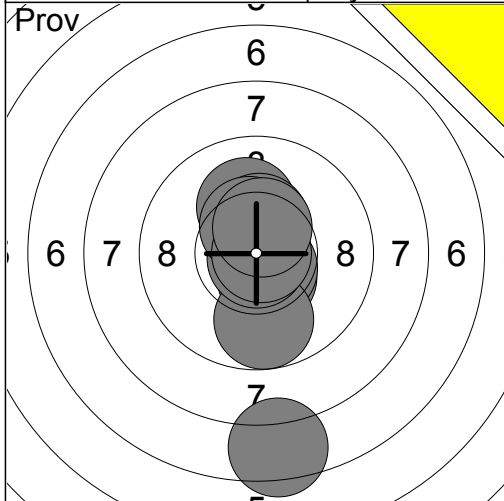
5. Serie 1 Skott 	1: 10.5x ←	6. Serie 1 Skott 	1: 10.5x ↙
Serie 10.5	Total 518.2	Serie 10.5	Total 528.7

<p>Prov</p>	<table style="width:100%; border-collapse: collapse;"> <tr><td>1:</td><td>10.1</td><td>↘</td></tr> <tr><td>2:</td><td>9.9</td><td>→</td></tr> <tr><td>3:</td><td>10.4x</td><td>↘</td></tr> <tr><td>4:</td><td>10.7x</td><td>↘</td></tr> <tr><td>5:</td><td>10.3x</td><td>→</td></tr> <tr><td>6:</td><td>10.6x</td><td>↘</td></tr> <tr><td>7:</td><td>10.1</td><td>→</td></tr> <tr><td>8:</td><td>10.5x</td><td>↘</td></tr> <tr><td>9:</td><td>10.5x</td><td>↘</td></tr> <tr><td>10:</td><td>10.5x</td><td>↘</td></tr> </table> <table border="1" style="width:100%; border-collapse: collapse; margin-top: 5px;"> <tr><td>Serie</td><td style="text-align: right;">103.6</td></tr> <tr><td>Total</td><td style="text-align: right;">420.5</td></tr> </table>	1:	10.1	↘	2:	9.9	→	3:	10.4x	↘	4:	10.7x	↘	5:	10.3x	→	6:	10.6x	↘	7:	10.1	→	8:	10.5x	↘	9:	10.5x	↘	10:	10.5x	↘	Serie	103.6	Total	420.5	<p>Prov</p>	<table style="width:100%; border-collapse: collapse;"> <tr><td>11:</td><td>10.5x</td><td>→</td></tr> <tr><td>12:</td><td>10.1</td><td>→</td></tr> <tr><td>13:</td><td>10.2x</td><td>→</td></tr> <tr><td>14:</td><td>10.3x</td><td>↘</td></tr> <tr><td>15:</td><td>10.3x</td><td>↘</td></tr> </table> <table border="1" style="width:100%; border-collapse: collapse; margin-top: 5px;"> <tr><td>Serie</td><td style="text-align: right;">51.4</td></tr> <tr><td>Total</td><td style="text-align: right;">420.5</td></tr> </table>	11:	10.5x	→	12:	10.1	→	13:	10.2x	→	14:	10.3x	↘	15:	10.3x	↘	Serie	51.4	Total	420.5
1:	10.1	↘																																																						
2:	9.9	→																																																						
3:	10.4x	↘																																																						
4:	10.7x	↘																																																						
5:	10.3x	→																																																						
6:	10.6x	↘																																																						
7:	10.1	→																																																						
8:	10.5x	↘																																																						
9:	10.5x	↘																																																						
10:	10.5x	↘																																																						
Serie	103.6																																																							
Total	420.5																																																							
11:	10.5x	→																																																						
12:	10.1	→																																																						
13:	10.2x	→																																																						
14:	10.3x	↘																																																						
15:	10.3x	↘																																																						
Serie	51.4																																																							
Total	420.5																																																							

<p>1. Serie 5 Skott</p>	<table style="width:100%; border-collapse: collapse;"> <tr><td>1:</td><td>10.2x</td><td>↘</td></tr> <tr><td>2:</td><td>10.4x</td><td>↘</td></tr> <tr><td>3:</td><td>10.1</td><td>←</td></tr> <tr><td>4:</td><td>10.1</td><td>↘</td></tr> <tr><td>5:</td><td>10.6x</td><td>↑</td></tr> </table> <table border="1" style="width:100%; border-collapse: collapse; margin-top: 5px;"> <tr><td>Serie</td><td style="text-align: right;">51.4</td></tr> <tr><td>Total</td><td style="text-align: right;">471.9</td></tr> </table>	1:	10.2x	↘	2:	10.4x	↘	3:	10.1	←	4:	10.1	↘	5:	10.6x	↑	Serie	51.4	Total	471.9
1:	10.2x	↘																		
2:	10.4x	↘																		
3:	10.1	←																		
4:	10.1	↘																		
5:	10.6x	↑																		
Serie	51.4																			
Total	471.9																			
<p>2. Serie 1 Skott</p>	<table style="width:100%; border-collapse: collapse;"> <tr><td>1:</td><td>10.5x</td><td>↘</td></tr> </table> <table border="1" style="width:100%; border-collapse: collapse; margin-top: 5px;"> <tr><td>Serie</td><td style="text-align: right;">10.5</td></tr> <tr><td>Total</td><td style="text-align: right;">482.4</td></tr> </table>	1:	10.5x	↘	Serie	10.5	Total	482.4												
1:	10.5x	↘																		
Serie	10.5																			
Total	482.4																			

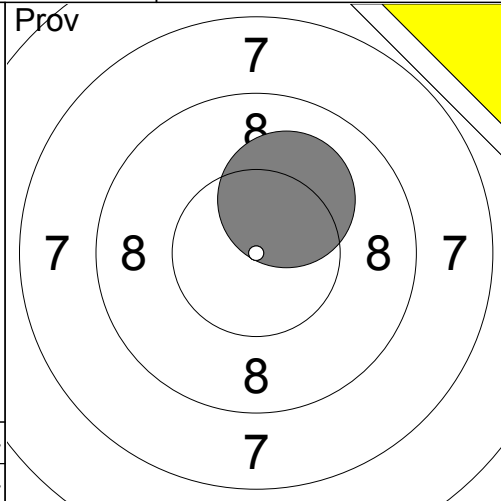
<p>3. Serie 1 Skott</p>	<table style="width:100%; border-collapse: collapse;"> <tr><td>1:</td><td>10.8x</td><td>→</td></tr> </table> <table border="1" style="width:100%; border-collapse: collapse; margin-top: 5px;"> <tr><td>Serie</td><td style="text-align: right;">10.8</td></tr> <tr><td>Total</td><td style="text-align: right;">493.2</td></tr> </table>	1:	10.8x	→	Serie	10.8	Total	493.2
1:	10.8x	→						
Serie	10.8							
Total	493.2							
<p>4. Serie 1 Skott</p>	<table style="width:100%; border-collapse: collapse;"> <tr><td>1:</td><td>10.6x</td><td>↘</td></tr> </table> <table border="1" style="width:100%; border-collapse: collapse; margin-top: 5px;"> <tr><td>Serie</td><td style="text-align: right;">10.6</td></tr> <tr><td>Total</td><td style="text-align: right;">503.8</td></tr> </table>	1:	10.6x	↘	Serie	10.6	Total	503.8
1:	10.6x	↘						
Serie	10.6							
Total	503.8							

<p>5. Serie 1 Skott</p>	<table style="width:100%; border-collapse: collapse;"> <tr><td>1:</td><td>10.7x</td><td>↘</td></tr> </table> <table border="1" style="width:100%; border-collapse: collapse; margin-top: 5px;"> <tr><td>Serie</td><td style="text-align: right;">10.7</td></tr> <tr><td>Total</td><td style="text-align: right;">514.5</td></tr> </table>	1:	10.7x	↘	Serie	10.7	Total	514.5
1:	10.7x	↘						
Serie	10.7							
Total	514.5							
<p>6. Serie 1 Skott</p>	<table style="width:100%; border-collapse: collapse;"> <tr><td>1:</td><td>10.3x</td><td>←</td></tr> </table> <table border="1" style="width:100%; border-collapse: collapse; margin-top: 5px;"> <tr><td>Serie</td><td style="text-align: right;">10.3</td></tr> <tr><td>Total</td><td style="text-align: right;">524.8</td></tr> </table>	1:	10.3x	←	Serie	10.3	Total	524.8
1:	10.3x	←						
Serie	10.3							
Total	524.8							



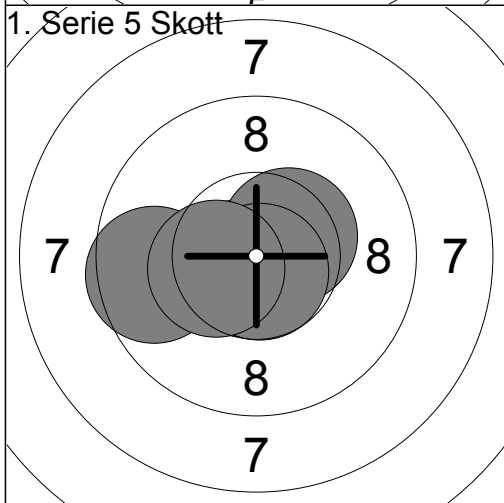
1:	10.5x	↘
2:	7.4	↘
3:	10.6x	↘
4:	9.7	↘
5:	10.1	↗
6:	10.9x	↘
7:	10.4x	↗
8:	10.4x	↗
9:	10.9x	→
10:	10.5x	↗

Serie	101.4
Total	420.4



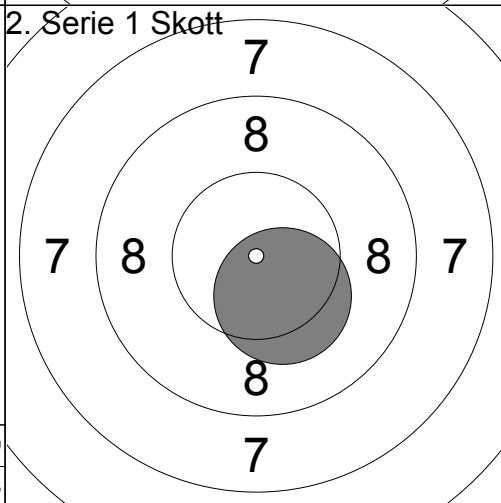
11:	10.1	↗
-----	------	---

Serie	10.1
Total	420.4



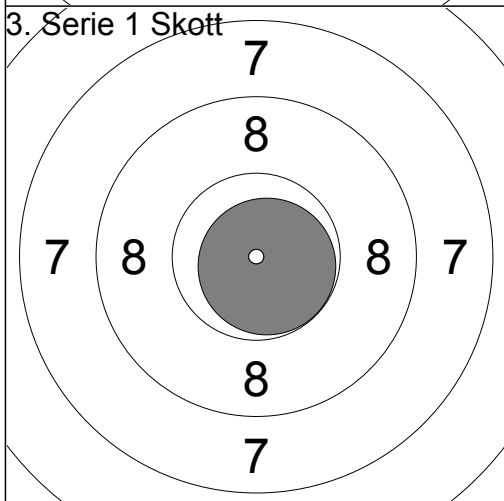
1:	10.7x	↙
2:	10.5x	↗
3:	10.7x	↘
4:	9.6	←
5:	10.4x	←

Serie	51.9
Total	472.3



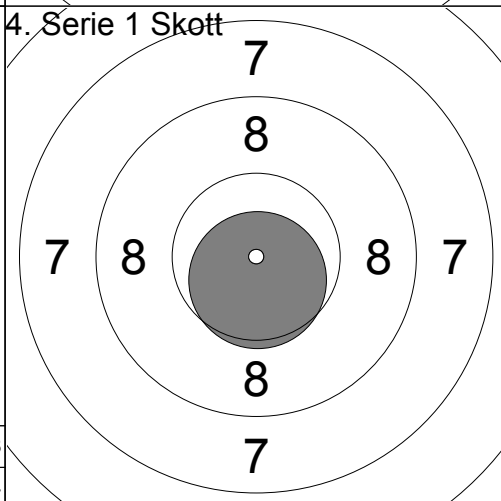
1:	10.3x	↘
----	-------	---

Serie	10.3
Total	482.6



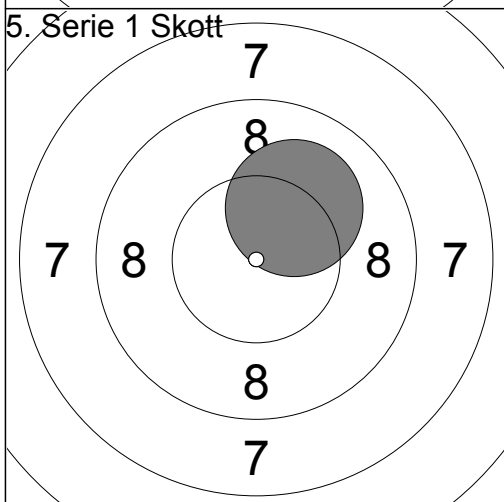
1:	10.8x	↘
----	-------	---

Serie	10.8
Total	493.4



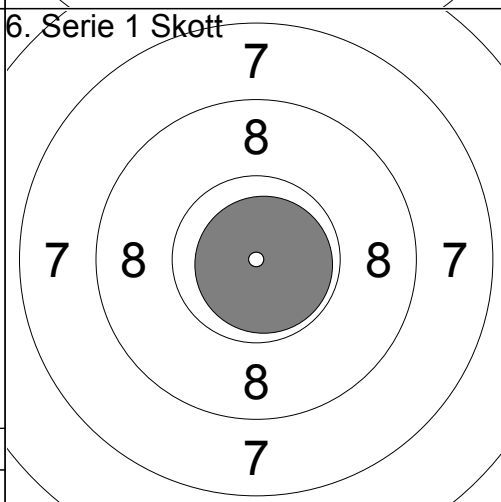
1:	10.6x	↘
----	-------	---

Serie	10.6
Total	504.0



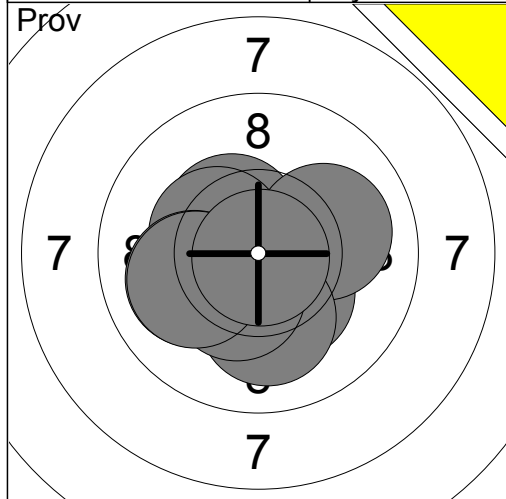
1:	10.1	↗
----	------	---

Serie	10.1
Total	514.1



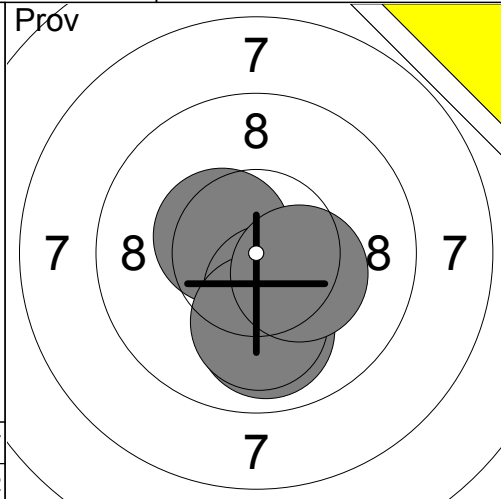
1:	10.8x	↘
----	-------	---

Serie	10.8
Total	524.9



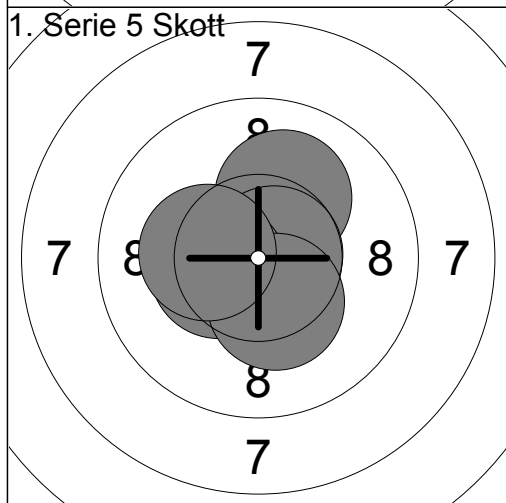
1:	10.4x	↗
2:	10.4x	↖
3:	10.0	↙
4:	10.3x	↘
6:	10.1	→
7:	10.1	↓
8:	10.4x	↓
9:	10.1	↙
10:	10.9x	↓

Serie	92.7
Total	420.2



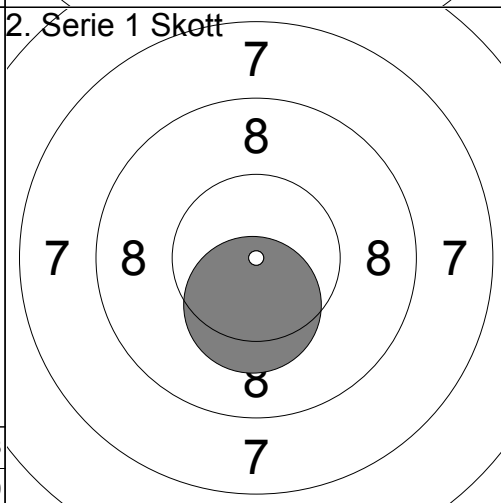
11:	10.5x	↗
12:	10.4x	↓
13:	9.9	↓
14:	10.1	↓
15:	10.3x	↘

Serie	51.2
Total	420.2



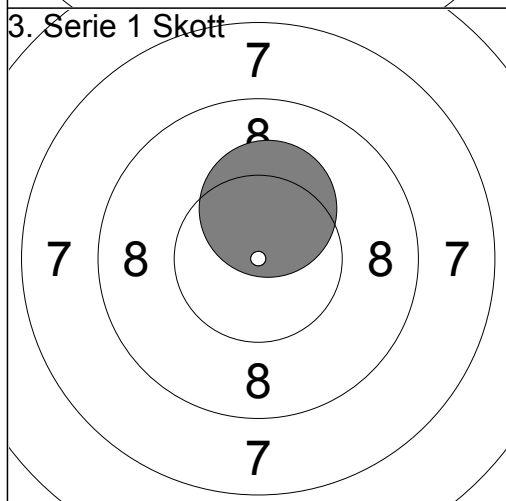
1:	10.1	↗
2:	10.7x	→
3:	10.4x	↙
4:	10.3x	↘
5:	10.3x	↙

Serie	51.8
Total	472.0



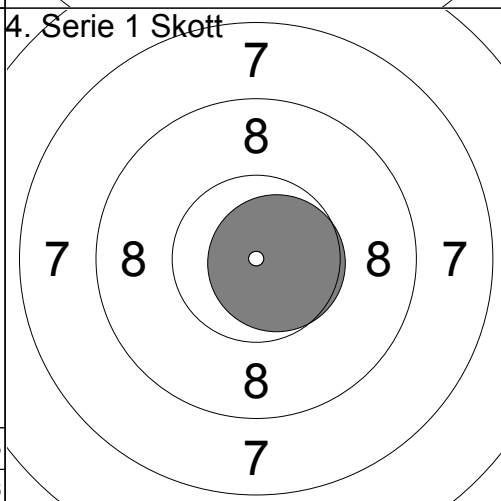
1:	10.3x	↓
----	-------	---

Serie	10.3
Total	482.3



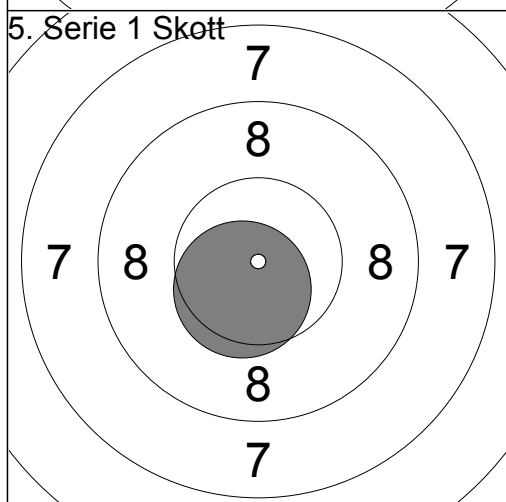
1:	10.3x	↗
----	-------	---

Serie	10.3
Total	492.6



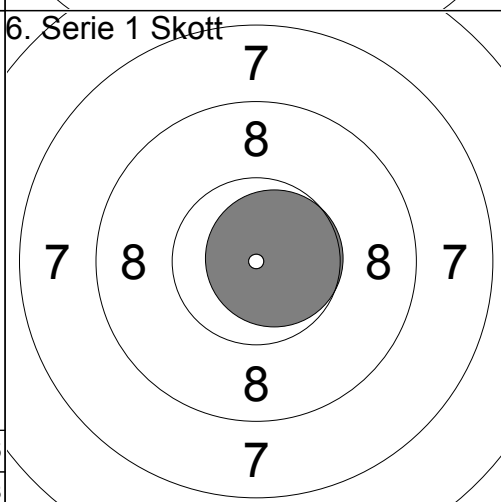
1:	10.7x	→
----	-------	---

Serie	10.7
Total	503.3



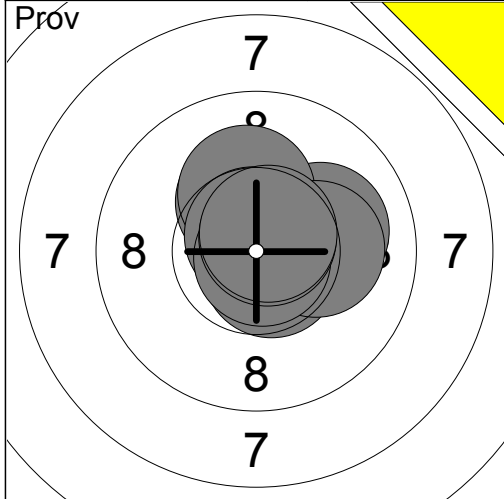
1:	10.5x	↘
----	-------	---

Serie	10.5
Total	513.8

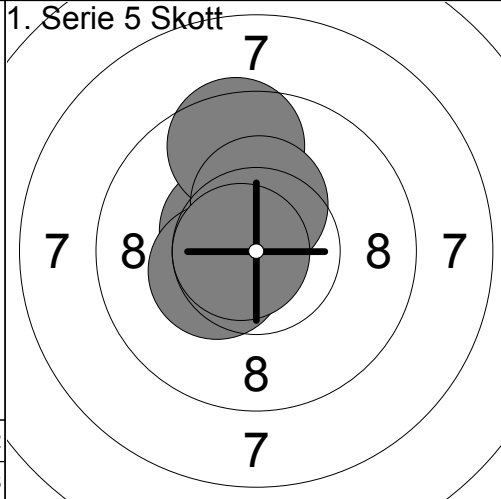


1:	10.7x	→
----	-------	---

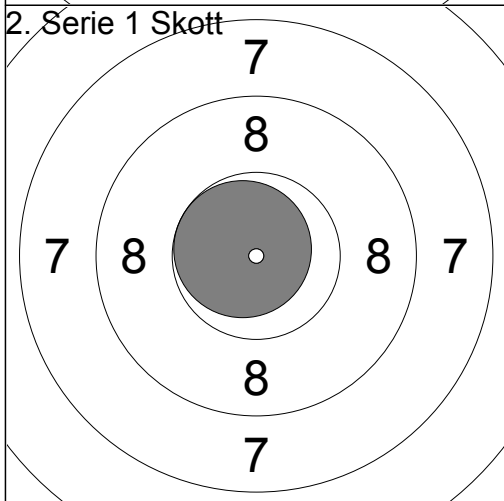
Serie	10.7
Total	524.5



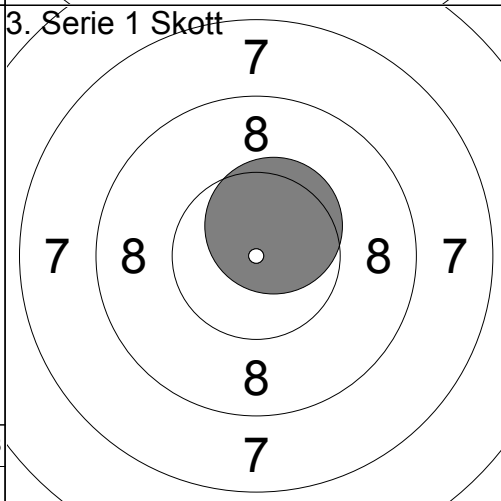
1:	10.3x	↗
2:	10.1	→
3:	10.9x	→
4:	10.2x	↑
5:	10.6x	↘
6:	10.7x	↑
7:	10.2x	→
8:	10.8x	↘
9:	10.7x	↗
10:	10.7x	↗
Serie	105.2	
Total	419.8	



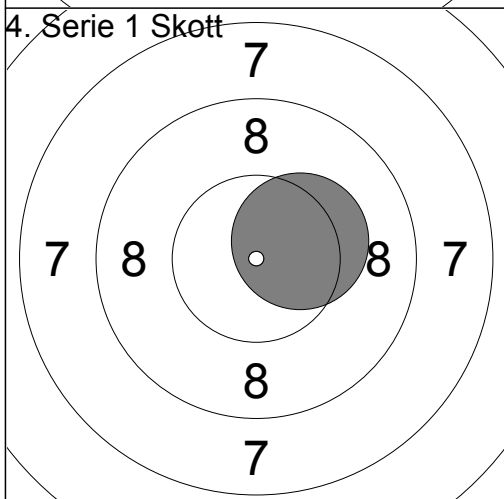
1:	10.5x	↖
2:	10.4x	↙
3:	9.5	↑
4:	10.3x	↑
5:	10.8x	←
Serie	51.5	
Total	471.3	



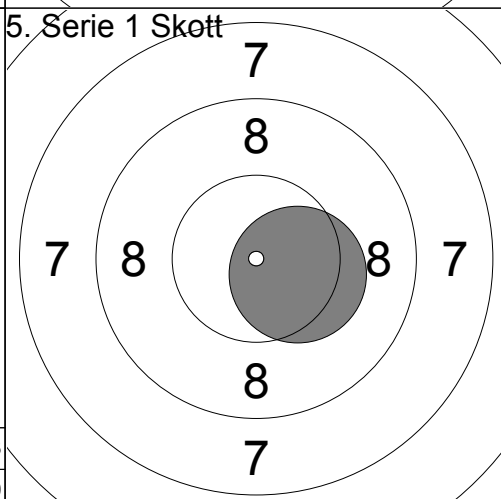
1:	10.8x	↖
Serie	10.8	
Total	482.1	



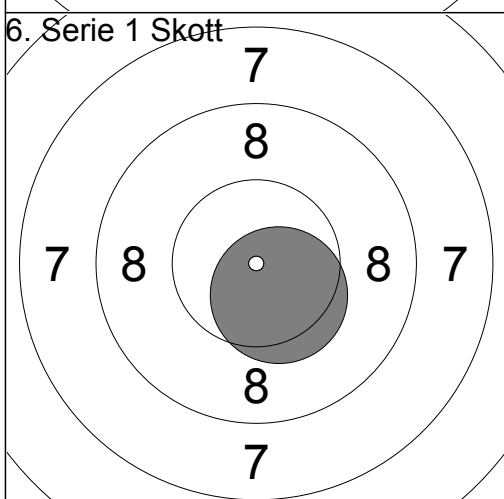
1:	10.5x	↗
Serie	10.5	
Total	492.6	



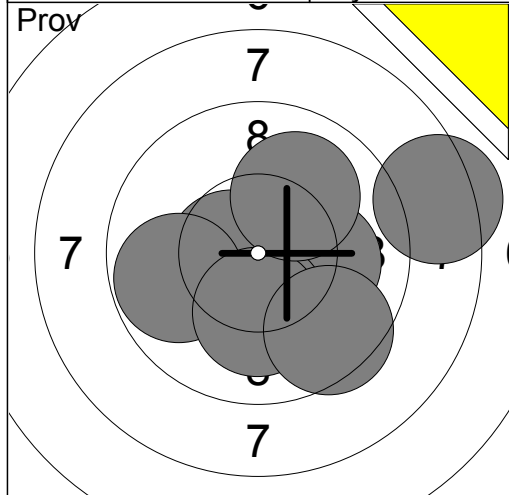
1:	10.3x	→
Serie	10.3	
Total	502.9	



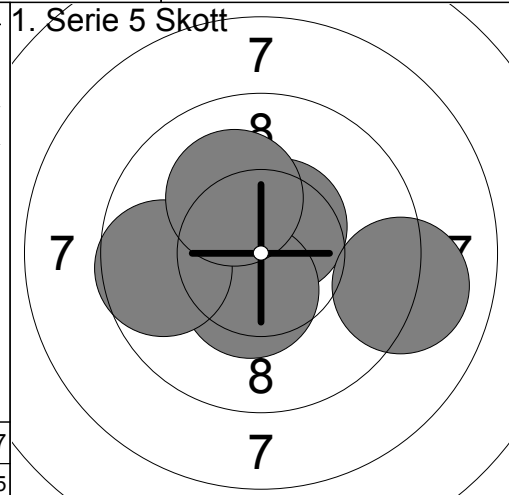
1:	10.4x	→
Serie	10.4	
Total	513.3	



1:	10.4x	↘
Serie	10.4	
Total	523.7	



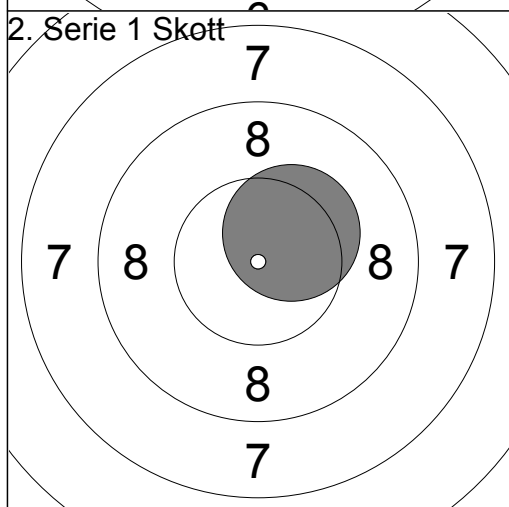
1:	10.1	→
2:	10.2x	↓
3:	10.6x	←
4:	9.8	←
5:	10.1	↓
6:	9.5	↘
7:	10.0	↗
8:	8.4	→



1:	10.5x	↗
2:	9.1	→
3:	10.4x	↓
4:	9.7	←
5:	10.1	↖

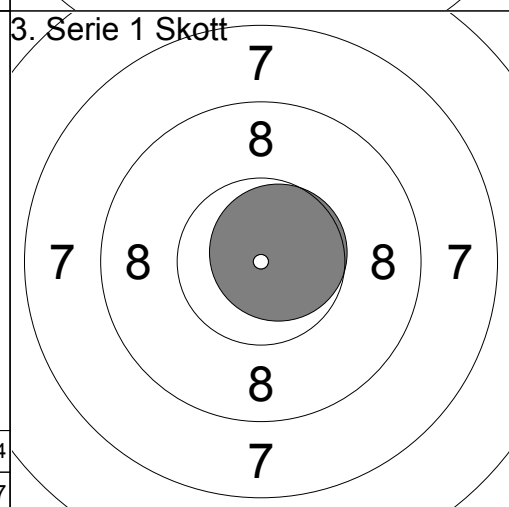
Serie	78.7
Total	406.5

Serie	49.8
Total	456.3



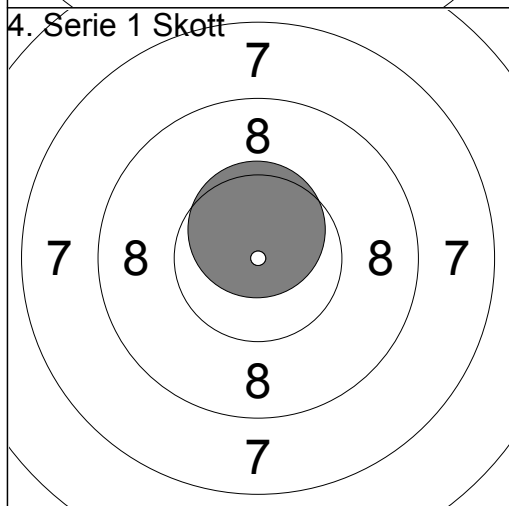
1:	10.4x	↗
----	-------	---

Serie	10.4
Total	466.7



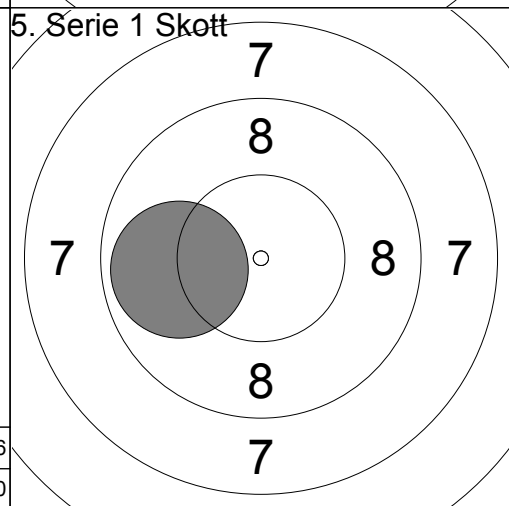
1:	10.7x	↗
----	-------	---

Serie	10.7
Total	477.4



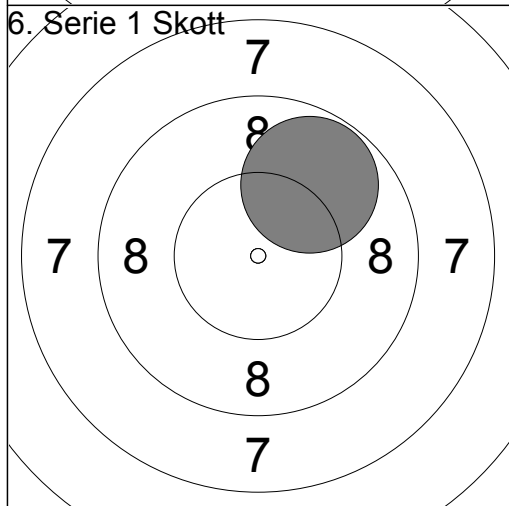
1:	10.6x	↑
----	-------	---

Serie	10.6
Total	488.0



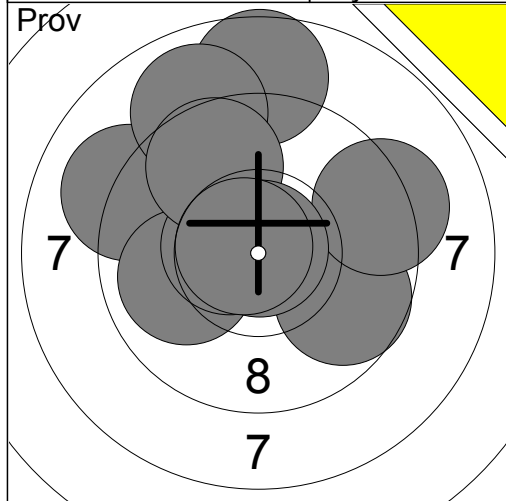
1:	9.9	←
----	-----	---

Serie	9.9
Total	497.9

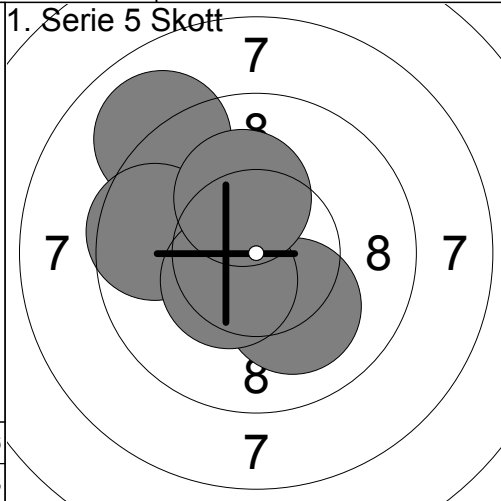


1:	9.8	↗
----	-----	---

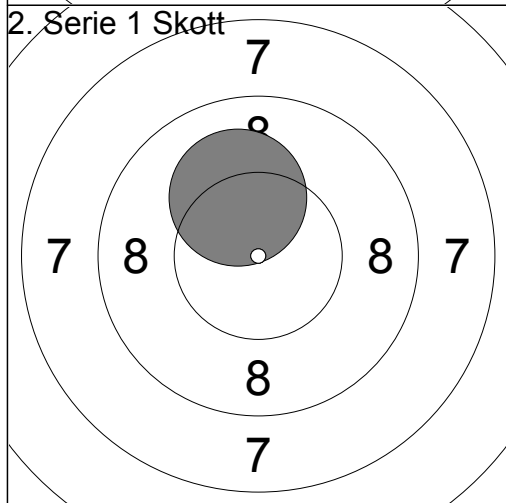
Serie	9.8
Total	507.7



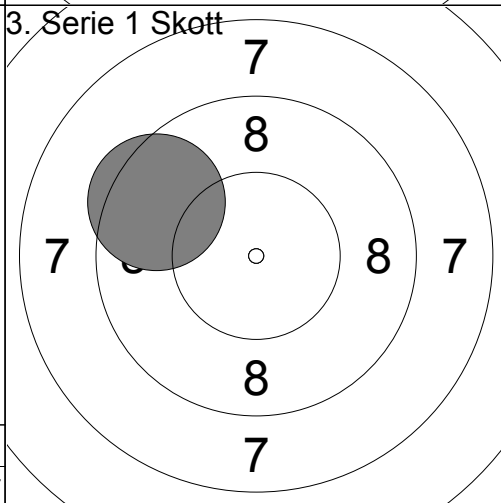
1:	9.1	↖
2:	8.7	↑
3:	10.0	↙
4:	9.0	↗
5:	10.6x	↖
6:	9.7	↘
7:	9.2	→
8:	9.7	↗
9:	10.9x	↑
10:	10.7x	↖
Serie		97.6
Total		402.3



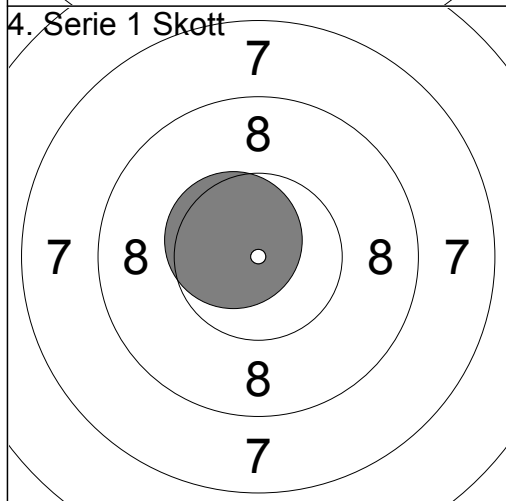
1:	10.1	↘
2:	9.0	↗
3:	9.6	↙
4:	10.4x	↘
5:	10.2x	↑
Serie		49.3
Total		451.6



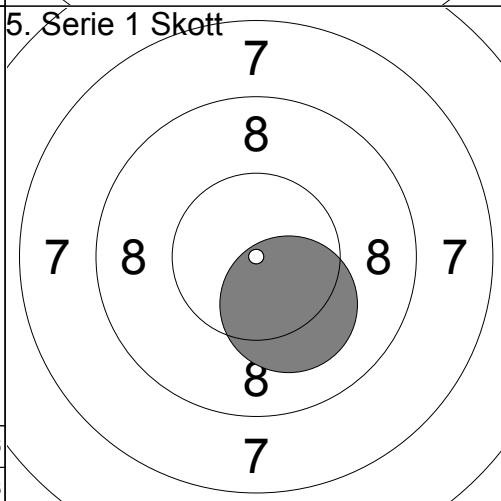
1:	10.1	↑
Serie		10.1
Total		461.7



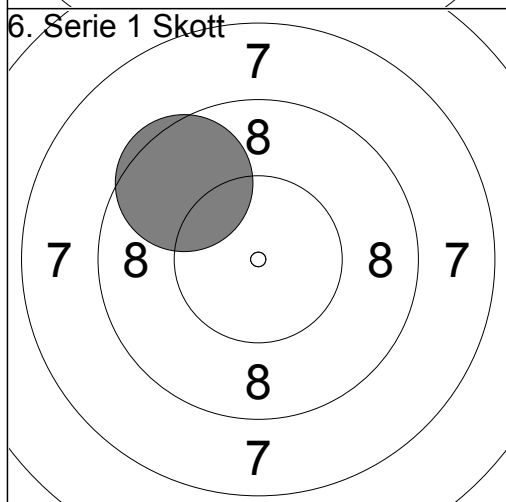
1:	9.5	↖
Serie		9.5
Total		471.2



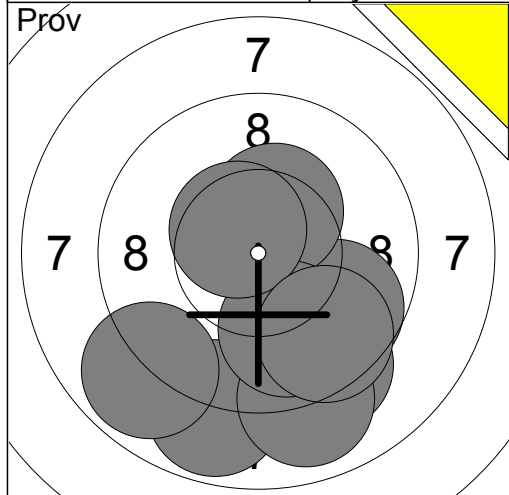
1:	10.6x	↖
Serie		10.6
Total		481.8



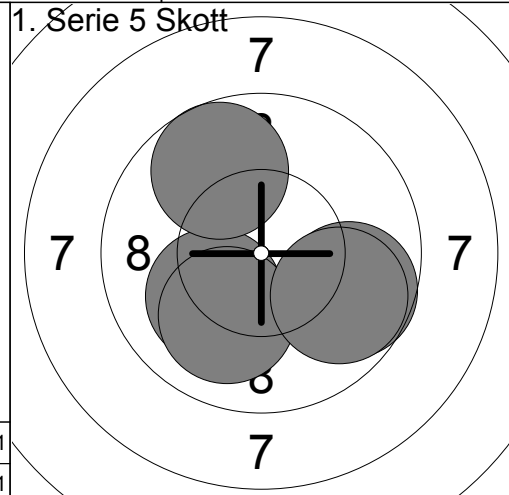
1:	10.2x	↘
Serie		10.2
Total		492.0



1:	9.6	↗
Serie		9.6
Total		501.6



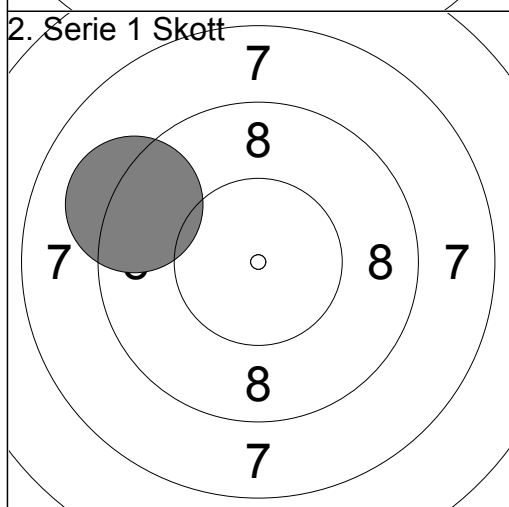
1:	8.8	↘
2:	9.3	↘
3:	9.7	↘
4:	9.0	↘
5:	8.9	↘
6:	10.4x	↗
7:	9.9	↘
8:	10.5x	↗
9:	9.6	↘



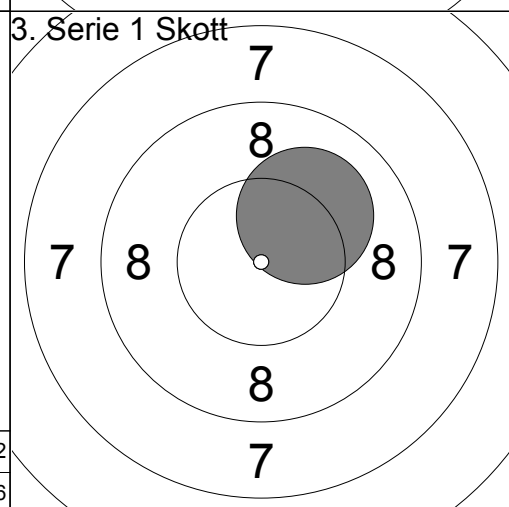
1:	10.1	↘
2:	10.0	↘
3:	9.7	→
4:	9.8	↘
5:	9.7	↗

Serie	86.1
Total	398.1

Serie	49.3
Total	447.4



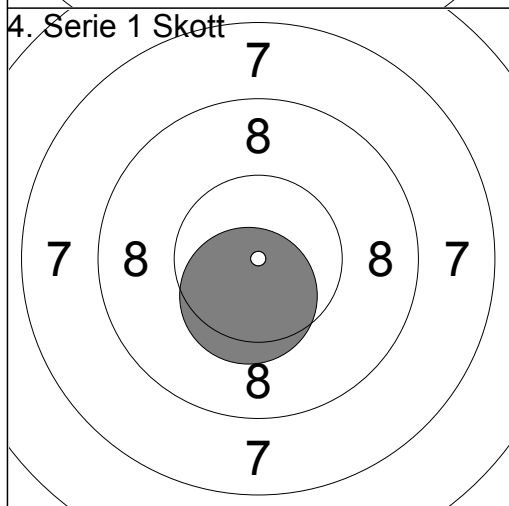
1:	9.2	↖
----	-----	---



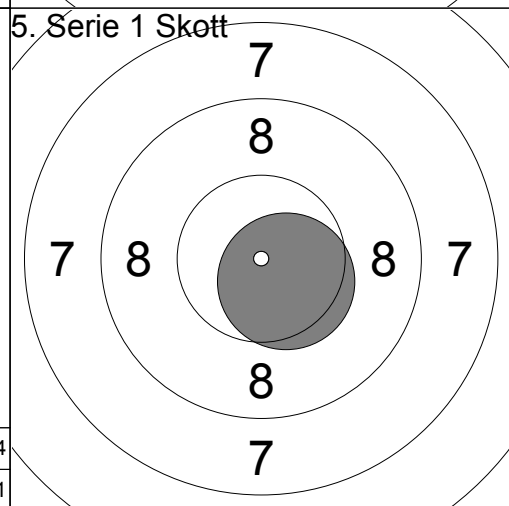
1:	10.1	↗
----	------	---

Serie	9.2
Total	456.6

Serie	10.1
Total	466.7



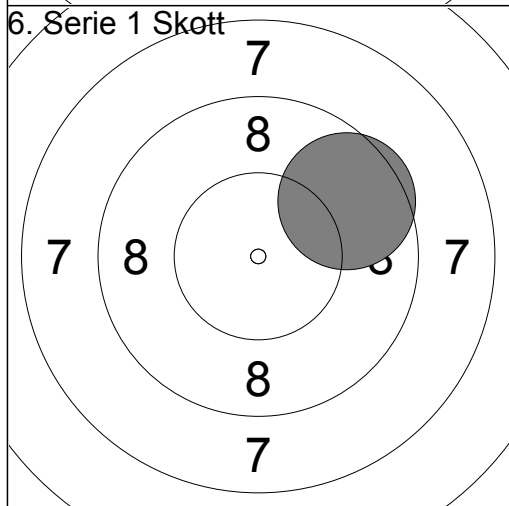
1:	10.4x	↘
----	-------	---



1:	10.5x	↘
----	-------	---

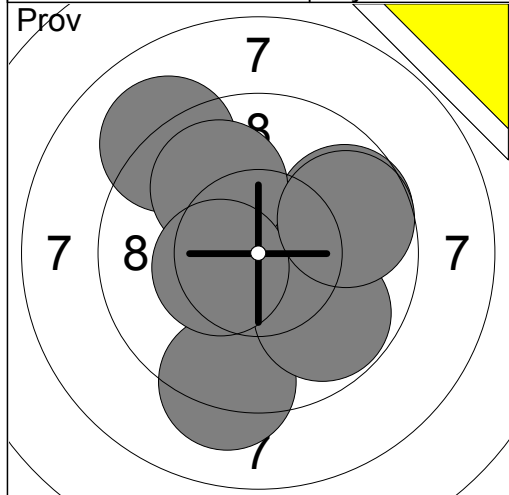
Serie	10.4
Total	477.1

Serie	10.5
Total	487.6

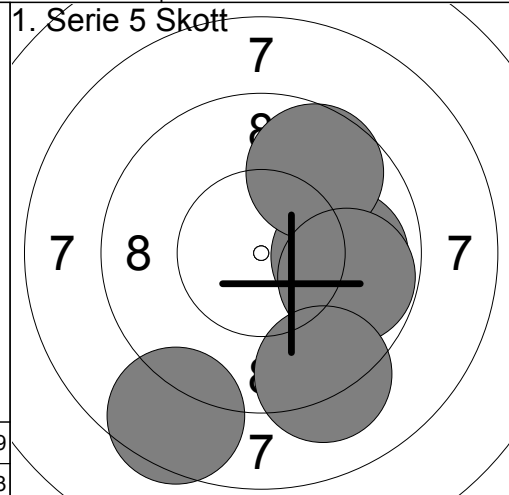


1:	9.6	↗
----	-----	---

Serie	9.6
Total	497.2



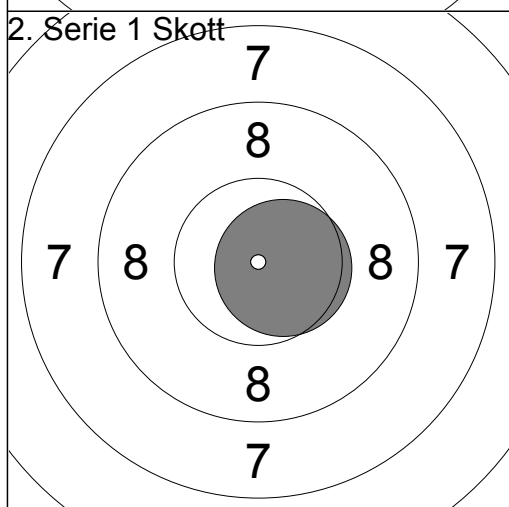
1:	9.7	➔
2:	9.2	⬇
3:	9.8	⬇
4:	9.1	↗
5:	10.0	↗
6:	10.4x	⬅
7:	9.7	➔



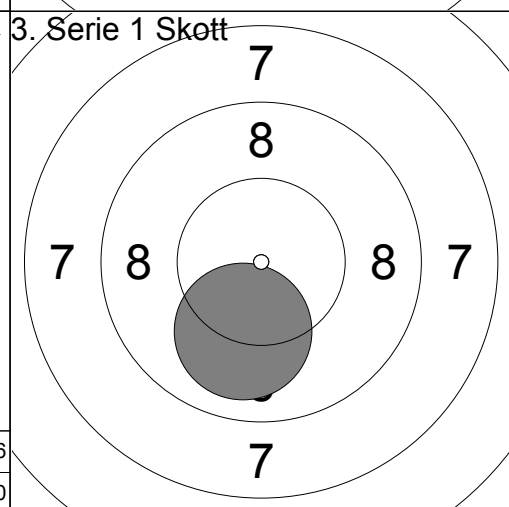
1:	9.9	➔
2:	9.7	↗
3:	8.5	⬇
4:	9.8	➔
5:	9.2	⬇

Serie	67.9
Total	396.3

Serie	47.1
Total	443.4



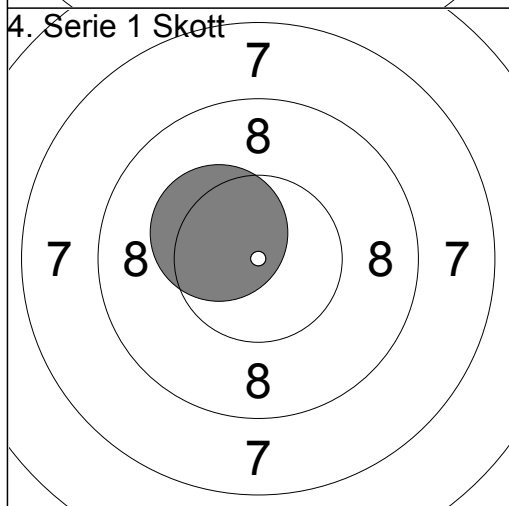
1:	10.6x	➔
----	-------	---



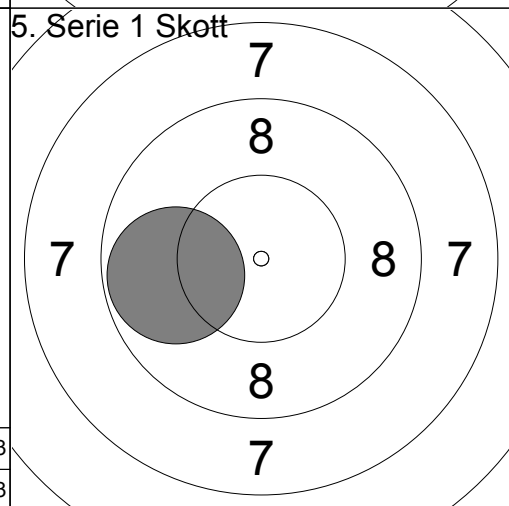
1:	10.0	⬇
----	------	---

Serie	10.6
Total	454.0

Serie	10.0
Total	464.0



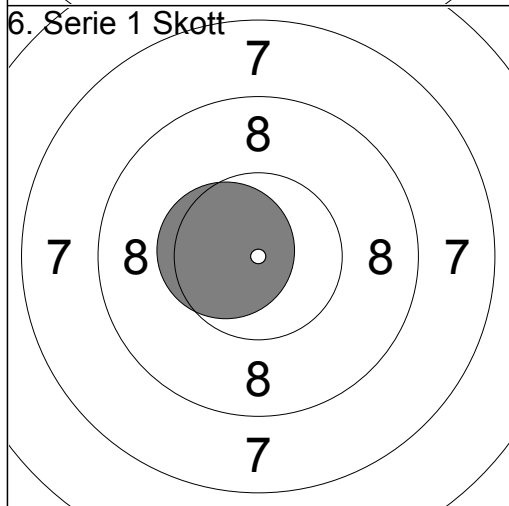
1:	10.3x	⬅
----	-------	---



1:	9.8	⬅
----	-----	---

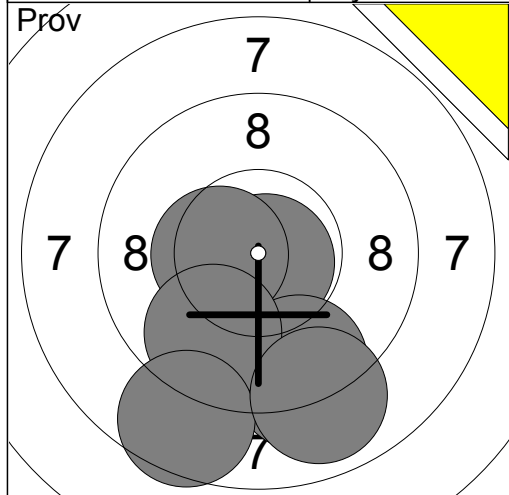
Serie	10.3
Total	474.3

Serie	9.8
Total	484.1

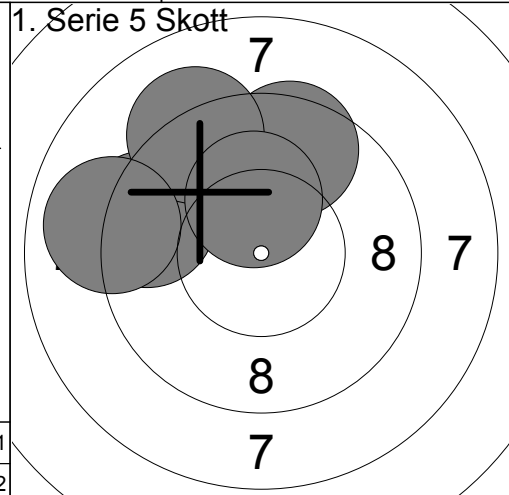


1:	10.5x	⬅
----	-------	---

Serie	10.5
Total	494.6



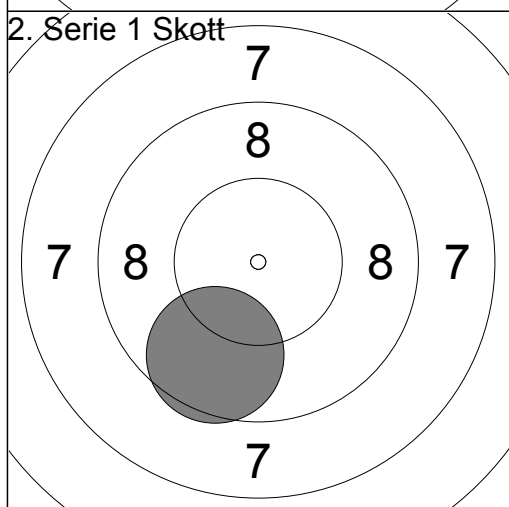
1:	10.8x	↘
2:	9.2	↘
3:	9.4	↘
4:	10.4x	←
5:	9.8	↘
6:	8.6	↘
7:	8.9	↘



1:	9.4	←
2:	9.5	↑
3:	9.2	↑
4:	10.2x	↑
5:	9.0	←

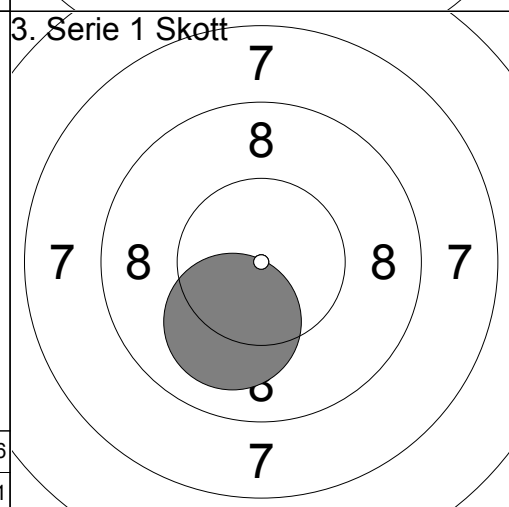
Serie	67.1
Total	395.2

Serie	47.3
Total	442.5



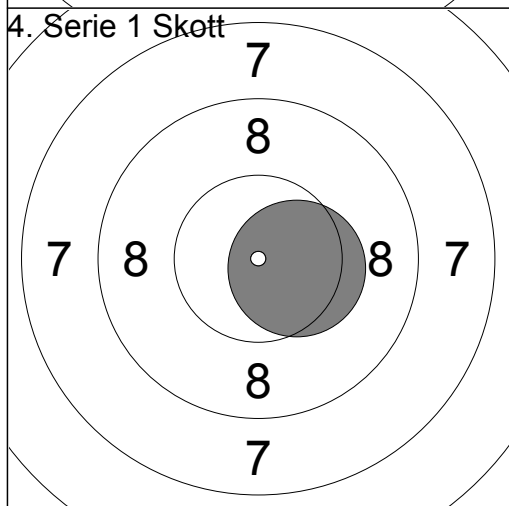
1:	9.6	↘
----	-----	---

Serie	9.6
Total	452.1



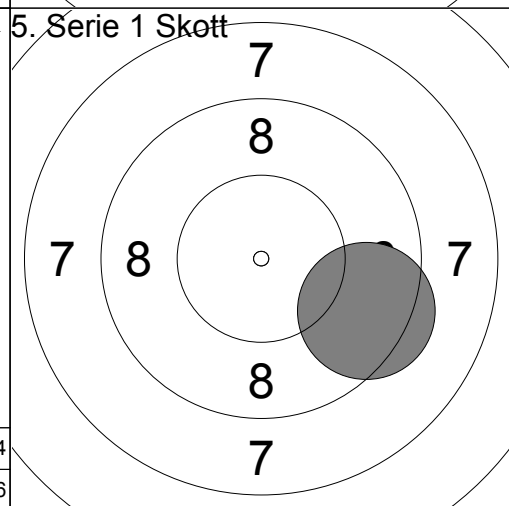
1:	10.1	↘
----	------	---

Serie	10.1
Total	462.2



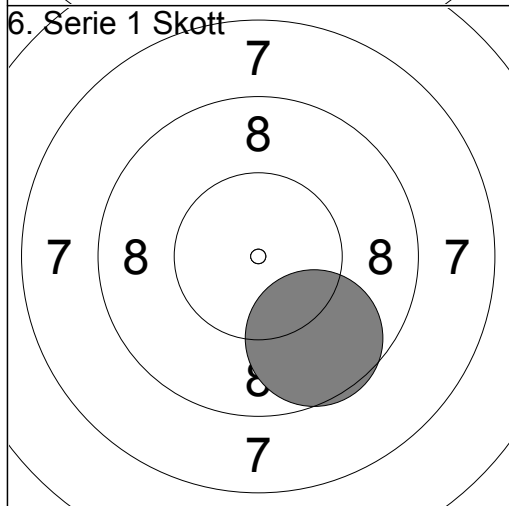
1:	10.4x	→
----	-------	---

Serie	10.4
Total	472.6



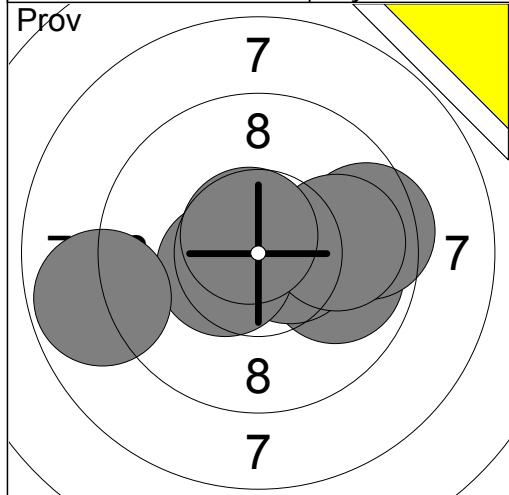
1:	9.4	↘
----	-----	---

Serie	9.4
Total	482.0

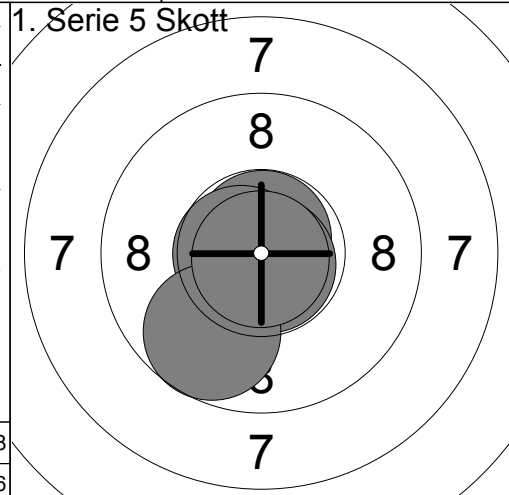


1:	9.7	↘
----	-----	---

Serie	9.7
Total	491.7



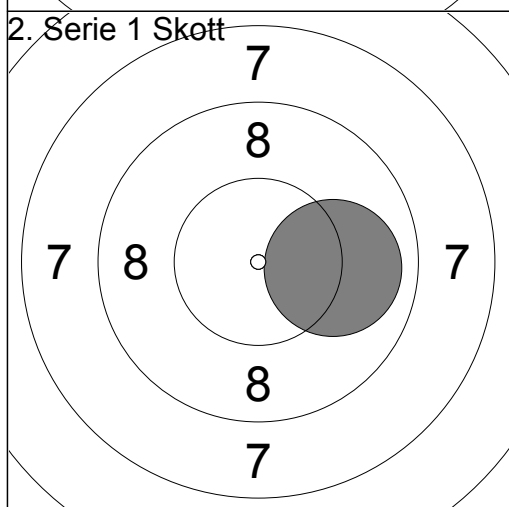
1:	9.9	→
2:	10.5x	→
3:	9.5	→
4:	10.5x	←
5:	9.9	→
6:	10.7x	↗
7:	8.8	←



1:	10.8x	↑
2:	10.7x	←
3:	10.8x	↘
4:	9.7	↘
5:	10.9x	↓

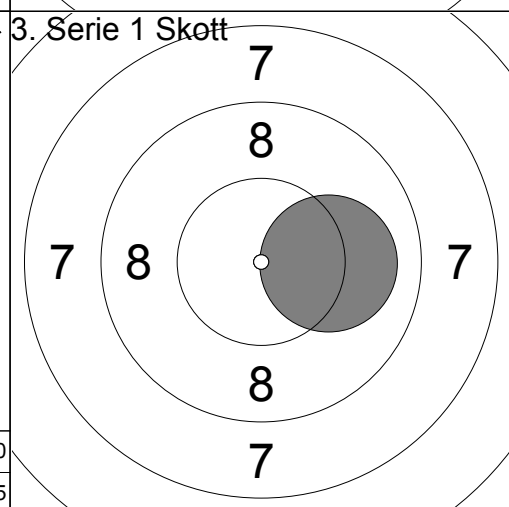
Serie	69.8
Total	410.6

Serie	52.9
Total	463.5



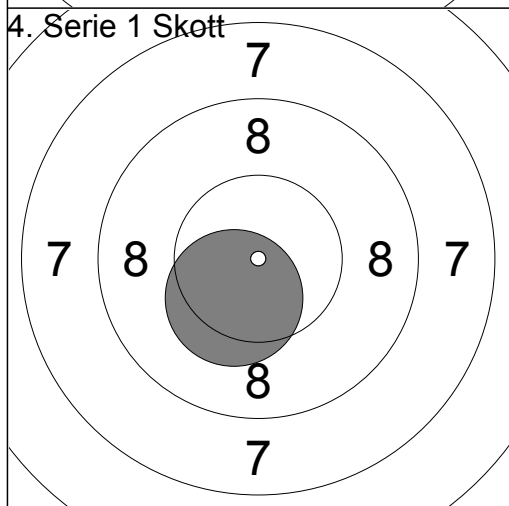
1:	10.0	→
----	------	---

Serie	10.0
Total	473.5



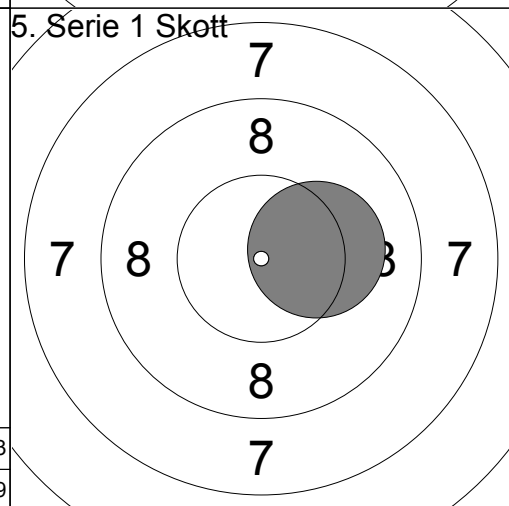
1:	10.1	→
----	------	---

Serie	10.1
Total	483.6



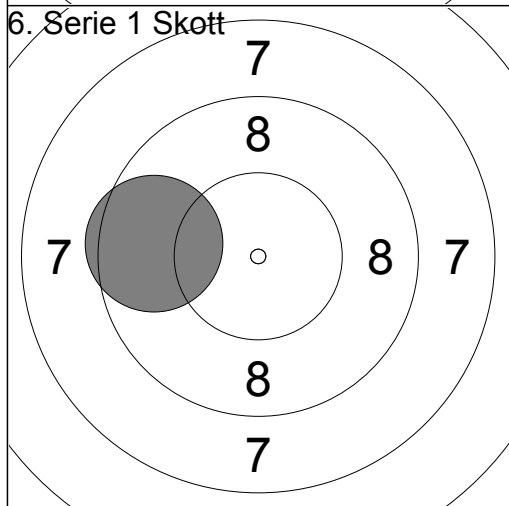
1:	10.3x	↘
----	-------	---

Serie	10.3
Total	493.9



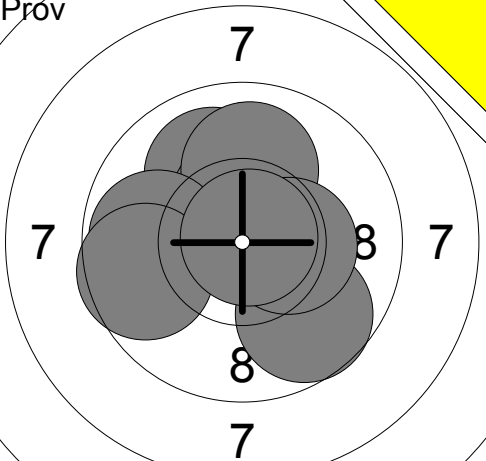
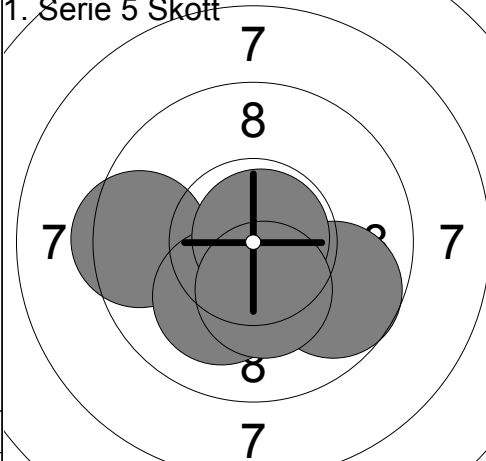
1:	10.2x	→
----	-------	---

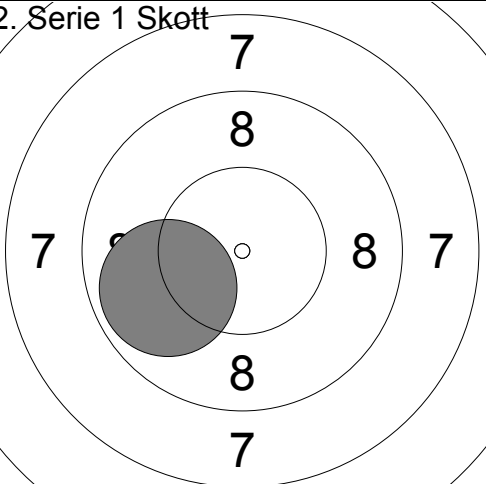
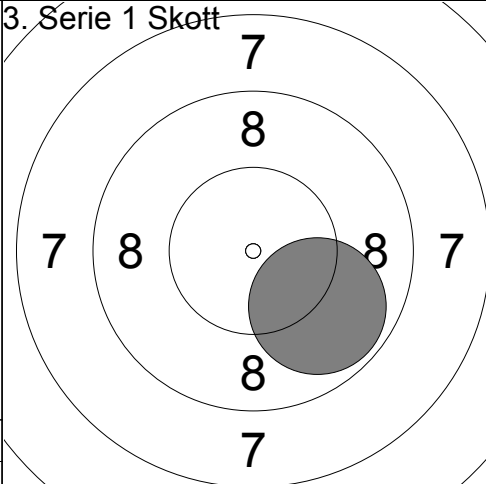
Serie	10.2
Total	504.1

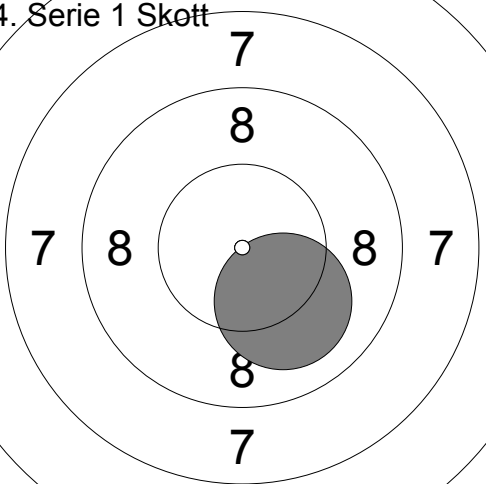
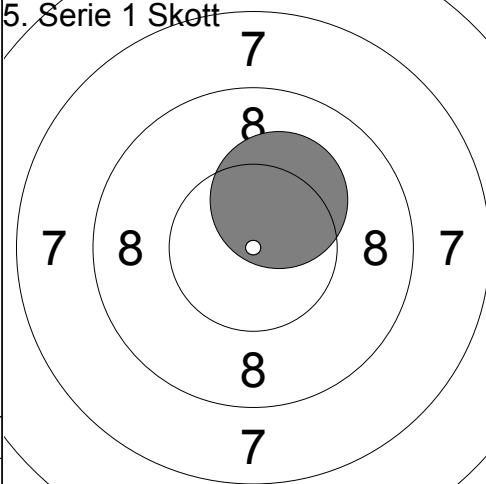


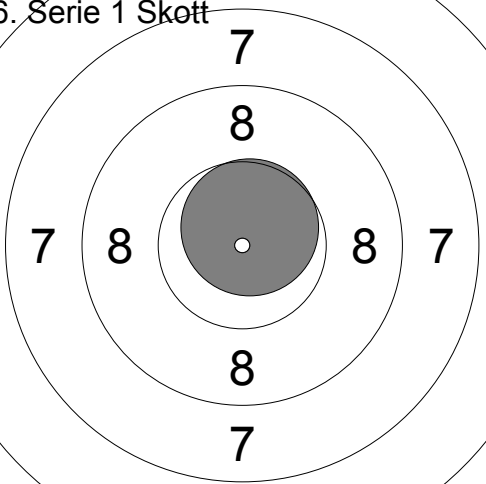
1:	9.6	←
----	-----	---

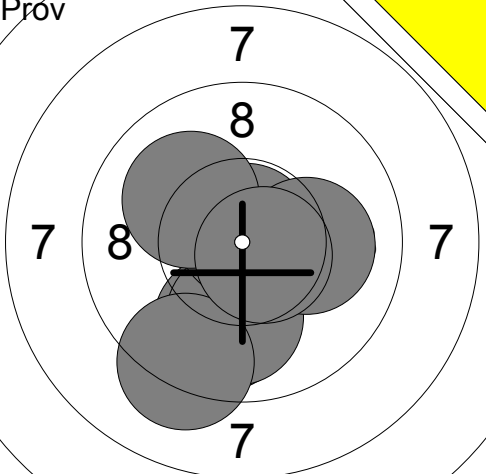
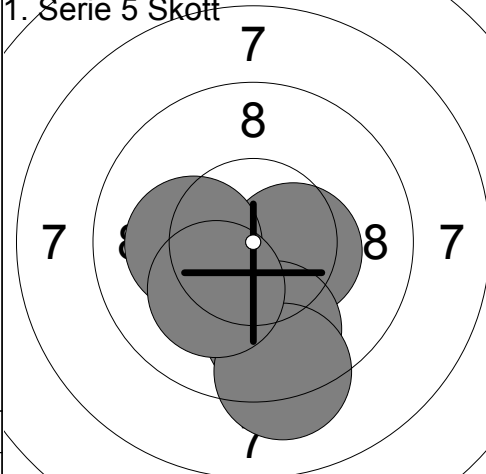
Serie	9.6
Total	513.7

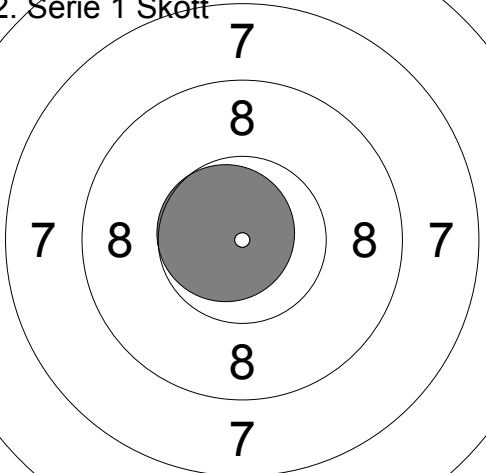
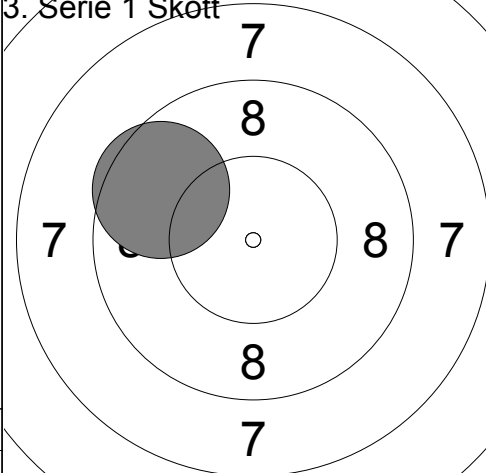
Prov 	1: 10.0 ↗ 2: 10.4x ↑ 3: 10.0 ↑ 4: 9.8 ← 5: 9.7 ↘ 6: 9.6 ← 7: 10.3x → 8: 10.8x ↗	1. Serie 5 Skott 	1: 9.5 ← 2: 10.1 ↘ 3: 9.7 ↘ 4: 10.8x → 5: 10.3x ↘
Serie 80.6 Total 409.2		Serie 50.4 Total 459.6	

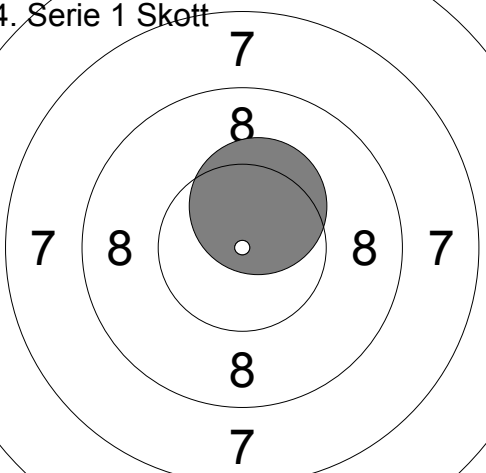
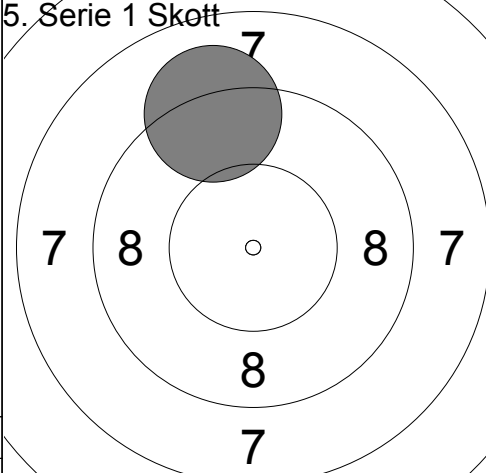
2. Serie 1 Skott 	1: 9.9 ↙	3. Serie 1 Skott 	1: 9.8 ↘
Serie 9.9 Total 469.5		Serie 9.8 Total 479.3	

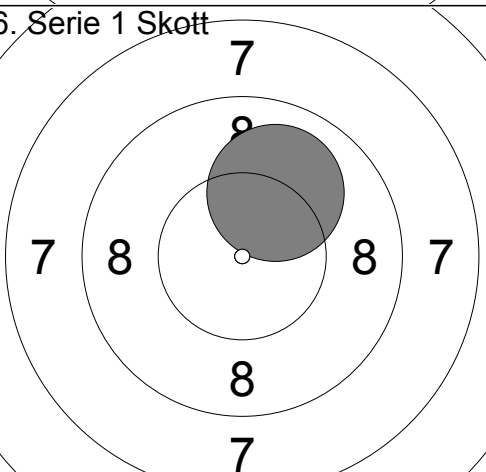
4. Serie 1 Skott 	1: 10.1 ↘	5. Serie 1 Skott 	1: 10.2x ↗
Serie 10.1 Total 489.4		Serie 10.2 Total 499.6	

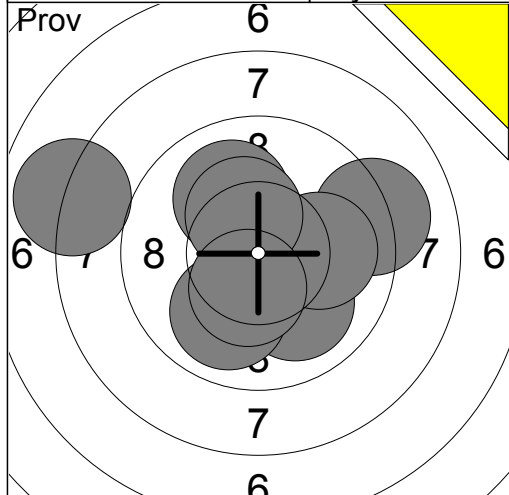
6. Serie 1 Skott 	1: 10.7x ↗		
Serie 10.7 Total 510.3			

Prov 	1: 9.9 ↓ 2: 10.0 ↓ 3: 10.8x ↑ 4: 10.1 ↗ 5: 9.2 ↓ 6: 10.1 → 7: 10.6x ↘	1. Serie 5 Skott 	1: 10.4x → 2: 9.8 ↓ 3: 10.2x ← 4: 9.2 ↓ 5: 10.2x ↘
Serie 70.7		Serie 49.8	
Total 408.4		Total 458.2	

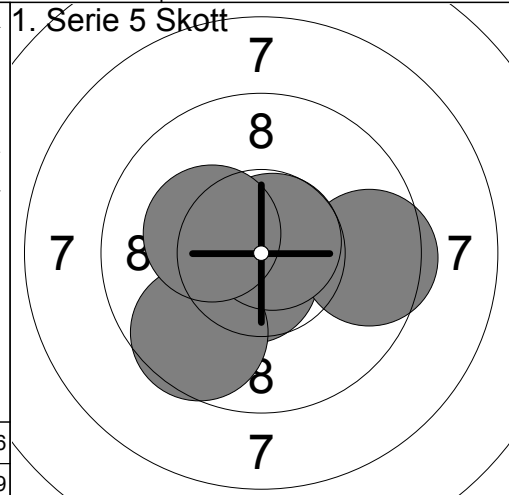
2. Serie 1 Skott 	1: 10.7x ←	3. Serie 1 Skott 	1: 9.6 ←
Serie 10.7		Serie 9.6	
Total 468.9		Total 478.5	

4. Serie 1 Skott 	1: 10.4x ↑	5. Serie 1 Skott 	1: 9.1 ↑
Serie 10.4		Serie 9.1	
Total 488.9		Total 498.0	

6. Serie 1 Skott 	1: 10.0 ↑		
Serie 10.0			
Total 508.0			



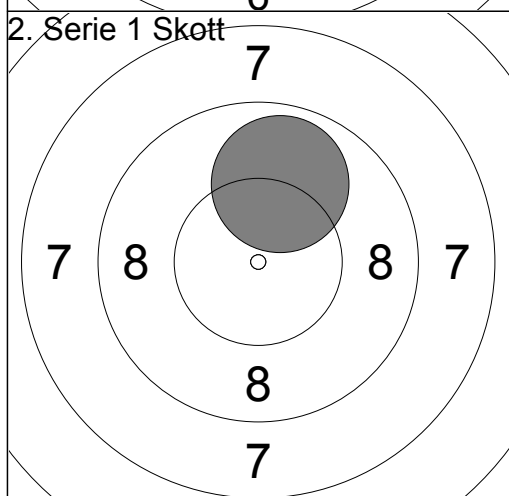
1:	10.8x	↘
2:	10.0	↘
3:	9.1	→
4:	8.0	←
5:	10.0	→
6:	10.0	↗
7:	10.3x	↗
8:	10.0	↘
9:	10.4x	↘



1:	10.6x	↘
2:	9.6	↘
3:	9.5	→
4:	10.7x	↗
5:	10.3x	←

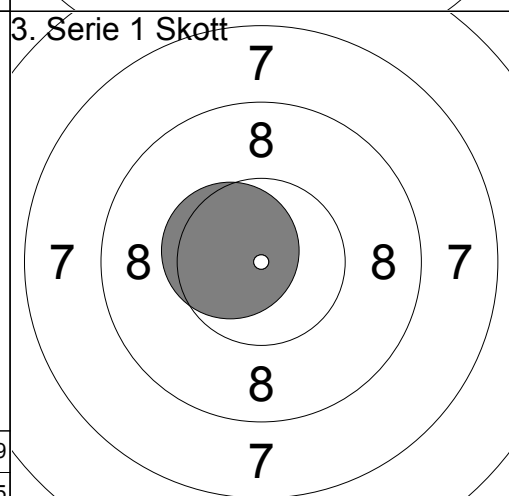
Serie	88.6
Total	406.9

Serie	50.7
Total	457.6



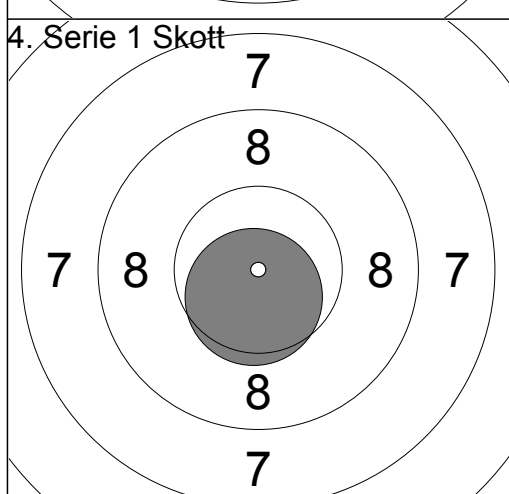
1:	9.9	↗
----	-----	---

Serie	9.9
Total	467.5



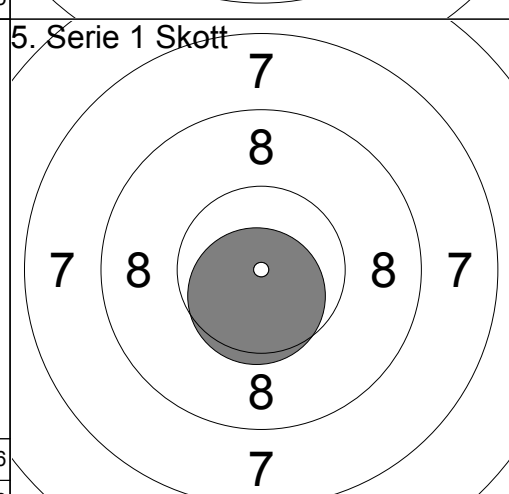
1:	10.5x	←
----	-------	---

Serie	10.5
Total	478.0



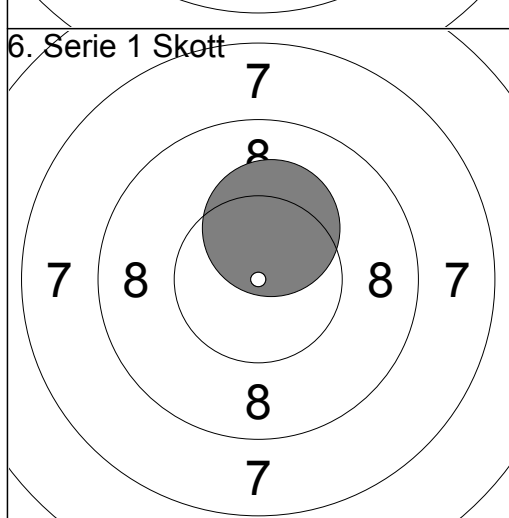
1:	10.6x	↘
----	-------	---

Serie	10.6
Total	488.6



1:	10.6x	↘
----	-------	---

Serie	10.6
Total	499.2



1:	10.3x	↗
----	-------	---

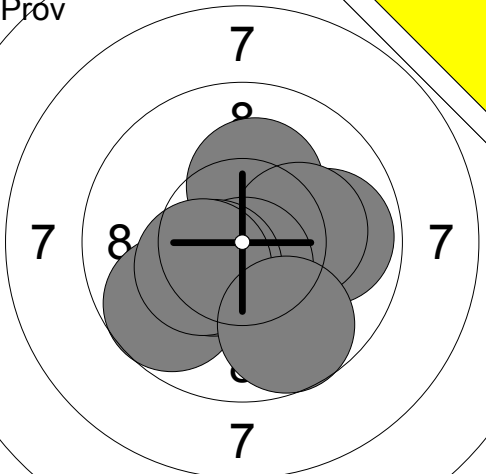
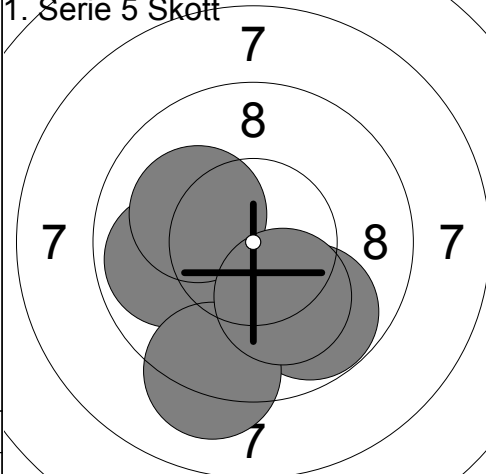
Serie	10.3
Total	509.5

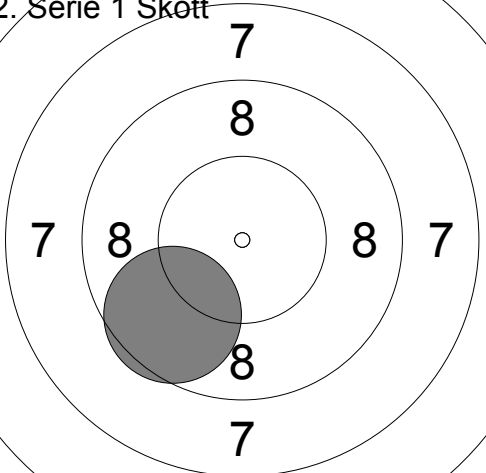
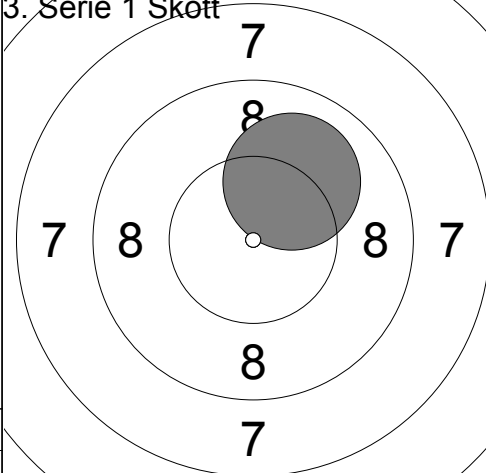
Prov 	1: 9.9 ↗ 2: 10.5x ↓ 3: 10.2x → 4: 9.8 ↗ 5: 10.2x ↓ 6: 9.2 ← 7: 10.1 ↙	1. Serie 5 Skott 	1: 10.1 ↗ 2: 10.4x ↗ 3: 10.0 → 4: 8.9 → 5: 9.3 →
	Serie 69.9		Serie 48.7
	Total 405.7		Total 454.4

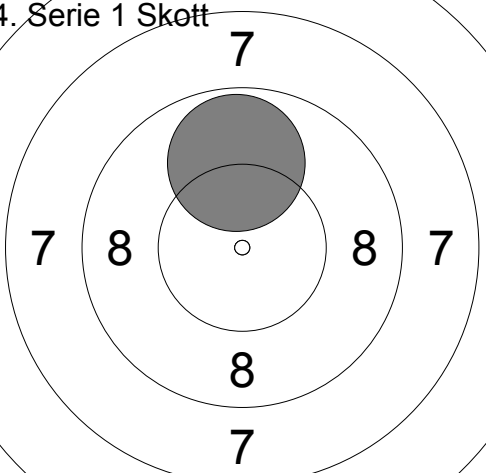
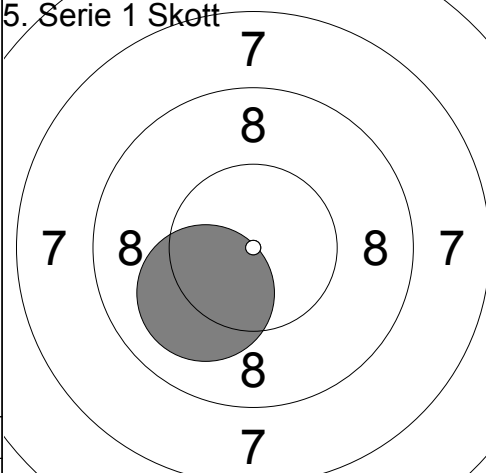
2. Serie 1 Skott 	1: 9.2 ↘	3. Serie 1 Skott 	1: 8.9 ←
	Serie 9.2		Serie 8.9
	Total 463.6		Total 472.5

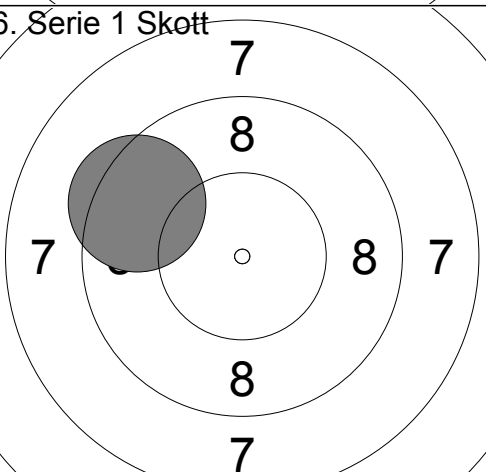
4. Serie 1 Skott 	1: 9.3 ←	5. Serie 1 Skott 	1: 10.4x ↓
	Serie 9.3		Serie 10.4
	Total 481.8		Total 492.2

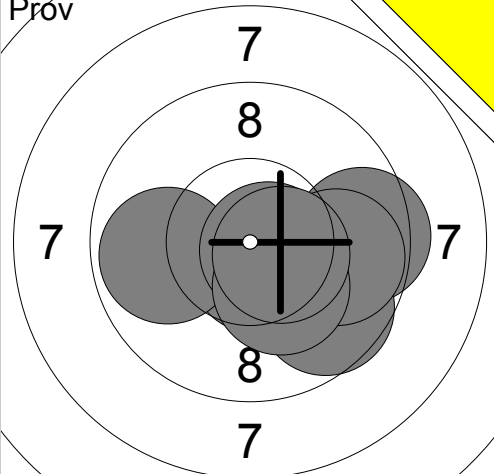
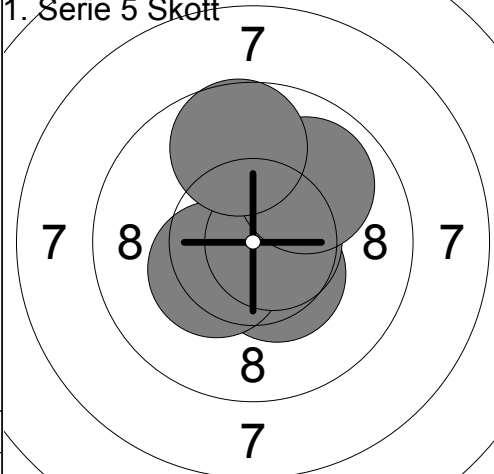
6. Serie 1 Skott 	1: 10.4x ↓		
	Serie 10.4		
	Total 502.6		

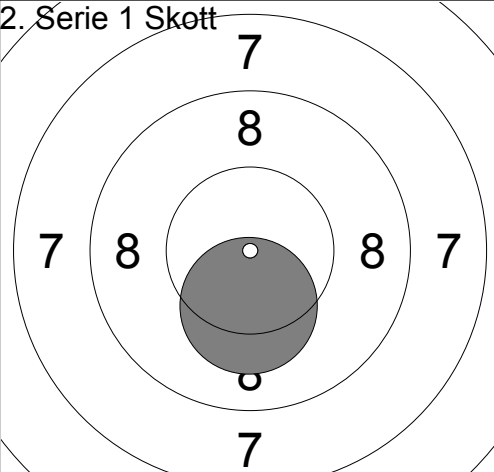
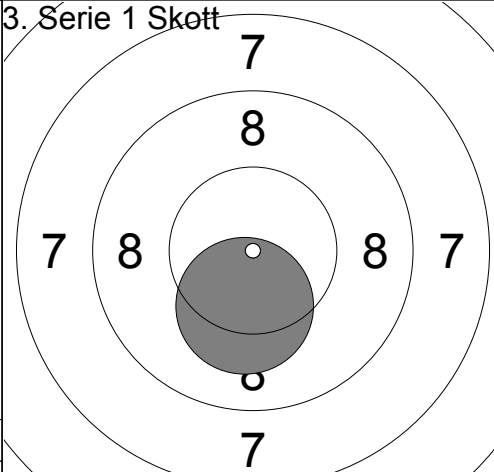
Prov 	1: 9.7 ↙ 2: 9.9 → 3: 10.2x ↑ 4: 10.2x → 5: 10.6x ↓ 6: 10.4x ↙ 7: 10.3x ↙ 8: 9.7 ↓	1. Serie 5 Skott 	1: 9.9 ↙ 2: 10.1 ↗ 3: 9.8 ↘ 4: 9.2 ↘ 5: 10.1 ↘
Serie 81.0 Total 405.7		Serie 49.1 Total 454.8	

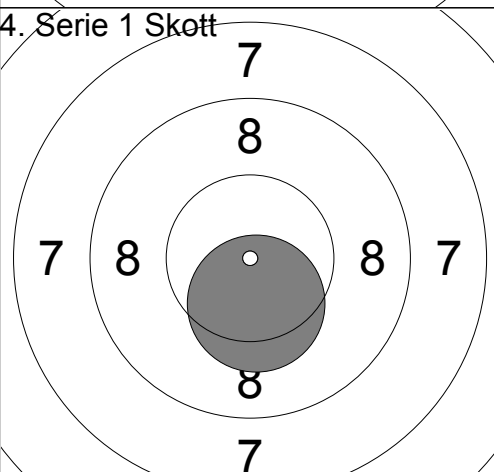
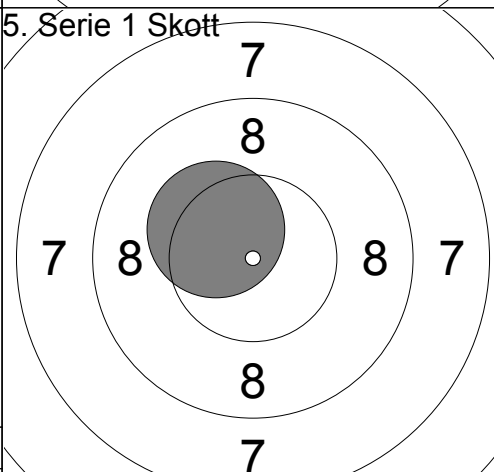
2. Serie 1 Skott 	1: 9.6 ↙	3. Serie 1 Skott 	1: 10.0 ↗
Serie 9.6 Total 464.4		Serie 10.0 Total 474.4	

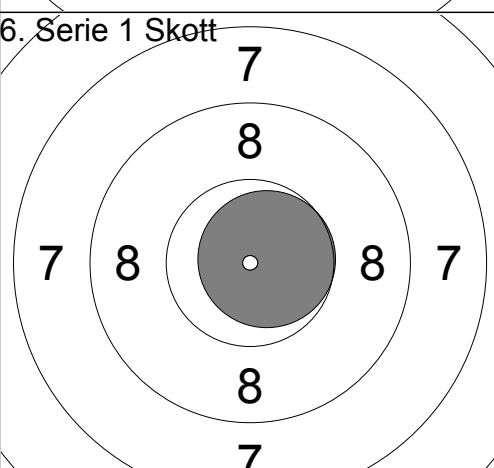
4. Serie 1 Skott 	1: 9.8 ↑	5. Serie 1 Skott 	1: 10.1 ↙
Serie 9.8 Total 484.2		Serie 10.1 Total 494.3	

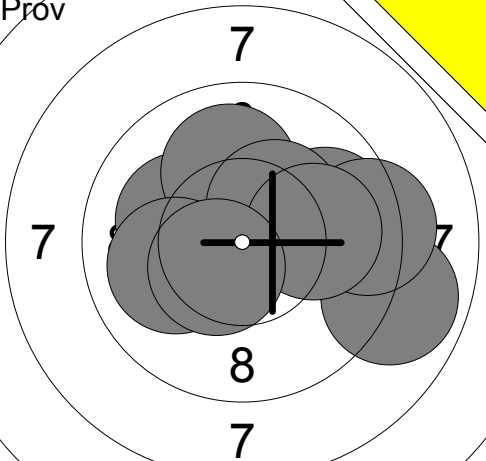
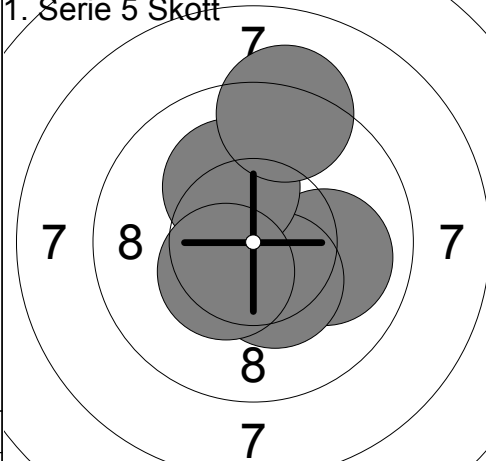
6. Serie 1 Skott 	1: 9.4 ↙		
Serie 9.4 Total 503.7			

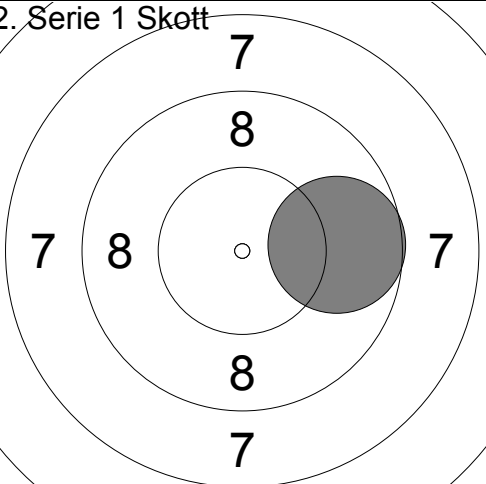
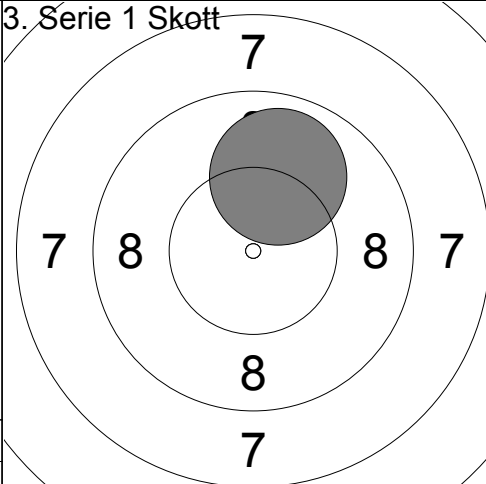
Prov 	1: 10.6x ↘ 2: 9.5 → 3: 9.6 ↘ 4: 10.5x ↘ 5: 10.3x ↘ 6: 9.9 ← 7: 9.8 → 8: 10.7x ↘ 9: 10.2x ↘ 10: 10.5x ↘ <hr/> Serie 101.6 Total 414.6	1. Serie 5 Skott 	1: 10.4x ↘ 2: 10.4x ↙ 3: 10.7x → 4: 9.9 ↗ 5: 9.7 ↑ <hr/> Serie 51.1 Total 465.7
--	---	--	---

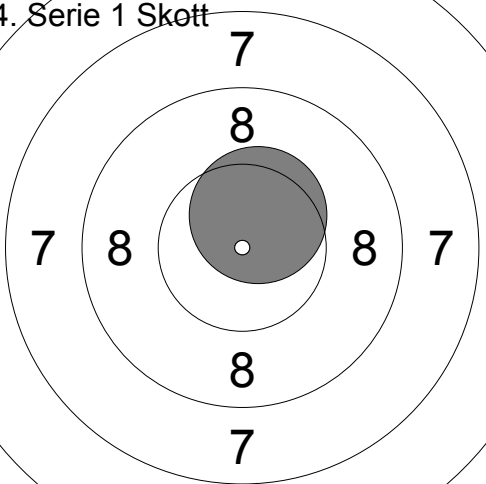
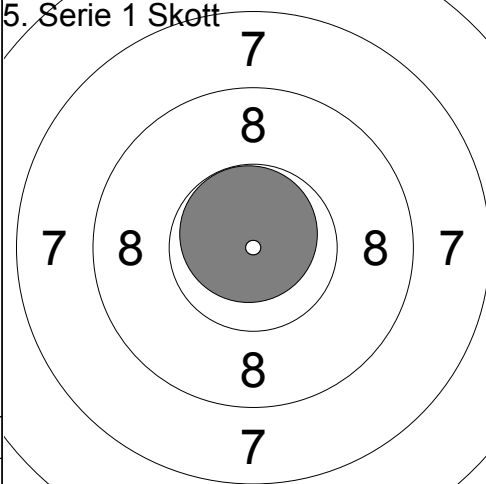
2. Serie 1 Skott 	1: 10.2x ↓ <hr/> Serie 10.2 Total 475.9	3. Serie 1 Skott 	1: 10.2x ↓ <hr/> Serie 10.2 Total 486.1
---	---	---	---

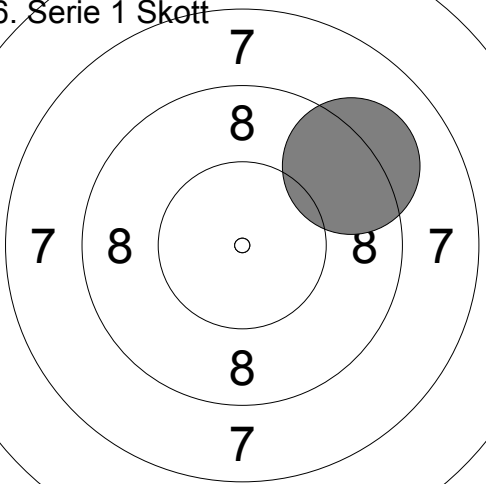
4. Serie 1 Skott 	1: 10.3x ↓ <hr/> Serie 10.3 Total 496.4	5. Serie 1 Skott 	1: 10.3x ↖ <hr/> Serie 10.3 Total 506.7
--	---	--	---

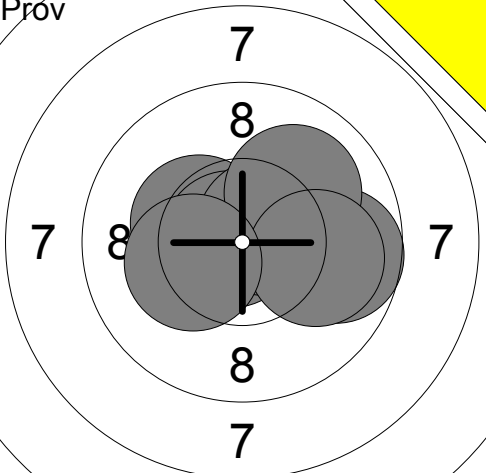
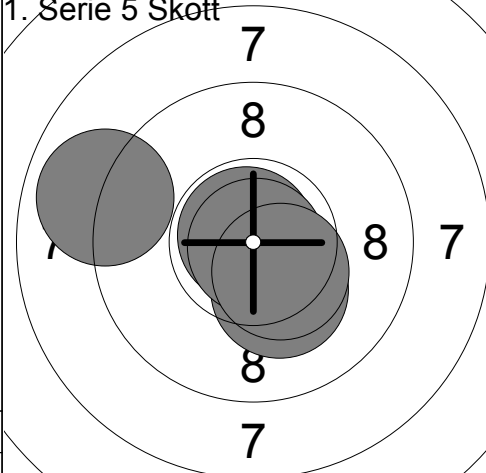
6. Serie 1 Skott 	1: 10.7x → <hr/> Serie 10.7 Total 517.4	
--	---	--

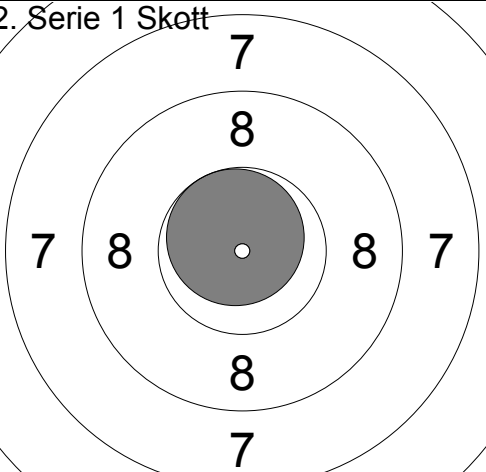
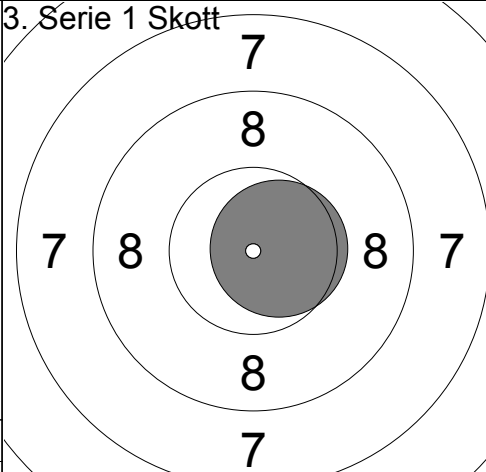
Prov 	1: 9.8 → 2: 10.1 ← 3: 10.0 ↑ 4: 10.0 ← 5: 8.9 → 6: 9.3 → 7: 10.3x ↗ 8: 10.0 → 9: 10.5x ↙	1. Serie 5 Skott 	1: 10.0 → 2: 10.4x ↘ 3: 10.2x ↑ 4: 10.4x ↙ 5: 9.2 ↑
Serie 88.9 Total 414.2		Serie 50.2 Total 464.4	

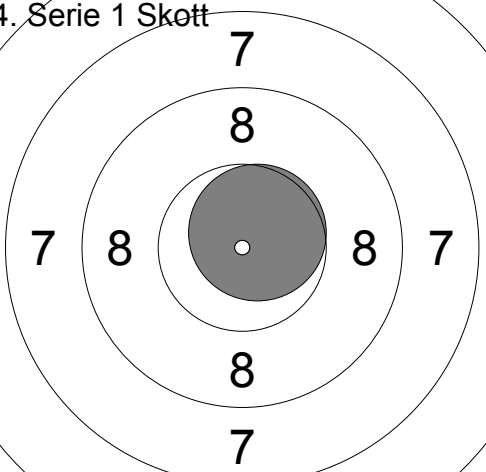
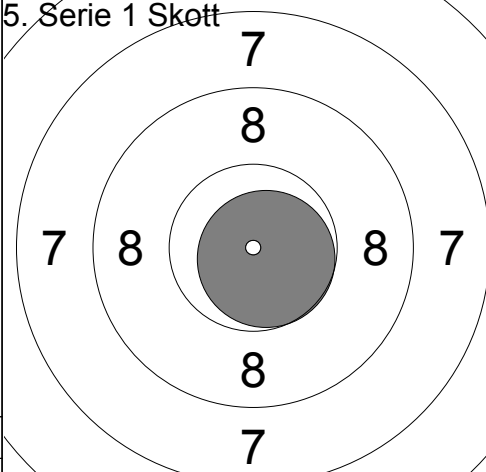
2. Serie 1 Skott 	1: 9.7 →	3. Serie 1 Skott 	1: 9.9 ↑
Serie 9.7 Total 474.1		Serie 9.9 Total 484.0	

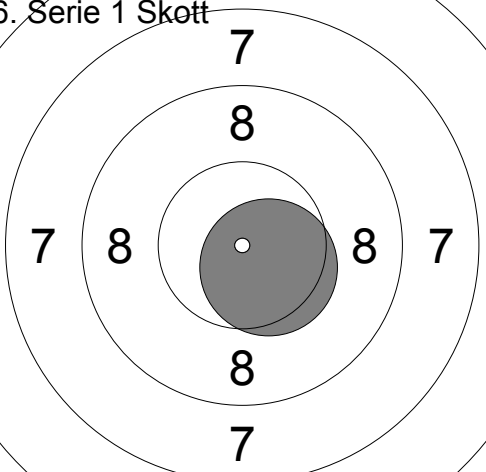
4. Serie 1 Skott 	1: 10.5x ↑	5. Serie 1 Skott 	1: 10.8x ↑
Serie 10.5 Total 494.5		Serie 10.8 Total 505.3	

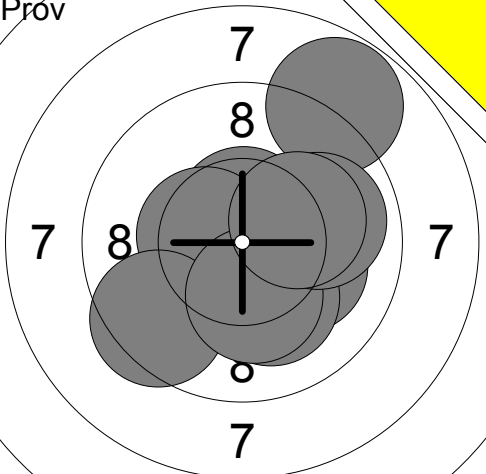
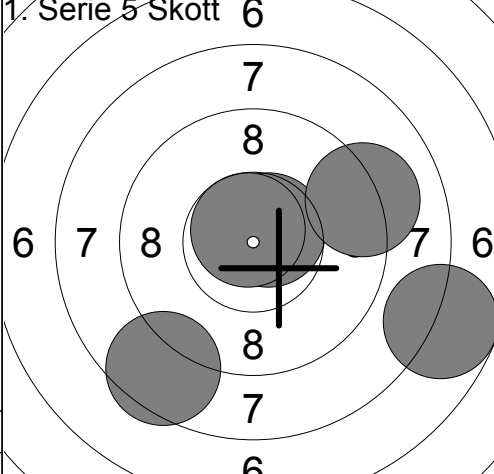
6. Serie 1 Skott 	1: 9.2 ↗		
Serie 9.2 Total 514.5			

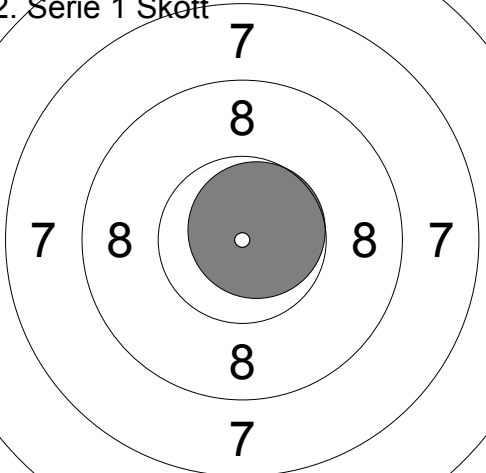
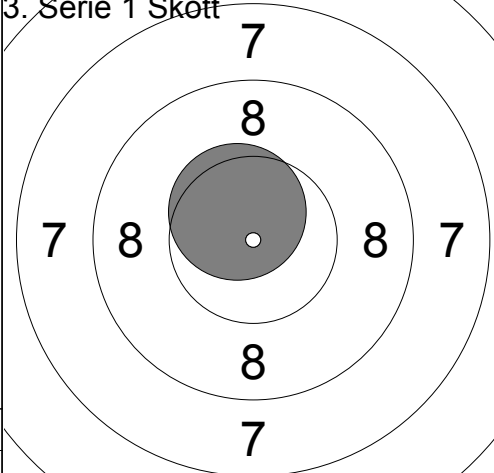
Prov 	1: 10.3x ↖ 2: 9.7 → 3: 10.8x ↖ 4: 10.6x ↗ 5: 10.0 ↗ 6: 10.0 → 7: 10.2x ↖	1. Serie 5 Skott 	1: 10.2x ↘ 2: 10.8x ↗ 3: 10.9x ↘ 4: 8.9 ↖ 5: 10.4x ↘
Serie 71.6 Total 408.2		Serie 51.2 Total 459.4	

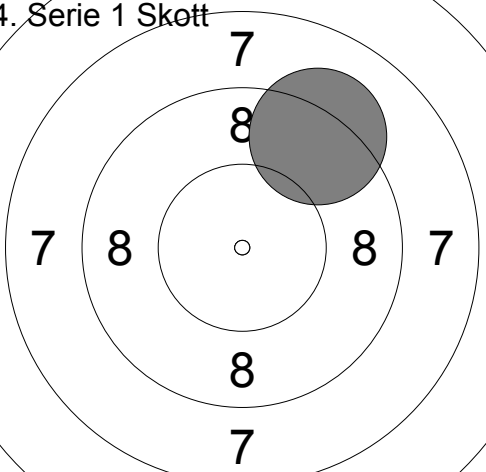
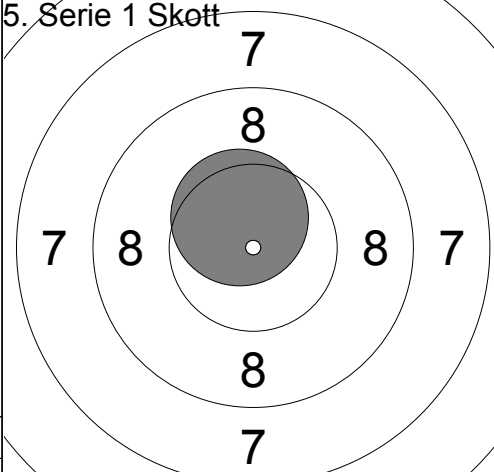
2. Serie 1 Skott 	1: 10.7x ↖	3. Serie 1 Skott 	1: 10.6x →
Serie 10.7 Total 470.1		Serie 10.6 Total 480.7	

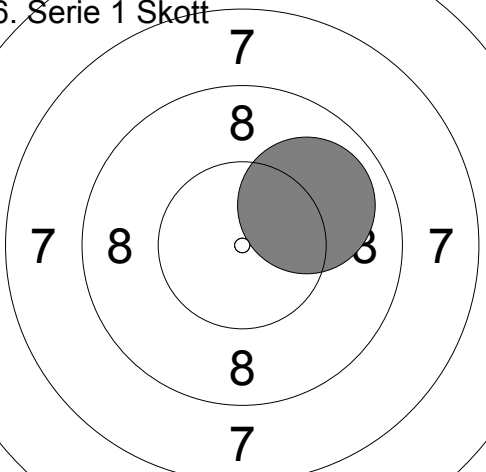
4. Serie 1 Skott 	1: 10.7x ↗	5. Serie 1 Skott 	1: 10.7x ↘
Serie 10.7 Total 491.4		Serie 10.7 Total 502.1	

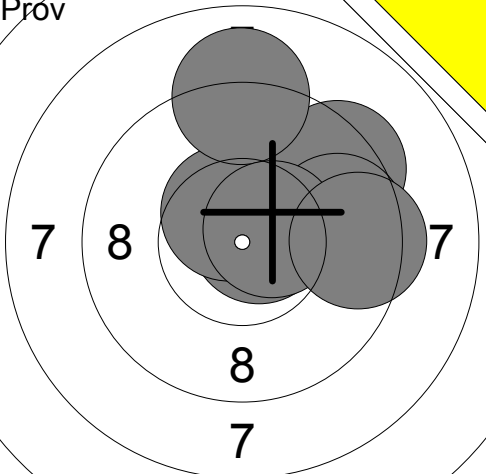
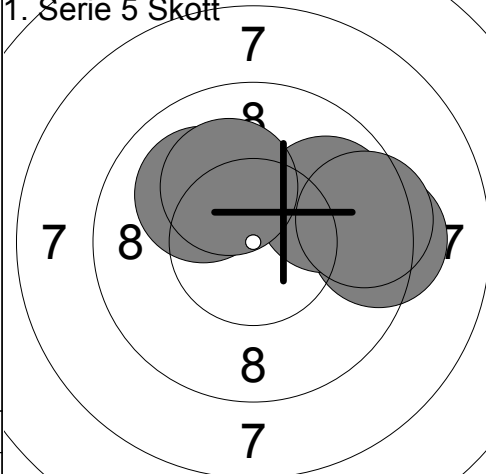
6. Serie 1 Skott 	1: 10.5x ↘		
Serie 10.5 Total 512.6			

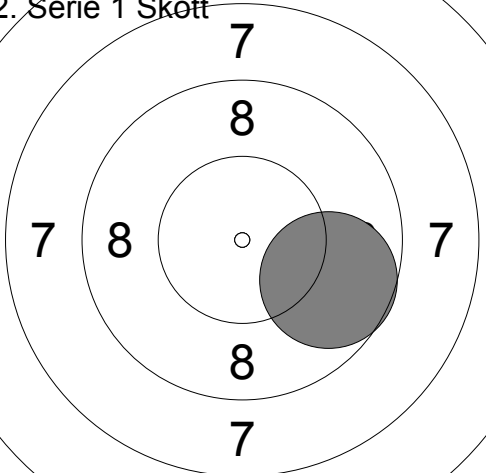
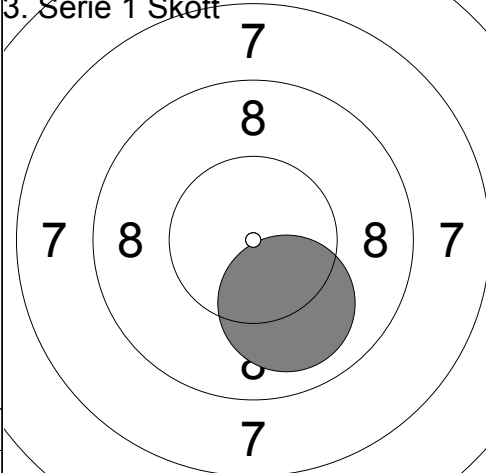
Prov 	1: 8.8 ↗ 2: 10.9x ↗ 3: 10.6x ↑ 4: 10.2x ➡ 5: 10.1 ↘ 6: 10.5x ← 7: 9.5 ↘ 8: 10.2x ↓ 9: 9.9 ➡ 10: 10.2x ➡	1. Serie 5 Skott 6 	1: 8.5 ↘ 2: 7.8 ➡ 3: 10.6x ↗ 4: 10.7x ↑ 5: 9.1 ➡
	Serie 100.9 Total 405.9	Serie 46.7 Total 452.6	

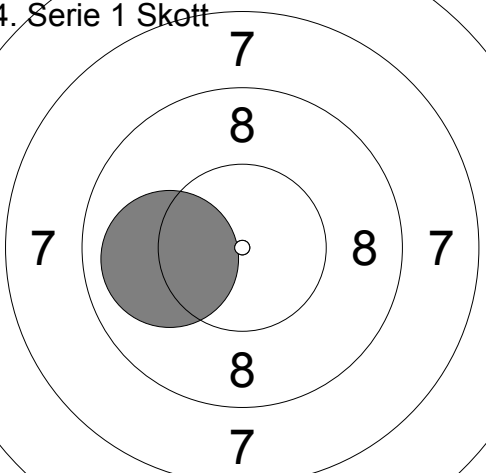
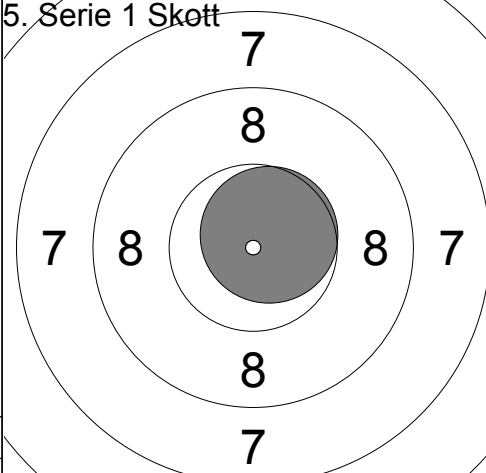
2. Serie 1 Skott 	1: 10.7x ↗	3. Serie 1 Skott 	1: 10.5x ↖
	Serie 10.7 Total 463.3	Serie 10.5 Total 473.8	

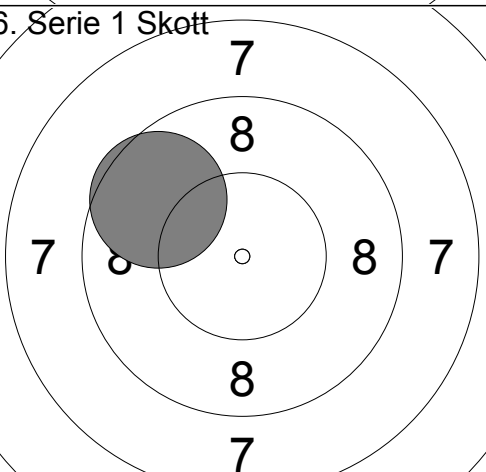
4. Serie 1 Skott 	1: 9.2 ↗	5. Serie 1 Skott 	1: 10.5x ↖
	Serie 9.2 Total 483.0	Serie 10.5 Total 493.5	

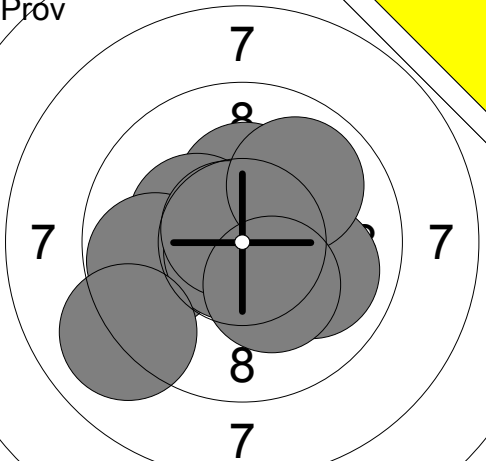
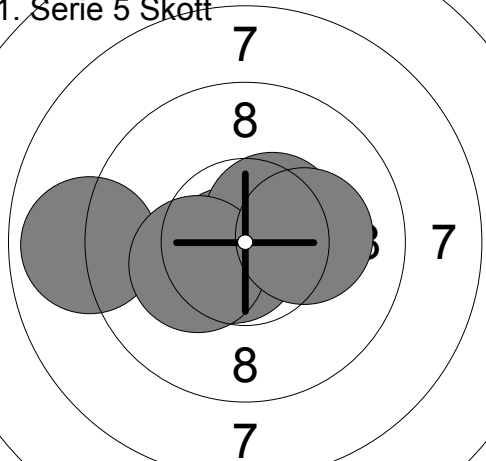
6. Serie 1 Skott 	1: 10.0 ↗		
	Serie 10.0 Total 503.5		

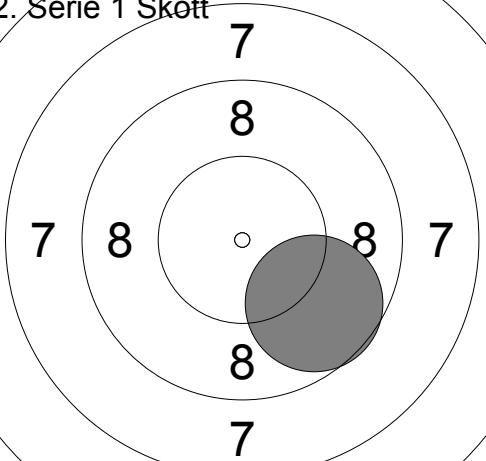
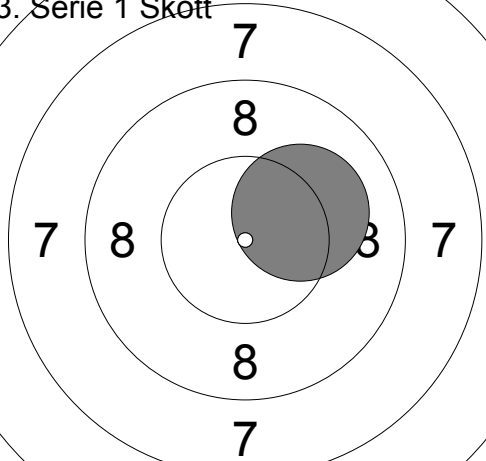
Prov 	1: 10.7x → 2: 10.5x ↗ 3: 9.4 ↗ 4: 9.7 → 5: 10.5x ↖ 6: 9.0 ↑ 7: 10.5x ↗ 8: 9.4 →	1. Serie 5 Skott 	1: 9.3 → 2: 10.0 ↖ 3: 9.9 ↗ 4: 10.2x ↖ 5: 9.5 →
	Serie 79.7 Total 405.2		Serie 48.9 Total 454.1

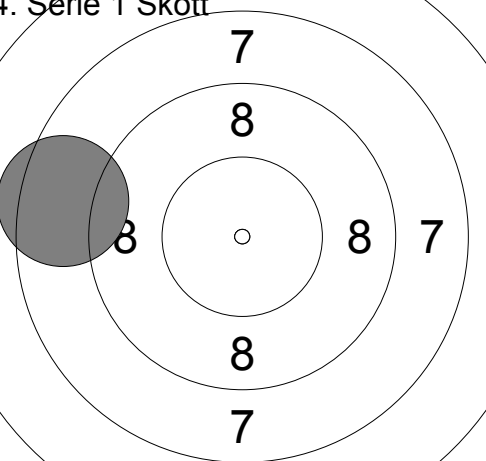
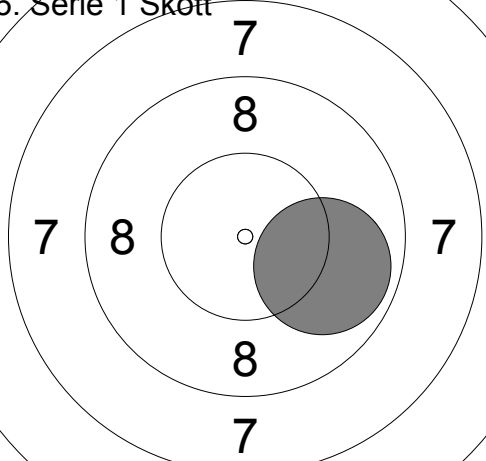
2. Serie 1 Skott 	1: 9.7 →	3. Serie 1 Skott 	1: 10.0 ↓
	Serie 9.7 Total 463.8		Serie 10.0 Total 473.8

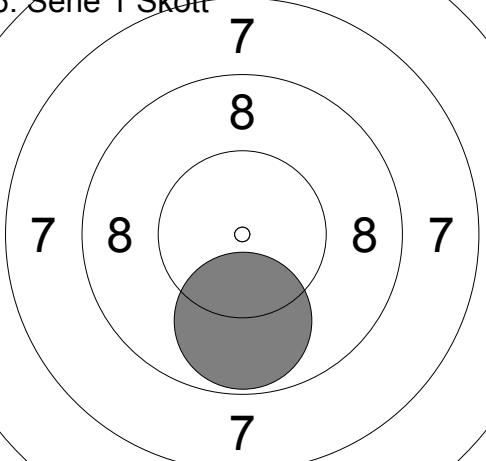
4. Serie 1 Skott 	1: 10.0 ←	5. Serie 1 Skott 	1: 10.7x ↗
	Serie 10.0 Total 483.8		Serie 10.7 Total 494.5

6. Serie 1 Skott 	1: 9.6 ↖		
	Serie 9.6 Total 504.1		

Prov 	1: 10.3x ↑ 2: 10.0 ↘ 3: 10.3x ↖ 4: 9.8 ← 5: 10.8x ↙ 6: 10.7x ↗ 7: 9.9 ↗ 8: 10.3x ↘ 9: 9.1 ↙	1. Serie 5 Skott 	1: 10.7x ↙ 2: 8.9 ← 3: 10.5x ↗ 4: 10.3x ↙ 5: 10.2x →
	Serie 91.2 Total 413.2	Serie 50.6 Total 463.8	

2. Serie 1 Skott 	1: 9.7 ↘	3. Serie 1 Skott 	1: 10.1 ↗
	Serie 9.7 Total 473.5		Serie 10.1 Total 483.6

4. Serie 1 Skott 	1: 8.5 ←	5. Serie 1 Skott 	1: 9.9 ↘
	Serie 8.5 Total 492.1		Serie 9.9 Total 502.0

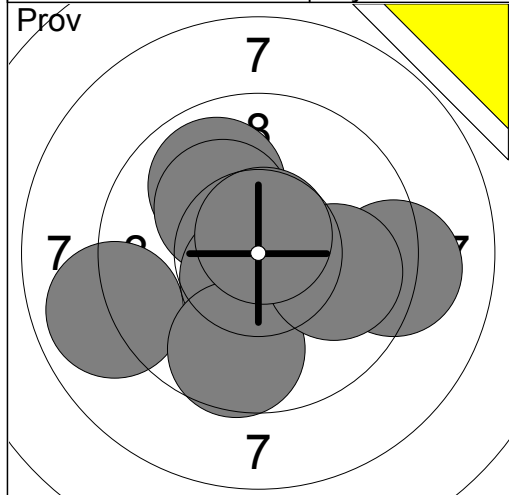
6. Serie 1 Skott 	1: 9.8 ↓		
	Serie 9.8 Total 511.8		

Prov 	1: 10.5x ↗ 2: 9.6 ↘ 3: 9.8 ↗ 4: 9.5 ← 5: 10.4x ← 6: 10.6x ← 7: 10.7x ↗ 8: 10.1 ↗ 9: 10.0 ↓ 10: 10.7x ↓	Prov 	11: 10.3x ↘
Serie 101.9		Serie 10.3	
Total 412.7		Total 412.7	

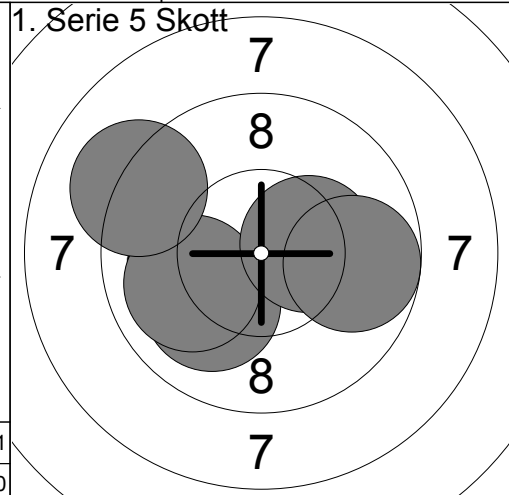
1. Serie 5 Skott 	1: 10.3x ← 2: 10.4x ↑ 3: 10.3x ↓ 4: 10.1 ↓ 5: 10.1 ↗	2. Serie 1 Skott 	1: 10.3x ↗
Serie 51.2		Serie 10.3	
Total 463.9		Total 474.2	

3. Serie 1 Skott 	1: 10.5x ↘	4. Serie 1 Skott 	1: 10.1 ↓
Serie 10.5		Serie 10.1	
Total 484.7		Total 494.8	

5. Serie 1 Skott 	1: 10.1 ↘	6. Serie 1 Skott 	1: 10.0 →
Serie 10.1		Serie 10.0	
Total 504.9		Total 514.9	



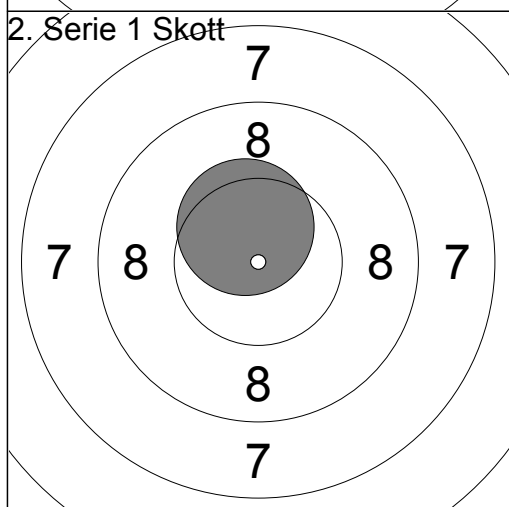
1:	9.9	↗
2:	10.2x	↗
3:	9.2	→
4:	8.9	←
5:	10.6x	↓
6:	9.7	↓
7:	9.9	→
8:	10.7x	↑



1:	10.0	↘
2:	10.0	←
3:	10.3x	→
4:	9.1	↖
5:	9.7	→

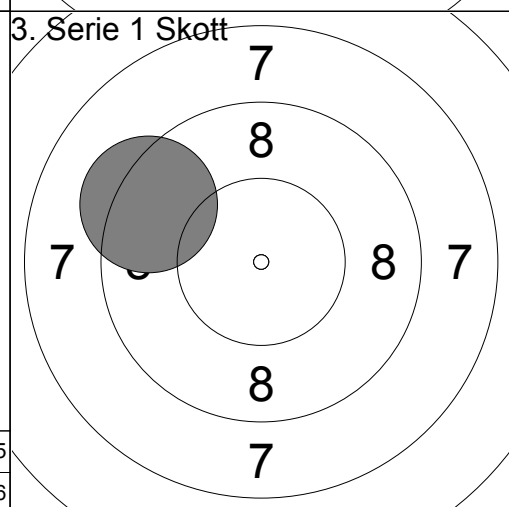
Serie	79.1
Total	410.0

Serie	49.1
Total	459.1



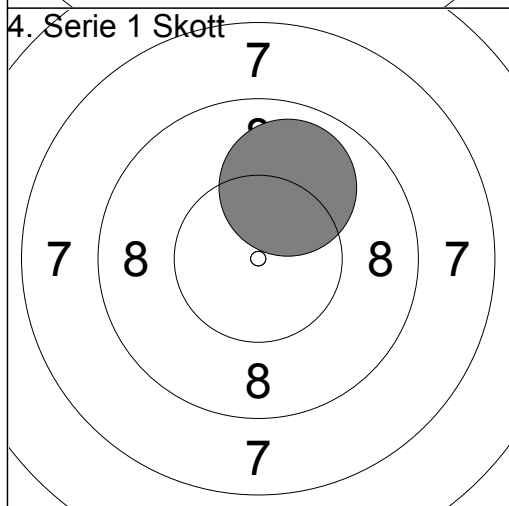
1:	10.5x	↖
----	-------	---

Serie	10.5
Total	469.6



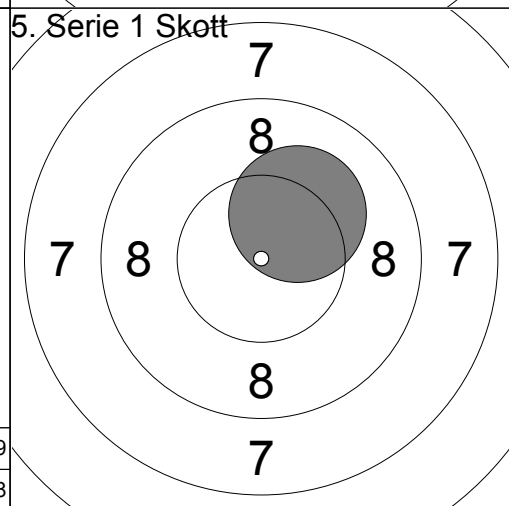
1:	9.3	↖
----	-----	---

Serie	9.3
Total	478.9



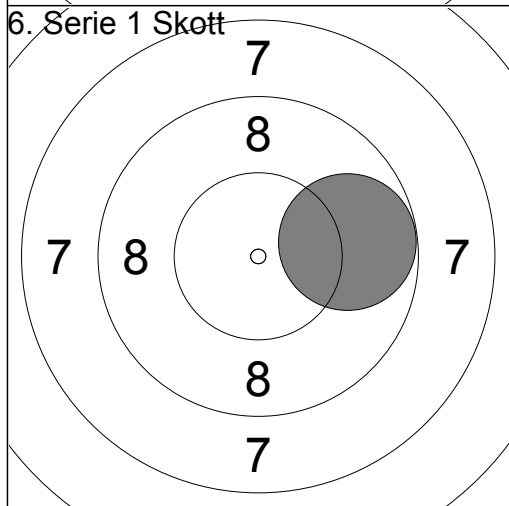
1:	9.9	↖
----	-----	---

Serie	9.9
Total	488.8



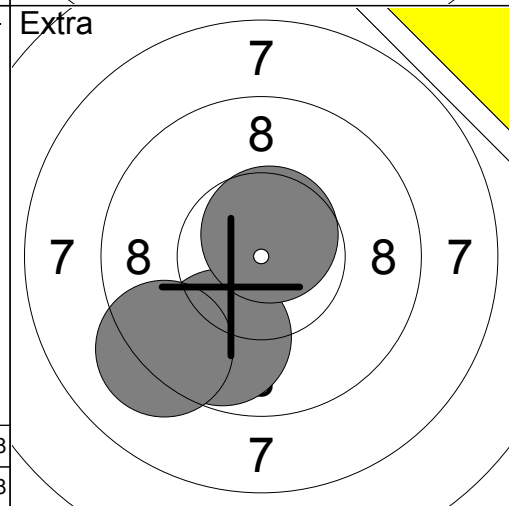
1:	10.2x	↗
----	-------	---

Serie	10.2
Total	499.0



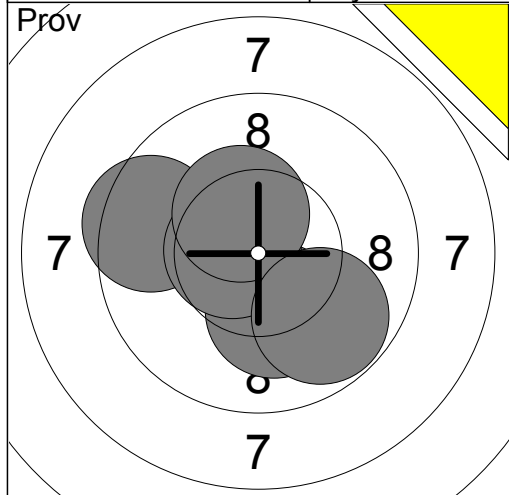
1:	9.8	→
----	-----	---

Serie	9.8
Total	508.8

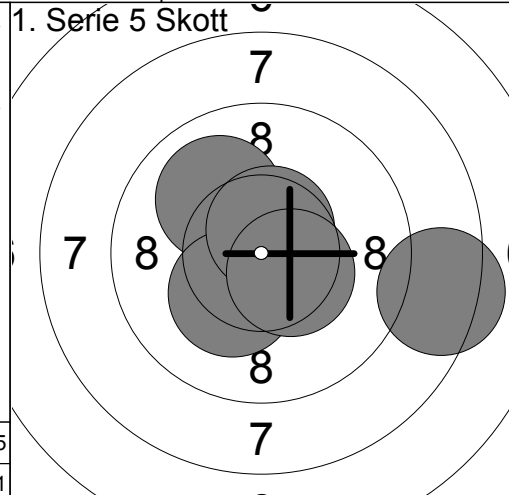


1:	9.8	↘
2:	9.2	↘
3:	10.6x	↖

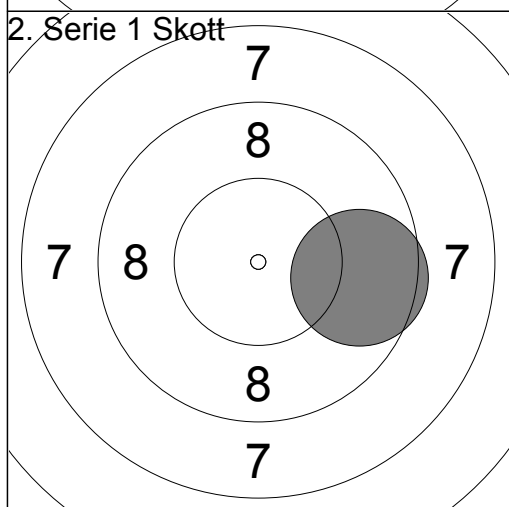
Serie	29.6
Total	508.8



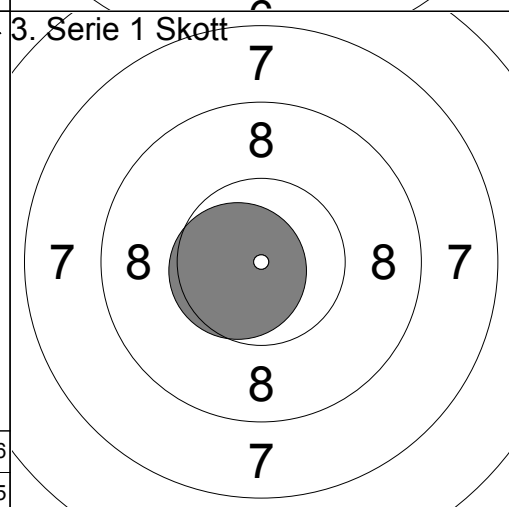
1:	9.5	↖
2:	10.2x	↙
3:	10.6x	↖
4:	10.4x	↗
5:	9.8	↘
Serie		50.5
Total		409.1



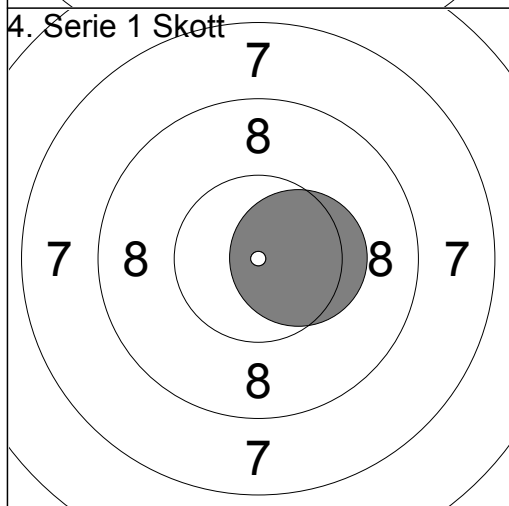
1:	10.0	↗
2:	8.4	→
3:	10.3x	↙
4:	10.6x	↗
5:	10.5x	↘
Serie		49.8
Total		458.9



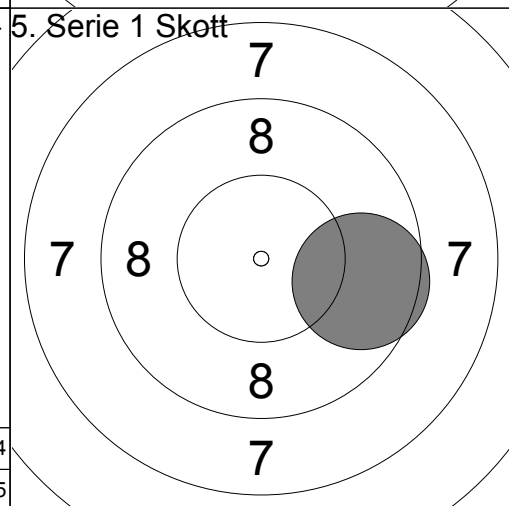
1:	9.6	→
Serie		9.6
Total		468.5



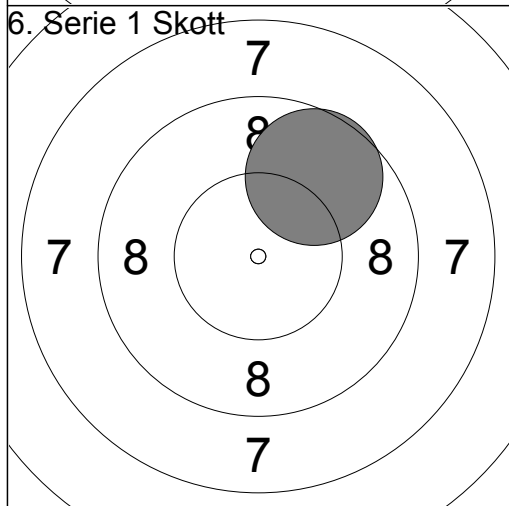
1:	10.6x	↖
Serie		10.6
Total		479.1



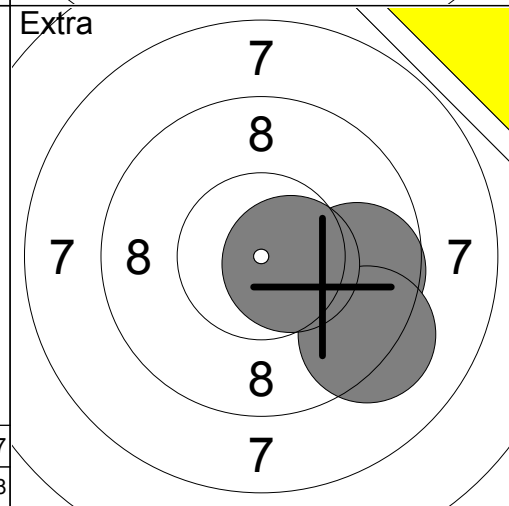
1:	10.4x	→
Serie		10.4
Total		489.5



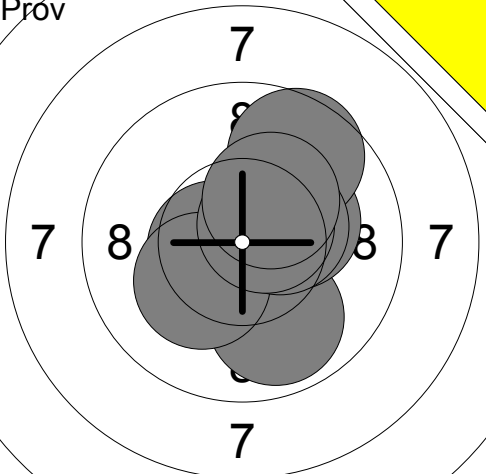
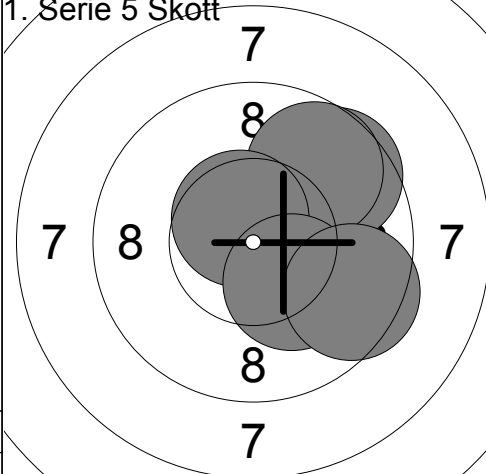
1:	9.6	→
Serie		9.6
Total		499.1

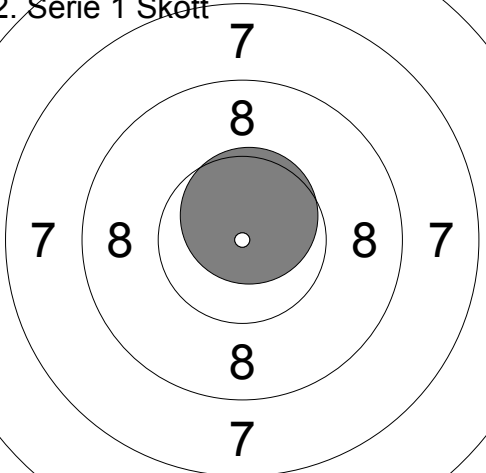
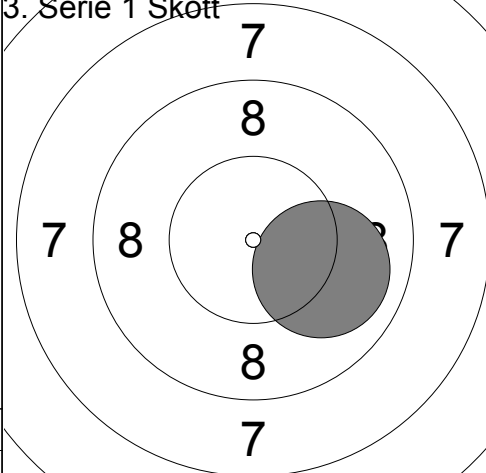


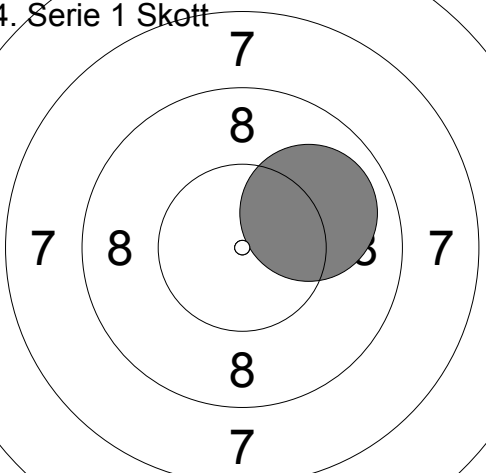
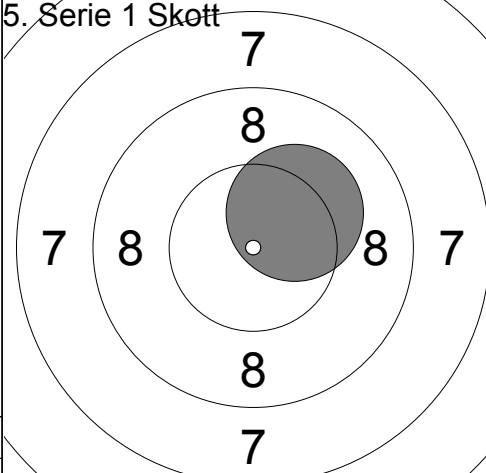
1:	9.7	↗
Serie		9.7
Total		508.8

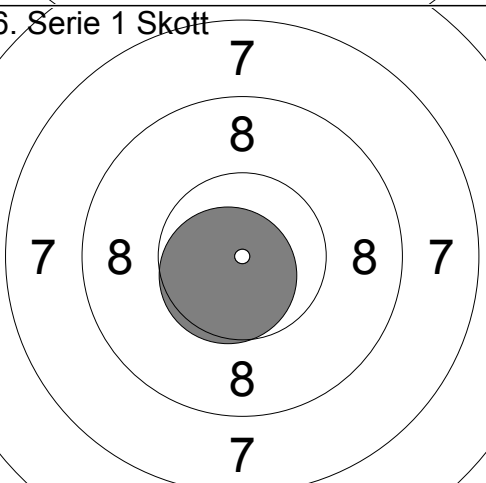


1:	9.7	→
2:	9.2	↙
3:	10.6x	→
Serie		29.5
Total		508.8

Prov 	1: 9.9 ↘ 2: 10.6x ← 3: 10.2x ↙ 4: 10.2x → 5: 9.6 ↗ 6: 10.4x → 7: 10.6x ↗ 8: 10.3x ↗	1. Serie 5 Skott 	1: 9.6 ↗ 2: 9.7 ↗ 3: 10.6x ↗ 4: 10.2x ↘ 5: 9.5 ↘
Serie 81.8		Serie 49.6	
Total 406.7		Total 456.3	

2. Serie 1 Skott 	1: 10.6x ↗	3. Serie 1 Skott 	1: 10.0 ⇒
Serie 10.6		Serie 10.0	
Total 466.9		Total 476.9	

4. Serie 1 Skott 	1: 10.0 →	5. Serie 1 Skott 	1: 10.2x ↗
Serie 10.0		Serie 10.2	
Total 486.9		Total 497.1	

6. Serie 1 Skott 	1: 10.6x ↙		
Serie 10.6			
Total 507.7			