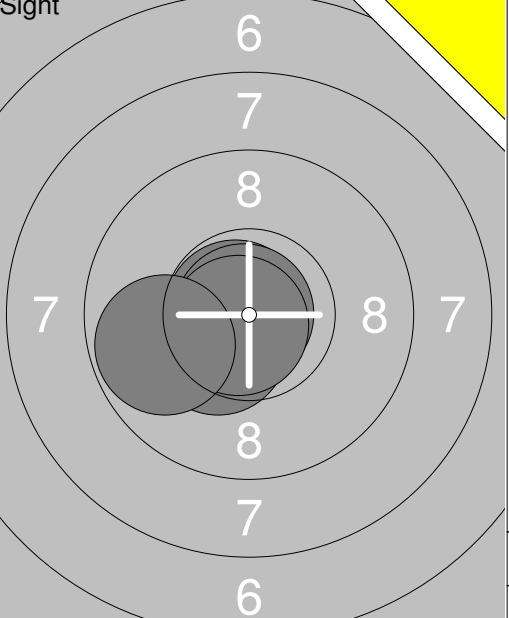
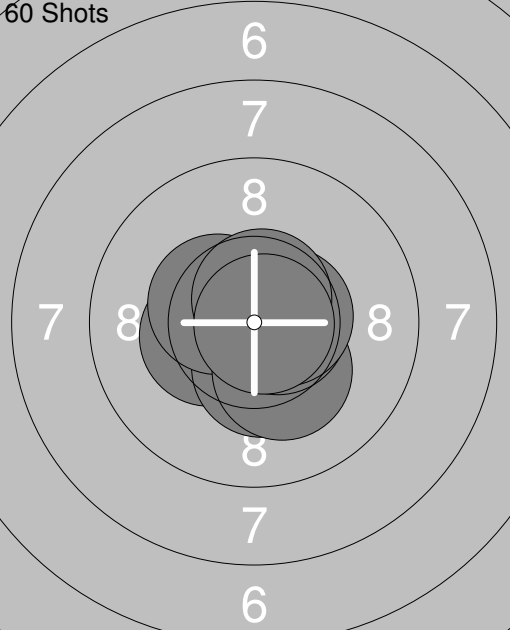
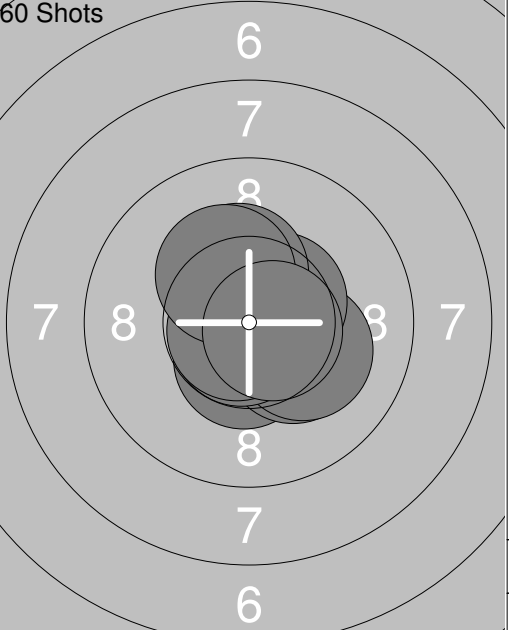
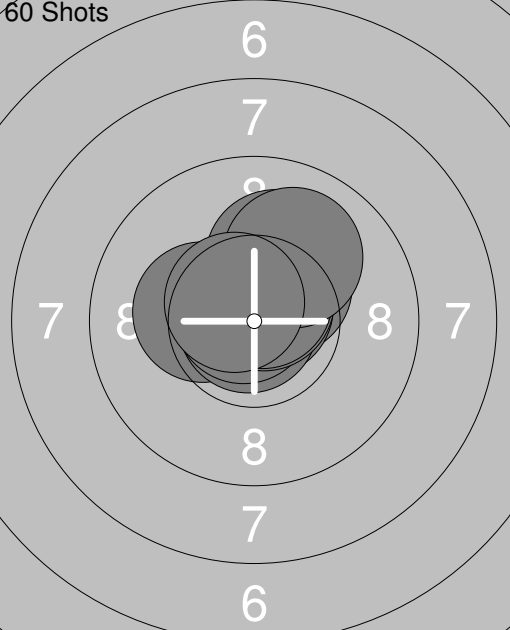
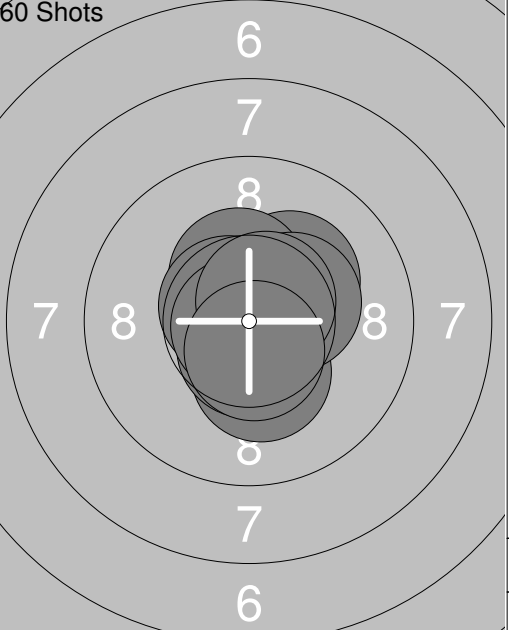
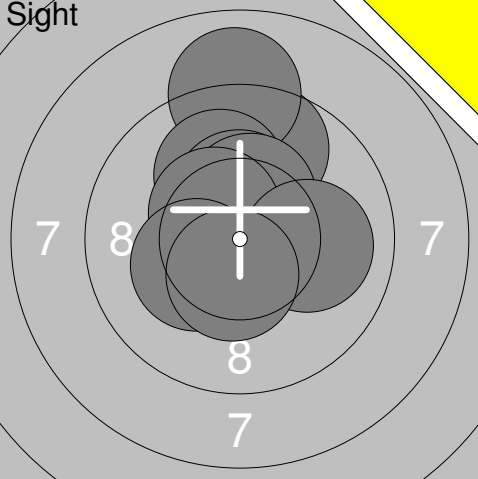
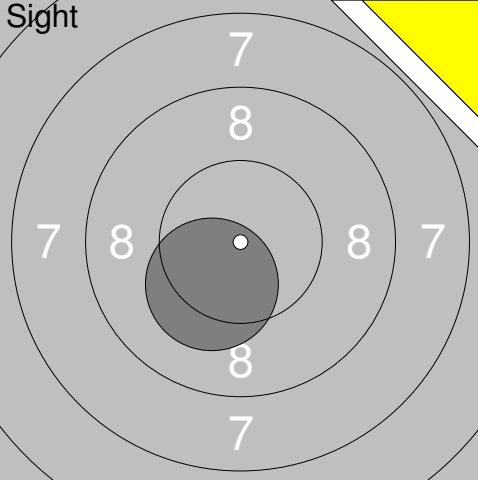
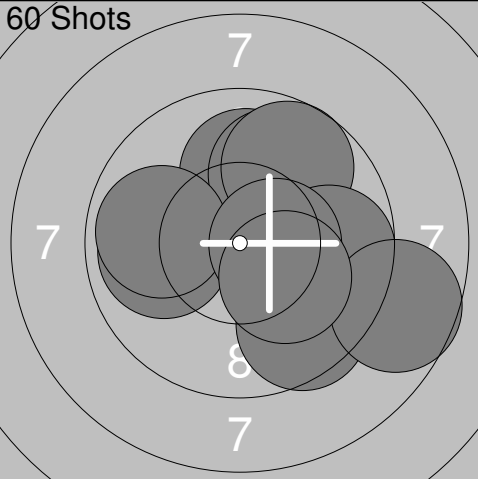
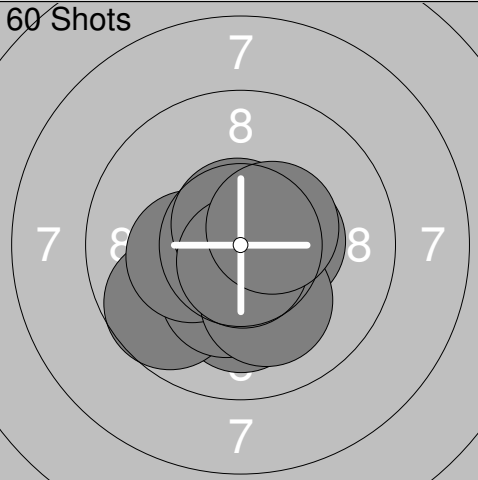
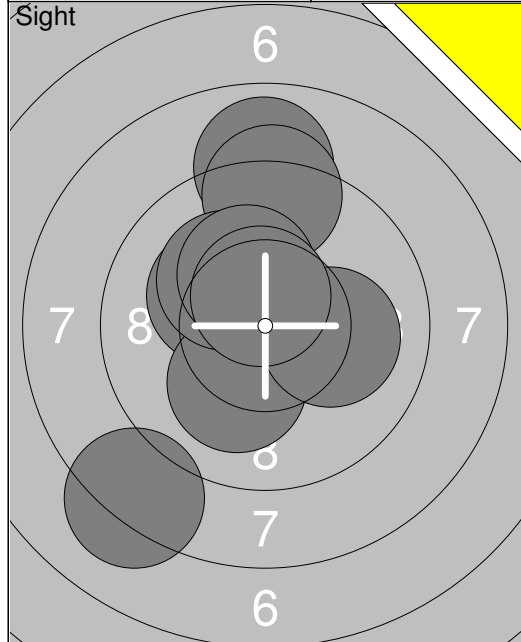
	<p>Sight</p> <p>1: 8.5 ↓</p> <p>2: 10.5x ↓</p> <p>3: 9.9 →</p> <p>4: 10.1 →</p> <p>5: 9.8 ↗</p> <p>6: 9.9 ↗</p> <p>7: 9.6 ↖</p> <p>8: 10.1 ↑</p> <p>9: 10.1 ↖</p> <p>10: 9.6 ↖</p>		<p>Sight</p> <p>11: 10.8x ↖</p> <p>12: 10.9x ↖</p> <p>13: 10.4x ↘</p> <p>14: 10.8x ↘</p> <p>15: 9.8 ←</p>
Series	98.1	Series	52.7
Total	0.0	Total	0.0

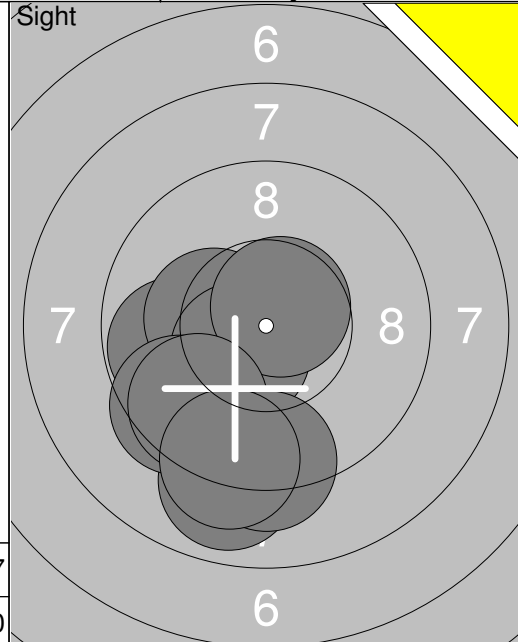
	<p>60 Shots</p> <p>1: 10.4x ↖</p> <p>2: 10.9x ↖</p> <p>3: 10.8x ↖</p> <p>4: 10.4x ↓</p> <p>5: 10.4x ↖</p> <p>6: 10.2x ↓</p> <p>7: 10.6x →</p> <p>8: 10.6x →</p> <p>9: 10.6x ↑</p> <p>10: 10.8x →</p>		<p>60 Shots</p> <p>11: 10.5x ↓</p> <p>12: 10.3x →</p> <p>13: 10.2x →</p> <p>14: 10.8x ↘</p> <p>15: 10.8x ↖</p> <p>16: 10.5x ↗</p> <p>17: 10.3x ↑</p> <p>18: 10.8x ↖</p> <p>19: 10.3x ↖</p> <p>20: 10.6x →</p>
Series	105.7	Series	105.1
Total	105.7	Total	210.8

	<p>60 Shots</p> <p>21: 10.4x ↗</p> <p>22: 10.7x ↗</p> <p>23: 10.3x ↖</p> <p>24: 10.1 ↑</p> <p>25: 10.9x ↖</p> <p>26: 10.8x ↖</p> <p>27: 10.7x ↗</p> <p>28: 10.6x ↑</p> <p>29: 10.0 ↑</p> <p>30: 10.6x ↖</p>		<p>60 Shots</p> <p>31: 10.2x ↗</p> <p>32: 10.7x ↘</p> <p>33: 10.3x ↓</p> <p>34: 10.4x ↑</p> <p>35: 10.6x ↖</p> <p>36: 10.6x ↓</p> <p>37: 10.8x ↖</p> <p>38: 10.4x →</p> <p>39: 10.6x ↗</p> <p>40: 10.6x ↓</p>
Series	105.1	Series	105.2
Total	315.9	Total	421.1

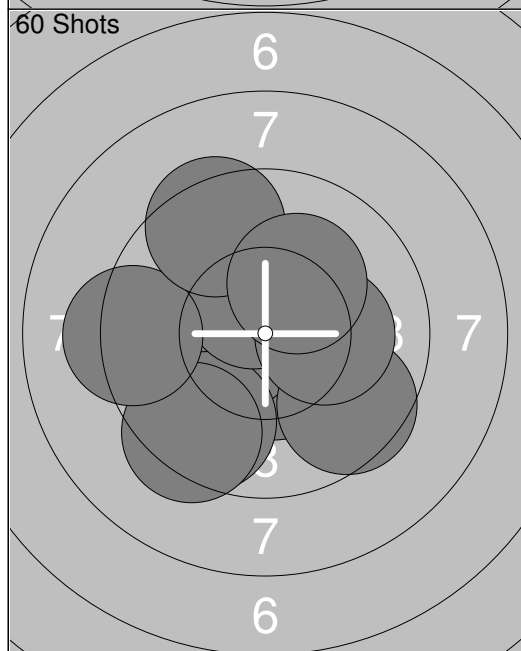
Relay	Lane	Samu Mäkinen	
S		IMAS (Fin)	
2016-04-16	UME-Kulan 2016	Umeå skytteallians	
Sight		1: 9.7 ↑ 2: 9.0 ↑ 3: 10.1 ↑ 4: 10.5x ↗ 5: 10.4x ↑ 6: 10.4x ↑ 7: 10.5x ↗ 8: 10.0 → 9: 10.3x ↙ 10: 10.5x ↓ Series 101.4 Total 0.0	Sight
			11: 9.5 ↓ 12: 10.7x ↗ 13: 10.3x ↙ 14: 10.4x ↓ 15: 9.8 ↓ 16: 9.3 ← 17: 10.5x ↓ 18: 10.0 ↓ 19: 9.8 → 20: 9.6 → Series 99.9 Total 0.0
Sight		21: 10.3x ↙	60 Shots
		Series 10.3 Total 0.0	1: 9.8 ↗ 2: 9.5 ↗ 3: 10.0 ↗ 4: 10.1 ↑ 5: 10.3x ↗ 6: 10.1 ↑ 7: 10.6x ↓ 8: 10.2x → 9: 10.2x ↓ 10: 9.4 ↗ Series 100.2 Total 100.2
60 Shots		11: 10.0 ↑ 12: 9.9 ← 13: 9.9 ↗ 14: 9.7 ↗ 15: 9.9 ← 16: 9.7 → 17: 9.6 ↓ 18: 10.5x → 19: 8.7 → 20: 10.2x ↓ Series 98.1 Total 198.3	60 Shots
			21: 9.9 ↓ 22: 9.8 ↓ 23: 9.7 ↗ 24: 10.1 ← 25: 10.5x ↗ 26: 10.1 ← 27: 9.5 → 28: 10.3x ↓ 29: 10.2x → 30: 10.2x ↓ Series 100.3 Total 298.6
60 Shots		31: 10.1 ↓ 32: 9.7 ↙ 33: 10.4x → 34: 10.7x ↓ 35: 10.3x ↓ 36: 10.3x ← 37: 10.1 ↓ 38: 10.7x ↑ 39: 10.7x ↓ 40: 10.5x ↗ Series 103.5 Total 402.1	



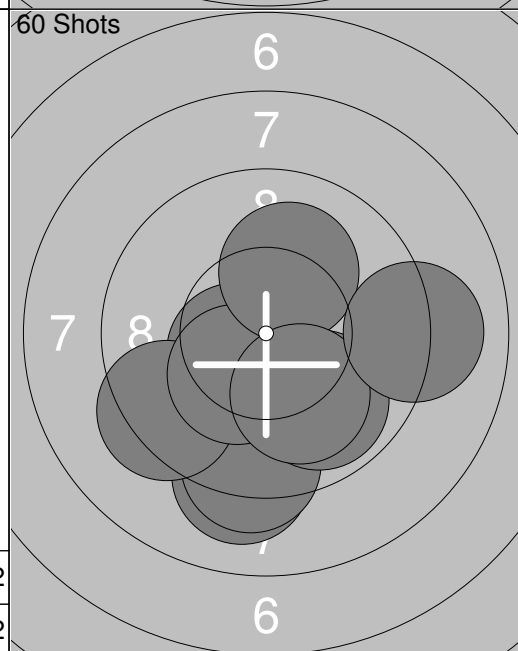
1:	10.8x	←
2:	8.9	↑
3:	9.3	↑
4:	10.2x	↖
5:	10.1	↘
6:	10.2x	↖
7:	10.1	→
8:	10.3x	↖
9:	8.2	↘
10:	10.6x	↑
Series		98.7
Total		0.0



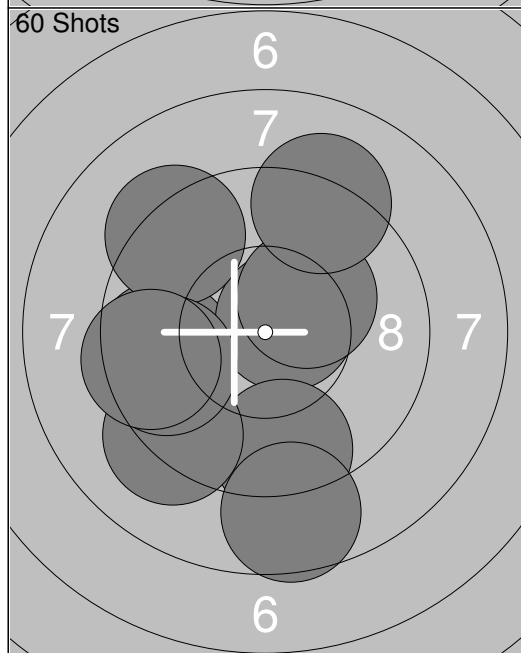
11:	9.8	←
12:	10.3x	←
13:	10.5x	↘
14:	8.9	↘
15:	9.5	↘
16:	10.6x	↗
17:	9.6	↘
18:	9.2	↘
19:	9.2	↘
Series		87.6
Total		0.0



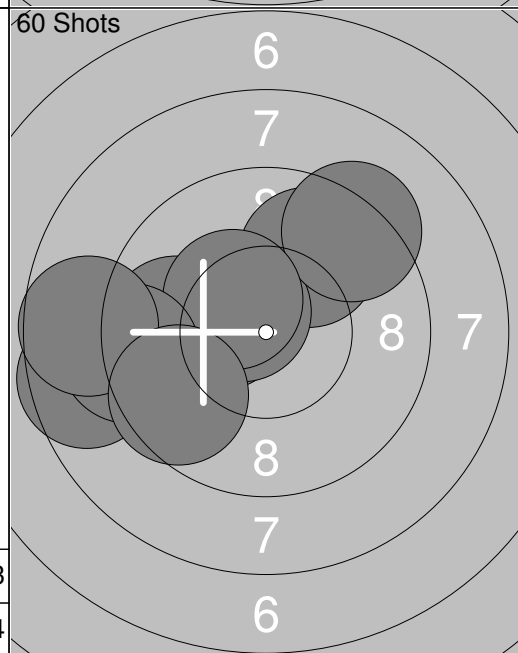
1:	10.5x	↘
2:	10.5x	←
3:	9.6	↘
4:	9.6	↘
5:	10.5x	↖
6:	10.2x	→
7:	9.4	↘
8:	9.3	←
9:	9.4	↖
10:	10.2x	↖
Series		99.2
Total		99.2



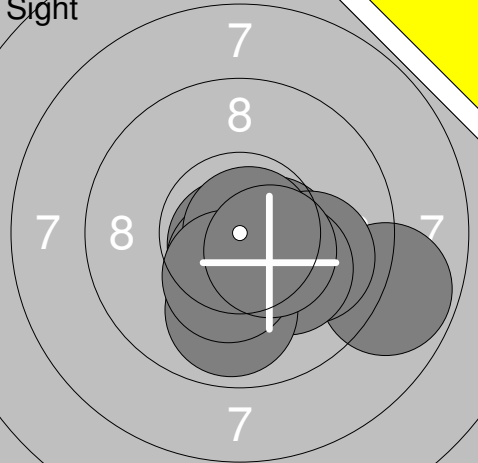
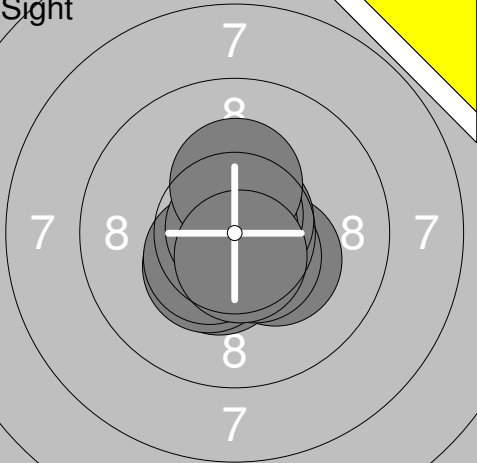
11:	9.1	↘
12:	10.2x	↘
13:	9.3	↘
14:	10.5x	↘
15:	9.3	↘
16:	10.3x	↘
17:	10.1	↖
18:	9.9	↘
19:	10.1	↘
20:	9.1	→
Series		97.9
Total		197.1





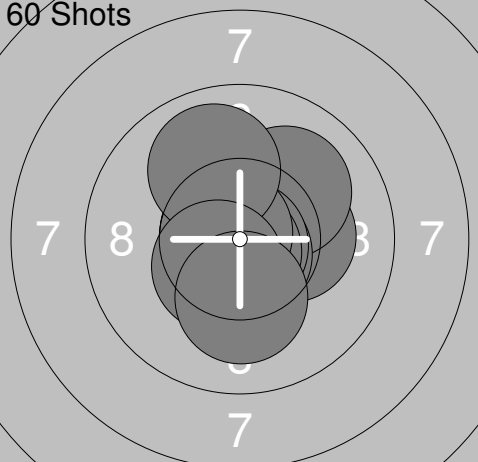
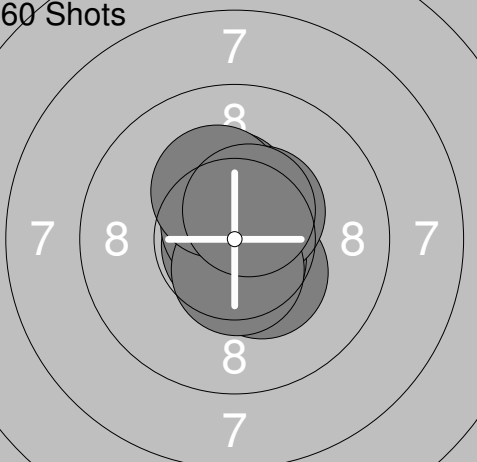
21:	9.6	←
22:	10.6x	↗
23:	9.4	↘
24:	9.3	↖
25:	9.2	↘
26:	9.6	←
27:	10.3x	↗
28:	8.6	↘
29:	9.5	←
30:	9.2	↖
Series		95.3
Total		292.4

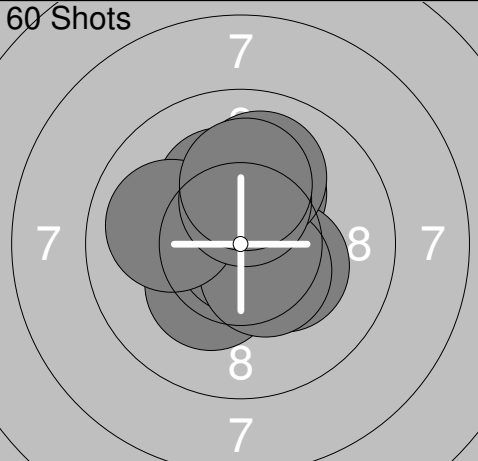


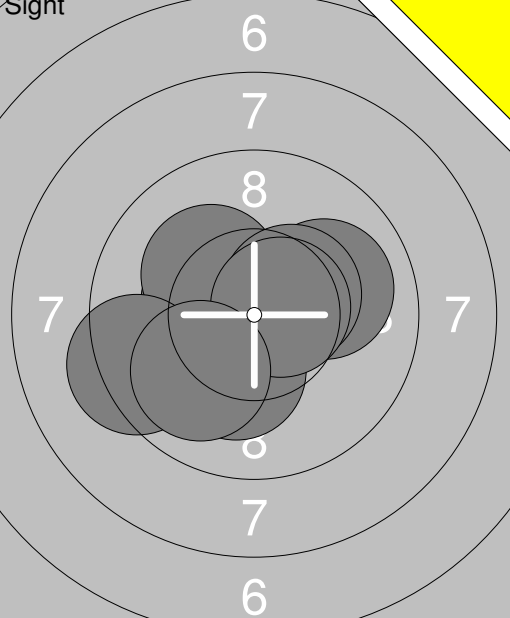
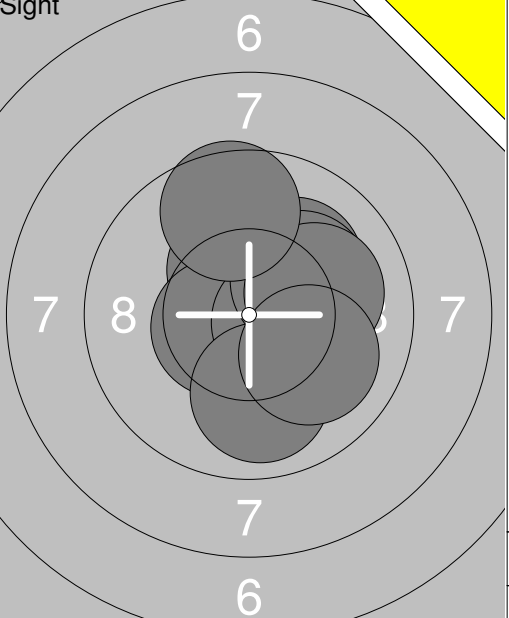
31:	10.3x	←
32:	9.9	↖
33:	10.5x	↖
34:	9.3	↖
35:	9.8	←
36:	8.6	←
37:	10.4x	↖
38:	9.2	←
39:	8.7	←
40:	9.6	↘
Series		96.3
Total		388.7

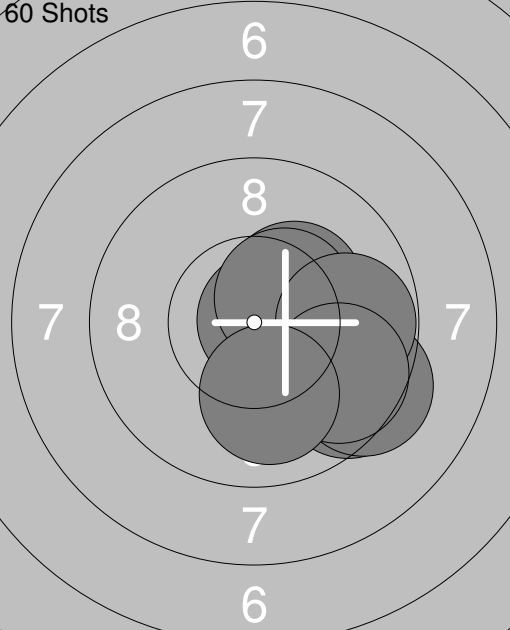
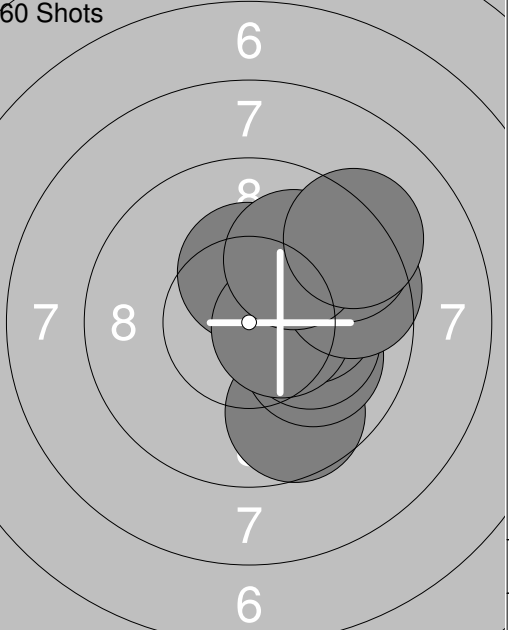
Sight 	1: 8.8 → 2: 10.8x ↓ 3: 10.5x → 4: 10.0 → 5: 10.5x ↓ 6: 10.8x → 7: 10.2x ↓ 8: 9.9 ↓ 9: 10.3x ↓ 10: 10.5x ↓ <hr/> Series 102.3 Total 0.0	Sight 	11: 10.3x → 12: 10.4x ↓ 13: 10.4x ↓ 14: 10.5x ↓ 15: 10.7x ↗ 16: 10.7x ↑ 17: 10.5x ↓ 18: 10.9x ↗ 19: 10.3x ↑ 20: 10.6x ↓ <hr/> Series 105.3 Total 0.0
--------------------------------------------------------------------------------------------------	---------------------------------------------------------------------------------------------------------------------------------------------------------------------------------------	----------------------------------------------------------------------------------------------------	-----------------------------------------------------------------------------------------------------------------------------------------------------------------------------------------------------

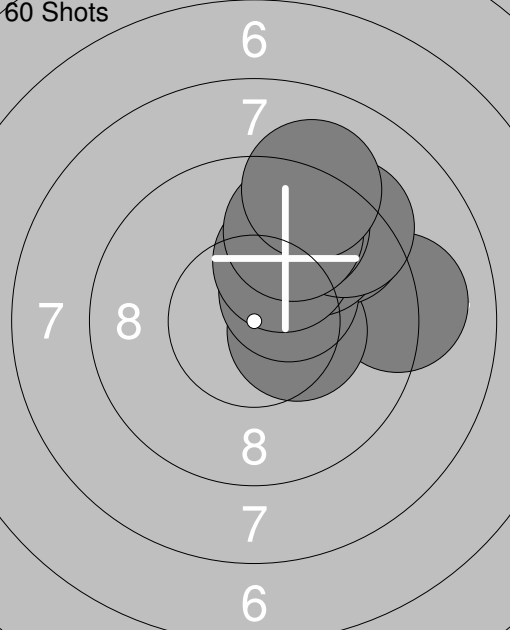
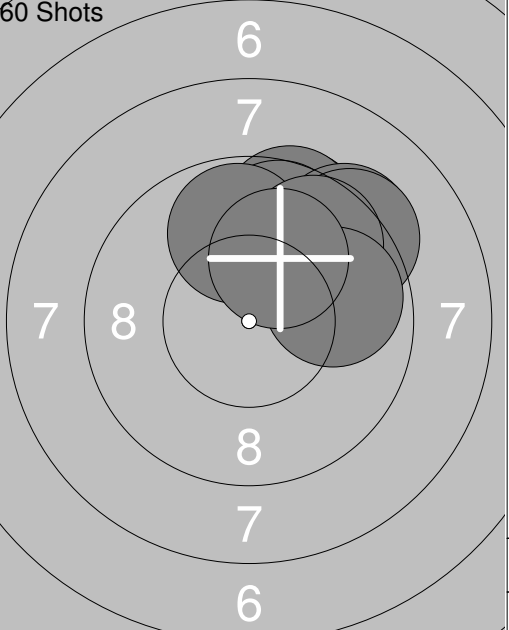
Sight 	21: 10.5x ← 22: 10.5x ↓ 23: 10.8x ↓ <hr/> Series 31.8 Total 0.0	60 Shots 	1: 10.6x ↓ 2: 10.3x ← 3: 10.7x ← 4: 10.6x → 5: 10.3x ↗ 6: 10.2x ↗ 7: 10.6x ↓ 8: 10.4x ↓ 9: 10.7x → 10: 10.4x ↓ <hr/> Series 104.8 Total 104.8
---------------------------------------------------------------------------------------------------	-------------------------------------------------------------------------------------------	--------------------------------------------------------------------------------------------------------	----------------------------------------------------------------------------------------------------------------------------------------------------------------------------------------------

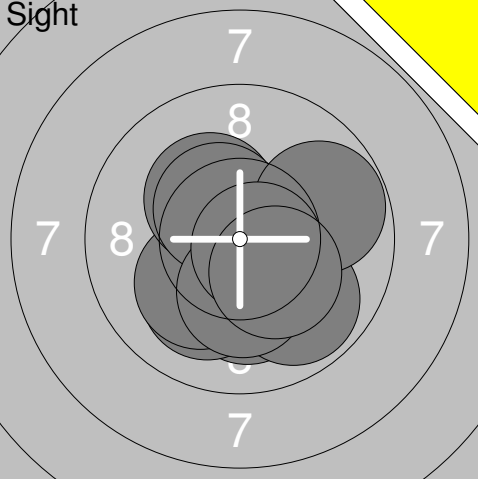
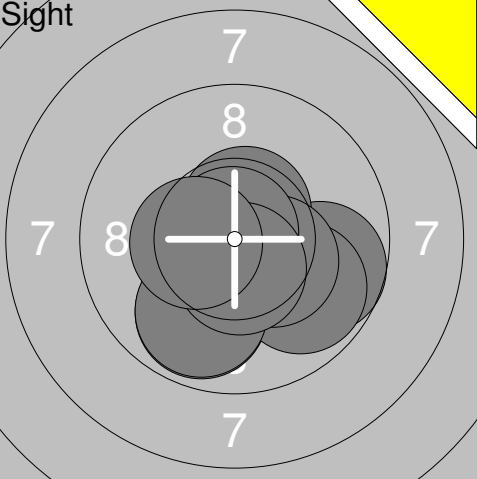
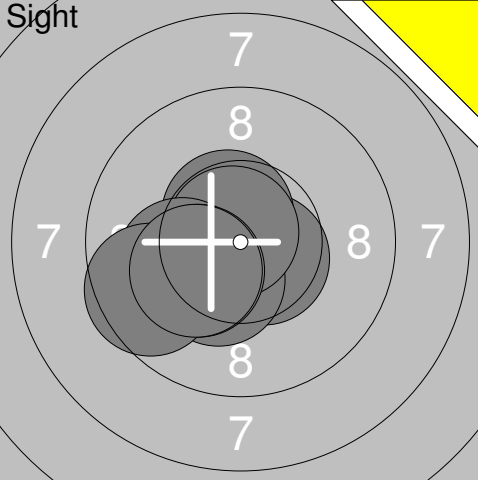
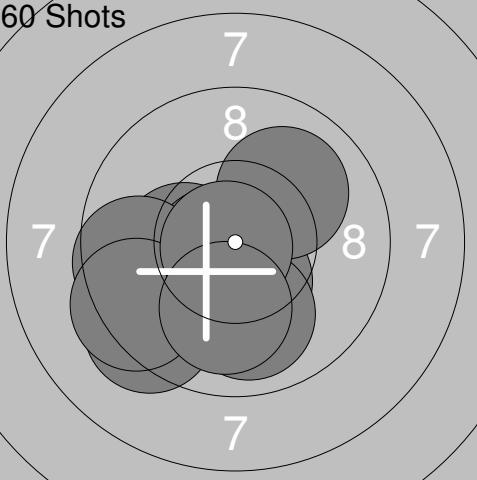
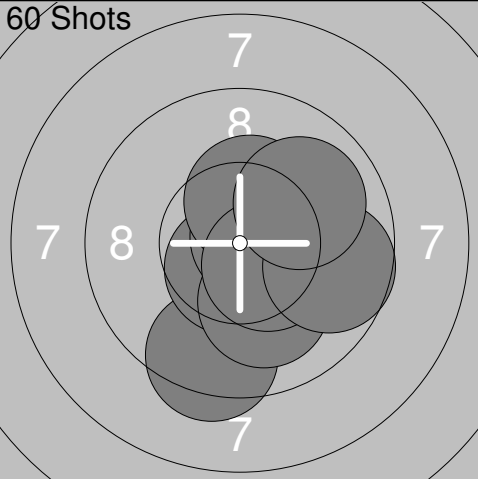
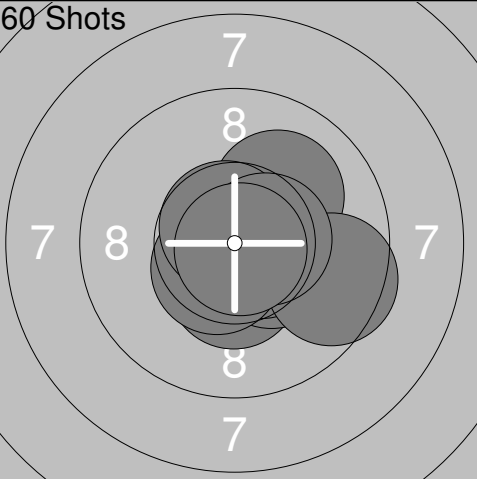
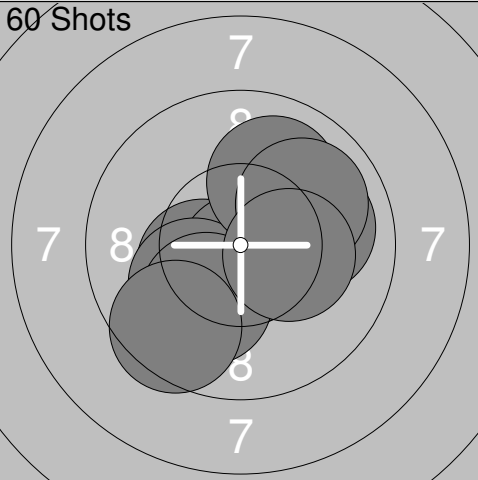
60 Shots 	11: 10.3x → 12: 10.8x ← 13: 10.1 ↗ 14: 10.7x ↓ 15: 10.9x ↓ 16: 10.8x ↓ 17: 10.8x ← 18: 10.0 ↑ 19: 10.5x ↓ 20: 10.2x ↓ <hr/> Series 105.1 Total 209.9	60 Shots 	21: 10.8x ↓ 22: 10.4x ↓ 23: 10.7x ↓ 24: 10.4x ↑ 25: 10.7x ↗ 26: 10.8x ↗ 27: 10.5x ↗ 28: 10.5x ↓ 29: 10.3x ↗ 30: 10.5x ↗ <hr/> Series 105.6 Total 315.5
-------------------------------------------------------------------------------------------------------	-----------------------------------------------------------------------------------------------------------------------------------------------------------------------------------------------------	---------------------------------------------------------------------------------------------------------	-------------------------------------------------------------------------------------------------------------------------------------------------------------------------------------------------------

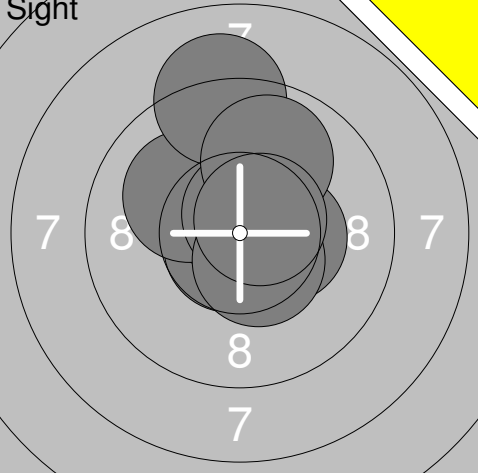
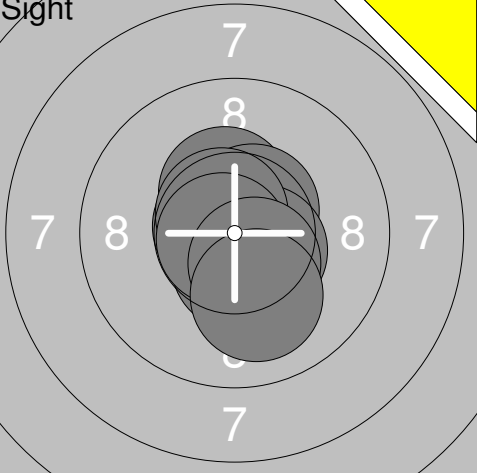
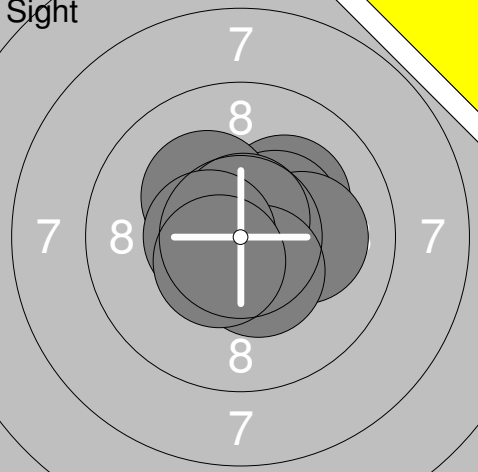

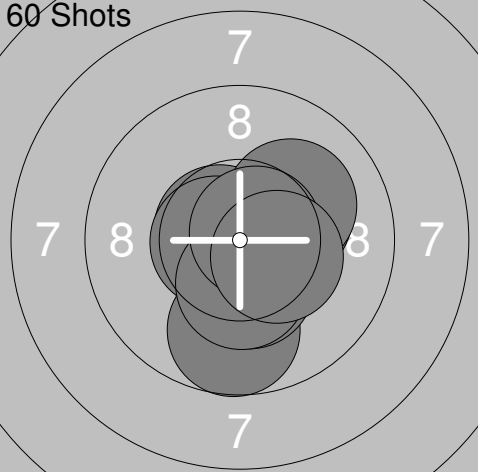

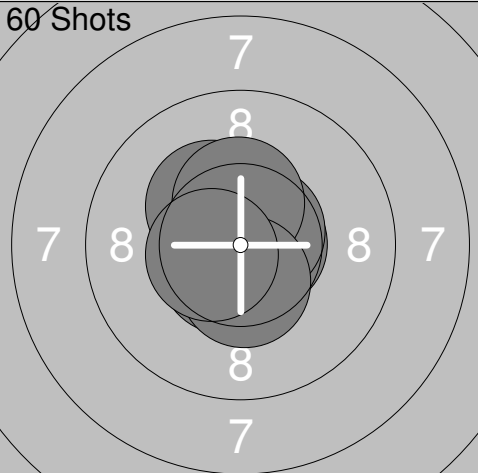
60 Shots 	31: 10.2x ↑ 32: 10.3x ↓ 33: 10.9x ↓ 34: 10.3x → 35: 10.5x ↓ 36: 10.2x ↑ 37: 10.0 ← 38: 10.0 ↑ 39: 10.4x ↑ 40: 10.1 ↑ <hr/> Series 102.9 Total 418.4		
-------------------------------------------------------------------------------------------------------	----------------------------------------------------------------------------------------------------------------------------------------------------------------------------------------------------	--	--

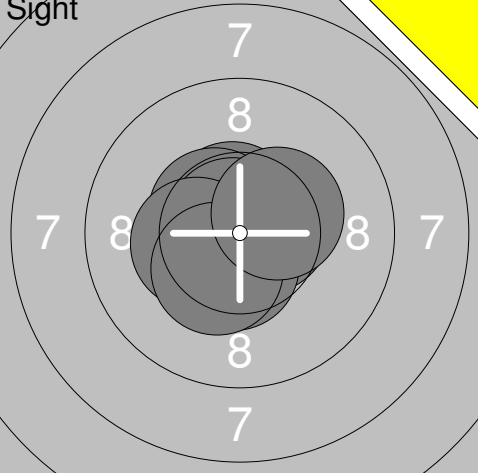
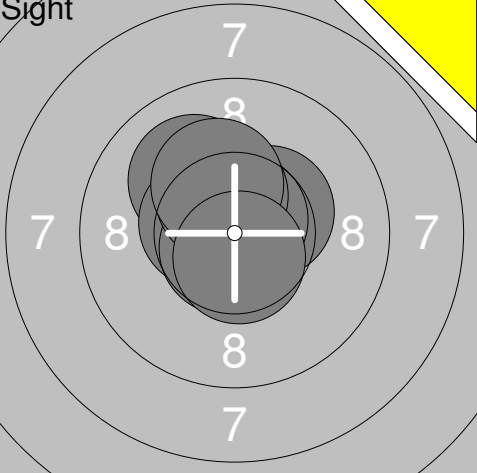


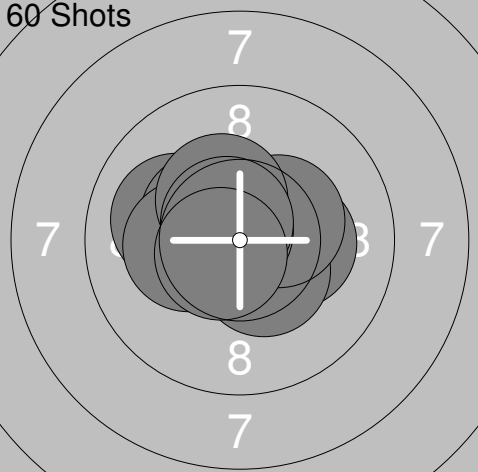

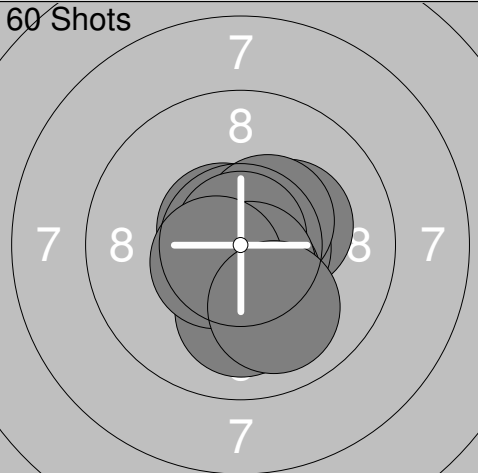
<p>Sight</p> 	<p>1: 10.4x ↘ 2: 9.9 ↙ 3: 10.0 → 4: 10.4x ↙ 5: 10.2x ↓ 6: 10.2x ↙ 7: 9.3 ↙ 8: 10.4x ↗ 9: 10.6x → 10: 10.0 ↙</p> <p>Series 101.4 Total 0.0</p>	<p>Sight</p> 	<p>11: 10.4x ↗ 12: 10.6x ↙ 13: 10.1 ↗ 14: 10.4x → 15: 10.5x → 16: 9.9 ↓ 17: 10.2x ↗ 18: 10.1 → 19: 10.0 ↘ 20: 9.6 ↗</p> <p>Series 101.8 Total 0.0</p>
-----------------------------------------------------------------------------------------------	---------------------------------------------------------------------------------------------------------------------------------------------------------------------------------------	-------------------------------------------------------------------------------------------------	-----------------------------------------------------------------------------------------------------------------------------------------------------------------------------------------------


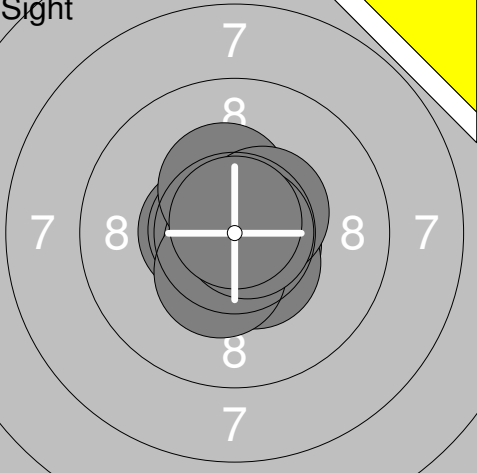



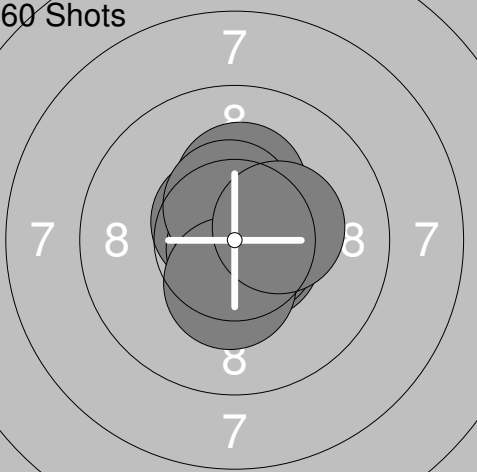

<p>60 Shots</p> 	<p>1: 9.5 ↘ 2: 10.6x → 3: 9.9 → 4: 10.3x ↗ 5: 10.8x → 6: 10.5x ↗ 7: 9.3 ↘ 8: 9.8 → 9: 9.7 ↘ 10: 10.0 ↓</p> <p>Series 100.4 Total 100.4</p>	<p>60 Shots</p> 	<p>11: 10.3x ↗ 12: 9.7 ↓ 13: 10.0 ↘ 14: 10.1 → 15: 10.2x → 16: 10.5x → 17: 9.6 → 18: 9.5 ↗ 19: 10.0 ↗ 20: 9.2 ↗</p> <p>Series 99.1 Total 199.5</p>
---------------------------------------------------------------------------------------------------	------------------------------------------------------------------------------------------------------------------------------------------------------------------------------------	-----------------------------------------------------------------------------------------------------	--------------------------------------------------------------------------------------------------------------------------------------------------------------------------------------------

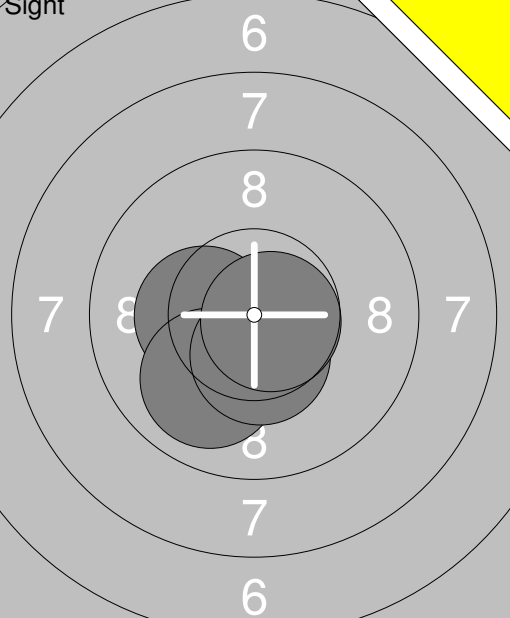
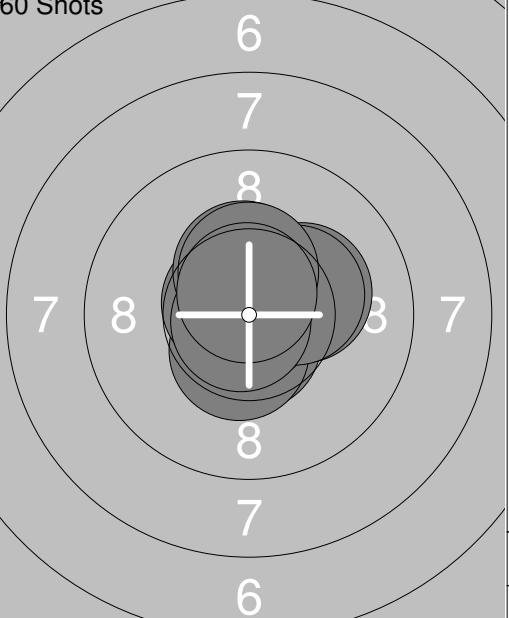
<p>60 Shots</p> 	<p>21: 9.1 → 22: 10.4x → 23: 9.4 ↗ 24: 10.4x ↗ 25: 9.7 ↗ 26: 10.1 ↗ 27: 9.3 ↗ 28: 9.6 ↗ 29: 9.7 ↗ 30: 9.1 ↗</p> <p>Series 96.8 Total 296.3</p>	<p>60 Shots</p> 	<p>31: 9.5 ↗ 32: 9.5 ↗ 33: 9.7 ↗ 34: 10.0 ↗ 35: 9.8 ↗ 36: 9.3 ↗ 37: 9.3 ↗ 38: 9.7 ↗ 39: 9.8 → 40: 10.1 ↗</p> <p>Series 96.7 Total 393.0</p>
----------------------------------------------------------------------------------------------------	----------------------------------------------------------------------------------------------------------------------------------------------------------------------------------------	------------------------------------------------------------------------------------------------------	-------------------------------------------------------------------------------------------------------------------------------------------------------------------------------------

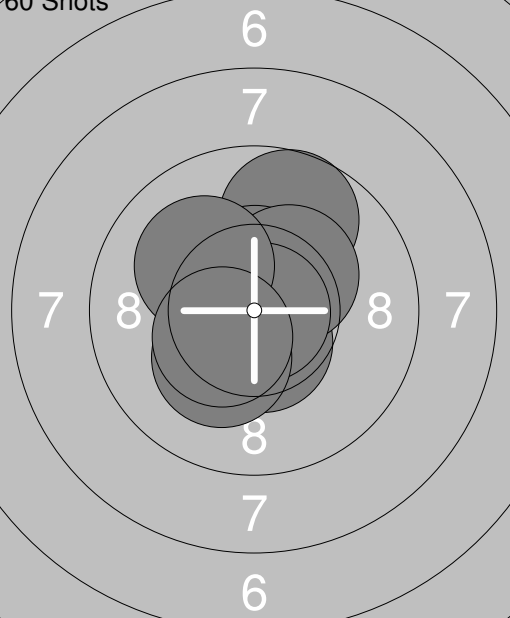
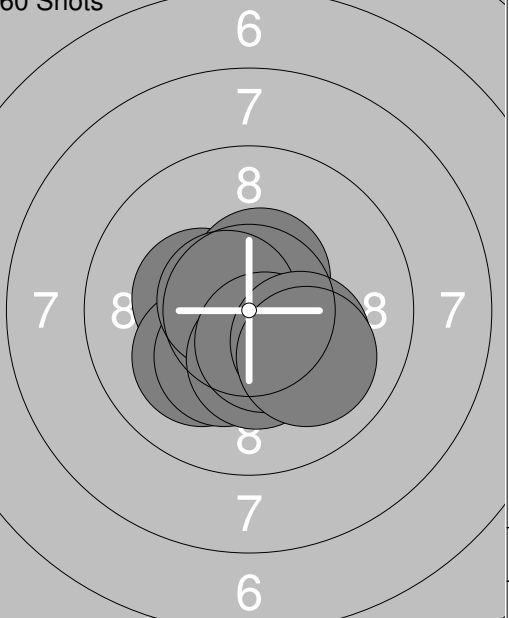
Relay	Lane	Viljami Norolampi	
S		IMAS (Fin)	
2016-04-16	UME-Kulan 2016	Umeå skytteallians	
Sight		1: 10.1 ↓ 2: 10.1 ↓ 3: 9.9 ↓ 4: 10.2x ↓ 5: 10.3x ↗ 6: 10.5x ↗ 7: 9.8 → 8: 10.2x ↓ 9: 10.7x ↘ 10: 10.3x ↓ Series 102.1 Total 0.0	Sight  11: 9.7 → 12: 10.8x ↗ 13: 9.9 ↓ 14: 9.8 ↘ 15: 9.9 ↓ 16: 10.6x ↗ 17: 10.4x ↘ 18: 10.9x ↗ 19: 10.5x ↓ 20: 10.4x ← Series 102.9 Total 0.0
Sight		21: 10.6x ↘ 22: 10.6x ↗ 23: 10.4x ↓ 24: 10.8x ↗ 25: 10.1 ← 26: 10.3x ← 27: 9.6 ← 28: 10.2x ← Series 82.6 Total 0.0	60 Shots  1: 10.3x ← 2: 10.7x ↙ 3: 9.3 ↙ 4: 9.6 ← 5: 9.4 ← 6: 10.4x ↓ 7: 10.0 ↓ 8: 10.0 ↗ 9: 10.8x ↙ 10: 10.1 ↓ Series 100.6 Total 100.6
60 Shots		11: 9.4 ↓ 12: 10.6x ↓ 13: 10.1 → 14: 10.1 ↓ 15: 10.7x → 16: 10.3x → 17: 10.4x ↗ 18: 10.5x ↘ 19: 9.7 → 20: 10.0 ↗ Series 101.8 Total 202.4	60 Shots  21: 10.4x ↓ 22: 10.9x ↗ 23: 10.1 ↗ 24: 10.4x ↘ 25: 10.6x → 26: 10.5x ↓ 27: 10.7x ↗ 28: 9.5 → 29: 10.5x → 30: 10.8x ↘ Series 104.4 Total 306.8
60 Shots		31: 10.8x ↓ 32: 10.4x ↙ 33: 10.8x ↓ 34: 10.1 ↙ 35: 10.0 ↗ 36: 10.0 → 37: 10.0 ↗ 38: 10.1 ↓ 39: 10.3x → 40: 9.5 ↙ Series 102.0 Total 408.8	

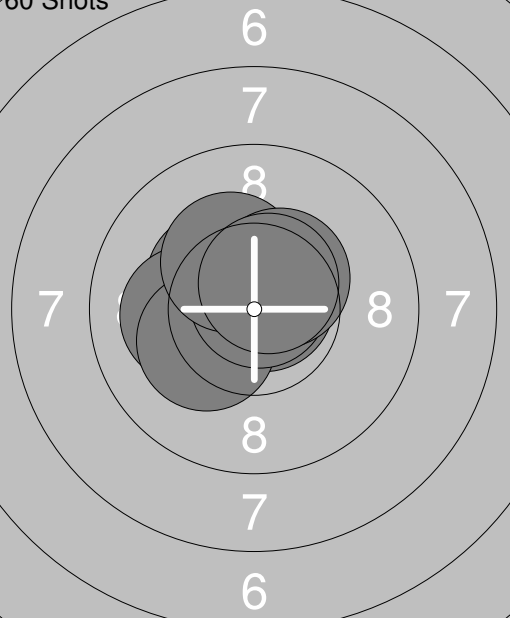
Relay	Lane	Rebecka Dahl	
1	8		
S	Umeå Skf		
2016-04-16	UME-Kulan 2016	Umeå skytteallians	
Sight		1: 10.8x ↖ 2: 10.4x → 3: 10.7x ↙ 4: 10.5x ↗ 5: 10.1 ↖ 6: 9.1 ↑ 7: 10.7x ↗ 8: 10.5x ↘ 9: 9.9 ↑ 10: 10.6x ↗ Series 103.3 Total 0.0	Sight  11: 10.5x ↑ 12: 10.4x ↑ 13: 10.7x ↖ 14: 10.6x ↗ 15: 10.5x ↓ 16: 10.5x → 17: 10.6x ↗ 18: 10.8x ↖ 19: 10.5x ↘ 20: 10.1 ↓ Series 105.2 Total 0.0
Sight		21: 10.2x ↗ 22: 10.4x ↗ 23: 10.1 → 24: 10.2x ↗ 25: 10.7x ↑ 26: 10.4x ↓ 27: 10.5x ← 28: 10.5x ↙ Series 83.0 Total 0.0	60 Shots  1: 10.4x ↓ 2: 10.7x → 3: 10.9x ↙ 4: 10.4x ↗ 5: 10.6x ↓ 6: 10.5x ↓ 7: 10.8x ↗ 8: 10.1 → 9: 10.5x ↗ 10: 10.6x → Series 105.5 Total 105.5
60 Shots		11: 10.2x ↗ 12: 10.7x ↖ 13: 10.6x ↘ 14: 10.1 ↗ 15: 9.7 ↓ 16: 10.4x ↓ 17: 10.6x ← 18: 10.4x ↓ 19: 10.7x ↗ 20: 10.4x → Series 103.8 Total 209.3	60 Shots  21: 10.0 → 22: 10.7x → 23: 10.4x ↑ 24: 10.1 ↗ 25: 10.1 ↑ 26: 10.6x ← 27: 10.5x → 28: 10.4x ↓ 29: 10.4x ↙ 30: 10.5x ↗ Series 103.7 Total 313.0
60 Shots		31: 10.7x → 32: 10.8x ↑ 33: 10.7x ← 34: 10.3x ↖ 35: 10.6x ↙ 36: 10.8x ↓ 37: 10.6x ↗ 38: 10.4x ↑ 39: 10.5x ↓ 40: 10.5x ← Series 105.9 Total 418.9	

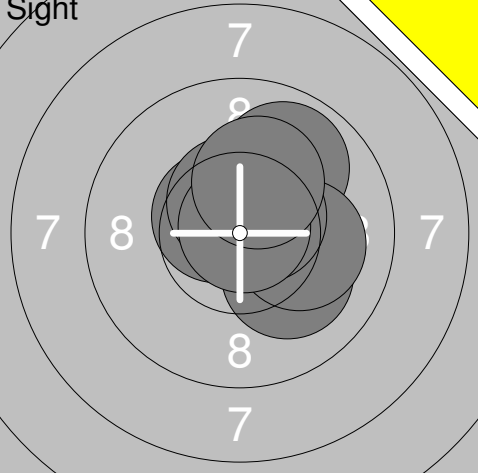
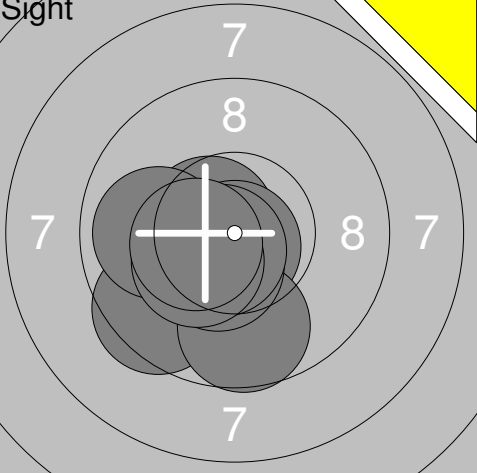
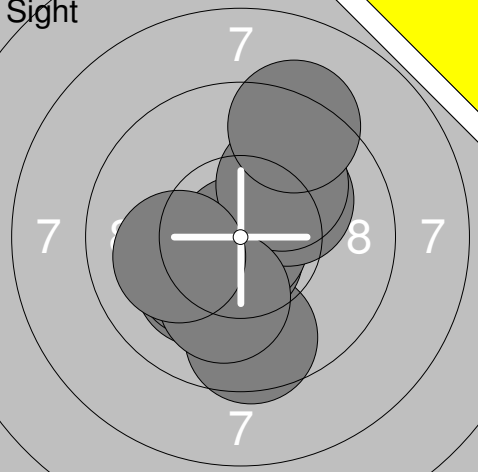

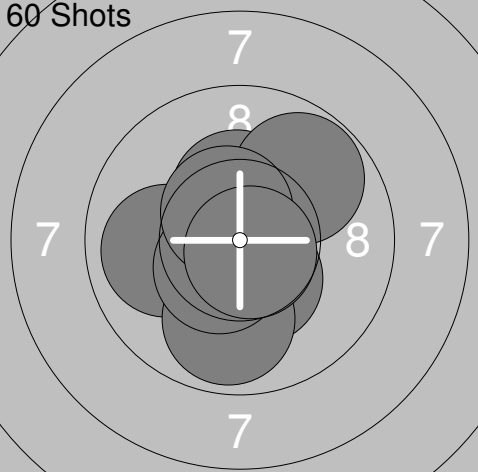
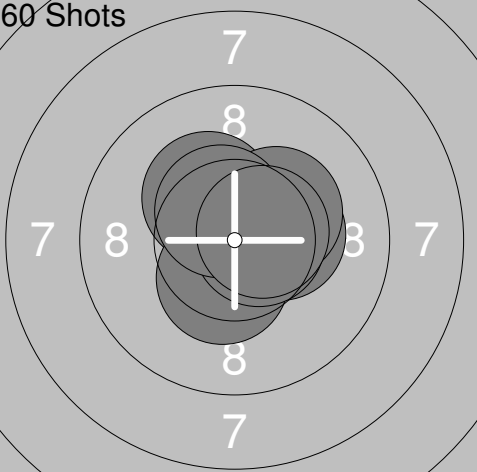
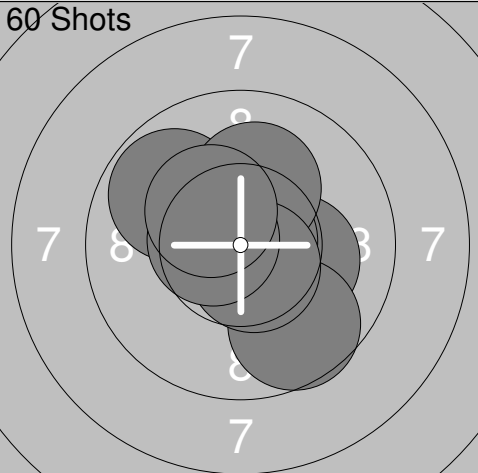
Relay	Lane	iris Lauttamus	
1	9		
S	IMAS (Fin)		
2016-04-16	UME-Kulan 2016	Umeå skytteallians	
Sight		1: 10.6x ↗ 2: 10.8x → 3: 10.6x → 4: 10.5x ↓ 5: 10.5x ↖ 6: 10.8x ↗ 7: 10.5x ↓ 8: 10.3x ← 9: 10.4x ↙ 10: 10.4x → Series 105.4 Total 0.0	Sight  11: 10.1 ↖ 12: 10.8x ↓ 13: 10.5x ← 14: 10.7x ↓ 15: 10.8x ↑ 16: 10.4x → 17: 10.7x ↗ 18: 10.4x ↗ 19: 10.3x ↖ 20: 10.6x ↓ Series 105.3 Total 0.0
Sight		21: 10.6x ↗ 22: 9.8 ↗ 23: 10.3x ↑ 24: 10.8x ↓ 25: 10.6x ↑ Series 52.1 Total 0.0	60 Shots  1: 10.7x → 2: 10.6x ↓ 3: 10.7x ↓ 4: 10.5x ↓ 5: 10.9x ↓ 6: 10.6x → 7: 10.6x ↗ 8: 10.2x ↑ 9: 10.7x ↓ 10: 10.5x ← Series 106.0 Total 106.0
60 Shots		11: 10.1 ← 12: 10.3x → 13: 10.4x ↖ 14: 10.4x ↓ 15: 10.4x → 16: 10.3x ← 17: 10.4x ↑ 18: 10.7x ↗ 19: 10.7x ↗ 20: 10.6x ↙ Series 104.3 Total 210.3	60 Shots  21: 10.4x ↙ 22: 10.7x ↓ 23: 10.5x → 24: 10.3x ↓ 25: 10.6x ↓ 26: 10.7x ↗ 27: 10.5x ↓ 28: 10.5x ← 29: 10.5x → 30: 10.4x ↗ Series 105.1 Total 315.4
60 Shots		31: 10.3x → 32: 10.6x ↖ 33: 10.6x → 34: 10.5x ↗ 35: 10.8x ↑ 36: 10.5x ↓ 37: 10.1 ↓ 38: 10.6x ↓ 39: 10.5x ↙ 40: 10.0 ↓ Series 104.5 Total 419.9	

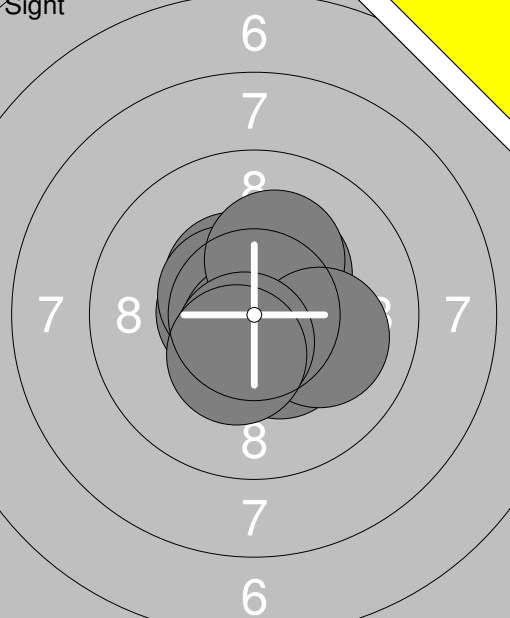
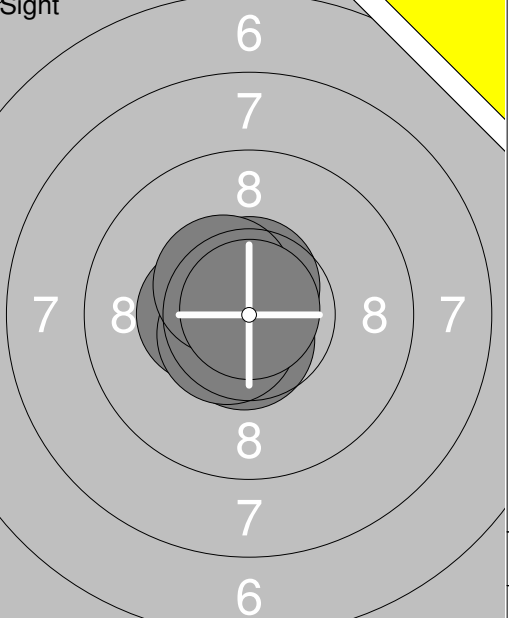
Relay	Lane	Erika Augustsson	
S	Vännäs Skf		
2016-04-16	UME-Kulan 2016	Umeå skytteallians	
Sight		1: 9.9 ↓ 2: 10.3x ↓ 3: 10.1 ↓ 4: 10.1 ↓ 5: 10.5x ↓ 6: 10.1 → 7: 10.0 ← 8: 10.7x ↓ 9: 10.7x ← 10: 10.3x ↓ Series 102.7 Total 0.0	Sight  11: 10.6x → 12: 10.5x ← 13: 10.5x ↓ 14: 10.7x ← 15: 10.8x ↓ 16: 10.4x ↓ 17: 10.3x ↑ 18: 10.5x ↗ 19: 10.8x → 20: 10.8x ↑ Series 105.9 Total 0.0
Sight		21: 10.5x ↓ 22: 10.8x ← 23: 10.3x ↓ 24: 10.1 ← 25: 10.7x ↘ 26: 10.9x ↓ Series 63.3 Total 0.0	60 Shots  1: 10.6x ↓ 2: 10.1 ↑ 3: 10.5x ↓ 4: 10.6x ↑ 5: 10.7x ← 6: 10.8x ← 7: 10.5x ↑ 8: 10.6x → 9: 10.5x → 10: 10.7x ↗ Series 105.6 Total 105.6
60 Shots		11: 10.5x ← 12: 10.7x ↑ 13: 10.5x ↗ 14: 10.7x → 15: 10.7x ↑ 16: 10.7x ↓ 17: 10.6x ← 18: 10.6x ↖ 19: 10.7x ↗ 20: 10.9x → Series 106.6 Total 212.2	60 Shots  21: 10.9x ← 22: 10.6x ↗ 23: 10.6x ↓ 24: 10.6x → 25: 10.2x ↑ 26: 10.8x ↓ 27: 10.7x → 28: 10.5x ↑ 29: 10.4x ↓ 30: 10.3x → Series 105.6 Total 317.8
60 Shots		31: 10.4x ↗ 32: 10.4x → 33: 10.9x ← 34: 10.7x ← 35: 10.4x → 36: 10.5x ↑ 37: 10.6x ↓ 38: 10.8x ↓ 39: 10.2x ← 40: 10.6x ↗ Series 105.5 Total 423.3	

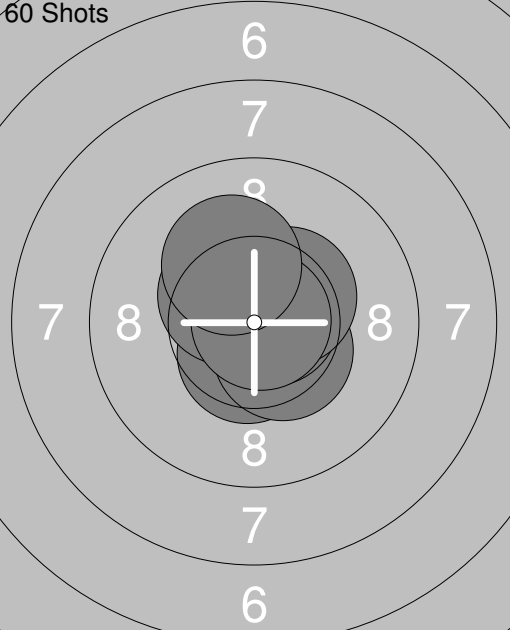
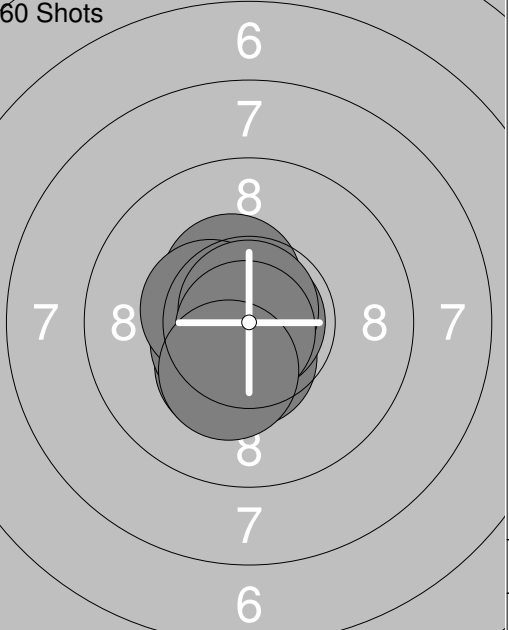
 <p style="text-align:center;">Sight</p>	<p>1: 10.6x ↘</p> <p>2: 10.3x ←</p> <p>3: 10.0 ↘</p> <p>4: 10.4x ↓</p> <p>5: 10.7x →</p>	<p>60 Shots</p> 		<p>1: 10.6x ↓</p> <p>2: 10.5x ↓</p> <p>3: 10.9x ↗</p> <p>4: 10.2x →</p> <p>5: 10.7x ↖</p> <p>6: 10.3x →</p> <p>7: 10.4x ↑</p> <p>8: 10.8x ↙</p> <p>9: 10.4x ↑</p> <p>10: 10.7x ↑</p>	
Series	52.0			Series	105.5
Total	0.0			Total	105.5

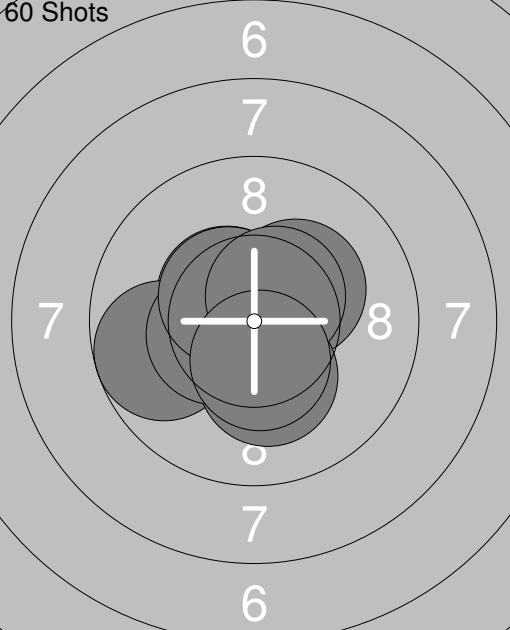
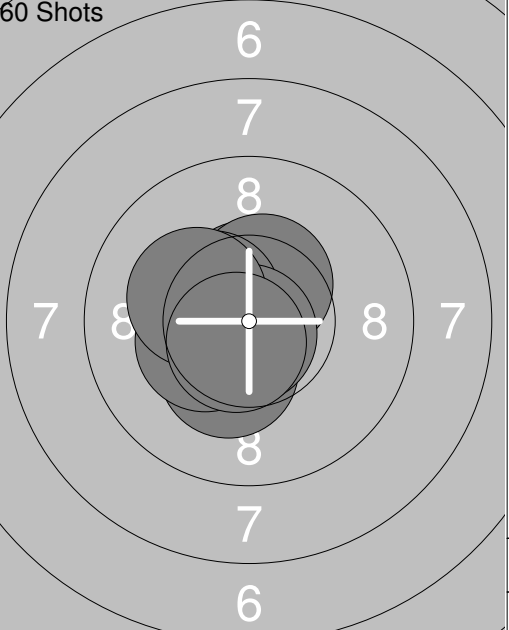
<p>60 Shots</p> 	<p>11: 9.7 ↗</p> <p>12: 10.5x ↑</p> <p>13: 10.4x ↖</p> <p>14: 10.9x ↖</p> <p>15: 10.5x ↓</p> <p>16: 10.3x ↗</p> <p>17: 10.9x →</p> <p>18: 10.2x ↙</p> <p>19: 10.1 ↖</p> <p>20: 10.4x ↙</p>	<p>60 Shots</p> 		<p>21: 10.7x ←</p> <p>22: 10.3x ↖</p> <p>23: 10.1 ↙</p> <p>24: 10.5x ↑</p> <p>25: 10.3x ↙</p> <p>26: 10.6x ↖</p> <p>27: 10.3x ↓</p> <p>28: 10.5x ↓</p> <p>29: 10.2x →</p> <p>30: 10.0 ↘</p>	
Series	103.9			Series	103.5
Total	209.4			Total	312.9

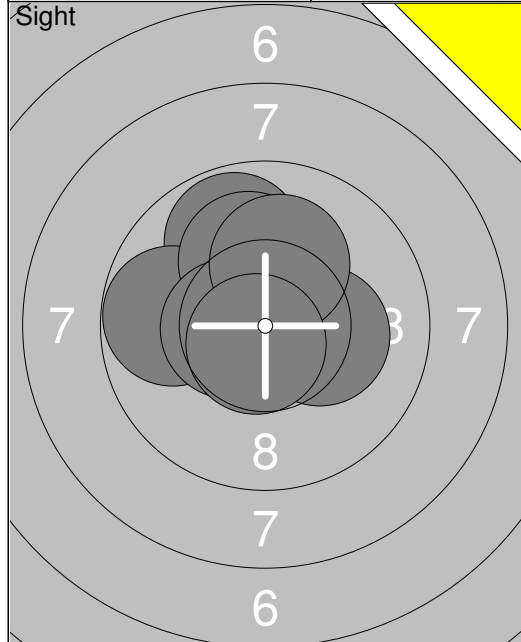
<p>60 Shots</p> 	<p>31: 10.3x ↖</p> <p>32: 10.8x ↖</p> <p>33: 10.1 ←</p> <p>34: 10.8x ↗</p> <p>35: 10.2x ↙</p> <p>36: 10.5x ↑</p> <p>37: 10.8x ↗</p> <p>38: 10.3x ↖</p> <p>39: 10.4x ↗</p> <p>40: 10.6x ↗</p>			
Series	104.8			
Total	417.7			

Relay	Lane	Anton Lind	
S		Skoga-Ekshärad	
2016-04-16	UME-Kulan 2016	Umeå skytteallians	
Sight		1: 10.6x ↖ 2: 10.7x → 3: 10.6x ↗ 4: 9.9 ↗ 5: 10.1 ↘ 6: 10.5x ↑ 7: 10.1 → 8: 10.6x ↗ 9: 10.8x ↗ 10: 10.2x ↑ Series 104.1 Total 0.0	Sight  11: 10.6x ↖ 12: 9.5 ↘ 13: 10.8x ↓ 14: 10.4x ↘ 15: 9.7 ↓ 16: 10.5x ↘ 17: 10.6x ↘ 18: 9.9 ← 19: 10.3x ↖ 20: 10.4x ↖ Series 102.7 Total 0.0
Sight		21: 10.2x ↘ 22: 9.6 ↓ 23: 10.7x ↓ 24: 10.9x ↓ 25: 10.1 ↗ 26: 10.2x ↖ 27: 10.0 ↗ 28: 9.3 ↗ 29: 10.1 ↓ 30: 10.1 ← Series 101.2 Total 0.0	60 Shots  1: 10.7x ↖ 2: 10.2x ↓ 3: 10.2x ↓ 4: 10.7x ↑ 5: 10.3x ← 6: 10.6x ↖ 7: 10.6x ↑ 8: 10.5x ↗ 9: 10.3x ↗ 10: 10.5x ↘ Series 104.6 Total 104.6
60 Shots		11: 10.0 ← 12: 10.9x ↓ 13: 10.4x ↑ 14: 10.4x ↓ 15: 9.9 ↓ 16: 9.8 ↗ 17: 10.8x ↖ 18: 10.5x ↘ 19: 10.5x ↑ 20: 10.7x ↘ Series 103.9 Total 208.5	60 Shots  21: 10.9x ↗ 22: 10.8x ↘ 23: 10.3x → 24: 10.8x ↗ 25: 10.3x ↖ 26: 10.4x ↓ 27: 10.3x ↗ 28: 10.6x → 29: 10.5x ↖ 30: 10.6x → Series 105.5 Total 314.0
60 Shots		31: 10.6x ↗ 32: 9.8 ↗ 33: 10.2x → 34: 9.7 ↓ 35: 10.8x → 36: 10.7x ↑ 37: 10.2x ↑ 38: 10.6x ↓ 39: 10.6x ← 40: 10.3x ↖ Series 103.5 Total 417.5	

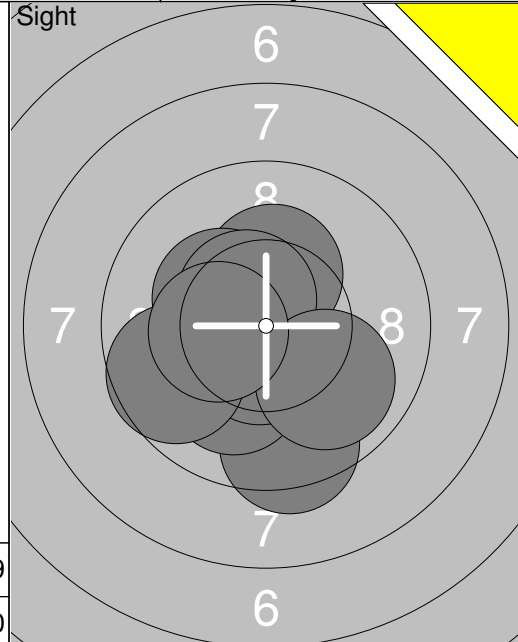
 <p style="text-align: center;">Sight</p>	<p>1: 10.5x ↖</p> <p>2: 10.3x ↗</p> <p>3: 10.6x ←</p> <p>4: 10.5x ↖</p> <p>5: 10.4x ↘</p> <p>6: 10.7x ↓</p> <p>7: 10.2x ↗</p> <p>8: 10.1 →</p> <p>9: 10.6x ↓</p> <p>10: 10.4x ↓</p>	 <p style="text-align: center;">Sight</p>	<p>11: 10.4x ←</p> <p>12: 10.8x ↑</p> <p>13: 10.6x ↓</p> <p>14: 10.6x ↑</p> <p>15: 10.6x ↙</p> <p>16: 10.5x ↖</p> <p>17: 10.9x ↑</p>
Series	104.3	Series	74.4
Total	0.0	Total	0.0

 <p style="text-align: center;">60 Shots</p>	<p>1: 10.6x ↘</p> <p>2: 10.6x ↘</p> <p>3: 10.5x ↓</p> <p>4: 10.4x ↘</p> <p>5: 10.6x ↗</p> <p>6: 10.5x ↖</p> <p>7: 10.7x →</p> <p>8: 10.4x ↗</p> <p>9: 10.9x →</p> <p>10: 10.2x ↗</p>	 <p style="text-align: center;">60 Shots</p>	<p>11: 10.3x ↓</p> <p>12: 10.4x ↖</p> <p>13: 10.7x ↖</p> <p>14: 10.5x ↙</p> <p>15: 10.5x ↓</p> <p>16: 10.9x →</p> <p>17: 10.4x ↖</p> <p>18: 10.8x ↑</p> <p>19: 10.8x ↓</p> <p>20: 10.3x ↓</p>
Series	105.4	Series	105.6
Total	105.4	Total	211.0

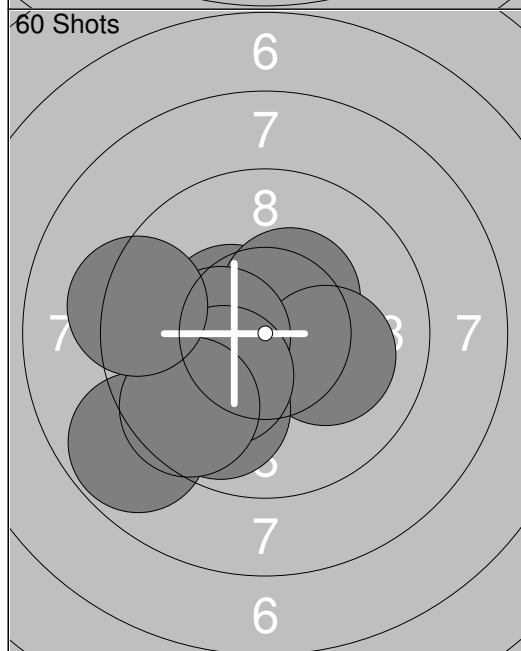
 <p style="text-align: center;">60 Shots</p>	<p>21: 10.5x ↖</p> <p>22: 9.7 ←</p> <p>23: 10.8x ↖</p> <p>24: 10.7x ←</p> <p>25: 10.3x ↗</p> <p>26: 10.2x ↓</p> <p>27: 10.4x ←</p> <p>28: 10.5x ↖</p> <p>29: 10.5x ↗</p> <p>30: 10.4x ↓</p>	 <p style="text-align: center;">60 Shots</p>	<p>31: 10.6x ↙</p> <p>32: 10.6x ↑</p> <p>33: 10.5x ↙</p> <p>34: 10.3x ↓</p> <p>35: 10.4x ↑</p> <p>36: 10.4x ↖</p> <p>37: 10.8x ↓</p> <p>38: 10.3x ↙</p> <p>39: 10.2x ↖</p> <p>40: 10.6x ↓</p>
Series	104.0	Series	104.7
Total	315.0	Total	419.7



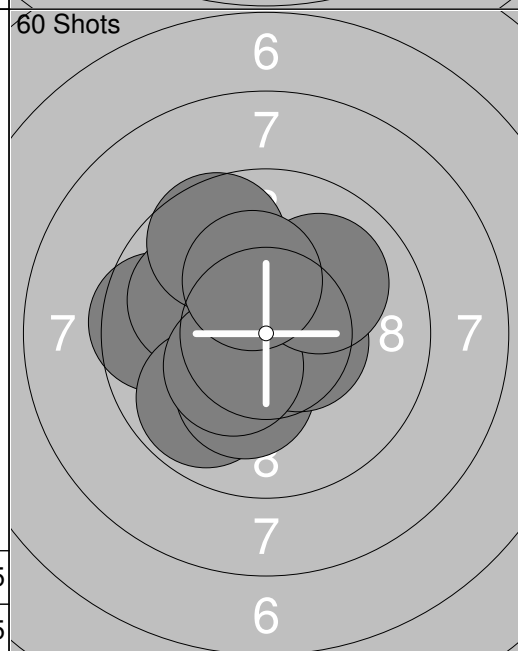
1:	10.5x ↘
2:	10.6x ↑
3:	9.8 ↑
4:	10.6x ←
5:	9.8 ←
6:	10.1 ↑
7:	10.5x ←
8:	10.2x →
9:	10.1 ↑
10:	10.7x ↓
Series	102.9
Total	0.0



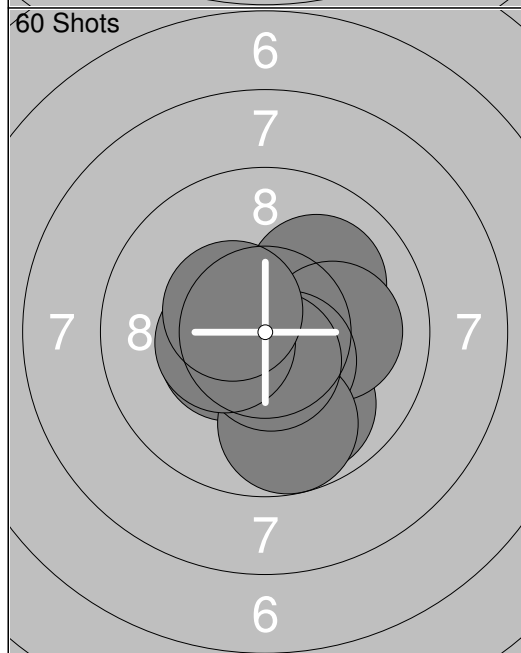
11:	10.3x ↑
12:	10.6x ↘
13:	9.4 ↓
14:	10.1 ↓
15:	10.6x ↓
16:	10.3x ↘
17:	10.5x ↘
18:	9.6 ←
19:	9.9 ↘
20:	10.3x ←
Series	101.6
Total	0.0



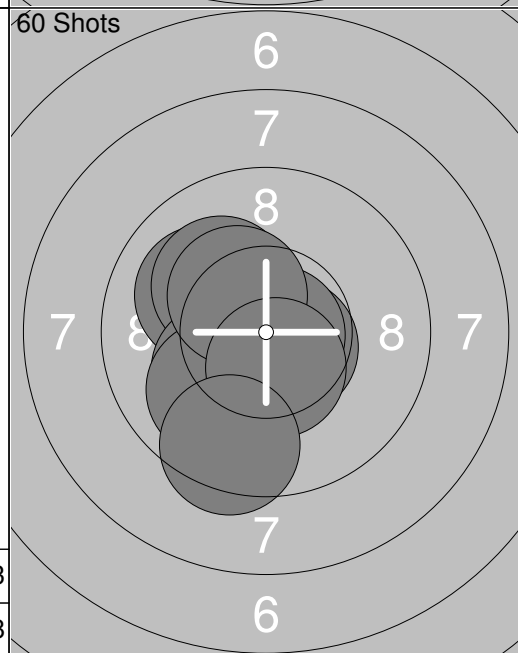
1:	10.4x →
2:	10.5x ↘
3:	10.4x ↗
4:	10.1 →
5:	10.4x ←
6:	9.8 ↓
7:	8.8 ↘
8:	10.2x ↘
9:	9.6 ↘
10:	9.3 ←
Series	99.5
Total	99.5



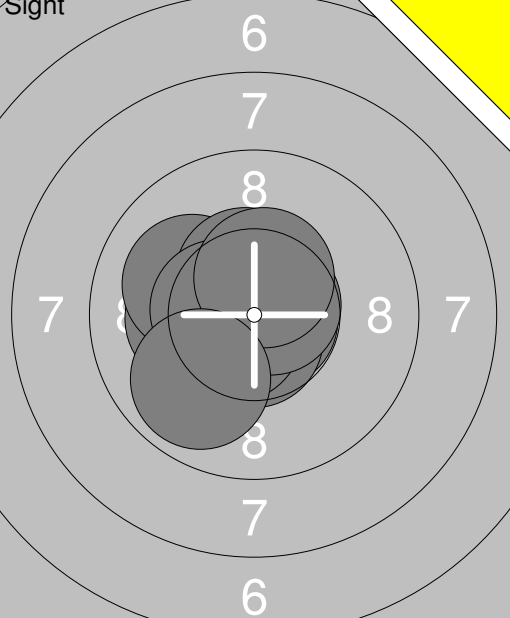
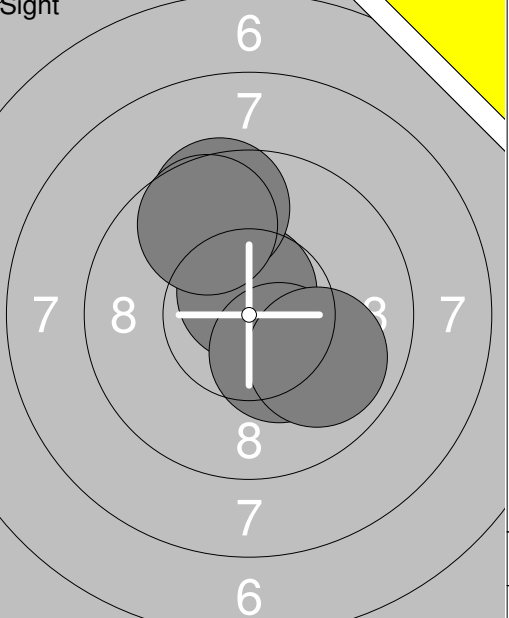
11:	9.6 ←
12:	10.0 ↘
13:	9.8 ↘
14:	10.6x ↗
15:	10.2x ↓
16:	10.5x →
17:	10.4x ↘
18:	9.6 ↗
19:	10.0 ↗
20:	10.3x ↗
Series	101.0
Total	200.5

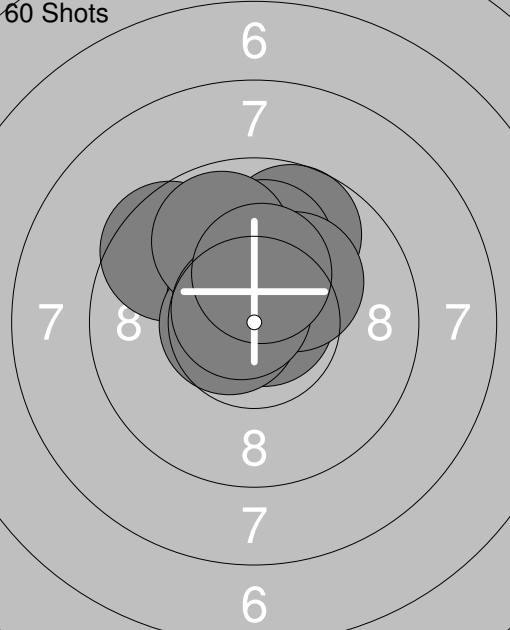
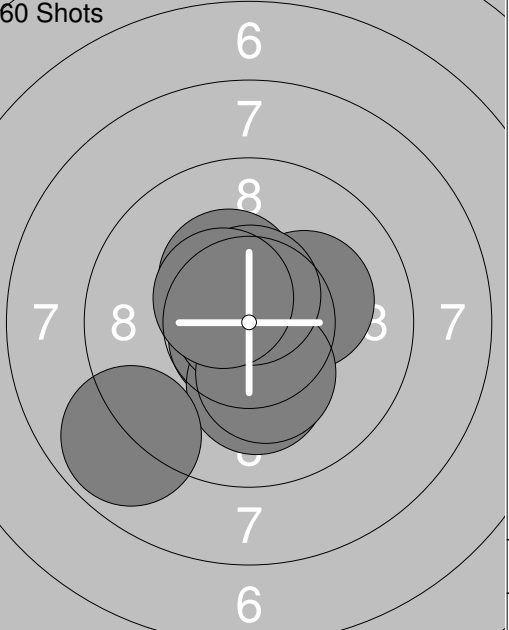


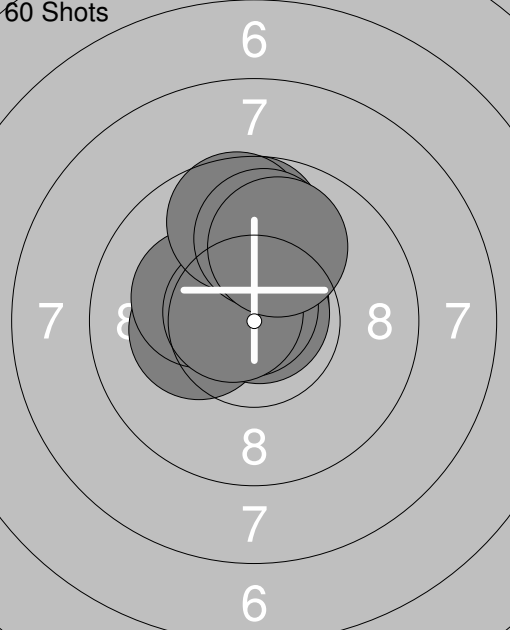
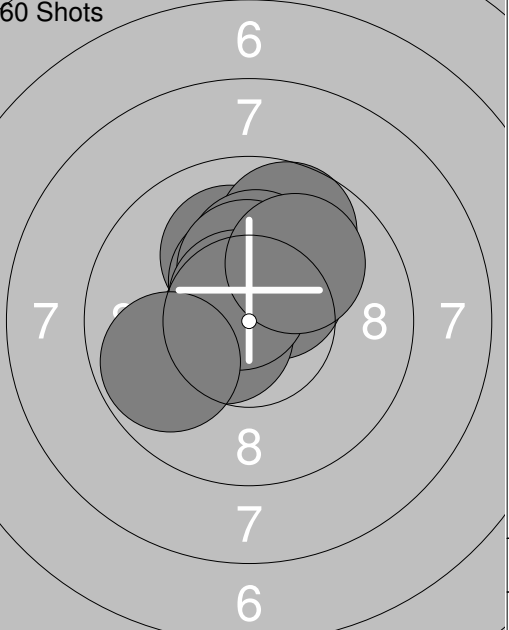
21:	10.1 ↓
22:	9.9 ↓
23:	10.1 ↗
24:	10.1 →
25:	10.4x ←
26:	10.5x ↓
27:	9.7 ↓
28:	10.6x ↓
29:	10.4x ←
30:	10.5x ↘
Series	102.3
Total	302.8



31:	10.7x ↓
32:	10.0 ↘
33:	10.1 ↘
34:	10.2x ↘
35:	10.6x ↘
36:	10.0 ↘
37:	10.8x →
38:	10.4x ↘
39:	10.5x ↓
40:	9.4 ↓
Series	102.7
Total	405.5

<p>Sight</p> 	<p>1: 10.8x →</p> <p>2: 10.2x ←</p> <p>3: 10.1 ↖</p> <p>4: 10.5x ↑</p> <p>5: 10.7x ↓</p> <p>6: 10.6x ↙</p> <p>7: 10.5x ←</p> <p>8: 10.7x →</p> <p>9: 10.5x ↑</p> <p>10: 9.9 ↙</p>	<p>Sight</p> 	<p>11: 10.7x ↑</p> <p>12: 9.5 ↑</p> <p>13: 10.3x ↘</p> <p>14: 9.9 ↘</p> <p>15: 9.7 ↑</p>
Series	104.5	Series	50.1
Total	0.0	Total	0.0

<p>60 Shots</p> 	<p>1: 9.5 ↖</p> <p>2: 9.7 ↑</p> <p>3: 10.8x →</p> <p>4: 10.6x ↖</p> <p>5: 10.0 ↑</p> <p>6: 10.6x ←</p> <p>7: 9.8 ↑</p> <p>8: 10.2x →</p> <p>9: 10.7x ↖</p> <p>10: 10.3x ↑</p>	<p>60 Shots</p> 	<p>11: 10.8x →</p> <p>12: 10.7x ↙</p> <p>13: 10.2x ↓</p> <p>14: 10.9x ↖</p> <p>15: 10.2x →</p> <p>16: 8.9 ↙</p> <p>17: 10.3x ↓</p> <p>18: 10.3x ↖</p> <p>19: 10.6x ↑</p> <p>20: 10.5x ↖</p>
Series	102.2	Series	103.4
Total	102.2	Total	205.6


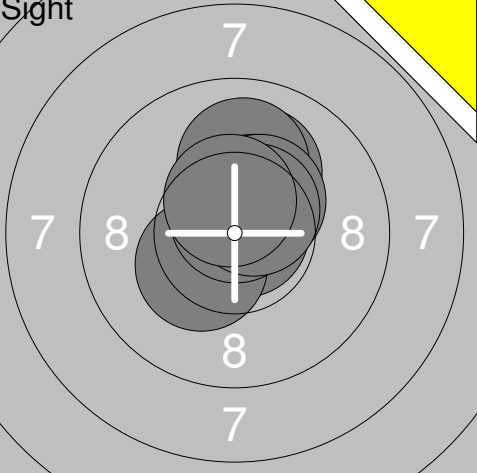


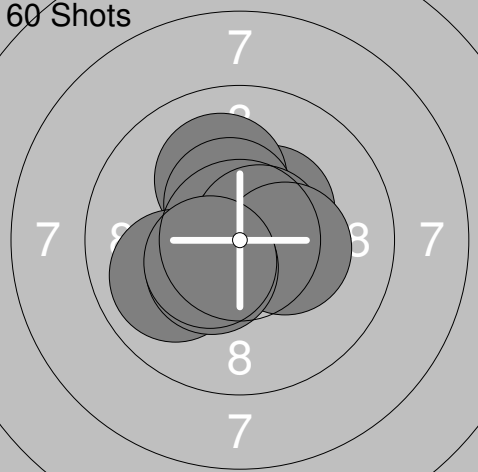
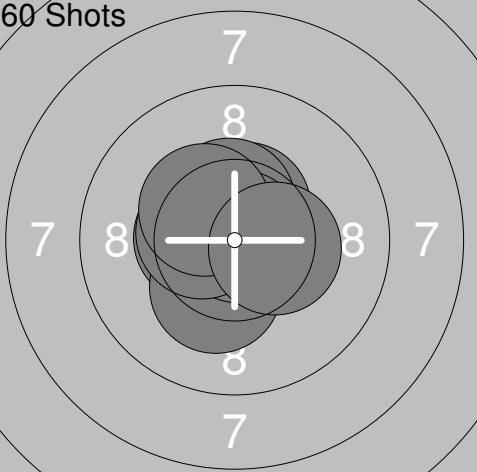
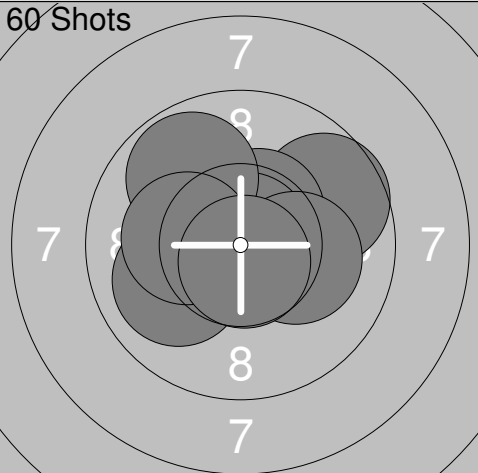
<p>60 Shots</p> 	<p>21: 10.7x ↑</p> <p>22: 10.2x ←</p> <p>23: 9.7 ↑</p> <p>24: 10.8x ↗</p> <p>25: 10.2x ↖</p> <p>26: 10.8x ↖</p> <p>27: 10.7x ↖</p> <p>28: 9.7 ↑</p> <p>29: 9.9 ↑</p> <p>30: 10.0 ↑</p>	<p>60 Shots</p> 	<p>31: 10.1 ↑</p> <p>32: 10.4x ↗</p> <p>33: 9.7 ↑</p> <p>34: 10.2x ↑</p> <p>35: 10.4x ↑</p> <p>36: 10.3x ↑</p> <p>37: 10.6x ↙</p> <p>38: 10.6x ↖</p> <p>39: 10.0 ↗</p> <p>40: 9.8 ↙</p>
Series	102.7	Series	102.1
Total	308.3	Total	410.4

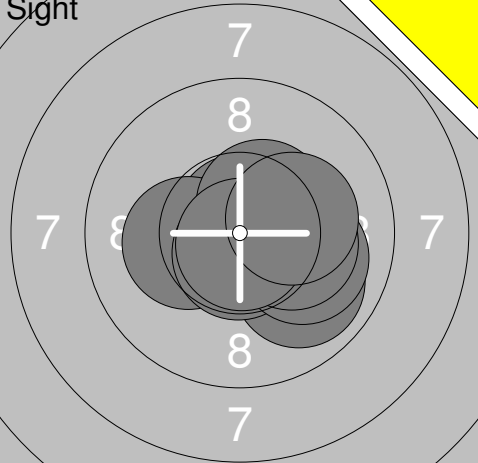
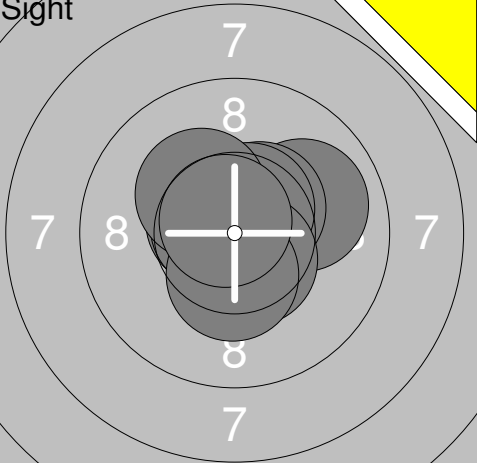
Sight 	Sight 	<table border="1" style="width:100%; border-collapse: collapse;"> <tr><td>1:</td><td>10.3x</td><td>↘</td></tr> <tr><td>2:</td><td>10.5x</td><td>↘</td></tr> <tr><td>3:</td><td>10.7x</td><td>→</td></tr> <tr><td>4:</td><td>10.8x</td><td>→</td></tr> <tr><td>5:</td><td>10.6x</td><td>↗</td></tr> <tr><td>6:</td><td>10.4x</td><td>↗</td></tr> <tr><td>7:</td><td>10.4x</td><td>←</td></tr> <tr><td>8:</td><td>10.9x</td><td>↗</td></tr> <tr><td>9:</td><td>10.9x</td><td>→</td></tr> <tr><td>10:</td><td>10.7x</td><td>↘</td></tr> <tr><td>Series</td><td>106.2</td><td></td></tr> <tr><td>Total</td><td>0.0</td><td></td></tr> </table>	1:	10.3x	↘	2:	10.5x	↘	3:	10.7x	→	4:	10.8x	→	5:	10.6x	↗	6:	10.4x	↗	7:	10.4x	←	8:	10.9x	↗	9:	10.9x	→	10:	10.7x	↘	Series	106.2		Total	0.0						
1:	10.3x	↘																																									
2:	10.5x	↘																																									
3:	10.7x	→																																									
4:	10.8x	→																																									
5:	10.6x	↗																																									
6:	10.4x	↗																																									
7:	10.4x	←																																									
8:	10.9x	↗																																									
9:	10.9x	→																																									
10:	10.7x	↘																																									
Series	106.2																																										
Total	0.0																																										
<table border="1" style="width:100%; border-collapse: collapse;"> <tr><td>11:</td><td>10.2x</td><td>←</td></tr> <tr><td>12:</td><td>10.6x</td><td>→</td></tr> <tr><td>13:</td><td>10.6x</td><td>↘</td></tr> <tr><td>14:</td><td>10.9x</td><td>↘</td></tr> <tr><td>15:</td><td>10.7x</td><td>↘</td></tr> <tr><td>16:</td><td>10.8x</td><td>↑</td></tr> <tr><td>17:</td><td>10.5x</td><td>↗</td></tr> <tr><td>18:</td><td>10.5x</td><td>↖</td></tr> <tr><td>19:</td><td>10.3x</td><td>↑</td></tr> <tr><td>20:</td><td>10.3x</td><td>↙</td></tr> <tr><td>Series</td><td>105.4</td><td></td></tr> <tr><td>Total</td><td>0.0</td><td></td></tr> </table>	11:	10.2x	←	12:	10.6x	→	13:	10.6x	↘	14:	10.9x	↘	15:	10.7x	↘	16:	10.8x	↑	17:	10.5x	↗	18:	10.5x	↖	19:	10.3x	↑	20:	10.3x	↙	Series	105.4		Total	0.0		<table border="1" style="width:100%; border-collapse: collapse;"> <tr><td>Series</td><td>106.2</td><td></td></tr> <tr><td>Total</td><td>0.0</td><td></td></tr> </table>	Series	106.2		Total	0.0	
11:	10.2x	←																																									
12:	10.6x	→																																									
13:	10.6x	↘																																									
14:	10.9x	↘																																									
15:	10.7x	↘																																									
16:	10.8x	↑																																									
17:	10.5x	↗																																									
18:	10.5x	↖																																									
19:	10.3x	↑																																									
20:	10.3x	↙																																									
Series	105.4																																										
Total	0.0																																										
Series	106.2																																										
Total	0.0																																										


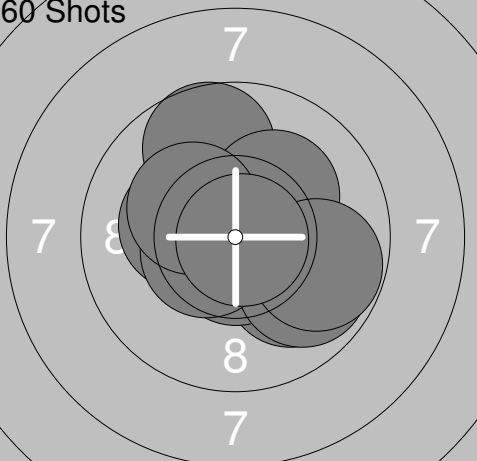
Sight 	60 Shots 	<table border="1" style="width:100%; border-collapse: collapse;"> <tr><td>21:</td><td>10.8x</td><td>↙</td></tr> <tr><td>22:</td><td>10.8x</td><td>→</td></tr> <tr><td>23:</td><td>10.5x</td><td>↘</td></tr> <tr><td>24:</td><td>10.7x</td><td>↘</td></tr> <tr><td>25:</td><td>10.7x</td><td>←</td></tr> <tr><td>26:</td><td>10.7x</td><td>↘</td></tr> <tr><td>27:</td><td>10.6x</td><td>↑</td></tr> <tr><td>28:</td><td>10.7x</td><td>↘</td></tr> <tr><td>29:</td><td>10.2x</td><td>↘</td></tr> <tr><td>30:</td><td>10.6x</td><td>↘</td></tr> <tr><td>Series</td><td>106.3</td><td></td></tr> <tr><td>Total</td><td>0.0</td><td></td></tr> </table>	21:	10.8x	↙	22:	10.8x	→	23:	10.5x	↘	24:	10.7x	↘	25:	10.7x	←	26:	10.7x	↘	27:	10.6x	↑	28:	10.7x	↘	29:	10.2x	↘	30:	10.6x	↘	Series	106.3		Total	0.0						
21:	10.8x	↙																																									
22:	10.8x	→																																									
23:	10.5x	↘																																									
24:	10.7x	↘																																									
25:	10.7x	←																																									
26:	10.7x	↘																																									
27:	10.6x	↑																																									
28:	10.7x	↘																																									
29:	10.2x	↘																																									
30:	10.6x	↘																																									
Series	106.3																																										
Total	0.0																																										
<table border="1" style="width:100%; border-collapse: collapse;"> <tr><td>1:</td><td>10.5x</td><td>↘</td></tr> <tr><td>2:</td><td>10.4x</td><td>↑</td></tr> <tr><td>3:</td><td>10.5x</td><td>↙</td></tr> <tr><td>4:</td><td>10.6x</td><td>↗</td></tr> <tr><td>5:</td><td>10.6x</td><td>↗</td></tr> <tr><td>6:</td><td>10.7x</td><td>↗</td></tr> <tr><td>7:</td><td>10.8x</td><td>→</td></tr> <tr><td>8:</td><td>10.5x</td><td>↘</td></tr> <tr><td>9:</td><td>10.7x</td><td>↙</td></tr> <tr><td>10:</td><td>10.7x</td><td>↘</td></tr> <tr><td>Series</td><td>106.0</td><td></td></tr> <tr><td>Total</td><td>106.0</td><td></td></tr> </table>	1:	10.5x	↘	2:	10.4x	↑	3:	10.5x	↙	4:	10.6x	↗	5:	10.6x	↗	6:	10.7x	↗	7:	10.8x	→	8:	10.5x	↘	9:	10.7x	↙	10:	10.7x	↘	Series	106.0		Total	106.0		<table border="1" style="width:100%; border-collapse: collapse;"> <tr><td>Series</td><td>106.3</td><td></td></tr> <tr><td>Total</td><td>0.0</td><td></td></tr> </table>	Series	106.3		Total	0.0	
1:	10.5x	↘																																									
2:	10.4x	↑																																									
3:	10.5x	↙																																									
4:	10.6x	↗																																									
5:	10.6x	↗																																									
6:	10.7x	↗																																									
7:	10.8x	→																																									
8:	10.5x	↘																																									
9:	10.7x	↙																																									
10:	10.7x	↘																																									
Series	106.0																																										
Total	106.0																																										
Series	106.3																																										
Total	0.0																																										

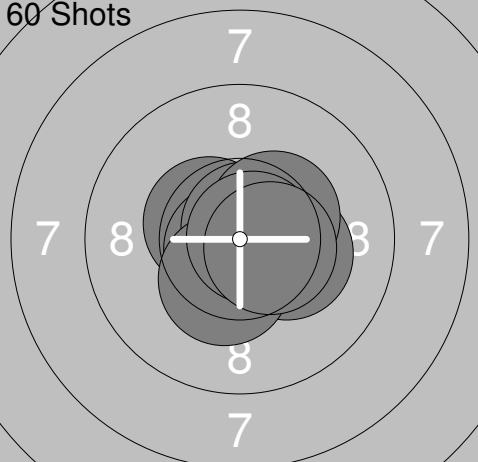
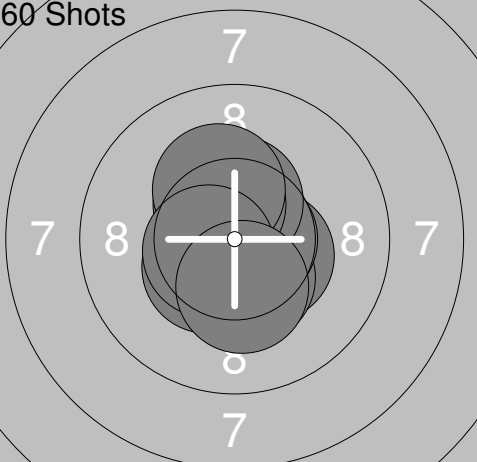
60 Shots 	60 Shots 	<table border="1" style="width:100%; border-collapse: collapse;"> <tr><td>11:</td><td>10.0</td><td>←</td></tr> <tr><td>12:</td><td>10.7x</td><td>↗</td></tr> <tr><td>13:</td><td>10.8x</td><td>←</td></tr> <tr><td>14:</td><td>10.8x</td><td>↘</td></tr> <tr><td>15:</td><td>10.7x</td><td>↗</td></tr> <tr><td>16:</td><td>10.6x</td><td>↗</td></tr> <tr><td>17:</td><td>10.6x</td><td>↑</td></tr> <tr><td>18:</td><td>10.8x</td><td>←</td></tr> <tr><td>19:</td><td>10.5x</td><td>↘</td></tr> <tr><td>20:</td><td>10.8x</td><td>↘</td></tr> <tr><td>Series</td><td>106.3</td><td></td></tr> <tr><td>Total</td><td>212.3</td><td></td></tr> </table>	11:	10.0	←	12:	10.7x	↗	13:	10.8x	←	14:	10.8x	↘	15:	10.7x	↗	16:	10.6x	↗	17:	10.6x	↑	18:	10.8x	←	19:	10.5x	↘	20:	10.8x	↘	Series	106.3		Total	212.3						
11:	10.0	←																																									
12:	10.7x	↗																																									
13:	10.8x	←																																									
14:	10.8x	↘																																									
15:	10.7x	↗																																									
16:	10.6x	↗																																									
17:	10.6x	↑																																									
18:	10.8x	←																																									
19:	10.5x	↘																																									
20:	10.8x	↘																																									
Series	106.3																																										
Total	212.3																																										
<table border="1" style="width:100%; border-collapse: collapse;"> <tr><td>21:</td><td>10.7x</td><td>↘</td></tr> <tr><td>22:</td><td>10.4x</td><td>→</td></tr> <tr><td>23:</td><td>10.5x</td><td>↘</td></tr> <tr><td>24:</td><td>10.8x</td><td>←</td></tr> <tr><td>25:</td><td>10.3x</td><td>↙</td></tr> <tr><td>26:</td><td>10.9x</td><td>↑</td></tr> <tr><td>27:</td><td>10.3x</td><td>↘</td></tr> <tr><td>28:</td><td>10.6x</td><td>↘</td></tr> <tr><td>29:</td><td>10.7x</td><td>↙</td></tr> <tr><td>30:</td><td>10.5x</td><td>↙</td></tr> <tr><td>Series</td><td>105.7</td><td></td></tr> <tr><td>Total</td><td>318.0</td><td></td></tr> </table>	21:	10.7x	↘	22:	10.4x	→	23:	10.5x	↘	24:	10.8x	←	25:	10.3x	↙	26:	10.9x	↑	27:	10.3x	↘	28:	10.6x	↘	29:	10.7x	↙	30:	10.5x	↙	Series	105.7		Total	318.0		<table border="1" style="width:100%; border-collapse: collapse;"> <tr><td>Series</td><td>106.3</td><td></td></tr> <tr><td>Total</td><td>212.3</td><td></td></tr> </table>	Series	106.3		Total	212.3	
21:	10.7x	↘																																									
22:	10.4x	→																																									
23:	10.5x	↘																																									
24:	10.8x	←																																									
25:	10.3x	↙																																									
26:	10.9x	↑																																									
27:	10.3x	↘																																									
28:	10.6x	↘																																									
29:	10.7x	↙																																									
30:	10.5x	↙																																									
Series	105.7																																										
Total	318.0																																										
Series	106.3																																										
Total	212.3																																										

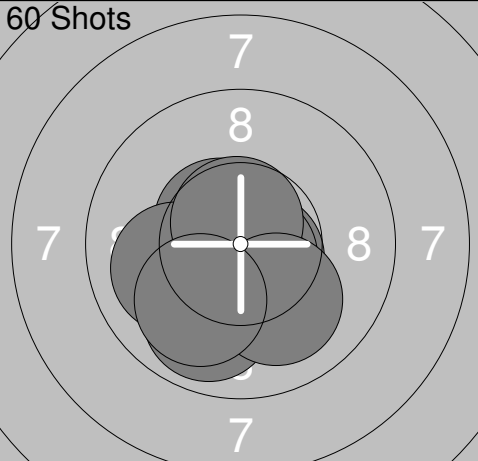
60 Shots 	<table border="1" style="width:100%; border-collapse: collapse;"> <tr><td>31:</td><td>10.6x</td><td>→</td></tr> <tr><td>32:</td><td>10.5x</td><td>↗</td></tr> <tr><td>33:</td><td>10.8x</td><td>↘</td></tr> <tr><td>34:</td><td>10.7x</td><td>←</td></tr> <tr><td>35:</td><td>10.6x</td><td>→</td></tr> <tr><td>36:</td><td>10.6x</td><td>↗</td></tr> <tr><td>37:</td><td>10.7x</td><td>↘</td></tr> <tr><td>38:</td><td>10.7x</td><td>↗</td></tr> <tr><td>39:</td><td>10.8x</td><td>↘</td></tr> <tr><td>40:</td><td>10.8x</td><td>↘</td></tr> <tr><td>Series</td><td>106.8</td><td></td></tr> <tr><td>Total</td><td>424.8</td><td></td></tr> </table>	31:	10.6x	→	32:	10.5x	↗	33:	10.8x	↘	34:	10.7x	←	35:	10.6x	→	36:	10.6x	↗	37:	10.7x	↘	38:	10.7x	↗	39:	10.8x	↘	40:	10.8x	↘	Series	106.8		Total	424.8		
31:	10.6x	→																																				
32:	10.5x	↗																																				
33:	10.8x	↘																																				
34:	10.7x	←																																				
35:	10.6x	→																																				
36:	10.6x	↗																																				
37:	10.7x	↘																																				
38:	10.7x	↗																																				
39:	10.8x	↘																																				
40:	10.8x	↘																																				
Series	106.8																																					
Total	424.8																																					

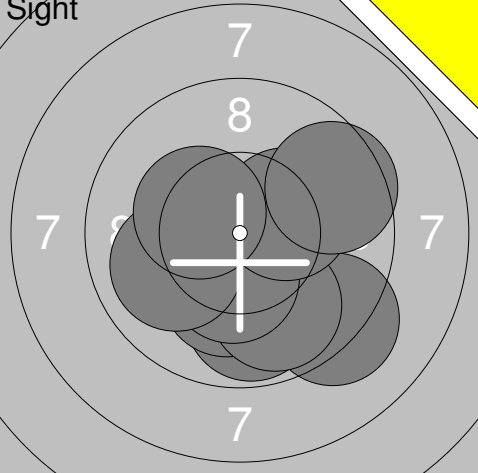
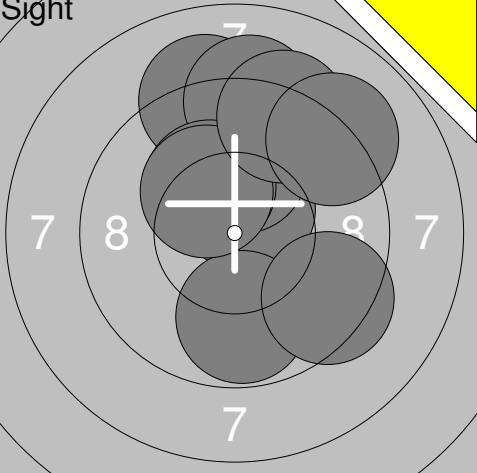

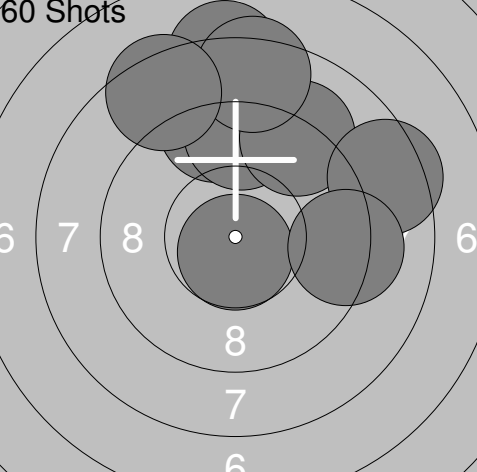
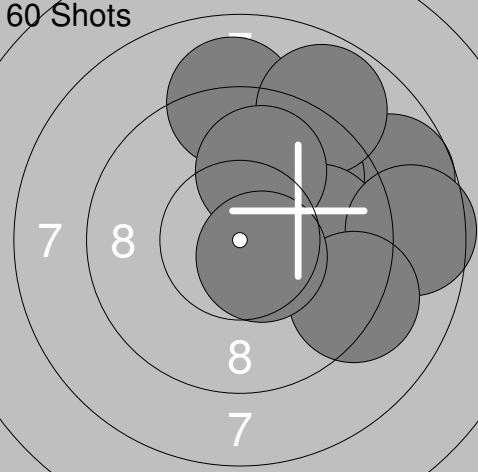
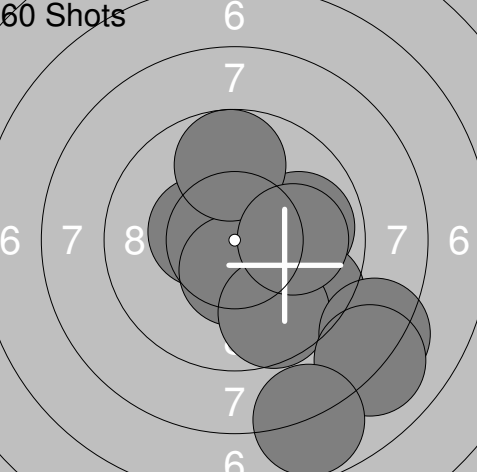
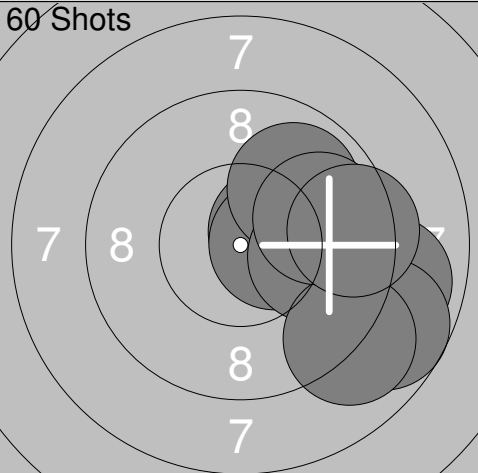
Relay	Lane	Kim Westin	
S	17	Umeå Skf	
2016-04-16	UME-Kulan 2016	Umeå skytteallians	
Sight		1: 9.9 → 2: 10.0 ↓ 3: 9.9 → 4: 10.4x ↓ 5: 10.4x ↗ 6: 10.5x ↓ 7: 10.3x → 8: 10.4x ↗ 9: 10.3x ↖ 10: 10.6x → Series 102.7 Total 0.0	Sight  11: 10.8x → 12: 10.1 ↑ 13: 10.0 ↑ 14: 10.5x ↗ 15: 10.3x ↖ 16: 10.7x ↑ 17: 10.4x ↗ 18: 10.4x ↗ 19: 10.5x ↗ 20: 10.5x ↑ Series 104.2 Total 0.0
Sight		21: 10.7x ← 22: 10.5x ↗ 23: 10.1 ↓ 24: 10.2x ↓ 25: 10.7x → 26: 10.4x ↗ 27: 10.7x → 28: 10.6x ↖ Series 83.9 Total 0.0	60 Shots  1: 10.6x ↓ 2: 10.8x ↓ 3: 10.3x ↓ 4: 10.2x ← 5: 10.7x → 6: 10.4x ↓ 7: 10.4x ↑ 8: 10.5x → 9: 10.7x ↑ 10: 10.7x → Series 105.3 Total 105.3
60 Shots		11: 10.4x ↗ 12: 10.7x ↑ 13: 10.1 ↑ 14: 10.4x ↑ 15: 10.0 ← 16: 10.8x → 17: 10.7x → 18: 10.3x → 19: 10.4x ↖ 20: 10.5x ↖ Series 104.3 Total 209.6	60 Shots  21: 10.9x ↓ 22: 10.8x ↓ 23: 10.5x ← 24: 10.5x ↑ 25: 10.3x ↓ 26: 10.5x ↑ 27: 10.9x ↗ 28: 10.5x ← 29: 10.4x ↖ 30: 10.4x → Series 105.7 Total 315.3
60 Shots		31: 9.7 → 32: 10.7x ← 33: 10.5x ↗ 34: 10.8x ↗ 35: 10.2x → 36: 10.4x ← 37: 9.8 ↗ 38: 10.0 ← 39: 10.2x ← 40: 10.7x ↓ Series 103.0 Total 418.3	

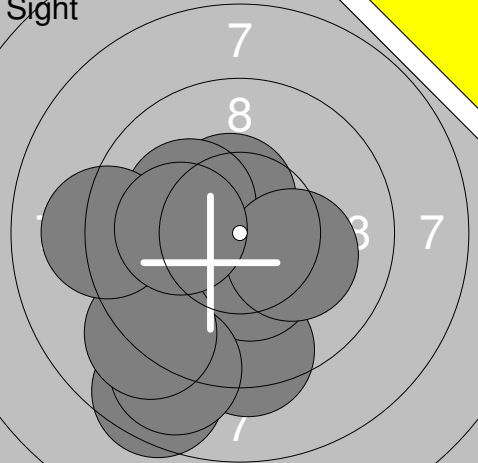
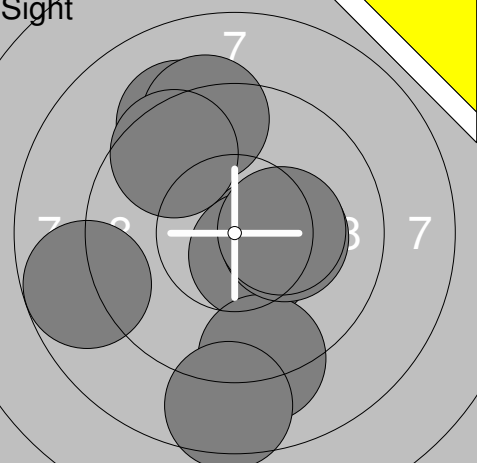
Sight 	1: 9.9 ↘ 2: 10.8x ↑ 3: 10.9x ↗ 4: 10.2x ← 5: 10.7x ↓ 6: 10.5x ↗ 7: 10.0 → 8: 10.2x → 9: 10.8x ↓ 10: 10.2x → <hr/> Series 104.2 Total 0.0	Sight 	11: 10.6x ↖ 12: 10.0 → 13: 10.8x ← 14: 10.5x ↗ 15: 10.6x ↗ 16: 10.5x ↓ 17: 10.7x ↖ 18: 10.3x ↗ 19: 10.4x ↓ 20: 10.7x ↗ <hr/> Series 105.1 Total 0.0
--------------------------------------------------------------------------------------------------	-----------------------------------------------------------------------------------------------------------------------------------------------------------------------------------------	----------------------------------------------------------------------------------------------------	----------------------------------------------------------------------------------------------------------------------------------------------------------------------------------------------------

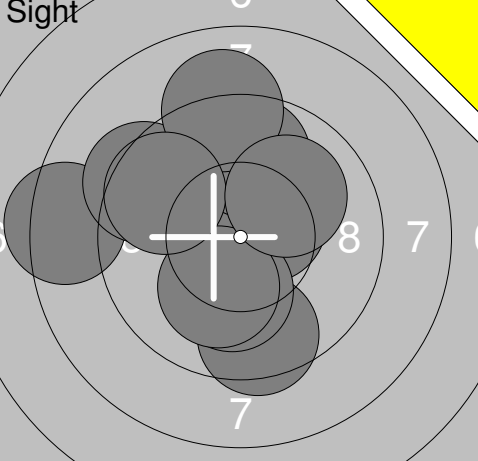

Sight 	21: 10.1 ↖ 22: 10.5x → 23: 10.6x ← <hr/> Series 31.2 Total 0.0	60 Shots 	1: 9.7 ↑ 2: 10.2x ↗ 3: 10.2x ← 4: 10.0 ↓ 5: 10.6x ↓ 6: 9.9 ↓ 7: 9.8 → 8: 10.5x ← 9: 10.3x ↗ 10: 10.9x → <hr/> Series 102.1 Total 102.1
---------------------------------------------------------------------------------------------------	------------------------------------------------------------------------------------------	--------------------------------------------------------------------------------------------------------	---------------------------------------------------------------------------------------------------------------------------------------------------------------------------------------

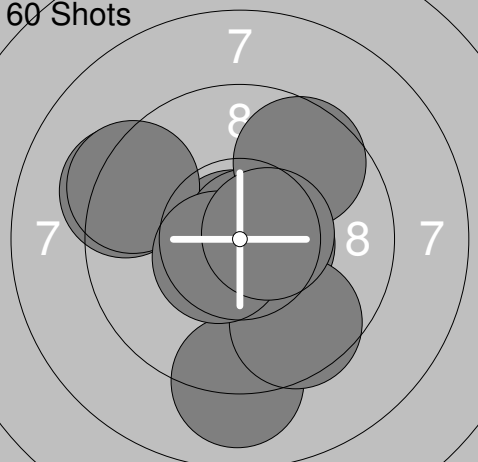
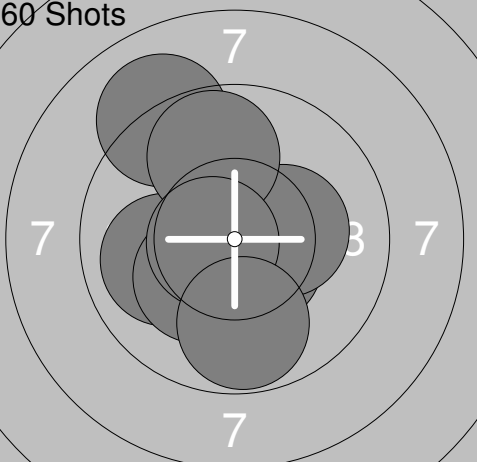
60 Shots 	11: 10.5x ↖ 12: 10.8x ↖ 13: 10.7x → 14: 10.3x → 15: 10.8x ↓ 16: 10.8x ↗ 17: 10.4x ↓ 18: 10.4x ↗ 19: 10.8x → 20: 10.5x → <hr/> Series 106.0 Total 208.1	60 Shots 	21: 10.4x → 22: 10.7x ↗ 23: 10.4x ↖ 24: 10.4x ↓ 25: 10.7x → 26: 10.4x ↑ 27: 10.4x ↗ 28: 10.2x ↑ 29: 10.6x ↖ 30: 10.3x ↓ <hr/> Series 104.5 Total 312.6
-------------------------------------------------------------------------------------------------------	-------------------------------------------------------------------------------------------------------------------------------------------------------------------------------------------------------	---------------------------------------------------------------------------------------------------------	-------------------------------------------------------------------------------------------------------------------------------------------------------------------------------------------------------

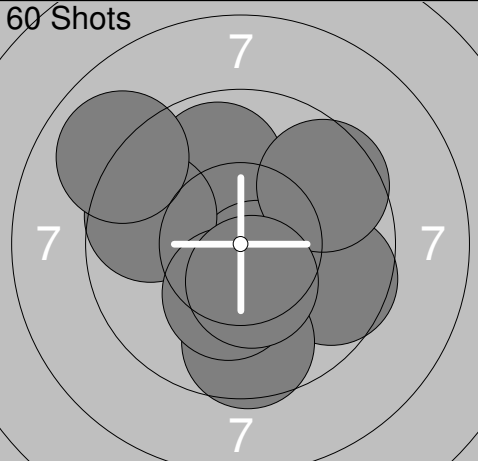
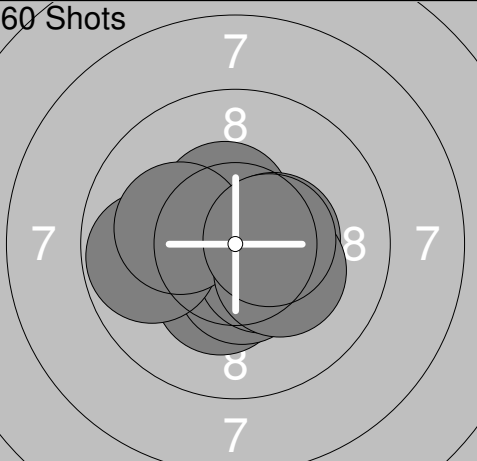
60 Shots 	31: 10.6x ↘ 32: 10.7x ↘ 33: 10.4x ↘ 34: 10.4x ↘ 35: 9.9 ↓ 36: 10.6x ↗ 37: 10.0 ← 38: 10.7x ↑ 39: 10.1 ↓ 40: 10.0 ↘ <hr/> Series 103.4 Total 416.0		
-------------------------------------------------------------------------------------------------------	--------------------------------------------------------------------------------------------------------------------------------------------------------------------------------------------------	--	--

Relay	Lane	Arttu Lidman	
1	20		
S	IMAS (Fin)		
2016-04-16	UME-Kulan 2016	Umeå skytteallians	
Sight		1: 9.9 ↘ 2: 9.8 ↓ 3: 10.2x ↓ 4: 9.2 ↘ 5: 9.9 ↘ 6: 10.4x ↓ 7: 10.0 ← 8: 10.3x → 9: 10.3x ↖ 10: 9.6 → Series 99.6 Total 0.0	Sight  11: 10.6x ↗ 12: 9.1 ↑ 13: 10.1 ↑ 14: 9.8 ↓ 15: 9.4 ↘ 16: 9.2 ↑ 17: 10.2x ↗ 18: 10.3x ↗ 19: 9.2 ↑ 20: 9.1 ↗ Series 97.0 Total 0.0
Sight		21: 10.2x ↑ 22: 9.6 → 23: 9.9 ↑ 24: 10.3x ↑ Series 40.0 Total 0.0	60 Shots  1: 10.7x ↓ 2: 9.2 ↑ 3: 8.9 ↑ 4: 9.3 ↑ 5: 9.1 ↗ 6: 8.2 ↑ 7: 8.4 ↑ 8: 8.4 → 9: 9.2 → 10: 8.4 ↗ Series 89.8 Total 89.8
60 Shots		11: 9.1 ↑ 12: 9.4 → 13: 8.7 → 14: 9.8 ↗ 15: 8.8 ↗ 16: 9.9 → 17: 10.0 ↑ 18: 8.6 → 19: 9.2 ↘ 20: 10.6x ↘ Series 94.1 Total 183.9	60 Shots  21: 9.9 → 22: 10.4x ↖ 23: 10.5x ↓ 24: 9.5 ↘ 25: 9.6 ↘ 26: 8.3 ↘ 27: 8.0 ↘ 28: 9.7 ↑ 29: 10.0 → 30: 7.8 ↓ Series 93.7 Total 277.6
60 Shots		31: 10.5x → 32: 10.5x → 33: 9.9 ↗ 34: 8.9 ↘ 35: 9.9 → 36: 8.9 → 37: 8.7 ↘ 38: 9.0 ↘ 39: 9.8 → 40: 9.4 → Series 95.5 Total 373.1	

	<p>1: 8.5 ↓ 2: 10.5x ↑ 3: 9.4 ↓ 4: 10.4x ↓ 5: 10.2x ↖ 6: 8.9 ↓ 7: 10.2x → 8: 9.1 ↘ 9: 9.2 ← 10: 10.1 ←</p> <p>Series 96.5 Total 0.0</p>		<p>11: 10.5x → 12: 10.5x ↓ 13: 9.1 ↓ 14: 8.8 ← 15: 9.2 ↑ 16: 10.2x → 17: 9.3 ↑ 18: 9.6 ↑ 19: 10.3x → 20: 8.5 ↓</p> <p>Series 96.0 Total 0.0</p>
----------------------------------------------------------------------------------	---------------------------------------------------------------------------------------------------------------------------------------------------------------------------------	------------------------------------------------------------------------------------	-----------------------------------------------------------------------------------------------------------------------------------------------------------------------------------------

	<p>21: 9.5 ↓ 22: 8.4 ← 23: 9.3 ↗ 24: 10.5x ↗ 25: 9.8 ↑ 26: 10.2x ↓ 27: 10.2x ↓ 28: 9.1 ↑ 29: 9.7 ↗ 30: 10.1 ↗</p> <p>Series 96.8 Total 0.0</p>		<p>31: 10.3x ↑ 32: 10.2x ↗ 33: 9.8 ← 34: 10.7x ↑</p> <p>Series 41.0 Total 0.0</p>
-----------------------------------------------------------------------------------	----------------------------------------------------------------------------------------------------------------------------------------------------------------------------------------	-------------------------------------------------------------------------------------	---------------------------------------------------------------------------------------------------

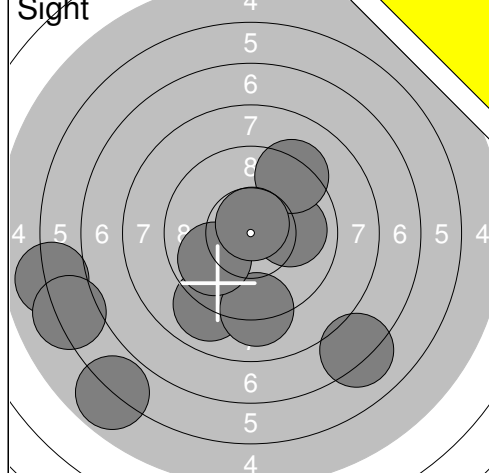
	<p>1: 9.0 ↓ 2: 9.3 ← 3: 10.9x ↖ 4: 9.3 ↖ 5: 10.6x → 6: 9.6 ↓ 7: 10.8x → 8: 9.6 ↗ 9: 10.6x ↙ 10: 10.6x →</p> <p>Series 100.3 Total 100.3</p>		<p>11: 10.6x ↗ 12: 10.5x ↓ 13: 10.3x ↓ 14: 10.0 ← 15: 10.3x → 16: 10.2x ↙ 17: 9.1 ↑ 18: 9.8 ↑ 19: 10.7x ← 20: 9.8 ↓</p> <p>Series 101.3 Total 201.6</p>
------------------------------------------------------------------------------------	-------------------------------------------------------------------------------------------------------------------------------------------------------------------------------------	--------------------------------------------------------------------------------------	-------------------------------------------------------------------------------------------------------------------------------------------------------------------------------------------------

	<p>21: 9.9 ↑ 22: 10.4x ↓ 23: 10.6x ↓ 24: 9.6 → 25: 9.6 ↗ 26: 9.7 ← 27: 9.6 ↓ 28: 10.3x ↓ 29: 9.0 ↗ 30: 10.4x ↓</p> <p>Series 99.1 Total 300.7</p>		<p>31: 10.7x ↖ 32: 10.3x ↓ 33: 10.4x ↑ 34: 10.5x ↓ 35: 10.5x ↓ 36: 10.4x → 37: 9.8 ← 38: 10.2x ← 39: 10.2x ↘ 40: 10.5x →</p> <p>Series 103.5 Total 404.2</p>
------------------------------------------------------------------------------------	-------------------------------------------------------------------------------------------------------------------------------------------------------------------------------------------	--------------------------------------------------------------------------------------	------------------------------------------------------------------------------------------------------------------------------------------------------------------------------------------------------

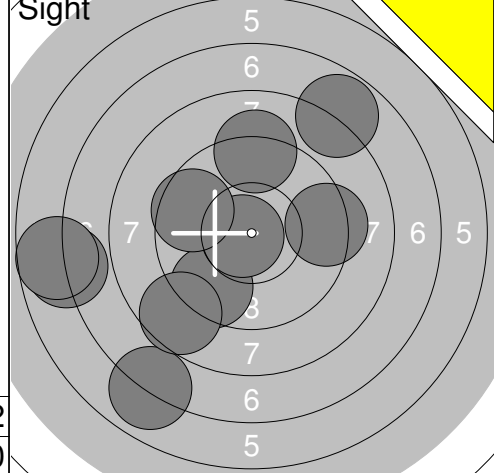
Relay	Lane	Linus Lind
1	22	

S	Skoga-Ekshärad		
----------	-----------------------	--	--

2016-04-16	UME-Kulan 2016	Umeå skytteallians
-------------------	-----------------------	---------------------------



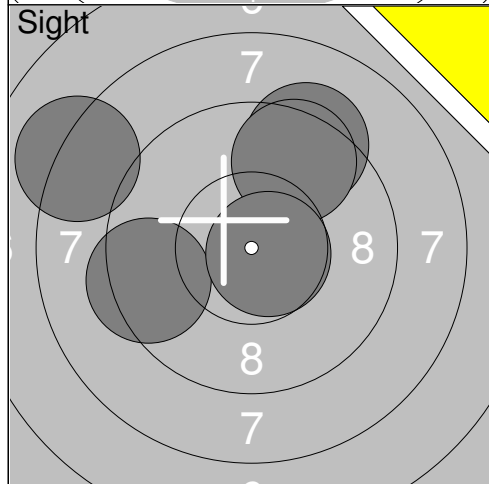
1:	9.0	↘
2:	7.1	↘
3:	5.9	↘
4:	6.0	←
5:	9.1	↓
6:	10.0	→
7:	9.3	↗
8:	6.2	←
9:	9.9	↙
10:	10.7x	↑



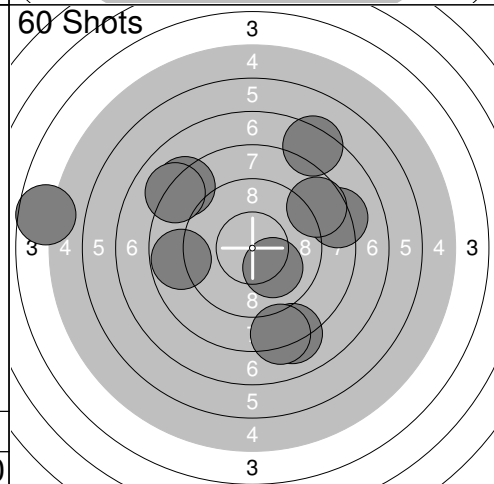
11:	6.9	↘
12:	9.3	→
13:	9.5	↘
14:	10.7x	←
15:	6.9	←
16:	6.7	←
17:	7.8	↗
18:	8.6	↘
19:	9.2	↑
20:	9.6	↙

Series	83.2
Total	0.0

Series	85.2
Total	0.0



21:	9.4	←
22:	8.1	↙
23:	9.3	↗
24:	9.6	↗
25:	10.7x	→



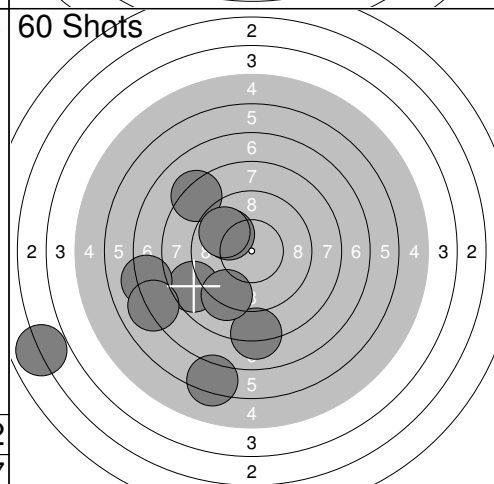
1:	7.4	↗
2:	8.1	↘
3:	8.8	←
4:	8.2	→
5:	8.7	↗
6:	10.1	↘
7:	4.7	←
8:	8.2	↘
9:	8.2	↗
10:	8.1	↗

Series	47.1
Total	0.0

Series	80.5
Total	80.5



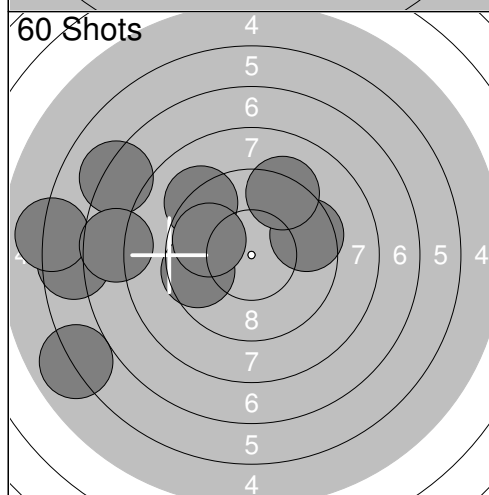
11:	7.6	←
12:	9.0	↘
13:	10.1	←
14:	10.3x	↘
15:	7.7	↑
16:	9.1	↗
17:	8.2	↘
18:	7.5	↗
19:	9.1	↗
20:	9.6	↘



21:	6.3	↘
22:	8.6	←
23:	7.2	←
24:	2.9	←
25:	7.1	←
26:	8.1	↓
27:	8.2	↗
28:	10.0	↗
29:	9.2	↘
30:	9.8	↙

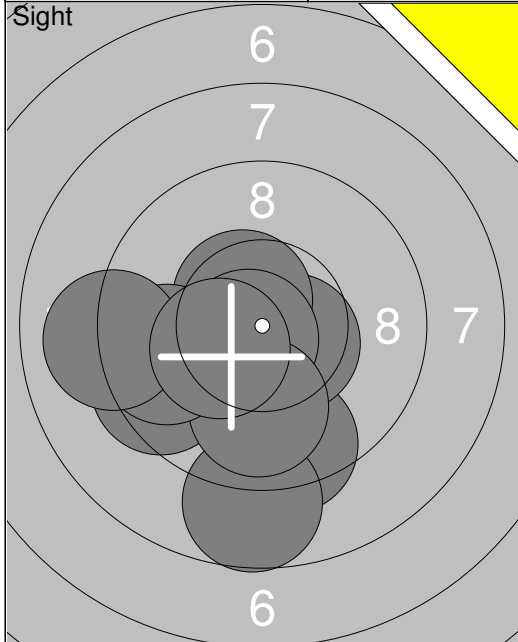
Series	88.2
Total	168.7

Series	77.4
Total	246.1

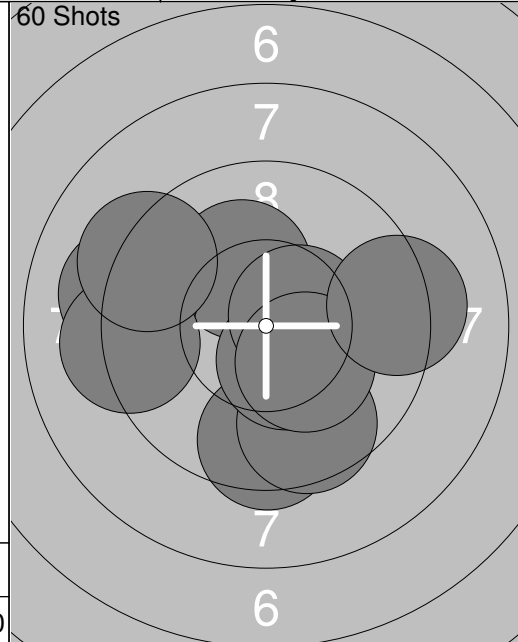


31:	9.6	←
32:	6.0	←
33:	9.2	↗
34:	6.6	←
35:	7.2	↙
36:	9.5	→
37:	6.1	←
38:	7.6	←
39:	9.3	↗
40:	9.8	←

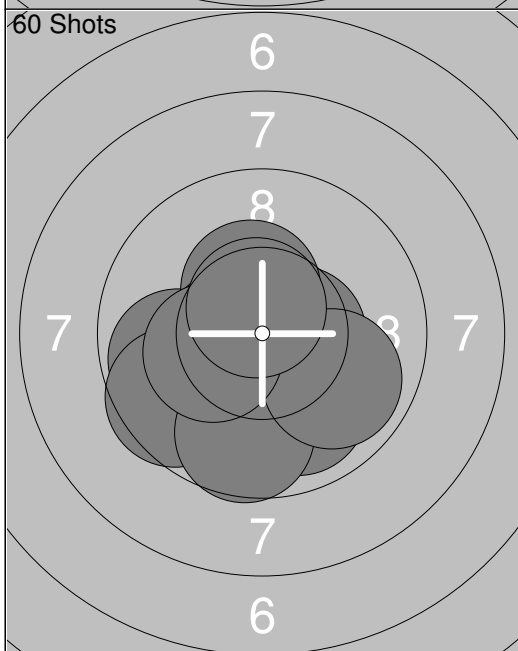
Series	80.9
Total	327.0



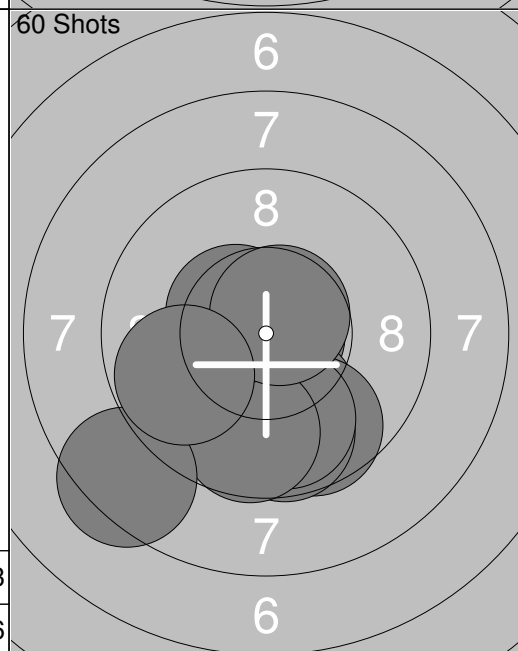
1:	9.4	↓
2:	8.7	↓
3:	9.4	↙
4:	10.5x	→
5:	10.5x	↖
6:	10.7x	↙
7:	9.9	↓
8:	9.7	←
9:	9.0	←
10:	10.3x	↙
Series		98.1
Total		0.0



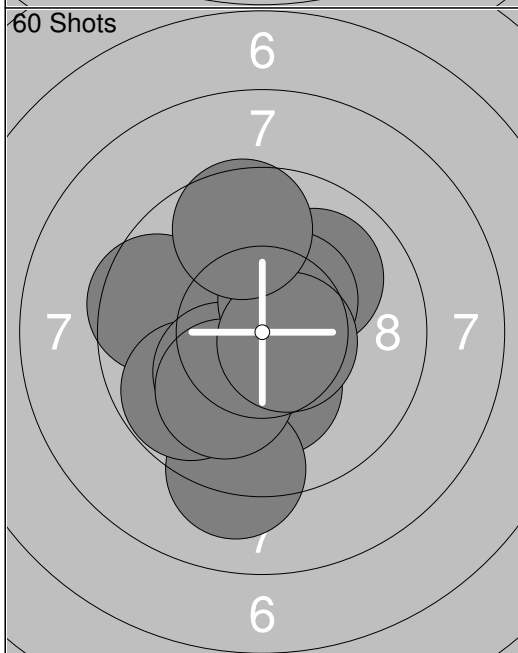
1:	9.5	↓
2:	10.2x	↖
3:	9.6	↓
4:	10.4x	↙
5:	9.1	←
6:	9.2	←
7:	10.5x	→
8:	9.2	↖
9:	10.3x	↙
10:	9.3	→
Series		97.3
Total		97.3



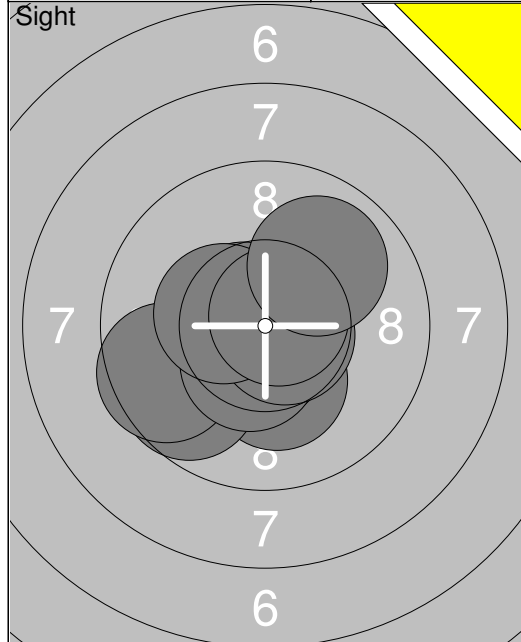
11:	9.8	←
12:	10.5x	→
13:	9.9	↓
14:	10.4x	↖
15:	10.6x	←
16:	9.6	↙
17:	9.7	↓
18:	9.9	→
19:	10.3x	↙
20:	10.6x	↖
Series		101.3
Total		198.6



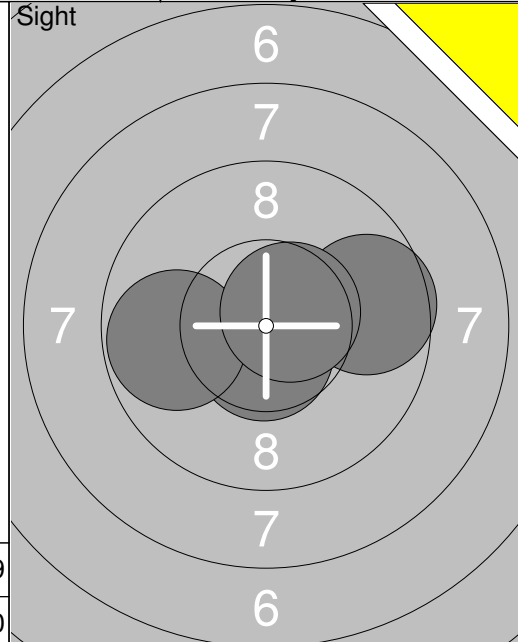
21:	10.8x	→
22:	10.0	↓
23:	9.6	↓
24:	9.7	↓
25:	9.8	↓
26:	9.7	↓
27:	10.5x	↖
28:	8.4	↙
29:	10.7x	↖
30:	9.8	↙
Series		99.0
Total		297.6



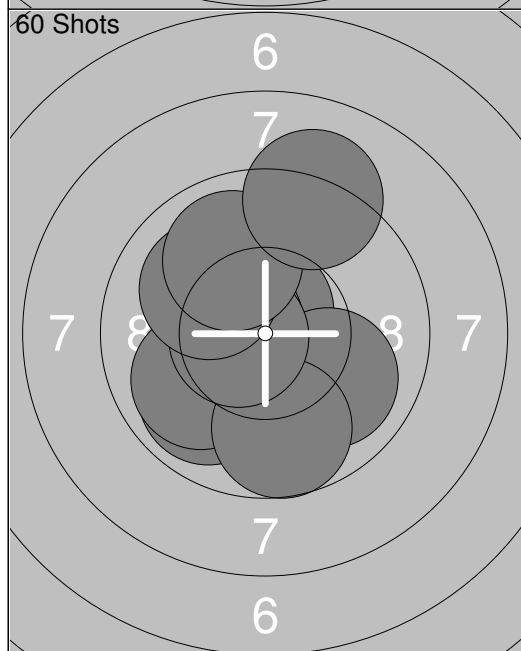
31:	10.2x	↓
32:	9.2	↓
33:	9.6	↖
34:	9.8	↙
35:	10.2x	↙
36:	10.0	↗
37:	10.4x	↗
38:	10.1	↓
39:	10.6x	→
40:	9.6	↑
Series		99.7
Total		397.3



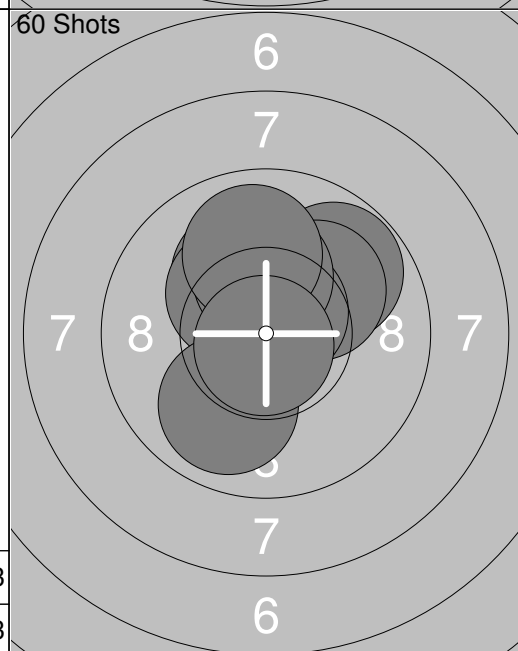
1:	10.2x ↓
2:	9.7 ↙
3:	10.6x ↓
4:	9.6 ←
5:	10.6x ↖
6:	10.5x ↓
7:	10.7x →
8:	10.4x ↖
9:	10.7x ↗
10:	9.9 ↗
Series	102.9
Total	0.0



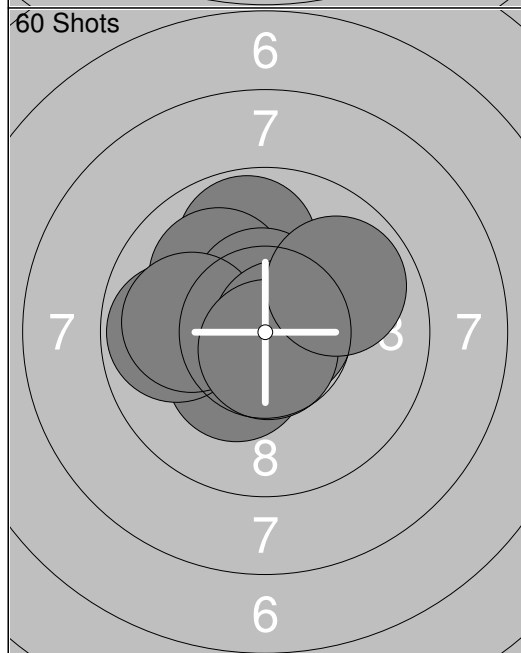
11:	10.6x ↓
12:	9.6 →
13:	9.8 ←
14:	10.6x ↗
Series	40.6
Total	0.0



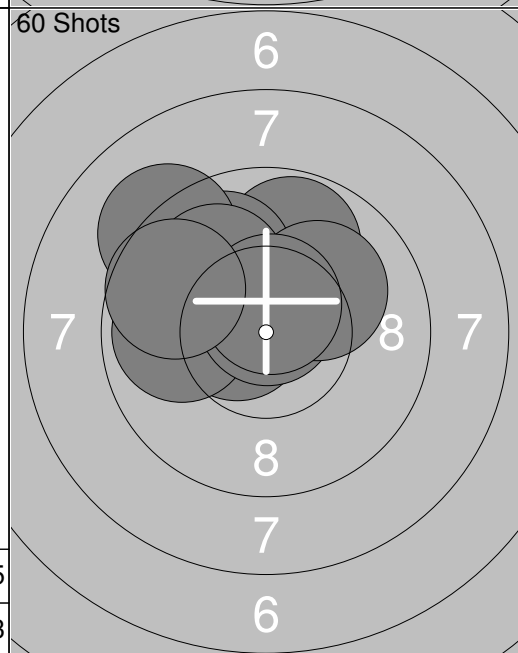
1:	10.7x ↑
2:	10.0 →
3:	9.9 ↙
4:	10.5x ↖
5:	9.9 ↙
6:	9.7 ↓
7:	10.6x ←
8:	10.0 ↖
9:	9.9 ↑
10:	9.1 ↑
Series	100.3
Total	100.3



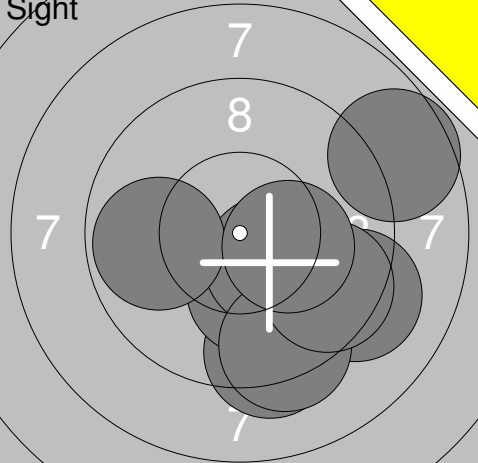
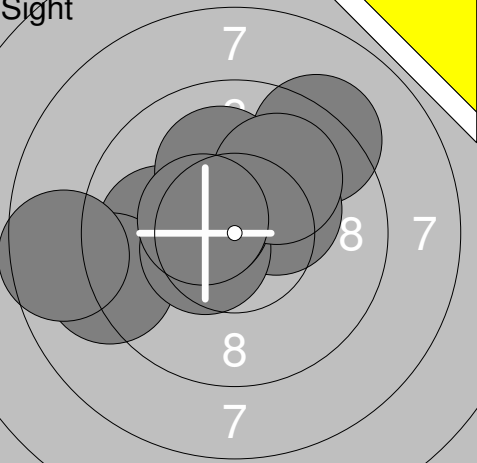
11:	10.7x ↑
12:	10.2x ↖
13:	10.3x ↖
14:	9.8 ↗
15:	10.1 ↗
16:	10.6x ↗
17:	9.9 ↓
18:	10.2x ↑
19:	9.9 ↑
20:	10.8x ↓
Series	102.5
Total	202.8

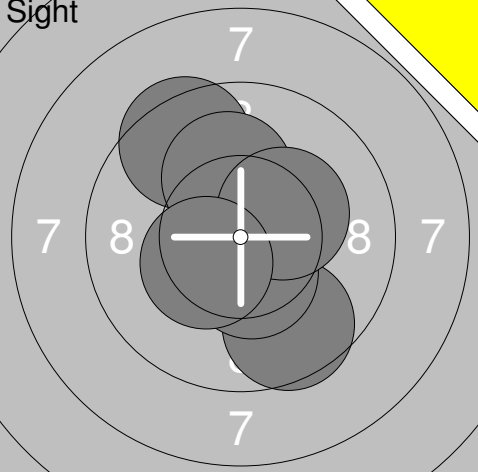
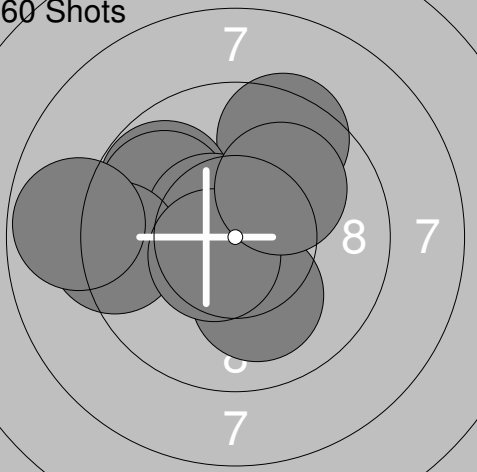


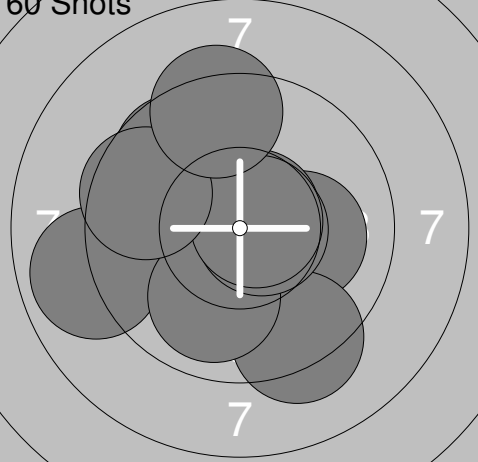
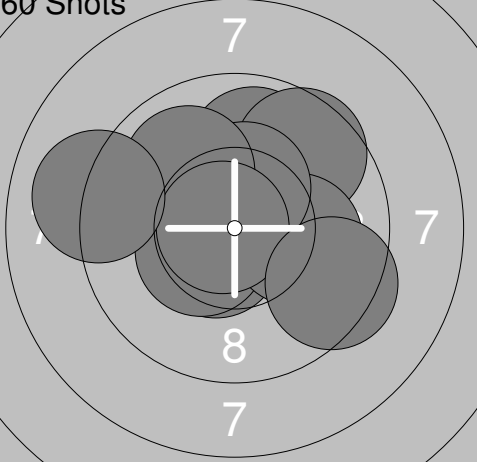
21:	9.8 ↑
22:	10.3x ↓
23:	10.8x ↖
24:	10.0 ↖
25:	10.5x ↑
26:	9.8 ←
27:	10.0 ←
28:	10.7x →
29:	10.7x ↓
30:	9.9 ↗
Series	102.5
Total	305.3

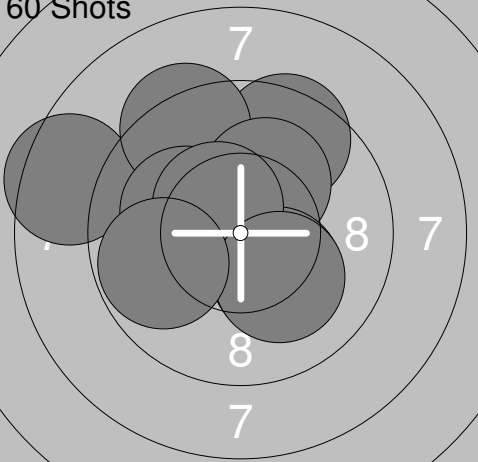


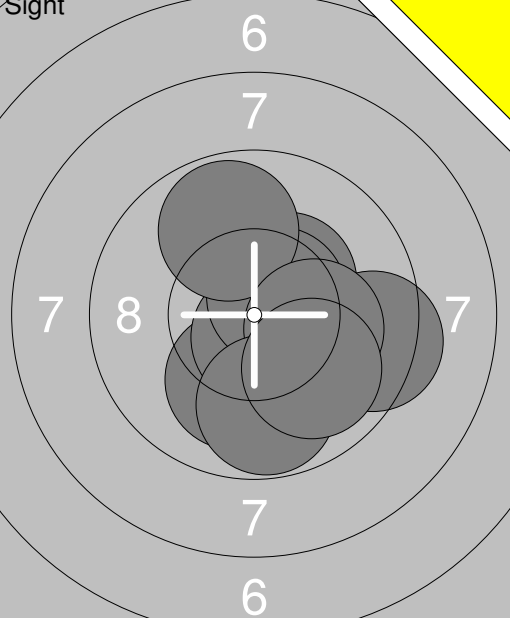
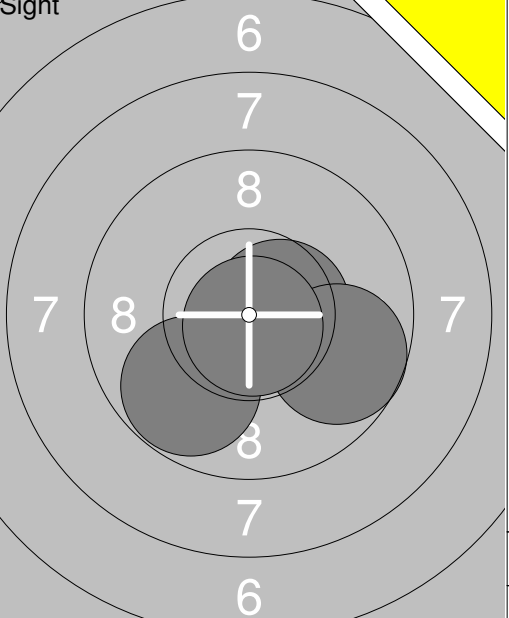
31:	10.6x ←
32:	9.8 ↑
33:	9.9 ←
34:	10.7x ↑
35:	9.9 ↖
36:	10.1 ↗
37:	9.2 ↖
38:	10.0 ↖
39:	10.6x ↑
40:	9.7 ↖
Series	100.5
Total	405.8

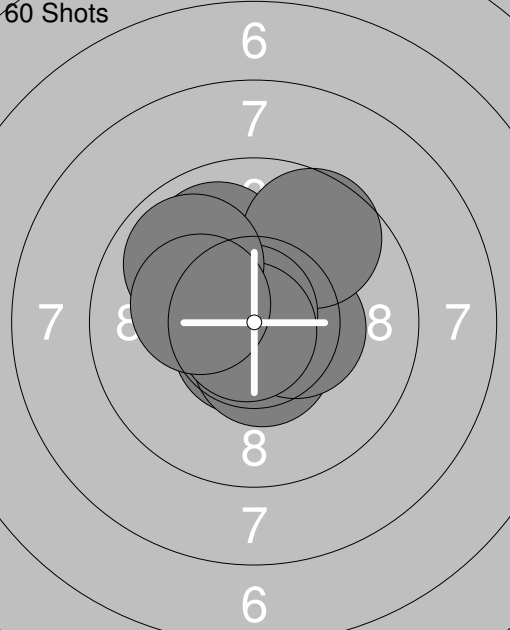
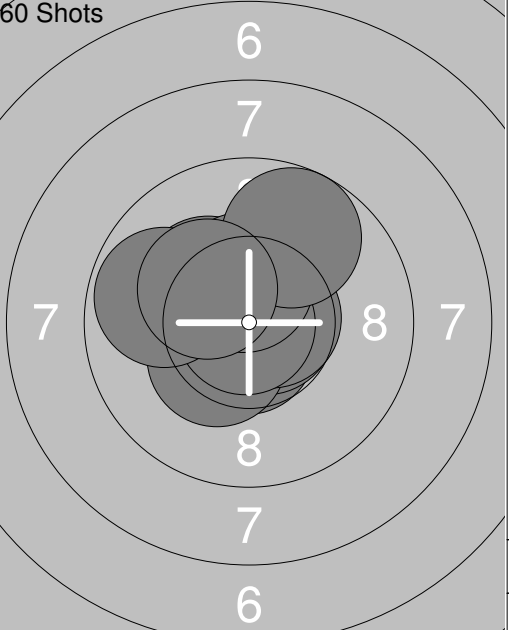
<p>Sight</p> 	<p>1: 8.6 → 2: 9.2 ↘ 3: 9.3 ↓ 4: 10.3x ↓ 5: 10.2x ↓ 6: 10.4x ↓ 7: 9.3 ↓ 8: 9.6 ↓ 9: 9.8 ← 10: 10.3x →</p> <p>Series 97.0 Total 0.0</p>	<p>Sight</p> 	<p>11: 10.0 ← 12: 9.3 ↗ 13: 10.3x ↗ 14: 9.1 ← 15: 8.6 ← 16: 10.5x ← 17: 10.5x ↖ 18: 10.1 ↑ 19: 10.0 ↗ 20: 10.5x ↖</p> <p>Series 98.9 Total 0.0</p>
------------------------------------------------------------------------------------------------------	----------------------------------------------------------------------------------------------------------------------------------------------------------------------------------------------	--------------------------------------------------------------------------------------------------------	----------------------------------------------------------------------------------------------------------------------------------------------------------------------------------------------------------

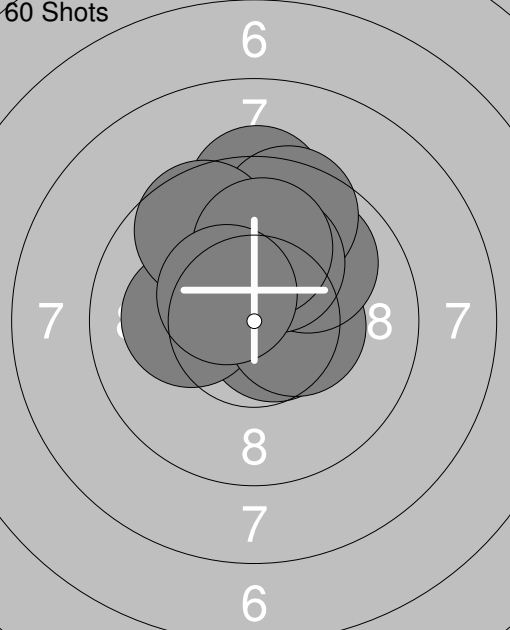
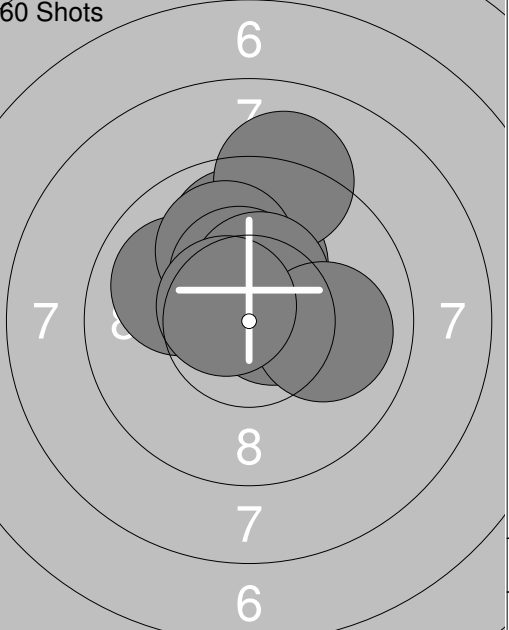
<p>Sight</p> 	<p>21: 9.5 ↗ 22: 9.6 ↓ 23: 10.4x ↓ 24: 10.1 ↑ 25: 10.3x ↗ 26: 10.4x ↖</p> <p>Series 60.3 Total 0.0</p>	<p>60 Shots</p> 	<p>1: 9.5 ↗ 2: 9.8 ↖ 3: 10.0 ← 4: 9.8 ↖ 5: 10.6x ↖ 6: 9.3 ← 7: 10.1 ↓ 8: 10.6x ↖ 9: 8.8 ← 10: 10.1 ↗</p> <p>Series 98.6 Total 98.6</p>
-------------------------------------------------------------------------------------------------------	----------------------------------------------------------------------------------------------------------------------------------------------	------------------------------------------------------------------------------------------------------------	----------------------------------------------------------------------------------------------------------------------------------------------------------------------------------------------

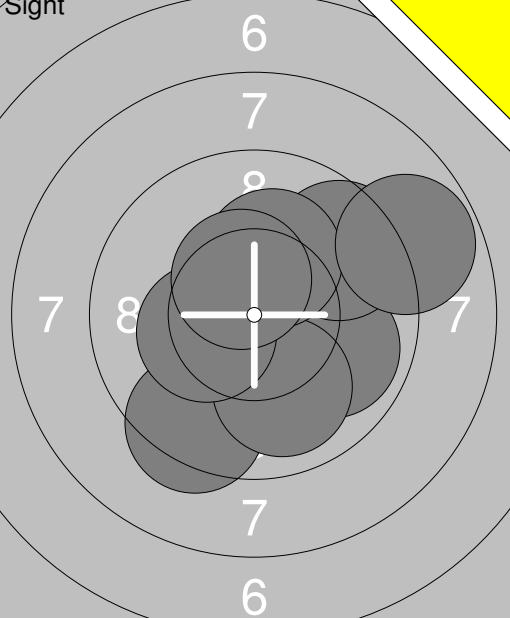
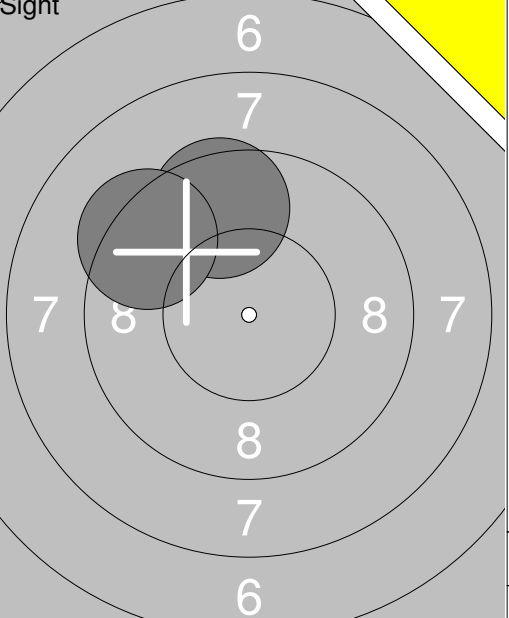
<p>60 Shots</p> 	<p>11: 10.1 → 12: 8.9 ← 13: 9.3 ↓ 14: 9.7 ↗ 15: 10.7x ↗ 16: 10.0 ↓ 17: 10.6x → 18: 10.7x ↗ 19: 9.6 ← 20: 9.3 ↑</p> <p>Series 98.9 Total 197.5</p>	<p>60 Shots</p> 	<p>21: 10.5x ↖ 22: 10.4x ↖ 23: 9.9 ↑ 24: 9.6 ↗ 25: 10.1 → 26: 10.4x ↑ 27: 10.0 ↗ 28: 10.8x ← 29: 9.1 ← 30: 9.4 ↘</p> <p>Series 100.2 Total 297.7</p>
-----------------------------------------------------------------------------------------------------------	---------------------------------------------------------------------------------------------------------------------------------------------------------------------------------------------------------	-------------------------------------------------------------------------------------------------------------	------------------------------------------------------------------------------------------------------------------------------------------------------------------------------------------------------------

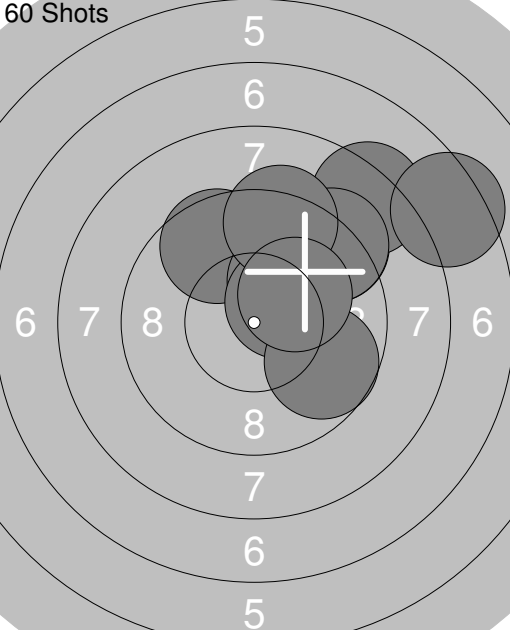
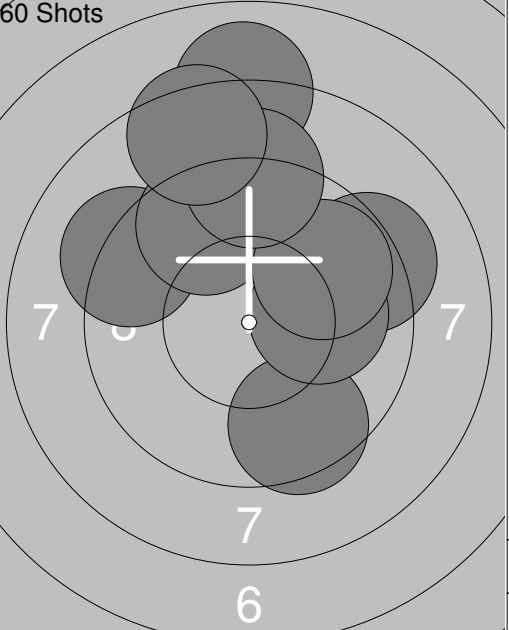
<p>60 Shots</p> 	<p>31: 8.5 ← 32: 9.5 ↗ 33: 10.4x ↑ 34: 9.3 ↗ 35: 10.2x ↗ 36: 10.2x ↓ 37: 10.1 ↖ 38: 10.5x ↗ 39: 10.1 ↓ 40: 9.8 ←</p> <p>Series 98.6 Total 396.3</p>		
-----------------------------------------------------------------------------------------------------------	-----------------------------------------------------------------------------------------------------------------------------------------------------------------------------------------------------------	--	--

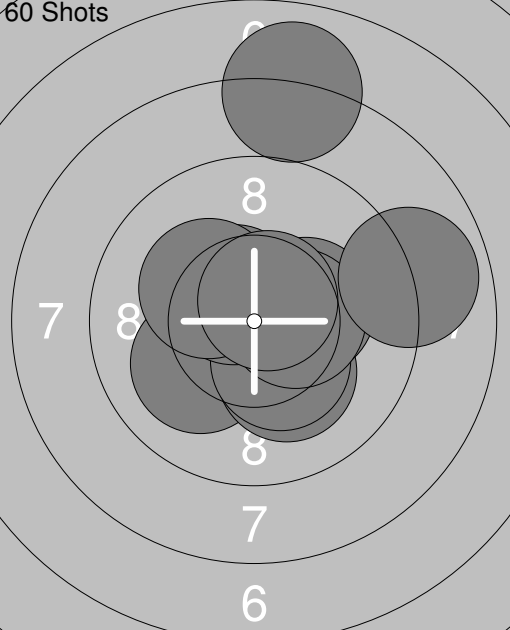
<p>Sight</p> 	<p>1: 10.2x ↘ 2: 10.1 ↓ 3: 10.6x ↓ 4: 10.4x ↗ 5: 10.6x ↗ 6: 9.8 ↑ 7: 9.4 → 8: 10.2x → 9: 9.8 ↓ 10: 10.0 ↘</p> <p>Series 101.1 Total 0.0</p>	<p>Sight</p> 	<p>11: 9.8 ↙ 12: 10.5x → 13: 9.7 → 14: 10.8x ↓</p> <p>Series 40.8 Total 0.0</p>
------------------------------------------------------------------------------------------------------	-------------------------------------------------------------------------------------------------------------------------------------------------------------------------------------	--------------------------------------------------------------------------------------------------------	-------------------------------------------------------------------------------------------------

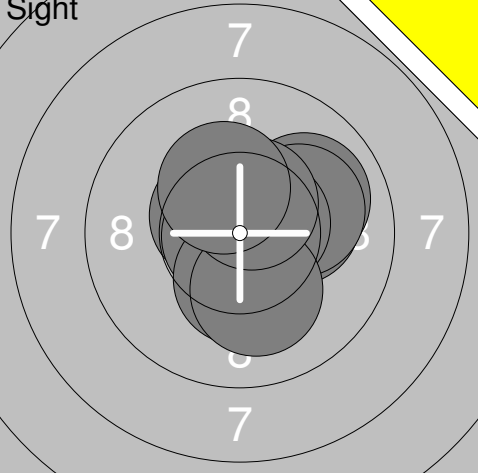
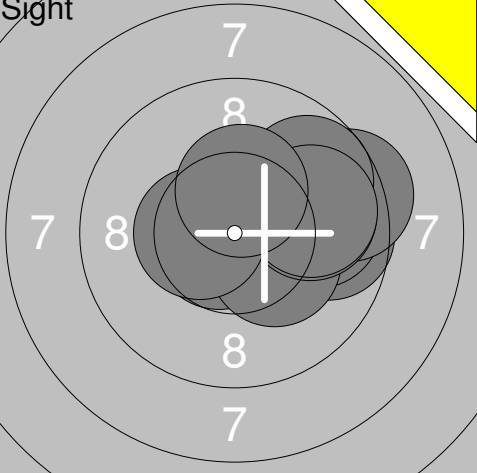
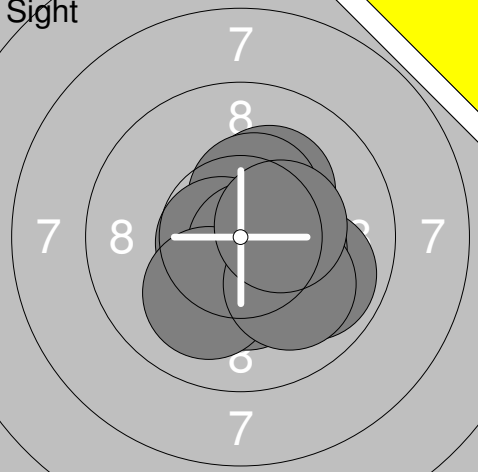
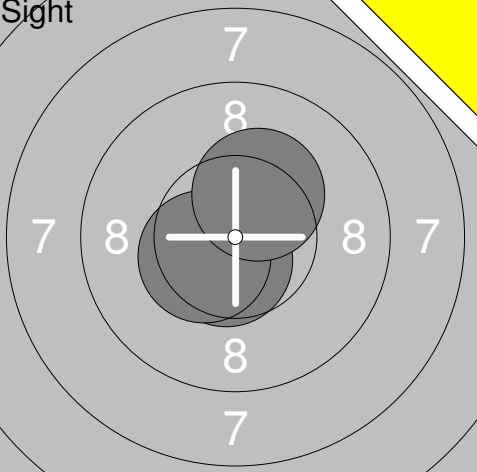
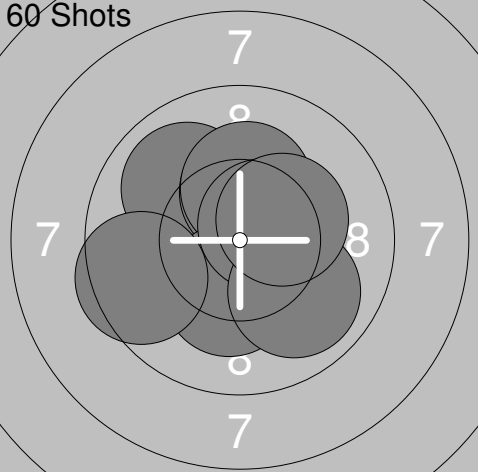
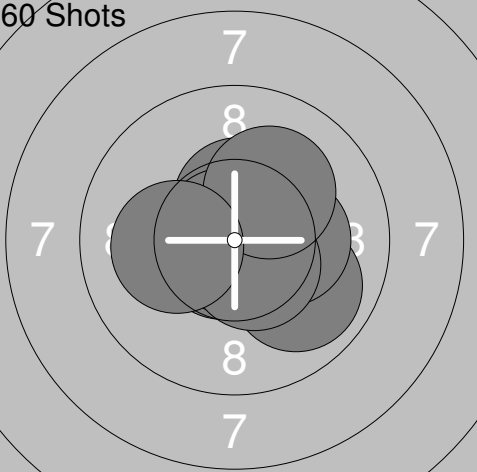
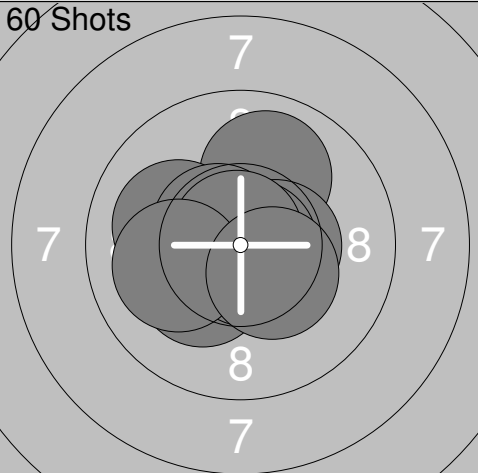
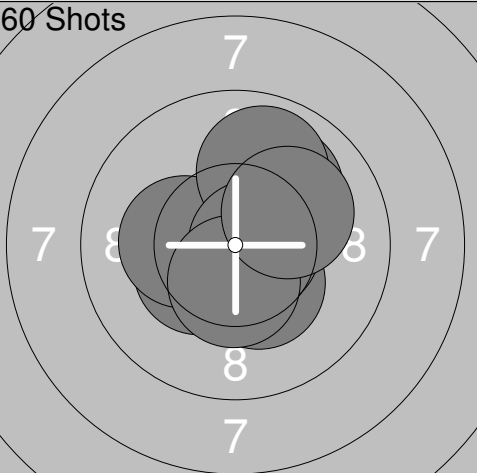
<p>60 Shots</p> 	<p>1: 10.6x ↓ 2: 10.5x ↓ 3: 10.7x ↗ 4: 10.4x → 5: 9.9 ↑ 6: 9.6 ↗ 7: 10.8x ↖ 8: 10.8x ↙ 9: 9.9 ↖ 10: 10.2x ↖</p> <p>Series 103.4 Total 103.4</p>	<p>60 Shots</p> 	<p>11: 10.3x ↖ 12: 10.7x ↓ 13: 10.7x → 14: 10.4x ↙ 15: 10.7x → 16: 10.9x ↙ 17: 10.4x ↑ 18: 9.8 ← 19: 9.7 ↑ 20: 10.3x ↖</p> <p>Series 103.9 Total 207.3</p>
----------------------------------------------------------------------------------------------------------	-----------------------------------------------------------------------------------------------------------------------------------------------------------------------------------------	------------------------------------------------------------------------------------------------------------	----------------------------------------------------------------------------------------------------------------------------------------------------------------------------------------------------

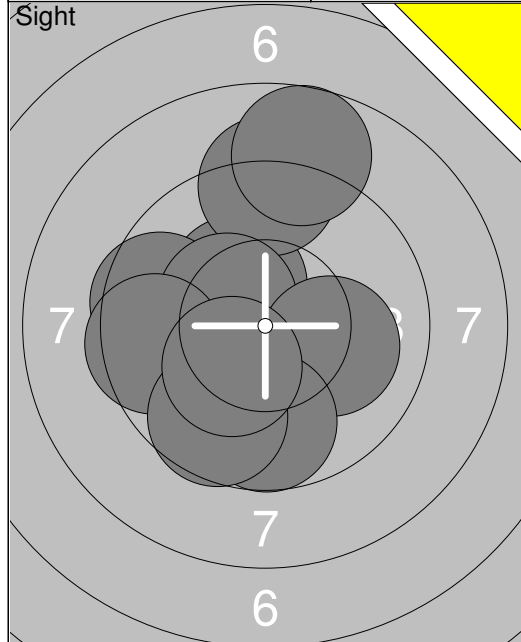
<p>60 Shots</p> 	<p>21: 10.7x → 22: 10.1 ← 23: 10.4x → 24: 9.3 ↑ 25: 9.9 ↗ 26: 9.5 ↑ 27: 9.6 ↖ 28: 10.2x ↑ 29: 10.0 ↑ 30: 10.5x ↖</p> <p>Series 100.2 Total 307.5</p>	<p>60 Shots</p> 	<p>31: 10.2x ↑ 32: 9.9 ↑ 33: 10.6x → 34: 9.1 ↑ 35: 10.0 ↖ 36: 10.0 ↑ 37: 10.4x ↑ 38: 10.4x ↑ 39: 10.0 → 40: 10.6x ↖</p> <p>Series 101.2 Total 408.7</p>
-----------------------------------------------------------------------------------------------------------	----------------------------------------------------------------------------------------------------------------------------------------------------------------------------------------------	-------------------------------------------------------------------------------------------------------------	-------------------------------------------------------------------------------------------------------------------------------------------------------------------------------------------------

 <p style="text-align:center;">Sight</p>	<p>1: 10.6x ↓</p> <p>2: 9.9 →</p> <p>3: 10.1 ↓</p> <p>4: 9.4 ↓</p> <p>5: 10.0 ↓</p> <p>6: 10.3x ←</p> <p>7: 9.6 ↗</p> <p>8: 10.2x ↑</p> <p>9: 8.8 →</p> <p>10: 10.5x ↖</p>	 <p style="text-align:center;">Sight</p>	<p>11: 9.5 ↑</p> <p>12: 9.3 ↖</p>
Series 99.4		Series 18.8	
Total 0.0		Total 0.0	

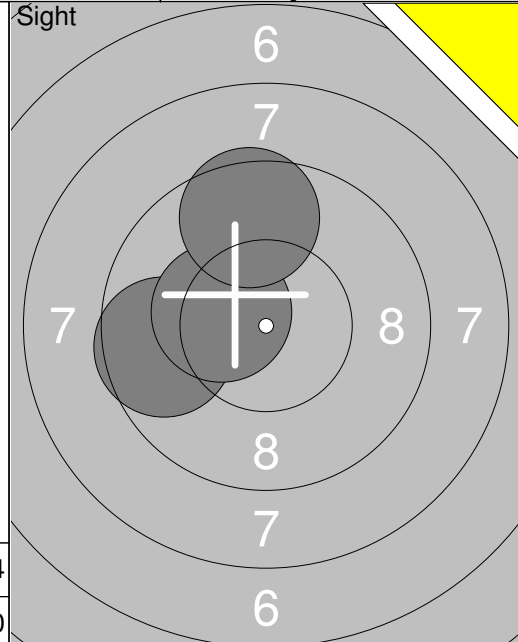
 <p style="text-align:center;">60 Shots</p>	<p>1: 9.6 ↖</p> <p>2: 9.2 ↗</p> <p>3: 8.3 ↗</p> <p>4: 10.1 ↗</p> <p>5: 9.2 ↗</p> <p>6: 10.4x ↗</p> <p>7: 9.7 →</p> <p>8: 9.3 ↑</p> <p>9: 10.2x ↗</p> <p>10: 7.4 ↗</p>	 <p style="text-align:center;">60 Shots</p>	<p>11: 9.3 ↑</p> <p>12: 9.2 ↖</p> <p>13: 9.6 ↖</p> <p>14: 8.0 ↑</p> <p>15: 9.5 ↓</p> <p>16: 9.3 →</p> <p>17: 10.1 →</p> <p>18: 9.8 ↗</p> <p>19: 9.1 ↑</p> <p>20: 8.5 ↖</p>
Series 93.4		Series 92.4	
Total 93.4		Total 185.8	

 <p style="text-align:center;">60 Shots</p>	<p>21: 8.0 ↑</p> <p>22: 10.1 ↖</p> <p>23: 10.2x ↓</p> <p>24: 10.3x →</p> <p>25: 10.3x ↓</p> <p>26: 10.4x →</p> <p>27: 10.5x ↖</p> <p>28: 10.2x ↖</p> <p>29: 8.9 →</p> <p>30: 10.6x ↖</p>	 <p style="text-align:center;">60 Shots</p>	<p>31: 9.3 ↖</p> <p>32: 10.1 ↗</p> <p>33: 9.4 ↖</p> <p>34: 10.1 ↓</p> <p>35: 9.6 ↓</p> <p>36: 9.6 →</p> <p>37: 9.3 ↓</p> <p>38: 9.2 ↓</p> <p>39: 9.6 ↖</p> <p>40: 8.8 ↑</p>
Series 99.5		Series 95.0	
Total 285.3		Total 380.3	

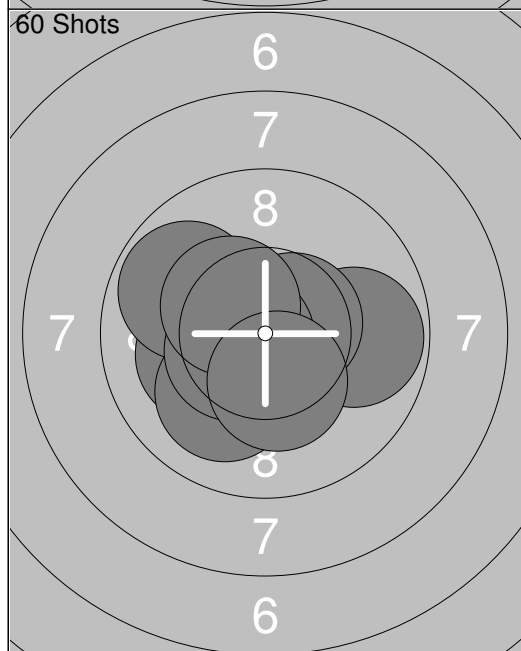
Relay	Lane	Vilhelm Lundstedt	
S		Ramselefors Skf	
2016-04-16	UME-Kulan 2016	Umeå skytteallians	
Sight		1: 10.6x ↖ 2: 10.0 → 3: 10.2x → 4: 10.1 → 5: 10.6x → 6: 10.8x ← 7: 10.3x ↓ 8: 10.2x ↓ 9: 10.5x ↑ 10: 10.3x ↑ Series 103.6 Total 0.0	Sight  11: 9.7 → 12: 9.8 → 13: 10.7x ↙ 14: 9.3 → 15: 10.3x ↘ 16: 9.7 ↗ 17: 9.9 → 18: 10.5x ← 19: 9.9 → 20: 10.4x ↑ Series 100.2 Total 0.0
Sight		21: 10.2x ↗ 22: 10.4x ↗ 23: 9.9 → 24: 10.7x ← 25: 10.3x ↓ 26: 10.4x → 27: 10.7x ↘ 28: 10.1 ↓ 29: 10.0 ↓ 30: 10.4x → Series 103.1 Total 0.0	Sight  31: 10.6x ↓ 32: 10.5x ↙ 33: 10.3x ↗ Series 31.4 Total 0.0
60 Shots		1: 10.6x ↑ 2: 10.7x → 3: 10.0 ↗ 4: 10.3x ↑ 5: 10.2x ↑ 6: 10.3x ↓ 7: 10.6x ↗ 8: 9.5 ← 9: 9.9 ↓ 10: 10.3x → Series 102.4 Total 102.4	60 Shots  11: 10.5x ↑ 12: 10.7x ↙ 13: 9.9 ↘ 14: 10.3x → 15: 10.8x ↓ 16: 10.8x ↑ 17: 10.8x ↖ 18: 10.5x ↘ 19: 10.2x ↗ 20: 10.2x ← Series 104.7 Total 207.1
60 Shots		21: 10.0 ↑ 22: 10.5x → 23: 10.8x → 24: 10.3x ↙ 25: 10.7x ↓ 26: 10.1 ← 27: 10.6x ↗ 28: 10.8x ↗ 29: 10.1 ← 30: 10.4x ↘ Series 104.3 Total 311.4	60 Shots  31: 10.4x ↙ 32: 10.0 ↗ 33: 10.7x ↙ 34: 10.6x ↗ 35: 10.4x ↘ 36: 10.3x ← 37: 9.9 ↑ 38: 10.7x → 39: 10.5x ↓ 40: 10.1 ↗ Series 103.6 Total 415.0



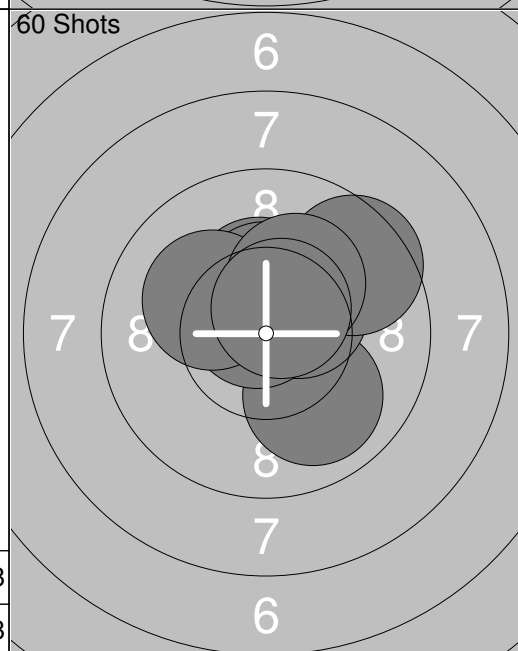
1:	10.3x ↘
2:	9.2 ↑
3:	9.6 ←
4:	8.7 ↑
5:	10.4x ↙
6:	10.1 →
7:	9.5 ←
8:	9.7 ↓
9:	9.6 ↓
10:	10.3x ↙
Series	97.4
Total	0.0



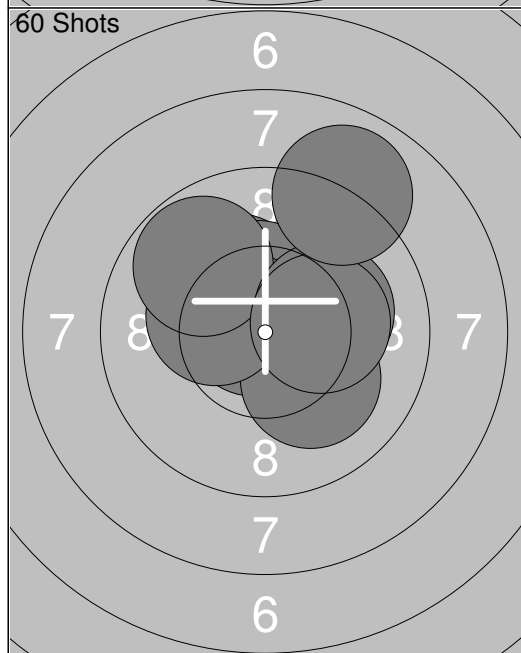
11:	9.6 ←
12:	10.4x ↙
13:	9.5 ↑
Series	29.5
Total	0.0



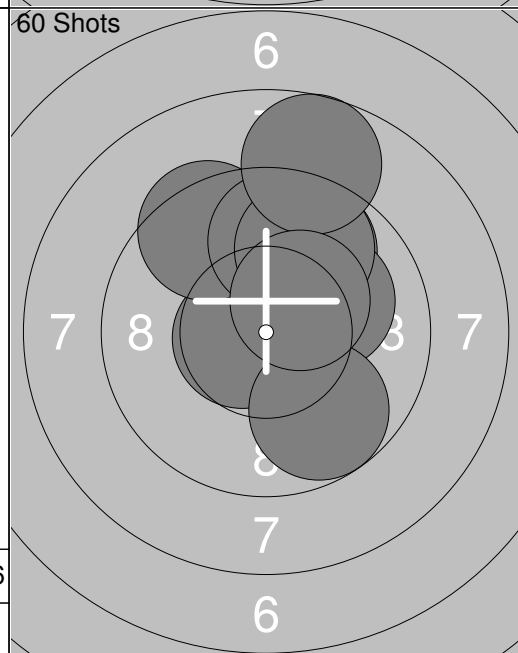
1:	9.8 →
2:	10.6x ↙
3:	10.1 ←
4:	10.6x →
5:	10.7x ↙
6:	10.0 ↓
7:	9.8 ↙
8:	10.5x ↙
9:	10.4x ↙
10:	10.3x ↓
Series	102.8
Total	102.8



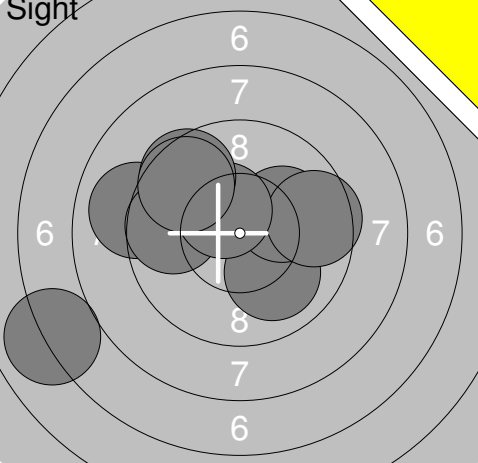
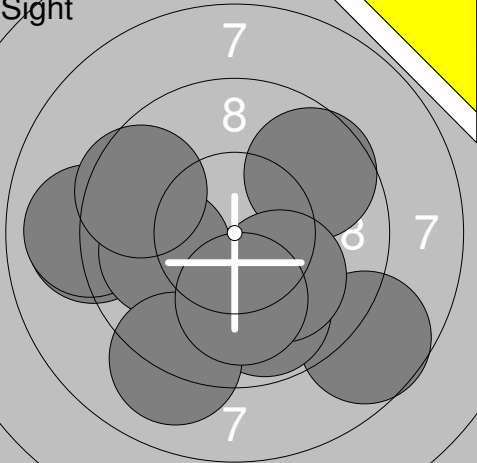
11:	10.4x ↑
12:	10.0 ↓
13:	10.4x ↑
14:	10.4x ↗
15:	10.4x ↑
16:	10.7x ↙
17:	9.5 ↗
18:	10.1 ↙
19:	10.2x ↑
20:	10.6x ↗
Series	102.7
Total	205.5


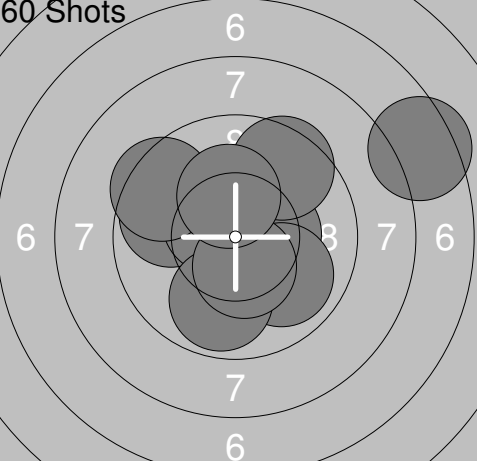


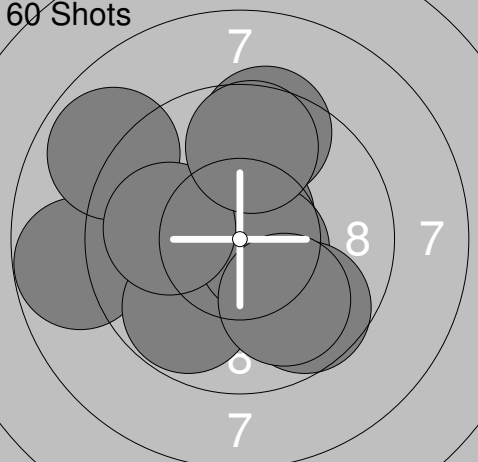
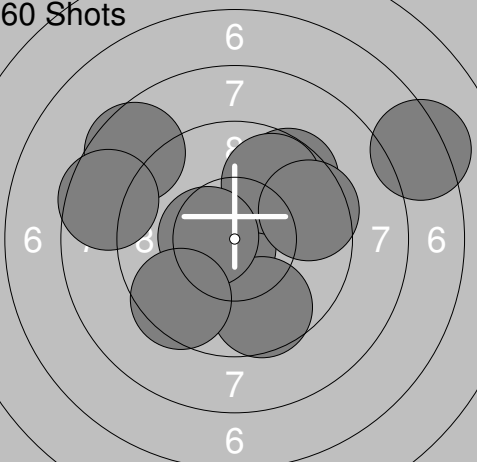
21:	10.7x ↑
22:	10.2x ↙
23:	10.4x ↑
24:	10.8x ↙
25:	10.1 ↓
26:	10.3x ↙
27:	9.8 ↗
28:	10.2x →
29:	10.2x →
30:	8.9 ↗
Series	101.6
Total	307.1

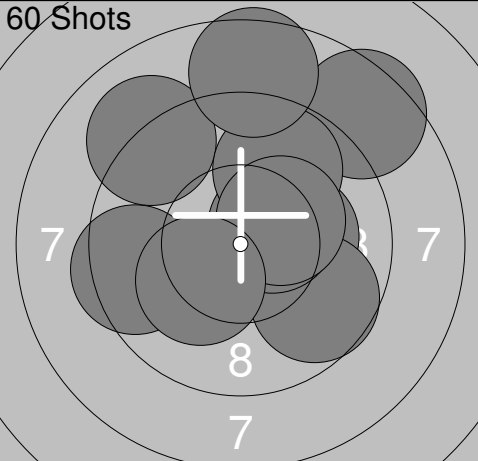


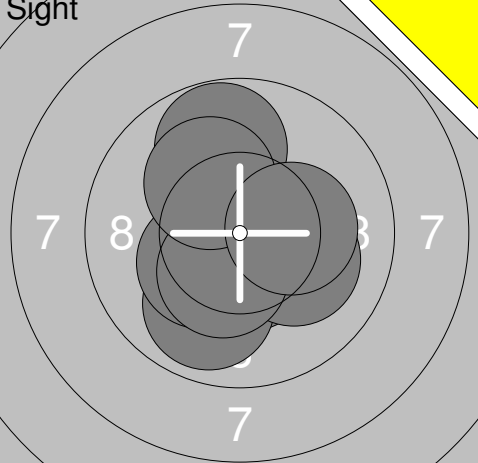
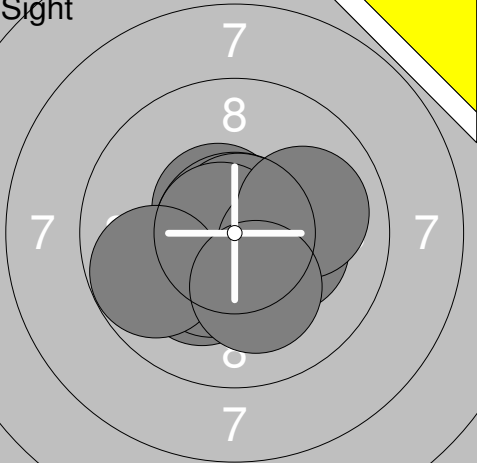
31:	10.2x ↑
32:	10.6x ↙
33:	9.8 ↗
34:	10.1 ↗
35:	9.5 ↙
36:	9.8 ↑
37:	9.7 ↓
38:	9.8 ↑
39:	8.7 ↑
40:	10.4x ↗
Series	98.6
Total	405.7

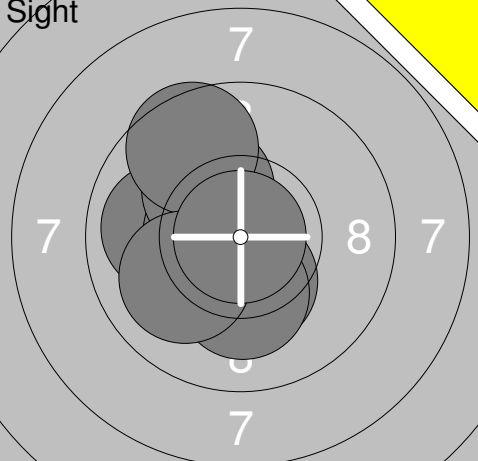
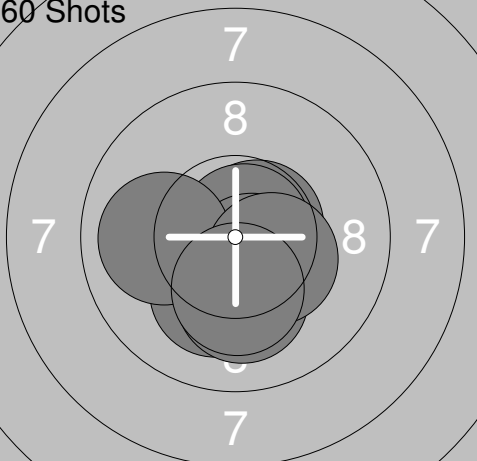
		<table style="width:100%; border-collapse: collapse;"> <tr><td>1:</td><td>10.0</td><td>↘</td></tr> <tr><td>2:</td><td>10.1</td><td>→</td></tr> <tr><td>3:</td><td>9.9</td><td>↗</td></tr> <tr><td>4:</td><td>9.0</td><td>←</td></tr> <tr><td>5:</td><td>9.6</td><td>→</td></tr> <tr><td>6:</td><td>9.7</td><td>←</td></tr> <tr><td>7:</td><td>10.4x</td><td>↗</td></tr> <tr><td>8:</td><td>9.5</td><td>↗</td></tr> <tr><td>9:</td><td>7.0</td><td>←</td></tr> <tr><td>10:</td><td>9.6</td><td>↗</td></tr> <tr><td colspan="2">Series</td><td>94.8</td></tr> <tr><td colspan="2">Total</td><td>0.0</td></tr> </table>	1:	10.0	↘	2:	10.1	→	3:	9.9	↗	4:	9.0	←	5:	9.6	→	6:	9.7	←	7:	10.4x	↗	8:	9.5	↗	9:	7.0	←	10:	9.6	↗	Series		94.8	Total		0.0
1:	10.0	↘																																				
2:	10.1	→																																				
3:	9.9	↗																																				
4:	9.0	←																																				
5:	9.6	→																																				
6:	9.7	←																																				
7:	10.4x	↗																																				
8:	9.5	↗																																				
9:	7.0	←																																				
10:	9.6	↗																																				
Series		94.8																																				
Total		0.0																																				


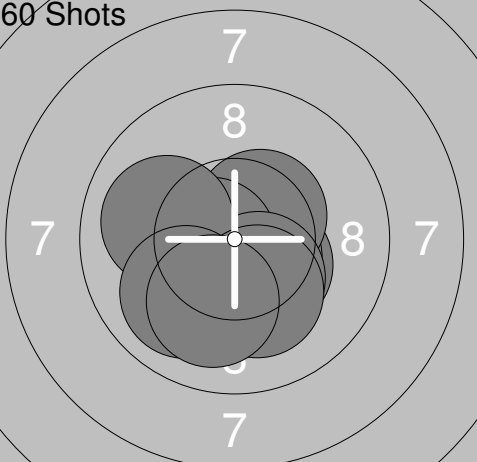
		<table style="width:100%; border-collapse: collapse;"> <tr><td>21:</td><td>8.0</td><td>↑</td></tr> <tr><td>22:</td><td>7.5</td><td>←</td></tr> <tr><td>23:</td><td>10.2x</td><td>↗</td></tr> <tr><td>24:</td><td>10.1</td><td>↑</td></tr> <tr><td colspan="2">Series</td><td>35.8</td></tr> <tr><td colspan="2">Total</td><td>0.0</td></tr> </table>	21:	8.0	↑	22:	7.5	←	23:	10.2x	↗	24:	10.1	↑	Series		35.8	Total		0.0
21:	8.0	↑																		
22:	7.5	←																		
23:	10.2x	↗																		
24:	10.1	↑																		
Series		35.8																		
Total		0.0																		

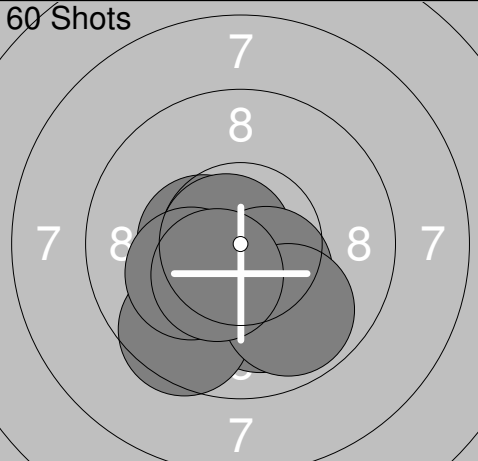
		<table style="width:100%; border-collapse: collapse;"> <tr><td>11:</td><td>8.8</td><td>←</td></tr> <tr><td>12:</td><td>10.6x</td><td>↑</td></tr> <tr><td>13:</td><td>9.5</td><td>↑</td></tr> <tr><td>14:</td><td>9.8</td><td>↘</td></tr> <tr><td>15:</td><td>10.6x</td><td>→</td></tr> <tr><td>16:</td><td>8.9</td><td>↗</td></tr> <tr><td>17:</td><td>10.0</td><td>←</td></tr> <tr><td>18:</td><td>9.7</td><td>↑</td></tr> <tr><td>19:</td><td>9.7</td><td>↘</td></tr> <tr><td>20:</td><td>9.9</td><td>↘</td></tr> <tr><td colspan="2">Series</td><td>97.5</td></tr> <tr><td colspan="2">Total</td><td>194.9</td></tr> </table>	11:	8.8	←	12:	10.6x	↑	13:	9.5	↑	14:	9.8	↘	15:	10.6x	→	16:	8.9	↗	17:	10.0	←	18:	9.7	↑	19:	9.7	↘	20:	9.9	↘	Series		97.5	Total		194.9
11:	8.8	←																																				
12:	10.6x	↑																																				
13:	9.5	↑																																				
14:	9.8	↘																																				
15:	10.6x	→																																				
16:	8.9	↗																																				
17:	10.0	←																																				
18:	9.7	↑																																				
19:	9.7	↘																																				
20:	9.9	↘																																				
Series		97.5																																				
Total		194.9																																				

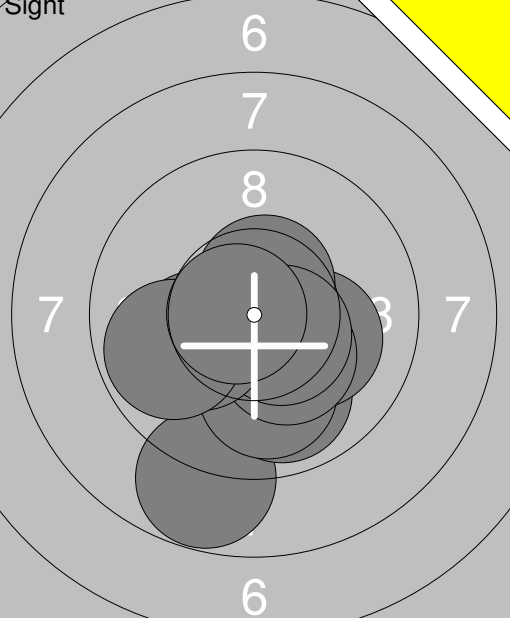
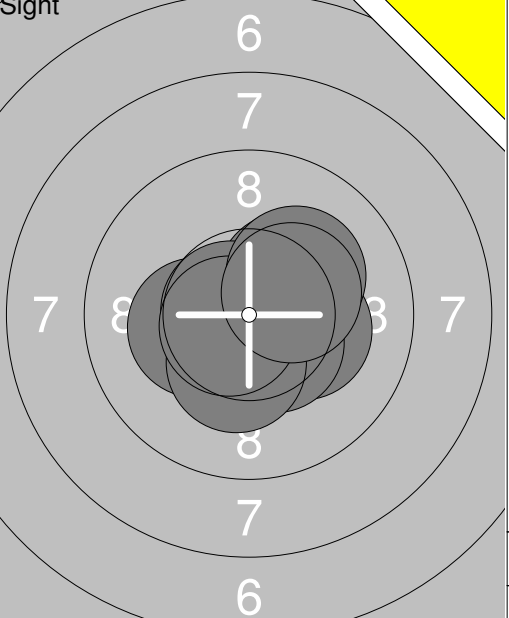
		<table style="width:100%; border-collapse: collapse;"> <tr><td>31:</td><td>8.5</td><td>↗</td></tr> <tr><td>32:</td><td>9.5</td><td>←</td></tr> <tr><td>33:</td><td>9.1</td><td>↗</td></tr> <tr><td>34:</td><td>10.2x</td><td>→</td></tr> <tr><td>35:</td><td>9.7</td><td>↘</td></tr> <tr><td>36:</td><td>10.5x</td><td>↗</td></tr> <tr><td>37:</td><td>9.8</td><td>↗</td></tr> <tr><td>38:</td><td>10.3x</td><td>↗</td></tr> <tr><td>39:</td><td>10.2x</td><td>↘</td></tr> <tr><td>40:</td><td>8.6</td><td>↑</td></tr> <tr><td colspan="2">Series</td><td>96.4</td></tr> <tr><td colspan="2">Total</td><td>384.9</td></tr> </table>	31:	8.5	↗	32:	9.5	←	33:	9.1	↗	34:	10.2x	→	35:	9.7	↘	36:	10.5x	↗	37:	9.8	↗	38:	10.3x	↗	39:	10.2x	↘	40:	8.6	↑	Series		96.4	Total		384.9
31:	8.5	↗																																				
32:	9.5	←																																				
33:	9.1	↗																																				
34:	10.2x	→																																				
35:	9.7	↘																																				
36:	10.5x	↗																																				
37:	9.8	↗																																				
38:	10.3x	↗																																				
39:	10.2x	↘																																				
40:	8.6	↑																																				
Series		96.4																																				
Total		384.9																																				

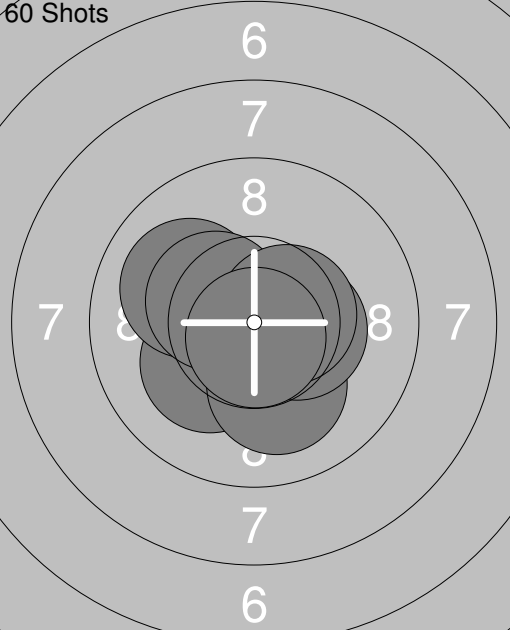
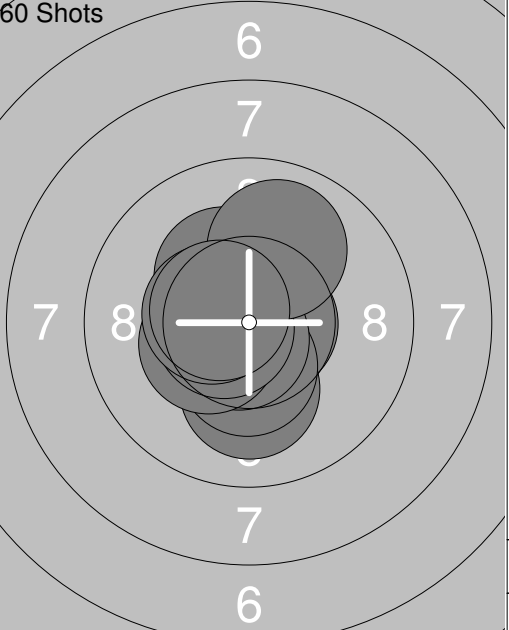
Sight 	1: 10.5x → 2: 10.5x ↓ 3: 9.9 ↓ 4: 10.8x ↗ 5: 10.1 → 6: 10.3x ↙ 7: 10.4x ↓ 8: 9.8 ↑ 9: 10.2x ↗ 10: 10.3x → <hr/> Series 102.8 Total 0.0	Sight 	11: 10.6x ↖ 12: 10.8x ↑ 13: 10.6x ↙ 14: 10.2x ↓ 15: 10.4x ↓ 16: 10.8x ← 17: 10.3x → 18: 10.0 → 19: 9.8 ← 20: 10.2x ↓ <hr/> Series 103.7 Total 0.0
--------------------------------------------------------------------------------------------------	---------------------------------------------------------------------------------------------------------------------------------------------------------------------------------------	----------------------------------------------------------------------------------------------------	--------------------------------------------------------------------------------------------------------------------------------------------------------------------------------------------------

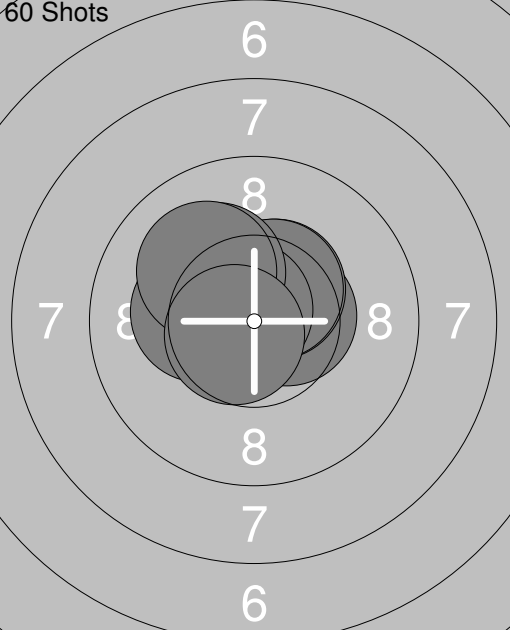
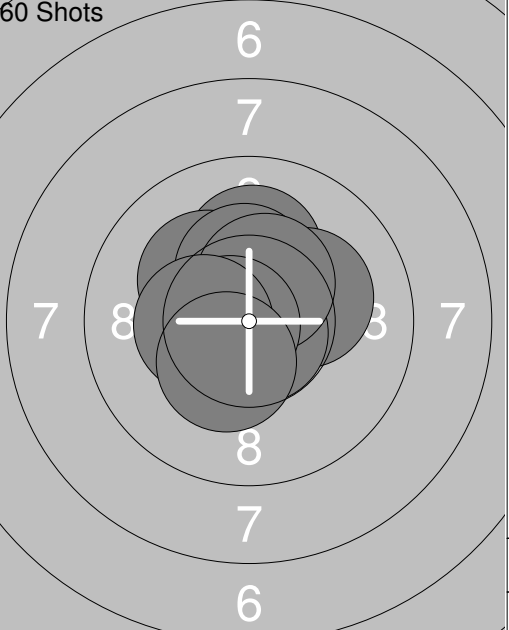
Sight 	21: 10.0 ← 22: 10.3x ↓ 23: 10.5x ← 24: 10.5x ← 25: 10.7x ← 26: 10.2x ↓ 27: 10.2x ↗ 28: 9.6 ↗ 29: 10.0 ↙ 30: 10.9x ← <hr/> Series 102.9 Total 0.0	60 Shots 	1: 10.7x ↓ 2: 10.6x ↗ 3: 10.7x ↓ 4: 10.8x ↗ 5: 10.6x ↓ 6: 10.2x ↓ 7: 10.1 ↓ 8: 10.0 ← 9: 10.4x → 10: 10.2x ↓ <hr/> Series 104.3 Total 104.3
---------------------------------------------------------------------------------------------------	-------------------------------------------------------------------------------------------------------------------------------------------------------------------------------------------------	--------------------------------------------------------------------------------------------------------	--------------------------------------------------------------------------------------------------------------------------------------------------------------------------------------------

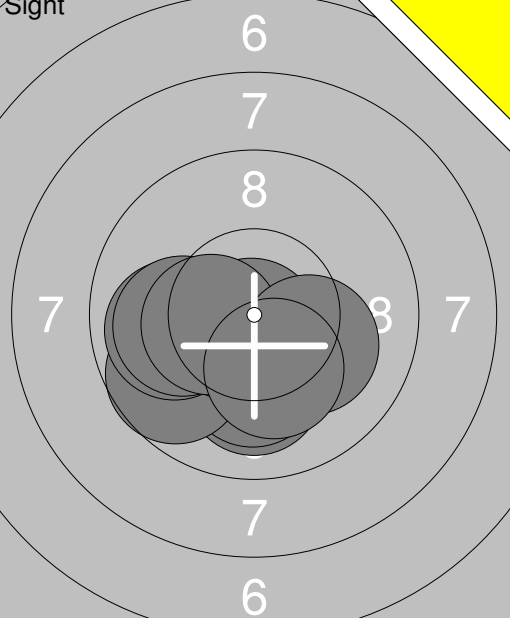
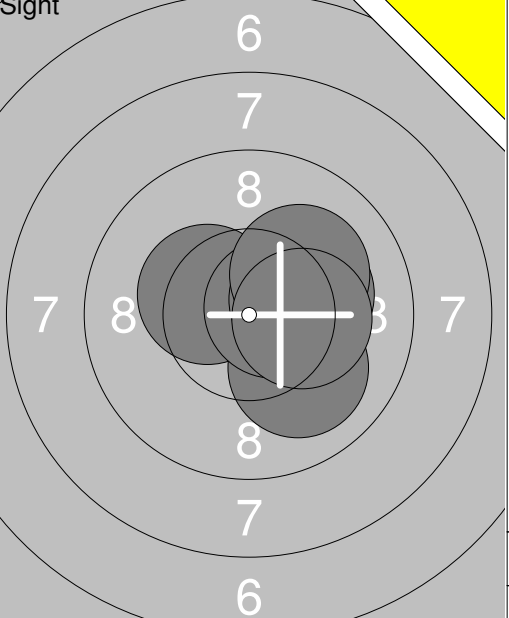
60 Shots 	11: 10.5x ↓ 12: 9.7 ↓ 13: 10.2x ↓ 14: 10.7x ← 15: 10.3x ↓ 16: 9.9 ↓ 17: 10.6x ← 18: 9.9 → 19: 10.2x ↓ 20: 10.6x ↑ <hr/> Series 102.6 Total 206.9	60 Shots 	21: 10.4x ↙ 22: 10.4x ↘ 23: 10.6x ↘ 24: 10.5x ↗ 25: 10.6x ← 26: 10.3x ↓ 27: 10.0 ← 28: 10.2x ↓ 29: 10.0 ↙ 30: 10.1 ↓ <hr/> Series 103.1 Total 310.0
-------------------------------------------------------------------------------------------------------	-------------------------------------------------------------------------------------------------------------------------------------------------------------------------------------------------	---------------------------------------------------------------------------------------------------------	----------------------------------------------------------------------------------------------------------------------------------------------------------------------------------------------------

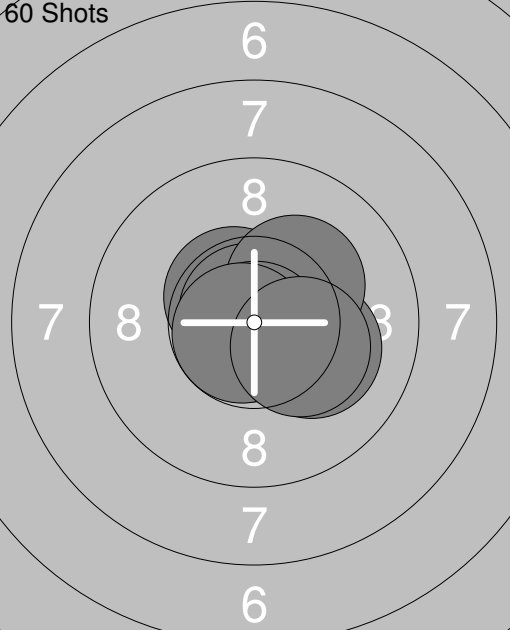
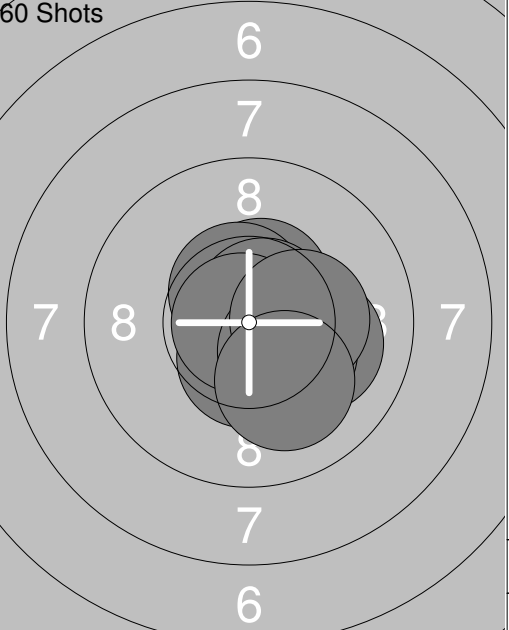
60 Shots 	31: 10.1 ↓ 32: 10.5x ↓ 33: 10.2x ↙ 34: 10.4x ← 35: 9.6 ↓ 36: 10.7x ← 37: 10.4x ↓ 38: 10.2x ↙ 39: 9.8 ↓ 40: 10.4x ↙ <hr/> Series 102.3 Total 412.3		
-------------------------------------------------------------------------------------------------------	--------------------------------------------------------------------------------------------------------------------------------------------------------------------------------------------------	--	--

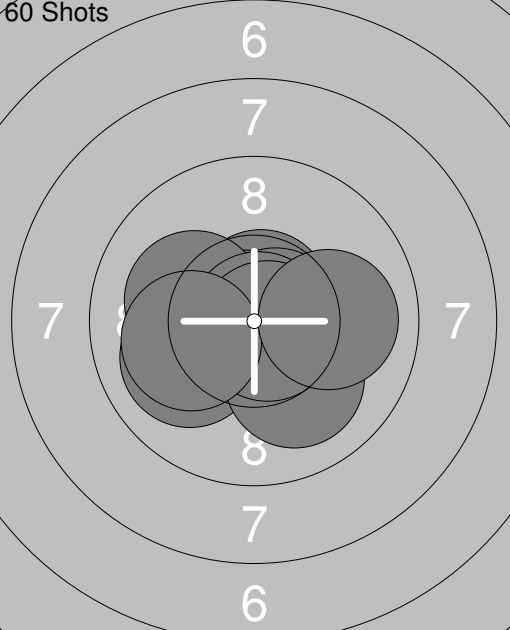
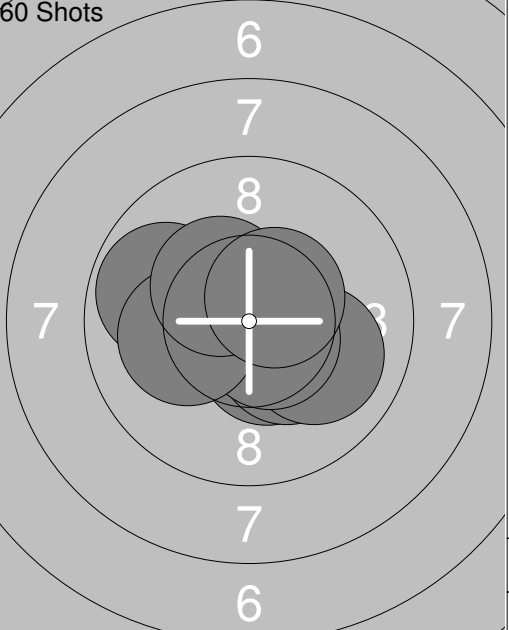
	<p>Sight</p> <p>1: 8.8 ↓</p> <p>2: 9.9 ↓</p> <p>3: 10.1 →</p> <p>4: 10.0 ↓</p> <p>5: 10.5x ↑</p> <p>6: 10.3x ↓</p> <p>7: 10.5x →</p> <p>8: 10.2x ←</p> <p>9: 9.8 ←</p> <p>10: 10.7x ←</p>		<p>Sight</p> <p>11: 10.3x ↗</p> <p>12: 10.2x →</p> <p>13: 10.3x ←</p> <p>14: 10.7x ←</p> <p>15: 10.5x ↓</p> <p>16: 10.3x ↓</p> <p>17: 10.7x ←</p> <p>18: 10.2x ↗</p> <p>19: 10.3x →</p>
Series	100.8	Series	93.5
Total	0.0	Total	0.0

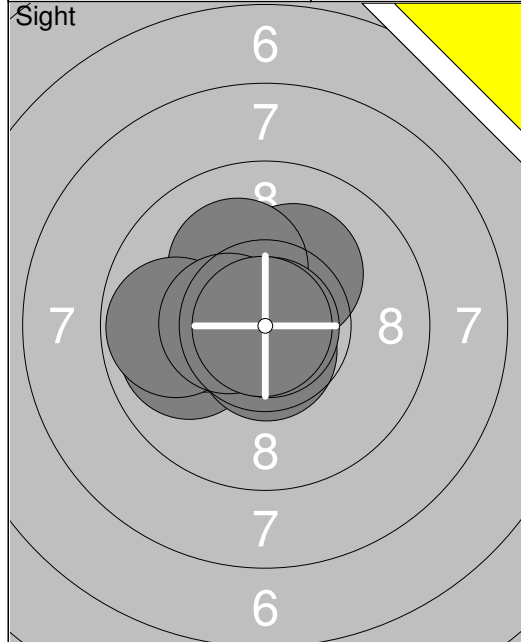
	<p>60 Shots</p> <p>1: 10.8x →</p> <p>2: 10.5x ↓</p> <p>3: 10.4x ←</p> <p>4: 10.2x ←</p> <p>5: 10.0 ←</p> <p>6: 10.1 ↓</p> <p>7: 10.4x →</p> <p>8: 10.4x ←</p> <p>9: 10.5x →</p> <p>10: 10.8x ↓</p>		<p>60 Shots</p> <p>11: 10.7x →</p> <p>12: 10.1 ↓</p> <p>13: 10.4x ↓</p> <p>14: 10.7x ↓</p> <p>15: 10.4x ←</p> <p>16: 10.6x ←</p> <p>17: 10.3x ↖</p> <p>18: 10.0 ↑</p> <p>19: 10.5x ←</p> <p>20: 10.5x ←</p>
Series	104.1	Series	104.2
Total	104.1	Total	208.3

	<p>60 Shots</p> <p>21: 10.5x →</p> <p>22: 10.7x ←</p> <p>23: 10.7x ←</p> <p>24: 10.5x ↗</p> <p>25: 10.5x ↗</p> <p>26: 10.3x ←</p> <p>27: 10.7x ↖</p> <p>28: 10.2x ↖</p> <p>29: 10.1 ↖</p> <p>30: 10.7x ←</p>		<p>60 Shots</p> <p>31: 10.1 ↑</p> <p>32: 10.7x ↖</p> <p>33: 10.2x ↖</p> <p>34: 10.2x →</p> <p>35: 10.3x ↑</p> <p>36: 10.8x ↓</p> <p>37: 10.4x ↗</p> <p>38: 10.7x ←</p> <p>39: 10.4x ←</p> <p>40: 10.4x ↓</p>
Series	104.9	Series	104.2
Total	313.2	Total	417.4

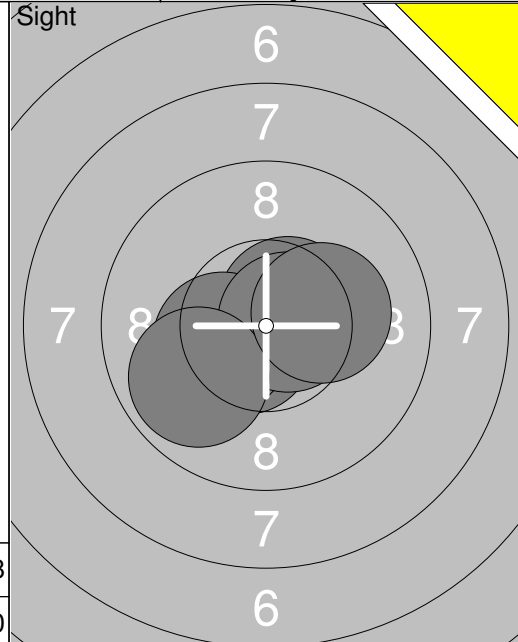
	<p>Sight</p> <p>1: 10.1 ↓</p> <p>2: 10.2x ↓</p> <p>3: 9.7 ↙</p> <p>4: 9.9 ←</p> <p>5: 10.6x ↙</p> <p>6: 10.8x ↓</p> <p>7: 10.0 ←</p> <p>8: 10.4x ←</p> <p>9: 10.2x →</p> <p>10: 10.2x ↓</p>		<p>Sight</p> <p>11: 10.4x ↖</p> <p>12: 10.0 ↓</p> <p>13: 10.6x →</p> <p>14: 10.3x →</p> <p>15: 10.2x →</p> <p>16: 10.1 ↗</p> <p>17: 10.3x →</p>
Series 102.1		Series 71.9	
Total 0.0		Total 0.0	

	<p>60 Shots</p> <p>1: 10.4x ↗</p> <p>2: 10.6x →</p> <p>3: 10.1 →</p> <p>4: 10.5x ↖</p> <p>5: 10.8x ↗</p> <p>6: 10.8x ↖</p> <p>7: 10.2x ↗</p> <p>8: 10.8x ↓</p> <p>9: 10.7x ↙</p> <p>10: 10.3x →</p>		<p>60 Shots</p> <p>11: 10.5x ↗</p> <p>12: 10.1 →</p> <p>13: 10.5x ↖</p> <p>14: 10.7x ↗</p> <p>15: 10.3x ↓</p> <p>16: 10.5x ↓</p> <p>17: 10.9x ←</p> <p>18: 10.3x ↓</p> <p>19: 10.3x →</p> <p>20: 10.1 ↓</p>
Series 105.2		Series 104.2	
Total 105.2		Total 209.4	

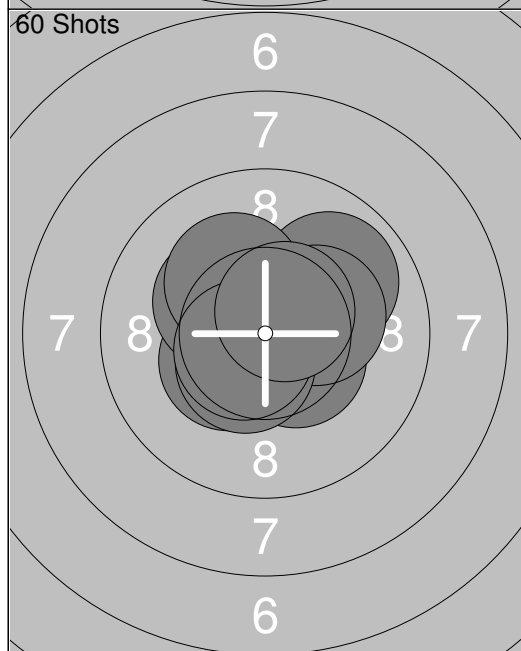
	<p>60 Shots</p> <p>21: 10.7x ↗</p> <p>22: 10.0 ←</p> <p>23: 10.7x →</p> <p>24: 10.8x ←</p> <p>25: 10.1 ↓</p> <p>26: 10.1 ←</p> <p>27: 10.9x →</p> <p>28: 10.7x ↓</p> <p>29: 10.1 ←</p> <p>30: 10.0 →</p>		<p>60 Shots</p> <p>31: 9.8 ←</p> <p>32: 10.6x ↓</p> <p>33: 10.7x ↖</p> <p>34: 10.5x ↓</p> <p>35: 10.3x ↓</p> <p>36: 10.0 →</p> <p>37: 10.6x ↓</p> <p>38: 10.1 ←</p> <p>39: 10.4x ↖</p> <p>40: 10.5x ↗</p>
Series 104.1		Series 103.5	
Total 313.5		Total 417.0	



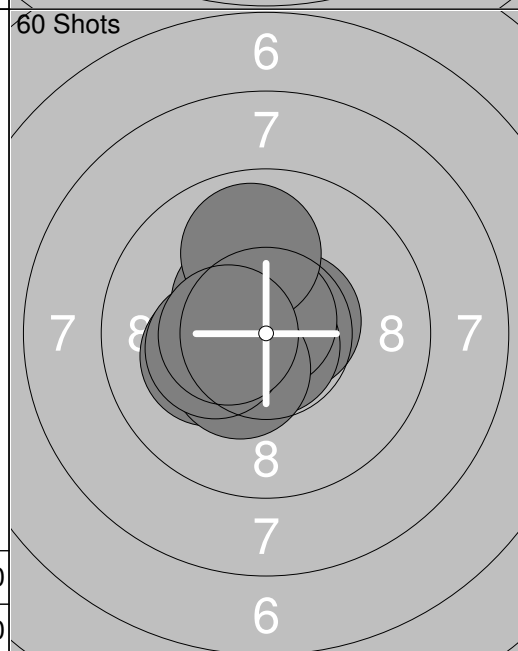
1: 9.9 ←
2: 10.2x ←
3: 10.2x ↗
4: 10.7x ←
5: 10.1 ↗
6: 10.6x ↓
7: 9.8 ←
8: 10.9x →
9: 10.5x ←
10: 10.9x ←
Series 103.8
Total 0.0



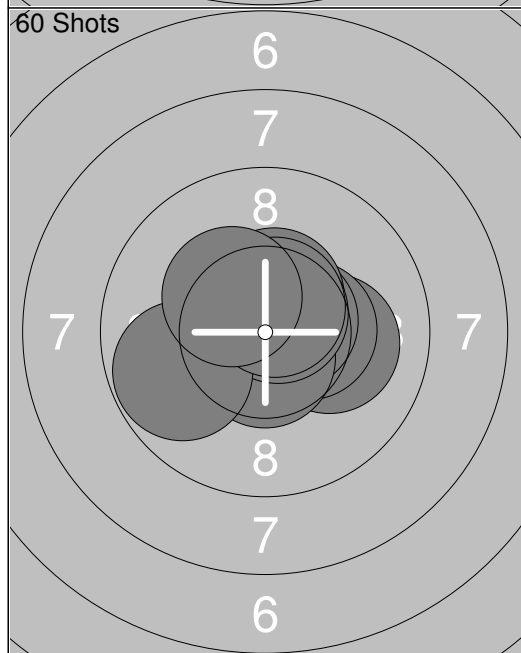
11: 10.6x ↙
12: 10.6x ↗
13: 10.4x ←
14: 10.7x →
15: 9.9 ↙
16: 10.2x →
Series 62.4
Total 0.0



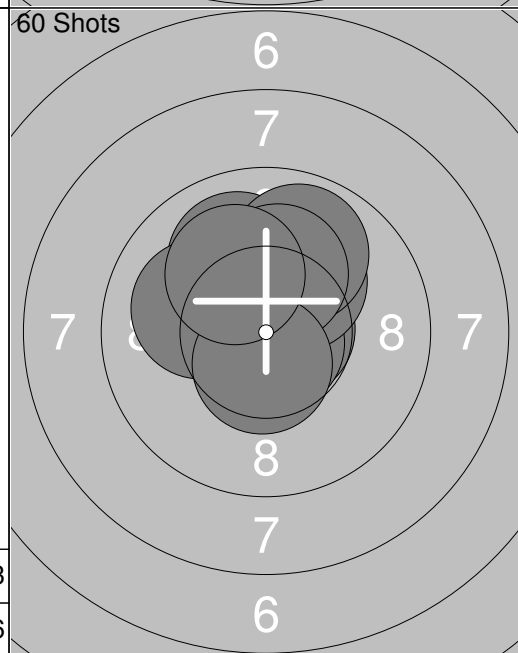
1: 10.5x ↘
2: 9.9 ↗
3: 10.3x →
4: 10.4x ↙
5: 10.5x ↘
6: 10.7x ↗
7: 10.3x ↘
8: 10.2x ↘
9: 10.6x ↙
10: 10.6x ↗
Series 104.0
Total 104.0




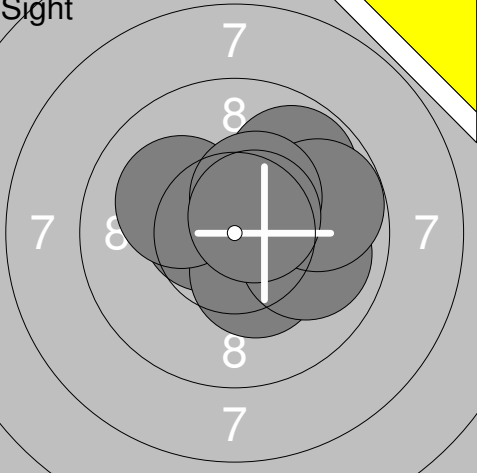


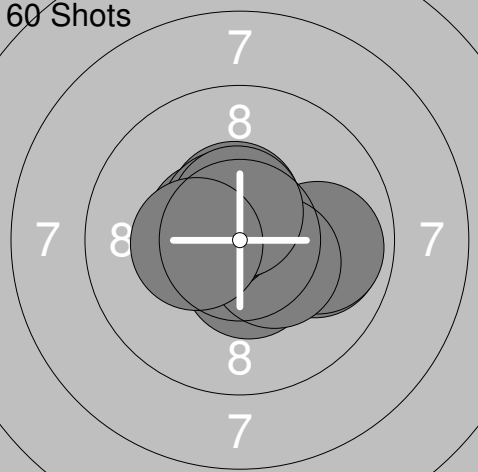
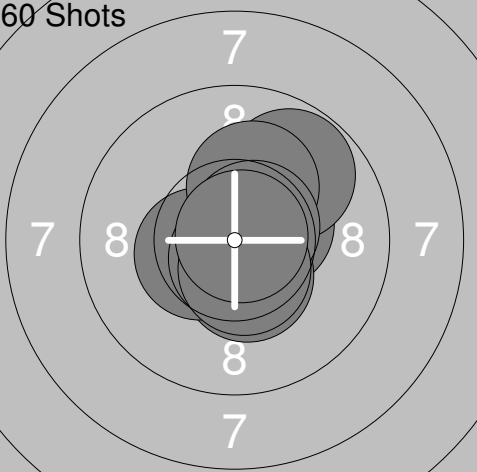
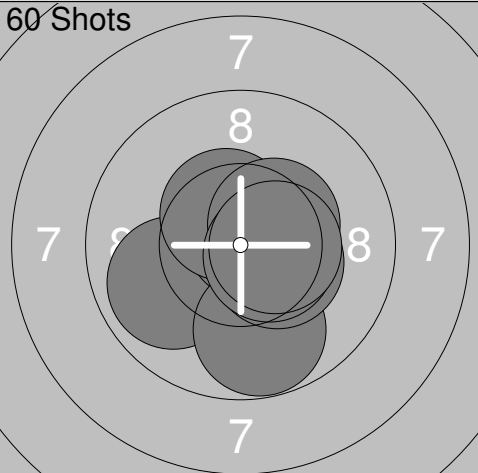
11: 10.2x ←
12: 10.6x →
13: 10.8x ↓
14: 10.4x ↖
15: 10.4x ↖
16: 10.8x ↑
17: 9.9 ↑
18: 10.4x ↙
19: 10.3x ←
20: 10.5x ←
Series 104.3
Total 208.3

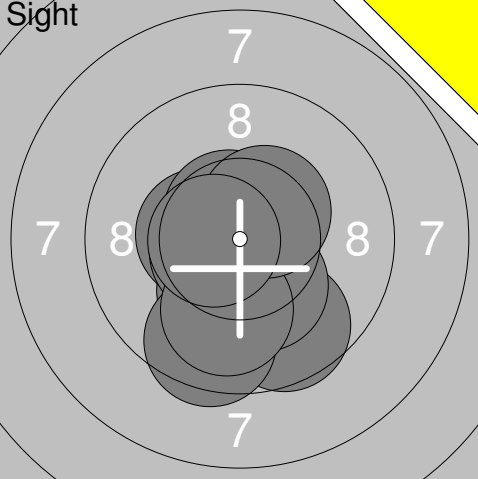
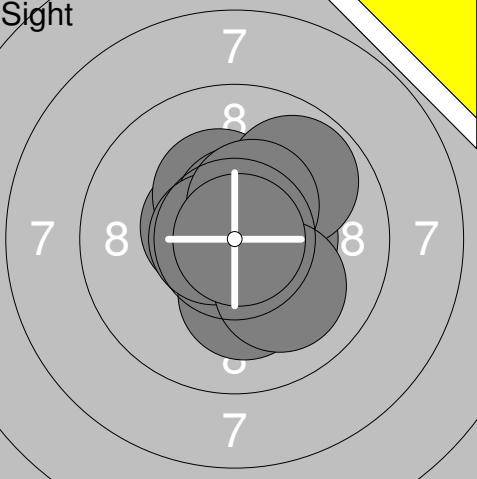
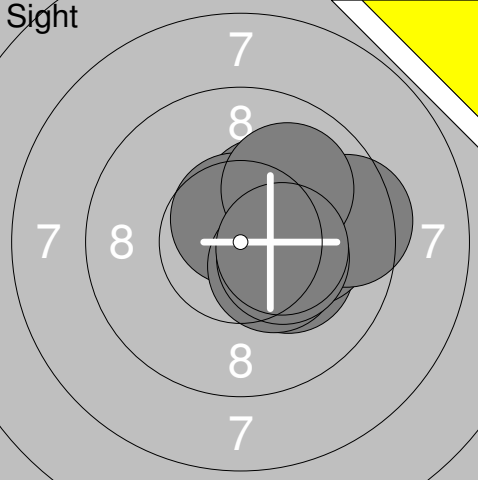


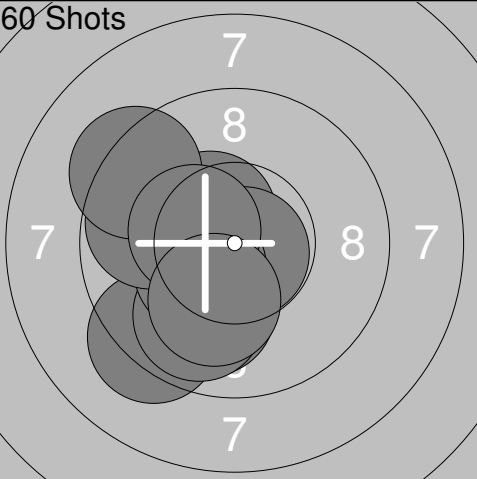
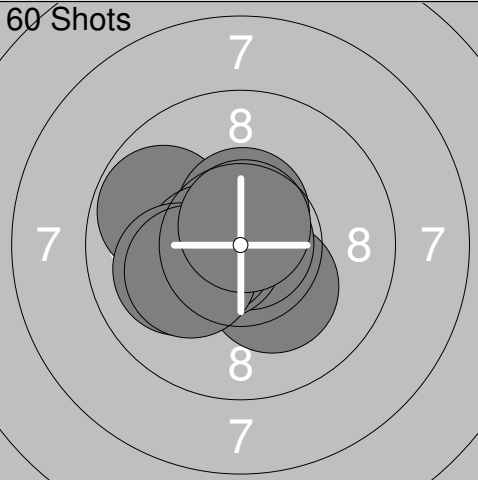
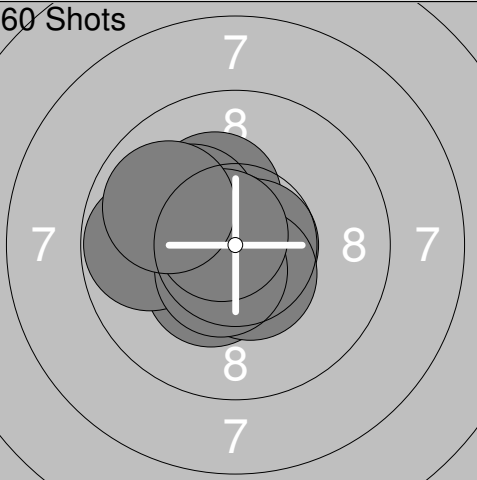


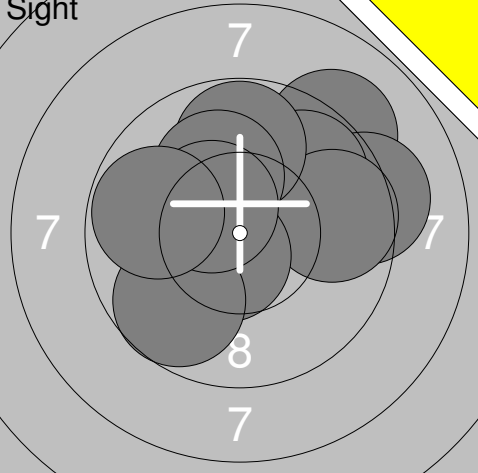
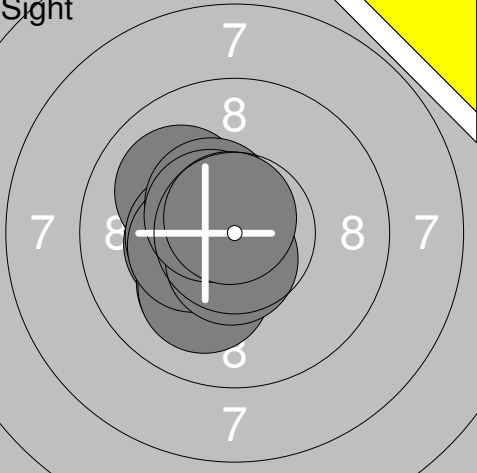


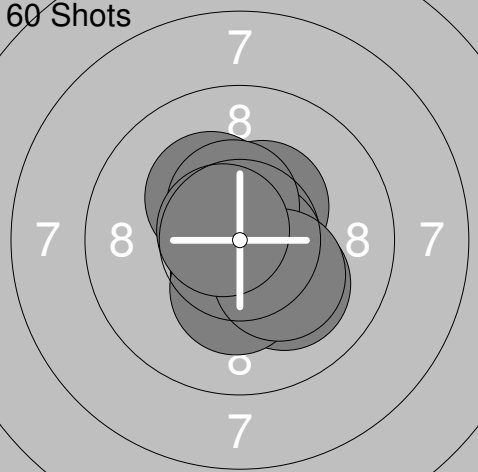
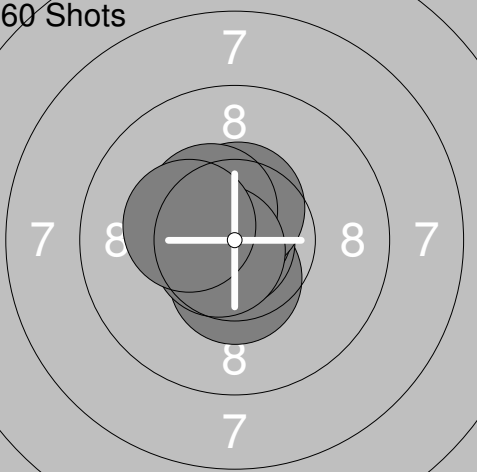
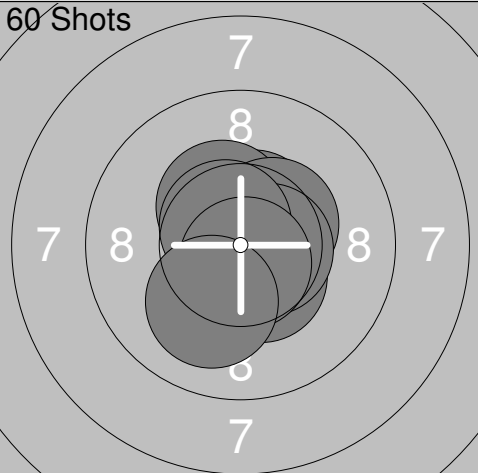
21: 10.7x ↗
22: 10.1 →
23: 10.4x →
24: 10.6x →
25: 10.6x ↓
26: 10.5x ↗
27: 10.7x ↗
28: 9.8 ←
29: 10.6x ↗
30: 10.3x ↘
Series 104.3
Total 312.6

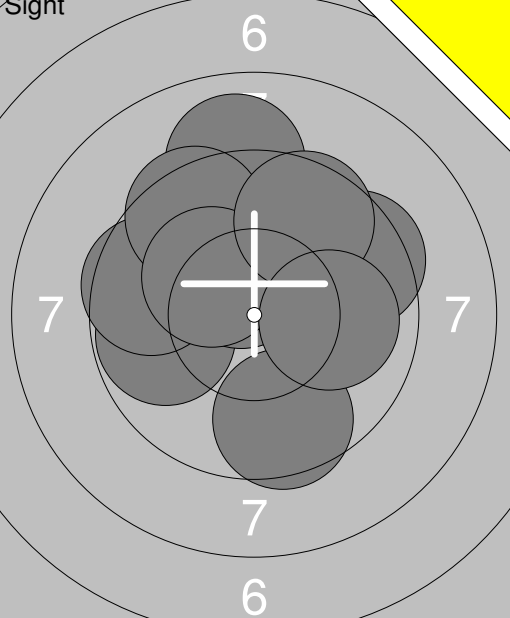
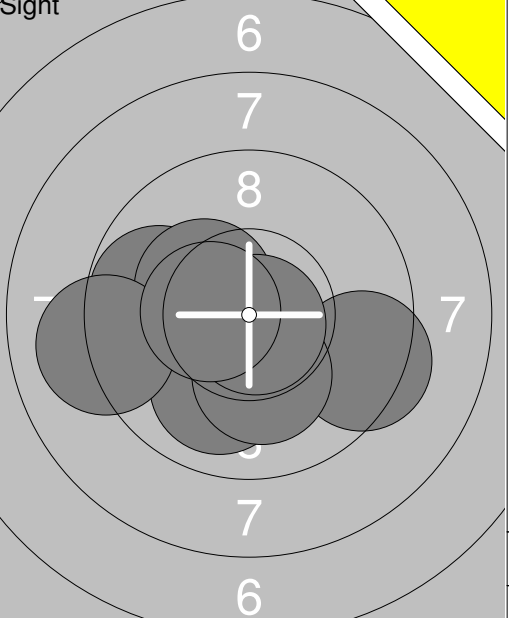


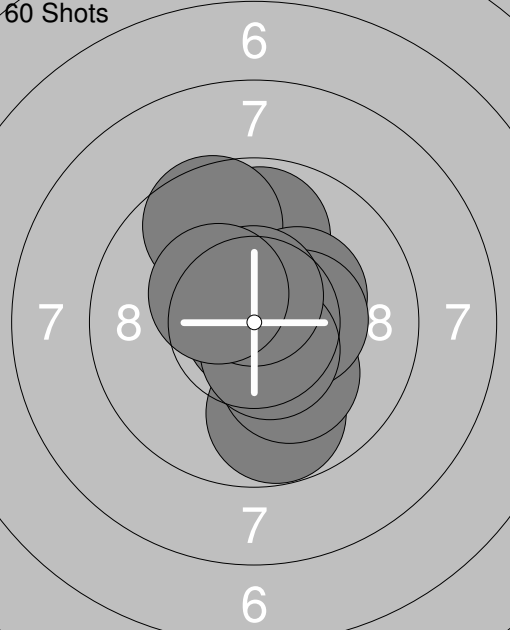
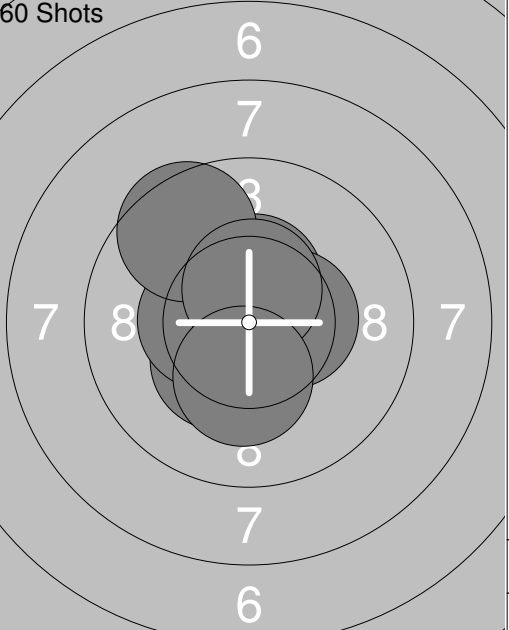
31: 10.4x ↑
32: 10.7x →
33: 10.0 ↖
34: 10.8x ↘
35: 10.2x ↗
36: 9.9 ↗
37: 10.2x ↗
38: 10.1 ↘
39: 10.5x ↓
40: 10.1 ↖
Series 102.9
Total 415.5

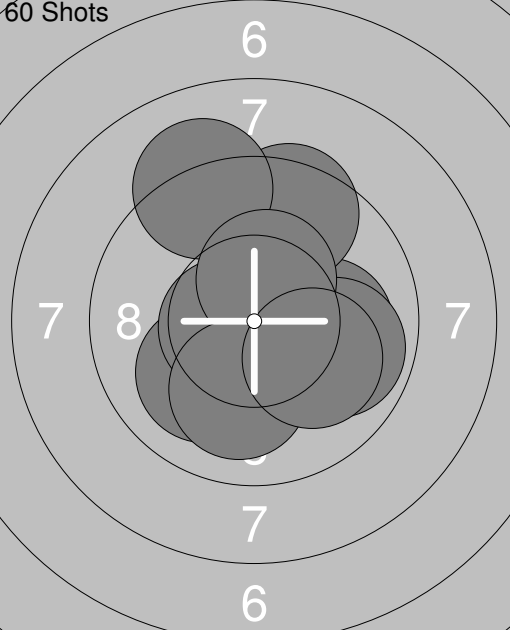
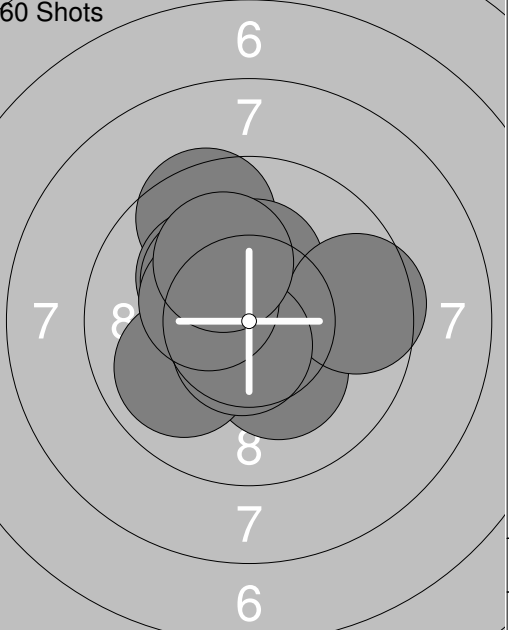
Relay	Lane	Petra Pålsson	
S		Kyrkås Skf	
2016-04-16	UME-Kulan 2016	Umeå skytteallians	
Sight		1: 9.6 ← 2: 9.9 ← 3: 10.1 ↗ 4: 9.7 ↗ 5: 10.0 ↗ 6: 10.1 ↗ 7: 10.0 ← 8: 10.4x ↗ 9: 10.4x ← 10: 10.5x → Series 100.7 Total 0.0	Sight  11: 10.0 → 12: 10.2x → 13: 10.6x ← 14: 10.4x ↓ 15: 9.8 ↗ 16: 9.9 → 17: 10.1 ← 18: 9.8 → 19: 10.4x ↗ 20: 10.6x ↗ Series 101.8 Total 0.0
Sight		21: 10.6x ← 22: 10.6x ← 23: 10.6x ↑ Series 31.8 Total 0.0	60 Shots  1: 10.2x ↑ 2: 10.8x ↓ 3: 10.7x → 4: 10.6x ↑ 5: 10.3x → 6: 10.9x → 7: 10.5x → 8: 10.1 ↓ 9: 10.7x ← 10: 10.1 → Series 104.9 Total 104.9
60 Shots		11: 10.3x → 12: 9.9 → 13: 9.9 → 14: 10.5x ↑ 15: 10.5x ↓ 16: 10.4x ↓ 17: 10.5x ← 18: 10.6x ↗ 19: 10.6x ↑ 20: 10.4x ← Series 103.6 Total 208.5	60 Shots  21: 10.4x ↗ 22: 10.4x ↓ 23: 10.5x ↗ 24: 10.5x ← 25: 9.8 ↗ 26: 10.7x ↓ 27: 10.2x ↑ 28: 10.6x ↗ 29: 10.5x ↓ 30: 10.8x ↗ Series 104.4 Total 312.9
60 Shots		31: 10.8x ← 32: 9.9 ← 33: 10.6x → 34: 10.8x ↗ 35: 10.5x ↗ 36: 10.4x ↗ 37: 9.8 ↓ 38: 10.4x → 39: 10.5x → 40: 10.5x → Series 104.2 Total 417.1	

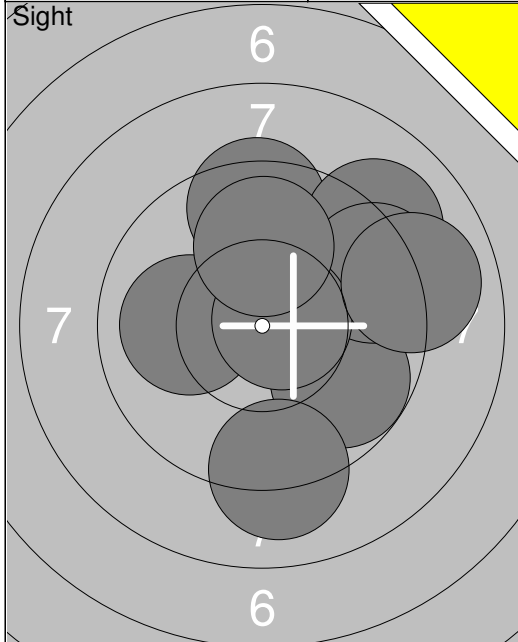
Relay	Lane	Alva Persson	
S		Kyrkås Skf	
2016-04-16	UME-Kulan 2016	Umeå skytteallians	
Sight		1: 9.6 ↘ 2: 10.2x ↘ 3: 10.4x ← 4: 10.3x ↘ 5: 10.6x ↗ 6: 9.5 ↘ 7: 10.6x ← 8: 10.0 ↘ 9: 10.4x ↗ 10: 10.6x ← Series 102.2 Total 0.0	Sight  11: 10.5x → 12: 10.5x ← 13: 10.3x ↗ 14: 10.6x ↗ 15: 10.2x ↘ 16: 10.7x ← 17: 9.8 ↗ 18: 10.4x ↗ 19: 10.1 ↘ 20: 10.9x → Series 104.0 Total 0.0
Sight		21: 10.3x ↗ 22: 10.2x → 23: 10.7x → 24: 10.6x ↗ 25: 10.0 → 26: 9.5 → 27: 10.4x ↘ 28: 10.3x → 29: 10.0 ↗ 30: 10.4x → Series 102.4 Total 0.0	Sight  31: 10.7x → 32: 10.1 ↘ 33: 10.6x ↘ 34: 10.5x ↘ Series 41.9 Total 0.0
60 Shots		1: 10.6x → 2: 10.5x ← 3: 10.5x ↘ 4: 10.4x ↘ 5: 10.6x ↘ 6: 10.4x ↘ 7: 10.6x → 8: 10.0 ↗ 9: 10.4x ↘ 10: 10.5x ↘ Series 104.5 Total 104.5	60 Shots  11: 10.5x ↗ 12: 10.8x ↘ 13: 10.0 ↘ 14: 9.3 ↘ 15: 9.9 ↘ 16: 10.4x ← 17: 9.8 ← 18: 9.3 ↗ 19: 10.4x ← 20: 10.1 ↘ Series 100.5 Total 205.0
60 Shots		21: 10.4x ← 22: 10.2x ↘ 23: 10.9x → 24: 9.8 ← 25: 10.5x ↗ 26: 10.6x ← 27: 10.5x ← 28: 10.1 ← 29: 10.2x ← 30: 10.7x ↗ Series 103.9 Total 308.9	60 Shots  31: 10.3x ↗ 32: 10.8x ↗ 33: 10.4x ↘ 34: 10.7x → 35: 10.5x ↘ 36: 9.8 ← 37: 10.2x ↗ 38: 10.5x ↘ 39: 10.7x ↗ 40: 9.9 ← Series 103.8 Total 412.7

Relay	Lane	Alva Hedlund	
S		Kyrkås Skf	
2016-04-16	UME-Kulan 2016	Umeå skytteallians	
Sight		1: 9.1 ↗ 2: 9.2 → 3: 9.8 ↗ 4: 9.7 → 5: 9.8 ↑ 6: 10.1 ↑ 7: 10.6x ↓ 8: 9.7 ↓ 9: 10.4x ↗ 10: 9.8 ← Series 98.2 Total 0.0	Sight  11: 10.0 ↖ 12: 10.3x ← 13: 10.4x ← 14: 10.2x ↓ 15: 10.1 ↓ 16: 10.4x ← 17: 10.4x ↗ 18: 10.6x ↓ 19: 10.5x ↖ 20: 10.7x ↑ Series 103.6 Total 0.0
Sight		21: 10.5x ← 22: 9.9 ↖ 23: 10.8x ↓ 24: 10.7x ↗ 25: 10.6x ← Series 52.5 Total 0.0	60 Shots  1: 10.8x ← 2: 10.6x ↗ 3: 10.7x ↗ 4: 10.5x ← 5: 10.8x → 6: 10.1 ← 7: 10.4x ↖ 8: 10.4x ↑ 9: 10.3x ← 10: 10.7x ↓ Series 105.3 Total 105.3
60 Shots		11: 10.1 ↓ 12: 10.5x ↓ 13: 10.5x ↑ 14: 10.3x ↗ 15: 10.4x ↗ 16: 10.7x → 17: 10.5x ↑ 18: 10.3x ↓ 19: 10.2x ↓ 20: 10.7x ↖ Series 104.2 Total 209.5	60 Shots  21: 10.4x ↓ 22: 10.9x ← 23: 10.6x ↗ 24: 10.8x ↗ 25: 10.4x ← 26: 10.6x ↑ 27: 10.5x ↑ 28: 10.4x ↖ 29: 10.7x ↖ 30: 10.3x ← Series 105.6 Total 315.1
60 Shots		31: 10.5x ↗ 32: 10.8x ↗ 33: 10.4x ↗ 34: 10.4x ↗ 35: 10.5x ↓ 36: 10.8x ↓ 37: 10.6x → 38: 10.6x ↗ 39: 10.7x ↓ 40: 10.1 ↓ Series 105.4 Total 420.5	

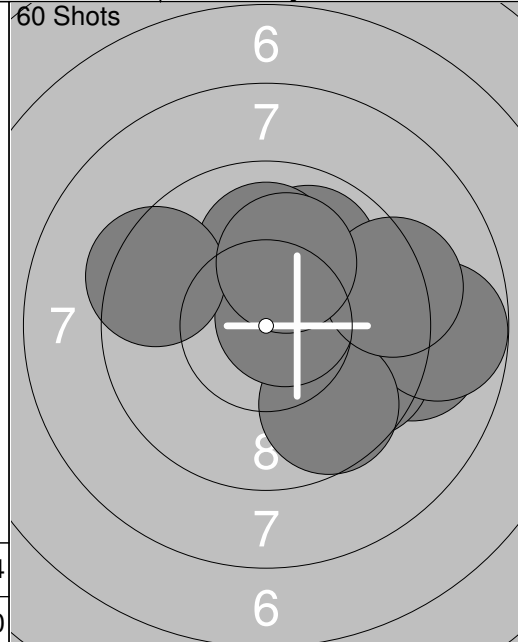
<p>Sight</p> 	<p>1: 9.8 ←</p> <p>2: 9.6 ←</p> <p>3: 10.5x ↗</p> <p>4: 9.5 →</p> <p>5: 9.0 ↑</p> <p>6: 9.5 ↗</p> <p>7: 9.6 ↓</p> <p>8: 10.2x ↖</p> <p>9: 9.6 ↗</p> <p>10: 10.0 →</p>	<p>Sight</p> 		<p>11: 10.0 ↓</p> <p>12: 9.8 ←</p> <p>13: 10.6x ↓</p> <p>14: 10.3x ↖</p> <p>15: 9.4 →</p> <p>16: 9.1 ←</p> <p>17: 10.2x ↓</p> <p>18: 10.8x ↓</p> <p>19: 10.5x ←</p>	
Series 97.3				Series 90.7	
Total 0.0				Total 0.0	

<p>60 Shots</p> 	<p>1: 9.9 ↑</p> <p>2: 9.6 ↗</p> <p>3: 10.3x ↗</p> <p>4: 9.8 ↓</p> <p>5: 10.2x ↓</p> <p>6: 10.9x ↖</p> <p>7: 10.4x →</p> <p>8: 10.6x ↓</p> <p>9: 10.6x ↑</p> <p>10: 10.4x ↖</p>	<p>60 Shots</p> 		<p>11: 10.7x ↓</p> <p>12: 10.3x ↖</p> <p>13: 10.5x ↑</p> <p>14: 10.7x ↖</p> <p>15: 10.4x →</p> <p>16: 10.7x ←</p> <p>17: 10.4x ←</p> <p>18: 9.6 ↖</p> <p>19: 10.5x ↑</p> <p>20: 10.3x ↓</p>	
Series 102.7				Series 104.1	
Total 102.7				Total 206.8	

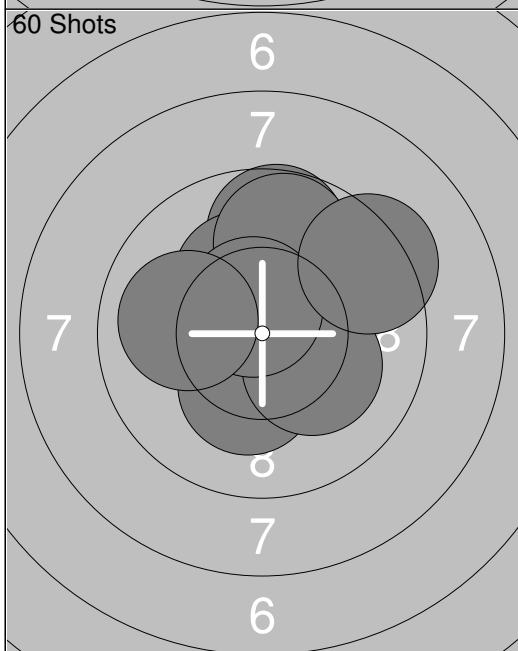
<p>60 Shots</p> 	<p>21: 10.0 ↓</p> <p>22: 10.8x ↑</p> <p>23: 10.1 →</p> <p>24: 10.6x ←</p> <p>25: 9.5 ↑</p> <p>26: 9.9 →</p> <p>27: 9.1 ↗</p> <p>28: 10.4x ↑</p> <p>29: 10.1 ↓</p> <p>30: 10.1 ↘</p>	<p>60 Shots</p> 		<p>31: 9.5 ↗</p> <p>32: 10.2x ↓</p> <p>33: 9.9 ↖</p> <p>34: 10.3x ↑</p> <p>35: 10.2x ↖</p> <p>36: 9.6 →</p> <p>37: 10.6x ↓</p> <p>38: 10.2x ↖</p> <p>39: 10.4x ↖</p> <p>40: 10.1 ↗</p>	
Series 100.6				Series 101.0	
Total 307.4				Total 408.4	



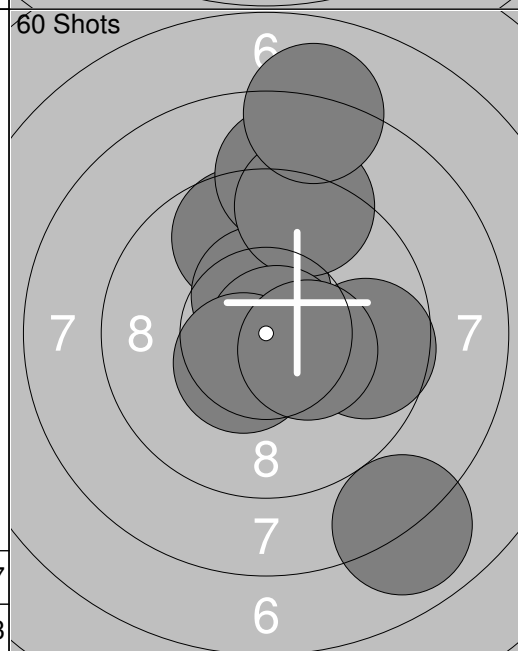
1:	10.0	←
2:	10.0	↑
3:	9.4	↑
4:	9.1	↗
5:	9.8	↘
6:	9.4	→
7:	10.7x	→
8:	9.9	↑
9:	9.0	→
10:	9.1	↓
Series		96.4
Total		0.0



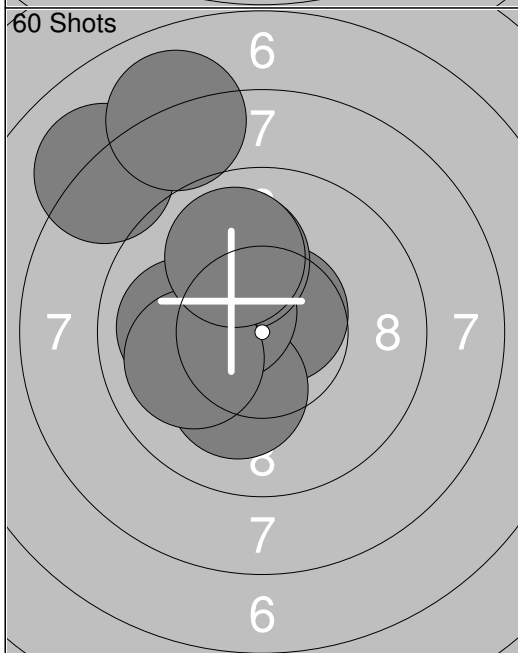
1:	9.1	→
2:	9.6	↘
3:	8.8	→
4:	9.9	↑
5:	9.7	↘
6:	10.0	↑
7:	10.7x	→
8:	9.4	←
9:	9.3	→
10:	10.1	↑
Series		96.6
Total		96.6



11:	9.7	↑
12:	10.5x	↘
13:	10.3x	↓
14:	10.1	↑
15:	10.2x	↑
16:	9.8	↑
17:	10.2x	↘
18:	10.6x	↑
19:	9.3	↗
20:	10.0	←
Series		100.7
Total		197.3



21:	9.7	↑
22:	10.5x	↑
23:	8.9	↑
24:	9.3	↑
25:	8.1	↑
26:	8.0	↘
27:	9.7	→
28:	10.8x	→
29:	10.5x	↙
30:	10.4x	↘
Series		95.9
Total		293.2

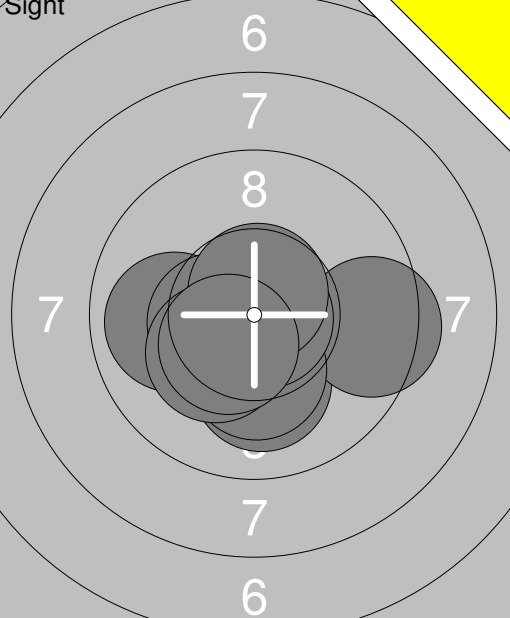
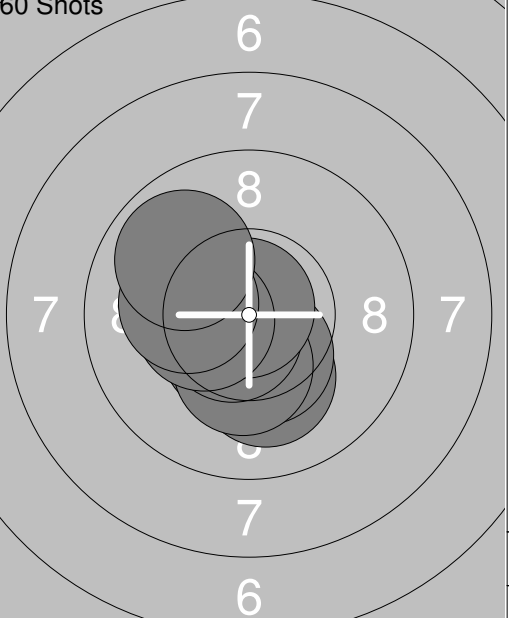


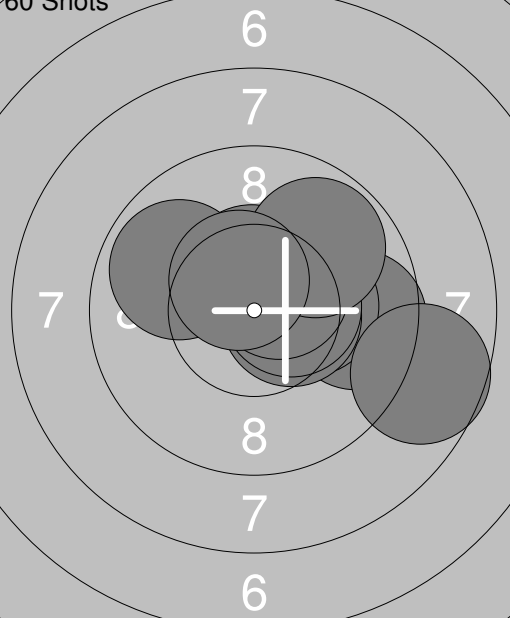
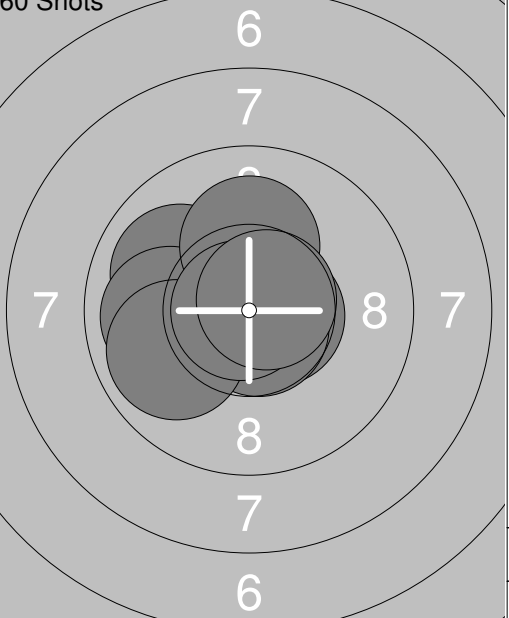
31:	10.6x	↗
32:	10.4x	←
33:	10.2x	↓
34:	10.4x	↖
35:	10.0	↑
36:	10.0	←
37:	10.0	←
38:	9.9	↑
39:	8.1	↖
40:	8.0	↑
Series		97.6
Total		390.8

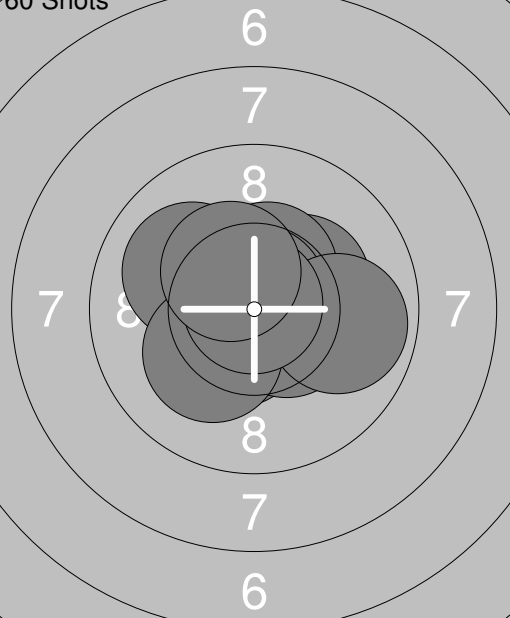
Sight 	Sight 	<table border="1" style="width:100%; border-collapse: collapse;"> <tr><td>1: 9.2</td><td>↗</td></tr> <tr><td>2: 8.6</td><td>↘</td></tr> <tr><td>3: 7.9</td><td>↘</td></tr> <tr><td>4: 7.9</td><td>↑</td></tr> <tr><td>5: 6.6</td><td>↘</td></tr> <tr><td>6: 7.2</td><td>↘</td></tr> <tr><td>7: 8.5</td><td>↗</td></tr> <tr><td>8: 10.6x</td><td>↑</td></tr> <tr><td>9: 10.6x</td><td>←</td></tr> <tr><td>10: 10.3x</td><td>→</td></tr> <tr><td>Series</td><td>87.4</td></tr> <tr><td>Total</td><td>0.0</td></tr> </table>	1: 9.2	↗	2: 8.6	↘	3: 7.9	↘	4: 7.9	↑	5: 6.6	↘	6: 7.2	↘	7: 8.5	↗	8: 10.6x	↑	9: 10.6x	←	10: 10.3x	→	Series	87.4	Total	0.0	<table border="1" style="width:100%; border-collapse: collapse;"> <tr><td>11: 9.9</td><td>↗</td></tr> <tr><td>12: 8.0</td><td>↑</td></tr> <tr><td>13: 9.7</td><td>↘</td></tr> <tr><td>14: 9.8</td><td>↘</td></tr> <tr><td>Series</td><td>37.4</td></tr> <tr><td>Total</td><td>0.0</td></tr> </table>	11: 9.9	↗	12: 8.0	↑	13: 9.7	↘	14: 9.8	↘	Series	37.4	Total	0.0
1: 9.2	↗																																						
2: 8.6	↘																																						
3: 7.9	↘																																						
4: 7.9	↑																																						
5: 6.6	↘																																						
6: 7.2	↘																																						
7: 8.5	↗																																						
8: 10.6x	↑																																						
9: 10.6x	←																																						
10: 10.3x	→																																						
Series	87.4																																						
Total	0.0																																						
11: 9.9	↗																																						
12: 8.0	↑																																						
13: 9.7	↘																																						
14: 9.8	↘																																						
Series	37.4																																						
Total	0.0																																						

60 Shots 	60 Shots 	<table border="1" style="width:100%; border-collapse: collapse;"> <tr><td>1: 9.7</td><td>←</td></tr> <tr><td>2: 9.1</td><td>→</td></tr> <tr><td>3: 10.2x</td><td>↘</td></tr> <tr><td>4: 2.7</td><td>←</td></tr> <tr><td>5: 7.4</td><td>↘</td></tr> <tr><td>6: 9.6</td><td>↑</td></tr> <tr><td>7: 10.5x</td><td>↘</td></tr> <tr><td>8: 8.6</td><td>↗</td></tr> <tr><td>9: 10.2x</td><td>↘</td></tr> <tr><td>10: 9.9</td><td>↘</td></tr> <tr><td>Series</td><td>87.9</td></tr> <tr><td>Total</td><td>87.9</td></tr> </table>	1: 9.7	←	2: 9.1	→	3: 10.2x	↘	4: 2.7	←	5: 7.4	↘	6: 9.6	↑	7: 10.5x	↘	8: 8.6	↗	9: 10.2x	↘	10: 9.9	↘	Series	87.9	Total	87.9	<table border="1" style="width:100%; border-collapse: collapse;"> <tr><td>11: 10.4x</td><td>↙</td></tr> <tr><td>12: 8.6</td><td>←</td></tr> <tr><td>13: 8.9</td><td>↗</td></tr> <tr><td>14: 10.0</td><td>↙</td></tr> <tr><td>15: 8.5</td><td>↙</td></tr> <tr><td>16: 9.1</td><td>↑</td></tr> <tr><td>17: 8.5</td><td>↘</td></tr> <tr><td>18: 7.6</td><td>↙</td></tr> <tr><td>19: 8.0</td><td>↘</td></tr> <tr><td>20: 9.0</td><td>↗</td></tr> <tr><td>Series</td><td>88.6</td></tr> <tr><td>Total</td><td>176.5</td></tr> </table>	11: 10.4x	↙	12: 8.6	←	13: 8.9	↗	14: 10.0	↙	15: 8.5	↙	16: 9.1	↑	17: 8.5	↘	18: 7.6	↙	19: 8.0	↘	20: 9.0	↗	Series	88.6	Total	176.5
1: 9.7	←																																																		
2: 9.1	→																																																		
3: 10.2x	↘																																																		
4: 2.7	←																																																		
5: 7.4	↘																																																		
6: 9.6	↑																																																		
7: 10.5x	↘																																																		
8: 8.6	↗																																																		
9: 10.2x	↘																																																		
10: 9.9	↘																																																		
Series	87.9																																																		
Total	87.9																																																		
11: 10.4x	↙																																																		
12: 8.6	←																																																		
13: 8.9	↗																																																		
14: 10.0	↙																																																		
15: 8.5	↙																																																		
16: 9.1	↑																																																		
17: 8.5	↘																																																		
18: 7.6	↙																																																		
19: 8.0	↘																																																		
20: 9.0	↗																																																		
Series	88.6																																																		
Total	176.5																																																		

60 Shots 	60 Shots 	<table border="1" style="width:100%; border-collapse: collapse;"> <tr><td>21: 8.7</td><td>↑</td></tr> <tr><td>22: 9.9</td><td>↘</td></tr> <tr><td>23: 9.9</td><td>↘</td></tr> <tr><td>24: 9.4</td><td>↑</td></tr> <tr><td>25: 10.0</td><td>→</td></tr> <tr><td>26: 9.9</td><td>↖</td></tr> <tr><td>27: 9.8</td><td>←</td></tr> <tr><td>28: 10.6x</td><td>↑</td></tr> <tr><td>29: 10.4x</td><td>↑</td></tr> <tr><td>30: 10.6x</td><td>↘</td></tr> <tr><td>Series</td><td>99.2</td></tr> <tr><td>Total</td><td>275.7</td></tr> </table>	21: 8.7	↑	22: 9.9	↘	23: 9.9	↘	24: 9.4	↑	25: 10.0	→	26: 9.9	↖	27: 9.8	←	28: 10.6x	↑	29: 10.4x	↑	30: 10.6x	↘	Series	99.2	Total	275.7	<table border="1" style="width:100%; border-collapse: collapse;"> <tr><td>31: 9.0</td><td>↗</td></tr> <tr><td>32: 10.5x</td><td>↖</td></tr> <tr><td>33: 8.7</td><td>←</td></tr> <tr><td>34: 9.9</td><td>↑</td></tr> <tr><td>35: 9.2</td><td>↑</td></tr> <tr><td>36: 9.9</td><td>↗</td></tr> <tr><td>37: 9.2</td><td>↑</td></tr> <tr><td>38: 8.7</td><td>↗</td></tr> <tr><td>39: 7.6</td><td>↘</td></tr> <tr><td>40: 9.9</td><td>↘</td></tr> <tr><td>Series</td><td>92.6</td></tr> <tr><td>Total</td><td>368.3</td></tr> </table>	31: 9.0	↗	32: 10.5x	↖	33: 8.7	←	34: 9.9	↑	35: 9.2	↑	36: 9.9	↗	37: 9.2	↑	38: 8.7	↗	39: 7.6	↘	40: 9.9	↘	Series	92.6	Total	368.3
21: 8.7	↑																																																		
22: 9.9	↘																																																		
23: 9.9	↘																																																		
24: 9.4	↑																																																		
25: 10.0	→																																																		
26: 9.9	↖																																																		
27: 9.8	←																																																		
28: 10.6x	↑																																																		
29: 10.4x	↑																																																		
30: 10.6x	↘																																																		
Series	99.2																																																		
Total	275.7																																																		
31: 9.0	↗																																																		
32: 10.5x	↖																																																		
33: 8.7	←																																																		
34: 9.9	↑																																																		
35: 9.2	↑																																																		
36: 9.9	↗																																																		
37: 9.2	↑																																																		
38: 8.7	↗																																																		
39: 7.6	↘																																																		
40: 9.9	↘																																																		
Series	92.6																																																		
Total	368.3																																																		

 <p style="font-size: small;">Sight</p>	<p>1: 10.1 ↓</p> <p>2: 9.9 ←</p> <p>3: 10.7x ↙</p> <p>4: 9.5 →</p> <p>5: 10.2x ↓</p> <p>6: 10.5x ←</p> <p>7: 10.8x →</p> <p>8: 10.7x ↑</p> <p>9: 10.3x ↙</p> <p>10: 10.5x ↙</p>	<p>60 Shots</p>  <p>1: 10.1 ↓</p> <p>2: 10.4x ↓</p> <p>3: 10.6x ↙</p> <p>4: 10.5x ↙</p> <p>5: 10.3x ↓</p> <p>6: 10.6x ↙</p> <p>7: 10.8x ↗</p> <p>8: 10.4x ←</p> <p>9: 10.2x ←</p> <p>10: 9.9 ↖</p>
Series 103.2	Series 103.8	Series 103.8
Total 0.0	Total 103.8	Total 103.8

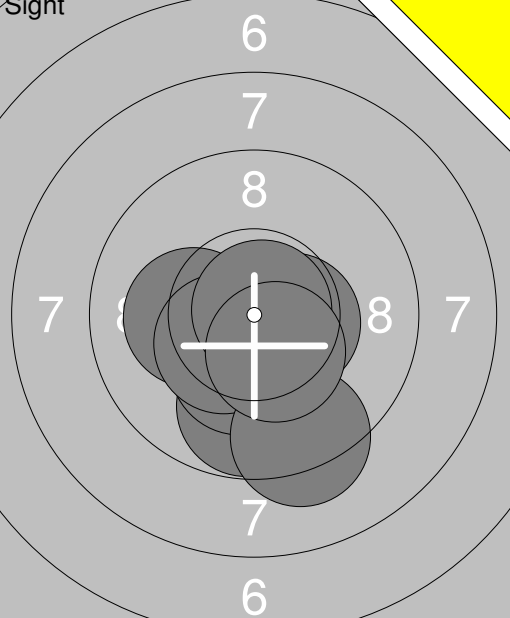
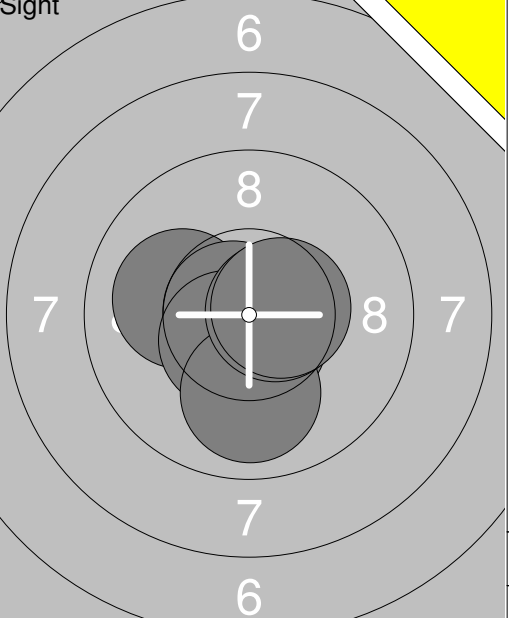
<p>60 Shots</p> 	<p>11: 9.6 →</p> <p>12: 10.5x ↑</p> <p>13: 10.3x →</p> <p>14: 10.5x →</p> <p>15: 10.5x →</p> <p>16: 10.5x ↗</p> <p>17: 9.9 ←</p> <p>18: 8.7 →</p> <p>19: 9.8 ↗</p> <p>20: 10.5x ↖</p>	<p>60 Shots</p>  <p>21: 10.6x →</p> <p>22: 10.1 ←</p> <p>23: 10.6x ↖</p> <p>24: 10.0 ↖</p> <p>25: 9.9 ←</p> <p>26: 10.1 ↑</p> <p>27: 10.7x ↓</p> <p>28: 9.9 ←</p> <p>29: 10.8x ←</p> <p>30: 10.7x ↗</p>
Series 100.8	Series 103.4	Series 103.4
Total 204.6	Total 308.0	Total 308.0

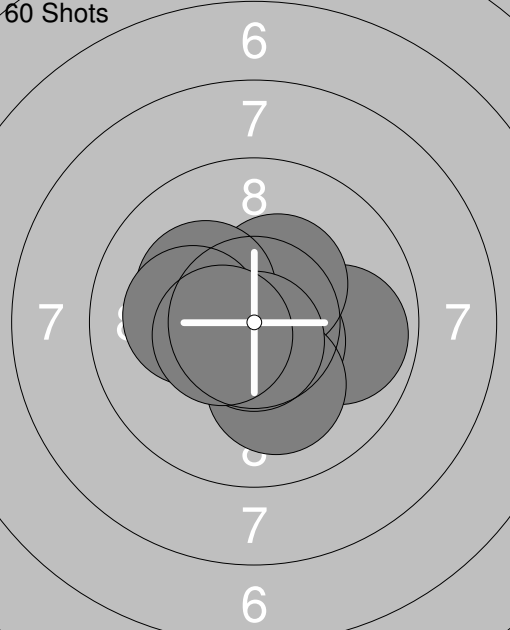
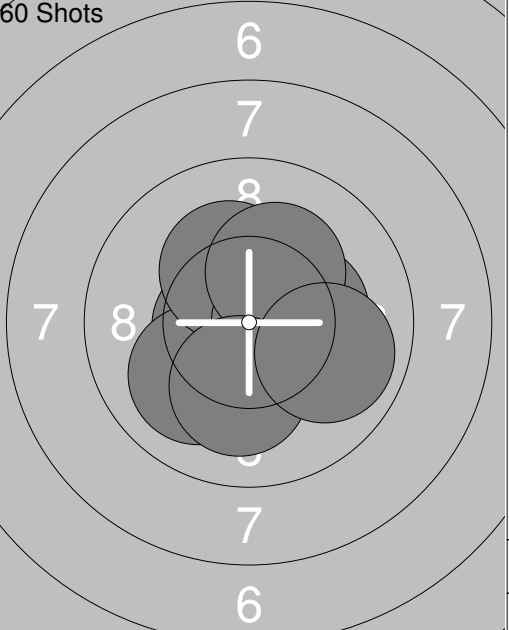
<p>60 Shots</p> 	<p>31: 10.3x ↗</p> <p>32: 10.0 ↖</p> <p>33: 10.4x ↑</p> <p>34: 10.5x ↙</p> <p>35: 10.8x ↑</p> <p>36: 10.5x →</p> <p>37: 10.2x ↙</p> <p>38: 9.9 →</p> <p>39: 10.9x ↑</p> <p>40: 10.4x ↖</p>	
Series 103.9		
Total 411.9		

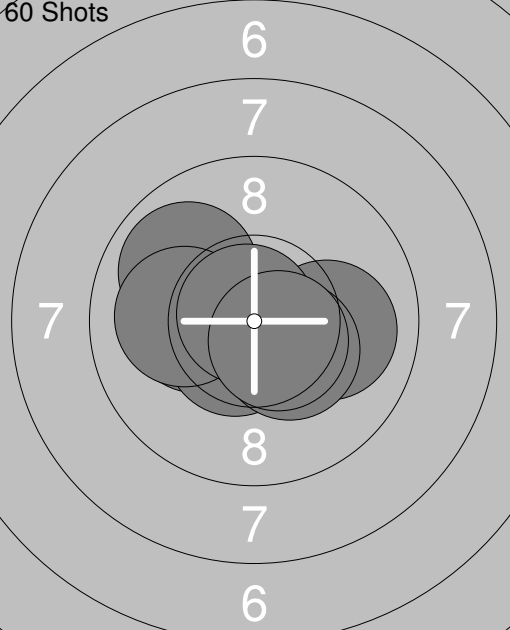
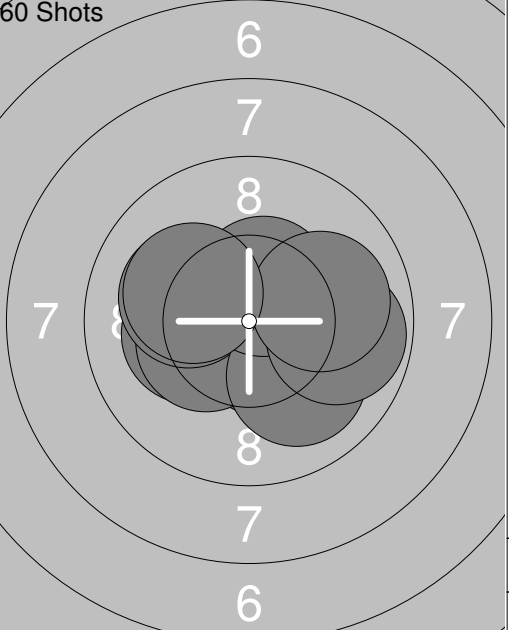
<p>Sight</p>	<p>1: 8.8 ←</p> <p>2: 8.4 →</p> <p>3: 8.6 ↙</p> <p>4: 8.8 ↙</p> <p>5: 9.5 →</p> <p>6: 10.3x ↘</p> <p>7: 9.7 ↘</p> <p>8: 10.4x ↘</p> <p>9: 10.1 ↗</p> <p>10: 8.3 ←</p>	<p>Sight</p>	<p>11: 10.3x ↘</p> <p>12: 7.9 →</p> <p>13: 6.2 →</p> <p>14: 9.1 ←</p> <p>15: 10.0 →</p>
Series 92.9		Series 43.5	
Total 0.0		Total 0.0	

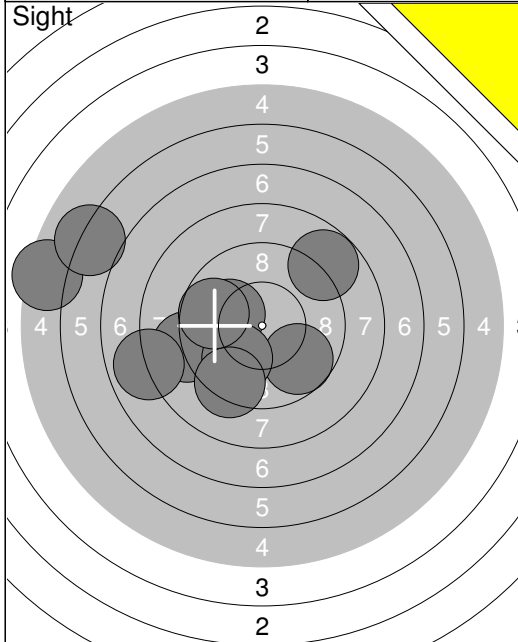
<p>60 Shots</p>	<p>1: 10.2x ↘</p> <p>2: 10.3x →</p> <p>3: 7.3 ↘</p> <p>4: 9.0 →</p> <p>5: 9.6 ↘</p> <p>6: 9.7 ↘</p> <p>7: 9.0 ↗</p> <p>8: 10.4x ↙</p> <p>9: 9.1 ↘</p> <p>10: 9.0 ↘</p>	<p>60 Shots</p>	<p>11: 10.1 ↘</p> <p>12: 10.9x ↗</p> <p>13: 8.6 ↗</p> <p>14: 8.8 ↗</p> <p>15: 8.2 ↘</p> <p>16: 10.4x ↙</p> <p>17: 8.8 ↗</p> <p>18: 10.4x →</p> <p>19: 9.1 ↗</p> <p>20: 8.9 ↗</p>
Series 93.6		Series 94.2	
Total 93.6		Total 187.8	

<p>60 Shots</p>	<p>21: 9.6 →</p> <p>22: 9.5 ←</p> <p>23: 9.2 ↑</p> <p>24: 10.9x ↘</p> <p>25: 8.5 ↗</p> <p>26: 8.1 ↗</p> <p>27: 10.6x ↙</p> <p>28: 8.9 ↗</p> <p>29: 9.5 ↑</p> <p>30: 8.6 ↑</p>	<p>60 Shots</p>	<p>31: 9.4 →</p> <p>32: 10.5x ↘</p> <p>33: 10.2x ↗</p> <p>34: 6.6 →</p> <p>35: 9.5 ←</p> <p>36: 8.6 ←</p> <p>37: 10.2x ↙</p> <p>38: 9.6 ←</p> <p>39: 9.6 ←</p> <p>40: 8.2 ↗</p>
Series 93.4		Series 92.4	
Total 281.2		Total 373.6	

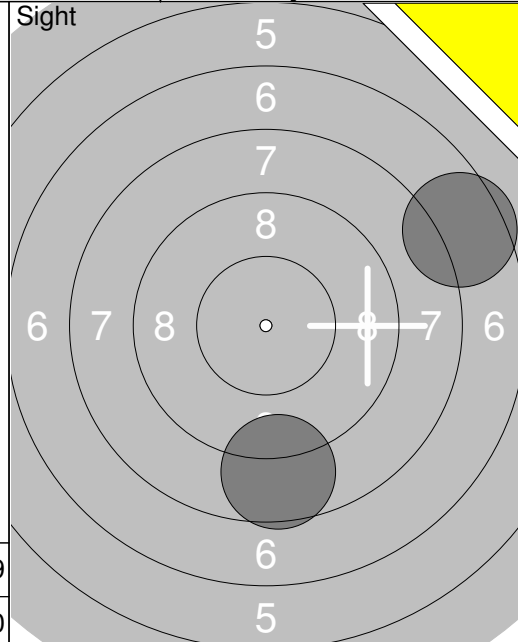
<p>Sight</p> 	<p>1: 10.6x ↓ 2: 10.7x ↓ 3: 10.2x ← 4: 9.8 ↓ 5: 10.3x ↓ 6: 10.4x ↙ 7: 10.5x → 8: 10.8x ↗ 9: 9.3 ↓ 10: 10.4x ↓</p> <p>Series 103.0 Total 0.0</p>	<p>Sight</p> 	<p>11: 10.1 ← 12: 10.7x ← 13: 10.6x ↓ 14: 10.5x ↙ 15: 10.0 ↓ 16: 10.6x → 17: 10.5x →</p> <p>Series 73.0 Total 0.0</p>
------------------------------------------------------------------------------------------------------	--------------------------------------------------------------------------------------------------------------------------------------------------------------------------------------------------------------------------------------------------------------------------------------------------------------------------------------------------	--------------------------------------------------------------------------------------------------------	---------------------------------------------------------------------------------------------------------------------------------------------------------------------------------------------------------------------------------------------------------

<p>60 Shots</p> 	<p>1: 10.8x ↓ 2: 9.9 → 3: 10.6x ↓ 4: 10.8x ↓ 5: 10.4x ↗ 6: 10.2x ↖ 7: 10.1 ↓ 8: 10.2x ← 9: 10.7x ↓ 10: 10.5x ↖</p> <p>Series 104.2 Total 104.2</p>	<p>60 Shots</p> 	<p>11: 10.6x ← 12: 10.7x → 13: 10.0 ↙ 14: 10.2x ↗ 15: 10.3x → 16: 10.4x → 17: 10.5x → 18: 10.2x ↗ 19: 10.1 ↓ 20: 9.9 →</p> <p>Series 102.9 Total 207.1</p>
----------------------------------------------------------------------------------------------------------	-----------------------------------------------------------------------------------------------------------------------------------------------------------------------------------------------------------------------------------------------------------------------------------------------------------------------------------------------------	------------------------------------------------------------------------------------------------------------	-------------------------------------------------------------------------------------------------------------------------------------------------------------------------------------------------------------------------------------------------------------------------------------------------------------------------------------------------------------

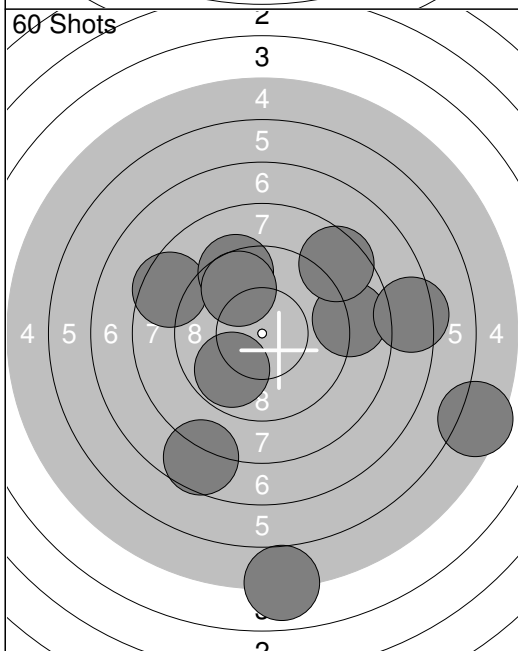
<p>60 Shots</p> 	<p>21: 10.7x ↓ 22: 10.2x ← 23: 10.0 → 24: 10.6x ↙ 25: 10.6x ↓ 26: 9.9 ↖ 27: 10.4x ↓ 28: 10.1 ← 29: 10.8x ↖ 30: 10.5x ↓</p> <p>Series 103.8 Total 310.9</p>	<p>60 Shots</p> 	<p>31: 10.6x ↓ 32: 10.8x ↙ 33: 10.2x ← 34: 10.3x ↙ 35: 10.1 ← 36: 10.0 ↓ 37: 10.5x ↗ 38: 9.8 → 39: 10.0 → 40: 10.1 ↖</p> <p>Series 102.4 Total 413.3</p>
-----------------------------------------------------------------------------------------------------------	-------------------------------------------------------------------------------------------------------------------------------------------------------------------------------------------------------------------------------------------------------------------------------------------------------------------------------------------------------------	-------------------------------------------------------------------------------------------------------------	-----------------------------------------------------------------------------------------------------------------------------------------------------------------------------------------------------------------------------------------------------------------------------------------------------------------------------------------------------------



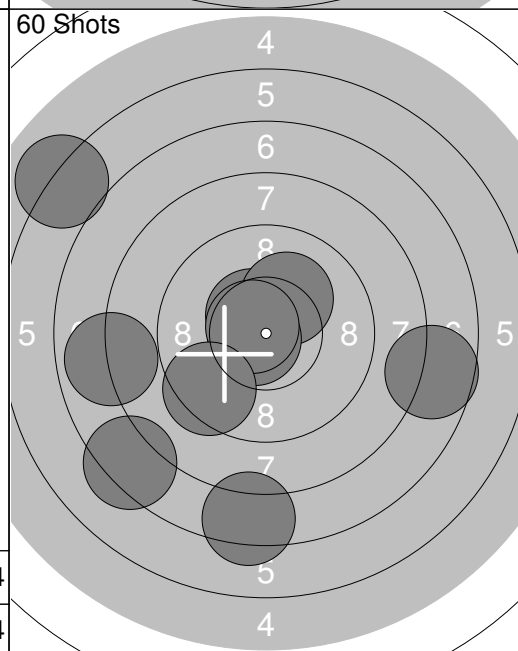
1:	5.4	←
2:	6.1	↖
3:	9.7	↘
4:	9.0	←
5:	10.1	↖
6:	9.9	↘
7:	7.9	←
8:	9.3	↘
9:	9.7	←
10:	8.8	↗
Series		85.9
Total		0.0



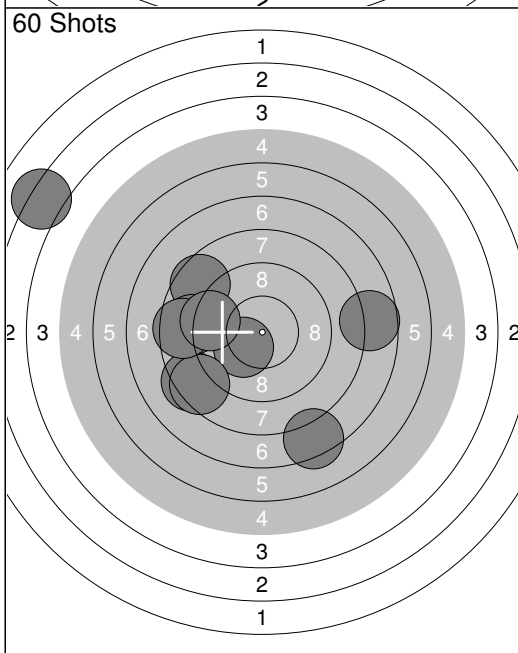
11:	7.5	↗
12:	8.7	↓
Series		16.2
Total		0.0



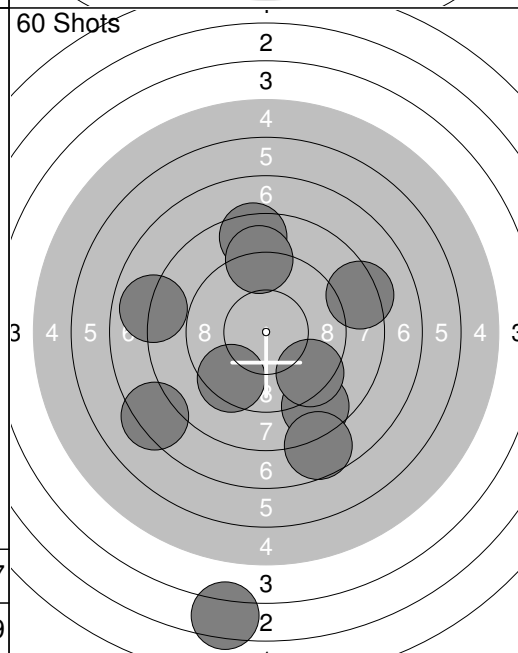
1:	8.8	→
2:	5.5	→
3:	8.5	↖
4:	7.4	→
5:	9.4	↗
6:	5.0	↓
7:	8.5	↗
8:	9.8	↘
9:	7.7	↘
10:	9.8	↗
Series		80.4
Total		80.4



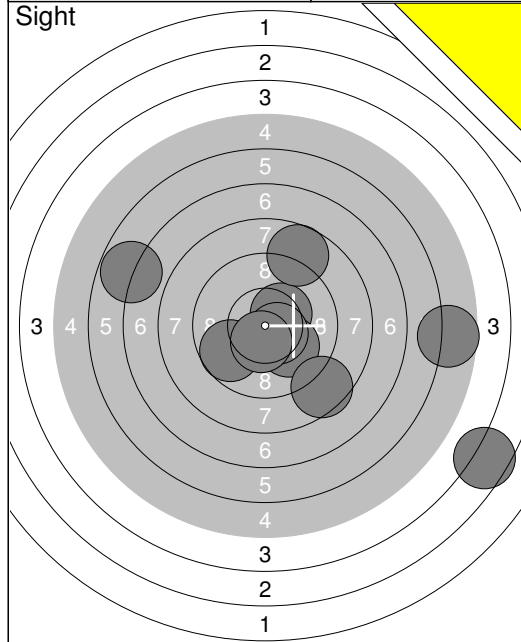
11:	10.5x	↖
12:	10.2x	↗
13:	7.9	←
14:	6.0	↖
15:	7.4	↓
16:	7.3	↘
17:	10.7x	↖
18:	10.7x	↖
19:	9.4	↘
20:	7.7	→
Series		87.8
Total		168.2



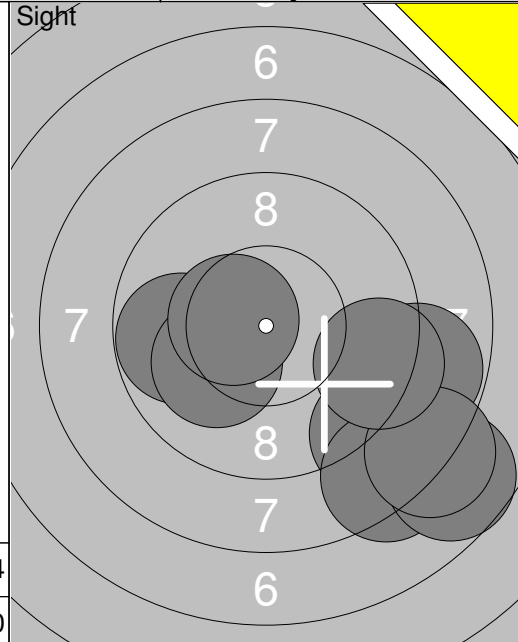
21:	10.2x	↖
22:	8.6	↗
23:	8.3	↖
24:	8.9	←
25:	3.2	↗
26:	8.5	↖
27:	8.6	←
28:	9.3	←
29:	7.4	↘
30:	7.7	→
Series		80.7
Total		248.9



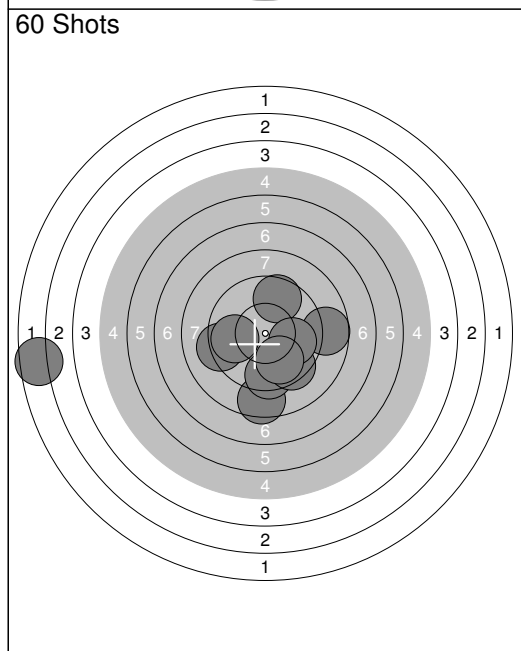
31:	8.3	↗
32:	8.6	↘
33:	7.3	↖
34:	8.4	↑
35:	9.4	↖
36:	3.5	↓
37:	7.7	↘
38:	9.4	↘
39:	9.0	↑
40:	7.9	←
Series		79.5
Total		328.4



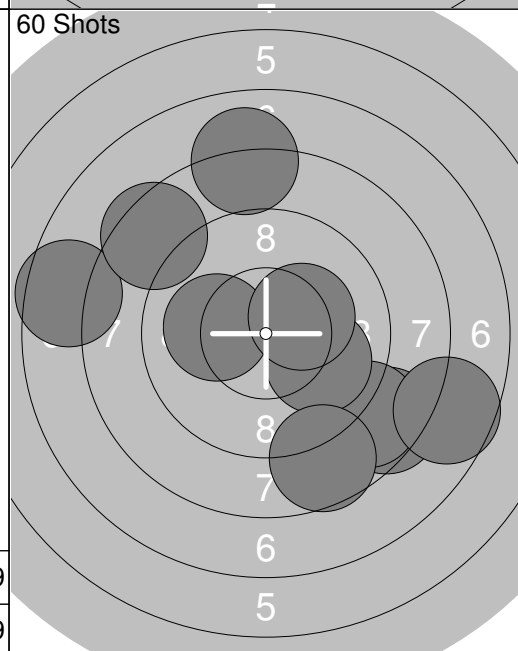
1: 10.4x ↗
2: 10.0 ↘
3: 10.5x ↘
4: 3.6 ↘
5: 8.5 ↘
6: 9.7 ↙
7: 10.5x ↓
8: 5.7 →
9: 6.8 ←
10: 8.7 ↗
Series 84.4
Total 0.0



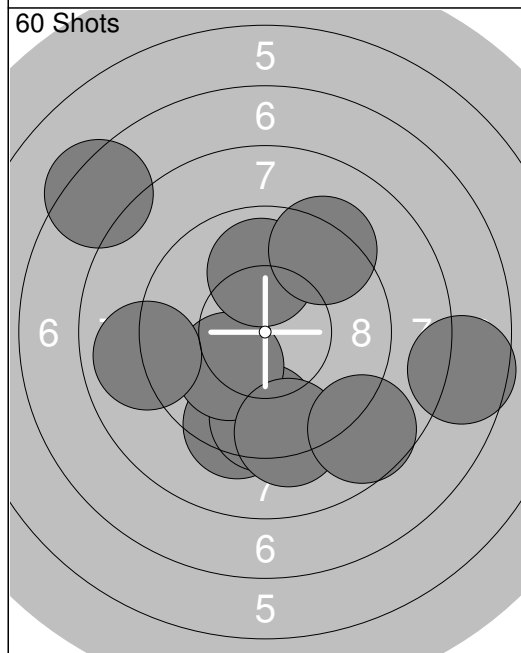
11: 9.8 ←
12: 8.9 ↘
13: 8.3 ↘
14: 7.7 ↘
15: 10.1 ↙
16: 8.8 →
17: 8.1 ↘
18: 10.5x ←
19: 9.3 →
Series 81.5
Total 0.0



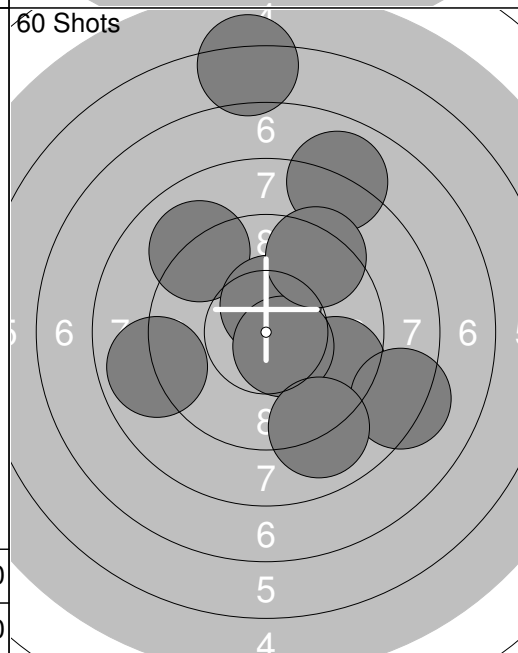
1: 8.5 ↓
2: 9.2 ←
3: 9.6 ↗
4: 2.6 ←
5: 9.4 ↓
6: 9.4 ↓
7: 8.7 →
8: 9.9 →
9: 9.8 ←
10: 9.8 ↓
Series 86.9
Total 86.9



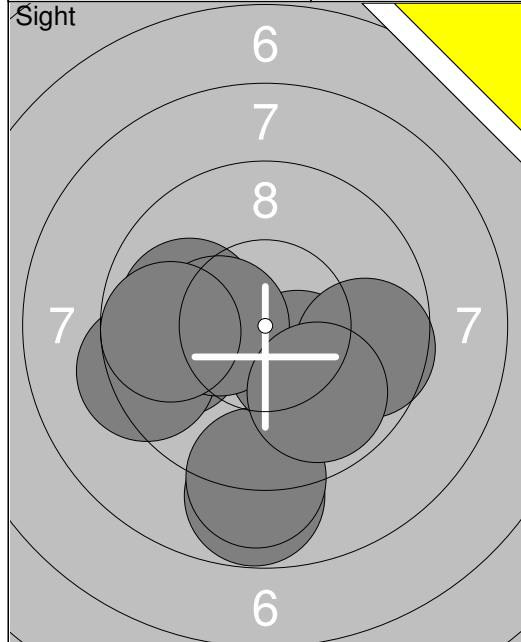
11: 8.5 ↘
12: 7.6 ←
13: 8.8 ↘
14: 8.5 ↗
15: 10.1 ←
16: 7.7 →
17: 10.0 ↘
18: 8.6 ↓
19: 10.3x →
20: 8.0 ↗
Series 88.1
Total 175.0



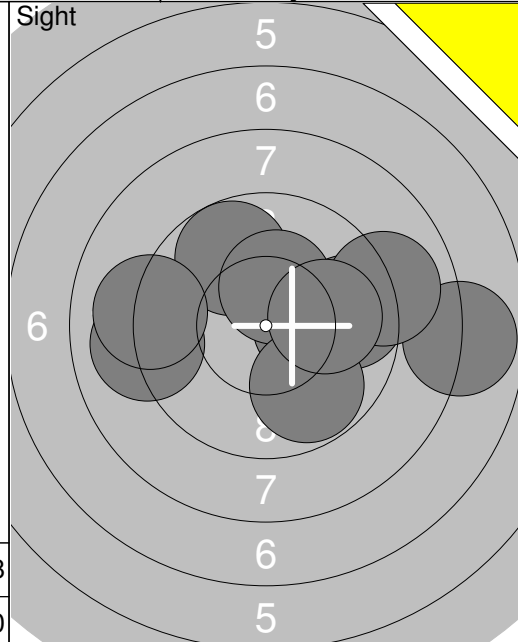
21: 9.3 ↓
22: 7.6 →
23: 9.5 ↓
24: 10.1 ↙
25: 10.0 ↗
26: 7.4 ↗
27: 8.9 ←
28: 9.2 ↓
29: 8.7 ↘
30: 9.3 ↗
Series 90.0
Total 265.0



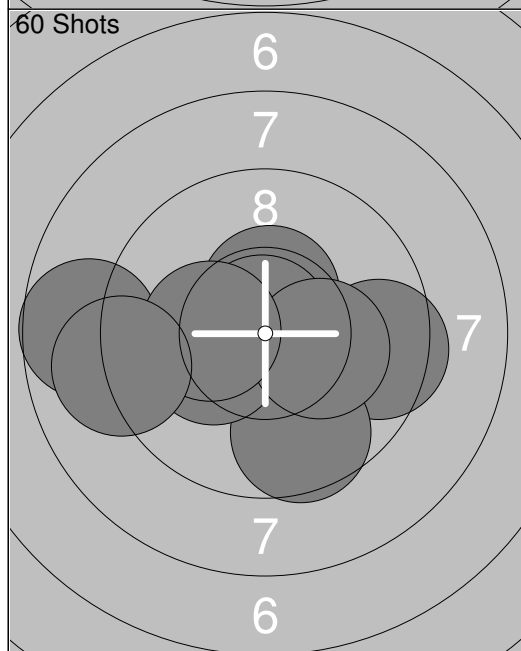
31: 9.1 ↗
32: 9.6 →
33: 6.2 ↗
34: 8.3 →
35: 10.5x ↗
36: 8.0 ↗
37: 10.5x ↘
38: 8.9 ←
39: 9.0 ↘
40: 9.4 ↗
Series 89.5
Total 354.5



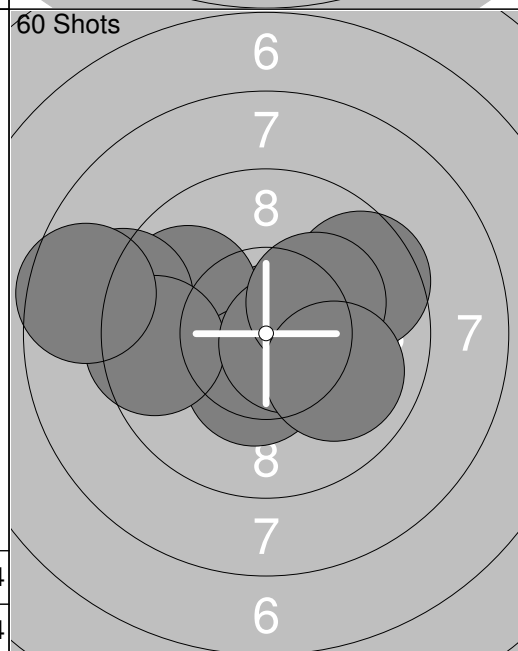
1:	8.8	↓
2:	10.0	←
3:	9.0	↓
4:	9.8	←
5:	9.3	←
6:	10.3x	↘
7:	10.4x	←
8:	9.6	→
9:	9.9	↓
10:	9.7	←
Series		96.8
Total		0.0



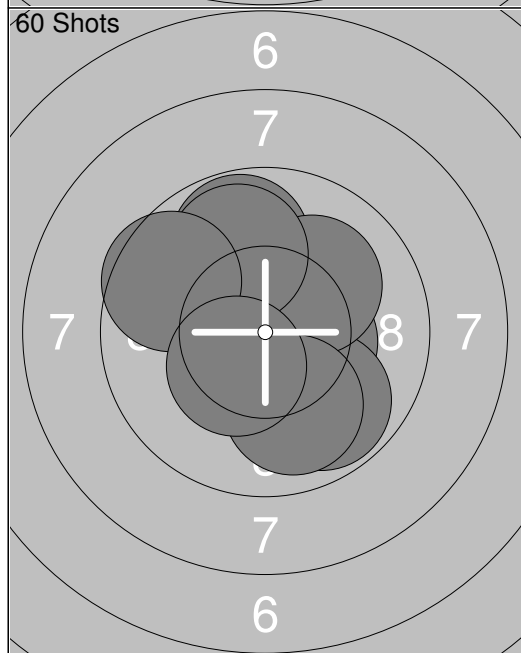
11:	7.9	→
12:	10.3x	→
13:	9.1	←
14:	9.8	↖
15:	9.6	→
16:	10.3x	↗
17:	9.1	←
18:	9.0	→
19:	9.8	↘
20:	10.0	→
Series		94.9
Total		0.0



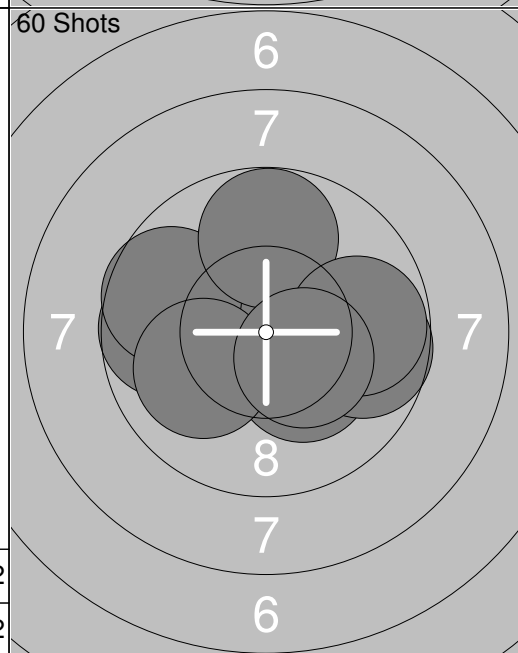
1:	9.5	→
2:	10.5x	↗
3:	8.7	←
4:	10.8x	↗
5:	10.5x	↘
6:	9.6	↓
7:	10.2x	←
8:	10.2x	→
9:	10.3x	←
10:	9.1	←
Series		99.4
Total		99.4



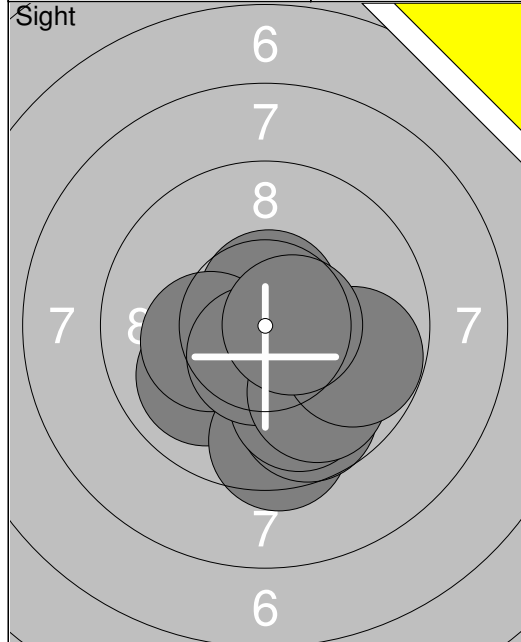
11:	10.8x	→
12:	9.6	↗
13:	9.8	←
14:	9.1	←
15:	10.4x	↘
16:	9.5	←
17:	10.6x	→
18:	8.6	←
19:	10.2x	↗
20:	10.0	↘
Series		98.6
Total		198.0



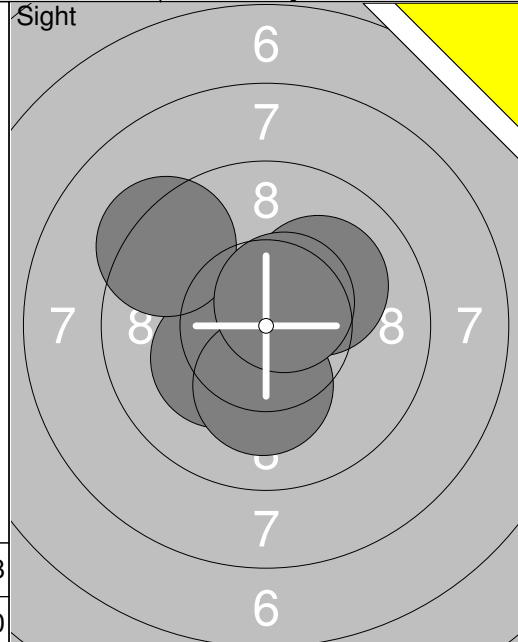
21:	10.5x	↘
22:	10.4x	→
23:	10.7x	↘
24:	9.8	↗
25:	9.8	↘
26:	10.1	↗
27:	10.0	↓
28:	9.9	↗
29:	9.6	↖
30:	10.4x	↘
Series		101.2
Total		299.2



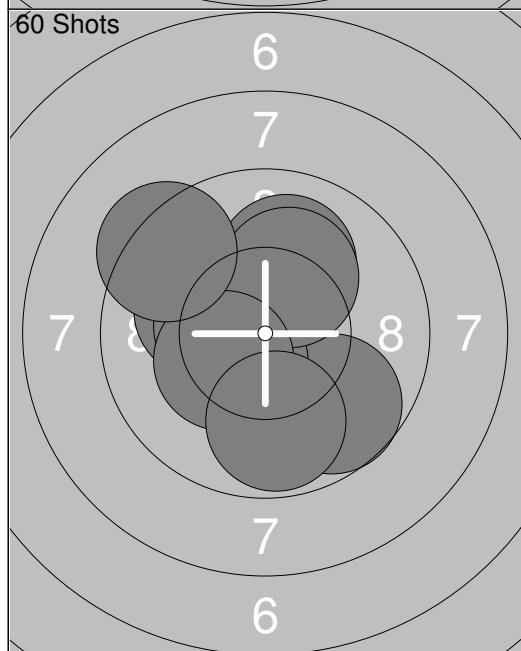
31:	10.5x	↖
32:	10.3x	↘
33:	10.0	↗
34:	9.7	←
35:	9.7	↖
36:	9.8	↗
37:	9.7	→
38:	10.0	↖
39:	9.8	→
40:	10.4x	↘
Series		99.9
Total		399.1



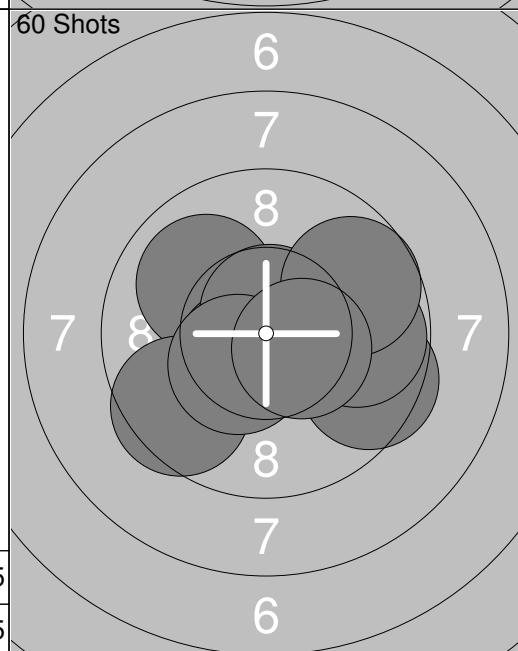
1:	10.0 ↙
2:	9.5 ↓
3:	10.6x ↑
4:	10.2x ←
5:	9.7 ↓
6:	9.9 ↓
7:	10.6x ↓
8:	9.9 ↓
9:	9.8 →
10:	10.6x →
Series	100.8
Total	0.0



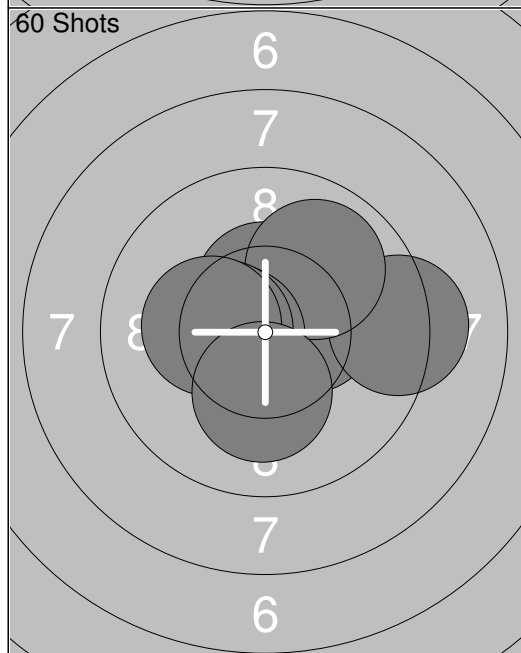
11:	10.2x ↙
12:	9.3 ↖
13:	10.2x ↓
14:	10.1 ↗
15:	10.6x ↗
Series	50.4
Total	0.0



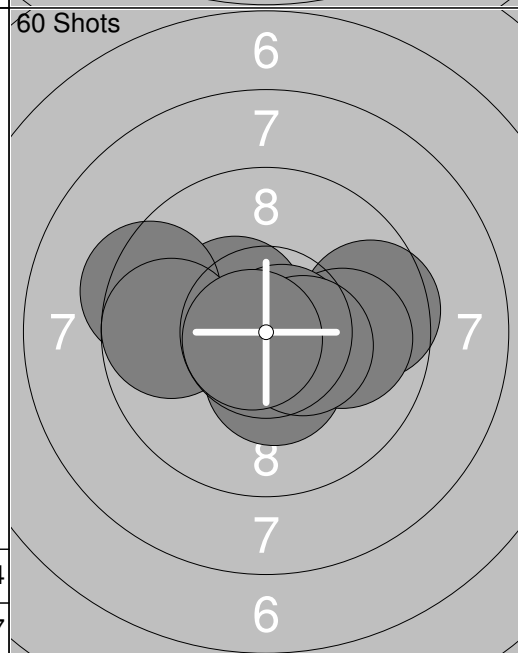
1:	10.1 ↖
2:	10.3x ↓
3:	9.7 ↓
4:	10.0 ↑
5:	10.4x ←
6:	10.4x ↙
7:	10.2x ↑
8:	10.3x ←
9:	9.8 ↓
10:	9.3 ↖
Series	100.5
Total	100.5



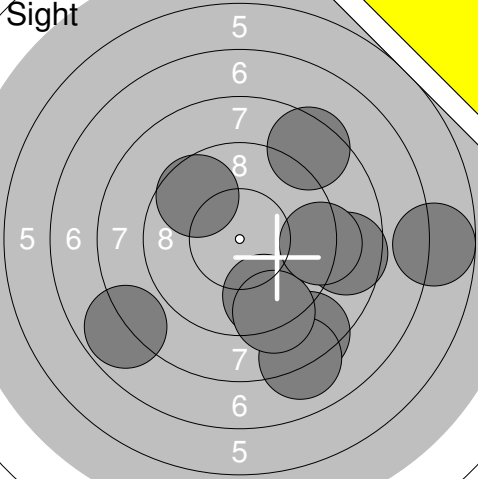
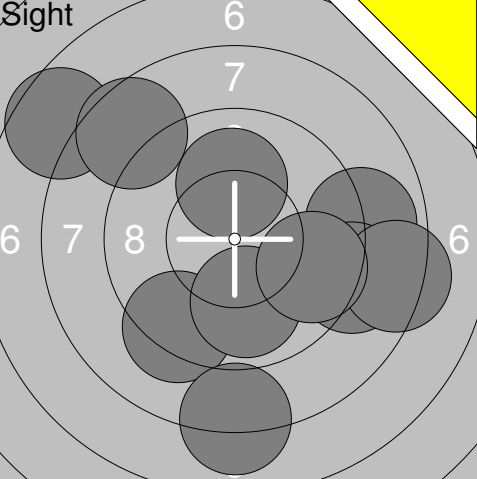
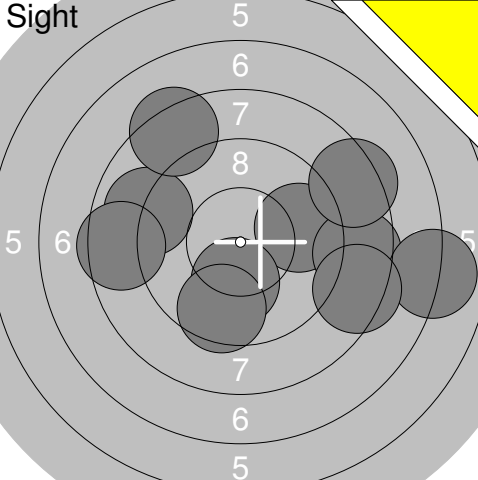
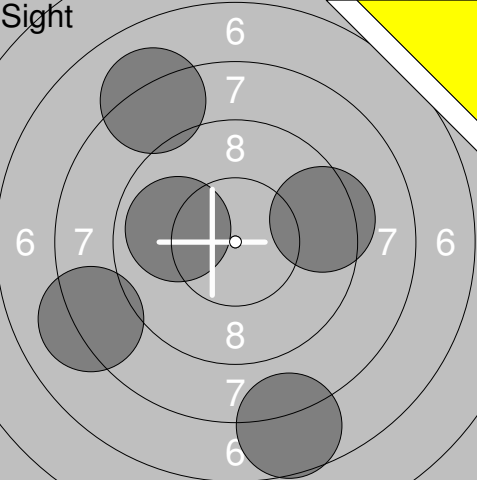
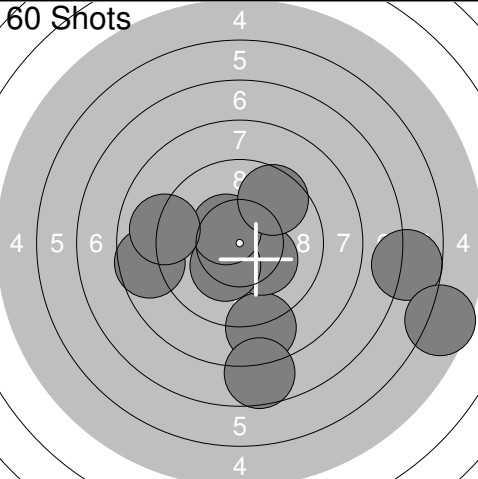
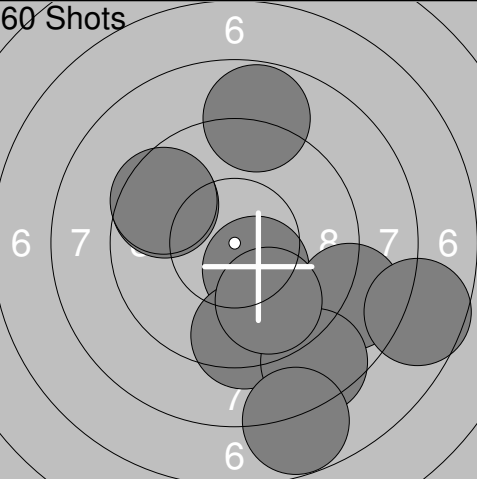
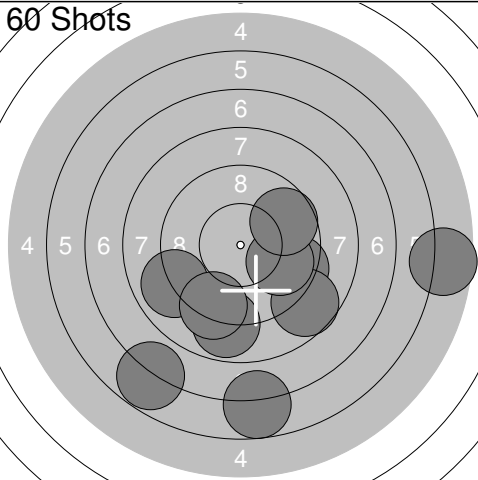
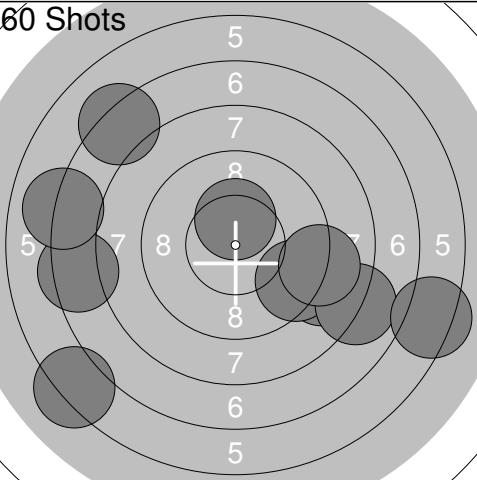
11:	10.0 ↖
12:	10.5x ↙
13:	9.5 →
14:	9.5 ↙
15:	10.2x →
16:	9.8 →
17:	10.7x ↑
18:	9.7 ↗
19:	10.4x ↙
20:	10.5x →
Series	100.8
Total	201.3

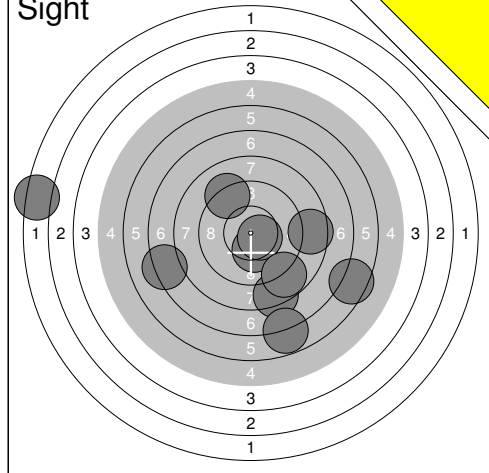


21:	10.4x ↑
22:	10.4x ↑
23:	10.4x →
24:	9.3 →
25:	9.9 ↗
26:	10.5x ←
27:	10.6x ←
28:	10.4x ←
29:	10.3x ←
30:	10.2x ↓
Series	102.4
Total	303.7

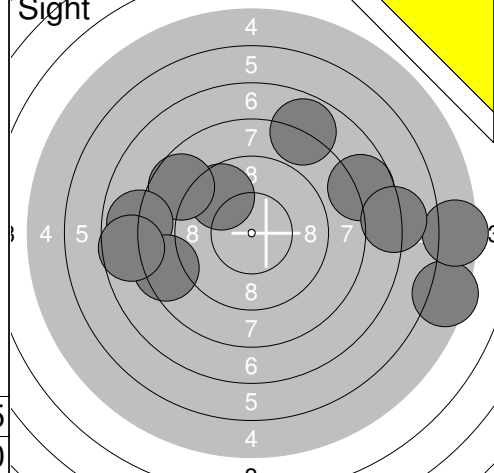


31:	10.4x ↖
32:	10.8x ↓
33:	10.4x ↓
34:	9.6 →
35:	10.0 →
36:	9.4 ↖
37:	10.7x →
38:	10.4x →
39:	9.7 ←
40:	10.8x ↙
Series	102.2
Total	405.9

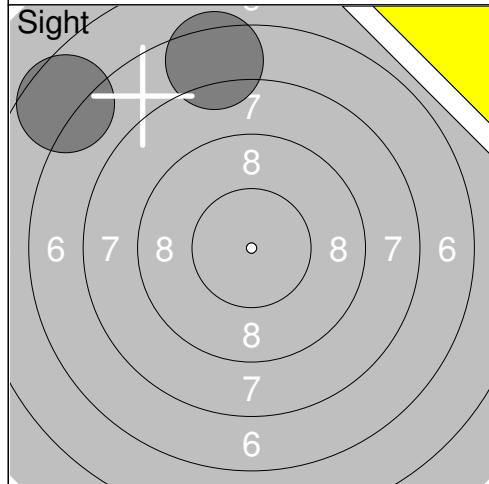
Relay	Lane	Kalle Karhu	
S		IMAS (Fin)	
2016-04-16	9	UME-Kulan 2016	Umeå skytteallians
Sight		1: 8.6 → 2: 8.4 ↓ 3: 8.1 ↓ 4: 8.5 ↗ 5: 9.6 ↓ 6: 9.2 ↓ 7: 9.6 ↗ 8: 9.2 → 9: 6.7 → 10: 7.8 ↙ Series 85.7 Total 0.0	Sight  11: 8.9 → 12: 7.6 ↗ 13: 9.3 ↓ 14: 10.1 ↑ 15: 8.6 ↗ 16: 9.0 → 17: 8.1 ↓ 18: 9.9 ↓ 19: 8.3 → 20: 9.6 → Series 89.4 Total 0.0
Sight		21: 9.7 → 22: 9.0 ← 23: 10.1 ↓ 24: 8.6 → 25: 8.4 → 26: 7.0 → 27: 8.3 ↗ 28: 8.4 ↘ 29: 8.5 ← 30: 9.5 ↓ Series 87.5 Total 0.0	Sight  31: 9.9 ← 32: 8.2 ↗ 33: 8.1 ← 34: 9.4 → 35: 7.7 ↓ Series 43.3 Total 0.0
60 Shots		1: 8.8 ↓ 2: 10.2x ↘ 3: 10.3x ↘ 4: 6.7 → 5: 10.5x ↗ 6: 9.6 ↗ 7: 8.6 ← 8: 5.6 → 9: 9.0 ← 10: 7.6 ↓ Series 86.9 Total 86.9	60 Shots  11: 10.4x ↘ 12: 9.4 ↓ 13: 8.8 → 14: 8.5 ↓ 15: 7.6 → 16: 9.8 ↓ 17: 8.8 ↑ 18: 9.6 ↗ 19: 9.6 ↗ 20: 7.8 ↓ Series 90.3 Total 177.2
60 Shots		21: 9.4 → 22: 8.9 ↓ 23: 8.7 ↓ 24: 9.8 → 25: 8.9 ← 26: 9.7 ↗ 27: 5.6 → 28: 6.8 ↓ 29: 9.2 ↓ 30: 6.7 ↓ Series 83.7 Total 260.9	60 Shots  31: 7.4 ← 32: 7.0 ← 33: 6.2 ↙ 34: 8.8 → 35: 9.4 ↓ 36: 8.0 ↓ 37: 6.3 → 38: 7.2 ↗ 39: 9.0 → 40: 10.4x ↑ Series 79.7 Total 340.6



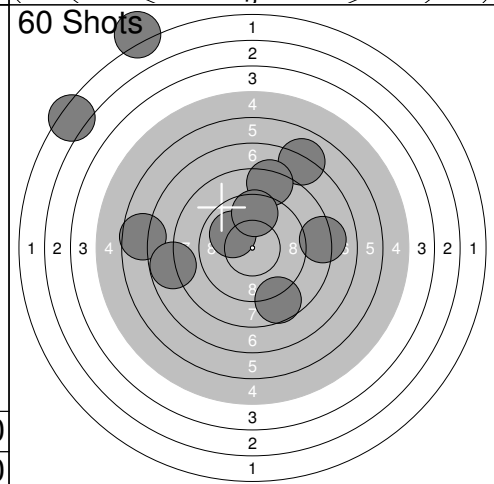
1:	8.3	↘
2:	8.6	→
3:	9.2	↗
4:	7.2	↖
5:	6.5	↘
6:	2.3	↖
7:	10.3x	↘
8:	6.8	↘
9:	10.5x	↗
10:	8.8	↘
Series		78.5
Total		0.0



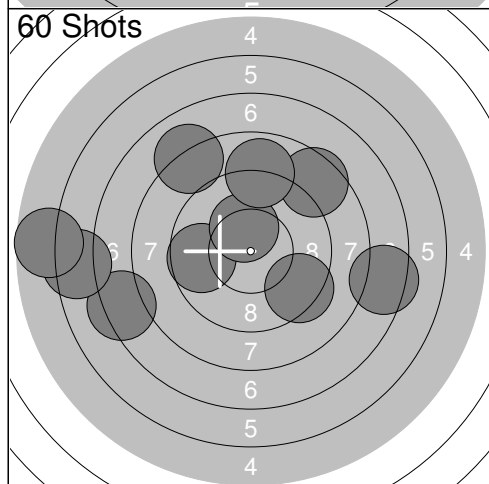
11:	9.7	↗
12:	5.4	→
13:	5.4	→
14:	7.9	↗
15:	8.7	↗
16:	7.7	→
17:	7.9	↖
18:	7.1	→
19:	8.4	↖
20:	7.7	↖
Series		75.9
Total		0.0



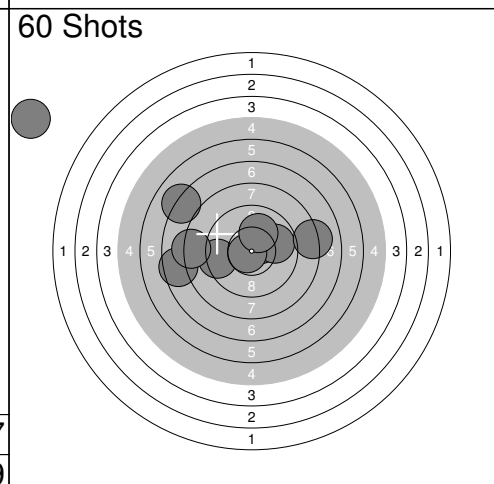
21:	6.6	↗
22:	7.4	↑
Series		14.0
Total		0.0



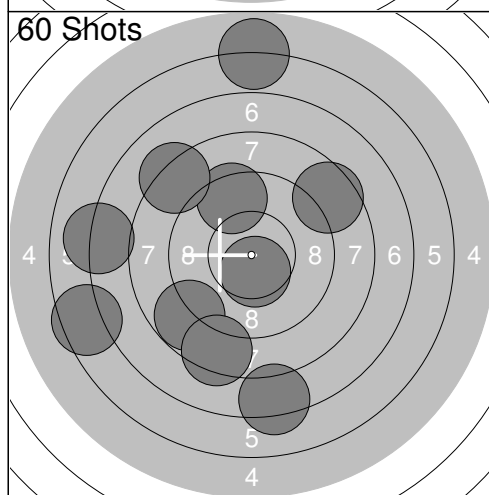
1:	10.0	↖
2:	6.7	↖
3:	8.2	→
4:	8.7	↘
5:	7.1	↗
6:	1.5	↗
7:	8.3	↑
8:	7.8	↖
9:	2.3	↗
10:	9.6	↑
Series		70.2
Total		70.2



11:	9.7	↖
12:	8.5	↗
13:	10.3x	↑
14:	8.1	↗
15:	7.3	↖
16:	6.4	↖
17:	7.4	→
18:	5.7	↖
19:	9.4	↘
20:	8.9	↑
Series		81.7
Total		151.9



21:	0.0	↖
22:	10.5x	↗
23:	9.4	↖
24:	7.5	↖
25:	9.8	→
26:	10.7x	↖
27:	8.1	→
28:	10.1	↗
29:	7.1	↖
30:	8.2	↖
Series		81.4
Total		233.3

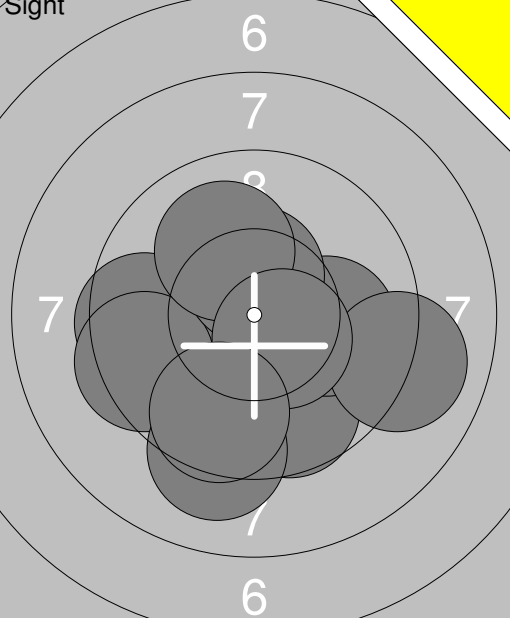
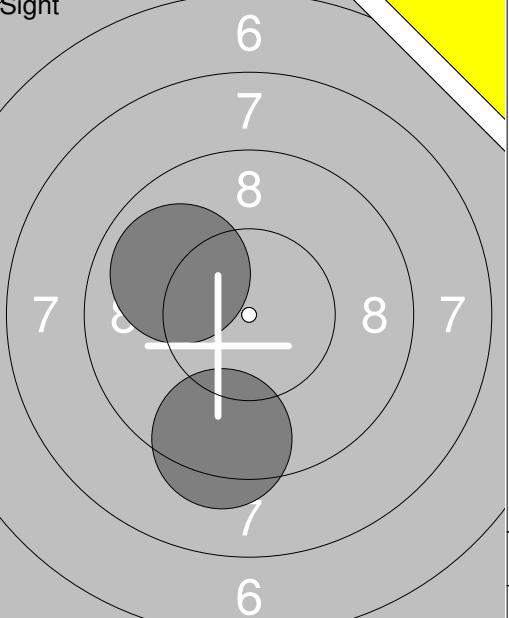


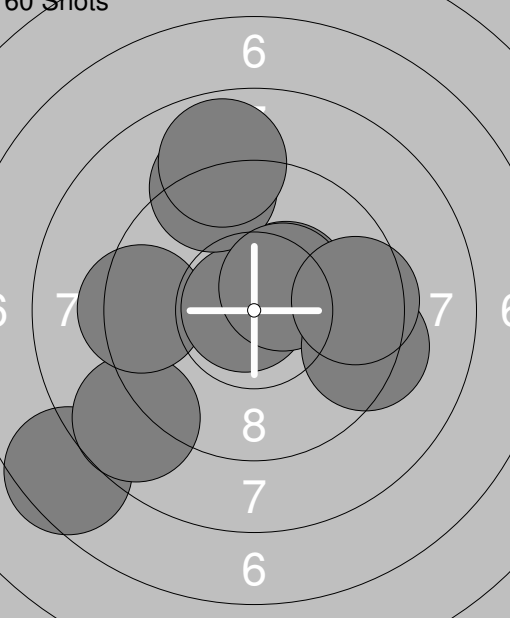
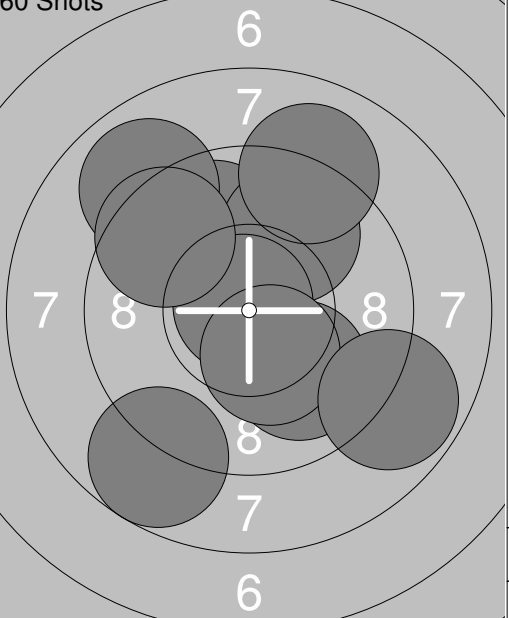
31:	7.3	↘
32:	8.8	↘
33:	9.4	↗
34:	7.1	↖
35:	6.5	↖
36:	8.5	↗
37:	8.2	↗
38:	10.5x	↘
39:	8.4	↘
40:	5.9	↑
Series		80.6
Total		313.9

<p>Sight</p>	<p>1: 8.3 →</p> <p>2: 7.9 ←</p> <p>3: 9.9 ←</p> <p>4: 9.8 ↗</p> <p>5: 10.3x ↑</p> <p>6: 9.7 ←</p> <p>7: 8.3 →</p> <p>8: 8.9 →</p> <p>9: 10.3x ←</p> <p>10: 10.2x →</p>	<p>Sight</p>	<p>11: 8.7 →</p>
Series	93.6	Series	8.7
Total	0.0	Total	0.0

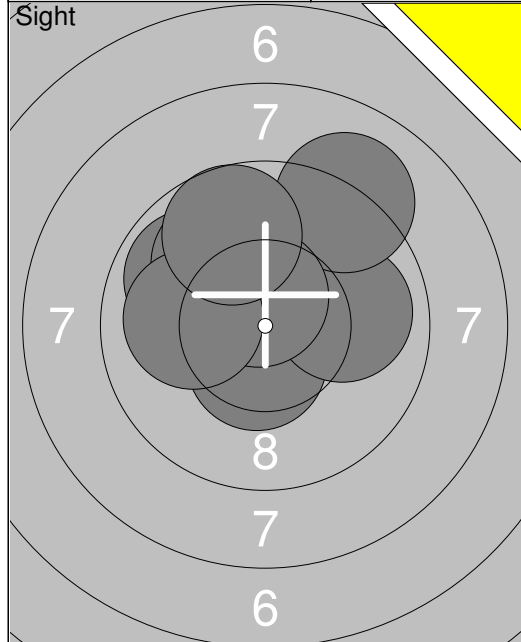
<p>60 Shots</p>	<p>1: 9.6 ↑</p> <p>2: 9.2 ←</p> <p>3: 10.5x ↗</p> <p>4: 9.9 ←</p> <p>5: 9.5 ↑</p> <p>6: 10.2x ↑</p> <p>7: 10.2x ↘</p> <p>8: 10.3x ↓</p> <p>9: 10.3x ←</p> <p>10: 9.5 ↑</p>	<p>60 Shots</p>	<p>11: 9.6 ↑</p> <p>12: 7.2 →</p> <p>13: 9.6 ↙</p> <p>14: 9.9 →</p> <p>15: 10.4x ↗</p> <p>16: 9.4 →</p> <p>17: 9.6 ↑</p> <p>18: 10.6x ↑</p> <p>19: 9.3 ↖</p> <p>20: 10.8x ↑</p>
Series	99.2	Series	96.4
Total	99.2	Total	195.6

<p>60 Shots</p>	<p>21: 9.3 ↓</p> <p>22: 9.3 ↑</p> <p>23: 10.4x ↖</p> <p>24: 10.6x ↑</p> <p>25: 9.3 →</p> <p>26: 9.3 ↗</p> <p>27: 10.8x ↘</p> <p>28: 10.4x ↓</p> <p>29: 9.0 →</p> <p>30: 8.3 ←</p>	<p>60 Shots</p>	<p>31: 9.5 ↖</p> <p>32: 10.0 ↑</p> <p>33: 10.5x ↘</p> <p>34: 9.7 →</p> <p>35: 9.1 ↗</p> <p>36: 10.7x ↖</p> <p>37: 7.2 ↖</p> <p>38: 9.1 ←</p> <p>39: 9.3 ↗</p> <p>40: 10.0 →</p>
Series	96.7	Series	95.1
Total	292.3	Total	387.4

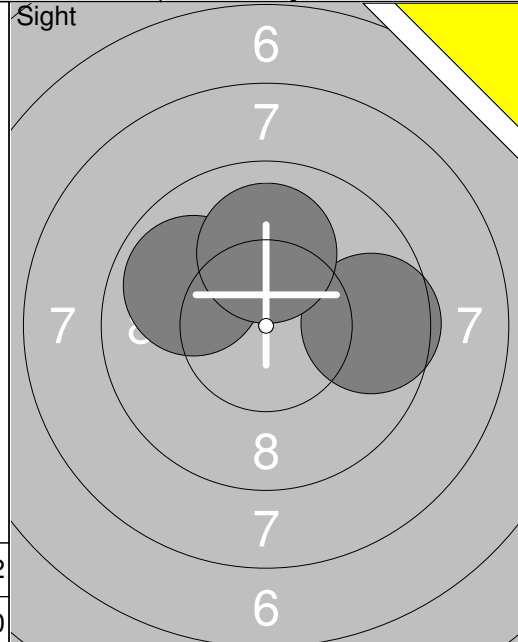
<p>Sight</p> 	<p>1: 9.7 ↓ 2: 9.5 ← 3: 10.0 → 4: 9.4 ← 5: 10.5x ↑ 6: 10.0 ↗ 7: 9.2 ↓ 8: 9.0 → 9: 10.5x ↘ 10: 9.6 ↓</p> <p>Series 97.4 Total 0.0</p>	<p>Sight</p> 	<p>11: 9.3 ↓ 12: 9.9 ↖</p> <p>Series 19.2 Total 0.0</p>
------------------------------------------------------------------------------------------------------	------------------------------------------------------------------------------------------------------------------------------------------------------------------------------	--------------------------------------------------------------------------------------------------------	-----------------------------------------------------------------

<p>60 Shots</p> 	<p>1: 10.4x ↗ 2: 7.5 ↓ 3: 8.7 ↓ 4: 9.4 ← 5: 10.8x ↖ 6: 9.2 ↗ 7: 10.4x ↗ 8: 9.3 → 9: 9.5 → 10: 8.8 ↗</p> <p>Series 94.0 Total 94.0</p>	<p>60 Shots</p> 	<p>11: 9.8 ↗ 12: 8.9 ↗ 13: 8.7 ↓ 14: 10.0 ↓ 15: 9.8 ↗ 16: 10.8x ↖ 17: 9.5 ↖ 18: 10.3x ↓ 19: 8.8 → 20: 9.0 ↗</p> <p>Series 95.6 Total 189.6</p>
----------------------------------------------------------------------------------------------------------	-------------------------------------------------------------------------------------------------------------------------------------------------------------------------------	------------------------------------------------------------------------------------------------------------	----------------------------------------------------------------------------------------------------------------------------------------------------------------------------------------

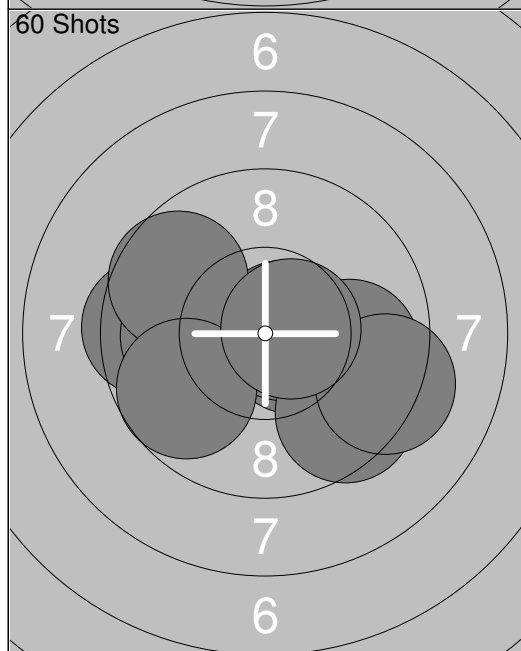
<p>60 Shots</p> 	<p>21: 10.2x ↗ 22: 8.6 ↓ 23: 10.1 ↓ 24: 9.0 ↓ 25: 9.4 ↗ 26: 9.8 ↓ 27: 9.9 → 28: 8.9 → 29: 9.6 → 30: 10.0 ↓</p> <p>Series 95.5 Total 285.1</p>	<p>60 Shots</p> 	<p>31: 9.0 ↖ 32: 10.2x ↗ 33: 10.6x ↓ 34: 8.1 ↓ 35: 8.7 ← 36: 10.4x ↘ 37: 9.3 ↖ 38: 8.8 ↓ 39: 10.1 ↗ 40: 9.1 ←</p> <p>Series 94.3 Total 379.4</p>
-----------------------------------------------------------------------------------------------------------	---------------------------------------------------------------------------------------------------------------------------------------------------------------------------------------	-------------------------------------------------------------------------------------------------------------	------------------------------------------------------------------------------------------------------------------------------------------------------------------------------------------



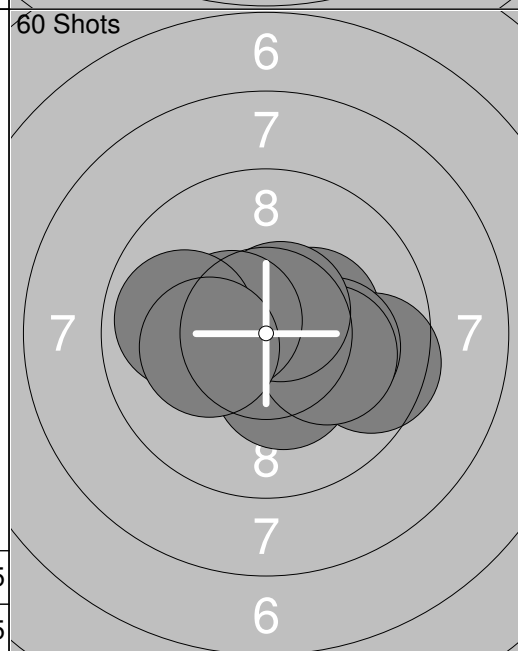
1: 10.6x →
2: 9.9 ↖
3: 10.8x →
4: 10.5x ↓
5: 10.0 ↖
6: 10.0 →
7: 9.1 ↗
8: 10.6x ↑
9: 10.0 ←
10: 9.7 ↖
Series 101.2
Total 0.0



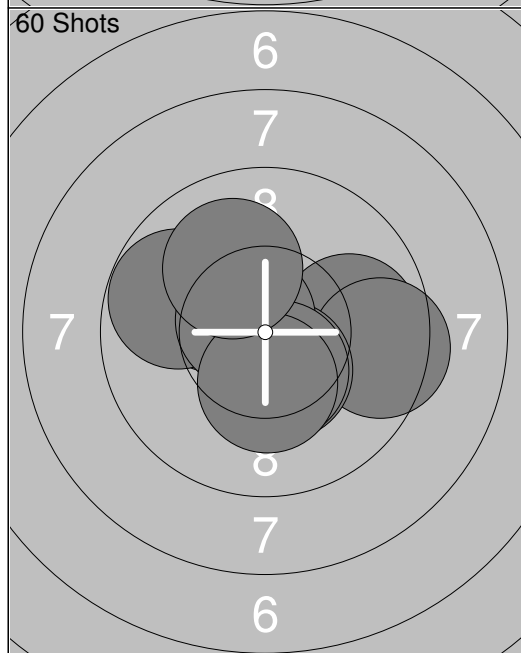
11: 9.9 ↖
12: 9.6 →
13: 10.0 ↑
Series 29.5
Total 0.0



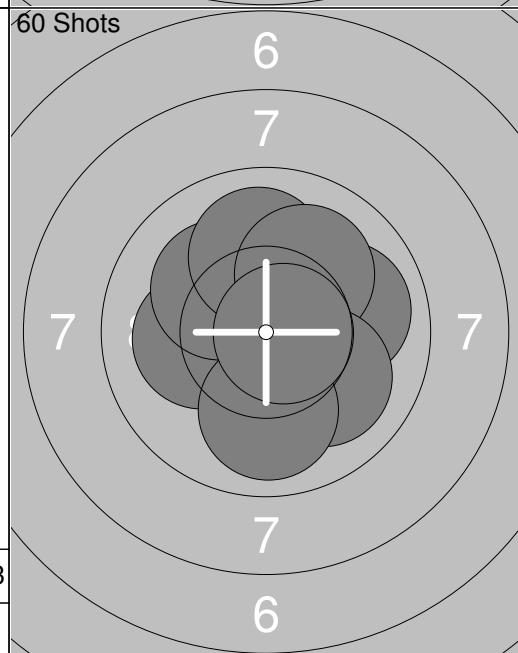
1: 10.6x →
2: 10.7x →
3: 9.5 ←
4: 9.9 →
5: 10.0 ←
6: 9.7 ↖
7: 9.5 ↓
8: 9.7 ↙
9: 9.3 →
10: 10.6x →
Series 99.5
Total 99.5



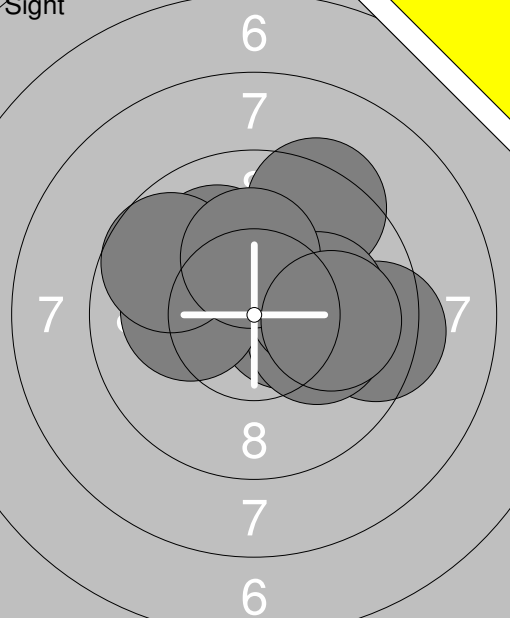
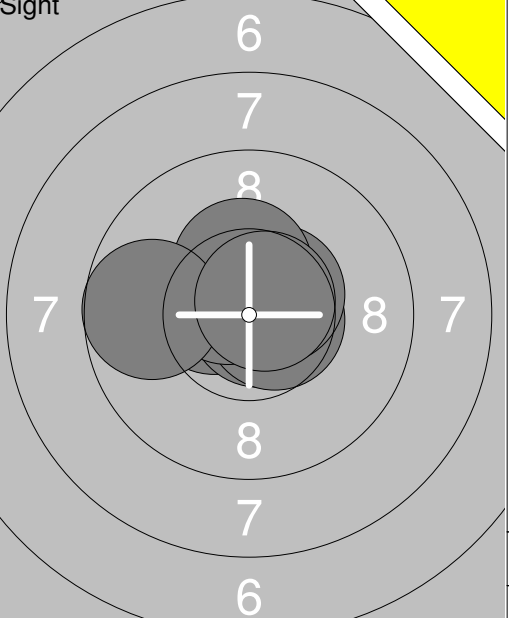
11: 10.4x →
12: 9.6 →
13: 10.6x →
14: 10.1 →
15: 10.3x ↓
16: 10.1 →
17: 10.6x ↗
18: 10.5x ↖
19: 9.9 ←
20: 10.2x ↙
Series 102.3
Total 201.8

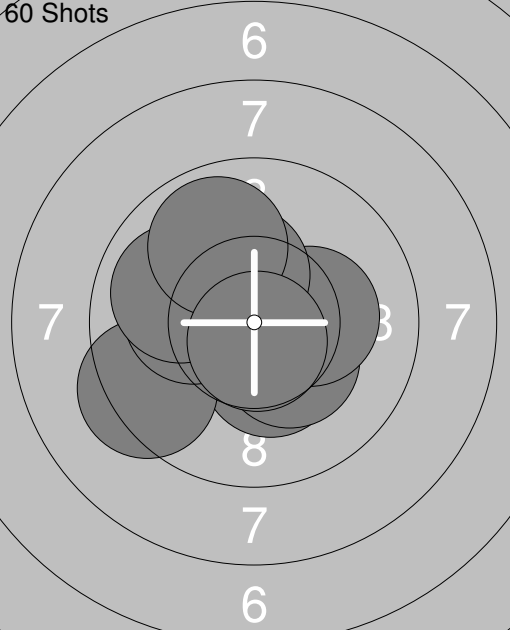
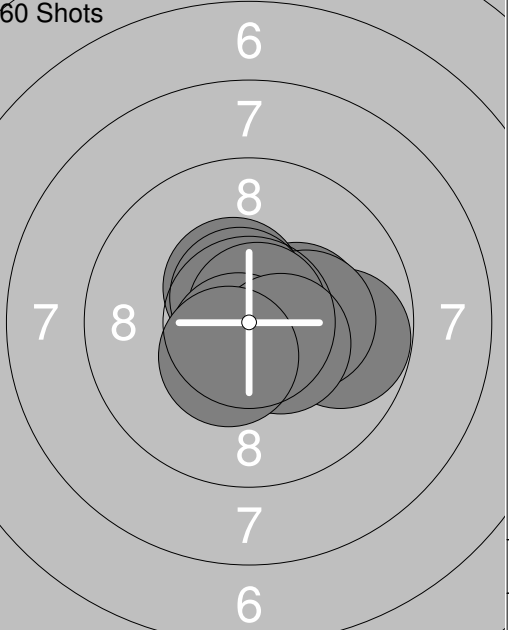


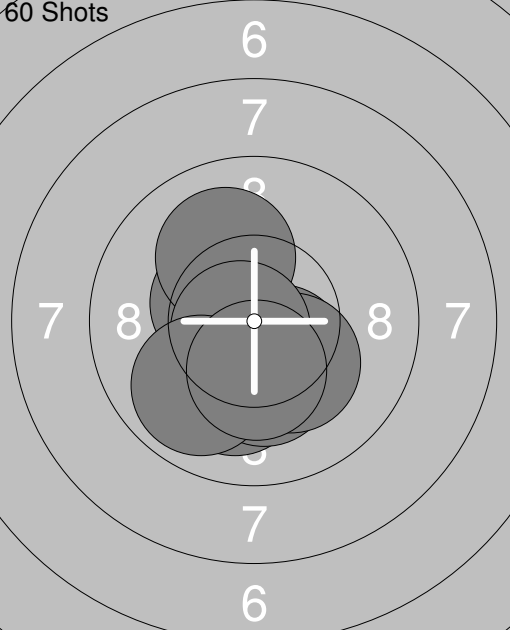
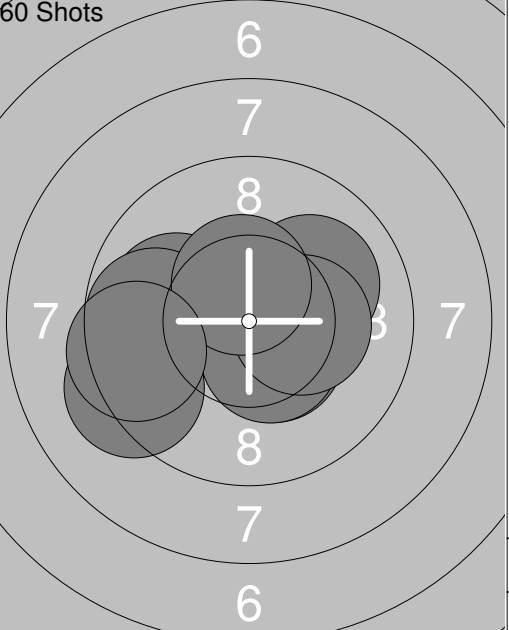
21: 9.9 →
22: 9.5 →
23: 10.4x ↓
24: 10.1 ↗
25: 10.2x ↖
26: 9.8 ←
27: 10.7x ↖
28: 10.4x ↓
29: 10.3x ↓
30: 10.0 ↖
Series 101.3
Total 303.1

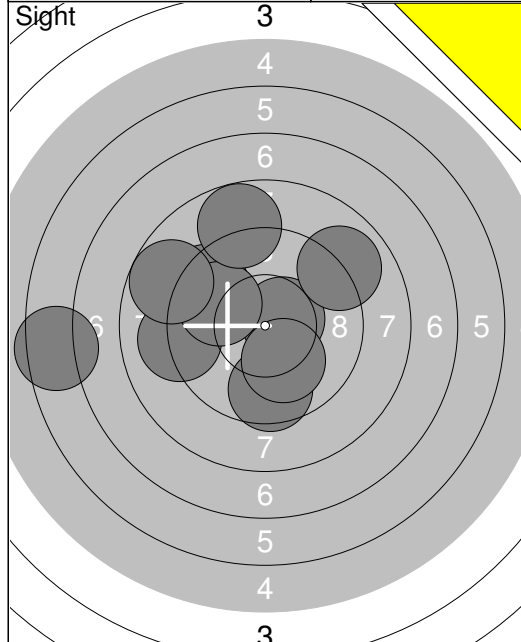


31: 10.6x ↖
32: 10.1 ←
33: 10.2x ↖
34: 10.0 ↑
35: 10.5x →
36: 10.0 →
37: 10.1 ↗
38: 10.0 ↘
39: 10.0 ↓
40: 10.7x →
Series 102.2
Total 405.3

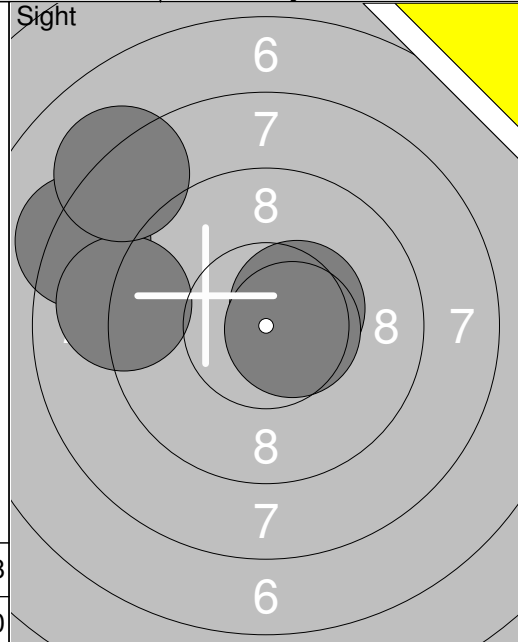
	<p>1: 9.4 →</p> <p>2: 9.4 ↗</p> <p>3: 10.5x →</p> <p>4: 10.1 →</p> <p>5: 10.1 ↗</p> <p>6: 10.1 ←</p> <p>7: 10.1 →</p> <p>8: 9.7 ↖</p> <p>9: 10.2x ↑</p> <p>10: 10.0 →</p>		<p>11: 10.5x ↖</p> <p>12: 10.8x →</p> <p>13: 10.6x →</p> <p>14: 10.5x ↗</p> <p>15: 10.6x ↖</p> <p>16: 10.4x ↑</p> <p>17: 9.7 ←</p> <p>18: 10.7x ↗</p>
Series	99.6	Series	83.8
Total	0.0	Total	0.0

	<p>1: 10.9x ↓</p> <p>2: 10.3x ↓</p> <p>3: 9.4 ↖</p> <p>4: 10.3x ↓</p> <p>5: 10.2x →</p> <p>6: 10.3x ↗</p> <p>7: 10.2x ←</p> <p>8: 9.9 ↖</p> <p>9: 9.9 ↗</p> <p>10: 10.7x ↓</p>		<p>11: 10.3x →</p> <p>12: 10.5x →</p> <p>13: 9.8 →</p> <p>14: 10.5x ↖</p> <p>15: 10.2x →</p> <p>16: 10.6x ↖</p> <p>17: 10.8x ↗</p> <p>18: 10.7x ↓</p> <p>19: 10.5x ↘</p> <p>20: 10.4x ↓</p>
Series	102.1	Series	104.3
Total	102.1	Total	206.4

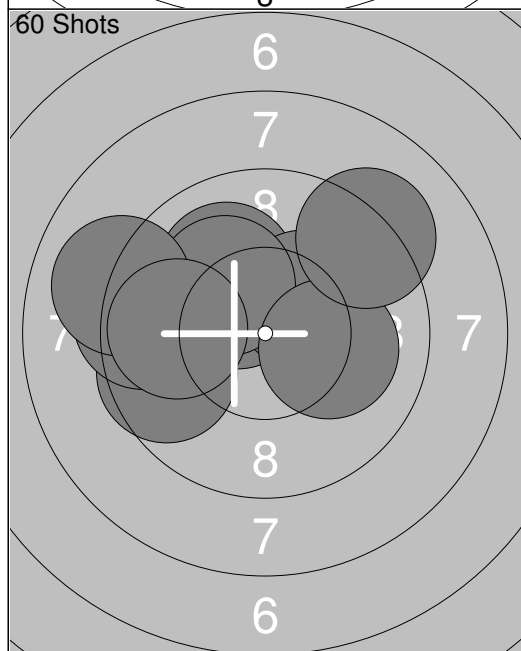
	<p>21: 10.5x ↖</p> <p>22: 10.1 ↗</p> <p>23: 10.5x ↓</p> <p>24: 10.4x ↓</p> <p>25: 10.1 ↓</p> <p>26: 10.2x ↓</p> <p>27: 10.2x ↓</p> <p>28: 10.7x ↖</p> <p>29: 9.9 ↘</p> <p>30: 10.3x ↓</p>		<p>31: 9.3 ↖</p> <p>32: 10.0 ←</p> <p>33: 9.8 ←</p> <p>34: 10.4x ↓</p> <p>35: 10.3x ↗</p> <p>36: 10.0 ↗</p> <p>37: 10.5x ↓</p> <p>38: 10.3x →</p> <p>39: 10.5x ↑</p> <p>40: 9.5 ←</p>
Series	102.9	Series	100.6
Total	309.3	Total	409.9



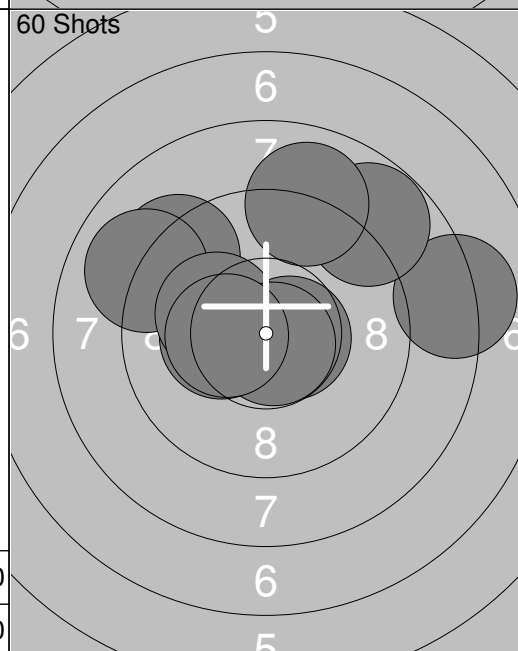
1:	10.6x	↗
2:	9.6	↓
3:	9.5	↖
4:	9.1	←
5:	6.5	←
6:	9.9	↖
7:	8.8	↑
8:	8.7	↖
9:	10.1	↓
10:	9.0	↗
Series		91.8
Total		0.0



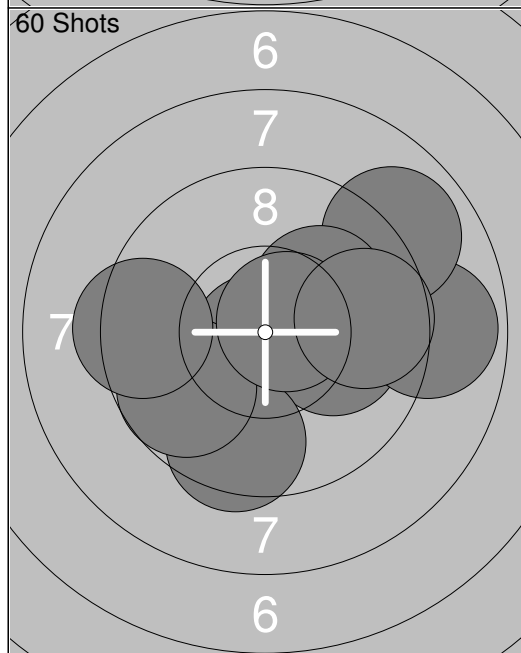
11:	8.3	↖
12:	10.5x	↗
13:	9.0	←
14:	8.2	↖
15:	10.6x	↗
Series		46.6
Total		0.0



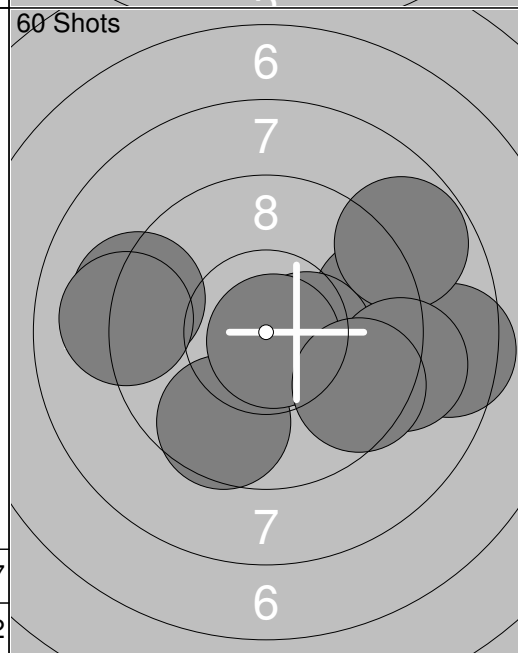
1:	10.4x	↖
2:	10.0	↖
3:	9.6	←
4:	10.3x	↗
5:	10.2x	↖
6:	9.4	←
7:	9.0	←
8:	9.8	←
9:	10.1	→
10:	9.2	↗
Series		98.0
Total		98.0



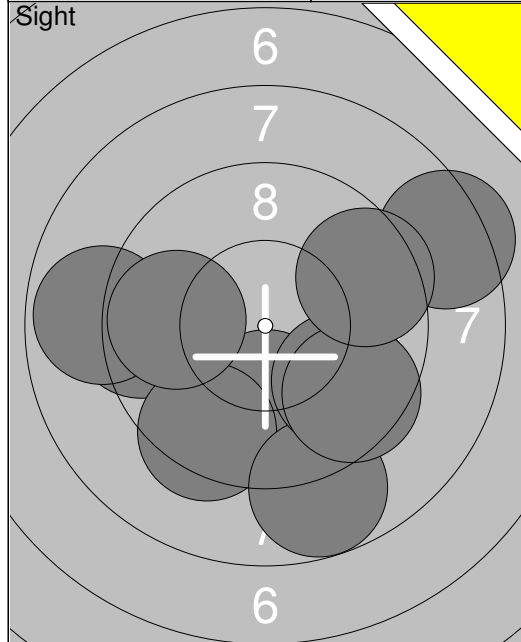
11:	9.2	↖
12:	8.2	→
13:	8.8	↗
14:	10.6x	↗
15:	9.0	↑
16:	9.0	↖
17:	10.3x	←
18:	10.2x	↖
19:	10.8x	↓
20:	10.4x	←
Series		96.5
Total		194.5



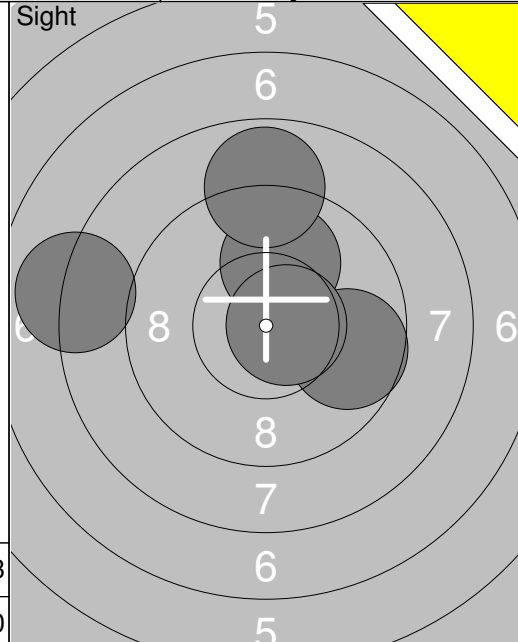
21:	10.8x	↓
22:	10.1	→
23:	9.5	↓
24:	8.9	→
25:	9.7	↖
26:	8.9	↗
27:	10.1	↗
28:	9.4	←
29:	10.6x	↗
30:	9.7	→
Series		97.7
Total		292.2



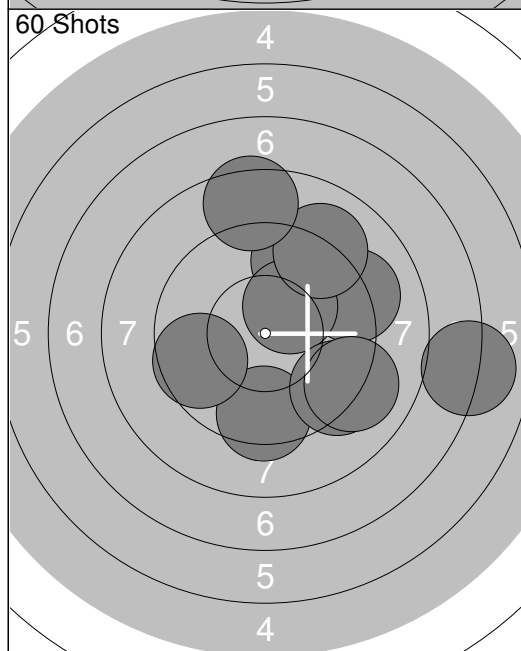
31:	9.4	→
32:	9.6	↓
33:	9.2	←
34:	10.4x	↗
35:	8.5	→
36:	8.8	↗
37:	9.1	→
38:	10.8x	↓
39:	9.5	↓
40:	9.1	←
Series		94.4
Total		386.6



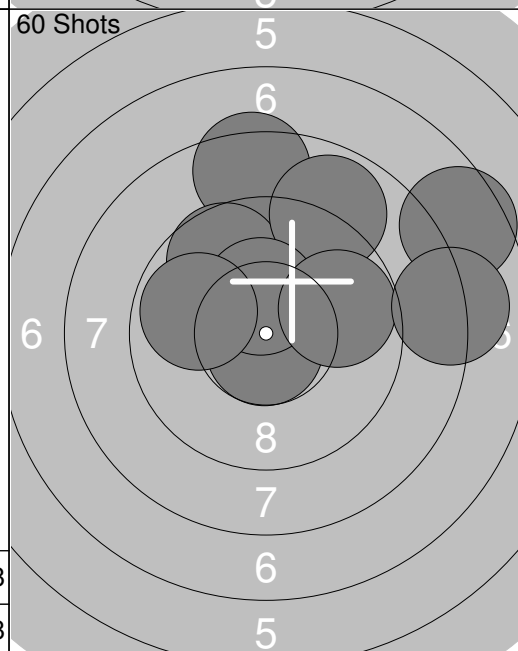
1:	9.3	←
2:	10.0	↓
3:	9.4	↙
4:	8.4	→
5:	8.8	↓
6:	8.9	←
7:	9.8	←
8:	9.7	↘
9:	9.5	↘
10:	9.5	↗
Series		93.3
Total		0.0



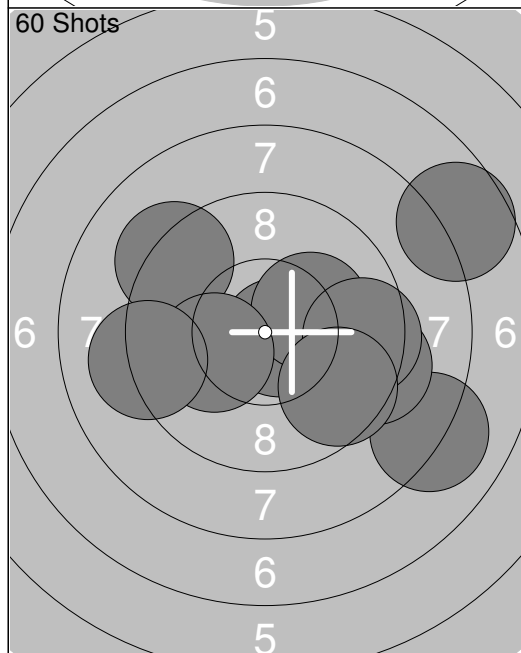
11:	8.1	←
12:	10.0	↑
13:	9.7	→
14:	10.6x	→
15:	8.9	↑
Series		47.3
Total		0.0



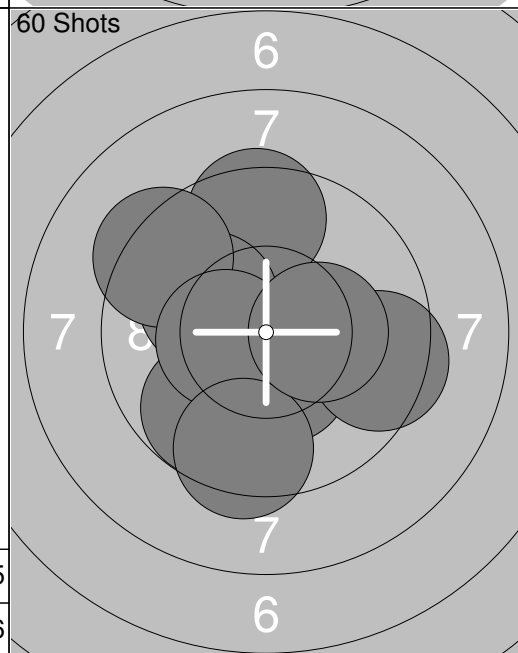
1:	9.1	→
2:	9.4	↓
3:	9.4	↗
4:	9.6	←
5:	10.3x	↗
6:	7.1	→
7:	9.2	↘
8:	9.1	↗
9:	9.1	↘
10:	8.5	↑
Series		90.8
Total		90.8



11:	9.8	↖
12:	7.6	↗
13:	8.4	↑
14:	9.7	↖
15:	8.9	↗
16:	10.7x	↓
17:	10.4x	↑
18:	9.9	←
19:	9.8	→
20:	8.1	→
Series		93.3
Total		184.1

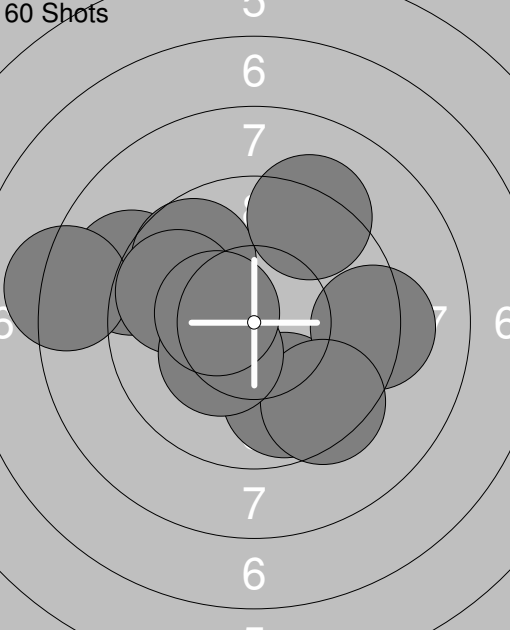
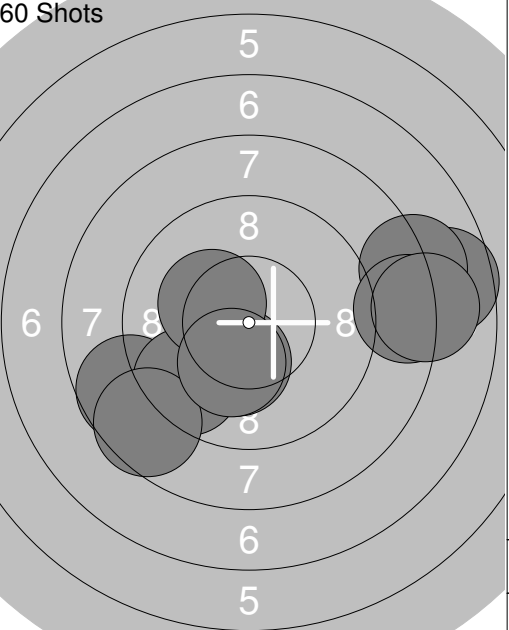


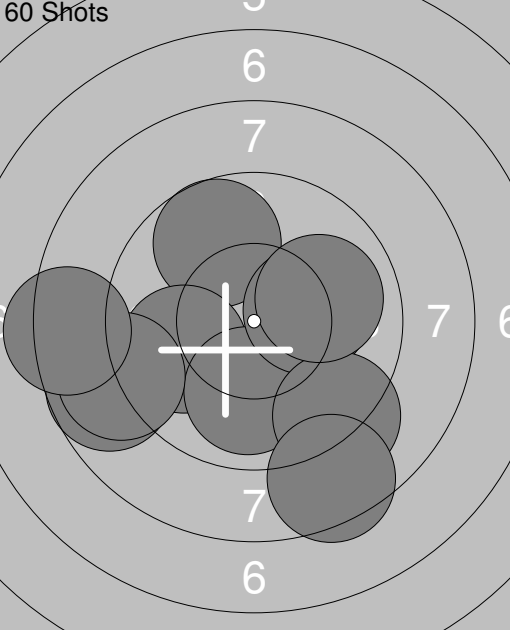
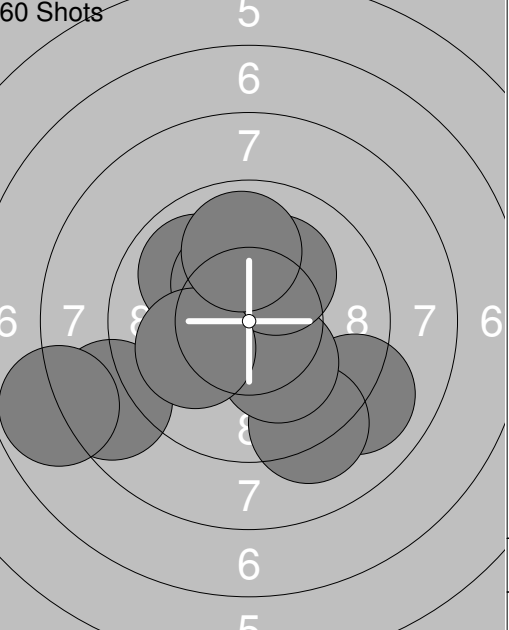
21:	7.7	↗
22:	8.1	↘
23:	9.3	→
24:	10.7x	→
25:	10.2x	↗
26:	9.2	↖
27:	9.5	→
28:	10.1	←
29:	9.6	↘
30:	9.1	←
Series		93.5
Total		277.6

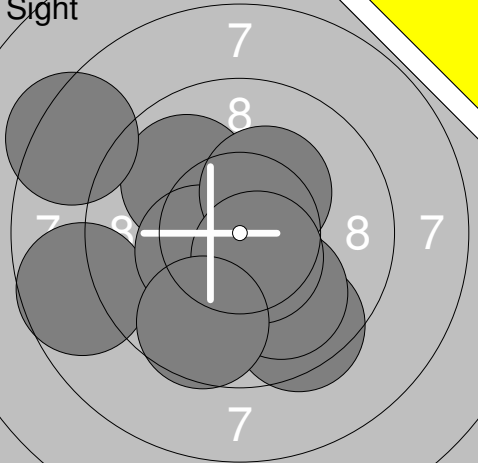
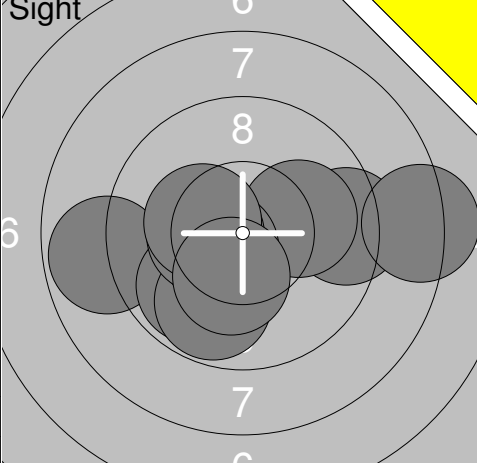


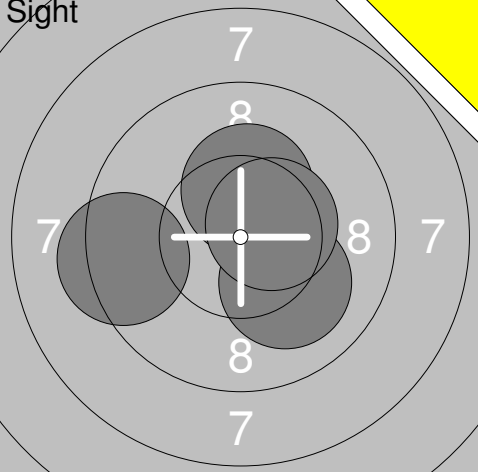
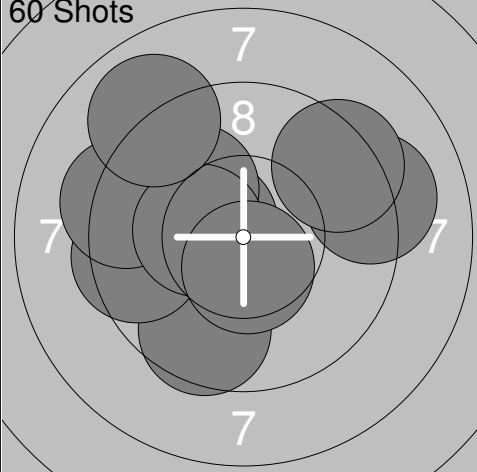
31:	10.3x	↖
32:	9.5	↑
33:	9.8	↙
34:	10.1	↖
35:	10.4x	↓
36:	9.3	↖
37:	9.5	→
38:	10.4x	←
39:	9.4	↓
40:	10.3x	→
Series		99.0
Total		376.6

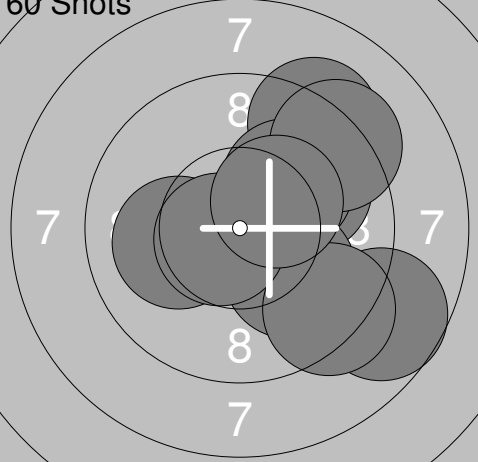
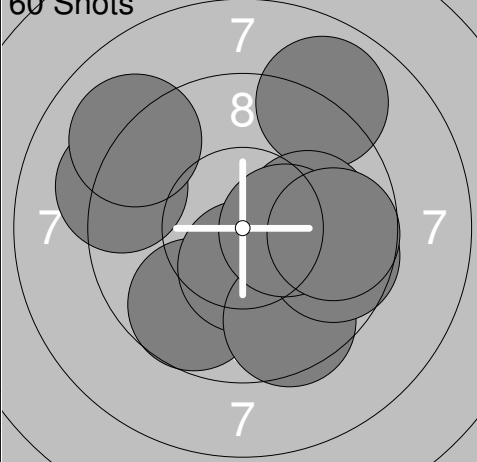
<p>Sight</p> 	<p>1: 8.2 ↘ 2: 7.0 → 3: 10.4x ↙ 4: 9.9 ↗ 5: 10.9x ↗ 6: 10.5x ↓ 7: 9.2 → 8: 9.6 → 9: 10.6x ↗ 10: 8.7 ←</p> <p>Series 95.0 Total 0.0</p>	<p>Sight</p>  <p>11: 10.4x →</p> <p>Series 10.4 Total 0.0</p>
-----------------------------------------------------------------------------------------------	--------------------------------------------------------------------------------------------------------------------------------------------------------------------------------	-----------------------------------------------------------------------------------------------------------------------------------------------------

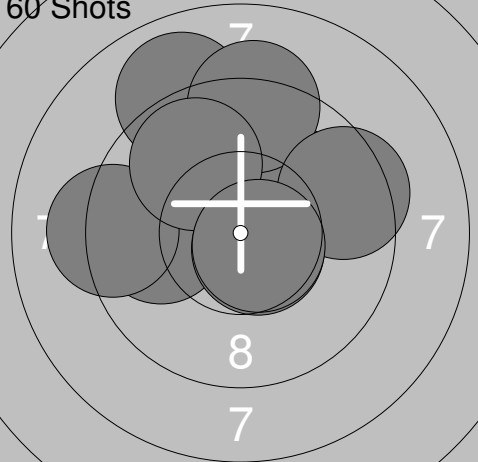
<p>60 Shots</p> 	<p>1: 9.1 ← 2: 9.7 ↗ 3: 9.8 ↓ 4: 9.3 → 5: 9.4 ↓ 6: 8.2 ← 7: 9.3 ↗ 8: 9.8 ← 9: 10.3x ↙ 10: 10.4x ↙</p> <p>Series 95.3 Total 95.3</p>	<p>60 Shots</p>  <p>11: 7.6 → 12: 8.7 ↙ 13: 9.5 ↙ 14: 8.6 ↙ 15: 10.3x ↓ 16: 8.1 → 17: 8.3 → 18: 8.0 → 19: 10.3x ↙ 20: 10.2x ↓</p> <p>Series 89.6 Total 184.9</p>
---------------------------------------------------------------------------------------------------	-----------------------------------------------------------------------------------------------------------------------------------------------------------------------------	---------------------------------------------------------------------------------------------------------------------------------------------------------------------------------------------------------------------------------------------------------------------------------------------

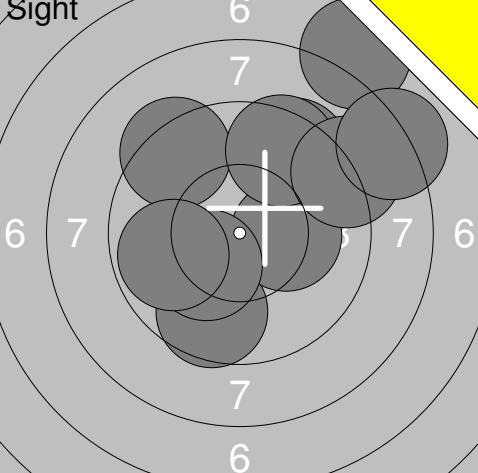
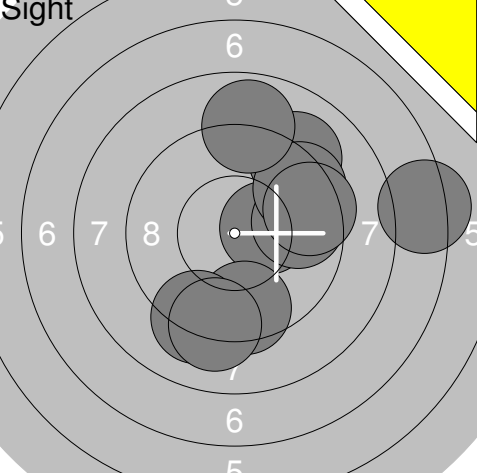
<p>60 Shots</p> 	<p>21: 8.7 ← 22: 9.7 ↗ 23: 9.9 ↙ 24: 10.0 ↓ 25: 10.2x → 26: 9.2 ↓ 27: 8.5 ↓ 28: 10.0 → 29: 8.9 ← 30: 8.3 ←</p> <p>Series 93.4 Total 278.3</p>	<p>60 Shots</p>  <p>31: 9.0 ↘ 32: 9.9 ↗ 33: 10.3x ↗ 34: 9.2 ↓ 35: 8.6 ↙ 36: 10.2x ↓ 37: 10.2x ↗ 38: 10.1 ↙ 39: 7.9 ↙ 40: 9.9 ↗</p> <p>Series 95.3 Total 373.6</p>
----------------------------------------------------------------------------------------------------	---------------------------------------------------------------------------------------------------------------------------------------------------------------------------------------	-----------------------------------------------------------------------------------------------------------------------------------------------------------------------------------------------------------------------------------------------------------------------------------------------

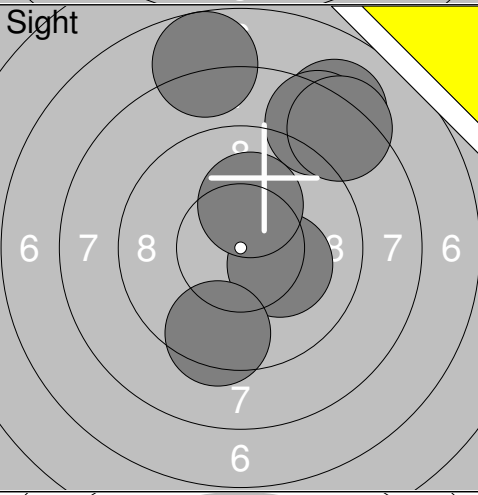
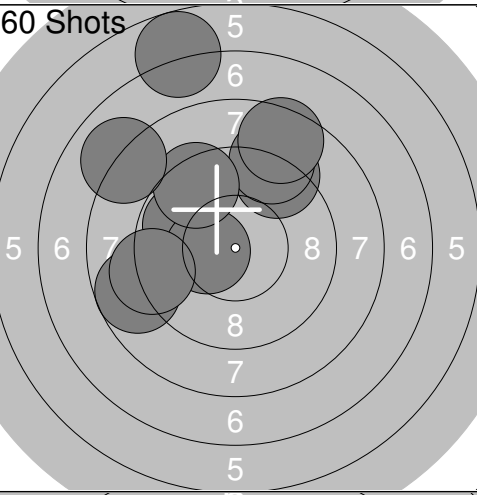
Sight 	1: 9.9 ↗ 2: 8.7 ← 3: 10.0 ↓ 4: 9.5 ↓ 5: 10.4x ← 6: 10.3x ↗ 7: 10.0 ↓ 8: 10.5x ↓ 9: 9.6 ↓ 10: 8.3 ↗ <hr/> Series 97.2 Total 0.0	Sight 	11: 8.8 ← 12: 9.9 ↘ 13: 9.4 → 14: 9.8 ↓ 15: 10.1 → 16: 10.5x ← 17: 10.4x ← 18: 8.2 → 19: 10.3x ← 20: 10.3x ↓ <hr/> Series 97.7 Total 0.0
--------------------------------------------------------------------------------------------------	-------------------------------------------------------------------------------------------------------------------------------------------------------------------------------	----------------------------------------------------------------------------------------------------	-----------------------------------------------------------------------------------------------------------------------------------------------------------------------------------------

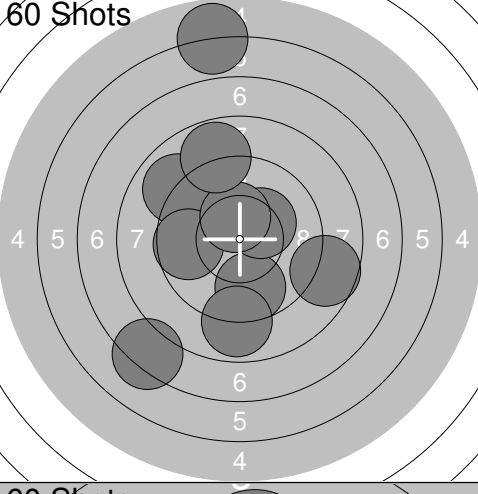
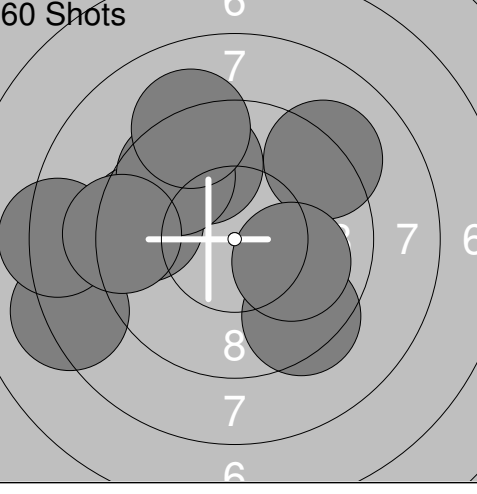
Sight 	21: 10.1 ↓ 22: 10.3x ↑ 23: 9.3 ← 24: 10.5x → <hr/> Series 40.2 Total 0.0	60 Shots 	1: 9.6 ↓ 2: 10.5x ← 3: 9.5 ← 4: 10.0 ↗ 5: 9.3 ← 6: 10.3x ← 7: 10.5x ↓ 8: 9.1 → 9: 9.4 ↗ 10: 9.0 ↗ <hr/> Series 97.2 Total 97.2
---------------------------------------------------------------------------------------------------	-------------------------------------------------------------------------------------------------------	--------------------------------------------------------------------------------------------------------	-------------------------------------------------------------------------------------------------------------------------------------------------------------------------------

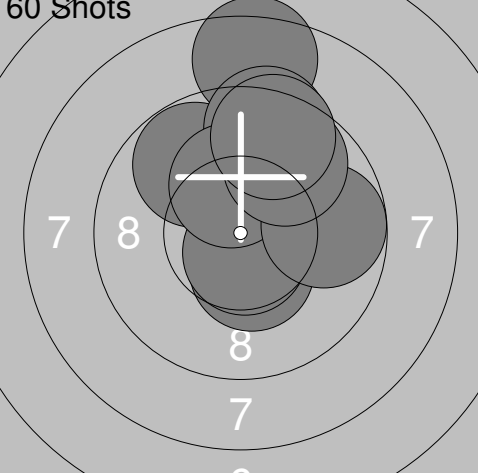
60 Shots 	11: 9.9 ↗ 12: 9.2 ↗ 13: 10.1 ↗ 14: 10.0 ↓ 15: 10.1 ← 16: 9.2 ↗ 17: 8.7 ↓ 18: 9.3 ↓ 19: 10.6x ← 20: 10.3x ↗ <hr/> Series 97.4 Total 194.6	60 Shots 	21: 9.7 ↓ 22: 10.4x ↓ 23: 8.9 ↗ 24: 9.6 ↓ 25: 10.1 → 26: 9.7 → 27: 9.2 ← 28: 9.1 ↗ 29: 10.4x → 30: 9.7 → <hr/> Series 96.8 Total 291.4
-------------------------------------------------------------------------------------------------------	-----------------------------------------------------------------------------------------------------------------------------------------------------------------------------------------	---------------------------------------------------------------------------------------------------------	---------------------------------------------------------------------------------------------------------------------------------------------------------------------------------------

60 Shots 	31: 10.7x ↗ 32: 9.9 ← 33: 10.1 ↗ 34: 9.0 ↗ 35: 9.2 ← 36: 9.2 ↑ 37: 9.5 → 38: 9.8 ↗ 39: 10.6x ↓ 40: 10.7x ↓ <hr/> Series 98.7 Total 390.1		
-------------------------------------------------------------------------------------------------------	-----------------------------------------------------------------------------------------------------------------------------------------------------------------------------------------	--	--

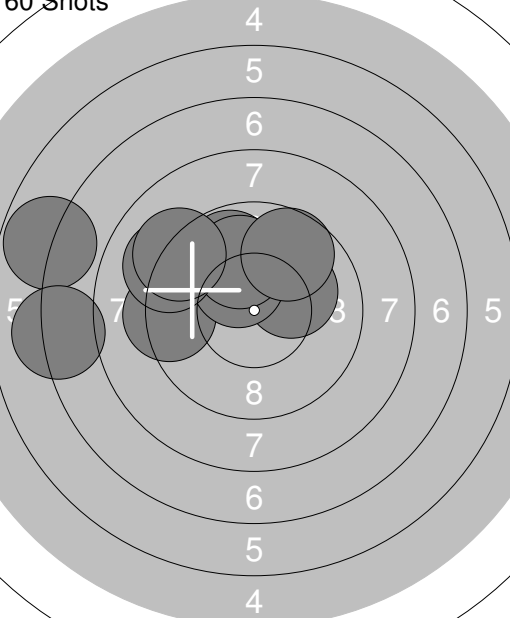
	<table border="1" style="width:100%; border-collapse: collapse;"> <tr><td>1:</td><td>9.6</td><td>↓</td></tr> <tr><td>2:</td><td>10.2x</td><td>→</td></tr> <tr><td>3:</td><td>7.5</td><td>↗</td></tr> <tr><td>4:</td><td>9.3</td><td>↖</td></tr> <tr><td>5:</td><td>9.4</td><td>↗</td></tr> <tr><td>6:</td><td>9.5</td><td>↗</td></tr> <tr><td>7:</td><td>10.2x</td><td>↙</td></tr> <tr><td>8:</td><td>9.0</td><td>↗</td></tr> <tr><td>9:</td><td>8.1</td><td>↗</td></tr> <tr><td>10:</td><td>9.8</td><td>←</td></tr> <tr><td colspan="2">Series</td><td>92.6</td></tr> <tr><td colspan="2">Total</td><td>0.0</td></tr> </table>	1:	9.6	↓	2:	10.2x	→	3:	7.5	↗	4:	9.3	↖	5:	9.4	↗	6:	9.5	↗	7:	10.2x	↙	8:	9.0	↗	9:	8.1	↗	10:	9.8	←	Series		92.6	Total		0.0	 <table border="1" style="width:100%; border-collapse: collapse;"> <tr><td>11:</td><td>10.3x</td><td>→</td></tr> <tr><td>12:</td><td>9.5</td><td>↓</td></tr> <tr><td>13:</td><td>7.3</td><td>→</td></tr> <tr><td>14:</td><td>9.2</td><td>↓</td></tr> <tr><td>15:</td><td>9.7</td><td>→</td></tr> <tr><td>16:</td><td>9.1</td><td>↗</td></tr> <tr><td>17:</td><td>9.4</td><td>↗</td></tr> <tr><td>18:</td><td>8.9</td><td>↑</td></tr> <tr><td>19:</td><td>9.1</td><td>↓</td></tr> <tr><td>20:</td><td>9.4</td><td>→</td></tr> <tr><td colspan="2">Series</td><td>91.9</td></tr> <tr><td colspan="2">Total</td><td>0.0</td></tr> </table>	11:	10.3x	→	12:	9.5	↓	13:	7.3	→	14:	9.2	↓	15:	9.7	→	16:	9.1	↗	17:	9.4	↗	18:	8.9	↑	19:	9.1	↓	20:	9.4	→	Series		91.9	Total		0.0
1:	9.6	↓																																																																								
2:	10.2x	→																																																																								
3:	7.5	↗																																																																								
4:	9.3	↖																																																																								
5:	9.4	↗																																																																								
6:	9.5	↗																																																																								
7:	10.2x	↙																																																																								
8:	9.0	↗																																																																								
9:	8.1	↗																																																																								
10:	9.8	←																																																																								
Series		92.6																																																																								
Total		0.0																																																																								
11:	10.3x	→																																																																								
12:	9.5	↓																																																																								
13:	7.3	→																																																																								
14:	9.2	↓																																																																								
15:	9.7	→																																																																								
16:	9.1	↗																																																																								
17:	9.4	↗																																																																								
18:	8.9	↑																																																																								
19:	9.1	↓																																																																								
20:	9.4	→																																																																								
Series		91.9																																																																								
Total		0.0																																																																								

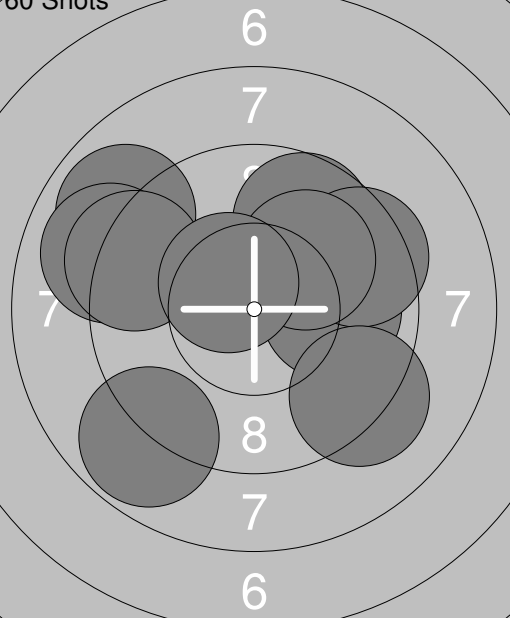
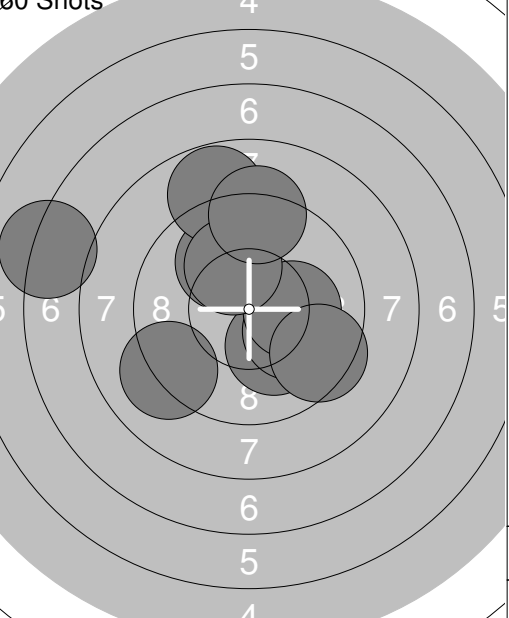
 <table border="1" style="width:100%; border-collapse: collapse;"> <tr><td>21:</td><td>8.1</td><td>↗</td></tr> <tr><td>22:</td><td>8.4</td><td>↗</td></tr> <tr><td>23:</td><td>10.2x</td><td>→</td></tr> <tr><td>24:</td><td>9.4</td><td>↓</td></tr> <tr><td>25:</td><td>8.3</td><td>↗</td></tr> <tr><td>26:</td><td>7.7</td><td>↑</td></tr> <tr><td>27:</td><td>10.2x</td><td>↑</td></tr> <tr><td colspan="2">Series</td><td>62.3</td></tr> <tr><td colspan="2">Total</td><td>0.0</td></tr> </table>	21:	8.1	↗	22:	8.4	↗	23:	10.2x	→	24:	9.4	↓	25:	8.3	↗	26:	7.7	↑	27:	10.2x	↑	Series		62.3	Total		0.0	 <table border="1" style="width:100%; border-collapse: collapse;"> <tr><td>1:</td><td>9.2</td><td>↗</td></tr> <tr><td>2:</td><td>9.0</td><td>↗</td></tr> <tr><td>3:</td><td>8.5</td><td>↗</td></tr> <tr><td>4:</td><td>9.8</td><td>←</td></tr> <tr><td>5:</td><td>10.4x</td><td>←</td></tr> <tr><td>6:</td><td>8.7</td><td>←</td></tr> <tr><td>7:</td><td>9.4</td><td>↗</td></tr> <tr><td>8:</td><td>8.0</td><td>↖</td></tr> <tr><td>9:</td><td>9.1</td><td>←</td></tr> <tr><td>10:</td><td>6.8</td><td>↑</td></tr> <tr><td colspan="2">Series</td><td>88.9</td></tr> <tr><td colspan="2">Total</td><td>88.9</td></tr> </table>	1:	9.2	↗	2:	9.0	↗	3:	8.5	↗	4:	9.8	←	5:	10.4x	←	6:	8.7	←	7:	9.4	↗	8:	8.0	↖	9:	9.1	←	10:	6.8	↑	Series		88.9	Total		88.9
21:	8.1	↗																																																														
22:	8.4	↗																																																														
23:	10.2x	→																																																														
24:	9.4	↓																																																														
25:	8.3	↗																																																														
26:	7.7	↑																																																														
27:	10.2x	↑																																																														
Series		62.3																																																														
Total		0.0																																																														
1:	9.2	↗																																																														
2:	9.0	↗																																																														
3:	8.5	↗																																																														
4:	9.8	←																																																														
5:	10.4x	←																																																														
6:	8.7	←																																																														
7:	9.4	↗																																																														
8:	8.0	↖																																																														
9:	9.1	←																																																														
10:	6.8	↑																																																														
Series		88.9																																																														
Total		88.9																																																														

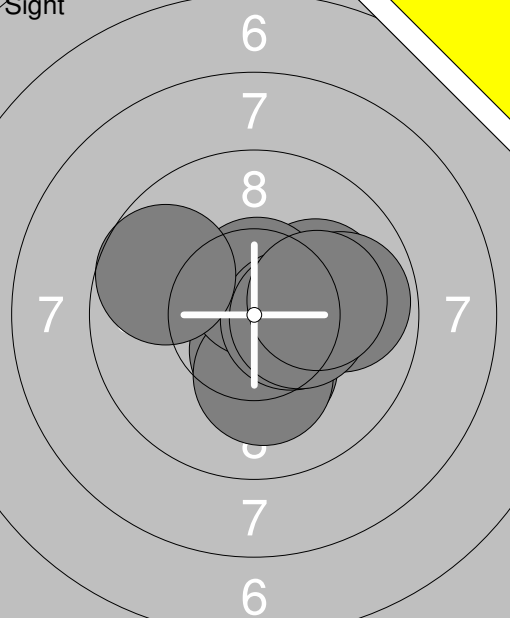

 <table border="1" style="width:100%; border-collapse: collapse;"> <tr><td>11:</td><td>9.0</td><td>↖</td></tr> <tr><td>12:</td><td>9.7</td><td>↓</td></tr> <tr><td>13:</td><td>8.7</td><td>→</td></tr> <tr><td>14:</td><td>7.2</td><td>↙</td></tr> <tr><td>15:</td><td>5.8</td><td>↑</td></tr> <tr><td>16:</td><td>10.3x</td><td>↗</td></tr> <tr><td>17:</td><td>9.7</td><td>←</td></tr> <tr><td>18:</td><td>8.9</td><td>↓</td></tr> <tr><td>19:</td><td>10.4x</td><td>↑</td></tr> <tr><td>20:</td><td>8.8</td><td>↑</td></tr> <tr><td colspan="2">Series</td><td>88.5</td></tr> <tr><td colspan="2">Total</td><td>177.4</td></tr> </table>	11:	9.0	↖	12:	9.7	↓	13:	8.7	→	14:	7.2	↙	15:	5.8	↑	16:	10.3x	↗	17:	9.7	←	18:	8.9	↓	19:	10.4x	↑	20:	8.8	↑	Series		88.5	Total		177.4	 <table border="1" style="width:100%; border-collapse: collapse;"> <tr><td>21:</td><td>8.2</td><td>←</td></tr> <tr><td>22:</td><td>9.6</td><td>←</td></tr> <tr><td>23:</td><td>9.4</td><td>↓</td></tr> <tr><td>24:</td><td>8.3</td><td>←</td></tr> <tr><td>25:</td><td>9.7</td><td>↗</td></tr> <tr><td>26:</td><td>9.2</td><td>↗</td></tr> <tr><td>27:</td><td>9.6</td><td>↗</td></tr> <tr><td>28:</td><td>9.2</td><td>←</td></tr> <tr><td>29:</td><td>10.0</td><td>→</td></tr> <tr><td>30:</td><td>9.2</td><td>↑</td></tr> <tr><td colspan="2">Series</td><td>92.4</td></tr> <tr><td colspan="2">Total</td><td>269.8</td></tr> </table>	21:	8.2	←	22:	9.6	←	23:	9.4	↓	24:	8.3	←	25:	9.7	↗	26:	9.2	↗	27:	9.6	↗	28:	9.2	←	29:	10.0	→	30:	9.2	↑	Series		92.4	Total		269.8
11:	9.0	↖																																																																							
12:	9.7	↓																																																																							
13:	8.7	→																																																																							
14:	7.2	↙																																																																							
15:	5.8	↑																																																																							
16:	10.3x	↗																																																																							
17:	9.7	←																																																																							
18:	8.9	↓																																																																							
19:	10.4x	↑																																																																							
20:	8.8	↑																																																																							
Series		88.5																																																																							
Total		177.4																																																																							
21:	8.2	←																																																																							
22:	9.6	←																																																																							
23:	9.4	↓																																																																							
24:	8.3	←																																																																							
25:	9.7	↗																																																																							
26:	9.2	↗																																																																							
27:	9.6	↗																																																																							
28:	9.2	←																																																																							
29:	10.0	→																																																																							
30:	9.2	↑																																																																							
Series		92.4																																																																							
Total		269.8																																																																							

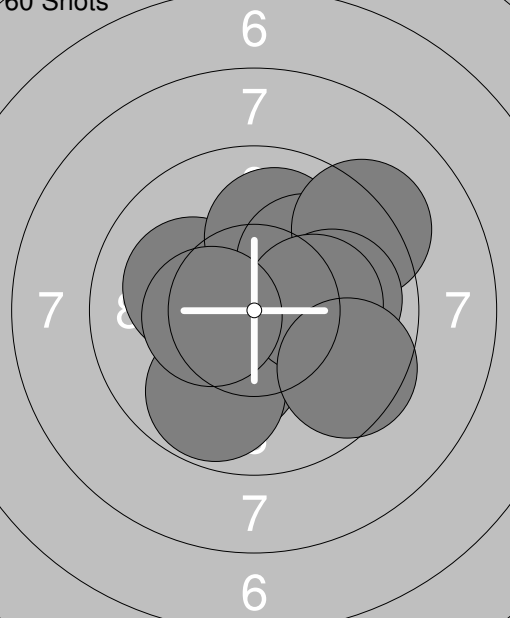
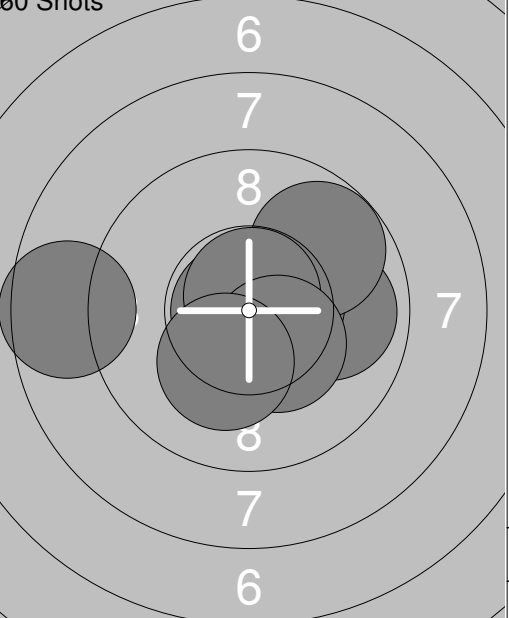
 <table border="1" style="width:100%; border-collapse: collapse;"> <tr><td>31:</td><td>8.5</td><td>↑</td></tr> <tr><td>32:</td><td>10.4x</td><td>↓</td></tr> <tr><td>33:</td><td>10.7x</td><td>↓</td></tr> <tr><td>34:</td><td>10.0</td><td>↑</td></tr> <tr><td>35:</td><td>9.8</td><td>↗</td></tr> <tr><td>36:</td><td>9.4</td><td>↑</td></tr> <tr><td>37:</td><td>10.3x</td><td>↑</td></tr> <tr><td>38:</td><td>9.8</td><td>→</td></tr> <tr><td>39:</td><td>9.8</td><td>↗</td></tr> <tr><td>40:</td><td>9.5</td><td>↑</td></tr> <tr><td colspan="2">Series</td><td>98.2</td></tr> <tr><td colspan="2">Total</td><td>368.0</td></tr> </table>	31:	8.5	↑	32:	10.4x	↓	33:	10.7x	↓	34:	10.0	↑	35:	9.8	↗	36:	9.4	↑	37:	10.3x	↑	38:	9.8	→	39:	9.8	↗	40:	9.5	↑	Series		98.2	Total		368.0	
31:	8.5	↑																																			
32:	10.4x	↓																																			
33:	10.7x	↓																																			
34:	10.0	↑																																			
35:	9.8	↗																																			
36:	9.4	↑																																			
37:	10.3x	↑																																			
38:	9.8	→																																			
39:	9.8	↗																																			
40:	9.5	↑																																			
Series		98.2																																			
Total		368.0																																			

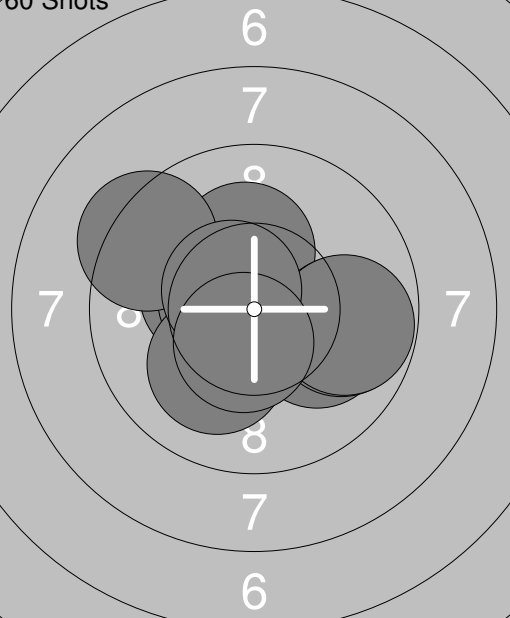
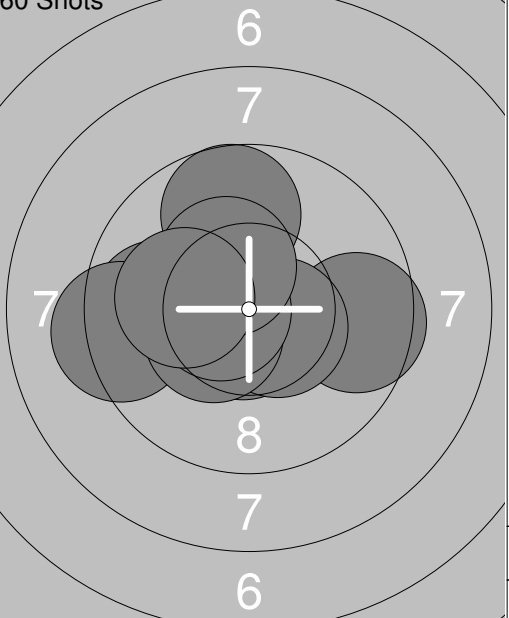
<p>Sight</p>  <p style="text-align: center;">3 4 5 6 7 7 6 5 4 3</p>	<p>1: 6.2 →</p> <p>2: 9.6 ↓</p> <p>3: 10.3x ↙</p> <p>4: 9.1 ↑</p> <p>5: 9.5 ←</p> <p>6: 7.1 ←</p> <p>7: 9.4 ←</p> <p>8: 10.4x ↘</p> <p>9: 10.1 ↓</p> <p>10: 9.1 →</p> <hr/> <p>Series 90.8</p> <hr/> <p>Total 0.0</p>	<p>Sight</p>  <p style="text-align: center;">6 7 8 8 7 8 7 6</p>	<p>11: 10.2x ↗</p> <hr/> <p>Series 10.2</p> <hr/> <p>Total 0.0</p>
-------------------------------------------------------------------------------------------------------------------------------------------------------------------------------------------------	-----------------------------------------------------------------------------------------------------------------------------------------------------------------------------------------------------------------------	---------------------------------------------------------------------------------------------------------------------------------------------------------------------------------------	--------------------------------------------------------------------

<p>60 Shots</p>  <p style="text-align: center;">4 5 6 7 7 8 7 6 5 4</p>	<p>1: 6.8 ←</p> <p>2: 10.1 →</p> <p>3: 9.3 ←</p> <p>4: 9.8 ↑</p> <p>5: 10.3x ↗</p> <p>6: 10.0 ↑</p> <p>7: 9.1 ←</p> <p>8: 9.7 ↗</p> <p>9: 9.2 ↖</p> <p>10: 7.2 ←</p> <hr/> <p>Series 91.5</p> <hr/> <p>Total 91.5</p>	<p>60 Shots</p>  <p style="text-align: center;">6 7 8 8 7 8 7 6</p>	<p>11: 8.9 →</p> <p>12: 8.4 ←</p> <p>13: 8.6 ↓</p> <p>14: 9.2 ↓</p> <p>15: 9.0 ↗</p> <p>16: 9.2 ↗</p> <p>17: 10.2x →</p> <p>18: 9.4 ↖</p> <p>19: 8.8 →</p> <p>20: 8.6 ↖</p> <hr/> <p>Series 90.3</p> <hr/> <p>Total 181.8</p>
-----------------------------------------------------------------------------------------------------------------------------------------------------------------------------------------------------	-----------------------------------------------------------------------------------------------------------------------------------------------------------------------------------------------------------------------	-------------------------------------------------------------------------------------------------------------------------------------------------------------------------------------------	-------------------------------------------------------------------------------------------------------------------------------------------------------------------------------------------------------------------------------

<p>60 Shots</p>  <p style="text-align: center;">6 7 7 8 7 6</p>	<p>21: 10.0 →</p> <p>22: 8.9 ↖</p> <p>23: 8.8 ↓</p> <p>24: 9.7 ↗</p> <p>25: 9.0 ←</p> <p>26: 9.5 →</p> <p>27: 10.0 ↗</p> <p>28: 9.3 ←</p> <p>29: 10.5x ↖</p> <p>30: 9.2 ↓</p> <hr/> <p>Series 94.9</p> <hr/> <p>Total 276.7</p>	<p>60 Shots</p>  <p style="text-align: center;">4 5 6 7 8 7 6 5 4</p>	<p>31: 10.1 ↓</p> <p>32: 10.0 ↗</p> <p>33: 7.1 ←</p> <p>34: 9.1 ↙</p> <p>35: 10.1 →</p> <p>36: 10.2x →</p> <p>37: 8.8 ↑</p> <p>38: 10.1 ↗</p> <p>39: 9.2 ↑</p> <p>40: 9.5 ↓</p> <hr/> <p>Series 94.2</p> <hr/> <p>Total 370.9</p>
------------------------------------------------------------------------------------------------------------------------------------------------------------------------------	---------------------------------------------------------------------------------------------------------------------------------------------------------------------------------------------------------------------------------	--------------------------------------------------------------------------------------------------------------------------------------------------------------------------------------------------	-----------------------------------------------------------------------------------------------------------------------------------------------------------------------------------------------------------------------------------

<p>Sight</p> 	<p>1: 10.1 →</p> <p>2: 10.3x ↓</p> <p>3: 10.5x ↓</p> <p>4: 10.2x ↓</p> <p>5: 9.8 →</p> <p>6: 10.6x ↑</p> <p>7: 10.5x →</p> <p>8: 10.4x →</p> <p>9: 10.1 →</p> <p>10: 9.7 ↖</p>	<p>Sight</p> 	<p>11: 9.9 ↖</p> <p>12: 10.1 ↑</p>
Series	102.2	Series	20.0
Total	0.0	Total	0.0

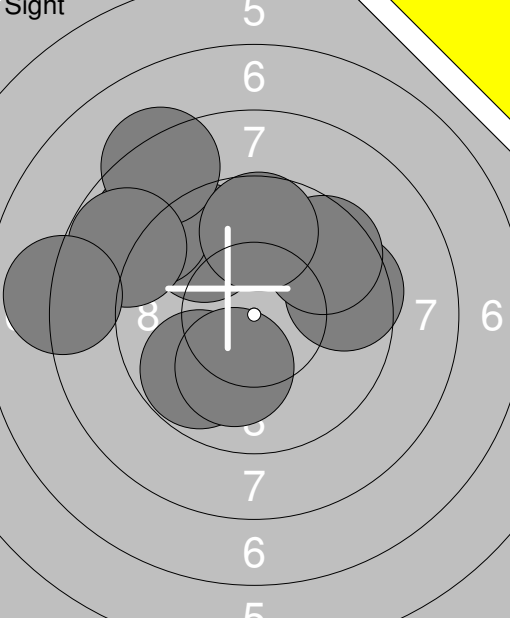
<p>60 Shots</p> 	<p>1: 10.1 ↖</p> <p>2: 10.0 ↑</p> <p>3: 10.1 ↗</p> <p>4: 9.2 ↗</p> <p>5: 9.9 →</p> <p>6: 10.2x ↓</p> <p>7: 9.8 ↓</p> <p>8: 10.2x →</p> <p>9: 9.6 ↘</p> <p>10: 10.4x ←</p>	<p>60 Shots</p> 	<p>11: 10.5x →</p> <p>12: 10.8x ←</p> <p>13: 10.2x →</p> <p>14: 9.9 →</p> <p>15: 10.6x →</p> <p>16: 9.8 ↗</p> <p>17: 8.6 ←</p> <p>18: 10.8x ↑</p> <p>19: 10.4x ↓</p> <p>20: 10.2x ↓</p>
Series	99.5	Series	101.8
Total	99.5	Total	201.3

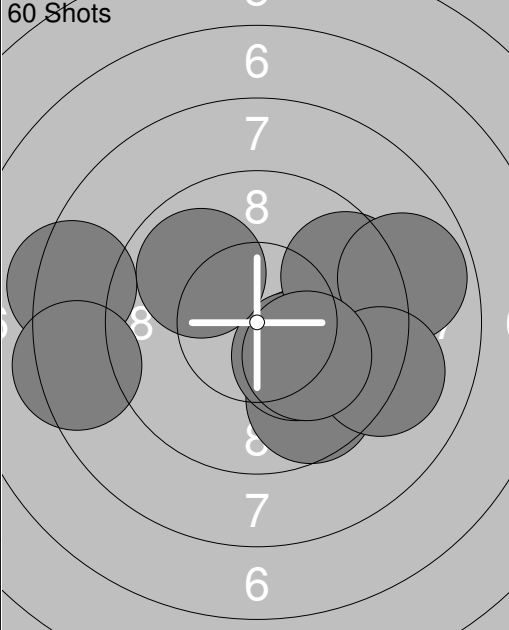
<p>60 Shots</p> 	<p>21: 10.3x ↖</p> <p>22: 10.6x ↖</p> <p>23: 10.1 →</p> <p>24: 10.2x ↑</p> <p>25: 9.8 →</p> <p>26: 9.8 →</p> <p>27: 9.3 ↖</p> <p>28: 10.1 ↓</p> <p>29: 10.6x ↖</p> <p>30: 10.5x ↓</p>	<p>60 Shots</p> 	<p>31: 9.8 ←</p> <p>32: 10.7x ↓</p> <p>33: 9.3 ←</p> <p>34: 9.6 →</p> <p>35: 10.5x ↘</p> <p>36: 10.4x ↙</p> <p>37: 9.7 ↑</p> <p>38: 10.6x ←</p> <p>39: 10.3x ↖</p> <p>40: 10.1 ←</p>
Series	101.3	Series	101.0
Total	302.6	Total	403.6

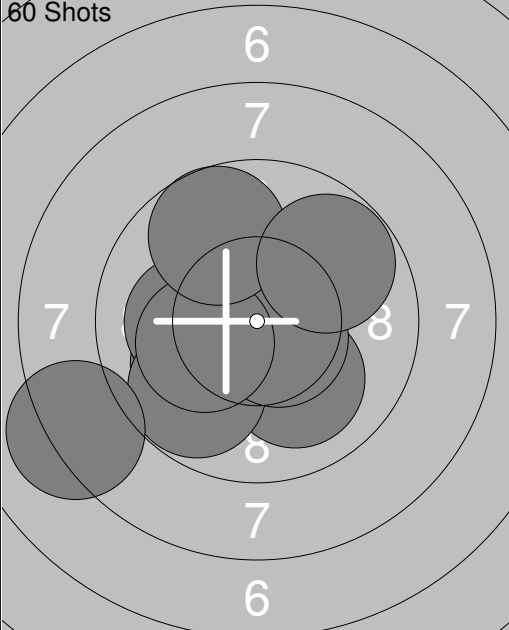
<p>Sight</p>	<p>1: 10.6x ↖ 2: 10.3x ↘ 3: 8.6 ↗ 4: 9.7 ↓ 5: 9.9 ↑ 6: 8.8 ↑ 7: 9.7 ↑ 8: 8.8 ↖ 9: 9.5 → 10: 10.9x ↗</p> <p>Series 96.8 Total 0.0</p>	<p>Sight</p>	<p>11: 9.4 ↗ 12: 8.5 → 13: 9.1 → 14: 8.4 → 15: 9.5 ↗</p> <p>Series 44.9 Total 0.0</p>
---------------------	---------------------------------------------------------------------------------------------------------------------------------------------------------------------------------------------------------------------------------------------------------------------------------------------------------------------------------------	---------------------	-------------------------------------------------------------------------------------------------------------------------------------------------------------------------------

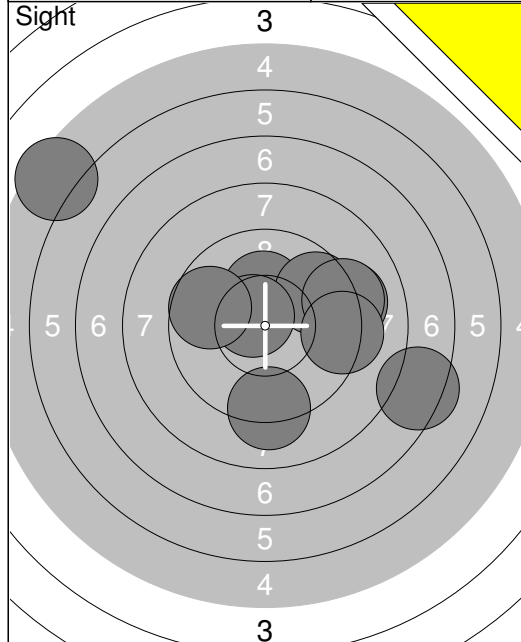
<p>60 Shots</p>	<p>1: 10.8x ↗ 2: 10.0 ← 3: 9.4 ↘ 4: 9.1 ↗ 5: 10.1 ↑ 6: 10.0 ↗ 7: 9.9 → 8: 10.3x ↖ 9: 9.0 ← 10: 9.9 →</p> <p>Series 98.5 Total 98.5</p>	<p>60 Shots</p>	<p>11: 9.8 ↓ 12: 9.9 ↖ 13: 10.2x ↗ 14: 10.1 ↘ 15: 10.7x ← 16: 9.5 ← 17: 8.4 → 18: 10.6x ↘ 19: 10.4x ↘ 20: 10.4x ↑</p> <p>Series 100.0 Total 198.5</p>
------------------------	-----------------------------------------------------------------------------------------------------------------------------------------------------------------------------------------------------------------------------------------------------------------------------------------------------------------------------------------	------------------------	--------------------------------------------------------------------------------------------------------------------------------------------------------------------------------------------------------------------------------------------------------------------------------------------------------------------------------------------------------

<p>60 Shots</p>	<p>21: 9.9 ← 22: 10.5x ↓ 23: 10.6x ↗ 24: 9.3 → 25: 10.1 → 26: 9.0 → 27: 10.6x ↖ 28: 10.5x → 29: 9.3 ← 30: 10.3x ↗</p> <p>Series 100.1 Total 298.6</p>	<p>60 Shots</p>	<p>31: 10.0 ← 32: 10.7x ↗ 33: 10.4x ↘ 34: 9.5 → 35: 10.2x → 36: 9.9 ↖ 37: 8.0 ← 38: 10.7x ↑ 39: 10.0 ↘ 40: 10.7x ↗</p> <p>Series 100.1 Total 398.7</p>
------------------------	--------------------------------------------------------------------------------------------------------------------------------------------------------------------------------------------------------------------------------------------------------------------------------------------------------------------------------------------------------	------------------------	---------------------------------------------------------------------------------------------------------------------------------------------------------------------------------------------------------------------------------------------------------------------------------------------------------------------------------------------------------

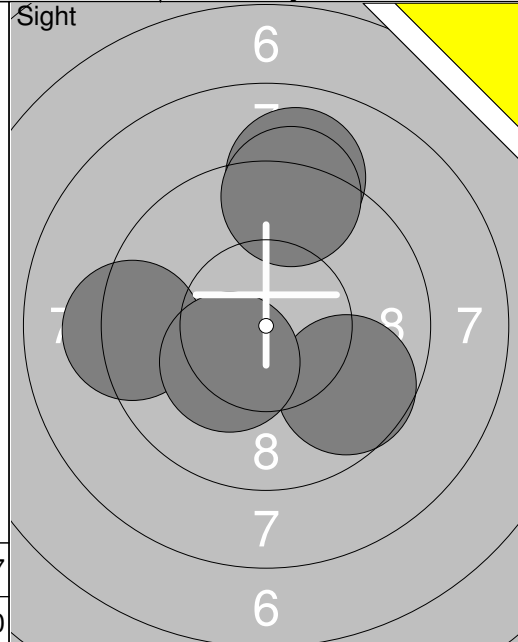
<p>Sight</p> 	<p>1: 9.5 →</p> <p>2: 9.8 ↙</p> <p>3: 9.6 ↗</p> <p>4: 8.9 ↗</p> <p>5: 9.6 ↗</p> <p>6: 10.1 ↓</p> <p>7: 8.3 ↗</p> <p>8: 8.8 ↖</p> <p>9: 8.0 ←</p> <p>10: 9.7 ↑</p>	<p>Sight</p> 		<p>11: 8.2 ↖</p> <p>12: 6.4 ←</p> <p>13: 8.2 ←</p> <p>14: 10.4x ↓</p> <p>15: 8.5 ↖</p> <p>16: 9.9 ↓</p> <p>17: 9.0 →</p> <p>18: 10.6x ↙</p>
Series	92.3	Series		71.2
Total	0.0	Total		0.0

<p>60 Shots</p> 	<p>1: 8.2 →</p> <p>2: 10.2x ↖</p> <p>3: 9.7 ↗</p> <p>4: 9.7 ↓</p> <p>5: 10.0 →</p> <p>6: 10.6x →</p> <p>7: 9.5 ↗</p> <p>8: 9.8 →</p> <p>9: 7.3 →</p> <p>10: 10.4x ↑</p>	<p>60 Shots</p> 		<p>11: 10.2x ↘</p> <p>12: 9.7 ↓</p> <p>13: 10.2x ↘</p> <p>14: 9.6 ↗</p> <p>15: 9.9 ↗</p> <p>16: 8.3 ←</p> <p>17: 8.9 →</p> <p>18: 8.4 ←</p> <p>19: 9.1 →</p> <p>20: 10.1 ↘</p>
Series	95.4	Series		94.4
Total	95.4	Total		189.8

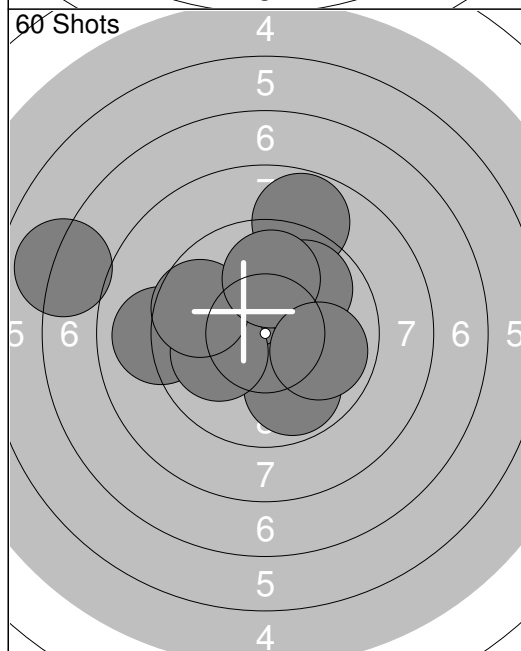
<p>60 Shots</p> 	<p>21: 9.8 →</p> <p>22: 8.0 ↓</p> <p>23: 8.9 →</p> <p>24: 9.6 ←</p> <p>25: 8.9 ←</p> <p>26: 9.0 ←</p> <p>27: 7.3 ←</p> <p>28: 10.2x ↓</p> <p>29: 9.2 ↑</p> <p>30: 10.3x ↘</p>	<p>60 Shots</p> 		<p>31: 10.8x →</p> <p>32: 10.0 ↖</p> <p>33: 10.1 ←</p> <p>34: 10.0 ↓</p> <p>35: 9.8 ↖</p> <p>36: 10.6x ↘</p> <p>37: 8.2 ↖</p> <p>38: 10.2x ↖</p> <p>39: 9.7 ↗</p> <p>40: 9.8 ↗</p>
Series	91.2	Series		99.2
Total	281.0	Total		380.2



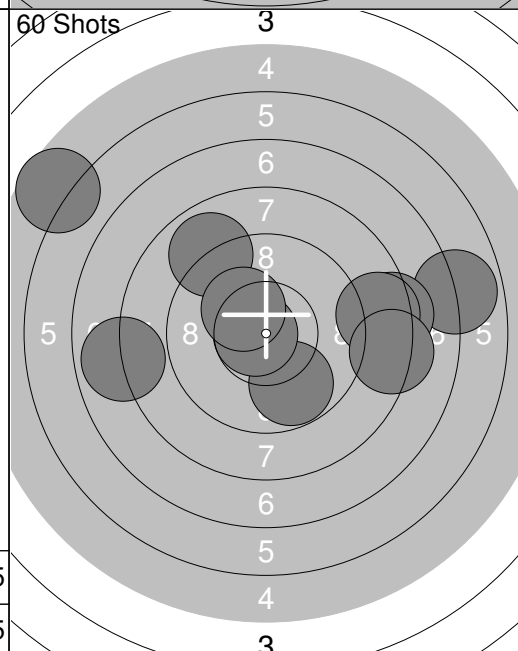
1: 10.2x ↑
2: 5.4 ↖
3: 9.1 →
4: 9.6 ↗
5: 9.2 →
6: 9.3 →
7: 9.2 ↓
8: 7.4 →
9: 10.6x ↙
10: 9.7 ←
Series 89.7
Total 0.0



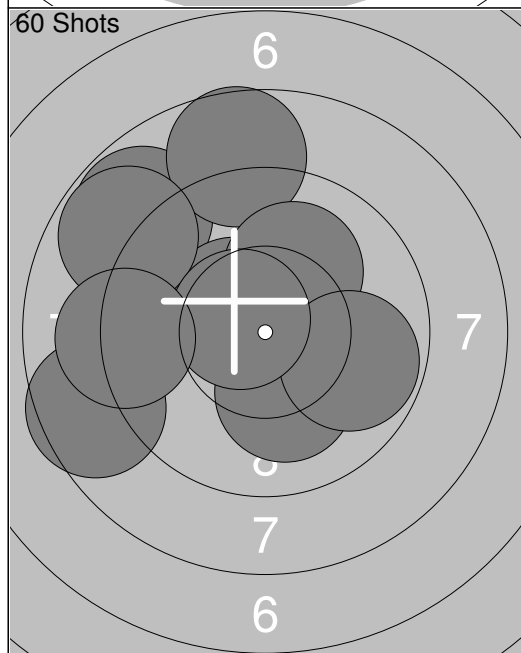
11: 9.7 ↘
12: 9.0 ↑
13: 9.3 ↑
14: 9.2 ←
15: 10.3x ↙
Series 47.5
Total 0.0



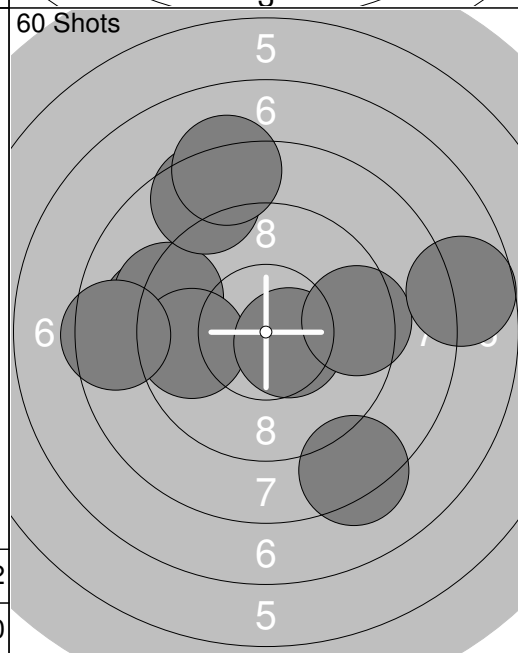
1: 9.0 ←
2: 10.3x ↙
3: 9.9 ↓
4: 10.0 ←
5: 8.8 ↑
6: 9.7 ←
7: 9.9 ↗
8: 9.9 ↑
9: 9.9 →
10: 7.1 ←
Series 94.5
Total 94.5



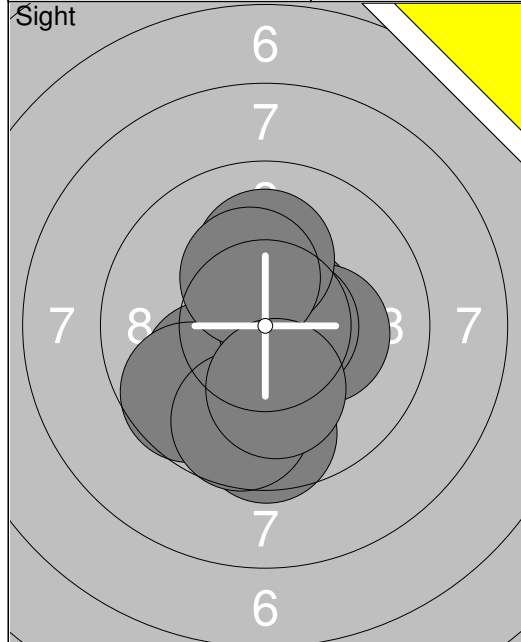
11: 5.6 ↖
12: 6.9 →
13: 8.3 →
14: 8.9 ↗
15: 8.6 →
16: 7.9 ←
17: 8.3 →
18: 9.8 ↓
19: 10.7x ←
20: 10.3x ↙
Series 85.3
Total 179.8



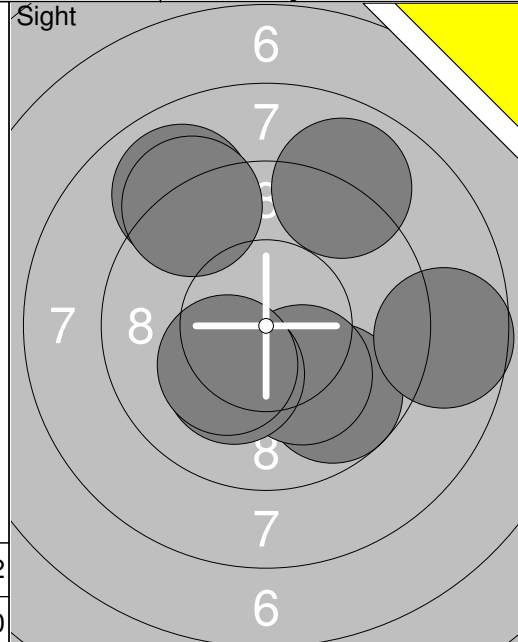
21: 8.8 ↖
22: 10.2x ↓
23: 8.7 ↑
24: 8.6 ←
25: 10.4x ↙
26: 10.1 ↑
27: 8.8 ↗
28: 9.8 →
29: 10.6x ↙
30: 9.2 ←
Series 95.2
Total 275.0



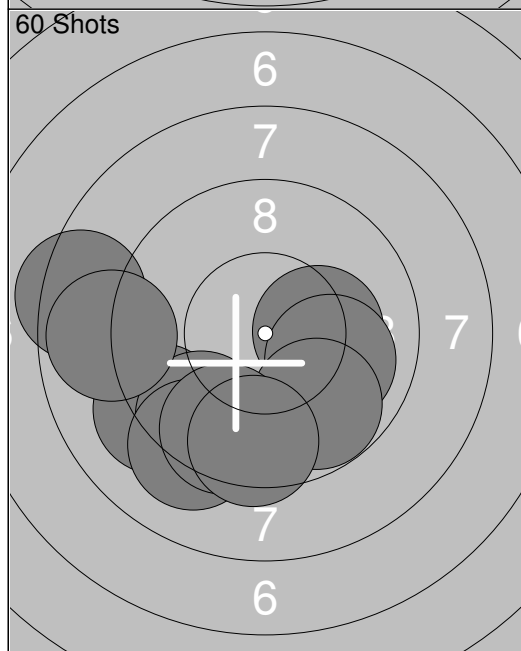
31: 9.1 ←
32: 8.3 ↓
33: 9.3 ←
34: 9.7 ←
35: 8.6 ↗
36: 10.5x ↘
37: 8.2 ↑
38: 9.5 →
39: 8.5 ←
40: 7.7 →
Series 89.4
Total 364.4



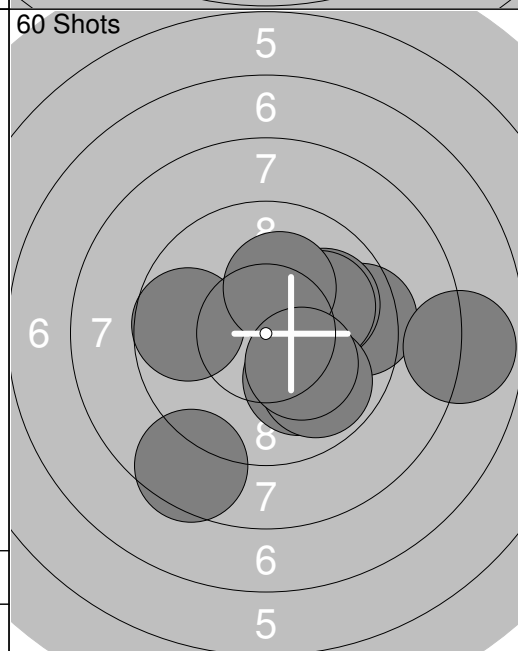
1:	10.6x →
2:	10.1 ↙
3:	9.6 ↓
4:	9.7 ↙
5:	9.7 ↓
6:	10.3x →
7:	10.7x →
8:	10.1 ↑
9:	10.3x ↑
10:	10.1 ↓
Series	101.2
Total	0.0



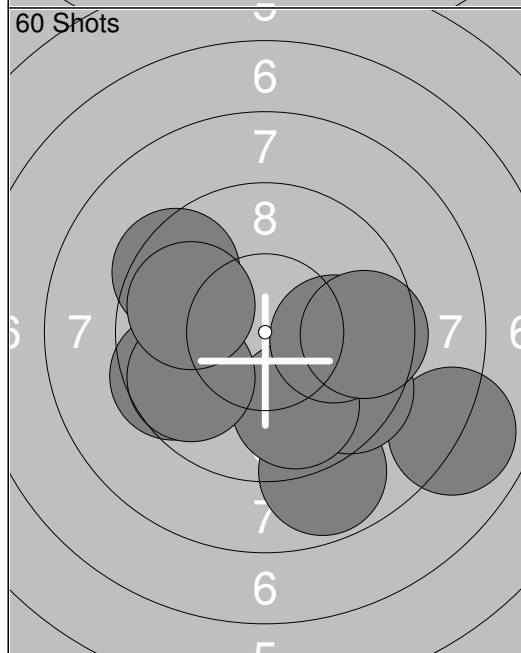
11:	8.9 ↗
12:	9.7 ↘
13:	10.2x ↘
14:	10.2x ↙
15:	9.0 ↗
16:	9.2 ↗
17:	8.7 →
18:	10.3x ↙
Series	76.2
Total	0.0



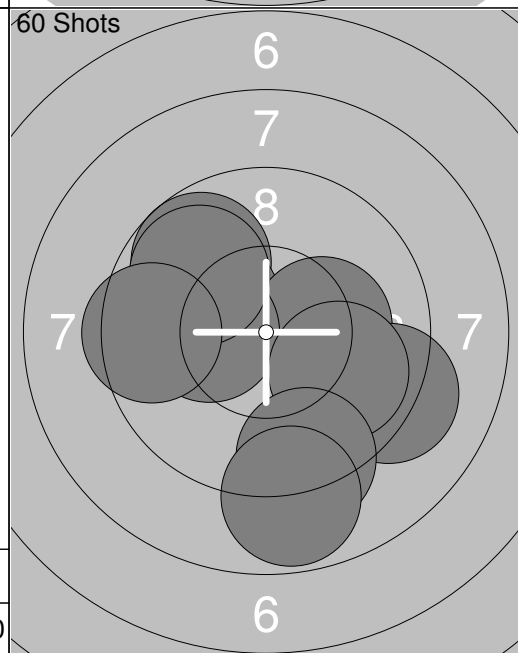
1:	9.2 ↙
2:	10.2x →
3:	8.4 ←
4:	10.0 →
5:	9.5 ↙
6:	9.1 ↙
7:	9.8 ↘
8:	8.9 ←
9:	9.5 ↘
10:	9.5 ↓
Series	94.1
Total	94.1



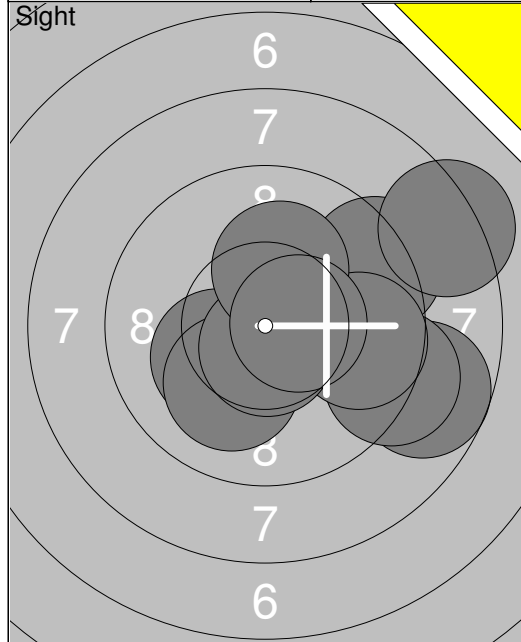
11:	9.4 →
12:	10.1 ↘
13:	9.9 ↗
14:	9.7 ←
15:	10.0 ↗
16:	7.9 →
17:	10.2x ↑
18:	9.9 ↘
19:	10.2x ↘
20:	8.5 ↘
Series	95.8
Total	189.9



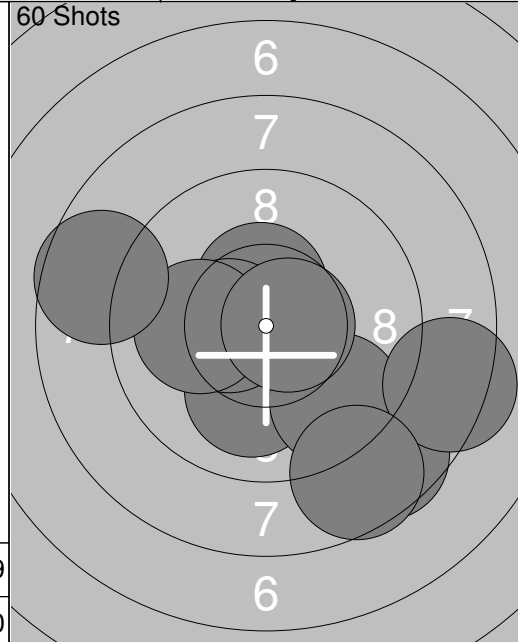
21:	9.5 ↙
22:	8.0 →
23:	9.4 ↗
24:	8.8 ↘
25:	9.5 ↘
26:	9.8 ↘
27:	10.0 →
28:	9.7 ↙
29:	9.6 →
30:	9.8 ↙
Series	94.1
Total	284.0



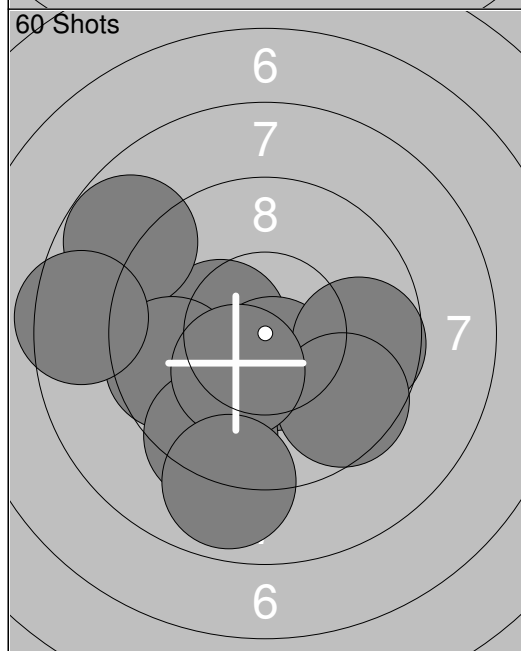
31:	9.7 ↗
32:	10.2x ↙
33:	10.2x →
34:	9.2 ↘
35:	10.2x ←
36:	9.8 ↗
37:	9.9 ↘
38:	9.3 ↓
39:	9.5 ←
40:	8.8 ↓
Series	96.8
Total	380.8



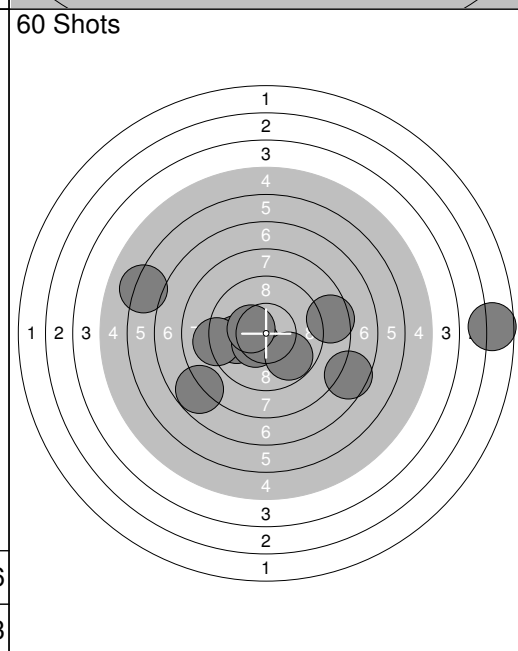
1:	9.3	➔
2:	8.7	➔
3:	9.2	➔
4:	10.2x	↙
5:	10.1	↘
6:	9.7	➔
7:	10.7x	↘
8:	10.2x	↗
9:	10.5x	➔
10:	8.3	➔
Series		96.9
Total		0.0



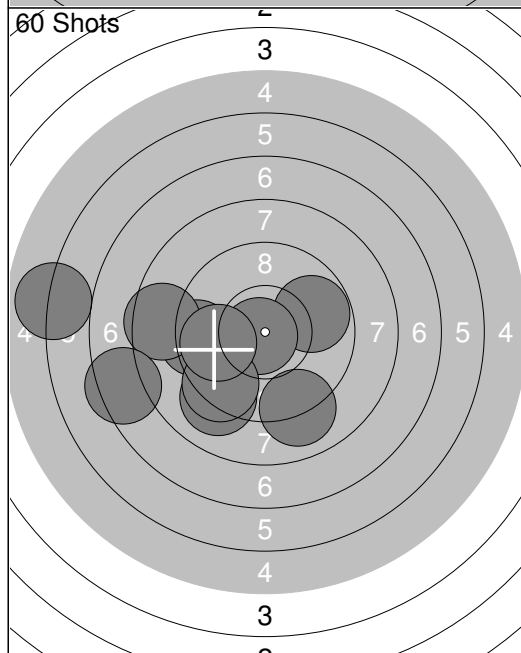
1:	10.5x	↗
2:	10.1	↘
3:	10.5x	↙
4:	8.6	↘
5:	9.6	↘
6:	10.1	↙
7:	8.4	➔
8:	8.6	↘
9:	8.6	↙
10:	10.7x	➔
Series		95.7
Total		95.7



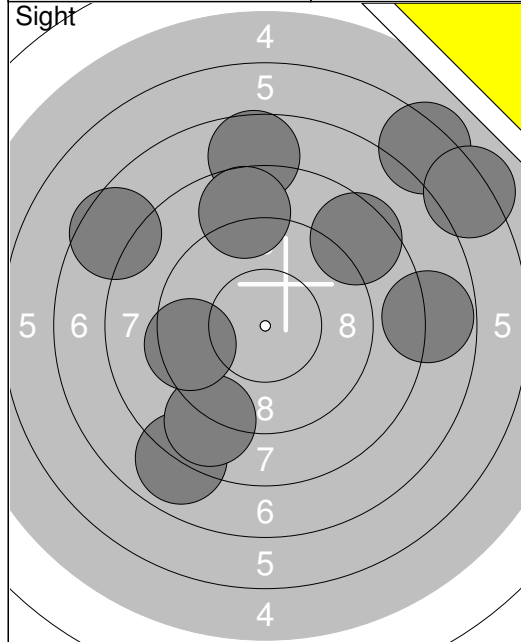
11:	10.3x	↙
12:	8.8	↖
13:	10.5x	↘
14:	9.6	↙
15:	8.5	↙
16:	9.4	↘
17:	9.7	➔
18:	9.6	↘
19:	10.3x	↘
20:	8.9	↘
Series		95.6
Total		191.3



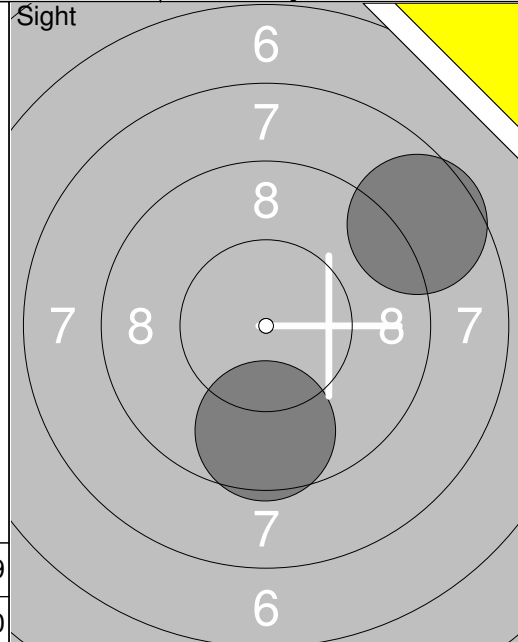
21:	9.8	↙
22:	9.1	↙
23:	6.2	↙
24:	7.8	↘
25:	8.5	➔
26:	2.7	➔
27:	10.4x	↙
28:	9.8	↘
29:	10.4x	↙
30:	7.6	➔
Series		82.3
Total		273.6



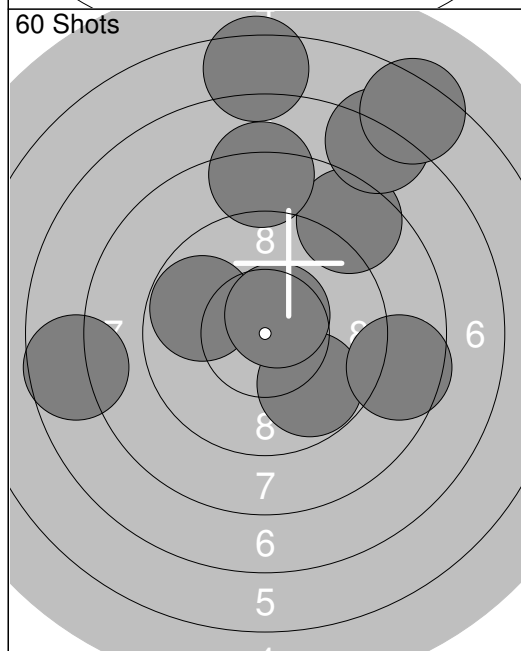
31:	9.8	➔
32:	10.8x	↙
33:	9.4	↙
34:	9.1	↘
35:	8.5	↙
36:	6.0	↙
37:	7.4	↙
38:	9.0	↘
39:	9.4	↘
40:	9.8	↙
Series		89.2
Total		362.8



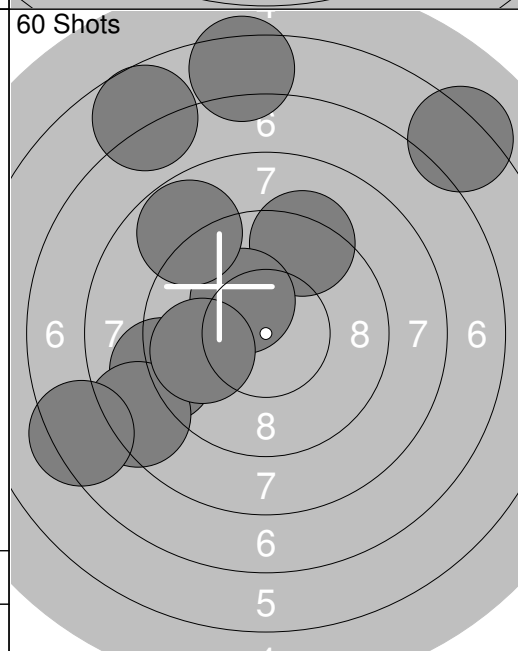
1:	7.9	↘
2:	8.8	↘
3:	6.3	↗
4:	9.5	←
5:	8.5	↗
6:	7.7	↑
7:	7.5	↖
8:	6.2	↗
9:	8.7	↑
10:	7.8	→
Series	78.9	
Total	0.0	



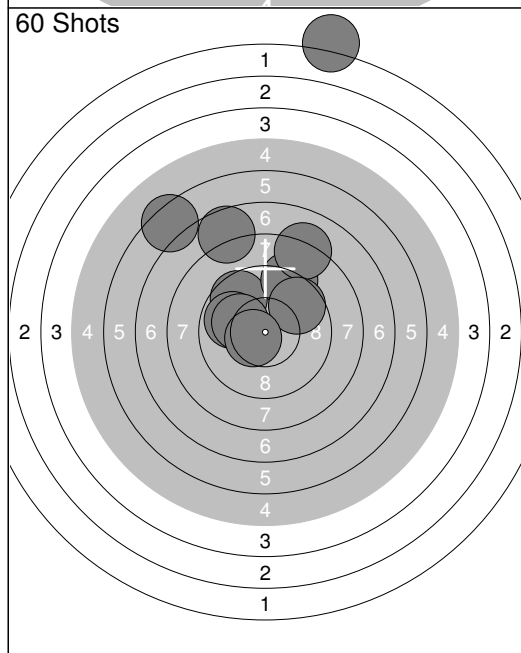
11:	8.6	↗
12:	9.6	↓
Series	18.2	
Total	0.0	



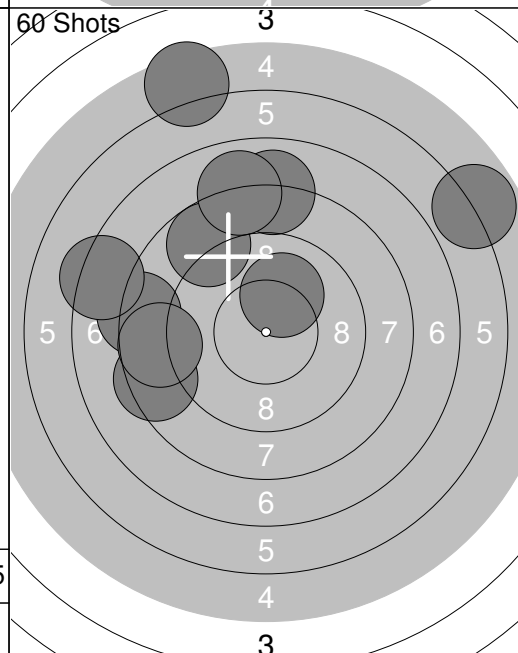
1:	8.5	↗
2:	7.1	↗
3:	9.8	↘
4:	9.8	←
5:	6.4	↑
6:	10.6x	↗
7:	8.6	→
8:	6.4	↗
9:	8.2	↑
10:	7.7	←
Series	83.1	
Total	83.1	



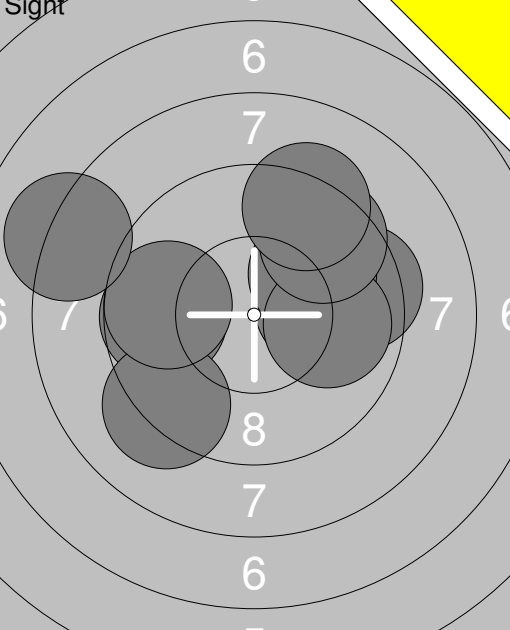
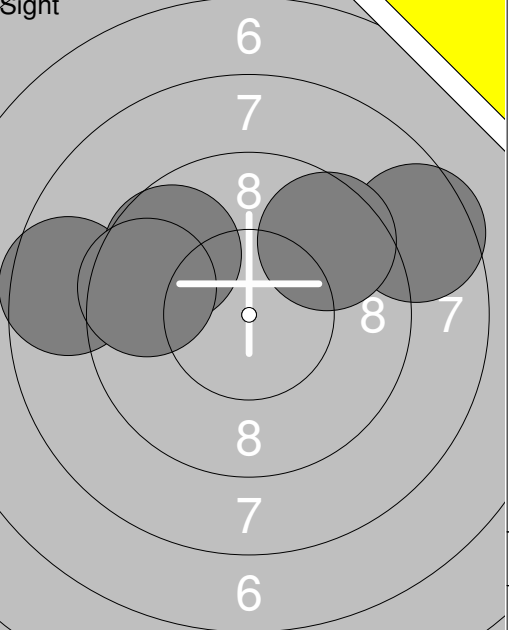
11:	9.1	←
12:	8.4	←
13:	9.3	↗
14:	6.3	↗
15:	10.3x	↖
16:	6.4	↑
17:	9.8	←
18:	6.7	↖
19:	7.4	←
20:	8.8	↖
Series	82.5	
Total	165.6	

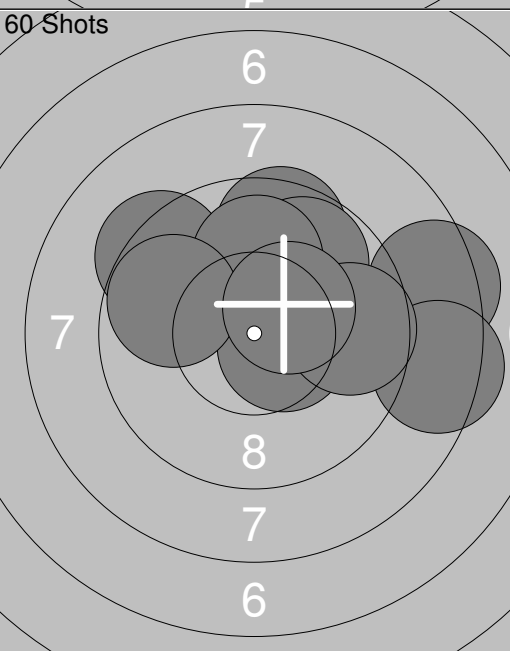
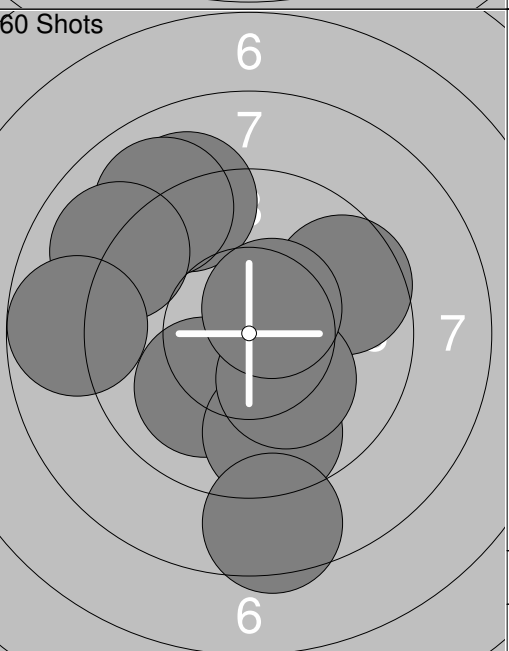


21:	9.6	↖
22:	9.1	↗
23:	8.1	↗
24:	9.6	↗
25:	9.9	←
26:	10.1	←
27:	1.6	↑
28:	10.5x	↖
29:	7.6	↗
30:	6.4	↖
Series	82.5	
Total	248.1	

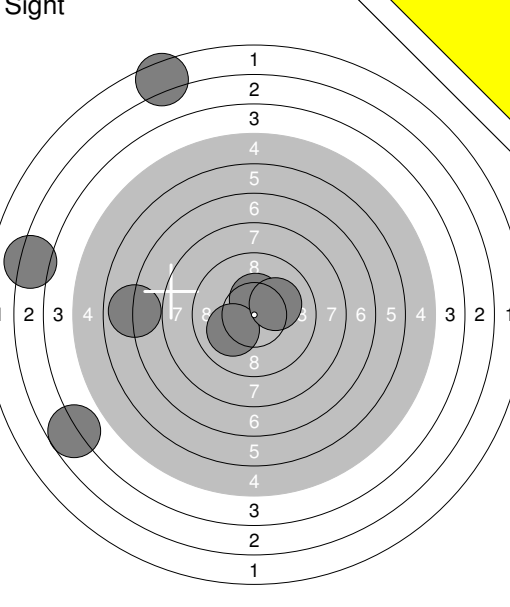
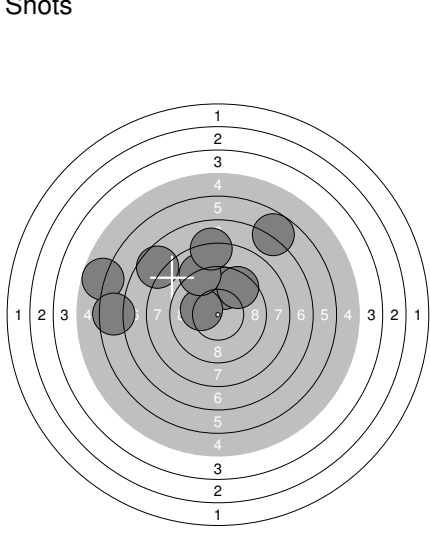


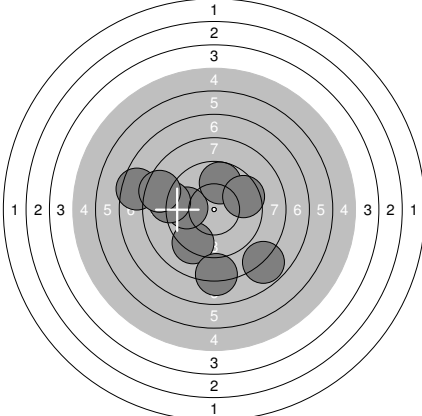
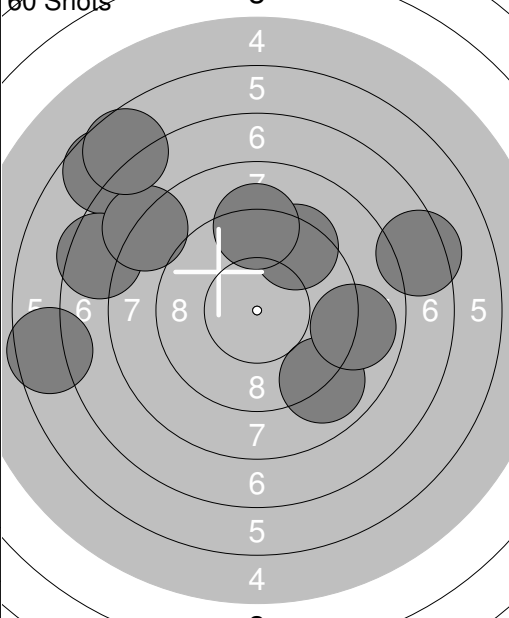
31:	8.0	↑
32:	8.2	←
33:	10.1	↗
34:	8.7	↖
35:	5.5	↗
36:	8.4	←
37:	7.3	←
38:	5.8	↗
39:	8.7	←
40:	8.0	↑
Series	78.7	
Total	326.8	

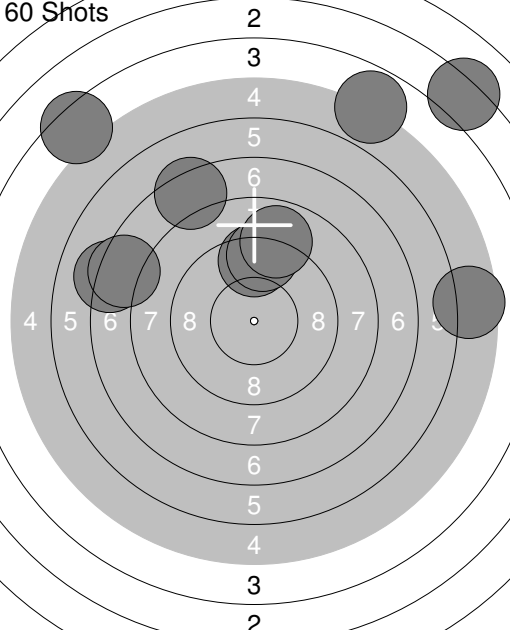
<p>Sight</p> 	<p>1: 10.0 →</p> <p>2: 9.4 →</p> <p>3: 9.7 ←</p> <p>4: 9.2 ↙</p> <p>5: 10.0 ↗</p> <p>6: 9.7 ←</p> <p>7: 9.9 →</p> <p>8: 9.5 ↗</p> <p>9: 9.3 ↗</p> <p>10: 8.1 ←</p> <p>Series 94.8</p> <p>Total 0.0</p>	<p>Sight</p> 	<p>11: 8.6 ←</p> <p>12: 8.5 ↗</p> <p>13: 9.6 ↗</p> <p>14: 9.7 ↖</p> <p>15: 9.6 ←</p> <p>Series 46.0</p> <p>Total 0.0</p>
-----------------------------------------------------------------------------------------------	--------------------------------------------------------------------------------------------------------------------------------------------------------------------------------------------------------	-------------------------------------------------------------------------------------------------	--------------------------------------------------------------------------------------------------------------------------

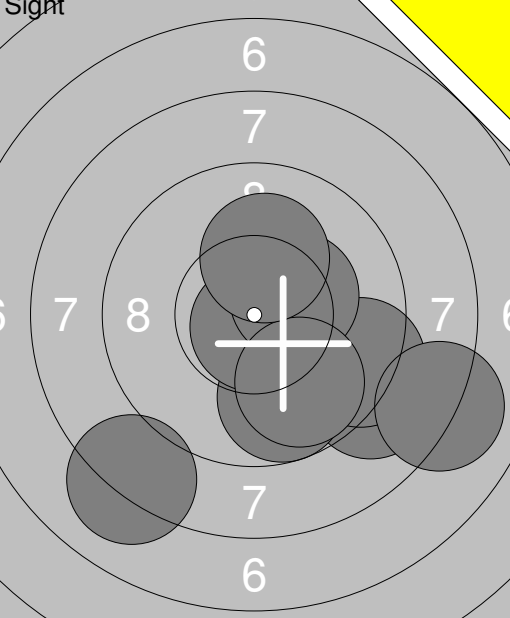
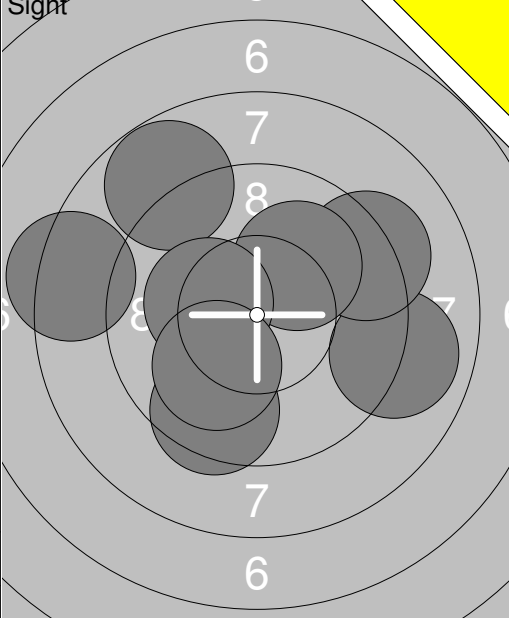
<p>60 Shots</p> 	<p>1: 9.5 ↑</p> <p>2: 10.5x →</p> <p>3: 8.4 →</p> <p>4: 9.8 ↗</p> <p>5: 9.3 ↖</p> <p>6: 8.4 →</p> <p>7: 9.6 →</p> <p>8: 10.0 ↑</p> <p>9: 9.8 ←</p> <p>10: 10.4x ↗</p> <p>Series 95.7</p> <p>Total 95.7</p>	<p>60 Shots</p> 	<p>11: 9.1 ↖</p> <p>12: 9.6 ↗</p> <p>13: 10.1 ↙</p> <p>14: 9.0 ↖</p> <p>15: 9.7 ↓</p> <p>16: 8.5 ↓</p> <p>17: 9.0 ↖</p> <p>18: 8.8 ←</p> <p>19: 10.2x ↓</p> <p>20: 10.5x ↗</p> <p>Series 94.5</p> <p>Total 190.2</p>
---------------------------------------------------------------------------------------------------	------------------------------------------------------------------------------------------------------------------------------------------------------------------------------------------------------------	-----------------------------------------------------------------------------------------------------	----------------------------------------------------------------------------------------------------------------------------------------------------------------------------------------------------------------------

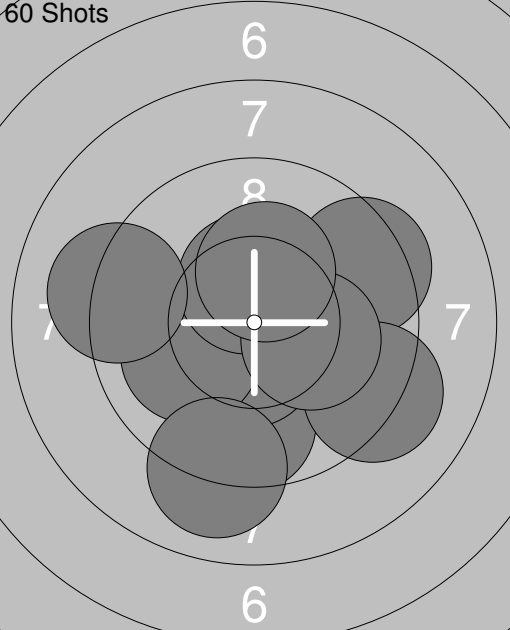
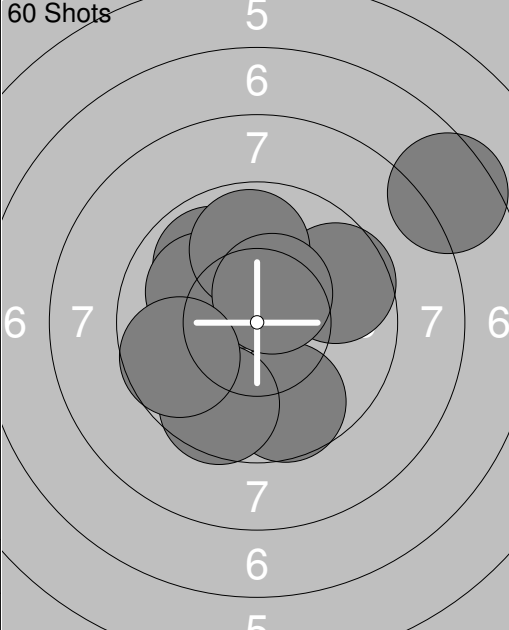
<p>60 Shots</p> 	<p>21: 10.4x ↖</p> <p>22: 9.4 ↓</p> <p>23: 9.0 ↓</p> <p>24: 10.1 ←</p> <p>25: 9.3 ↑</p> <p>26: 10.3x →</p> <p>27: 10.6x ↑</p> <p>28: 9.8 ←</p> <p>29: 9.6 →</p> <p>30: 8.1 →</p> <p>Series 96.6</p> <p>Total 286.8</p>	<p>60 Shots</p> 	<p>31: 10.1 ↖</p> <p>32: 10.0 ↗</p> <p>33: 10.5x →</p> <p>34: 10.7x ↖</p> <p>35: 10.2x ↓</p> <p>36: 10.1 ↓</p> <p>37: 4.9 ←</p> <p>38: 10.3x →</p> <p>39: 10.2x →</p> <p>40: 8.6 →</p> <p>Series 95.6</p> <p>Total 382.4</p>
----------------------------------------------------------------------------------------------------	------------------------------------------------------------------------------------------------------------------------------------------------------------------------------------------------------------------------	------------------------------------------------------------------------------------------------------	------------------------------------------------------------------------------------------------------------------------------------------------------------------------------------------------------------------------------

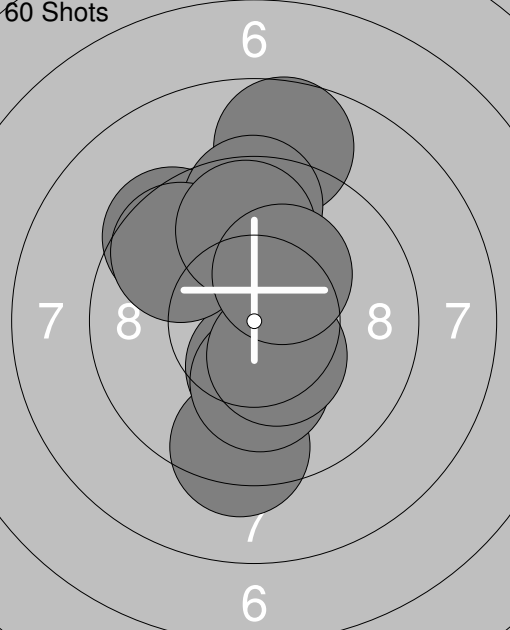
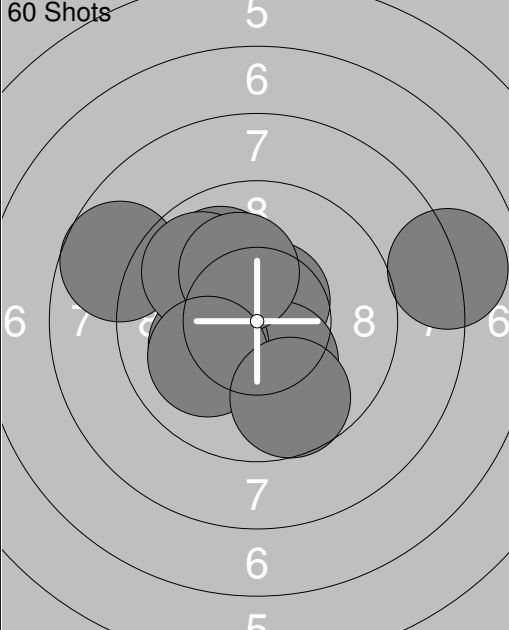
Sight 	1: 2.4 ↗ 2: 10.4x ↑ 3: 10.1 ↙ 4: 10.1 → 5: 3.2 ← 6: 3.7 ↙ 7: 6.9 ← <hr/> Series 46.8 Total 0.0	60 Shots 		1: 5.8 ← 2: 9.8 ↑ 3: 6.4 ← 4: 10.2x ↙ 5: 9.5 ↗ 6: 9.0 ↗ 7: 8.1 ↑ 8: 0.0 ← 9: 7.6 ↙ 10: 6.8 ↗ <hr/> Series 73.2 Total 73.2
--------------------------------------------------------------------------------------------------	--------------------------------------------------------------------------------------------------------------------------------------	-------------------------------------------------------------------------------------------------------	--	--------------------------------------------------------------------------------------------------------------------------------------------------------------------------

60 Shots 	11: 9.3 ↙ 12: 9.8 ← 13: 9.8 ↑ 14: 7.5 ← 15: 0.0 ← 16: 8.1 ↓ 17: 9.6 → 18: 9.0 ← 19: 7.8 ↘ 20: 8.5 ← <hr/> Series 79.4 Total 152.6	60 Shots 		21: 9.0 ↘ 22: 6.6 ← 23: 6.7 ↗ 24: 9.4 ↗ 25: 9.2 ↑ 26: 7.4 → 27: 7.5 ← 28: 8.9 → 29: 8.1 ↗ 30: 6.7 ↗ <hr/> Series 79.5 Total 232.1
-------------------------------------------------------------------------------------------------------	----------------------------------------------------------------------------------------------------------------------------------------------------------------------------------	--------------------------------------------------------------------------------------------------------	--	----------------------------------------------------------------------------------------------------------------------------------------------------------------------------------

60 Shots 	31: 7.2 ← 32: 4.9 ↗ 33: 4.4 ↗ 34: 5.6 → 35: 7.4 ↗ 36: 3.2 ↗ 37: 9.4 ↑ 38: 7.5 ← 39: 9.3 ↑ 40: 8.9 ↑ <hr/> Series 67.8 Total 299.9			
-------------------------------------------------------------------------------------------------------	----------------------------------------------------------------------------------------------------------------------------------------------------------------------------------	--	--	--

	<p>1: 9.0 →</p> <p>2: 8.1 ↘</p> <p>3: 10.0 ↘</p> <p>4: 9.7 ↘</p> <p>5: 9.3 →</p> <p>6: 10.8x ↓</p> <p>7: 10.3x →</p> <p>8: 9.8 ↘</p> <p>9: 8.1 →</p> <p>10: 10.2x ↑</p>		<p>11: 9.0 →</p> <p>12: 9.2 ↗</p> <p>13: 9.5 ↘</p> <p>14: 10.1 ↗</p> <p>15: 8.8 ↖</p> <p>16: 8.3 ←</p> <p>17: 10.3x ←</p> <p>18: 10.1 ↘</p>
Series	95.3	Series	75.3
Total	0.0	Total	0.0

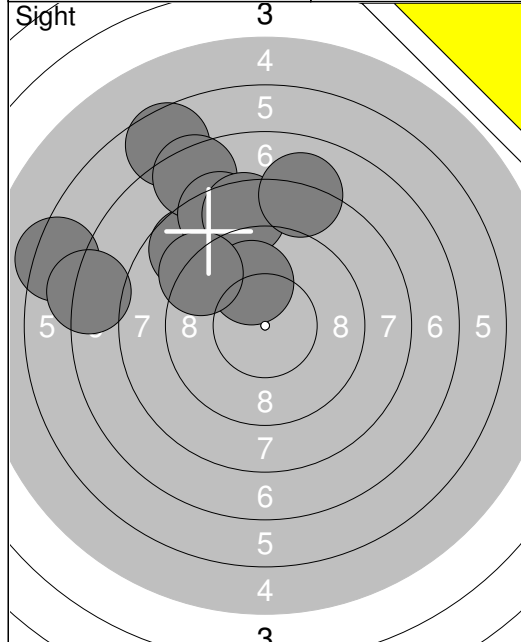
	<p>1: 9.7 ↓</p> <p>2: 10.5x ↓</p> <p>3: 10.0 ←</p> <p>4: 9.4 →</p> <p>5: 10.5x ↑</p> <p>6: 9.2 →</p> <p>7: 10.2x →</p> <p>8: 9.2 ←</p> <p>9: 10.3x ↑</p> <p>10: 9.0 ↓</p>		<p>11: 9.7 ↓</p> <p>12: 7.5 ↗</p> <p>13: 10.4x ↖</p> <p>14: 9.6 →</p> <p>15: 9.9 ↖</p> <p>16: 10.1 ←</p> <p>17: 9.9 ↑</p> <p>18: 9.6 ↓</p> <p>19: 10.5x ↑</p> <p>20: 9.7 ←</p>
Series	98.0	Series	96.9
Total	98.0	Total	194.9

	<p>21: 9.3 ↓</p> <p>22: 8.7 ↑</p> <p>23: 9.5 ↖</p> <p>24: 9.5 ↑</p> <p>25: 10.4x ↓</p> <p>26: 9.7 ↖</p> <p>27: 10.2x ↓</p> <p>28: 9.8 ↑</p> <p>29: 10.4x ↓</p> <p>30: 10.3x ↗</p>		<p>31: 10.6x ↗</p> <p>32: 10.0 ↖</p> <p>33: 10.3x ↓</p> <p>34: 8.7 ←</p> <p>35: 10.1 ←</p> <p>36: 9.9 ↖</p> <p>37: 8.0 →</p> <p>38: 10.2x ↖</p> <p>39: 10.0 ←</p> <p>40: 9.7 ↓</p>
Series	97.8	Series	97.5
Total	292.7	Total	390.2

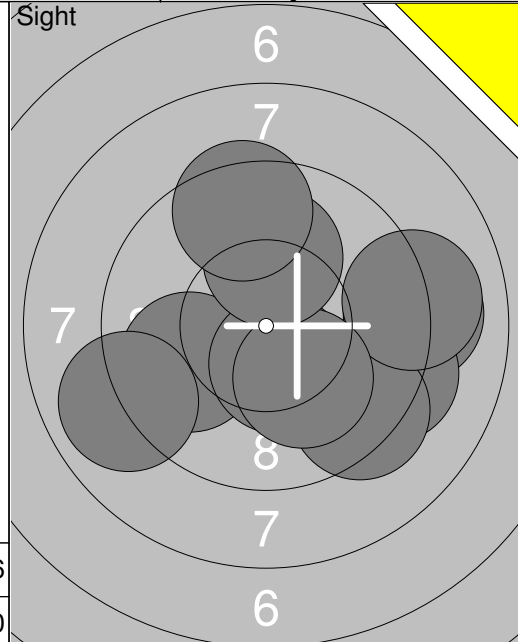
<p>Sight</p>	<p>1: 8.8 ↗ 2: 9.4 ↘ 3: 9.7 ↖ 4: 10.3x ↙ 5: 9.9 ↘ 6: 9.3 ↓ 7: 8.6 → 8: 9.6 ↓ 9: 10.6x ↘ 10: 9.1 ↗</p> <p>Series 95.3 Total 0.0</p>	<p>Sight</p>	<p>11: 9.7 → 12: 10.4x ↗ 13: 9.1 ↗ 14: 8.2 ← 15: 10.3x ↖</p> <p>Series 47.7 Total 0.0</p>
---------------------	-------------------------------------------------------------------------------------------------------------------------------------------------------------------------------------------------------------------------------------------------------------------------------------------------------------------------------------	---------------------	-----------------------------------------------------------------------------------------------------------------------------------------------------------------------------------

<p>60 Shots</p>	<p>1: 10.1 ↓ 2: 10.7x ↑ 3: 10.3x ← 4: 9.9 ↓ 5: 9.9 ↘ 6: 10.0 ↓ 7: 9.6 ↓ 8: 9.1 ↓ 9: 9.0 ↗ 10: 9.6 ↑</p> <p>Series 98.2 Total 98.2</p>	<p>60 Shots</p>	<p>11: 9.5 ↗ 12: 9.7 ↖ 13: 10.6x ↗ 14: 10.4x ↘ 15: 9.3 ↗ 16: 10.1 ↓ 17: 10.2x ↖ 18: 9.9 ↑ 19: 9.8 → 20: 9.9 ↙</p> <p>Series 99.4 Total 197.6</p>
------------------------	----------------------------------------------------------------------------------------------------------------------------------------------------------------------------------------------------------------------------------------------------------------------------------------------------------------------------------------	------------------------	---------------------------------------------------------------------------------------------------------------------------------------------------------------------------------------------------------------------------------------------------------------------------------------------------------------------------------------------------

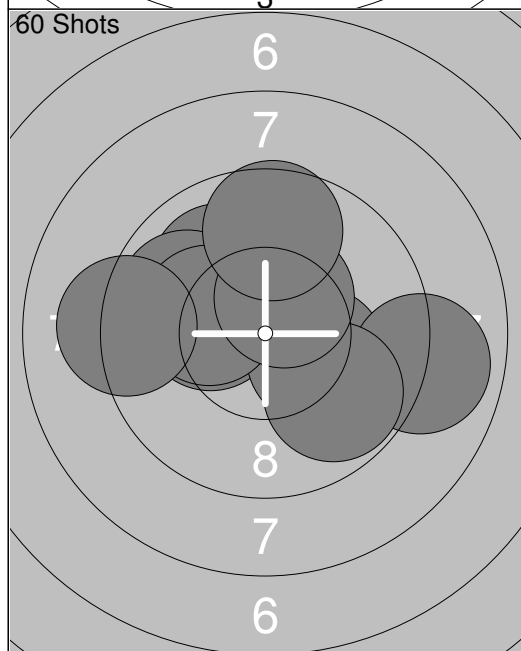
<p>60 Shots</p>	<p>21: 8.0 ↘ 22: 10.3x ↙ 23: 9.5 ← 24: 9.1 → 25: 10.3x ↘ 26: 8.7 ↗ 27: 10.1 ↗ 28: 9.2 ↓ 29: 9.9 ↓ 30: 9.5 ↑</p> <p>Series 94.6 Total 292.2</p>	<p>60 Shots</p>	<p>31: 10.4x ↓ 32: 9.6 ↖ 33: 9.5 → 34: 9.4 ↑ 35: 9.8 ↗ 36: 8.4 ← 37: 10.3x ↖ 38: 9.3 ↖ 39: 8.1 ↖ 40: 9.7 ↑</p> <p>Series 94.5 Total 386.7</p>
------------------------	-------------------------------------------------------------------------------------------------------------------------------------------------------------------------------------------------------------------------------------------------------------------------------------------------------------------------------------------------	------------------------	------------------------------------------------------------------------------------------------------------------------------------------------------------------------------------------------------------------------------------------------------------------------------------------------------------------------------------------------



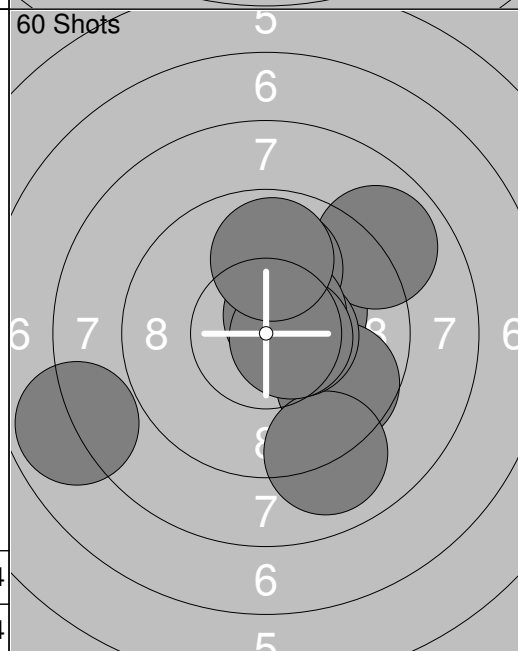
1:	6.3	↖
2:	7.2	↖
3:	8.7	↗
4:	6.6	↗
5:	7.5	↗
6:	8.4	↗
7:	8.6	↗
8:	8.1	↗
9:	10.0	↗
10:	9.2	↖
Series		80.6
Total		0.0



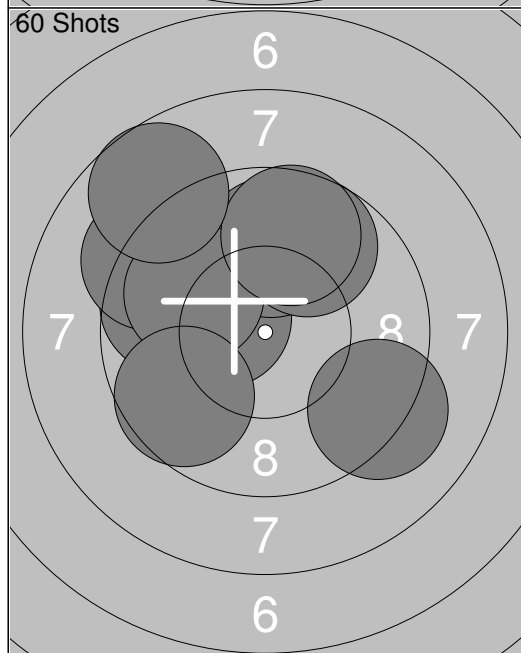
11:	9.1	→
12:	9.3	↗
13:	9.3	↘
14:	9.1	→
15:	9.9	↖
16:	10.4x	↘
17:	10.1	↘
18:	8.9	↖
19:	10.1	↗
20:	9.5	↗
Series		95.7
Total		0.0



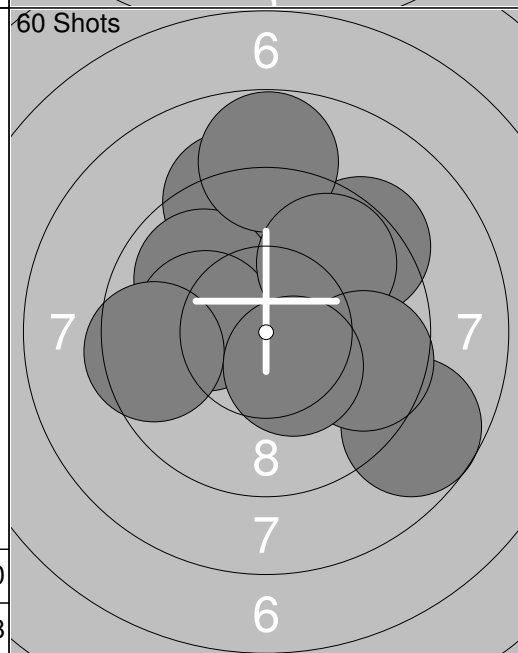
1:	10.2x	↖
2:	10.2x	↗
3:	10.0	↗
4:	9.9	↖
5:	8.9	↗
6:	10.2x	↖
7:	9.8	↘
8:	10.4x	↗
9:	9.6	↗
10:	9.2	↖
Series		98.4
Total		98.4



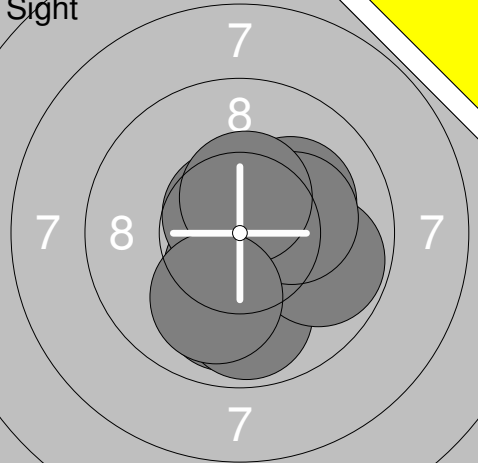
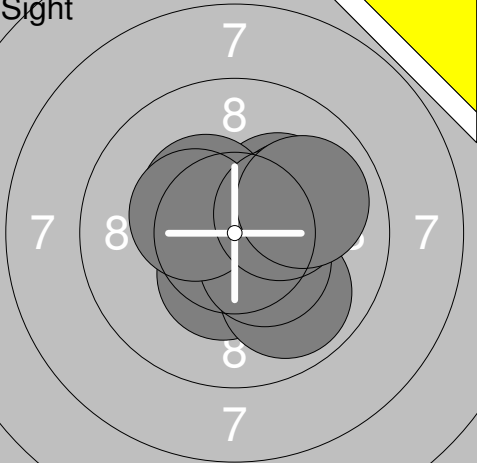
11:	10.3x	↗
12:	9.7	↘
13:	9.0	↘
14:	8.9	↗
15:	10.0	↗
16:	10.5x	→
17:	10.6x	↗
18:	10.6x	→
19:	9.9	↗
20:	7.9	↖
Series		97.4
Total		195.8

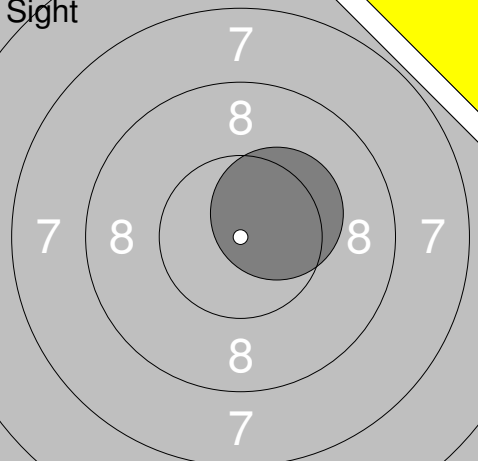
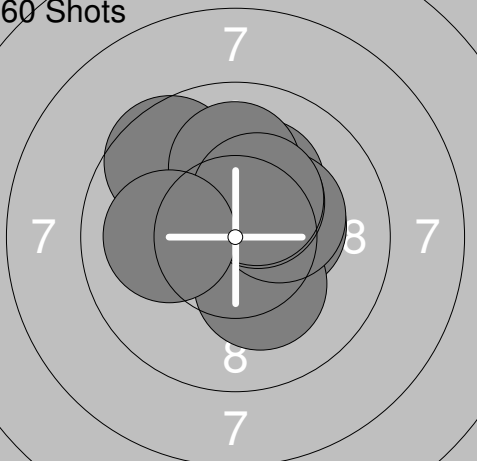



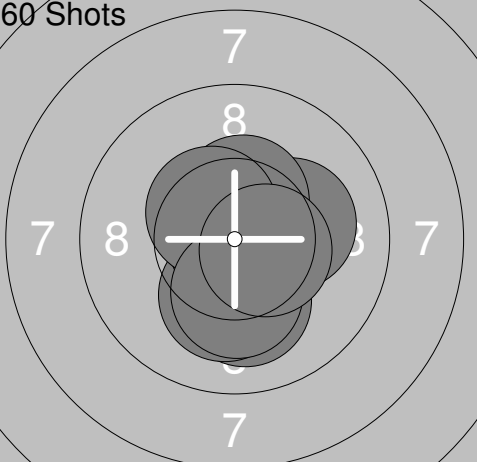
21:	9.7	↖
22:	9.2	↖
23:	10.4x	↖
24:	9.9	↗
25:	9.9	↖
26:	9.7	↗
27:	9.6	↖
28:	9.7	↗
29:	8.7	↗
30:	9.2	↘
Series		96.0
Total		291.8





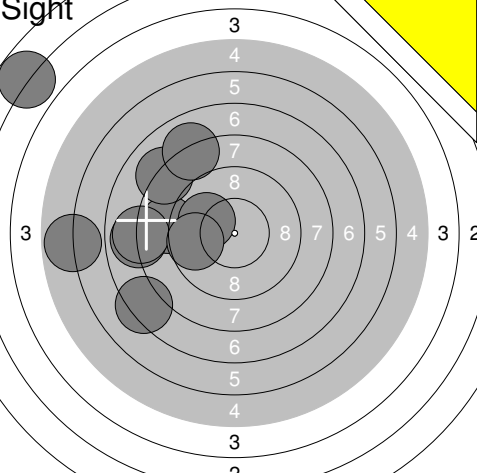
31:	9.2	↗
32:	9.3	↗
33:	8.7	↘
34:	9.9	↖
35:	8.8	↗
36:	10.2x	↖
37:	9.5	↖
38:	9.8	↗
39:	9.7	↗
40:	10.4x	↘
Series		95.5
Total		387.3

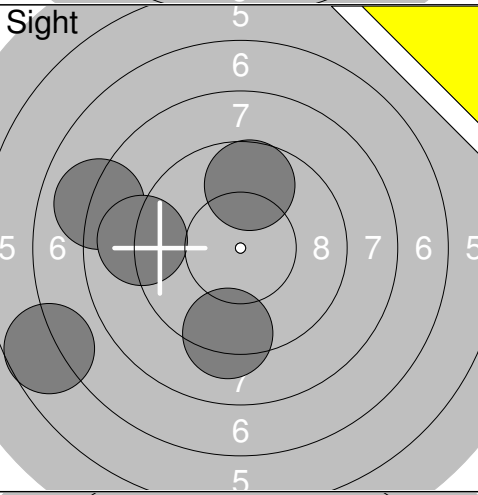
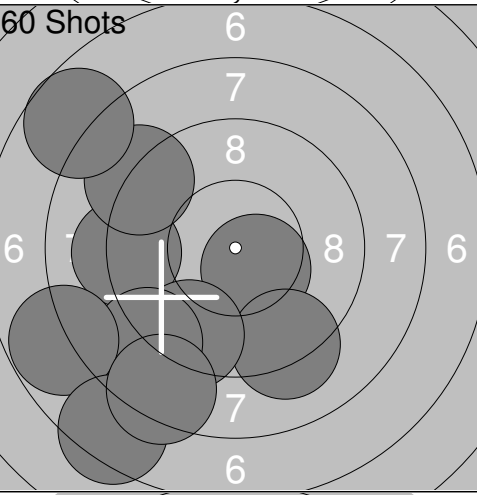
Sight 	1: 10.0 ↓ 2: 10.4x ↓ 3: 9.9 ↓ 4: 10.2x ↗ 5: 10.4x ↓ 6: 9.8 → 7: 10.7x ↗ 8: 10.2x → 9: 10.5x ↑ 10: 10.0 ↓ <hr/> Series 102.1 Total 0.0	Sight 	11: 10.2x ↗ 12: 10.8x ↗ 13: 10.4x ↓ 14: 9.9 ↓ 15: 10.4x ↗ 16: 10.1 → 17: 10.4x ↓ 18: 10.4x ← 19: 10.3x → 20: 9.9 → <hr/> Series 102.8 Total 0.0
--------------------------------------------------------------------------------------------------	------------------------------------------------------------------------------------------------------------------------------------------------------------------------	----------------------------------------------------------------------------------------------------	----------------------------------------------------------------------------------------------------------------------------------------------------------------------------------

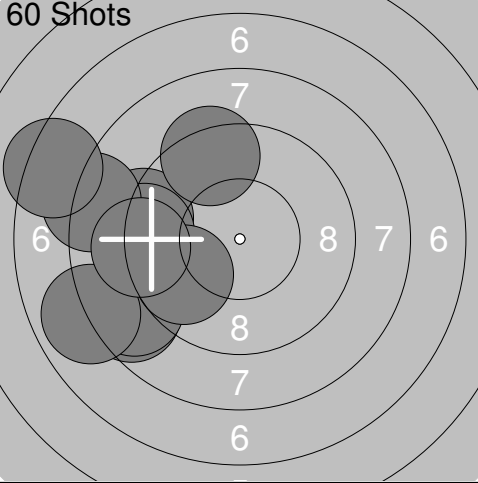
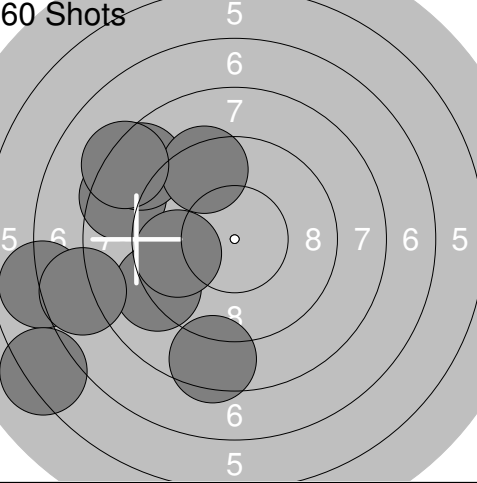
Sight 	21: 10.4x ↗ <hr/> Series 10.4 Total 0.0	60 Shots 	1: 10.7x ↗ 2: 10.3x → 3: 10.2x ↓ 4: 10.2x ↑ 5: 10.3x → 6: 9.6 ↖ 7: 10.0 ↑ 8: 10.4x ↗ 9: 10.4x ↗ 10: 10.1 ← <hr/> Series 102.2 Total 102.2
---------------------------------------------------------------------------------------------------	-----------------------------------------------	--------------------------------------------------------------------------------------------------------	----------------------------------------------------------------------------------------------------------------------------------------------------------------------------

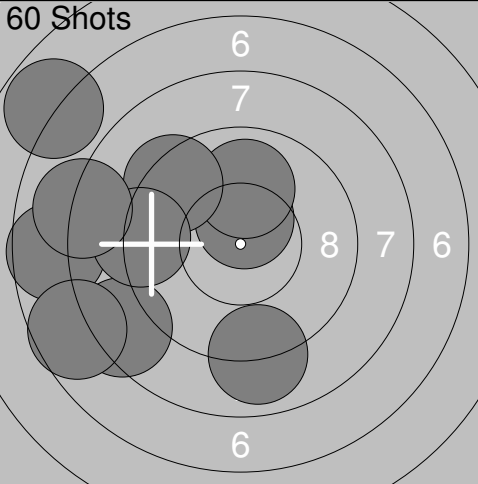
60 Shots 	11: 10.4x ← 12: 10.7x ← 13: 10.9x → 14: 10.6x ↗ 15: 10.5x ↓ 16: 10.5x ↗ 17: 10.5x ↓ 18: 10.7x ↓ 19: 10.7x ↓ 20: 10.4x ↓ <hr/> Series 105.9 Total 208.1	60 Shots 	21: 10.1 ↓ 22: 10.5x ↗ 23: 10.7x ↑ 24: 10.2x → 25: 10.2x ↓ 26: 10.9x ↖ 27: 10.4x ↑ 28: 10.5x ↖ 29: 10.2x ↓ 30: 10.5x → <hr/> Series 104.2 Total 312.3
-------------------------------------------------------------------------------------------------------	-----------------------------------------------------------------------------------------------------------------------------------------------------------------------------------------	---------------------------------------------------------------------------------------------------------	----------------------------------------------------------------------------------------------------------------------------------------------------------------------------------------

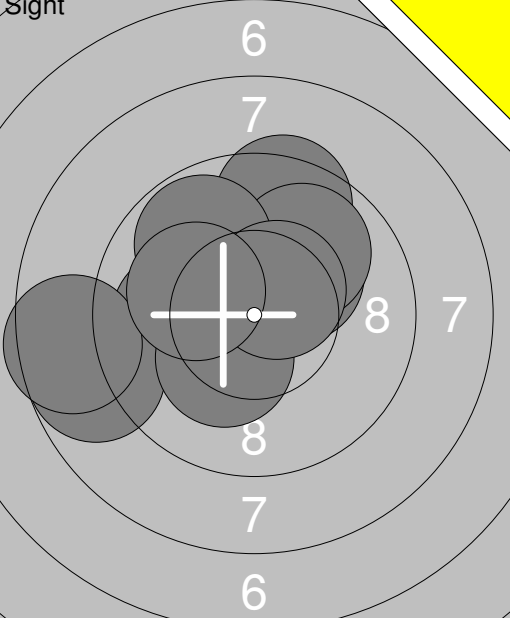
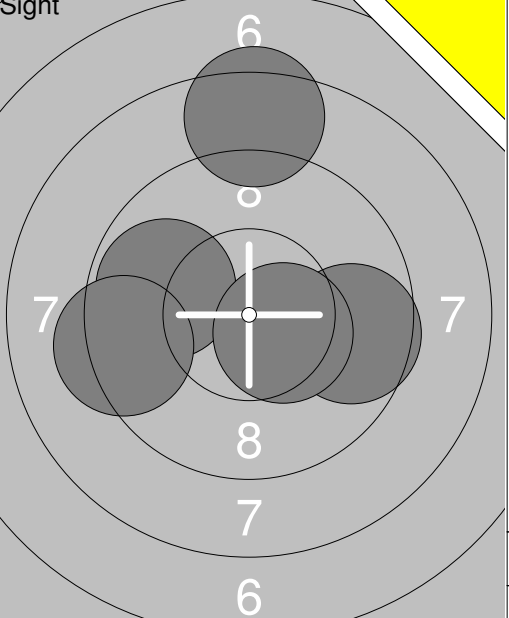
60 Shots 	31: 10.6x ↖ 32: 10.6x ↓ 33: 10.4x → 34: 10.8x ↗ 35: 10.5x ↓ 36: 10.6x ↖ 37: 10.4x ↓ 38: 10.5x ↗ 39: 10.7x ↓ 40: 10.5x ↘ <hr/> Series 105.6 Total 417.9		
-------------------------------------------------------------------------------------------------------	-----------------------------------------------------------------------------------------------------------------------------------------------------------------------------------------	--	--

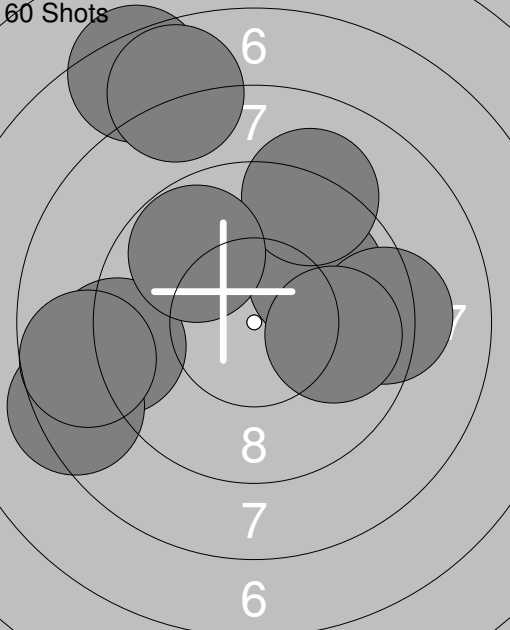
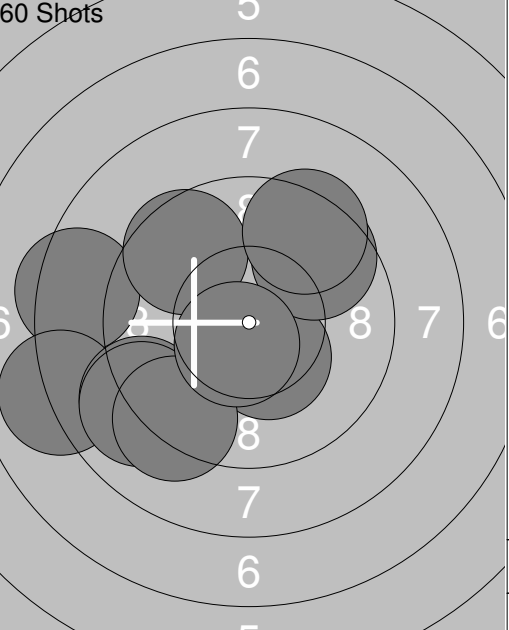
	<table border="1" style="width:100%; border-collapse: collapse;"> <tr><td>1:</td><td>6.9</td><td>↓</td></tr> <tr><td>2:</td><td>10.1</td><td>↓</td></tr> <tr><td>3:</td><td>8.2</td><td>↓</td></tr> <tr><td>4:</td><td>9.9</td><td>↙</td></tr> <tr><td>5:</td><td>8.2</td><td>↗</td></tr> <tr><td>6:</td><td>9.5</td><td>←</td></tr> <tr><td>7:</td><td>10.4x</td><td>↗</td></tr> <tr><td>8:</td><td>9.9</td><td>↓</td></tr> <tr><td>9:</td><td>8.6</td><td>←</td></tr> <tr><td>10:</td><td>8.8</td><td>↓</td></tr> <tr><td>Series</td><td>90.5</td><td></td></tr> <tr><td>Total</td><td>0.0</td><td></td></tr> </table>	1:	6.9	↓	2:	10.1	↓	3:	8.2	↓	4:	9.9	↙	5:	8.2	↗	6:	9.5	←	7:	10.4x	↗	8:	9.9	↓	9:	8.6	←	10:	8.8	↓	Series	90.5		Total	0.0			<table border="1" style="width:100%; border-collapse: collapse;"> <tr><td>11:</td><td>8.8</td><td>←</td></tr> <tr><td>12:</td><td>8.1</td><td>↗</td></tr> <tr><td>13:</td><td>8.0</td><td>↗</td></tr> <tr><td>14:</td><td>7.9</td><td>←</td></tr> <tr><td>15:</td><td>10.0</td><td>↙</td></tr> <tr><td>16:</td><td>8.0</td><td>←</td></tr> <tr><td>17:</td><td>9.7</td><td>←</td></tr> <tr><td>18:</td><td>5.8</td><td>←</td></tr> <tr><td>19:</td><td>2.8</td><td>↗</td></tr> <tr><td>20:</td><td>7.3</td><td>↙</td></tr> <tr><td>Series</td><td>76.4</td><td></td></tr> <tr><td>Total</td><td>0.0</td><td></td></tr> </table>	11:	8.8	←	12:	8.1	↗	13:	8.0	↗	14:	7.9	←	15:	10.0	↙	16:	8.0	←	17:	9.7	←	18:	5.8	←	19:	2.8	↗	20:	7.3	↙	Series	76.4		Total	0.0	
1:	6.9	↓																																																																									
2:	10.1	↓																																																																									
3:	8.2	↓																																																																									
4:	9.9	↙																																																																									
5:	8.2	↗																																																																									
6:	9.5	←																																																																									
7:	10.4x	↗																																																																									
8:	9.9	↓																																																																									
9:	8.6	←																																																																									
10:	8.8	↓																																																																									
Series	90.5																																																																										
Total	0.0																																																																										
11:	8.8	←																																																																									
12:	8.1	↗																																																																									
13:	8.0	↗																																																																									
14:	7.9	←																																																																									
15:	10.0	↙																																																																									
16:	8.0	←																																																																									
17:	9.7	←																																																																									
18:	5.8	←																																																																									
19:	2.8	↗																																																																									
20:	7.3	↙																																																																									
Series	76.4																																																																										
Total	0.0																																																																										

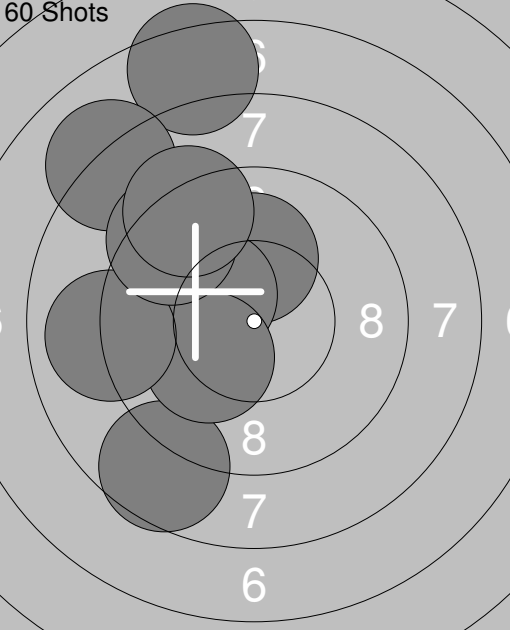
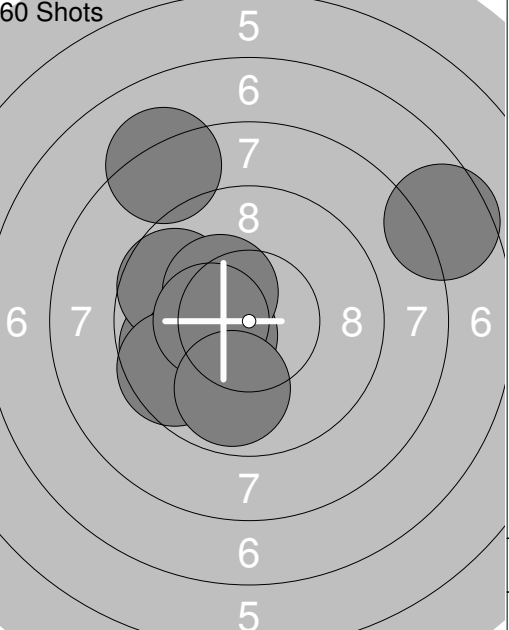
	<table border="1" style="width:100%; border-collapse: collapse;"> <tr><td>21:</td><td>8.0</td><td>←</td></tr> <tr><td>22:</td><td>9.3</td><td>↓</td></tr> <tr><td>23:</td><td>6.7</td><td>←</td></tr> <tr><td>24:</td><td>9.7</td><td>↑</td></tr> <tr><td>25:</td><td>9.0</td><td>←</td></tr> <tr><td>Series</td><td>42.7</td><td></td></tr> <tr><td>Total</td><td>0.0</td><td></td></tr> </table>	21:	8.0	←	22:	9.3	↓	23:	6.7	←	24:	9.7	↑	25:	9.0	←	Series	42.7		Total	0.0			<table border="1" style="width:100%; border-collapse: collapse;"> <tr><td>1:</td><td>10.5x</td><td>↓</td></tr> <tr><td>2:</td><td>9.2</td><td>↓</td></tr> <tr><td>3:</td><td>9.2</td><td>←</td></tr> <tr><td>4:</td><td>9.4</td><td>↓</td></tr> <tr><td>5:</td><td>9.0</td><td>↗</td></tr> <tr><td>6:</td><td>8.9</td><td>↓</td></tr> <tr><td>7:</td><td>7.8</td><td>←</td></tr> <tr><td>8:</td><td>7.7</td><td>↗</td></tr> <tr><td>9:</td><td>7.4</td><td>↓</td></tr> <tr><td>10:</td><td>8.4</td><td>↓</td></tr> <tr><td>Series</td><td>87.5</td><td></td></tr> <tr><td>Total</td><td>87.5</td><td></td></tr> </table>	1:	10.5x	↓	2:	9.2	↓	3:	9.2	←	4:	9.4	↓	5:	9.0	↗	6:	8.9	↓	7:	7.8	←	8:	7.7	↗	9:	7.4	↓	10:	8.4	↓	Series	87.5		Total	87.5	
21:	8.0	←																																																										
22:	9.3	↓																																																										
23:	6.7	←																																																										
24:	9.7	↑																																																										
25:	9.0	←																																																										
Series	42.7																																																											
Total	0.0																																																											
1:	10.5x	↓																																																										
2:	9.2	↓																																																										
3:	9.2	←																																																										
4:	9.4	↓																																																										
5:	9.0	↗																																																										
6:	8.9	↓																																																										
7:	7.8	←																																																										
8:	7.7	↗																																																										
9:	7.4	↓																																																										
10:	8.4	↓																																																										
Series	87.5																																																											
Total	87.5																																																											

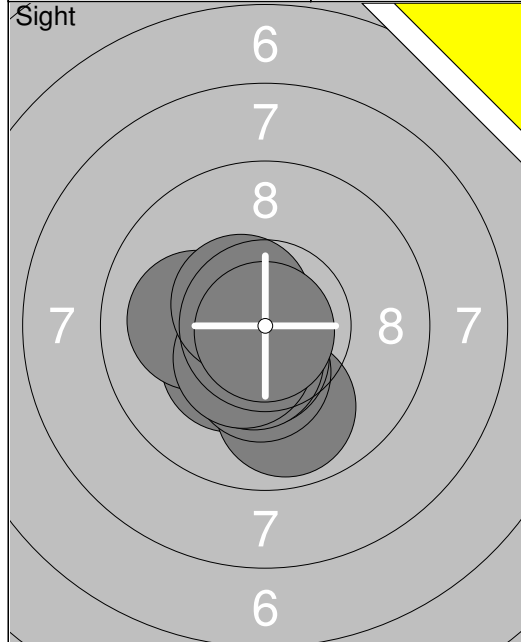
	<table border="1" style="width:100%; border-collapse: collapse;"> <tr><td>11:</td><td>8.6</td><td>↙</td></tr> <tr><td>12:</td><td>8.7</td><td>↙</td></tr> <tr><td>13:</td><td>9.2</td><td>←</td></tr> <tr><td>14:</td><td>9.3</td><td>↗</td></tr> <tr><td>15:</td><td>9.2</td><td>←</td></tr> <tr><td>16:</td><td>7.9</td><td>←</td></tr> <tr><td>17:</td><td>8.2</td><td>←</td></tr> <tr><td>18:</td><td>9.8</td><td>←</td></tr> <tr><td>19:</td><td>9.1</td><td>←</td></tr> <tr><td>20:</td><td>7.3</td><td>↙</td></tr> <tr><td>Series</td><td>87.3</td><td></td></tr> <tr><td>Total</td><td>174.8</td><td></td></tr> </table>	11:	8.6	↙	12:	8.7	↙	13:	9.2	←	14:	9.3	↗	15:	9.2	←	16:	7.9	←	17:	8.2	←	18:	9.8	←	19:	9.1	←	20:	7.3	↙	Series	87.3		Total	174.8			<table border="1" style="width:100%; border-collapse: collapse;"> <tr><td>21:</td><td>9.1</td><td>↙</td></tr> <tr><td>22:</td><td>8.4</td><td>↓</td></tr> <tr><td>23:</td><td>8.5</td><td>←</td></tr> <tr><td>24:</td><td>8.5</td><td>↗</td></tr> <tr><td>25:</td><td>6.9</td><td>←</td></tr> <tr><td>26:</td><td>6.2</td><td>↙</td></tr> <tr><td>27:</td><td>9.4</td><td>↗</td></tr> <tr><td>28:</td><td>7.7</td><td>←</td></tr> <tr><td>29:</td><td>9.8</td><td>←</td></tr> <tr><td>30:</td><td>8.3</td><td>↗</td></tr> <tr><td>Series</td><td>82.8</td><td></td></tr> <tr><td>Total</td><td>257.6</td><td></td></tr> </table>	21:	9.1	↙	22:	8.4	↓	23:	8.5	←	24:	8.5	↗	25:	6.9	←	26:	6.2	↙	27:	9.4	↗	28:	7.7	←	29:	9.8	←	30:	8.3	↗	Series	82.8		Total	257.6	
11:	8.6	↙																																																																									
12:	8.7	↙																																																																									
13:	9.2	←																																																																									
14:	9.3	↗																																																																									
15:	9.2	←																																																																									
16:	7.9	←																																																																									
17:	8.2	←																																																																									
18:	9.8	←																																																																									
19:	9.1	←																																																																									
20:	7.3	↙																																																																									
Series	87.3																																																																										
Total	174.8																																																																										
21:	9.1	↙																																																																									
22:	8.4	↓																																																																									
23:	8.5	←																																																																									
24:	8.5	↗																																																																									
25:	6.9	←																																																																									
26:	6.2	↙																																																																									
27:	9.4	↗																																																																									
28:	7.7	←																																																																									
29:	9.8	←																																																																									
30:	8.3	↗																																																																									
Series	82.8																																																																										
Total	257.6																																																																										

	<table border="1" style="width:100%; border-collapse: collapse;"> <tr><td>31:</td><td>10.5x</td><td>↑</td></tr> <tr><td>32:</td><td>10.0</td><td>↑</td></tr> <tr><td>33:</td><td>9.0</td><td>↓</td></tr> <tr><td>34:</td><td>9.3</td><td>↗</td></tr> <tr><td>35:</td><td>6.8</td><td>↗</td></tr> <tr><td>36:</td><td>8.4</td><td>↙</td></tr> <tr><td>37:</td><td>7.6</td><td>←</td></tr> <tr><td>38:</td><td>9.2</td><td>←</td></tr> <tr><td>39:</td><td>8.0</td><td>←</td></tr> <tr><td>40:</td><td>7.7</td><td>↙</td></tr> <tr><td>Series</td><td>86.5</td><td></td></tr> <tr><td>Total</td><td>344.1</td><td></td></tr> </table>	31:	10.5x	↑	32:	10.0	↑	33:	9.0	↓	34:	9.3	↗	35:	6.8	↗	36:	8.4	↙	37:	7.6	←	38:	9.2	←	39:	8.0	←	40:	7.7	↙	Series	86.5		Total	344.1			
31:	10.5x	↑																																					
32:	10.0	↑																																					
33:	9.0	↓																																					
34:	9.3	↗																																					
35:	6.8	↗																																					
36:	8.4	↙																																					
37:	7.6	←																																					
38:	9.2	←																																					
39:	8.0	←																																					
40:	7.7	↙																																					
Series	86.5																																						
Total	344.1																																						

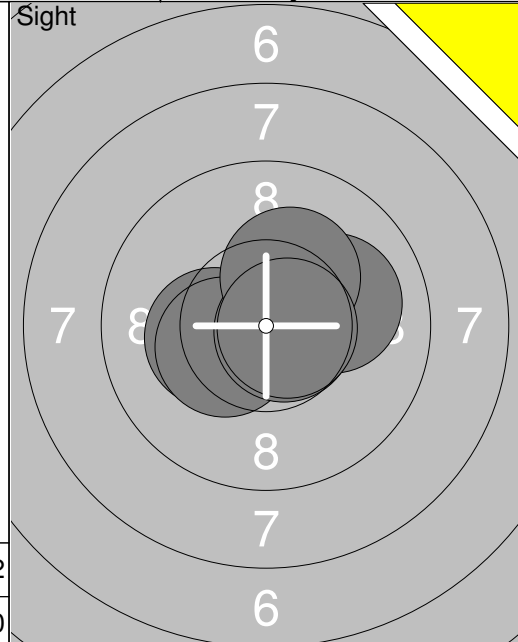
<p>Sight</p> 	<p>1: 9.5 ↗</p> <p>2: 10.0 ←</p> <p>3: 10.2x ↗</p> <p>4: 9.9 ↗</p> <p>5: 8.8 ←</p> <p>6: 8.6 ←</p> <p>7: 10.3x ↘</p> <p>8: 9.8 ↗</p> <p>9: 10.5x ↗</p> <p>10: 10.1 ←</p>	<p>Sight</p> 	<p>11: 9.8 ←</p> <p>12: 9.3 ←</p> <p>13: 8.4 ↑</p> <p>14: 9.6 →</p> <p>15: 10.5x ↘</p>
Series 97.7		Series 47.6	
Total 0.0		Total 0.0	

<p>60 Shots</p> 	<p>1: 9.9 ↗</p> <p>2: 9.2 ↑</p> <p>3: 9.3 →</p> <p>4: 9.1 ←</p> <p>5: 9.8 ↗</p> <p>6: 7.4 ↑</p> <p>7: 7.8 ↑</p> <p>8: 9.9 →</p> <p>9: 8.4 ←</p> <p>10: 8.7 ←</p>	<p>60 Shots</p> 	<p>11: 10.4x ↘</p> <p>12: 8.4 ←</p> <p>13: 8.1 ←</p> <p>14: 9.0 ←</p> <p>15: 9.0 ←</p> <p>16: 9.2 ↘</p> <p>17: 9.6 ↖</p> <p>18: 9.6 ↗</p> <p>19: 9.4 ↑</p> <p>20: 10.6x ↘</p>
Series 89.5		Series 93.3	
Total 89.5		Total 182.8	

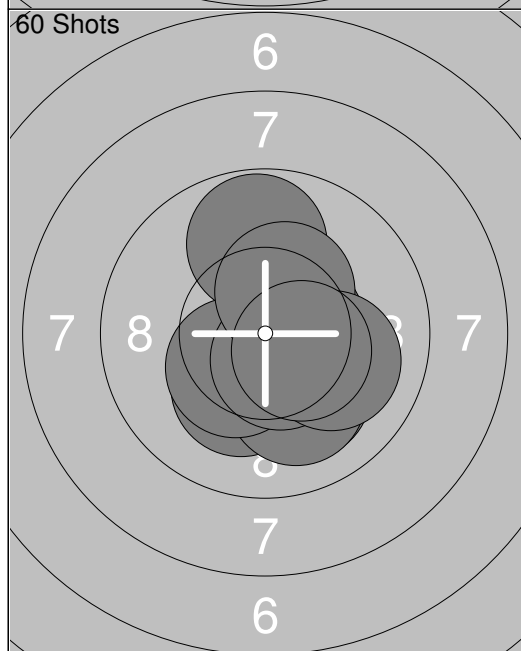
<p>60 Shots</p> 	<p>21: 9.7 ↖</p> <p>22: 7.4 ↑</p> <p>23: 8.1 ↖</p> <p>24: 8.6 ↘</p> <p>25: 10.1 ↑</p> <p>26: 10.3x ↖</p> <p>27: 10.2x ↘</p> <p>28: 9.0 ←</p> <p>29: 9.4 ↗</p> <p>30: 9.2 ↗</p>	<p>60 Shots</p> 	<p>31: 7.6 ↗</p> <p>32: 10.4x ↖</p> <p>33: 9.8 ←</p> <p>34: 9.7 ↖</p> <p>35: 10.1 ←</p> <p>36: 10.3x ↖</p> <p>37: 9.6 ↖</p> <p>38: 10.4x ↖</p> <p>39: 9.9 ↘</p> <p>40: 8.2 ↖</p>
Series 92.0		Series 96.0	
Total 274.8		Total 370.8	



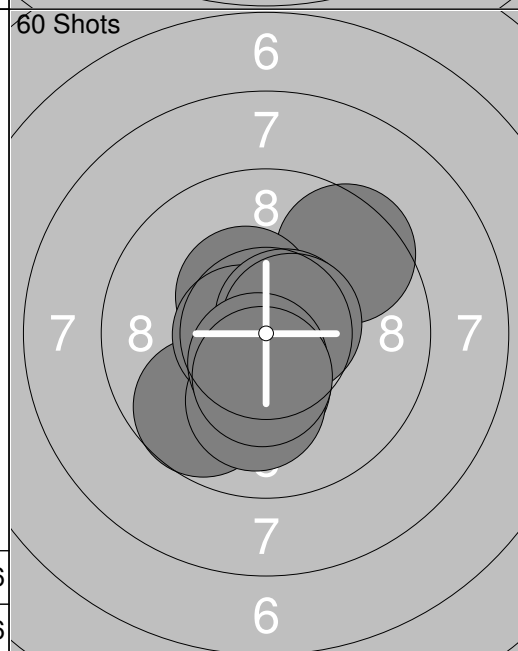
1: 10.6x ↙
2: 10.3x ↘
3: 9.9 ↓
4: 10.4x ↓
5: 10.5x ↓
6: 10.1 ←
7: 10.5x ↓
8: 10.5x ↘
9: 10.5x ↙
10: 10.9x ↓
Series 104.2
Total 0.0



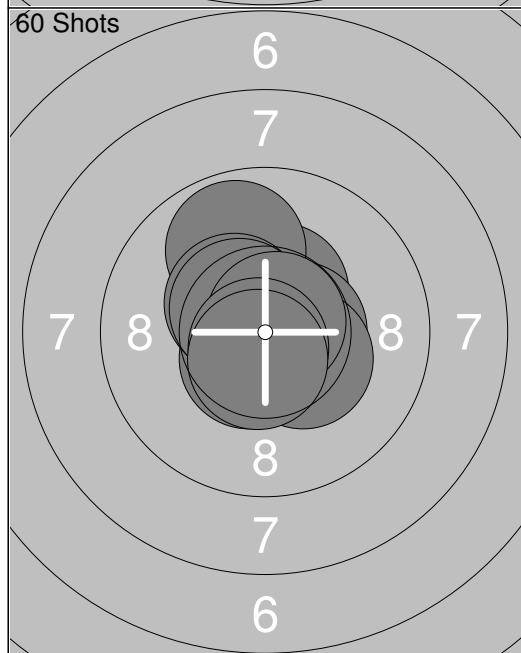
11: 10.3x ↙
12: 10.1 →
13: 10.4x ↙
14: 10.7x →
15: 10.3x ↗
16: 10.7x →
Series 62.5
Total 0.0



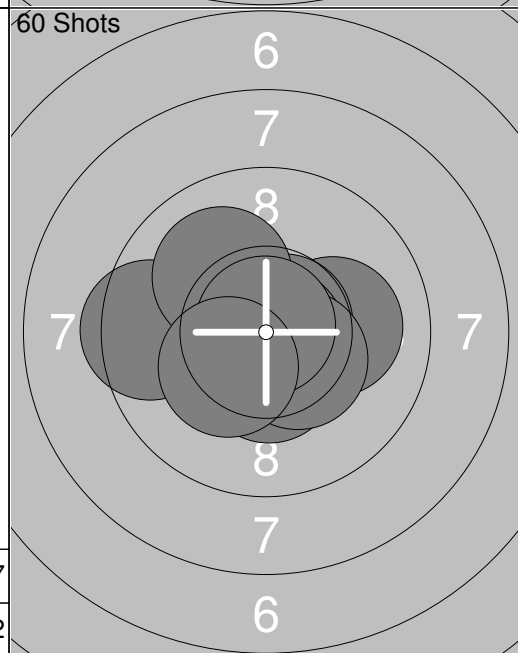
1: 10.1 ↘
2: 9.8 ↑
3: 10.2x ↘
4: 10.1 ↓
5: 10.4x ↘
6: 10.6x →
7: 10.6x ↓
8: 10.4x ↗
9: 10.0 →
10: 10.4x →
Series 102.6
Total 102.6



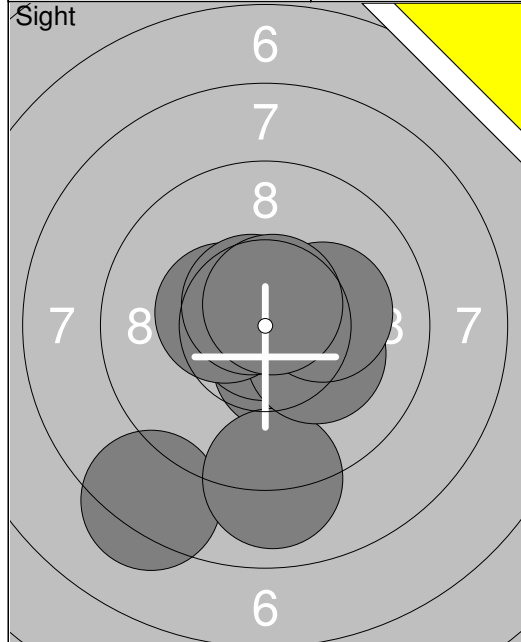
11: 9.7 ↘
12: 9.5 ↗
13: 10.4x ↙
14: 10.6x ↙
15: 10.7x ↗
16: 10.6x →
17: 10.3x ↓
18: 10.1 ↓
19: 10.6x ↓
20: 10.4x ↓
Series 102.9
Total 205.5



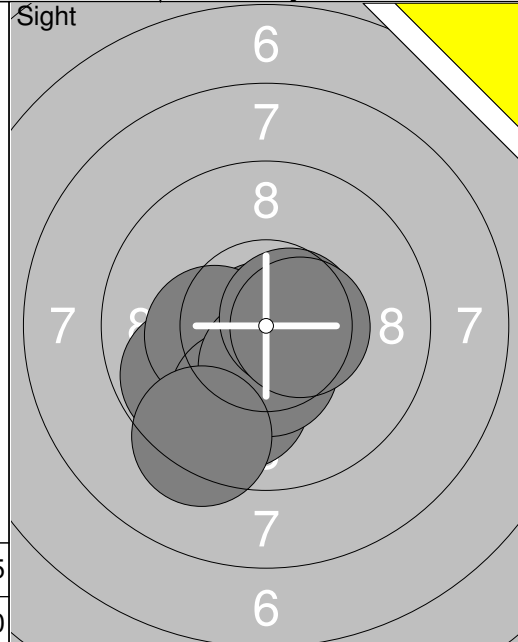
21: 10.4x ↗
22: 9.8 ↑
23: 10.5x →
24: 10.6x ↘
25: 10.4x ↘
26: 10.4x ↙
27: 10.5x ↙
28: 10.8x ↗
29: 10.7x ↓
30: 10.6x ↓
Series 104.7
Total 310.2



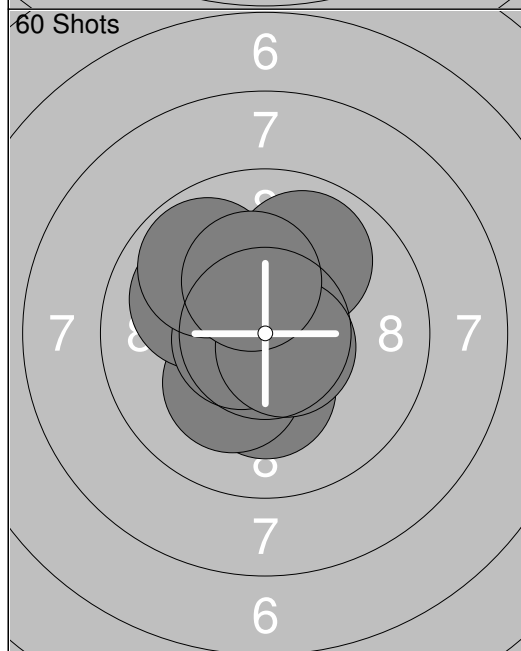
31: 10.1 →
32: 10.7x ↗
33: 9.5 ←
34: 10.5x ↓
35: 10.1 ↙
36: 10.4x ↓
37: 10.8x →
38: 10.4x ↘
39: 10.9x ↑
40: 10.3x ↙
Series 103.7
Total 413.9



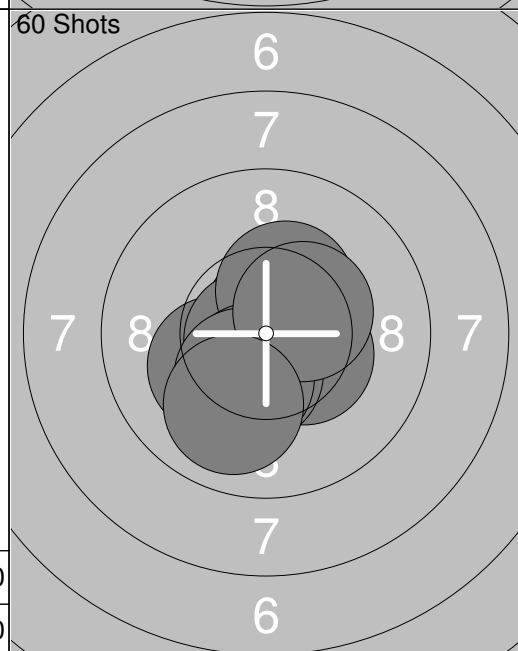
1: 8.3	↘
2: 10.8x	↗
3: 10.4x	↘
4: 10.9x	↘
5: 9.0	↓
6: 10.2x	↘
7: 10.4x	↙
8: 10.2x	→
9: 10.6x	↖
10: 10.7x	↗
Series	101.5
Total	0.0



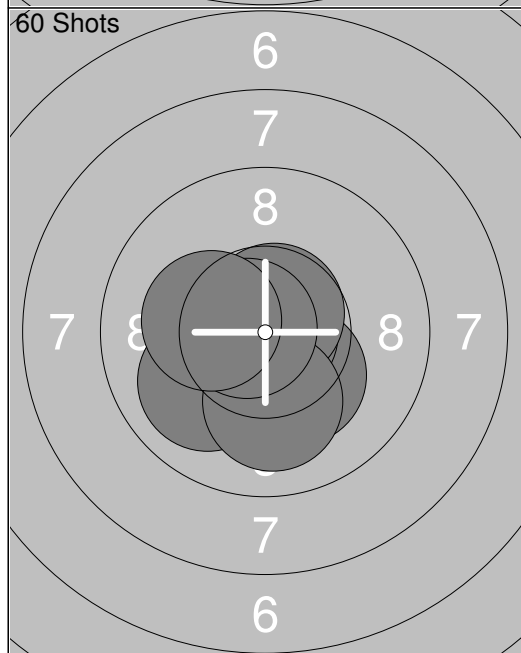
11: 10.9x	↘
12: 10.6x	↙
13: 10.8x	↘
14: 9.8	↙
15: 10.3x	←
16: 10.0	↓
17: 10.4x	↘
18: 10.6x	→
19: 9.3	↘
20: 10.5x	→
Series	103.2
Total	0.0



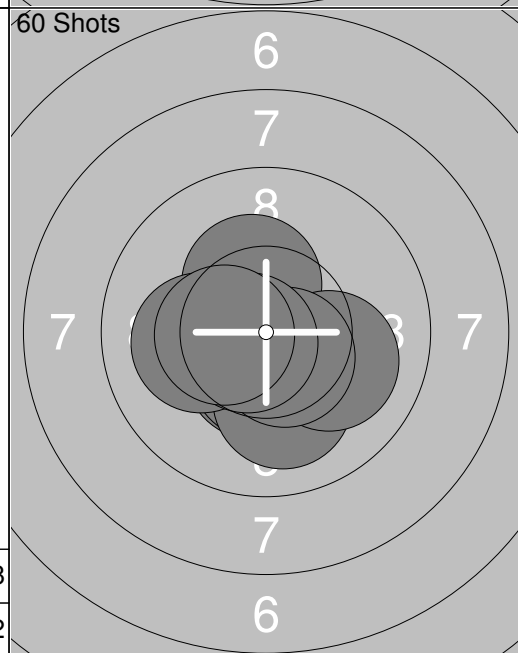
1: 10.2x	↓
2: 10.2x	↙
3: 10.6x	↗
4: 9.9	↗
5: 10.8x	↘
6: 10.0	↙
7: 10.6x	←
8: 9.8	↖
9: 10.6x	↘
10: 10.3x	↗
Series	103.0
Total	103.0



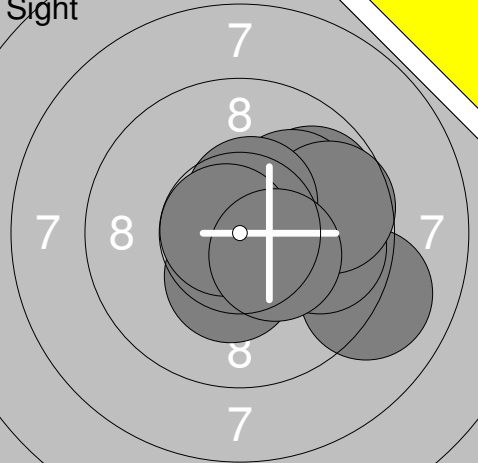
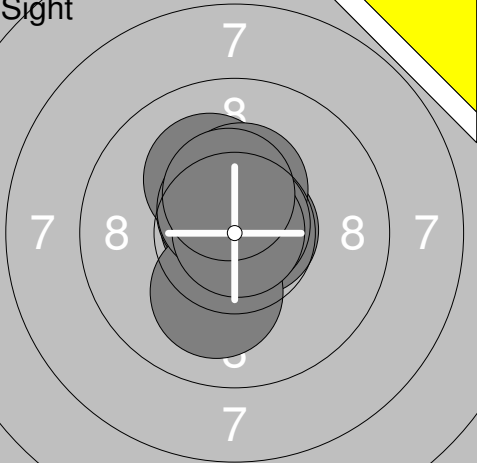
11: 10.7x	↗
12: 10.8x	→
13: 10.2x	↙
14: 10.8x	↙
15: 10.4x	↗
16: 10.4x	↘
17: 10.4x	↓
18: 10.3x	↙
19: 10.4x	↗
20: 10.0	↓
Series	104.4
Total	207.4


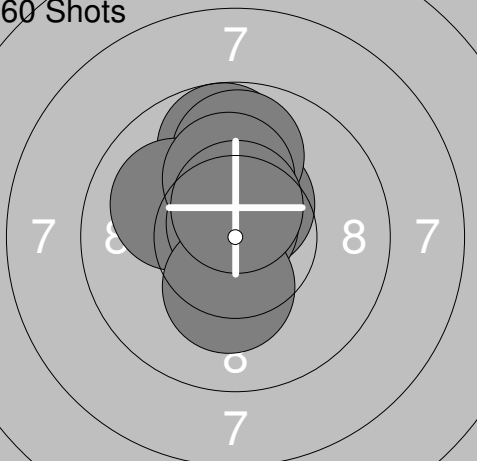


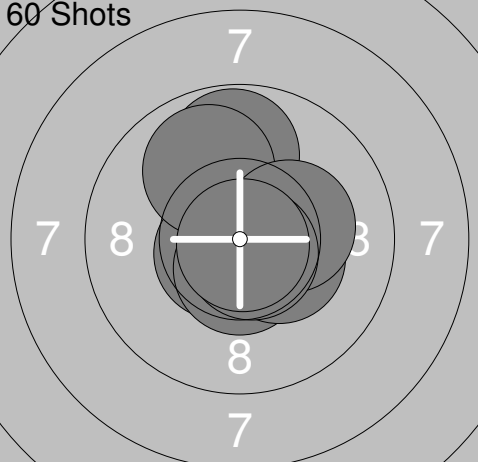
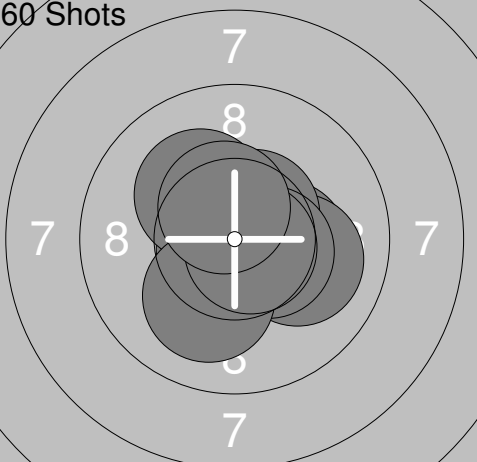
21: 10.2x	↓
22: 10.7x	↘
23: 10.3x	↘
24: 10.0	↙
25: 10.9x	↗
26: 10.9x	→
27: 10.7x	↗
28: 10.1	↓
29: 10.7x	↙
30: 10.3x	↙
Series	104.8
Total	312.2




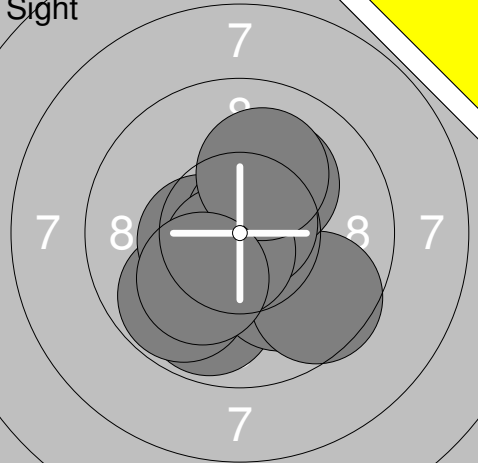
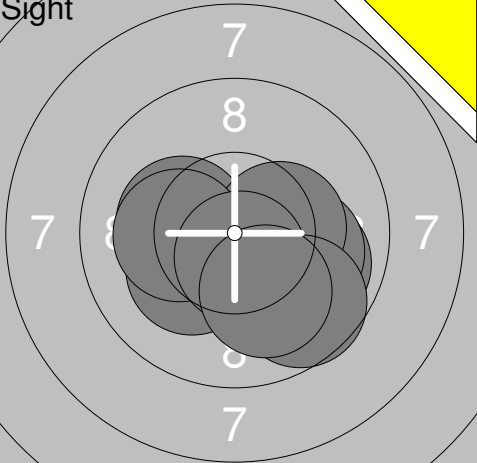
31: 10.5x	↘
32: 10.5x	↘
33: 10.7x	←
34: 10.1	↓
35: 10.3x	↗
36: 10.1	→
37: 10.1	←
38: 10.6x	↘
39: 10.7x	↙
40: 10.4x	←
Series	104.0
Total	416.2

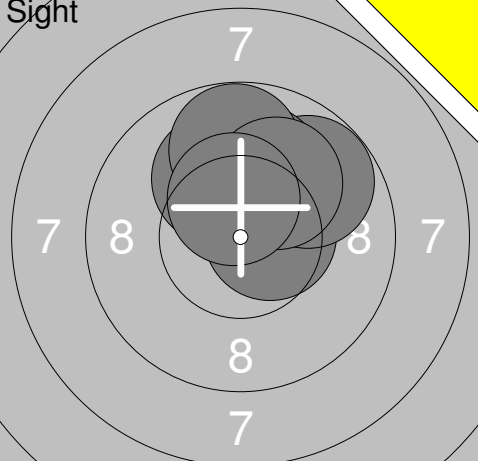
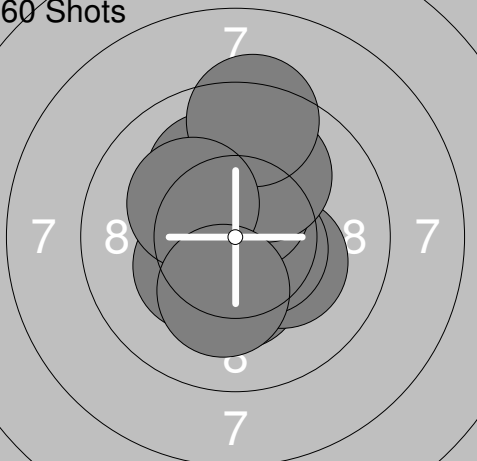
<p>Sight</p> 	<p>1: 9.1 → 2: 9.8 → 3: 9.8 → 4: 10.1 ↗ 5: 9.7 → 6: 10.7x ↓ 7: 10.5x ↑ 8: 10.3x ↓ 9: 10.8x ← 10: 10.4x ↘</p> <p>Series 101.2 Total 0.0</p>	<p>Sight</p> 	<p>11: 10.7x → 12: 10.8x ↖ 13: 10.6x ↖ 14: 10.1 ↖ 15: 10.1 ↓ 16: 10.3x ↑ 17: 10.6x ↖ 18: 10.8x ↗ 19: 10.9x ↗ 20: 10.4x ↑</p> <p>Series 105.3 Total 0.0</p>
------------------------------------------------------------------------------------------------------	--------------------------------------------------------------------------------------------------------------------------------------------------------------------------------------------------	--------------------------------------------------------------------------------------------------------	------------------------------------------------------------------------------------------------------------------------------------------------------------------------------------------------------------------

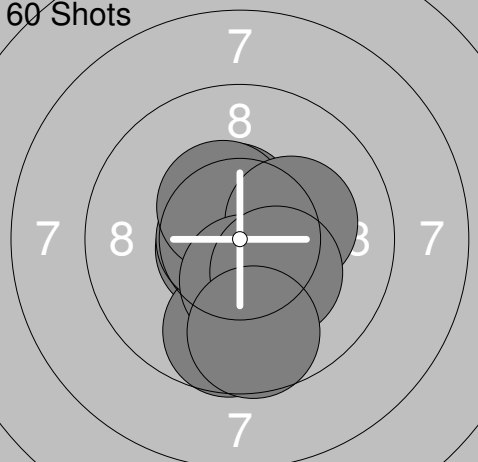
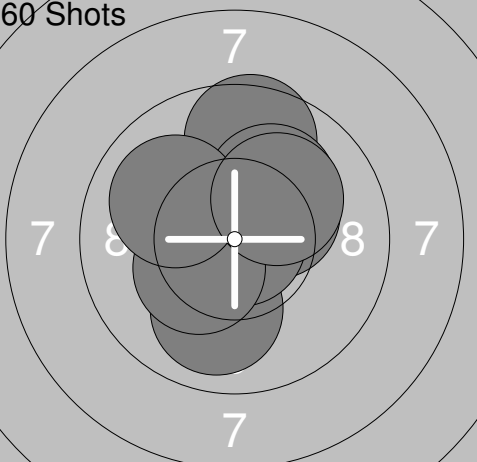
<p>Sight</p> 	<p>21: 10.3x ↗ 22: 10.2x ↖ 23: 10.3x ↑ 24: 10.6x ↖ 25: 10.2x ↖</p> <p>Series 51.6 Total 0.0</p>	<p>60 Shots</p> 	<p>1: 10.7x ↖ 2: 10.6x ↖ 3: 10.5x ↑ 4: 9.8 ↑ 5: 9.9 ↑ 6: 10.0 ↖ 7: 10.8x ↑ 8: 10.2x ↑ 9: 10.3x ↓ 10: 10.5x ↑</p> <p>Series 103.3 Total 103.3</p>
-------------------------------------------------------------------------------------------------------	-----------------------------------------------------------------------------------------------------------------------------------	------------------------------------------------------------------------------------------------------------	--------------------------------------------------------------------------------------------------------------------------------------------------------------------------------------------------------

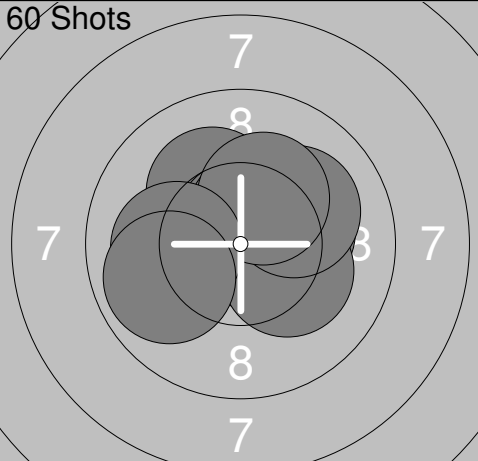
<p>60 Shots</p> 	<p>11: 9.8 ↑ 12: 10.6x ↖ 13: 10.6x ↓ 14: 10.4x → 15: 10.7x ↑ 16: 10.8x → 17: 9.9 ↑ 18: 10.3x → 19: 10.7x ↓ 20: 10.9x ↓</p> <p>Series 104.7 Total 208.0</p>	<p>60 Shots</p> 	<p>21: 10.3x → 22: 10.7x ↖ 23: 10.1 → 24: 10.5x ↗ 25: 10.5x → 26: 10.8x ↓ 27: 10.2x ↖ 28: 10.1 ↓ 29: 10.7x → 30: 10.5x ↑</p> <p>Series 104.4 Total 312.4</p>
-----------------------------------------------------------------------------------------------------------	------------------------------------------------------------------------------------------------------------------------------------------------------------------------------------------------------------------	-------------------------------------------------------------------------------------------------------------	--------------------------------------------------------------------------------------------------------------------------------------------------------------------------------------------------------------------

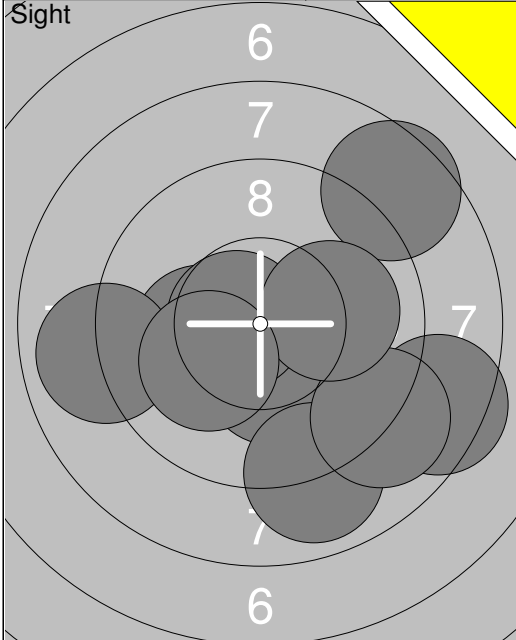
<p>60 Shots</p> 	<p>31: 10.4x ↗ 32: 10.7x → 33: 10.4x → 34: 10.7x ↑ 35: 10.6x ↘ 36: 10.7x ↗ 37: 10.4x ↓ 38: 10.6x ↗ 39: 10.5x ↓ 40: 10.5x ↓</p> <p>Series 105.5 Total 417.9</p>		
-----------------------------------------------------------------------------------------------------------	----------------------------------------------------------------------------------------------------------------------------------------------------------------------------------------------------------------------	--	--

Sight 	1: 9.8 ↓ 2: 9.8 ↙ 3: 10.4x ← 4: 10.1 ↘ 5: 9.6 ↘ 6: 10.2x ↗ 7: 10.7x ↗ 8: 10.7x ↘ 9: 10.1 ↗ 10: 10.2x ↘ Series 101.6 Total 0.0	Sight 	11: 10.2x ↙ 12: 10.2x ← 13: 9.9 → 14: 10.2x → 15: 10.1 → 16: 10.3x → 17: 10.2x ← 18: 9.7 ↘ 19: 10.6x ↘ 20: 10.1 ↘ Series 101.5 Total 0.0
--------------------------------------------------------------------------------------------------	------------------------------------------------------------------------------------------------------------------------------------------------------------------------------	----------------------------------------------------------------------------------------------------	-----------------------------------------------------------------------------------------------------------------------------------------------------------------------------------------

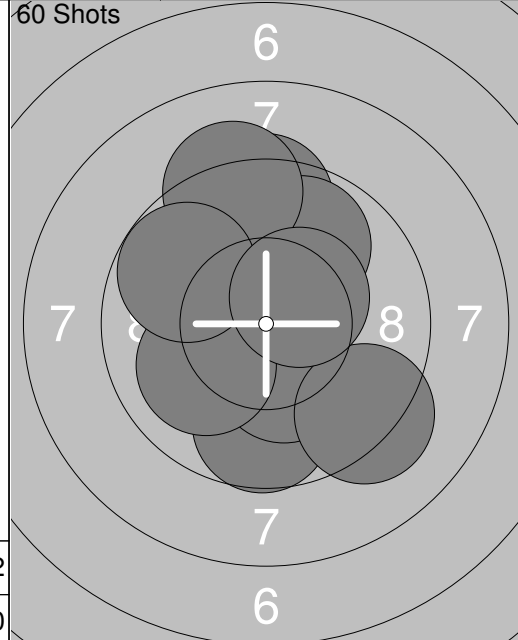
Sight 	21: 10.6x → 22: 9.8 ↗ 23: 10.0 ↑ 24: 10.1 ↑ 25: 9.8 ↑ 26: 10.1 ↗ 27: 10.4x ↑ Series 70.8 Total 0.0	60 Shots 	1: 10.3x ↓ 2: 10.3x ↙ 3: 10.2x → 4: 10.6x → 5: 10.1 ↑ 6: 10.5x ↑ 7: 10.0 ↗ 8: 9.4 ↑ 9: 10.2x ↗ 10: 10.2x ↓ Series 101.8 Total 101.8
---------------------------------------------------------------------------------------------------	------------------------------------------------------------------------------------------------------------------------------------------	--------------------------------------------------------------------------------------------------------	------------------------------------------------------------------------------------------------------------------------------------------------------------------------------------

60 Shots 	11: 10.7x ↙ 12: 9.7 ↓ 13: 10.7x ← 14: 10.5x ↑ 15: 10.6x → 16: 10.5x ↗ 17: 10.2x → 18: 10.4x ↓ 19: 10.3x ↘ 20: 9.7 ↓ Series 103.3 Total 205.1	60 Shots 	21: 10.0 ↓ 22: 10.6x ↗ 23: 10.2x ↗ 24: 10.3x ↗ 25: 10.9x → 26: 9.6 ↑ 27: 10.1 ↗ 28: 10.3x ↙ 29: 10.0 ↙ 30: 10.2x ↗ Series 102.2 Total 307.3
-------------------------------------------------------------------------------------------------------	---------------------------------------------------------------------------------------------------------------------------------------------------------------------------------------------	---------------------------------------------------------------------------------------------------------	--------------------------------------------------------------------------------------------------------------------------------------------------------------------------------------------

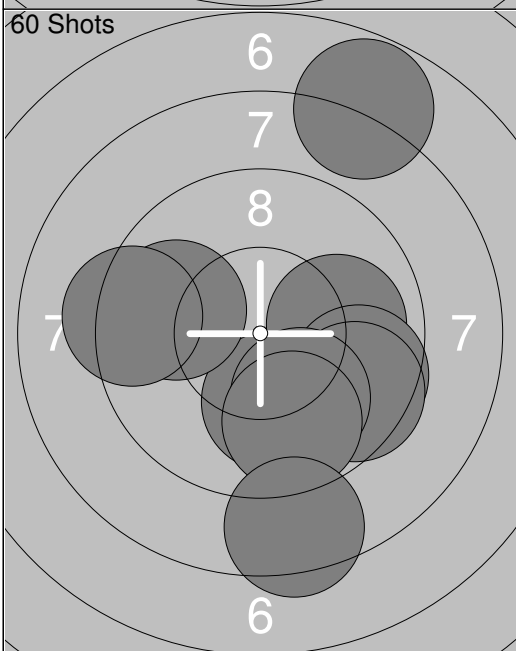
60 Shots 	31: 10.6x → 32: 10.3x → 33: 10.2x ↗ 34: 10.7x ↑ 35: 10.6x ↗ 36: 10.2x → 37: 10.1 ↗ 38: 10.3x ↗ 39: 10.1 ← 40: 9.9 ← Series 103.0 Total 410.3		
-------------------------------------------------------------------------------------------------------	---------------------------------------------------------------------------------------------------------------------------------------------------------------------------------------------	--	--



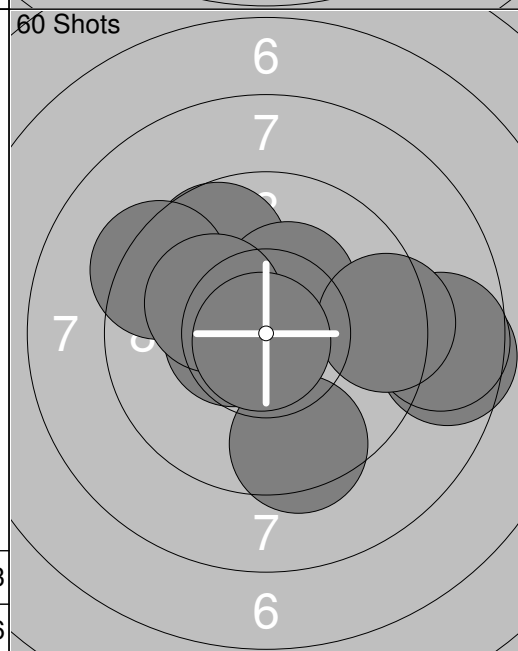
1:	10.3x	↓
2:	8.9	↓
3:	10.2x	←
4:	8.5	→
5:	9.0	↓
6:	8.6	↗
7:	10.6x	←
8:	10.1	→
9:	8.9	←
10:	10.1	↙
Series		95.2
Total		0.0



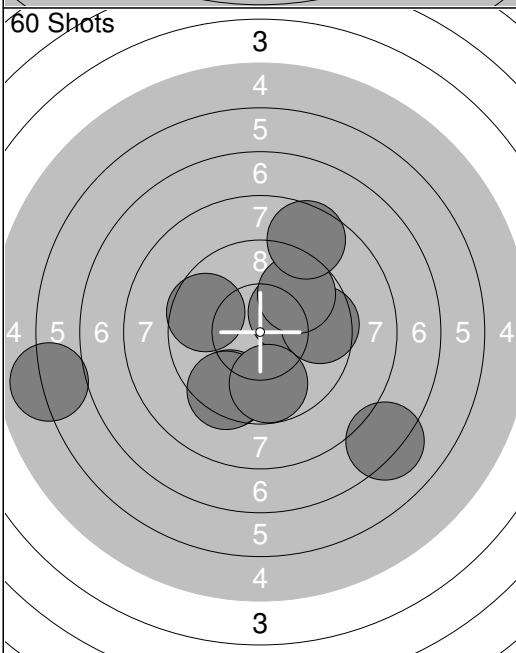
1:	10.4x	↙
2:	9.4	↑
3:	9.7	↓
4:	10.3x	↓
5:	10.0	↙
6:	9.2	↘
7:	9.9	↗
8:	9.2	↑
9:	9.8	↖
10:	10.4x	↗
Series		98.3
Total		98.3



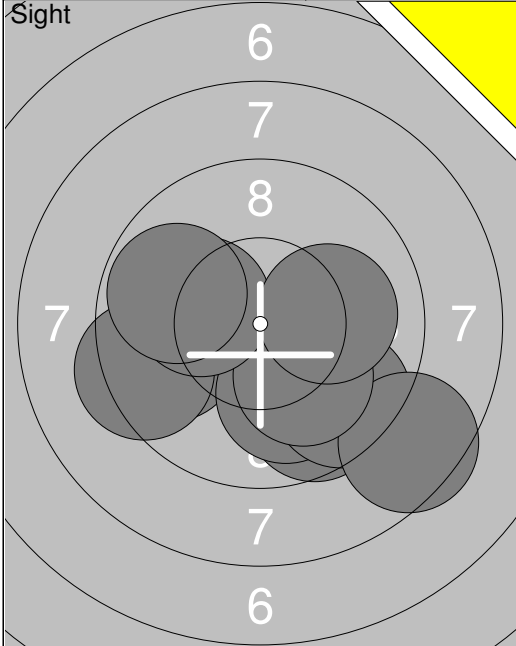
11:	10.0	→
12:	10.1	↓
13:	9.6	→
14:	9.8	←
15:	7.8	↗
16:	9.5	↘
17:	10.0	↓
18:	9.8	↓
19:	9.3	←
20:	8.4	↓
Series		94.3
Total		192.6



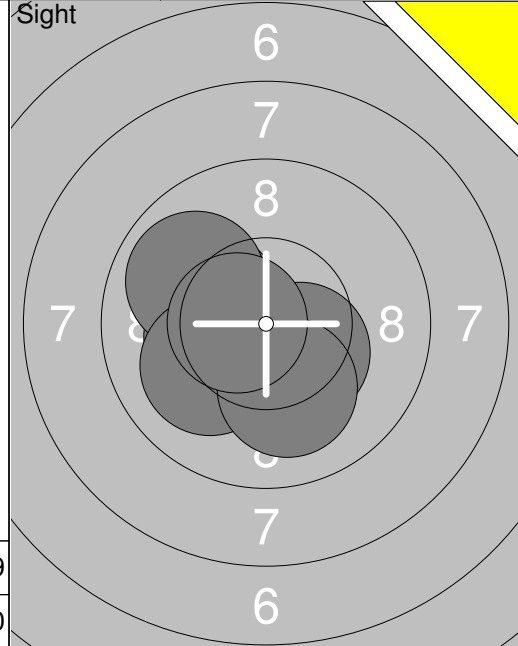
21:	9.7	↖
22:	10.5x	←
23:	9.3	↖
24:	8.6	→
25:	9.5	↓
26:	10.3x	↗
27:	10.2x	↖
28:	8.7	→
29:	9.4	→
30:	10.8x	↙
Series		97.0
Total		289.6



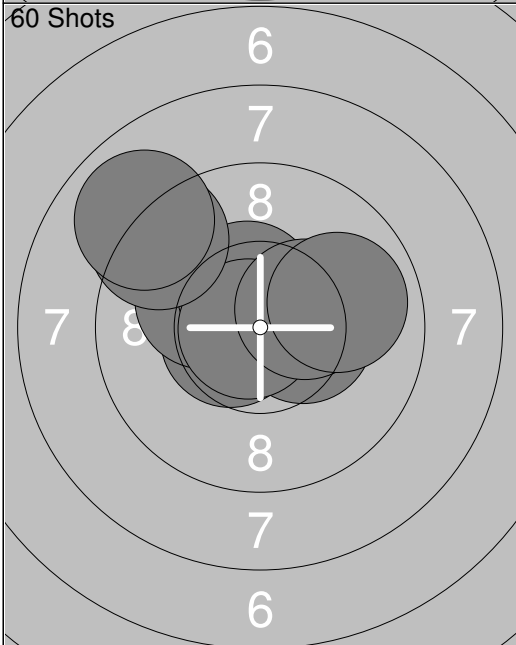
31:	10.2x	↗
32:	9.6	→
33:	9.8	↗
34:	7.2	↘
35:	9.5	↓
36:	9.4	↙
37:	9.6	←
38:	9.8	↓
39:	8.6	↗
40:	6.0	←
Series		89.7
Total		379.3



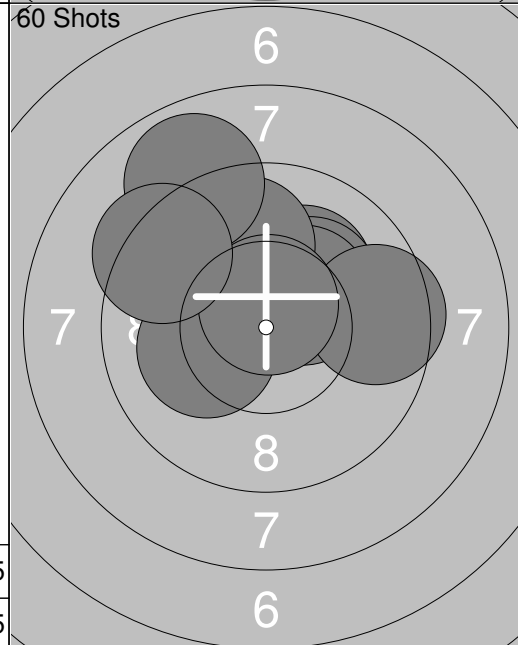
1:	9.7	←
2:	9.6	↘
3:	10.0	↓
4:	9.4	←
5:	9.5	↘
6:	8.5	↘
7:	10.1	↘
8:	10.2x	↙
9:	9.8	←
10:	10.1	→
Series		96.9
Total		0.0



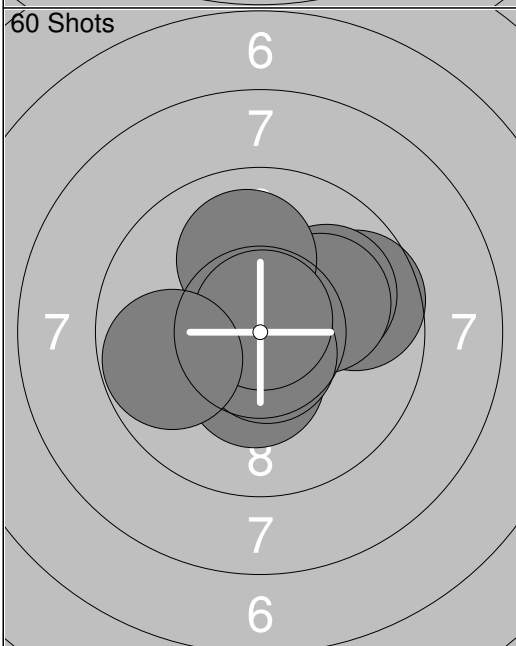
11:	10.3x	↙
12:	10.2x	↙
13:	9.9	↖
14:	10.1	↖
15:	10.4x	↘
16:	10.1	↓
17:	10.6x	↙
Series		71.6
Total		0.0



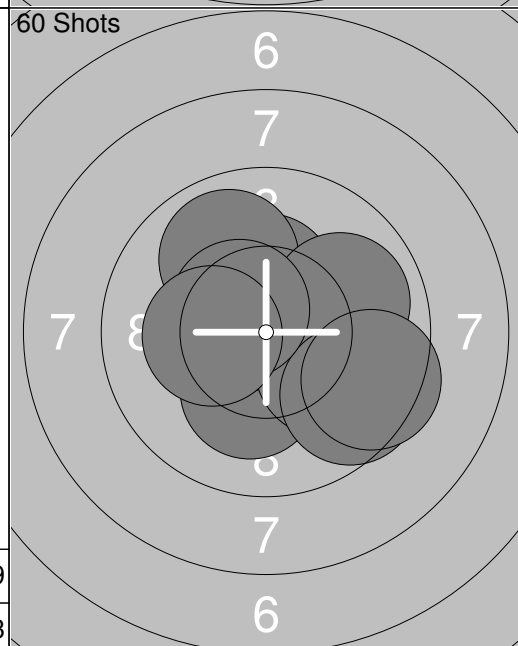
1:	10.6x	↙
2:	10.2x	↙
3:	10.7x	↗
4:	10.5x	↗
5:	10.4x	→
6:	10.8x	↙
7:	10.3x	→
8:	9.2	↖
9:	8.9	↖
10:	9.9	→
Series		101.5
Total		101.5



11:	10.1	↗
12:	10.2x	↗
13:	10.3x	↗
14:	9.5	→
15:	9.8	↖
16:	9.9	↖
17:	10.2x	↙
18:	10.7x	↖
19:	8.9	↖
20:	9.3	↖
Series		98.9
Total		200.4



21:	10.4x	↓
22:	9.7	→
23:	10.5x	↗
24:	10.0	↗
25:	10.9x	↙
26:	10.1	↗
27:	10.7x	↓
28:	10.0	↑
29:	10.8x	↗
30:	9.8	←
Series		102.9
Total		303.3

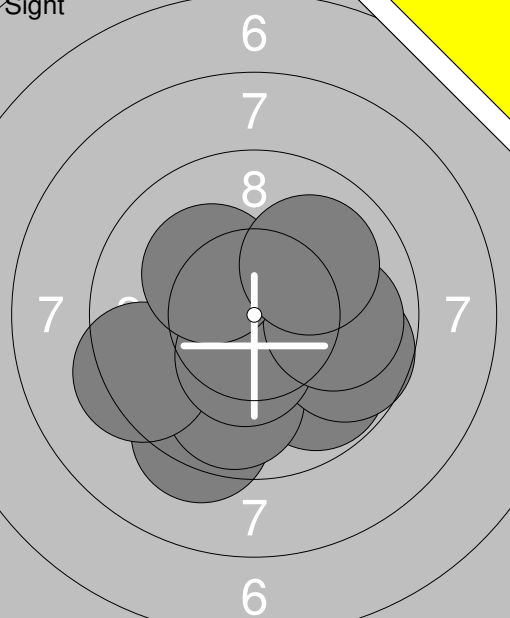
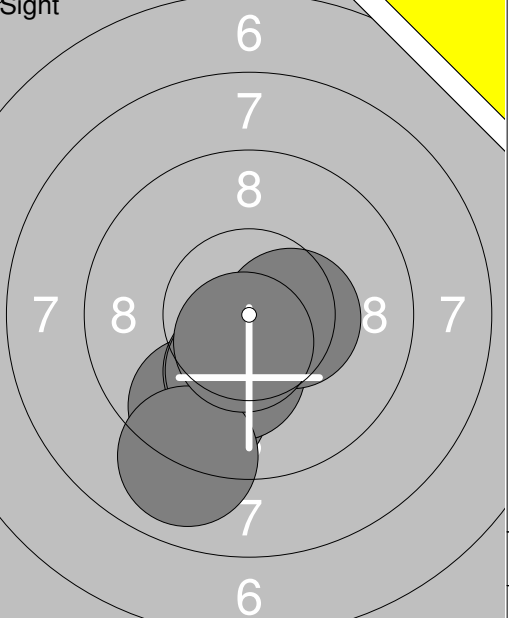


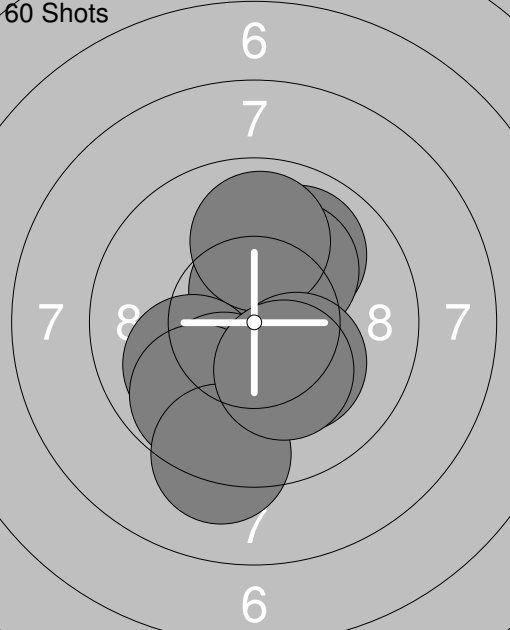
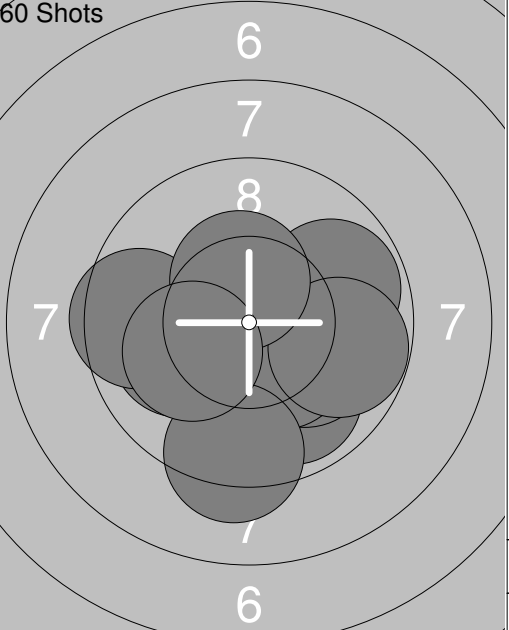
31:	10.3x	↖
32:	10.2x	↓
33:	10.5x	↙
34:	9.9	↖
35:	10.1	↘
36:	9.9	↗
37:	9.6	↘
38:	9.5	↘
39:	10.5x	↖
40:	10.3x	↙
Series		100.8
Total		404.1

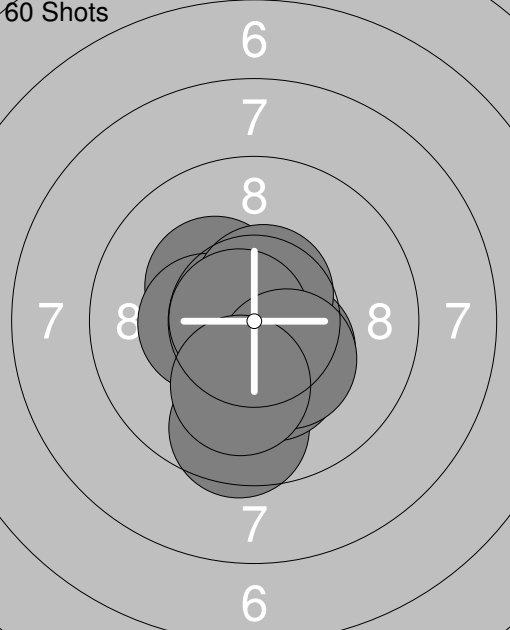
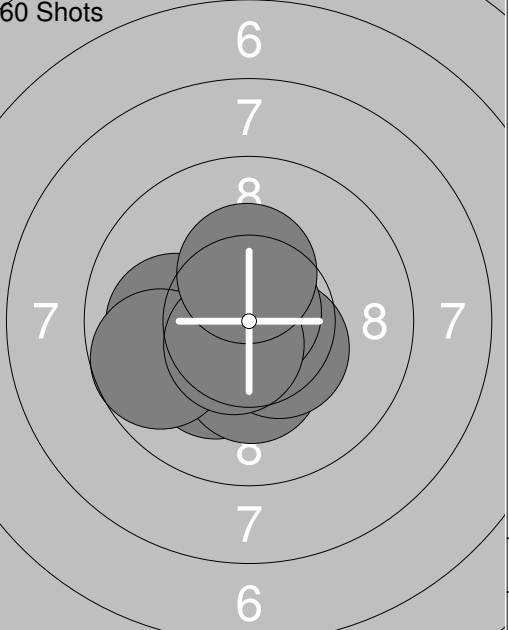
<p>Sight</p>	<p>1: 6.5 ←</p> <p>2: 10.5x →</p> <p>3: 10.0 →</p> <p>4: 8.1 ↖</p> <p>5: 10.3x ↗</p> <p>6: 3.7 →</p> <p>7: 9.1 ↑</p> <p>8: 8.2 ↗</p> <p>9: 9.2 ↖</p> <p>10: 9.1 ↖</p>	<p>Sight</p>	<p>11: 9.5 ↘</p> <p>12: 9.6 ↘</p> <p>13: 9.0 ↑</p> <p>14: 8.1 →</p> <p>15: 8.9 ↘</p>
Series 84.7		Series 45.1	
Total 0.0		Total 0.0	


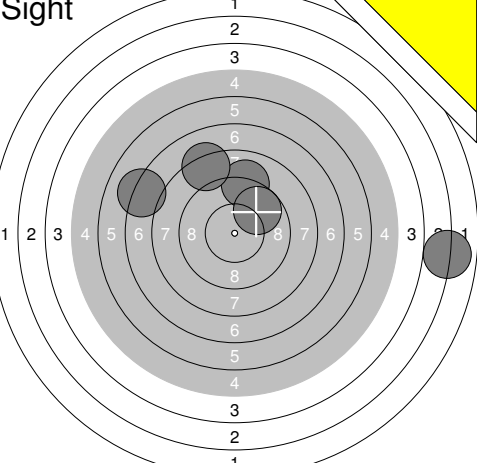
<p>60 Shots</p>	<p>1: 9.8 ↗</p> <p>2: 7.9 ←</p> <p>3: 6.3 ←</p> <p>4: 9.9 →</p> <p>5: 6.6 ←</p> <p>6: 10.6x ↗</p> <p>7: 6.4 ←</p> <p>8: 9.9 ←</p> <p>9: 6.1 ←</p> <p>10: 10.1 ↘</p>	<p>60 Shots</p>	<p>11: 9.6 →</p> <p>12: 8.4 →</p> <p>13: 9.0 ↘</p> <p>14: 8.9 ↑</p> <p>15: 9.5 →</p> <p>16: 8.9 →</p> <p>17: 7.9 ↗</p> <p>18: 10.6x →</p> <p>19: 10.1 ↖</p> <p>20: 9.5 ↘</p>
Series 83.6		Series 92.4	
Total 83.6		Total 176.0	

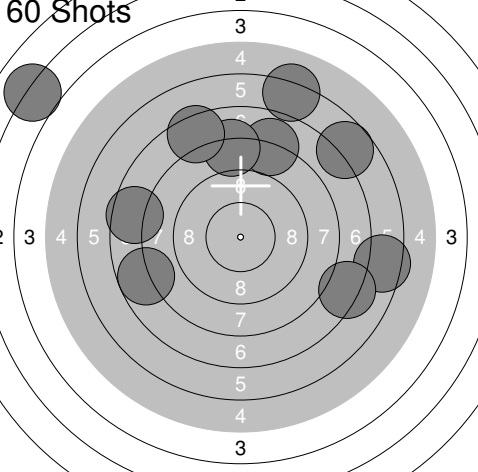
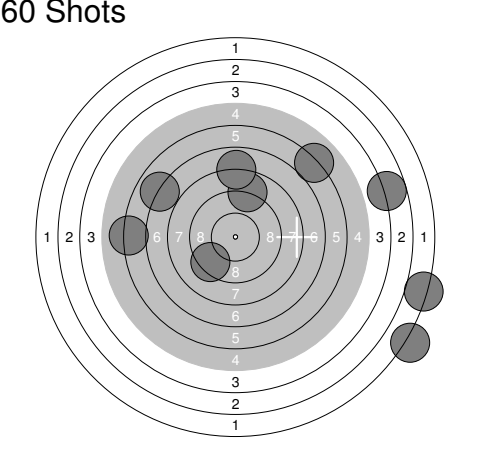
<p>60 Shots</p>	<p>21: 7.6 ↖</p> <p>22: 8.2 ←</p> <p>23: 8.8 ↑</p> <p>24: 6.2 ↑</p> <p>25: 6.1 ↗</p> <p>26: 9.0 →</p> <p>27: 9.0 ↗</p> <p>28: 7.6 ↗</p> <p>29: 6.6 ←</p> <p>30: 10.2x ↖</p>	<p>60 Shots</p>	<p>31: 1.5 ↗</p> <p>32: 9.1 →</p> <p>33: 9.7 ↖</p> <p>34: 6.6 ←</p> <p>35: 9.0 ↗</p> <p>36: 9.1 ↖</p> <p>37: 6.2 ↖</p> <p>38: 10.3x ↑</p> <p>39: 7.1 ↖</p> <p>40: 7.3 ↑</p>
Series 79.3		Series 75.9	
Total 255.3		Total 331.2	

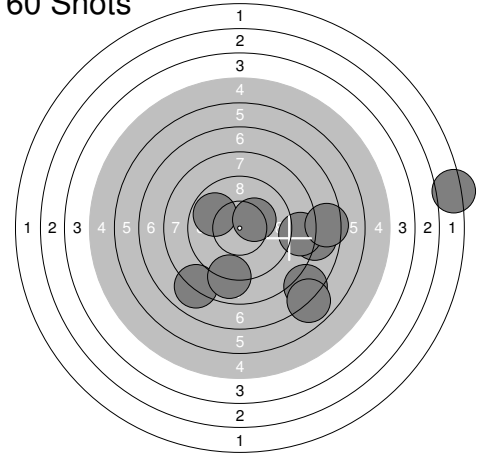
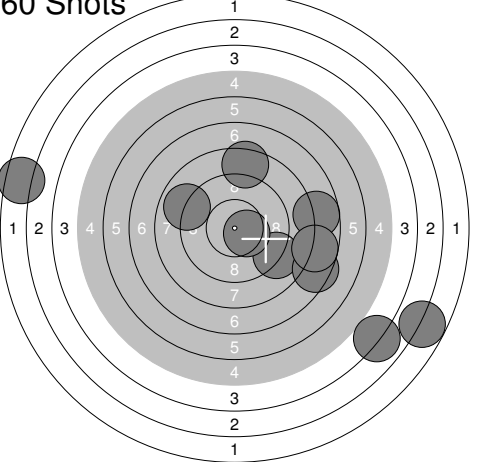
Sight 	1: 9.6 ↘ 2: 9.8 ↘ 3: 9.3 ↓ 4: 9.8 ↓ 5: 9.4 ← 6: 9.7 → 7: 10.4x ↓ 8: 9.9 → 9: 10.2x ↙ 10: 10.0 ↗ <hr/> Series 98.1 Total 0.0	Sight 	11: 9.6 ↘ 12: 10.2x ↓ 13: 10.2x ↓ 14: 9.0 ↓ 15: 10.4x → 16: 10.6x ↓ <hr/> Series 60.0 Total 0.0
-------------------------------------------------------------------------------------------	--------------------------------------------------------------------------------------------------------------------------------------------------------------	---------------------------------------------------------------------------------------------	----------------------------------------------------------------------------------------------------------------------

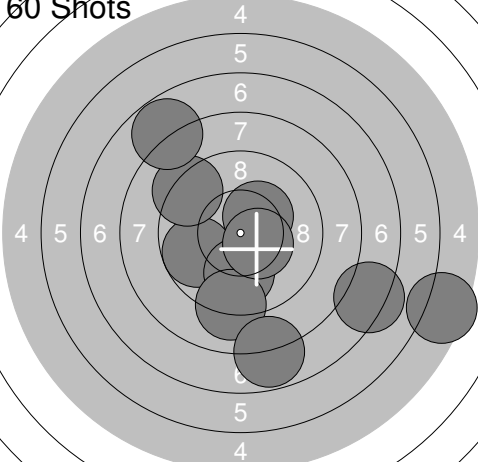
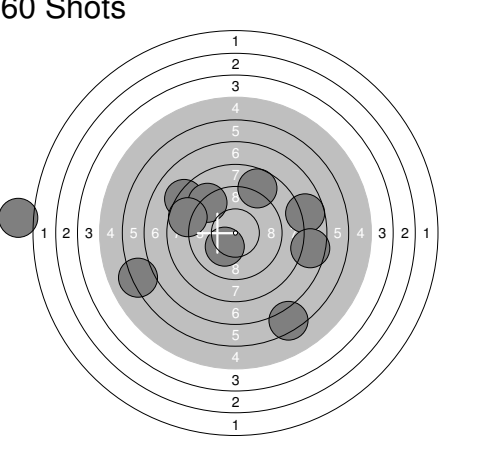
60 Shots 	1: 9.9 ↗ 2: 10.5x ↑ 3: 10.2x ↗ 4: 9.9 ↑ 5: 10.0 ← 6: 10.1 ↓ 7: 9.8 ↓ 8: 9.2 ↓ 9: 10.2x ↘ 10: 10.2x ↘ <hr/> Series 100.0 Total 100.0	60 Shots 	11: 9.8 → 12: 10.0 ← 13: 9.9 ↓ 14: 10.1 ↘ 15: 10.3x ↓ 16: 9.3 ↓ 17: 9.6 ← 18: 9.8 → 19: 10.4x ↑ 20: 10.1 ← <hr/> Series 99.3 Total 199.3
-----------------------------------------------------------------------------------------------	----------------------------------------------------------------------------------------------------------------------------------------------------------------------	-------------------------------------------------------------------------------------------------	---------------------------------------------------------------------------------------------------------------------------------------------------------------------------

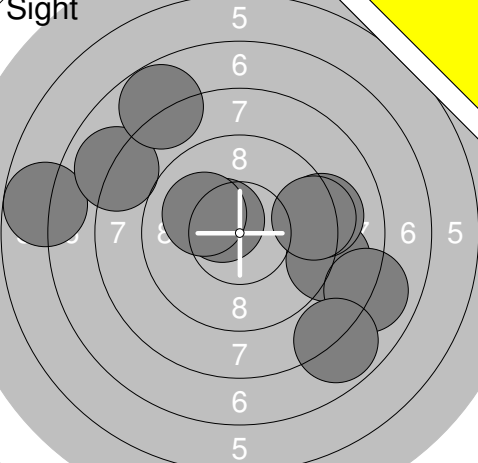
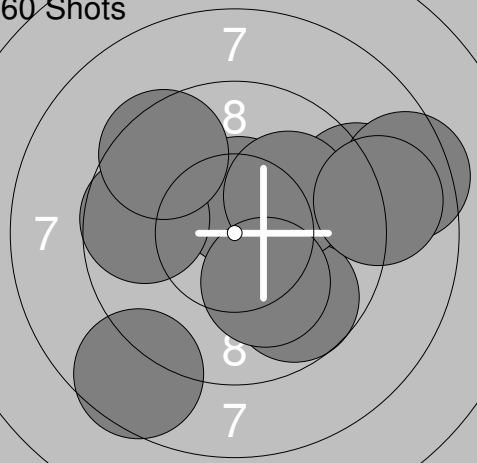
60 Shots 	21: 10.3x ↙ 22: 10.5x ↓ 23: 10.4x ← 24: 10.4x ↘ 25: 9.6 ↓ 26: 10.6x ↑ 27: 10.3x ↓ 28: 10.8x ← 29: 10.3x ↘ 30: 10.1 ↓ <hr/> Series 103.3 Total 302.6	60 Shots 	31: 10.7x ↓ 32: 10.5x ← 33: 10.2x ↓ 34: 10.3x ↓ 35: 10.0 ← 36: 10.4x ↘ 37: 9.7 ← 38: 10.8x ↑ 39: 10.6x ↓ 40: 10.3x ↑ <hr/> Series 103.5 Total 406.1
------------------------------------------------------------------------------------------------	--------------------------------------------------------------------------------------------------------------------------------------------------------------------------------------	--------------------------------------------------------------------------------------------------	--------------------------------------------------------------------------------------------------------------------------------------------------------------------------------------

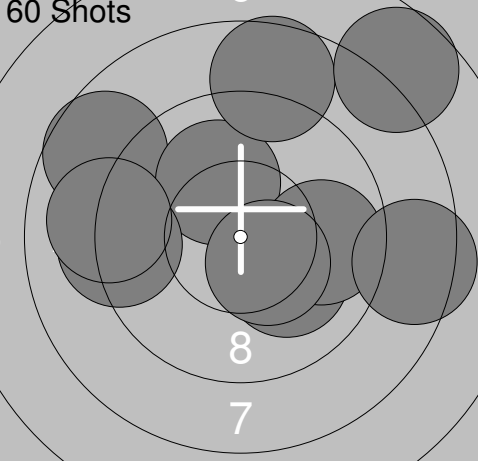
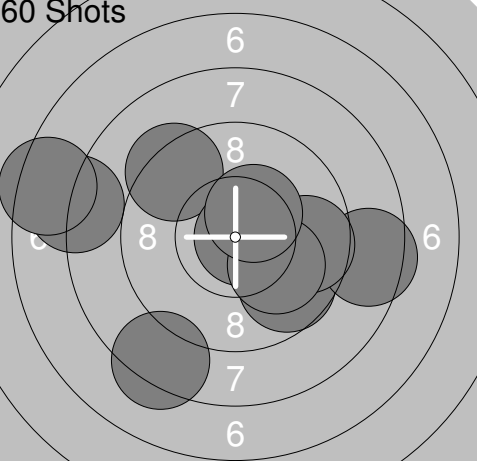
Sight 	1: 8.2 ↓ 2: 3.0 ↓ 3: 8.4 → 4: 7.7 ↗ 5: 4.1 ↘ 6: 1.5 ↘ 7: 6.6 ↓ 8: 8.9 ↓ 9: 9.9 ↓ 10: 7.5 ↓ <hr/> Series 65.8 Total 0.0	Sight 	11: 9.1 ↑ 12: 3.0 → 13: 7.2 ← 14: 8.3 ↗ 15: 9.7 ↗ <hr/> Series 37.3 Total 0.0
--------------------------------------------------------------------------------------------------	-----------------------------------------------------------------------------------------------------------------------------------------------------------------------	----------------------------------------------------------------------------------------------------	---------------------------------------------------------------------------------------------------------------

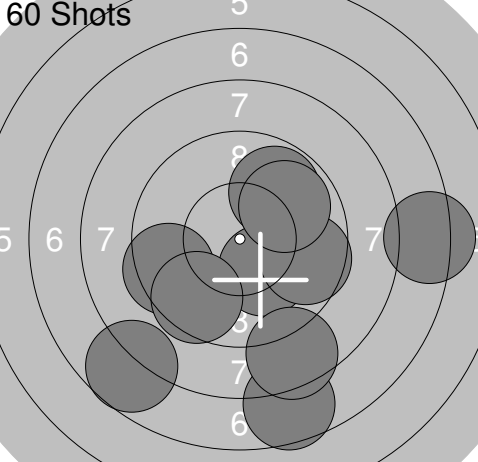
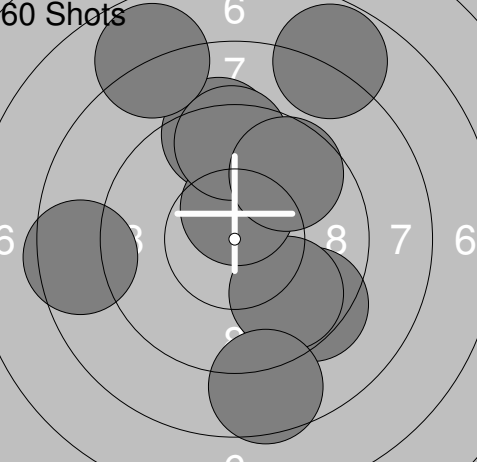
60 Shots 	1: 8.0 ↑ 2: 6.7 ↗ 3: 6.5 → 4: 8.2 ↑ 5: 3.0 ↗ 6: 7.2 ↓ 7: 6.2 ↗ 8: 7.6 ← 9: 7.7 ← 10: 7.4 ↗ <hr/> Series 68.5 Total 68.5	60 Shots 	11: 2.0 → 12: 6.1 ← 13: 6.0 ↗ 14: 8.9 ↑ 15: 0.0 → 16: 6.9 ↗ 17: 9.3 ↓ 18: 1.6 ↓ 19: 7.9 ↑ 20: 3.7 → <hr/> Series 52.4 Total 120.9
------------------------------------------------------------------------------------------------------	------------------------------------------------------------------------------------------------------------------------------------------------------------------------	--------------------------------------------------------------------------------------------------------	----------------------------------------------------------------------------------------------------------------------------------------------------------------------------------

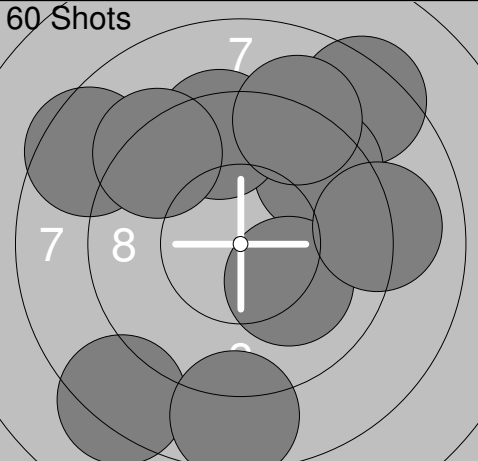
60 Shots 	21: 7.9 → 22: 8.0 ↓ 23: 2.1 → 24: 7.4 ↓ 25: 9.8 ↗ 26: 6.9 ↓ 27: 8.9 ↓ 28: 8.5 → 29: 10.3x ↗ 30: 7.4 → <hr/> Series 77.2 Total 198.1	60 Shots 	31: 9.0 ↓ 32: 4.0 ↓ 33: 8.9 ← 34: 7.7 → 35: 8.4 ↑ 36: 2.8 ↓ 37: 7.4 ↓ 38: 2.5 ← 39: 10.4x ↓ 40: 7.7 → <hr/> Series 68.8 Total 266.9
-------------------------------------------------------------------------------------------------------	------------------------------------------------------------------------------------------------------------------------------------------------------------------------------------	---------------------------------------------------------------------------------------------------------	------------------------------------------------------------------------------------------------------------------------------------------------------------------------------------

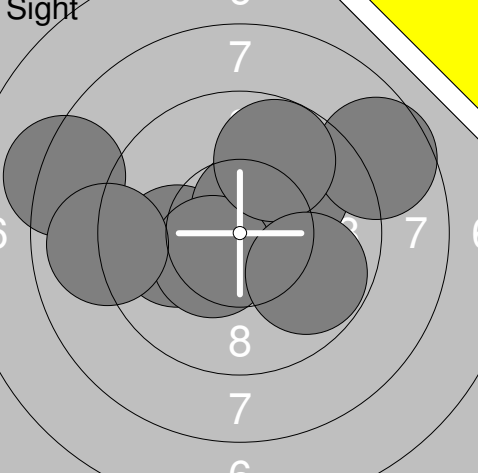
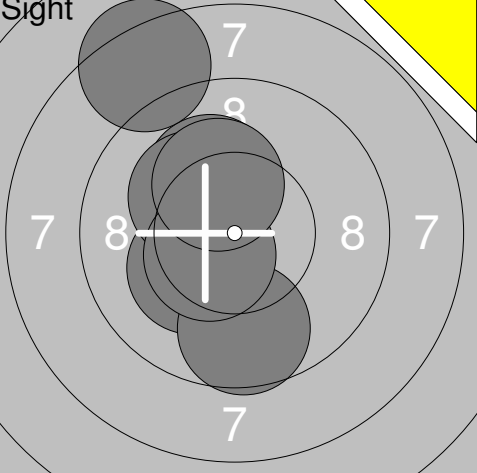
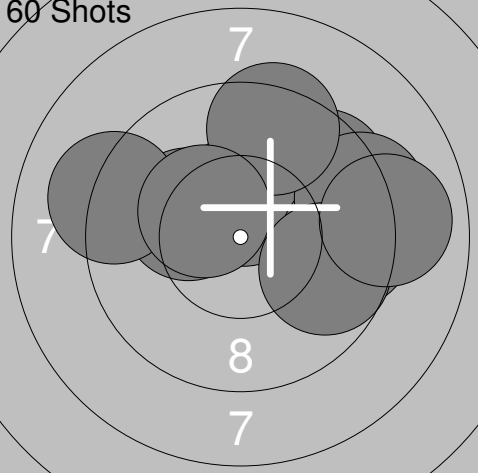
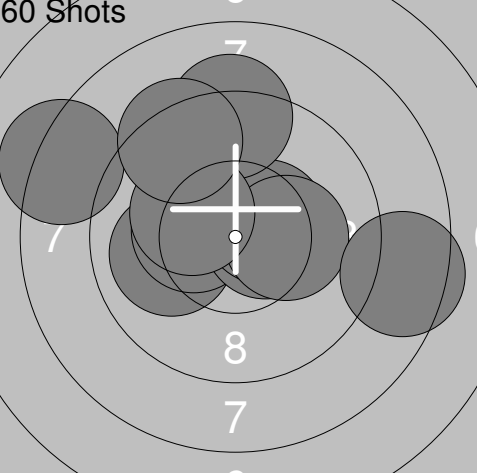
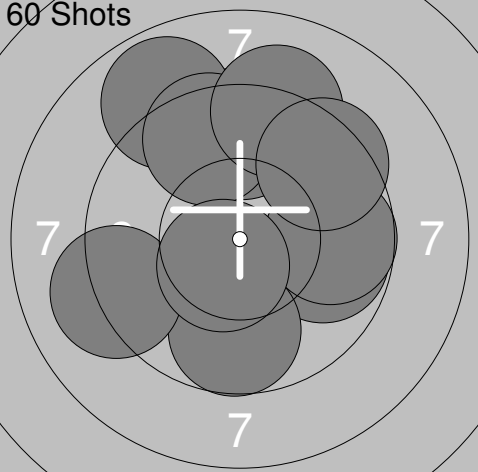
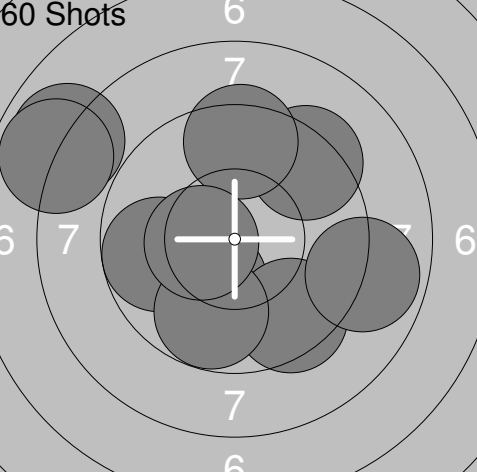
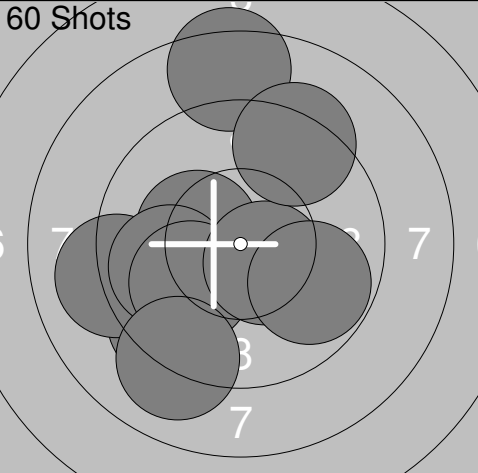
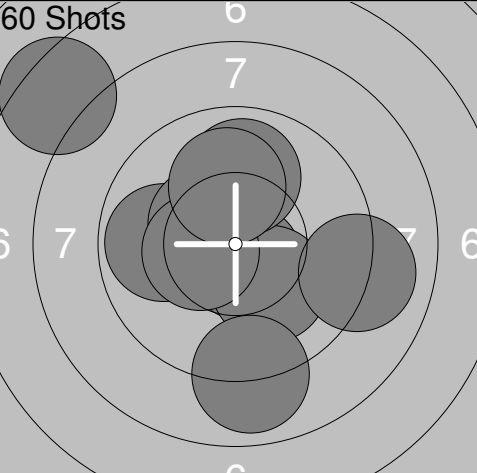
60 Shots 	41: 9.7 ← 42: 9.9 ↓ 43: 9.1 ↓ 44: 5.5 → 45: 7.3 ↓ 46: 10.3x ↗ 47: 9.2 ↗ 48: 7.8 ↓ 49: 7.8 ↗ 50: 10.4x ↓ <hr/> Series 87.0 Total 353.9	60 Shots 	51: 6.3 ↓ 52: 6.1 ← 53: 8.2 ↗ 54: 7.7 → 55: 1.2 ← 56: 9.1 ↗ 57: 8.7 ↗ 58: 7.5 → 59: 8.7 ← 60: 10.2x ↓ <hr/> Series 73.7 Total 427.6
-------------------------------------------------------------------------------------------------------	--------------------------------------------------------------------------------------------------------------------------------------------------------------------------------------	---------------------------------------------------------------------------------------------------------	------------------------------------------------------------------------------------------------------------------------------------------------------------------------------------

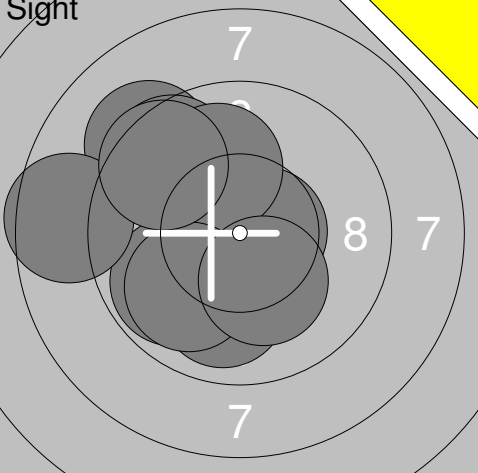
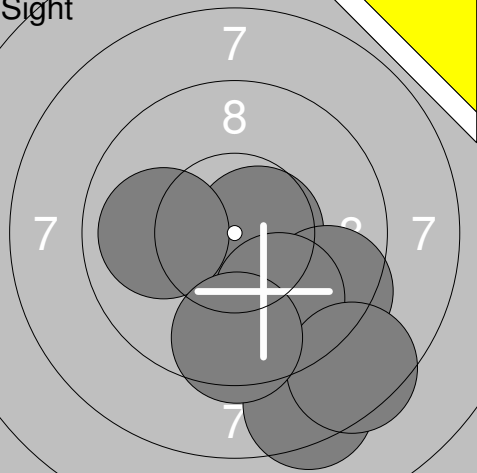
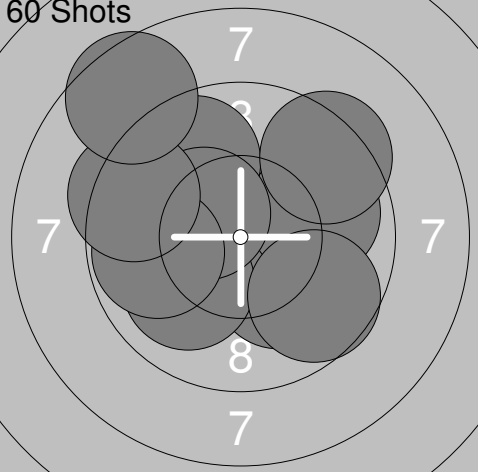
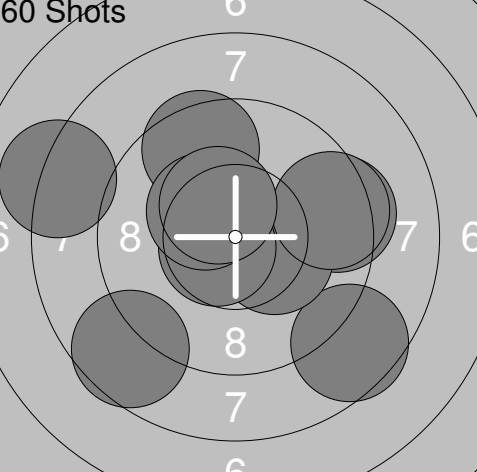
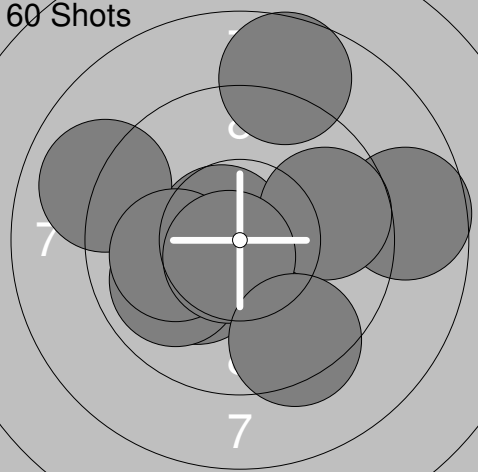
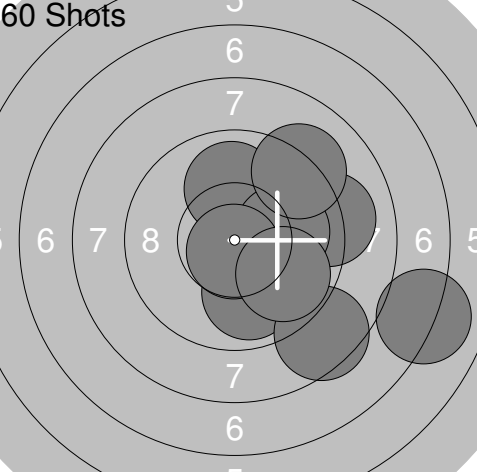
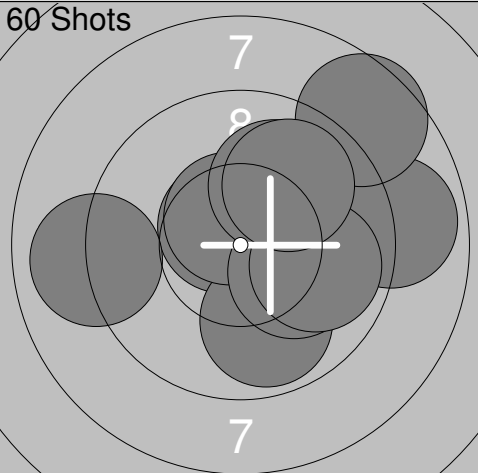
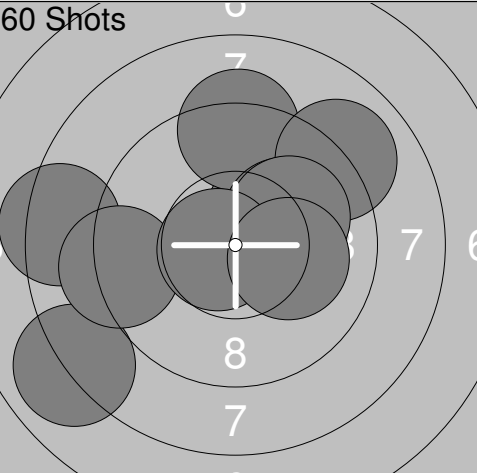
Sight 	<table style="width:100%; border-collapse: collapse;"> <tr><td>1:</td><td>10.5x</td><td>↗</td></tr> <tr><td>2:</td><td>6.8</td><td>←</td></tr> <tr><td>3:</td><td>9.0</td><td>↘</td></tr> <tr><td>4:</td><td>9.2</td><td>→</td></tr> <tr><td>5:</td><td>8.0</td><td>↗</td></tr> <tr><td>6:</td><td>7.8</td><td>↗</td></tr> <tr><td>7:</td><td>9.3</td><td>→</td></tr> <tr><td>8:</td><td>10.1</td><td>↗</td></tr> <tr><td>9:</td><td>8.0</td><td>↘</td></tr> <tr><td>10:</td><td>7.9</td><td>↘</td></tr> <tr><td colspan="2">Series</td><td>86.6</td></tr> <tr><td colspan="2">Total</td><td>0.0</td></tr> </table>	1:	10.5x	↗	2:	6.8	←	3:	9.0	↘	4:	9.2	→	5:	8.0	↗	6:	7.8	↗	7:	9.3	→	8:	10.1	↗	9:	8.0	↘	10:	7.9	↘	Series		86.6	Total		0.0	60 Shots  <table style="width:100%; border-collapse: collapse;"> <tr><td>1:</td><td>9.7</td><td>↘</td></tr> <tr><td>2:</td><td>9.2</td><td>→</td></tr> <tr><td>3:</td><td>8.6</td><td>↘</td></tr> <tr><td>4:</td><td>10.5x</td><td>↑</td></tr> <tr><td>5:</td><td>9.7</td><td>←</td></tr> <tr><td>6:</td><td>9.5</td><td>↗</td></tr> <tr><td>7:</td><td>8.5</td><td>→</td></tr> <tr><td>8:</td><td>10.0</td><td>↗</td></tr> <tr><td>9:</td><td>8.9</td><td>→</td></tr> <tr><td>10:</td><td>10.1</td><td>↘</td></tr> <tr><td colspan="2">Series</td><td>94.7</td></tr> <tr><td colspan="2">Total</td><td>94.7</td></tr> </table>	1:	9.7	↘	2:	9.2	→	3:	8.6	↘	4:	10.5x	↑	5:	9.7	←	6:	9.5	↗	7:	8.5	→	8:	10.0	↗	9:	8.9	→	10:	10.1	↘	Series		94.7	Total		94.7
1:	10.5x	↗																																																																								
2:	6.8	←																																																																								
3:	9.0	↘																																																																								
4:	9.2	→																																																																								
5:	8.0	↗																																																																								
6:	7.8	↗																																																																								
7:	9.3	→																																																																								
8:	10.1	↗																																																																								
9:	8.0	↘																																																																								
10:	7.9	↘																																																																								
Series		86.6																																																																								
Total		0.0																																																																								
1:	9.7	↘																																																																								
2:	9.2	→																																																																								
3:	8.6	↘																																																																								
4:	10.5x	↑																																																																								
5:	9.7	←																																																																								
6:	9.5	↗																																																																								
7:	8.5	→																																																																								
8:	10.0	↗																																																																								
9:	8.9	→																																																																								
10:	10.1	↘																																																																								
Series		94.7																																																																								
Total		94.7																																																																								


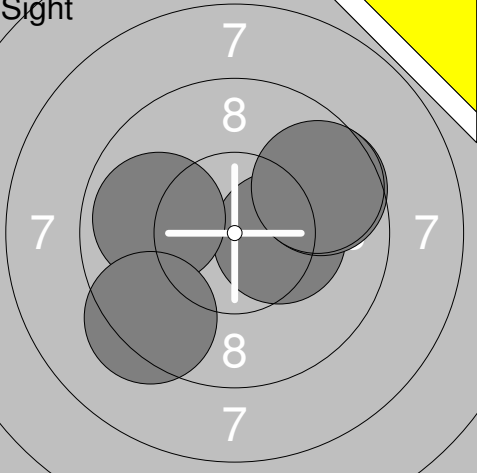
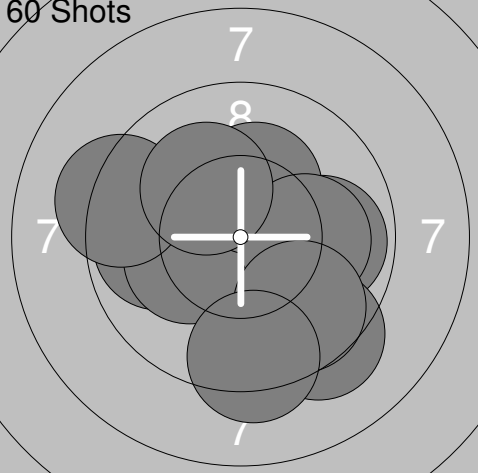
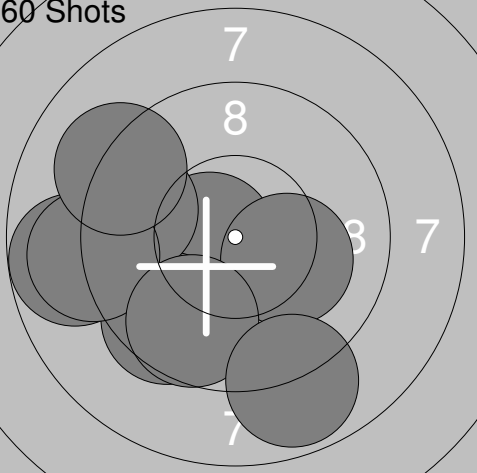
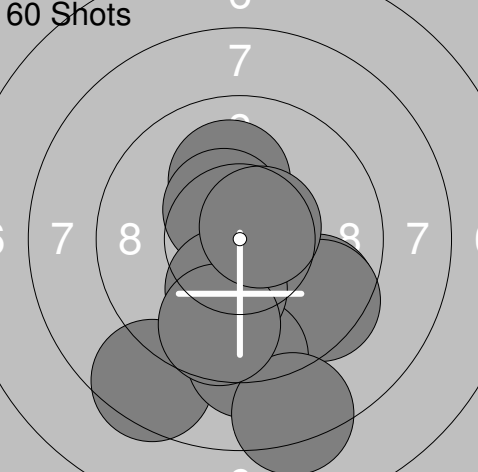
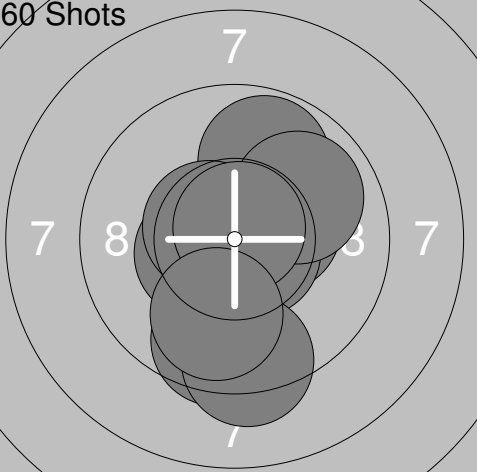
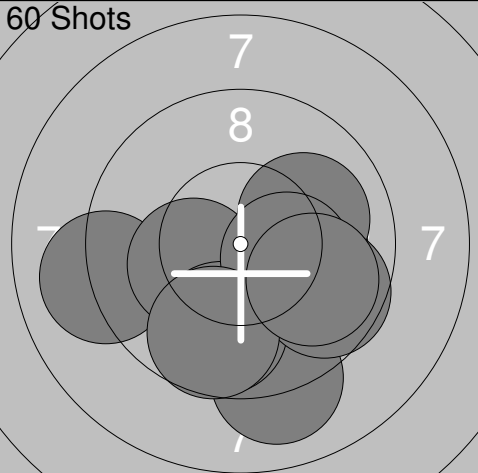
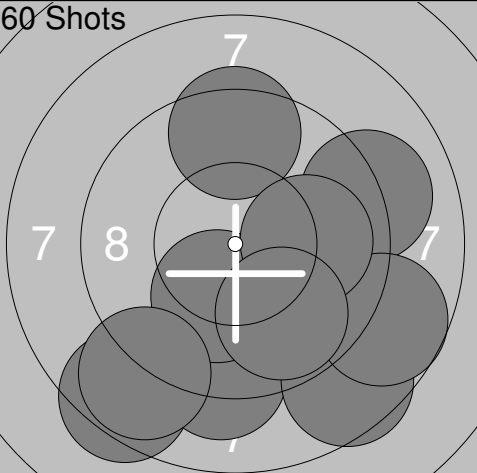
60 Shots  <table style="width:100%; border-collapse: collapse;"> <tr><td>11:</td><td>10.1</td><td>↘</td></tr> <tr><td>12:</td><td>8.7</td><td>↗</td></tr> <tr><td>13:</td><td>10.1</td><td>↗</td></tr> <tr><td>14:</td><td>9.2</td><td>←</td></tr> <tr><td>15:</td><td>9.8</td><td>→</td></tr> <tr><td>16:</td><td>9.0</td><td>←</td></tr> <tr><td>17:</td><td>8.6</td><td>↑</td></tr> <tr><td>18:</td><td>8.4</td><td>→</td></tr> <tr><td>19:</td><td>10.4x</td><td>↘</td></tr> <tr><td>20:</td><td>7.7</td><td>↗</td></tr> <tr><td colspan="2">Series</td><td>92.0</td></tr> <tr><td colspan="2">Total</td><td>186.7</td></tr> </table>	11:	10.1	↘	12:	8.7	↗	13:	10.1	↗	14:	9.2	←	15:	9.8	→	16:	9.0	←	17:	8.6	↑	18:	8.4	→	19:	10.4x	↘	20:	7.7	↗	Series		92.0	Total		186.7	60 Shots  <table style="width:100%; border-collapse: collapse;"> <tr><td>21:</td><td>9.7</td><td>↘</td></tr> <tr><td>22:</td><td>8.3</td><td>↘</td></tr> <tr><td>23:</td><td>7.9</td><td>←</td></tr> <tr><td>24:</td><td>7.4</td><td>←</td></tr> <tr><td>25:</td><td>9.3</td><td>↗</td></tr> <tr><td>26:</td><td>8.5</td><td>→</td></tr> <tr><td>27:</td><td>9.7</td><td>→</td></tr> <tr><td>28:</td><td>10.8x</td><td>→</td></tr> <tr><td>29:</td><td>10.0</td><td>↘</td></tr> <tr><td>30:</td><td>10.4x</td><td>↗</td></tr> <tr><td colspan="2">Series</td><td>92.0</td></tr> <tr><td colspan="2">Total</td><td>278.7</td></tr> </table>	21:	9.7	↘	22:	8.3	↘	23:	7.9	←	24:	7.4	←	25:	9.3	↗	26:	8.5	→	27:	9.7	→	28:	10.8x	→	29:	10.0	↘	30:	10.4x	↗	Series		92.0	Total		278.7
11:	10.1	↘																																																																							
12:	8.7	↗																																																																							
13:	10.1	↗																																																																							
14:	9.2	←																																																																							
15:	9.8	→																																																																							
16:	9.0	←																																																																							
17:	8.6	↑																																																																							
18:	8.4	→																																																																							
19:	10.4x	↘																																																																							
20:	7.7	↗																																																																							
Series		92.0																																																																							
Total		186.7																																																																							
21:	9.7	↘																																																																							
22:	8.3	↘																																																																							
23:	7.9	←																																																																							
24:	7.4	←																																																																							
25:	9.3	↗																																																																							
26:	8.5	→																																																																							
27:	9.7	→																																																																							
28:	10.8x	→																																																																							
29:	10.0	↘																																																																							
30:	10.4x	↗																																																																							
Series		92.0																																																																							
Total		278.7																																																																							

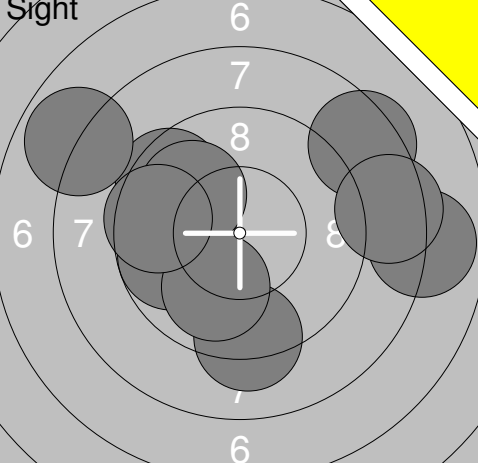
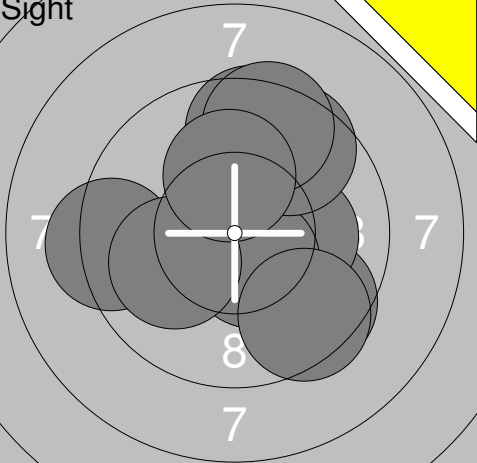
60 Shots  <table style="width:100%; border-collapse: collapse;"> <tr><td>31:</td><td>7.6</td><td>↘</td></tr> <tr><td>32:</td><td>10.2x</td><td>↘</td></tr> <tr><td>33:</td><td>8.5</td><td>↘</td></tr> <tr><td>34:</td><td>9.5</td><td>←</td></tr> <tr><td>35:</td><td>7.7</td><td>↘</td></tr> <tr><td>36:</td><td>9.6</td><td>↘</td></tr> <tr><td>37:</td><td>9.8</td><td>↗</td></tr> <tr><td>38:</td><td>7.3</td><td>→</td></tr> <tr><td>39:</td><td>9.5</td><td>↘</td></tr> <tr><td>40:</td><td>9.9</td><td>↗</td></tr> <tr><td colspan="2">Series</td><td>89.6</td></tr> <tr><td colspan="2">Total</td><td>368.3</td></tr> </table>	31:	7.6	↘	32:	10.2x	↘	33:	8.5	↘	34:	9.5	←	35:	7.7	↘	36:	9.6	↘	37:	9.8	↗	38:	7.3	→	39:	9.5	↘	40:	9.9	↗	Series		89.6	Total		368.3	60 Shots  <table style="width:100%; border-collapse: collapse;"> <tr><td>41:</td><td>9.4</td><td>↘</td></tr> <tr><td>42:</td><td>8.5</td><td>←</td></tr> <tr><td>43:</td><td>9.8</td><td>↘</td></tr> <tr><td>44:</td><td>9.3</td><td>↑</td></tr> <tr><td>45:</td><td>7.9</td><td>↗</td></tr> <tr><td>46:</td><td>8.6</td><td>↘</td></tr> <tr><td>47:</td><td>10.5x</td><td>↑</td></tr> <tr><td>48:</td><td>7.8</td><td>↗</td></tr> <tr><td>49:</td><td>9.4</td><td>↑</td></tr> <tr><td>50:</td><td>9.6</td><td>↗</td></tr> <tr><td colspan="2">Series</td><td>90.8</td></tr> <tr><td colspan="2">Total</td><td>459.1</td></tr> </table>	41:	9.4	↘	42:	8.5	←	43:	9.8	↘	44:	9.3	↑	45:	7.9	↗	46:	8.6	↘	47:	10.5x	↑	48:	7.8	↗	49:	9.4	↑	50:	9.6	↗	Series		90.8	Total		459.1
31:	7.6	↘																																																																							
32:	10.2x	↘																																																																							
33:	8.5	↘																																																																							
34:	9.5	←																																																																							
35:	7.7	↘																																																																							
36:	9.6	↘																																																																							
37:	9.8	↗																																																																							
38:	7.3	→																																																																							
39:	9.5	↘																																																																							
40:	9.9	↗																																																																							
Series		89.6																																																																							
Total		368.3																																																																							
41:	9.4	↘																																																																							
42:	8.5	←																																																																							
43:	9.8	↘																																																																							
44:	9.3	↑																																																																							
45:	7.9	↗																																																																							
46:	8.6	↘																																																																							
47:	10.5x	↑																																																																							
48:	7.8	↗																																																																							
49:	9.4	↑																																																																							
50:	9.6	↗																																																																							
Series		90.8																																																																							
Total		459.1																																																																							

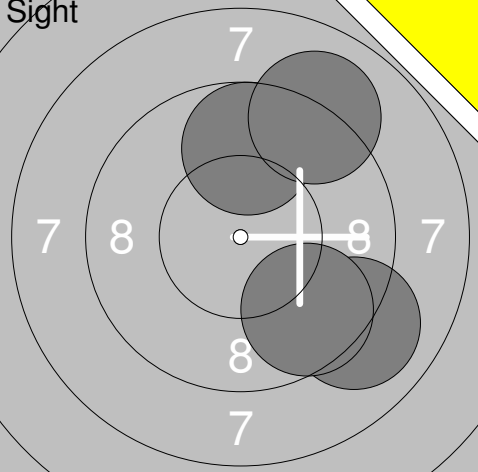
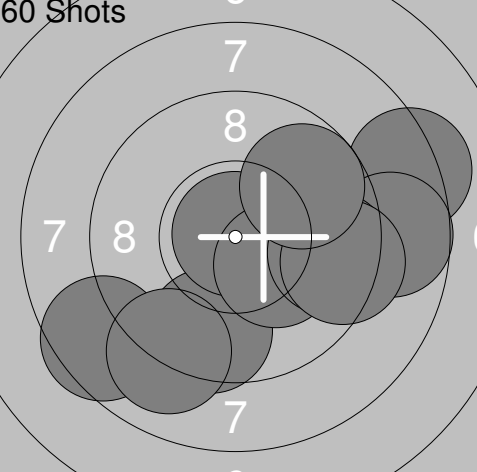
60 Shots  <table style="width:100%; border-collapse: collapse;"> <tr><td>51:</td><td>8.4</td><td>↗</td></tr> <tr><td>52:</td><td>9.5</td><td>↗</td></tr> <tr><td>53:</td><td>10.1</td><td>↘</td></tr> <tr><td>54:</td><td>8.5</td><td>↗</td></tr> <tr><td>55:</td><td>8.3</td><td>↘</td></tr> <tr><td>56:</td><td>9.4</td><td>↑</td></tr> <tr><td>57:</td><td>9.0</td><td>→</td></tr> <tr><td>58:</td><td>9.1</td><td>↗</td></tr> <tr><td>59:</td><td>8.6</td><td>↘</td></tr> <tr><td>60:</td><td>9.3</td><td>↗</td></tr> <tr><td colspan="2">Series</td><td>90.2</td></tr> <tr><td colspan="2">Total</td><td>549.3</td></tr> </table>	51:	8.4	↗	52:	9.5	↗	53:	10.1	↘	54:	8.5	↗	55:	8.3	↘	56:	9.4	↑	57:	9.0	→	58:	9.1	↗	59:	8.6	↘	60:	9.3	↗	Series		90.2	Total		549.3		
51:	8.4	↗																																				
52:	9.5	↗																																				
53:	10.1	↘																																				
54:	8.5	↗																																				
55:	8.3	↘																																				
56:	9.4	↑																																				
57:	9.0	→																																				
58:	9.1	↗																																				
59:	8.6	↘																																				
60:	9.3	↗																																				
Series		90.2																																				
Total		549.3																																				

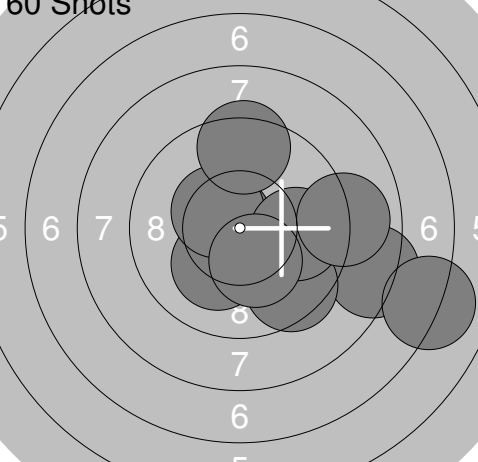
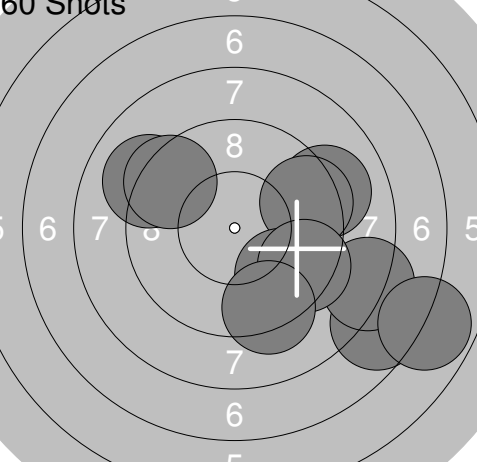
Sight 	1: 10.3x → 2: 8.2 ← 3: 10.0 ← 4: 10.6x ↑ 5: 10.0 ↗ 6: 8.7 ↗ 7: 10.4x ↙ 8: 9.8 ↑ 9: 9.8 ↘ 10: 9.0 ← <hr/> Series 96.8 Total 0.0	Sight 	11: 10.2x ↙ 12: 10.2x ↗ 13: 10.2x ↗ 14: 9.7 ↓ 15: 10.5x ↙ 16: 10.3x ↗ 17: 8.4 ↗ <hr/> Series 69.5 Total 0.0
60 Shots 	1: 9.6 ↗ 2: 10.2x ← 3: 9.2 ← 4: 10.4x ↑ 5: 9.5 → 6: 9.2 → 7: 9.4 ↑ 8: 9.7 ↘ 9: 9.0 → 10: 10.3x ↙ <hr/> Series 96.5 Total 96.5	60 Shots 	11: 8.2 ← 12: 10.0 ← 13: 10.3x ← 14: 10.5x → 15: 10.5x ↗ 16: 9.2 ↑ 17: 10.2x → 18: 10.2x ↙ 19: 9.4 ↗ 20: 8.5 → <hr/> Series 97.0 Total 193.5
60 Shots 	21: 9.5 ↑ 22: 9.8 → 23: 8.9 ↗ 24: 9.7 ↓ 25: 9.1 ← 26: 9.7 → 27: 9.5 ↑ 28: 10.5x ↙ 29: 9.2 ↑ 30: 9.4 ↗ <hr/> Series 95.3 Total 288.8	60 Shots 	31: 9.3 ↗ 32: 9.4 ↑ 33: 10.2x ↙ 34: 7.9 ↙ 35: 7.9 ↙ 36: 9.5 ↙ 37: 9.7 ← 38: 9.8 ↓ 39: 8.9 → 40: 10.4x ← <hr/> Series 93.0 Total 381.8
60 Shots 	41: 9.4 ↙ 42: 9.1 ← 43: 10.3x ← 44: 9.9 ← 45: 10.0 ↙ 46: 9.1 ↙ 47: 10.5x ↘ 48: 9.8 ↘ 49: 8.4 ↑ 50: 9.3 ↑ <hr/> Series 95.8 Total 477.6	60 Shots 	51: 9.8 ← 52: 10.7x ↙ 53: 10.4x ↗ 54: 10.1 ↙ 55: 9.9 ↑ 56: 10.4x ← 57: 8.9 ↓ 58: 9.0 → 59: 10.1 ↑ 60: 7.4 ↗ <hr/> Series 96.7 Total 574.3

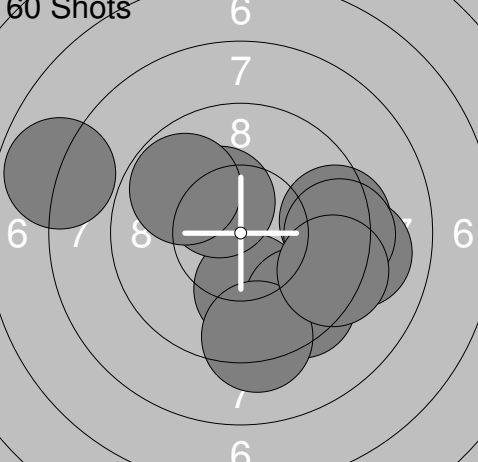
Relay	Lane	Oscar Jacobsson	
S		Ramselefors Skf	
2016-04-16		UME-Kulan 2016	Umeå skytteallians
Sight		1: 10.6x → 2: 9.2 ↗ 3: 9.8 ↙ 4: 9.6 ↗ 5: 10.0 ↑ 6: 10.0 ↓ 7: 9.9 ↙ 8: 8.6 ← 9: 9.5 ↗ 10: 10.2x ↓ Series 97.4 Total 0.0	Sight  11: 10.6x → 12: 9.4 ↘ 13: 8.4 ↙ 14: 10.0 ← 15: 9.9 ↘ 16: 8.5 ↘ 17: 9.5 ↓ Series 66.3 Total 0.0
60 Shots		1: 10.1 ↘ 2: 9.9 → 3: 10.0 ↙ 4: 9.7 ↘ 5: 9.8 ↗ 6: 10.4x ↗ 7: 9.4 ↗ 8: 9.8 ← 9: 9.4 ↖ 10: 8.6 ↗ Series 97.1 Total 97.1	60 Shots  11: 8.1 ↖ 12: 9.4 → 13: 8.6 ↘ 14: 10.3x ↘ 15: 9.5 ↑ 16: 10.6x ↙ 17: 9.5 → 18: 10.4x ↗ 19: 8.6 ↘ 20: 10.4x ↗ Series 95.4 Total 192.5
60 Shots		21: 10.2x ↙ 22: 10.7x ↖ 23: 9.0 ↖ 24: 9.9 ↖ 25: 10.1 ↖ 26: 8.7 → 27: 9.7 → 28: 10.7x ↘ 29: 8.7 ↑ 30: 9.4 ↓ Series 97.1 Total 289.6	60 Shots  31: 10.5x ↗ 32: 10.0 ↑ 33: 9.1 → 34: 9.9 ↓ 35: 10.0 → 36: 9.2 ↗ 37: 8.5 ↘ 38: 10.7x ↓ 39: 9.8 ↘ 40: 7.1 → Series 94.8 Total 384.4
60 Shots		41: 8.9 → 42: 10.6x ↗ 43: 9.9 ↘ 44: 10.6x ↗ 45: 10.1 ↘ 46: 8.6 ↗ 47: 10.0 ↗ 48: 9.9 → 49: 9.9 ↗ 50: 9.0 ← Series 97.5 Total 481.9	60 Shots  51: 8.3 ← 52: 10.3x ↗ 53: 9.2 ↑ 54: 9.0 ↗ 55: 10.1 ↗ 56: 8.0 ↙ 57: 9.2 ← 58: 10.1 ↗ 59: 10.7x ↖ 60: 10.1 → Series 95.0 Total 576.9

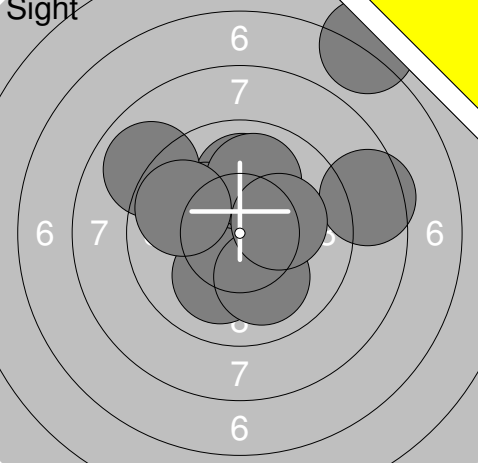
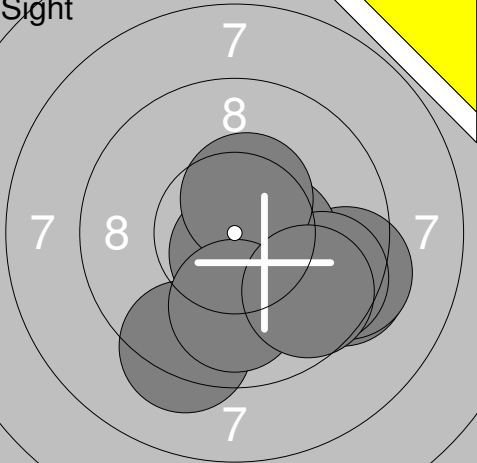
<p>Sight</p> 	<p>1: 10.1 ↘ 2: 9.6 ↗ 3: 9.9 ↘ 4: 8.2 ↘ 5: 10.6x ← 6: 9.5 ← 7: 10.2x ↗ 8: 10.0 ↘ 9: 9.1 → 10: 8.5 ↙</p> <p>Series 95.7 Total 0.0</p>	<p>Sight</p> 	<p>11: 10.3x → 12: 9.6 ↗ 13: 9.9 ← 14: 9.3 ↘ 15: 9.7 ↗</p> <p>Series 48.8 Total 0.0</p>
<p>60 Shots</p> 	<p>1: 9.9 ← 2: 10.2x ← 3: 9.9 → 4: 9.3 ↘ 5: 10.3x ↑ 6: 10.1 → 7: 9.7 ↘ 8: 9.3 ← 9: 9.3 ↘ 10: 10.2x ↗</p> <p>Series 98.2 Total 98.2</p>	<p>60 Shots</p> 	<p>11: 10.6x ↘ 12: 10.6x ← 13: 10.2x ↗ 14: 8.8 ← 15: 9.5 ↘ 16: 9.5 ← 17: 9.0 ← 18: 9.1 ↗ 19: 9.7 ↘ 20: 8.9 ↘</p> <p>Series 95.9 Total 194.1</p>
<p>60 Shots</p> 	<p>21: 9.6 ↘ 22: 9.5 ↘ 23: 8.5 ↘ 24: 10.1 ↑ 25: 9.2 ↘ 26: 10.5x ↗ 27: 10.2x ↘ 28: 8.3 ↘ 29: 9.7 ↘ 30: 10.6x ↗</p> <p>Series 96.2 Total 290.3</p>	<p>60 Shots</p> 	<p>31: 10.4x ← 32: 9.6 ↘ 33: 9.8 ↑ 34: 10.4x → 35: 10.6x ← 36: 10.6x ↗ 37: 9.9 ↗ 38: 10.8x ↑ 39: 9.3 ↘ 40: 9.9 ↘</p> <p>Series 101.3 Total 391.6</p>
<p>60 Shots</p> 	<p>41: 10.1 → 42: 9.1 ↘ 43: 10.0 → 44: 9.1 ← 45: 10.3x ← 46: 9.8 ↘ 47: 9.6 ↘ 48: 10.3x → 49: 9.7 ↘ 50: 9.9 ↘</p> <p>Series 97.9 Total 489.5</p>	<p>60 Shots</p> 	<p>51: 8.4 ↘ 52: 9.2 ↘ 53: 8.6 ↘ 54: 10.2x ↘ 55: 9.4 ↑ 56: 9.1 → 57: 8.7 ↗ 58: 8.8 ↘ 59: 10.0 → 60: 9.8 ↘</p> <p>Series 92.2 Total 581.7</p>

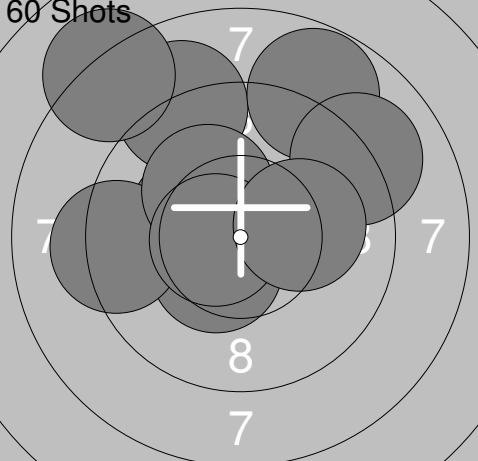
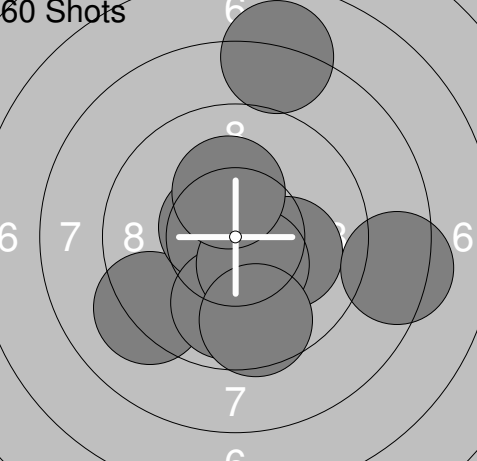
 <p>Sight</p>	<table border="1" style="width:100%; border-collapse: collapse;"> <tr><td>1:</td><td>9.2</td><td>↓</td></tr> <tr><td>2:</td><td>9.5</td><td>↗</td></tr> <tr><td>3:</td><td>8.4</td><td>↗</td></tr> <tr><td>4:</td><td>7.9</td><td>→</td></tr> <tr><td>5:</td><td>9.8</td><td>←</td></tr> <tr><td>6:</td><td>9.9</td><td>↖</td></tr> <tr><td>7:</td><td>7.9</td><td>↖</td></tr> <tr><td>8:</td><td>10.0</td><td>↓</td></tr> <tr><td>9:</td><td>9.6</td><td>←</td></tr> <tr><td>10:</td><td>8.4</td><td>→</td></tr> <tr><td colspan="2">Series</td><td>90.6</td></tr> <tr><td colspan="2">Total</td><td>0.0</td></tr> </table>	1:	9.2	↓	2:	9.5	↗	3:	8.4	↗	4:	7.9	→	5:	9.8	←	6:	9.9	↖	7:	7.9	↖	8:	10.0	↓	9:	9.6	←	10:	8.4	→	Series		90.6	Total		0.0	 <p>Sight</p>	<table border="1" style="width:100%; border-collapse: collapse;"> <tr><td>11:</td><td>9.6</td><td>↘</td></tr> <tr><td>12:</td><td>9.6</td><td>↑</td></tr> <tr><td>13:</td><td>10.2x</td><td>→</td></tr> <tr><td>14:</td><td>10.5x</td><td>↘</td></tr> <tr><td>15:</td><td>9.3</td><td>←</td></tr> <tr><td>16:</td><td>10.0</td><td>←</td></tr> <tr><td>17:</td><td>9.6</td><td>↗</td></tr> <tr><td>18:</td><td>9.5</td><td>↘</td></tr> <tr><td>19:</td><td>9.5</td><td>↑</td></tr> <tr><td>20:</td><td>10.2x</td><td>↑</td></tr> <tr><td colspan="2">Series</td><td>98.0</td></tr> <tr><td colspan="2">Total</td><td>0.0</td></tr> </table>	11:	9.6	↘	12:	9.6	↑	13:	10.2x	→	14:	10.5x	↘	15:	9.3	←	16:	10.0	←	17:	9.6	↗	18:	9.5	↘	19:	9.5	↑	20:	10.2x	↑	Series		98.0	Total		0.0
1:	9.2	↓																																																																									
2:	9.5	↗																																																																									
3:	8.4	↗																																																																									
4:	7.9	→																																																																									
5:	9.8	←																																																																									
6:	9.9	↖																																																																									
7:	7.9	↖																																																																									
8:	10.0	↓																																																																									
9:	9.6	←																																																																									
10:	8.4	→																																																																									
Series		90.6																																																																									
Total		0.0																																																																									
11:	9.6	↘																																																																									
12:	9.6	↑																																																																									
13:	10.2x	→																																																																									
14:	10.5x	↘																																																																									
15:	9.3	←																																																																									
16:	10.0	←																																																																									
17:	9.6	↗																																																																									
18:	9.5	↘																																																																									
19:	9.5	↑																																																																									
20:	10.2x	↑																																																																									
Series		98.0																																																																									
Total		0.0																																																																									

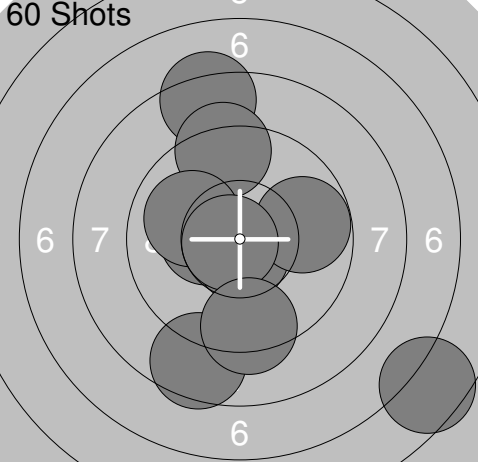
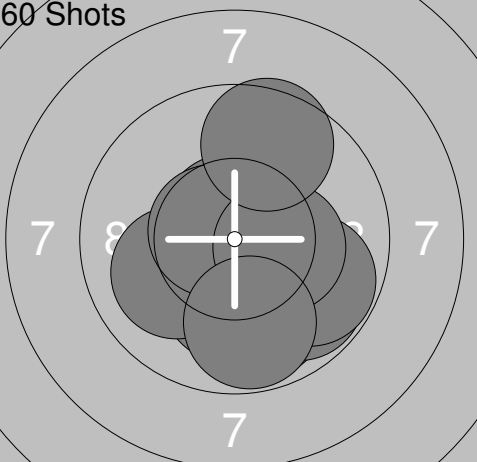
 <p>Sight</p>	<table border="1" style="width:100%; border-collapse: collapse;"> <tr><td>21:</td><td>9.8</td><td>↑</td></tr> <tr><td>22:</td><td>9.1</td><td>↗</td></tr> <tr><td>23:</td><td>9.0</td><td>↘</td></tr> <tr><td>24:</td><td>9.6</td><td>↘</td></tr> <tr><td colspan="2">Series</td><td>37.5</td></tr> <tr><td colspan="2">Total</td><td>0.0</td></tr> </table>	21:	9.8	↑	22:	9.1	↗	23:	9.0	↘	24:	9.6	↘	Series		37.5	Total		0.0	 <p>60 Shots</p>	<table border="1" style="width:100%; border-collapse: collapse;"> <tr><td>1:</td><td>9.5</td><td>↓</td></tr> <tr><td>2:</td><td>8.3</td><td>→</td></tr> <tr><td>3:</td><td>10.9x</td><td>↑</td></tr> <tr><td>4:</td><td>8.5</td><td>↘</td></tr> <tr><td>5:</td><td>10.2x</td><td>↘</td></tr> <tr><td>6:</td><td>9.0</td><td>↓</td></tr> <tr><td>7:</td><td>8.7</td><td>→</td></tr> <tr><td>8:</td><td>9.6</td><td>→</td></tr> <tr><td>9:</td><td>9.4</td><td>→</td></tr> <tr><td>10:</td><td>9.8</td><td>↗</td></tr> <tr><td colspan="2">Series</td><td>93.9</td></tr> <tr><td colspan="2">Total</td><td>93.9</td></tr> </table>	1:	9.5	↓	2:	8.3	→	3:	10.9x	↑	4:	8.5	↘	5:	10.2x	↘	6:	9.0	↓	7:	8.7	→	8:	9.6	→	9:	9.4	→	10:	9.8	↗	Series		93.9	Total		93.9
21:	9.8	↑																																																							
22:	9.1	↗																																																							
23:	9.0	↘																																																							
24:	9.6	↘																																																							
Series		37.5																																																							
Total		0.0																																																							
1:	9.5	↓																																																							
2:	8.3	→																																																							
3:	10.9x	↑																																																							
4:	8.5	↘																																																							
5:	10.2x	↘																																																							
6:	9.0	↓																																																							
7:	8.7	→																																																							
8:	9.6	→																																																							
9:	9.4	→																																																							
10:	9.8	↗																																																							
Series		93.9																																																							
Total		93.9																																																							

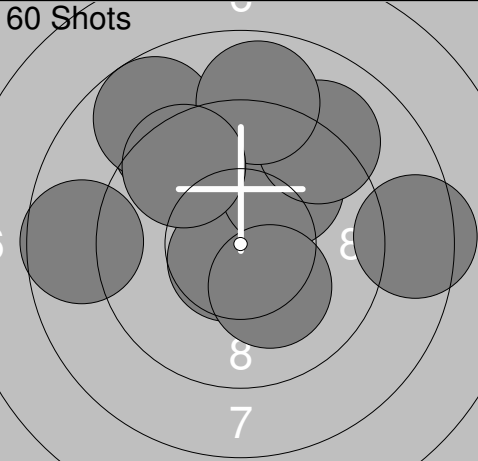
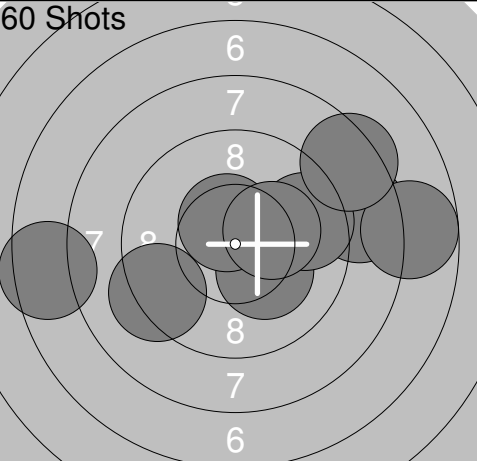
 <p>60 Shots</p>	<table border="1" style="width:100%; border-collapse: collapse;"> <tr><td>11:</td><td>8.3</td><td>→</td></tr> <tr><td>12:</td><td>10.6x</td><td>↖</td></tr> <tr><td>13:</td><td>10.2x</td><td>↘</td></tr> <tr><td>14:</td><td>10.4x</td><td>↗</td></tr> <tr><td>15:</td><td>9.5</td><td>↘</td></tr> <tr><td>16:</td><td>9.4</td><td>↑</td></tr> <tr><td>17:</td><td>9.9</td><td>→</td></tr> <tr><td>18:</td><td>10.3x</td><td>↘</td></tr> <tr><td>19:</td><td>7.1</td><td>↘</td></tr> <tr><td>20:</td><td>9.0</td><td>→</td></tr> <tr><td colspan="2">Series</td><td>94.7</td></tr> <tr><td colspan="2">Total</td><td>188.6</td></tr> </table>	11:	8.3	→	12:	10.6x	↖	13:	10.2x	↘	14:	10.4x	↗	15:	9.5	↘	16:	9.4	↑	17:	9.9	→	18:	10.3x	↘	19:	7.1	↘	20:	9.0	→	Series		94.7	Total		188.6	 <p>60 Shots</p>	<table border="1" style="width:100%; border-collapse: collapse;"> <tr><td>21:</td><td>9.1</td><td>↖</td></tr> <tr><td>22:</td><td>7.6</td><td>↘</td></tr> <tr><td>23:</td><td>8.2</td><td>↘</td></tr> <tr><td>24:</td><td>6.9</td><td>↘</td></tr> <tr><td>25:</td><td>9.1</td><td>→</td></tr> <tr><td>26:</td><td>9.5</td><td>→</td></tr> <tr><td>27:</td><td>9.7</td><td>↘</td></tr> <tr><td>28:</td><td>9.4</td><td>↘</td></tr> <tr><td>29:</td><td>9.3</td><td>↘</td></tr> <tr><td>30:</td><td>9.4</td><td>↗</td></tr> <tr><td colspan="2">Series</td><td>88.2</td></tr> <tr><td colspan="2">Total</td><td>276.8</td></tr> </table>	21:	9.1	↖	22:	7.6	↘	23:	8.2	↘	24:	6.9	↘	25:	9.1	→	26:	9.5	→	27:	9.7	↘	28:	9.4	↘	29:	9.3	↘	30:	9.4	↗	Series		88.2	Total		276.8
11:	8.3	→																																																																									
12:	10.6x	↖																																																																									
13:	10.2x	↘																																																																									
14:	10.4x	↗																																																																									
15:	9.5	↘																																																																									
16:	9.4	↑																																																																									
17:	9.9	→																																																																									
18:	10.3x	↘																																																																									
19:	7.1	↘																																																																									
20:	9.0	→																																																																									
Series		94.7																																																																									
Total		188.6																																																																									
21:	9.1	↖																																																																									
22:	7.6	↘																																																																									
23:	8.2	↘																																																																									
24:	6.9	↘																																																																									
25:	9.1	→																																																																									
26:	9.5	→																																																																									
27:	9.7	↘																																																																									
28:	9.4	↘																																																																									
29:	9.3	↘																																																																									
30:	9.4	↗																																																																									
Series		88.2																																																																									
Total		276.8																																																																									

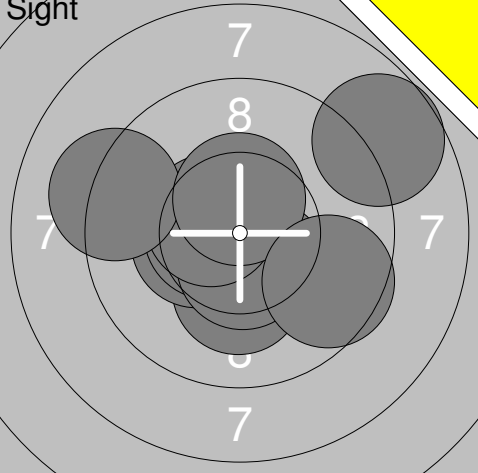
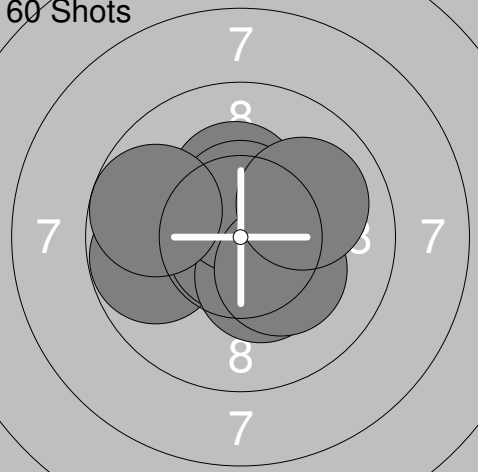
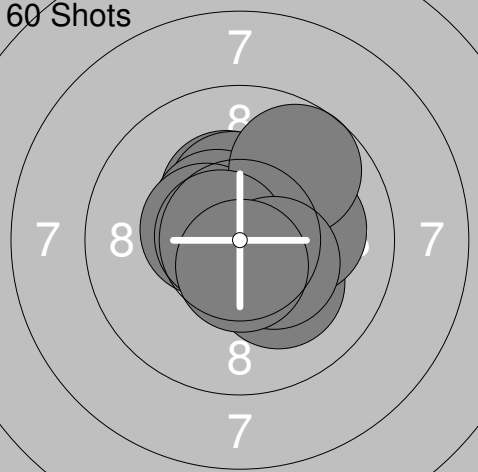
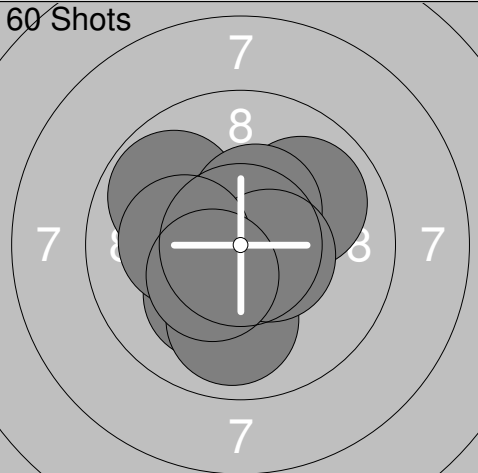
 <p>60 Shots</p>	<table border="1" style="width:100%; border-collapse: collapse;"> <tr><td>31:</td><td>9.4</td><td>→</td></tr> <tr><td>32:</td><td>10.0</td><td>↓</td></tr> <tr><td>33:</td><td>9.5</td><td>↘</td></tr> <tr><td>34:</td><td>9.1</td><td>→</td></tr> <tr><td>35:</td><td>9.3</td><td>↘</td></tr> <tr><td>36:</td><td>9.4</td><td>→</td></tr> <tr><td>37:</td><td>9.3</td><td>↘</td></tr> <tr><td>38:</td><td>7.9</td><td>↖</td></tr> <tr><td>39:</td><td>10.3x</td><td>↗</td></tr> <tr><td>40:</td><td>9.8</td><td>↗</td></tr> <tr><td colspan="2">Series</td><td>94.0</td></tr> <tr><td colspan="2">Total</td><td>370.8</td></tr> </table>	31:	9.4	→	32:	10.0	↓	33:	9.5	↘	34:	9.1	→	35:	9.3	↘	36:	9.4	→	37:	9.3	↘	38:	7.9	↖	39:	10.3x	↗	40:	9.8	↗	Series		94.0	Total		370.8		
31:	9.4	→																																					
32:	10.0	↓																																					
33:	9.5	↘																																					
34:	9.1	→																																					
35:	9.3	↘																																					
36:	9.4	→																																					
37:	9.3	↘																																					
38:	7.9	↖																																					
39:	10.3x	↗																																					
40:	9.8	↗																																					
Series		94.0																																					
Total		370.8																																					

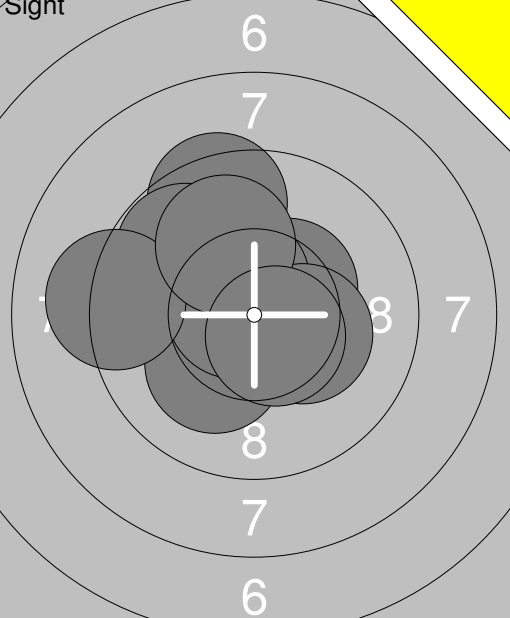
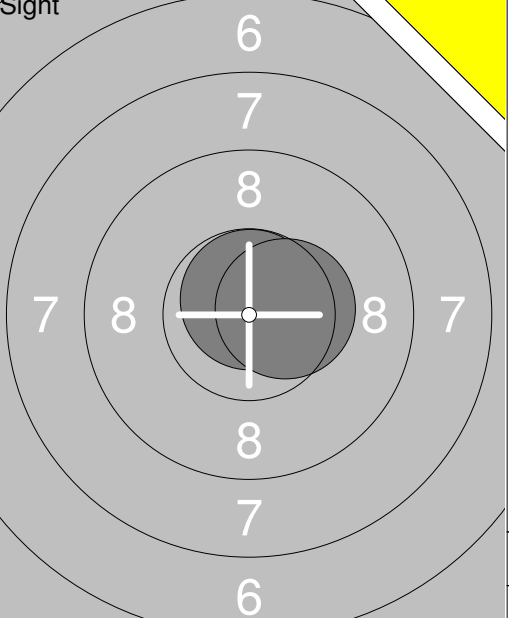
Sight 	1: 6.8 ↗ 2: 10.0 ↑ 3: 8.9 ↖ 4: 10.2x ↖ 5: 10.1 ↓ 6: 10.0 ↓ 7: 8.5 → 8: 10.0 ↑ 9: 10.2x → 10: 9.8 ↖ <hr/> Series 94.5 Total 0.0	Sight 	11: 9.4 → 12: 9.4 → 13: 10.4x → 14: 9.3 ↓ 15: 10.7x ↓ 16: 9.6 → 17: 10.5x ↑ 18: 10.0 ↓ 19: 9.7 ↓ <hr/> Series 89.0 Total 0.0
--------------------------------------------------------------------------------------------------	-------------------------------------------------------------------------------------------------------------------------------------------------------------------------------	----------------------------------------------------------------------------------------------------	--------------------------------------------------------------------------------------------------------------------------------------------------------------------------

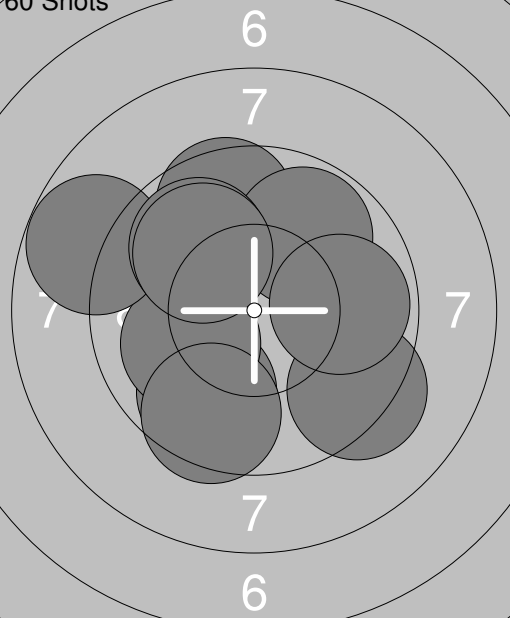
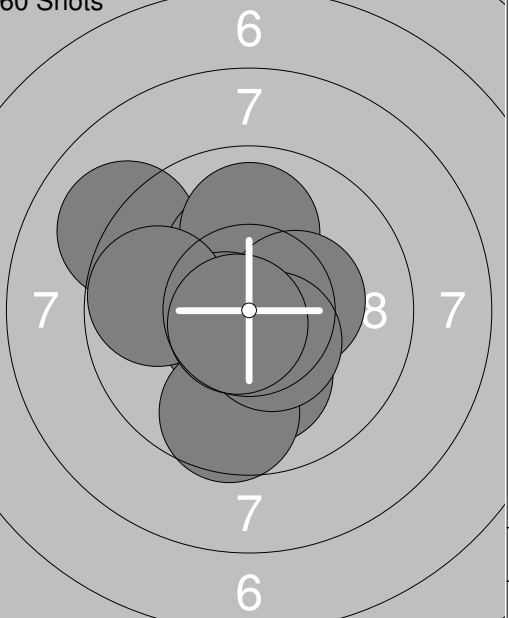
60 Shots 	1: 9.0 ↗ 2: 8.1 ↗ 3: 10.3x ↖ 4: 10.4x ↓ 5: 9.3 ← 6: 8.8 ↑ 7: 9.1 ↗ 8: 10.2x ↗ 9: 10.6x ← 10: 10.1 → <hr/> Series 95.9 Total 95.9	60 Shots 	11: 8.0 ↑ 12: 10.5x ↑ 13: 9.2 ↖ 14: 10.6x ↖ 15: 10.1 → 16: 9.9 ↓ 17: 10.4x ↓ 18: 8.3 → 19: 10.2x ↑ 20: 9.6 ↓ <hr/> Series 96.8 Total 192.7
------------------------------------------------------------------------------------------------------	---------------------------------------------------------------------------------------------------------------------------------------------------------------------------------	--------------------------------------------------------------------------------------------------------	-------------------------------------------------------------------------------------------------------------------------------------------------------------------------------------------

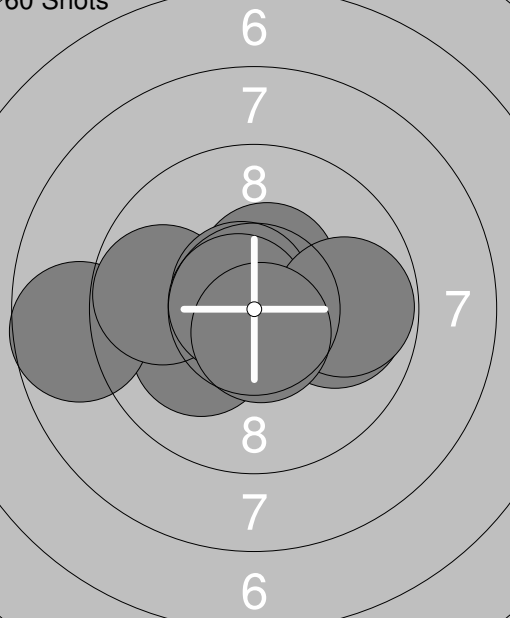
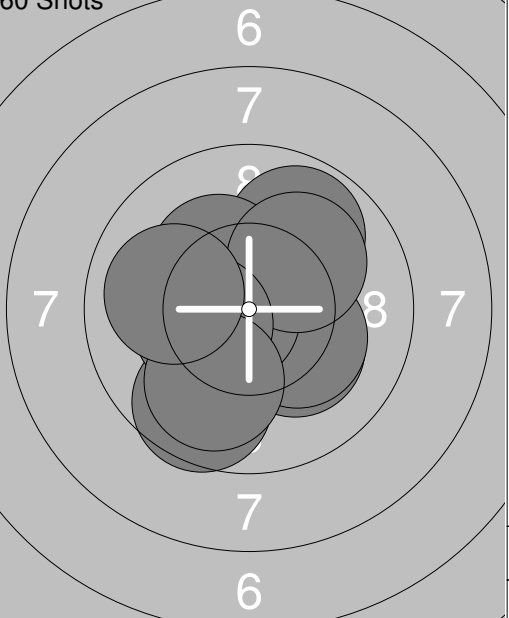
60 Shots 	21: 10.7x ↓ 22: 9.7 → 23: 8.6 ↓ 24: 6.5 ↘ 25: 8.3 ↑ 26: 10.3x ← 27: 9.3 ↑ 28: 10.0 ↖ 29: 10.8x ↖ 30: 9.3 ↓ <hr/> Series 93.5 Total 286.2	60 Shots 	31: 10.2x ↓ 32: 9.9 ↓ 33: 9.8 ↘ 34: 10.0 ↖ 35: 10.7x ↑ 36: 10.6x ↖ 37: 9.8 ↘ 38: 10.3x → 39: 9.8 ↓ 40: 9.6 ↑ <hr/> Series 100.7 Total 386.9
-------------------------------------------------------------------------------------------------------	-----------------------------------------------------------------------------------------------------------------------------------------------------------------------------------------	---------------------------------------------------------------------------------------------------------	--------------------------------------------------------------------------------------------------------------------------------------------------------------------------------------------

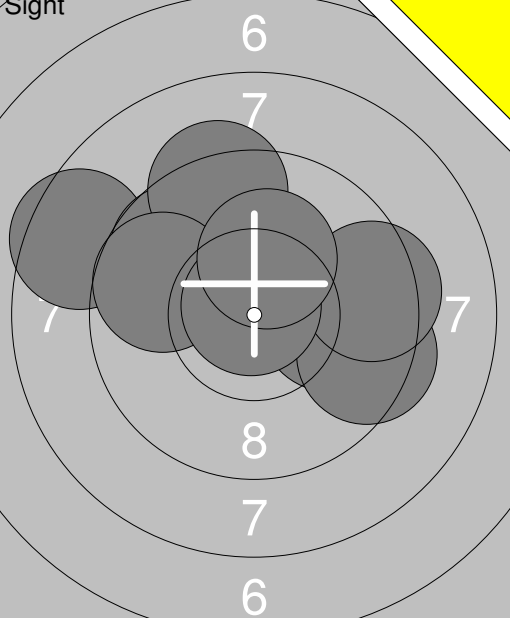
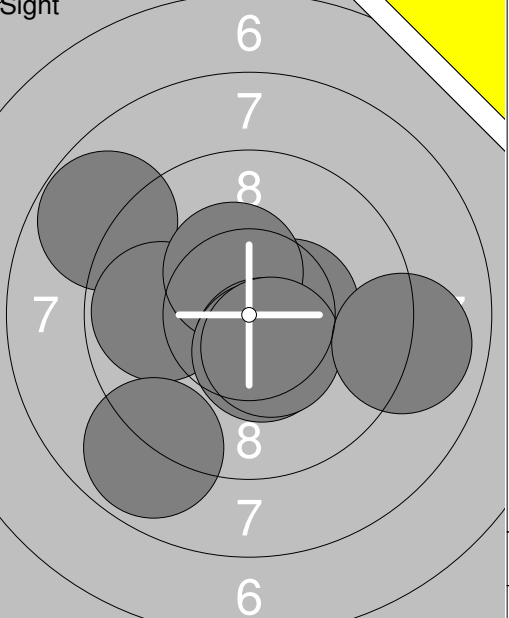
60 Shots 	41: 9.2 ↗ 42: 10.7x ↘ 43: 8.7 ↗ 44: 8.6 ← 45: 9.9 ↗ 46: 9.1 ↗ 47: 8.4 → 48: 8.9 ↑ 49: 9.6 ↗ 50: 10.2x ↓ <hr/> Series 93.3 Total 480.2	60 Shots 	51: 10.1 → 52: 8.6 → 53: 10.2x ↘ 54: 7.8 → 55: 7.5 ← 56: 9.6 → 57: 10.5x ↑ 58: 8.4 ↗ 59: 10.2x → 60: 9.3 ↖ <hr/> Series 92.2 Total 572.4
-------------------------------------------------------------------------------------------------------	--------------------------------------------------------------------------------------------------------------------------------------------------------------------------------------	---------------------------------------------------------------------------------------------------------	-----------------------------------------------------------------------------------------------------------------------------------------------------------------------------------------

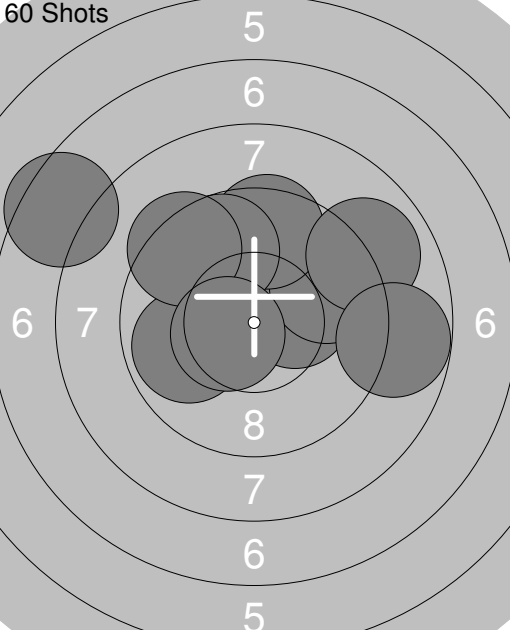
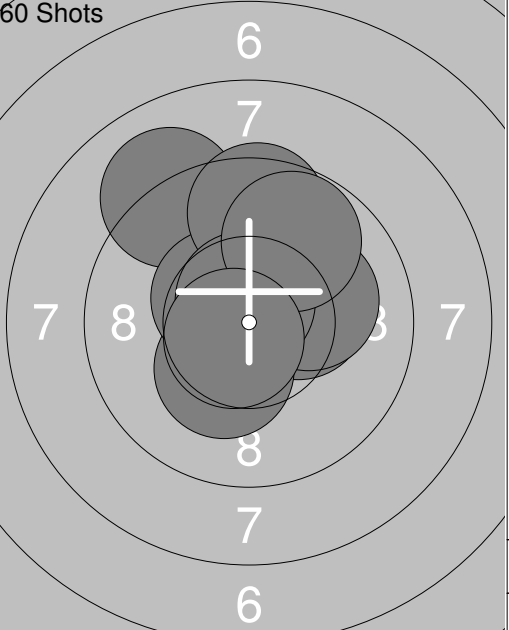
Relay	Lane	Saul Johansson	
S		Ramselefors Skf	
2016-04-16	UME-Kulan 2016	Umeå skytteallians	
Sight		1: 8.7 ↗ 2: 10.4x ↓ 3: 10.2x ↓ 4: 10.4x ← 5: 10.6x ← 6: 10.5x ↓ 7: 10.5x ↖ 8: 9.2 ← 9: 10.5x ↑ 10: 9.6 →	11: 9.7 ↖ 12: 10.8x ↓ 13: 10.7x ↑ 14: 9.9 ↓ 15: 10.4x ↓ 16: 10.4x ↓ 17: 10.2x ↓
		Series 100.6	Series 72.1
		Total 0.0	Total 0.0
60 Shots		1: 10.6x ↗ 2: 10.5x → 3: 10.3x ↑ 4: 9.8 ← 5: 10.8x ↓ 6: 10.4x ↓ 7: 10.5x ↑ 8: 10.3x ↓ 9: 9.8 ← 10: 10.0 →	11: 9.4 → 12: 10.4x → 13: 9.7 ← 14: 10.0 ↓ 15: 10.6x ← 16: 9.7 → 17: 8.8 ↗ 18: 10.7x ↓ 19: 10.1 ↑ 20: 9.4 →
		Series 103.0	Series 98.8
		Total 103.0	Total 201.8
60 Shots		21: 10.3x ↑ 22: 10.2x ↓ 23: 10.4x ↑ 24: 10.1 → 25: 10.5x ↖ 26: 10.5x ← 27: 9.7 ↗ 28: 10.7x ← 29: 10.4x ↓ 30: 10.6x ↓	31: 9.6 ↑ 32: 10.3x ↑ 33: 9.9 ← 34: 10.6x ↖ 35: 10.5x → 36: 10.7x ← 37: 8.9 ← 38: 9.9 ← 39: 10.1 ↓ 40: 9.7 →
		Series 103.4	Series 100.2
		Total 305.2	Total 405.4
60 Shots		41: 10.2x ↓ 42: 10.8x ↓ 43: 9.8 ↖ 44: 10.2x ↗ 45: 10.0 → 46: 9.9 ↓ 47: 10.4x ↗ 48: 10.5x → 49: 10.2x ← 50: 10.4x ↙	51: 10.1 → 52: 10.0 ↑ 53: 10.8x ↖ 54: 10.0 ↓ 55: 10.5x ↙ 56: 9.6 → 57: 9.8 ↗ 58: 8.9 → 59: 10.3x ↗ 60: 10.8x ↙
		Series 102.4	Series 100.8
		Total 507.8	Total 608.6

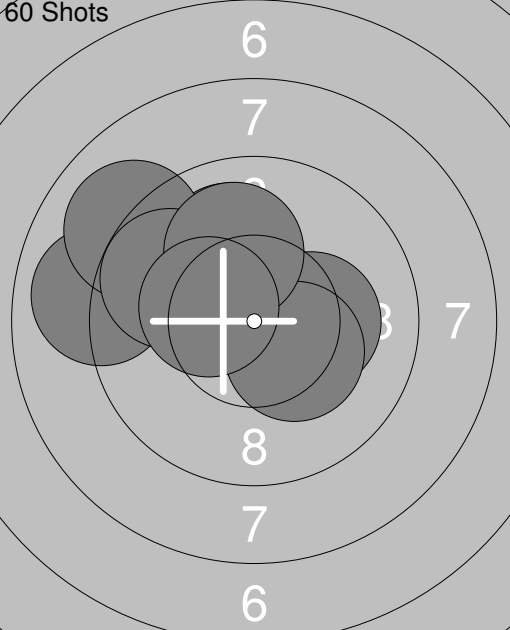
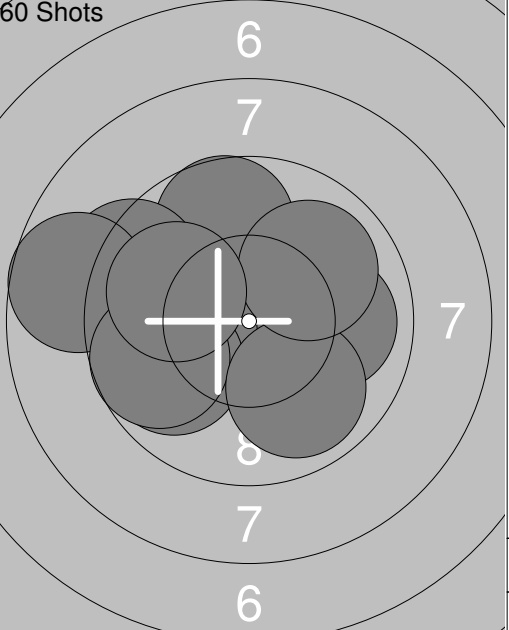
	<p>Sight</p> <p>1: 9.4 ↑</p> <p>2: 10.4x ↗</p> <p>3: 10.5x ↗</p> <p>4: 9.8 ↖</p> <p>5: 10.2x ↘</p> <p>6: 10.7x ↖</p> <p>7: 9.2 ←</p> <p>8: 10.3x →</p> <p>9: 10.0 ↑</p> <p>10: 10.6x ↘</p>		<p>Sight</p> <p>11: 10.8x ↑</p> <p>12: 10.5x →</p>
Series 101.1		Series 21.3	
Total 0.0		Total 0.0	


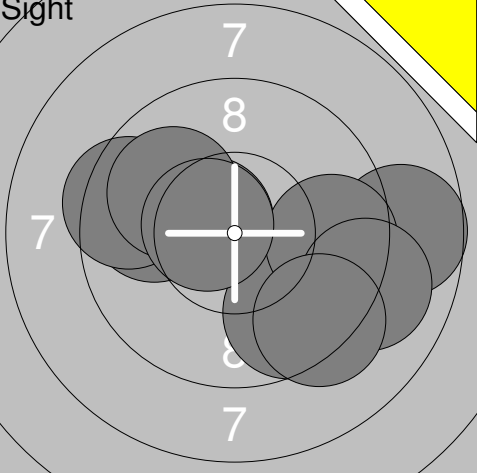
	<p>60 Shots</p> <p>1: 9.7 ↘</p> <p>2: 10.0 ←</p> <p>3: 8.8 ←</p> <p>4: 9.3 ↘</p> <p>5: 9.5 ↘</p> <p>6: 9.6 ↑</p> <p>7: 9.8 ↗</p> <p>8: 9.9 ↗</p> <p>9: 10.0 ↗</p> <p>10: 9.9 →</p>		<p>60 Shots</p> <p>11: 9.1 ↖</p> <p>12: 10.3x ↗</p> <p>13: 10.0 ↑</p> <p>14: 10.6x ↖</p> <p>15: 10.3x →</p> <p>16: 9.8 ←</p> <p>17: 10.1 ↓</p> <p>18: 9.6 ↓</p> <p>19: 10.5x ↘</p> <p>20: 10.7x ↘</p>
Series 96.5		Series 101.0	
Total 96.5		Total 197.5	

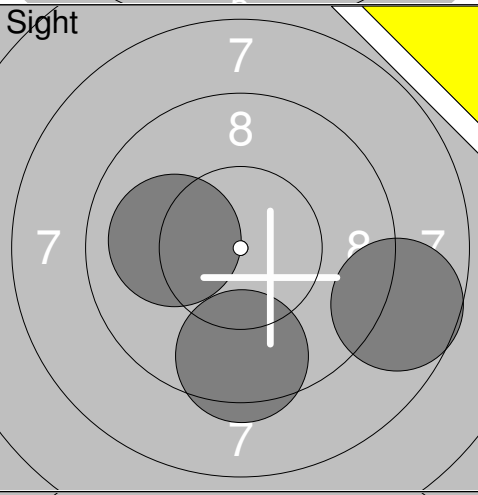
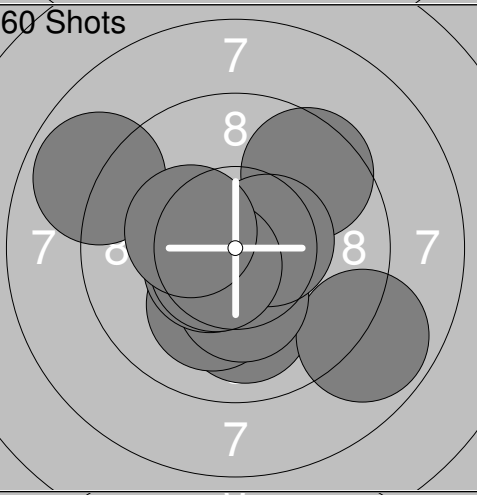
	<p>60 Shots</p> <p>21: 10.5x ↖</p> <p>22: 10.5x ↑</p> <p>23: 10.1 ↖</p> <p>24: 8.7 ←</p> <p>25: 9.8 ←</p> <p>26: 10.7x ↗</p> <p>27: 10.7x ↖</p> <p>28: 9.9 →</p> <p>29: 9.8 →</p> <p>30: 10.6x ↘</p>		<p>60 Shots</p> <p>31: 10.2x ↘</p> <p>32: 10.2x ↘</p> <p>33: 9.8 ↗</p> <p>34: 10.7x ↖</p> <p>35: 10.3x ↖</p> <p>36: 10.1 ↗</p> <p>37: 9.6 ↓</p> <p>38: 10.3x ↖</p> <p>39: 9.9 ↓</p> <p>40: 10.0 ←</p>
Series 101.3		Series 101.1	
Total 298.8		Total 399.9	

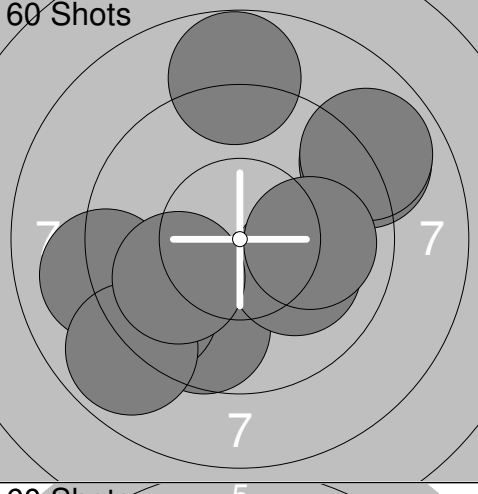
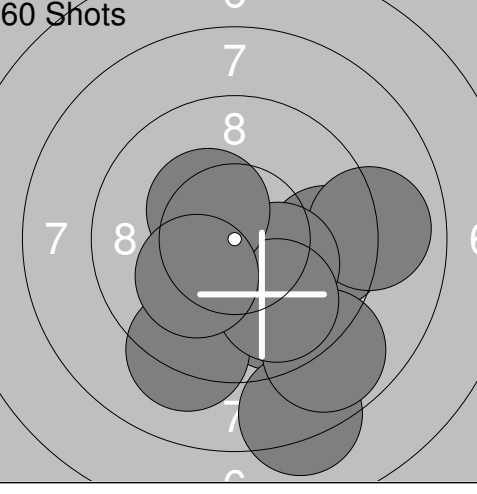
Sight 	1: 8.5 ↖ 2: 9.6 ↗ 3: 10.0 → 4: 9.4 ↘ 5: 9.4 → 6: 9.7 ↗ 7: 9.3 ↗ 8: 9.7 ↖ 9: 10.8x ↗ 10: 10.2x ↗ <hr/> Series 96.6 Total 0.0	Sight 	11: 10.4x → 12: 8.8 ↖ 13: 9.8 ← 14: 10.4x ↗ 15: 8.9 ↘ 16: 10.5x ↘ 17: 10.4x ↘ 18: 10.4x ↘ 19: 9.0 → <hr/> Series 88.6 Total 0.0
-------------------------------------------------------------------------------------------	--------------------------------------------------------------------------------------------------------------------------------------------------------------	---------------------------------------------------------------------------------------------	---------------------------------------------------------------------------------------------------------------------------------------------------------------

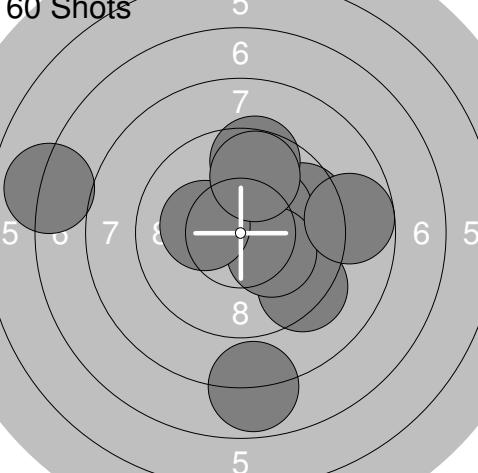
60 Shots 	1: 10.3x → 2: 9.7 → 3: 7.5 ↖ 4: 9.9 ← 5: 9.5 ↗ 6: 9.0 ↗ 7: 9.7 ↗ 8: 9.4 ↗ 9: 10.5x ↙ 10: 8.8 → <hr/> Series 94.3 Total 94.3	60 Shots 	11: 10.3x → 12: 10.2x ↗ 13: 10.3x ↘ 14: 9.1 ↖ 15: 10.1 → 16: 10.5x ↖ 17: 9.5 ↗ 18: 10.7x ↗ 19: 9.8 ↗ 20: 10.7x ↘ <hr/> Series 101.2 Total 195.5
-----------------------------------------------------------------------------------------------	--------------------------------------------------------------------------------------------------------------------------------------------------------------	-------------------------------------------------------------------------------------------------	----------------------------------------------------------------------------------------------------------------------------------------------------------------------------------

60 Shots 	21: 10.0 ↗ 22: 10.4x ↘ 23: 10.2x → 24: 9.0 ← 25: 10.0 ↗ 26: 9.0 ↗ 27: 10.3x ↘ 28: 9.7 ↖ 29: 10.0 ↗ 30: 10.3x ↖ <hr/> Series 98.9 Total 294.4	60 Shots 	31: 10.5x ↖ 32: 9.7 ↗ 33: 9.3 ↖ 34: 10.0 → 35: 9.8 ↖ 36: 8.7 ↖ 37: 9.7 ↖ 38: 9.9 ↘ 39: 10.0 ↗ 40: 9.9 ↖ <hr/> Series 97.5 Total 391.9
------------------------------------------------------------------------------------------------	-------------------------------------------------------------------------------------------------------------------------------------------------------------------------------	--------------------------------------------------------------------------------------------------	------------------------------------------------------------------------------------------------------------------------------------------------------------------------

	<p>1: 10.7x ↙ 2: 9.8 ↘ 3: 10.5x ↗ 4: 9.6 ← 5: 10.6x ↗ 6: 8.4 ↘ 7: 7.0 ↘ 8: 10.0 ↗ 9: 7.9 ↓ 10: 10.4x →</p> <p>Series 94.9 Total 0.0</p>		<p>11: 9.8 ↙ 12: 8.7 → 13: 10.6x ↙ 14: 9.6 ↘ 15: 9.5 ↗ 16: 10.0 ↗ 17: 9.6 → 18: 9.1 → 19: 9.3 ↘ 20: 10.6x ↙</p> <p>Series 96.8 Total 0.0</p>
----------------------------------------------------------------------------------	-----------------------------------------------------------------------------------------------------------------------------------------------------------------------------------------------	------------------------------------------------------------------------------------	----------------------------------------------------------------------------------------------------------------------------------------------------------------------------------------------------

	<p>21: 10.1 ← 22: 8.7 → 23: 9.5 ↓</p> <p>Series 28.3 Total 0.0</p>		<p>1: 10.0 ↓ 2: 10.1 ↓ 3: 8.9 ↘ 4: 10.3x ↓ 5: 9.5 ↗ 6: 10.5x → 7: 8.9 ↙ 8: 10.5x ↙ 9: 10.6x ↙ 10: 10.3x ↙</p> <p>Series 99.6 Total 99.6</p>
-----------------------------------------------------------------------------------	----------------------------------------------------------------------------------------------	-------------------------------------------------------------------------------------	---------------------------------------------------------------------------------------------------------------------------------------------------------------------------------------------------

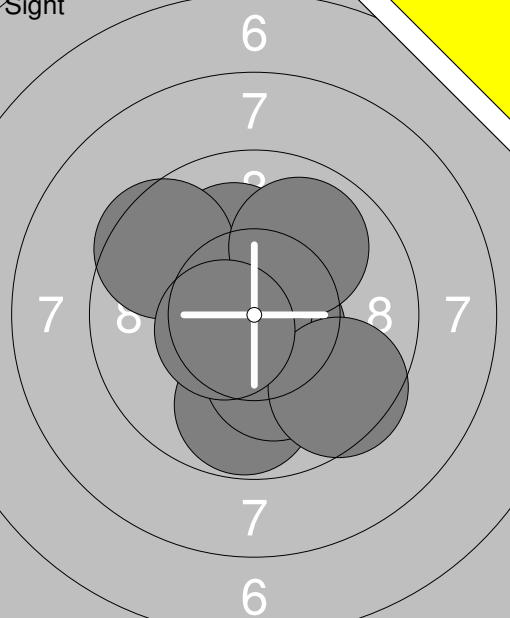
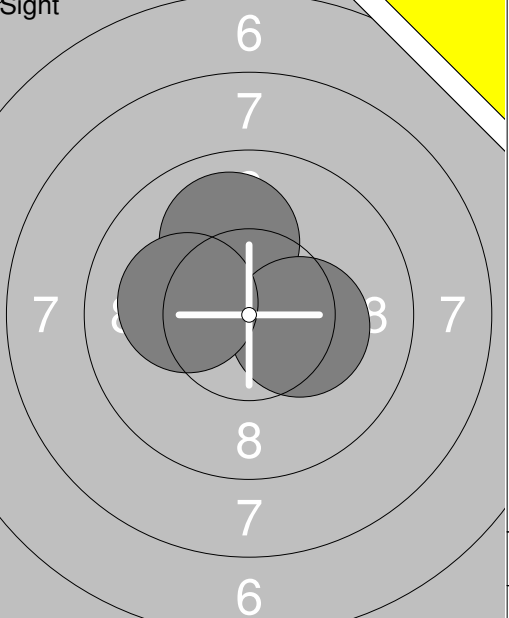
	<p>11: 9.7 ↓ 12: 9.4 ↙ 13: 9.1 ← 14: 8.8 ↑ 15: 9.0 ↗ 16: 8.9 ↙ 17: 10.1 ↘ 18: 8.9 ↗ 19: 10.0 → 20: 10.0 ↙</p> <p>Series 93.9 Total 193.5</p>		<p>21: 9.8 ↓ 22: 8.2 ↓ 23: 9.6 → 24: 9.0 → 25: 9.2 ↓ 26: 8.9 ↘ 27: 10.2x ↘ 28: 9.9 ↘ 29: 10.4x ↗ 30: 10.2x ↘</p> <p>Series 95.4 Total 288.9</p>
------------------------------------------------------------------------------------	----------------------------------------------------------------------------------------------------------------------------------------------------------------------------------------------------	--------------------------------------------------------------------------------------	-------------------------------------------------------------------------------------------------------------------------------------------------------------------------------------------------------

	<p>31: 9.3 ↘ 32: 9.6 → 33: 9.5 ↑ 34: 10.3x ↗ 35: 10.2x ↘ 36: 7.9 ↓ 37: 10.2x ← 38: 7.0 ← 39: 8.8 → 40: 9.8 ↑</p> <p>Series 92.6 Total 381.5</p>		
------------------------------------------------------------------------------------	-------------------------------------------------------------------------------------------------------------------------------------------------------------------------------------------------------	--	--

--	--

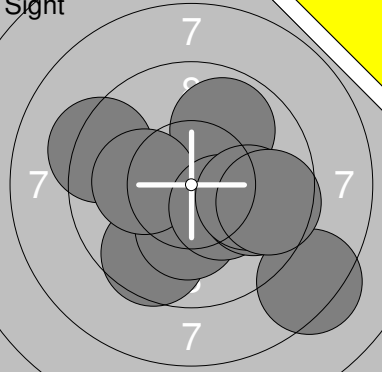
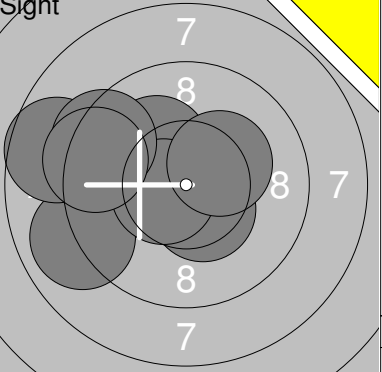
--	--

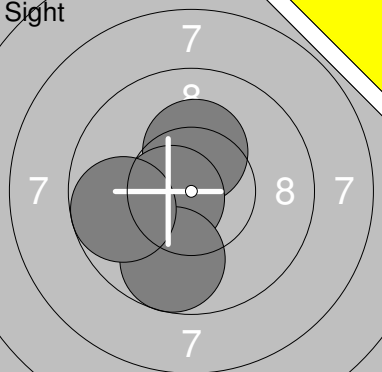
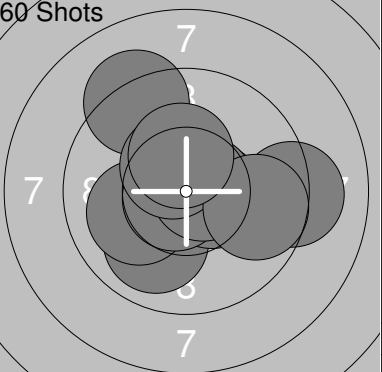
--	--

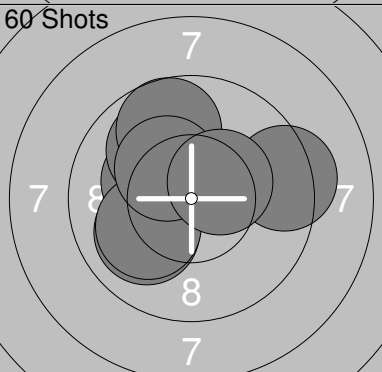
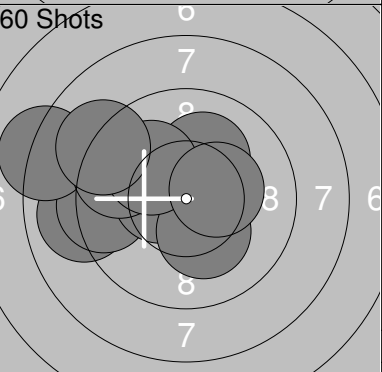
<p>Sight</p>  <p>6 7 8 7 7 6</p>	<p>1: 10.6x → 2: 9.8 ↓ 3: 10.2x ↓ 4: 10.8x ← 5: 10.8x ↖ 6: 10.1 ↑ 7: 9.5 ↗ 8: 9.9 ↗ 9: 9.5 ↓ 10: 10.5x ↙</p> <p>Series 101.7 Total 0.0</p>	<p>Sight</p>  <p>6 7 8 7 6</p> <p>11: 10.0 ↑ 12: 10.3x → 13: 10.2x ←</p> <p>Series 30.5 Total 0.0</p>
---------------------------------------------------------------------------------------------------------------------------------------------	------------------------------------------------------------------------------------------------------------------------------------------------------------------------------------	----------------------------------------------------------------------------------------------------------------------------------------------------------------------------------------------------------------------------

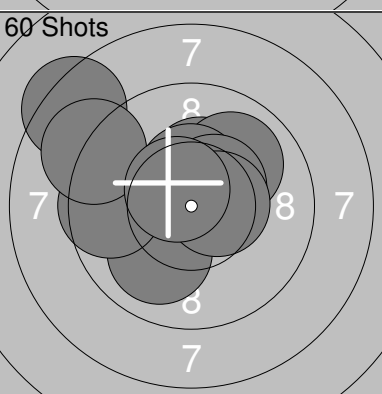
<p>60 Shots</p>  <p>4 5 6 7 8 7 6 5</p>	<p>1: 7.9 → 2: 9.3 ↓ 3: 7.4 ← 4: 9.9 ↓ 5: 9.4 ↓ 6: 10.6x ← 7: 10.0 ↑ 8: 9.1 ↗ 9: 10.2x ↗ 10: 10.1 ←</p> <p>Series 93.9 Total 93.9</p>	<p>60 Shots</p>  <p>4 5 6 7 8 7 6 5</p> <p>11: 8.7 → 12: 10.8x ↑ 13: 8.5 ← 14: 9.4 ↖ 15: 10.6x ↗ 16: 8.1 ← 17: 8.6 → 18: 9.8 ← 19: 9.4 ↙ 20: 6.9 ←</p> <p>Series 90.8 Total 184.7</p>
-------------------------------------------------------------------------------------------------------------------------------------------------------------	-------------------------------------------------------------------------------------------------------------------------------------------------------------------------------	-----------------------------------------------------------------------------------------------------------------------------------------------------------------------------------------------------------------------------------------------------------------------------------------------------------------------------------------------------

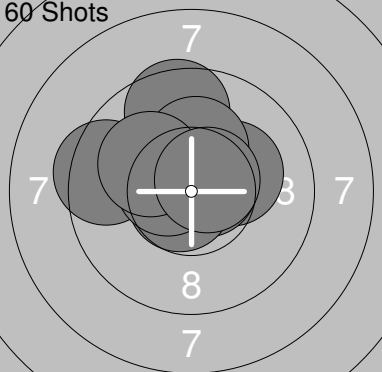
<p>60 Shots</p>  <p>5 6 7 8 7 6 5</p>	<p>21: 10.0 ↑ 22: 10.5x ← 23: 7.9 ← 24: 10.4x → 25: 10.2x → 26: 9.8 ↓ 27: 9.0 → 28: 8.8 ↓ 29: 9.9 ↗ 30: 10.6x ↗</p> <p>Series 97.1 Total 281.8</p>	<p>60 Shots</p>  <p>3 4 5 6 7 6 5 4 3</p> <p>31: 10.3x ↖ 32: 10.5x ↙ 33: 10.1 ↗ 34: 8.5 ← 35: 9.7 ↓ 36: 10.7x ↓ 37: 6.2 ← 38: 9.5 ↖ 39: 8.3 ← 40: 8.8 ↑</p> <p>Series 92.6 Total 374.4</p>
--------------------------------------------------------------------------------------------------------------------------------------------------------	--------------------------------------------------------------------------------------------------------------------------------------------------------------------------------------------	---------------------------------------------------------------------------------------------------------------------------------------------------------------------------------------------------------------------------------------------------------------------------------------------------------------------------------------------------------------

Sight 	1: 9.6 ↘ 2: 8.3 ↘ 3: 9.3 ↖ 4: 9.9 ↗ 5: 10.2x ↓ 6: 10.1 ← 7: 10.3x ↘ 8: 9.8 → 9: 10.0 → 10: 9.6 →	Sight 	11: 10.8x ↗ 12: 9.4 ← 13: 9.0 ← 14: 10.5x ↘ 15: 10.2x ↗ 16: 10.6x ← 17: 8.7 ← 18: 9.4 ↗ 19: 9.3 ← 20: 10.3x ↗
Series 97.1 Total 0.0		Series 98.2 Total 0.0	

Sight 	21: 10.3x ↑ 22: 10.6x ← 23: 9.7 ↓ 24: 9.7 ←	60 Shots 	1: 10.0 ↘ 2: 10.5x → 3: 10.1 ← 4: 10.7x ↘ 5: 9.2 → 6: 10.7x → 7: 9.2 ↗ 8: 10.5x ↗ 9: 9.7 → 10: 10.3x ↑
Series 40.3 Total 0.0		Series 100.9 Total 100.9	

60 Shots 	11: 10.0 ↘ 12: 10.3x ← 13: 10.4x ↖ 14: 10.2x ↗ 15: 10.0 ↗ 16: 9.3 → 17: 9.7 ↗ 18: 10.1 ↖ 19: 10.3x ↗ 20: 10.4x →	60 Shots 	21: 9.0 ← 22: 9.4 ← 23: 10.1 ↗ 24: 10.5x ↖ 25: 10.3x ↘ 26: 8.1 ↗ 27: 9.6 ↗ 28: 10.1 ↗ 29: 10.4x → 30: 9.1 ↗
Series 100.7 Total 201.6		Series 96.6 Total 298.2	

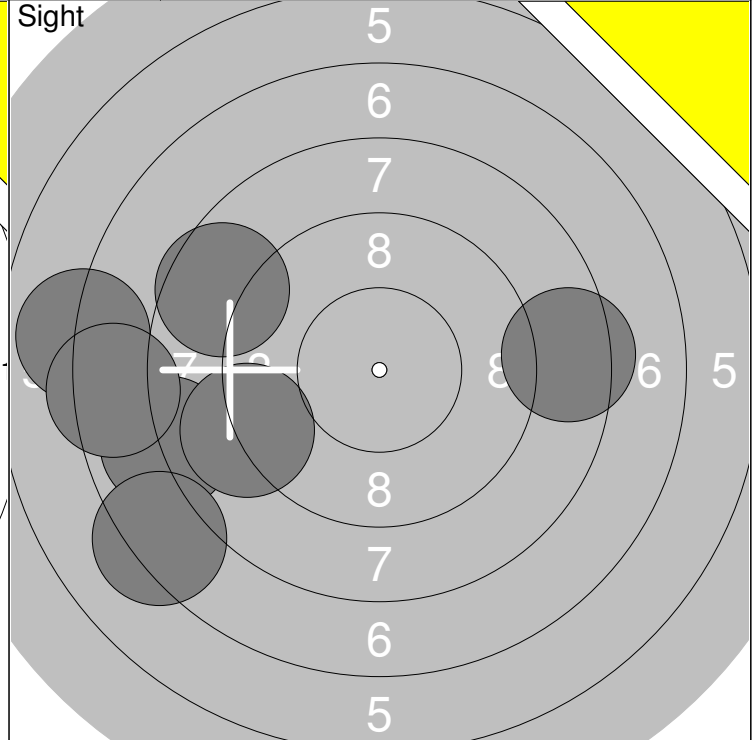
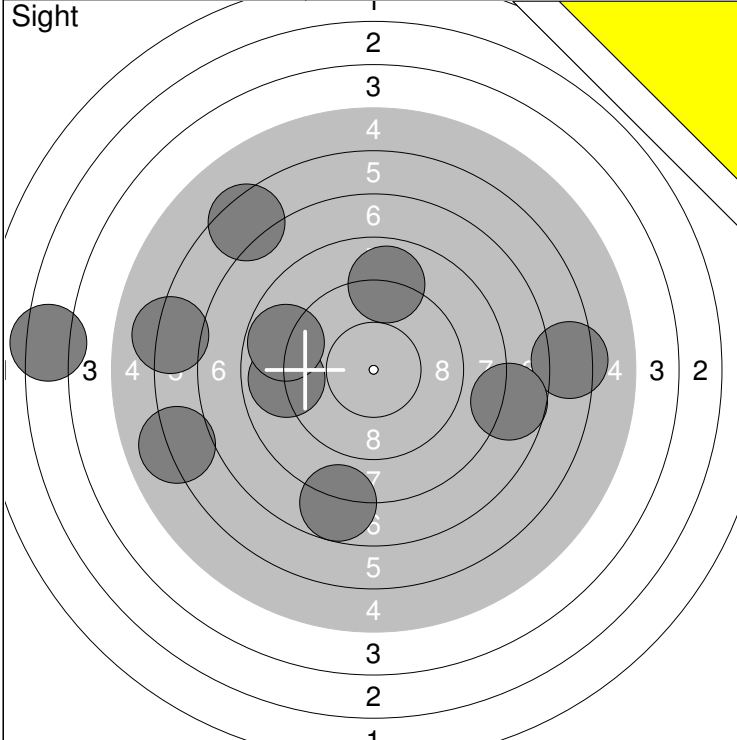
60 Shots 	31: 10.0 ↘ 32: 8.4 ↗ 33: 10.3x ↗ 34: 9.6 ← 35: 10.0 ↗ 36: 10.4x ↗ 37: 9.0 ↖ 38: 10.4x ↗ 39: 10.5x → 40: 10.6x ↗	60 Shots 	41: 8.7 ↖ 42: 9.0 ↗ 43: 10.3x ← 44: 8.9 ↗ 45: 8.9 ↗ 46: 10.1 ← 47: 10.2x ← 48: 9.8 ← 49: 8.7 → 50: 9.7 ↗
Series 99.2 Total 397.4		Series 94.3 Total 491.7	

60 Shots 	51: 9.6 ↑ 52: 10.2x → 53: 9.5 ← 54: 10.7x → 55: 10.7x ↗ 56: 10.7x ↖ 57: 10.2x ↑ 58: 10.5x ↖ 59: 10.1 ↖ 60: 10.6x ↗		
Series 102.8 Total 594.5			

Relay **3** Lane **21** **Erika Augustsson**

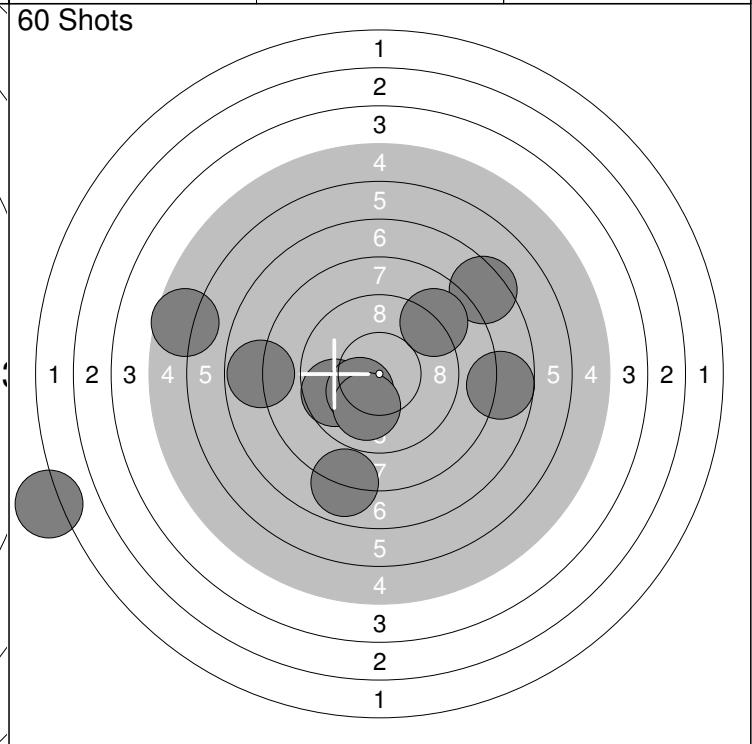
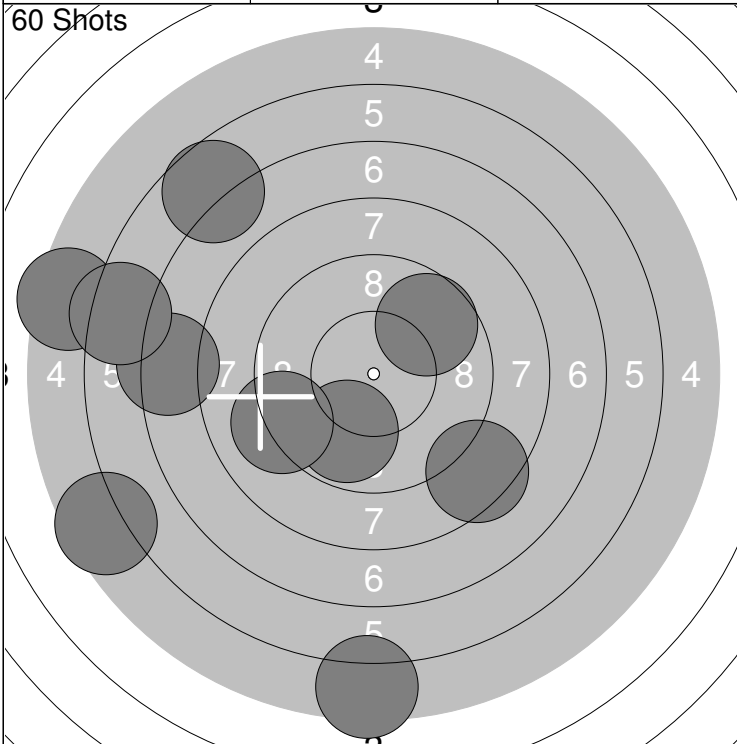
S Vännäs Skf

2016-04-16 UME-Kulan 2016 Umeå skytteallians



1: 7.8 ↓	6: 3.4 ←	Series	70.6
2: 6.1 ←	7: 6.2 ←		Total
3: 8.9 ←	8: 6.4 ↗		
4: 8.9 ↑	9: 6.4 →		
5: 8.8 ←	10: 7.7 →		

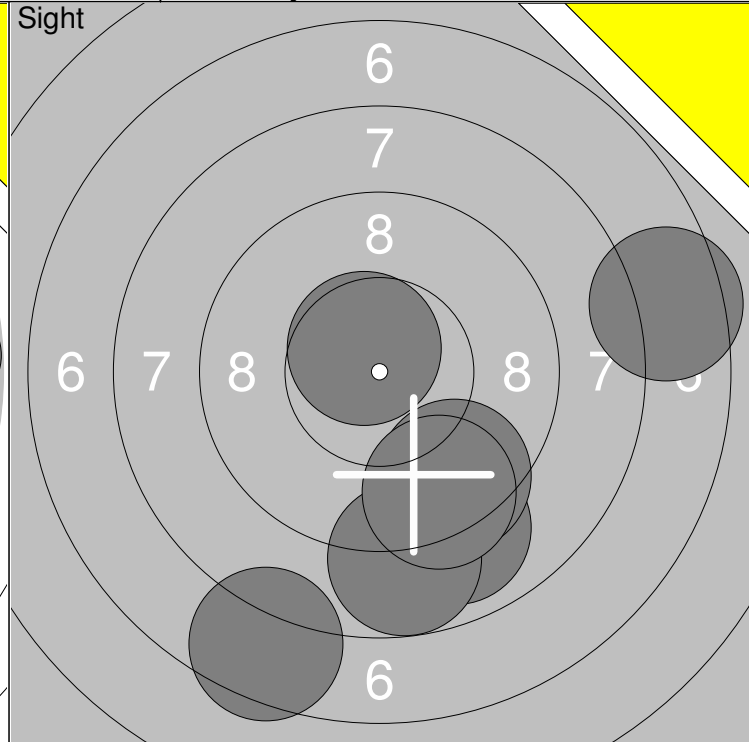
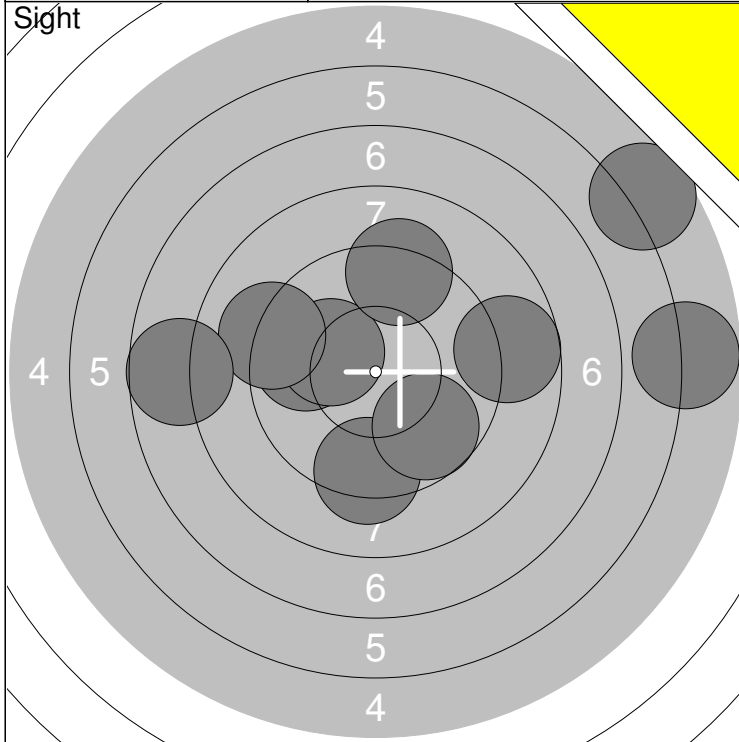
11: 7.9 ←	16: 7.0 ←	Series	55.5
12: 8.6 ↖	17: 7.4 ←		Total
13: 8.4 →			
14: 9.0 ←			
15: 7.2 ↙			



1: 9.7 ↗	6: 5.5 ←	Series	73.7
2: 6.7 ↗	7: 5.4 ↓		Total
3: 5.4 ←	8: 9.8 ↓		
4: 7.3 ←	9: 9.1 ←		
5: 6.4 ←	10: 8.4 ↘		

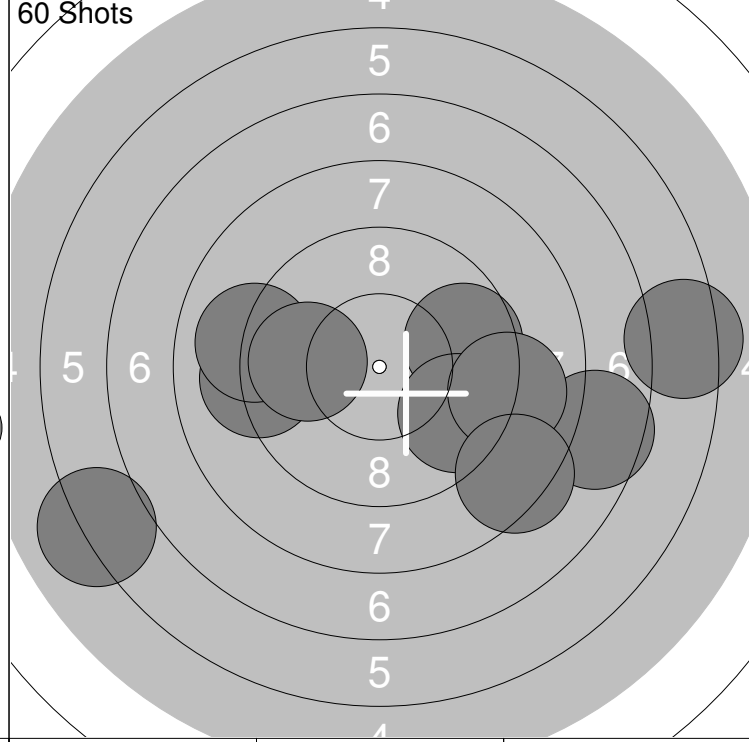
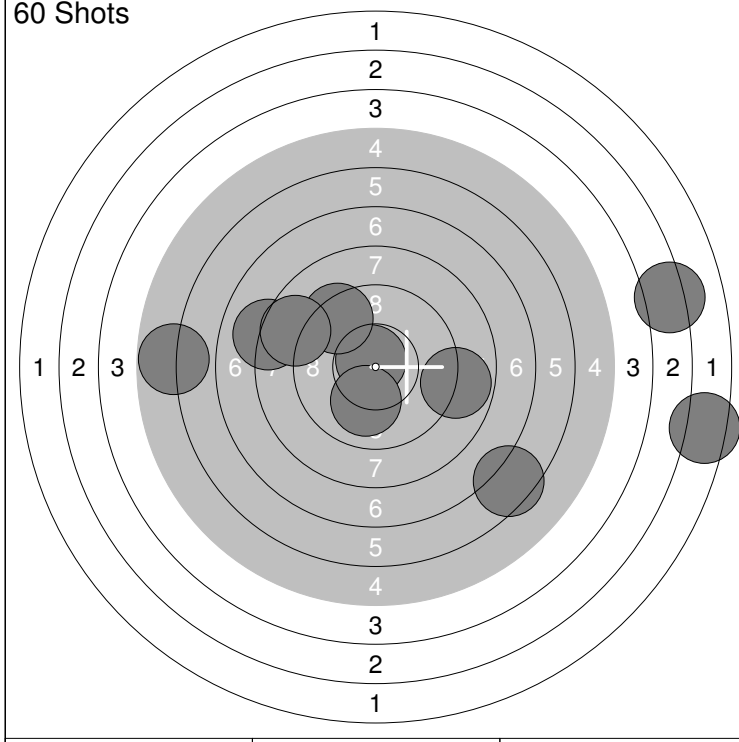
11: 9.7 ←	16: 7.7 →	Series	77.0
12: 10.3x ↙	17: 10.0 ↓		Total
13: 7.4 ↗	18: 7.9 ↓		
14: 9.0 ↗	19: 7.8 ←		
15: 1.6 ←	20: 5.6 ←		

www.AC-Skytte.com



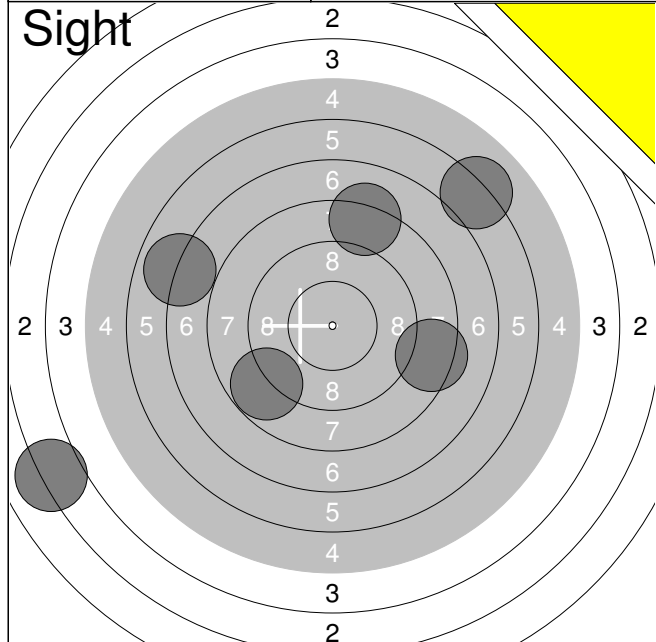
1: 5.6 ↗	6: 9.3 ↓	Series 85.0
2: 8.7 →	7: 9.1 ←	
3: 9.8 ←	8: 9.7 ↘	Total 0.0
4: 10.1 ↖	9: 9.2 ↑	
5: 5.8 →	10: 7.7 ←	

11: 8.9 ↓	16: 9.4 ↓	Series 62.2
12: 9.5 ↓	17: 7.5 →	
13: 8.8 ↓		Total 0.0
14: 10.6x ↗		
15: 7.5 ↓		

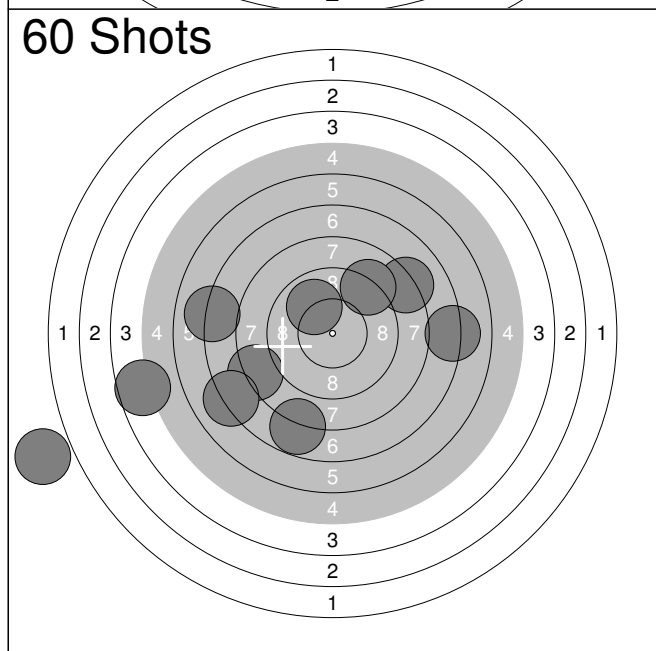


1: 10.7x ↗	6: 5.8 ←	Series 73.7
2: 9.4 ↗	7: 8.9 →	
3: 8.1 ←	8: 8.7 ↗	Total 73.7
4: 3.2 →	9: 10.0 ↓	
5: 6.5 ↓	10: 2.4 →	

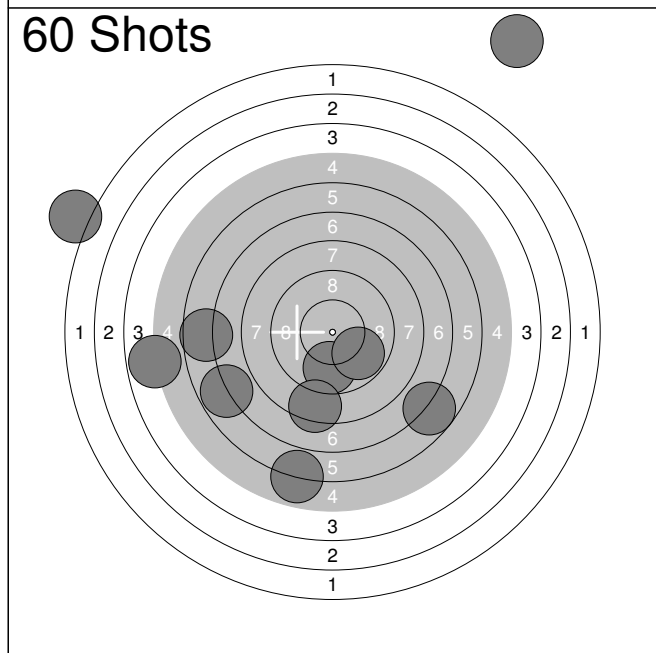
11: 6.1 ↖	16: 9.1 ←	Series 84.7
12: 9.6 →	17: 9.0 →	
13: 9.6 ↘	18: 8.4 ↘	Total 158.4
14: 6.4 →	19: 9.0 ←	
15: 7.6 →	20: 9.9 ←	



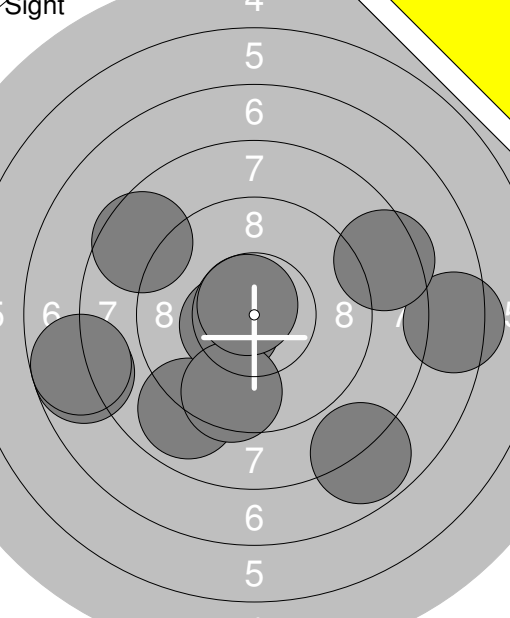
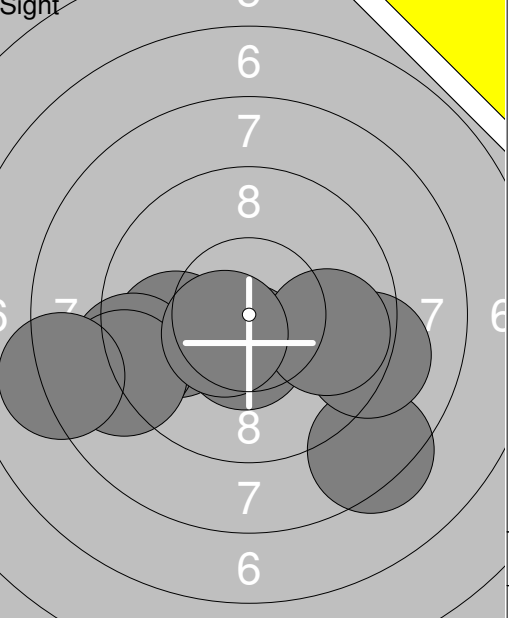
	1:	6.1	↗
	2:	3.1	↖
	3:	8.8	↖
	4:	6.9	↖
	5:	8.2	↗
	6:	8.4	↘
Series			41.5
Total			0.0



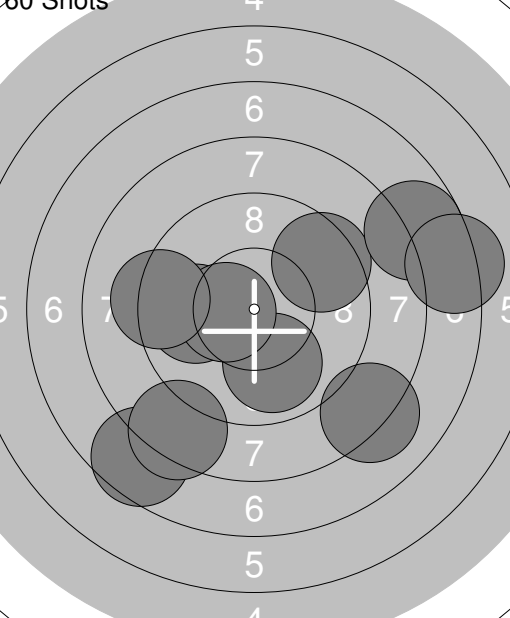
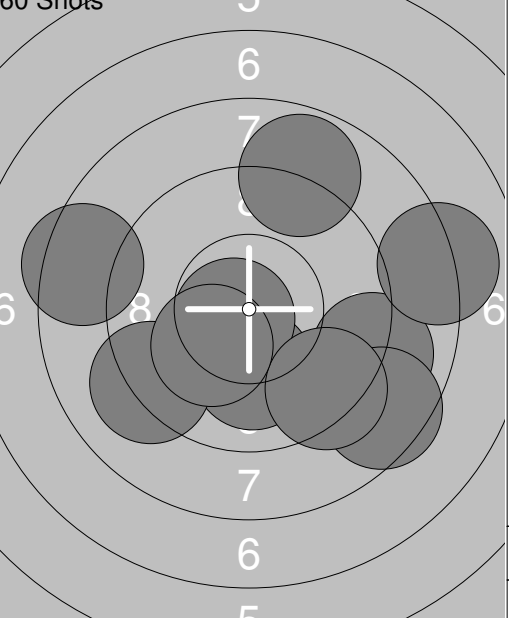
	1:	7.8	↘
	2:	7.1	→
	3:	8.2	↖
	4:	7.1	↖
	5:	0.0	↖
	6:	7.1	↖
	7:	8.1	↗
	8:	4.6	↖
	9:	9.1	↗
	10:	9.9	↗
Series			69.0
Total			69.0

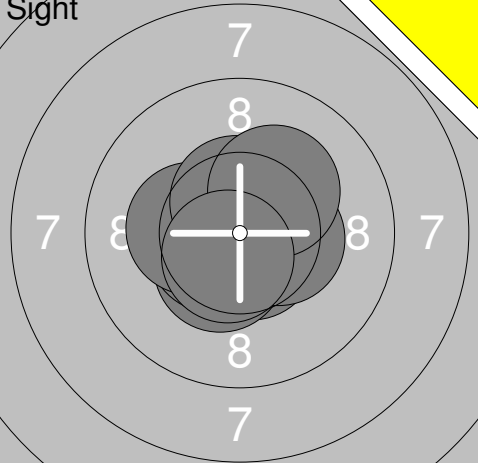




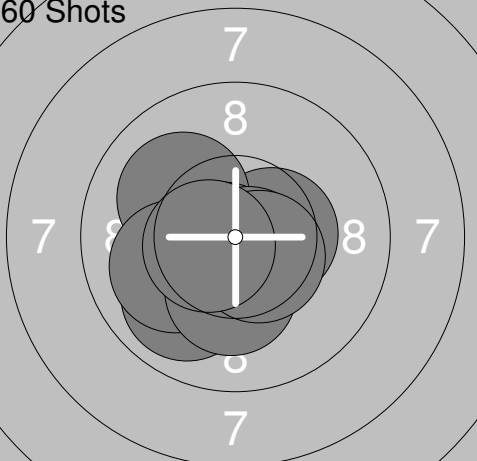
	11:	4.8	↖
	12:	6.7	↘
	13:	9.7	↘
	14:	6.7	↖
	15:	8.4	↘
	16:	5.9	↘
	17:	6.8	↖
	18:	0.0	↗
	19:	1.4	↖
	20:	9.8	↘
Series			60.2
Total			129.2


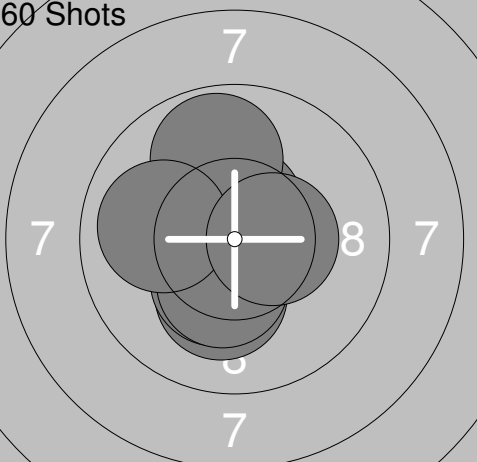
	<p>1: 7.4 →</p> <p>2: 7.8 ←</p> <p>3: 7.8 ↓</p> <p>4: 8.6 ↗</p> <p>5: 8.9 ↓</p> <p>6: 10.5x←</p> <p>7: 8.4 →</p> <p>8: 9.5 ↓</p> <p>9: 10.7x↖</p> <p>10: 7.7 ←</p>		<p>11: 8.4 ↓</p> <p>12: 9.9 ←</p> <p>13: 9.2 ←</p> <p>14: 10.5x↓</p> <p>15: 9.0 ←</p> <p>16: 9.2 →</p> <p>17: 8.2 ←</p> <p>18: 9.8 →</p> <p>19: 10.5x↙</p>
Series 87.3		Series 84.7	
Total 0.0		Total 0.0	


	<p>1: 8.2 ↓</p> <p>2: 9.2 ←</p> <p>3: 10.8x↓</p> <p>4: 8.6 ↓</p> <p>5: 8.8 ↓</p> <p>6: 10.1 →</p> <p>7: 10.3x←</p> <p>8: 9.2 ←</p> <p>9: 6.9 ←</p> <p>10: 9.0 ←</p>		<p>11: 9.8 →</p> <p>12: 9.3 →</p> <p>13: 7.2 →</p> <p>14: 7.5 →</p> <p>15: 8.8 ←</p> <p>16: 8.4 ↓</p> <p>17: 9.4 ↓</p> <p>18: 8.5 →</p> <p>19: 8.1 ↙</p> <p>20: 10.4x↖</p>
Series 91.1		Series 87.4	
Total 91.1		Total 178.5	

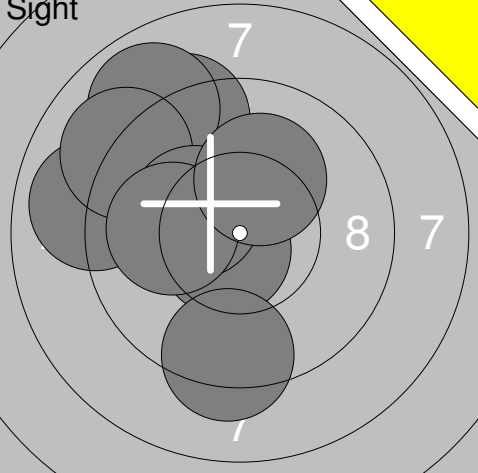
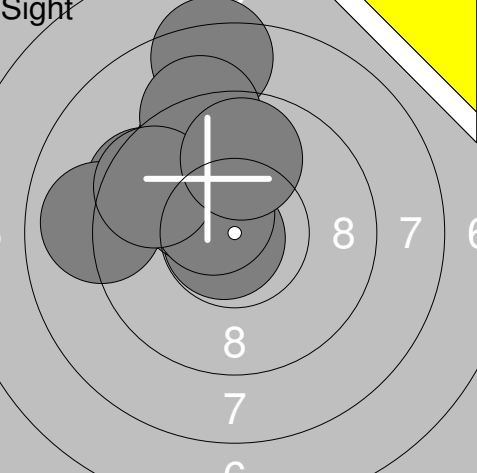
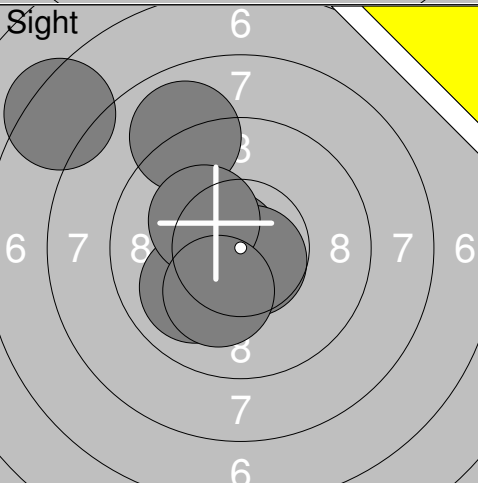
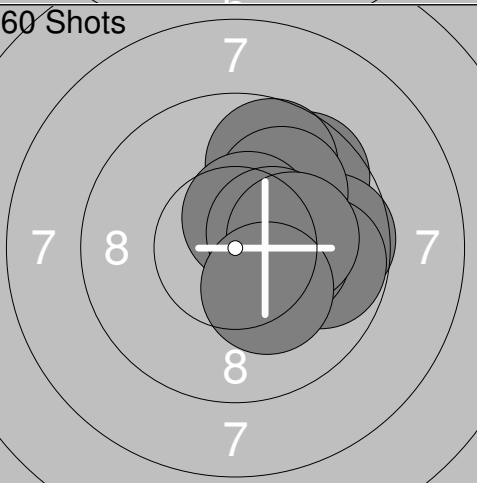
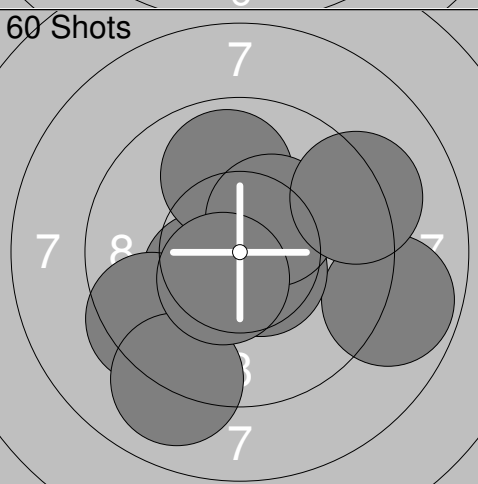
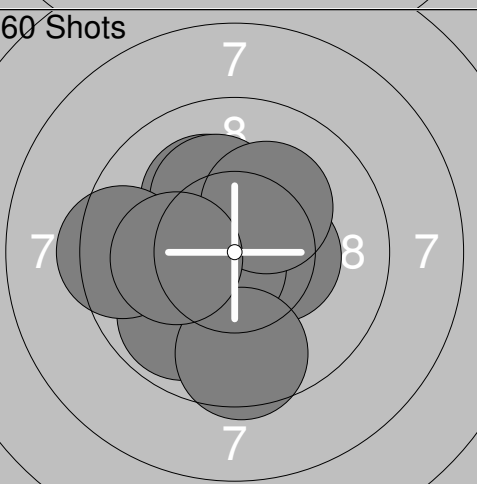
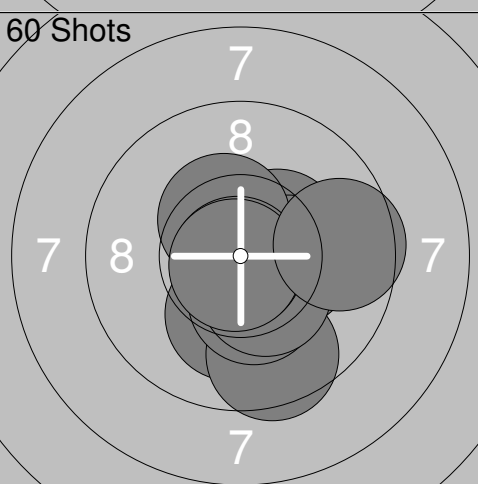
	<p>21: 9.9 ←</p> <p>22: 7.6 ↓</p> <p>23: 8.4 ↓</p> <p>24: 8.2 ↓</p> <p>25: 9.9 ↓</p> <p>26: 9.5 ↗</p> <p>27: 10.4x←</p> <p>28: 9.3 ←</p> <p>29: 7.7 →</p> <p>30: 7.2 →</p>		<p>31: 10.1 ↓</p> <p>32: 10.7x↙</p> <p>33: 9.0 →</p> <p>34: 9.1 ↙</p> <p>35: 8.4 ←</p> <p>36: 8.8 ↗</p> <p>37: 8.5 ↓</p> <p>38: 9.3 ↓</p> <p>39: 8.1 →</p> <p>40: 10.2x↙</p>
Series 88.1		Series 92.2	
Total 266.6		Total 358.8	

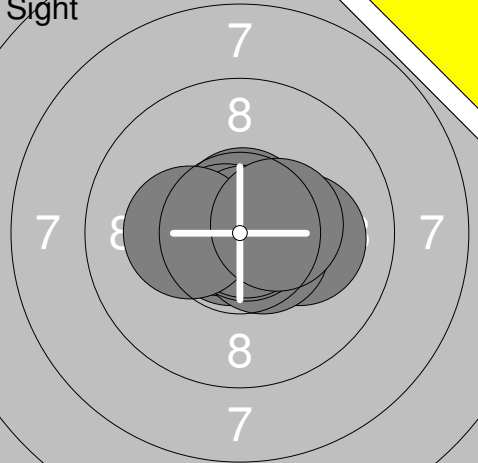
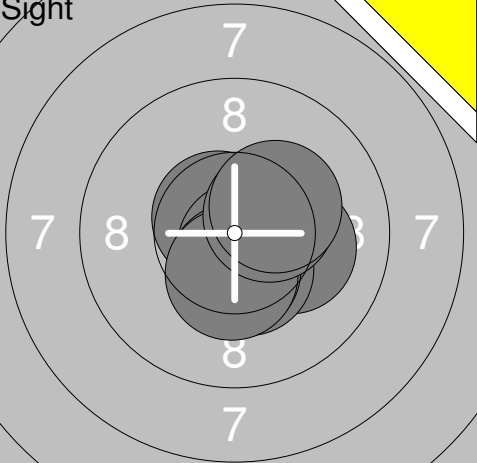
<p>Sight</p> 	<p>1: 10.6x ↓ 2: 10.4x ↓ 3: 10.6x ↑ 4: 10.6x ← 5: 10.7x ↑ 6: 10.4x → 7: 10.3x ← 8: 10.5x ↑ 9: 10.2x ↗ 10: 10.6x ↓</p> <p>Series 104.9 Total 0.0</p>	<p>Sight</p> 	<p>11: 10.6x ← 12: 10.0 ← 13: 10.5x ↓ 14: 10.4x ↓ 15: 10.3x ↗ 16: 10.7x ← 17: 10.3x ↖ 18: 10.8x ↓ 19: 10.4x ↓ 20: 10.8x ↓</p> <p>Series 104.8 Total 0.0</p>
-----------------------------------------------------------------------------------------------	---------------------------------------------------------------------------------------------------------------------------------------------------------------------------------------------	-------------------------------------------------------------------------------------------------	-----------------------------------------------------------------------------------------------------------------------------------------------------------------------------------------------------


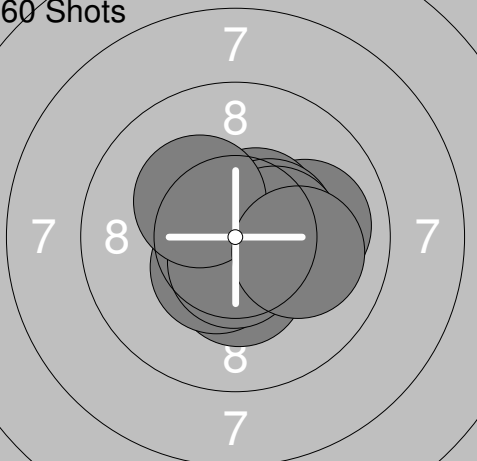
<p>Sight</p> 	<p>21: 10.7x →</p> <p>Series 10.7 Total 0.0</p>	<p>60 Shots</p> 	<p>1: 10.5x → 2: 9.9 ↓ 3: 10.1 ↗ 4: 10.1 ← 5: 10.5x ↓ 6: 10.7x ← 7: 10.7x ↓ 8: 10.2x ↓ 9: 10.5x ↘ 10: 10.6x ←</p> <p>Series 103.8 Total 103.8</p>
------------------------------------------------------------------------------------------------	-----------------------------------------------------	-----------------------------------------------------------------------------------------------------	-------------------------------------------------------------------------------------------------------------------------------------------------------------------------------------------


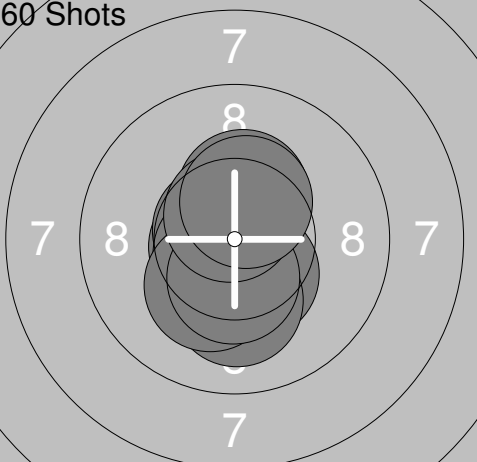
<p>60 Shots</p> 	<p>11: 10.6x → 12: 10.2x ↓ 13: 10.5x ↓ 14: 10.5x ← 15: 10.7x ← 16: 10.8x ↗ 17: 10.2x → 18: 10.5x ← 19: 10.4x ↗ 20: 10.8x ↓</p> <p>Series 105.2 Total 209.0</p>	<p>60 Shots</p> 	<p>21: 10.2x ↓ 22: 10.3x ↓ 23: 10.5x ↗ 24: 10.6x ↑ 25: 10.8x ↗ 26: 10.3x ↗ 27: 9.8 ↑ 28: 10.4x ↓ 29: 10.0 ← 30: 10.4x →</p> <p>Series 103.3 Total 312.3</p>
----------------------------------------------------------------------------------------------------	--------------------------------------------------------------------------------------------------------------------------------------------------------------------------------------------------------	------------------------------------------------------------------------------------------------------	-----------------------------------------------------------------------------------------------------------------------------------------------------------------------------------------------------


<p>60 Shots</p> 	<p>31: 10.6x ↗ 32: 10.1 ↓ 33: 10.7x ↓ 34: 10.1 ↓ 35: 10.8x ↘ 36: 10.7x ↗ 37: 10.9x ↓ 38: 10.1 → 39: 10.5x ↘ 40: 10.7x ↑</p> <p>Series 105.2 Total 417.5</p>		
----------------------------------------------------------------------------------------------------	-----------------------------------------------------------------------------------------------------------------------------------------------------------------------------------------------------	--	--


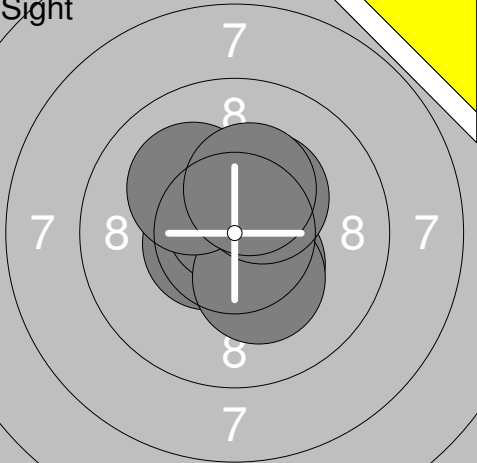
Relay	Lane	Ida Persson	
S	Vännäs Skf		
2016-04-16	UME-Kulan 2016	Umeå skytteallians	
Sight		1: 9.2 ↗ 2: 10.6x ↘ 3: 10.0 ↖ 4: 9.3 ↓ 5: 8.9 ↗ 6: 9.0 ← 7: 9.1 ↗ 8: 10.3x ↖ 9: 10.0 ← 10: 10.2x ↑ Series 96.6 Total 0.0	Sight  11: 9.5 ↖ 12: 9.0 ← 13: 8.3 ↑ 14: 9.7 ↗ 15: 10.8x ↖ 16: 10.3x ↗ 17: 9.2 ↑ 18: 10.5x ↗ 19: 9.6 ↖ 20: 9.9 ↑ Series 96.8 Total 0.0
Sight		21: 9.0 ↗ 22: 7.4 ↖ 23: 10.7x ← 24: 10.7x ↘ 25: 10.0 ↘ 26: 10.2x ↗ 27: 10.2x ↘ Series 68.2 Total 0.0	60 Shots  1: 9.6 ↗ 2: 9.7 ↑ 3: 9.7 → 4: 9.8 → 5: 10.0 ↗ 6: 10.3x → 7: 10.5x ↑ 8: 10.4x → 9: 10.2x → 10: 10.3x ↘ Series 100.5 Total 100.5
60 Shots		11: 10.4x ↘ 12: 9.5 ↘ 13: 10.6x ↗ 14: 8.8 → 15: 9.0 ↘ 16: 9.9 ↑ 17: 10.6x ↘ 18: 10.3x ↗ 19: 9.2 → 20: 10.5x ↘ Series 98.8 Total 199.3	60 Shots  21: 10.2x ↖ 22: 9.9 ↘ 23: 10.6x ← 24: 10.4x → 25: 10.2x ↗ 26: 10.7x ↘ 27: 10.2x ↗ 28: 9.4 ← 29: 9.6 ↓ 30: 10.2x ← Series 101.4 Total 300.7
60 Shots		31: 10.2x ↓ 32: 10.4x ↗ 33: 9.6 ↓ 34: 10.3x → 35: 10.4x ↗ 36: 10.3x ↓ 37: 10.4x ↘ 38: 10.8x ↓ 39: 10.8x ↓ 40: 9.6 → Series 102.8 Total 403.5	


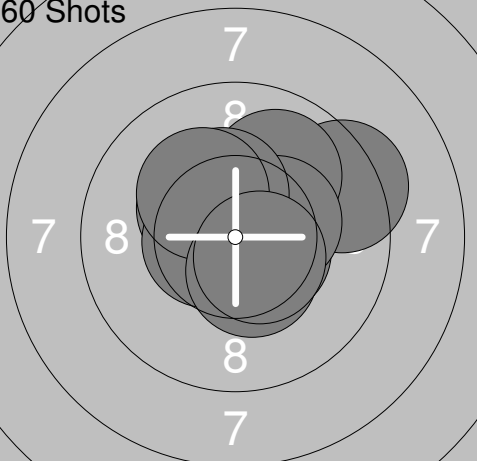
Sight 	1: 10.6x → 2: 10.7x ↑ 3: 10.8x ↙ 4: 10.1 → 5: 10.8x ← 6: 10.6x ↘ 7: 10.9x → 8: 10.9x → 9: 10.3x ← 10: 10.4x → Series 106.1 Total 0.0	Sight 	11: 10.5x → 12: 10.8x ↓ 13: 10.6x ↖ 14: 10.7x ↓ 15: 10.2x → 16: 10.4x ↓ 17: 10.5x ↓ 18: 10.4x ↓ 19: 10.4x ↗ 20: 10.3x ↗ Series 104.8 Total 0.0
--------------------------------------------------------------------------------------------------	-------------------------------------------------------------------------------------------------------------------------------------------------------------------------------------	----------------------------------------------------------------------------------------------------	-----------------------------------------------------------------------------------------------------------------------------------------------------------------------------------------------

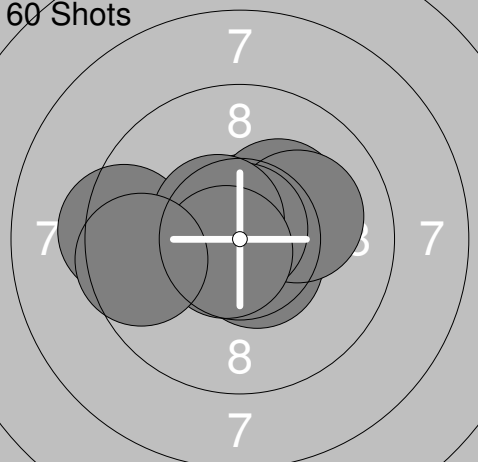
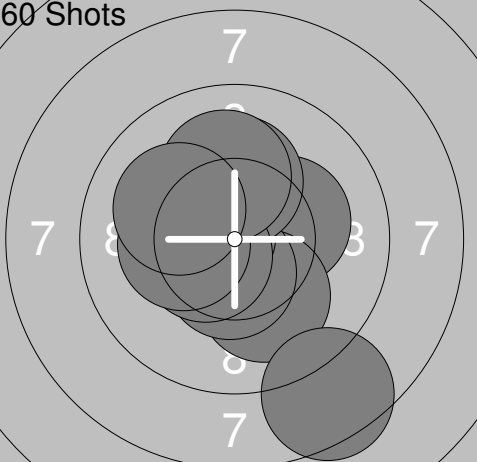
Sight 	21: 10.6x ↓ Series 10.6 Total 0.0	60 Shots 	1: 10.0 → 2: 10.5x ↗ 3: 10.5x → 4: 10.4x ↓ 5: 10.5x → 6: 10.4x → 7: 10.5x ↓ 8: 10.6x ↓ 9: 10.3x ↖ 10: 10.1 → Series 103.8 Total 103.8
---------------------------------------------------------------------------------------------------	-------------------------------------------------------	--------------------------------------------------------------------------------------------------------	--------------------------------------------------------------------------------------------------------------------------------------------------------------------------------------

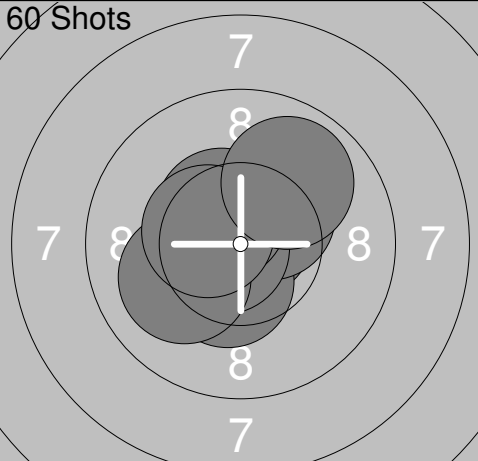
60 Shots 	11: 10.7x ↓ 12: 10.6x ↙ 13: 10.5x ↓ 14: 10.6x → 15: 10.5x ↑ 16: 10.6x ↓ 17: 10.4x ← 18: 10.8x → 19: 10.3x ↗ 20: 10.6x ↖ Series 105.6 Total 209.4	60 Shots 	21: 10.7x ← 22: 10.4x ↓ 23: 10.7x ↖ 24: 10.7x ↙ 25: 10.1 ↓ 26: 10.2x ↓ 27: 10.4x ↓ 28: 10.4x ↑ 29: 10.6x ↑ 30: 10.4x ↑ Series 104.6 Total 314.0
-------------------------------------------------------------------------------------------------------	-------------------------------------------------------------------------------------------------------------------------------------------------------------------------------------------------	---------------------------------------------------------------------------------------------------------	------------------------------------------------------------------------------------------------------------------------------------------------------------------------------------------------

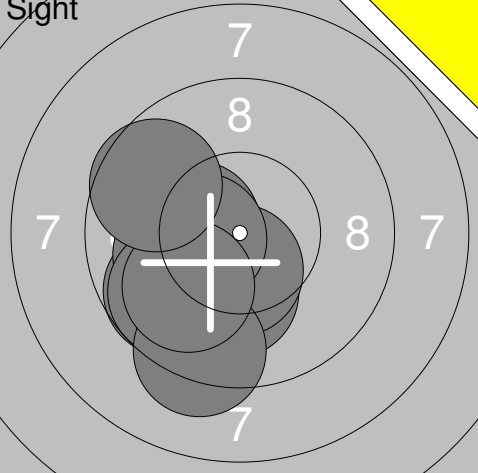
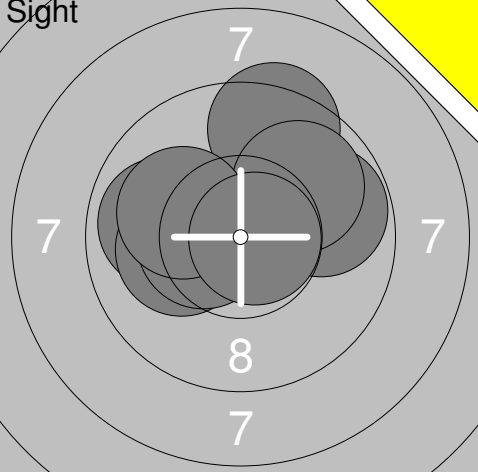
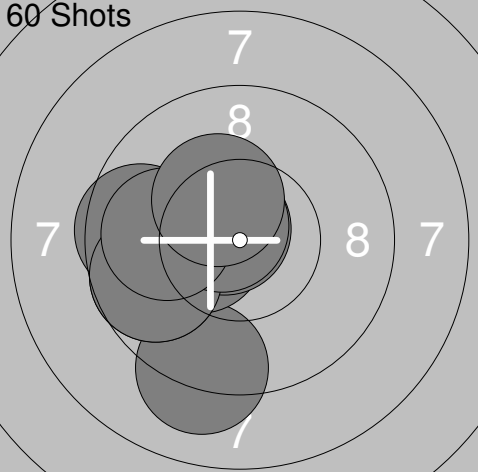
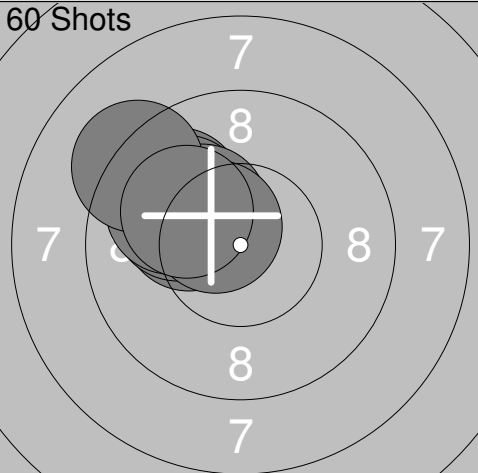
60 Shots 	31: 10.7x ↓ 32: 10.4x ← 33: 10.4x ↗ 34: 10.8x ↙ 35: 10.4x ↗ 36: 10.4x ↓ 37: 10.8x ↘ 38: 10.3x ↑ 39: 10.3x ↑ 40: 10.4x ↑ Series 104.9 Total 418.9		
-------------------------------------------------------------------------------------------------------	-------------------------------------------------------------------------------------------------------------------------------------------------------------------------------------------------	--	--

<p>Sight</p> 	<p>1: 8.5 ↓ 2: 10.4x ↓ 3: 9.6 ↓ 4: 9.9 ↓ 5: 9.4 ↓ 6: 10.5x ↓ 7: 10.2x ↓ 8: 10.5x ↗ 9: 10.6x → 10: 10.2x ↓</p> <p>Series 99.8 Total 0.0</p>	<p>Sight</p> 	<p>11: 10.4x ↑ 12: 10.4x ↗ 13: 10.4x ↓ 14: 10.5x ↖ 15: 10.6x ← 16: 10.7x ↑ 17: 10.3x ↓ 18: 10.3x ↗ 19: 10.1 ↗ 20: 10.3x ↑</p> <p>Series 104.0 Total 0.0</p>
------------------------------------------------------------------------------------------------------	--------------------------------------------------------------------------------------------------------------------------------------------------------------------------------------------------	--------------------------------------------------------------------------------------------------------	-------------------------------------------------------------------------------------------------------------------------------------------------------------------------------------------------------------------

<p>Sight</p> 	<p>21: 10.0 ↖ 22: 9.8 ↑ 23: 10.4x → 24: 9.8 ↖ 25: 10.6x → 26: 10.2x ↗ 27: 10.7x ↗</p> <p>Series 71.5 Total 0.0</p>	<p>60 Shots</p> 	<p>1: 9.4 → 2: 10.0 ↗ 3: 10.5x → 4: 10.4x → 5: 10.4x ↗ 6: 10.3x ↑ 7: 10.6x ← 8: 10.2x ↗ 9: 10.4x ↓ 10: 10.5x ↓</p> <p>Series 102.7 Total 102.7</p>
-------------------------------------------------------------------------------------------------------	--------------------------------------------------------------------------------------------------------------------------------------------------------------	------------------------------------------------------------------------------------------------------------	----------------------------------------------------------------------------------------------------------------------------------------------------------------------------------------------------------

<p>60 Shots</p> 	<p>11: 10.4x → 12: 10.7x ↑ 13: 10.3x ↗ 14: 9.4 ← 15: 10.6x ↓ 16: 10.1 → 17: 10.8x ↑ 18: 10.6x ↖ 19: 10.7x ↓ 20: 9.6 ←</p> <p>Series 103.2 Total 205.9</p>	<p>60 Shots</p> 	<p>21: 10.2x → 22: 10.1 ↓ 23: 10.5x ↓ 24: 10.6x ← 25: 10.2x ↑ 26: 10.5x ← 27: 10.3x ← 28: 10.1 ↑ 29: 8.5 ↓ 30: 10.1 ↖</p> <p>Series 101.1 Total 307.0</p>
-----------------------------------------------------------------------------------------------------------	-----------------------------------------------------------------------------------------------------------------------------------------------------------------------------------------------------------------	-------------------------------------------------------------------------------------------------------------	-----------------------------------------------------------------------------------------------------------------------------------------------------------------------------------------------------------------

<p>60 Shots</p> 	<p>31: 10.8x ↗ 32: 10.4x ↓ 33: 10.5x ← 34: 10.4x ↗ 35: 10.4x ↗ 36: 10.7x ← 37: 10.5x ↗ 38: 10.1 ← 39: 10.5x ↖ 40: 9.9 ↗</p> <p>Series 104.2 Total 411.2</p>		
-----------------------------------------------------------------------------------------------------------	-------------------------------------------------------------------------------------------------------------------------------------------------------------------------------------------------------------------	--	--

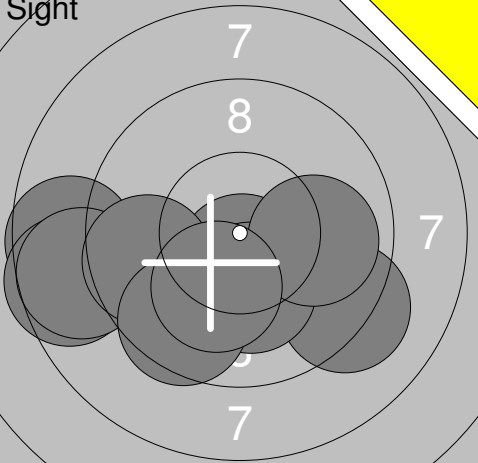
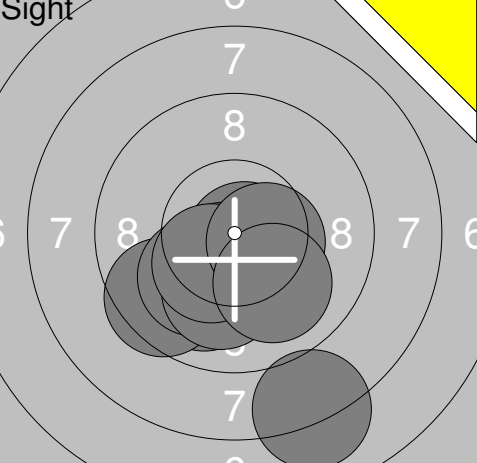
Relay	Lane	Smilla Aschenbrenner	
S		Kyrkås Skf	
2016-04-16	UME-Kulan 2016	Umeå skytteallians	
Sight		1: 10.3x ← 2: 10.1 ↓ 3: 9.7 ↙ 4: 10.4x ↓ 5: 10.1 ← 6: 9.8 ↙ 7: 10.4x ← 8: 9.3 ↓ 9: 10.0 ↙ 10: 9.6 ↖	Sight
		Series 99.7	11: 9.6 ← 12: 9.3 ← 13: 10.6x ↖ 14: 10.8x ➔ 15: 9.8 ↑ 16: 10.4x ➔ 17: 10.5x ← 18: 9.0 ← 19: 10.2x ↑ 20: 10.3x ↗
		Total 0.0	Series 100.5
			Total 0.0
Sight		21: 10.1 ➔ 22: 9.4 ↑ 23: 9.8 ➔ 24: 9.9 ↗ 25: 10.2x ← 26: 9.9 ← 27: 10.1 ← 28: 10.4x ← 29: 10.1 ← 30: 10.8x ➔	Sight
		Series 100.7	31: 10.7x ↑ 32: 10.8x ↑ 33: 10.0 ↖ 34: 9.8 ↖ 35: 10.5x ↑ 36: 10.3x ↖ 37: 10.0 ↖ 38: 10.0 ↖ 39: 10.5x ↖
		Total 0.0	Series 92.6
			Total 0.0
60 Shots		1: 9.1 ↓ 2: 10.6x ← 3: 9.7 ← 4: 10.4x ← 5: 10.7x ↗ 6: 9.6 ← 7: 9.7 ↖ 8: 10.6x ↗ 9: 10.0 ← 10: 10.3x ↗	60 Shots
		Series 100.7	11: 9.5 ↖ 12: 9.1 ↖ 13: 10.1 ↗ 14: 10.0 ↑ 15: 10.6x ← 16: 10.2x ↖ 17: 9.2 ↖ 18: 9.8 ↗ 19: 10.1 ➔ 20: 10.1 ↑
		Total 100.7	Series 98.7
			Total 199.4
60 Shots		21: 10.2x ↖ 22: 9.8 ↗ 23: 10.2x ↖ 24: 10.0 ↗ 25: 10.0 ↖ 26: 9.9 ↗ 27: 10.3x ↗ 28: 10.5x ↗ 29: 9.2 ↗ 30: 10.1 ↗	60 Shots
		Series 100.2	31: 10.4x ↖ 32: 10.8x ➔ 33: 10.6x ↖ 34: 10.5x ↑ 35: 10.3x ↖ 36: 9.8 ↑ 37: 10.0 ↖ 38: 10.9x ↑ 39: 10.1 ↑ 40: 10.4x ↖
		Total 299.6	Series 103.8
			Total 403.4

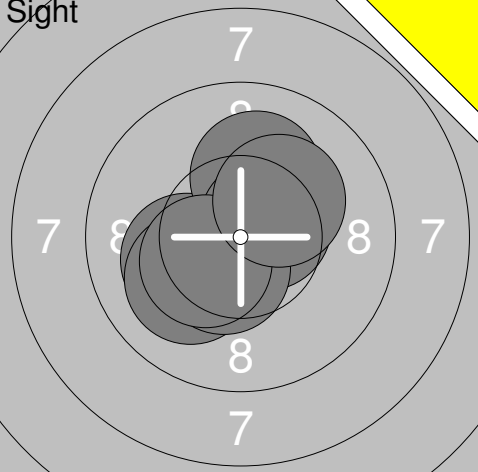
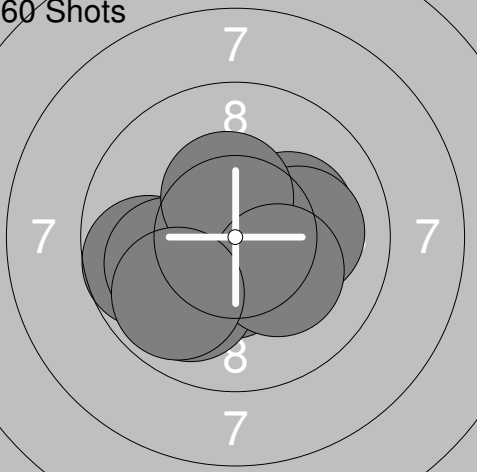
<p>Sight</p>	<p>Sight</p>	<p>11: 10.7x ↓ 12: 10.1 ↗ 13: 8.7 ↗ 14: 9.7 ↑ 15: 10.3x ↓ 16: 10.7x ↗ 17: 9.5 ↗ 18: 10.8x ↓ 19: 8.6 ↑ 20: 9.3 ↑</p> <p>Series 98.4 Total 0.0</p>
--------------	--------------	------------------------------------------------------------------------------------------------------------------------------------------------------------------------------------------

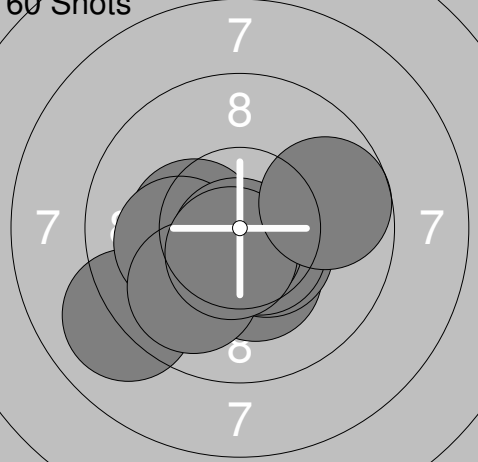
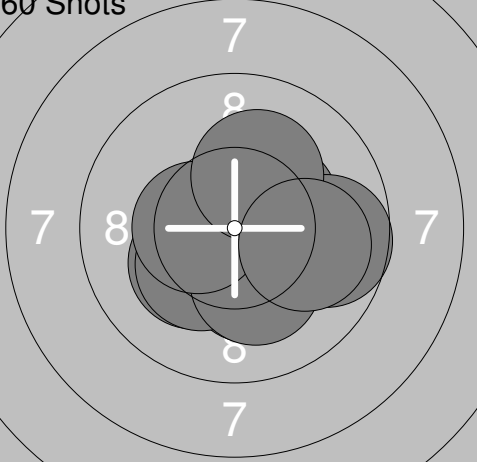
<p>Sight</p>	<p>60 Shots</p>	<p>21: 9.4 ← 22: 8.4 ↑ 23: 9.3 → 24: 9.2 ↓ 25: 9.0 ↗ 26: 8.3 ↗ 27: 10.3x → 28: 9.9 ↗ 29: 8.1 → 30: 10.1 ↗</p> <p>Series 92.0 Total 0.0</p> <p>1: 10.5x ↗ 2: 10.3x ← 3: 8.9 ↗ 4: 10.5x ↓ 5: 10.0 ↑ 6: 7.9 ↗ 7: 9.9 ↑ 8: 9.9 ↗ 9: 9.4 ↓ 10: 10.0 ←</p> <p>Series 97.3 Total 97.3</p>
--------------	-----------------	--------------------------------------------------------------------------------------------------------------------------------------------------------------------------------------------------------------------------------------------------------------------------------------------------------------------------------------------------------------------

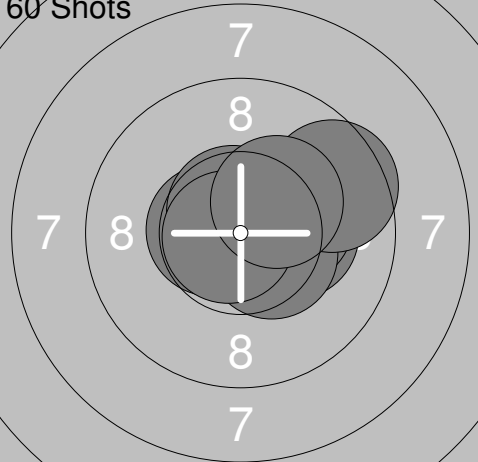
<p>60 Shots</p>	<p>60 Shots</p>	<p>11: 10.5x ← 12: 10.8x ← 13: 9.8 ↑ 14: 9.5 → 15: 10.2x ↗ 16: 10.1 ↑ 17: 10.1 ↓ 18: 10.2x → 19: 10.3x ↗ 20: 10.5x ↓</p> <p>Series 102.0 Total 199.3</p> <p>21: 7.8 ↑ 22: 10.5x ← 23: 9.9 ↗ 24: 10.5x ↓ 25: 9.8 ↑ 26: 10.0 ↓ 27: 10.4x → 28: 10.6x ← 29: 10.9x → 30: 10.9x ↓</p> <p>Series 101.3 Total 300.6</p>
-----------------	-----------------	--------------------------------------------------------------------------------------------------------------------------------------------------------------------------------------------------------------------------------------------------------------------------------------------------------------------------------------------------------------------------------------------------

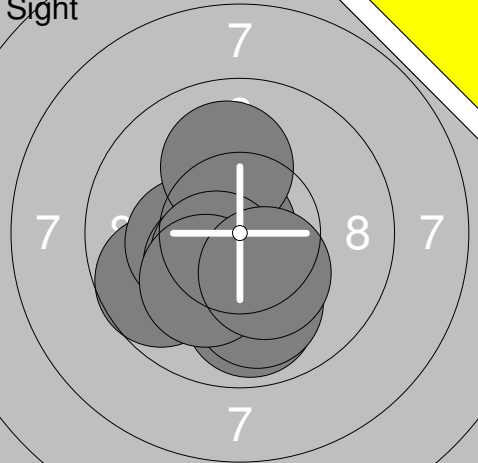
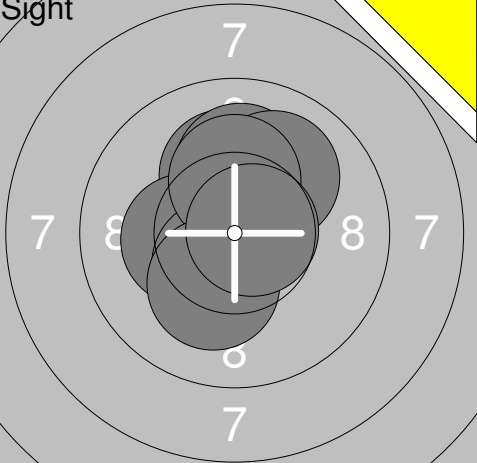
<p>60 Shots</p>	<p>31: 10.2x ← 32: 9.2 ↑ 33: 9.9 ↗ 34: 9.3 ↗ 35: 9.9 ↗ 36: 10.3x ↓ 37: 10.0 ↑ 38: 9.9 ↑ 39: 10.3x → 40: 10.0 ←</p> <p>Series 99.0 Total 399.6</p>
-----------------	-------------------------------------------------------------------------------------------------------------------------------------------------------------------------------------------

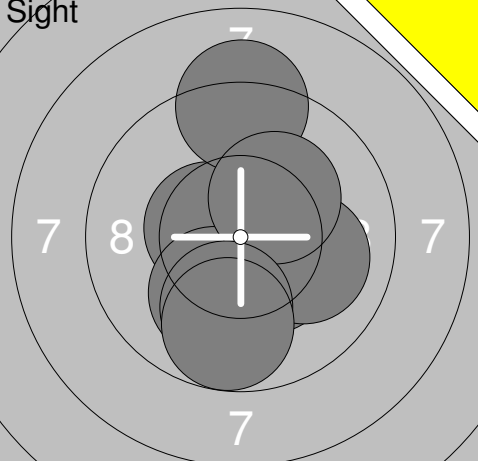
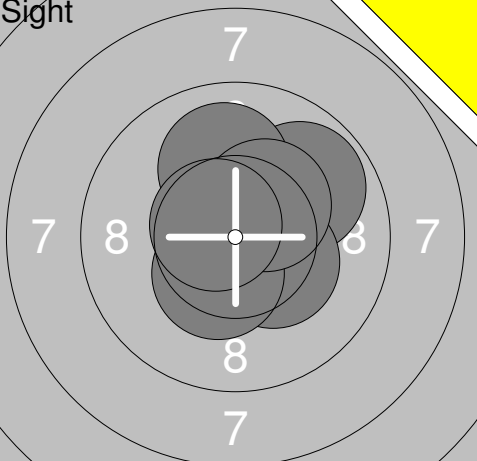
<p>Sight</p> 	<p>1: 8.6 ← 2: 10.6x ↓ 3: 9.2 ↘ 4: 8.5 ← 5: 10.2x ↓ 6: 8.7 ← 7: 9.9 → 8: 9.6 ← 9: 9.5 ↓ 10: 10.1 ↓</p> <p>Series 94.9 Total 0.0</p>	<p>Sight</p> 	<p>11: 10.0 ↓ 12: 10.8x ↘ 13: 8.1 ↓ 14: 9.5 ↘ 15: 10.1 ↓ 16: 10.5x ↓ 17: 10.1 ↓ 18: 10.4x ↓ 19: 10.5x → 20: 10.0 ↓</p> <p>Series 100.0 Total 0.0</p>
-----------------------------------------------------------------------------------------------	-----------------------------------------------------------------------------------------------------------------------------------------------------------------------------	-------------------------------------------------------------------------------------------------	----------------------------------------------------------------------------------------------------------------------------------------------------------------------------------------------


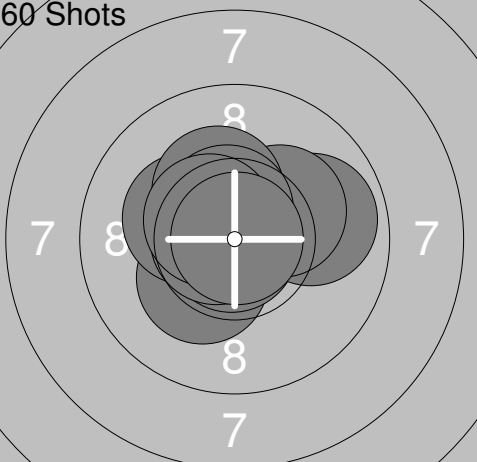
<p>Sight</p> 	<p>21: 10.3x ↗ 22: 10.2x ← 23: 10.1 ← 24: 10.1 ↗ 25: 10.6x ↗ 26: 10.5x ↓ 27: 10.4x ← 28: 10.2x ↗</p> <p>Series 82.4 Total 0.0</p>	<p>60 Shots</p> 	<p>1: 10.2x → 2: 10.5x ← 3: 9.7 ← 4: 10.5x ↓ 5: 10.1 → 6: 10.0 ↓ 7: 10.0 ← 8: 10.4x ↗ 9: 10.2x ↘ 10: 9.9 ↓</p> <p>Series 101.5 Total 101.5</p>
------------------------------------------------------------------------------------------------	-------------------------------------------------------------------------------------------------------------------------------------------------------------------	-----------------------------------------------------------------------------------------------------	----------------------------------------------------------------------------------------------------------------------------------------------------------------------------------------

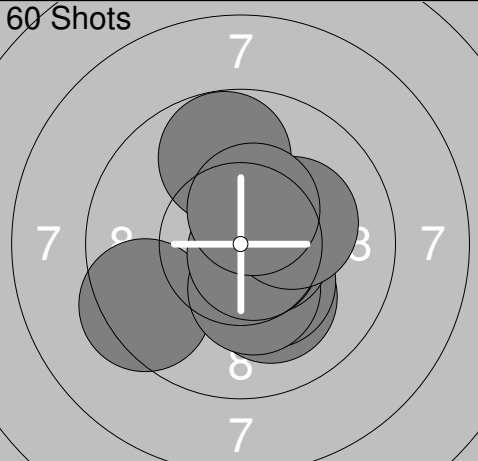
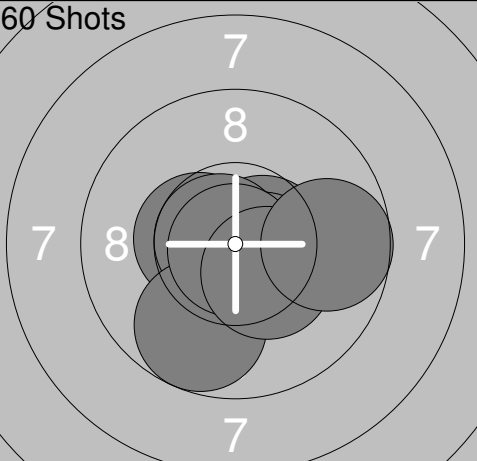
<p>60 Shots</p> 	<p>11: 10.3x ↓ 12: 10.3x ← 13: 10.5x ↘ 14: 9.0 ← 15: 10.6x ↘ 16: 10.1 ← 17: 9.9 ↓ 18: 10.7x ↓ 19: 10.6x ↓ 20: 9.7 →</p> <p>Series 101.7 Total 203.2</p>	<p>60 Shots</p> 	<p>21: 10.4x ↗ 22: 10.3x ↓ 23: 10.2x ↘ 24: 10.8x ↘ 25: 9.7 → 26: 10.3x ↘ 27: 10.2x ↓ 28: 10.5x ← 29: 10.2x ↗ 30: 10.0 →</p> <p>Series 102.6 Total 305.8</p>
----------------------------------------------------------------------------------------------------	-------------------------------------------------------------------------------------------------------------------------------------------------------------------------------------------------	------------------------------------------------------------------------------------------------------	-----------------------------------------------------------------------------------------------------------------------------------------------------------------------------------------------------

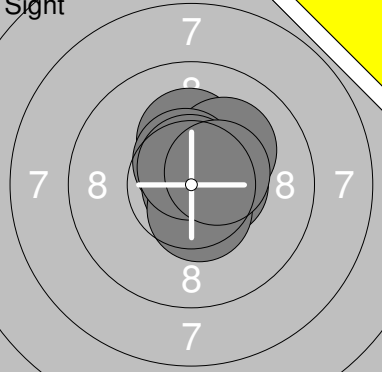
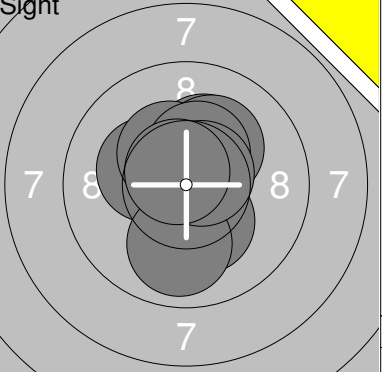
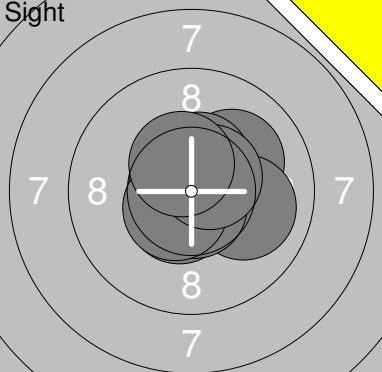
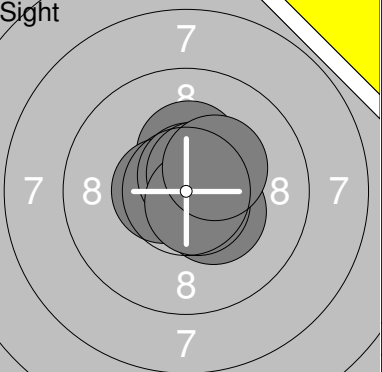
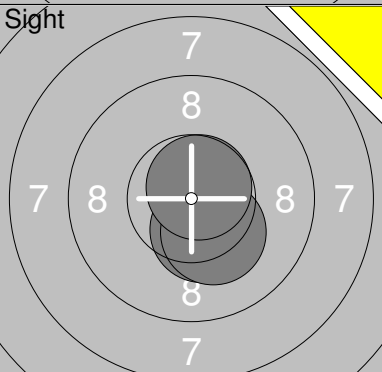
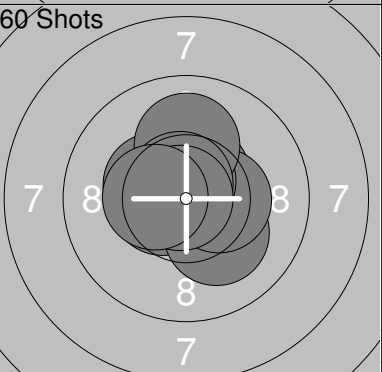


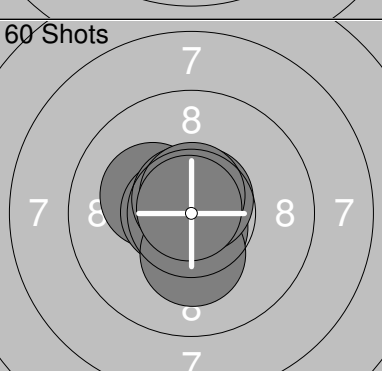
<p>60 Shots</p> 	<p>31: 10.8x ↘ 32: 10.3x → 33: 10.3x → 34: 10.7x → 35: 10.6x ← 36: 10.7x ↗ 37: 10.5x ↘ 38: 9.6 → 39: 10.8x ← 40: 10.3x ↗</p> <p>Series 104.6 Total 410.4</p>		
----------------------------------------------------------------------------------------------------	------------------------------------------------------------------------------------------------------------------------------------------------------------------------------------------------------	--	--

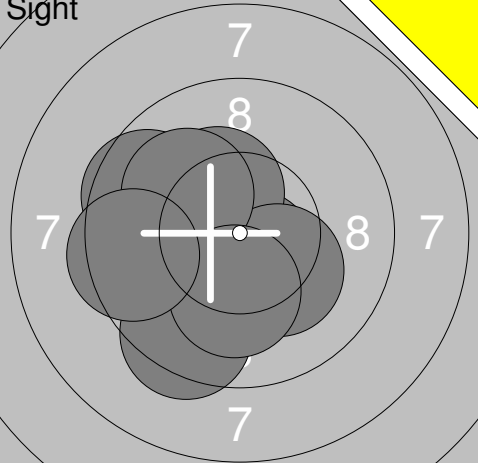
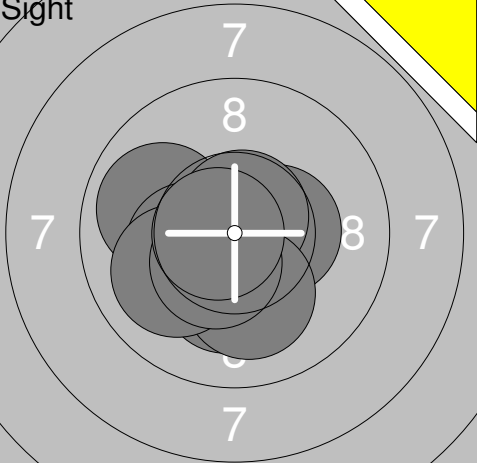
<p>Sight</p> 	<p>1: 9.7 ↙ 2: 10.8x ← 3: 10.3x ← 4: 10.4x ↙ 5: 10.0 ↑ 6: 9.9 ↓ 7: 10.5x ↙ 8: 10.0 ↓ 9: 10.2x ↙ 10: 10.3x ↘</p> <p>Series 102.1 Total 0.0</p>	<p>Sight</p> 	<p>11: 10.4x ↑ 12: 10.2x ↑ 13: 10.8x ↗ 14: 10.1 ↑ 15: 10.0 ↗ 16: 10.3x ← 17: 10.5x ↘ 18: 10.2x ↑ 19: 10.2x ↘ 20: 10.7x →</p> <p>Series 103.4 Total 0.0</p>
------------------------------------------------------------------------------------------------------	-----------------------------------------------------------------------------------------------------------------------------------------------------------------------------------------------------	--------------------------------------------------------------------------------------------------------	------------------------------------------------------------------------------------------------------------------------------------------------------------------------------------------------------------------


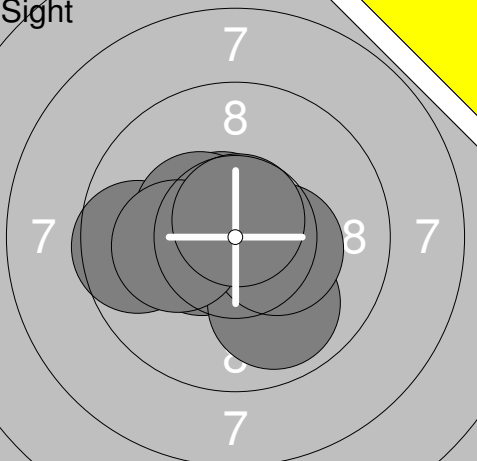
<p>Sight</p> 	<p>21: 10.4x ↘ 22: 10.3x ↓ 23: 10.6x ↓ 24: 10.5x ← 25: 10.1 ↘ 26: 9.2 ↑ 27: 10.1 → 28: 10.2x ↗ 29: 10.0 ↓ 30: 9.8 ↓</p> <p>Series 101.2 Total 0.0</p>	<p>Sight</p> 	<p>31: 9.9 ↗ 32: 10.0 ↑ 33: 10.3x ↘ 34: 10.4x ↘ 35: 10.4x ↗ 36: 10.6x ↙</p> <p>Series 61.6 Total 0.0</p>
-------------------------------------------------------------------------------------------------------	-------------------------------------------------------------------------------------------------------------------------------------------------------------------------------------------------------------	---------------------------------------------------------------------------------------------------------	------------------------------------------------------------------------------------------------------------------------------------------------

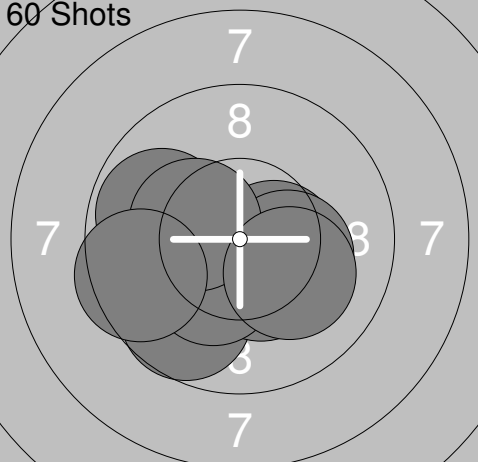
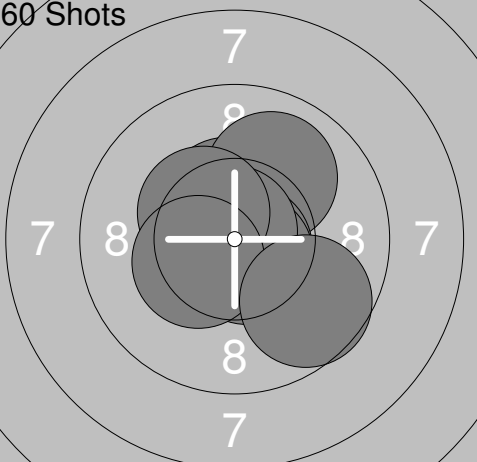
<p>60 Shots</p> 	<p>1: 10.8x ↗ 2: 10.7x ↗ 3: 10.5x ↘ 4: 10.4x ↘ 5: 10.5x → 6: 10.6x → 7: 10.6x ↑ 8: 10.7x ← 9: 10.5x ↑ 10: 10.8x ↗</p> <p>Series 106.1 Total 106.1</p>	<p>60 Shots</p> 	<p>11: 10.3x ↘ 12: 10.3x ← 13: 10.8x ↘ 14: 9.9 → 15: 10.2x ↗ 16: 10.7x ← 17: 10.3x ↑ 18: 10.6x ↑ 19: 10.5x ↙ 20: 10.9x ↗</p> <p>Series 104.5 Total 210.6</p>
-----------------------------------------------------------------------------------------------------------	-------------------------------------------------------------------------------------------------------------------------------------------------------------------------------------------------------------	-------------------------------------------------------------------------------------------------------------	--------------------------------------------------------------------------------------------------------------------------------------------------------------------------------------------------------------------

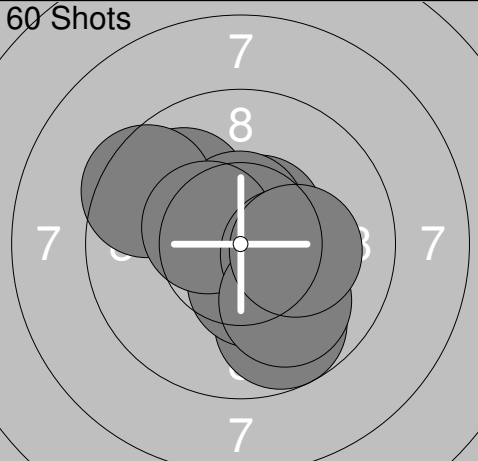
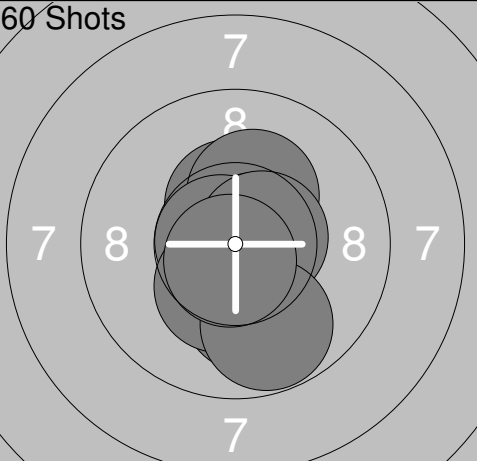
<p>60 Shots</p> 	<p>21: 9.8 ↑ 22: 10.1 ↓ 23: 10.3x ↘ 24: 9.4 ↙ 25: 10.3x ↘ 26: 10.5x ↗ 27: 10.6x → 28: 10.7x ↘ 29: 10.2x → 30: 10.4x ↑</p> <p>Series 102.3 Total 312.9</p>	<p>60 Shots</p> 	<p>31: 10.6x → 32: 10.6x → 33: 10.8x ↘ 34: 10.5x ← 35: 10.7x ← 36: 10.5x ↘ 37: 9.8 ↘ 38: 10.9x ↘ 39: 10.4x ↘ 40: 9.7 →</p> <p>Series 104.5 Total 417.4</p>
-----------------------------------------------------------------------------------------------------------	-----------------------------------------------------------------------------------------------------------------------------------------------------------------------------------------------------------------	-------------------------------------------------------------------------------------------------------------	------------------------------------------------------------------------------------------------------------------------------------------------------------------------------------------------------------------

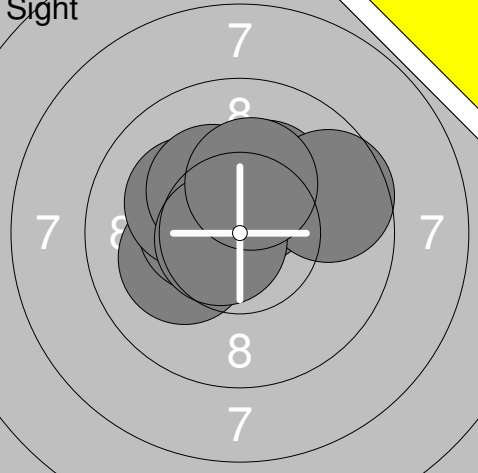
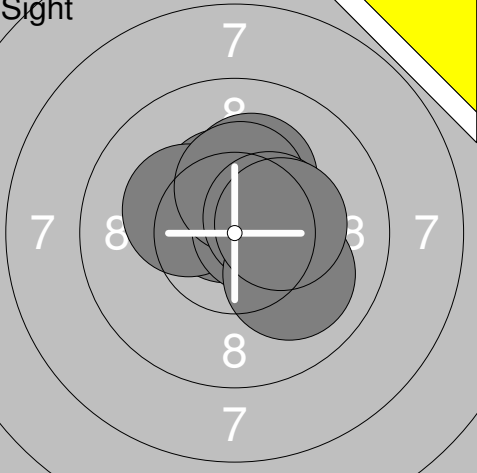


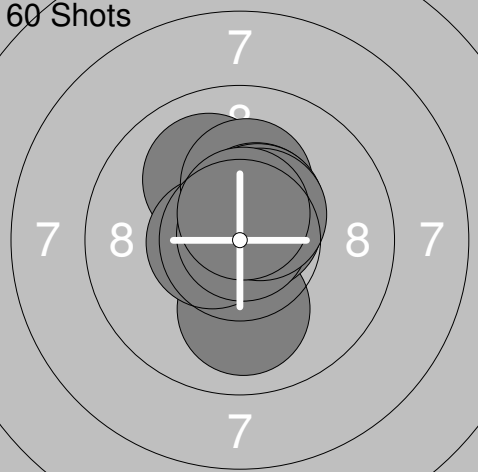
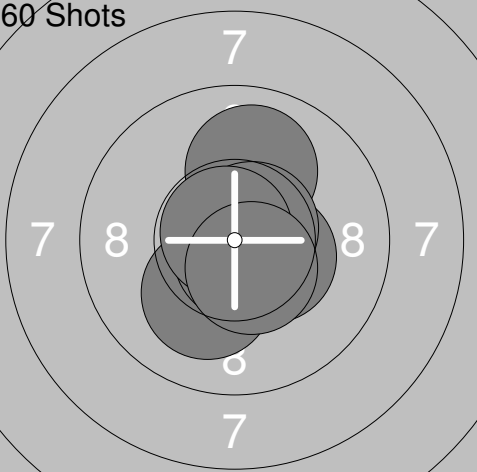

	<table border="1" style="width:100%; border-collapse: collapse;"> <tr><td>1:</td><td>10.7x</td><td>↗</td></tr> <tr><td>2:</td><td>10.2x</td><td>↑</td></tr> <tr><td>3:</td><td>10.6x</td><td>↑</td></tr> <tr><td>4:</td><td>10.1</td><td>↗</td></tr> <tr><td>5:</td><td>10.5x</td><td>↑</td></tr> <tr><td>6:</td><td>10.9x</td><td>→</td></tr> <tr><td>7:</td><td>10.5x</td><td>→</td></tr> <tr><td>8:</td><td>10.5x</td><td>↓</td></tr> <tr><td>9:</td><td>10.7x</td><td>↑</td></tr> <tr><td>10:</td><td>10.5x</td><td>↗</td></tr> <tr><td colspan="2">Series</td><td>105.2</td></tr> <tr><td colspan="2">Total</td><td>0.0</td></tr> </table>	1:	10.7x	↗	2:	10.2x	↑	3:	10.6x	↑	4:	10.1	↗	5:	10.5x	↑	6:	10.9x	→	7:	10.5x	→	8:	10.5x	↓	9:	10.7x	↑	10:	10.5x	↗	Series		105.2	Total		0.0		<table border="1" style="width:100%; border-collapse: collapse;"> <tr><td>11:</td><td>10.7x</td><td>↑</td></tr> <tr><td>12:</td><td>10.2x</td><td>↗</td></tr> <tr><td>13:</td><td>10.3x</td><td>↖</td></tr> <tr><td>14:</td><td>10.2x</td><td>↗</td></tr> <tr><td>15:</td><td>10.4x</td><td>↗</td></tr> <tr><td>16:</td><td>10.4x</td><td>↑</td></tr> <tr><td>17:</td><td>10.3x</td><td>↓</td></tr> <tr><td>18:</td><td>9.9</td><td>↓</td></tr> <tr><td>19:</td><td>10.6x</td><td>↗</td></tr> <tr><td>20:</td><td>10.7x</td><td>↗</td></tr> <tr><td colspan="2">Series</td><td>103.7</td></tr> <tr><td colspan="2">Total</td><td>0.0</td></tr> </table>	11:	10.7x	↑	12:	10.2x	↗	13:	10.3x	↖	14:	10.2x	↗	15:	10.4x	↗	16:	10.4x	↑	17:	10.3x	↓	18:	9.9	↓	19:	10.6x	↗	20:	10.7x	↗	Series		103.7	Total		0.0
1:	10.7x	↗																																																																									
2:	10.2x	↑																																																																									
3:	10.6x	↑																																																																									
4:	10.1	↗																																																																									
5:	10.5x	↑																																																																									
6:	10.9x	→																																																																									
7:	10.5x	→																																																																									
8:	10.5x	↓																																																																									
9:	10.7x	↑																																																																									
10:	10.5x	↗																																																																									
Series		105.2																																																																									
Total		0.0																																																																									
11:	10.7x	↑																																																																									
12:	10.2x	↗																																																																									
13:	10.3x	↖																																																																									
14:	10.2x	↗																																																																									
15:	10.4x	↗																																																																									
16:	10.4x	↑																																																																									
17:	10.3x	↓																																																																									
18:	9.9	↓																																																																									
19:	10.6x	↗																																																																									
20:	10.7x	↗																																																																									
Series		103.7																																																																									
Total		0.0																																																																									
	<table border="1" style="width:100%; border-collapse: collapse;"> <tr><td>21:</td><td>10.4x</td><td>→</td></tr> <tr><td>22:</td><td>10.1</td><td>↗</td></tr> <tr><td>23:</td><td>10.6x</td><td>↘</td></tr> <tr><td>24:</td><td>10.0</td><td>↘</td></tr> <tr><td>25:</td><td>10.7x</td><td>↘</td></tr> <tr><td>26:</td><td>10.5x</td><td>↘</td></tr> <tr><td>27:</td><td>10.7x</td><td>↗</td></tr> <tr><td>28:</td><td>10.6x</td><td>↖</td></tr> <tr><td>29:</td><td>10.6x</td><td>↖</td></tr> <tr><td>30:</td><td>10.5x</td><td>↗</td></tr> <tr><td colspan="2">Series</td><td>104.7</td></tr> <tr><td colspan="2">Total</td><td>0.0</td></tr> </table>	21:	10.4x	→	22:	10.1	↗	23:	10.6x	↘	24:	10.0	↘	25:	10.7x	↘	26:	10.5x	↘	27:	10.7x	↗	28:	10.6x	↖	29:	10.6x	↖	30:	10.5x	↗	Series		104.7	Total		0.0		<table border="1" style="width:100%; border-collapse: collapse;"> <tr><td>31:</td><td>10.8x</td><td>↘</td></tr> <tr><td>32:</td><td>10.3x</td><td>↑</td></tr> <tr><td>33:</td><td>10.6x</td><td>↖</td></tr> <tr><td>34:</td><td>10.8x</td><td>→</td></tr> <tr><td>35:</td><td>10.6x</td><td>↘</td></tr> <tr><td>36:</td><td>10.4x</td><td>↘</td></tr> <tr><td>37:</td><td>10.7x</td><td>↑</td></tr> <tr><td>38:</td><td>10.6x</td><td>↗</td></tr> <tr><td>39:</td><td>10.7x</td><td>↘</td></tr> <tr><td>40:</td><td>10.3x</td><td>↘</td></tr> <tr><td colspan="2">Series</td><td>105.8</td></tr> <tr><td colspan="2">Total</td><td>0.0</td></tr> </table>	31:	10.8x	↘	32:	10.3x	↑	33:	10.6x	↖	34:	10.8x	→	35:	10.6x	↘	36:	10.4x	↘	37:	10.7x	↑	38:	10.6x	↗	39:	10.7x	↘	40:	10.3x	↘	Series		105.8	Total		0.0
21:	10.4x	→																																																																									
22:	10.1	↗																																																																									
23:	10.6x	↘																																																																									
24:	10.0	↘																																																																									
25:	10.7x	↘																																																																									
26:	10.5x	↘																																																																									
27:	10.7x	↗																																																																									
28:	10.6x	↖																																																																									
29:	10.6x	↖																																																																									
30:	10.5x	↗																																																																									
Series		104.7																																																																									
Total		0.0																																																																									
31:	10.8x	↘																																																																									
32:	10.3x	↑																																																																									
33:	10.6x	↖																																																																									
34:	10.8x	→																																																																									
35:	10.6x	↘																																																																									
36:	10.4x	↘																																																																									
37:	10.7x	↑																																																																									
38:	10.6x	↗																																																																									
39:	10.7x	↘																																																																									
40:	10.3x	↘																																																																									
Series		105.8																																																																									
Total		0.0																																																																									
	<table border="1" style="width:100%; border-collapse: collapse;"> <tr><td>41:</td><td>10.4x</td><td>↘</td></tr> <tr><td>42:</td><td>10.3x</td><td>↘</td></tr> <tr><td>43:</td><td>10.7x</td><td>↗</td></tr> <tr><td colspan="2">Series</td><td>31.4</td></tr> <tr><td colspan="2">Total</td><td>0.0</td></tr> </table>	41:	10.4x	↘	42:	10.3x	↘	43:	10.7x	↗	Series		31.4	Total		0.0		<table border="1" style="width:100%; border-collapse: collapse;"> <tr><td>1:</td><td>10.5x</td><td>↖</td></tr> <tr><td>2:</td><td>10.2x</td><td>↘</td></tr> <tr><td>3:</td><td>10.5x</td><td>↗</td></tr> <tr><td>4:</td><td>10.4x</td><td>→</td></tr> <tr><td>5:</td><td>10.4x</td><td>↗</td></tr> <tr><td>6:</td><td>10.6x</td><td>↑</td></tr> <tr><td>7:</td><td>10.0</td><td>↑</td></tr> <tr><td>8:</td><td>10.7x</td><td>↗</td></tr> <tr><td>9:</td><td>10.8x</td><td>↖</td></tr> <tr><td>10:</td><td>10.4x</td><td>↖</td></tr> <tr><td colspan="2">Series</td><td>104.5</td></tr> <tr><td colspan="2">Total</td><td>104.5</td></tr> </table>	1:	10.5x	↖	2:	10.2x	↘	3:	10.5x	↗	4:	10.4x	→	5:	10.4x	↗	6:	10.6x	↑	7:	10.0	↑	8:	10.7x	↗	9:	10.8x	↖	10:	10.4x	↖	Series		104.5	Total		104.5																					
41:	10.4x	↘																																																																									
42:	10.3x	↘																																																																									
43:	10.7x	↗																																																																									
Series		31.4																																																																									
Total		0.0																																																																									
1:	10.5x	↖																																																																									
2:	10.2x	↘																																																																									
3:	10.5x	↗																																																																									
4:	10.4x	→																																																																									
5:	10.4x	↗																																																																									
6:	10.6x	↑																																																																									
7:	10.0	↑																																																																									
8:	10.7x	↗																																																																									
9:	10.8x	↖																																																																									
10:	10.4x	↖																																																																									
Series		104.5																																																																									
Total		104.5																																																																									
	<table border="1" style="width:100%; border-collapse: collapse;"> <tr><td>11:</td><td>10.7x</td><td>→</td></tr> <tr><td>12:</td><td>10.5x</td><td>↗</td></tr> <tr><td>13:</td><td>10.4x</td><td>↖</td></tr> <tr><td>14:</td><td>10.9x</td><td>↖</td></tr> <tr><td>15:</td><td>10.3x</td><td>↑</td></tr> <tr><td>16:</td><td>10.6x</td><td>↘</td></tr> <tr><td>17:</td><td>10.1</td><td>↗</td></tr> <tr><td>18:</td><td>10.3x</td><td>↘</td></tr> <tr><td>19:</td><td>10.6x</td><td>↘</td></tr> <tr><td>20:</td><td>10.4x</td><td>↘</td></tr> <tr><td colspan="2">Series</td><td>104.8</td></tr> <tr><td colspan="2">Total</td><td>209.3</td></tr> </table>	11:	10.7x	→	12:	10.5x	↗	13:	10.4x	↖	14:	10.9x	↖	15:	10.3x	↑	16:	10.6x	↘	17:	10.1	↗	18:	10.3x	↘	19:	10.6x	↘	20:	10.4x	↘	Series		104.8	Total		209.3		<table border="1" style="width:100%; border-collapse: collapse;"> <tr><td>21:</td><td>10.1</td><td>↘</td></tr> <tr><td>22:</td><td>10.8x</td><td>↘</td></tr> <tr><td>23:</td><td>10.7x</td><td>↗</td></tr> <tr><td>24:</td><td>10.6x</td><td>↗</td></tr> <tr><td>25:</td><td>10.7x</td><td>↗</td></tr> <tr><td>26:</td><td>10.5x</td><td>↘</td></tr> <tr><td>27:</td><td>10.6x</td><td>↑</td></tr> <tr><td>28:</td><td>10.6x</td><td>↗</td></tr> <tr><td>29:</td><td>10.1</td><td>→</td></tr> <tr><td>30:</td><td>10.6x</td><td>↘</td></tr> <tr><td colspan="2">Series</td><td>105.3</td></tr> <tr><td colspan="2">Total</td><td>314.6</td></tr> </table>	21:	10.1	↘	22:	10.8x	↘	23:	10.7x	↗	24:	10.6x	↗	25:	10.7x	↗	26:	10.5x	↘	27:	10.6x	↑	28:	10.6x	↗	29:	10.1	→	30:	10.6x	↘	Series		105.3	Total		314.6
11:	10.7x	→																																																																									
12:	10.5x	↗																																																																									
13:	10.4x	↖																																																																									
14:	10.9x	↖																																																																									
15:	10.3x	↑																																																																									
16:	10.6x	↘																																																																									
17:	10.1	↗																																																																									
18:	10.3x	↘																																																																									
19:	10.6x	↘																																																																									
20:	10.4x	↘																																																																									
Series		104.8																																																																									
Total		209.3																																																																									
21:	10.1	↘																																																																									
22:	10.8x	↘																																																																									
23:	10.7x	↗																																																																									
24:	10.6x	↗																																																																									
25:	10.7x	↗																																																																									
26:	10.5x	↘																																																																									
27:	10.6x	↑																																																																									
28:	10.6x	↗																																																																									
29:	10.1	→																																																																									
30:	10.6x	↘																																																																									
Series		105.3																																																																									
Total		314.6																																																																									
	<table border="1" style="width:100%; border-collapse: collapse;"> <tr><td>31:</td><td>10.7x</td><td>↘</td></tr> <tr><td>32:</td><td>10.9x</td><td>↗</td></tr> <tr><td>33:</td><td>10.2x</td><td>↗</td></tr> <tr><td>34:</td><td>10.8x</td><td>↗</td></tr> <tr><td>35:</td><td>10.6x</td><td>↖</td></tr> <tr><td>36:</td><td>10.3x</td><td>↘</td></tr> <tr><td>37:</td><td>10.7x</td><td>↗</td></tr> <tr><td>38:</td><td>10.7x</td><td>↗</td></tr> <tr><td>39:</td><td>10.6x</td><td>↑</td></tr> <tr><td>40:</td><td>10.9x</td><td>↗</td></tr> <tr><td colspan="2">Series</td><td>106.4</td></tr> <tr><td colspan="2">Total</td><td>421.0</td></tr> </table>	31:	10.7x	↘	32:	10.9x	↗	33:	10.2x	↗	34:	10.8x	↗	35:	10.6x	↖	36:	10.3x	↘	37:	10.7x	↗	38:	10.7x	↗	39:	10.6x	↑	40:	10.9x	↗	Series		106.4	Total		421.0																																						
31:	10.7x	↘																																																																									
32:	10.9x	↗																																																																									
33:	10.2x	↗																																																																									
34:	10.8x	↗																																																																									
35:	10.6x	↖																																																																									
36:	10.3x	↘																																																																									
37:	10.7x	↗																																																																									
38:	10.7x	↗																																																																									
39:	10.6x	↑																																																																									
40:	10.9x	↗																																																																									
Series		106.4																																																																									
Total		421.0																																																																									

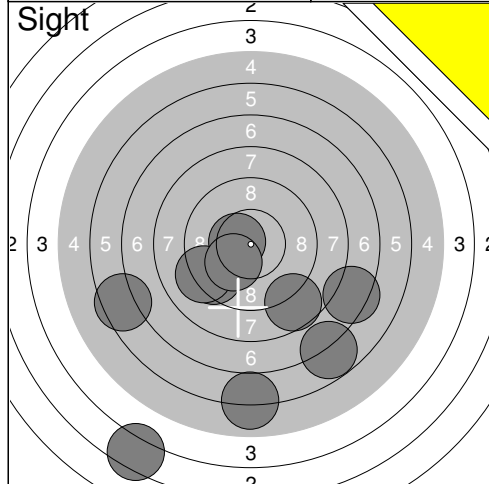
<p>Sight</p> 	<p>1: 9.6 ↙ 2: 10.6x ↓ 3: 10.2x ← 4: 10.3x ↗ 5: 9.4 ↓ 6: 10.2x ← 7: 10.2x ↓ 8: 10.1 ↗ 9: 10.2x ↓ 10: 9.5 ←</p> <p>Series 100.3 Total 0.0</p>	<p>Sight</p> 	<p>11: 9.9 ↙ 12: 10.4x → 13: 10.3x ↙ 14: 10.3x ← 15: 10.2x ↓ 16: 10.7x ↗ 17: 10.1 ↓ 18: 10.0 ↙ 19: 10.5x ↙ 20: 10.7x ←</p> <p>Series 103.1 Total 0.0</p>
------------------------------------------------------------------------------------------------------	--------------------------------------------------------------------------------------------------------------------------------------------------------------------------------------	--------------------------------------------------------------------------------------------------------	--------------------------------------------------------------------------------------------------------------------------------------------------------------------------------------------------

<p>Sight</p> 	<p>21: 10.7x ↙ 22: 10.1 ↓ 23: 9.4 ↓ 24: 10.6x ↗ 25: 10.6x ↓ 26: 9.8 ↓ 27: 10.2x ↓ 28: 9.8 ↙ 29: 10.4x ↓ 30: 10.6x ↗</p> <p>Series 102.2 Total 0.0</p>	<p>Sight</p> 	<p>31: 10.6x ↗ 32: 9.6 ← 33: 10.4x ↙ 34: 10.8x ↓ 35: 10.5x ← 36: 10.6x → 37: 9.9 ↓ 38: 10.4x → 39: 10.2x ← 40: 10.7x ↗</p> <p>Series 103.7 Total 0.0</p>
-------------------------------------------------------------------------------------------------------	-----------------------------------------------------------------------------------------------------------------------------------------------------------------------------------------------	---------------------------------------------------------------------------------------------------------	--------------------------------------------------------------------------------------------------------------------------------------------------------------------------------------------------

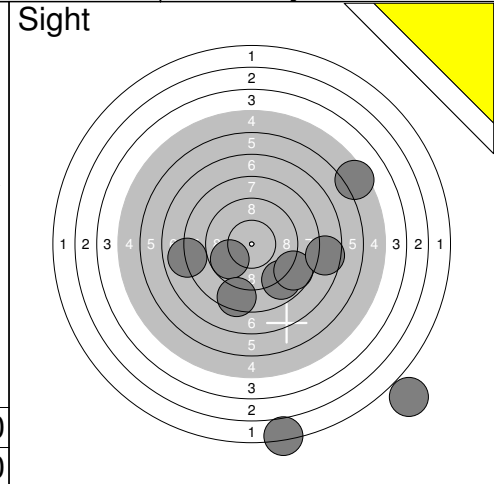
<p>60 Shots</p> 	<p>1: 9.8 ↙ 2: 9.7 ↙ 3: 10.5x ↓ 4: 10.4x ↓ 5: 10.5x → 6: 10.3x ↓ 7: 10.3x → 8: 10.3x ↙ 9: 9.5 ↙ 10: 10.1 ↓</p> <p>Series 101.4 Total 101.4</p>	<p>60 Shots</p> 	<p>11: 10.5x ↗ 12: 10.0 ↗ 13: 10.5x ← 14: 10.7x ↓ 15: 10.7x ↓ 16: 10.6x ↓ 17: 10.8x ↗ 18: 10.4x ↗ 19: 10.4x ↙ 20: 9.7 ↓</p> <p>Series 104.3 Total 205.7</p>
-----------------------------------------------------------------------------------------------------------	----------------------------------------------------------------------------------------------------------------------------------------------------------------------------------------	-------------------------------------------------------------------------------------------------------------	-----------------------------------------------------------------------------------------------------------------------------------------------------------------------------------------------------

<p>60 Shots</p> 	<p>21: 10.6x ↗ 22: 9.9 ↗ 23: 9.8 ↙ 24: 10.6x ↗ 25: 10.4x ↓ 26: 9.5 ↗ 27: 10.5x ↗ 28: 10.3x → 29: 10.0 ↓ 30: 10.2x →</p> <p>Series 101.8 Total 307.5</p>	<p>60 Shots</p> 	<p>31: 10.1 ↓ 32: 10.6x ↓ 33: 10.4x ↗ 34: 10.3x ↗ 35: 10.7x → 36: 10.8x ← 37: 10.3x ↓ 38: 10.6x → 39: 9.8 ↓ 40: 10.7x ↓</p> <p>Series 104.3 Total 411.8</p>
-----------------------------------------------------------------------------------------------------------	-------------------------------------------------------------------------------------------------------------------------------------------------------------------------------------------------	-------------------------------------------------------------------------------------------------------------	-----------------------------------------------------------------------------------------------------------------------------------------------------------------------------------------------------

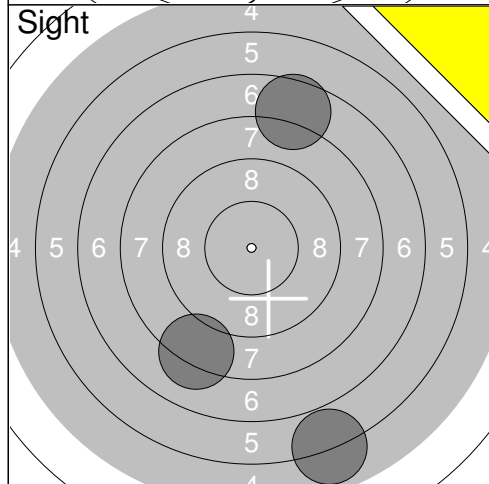
Relay	Lane	Participant	
3	36	Martin Pålsson	
S		Kyrkås Skf	
2016-04-16	UME-Kulan 2016	Umeå skytteallians	
Sight		1: 10.1 ← 2: 10.5x ← 3: 10.7x ← 4: 10.2x ← 5: 10.2x ↑ 6: 10.5x ↑ 7: 9.7 → 8: 10.3x ↖ 9: 10.7x ← 10: 10.3x ↑ Series 103.2 Total 0.0	Sight  11: 10.7x ↗ 12: 10.4x ↗ 13: 10.4x ↑ 14: 10.3x ← 15: 10.6x → 16: 10.2x ↑ 17: 10.3x ↑ 18: 10.4x → 19: 10.0 ↘ 20: 10.3x → Series 103.6 Total 0.0
Sight		21: 10.4x ↗ 22: 10.7x ↓ 23: 10.8x ← Series 31.9 Total 0.0	60 Shots  1: 10.6x ↖ 2: 10.7x ← 3: 10.6x ↘ 4: 10.1 ↘ 5: 10.8x ↓ 6: 10.9x ← 7: 10.4x ← 8: 10.3x ↗ 9: 10.6x ↓ 10: 10.7x ← Series 105.7 Total 105.7
60 Shots		11: 10.0 ↓ 12: 10.6x ↗ 13: 10.0 ↖ 14: 10.6x ← 15: 10.2x ↑ 16: 10.9x ↗ 17: 10.5x ↗ 18: 10.5x ↗ 19: 10.5x ↗ 20: 10.6x ↑ Series 104.4 Total 210.1	60 Shots  21: 10.7x ↓ 22: 10.4x → 23: 10.8x ↗ 24: 10.7x ↗ 25: 10.0 ↑ 26: 10.1 ↘ 27: 10.7x ↓ 28: 10.7x ↗ 29: 10.8x ↖ 30: 10.5x ↓ Series 105.4 Total 315.4
60 Shots		31: 10.6x ↗ 32: 10.3x → 33: 10.8x ↘ 34: 10.7x ↘ 35: 10.7x → 36: 10.5x ↑ 37: 10.5x → 38: 10.6x → 39: 10.4x ↓ 40: 10.6x ↘ Series 105.7 Total 421.2	



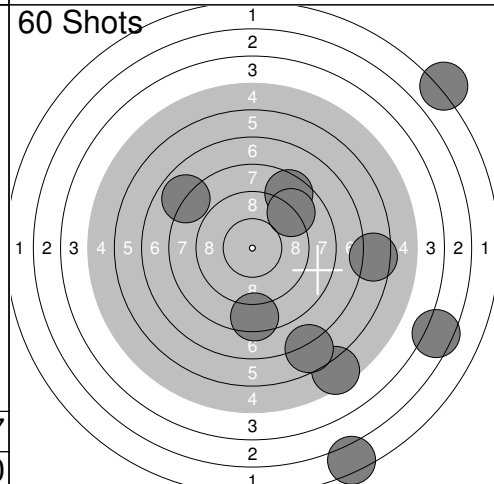
1:	6.0	↓
2:	8.7	↓
3:	7.4	↘
4:	3.4	↓
5:	10.5x	←
6:	9.4	↙
7:	6.8	↓
8:	9.2	↙
9:	6.5	←
10:	10.1	↙
Series	78.0	
Total	0.0	



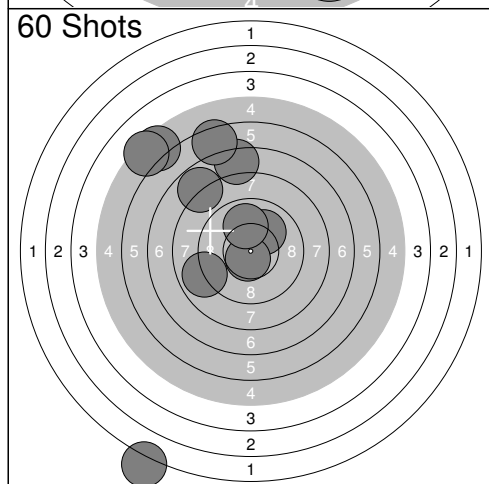
11:	8.8	↘
12:	9.7	↙
13:	8.7	↘
14:	8.4	↓
15:	0.0	↓
16:	7.6	→
17:	5.4	↗
18:	0.0	↓
19:	2.1	↓
20:	8.0	←
Series	58.7	
Total	0.0	



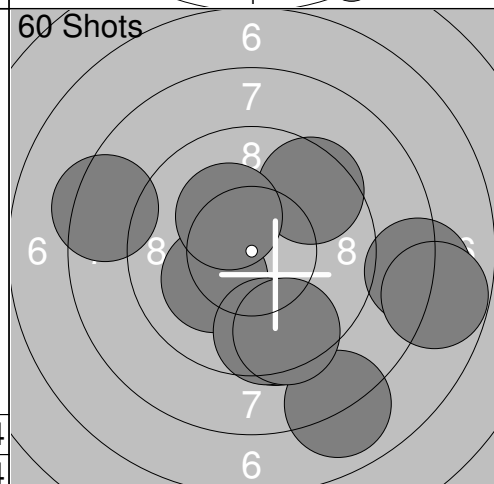
21:	5.9	↓
22:	8.2	↘
23:	7.6	↑
Series	21.7	
Total	0.0	



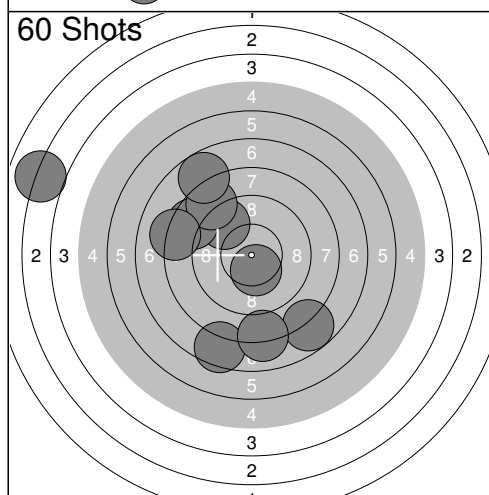
1:	6.5	→
2:	2.3	↓
3:	5.5	↘
4:	3.5	↘
5:	8.4	↓
6:	6.7	↓
7:	8.5	↗
8:	7.9	↗
9:	9.0	↗
10:	1.7	↗
Series	60.0	
Total	60.0	



11:	10.0	↗
12:	5.5	↗
13:	1.5	↓
14:	8.9	←
15:	5.3	↗
16:	10.6x	↓
17:	7.8	↗
18:	7.4	↑
19:	6.4	↗
20:	10.0	↑
Series	73.4	
Total	133.4	

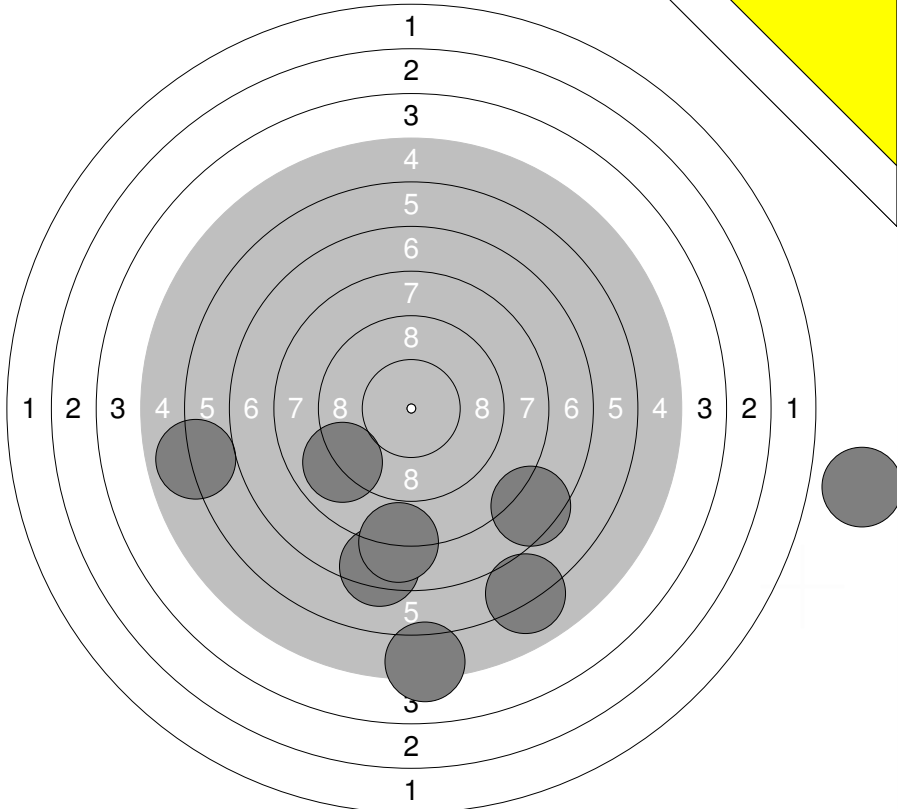


21:	8.4	←
22:	9.5	↓
23:	8.1	→
24:	7.8	→
25:	10.2x	↙
26:	9.6	↓
27:	8.0	↓
28:	9.5	↗
29:	10.2x	↗
30:	9.5	↓
Series	90.8	
Total	224.2	



31:	9.5	↗
32:	7.5	↓
33:	8.6	↗
34:	7.8	↓
35:	8.7	↗
36:	10.4x	↓
37:	8.1	↙
38:	3.0	↖
39:	7.8	↗
40:	8.1	↓
Series	79.5	
Total	303.7	

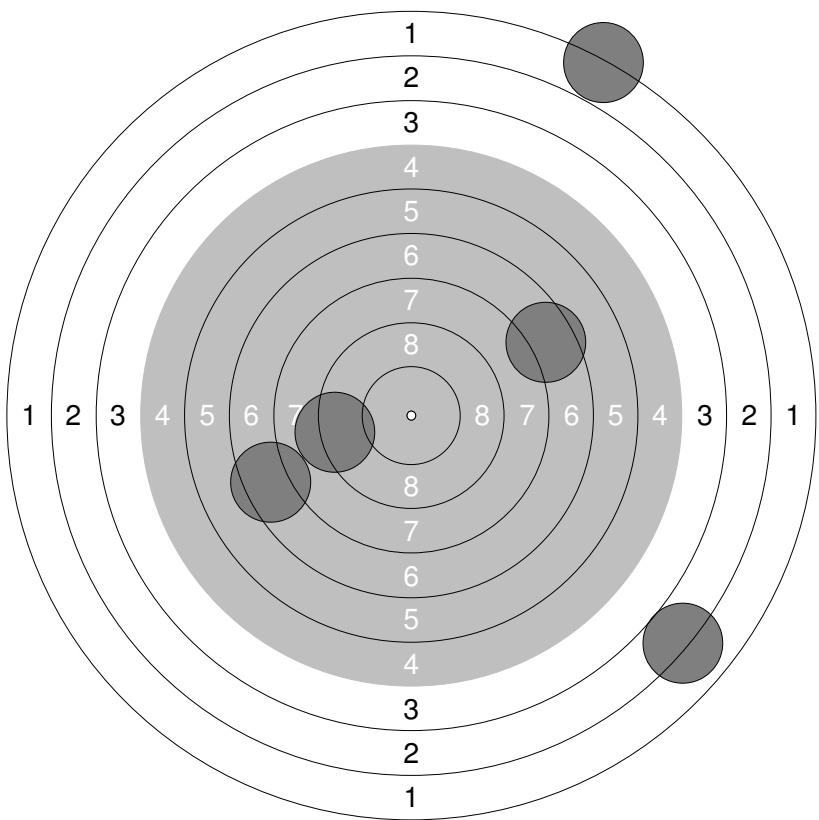
Sight



1:	6.1	↘
2:	7.5	↘
3:	6.0	↙
4:	9.0	↙
5:	0.0	↘
6:	0.0	→
7:	7.3	↘
8:	7.9	↘
9:	5.2	↘
10:	0.0	↗

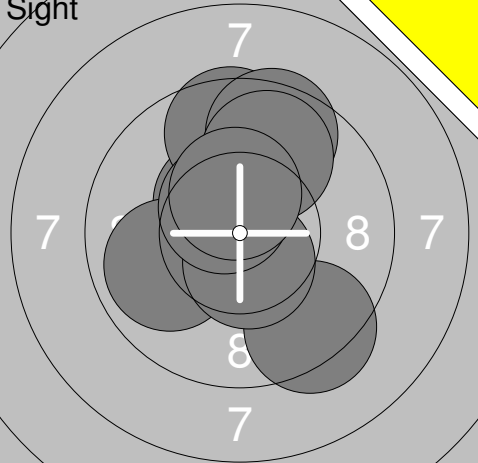
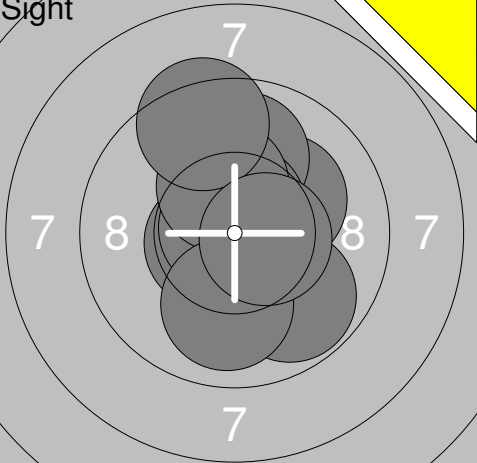
Series	49.0
Total	0.0

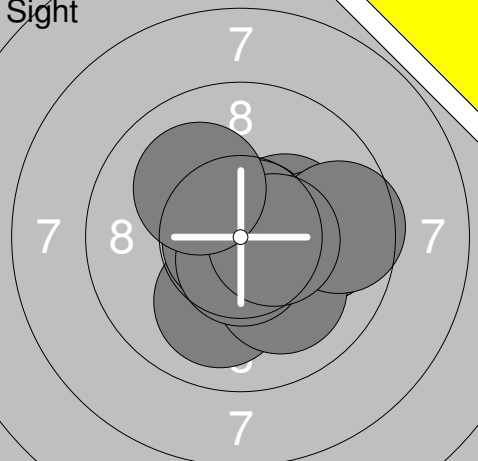
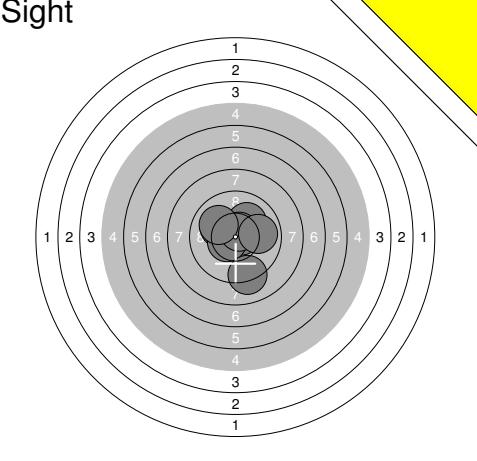
60 Shots

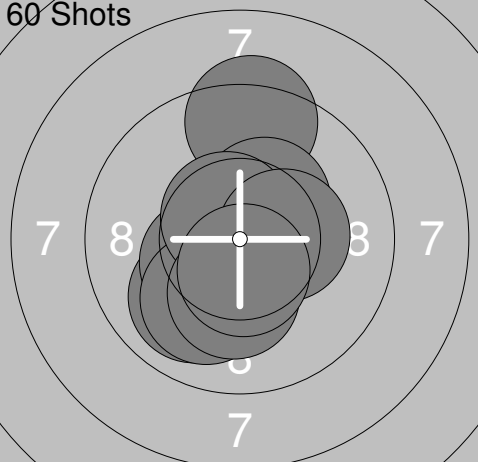
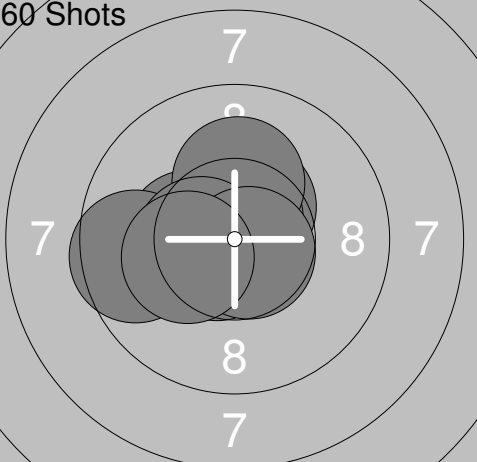


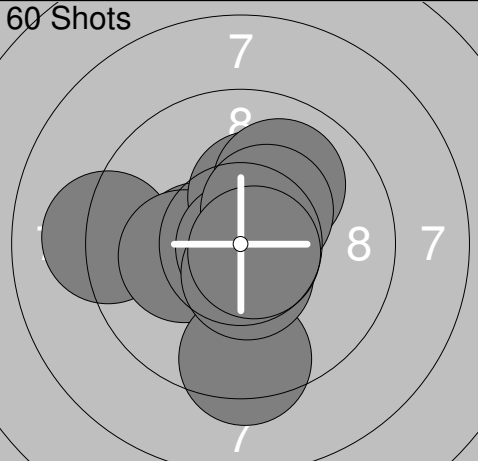
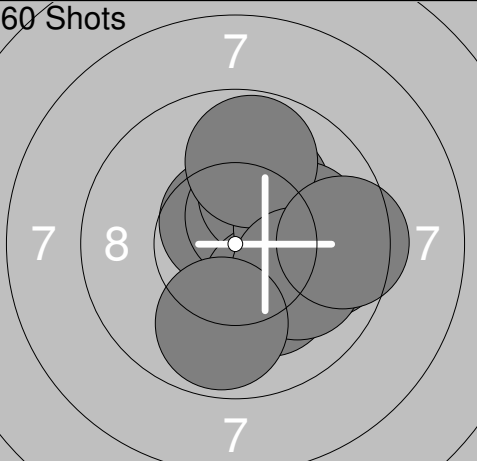
1:	0.0	↑
2:	0.0	→
3:	0.0	↘
4:	7.5	↙
5:	3.0	↘
6:	7.5	↗
7:	1.9	↗
8:	0.0	↗
9:	9.2	↙

Series	29.1
Total	29.1

<p>Sight</p> 	<p>1: 9.4 ↘ 2: 10.5x ↗ 3: 10.2x ↑ 4: 9.9 ← 5: 9.6 ↑ 6: 9.5 ↑ 7: 10.5x ↓ 8: 9.8 ↑ 9: 10.5x ↗ 10: 10.4x ↑</p> <p>Series 100.3 Total 0.0</p>	<p>Sight</p> 	<p>11: 10.2x ↗ 12: 9.9 ↑ 13: 9.8 ↘ 14: 10.6x ← 15: 10.6x ↑ 16: 10.8x ↖ 17: 10.3x ↑ 18: 9.4 ↑ 19: 10.0 ↓ 20: 10.5x →</p> <p>Series 102.1 Total 0.0</p>
------------------------------------------------------------------------------------------------------	-------------------------------------------------------------------------------------------------------------------------------------------------------------------------------------------------	--------------------------------------------------------------------------------------------------------	-------------------------------------------------------------------------------------------------------------------------------------------------------------------------------------------------------------

<p>Sight</p> 	<p>21: 10.0 ↓ 22: 10.3x → 23: 10.8x ← 24: 10.7x ↗ 25: 9.9 → 26: 10.1 ↓ 27: 9.6 → 28: 10.6x ↓ 29: 10.5x → 30: 10.1 ↗</p> <p>Series 102.6 Total 0.0</p>	<p>Sight</p> 	<p>31: 10.1 ↖ 32: 10.7x → 33: 10.5x ← 34: 10.1 ↗ 35: 10.6x ↗ 36: 9.9 → 37: 0.0 ↓ 38: 9.1 ↓ 39: 10.0 ↗</p> <p>Series 81.0 Total 0.0</p>
-------------------------------------------------------------------------------------------------------	-------------------------------------------------------------------------------------------------------------------------------------------------------------------------------------------------------------	---------------------------------------------------------------------------------------------------------	------------------------------------------------------------------------------------------------------------------------------------------------------------------------------------------

<p>60 Shots</p> 	<p>1: 9.4 ↑ 2: 10.0 ↓ 3: 10.4x ↘ 4: 10.4x ← 5: 10.0 ↓ 6: 10.4x ↗ 7: 10.6x ↗ 8: 10.4x → 9: 10.2x ↓ 10: 10.5x ↓</p> <p>Series 102.3 Total 102.3</p>	<p>60 Shots</p> 	<p>11: 10.7x ↘ 12: 10.6x ↖ 13: 10.4x ← 14: 10.5x ↗ 15: 9.6 ← 16: 10.7x ↑ 17: 10.2x ↑ 18: 10.5x ← 19: 10.7x ↘ 20: 10.3x ←</p> <p>Series 104.2 Total 206.5</p>
-----------------------------------------------------------------------------------------------------------	---------------------------------------------------------------------------------------------------------------------------------------------------------------------------------------------------------	-------------------------------------------------------------------------------------------------------------	--------------------------------------------------------------------------------------------------------------------------------------------------------------------------------------------------------------------

<p>60 Shots</p> 	<p>21: 9.2 ← 22: 10.4x ← 23: 10.2x ← 24: 10.3x ↗ 25: 10.0 ↗ 26: 10.9x ↓ 27: 10.4x ↗ 28: 9.4 ↓ 29: 10.5x ↓ 30: 10.7x ↘</p> <p>Series 102.0 Total 308.5</p>	<p>60 Shots</p> 	<p>31: 9.8 → 32: 10.6x ↗ 33: 10.5x ↗ 34: 10.2x ↗ 35: 10.2x ↘ 36: 10.0 → 37: 9.8 ↑ 38: 10.0 → 39: 9.9 ↓ 40: 9.5 →</p> <p>Series 100.5 Total 409.0</p>
-----------------------------------------------------------------------------------------------------------	-----------------------------------------------------------------------------------------------------------------------------------------------------------------------------------------------------------------	-------------------------------------------------------------------------------------------------------------	------------------------------------------------------------------------------------------------------------------------------------------------------------------------------------------------------------

<p>Sight</p>	<p>Sight</p>
---------------------	---------------------

<p>60 Shots</p>	<p>60 Shots</p>
------------------------	------------------------

<p>60 Shots</p>	<p>60 Shots</p>
------------------------	------------------------