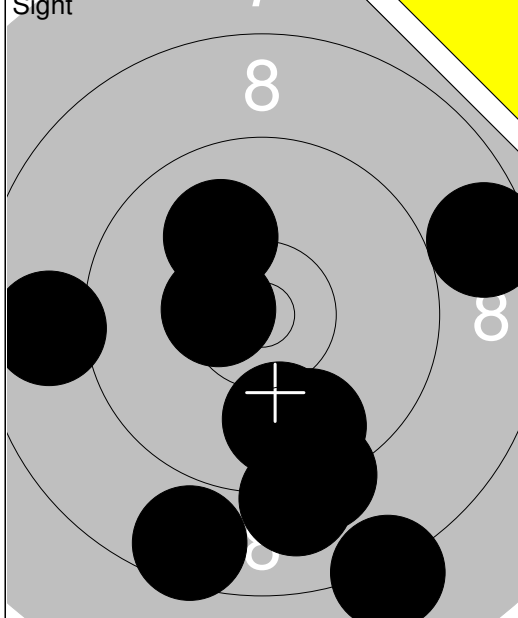
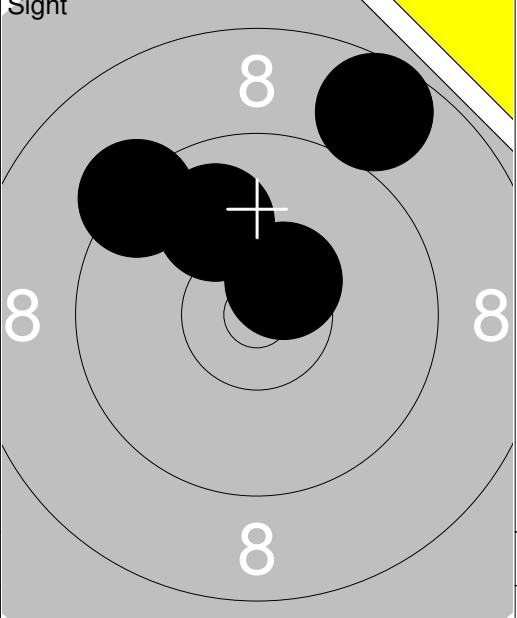
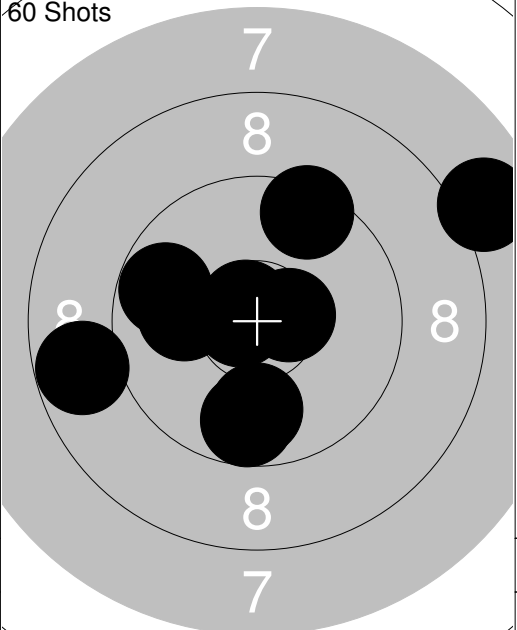
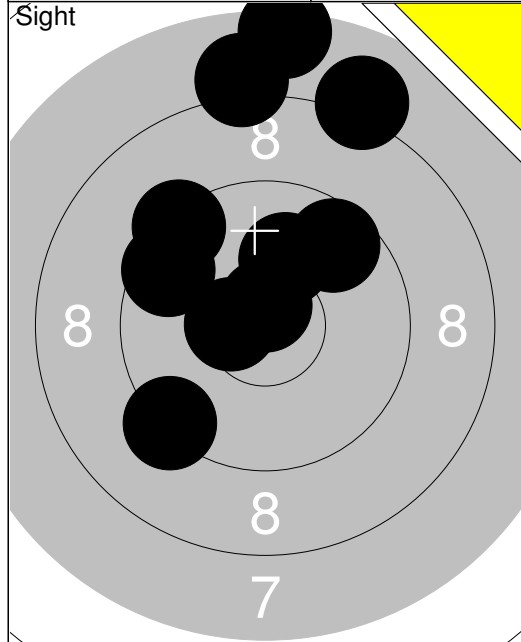


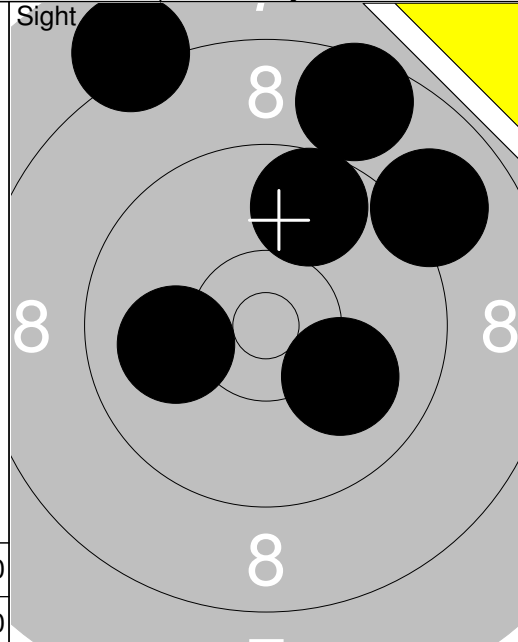
<p>Sight</p> 	<p>1: 8.7 →</p> <p>2: 8.9 ←</p> <p>3: 9.3 ↓</p> <p>4: 8.6 ↓</p> <p>5: 9.8 ↓</p> <p>6: 8.2 ↓</p> <p>7: 10.5x ←</p> <p>8: 9.9 ↓</p> <p>9: 9.1 ↓</p> <p>10: 10.1 ↗</p>	<p>Sight</p> 	
Series	88.0	Series	37.0
Total	0.0	Total	0.0

<p>60 Shots</p> 	<p>1: 7.6 ←</p> <p>2: 9.4 ↗</p> <p>3: 9.9 ←</p> <p>4: 10.1 ↗</p> <p>5: 8.3 ↗</p> <p>6: 7.8 ↗</p> <p>7: 10.5x ↗</p> <p>8: 8.7 ↗</p> <p>9: 9.2 ↗</p> <p>10: 9.9 ↘</p>	<p>60 Shots</p> 	
Series	86.0	Series	88.0
Total	86.0	Total	174.0

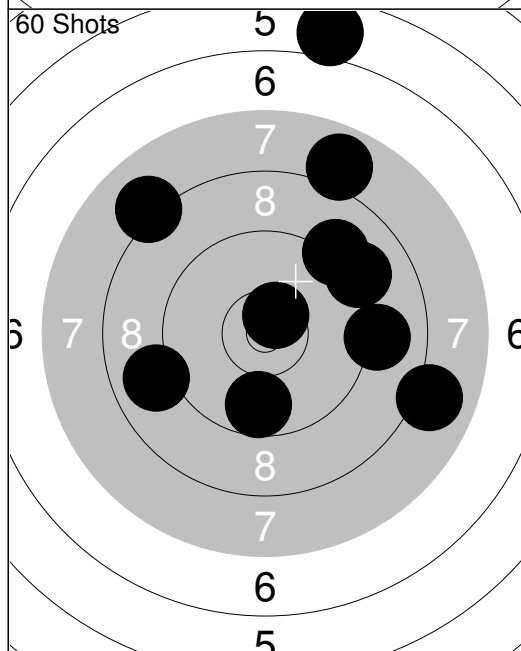
<p>60 Shots</p> 	<p>21: 10.3 →</p> <p>22: 8.6 ↗</p> <p>23: 7.9 ↓</p> <p>24: 8.5 ↓</p> <p>25: 8.5 ↗</p> <p>26: 9.8 ←</p> <p>27: 9.8 ↗</p> <p>28: 10.1 ↓</p> <p>29: 10.1 ↗</p> <p>30: 9.4 ↓</p>	<p>60 Shots</p> 	
Series	88.0	Series	91.0
Total	262.0	Total	353.0



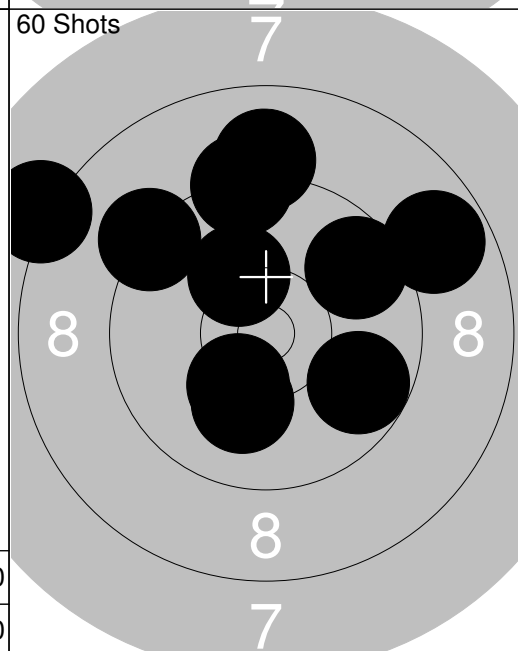
1:	10.7x	↑
2:	9.3	↙
3:	7.5	↑
4:	10.5x	←
5:	9.4	↖
6:	8.0	↑
7:	9.6	↖
8:	8.1	↑
9:	10.1	↑
10:	9.7	↗
Series		89.0
Total		0.0



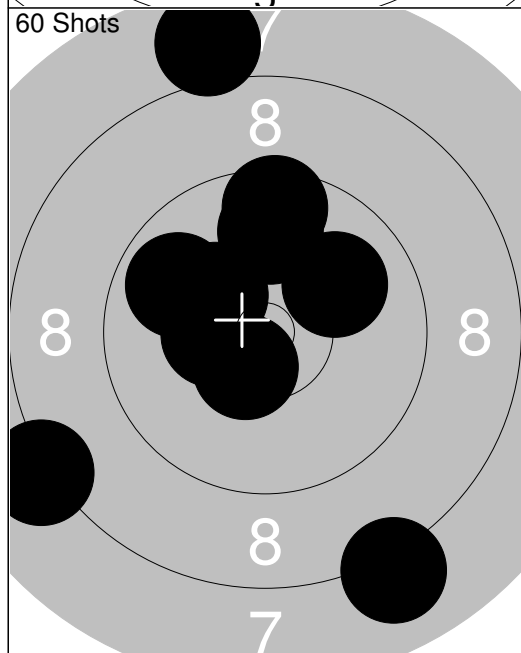
11:	10.1	↘
12:	8.7	↑
13:	9.8	↑
14:	8.1	↖
15:	9.0	↗
16:	10.1	←
Series		54.0
Total		0.0



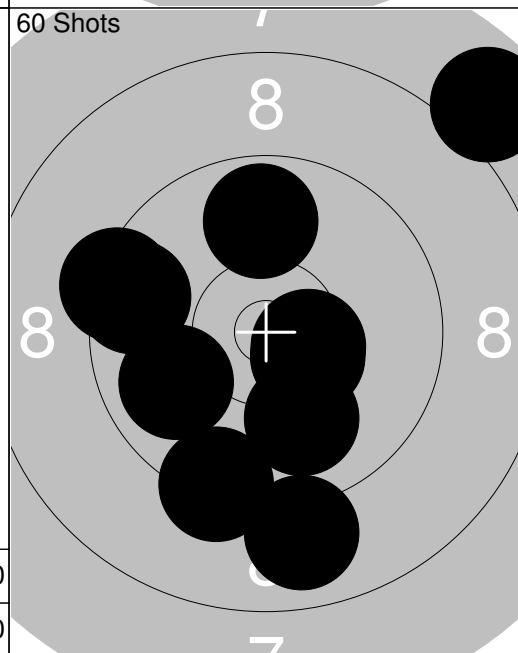
1:	7.9	↑
2:	9.1	→
3:	5.8	↑
4:	8.0	→
5:	9.0	←
6:	8.1	↖
7:	9.2	↗
8:	9.8	↓
9:	10.6x	↗
10:	9.1	↗
Series		83.0
Total		83.0



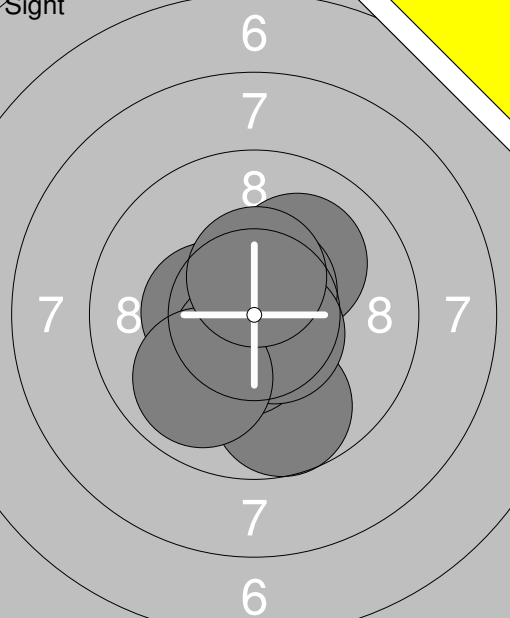
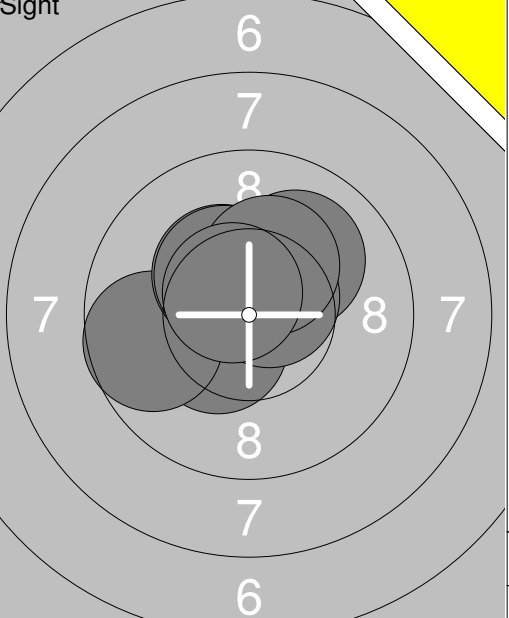
11:	10.2	↓
12:	9.8	↘
13:	8.9	↗
14:	9.1	↑
15:	9.7	↗
16:	8.1	↖
17:	9.3	↖
18:	10.2	↑
19:	10.3	↓
20:	9.3	↑
Series		91.0
Total		174.0

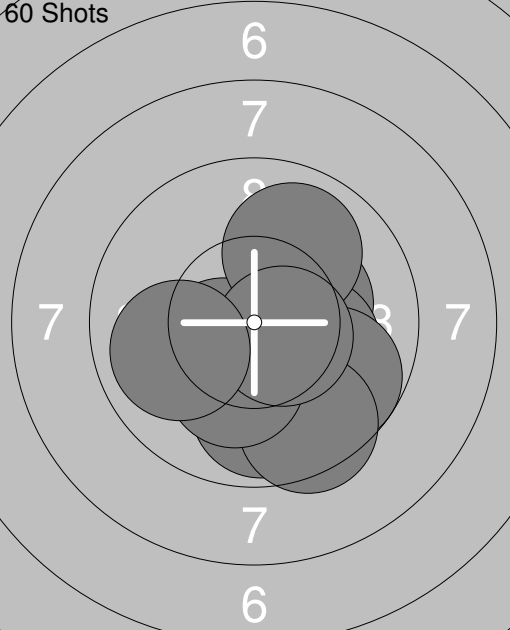
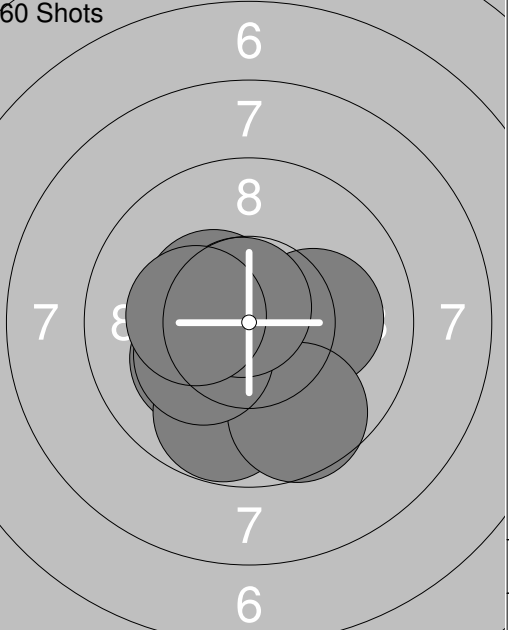


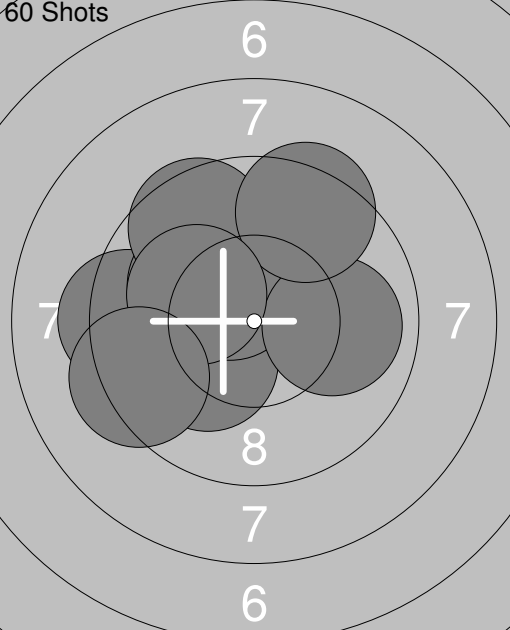
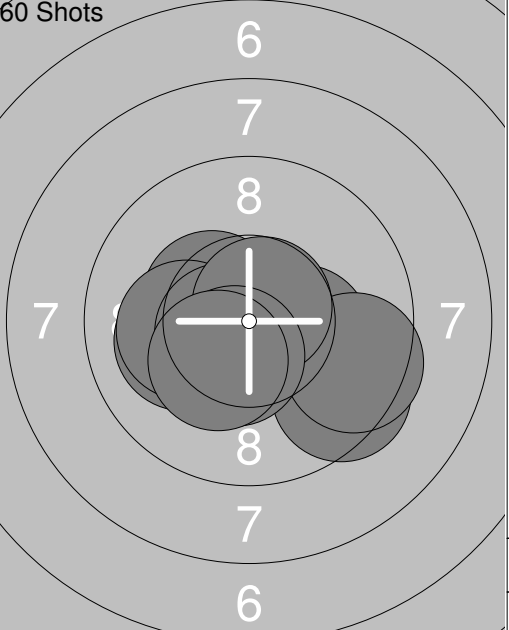
21:	8.1	↙
22:	10.3	↖
23:	7.8	↑
24:	9.9	↖
25:	8.1	↓
26:	9.9	↑
27:	10.1	↗
28:	10.4x	←
29:	10.5x	↙
30:	9.6	↑
Series		90.0
Total		264.0

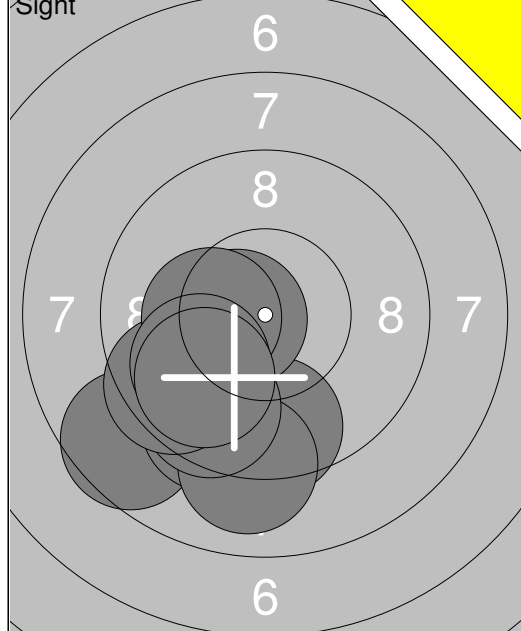


31:	9.6	←
32:	9.4	↖
33:	9.9	↑
34:	9.4	↓
35:	7.9	↗
36:	9.9	↖
37:	9.0	↓
38:	10.5x	→
39:	10.0	↓
40:	10.5x	↘
Series		91.0
Total		355.0

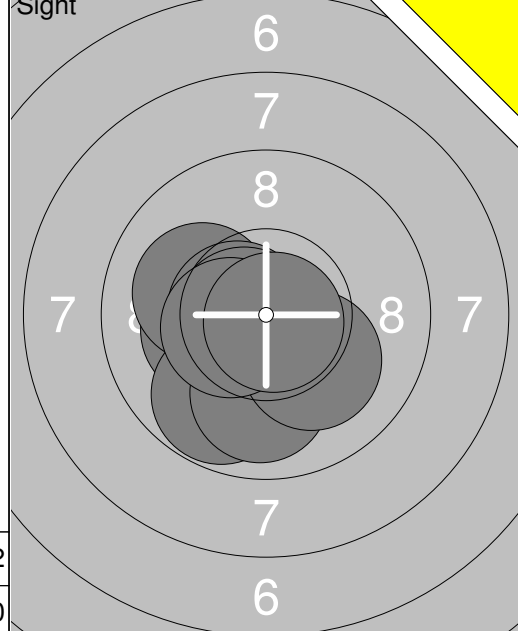
 <p style="text-align:center;">Sight</p>	<p>1: 10.1 ↗</p> <p>2: 10.5x ↙</p> <p>3: 10.6x ↗</p> <p>4: 10.4x ↙</p> <p>5: 10.5x ↓</p> <p>6: 9.7 ↓</p> <p>7: 10.5x ↓</p> <p>8: 10.6x ↘</p> <p>9: 9.9 ↙</p> <p>10: 10.5x ↑</p>	 <p style="text-align:center;">Sight</p>	<p>11: 10.0 ↗</p> <p>12: 10.4x ↙</p> <p>13: 9.7 ↙</p> <p>14: 10.3x ↖</p> <p>15: 10.4x ↖</p> <p>16: 10.6x ↗</p> <p>17: 10.3x ↗</p> <p>18: 10.6x ↖</p>
Series 103.3		Series 82.3	
Total 0.0		Total 0.0	

 <p style="text-align:center;">60 Shots</p>	<p>1: 10.4x ↙</p> <p>2: 10.3x →</p> <p>3: 10.2x →</p> <p>4: 9.9 ↗</p> <p>5: 9.9 ↓</p> <p>6: 9.7 ↘</p> <p>7: 9.5 ↓</p> <p>8: 10.2x ↓</p> <p>9: 10.5x →</p> <p>10: 9.9 ↙</p>	 <p style="text-align:center;">60 Shots</p>	<p>11: 10.2x ↙</p> <p>12: 10.4x ↙</p> <p>13: 10.9x →</p> <p>14: 10.1 →</p> <p>15: 9.8 ↓</p> <p>16: 10.4x ↖</p> <p>17: 9.6 ↓</p> <p>18: 10.2x ↙</p> <p>19: 10.7x ↗</p> <p>20: 10.3x ↙</p>
Series 100.5		Series 102.6	
Total 100.5		Total 203.1	

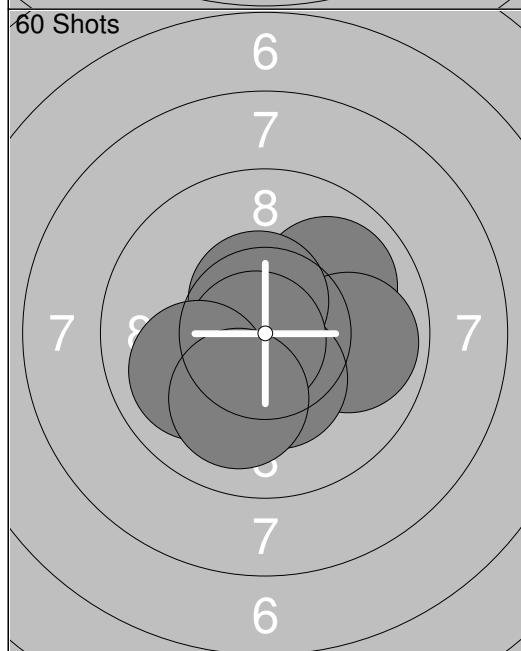
 <p style="text-align:center;">60 Shots</p>	<p>21: 10.2x ↙</p> <p>22: 9.3 ↙</p> <p>23: 10.4x ↖</p> <p>24: 10.1 ↖</p> <p>25: 10.5x ↗</p> <p>26: 9.6 ↗</p> <p>27: 10.0 →</p> <p>28: 9.4 ↗</p> <p>29: 10.1 ↖</p> <p>30: 9.3 ↙</p>	 <p style="text-align:center;">60 Shots</p>	<p>31: 10.1 ↙</p> <p>32: 10.3x →</p> <p>33: 9.5 ↘</p> <p>34: 10.4x ↖</p> <p>35: 10.1 ↙</p> <p>36: 10.6x ↙</p> <p>37: 9.5 →</p> <p>38: 10.7x ↗</p> <p>39: 10.5x ↓</p> <p>40: 10.3x ↙</p>
Series 98.9		Series 102.0	
Total 302.0		Total 404.0	



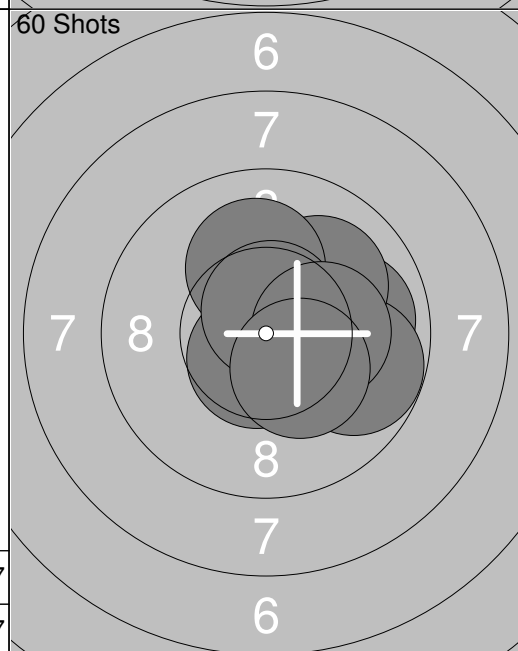
1:	8.6	↙
2:	9.4	↘
3:	9.5	↓
4:	9.0	↓
5:	10.6x	←
6:	9.6	↘
7:	9.5	↙
8:	10.3x	←
9:	9.9	↙
10:	9.8	↘
Series		96.2
Total		0.0



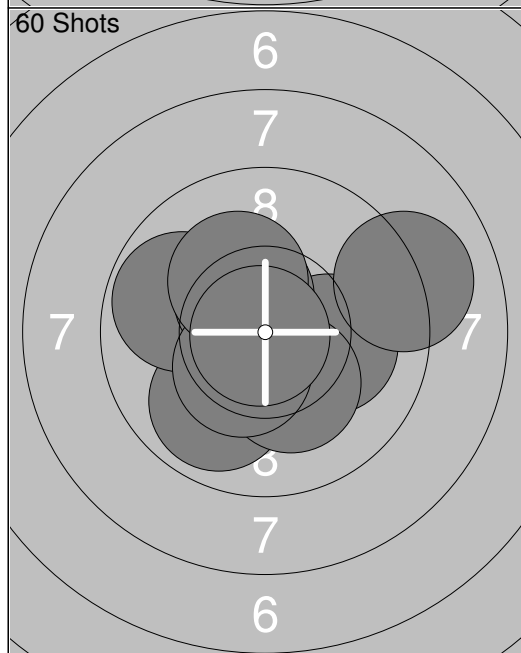
11:	10.2x	←
12:	10.3x	↘
13:	10.1	↖
14:	10.6x	←
15:	9.8	↘
16:	10.7x	←
17:	10.0	↓
18:	10.1	↘
19:	10.5x	←
20:	10.8x	↘
Series		103.1
Total		0.0



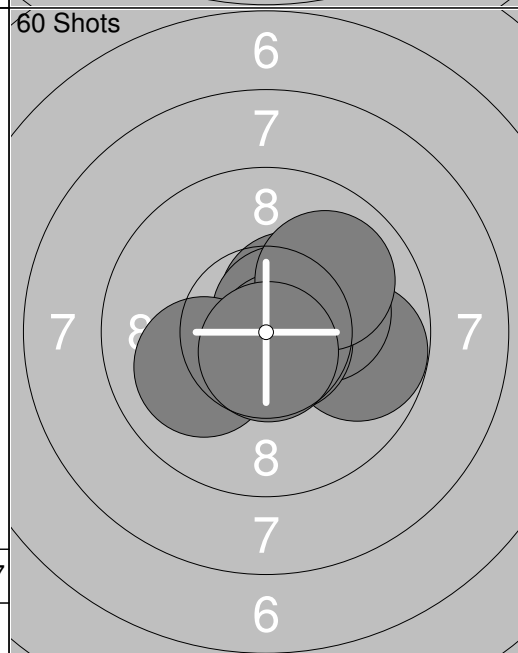
1:	10.4x	↗
2:	10.8x	→
3:	10.0	↗
4:	10.8x	↖
5:	9.9	→
6:	10.4x	↘
7:	10.5x	↑
8:	10.8x	↙
9:	10.0	↙
10:	10.1	↘
Series		103.7
Total		103.7



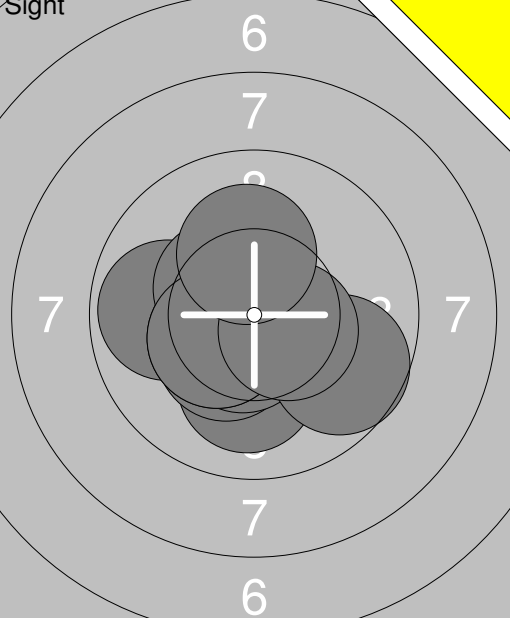
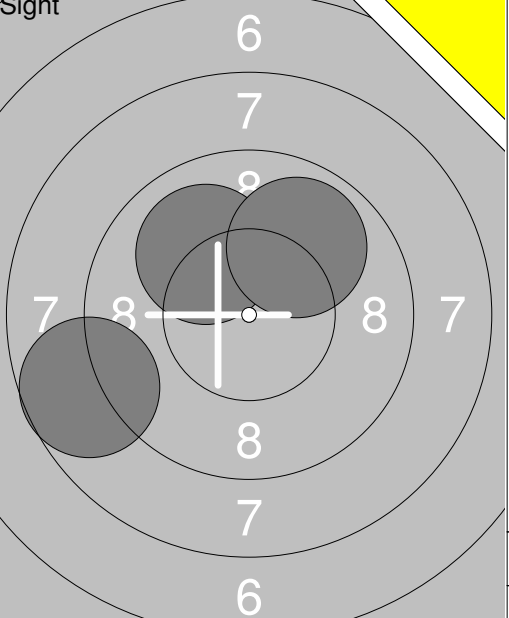
11:	10.8x	↘
12:	10.3x	↗
13:	9.9	→
14:	10.6x	↘
15:	9.8	→
16:	10.0	↗
17:	10.1	↑
18:	10.7x	↑
19:	10.2x	→
20:	10.3x	↘
Series		102.7
Total		206.4

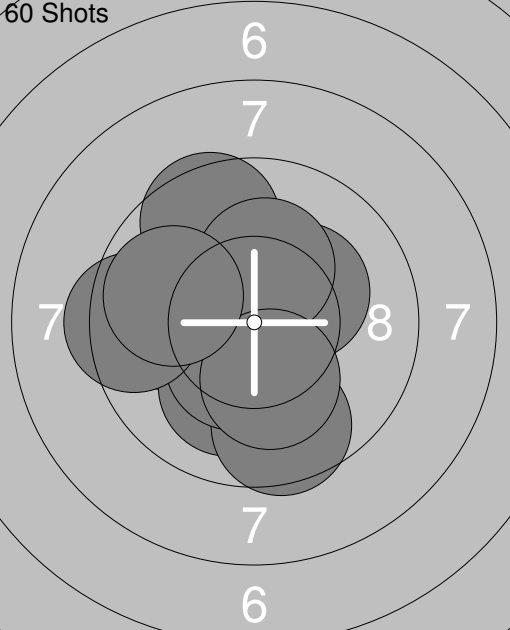
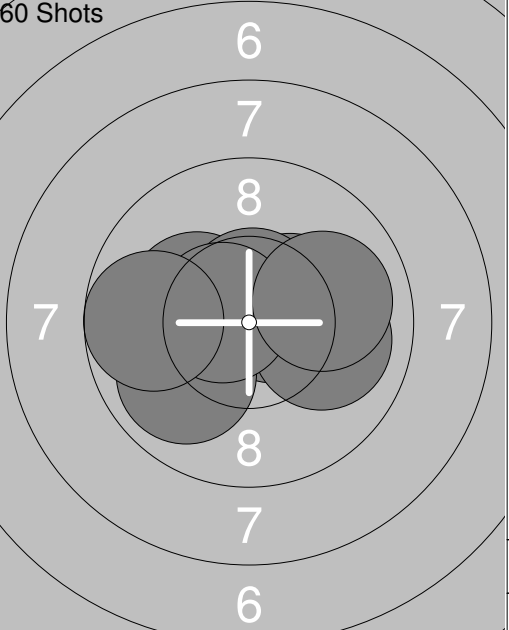


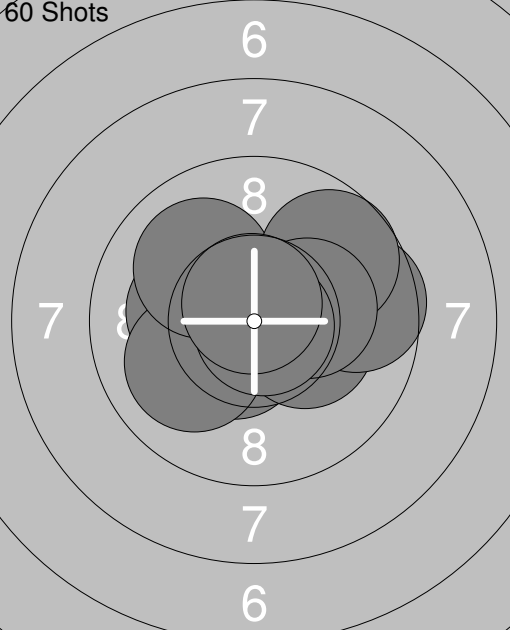
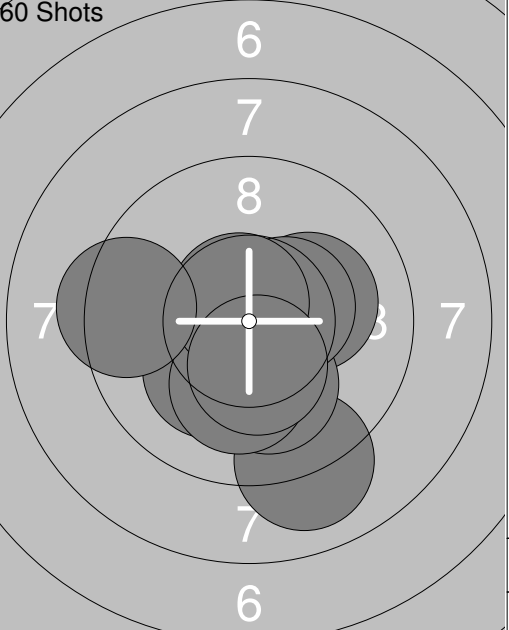
21:	9.9	↘
22:	10.1	→
23:	10.7x	↖
24:	9.1	→
25:	9.8	↖
26:	10.4x	↖
27:	10.2x	↘
28:	10.4x	↘
29:	10.2x	↖
30:	10.9x	↙
Series		101.7
Total		308.1

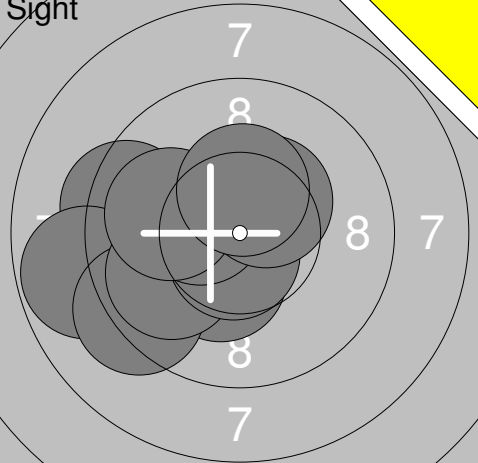
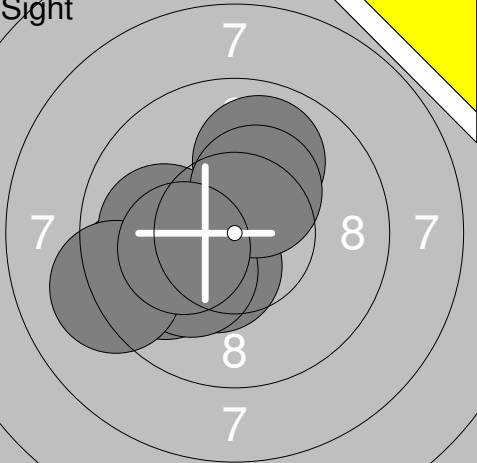



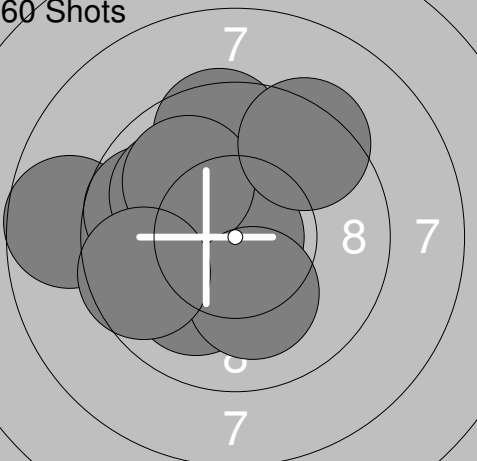
31:	9.8	→
32:	10.3x	↗
33:	10.5x	↗
34:	10.8x	→
35:	10.7x	↗
36:	10.2x	→
37:	10.7x	↘
38:	10.0	↙
39:	9.9	↗
40:	10.7x	↘
Series		103.6
Total		411.7

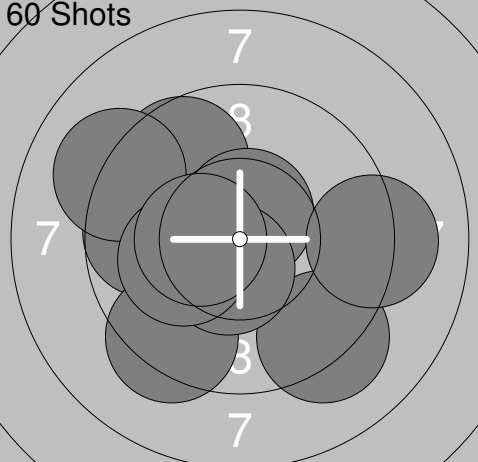
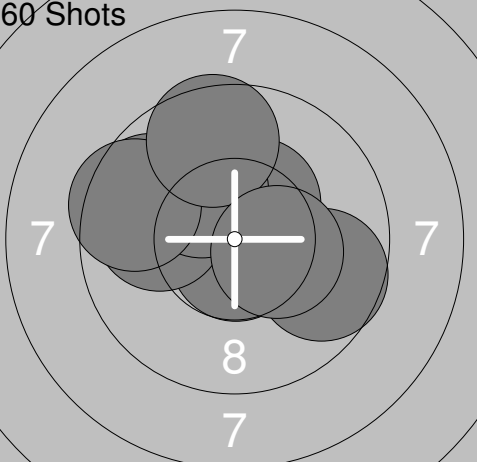
 <p style="text-align:center;">Sight</p>	<p>1: 10.1 ↓</p> <p>2: 10.4x ↙</p> <p>3: 10.6x ↓</p> <p>4: 9.8 ←</p> <p>5: 10.4x ↙</p> <p>6: 10.4x ↖</p> <p>7: 9.7 →</p> <p>8: 10.4x ↙</p> <p>9: 10.5x →</p> <p>10: 10.2x ↑</p>	 <p style="text-align:center;">Sight</p>	<p>11: 10.0 ↖</p> <p>12: 8.7 ↙</p> <p>13: 9.9 ↗</p>
Series 102.5	Total 0.0	Series 28.6	Total 0.0

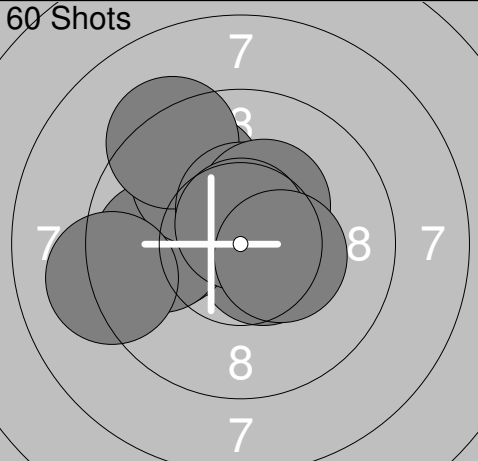
 <p style="text-align:center;">60 Shots</p>	<p>1: 9.8 ←</p> <p>2: 10.3x →</p> <p>3: 10.1 ↓</p> <p>4: 9.6 ↓</p> <p>5: 10.4x ↙</p> <p>6: 9.4 ←</p> <p>7: 9.6 ↗</p> <p>8: 10.2x ↑</p> <p>9: 10.2x ↓</p> <p>10: 9.9 ←</p>	 <p style="text-align:center;">60 Shots</p>	<p>11: 10.4x →</p> <p>12: 10.2x →</p> <p>13: 10.6x →</p> <p>14: 10.2x ↖</p> <p>15: 9.9 ↙</p> <p>16: 10.6x ↑</p> <p>17: 10.0 →</p> <p>18: 10.6x ↖</p> <p>19: 9.7 ←</p> <p>20: 10.0 →</p>
Series 99.5	Total 99.5	Series 102.2	Total 201.7

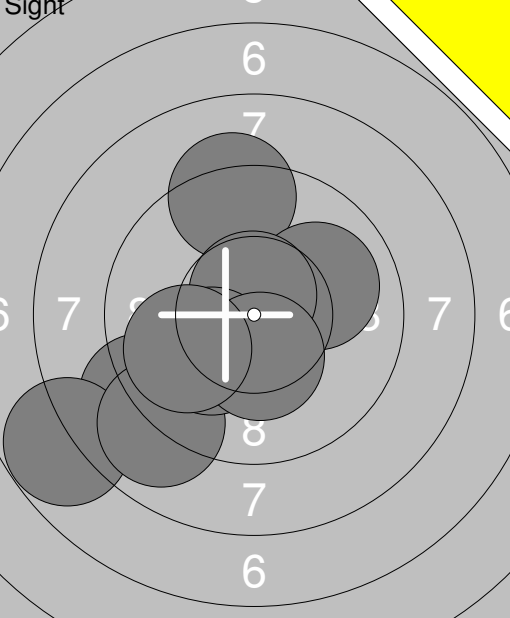
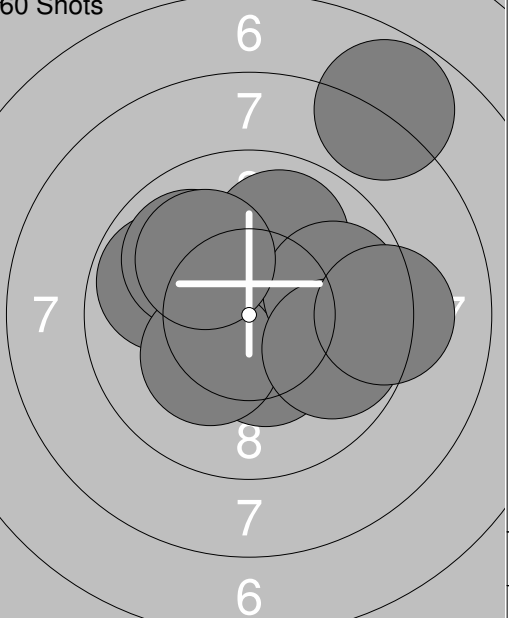
 <p style="text-align:center;">60 Shots</p>	<p>21: 10.5x ↙</p> <p>22: 10.3x →</p> <p>23: 9.6 →</p> <p>24: 10.2x ↖</p> <p>25: 10.0 ↙</p> <p>26: 10.0 ↖</p> <p>27: 9.7 ↗</p> <p>28: 10.2x →</p> <p>29: 10.8x →</p> <p>30: 10.7x ↑</p>	 <p style="text-align:center;">60 Shots</p>	<p>31: 10.8x ↙</p> <p>32: 10.2x ↙</p> <p>33: 9.0 ↓</p> <p>34: 10.2x →</p> <p>35: 10.1 ↓</p> <p>36: 10.5x →</p> <p>37: 10.1 ↓</p> <p>38: 10.7x ↗</p> <p>39: 9.4 ←</p> <p>40: 10.4x ↓</p>
Series 102.0	Total 303.7	Series 101.4	Total 405.1

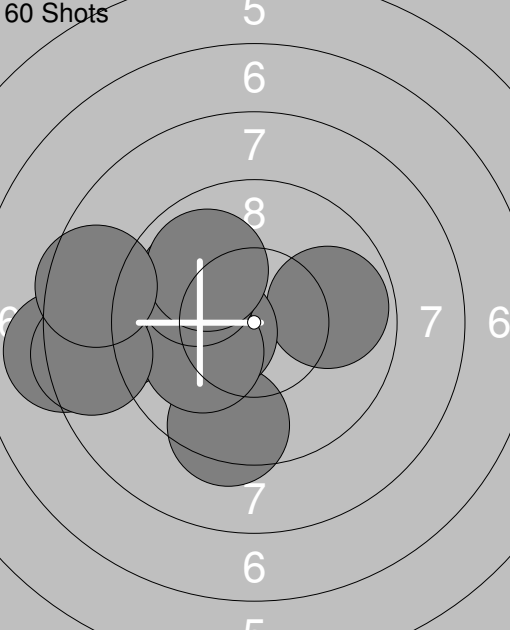
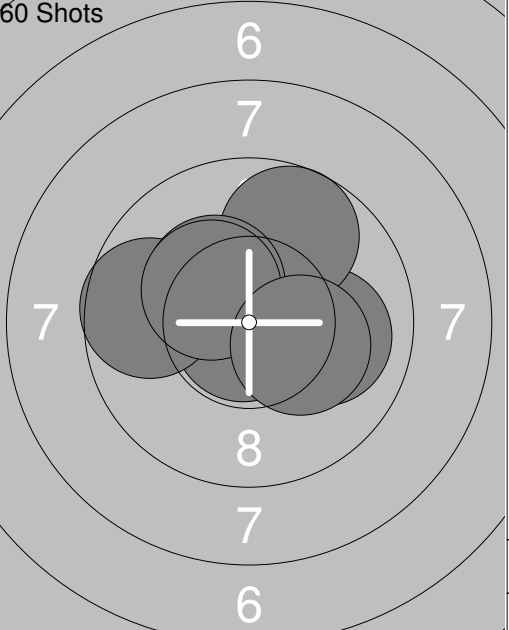
Sight 	1: 9.4 ← 2: 10.3x ↓ 3: 8.8 ← 4: 9.2 ↙ 5: 9.9 ↙ 6: 10.7x ↓ 7: 10.4x ← 8: 10.4x ↗ 9: 10.0 ← 10: 10.4x ↑ <hr/> Series 99.5 Total 0.0	Sight 	11: 9.5 ← 12: 9.9 ← 13: 10.3x ↙ 14: 10.4x ↓ 15: 10.2x ↙ 16: 9.9 ↑ 17: 10.0 ← 18: 10.3x ↗ 19: 9.2 ← 20: 10.2x ← <hr/> Series 99.9 Total 0.0
--	--	--	---

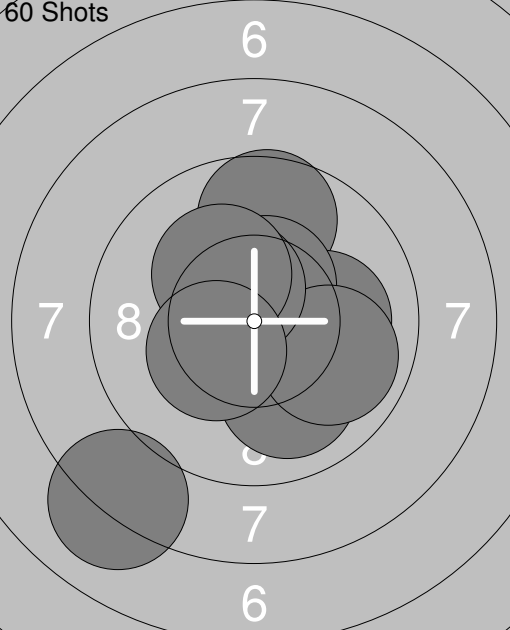
Sight 	21: 9.0 ↑ <hr/> Series 9.0 Total 0.0	60 Shots 	1: 8.7 ← 2: 9.5 ↑ 3: 9.7 ← 4: 10.1 ↓ 5: 10.0 ↖ 6: 10.9x → 7: 10.0 ↗ 8: 9.4 ↗ 9: 10.2x ↓ 10: 9.6 ← <hr/> Series 98.1 Total 98.1
---	--	--	---

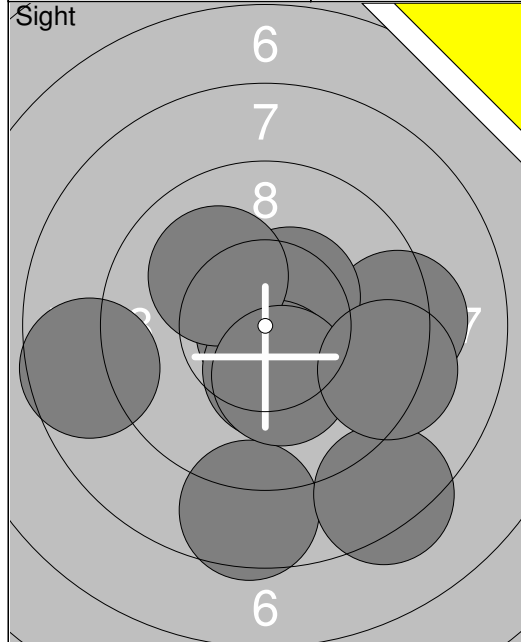
60 Shots 	11: 9.7 ↗ 12: 9.7 ← 13: 10.6x ↑ 14: 9.2 ↓ 15: 9.1 ↖ 16: 9.3 ↓ 17: 10.5x ↓ 18: 10.1 ← 19: 10.4x ← 20: 9.2 → <hr/> Series 97.8 Total 195.9	60 Shots 	21: 9.9 ← 22: 9.7 ← 23: 10.7x ↓ 24: 10.4x ↗ 25: 9.9 ← 26: 10.2x ↗ 27: 9.7 → 28: 9.5 ← 29: 9.6 ↑ 30: 10.4x → <hr/> Series 100.0 Total 295.9
---	---	---	---

60 Shots 	31: 10.6x ↘ 32: 10.0 ← 33: 9.9 ← 34: 9.9 ↗ 35: 9.3 ↗ 36: 10.5x ↑ 37: 10.3x ↗ 38: 10.7x ↑ 39: 9.2 ← 40: 10.4x → <hr/> Series 100.8 Total 396.7		
---	--	--	--

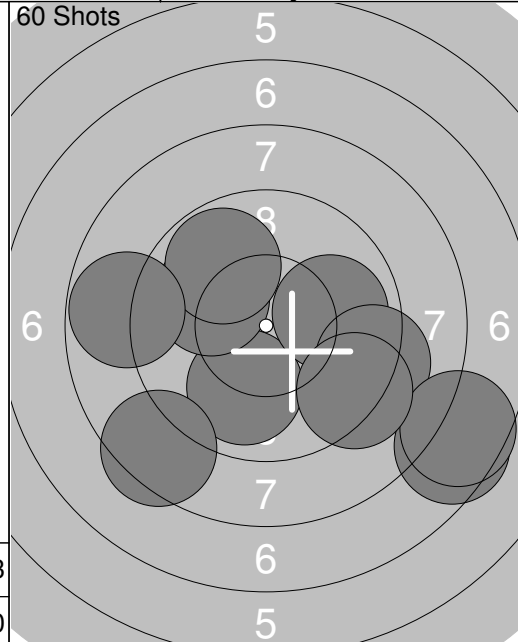
	<p>1: 10.9x →</p> <p>2: 9.0 ↙</p> <p>3: 7.8 ↙</p> <p>4: 9.3 ↑</p> <p>5: 10.0 →</p> <p>6: 10.7x ↑</p> <p>7: 8.9 ↙</p> <p>8: 10.2x ↙</p> <p>9: 10.4x ↓</p> <p>10: 9.9 ↙</p> <p>Series 97.1</p> <p>Total 0.0</p>	<p>60 Shots</p>  <p>1: 9.8 ↙</p> <p>2: 9.9 ↑</p> <p>3: 9.9 ↙</p> <p>4: 10.4x ↓</p> <p>5: 10.2x ↙</p> <p>6: 9.8 →</p> <p>7: 9.8 →</p> <p>8: 10.0 ↙</p> <p>9: 7.8 ↑</p> <p>10: 9.2 →</p> <p>Series 96.8</p> <p>Total 96.8</p>
--	---	---

<p>60 Shots</p> 	<p>11: 9.8 →</p> <p>12: 9.4 ↓</p> <p>13: 8.1 ↙</p> <p>14: 10.4x ↙</p> <p>15: 8.9 ↙</p> <p>16: 10.1 ↙</p> <p>17: 10.0 ↙</p> <p>18: 8.5 ↙</p> <p>19: 9.9 ↑</p> <p>20: 8.6 ↙</p> <p>Series 93.7</p> <p>Total 190.5</p>	<p>60 Shots</p>  <p>21: 10.8x ↙</p> <p>22: 10.4x →</p> <p>23: 10.8x ↙</p> <p>24: 10.0 →</p> <p>25: 10.5x ↑</p> <p>26: 9.7 ↑</p> <p>27: 9.7 ↙</p> <p>28: 10.3x ↙</p> <p>29: 10.3x ↙</p> <p>30: 10.2x →</p> <p>Series 102.7</p> <p>Total 293.2</p>
---	---	---

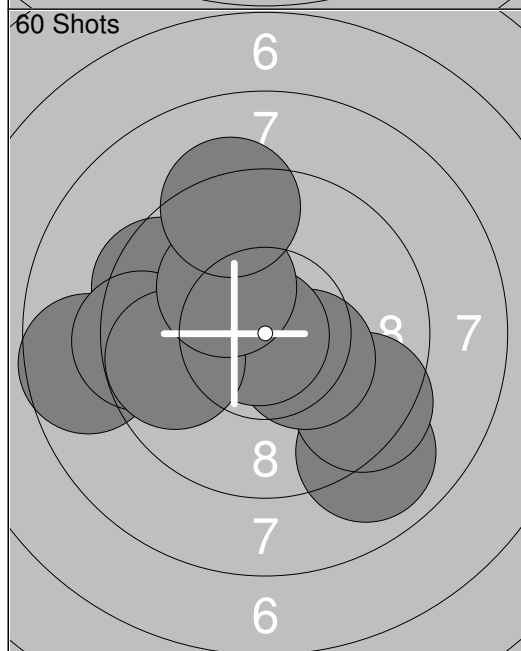
<p>60 Shots</p> 	<p>31: 10.3x ↙</p> <p>32: 9.7 ↑</p> <p>33: 8.1 ↙</p> <p>34: 10.0 ↓</p> <p>35: 10.1 →</p> <p>36: 10.5x ↑</p> <p>37: 9.9 →</p> <p>38: 10.5x ↙</p> <p>39: 10.2x ↙</p> <p>40: 10.3x ↙</p> <p>Series 99.6</p> <p>Total 392.8</p>	
--	---	--



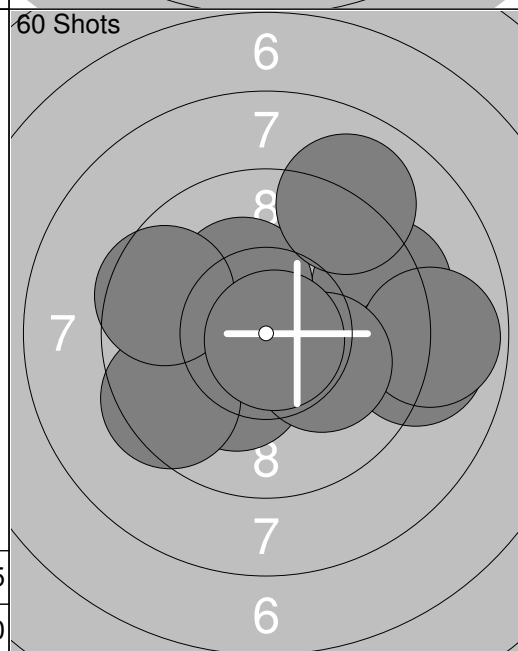
1: 9.3 →
2: 10.9x ↓
3: 10.5x ↗
4: 8.6 ↓
5: 10.4x ↓
6: 8.6 ←
7: 8.3 ↓
8: 10.1 ↗
9: 10.3x ↓
10: 9.3 →
Series 96.3
Total 0.0



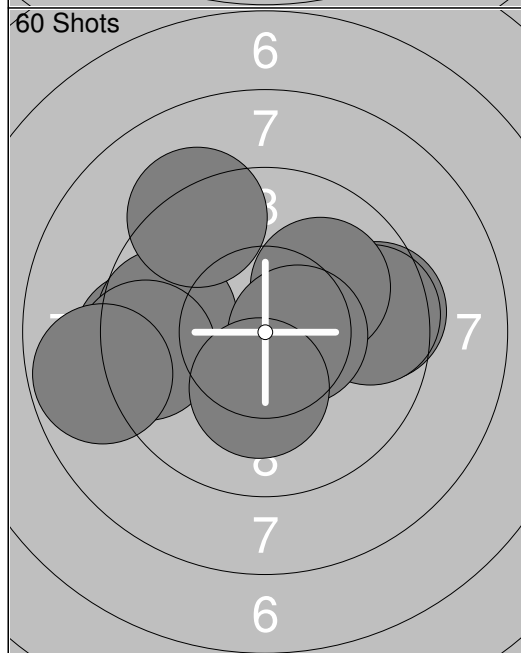
1: 10.0 ↓
2: 7.5 ↘
3: 10.0 ↖
4: 9.8 ↗
5: 8.4 ↓
6: 9.9 →
7: 9.2 →
8: 7.6 ↘
9: 9.3 ↓
10: 8.8 ←
Series 90.5
Total 90.5



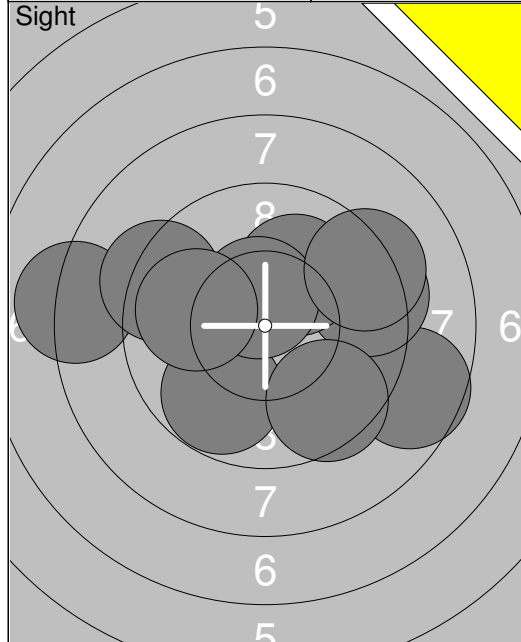
11: 9.0 ↓
12: 9.4 ↘
13: 9.5 ↖
14: 8.7 ←
15: 10.3x ↘
16: 10.9x ↙
17: 9.4 ←
18: 9.8 ←
19: 10.2x ↗
20: 9.3 ↑
Series 96.5
Total 187.0



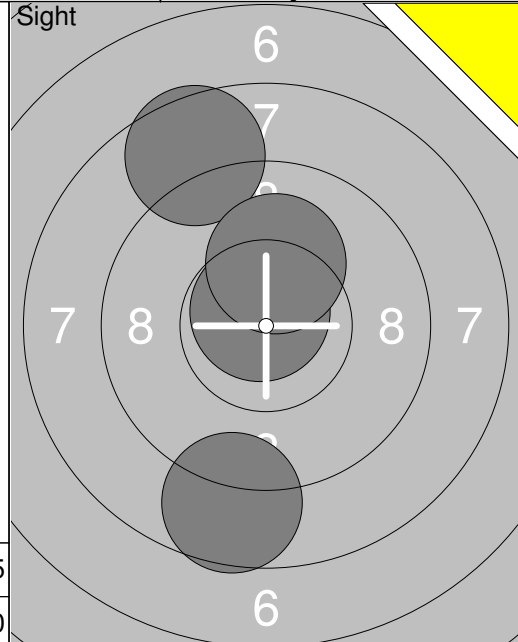
21: 9.4 ↗
22: 10.2x ↓
23: 10.3x ↖
24: 9.0 ↗
25: 9.0 →
26: 8.9 →
27: 9.5 ↙
28: 10.1 ↘
29: 9.6 ←
30: 10.8x ↓
Series 96.8
Total 283.8



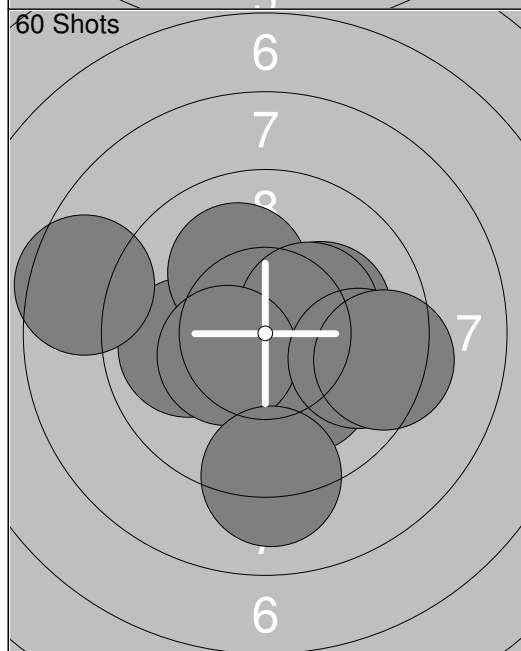
31: 9.5 →
32: 9.6 →
33: 9.4 ←
34: 9.7 ←
35: 10.0 ↗
36: 10.5x →
37: 9.4 ←
38: 9.2 ↗
39: 10.2x ↓
40: 8.8 ←
Series 96.3
Total 380.1



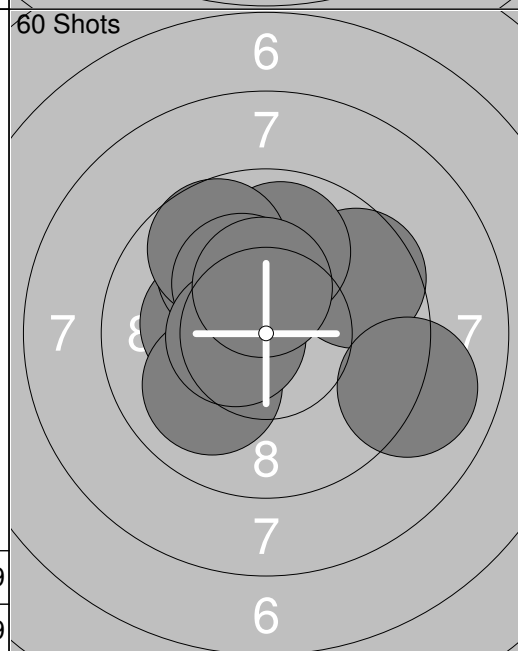
1:	8.6	↘
2:	9.4	→
3:	10.1	↗
4:	8.1	←
5:	9.8	↘
6:	9.5	↘
7:	10.5x	↗
8:	9.3	↖
9:	9.9	←
10:	9.3	↗
Series		94.5
Total		0.0



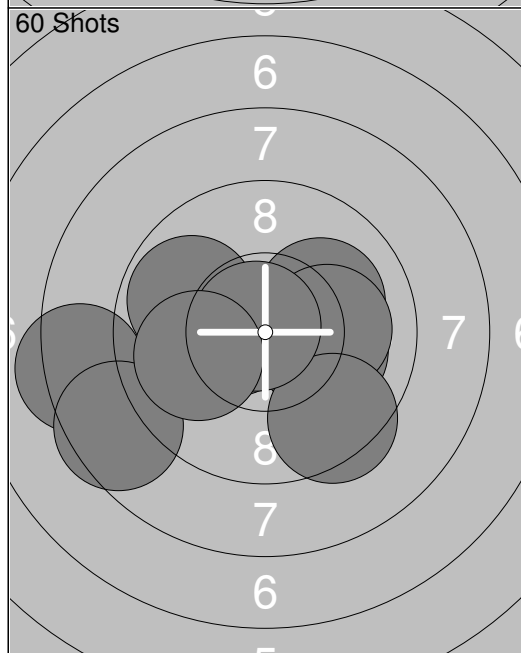
11:	8.6	↖
12:	8.6	↘
13:	10.7x	↗
14:	10.1	↗
Series		38.0
Total		0.0



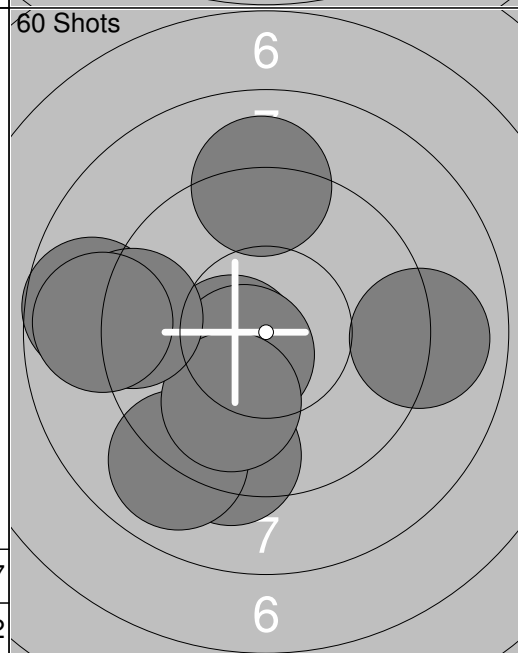
1:	10.2x	↗
2:	10.1	↘
3:	10.0	←
4:	10.1	↗
5:	10.3x	↗
6:	10.4x	↖
7:	9.7	→
8:	9.1	↘
9:	8.6	←
10:	9.4	→
Series		97.9
Total		97.9



11:	10.2x	←
12:	9.6	↗
13:	9.9	↗
14:	10.0	↖
15:	9.7	↖
16:	9.0	→
17:	10.0	↘
18:	10.2x	↗
19:	10.6x	←
20:	10.4x	↗
Series		99.6
Total		197.5



21:	10.1	→
22:	8.3	←
23:	10.1	↗
24:	10.5x	←
25:	10.1	→
26:	9.4	↘
27:	8.5	←
28:	9.9	↖
29:	10.8x	↖
30:	10.0	←
Series		97.7
Total		295.2



31:	8.7	←
32:	9.3	↘
33:	10.5x	←
34:	9.0	↘
35:	9.0	→
36:	9.1	↗
37:	10.5x	↖
38:	10.0	↘
39:	9.2	←
40:	8.9	←
Series		94.2
Total		389.4

<p>Sight</p>		<p>Sight</p>
--------------	--	--------------

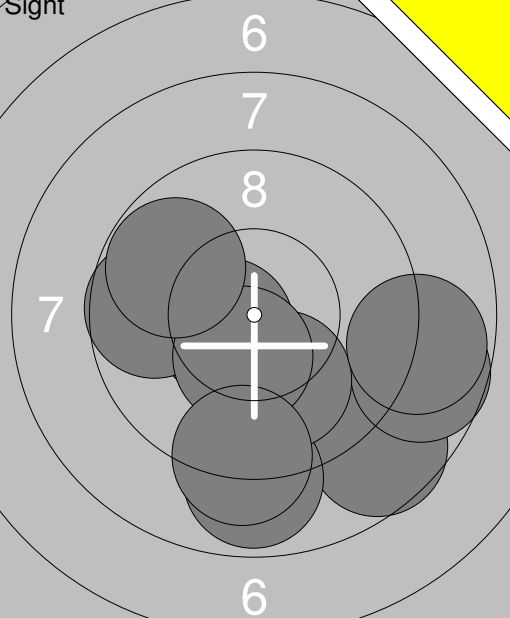
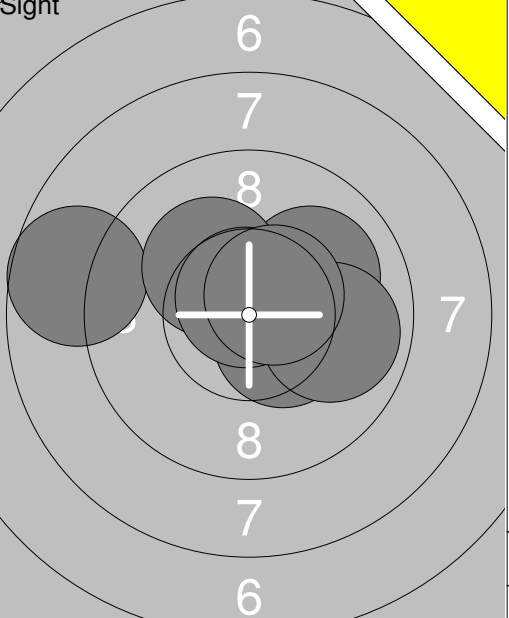
<p>60 Shots</p>		<p>60 Shots</p>
-----------------	--	-----------------

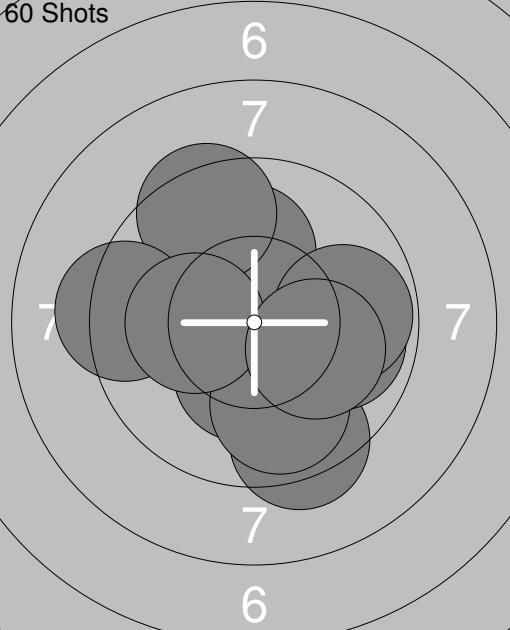
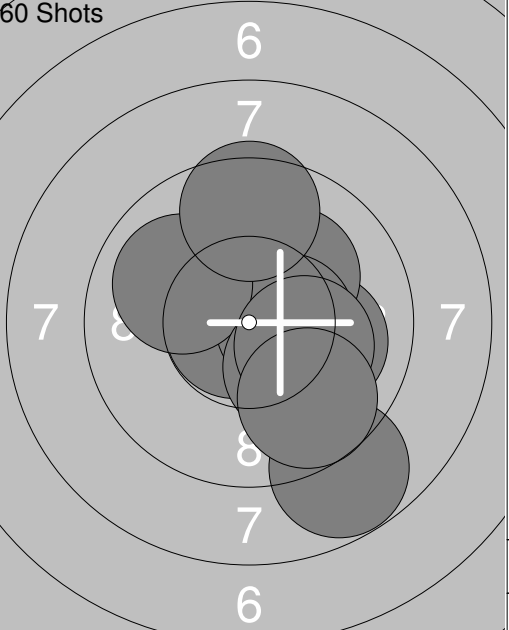
<p>60 Shots</p>		<p>60 Shots</p>
-----------------	--	-----------------

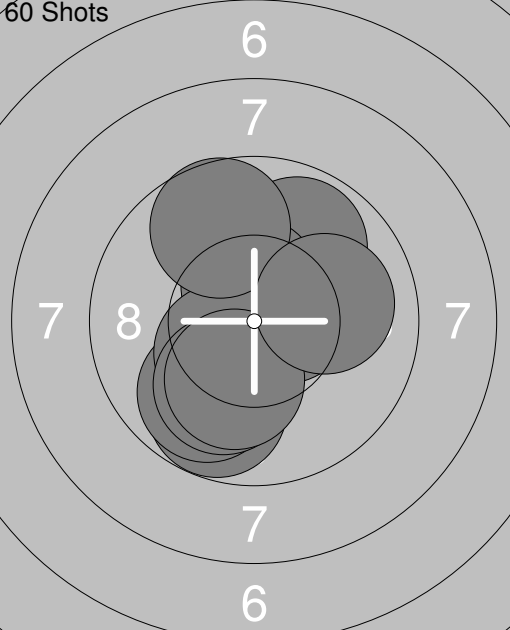
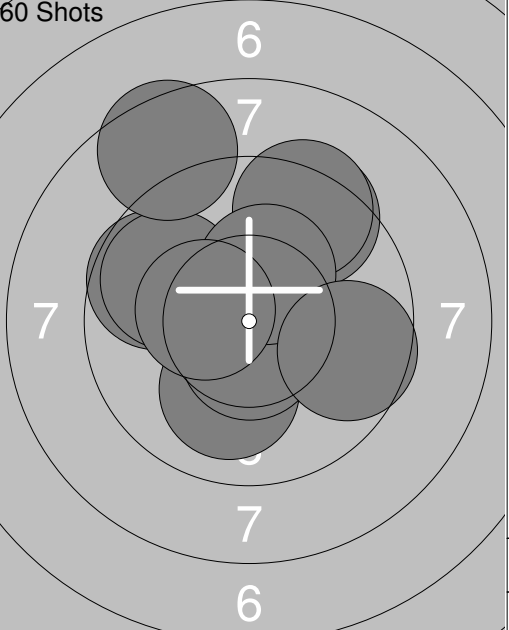
<p>Sight</p>	<p>1: 10.2x ↘ 2: 9.3 ↙ 3: 8.9 ↙ 4: 8.4 ↘ 5: 9.9 ↘ 6: 10.5x ← 7: 9.9 → 8: 10.2x ↙ 9: 9.4 ↘ 10: 2.5 ↙</p> <p>Series 89.2 Total 0.0</p>	<p>Sight</p>	<p>11: 10.1 ↖ 12: 9.4 ↙ 13: 9.5 → 14: 10.7x ← 15: 9.9 ↘ 16: 10.3x ↘</p> <p>Series 59.9 Total 0.0</p>
---------------------	--	---------------------	--

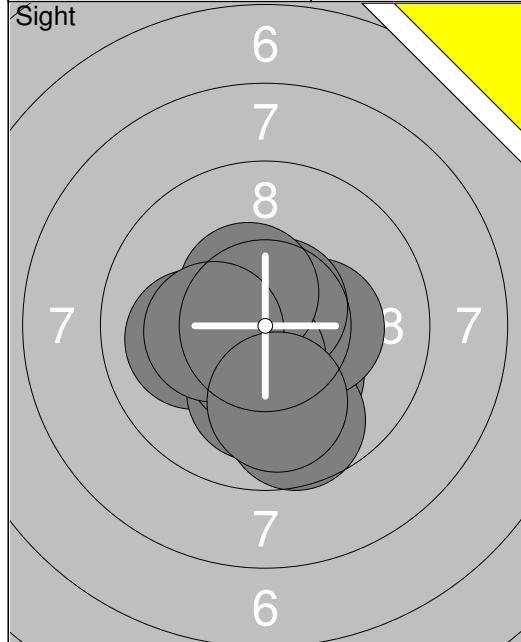
<p>60 Shots</p>	<p>1: 10.0 ↖ 2: 10.7x ← 3: 10.3x ↘ 4: 10.5x ↗ 5: 9.6 ↘ 6: 9.6 ↘ 7: 9.4 → 8: 10.3x ↙ 9: 10.7x ↘ 10: 10.5x ↙</p> <p>Series 101.6 Total 101.6</p>	<p>60 Shots</p>	<p>11: 9.7 → 12: 9.9 ↘ 13: 10.3x ↘ 14: 10.2x ↙ 15: 10.2x ← 16: 9.8 → 17: 10.1 ↙ 18: 9.9 ← 19: 10.1 ↘ 20: 10.9x ↘</p> <p>Series 101.1 Total 202.7</p>
------------------------	--	------------------------	--

<p>60 Shots</p>	<p>21: 9.7 ← 22: 10.1 → 23: 9.5 ← 24: 8.8 ← 25: 10.4x ↘ 26: 10.6x ← 27: 9.8 ↗ 28: 10.4x ← 29: 10.1 → 30: 10.4x →</p> <p>Series 99.8 Total 302.5</p>	<p>60 Shots</p>	<p>31: 10.1 ↘ 32: 10.9x ↙ 33: 10.6x → 34: 9.8 ↘ 35: 10.6x ↘ 36: 10.1 → 37: 9.9 ↗ 38: 10.9x ↘ 39: 10.6x ↗ 40: 10.9x ↘</p> <p>Series 104.4 Total 406.9</p>
------------------------	---	------------------------	--

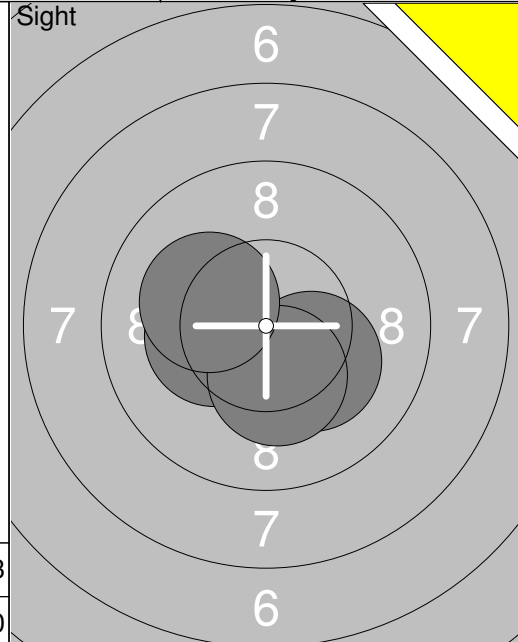
 <p style="text-align:center;">Sight</p>	<p>1: 8.7 ↘</p> <p>2: 8.7 →</p> <p>3: 8.9 ↓</p> <p>4: 10.5x↙</p> <p>5: 10.0 ↓</p> <p>6: 9.7 ←</p> <p>7: 10.4x↘</p> <p>8: 9.8 ↖</p> <p>9: 8.8 →</p> <p>10: 9.2 ↓</p> <hr/> <p>Series 94.7</p> <hr/> <p>Total 0.0</p>	 <p style="text-align:center;">Sight</p>	<p>11: 10.4x↘</p> <p>12: 10.0 ↗</p> <p>13: 9.9 →</p> <p>14: 8.7 ←</p> <p>15: 10.2x↖</p> <p>16: 10.7x↗</p> <p>17: 10.5x↗</p> <hr/> <p>Series 70.4</p> <hr/> <p>Total 0.0</p>
--	---	--	---

 <p style="text-align:center;">60 Shots</p>	<p>1: 10.1 ↑</p> <p>2: 9.4 ↗</p> <p>3: 9.3 ↓</p> <p>4: 9.9 →</p> <p>5: 10.3x↘</p> <p>6: 9.9 ↓</p> <p>7: 9.8 →</p> <p>8: 9.3 ←</p> <p>9: 10.2x↙</p> <p>10: 10.1 →</p> <hr/> <p>Series 98.3</p> <hr/> <p>Total 98.3</p>	 <p style="text-align:center;">60 Shots</p>	<p>11: 10.0 →</p> <p>12: 10.8x↙</p> <p>13: 10.2x↗</p> <p>14: 10.5x→</p> <p>15: 10.0 ↖</p> <p>16: 9.5 ↑</p> <p>17: 10.1 ↘</p> <p>18: 10.2x→</p> <p>19: 8.8 ↓</p> <p>20: 9.7 ↘</p> <hr/> <p>Series 99.8</p> <hr/> <p>Total 198.1</p>
--	---	--	--

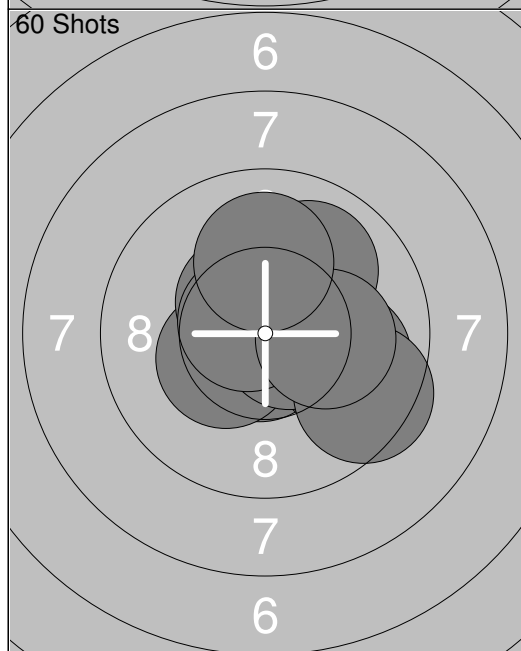
 <p style="text-align:center;">60 Shots</p>	<p>21: 9.9 ↗</p> <p>22: 9.8 ↓</p> <p>23: 10.5x→</p> <p>24: 9.9 ↘</p> <p>25: 10.5x↑</p> <p>26: 10.4x↙</p> <p>27: 10.1 ↓</p> <p>28: 10.2x↘</p> <p>29: 9.7 ↗</p> <p>30: 10.0 →</p> <hr/> <p>Series 101.0</p> <hr/> <p>Total 299.1</p>	 <p style="text-align:center;">60 Shots</p>	<p>31: 10.0 ↓</p> <p>32: 9.4 ↗</p> <p>33: 9.7 ↖</p> <p>34: 9.8 ↖</p> <p>35: 8.5 ↗</p> <p>36: 10.6x↘</p> <p>37: 9.4 ↗</p> <p>38: 10.3x↗</p> <p>39: 10.4x↙</p> <p>40: 9.6 →</p> <hr/> <p>Series 97.7</p> <hr/> <p>Total 396.8</p>
---	--	---	---



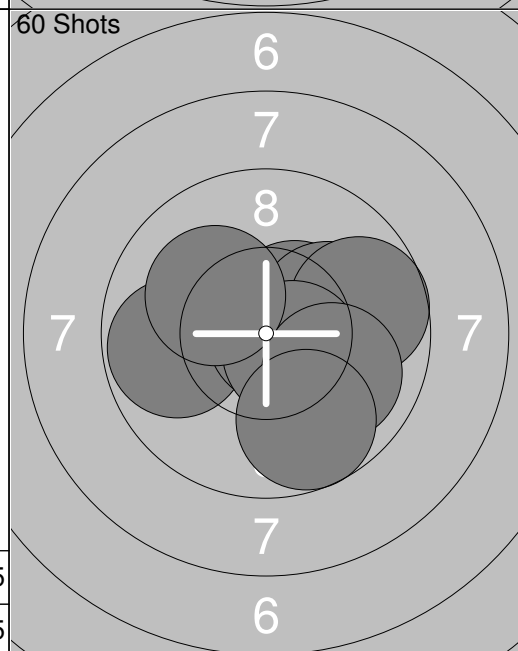
1:	10.2x	↘
2:	10.0	←
3:	9.7	↓
4:	10.3x	→
5:	10.1	↓
6:	10.7x	↗
7:	10.5x	↓
8:	10.5x	↖
9:	10.3x	←
10:	10.0	↓
Series		102.3
Total		0.0



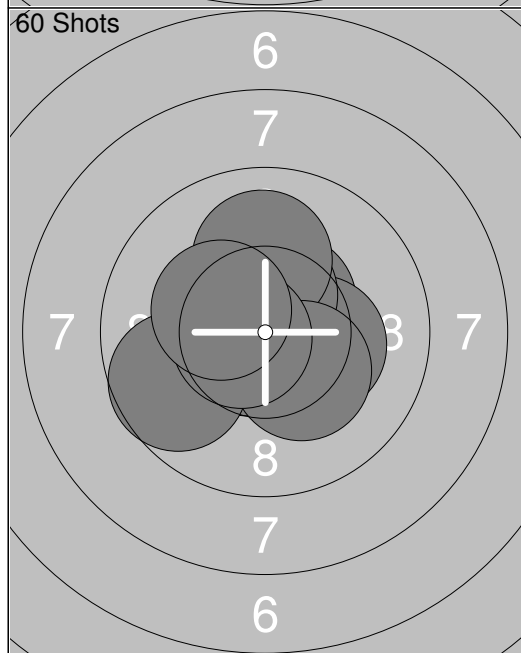
11:	10.3x	↖
12:	10.2x	↘
13:	10.3x	↓
14:	10.2x	↖
Series		41.0
Total		0.0



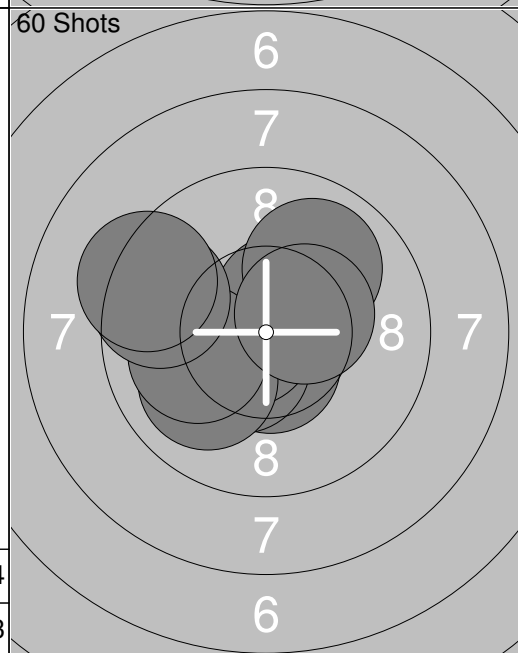
1:	10.7x	↓
2:	9.9	→
3:	10.0	↗
4:	10.4x	↖
5:	10.6x	→
6:	10.5x	↖
7:	10.7x	↖
8:	9.5	→
9:	10.2x	→
10:	10.0	↑
Series		102.5
Total		102.5



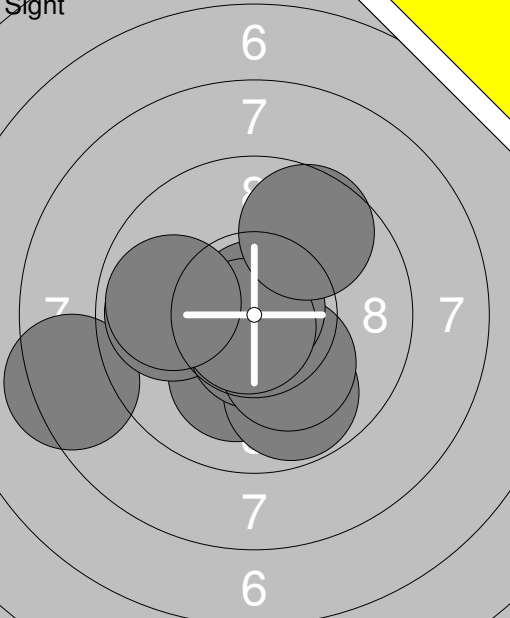
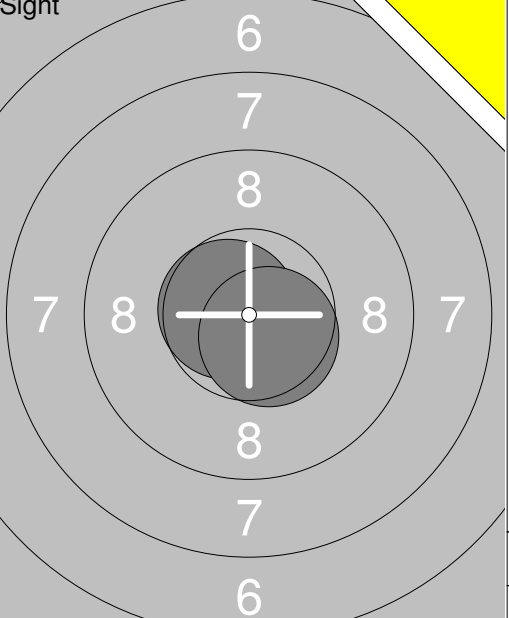
11:	9.8	←
12:	10.8x	→
13:	10.2x	→
14:	10.5x	↗
15:	10.1	→
16:	9.7	→
17:	10.5x	↘
18:	10.0	↘
19:	9.7	↓
20:	10.1	↖
Series		101.4
Total		203.9

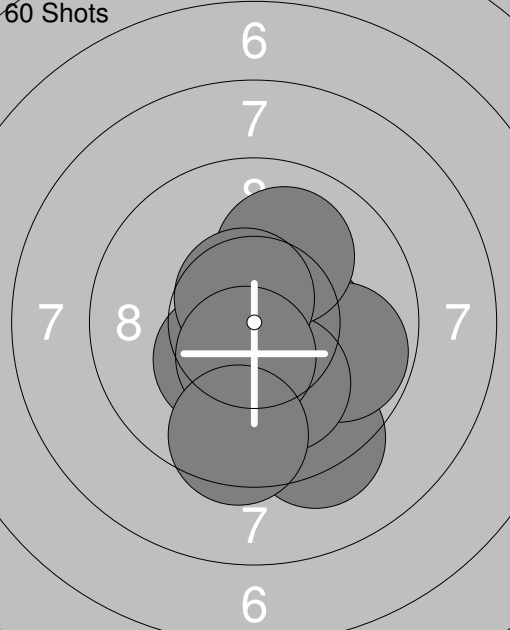
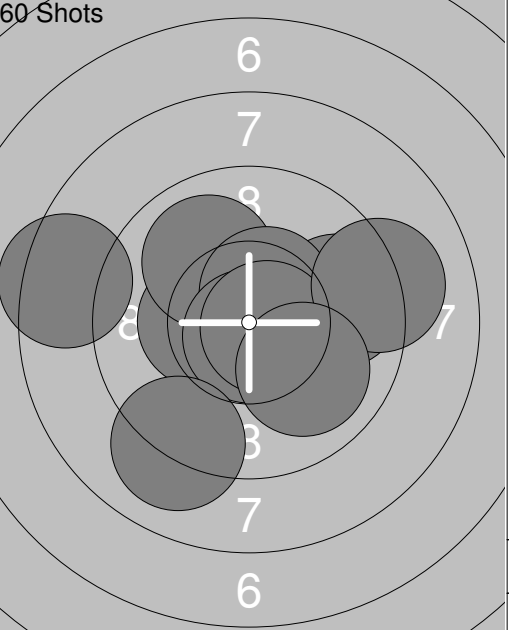


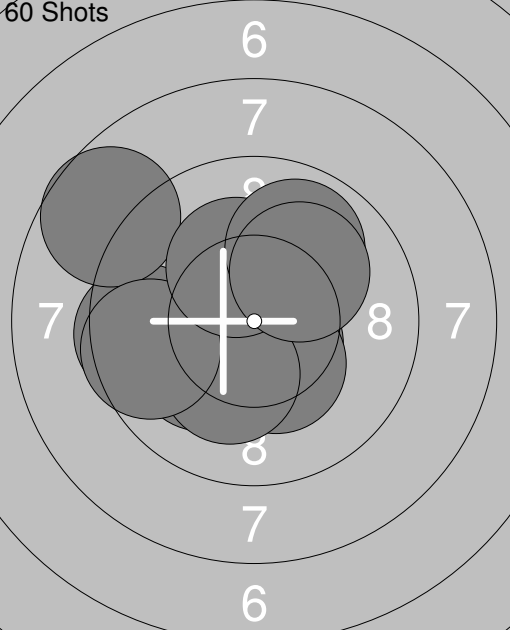
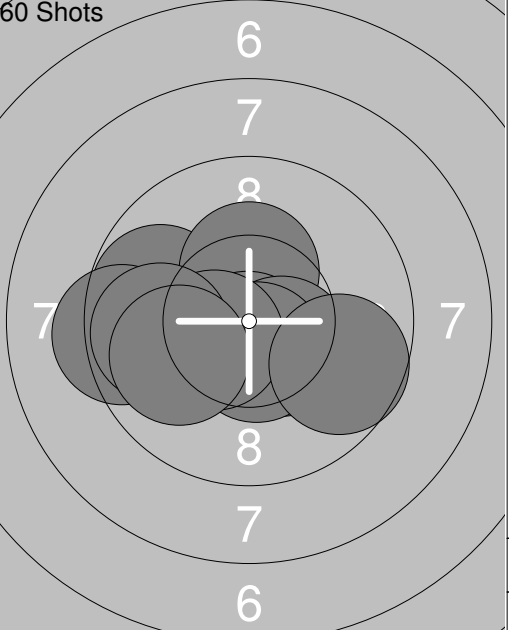
21:	10.5x	↗
22:	10.3x	→
23:	10.5x	←
24:	10.5x	↑
25:	10.7x	↖
26:	10.0	↑
27:	9.7	←
28:	10.3x	↘
29:	10.6x	←
30:	10.3x	↖
Series		103.4
Total		307.3



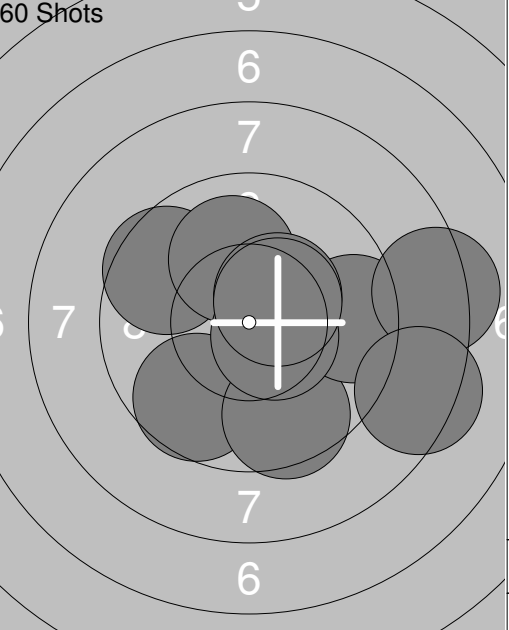
31:	10.6x	↓
32:	10.4x	↖
33:	10.7x	←
34:	10.5x	↗
35:	9.9	↗
36:	10.0	↖
37:	10.0	←
38:	9.5	←
39:	9.3	↖
40:	10.4x	↗
Series		101.3
Total		408.6

<p>Sight</p> 	<p>1: 10.1 ↓ 2: 9.8 ↓ 3: 8.4 ← 4: 9.9 ← 5: 10.6x ↓ 6: 10.2x ↓ 7: 10.9x ↗ 8: 10.8x ↓ 9: 9.7 ↗ 10: 9.9 ←</p> <p>Series 100.3 Total 0.0</p>	<p>Sight</p> 	<p>11: 10.7x ← 12: 10.6x ↓</p> <p>Series 21.3 Total 0.0</p>
--	--	--	---

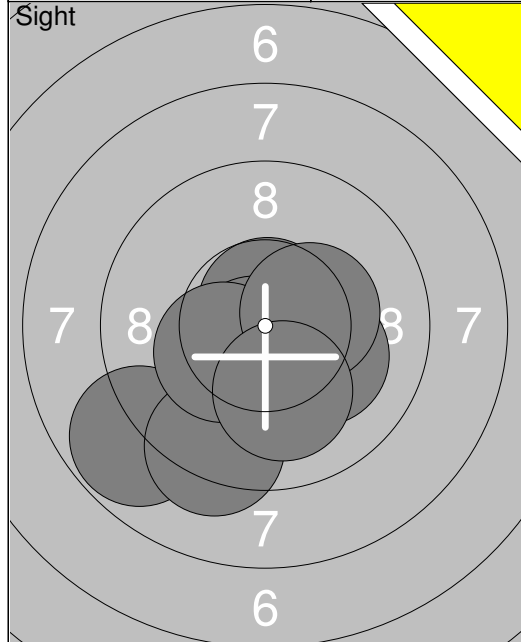
<p>60 Shots</p> 	<p>1: 9.3 ↓ 2: 10.3x → 3: 10.3x ↓ 4: 9.8 → 5: 10.2x ↓ 6: 10.1 ↓ 7: 10.0 ↗ 8: 10.6x ↗ 9: 10.5x ↓ 10: 9.5 ↓</p> <p>Series 100.6 Total 100.6</p>	<p>60 Shots</p> 	<p>11: 10.3x ← 12: 10.0 ↖ 13: 9.7 → 14: 10.5x ↗ 15: 10.8x ↓ 16: 10.7x → 17: 9.1 ↓ 18: 9.1 → 19: 10.0 ↓ 20: 8.4 ←</p> <p>Series 98.6 Total 199.2</p>
--	---	--	---

<p>60 Shots</p> 	<p>21: 10.6x ↓ 22: 10.3x ↓ 23: 9.5 ← 24: 10.1 ← 25: 10.2x ↓ 26: 8.7 ↖ 27: 9.6 ← 28: 10.2x ↗ 29: 9.9 ↗ 30: 10.1 ↗</p> <p>Series 99.2 Total 298.4</p>	<p>60 Shots</p> 	<p>31: 9.8 ← 32: 10.3x ↑ 33: 10.7x ↓ 34: 10.4x ↓ 35: 10.5x ↓ 36: 10.4x ↖ 37: 9.3 ← 38: 9.7 → 39: 9.8 ← 40: 10.0 ↖</p> <p>Series 100.9 Total 399.3</p>
---	---	---	---

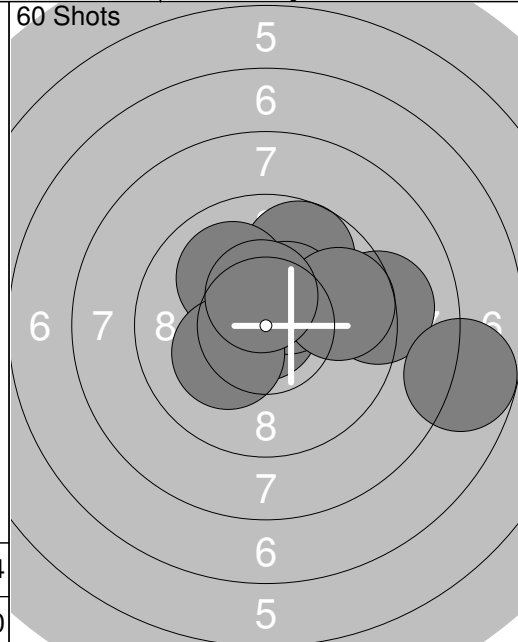
 <p style="text-align:center;">Sight</p>	<p>1: 10.2x ↘</p> <p>2: 9.1 ↗</p> <p>3: 10.2x →</p> <p>4: 9.0 ←</p> <p>5: 8.5 ←</p> <p>6: 8.5 ↗</p> <p>7: 9.7 ↗</p> <p>8: 8.4 ←</p> <p>9: 9.5 ↗</p> <p>10: 9.6 ↗</p> <p>Series 92.7</p> <p>Total 0.0</p>	 <p style="text-align:center;">Sight</p>	<p>11: 8.7 →</p> <p>12: 9.9 ↖</p> <p>13: 9.6 ←</p> <p>14: 8.0 ↓</p> <p>15: 10.2x →</p> <p>16: 10.6x ↖</p> <p>17: 9.1 ↗</p> <p>18: 10.8x ↘</p> <p>19: 9.8 →</p> <p>20: 10.4x ↑</p> <p>Series 97.1</p> <p>Total 0.0</p>
--	--	--	---

 <p style="text-align:center;">60 Shots</p>	<p>1: 10.3x →</p> <p>2: 9.8 →</p> <p>3: 9.7 ↓</p> <p>4: 8.7 →</p> <p>5: 9.6 →</p> <p>6: 10.0 ←</p> <p>7: 10.6x →</p> <p>8: 9.9 ↓</p> <p>9: 10.7x ↓</p> <p>10: 8.8 →</p> <p>Series 98.1</p> <p>Total 98.1</p>	 <p style="text-align:center;">60 Shots</p>	<p>11: 9.7 ↓</p> <p>12: 9.6 ↖</p> <p>13: 9.6 ↓</p> <p>14: 10.0 ↑</p> <p>15: 9.5 →</p> <p>16: 10.4x ↗</p> <p>17: 10.5x →</p> <p>18: 10.5x ↗</p> <p>19: 8.3 →</p> <p>20: 8.4 →</p> <p>Series 96.5</p> <p>Total 194.6</p>
--	--	--	--

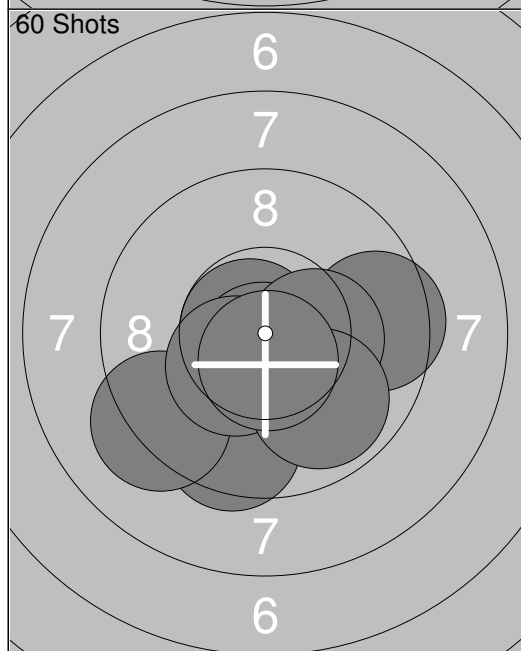
 <p style="text-align:center;">60 Shots</p>	<p>21: 9.6 ↓</p> <p>22: 9.1 ↓</p> <p>23: 8.1 ↓</p> <p>24: 9.9 ↖</p> <p>25: 9.9 ↓</p> <p>26: 9.7 →</p> <p>27: 9.3 ↓</p> <p>28: 9.3 ↗</p> <p>29: 9.7 →</p> <p>30: 10.8x ↖</p> <p>Series 95.4</p> <p>Total 290.0</p>	 <p style="text-align:center;">60 Shots</p>	<p>31: 9.8 ↗</p> <p>32: 9.5 ↖</p> <p>33: 9.9 ↖</p> <p>34: 9.4 ↓</p> <p>35: 10.1 ↓</p> <p>36: 7.9 →</p> <p>37: 8.5 →</p> <p>38: 9.1 ←</p> <p>39: 9.3 →</p> <p>40: 10.1 ↖</p> <p>Series 93.6</p> <p>Total 383.6</p>
---	---	---	---



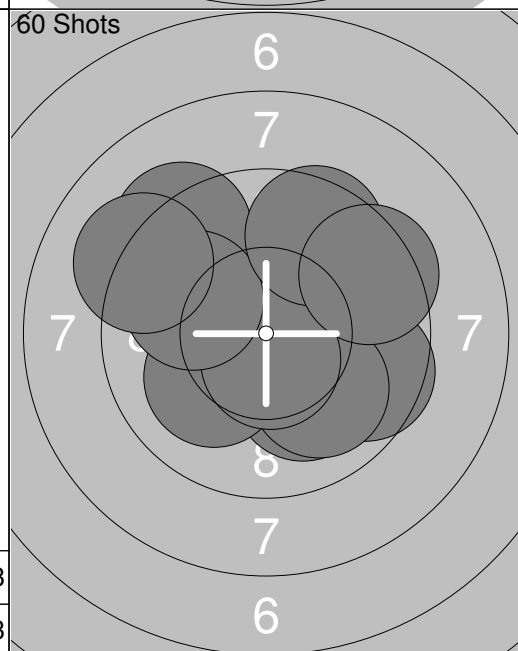
1: 8.8 ↙
2: 10.5x ↓
3: 10.7x ↑
4: 10.7x ↓
5: 10.4x ↓
6: 10.2x →
7: 9.3 ↓
8: 10.3x ↙
9: 10.4x →
10: 10.1 ↓
Series 101.4
Total 0.0



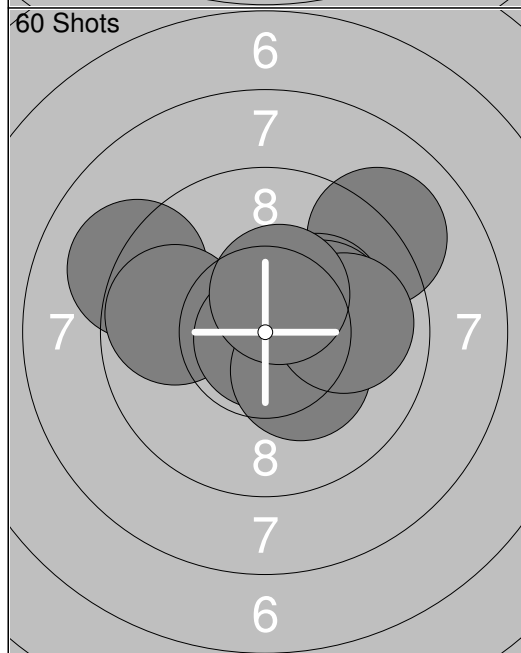
1: 10.6x ↗
2: 10.9x ↙
3: 9.2 →
4: 9.7 ↑
5: 10.0 ↖
6: 10.4x ↗
7: 9.7 →
8: 10.2x ↙
9: 7.8 →
10: 10.5x ↑
Series 99.0
Total 99.0



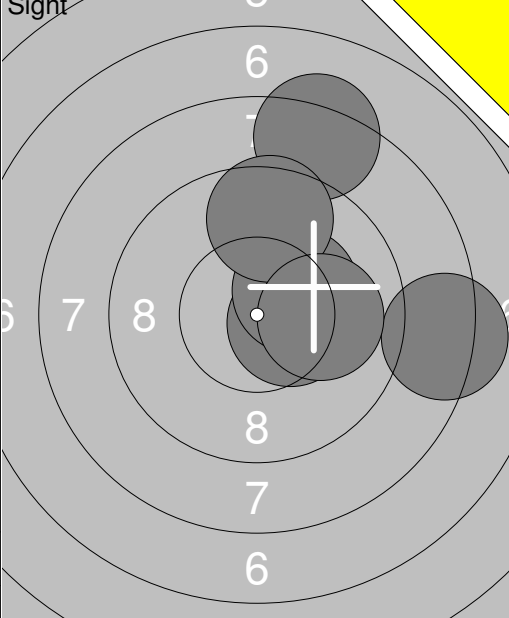
11: 10.8x ↙
12: 9.5 ↓
13: 10.4x →
14: 9.5 →
15: 10.7x ↓
16: 9.2 ↙
17: 10.4x ↙
18: 10.3x →
19: 9.9 ↓
20: 10.6x ↓
Series 101.3
Total 200.3



21: 9.6 →
22: 10.1 ↓
23: 10.1 ↙
24: 10.0 ↓
25: 10.6x ↓
26: 9.3 ↖
27: 9.9 ↙
28: 9.1 ↙
29: 9.6 ↑
30: 9.4 ↗
Series 97.7
Total 298.0

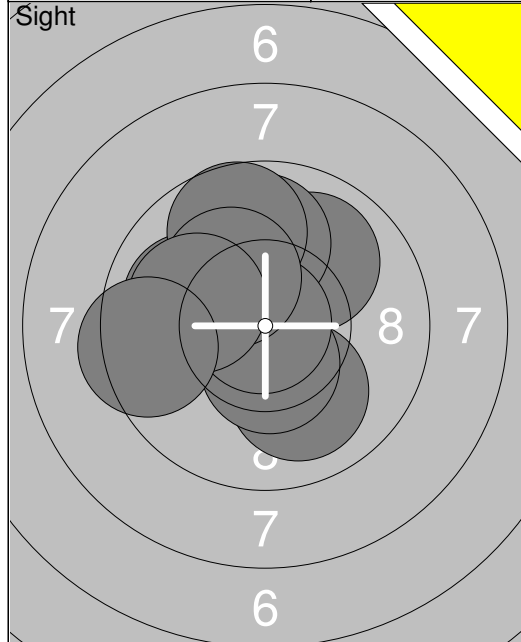


31: 10.6x ↗
32: 9.1 ↖
33: 9.8 ←
34: 9.1 ↗
35: 10.2x ↗
36: 10.9x ↓
37: 10.2x →
38: 10.3x ↘
39: 9.9 →
40: 10.4x ↗
Series 100.5
Total 398.5

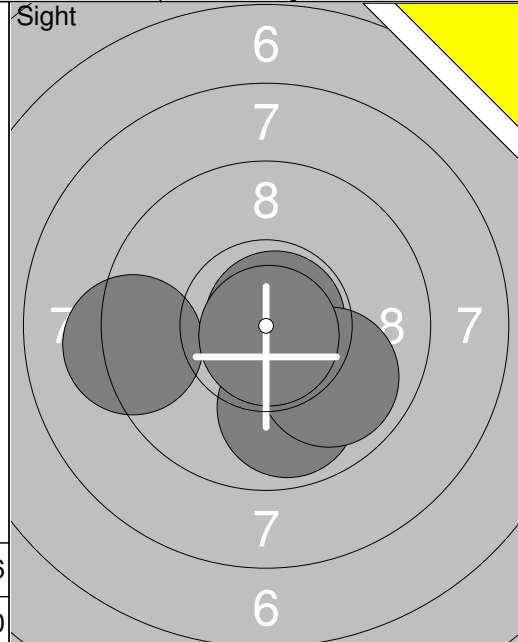
	<p>1: 7.8 →</p> <p>2: 9.2 ←</p> <p>3: 9.3 →</p> <p>4: 8.9 ↗</p> <p>5: 8.2 →</p> <p>6: 9.1 →</p> <p>7: 9.6 →</p> <p>8: 9.1 ←</p> <p>9: 9.9 ↗</p> <p>10: 9.5 ←</p>		<p>11: 10.5x →</p> <p>12: 8.3 →</p> <p>13: 10.3x ↗</p> <p>14: 8.3 ↑</p> <p>15: 9.6 ↑</p> <p>16: 10.0 →</p>
Series	90.6	Series	57.0
Total	0.0	Total	0.0

	<p>1: 9.1 →</p> <p>2: 9.6 ↗</p> <p>3: 5.3 ←</p> <p>4: 7.3 →</p> <p>5: 10.3x →</p> <p>6: 9.4 →</p> <p>7: 9.1 ↑</p> <p>8: 10.6x ↓</p> <p>9: 10.5x →</p> <p>10: 10.0 →</p>		<p>11: 7.1 →</p> <p>12: 9.3 ↑</p> <p>13: 9.7 ↖</p> <p>14: 9.7 ↑</p> <p>15: 10.6x ↓</p> <p>16: 8.9 →</p> <p>17: 9.7 →</p> <p>18: 9.2 ↓</p> <p>19: 8.3 ↖</p> <p>20: 9.1 ↗</p>
Series	91.2	Series	91.6
Total	91.2	Total	182.8

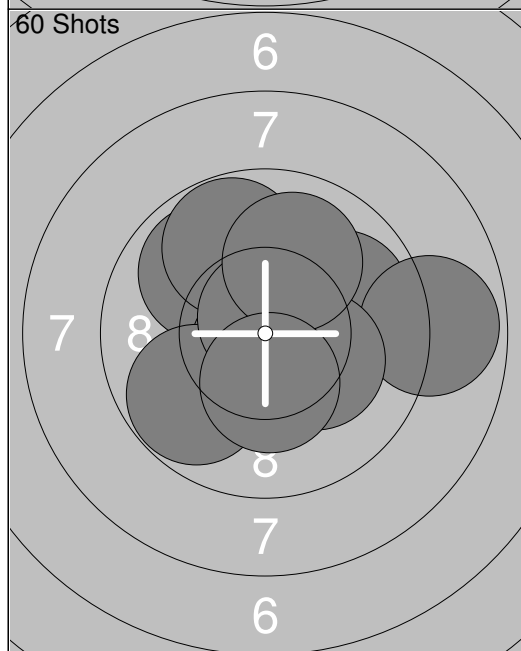
	<p>21: 10.0 ↖</p> <p>22: 9.9 ←</p> <p>23: 8.5 ↗</p> <p>24: 8.3 ↖</p> <p>25: 9.1 →</p> <p>26: 10.0 ↗</p> <p>27: 7.5 →</p> <p>28: 10.4x ↓</p> <p>29: 10.6x →</p> <p>30: 8.6 ↓</p>		<p>31: 7.9 ↗</p> <p>32: 10.7x ↓</p> <p>33: 8.4 →</p> <p>34: 10.4x ↖</p> <p>35: 7.5 →</p> <p>36: 8.4 ↗</p> <p>37: 10.1 ↓</p> <p>38: 10.6x ←</p> <p>39: 7.8 →</p> <p>40: 9.2 ←</p>
Series	92.9	Series	91.0
Total	275.7	Total	366.7



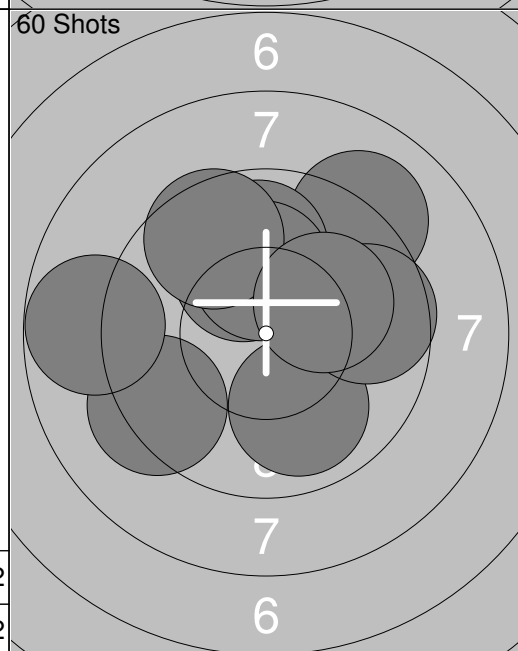
1:	10.0	↘
2:	10.0	↗
3:	10.0	←
4:	9.9	↑
5:	10.5x	↓
6:	10.9x	↖
7:	9.7	↑
8:	10.2x	↗
9:	10.0	←
10:	9.4	←
Series		100.6
Total		0.0



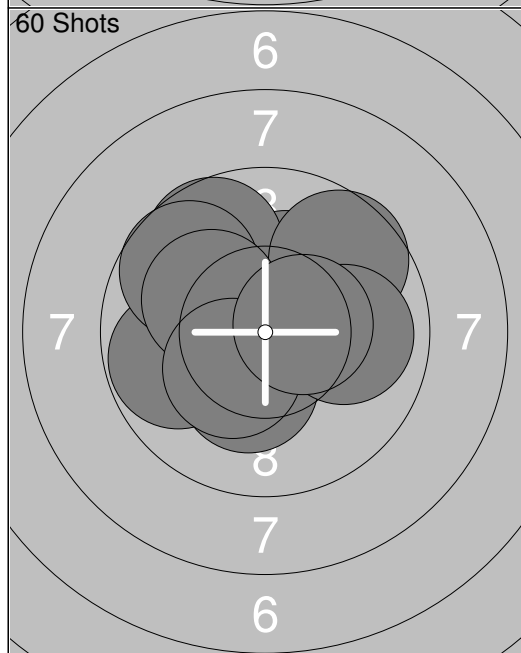
11:	9.9	↓
12:	9.2	←
13:	10.8x	↗
14:	9.9	↘
15:	10.8x	↓
Series		50.6
Total		0.0



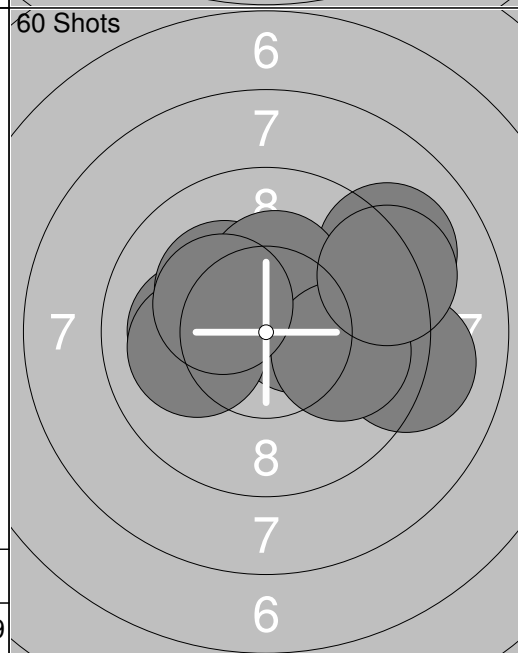
1:	9.9	↖
2:	10.7x	↓
3:	9.8	↑
4:	9.9	↗
5:	9.8	↙
6:	8.9	→
7:	10.7x	↑
8:	10.2x	↘
9:	10.0	↑
10:	10.3x	↓
Series		100.2
Total		100.2



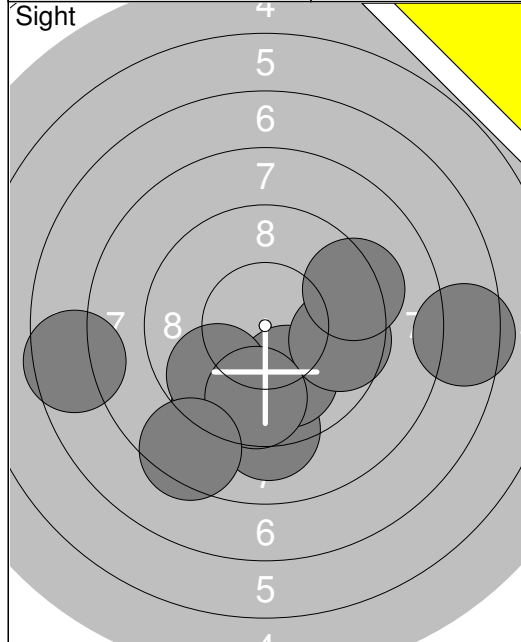
11:	9.9	↓
12:	10.1	↖
13:	9.1	↗
14:	9.9	↑
15:	9.3	↙
16:	9.6	→
17:	10.2x	↑
18:	9.6	↖
19:	8.8	←
20:	10.1	↗
Series		96.6
Total		196.8



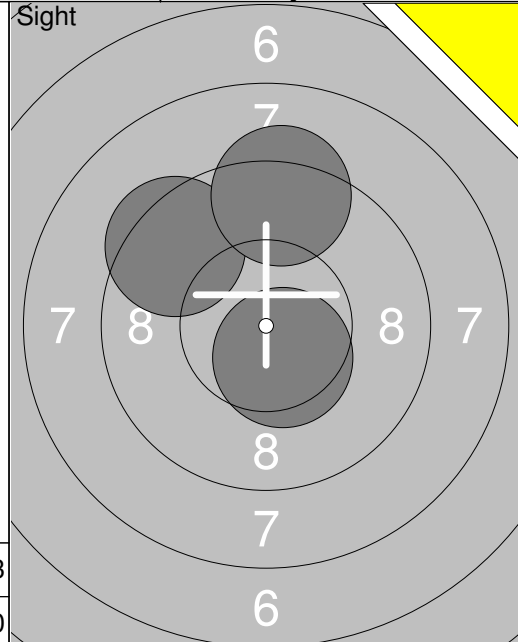
21:	10.2x	↖
22:	9.7	↖
23:	9.8	←
24:	9.7	↖
25:	10.3x	↓
26:	9.6	↗
27:	9.9	→
28:	10.1	↖
29:	10.3x	↙
30:	10.5x	→
Series		100.1
Total		296.9



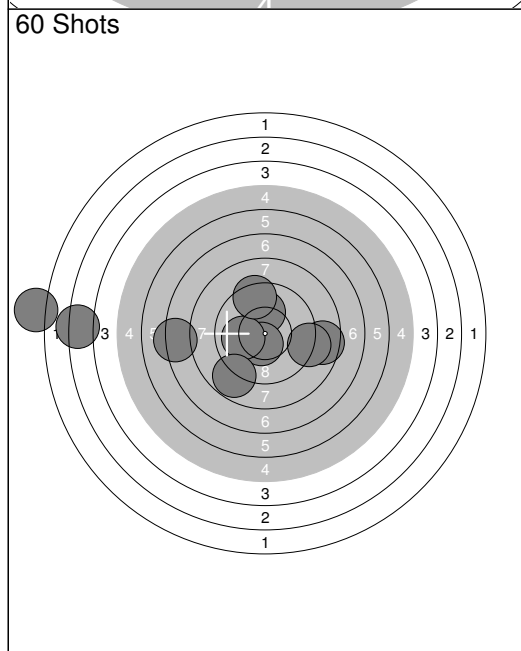
31:	10.5x	→
32:	10.1	←
33:	9.1	↗
34:	9.1	→
35:	10.2x	↖
36:	10.3x	↑
37:	10.0	←
38:	10.0	→
39:	9.2	↗
40:	10.3x	↖
Series		98.8
Total		395.7



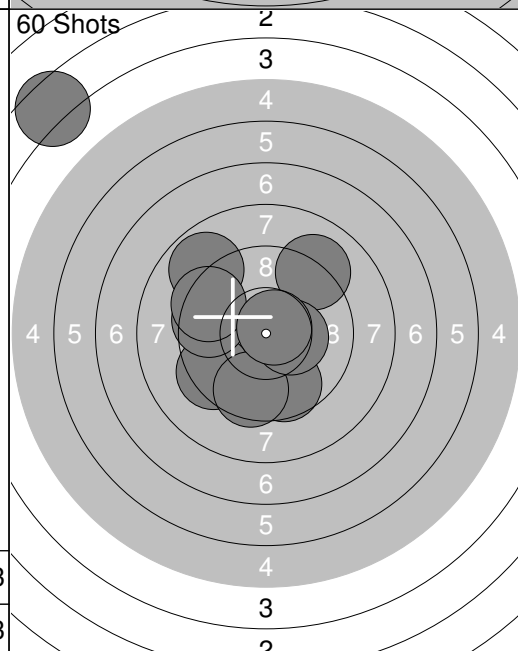
1:	9.3	↘
2:	7.6	←
3:	9.1	↓
4:	10.0	↓
5:	9.6	→
6:	9.8	↙
7:	9.3	→
8:	9.7	↓
9:	7.5	→
10:	8.4	↙
Series	90.3	
Total	0.0	



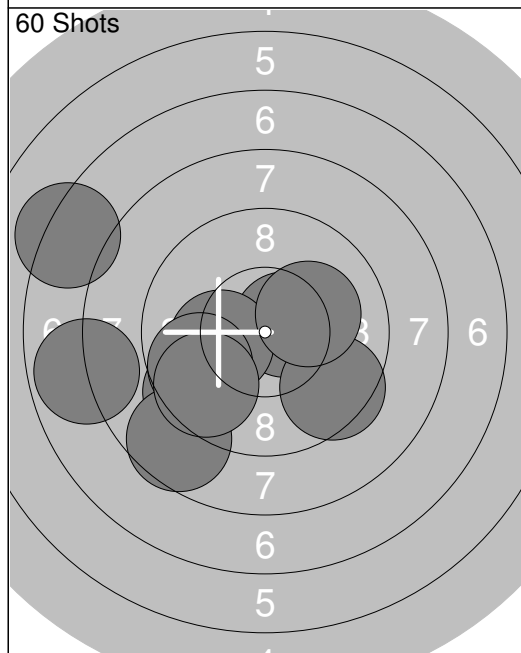
11:	10.5x	↘
12:	9.4	↖
13:	9.3	↑
Series	29.2	
Total	0.0	



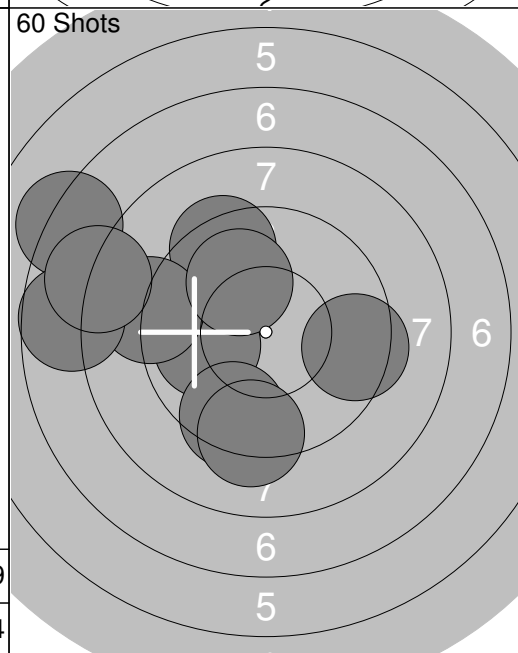
1:	10.1	↑
2:	8.5	→
3:	10.5x	↘
4:	10.0	←
5:	1.5	←
6:	3.2	←
7:	7.2	←
8:	9.1	→
9:	9.4	↑
10:	8.8	↙
Series	78.3	
Total	78.3	



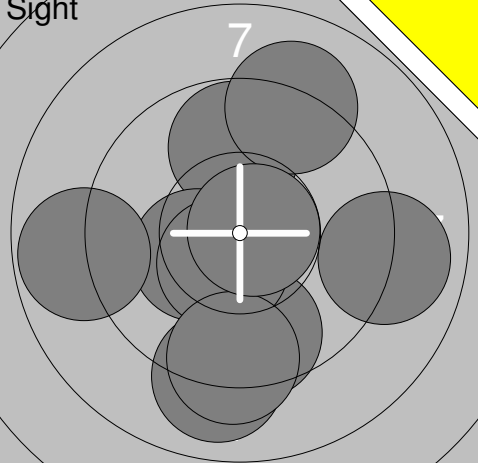
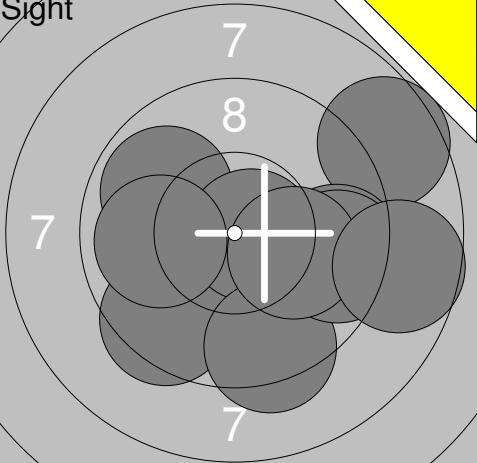
11:	9.4	↖
12:	8.9	↖
13:	9.1	↗
14:	9.7	↓
15:	9.6	←
16:	9.4	↖
17:	9.6	↓
18:	3.5	↖
19:	10.3x	→
20:	10.7x	↗
Series	90.2	
Total	168.5	

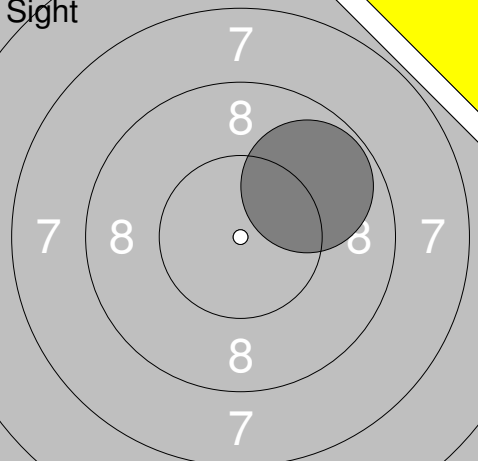
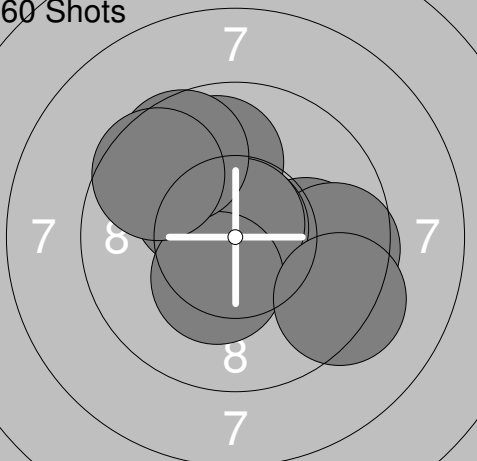


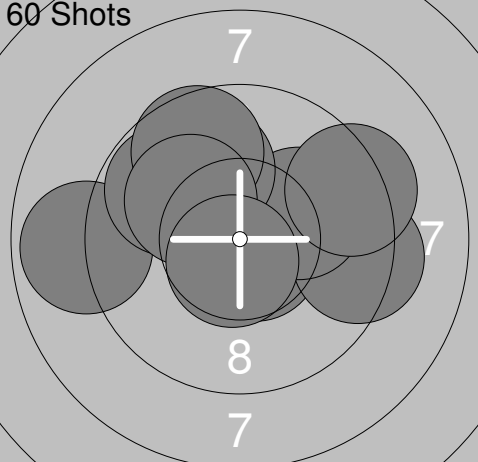
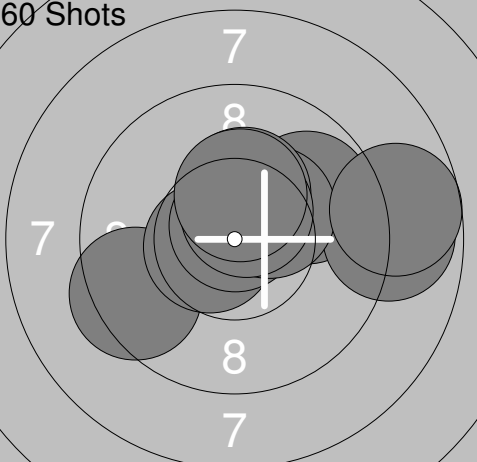
21:	10.6x	→
22:	10.2x	←
23:	9.4	↙
24:	9.5	↘
25:	7.9	←
26:	7.2	↖
27:	9.7	←
28:	8.6	↙
29:	9.6	↙
30:	10.2x	→
Series	92.9	
Total	261.4	

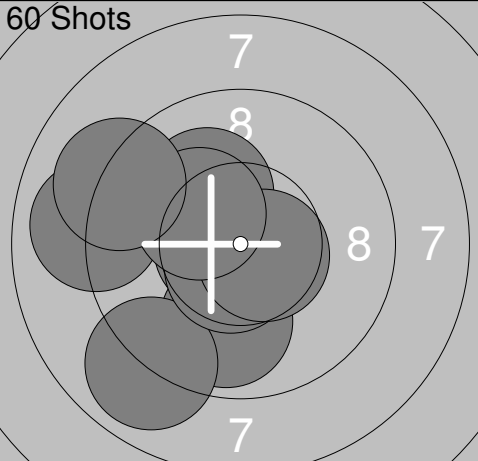


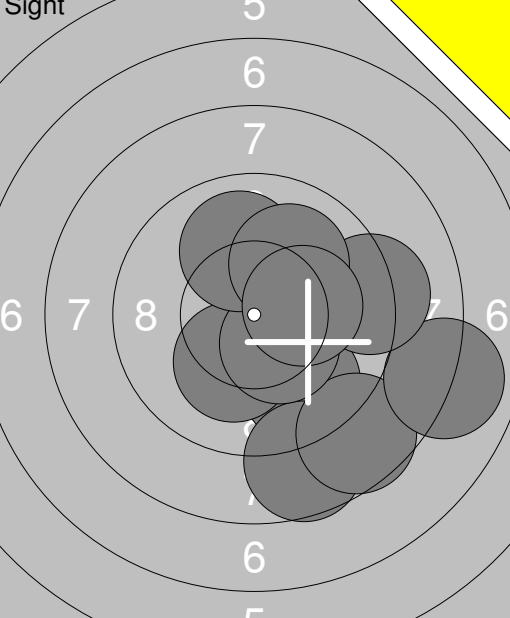
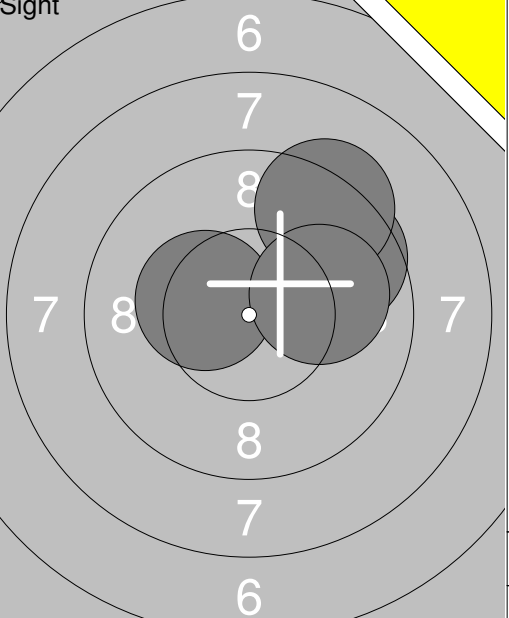
31:	7.2	↖
32:	9.4	↖
33:	9.9	←
34:	9.0	←
35:	7.7	←
36:	9.4	→
37:	8.0	↖
38:	9.4	↙
39:	9.2	↓
40:	10.0	↖
Series	89.2	
Total	350.6	

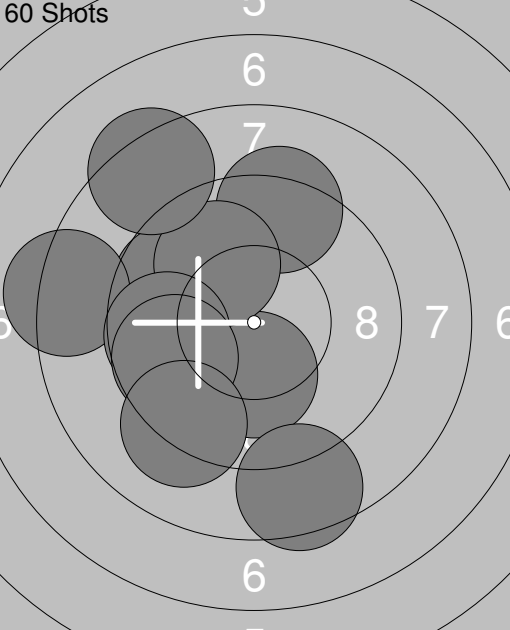
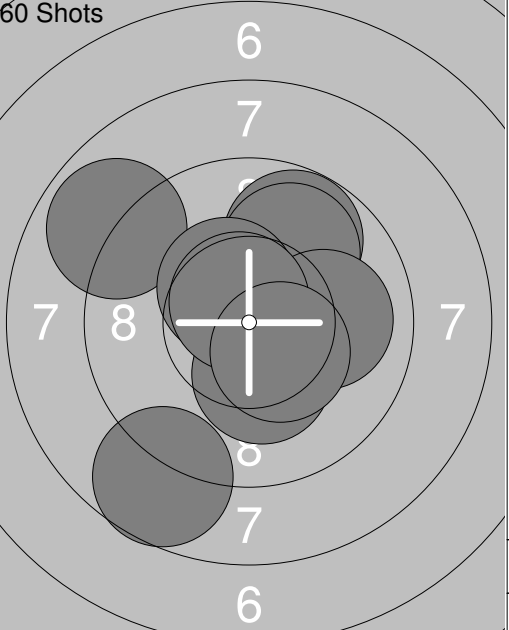
Sight 	1: 9.8 ↑ 2: 9.1 ↗ 3: 9.0 → 4: 9.0 ↓ 5: 9.6 ↓ 6: 10.3x ← 7: 10.5x ↓ 8: 8.8 ← 9: 9.3 ↓ 10: 10.8x → <hr/> Series 96.2 Total 0.0	Sight 	11: 9.5 ↘ 12: 9.9 ↖ 13: 8.6 ↗ 14: 10.7x → 15: 9.3 ↓ 16: 9.5 → 17: 9.9 ← 18: 9.5 → 19: 10.1 → 20: 8.7 → <hr/> Series 95.7 Total 0.0
--	---	--	---

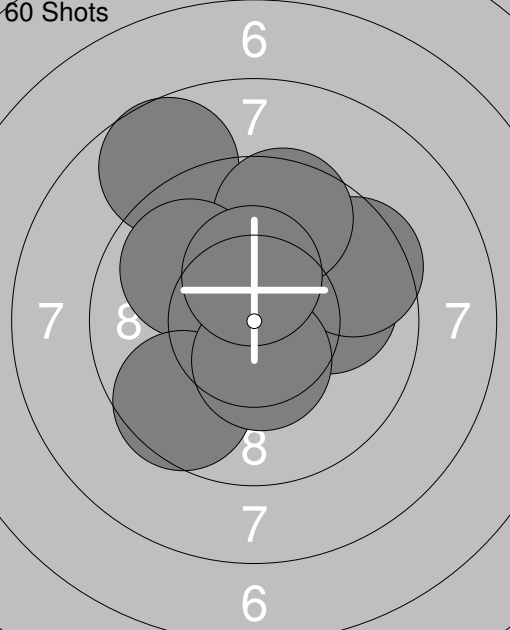
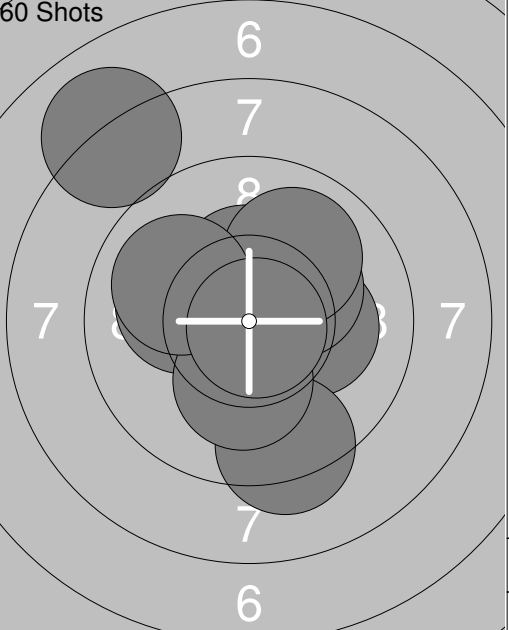
Sight 	21: 9.8 ↗ <hr/> Series 9.8 Total 0.0	60 Shots 	1: 10.0 → 2: 9.6 → 3: 9.9 ↑ 4: 10.8x ↗ 5: 10.3x ↗ 6: 10.8x ↑ 7: 10.3x ↓ 8: 9.3 → 9: 9.6 ↗ 10: 9.6 ↖ <hr/> Series 100.2 Total 100.2
---	--	--	---

60 Shots 	11: 10.7x ↘ 12: 9.3 → 13: 10.1 → 14: 9.3 → 15: 8.9 ← 16: 9.9 ↗ 17: 9.8 ↗ 18: 9.6 ↗ 19: 10.1 ↗ 20: 10.6x ↓ <hr/> Series 98.3 Total 198.5	60 Shots 	21: 9.8 ↗ 22: 9.4 ↖ 23: 10.6x ← 24: 10.8x ↑ 25: 8.9 → 26: 10.3x ↗ 27: 10.3x ↑ 28: 10.5x ↑ 29: 10.3x ↑ 30: 8.7 → <hr/> Series 99.6 Total 298.1
---	--	---	--

60 Shots 	31: 9.9 ↓ 32: 10.7x ← 33: 10.8x ↓ 34: 8.9 ↘ 35: 10.6x ↓ 36: 10.1 ↗ 37: 9.0 ← 38: 10.6x ↘ 39: 10.3x ↗ 40: 9.1 ↖ <hr/> Series 100.0 Total 398.1		
---	--	--	--

 <p>Sight</p>	<p>1: 9.7 ↘ 2: 8.7 ↘ 3: 8.6 ↘ 4: 10.2x ↘ 5: 8.0 → 6: 9.2 → 7: 10.4x ↘ 8: 10.0 ↑ 9: 10.0 ↗ 10: 10.2x →</p> <p>Series 95.0 Total 0.0</p>	 <p>Sight</p>	<p>11: 10.4x ↖ 12: 9.6 ↗ 13: 9.3 ↗ 14: 10.0 →</p> <p>Series 39.3 Total 0.0</p>
---	--	---	--

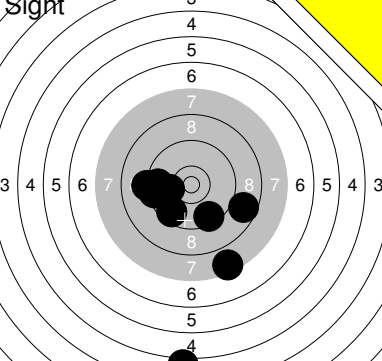
 <p>60 Shots</p>	<p>1: 9.3 ↑ 2: 9.7 ↖ 3: 8.3 ← 4: 10.2x ↘ 5: 10.0 ↗ 6: 8.3 ↗ 7: 8.5 ↘ 8: 9.7 ← 9: 9.7 ↖ 10: 9.2 ↘</p> <p>Series 92.9 Total 92.9</p>	 <p>60 Shots</p>	<p>11: 10.3x ↑ 12: 8.7 ↘ 13: 8.9 ↖ 14: 9.8 ↗ 15: 9.9 ↗ 16: 10.3x ↘ 17: 10.4x ↖ 18: 10.0 → 19: 10.7x ↗ 20: 10.4x ↘</p> <p>Series 99.4 Total 192.3</p>
---	--	---	--

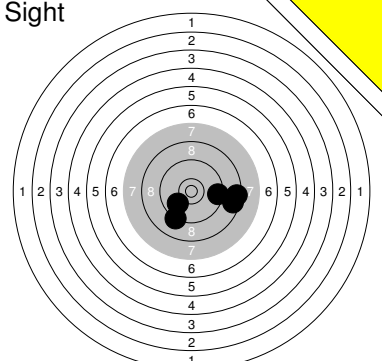
 <p>60 Shots</p>	<p>21: 10.4x ↗ 22: 8.7 ↗ 23: 10.0 → 24: 9.5 → 25: 9.6 ↑ 26: 10.7x ↘ 27: 9.9 ↖ 28: 9.6 ↘ 29: 10.4x ↘ 30: 10.4x ↑</p> <p>Series 99.2 Total 291.5</p>	 <p>60 Shots</p>	<p>31: 10.2x → 32: 9.3 ↘ 33: 10.1 ↖ 34: 10.4x ↑ 35: 10.2x ↗ 36: 8.0 ↖ 37: 10.2x ↘ 38: 10.0 ↗ 39: 10.0 ↖ 40: 10.8x ↘</p> <p>Series 99.2 Total 390.7</p>
--	--	--	--

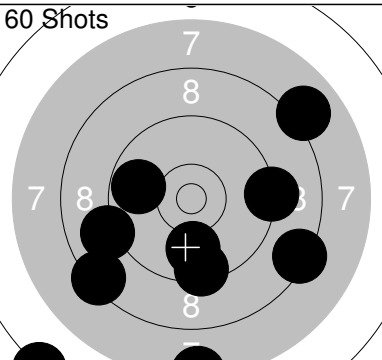
<p>Sight</p>	<p>Sight</p>
--------------	--------------

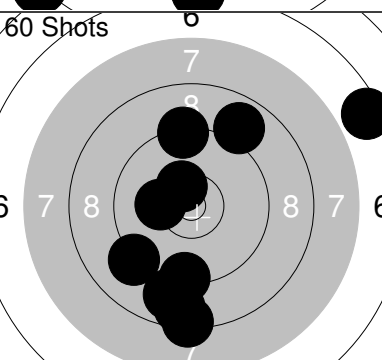
<p>60 Shots</p>	<p>60 Shots</p>
-----------------	-----------------

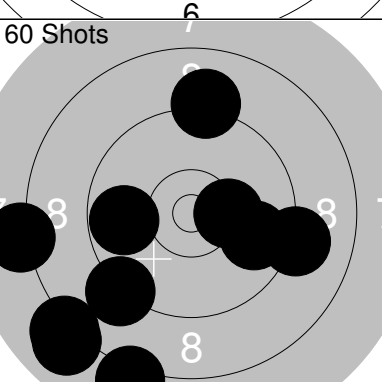
<p>60 Shots</p>	<p>60 Shots</p>
-----------------	-----------------

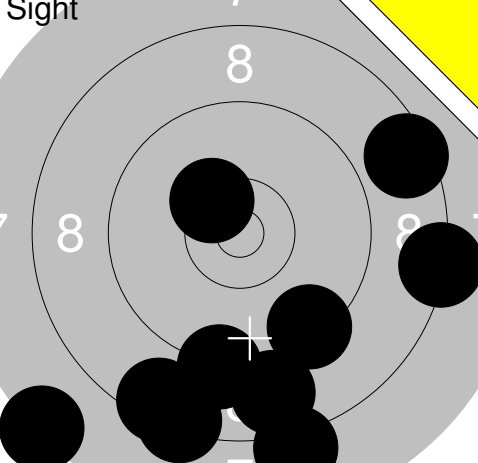
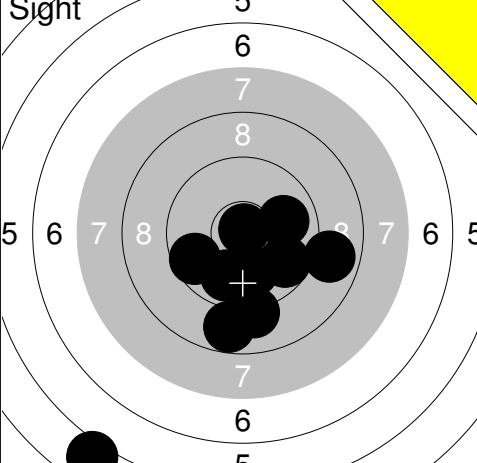
	<table style="width:100%; border-collapse: collapse;"> <tr><td>1:</td><td>9.5</td><td>↘</td></tr> <tr><td>2:</td><td>9.7</td><td>↘</td></tr> <tr><td>3:</td><td>9.7</td><td>←</td></tr> <tr><td>4:</td><td>10.1</td><td>←</td></tr> <tr><td>5:</td><td>9.2</td><td>←</td></tr> <tr><td>6:</td><td>7.6</td><td>↘</td></tr> <tr><td>7:</td><td>8.7</td><td>↘</td></tr> <tr><td>8:</td><td>9.5</td><td>←</td></tr> <tr><td>9:</td><td>9.5</td><td>←</td></tr> <tr><td>10:</td><td>4.0</td><td>↓</td></tr> <tr><td colspan="2">Series</td><td>83.0</td></tr> <tr><td colspan="2">Total</td><td>0.0</td></tr> </table>	1:	9.5	↘	2:	9.7	↘	3:	9.7	←	4:	10.1	←	5:	9.2	←	6:	7.6	↘	7:	8.7	↘	8:	9.5	←	9:	9.5	←	10:	4.0	↓	Series		83.0	Total		0.0	<table style="width:100%; border-collapse: collapse;"> <tr><td>11:</td><td>5.0</td><td>↓</td></tr> <tr><td>12:</td><td>8.4</td><td>↘</td></tr> <tr><td>13:</td><td>9.2</td><td>↖</td></tr> <tr><td>14:</td><td>7.4</td><td>→</td></tr> <tr><td>15:</td><td>8.4</td><td>→</td></tr> <tr><td>16:</td><td>9.6</td><td>↗</td></tr> <tr><td>17:</td><td>9.1</td><td>↘</td></tr> <tr><td>18:</td><td>8.1</td><td>↘</td></tr> <tr><td>19:</td><td>6.4</td><td>→</td></tr> <tr><td>20:</td><td>10.4x</td><td>↓</td></tr> <tr><td colspan="2">Series</td><td>79.0</td></tr> <tr><td colspan="2">Total</td><td>0.0</td></tr> </table>	11:	5.0	↓	12:	8.4	↘	13:	9.2	↖	14:	7.4	→	15:	8.4	→	16:	9.6	↗	17:	9.1	↘	18:	8.1	↘	19:	6.4	→	20:	10.4x	↓	Series		79.0	Total		0.0
1:	9.5	↘																																																																								
2:	9.7	↘																																																																								
3:	9.7	←																																																																								
4:	10.1	←																																																																								
5:	9.2	←																																																																								
6:	7.6	↘																																																																								
7:	8.7	↘																																																																								
8:	9.5	←																																																																								
9:	9.5	←																																																																								
10:	4.0	↓																																																																								
Series		83.0																																																																								
Total		0.0																																																																								
11:	5.0	↓																																																																								
12:	8.4	↘																																																																								
13:	9.2	↖																																																																								
14:	7.4	→																																																																								
15:	8.4	→																																																																								
16:	9.6	↗																																																																								
17:	9.1	↘																																																																								
18:	8.1	↘																																																																								
19:	6.4	→																																																																								
20:	10.4x	↓																																																																								
Series		79.0																																																																								
Total		0.0																																																																								

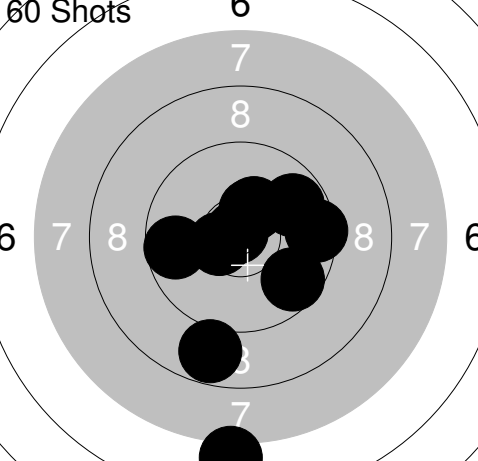
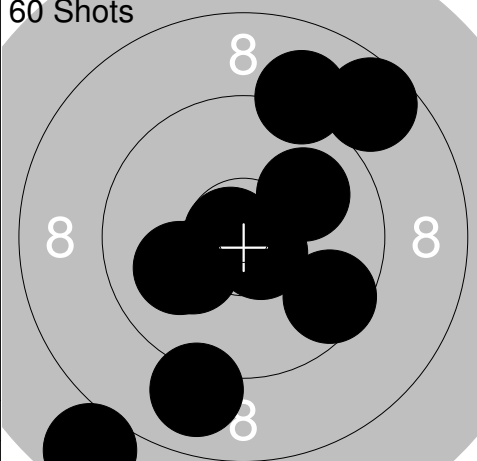
	<table style="width:100%; border-collapse: collapse;"> <tr><td>21:</td><td>0.0</td><td>↘</td></tr> <tr><td>22:</td><td>9.5</td><td>→</td></tr> <tr><td>23:</td><td>8.5</td><td>→</td></tr> <tr><td>24:</td><td>8.6</td><td>→</td></tr> <tr><td>25:</td><td>9.3</td><td>↘</td></tr> <tr><td>26:</td><td>10.0</td><td>↖</td></tr> <tr><td colspan="2">Series</td><td>44.0</td></tr> <tr><td colspan="2">Total</td><td>0.0</td></tr> </table>	21:	0.0	↘	22:	9.5	→	23:	8.5	→	24:	8.6	→	25:	9.3	↘	26:	10.0	↖	Series		44.0	Total		0.0	<table style="width:100%; border-collapse: collapse;"> <tr><td colspan="3">60 Shots</td></tr> <tr><td>1:</td><td>10.0</td><td>←</td></tr> <tr><td>2:</td><td>10.6x</td><td>↗</td></tr> <tr><td>3:</td><td>7.7</td><td>↗</td></tr> <tr><td>4:</td><td>8.4</td><td>↘</td></tr> <tr><td>5:</td><td>10.0</td><td>↘</td></tr> <tr><td>6:</td><td>9.4</td><td>↘</td></tr> <tr><td>7:</td><td>8.4</td><td>→</td></tr> <tr><td>8:</td><td>8.5</td><td>↗</td></tr> <tr><td>9:</td><td>7.8</td><td>↗</td></tr> <tr><td>10:</td><td>10.2</td><td>↘</td></tr> <tr><td colspan="2">Series</td><td>87.0</td></tr> <tr><td colspan="2">Total</td><td>87.0</td></tr> </table>	60 Shots			1:	10.0	←	2:	10.6x	↗	3:	7.7	↗	4:	8.4	↘	5:	10.0	↘	6:	9.4	↘	7:	8.4	→	8:	8.5	↗	9:	7.8	↗	10:	10.2	↘	Series		87.0	Total		87.0
21:	0.0	↘																																																															
22:	9.5	→																																																															
23:	8.5	→																																																															
24:	8.6	→																																																															
25:	9.3	↘																																																															
26:	10.0	↖																																																															
Series		44.0																																																															
Total		0.0																																																															
60 Shots																																																																	
1:	10.0	←																																																															
2:	10.6x	↗																																																															
3:	7.7	↗																																																															
4:	8.4	↘																																																															
5:	10.0	↘																																																															
6:	9.4	↘																																																															
7:	8.4	→																																																															
8:	8.5	↗																																																															
9:	7.8	↗																																																															
10:	10.2	↘																																																															
Series		87.0																																																															
Total		87.0																																																															

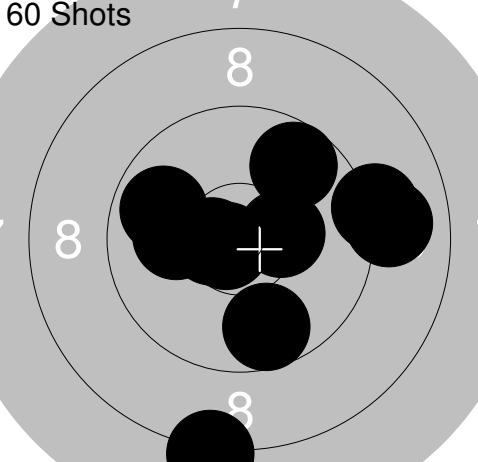
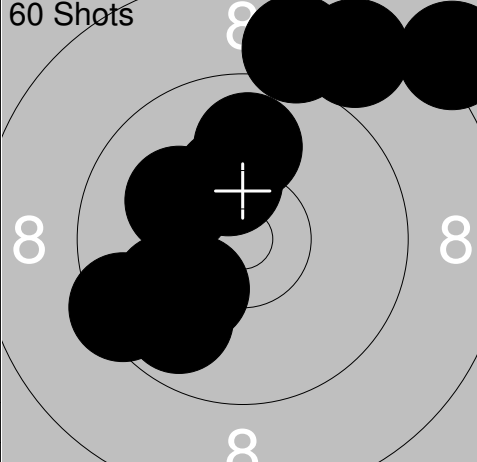
	<table style="width:100%; border-collapse: collapse;"> <tr><td>11:</td><td>9.8</td><td>←</td></tr> <tr><td>12:</td><td>9.5</td><td>↘</td></tr> <tr><td>13:</td><td>8.4</td><td>↘</td></tr> <tr><td>14:</td><td>6.2</td><td>↘</td></tr> <tr><td>15:</td><td>9.1</td><td>←</td></tr> <tr><td>16:</td><td>9.3</td><td>→</td></tr> <tr><td>17:</td><td>8.4</td><td>↘</td></tr> <tr><td>18:</td><td>9.9</td><td>↘</td></tr> <tr><td>19:</td><td>7.3</td><td>↘</td></tr> <tr><td>20:</td><td>8.0</td><td>↗</td></tr> <tr><td colspan="2">Series</td><td>82.0</td></tr> <tr><td colspan="2">Total</td><td>169.0</td></tr> </table>	11:	9.8	←	12:	9.5	↘	13:	8.4	↘	14:	6.2	↘	15:	9.1	←	16:	9.3	→	17:	8.4	↘	18:	9.9	↘	19:	7.3	↘	20:	8.0	↗	Series		82.0	Total		169.0	<table style="width:100%; border-collapse: collapse;"> <tr><td colspan="3">60 Shots</td></tr> <tr><td>21:</td><td>8.9</td><td>↖</td></tr> <tr><td>22:</td><td>8.7</td><td>↘</td></tr> <tr><td>23:</td><td>10.2</td><td>↘</td></tr> <tr><td>24:</td><td>6.0</td><td>→</td></tr> <tr><td>25:</td><td>9.3</td><td>→</td></tr> <tr><td>26:</td><td>10.6x</td><td>↘</td></tr> <tr><td>27:</td><td>10.3</td><td>↗</td></tr> <tr><td>28:</td><td>9.4</td><td>↗</td></tr> <tr><td>29:</td><td>10.5x</td><td>→</td></tr> <tr><td>30:</td><td>9.6</td><td>↘</td></tr> <tr><td colspan="2">Series</td><td>89.0</td></tr> <tr><td colspan="2">Total</td><td>258.0</td></tr> </table>	60 Shots			21:	8.9	↖	22:	8.7	↘	23:	10.2	↘	24:	6.0	→	25:	9.3	→	26:	10.6x	↘	27:	10.3	↗	28:	9.4	↗	29:	10.5x	→	30:	9.6	↘	Series		89.0	Total		258.0
11:	9.8	←																																																																											
12:	9.5	↘																																																																											
13:	8.4	↘																																																																											
14:	6.2	↘																																																																											
15:	9.1	←																																																																											
16:	9.3	→																																																																											
17:	8.4	↘																																																																											
18:	9.9	↘																																																																											
19:	7.3	↘																																																																											
20:	8.0	↗																																																																											
Series		82.0																																																																											
Total		169.0																																																																											
60 Shots																																																																													
21:	8.9	↖																																																																											
22:	8.7	↘																																																																											
23:	10.2	↘																																																																											
24:	6.0	→																																																																											
25:	9.3	→																																																																											
26:	10.6x	↘																																																																											
27:	10.3	↗																																																																											
28:	9.4	↗																																																																											
29:	10.5x	→																																																																											
30:	9.6	↘																																																																											
Series		89.0																																																																											
Total		258.0																																																																											

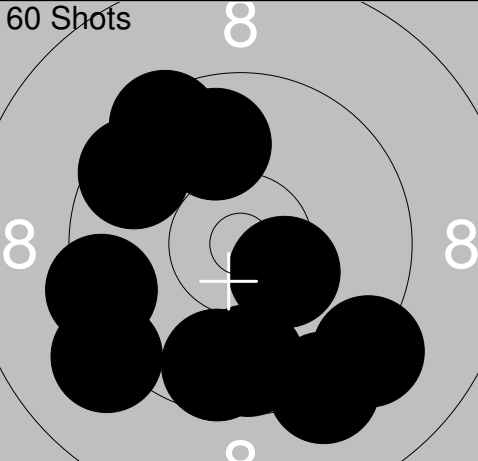
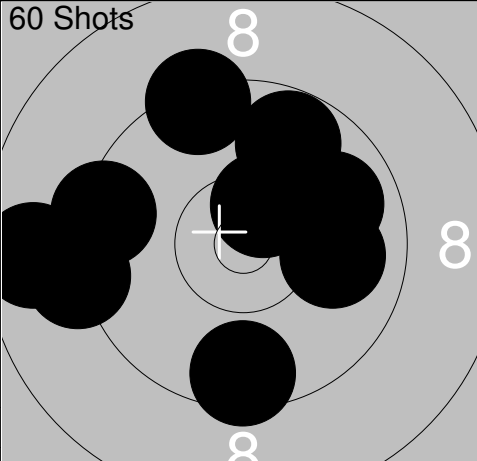
	<table style="width:100%; border-collapse: collapse;"> <tr><td>31:</td><td>10.5x</td><td>↗</td></tr> <tr><td>32:</td><td>8.9</td><td>↗</td></tr> <tr><td>33:</td><td>9.3</td><td>↗</td></tr> <tr><td>34:</td><td>8.7</td><td>↘</td></tr> <tr><td>35:</td><td>8.4</td><td>↘</td></tr> <tr><td>36:</td><td>10.3</td><td>←</td></tr> <tr><td>37:</td><td>8.9</td><td>↘</td></tr> <tr><td>38:</td><td>9.2</td><td>↘</td></tr> <tr><td>39:</td><td>6.6</td><td>→</td></tr> <tr><td>40:</td><td>9.3</td><td>↓</td></tr> <tr><td colspan="2">Series</td><td>85.0</td></tr> <tr><td colspan="2">Total</td><td>343.0</td></tr> </table>	31:	10.5x	↗	32:	8.9	↗	33:	9.3	↗	34:	8.7	↘	35:	8.4	↘	36:	10.3	←	37:	8.9	↘	38:	9.2	↘	39:	6.6	→	40:	9.3	↓	Series		85.0	Total		343.0	<table style="width:100%; border-collapse: collapse;"> <tr><td colspan="3">60 Shots</td></tr> <tr><td>41:</td><td>6.1</td><td>↖</td></tr> <tr><td>42:</td><td>10.2</td><td>→</td></tr> <tr><td>43:</td><td>9.6</td><td>→</td></tr> <tr><td>44:</td><td>9.4</td><td>↗</td></tr> <tr><td>45:</td><td>10.9x</td><td>↗</td></tr> <tr><td>46:</td><td>9.7</td><td>→</td></tr> <tr><td>47:</td><td>8.5</td><td>↘</td></tr> <tr><td>48:</td><td>9.0</td><td>↘</td></tr> <tr><td>49:</td><td>9.5</td><td>↗</td></tr> <tr><td>50:</td><td>7.7</td><td>↘</td></tr> <tr><td colspan="2">Series</td><td>86.0</td></tr> <tr><td colspan="2">Total</td><td>429.0</td></tr> </table>	60 Shots			41:	6.1	↖	42:	10.2	→	43:	9.6	→	44:	9.4	↗	45:	10.9x	↗	46:	9.7	→	47:	8.5	↘	48:	9.0	↘	49:	9.5	↗	50:	7.7	↘	Series		86.0	Total		429.0
31:	10.5x	↗																																																																											
32:	8.9	↗																																																																											
33:	9.3	↗																																																																											
34:	8.7	↘																																																																											
35:	8.4	↘																																																																											
36:	10.3	←																																																																											
37:	8.9	↘																																																																											
38:	9.2	↘																																																																											
39:	6.6	→																																																																											
40:	9.3	↓																																																																											
Series		85.0																																																																											
Total		343.0																																																																											
60 Shots																																																																													
41:	6.1	↖																																																																											
42:	10.2	→																																																																											
43:	9.6	→																																																																											
44:	9.4	↗																																																																											
45:	10.9x	↗																																																																											
46:	9.7	→																																																																											
47:	8.5	↘																																																																											
48:	9.0	↘																																																																											
49:	9.5	↗																																																																											
50:	7.7	↘																																																																											
Series		86.0																																																																											
Total		429.0																																																																											

	<table style="width:100%; border-collapse: collapse;"> <tr><td>51:</td><td>8.0</td><td>↘</td></tr> <tr><td>52:</td><td>9.9</td><td>→</td></tr> <tr><td>53:</td><td>8.1</td><td>←</td></tr> <tr><td>54:</td><td>8.0</td><td>↘</td></tr> <tr><td>55:</td><td>9.2</td><td>→</td></tr> <tr><td>56:</td><td>8.1</td><td>↘</td></tr> <tr><td>57:</td><td>9.2</td><td>↘</td></tr> <tr><td>58:</td><td>9.8</td><td>←</td></tr> <tr><td>59:</td><td>10.3</td><td>→</td></tr> <tr><td>60:</td><td>9.1</td><td>↗</td></tr> <tr><td colspan="2">Series</td><td>87.0</td></tr> <tr><td colspan="2">Total</td><td>516.0</td></tr> </table>	51:	8.0	↘	52:	9.9	→	53:	8.1	←	54:	8.0	↘	55:	9.2	→	56:	8.1	↘	57:	9.2	↘	58:	9.8	←	59:	10.3	→	60:	9.1	↗	Series		87.0	Total		516.0	
51:	8.0	↘																																				
52:	9.9	→																																				
53:	8.1	←																																				
54:	8.0	↘																																				
55:	9.2	→																																				
56:	8.1	↘																																				
57:	9.2	↘																																				
58:	9.8	←																																				
59:	10.3	→																																				
60:	9.1	↗																																				
Series		87.0																																				
Total		516.0																																				

	<table style="width:100%; border-collapse: collapse;"> <tr><td>1:</td><td>8.5</td><td>↘</td></tr> <tr><td>2:</td><td>9.4</td><td>↘</td></tr> <tr><td>3:</td><td>8.4</td><td>↘</td></tr> <tr><td>4:</td><td>8.0</td><td>↘</td></tr> <tr><td>5:</td><td>8.5</td><td>→</td></tr> <tr><td>6:</td><td>8.3</td><td>→</td></tr> <tr><td>7:</td><td>8.8</td><td>↘</td></tr> <tr><td>8:</td><td>7.3</td><td>↘</td></tr> <tr><td>9:</td><td>9.2</td><td>↘</td></tr> <tr><td>10:</td><td>10.4x</td><td>↗</td></tr> <tr><td colspan="2">Series</td><td>83.0</td></tr> <tr><td colspan="2">Total</td><td>0.0</td></tr> </table>	1:	8.5	↘	2:	9.4	↘	3:	8.4	↘	4:	8.0	↘	5:	8.5	→	6:	8.3	→	7:	8.8	↘	8:	7.3	↘	9:	9.2	↘	10:	10.4x	↗	Series		83.0	Total		0.0		<table style="width:100%; border-collapse: collapse;"> <tr><td>11:</td><td>9.9</td><td>↘</td></tr> <tr><td>12:</td><td>4.9</td><td>↘</td></tr> <tr><td>13:</td><td>8.8</td><td>↘</td></tr> <tr><td>14:</td><td>8.9</td><td>→</td></tr> <tr><td>15:</td><td>9.8</td><td>↘</td></tr> <tr><td>16:</td><td>9.1</td><td>↘</td></tr> <tr><td>17:</td><td>9.7</td><td>←</td></tr> <tr><td>18:</td><td>10.9x</td><td>↑</td></tr> <tr><td>19:</td><td>10.1</td><td>↘</td></tr> <tr><td>20:</td><td>10.0</td><td>→</td></tr> <tr><td colspan="2">Series</td><td>86.0</td></tr> <tr><td colspan="2">Total</td><td>0.0</td></tr> </table>	11:	9.9	↘	12:	4.9	↘	13:	8.8	↘	14:	8.9	→	15:	9.8	↘	16:	9.1	↘	17:	9.7	←	18:	10.9x	↑	19:	10.1	↘	20:	10.0	→	Series		86.0	Total		0.0
1:	8.5	↘																																																																									
2:	9.4	↘																																																																									
3:	8.4	↘																																																																									
4:	8.0	↘																																																																									
5:	8.5	→																																																																									
6:	8.3	→																																																																									
7:	8.8	↘																																																																									
8:	7.3	↘																																																																									
9:	9.2	↘																																																																									
10:	10.4x	↗																																																																									
Series		83.0																																																																									
Total		0.0																																																																									
11:	9.9	↘																																																																									
12:	4.9	↘																																																																									
13:	8.8	↘																																																																									
14:	8.9	→																																																																									
15:	9.8	↘																																																																									
16:	9.1	↘																																																																									
17:	9.7	←																																																																									
18:	10.9x	↑																																																																									
19:	10.1	↘																																																																									
20:	10.0	→																																																																									
Series		86.0																																																																									
Total		0.0																																																																									

	<table style="width:100%; border-collapse: collapse;"> <tr><td>1:</td><td>9.8</td><td>←</td></tr> <tr><td>2:</td><td>9.6</td><td>→</td></tr> <tr><td>3:</td><td>10.4x</td><td>↑</td></tr> <tr><td>4:</td><td>9.8</td><td>↗</td></tr> <tr><td>5:</td><td>9.7</td><td>↘</td></tr> <tr><td>6:</td><td>7.0</td><td>↘</td></tr> <tr><td>7:</td><td>10.4x</td><td>↑</td></tr> <tr><td>8:</td><td>10.8x</td><td>↗</td></tr> <tr><td>9:</td><td>10.6x</td><td>←</td></tr> <tr><td>10:</td><td>8.8</td><td>↘</td></tr> <tr><td colspan="2">Series</td><td>91.0</td></tr> <tr><td colspan="2">Total</td><td>91.0</td></tr> </table>	1:	9.8	←	2:	9.6	→	3:	10.4x	↑	4:	9.8	↗	5:	9.7	↘	6:	7.0	↘	7:	10.4x	↑	8:	10.8x	↗	9:	10.6x	←	10:	8.8	↘	Series		91.0	Total		91.0		<table style="width:100%; border-collapse: collapse;"> <tr><td>11:</td><td>10.7x</td><td>↘</td></tr> <tr><td>12:</td><td>9.0</td><td>↘</td></tr> <tr><td>13:</td><td>8.7</td><td>↗</td></tr> <tr><td>14:</td><td>7.8</td><td>↘</td></tr> <tr><td>15:</td><td>10.2</td><td>←</td></tr> <tr><td>16:</td><td>10.1</td><td>←</td></tr> <tr><td>17:</td><td>9.7</td><td>↘</td></tr> <tr><td>18:</td><td>9.1</td><td>↑</td></tr> <tr><td>19:</td><td>10.1</td><td>↗</td></tr> <tr><td>20:</td><td>10.8x</td><td>←</td></tr> <tr><td colspan="2">Series</td><td>92.0</td></tr> <tr><td colspan="2">Total</td><td>183.0</td></tr> </table>	11:	10.7x	↘	12:	9.0	↘	13:	8.7	↗	14:	7.8	↘	15:	10.2	←	16:	10.1	←	17:	9.7	↘	18:	9.1	↑	19:	10.1	↗	20:	10.8x	←	Series		92.0	Total		183.0
1:	9.8	←																																																																									
2:	9.6	→																																																																									
3:	10.4x	↑																																																																									
4:	9.8	↗																																																																									
5:	9.7	↘																																																																									
6:	7.0	↘																																																																									
7:	10.4x	↑																																																																									
8:	10.8x	↗																																																																									
9:	10.6x	←																																																																									
10:	8.8	↘																																																																									
Series		91.0																																																																									
Total		91.0																																																																									
11:	10.7x	↘																																																																									
12:	9.0	↘																																																																									
13:	8.7	↗																																																																									
14:	7.8	↘																																																																									
15:	10.2	←																																																																									
16:	10.1	←																																																																									
17:	9.7	↘																																																																									
18:	9.1	↑																																																																									
19:	10.1	↗																																																																									
20:	10.8x	←																																																																									
Series		92.0																																																																									
Total		183.0																																																																									

	<table style="width:100%; border-collapse: collapse;"> <tr><td>21:</td><td>9.2</td><td>→</td></tr> <tr><td>22:</td><td>10.4x</td><td>→</td></tr> <tr><td>23:</td><td>9.9</td><td>←</td></tr> <tr><td>24:</td><td>8.2</td><td>↘</td></tr> <tr><td>25:</td><td>10.6x</td><td>←</td></tr> <tr><td>26:</td><td>9.8</td><td>↗</td></tr> <tr><td>27:</td><td>10.8x</td><td>←</td></tr> <tr><td>28:</td><td>9.0</td><td>→</td></tr> <tr><td>29:</td><td>10.1</td><td>←</td></tr> <tr><td>30:</td><td>9.8</td><td>↘</td></tr> <tr><td colspan="2">Series</td><td>93.0</td></tr> <tr><td colspan="2">Total</td><td>276.0</td></tr> </table>	21:	9.2	→	22:	10.4x	→	23:	9.9	←	24:	8.2	↘	25:	10.6x	←	26:	9.8	↗	27:	10.8x	←	28:	9.0	→	29:	10.1	←	30:	9.8	↘	Series		93.0	Total		276.0		<table style="width:100%; border-collapse: collapse;"> <tr><td>31:</td><td>10.0</td><td>↑</td></tr> <tr><td>32:</td><td>9.9</td><td>↘</td></tr> <tr><td>33:</td><td>10.2</td><td>↖</td></tr> <tr><td>34:</td><td>9.5</td><td>←</td></tr> <tr><td>35:</td><td>10.2</td><td>↘</td></tr> <tr><td>36:</td><td>8.9</td><td>↑</td></tr> <tr><td>37:</td><td>10.3</td><td>↑</td></tr> <tr><td>38:</td><td>10.0</td><td>←</td></tr> <tr><td>39:</td><td>8.1</td><td>↗</td></tr> <tr><td>40:</td><td>8.7</td><td>↗</td></tr> <tr><td colspan="2">Series</td><td>92.0</td></tr> <tr><td colspan="2">Total</td><td>368.0</td></tr> </table>	31:	10.0	↑	32:	9.9	↘	33:	10.2	↖	34:	9.5	←	35:	10.2	↘	36:	8.9	↑	37:	10.3	↑	38:	10.0	←	39:	8.1	↗	40:	8.7	↗	Series		92.0	Total		368.0
21:	9.2	→																																																																									
22:	10.4x	→																																																																									
23:	9.9	←																																																																									
24:	8.2	↘																																																																									
25:	10.6x	←																																																																									
26:	9.8	↗																																																																									
27:	10.8x	←																																																																									
28:	9.0	→																																																																									
29:	10.1	←																																																																									
30:	9.8	↘																																																																									
Series		93.0																																																																									
Total		276.0																																																																									
31:	10.0	↑																																																																									
32:	9.9	↘																																																																									
33:	10.2	↖																																																																									
34:	9.5	←																																																																									
35:	10.2	↘																																																																									
36:	8.9	↑																																																																									
37:	10.3	↑																																																																									
38:	10.0	←																																																																									
39:	8.1	↗																																																																									
40:	8.7	↗																																																																									
Series		92.0																																																																									
Total		368.0																																																																									

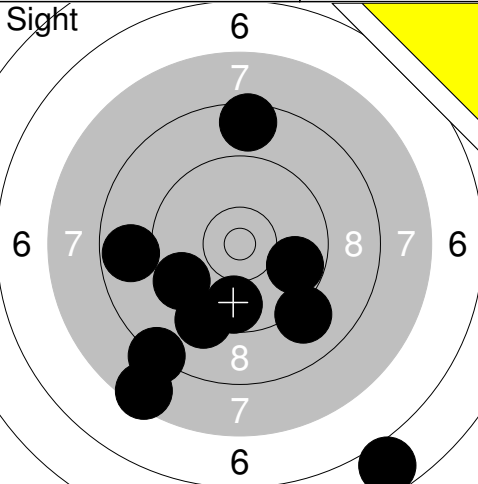
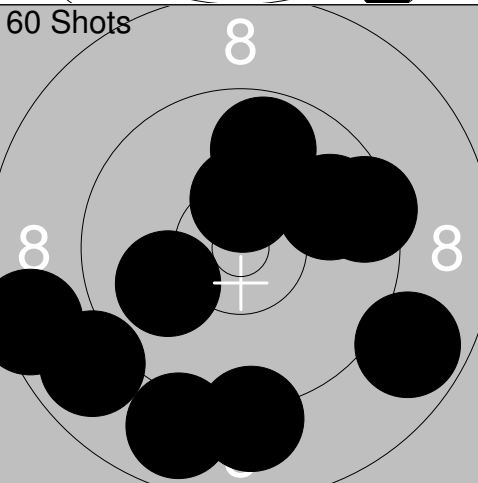
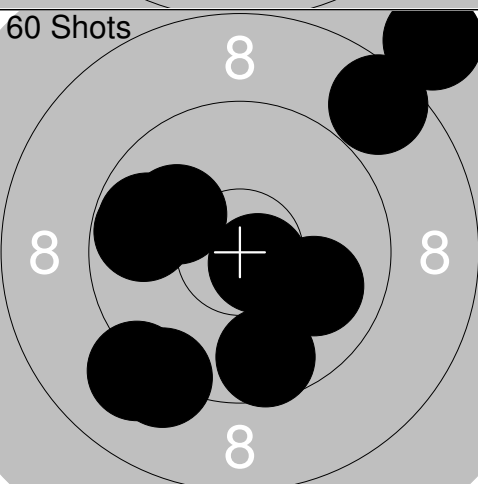
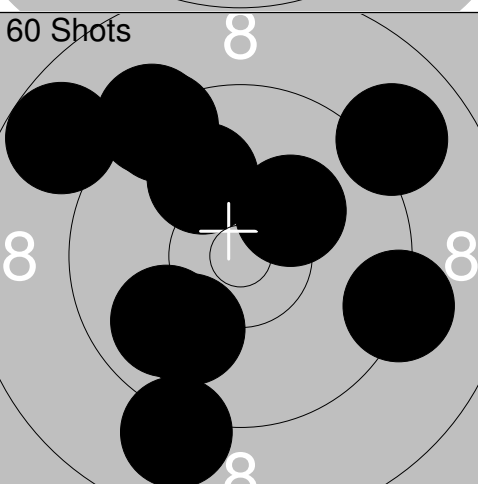
	<table style="width:100%; border-collapse: collapse;"> <tr><td>41:</td><td>9.3</td><td>↘</td></tr> <tr><td>42:</td><td>9.9</td><td>↗</td></tr> <tr><td>43:</td><td>9.5</td><td>↗</td></tr> <tr><td>44:</td><td>9.7</td><td>↗</td></tr> <tr><td>45:</td><td>9.2</td><td>↘</td></tr> <tr><td>46:</td><td>9.3</td><td>↘</td></tr> <tr><td>47:</td><td>9.5</td><td>←</td></tr> <tr><td>48:</td><td>9.7</td><td>↘</td></tr> <tr><td>49:</td><td>10.4x</td><td>↘</td></tr> <tr><td>50:</td><td>9.8</td><td>↘</td></tr> <tr><td colspan="2">Series</td><td>91.0</td></tr> <tr><td colspan="2">Total</td><td>459.0</td></tr> </table>	41:	9.3	↘	42:	9.9	↗	43:	9.5	↗	44:	9.7	↗	45:	9.2	↘	46:	9.3	↘	47:	9.5	←	48:	9.7	↘	49:	10.4x	↘	50:	9.8	↘	Series		91.0	Total		459.0		<table style="width:100%; border-collapse: collapse;"> <tr><td>51:</td><td>9.6</td><td>↘</td></tr> <tr><td>52:</td><td>10.5x</td><td>↗</td></tr> <tr><td>53:</td><td>8.7</td><td>←</td></tr> <tr><td>54:</td><td>9.9</td><td>→</td></tr> <tr><td>55:</td><td>9.4</td><td>↑</td></tr> <tr><td>56:</td><td>9.2</td><td>←</td></tr> <tr><td>57:</td><td>10.3</td><td>↗</td></tr> <tr><td>58:</td><td>10.0</td><td>→</td></tr> <tr><td>59:</td><td>9.5</td><td>←</td></tr> <tr><td>60:</td><td>9.8</td><td>↑</td></tr> <tr><td colspan="2">Series</td><td>92.0</td></tr> <tr><td colspan="2">Total</td><td>551.0</td></tr> </table>	51:	9.6	↘	52:	10.5x	↗	53:	8.7	←	54:	9.9	→	55:	9.4	↑	56:	9.2	←	57:	10.3	↗	58:	10.0	→	59:	9.5	←	60:	9.8	↑	Series		92.0	Total		551.0
41:	9.3	↘																																																																									
42:	9.9	↗																																																																									
43:	9.5	↗																																																																									
44:	9.7	↗																																																																									
45:	9.2	↘																																																																									
46:	9.3	↘																																																																									
47:	9.5	←																																																																									
48:	9.7	↘																																																																									
49:	10.4x	↘																																																																									
50:	9.8	↘																																																																									
Series		91.0																																																																									
Total		459.0																																																																									
51:	9.6	↘																																																																									
52:	10.5x	↗																																																																									
53:	8.7	←																																																																									
54:	9.9	→																																																																									
55:	9.4	↑																																																																									
56:	9.2	←																																																																									
57:	10.3	↗																																																																									
58:	10.0	→																																																																									
59:	9.5	←																																																																									
60:	9.8	↑																																																																									
Series		92.0																																																																									
Total		551.0																																																																									

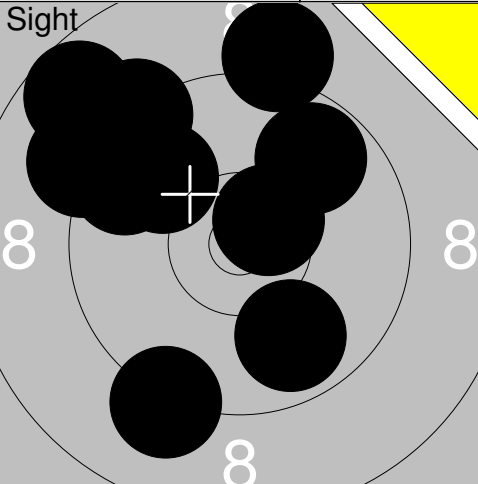
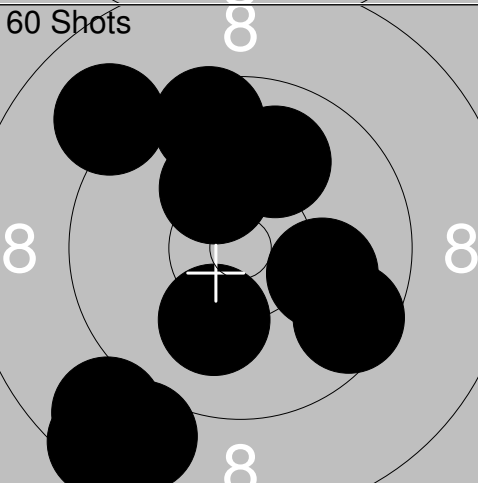
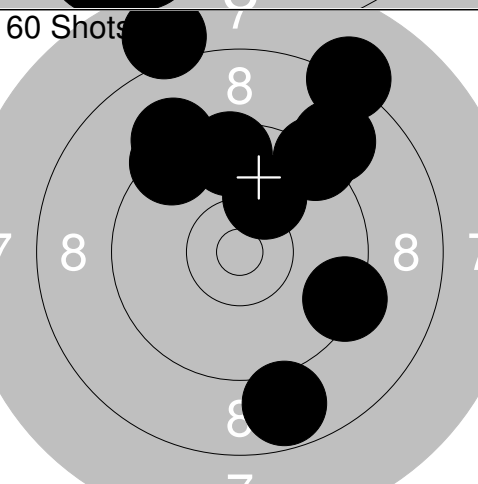
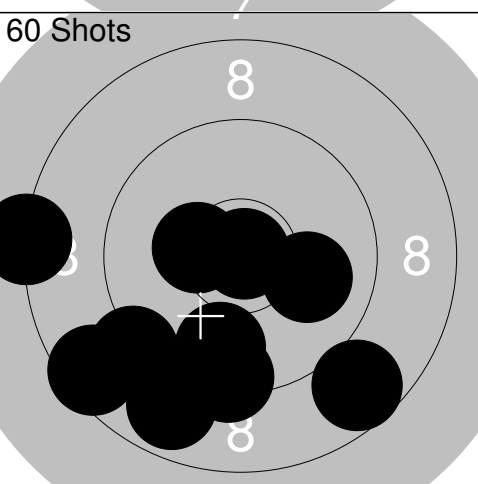
		<table border="1" style="width:100%; border-collapse: collapse;"> <tr><td>1: 9.8 ↗</td></tr> <tr><td>2: 10.0 ↓</td></tr> <tr><td>3: 10.4x ↗</td></tr> <tr><td>4: 8.3 ↓</td></tr> <tr><td>5: 8.7 ↓</td></tr> <tr><td>6: 8.0 ↓</td></tr> <tr><td>7: 8.2 ←</td></tr> <tr><td>8: 9.5 ↑</td></tr> <tr><td>9: 9.8 ↑</td></tr> <tr><td>10: 9.7 ↓</td></tr> <tr><td>Series 88.0</td></tr> <tr><td>Total 0.0</td></tr> </table>	1: 9.8 ↗	2: 10.0 ↓	3: 10.4x ↗	4: 8.3 ↓	5: 8.7 ↓	6: 8.0 ↓	7: 8.2 ←	8: 9.5 ↑	9: 9.8 ↑	10: 9.7 ↓	Series 88.0	Total 0.0
1: 9.8 ↗														
2: 10.0 ↓														
3: 10.4x ↗														
4: 8.3 ↓														
5: 8.7 ↓														
6: 8.0 ↓														
7: 8.2 ←														
8: 9.5 ↑														
9: 9.8 ↑														
10: 9.7 ↓														
Series 88.0														
Total 0.0														

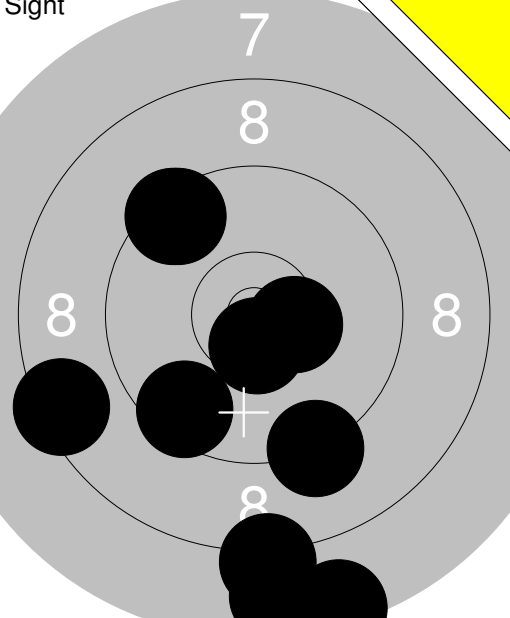
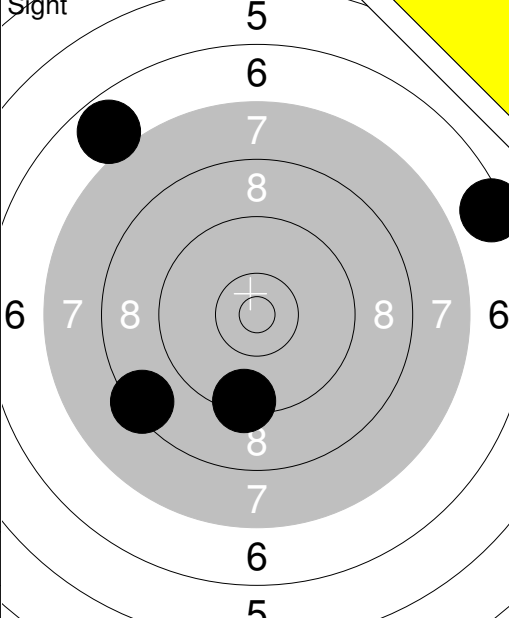
		<table border="1" style="width:100%; border-collapse: collapse;"> <tr><td>11: 9.4 ↗</td></tr> <tr><td>12: 10.7x ↖</td></tr> <tr><td>13: 9.2 ↓</td></tr> <tr><td>14: 8.4 →</td></tr> <tr><td>15: 10.5x ↓</td></tr> <tr><td>16: 9.9 ↓</td></tr> <tr><td>17: 10.1 ↑</td></tr> <tr><td>18: 8.3 ↑</td></tr> <tr><td>19: 10.3 ←</td></tr> <tr><td>20: 5.8 ↓</td></tr> <tr><td>Series 88.0</td></tr> <tr><td>Total 172.0</td></tr> </table>	11: 9.4 ↗	12: 10.7x ↖	13: 9.2 ↓	14: 8.4 →	15: 10.5x ↓	16: 9.9 ↓	17: 10.1 ↑	18: 8.3 ↑	19: 10.3 ←	20: 5.8 ↓	Series 88.0	Total 172.0
11: 9.4 ↗														
12: 10.7x ↖														
13: 9.2 ↓														
14: 8.4 →														
15: 10.5x ↓														
16: 9.9 ↓														
17: 10.1 ↑														
18: 8.3 ↑														
19: 10.3 ←														
20: 5.8 ↓														
Series 88.0														
Total 172.0														

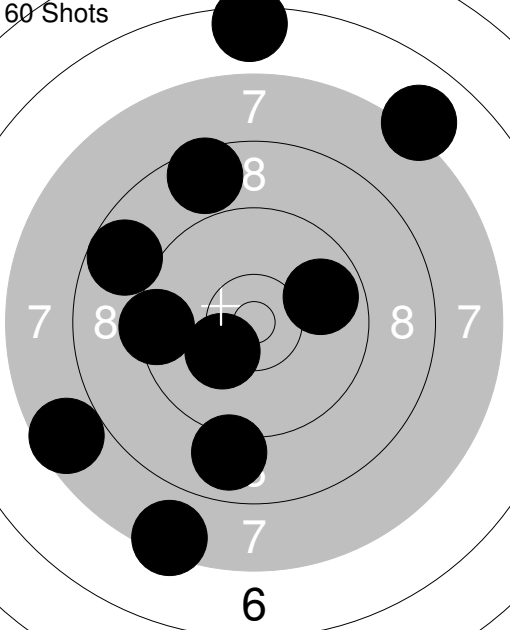
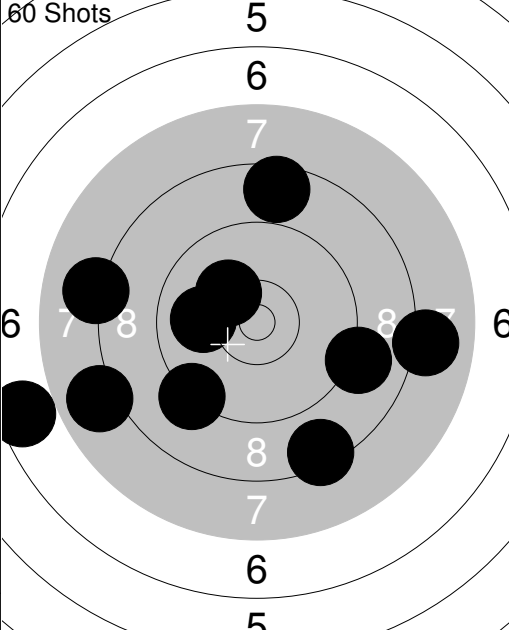
		<table border="1" style="width:100%; border-collapse: collapse;"> <tr><td>31: 8.7 ↓</td></tr> <tr><td>32: 9.6 ↓</td></tr> <tr><td>33: 9.1 →</td></tr> <tr><td>34: 8.1 ↗</td></tr> <tr><td>35: 9.0 ↑</td></tr> <tr><td>36: 9.0 ↓</td></tr> <tr><td>37: 8.9 ←</td></tr> <tr><td>38: 10.0 ←</td></tr> <tr><td>39: 10.2 ↑</td></tr> <tr><td>40: 8.0 ↓</td></tr> <tr><td>Series 88.0</td></tr> <tr><td>Total 339.0</td></tr> </table>	31: 8.7 ↓	32: 9.6 ↓	33: 9.1 →	34: 8.1 ↗	35: 9.0 ↑	36: 9.0 ↓	37: 8.9 ←	38: 10.0 ←	39: 10.2 ↑	40: 8.0 ↓	Series 88.0	Total 339.0
31: 8.7 ↓														
32: 9.6 ↓														
33: 9.1 →														
34: 8.1 ↗														
35: 9.0 ↑														
36: 9.0 ↓														
37: 8.9 ←														
38: 10.0 ←														
39: 10.2 ↑														
40: 8.0 ↓														
Series 88.0														
Total 339.0														

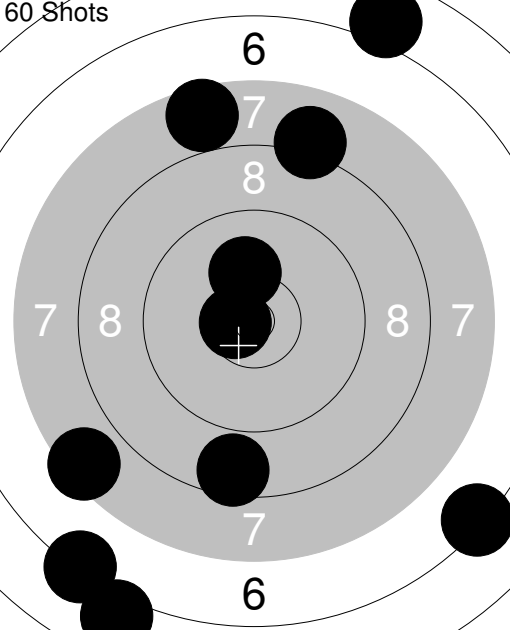
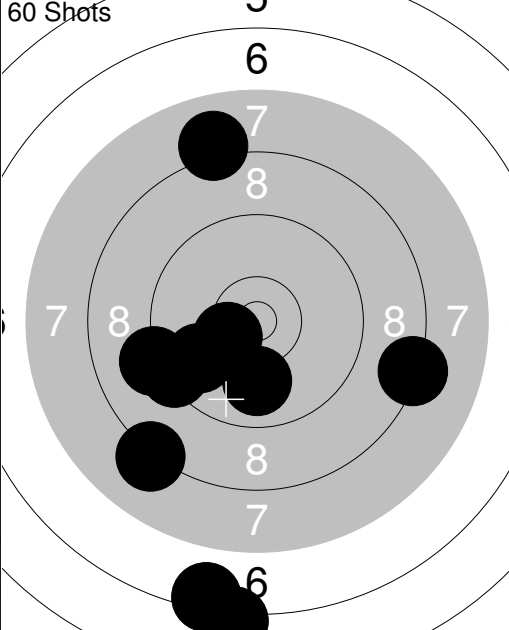
--	--	--

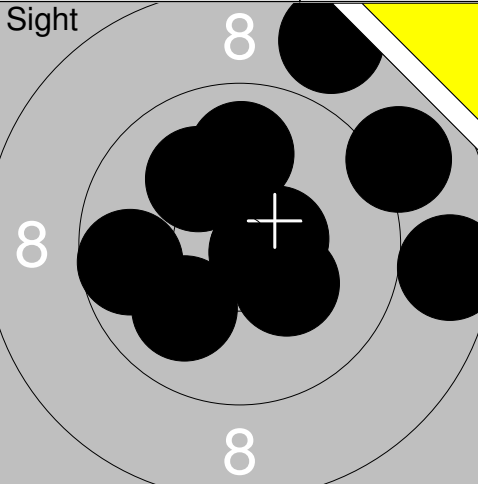
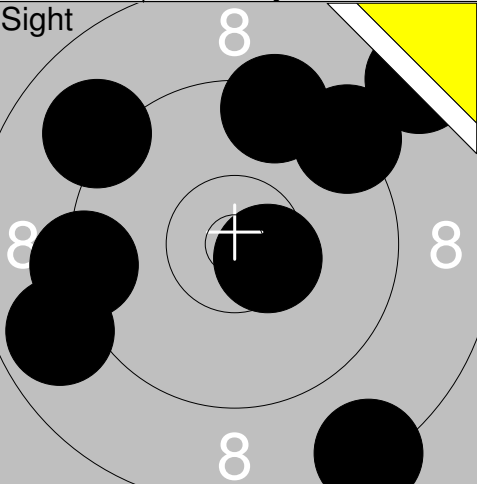
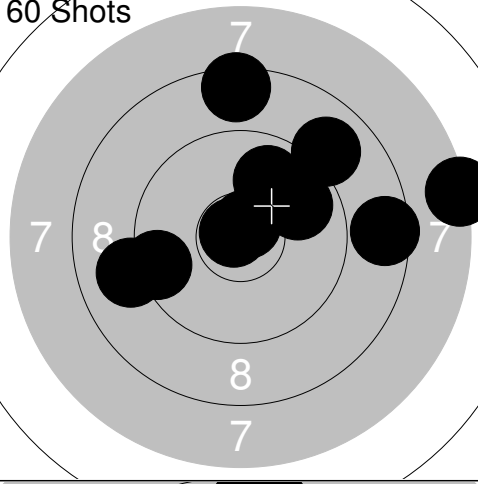
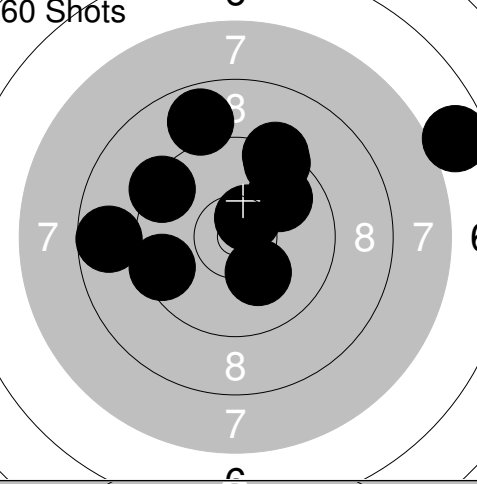
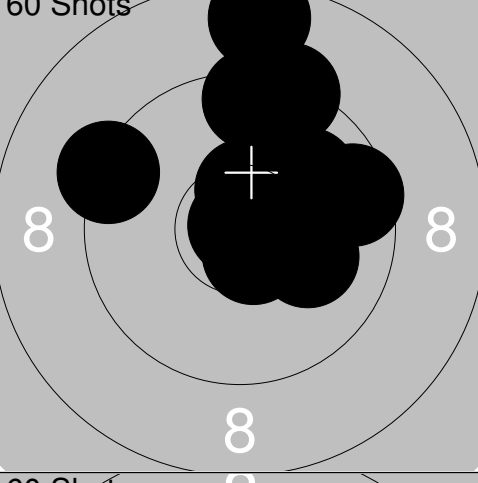
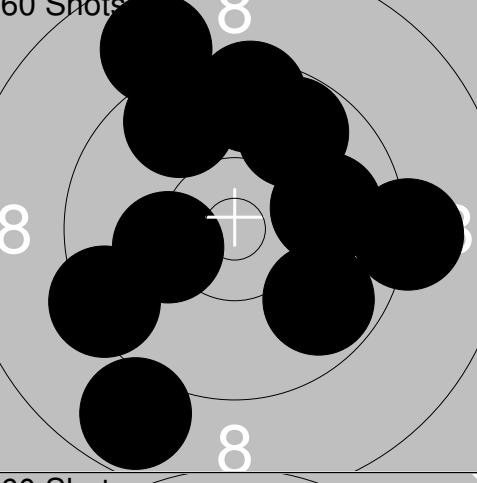
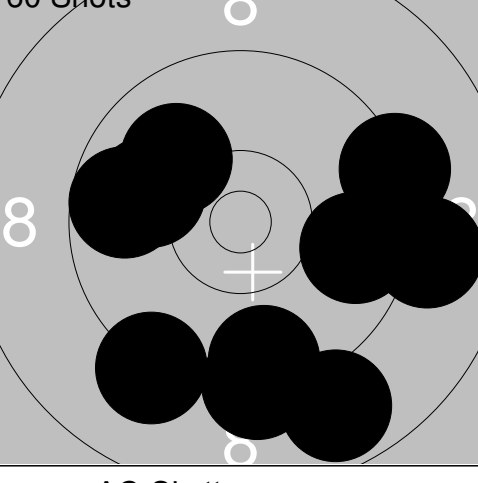
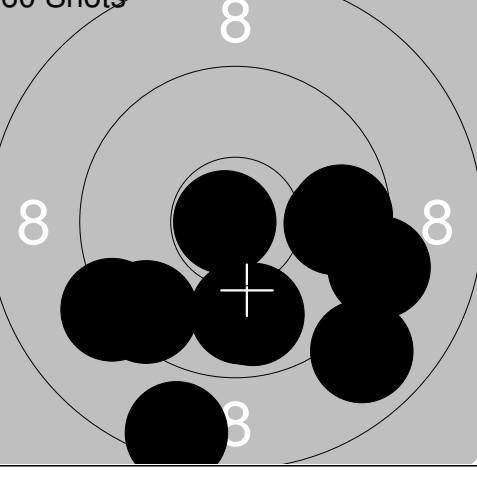
Relay	Lane	Lars Palo	
S		Skellefteå PSF	
08.10.2016		UME-Skottet 2016	Umeå skytteallians
Sight		1: 8.8 ← 2: 9.8 → 3: 5.8 ↓ 4: 9.6 ↙ 5: 9.8 ↓ 6: 9.3 ↓ 7: 7.6 ↓ 8: 8.6 ↑ 9: 9.1 ↓ 10: 8.3 ↓	Sight
		Series 81.0 Total 0.0	11: 9.0 → 12: 8.3 ↓ 13: 10.1 ↓ 14: 9.7 → 15: 9.1 ← 16: 10.2 ↓ 17: 9.8 ↗ 18: 9.4 ↓
60 Shots		1: 10.1 ← 2: 10.4x ↑ 3: 8.5 ← 4: 9.1 ↓ 5: 8.9 ↙ 6: 9.6 → 7: 8.9 ↓ 8: 9.9 → 9: 8.9 ↘ 10: 9.9 ↑	60 Shots
		Series 88.0 Total 88.0	11: 9.4 ↑ 12: 9.1 ↗ 13: 9.4 ↗ 14: 10.3 → 15: 9.7 ↓ 16: 8.2 ↓ 17: 9.3 ↓ 18: 10.0 ↗ 19: 10.2 ↗ 20: 9.8 ↓
60 Shots		21: 7.7 ↗ 22: 9.8 ← 23: 10.7x ↘ 24: 9.7 ↓ 25: 10.0 → 26: 9.2 ↓ 27: 8.6 ↗ 28: 9.8 ← 29: 10.1 ↗ 30: 9.3 ↓	60 Shots
		Series 90.0 Total 270.0	31: 10.9x ↘ 32: 9.7 → 33: 8.8 ↙ 34: 10.4x ↓ 35: 8.8 ↑ 36: 8.5 ← 37: 9.9 → 38: 10.0 → 39: 10.4x ↙ 40: 10.1 ↓
60 Shots		41: 8.8 ↖ 42: 10.1 ↓ 43: 9.0 ↗ 44: 10.0 ↙ 45: 9.1 ↓ 46: 9.3 ↗ 47: 10.1 ↗ 48: 9.4 ↗ 49: 9.3 → 50: 10.3 ↗	60 Shots
		Series 93.0 Total 455.0	51: 8.7 → 52: 10.7x ↓ 53: 9.9 ↓ 54: 9.1 ↘ 55: 10.2 ↗ 56: 9.5 ↓ 57: 10.6x → 58: 9.6 ← 59: 10.3 ↗ 60: 10.7x ↓
		Series 92.0 Total 362.0	Series 94.0 Total 549.0

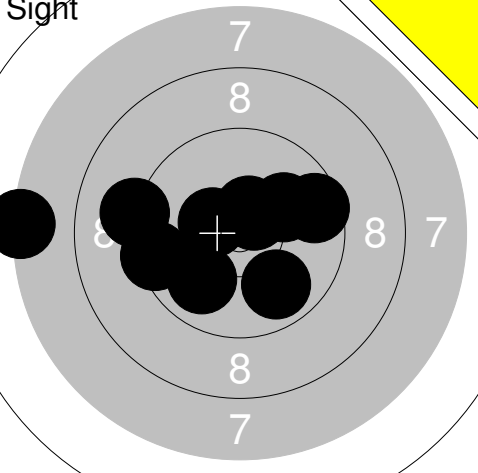
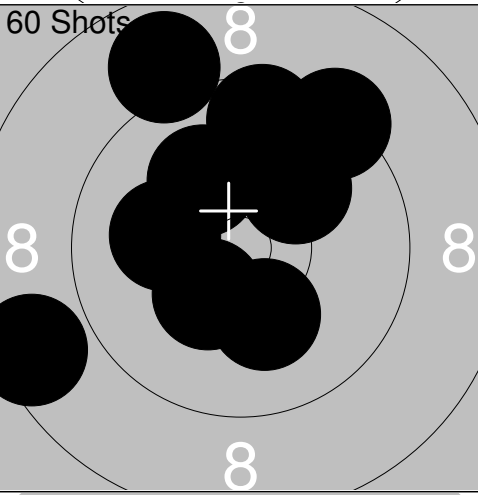
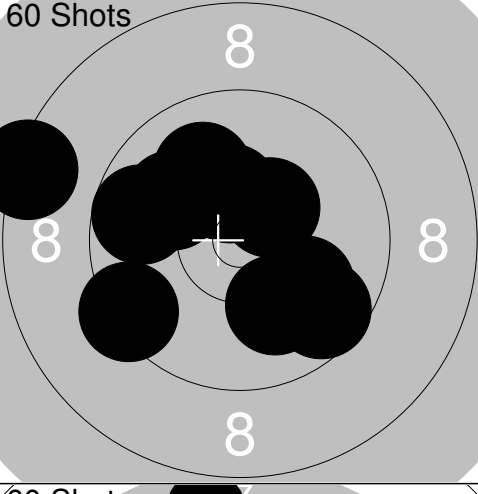
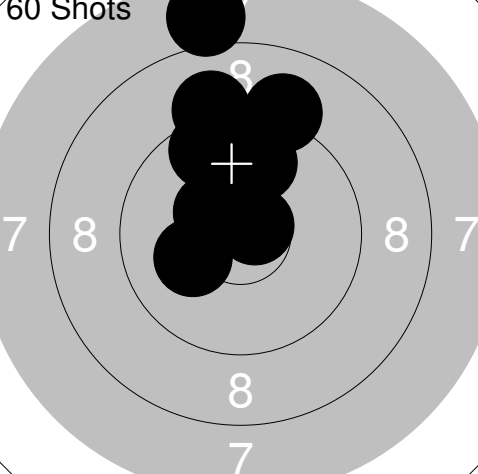
Relay	Lane	Martin Sörensen	
S	5	Älvdalen PK	
08.10.2016	UME-Skottet 2016	Umeå skytteallians	
Sight		1: 9.9 ↘ 2: 9.2 ↘ 3: 10.6x ↗ 4: 9.2 ↗ 5: 9.0 ↗ 6: 8.8 ↗ 7: 9.3 ↗ 8: 9.6 ↗ 9: 9.9 ↗ 10: 9.8 ↗	Sight
		Series 90.0	11: 9.3 ← 12: 7.5 ← 13: 9.8 ↗
		Total 0.0	Series 25.0
			Total 0.0
60 Shots		1: 10.3 ↗ 2: 9.7 ↗ 3: 10.0 ↗ 4: 9.1 ↗ 5: 8.6 ↘ 6: 9.7 ↘ 7: 10.1 → 8: 10.2 ↘ 9: 8.8 ↘ 10: 8.8 ↘	60 Shots
		Series 91.0	11: 10.5x ↘ 12: 9.4 ↘ 13: 8.5 ← 14: 10.1 ↗ 15: 9.6 ↘ 16: 10.1 ↗ 17: 9.3 ↑ 18: 8.8 ← 19: 10.4x → 20: 9.1 ↗
		Total 91.0	Series 92.0
			Total 183.0
60 Shots		21: 8.2 ↗ 22: 9.4 ↗ 23: 9.0 ↗ 24: 7.9 ↗ 25: 9.6 ↗ 26: 9.2 ↗ 27: 8.8 ↘ 28: 9.4 → 29: 10.1 ↗ 30: 9.3 ↗	60 Shots
		Series 87.0	31: 10.8x ↘ 32: 10.5x ↑ 33: 8.9 ← 34: 9.8 → 35: 9.4 ← 36: 8.8 ↘ 37: 9.6 → 38: 8.6 → 39: 9.7 ↑ 40: 10.4x ←
		Total 270.0	Series 90.0
			Total 360.0
60 Shots		41: 9.1 ↘ 42: 8.6 ↘ 43: 8.9 ↘ 44: 9.4 ↘ 45: 9.8 ↘ 46: 8.8 ↘ 47: 8.2 ← 48: 10.4x ← 49: 10.1 → 50: 10.9x ↗	60 Shots
		Series 89.0	51: 9.8 ← 52: 8.9 ↑ 53: 9.3 ↗ 54: 8.8 ← 55: 10.6x ↘ 56: 10.0 ↗ 57: 9.7 ↘ 58: 9.8 → 59: 9.7 ↘ 60: 9.6 →
		Total 449.0	Series 90.0
			Total 539.0

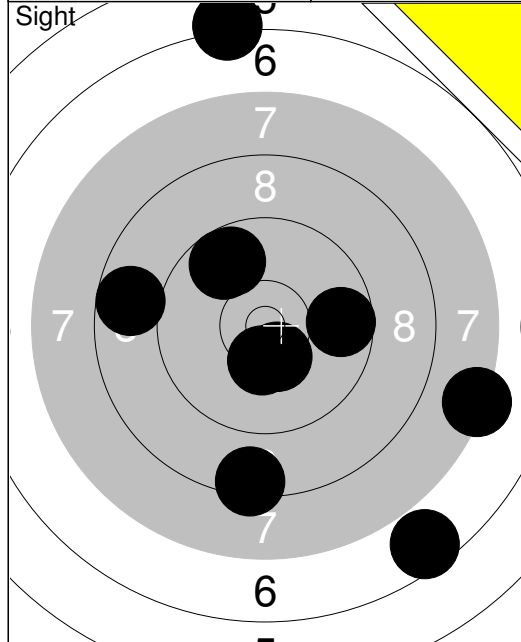
<p>Sight</p> 	<p>1: 8.1 ↓</p> <p>2: 9.3 ↓</p> <p>3: 7.4 ↓</p> <p>4: 7.7 ↓</p> <p>5: 8.5 ←</p> <p>6: 9.5 ↗</p> <p>7: 9.6 ↓</p> <p>8: 10.6x ↓</p> <p>9: 10.5x →</p> <p>10: 9.5 ↗</p>	<p>Sight</p> 	<p>11: 9.4 ↓</p> <p>12: 8.4 ↙</p> <p>13: 6.5 →</p> <p>14: 6.8 ↖</p>
Series 86.0		Series 29.0	
Total 0.0		Total 0.0	

<p>60 Shots</p> 	<p>1: 8.6 ↗</p> <p>2: 8.8 ↖</p> <p>3: 9.5 ←</p> <p>4: 7.5 ↓</p> <p>5: 10.3 ↖</p> <p>6: 7.7 ↖</p> <p>7: 9.9 →</p> <p>8: 9.0 ↓</p> <p>9: 7.1 ↗</p> <p>10: 6.5 ↑</p>	<p>60 Shots</p> 	<p>11: 8.0 →</p> <p>12: 8.1 ←</p> <p>13: 8.5 ↓</p> <p>14: 9.3 ↖</p> <p>15: 6.6 ←</p> <p>16: 10.2 ↖</p> <p>17: 8.0 ←</p> <p>18: 8.7 ↑</p> <p>19: 10.0 ←</p> <p>20: 9.1 →</p>
Series 80.0		Series 84.0	
Total 80.0		Total 164.0	

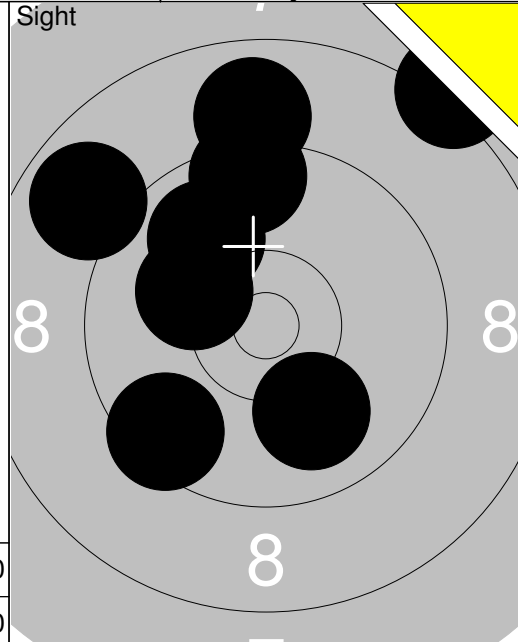
<p>60 Shots</p> 	<p>21: 6.3 ↖</p> <p>22: 8.1 ↑</p> <p>23: 10.7x ←</p> <p>24: 5.9 ↓</p> <p>25: 6.3 ↘</p> <p>26: 7.7 ↑</p> <p>27: 8.6 ↓</p> <p>28: 10.2 ↑</p> <p>29: 5.9 ↗</p> <p>30: 7.5 ↖</p>	<p>60 Shots</p> 	<p>31: 8.3 →</p> <p>32: 8.0 ↑</p> <p>33: 9.2 ↖</p> <p>34: 9.9 ↖</p> <p>35: 9.4 ↖</p> <p>36: 6.4 ↓</p> <p>37: 10.0 ↓</p> <p>38: 6.1 ↓</p> <p>39: 10.4x ↖</p> <p>40: 8.2 ↖</p>
Series 72.0		Series 83.0	
Total 236.0		Total 319.0	

Relay	Lane	Lars Edvinsson	
S	Umeå PK		
08.10.2016	UME-Skottet 2016	Umeå skytteallians	
Sight		1: 10.7x → 2: 10.0 ↙ 3: 10.0 ↑ 4: 10.1 ↗ 5: 9.0 → 6: 8.6 ↑ 7: 9.8 ← 8: 10.3 ↘ 9: 8.7 → 10: 10.6x → Series 94.0 Total 0.0	Sight  11: 8.9 ← 12: 8.4 ↗ 13: 9.4 ← 14: 9.1 ↗ 15: 9.5 ↑ 16: 9.3 ↗ 17: 8.4 ↘ 18: 10.6x → Series 70.0 Total 0.0
60 Shots		1: 8.5 ↑ 2: 8.6 → 3: 7.3 → 4: 9.5 ← 5: 9.9 ↑ 6: 9.9 → 7: 10.7x ↑ 8: 10.8x ← 9: 9.1 ← 10: 9.0 ↗ Series 88.0 Total 88.0	60 Shots  11: 6.8 → 12: 10.6x ↗ 13: 10.2 ↘ 14: 9.6 ← 15: 9.5 ↗ 16: 9.5 ↑ 17: 8.8 ← 18: 9.4 ↑ 19: 8.9 ↑ 20: 9.9 ↗ Series 87.0 Total 175.0
60 Shots		21: 10.5x ↑ 22: 9.4 ↑ 23: 10.9x ↑ 24: 9.5 ↑ 25: 9.4 ← 26: 9.7 → 27: 8.6 ↑ 28: 10.6x ↘ 29: 10.0 ↗ 30: 10.1 → Series 94.0 Total 269.0	60 Shots  31: 9.8 ↗ 32: 9.8 ↘ 33: 9.2 → 34: 9.7 ↗ 35: 10.3 ← 36: 9.0 ↑ 37: 9.6 ↑ 38: 10.0 → 39: 9.5 ← 40: 8.8 ↘ Series 91.0 Total 360.0
60 Shots		41: 9.1 → 42: 9.5 ↘ 43: 10.0 ← 44: 9.8 ← 45: 8.9 ↘ 46: 10.1 ↗ 47: 9.3 → 48: 9.3 ↘ 49: 9.8 → 50: 9.2 ↘ Series 91.0 Total 451.0	60 Shots  51: 9.6 ↘ 52: 9.0 ↘ 53: 9.8 → 54: 10.8x ← 55: 9.9 ↘ 56: 9.3 → 57: 9.3 ← 58: 8.5 ↘ 59: 9.8 → 60: 9.9 ↘ Series 90.0 Total 541.0

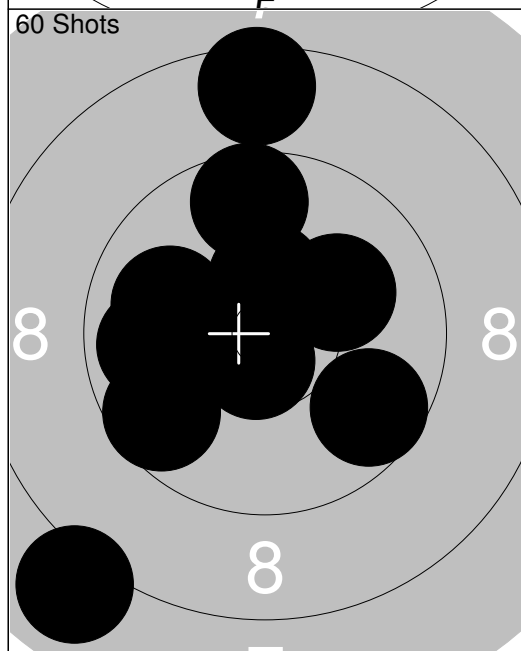
Relay	Lane	Tomas Backlund	
S	8	Umeå PK	
08.10.2016	UME-Skottet 2016	Umeå skytteallians	
Sight		1: 9.7 → 2: 7.4 ← 3: 9.5 ← 4: 10.0 ↙ 5: 10.5x ↖ 6: 10.5x ↗ 7: 9.9 ↘ 8: 10.6x ↗ 9: 10.1 ↗ 10: 9.2 ←	Sight
		Series 93.0	Series 56.0
		Total 0.0	Total 0.0
60 Shots		1: 10.2 ↘ 2: 9.0 ↗ 3: 10.0 ↗ 4: 10.4x ↘ 5: 9.6 ↗ 6: 9.4 ↗ 7: 10.2 ← 8: 10.1 ↗ 9: 8.6 ← 10: 10.2 ↗	11: 10.6x ↗ 12: 10.1 ← 13: 9.1 ↗ 14: 10.4x ↘ 15: 10.3 ↗ 16: 9.1 ↗ 17: 10.2 ↘ 18: 10.6x ↘ 19: 9.6 ↗ 20: 9.2 ←
		Series 95.0	Series 96.0
		Total 95.0	Total 191.0
60 Shots		21: 9.7 ↘ 22: 10.4x ↗ 23: 10.0 ↘ 24: 9.8 ← 25: 10.1 ↗ 26: 10.4x ↗ 27: 8.4 ← 28: 10.1 ↗ 29: 10.1 ↘ 30: 9.4 ↘	31: 9.7 ↘ 32: 9.8 ↘ 33: 10.1 ← 34: 8.9 ↗ 35: 10.4x ← 36: 8.9 ↗ 37: 9.8 ↗ 38: 8.6 ↗ 39: 9.7 ↗ 40: 10.8x ↗
		Series 95.0	Series 90.0
		Total 286.0	Total 376.0
60 Shots		41: 9.1 ↗ 42: 9.5 ↗ 43: 7.8 ↗ 44: 10.2 ← 45: 10.7x ↗ 46: 10.4x ↗ 47: 9.7 ↗ 48: 9.1 ↗ 49: 10.4 ↗ 50: 9.9 ↗	51: 9.3 ↗ 52: 10.9x → 53: 9.3 → 54: 9.1 ↗ 55: 9.8 ↖ 56: 9.6 ↗ 57: 7.9 ↗ 58: 10.6x ↖ 59: 10.7x → 60: 10.2 ←
		Series 92.0	Series 92.0
		Total 468.0	Total 560.0



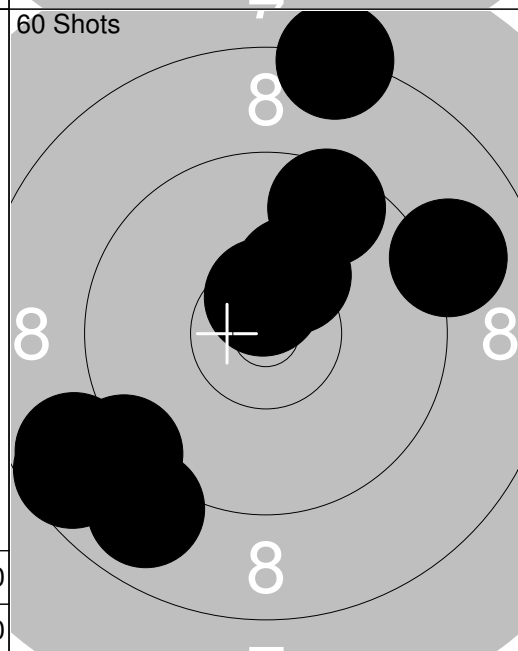
1:	9.7	→
2:	6.1	↑
3:	7.4	→
4:	9.8	↗
5:	9.8	↗
6:	8.5	↓
7:	6.6	↓
8:	10.4x	↓
9:	10.4x	↓
10:	8.8	←
Series		82.0
Total		0.0



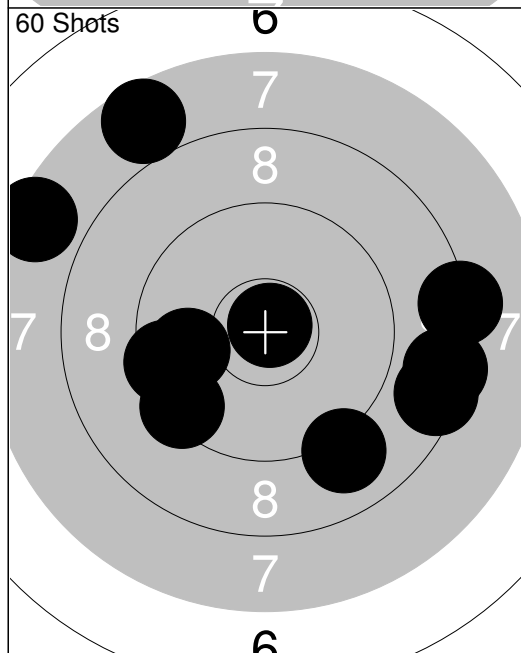
11:	9.0	↑
12:	10.2	↖
13:	8.9	↖
14:	9.5	↑
15:	10.0	↖
16:	9.6	↙
17:	8.1	↗
18:	10.0	↓
Series		73.0
Total		0.0



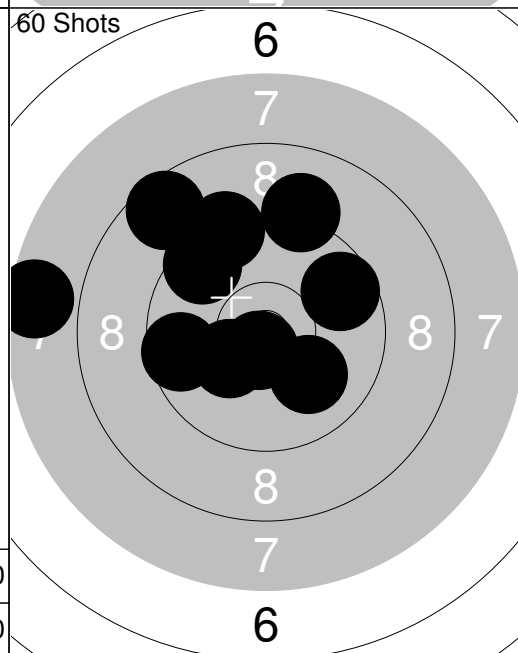
1:	8.0	↙
2:	8.6	↑
3:	9.7	↙
4:	10.7x	↓
5:	10.5x	↑
6:	9.9	←
7:	9.7	→
8:	10.0	←
9:	9.7	↑
10:	10.2	↗
Series		92.0
Total		92.0



11:	9.2	↙
12:	8.3	↑
13:	8.9	↙
14:	9.1	→
15:	10.3	↗
16:	8.7	↙
17:	9.1	↙
18:	8.8	↙
19:	10.6x	↑
20:	9.6	↗
Series		88.0
Total		180.0



21:	8.3	→
22:	9.6	←
23:	8.5	→
24:	9.1	↓
25:	7.5	↖
26:	7.7	↗
27:	9.9	←
28:	8.5	→
29:	9.5	↙
30:	10.8x	↗
Series		84.0
Total		264.0


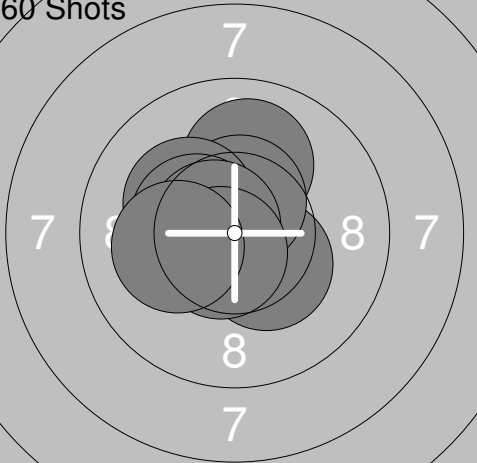


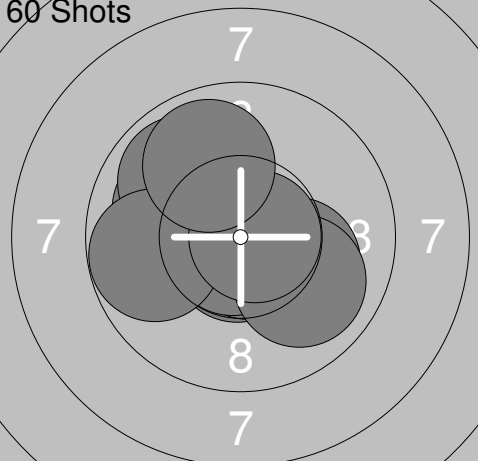
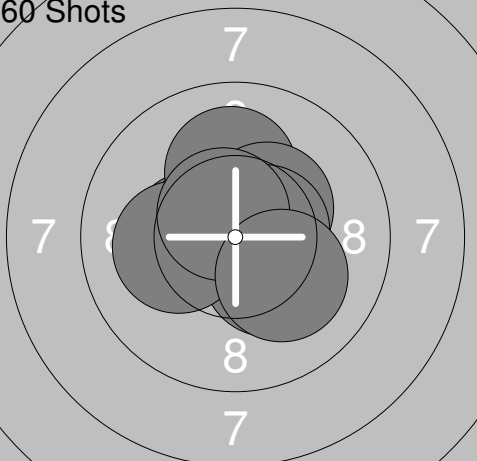
31:	7.6	←
32:	8.7	↖
33:	9.7	←
34:	9.7	↗
35:	9.6	↖
36:	10.1	↘
37:	9.2	↑
38:	10.3	↙
39:	10.7x	↓
40:	9.4	↖
Series		90.0
Total		354.0

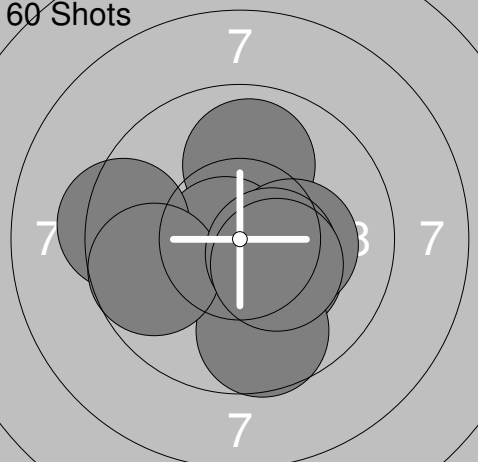
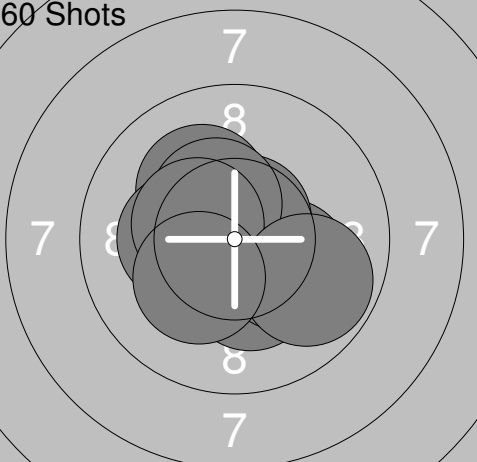
Relay	Lane	Jörgen Persson	
2	16		

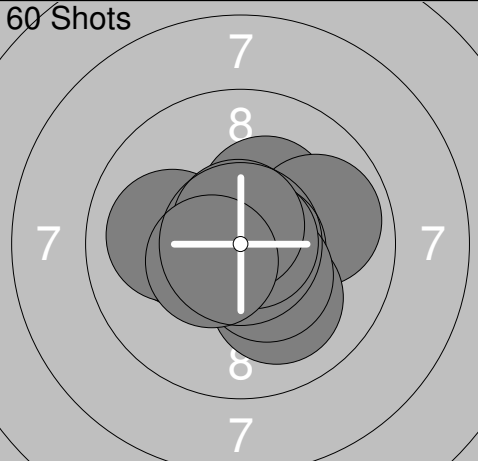
S	Fältjägarernas SF		
---	-------------------	--	--

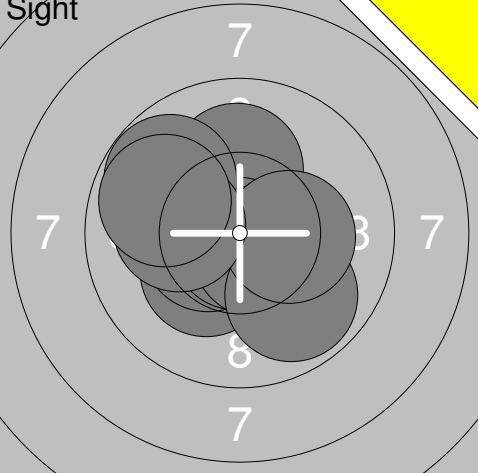
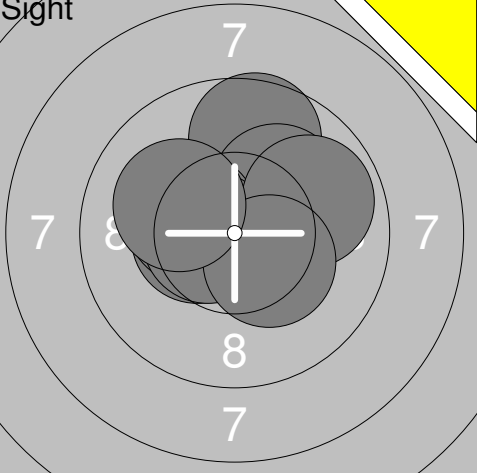
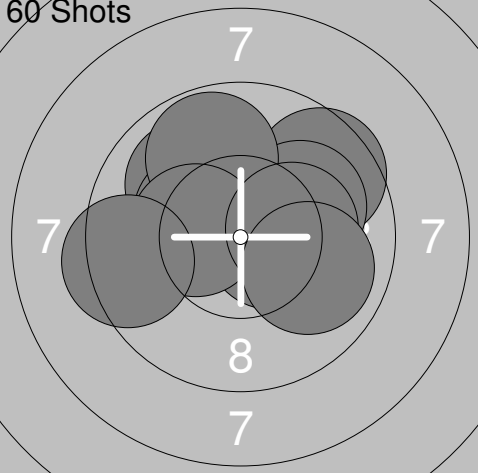
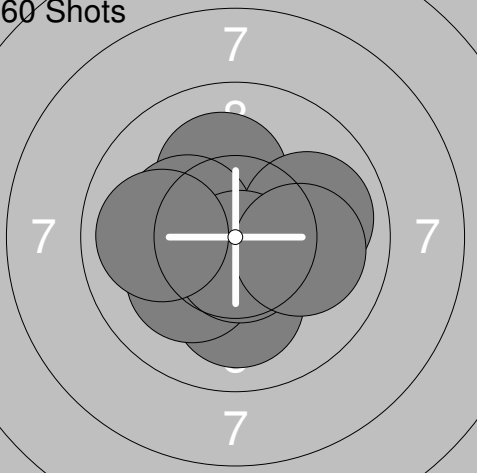
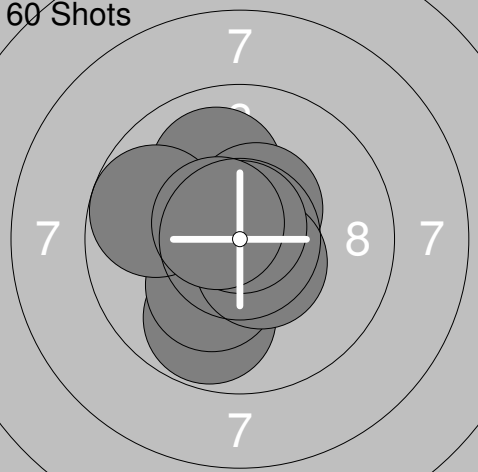
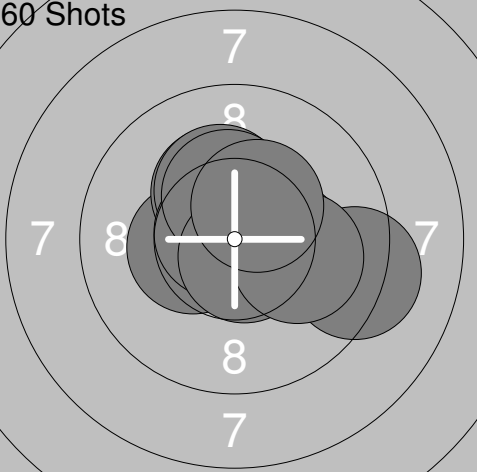
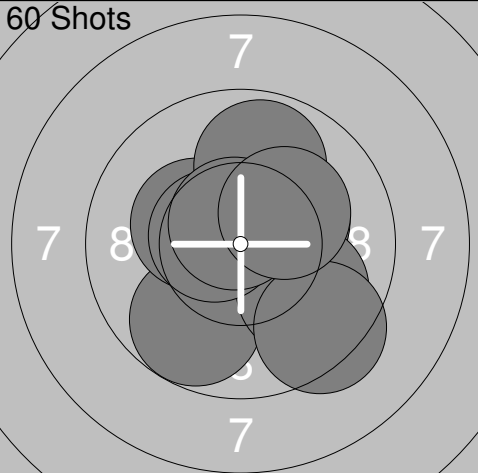
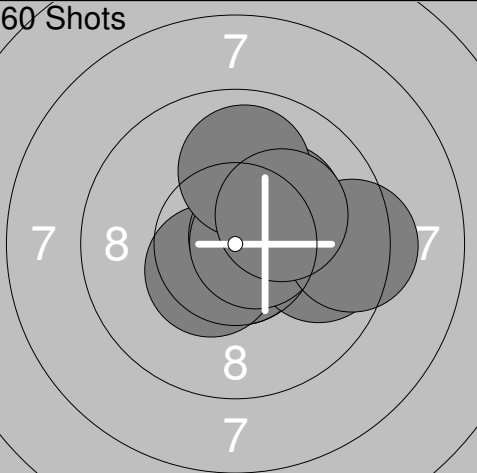
08.10.2016	UME-Skottet 2016	Umeå skytteallians	
------------	------------------	--------------------	--

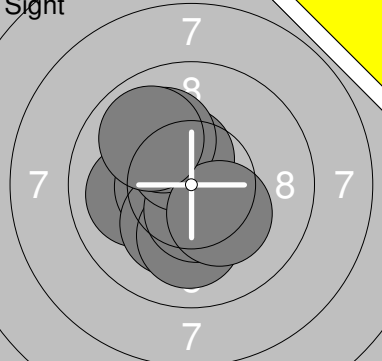
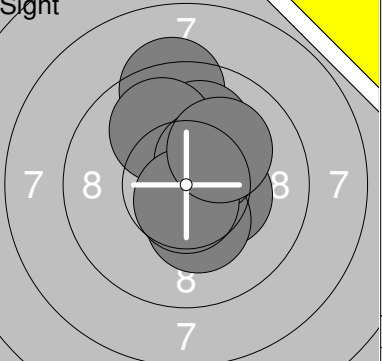
Sight		1: 10.1 ↘ 2: 9.6 ↘ 3: 9.4 → 4: 10.5x ↓ 5: 10.5x ↓ 6: 10.0 ↓ 7: 10.3x ↓ 8: 10.5x ↓ 9: 10.4x ↘ 10: 10.1 ↙	60 Shots		1: 10.3x ↘ 2: 10.4x ↗ 3: 10.0 ↑ 4: 10.5x ↖ 5: 10.5x ↑ 6: 10.2x ↗ 7: 10.4x ↖ 8: 10.7x ↖ 9: 10.6x ↘ 10: 10.2x ←
	Series	101.4		Series	103.8
	Total	0.0		Total	103.8

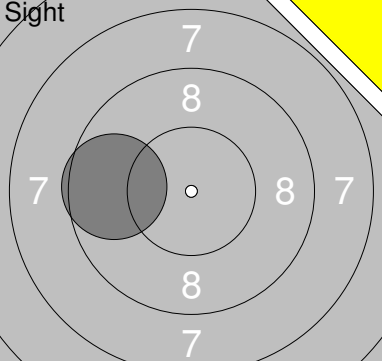
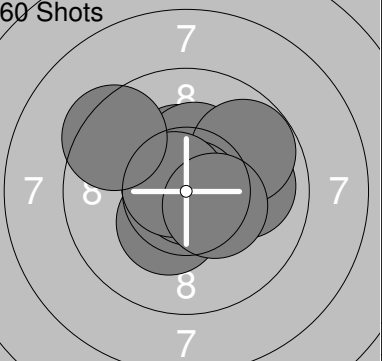
60 Shots		11: 10.0 ↖ 12: 10.7x ↓ 13: 10.7x ↓ 14: 10.1 → 15: 10.8x ↓ 16: 10.0 ↓ 17: 9.9 ↗ 18: 9.8 ← 19: 10.7x → 20: 9.9 ↗	60 Shots		21: 10.3x ↘ 22: 10.4x ← 23: 10.1 ↑ 24: 10.4x ↗ 25: 10.6x → 26: 10.5x ← 27: 10.7x ↖ 28: 10.2x ← 29: 10.6x ↗ 30: 10.1 ↘
	Series	102.6		Series	103.9
	Total	206.4		Total	310.3

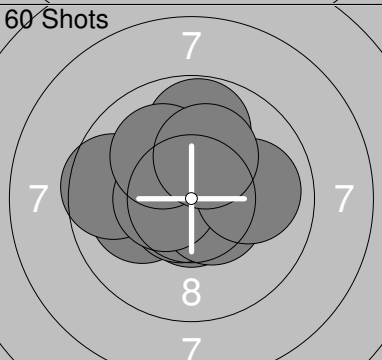
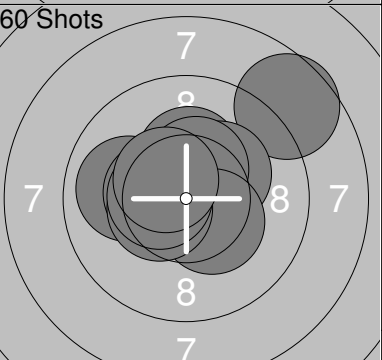
60 Shots		31: 10.9x ↓ 32: 9.9 ↑ 33: 10.7x ← 34: 10.3x ↓ 35: 9.7 ↓ 36: 9.4 ← 37: 9.7 ← 38: 10.2x → 39: 10.5x ↘ 40: 10.3x ↘	60 Shots		41: 10.2x ↗ 42: 10.3x ↓ 43: 10.2x → 44: 10.7x ↗ 45: 10.3x ← 46: 10.4x ↗ 47: 10.5x ↘ 48: 10.4x ↖ 49: 9.8 ↘ 50: 10.2x ↘
	Series	101.6		Series	103.0
	Total	411.9		Total	514.9

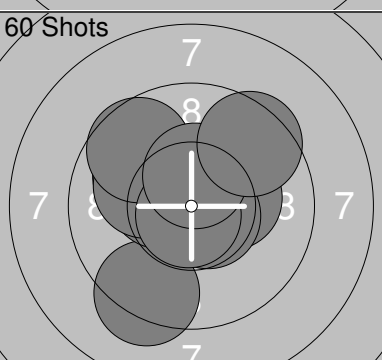
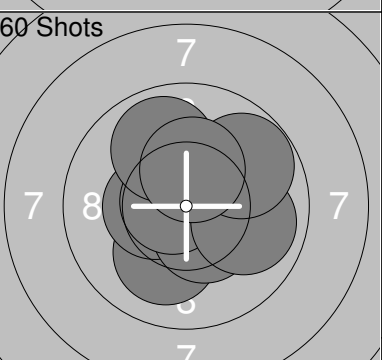
60 Shots		51: 10.2x ← 52: 10.3x ↗ 53: 9.9 → 54: 10.1 ↓ 55: 10.7x → 56: 10.4x ↓ 57: 10.0 ← 58: 10.8x → 59: 10.7x ↑ 60: 10.5x ↙	
	Series	103.6	
	Total	618.5	

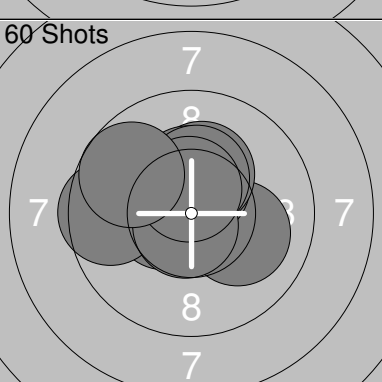
<p>Sight</p> 	<p>1: 10.1 ↑ 2: 10.3x ↙ 3: 10.5x ← 4: 10.8x ↓ 5: 10.6x ↘ 6: 9.9 ↘ 7: 10.3x → 8: 9.8 ↗ 9: 10.1 ← 10: 9.8 ↖</p> <p>Series 102.2 Total 0.0</p>	<p>Sight</p> 	<p>11: 10.4x ← 12: 9.7 ↑ 13: 10.1 ↗ 14: 10.3x ← 15: 10.6x ← 16: 9.9 → 17: 10.3x ↘ 18: 10.1 ↖</p> <p>Series 81.4 Total 0.0</p>
<p>60 Shots</p> 	<p>1: 10.0 ↗ 2: 9.6 ↗ 3: 10.3x ↗ 4: 10.0 → 5: 9.8 ↗ 6: 10.5x → 7: 10.3x ← 8: 10.2x → 9: 9.9 → 10: 9.4 ←</p> <p>Series 100.0 Total 100.0</p>	<p>60 Shots</p> 	<p>11: 10.5x → 12: 10.1 ↓ 13: 10.5x ← 14: 10.1 ↑ 15: 10.3x ← 16: 10.2x ↙ 17: 9.9 → 18: 10.7x ↓ 19: 10.1 → 20: 10.0 ←</p> <p>Series 102.4 Total 202.4</p>
<p>60 Shots</p> 	<p>21: 9.8 ↓ 22: 10.6x ↗ 23: 10.0 ↑ 24: 10.7x ← 25: 10.5x ↗ 26: 10.2x ↘ 27: 9.7 ← 28: 10.5x ↘ 29: 10.8x ↑ 30: 10.6x ↗</p> <p>Series 103.4 Total 305.8</p>	<p>60 Shots</p> 	<p>31: 10.4x ← 32: 10.3x ↑ 33: 10.3x ↑ 34: 10.7x ← 35: 10.4x ↑ 36: 10.3x → 37: 10.7x ↘ 38: 9.3 → 39: 10.1 → 40: 10.4x ↗</p> <p>Series 102.9 Total 408.7</p>
<p>60 Shots</p> 	<p>41: 9.8 ↓ 42: 10.3x → 43: 10.6x ↗ 44: 9.9 ↘ 45: 10.3x ← 46: 10.6x ← 47: 9.9 ↑ 48: 9.4 ↘ 49: 10.7x ↑ 50: 10.2x ↗</p> <p>Series 101.7 Total 510.4</p>	<p>60 Shots</p> 	<p>51: 10.7x ↓ 52: 10.5x ↗ 53: 10.5x ↘ 54: 9.8 → 55: 10.7x → 56: 10.2x ↗ 57: 10.7x → 58: 10.0 ↑ 59: 9.4 → 60: 10.2x ↗</p> <p>Series 102.7 Total 613.1</p>

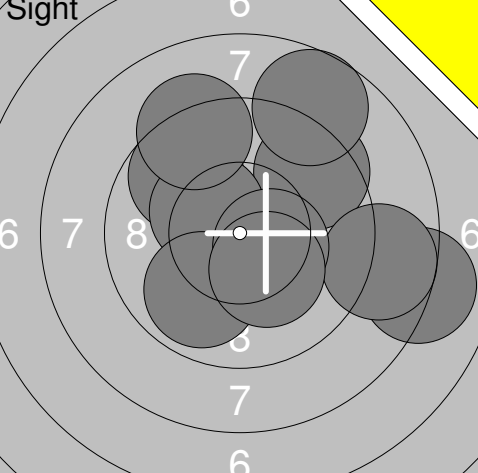
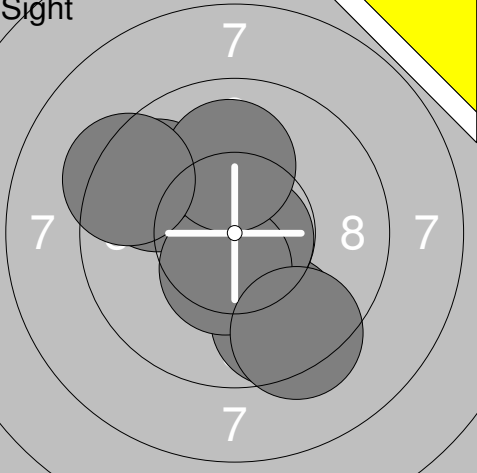
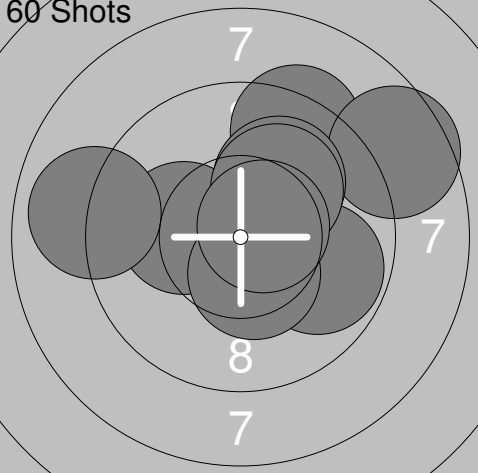
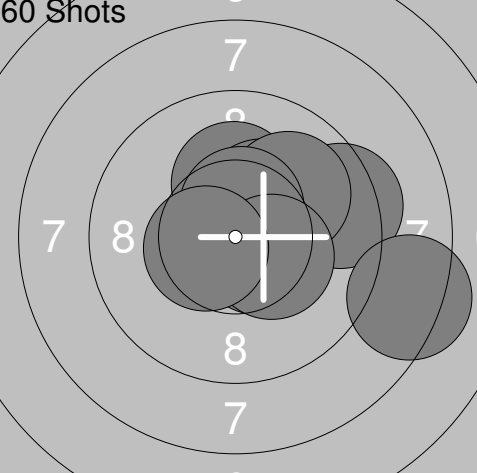
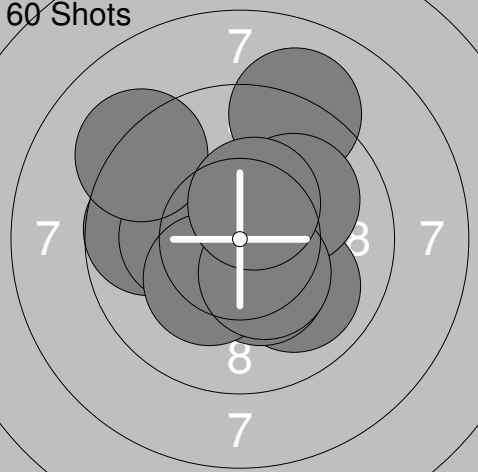
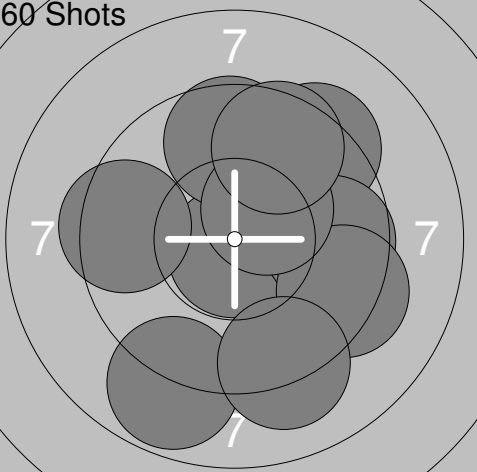
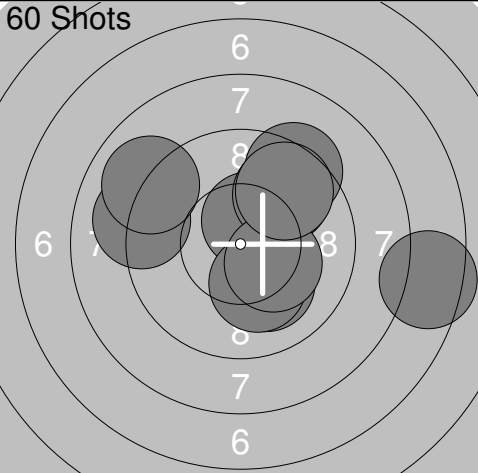
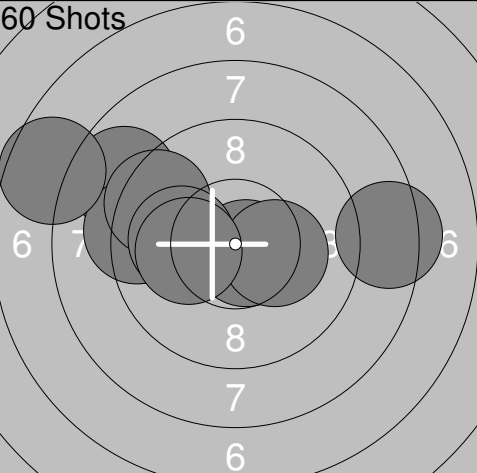
Sight		Sight	
	1: 10.2x ↓ 2: 10.0 ← 3: 10.5x ← 4: 10.2x ↓ 5: 10.1 ↓ 6: 10.5x ↓ 7: 10.5x ↘ 8: 10.1 ↗ 9: 10.3x ↓ 10: 9.9 ↗		11: 10.7x ↗ 12: 10.5x ↗ 13: 9.3 ↑ 14: 10.4x → 15: 10.0 ↑ 16: 10.3x ↓ 17: 9.9 ↗ 18: 10.4x ↗ 19: 10.7x ↓ 20: 10.1 ↗
Series 102.3		Series 102.3	
Total 0.0		Total 0.0	

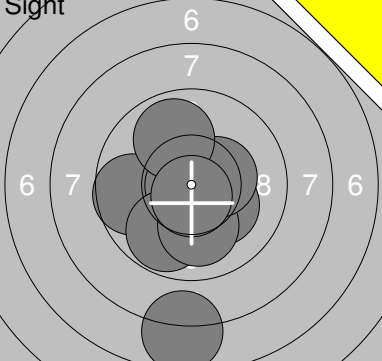
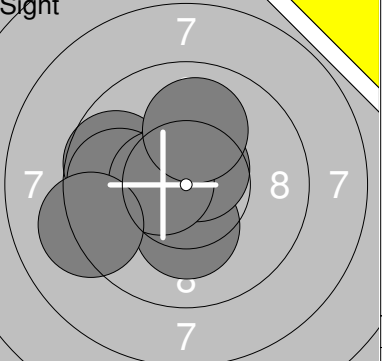
Sight		60 Shots	
	21: 9.6 ←		1: 10.0 → 2: 10.4x ↑ 3: 10.3x ↓ 4: 10.3x ↑ 5: 10.5x → 6: 9.8 ↗ 7: 10.9x → 8: 10.7x ↗ 9: 10.4x ↓ 10: 9.4 ↗
Series 9.6		Series 102.7	
Total 0.0		Total 102.7	

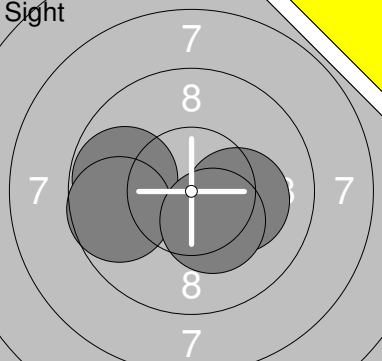
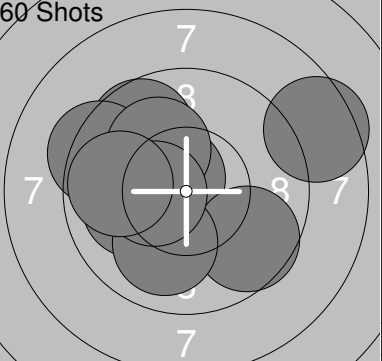
60 Shots		60 Shots	
	11: 10.7x ↓ 12: 9.8 ↑ 13: 10.1 ← 14: 10.7x ↓ 15: 9.6 ← 16: 10.5x ↓ 17: 10.5x ← 18: 10.1 ↗ 19: 10.0 → 20: 10.2x ↗		21: 8.6 ↗ 22: 10.3x ↑ 23: 10.0 ← 24: 10.3x ↗ 25: 10.4x ← 26: 10.4x ↑ 27: 10.4x ↓ 28: 10.5x ← 29: 10.5x ← 30: 10.5x ↗
Series 102.2		Series 101.9	
Total 204.9		Total 306.8	

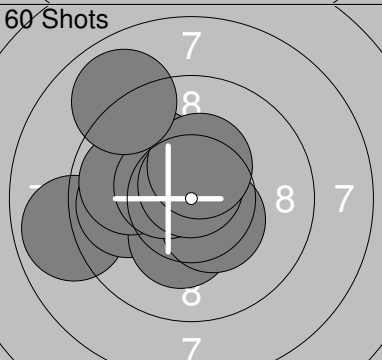
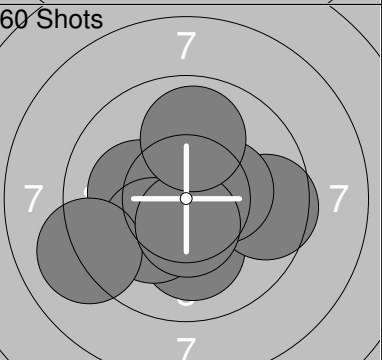
60 Shots		60 Shots	
	31: 9.3 ↓ 32: 10.0 ↗ 33: 10.3x → 34: 10.4x ← 35: 10.1 ↗ 36: 10.6x ↓ 37: 9.6 ↗ 38: 10.8x ↓ 39: 10.4x ↑ 40: 9.5 ↗		41: 10.4x → 42: 10.7x → 43: 10.1 ↓ 44: 10.4x ← 45: 10.4x ↓ 46: 10.7x ↗ 47: 9.9 → 48: 9.8 ↗ 49: 9.9 ↗ 50: 10.3x ↑
Series 101.0		Series 102.6	
Total 407.8		Total 510.4	

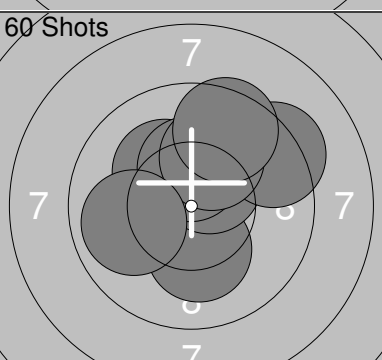
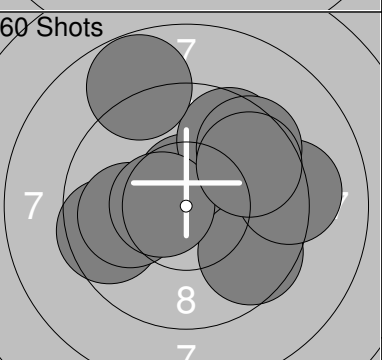
60 Shots			
	51: 10.5x ← 52: 9.6 ← 53: 10.1 → 54: 10.5x ↑ 55: 10.3x ↑ 56: 10.4x ↑ 57: 10.3x ↑ 58: 10.7x ↓ 59: 10.5x ↑ 60: 9.7 ↗		
Series 102.6			
Total 613.0			

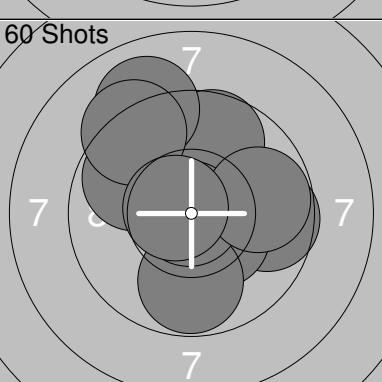
<p>Sight</p>  <p style="text-align: center;">6 7 8 7 6</p>	<p>1: 9.7 ↗ 2: 9.5 ↗ 3: 8.1 → 4: 10.3x ↗ 5: 8.7 → 6: 9.2 ↗ 7: 9.9 ↓ 8: 8.7 ↗ 9: 10.4x → 10: 10.2x ↓</p> <p>Series 94.7 Total 0.0</p>	<p>Sight</p>  <p style="text-align: center;">7 8 7 7</p>	<p>11: 9.6 ↓ 12: 9.7 ↖ 13: 10.8x → 14: 10.4x ↓ 15: 9.4 ↓ 16: 10.0 ↑ 17: 9.3 ↖</p> <p>Series 69.2 Total 0.0</p>
<p>60 Shots</p>  <p style="text-align: center;">7 8 7</p>	<p>1: 9.8 → 2: 10.8x ← 3: 10.2x ← 4: 9.3 ↗ 5: 8.6 ↗ 6: 9.0 ← 7: 10.4x ↓ 8: 10.0 ↗ 9: 10.2x ↗ 10: 10.6x →</p> <p>Series 98.9 Total 98.9</p>	<p>60 Shots</p>  <p style="text-align: center;">7 8 7</p>	<p>11: 10.3x ↗ 12: 10.2x ↑ 13: 9.4 → 14: 10.6x → 15: 10.3x ↗ 16: 10.0 ↗ 17: 10.5x ↑ 18: 8.3 → 19: 10.4x → 20: 10.5x ←</p> <p>Series 100.5 Total 199.4</p>
<p>60 Shots</p>  <p style="text-align: center;">7 8 7</p>	<p>21: 9.1 ↗ 22: 9.7 ← 23: 10.0 ↓ 24: 10.2x ← 25: 10.3x ↓ 26: 9.2 ↗ 27: 10.0 ↗ 28: 10.3x ↓ 29: 10.4x ↓ 30: 10.4x ↗</p> <p>Series 99.6 Total 299.0</p>	<p>60 Shots</p>  <p style="text-align: center;">7 7</p>	<p>31: 10.8x ↓ 32: 9.3 ↗ 33: 9.5 ← 34: 9.7 → 35: 8.8 ↓ 36: 9.6 ↑ 37: 9.3 → 38: 9.1 ↓ 39: 10.3x ↗ 40: 9.6 ↗</p> <p>Series 96.0 Total 395.0</p>
<p>60 Shots</p>  <p style="text-align: center;">6 7 8 7 6</p>	<p>41: 9.1 ← 42: 10.5x ↗ 43: 7.5 → 44: 9.8 ↗ 45: 10.1 ↓ 46: 9.3 ↗ 47: 9.0 ↖ 48: 10.2x ↓ 49: 10.3x → 50: 9.7 ↗</p> <p>Series 95.5 Total 490.5</p>	<p>60 Shots</p>  <p style="text-align: center;">6 7 8 7 6</p>	<p>51: 9.4 ↖ 52: 8.8 ↖ 53: 9.3 ← 54: 9.5 ↖ 55: 10.7x ↓ 56: 10.3x → 57: 10.0 ← 58: 8.3 → 59: 7.6 ↖ 60: 10.2x ←</p> <p>Series 94.1 Total 584.6</p>

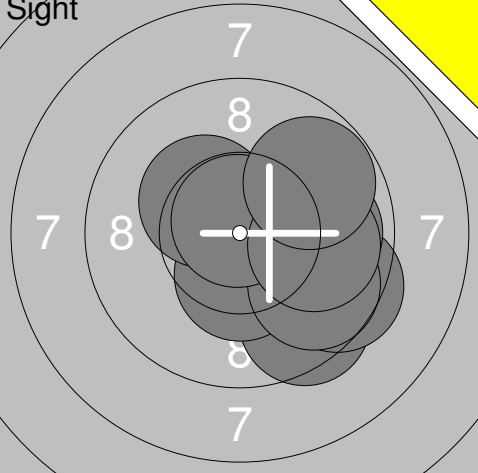
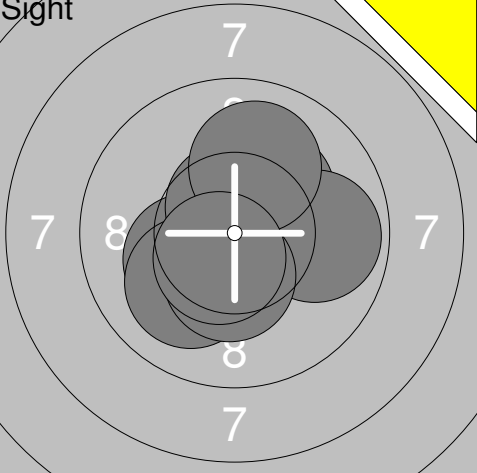
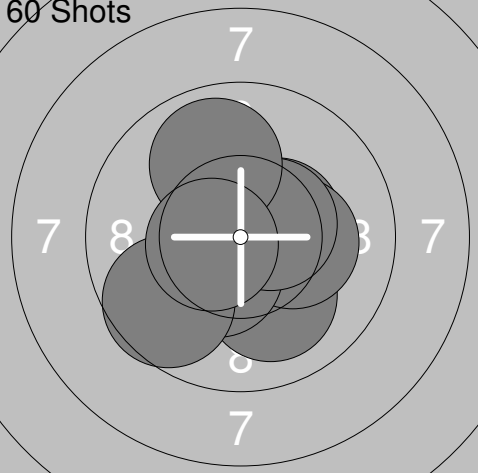
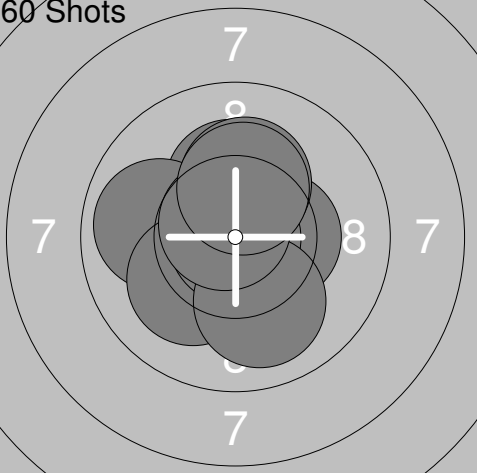
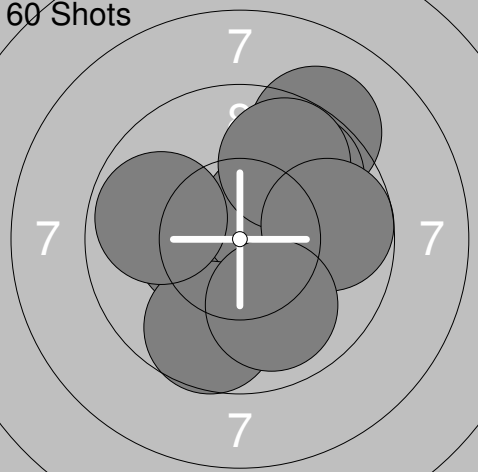
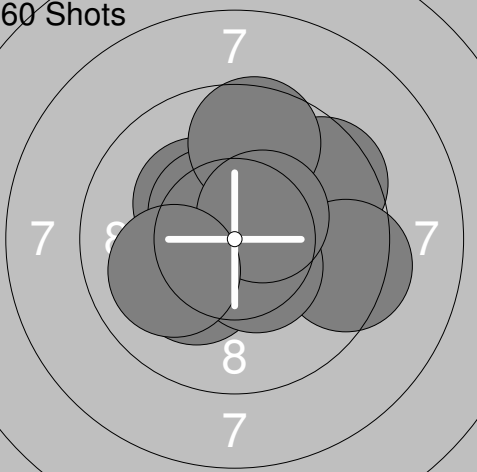
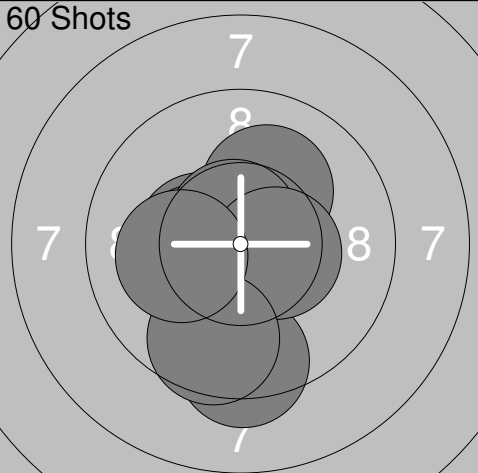
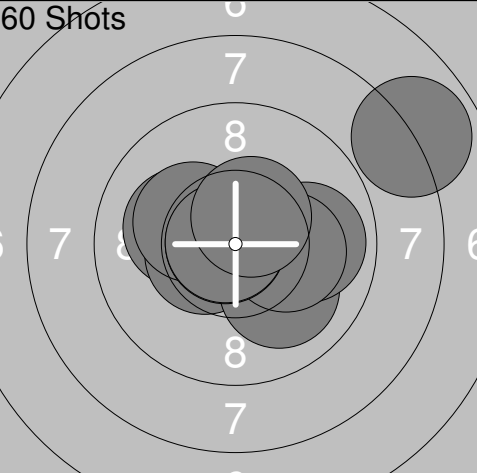
Sight 	1: 7.7 2: 9.7 3: 10.1 4: 10.2x 5: 10.8x 6: 9.8 7: 10.0 8: 10.4x 9: 9.9 10: 10.7x	Sight 	11: 9.7 12: 10.3x 13: 10.8x 14: 10.6x 15: 10.2x 16: 9.8 17: 10.6x 18: 10.5x 19: 9.2 20: 10.0
	Series 99.3 Total 0.0		Series 101.7 Total 0.0

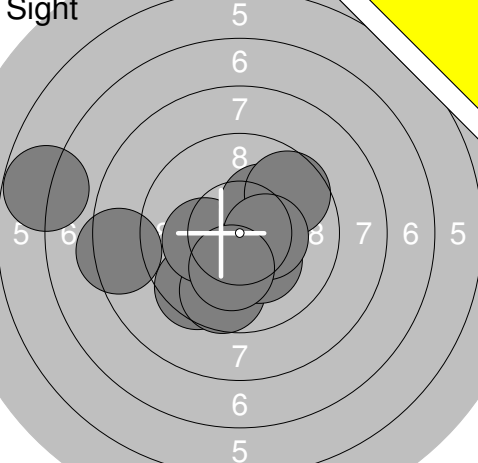
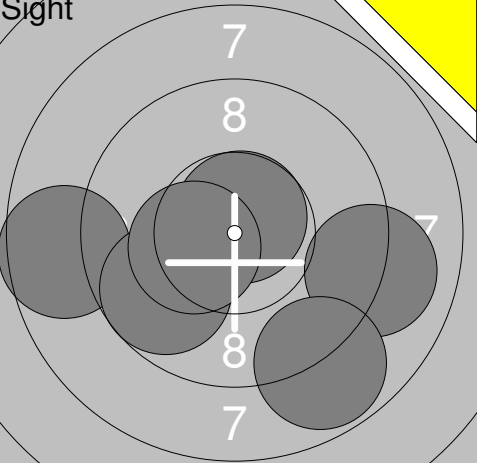
Sight 	21: 10.2x 22: 9.8 23: 9.7 24: 10.3x	60 Shots 	1: 9.7 2: 10.6x 3: 9.3 4: 10.1 5: 8.5 6: 9.6 7: 10.1 8: 10.0 9: 10.4x 10: 9.8
	Series 40.0 Total 0.0		Series 98.1 Total 98.1

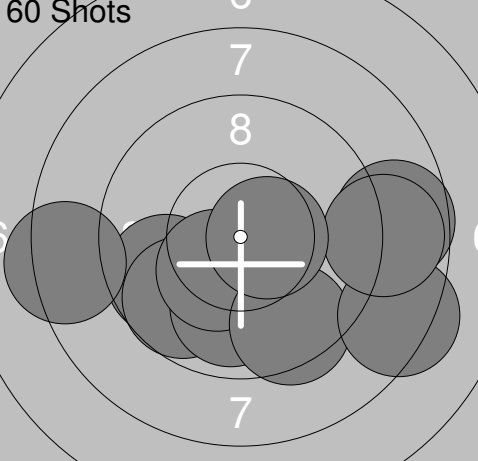
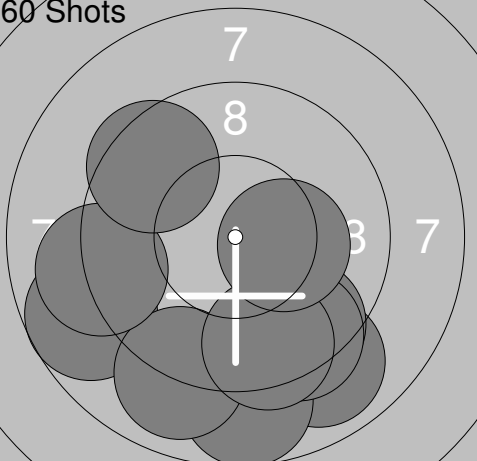
60 Shots 	11: 8.9 12: 9.9 13: 10.3x 14: 10.0 15: 10.4x 16: 9.9 17: 10.5x 18: 10.7x 19: 10.4x 20: 8.9	60 Shots 	21: 10.1 22: 10.6x 23: 10.6x 24: 10.2x 25: 10.2x 26: 9.6 27: 10.3x 28: 9.1 29: 10.5x 30: 9.9
	Series 99.9 Total 198.0		Series 101.1 Total 299.1

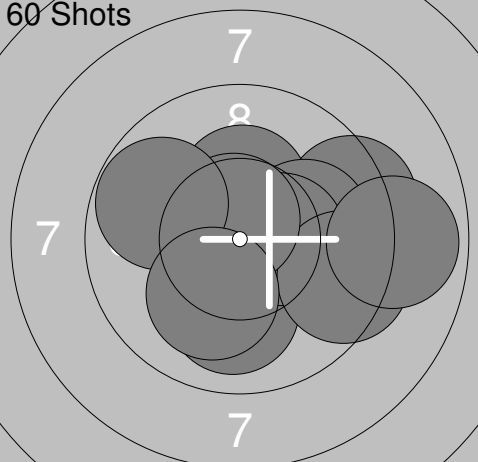
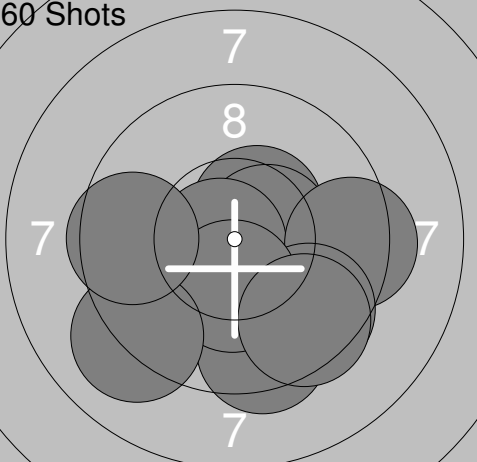
60 Shots 	31: 10.8x 32: 10.2x 33: 10.2x 34: 10.4x 35: 10.4x 36: 10.3x 37: 9.3 38: 10.1 39: 9.5 40: 9.9	60 Shots 	41: 10.6x 42: 9.6 43: 9.6 44: 9.6 45: 9.2 46: 9.5 47: 10.0 48: 10.5x 49: 8.8 50: 9.7
	Series 101.1 Total 400.2		Series 97.1 Total 497.3

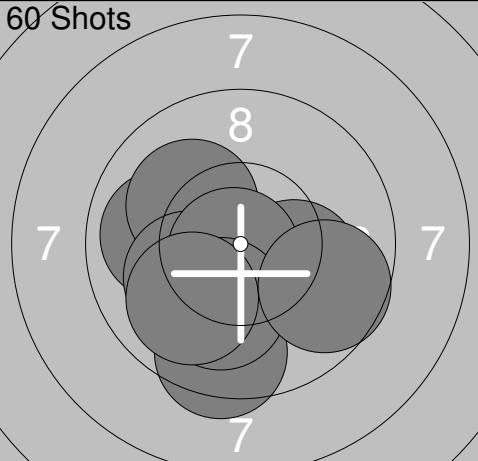
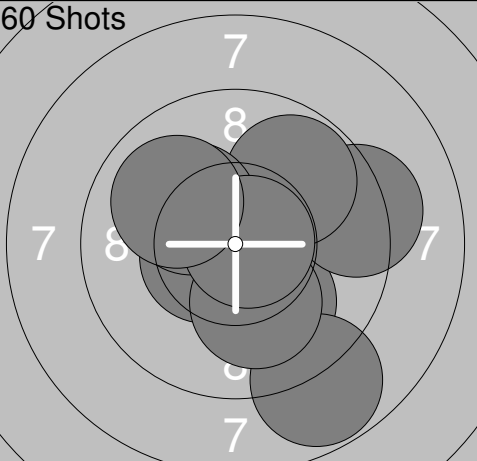
60 Shots 	51: 9.7 52: 9.8 53: 9.7 54: 9.0 55: 9.3 56: 10.4x 57: 9.8 58: 10.9x 59: 9.8 60: 10.7x		
	Series 99.1 Total 596.4		

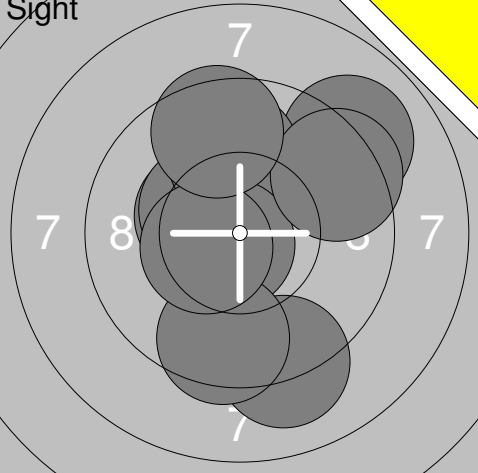
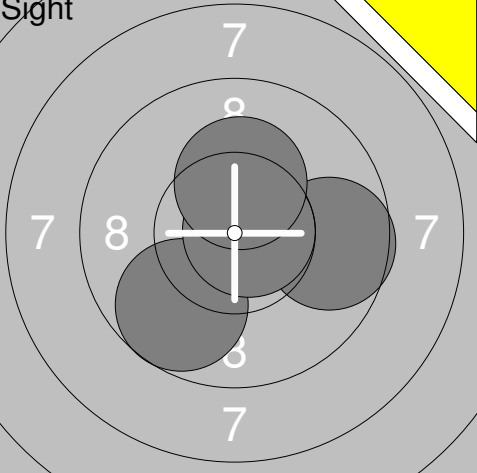
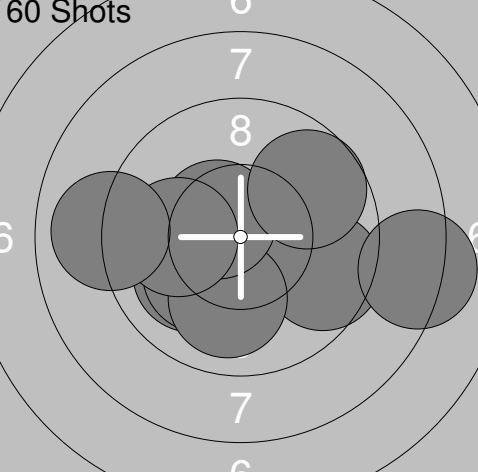
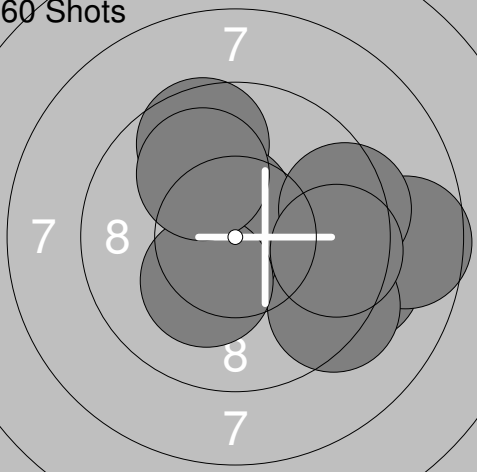
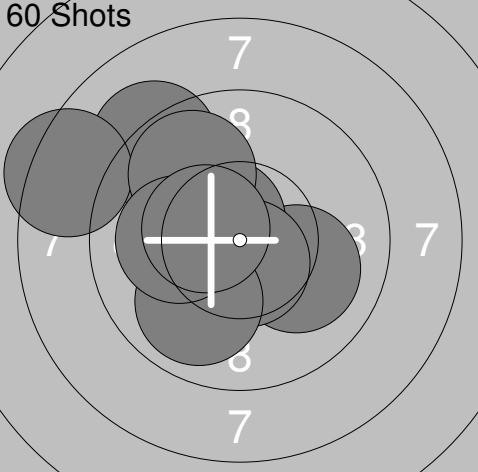
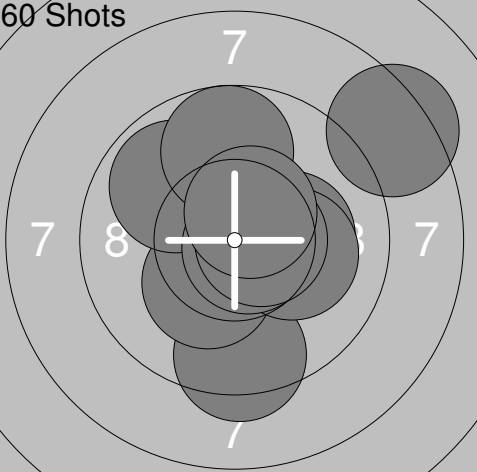
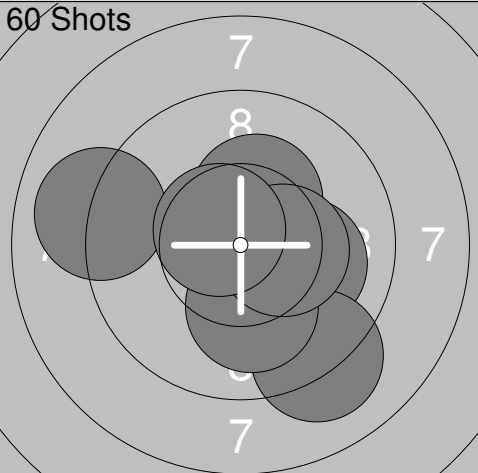
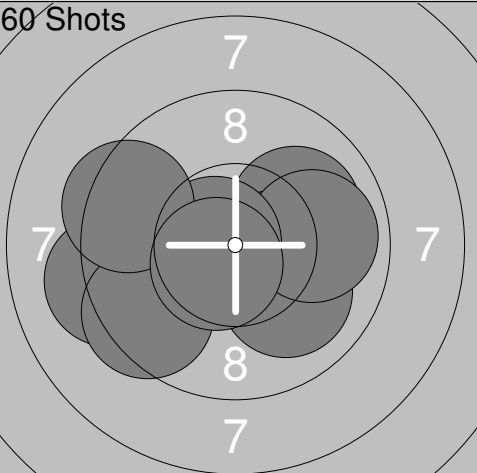
<p>Sight</p> 	<p>1: 9.5 ↘ 2: 9.4 ↘ 3: 10.4x ↓ 4: 9.9 → 5: 10.3x → 6: 9.7 ↘ 7: 10.3x ↗ 8: 10.8x ↑ 9: 9.9 → 10: 9.8 ↗</p> <p>Series 100.0 Total 0.0</p>	<p>Sight</p> 	<p>11: 10.2x ↙ 12: 10.6x ↑ 13: 10.3x ↗ 14: 9.9 → 15: 10.1 ↘ 16: 10.0 ↑ 17: 10.4x ↓ 18: 10.6x ↘</p> <p>Series 82.1 Total 0.0</p>
<p>60 Shots</p> 	<p>1: 10.4x → 2: 10.8x ← 3: 10.1 ↓ 4: 10.2x → 5: 10.7x ↑ 6: 10.4x ↘ 7: 10.5x → 8: 9.9 ↑ 9: 9.6 ↘ 10: 10.5x ←</p> <p>Series 103.1 Total 103.1</p>	<p>60 Shots</p> 	<p>11: 10.3x ↑ 12: 10.6x ↘ 13: 10.4x → 14: 9.9 ← 15: 10.2x ↑ 16: 10.1 ↘ 17: 10.9x ↘ 18: 10.0 ↓ 19: 10.7x ↗ 20: 10.3x ↑</p> <p>Series 103.4 Total 206.5</p>
<p>60 Shots</p> 	<p>21: 9.2 ↗ 22: 10.4x ← 23: 9.8 ↗ 24: 10.5x ↓ 25: 10.5x ↗ 26: 9.8 ↗ 27: 9.7 ↓ 28: 9.8 ← 29: 9.8 → 30: 10.0 ↓</p> <p>Series 99.5 Total 306.0</p>	<p>60 Shots</p> 	<p>31: 10.1 → 32: 10.3x ↗ 33: 9.5 ↗ 34: 10.5x ↗ 35: 9.4 → 36: 10.2x ↘ 37: 9.6 ↑ 38: 10.5x ↘ 39: 10.5x ↗ 40: 10.0 ←</p> <p>Series 100.6 Total 406.6</p>
<p>60 Shots</p> 	<p>41: 10.4x ← 42: 9.4 ↓ 43: 10.4x ← 44: 10.6x ↓ 45: 10.8x ← 46: 10.2x ↗ 47: 10.7x ↗ 48: 10.5x → 49: 9.6 ↓ 50: 10.1 ←</p> <p>Series 102.7 Total 509.3</p>	<p>60 Shots</p> 	<p>51: 10.1 ← 52: 10.5x ← 53: 10.2x ↙ 54: 10.0 ↓ 55: 9.9 → 56: 7.9 ↗ 57: 10.2x → 58: 10.8x ← 59: 10.8x ← 60: 10.5x ↗</p> <p>Series 100.9 Total 610.2</p>

Sight 	1: 9.5 ↘ 2: 8.4 ← 3: 9.7 ↓ 4: 10.2x ← 5: 10.2x ↗ 6: 10.3x ↓ 7: 6.8 ← 8: 9.7 ↗ 9: 10.4x → 10: 10.2x ↓ <hr/> Series 95.4 Total 0.0	Sight 	11: 9.0 → 12: 8.6 ← 13: 9.8 ↙ 14: 10.7x ↗ 15: 10.4x ← 16: 8.8 ↓ <hr/> Series 57.3 Total 0.0
--	---	--	--

60 Shots 	1: 9.7 ← 2: 9.7 ↙ 3: 9.9 ↓ 4: 10.4x ↙ 5: 9.5 ↓ 6: 8.7 → 7: 8.3 ← 8: 8.3 ↘ 9: 8.8 → 10: 10.6x → <hr/> Series 93.9 Total 93.9	60 Shots 	11: 8.7 ← 12: 8.9 ↓ 13: 8.7 ↓ 14: 9.5 ↓ 15: 9.0 ↓ 16: 9.4 ↓ 17: 9.4 ↓ 18: 9.1 ← 19: 10.3x → 20: 9.5 ↗ <hr/> Series 92.5 Total 186.4
--	--	--	--

60 Shots 	21: 9.4 → 22: 10.3x ↗ 23: 10.0 ↓ 24: 10.1 → 25: 10.4x → 26: 9.5 → 27: 10.7x ↗ 28: 9.8 ↖ 29: 8.9 → 30: 10.1 ↓ <hr/> Series 99.2 Total 285.6	60 Shots 	31: 9.4 ↓ 32: 10.5x ↗ 33: 10.5x → 34: 10.7x ← 35: 9.4 → 36: 9.6 ↓ 37: 10.3x ↓ 38: 9.1 ↙ 39: 9.5 ↓ 40: 9.6 ← <hr/> Series 98.6 Total 384.2
---	---	---	--


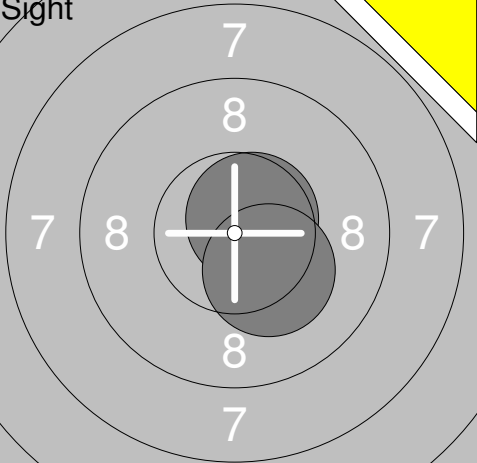
60 Shots 	41: 9.9 ← 42: 10.1 ↗ 43: 9.5 ↓ 44: 10.4x ↓ 45: 10.2x → 46: 10.1 ← 47: 10.8x ↙ 48: 10.1 ↓ 49: 10.0 ↓ 50: 9.7 → <hr/> Series 100.8 Total 485.0	60 Shots 	51: 10.0 ↓ 52: 9.3 → 53: 9.8 ↗ 54: 10.7x ↙ 55: 8.8 ↓ 56: 10.5x ← 57: 10.2x ↖ 58: 10.1 ↓ 59: 10.8x → 60: 10.0 ↖ <hr/> Series 100.2 Total 585.2
---	---	---	--

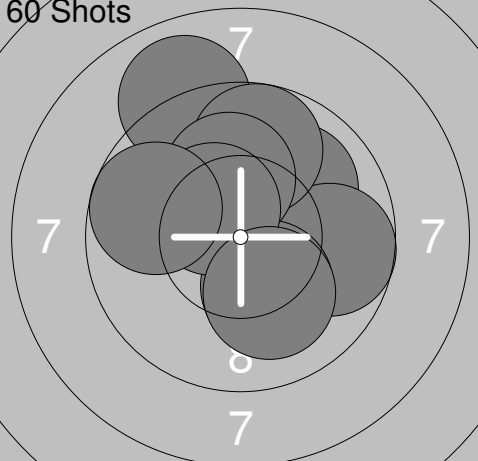
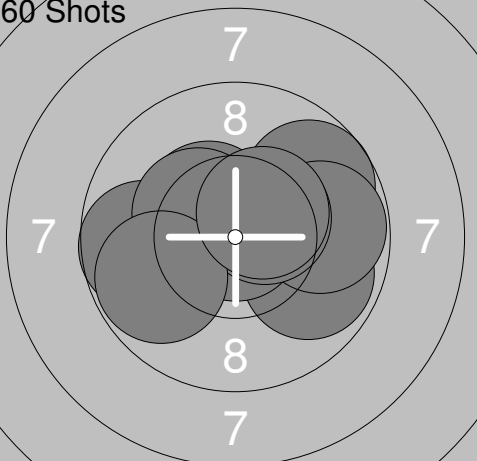
Relay	Lane	Mattias Jonsson	
S	Forsa Skf		
08.10.2016	UME-Skottet 2016	Umeå skytteallians	
Sight		1: 10.4x ↙ 2: 9.0 ↗ 3: 10.4x ↖ 4: 9.9 ↑ 5: 9.1 ↓ 6: 10.7x ↙ 7: 9.5 ↓ 8: 10.5x ← 9: 9.4 ↗ 10: 9.5 ↑ Series 98.4 Total 0.0	Sight  11: 9.7 → 12: 9.7 ↘ 13: 10.8x → 14: 10.3x ↑ Series 40.5 Total 0.0
60 Shots		1: 10.0 ↙ 2: 10.2x → 3: 10.2x ↙ 4: 9.6 ↘ 5: 8.2 → 6: 10.0 ↓ 7: 10.5x ↗ 8: 10.0 ← 9: 9.7 ↗ 10: 9.0 ← Series 97.4 Total 97.4	60 Shots  11: 9.2 → 12: 9.6 ↑ 13: 8.6 → 14: 9.8 → 15: 10.6x ↑ 16: 9.4 → 17: 9.3 ↘ 18: 10.2x ↙ 19: 10.0 ↑ 20: 9.6 → Series 96.3 Total 193.7
60 Shots		21: 10.1 → 22: 9.2 ↗ 23: 10.6x ↗ 24: 10.2x ↙ 25: 10.6x ↓ 26: 8.4 ↖ 27: 9.8 ↗ 28: 9.9 ↘ 29: 10.1 ← 30: 10.4x ↖ Series 99.3 Total 293.0	60 Shots  31: 9.4 ↓ 32: 10.3x ↙ 33: 10.2x → 34: 8.3 ↗ 35: 9.9 ↗ 36: 10.2x → 37: 9.8 ↑ 38: 10.7x → 39: 10.6x → 40: 10.5x ↗ Series 99.9 Total 392.9
60 Shots		41: 10.3x ↘ 42: 10.3x ↗ 43: 10.5x ↘ 44: 10.1 → 45: 10.6x ↘ 46: 9.0 ← 47: 9.1 ↘ 48: 10.1 ↓ 49: 10.4x → 50: 10.6x ↗ Series 101.0 Total 493.9	60 Shots  51: 9.8 ← 52: 10.0 ↗ 53: 10.4x → 54: 9.2 ← 55: 10.0 ↘ 56: 9.9 → 57: 10.7x ← 58: 9.5 ↙ 59: 9.4 ↖ 60: 10.6x ↙ Series 99.5 Total 593.4

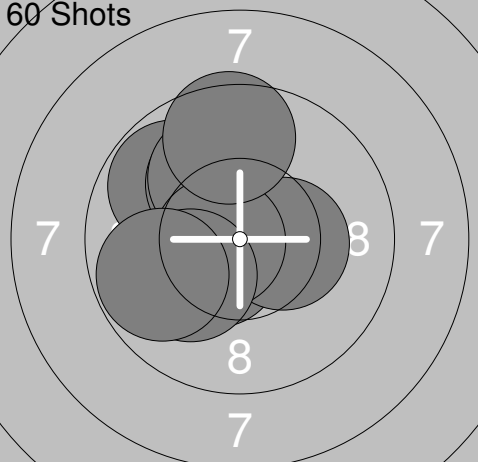
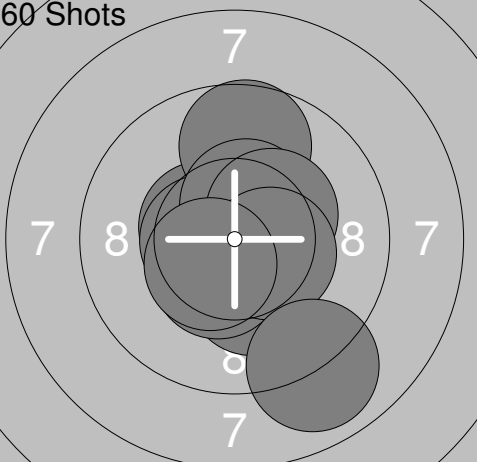
Relay	Lane	William Grydén	
2	25		

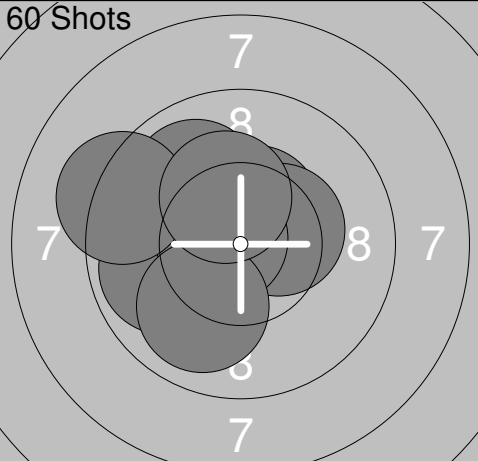
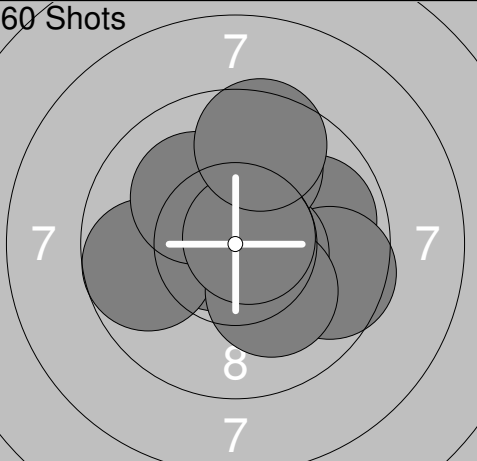
S	Vaksala Skf		
---	-------------	--	--

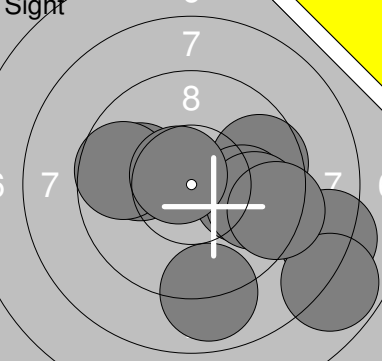
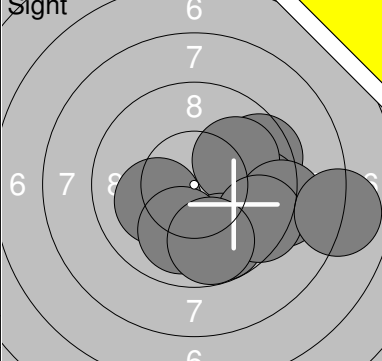
08.10.2016	UME-Skottet 2016	Umeå skytteallians	
------------	------------------	--------------------	--

	1: 7.2 ←		11: 10.6x ↗
	2: 9.9 ↓		12: 10.3x ↓
	3: 10.3x ↘		
	4: 10.0 ↓		
	5: 10.3x ↘		
	6: 10.6x ↗		
	7: 9.9 ↗		
	8: 10.7x ↓		
	9: 9.8 ↓		
	10: 10.2x ↗		
	Series 98.9		Series 20.9
	Total 0.0		Total 0.0

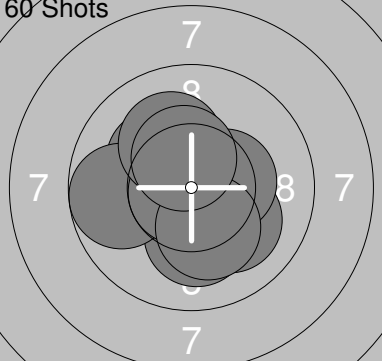
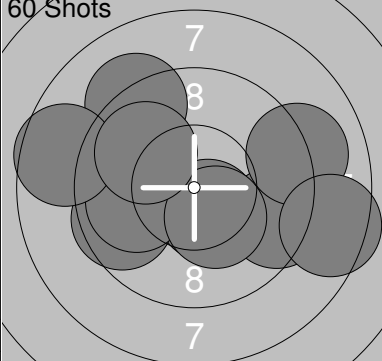
	1: 10.0 ↗		11: 9.7 ↗
	2: 9.0 ↗		12: 9.9 →
	3: 10.1 →		13: 9.7 ←
	4: 9.7 →		14: 10.9x ↑
	5: 10.2x ↓		15: 9.8 →
	6: 9.8 ↑		16: 10.4x ↗
	7: 10.1 ↑		17: 10.4x ↖
	8: 10.4x ↗		18: 10.5x ↗
	9: 9.7 ↖		19: 9.8 ←
	10: 10.1 ↓		20: 10.5x ↗
	Series 99.1		Series 101.6
	Total 99.1		Total 200.7

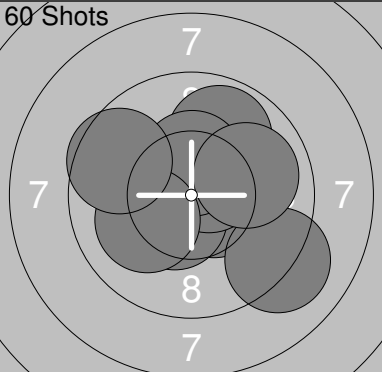
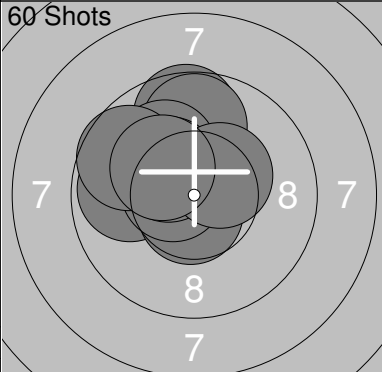
	21: 10.8x ↗		31: 10.5x ←
	22: 10.5x ↘		32: 10.6x ←
	23: 9.8 ↗		33: 10.2x ↓
	24: 10.1 ↗		34: 9.7 ↑
	25: 10.0 ↗		35: 10.4x ↓
	26: 10.4x →		36: 10.5x ↑
	27: 10.7x ←		37: 10.4x ↗
	28: 10.1 ↖		38: 10.4x →
	29: 9.8 ←		39: 8.9 ↓
	30: 9.6 ↑		40: 10.5x ↘
	Series 101.8		Series 102.1
	Total 302.5		Total 404.6

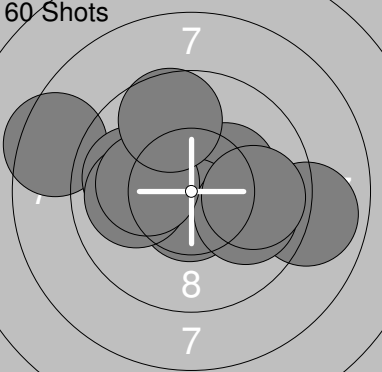
	41: 10.0 ↗		51: 10.7x ←
	42: 10.4x ↗		52: 9.9 →
	43: 10.5x ↑		53: 9.6 →
	44: 9.9 ←		54: 10.6x →
	45: 10.6x ↑		55: 9.7 ←
	46: 10.4x →		56: 10.1 ↓
	47: 10.7x ←		57: 9.9 ↑
	48: 10.0 ↓		58: 10.1 ↗
	49: 9.2 ↖		59: 10.7x ↗
	50: 10.3x ↑		60: 9.6 ↑
	Series 102.0		Series 100.9
	Total 506.6		Total 607.5

Sight 	1: 10.0 ← 2: 8.2 → 3: 9.6 → 4: 10.0 → 5: 9.7 ← 6: 9.8 → 7: 10.6x ↗ 8: 8.9 ↓ 9: 7.8 ↓ 10: 9.3 →	Sight 	11: 9.5 → 12: 9.6 → 13: 10.0 → 14: 10.1 ← 15: 9.8 ↓ 16: 9.1 → 17: 9.4 ↓ 18: 10.0 ↓ 19: 8.0 → 20: 9.8 ↓
	Series 93.9 Total 0.0		Series 95.3 Total 0.0

Sight 	21: 10.3x ←	60 Shots 	1: 9.3 ↑ 2: 10.2x ↓ 3: 10.0 → 4: 10.6x ↓ 5: 9.9 ↓ 6: 10.0 ↑ 7: 9.2 ↓ 8: 10.6x ↓ 9: 10.3x → 10: 10.9x ↓
	Series 10.3 Total 0.0		Series 101.0 Total 101.0

60 Shots 	11: 10.5x ← 12: 10.2x ↗ 13: 10.2x ↓ 14: 10.1 ↓ 15: 10.4x → 16: 9.8 ← 17: 10.8x ← 18: 10.2x ↓ 19: 10.1 ↗ 20: 10.4x ↗	60 Shots 	21: 10.5x ↓ 22: 9.6 ← 23: 9.2 ↗ 24: 9.4 ↓ 25: 9.9 ← 26: 10.3x ↓ 27: 8.6 ↗ 28: 9.9 ↗ 29: 9.1 → 30: 8.5 →
	Series 102.7 Total 203.7		Series 95.0 Total 298.7

60 Shots 	31: 10.5x → 32: 9.1 ↓ 33: 10.8x ↑ 34: 10.5x ↓ 35: 10.6x ↗ 36: 9.9 ↗ 37: 10.4x ↑ 38: 10.0 → 39: 10.1 ← 40: 9.6 ←	60 Shots 	41: 9.6 ↑ 42: 9.8 ← 43: 10.7x ↓ 44: 10.6x ← 45: 9.8 ↑ 46: 10.1 ↗ 47: 9.7 ↗ 48: 10.3x ↗ 49: 10.4x ↗ 50: 10.2x ↗
	Series 101.5 Total 400.2		Series 101.2 Total 501.4


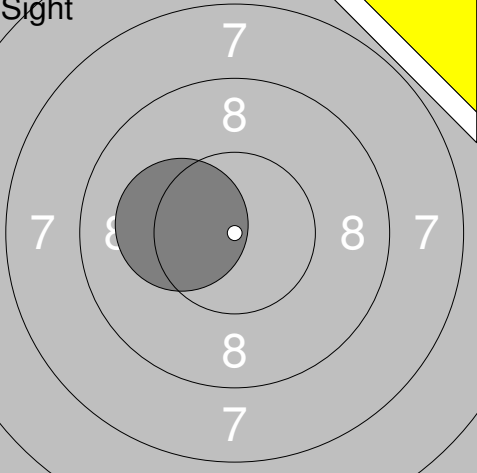
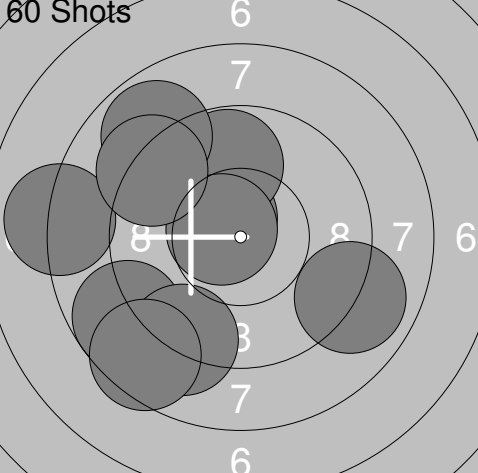
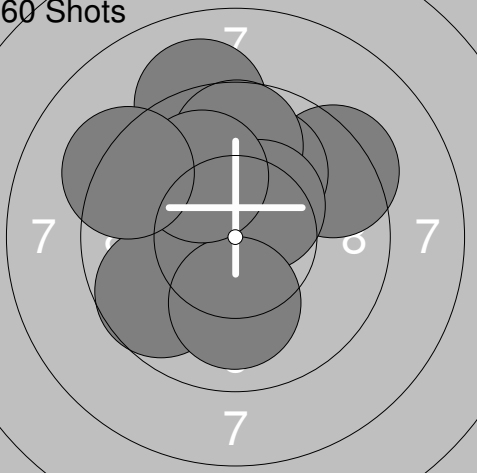
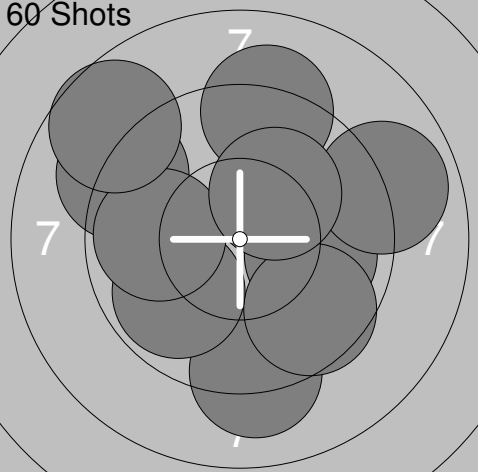
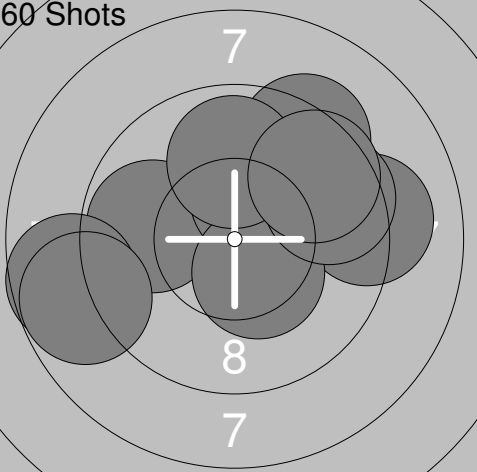
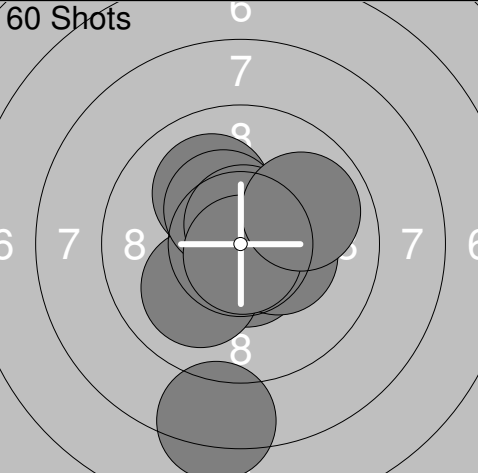
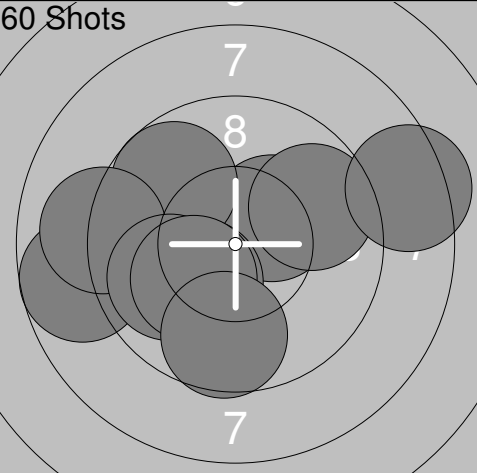
60 Shots 	51: 8.5 ← 52: 10.3x → 53: 9.9 ← 54: 8.9 → 55: 10.6x ↓ 56: 10.0 ← 57: 9.9 ↓ 58: 10.2x ← 59: 9.7 ↗ 60: 9.9 →		
	Series 97.9 Total 599.3		

<p>Sight</p>	<p>60 Shots</p>	<table border="1" style="width:100%; border-collapse: collapse;"> <tr><td>1: 9.5</td><td>↑</td></tr> <tr><td>2: 9.1</td><td>↑</td></tr> <tr><td>3: 7.9</td><td>←</td></tr> <tr><td>4: 7.4</td><td>→</td></tr> <tr><td>5: 7.0</td><td>↑</td></tr> <tr><td>6: 9.4</td><td>↖</td></tr> <tr><td>7: 8.0</td><td>↗</td></tr> <tr><td>8: 9.5</td><td>↑</td></tr> <tr><td>9: 6.5</td><td>↖</td></tr> <tr><td>10: 8.4</td><td>↑</td></tr> <tr><td>Series</td><td>82.7</td></tr> <tr><td>Total</td><td>0.0</td></tr> </table>	1: 9.5	↑	2: 9.1	↑	3: 7.9	←	4: 7.4	→	5: 7.0	↑	6: 9.4	↖	7: 8.0	↗	8: 9.5	↑	9: 6.5	↖	10: 8.4	↑	Series	82.7	Total	0.0
1: 9.5	↑																									
2: 9.1	↑																									
3: 7.9	←																									
4: 7.4	→																									
5: 7.0	↑																									
6: 9.4	↖																									
7: 8.0	↗																									
8: 9.5	↑																									
9: 6.5	↖																									
10: 8.4	↑																									
Series	82.7																									
Total	0.0																									

<p>60 Shots</p>	<p>60 Shots</p>	<table border="1" style="width:100%; border-collapse: collapse;"> <tr><td>11: 7.2</td><td>↗</td></tr> <tr><td>12: 8.6</td><td>↗</td></tr> <tr><td>13: 10.1</td><td>↗</td></tr> <tr><td>14: 7.2</td><td>←</td></tr> <tr><td>15: 7.3</td><td>↗</td></tr> <tr><td>16: 9.0</td><td>↑</td></tr> <tr><td>17: 5.9</td><td>→</td></tr> <tr><td>18: 7.2</td><td>↑</td></tr> <tr><td>19: 8.9</td><td>↗</td></tr> <tr><td>20: 6.0</td><td>↖</td></tr> <tr><td>Series</td><td>77.4</td></tr> <tr><td>Total</td><td>160.2</td></tr> </table>	11: 7.2	↗	12: 8.6	↗	13: 10.1	↗	14: 7.2	←	15: 7.3	↗	16: 9.0	↑	17: 5.9	→	18: 7.2	↑	19: 8.9	↗	20: 6.0	↖	Series	77.4	Total	160.2
11: 7.2	↗																									
12: 8.6	↗																									
13: 10.1	↗																									
14: 7.2	←																									
15: 7.3	↗																									
16: 9.0	↑																									
17: 5.9	→																									
18: 7.2	↑																									
19: 8.9	↗																									
20: 6.0	↖																									
Series	77.4																									
Total	160.2																									

<p>60 Shots</p>	<p>60 Shots</p>	<table border="1" style="width:100%; border-collapse: collapse;"> <tr><td>31: 9.5</td><td>↑</td></tr> <tr><td>32: 9.9</td><td>←</td></tr> <tr><td>33: 6.2</td><td>←</td></tr> <tr><td>34: 7.6</td><td>↗</td></tr> <tr><td>35: 9.6</td><td>↗</td></tr> <tr><td>36: 6.0</td><td>↖</td></tr> <tr><td>37: 8.8</td><td>↗</td></tr> <tr><td>38: 6.6</td><td>↖</td></tr> <tr><td>39: 10.6x</td><td>↓</td></tr> <tr><td>40: 8.1</td><td>↖</td></tr> <tr><td>Series</td><td>82.9</td></tr> <tr><td>Total</td><td>324.4</td></tr> </table>	31: 9.5	↑	32: 9.9	←	33: 6.2	←	34: 7.6	↗	35: 9.6	↗	36: 6.0	↖	37: 8.8	↗	38: 6.6	↖	39: 10.6x	↓	40: 8.1	↖	Series	82.9	Total	324.4
31: 9.5	↑																									
32: 9.9	←																									
33: 6.2	←																									
34: 7.6	↗																									
35: 9.6	↗																									
36: 6.0	↖																									
37: 8.8	↗																									
38: 6.6	↖																									
39: 10.6x	↓																									
40: 8.1	↖																									
Series	82.9																									
Total	324.4																									

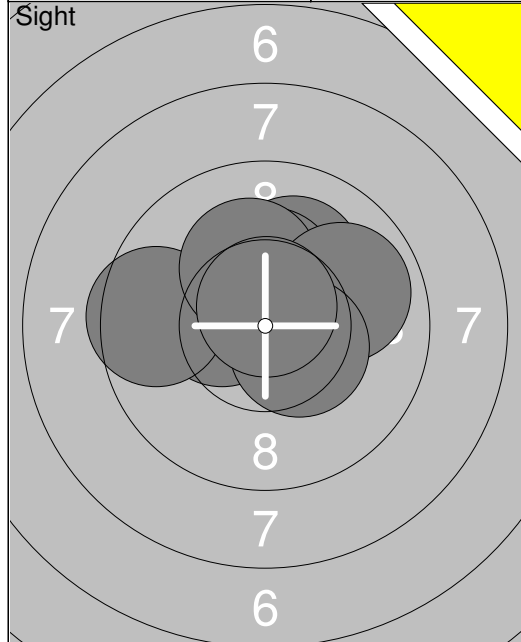
<p>60 Shots</p>		<table border="1" style="width:100%; border-collapse: collapse;"> <tr><td>41: 8.1</td><td>←</td></tr> <tr><td>42: 8.2</td><td>↗</td></tr> <tr><td>43: 8.2</td><td>←</td></tr> <tr><td>44: 10.1</td><td>↗</td></tr> <tr><td>45: 7.8</td><td>↖</td></tr> <tr><td>46: 9.8</td><td>↑</td></tr> <tr><td>47: 7.5</td><td>↗</td></tr> <tr><td>48: 8.3</td><td>↖</td></tr> <tr><td>49: 7.4</td><td>→</td></tr> <tr><td>50: 10.4x</td><td>↓</td></tr> <tr><td>Series</td><td>85.8</td></tr> <tr><td>Total</td><td>410.2</td></tr> </table>	41: 8.1	←	42: 8.2	↗	43: 8.2	←	44: 10.1	↗	45: 7.8	↖	46: 9.8	↑	47: 7.5	↗	48: 8.3	↖	49: 7.4	→	50: 10.4x	↓	Series	85.8	Total	410.2
41: 8.1	←																									
42: 8.2	↗																									
43: 8.2	←																									
44: 10.1	↗																									
45: 7.8	↖																									
46: 9.8	↑																									
47: 7.5	↗																									
48: 8.3	↖																									
49: 7.4	→																									
50: 10.4x	↓																									
Series	85.8																									
Total	410.2																									

	<table border="1" style="width:100%; border-collapse: collapse;"> <tr><td>1: 7.3 →</td></tr> <tr><td>2: 7.4 →</td></tr> <tr><td>3: 7.9 →</td></tr> <tr><td>4: 10.0 ↑</td></tr> <tr><td>5: 9.7 ↗</td></tr> <tr><td>6: 10.8x ←</td></tr> <tr><td>7: 9.6 ←</td></tr> <tr><td>8: 9.2 ↗</td></tr> <tr><td>9: 9.0 →</td></tr> <tr><td>10: 9.4 ↗</td></tr> <tr><td>Series 90.3</td></tr> <tr><td>Total 0.0</td></tr> </table>	1: 7.3 →	2: 7.4 →	3: 7.9 →	4: 10.0 ↑	5: 9.7 ↗	6: 10.8x ←	7: 9.6 ←	8: 9.2 ↗	9: 9.0 →	10: 9.4 ↗	Series 90.3	Total 0.0		<table border="1" style="width:100%; border-collapse: collapse;"> <tr><td>11: 10.2x ←</td></tr> <tr><td>Series 10.2</td></tr> <tr><td>Total 0.0</td></tr> </table>	11: 10.2x ←	Series 10.2	Total 0.0									
1: 7.3 →																											
2: 7.4 →																											
3: 7.9 →																											
4: 10.0 ↑																											
5: 9.7 ↗																											
6: 10.8x ←																											
7: 9.6 ←																											
8: 9.2 ↗																											
9: 9.0 →																											
10: 9.4 ↗																											
Series 90.3																											
Total 0.0																											
11: 10.2x ←																											
Series 10.2																											
Total 0.0																											
	<table border="1" style="width:100%; border-collapse: collapse;"> <tr><td>1: 8.7 ↙</td></tr> <tr><td>2: 10.5x ↗</td></tr> <tr><td>3: 8.9 →</td></tr> <tr><td>4: 9.1 ↓</td></tr> <tr><td>5: 8.0 ←</td></tr> <tr><td>6: 9.8 ↑</td></tr> <tr><td>7: 8.5 ↓</td></tr> <tr><td>8: 8.9 ↗</td></tr> <tr><td>9: 10.6x ↙</td></tr> <tr><td>10: 9.2 ↗</td></tr> <tr><td>Series 92.2</td></tr> <tr><td>Total 92.2</td></tr> </table>	1: 8.7 ↙	2: 10.5x ↗	3: 8.9 →	4: 9.1 ↓	5: 8.0 ←	6: 9.8 ↑	7: 8.5 ↓	8: 8.9 ↗	9: 10.6x ↙	10: 9.2 ↗	Series 92.2	Total 92.2		<table border="1" style="width:100%; border-collapse: collapse;"> <tr><td>11: 9.4 ↗</td></tr> <tr><td>12: 9.9 ↖</td></tr> <tr><td>13: 9.1 ↑</td></tr> <tr><td>14: 10.0 ↗</td></tr> <tr><td>15: 9.7 ↙</td></tr> <tr><td>16: 9.7 ↑</td></tr> <tr><td>17: 10.4x ↗</td></tr> <tr><td>18: 10.1 ↓</td></tr> <tr><td>19: 10.0 ↗</td></tr> <tr><td>20: 9.3 ↖</td></tr> <tr><td>Series 97.6</td></tr> <tr><td>Total 189.8</td></tr> </table>	11: 9.4 ↗	12: 9.9 ↖	13: 9.1 ↑	14: 10.0 ↗	15: 9.7 ↙	16: 9.7 ↑	17: 10.4x ↗	18: 10.1 ↓	19: 10.0 ↗	20: 9.3 ↖	Series 97.6	Total 189.8
1: 8.7 ↙																											
2: 10.5x ↗																											
3: 8.9 →																											
4: 9.1 ↓																											
5: 8.0 ←																											
6: 9.8 ↑																											
7: 8.5 ↓																											
8: 8.9 ↗																											
9: 10.6x ↙																											
10: 9.2 ↗																											
Series 92.2																											
Total 92.2																											
11: 9.4 ↗																											
12: 9.9 ↖																											
13: 9.1 ↑																											
14: 10.0 ↗																											
15: 9.7 ↙																											
16: 9.7 ↑																											
17: 10.4x ↗																											
18: 10.1 ↓																											
19: 10.0 ↗																											
20: 9.3 ↖																											
Series 97.6																											
Total 189.8																											
	<table border="1" style="width:100%; border-collapse: collapse;"> <tr><td>21: 9.2 ↑</td></tr> <tr><td>22: 10.0 →</td></tr> <tr><td>23: 9.1 ↓</td></tr> <tr><td>24: 9.6 ↓</td></tr> <tr><td>25: 9.8 ↙</td></tr> <tr><td>26: 9.1 ↗</td></tr> <tr><td>27: 8.9 →</td></tr> <tr><td>28: 9.9 ←</td></tr> <tr><td>29: 10.2x ↗</td></tr> <tr><td>30: 8.7 ↗</td></tr> <tr><td>Series 94.5</td></tr> <tr><td>Total 284.3</td></tr> </table>	21: 9.2 ↑	22: 10.0 →	23: 9.1 ↓	24: 9.6 ↓	25: 9.8 ↙	26: 9.1 ↗	27: 8.9 →	28: 9.9 ←	29: 10.2x ↗	30: 8.7 ↗	Series 94.5	Total 284.3		<table border="1" style="width:100%; border-collapse: collapse;"> <tr><td>31: 9.8 ←</td></tr> <tr><td>32: 10.3x ↗</td></tr> <tr><td>33: 9.1 →</td></tr> <tr><td>34: 10.4x ↓</td></tr> <tr><td>35: 9.6 →</td></tr> <tr><td>36: 9.3 ↗</td></tr> <tr><td>37: 9.9 ↑</td></tr> <tr><td>38: 8.7 ←</td></tr> <tr><td>39: 8.8 ←</td></tr> <tr><td>40: 9.6 ↗</td></tr> <tr><td>Series 95.5</td></tr> <tr><td>Total 379.8</td></tr> </table>	31: 9.8 ←	32: 10.3x ↗	33: 9.1 →	34: 10.4x ↓	35: 9.6 →	36: 9.3 ↗	37: 9.9 ↑	38: 8.7 ←	39: 8.8 ←	40: 9.6 ↗	Series 95.5	Total 379.8
21: 9.2 ↑																											
22: 10.0 →																											
23: 9.1 ↓																											
24: 9.6 ↓																											
25: 9.8 ↙																											
26: 9.1 ↗																											
27: 8.9 →																											
28: 9.9 ←																											
29: 10.2x ↗																											
30: 8.7 ↗																											
Series 94.5																											
Total 284.3																											
31: 9.8 ←																											
32: 10.3x ↗																											
33: 9.1 →																											
34: 10.4x ↓																											
35: 9.6 →																											
36: 9.3 ↗																											
37: 9.9 ↑																											
38: 8.7 ←																											
39: 8.8 ←																											
40: 9.6 ↗																											
Series 95.5																											
Total 379.8																											
	<table border="1" style="width:100%; border-collapse: collapse;"> <tr><td>41: 10.4x ↙</td></tr> <tr><td>42: 10.6x ↓</td></tr> <tr><td>43: 10.1 ↗</td></tr> <tr><td>44: 10.0 ↙</td></tr> <tr><td>45: 10.4x →</td></tr> <tr><td>46: 10.4x ↗</td></tr> <tr><td>47: 10.7x ↑</td></tr> <tr><td>48: 10.8x ↓</td></tr> <tr><td>49: 9.9 →</td></tr> <tr><td>50: 8.2 ↓</td></tr> <tr><td>Series 101.5</td></tr> <tr><td>Total 481.3</td></tr> </table>	41: 10.4x ↙	42: 10.6x ↓	43: 10.1 ↗	44: 10.0 ↙	45: 10.4x →	46: 10.4x ↗	47: 10.7x ↑	48: 10.8x ↓	49: 9.9 →	50: 8.2 ↓	Series 101.5	Total 481.3		<table border="1" style="width:100%; border-collapse: collapse;"> <tr><td>51: 10.3x ↗</td></tr> <tr><td>52: 8.7 ←</td></tr> <tr><td>53: 9.8 ↖</td></tr> <tr><td>54: 9.1 ←</td></tr> <tr><td>55: 10.2x ↙</td></tr> <tr><td>56: 9.9 ↙</td></tr> <tr><td>57: 10.2x ↙</td></tr> <tr><td>58: 9.7 ↓</td></tr> <tr><td>59: 9.7 →</td></tr> <tr><td>60: 8.4 →</td></tr> <tr><td>Series 96.0</td></tr> <tr><td>Total 577.3</td></tr> </table>	51: 10.3x ↗	52: 8.7 ←	53: 9.8 ↖	54: 9.1 ←	55: 10.2x ↙	56: 9.9 ↙	57: 10.2x ↙	58: 9.7 ↓	59: 9.7 →	60: 8.4 →	Series 96.0	Total 577.3
41: 10.4x ↙																											
42: 10.6x ↓																											
43: 10.1 ↗																											
44: 10.0 ↙																											
45: 10.4x →																											
46: 10.4x ↗																											
47: 10.7x ↑																											
48: 10.8x ↓																											
49: 9.9 →																											
50: 8.2 ↓																											
Series 101.5																											
Total 481.3																											
51: 10.3x ↗																											
52: 8.7 ←																											
53: 9.8 ↖																											
54: 9.1 ←																											
55: 10.2x ↙																											
56: 9.9 ↙																											
57: 10.2x ↙																											
58: 9.7 ↓																											
59: 9.7 →																											
60: 8.4 →																											
Series 96.0																											
Total 577.3																											

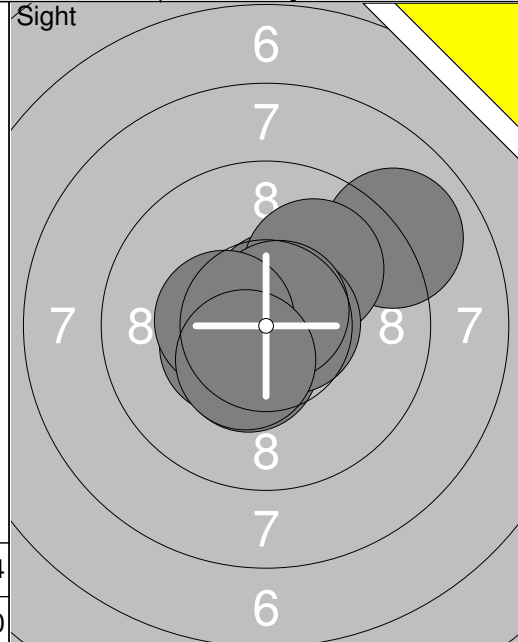
<p>Sight</p>	<p>Sight</p>
--------------	--------------

<p>60 Shots</p>	<p>60 Shots</p>
-----------------	-----------------

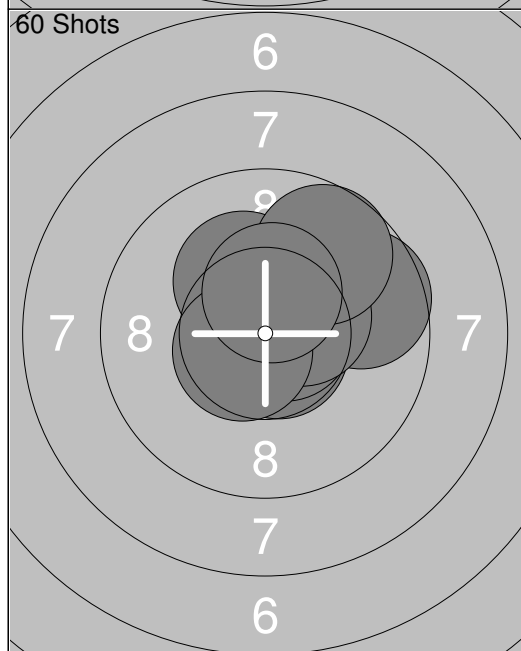
<p>60 Shots</p>	<p>60 Shots</p>
-----------------	-----------------



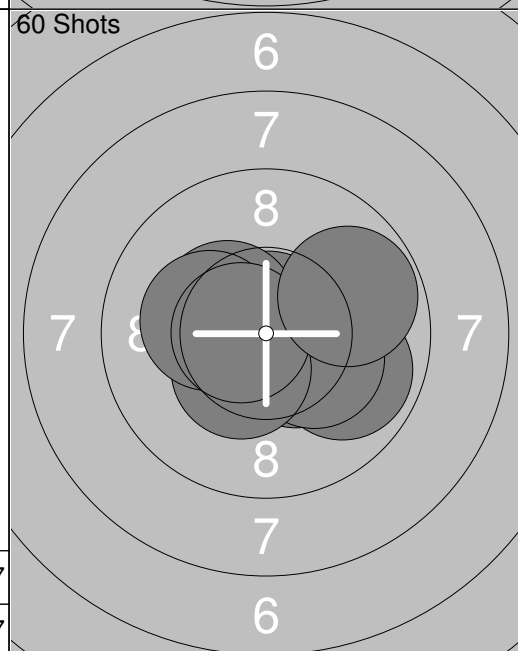
1: 10.1 ↗
2: 10.7x ↑
3: 10.3x ↑
4: 10.1 →
5: 10.4x ←
6: 9.6 ←
7: 10.2x ↑
8: 9.9 →
9: 10.4x ↘
10: 10.7x ↑
Series 102.4
Total 0.0



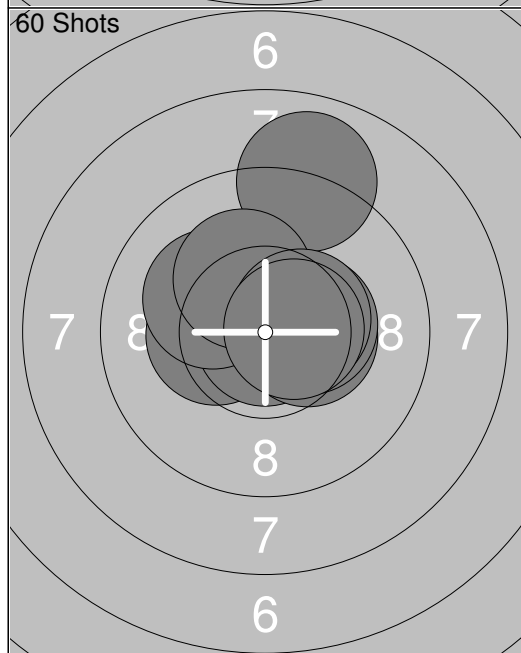
11: 10.6x ↗
12: 9.0 ↗
13: 10.4x ↘
14: 10.0 ↗
15: 10.6x →
16: 10.4x ←
17: 10.7x ↗
18: 10.4x ←
19: 10.4x ↘
Series 92.5
Total 0.0



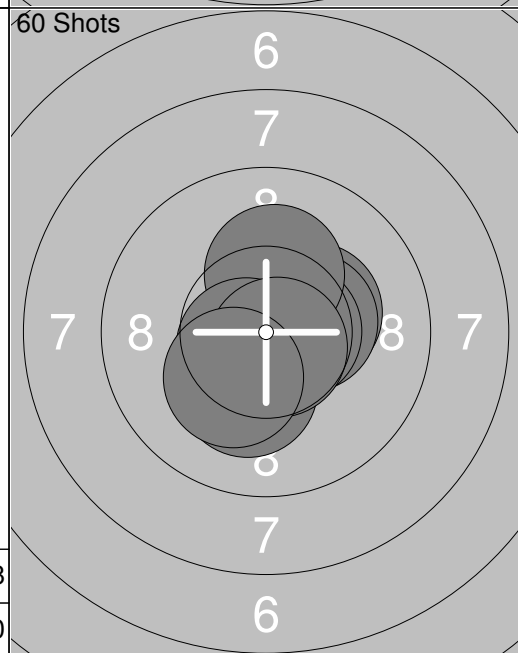
1: 10.8x ↗
2: 10.6x ↗
3: 10.2x ↗
4: 9.6 →
5: 10.7x ↘
6: 10.7x →
7: 10.4x →
8: 10.6x ←
9: 9.7 ↗
10: 10.4x ↑
Series 103.7
Total 103.7



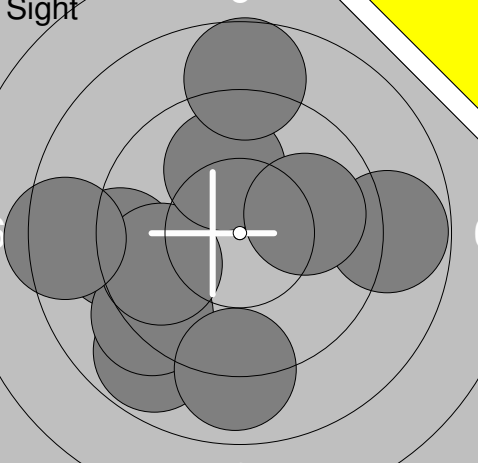
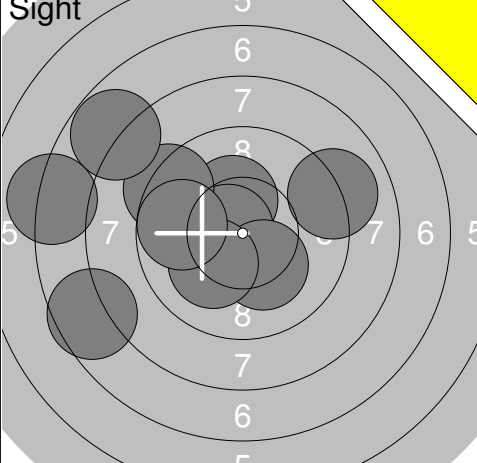
11: 9.9 →
12: 10.8x ↑
13: 10.5x ↘
14: 10.3x ↘
15: 10.6x ←
16: 10.4x ↘
17: 10.4x ←
18: 10.2x ←
19: 10.6x ←
20: 9.8 →
Series 103.5
Total 207.2

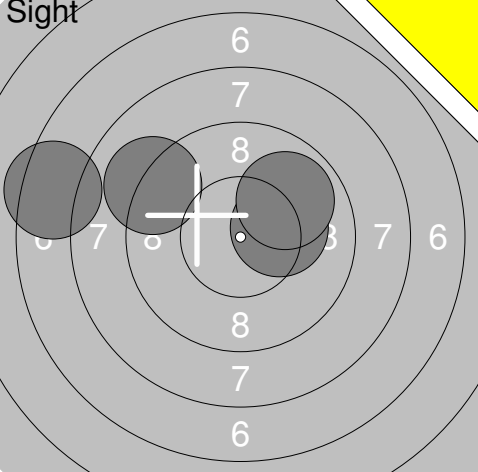
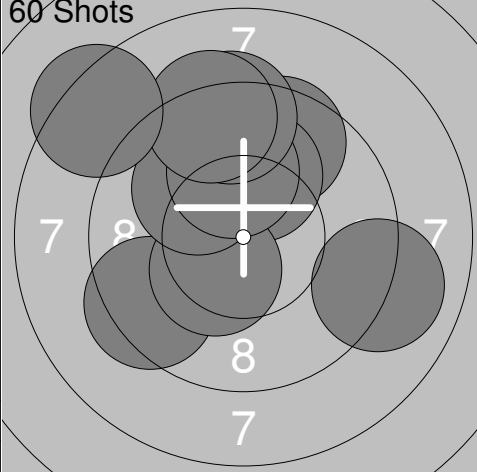


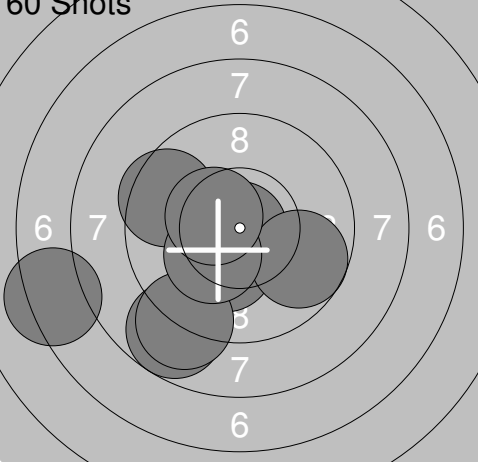
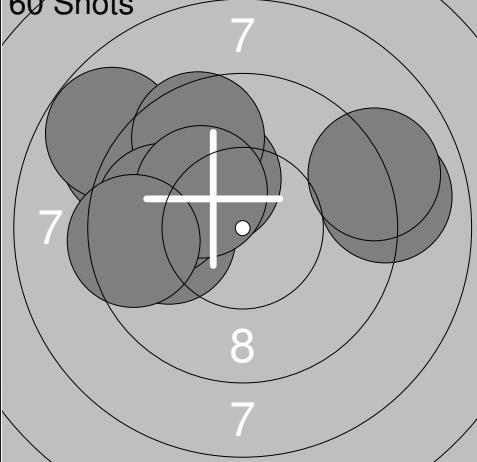
21: 10.3x ↗
22: 9.0 ↑
23: 10.3x ←
24: 10.9x ↓
25: 10.4x →
26: 10.2x ←
27: 10.2x ↗
28: 10.4x →
29: 10.5x →
30: 10.6x →
Series 102.8
Total 310.0

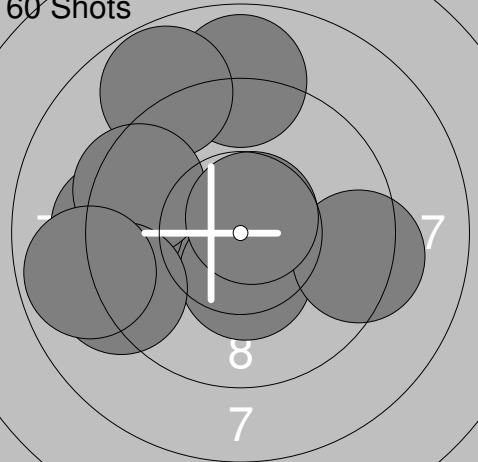


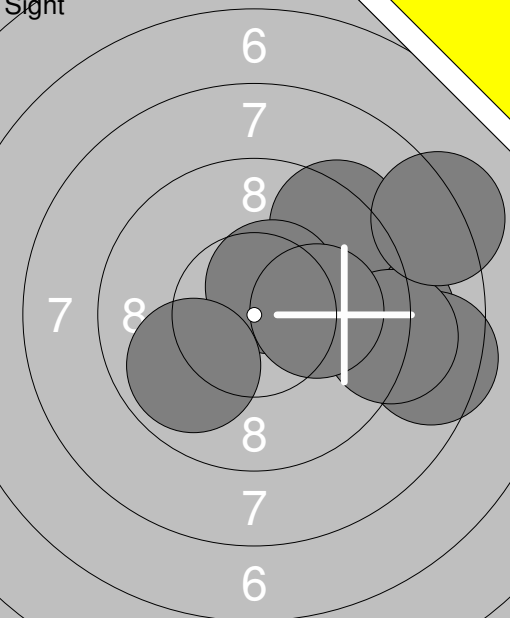
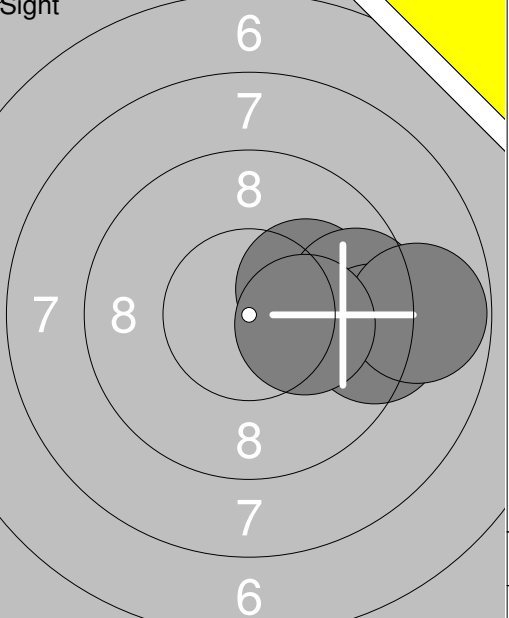
31: 10.6x →
32: 10.3x →
33: 10.8x →
34: 10.4x →
35: 10.6x →
36: 10.2x ↑
37: 10.6x ←
38: 10.2x ↓
39: 10.7x ↘
40: 10.2x ↘
Series 104.6
Total 414.6

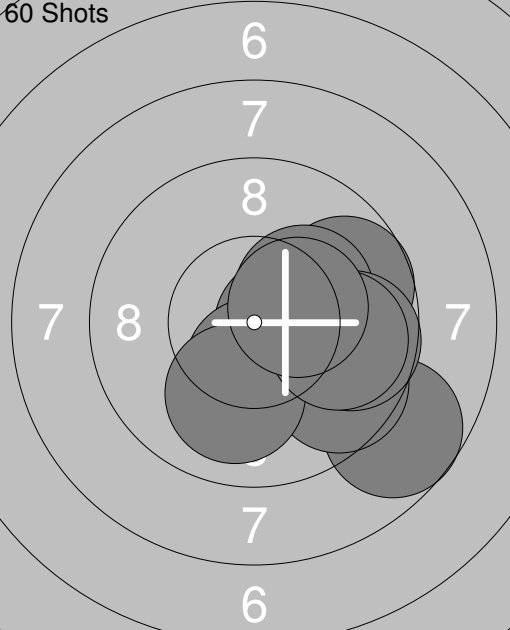
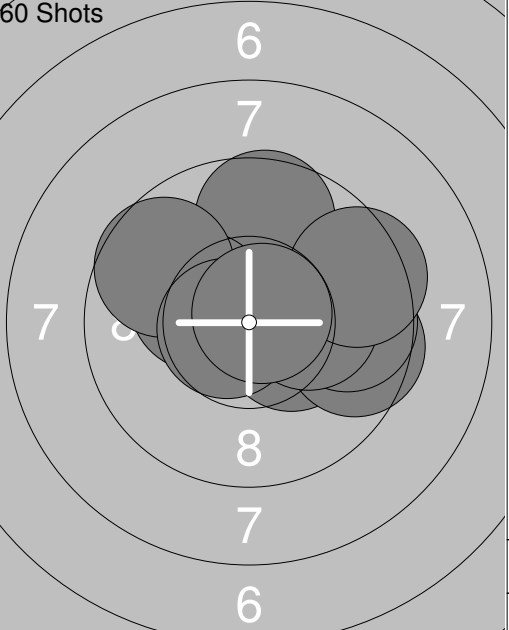
	<table style="width:100%; border-collapse: collapse;"> <tr><td>1:</td><td>8.8</td><td>↘</td></tr> <tr><td>2:</td><td>9.2</td><td>←</td></tr> <tr><td>3:</td><td>9.2</td><td>↘</td></tr> <tr><td>4:</td><td>9.7</td><td>←</td></tr> <tr><td>5:</td><td>10.0</td><td>↑</td></tr> <tr><td>6:</td><td>8.4</td><td>←</td></tr> <tr><td>7:</td><td>8.8</td><td>→</td></tr> <tr><td>8:</td><td>10.0</td><td>→</td></tr> <tr><td>9:</td><td>8.9</td><td>↓</td></tr> <tr><td>10:</td><td>8.7</td><td>↑</td></tr> <tr><td colspan="2">Series</td><td>91.7</td></tr> <tr><td colspan="2">Total</td><td>0.0</td></tr> </table>	1:	8.8	↘	2:	9.2	←	3:	9.2	↘	4:	9.7	←	5:	10.0	↑	6:	8.4	←	7:	8.8	→	8:	10.0	→	9:	8.9	↓	10:	8.7	↑	Series		91.7	Total		0.0		<table style="width:100%; border-collapse: collapse;"> <tr><td>11:</td><td>10.3x</td><td>↑</td></tr> <tr><td>12:</td><td>10.7x</td><td>←</td></tr> <tr><td>13:</td><td>9.3</td><td>↗</td></tr> <tr><td>14:</td><td>7.8</td><td>↗</td></tr> <tr><td>15:</td><td>10.2x</td><td>↘</td></tr> <tr><td>16:</td><td>7.1</td><td>←</td></tr> <tr><td>17:</td><td>10.1</td><td>↘</td></tr> <tr><td>18:</td><td>7.6</td><td>←</td></tr> <tr><td>19:</td><td>9.0</td><td>→</td></tr> <tr><td>20:</td><td>9.8</td><td>←</td></tr> <tr><td colspan="2">Series</td><td>91.9</td></tr> <tr><td colspan="2">Total</td><td>0.0</td></tr> </table>	11:	10.3x	↑	12:	10.7x	←	13:	9.3	↗	14:	7.8	↗	15:	10.2x	↘	16:	7.1	←	17:	10.1	↘	18:	7.6	←	19:	9.0	→	20:	9.8	←	Series		91.9	Total		0.0
1:	8.8	↘																																																																									
2:	9.2	←																																																																									
3:	9.2	↘																																																																									
4:	9.7	←																																																																									
5:	10.0	↑																																																																									
6:	8.4	←																																																																									
7:	8.8	→																																																																									
8:	10.0	→																																																																									
9:	8.9	↓																																																																									
10:	8.7	↑																																																																									
Series		91.7																																																																									
Total		0.0																																																																									
11:	10.3x	↑																																																																									
12:	10.7x	←																																																																									
13:	9.3	↗																																																																									
14:	7.8	↗																																																																									
15:	10.2x	↘																																																																									
16:	7.1	←																																																																									
17:	10.1	↘																																																																									
18:	7.6	←																																																																									
19:	9.0	→																																																																									
20:	9.8	←																																																																									
Series		91.9																																																																									
Total		0.0																																																																									

	<table style="width:100%; border-collapse: collapse;"> <tr><td>21:</td><td>9.1</td><td>↖</td></tr> <tr><td>22:</td><td>10.2x</td><td>→</td></tr> <tr><td>23:</td><td>7.4</td><td>←</td></tr> <tr><td>24:</td><td>9.9</td><td>↗</td></tr> <tr><td colspan="2">Series</td><td>36.6</td></tr> <tr><td colspan="2">Total</td><td>0.0</td></tr> </table>	21:	9.1	↖	22:	10.2x	→	23:	7.4	←	24:	9.9	↗	Series		36.6	Total		0.0		<table style="width:100%; border-collapse: collapse;"> <tr><td>1:</td><td>9.4</td><td>←</td></tr> <tr><td>2:</td><td>9.6</td><td>↑</td></tr> <tr><td>3:</td><td>10.1</td><td>↑</td></tr> <tr><td>4:</td><td>10.4x</td><td>↘</td></tr> <tr><td>5:</td><td>10.0</td><td>↗</td></tr> <tr><td>6:</td><td>9.0</td><td>→</td></tr> <tr><td>7:</td><td>10.1</td><td>↑</td></tr> <tr><td>8:</td><td>9.3</td><td>↑</td></tr> <tr><td>9:</td><td>9.3</td><td>↑</td></tr> <tr><td>10:</td><td>8.3</td><td>↖</td></tr> <tr><td colspan="2">Series</td><td>95.5</td></tr> <tr><td colspan="2">Total</td><td>95.5</td></tr> </table>	1:	9.4	←	2:	9.6	↑	3:	10.1	↑	4:	10.4x	↘	5:	10.0	↗	6:	9.0	→	7:	10.1	↑	8:	9.3	↑	9:	9.3	↑	10:	8.3	↖	Series		95.5	Total		95.5
21:	9.1	↖																																																							
22:	10.2x	→																																																							
23:	7.4	←																																																							
24:	9.9	↗																																																							
Series		36.6																																																							
Total		0.0																																																							
1:	9.4	←																																																							
2:	9.6	↑																																																							
3:	10.1	↑																																																							
4:	10.4x	↘																																																							
5:	10.0	↗																																																							
6:	9.0	→																																																							
7:	10.1	↑																																																							
8:	9.3	↑																																																							
9:	9.3	↑																																																							
10:	8.3	↖																																																							
Series		95.5																																																							
Total		95.5																																																							

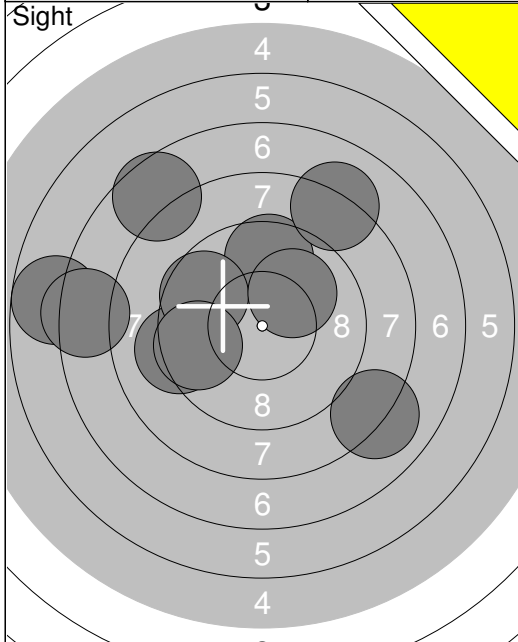
	<table style="width:100%; border-collapse: collapse;"> <tr><td>11:</td><td>10.4x</td><td>↘</td></tr> <tr><td>12:</td><td>10.3x</td><td>↘</td></tr> <tr><td>13:</td><td>8.7</td><td>↘</td></tr> <tr><td>14:</td><td>9.0</td><td>↘</td></tr> <tr><td>15:</td><td>10.9x</td><td>↘</td></tr> <tr><td>16:</td><td>7.3</td><td>←</td></tr> <tr><td>17:</td><td>9.5</td><td>↖</td></tr> <tr><td>18:</td><td>9.7</td><td>→</td></tr> <tr><td>19:</td><td>10.3x</td><td>↘</td></tr> <tr><td>20:</td><td>10.4x</td><td>↖</td></tr> <tr><td colspan="2">Series</td><td>96.5</td></tr> <tr><td colspan="2">Total</td><td>192.0</td></tr> </table>	11:	10.4x	↘	12:	10.3x	↘	13:	8.7	↘	14:	9.0	↘	15:	10.9x	↘	16:	7.3	←	17:	9.5	↖	18:	9.7	→	19:	10.3x	↘	20:	10.4x	↖	Series		96.5	Total		192.0		<table style="width:100%; border-collapse: collapse;"> <tr><td>21:</td><td>10.2x</td><td>↗</td></tr> <tr><td>22:</td><td>9.1</td><td>↖</td></tr> <tr><td>23:</td><td>9.9</td><td>←</td></tr> <tr><td>24:</td><td>8.8</td><td>↗</td></tr> <tr><td>25:</td><td>9.6</td><td>↗</td></tr> <tr><td>26:</td><td>9.8</td><td>←</td></tr> <tr><td>27:</td><td>10.2x</td><td>↗</td></tr> <tr><td>28:</td><td>9.0</td><td>→</td></tr> <tr><td>29:</td><td>9.0</td><td>→</td></tr> <tr><td>30:</td><td>9.5</td><td>←</td></tr> <tr><td colspan="2">Series</td><td>95.1</td></tr> <tr><td colspan="2">Total</td><td>287.1</td></tr> </table>	21:	10.2x	↗	22:	9.1	↖	23:	9.9	←	24:	8.8	↗	25:	9.6	↗	26:	9.8	←	27:	10.2x	↗	28:	9.0	→	29:	9.0	→	30:	9.5	←	Series		95.1	Total		287.1
11:	10.4x	↘																																																																									
12:	10.3x	↘																																																																									
13:	8.7	↘																																																																									
14:	9.0	↘																																																																									
15:	10.9x	↘																																																																									
16:	7.3	←																																																																									
17:	9.5	↖																																																																									
18:	9.7	→																																																																									
19:	10.3x	↘																																																																									
20:	10.4x	↖																																																																									
Series		96.5																																																																									
Total		192.0																																																																									
21:	10.2x	↗																																																																									
22:	9.1	↖																																																																									
23:	9.9	←																																																																									
24:	8.8	↗																																																																									
25:	9.6	↗																																																																									
26:	9.8	←																																																																									
27:	10.2x	↗																																																																									
28:	9.0	→																																																																									
29:	9.0	→																																																																									
30:	9.5	←																																																																									
Series		95.1																																																																									
Total		287.1																																																																									

	<table style="width:100%; border-collapse: collapse;"> <tr><td>31:</td><td>9.8</td><td>←</td></tr> <tr><td>32:</td><td>10.4x</td><td>↓</td></tr> <tr><td>33:</td><td>8.9</td><td>↑</td></tr> <tr><td>34:</td><td>9.3</td><td>←</td></tr> <tr><td>35:</td><td>8.8</td><td>↗</td></tr> <tr><td>36:</td><td>9.3</td><td>→</td></tr> <tr><td>37:</td><td>9.5</td><td>↖</td></tr> <tr><td>38:</td><td>10.7x</td><td>↗</td></tr> <tr><td>39:</td><td>9.2</td><td>←</td></tr> <tr><td>40:</td><td>8.8</td><td>←</td></tr> <tr><td colspan="2">Series</td><td>94.7</td></tr> <tr><td colspan="2">Total</td><td>381.8</td></tr> </table>	31:	9.8	←	32:	10.4x	↓	33:	8.9	↑	34:	9.3	←	35:	8.8	↗	36:	9.3	→	37:	9.5	↖	38:	10.7x	↗	39:	9.2	←	40:	8.8	←	Series		94.7	Total		381.8		
31:	9.8	←																																					
32:	10.4x	↓																																					
33:	8.9	↑																																					
34:	9.3	←																																					
35:	8.8	↗																																					
36:	9.3	→																																					
37:	9.5	↖																																					
38:	10.7x	↗																																					
39:	9.2	←																																					
40:	8.8	←																																					
Series		94.7																																					
Total		381.8																																					

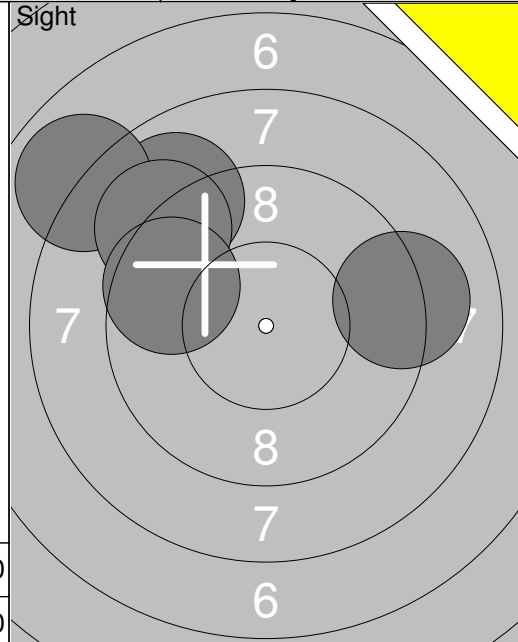
<p>Sight</p> 	<p>1: 9.2 →</p> <p>2: 9.8 ↗</p> <p>3: 8.5 →</p> <p>4: 9.5 →</p> <p>5: 9.3 ↗</p> <p>6: 9.1 →</p> <p>7: 10.5x ↗</p> <p>8: 8.2 ↗</p> <p>9: 10.1 →</p> <p>10: 9.9 ↙</p> <hr/> <p>Series 94.1</p> <hr/> <p>Total 0.0</p>	<p>Sight</p> 	<p>11: 10.2x →</p> <p>12: 9.6 →</p> <p>13: 9.3 →</p> <p>14: 8.8 →</p> <p>15: 10.2x →</p> <hr/> <p>Series 48.1</p> <hr/> <p>Total 0.0</p>
--	---	--	--

<p>60 Shots</p> 	<p>1: 10.6x →</p> <p>2: 8.7 ↘</p> <p>3: 10.4x ↓</p> <p>4: 9.7 →</p> <p>5: 9.6 ↘</p> <p>6: 10.0 ↓</p> <p>7: 10.2x →</p> <p>8: 9.7 →</p> <p>9: 9.9 →</p> <p>10: 10.4x →</p> <hr/> <p>Series 99.2</p> <hr/> <p>Total 99.2</p>	<p>60 Shots</p> 	<p>11: 10.4x →</p> <p>12: 9.6 →</p> <p>13: 9.7 →</p> <p>14: 9.6 ↑</p> <p>15: 10.2x →</p> <p>16: 9.5 →</p> <p>17: 10.3x ↙</p> <p>18: 9.7 ↙</p> <p>19: 10.7x ←</p> <p>20: 10.7x ↗</p> <hr/> <p>Series 100.4</p> <hr/> <p>Total 199.6</p>
--	--	--	--

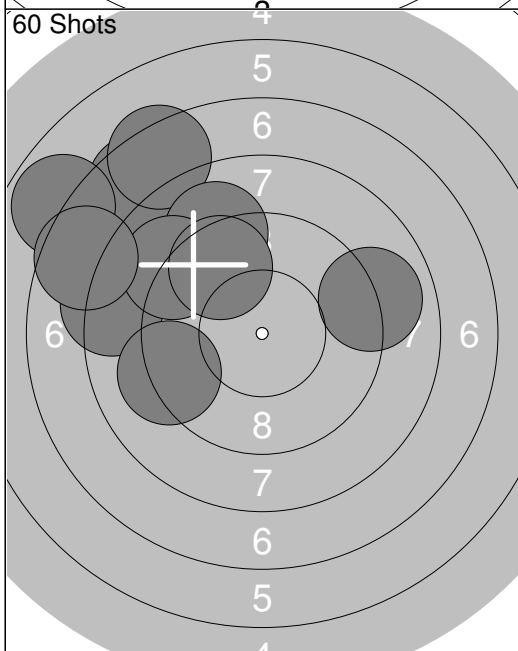
<p>60 Shots</p> 	<p>21: 9.8 ↗</p> <p>22: 8.0 ↙</p> <p>23: 10.0 →</p> <p>24: 10.3x ↓</p> <p>25: 9.8 ↘</p> <p>26: 10.2x →</p> <p>27: 10.4x →</p> <p>28: 9.1 ←</p> <p>29: 9.8 ↗</p> <p>30: 8.4 ↗</p> <hr/> <p>Series 95.8</p> <hr/> <p>Total 295.4</p>	<p>60 Shots</p> 	<p>31: 9.4 ↗</p> <p>32: 10.0 ↙</p> <p>33: 9.7 ↗</p> <p>34: 10.2x →</p> <p>35: 10.2x ↓</p> <p>36: 8.7 →</p> <p>37: 10.5x ↓</p> <p>38: 9.5 →</p> <p>39: 9.1 ↓</p> <p>40: 9.4 ↙</p> <hr/> <p>Series 96.7</p> <hr/> <p>Total 392.1</p>
---	--	---	--



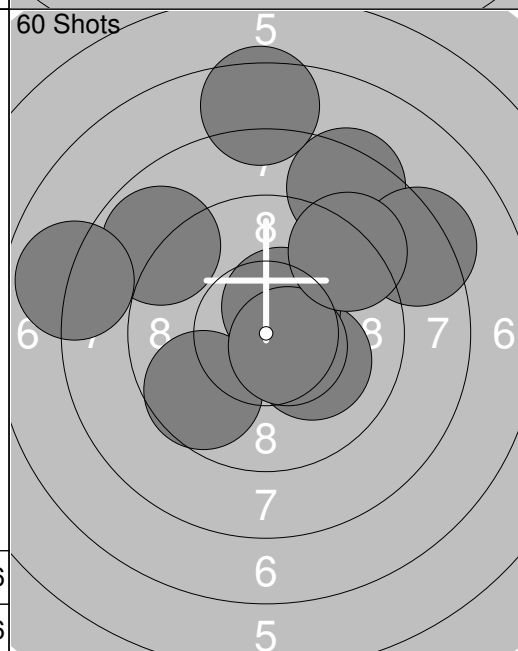
1:	8.1	↘
2:	9.2	←
3:	9.6	↑
4:	6.8	←
5:	9.6	↖
6:	9.6	←
7:	7.6	↗
8:	8.1	↗
9:	10.0	↗
10:	7.4	←
Series		86.0
Total		0.0



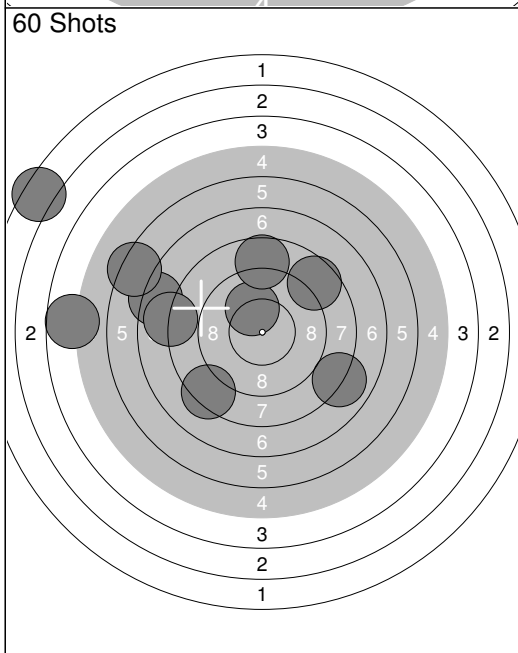
11:	8.9	↗
12:	7.9	↖
13:	9.1	↗
14:	9.1	→
15:	9.6	←
Series		44.6
Total		0.0



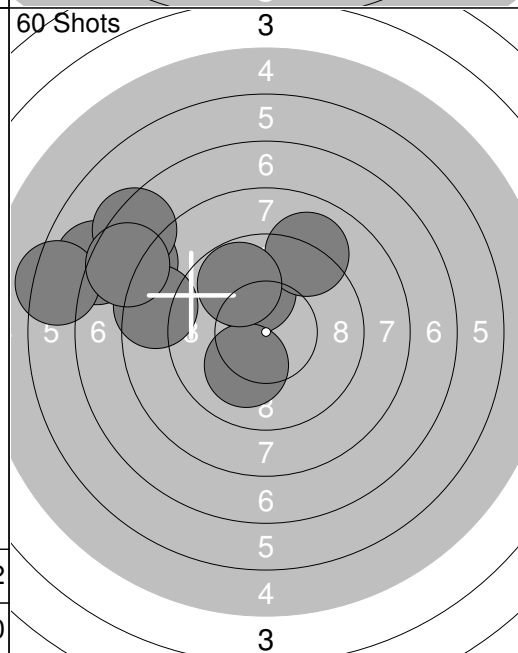
1:	7.6	↗
2:	7.4	↗
3:	8.3	←
4:	6.9	↗
5:	9.0	↗
6:	9.0	↗
7:	9.0	→
8:	9.2	←
9:	9.6	↗
10:	7.6	←
Series		83.6
Total		83.6



11:	10.1	↘
12:	10.5x	↗
13:	8.4	↗
14:	9.7	↖
15:	8.9	↖
16:	8.0	←
17:	10.6x	↘
18:	8.3	↗
19:	7.5	↑
20:	9.2	↗
Series		91.2
Total		174.8



21:	2.3	↖
22:	8.0	↘
23:	8.6	↗
24:	7.3	←
25:	8.3	↘
26:	7.9	←
27:	10.1	↗
28:	6.3	↖
29:	4.7	←
30:	8.7	↑
Series		72.2
Total		247.0



31:	7.8	↖
32:	10.1	↗
33:	7.0	←
34:	8.5	←
35:	7.4	↖
36:	6.4	←
37:	7.7	↖
38:	9.1	↗
39:	10.1	↘
40:	9.8	↗
Series		83.9
Total		330.9