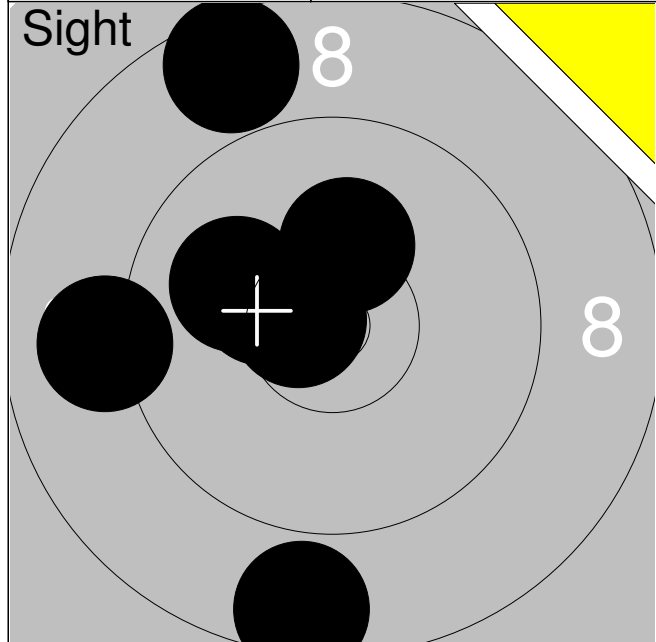


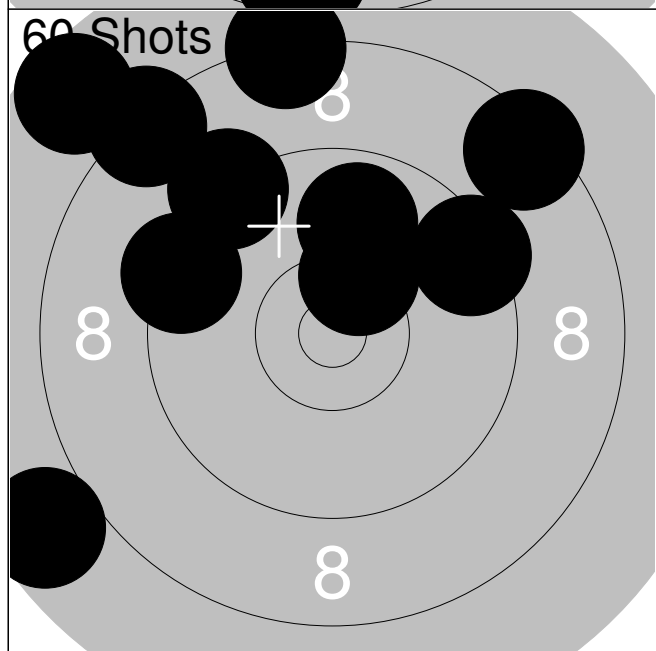
Relay 3	Lane 18	Åsa Edvinsson
-------------------	-------------------	----------------------

S	Umeå PK		
---	---------	--	--

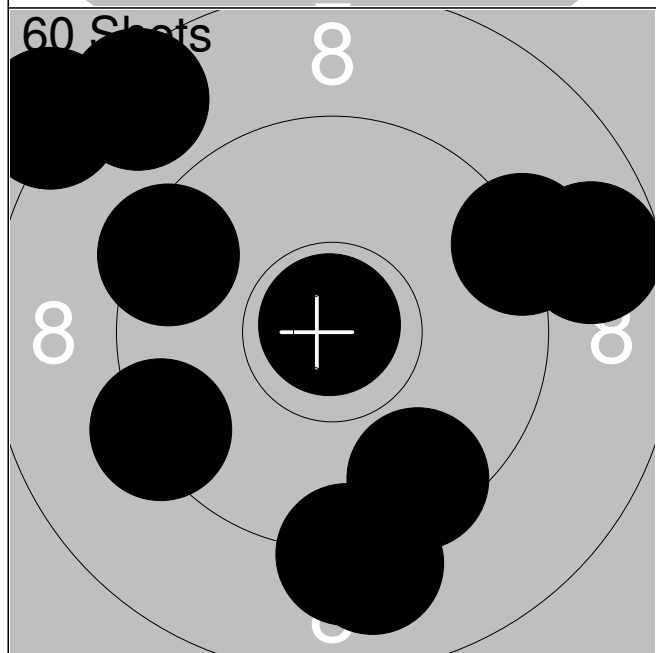
08.10.2016	UME-Skottet 2016	Umeå skytteallians
------------	------------------	--------------------



1:	10.7x	←
2:	9.1	←
3:	10.3	←
4:	10.3	↑
5:	8.6	↓
6:	8.6	↑
7:	10.1	←
Series	67.7	
Total	0.0	



1:	8.5	↗
2:	7.7	↗
3:	7.7	↙
4:	10.4	↑
5:	9.5	↗
6:	9.9	↑
7:	9.4	←
8:	8.4	↗
9:	9.3	↗
10:	8.3	↑
Series	89.1	
Total	89.1	

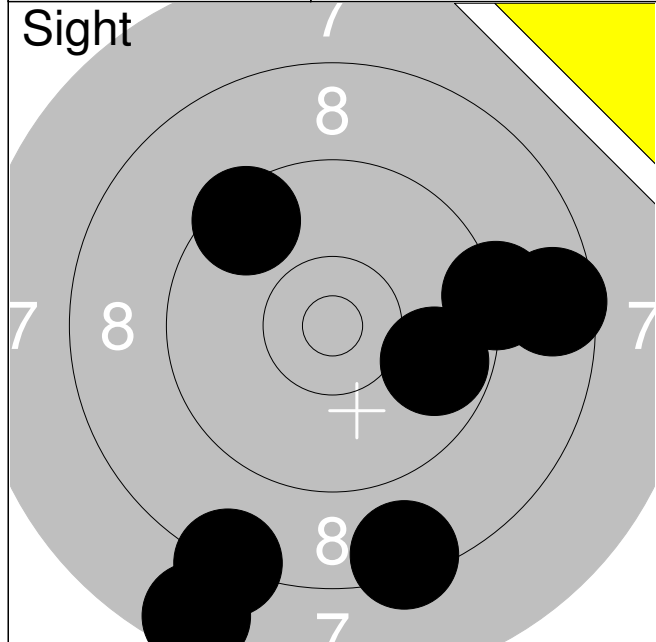


11:	9.3	↗
12:	9.2	↓
13:	10.9x	↗
14:	8.5	↗
15:	9.4	←
16:	9.6	↓
17:	9.5	↗
18:	9.1	↓
19:	8.8	↗
20:	8.1	↗
Series	92.4	
Total	181.5	

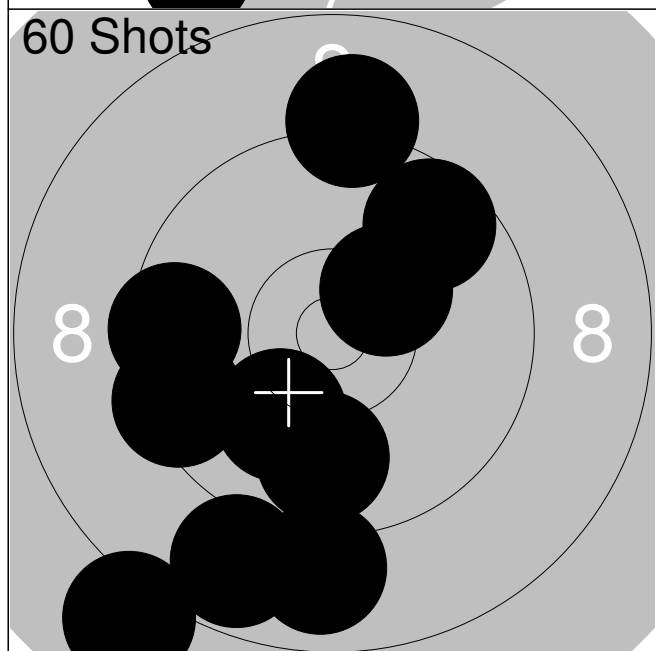
Relay 3	Lane 19	Ida Backlund
-------------------	-------------------	---------------------

S	Umeå PK		
---	---------	--	--

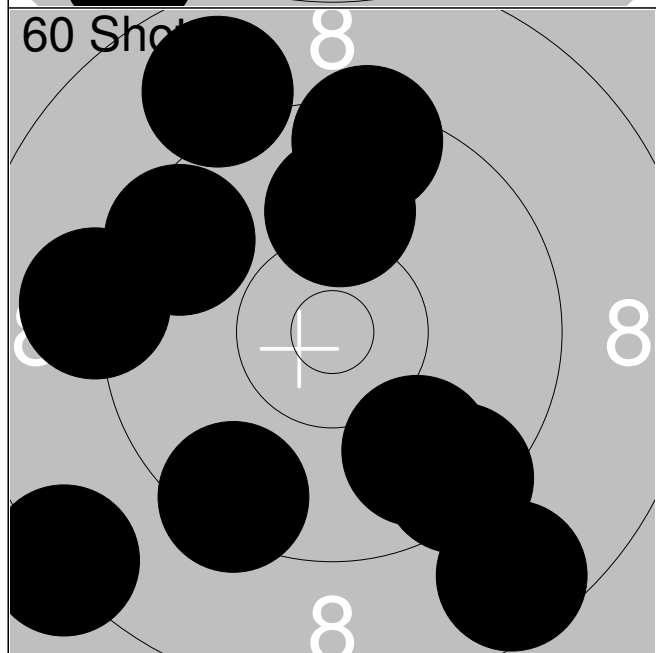
08.10.2016	UME-Skottet 2016	Umeå skytteallians
------------	------------------	--------------------



1:	7.6	↙
2:	9.2	→
3:	9.8	↘
4:	8.3	↙
5:	8.7	→
6:	9.5	↗
7:	8.5	↘
Series	61.6	
Total	0.0	



1:	9.0	↓
2:	8.0	↙
3:	10.1	↙
4:	8.8	↙
5:	10.4x	↗
6:	9.6	←
7:	9.9	↓
8:	9.1	↑
9:	9.5	←
10:	9.7	↗
Series	94.1	
Total	94.1	



11:	9.0	↑
12:	8.3	↙
13:	9.6	↗
14:	9.9	↘
15:	9.5	↑
16:	8.7	↘
17:	10.0	↑
18:	9.5	↘
19:	9.2	←
20:	9.5	↙
Series	93.2	
Total	187.3	

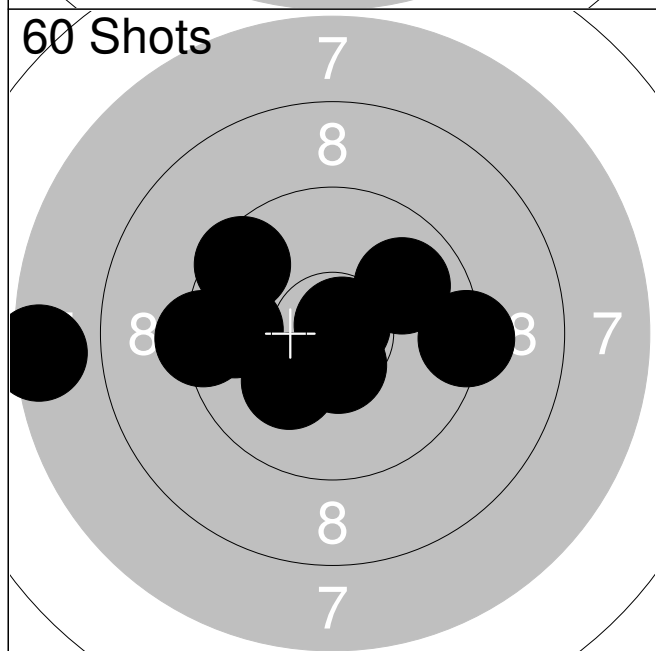
Relay 3	Lane 20	Rebecka Andersson
-------------------	-------------------	--------------------------

S	Dorotea Psk		
---	-------------	--	--

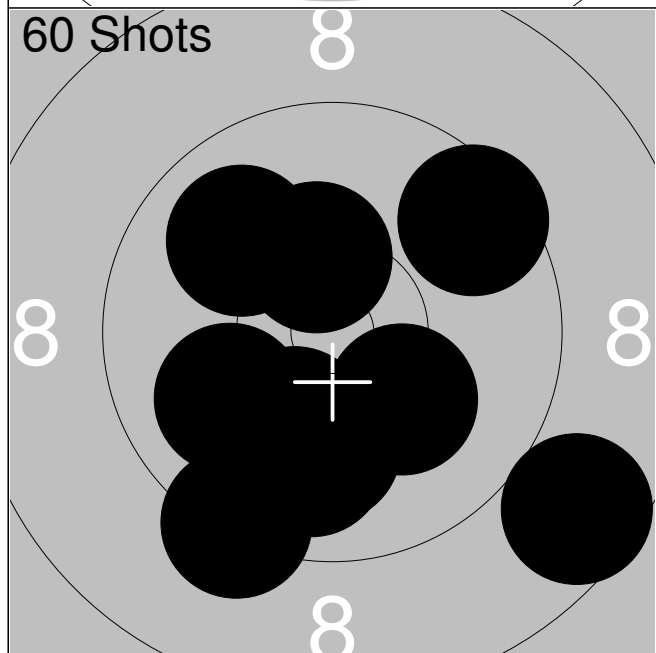
08.10.2016	UME-Skottet 2016	Umeå skytteallians
------------	------------------	--------------------



1:	8.2	↑
2:	7.6	↑
3:	9.4	↑
4:	8.1	↗
5:	9.0	↙
6:	10.5x	↖
Series	52.8	
Total	0.0	

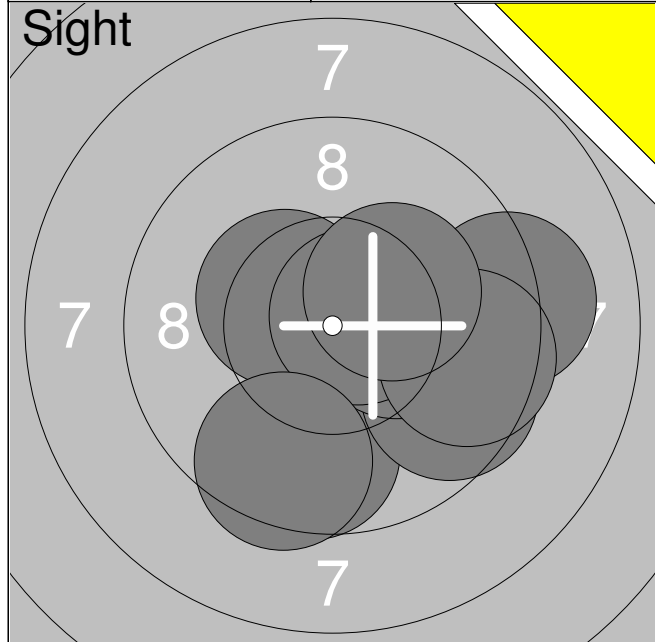


1:	9.4	→
2:	9.4	←
3:	10.0	↗
4:	9.6	↖
5:	10.2	↙
6:	9.8	←
7:	7.5	←
8:	10.6x	↓
9:	10.6x	↓
10:	10.8x	↗
Series	97.9	
Total	97.9	



11:	10.0	↗
12:	10.4x	↑
13:	10.2	↓
14:	10.1	↓
15:	10.0	↓
16:	10.2	↙
17:	8.7	↙
18:	9.4	↓
19:	9.6	↗
20:	10.0	↙
Series	98.6	
Total	196.5	

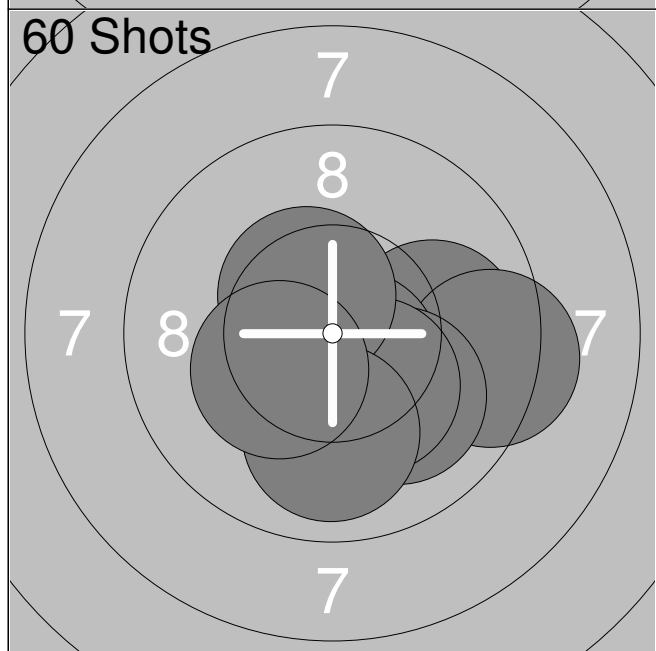
www.AC-Skytte.com



1:	10.4x	↓
2:	9.7	↓
3:	9.2	→
4:	10.4x	↗
5:	9.6	↘
6:	10.3x	→
7:	10.7x	→
8:	9.6	→
9:	9.5	↓
10:	10.3x	↗

Series	99.7
---------------	-------------

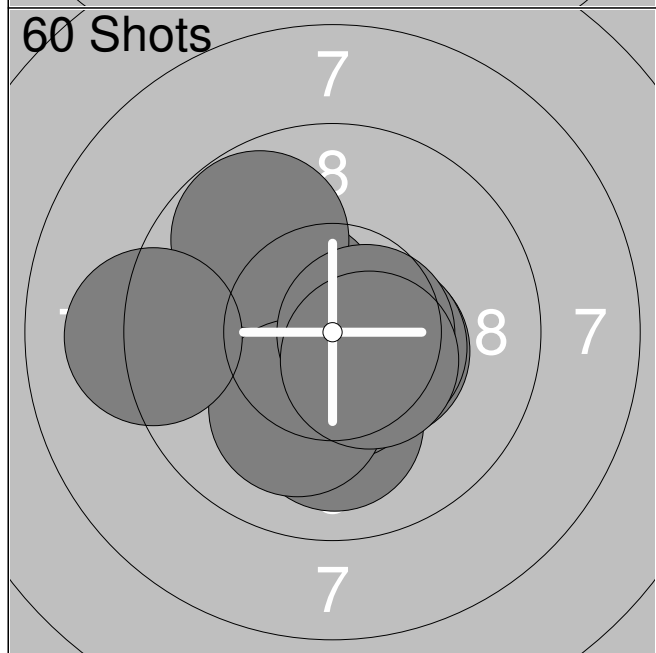
Total	0.0
--------------	------------



1:	10.7x	←
2:	10.3x	→
3:	9.9	→
4:	9.3	→
5:	10.6x	↘
6:	10.0	↘
7:	10.3x	↘
8:	10.5x	↗
9:	9.9	↓
10:	10.3x	↙

Series	101.8
---------------	--------------

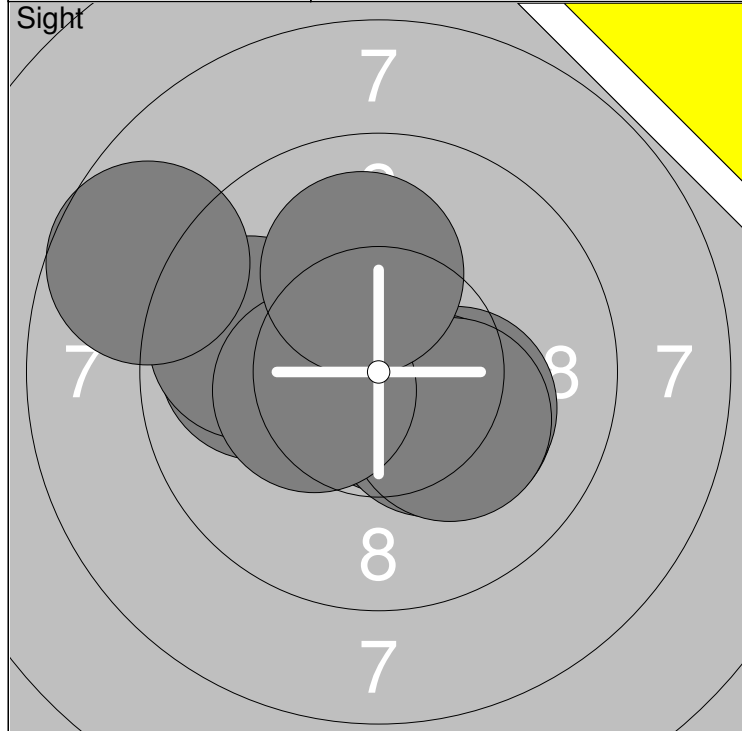
Total	101.8
--------------	--------------



11:	10.0	↓
12:	10.4x	→
13:	10.6x	↓
14:	10.5x	↗
15:	9.8	↗
16:	10.5x	↘
17:	10.1	↘
18:	10.6x	→
19:	10.5x	↘
20:	9.1	←

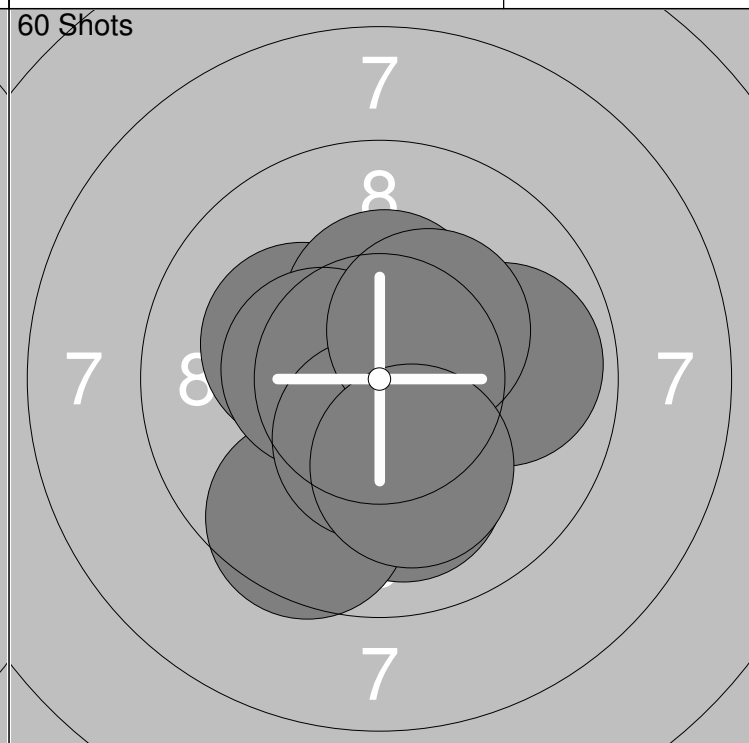
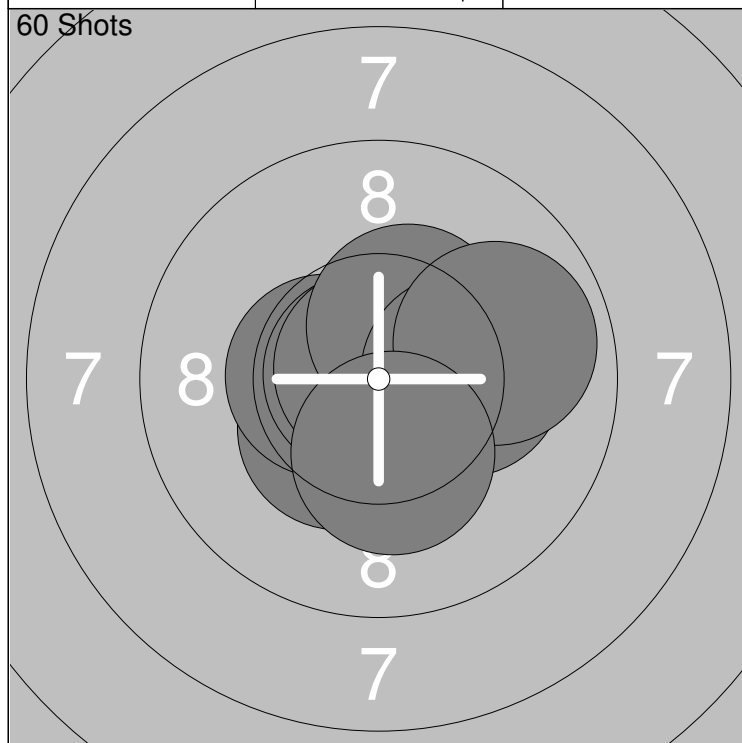
Series	102.1
---------------	--------------

Total	203.9
--------------	--------------



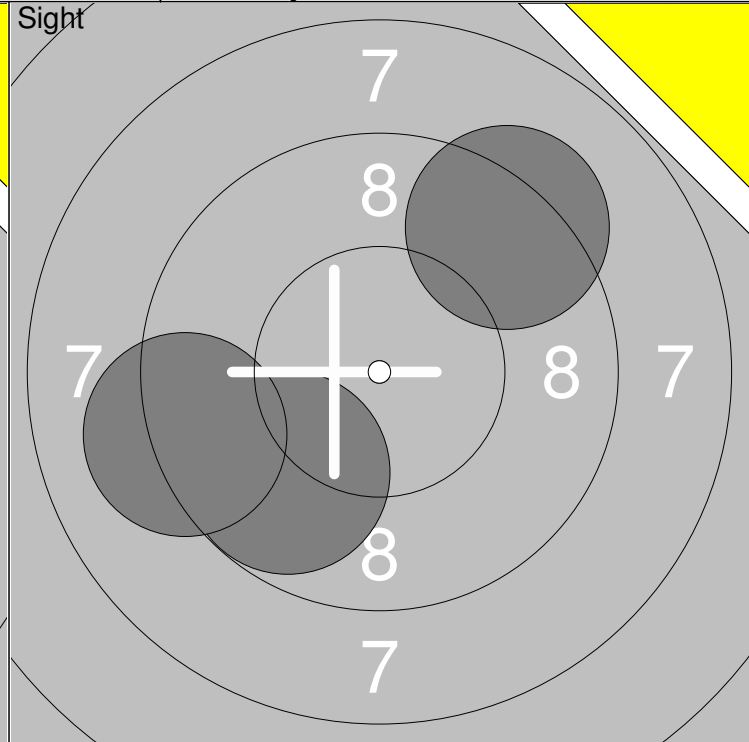
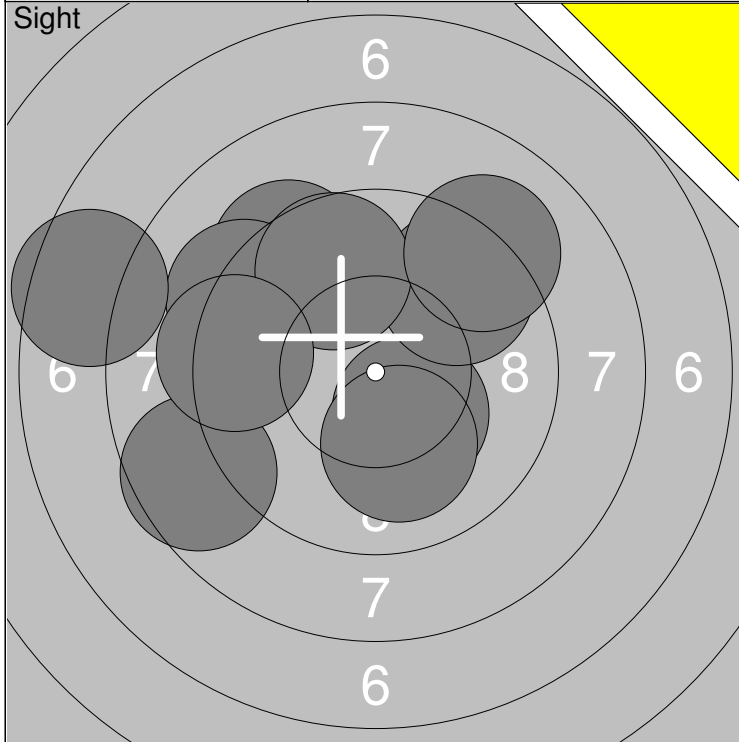
1: 9.9 ←	6: 10.4x ↘	Series	100.6
2: 9.8 ←	7: 10.2x ↘		
3: 10.2x ↘	8: 10.4x ←	Total	0.0
4: 10.7x ↘	9: 8.7 ↗		
5: 10.2x ↘	10: 10.1 ↑		

11: 10.5x ↑	Series	31.0
12: 10.1 ↗		
13: 10.4x ↘	Total	0.0



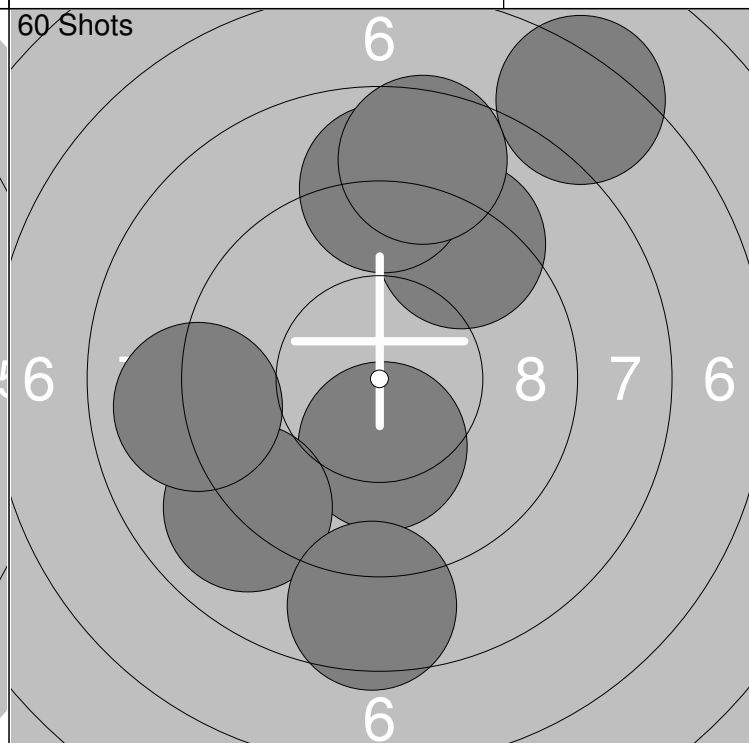
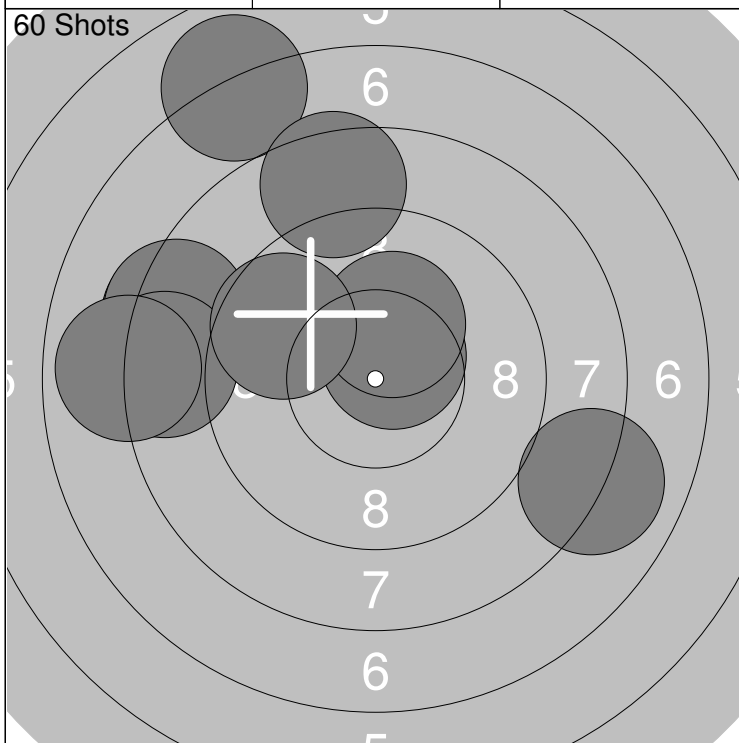
1: 10.4x ↘	6: 10.4x →	Series	104.4
2: 10.6x ↘	7: 10.4x ↗		
3: 10.5x ←	8: 10.2x →	Total	104.4
4: 10.8x ←	9: 9.9 →		
5: 10.9x ↑	10: 10.3x ↘		

11: 10.0 ↘	16: 10.9x ↘	Series	102.2
12: 10.2x ←	17: 10.4x ←		
13: 9.9 →	18: 10.4x ↘	Total	206.6
14: 10.4x ↑	19: 10.3x ↗		
15: 9.6 ↘	20: 10.1 ↘		



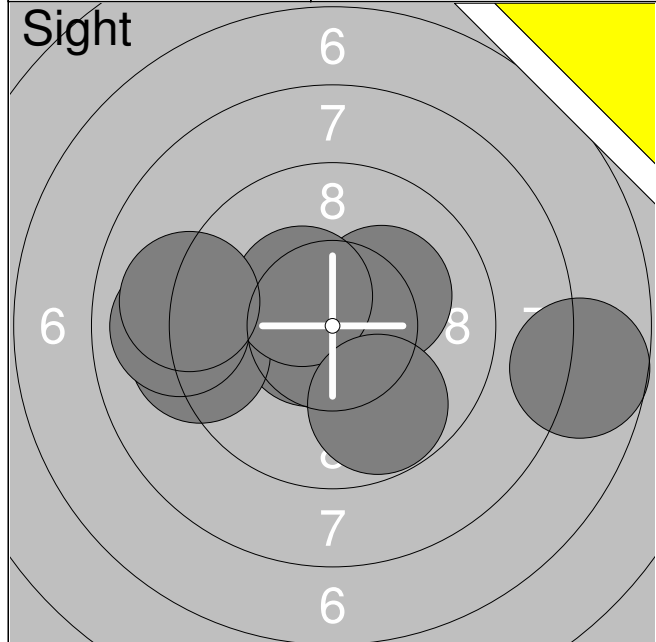
1: 9.3 ↗	6: 9.6 ↗	Series	92.7
2: 8.6 ↙	7: 9.7 ↗		
3: 9.2 ↗	8: 9.3 ←	Total	0.0
4: 7.5 ↙	9: 10.1 ↓		
5: 10.3x ↓	10: 9.1 ↗		

11: 9.2 ↗	Series	28.2
12: 9.8 ↓		
13: 9.2 ←	Total	0.0

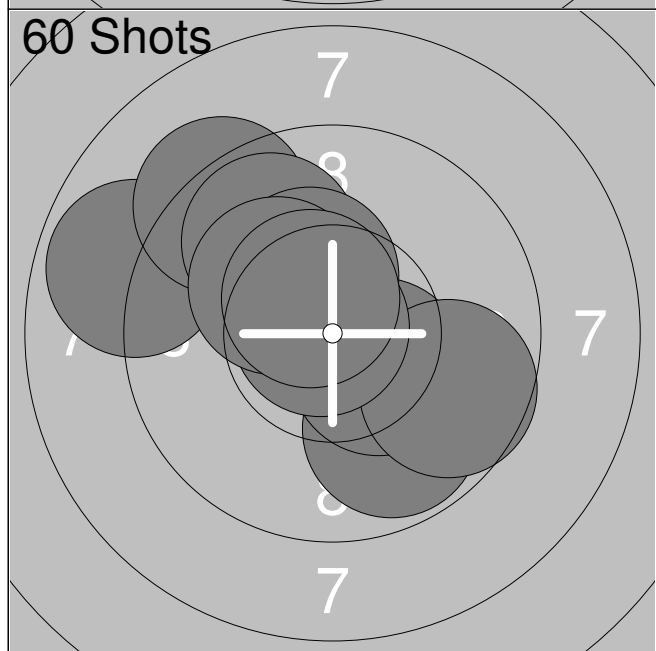


1: 7.0 ↗	6: 8.4 ←	Series	87.1
2: 8.4 ←	7: 7.9 ←		
3: 10.6x ↗	8: 10.3x ↗	Total	87.1
4: 8.5 ↑	9: 9.6 ↗		
5: 8.4 ←	10: 8.0 ↓		

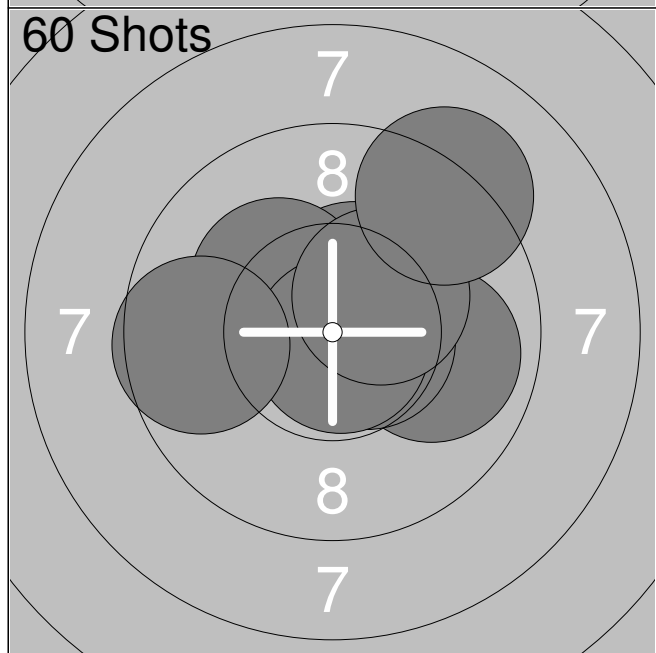
11: 7.3 ↗	16: 8.5 ↓	Series	70.8
12: 10.2x ↓	17: 8.9 ↑		
13: 9.3 ↗	18: 8.6 ↑	Total	157.9
14: 9.0 ↙			
15: 9.0 ←			



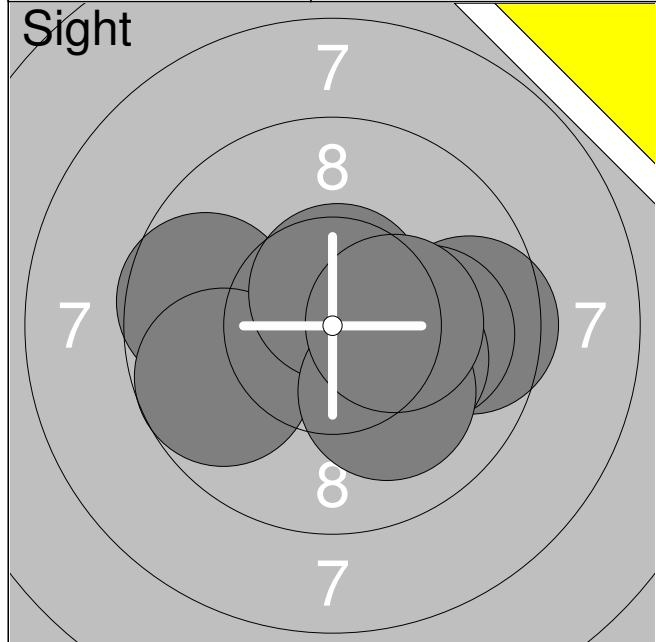
1:	10.6x	←
2:	9.2	←
3:	9.0	←
4:	10.2x	↗
5:	7.7	→
6:	10.4x	↗
7:	9.8	↘
8:	9.1	←
Series		76.0
Total		0.0



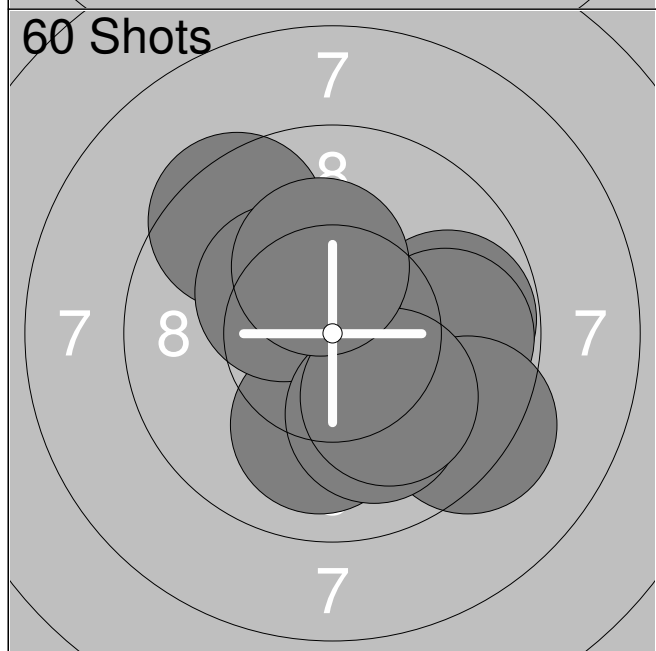
1:	9.8	↘
2:	10.4x	↘
3:	8.9	↗
4:	9.7	↘
5:	9.2	↗
6:	10.8x	↗
7:	9.8	↗
8:	10.3x	↗
9:	10.2x	↗
10:	10.5x	↗
Series		99.6
Total		99.6



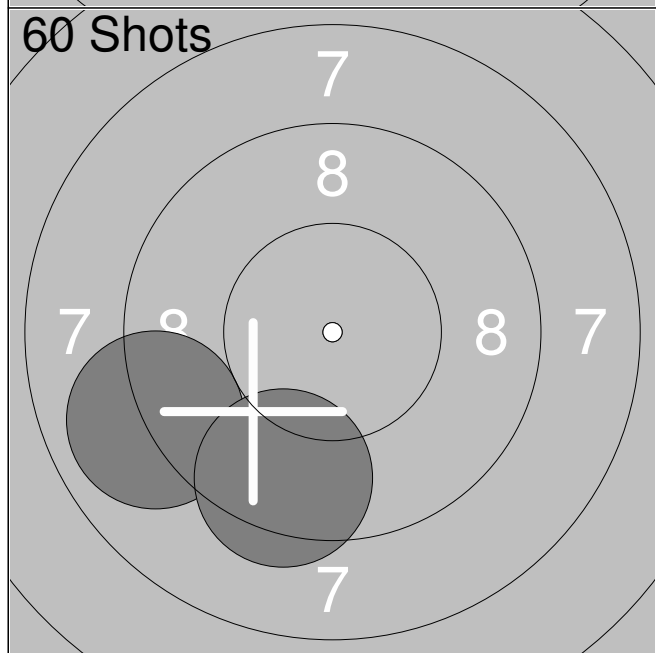
11:	10.5x	↗
12:	9.9	→
13:	10.6x	→
14:	10.2x	↗
15:	10.8x	↘
16:	10.3x	↗
17:	9.6	←
18:	9.2	↗
Series		81.1
Total		180.7



1:	9.6	→
2:	9.7	←
3:	9.7	←
4:	10.0	→
5:	10.6x	↑
6:	10.2x	↘
7:	10.1	↘
8:	10.3x	→
Series		80.2
Total		0.0



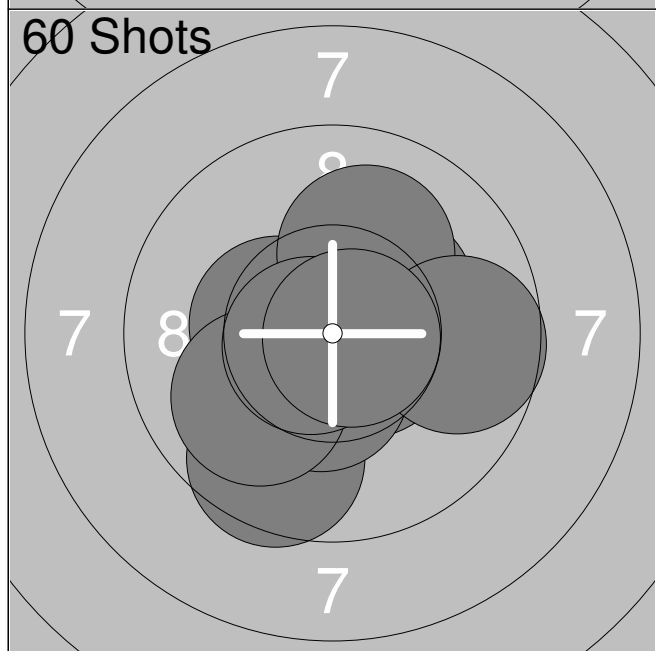
1:	9.8	→
2:	9.5	↗
3:	9.8	→
4:	10.3x	↑
5:	9.3	↘
6:	10.0	↓
7:	10.3x	↗
8:	10.0	↓
9:	10.1	↓
10:	10.3x	↑
Series		99.4
Total		99.4



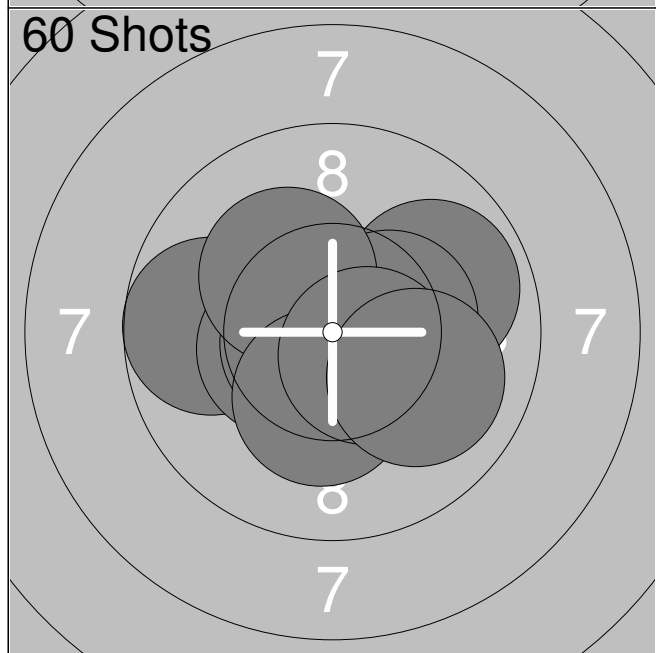
11:	9.0	←
12:	9.4	↓
Series		18.4
Total		117.8



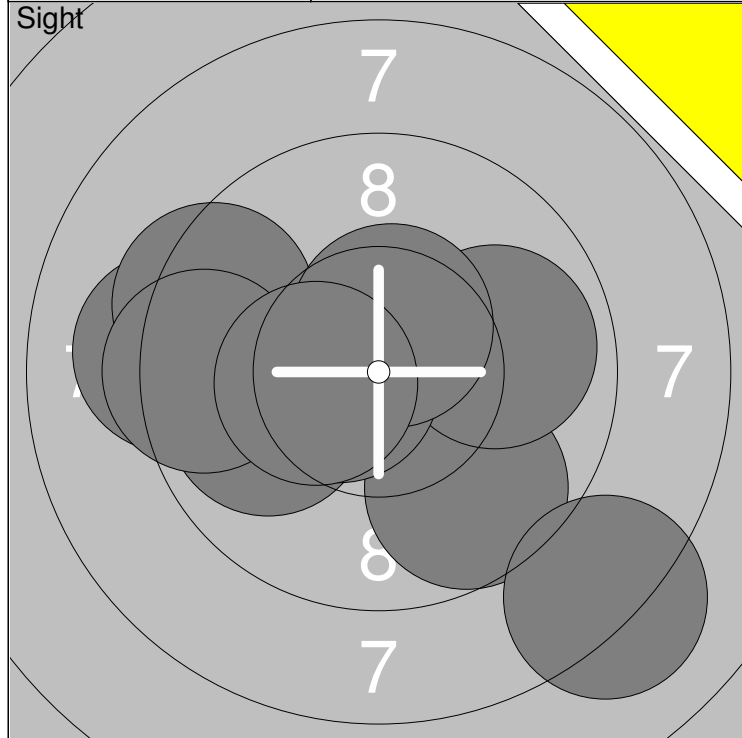
1:	10.2x	↘
2:	10.5x	↑
3:	10.1	↙
4:	10.3x	↘
5:	10.1	↑
6:	10.8x	↙
7:	9.9	↘
Series		71.9
Total		0.0



1:	10.6x	→
2:	10.3x	↗
3:	10.4x	←
4:	10.1	↑
5:	9.6	↘
6:	10.4x	↘
7:	10.0	↙
8:	10.7x	←
9:	9.7	→
10:	10.8x	→
Series		102.6
Total		102.6

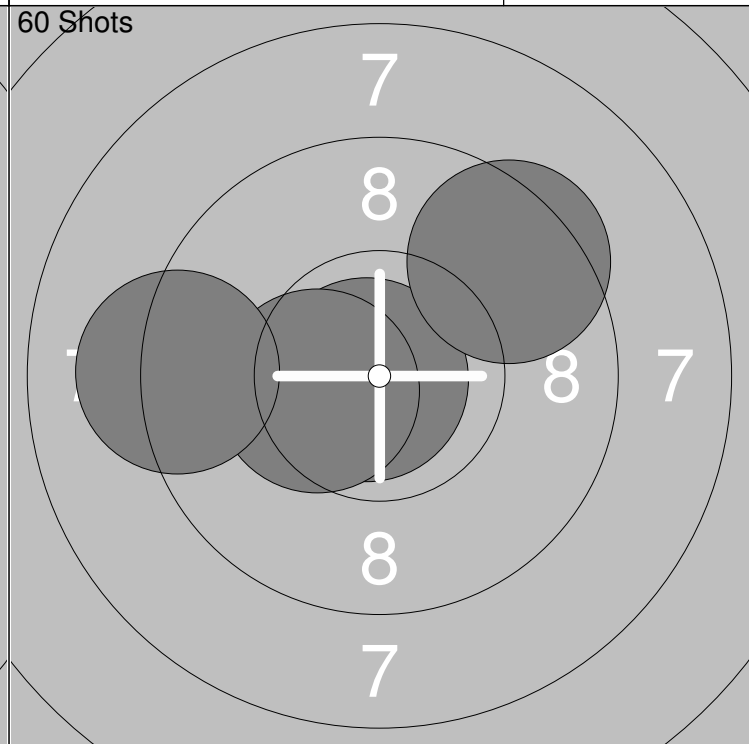
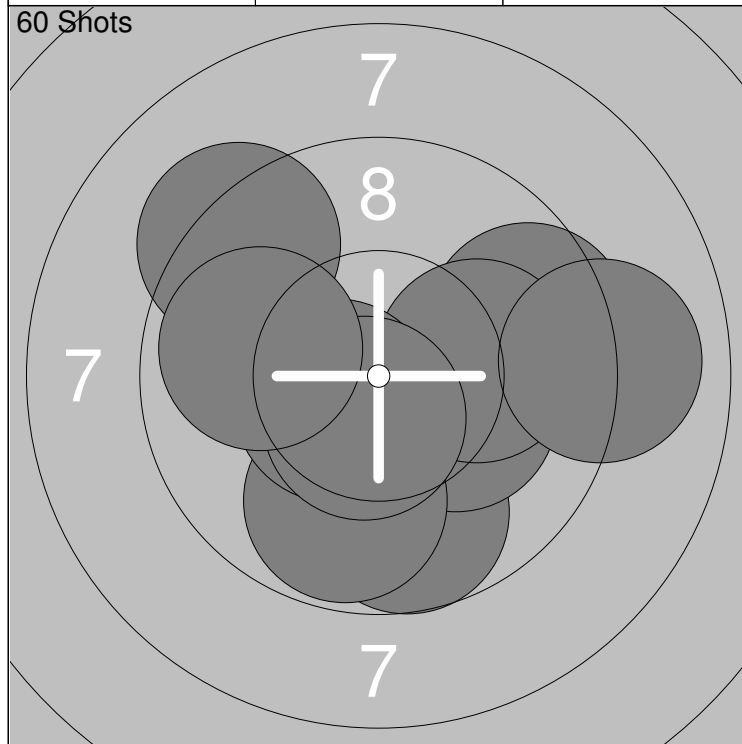


11:	9.9	→
12:	9.7	←
13:	10.6x	↘
14:	10.4x	←
15:	10.4x	→
16:	10.7x	←
17:	10.2x	↗
18:	10.3x	↘
19:	10.5x	↘
20:	10.0	↘
Series		102.7
Total		205.3



1: 9.7 ↘	6: 8.1 ↘	Series 97.0
2: 9.1 ←	7: 10.6x ←	
3: 9.4 ↗	8: 10.5x ↗	Total 0.0
4: 9.9 →	9: 9.4 ←	
5: 9.9 ←	10: 10.4x ←	

11: 10.5x ↓	Series 10.5
	Total 0.0



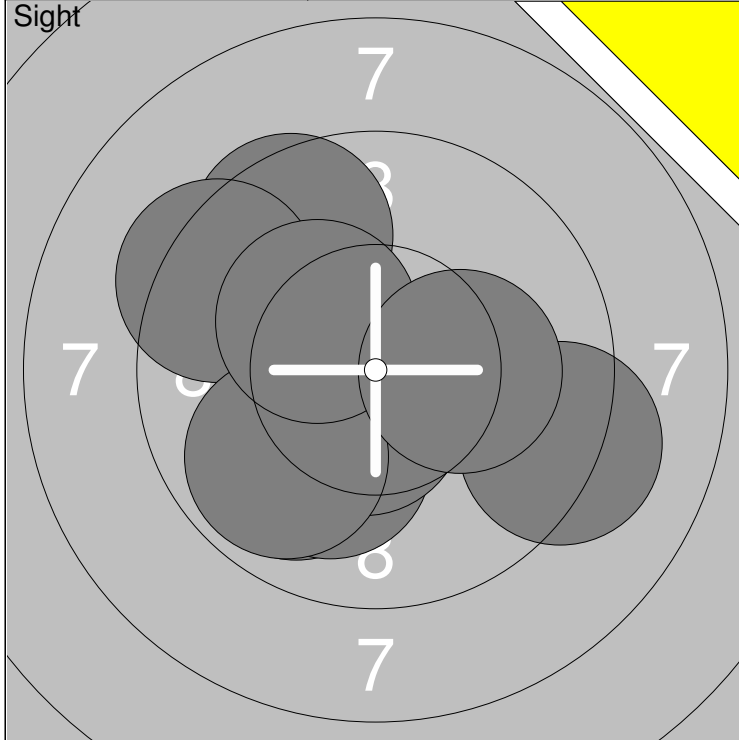
1: 9.7 ↓	6: 10.1 →	Series 98.7
2: 10.2x →	7: 10.5x ←	
3: 9.8 ↓	8: 9.0 →	Total 98.7
4: 9.3 ↗	9: 10.6x ↓	
5: 9.6 →	10: 9.9 ←	

11: 10.8x ←	Series 39.8
12: 10.4x ←	
13: 9.2 ←	Total 138.5
14: 9.4 ↗	

Relay 3	Lane 28	Natalié Eliasson	
-------------------	-------------------	-------------------------	--

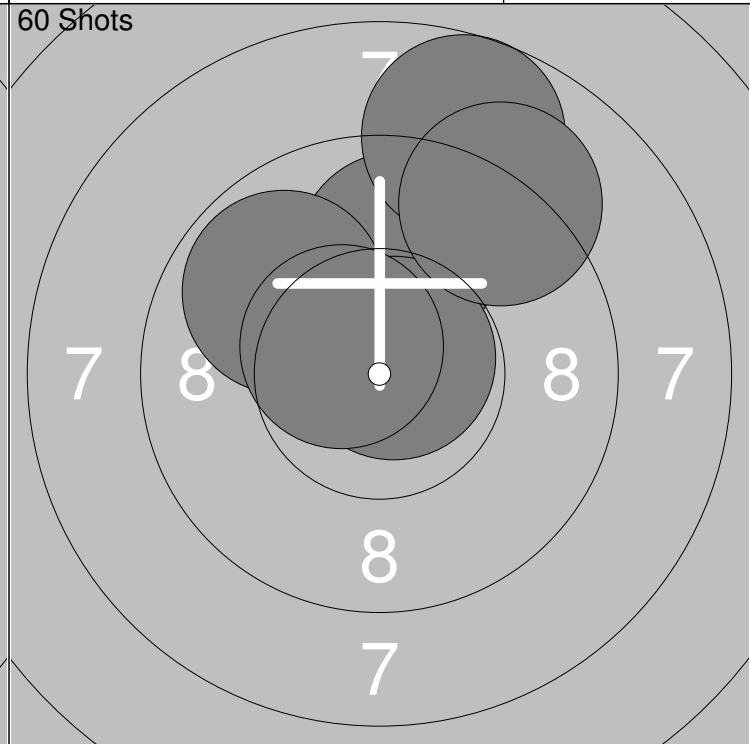
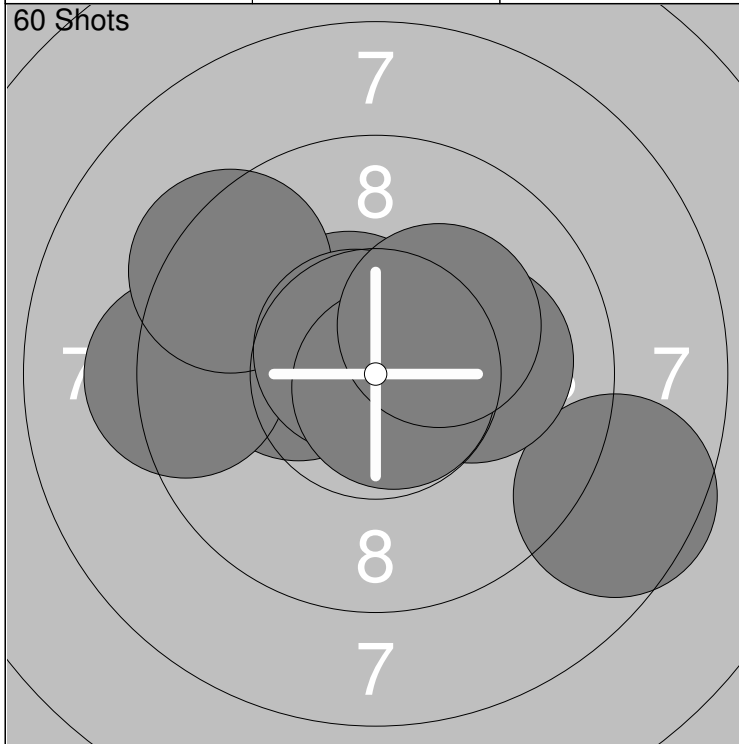
S	Strömsunds SG		
---	---------------	--	--

08.10.2016	UME-Skottet 2016	Umeå skytteallians	
------------	------------------	--------------------	--



1: 9.9 ↙	6: 9.4 ↗	Series	99.7
2: 10.1 ↓	7: 9.9 ↘		
3: 9.6 ↗	8: 9.2 ↘	Total	0.0
4: 10.6x ←	9: 10.3x ↗		
5: 10.5x ↓	10: 10.2x →		

11: 10.1 ↓	Series	10.1
	Total	0.0



1: 10.5x ↗	6: 9.4 ↗	Series	100.8
2: 10.3x ←	7: 10.7x ↗		
3: 10.8x ↗	8: 10.1 →	Total	100.8
4: 8.6 ↘	9: 10.8x ↘		
5: 9.3 ←	10: 10.3x ↗		

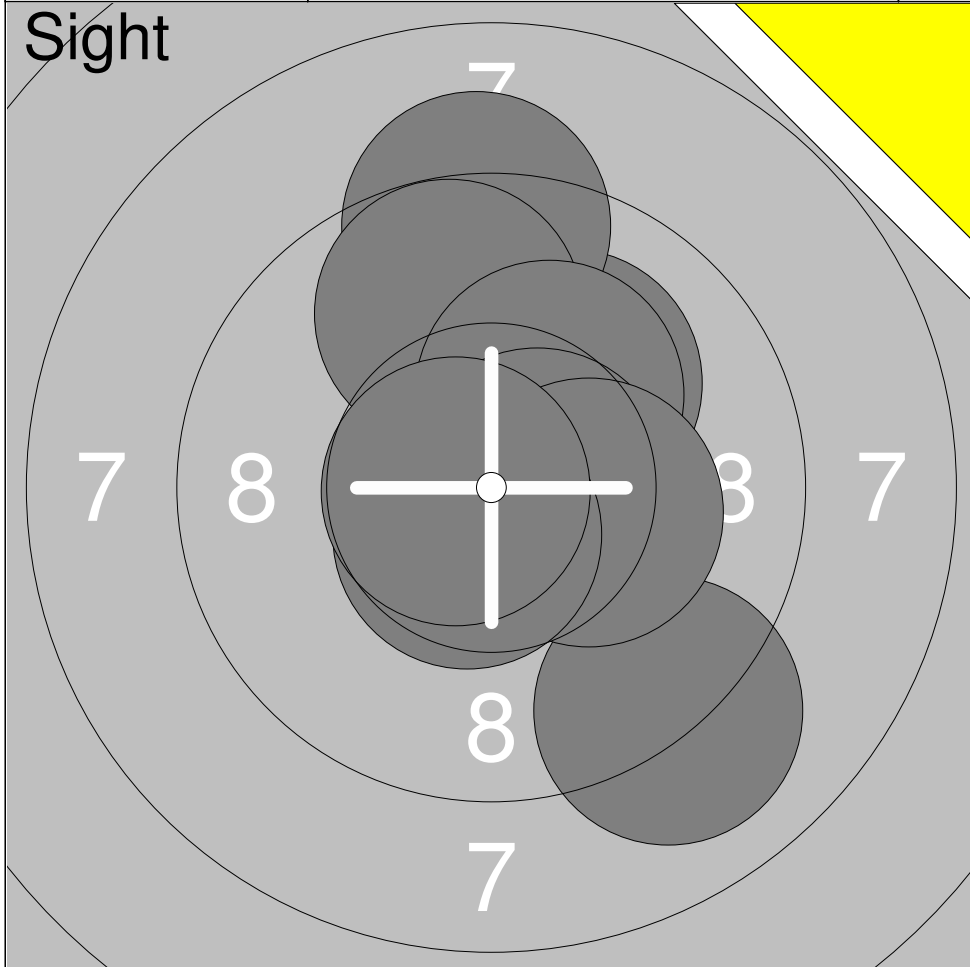
11: 9.9 ↑	16: 9.1 ↗	Series	58.8
12: 10.8x ↗			
13: 9.8 ↗		Total	159.6
14: 10.5x ↗			
15: 8.7 ↗			

www.AC-Skytte.com

Relay 3	Lane 29	Erika Bergqvist
-------------------	-------------------	------------------------

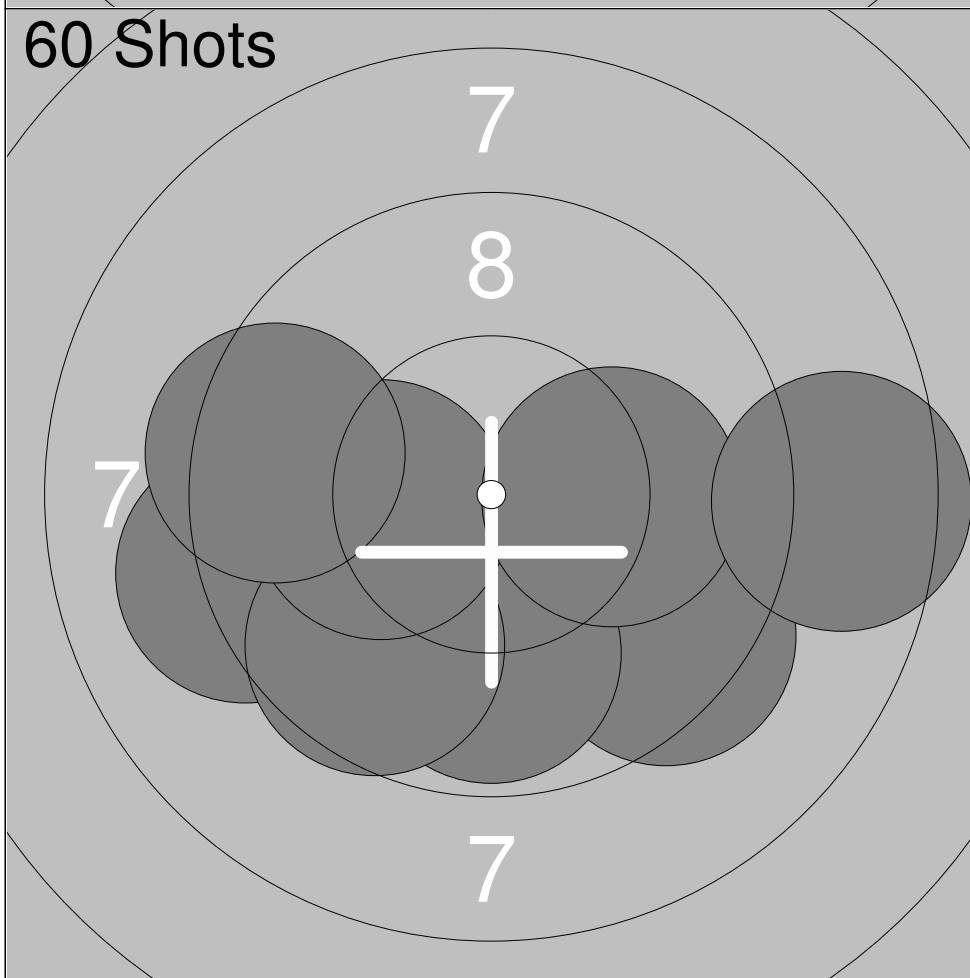
S	Umeå Skf	
---	----------	--

08.10.2016	UME-Skottet 2016	Umeå skytteallians
------------	------------------	--------------------



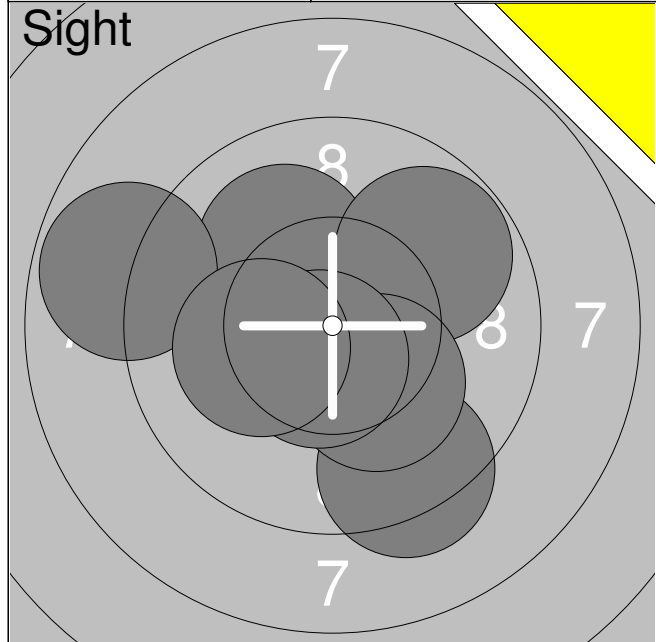
1:	9.1	↘
2:	10.1	↗
3:	9.2	↑
4:	9.8	↑
5:	10.2x	↗
6:	10.6x	→
7:	10.3x	→
8:	10.6x	↙
9:	10.7x	←

Series	90.6
Total	0.0

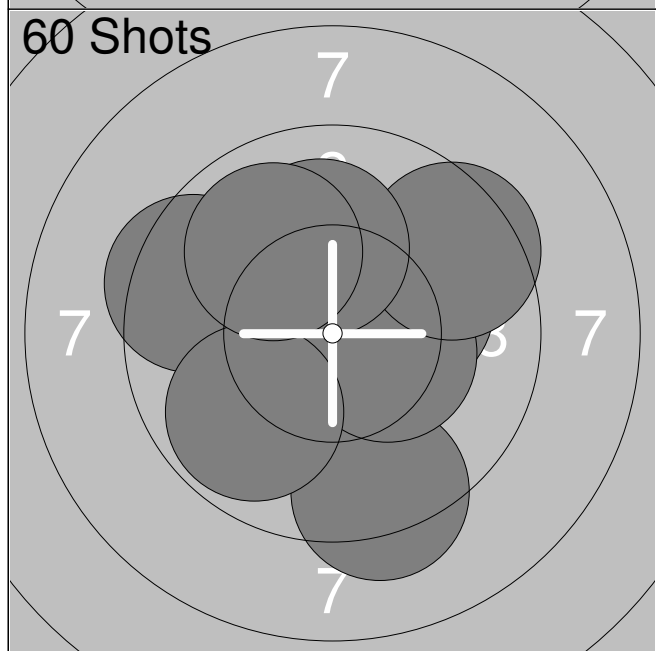


1:	9.2	←
2:	9.4	↘
3:	9.9	↓
4:	9.6	↙
5:	10.2x	←
6:	10.1	→
7:	9.4	←
8:	8.5	→

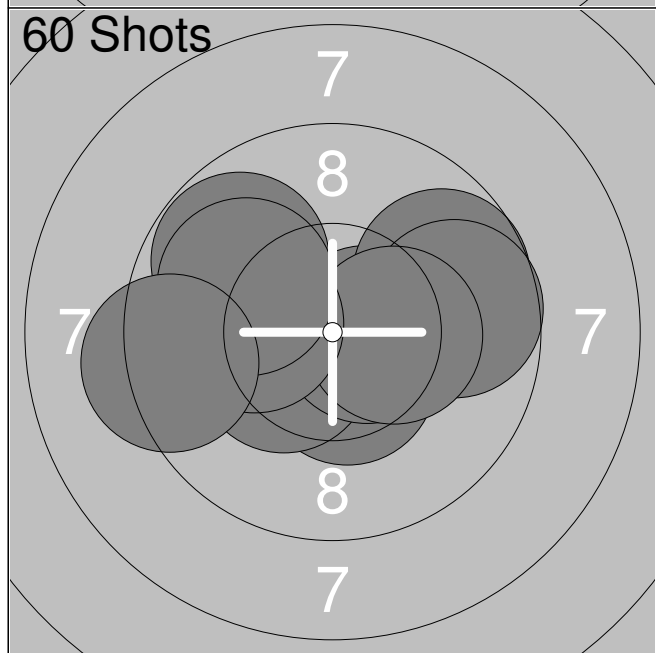
Series	76.3
Total	76.3



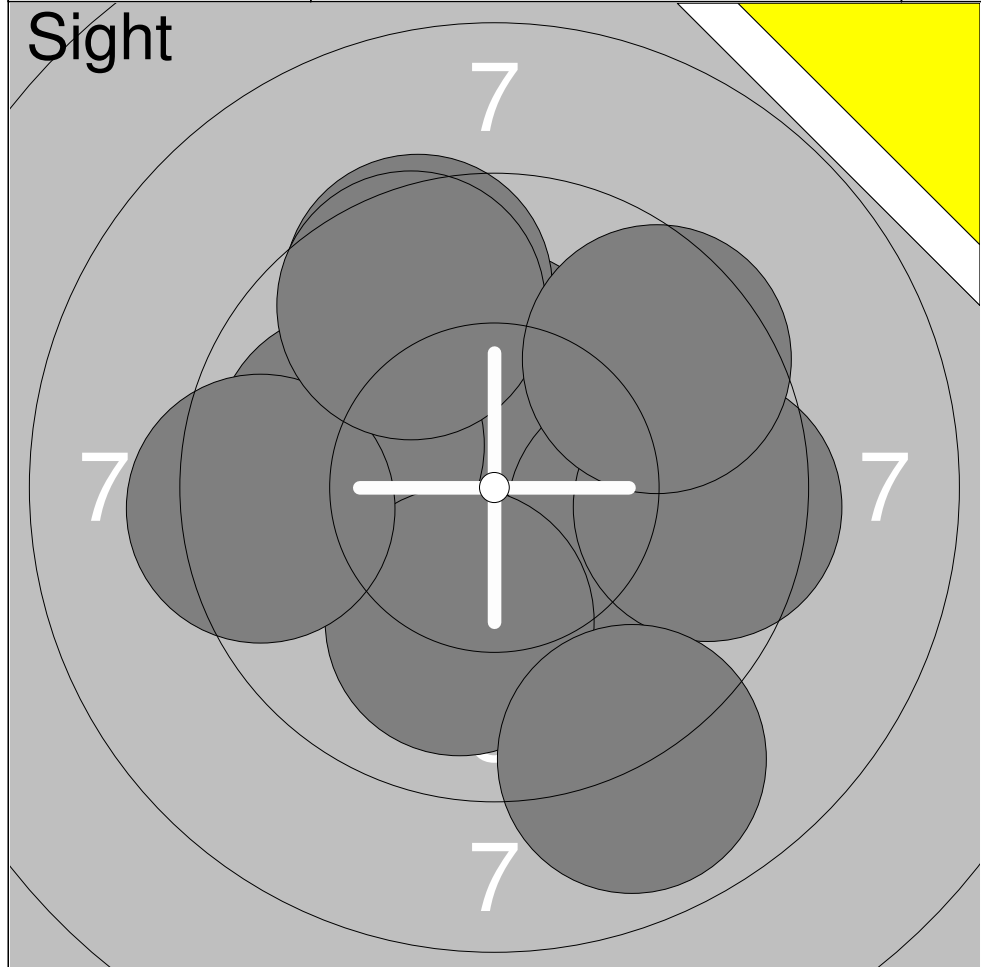
1:	10.1	↗
2:	9.8	↘
3:	9.3	↓
4:	10.2x	↓
5:	8.8	↖
6:	10.6x	↓
7:	10.2x	↖
Series		69.0
Total		0.0



1:	10.2x	↗
2:	9.5	↖
3:	10.2x	→
4:	10.8x	↓
5:	9.3	↓
6:	10.4x	→
7:	9.8	↖
8:	9.5	↗
9:	10.1	↑
10:	9.9	↗
Series		99.7
Total		99.7



11:	10.5x	↓
12:	10.4x	↖
13:	10.6x	→
14:	9.7	↗
15:	9.7	→
16:	10.3x	→
17:	9.8	↗
18:	10.2x	↖
19:	10.0	↗
20:	9.3	↖
Series		100.5
Total		200.2



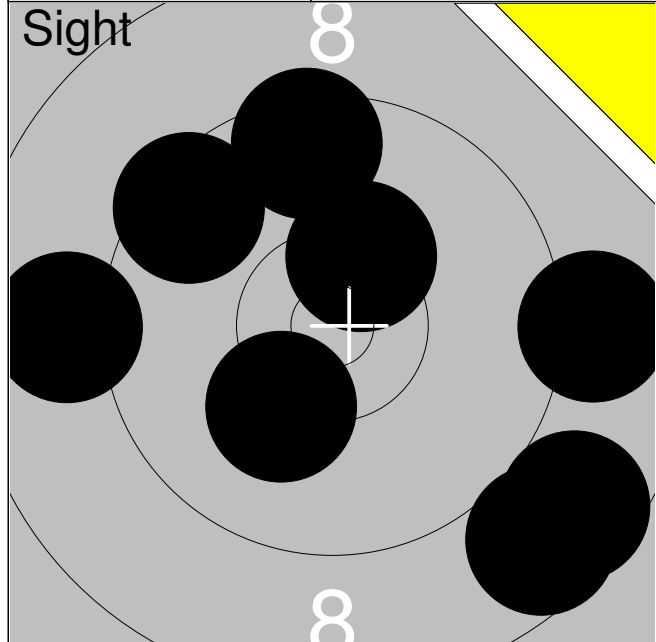
1:	10.3x	↑
2:	9.5	↑
3:	9.9	←
4:	9.9	→
5:	10.0	↓
6:	9.5	→
7:	9.4	←
8:	9.6	↑
9:	8.9	↓
10:	9.6	↗

Series	96.6
Total	0.0

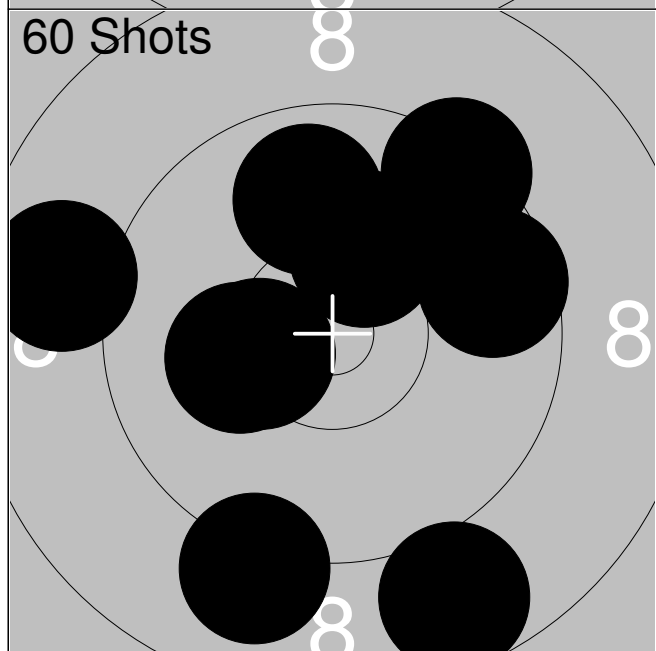


1:	10.1	↓
2:	10.0	←
3:	10.0	↗
4:	9.2	↑
5:	8.7	↓
6:	9.7	←
7:	9.7	↗
8:	9.9	←
9:	10.4x	↓
10:	9.6	↑

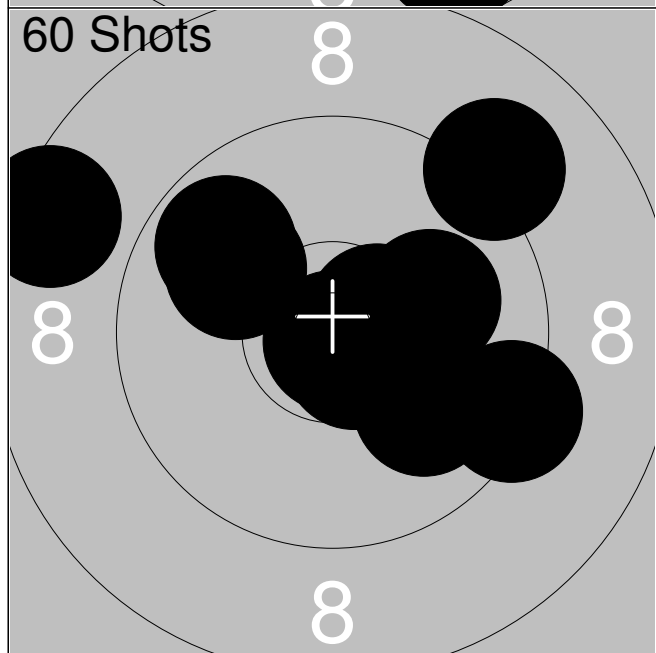
Series	97.3
Total	97.3



1:	10.2	↙
2:	9.6	↗
3:	8.7	↘
4:	9.6	↕
5:	9.0	→
6:	10.4x	↗
7:	9.0	↖
8:	8.7	↘
Series	75.2	
Total	0.0	



1:	10.4x	←
2:	10.2	←
3:	8.8	↘
4:	9.9	↕
5:	10.3	↗
6:	9.1	↘
7:	8.9	↖
8:	9.7	→
9:	9.4	↗
10:	10.2	↗
Series	96.9	
Total	96.9	

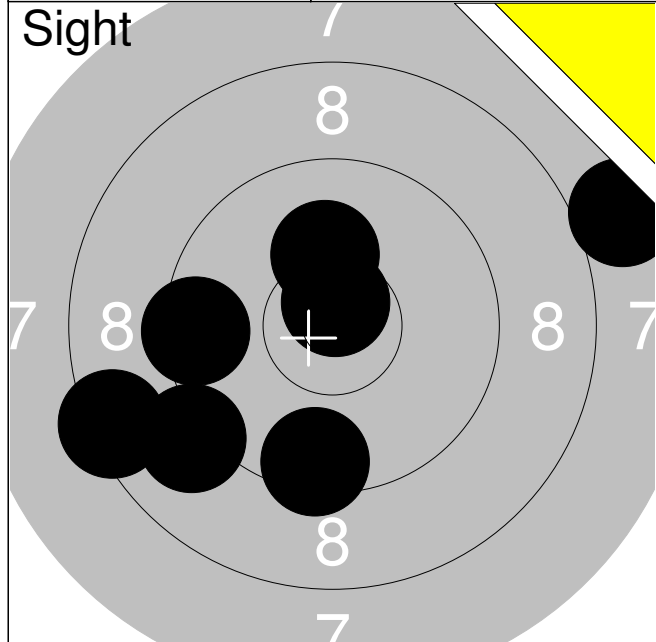


11:	9.1	↗
12:	8.5	↖
13:	10.9x	↘
14:	10.7x	↘
15:	9.4	↘
16:	9.9	↗
17:	10.6x	→
18:	10.1	→
19:	10.0	↗
20:	10.0	↘
Series	99.2	
Total	196.1	

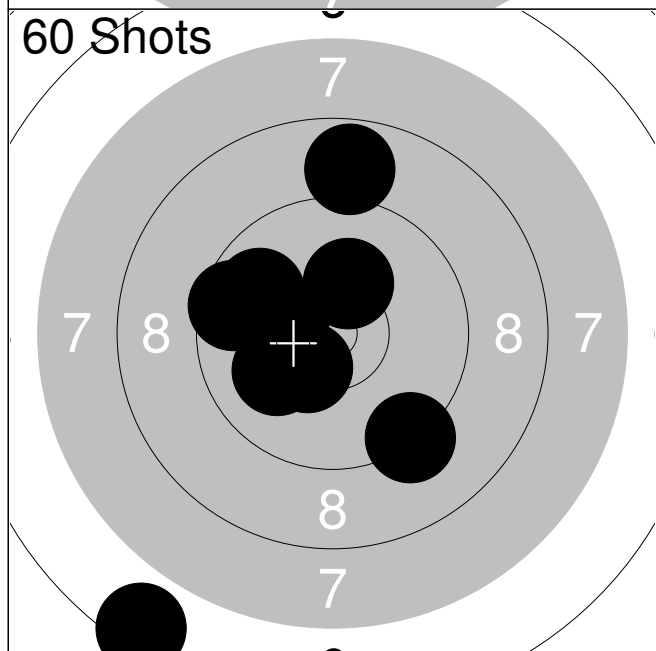
Relay	Lane	Jörgen Nilsson	
4	15		

S	Rundviks PK		
---	-------------	--	--

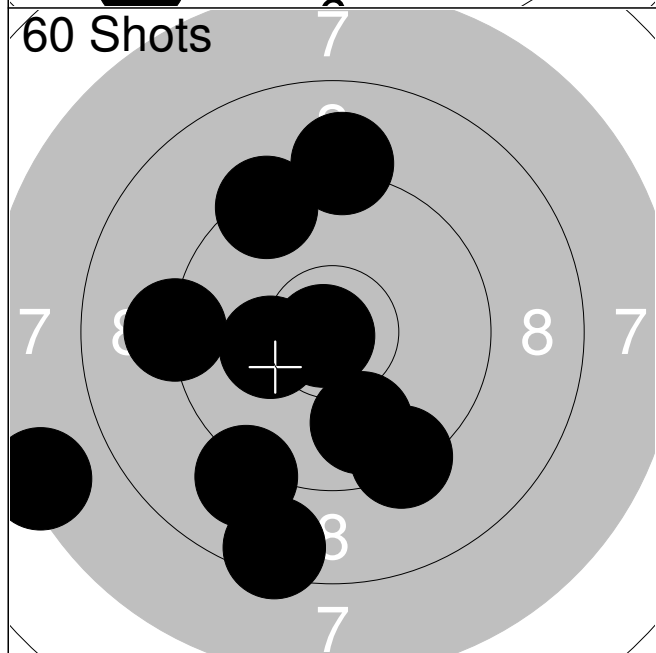
08.10.2016	UME-Skottet 2016	Umeå skytteallians
------------	------------------	--------------------



1:	8.5	←
2:	7.7	→
3:	9.1	↙
4:	9.5	←
5:	9.5	↓
6:	10.7x	↑
7:	10.2	↑
Series	65.2	
Total	0.0	



1:	8.9	↑
2:	10.3	←
3:	9.7	←
4:	10.1	↙
5:	6.5	↘
6:	10.3	←
7:	10.3	↑
8:	9.3	↘
9:	10.4x	↙
10:	9.9	↖
Series	95.7	
Total	95.7	

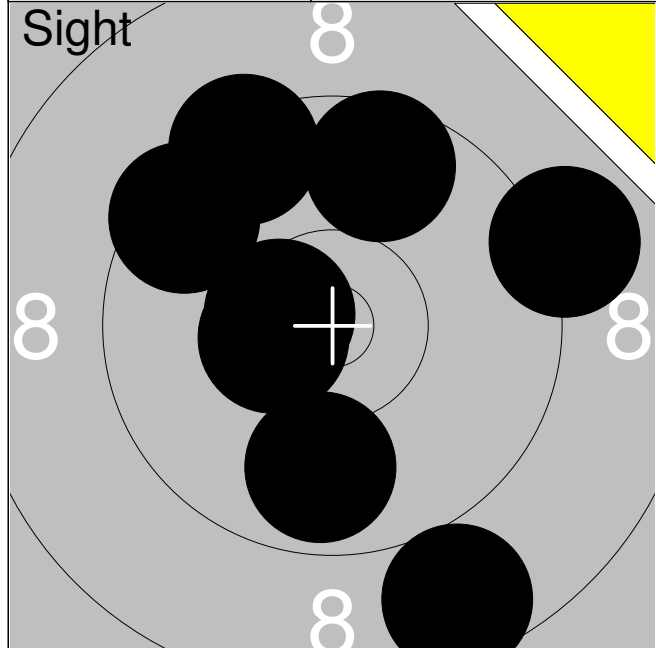


11:	9.9	↓
12:	7.4	↙
13:	10.3	←
14:	9.1	↘
15:	9.3	←
16:	9.4	↑
17:	9.4	↘
18:	10.8x	↙
19:	9.1	↑
20:	8.5	↓
Series	93.2	
Total	188.9	

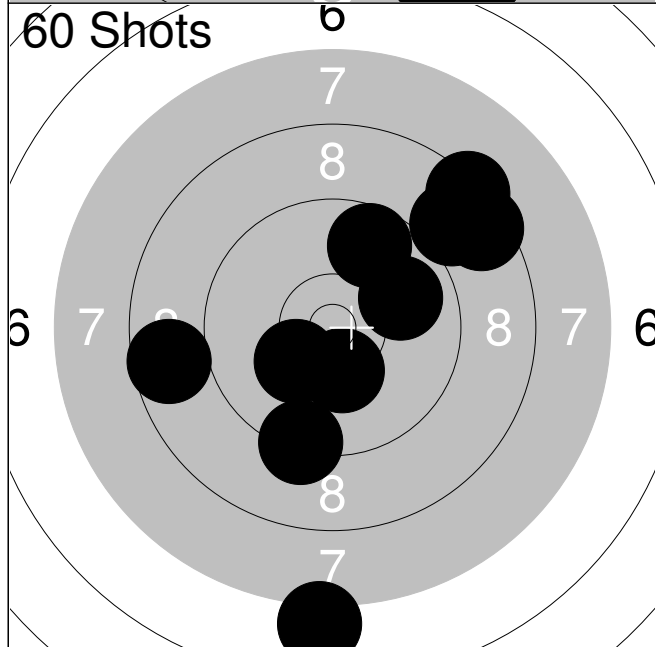
Relay 4	Lane 16	Lars Palo
-------------------	-------------------	------------------

S	Skellefteå PSF	
---	----------------	--

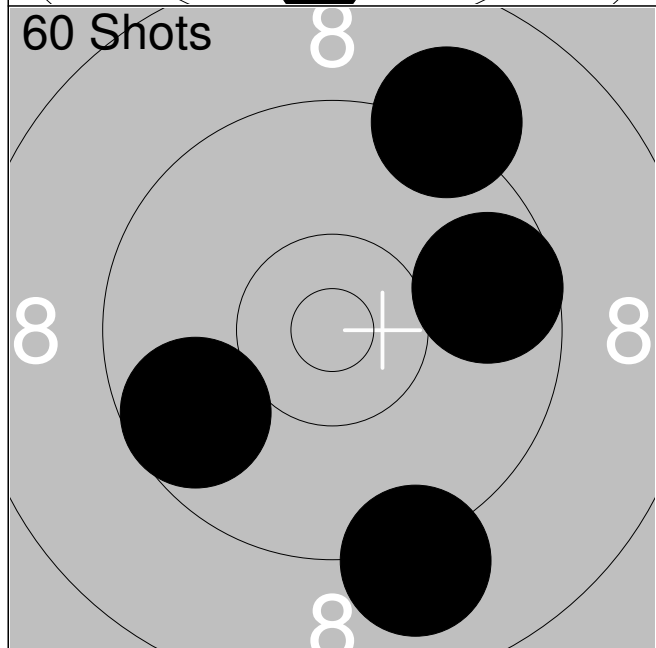
08.10.2016	UME-Skottet 2016	Umeå skytteallians
------------	------------------	--------------------



1:	10.5x	←
2:	9.1	→
3:	9.7	↑
4:	9.9	↓
5:	8.7	↓
6:	9.5	↑
7:	10.5x	←
8:	9.6	↗
Series		77.5
Total		0.0



1:	10.3	↙
2:	8.8	↗
3:	9.4	↓
4:	7.0	↓
5:	8.7	←
6:	10.4x	↓
7:	9.8	↑
8:	10.0	→
9:	8.6	↗
10:	8.4	↗
Series		91.4
Total		91.4

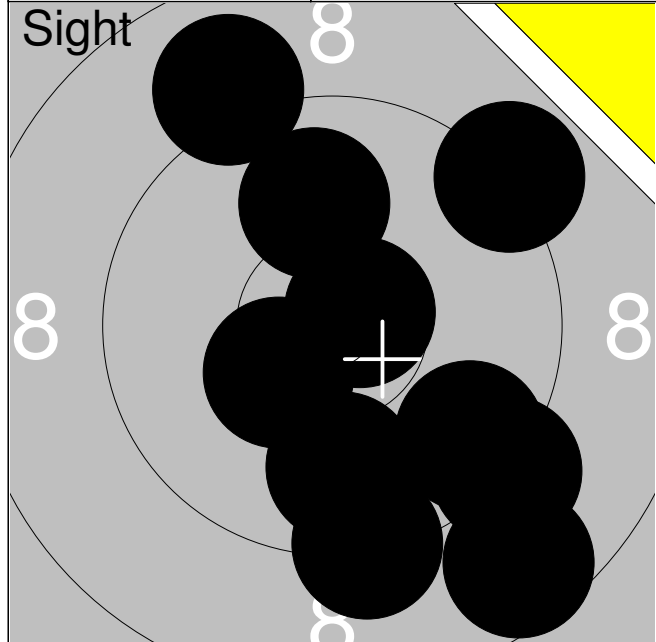


11:	9.1	↓
12:	9.2	↑
13:	9.8	←
14:	9.7	→
Series		37.8
Total		129.2

Relay 4	Lane 17	Lars Edvinsson
-------------------	-------------------	-----------------------

S	Umeå PK		
---	---------	--	--

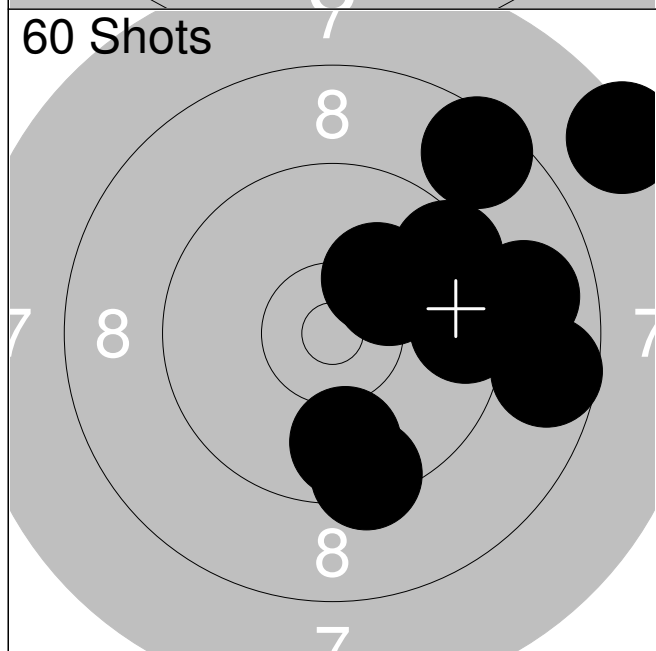
08.10.2016	UME-Skottet 2016	Umeå skytteallians
------------	------------------	--------------------



1:	9.0	↗
2:	9.3	↓
3:	10.0	↗
4:	9.2	↗
5:	10.7x	→
6:	9.9	↓
7:	8.7	↓
8:	9.3	↘
9:	10.4x	↘
10:	9.6	↘

Series	96.1
--------	------

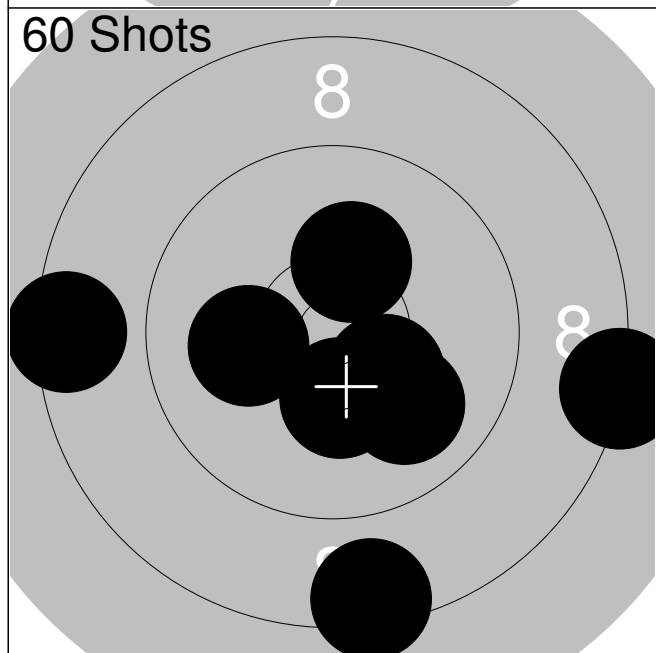
Total	0.0
-------	-----



1:	8.8	→
2:	9.5	↓
3:	7.4	↗
4:	8.6	↗
5:	10.2	↗
6:	9.8	↓
7:	10.2	↗
8:	9.5	↗
9:	9.0	→
10:	9.6	→

Series	92.6
--------	------

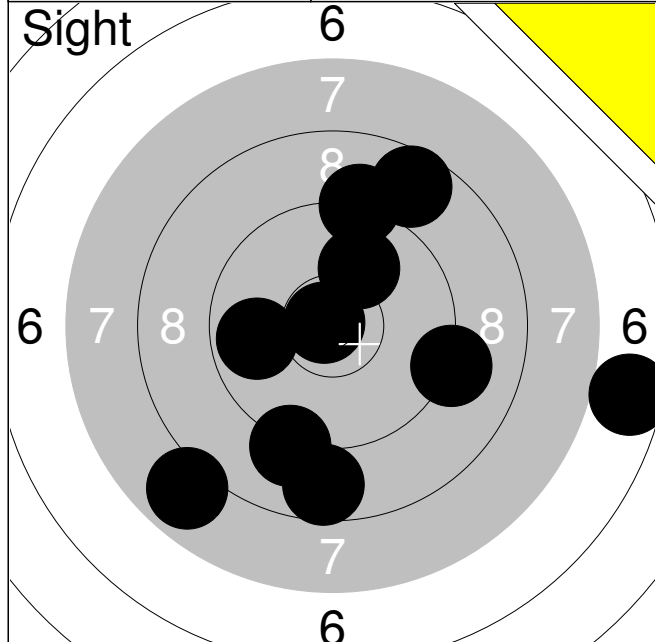
Total	92.6
-------	------



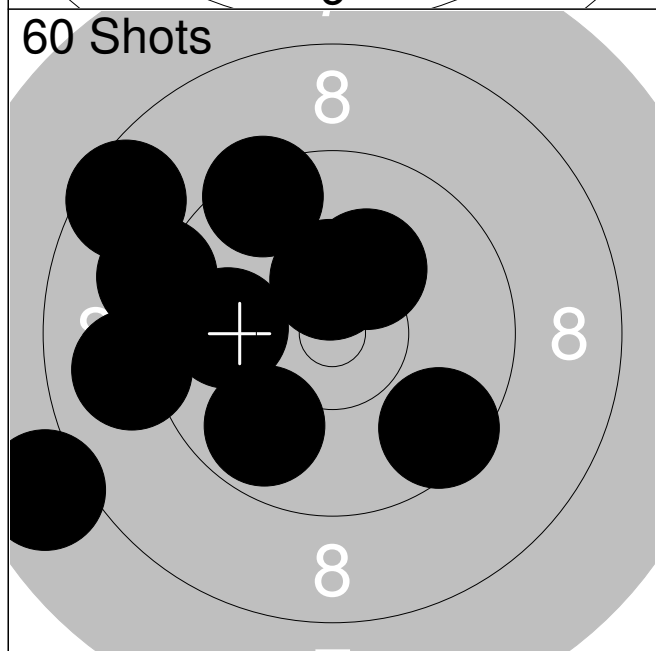
11:	10.2	←
12:	8.3	→
13:	10.3	↓
14:	8.5	↓
15:	8.5	←
16:	10.3	↗
17:	10.3	↘
18:	10.0	↘

Series	76.4
--------	------

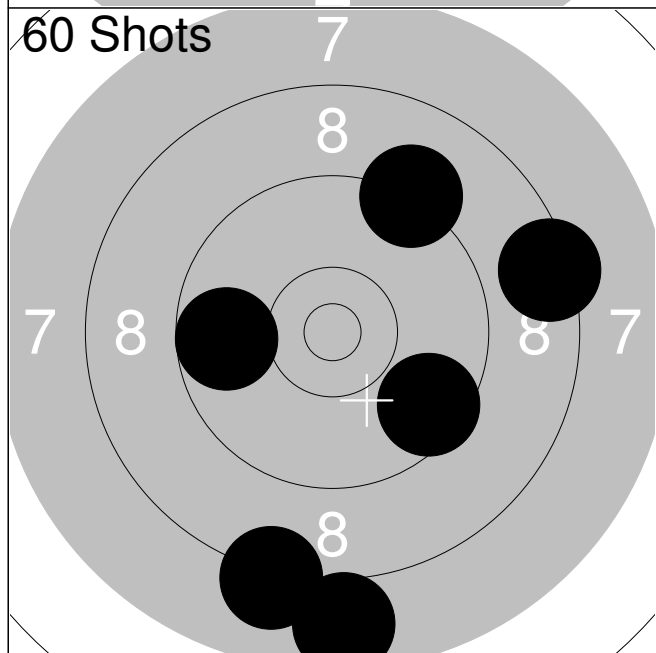
Total	169.0
-------	-------



1:	9.2	→
2:	6.7	→
3:	10.1	↗
4:	9.9	←
5:	9.2	↓
6:	9.2	↗
7:	10.8x	←
8:	8.7	↗
9:	7.9	↘
10:	8.7	↓
Series		90.4
Total		0.0



1:	8.6	↖
2:	10.0	←
3:	7.9	↖
4:	9.5	↗
5:	10.3	↗
6:	9.0	←
7:	10.4x	↑
8:	9.2	↖
9:	9.9	↘
10:	9.6	↘
Series		94.4
Total		94.4

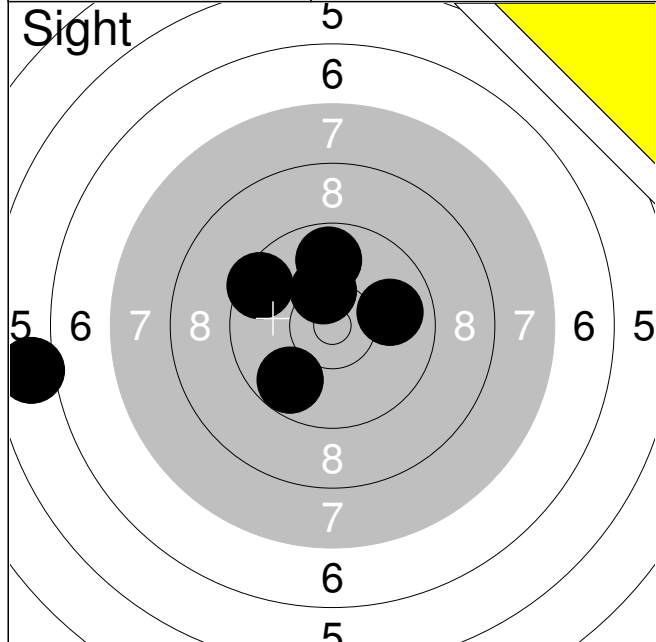


11:	8.5	→
12:	9.2	↗
13:	9.8	←
14:	8.2	↓
15:	7.7	↓
16:	9.6	↘
Series		53.0
Total		147.4

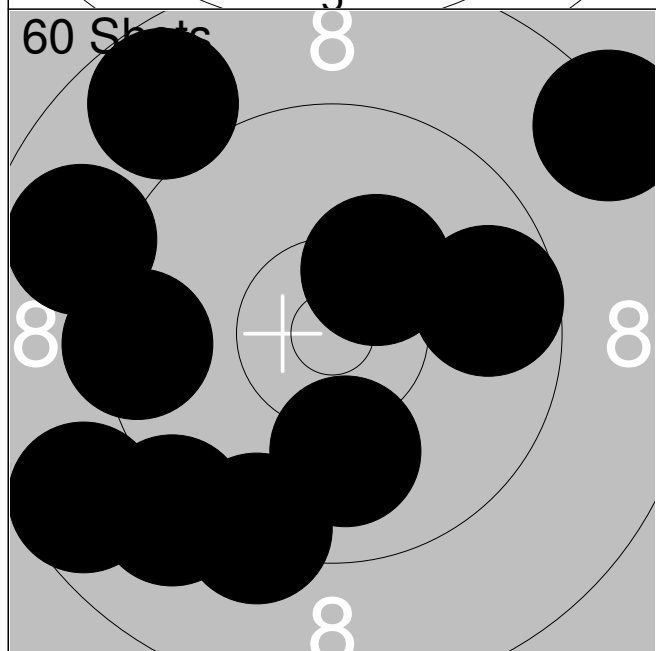
Relay 4	Lane 20	Martin Sörensen
-------------------	-------------------	------------------------

S	Älvdalen PK		
---	-------------	--	--

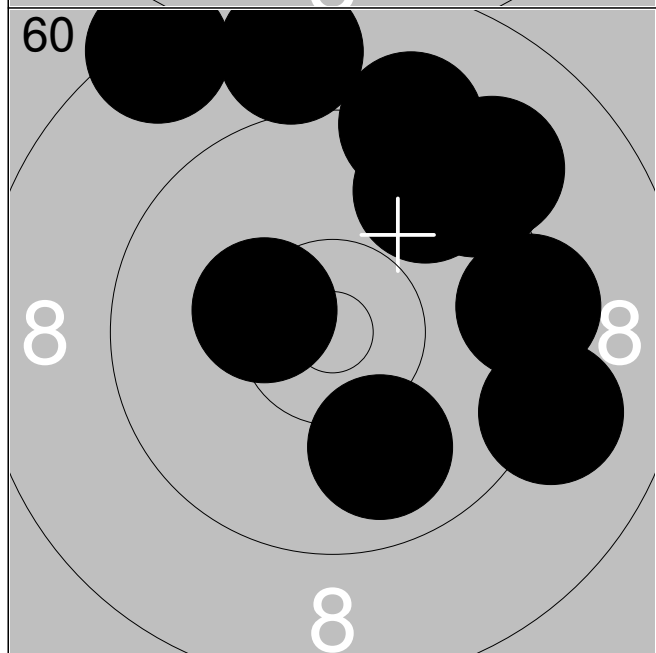
08.10.2016	UME-Skottet 2016	Umeå skytteallians
------------	------------------	--------------------



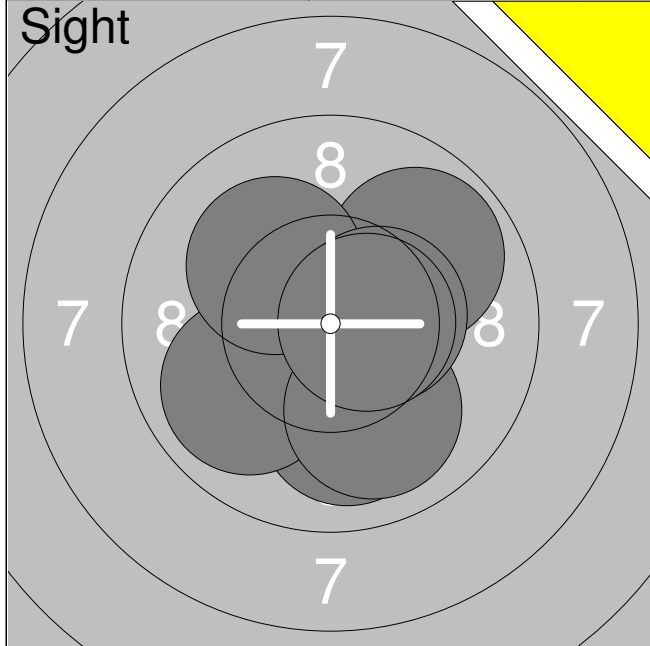
1:	5.9	←
2:	10.3	↑
3:	9.8	↙
4:	10.0	→
5:	9.6	↖
6:	9.8	↑
Series	55.4	
Total	0.0	



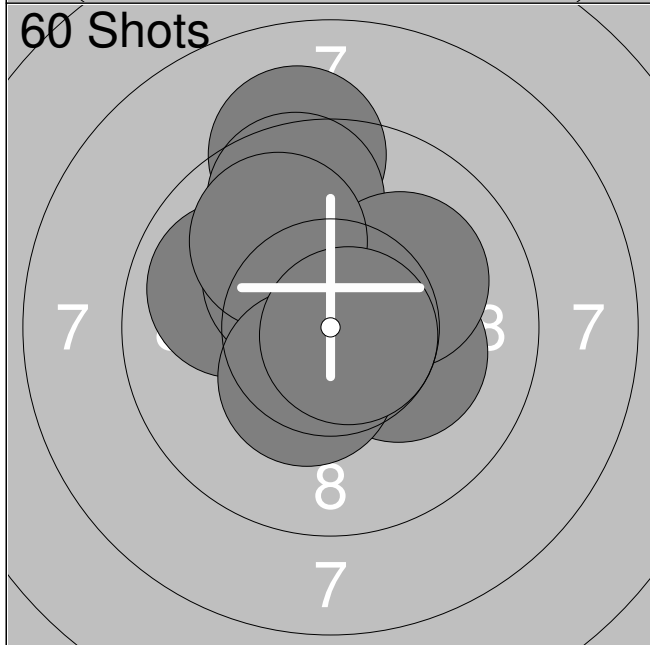
1:	9.5	←
2:	8.4	↗
3:	9.2	↙
4:	8.9	↖
5:	10.1	↓
6:	8.8	↗
7:	8.7	↙
8:	10.4x	↗
9:	9.4	↓
10:	9.8	→
Series	93.2	
Total	93.2	



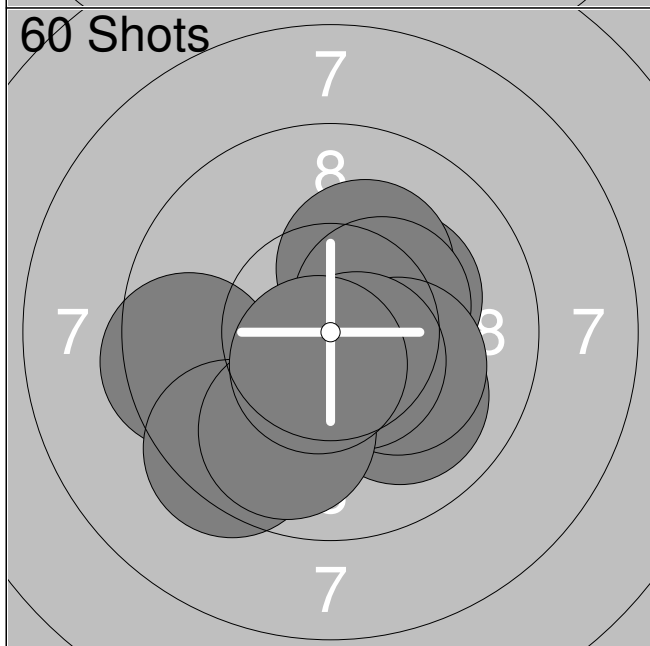
11:	10.4x	←
12:	9.6	↗
13:	10.0	↓
14:	8.8	↑
15:	9.4	→
16:	9.2	↗
17:	8.4	↗
18:	9.4	↗
19:	9.2	→
20:	9.2	↗
Series	93.6	
Total	186.8	



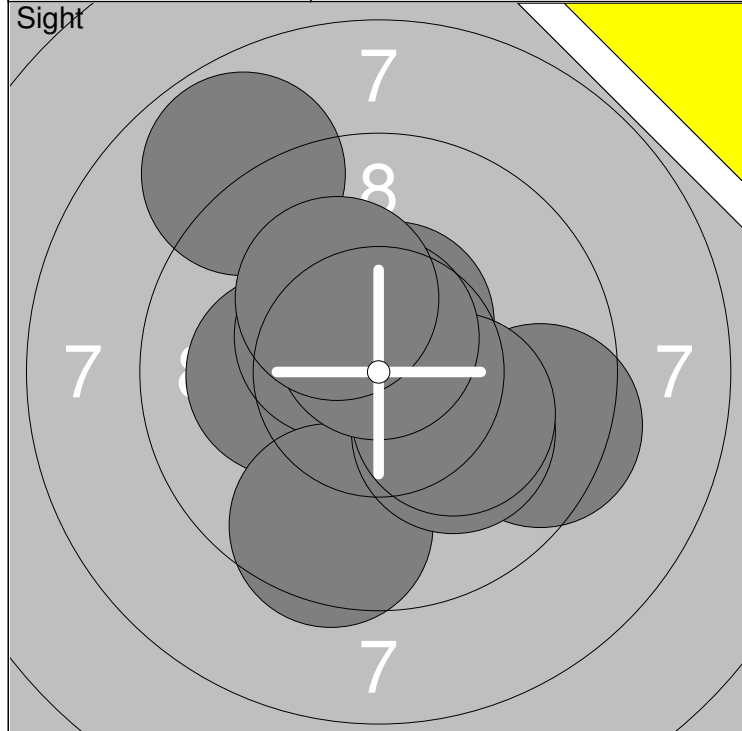
1:	10.0	↓
2:	9.9	↙
3:	10.0	↓
4:	9.9	↗
5:	10.1	↗
6:	10.5x	→
7:	10.6x	→
Series		71.0
Total		0.0



1:	10.2x	→
2:	9.2	↑
3:	10.4x	↑
4:	9.9	↖
5:	9.6	↑
6:	10.3x	↗
7:	10.1	↗
8:	9.9	↑
9:	10.4x	↓
10:	10.7x	↘
Series		100.7
Total		100.7

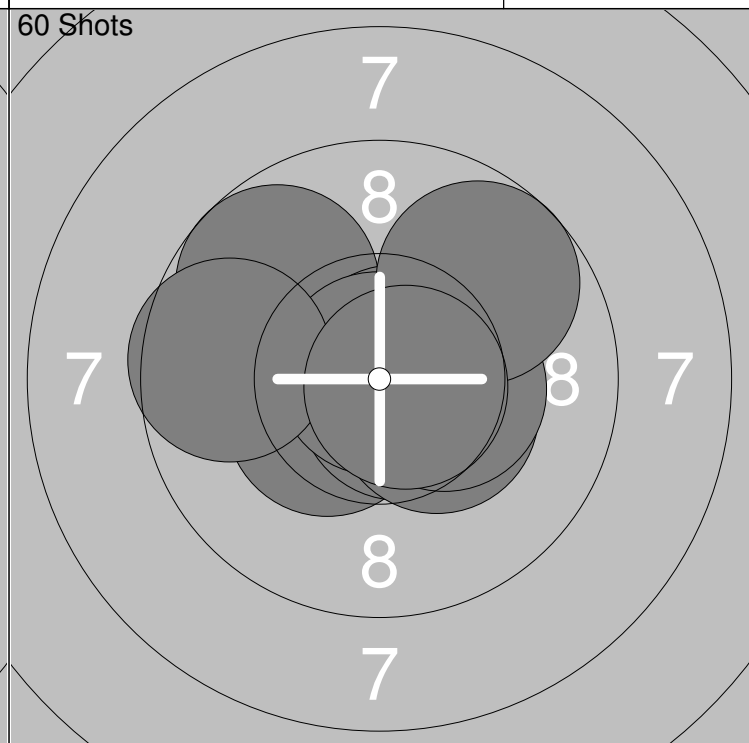
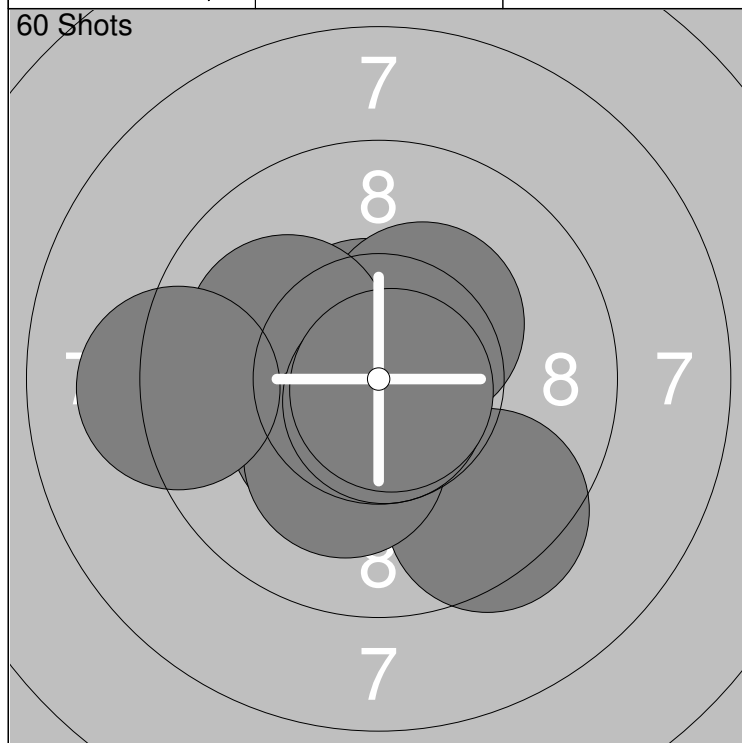


11:	10.2x	↗
12:	10.2x	↑
13:	9.5	←
14:	10.4x	↗
15:	10.0	↓
16:	10.2x	↘
17:	9.4	↙
18:	10.6x	↓
19:	9.9	↓
20:	10.6x	↓
Series		101.0
Total		201.7



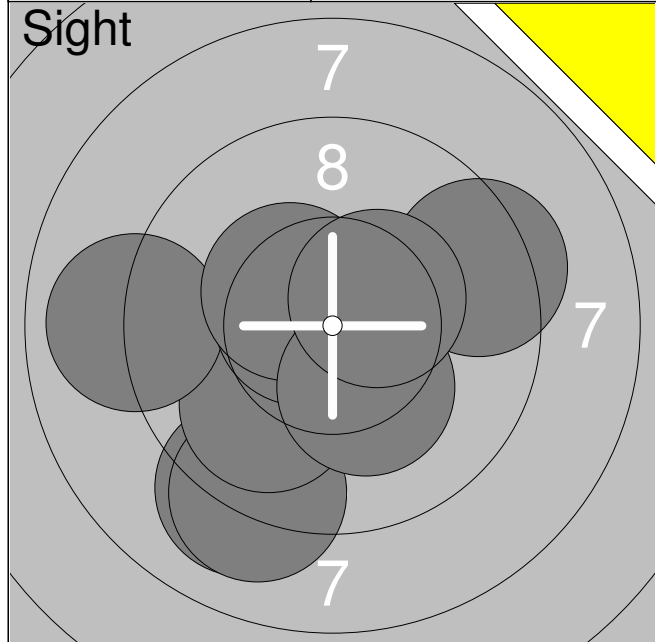
1: 10.2x ←	6: 10.1 ↘	Series	100.0
2: 9.4 →	7: 8.8 ↗		
3: 10.5x ↗	8: 10.2x ↘	Total	0.0
4: 10.5x ↑	9: 10.6x ↑		
5: 9.5 ↓	10: 10.2x ↗		

11: 9.9 ↑	Series	20.3
12: 10.4x ↑		
Total		0.0

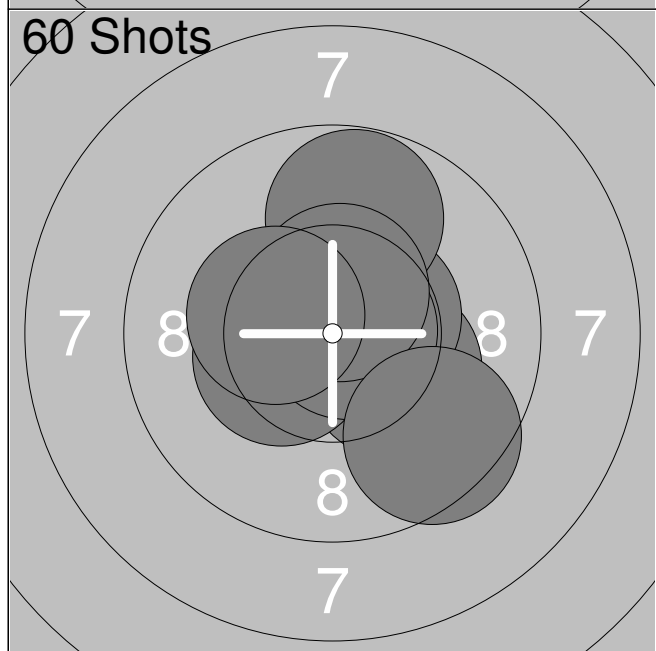


1: 10.6x ↗	6: 10.1 ↖	Series	102.1
2: 10.3x ↗	7: 10.2x ↘		
3: 9.4 ↘	8: 10.7x ↘	Total	102.1
4: 10.4x ↘	9: 10.8x ↘		
5: 10.4x ←	10: 9.2 ←		

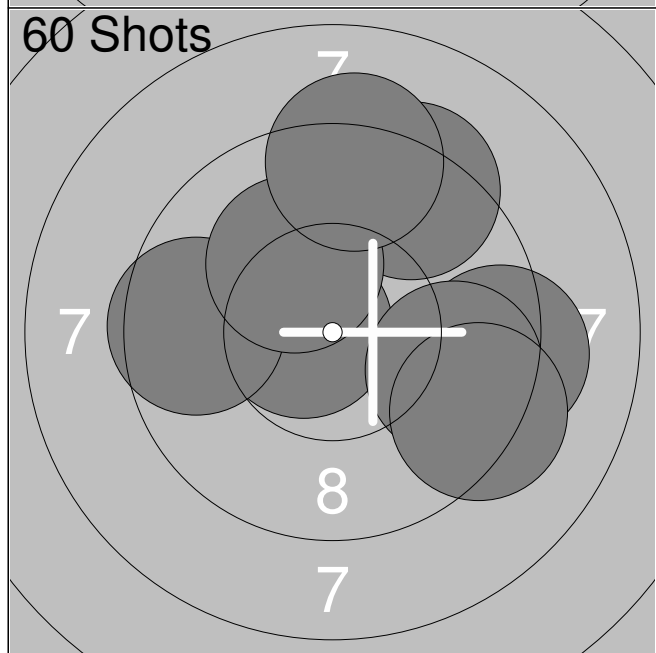
11: 9.7 ↖	16: 10.4x ↘	Series	103.3
12: 10.8x ↗	17: 10.4x →		
13: 10.4x ↖	18: 9.7 ↗	Total	205.4
14: 10.7x ↘	19: 9.6 ←		
15: 10.9x ↑	20: 10.7x →		



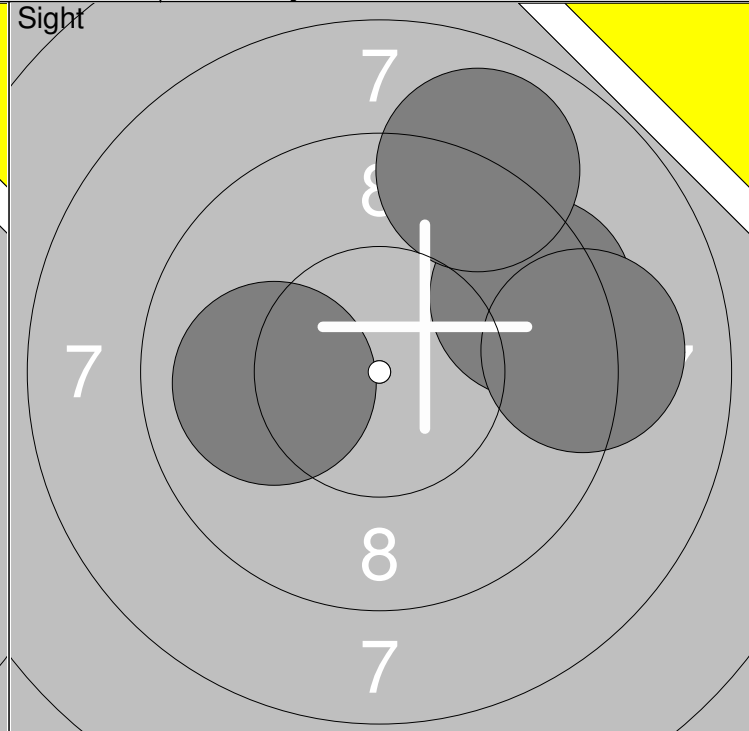
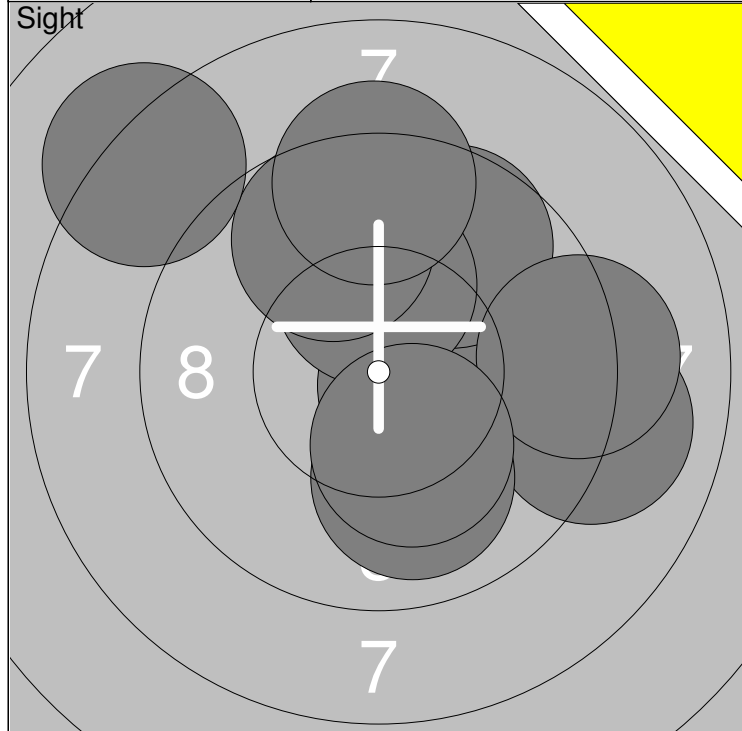
1:	9.1	↙
2:	9.1	↙
3:	9.9	↙
4:	9.0	←
5:	10.6x	↖
6:	10.8x	→
7:	10.4x	↗
8:	10.3x	↘
9:	9.4	→
10:	10.4x	↗
Series		99.0
Total		0.0



1:	10.6x	↘
2:	10.2x	↘
3:	10.4x	↖
4:	10.5x	→
5:	10.6x	↑
6:	10.8x	→
7:	9.8	↑
8:	10.5x	↑
9:	10.3x	↖
10:	9.5	↘
Series		103.2
Total		103.2

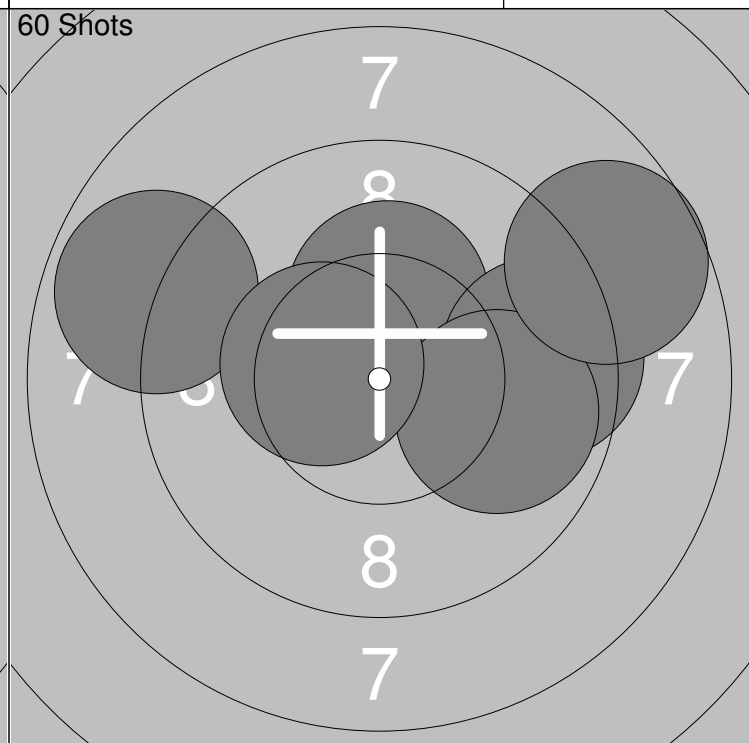
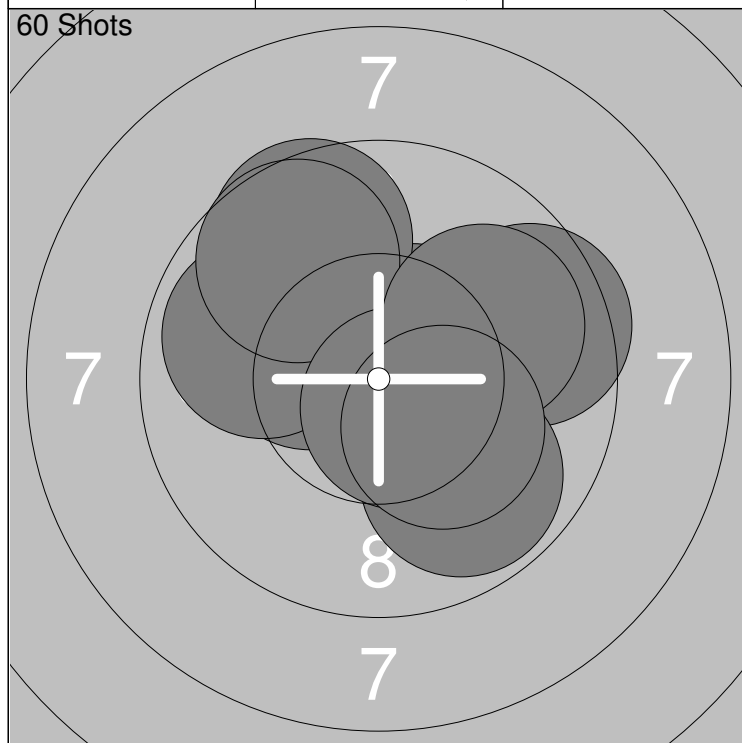


11:	10.7x	←
12:	9.2	→
13:	9.7	→
14:	9.3	↗
15:	9.3	↘
16:	9.6	←
17:	10.2x	↗
18:	9.2	↑
Series		77.2
Total		180.4



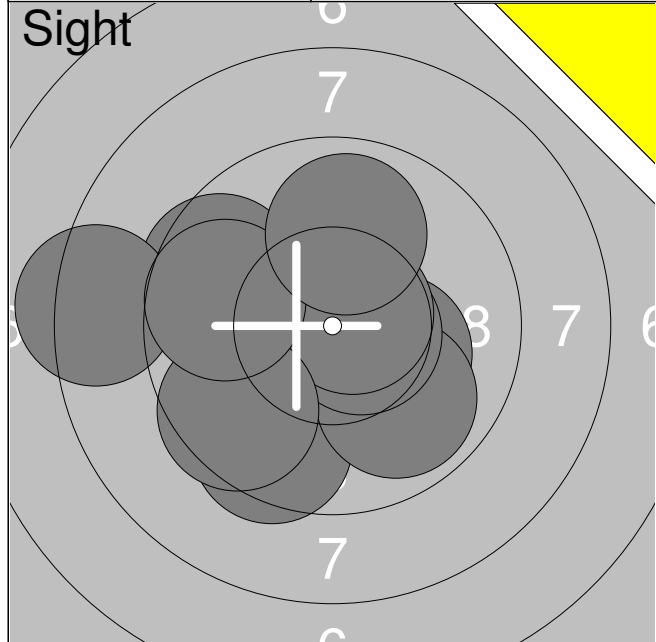
1: 10.6x →	6: 8.2 ↗	Series	96.1
2: 9.7 ↗	7: 9.2 →		
3: 10.2x ↑	8: 10.0 ↓	Total	0.0
4: 9.7 ↗	9: 9.3 ↑		
5: 9.0 →	10: 10.2x ↓		

11: 9.5 ↗	Series	37.7
12: 10.0 ←		
13: 9.2 →	Total	0.0
14: 9.0 ↗		

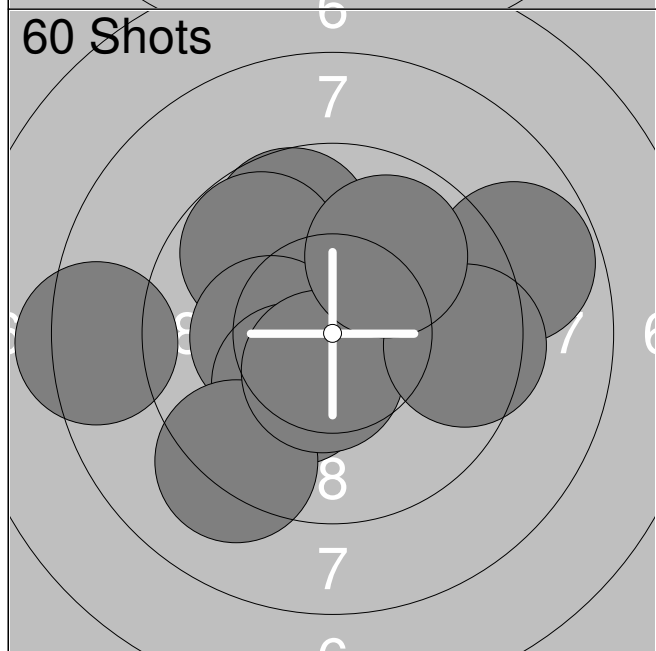


1: 10.5x ↗	6: 9.8 ↓	Series	100.0
2: 9.6 ↗	7: 9.7 ↗		
3: 10.3x ↖	8: 10.6x ↓	Total	100.0
4: 9.9 ↖	9: 9.9 →		
5: 9.5 →	10: 10.2x ↓		

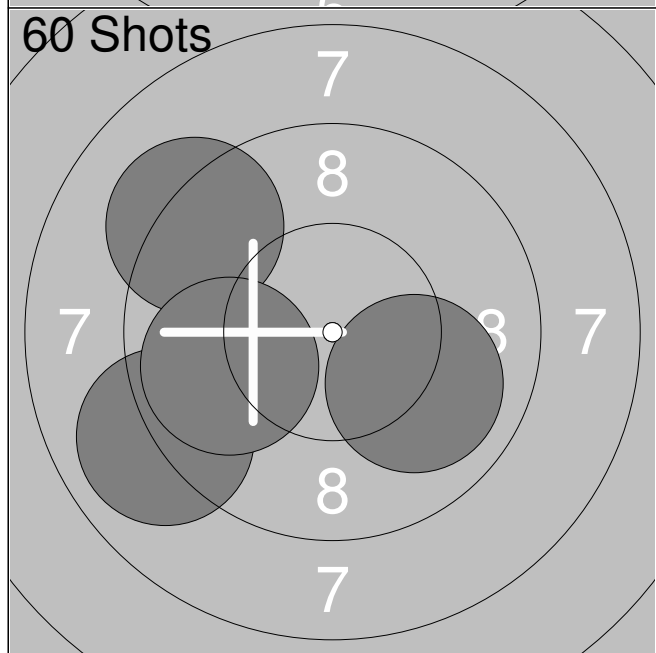
11: 10.3x ↑	Series	57.6	
12: 8.8 ←			
13: 9.5 →	Total	157.6	
14: 9.9 →			
15: 10.4x ←	16: 8.7 ↗		



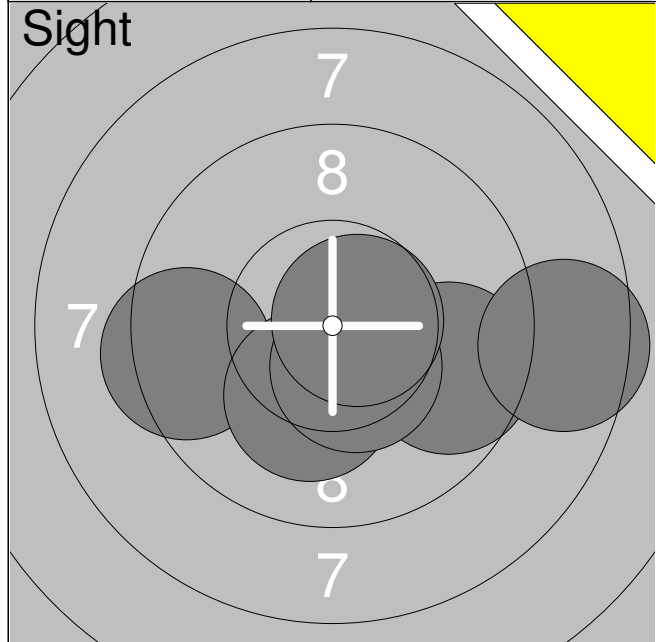
1:	9.5	↙
2:	9.6	↗
3:	10.2x	↘
4:	9.9	↙
5:	10.6x	→
6:	10.7x	↗
7:	8.3	←
8:	9.5	↙
9:	9.7	←
10:	9.9	↑
Series		97.9
Total		0.0



1:	9.7	↗
2:	9.8	↗
3:	10.3x	←
4:	8.8	→
5:	10.2x	↙
6:	9.2	↙
7:	10.5x	↘
8:	9.5	→
9:	8.3	←
10:	9.9	↗
Series		96.2
Total		96.2

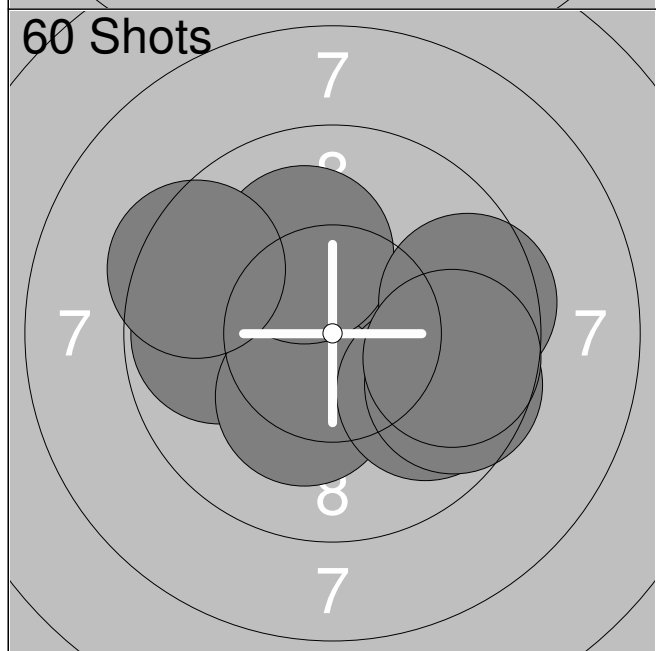


11:	10.0	↘
12:	9.0	↙
13:	9.2	↗
14:	9.9	←
Series		38.1
Total		134.3



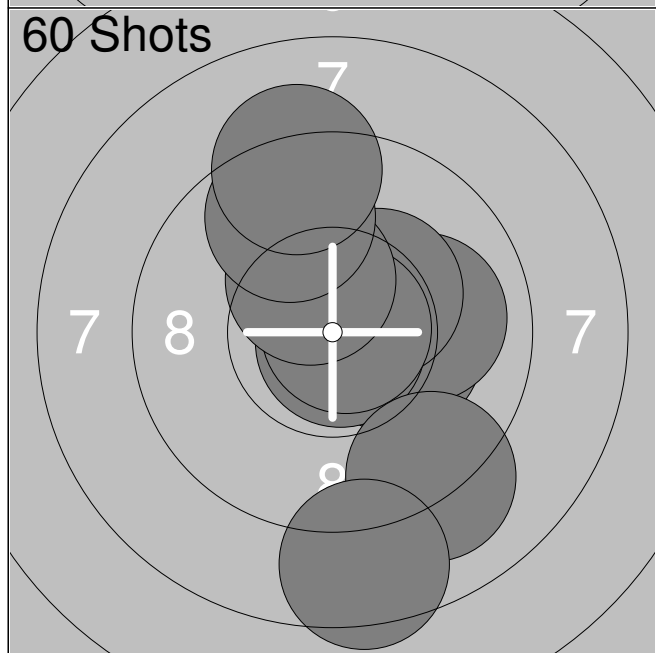
1:	9.4	←
2:	9.7	→
3:	10.2x	↓
4:	8.5	→
5:	10.5x	↓
6:	10.7x	→

Series	59.0
Total	0.0



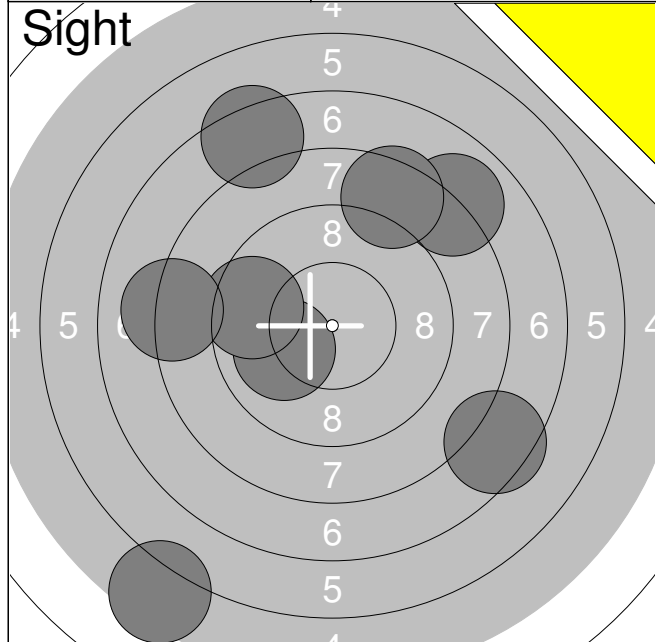
1:	9.8	←
2:	10.8x	↑
3:	10.2x	→
4:	10.3x	↓
5:	10.1	↑
6:	9.8	↓
7:	9.5	→
8:	9.6	↓
9:	9.7	→
10:	9.4	↑

Series	99.2
Total	99.2



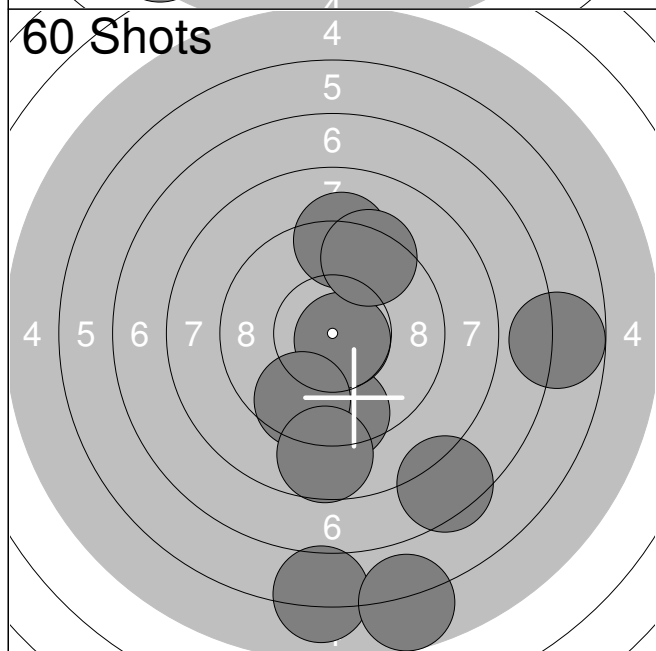
11:	10.2x	→
12:	10.0	→
13:	10.3x	↑
14:	10.8x	↓
15:	10.8x	→
16:	10.4x	↑
17:	9.1	↓
18:	9.7	↑
19:	8.5	↓
20:	9.2	↑

Series	99.0
Total	198.2



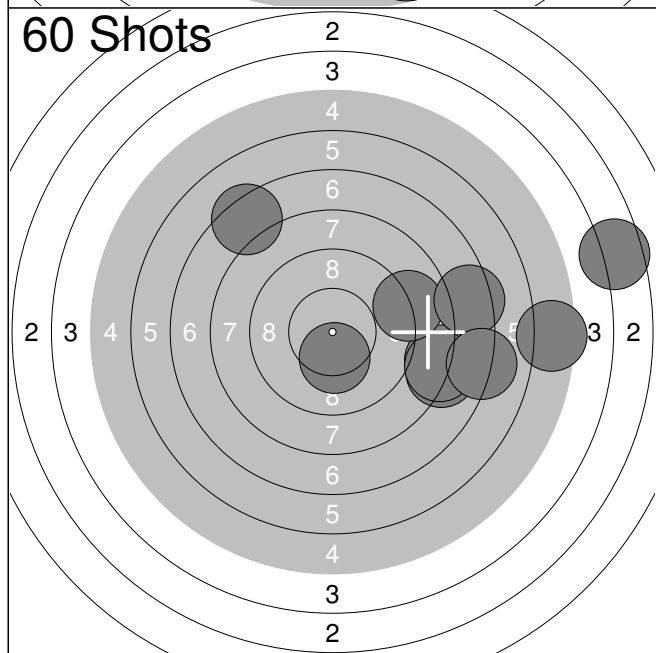
1:	10.0	←
2:	9.5	←
3:	8.1	←
4:	5.4	↙
5:	7.4	↑
6:	8.0	↗
7:	8.5	↑
8:	7.5	↘

Series	64.4
Total	0.0



1:	6.8	→
2:	9.5	↓
3:	10.7x	↘
4:	9.6	↓
5:	7.5	↘
6:	9.2	↑
7:	9.4	↗
8:	6.1	↓
9:	8.7	↓
10:	5.7	↓

Series	83.2
Total	83.2



11:	8.1	→
12:	8.0	→
13:	8.1	→
14:	7.4	↗
15:	5.4	→
16:	8.9	→
17:	10.3x	↓
18:	3.6	→
19:	7.4	→
20:	7.1	→

Series	74.3
Total	157.5