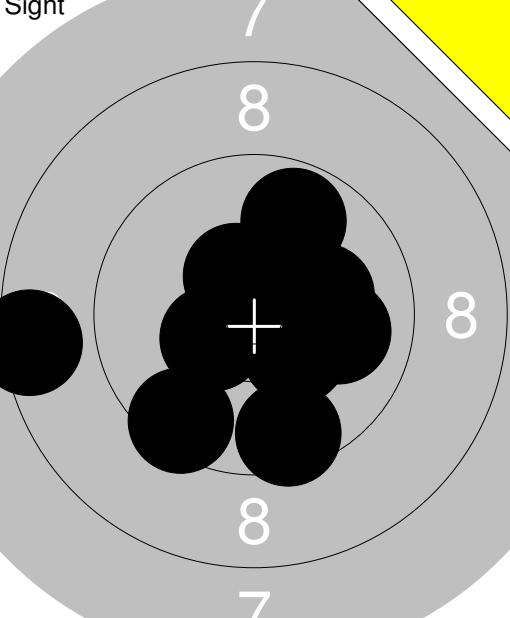
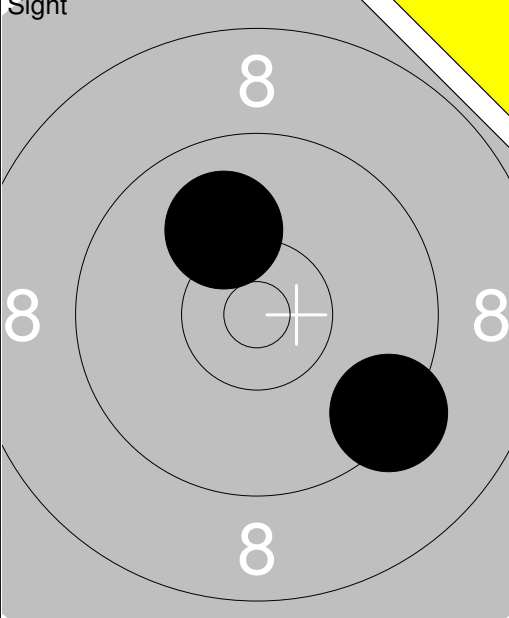
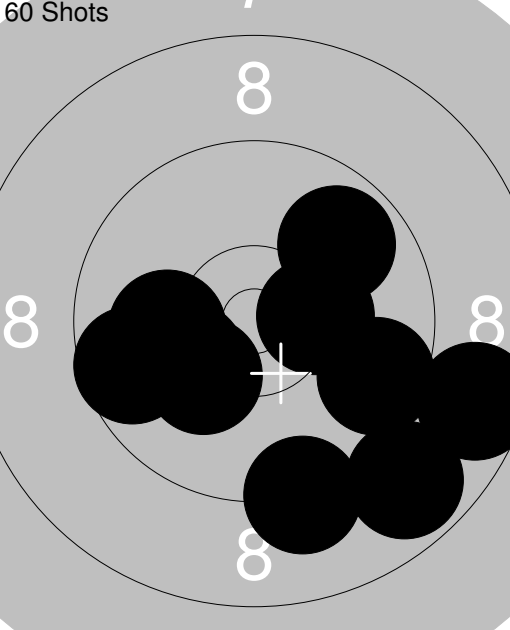
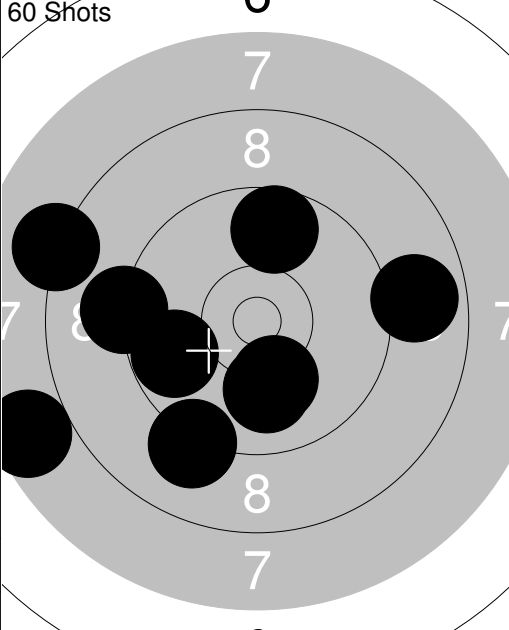
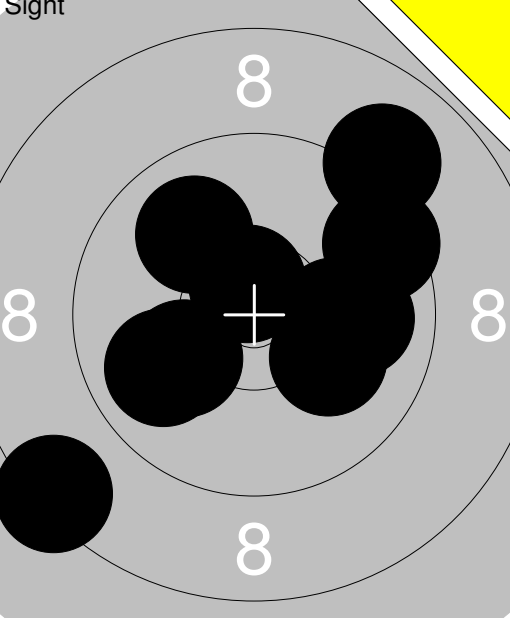
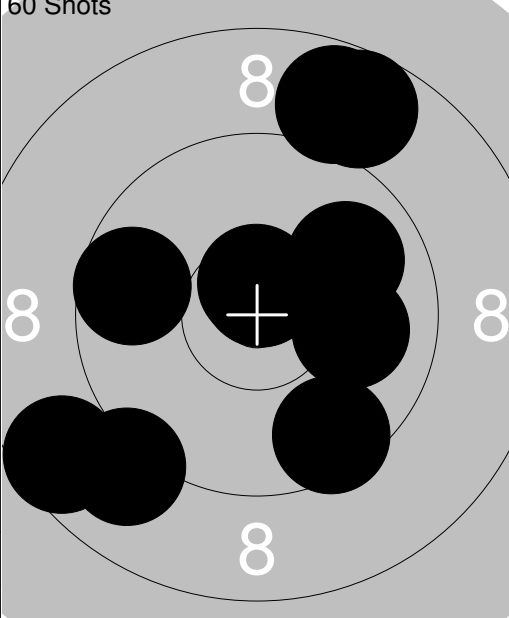
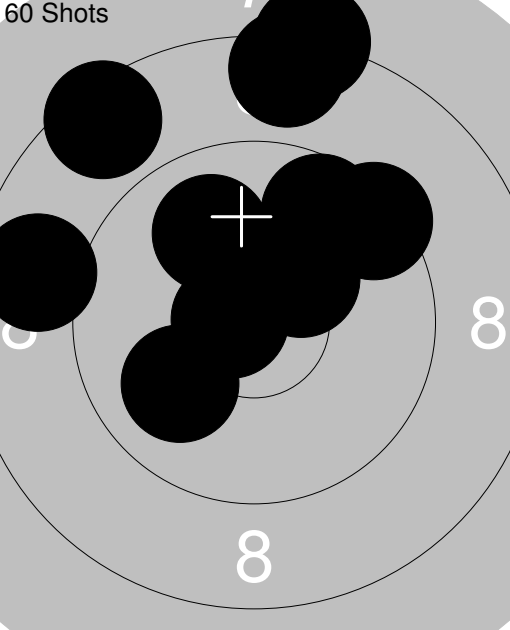
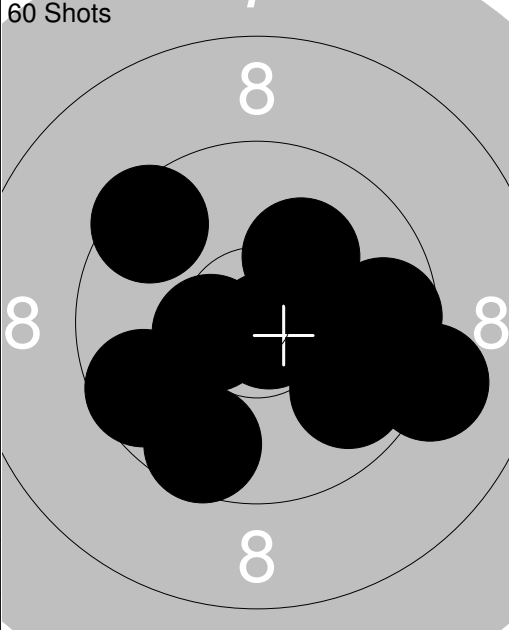


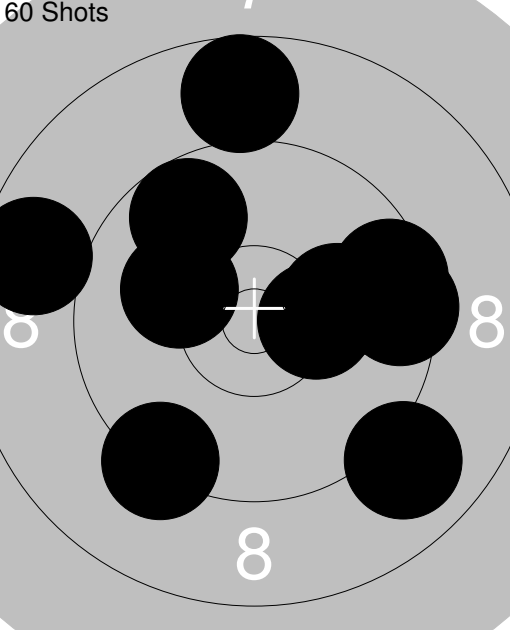
<p>Sight</p> 	<p>1: 10.7x ←</p> <p>2: 10.2 →</p> <p>3: 9.6 ↓</p> <p>4: 10.0 →</p> <p>5: 8.5 ←</p> <p>6: 9.9 ↑</p> <p>7: 9.6 ↓</p> <p>8: 10.4x ←</p> <p>9: 10.5x ↑</p> <p>10: 10.4 ↓</p>	<p>Sight</p> 	<p>11: 9.4 ↘</p> <p>12: 10.1 ↗</p>
Series 95.0		Series 19.0	
Total 0.0		Total 0.0	

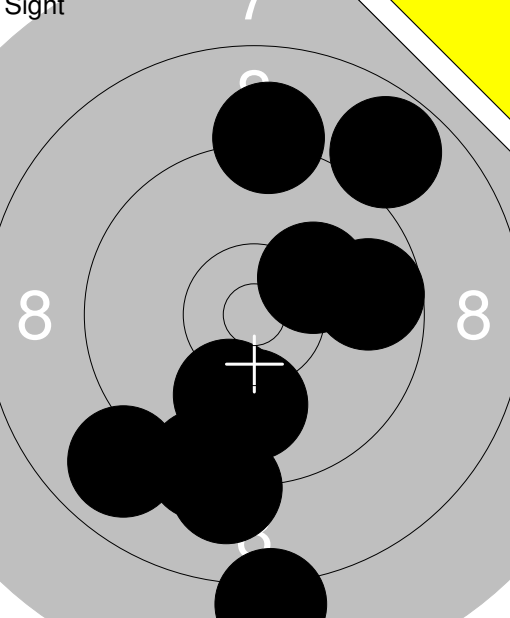
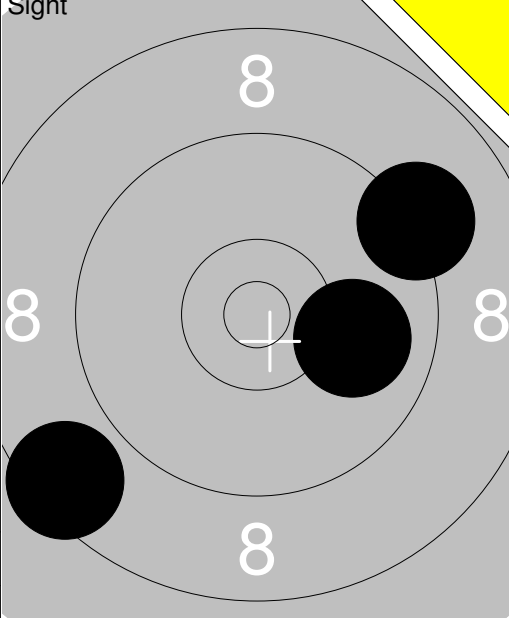
<p>60 Shots</p> 	<p>1: 8.4 ←</p> <p>2: 9.2 →</p> <p>3: 8.3 →</p> <p>4: 9.0 →</p> <p>5: 9.3 ←</p> <p>6: 9.9 ↓</p> <p>7: 10.3 →</p> <p>8: 9.5 ↓</p> <p>9: 9.6 →</p> <p>10: 9.1 ←</p>	<p>60 Shots</p> 	<p>11: 10.2 ↖</p> <p>12: 10.2 ↙</p> <p>13: 8.2 ↓</p> <p>14: 9.9 ↗</p> <p>15: 9.9 ↖</p> <p>16: 9.1 →</p> <p>17: 10.1 ←</p> <p>18: 10.3 ←</p> <p>19: 7.6 ↘</p> <p>20: 8.7 ←</p>
Series 89.0		Series 90.0	
Total 89.0		Total 179.0	

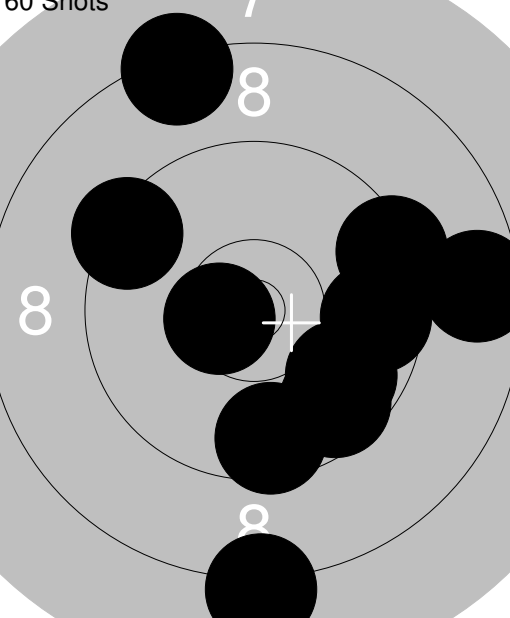
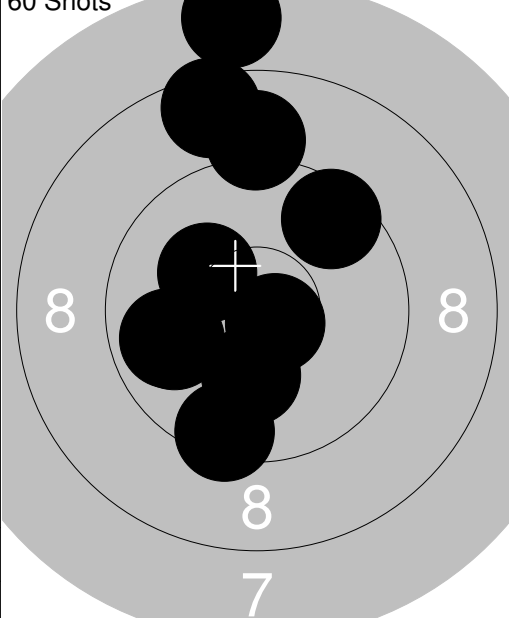
<p>60 Shots</p> 	<p>21: 10.2 ↓</p> <p>22: 10.2 ←</p> <p>23: 8.7 →</p> <p>24: 9.7 →</p> <p>25: 10.4x →</p> <p>26: 9.9 ↗</p> <p>27: 10.1 ←</p> <p>28: 9.7 ←</p> <p>29: 9.2 ↓</p> <p>30: 8.9 ↓</p>	<p>60 Shots</p> 	<p>31: 10.2 ↓</p> <p>32: 9.8 ↑</p> <p>33: 9.2 ↓</p> <p>34: 8.9 →</p> <p>35: 7.7 ←</p> <p>36: 9.2 ↓</p> <p>37: 8.2 ←</p> <p>38: 9.8 ←</p> <p>39: 10.1 ↓</p> <p>40: 9.2 ←</p>
Series 92.0		Series 88.0	
Total 271.0		Total 359.0	

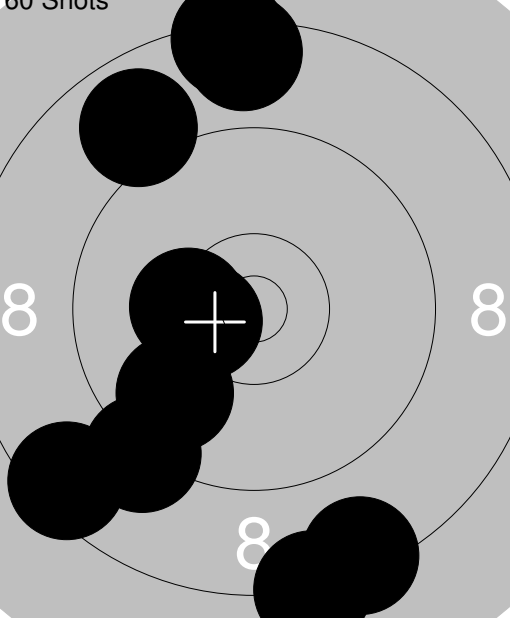
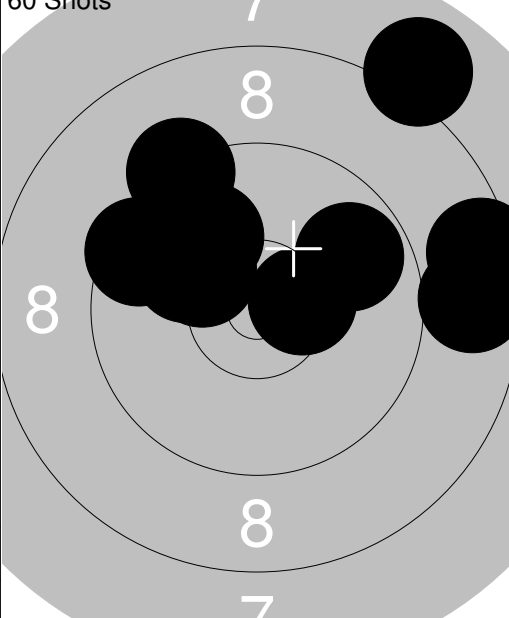
<p>Sight</p> 	<p>1: 8.4 ↙ 2: 10.2 ↙ 3: 10.0 → 4: 10.0 ↖ 5: 10.0 ↙ 6: 9.1 ↗ 7: 10.2 → 8: 10.1 ↘ 9: 9.6 ↗ 10: 10.6x ↑</p> <p>Series 96.0 Total 0.0</p>	<p>60 Shots</p>  <p>1: 10.7x ↑ 2: 10.7x ↑ 3: 10.0 ↗ 4: 8.7 ↙ 5: 8.8 ↑ 6: 9.6 ↘ 7: 9.7 ← 8: 8.8 ↑ 9: 9.1 ↙ 10: 10.0 →</p> <p>Series 91.0 Total 91.0</p>
---	--	--

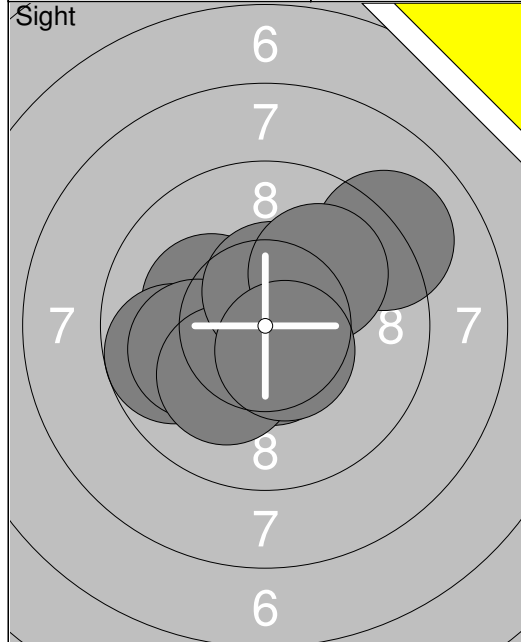
<p>60 Shots</p> 	<p>11: 10.3 ↗ 12: 8.2 ↑ 13: 10.7x ← 14: 8.5 ↑ 15: 9.5 ↗ 16: 8.6 ↖ 17: 10.0 ↑ 18: 8.8 ← 19: 10.0 ↙ 20: 9.7 ↑</p> <p>Series 90.0 Total 181.0</p>	<p>60 Shots</p>  <p>21: 10.5x ← 22: 10.8x ↘ 23: 9.7 ↙ 24: 9.7 ↘ 25: 9.6 ↖ 26: 9.2 → 27: 10.2 ↑ 28: 9.9 ↘ 29: 9.6 → 30: 9.8 →</p> <p>Series 93.0 Total 274.0</p>
---	--	--

<p>60 Shots</p> 	<p>31: 10.2 ← 32: 9.6 → 33: 9.3 ↘ 34: 9.6 → 35: 10.4x → 36: 9.8 ↖ 37: 10.1 → 38: 8.8 ← 39: 8.8 ↑ 40: 9.0 ↘</p> <p>Series 91.0 Total 365.0</p>	
--	---	--

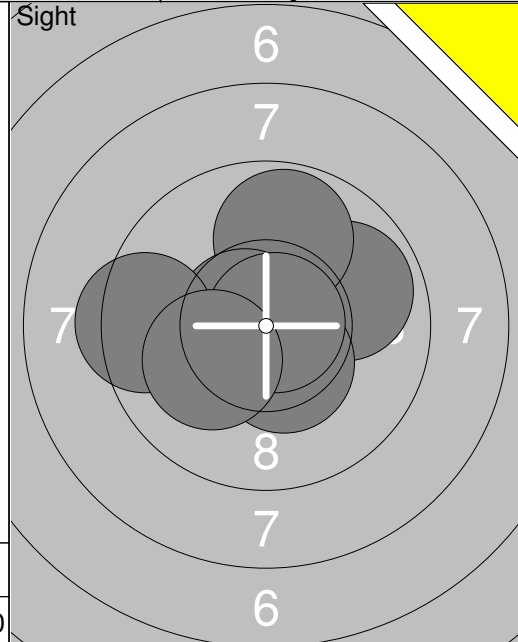
	<p>1: 8.8 ↗</p> <p>2: 8.0 ↓</p> <p>3: 10.1 ↓</p> <p>4: 10.2 ↗</p> <p>5: 9.4 ↓</p> <p>6: 9.0 ↙</p> <p>7: 10.0 ↓</p> <p>8: 9.2 ↓</p> <p>9: 9.8 →</p> <p>10: 9.2 ↑</p> <hr/> <p>Series 91.0</p> <p>Total 0.0</p>		<p>11: 9.2 ↗</p> <p>12: 8.5 ↙</p> <p>13: 10.0 →</p> <hr/> <p>Series 27.0</p> <p>Total 0.0</p>
--	---	--	---

	<p>1: 9.7 ↘</p> <p>2: 8.1 ↓</p> <p>3: 9.6 ↓</p> <p>4: 8.7 →</p> <p>5: 8.4 ↑</p> <p>6: 10.6x ←</p> <p>7: 9.7 →</p> <p>8: 9.4 ↗</p> <p>9: 9.4 ↖</p> <p>10: 9.8 ↘</p> <hr/> <p>Series 88.0</p> <p>Total 88.0</p>		<p>11: 9.5 ↓</p> <p>12: 9.6 ↗</p> <p>13: 10.0 ←</p> <p>14: 10.7x ↘</p> <p>15: 10.2 ↓</p> <p>16: 9.9 ←</p> <p>17: 8.6 ↑</p> <p>18: 10.2 ↖</p> <p>19: 9.0 ↑</p> <p>20: 7.6 ↑</p> <hr/> <p>Series 91.0</p> <p>Total 179.0</p>
---	---	---	--

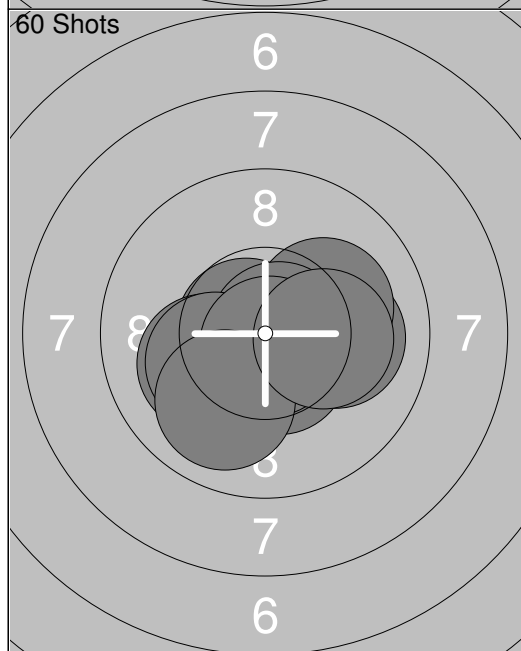
	<p>21: 10.3 ←</p> <p>22: 8.9 ↗</p> <p>23: 10.5x ←</p> <p>24: 9.2 ↙</p> <p>25: 8.4 ↓</p> <p>26: 9.9 ↙</p> <p>27: 8.5 ↑</p> <p>28: 8.4 ↑</p> <p>29: 8.5 ↙</p> <p>30: 8.2 ↓</p> <hr/> <p>Series 86.0</p> <p>Total 265.0</p>		<p>31: 9.6 ↖</p> <p>32: 10.1 ↖</p> <p>33: 10.5x →</p> <p>34: 9.9 ↗</p> <p>35: 8.7 →</p> <p>36: 10.1 ↖</p> <p>37: 8.0 ↗</p> <p>38: 8.6 →</p> <p>39: 9.3 ↖</p> <p>40: 10.3 ↖</p> <hr/> <p>Series 91.0</p> <p>Total 356.0</p>
--	--	--	--



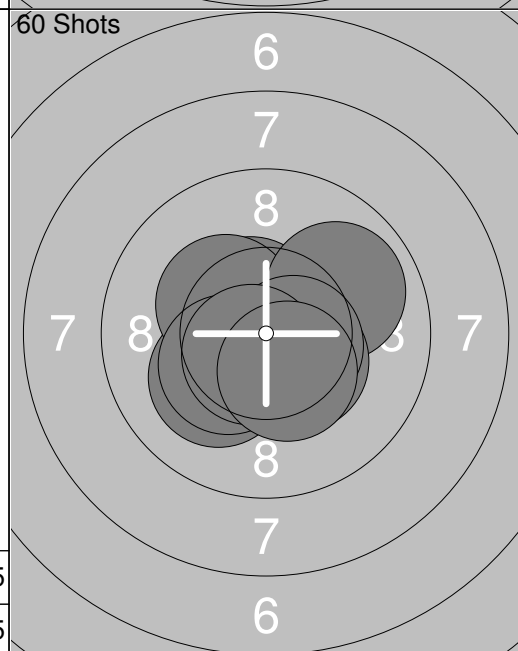
1: 9.1 ↗
2: 10.4x ↘
3: 10.2x ↖
4: 9.7 ←
5: 10.0 ←
6: 10.6x ↘
7: 10.1 ↘
8: 10.5x ↑
9: 10.0 ↗
10: 10.5x ↘
Series 101.1
Total 0.0



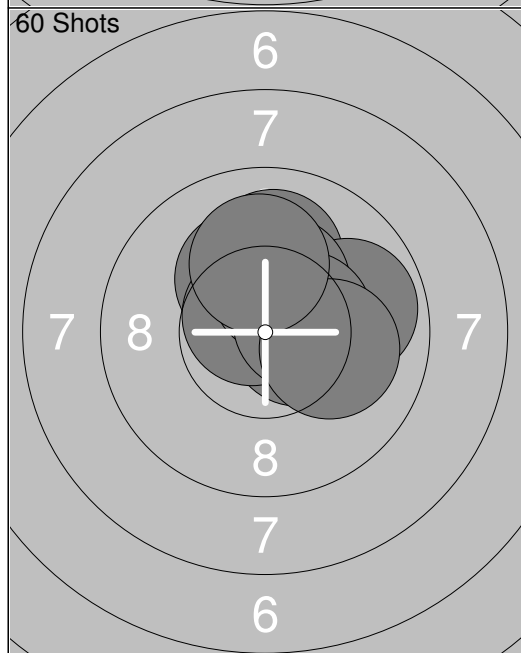
11: 10.7x ↑
12: 9.9 ↗
13: 9.8 ↑
14: 10.6x ↘
15: 10.7x ↖
16: 10.4x ↘
17: 10.8x →
18: 9.4 ←
19: 10.1 ↘
Series 92.4
Total 0.0



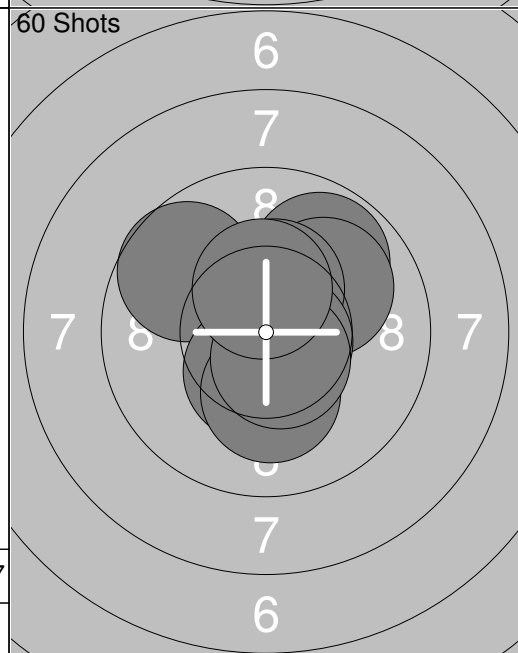
1: 10.7x ↖
2: 10.1 →
3: 10.1 →
4: 10.5x ↘
5: 10.8x →
6: 10.1 ←
7: 10.2x ↖
8: 10.8x ↘
9: 10.0 ↘
10: 10.2x →
Series 103.5
Total 103.5



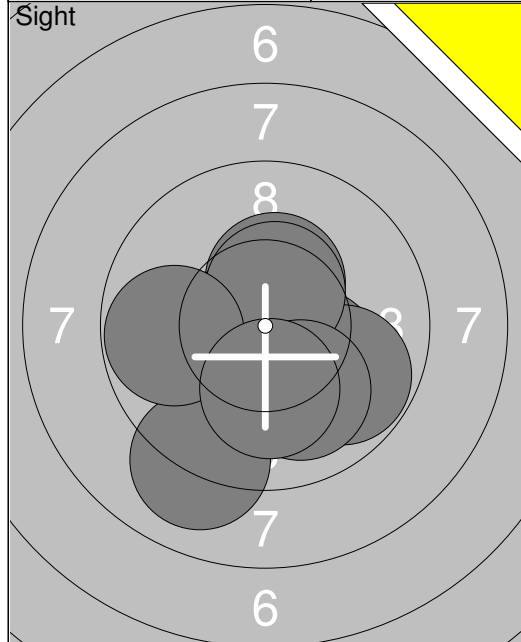
11: 10.1 ↖
12: 10.6x ↖
13: 10.3x ↖
14: 9.9 ↗
15: 10.7x ↘
16: 10.3x ↖
17: 10.4x ↘
18: 10.6x →
19: 10.6x ↘
20: 10.4x ↘
Series 103.9
Total 207.4



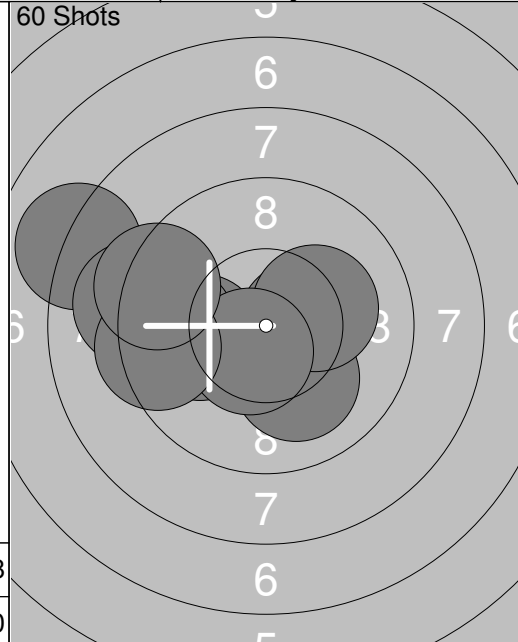
21: 10.5x ↗
22: 10.0 ↑
23: 10.5x →
24: 10.2x ↑
25: 10.7x ↖
26: 9.9 →
27: 10.3x ↑
28: 10.4x →
29: 10.1 →
30: 10.1 ↑
Series 102.7
Total 310.1



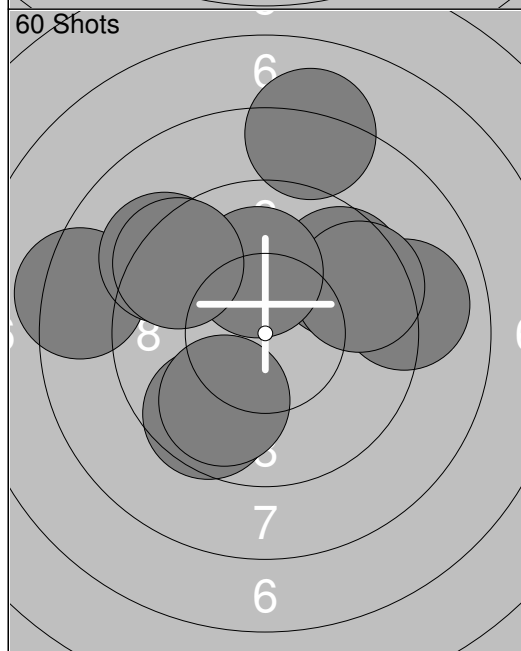
31: 9.7 ↖
32: 9.8 ↗
33: 10.0 ↗
34: 10.8x ↗
35: 10.4x ↑
36: 10.7x →
37: 10.4x ↘
38: 10.2x ↘
39: 10.6x ↘
40: 10.4x ↑
Series 103.0
Total 413.1



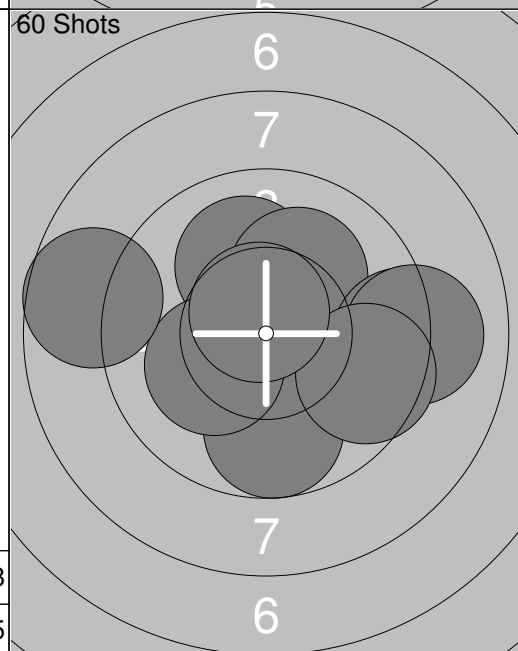
1: 10.2x ↘
2: 10.4x ↑
3: 9.0 ↘
4: 10.2x ↘
5: 10.8x ↖
6: 9.8 →
7: 10.5x ↑
8: 9.8 ←
9: 10.0 ↘
10: 10.1 ↓
Series 100.8
Total 0.0



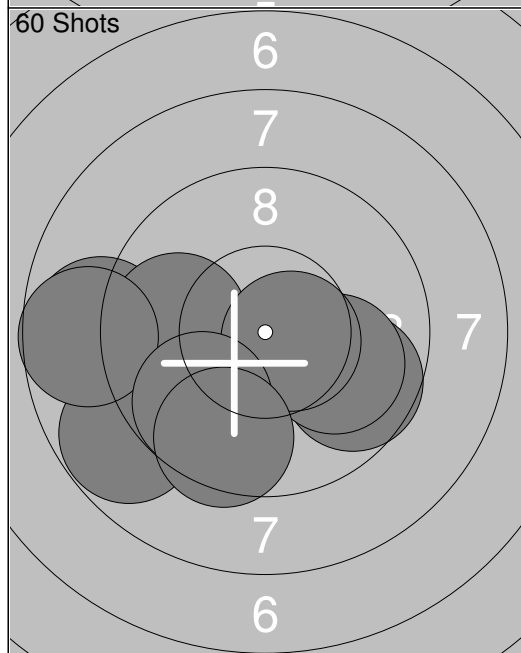
1: 10.4x →
2: 8.1 ↖
3: 10.1 ↘
4: 10.2x →
5: 10.0 ←
6: 9.6 ←
7: 9.1 ←
8: 10.5x ↘
9: 9.4 ←
10: 9.3 ↖
Series 96.7
Total 96.7



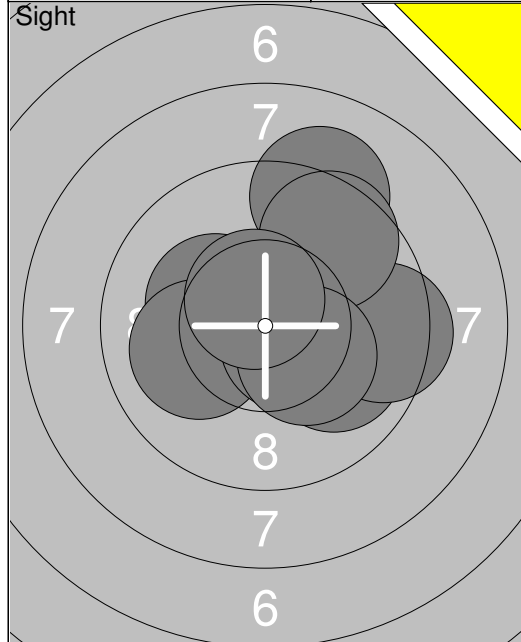
11: 8.4 ←
12: 9.6 ↘
13: 9.6 ↗
14: 9.9 ↘
15: 9.0 →
16: 8.1 ↑
17: 9.2 ↖
18: 9.5 ↗
19: 10.1 ↑
20: 9.4 ↖
Series 92.8
Total 189.5



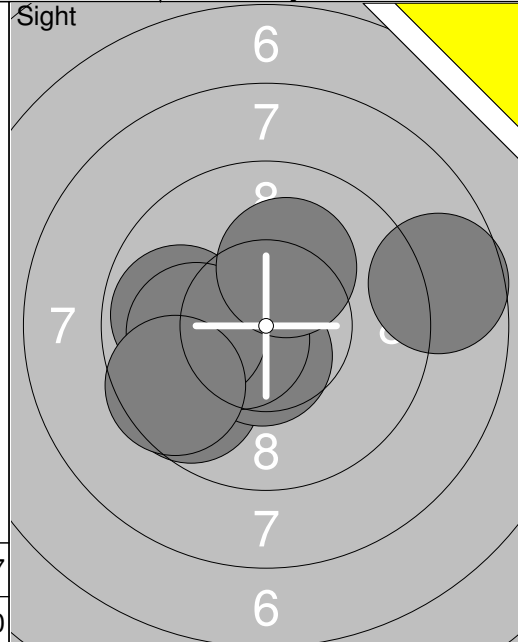
21: 10.0 ↑
22: 10.3x →
23: 10.1 ↑
24: 9.2 →
25: 9.1 →
26: 9.7 ↓
27: 10.2x ↙
28: 8.7 ←
29: 9.6 →
30: 10.7x ↑
Series 97.6
Total 287.1



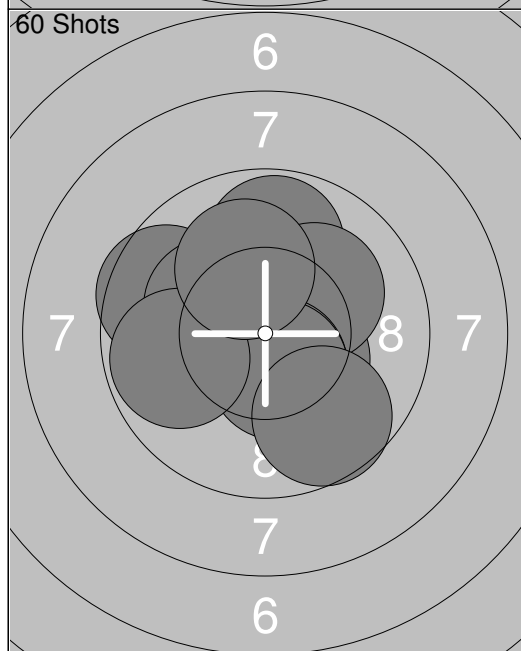
31: 9.3 ←
32: 8.9 ←
33: 8.8 ↙
34: 9.7 ↘
35: 10.0 →
36: 9.8 ←
37: 10.6x →
38: 8.7 ←
39: 9.8 ↘
40: 9.5 ↘
Series 95.1
Total 382.2



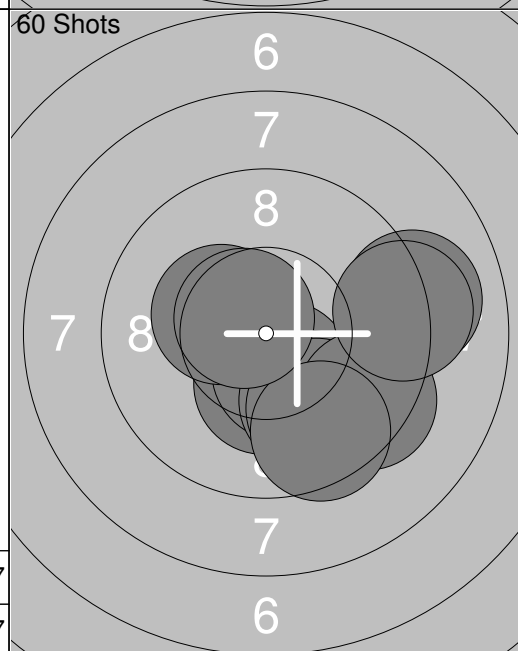
1: 10.2x ↖
2: 10.0 →
3: 10.7x ↖
4: 9.4 →
5: 10.1 ←
6: 9.2 ↗
7: 10.6x ↘
8: 9.6 ↗
9: 10.3x ↘
10: 10.6x ↗
Series 100.7
Total 0.0



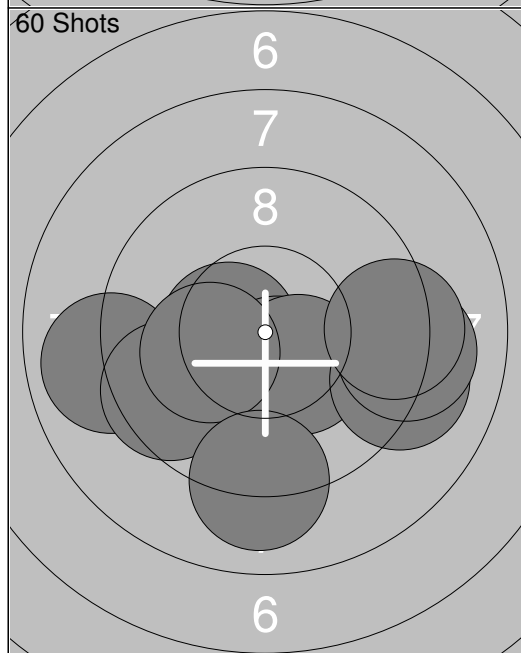
11: 10.5x ↖
12: 9.8 ←
13: 9.7 ↙
14: 10.6x ↓
15: 10.6x ↙
16: 10.1 ←
17: 9.6 ↙
18: 8.7 →
19: 10.2x ↗
Series 89.8
Total 0.0



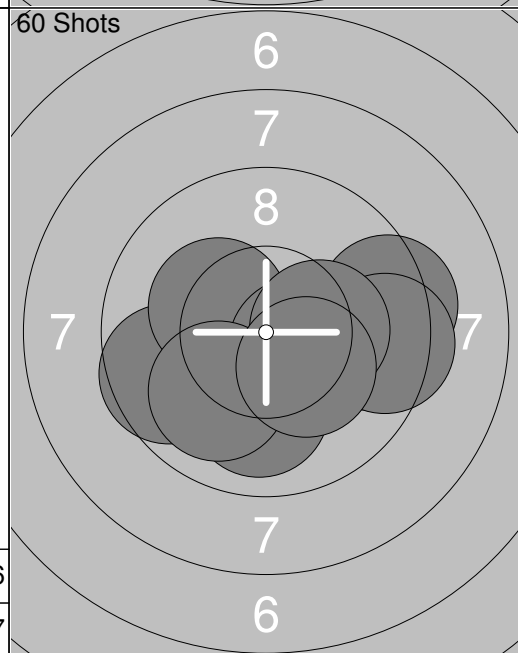
1: 9.6 ←
2: 9.8 ↗
3: 10.4x ↘
4: 10.2x ↖
5: 10.1 ↗
6: 10.5x ↓
7: 10.5x ↓
8: 9.8 ←
9: 9.7 ↓
10: 10.1 ↗
Series 100.7
Total 100.7



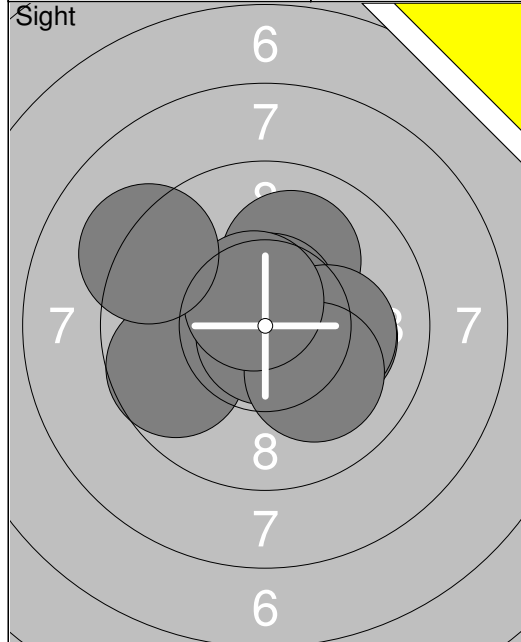
11: 10.3x ↓
12: 10.4x ↓
13: 10.3x ↖
14: 9.9 ↓
15: 9.8 ↓
16: 9.4 ↓
17: 9.0 →
18: 9.5 ↓
19: 10.6x ↖
20: 9.2 →
Series 98.4
Total 199.1



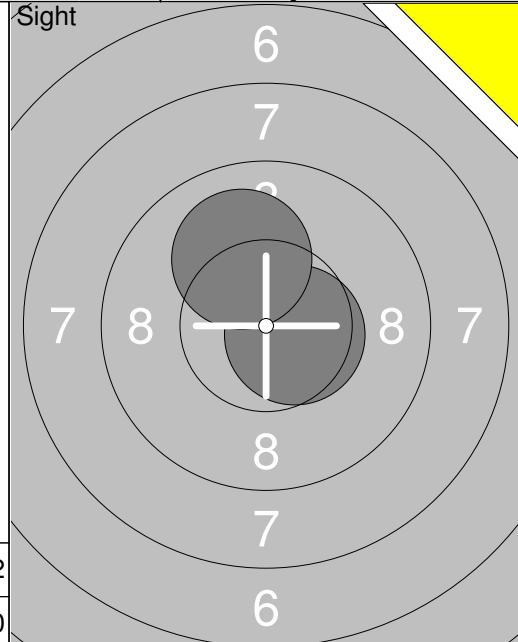
21: 10.5x ↖
22: 10.5x ↓
23: 10.4x ↘
24: 8.9 ←
25: 9.5 ↙
26: 10.2x ↖
27: 9.1 ↓
28: 9.1 →
29: 9.1 →
30: 9.3 →
Series 96.6
Total 295.7



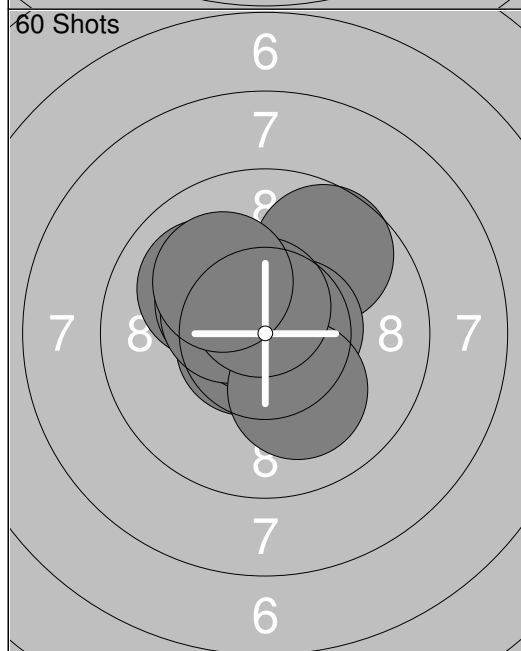
31: 9.6 ←
32: 9.7 →
33: 9.4 →
34: 10.0 ↓
35: 10.3x ↖
36: 10.5x ↘
37: 9.4 →
38: 10.0 ↙
39: 10.3x →
40: 10.3x ↘
Series 99.5
Total 395.2



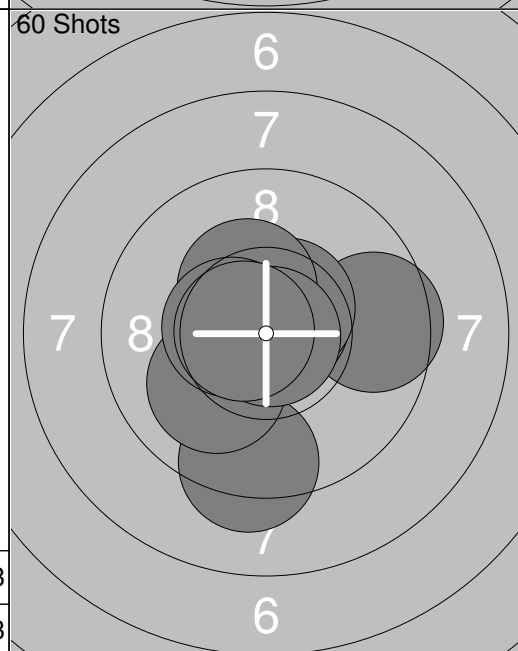
1: 10.7x ↗
2: 9.7 ↙
3: 10.8x ↓
4: 10.1 ↗
5: 10.1 →
6: 10.7x ↗
7: 10.2x →
8: 10.1 ↘
9: 10.6x ↗
10: 9.2 ↙
Series 102.2
Total 0.0



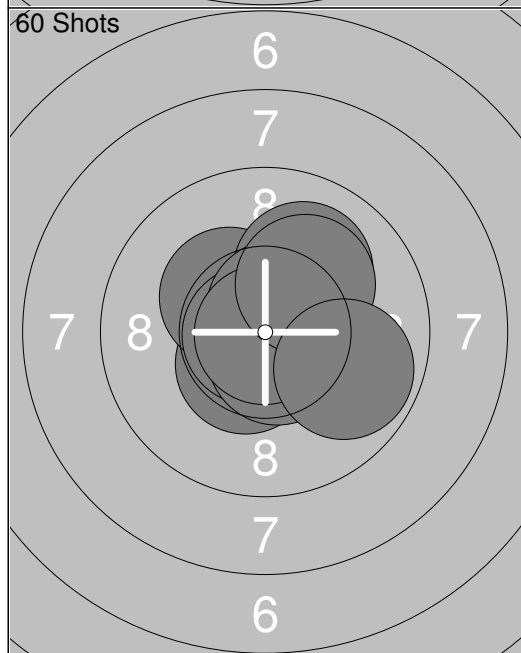
11: 10.6x →
12: 10.0 ↗
Series 20.6
Total 0.0



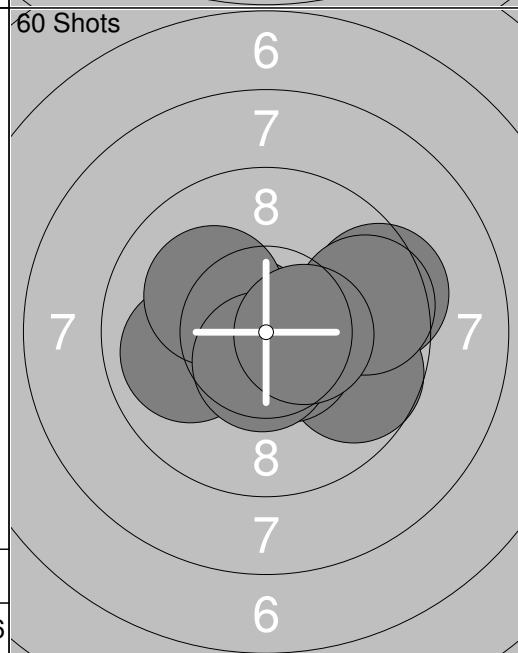
1: 10.7x ↙
2: 10.0 ↙
3: 10.8x ↗
4: 9.7 ↗
5: 10.6x →
6: 10.3x ↙
7: 10.4x ↙
8: 10.1 ↘
9: 10.6x ↗
10: 10.1 ↙
Series 103.3
Total 103.3



11: 9.6 →
12: 10.6x ↙
13: 9.3 ↓
14: 10.1 ↙
15: 10.7x ↗
16: 10.5x ↗
17: 10.3x ↗
18: 10.9x ↘
19: 10.5x ↙
20: 10.7x ↙
Series 103.2
Total 206.5

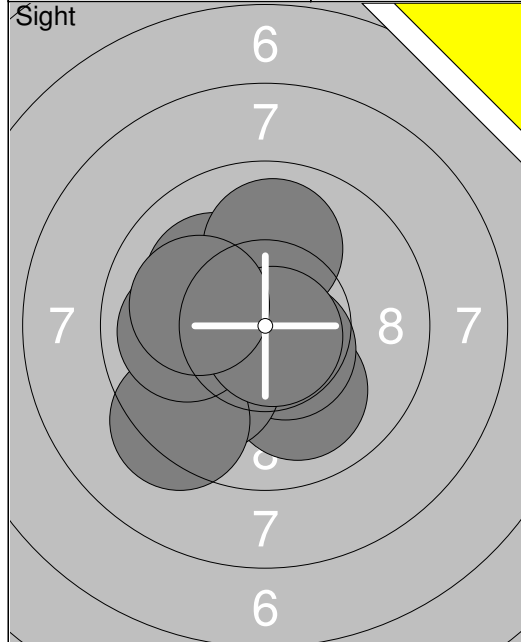


21: 10.5x ↙
22: 10.5x ↘
23: 10.3x ↙
24: 10.8x ↙
25: 10.0 ↗
26: 10.6x ↗
27: 10.6x ↘
28: 10.9x ↘
29: 10.1 ↗
30: 9.8 →
Series 104.1
Total 310.6

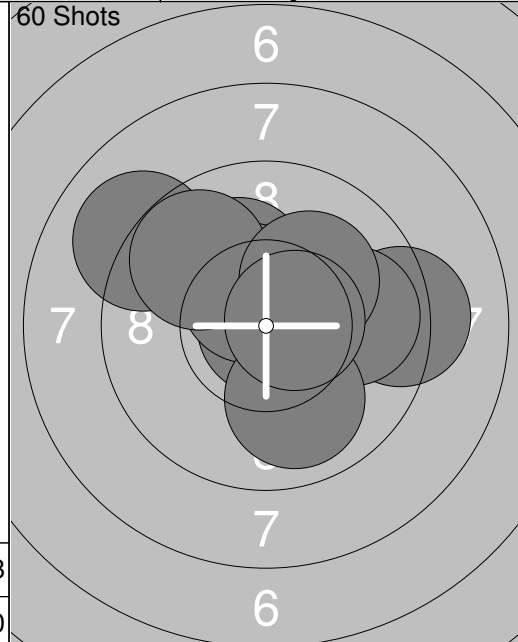


31: 10.4x →
32: 10.7x ↙
33: 9.4 →
34: 10.0 ↙
35: 10.1 ↙
36: 9.7 →
37: 9.6 →
38: 10.6x ↘
39: 10.6x ↓
40: 10.5x →
Series 101.6
Total 412.2

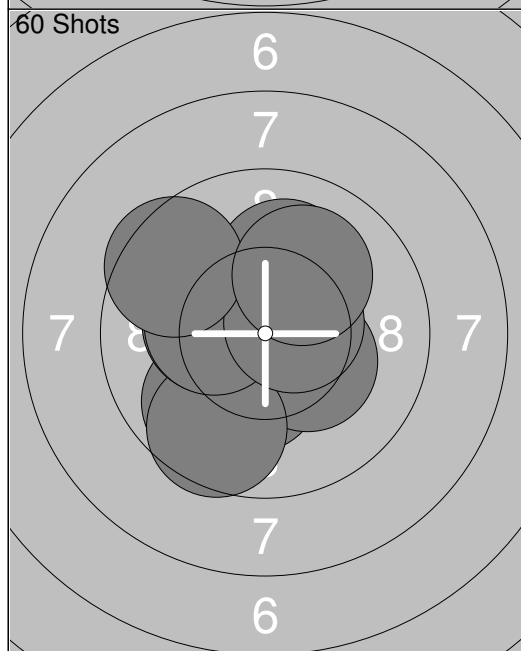




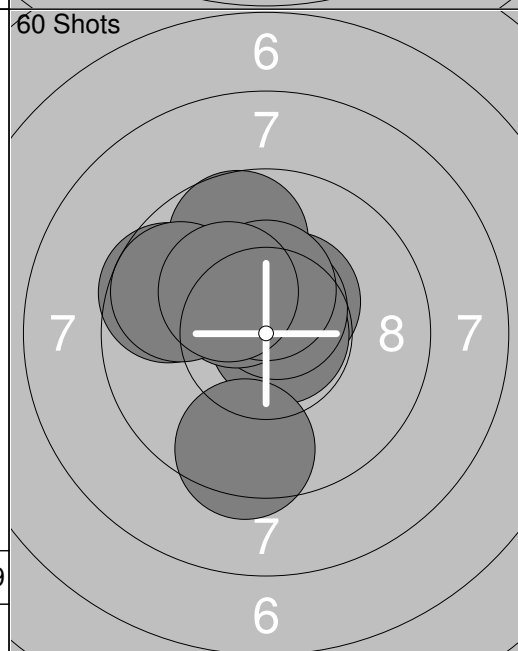
1: 10.0 ↘
2: 10.5x ↘
3: 10.0 ↘
4: 10.1 ↗
5: 10.0 ↑
6: 9.3 ↘
7: 10.0 ←
8: 10.8x ↘
9: 10.1 ←
Series 90.8
Total 0.0



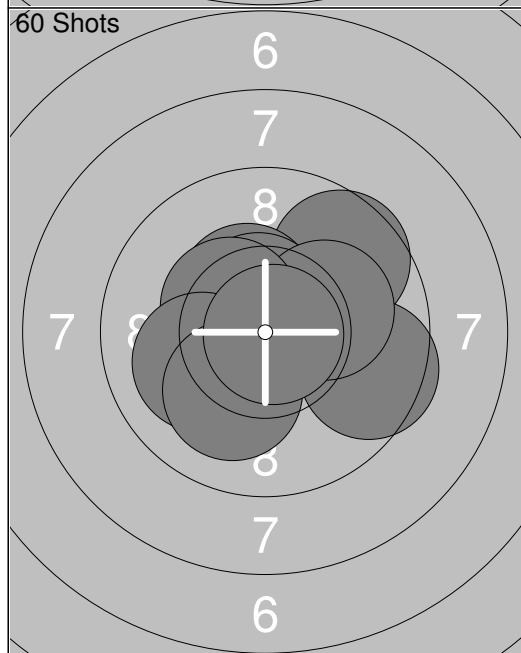
1: 10.1 ↗
2: 9.0 ↖
3: 9.2 →
4: 9.9 →
5: 10.9x →
6: 10.5x ↗
7: 10.0 ↘
8: 9.8 ↖
9: 10.2x ↗
10: 10.6x →
Series 100.2
Total 100.2



11: 9.8 ↘
12: 10.3x ↘
13: 10.3x ↘
14: 9.6 ↘
15: 10.3x ←
16: 10.1 ↑
17: 10.3x ←
18: 10.6x →
19: 9.5 ↖
20: 10.1 ↗
Series 100.9
Total 201.1

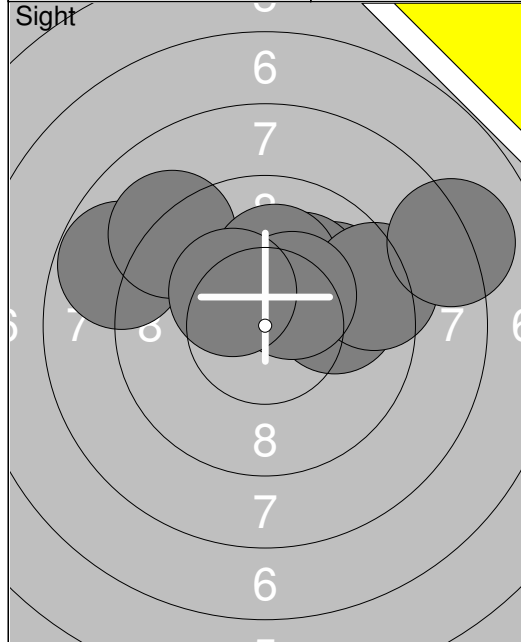


21: 9.6 ↖
22: 10.4x ↗
23: 10.8x →
24: 9.7 ↑
25: 10.6x ↗
26: 10.4x ↖
27: 9.7 ↖
28: 10.4x ↑
29: 9.4 ↘
30: 10.2x ↖
Series 101.2
Total 302.3

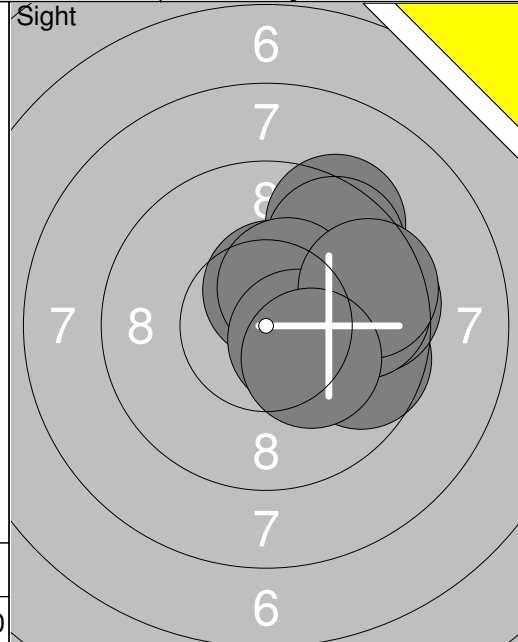


31: 9.6 ↗
32: 10.4x ↗
33: 10.6x ↗
34: 9.5 →
35: 10.1 →
36: 10.6x ←
37: 10.4x ↖
38: 10.1 ←
39: 10.1 ↘
40: 10.8x →
Series 102.2
Total 404.5

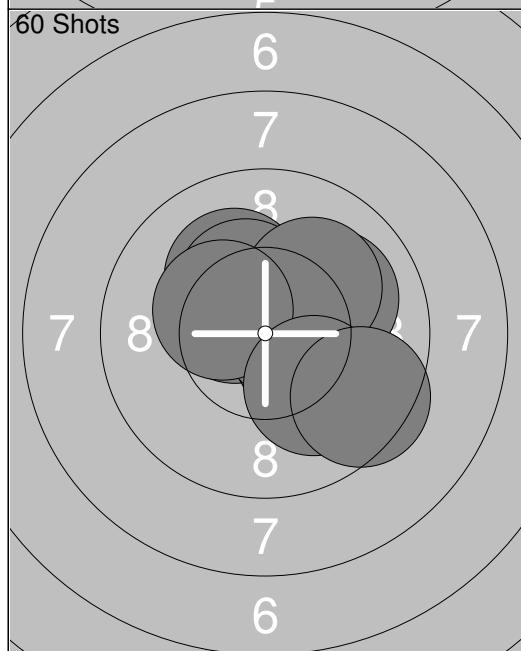




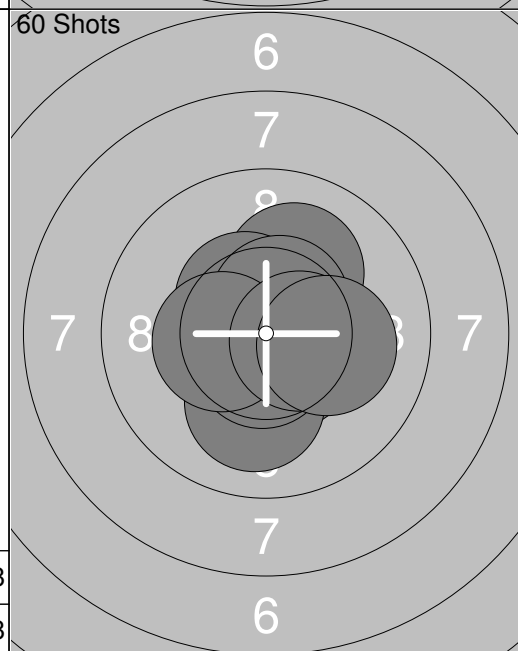
1:	8.8	↖
2:	9.1	↗
3:	9.9	↘
4:	10.1	↗
5:	10.0	→
6:	10.1	↑
7:	9.3	→
8:	10.4x	↗
9:	10.3x	↖
10:	8.1	→
Series		96.1
Total		0.0



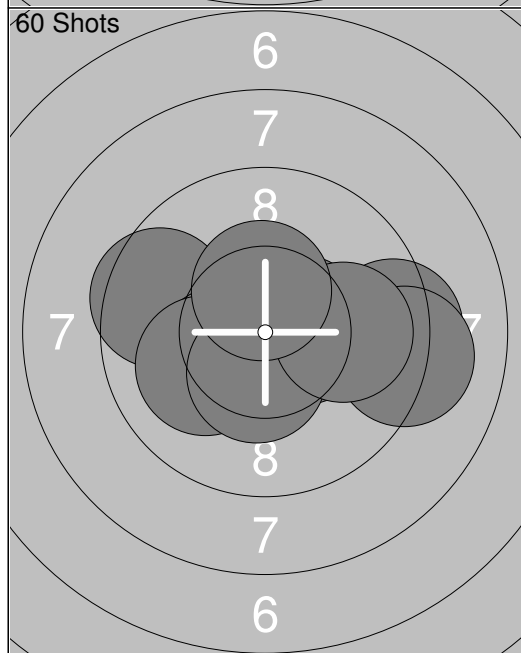
11:	9.4	↗
12:	9.7	→
13:	9.6	↗
14:	9.6	→
15:	10.5x	↑
16:	10.4x	↗
17:	9.7	→
18:	10.5x	→
19:	9.6	→
20:	10.2x	↘
Series		99.2
Total		0.0



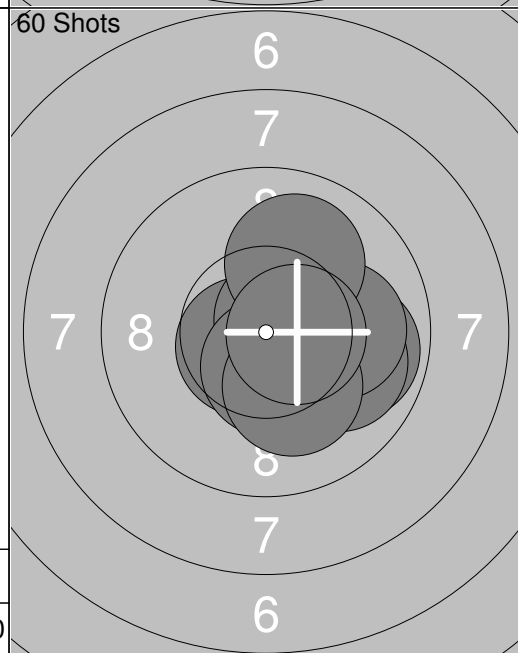
1:	10.5x	↖
2:	10.4x	→
3:	10.1	↗
4:	10.0	↘
5:	10.3x	↖
6:	10.6x	→
7:	10.1	↗
8:	10.3x	↖
9:	10.0	↘
10:	9.5	↘
Series		101.8
Total		101.8



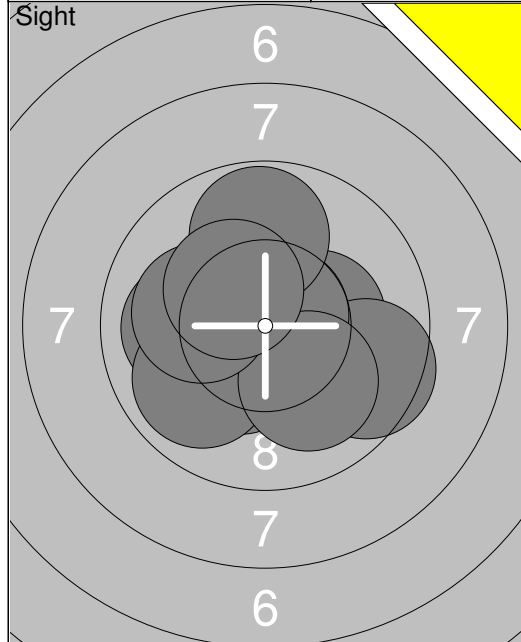
11:	10.5x	↘
12:	10.6x	↗
13:	10.1	↗
14:	10.5x	↖
15:	10.6x	↗
16:	10.1	↓
17:	10.6x	↓
18:	10.4x	←
19:	10.5x	→
20:	10.2x	→
Series		104.1
Total		205.9



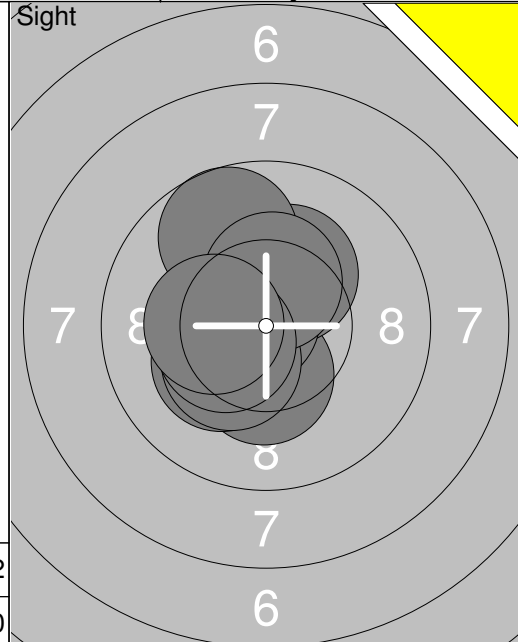
21:	9.3	→
22:	9.1	→
23:	9.5	↖
24:	10.5x	→
25:	10.3x	↖
26:	10.1	↖
27:	10.5x	→
28:	10.4x	↓
29:	10.0	→
30:	10.4x	↑
Series		100.1
Total		306.0



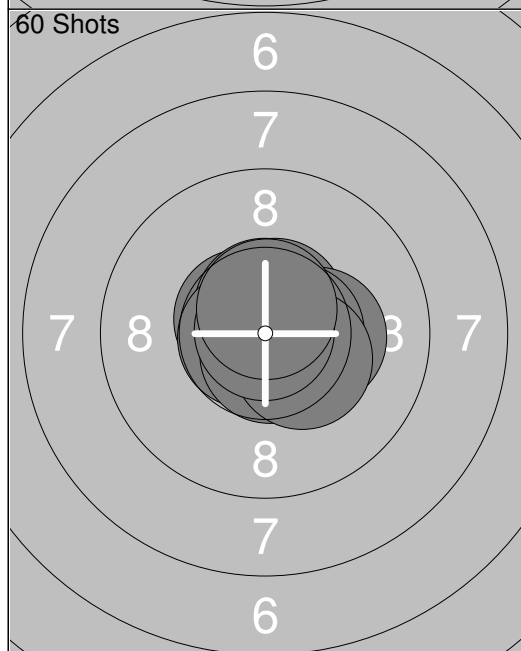
31:	9.9	→
32:	10.0	→
33:	10.6x	↖
34:	10.5x	↘
35:	10.7x	↗
36:	10.5x	↓
37:	10.1	→
38:	10.0	↗
39:	10.2x	↘
40:	10.6x	→
Series		103.1
Total		409.1



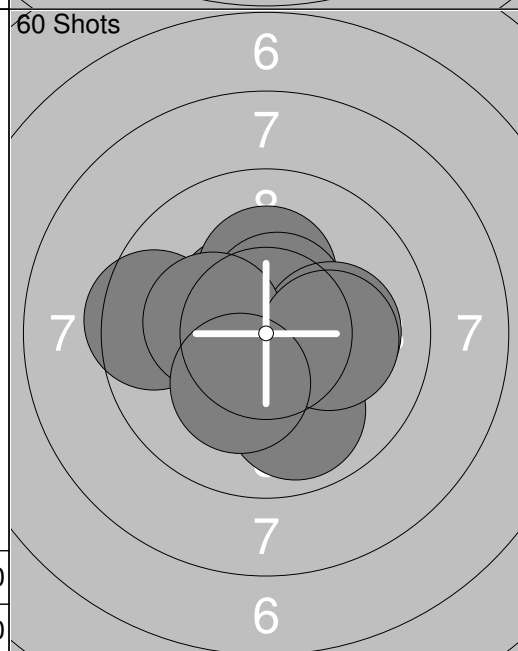
1: 10.0 ←
2: 10.3x →
3: 10.4x ↘
4: 9.9 ↙
5: 9.6 →
6: 10.7x ↗
7: 10.1 ↘
8: 9.8 ↑
9: 10.1 ←
10: 10.3x ↖
Series 101.2
Total 0.0



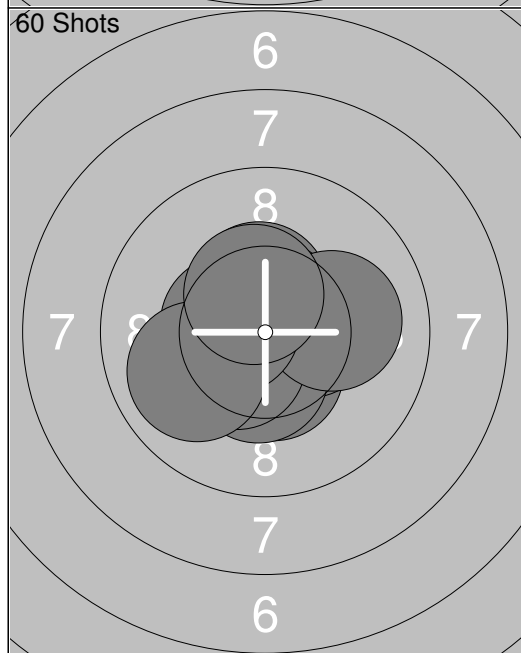
11: 10.3x ↓
12: 10.2x ↗
13: 10.7x ↖
14: 10.2x ↙
15: 10.3x ↙
16: 9.7 ↖
17: 10.4x ↑
18: 10.4x ↙
19: 10.3x ↙
Series 92.5
Total 0.0



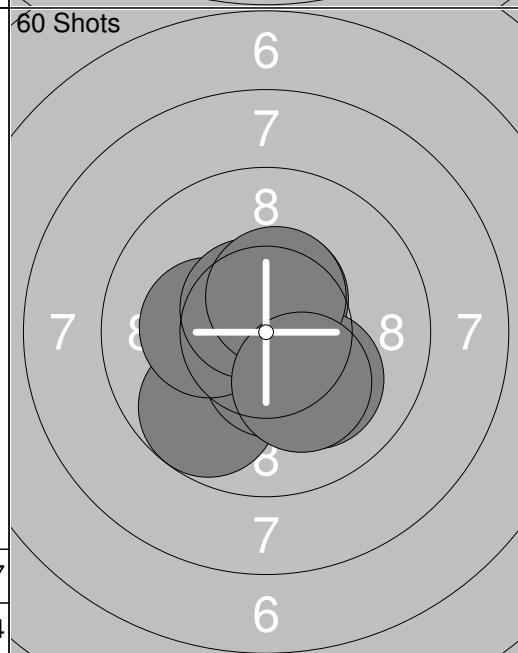
1: 10.6x ↖
2: 10.6x ↑
3: 10.7x ←
4: 10.6x ↗
5: 10.7x ↓
6: 10.3x →
7: 10.6x →
8: 10.4x ↘
9: 10.9x ↑
10: 10.6x ↑
Series 106.0
Total 106.0



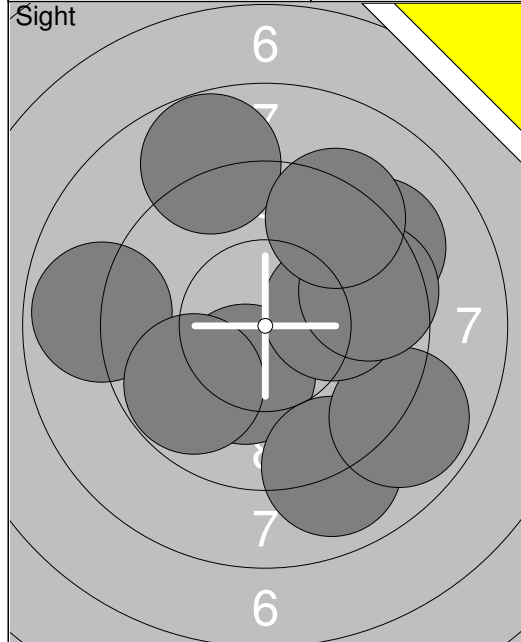
11: 10.5x ↖
12: 10.4x ↑
13: 9.9 ↓
14: 10.2x ↑
15: 9.5 ←
16: 10.5x ↗
17: 10.1 →
18: 10.3x ↙
19: 10.1 →
20: 10.2x ↘
Series 101.7
Total 207.7



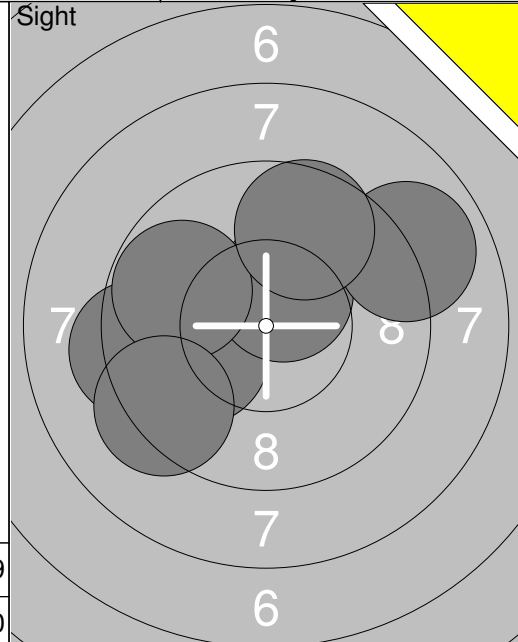
21: 10.4x ↑
22: 10.4x ↓
23: 10.4x →
24: 10.7x ↗
25: 10.4x ↓
26: 10.4x ↙
27: 10.1 →
28: 10.5x ↖
29: 10.0 ↙
30: 10.4x ↗
Series 103.7
Total 311.4



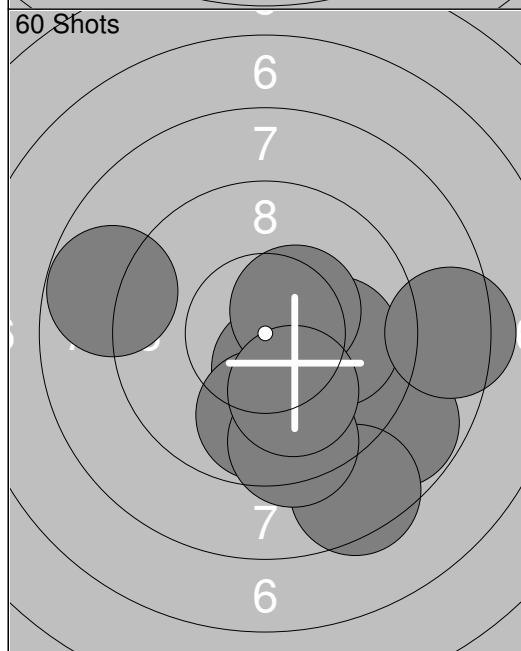
31: 10.8x ↖
32: 9.7 ↙
33: 10.7x ↘
34: 10.5x ↓
35: 10.5x ↗
36: 10.2x ↙
37: 10.6x ↖
38: 10.1 ↘
39: 10.5x ↑
40: 10.2x ↘
Series 103.8
Total 415.2



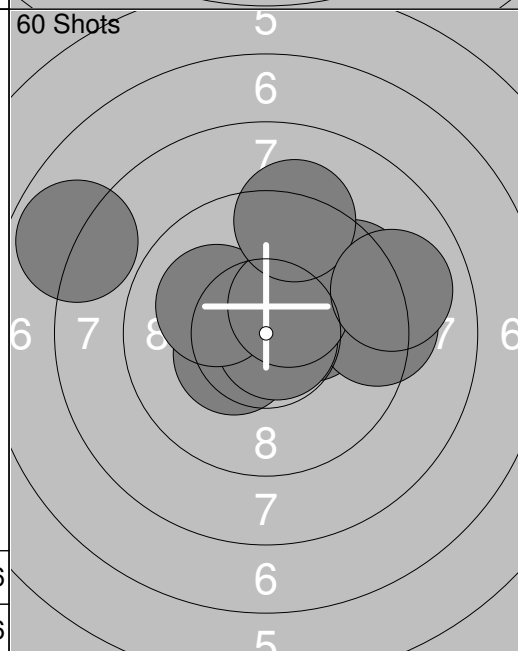
1:	10.3x	↘
2:	9.0	↘
3:	8.8	↗
4:	9.2	↗
5:	8.9	←
6:	8.9	↘
7:	10.1	→
8:	9.8	↙
9:	9.6	→
10:	9.3	↗
Series		93.9
Total		0.0



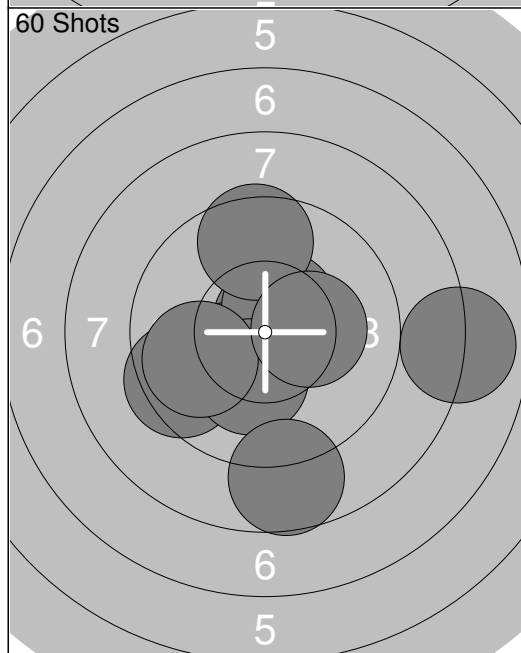
11:	10.0	↙
12:	9.3	←
13:	10.5x	↗
14:	9.8	↙
15:	9.3	↙
16:	8.9	↗
17:	9.6	↗
Series		67.4
Total		0.0



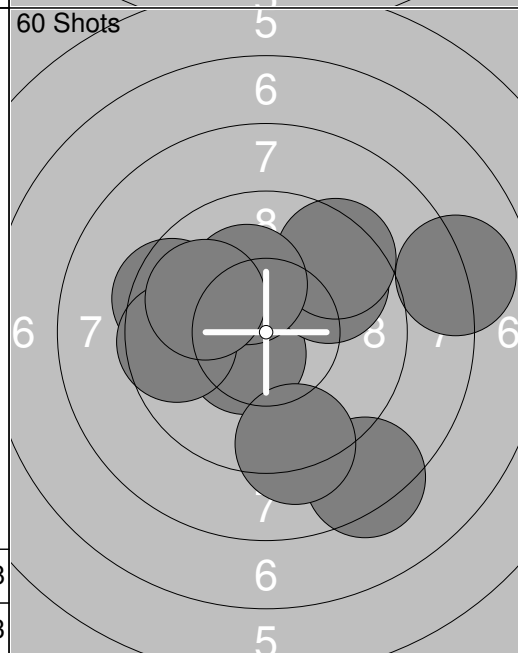
1:	8.8	↘
2:	10.0	→
3:	8.8	←
4:	8.5	↘
5:	10.4x	↘
6:	10.4x	↗
7:	8.4	→
8:	9.8	↓
9:	9.4	↓
10:	10.1	↘
Series		94.6
Total		94.6



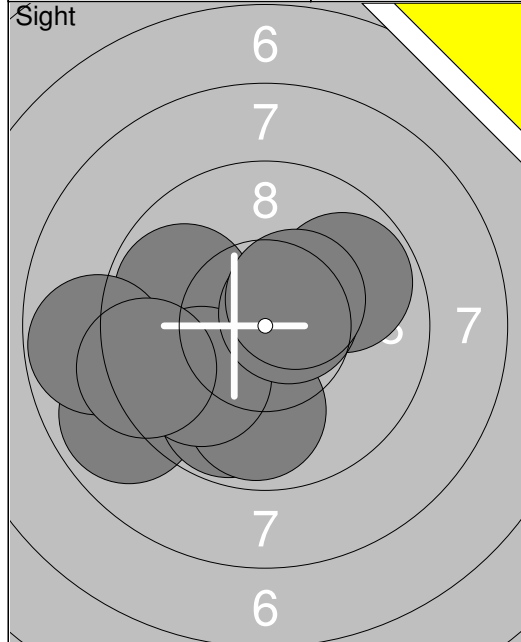
11:	10.3x	→
12:	9.5	↗
13:	9.3	→
14:	7.9	↙
15:	10.4x	↙
16:	10.8x	↘
17:	10.1	↙
18:	10.4x	↗
19:	9.2	↗
20:	9.0	→
Series		96.9
Total		191.5



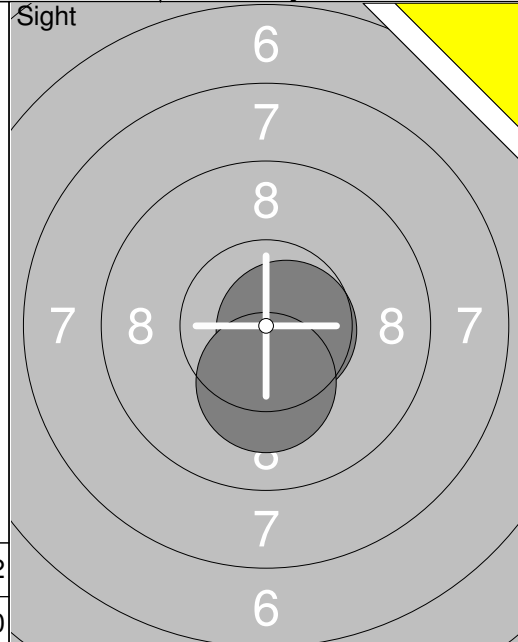
21:	10.7x	↗
22:	9.5	↙
23:	10.4x	↙
24:	10.5x	↗
25:	10.2x	↘
26:	9.9	←
27:	9.6	↗
28:	10.3x	→
29:	8.0	→
30:	8.7	↓
Series		97.8
Total		289.3



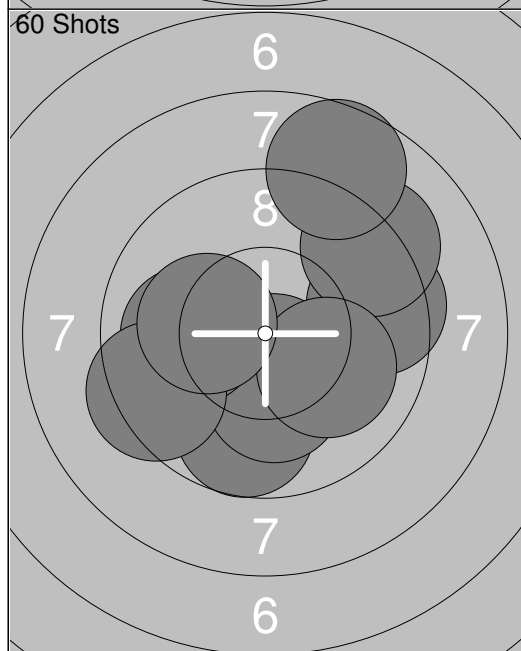
31:	8.3	↘
32:	10.5x	↙
33:	9.8	↗
34:	9.5	↗
35:	9.5	↙
36:	9.6	←
37:	10.2x	↗
38:	8.0	→
39:	9.9	↙
40:	9.2	↓
Series		94.5
Total		383.8



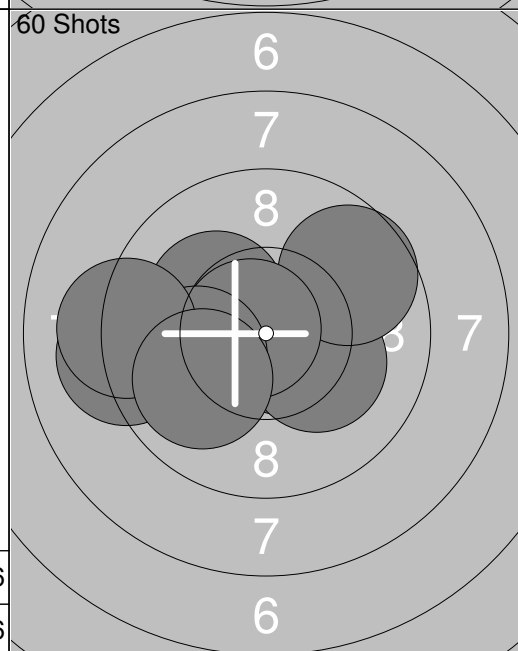
1: 8.9	↙
2: 9.8	↓
3: 9.8	↗
4: 9.9	↓
5: 9.8	↖
6: 8.8	←
7: 9.9	↙
8: 10.6x	↗
9: 10.4x	↗
10: 9.3	←
Series	97.2
Total	0.0



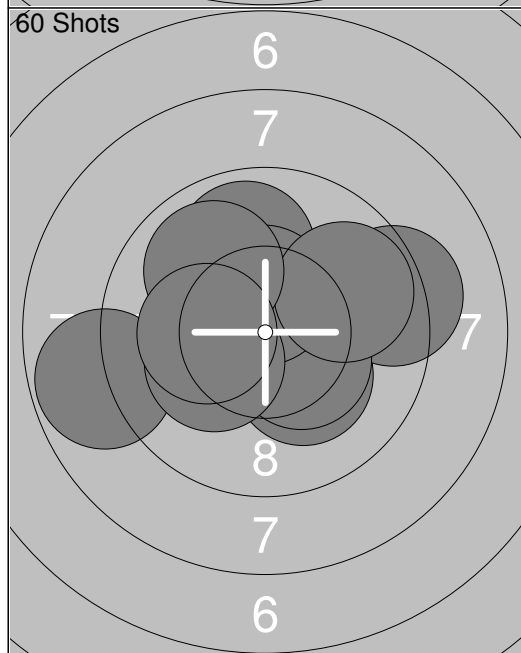
11: 10.7x	→
12: 10.2x	↓
Series	20.9
Total	0.0



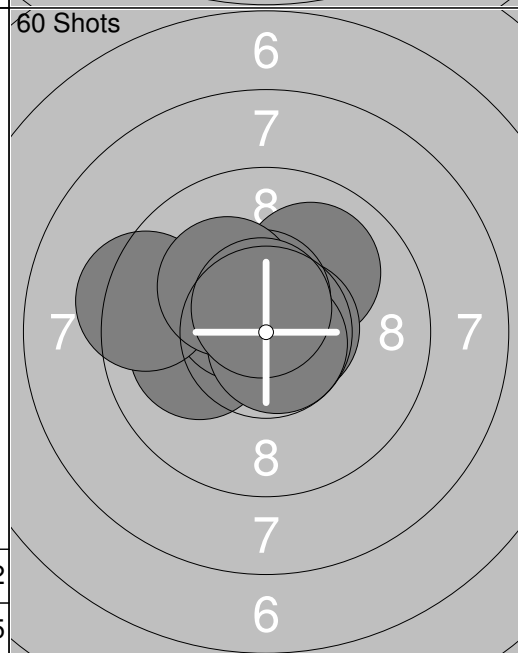
1: 9.5	→
2: 10.6x	↓
3: 9.7	↓
4: 10.2x	↓
5: 9.2	↗
6: 8.7	↗
7: 10.0	←
8: 9.4	←
9: 10.1	↘
10: 10.2x	←
Series	97.6
Total	97.6



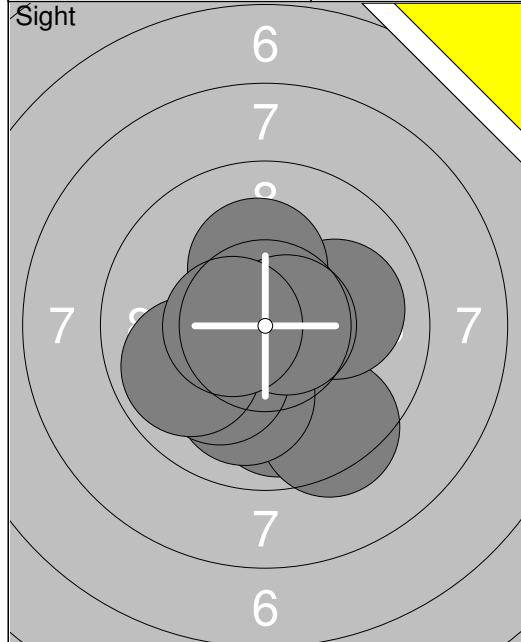
11: 10.0	←
12: 10.2x	↖
13: 10.7x	↘
14: 9.1	←
15: 10.2x	↘
16: 9.7	↗
17: 10.7x	↖
18: 10.0	←
19: 9.2	←
20: 9.9	↙
Series	99.7
Total	197.3



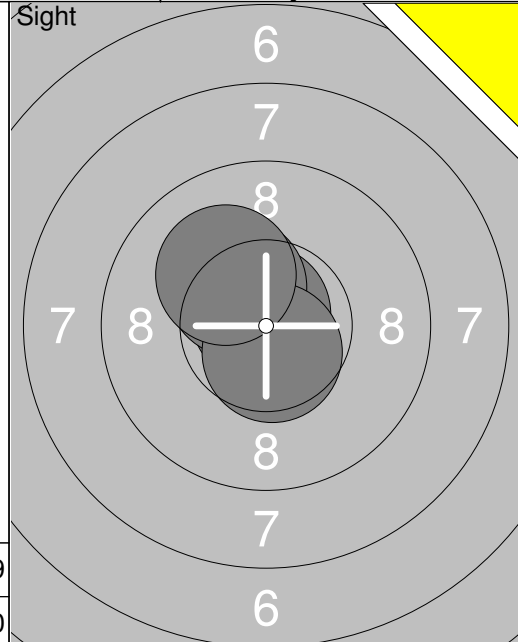
21: 10.2x	↘
22: 9.3	→
23: 10.4x	↘
24: 8.8	←
25: 9.9	↗
26: 10.5x	↗
27: 9.8	↗
28: 9.9	↖
29: 10.2x	↖
30: 10.2x	←
Series	99.2
Total	296.5



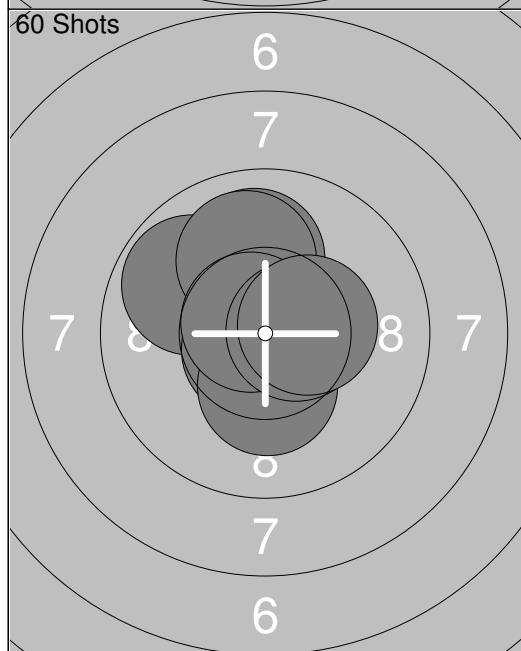
31: 10.0	↗
32: 10.8x	↗
33: 10.1	←
34: 10.6x	→
35: 10.5x	↖
36: 9.4	←
37: 10.5x	↗
38: 10.7x	↘
39: 10.2x	↖
40: 10.6x	↗
Series	103.4
Total	399.9



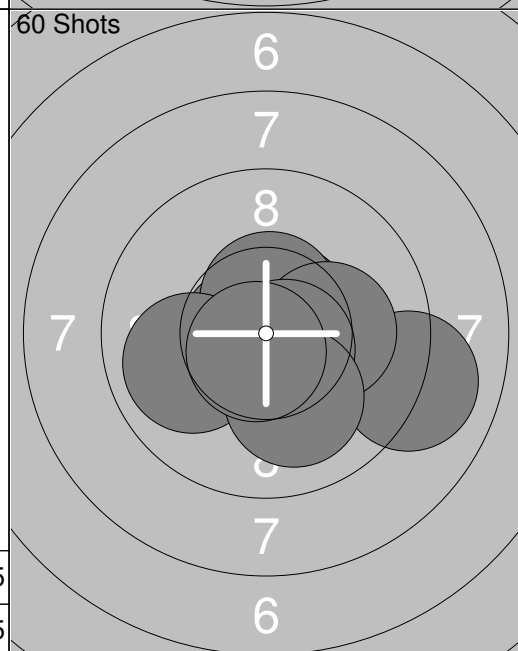
1: 9.9 ↓
2: 10.2x ↙
3: 9.4 ↓
4: 10.0 ↓
5: 10.1 ↙
6: 10.0 →
7: 9.9 ↙
8: 10.2x ↑
9: 10.7x →
10: 10.5x ←
Series 100.9
Total 0.0



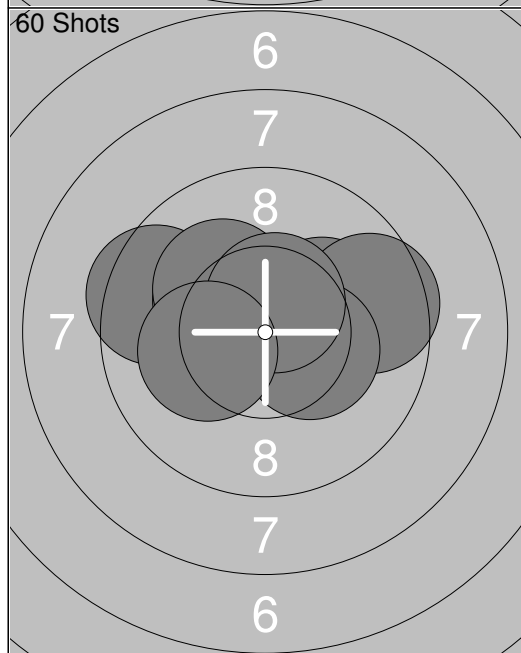
11: 10.8x ↗
12: 10.3x ↖
13: 10.6x ↓
14: 10.1 ↖
Series 41.8
Total 0.0



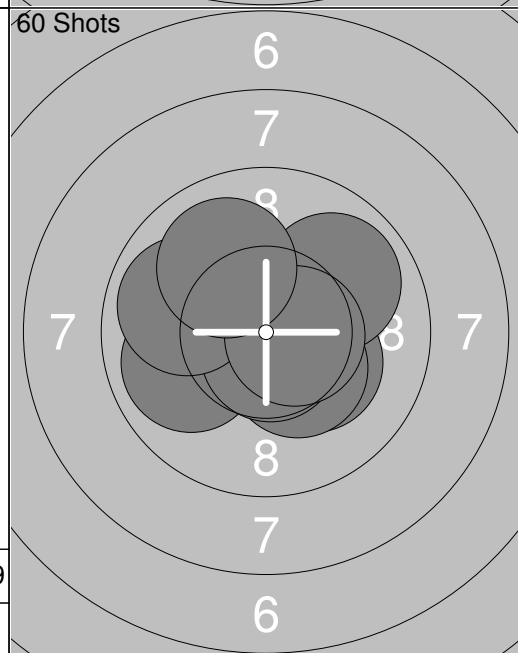
1: 9.8 ↖
2: 10.8x ↑
3: 10.2x ↑
4: 10.0 ↑
5: 10.0 ↑
6: 10.7x ↙
7: 10.3x ↓
8: 10.7x ↖
9: 10.6x →
10: 10.4x →
Series 103.5
Total 103.5



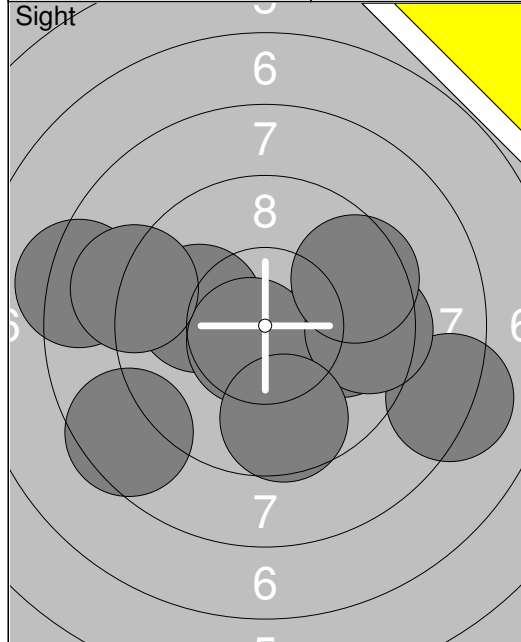
11: 10.6x ↗
12: 10.7x ←
13: 10.4x →
14: 10.5x ↑
15: 9.0 →
16: 10.2x →
17: 9.9 ↙
18: 10.6x ↘
19: 10.1 ↓
20: 10.7x ↘
Series 102.7
Total 206.2



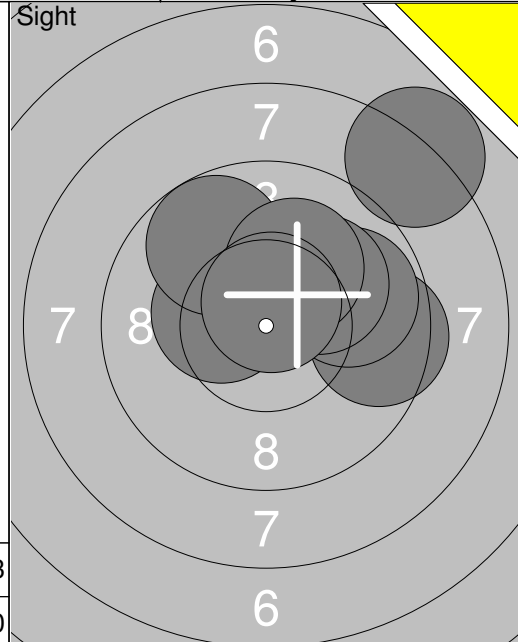
21: 9.5 ↙
22: 10.3x ↖
23: 10.4x ←
24: 10.2x ↖
25: 10.2x →
26: 10.6x →
27: 9.6 →
28: 10.3x ↘
29: 10.6x ↑
30: 10.2x ←
Series 101.9
Total 308.1



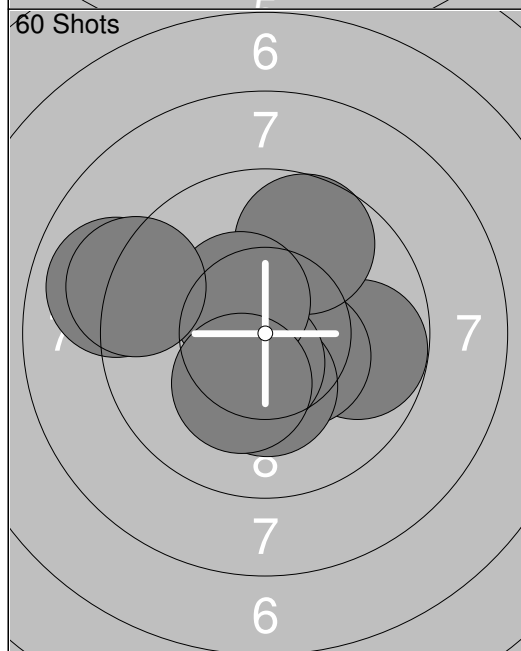
31: 10.2x ↘
32: 9.9 ↙
33: 10.3x ↘
34: 10.6x →
35: 10.7x ↖
36: 10.7x ↓
37: 9.9 ↙
38: 9.9 ↗
39: 10.6x →
40: 10.0 ↖
Series 102.8
Total 410.9



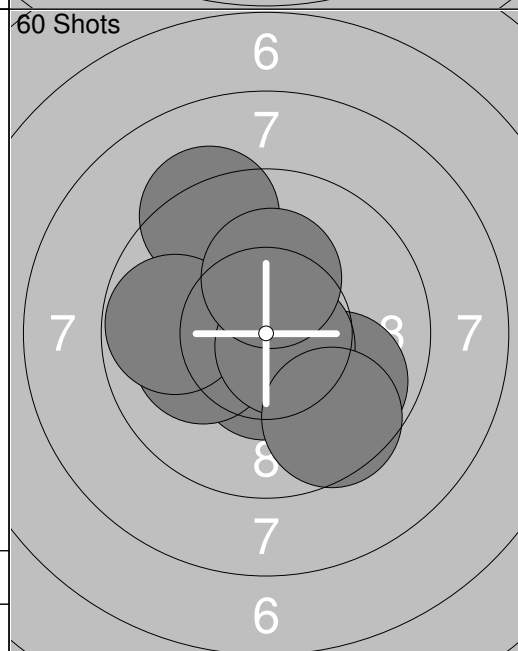
1:	8.2	➤
2:	9.9	➤
3:	10.0	⬅
4:	10.7x	↙
5:	9.5	➤
6:	9.5	➤
7:	8.3	⬅
8:	9.6	⬇
9:	8.5	↙
10:	9.1	⬅
Series		93.3
Total		0.0



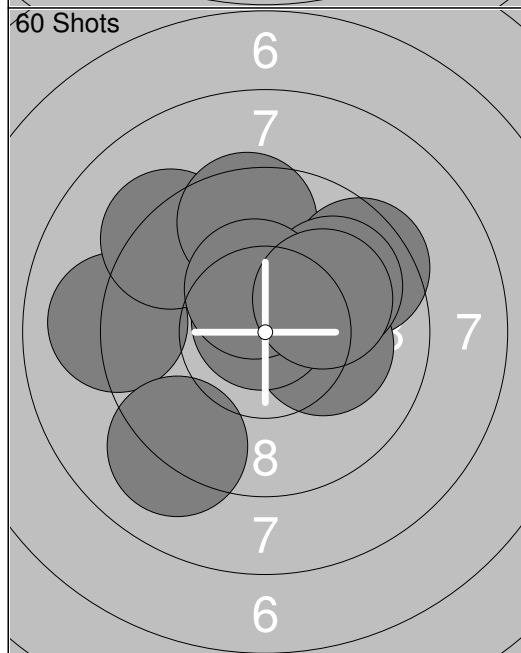
11:	10.4x	↙
12:	9.5	➤
13:	9.8	➤
14:	8.1	↗
15:	10.1	↗
16:	9.8	↖
17:	10.1	↗
18:	10.6x	↑
Series		78.4
Total		0.0



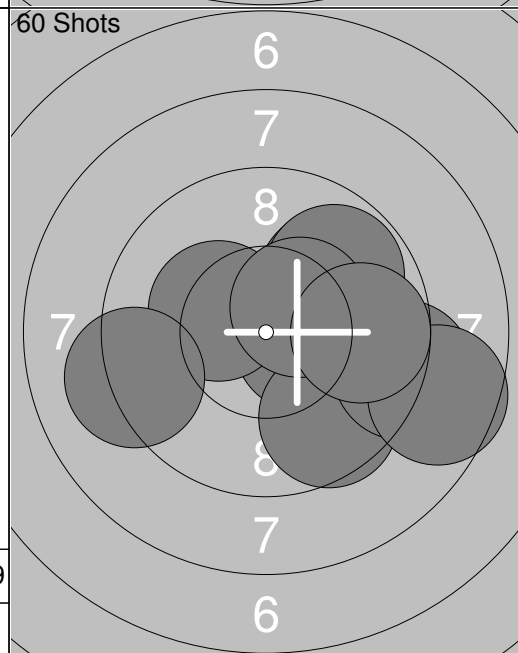
1:	10.4x	➤
2:	9.8	➤
3:	10.4x	➤
4:	9.0	⬅
5:	10.3x	⬇
6:	9.7	↗
7:	10.6x	↙
8:	10.4x	↖
9:	10.3x	⬇
10:	9.2	⬅
Series		100.1
Total		100.1



11:	10.5x	↖
12:	10.5x	⬇
13:	9.3	↗
14:	9.9	➤
15:	10.5x	⬇
16:	10.1	⬅
17:	9.8	⬅
18:	10.7x	➤
19:	9.6	⬇
20:	10.2x	↑
Series		101.1
Total		201.2

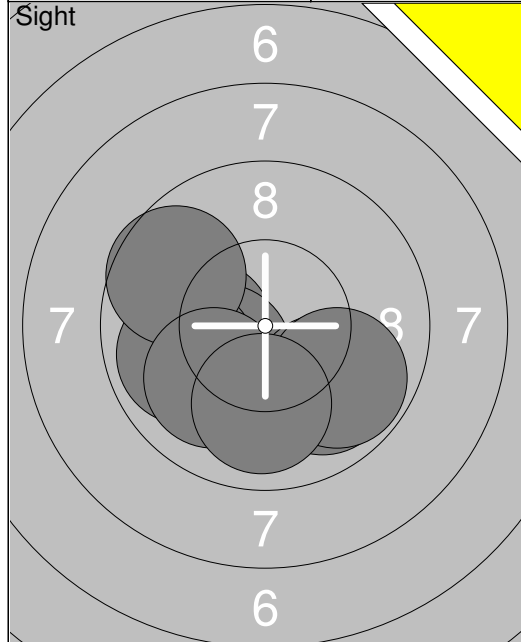


21:	9.1	⬅
22:	9.3	↖
23:	9.5	↑
24:	9.5	↗
25:	10.2x	➤
26:	9.9	↗
27:	10.8x	↑
28:	9.1	↙
29:	10.4x	↑
30:	10.1	↗
Series		97.9
Total		299.1

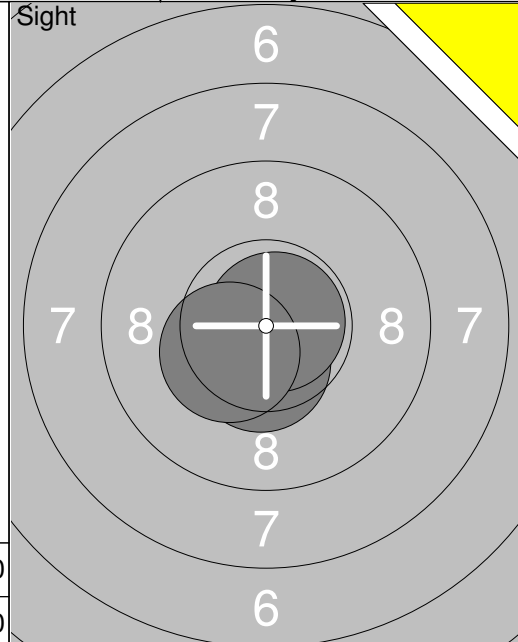


31:	9.9	↗
32:	10.5x	➤
33:	9.6	⬇
34:	10.3x	↖
35:	9.1	➤
36:	8.6	➤
37:	9.2	⬅
38:	9.8	↗
39:	10.4x	↗
40:	9.7	➤
Series		97.1
Total		396.2

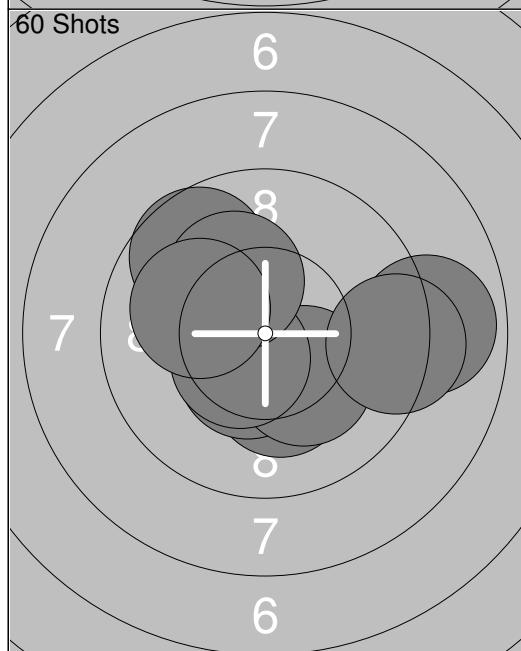




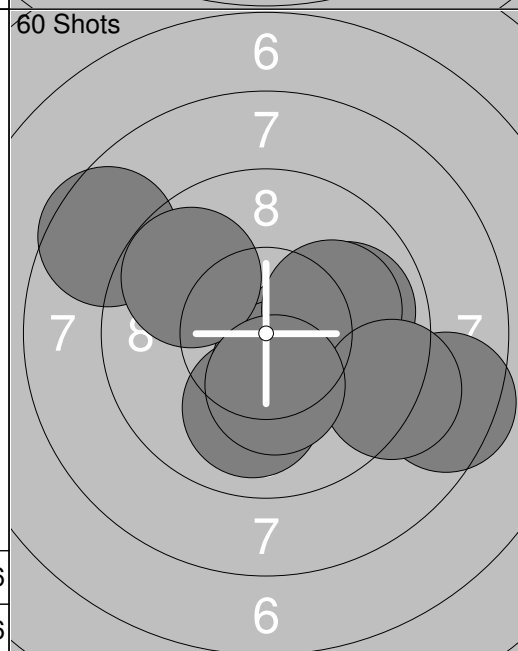
1: 10.2x ↙
2: 10.1 ←
3: 10.2x ←
4: 10.3x ↙
5: 9.9 ←
6: 9.9 ↘
7: 9.6 ↗
8: 10.0 ↘
9: 9.8 ↘
10: 10.0 ↓
Series 100.0
Total 0.0



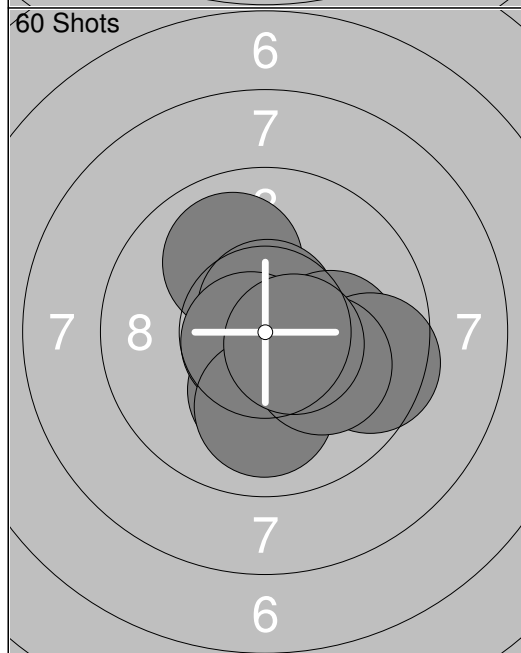
11: 10.5x ↓
12: 10.8x →
13: 10.4x ↙
Series 31.7
Total 0.0



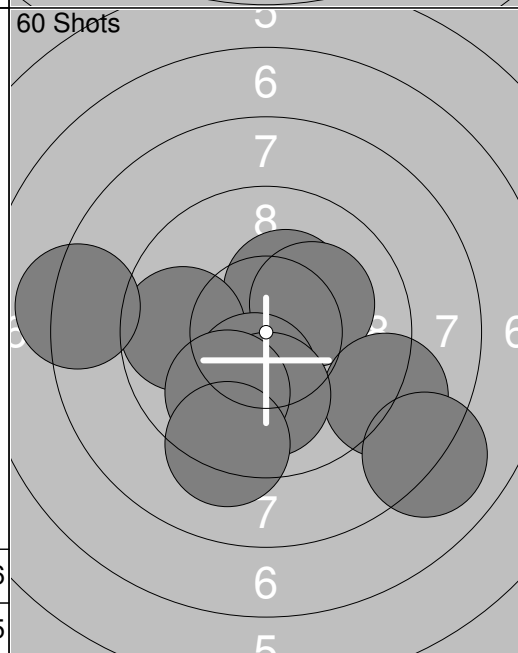
1: 9.7 ↗
2: 10.2x ↓
3: 8.9 →
4: 10.4x ↘
5: 10.2x ↘
6: 10.1 ←
7: 9.3 →
8: 10.5x ↘
9: 10.2x ↗
10: 10.1 ←
Series 99.6
Total 99.6



11: 8.5 →
12: 10.0 ↓
13: 9.9 →
14: 10.4x →
15: 10.5x ↓
16: 10.1 →
17: 9.2 →
18: 8.6 ↗
19: 9.8 ↗
20: 10.3x ↓
Series 97.3
Total 196.9

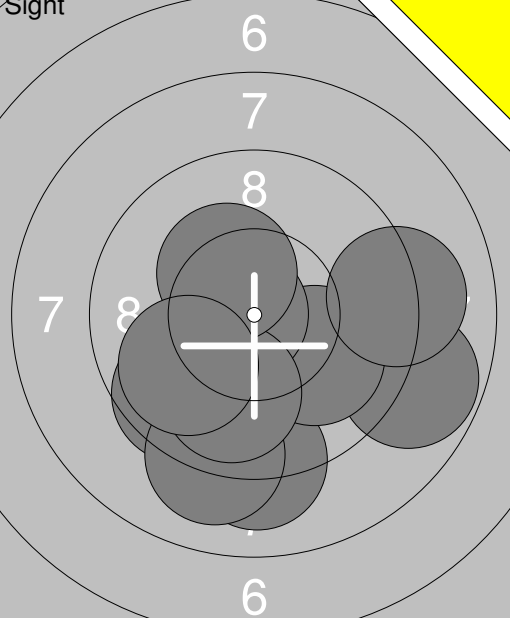
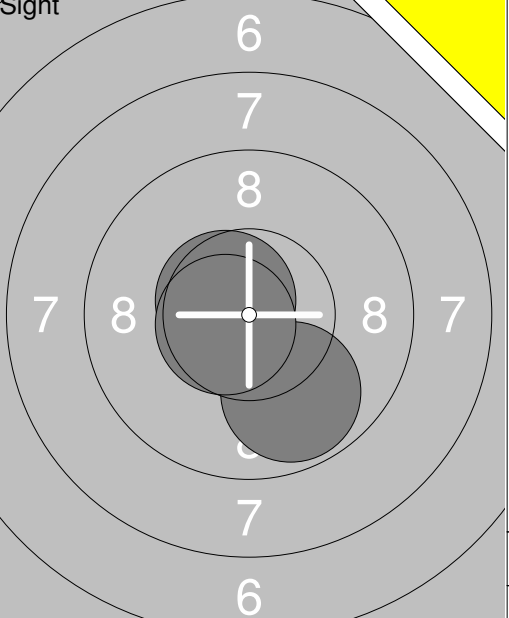


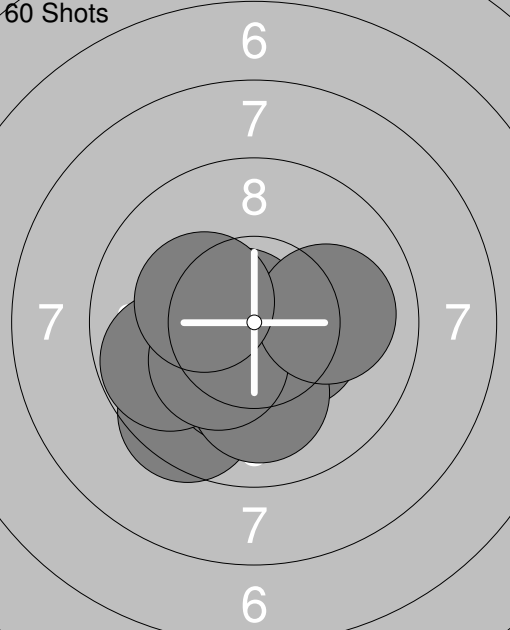
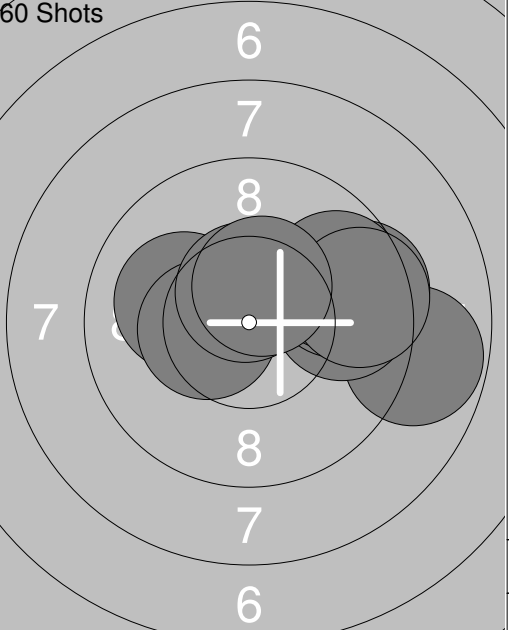
21: 10.0 ↗
22: 10.7x ↘
23: 10.2x ↓
24: 10.7x ↑
25: 10.1 →
26: 10.7x ↙
27: 9.6 →
28: 10.0 ↓
29: 10.1 ↘
30: 10.5x →
Series 102.6
Total 299.5

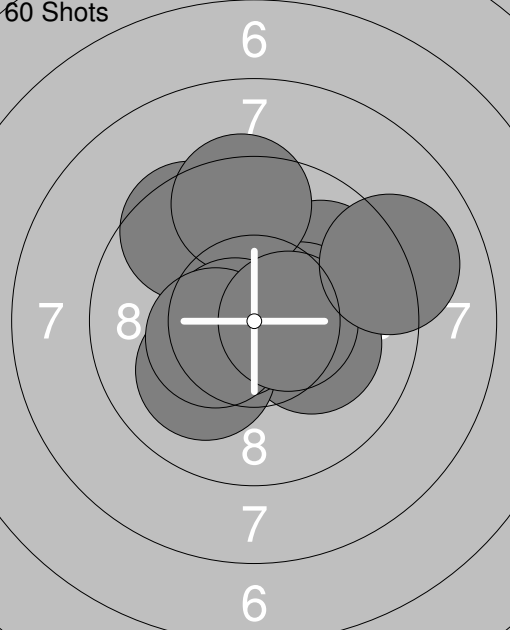
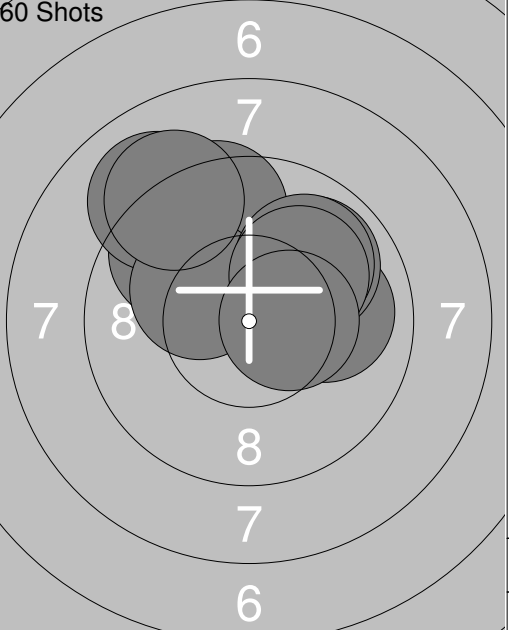


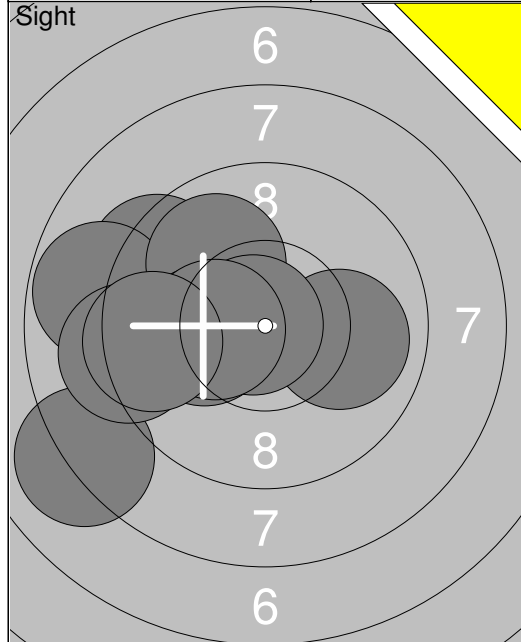
31: 10.3x ↗
32: 9.8 ←
33: 10.2x →
34: 10.3x ↓
35: 9.0 →
36: 10.0 ↓
37: 8.1 ↘
38: 9.9 ↘
39: 9.3 ↓
40: 8.2 ←
Series 95.1
Total 394.6



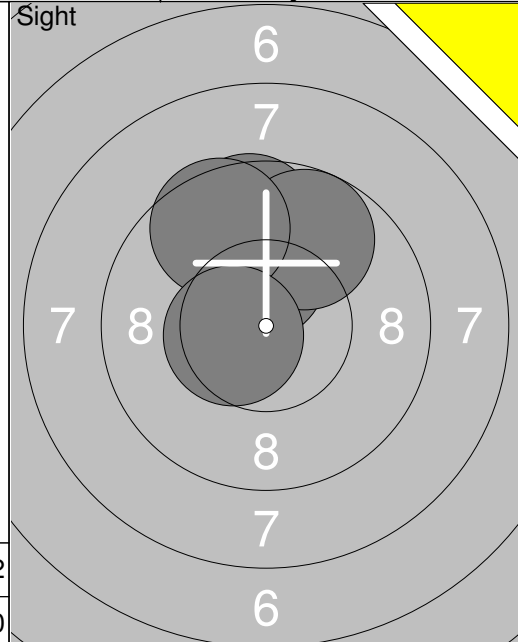
<p>Sight</p> 	<p>1: 8.8 →</p> <p>2: 9.6 ↙</p> <p>3: 9.1 ↓</p> <p>4: 10.0 →</p> <p>5: 9.1 ↓</p> <p>6: 10.7x←</p> <p>7: 9.9 ↓</p> <p>8: 9.1 →</p> <p>9: 10.3x↗</p> <p>10: 9.9 ↙</p>	<p>Sight</p> 	<p>11: 9.8 ↓</p> <p>12: 10.6x↖</p> <p>13: 10.6x↙</p>
Series	96.5	Series	31.0
Total	0.0	Total	0.0

<p>60 Shots</p> 	<p>1: 9.5 ↙</p> <p>2: 10.8x↖</p> <p>3: 10.3x↓</p> <p>4: 9.8 ↙</p> <p>5: 10.4x→</p> <p>6: 10.1 ↓</p> <p>7: 10.6x↙</p> <p>8: 10.3x↙</p> <p>9: 10.0 →</p> <p>10: 10.3x↖</p>	<p>60 Shots</p> 	<p>11: 8.8 →</p> <p>12: 9.8 →</p> <p>13: 9.7 →</p> <p>14: 10.1 ↙</p> <p>15: 9.5 →</p> <p>16: 10.4x↙</p> <p>17: 9.7 →</p> <p>18: 10.6x↑</p> <p>19: 9.5 →</p> <p>20: 10.5x↑</p>
Series	102.1	Series	98.6
Total	102.1	Total	200.7

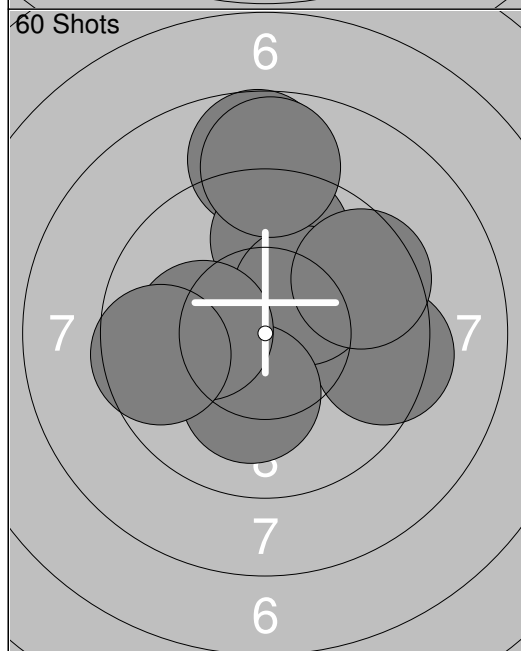
<p>60 Shots</p> 	<p>21: 9.9 ↗</p> <p>22: 10.4x→</p> <p>23: 9.5 ↖</p> <p>24: 10.2x→</p> <p>25: 9.4 ↑</p> <p>26: 10.1 ↙</p> <p>27: 10.7x↙</p> <p>28: 10.4x↙</p> <p>29: 10.5x→</p> <p>30: 9.1 →</p>	<p>60 Shots</p> 	<p>31: 9.7 ↖</p> <p>32: 10.0 →</p> <p>33: 9.0 ↖</p> <p>34: 9.5 ↑</p> <p>35: 9.9 ↗</p> <p>36: 10.2x↙</p> <p>37: 9.9 ↗</p> <p>38: 10.1 ↗</p> <p>39: 10.4x→</p> <p>40: 9.1 ↖</p>
Series	100.2	Series	97.8
Total	300.9	Total	398.7



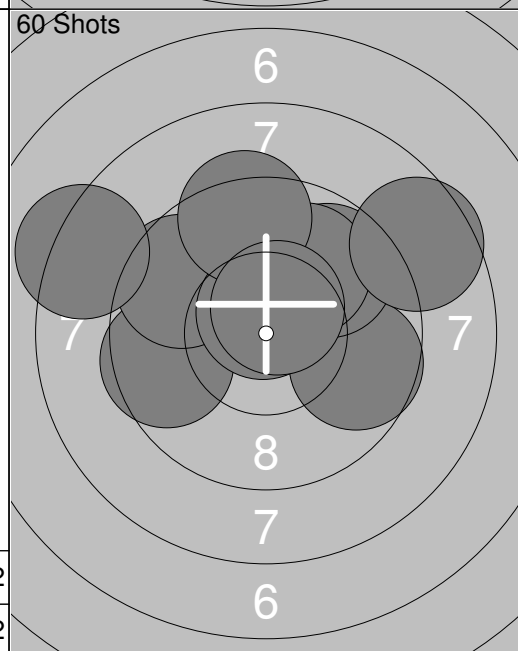
1: 9.4 ↖
2: 8.1 ↙
3: 10.0 →
4: 8.8 ↖
5: 9.9 ↗
6: 10.2x↙
7: 9.2 ↖
8: 10.8x↙
9: 10.3x↙
10: 9.5 ↖
<b>Series</b> 96.2
<b>Total</b> 0.0



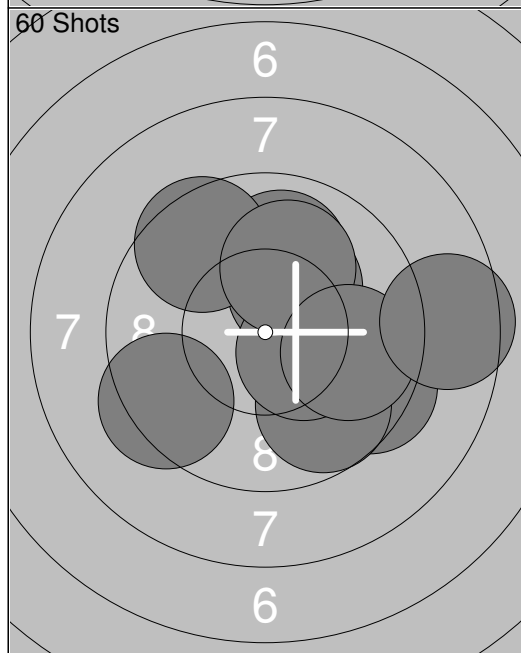
11: 9.6 ↑
12: 10.2x↑
13: 9.7 ↗
14: 9.6 ↖
15: 10.5x↙
<b>Series</b> 49.6
<b>Total</b> 0.0



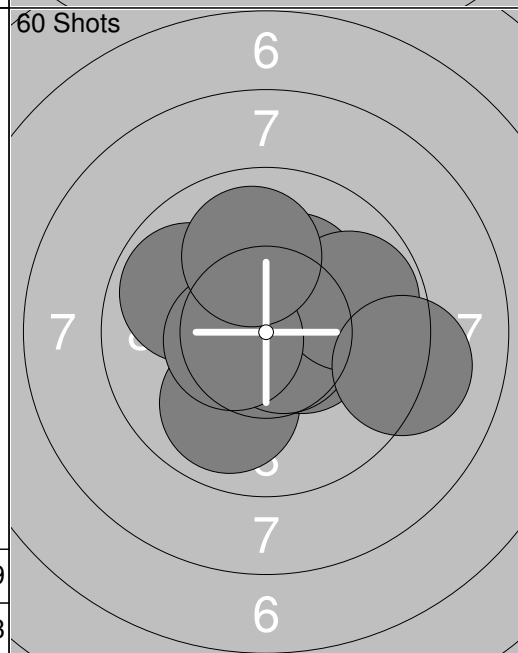
1: 10.8x↑
2: 8.7 ↑
3: 9.4 →
4: 9.7 ↑
5: 10.3x↗
6: 10.2x↓
7: 9.5 ↗
8: 10.2x↖
9: 8.8 ↑
10: 9.6 ↖
<b>Series</b> 97.2
<b>Total</b> 97.2



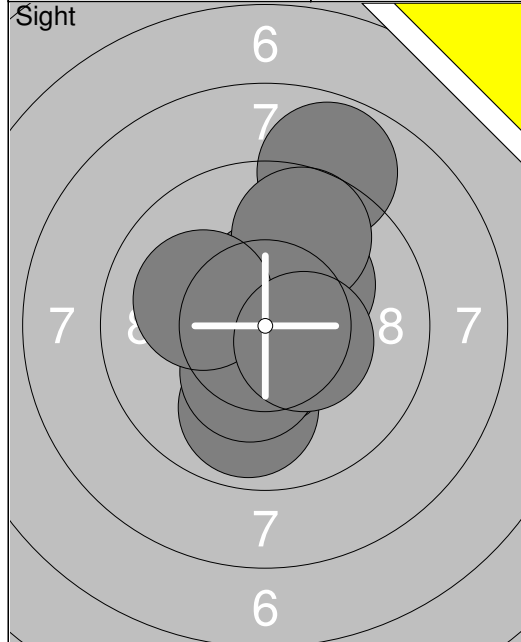
11: 9.6 ↖
12: 9.7 →
13: 9.8 ↗
14: 9.6 ↖
15: 10.7x↑
16: 10.0 ↗
17: 9.4 ↑
18: 10.6x↑
19: 8.6 ↗
20: 8.2 ↖
<b>Series</b> 96.2
<b>Total</b> 193.4



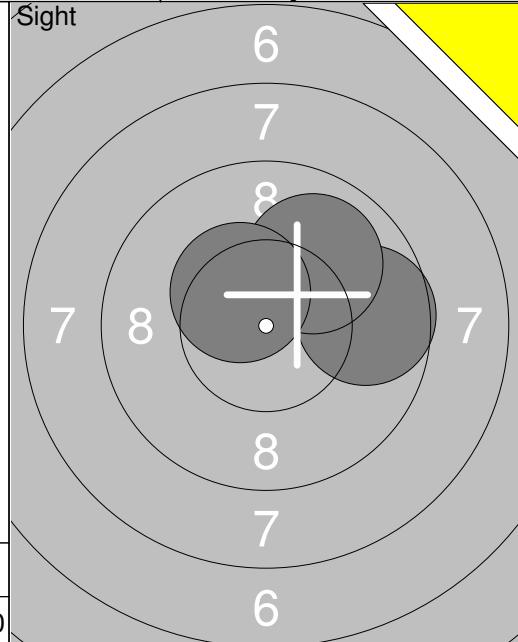
21: 10.2x↗
22: 9.4 →
23: 9.9 ↑
24: 9.7 ↓
25: 10.4x↗
26: 9.5 ↗
27: 10.1 ↗
28: 9.4 ↖
29: 9.8 →
30: 8.5 →
<b>Series</b> 96.9
<b>Total</b> 290.3



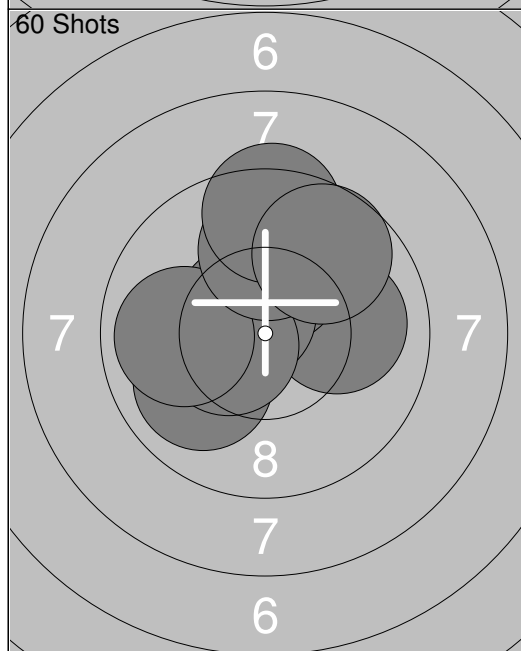
31: 9.9 ↓
32: 10.2x↑
33: 10.6x↖
34: 10.5x→
35: 9.8 ↖
36: 10.7x↗
37: 9.8 →
38: 9.2 →
39: 10.5x↙
40: 10.0 ↑
<b>Series</b> 101.2
<b>Total</b> 391.5



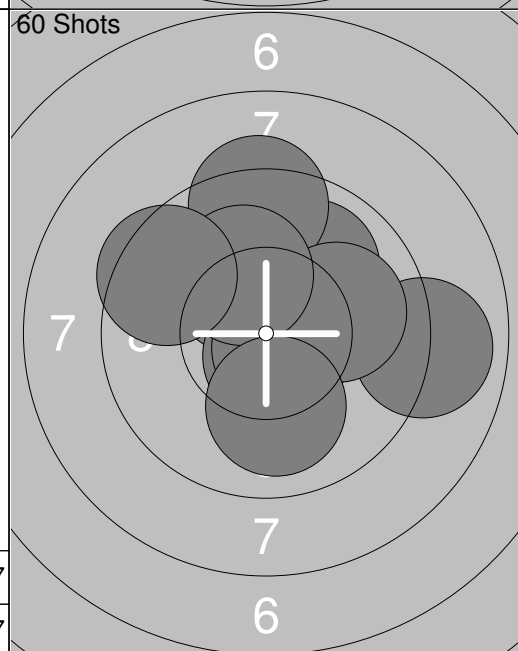
1: 9.9 ↓
2: 8.8 ↑
3: 10.2x ↗
4: 10.5x ↑
5: 10.5x ↓
6: 10.7x ↓
7: 9.7 ↑
8: 10.3x ↓
9: 10.1 ←
10: 10.4x →
Series 101.1
Total 0.0



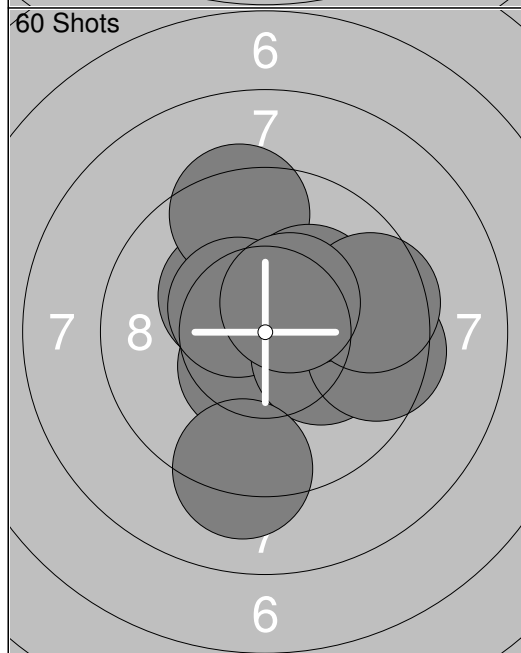
11: 9.7 →
12: 10.0 ↗
13: 10.4x ↖
Series 30.1
Total 0.0



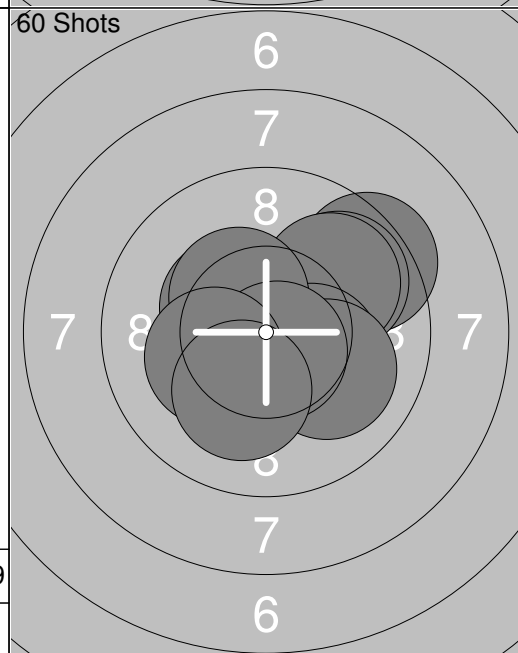
1: 10.5x ←
2: 10.0 →
3: 10.2x ↑
4: 10.6x ↖
5: 10.0 ↙
6: 10.5x ←
7: 9.9 ←
8: 9.9 ↑
9: 9.4 ↑
10: 9.7 ↗
Series 100.7
Total 100.7



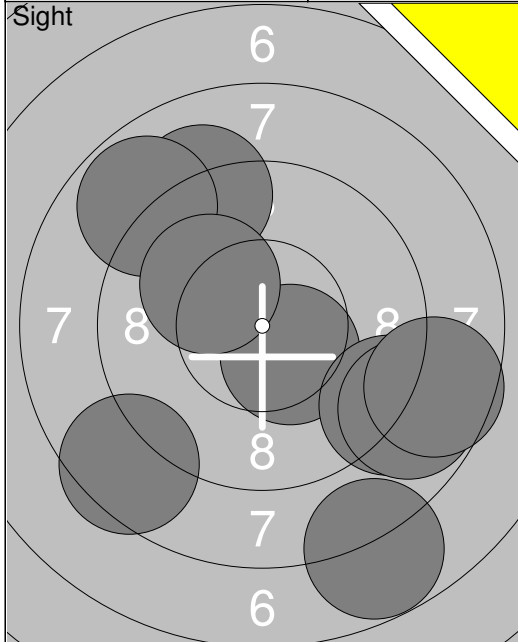
11: 10.3x ↖
12: 10.6x ↓
13: 10.0 ↗
14: 9.3 ↑
15: 10.7x ↘
16: 8.9 →
17: 10.0 →
18: 10.2x ↗
19: 10.0 ↓
20: 9.5 ↖
Series 99.5
Total 200.2



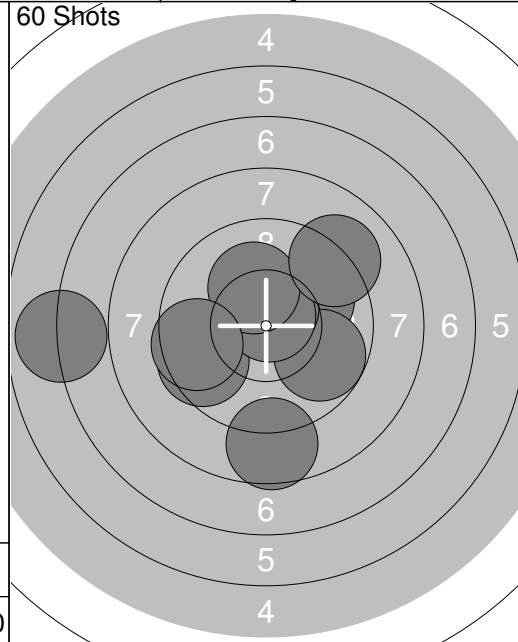
21: 10.5x ↓
22: 10.3x ↖
23: 9.4 ↑
24: 10.5x ↖
25: 10.2x →
26: 9.5 →
27: 9.2 ↓
28: 10.2x ↗
29: 9.6 →
30: 10.5x ↗
Series 99.9
Total 300.1



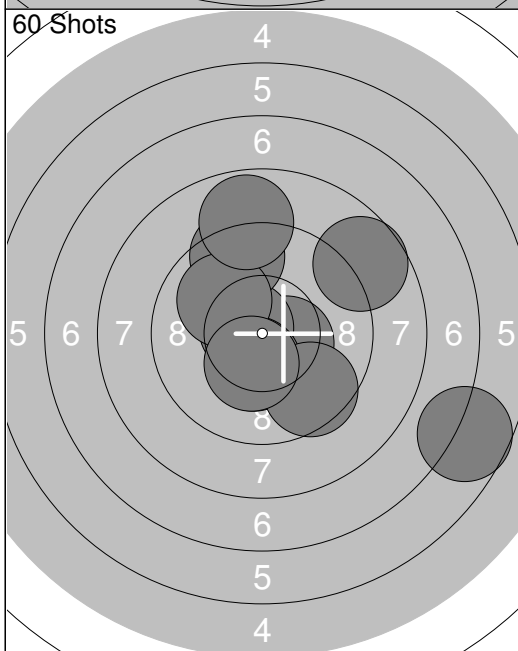
31: 9.4 ↗
32: 9.8 ↗
33: 9.9 ↗
34: 10.3x →
35: 10.4x ↖
36: 10.0 →
37: 10.4x ↖
38: 10.7x ↓
39: 10.2x ←
40: 10.2x ↓
Series 101.3
Total 401.4



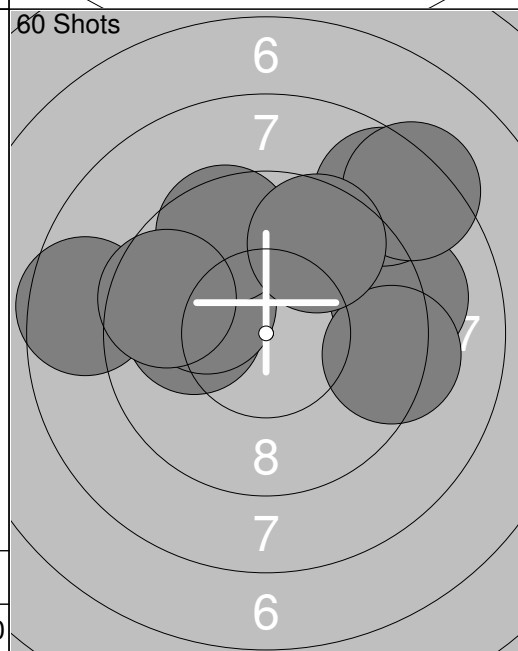
1: 10.4x ↘
2: 7.8 ↘
3: 8.5 ↘
4: 9.0 ↘
5: 8.8 ↘
6: 8.6 →
7: 9.1 ↗
8: 8.8 ↗
9: 10.1 ↖
<b>Series 81.1</b>
<b>Total 0.0</b>



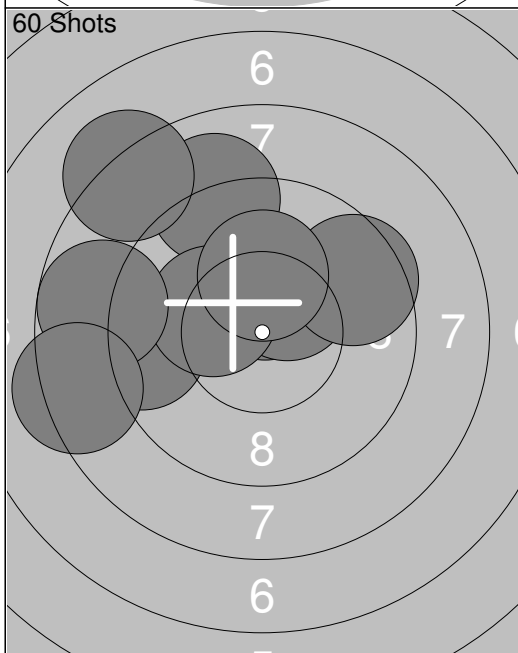
1: 6.9 ←
2: 8.6 ↓
3: 10.0 ↗
4: 9.5 ↖
5: 9.7 →
6: 10.6x ↗
7: 10.7x ↗
8: 10.2x ↖
9: 9.6 ←
10: 9.1 ↗
<b>Series 94.9</b>
<b>Total 94.9</b>



11: 10.5x →
12: 8.7 ↗
13: 10.6x ↖
14: 9.4 ↗
15: 6.7 →
16: 10.4x ↓
17: 10.0 ↖
18: 9.6 ↓
19: 8.8 ↗
20: 10.4x ↓
<b>Series 95.1</b>
<b>Total 190.0</b>



21: 8.6 ←
22: 9.2 →
23: 10.0 ←
24: 10.1 ↖
25: 9.6 ↗
26: 9.3 →
27: 8.6 ↗
28: 8.3 ↗
29: 9.6 ↗
30: 9.6 ←
<b>Series 92.9</b>
<b>Total 282.9</b>

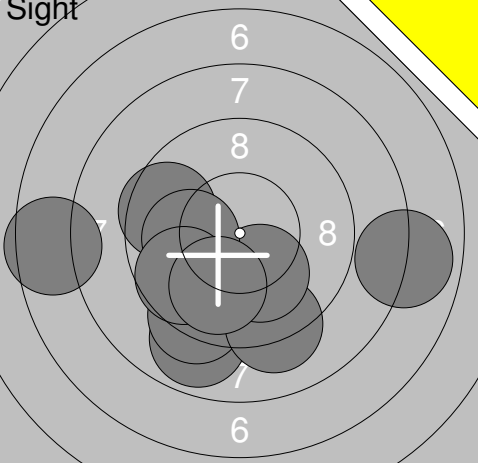
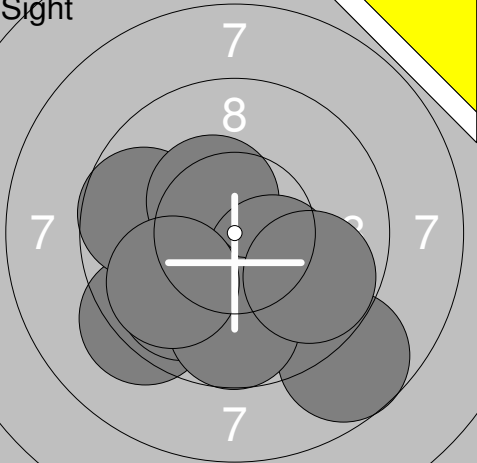



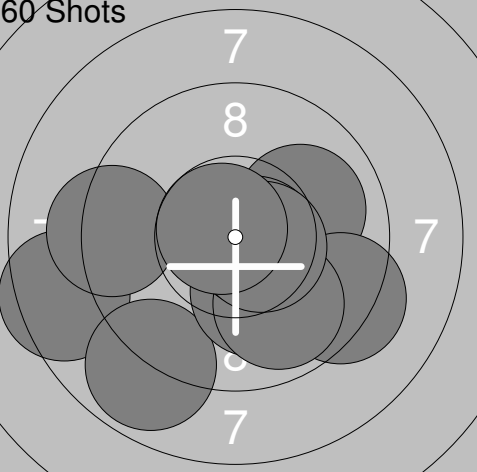
31: 9.0 ↗
32: 10.4x ↗
33: 10.3x ↗
34: 9.5 →
35: 9.3 ←
36: 10.2x ↖
37: 8.7 ←
38: 10.2x ↗
39: 8.1 ↗
40: 8.3 ←
<b>Series 94.0</b>
<b>Total 376.9</b>

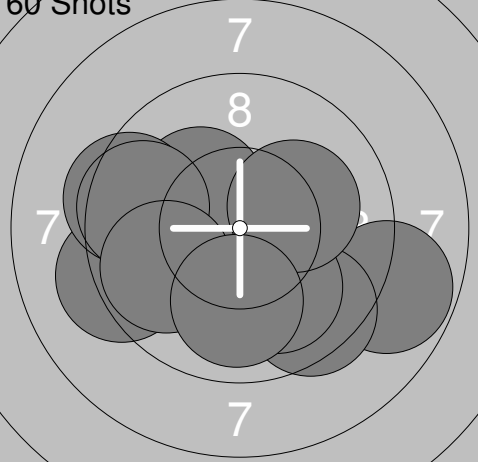
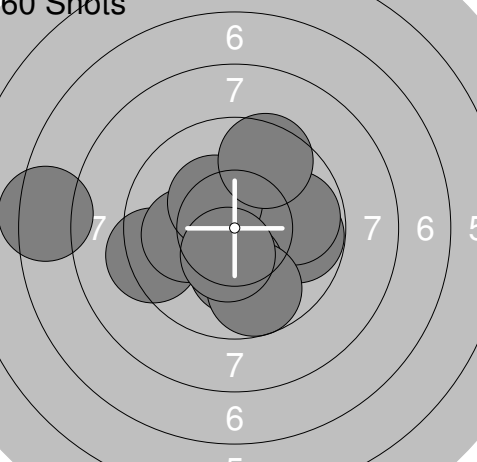
<p><b>Sight</b></p>	1: 9.3 → 2: 7.7 → 3: 8.5 → 4: 9.8 ↗ 5: 8.4 ← 6: 10.2x ↗ 7: 10.4x → 8: 9.0 ↑ 9: 9.6 → 10: 8.8 ←	<p><b>Sight</b></p>	11: 8.7 → 12: 8.5 ↓ 13: 9.9 ← 14: 8.6 ↑ 15: 10.2x ↗ 16: 9.7 ↘
<b>Series</b> 91.7		<b>Series</b> 55.6	
<b>Total</b> 0.0		<b>Total</b> 0.0	

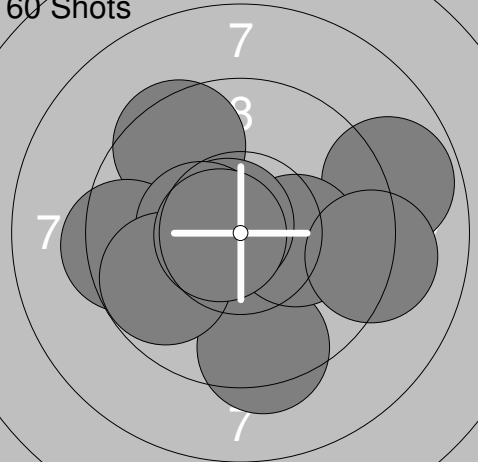
<p><b>60 Shots</b></p>	1: 9.6 ← 2: 8.8 → 3: 10.2x ↖ 4: 8.5 ↑ 5: 8.5 ← 6: 10.1 → 7: 9.5 ↗ 8: 9.6 ↖ 9: 10.8x ↖ 10: 9.0 →	<p><b>60 Shots</b></p>	11: 10.6x ↘ 12: 9.8 ↑ 13: 9.2 ↑ 14: 9.9 ← 15: 10.1 ↓ 16: 10.6x ↗ 17: 9.3 ← 18: 10.6x → 19: 10.6x ↓ 20: 10.5x →
<b>Series</b> 94.6		<b>Series</b> 101.2	
<b>Total</b> 94.6		<b>Total</b> 195.8	

<p><b>60 Shots</b></p>	21: 9.1 ← 22: 10.7x ↑ 23: 10.4x ← 24: 10.4x ↗ 25: 9.3 ↑ 26: 9.4 ↘ 27: 9.1 ↓ 28: 10.1 ↓ 29: 10.1 ↖ 30: 9.7 ←	<p><b>60 Shots</b></p>	31: 9.8 ↑ 32: 8.8 ← 33: 10.1 ↖ 34: 9.8 ↖ 35: 10.6x ↘ 36: 9.9 ↖ 37: 9.0 ↓ 38: 10.8x ↓ 39: 9.8 ↖ 40: 10.0 ↖
<b>Series</b> 98.3		<b>Series</b> 98.6	
<b>Total</b> 294.1		<b>Total</b> 392.7	

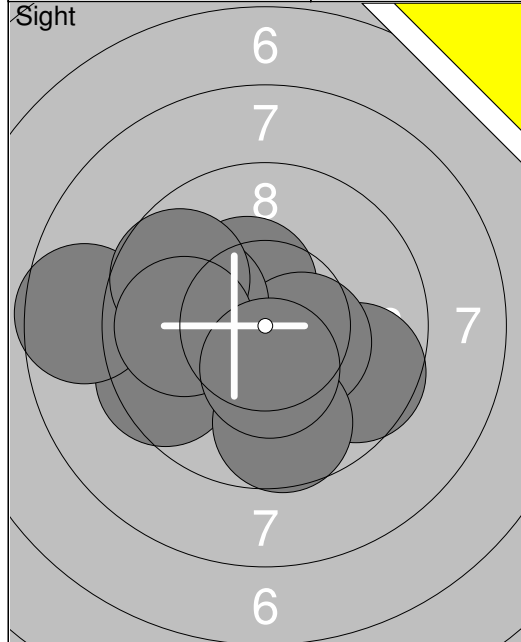
	<p>1: 7.5 ←</p> <p>2: 7.9 →</p> <p>3: 8.9 ↓</p> <p>4: 9.3 ↓</p> <p>5: 9.6 ↖</p> <p>6: 9.2 ↓</p> <p>7: 10.1 ↓</p> <p>8: 10.0 ←</p> <p>9: 9.7 ↙</p> <p>10: 9.9 ↓</p>		<p>11: 8.7 ↘</p> <p>12: 10.5x ↓</p> <p>13: 9.3 ↙</p> <p>14: 9.7 ←</p> <p>15: 10.4x ↗</p> <p>16: 10.3x →</p> <p>17: 9.9 ↓</p> <p>18: 9.7 ↓</p> <p>19: 9.9 ↙</p> <p>20: 9.8 ↘</p>
Series 92.1		Series 98.2	
Total 0.0		Total 0.0	

	<p>21: 10.7x →</p>		<p>1: 10.0 →</p> <p>2: 8.5 ←</p> <p>3: 8.9 ↓</p> <p>4: 9.3 ↓</p> <p>5: 10.2x ↓</p> <p>6: 9.9 ↓</p> <p>7: 9.3 ←</p> <p>8: 10.7x →</p> <p>9: 10.6x →</p> <p>10: 10.7x ↖</p>
Series 10.7		Series 98.1	
Total 0.0		Total 98.1	

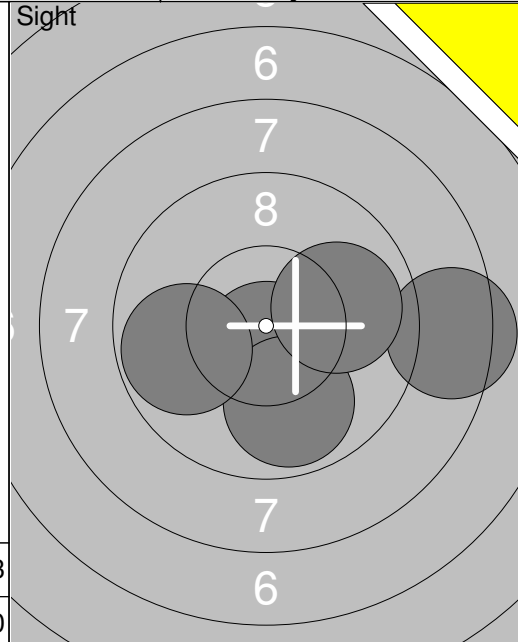
	<p>11: 9.2 ←</p> <p>12: 10.2x ↗</p> <p>13: 9.4 ←</p> <p>14: 8.8 →</p> <p>15: 9.5 ↓</p> <p>16: 9.6 ↖</p> <p>17: 9.8 ↙</p> <p>18: 10.0 ↓</p> <p>19: 10.2x →</p> <p>20: 10.0 ↓</p>		<p>21: 9.8 →</p> <p>22: 9.8 →</p> <p>23: 9.3 ←</p> <p>24: 10.1 ←</p> <p>25: 10.2x ↓</p> <p>26: 9.7 ↓</p> <p>27: 7.4 ←</p> <p>28: 10.3x ↗</p> <p>29: 9.5 ↗</p> <p>30: 10.4x ↓</p>
Series 96.7		Series 96.5	
Total 194.8		Total 291.3	

	<p>31: 9.4 ↓</p> <p>32: 8.8 →</p> <p>33: 9.5 ↗</p> <p>34: 9.4 ←</p> <p>35: 10.2x →</p> <p>36: 10.7x ↖</p> <p>37: 10.4x ←</p> <p>38: 9.8 ←</p> <p>39: 9.2 →</p> <p>40: 10.7x ←</p>		
Series 98.1			
Total 389.4			

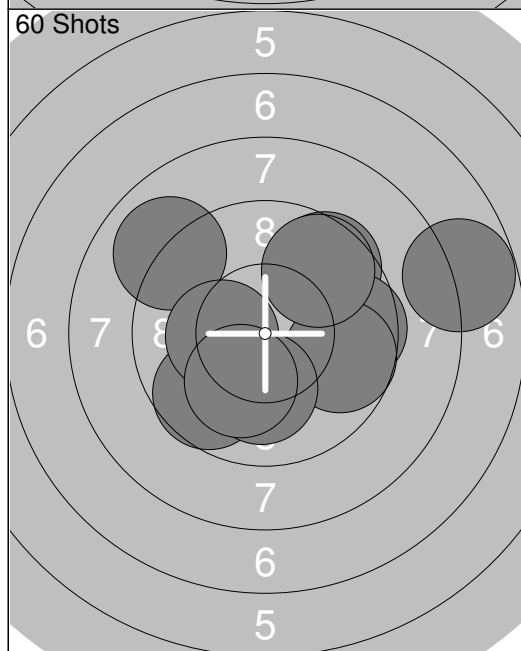




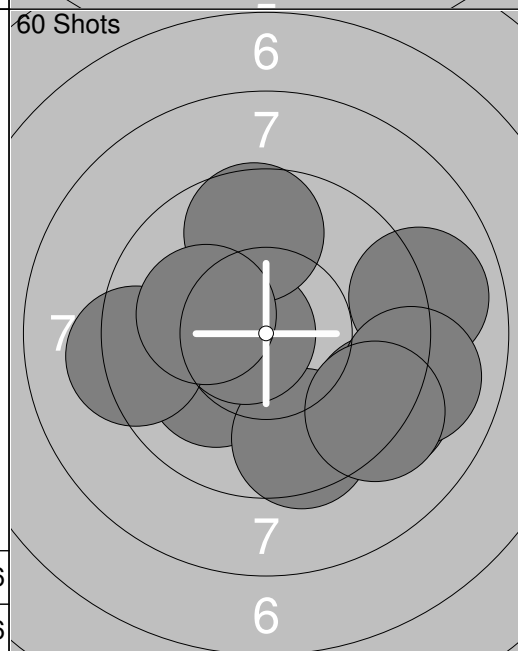
1:	9.5	↙
2:	8.6	←
3:	10.4x	↗
4:	9.6	→
5:	10.4x	↘
6:	10.1	←
7:	9.7	↙
8:	9.7	↓
9:	9.9	←
10:	10.4x	↓
Series		98.3
Total		0.0



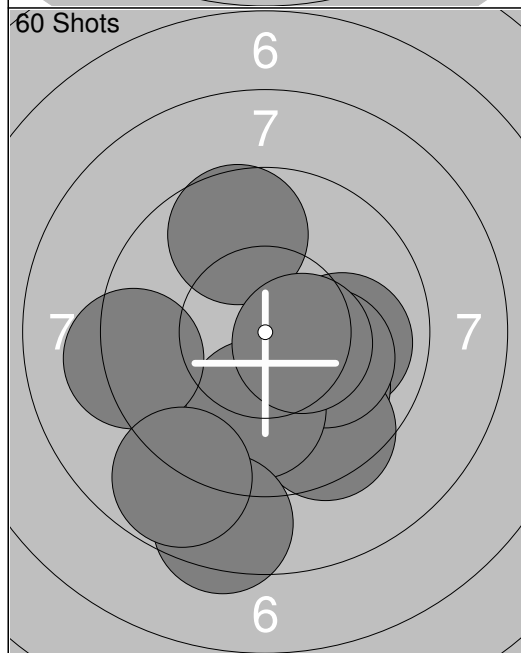
11:	10.7x	↓
12:	8.4	→
13:	9.9	↓
14:	9.8	←
15:	10.0	→
Series		48.8
Total		0.0



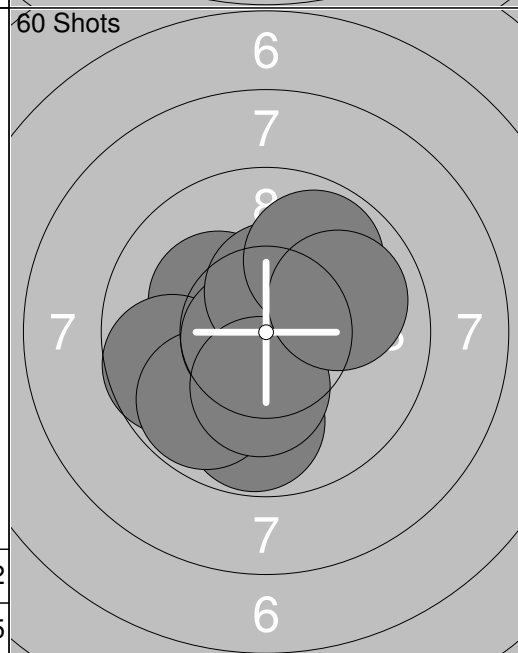
1:	9.6	↗
2:	9.6	→
3:	7.8	→
4:	9.0	↙
5:	9.7	↘
6:	9.7	→
7:	10.3x	←
8:	10.1	↓
9:	9.7	↗
10:	10.1	↓
Series		95.6
Total		95.6



11:	10.1	↙
12:	9.5	↓
13:	10.7x	←
14:	9.3	←
15:	9.7	↑
16:	10.1	←
17:	9.2	↘
18:	8.9	→
19:	9.0	→
20:	9.2	↘
Series		95.7
Total		191.3



21:	10.0	→
22:	10.0	↓
23:	9.5	↓
24:	10.1	→
25:	9.7	↑
26:	10.0	↓
27:	8.4	↓
28:	9.2	←
29:	10.5x	→
30:	8.8	↘
Series		96.2
Total		287.5



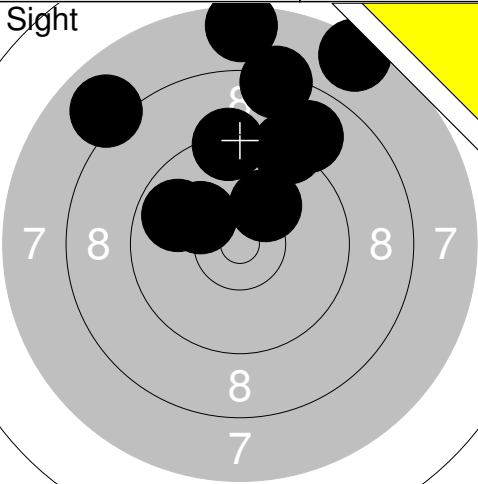
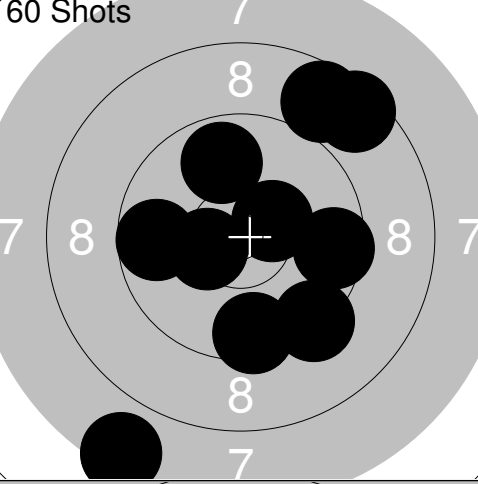
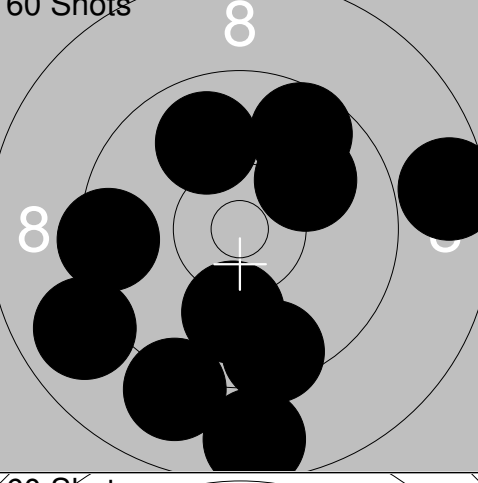
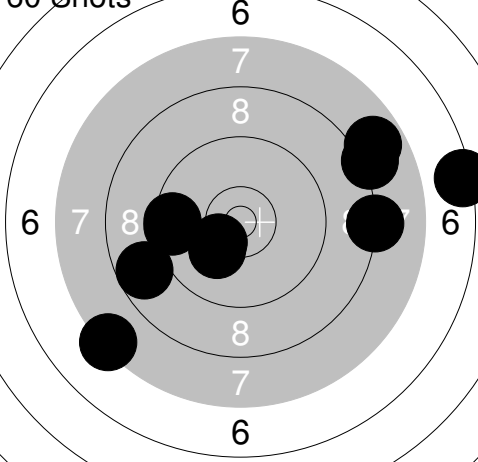
31:	10.2x	↗
32:	9.8	↓
33:	10.2x	↖
34:	9.7	←
35:	9.8	↘
36:	10.7x	←
37:	10.4x	↑
38:	9.8	↗
39:	10.2x	↓
40:	10.0	→
Series		100.8
Total		388.3

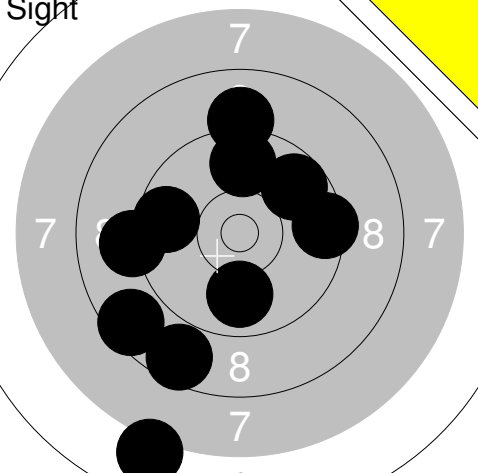
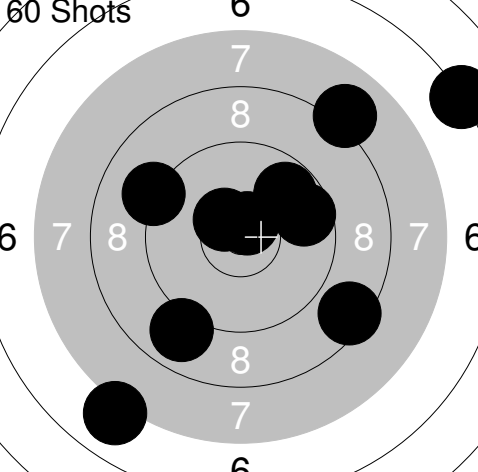
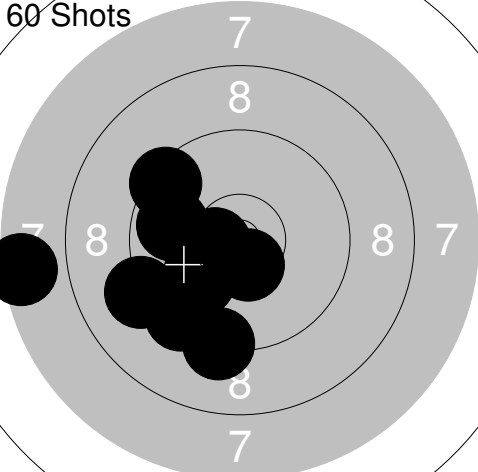
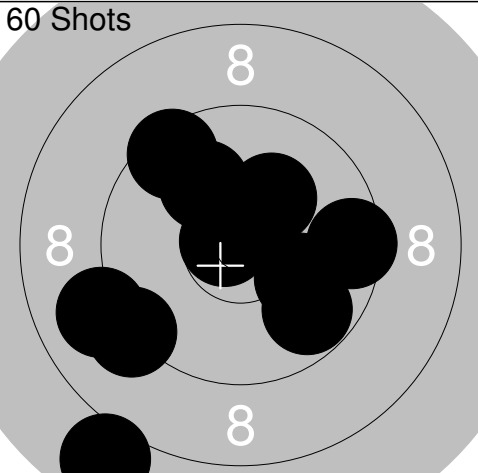


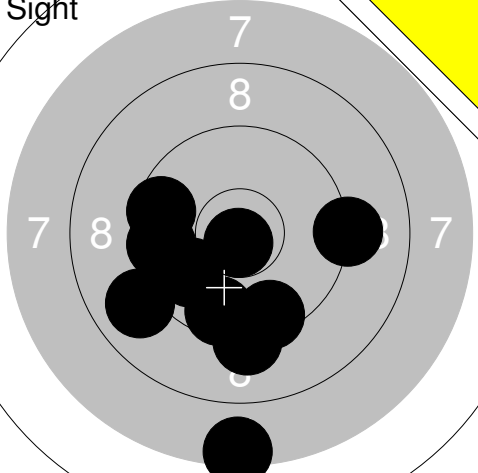

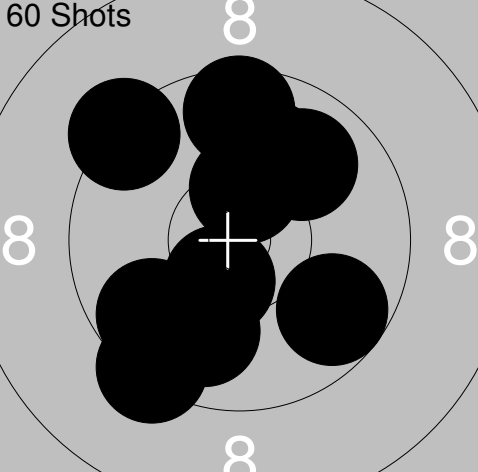
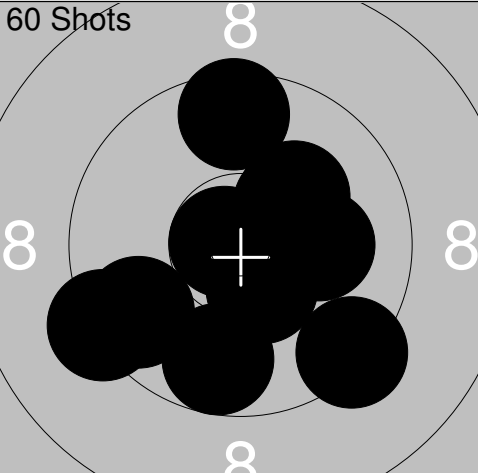
<p>Sight</p>	<p>1: 9.3 →</p> <p>2: 10.1 ↘</p> <p>3: 8.2 →</p> <p>4: 7.9 ↗</p> <p>5: 9.5 ↖</p> <p>6: 9.3 ←</p> <p>7: 9.1 ←</p> <p>8: 8.3 ↗</p> <p>9: 9.7 ↘</p> <p>10: 10.3x →</p>	<p>Sight</p>	<p>11: 9.5 ↗</p> <p>12: 10.2x ↙</p> <p>13: 10.7x ↖</p> <p>14: 9.3 →</p>
<b>Series</b>	91.7	<b>Series</b>	39.7
<b>Total</b>	0.0	<b>Total</b>	0.0


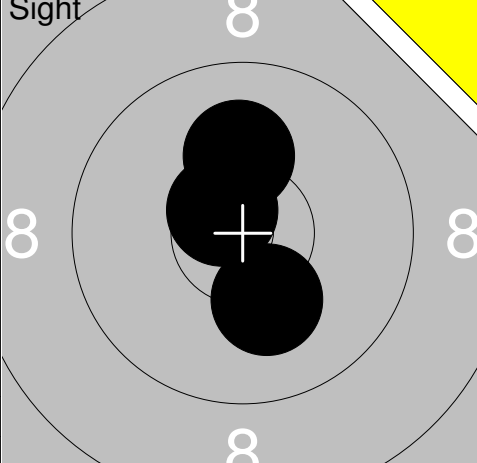
<p>60 Shots</p>	<p>1: 9.8 ↑</p> <p>2: 9.2 ↑</p> <p>3: 8.9 →</p> <p>4: 9.2 ↗</p> <p>5: 9.1 ↗</p> <p>6: 8.2 ↓</p> <p>7: 10.5x ↑</p> <p>8: 9.6 ↗</p> <p>9: 9.4 →</p> <p>10: 9.5 ↖</p>	<p>60 Shots</p>	<p>11: 10.7x ↓</p> <p>12: 9.1 ↙</p> <p>13: 9.6 ↙</p> <p>14: 10.1 ↑</p> <p>15: 9.4 ↗</p> <p>16: 7.1 ↘</p> <p>17: 10.2x →</p> <p>18: 9.9 ↗</p> <p>19: 10.7x ↖</p> <p>20: 10.1 ↓</p>
<b>Series</b>	93.4	<b>Series</b>	96.9
<b>Total</b>	93.4	<b>Total</b>	190.3


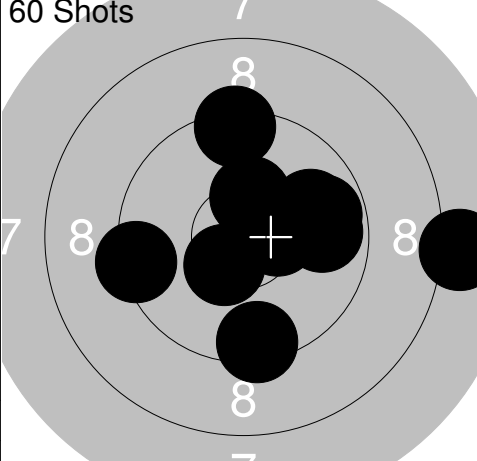
<p>60 Shots</p>	<p>21: 9.8 ↓</p> <p>22: 10.2x ↖</p> <p>23: 10.7x ↗</p> <p>24: 8.7 →</p> <p>25: 9.9 ↓</p> <p>26: 9.7 ↑</p> <p>27: 9.3 →</p> <p>28: 10.1 ↓</p> <p>29: 9.3 ←</p> <p>30: 9.5 →</p>	<p>60 Shots</p>	<p>31: 8.0 ←</p> <p>32: 8.2 ↘</p> <p>33: 10.4x ↗</p> <p>34: 9.8 ↓</p> <p>35: 8.4 →</p> <p>36: 9.1 ↖</p> <p>37: 9.5 ↓</p> <p>38: 8.6 ↖</p> <p>39: 10.0 ↓</p> <p>40: 8.5 →</p>
<b>Series</b>	97.2	<b>Series</b>	90.5
<b>Total</b>	287.5	<b>Total</b>	378.0

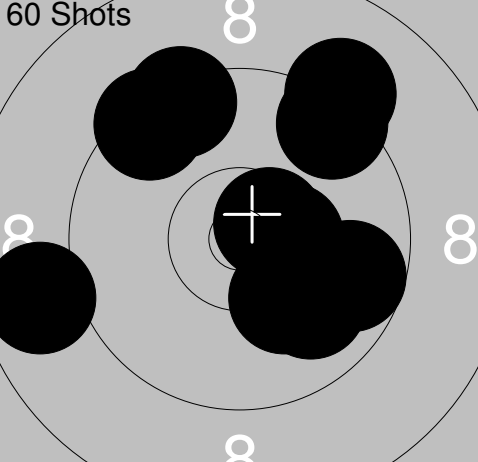
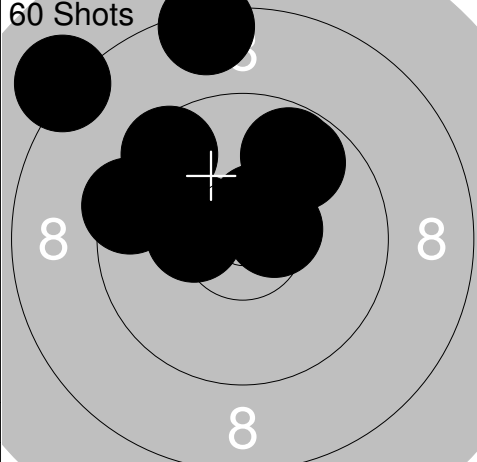
Relay	Lane	Ulf Eriksson	
S		Nysätra PK	
09.10.2016		Sweden GP 2016	Umeå skytteallians
Sight		1: 9.0 ↗ 2: 7.5 ↗ 3: 8.0 ↖ 4: 9.9 ← 5: 8.4 ↑ 6: 9.3 ↗ 7: 9.4 ↑ 8: 10.2 ↗ 9: 7.5 ↑ 10: 10.2 ↖	11: 9.1 ↗ 12: 9.9 ↓ 13: 8.6 ↘ 14: 7.6 ← 15: 10.1 ↖ 16: 8.8 ↗ 17: 7.5 ← 18: 7.5 ← 19: 9.2 ↓
		Series 86.0	Series 74.0
		Total 0.0	Total 0.0
60 Shots		1: 9.6 ↓ 2: 9.4 ↓ 3: 9.9 ↑ 4: 10.5x ← 5: 8.6 ↗ 6: 7.5 ↓ 7: 9.6 → 8: 9.8 ← 9: 8.7 ↑ 10: 10.5x ↗	11: 10.2 ← 12: 8.7 ↓ 13: 9.6 ↑ 14: 10.3 ↖ 15: 8.8 ← 16: 8.5 ↖ 17: 10.0 ↘ 18: 10.0 ↖ 19: 9.1 ← 20: 8.6 ←
		Series 88.0	Series 90.0
		Total 88.0	Total 178.0
60 Shots		21: 9.5 ← 22: 10.0 ↗ 23: 10.1 ↗ 24: 8.7 ↓ 25: 9.1 ↓ 26: 9.0 ← 27: 9.6 ↓ 28: 8.6 → 29: 9.7 ↑ 30: 10.0 ↓	31: 6.7 ↘ 32: 8.8 ↓ 33: 7.4 ↓ 34: 9.4 ← 35: 10.0 → 36: 6.2 ↓ 37: 8.6 ↗ 38: 8.9 ← 39: 8.7 ↘ 40: 8.5 ↓
		Series 91.0	Series 78.0
		Total 269.0	Total 347.0
60 Shots		41: 9.6 ← 42: 8.8 ← 43: 10.2 ↘ 44: 8.2 → 45: 7.4 ↘ 46: 7.9 ↗ 47: 9.6 ← 48: 6.4 → 49: 8.1 ↗ 50: 10.3 ↘	51: 10.1 ↓ 52: 10.4x ↑ 53: 9.8 ↓ 54: 8.8 ← 55: 9.5 ↑ 56: 8.9 ↓ 57: 9.4 → 58: 10.0 → 59: 8.7 ↓ 60: 9.9 ↗
		Series 82.0	Series 90.0
		Total 429.0	Total 519.0

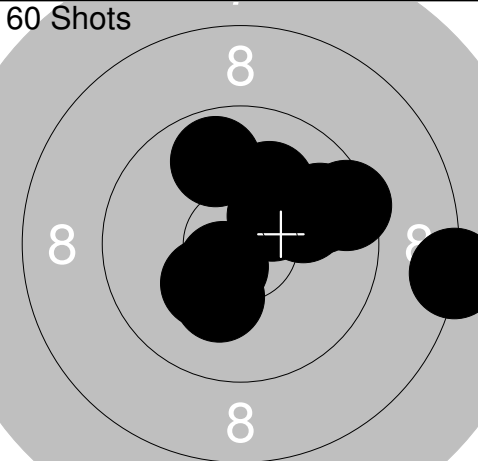
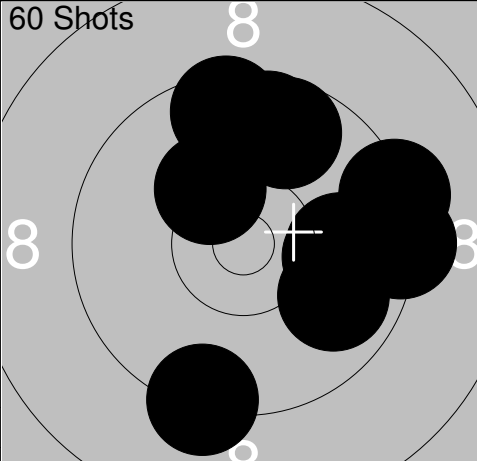
Relay	Lane	Lars Palo	
S		Skellefteå PSF	
09.10.2016		Sweden GP 2016	Umeå skytteallians
Sight		1: 8.7 ↘ 2: 9.8 ↗ 3: 9.7 ← 4: 9.8 ↑ 5: 7.0 ↓ 6: 9.5 → 7: 8.6 ↙ 8: 9.1 ↑ 9: 9.2 ← 10: 9.9 ↓ Series 86.0 Total 0.0	11: 8.8 ↙ 12: 9.1 → 13: 8.9 ↓ 14: 10.3 ↑ 15: 8.1 ↓ 16: 10.2 ↗ 17: 8.9 ↓ 18: 7.9 → Series 68.0 Total 0.0
60 Shots		1: 6.2 ↗ 2: 10.7x ↑ 3: 9.8 ↗ 4: 9.2 ↙ 5: 9.7 → 6: 9.0 ↓ 7: 8.6 ↘ 8: 10.5x ↗ 9: 7.1 ↓ 10: 8.1 ↗ Series 85.0 Total 85.0	11: 8.6 ↙ 12: 8.8 ↗ 13: 9.4 ↘ 14: 10.6x ↘ 15: 10.2 ↗ 16: 10.2 → 17: 8.8 ↗ 18: 9.7 ↑ 19: 7.6 ← 20: 10.5x ↗ Series 89.0 Total 174.0
60 Shots		21: 10.6x ← 22: 10.2 ↙ 23: 9.2 ↙ 24: 9.9 ← 25: 7.5 ← 26: 9.3 ↓ 27: 10.5x ↓ 28: 10.0 ↙ 29: 9.5 ↙ 30: 9.5 ↗ Series 92.0 Total 266.0	31: 10.0 → 32: 5.6 ↓ 33: 10.3 ↘ 34: 10.0 ← 35: 8.3 ↗ 36: 10.5x ↓ 37: 9.1 → 38: 9.8 ↗ 39: 8.3 ↙ 40: 8.5 ← Series 87.0 Total 353.0
60 Shots		41: 10.8x ← 42: 10.1 ↗ 43: 10.1 ↘ 44: 9.6 ↗ 45: 10.3 ↗ 46: 9.2 ↙ 47: 9.0 ↙ 48: 9.6 → 49: 9.8 ↘ 50: 7.8 ↓ Series 92.0 Total 445.0	51: 10.7x ↑ 52: 8.9 ↙ 53: 9.0 → 54: 9.3 ↗ 55: 10.2 ↓ 56: 9.1 ↙ 57: 10.2 ↘ 58: 9.3 ↓ 59: 9.5 ↑ 60: 10.2 ↑ Series 93.0 Total 538.0


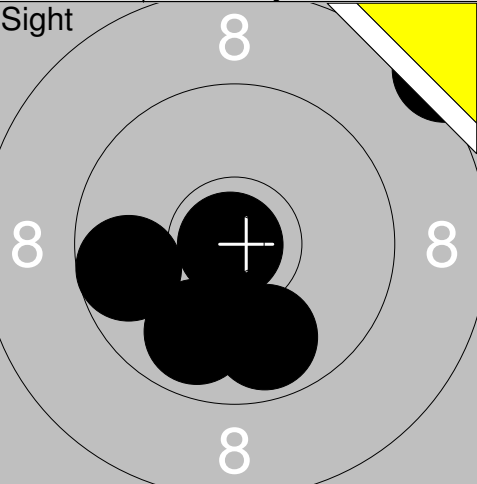
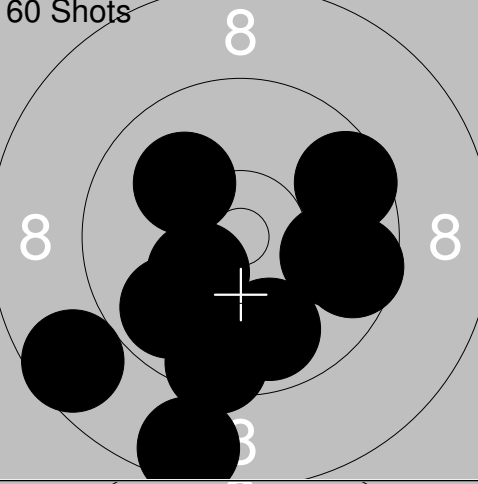
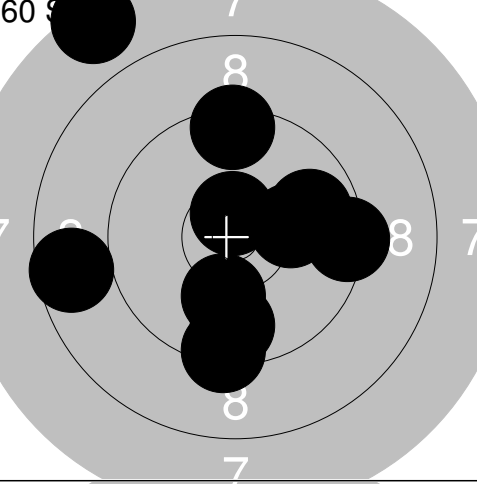
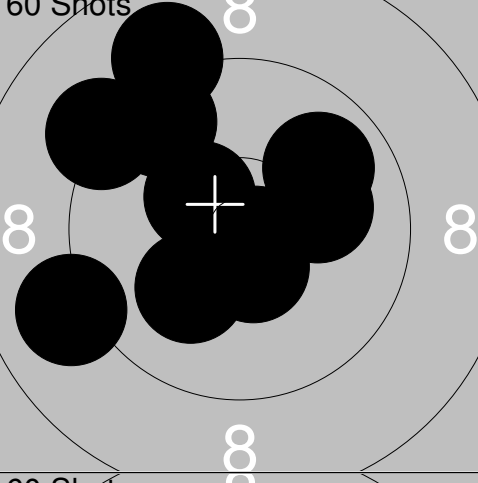
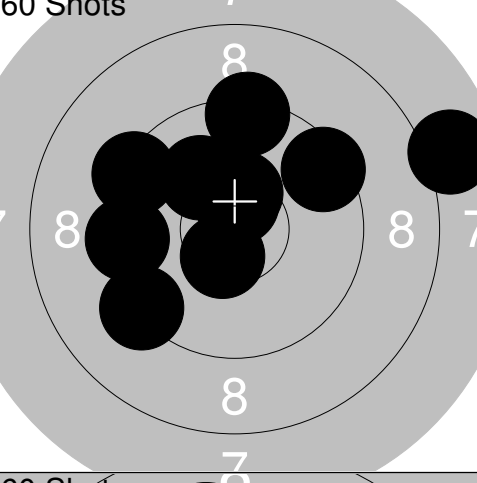
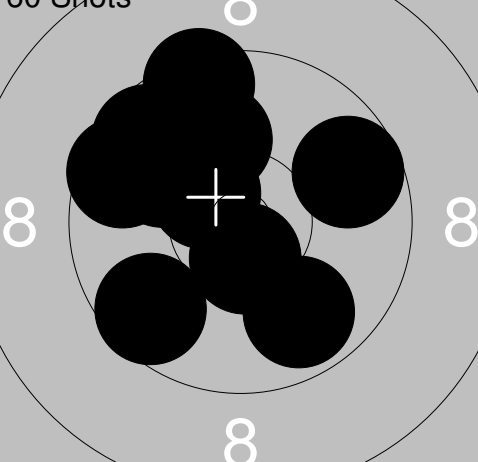
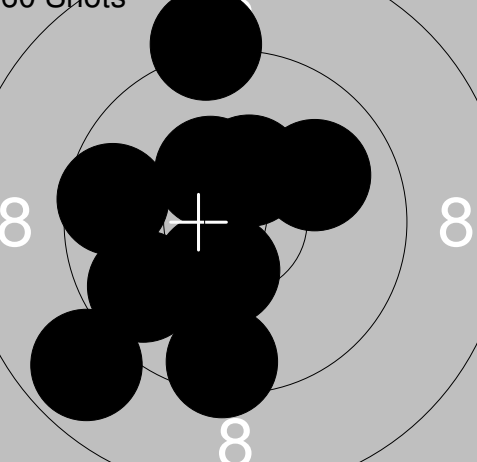
Relay	Lane	Jörgen Nilsson	
S		Rundviks PK	
09.10.2016		Sweden GP 2016	Umeå skytteallians
Sight		1: 7.5 ↓ 2: 9.9 ↙ 3: 9.7 ↓ 4: 9.2 ↓ 5: 9.6 ↓ 6: 9.2 → 7: 9.6 ← 8: 9.0 ↙ 9: 10.8x ↓ 10: 9.7 ←	11: 9.2 ↓ 12: 10.3 ← 13: 10.1 ↓ 14: 9.2 ↓ 15: 9.3 ← 16: 10.5x ↑
		Series 89.0	Series 57.0
		Total 0.0	Total 0.0
60 Shots		1: 10.2 ↑ 2: 10.1 ↗ 3: 10.1 ↗ 4: 10.7x ↘ 5: 7.6 ↓ 6: 7.8 ↗ 7: 10.4x → 8: 10.6x ↑ 9: 8.9 ↙ 10: 9.5 ↗	11: 10.7x ↓ 12: 10.1 → 13: 7.6 ↗ 14: 9.3 → 15: 9.4 ↑ 16: 9.9 ↓ 17: 10.6x → 18: 9.7 → 19: 8.8 ↙ 20: 9.6 ↑
		Series 91.0	Series 90.0
		Total 91.0	Total 181.0
60 Shots		21: 9.8 ↘ 22: 9.4 ↗ 23: 9.4 ↙ 24: 10.0 ↓ 25: 9.7 ↑ 26: 10.0 ↗ 27: 10.4x ↑ 28: 10.5x ↓ 29: 9.8 ↙ 30: 10.1 ↑	31: 8.6 ↑ 32: 9.3 ↙ 33: 9.7 ↓ 34: 10.2 ← 35: 8.1 ← 36: 10.2 ↗ 37: 9.2 ↙ 38: 8.6 ← 39: 10.2 → 40: 10.3 ↙
		Series 95.0	Series 91.0
		Total 276.0	Total 367.0
60 Shots		41: 9.7 ↙ 42: 9.6 ↑ 43: 10.2 → 44: 10.3 ↗ 45: 9.8 ↓ 46: 10.2 ↗ 47: 9.4 ↘ 48: 9.4 ← 49: 10.5x ↓ 50: 10.8x ←	51: 9.3 ↘ 52: 8.5 ↗ 53: 10.3 ↓ 54: 10.0 ↓ 55: 9.7 ↓ 56: 8.6 → 57: 8.6 ↘ 58: 8.7 ↓ 59: 9.5 ↓ 60: 7.9 ↗
		Series 95.0	Series 86.0
		Total 462.0	Total 548.0

	<table border="1" style="width:100%; border-collapse: collapse;"> <tr><td>1:</td><td>10.1</td><td>↘</td></tr> <tr><td>2:</td><td>9.7</td><td>↗</td></tr> <tr><td>3:</td><td>8.7</td><td>↘</td></tr> <tr><td>4:</td><td>10.2</td><td>↗</td></tr> <tr><td>5:</td><td>9.7</td><td>↗</td></tr> <tr><td>6:</td><td>9.1</td><td>↘</td></tr> <tr><td>7:</td><td>10.0</td><td>↘</td></tr> <tr><td>8:</td><td>9.0</td><td>↗</td></tr> <tr><td>9:</td><td>9.9</td><td>↗</td></tr> <tr><td>10:</td><td>9.9</td><td>←</td></tr> <tr><td colspan="2"><b>Series</b></td><td><b>92.0</b></td></tr> <tr><td colspan="2"><b>Total</b></td><td><b>0.0</b></td></tr> </table>	1:	10.1	↘	2:	9.7	↗	3:	8.7	↘	4:	10.2	↗	5:	9.7	↗	6:	9.1	↘	7:	10.0	↘	8:	9.0	↗	9:	9.9	↗	10:	9.9	←	<b>Series</b>		<b>92.0</b>	<b>Total</b>		<b>0.0</b>	 <table border="1" style="width:100%; border-collapse: collapse;"> <tr><td>11:</td><td>10.2</td><td>↑</td></tr> <tr><td>12:</td><td>10.6x</td><td>↗</td></tr> <tr><td>13:</td><td>10.2</td><td>↘</td></tr> <tr><td colspan="2"><b>Series</b></td><td><b>30.0</b></td></tr> <tr><td colspan="2"><b>Total</b></td><td><b>0.0</b></td></tr> </table>	11:	10.2	↑	12:	10.6x	↗	13:	10.2	↘	<b>Series</b>		<b>30.0</b>	<b>Total</b>		<b>0.0</b>
1:	10.1	↘																																																			
2:	9.7	↗																																																			
3:	8.7	↘																																																			
4:	10.2	↗																																																			
5:	9.7	↗																																																			
6:	9.1	↘																																																			
7:	10.0	↘																																																			
8:	9.0	↗																																																			
9:	9.9	↗																																																			
10:	9.9	←																																																			
<b>Series</b>		<b>92.0</b>																																																			
<b>Total</b>		<b>0.0</b>																																																			
11:	10.2	↑																																																			
12:	10.6x	↗																																																			
13:	10.2	↘																																																			
<b>Series</b>		<b>30.0</b>																																																			
<b>Total</b>		<b>0.0</b>																																																			

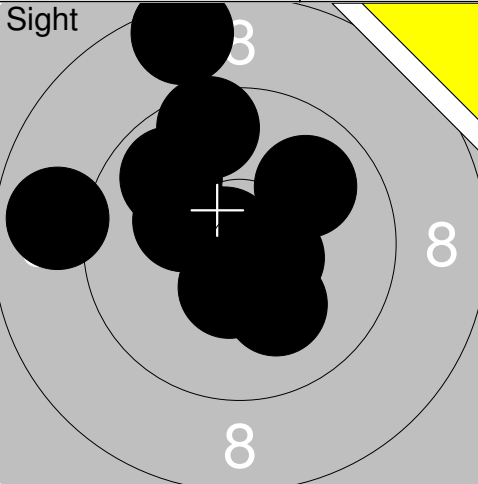
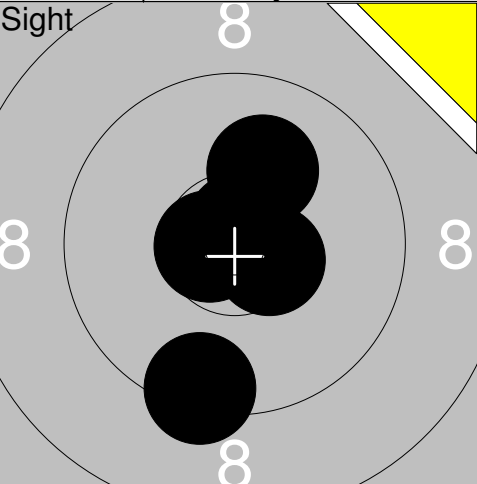
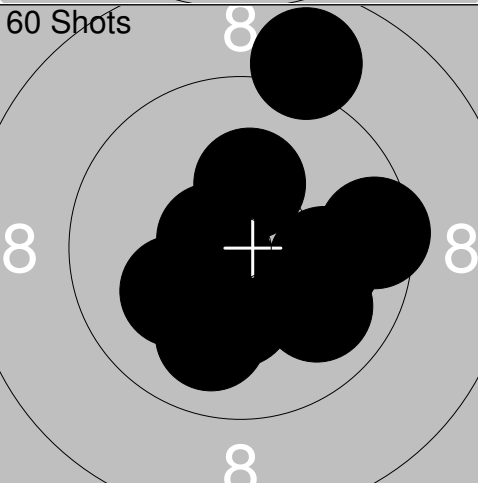
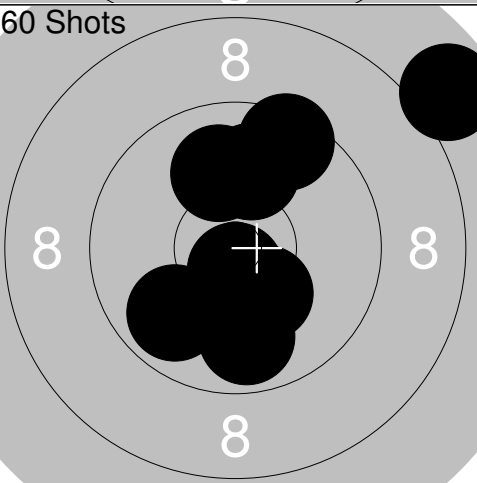
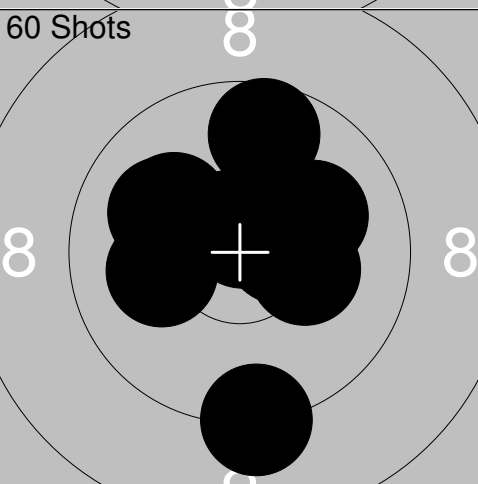
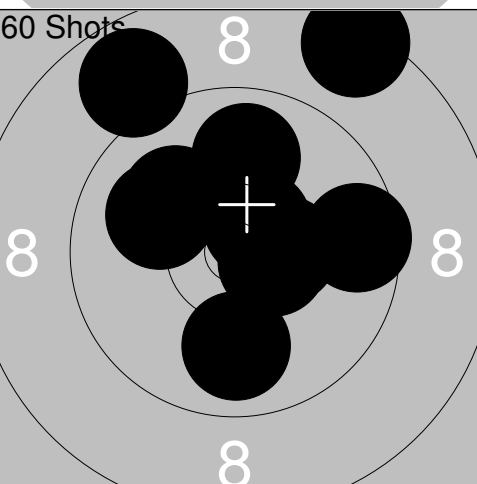
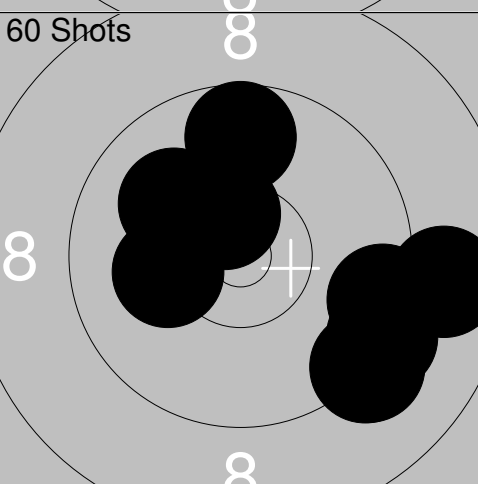
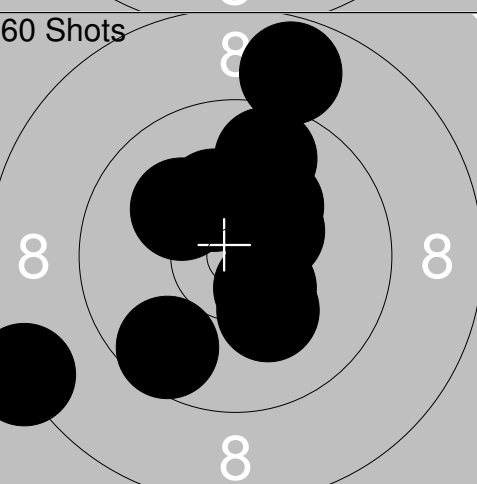
	<table border="1" style="width:100%; border-collapse: collapse;"> <tr><td>1:</td><td>9.6</td><td>→</td></tr> <tr><td>2:</td><td>9.5</td><td>↑</td></tr> <tr><td>3:</td><td>9.0</td><td>↗</td></tr> <tr><td>4:</td><td>10.5x</td><td>↘</td></tr> <tr><td>5:</td><td>9.6</td><td>↗</td></tr> <tr><td>6:</td><td>10.0</td><td>←</td></tr> <tr><td>7:</td><td>8.5</td><td>↗</td></tr> <tr><td>8:</td><td>10.3</td><td>→</td></tr> <tr><td>9:</td><td>10.0</td><td>↘</td></tr> <tr><td>10:</td><td>9.1</td><td>←</td></tr> <tr><td colspan="2"><b>Series</b></td><td><b>93.0</b></td></tr> <tr><td colspan="2"><b>Total</b></td><td><b>93.0</b></td></tr> </table>	1:	9.6	→	2:	9.5	↑	3:	9.0	↗	4:	10.5x	↘	5:	9.6	↗	6:	10.0	←	7:	8.5	↗	8:	10.3	→	9:	10.0	↘	10:	9.1	←	<b>Series</b>		<b>93.0</b>	<b>Total</b>		<b>93.0</b>	 <table border="1" style="width:100%; border-collapse: collapse;"> <tr><td>11:</td><td>10.5x</td><td>→</td></tr> <tr><td>12:</td><td>10.5x</td><td>↘</td></tr> <tr><td>13:</td><td>9.4</td><td>←</td></tr> <tr><td>14:</td><td>9.9</td><td>→</td></tr> <tr><td>15:</td><td>8.0</td><td>→</td></tr> <tr><td>16:</td><td>10.4x</td><td>↑</td></tr> <tr><td>17:</td><td>9.8</td><td>→</td></tr> <tr><td>18:</td><td>9.4</td><td>↑</td></tr> <tr><td>19:</td><td>10.0</td><td>↗</td></tr> <tr><td>20:</td><td>9.5</td><td>↘</td></tr> <tr><td colspan="2"><b>Series</b></td><td><b>93.0</b></td></tr> <tr><td colspan="2"><b>Total</b></td><td><b>186.0</b></td></tr> </table>	11:	10.5x	→	12:	10.5x	↘	13:	9.4	←	14:	9.9	→	15:	8.0	→	16:	10.4x	↑	17:	9.8	→	18:	9.4	↑	19:	10.0	↗	20:	9.5	↘	<b>Series</b>		<b>93.0</b>	<b>Total</b>		<b>186.0</b>
1:	9.6	→																																																																								
2:	9.5	↑																																																																								
3:	9.0	↗																																																																								
4:	10.5x	↘																																																																								
5:	9.6	↗																																																																								
6:	10.0	←																																																																								
7:	8.5	↗																																																																								
8:	10.3	→																																																																								
9:	10.0	↘																																																																								
10:	9.1	←																																																																								
<b>Series</b>		<b>93.0</b>																																																																								
<b>Total</b>		<b>93.0</b>																																																																								
11:	10.5x	→																																																																								
12:	10.5x	↘																																																																								
13:	9.4	←																																																																								
14:	9.9	→																																																																								
15:	8.0	→																																																																								
16:	10.4x	↑																																																																								
17:	9.8	→																																																																								
18:	9.4	↑																																																																								
19:	10.0	↗																																																																								
20:	9.5	↘																																																																								
<b>Series</b>		<b>93.0</b>																																																																								
<b>Total</b>		<b>186.0</b>																																																																								

	<table border="1" style="width:100%; border-collapse: collapse;"> <tr><td>21:</td><td>9.5</td><td>↗</td></tr> <tr><td>22:</td><td>9.5</td><td>↗</td></tr> <tr><td>23:</td><td>10.5x</td><td>→</td></tr> <tr><td>24:</td><td>9.2</td><td>↗</td></tr> <tr><td>25:</td><td>10.6x</td><td>↗</td></tr> <tr><td>26:</td><td>8.9</td><td>←</td></tr> <tr><td>27:</td><td>10.2</td><td>↘</td></tr> <tr><td>28:</td><td>9.5</td><td>↗</td></tr> <tr><td>29:</td><td>10.0</td><td>↘</td></tr> <tr><td>30:</td><td>9.8</td><td>→</td></tr> <tr><td colspan="2"><b>Series</b></td><td><b>93.0</b></td></tr> <tr><td colspan="2"><b>Total</b></td><td><b>279.0</b></td></tr> </table>	21:	9.5	↗	22:	9.5	↗	23:	10.5x	→	24:	9.2	↗	25:	10.6x	↗	26:	8.9	←	27:	10.2	↘	28:	9.5	↗	29:	10.0	↘	30:	9.8	→	<b>Series</b>		<b>93.0</b>	<b>Total</b>		<b>279.0</b>	 <table border="1" style="width:100%; border-collapse: collapse;"> <tr><td>31:</td><td>10.6x</td><td>↗</td></tr> <tr><td>32:</td><td>10.6x</td><td>→</td></tr> <tr><td>33:</td><td>9.6</td><td>←</td></tr> <tr><td>34:</td><td>9.6</td><td>↗</td></tr> <tr><td>35:</td><td>10.4x</td><td>←</td></tr> <tr><td>36:</td><td>8.2</td><td>↗</td></tr> <tr><td>37:</td><td>8.4</td><td>↑</td></tr> <tr><td>38:</td><td>10.4x</td><td>←</td></tr> <tr><td>39:</td><td>9.8</td><td>↗</td></tr> <tr><td>40:</td><td>9.9</td><td>↗</td></tr> <tr><td colspan="2"><b>Series</b></td><td><b>92.0</b></td></tr> <tr><td colspan="2"><b>Total</b></td><td><b>371.0</b></td></tr> </table>	31:	10.6x	↗	32:	10.6x	→	33:	9.6	←	34:	9.6	↗	35:	10.4x	←	36:	8.2	↗	37:	8.4	↑	38:	10.4x	←	39:	9.8	↗	40:	9.9	↗	<b>Series</b>		<b>92.0</b>	<b>Total</b>		<b>371.0</b>
21:	9.5	↗																																																																								
22:	9.5	↗																																																																								
23:	10.5x	→																																																																								
24:	9.2	↗																																																																								
25:	10.6x	↗																																																																								
26:	8.9	←																																																																								
27:	10.2	↘																																																																								
28:	9.5	↗																																																																								
29:	10.0	↘																																																																								
30:	9.8	→																																																																								
<b>Series</b>		<b>93.0</b>																																																																								
<b>Total</b>		<b>279.0</b>																																																																								
31:	10.6x	↗																																																																								
32:	10.6x	→																																																																								
33:	9.6	←																																																																								
34:	9.6	↗																																																																								
35:	10.4x	←																																																																								
36:	8.2	↗																																																																								
37:	8.4	↑																																																																								
38:	10.4x	←																																																																								
39:	9.8	↗																																																																								
40:	9.9	↗																																																																								
<b>Series</b>		<b>92.0</b>																																																																								
<b>Total</b>		<b>371.0</b>																																																																								

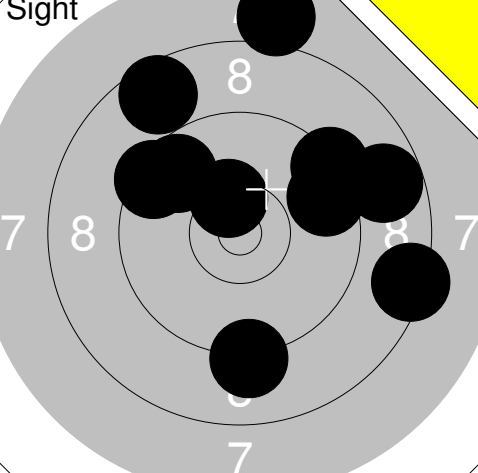
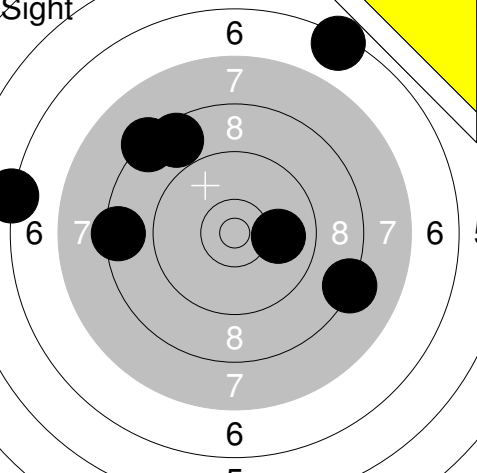
	<table border="1" style="width:100%; border-collapse: collapse;"> <tr><td>41:</td><td>10.1</td><td>↗</td></tr> <tr><td>42:</td><td>9.9</td><td>→</td></tr> <tr><td>43:</td><td>10.4x</td><td>↗</td></tr> <tr><td>44:</td><td>10.2</td><td>↘</td></tr> <tr><td>45:</td><td>8.3</td><td>→</td></tr> <tr><td>46:</td><td>10.2</td><td>↗</td></tr> <tr><td>47:</td><td>10.3</td><td>↘</td></tr> <tr><td>48:</td><td>9.9</td><td>↑</td></tr> <tr><td>49:</td><td>9.5</td><td>→</td></tr> <tr><td>50:</td><td>10.6x</td><td>↘</td></tr> <tr><td colspan="2"><b>Series</b></td><td><b>95.0</b></td></tr> <tr><td colspan="2"><b>Total</b></td><td><b>466.0</b></td></tr> </table>	41:	10.1	↗	42:	9.9	→	43:	10.4x	↗	44:	10.2	↘	45:	8.3	→	46:	10.2	↗	47:	10.3	↘	48:	9.9	↑	49:	9.5	→	50:	10.6x	↘	<b>Series</b>		<b>95.0</b>	<b>Total</b>		<b>466.0</b>	 <table border="1" style="width:100%; border-collapse: collapse;"> <tr><td>51:</td><td>10.0</td><td>→</td></tr> <tr><td>52:</td><td>9.6</td><td>↑</td></tr> <tr><td>53:</td><td>9.8</td><td>↗</td></tr> <tr><td>54:</td><td>10.0</td><td>→</td></tr> <tr><td>55:</td><td>9.4</td><td>→</td></tr> <tr><td>56:</td><td>9.8</td><td>↑</td></tr> <tr><td>57:</td><td>9.4</td><td>→</td></tr> <tr><td>58:</td><td>9.9</td><td>→</td></tr> <tr><td>59:</td><td>10.3</td><td>↗</td></tr> <tr><td>60:</td><td>9.3</td><td>↘</td></tr> <tr><td colspan="2"><b>Series</b></td><td><b>93.0</b></td></tr> <tr><td colspan="2"><b>Total</b></td><td><b>559.0</b></td></tr> </table>	51:	10.0	→	52:	9.6	↑	53:	9.8	↗	54:	10.0	→	55:	9.4	→	56:	9.8	↑	57:	9.4	→	58:	9.9	→	59:	10.3	↗	60:	9.3	↘	<b>Series</b>		<b>93.0</b>	<b>Total</b>		<b>559.0</b>
41:	10.1	↗																																																																								
42:	9.9	→																																																																								
43:	10.4x	↗																																																																								
44:	10.2	↘																																																																								
45:	8.3	→																																																																								
46:	10.2	↗																																																																								
47:	10.3	↘																																																																								
48:	9.9	↑																																																																								
49:	9.5	→																																																																								
50:	10.6x	↘																																																																								
<b>Series</b>		<b>95.0</b>																																																																								
<b>Total</b>		<b>466.0</b>																																																																								
51:	10.0	→																																																																								
52:	9.6	↑																																																																								
53:	9.8	↗																																																																								
54:	10.0	→																																																																								
55:	9.4	→																																																																								
56:	9.8	↑																																																																								
57:	9.4	→																																																																								
58:	9.9	→																																																																								
59:	10.3	↗																																																																								
60:	9.3	↘																																																																								
<b>Series</b>		<b>93.0</b>																																																																								
<b>Total</b>		<b>559.0</b>																																																																								


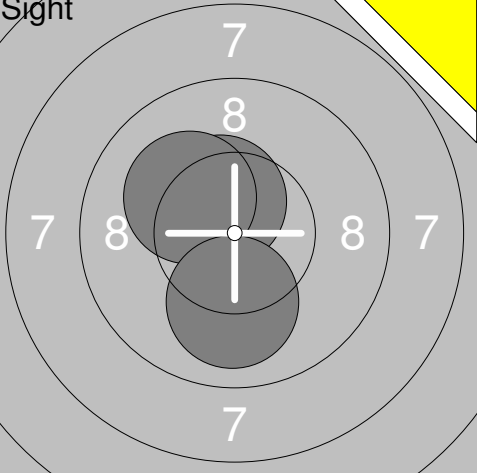
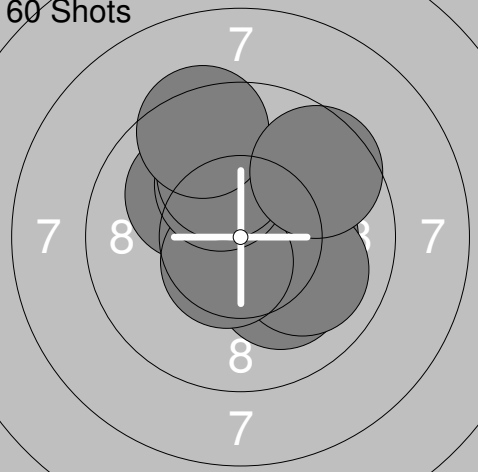
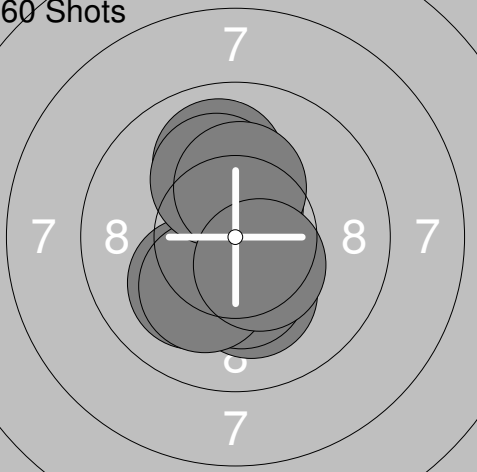
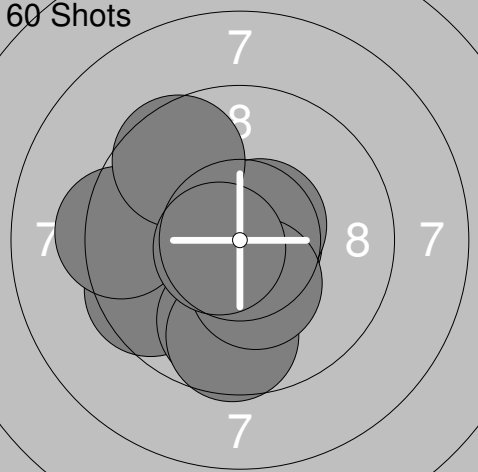
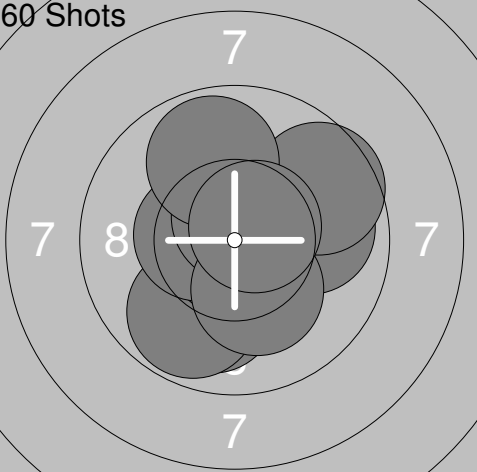
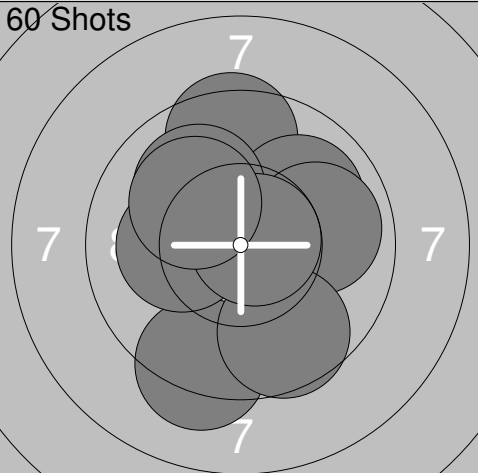
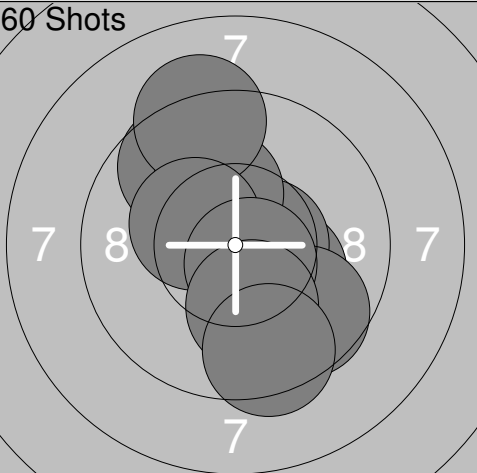
Relay	Lane	Lars Edvinsson	
S	Umeå PK		
09.10.2016	Sweden GP 2016	Umeå skytteallians	
Sight		1: 10.3 → 2: 8.4 → 3: 10.1 ↑ 4: 9.6 ↓ 5: 10.1 ↓ 6: 9.9 → 7: 9.7 ↓ 8: 10.0 ↗ 9: 9.6 → 10: 10.4 ←	Sight  11: 10.9x ← 12: 9.9 ↓ 13: 9.9 ↓ 14: 9.8 ← 15: 8.0 ↗
		Series 94.0	Series 45.0
		Total 0.0	Total 0.0
60 Shots		1: 10.3 ↙ 2: 9.7 → 3: 9.7 → 4: 9.9 ↓ 5: 9.6 ↓ 6: 10.1 ↗ 7: 9.9 ↙ 8: 8.6 ↓ 9: 8.7 ↙ 10: 9.9 →	60 Shots  11: 7.5 ↖ 12: 8.7 ← 13: 9.8 ↓ 14: 9.4 ↓ 15: 10.2 → 16: 10.1 ↓ 17: 9.9 → 18: 9.5 ↑ 19: 9.4 → 20: 10.6x ↑
		Series 90.0	Series 90.0
		Total 90.0	Total 180.0
60 Shots		21: 10.5x ↓ 22: 10.7x ↘ 23: 9.1 ← 24: 9.9 → 25: 9.3 ↗ 26: 9.1 ↗ 27: 10.4x ↗ 28: 10.1 → 29: 9.6 ↗ 30: 10.2 ↓	60 Shots  31: 9.4 ↑ 32: 9.4 ↖ 33: 10.1 ↗ 34: 10.6x ↓ 35: 9.5 ↗ 36: 7.9 → 37: 10.5x ↑ 38: 10.6x ↑ 39: 9.3 ↙ 40: 9.5 ←
		Series 95.0	Series 92.0
		Total 275.0	Total 367.0
60 Shots		41: 10.0 ↖ 42: 10.5x ↗ 43: 9.7 ↗ 44: 9.7 ↙ 45: 9.8 → 46: 10.1 ↑ 47: 10.6x ↓ 48: 9.7 ↖ 49: 9.5 ↑ 50: 9.9 ↓	60 Shots  51: 9.1 ↑ 52: 9.5 ↓ 53: 10.0 ↗ 54: 9.7 ← 55: 10.4x ↖ 56: 10.4x ↓ 57: 9.8 ↖ 58: 10.4x ↑ 59: 10.4x ↓ 60: 8.9 ↙
		Series 94.0	Series 94.0
		Total 461.0	Total 555.0


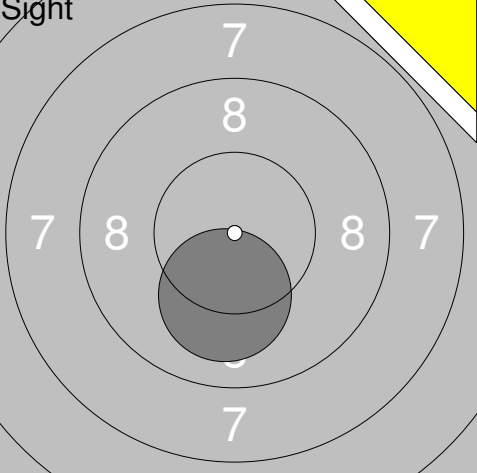
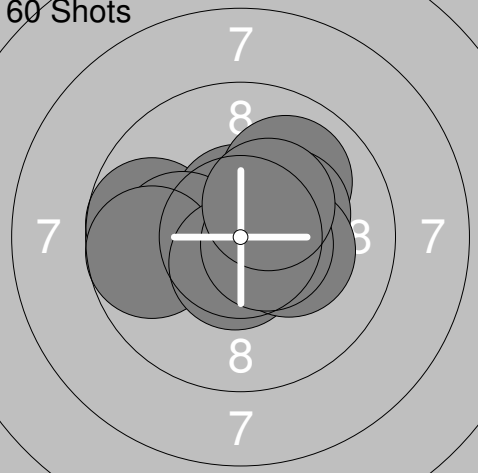

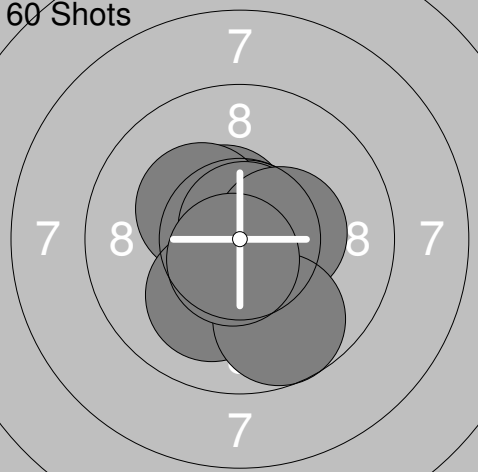
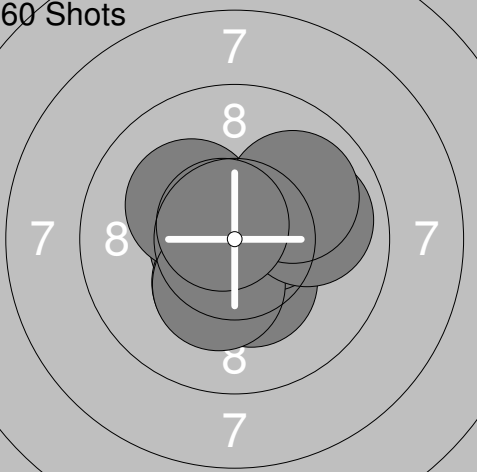
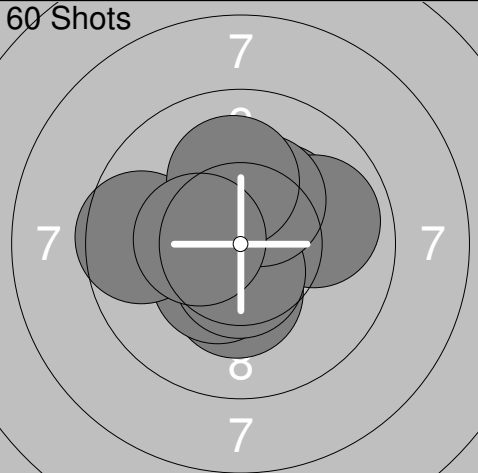
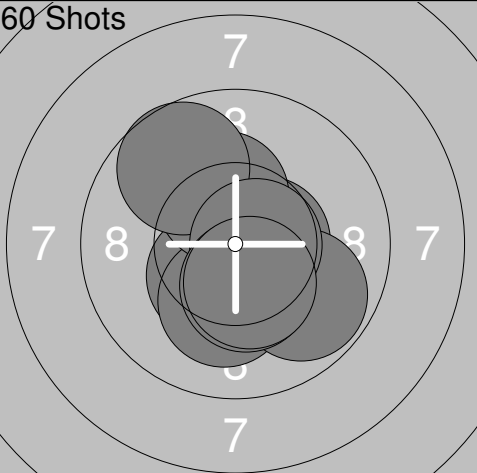


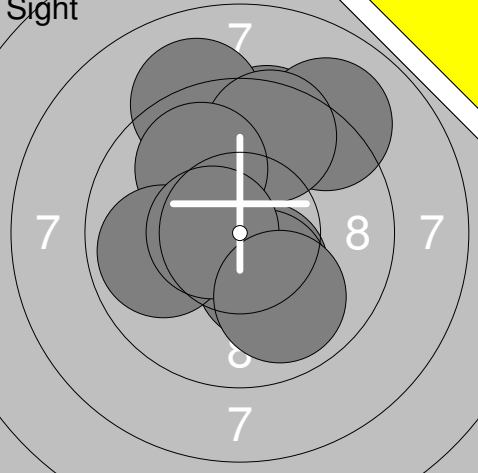
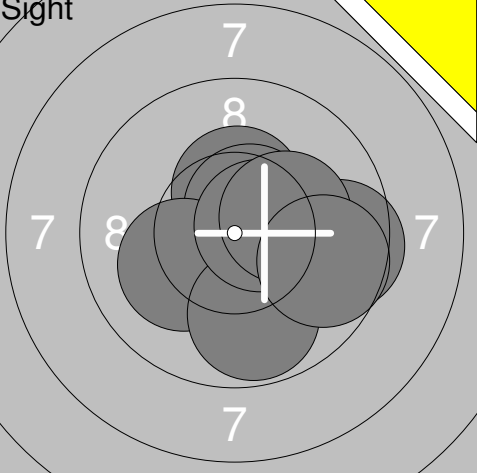
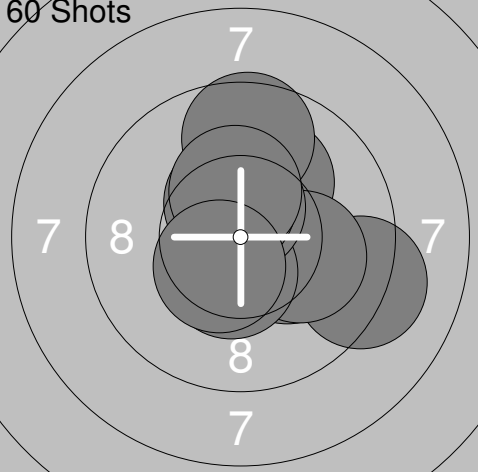
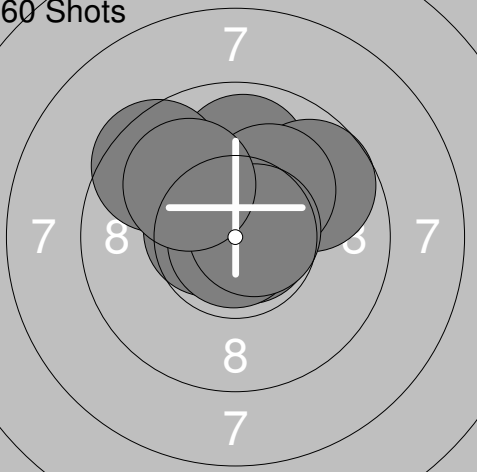
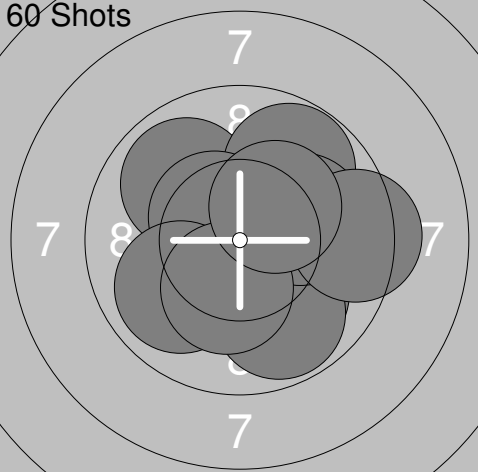
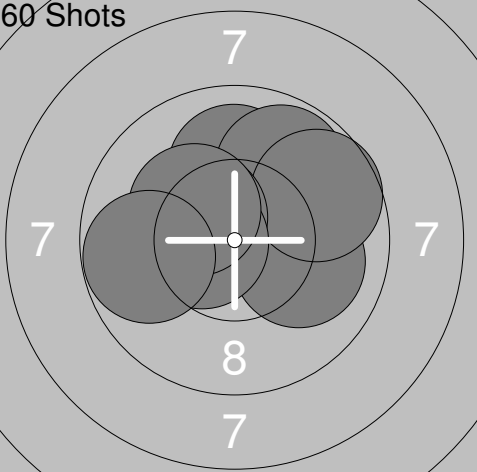
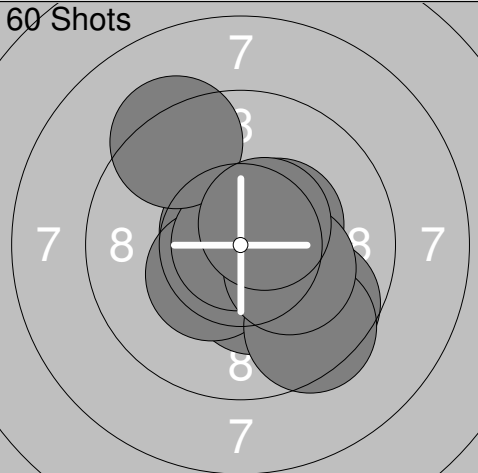
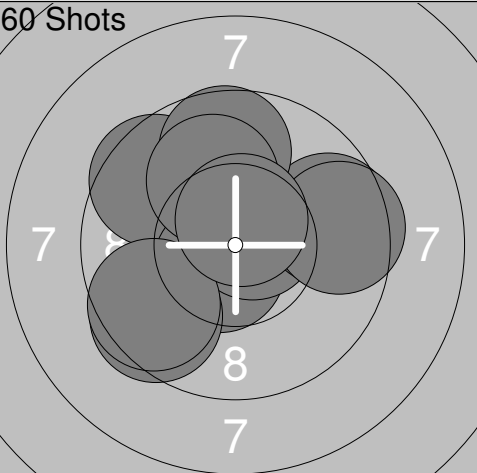
Relay	Lane	Tomas Backlund	
S	8	Umeå PK	
09.10.2016	Sweden GP 2016	Umeå skytteallians	
Sight		1: 10.0 ↗ 2: 9.6 ↑ 3: 10.8x ← 4: 8.5 ↑ 5: 9.9 ↗ 6: 10.6x → 7: 10.3 ↗ 8: 8.9 ← 9: 10.2 ↓ 10: 10.5x ↓ Series 94.0 Total 0.0	Sight  11: 10.8x ↗ 12: 9.5 ↓ 13: 10.6x → 14: 10.2 ↑ 15: 10.7x ← Series 49.0 Total 0.0
60 Shots		1: 10.7x ↙ 2: 10.3 ↑ 3: 10.7x ← 4: 9.6 → 5: 10.1 → 6: 9.0 ↑ 7: 10.0 ↓ 8: 10.3 ↓ 9: 10.0 ↓ 10: 10.2 ↙ Series 98.0 Total 98.0	60 Shots  11: 9.9 ↙ 12: 9.9 ↓ 13: 7.8 ↗ 14: 10.0 ↑ 15: 10.7x ↓ 16: 10.4x ↓ 17: 10.2 ↓ 18: 10.0 ↑ 19: 9.6 ↗ 20: 10.3 ↓ Series 94.0 Total 192.0
60 Shots		21: 10.3 → 22: 9.7 ↑ 23: 10.7x ↑ 24: 10.1 ← 25: 10.7x ↑ 26: 10.5x → 27: 10.1 ↖ 28: 10.2 ↗ 29: 10.1 → 30: 9.3 ↓ Series 98.0 Total 290.0	60 Shots  31: 10.5x → 32: 10.0 ↑ 33: 10.4x → 34: 9.7 → 35: 10.1 ↖ 36: 8.9 ↗ 37: 8.4 ↗ 38: 10.1 ↖ 39: 10.6x ↗ 40: 10.0 ↓ Series 95.0 Total 385.0
60 Shots		41: 10.2 ← 42: 9.2 ↓ 43: 10.5x ↗ 44: 9.3 ↓ 45: 10.1 ↗ 46: 9.5 → 47: 8.9 → 48: 9.8 ↑ 49: 10.3 ↗ 50: 9.3 ↓ Series 93.0 Total 478.0	60 Shots  51: 10.3 ↓ 52: 10.3 ↑ 53: 9.7 ↓ 54: 10.5x ↗ 55: 10.3 ↗ 56: 8.3 ← 57: 8.8 ↑ 58: 10.2 ↖ 59: 9.8 ↑ 60: 10.5x ↓ Series 94.0 Total 572.0

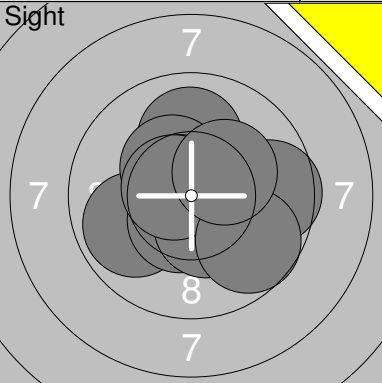
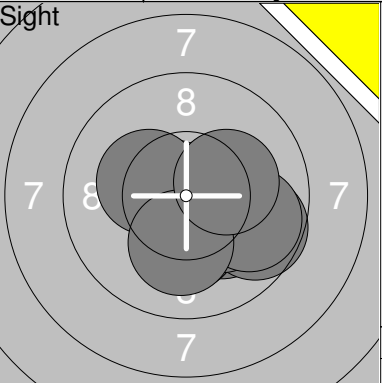
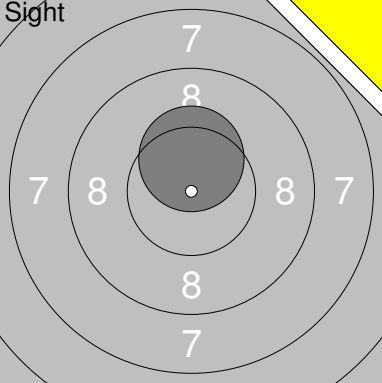
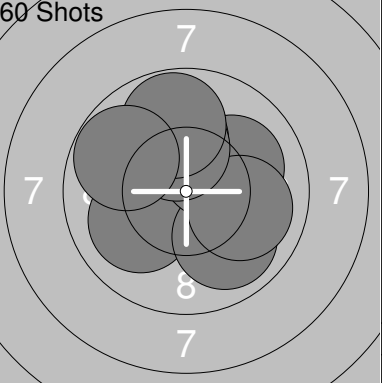
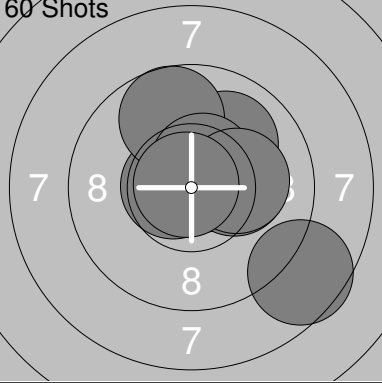
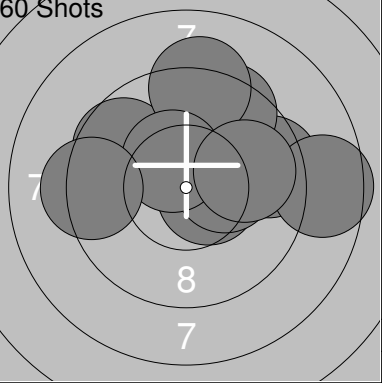
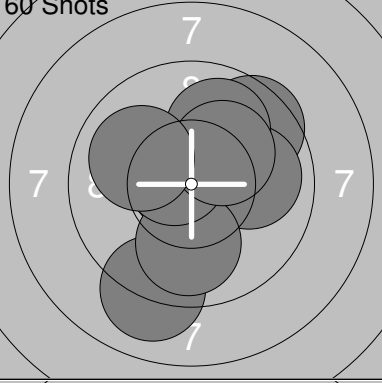
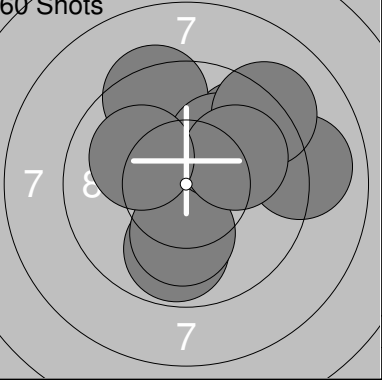
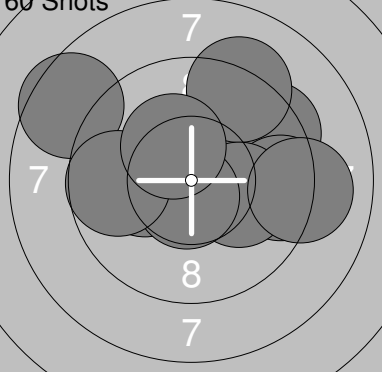


Sight	Sight																																																																										
		<table border="1" style="width:100%; border-collapse: collapse;"> <tr><td>1:</td><td>8.4</td><td>→</td></tr> <tr><td>2:</td><td>7.8</td><td>↑</td></tr> <tr><td>3:</td><td>8.8</td><td>→</td></tr> <tr><td>4:</td><td>9.2</td><td>↓</td></tr> <tr><td>5:</td><td>9.4</td><td>↗</td></tr> <tr><td>6:</td><td>9.5</td><td>↖</td></tr> <tr><td>7:</td><td>9.6</td><td>→</td></tr> <tr><td>8:</td><td>8.7</td><td>↗</td></tr> <tr><td>9:</td><td>9.7</td><td>↗</td></tr> <tr><td>10:</td><td>10.4x</td><td>↑</td></tr> <tr><td><b>Series</b></td><td><b>86.0</b></td><td></td></tr> <tr><td><b>Total</b></td><td><b>0.0</b></td><td></td></tr> </table>	1:	8.4	→	2:	7.8	↑	3:	8.8	→	4:	9.2	↓	5:	9.4	↗	6:	9.5	↖	7:	9.6	→	8:	8.7	↗	9:	9.7	↗	10:	10.4x	↑	<b>Series</b>	<b>86.0</b>		<b>Total</b>	<b>0.0</b>		<table border="1" style="width:100%; border-collapse: collapse;"> <tr><td>11:</td><td>6.4</td><td>↗</td></tr> <tr><td>12:</td><td>8.4</td><td>↗</td></tr> <tr><td>13:</td><td>8.6</td><td>↗</td></tr> <tr><td>14:</td><td>10.0</td><td>→</td></tr> <tr><td>15:</td><td>6.2</td><td>←</td></tr> <tr><td>16:</td><td>8.3</td><td>→</td></tr> <tr><td>17:</td><td>8.5</td><td>←</td></tr> <tr><td><b>Series</b></td><td><b>54.0</b></td><td></td></tr> <tr><td><b>Total</b></td><td><b>0.0</b></td><td></td></tr> </table>	11:	6.4	↗	12:	8.4	↗	13:	8.6	↗	14:	10.0	→	15:	6.2	←	16:	8.3	→	17:	8.5	←	<b>Series</b>	<b>54.0</b>		<b>Total</b>	<b>0.0</b>										
1:	8.4	→																																																																									
2:	7.8	↑																																																																									
3:	8.8	→																																																																									
4:	9.2	↓																																																																									
5:	9.4	↗																																																																									
6:	9.5	↖																																																																									
7:	9.6	→																																																																									
8:	8.7	↗																																																																									
9:	9.7	↗																																																																									
10:	10.4x	↑																																																																									
<b>Series</b>	<b>86.0</b>																																																																										
<b>Total</b>	<b>0.0</b>																																																																										
11:	6.4	↗																																																																									
12:	8.4	↗																																																																									
13:	8.6	↗																																																																									
14:	10.0	→																																																																									
15:	6.2	←																																																																									
16:	8.3	→																																																																									
17:	8.5	←																																																																									
<b>Series</b>	<b>54.0</b>																																																																										
<b>Total</b>	<b>0.0</b>																																																																										
60 Shots	60 Shots	<table border="1" style="width:100%; border-collapse: collapse;"> <tr><td>1:</td><td>8.5</td><td>←</td></tr> <tr><td>2:</td><td>8.6</td><td>↑</td></tr> <tr><td>3:</td><td>9.9</td><td>↑</td></tr> <tr><td>4:</td><td>8.7</td><td>↗</td></tr> <tr><td>5:</td><td>8.8</td><td>↗</td></tr> <tr><td>6:</td><td>9.6</td><td>↘</td></tr> <tr><td>7:</td><td>8.7</td><td>↘</td></tr> <tr><td>8:</td><td>10.4x</td><td>↘</td></tr> <tr><td>9:</td><td>7.7</td><td>↗</td></tr> <tr><td>10:</td><td>6.0</td><td>↑</td></tr> <tr><td><b>Series</b></td><td><b>81.0</b></td><td></td></tr> <tr><td><b>Total</b></td><td><b>81.0</b></td><td></td></tr> </table>	1:	8.5	←	2:	8.6	↑	3:	9.9	↑	4:	8.7	↗	5:	8.8	↗	6:	9.6	↘	7:	8.7	↘	8:	10.4x	↘	9:	7.7	↗	10:	6.0	↑	<b>Series</b>	<b>81.0</b>		<b>Total</b>	<b>81.0</b>		<table border="1" style="width:100%; border-collapse: collapse;"> <tr><td>11:</td><td>8.6</td><td>→</td></tr> <tr><td>12:</td><td>7.8</td><td>←</td></tr> <tr><td>13:</td><td>8.4</td><td>↑</td></tr> <tr><td>14:</td><td>8.8</td><td>↘</td></tr> <tr><td>15:</td><td>7.9</td><td>↗</td></tr> <tr><td>16:</td><td>9.1</td><td>↗</td></tr> <tr><td>17:</td><td>8.7</td><td>↘</td></tr> <tr><td>18:</td><td>10.1</td><td>↓</td></tr> <tr><td>19:</td><td>9.8</td><td>→</td></tr> <tr><td>20:</td><td>9.7</td><td>↗</td></tr> <tr><td><b>Series</b></td><td><b>83.0</b></td><td></td></tr> <tr><td><b>Total</b></td><td><b>164.0</b></td><td></td></tr> </table>	11:	8.6	→	12:	7.8	←	13:	8.4	↑	14:	8.8	↘	15:	7.9	↗	16:	9.1	↗	17:	8.7	↘	18:	10.1	↓	19:	9.8	→	20:	9.7	↗	<b>Series</b>	<b>83.0</b>		<b>Total</b>	<b>164.0</b>	
1:	8.5	←																																																																									
2:	8.6	↑																																																																									
3:	9.9	↑																																																																									
4:	8.7	↗																																																																									
5:	8.8	↗																																																																									
6:	9.6	↘																																																																									
7:	8.7	↘																																																																									
8:	10.4x	↘																																																																									
9:	7.7	↗																																																																									
10:	6.0	↑																																																																									
<b>Series</b>	<b>81.0</b>																																																																										
<b>Total</b>	<b>81.0</b>																																																																										
11:	8.6	→																																																																									
12:	7.8	←																																																																									
13:	8.4	↑																																																																									
14:	8.8	↘																																																																									
15:	7.9	↗																																																																									
16:	9.1	↗																																																																									
17:	8.7	↘																																																																									
18:	10.1	↓																																																																									
19:	9.8	→																																																																									
20:	9.7	↗																																																																									
<b>Series</b>	<b>83.0</b>																																																																										
<b>Total</b>	<b>164.0</b>																																																																										
60 Shots	60 Shots	<table border="1" style="width:100%; border-collapse: collapse;"> <tr><td>21:</td><td>9.1</td><td>→</td></tr> <tr><td>22:</td><td>8.9</td><td>↑</td></tr> <tr><td>23:</td><td>9.3</td><td>→</td></tr> <tr><td>24:</td><td>7.9</td><td>↖</td></tr> <tr><td>25:</td><td>9.4</td><td>↑</td></tr> <tr><td>26:</td><td>9.5</td><td>←</td></tr> <tr><td>27:</td><td>7.7</td><td>↑</td></tr> <tr><td>28:</td><td>8.6</td><td>↘</td></tr> <tr><td>29:</td><td>9.6</td><td>↗</td></tr> <tr><td>30:</td><td>10.6x</td><td>↗</td></tr> <tr><td><b>Series</b></td><td><b>85.0</b></td><td></td></tr> <tr><td><b>Total</b></td><td><b>249.0</b></td><td></td></tr> </table>	21:	9.1	→	22:	8.9	↑	23:	9.3	→	24:	7.9	↖	25:	9.4	↑	26:	9.5	←	27:	7.7	↑	28:	8.6	↘	29:	9.6	↗	30:	10.6x	↗	<b>Series</b>	<b>85.0</b>		<b>Total</b>	<b>249.0</b>		<table border="1" style="width:100%; border-collapse: collapse;"> <tr><td>31:</td><td>8.7</td><td>→</td></tr> <tr><td>32:</td><td>8.4</td><td>←</td></tr> <tr><td>33:</td><td>8.0</td><td>↑</td></tr> <tr><td>34:</td><td>10.1</td><td>↑</td></tr> <tr><td>35:</td><td>5.9</td><td>↗</td></tr> <tr><td>36:</td><td>7.4</td><td>↑</td></tr> <tr><td>37:</td><td>7.6</td><td>↖</td></tr> <tr><td>38:</td><td>8.0</td><td>→</td></tr> <tr><td>39:</td><td>9.1</td><td>↑</td></tr> <tr><td>40:</td><td>9.6</td><td>↗</td></tr> <tr><td><b>Series</b></td><td><b>79.0</b></td><td></td></tr> <tr><td><b>Total</b></td><td><b>328.0</b></td><td></td></tr> </table>	31:	8.7	→	32:	8.4	←	33:	8.0	↑	34:	10.1	↑	35:	5.9	↗	36:	7.4	↑	37:	7.6	↖	38:	8.0	→	39:	9.1	↑	40:	9.6	↗	<b>Series</b>	<b>79.0</b>		<b>Total</b>	<b>328.0</b>	
21:	9.1	→																																																																									
22:	8.9	↑																																																																									
23:	9.3	→																																																																									
24:	7.9	↖																																																																									
25:	9.4	↑																																																																									
26:	9.5	←																																																																									
27:	7.7	↑																																																																									
28:	8.6	↘																																																																									
29:	9.6	↗																																																																									
30:	10.6x	↗																																																																									
<b>Series</b>	<b>85.0</b>																																																																										
<b>Total</b>	<b>249.0</b>																																																																										
31:	8.7	→																																																																									
32:	8.4	←																																																																									
33:	8.0	↑																																																																									
34:	10.1	↑																																																																									
35:	5.9	↗																																																																									
36:	7.4	↑																																																																									
37:	7.6	↖																																																																									
38:	8.0	→																																																																									
39:	9.1	↑																																																																									
40:	9.6	↗																																																																									
<b>Series</b>	<b>79.0</b>																																																																										
<b>Total</b>	<b>328.0</b>																																																																										
60 Shots	60 Shots	<table border="1" style="width:100%; border-collapse: collapse;"> <tr><td>41:</td><td>7.7</td><td>↖</td></tr> <tr><td>42:</td><td>9.0</td><td>↘</td></tr> <tr><td>43:</td><td>7.9</td><td>↗</td></tr> <tr><td>44:</td><td>9.9</td><td>↗</td></tr> <tr><td>45:</td><td>8.7</td><td>↗</td></tr> <tr><td>46:</td><td>6.5</td><td>↑</td></tr> <tr><td>47:</td><td>9.1</td><td>↘</td></tr> <tr><td>48:</td><td>9.9</td><td>↑</td></tr> <tr><td>49:</td><td>9.3</td><td>↗</td></tr> <tr><td>50:</td><td>10.3</td><td>↘</td></tr> <tr><td><b>Series</b></td><td><b>83.0</b></td><td></td></tr> <tr><td><b>Total</b></td><td><b>411.0</b></td><td></td></tr> </table>	41:	7.7	↖	42:	9.0	↘	43:	7.9	↗	44:	9.9	↗	45:	8.7	↗	46:	6.5	↑	47:	9.1	↘	48:	9.9	↑	49:	9.3	↗	50:	10.3	↘	<b>Series</b>	<b>83.0</b>		<b>Total</b>	<b>411.0</b>		<table border="1" style="width:100%; border-collapse: collapse;"> <tr><td>51:</td><td>9.9</td><td>→</td></tr> <tr><td>52:</td><td>8.4</td><td>↘</td></tr> <tr><td>53:</td><td>9.4</td><td>→</td></tr> <tr><td>54:</td><td>10.3</td><td>↗</td></tr> <tr><td>55:</td><td>8.3</td><td>→</td></tr> <tr><td>56:</td><td>10.0</td><td>←</td></tr> <tr><td>57:</td><td>8.5</td><td>↗</td></tr> <tr><td>58:</td><td>10.5x</td><td>↗</td></tr> <tr><td>59:</td><td>9.6</td><td>↗</td></tr> <tr><td>60:</td><td>9.0</td><td>↑</td></tr> <tr><td><b>Series</b></td><td><b>90.0</b></td><td></td></tr> <tr><td><b>Total</b></td><td><b>501.0</b></td><td></td></tr> </table>	51:	9.9	→	52:	8.4	↘	53:	9.4	→	54:	10.3	↗	55:	8.3	→	56:	10.0	←	57:	8.5	↗	58:	10.5x	↗	59:	9.6	↗	60:	9.0	↑	<b>Series</b>	<b>90.0</b>		<b>Total</b>	<b>501.0</b>	
41:	7.7	↖																																																																									
42:	9.0	↘																																																																									
43:	7.9	↗																																																																									
44:	9.9	↗																																																																									
45:	8.7	↗																																																																									
46:	6.5	↑																																																																									
47:	9.1	↘																																																																									
48:	9.9	↑																																																																									
49:	9.3	↗																																																																									
50:	10.3	↘																																																																									
<b>Series</b>	<b>83.0</b>																																																																										
<b>Total</b>	<b>411.0</b>																																																																										
51:	9.9	→																																																																									
52:	8.4	↘																																																																									
53:	9.4	→																																																																									
54:	10.3	↗																																																																									
55:	8.3	→																																																																									
56:	10.0	←																																																																									
57:	8.5	↗																																																																									
58:	10.5x	↗																																																																									
59:	9.6	↗																																																																									
60:	9.0	↑																																																																									
<b>Series</b>	<b>90.0</b>																																																																										
<b>Total</b>	<b>501.0</b>																																																																										

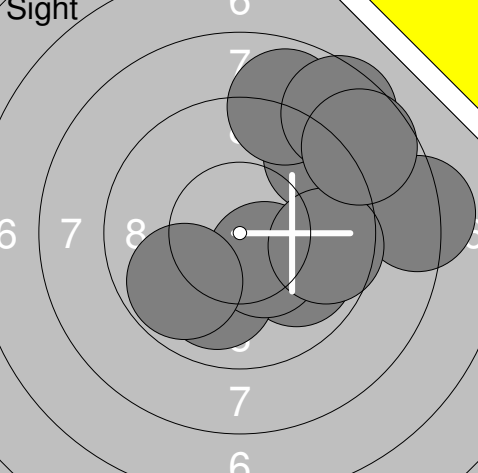
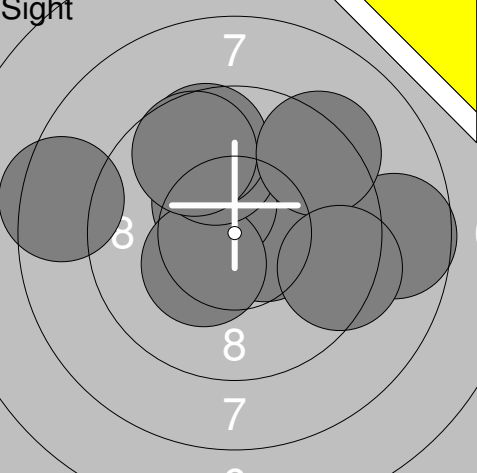
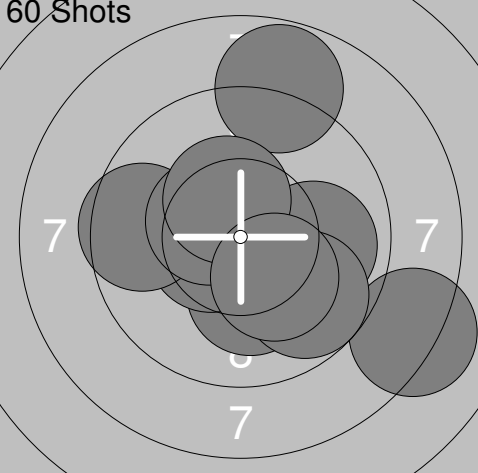
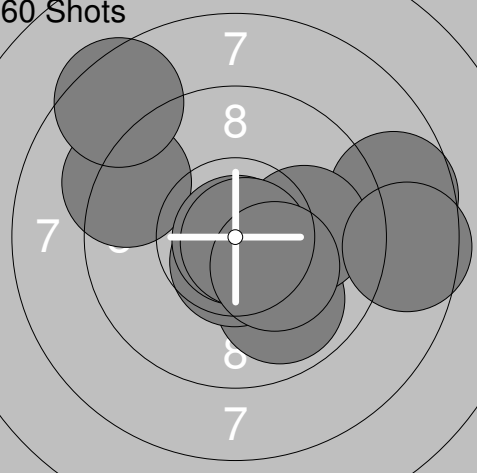
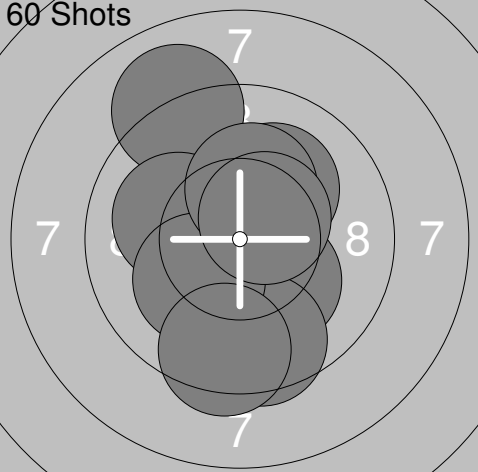
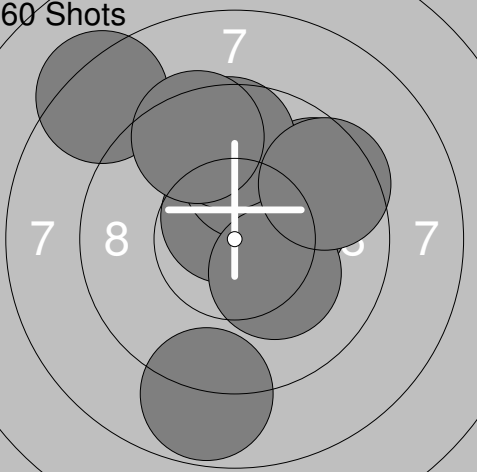
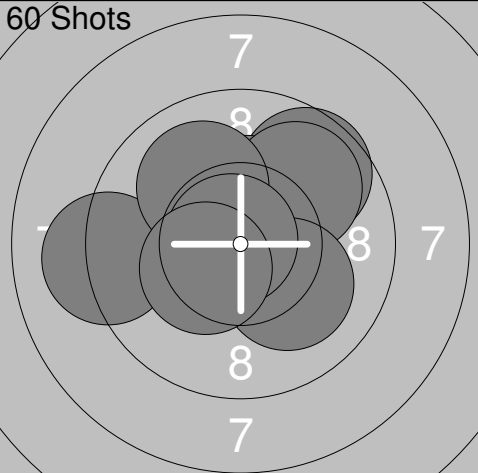
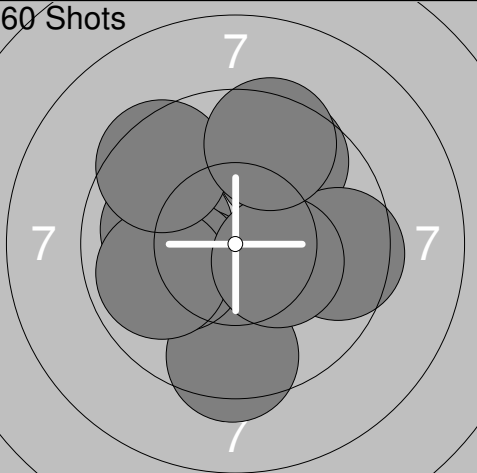
Relay	Lane	Joar Karlsson	
S		Söderala AIK	
09.10.2016		Sweden GP 2016	Umeå skytteallians
Sight		1: 9.2 ↓ 2: 10.6x ↓ 3: 10.0 ↗ 4: 10.9x ↗ 5: 10.1 ↓ 6: 10.0 ↙ 7: 10.2x ↙ 8: 10.1 ↓ 9: 10.1 → 10: 10.9x ↓ Series 102.1 Total 0.0	Sight  11: 10.5x ↗ 12: 10.2x ↖ 13: 10.0 ↓ Series 30.7 Total 0.0
60 Shots		1: 10.3x → 2: 10.2x ↗ 3: 10.1 ↗ 4: 10.1 ↓ 5: 10.0 ↓ 6: 10.6x ↓ 7: 10.2x ↗ 8: 10.1 ↗ 9: 9.4 ↗ 10: 9.6 ↗ Series 100.6 Total 100.6	60 Shots  11: 10.2x ↓ 12: 10.6x ↑ 13: 10.3x ↓ 14: 10.3x ↓ 15: 10.1 ↙ 16: 10.2x ↓ 17: 9.9 ↑ 18: 10.1 ↑ 19: 10.3x ↑ 20: 10.5x ↓ Series 102.5 Total 203.1
60 Shots		21: 10.7x → 22: 10.8x ↗ 23: 9.6 ↙ 24: 9.3 ↙ 25: 9.8 ↓ 26: 10.6x ↗ 27: 9.7 ↓ 28: 10.3x ↓ 29: 9.6 ↗ 30: 10.7x ↙ Series 101.1 Total 304.2	60 Shots  31: 10.0 ↓ 32: 9.8 ↓ 33: 9.9 → 34: 9.6 ↗ 35: 10.8x ↓ 36: 10.5x ↙ 37: 10.6x ↑ 38: 10.2x ↓ 39: 9.9 ↑ 40: 10.6x ↗ Series 101.9 Total 406.1
60 Shots		41: 9.5 ↑ 42: 10.0 ↗ 43: 10.4x ↖ 44: 9.9 → 45: 10.0 ↗ 46: 9.3 ↓ 47: 9.6 ↓ 48: 10.2x ↙ 49: 10.7x → 50: 10.1 ↗ Series 99.7 Total 505.8	60 Shots  51: 10.2x ↘ 52: 9.7 ↗ 53: 10.6x → 54: 10.2x ↑ 55: 9.7 ↓ 56: 9.2 ↑ 57: 10.3x ↖ 58: 10.6x ↓ 59: 10.1 ↓ 60: 9.5 ↓ Series 100.1 Total 605.9

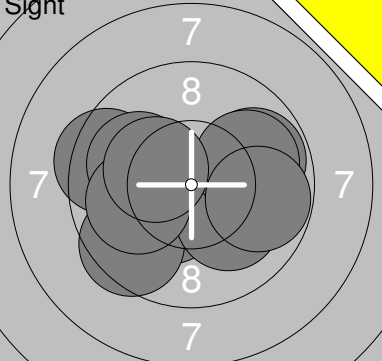
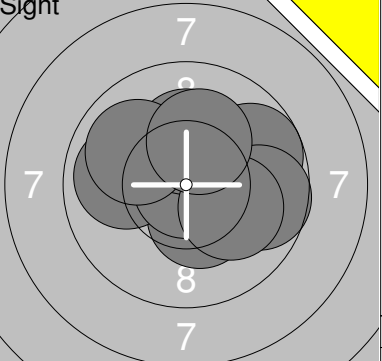
<b>Sight</b>			<b>Sight</b>
	1: 9.8 ↓ 2: 9.7 ↓ 3: 10.0 ↓ 4: 10.5x ← 5: 10.3x ↘ 6: 10.7x → 7: 10.6x ← 8: 10.7x ↗ 9: 10.3x ↓ 10: 10.9x ↓		11: 10.1 ↓
	<b>Series</b> 103.5		<b>Series</b> 10.1
	<b>Total</b> 0.0		<b>Total</b> 0.0
<b>60 Shots</b>		<b>60 Shots</b>	
	1: 9.7 ← 2: 10.6x ↑ 3: 10.0 ↗ 4: 10.2x ← 5: 9.7 ← 6: 10.3x → 7: 10.6x ↓ 8: 10.3x → 9: 10.6x → 10: 10.4x ↗		11: 10.1 → 12: 10.1 ← 13: 10.1 ↗ 14: 10.1 ↓ 15: 10.3x ← 16: 10.9x ↗ 17: 10.1 → 18: 10.4x ↗ 19: 10.3x ← 20: 10.5x ↘
	<b>Series</b> 102.4		<b>Series</b> 102.9
	<b>Total</b> 102.4		<b>Total</b> 205.3
<b>60 Shots</b>		<b>60 Shots</b>	
	21: 10.5x ↗ 22: 10.8x ↗ 23: 10.6x → 24: 10.3x ↗ 25: 10.3x ↓ 26: 10.8x ↗ 27: 10.1 ↓ 28: 10.4x → 29: 9.7 ↓ 30: 10.7x ↓		31: 10.7x ← 32: 10.3x ↓ 33: 10.3x ↓ 34: 10.8x → 35: 10.2x ↗ 36: 10.5x → 37: 10.3x ↓ 38: 9.9 → 39: 10.0 ↗ 40: 10.7x ↗
	<b>Series</b> 104.2		<b>Series</b> 103.7
	<b>Total</b> 309.5		<b>Total</b> 413.2
<b>60 Shots</b>		<b>60 Shots</b>	
	41: 10.3x ↗ 42: 10.3x ↓ 43: 10.4x ↘ 44: 10.8x ↓ 45: 9.9 → 46: 9.6 ← 47: 10.6x ↓ 48: 10.3x ↗ 49: 10.1 ↑ 50: 10.4x ←		51: 10.5x ↓ 52: 10.6x → 53: 10.4x ↘ 54: 10.2x ↓ 55: 10.3x ↗ 56: 9.7 ↗ 57: 9.8 ↘ 58: 10.7x → 59: 10.4x ↓ 60: 10.4x ↓
	<b>Series</b> 102.7		<b>Series</b> 103.0
	<b>Total</b> 515.9		<b>Total</b> 618.9

Relay	Lane	Saul Johansson	
S		Ramselefors Skf	
09.10.2016		Sweden GP 2016	Umeå skytteallians
Sight		1: 9.5 ↑ 2: 9.1 ↗ 3: 9.1 ↑ 4: 10.4x ↓ 5: 9.6 ↑ 6: 9.9 ↗ 7: 10.3x ↓ 8: 9.9 ← 9: 10.6x ← 10: 9.9 ↓ Series 98.3 Total 0.0	Sight  11: 10.4x ↑ 12: 10.6x ↗ 13: 10.1 ↙ 14: 9.5 → 15: 9.8 ↓ 16: 10.6x → 17: 10.2x → 18: 9.7 → Series 80.9 Total 0.0
60 Shots		1: 9.2 → 2: 10.3x → 3: 10.1 ↗ 4: 10.1 → 5: 10.5x ↓ 6: 10.5x ↑ 7: 9.6 ↑ 8: 10.5x ↑ 9: 10.3x ↑ 10: 10.5x ↓ Series 101.6 Total 101.6	60 Shots  11: 9.9 ↑ 12: 10.9x ↗ 13: 10.8x → 14: 10.6x ← 15: 9.5 ↖ 16: 10.9x ↓ 17: 9.7 ↗ 18: 10.2x ↗ 19: 10.7x → 20: 10.0 ↖ Series 103.2 Total 204.8
60 Shots		21: 9.9 ↖ 22: 10.0 ↓ 23: 9.8 ↗ 24: 9.8 ↓ 25: 10.1 → 26: 10.5x ↗ 27: 9.9 ↙ 28: 10.3x ↓ 29: 9.4 → 30: 10.3x ↗ Series 100.0 Total 304.8	60 Shots  31: 10.0 ↑ 32: 10.7x ← 33: 10.1 → 34: 9.8 ↗ 35: 10.0 → 36: 9.7 ↗ 37: 10.4x ↖ 38: 10.5x ← 39: 10.3x ↖ 40: 9.8 ← Series 101.3 Total 406.1
60 Shots		41: 10.3x ↓ 42: 9.7 ↓ 43: 10.7x ↗ 44: 10.4x ↙ 45: 10.9x ← 46: 10.4x ↗ 47: 9.5 ↓ 48: 10.2x → 49: 9.3 ↗ 50: 10.5x ↗ Series 101.9 Total 508.0	60 Shots  51: 9.6 ↖ 52: 10.6x ↓ 53: 9.5 ↙ 54: 10.7x ↗ 55: 9.6 → 56: 9.7 ↑ 57: 9.6 ↙ 58: 9.5 → 59: 10.0 ↑ 60: 10.6x ↑ Series 99.4 Total 607.4

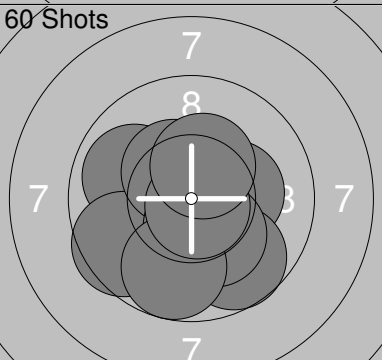
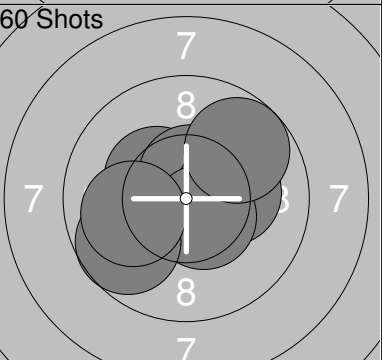
Relay <b>2</b>	Lane <b>20</b>	<b>Mikael Lundell</b>			
S		Vaksala Skf			
09.10.2016		Sweden GP 2016	Umeå skytteallians		
Sight		1: 9.9 ← 2: 10.5x ↓ 3: 10.0 ↑ 4: 10.4x ↗ 5: 10.7x ↗ 6: 9.6 → 7: 10.4x ↓ 8: 10.6x ↗ 9: 9.7 ↓ 10: 10.3x ↗ Series 102.1 Total 0.0	Sight		11: 10.5x → 12: 10.7x ← 13: 10.2x ↓ 14: 9.7 ↓ 15: 10.2x ↓ 16: 10.2x ↓ 17: 10.3x ↗ 18: 9.8 ↓ 19: 10.1 ↓ 20: 10.2x → Series 101.9 Total 0.0
Sight		21: 10.4x ↑	60 Shots		1: 10.5x → 2: 10.0 ↓ 3: 9.9 ↓ 4: 10.3x ↗ 5: 10.1 ↗ 6: 10.1 ↑ 7: 10.0 → 8: 10.2x ↑ 9: 9.8 ↑ 10: 9.8 ↗ Series 100.7 Total 0.0
60 Shots		11: 10.7x ↗ 12: 10.2x ↑ 13: 10.6x ← 14: 10.0 ↗ 15: 10.2x → 16: 9.7 ↗ 17: 10.5x ↗ 18: 8.6 ↓ 19: 10.2x → 20: 10.8x ↗ Series 101.5 Total 202.2	60 Shots		21: 10.6x → 22: 9.5 → 23: 9.7 ↗ 24: 10.3x → 25: 9.5 ↗ 26: 9.2 ↑ 27: 8.6 → 28: 10.4x ↗ 29: 9.3 ← 30: 9.9 → Series 97.0 Total 299.2
60 Shots		31: 10.2x ↗ 32: 9.1 ↓ 33: 10.8x ← 34: 9.5 ↗ 35: 10.0 → 36: 9.9 ↓ 37: 10.6x ↗ 38: 9.9 ↗ 39: 10.2x ↗ 40: 10.0 ← Series 100.2 Total 399.4	60 Shots		41: 9.8 ↓ 42: 9.7 ↗ 43: 10.1 ↓ 44: 10.1 ↗ 45: 9.4 ↗ 46: 9.0 → 47: 10.1 ↗ 48: 9.2 ↗ 49: 10.0 ↗ 50: 10.1 ↗ Series 97.5 Total 496.9
60 Shots		51: 8.5 ↗ 52: 9.4 ↗ 53: 9.4 → 54: 10.2x ← 55: 9.2 ↗ 56: 10.1 → 57: 10.7x ↓ 58: 9.7 ← 59: 9.1 → 60: 10.3x ↗ Series 96.6 Total 593.5			

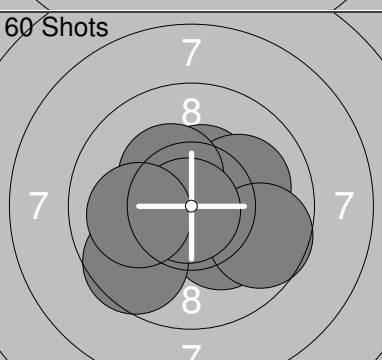
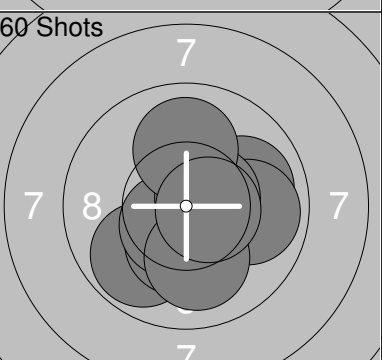


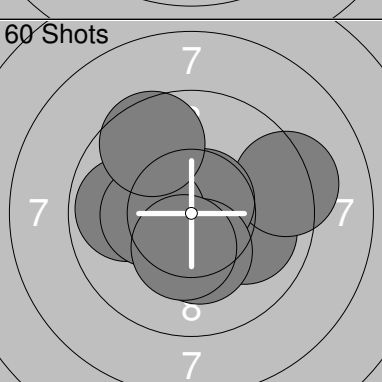
	<table border="1" style="width:100%; border-collapse: collapse;"> <tr><td>1:</td><td>9.9</td><td>↘</td></tr> <tr><td>2:</td><td>10.0</td><td>↓</td></tr> <tr><td>3:</td><td>10.4x</td><td>↙</td></tr> <tr><td>4:</td><td>8.2</td><td>→</td></tr> <tr><td>5:</td><td>9.2</td><td>↗</td></tr> <tr><td>6:</td><td>9.8</td><td>↖</td></tr> <tr><td>7:</td><td>8.9</td><td>↑</td></tr> <tr><td>8:</td><td>9.6</td><td>→</td></tr> <tr><td>9:</td><td>8.6</td><td>↗</td></tr> <tr><td>10:</td><td>8.7</td><td>↗</td></tr> <tr><td colspan="2"><b>Series</b></td><td><b>93.3</b></td></tr> <tr><td colspan="2"><b>Total</b></td><td><b>0.0</b></td></tr> </table>	1:	9.9	↘	2:	10.0	↓	3:	10.4x	↙	4:	8.2	→	5:	9.2	↗	6:	9.8	↖	7:	8.9	↑	8:	9.6	→	9:	8.6	↗	10:	8.7	↗	<b>Series</b>		<b>93.3</b>	<b>Total</b>		<b>0.0</b>		<table border="1" style="width:100%; border-collapse: collapse;"> <tr><td>11:</td><td>10.5x</td><td>→</td></tr> <tr><td>12:</td><td>8.7</td><td>→</td></tr> <tr><td>13:</td><td>10.4x</td><td>↗</td></tr> <tr><td>14:</td><td>10.3x</td><td>↙</td></tr> <tr><td>15:</td><td>9.9</td><td>↑</td></tr> <tr><td>16:</td><td>9.6</td><td>↑</td></tr> <tr><td>17:</td><td>9.7</td><td>↗</td></tr> <tr><td>18:</td><td>9.3</td><td>↗</td></tr> <tr><td>19:</td><td>9.4</td><td>→</td></tr> <tr><td>20:</td><td>8.4</td><td>←</td></tr> <tr><td colspan="2"><b>Series</b></td><td><b>96.2</b></td></tr> <tr><td colspan="2"><b>Total</b></td><td><b>0.0</b></td></tr> </table>	11:	10.5x	→	12:	8.7	→	13:	10.4x	↗	14:	10.3x	↙	15:	9.9	↑	16:	9.6	↑	17:	9.7	↗	18:	9.3	↗	19:	9.4	→	20:	8.4	←	<b>Series</b>		<b>96.2</b>	<b>Total</b>		<b>0.0</b>
1:	9.9	↘																																																																									
2:	10.0	↓																																																																									
3:	10.4x	↙																																																																									
4:	8.2	→																																																																									
5:	9.2	↗																																																																									
6:	9.8	↖																																																																									
7:	8.9	↑																																																																									
8:	9.6	→																																																																									
9:	8.6	↗																																																																									
10:	8.7	↗																																																																									
<b>Series</b>		<b>93.3</b>																																																																									
<b>Total</b>		<b>0.0</b>																																																																									
11:	10.5x	→																																																																									
12:	8.7	→																																																																									
13:	10.4x	↗																																																																									
14:	10.3x	↙																																																																									
15:	9.9	↑																																																																									
16:	9.6	↑																																																																									
17:	9.7	↗																																																																									
18:	9.3	↗																																																																									
19:	9.4	→																																																																									
20:	8.4	←																																																																									
<b>Series</b>		<b>96.2</b>																																																																									
<b>Total</b>		<b>0.0</b>																																																																									
	<table border="1" style="width:100%; border-collapse: collapse;"> <tr><td>1:</td><td>8.2</td><td>↘</td></tr> <tr><td>2:</td><td>9.9</td><td>→</td></tr> <tr><td>3:</td><td>10.2x</td><td>↓</td></tr> <tr><td>4:</td><td>10.5x</td><td>←</td></tr> <tr><td>5:</td><td>8.8</td><td>↑</td></tr> <tr><td>6:</td><td>9.6</td><td>←</td></tr> <tr><td>7:</td><td>9.7</td><td>↘</td></tr> <tr><td>8:</td><td>10.5x</td><td>↖</td></tr> <tr><td>9:</td><td>10.4x</td><td>↑</td></tr> <tr><td>10:</td><td>10.2x</td><td>↘</td></tr> <tr><td colspan="2"><b>Series</b></td><td><b>98.0</b></td></tr> <tr><td colspan="2"><b>Total</b></td><td><b>98.0</b></td></tr> </table>	1:	8.2	↘	2:	9.9	→	3:	10.2x	↓	4:	10.5x	←	5:	8.8	↑	6:	9.6	←	7:	9.7	↘	8:	10.5x	↖	9:	10.4x	↑	10:	10.2x	↘	<b>Series</b>		<b>98.0</b>	<b>Total</b>		<b>98.0</b>		<table border="1" style="width:100%; border-collapse: collapse;"> <tr><td>11:</td><td>9.3</td><td>↖</td></tr> <tr><td>12:</td><td>9.9</td><td>↘</td></tr> <tr><td>13:</td><td>8.7</td><td>→</td></tr> <tr><td>14:</td><td>10.6x</td><td>↓</td></tr> <tr><td>15:</td><td>10.0</td><td>→</td></tr> <tr><td>16:</td><td>8.6</td><td>→</td></tr> <tr><td>17:</td><td>10.9x</td><td>↘</td></tr> <tr><td>18:</td><td>8.5</td><td>↗</td></tr> <tr><td>19:</td><td>10.8x</td><td>↘</td></tr> <tr><td>20:</td><td>10.3x</td><td>↘</td></tr> <tr><td colspan="2"><b>Series</b></td><td><b>97.6</b></td></tr> <tr><td colspan="2"><b>Total</b></td><td><b>195.6</b></td></tr> </table>	11:	9.3	↖	12:	9.9	↘	13:	8.7	→	14:	10.6x	↓	15:	10.0	→	16:	8.6	→	17:	10.9x	↘	18:	8.5	↗	19:	10.8x	↘	20:	10.3x	↘	<b>Series</b>		<b>97.6</b>	<b>Total</b>		<b>195.6</b>
1:	8.2	↘																																																																									
2:	9.9	→																																																																									
3:	10.2x	↓																																																																									
4:	10.5x	←																																																																									
5:	8.8	↑																																																																									
6:	9.6	←																																																																									
7:	9.7	↘																																																																									
8:	10.5x	↖																																																																									
9:	10.4x	↑																																																																									
10:	10.2x	↘																																																																									
<b>Series</b>		<b>98.0</b>																																																																									
<b>Total</b>		<b>98.0</b>																																																																									
11:	9.3	↖																																																																									
12:	9.9	↘																																																																									
13:	8.7	→																																																																									
14:	10.6x	↓																																																																									
15:	10.0	→																																																																									
16:	8.6	→																																																																									
17:	10.9x	↘																																																																									
18:	8.5	↗																																																																									
19:	10.8x	↘																																																																									
20:	10.3x	↘																																																																									
<b>Series</b>		<b>97.6</b>																																																																									
<b>Total</b>		<b>195.6</b>																																																																									
	<table border="1" style="width:100%; border-collapse: collapse;"> <tr><td>21:</td><td>10.3x</td><td>↖</td></tr> <tr><td>22:</td><td>10.2x</td><td>↘</td></tr> <tr><td>23:</td><td>9.0</td><td>↗</td></tr> <tr><td>24:</td><td>10.1</td><td>←</td></tr> <tr><td>25:</td><td>9.6</td><td>↓</td></tr> <tr><td>26:</td><td>10.2x</td><td>↙</td></tr> <tr><td>27:</td><td>10.1</td><td>↗</td></tr> <tr><td>28:</td><td>9.4</td><td>↓</td></tr> <tr><td>29:</td><td>10.3x</td><td>↑</td></tr> <tr><td>30:</td><td>10.5x</td><td>↗</td></tr> <tr><td colspan="2"><b>Series</b></td><td><b>99.7</b></td></tr> <tr><td colspan="2"><b>Total</b></td><td><b>295.3</b></td></tr> </table>	21:	10.3x	↖	22:	10.2x	↘	23:	9.0	↗	24:	10.1	←	25:	9.6	↓	26:	10.2x	↙	27:	10.1	↗	28:	9.4	↓	29:	10.3x	↑	30:	10.5x	↗	<b>Series</b>		<b>99.7</b>	<b>Total</b>		<b>295.3</b>		<table border="1" style="width:100%; border-collapse: collapse;"> <tr><td>31:</td><td>10.2x</td><td>↗</td></tr> <tr><td>32:</td><td>10.6x</td><td>↑</td></tr> <tr><td>33:</td><td>9.7</td><td>↗</td></tr> <tr><td>34:</td><td>8.3</td><td>↗</td></tr> <tr><td>35:</td><td>10.0</td><td>↑</td></tr> <tr><td>36:</td><td>10.2x</td><td>↘</td></tr> <tr><td>37:</td><td>9.6</td><td>↑</td></tr> <tr><td>38:</td><td>9.5</td><td>↗</td></tr> <tr><td>39:</td><td>9.5</td><td>↑</td></tr> <tr><td>40:</td><td>8.8</td><td>↓</td></tr> <tr><td colspan="2"><b>Series</b></td><td><b>96.4</b></td></tr> <tr><td colspan="2"><b>Total</b></td><td><b>391.7</b></td></tr> </table>	31:	10.2x	↗	32:	10.6x	↑	33:	9.7	↗	34:	8.3	↗	35:	10.0	↑	36:	10.2x	↘	37:	9.6	↑	38:	9.5	↗	39:	9.5	↑	40:	8.8	↓	<b>Series</b>		<b>96.4</b>	<b>Total</b>		<b>391.7</b>
21:	10.3x	↖																																																																									
22:	10.2x	↘																																																																									
23:	9.0	↗																																																																									
24:	10.1	←																																																																									
25:	9.6	↓																																																																									
26:	10.2x	↙																																																																									
27:	10.1	↗																																																																									
28:	9.4	↓																																																																									
29:	10.3x	↑																																																																									
30:	10.5x	↗																																																																									
<b>Series</b>		<b>99.7</b>																																																																									
<b>Total</b>		<b>295.3</b>																																																																									
31:	10.2x	↗																																																																									
32:	10.6x	↑																																																																									
33:	9.7	↗																																																																									
34:	8.3	↗																																																																									
35:	10.0	↑																																																																									
36:	10.2x	↘																																																																									
37:	9.6	↑																																																																									
38:	9.5	↗																																																																									
39:	9.5	↑																																																																									
40:	8.8	↓																																																																									
<b>Series</b>		<b>96.4</b>																																																																									
<b>Total</b>		<b>391.7</b>																																																																									
	<table border="1" style="width:100%; border-collapse: collapse;"> <tr><td>41:</td><td>9.7</td><td>↗</td></tr> <tr><td>42:</td><td>9.1</td><td>←</td></tr> <tr><td>43:</td><td>10.7x</td><td>→</td></tr> <tr><td>44:</td><td>10.5x</td><td>↘</td></tr> <tr><td>45:</td><td>10.4x</td><td>↑</td></tr> <tr><td>46:</td><td>9.9</td><td>↗</td></tr> <tr><td>47:</td><td>10.0</td><td>↗</td></tr> <tr><td>48:</td><td>10.1</td><td>↘</td></tr> <tr><td>49:</td><td>10.8x</td><td>↖</td></tr> <tr><td>50:</td><td>10.4x</td><td>↙</td></tr> <tr><td colspan="2"><b>Series</b></td><td><b>101.6</b></td></tr> <tr><td colspan="2"><b>Total</b></td><td><b>493.3</b></td></tr> </table>	41:	9.7	↗	42:	9.1	←	43:	10.7x	→	44:	10.5x	↘	45:	10.4x	↑	46:	9.9	↗	47:	10.0	↗	48:	10.1	↘	49:	10.8x	↖	50:	10.4x	↙	<b>Series</b>		<b>101.6</b>	<b>Total</b>		<b>493.3</b>		<table border="1" style="width:100%; border-collapse: collapse;"> <tr><td>51:</td><td>10.0</td><td>←</td></tr> <tr><td>52:</td><td>9.7</td><td>↗</td></tr> <tr><td>53:</td><td>9.6</td><td>→</td></tr> <tr><td>54:</td><td>10.3x</td><td>↙</td></tr> <tr><td>55:</td><td>9.4</td><td>↓</td></tr> <tr><td>56:</td><td>10.1</td><td>←</td></tr> <tr><td>57:</td><td>9.9</td><td>←</td></tr> <tr><td>58:</td><td>9.5</td><td>↗</td></tr> <tr><td>59:</td><td>10.3x</td><td>→</td></tr> <tr><td>60:</td><td>9.5</td><td>↑</td></tr> <tr><td colspan="2"><b>Series</b></td><td><b>98.3</b></td></tr> <tr><td colspan="2"><b>Total</b></td><td><b>591.6</b></td></tr> </table>	51:	10.0	←	52:	9.7	↗	53:	9.6	→	54:	10.3x	↙	55:	9.4	↓	56:	10.1	←	57:	9.9	←	58:	9.5	↗	59:	10.3x	→	60:	9.5	↑	<b>Series</b>		<b>98.3</b>	<b>Total</b>		<b>591.6</b>
41:	9.7	↗																																																																									
42:	9.1	←																																																																									
43:	10.7x	→																																																																									
44:	10.5x	↘																																																																									
45:	10.4x	↑																																																																									
46:	9.9	↗																																																																									
47:	10.0	↗																																																																									
48:	10.1	↘																																																																									
49:	10.8x	↖																																																																									
50:	10.4x	↙																																																																									
<b>Series</b>		<b>101.6</b>																																																																									
<b>Total</b>		<b>493.3</b>																																																																									
51:	10.0	←																																																																									
52:	9.7	↗																																																																									
53:	9.6	→																																																																									
54:	10.3x	↙																																																																									
55:	9.4	↓																																																																									
56:	10.1	←																																																																									
57:	9.9	←																																																																									
58:	9.5	↗																																																																									
59:	10.3x	→																																																																									
60:	9.5	↑																																																																									
<b>Series</b>		<b>98.3</b>																																																																									
<b>Total</b>		<b>591.6</b>																																																																									

Sight	Sight		
			
	1: 10.4x ↙ 2: 9.5 ↘ 3: 10.1 ↘ 4: 9.5 ↖ 5: 9.8 → 6: 10.0 ↖ 7: 10.0 ↖ 8: 9.9 → 9: 10.3x ↖ 10: 9.8 →		11: 10.4x ↘ 12: 9.8 → 13: 10.6x → 14: 9.9 ↖ 15: 10.9x ↘ 16: 10.2x ↑ 17: 9.7 → 18: 10.0 ↗ 19: 10.1 ↘ 20: 10.2x ↑
Series	99.3	Series	101.8
Total	0.0	Total	0.0

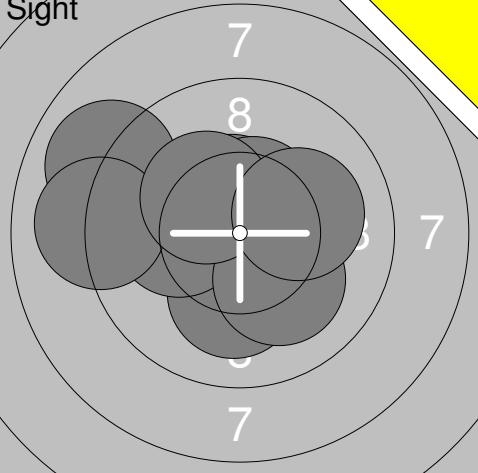
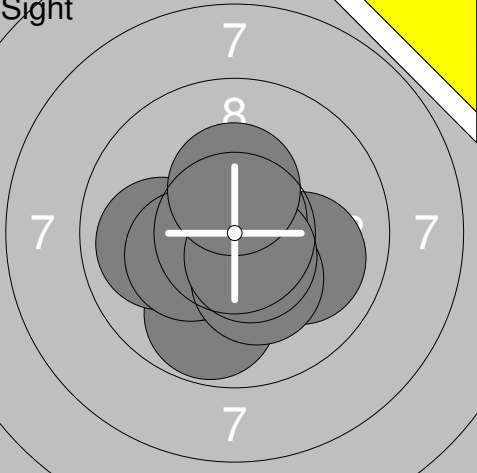
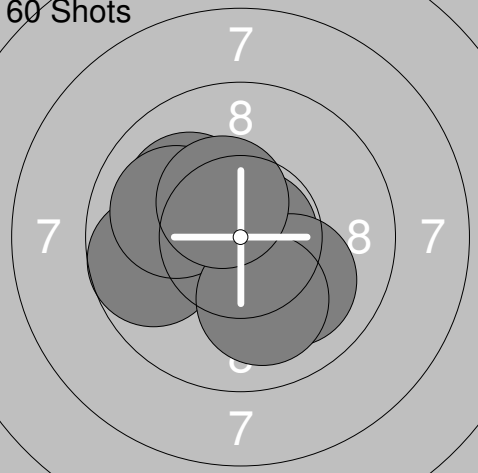
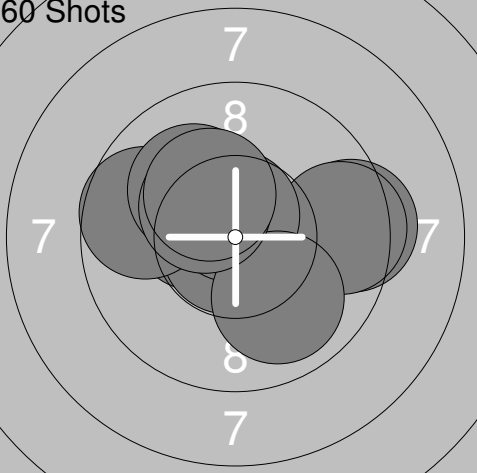
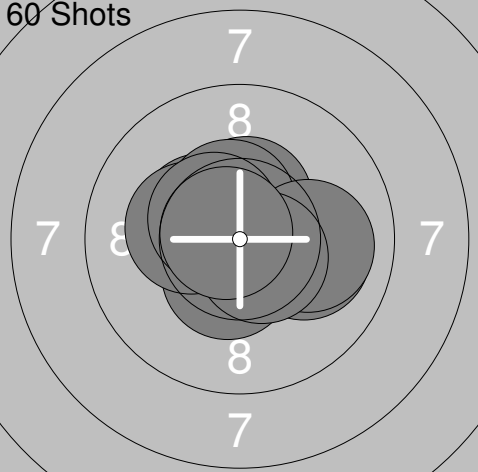
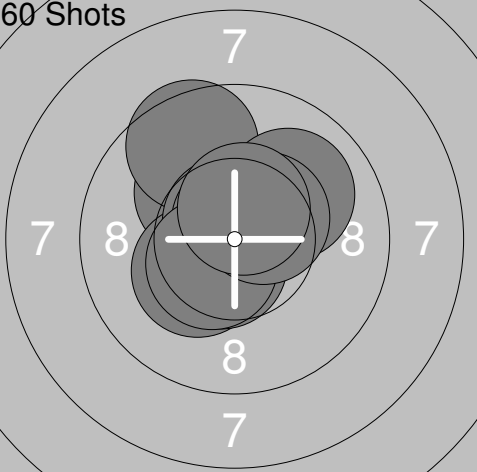
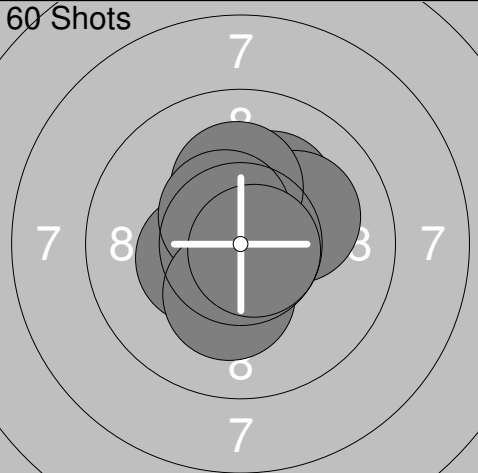
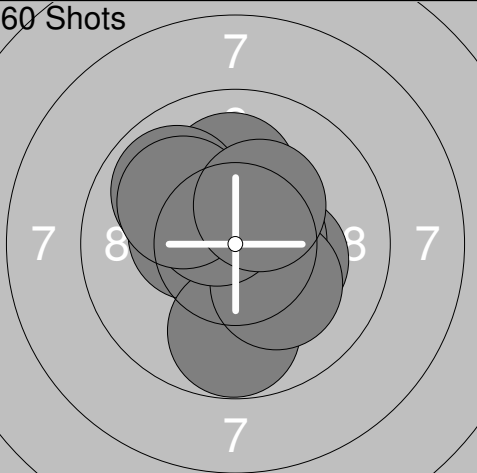
Sight	60 Shots		
			
	21: 10.5x → 22: 9.7 ↖		1: 10.2x → 2: 10.1 → 3: 10.5x ↖ 4: 10.6x ↘ 5: 10.0 ↖ 6: 9.7 ↑ 7: 10.2x → 8: 9.8 ↑ 9: 9.5 ↗ 10: 10.7x ↑
Series	20.2	Series	101.3
Total	0.0	Total	101.3

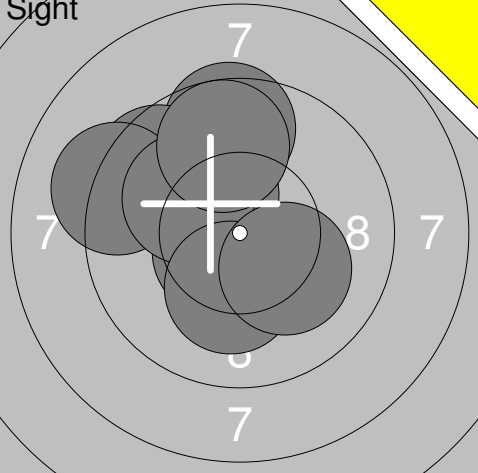
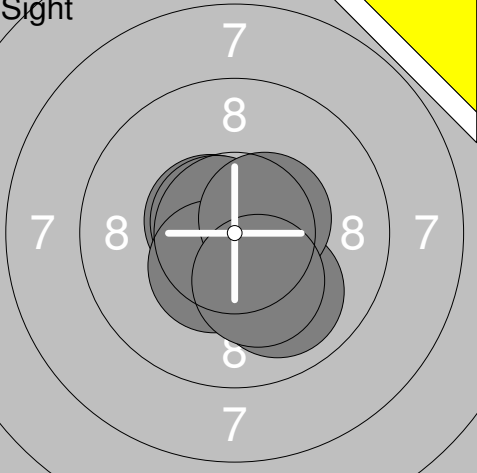
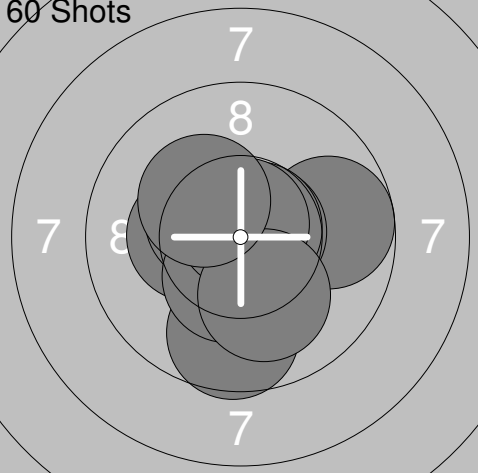
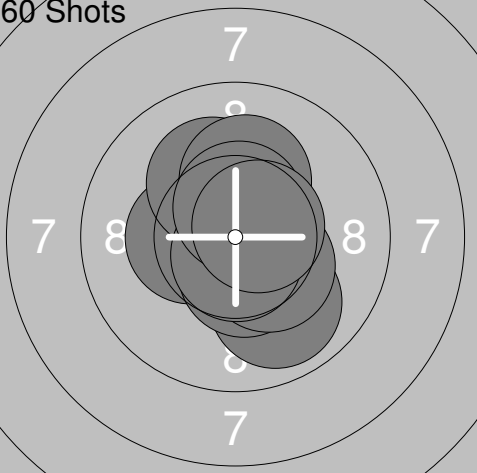
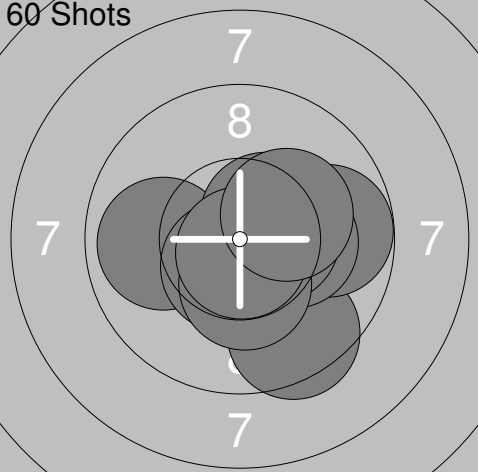
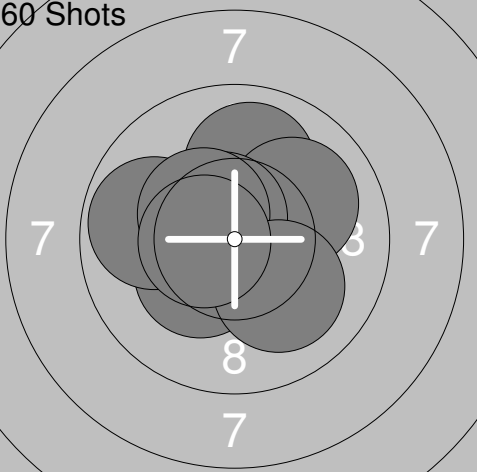
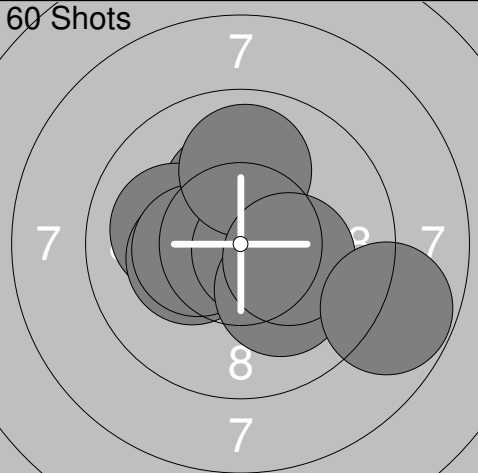
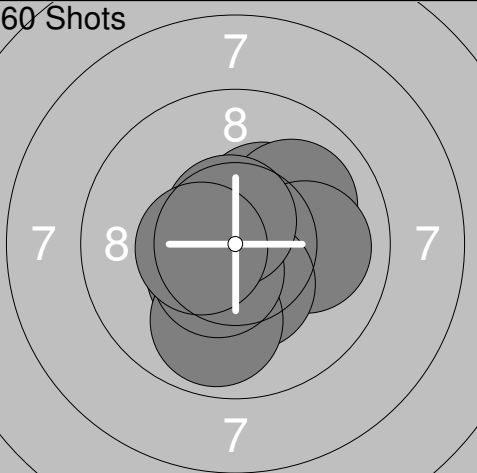
60 Shots	60 Shots		
			
	11: 10.3x → 12: 9.9 ↖ 13: 9.7 ↘ 14: 9.6 ↖ 15: 10.4x ↗ 16: 10.5x ↘ 17: 10.2x ↘ 18: 9.7 ↘ 19: 10.8x ↘ 20: 10.4x ↑		21: 10.4x ↗ 22: 10.7x ↗ 23: 10.3x ↗ 24: 10.7x ↖ 25: 10.6x ↑ 26: 10.2x → 27: 10.5x ↘ 28: 9.7 ↖ 29: 10.0 ↖ 30: 9.8 ↗
Series	101.5	Series	102.9
Total	202.8	Total	305.7

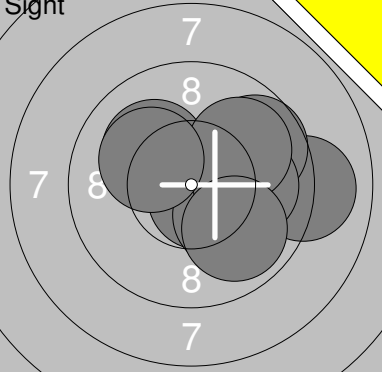
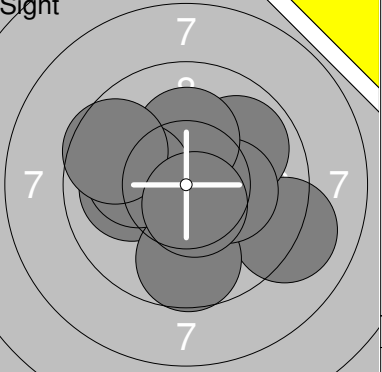
60 Shots	60 Shots		
			
	31: 10.4x ↗ 32: 10.8x ↖ 33: 10.2x ↘ 34: 10.4x ↗ 35: 10.1 → 36: 9.6 ↖ 37: 9.7 → 38: 10.3x ↗ 39: 10.9x ↖ 40: 10.1 ↖		41: 10.4x ↘ 42: 9.8 ↘ 43: 10.3x ↘ 44: 10.0 → 45: 9.9 → 46: 10.5x ↖ 47: 10.6x → 48: 10.1 ↘ 49: 10.0 ↑ 50: 10.6x →
Series	102.5	Series	102.2
Total	408.2	Total	510.4

60 Shots			
			
	51: 10.5x ↖ 52: 10.6x ↘ 53: 10.0 → 54: 9.3 → 55: 10.7x ↗ 56: 9.9 ↖ 57: 10.3x ↘ 58: 10.3x ↖ 59: 9.6 ↗ 60: 10.4x ↘		
Series	101.6		
Total	612.0		

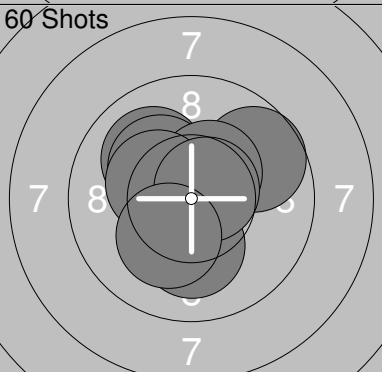
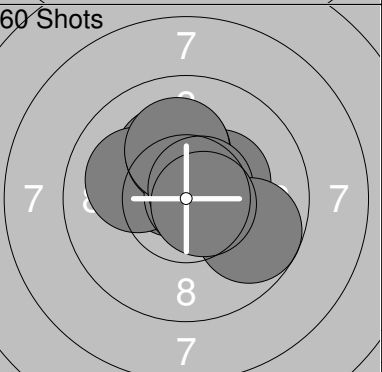


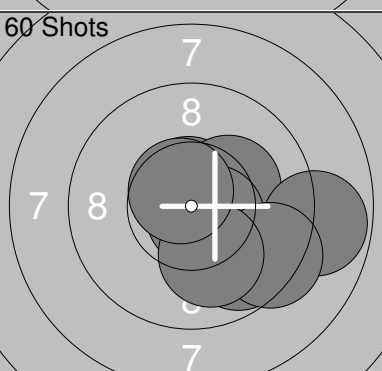
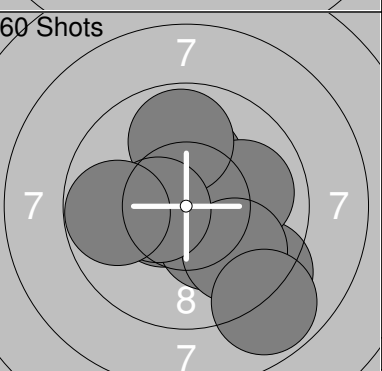
<p>Sight</p> 	<p>1: 10.5x ↗ 2: 10.1 ↓ 3: 10.6x → 4: 9.0 ↖ 5: 10.1 ← 6: 10.5x ↗ 7: 9.1 ← 8: 10.1 ↓ 9: 10.3x ↗ 10: 10.1 →</p> <p>Series 100.4 Total 0.0</p>	<p>Sight</p> 	<p>11: 10.0 → 12: 9.8 ↓ 13: 10.8x ↗ 14: 10.0 ← 15: 10.3x ↖ 16: 10.3x ↖ 17: 10.3x ↓ 18: 10.6x ↓ 19: 10.4x ↗</p> <p>Series 92.5 Total 0.0</p>
<p>60 Shots</p> 	<p>1: 10.6x ↖ 2: 10.4x ↓ 3: 10.8x → 4: 10.1 ↓ 5: 10.1 ↗ 6: 9.7 ← 7: 10.0 ↗ 8: 10.1 ↓ 9: 10.1 ↓ 10: 10.4x ↗</p> <p>Series 102.3 Total 102.3</p>	<p>60 Shots</p> 	<p>11: 10.4x ↖ 12: 9.4 → 13: 9.5 → 14: 10.8x ↘ 15: 10.7x ↗ 16: 10.0 ↓ 17: 9.7 ↖ 18: 10.1 ↗ 19: 10.4x ↗ 20: 10.3x ↖</p> <p>Series 101.3 Total 203.6</p>
<p>60 Shots</p> 	<p>21: 10.5x ↓ 22: 10.4x ↖ 23: 10.4x ↗ 24: 10.3x ↖ 25: 10.5x ↗ 26: 10.1 → 27: 10.0 → 28: 10.6x ↓ 29: 10.5x ↗ 30: 10.7x ↖</p> <p>Series 104.0 Total 307.6</p>	<p>60 Shots</p> 	<p>31: 10.2x ↗ 32: 10.3x ↖ 33: 9.6 ↗ 34: 10.7x ↗ 35: 10.0 ↗ 36: 10.6x ↘ 37: 10.7x ↗ 38: 10.5x ↖ 39: 10.5x ↗ 40: 10.5x ↗</p> <p>Series 103.6 Total 411.2</p>
<p>60 Shots</p> 	<p>41: 10.7x → 42: 10.2x ↗ 43: 10.8x ↗ 44: 10.1 → 45: 10.2x ↗ 46: 10.6x ↖ 47: 10.4x ↖ 48: 10.5x ↗ 49: 10.3x ↓ 50: 10.7x →</p> <p>Series 104.5 Total 515.7</p>	<p>60 Shots</p> 	<p>51: 10.3x → 52: 10.1 ↗ 53: 10.4x ↖ 54: 9.8 ↓ 55: 10.6x → 56: 10.2x ↘ 57: 9.9 ↗ 58: 10.5x ↗ 59: 10.1 ↗ 60: 10.3x ↗</p> <p>Series 102.2 Total 617.9</p>

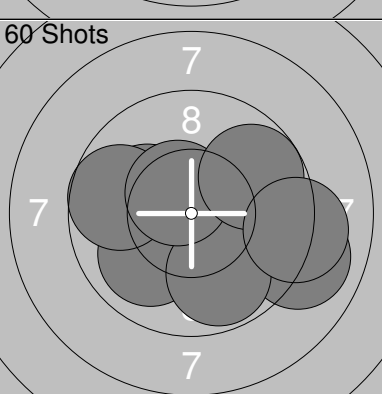
<b>Sight</b> 	1: 10.6x ↙ 2: 9.5 ↑ 3: 10.3x ↗ 4: 9.7 ↗ 5: 9.6 ↗ 6: 9.2 ↖ 7: 10.1 ↗ 8: 9.7 ↑ 9: 10.2x ↓ 10: 10.2x ↓ <hr/> <b>Series</b> 99.1 <b>Total</b> 0.0	<b>Sight</b> 	11: 10.0 ↓ 12: 10.4x ↓ 13: 10.6x ↗ 14: 10.7x ↗ 15: 10.4x ↓ 16: 10.5x → 17: 10.2x ↓ <hr/> <b>Series</b> 72.8 <b>Total</b> 0.0
<b>60 Shots</b> 	1: 10.3x ← 2: 9.7 → 3: 10.7x → 4: 10.7x ↗ 5: 10.5x ↗ 6: 9.6 ↓ 7: 10.4x ↓ 8: 10.8x ↑ 9: 10.1 ↓ 10: 10.3x ↗ <hr/> <b>Series</b> 103.1 <b>Total</b> 103.1	<b>60 Shots</b> 	11: 10.8x ↗ 12: 10.4x ← 13: 9.9 ↓ 14: 10.5x ↓ 15: 10.2x ↑ 16: 10.4x ↓ 17: 10.7x ↓ 18: 10.2x ↑ 19: 10.5x ↑ 20: 10.6x → <hr/> <b>Series</b> 104.2 <b>Total</b> 207.3
<b>60 Shots</b> 	21: 9.5 ↓ 22: 9.8 → 23: 9.9 ← 24: 10.5x ↓ 25: 10.2x → 26: 10.5x → 27: 10.3x ↓ 28: 10.5x ↗ 29: 10.8x ↓ 30: 10.2x ↗ <hr/> <b>Series</b> 102.2 <b>Total</b> 309.5	<b>60 Shots</b> 	31: 10.3x ↙ 32: 9.8 ← 33: 10.8x ↗ 34: 10.8x ↓ 35: 10.0 ↑ 36: 10.0 → 37: 10.6x ↗ 38: 10.4x ↗ 39: 10.1 ↓ 40: 10.5x ← <hr/> <b>Series</b> 103.3 <b>Total</b> 412.8
<b>60 Shots</b> 	41: 10.3x ↑ 42: 10.5x ← 43: 10.1 ← 44: 10.3x ← 45: 10.4x ← 46: 10.7x → 47: 10.1 ↓ 48: 10.0 ↑ 49: 10.3x → 50: 8.8 → <hr/> <b>Series</b> 101.5 <b>Total</b> 514.3	<b>60 Shots</b> 	51: 10.7x ↓ 52: 10.5x ↓ 53: 10.3x ↗ 54: 10.0 → 55: 10.0 → 56: 10.4x ↓ 57: 9.9 ↓ 58: 10.5x ↓ 59: 10.6x ↑ 60: 10.5x ← <hr/> <b>Series</b> 103.4 <b>Total</b> 617.7

<b>Sight</b>		<b>Sight</b>	
	1: 10.7x → 2: 10.7x ↘ 3: 9.0 → 4: 10.2x ↘ 5: 9.7 → 6: 10.1 ↗ 7: 10.0 → 8: 9.9 → 9: 10.1 ↗ 10: 9.9 ↘		11: 10.6x ↑ 12: 10.0 ← 13: 9.1 ↘ 14: 9.7 ↓ 15: 9.9 ↗ 16: 10.3x → 17: 10.2x ↑ 18: 10.1 ← 19: 9.6 ↗ 20: 10.6x ↓
<b>Series</b>		<b>Series</b>	
100.3		100.1	
<b>Total</b>		<b>Total</b>	
0.0		0.0	

<b>Sight</b>		<b>60 Shots</b>	
	21: 9.2 → 22: 10.6x ↘ 23: 9.4 ↗ 24: 10.4x ↘		1: 10.1 ↑ 2: 9.9 ← 3: 9.9 ↗ 4: 9.8 ← 5: 10.1 ← 6: 10.2x → 7: 9.9 ↓ 8: 10.1 → 9: 9.5 ↗ 10: 10.5x ↗
<b>Series</b>		<b>Series</b>	
39.6		100.0	
<b>Total</b>		<b>Total</b>	
0.0		100.0	

<b>60 Shots</b>		<b>60 Shots</b>	
	11: 10.4x ↗ 12: 9.7 → 13: 10.0 ↗ 14: 10.2x ↗ 15: 10.2x ↘ 16: 10.7x ↗ 17: 10.4x ↗ 18: 10.3x ↗ 19: 10.7x → 20: 10.2x ↘		21: 10.2x ↗ 22: 10.6x ↗ 23: 10.1 ↗ 24: 10.3x → 25: 10.2x ↑ 26: 10.8x → 27: 10.1 ↑ 28: 10.7x ↗ 29: 9.8 ↘ 30: 10.6x ↘
<b>Series</b>		<b>Series</b>	
102.8		103.4	
<b>Total</b>		<b>Total</b>	
202.8		306.2	

<b>60 Shots</b>		<b>60 Shots</b>	
	31: 9.8 ↘ 32: 10.7x ↘ 33: 10.7x ↗ 34: 10.2x → 35: 10.7x ↘ 36: 10.6x ↘ 37: 8.8 → 38: 9.4 ↘ 39: 10.1 ↘ 40: 10.6x ↗		41: 10.5x ← 42: 10.2x ↑ 43: 9.3 ↘ 44: 10.3x ↘ 45: 10.0 → 46: 9.8 ↘ 47: 9.9 ↑ 48: 10.5x ← 49: 9.8 ← 50: 8.8 ↘
<b>Series</b>		<b>Series</b>	
101.6		99.1	
<b>Total</b>		<b>Total</b>	
407.8		506.9	

<b>60 Shots</b>			
	51: 10.3x → 52: 10.6x ↘ 53: 10.2x ↗ 54: 10.0 ↘ 55: 9.7 ↗ 56: 9.0 ↘ 57: 9.8 ↘ 58: 10.5x ↗ 59: 9.8 ↗ 60: 9.2 →		
<b>Series</b>			
99.1			
<b>Total</b>			
606.0			

Relay	Lane	William Grydén	
<b>2</b>	<b>27</b>		

S	Vaksala Skf		
---	-------------	--	--

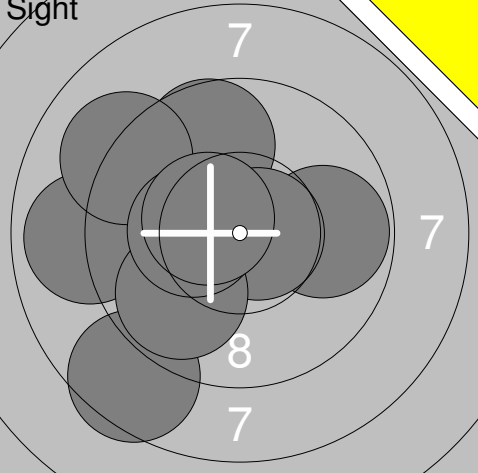
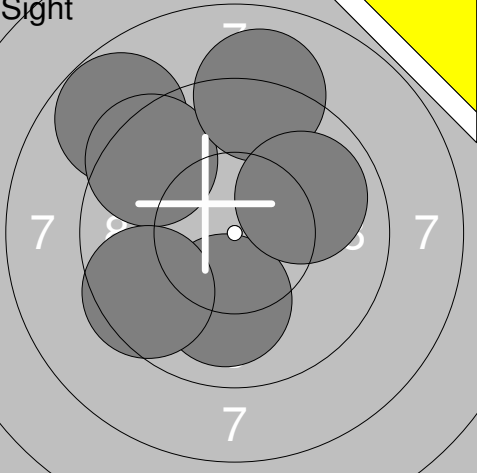
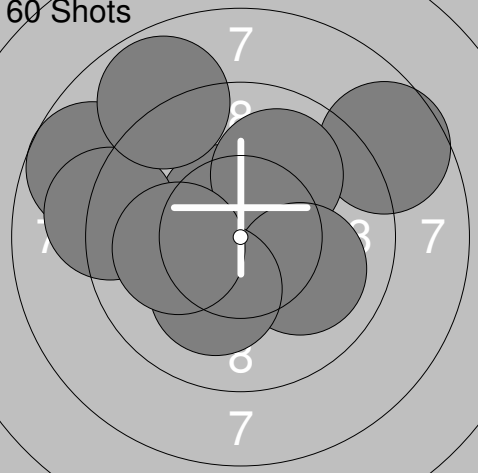
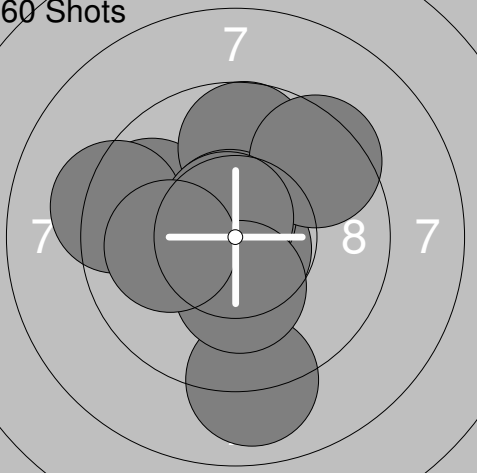
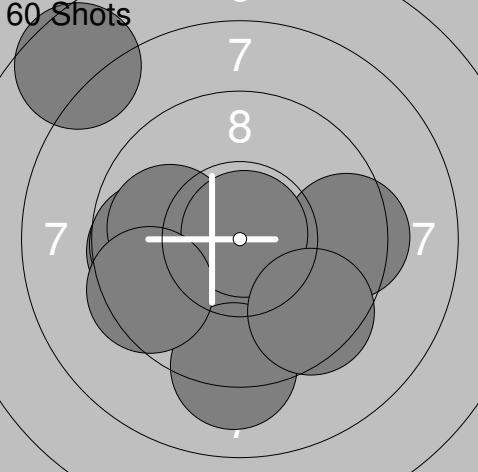
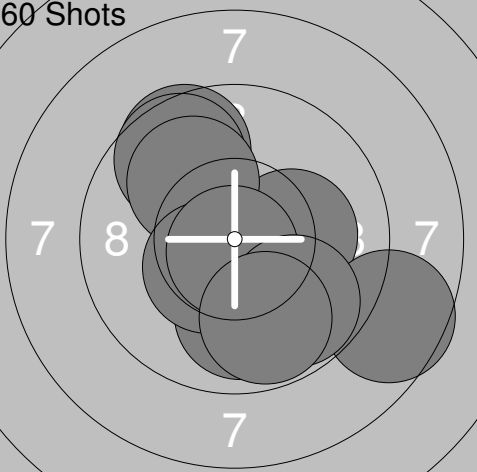
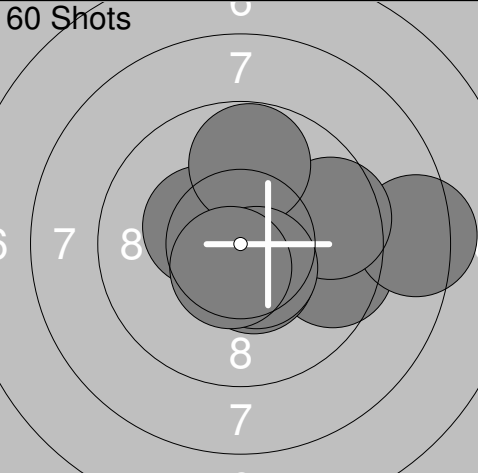
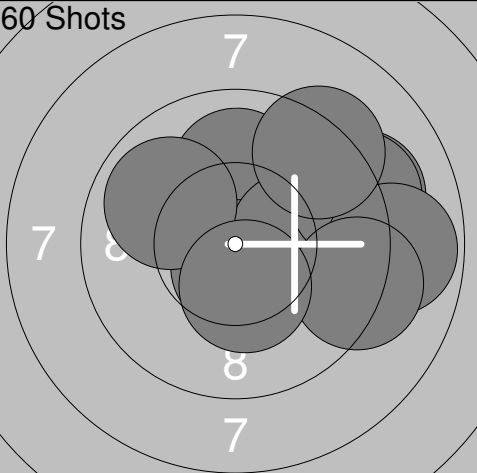
09.10.2016	Sweden GP 2016	Umeå skytteallians	
------------	----------------	--------------------	--

Sight		1: 10.2x ↓	60 Shots		1: 10.6x →
		2: 10.3x ↗			2: 10.3x →
		3: 10.3x ↖			3: 10.3x ↓
		4: 10.2x ↑		4: 10.3x ←	4: 10.6x ←
		5: 10.2x ↓		5: 10.6x ←	5: 10.0 ←
		6: 9.9 ←		6: 10.0 ←	6: 9.5 →
		7: 10.6x →		7: 9.5 →	7: 10.2x ↓
		8: 10.7x →		8: 10.2x ↓	8: 10.2x ←
				9: 10.2x ←	9: 10.7x →
				10: 10.7x →	
	Series	82.4		Series	102.7
	Total	0.0		Total	102.7

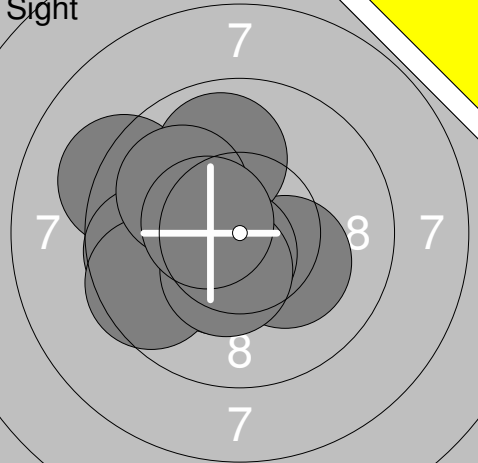
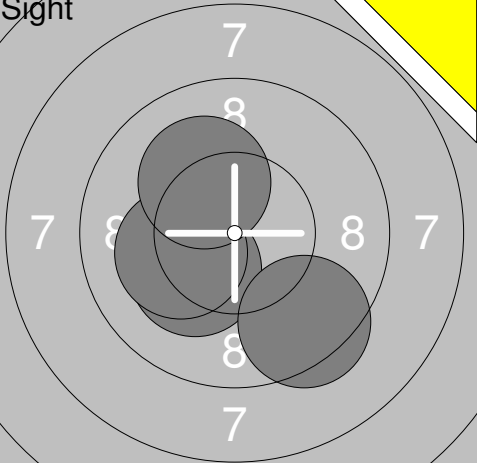
60 Shots		11: 9.1 ↓	60 Shots		21: 10.2x ←
		12: 9.7 →			22: 9.6 ←
		13: 10.6x ↖			23: 10.2x ↓
		14: 9.9 ←		24: 9.6 ←	24: 9.9 →
		15: 9.5 ↑		25: 9.9 →	25: 9.3 ←
		16: 10.5x ↗		26: 9.3 ←	26: 9.5 ←
		17: 10.3x ↗		27: 9.5 ←	27: 10.8x ↗
		18: 9.8 ↖		28: 10.8x ↗	28: 10.3x ↖
		19: 9.5 ←		29: 10.3x ↖	29: 9.9 ↓
		20: 10.5x ↑		30: 9.9 ↓	
	Series	99.4		Series	99.3
	Total	202.1		Total	301.4

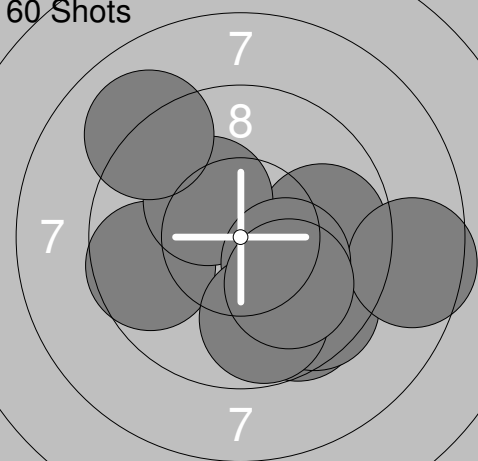
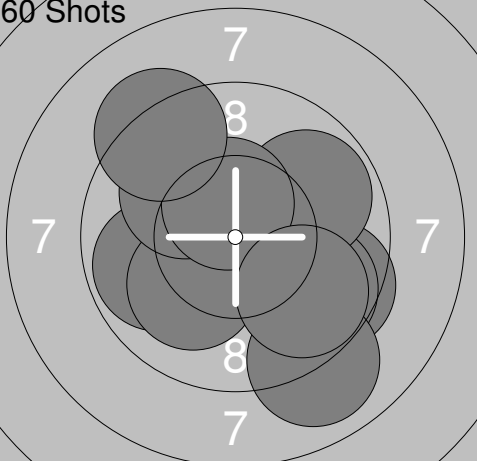
60 Shots		31: 10.5x ↑	60 Shots		41: 10.0 →
		32: 10.5x ←			42: 10.5x ←
		33: 10.0 →			43: 9.5 →
		34: 10.1 ←		44: 10.4x ↗	44: 10.7x ↓
		35: 10.4x ↓		45: 10.7x ↓	45: 10.7x ↗
		36: 10.1 →		46: 10.7x ↗	46: 10.1 ↓
		37: 10.2x ↓		47: 10.1 ↓	47: 9.6 ↖
		38: 10.7x ↑		48: 9.6 ↖	48: 9.8 ←
		39: 10.0 ←		49: 9.8 ←	49: 10.1 ↓
		40: 10.6x ↓		50: 10.1 ↓	
	Series	103.1		Series	101.4
	Total	404.5		Total	505.9

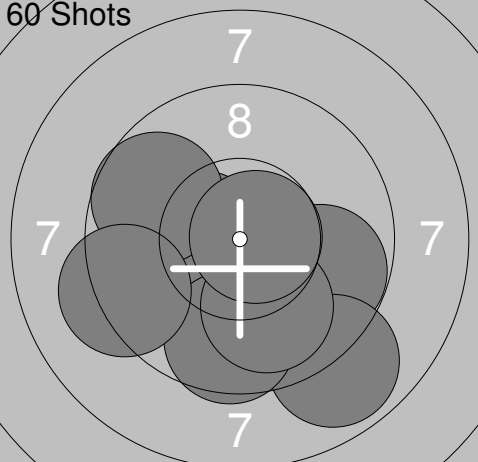
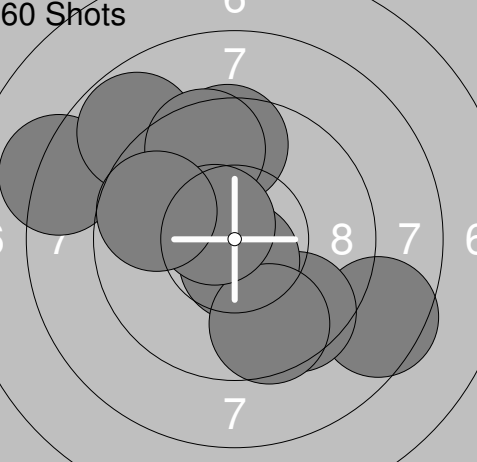
60 Shots		51: 10.7x ←			
		52: 10.6x ↓			
		53: 10.8x ↗			
		54: 10.4x ←			
		55: 10.3x ←			
		56: 10.5x ↖			
		57: 9.7 ←			
		58: 9.8 →			
		59: 9.7 ↗			
		60: 10.4x ↑			
	Series	102.9			
	Total	608.8			

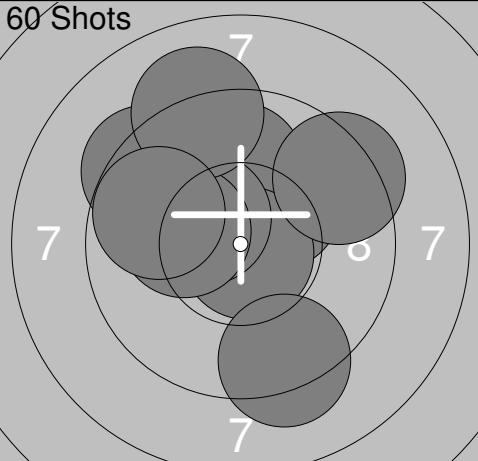
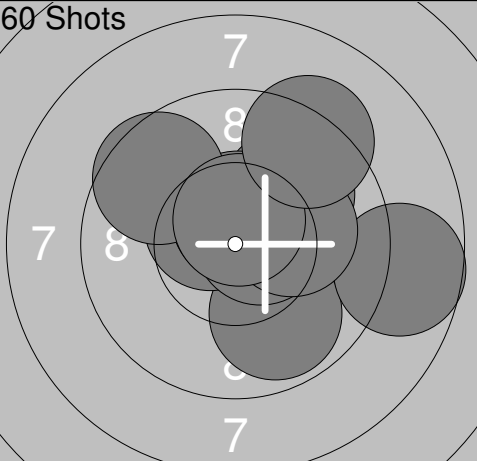
<p><b>Sight</b></p> 	<p>1: 8.5 ↘ 2: 9.7 ↗ 3: 10.7x ← 4: 9.8 → 5: 8.9 ← 6: 9.1 ↗ 7: 10.7x → 8: 9.8 ↘ 9: 10.3x ← 10: 10.5x ↖</p> <p><b>Series</b> 98.0 <b>Total</b> 0.0</p>	<p><b>Sight</b></p> 	<p>11: 10.0 ↓ 12: 8.8 ↗ 13: 9.5 ↗ 14: 9.5 ↖ 15: 9.1 ↑ 16: 9.9 ↗</p> <p><b>Series</b> 56.8 <b>Total</b> 0.0</p>
<p><b>60 Shots</b></p> 	<p>1: 10.8x ↓ 2: 10.5x ↗ 3: 8.7 ↖ 4: 8.7 ↗ 5: 10.0 ↗ 6: 9.2 ← 7: 10.0 → 8: 10.2x ↓ 9: 10.1 ← 10: 8.9 ↗</p> <p><b>Series</b> 97.1 <b>Total</b> 97.1</p>	<p><b>60 Shots</b></p> 	<p>11: 9.7 ← 12: 10.7x ↓ 13: 9.7 ↑ 14: 9.3 ← 15: 10.7x ↑ 16: 9.5 ↗ 17: 10.7x ↗ 18: 9.0 ↓ 19: 10.3x ↓ 20: 10.1 ←</p> <p><b>Series</b> 99.7 <b>Total</b> 196.8</p>
<p><b>60 Shots</b></p> 	<p>21: 10.5x ↖ 22: 9.4 → 23: 9.2 ↓ 24: 9.7 ← 25: 9.7 ← 26: 10.0 ← 27: 10.9x ↗ 28: 9.5 ↘ 29: 7.6 ↗ 30: 9.5 ↖</p> <p><b>Series</b> 96.0 <b>Total</b> 292.8</p>	<p><b>60 Shots</b></p> 	<p>31: 9.6 ↗ 32: 9.9 ↓ 33: 10.2x → 34: 9.6 ↗ 35: 8.6 → 36: 10.0 ↗ 37: 10.4x ↘ 38: 10.8x ↓ 39: 9.8 ↘ 40: 9.8 ↓</p> <p><b>Series</b> 98.7 <b>Total</b> 391.5</p>
<p><b>60 Shots</b></p> 	<p>41: 10.2x ↗ 42: 9.6 → 43: 10.8x ↗ 44: 10.3x ↖ 45: 8.4 → 46: 9.6 → 47: 10.5x ↓ 48: 9.8 ↑ 49: 10.5x ↓ 50: 10.6x ↓</p> <p><b>Series</b> 100.3 <b>Total</b> 491.8</p>	<p><b>60 Shots</b></p> 	<p>51: 10.0 ↑ 52: 10.7x ↓ 53: 10.1 → 54: 9.2 → 55: 9.2 → 56: 8.8 → 57: 9.3 ↗ 58: 9.2 → 59: 9.9 ↖ 60: 10.4x ↓</p> <p><b>Series</b> 96.8 <b>Total</b> 588.6</p>



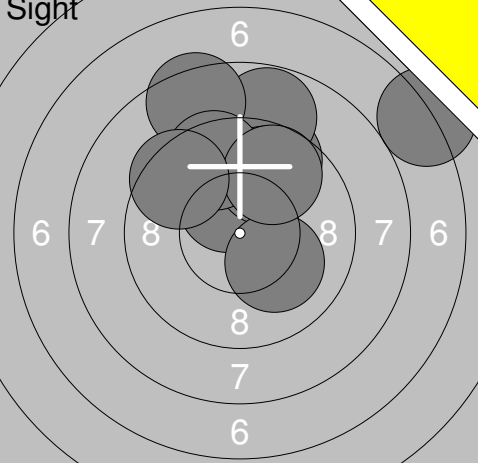
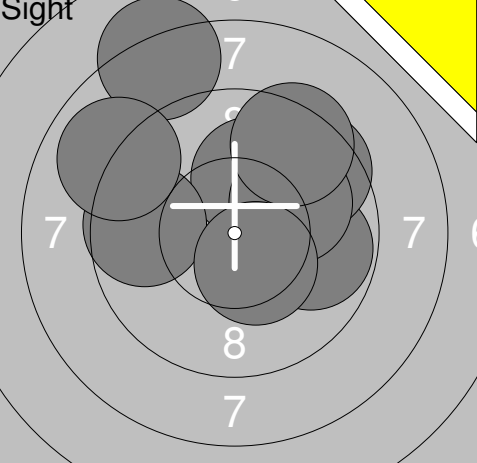
Sight 	1: 10.2x ↘	Sight 	11: 10.2x ↙
	2: 9.2 ↗		12: 9.4 ↘
	3: 10.4x ↘		13: 10.2x ↙
	4: 9.7 ↖		14: 10.1 ↗
	5: 9.9 ↗		
	6: 10.7x ↘		
	7: 9.6 ↖		
	8: 10.4x ↘		
	9: 10.0 ↗		
	10: 10.5x ↖		
Series	100.6	Series	39.9
Total	0.0	Total	0.0

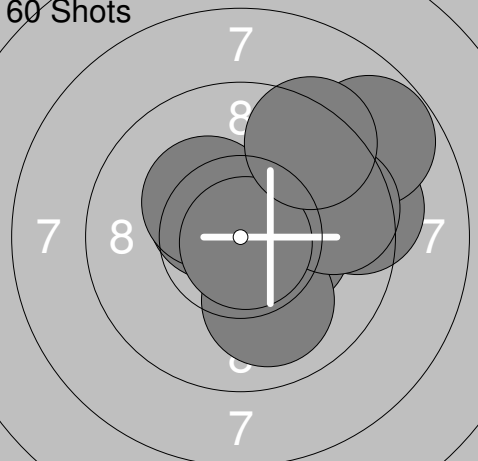
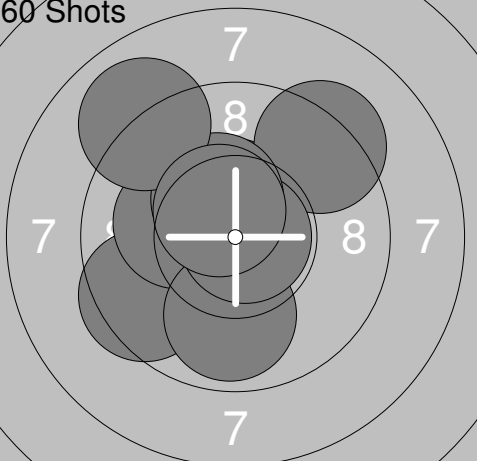
60 Shots 	1: 9.6 ↘	60 Shots 	11: 9.5 ↘
	2: 9.8 →		12: 9.7 ↘
	3: 9.6 ↘		13: 9.9 ↖
	4: 8.6 →		14: 9.9 ↗
	5: 9.6 ↖		15: 10.1 ↘
	6: 10.3x ↗		16: 9.0 ↘
	7: 9.1 ↗		17: 10.0 ↗
	8: 10.2x ↘		18: 10.5x ↗
	9: 9.8 ↘		19: 9.2 ↗
	10: 10.0 ↘		20: 9.8 ↘
Series	96.6	Series	97.6
Total	96.6	Total	194.2

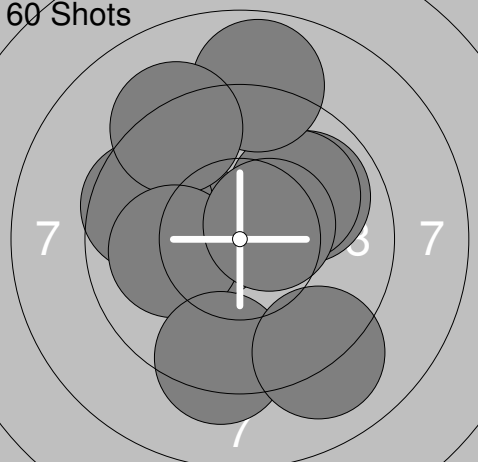
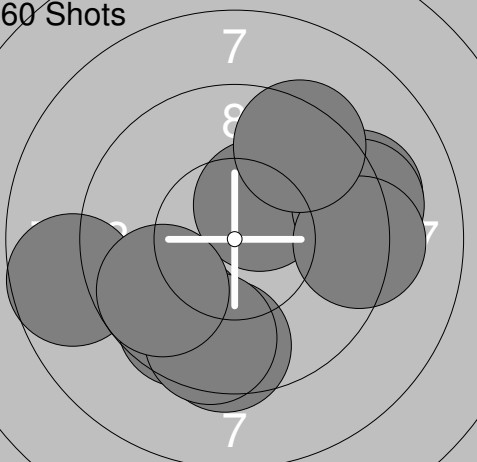
60 Shots 	21: 10.4x ↘	60 Shots 	31: 8.2 ↖
	22: 9.8 →		32: 9.5 ↗
	23: 8.9 ↘		33: 8.5 ↘
	24: 10.4x ↖		34: 9.5 ↘
	25: 10.4x ↘		35: 8.8 ↗
	26: 9.6 ↘		36: 10.6x ↘
	27: 9.7 ↗		37: 9.6 ↘
	28: 10.0 ↘		38: 9.5 ↗
	29: 10.7x →		39: 10.6x ↗
	30: 9.2 ↖		40: 9.7 ↖
Series	99.1	Series	94.5
Total	293.3	Total	387.8

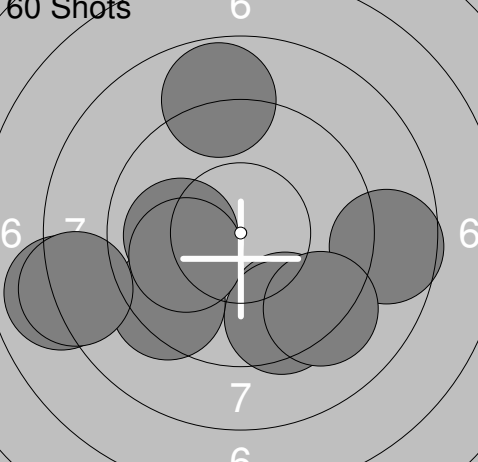
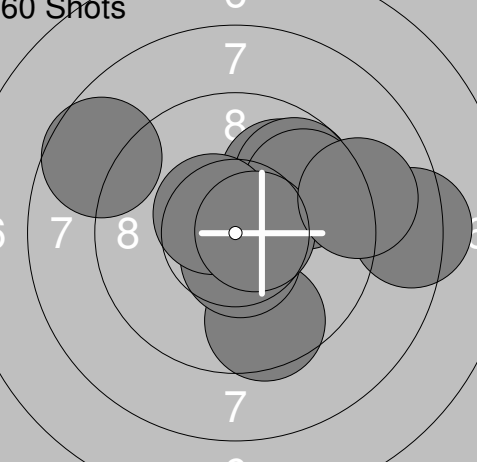
60 Shots 	41: 10.2x ↗	60 Shots 	51: 9.9 ↘
	42: 9.9 ↗		52: 10.5x ↗
	43: 9.3 ↗		53: 10.0 ↗
	44: 10.8x ↘		54: 8.7 →
	45: 9.3 ↘		55: 10.6x ↗
	46: 10.4x ↗		56: 10.6x →
	47: 10.2x ↖		57: 10.2x →
	48: 9.1 ↗		58: 9.6 ↗
	49: 9.8 ↖		59: 10.6x ↗
	50: 9.4 ↗		60: 9.3 ↗
Series	98.4	Series	100.0
Total	486.2	Total	586.2

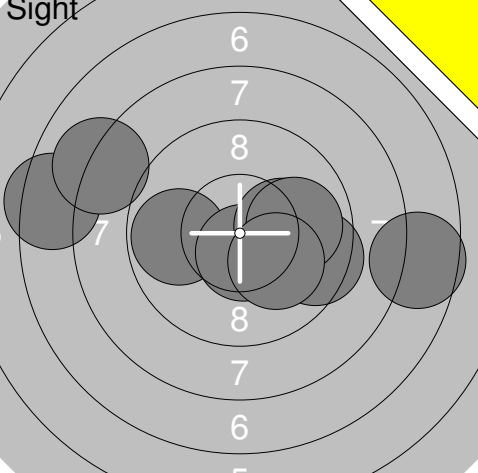
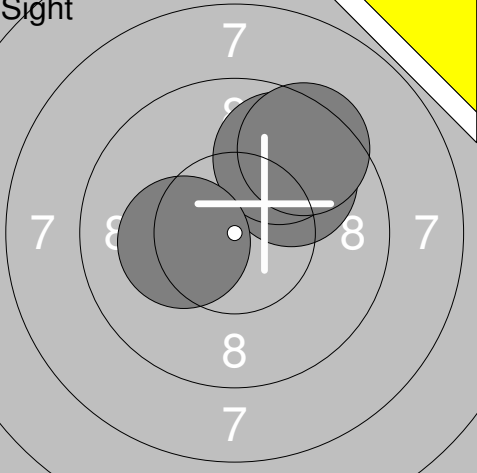
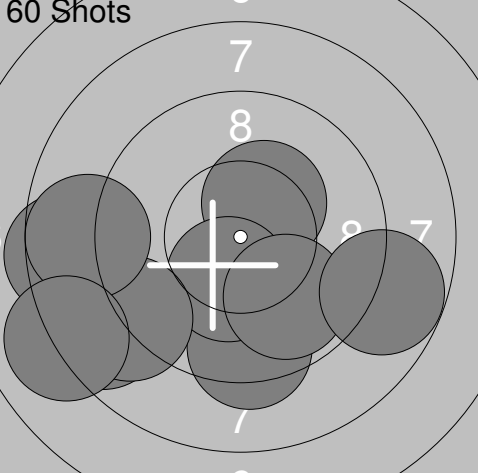
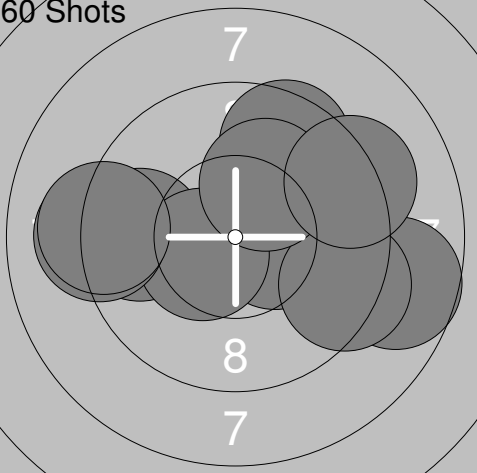
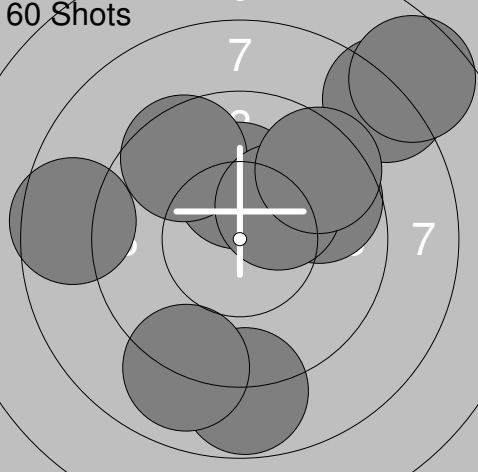
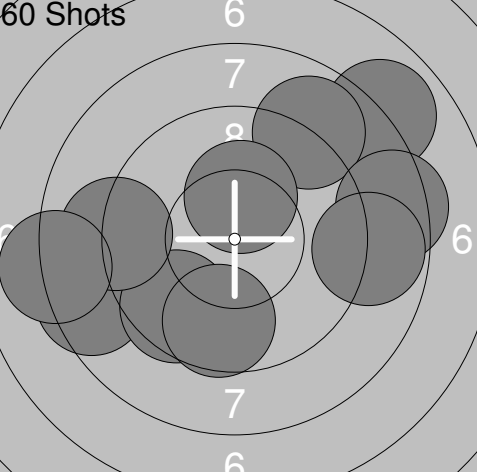
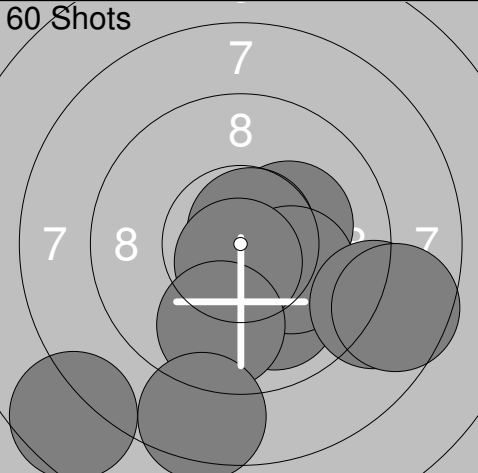
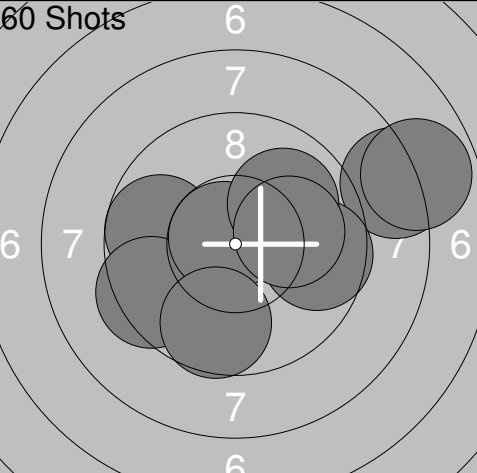


<b>Sight</b> 	1: 9.5 ↗ 2: 10.4x ↗ 3: 7.0 → 4: 8.8 ↗ 5: 9.8 ↗ 6: 8.5 ↗ 7: 9.6 ↗ 8: 10.1 ↘ 9: 9.7 ↗ 10: 9.5 ↗ <hr/> <b>Series</b> 92.9 <b>Total</b> 0.0	<b>Sight</b> 	11: 10.1 ↗ 12: 9.8 → 13: 9.5 ↗ 14: 8.2 ↗ 15: 10.0 → 16: 9.6 ← 17: 9.4 ↗ 18: 10.4x ↘ 19: 9.0 ↖ <hr/> <b>Series</b> 86.0 <b>Total</b> 0.0
--	--	--	---

<b>60 Shots</b> 	1: 10.5x ↗ 2: 9.3 → 3: 10.5x → 4: 8.8 ↗ 5: 10.3x ↗ 6: 10.3x → 7: 10.0 ↘ 8: 9.6 → 9: 10.8x ↘ 10: 9.4 ↗ <hr/> <b>Series</b> 99.5 <b>Total</b> 99.5	<b>60 Shots</b> 	11: 10.1 ↖ 12: 9.5 ↖ 13: 10.2x ← 14: 9.9 ↓ 15: 10.5x ↑ 16: 9.3 ↗ 17: 10.8x → 18: 10.4x ↗ 19: 9.0 ↗ 20: 10.5x ↗ <hr/> <b>Series</b> 100.2 <b>Total</b> 199.7
--	---	--	--

<b>60 Shots</b> 	21: 9.9 ↗ 22: 10.5x ← 23: 10.0 ↗ 24: 9.6 ← 25: 8.9 ↑ 26: 9.2 ↗ 27: 10.1 ← 28: 9.3 ↓ 29: 9.1 ↓ 30: 10.5x → <hr/> <b>Series</b> 97.1 <b>Total</b> 296.8	<b>60 Shots</b> 	31: 9.5 ↓ 32: 9.6 ↘ 33: 8.7 ← 34: 9.6 ↓ 35: 9.2 → 36: 10.4x ↗ 37: 9.2 → 38: 9.8 ← 39: 9.3 → 40: 9.4 ↗ <hr/> <b>Series</b> 94.7 <b>Total</b> 391.5
---	--	---	--

<b>60 Shots</b> 	41: 10.0 ← 42: 9.6 ↘ 43: 8.6 → 44: 9.5 ↘ 45: 9.4 ↘ 46: 8.0 ← 47: 10.0 ← 48: 9.2 ↘ 49: 8.8 ↑ 50: 8.2 ← <hr/> <b>Series</b> 91.3 <b>Total</b> 482.8	<b>60 Shots</b> 	51: 9.6 ↓ 52: 9.9 ↗ 53: 8.3 → 54: 9.7 ↗ 55: 10.6x ↓ 56: 9.7 ↗ 57: 10.5x ↖ 58: 10.7x → 59: 9.1 → 60: 8.7 ↖ <hr/> <b>Series</b> 96.8 <b>Total</b> 579.6
---	--	---	--

<p><b>Sight</b></p> 	<p>1: 9.8 ← 2: 10.6x ↓ 3: 10.0 → 4: 7.6 → 5: 7.4 ← 6: 8.1 ↗ 7: 9.5 → 8: 10.2x → 9: 9.9 → 10: 10.1 ↓</p> <p>Series 93.2 Total 0.0</p>	<p><b>Sight</b></p> 	<p>11: 9.9 ↗ 12: 9.8 ↗ 13: 9.5 ↗ 14: 10.3x ←</p> <p>Series 39.5 Total 0.0</p>
<p><b>60 Shots</b></p> 	<p>1: 8.4 ← 2: 8.6 ← 3: 9.4 ↓ 4: 10.4x ↗ 5: 10.3x ↓ 6: 9.0 ← 7: 8.7 ← 8: 9.9 ↓ 9: 8.8 → 10: 8.1 ←</p> <p>Series 91.6 Total 91.6</p>	<p><b>60 Shots</b></p> 	<p>11: 10.4x → 12: 9.7 ← 13: 9.6 ↗ 14: 8.7 → 15: 9.3 → 16: 10.5x ← 17: 9.1 ← 18: 10.1 ↗ 19: 9.2 → 20: 9.2 ←</p> <p>Series 95.8 Total 187.4</p>
<p><b>60 Shots</b></p> 	<p>21: 8.6 ← 22: 10.2x ↑ 23: 8.1 ↗ 24: 9.6 ↗ 25: 9.7 → 26: 7.6 ↗ 27: 10.2x ↗ 28: 8.8 ↓ 29: 9.0 ↓ 30: 9.5 ↗</p> <p>Series 91.3 Total 278.7</p>	<p><b>60 Shots</b></p> 	<p>31: 8.5 ← 32: 9.5 ↓ 33: 7.9 ↗ 34: 8.9 ↗ 35: 9.6 ↓ 36: 8.4 → 37: 10.3x ↑ 38: 9.1 ← 39: 8.1 ← 40: 8.8 →</p> <p>Series 89.1 Total 367.8</p>
<p><b>60 Shots</b></p> 	<p>41: 7.6 ↓ 42: 10.2x → 43: 10.7x ↗ 44: 10.0 ↓ 45: 10.2x → 46: 8.9 → 47: 10.7x ↓ 48: 9.8 ↓ 49: 8.5 ↓ 50: 8.6 →</p> <p>Series 95.2 Total 463.0</p>	<p><b>60 Shots</b></p> 	<p>51: 10.2x ↓ 52: 9.7 ← 53: 9.4 ← 54: 8.2 → 55: 7.9 → 56: 10.7x ↗ 57: 9.6 → 58: 9.7 ↓ 59: 10.0 ↗ 60: 10.1 →</p> <p>Series 95.5 Total 558.5</p>