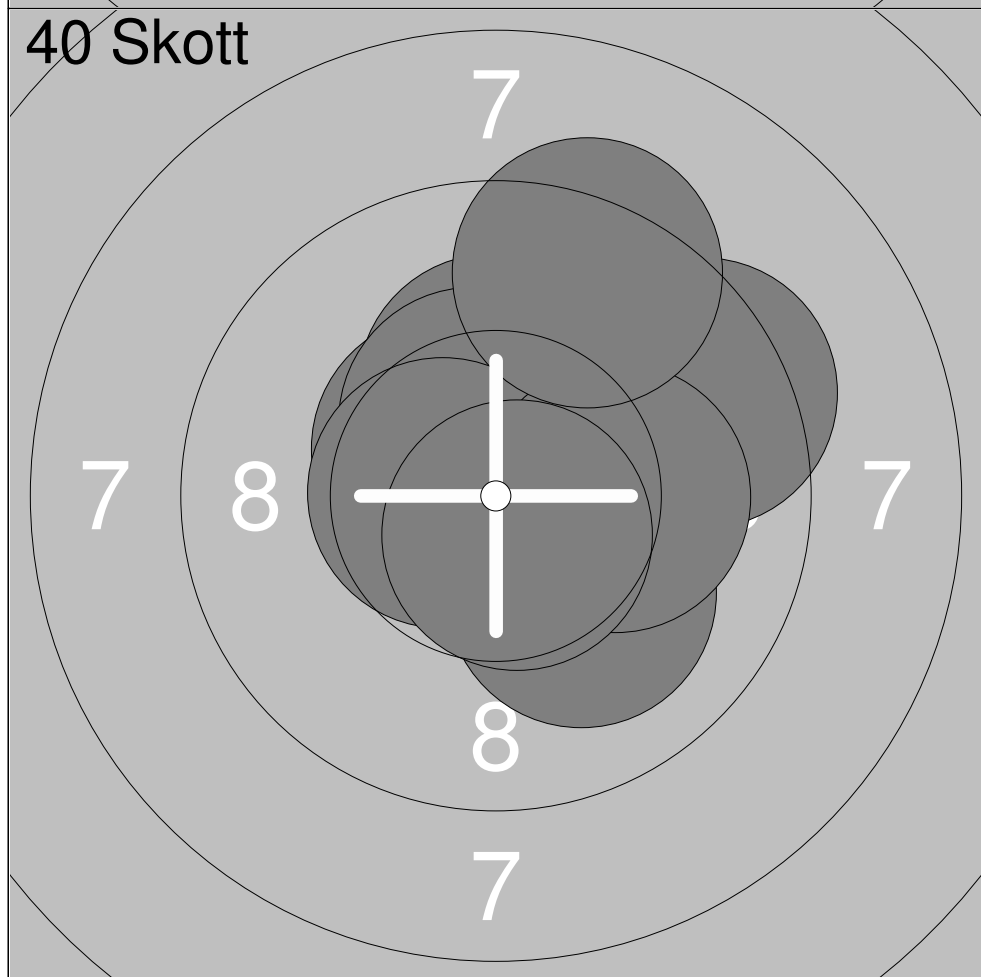




1:	10.0	↗
2:	10.3x	↗
3:	9.4	↖
4:	10.3x	←
5:	10.7x	↘
6:	10.1	↘
7:	9.3	↘
8:	10.0	↗
10:	10.3x	↑

Serie	90.4
Total	393.0



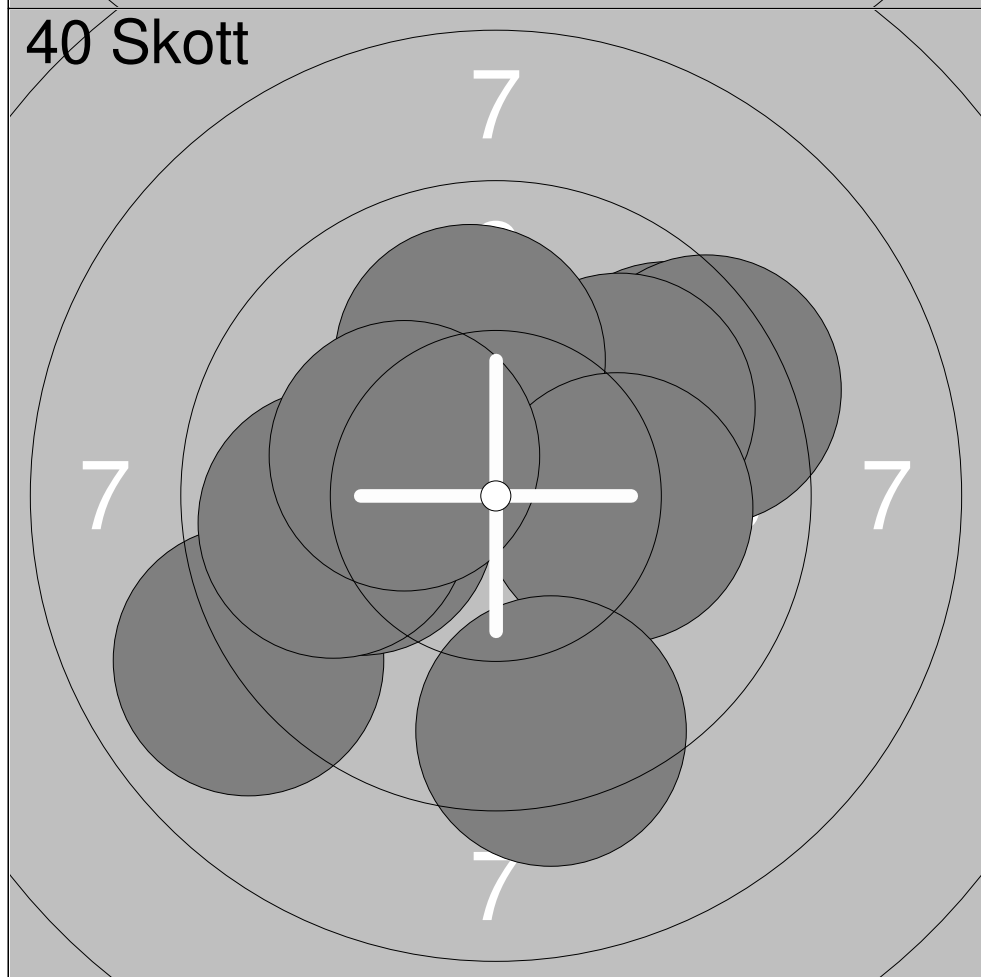
1:	10.2x	↑
2:	10.5x	↗
3:	10.1	↘
4:	10.7x	↗
5:	10.4x	↑
6:	9.4	↗
7:	10.6x	←
8:	10.2x	→
9:	10.7x	↘
10:	9.3	↗

Serie	102.1
Total	495.1



1:	10.5x	←
2:	9.9	↓
3:	9.9	↓
4:	10.6x	↓
5:	9.3	↙
6:	10.3x	↗
7:	10.0	↓

Serie	70.5
Total	388.0



1:	9.6	↗
2:	9.0	↙
3:	9.4	↗
4:	10.0	←
5:	9.9	↗
6:	10.0	↑
7:	10.1	→
8:	9.3	↓
9:	9.9	←
10:	10.3x	↙

Serie	97.5
Total	485.5



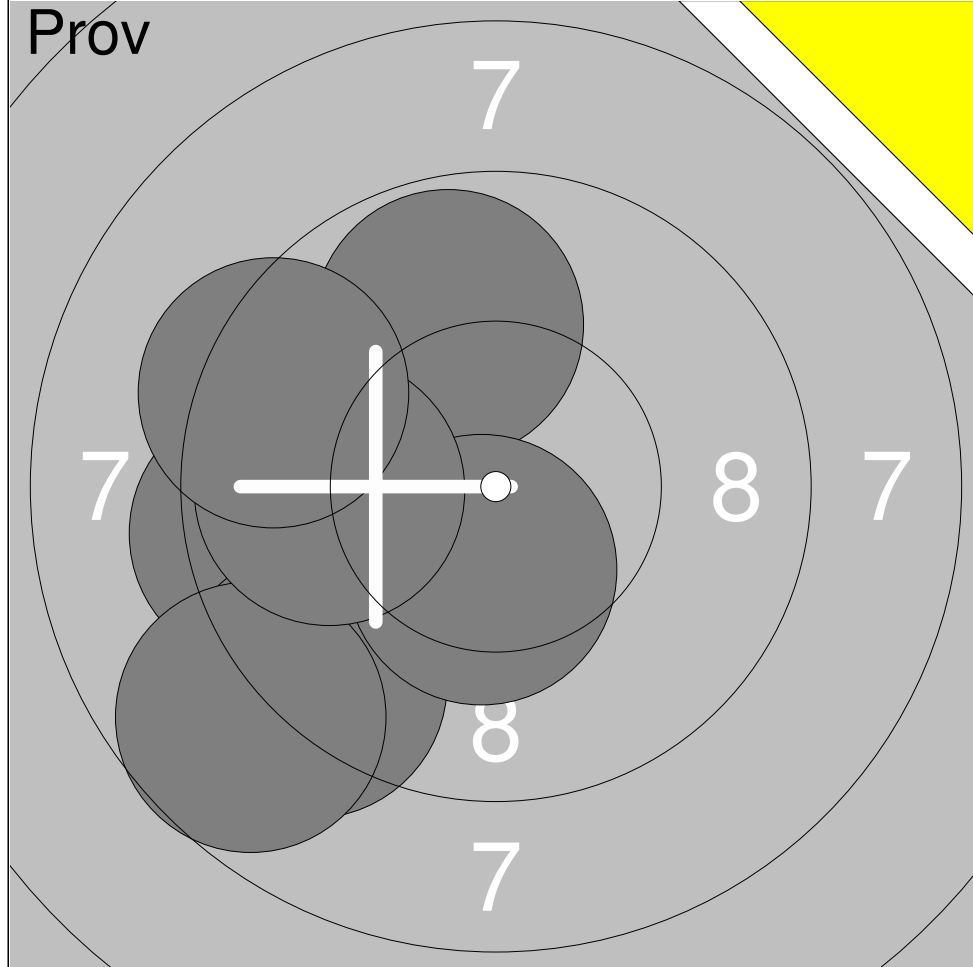
1:	10.8x	↘
2:	10.8x	↘
3:	10.0	↘
4:	10.0	←
5:	10.6x	←
6:	10.5x	↗

Serie	62.7
Total	386.0



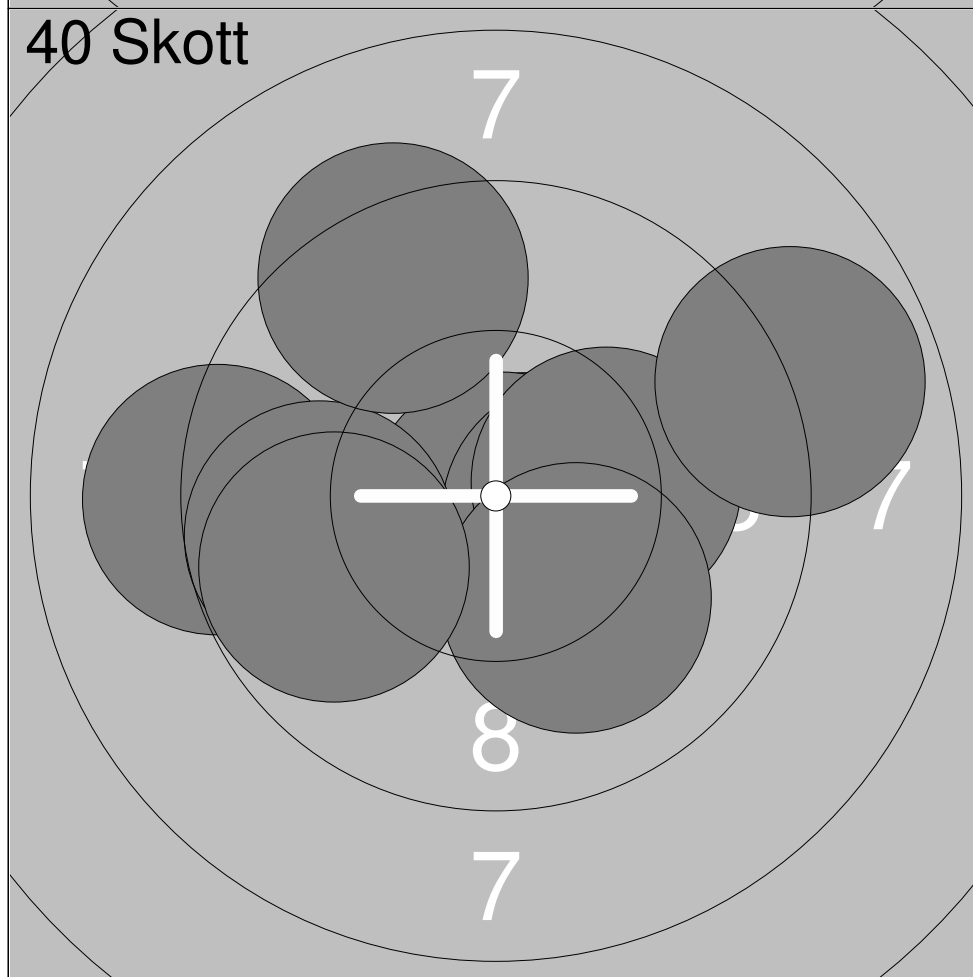
1:	10.4x	↑
2:	10.1	↘
3:	10.3x	↑
4:	10.8x	↘
5:	10.8x	↑
6:	10.3x	↗
7:	10.7x	→
8:	10.2x	↙
9:	10.0	↖
10:	10.1	↗

Serie	103.7
Total	489.7



1:	9.8	↖
2:	9.4	←
4:	9.2	↙
5:	10.4x	↓
6:	8.7	↘
7:	9.8	←
8:	9.3	↖

Serie	66.6
Total	384.0



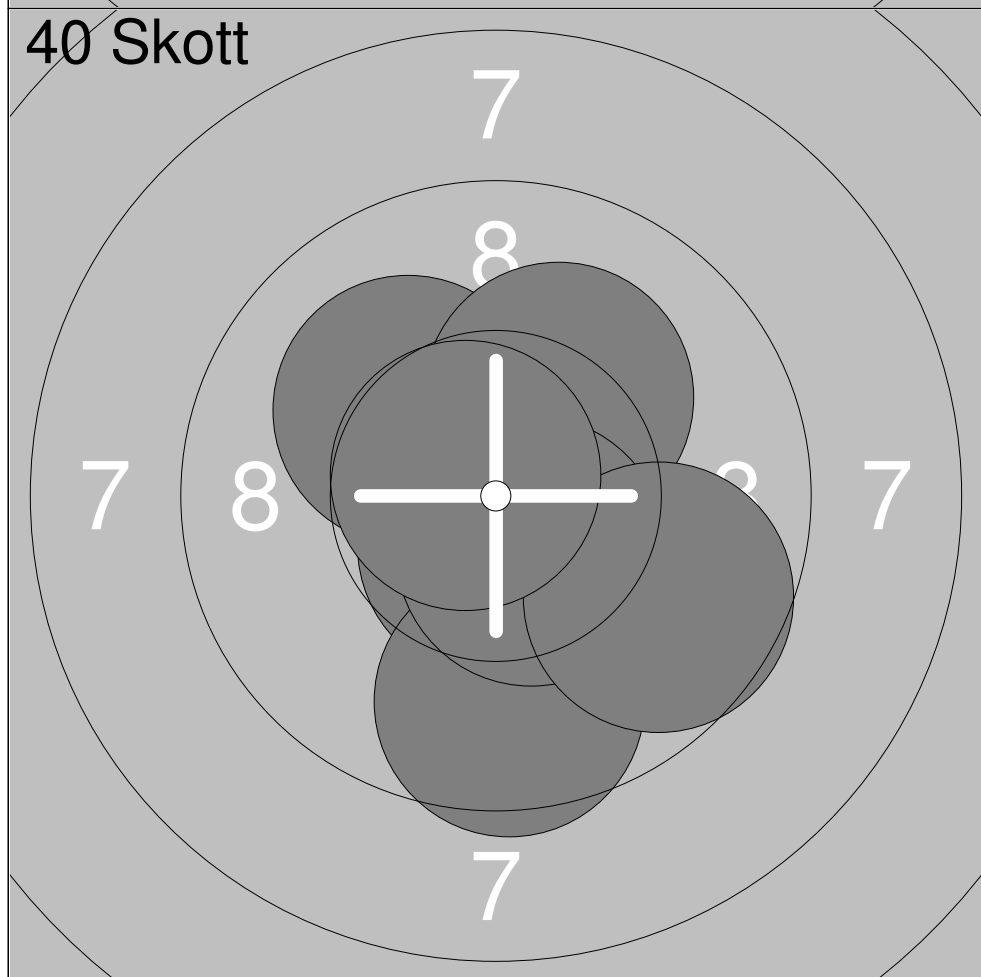
1:	10.7x	→
2:	10.9x	↘
3:	10.4x	→
4:	9.1	←
5:	9.7	←
6:	10.2x	→
7:	8.8	→
8:	9.3	↗
9:	10.1	↘
10:	9.8	↙

Serie	99.0
Total	483.0



1:	10.1	↑
2:	10.6x	↖
3:	10.1	↗
4:	9.6	←
5:	10.4x	↑
6:	10.6x	↙

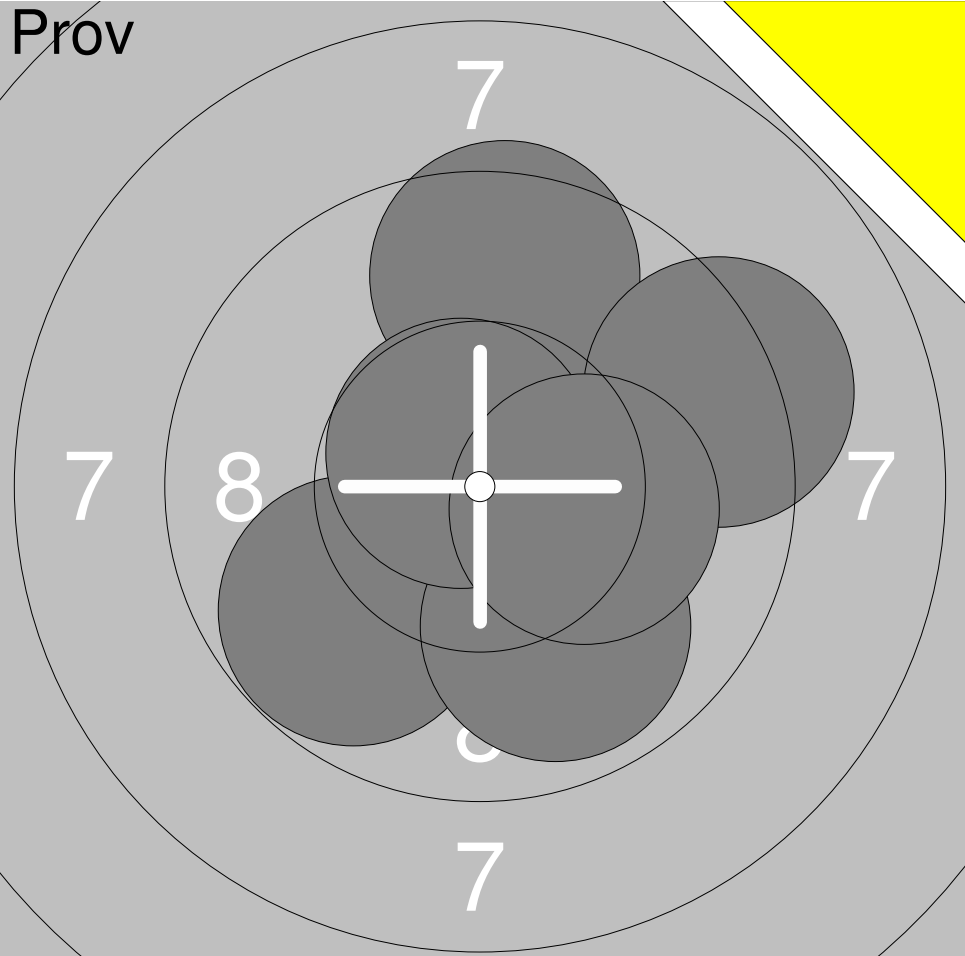
Serie	61.4
Total	384.0



1:	10.1	↗
2:	10.6x	↓
3:	9.9	↘
4:	10.3x	↘
5:	9.6	↓
6:	10.7x	→
7:	10.2x	↗
8:	10.5x	↘
9:	9.7	↘
10:	10.7x	↗

Serie	102.3
Total	486.3

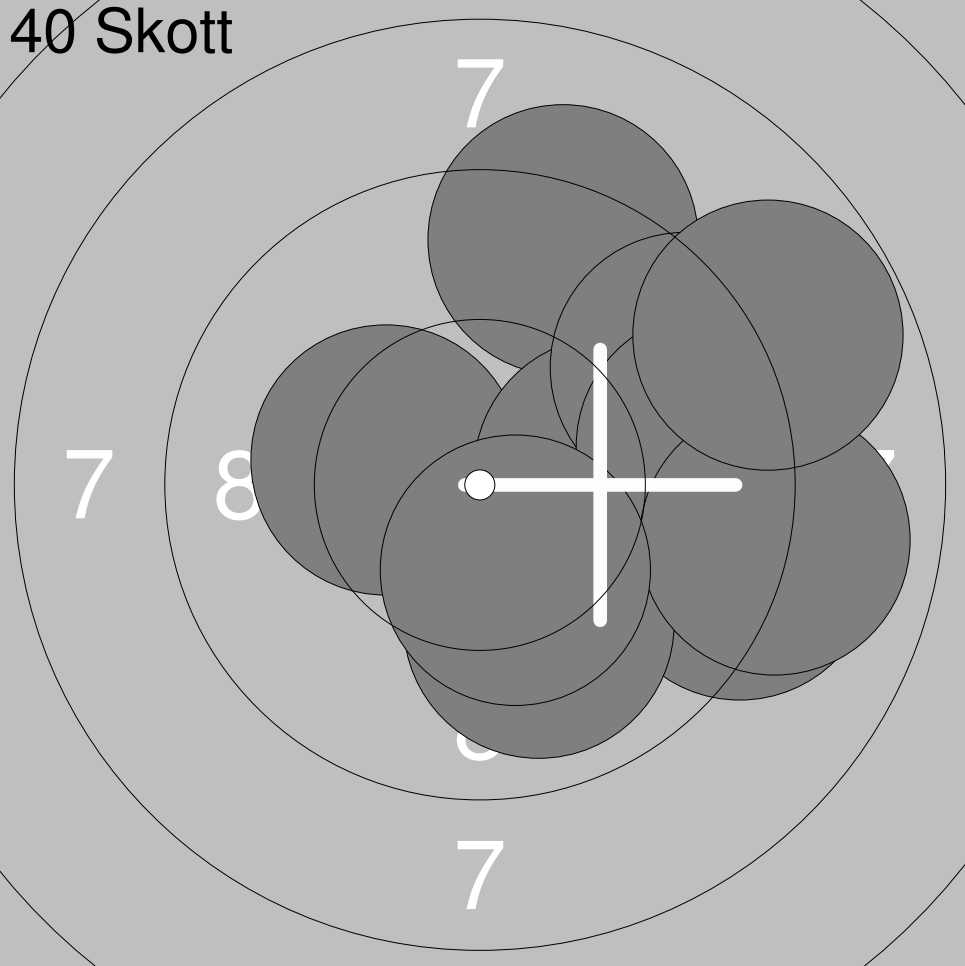
### Prov



1:	10.8x	→
2:	9.8	↙
3:	9.5	↑
4:	9.9	↘
5:	10.7x	↖
6:	9.2	→
7:	10.2x	→

Serie	70.1
Total	382.0

### 40 Skott



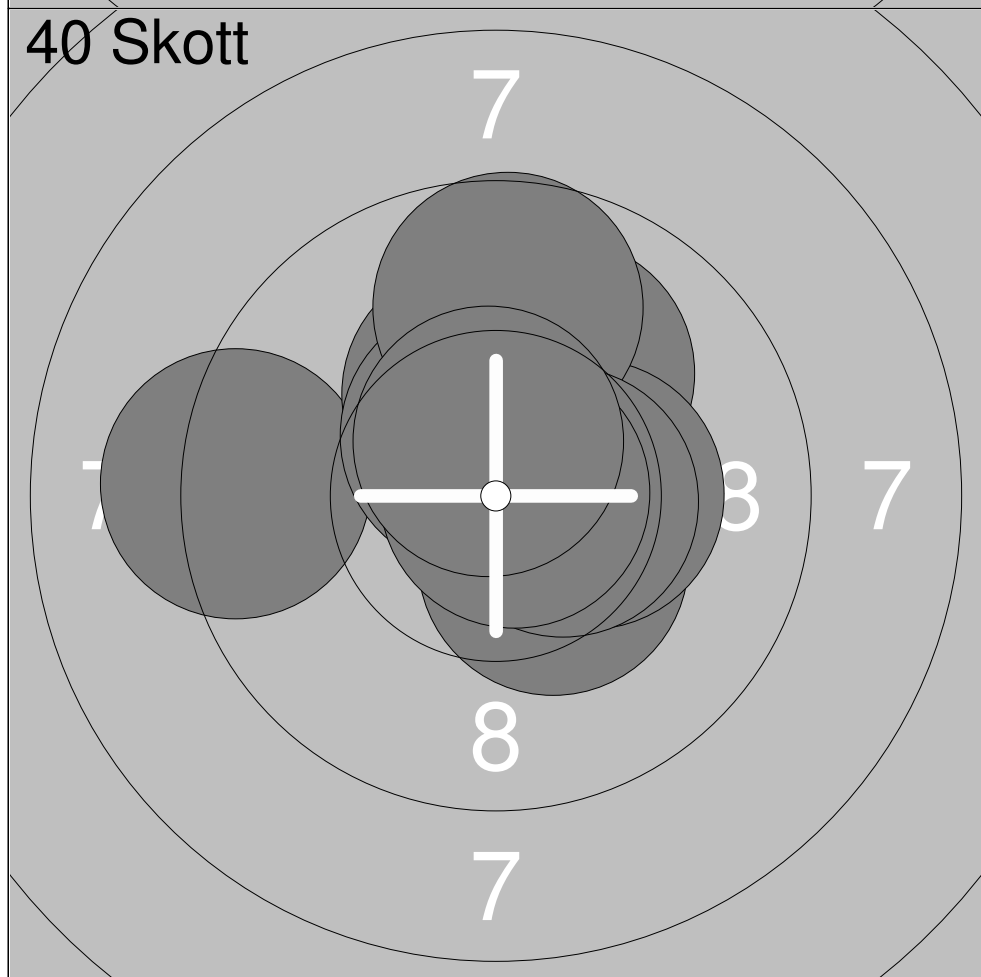
1:	10.3x	←
2:	9.2	↑
3:	10.1	→
4:	9.4	↗
5:	9.1	→
6:	9.4	→
7:	9.9	↘
8:	9.0	→
9:	10.3x	↘
10:	8.8	↗

Serie	95.5
Total	477.5



1:	10.7x	↗
2:	9.9	↖
3:	9.3	↗
4:	9.6	↖
5:	10.5x	←
6:	10.7x	→

Serie	60.7
Total	382.0



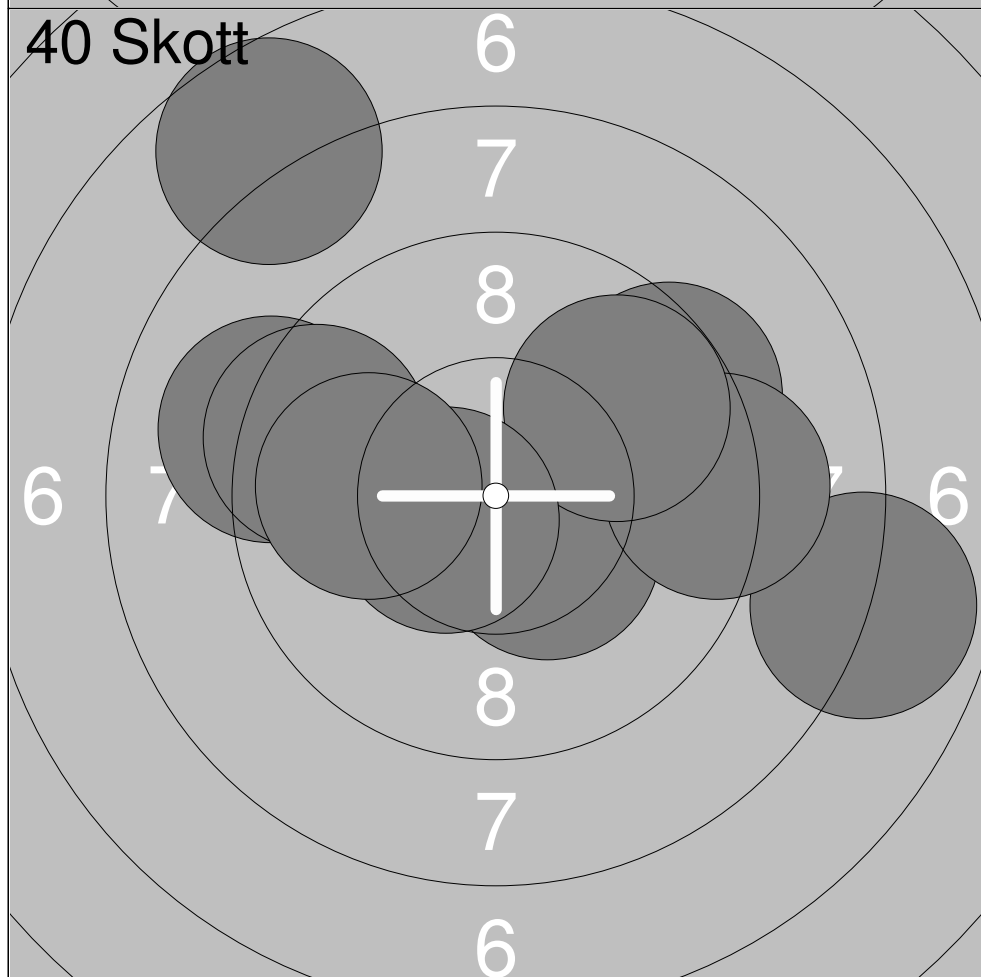
1:	10.0	↗
2:	9.2	←
3:	10.3x	↗
4:	10.4x	↘
5:	10.5x	↗
6:	10.3x	→
7:	9.7	↗
8:	10.5x	→
9:	10.8x	→
10:	10.6x	↗

Serie	102.3
Total	484.3



1:	8.3	↖
2:	10.2x	→
3:	9.7	→
4:	9.0	↑
5:	10.2x	→
6:	10.8x	↘
7:	9.9	↖

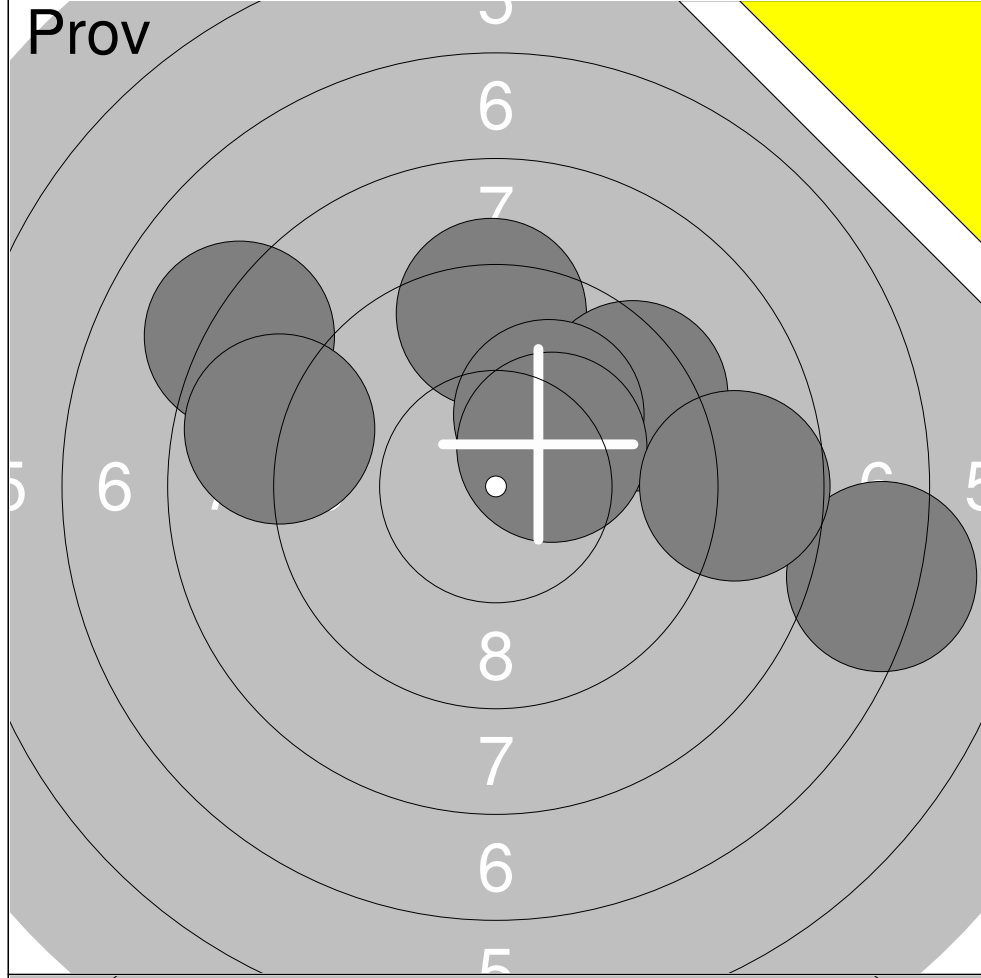
Serie	68.1
Total	381.0



1:	9.1	↖
2:	9.4	↖
3:	7.9	→
4:	10.4x	↘
5:	9.4	↗
6:	9.2	→
7:	9.8	↗
8:	7.7	↑
9:	10.5x	↖
10:	9.9	↖

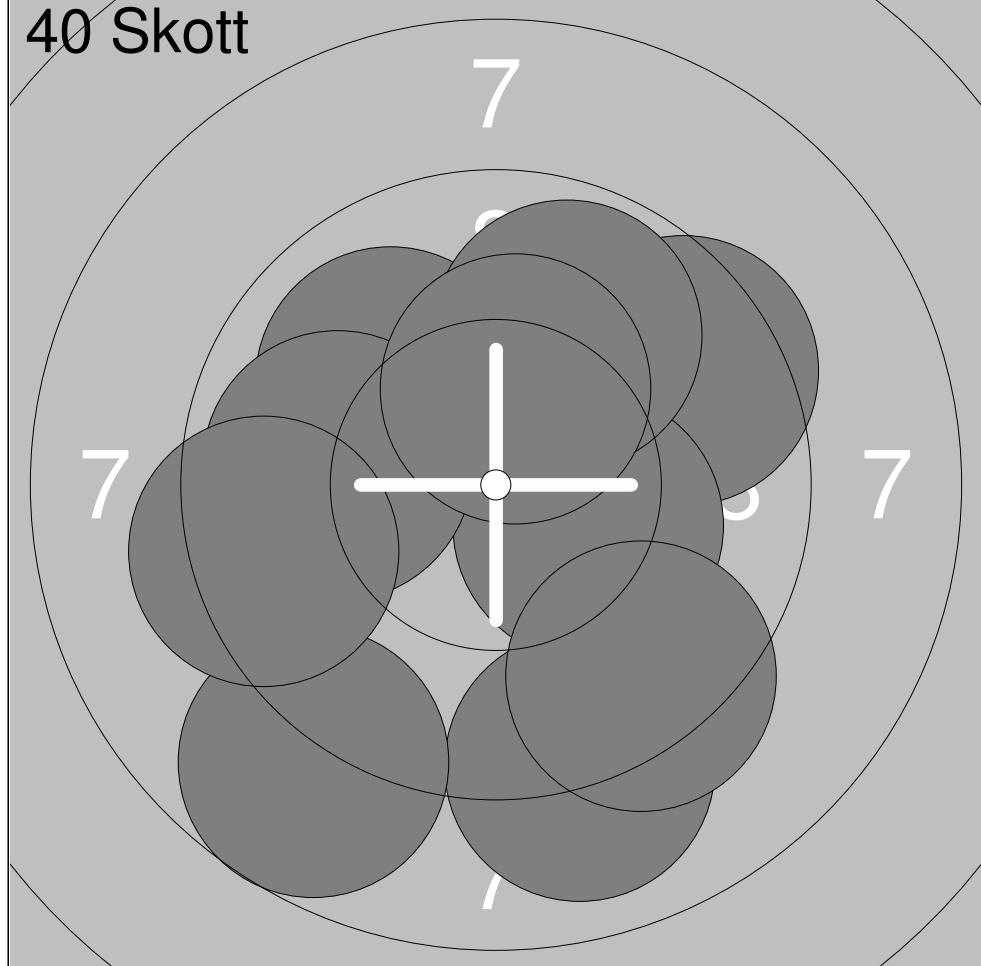
Serie	93.3
Total	474.3





1:	9.3	↑
2:	9.4	↗
3:	10.1	↗
4:	7.2	→
5:	8.1	↖
6:	8.8	←
7:	10.3x	↗
8:	8.7	→

Serie	71.9
Total	380.0



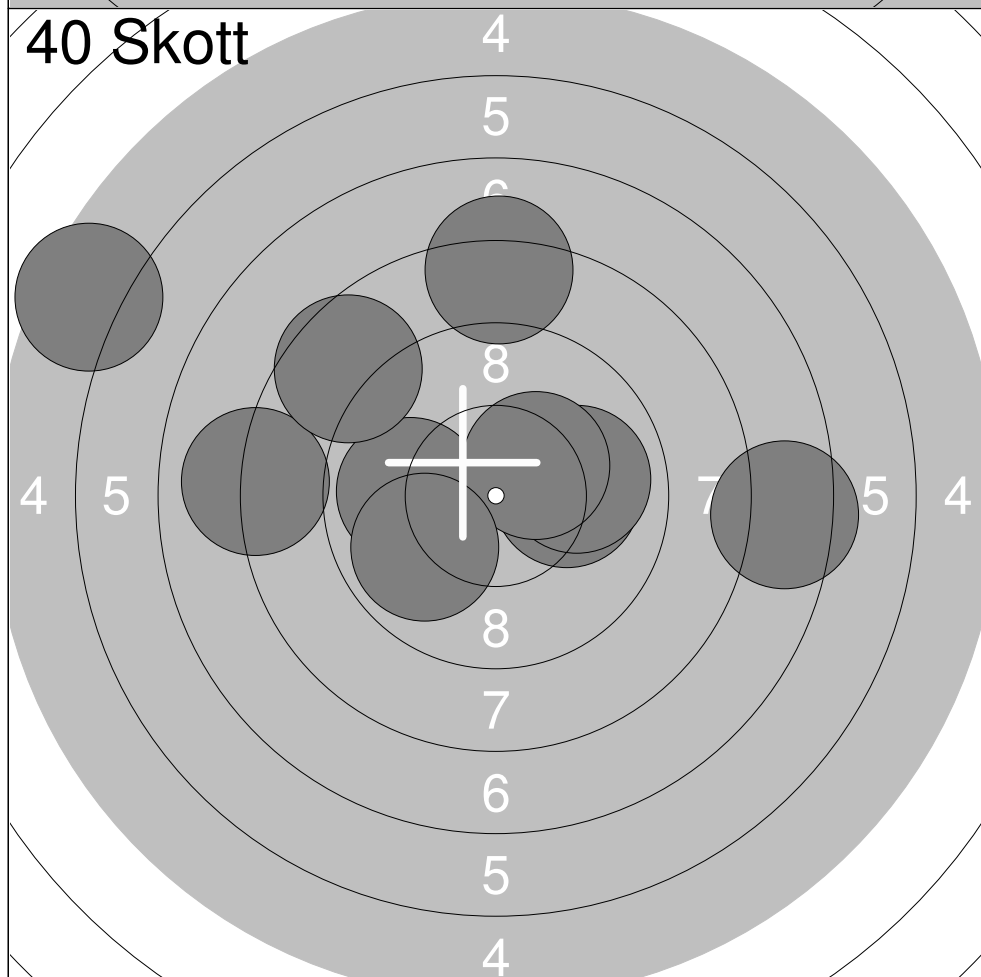
1:	9.0	↓
2:	8.7	↙
3:	9.5	↗
4:	10.0	↖
5:	10.3x	→
6:	9.9	←
7:	9.3	←
8:	9.4	↘
9:	9.8	↗
10:	10.3x	↑

Serie	96.2
Total	476.2



1:	9.5	↗
2:	10.7x	↗
3:	8.9	↖
4:	9.7	→
5:	9.6	↗
6:	9.7	→
7:	10.7x	↑

Serie	68.8
Total	353.0

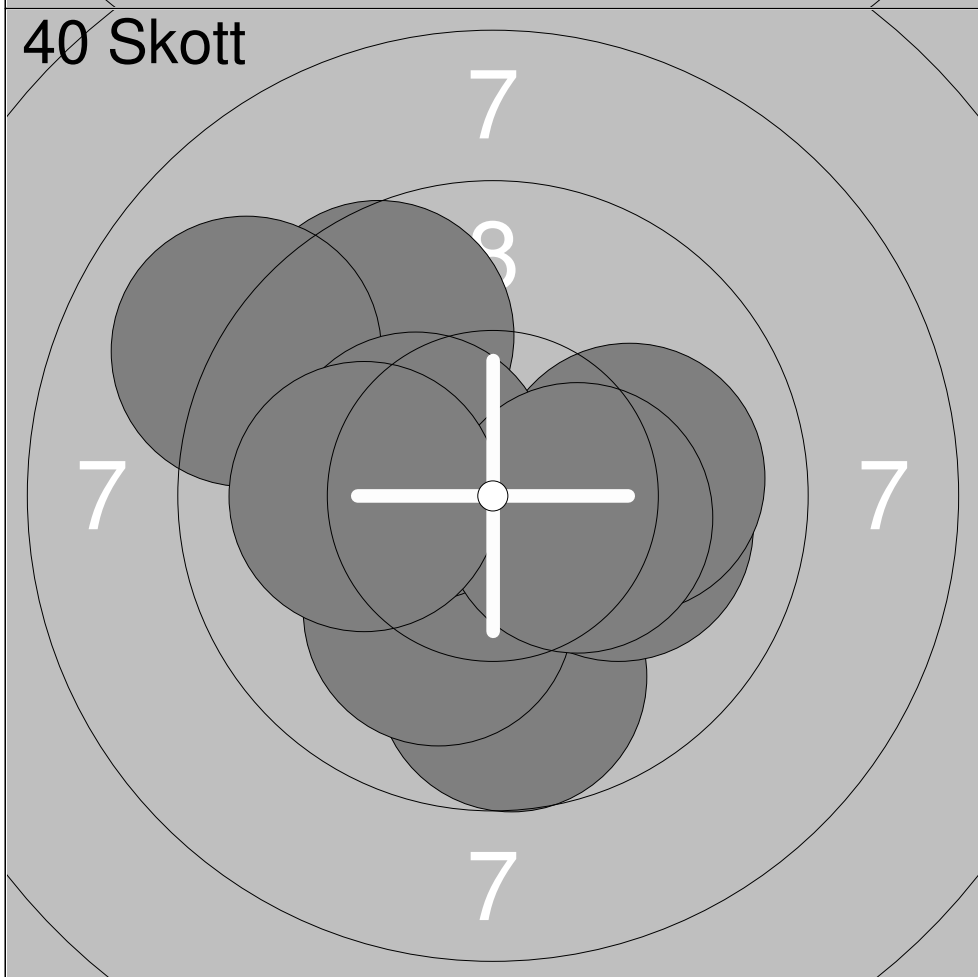


1:	7.4	→
2:	9.9	←
3:	8.0	←
4:	8.6	↖
5:	10.1	→
6:	10.0	→
7:	10.3x	↗
8:	9.9	↖
9:	5.5	↖
10:	8.2	↑

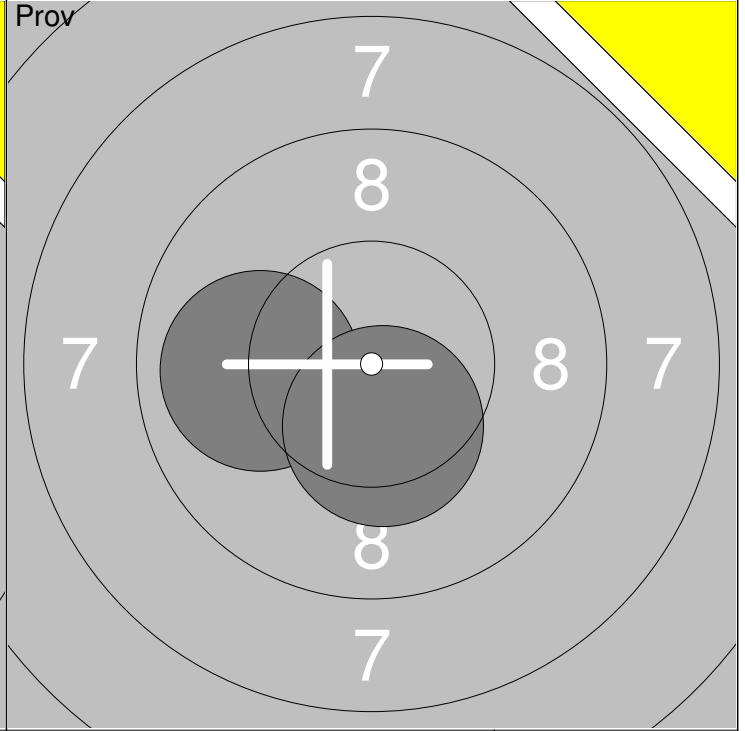
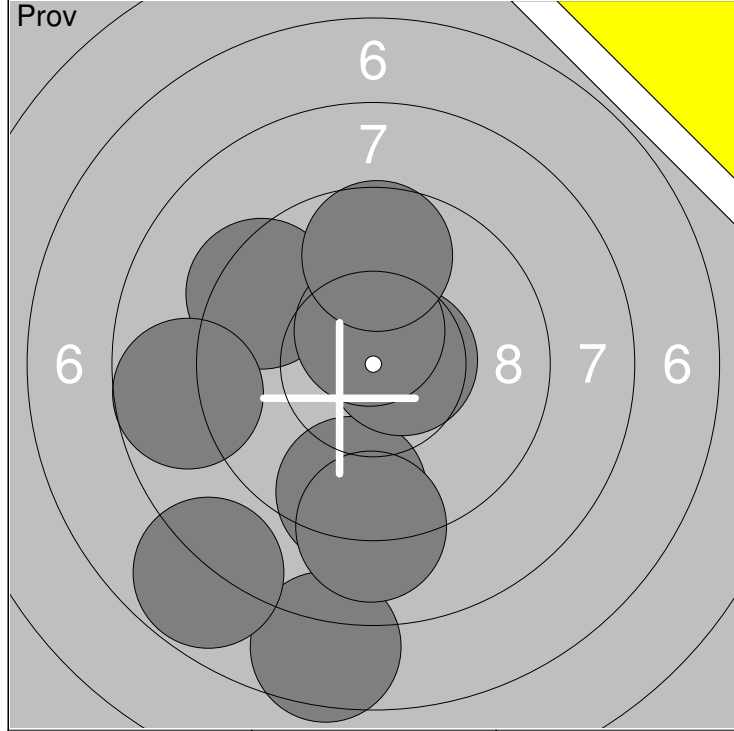
Serie	87.9
Total	440.9



1:	10.5x	←
2:	10.7x	↑
3:	10.9x	↑
4:	9.3	↙
<b>Serie</b>		<b>41.4</b>
<b>Total</b>		<b>394.0</b>

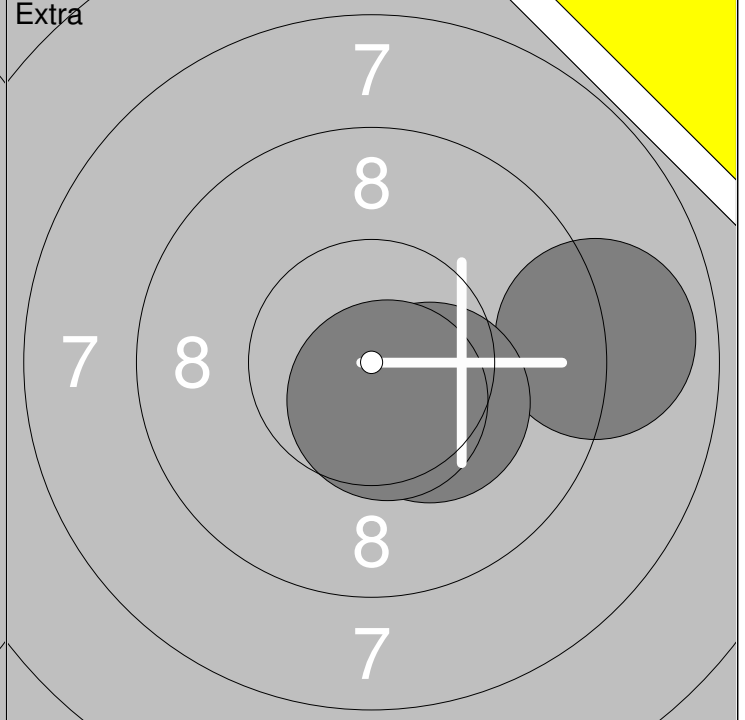
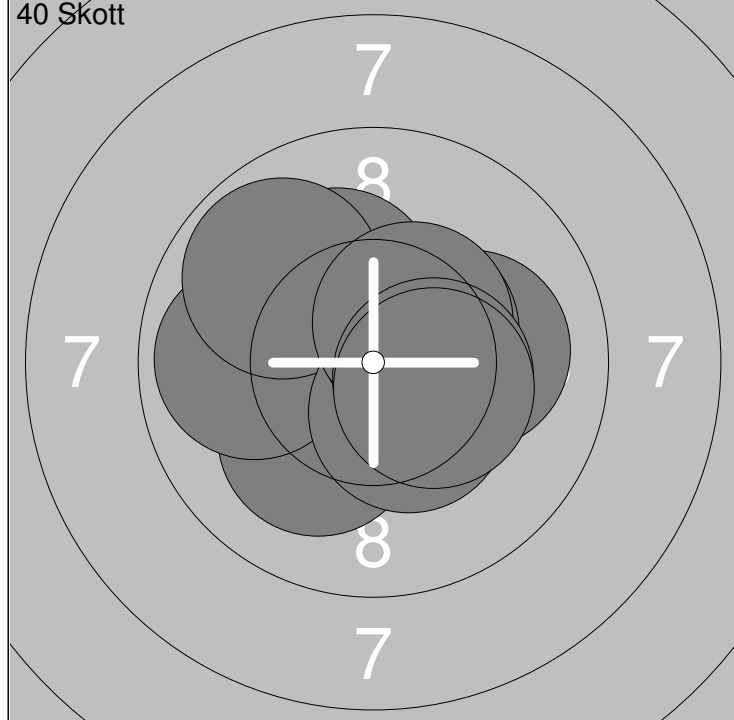


1:	9.6	↗
2:	9.0	↗
3:	10.3x	↙
4:	9.7	↓
5:	10.1	→
6:	10.0	→
7:	10.1	↘
8:	10.4x	↖
9:	10.4x	→
10:	10.1	←
<b>Serie</b>		<b>99.7</b>
<b>Total</b>		<b>493.7</b>



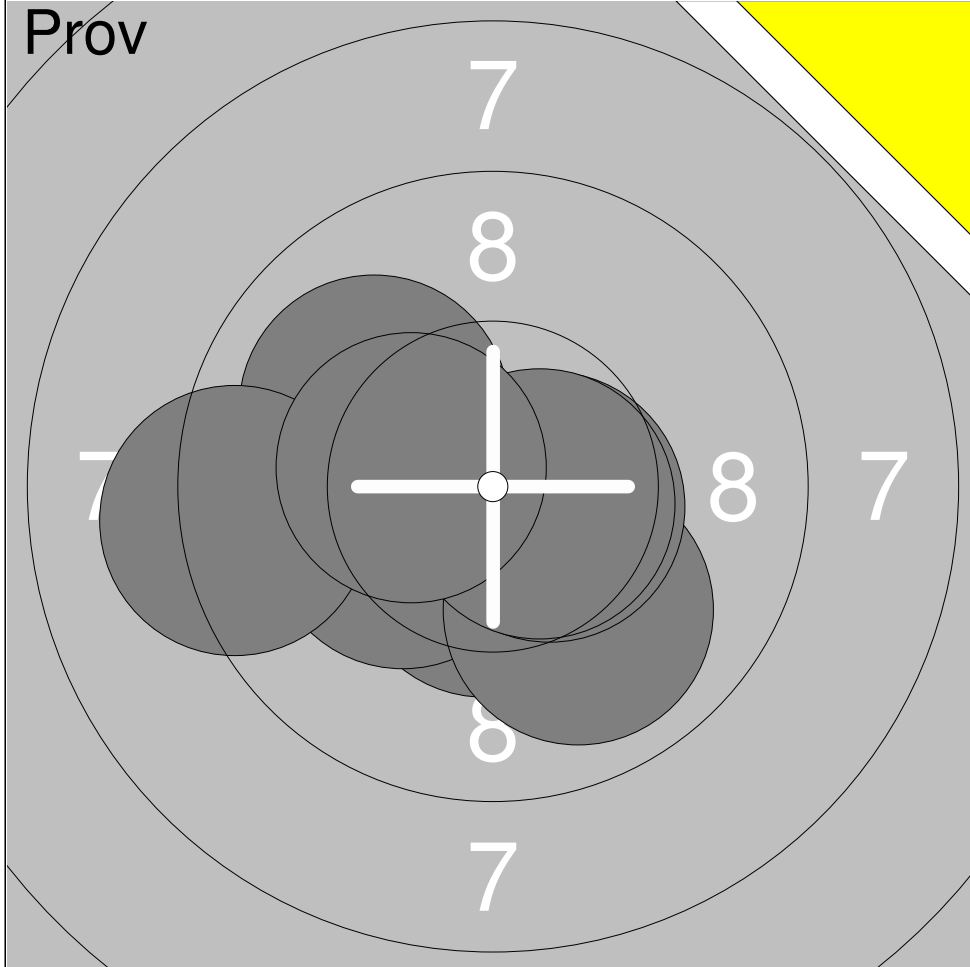
1: 7.6 ↓	6: 9.4 ↖	Serie	82.8
2: 7.8 ↙	7: 10.6x ↑		
3: 9.4 ↓	8: 9.7 ↑	Total	394.0
4: 9.0 ↓	9: 8.7 ←		
5: 10.6x →			

11: 10.0 ←	Serie	20.4
12: 10.4x ↓		
	Total	394.0



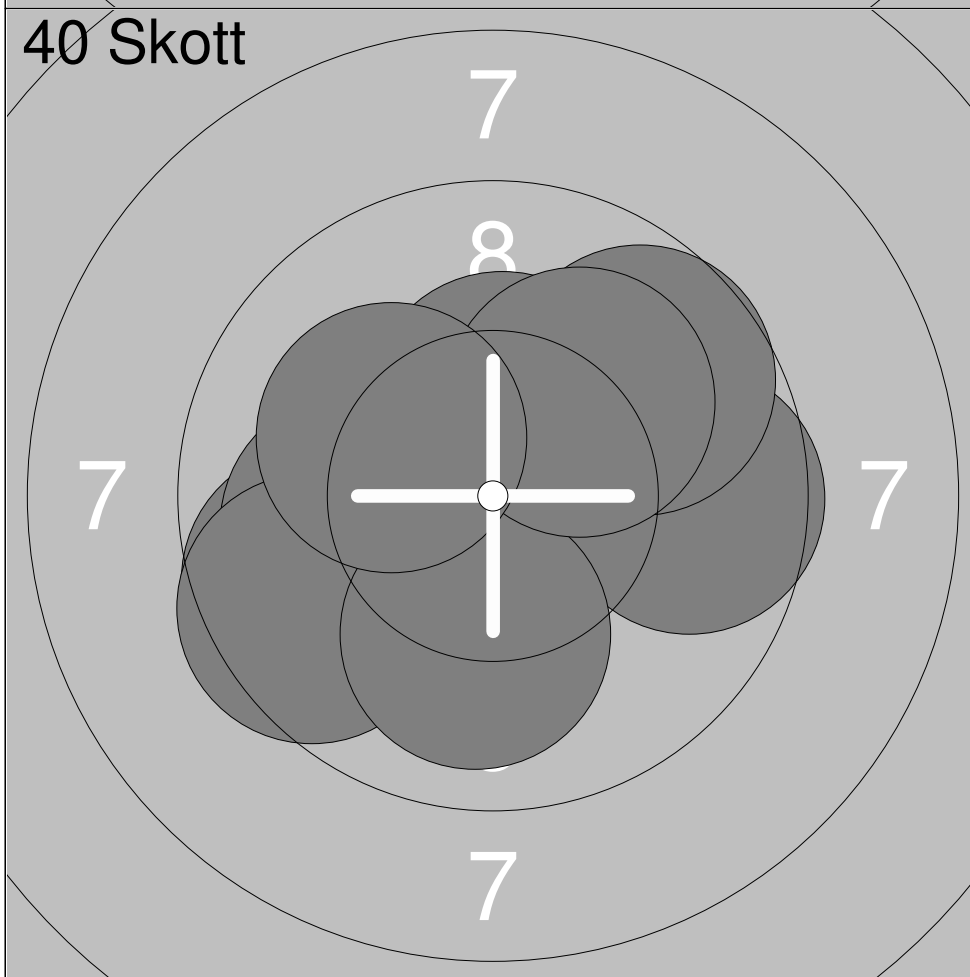
1: 10.1 ↙	6: 10.4x ↘	Serie	102.3
2: 10.2x ↖	7: 10.5x ↗		
3: 9.9 ←	8: 10.5x ↗	Total	496.3
4: 9.8 ↖	9: 10.4x →		
5: 10.1 →	10: 10.4x →		

1: 8.9 →	Serie	29.8
2: 10.3x ↘		
3: 10.6x ↓	Total	496.3



1:	10.6x	←
2:	10.4x	↓
3:	10.0	↖
4:	10.3x	←
5:	10.0	↘
6:	9.2	←
7:	10.6x	→
8:	10.6x	→
9:	10.4x	←

Serie	92.1
Total	393.0



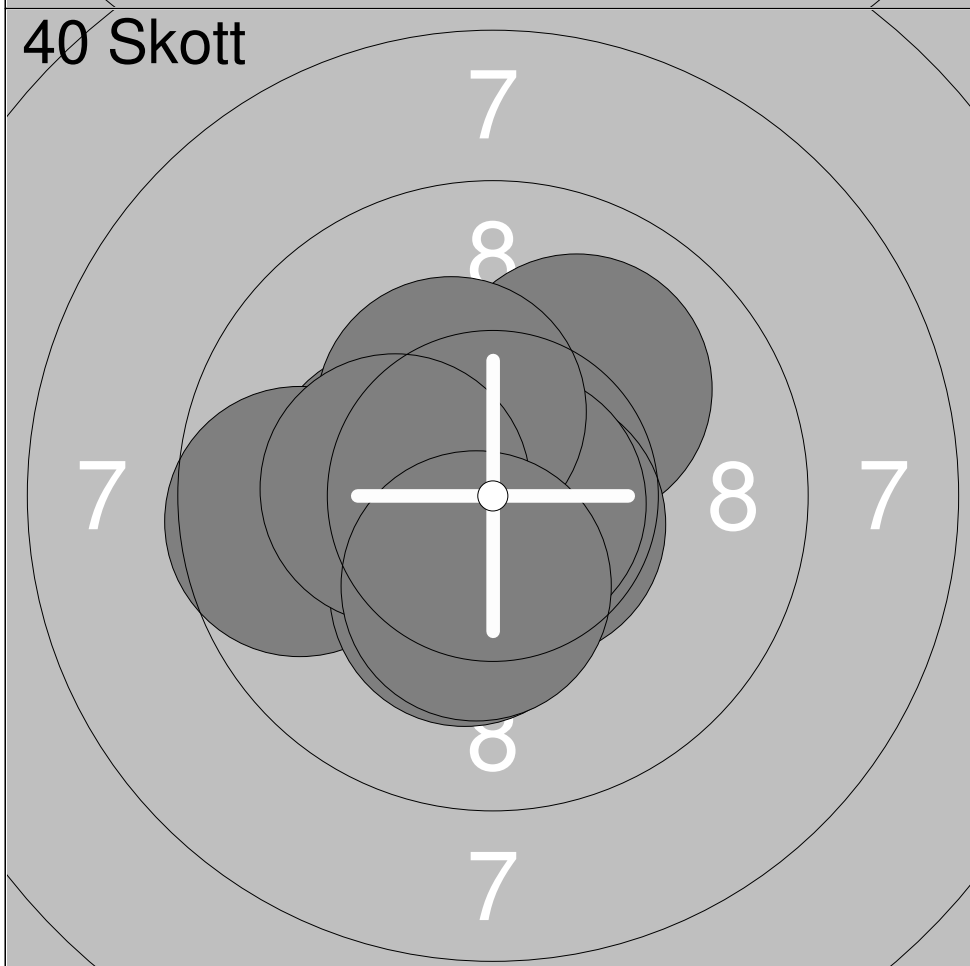
1:	10.2x	←
2:	9.6	←
3:	9.6	→
4:	10.0	←
5:	9.5	←
6:	9.7	↗
7:	10.4x	↑
8:	10.0	↓
9:	10.1	↗
10:	10.2x	↖

Serie	99.3
Total	492.3



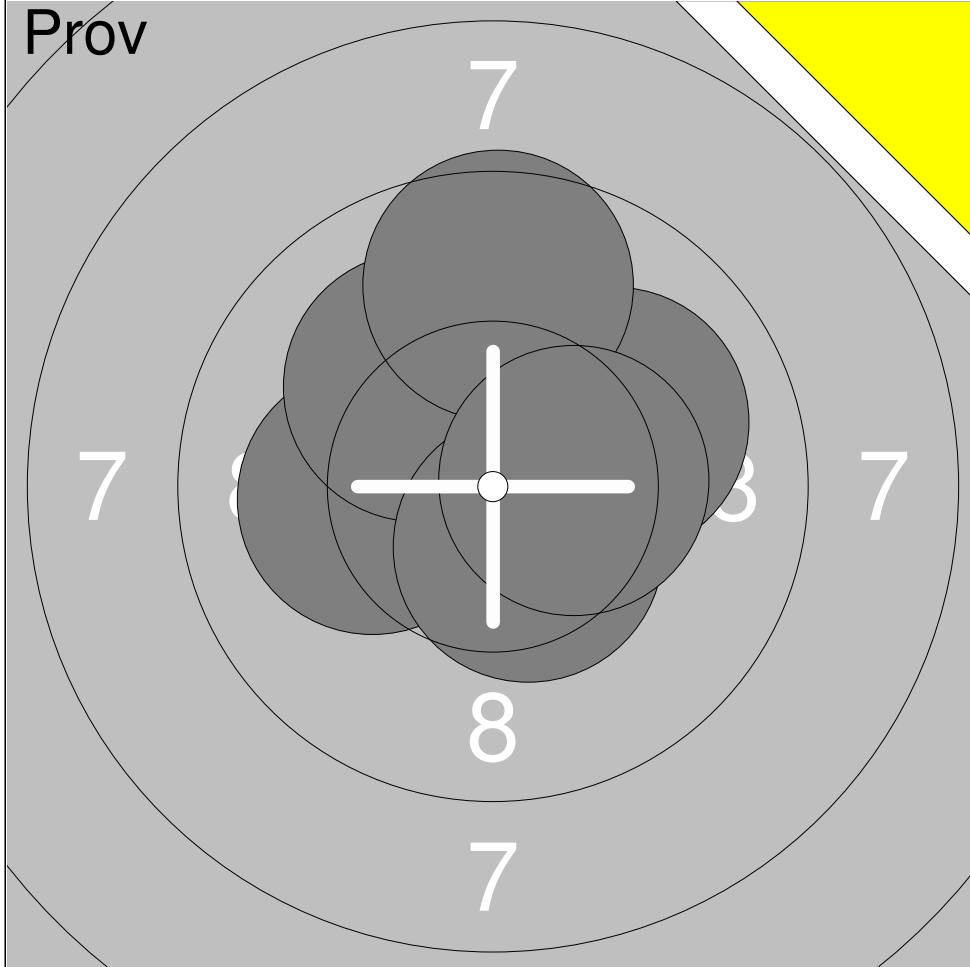
1:	10.1	↙
2:	10.6x	↖
3:	10.1	↓
4:	10.3x	↗
5:	10.4x	↓
6:	10.8x	↖
7:	9.8	↓
8:	10.2x	↙

Serie	82.3
Total	392.0



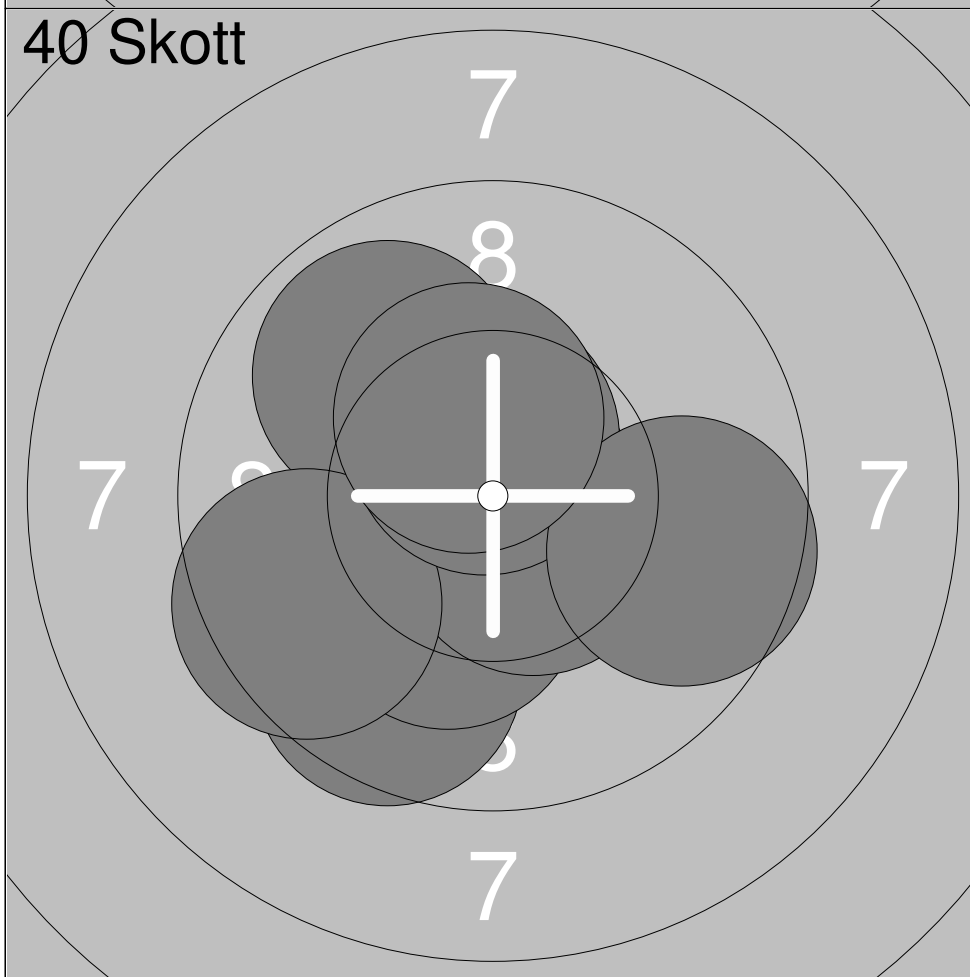
1:	10.3x	←
2:	10.9x	↗
3:	9.7	←
4:	10.0	↗
5:	10.3x	↓
6:	10.6x	↘
7:	10.8x	↘
8:	10.3x	↖
9:	10.3x	←
10:	10.3x	↓

Serie	103.5
Total	495.5



1:	10.7x	↗
2:	10.1	←
3:	10.0	↗
4:	10.1	↗
5:	10.5x	↘
6:	9.6	↑
7:	10.4x	→

Serie	71.4
Total	392.0

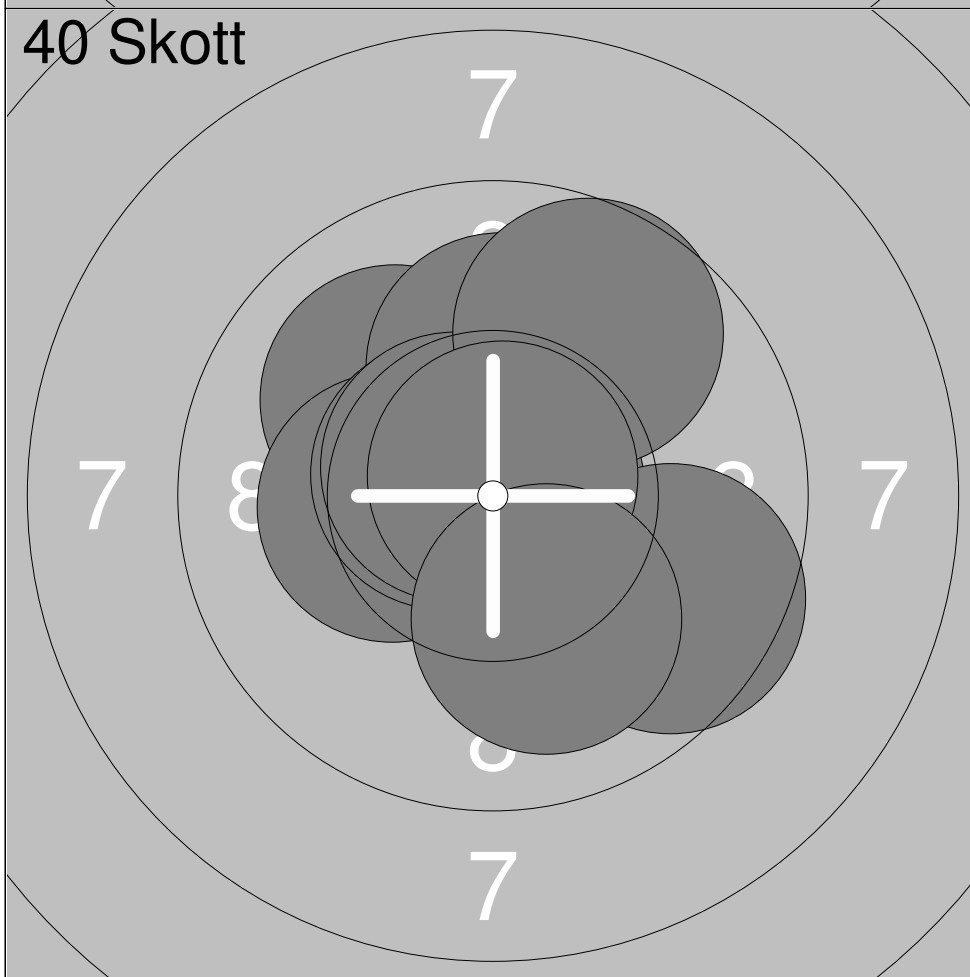


1:	9.9	↗
2:	9.6	↘
3:	10.8x	↘
4:	10.9x	→
5:	10.2x	↘
6:	10.5x	↘
7:	9.5	←
8:	10.6x	↑
9:	9.6	→
10:	10.4x	↗

Serie	102.0
Total	494.0

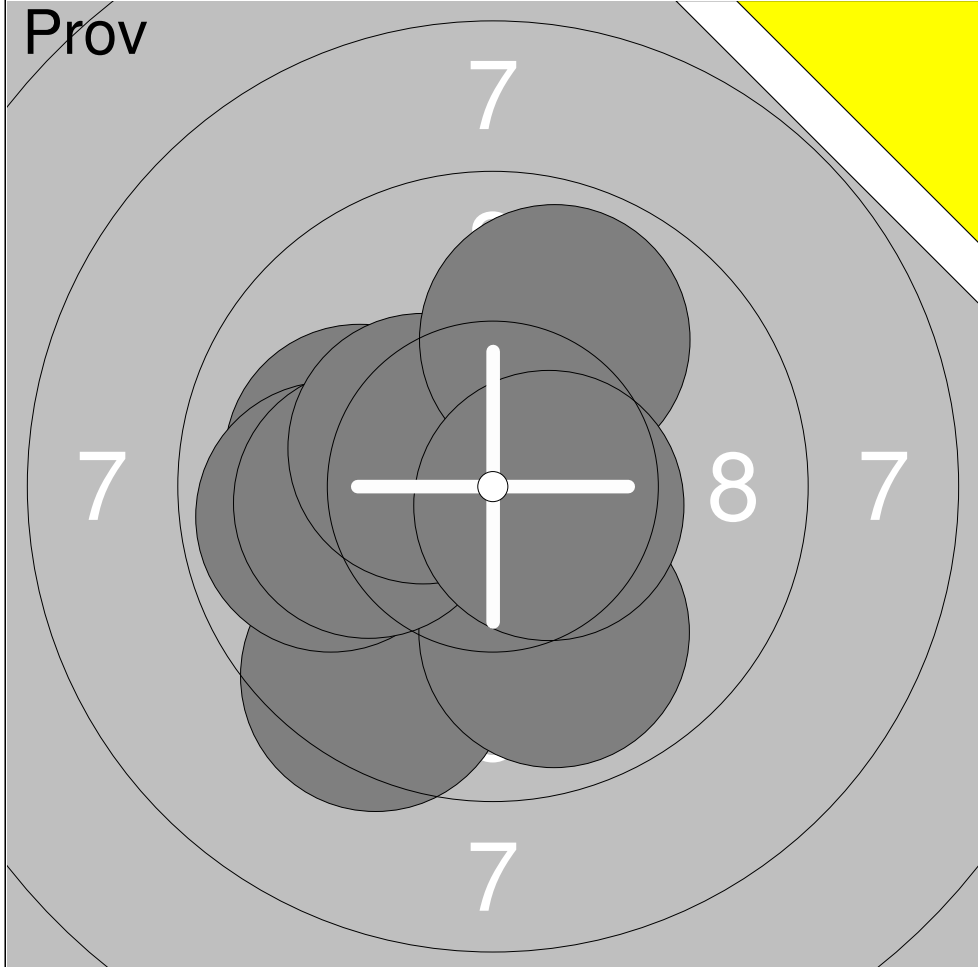


1:	10.2x	↘
2:	10.2x	↘
3:	10.0	↘
4:	10.1	←
5:	10.7x	↘
<b>Serie</b>		<b>51.2</b>
<b>Total</b>		<b>390.0</b>

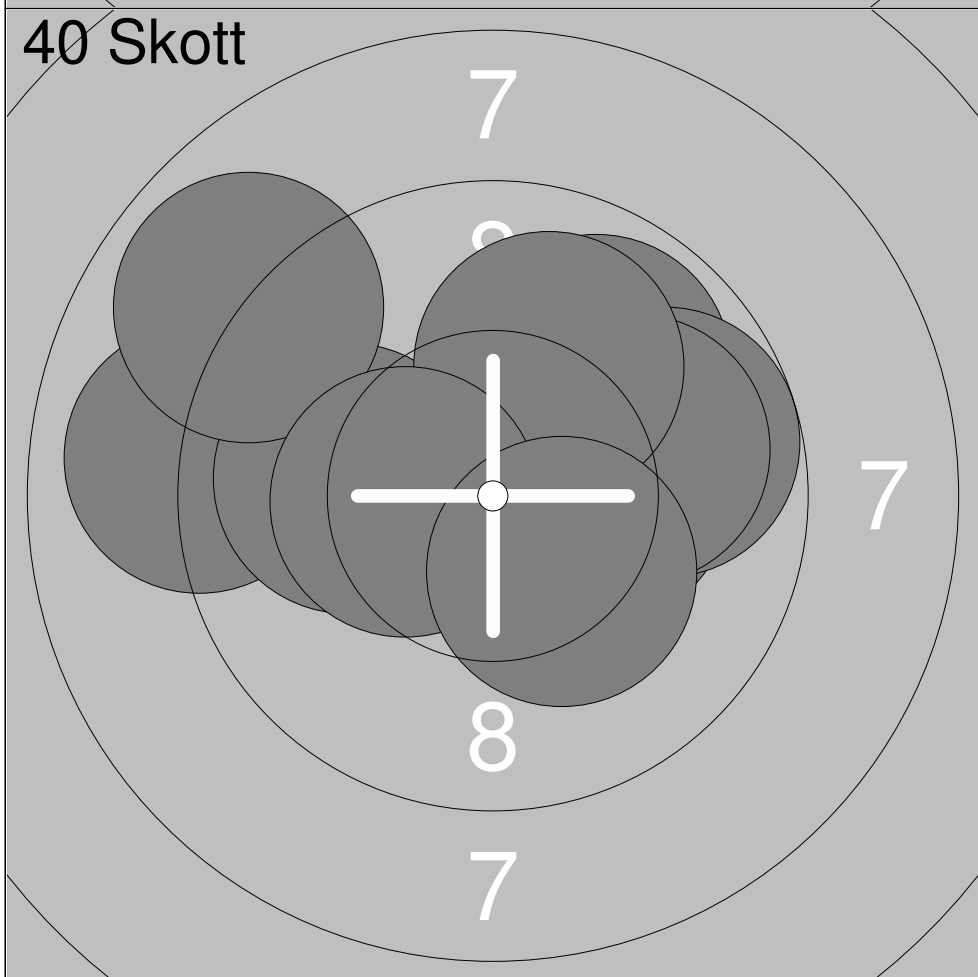


1:	10.8x	→
2:	10.0	↖
3:	10.1	↑
4:	9.6	↘
5:	10.3x	←
6:	10.6x	↖
7:	10.6x	↖
8:	9.7	↗
9:	10.8x	↗
10:	10.1	↘
<b>Serie</b>		<b>102.6</b>
<b>Total</b>		<b>492.6</b>

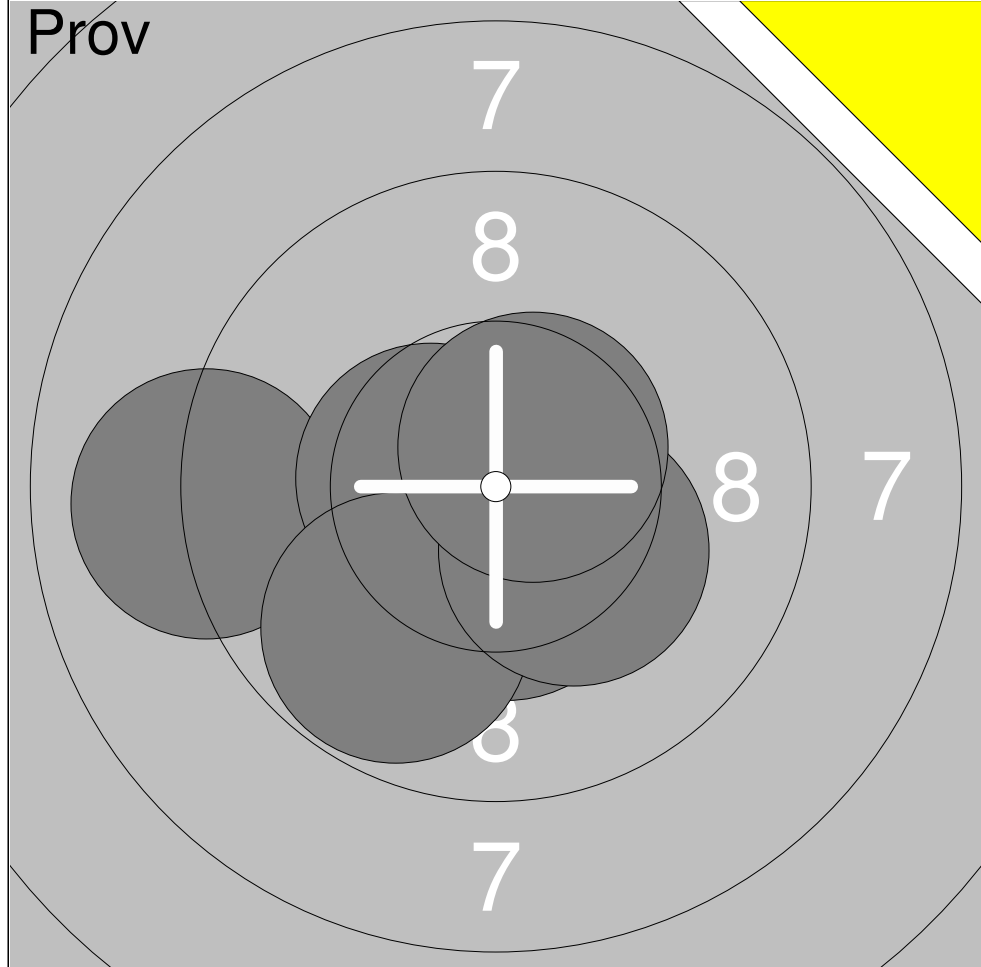




1:	9.5	↙
2:	10.0	←
3:	9.9	←
4:	9.9	↘
5:	10.1	←
6:	10.4x	↗
7:	9.9	↗
8:	10.6x	↘
<b>Serie</b>		<b>80.3</b>
<b>Total</b>		<b>389.0</b>

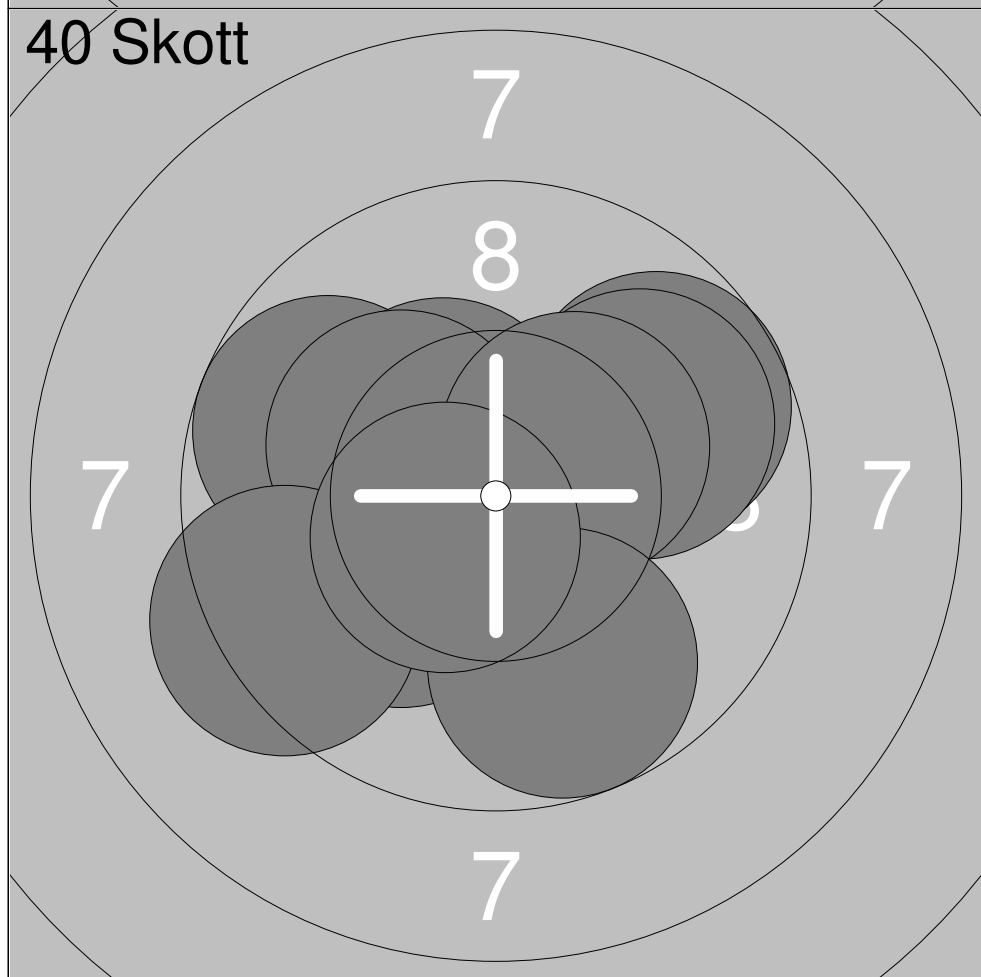


1:	10.3x	→
2:	9.0	←
3:	9.9	↗
4:	10.0	←
5:	9.8	→
6:	10.0	→
7:	8.9	↗
8:	10.0	↗
9:	10.4x	←
10:	10.3x	↘
<b>Serie</b>		<b>98.6</b>
<b>Total</b>		<b>487.6</b>



1:	10.6x	↓
2:	9.0	←
3:	10.5x	↓
4:	10.4x	↓
5:	10.5x	←
6:	9.8	↙
7:	10.3x	↘
8:	10.6x	↗

Serie	81.7
Total	385.0



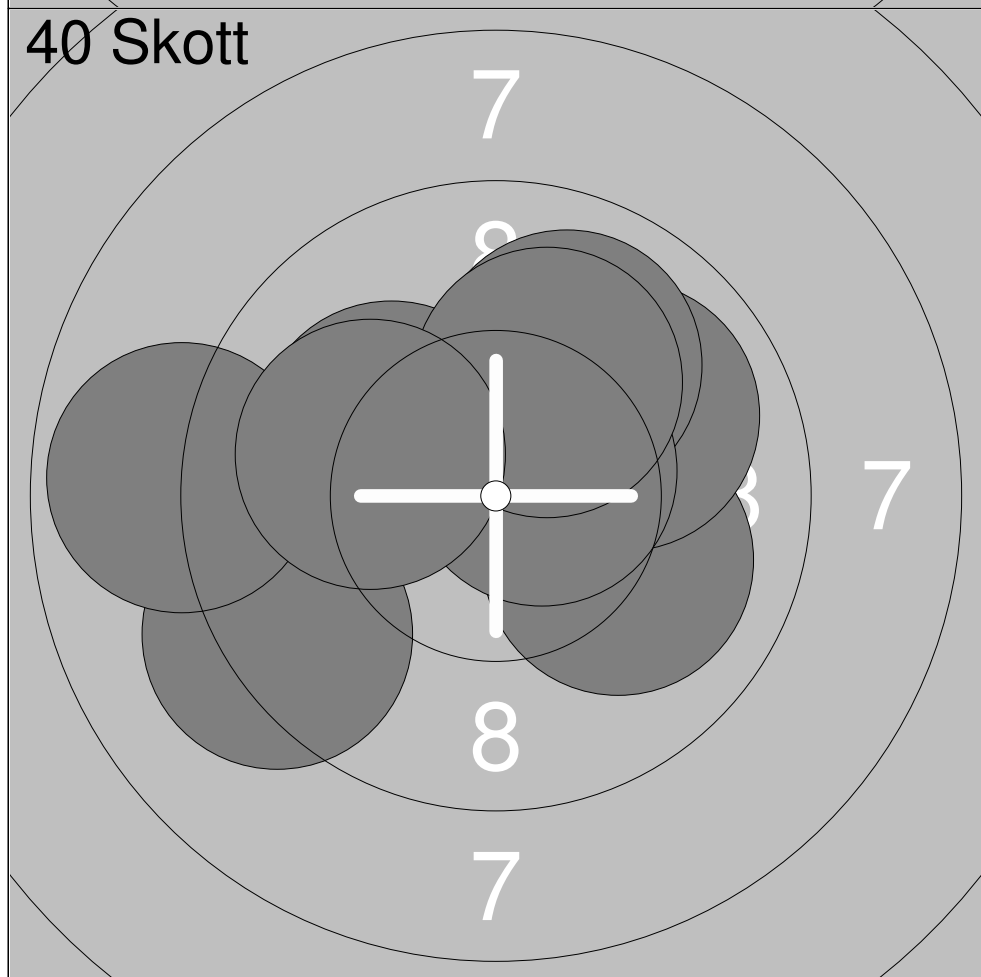
1:	9.7	↗
2:	9.8	←
3:	10.1	↙
4:	10.4x	↖
5:	10.2x	↙
6:	9.9	↗
7:	10.3x	↗
8:	9.3	↙
9:	9.8	↓
10:	10.5x	↙

Serie	100.0
Total	485.0



1:	9.2	↗
2:	10.0	↗
3:	9.0	↗
4:	9.6	↖
5:	9.1	↖
6:	10.3x	↙
7:	10.5x	→
8:	10.5x	↖

Serie	78.2
Total	383.0



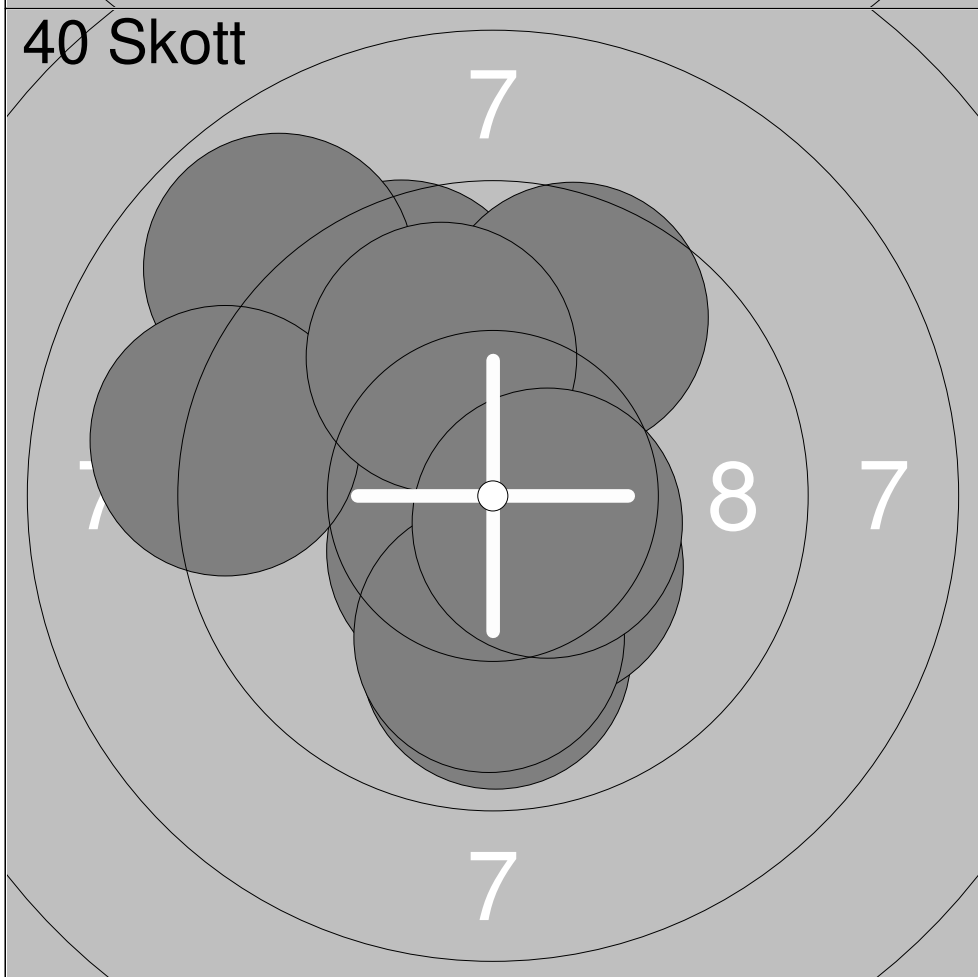
1:	10.5x	→
2:	9.2	↖
3:	10.0	↘
4:	9.9	↗
5:	10.0	↗
6:	10.1	↖
7:	10.6x	↗
8:	10.1	↗
9:	8.9	↖
10:	10.1	↖

Serie	99.4
Total	482.4



1:	9.7	↗
2:	10.9x	←
3:	9.0	↗
4:	9.8	↑
5:	10.6x	→
6:	9.3	↘
7:	10.4x	↗

Serie	69.7
Total	381.0



1:	9.6	↗
2:	9.9	↓
3:	10.4x	↘
4:	10.5x	↙
5:	9.6	↗
6:	8.9	↗
7:	10.0	↓
8:	9.1	←
9:	10.0	↗
10:	10.5x	↘

Serie	98.5
Total	479.5