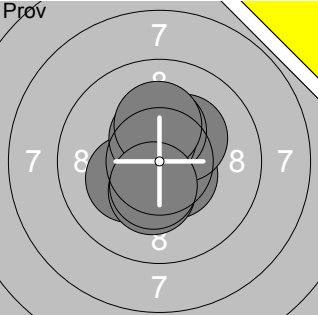
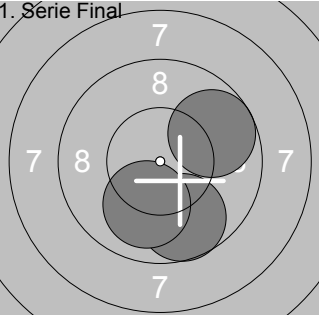
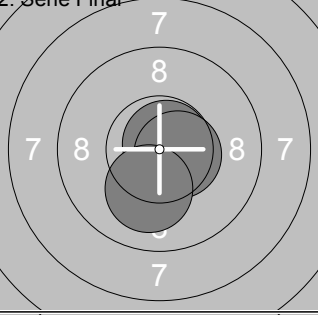
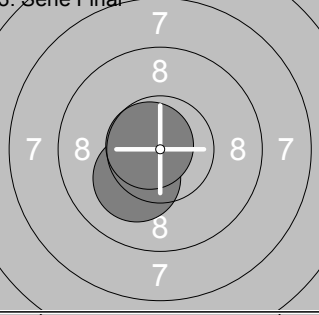

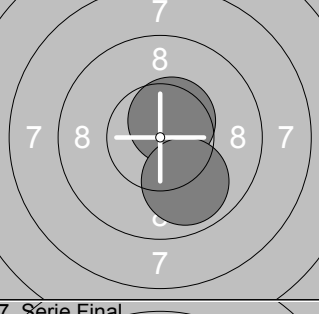


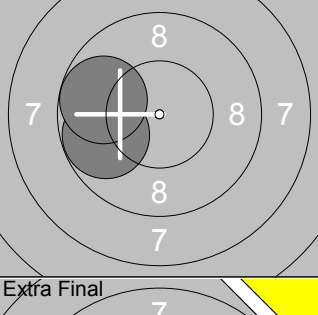
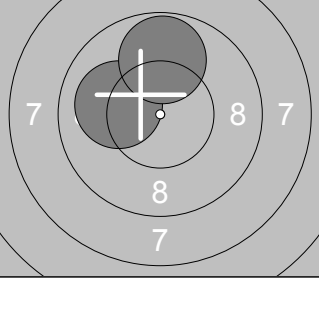
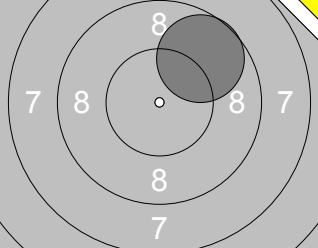
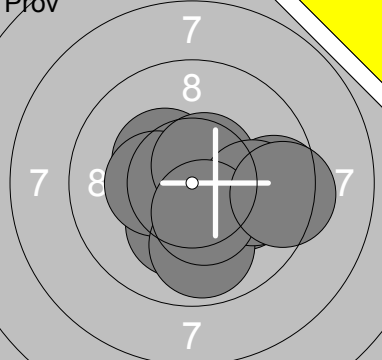








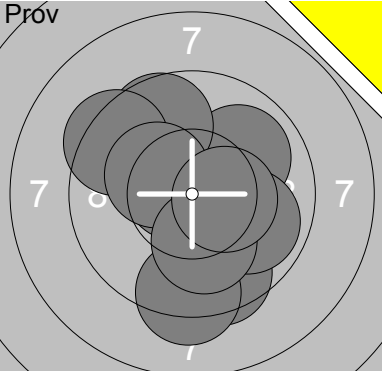
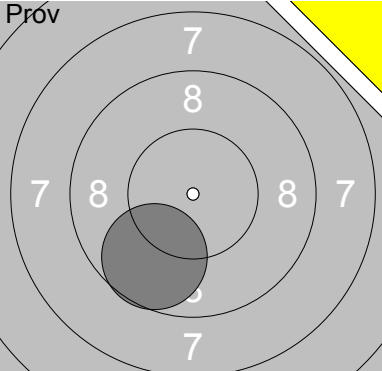



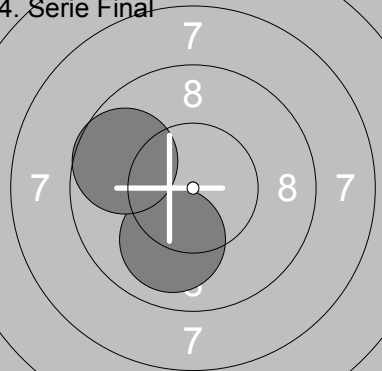
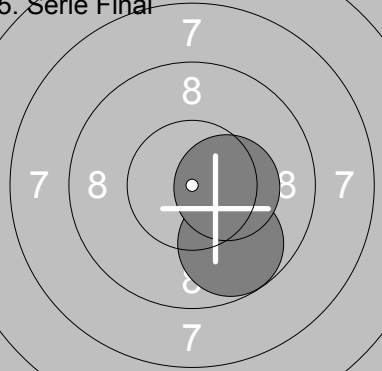

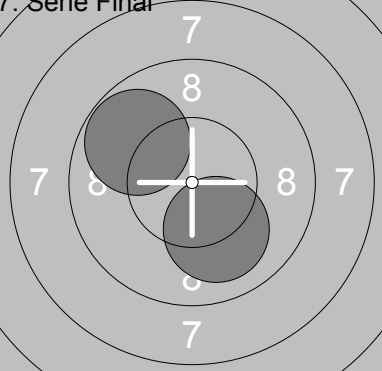
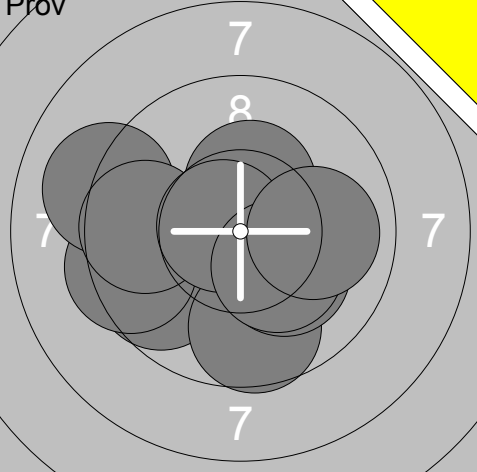
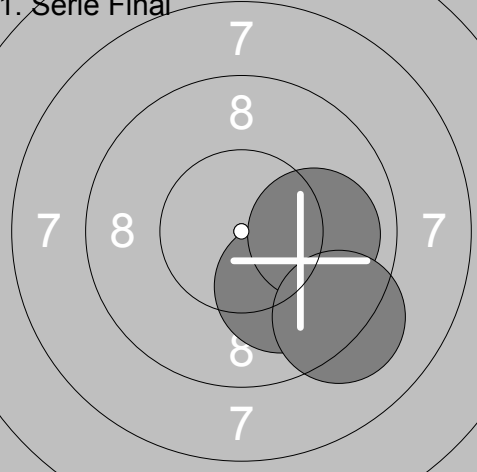
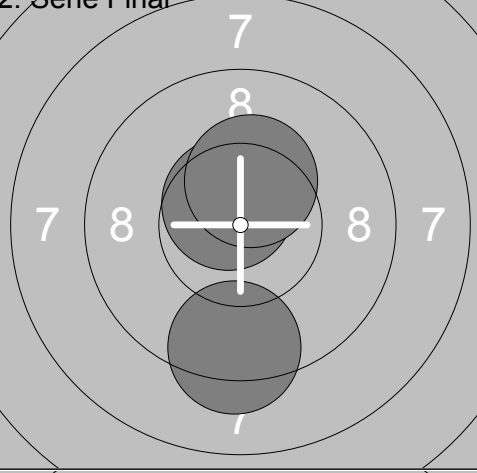
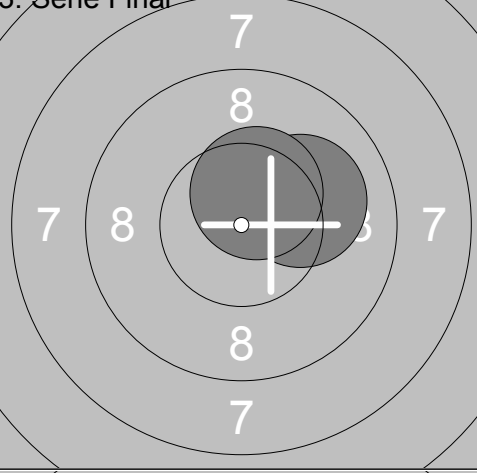
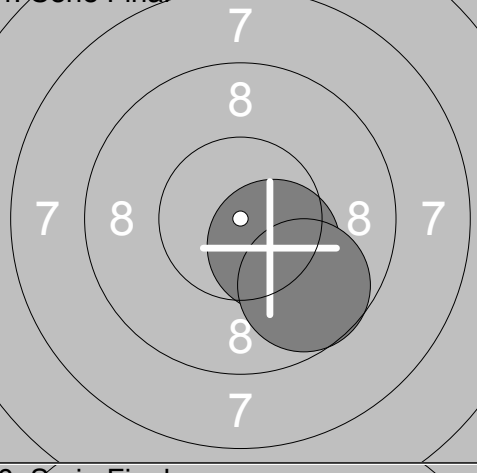
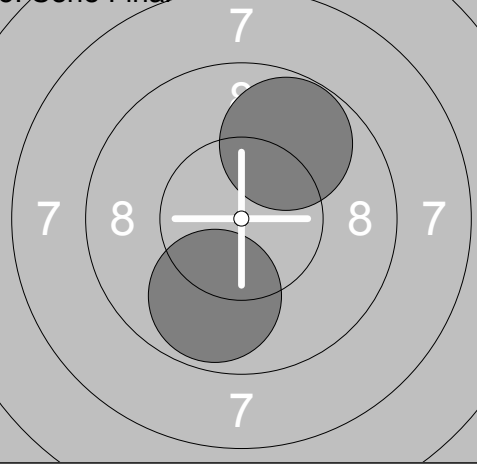
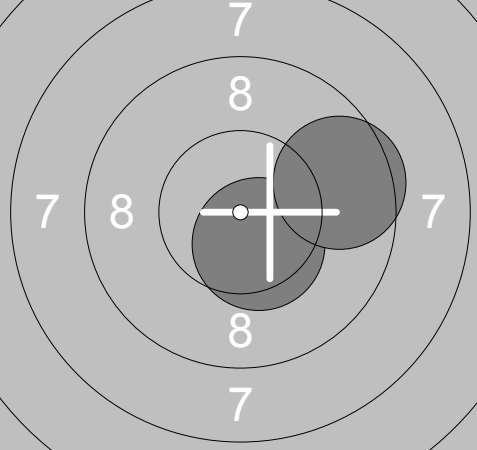


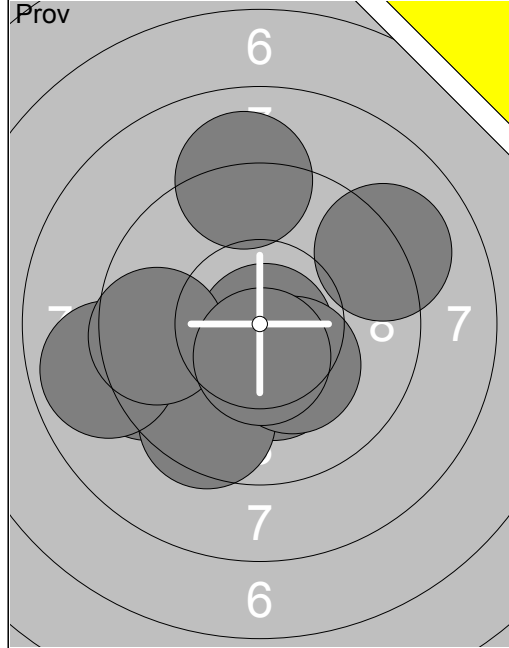
Skjutlag 4	Tavla 21	Jörgen Persson	
Vindeln		Fältjägarna	Jä
06.11.2016		Vindelnskyttet 2016	Ramselefors SKF
Pröv		1: 10.2x ↙ 2: 10.5x ↘ 3: 10.3x ↗ 4: 10.3x ↗ 5: 10.4x ↗ 6: 10.3x ↘ 7: 10.2x ↗ 8: 10.4x ↘	1. Serie Final
			 1: 9.7 ↗ 2: 9.7 ↘ 3: 10.0 ↘
		Serie 82.6	Serie 29.4
		Total 0.0	Total 29.4
2. Serie Final		1: 10.8x ↗ 2: 10.6x → 3: 10.1 ↘	3. Serie Final
			 1: 10.2x ↘ 2: 10.7x ↖
		Serie 31.5	Serie 20.9
		Total 60.9	Total 81.8
4. Serie Final		1: 10.3x ↘ 2: 10.6x ↖	5. Serie Final
			 1: 10.5x ↗ 2: 9.9 ↘
		Serie 20.9	Serie 20.4
		Total 102.7	Total 123.1
6. Serie Final		1: 10.1 → 2: 10.6x →	7. Serie Final
			 1: 10.0 ↖ 2: 10.5x →
		Serie 20.7	Serie 20.5
		Total 143.8	Total 164.3
8. Serie Final		1: 9.8 ↖ 2: 9.8 ↖	9. Serie Final
			 1: 10.1 ↖ 2: 9.8 ↗
		Serie 19.6	Serie 19.9
		Total 183.9	Total 203.8
Extra Final		1: 9.7 ↗	
		Serie 9.7	
		Total 203.8	

Pröv			
	1: 10.4x ↖ 2: 10.2x ↓ 3: 10.4x ← 4: 10.1 → 5: 10.6x ↗ 6: 9.6 → 7: 9.9 ↓ 8: 9.9 → 9: 10.4x ↓ 10: 9.4 →	Pröv	11: 10.0 ↓
	Serie 100.9		Serie 10.0
	Total 0.0		Total 0.0
1. Serie Final		2. Serie Final	
	1: 9.4 ↓ 2: 9.5 → 3: 10.1 →		1: 10.2x ↖ 2: 9.8 ↖ 3: 10.2x ↓
	Serie 29.0		Serie 30.2
	Total 29.0		Total 59.2
3. Serie Final		4. Serie Final	
	1: 10.3x ↓ 2: 10.3x →		1: 10.7x → 2: 10.5x ←
	Serie 20.6		Serie 21.2
	Total 79.8		Total 101.0
5. Serie Final		6. Serie Final	
	1: 9.9 ↓ 2: 10.6x ↓		1: 10.4x ↓ 2: 10.5x ←
	Serie 20.5		Serie 20.9
	Total 121.5		Total 142.4
7. Serie Final		8. Serie Final	
	1: 10.1 ↓ 2: 10.3x ↓		1: 9.6 ↗ 2: 10.4x ↘
	Serie 20.4		Serie 20.0
	Total 162.8		Total 182.8

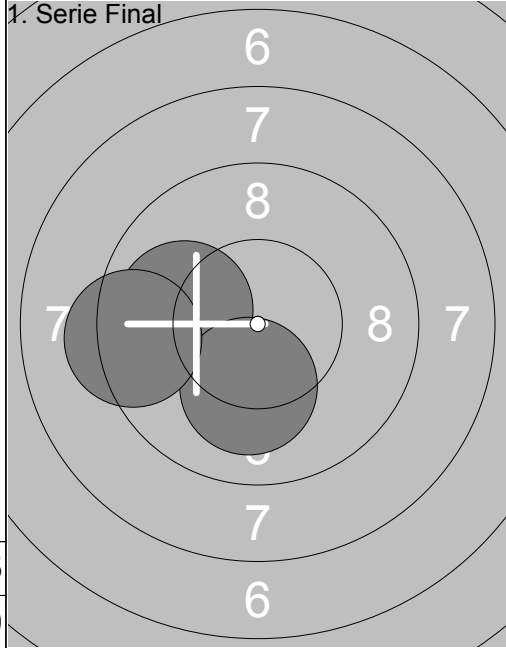
Skjutlag 4	Tavla 23	Hilde Karlsson	
Vindeln		Ramselefors	Vb
06.11.2016		Vindelnskyttet 2016	Ramselefors SKF
Pröv 	1: 9.5 ↓ 2: 9.3 ↓↓ 3: 10.7x ↖ 4: 9.9 ↗ 5: 9.7 ↗ 6: 9.4 ↗ 7: 10.3x ↗ 8: 9.9 ↓ 9: 10.1 ↓ 10: 10.4x →	Pröv 	11: 9.7 ↘
	Serie 99.2 Total 0.0		Serie 9.7 Total 0.0
1. Serie Final 	1: 10.0 ↓ 2: 10.0 ↙ 3: 10.6x ↘	2. Serie Final 	1: 10.1 ↖ 2: 10.5x ↗ 3: 10.5x ↘
	Serie 30.6 Total 30.6		Serie 31.1 Total 61.7
3. Serie Final 	1: 10.4x → 2: 10.1 ↓	4. Serie Final 	1: 10.0 ↓ 2: 9.7 ↖
	Serie 20.5 Total 82.2		Serie 19.7 Total 101.9
5. Serie Final 	1: 9.8 ↓ 2: 10.4x →	6. Serie Final 	1: 10.5x ↖ 2: 10.0 ↘
	Serie 20.2 Total 122.1		Serie 20.5 Total 142.6
7. Serie Final 	1: 10.1 ↓ 2: 9.8 ↗		
	Serie 19.9 Total 162.5		

<p>Pröv</p> 	<table style="width:100%; border-collapse: collapse;"> <tr><td>1:</td><td>10.3x</td><td>↗</td></tr> <tr><td>2:</td><td>9.7</td><td>↖</td></tr> <tr><td>3:</td><td>9.4</td><td>↖</td></tr> <tr><td>4:</td><td>9.7</td><td>↘</td></tr> <tr><td>5:</td><td>9.1</td><td>↗</td></tr> <tr><td>6:</td><td>9.7</td><td>↖</td></tr> <tr><td>7:</td><td>10.7x</td><td>↗</td></tr> <tr><td>8:</td><td>10.2x</td><td>↘</td></tr> <tr><td>9:</td><td>10.3x</td><td>↘</td></tr> <tr><td>10:</td><td>10.0</td><td>→</td></tr> </table> <table style="width:100%; border-collapse: collapse; margin-top: 5px;"> <tr><td style="border-top: 1px solid black;">Serie</td><td style="border-top: 1px solid black; text-align: right;">99.1</td></tr> <tr><td>Total</td><td style="text-align: right;">0.0</td></tr> </table>	1:	10.3x	↗	2:	9.7	↖	3:	9.4	↖	4:	9.7	↘	5:	9.1	↗	6:	9.7	↖	7:	10.7x	↗	8:	10.2x	↘	9:	10.3x	↘	10:	10.0	→	Serie	99.1	Total	0.0	<p>1. Serie Final</p>  <table style="width:100%; border-collapse: collapse; margin-top: 5px;"> <tr><td>1:</td><td>10.0</td><td>↘</td></tr> <tr><td>2:</td><td>10.0</td><td>→</td></tr> <tr><td>3:</td><td>9.2</td><td>↘</td></tr> </table> <table style="width:100%; border-collapse: collapse; margin-top: 5px;"> <tr><td style="border-top: 1px solid black;">Serie</td><td style="border-top: 1px solid black; text-align: right;">29.2</td></tr> <tr><td>Total</td><td style="text-align: right;">29.2</td></tr> </table>	1:	10.0	↘	2:	10.0	→	3:	9.2	↘	Serie	29.2	Total	29.2
1:	10.3x	↗																																															
2:	9.7	↖																																															
3:	9.4	↖																																															
4:	9.7	↘																																															
5:	9.1	↗																																															
6:	9.7	↖																																															
7:	10.7x	↗																																															
8:	10.2x	↘																																															
9:	10.3x	↘																																															
10:	10.0	→																																															
Serie	99.1																																																
Total	0.0																																																
1:	10.0	↘																																															
2:	10.0	→																																															
3:	9.2	↘																																															
Serie	29.2																																																
Total	29.2																																																
<p>2. Serie Final</p> 	<table style="width:100%; border-collapse: collapse;"> <tr><td>1:</td><td>10.6x</td><td>↗</td></tr> <tr><td>2:</td><td>9.3</td><td>↘</td></tr> <tr><td>3:</td><td>10.3x</td><td>↗</td></tr> </table> <table style="width:100%; border-collapse: collapse; margin-top: 5px;"> <tr><td style="border-top: 1px solid black;">Serie</td><td style="border-top: 1px solid black; text-align: right;">30.2</td></tr> <tr><td>Total</td><td style="text-align: right;">59.4</td></tr> </table>	1:	10.6x	↗	2:	9.3	↘	3:	10.3x	↗	Serie	30.2	Total	59.4	<p>3. Serie Final</p>  <table style="width:100%; border-collapse: collapse; margin-top: 5px;"> <tr><td>1:</td><td>10.1</td><td>↗</td></tr> <tr><td>2:</td><td>10.5x</td><td>↗</td></tr> </table> <table style="width:100%; border-collapse: collapse; margin-top: 5px;"> <tr><td style="border-top: 1px solid black;">Serie</td><td style="border-top: 1px solid black; text-align: right;">20.6</td></tr> <tr><td>Total</td><td style="text-align: right;">80.0</td></tr> </table>	1:	10.1	↗	2:	10.5x	↗	Serie	20.6	Total	80.0																								
1:	10.6x	↗																																															
2:	9.3	↘																																															
3:	10.3x	↗																																															
Serie	30.2																																																
Total	59.4																																																
1:	10.1	↗																																															
2:	10.5x	↗																																															
Serie	20.6																																																
Total	80.0																																																
<p>4. Serie Final</p> 	<table style="width:100%; border-collapse: collapse;"> <tr><td>1:</td><td>10.4x</td><td>↘</td></tr> <tr><td>2:</td><td>9.7</td><td>↘</td></tr> </table> <table style="width:100%; border-collapse: collapse; margin-top: 5px;"> <tr><td style="border-top: 1px solid black;">Serie</td><td style="border-top: 1px solid black; text-align: right;">20.1</td></tr> <tr><td>Total</td><td style="text-align: right;">100.1</td></tr> </table>	1:	10.4x	↘	2:	9.7	↘	Serie	20.1	Total	100.1	<p>5. Serie Final</p>  <table style="width:100%; border-collapse: collapse; margin-top: 5px;"> <tr><td>1:</td><td>9.8</td><td>↗</td></tr> <tr><td>2:</td><td>9.8</td><td>↘</td></tr> </table> <table style="width:100%; border-collapse: collapse; margin-top: 5px;"> <tr><td style="border-top: 1px solid black;">Serie</td><td style="border-top: 1px solid black; text-align: right;">19.6</td></tr> <tr><td>Total</td><td style="text-align: right;">119.7</td></tr> </table>	1:	9.8	↗	2:	9.8	↘	Serie	19.6	Total	119.7																											
1:	10.4x	↘																																															
2:	9.7	↘																																															
Serie	20.1																																																
Total	100.1																																																
1:	9.8	↗																																															
2:	9.8	↘																																															
Serie	19.6																																																
Total	119.7																																																
<p>6. Serie Final</p> 	<table style="width:100%; border-collapse: collapse;"> <tr><td>1:</td><td>10.5x</td><td>↘</td></tr> <tr><td>2:</td><td>9.6</td><td>→</td></tr> </table> <table style="width:100%; border-collapse: collapse; margin-top: 5px;"> <tr><td style="border-top: 1px solid black;">Serie</td><td style="border-top: 1px solid black; text-align: right;">20.1</td></tr> <tr><td>Total</td><td style="text-align: right;">139.8</td></tr> </table>	1:	10.5x	↘	2:	9.6	→	Serie	20.1	Total	139.8																																						
1:	10.5x	↘																																															
2:	9.6	→																																															
Serie	20.1																																																
Total	139.8																																																

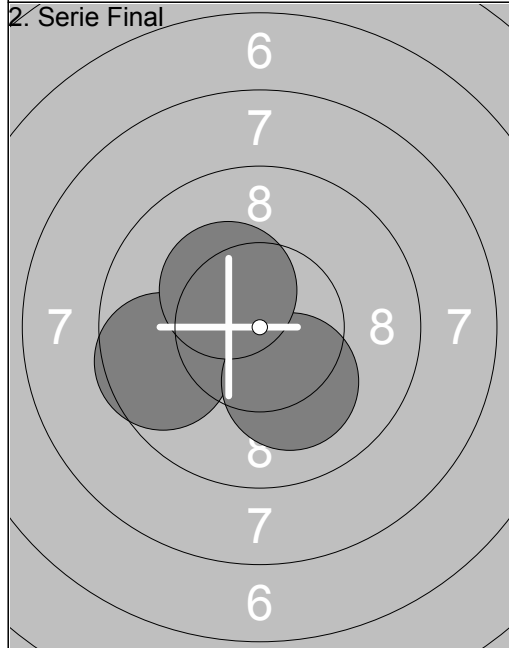
<p>Prov</p>	<p>1: 10.6x ↗ 2: 10.7x ↗ 3: 9.5 ↖ 4: 10.4x ↗ 5: 10.4x ↗ 6: 10.1 →</p> <table border="1" style="width:100%; border-collapse: collapse;"> <tr> <td style="text-align: right;">Serie</td> <td style="text-align: left;">61.7</td> </tr> <tr> <td style="text-align: right;">Total</td> <td style="text-align: left;">0.0</td> </tr> </table>	Serie	61.7	Total	0.0	<p>1. Serie Final</p>	<p>1: 9.4 ← 2: 9.9 ↗ 3: 9.6 ↖</p> <table border="1" style="width:100%; border-collapse: collapse;"> <tr> <td style="text-align: right;">Serie</td> <td style="text-align: left;">28.9</td> </tr> <tr> <td style="text-align: right;">Total</td> <td style="text-align: left;">28.9</td> </tr> </table>	Serie	28.9	Total	28.9
Serie	61.7										
Total	0.0										
Serie	28.9										
Total	28.9										
<p>2. Serie Final</p>	<p>1: 9.0 → 2: 10.6x ↘ 3: 10.7x ↘</p> <table border="1" style="width:100%; border-collapse: collapse;"> <tr> <td style="text-align: right;">Serie</td> <td style="text-align: left;">30.3</td> </tr> <tr> <td style="text-align: right;">Total</td> <td style="text-align: left;">59.2</td> </tr> </table>	Serie	30.3	Total	59.2	<p>3. Serie Final</p>	<p>1: 10.6x ↘ 2: 9.6 ↗</p> <table border="1" style="width:100%; border-collapse: collapse;"> <tr> <td style="text-align: right;">Serie</td> <td style="text-align: left;">20.2</td> </tr> <tr> <td style="text-align: right;">Total</td> <td style="text-align: left;">79.4</td> </tr> </table>	Serie	20.2	Total	79.4
Serie	30.3										
Total	59.2										
Serie	20.2										
Total	79.4										
<p>4. Serie Final</p>	<p>1: 9.9 ↓ 2: 10.5x ↘</p> <table border="1" style="width:100%; border-collapse: collapse;"> <tr> <td style="text-align: right;">Serie</td> <td style="text-align: left;">20.4</td> </tr> <tr> <td style="text-align: right;">Total</td> <td style="text-align: left;">99.8</td> </tr> </table>	Serie	20.4	Total	99.8	<p>5. Serie Final</p>	<p>1: 9.4 → 2: 10.0 ↗</p> <table border="1" style="width:100%; border-collapse: collapse;"> <tr> <td style="text-align: right;">Serie</td> <td style="text-align: left;">19.4</td> </tr> <tr> <td style="text-align: right;">Total</td> <td style="text-align: left;">119.2</td> </tr> </table>	Serie	19.4	Total	119.2
Serie	20.4										
Total	99.8										
Serie	19.4										
Total	119.2										



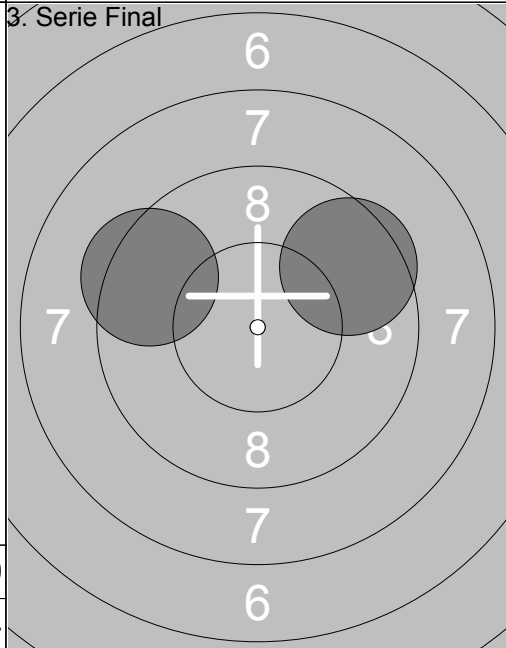
1:	10.3x↓
2:	9.4 ←
3:	9.5 ↓
4:	8.9 ←
5:	9.1 ↗
6:	10.8x↓
7:	10.3x↓
8:	9.1 ↑
9:	9.6 ←
10:	10.5x↓
Serie	97.5
Total	0.0



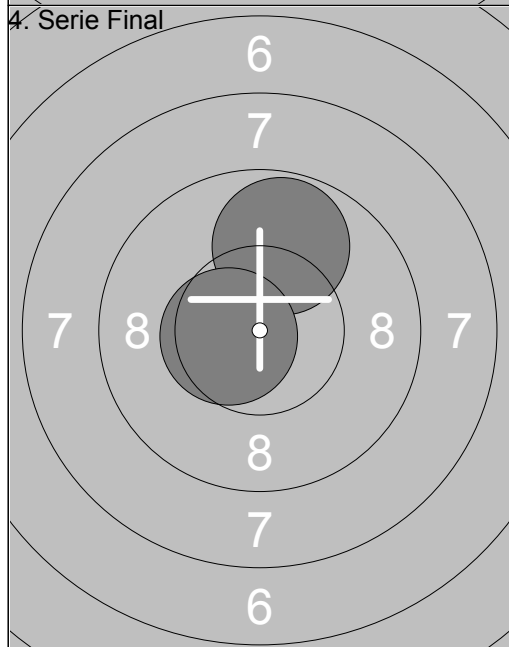
1:	10.0 ←
2:	10.1 ↓
3:	9.3 ←
Serie	29.4
Total	29.4



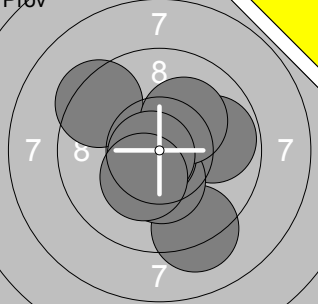
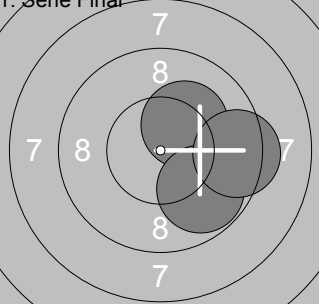
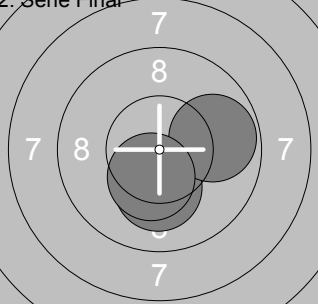
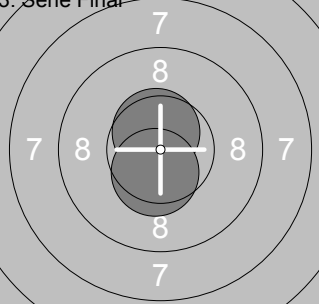
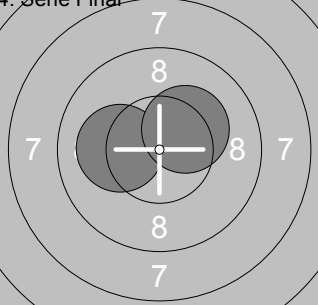
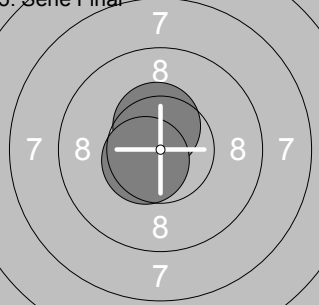
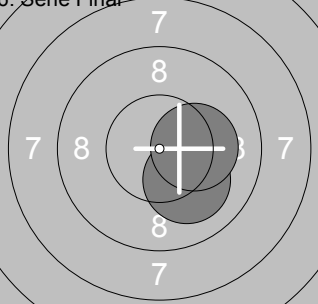
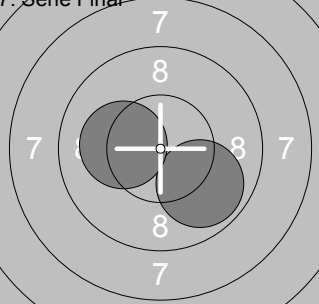
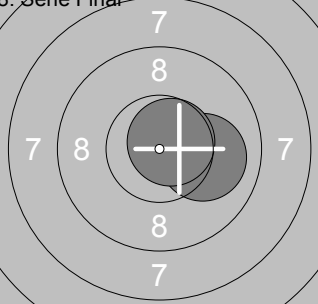
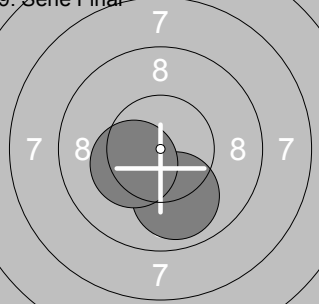
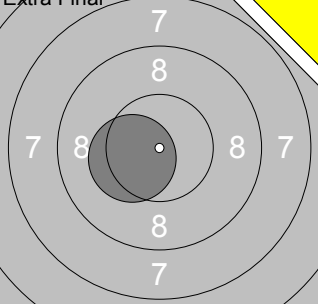
1:	9.6 ←
2:	10.1 ↓
3:	10.3x↘
Serie	30.0
Total	59.4

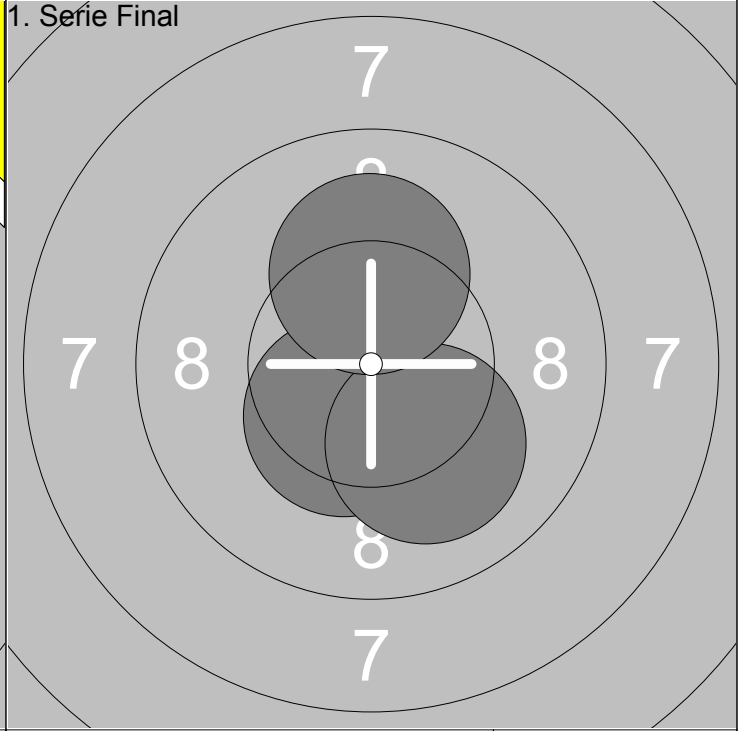
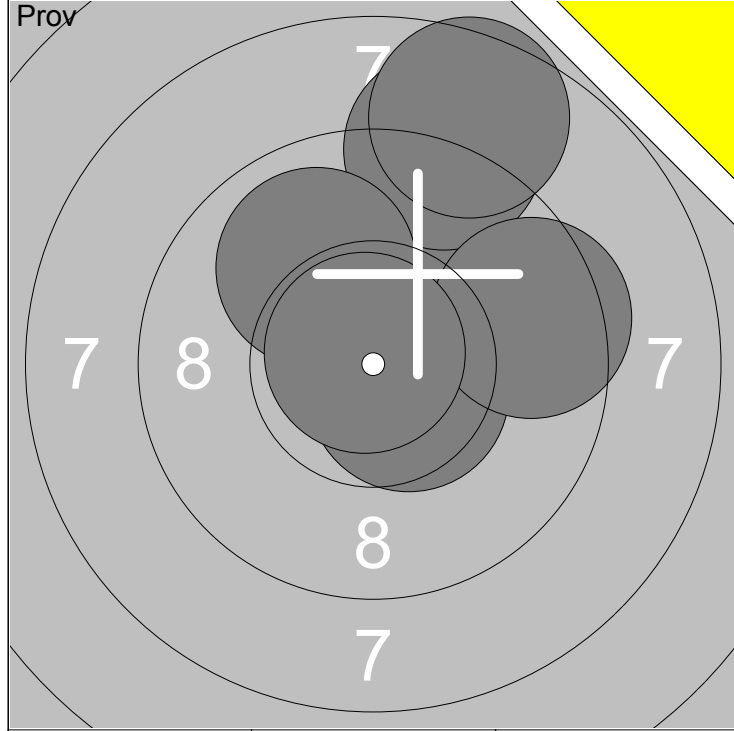


1:	9.5 ↗
2:	9.4 ←
Serie	18.9
Total	78.3



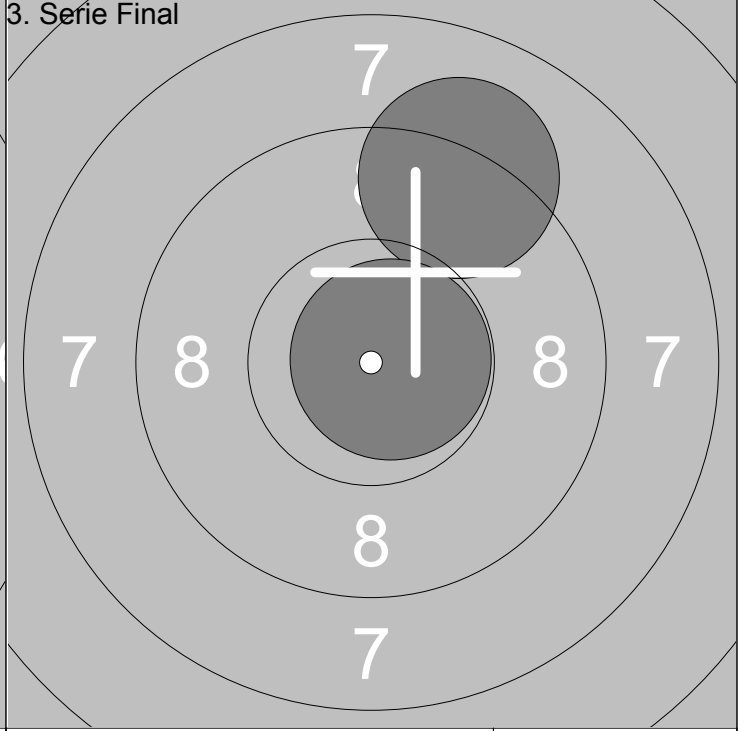
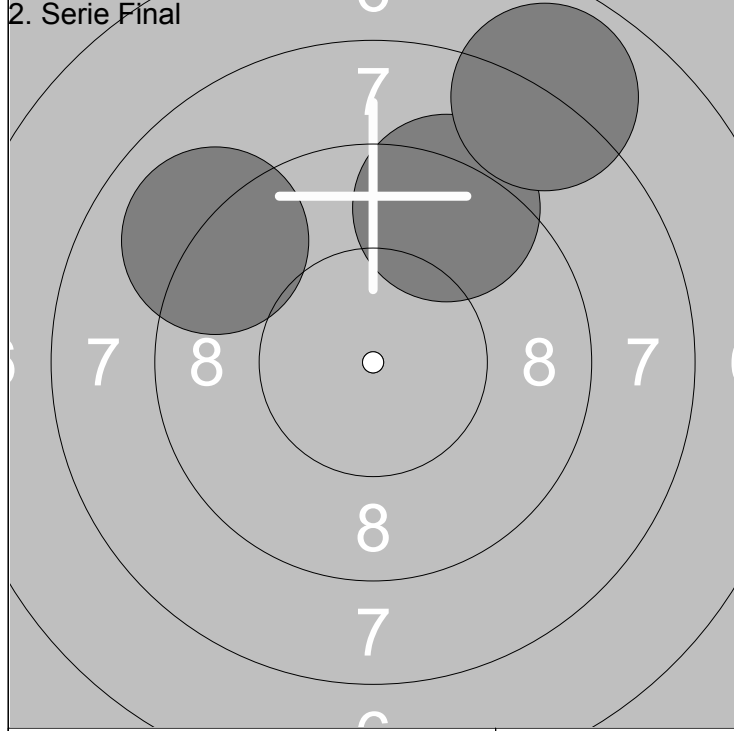
1:	9.8 ↑
2:	10.5x←
Serie	20.3
Total	98.6

Pröv 	1: 9.2 2: 9.4 3: 9.8 4: 10.3x 5: 10.8x 6: 10.2x 7: 10.8x 8: 10.3x	↓ ↘ → ↓ ↙ ↗ ↖ ↓	1. Serie Final 	1: 10.2x 2: 9.8 3: 9.4	↗ ↘ →	Serie 80.8 Total 0.0	Serie 29.4 Total 29.4	
2. Serie Final 	1: 10.2x 2: 9.8 3: 10.4x	↓ → ↓	3. Serie Final 	1: 10.6x 2: 10.5x	↑ ↓	Serie 30.4 Total 59.8	Serie 21.1 Total 80.9	
4. Serie Final 	1: 10.1 2: 10.3x	← ↗	5. Serie Final 	1: 10.5x 2: 10.6x	↑ ↖	Serie 20.4 Total 101.3	Serie 21.1 Total 122.4	
6. Serie Final 	1: 10.1 2: 10.2x	↓ →	7. Serie Final 	1: 9.9 2: 10.2x	↓ ←	Serie 20.3 Total 142.7	Serie 20.1 Total 162.8	
8. Serie Final 	1: 10.1 2: 10.7x	→ ↗	9. Serie Final 	1: 9.9 2: 10.3x	↓ ↖	Serie 20.8 Total 183.6	Serie 20.2 Total 203.8	
Extra Final 	1: 10.3x	←						Serie 10.3 Total 203.8



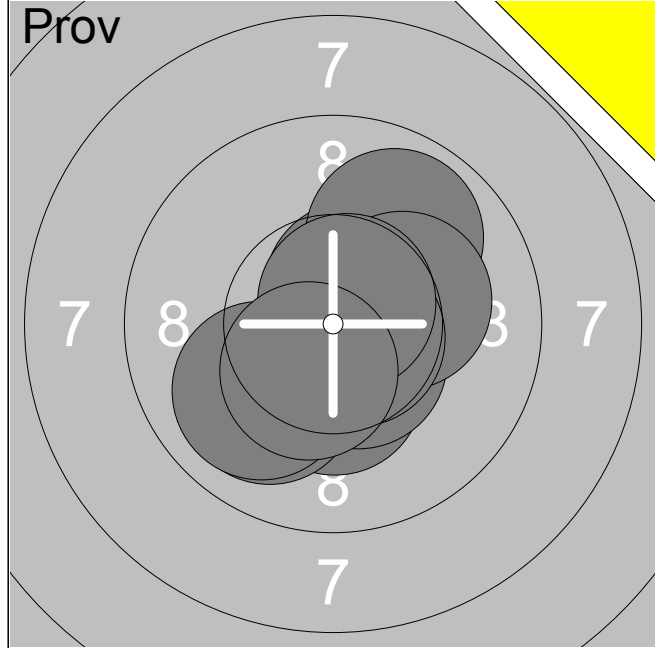
1: 10.1 ↗	6: 10.0 ↖	Serie	68.5
2: 10.6x ↘	7: 10.8x ↖		
3: 8.9 ↑		Total	0.0
4: 8.6 ↑			
5: 9.5 →			

1: 10.4x ↙	Serie	30.6
2: 10.1 ↘		
3: 10.1 ↑	Total	30.6

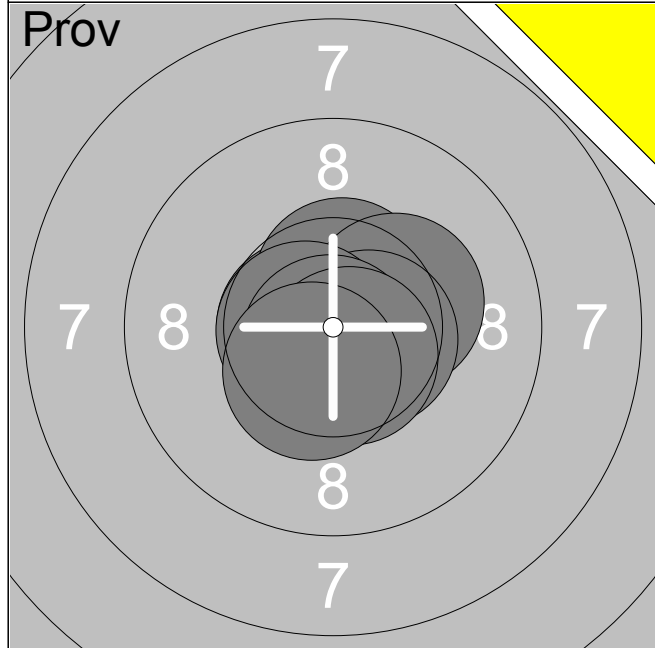


1: 9.0 ↖	Serie	26.2
2: 9.3 ↑		
3: 7.9 ↗	Total	56.8

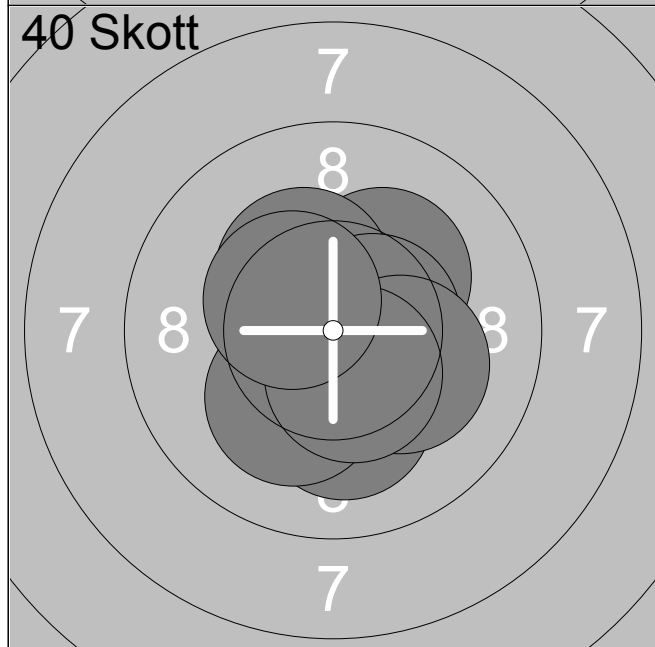
1: 9.1 ↗	Serie	19.9
2: 10.8x →		
	Total	76.7



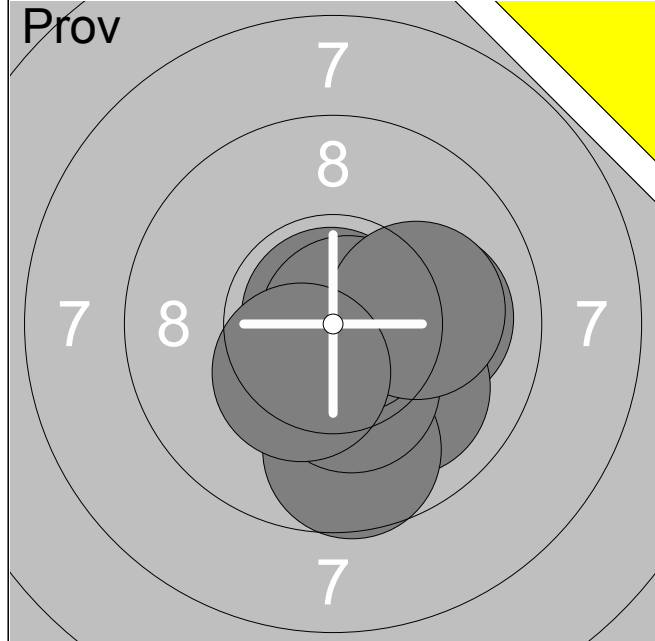
1:	10.3x	↓
2:	10.5x	↘
3:	10.6x	↗
4:	9.9	↗
5:	10.2x	→
6:	10.0	↙
7:	10.7x	↘
8:	10.7x	↗
9:	10.0	↙
10:	10.4x	↘
Serie		103.3
Total		399.0



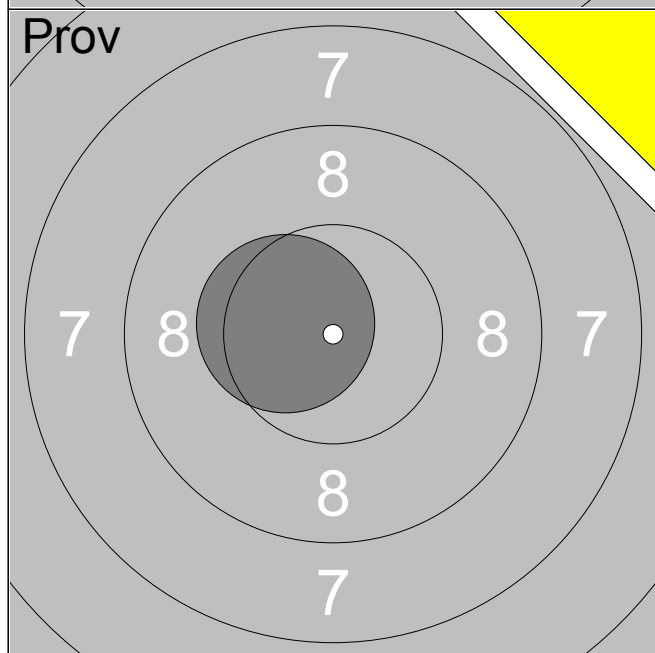
11:	10.7x	↙
12:	10.7x	←
13:	10.5x	↑
14:	10.3x	→
15:	10.6x	→
16:	10.7x	←
17:	10.8x	↓
18:	10.6x	↓
19:	10.5x	↘
Serie		95.4
Total		399.0



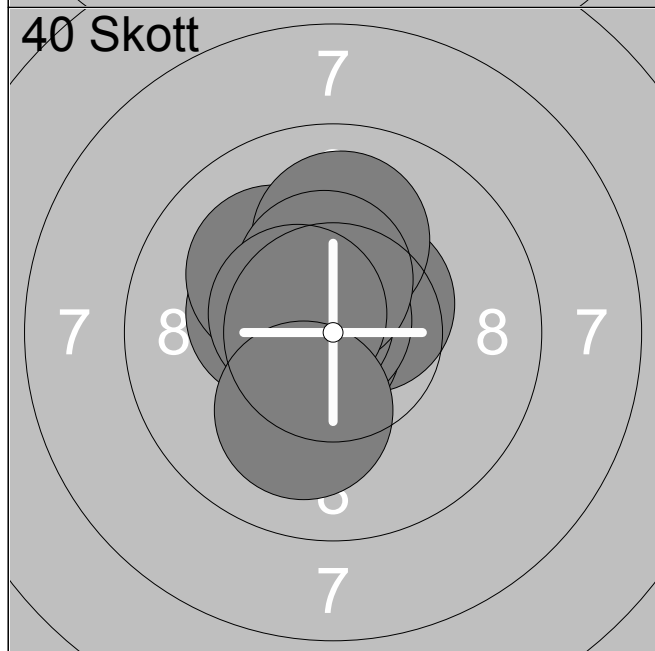
1:	10.2x	↗
2:	10.6x	→
3:	10.5x	↗
4:	10.3x	↗
5:	10.1	↓
6:	10.6x	→
7:	10.2x	↘
8:	10.2x	↙
9:	10.5x	↘
10:	10.4x	↗
Serie		103.6
Total		502.6



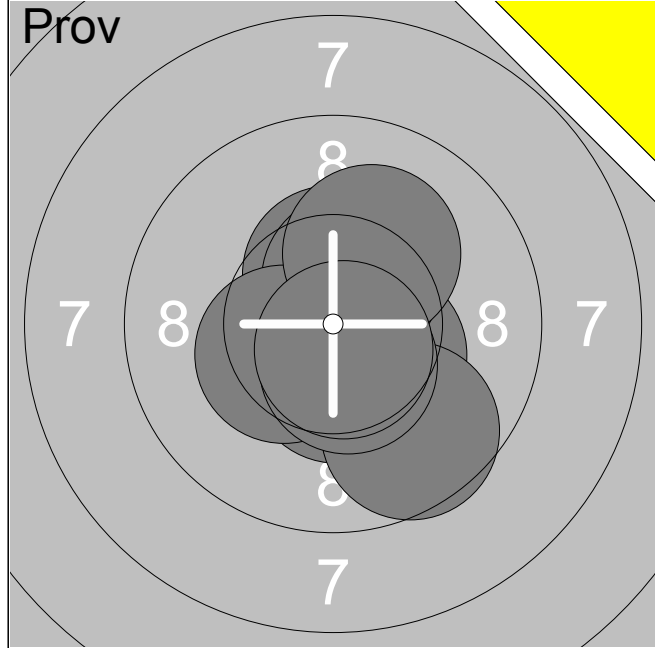
1:	10.0	→
2:	10.0	↘
3:	10.5x	↘
4:	9.7	↘
5:	10.6x	↘
6:	10.9x	↑
7:	10.3x	↘
8:	10.8x	→
9:	10.1	→
10:	10.4x	↘
Serie		103.3
Total		399.0



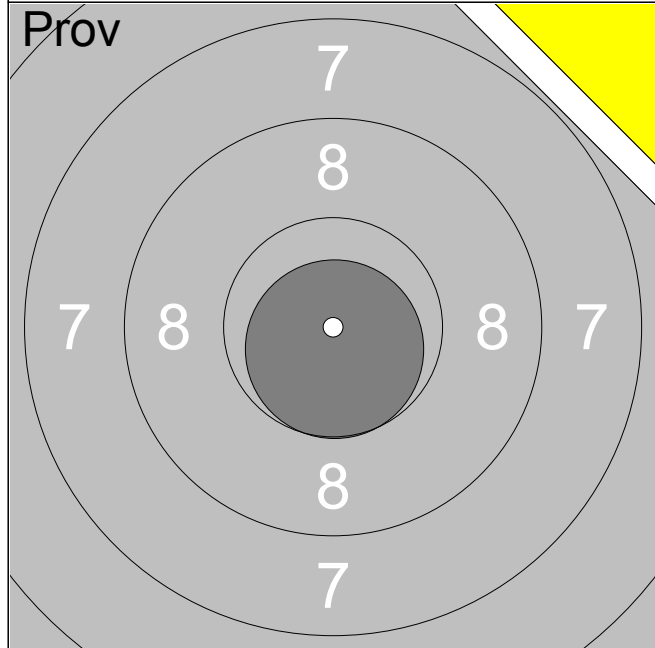
11:	10.5x	←
Serie		10.5
Total		399.0



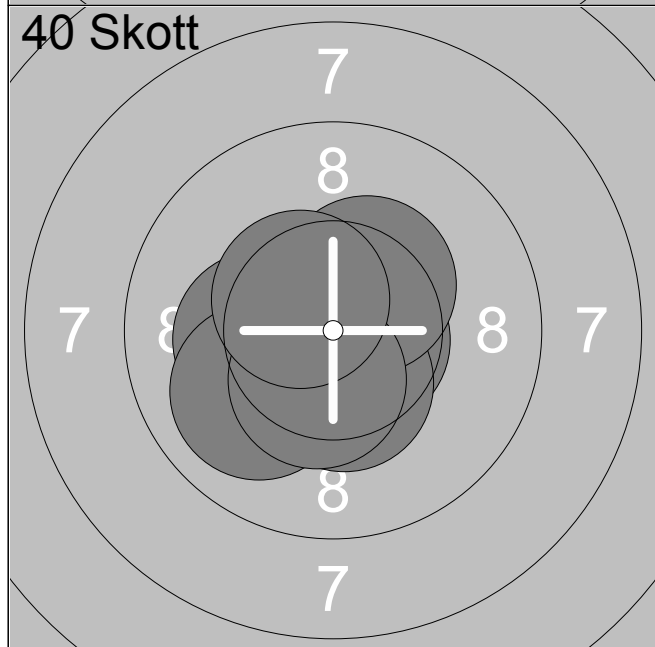
1:	10.5x	↗
2:	10.3x	←
3:	10.7x	←
4:	10.8x	↗
5:	10.1	↗
6:	10.0	↑
7:	10.6x	←
8:	10.4x	↑
9:	10.5x	↖
10:	10.1	↘
Serie		104.0
Total		503.0



1:	10.5x	↘
2:	10.5x	↑
3:	10.4x	↘
4:	10.4x	↓
5:	10.5x	↗
6:	10.4x	↖
7:	10.1	↗
8:	9.6	↘
9:	10.5x	↘
10:	10.7x	↘
Serie		103.6
Total		399.0

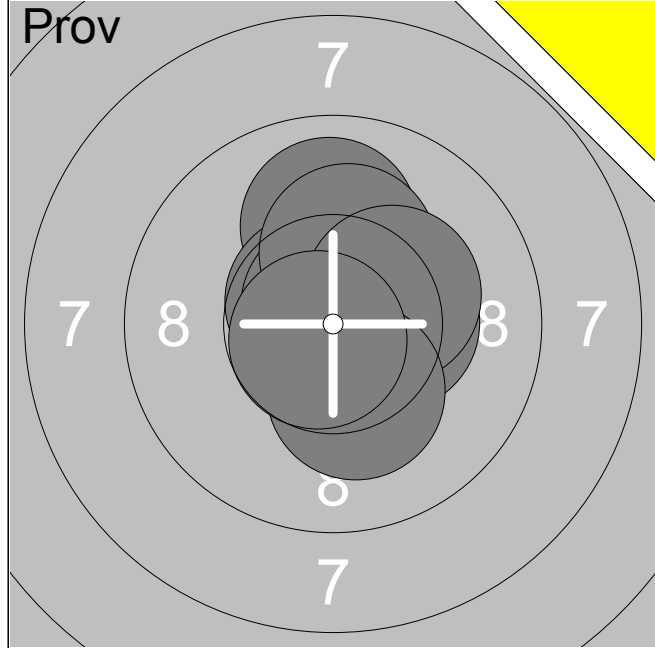


11:	10.7x	↓
Serie		10.7
Total		399.0

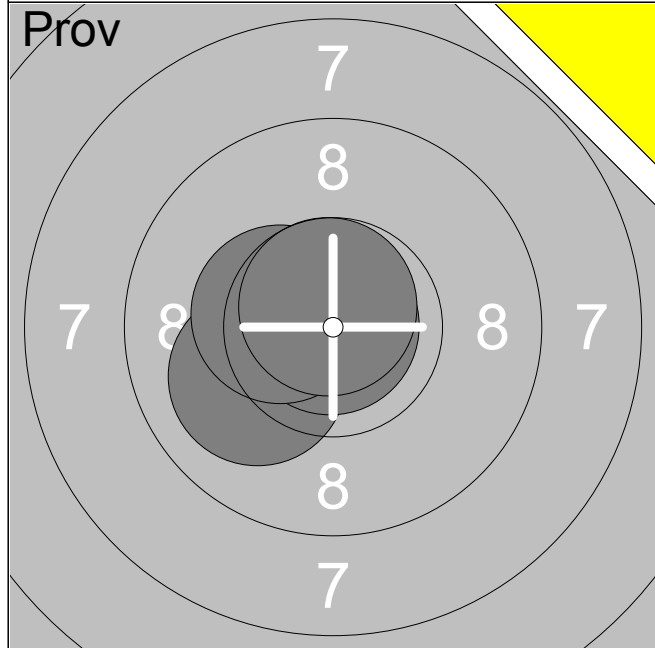


1:	10.8x	↖
2:	10.6x	↓
3:	10.2x	↖
4:	10.7x	↘
5:	10.7x	↗
6:	10.0	↖
7:	10.4x	↓
8:	10.4x	↗
9:	10.4x	↘
10:	10.5x	↗
Serie		104.7
Total		503.7

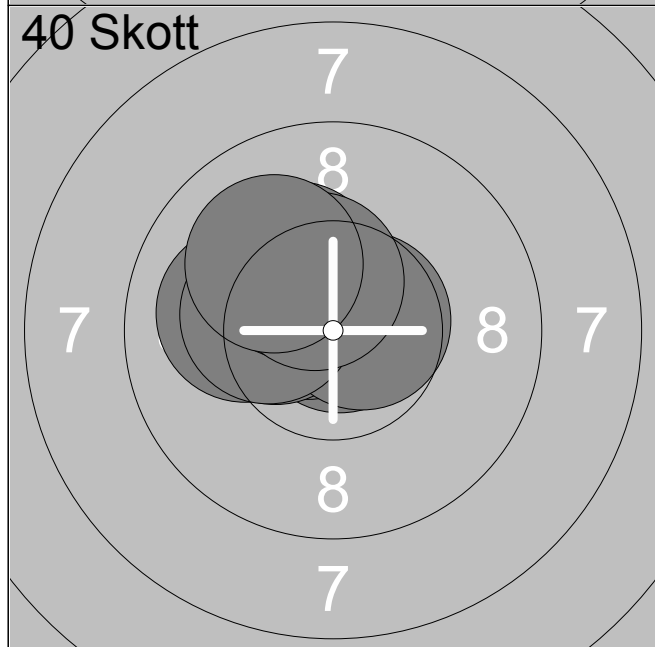
06.11.2016	Vindelnskyttet 2016	Ramselefors SKF	
Prov 	1:	10.2x	↗
	2:	10.0	↑
	3:	10.6x	↓
	4:	10.2x	↘
	5:	10.1	↘
	6:	10.7x	↘
	7:	10.3x	↓
	8:	10.5x	↘
	9:	10.1	↑
	10:	10.0	←
	Serie		102.7
Total		398.0	
Prov 	11:	10.8x	↘
	12:	10.8x	↘
	13:	10.5x	↓
	14:	10.4x	→
	15:	10.4x	↑
	16:	10.8x	↓
	17:	10.7x	→
Serie		74.4	
Total		398.0	
40 Skott 	1:	10.4x	←
	2:	10.4x	↑
	3:	10.5x	↘
	4:	9.8	←
	5:	10.4x	↑
	6:	10.6x	↗
	7:	10.0	↗
	8:	10.2x	←
	9:	10.4x	↗
	10:	10.5x	←
Serie		103.2	
Total		501.2	



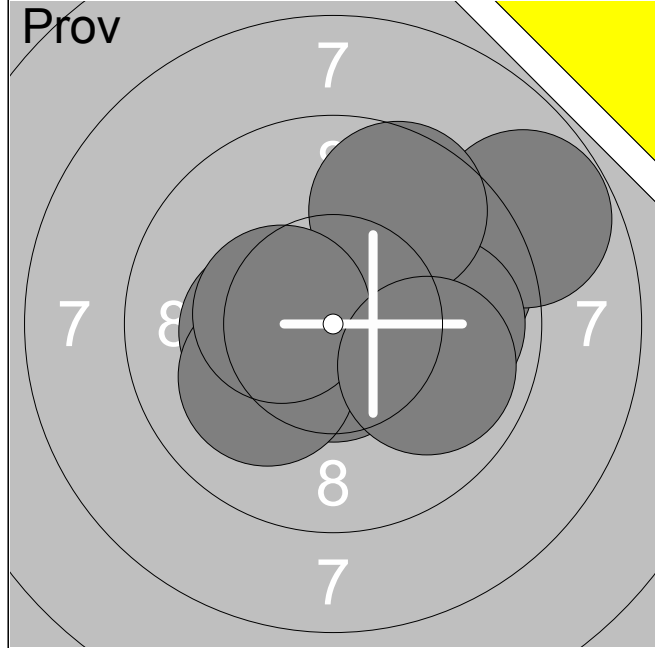
1:	10.6x	↗
2:	10.0	↑
3:	10.7x	↗
4:	10.8x	↑
5:	10.2x	↑
6:	10.4x	→
7:	10.7x	↘
8:	10.3x	↗
9:	10.2x	↓
10:	10.7x	↙
Serie		104.6
Total		398.0



11:	10.0	↖
12:	10.9x	↖
13:	10.4x	↖
14:	10.7x	↑
Serie		42.0
Total		398.0



1:	10.9x	↗
2:	10.0	↖
3:	10.6x	↗
4:	10.2x	↗
5:	10.4x	↖
6:	10.6x	→
7:	10.3x	↖
8:	10.2x	↗
9:	10.4x	↑
10:	10.1	↗
Serie		103.7
Total		501.7



1:	9.8	→
2:	8.8	→
3:	9.9	→
4:	10.7x	↓
5:	10.6x	→
6:	9.6	↗
7:	10.3x	←
8:	10.1	↙
9:	10.4x	←
10:	9.9	→

Serie	100.1
-------	-------

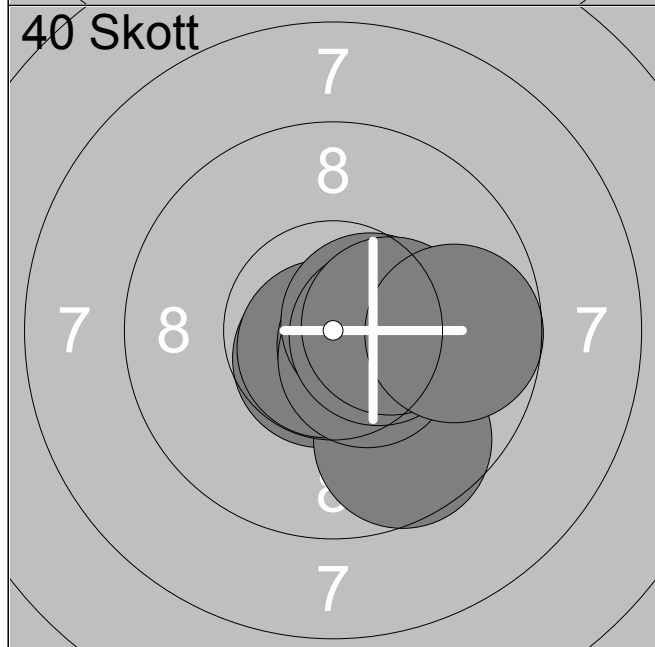
Total	397.0
-------	-------



11:	10.1	↓
12:	10.9x	→

Serie	21.0
-------	------

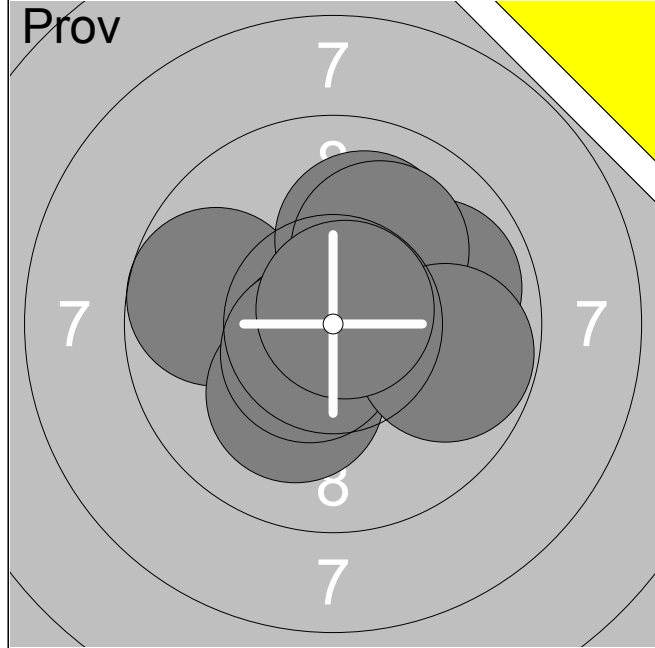
Total	397.0
-------	-------



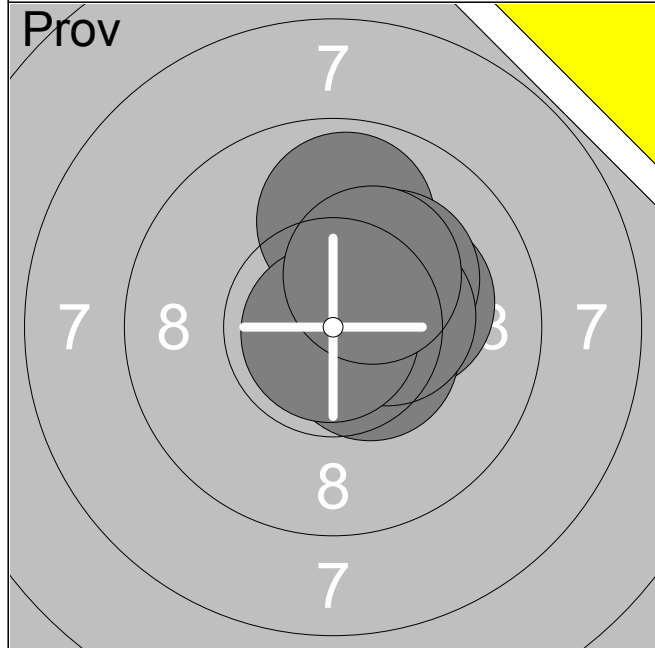
1:	10.6x	↓
2:	9.7	↓
3:	10.8x	↓
4:	10.6x	→
5:	10.5x	→
6:	10.5x	↓
7:	10.6x	→
8:	10.5x	→
9:	10.4x	→
10:	9.7	→

Serie	103.9
-------	-------

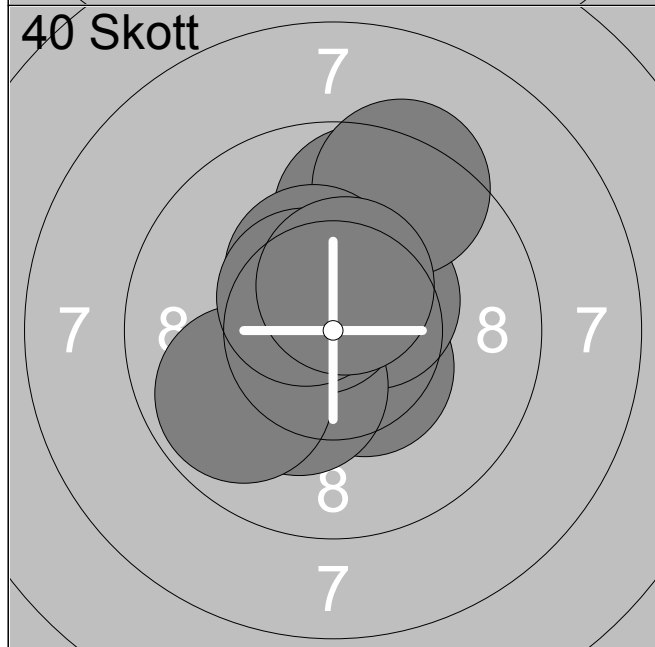
Total	500.9
-------	-------



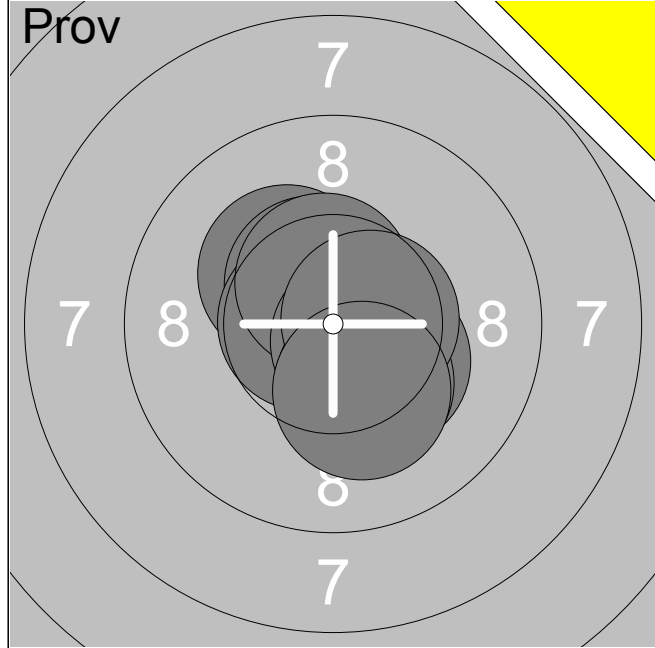
1:	9.7	←
2:	9.9	→
3:	10.7x	↓
4:	10.2x	↓
5:	10.5x	→
6:	10.1	↑
7:	10.1	↗
8:	10.6x	↓
9:	9.8	→
10:	10.8x	↗
Serie		102.4
Total		397.0



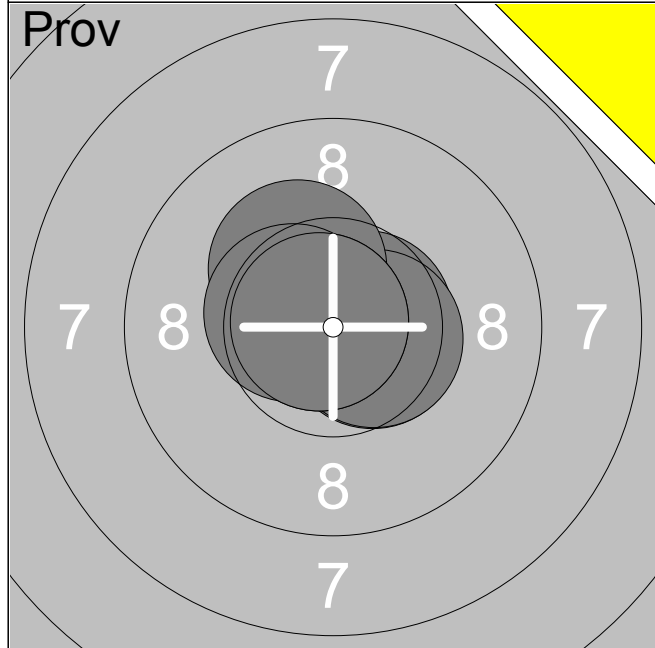
11:	10.3x	↗
12:	10.2x	→
13:	9.9	↑
14:	10.5x	↘
15:	10.2x	↗
16:	10.4x	→
17:	10.9x	↓
18:	10.3x	↗
Serie		82.7
Total		397.0



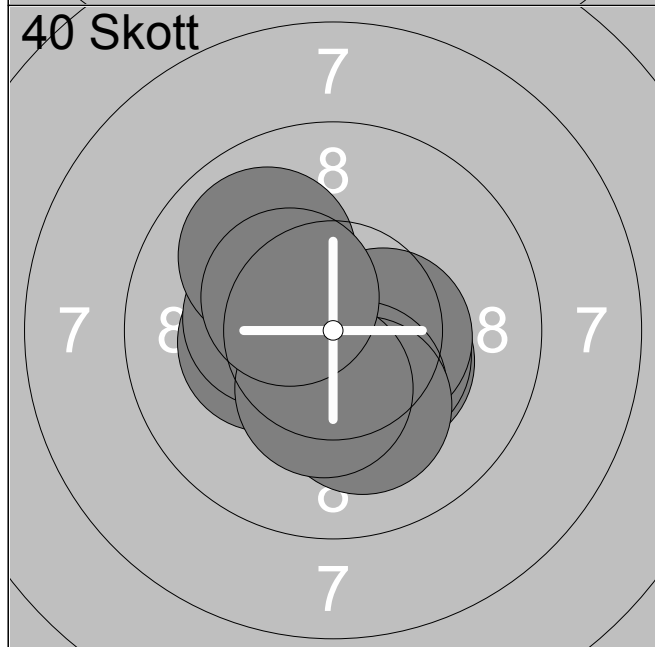
1:	9.8	↑
2:	10.5x	↘
3:	10.5x	↗
4:	9.4	↑
5:	10.3x	↓
6:	10.6x	↖
7:	9.9	←
8:	10.3x	↑
9:	10.5x	↖
10:	10.5x	↑
Serie		102.3
Total		499.3



1:	10.3x	↘
2:	10.3x	↗
3:	10.5x	↗
4:	10.7x	↗
5:	10.7x	←
6:	10.5x	↗
7:	10.6x	↘
8:	10.3x	↘
9:	10.6x	→
10:	10.2x	↘
Serie		104.7
Total		397.0



11:	10.5x	↗
12:	10.6x	→
13:	10.5x	↗
14:	10.3x	↗
15:	10.8x	↖
16:	10.5x	↖
17:	10.8x	↖
Serie		74.0
Total		397.0

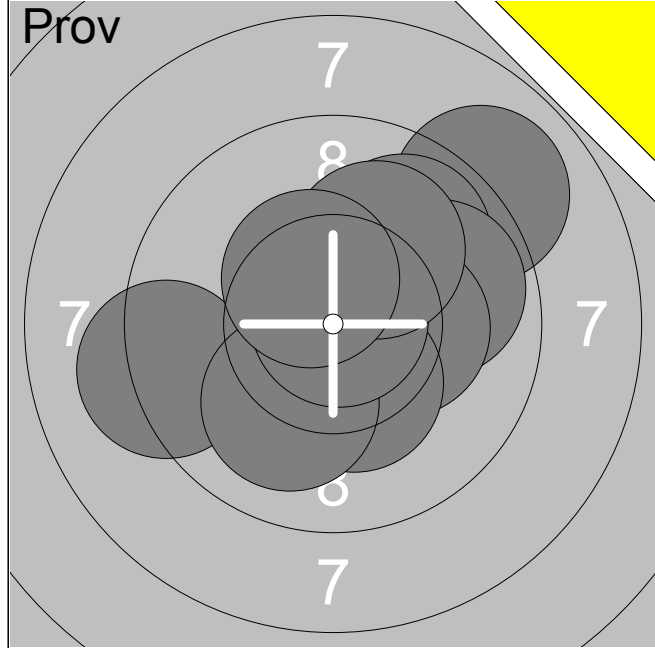


1:	10.3x	←
2:	10.3x	←
3:	10.3x	↘
4:	10.4x	↘
5:	10.4x	↘
6:	10.3x	↘
7:	10.1	↘
8:	9.9	↗
9:	10.4x	↘
10:	10.4x	↗
Serie		102.8
Total		499.8

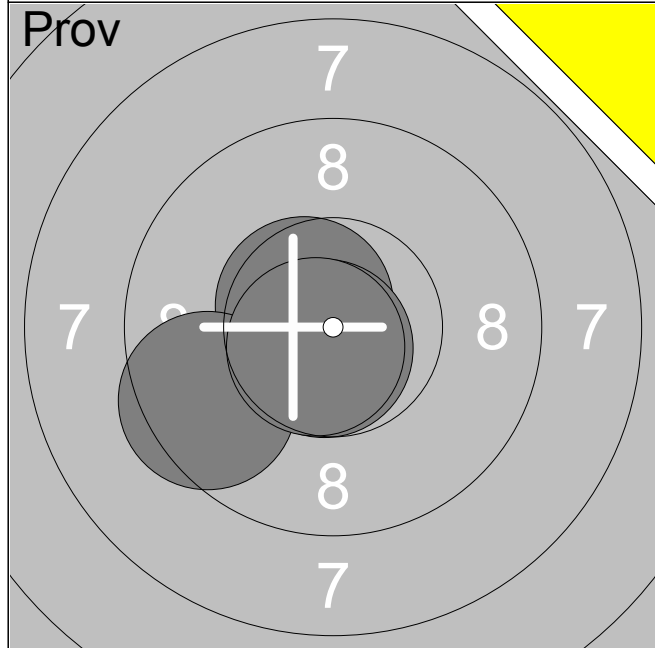
Prov 	1:	10.8x	↘
	2:	10.7x	→
	3:	10.4x	↗
	4:	10.1	↘
	5:	10.3x	↙
	6:	10.8x	↑
	7:	10.7x	←
	8:	10.6x	↙
	9:	10.3x	←
	10:	10.9x	→
	Serie		105.6
Total		397.0	

Prov 	11:	10.1	↗
	12:	10.8x	→
	13:	10.8x	↑
	14:	10.6x	↙
	Serie		42.3
Total		397.0	

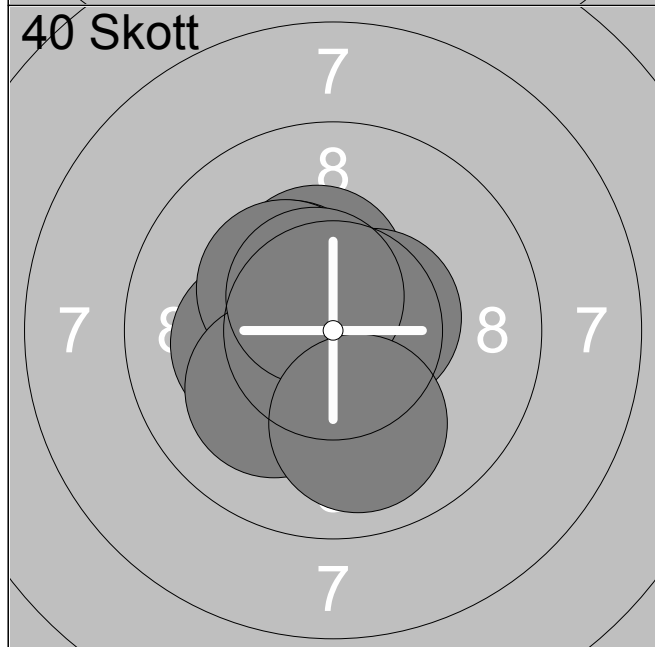
40 Skott 	1:	10.4x	↙
	2:	10.5x	↗
	3:	10.2x	↘
	4:	10.4x	↓
	5:	10.4x	↑
	6:	10.5x	↑
	7:	10.7x	↙
	8:	10.6x	→
	9:	10.6x	↑
	10:	10.2x	←
	Serie		104.5
Total		501.5	



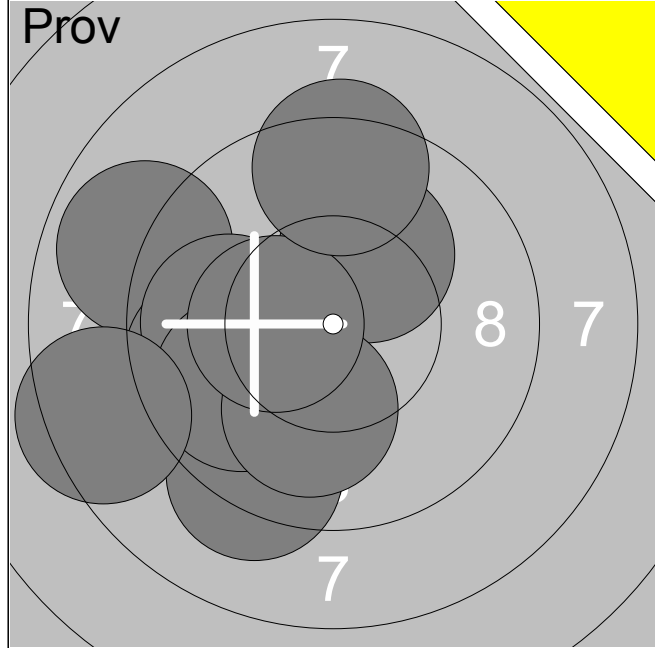
1:	9.0	↗
2:	9.9	↗
3:	9.8	→
4:	10.3x	→
5:	9.2	←
6:	10.3x	↓
7:	10.0	↓
8:	10.9x	↗
9:	10.1	↗
10:	10.4x	↖
Serie		99.9
Total		395.0



11:	10.6x	↖
12:	9.5	←
13:	10.7x	↓
14:	10.7x	↙
Serie		41.5
Total		395.0



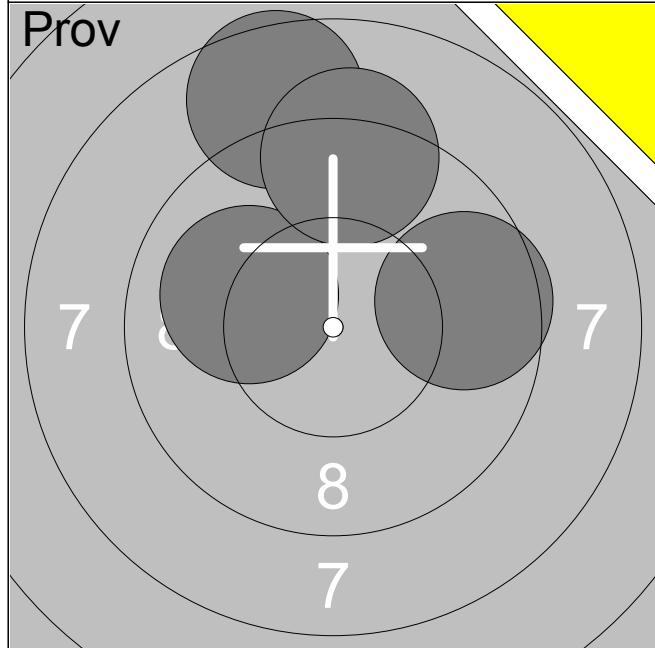
1:	10.6x	↑
2:	10.8x	←
3:	10.4x	↑
4:	10.2x	←
5:	10.4x	↗
6:	10.5x	→
7:	10.3x	↗
8:	10.1	↙
9:	10.6x	↗
10:	10.0	↓
Serie		103.9
Total		498.9



1:	10.2x	↑
2:	8.9	←
3:	9.7	←
4:	9.2	↓
5:	9.9	←
6:	9.8	←
7:	10.1	↓
8:	8.4	←
9:	10.4x	←
10:	9.4	↑

Serie	96.0
--------------	-------------

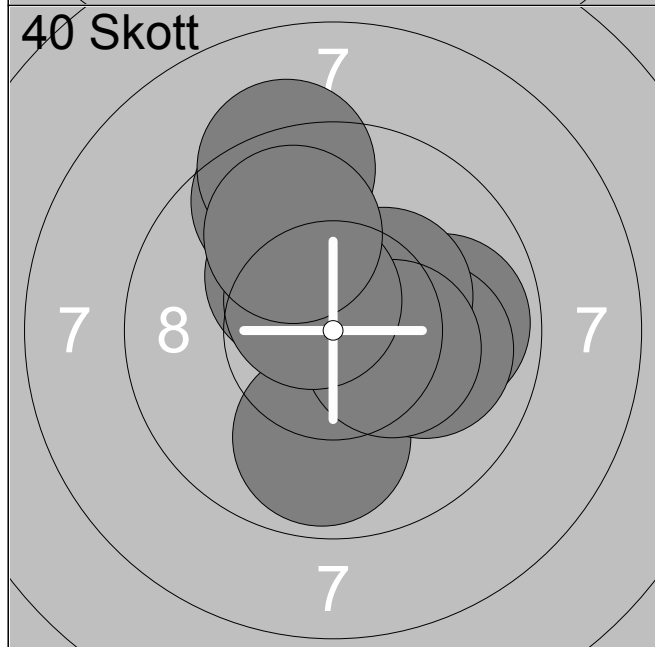
Total	404.9
--------------	--------------



11:	10.0	←
12:	8.6	↑
13:	9.6	→
14:	9.2	↑

Serie	37.4
--------------	-------------

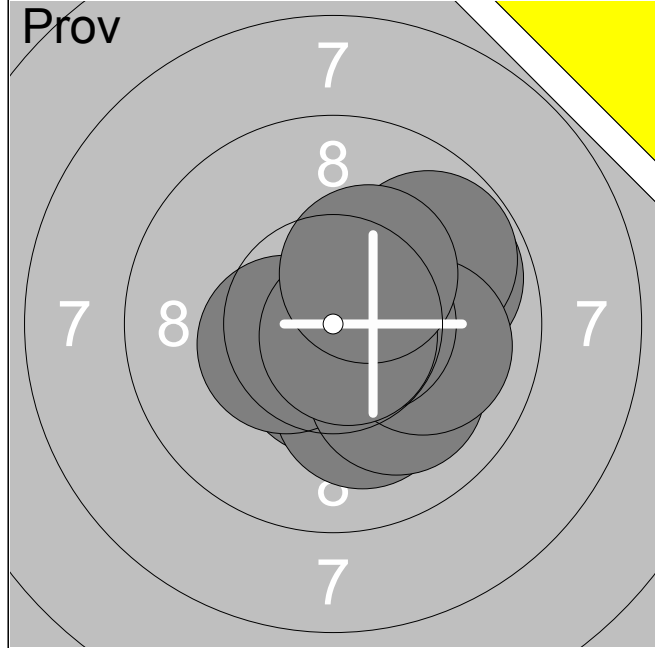
Total	404.9
--------------	--------------



1:	9.9	↓
2:	9.9	→
3:	10.0	→
4:	10.3x	↗
5:	10.3x	↘
6:	9.6	↑
7:	10.3x	↗
8:	10.6x	↗
9:	9.3	↑
10:	9.9	↑

Serie	100.1
--------------	--------------

Total	505.0
--------------	--------------



1:	9.8	➔
2:	10.5x	↓
3:	10.1	↓
4:	10.4x	←
5:	10.1	↘
6:	9.8	➔
7:	10.0	➔
8:	10.6x	➔
9:	10.8x	↘
10:	10.3x	↗

Serie	102.4
-------	-------

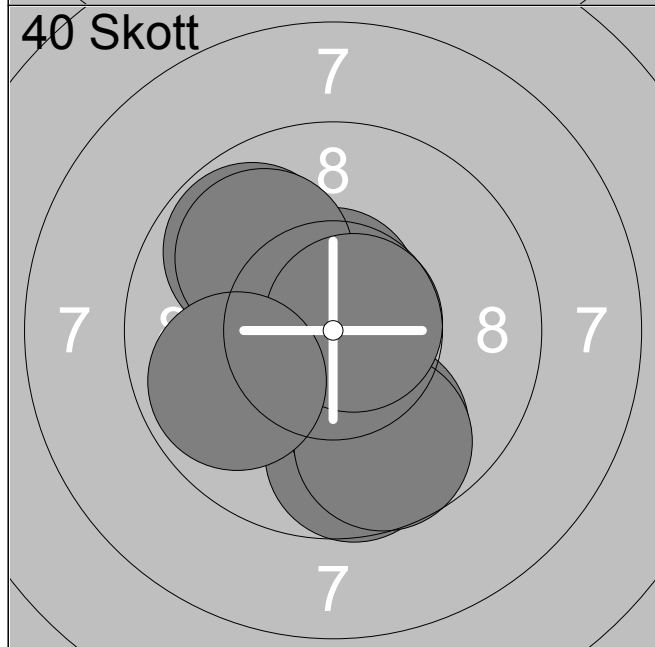
Total	404.0
-------	-------



11:	10.3x	↑
12:	10.4x	➔
13:	10.1	↑

Serie	30.8
-------	------

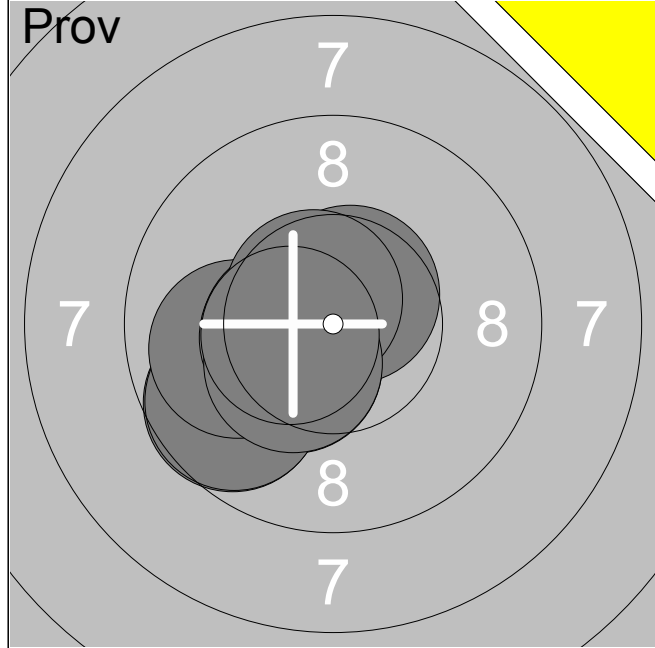
Total	404.0
-------	-------



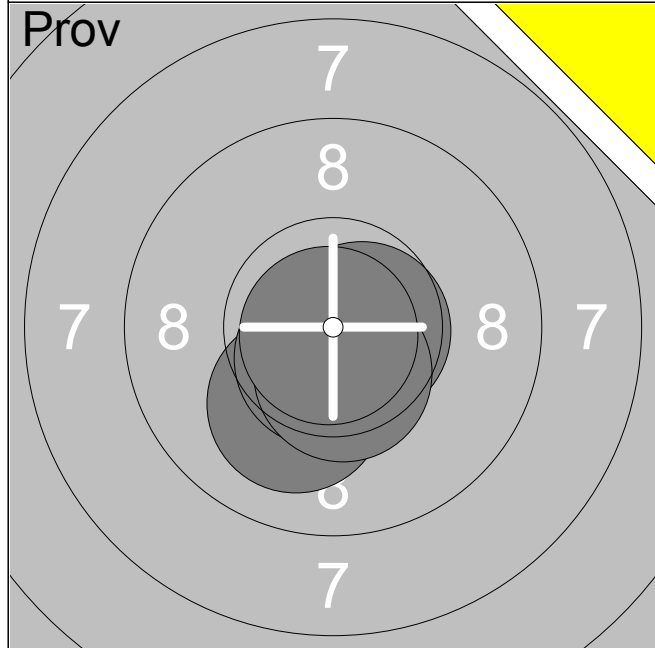
1:	9.7	↓
2:	9.8	↗
3:	10.4x	←
4:	10.7x	↑
5:	9.9	↘
6:	10.6x	↑
7:	9.9	↗
8:	9.7	↓
9:	10.7x	➔
10:	9.9	←

Serie	101.3
-------	-------

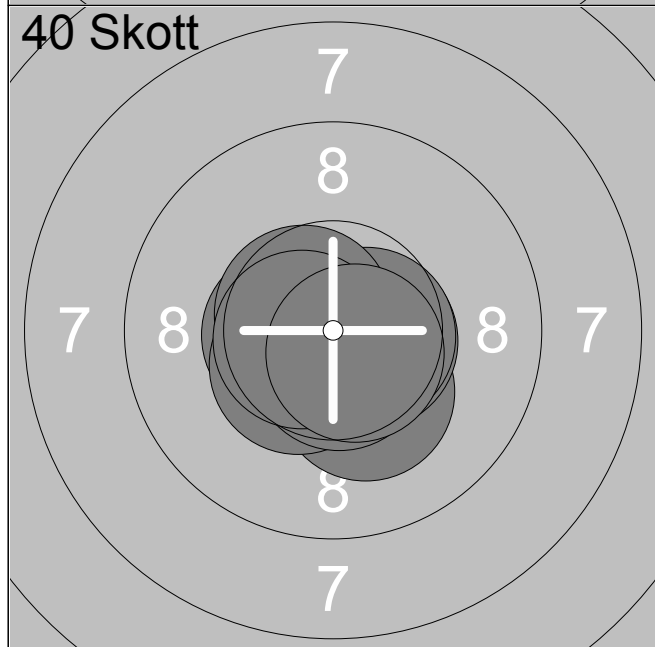
Total	505.3
-------	-------



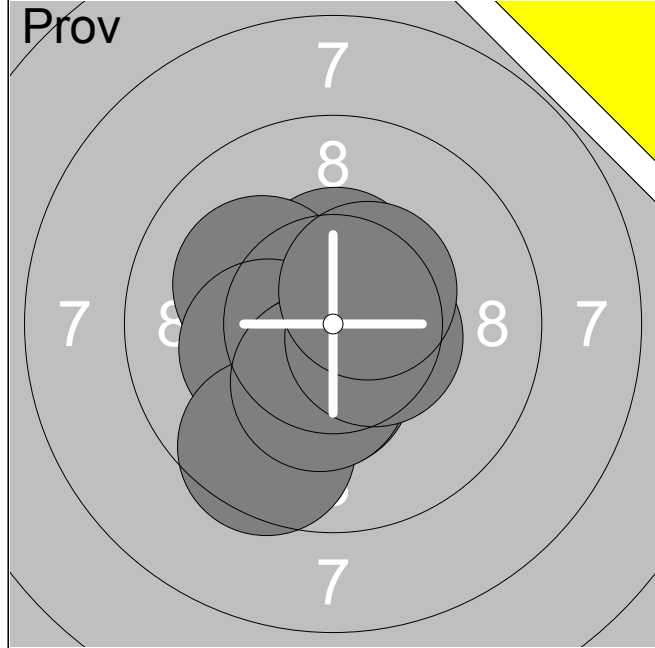
1:	10.4x	↙
2:	9.7	↙
3:	9.7	↙
4:	10.0	←
5:	10.5x	←
6:	10.5x	←
7:	10.6x	↗
8:	10.6x	↗
9:	10.4x	↙
10:	10.5x	←
Serie		102.9
Total		422.5



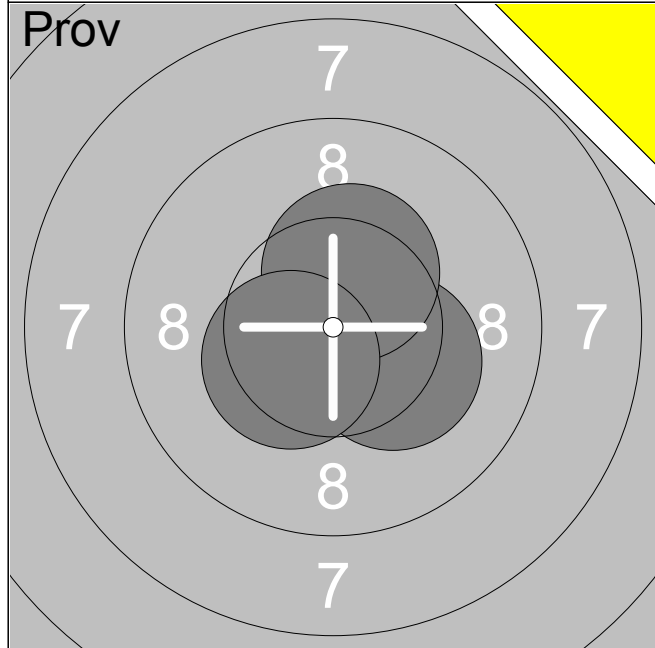
11:	10.7x	→
12:	10.1	↙
13:	10.6x	↙
14:	10.7x	→
15:	10.5x	↙
16:	10.9x	↙
Serie		63.5
Total		422.5



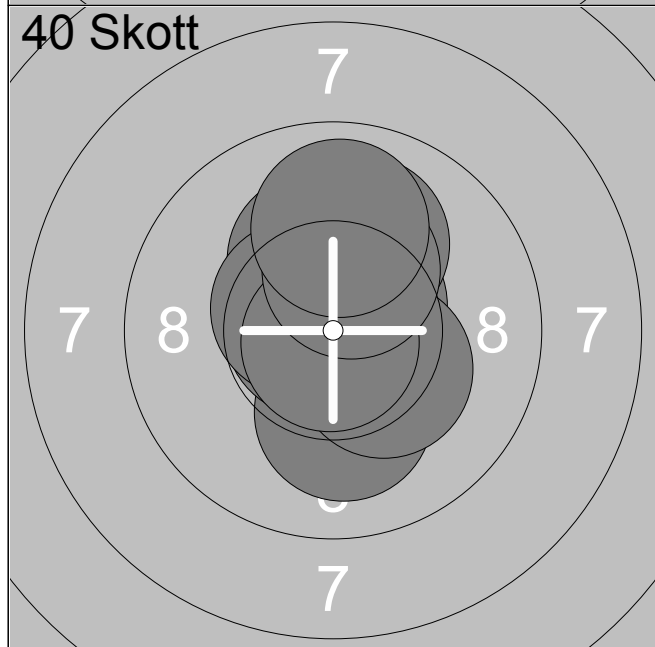
1:	10.3x	↙
2:	10.6x	→
3:	10.5x	←
4:	10.7x	←
5:	10.5x	↙
6:	10.6x	↙
7:	10.6x	→
8:	10.6x	↗
9:	10.6x	←
10:	10.6x	↙
Serie		105.6
Total		528.1



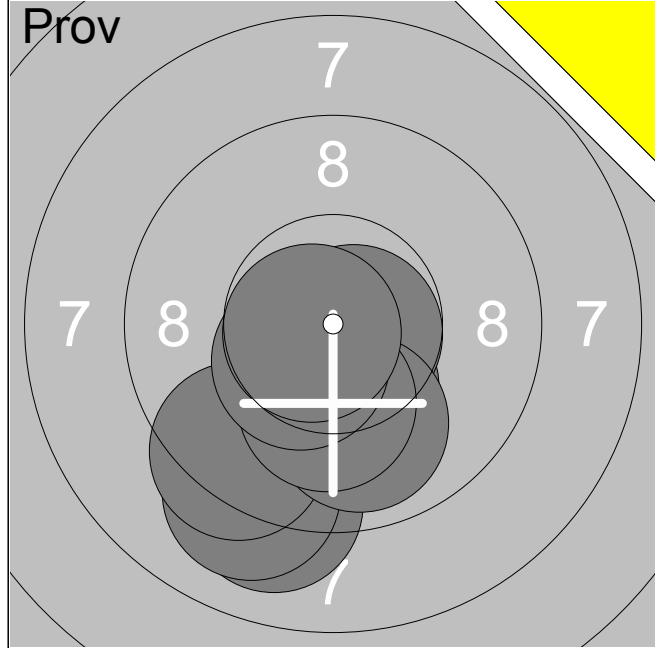
1:	10.2x	↙
2:	10.5x	↑
3:	10.6x	←
4:	10.1	↖
5:	10.3x	←
6:	10.4x	↓
7:	9.6	↙
8:	10.3x	↓
9:	10.5x	→
10:	10.5x	↗
Serie		103.0
Total		415.9



11:	10.3x	↘
12:	10.4x	↑
13:	10.4x	↙
Serie		31.1
Total		415.9



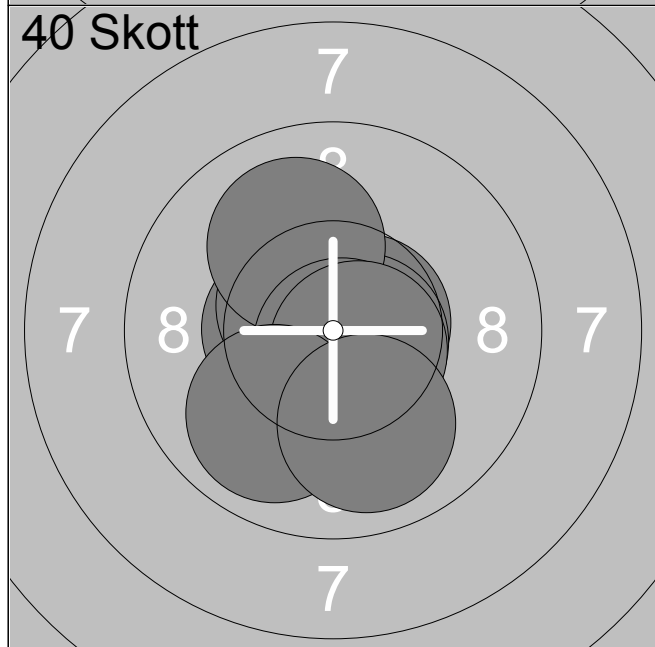
1:	10.1	↓
2:	10.2x	↑
3:	10.8x	←
4:	10.6x	↗
5:	10.3x	↘
6:	10.5x	↖
7:	10.0	↑
8:	10.8x	↓
9:	10.3x	↑
10:	9.9	↑
Serie		103.5
Total		519.4



1:	9.1	↓
2:	9.1	↓
3:	9.4	↘
4:	10.3x	↓
5:	10.3x	↓
6:	10.7x	↘
7:	9.9	↓
8:	10.2x	↓
9:	10.5x	↘
10:	10.7x	←
Serie		100.2
Total		415.6



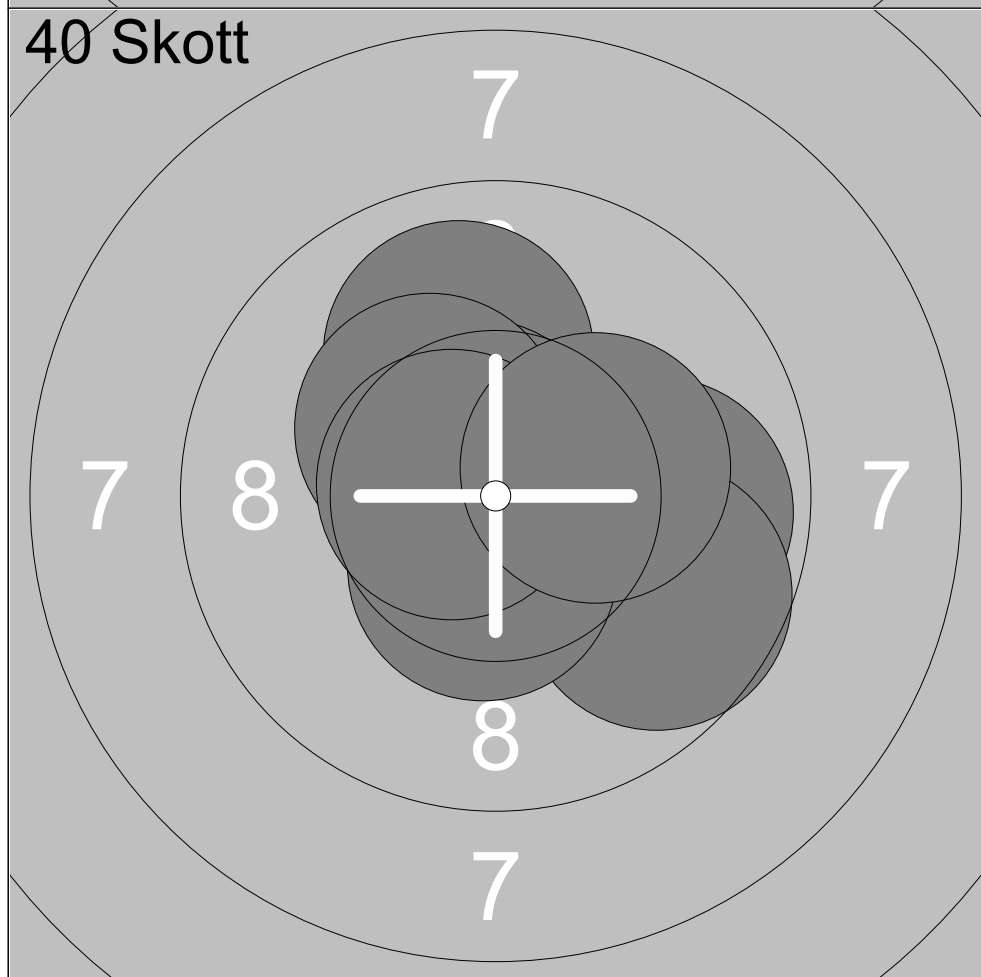
11:	9.8	↓
12:	10.8x	←
13:	10.1	↓
Serie		30.7
Total		415.6



1:	10.8x	↑
2:	10.5x	←
3:	10.7x	→
4:	10.6x	↗
5:	10.7x	↘
6:	10.0	↗
7:	10.8x	↓
8:	10.6x	↓
9:	9.9	↓
10:	10.0	↓
Serie		104.6
Total		520.2



1:	10.1	↙
2:	9.3	↓
3:	9.4	↓
4:	10.5x	↖
5:	9.7	↙
6:	9.4	↓
7:	10.2x	↑
8:	9.4	↗
9:	10.3x	→
10:	10.5x	↑
Serie		98.8
Total		413.4



1:	9.9	→
2:	10.0	↑
3:	10.6x	→
4:	10.6x	↑
5:	9.7	↘
6:	10.8x	↖
7:	10.5x	↓
8:	10.3x	↖
9:	10.6x	←
10:	10.3x	↗
Serie		103.3
Total		516.7



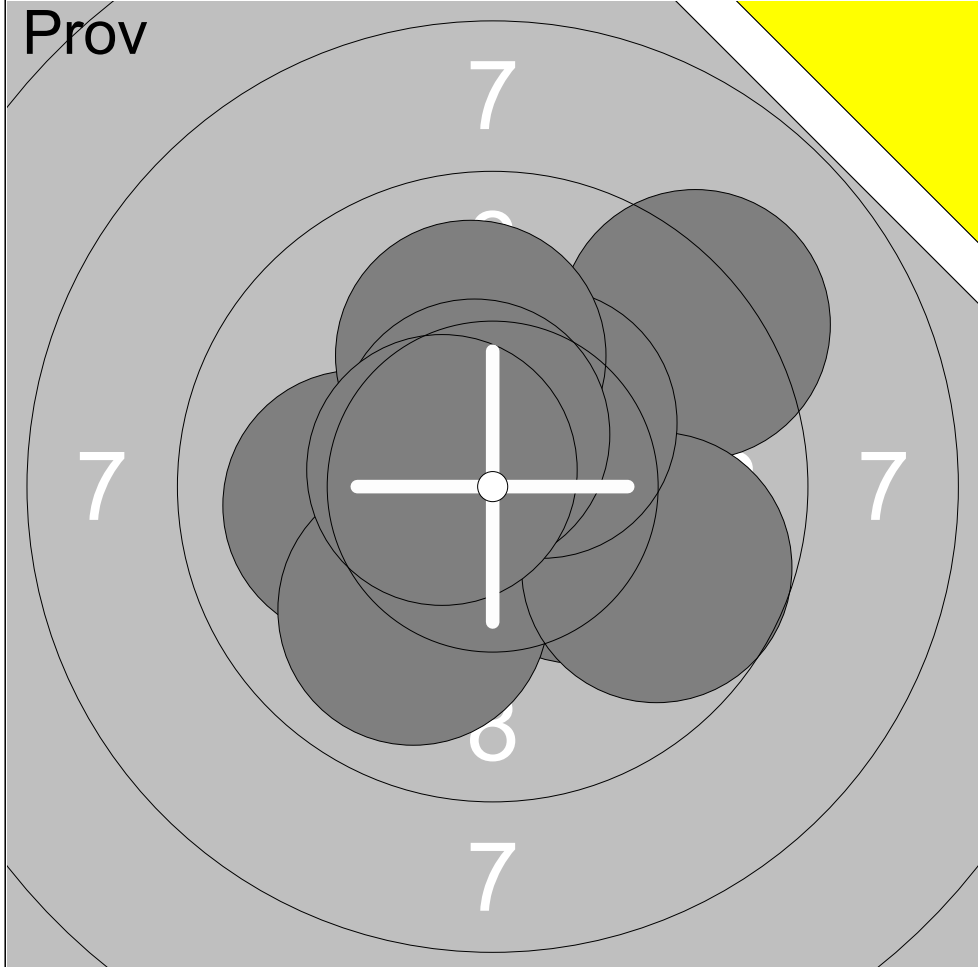
1:	10.6x	↙
2:	10.6x	↙
3:	10.6x	→
4:	10.7x	↙
5:	10.4x	↙
6:	10.3x	↙
7:	10.9x	←
8:	10.7x	↘

Serie	84.8
Total	413.4



1:	10.4x	↗
2:	10.5x	↙
3:	10.1	↙
4:	10.7x	←
5:	10.8x	↙
6:	10.5x	↙
7:	10.2x	↙
8:	10.5x	↗
9:	10.5x	↙
10:	10.6x	↙

Serie	104.8
Total	518.2



1:	9.2	↗
2:	10.0	←
3:	10.3x	↘
4:	10.0	↙
5:	9.7	↘
6:	10.4x	↗
7:	10.1	↑
8:	10.6x	↑
9:	10.6x	←
Serie		90.9
Total		410.7

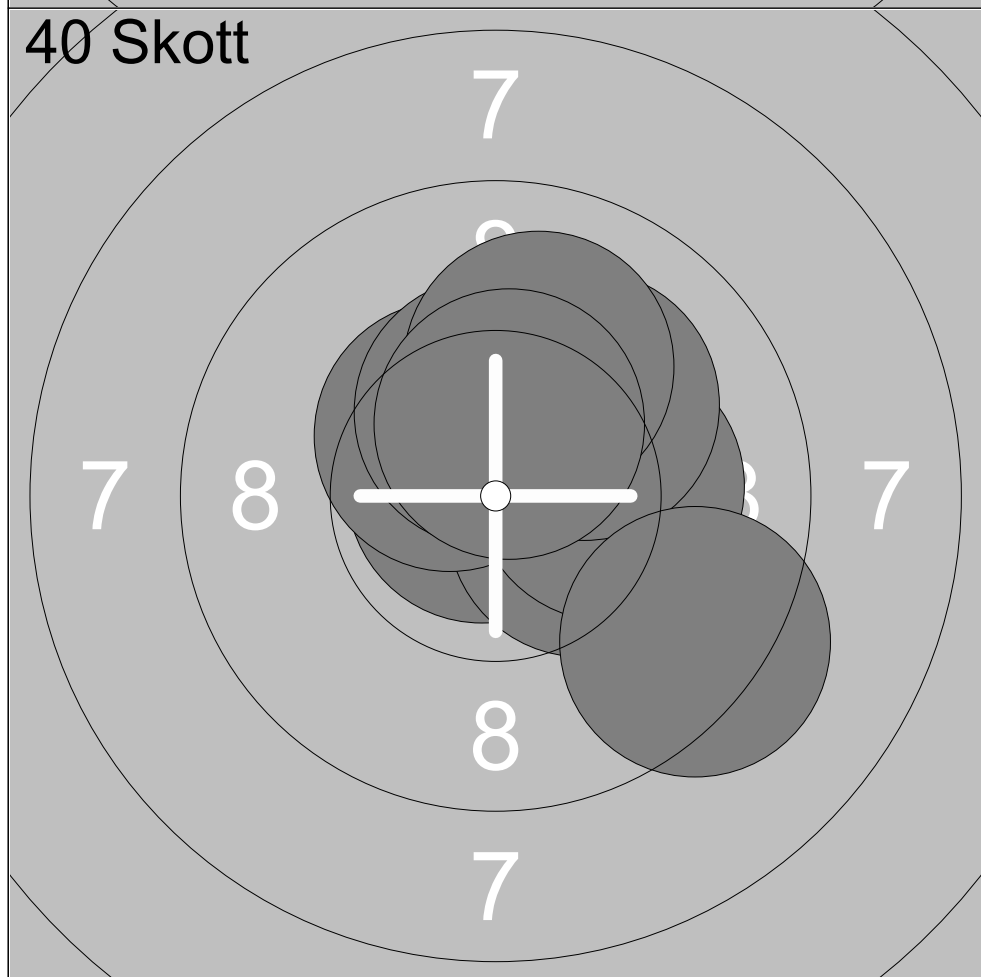


1:	10.7x	↑
2:	10.2x	↑
3:	10.3x	↖
4:	9.6	↗
5:	10.5x	→
6:	10.4x	↗
7:	10.5x	↑
8:	10.7x	→
9:	10.5x	↑
10:	10.4x	↙
Serie		103.8
Total		514.5



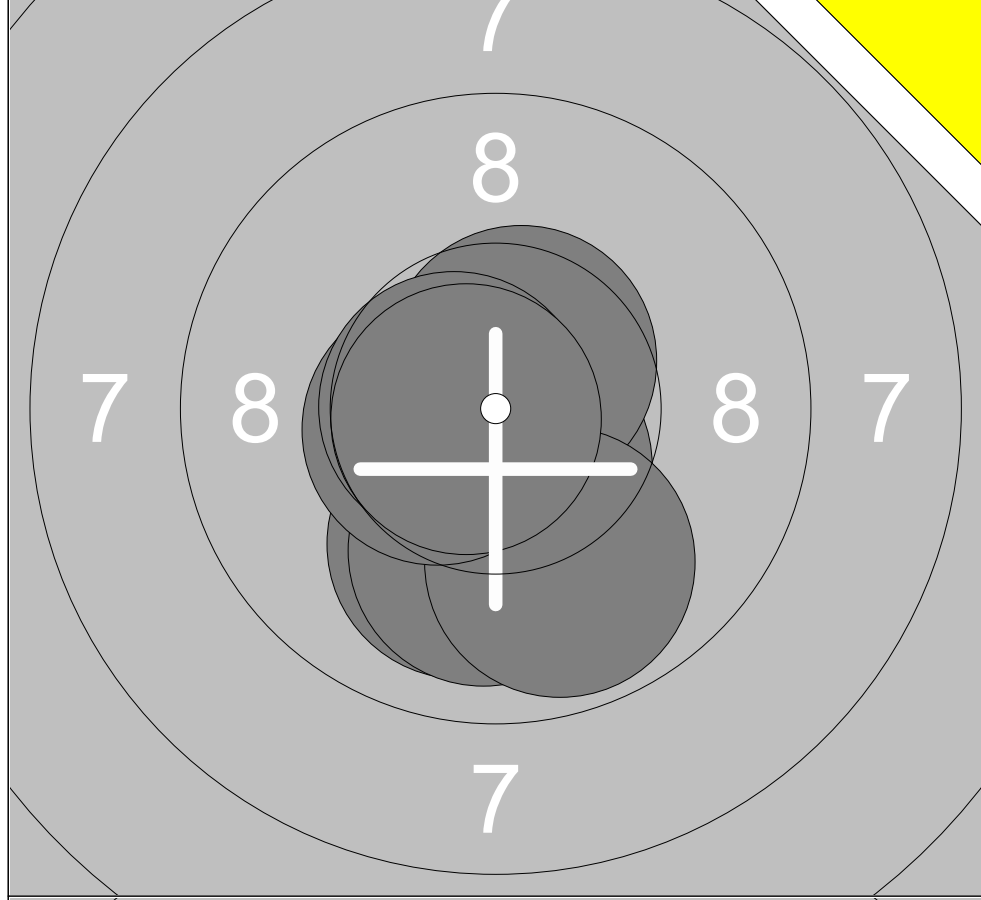
1:	10.2x	←
2:	10.2x	↑
3:	10.5x	←
4:	10.4x	→
5:	10.8x	←
6:	10.9x	↙
7:	10.1	→
8:	10.2x	↗
9:	9.5	↗

Serie	92.8
Total	409.8



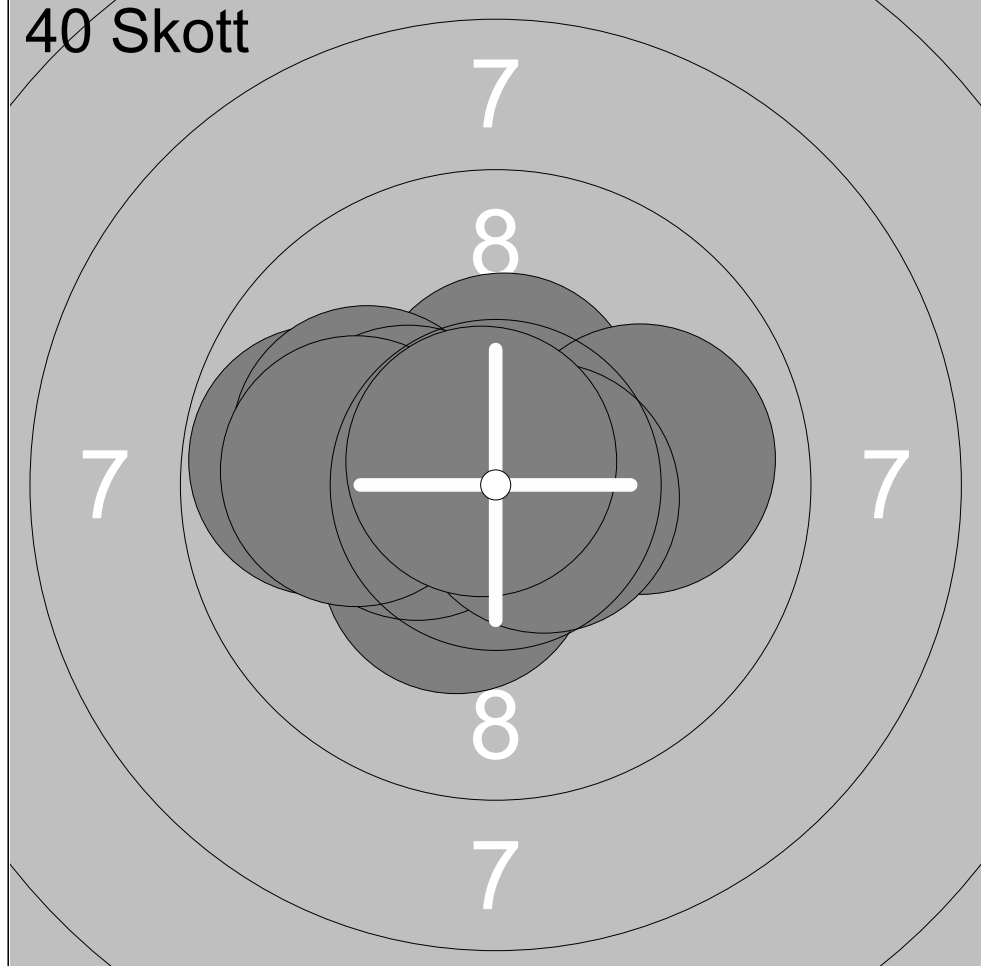
1:	10.4x	↗
2:	10.8x	↖
3:	10.3x	→
4:	10.4x	↖
5:	10.4x	↑
6:	10.2x	→
7:	10.1	↗
8:	10.0	↑
9:	10.5x	↑
10:	9.3	↘

Serie	102.4
Total	512.2



1:	10.3x	↓
2:	10.1	↓
3:	10.5x	↘
4:	10.6x	↗
5:	10.0	↓
6:	10.0	↓
7:	9.8	↘
8:	10.5x	↖
9:	10.7x	↖
10:	10.7x	↖

Serie	103.2
Total	409.5



1:	9.8	↖
2:	10.4x	↘
3:	10.4x	↑
4:	10.0	↖
5:	10.0	→
6:	10.3x	↖
7:	10.4x	↖
8:	10.6x	→
9:	10.0	↖
10:	10.8x	↗

Serie	102.7
Total	512.2