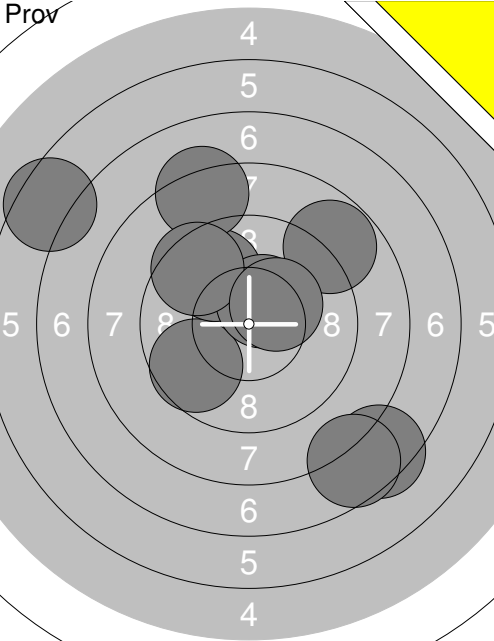
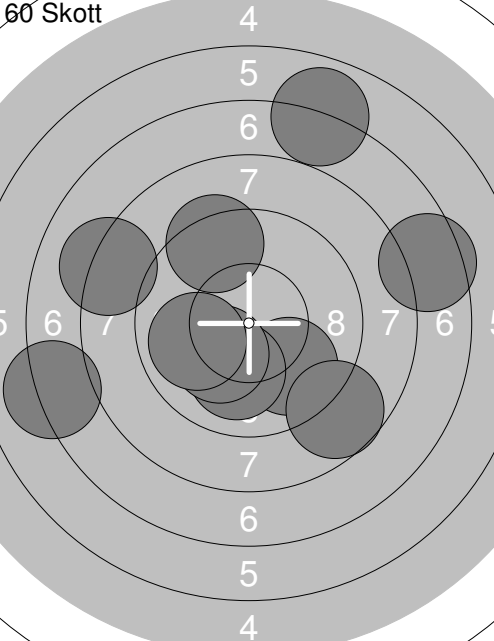
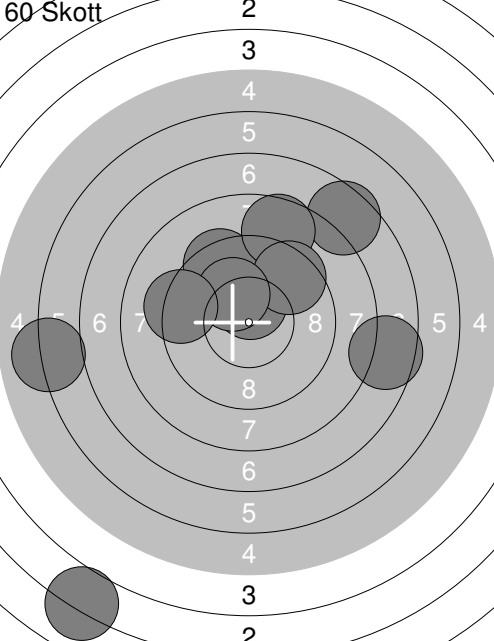
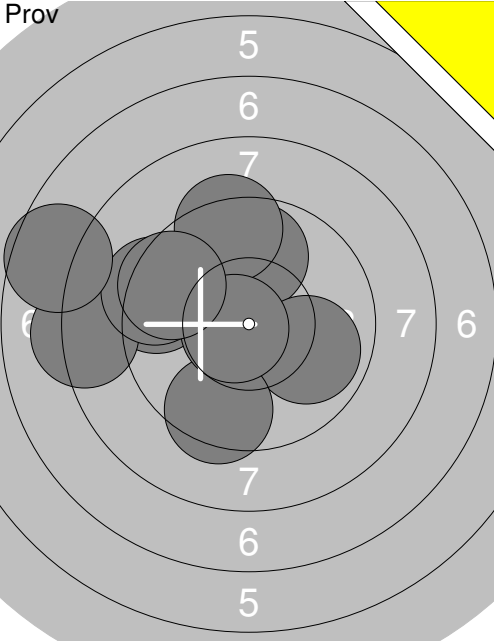
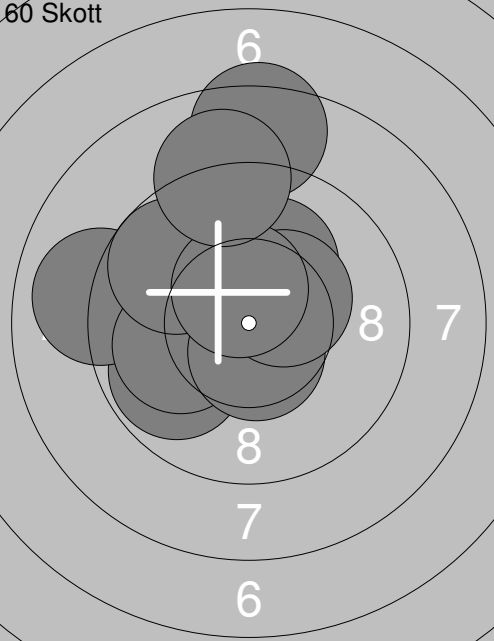
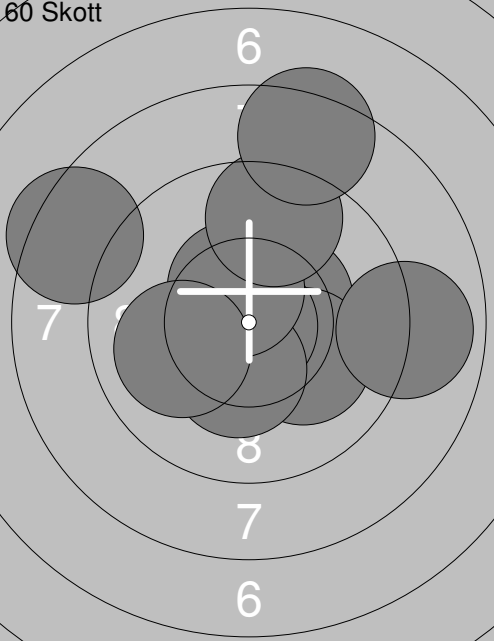
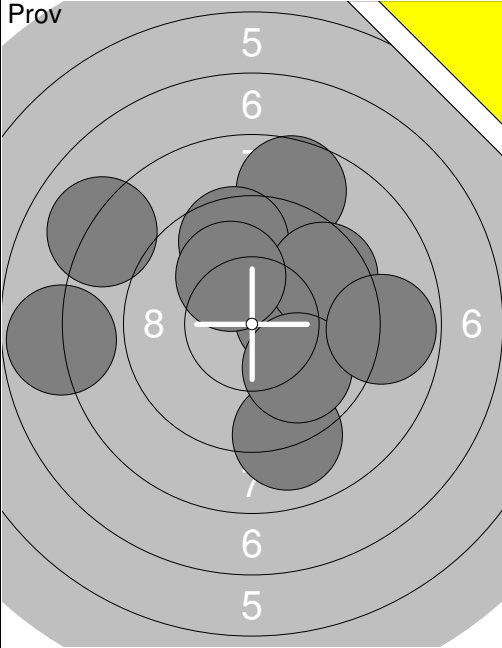
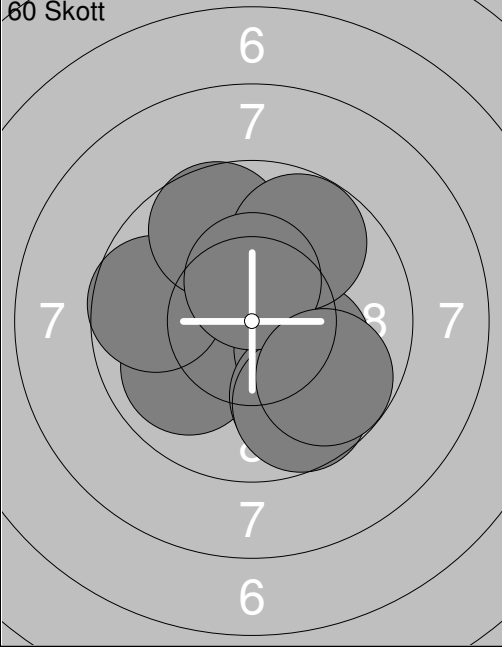
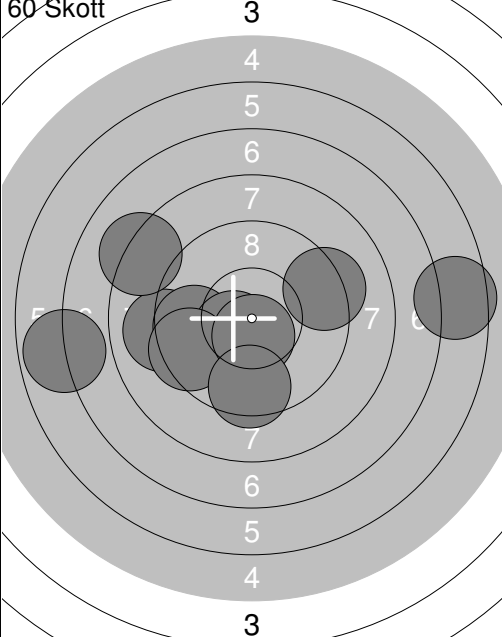


Skjuttag	Tavla	Lennart Westermark	
1	1		
S	Drängsmark Skf		
19.11.2016	Drängsmarksskyttet 2016	Umeå skytteallians	
Prov		1: 9.7 ↙ 2: 7.4 ↘ 3: 9.8 ↗ 4: 10.4x↗ 5: 7.6 ↘ 6: 8.3 ↗ 7: 6.5 ↖ 8: 8.8 ↗ 9: 9.5 ↖ 10: 10.3x↗ Serie 88.3 Total 0.0	11: 8.2 ↑ 12: 5.6 ↘ Serie 13.8 Total 0.0
60 Skott		1: 9.9 ↘ 2: 7.5 → 3: 8.2 ↖ 4: 7.1 ← 5: 10.0 ↘ 6: 10.2x↘ 7: 6.9 ↗ 8: 9.9 ← 9: 9.4 ↗ 10: 8.7 ↘ Serie 87.8 Total 87.8	11: 7.5 ↘ 12: 7.9 ↖ 13: 10.0 ↑ 14: 7.7 ↘ 15: 8.1 ↘ 16: 8.4 ↗ 17: 8.3 → 18: 10.2x→ 19: 8.4 ↘ 20: 8.4 ↘ Serie 84.9 Total 172.7
60 Skott		21: 9.4 ↖ 22: 6.0 ← 23: 10.5x↗ 24: 7.5 ↗ 25: 8.6 ↗ 26: 9.5 ↗ 27: 10.2x↗ 28: 7.6 → 29: 9.3 ← 30: 3.0 ↘ Serie 81.6 Total 254.3	31: 9.7 ↘ 32: 9.6 ↗ 33: 10.0 → 34: 8.9 ↗ 35: 6.9 ← 36: 10.1← 37: 2.4 ← 38: 7.8 ↘ 39: 8.7 ← 40: 8.2 ↖ Serie 82.3 Total 336.6

Skjuttag	Tavla	Ida Lundmark	
1	3		
S	Drängsmark Skf		
19.11.2016	Drängsmarksskyttet 2016	Umeå skytteallians	
Prov		1: 9.8 ↑ 2: 9.3 ↑ 3: 9.4 ← 4: 8.2 ← 5: 9.9 → 6: 9.5 ↓ 7: 10.7x← 8: 9.3 ← 9: 9.5 ← 10: 7.6 ← Serie 93.2 Total 0.0	11: 9.7 ↙ 12: 9.7 ↘ 13: 8.3 ↘ 14: 9.6 ↑ 15: 8.9 → Serie 46.2 Total 0.0
60 Skott		1: 9.8 ↙ 2: 9.0 ← 3: 10.0← 4: 10.1 ↑ 5: 10.6x↓ 6: 9.7 ↙ 7: 10.4x↗ 8: 10.5x↑ 9: 8.4 ↑ 10: 9.0 ↑ Serie 97.5 Total 97.5	11: 9.0 ↗ 12: 8.8 ↗ 13: 9.2 ↗ 14: 9.2 ← 15: 9.0 ↓ 16: 10.1↙ 17: 8.5 ← 18: 8.8 ↖ 19: 9.2 ← 20: 8.6 ↙ Serie 90.4 Total 187.9
60 Skott		21: 10.4x↗ 22: 10.1 ↘ 23: 10.9x↓ 24: 10.3x↓ 25: 8.9 → 26: 10.5x↑ 27: 9.6 ↑ 28: 8.4 ↑ 29: 8.4 ← 30: 10.0← Serie 97.5 Total 285.4	31: 8.7 ↗ 32: 9.3 ↑ 33: 9.2 ↗ 34: 10.5x↗ 35: 8.9 ← 36: 10.8x↗ 37: 9.0 ← 38: 8.9 ↘ 39: 7.9 ↖ 40: 9.2 ↙ Serie 92.4 Total 377.8

Skjutlag	Tavla	Niklas Westermark	
S		Drängsmark Skf	
19.11.2016		Drängsmarksskyttet 2016	Umeå skytteallians
Prov		1: 9.2 ← 2: 10.1 ↗ 3: 9.7 → 4: 9.0 ↖ 5: 9.6 ↓ 6: 9.0 ← 7: 8.7 ↘ 8: 10.6x↓ 9: 8.5 ↗ 10: 9.4 ↗ Serie 93.8 Total 0.0	11: 9.7 ↑ 12: 9.7 ← 13: 9.7 → Serie 29.1 Total 0.0
60 Skott		1: 10.0 ↘ 2: 10.7x↘ 3: 9.9 ← 4: 9.2 ↖ 5: 10.8x↖ 6: 9.7 ← 7: 10.0 → 8: 10.1 ← 9: 10.6x↖ 10: 10.4x→ Serie 101.4 Total 101.4	11: 9.7 ↗ 12: 9.7 ↑ 13: 9.4 ← 14: 10.8x→ 15: 10.3x↗ 16: 9.9 ↗ 17: 9.6 ↓ 18: 10.5x↑ 19: 10.6x↓ 20: 9.1 ← Serie 99.6 Total 201.0
60 Skott		21: 9.9 ↗ 22: 9.3 → 23: 10.1 ↖ 24: 9.7 → 25: 10.7x↖ 26: 9.3 → 27: 10.0 ↓ 28: 9.4 ↖ 29: 9.5 → 30: 10.8x↑ Serie 98.7 Total 299.7	31: 9.8 → 32: 10.5x↑ 33: 9.4 ↖ 34: 7.8 ↘ 35: 10.0 ↗ 36: 10.3x↑ 37: 9.8 → 38: 8.6 → 39: 10.0 ↗ 40: 9.5 ↗ Serie 95.7 Total 395.4

Skjuttag	Tavla	Saga Ebbhagen	
1	8		
S		Ramselefors Skf	
19.11.2016		Drängsmarksskyttet 2016	Umeå skytteallians
Prov		1: 8.1 ↖ 2: 8.7 ↑ 3: 9.0 ↓ 4: 10.3x➔ 5: 9.6 ↑ 6: 9.6 ↗ 7: 9.9 ↓ 8: 10.1 ↖ 9: 8.8 ➔ 10: 7.8 ← Serie 91.9 Total 0.0	11: 9.9 ↑ 12: 9.7 ↖ 13: 9.4 ← 14: 9.3 ↖ 15: 9.9 ↗ 16: 8.6 ↓ 17: 10.4x↖ Serie 67.2 Total 0.0
60 Skott		1: 9.9 ↖ 2: 10.3x↖ 3: 9.7 ← 4: 10.2x↖ 5: 9.8 ↓ 6: 9.7 ↖ 7: 9.8 ↗ 8: 9.7 ↓ 9: 10.4x↖ 10: 9.8 ↓ Serie 99.3 Total 99.3	11: 10.5x↖ 12: 10.0 ↓ 13: 8.8 ← 14: 10.3x↗ 15: 9.8 ↓ 16: 9.7 ↓ 17: 10.3x↗ 18: 9.1 ← 19: 9.1 ➔ 20: 9.5 ← Serie 97.1 Total 196.4
60 Skott		21: 9.0 ← 22: 9.7 ← 23: 6.5 ➔ 24: 10.5x↖ 25: 9.5 ← 26: 10.6x↓ 27: 8.2 ↖ 28: 6.8 ← 29: 9.5 ↓ 30: 9.3 ➔ Serie 89.6 Total 286.0	31: 10.6x↖ 32: 9.3 ↓ 33: 9.6 ➔ 34: 10.0 ↑ 35: 8.5 ↗ 36: 9.2 ➔ 37: 10.1 ↓ 38: 9.3 ➔ 39: 8.8 ↖ 40: 9.0 ↓ Serie 94.4 Total 380.4

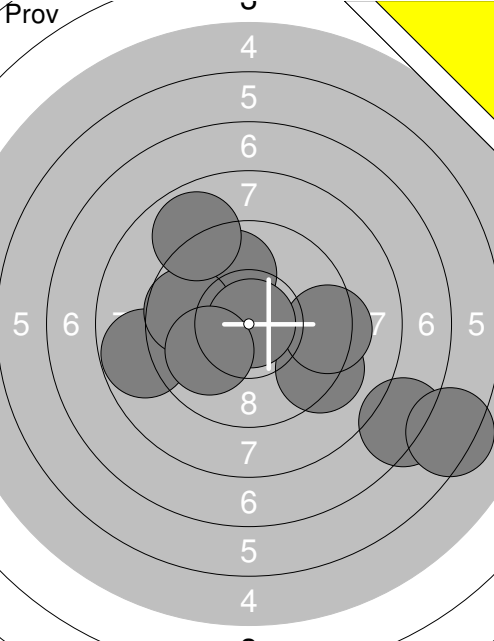
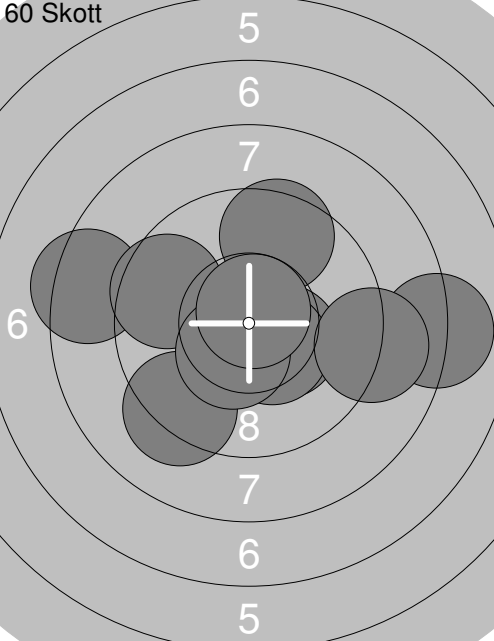
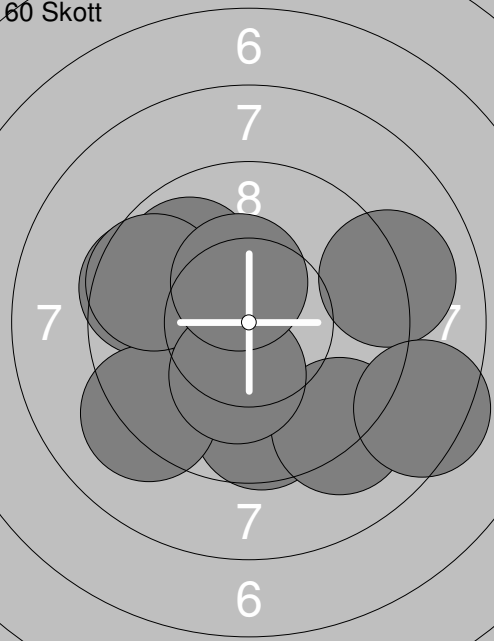
<p>Prov</p>	<p>1: 8.3 ↘ 2: 9.8 ↘ 3: 8.5 ↘ 4: 9.7 ↘ 5: 10.2x↘ 6: 9.1 ↘ 7: 10.3x↘ 8: 9.8 → 9: 10.1 ↗ 10: 8.0 →</p> <p>Serie 93.8 Total 0.0</p>	<p>Prov</p>	<p>11: 10.3x↓ 12: 9.1 ↓</p> <p>Serie 19.4 Total 0.0</p>
-------------	--	-------------	---

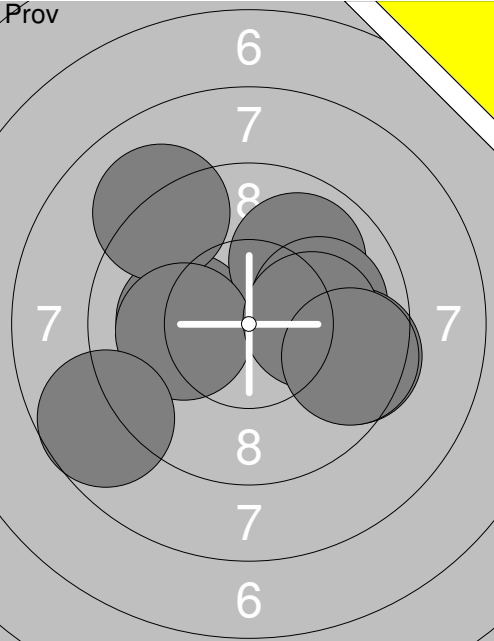
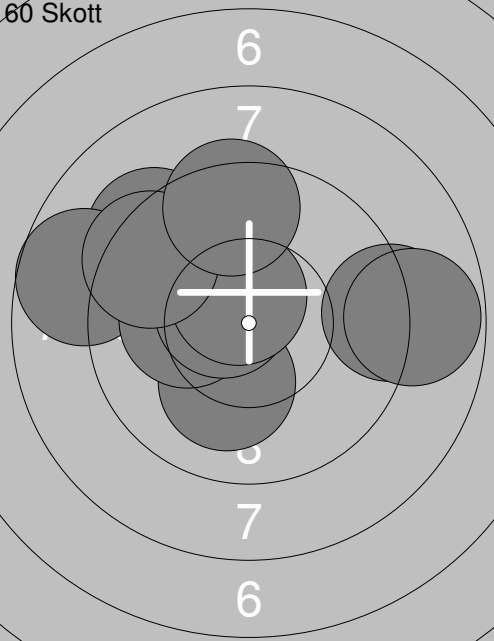
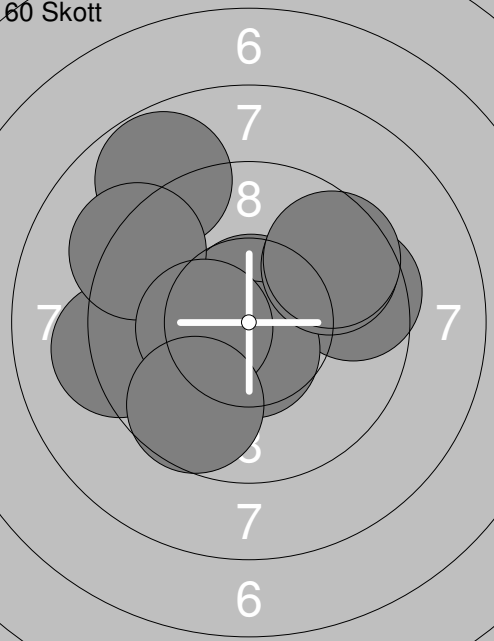
<p>60 Skott</p>	<p>1: 10.7x↗ 2: 8.9 ↗ 3: 10.5x→ 4: 9.4 ↗ 5: 10.9x↓ 6: 10.6x← 7: 9.5 ↓ 8: 9.3 ↗ 9: 7.5 → 10: 9.8 ↗</p> <p>Serie 97.1 Total 97.1</p>	<p>60 Skott</p>	<p>11: 10.7x↗ 12: 10.2x↘ 13: 9.8 ↗ 14: 9.2 ← 15: 9.5 → 16: 9.6 ↗ 17: 9.1 ↗ 18: 10.3x↓ 19: 10.3x↘ 20: 10.3x↘</p> <p>Serie 99.0 Total 196.1</p>
-----------------	--	-----------------	---

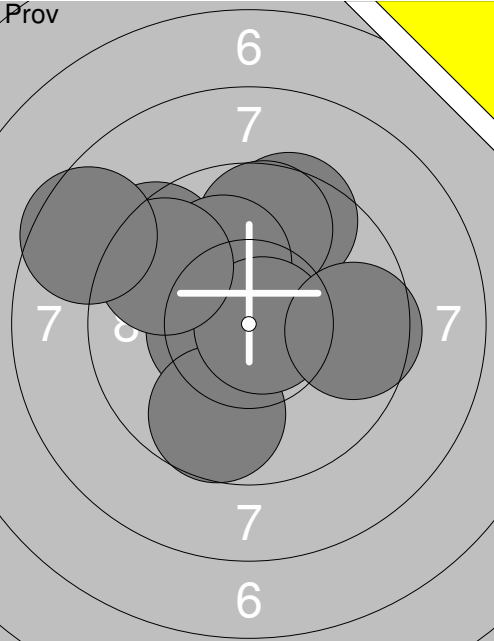
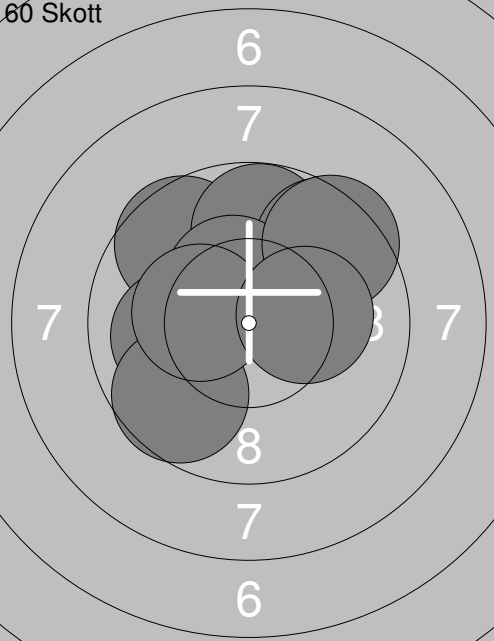
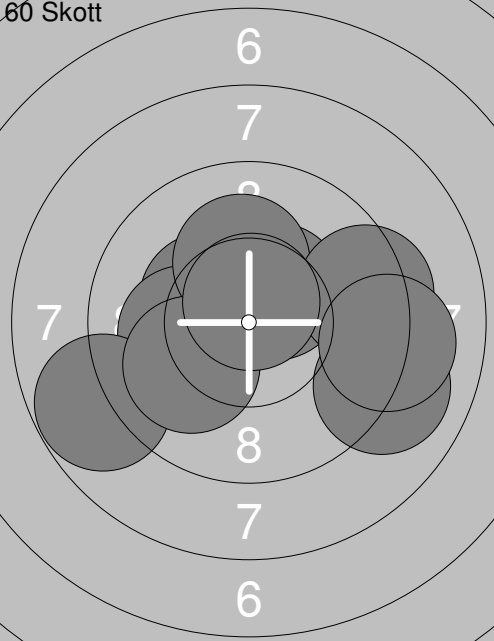
<p>60 Skott</p>	<p>21: 10.3x↓ 22: 10.0 ↓ 23: 9.7 ↘ 24: 10.1 → 25: 10.6x← 26: 9.3 ↗ 27: 9.6 ↓ 28: 9.9 ↗ 29: 9.3 ↗ 30: 10.2x→</p> <p>Serie 99.0 Total 295.1</p>	<p>60 Skott</p>	<p>31: 8.8 ↗ 32: 10.9x↓ 33: 9.3 ← 34: 9.8 ← 35: 9.8 ↗ 36: 9.6 ↗ 37: 9.1 ↗ 38: 10.6x↘ 39: 10.4x→ 40: 9.5 ↗</p> <p>Serie 97.8 Total 392.9</p>
-----------------	---	-----------------	---

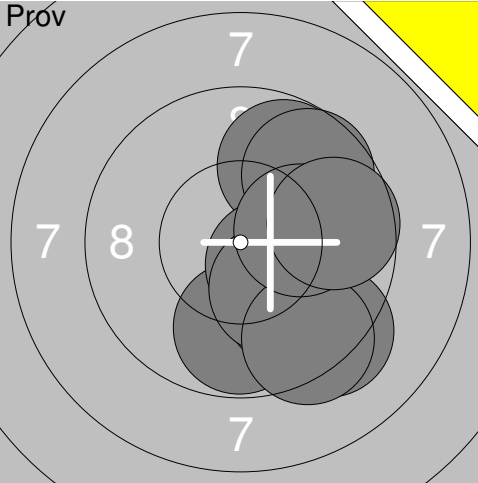
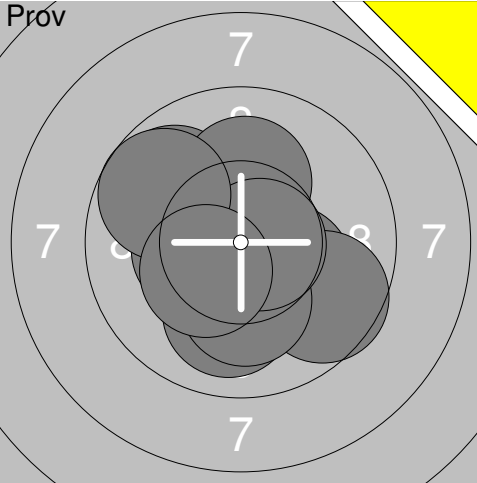
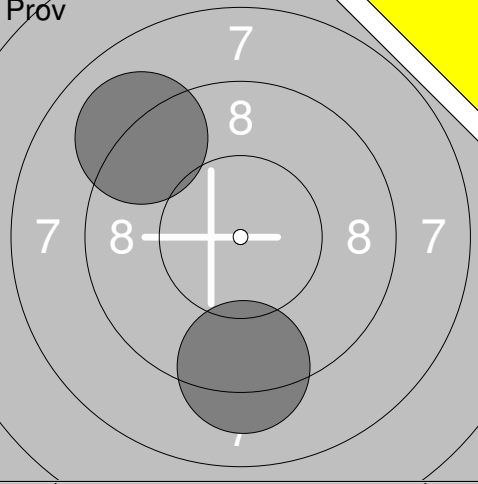
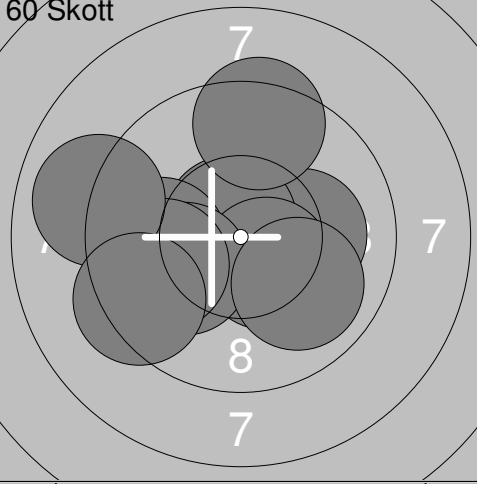
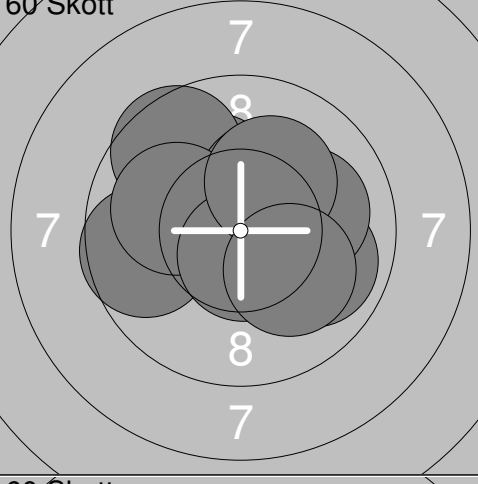
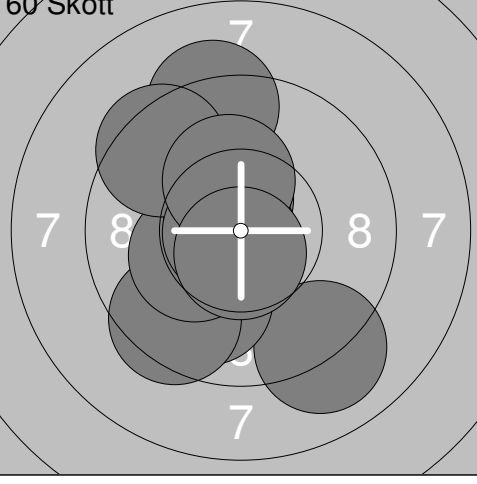
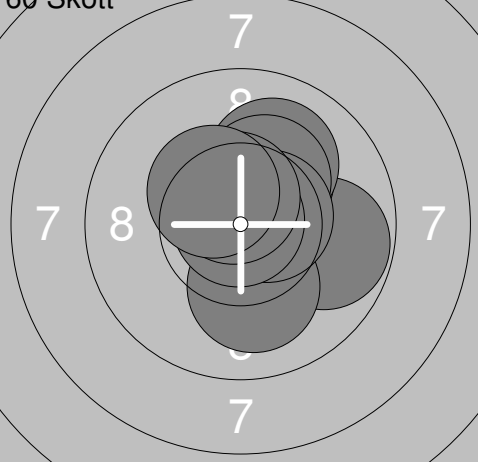
Skjuttag	Tavla	Elias Strömberg	
1	10		
S	Umeå Skf		
19.11.2016	Drängsmarksskyttet 2016	Umeå skytteallians	
Prov		1: 2.1 → 2: 6.5 → 3: 10.0 ← 4: 6.1 → 5: 6.5 ↘ 6: 8.4 ↗ 7: 1.2 ← 8: 5.8 ← 9: 9.6 ↗ 10: 2.3 ← Serie 58.5 Total 0.0	 11: 7.6 ↙ 12: 7.2 → 13: 9.8 ↗ 14: 7.0 → 15: 2.7 ↙ Serie 34.3 Total 0.0
60 Skott		1: 2.2 ↓ 2: 1.9 ↓ 3: 7.3 ← 4: 10.4x ↗ 5: 6.4 ↘ 6: 8.5 ↗ 7: 8.3 ← 8: 4.6 → 9: 10.1 ↑ 10: 6.5 → Serie 66.2 Total 66.2	 11: 10.2x ↗ 12: 3.3 ↑ 13: 6.6 ↑ 14: 8.4 ↓ 15: 5.6 → 16: 1.8 ← 17: 8.4 ↓ 18: 5.7 ↓ 19: 5.9 ↗ 20: 8.6 ↗ Serie 64.5 Total 130.7
60 Skott		21: 9.3 ↑ 22: 10.1 ↓ 23: 5.6 ↘ 24: 9.5 → 25: 3.0 ↓ 26: 9.4 ↘ 27: 3.5 ← 28: 9.8 ↑ 29: 8.2 ↘ 30: 7.3 ← Serie 75.7 Total 206.4	 31: 2.4 ↙ 32: 4.9 ← 33: 8.8 ↗ 34: 6.6 ↓ 35: 7.4 ← 36: 8.7 ↗ 37: 8.3 ↗ 38: 2.7 → 39: 8.1 ↑ 40: 8.7 ↘ Serie 66.6 Total 273.0

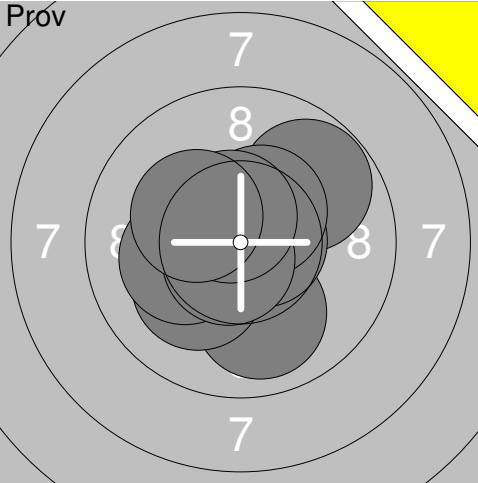
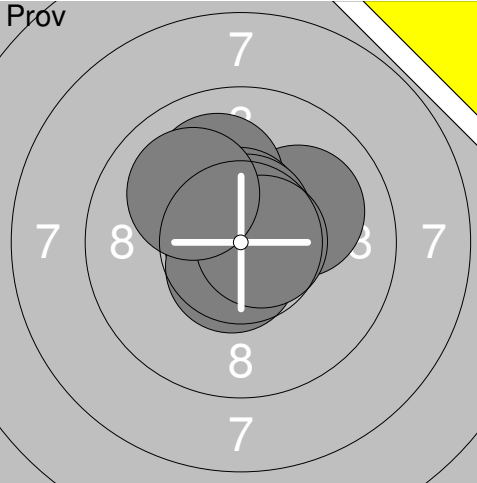
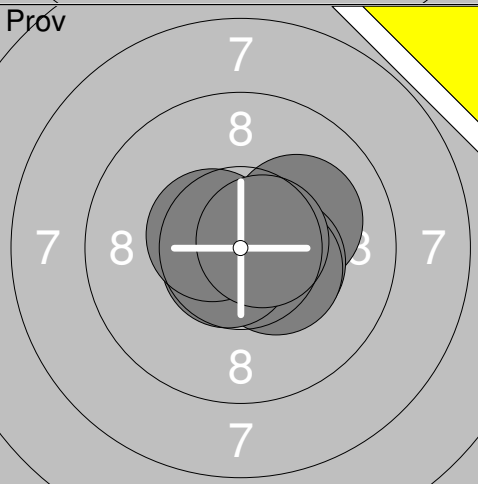
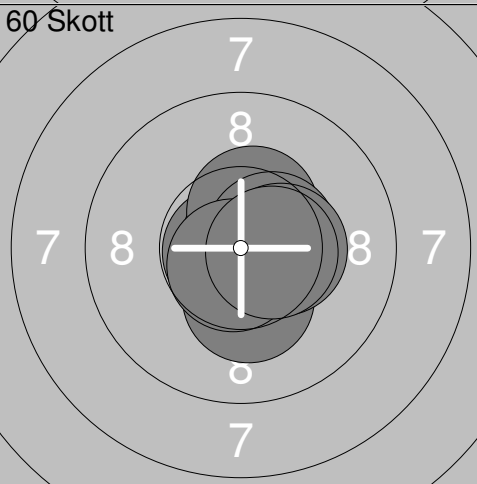
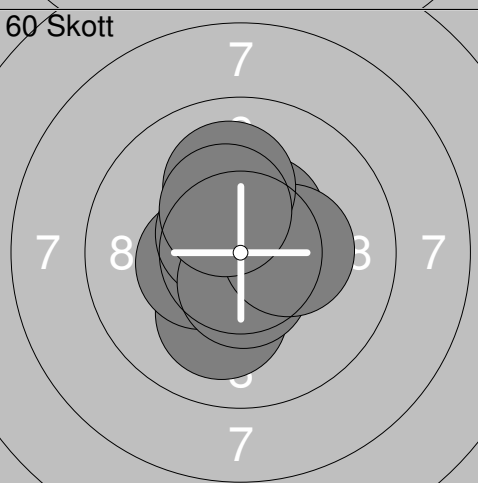
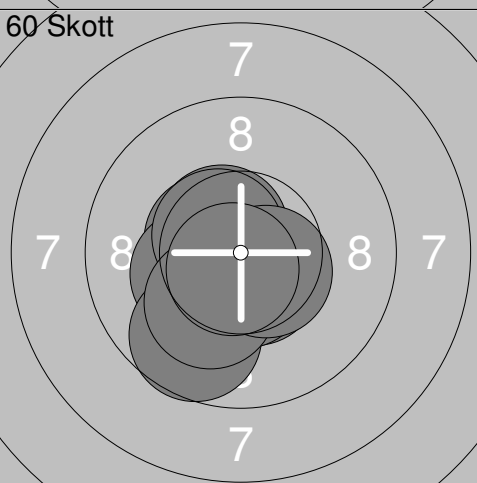
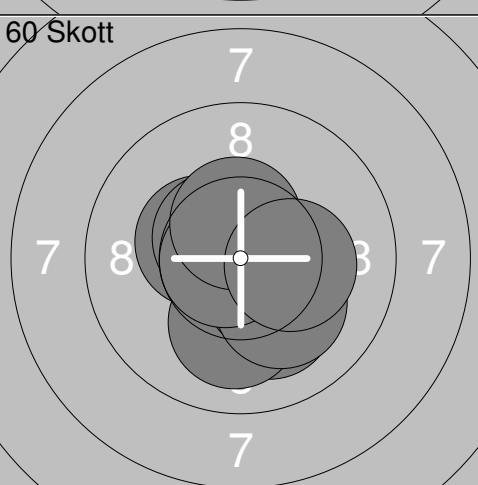
Skjuttag	Tavla	Helena Dreyer	
1	11		
S	Umeå Skf		
19.11.2016	Drängsmarksskyttet 2016	Umeå skytteallians	
Prov		Prov	
	1: 10.4x ↘ 2: 9.8 ↑ 3: 9.6 ↓ 4: 10.3x ↗ 5: 9.4 ↓ 6: 9.5 ↑ 7: 9.9 ↗ 8: 10.6x → 9: 10.3x ↓ 10: 9.3 ↑		11: 8.5 ↖ 12: 10.8x ↗ 13: 9.5 ↓ 14: 10.1 ↖ 15: 9.2 ↓ 16: 6.1 ← 17: 9.6 ↑
	Serie 99.1 Total 0.0		Serie 63.8 Total 0.0
60 Skott		60 Skott	
	1: 8.0 ← 2: 9.6 ← 3: 9.5 ← 4: 9.6 ← 5: 10.5x → 6: 7.9 ← 7: 9.9 ↓ 8: 7.7 → 9: 9.6 → 10: 10.7x ↘		11: 10.5x ↗ 12: 9.7 ↖ 13: 10.6x → 14: 9.8 ↗ 15: 10.0 ↖ 16: 9.3 → 17: 9.8 ↓ 18: 10.2x → 19: 10.3x ↓ 20: 9.6 →
	Serie 93.0 Total 93.0		Serie 99.8 Total 192.8
60 Skott		60 Skott	
	21: 9.1 → 22: 8.7 → 23: 9.2 ← 24: 9.9 → 25: 9.7 ↖ 26: 10.5x → 27: 9.6 ↗ 28: 9.6 → 29: 10.0 ↓ 30: 9.3 ←		31: 7.2 ↗ 32: 9.0 ← 33: 10.5x ↘ 34: 10.0 ↖ 35: 10.2x → 36: 9.5 ↖ 37: 8.4 → 38: 9.3 → 39: 10.2x ↓ 40: 9.9 ↓
	Serie 95.6 Total 288.4		Serie 94.2 Total 382.6

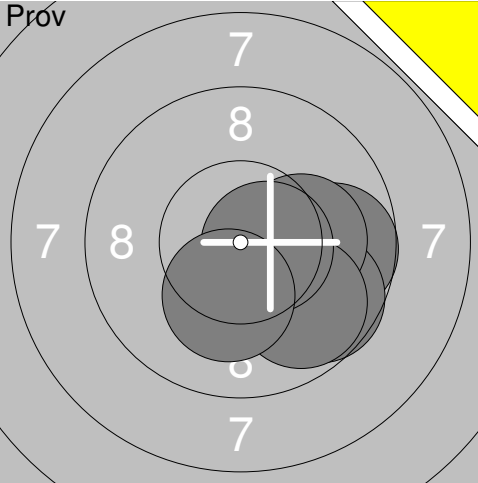
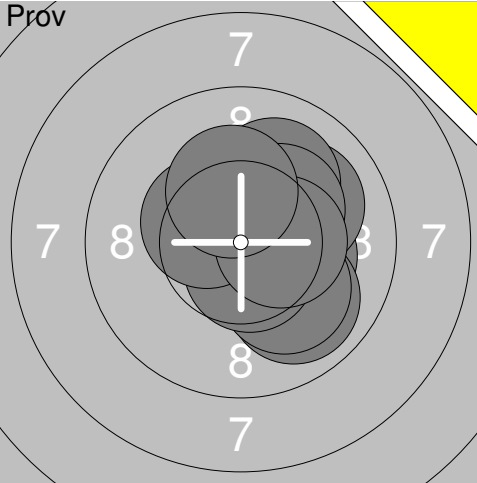
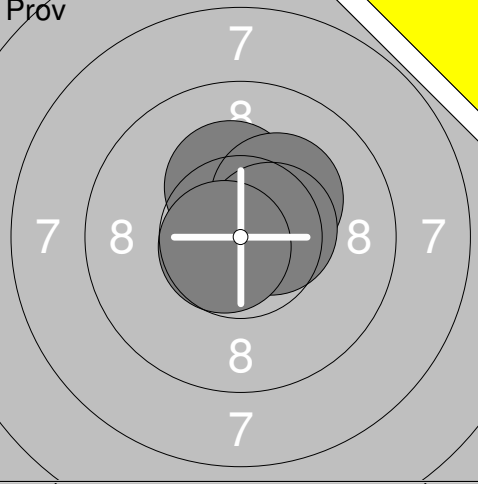
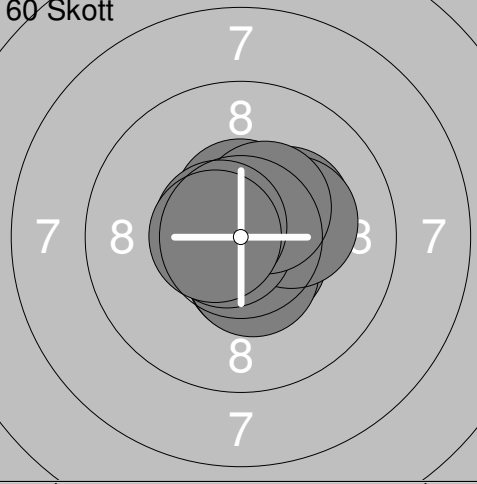
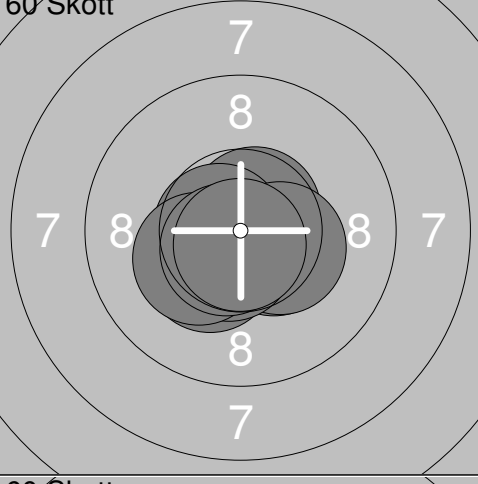
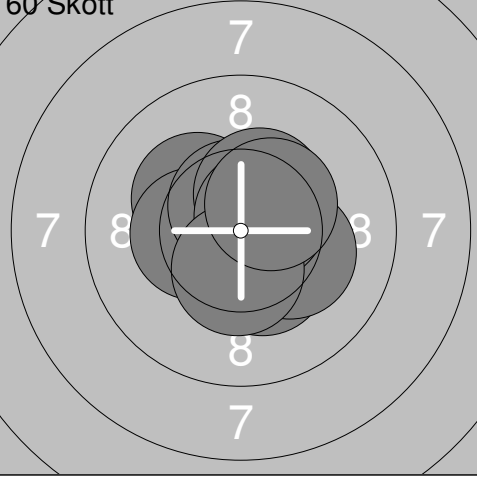
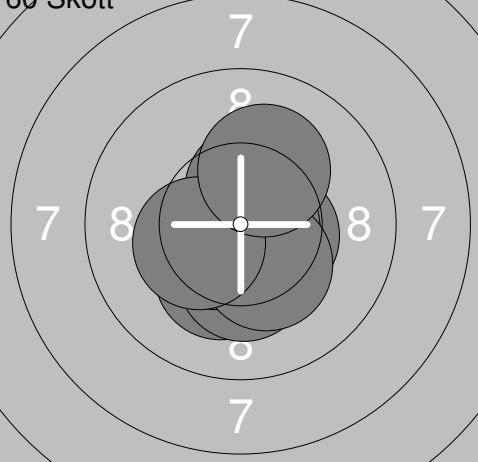
Skjuttag	Tavla	Emilia Nordin	
1	12		
S	Umeå Skf		
19.11.2016	Drängsmarksskyttet 2016	Umeå skytteallians	
Prov		1: 9.3 ↘ 2: 7.3 ↘ 3: 6.3 ↘ 4: 8.8 ← 5: 9.9 ↑ 6: 9.7 ← 7: 9.4 → 8: 10.9x→ 9: 10.0↙ 10: 8.9 ↖ Serie 90.5 Total 0.0	11: 10.3x↗ 12: 10.2x↖ 13: 6.4 → 14: 9.7 ↑ 15: 9.2 → 16: 9.7 ↘ Serie 55.5 Total 0.0
60 Skott		1: 8.0 → 2: 8.4 ← 3: 10.3x↘ 4: 9.6 ← 5: 9.5 ↑ 6: 10.4x↘ 7: 9.0 → 8: 9.2 ↘ 9: 10.4x↘ 10: 10.8x↗ Serie 95.6 Total 95.6	11: 10.5x↘ 12: 10.0 ↖ 13: 10.0 ↗ 14: 8.8 → 15: 10.8x↘ 16: 9.8 → 17: 10.4x↗ 18: 8.5 ← 19: 9.8 ← 20: 9.6 ← Serie 98.2 Total 193.8
60 Skott		21: 9.6 ↓ 22: 9.6 ← 23: 9.1 → 24: 9.2 ↘ 25: 9.2 ↘ 26: 9.9 ↗ 27: 9.6 ← 28: 8.4 → 29: 10.2x↘ 30: 10.4x↗ Serie 95.2 Total 289.0	31: 9.2 ↖ 32: 10.1 ↘ 33: 10.8x↖ 34: 10.4x↘ 35: 9.2 ↑ 36: 8.2 ← 37: 10.0 ↗ 38: 7.9 ← 39: 8.8 ← 40: 10.3x↖ Serie 94.9 Total 383.9

Skjuttag	Tavla	Nicolle Nygren	
S	Umeå Skf		
19.11.2016	Drängsmarksskyttet 2016	Umeå skytteallians	
Pröv		1: 10.1 ← 2: 10.1 → 3: 9.1 ↖ 4: 9.9 ↗ 5: 10.0 → 6: 10.1 ← 7: 9.5 → 8: 10.1 → 9: 9.6 → 10: 8.7 ↙	11: 6.8 ↘ 12: 9.0 ↘ 13: 8.2 ↖
	Serie 97.2	Serie 24.0	
	Total 0.0	Total 0.0	
60 Skott		1: 9.3 ↖ 2: 10.1 ↘ 3: 8.7 ← 4: 10.1 ← 5: 9.1 → 6: 10.6x ↖ 7: 10.6x ↗ 8: 8.8 → 9: 9.4 ↖ 10: 9.4 ↑	11: 9.8 ↗ 12: 10.6x → 13: 10.2x ← 14: 10.3x ↗ 15: 9.5 ↑ 16: 8.4 → 17: 9.6 → 18: 9.5 ↖ 19: 10.6x ↘ 20: 9.2 ↑
	Serie 96.1	Serie 97.7	
	Total 96.1	Total 193.8	
60 Skott		21: 8.8 ↖ 22: 9.5 → 23: 9.2 ← 24: 10.7x ↗ 25: 9.2 ↖ 26: 10.6x ↘ 27: 9.7 ↗ 28: 10.4x ← 29: 9.7 ↘ 30: 9.6 ↗	31: 9.9 ↘ 32: 10.7x ↖ 33: 10.3x → 34: 10.0 ↘ 35: 9.3 → 36: 9.0 ↘ 37: 9.2 ↑ 38: 9.5 ← 39: 9.9 → 40: 9.5 →
	Serie 97.4	Serie 97.3	
	Total 291.2	Total 388.5	

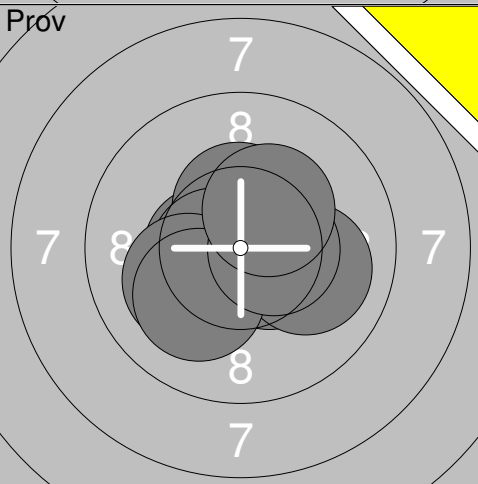
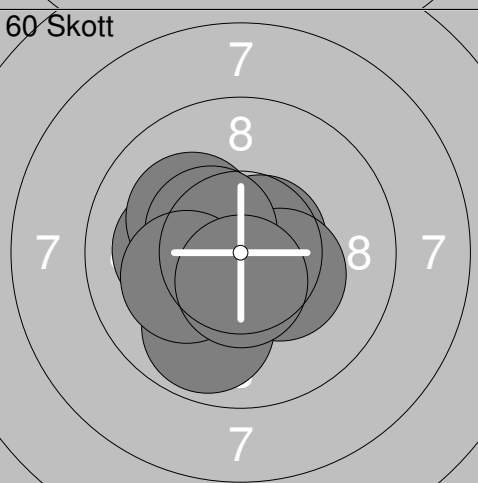
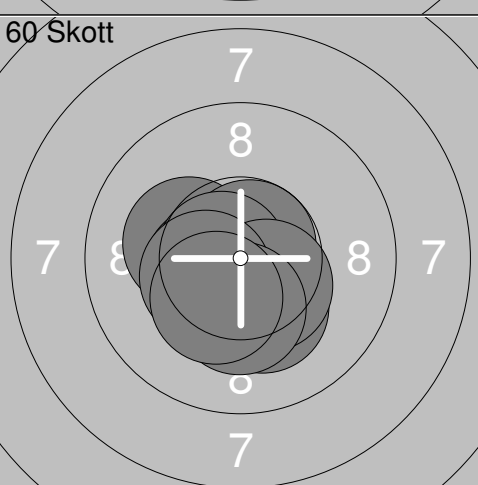
Skjuttag	Tavla	Erika Bergqvist	
1	14		
S	Umeå Skf		
19.11.2016	Drängsmarksskyttet 2016	Umeå skytteallians	
Prov		1: 9.5 ↑ 2: 10.5✕ 3: 9.7 ↓ 4: 9.7 ↑ 5: 9.4 ↖ 6: 10.1 ↑ 7: 10.8x➔ 8: 9.6 ↖ 9: 8.6 ↖ 10: 9.6 ➔ Serie 97.5 Total 0.0	11: 7.7 ➔ 12: 9.3 ↖ 13: 9.3 ↗ 14: 9.3 ↗ 15: 9.4 ↖ Serie 45.0 Total 0.0
60 Skott		1: 10.0 ↑ 2: 9.6 ↖ 3: 9.8 ↑ 4: 9.6 ↗ 5: 10.4x↖ 6: 10.0↖ 7: 9.5 ↗ 8: 9.7 ↓ 9: 10.3✕ 10: 10.2x➔ Serie 99.1 Total 99.1	11: 10.2x➔ 12: 8.8 ↖ 13: 10.2✕ 14: 10.4x↖ 15: 10.2x↖ 16: 9.8 ➔ 17: 10.1 ↓ 18: 9.3 ↓ 19: 10.7x↓ 20: 10.2x↓ Serie 99.9 Total 199.0
60 Skott		21: 10.4x↖ 22: 10.3✕ 23: 10.1↖ 24: 10.2x↖ 25: 9.0 ➔ 26: 8.8 ↖ 27: 10.0↖ 28: 9.4 ➔ 29: 9.1 ➔ 30: 10.7x↖ Serie 98.0 Total 297.0	31: 10.4✕ 32: 9.5 ↓ 33: 10.5✕ 34: 10.1 ↗ 35: 10.8✕ 36: 10.7x↖ 37: 10.0 ↗ 38: 9.7 ➔ 39: 10.3✕ 40: 9.9 ↑ Serie 101.9 Total 398.9

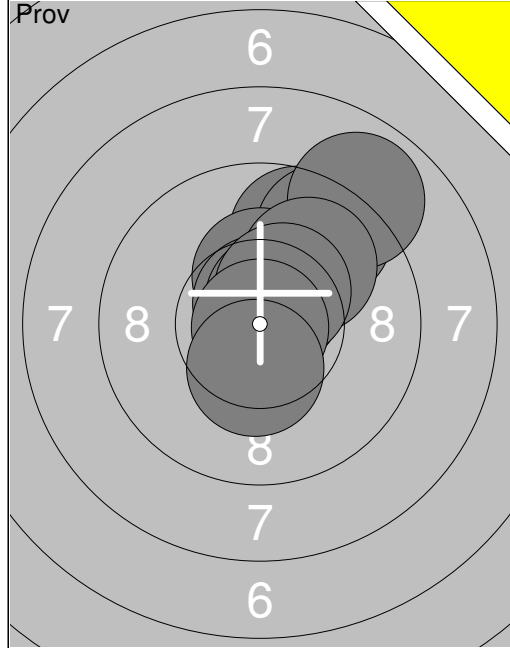
Skjutlag	Tavla	Ari Perkiömäki	
1	16		
S	Umeå Skf		
19.11.2016	Drängsmarksskyttet 2016	Umeå skytteallians	
Prov		1: 9.8 ↓ 2: 9.9 ↓ 3: 9.3 ↓ 4: 9.8 ↗ 5: 10.4x ↓ 6: 10.2x ↓ 7: 9.7 ↗ 8: 9.4 ↓ 9: 10.1 → 10: 9.7 → Serie 98.3 Total 0.0	Prov  11: 10.0 ↓ 12: 10.2x ↘ 13: 10.4x ← 14: 9.6 ↓ 15: 10.2x ↓ 16: 9.8 ↗ 17: 10.1 ↑ 18: 10.7x → 19: 9.7 ↖ 20: 10.3x ↙ Serie 101.0 Total 0.0
Prov		21: 9.1 ↖ 22: 9.2 ↓ Serie 18.3 Total 0.0	60 Skott  1: 10.1 → 2: 10.7x ↗ 3: 9.4 ↑ 4: 10.5x ↓ 5: 9.9 ← 6: 10.1 ← 7: 9.8 ← 8: 9.0 ← 9: 9.3 ← 10: 10.0 ↓ Serie 98.8 Total 98.8
60 Skott		11: 9.6 ← 12: 10.2x ↗ 13: 9.6 ↗ 14: 9.9 → 15: 10.3x ↗ 16: 10.1 → 17: 10.0 ↖ 18: 10.6x ↓ 19: 10.2x ↗ 20: 10.1 ↓ Serie 100.6 Total 199.4	60 Skott  21: 9.1 ↓ 22: 9.9 ↓ 23: 9.5 ↓ 24: 10.2x ← 25: 10.5x ↗ 26: 9.2 ↗ 27: 9.4 ↗ 28: 10.8x ← 29: 10.3x ↗ 30: 10.6x ↓ Serie 99.5 Total 298.9
60 Skott		31: 9.8 → 32: 10.2x ↗ 33: 10.1 ↓ 34: 10.6x ↗ 35: 10.0 ↗ 36: 10.3x ↗ 37: 10.6x → 38: 10.9x ↗ 39: 10.6x ↗ 40: 10.4x ↗ Serie 103.5 Total 402.4	

Skjutlag 1	Tavla 18	Hanna Augustsson			
S		Vännäs Skf			
19.11.2016		Drängsmarksskyttet 2016	Umeå skytteallians		
Prov		1: 10.0 ↓ 2: 9.8 ↗ 3: 10.9x → 4: 10.7x → 5: 10.2x ↓ 6: 10.4x ↗ 7: 10.2x ← 8: 10.7x ↓ 9: 10.6x ↗ 10: 10.3x ↖ Serie 103.8 Total 0.0	Prov		11: 10.5x ↑ 12: 10.8x ↑ 13: 10.1 → 14: 10.0 ↖ 15: 10.6x ↑ 16: 10.8x ← 17: 10.7x ↑ 18: 10.6x ↓ 19: 10.7x → 20: 10.0 ↖ Serie 104.8 Total 0.0
Prov		21: 10.1 → 22: 10.8x ↓ 23: 10.4x → 24: 10.4x ↓ 25: 10.7x ↓ 26: 10.5x ↗ 27: 10.6x → Serie 73.5 Total 0.0	60 Skott		1: 10.6x → 2: 10.8x ← 3: 10.9x ↓ 4: 10.8x ↗ 5: 10.3x ↓ 6: 10.4x ↑ 7: 10.5x → 8: 10.4x → 9: 10.7x ↓ 10: 10.5x → Serie 105.9 Total 105.9
60 Skott		11: 10.1 ↓ 12: 10.7x ← 13: 10.7x ↓ 14: 10.4x ← 15: 10.6x ↗ 16: 10.4x ↗ 17: 10.5x ↓ 18: 10.3x → 19: 10.1 ↑ 20: 10.3x ↗ Serie 104.1 Total 210.0	60 Skott		21: 10.5x ↓ 22: 10.6x ↗ 23: 10.5x ↖ 24: 10.3x ← 25: 9.7 ↓ 26: 10.5x ↓ 27: 10.6x ↗ 28: 10.2x ↓ 29: 10.5x ↓ 30: 10.7x ↓ Serie 104.1 Total 314.1
60 Skott		31: 10.4x ↗ 32: 10.6x ↗ 33: 10.1 ↓ 34: 10.5x ↗ 35: 10.1 ↓ 36: 10.4x ↓ 37: 10.2x ↓ 38: 10.7x ← 39: 10.5x ↑ 40: 10.3x → Serie 103.8 Total 417.9			

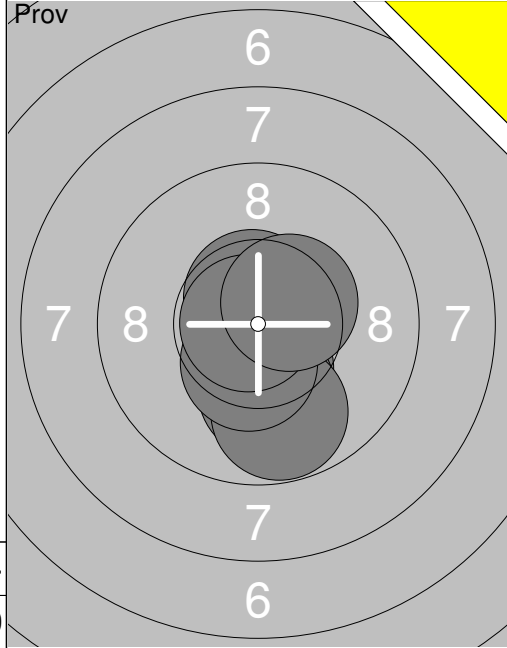
Skjutlag 1	Tavla 19	Erika Augustsson			
S		Vännäs Skf			
19.11.2016		Drängsmarksskyttet 2016		Umeå skytteallians	
Prov		1: 9.8 → 2: 10.1 ↓ 3: 10.3x ↓ 4: 9.7 → 5: 10.5x ↓ 6: 9.7 ↓ 7: 10.1 → 8: 9.8 ↓ 9: 10.6x → 10: 10.2x ↓	Prov		11: 10.3x → 12: 9.9 ↓ 13: 10.1 ↓ 14: 10.0 ↗ 15: 10.6x ↓ 16: 10.4x ↖ 17: 10.0 ↗ 18: 10.3x ↗ 19: 10.4x → 20: 10.3x ↑
		Serie 100.8		Serie 102.3	
		Total 0.0		Total 0.0	
Prov		21: 10.3x ↑ 22: 10.2x ↗ 23: 10.5x → 24: 10.7x ↖	60 Skott		1: 10.5x ↑ 2: 10.5x ↓ 3: 10.6x ↓ 4: 10.5x ↓ 5: 10.3x → 6: 10.2x → 7: 10.8x ← 8: 10.4x ↗ 9: 10.6x ↖ 10: 10.6x ←
		Serie 41.7		Serie 105.0	
		Total 0.0		Total 105.0	
60 Skott		11: 10.3x ↖ 12: 10.4x ↘ 13: 10.7x ↘ 14: 10.6x ↗ 15: 10.7x ← 16: 10.4x → 17: 10.6x ↓ 18: 10.3x ↖ 19: 10.6x ↖ 20: 10.8x ↓	60 Skott		21: 10.5x ↘ 22: 10.2x ↖ 23: 10.3x ← 24: 10.6x ↑ 25: 10.4x ↓ 26: 10.4x ↗ 27: 10.2x → 28: 10.6x ↗ 29: 10.4x ↓ 30: 10.4x ↗
		Serie 105.4		Serie 104.0	
		Total 210.4		Total 314.4	
60 Skott		31: 10.6x → 32: 10.5x → 33: 10.2x ↓ 34: 10.3x ↓ 35: 10.5x ↑ 36: 10.8x → 37: 10.5x ↖ 38: 10.3x ↓ 39: 10.3x ← 40: 10.2x ↗			
		Serie 104.2			
		Total 418.6			

<p>Prov</p>	<p>1: 9.4 → 2: 10.3x↘ 3: 10.3x→ 4: 10.5x↖ 5: 9.8 ↓ 6: 10.7x↘ 7: 9.1 ↑ 8: 10.3x↖ 9: 10.3x↘ 10: 10.8x↘</p> <p>Serie 101.5 Total 0.0</p>	<p>Prov</p>	<p>11: 9.9 ↘ 12: 9.4 ↓ 13: 10.2x↖ 14: 10.8x↑ 15: 10.5x↖ 16: 10.9x↘ 17: 10.0 ↘ 18: 9.9 ↖ 19: 10.7x↗</p> <p>Serie 92.3 Total 0.0</p>
<p>60 Skott</p>	<p>1: 10.5x↖ 2: 10.8x↖ 3: 10.2x↖ 4: 10.5x↖ 5: 10.1 ↘ 6: 10.1 → 7: 10.5x↘ 8: 9.8 → 9: 9.6 ↓ 10: 10.4x→</p> <p>Serie 102.5 Total 102.5</p>	<p>60 Skott</p>	<p>11: 9.8 ↓ 12: 9.9 ← 13: 9.9 ↓ 14: 10.4x↘ 15: 9.5 ↓ 16: 9.0 ↓ 17: 10.1 ← 18: 10.8x↖ 19: 10.1 ↗ 20: 10.2x↘</p> <p>Serie 99.7 Total 202.2</p>
<p>60 Skott</p>	<p>21: 8.4 ↓ 22: 10.5x↖ 23: 10.3x↘ 24: 10.4x→ 25: 10.2x↖ 26: 10.1 ← 27: 10.0 ↑ 28: 9.2 ← 29: 10.3x↘ 30: 10.5x↖</p> <p>Serie 99.9 Total 302.1</p>	<p>60 Skott</p>	<p>31: 10.6x↖ 32: 9.9 ↓ 33: 9.1 ↓ 34: 9.8 ↓ 35: 9.9 → 36: 9.2 ↓ 37: 10.0 ↓ 38: 10.7x↖ 39: 9.6 ↖ 40: 10.2x↘</p> <p>Serie 99.0 Total 401.1</p>

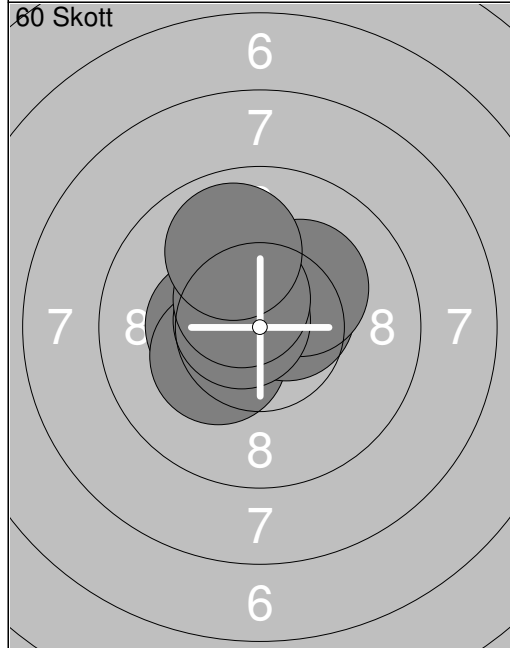
Skjutlag 1	Tavla 21	Jordan Olsson	
S		Umeå Skf	
19.11.2016		Drängsmarksskyttet 2016	Umeå skytteallians
Prov		1: 10.5x ↗ 2: 10.8x ↗ 3: 10.6x ↑ 4: 10.7x ↓ 5: 10.4x ↘ 6: 10.6x ↓ 7: 10.7x ↓ 8: 10.3x ↗ 9: 10.5x ↗ 10: 10.6x ↖	11: 10.5x ↓ 12: 10.1 ↓ 13: 10.4x → 14: 10.6x ↘ 15: 10.4x ↙ 16: 9.7 ← 17: 10.5x ↖ 18: 10.7x ↗ 19: 10.3x ↓ 20: 10.5x ↖
		Serie 105.7	Serie 103.7
		Total 0.0	Total 0.0
Prov		21: 10.5x ← 22: 10.4x ↙ 23: 10.4x ↑ 24: 10.5x ↘ 25: 10.0 → 26: 10.6x ← 27: 10.1 ↙ 28: 10.1 ↙ 29: 10.5x → 30: 10.3x ↗	31: 9.9 ↗ 32: 10.8x ↙ 33: 10.6x ↑ 34: 10.7x ↙
		Serie 103.4	Serie 42.0
		Total 0.0	Total 0.0
60 Skott		1: 10.9x ↗ 2: 10.4x ← 3: 10.1 ← 4: 10.6x → 5: 10.3x ↘ 6: 10.1 ↗ 7: 10.5x ↗ 8: 9.9 ↓ 9: 10.2x ← 10: 10.6x ↓	11: 10.3x ↙ 12: 10.7x ↘ 13: 10.7x ↑ 14: 10.4x ↗ 15: 10.3x ↗ 16: 10.5x ↑ 17: 10.5x ↙ 18: 10.5x ↙ 19: 10.7x → 20: 10.4x ↑
		Serie 103.6	Serie 105.0
		Total 103.6	Total 208.6
60 Skott		21: 10.7x ← 22: 10.2x ↖ 23: 10.5x ↖ 24: 10.7x ↗ 25: 10.2x ↘ 26: 10.7x ← 27: 10.4x ↘ 28: 10.4x ← 29: 10.3x ↓ 30: 10.3x ↙	31: 10.5x ↑ 32: 10.5x → 33: 10.2x ↗ 34: 10.7x ↙ 35: 10.3x ↙ 36: 10.4x ↙ 37: 10.3x ↘ 38: 10.8x ↑ 39: 10.9x ↖ 40: 10.4x ↘
		Serie 104.4	Serie 105.0
		Total 313.0	Total 418.0



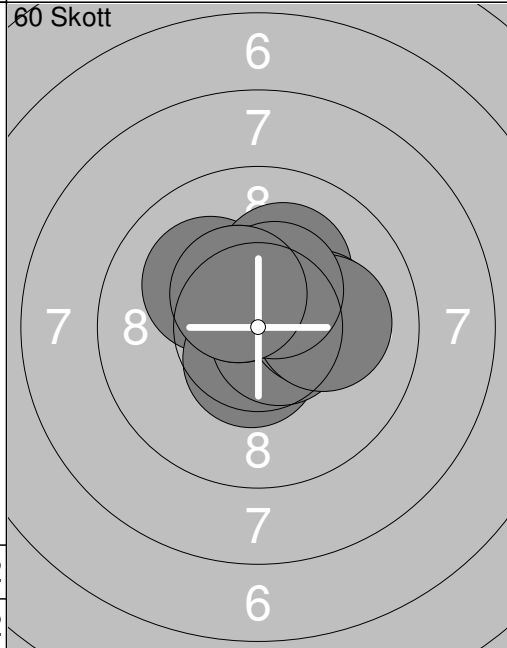
1:	9.7	↗
2:	9.5	↗
3:	8.9	↗
4:	10.3	↗
5:	10.7	↗
6:	10.6	↗
7:	10.0	↗
8:	10.4	↗
9:	10.9	↘
10:	10.4	↘
Serie	101.4	
Total	0.0	



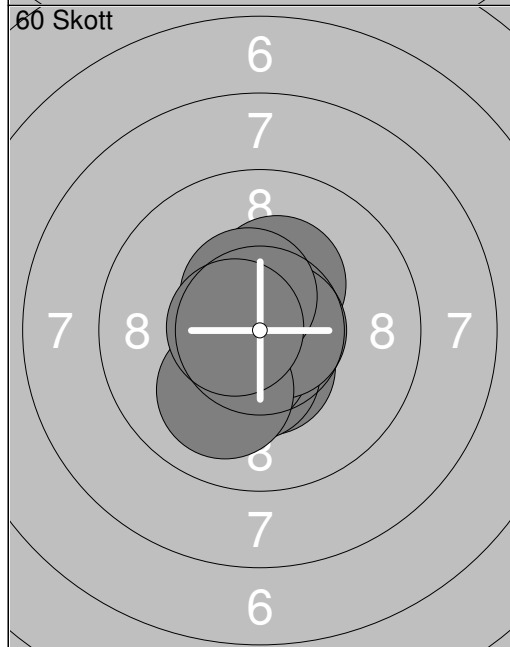
11:	10.6	↗
12:	10.4	↘
13:	10.1	↘
14:	9.8	↘
15:	10.4	↘
16:	10.8	↔
17:	10.5	↗
Serie	72.6	
Total	0.0	



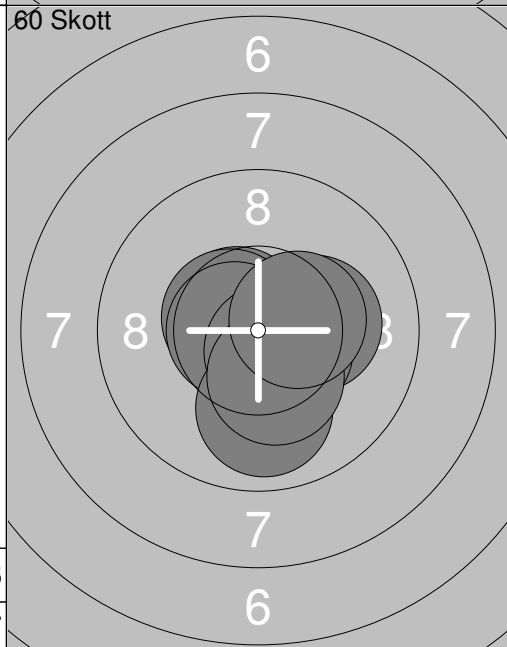
1:	10.5	↗
2:	10.7	↗
3:	10.3	↔
4:	10.5	↗
5:	10.3	↘
6:	10.6	↗
7:	10.2	↗
8:	10.7	↔
9:	10.5	↘
10:	9.9	↗
Serie	104.2	
Total	104.2	



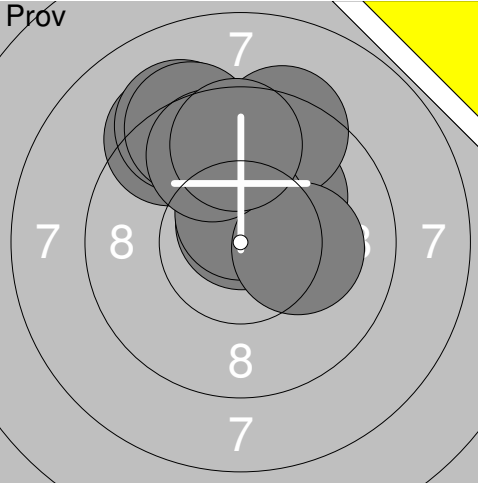
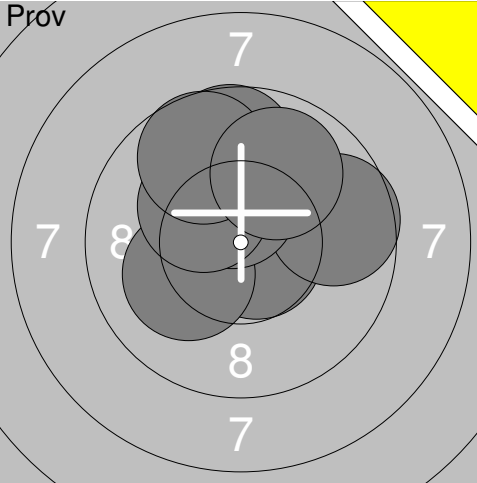
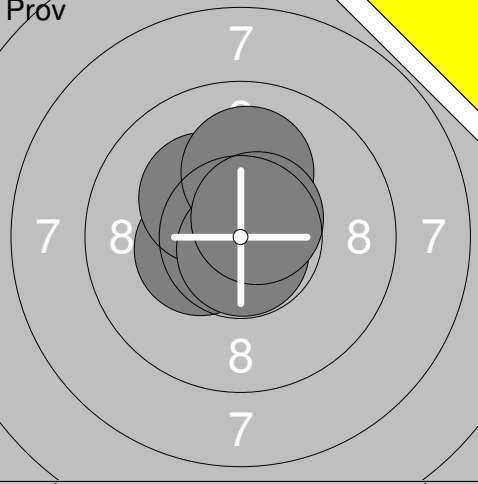
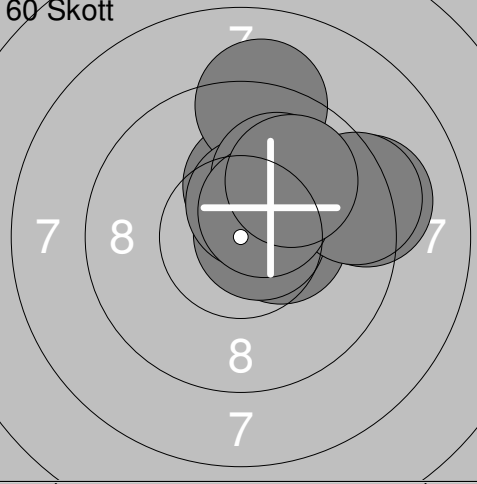
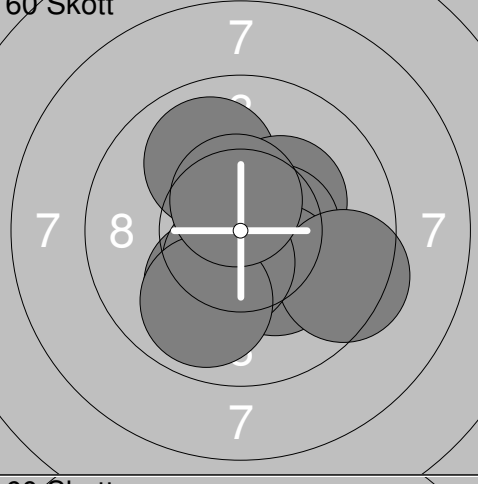
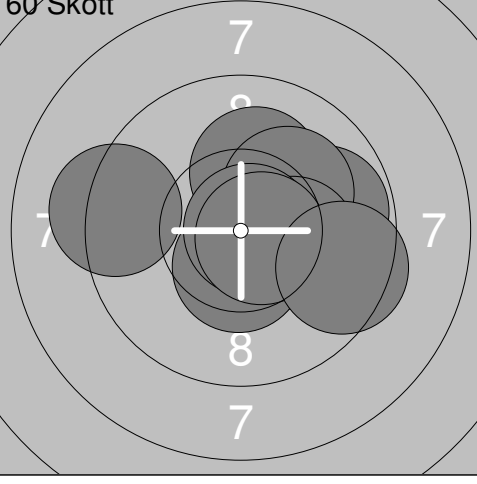
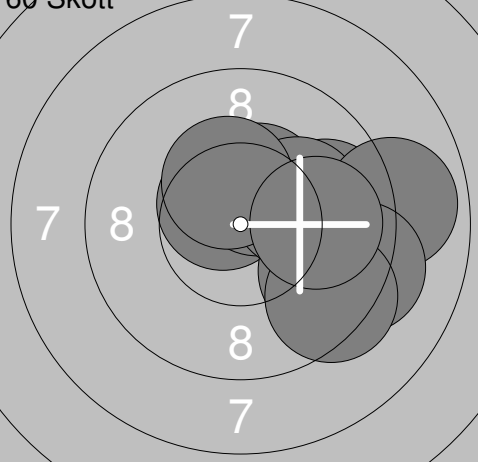
11:	10.1	↖
12:	10.8	↗
13:	10.1	↗
14:	10.5	↘
15:	10.6	↗
16:	10.5	↘
17:	10.2	↗
18:	10.1	→
19:	10.4	↗
20:	10.4	↘
Serie	103.7	
Total	207.9	





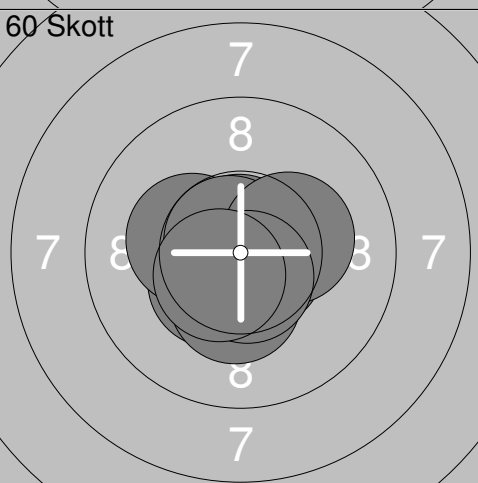
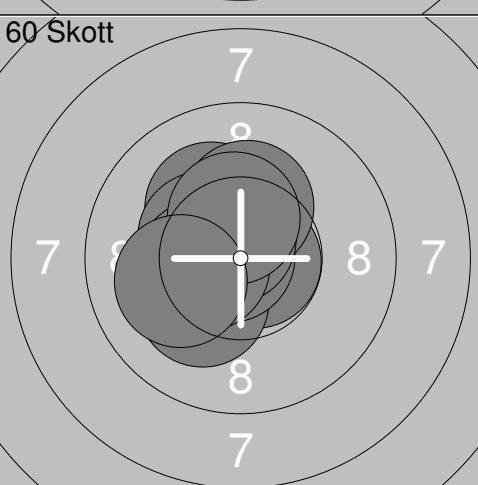
21:	10.8	↘
22:	10.5	↘
23:	10.4	↘
24:	10.5	↗
25:	10.5	↘
26:	10.3	↗
27:	10.7	↗
28:	10.0	↘
29:	10.5	↘
30:	10.6	↔
Serie	104.8	
Total	312.7	

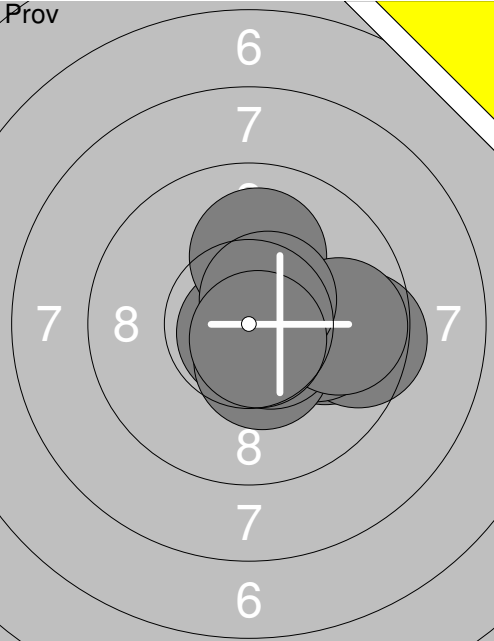
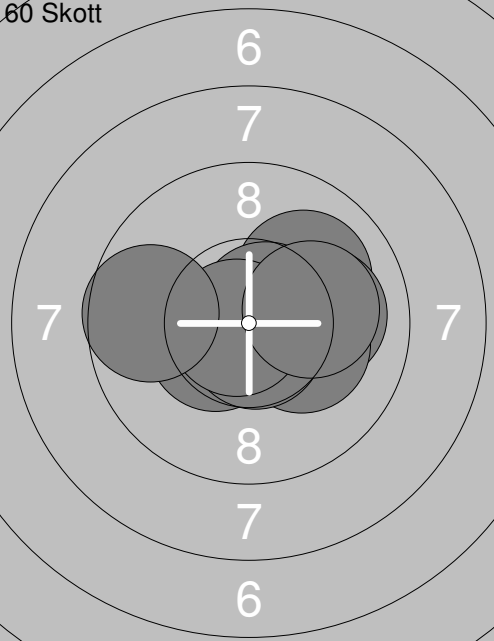
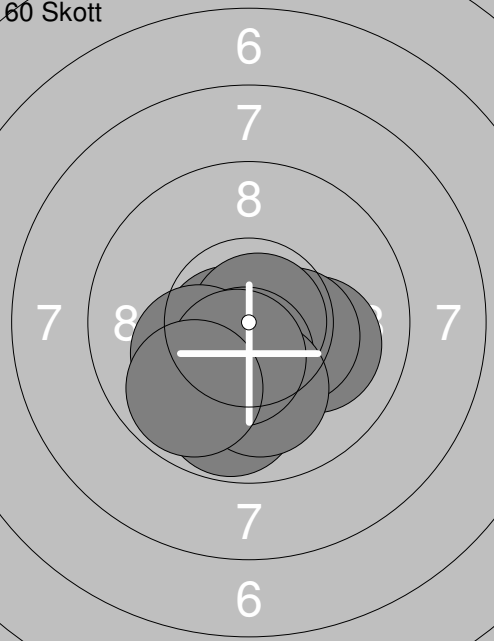


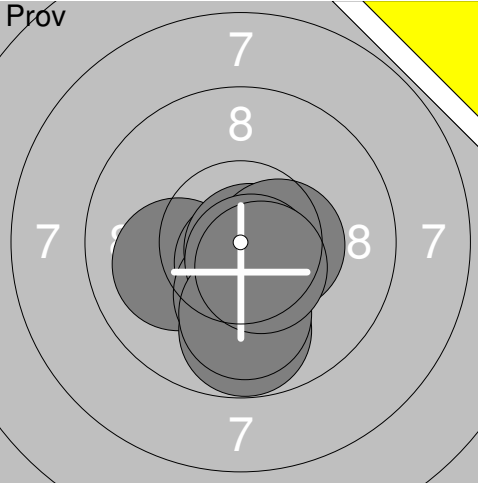

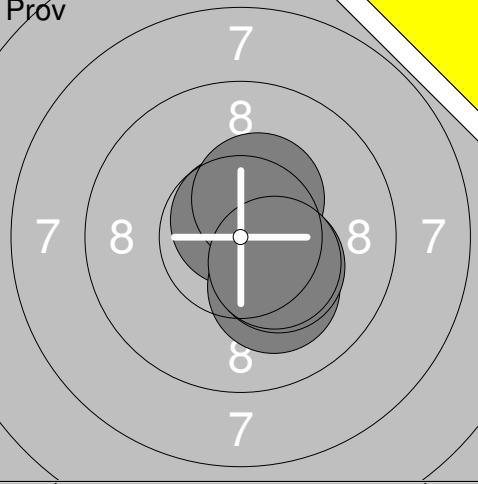
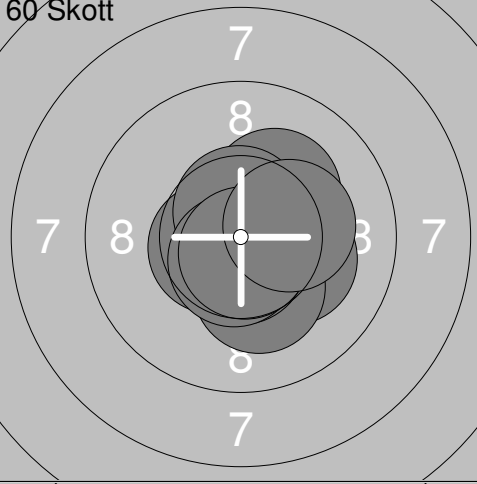
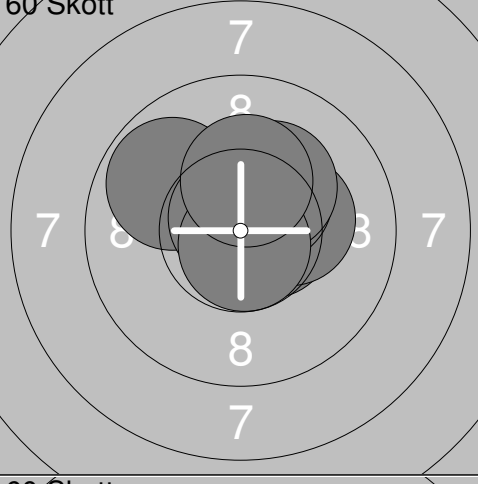
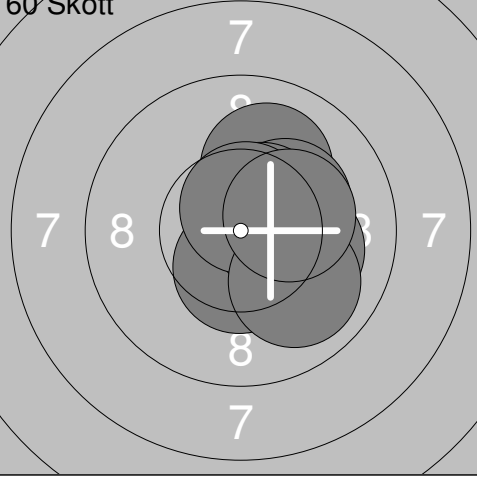
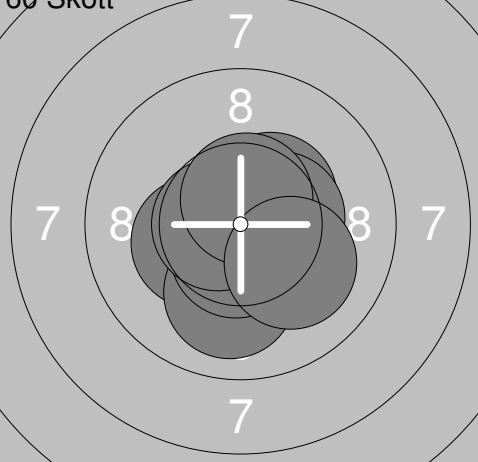
31:	10.8	↔
32:	10.6	↔
33:	10.5	↔
34:	10.2	↗
35:	10.5	↘
36:	10.7	↔
37:	10.6	↘
38:	9.9	↘
39:	10.3	↘
40:	10.4	↗
Serie	104.5	
Total	417.2	

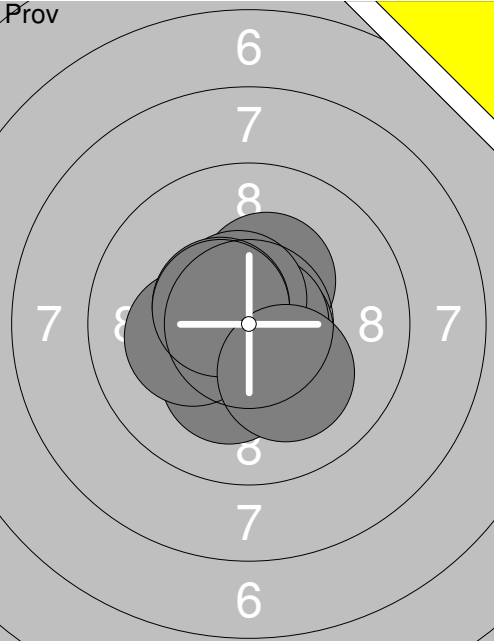
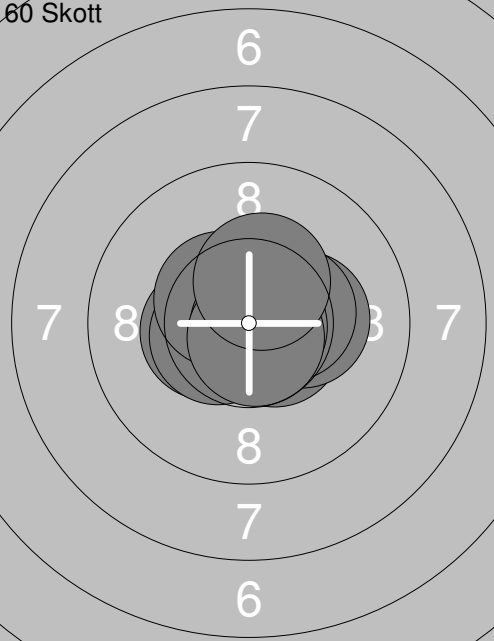
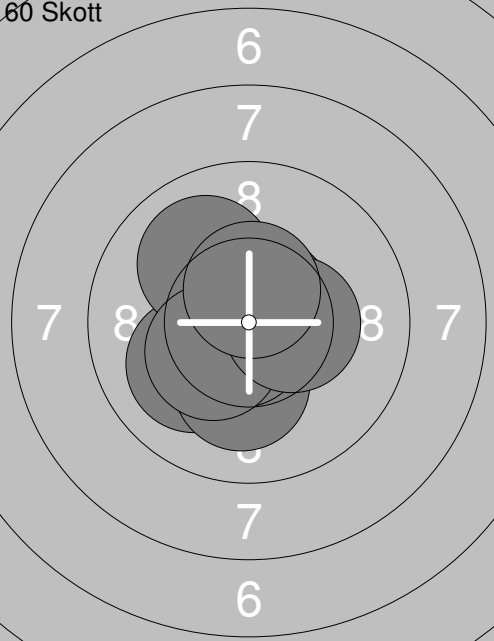
Skjutlag 1	Tavla 23	Amelia Viktorsson	
S		Rönnskärs Skf	
19.11.2016		Drängsmarksskyttet 2016	Umeå skytteallians
Pröv 	1: 9.3 ↗ 2: 9.2 ↗ 3: 9.3 ↗ 4: 10.1 ↗ 5: 10.7x ↑ 6: 9.4 ↗ 7: 10.6x ↑ 8: 10.2x → 9: 9.7 ↗ 10: 9.6 ↑ Serie 98.1 Total 0.0	Pröv 	11: 9.9 ↗ 12: 10.7x ↘ 13: 10.0 ↑ 14: 10.1 ↙ 15: 9.7 → 16: 9.7 ↑ 17: 10.4x ↑ 18: 10.3x ↖ 19: 9.7 ↗ 20: 9.9 ↗ Serie 100.4 Total 0.0
Pröv 	21: 10.4x ← 22: 10.2x ↖ 23: 10.1 ↑ 24: 10.8x ↓ 25: 10.6x ↗ Serie 52.1 Total 0.0	60 Skott 	1: 10.4x → 2: 10.2x ↑ 3: 9.2 → 4: 10.7x → 5: 9.3 → 6: 9.2 ↑ 7: 10.5x ↑ 8: 10.0 ↗ 9: 10.5x ↗ 10: 9.9 ↗ Serie 99.9 Total 99.9
60 Skott 	11: 10.5x → 12: 10.0 ↗ 13: 10.3x ↗ 14: 10.1 ↓ 15: 10.5x → 16: 10.3x ↓ 17: 9.4 ↘ 18: 10.5x ↓ 19: 9.9 ↓ 20: 10.5x ↑ Serie 102.0 Total 201.9	60 Skott 	21: 9.8 → 22: 10.1 ↑ 23: 10.4x → 24: 10.1 ↗ 25: 10.2x → 26: 10.5x ↓ 27: 9.2 ← 28: 10.8x → 29: 10.7x → 30: 9.5 → Serie 101.3 Total 303.2
60 Skott 	31: 9.8 → 32: 10.6x ↖ 33: 10.4x ↗ 34: 9.7 ↘ 35: 10.1 → 36: 8.9 → 37: 9.2 → 38: 9.4 ↘ 39: 10.4x ↑ 40: 9.9 → Serie 98.4 Total 401.6		

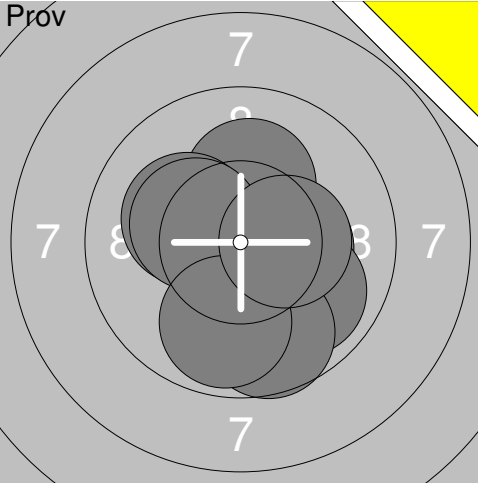
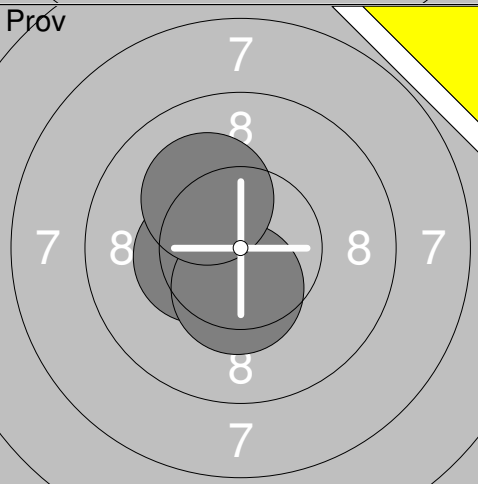
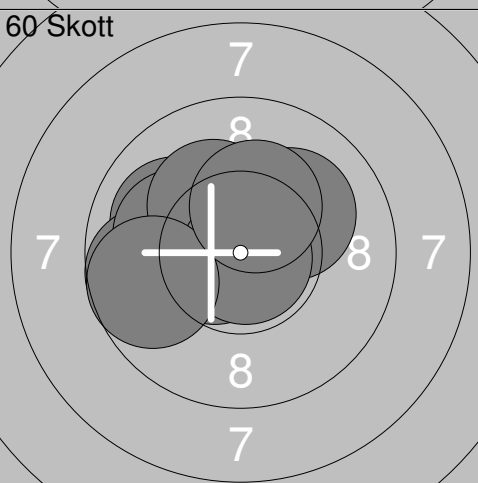
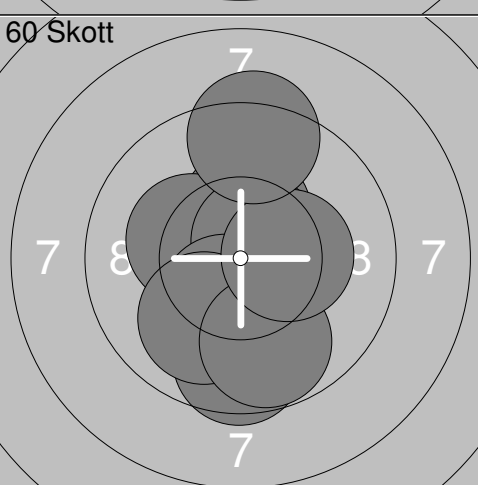
<p>Prov</p>	<p>1: 10.0 ↘ 2: 10.1 ↓ 3: 10.5 ✕ 4: 10.4x ↓ 5: 10.4x ↓ 6: 10.8x → 7: 10.6x ↗ 8: 9.9 ↑ 9: 10.2x ↗ 10: 10.5x ↗</p> <p>Serie 103.4 Total 0.0</p>	<p>Prov</p>	<p>11: 10.5x ↗ 12: 10.7 ✕ 13: 10.6 ✕ 14: 10.4x ↗ 15: 10.8x ✕</p> <p>Serie 53.0 Total 0.0</p>
<p>60 Skott</p>	<p>1: 10.9x ✕ 2: 10.5x ↓ 3: 10.8x → 4: 10.8x → 5: 10.6x ↓ 6: 10.0 ← 7: 10.8x ✕ 8: 10.6x → 9: 10.4x ✕ 10: 10.7x ↓</p> <p>Serie 106.1 Total 106.1</p>	<p>60 Skott</p>	<p>11: 10.5 ✕ 12: 10.8x ✕ 13: 10.5x ✕ 14: 9.8 ↑ 15: 10.6x ↓ 16: 10.8x ↗ 17: 10.4x ↗ 18: 10.5x ✕ 19: 10.1 ↘ 20: 10.6x →</p> <p>Serie 104.6 Total 210.7</p>
<p>60 Skott</p>	<p>21: 10.3x ✕ 22: 10.4 ✕ 23: 10.6 ✕ 24: 10.7x ↓ 25: 10.7x ↘ 26: 10.3x → 27: 10.8x ↓ 28: 10.3x ↓ 29: 10.5x ↘ 30: 10.8x ↓</p> <p>Serie 105.4 Total 316.1</p>	<p>60 Skott</p>	<p>31: 10.4x ↗ 32: 10.6x ✕ 33: 10.8x → 34: 10.5x ↓ 35: 10.7x ↘ 36: 10.2x ↗ 37: 10.2x → 38: 10.5x ✕ 39: 10.5x ↗ 40: 10.8x ✕</p> <p>Serie 105.2 Total 421.3</p>

Skjutlag 1	Tavla 25	Joel Bergqvist	
S		Umeå Skf	
19.11.2016		Drängsmarksskyttet 2016	Umeå skytteallians
Prov		1: 9.2 ↘ 2: 10.0 ↘ 3: 10.7x ↘ 4: 10.4x ↙ 5: 10.4x ↘ 6: 10.8x ↘ 7: 10.7x ↘ 8: 10.5x ↘ 9: 10.2x ↘ 10: 10.5x ↑	11: 10.3x ↙ 12: 10.7x ↘ 13: 10.4x ↘ 14: 10.7x ↘ 15: 10.8x ↘ 16: 10.5x → 17: 10.6x → 18: 10.4x ↘ 20: 10.8x ↑
		Serie 103.4	Serie 95.2
		Total 0.0	Total 0.0
Prov		21: 10.6x ← 22: 10.7x ←	1: 10.7x ↘ 2: 10.2x → 3: 10.4x ↘ 4: 10.5x → 5: 10.7x ↘ 6: 10.7x ← 7: 10.8x ↘ 8: 10.7x ↘ 9: 10.5x ↘ 10: 10.8x ←
		Serie 21.3	Serie 106.0
		Total 0.0	Total 106.0
60 Skott		11: 10.8x ↑ 12: 10.8x ↘ 13: 10.4x ↘ 14: 10.7x ↘ 15: 10.3x ↘ 16: 10.3x ← 17: 10.7x ↗ 18: 10.3x → 19: 10.6x ↘ 20: 10.5x ↘	21: 10.3x → 22: 10.6x ↗ 23: 10.4x → 24: 10.9x ↗ 25: 10.6x ↑ 26: 10.7x ↙ 27: 10.7x ↑ 28: 10.8x ← 29: 10.3x ↑ 30: 10.5x ↘
		Serie 105.4	Serie 105.8
		Total 211.4	Total 317.2
60 Skott		31: 10.7x → 32: 10.2x ↗ 33: 10.2x ↘ 34: 10.8x ← 35: 10.3x ↑ 36: 10.6x ↗ 37: 10.4x ↗ 38: 10.4x ← 39: 10.4x ↑ 40: 10.1 ←	
		Serie 104.1	
		Total 421.3	

Skjutlag	Tavla	Edvin Larsson	
S	Rönnskärs Skf		
19.11.2016	Drängsmarksskyttet 2016	Umeå skytteallians	
Prov		1: 10.8x↓ 2: 9.9 → 3: 9.5 → 4: 10.1 → 5: 10.1 ↑ 6: 10.4x↓ 7: 10.6x↘ 8: 9.8 → 9: 10.5x↗ 10: 10.7x↓ Serie 102.4 Total 0.0	Prov
			11: 10.0 ↓ 12: 10.6x↓ 13: 9.9 → 14: 10.2x↘ 15: 9.9 ↗ Serie 50.6 Total 0.0
60 Skott		1: 10.0 ↗ 2: 10.0 → 3: 10.7x↘ 4: 10.2x↘ 5: 10.7x↗ 6: 10.4x↘ 7: 10.7x↓ 8: 10.8x↘ 9: 10.1 → 10: 9.7 ← Serie 103.3 Total 103.3	60 Skott
			11: 10.8x↗ 12: 10.4x↘ 13: 10.2x↘ 14: 10.1 ↓ 15: 10.6x↘ 16: 10.3x↘ 17: 10.7x↘ 18: 10.3x↑ 19: 10.0 ↖ 20: 10.4x↘ Serie 103.8 Total 207.1
60 Skott		21: 10.1 → 22: 10.7x↘ 23: 10.4x↘ 24: 10.8x↘ 25: 10.5x↓ 26: 10.2x↘ 27: 9.8 ↓ 28: 10.1 ↓ 29: 10.5x↓ 30: 9.8 ↘ Serie 102.9 Total 310.0	60 Skott
			31: 10.3x↘ 32: 9.5 ↖ 33: 10.2x↓ 34: 10.6x↘ 35: 10.4x↘ 36: 10.6x↓ 37: 10.5x↘ 38: 10.7x↑ 39: 9.9 ↓ 40: 9.8 ↖ Serie 102.5 Total 412.5

Skjutlag 1	Tavla 27	Ebba Lundstedt	
S		Ramselefors Skf	
19.11.2016		Drängsmarksskyttet 2016	Umeå skytteallians
Prov		1: 10.1 ← 2: 10.7x ↓ 3: 10.5x ↓ 4: 10.2x ↓ 5: 10.8x ↓ 6: 9.8 ↓ 7: 10.4x → 8: 10.7x ↓ 9: 10.0 ↓ 10: 10.5x ↓ Serie 103.7 Total 0.0	Prov  11: 10.3x ↓ 12: 10.2x ↓ 13: 9.4 ↓ 14: 10.1 ↘ 15: 10.4x ↓ 16: 10.1 ↓ 17: 10.5x → 18: 10.1 → 19: 10.5x ↓ 20: 10.1 ↓ Serie 101.7 Total 0.0
Prov		21: 10.7x ↑ 22: 10.1 ↓ 23: 10.3x ↓ 24: 10.4x ↑ 25: 10.4x ↓ Serie 51.9 Total 0.0	60 Skott  1: 10.6x ↑ 2: 10.2x → 3: 10.2x ↗ 4: 10.2x ↓ 5: 10.7x ↓ 6: 10.6x ← 7: 10.6x ↑ 8: 10.6x ↓ 9: 10.7x ↓ 10: 10.3x → Serie 104.7 Total 104.7
60 Skott		11: 10.7x → 12: 9.8 ↗ 13: 10.5x ↗ 14: 10.6x → 15: 10.8x ↗ 16: 10.3x → 17: 10.4x ↗ 18: 10.2x ↗ 19: 10.8x ↓ 20: 10.3x ↑ Serie 104.4 Total 209.1	60 Skott  21: 10.3x → 22: 10.1 → 23: 10.5x ↓ 24: 10.1 ↑ 25: 10.4x → 26: 10.3x ↗ 27: 10.5x ↗ 28: 10.6x ↑ 29: 10.0 ↓ 30: 10.3x → Serie 103.1 Total 312.2
60 Skott		31: 10.3x ← 32: 10.4x ↗ 33: 10.0 ↓ 34: 10.8x ↓ 35: 10.8x → 36: 10.6x ↓ 37: 10.4x → 38: 10.6x ← 39: 10.6x ↑ 40: 10.1 ↓ Serie 104.6 Total 416.8	

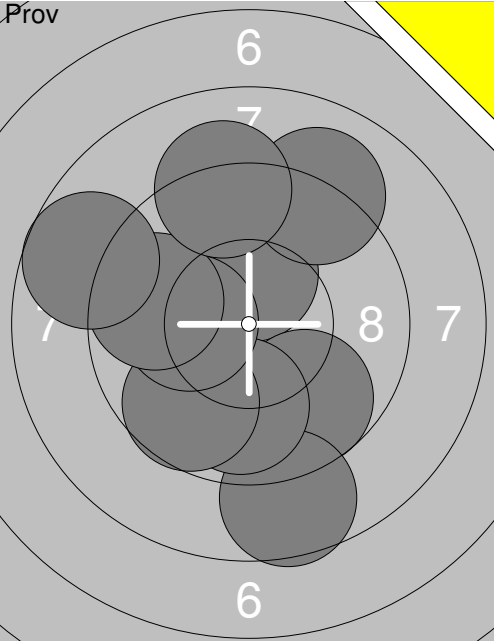
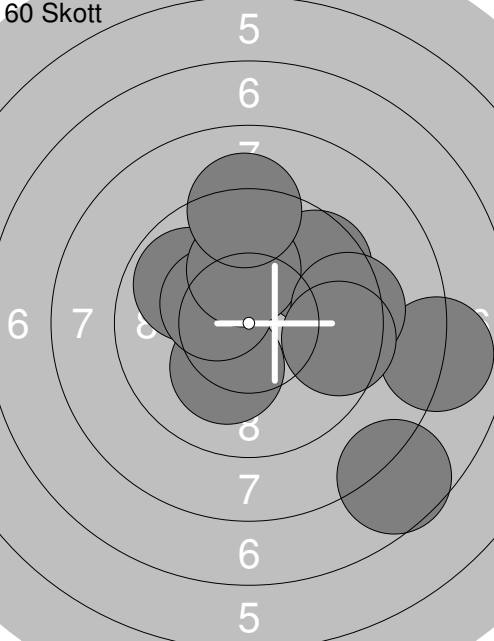
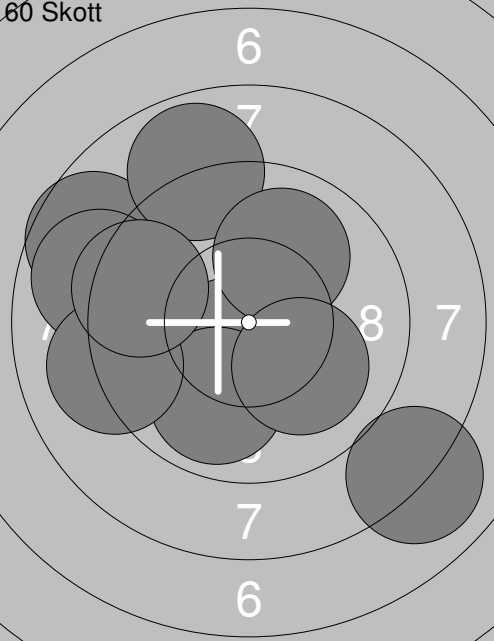
Skjutlag	Tavla	Rebecka Dahl	
S	29	Umeå Skf	
19.11.2016	Drängsmarksskyttet 2016	Umeå skytteallians	
Prov		1: 10.3x↗ 2: 10.7x↘ 3: 10.6x↖ 4: 10.2x↘ 5: 10.2x↖ 6: 10.8x→ 7: 10.6x↗ 8: 10.5x↖ 9: 10.5x↖ 10: 10.1 ↘ Serie 104.5 Total 0.0	11: 10.7x↘ 12: 10.6x↖ 13: 10.8x↗ 14: 10.7x↖ 15: 10.5x↘ Serie 53.3 Total 0.0
60 Skott		1: 10.6x↘ 2: 10.4x↖ 3: 10.5x↖ 4: 10.9x↗ 5: 10.5x↖ 6: 10.3x→ 7: 10.4x→ 8: 10.8x→ 9: 10.7x↘ 10: 10.4x↗ Serie 105.5 Total 105.5	11: 10.4x↖ 12: 10.5x↖ 13: 10.4x↘ 14: 10.4x↘ 15: 10.5x→ 16: 10.4x↗ 17: 9.8 ↗ 18: 10.6x↗ 19: 10.1 ↗ 20: 10.6x↘ Serie 103.7 Total 209.2
60 Skott		21: 10.1 ↘ 22: 10.2x↘ 23: 10.5x↗ 24: 10.5x↖ 25: 10.0 ↖ 26: 10.6x↗ 27: 10.7x↘ 28: 10.3x↖ 29: 10.4x→ 30: 10.5x↗ Serie 103.8 Total 313.0	31: 10.5x→ 32: 10.5x→ 33: 10.7x↗ 34: 10.8x↖ 35: 10.2x↖ 36: 10.0← 37: 10.6x↖ 38: 10.7x→ 39: 10.6x→ 40: 10.1 ↘ Serie 104.7 Total 417.7

Skjutlag 1	Tavla 30	Linnea Nilsson	
S		Umeå Skf	
19.11.2016		Drängsmarksskyttet 2016	Umeå skytteallians
Prov		1: 10.3x → 2: 10.4x ↓ 3: 9.9 ↘ 4: 10.7x ↑ 5: 9.7 ↓ 6: 10.2x ↑ 7: 10.2x ↖ 8: 10.3x ↖ 9: 9.9 ↓ 10: 10.3x →	11: 10.7x ↓ 12: 10.2x ← 13: 9.6 ↓ 14: 10.2x ↓ 15: 10.4x ← 16: 10.3x ↓ 17: 10.6x ↗ 18: 10.4x ↙ 19: 10.0 ← 20: 9.7 ↙
		Serie 101.9	Serie 102.1
		Total 0.0	Total 0.0
Prov		21: 10.4x ← 22: 10.4x ↓ 23: 10.2x ↗	1: 9.9 ↓ 2: 10.0 ↘ 3: 10.5x ↑ 4: 10.4x ↑ 5: 9.6 ↓ 6: 10.3x ↗ 7: 10.1 ← 8: 10.5x ↗ 9: 10.4x ↓ 10: 10.2x ↓
		Serie 31.0	Serie 101.9
		Total 0.0	Total 101.9
60 Skott		11: 10.6x ← 12: 10.1 ↗ 13: 10.0 ↖ 14: 9.7 ← 15: 10.1 ↖ 16: 10.8x ↗ 17: 10.2x ↗ 18: 10.8x ↓ 19: 9.7 ← 20: 10.3x ↑	21: 10.0 → 22: 10.1 ↓ 23: 9.9 ↗ 24: 10.3x ↓ 25: 10.2x ↗ 26: 10.4x ← 27: 10.0 ↑ 28: 10.6x ↙ 29: 10.5x ↓ 30: 10.4x ↙
		Serie 102.3	Serie 102.4
		Total 204.2	Total 306.6
60 Skott		31: 10.4x ↑ 32: 10.1 ↓ 33: 10.3x ↖ 34: 9.6 ↓ 35: 10.6x ↗ 36: 10.3x ↓ 37: 10.0 ↓ 38: 9.8 ↓ 39: 10.3x → 40: 9.3 ↑	
		Serie 100.7	
		Total 407.3	

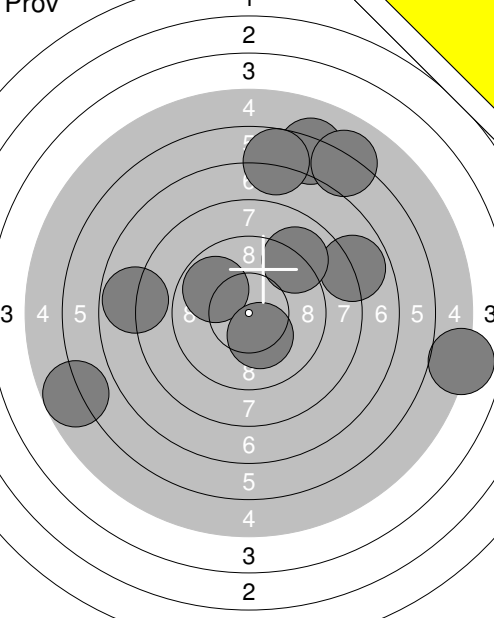
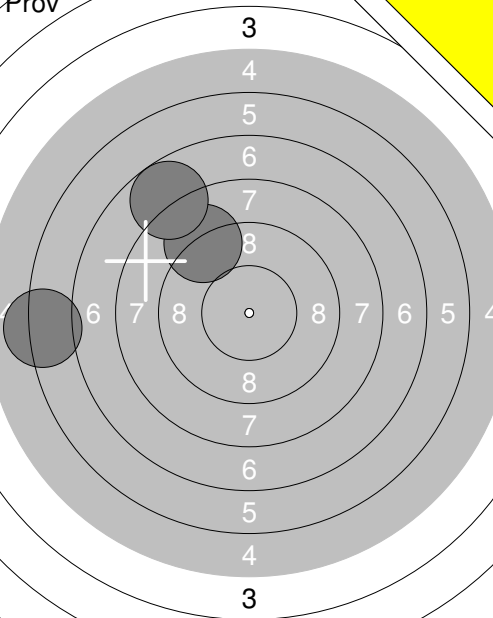
Skjutlag	Tavla	Elias Nilsson	
S		Ramselefors Skf	
19.11.2016		Drängsmarksskyttet 2016	Umeå skytteallians
Prov		1: 10.1 → 2: 9.8 ↘ 3: 9.4 → 4: 10.5x → 5: 9.9 ↓ 6: 10.1 ← 7: 6.0 ↗ 8: 9.1 ↗ 9: 8.7 ↓ 10: 7.4 ↘ Serie 91.0 Total 0.0	11: 9.5 ← 12: 10.1 ↗ 13: 9.8 ↗ 14: 10.3x ← 15: 10.3x ↘ 16: 10.0 ↗ 17: 9.8 ↗ 18: 9.8 → 19: 8.4 ↑ 20: 10.3x → Serie 98.3 Total 0.0
60 Skott		1: 9.0 ↘ 2: 10.1 → 3: 8.2 ← 4: 9.9 → 5: 9.8 → 6: 10.2x → 7: 10.3x → 8: 6.8 ↗ 9: 9.6 ↗ 10: 8.7 → Serie 92.6 Total 92.6	11: 9.4 ↘ 12: 9.3 ↗ 13: 10.5x ↓ 14: 10.3x ↘ 15: 10.3x ↘ 16: 7.6 ↖ 17: 9.9 ↗ 18: 10.0 ↓ 19: 10.3x ↘ 20: 10.6x ↓ Serie 98.2 Total 190.8
60 Skott		21: 8.8 ↓ 22: 10.1 → 23: 9.4 ↗ 24: 9.8 ↗ 25: 9.7 ↘ 26: 7.4 ↘ 27: 10.8x ↓ 28: 10.1 ↗ 29: 6.5 → 30: 10.3x ↓ Serie 92.9 Total 283.7	31: 9.6 ↓ 32: 10.0 ↓ 33: 9.9 ↑ 34: 8.0 ↑ 35: 9.6 → 36: 9.3 ↖ 37: 9.1 ↓ 38: 9.7 ↘ 39: 9.0 → 40: 10.0 ↓ Serie 94.2 Total 377.9

Skjutlag 1	Tavla 32	Elvira Larsson	
S		Rönnskärs Skf	
19.11.2016		Drängsmarksskyttet 2016	Umeå skytteallians
Pröv 	1: 10.4x ↓ 2: 9.4 ↓ 3: 9.8 ↙ 4: 10.0 ← 5: 9.2 ↓ 6: 9.9 ↗ 7: 10.3x ← 8: 10.3x ↓ 9: 8.9 ↙ 10: 10.2x ← Serie 98.4 Total 0.0	Pröv 	11: 9.8 ↗ 12: 10.8x ↗ 13: 9.7 ↗ 14: 10.1 → 15: 9.4 ↙ 16: 10.3x → 17: 9.8 ↓ 18: 9.7 ← 20: 9.6 ← Serie 89.2 Total 0.0
Pröv 	21: 10.0 ↓ 22: 9.8 ↙ 23: 10.1 ↓ 24: 8.4 → 25: 9.2 ← 26: 9.8 ← 27: 9.1 ← 28: 9.9 ↗ 29: 10.2x ← Serie 86.5 Total 0.0	60 Skott 	1: 10.5x ↙ 2: 9.5 ↙ 3: 9.3 ↙ 4: 9.3 ← 5: 10.1 ← 6: 8.7 ← 7: 9.0 ↗ 8: 9.9 ← 9: 8.6 ← 10: 8.9 ↙ Serie 93.8 Total 93.8
60 Skott 	11: 9.6 ↙ 12: 9.9 ↙ 13: 9.9 ← 14: 10.0 ← 15: 7.7 ↙ 16: 8.7 ↙ 17: 9.7 ↙ 18: 9.6 ← 19: 9.1 ↗ 20: 9.9 ↓ Serie 94.1 Total 187.9	60 Skott 	21: 9.7 ↗ 22: 9.2 ↙ 23: 9.4 ↗ 24: 10.5x ↗ 25: 8.9 ↗ 26: 8.9 ↙ 27: 9.7 ↓ 28: 10.5x ↙ 29: 9.9 ← 30: 9.7 ↓ Serie 96.4 Total 284.3
60 Skott 	31: 10.7x ← 32: 9.7 ↙ 33: 9.2 ↘ 34: 9.4 ↙ 35: 9.2 ↗ 36: 9.2 ← 37: 10.0 ↓ 38: 10.5x → 39: 9.9 ↙ 40: 9.8 ↓ Serie 97.6 Total 381.9		

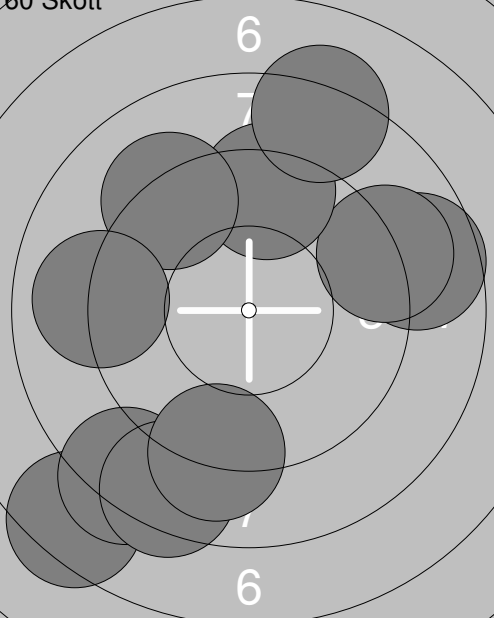
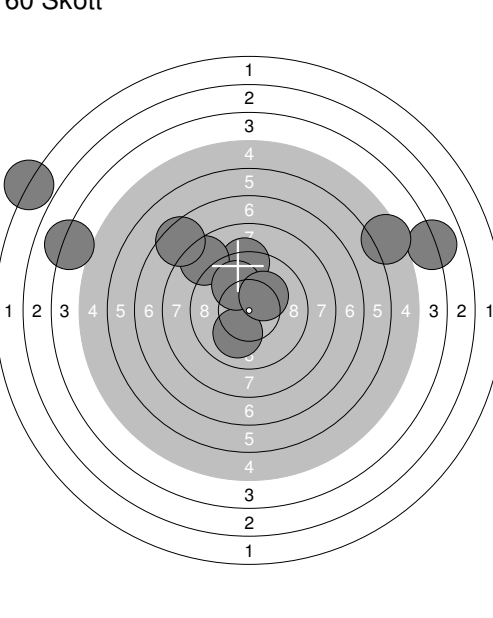
Skjuttag	Tavla	Adam Tiburzi	
S		Drängsmark Skf	
19.11.2016		Drängsmarksskyttet 2016	Umeå skytteallians
Prov		1: 9.2 ↗ 2: 9.2 → 3: 9.2 → 4: 9.2 → 5: 9.8 ↖ 6: 7.3 → 7: 9.6 → 8: 9.8 ↓ 9: 8.1 → 10: 9.2 ↓ Serie 90.6 Total 0.0	11: 10.0 ↘ 12: 8.7 ↘ 13: 8.6 ← 14: 10.1 ← 15: 10.2 ↘ Serie 47.6 Total 0.0
60 Skott		1: 10.0 ← 2: 9.5 ↖ 3: 10.7 ↘ 4: 9.5 ↓ 5: 6.6 → 6: 9.8 → 7: 7.9 ← 8: 9.9 ↖ 9: 10.8 ↘ 10: 10.9 ↘ Serie 95.6 Total 95.6	11: 10.5x ↓ 12: 9.8 ↖ 13: 10.5x ← 14: 10.5x ↘ 15: 10.1 ↖ 16: 10.3x ↓ 17: 10.2x → 18: 10.0 ← 19: 9.6 ↖ 20: 9.3 ↖ Serie 100.8 Total 196.4
60 Skott		21: 10.1 ↓ 22: 10.4x ↖ 23: 9.7 ↘ 24: 10.8x ↖ 25: 10.2x ↘ 26: 9.3 → 27: 9.9 ↖ 28: 9.5 → 29: 10.5x ↖ 30: 9.6 ↓ Serie 100.0 Total 296.4	31: 10.4x ↘ 32: 9.7 → 33: 9.1 → 34: 9.6 ↖ 35: 10.0 ↖ 36: 9.6 ↖ 37: 10.5x → 38: 9.2 → 39: 10.4x → 40: 7.9 ← Serie 96.4 Total 392.8

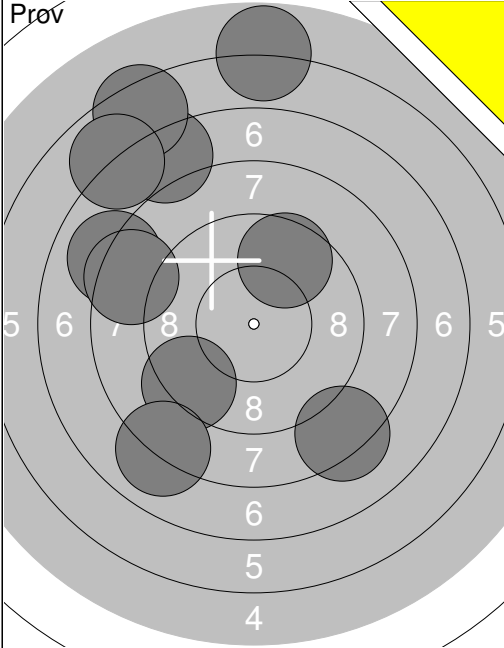
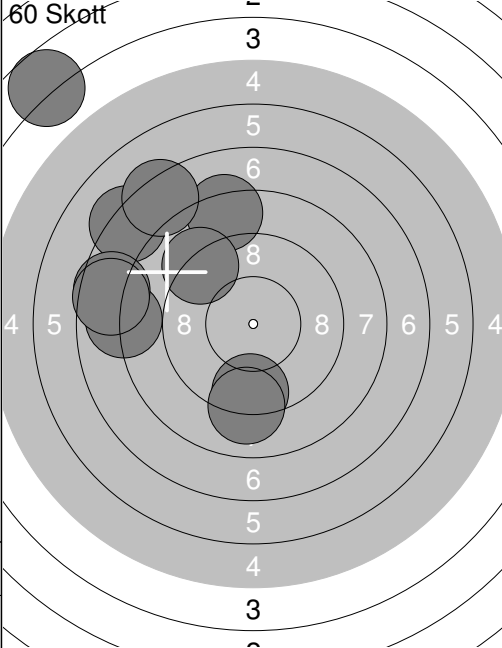
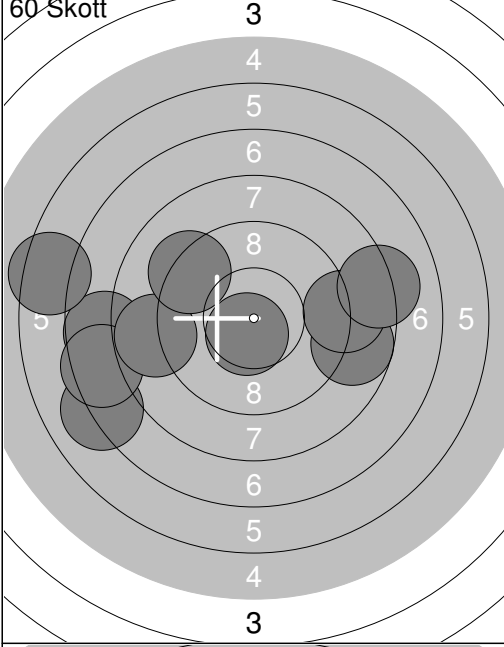
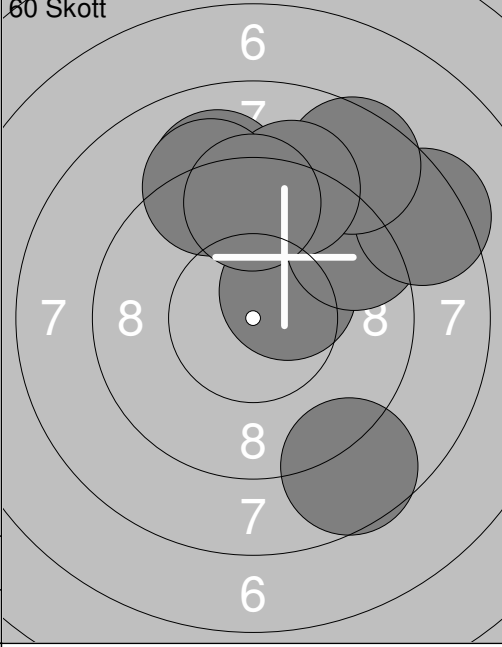
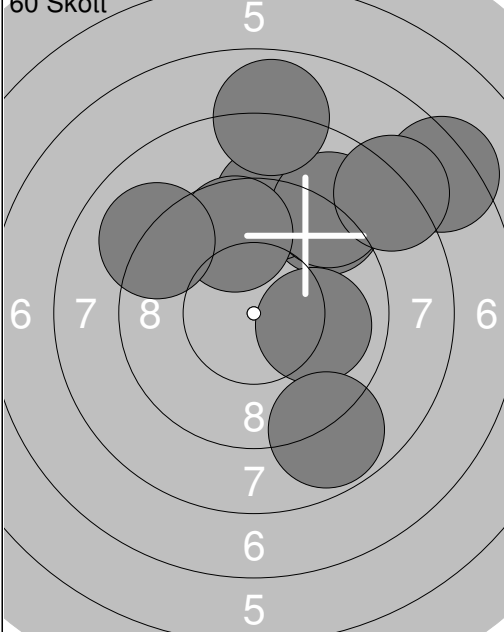
Skjutlag	Tavla	Ylva Lundstedt	
1	35		
S	Ramselefors Skf		
19.11.2016	Drängsmarksskyttet 2016	Umeå skytteallians	
Prov		1: 10.3x↑ 2: 9.7 ↘ 3: 9.1 ↗ 4: 8.6 ↓ 5: 9.9 ↓ 6: 9.7 ↘ 7: 10.2x← 8: 9.7 ← 9: 9.2 ↑ 10: 8.7 ← Serie 95.1 Total 0.0	11: 10.5x↘ 12: 9.9 ↖ 13: 10.3x↖ Serie 30.7 Total 0.0
60 Skott		1: 9.9 ↖ 2: 10.2x↘ 3: 8.0 → 4: 10.4x↖ 5: 9.6 ↗ 6: 10.1 ↑ 7: 7.6 ↘ 8: 9.2 ↑ 9: 9.4 → 10: 9.5 → Serie 93.9 Total 93.9	11: 10.5x↑ 12: 10.0 → 13: 7.8 → 14: 7.9 ↗ 15: 8.4 ↑ 16: 10.4x↘ 17: 9.5 ← 18: 8.8 → 19: 8.1 → 20: 10.2x↘ Serie 91.6 Total 185.5
60 Skott		21: 8.7 ← 22: 8.0 ↘ 23: 8.9 ↑ 24: 10.6x↘ 25: 9.9 ↓ 26: 10.0 ↗ 27: 8.9 ← 28: 9.1 ← 29: 9.5 ← 30: 10.1 ↘ Serie 93.7 Total 279.2	31: 8.9 ↓ 32: 8.8 ↘ 33: 9.6 → 34: 9.7 ↑ 35: 9.2 ↘ 36: 8.9 → 37: 9.6 → 38: 9.1 ↗ 39: 9.2 ↘ 40: 9.0 ↑ Serie 92.0 Total 371.2

Skjutlag 1	Tavla 36	Tore Tiburzi	
S		Drängsmark Skf	
19.11.2016		Drängsmarksskyttet 2016	
Prov		Umeå skytteallians	
	1: 6.2 ↙ 2: 9.1 ← 3: 7.4 → 4: 9.0 ↑ 5: 9.8 → 6: 3.8 ↙ 7: 6.9 ↗ 8: 9.2 ↑ 9: 7.9 → 10: 6.0 ← Serie 75.3 Total 0.0		11: 6.5 ↗ 12: 9.2 ↖ 13: 9.9 → 14: 10.2x ↘ 15: 7.6 ↑ 16: 10.2x ← 17: 3.1 ↑ 18: 7.3 → 19: 10.4x ↑ 20: 9.2 → Serie 83.6 Total 0.0
	21: 10.6x ↓ Serie 10.6 Total 0.0		1: 8.2 ↑ 2: 8.0 ↖ 3: 8.9 → 4: 9.6 ↗ 5: 8.5 ↑ 6: 5.9 ← 7: 7.7 → 8: 8.7 ↗ 9: 8.4 ↗ 10: 8.7 ↗ Serie 82.6 Total 82.6
	11: 6.0 ↑ 12: 9.1 → 13: 9.5 ↘ 14: 8.8 ↗ 15: 10.1 ← 16: 3.5 ↗ 17: 7.0 ← 18: 7.8 ↗ 19: 9.7 ← 20: 9.0 ↓ Serie 80.5 Total 163.1		21: 9.2 ↑ 22: 8.6 ← 23: 9.6 ↗ 24: 8.9 → 25: 8.5 ↗ 26: 10.5x ↓ 27: 8.5 ↑ 28: 7.3 → 29: 8.9 ↘ 30: 6.9 ← Serie 86.9 Total 250.0
	31: 0.0 ← 32: 5.6 → 33: 7.0 ↗ 34: 10.0 → 35: 9.0 ↘ 36: 6.9 ↘ 37: 9.6 ↑ 38: 7.9 ↗ 39: 7.5 → 40: 6.6 → Serie 70.1 Total 320.1		

<p>Prov</p>  <p style="text-align: center;">1 2 3 4 5 6 7 8 9 10</p> <p style="text-align: center;">3 4 5 6 7 8 7 6 5 4 3</p> <p style="text-align: center;">3 2 1</p>	<p>1: 5.0 →</p> <p>2: 6.2 ↗</p> <p>3: 7.9 →</p> <p>4: 6.8 ↑</p> <p>5: 5.7 ←</p> <p>6: 6.1 ↗</p> <p>7: 9.8 ↖</p> <p>8: 9.0 ↗</p> <p>9: 7.8 ←</p> <p>10: 10.3x ↓</p> <p>Serie 74.6</p> <p>Total 0.0</p>	<p>Prov</p>  <p style="text-align: center;">3 4 5 6 7 8 9 10</p> <p style="text-align: center;">6 7 8 8 7 6 5 4</p> <p style="text-align: center;">3 2 1</p>	<p>11: 6.2 ←</p> <p>12: 9.0 ↖</p> <p>13: 7.8 ↖</p> <p>Serie 23.0</p> <p>Total 0.0</p>
--	---	--	---

<p>60 Skott</p>  <p style="text-align: center;">3 4 5 6 7 8 9 10</p> <p style="text-align: center;">4 5 6 7 8 8 7 6 5 4</p> <p style="text-align: center;">3 2 1</p>	<p>1: 6.5 ↘</p> <p>2: 8.4 ↗</p> <p>3: 9.3 ↘</p> <p>4: 6.7 ↗</p> <p>5: 6.1 ↖</p> <p>6: 9.2 ↗</p> <p>7: 5.9 ←</p> <p>8: 6.3 ←</p> <p>9: 7.3 ←</p> <p>10: 9.2 ↘</p> <p>Serie 74.9</p> <p>Total 74.9</p>	<p>60 Skott</p>  <p style="text-align: center;">3 4 5 6 7 8 9 10</p> <p style="text-align: center;">4 5 6 7 8 8 7 6 5 4</p> <p style="text-align: center;">3 2 1</p>	<p>11: 6.7 ↖</p> <p>12: 9.2 ↖</p> <p>13: 6.8 ←</p> <p>14: 8.9 →</p> <p>15: 3.4 ↗</p> <p>16: 8.0 ↑</p> <p>17: 7.5 ↘</p> <p>18: 7.5 ↗</p> <p>19: 9.2 ↘</p> <p>20: 10.3x ↓</p> <p>Serie 77.5</p> <p>Total 152.4</p>
---	--	---	--

<p>60 Skott</p>  <p style="text-align: center;">6 7 8 9 10</p> <p style="text-align: center;">6 7 8 9 10</p> <p style="text-align: center;">3 2 1</p>	<p>21: 8.7 →</p> <p>22: 7.4 ↘</p> <p>23: 8.3 ↘</p> <p>24: 8.4 ↘</p> <p>25: 9.0 →</p> <p>26: 9.4 ↑</p> <p>27: 8.2 ↗</p> <p>28: 9.2 ↖</p> <p>29: 9.0 ←</p> <p>30: 9.0 ↓</p> <p>Serie 86.6</p> <p>Total 239.0</p>	<p>60 Skott</p>  <p style="text-align: center;">1 2 3 4 5 6 7 8 9 10</p> <p style="text-align: center;">1 2 3 4 5 6 7 8 8 7 6 5 4 3 2 1</p> <p style="text-align: center;">3 2 1</p>	<p>31: 10.0 ↘</p> <p>32: 9.2 ↑</p> <p>33: 8.6 ↖</p> <p>34: 9.9 ↗</p> <p>35: 1.9 ↖</p> <p>36: 4.0 →</p> <p>37: 7.5 ↖</p> <p>38: 10.2x ↗</p> <p>39: 5.4 →</p> <p>40: 4.1 ←</p> <p>Serie 70.8</p> <p>Total 309.8</p>
---	--	--	---

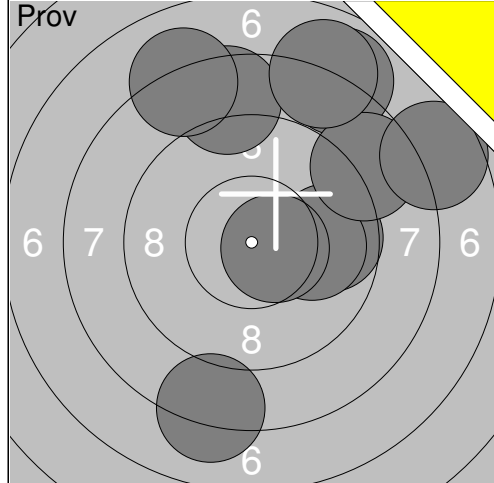
Skjuttag 1	Tavla 40	Jan-Olov Jonsson	
S		Umeå Skf	
19.11.2016		Drängsmarksskyttet 2016	Umeå skytteallians
Pröv		1: 7.3 ↗ 2: 6.4 ↗ 3: 8.3 ↘ 4: 9.3 ↙ 5: 9.6 ↗ 6: 5.8 ↑ 7: 8.0 ↘ 8: 8.0 ← 9: 8.5 ← 10: 6.9 ↗ Serie 78.1 Total 0.0	60 Skott  1: 9.4 ↓ 2: 9.1 ↓ 3: 7.2 ↖ 4: 8.3 ↑ 5: 7.3 ↗ 6: 9.1 ↗ 7: 3.7 ↖ 8: 7.9 ← 9: 7.6 ← 10: 7.6 ← Serie 77.2 Total 77.2
60 Skott		11: 7.1 ← 12: 7.7 ← 13: 7.5 ← 14: 6.4 ← 15: 8.8 ← 16: 9.2 ↖ 17: 8.7 → 18: 10.6x ↘ 19: 9.0 → 20: 8.2 → Serie 83.2 Total 160.4	60 Skott  21: 9.5 ↗ 22: 10.4x ↗ 23: 8.6 ↘ 24: 9.3 ↗ 25: 8.4 ↗ 26: 9.1 ↑ 27: 8.6 ↗ 28: 9.2 ↑ 29: 9.2 ↑ 30: 9.4 ↑ Serie 91.7 Total 252.1
60 Skott		31: 7.3 ↗ 32: 9.1 ↗ 33: 9.2 ↑ 34: 10.0 → 35: 9.0 ↗ 36: 9.7 ↑ 37: 7.9 ↑ 38: 8.8 ↘ 39: 9.1 ↖ 40: 8.1 ↗ Serie 88.2 Total 340.3	

<p>Prov</p>	<p>1: 10.1 ↑</p> <p>2: 10.2x →</p> <p>3: 10.0 ↗</p> <p>4: 10.4x ↘</p> <p>5: 8.9 →</p> <p>6: 9.1 ↖</p> <p>7: 6.2 →</p> <p>8: 10.2x ↓</p> <p>9: 7.9 ↙</p> <p>10: 8.7 ↑</p> <p>Serie 91.7</p> <p>Total 0.0</p>	<p>Prov</p>	<p>11: 9.6 ↗</p> <p>13: 9.4 ↓</p> <p>14: 8.6 ↖</p> <p>15: 10.2x →</p> <p>16: 9.1 ↓</p> <p>17: 10.0 →</p> <p>18: 10.0 ↙</p> <p>19: 8.8 ↓</p> <p>Serie 75.7</p> <p>Total 0.0</p>
-------------	---	-------------	--

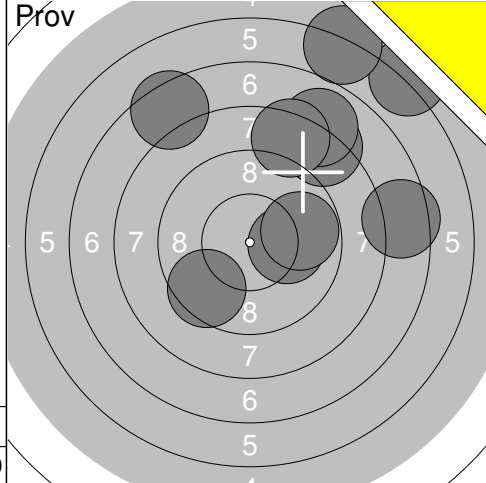
<p>60 Skott</p>	<p>1: 9.8 ↗</p> <p>2: 10.3x →</p> <p>3: 9.4 ↑</p> <p>4: 7.6 ↖</p> <p>5: 10.0 ↓</p> <p>6: 10.6x →</p> <p>7: 8.5 ↑</p> <p>8: 9.0 ↖</p> <p>9: 9.7 ↖</p> <p>10: 8.7 →</p> <p>Serie 93.6</p> <p>Total 93.6</p>	<p>60 Skott</p>	<p>11: 9.6 ↖</p> <p>12: 7.2 ↖</p> <p>13: 8.0 ↓</p> <p>14: 7.1 ↖</p> <p>15: 9.4 ↑</p> <p>16: 9.9 ↓</p> <p>17: 7.3 ↓</p> <p>18: 7.1 →</p> <p>19: 9.7 ↙</p> <p>20: 7.7 →</p> <p>Serie 83.0</p> <p>Total 176.6</p>
-----------------	---	-----------------	--

<p>60 Skott</p>	<p>21: 9.4 ↓</p> <p>22: 8.7 ↑</p> <p>23: 6.9 ↙</p> <p>24: 9.8 ↖</p> <p>25: 10.4x ↓</p> <p>26: 9.1 ↓</p> <p>27: 7.0 →</p> <p>28: 9.7 →</p> <p>29: 8.5 ↖</p> <p>30: 9.1 ↗</p> <p>Serie 88.6</p> <p>Total 265.2</p>	<p>60 Skott</p>	<p>31: 8.3 ↖</p> <p>32: 9.5 ↘</p> <p>33: 9.6 ↓</p> <p>34: 8.5 ↙</p> <p>35: 9.5 ↖</p> <p>36: 8.2 ↓</p> <p>37: 7.5 ↖</p> <p>38: 10.9x →</p> <p>39: 9.1 ↖</p> <p>40: 7.4 ↗</p> <p>Serie 88.5</p> <p>Total 353.7</p>
-----------------	--	-----------------	--

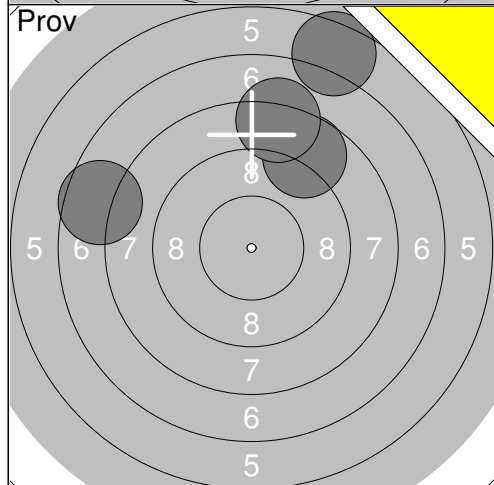
Prov 	1: 8.7 ↙ 2: 8.8 → 3: 6.8 → 4: 9.5 ↓ 5: 8.7 ↓ 6: 9.7 ↓ 7: 10.2x ↓ 8: 8.6 ↓ 9: 9.8 ↙ 10: 9.5 ↙ <hr/> Serie 90.3 Total 0.0	Prov 	11: 9.5 ↙ 12: 9.7 ↙ <hr/> Serie 19.2 Total 0.0
60 Skott 	1: 7.2 → 2: 9.6 ↙ 3: 10.2x ↓ 4: 9.3 ↑ 5: 7.9 ← 6: 10.0 ↓ 7: 9.6 ↓ 8: 9.0 ↓ 9: 10.3x → 10: 9.2 ↓ <hr/> Serie 92.3 Total 92.3		11: 9.7 ← 12: 9.6 → 13: 9.0 ← 14: 6.5 ← 15: 9.6 → 16: 10.3x ↓ 17: 8.5 → 18: 9.9 ↓ 19: 8.4 ← 20: 9.3 → <hr/> Serie 90.8 Total 183.1
60 Skott 	21: 9.3 ↓ 22: 7.7 ← 23: 10.2x ← 24: 9.3 → 25: 10.1 ← 26: 8.7 ↓ 27: 7.5 ← 28: 9.0 → 29: 9.1 ↗ 30: 9.5 ↓ <hr/> Serie 90.4 Total 273.5		31: 9.9 ← 32: 10.7x ↑ 33: 9.7 ← 34: 9.7 → 35: 8.8 ← 36: 7.3 ↓ 37: 8.0 → 38: 9.8 ↓ 39: 9.0 → 40: 8.6 → <hr/> Serie 91.5 Total 365.0
60 Skott 	41: 8.6 ↓ 42: 9.8 ↓ 43: 8.8 ← 44: 10.3x ↓ 45: 9.3 ← 46: 8.2 ↓ 47: 9.7 ↙ 48: 9.4 ↓ 49: 9.0 → 50: 10.1 ↑ <hr/> Serie 93.2 Total 458.2		51: 10.2x ↑ 52: 9.4 ↙ 53: 9.4 ↑ 54: 9.6 → 55: 9.0 ↓ 56: 7.5 ↓ 57: 8.7 ← 58: 9.6 ← 59: 9.3 ↓ 60: 8.9 ← <hr/> Serie 91.6 Total 549.8



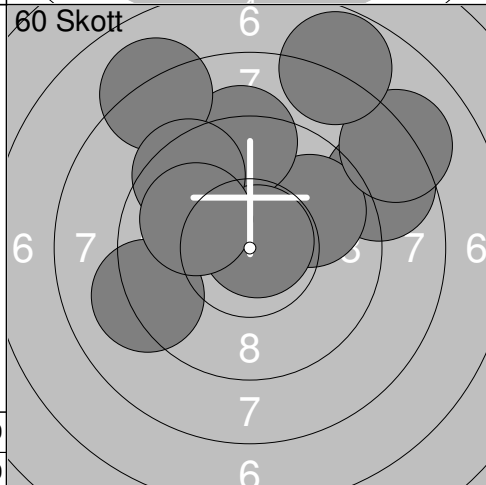
1:	8.1	↓
2:	9.7	→
3:	10.0	→
4:	8.6	↑
5:	7.9	↗
6:	8.7	↗
7:	7.9	↑
8:	7.6	↗
9:	10.5x	→
10:	8.1	↖
Serie		87.1
Total		0.0



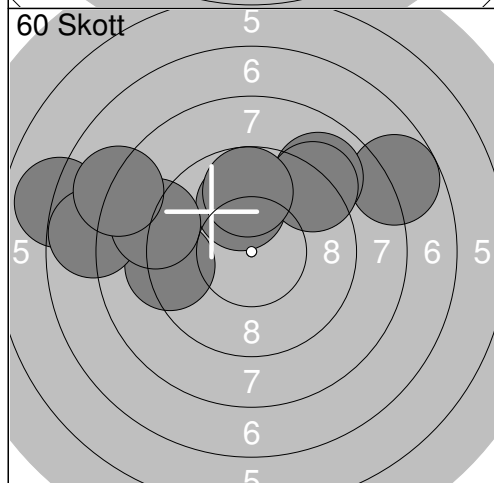
11:	10.1	→
12:	5.7	↗
13:	7.4	↖
14:	6.0	↗
15:	8.2	↗
16:	7.9	↗
17:	8.4	↑
18:	7.5	→
19:	9.5	↙
20:	9.8	→
Serie		80.5
Total		0.0



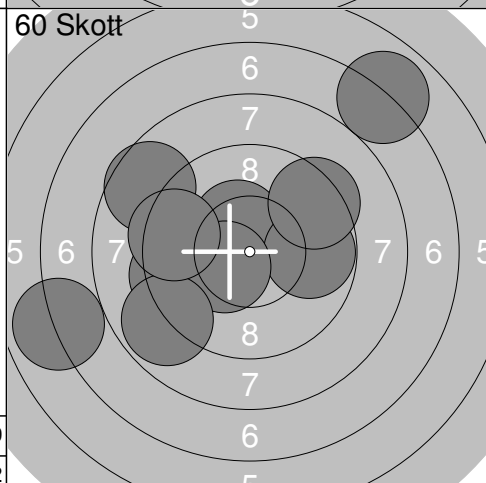
21:	8.7	↗
22:	6.5	↑
23:	7.6	↖
24:	8.2	↑
Serie		31.0
Total		0.0



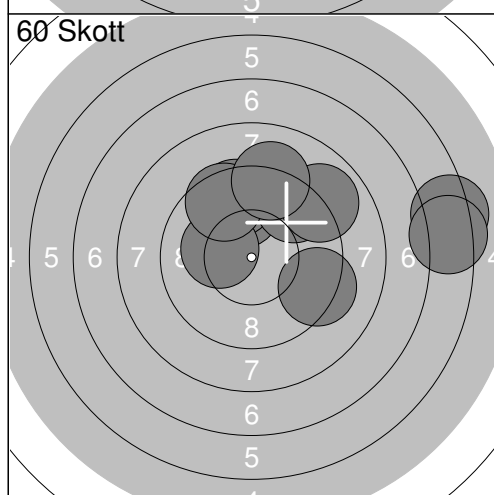
1:	8.7	↗
2:	9.8	↗
3:	9.3	↑
4:	8.1	↖
5:	9.2	↖
6:	10.8x	↗
7:	8.1	↗
8:	7.8	↑
9:	9.5	↖
10:	10.0	↖
Serie		91.3
Total		91.3



11:	7.0	↖
12:	9.3	↖
13:	7.8	↗
14:	10.0	↑
15:	7.8	↖
16:	9.0	↗
17:	9.2	↗
18:	9.8	↑
19:	9.0	↖
20:	8.0	↖
Serie		86.9
Total		178.2



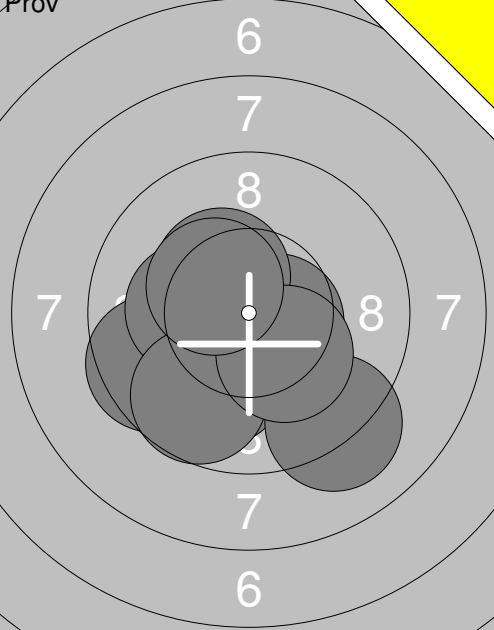
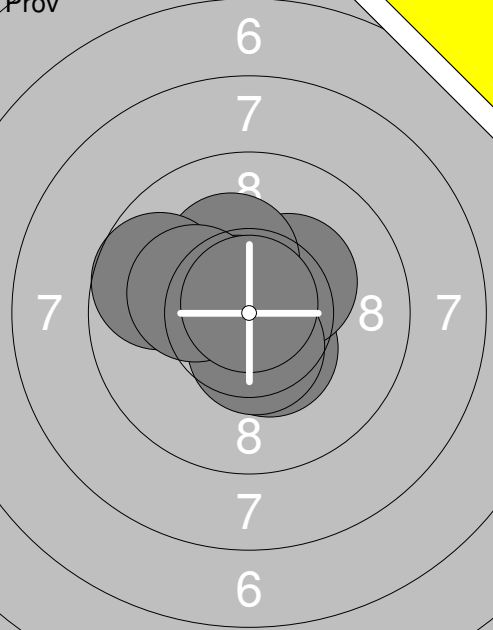
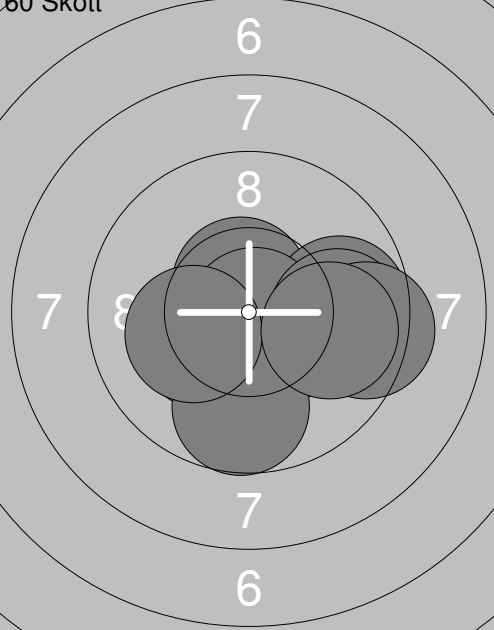
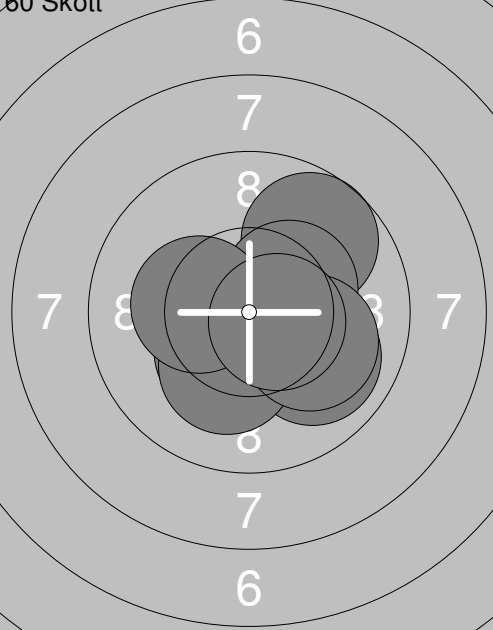
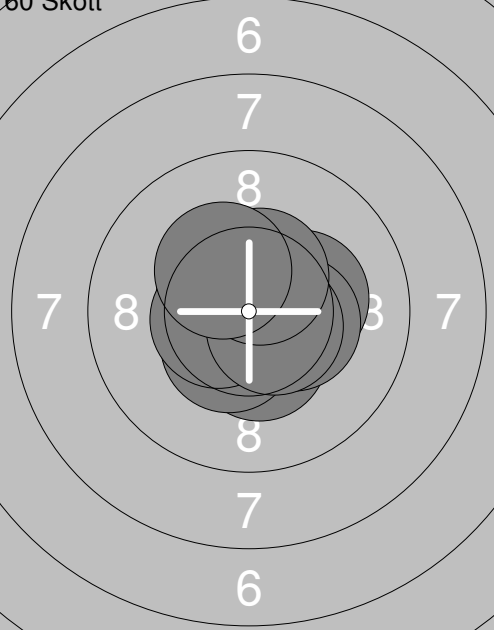
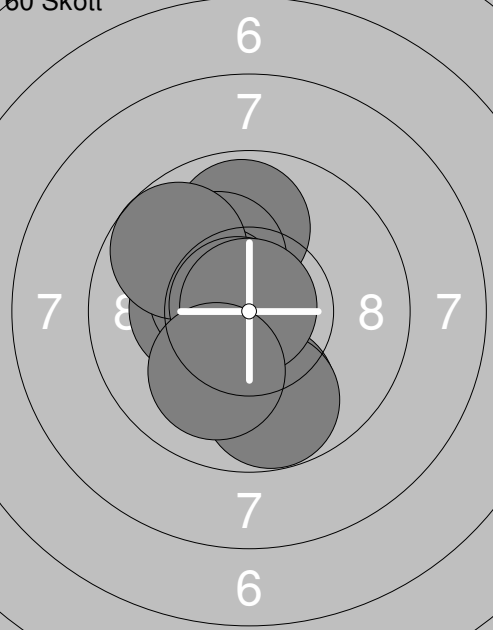
21:	6.9	↖
22:	10.4x	↗
23:	8.6	↖
24:	9.8	→
25:	9.4	↖
26:	7.0	↗
27:	10.4x	↖
28:	9.4	↗
29:	8.9	↖
30:	9.4	↖
Serie		90.2
Total		268.4

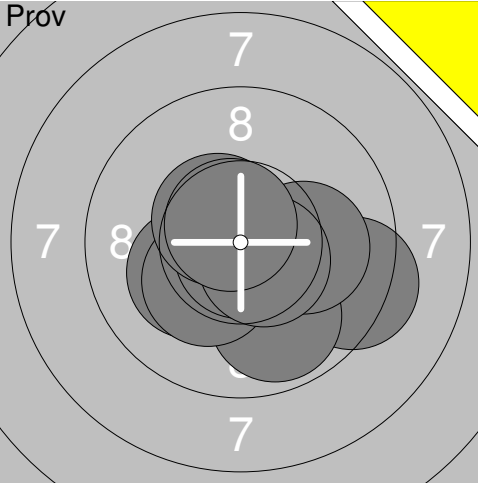
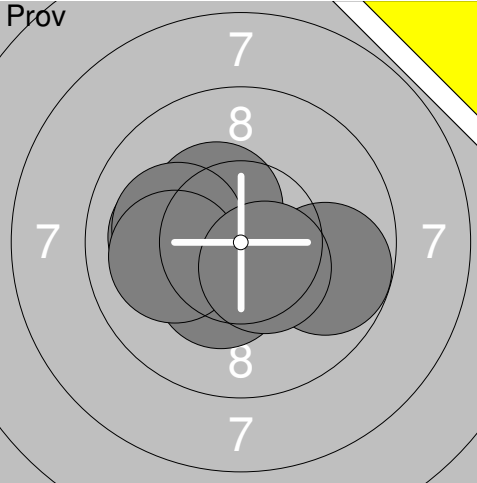
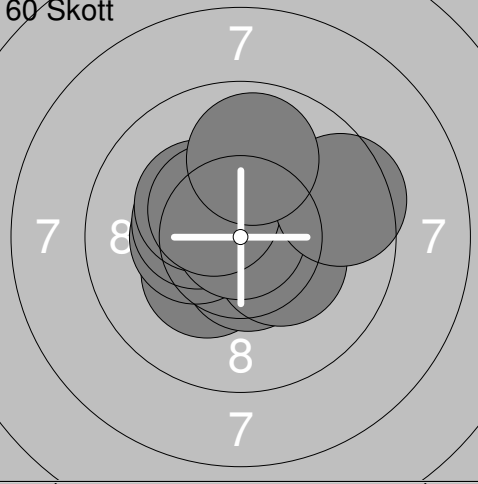
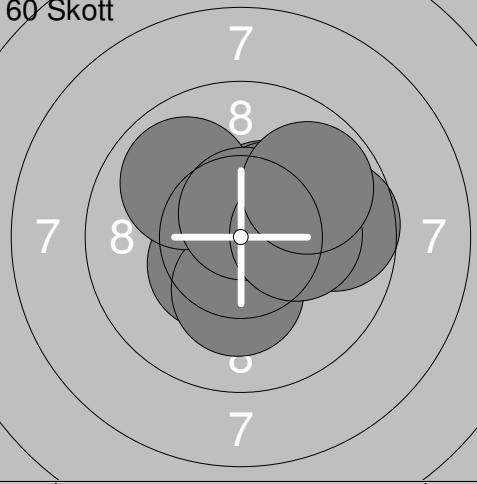
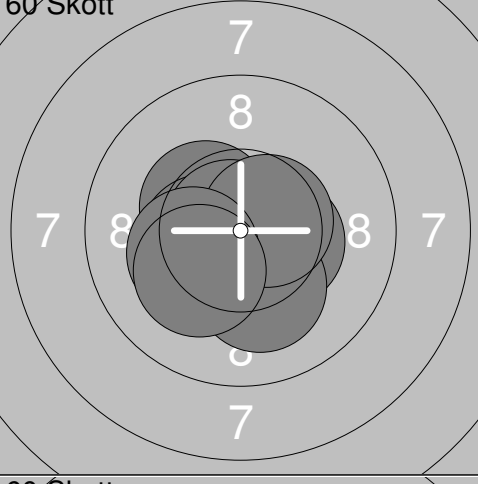
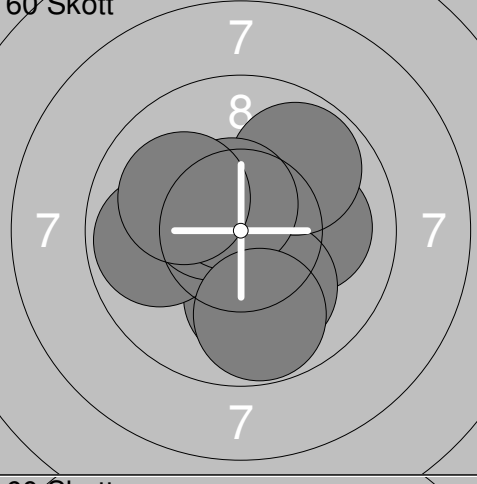

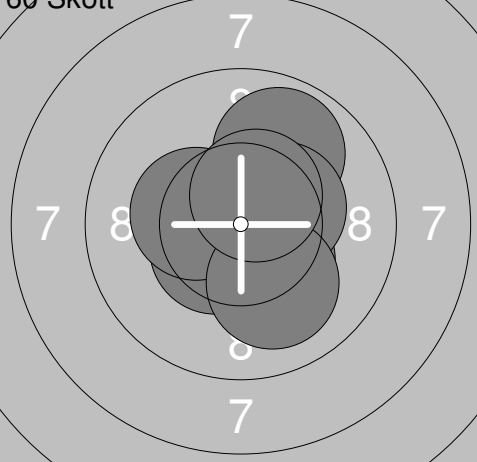


31:	9.8	↑
32:	9.5	↑
33:	9.3	→
34:	6.3	→
35:	6.4	→
36:	9.4	↗
37:	10.2x	↖
38:	8.9	↗
39:	9.5	↑
40:	9.1	↑
Serie		88.4
Total		356.8

Skjuttag	Tavla	Sara Tiburzi	
2	5		
S	Drängsmark Skf		
19.11.2016	Drängsmarksskyttet 2016	Umeå skytteallians	
Prov			<p>11: 10.5x ↗</p> <p>12: 8.9 ↖</p> <p>13: 9.4 ↙</p> <p>14: 9.1 ←</p> <p>15: 9.2 ←</p> <p>16: 10.0 ↖</p> <p>17: 10.5x →</p>
60 Skott			<p>11: 10.2x ↘</p> <p>12: 9.9 ↓</p> <p>13: 8.8 ↘</p> <p>14: 10.4x ↙</p> <p>15: 9.8 ↗</p> <p>16: 10.2x ↗</p> <p>17: 10.8x ↘</p> <p>18: 9.8 ↑</p> <p>19: 10.5x ↑</p> <p>20: 10.1 ↖</p>
60 Skott			<p>21: 10.1 ↗</p> <p>22: 10.0 ↗</p> <p>23: 9.6 ↓</p> <p>24: 10.5x ↙</p> <p>25: 9.5 ←</p> <p>26: 9.4 →</p> <p>27: 9.2 ↖</p> <p>28: 10.1 ↗</p> <p>29: 10.3x ↙</p> <p>30: 9.7 →</p>
	<p>Serie 96.8</p> <p>Total 0.0</p>	<p>Serie 67.6</p> <p>Total 0.0</p>	<p>Serie 99.7</p> <p>Total 99.7</p>
	<p>Serie 98.4</p> <p>Total 298.6</p>	<p>Serie 100.5</p> <p>Total 200.2</p>	<p>Serie 102.5</p> <p>Total 401.1</p>

Skjutlag 2	Tavla 6	Jonatan Sundström	
S		Rönnskärs Skf	
19.11.2016		Drängsmarksskyttet 2016	Umeå skytteallians
Prov		1: 10.4x ↓ 2: 7.8 ↑ 3: 9.5 ↗ 4: 10.4x ↗ 5: 8.9 ↗ 6: 8.5 ← 7: 6.1 ↓ 8: 5.1 ← 9: 7.1 ↓ 10: 9.3 ↙ Serie 83.1 Total 0.0	Prov
			11: 7.5 ↓ 12: 9.8 ↓ 13: 9.1 ↓ 14: 9.8 ↓ 15: 10.0 → 16: 10.3x ↑ 17: 10.2x ← 18: 10.8x → 19: 9.2 ↓ 20: 8.7 ↗ Serie 95.4 Total 0.0
Prov		21: 10.7x → 22: 7.2 ↗ 23: 9.9 ↗ 24: 9.4 ↑ 25: 9.3 ← 26: 9.2 ↓ Serie 55.7 Total 0.0	60 Skott
			1: 10.5x ← 2: 10.2x ↗ 3: 9.8 ↓ 4: 7.8 ↘ 5: 6.1 ← 6: 7.9 ↑ 7: 3.0 → 8: 9.5 → 9: 8.8 ↘ 10: 10.8x ↗ Serie 84.4 Total 84.4
60 Skott		11: 7.8 → 12: 9.1 ↓ 13: 10.2x ← 14: 6.8 ← 15: 9.0 ↘ 16: 7.9 ↗ 17: 7.7 ↑ 18: 10.4x ↗ 19: 8.7 ↗ 20: 10.5x ↑ Serie 88.1 Total 172.5	60 Skott
			21: 2.5 ↗ 22: 10.2x ↗ 23: 8.8 ← 24: 10.0 ↓ 25: 9.2 ↗ 26: 7.3 ← 27: 9.3 ↑ 28: 9.9 ↗ 29: 9.9 ↑ 30: 8.7 ↓ Serie 85.8 Total 258.3
60 Skott		31: 8.0 ↗ 32: 9.1 ↓ 33: 10.3x ↓ 34: 7.8 ↓ 35: 6.2 ↗ 36: 7.8 ↗ 37: 9.1 ↓ 38: 9.8 ↗ 39: 9.4 ← 40: 7.5 ↗ Serie 85.0 Total 343.3	

<p>Prov</p> 	<p>1: 9.6 ↙ 2: 10.0 ↓ 3: 10.5x↓ 4: 10.2x← 5: 10.6x→ 6: 9.7 ↓ 7: 9.1 ↓ 8: 10.4x↘ 9: 10.2x↘ 10: 10.4x↘</p> <p>Serie 100.7 Total 0.0</p>	<p>Prov</p> 	<p>11: 10.4x↘ 12: 10.3x↗ 13: 10.2x↗ 14: 10.8x↘ 15: 10.5x↓ 16: 9.7 ↙ 17: 10.2x↘ 19: 10.8x↗</p> <p>Serie 82.9 Total 0.0</p>
<p>60 Skott</p> 	<p>1: 10.3x↘ 2: 10.6x↗ 3: 10.5x↘ 4: 9.8 → 5: 10.9x↘ 6: 9.8 → 7: 9.7 ↓ 8: 9.4 → 9: 10.2x↘ 10: 9.9 →</p> <p>Serie 101.1 Total 101.1</p>	<p>60 Skott</p> 	<p>11: 9.7 ↗ 12: 10.9x↘ 13: 10.3x↘ 14: 9.9 ↘ 15: 10.3x↗ 16: 10.6x↘ 17: 10.2x↓ 18: 10.3x← 19: 10.1 ↘ 20: 10.6x→</p> <p>Serie 102.9 Total 204.0</p>
<p>60 Skott</p> 	<p>21: 10.3x→ 22: 10.4x↓ 23: 10.8x← 24: 10.4x→ 25: 10.5x↓ 26: 10.6x↘ 27: 10.5x← 28: 10.6x↘ 29: 10.5x↗ 30: 10.3x↘</p> <p>Serie 104.9 Total 308.9</p>	<p>60 Skott</p> 	<p>31: 9.9 ↑ 32: 10.3x← 33: 10.2x↘ 34: 10.5x↘ 35: 9.9 ↓ 36: 9.7 ↙ 37: 9.8 ↓ 38: 10.8x↘ 39: 10.9x↗ 40: 10.1 ↓</p> <p>Serie 102.1 Total 411.0</p>

Skjutlag	Tavla	Saul Johansson			
2	9				
S	Ramselefors Skf				
19.11.2016	Drängsmarksskyttet 2016	Umeå skytteallians			
Pröv		1: 10.4x ↘ 2: 9.3 → 3: 9.9 ↘ 4: 10.2x ↙ 5: 10.3x ↘ 6: 10.1 → 7: 10.8x ↘ 8: 10.6x ↘ 9: 10.5x ↗ 10: 10.7x ↗ Serie 102.8 Total 0.0	Pröv		11: 10.1 ← 12: 9.7 → 13: 10.6x ← 14: 10.3x ↘ 15: 10.4x ↗ 16: 10.1 ← 17: 10.0 ← 18: 10.5x ↘ Serie 81.7 Total 0.0
60 Skott		1: 10.3x ↘ 2: 10.6x ↘ 3: 10.3x ← 4: 10.3x ↘ 5: 10.3x ← 6: 10.3x ↗ 7: 10.9x ↗ 8: 10.4x ↗ 9: 9.5 → 10: 9.9 ↑ Serie 102.8 Total 102.8	60 Skott		11: 10.4x ↘ 12: 10.2x ↘ 13: 10.5x ↗ 14: 10.4x ↗ 15: 9.9 ↖ 16: 9.7 → 17: 10.4x ↗ 18: 10.6x ↑ 19: 10.2x → 20: 9.8 ↗ Serie 102.1 Total 204.9
60 Skott		21: 10.4x ↗ 22: 10.5x ↘ 23: 10.4x → 24: 10.5x ← 25: 10.8x ↗ 26: 10.7x → 27: 10.2x ↘ 28: 10.6x → 29: 10.2x ← 30: 10.2x ↘ Serie 104.5 Total 309.4	60 Skott		31: 10.1 → 32: 10.7x ↘ 33: 10.1 ↘ 34: 10.1 ↘ 35: 9.8 ← 36: 10.5x ↖ 37: 9.8 ↗ 38: 10.6x ↗ 39: 9.8 ↘ 40: 10.1 ↖ Serie 101.6 Total 411.0
60 Skott		41: 9.3 ↑ 42: 10.6x ↑ 43: 10.7x → 44: 9.9 ↑ 45: 10.2x ↘ 46: 10.6x ↗ 47: 10.1 ↗ 48: 10.3x ↘ 49: 10.6x ← 50: 9.9 ↖ Serie 102.2 Total 513.2	60 Skott		51: 10.3x ↘ 52: 10.8x ↑ 53: 9.9 ↗ 54: 10.5x ↘ 55: 10.7x ← 56: 10.5x ↘ 57: 10.3x ← 58: 10.4x → 59: 10.1 ↘ 60: 10.5x ↗ Serie 104.0 Total 617.2

<p>Pröv</p>	<p>1: 9.7 ↙ 2: 9.8 ➡ 3: 8.5 ← 4: 9.0 ➡ 5: 8.7 ➡ 6: 10.3x↓ 7: 8.9 ↗ 8: 8.8 ↙ 9: 9.5 ↘ 10: 8.1 ↘</p> <p>Serie 91.3 Total 0.0</p>	<p>Pröv</p>	<p>11: 10.1 ➡ 12: 10.4x↙ 13: 9.3 ← 14: 9.3 ➡ 15: 8.6 ➡ 16: 9.5 ← 17: 9.6 ↓ 18: 9.9 ➡</p> <p>Serie 76.7 Total 0.0</p>
-------------	--	-------------	--

<p>60 Skott</p>	<p>1: 8.3 ↓ 2: 9.2 ↓ 3: 10.1 ➡ 4: 10.5x➡ 5: 9.4 ➡ 6: 7.4 ➡ 7: 9.1 ↘ 8: 9.7 ➡ 9: 9.2 ↓ 10: 9.6 ↓</p> <p>Serie 92.5 Total 92.5</p>	<p>60 Skott</p>	<p>11: 8.4 ↓ 12: 8.9 ↗ 13: 9.4 ↓ 14: 9.5 ↘ 15: 8.4 ↓ 16: 8.0 ➡ 17: 9.8 ➡ 18: 9.3 ↓ 19: 10.1 ↓ 20: 9.7 ↘</p> <p>Serie 91.5 Total 184.0</p>
-----------------	--	-----------------	---

<p>60 Skott</p>	<p>21: 6.8 ↘ 22: 9.6 ➡ 23: 9.8 ↘ 24: 9.1 ➡ 25: 6.5 ➡ 26: 9.8 ↗ 27: 10.6x↗ 28: 9.8 ↘ 29: 8.6 ↘ 30: 10.1 ↘</p> <p>Serie 90.7 Total 274.7</p>	<p>60 Skott</p>	<p>31: 9.7 ↙ 32: 9.8 ← 33: 9.5 ↘ 34: 9.1 ↓ 35: 8.7 ↓ 36: 9.6 ↗ 37: 10.3x↓ 38: 9.4 ← 39: 7.9 ➡ 40: 9.1 ➡</p> <p>Serie 93.1 Total 367.8</p>
-----------------	--	-----------------	---

Skjutlag	Tavla	Hanna Lundin	
2	12		
S	Umeå Skf		
19.11.2016	Drängsmarksskyttet 2016	Umeå skytteallians	
Prov		1: 9.7 ↙ 2: 9.8 ↙ 3: 10.4x↓ 4: 9.2 ↗ 5: 10.0 ↗ 6: 8.9 ↖ 7: 10.7x↓ 8: 10.2x← 9: 10.3x← 10: 10.7x➤	11: 10.1 ↑ 12: 9.1 ➤ 13: 9.1 ← 14: 10.5x↑ 15: 10.0 ↓
	Serie 99.9	Serie 48.8	
	Total 0.0	Total 0.0	
60 Skott		1: 10.4x↙ 2: 10.3x↑ 3: 9.9 ↓ 4: 10.6x➤ 5: 10.5x↗ 6: 10.3x➤ 7: 10.1 ↑ 8: 10.3x↙ 9: 10.2x↑ 10: 9.6 ➤	11: 10.7x← 12: 10.4x↑ 13: 9.2 ↓ 14: 10.3x↓ 15: 8.4 ➤ 16: 10.2x← 17: 10.0 ↓ 18: 9.5 ← 19: 10.0➔ 20: 9.2 ➤
	Serie 102.2	Serie 97.9	
	Total 102.2	Total 200.1	
60 Skott		21: 9.7 ↗ 22: 10.5x➤ 23: 10.1 ↗ 24: 10.1 ➤ 25: 9.6 ↑ 26: 9.6 ↗ 27: 9.7 ➔ 28: 10.3x← 29: 9.6 ↖ 30: 9.8 ↑	31: 10.2x↑ 32: 9.9 ↑ 33: 9.7 ↓ 34: 10.7x↙ 35: 9.9 ← 36: 9.3 ← 37: 10.1 ↓ 38: 10.9x← 39: 9.6 ↓ 40: 10.8x↙
	Serie 99.0	Serie 101.1	
	Total 299.1	Total 400.2	

<p>Prov</p>	<p>60 Skott</p>	
1: 10.5x ↗ 2: 9.1 ↓ 3: 9.7 ↓ 4: 10.3x ↘ 5: 9.5 → 6: 9.9 ← 7: 10.0 ↑ 8: 10.8x ↘ 9: 10.5x ← 10: 10.3x →	1: 9.8 → 2: 9.8 ↓ 3: 10.5x ↗ 4: 10.5x ↘ 5: 10.4x ↘ 6: 10.2x ↘ 7: 9.9 ↓ 8: 10.1 ↘ 9: 10.4x ↗ 10: 9.0 ↓	
Serie 100.6 Total 0.0	Serie 100.6 Total 100.6	

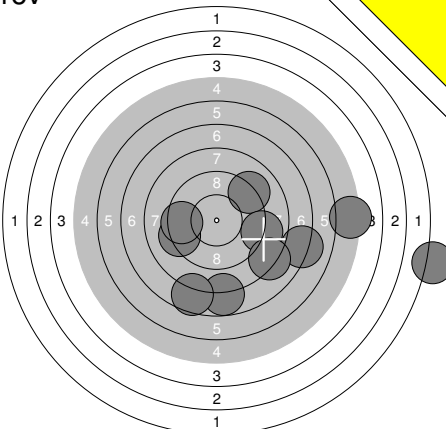
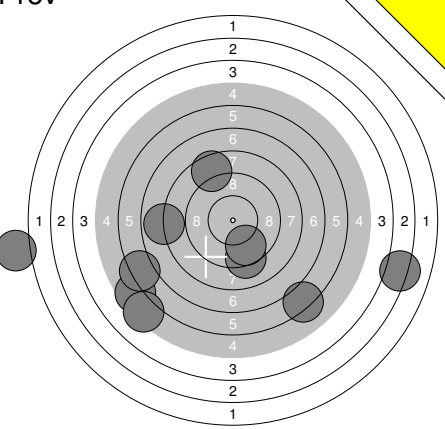
<p>60 Skott</p>	<p>60 Skott</p>	
11: 9.3 ← 12: 10.5x ↘ 13: 10.5x ↘ 14: 10.5x ↘ 15: 9.5 ↓ 16: 10.0 ↓ 17: 10.5x → 18: 9.3 ↓ 19: 10.3x ↗ 20: 10.0 →	21: 9.9 ↓ 22: 9.9 → 23: 9.9 ← 24: 10.1 ← 25: 10.4x ↘ 26: 9.0 ← 27: 10.2x ↗ 28: 10.1 ↓ 29: 9.6 ↓ 30: 10.2x ↘	
Serie 100.4 Total 201.0	Serie 99.3 Total 300.3	

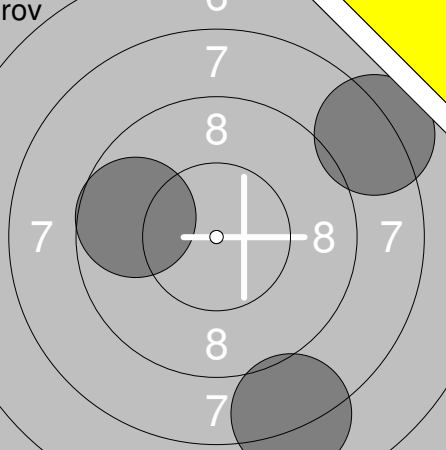
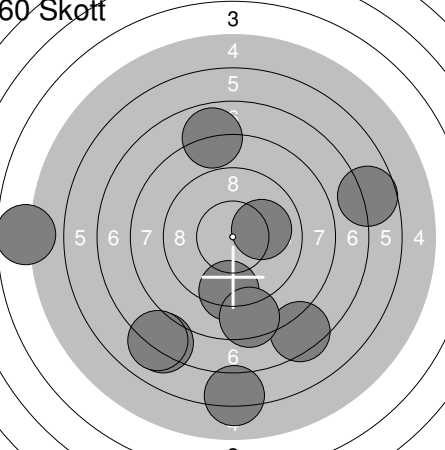
<p>60 Skott</p>		
31: 10.3x ↘ 32: 10.3x ↘ 33: 9.0 → 34: 9.4 ↓ 35: 9.0 ↓ 36: 10.0 ↗ 37: 10.1 ↗ 38: 10.5x ↗ 39: 9.1 ↓ 40: 10.0 ↗		
Serie 97.7 Total 398.0		

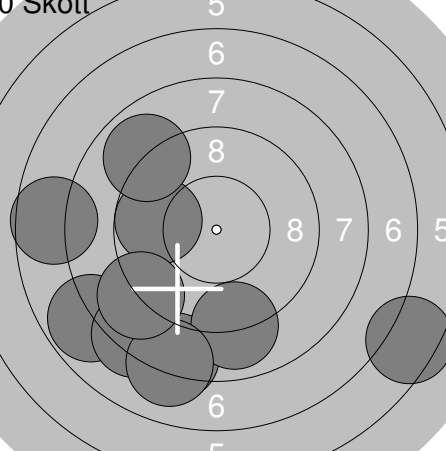
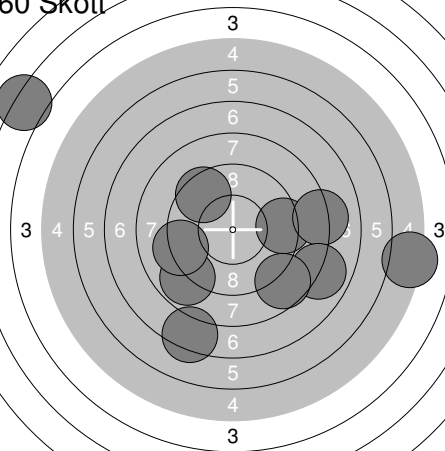
<p>Prov</p>	<p>60 Skott</p>	<p>1: 9.0 ↗ 2: 9.5 ↗ 3: 9.9 → 4: 9.6 ↙ 5: 7.9 ↓ 6: 9.8 → 7: 9.5 → 8: 10.2x ↘</p>	<p>1: 6.9 ↘ 2: 9.5 ↓ 3: 9.2 ↘ 4: 9.7 ← 5: 8.4 ↙ 6: 9.6 → 7: 8.1 ← 8: 9.0 ↓ 9: 8.8 ↘ 10: 6.4 ↘</p>
Serie	75.4	Serie	85.6
Total	0.0	Total	85.6

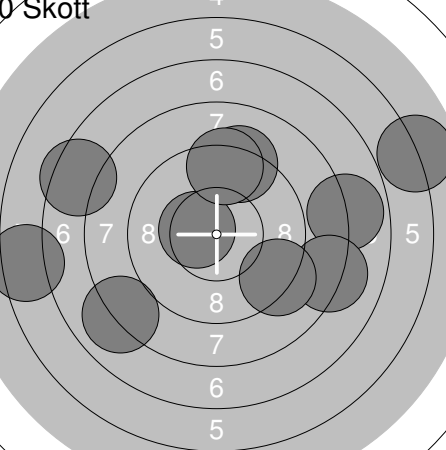
<p>60 Skott</p>	<p>60 Skott</p>	<p>11: 8.6 ↓ 12: 9.4 ← 13: 7.5 ← 14: 8.8 ↘ 15: 9.9 ↑ 16: 6.4 ← 17: 9.5 ← 18: 10.0 ↓ 19: 8.7 ↓ 20: 9.6 ↙</p>	<p>21: 9.9 ↗ 22: 8.3 ↓ 23: 9.0 → 24: 9.1 ↙ 25: 8.4 ↓ 26: 9.8 ↓ 27: 8.8 ↓ 28: 6.2 ← 29: 7.0 ← 30: 9.5 ↗</p>
Serie	88.4	Serie	86.0
Total	174.0	Total	260.0

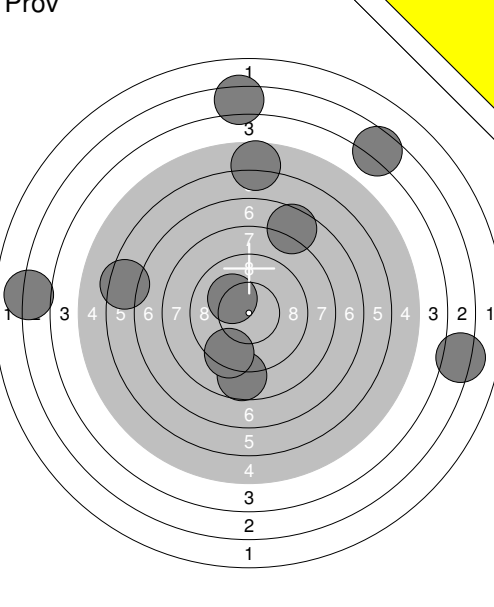
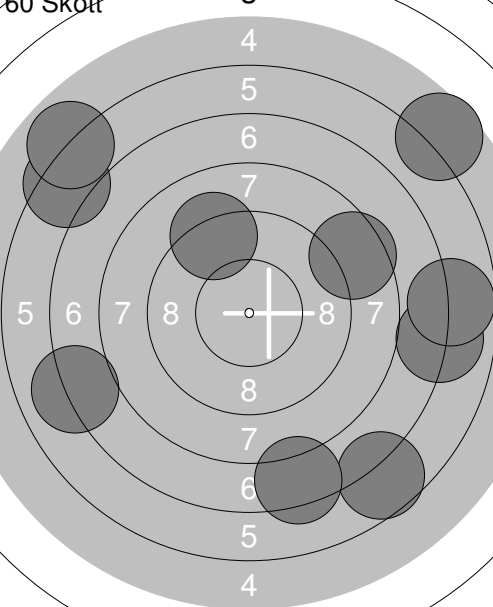
<p>60 Skott</p>	<p>31: 10.3x ↗ 32: 9.1 ↗ 33: 7.0 ↘ 34: 7.6 → 35: 9.3 ↗ 36: 7.3 ↘ 37: 9.0 ↓ 38: 7.8 ↙ 39: 7.6 ← 40: 9.2 →</p>		
Serie	84.2		
Total	344.2		

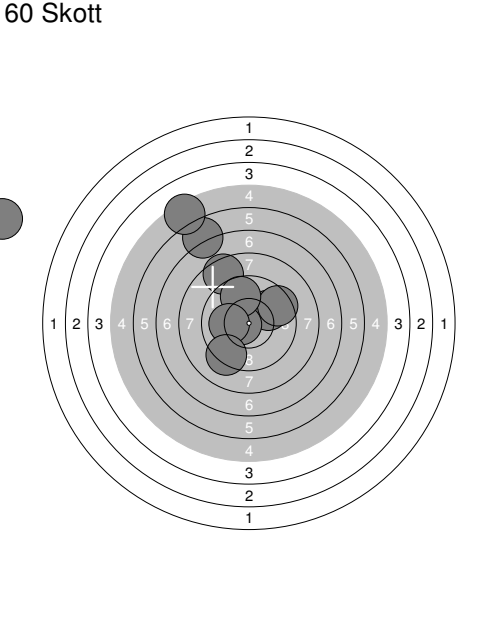
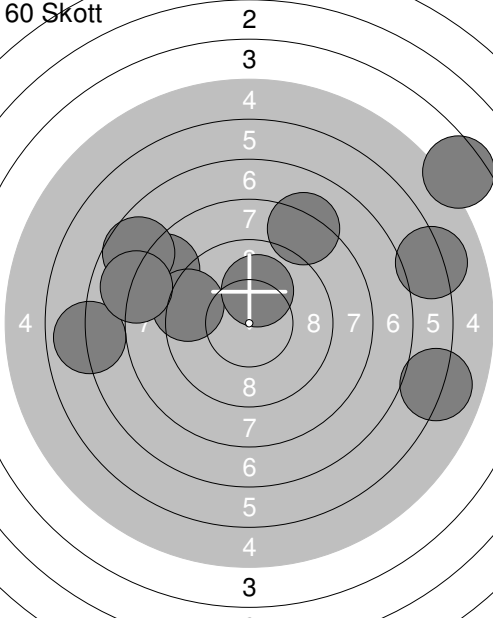
<p>Prov</p> 	<p>1: 1.6 →</p> <p>2: 7.8 ↓</p> <p>3: 9.3 ←</p> <p>4: 5.2 →</p> <p>5: 7.2 →</p> <p>6: 7.6 ↓</p> <p>7: 9.1 →</p> <p>8: 9.5 ←</p> <p>9: 9.0 →</p> <p>10: 8.1 ↓</p> <hr/> <p>Serie 74.4</p> <p>Total 0.0</p>	<p>Prov</p> 	<p>11: 9.2 ↓</p> <p>12: 9.7 ↓</p> <p>13: 8.6 ↑</p> <p>14: 5.6 ←</p> <p>15: 6.2 ←</p> <p>16: 1.2 ←</p> <p>17: 5.3 ←</p> <p>18: 3.2 →</p> <p>19: 6.2 ↓</p> <p>20: 7.9 ←</p> <hr/> <p>Serie 63.1</p> <p>Total 0.0</p>
---	---	--	--

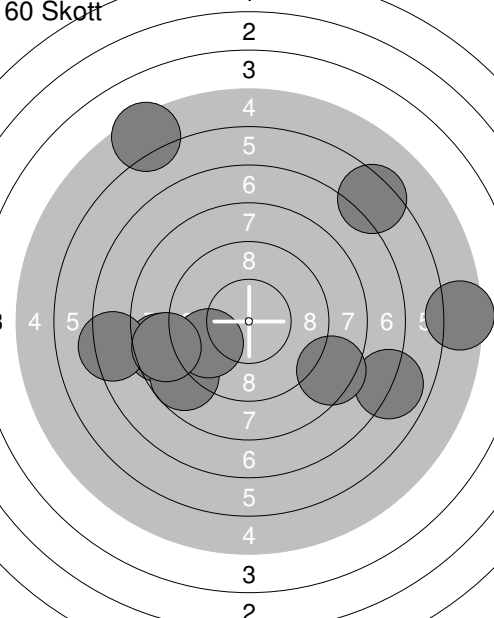
<p>Prov</p> 	<p>21: 8.2 →</p> <p>22: 9.7 ←</p> <p>23: 8.1 ↓</p> <hr/> <p>Serie 26.0</p> <p>Total 0.0</p>	<p>60 Skott</p> 	<p>1: 6.2 ↓</p> <p>2: 9.3 ↓</p> <p>3: 6.7 →</p> <p>4: 7.5 ↓</p> <p>5: 7.1 ↓</p> <p>6: 7.1 ↓</p> <p>7: 10.1 →</p> <p>8: 8.5 ↓</p> <p>9: 4.7 ←</p> <p>10: 7.9 ↑</p> <hr/> <p>Serie 75.1</p> <p>Total 75.1</p>
--	---	---	---

<p>60 Skott</p> 	<p>11: 7.8 ←</p> <p>12: 9.8 ←</p> <p>13: 8.2 ↓</p> <p>14: 8.3 ↓</p> <p>15: 6.4 →</p> <p>16: 9.0 ↓</p> <p>17: 7.6 ←</p> <p>18: 8.1 ↓</p> <p>19: 8.9 ↓</p> <p>20: 8.9 ↑</p> <hr/> <p>Serie 83.0</p> <p>Total 158.1</p>	<p>60 Skott</p> 	<p>21: 9.5 ↑</p> <p>22: 3.1 ↑</p> <p>23: 9.3 →</p> <p>24: 8.1 →</p> <p>25: 5.2 →</p> <p>26: 7.9 →</p> <p>27: 8.9 ↓</p> <p>28: 7.3 ↓</p> <p>29: 8.7 ↓</p> <p>30: 9.2 ←</p> <hr/> <p>Serie 77.2</p> <p>Total 235.3</p>
---	--	--	--

<p>60 Skott</p> 	<p>31: 7.4 ←</p> <p>32: 10.5x ←</p> <p>33: 9.2 ↑</p> <p>34: 7.9 →</p> <p>35: 8.0 ←</p> <p>36: 8.1 →</p> <p>37: 5.9 →</p> <p>38: 9.2 ↓</p> <p>39: 9.3 ↑</p> <p>40: 6.4 ←</p> <hr/> <p>Serie 81.9</p> <p>Total 317.2</p>		
---	--	--	--

Prov 	60 Skott 	1: 8.7 ↓ 2: 3.3 ↑ 3: 5.7 ↑ 4: 6.4 ← 5: 3.2 → 6: 10.2x ↖ 7: 7.6 ↗ 8: 3.6 ↗ 9: 3.1 ← 10: 9.4 ↓ <hr/> Serie 61.2 Total 0.0	1: 6.4 ↖ 2: 9.2 ↗ 3: 8.5 ↗ 4: 7.0 ← 5: 6.6 ↓ 6: 7.0 → 7: 7.4 ↓ 8: 5.6 ↗ 9: 6.8 → 10: 5.9 ↖ <hr/> Serie 70.4 Total 70.4
--	--	--	---

60 Skott 	60 Skott 	11: 9.9 ↗ 12: 9.5 ↗ 13: 10.6x ← 14: 8.5 ↖ 15: 6.7 ↗ 16: 9.7 ↗ 17: 5.4 ↖ 18: 0.0 ← 19: 10.1 ← 20: 9.2 ↓ <hr/> Serie 79.6 Total 150.0	21: 8.2 ↗ 22: 6.0 → 23: 8.4 ↖ 24: 7.7 ↖ 25: 9.4 ← 26: 4.5 ↗ 27: 6.9 ← 28: 8.0 ← 29: 10.1 ↑ 30: 6.1 → <hr/> Serie 75.3 Total 225.3
---	---	--	--

60 Skott 	31: 6.4 ↗ 32: 8.5 ← 33: 8.7 ↖ 34: 6.9 → 35: 9.8 ← 36: 7.3 ← 37: 8.4 → 38: 5.4 ↖ 39: 8.7 ← 40: 5.4 → <hr/> Serie 75.5 Total 300.8		
--	---	--	--

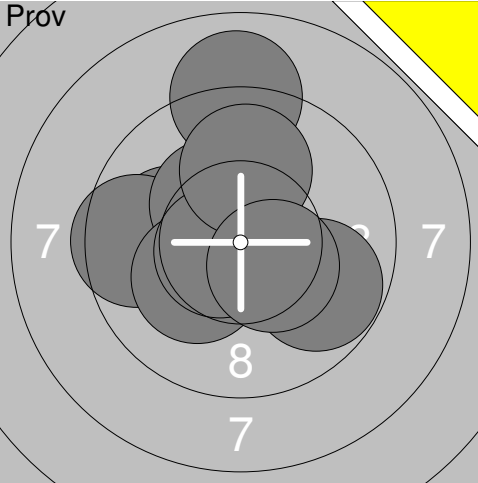
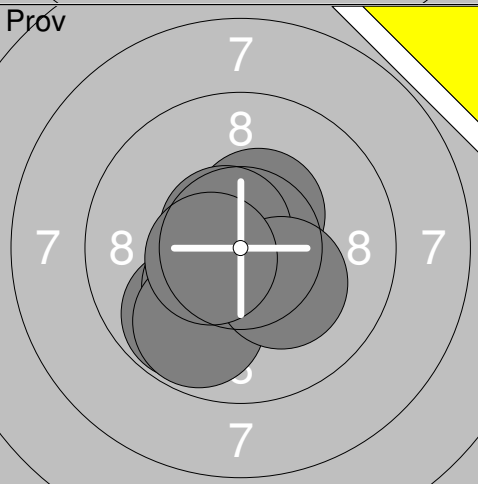
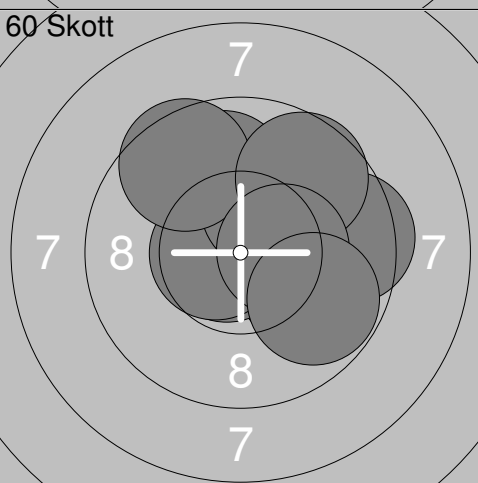
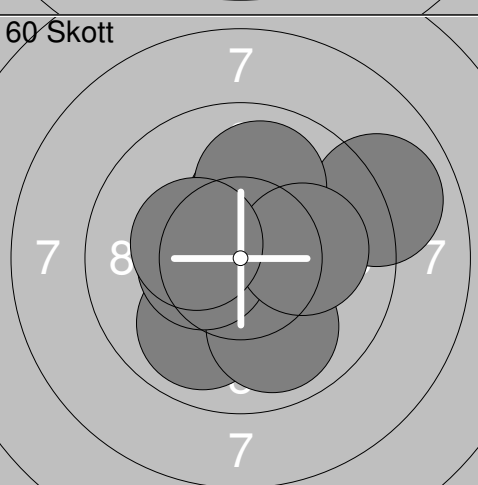
<p>Pröv</p>	<table border="1" style="width:100%; border-collapse: collapse;"> <tr><td>1:</td><td>9.7</td><td>↗</td></tr> <tr><td>2:</td><td>9.6</td><td>→</td></tr> <tr><td>3:</td><td>10.1</td><td>↙</td></tr> <tr><td>4:</td><td>10.5x</td><td>→</td></tr> <tr><td>5:</td><td>9.6</td><td>→</td></tr> <tr><td>6:</td><td>10.0</td><td>→</td></tr> <tr><td>7:</td><td>10.2x</td><td>↘</td></tr> <tr><td>8:</td><td>10.3x</td><td>↘</td></tr> <tr><td>9:</td><td>9.8</td><td>←</td></tr> <tr><td>10:</td><td>10.2x</td><td>↗</td></tr> <tr><td colspan="2">Serie</td><td>100.0</td></tr> <tr><td colspan="2">Total</td><td>0.0</td></tr> </table>	1:	9.7	↗	2:	9.6	→	3:	10.1	↙	4:	10.5x	→	5:	9.6	→	6:	10.0	→	7:	10.2x	↘	8:	10.3x	↘	9:	9.8	←	10:	10.2x	↗	Serie		100.0	Total		0.0	<p>Pröv</p>	<table border="1" style="width:100%; border-collapse: collapse;"> <tr><td>11:</td><td>10.2x</td><td>↘</td></tr> <tr><td>12:</td><td>10.7x</td><td>↑</td></tr> <tr><td>14:</td><td>10.0</td><td>→</td></tr> <tr><td>15:</td><td>10.5x</td><td>↘</td></tr> <tr><td>16:</td><td>10.3x</td><td>↙</td></tr> <tr><td>17:</td><td>10.3x</td><td>↖</td></tr> <tr><td>18:</td><td>10.3x</td><td>↗</td></tr> <tr><td>19:</td><td>10.1</td><td>↖</td></tr> <tr><td>20:</td><td>10.3x</td><td>↙</td></tr> <tr><td colspan="2">Serie</td><td>92.7</td></tr> <tr><td colspan="2">Total</td><td>0.0</td></tr> </table>	11:	10.2x	↘	12:	10.7x	↑	14:	10.0	→	15:	10.5x	↘	16:	10.3x	↙	17:	10.3x	↖	18:	10.3x	↗	19:	10.1	↖	20:	10.3x	↙	Serie		92.7	Total		0.0
1:	9.7	↗																																																																						
2:	9.6	→																																																																						
3:	10.1	↙																																																																						
4:	10.5x	→																																																																						
5:	9.6	→																																																																						
6:	10.0	→																																																																						
7:	10.2x	↘																																																																						
8:	10.3x	↘																																																																						
9:	9.8	←																																																																						
10:	10.2x	↗																																																																						
Serie		100.0																																																																						
Total		0.0																																																																						
11:	10.2x	↘																																																																						
12:	10.7x	↑																																																																						
14:	10.0	→																																																																						
15:	10.5x	↘																																																																						
16:	10.3x	↙																																																																						
17:	10.3x	↖																																																																						
18:	10.3x	↗																																																																						
19:	10.1	↖																																																																						
20:	10.3x	↙																																																																						
Serie		92.7																																																																						
Total		0.0																																																																						

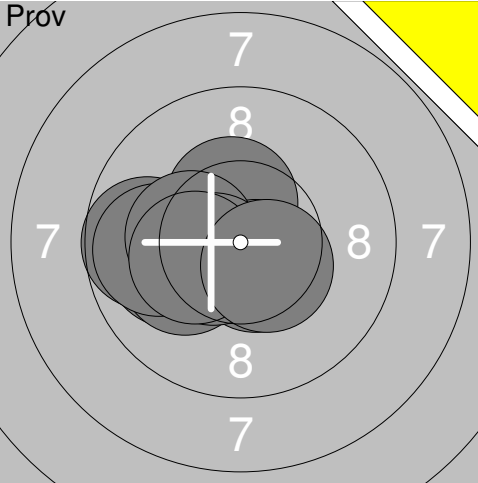
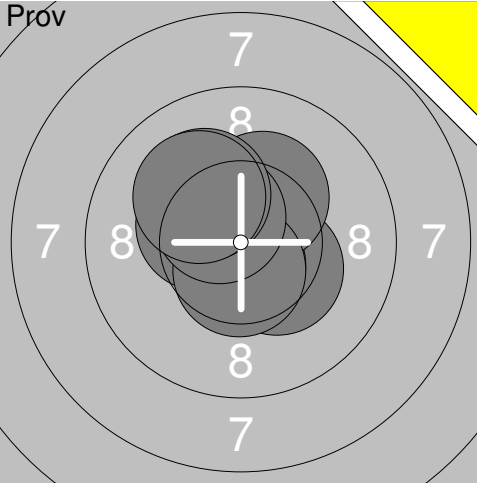
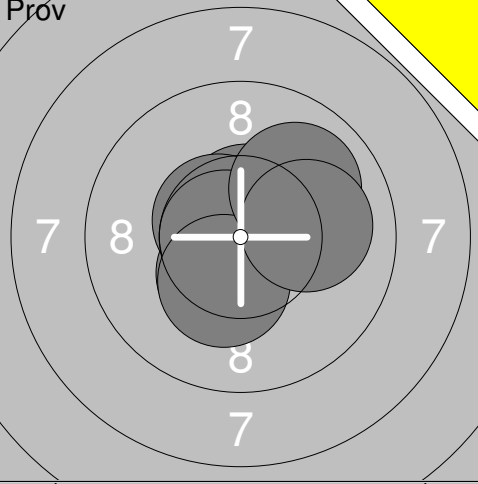
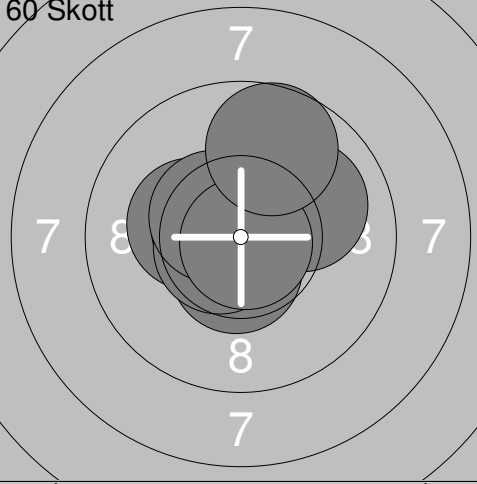
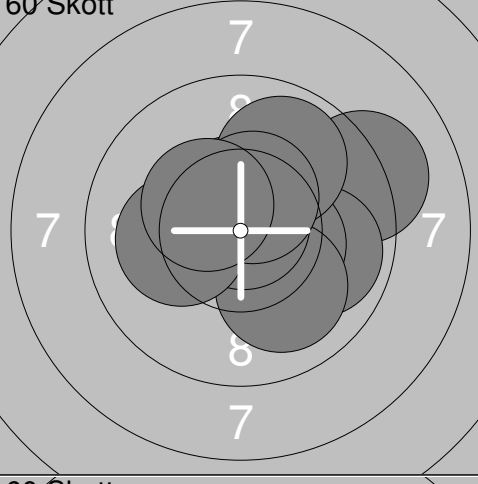
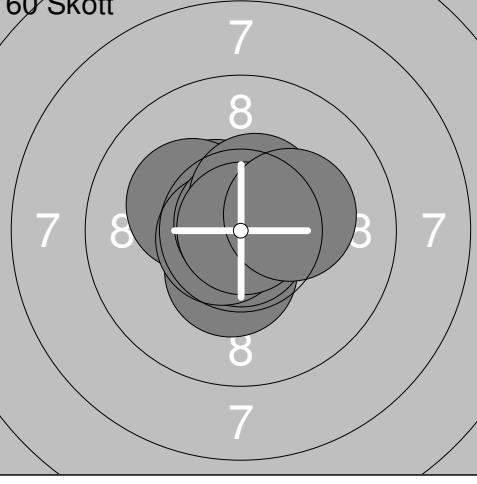
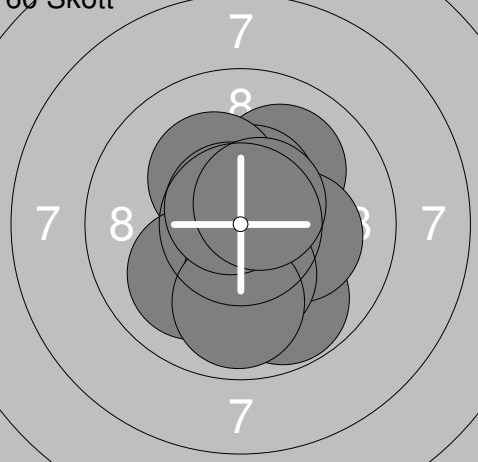
<p>Pröv</p>	<table border="1" style="width:100%; border-collapse: collapse;"> <tr><td>21:</td><td>10.5x</td><td>↘</td></tr> <tr><td>22:</td><td>10.0</td><td>↗</td></tr> <tr><td>23:</td><td>9.9</td><td>↗</td></tr> <tr><td>24:</td><td>10.5x</td><td>↘</td></tr> <tr><td>25:</td><td>10.8x</td><td>↘</td></tr> <tr><td colspan="2">Serie</td><td>51.7</td></tr> <tr><td colspan="2">Total</td><td>0.0</td></tr> </table>	21:	10.5x	↘	22:	10.0	↗	23:	9.9	↗	24:	10.5x	↘	25:	10.8x	↘	Serie		51.7	Total		0.0	<p>60 Skott</p>	<table border="1" style="width:100%; border-collapse: collapse;"> <tr><td>1:</td><td>10.3x</td><td>↖</td></tr> <tr><td>2:</td><td>10.1</td><td>↗</td></tr> <tr><td>3:</td><td>9.8</td><td>→</td></tr> <tr><td>4:</td><td>0.0</td><td>↘</td></tr> <tr><td>5:</td><td>10.3x</td><td>↖</td></tr> <tr><td>6:</td><td>10.7x</td><td>↘</td></tr> <tr><td>7:</td><td>10.2x</td><td>↘</td></tr> <tr><td>8:</td><td>9.7</td><td>↘</td></tr> <tr><td>9:</td><td>10.4x</td><td>↖</td></tr> <tr><td>10:</td><td>10.1</td><td>↖</td></tr> <tr><td colspan="2">Serie</td><td>91.6</td></tr> <tr><td colspan="2">Total</td><td>91.6</td></tr> </table>	1:	10.3x	↖	2:	10.1	↗	3:	9.8	→	4:	0.0	↘	5:	10.3x	↖	6:	10.7x	↘	7:	10.2x	↘	8:	9.7	↘	9:	10.4x	↖	10:	10.1	↖	Serie		91.6	Total		91.6
21:	10.5x	↘																																																										
22:	10.0	↗																																																										
23:	9.9	↗																																																										
24:	10.5x	↘																																																										
25:	10.8x	↘																																																										
Serie		51.7																																																										
Total		0.0																																																										
1:	10.3x	↖																																																										
2:	10.1	↗																																																										
3:	9.8	→																																																										
4:	0.0	↘																																																										
5:	10.3x	↖																																																										
6:	10.7x	↘																																																										
7:	10.2x	↘																																																										
8:	9.7	↘																																																										
9:	10.4x	↖																																																										
10:	10.1	↖																																																										
Serie		91.6																																																										
Total		91.6																																																										

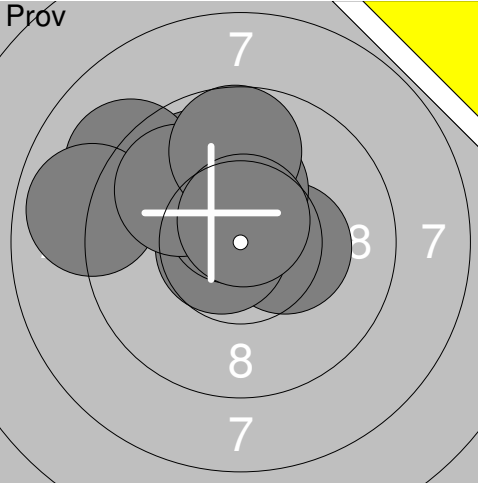
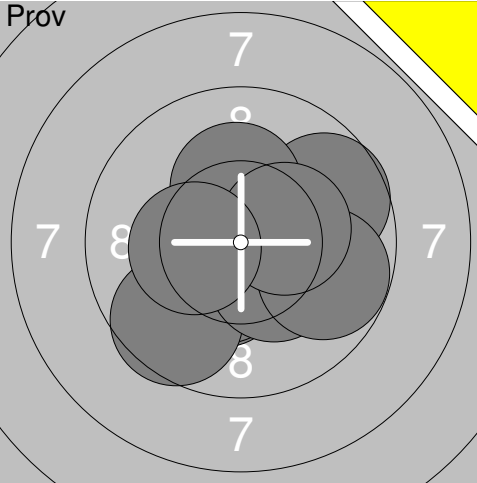
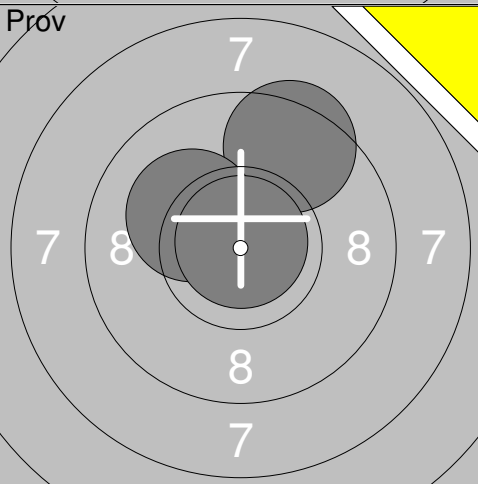
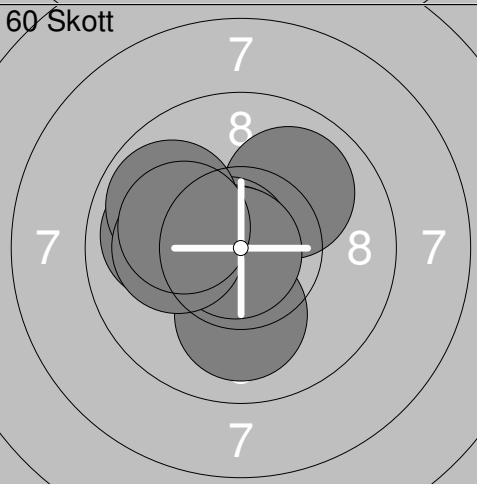
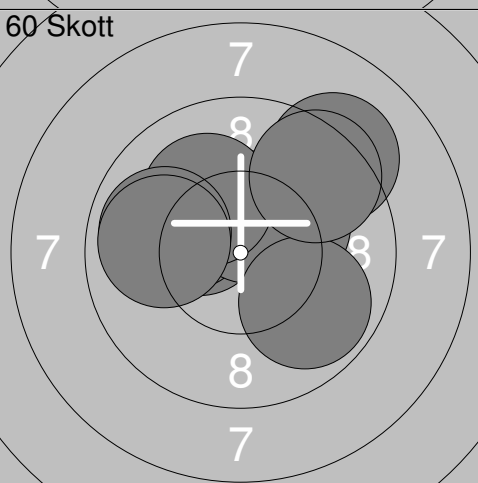
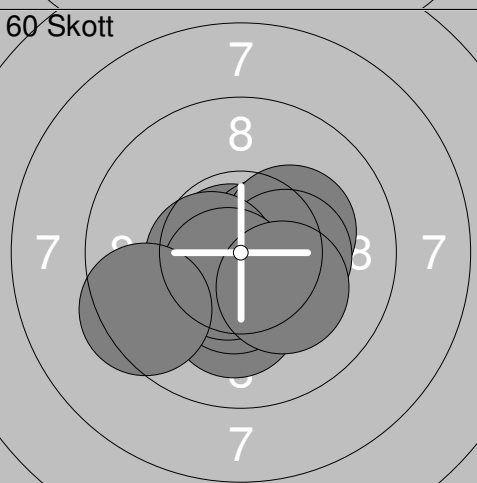
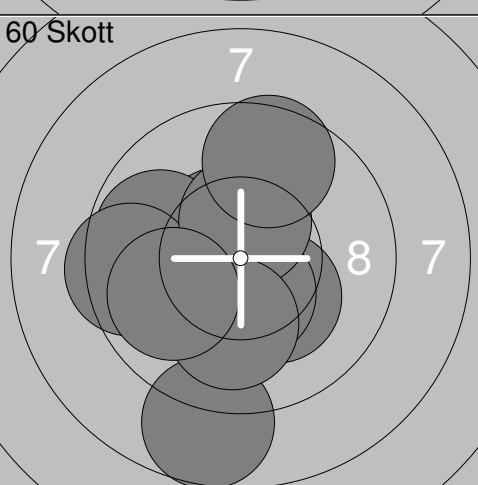
<p>60 Skott</p>	<table border="1" style="width:100%; border-collapse: collapse;"> <tr><td>11:</td><td>10.6x</td><td>→</td></tr> <tr><td>12:</td><td>10.3x</td><td>↑</td></tr> <tr><td>13:</td><td>10.1</td><td>↘</td></tr> <tr><td>14:</td><td>10.6x</td><td>↖</td></tr> <tr><td>15:</td><td>10.1</td><td>↖</td></tr> <tr><td>16:</td><td>10.3x</td><td>↘</td></tr> <tr><td>17:</td><td>10.3x</td><td>↘</td></tr> <tr><td>18:</td><td>9.8</td><td>↗</td></tr> <tr><td>19:</td><td>9.7</td><td>↗</td></tr> <tr><td>20:</td><td>10.3x</td><td>↘</td></tr> <tr><td colspan="2">Serie</td><td>102.1</td></tr> <tr><td colspan="2">Total</td><td>193.7</td></tr> </table>	11:	10.6x	→	12:	10.3x	↑	13:	10.1	↘	14:	10.6x	↖	15:	10.1	↖	16:	10.3x	↘	17:	10.3x	↘	18:	9.8	↗	19:	9.7	↗	20:	10.3x	↘	Serie		102.1	Total		193.7	<p>60 Skott</p>	<table border="1" style="width:100%; border-collapse: collapse;"> <tr><td>21:</td><td>9.8</td><td>↖</td></tr> <tr><td>22:</td><td>10.7x</td><td>↗</td></tr> <tr><td>23:</td><td>9.7</td><td>←</td></tr> <tr><td>24:</td><td>10.2x</td><td>↗</td></tr> <tr><td>25:</td><td>10.4x</td><td>↘</td></tr> <tr><td>26:</td><td>10.5x</td><td>↗</td></tr> <tr><td>27:</td><td>10.7x</td><td>↘</td></tr> <tr><td>28:</td><td>10.7x</td><td>↘</td></tr> <tr><td>29:</td><td>9.5</td><td>↗</td></tr> <tr><td>30:</td><td>9.7</td><td>↘</td></tr> <tr><td colspan="2">Serie</td><td>101.9</td></tr> <tr><td colspan="2">Total</td><td>295.6</td></tr> </table>	21:	9.8	↖	22:	10.7x	↗	23:	9.7	←	24:	10.2x	↗	25:	10.4x	↘	26:	10.5x	↗	27:	10.7x	↘	28:	10.7x	↘	29:	9.5	↗	30:	9.7	↘	Serie		101.9	Total		295.6
11:	10.6x	→																																																																									
12:	10.3x	↑																																																																									
13:	10.1	↘																																																																									
14:	10.6x	↖																																																																									
15:	10.1	↖																																																																									
16:	10.3x	↘																																																																									
17:	10.3x	↘																																																																									
18:	9.8	↗																																																																									
19:	9.7	↗																																																																									
20:	10.3x	↘																																																																									
Serie		102.1																																																																									
Total		193.7																																																																									
21:	9.8	↖																																																																									
22:	10.7x	↗																																																																									
23:	9.7	←																																																																									
24:	10.2x	↗																																																																									
25:	10.4x	↘																																																																									
26:	10.5x	↗																																																																									
27:	10.7x	↘																																																																									
28:	10.7x	↘																																																																									
29:	9.5	↗																																																																									
30:	9.7	↘																																																																									
Serie		101.9																																																																									
Total		295.6																																																																									

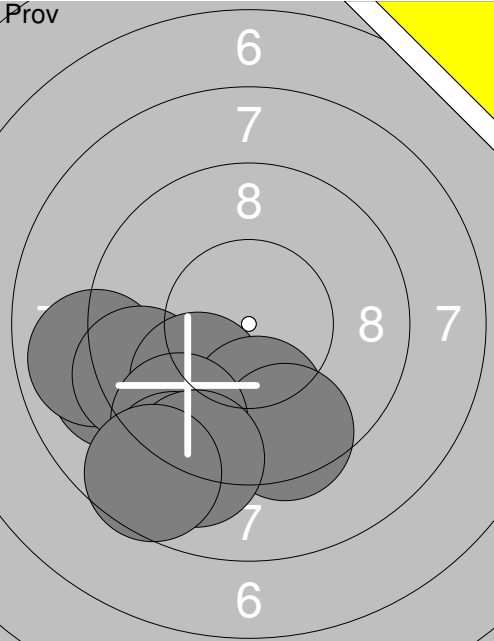
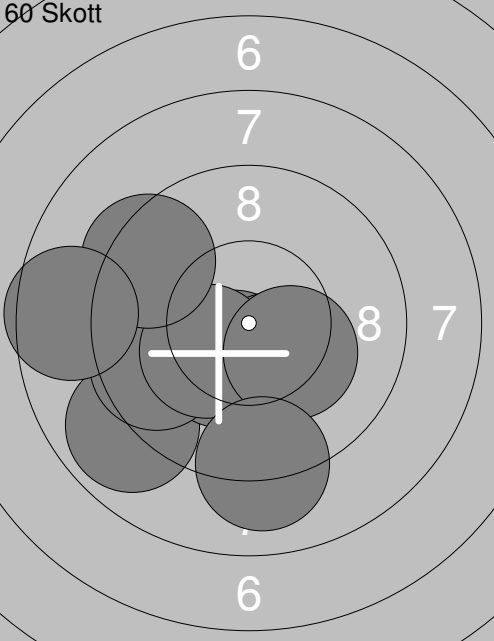
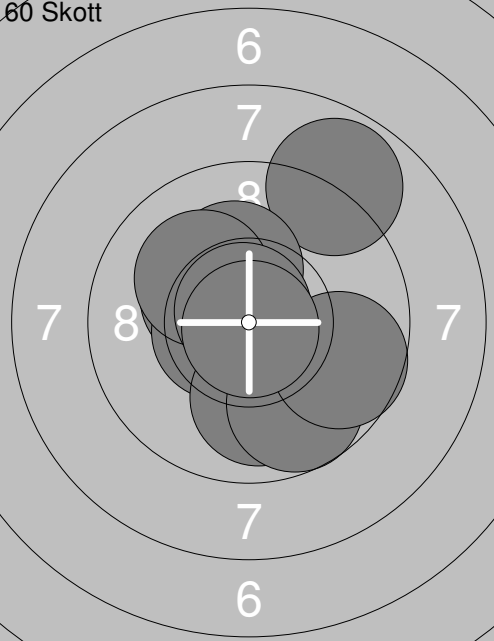
<p>60 Skott</p>	<table border="1" style="width:100%; border-collapse: collapse;"> <tr><td>31:</td><td>10.2x</td><td>↘</td></tr> <tr><td>32:</td><td>10.5x</td><td>↘</td></tr> <tr><td>33:</td><td>10.8x</td><td>↗</td></tr> <tr><td>34:</td><td>9.6</td><td>↘</td></tr> <tr><td>35:</td><td>10.2x</td><td>→</td></tr> <tr><td>36:</td><td>10.0</td><td>↗</td></tr> <tr><td>37:</td><td>9.8</td><td>↑</td></tr> <tr><td>38:</td><td>10.7x</td><td>↖</td></tr> <tr><td>39:</td><td>9.8</td><td>↘</td></tr> <tr><td>40:</td><td>10.4x</td><td>←</td></tr> <tr><td colspan="2">Serie</td><td>102.0</td></tr> <tr><td colspan="2">Total</td><td>397.6</td></tr> </table>	31:	10.2x	↘	32:	10.5x	↘	33:	10.8x	↗	34:	9.6	↘	35:	10.2x	→	36:	10.0	↗	37:	9.8	↑	38:	10.7x	↖	39:	9.8	↘	40:	10.4x	←	Serie		102.0	Total		397.6		
31:	10.2x	↘																																					
32:	10.5x	↘																																					
33:	10.8x	↗																																					
34:	9.6	↘																																					
35:	10.2x	→																																					
36:	10.0	↗																																					
37:	9.8	↑																																					
38:	10.7x	↖																																					
39:	9.8	↘																																					
40:	10.4x	←																																					
Serie		102.0																																					
Total		397.6																																					

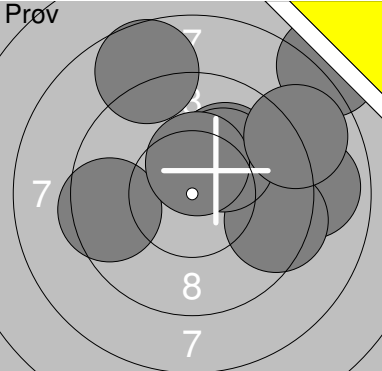
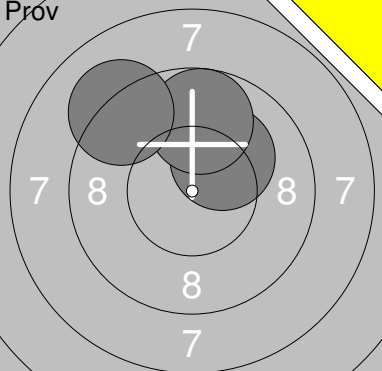
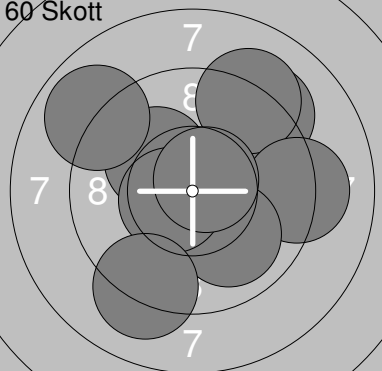
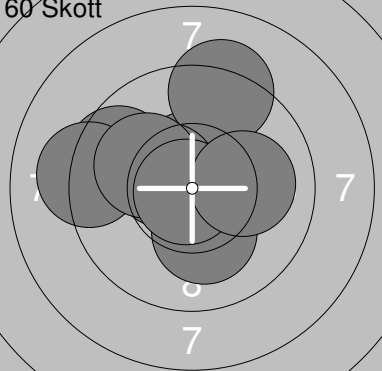
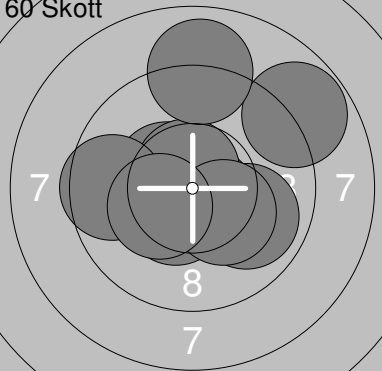
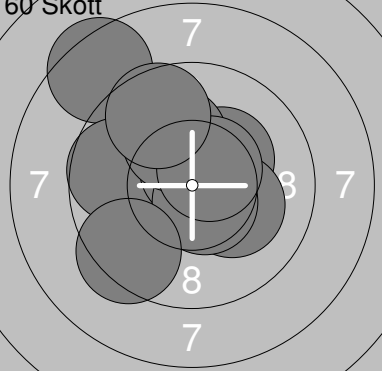
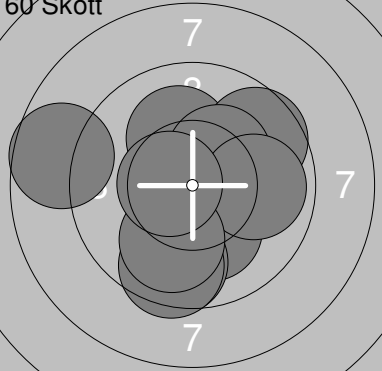
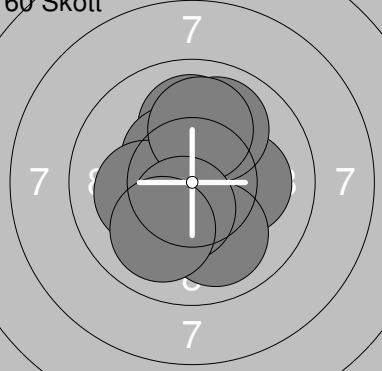
Skjutlag 2	Tavla 24	Elliot Nilsson	
S		Drängsmark Skf	
19.11.2016		Drängsmarksskyttet 2016	Umeå skytteallians
Pröv 	1: 10.2x ↗ 2: 10.3x ↑ 3: 10.1 ↓ 4: 10.4x ↓ 5: 10.5x → 6: 9.9 ← 7: 9.1 ← 8: 10.7x ↗ 9: 10.7x ↗ 10: 9.5 ↙ Serie 90.7 Total 0.0	Pröv 	11: 10.6x ↘ 12: 10.9x ↙ 13: 10.3x ↓ 14: 9.9 ↓ 15: 10.5x ↖ 16: 10.3x ↓ 17: 10.7x ← 18: 9.9 ← 19: 9.6 ← 20: 9.9 → Serie 102.6 Total 0.0
Pröv 	21: 9.9 ↗ 22: 10.1 ↓ Serie 20.0 Total 0.0	60 Skott 	1: 9.6 ↗ 2: 10.7x → 3: 10.5x ↗ 4: 10.3x → 5: 10.6x ↓ 6: 10.4x ↓ 7: 10.5x ↖ 8: 9.6 ↓ 9: 10.3x → 10: 10.0 ↙ Serie 102.5 Total 102.5
60 Skott 	11: 10.5x ↗ 12: 10.3x ↗ 13: 9.7 ↗ 14: 10.1 ↗ 15: 10.6x ↓ 16: 9.8 ↗ 17: 10.4x → 18: 10.5x ← 19: 10.3x ↑ 20: 10.3x ↓ Serie 102.5 Total 205.0	60 Skott 	21: 9.6 ← 22: 9.6 → 23: 10.5x ← 24: 10.6x ↓ 25: 10.5x ↓ 26: 9.5 ↓ 27: 10.6x → 28: 10.3x ↙ 29: 9.6 ← 30: 10.6x ↖ Serie 101.4 Total 306.4
60 Skott 	31: 10.0 ↑ 32: 9.3 ↗ 33: 10.8x ↑ 34: 10.4x ↖ 35: 10.3x ↓ 36: 10.4x ↗ 37: 10.5x ↓ 38: 8.7 ↗ 39: 9.9 ↓ 40: 10.2x ← Serie 100.5 Total 406.9		

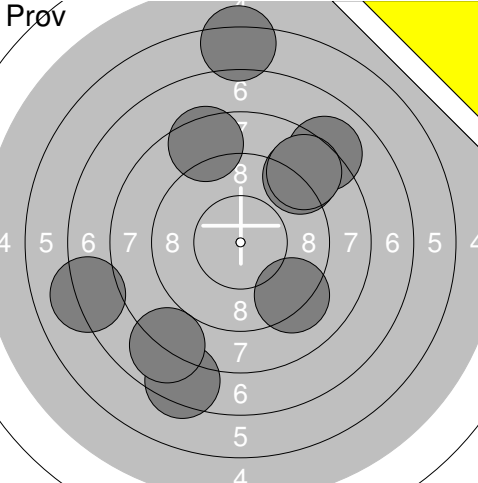
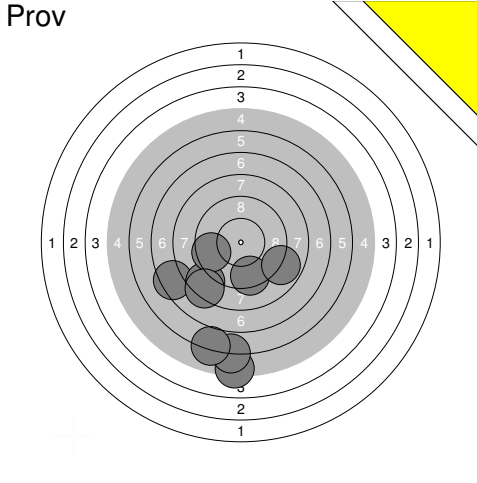
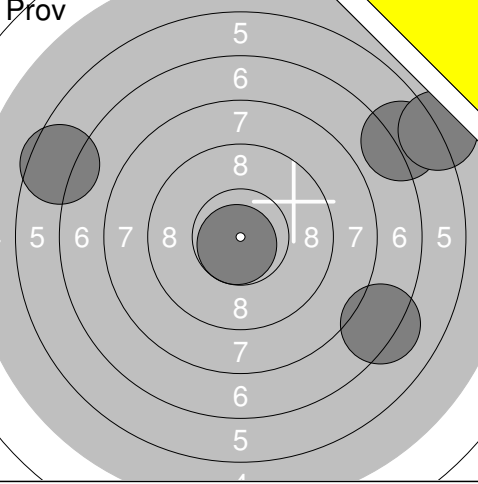
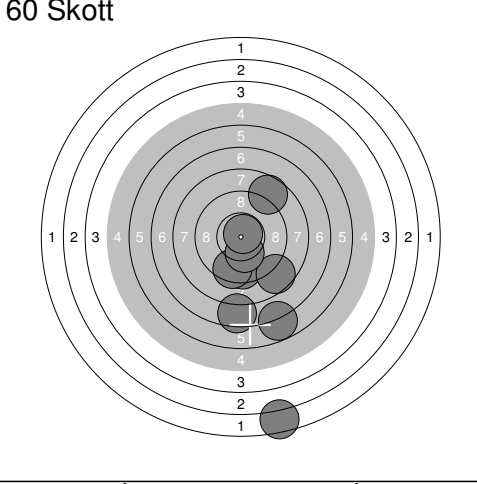
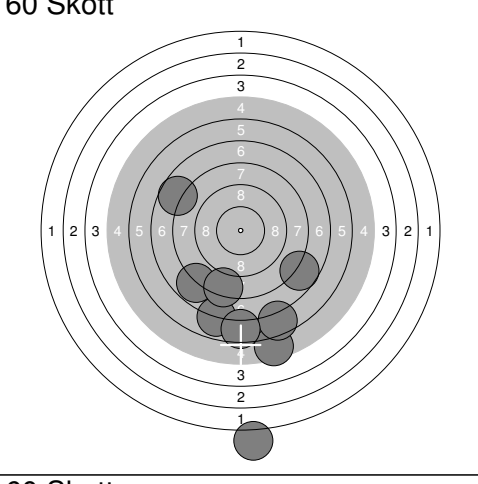
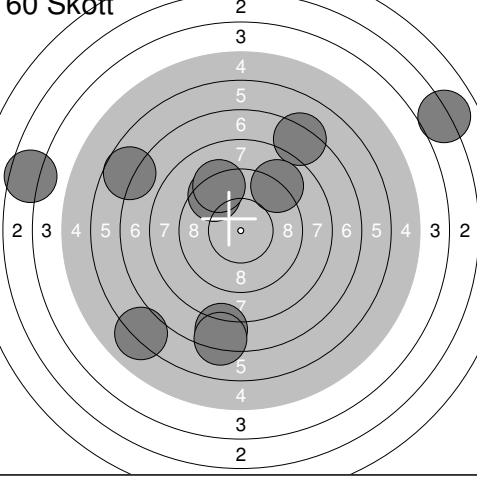
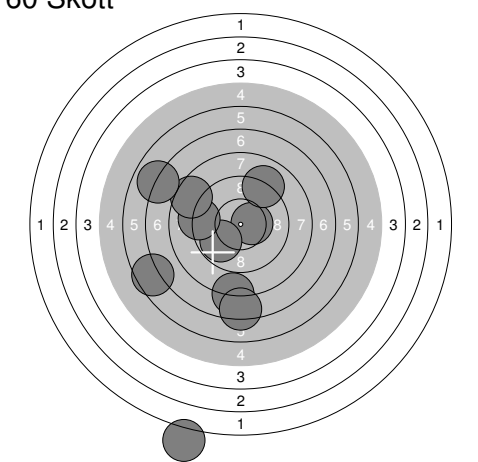
Skjutlag	Tavla	Elvira Söderlund	
2	25		
S	Ramselefors Skf		
19.11.2016	Drängsmarksskyttet 2016	Umeå skytteallians	
Prov		1: 10.0 ← 3: 9.0 ↑ 4: 9.6 ← 5: 10.3x ↗ 6: 10.2x ↘ 7: 10.6x ← 8: 9.8 ↘ 9: 10.0 ↑ 10: 10.4x ↘	11: 9.7 ↗ 12: 10.3x ↗ 13: 9.6 → 14: 9.3 ↗ 15: 10.1 → 16: 9.4 ↖ 17: 10.5x ↘ 18: 9.0 → 19: 9.6 → 20: 10.5x ↗
		Serie 89.9	Serie 98.0
		Total 0.0	Total 0.0
Prov		21: 10.4x ↗ 22: 9.8 ↘ 23: 10.3x ↘ 24: 10.7x ↗ 25: 9.8 ↘ 26: 10.2x ↘ 27: 10.5x ←	1: 8.2 ↘ 2: 10.3x ↘ 3: 9.6 ↘ 4: 10.3x ← 5: 10.5x → 6: 10.3x ↘ 7: 9.1 ↗ 8: 10.2x → 9: 9.3 ↗ 10: 9.9 ↑
		Serie 71.7	Serie 97.7
		Total 0.0	Total 97.7
60 Skott		11: 10.1 ↘ 12: 9.5 → 13: 10.8x ← 14: 9.9 ↑ 15: 10.6x ← 16: 10.2x ↗ 17: 9.6 ↗ 18: 9.7 ↗ 19: 10.4x → 20: 9.8 ↘	21: 10.2x ← 22: 9.7 ← 23: 10.8x ↘ 24: 10.3x ↘ 25: 10.5x ↗ 26: 10.2x ↘ 27: 10.5x ↘ 28: 9.8 ↗ 29: 10.1 → 30: 10.8x ↘
		Serie 100.6	Serie 102.9
		Total 198.3	Total 301.2
60 Skott		31: 9.9 ↘ 32: 10.3x → 33: 9.0 → 34: 10.7x ↗ 35: 9.9 ↘ 36: 10.4x ← 37: 10.2x ↑ 38: 10.0 ↑ 39: 10.1 → 40: 10.3x ←	
		Serie 100.8	
		Total 402.0	

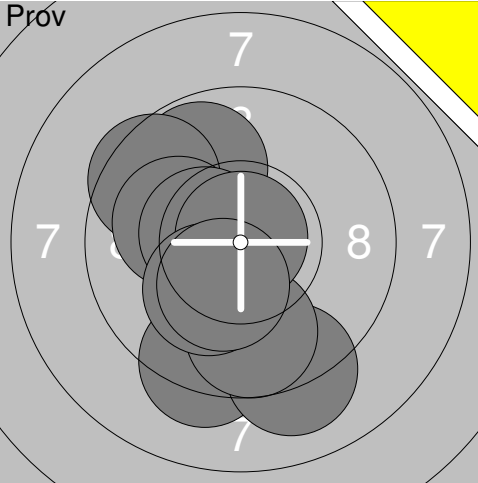
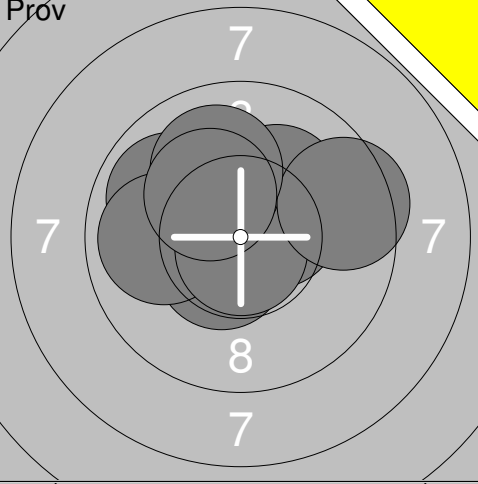
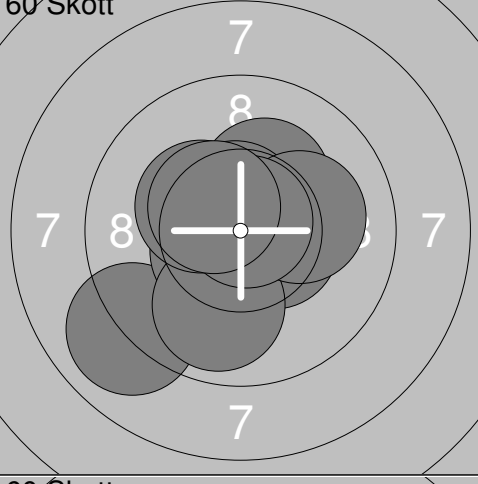
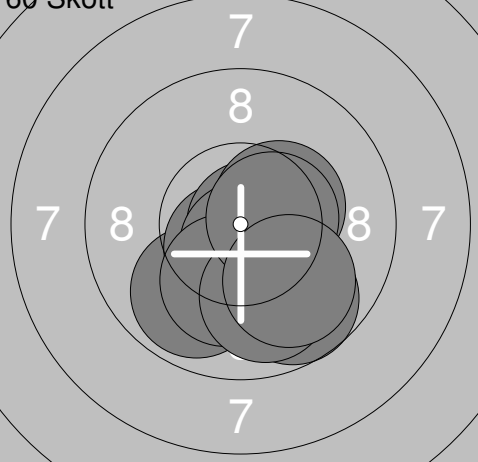
Skjutlag 2	Tavla 27	Wilhem Lundstedt	
S		Ramselefors Skf	
19.11.2016		Drängsmarksskyttet 2016	Umeå skytteallians
Prov		1: 10.4x ↗ 2: 10.0 ← 3: 10.6x ↘ 4: 10.1 ← 5: 9.7 ← 6: 9.8 ← 7: 10.3x ← 8: 10.5x ↘ 9: 10.3x ← 10: 10.5x ↘ Serie 102.2 Total 0.0	Prov  11: 10.3x ↘ 12: 10.6x ↑ 13: 10.6x ↓ 14: 10.3x ↗ 15: 10.4x ← 16: 10.6x ↓ 17: 10.5x ↗ 18: 10.1 ↗ 20: 10.1 ↗ Serie 93.5 Total 0.0
Prov		21: 10.6x ↗ 22: 10.4x ↘ 24: 10.6x ↗ 25: 10.7x ← 26: 10.3x ↘ 28: 10.0 ↗ 29: 10.0 → Serie 72.6 Total 0.0	60 Skott  1: 10.8x ↑ 2: 10.3x ← 3: 10.0 → 4: 10.5x ↓ 5: 10.6x ← 6: 10.6x ← 7: 10.6x ← 8: 10.5x ↗ 9: 10.8x ↘ 10: 9.7 ↗ Serie 104.4 Total 104.4
60 Skott		11: 9.2 → 12: 9.9 → 13: 10.6x ↑ 14: 10.4x → 15: 10.0 ↘ 16: 10.8x ↗ 17: 9.9 ↗ 18: 10.1 ← 19: 10.5x ↗ 20: 10.4x ↗ Serie 101.8 Total 206.2	60 Skott  21: 10.5x ↗ 22: 10.2x ↗ 23: 10.5x → 24: 10.4x ↓ 25: 10.8x ↓ 26: 10.7x ← 27: 10.8x ↑ 28: 10.5x ↗ 29: 10.9x ↗ 30: 10.3x → Serie 105.6 Total 311.8
60 Skott		31: 10.1 ↗ 32: 10.5x ↑ 33: 10.2x ↗ 34: 9.8 ↘ 35: 10.2x → 36: 10.0 ↘ 37: 10.3x ↘ 38: 9.9 ↘ 39: 10.7x ↗ 40: 10.6x ↗ Serie 102.3 Total 414.1	

Skjutlag 2	Tavla 29	Jonathan Ebbhagen	
S		Ramselefors Skf	
19.11.2016		Drängsmarksskyttet 2016	Umeå skytteallians
Pröv 	1: 10.3x → 2: 9.9 ↗ 3: 9.1 ↗ 4: 8.9 ↖ 5: 10.7x ← 6: 10.6x ↗ 7: 10.2x ↑ 8: 9.9 ↗ 9: 9.7 ↑ 10: 10.7x ↑ Serie 100.0 Total 0.0	Pröv 	11: 9.7 → 12: 10.4x ↓ 13: 10.4x ↓ 14: 9.6 ↓ 15: 10.2x ↑ 16: 10.3x ↓ 17: 10.3x ↓ 18: 9.8 → 19: 10.3x → 20: 10.3x ← Serie 91.0 Total 0.0
Pröv 	21: 9.4 ↗ 22: 10.2x ↗ 23: 10.9x ↑ Serie 30.5 Total 0.0	60 Skott 	1: 9.9 ← 2: 10.4x ← 3: 10.0 ↗ 4: 10.7x ↖ 5: 9.9 ↗ 6: 10.8x ← 7: 10.1 ↓ 8: 10.9x ↖ 9: 10.1 ← 10: 10.1 ↖ Serie 102.9 Total 102.9
60 Skott 	11: 9.2 ↗ 12: 10.3x ↖ 13: 10.2x ↗ 14: 10.1 ↖ 15: 10.5x ↑ 16: 10.1 ↗ 17: 9.9 ← 18: 9.9 ← 19: 9.8 ↓ 20: 9.5 ↗ Serie 99.5 Total 202.4	60 Skott 	21: 10.2x ↓ 22: 10.8x ← 23: 10.6x → 24: 10.5x ↓ 25: 10.2x → 26: 10.4x → 27: 10.5x ← 28: 10.6x ↓ 29: 9.5 ↖ 30: 10.2x ↘ Serie 103.5 Total 305.9
60 Skott 	31: 10.5x ↗ 32: 10.3x ↓ 33: 10.5x ↓ 34: 9.8 ↖ 35: 9.5 ← 36: 10.5x ↑ 37: 8.7 ↓ 38: 10.1 ↓ 39: 9.6 ↗ 40: 9.9 ↖ Serie 99.4 Total 405.3		

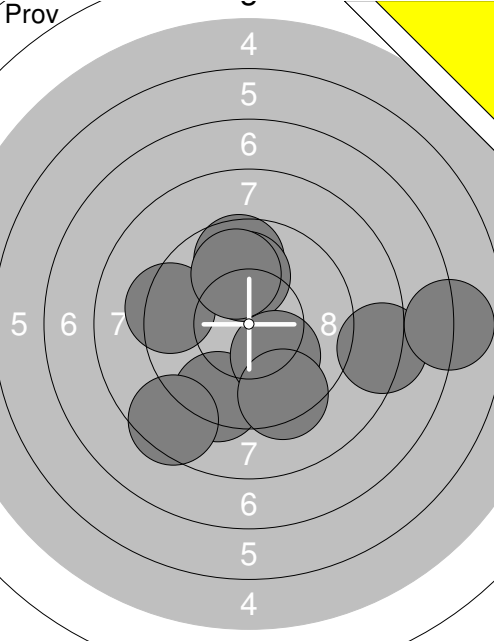
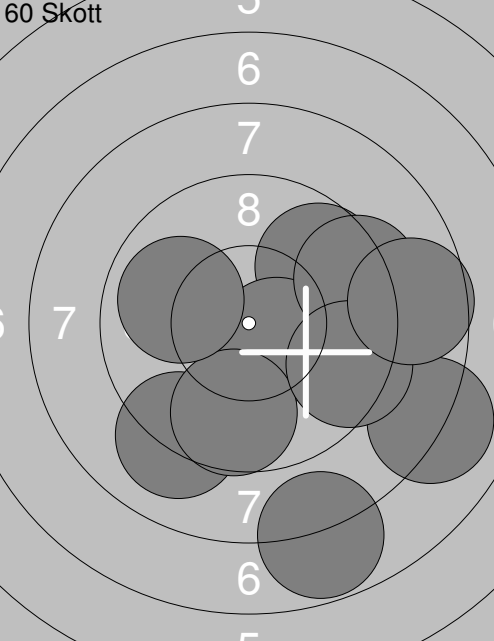
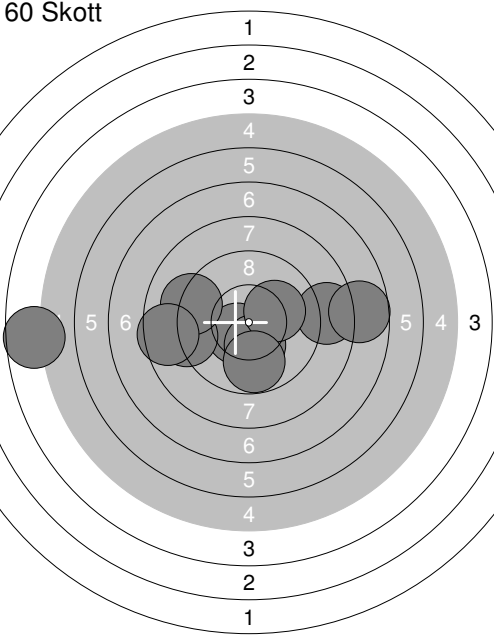
Skjuttag	Tavla	Jenna Nyman	
S		Kubikenborgs Uskf	
19.11.2016	Drängsmarksskyttet 2016	Umeå skytteallians	
Prov		1: 9.1 ← 2: 8.9 ← 3: 9.4 ← 4: 10.0 ↘ 5: 9.9 ↓ 6: 9.5 ↓ 7: 9.4 ↓ 8: 8.9 ↓ 9: 9.1 ↓ 10: 8.6 ↓ Serie 92.8 Total 0.0	11: 9.6 ← 12: 9.4 ↓ 13: 7.1 ↓ 14: 8.9 ↓ 15: 9.5 ↘ 16: 8.4 ↓ 17: 9.5 ← 18: 8.4 ← Serie 70.8 Total 0.0
60 Skott		1: 10.5x↓ 2: 8.9 ← 3: 10.3x↓ 4: 9.6 ← 5: 10.4x↓ 6: 10.3x← 7: 10.3x↘ 8: 9.1 ↓ 9: 9.4 ↖ 10: 8.6 ← Serie 97.4 Total 97.4	11: 8.3 ↓ 12: 9.8 ↖ 13: 9.8 ↘ 14: 10.3x↖ 15: 10.2x↓ 16: 9.7 → 17: 9.8 ← 18: 9.7 ↓ 19: 9.5 ↓ 20: 10.6x↘ Serie 97.7 Total 195.1
60 Skott		21: 8.9 ↗ 22: 10.3x↖ 23: 10.2x↗ 24: 10.6x← 25: 10.0 ↓ 26: 10.1 ↖ 27: 9.7 ↓ 28: 9.7 → 29: 10.8x↗ 30: 10.9x↓ Serie 101.2 Total 296.3	31: 9.9 ← 32: 8.6 ← 33: 10.3x↓ 34: 9.8 ← 35: 9.1 ↓ 36: 9.7 ← 37: 9.3 ↓ 38: 10.6x↓ 39: 9.5 ↓ 40: 9.4 ← Serie 96.2 Total 392.5

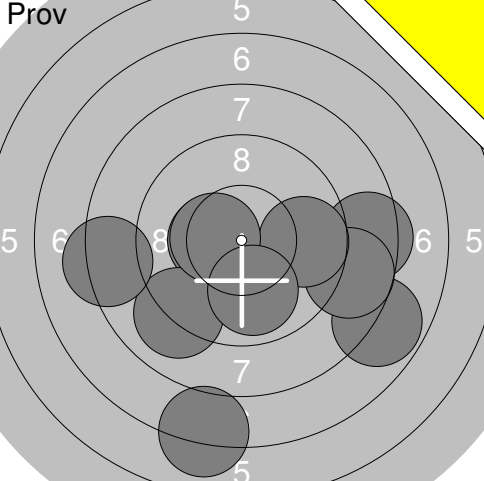
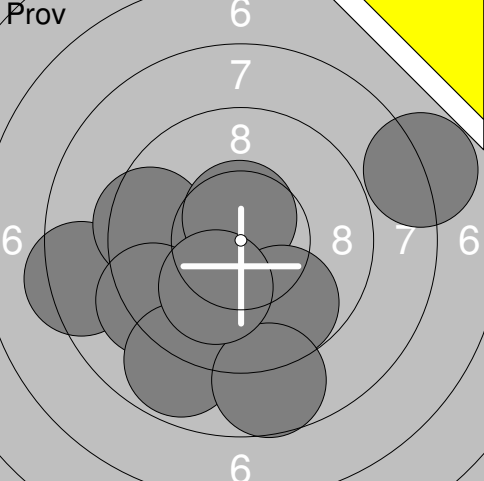
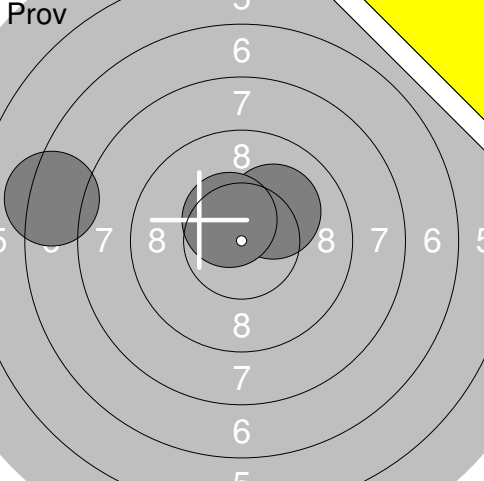
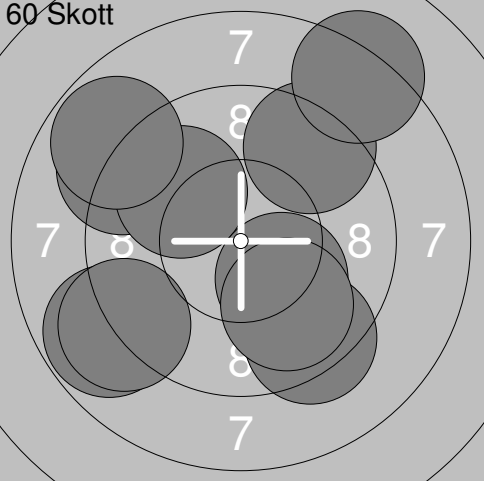
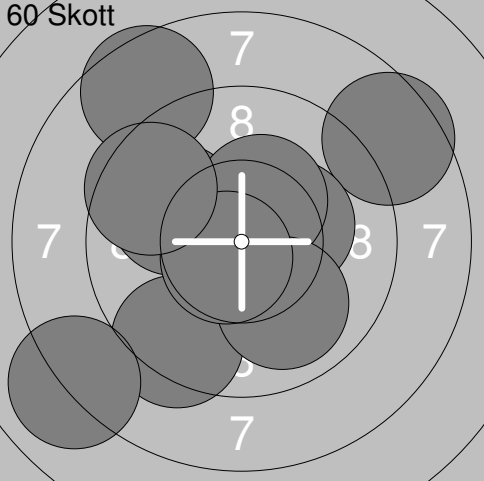
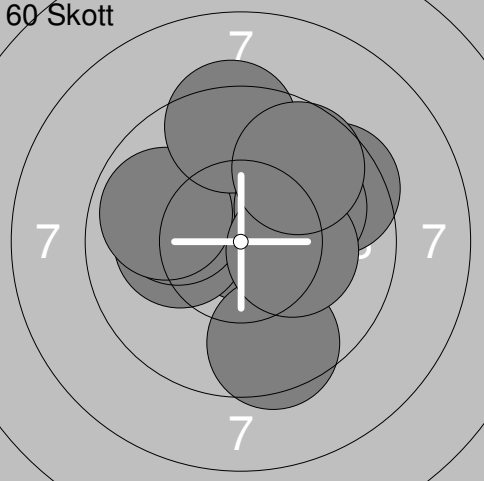
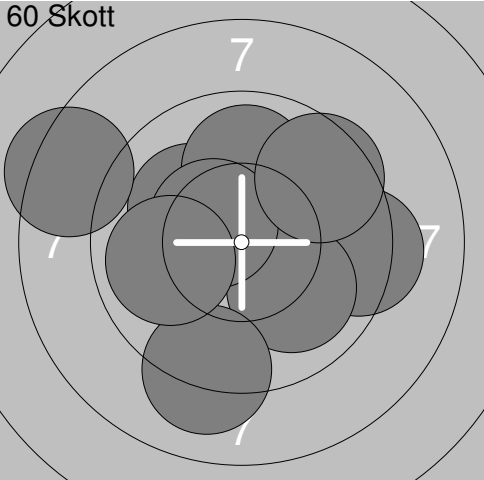
Skjutlag	Tavla	Markus-Pekka Dreyer Perkiömäki	
2	34		
S	Umeå Skf		
19.11.2016	Drängsmarksskyttet 2016	Umeå skytteallians	
Pröv		1: 7.7 ↗ 2: 10.1 ↗ 3: 8.9 → 4: 10.1 ↗ 5: 9.4 → 6: 9.5 ← 7: 10.2x ↗ 8: 10.4x ↑ 9: 8.9 ↗ 10: 8.7 ↓	Pröv
		11: 10.4x ↗ 12: 10.6x ↑ 13: 9.0 → 14: 9.9 ↗ 15: 9.9 → 16: 10.1 ↗ 17: 9.7 ← 18: 9.1 ↗ 19: 8.8 ↗ 20: 10.3x →	
		Serie 93.9 Total 0.0	Serie 97.8 Total 0.0
Pröv		21: 10.2x ↗ 22: 9.8 ↑ 23: 9.1 ↖	60 Skott
		Serie 29.1 Total 0.0	
			1: 10.1 ↓ 2: 9.2 ↗ 3: 9.1 ↗ 4: 9.2 → 5: 10.0 ↓ 6: 10.1 ↗ 7: 10.6x ← 8: 10.7x ↗ 9: 8.9 ↗ 10: 9.1 ↓
			Serie 97.0 Total 97.0
60 Skott		11: 10.5x ↖ 12: 10.5x ↑ 13: 9.6 ↖ 14: 9.2 ↑ 15: 9.2 ← 16: 10.2x ↓ 17: 10.5x ↖ 18: 10.1 ↖ 19: 10.8x ↖ 20: 10.1 →	60 Skott
		Serie 100.7 Total 197.7	
			21: 9.9 → 22: 10.5x ↖ 23: 10.7x ↓ 24: 10.5x ↓ 25: 10.7x ↑ 26: 9.6 ← 27: 10.3x ↓ 28: 10.3x ↖ 29: 8.8 ↗ 30: 9.0 ↑
			Serie 100.3 Total 298.0
60 Skott		31: 8.4 ↖ 32: 10.3x ↗ 33: 9.7 ↖ 34: 10.2x → 35: 10.7x ↑ 36: 10.6x ↓ 37: 9.4 ↖ 38: 10.1 ↗ 39: 10.5x ↗ 40: 9.6 ↖	60 Skott
		Serie 99.5 Total 397.5	
			41: 10.1 ↑ 42: 8.7 ↖ 43: 9.6 ↗ 44: 10.3x ↗ 45: 10.2x ↓ 46: 9.6 ↓ 47: 9.5 ↓ 48: 9.9 → 49: 10.0 ↓ 50: 10.6x ←
			Serie 98.5 Total 496.0
60 Skott		51: 10.2x → 52: 10.0 ↑ 53: 10.0 ↗ 54: 10.4x ↓ 55: 10.4x ↗ 56: 10.0 ↓ 57: 10.2x ← 58: 10.0 ↑ 59: 10.5x ↓ 60: 10.0 ↓	
		Serie 101.7 Total 597.7	

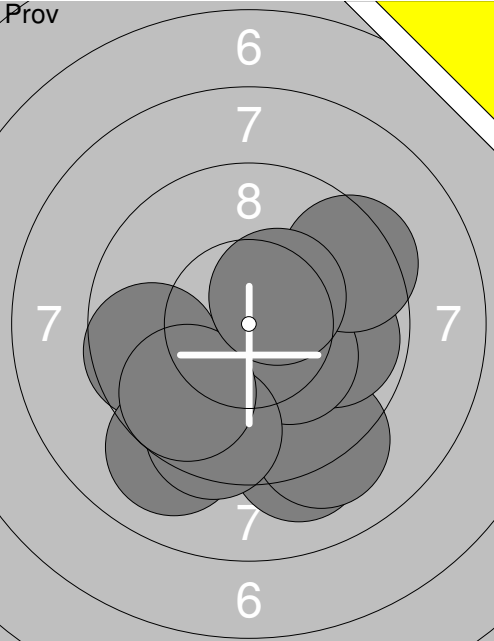
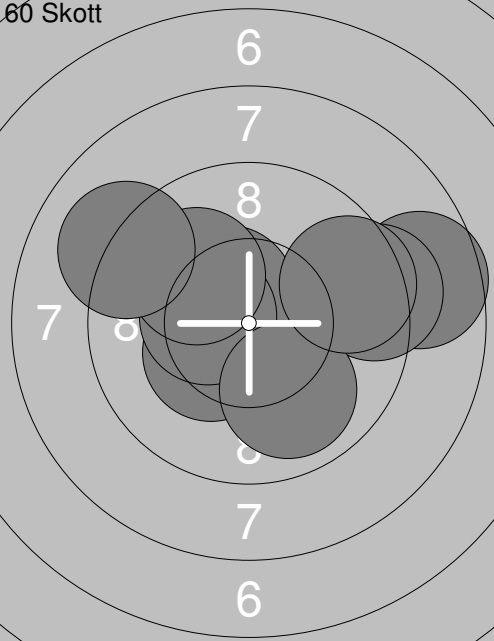
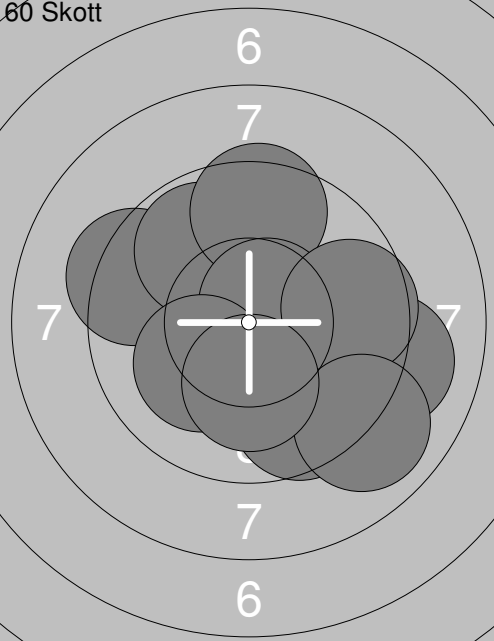
Skjutlag 2	Tavla 38	Ulf Sjöström	
S		Ramselefors Skf	
19.11.2016		Drängsmarksskyttet 2016	
Umeå skytteallians			
Prov 	1: 8.9 ↗ 2: 8.1 ↗ 3: 6.2 ↑ 4: 7.1 ← 5: 8.7 ↗ 7: 9.2 ↘ 8: 7.4 ↓ 9: 8.5 ↗ 10: 8.0 ↓ Serie 72.1 Total 0.0	Prov 	11: 7.4 ↙ 12: 9.4 ↓ 13: 5.2 ↓ 14: 5.9 ↓ 15: 8.9 ↘ 16: 6.0 ↓ 17: 8.6 ↙ 18: 9.5 ← 19: 0.0 ↙ 20: 8.3 ↙ Serie 69.2 Total 0.0
Prov 	21: 10.8x ↓ 22: 6.7 ↗ 23: 6.5 ↖ 24: 7.2 ↘ 25: 5.9 ↗ Serie 37.1 Total 0.0	60 Skott 	1: 6.8 ↓ 2: 9.5 ↓ 3: 7.5 ↓ 4: 8.6 ↘ 5: 9.4 ↓ 6: 8.7 ↗ 7: 10.2x ↓ 8: 10.8x ↗ 9: 2.5 ↓ 10: 0.0 ↓ Serie 74.0 Total 74.0
60 Skott 	11: 5.5 ↓ 12: 6.9 ↓ 13: 7.8 ↘ 14: 8.3 ↘ 15: 7.7 ↗ 16: 1.4 ↓ 17: 6.5 ↓ 18: 0.0 ↓ 19: 7.7 ↘ 20: 6.5 ↓ Serie 58.3 Total 132.3	60 Skott 	21: 7.3 ↗ 22: 9.4 ↗ 23: 7.5 ↓ 24: 9.0 ↗ 25: 9.3 ↗ 26: 3.0 ↗ 27: 6.1 ↙ 28: 7.2 ↓ 29: 3.6 ← 30: 6.7 ↖ Serie 69.1 Total 201.4
60 Skott 	31: 6.6 ↙ 32: 10.5x → 33: 9.8 ↙ 34: 7.9 ↓ 35: 1.3 ↓ 36: 7.3 ↓ 37: 9.1 ↗ 38: 9.1 ← 39: 8.5 ↗ 40: 6.9 ↗ Serie 77.0 Total 278.4		

Skjutlag	Tavla	Sture Lönefjord	
S		Ramselefors Skf	
19.11.2016		Drängsmarksskyttet 2016	Umeå skytteallians
Prov		1: 9.3 ↓ 2: 9.1 ↓ 3: 9.7 ↓ 4: 9.8 ↗ 5: 9.5 ↗ 6: 10.1 ↖ 7: 10.4x ↖ 8: 10.9x ↑ 9: 10.2x ↓ 10: 10.3x ↓ Serie 99.3 Total 0.0	11: 9.8 ↓ 12: 9.8 ↑ 13: 10.2x ↗ 14: 10.5x ↗ 15: 10.7x ↓ 16: 10.0 ↖ 17: 10.2x ↓ 18: 10.7x ↗ 19: 10.3x ↖ 20: 10.3x ↑ Serie 102.5 Total 0.0
Prov		21: 10.5x ↓ 22: 10.5x ↗ 23: 9.9 ↗ 24: 9.9 ← 25: 10.2x ↗ 26: 10.8x ↓ 27: 10.1 ↗ 28: 9.5 ↗ 29: 10.0 ↗ 30: 10.2x ↗ Serie 101.6 Total 0.0	31: 10.5x ↓ 32: 10.1 ↗ 33: 9.7 ← 34: 9.9 ↗ 35: 10.8x ↗ 36: 10.6x → 37: 10.3x ↓ 38: 9.8 ← 39: 10.1 ← Serie 91.8 Total 0.0
60 Skott		1: 10.3x ↗ 2: 10.5x → 3: 10.6x ↗ 4: 9.0 ← 5: 10.5x ↖ 6: 9.9 ↓ 7: 10.1 → 8: 10.3x ↗ 9: 10.8x ↗ 10: 10.5x ↗ Serie 102.5 Total 102.5	11: 10.6x ← 12: 10.8x → 13: 9.7 ← 14: 10.4x ↓ 15: 10.0 → 16: 10.0 ↓ 17: 9.8 ↗ 18: 9.9 ↗ 19: 10.6x ↖ 20: 10.0 ↗ Serie 101.8 Total 204.3
60 Skott		21: 9.9 ↓ 22: 10.6x ↓ 23: 10.8x → 24: 10.6x ↓ 25: 10.2x ↓ 26: 9.7 ↓ 27: 10.4x → 28: 9.9 ↓ 29: 10.5x → 30: 9.9 ↓ Serie 102.5 Total 306.8	31: 10.9x → 32: 10.3x ↓ 33: 10.4x → 34: 10.2x ↓ 35: 10.6x ↓ 36: 9.3 ↗ 37: 10.6x → 38: 10.5x ↖ 39: 10.6x ↓ 40: 10.6x ↓ Serie 104.0 Total 410.8

Skjutlag	Tavla	Marko Kangas	
3	1		
S	IMAS (Fin)		
19.11.2016	Drängsmarksskyttet 2016	Umeå skytteallians	
Pröv		1: 8.9 ↘ 2: 9.5 ↘ 3: 10.5x ↗ 5: 9.9 ↘ 6: 8.9 ↘ 7: 8.6 ← 8: 9.5 ↘ 9: 10.2x → 10: 9.3 ↙	11: 9.4 ↘ 12: 10.2x ↗
	Serie 85.3		Serie 19.6
	Total 0.0		Total 0.0
60 Skott		1: 9.2 ← 2: 8.9 ← 3: 9.3 → 4: 9.2 ↗ 5: 8.6 ↗ 6: 9.6 ↗ 7: 9.3 ↘ 8: 10.2x ← 9: 9.9 ↗ 10: 10.3x ↗	11: 9.2 ← 12: 9.8 → 13: 10.6x ↘ 14: 10.0 ← 15: 9.3 ↗ 16: 10.8x ↘ 17: 9.9 ↗ 18: 10.6x → 19: 8.5 → 20: 9.7 ↗
	Serie 94.5		Serie 98.4
	Total 94.5		Total 192.9
60 Skott		21: 10.4x ↗ 22: 9.7 ↗ 23: 10.4x ← 24: 9.9 ← 25: 9.5 ↗ 26: 9.8 ↗ 27: 8.0 ← 28: 9.4 → 29: 9.8 ↗ 30: 9.1 ↗	31: 9.8 ↗ 32: 9.2 ↗ 33: 10.7x ← 34: 10.3x ↘ 35: 10.7x ↙ 36: 9.0 → 37: 10.7x ↗ 38: 9.8 ↗ 39: 9.5 ↗ 40: 9.7 ↗
	Serie 96.0		Serie 99.4
	Total 288.9		Total 388.3
60 Skott		41: 9.2 ↗ 42: 9.2 ← 43: 9.1 → 44: 9.3 ← 45: 8.9 → 46: 9.8 ↘ 47: 9.5 ↗ 48: 9.3 ↗ 49: 10.1 → 50: 8.5 ←	51: 9.0 ← 52: 10.7x ↗ 53: 8.0 ↗ 54: 8.8 ↗ 55: 8.9 → 56: 9.9 ↗ 57: 9.3 ↗ 58: 9.4 ↗ 59: 8.4 ↗ 60: 9.8 ↗
	Serie 92.9		Serie 92.2
	Total 481.2		Total 573.4

Skjuttlag	Tavla	Eemeli Rinta-Kosk	
3	3		
S	IMAS (Fin)		
19.11.2016	Drängsmarksskyttet 2016	Umeå skytteallians	
Prov		1: 9.6 ↑ 2: 9.4 ↓ 3: 8.2 → 4: 10.0 ↑ 5: 6.9 → 6: 9.3 ← 7: 8.5 ↓ 8: 10.1 ↓ 9: 9.4 ↓ 10: 9.9 ↑ Serie 91.3 Total 0.0	11: 10.2x↓ 12: 9.2 ↓ 13: 8.2 ← 14: 9.2 → 15: 9.7 → 16: 9.8 ↗ 17: 10.3x← Serie 66.6 Total 0.0
60 Skott		1: 9.7 ↗ 2: 8.1 → 3: 7.8 ↓ 4: 9.1 ↓ 5: 10.5x↘ 6: 9.3 → 7: 9.7 ↓ 8: 9.4 → 9: 9.9 ← 10: 8.7 → Serie 92.2 Total 92.2	11: 8.2 → 12: 10.2x← 13: 10.8x↓ 14: 8.6 ↓ 15: 9.4 ↓ 16: 9.3 ↓ 17: 8.8 ↗ 18: 8.2 ← 19: 9.0 ← 20: 9.9 ↓ Serie 92.4 Total 184.6
60 Skott		21: 10.5x↘ 22: 10.3x↓ 23: 9.1 ← 24: 8.7 → 25: 10.1 ↗ 26: 9.2 ← 27: 4.7 ← 28: 8.6 ← 29: 7.7 → 30: 9.8 ↓ Serie 88.7 Total 273.3	31: 8.3 → 32: 9.2 ← 33: 10.8x↑ 34: 10.0 ↓ 35: 9.9 ← 36: 8.9 ↓ 37: 8.5 ↗ 38: 10.0 ↗ 39: 10.3x↘ 40: 9.2 ↓ Serie 95.1 Total 368.4

Skjuttag 3	Tavla 4	Aleksi Kasi			
S		IMAS (Fin)			
19.11.2016		Drängsmarksskyttet 2016		Umeå skytteallians	
Prov		Prov		Prov	
	1: 10.4x ← 2: 7.8 → 3: 8.4 → 4: 7.1 ↓ 5: 9.0 ↓ 6: 8.7 → 7: 8.3 ← 8: 9.7 → 9: 10.4x ← 10: 9.9 ↓		11: 8.4 ← 12: 9.5 ← 13: 9.9 ↓ 14: 10.6x ↑ 15: 9.8 ↓ 16: 9.3 ← 17: 7.9 → 18: 8.8 ↓ 19: 8.7 ↓ 20: 10.1 ↓		
Serie 89.7		Serie 93.0			
Total 0.0		Total 0.0			
Prov		60 Skott		60 Skott	
	21: 7.3 ← 22: 10.1 ↗ 23: 10.5x ↗		1: 9.1 ↖ 2: 8.8 ← 3: 9.9 ↗ 4: 10.2x ↓ 5: 9.3 ↓ 6: 9.4 ↗ 7: 8.2 ↗ 8: 8.8 ↗ 9: 9.0 ← 10: 9.9 ↓		
Serie 27.9		Serie 92.6			
Total 0.0		Total 92.6			
60 Skott		60 Skott		60 Skott	
	11: 8.5 ↗ 12: 9.9 ↖ 13: 10.3x → 14: 9.3 ↓ 15: 10.3x ↗ 16: 8.6 ↗ 17: 10.0 ↓ 18: 8.0 ← 19: 10.7x ↓ 20: 9.5 ↗		21: 10.8x ↗ 22: 10.1 ← 23: 9.5 ↗ 24: 10.1 ← 25: 9.9 ← 26: 9.4 ↑ 27: 9.5 ↓ 28: 10.0 ↗ 29: 10.2x → 30: 9.7 ↗		
Serie 95.1		Serie 99.2			
Total 187.7		Total 286.9			
60 Skott					
	31: 10.1 ↗ 32: 10.0 → 33: 9.3 → 34: 10.0 ↓ 35: 9.9 ↑ 36: 9.1 ↓ 37: 10.5x ↗ 38: 8.4 ↗ 39: 9.5 ↗ 40: 9.9 ←				
Serie 96.7					
Total 383.6					

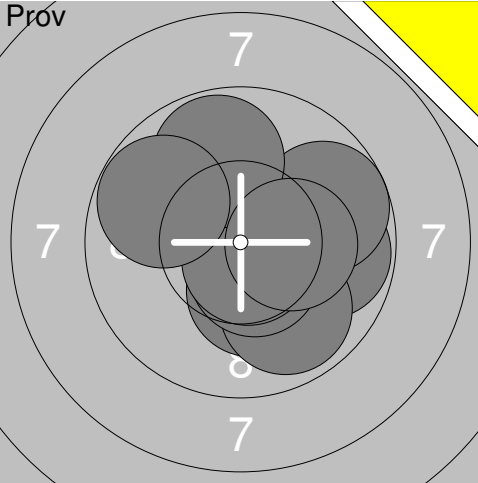
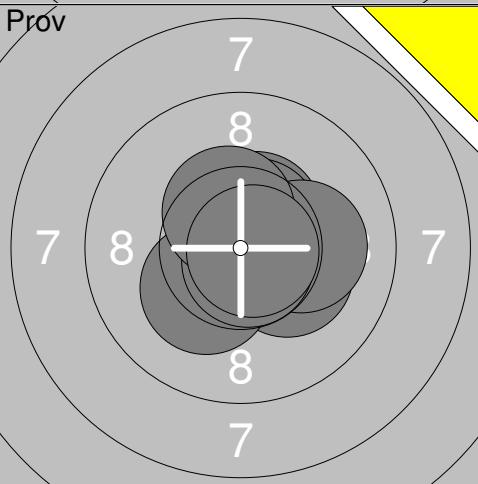
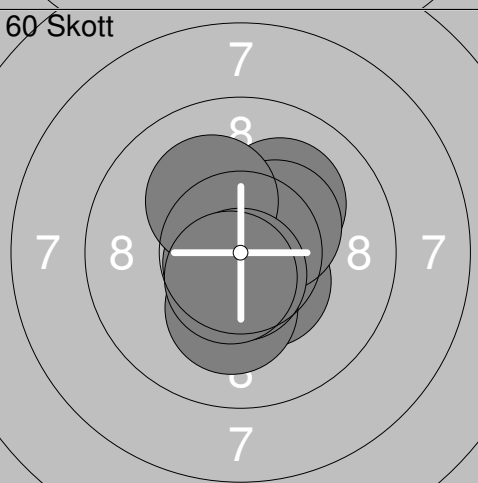
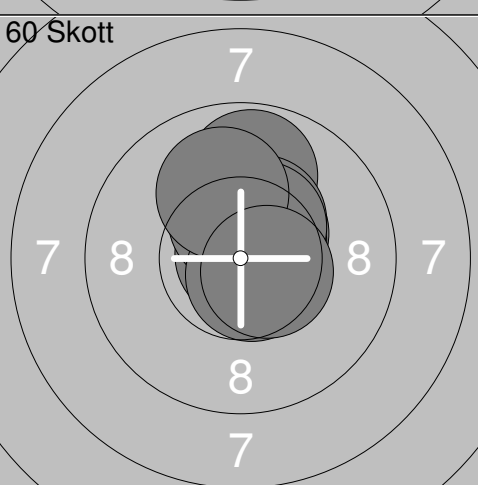
Skjuttag	Tavla	Veronika Ström	
3	5		
S	I 19 Uskf		
19.11.2016	Drängsmarksskyttet 2016	Umeå skytteallians	
Prov		1: 9.1 ↘ 2: 9.6 ← 3: 9.1 ↘ 4: 9.2 ↘ 5: 9.9 → 6: 10.3x↘ 7: 9.5 ↘ 8: 9.4 ↗ 9: 9.8 ↘ 10: 10.4x↗ Serie 96.3 Total 0.0	11: 10.1 → 12: 10.3x↘ 13: 10.0 ↗ 14: 8.4 ← 15: 10.1 ↘ 16: 10.1 ↘ 17: 9.0 → 18: 9.3 ↘ 19: 10.7x↘ Serie 88.0 Total 0.0
60 Skott		1: 10.5x↘ 2: 8.7 → 3: 10.5x↘ 4: 10.3x↘ 5: 10.4x↘ 6: 9.3 → 7: 9.9 ↘ 8: 10.0 ↖ 9: 9.6 → 10: 9.1 ↖ Serie 98.3 Total 98.3	11: 9.3 ↖ 12: 10.2x↗ 13: 10.2x↗ 14: 10.1 → 15: 9.9 ← 16: 10.0 ← 17: 10.7x↘ 18: 10.1 → 19: 10.5x↘ 20: 10.1 → Serie 101.1 Total 199.4
60 Skott		21: 9.4 ↖ 22: 9.8 ↗ 23: 9.1 → 24: 9.6 ↘ 25: 9.5 ↑ 26: 10.6x↗ 27: 10.1 ↖ 28: 9.6 → 29: 9.0 ↘ 30: 10.2x↘ Serie 96.9 Total 296.3	31: 10.0 ↘ 32: 9.6 → 33: 8.7 ← 34: 10.4x↗ 35: 10.7x↘ 36: 10.0 → 37: 9.7 ↘ 38: 9.9 → 39: 9.3 ← 40: 10.4x↘ Serie 98.7 Total 395.0

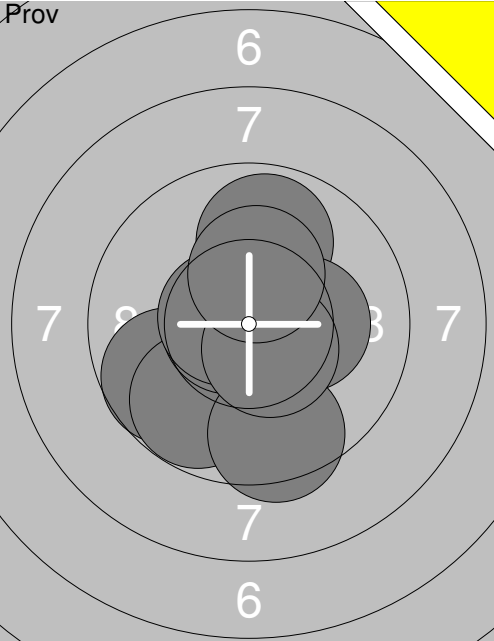
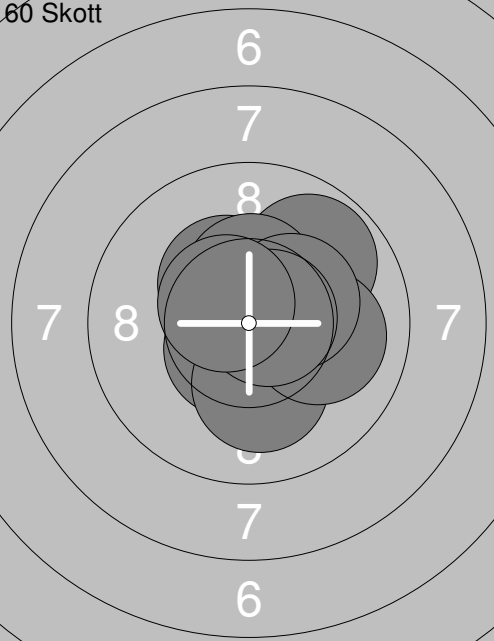
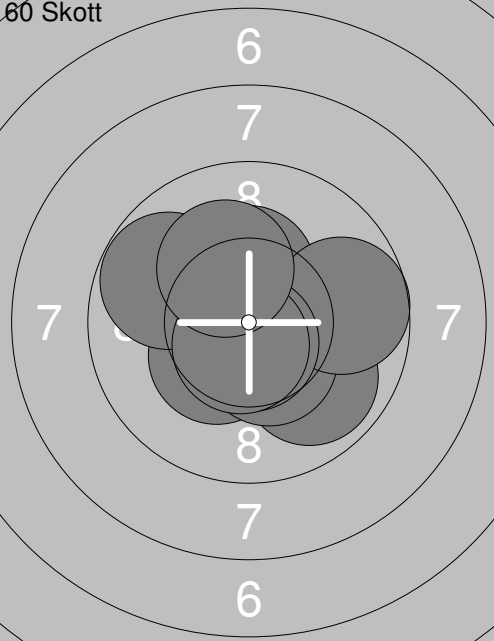
Skjuttag	Tavla	Ville Ketolainen	
3	6		
S	IMAS (Fin)		
19.11.2016	Drängsmarksskyttet 2016	Umeå skytteallians	
Pröv		1: 9.0 ← 2: 8.5 → 3: 10.4x↘ 4: 10.1 ↓ 5: 9.9 ↗ 6: 10.3x← 7: 9.7 ← 8: 10.5x↘ 9: 9.8 ↓ 10: 10.4x↘ Serie 98.6 Total 0.0	Pröv 11: 9.2 ↓ Serie 9.2 Total 0.0
60 Skott		1: 10.6x↗ 2: 10.3x↑ 3: 9.6 ← 4: 6.9 → 5: 9.0 → 6: 8.7 → 7: 9.9 ↓ 8: 7.8 ← 9: 10.7x↑ 10: 9.6 → Serie 93.1 Total 93.1	60 Skott 11: 10.4x↘ 12: 9.4 → 13: 10.1 ↑ 14: 8.8 → 15: 8.1 → 16: 10.8x↓ 17: 10.0 ↗ 18: 10.0 ↙ 19: 9.9 ↓ 20: 9.4 → Serie 96.9 Total 190.0
60 Skott		21: 9.0 → 22: 10.6x↗ 23: 9.5 ← 24: 10.3x↑ 25: 10.1 ↓ 26: 9.4 ← 27: 10.7x↑ 28: 7.7 ← 29: 10.3x↘ 30: 10.4x↑ Serie 98.0 Total 288.0	60 Skott 31: 10.4x↑ 32: 9.3 → 33: 10.2x↘ 34: 8.4 → 35: 10.5x← 36: 10.2x↓ 37: 9.8 ← 38: 10.1 ↓ 39: 9.5 ← 40: 9.7 ↗ Serie 98.1 Total 386.1

<p>Prov</p>	<table border="1" style="width:100%; border-collapse: collapse;"> <tr><td>1:</td><td>10.8x</td><td>←</td></tr> <tr><td>2:</td><td>9.3</td><td>↙</td></tr> <tr><td>3:</td><td>10.0</td><td>↘</td></tr> <tr><td>4:</td><td>10.3x</td><td>↗</td></tr> <tr><td>5:</td><td>10.1</td><td>→</td></tr> <tr><td>6:</td><td>9.1</td><td>↖</td></tr> <tr><td>7:</td><td>10.1</td><td>↖</td></tr> <tr><td>8:</td><td>9.8</td><td>↗</td></tr> <tr><td>9:</td><td>9.1</td><td>↘</td></tr> <tr><td>10:</td><td>10.3x</td><td>←</td></tr> <tr><td colspan="2">Serie</td><td>98.9</td></tr> <tr><td colspan="2">Total</td><td>0.0</td></tr> </table>	1:	10.8x	←	2:	9.3	↙	3:	10.0	↘	4:	10.3x	↗	5:	10.1	→	6:	9.1	↖	7:	10.1	↖	8:	9.8	↗	9:	9.1	↘	10:	10.3x	←	Serie		98.9	Total		0.0	<p>Prov</p>	<table border="1" style="width:100%; border-collapse: collapse;"> <tr><td>11:</td><td>9.9</td><td>↑</td></tr> <tr><td>12:</td><td>10.1</td><td>↗</td></tr> <tr><td>13:</td><td>10.7x</td><td>←</td></tr> <tr><td>14:</td><td>8.3</td><td>→</td></tr> <tr><td>15:</td><td>10.7x</td><td>↙</td></tr> <tr><td>16:</td><td>10.5x</td><td>↖</td></tr> <tr><td>17:</td><td>10.5x</td><td>←</td></tr> <tr><td>18:</td><td>10.1</td><td>↑</td></tr> <tr><td>19:</td><td>10.3x</td><td>↗</td></tr> <tr><td>20:</td><td>10.1</td><td>↖</td></tr> <tr><td colspan="2">Serie</td><td>101.2</td></tr> <tr><td colspan="2">Total</td><td>0.0</td></tr> </table>	11:	9.9	↑	12:	10.1	↗	13:	10.7x	←	14:	8.3	→	15:	10.7x	↙	16:	10.5x	↖	17:	10.5x	←	18:	10.1	↑	19:	10.3x	↗	20:	10.1	↖	Serie		101.2	Total		0.0
1:	10.8x	←																																																																									
2:	9.3	↙																																																																									
3:	10.0	↘																																																																									
4:	10.3x	↗																																																																									
5:	10.1	→																																																																									
6:	9.1	↖																																																																									
7:	10.1	↖																																																																									
8:	9.8	↗																																																																									
9:	9.1	↘																																																																									
10:	10.3x	←																																																																									
Serie		98.9																																																																									
Total		0.0																																																																									
11:	9.9	↑																																																																									
12:	10.1	↗																																																																									
13:	10.7x	←																																																																									
14:	8.3	→																																																																									
15:	10.7x	↙																																																																									
16:	10.5x	↖																																																																									
17:	10.5x	←																																																																									
18:	10.1	↑																																																																									
19:	10.3x	↗																																																																									
20:	10.1	↖																																																																									
Serie		101.2																																																																									
Total		0.0																																																																									
<p>Prov</p>	<table border="1" style="width:100%; border-collapse: collapse;"> <tr><td>21:</td><td>10.2x</td><td>↙</td></tr> <tr><td colspan="2">Serie</td><td>10.2</td></tr> <tr><td colspan="2">Total</td><td>0.0</td></tr> </table>	21:	10.2x	↙	Serie		10.2	Total		0.0	<p>60 Skott</p>	<table border="1" style="width:100%; border-collapse: collapse;"> <tr><td>1:</td><td>10.6x</td><td>↗</td></tr> <tr><td>2:</td><td>9.0</td><td>↑</td></tr> <tr><td>3:</td><td>10.5x</td><td>↘</td></tr> <tr><td>4:</td><td>10.3x</td><td>↗</td></tr> <tr><td>5:</td><td>10.5x</td><td>↗</td></tr> <tr><td>6:</td><td>9.9</td><td>↗</td></tr> <tr><td>7:</td><td>10.5x</td><td>↘</td></tr> <tr><td>8:</td><td>10.7x</td><td>↘</td></tr> <tr><td>9:</td><td>10.0</td><td>→</td></tr> <tr><td>10:</td><td>9.7</td><td>↘</td></tr> <tr><td colspan="2">Serie</td><td>101.7</td></tr> <tr><td colspan="2">Total</td><td>101.7</td></tr> </table>	1:	10.6x	↗	2:	9.0	↑	3:	10.5x	↘	4:	10.3x	↗	5:	10.5x	↗	6:	9.9	↗	7:	10.5x	↘	8:	10.7x	↘	9:	10.0	→	10:	9.7	↘	Serie		101.7	Total		101.7																											
21:	10.2x	↙																																																																									
Serie		10.2																																																																									
Total		0.0																																																																									
1:	10.6x	↗																																																																									
2:	9.0	↑																																																																									
3:	10.5x	↘																																																																									
4:	10.3x	↗																																																																									
5:	10.5x	↗																																																																									
6:	9.9	↗																																																																									
7:	10.5x	↘																																																																									
8:	10.7x	↘																																																																									
9:	10.0	→																																																																									
10:	9.7	↘																																																																									
Serie		101.7																																																																									
Total		101.7																																																																									
<p>60 Skott</p>	<table border="1" style="width:100%; border-collapse: collapse;"> <tr><td>11:</td><td>10.0</td><td>↘</td></tr> <tr><td>12:</td><td>10.1</td><td>↗</td></tr> <tr><td>13:</td><td>10.0</td><td>↗</td></tr> <tr><td>14:</td><td>9.6</td><td>↘</td></tr> <tr><td>15:</td><td>10.1</td><td>↗</td></tr> <tr><td>16:</td><td>10.2x</td><td>←</td></tr> <tr><td>17:</td><td>10.1</td><td>↗</td></tr> <tr><td>18:</td><td>10.1</td><td>↖</td></tr> <tr><td>19:</td><td>9.9</td><td>←</td></tr> <tr><td>20:</td><td>10.0</td><td>→</td></tr> <tr><td colspan="2">Serie</td><td>100.1</td></tr> <tr><td colspan="2">Total</td><td>201.8</td></tr> </table>	11:	10.0	↘	12:	10.1	↗	13:	10.0	↗	14:	9.6	↘	15:	10.1	↗	16:	10.2x	←	17:	10.1	↗	18:	10.1	↖	19:	9.9	←	20:	10.0	→	Serie		100.1	Total		201.8	<p>60 Skott</p>	<table border="1" style="width:100%; border-collapse: collapse;"> <tr><td>21:</td><td>10.3x</td><td>↘</td></tr> <tr><td>22:</td><td>10.4x</td><td>↑</td></tr> <tr><td>23:</td><td>10.4x</td><td>↑</td></tr> <tr><td>24:</td><td>10.1</td><td>↘</td></tr> <tr><td>25:</td><td>10.4x</td><td>↖</td></tr> <tr><td>26:</td><td>10.1</td><td>←</td></tr> <tr><td>27:</td><td>10.5x</td><td>↘</td></tr> <tr><td>28:</td><td>10.4x</td><td>↖</td></tr> <tr><td>29:</td><td>10.1</td><td>↑</td></tr> <tr><td>30:</td><td>9.9</td><td>→</td></tr> <tr><td colspan="2">Serie</td><td>102.6</td></tr> <tr><td colspan="2">Total</td><td>304.4</td></tr> </table>	21:	10.3x	↘	22:	10.4x	↑	23:	10.4x	↑	24:	10.1	↘	25:	10.4x	↖	26:	10.1	←	27:	10.5x	↘	28:	10.4x	↖	29:	10.1	↑	30:	9.9	→	Serie		102.6	Total		304.4
11:	10.0	↘																																																																									
12:	10.1	↗																																																																									
13:	10.0	↗																																																																									
14:	9.6	↘																																																																									
15:	10.1	↗																																																																									
16:	10.2x	←																																																																									
17:	10.1	↗																																																																									
18:	10.1	↖																																																																									
19:	9.9	←																																																																									
20:	10.0	→																																																																									
Serie		100.1																																																																									
Total		201.8																																																																									
21:	10.3x	↘																																																																									
22:	10.4x	↑																																																																									
23:	10.4x	↑																																																																									
24:	10.1	↘																																																																									
25:	10.4x	↖																																																																									
26:	10.1	←																																																																									
27:	10.5x	↘																																																																									
28:	10.4x	↖																																																																									
29:	10.1	↑																																																																									
30:	9.9	→																																																																									
Serie		102.6																																																																									
Total		304.4																																																																									
<p>60 Skott</p>	<table border="1" style="width:100%; border-collapse: collapse;"> <tr><td>31:</td><td>10.3x</td><td>←</td></tr> <tr><td>32:</td><td>9.4</td><td>←</td></tr> <tr><td>33:</td><td>10.3x</td><td>↘</td></tr> <tr><td>34:</td><td>9.7</td><td>↘</td></tr> <tr><td>35:</td><td>10.3x</td><td>↑</td></tr> <tr><td>36:</td><td>10.5x</td><td>↘</td></tr> <tr><td>37:</td><td>10.8x</td><td>←</td></tr> <tr><td>38:</td><td>9.9</td><td>↖</td></tr> <tr><td>39:</td><td>10.5x</td><td>↘</td></tr> <tr><td>40:</td><td>10.8x</td><td>↙</td></tr> <tr><td colspan="2">Serie</td><td>102.5</td></tr> <tr><td colspan="2">Total</td><td>406.9</td></tr> </table>	31:	10.3x	←	32:	9.4	←	33:	10.3x	↘	34:	9.7	↘	35:	10.3x	↑	36:	10.5x	↘	37:	10.8x	←	38:	9.9	↖	39:	10.5x	↘	40:	10.8x	↙	Serie		102.5	Total		406.9																																						
31:	10.3x	←																																																																									
32:	9.4	←																																																																									
33:	10.3x	↘																																																																									
34:	9.7	↘																																																																									
35:	10.3x	↑																																																																									
36:	10.5x	↘																																																																									
37:	10.8x	←																																																																									
38:	9.9	↖																																																																									
39:	10.5x	↘																																																																									
40:	10.8x	↙																																																																									
Serie		102.5																																																																									
Total		406.9																																																																									

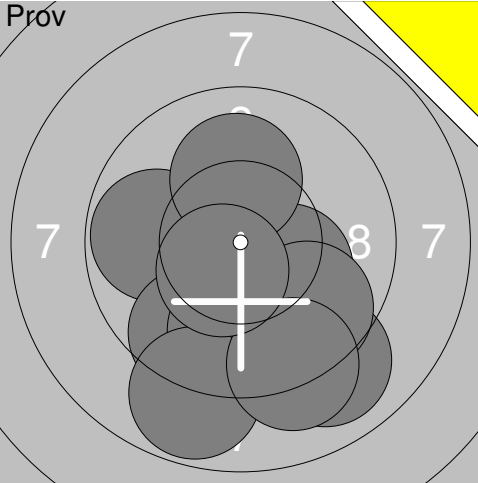
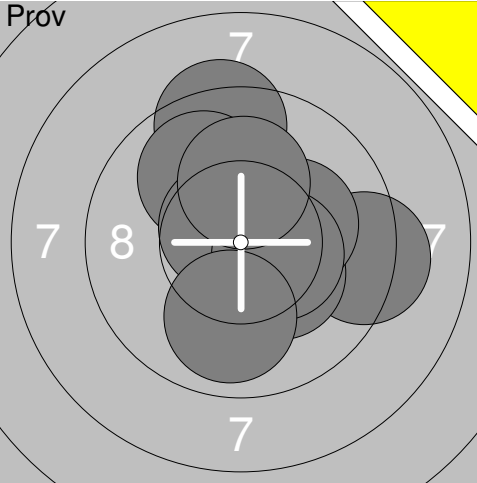
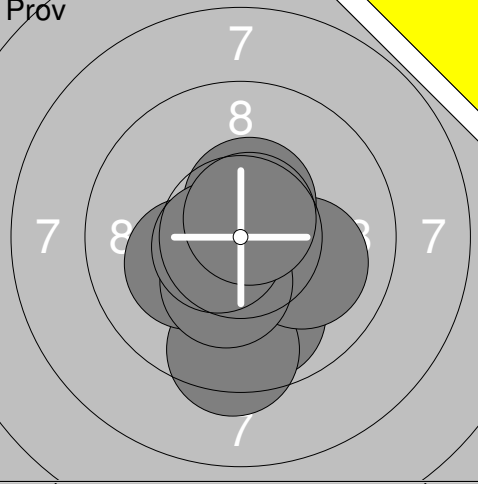
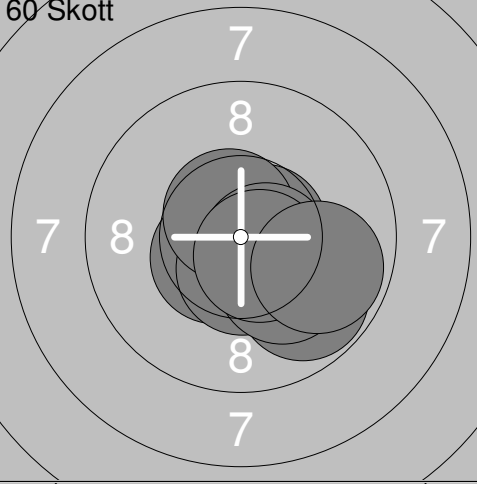
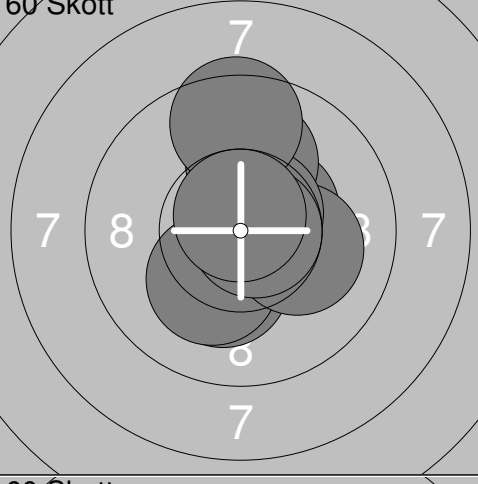
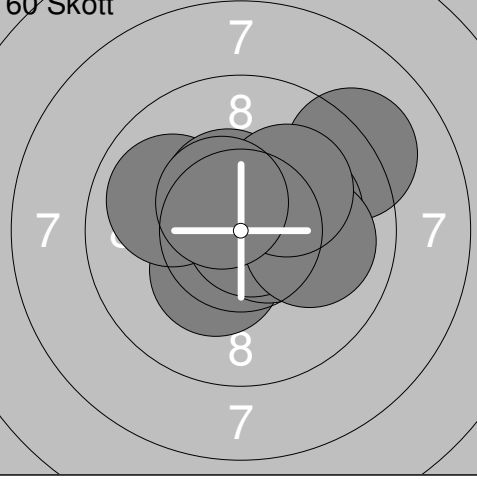
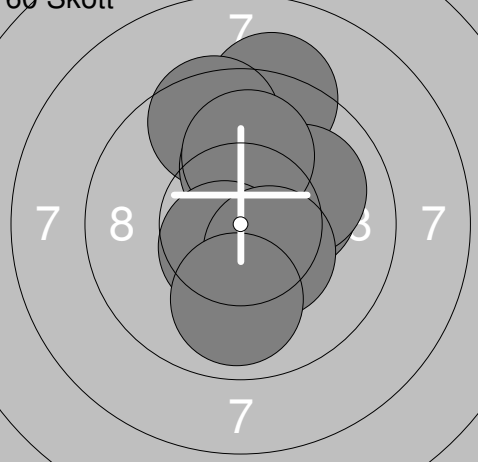
<p>Pröv</p>	<table border="1" style="width:100%; border-collapse: collapse;"> <tr><td>1:</td><td>10.4x</td><td>↗</td></tr> <tr><td>2:</td><td>10.3x</td><td>↖</td></tr> <tr><td>3:</td><td>9.7</td><td>↖</td></tr> <tr><td>4:</td><td>9.7</td><td>↖</td></tr> <tr><td>5:</td><td>10.1</td><td>↘</td></tr> <tr><td>6:</td><td>10.2x</td><td>→</td></tr> <tr><td>7:</td><td>9.6</td><td>↘</td></tr> <tr><td>8:</td><td>10.1</td><td>↘</td></tr> <tr><td>9:</td><td>10.0</td><td>→</td></tr> <tr><td>10:</td><td>9.7</td><td>↖</td></tr> <tr><td colspan="2">Serie</td><td style="text-align: right;">99.8</td></tr> <tr><td colspan="2">Total</td><td style="text-align: right;">0.0</td></tr> </table>	1:	10.4x	↗	2:	10.3x	↖	3:	9.7	↖	4:	9.7	↖	5:	10.1	↘	6:	10.2x	→	7:	9.6	↘	8:	10.1	↘	9:	10.0	→	10:	9.7	↖	Serie		99.8	Total		0.0	<p>Pröv</p>	<table border="1" style="width:100%; border-collapse: collapse;"> <tr><td>11:</td><td>9.5</td><td>↓</td></tr> <tr><td>12:</td><td>9.5</td><td>↘</td></tr> <tr><td>13:</td><td>10.5x</td><td>←</td></tr> <tr><td>14:</td><td>9.5</td><td>←</td></tr> <tr><td>15:</td><td>9.4</td><td>↓</td></tr> <tr><td>16:</td><td>9.7</td><td>←</td></tr> <tr><td>17:</td><td>10.0</td><td>↘</td></tr> <tr><td>18:</td><td>10.7x</td><td>↑</td></tr> <tr><td>19:</td><td>10.3x</td><td>↑</td></tr> <tr><td>20:</td><td>9.9</td><td>↗</td></tr> <tr><td colspan="2">Serie</td><td style="text-align: right;">99.0</td></tr> <tr><td colspan="2">Total</td><td style="text-align: right;">0.0</td></tr> </table>	11:	9.5	↓	12:	9.5	↘	13:	10.5x	←	14:	9.5	←	15:	9.4	↓	16:	9.7	←	17:	10.0	↘	18:	10.7x	↑	19:	10.3x	↑	20:	9.9	↗	Serie		99.0	Total		0.0
1:	10.4x	↗																																																																									
2:	10.3x	↖																																																																									
3:	9.7	↖																																																																									
4:	9.7	↖																																																																									
5:	10.1	↘																																																																									
6:	10.2x	→																																																																									
7:	9.6	↘																																																																									
8:	10.1	↘																																																																									
9:	10.0	→																																																																									
10:	9.7	↖																																																																									
Serie		99.8																																																																									
Total		0.0																																																																									
11:	9.5	↓																																																																									
12:	9.5	↘																																																																									
13:	10.5x	←																																																																									
14:	9.5	←																																																																									
15:	9.4	↓																																																																									
16:	9.7	←																																																																									
17:	10.0	↘																																																																									
18:	10.7x	↑																																																																									
19:	10.3x	↑																																																																									
20:	9.9	↗																																																																									
Serie		99.0																																																																									
Total		0.0																																																																									
<p>Pröv</p>	<table border="1" style="width:100%; border-collapse: collapse;"> <tr><td>21:</td><td>9.1</td><td>↗</td></tr> <tr><td>22:</td><td>10.3x</td><td>→</td></tr> <tr><td colspan="2">Serie</td><td style="text-align: right;">19.4</td></tr> <tr><td colspan="2">Total</td><td style="text-align: right;">0.0</td></tr> </table>	21:	9.1	↗	22:	10.3x	→	Serie		19.4	Total		0.0	<p>60 Skott</p>	<table border="1" style="width:100%; border-collapse: collapse;"> <tr><td>1:</td><td>9.0</td><td>↓</td></tr> <tr><td>2:</td><td>10.7x</td><td>↖</td></tr> <tr><td>3:</td><td>10.0</td><td>←</td></tr> <tr><td>4:</td><td>9.4</td><td>↓</td></tr> <tr><td>5:</td><td>9.7</td><td>↓</td></tr> <tr><td>6:</td><td>8.7</td><td>←</td></tr> <tr><td>7:</td><td>9.6</td><td>←</td></tr> <tr><td>8:</td><td>10.2x</td><td>↖</td></tr> <tr><td>9:</td><td>9.2</td><td>↖</td></tr> <tr><td>10:</td><td>10.5x</td><td>↗</td></tr> <tr><td colspan="2">Serie</td><td style="text-align: right;">97.0</td></tr> <tr><td colspan="2">Total</td><td style="text-align: right;">97.0</td></tr> </table>	1:	9.0	↓	2:	10.7x	↖	3:	10.0	←	4:	9.4	↓	5:	9.7	↓	6:	8.7	←	7:	9.6	←	8:	10.2x	↖	9:	9.2	↖	10:	10.5x	↗	Serie		97.0	Total		97.0																								
21:	9.1	↗																																																																									
22:	10.3x	→																																																																									
Serie		19.4																																																																									
Total		0.0																																																																									
1:	9.0	↓																																																																									
2:	10.7x	↖																																																																									
3:	10.0	←																																																																									
4:	9.4	↓																																																																									
5:	9.7	↓																																																																									
6:	8.7	←																																																																									
7:	9.6	←																																																																									
8:	10.2x	↖																																																																									
9:	9.2	↖																																																																									
10:	10.5x	↗																																																																									
Serie		97.0																																																																									
Total		97.0																																																																									
<p>60 Skott</p>	<table border="1" style="width:100%; border-collapse: collapse;"> <tr><td>11:</td><td>10.4x</td><td>↗</td></tr> <tr><td>12:</td><td>9.2</td><td>↗</td></tr> <tr><td>13:</td><td>10.9x</td><td>↖</td></tr> <tr><td>14:</td><td>9.9</td><td>↗</td></tr> <tr><td>15:</td><td>9.2</td><td>↖</td></tr> <tr><td>16:</td><td>9.0</td><td>↑</td></tr> <tr><td>17:</td><td>7.8</td><td>↑</td></tr> <tr><td>18:</td><td>9.7</td><td>←</td></tr> <tr><td>19:</td><td>9.8</td><td>↗</td></tr> <tr><td>20:</td><td>10.3x</td><td>↗</td></tr> <tr><td colspan="2">Serie</td><td style="text-align: right;">96.2</td></tr> <tr><td colspan="2">Total</td><td style="text-align: right;">193.2</td></tr> </table>	11:	10.4x	↗	12:	9.2	↗	13:	10.9x	↖	14:	9.9	↗	15:	9.2	↖	16:	9.0	↑	17:	7.8	↑	18:	9.7	←	19:	9.8	↗	20:	10.3x	↗	Serie		96.2	Total		193.2	<p>60 Skott</p>	<table border="1" style="width:100%; border-collapse: collapse;"> <tr><td>21:</td><td>9.8</td><td>↗</td></tr> <tr><td>22:</td><td>10.2x</td><td>←</td></tr> <tr><td>23:</td><td>9.7</td><td>↑</td></tr> <tr><td>24:</td><td>10.3x</td><td>↖</td></tr> <tr><td>25:</td><td>9.3</td><td>←</td></tr> <tr><td>26:</td><td>10.3x</td><td>↑</td></tr> <tr><td>27:</td><td>10.0</td><td>↓</td></tr> <tr><td>28:</td><td>10.3x</td><td>→</td></tr> <tr><td>29:</td><td>10.4x</td><td>↓</td></tr> <tr><td>30:</td><td>9.6</td><td>↑</td></tr> <tr><td colspan="2">Serie</td><td style="text-align: right;">99.9</td></tr> <tr><td colspan="2">Total</td><td style="text-align: right;">293.1</td></tr> </table>	21:	9.8	↗	22:	10.2x	←	23:	9.7	↑	24:	10.3x	↖	25:	9.3	←	26:	10.3x	↑	27:	10.0	↓	28:	10.3x	→	29:	10.4x	↓	30:	9.6	↑	Serie		99.9	Total		293.1
11:	10.4x	↗																																																																									
12:	9.2	↗																																																																									
13:	10.9x	↖																																																																									
14:	9.9	↗																																																																									
15:	9.2	↖																																																																									
16:	9.0	↑																																																																									
17:	7.8	↑																																																																									
18:	9.7	←																																																																									
19:	9.8	↗																																																																									
20:	10.3x	↗																																																																									
Serie		96.2																																																																									
Total		193.2																																																																									
21:	9.8	↗																																																																									
22:	10.2x	←																																																																									
23:	9.7	↑																																																																									
24:	10.3x	↖																																																																									
25:	9.3	←																																																																									
26:	10.3x	↑																																																																									
27:	10.0	↓																																																																									
28:	10.3x	→																																																																									
29:	10.4x	↓																																																																									
30:	9.6	↑																																																																									
Serie		99.9																																																																									
Total		293.1																																																																									
<p>60 Skott</p>	<table border="1" style="width:100%; border-collapse: collapse;"> <tr><td>31:</td><td>10.0</td><td>↗</td></tr> <tr><td>32:</td><td>10.0</td><td>↗</td></tr> <tr><td>33:</td><td>10.8x</td><td>↗</td></tr> <tr><td>34:</td><td>10.6x</td><td>↘</td></tr> <tr><td>35:</td><td>8.3</td><td>↑</td></tr> <tr><td>36:</td><td>10.0</td><td>↖</td></tr> <tr><td>37:</td><td>10.4x</td><td>↖</td></tr> <tr><td>38:</td><td>10.5x</td><td>↖</td></tr> <tr><td>39:</td><td>10.0</td><td>←</td></tr> <tr><td>40:</td><td>9.9</td><td>↖</td></tr> <tr><td colspan="2">Serie</td><td style="text-align: right;">100.5</td></tr> <tr><td colspan="2">Total</td><td style="text-align: right;">393.6</td></tr> </table>	31:	10.0	↗	32:	10.0	↗	33:	10.8x	↗	34:	10.6x	↘	35:	8.3	↑	36:	10.0	↖	37:	10.4x	↖	38:	10.5x	↖	39:	10.0	←	40:	9.9	↖	Serie		100.5	Total		393.6																																						
31:	10.0	↗																																																																									
32:	10.0	↗																																																																									
33:	10.8x	↗																																																																									
34:	10.6x	↘																																																																									
35:	8.3	↑																																																																									
36:	10.0	↖																																																																									
37:	10.4x	↖																																																																									
38:	10.5x	↖																																																																									
39:	10.0	←																																																																									
40:	9.9	↖																																																																									
Serie		100.5																																																																									
Total		393.6																																																																									

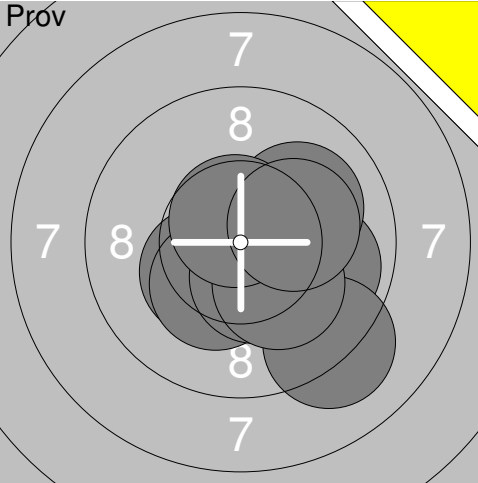
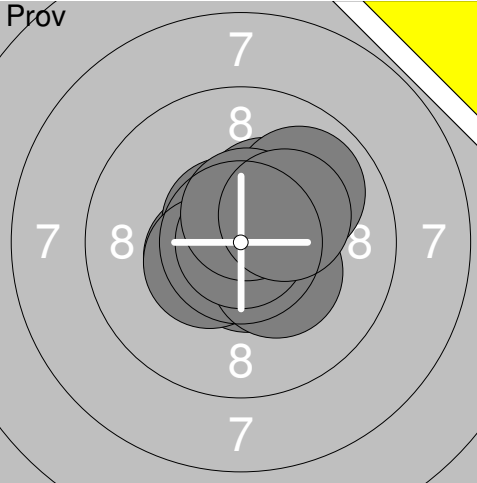
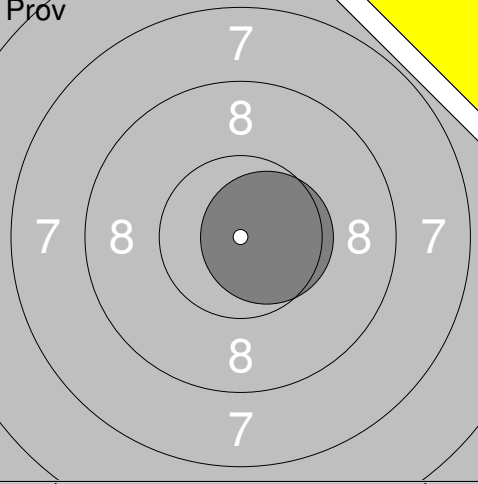
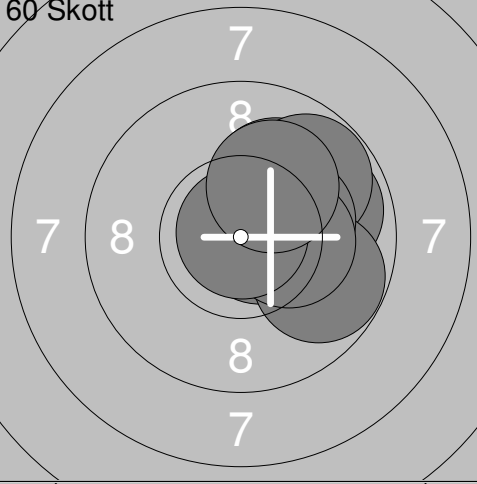
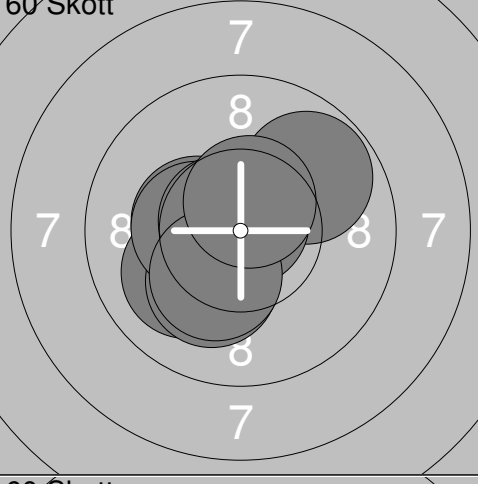
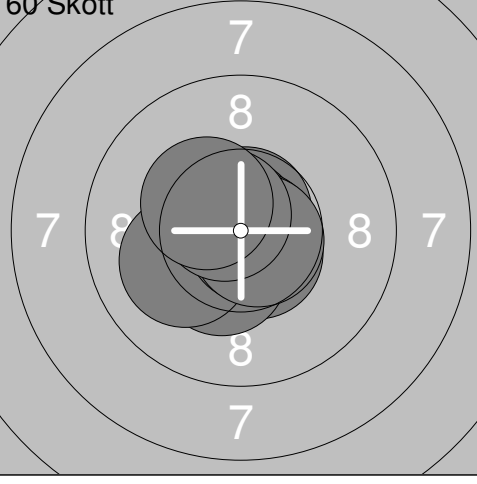

Skjuttag	Tavla	Aino Rinta-Kosk	
3	9		
S	IMAS (Fin)		
19.11.2016	Drängsmarksskyttet 2016	Umeå skytteallians	
Prov		1: 10.1 → 2: 10.4x ↗ 3: 10.6x ↘ 4: 10.6x ↘ 5: 10.5x ↑ 6: 10.4x ↘ 7: 10.4x ↘ 8: 9.7 ↙ 9: 10.4x ↑ 10: 10.6x ↑	11: 10.4x ↑ 12: 10.4x ↑
	Serie 103.7	Serie 20.8	
	Total 0.0	Total 0.0	
60 Skott		1: 10.4x ↘ 2: 10.4x → 3: 10.6x ↘ 4: 10.6x ↘ 5: 10.4x ↘ 6: 10.5x ↘ 7: 10.8x ↘ 8: 10.0 ↗ 9: 10.9x ↘ 10: 10.2x ↘	11: 10.2x ↘ 12: 10.7x ↘ 13: 10.5x ↗ 14: 10.2x ↘ 15: 10.5x ↘ 16: 10.4x ↑ 17: 10.8x → 18: 10.1 ↗ 19: 10.3x ↘ 20: 10.1 ↗
	Serie 104.8	Serie 103.8	
	Total 104.8	Total 208.6	
60 Skott		21: 10.9x ↘ 22: 10.5x ↘ 23: 10.8x ↘ 24: 10.6x ↘ 25: 10.6x ↗ 26: 10.7x → 27: 10.0 ↓ 28: 10.6x ↘ 29: 10.7x ↘ 30: 10.8x ↘	31: 10.5x ↘ 32: 10.5x → 33: 10.6x ↘ 34: 10.3x ↘ 35: 10.2x ↘ 36: 10.8x ↘ 37: 10.1 ↘ 38: 10.6x ↘ 39: 10.4x ↘ 40: 10.7x ↘
	Serie 106.2	Serie 104.7	
	Total 314.8	Total 419.5	

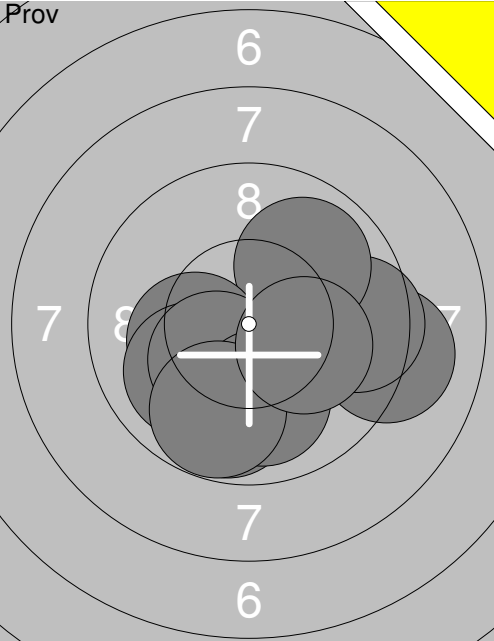
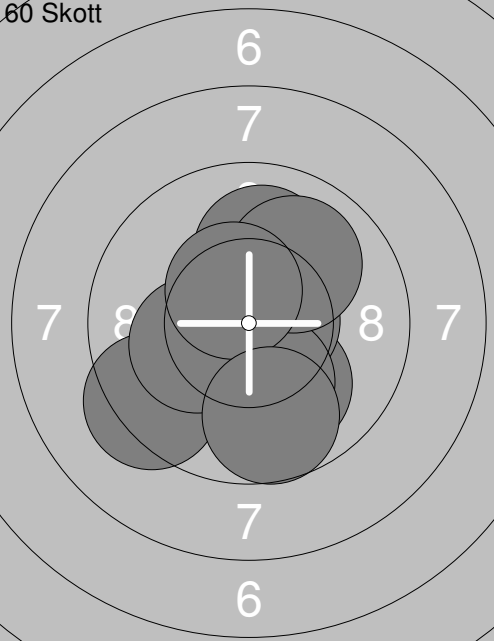
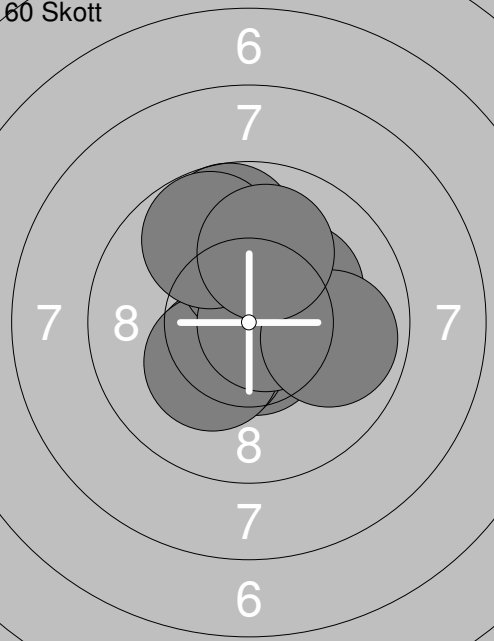
Skjutlag	Tavla	Heikki Kasi	
3	10		
S	IMAS (Fin)		
19.11.2016	Drängsmarksskyttet 2016	Umeå skytteallians	
Prov		1: 9.8 → 2: 9.7 → 3: 10.5x → 4: 10.3x ↓ 5: 9.9 ↓ 6: 10.5x ↓ 7: 10.7x ↓ 8: 9.8 ↗ 9: 10.3x → 10: 9.8 ↖ Serie 101.3 Total 0.0	11: 10.4x ↗ 12: 9.8 ↖ 13: 9.6 ↖ 14: 9.7 ↖ 15: 10.5x ← 16: 10.4x ↓ 17: 10.5x → 18: 10.6x ↑ 19: 10.8x ↓ 20: 10.5x ↘ Serie 102.8 Total 0.0
Prov		21: 10.5x ↗ 22: 10.3x ↘ 23: 10.6x ↗ 24: 10.1 → 25: 10.2x ↓ 26: 10.8x ↓ 27: 10.4x ↗ 28: 10.8x ↘ Serie 83.7 Total 0.0	60 Skott
			1: 10.7x ← 2: 10.6x ↗ 3: 10.3x ← 4: 10.4x ↗ 5: 9.8 ↘ 6: 10.4x ↓ 7: 10.5x ↓ 8: 10.4x ↗ 9: 10.3x ↖ 10: 10.5x ↗ Serie 103.9 Total 103.9
60 Skott		11: 10.1 ↗ 12: 10.7x ← 13: 10.8x ↓ 14: 10.8x ↘ 15: 10.4x ↓ 16: 10.2x ↓ 17: 10.4x ↗ 18: 10.2x ↗ 19: 10.7x ↓ 20: 10.6x ↓ Serie 104.9 Total 208.8	60 Skott
			21: 10.6x ↘ 22: 10.6x ← 23: 10.2x ↑ 24: 10.7x ← 25: 10.4x ↓ 26: 10.1 → 27: 10.3x ← 28: 10.4x ↘ 29: 10.6x ← 30: 9.9 ↗ Serie 103.8 Total 312.6
60 Skott		31: 10.9x ↑ 32: 10.4x ↑ 33: 10.5x ↗ 34: 9.8 ↑ 35: 10.6x ↗ 36: 10.4x ↗ 37: 10.7x ↓ 38: 10.5x ↗ 39: 10.0 ↑ 40: 10.5x ↘ Serie 104.3 Total 416.9	

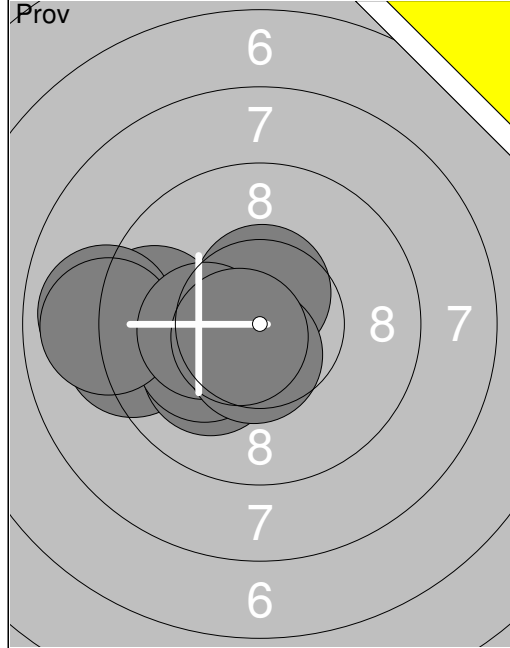
Skjutlag	Tavla	Mati Nikula	
3	11		
S	IMAS (Fin)		
19.11.2016	Drängsmarksskyttet 2016	Umeå skytteallians	
Prov		1: 9.7 ↙ 2: 10.7x↓ 3: 9.8 ↘ 4: 10.7x← 5: 9.5 ↓ 6: 10.6x↖ 7: 9.9 ↑ 8: 10.3x→ 9: 10.5x↓ 10: 10.3x↑ Serie 102.0 Total 0.0	11: 10.0 ↖ 12: 10.9x→ Serie 20.9 Total 0.0
60 Skott		1: 10.4x↗ 2: 9.8 ↗ 3: 10.4x↖ 4: 10.6x↓ 5: 10.2x↓ 6: 10.0 → 7: 10.4x↑ 8: 10.3x→ 9: 10.7x→ 10: 10.6x↖ Serie 103.4 Total 103.4	11: 9.6 ← 12: 10.5x↖ 13: 9.9 ← 14: 10.1 ↓ 15: 10.2x↓ 16: 10.1 ↖ 17: 10.1 ↓ 18: 10.0 ↑ 19: 10.8x↑ 20: 10.0 ↖ Serie 101.3 Total 204.7
60 Skott		21: 10.6x↑ 22: 9.9 ↘ 23: 10.3x↑ 24: 10.4x↓ 25: 10.4x↓ 26: 9.7 → 27: 10.7x↓ 28: 9.8 ↖ 29: 10.6x↓ 30: 10.2x↖ Serie 102.6 Total 307.3	31: 10.4x→ 32: 10.3x→ 33: 10.2x↓ 34: 10.3x↓ 35: 10.2x← 36: 10.6x↖ 37: 10.4x← 38: 9.9 ← 39: 10.5x↓ 40: 10.5x↖ Serie 103.3 Total 410.6

Skjutlag 3	Tavla 12	Mika Norolampi	
S		IMAS (Fin)	
19.11.2016		Drängsmarksskyttet 2016	
Umeå skytteallians			
Pröv 	1: 9.5 ↓ 2: 8.9 ↓ 3: 9.7 ↓ 4: 10.8x ↓ 5: 9.9 ↓ 6: 10.2x ← 7: 10.5x → 8: 10.2x ↗ 9: 10.0 ← 10: 10.6x ↑ Serie 100.3 Total 0.0	Pröv 	11: 10.1 → 12: 10.4x ↑ 13: 10.1 ↖ 14: 10.5x ↖ 15: 10.6x ← 16: 10.7x ↑ 17: 10.3x → 18: 10.4x ↗ 19: 10.8x ↑ 20: 10.6x ← Serie 104.5 Total 0.0
Pröv 	21: 9.9 ↗ 22: 10.8x ↗ 23: 10.9x → 24: 10.7x ← Serie 42.3 Total 0.0	60 Skott 	1: 10.0 ↖ 2: 9.9 ↑ 3: 10.6x ← 4: 10.7x ↑ 5: 10.1 → 6: 10.8x ↗ 7: 9.8 ↓ 8: 10.9x → 9: 10.3x ↑ 10: 10.8x ↓ Serie 103.9 Total 103.9
60 Skott 	11: 10.6x → 12: 10.4x ↓ 13: 10.6x ↑ 14: 10.3x ↗ 15: 10.4x ↖ 16: 10.7x ↓ 17: 10.5x ↓ 18: 10.6x ↓ 19: 10.2x ↓ 20: 10.3x ↑ Serie 104.6 Total 208.5	60 Skott 	21: 10.1 → 22: 10.5x ↖ 23: 10.6x → 24: 10.0 ↘ 25: 10.6x ↑ 26: 10.6x ↘ 27: 10.9x ← 28: 10.6x ↑ 29: 10.6x ↘ 30: 10.3x ← Serie 104.8 Total 313.3
60 Skott 	31: 10.7x ↓ 32: 10.6x ↗ 33: 10.4x ← 34: 10.5x → 35: 10.8x ← 36: 10.6x ↗ 37: 10.8x → 38: 10.0 ↗ 39: 10.8x ↑ 40: 10.8x ↗ Serie 106.0 Total 419.3		

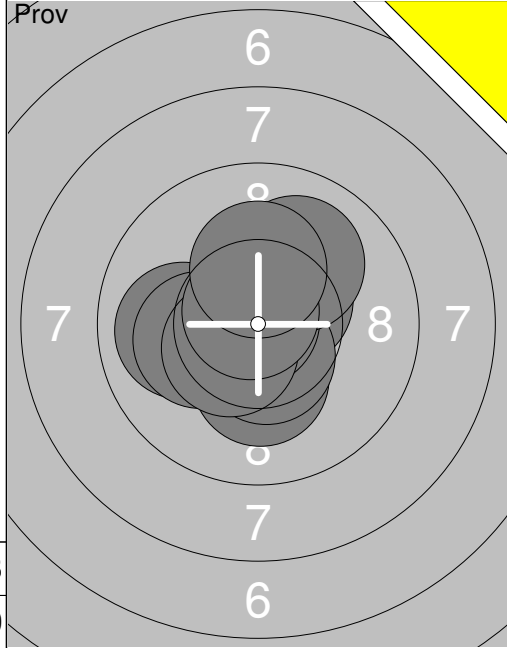
Skjutlag	Tavla	Kari Torkko	
3	13		
S	IMAS (Fin)		
19.11.2016	Drängsmarksskyttet 2016	Umeå skytteallians	
Prov		1: 9.0 ↘ 2: 9.8 ← 3: 9.6 ↘ 4: 10.2x → 5: 10.1 ↑ 6: 9.7 ↘ 7: 9.7 ↘ 8: 8.8 ↘ 9: 9.2 ↘ 10: 10.5x ↘ Serie 96.6 Total 0.0	Prov  11: 10.4x → 12: 9.3 → 13: 10.3x ↘ 14: 9.4 ↑ 15: 10.2x → 16: 9.9 ↗ 17: 10.7x ↗ 18: 10.4x → 19: 9.9 ↘ 20: 10.1 ↑ Serie 100.6 Total 0.0
Prov		21: 9.9 ↘ 22: 10.6x ↘ 23: 9.4 ↘ 24: 10.1 → 25: 10.2x ← 26: 10.3x ↘ 27: 10.5x ↑ 28: 10.6x ← 29: 10.7x ↗ Serie 92.3 Total 0.0	60 Skott  1: 10.8x ↘ 2: 10.5x ↘ 3: 10.7x → 4: 10.5x ↘ 5: 10.6x ↗ 6: 9.8 ↘ 7: 10.2x ↘ 8: 10.6x ↘ 9: 10.6x ↘ 10: 9.8 → Serie 104.1 Total 104.1
60 Skott		11: 10.4x ↗ 12: 10.5x → 13: 10.2x ↘ 14: 10.2x ↘ 15: 10.2x → 16: 10.0 ↑ 17: 10.6x ↗ 18: 10.7x → 19: 9.5 ↑ 20: 10.7x ↑ Serie 103.0 Total 207.1	60 Skott  21: 10.3x ↘ 22: 9.1 ↗ 23: 9.9 ← 24: 10.4x ↗ 25: 10.6x → 26: 10.2x → 27: 10.8x → 28: 10.0 → 29: 10.1 ↗ 30: 10.5x ↗ Serie 101.9 Total 309.0
60 Skott		31: 10.2x → 32: 10.6x ↗ 33: 9.2 ↑ 34: 9.5 ↑ 35: 10.2x ↑ 36: 10.0 ↗ 37: 10.0 ↑ 38: 10.6x ↘ 39: 10.4x ↘ 40: 9.9 ↘ Serie 100.6 Total 409.6	

Skjutlag 3	Tavla 14	Severi Hölsö	
S		IMAS (Fin)	
19.11.2016		Drängsmarksskyttet 2016	Umeå skytteallians
Prov 	1: 9.9 → 2: 9.2 ↓ 3: 10.3x ↙ 4: 10.3x ↓ 5: 10.3x ↓ 6: 10.1 → 7: 10.4x ↓ 8: 10.2x ↓ 9: 10.7x ↑ 10: 10.2x → Serie 101.6 Total 0.0	Prov 	11: 10.3x ↗ 12: 10.5x ↙ 13: 10.6x ↗ 14: 9.9 ↗ 15: 10.6x ↓ 16: 10.5x ↙ 17: 10.3x ↘ 18: 10.9x → 19: 10.6x ↑ 20: 10.3x ↗ Serie 104.5 Total 0.0
Prov 	21: 10.6x → Serie 10.6 Total 0.0	60 Skott 	1: 9.9 → 2: 10.1 ↗ 3: 9.8 ↗ 4: 10.7x → 5: 9.8 ↘ 6: 10.3x → 7: 10.7x ↗ 8: 10.3x → 9: 10.9x ↑ 10: 10.1 ↗ Serie 102.6 Total 102.6
60 Skott 	11: 9.8 ↗ 12: 10.0 ↙ 13: 10.8x ← 14: 10.4x ← 15: 10.8x ↑ 16: 10.2x ↓ 17: 10.4x ← 18: 10.7x ↖ 19: 10.3x ↓ 20: 10.5x ↑ Serie 103.9 Total 206.5	60 Skott 	21: 10.6x ← 22: 10.6x ↓ 23: 10.4x ↓ 24: 10.7x ↑ 25: 10.8x ↗ 26: 10.1 ← 27: 10.8x ↘ 28: 10.7x ↘ 29: 10.7x ↗ 30: 10.4x ↖ Serie 105.8 Total 312.3
60 Skott 	31: 10.7x ↑ 32: 10.0 ← 33: 10.6x ↑ 34: 10.8x ↑ 35: 10.7x ↗ 36: 10.8x ← 37: 10.5x ↗ 38: 10.3x ↓ 39: 10.4x ↗ 40: 10.8x ↑ Serie 105.6 Total 417.9		

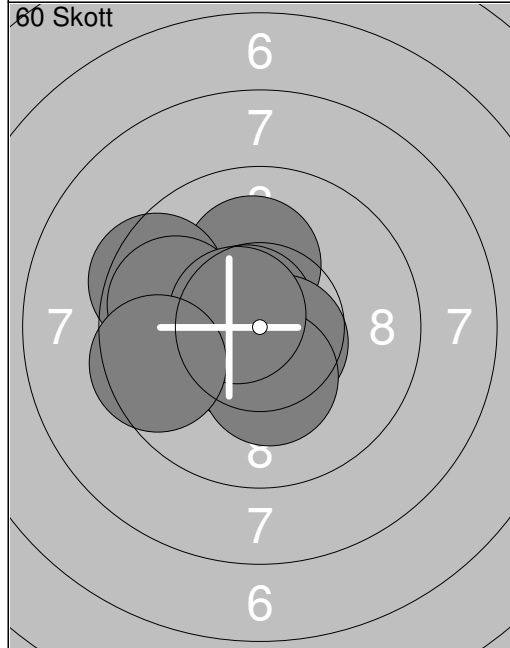
Skjutlag	Tavla	Heikki Riihimäki	
3	15		
S	IMAS (Fin)		
19.11.2016	Drängsmarksskyttet 2016	Umeå skytteallians	
Prov		1: 9.1 → 2: 9.6 → 3: 9.9 ↗ 4: 10.2x↖ 5: 9.8 ↓ 6: 10.0 ↙ 7: 10.3x↘ 8: 10.0 ↓ 9: 9.8 ↓ 10: 10.2x↘	11: 10.3x↘ 12: 10.4x↘
	Serie 98.9	Serie 20.7	
	Total 0.0	Total 0.0	
60 Skott		1: 10.0 ↓ 2: 10.2x↖ 3: 9.3 ↙ 4: 10.7x→ 5: 10.1 ↓ 6: 10.2x↖ 7: 10.0 ↑ 8: 10.0 ↗ 9: 10.5x↖ 10: 9.7 ↓	11: 10.6x↖ 12: 9.5 → 13: 9.6 → 14: 10.7x→ 15: 10.3x↖ 16: 9.4 → 17: 10.9x↖ 18: 8.9 ↗ 19: 10.2x↖ 20: 10.2x↖
	Serie 100.7	Serie 100.3	
	Total 100.7	Total 201.0	
60 Skott		21: 9.7 ↑ 22: 10.6x↘ 23: 10.4x↖ 24: 10.2x↖ 25: 10.2x↗ 26: 10.3x↑ 27: 10.7x→ 28: 9.9 → 29: 9.8 ↗ 30: 10.0 ↑	31: 10.1 ↑ 32: 10.3x↖ 33: 10.0 ↓ 34: 9.7 → 35: 10.2x→ 36: 9.3 ↗ 37: 10.7x↗ 38: 9.7 → 39: 9.9 ↗ 40: 10.0 ↑
	Serie 101.8	Serie 99.9	
	Total 302.8	Total 402.7	



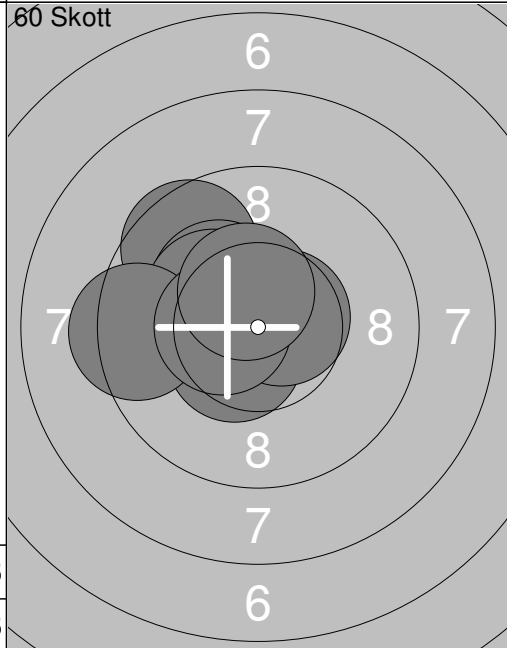
1:	9.6	←
2:	8.9	←
3:	9.3	←
4:	10.5	↗
5:	10.1	↘
6:	10.1	←
7:	9.0	←
8:	10.2	↘
9:	10.5	↘
10:	10.6	↘
Serie	98.8	
Total	0.0	



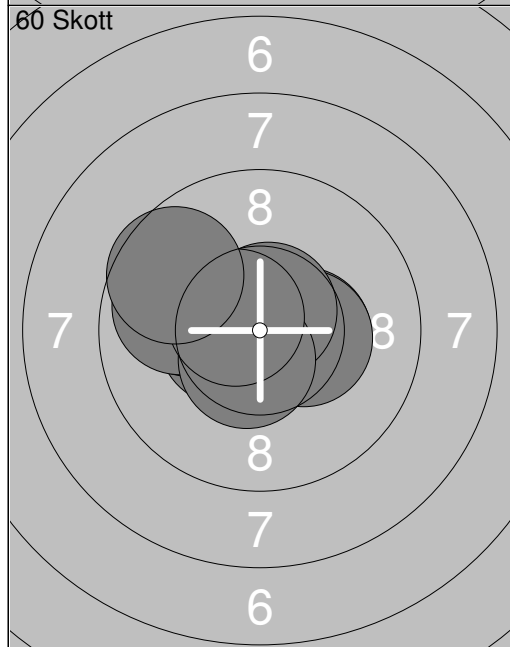
11:	10.0	←
12:	10.2	↘
13:	10.2	↘
14:	10.5	↗
15:	10.5	↘
16:	10.8	↘
17:	10.5	↘
18:	10.0	↗
19:	10.8	↘
20:	10.2	↗
Serie	103.7	
Total	0.0	



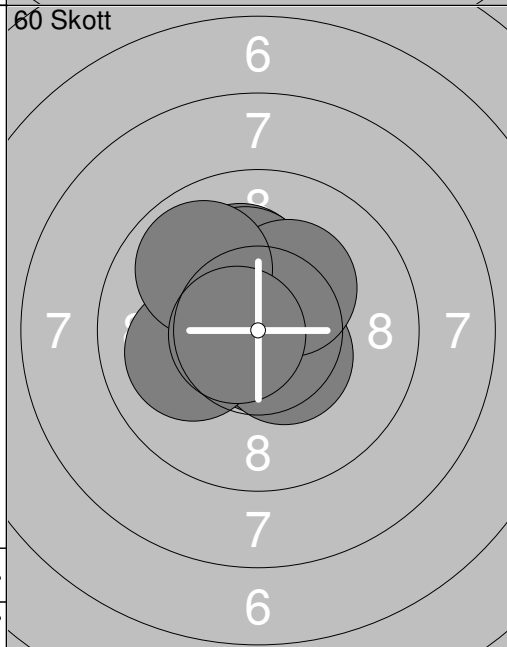
1:	10.1	↗
2:	9.5	↘
3:	10.7	↘
4:	10.6	↘
5:	10.1	←
6:	9.8	←
7:	10.6	↘
8:	10.3	↘
9:	10.6	↘
10:	9.5	←
Serie	101.8	
Total	101.8	



11:	10.5	↘
12:	9.6	↖
13:	10.5	↘
14:	10.4	↘
15:	10.2	↘
16:	10.3	↘
17:	10.6	↗
18:	9.4	←
19:	10.5	↘
20:	10.5	↗
Serie	102.5	
Total	204.3	

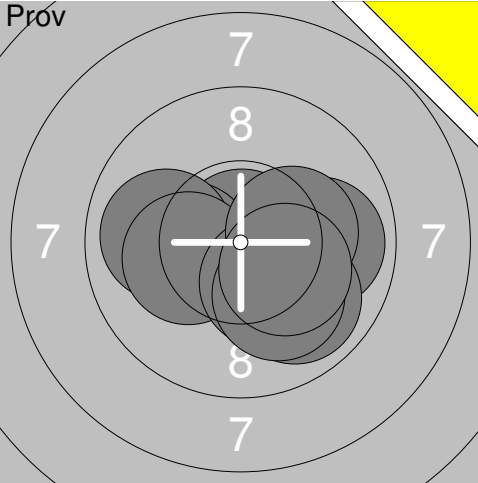
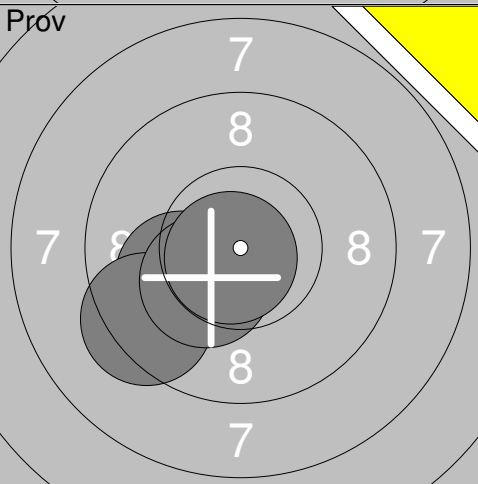
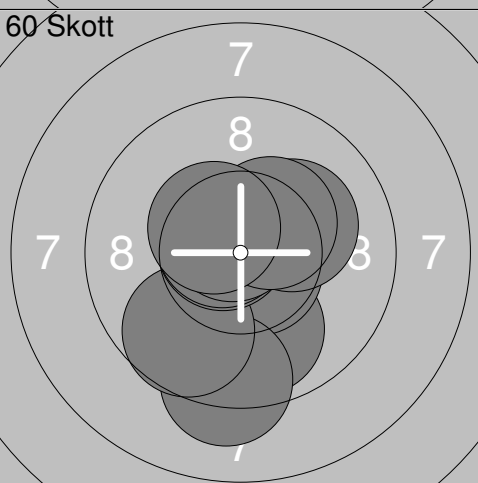
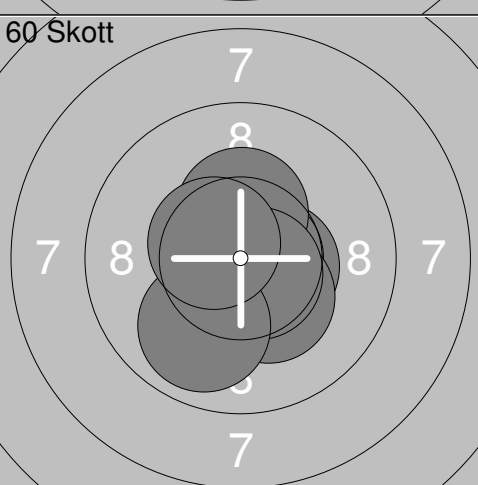


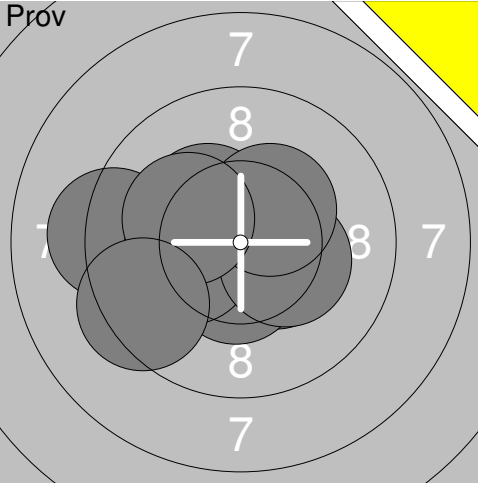
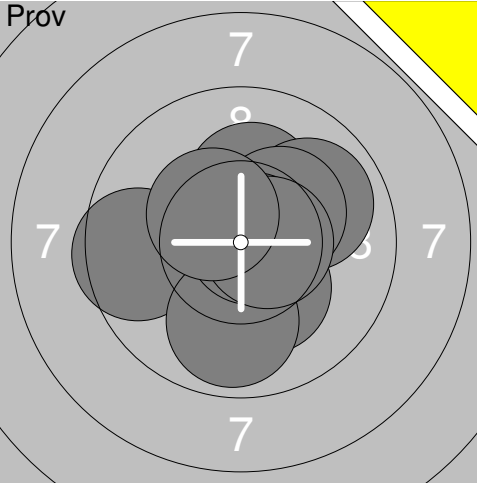
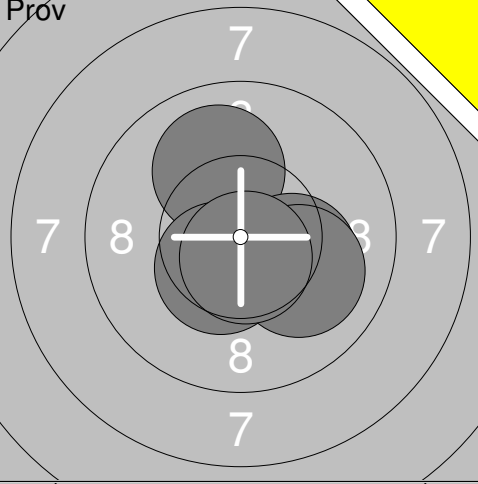
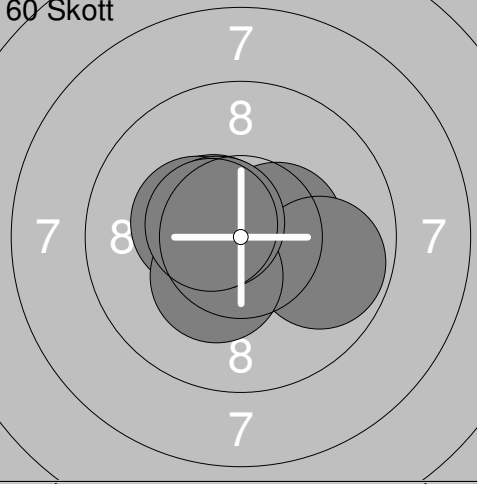
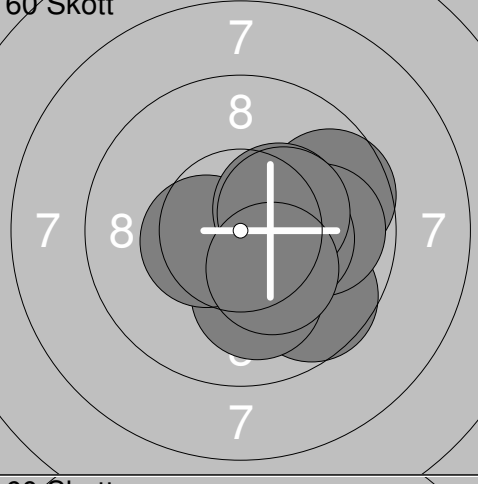
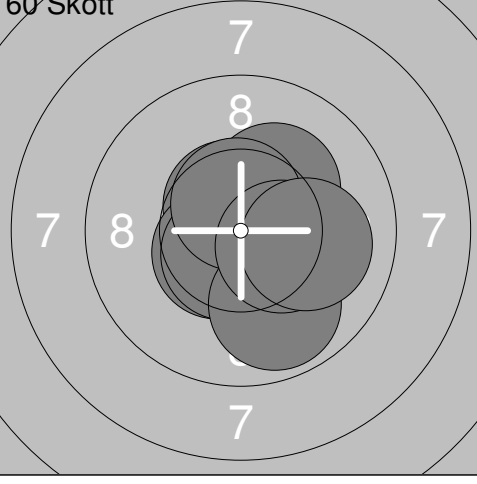
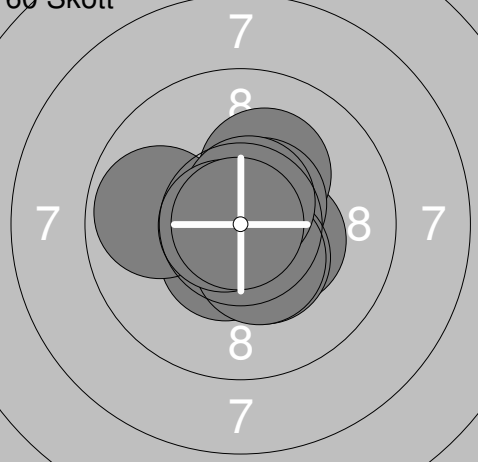
21:	10.8	↘
22:	10.5	↘
23:	10.0	←
24:	9.9	←
25:	10.4	↗
26:	10.4	↗
27:	10.7	↗
28:	10.5	↘
29:	10.6	↘
30:	9.6	↖
Serie	103.4	
Total	307.7	



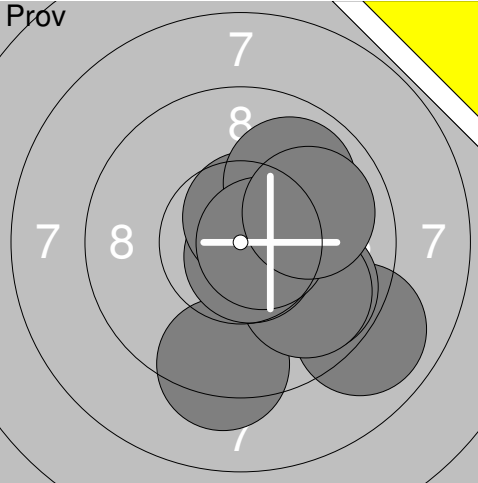
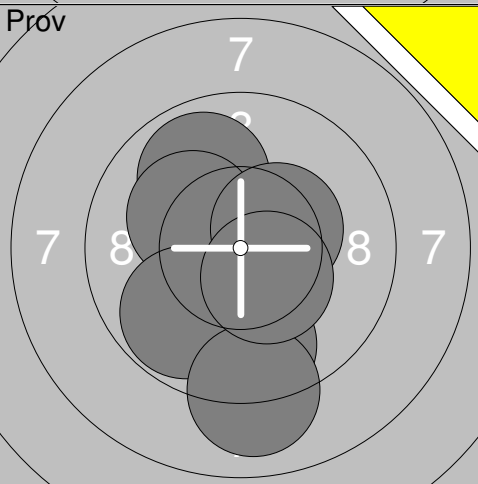
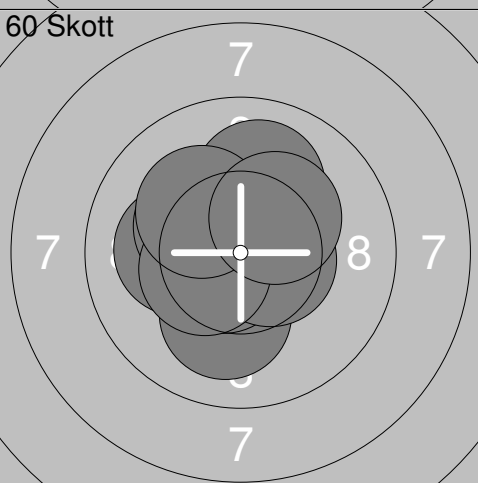
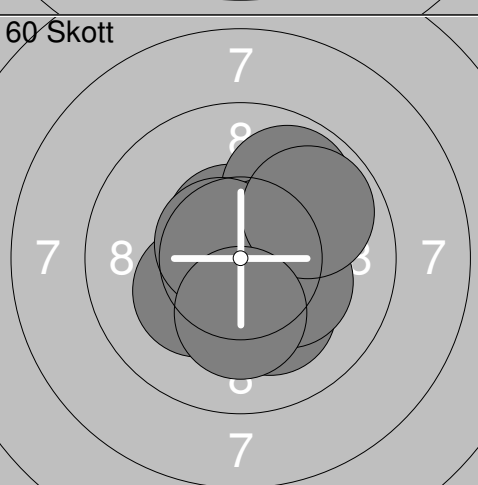
31:	10.2	↗
32:	10.7	↘
33:	10.8	↗
34:	10.5	↘
35:	10.2	↗
36:	10.5	↘
37:	10.1	←
38:	10.3	↗
39:	9.9	↖
40:	10.7	↘
Serie	103.9	
Total	411.6	

Skjutlag	Tavla	Arttu Lidman	
3	18		
S	IMAS (Fin)		
19.11.2016	Drängsmarksskyttet 2016	Umeå skytteallians	
Prov		1: 9.0 ↘ 2: 9.8 → 3: 8.6 ↘ 4: 10.3x ↘ 5: 9.7 ← 6: 9.7 ← 7: 10.3x ← 8: 10.3x ↗ 9: 9.8 ← 10: 10.7x ↘ Serie 98.2 Total 0.0	Prov  11: 10.7x ← 12: 10.3x ← 13: 10.5x ↗ 14: 9.4 ← 15: 10.7x ↑ 16: 9.8 ← 17: 8.8 ↘ 18: 10.8x ← 19: 10.4x ← 20: 10.5x ↗ Serie 101.9 Total 0.0
Prov		21: 10.6x ← 22: 9.6 ↗ 23: 9.9 ← 24: 10.4x ← 25: 10.6x ↘ 26: 9.3 ↘ 27: 9.8 ← 28: 10.7x ↘ 29: 9.6 ← 30: 10.3x → Serie 100.8 Total 0.0	Prov  31: 10.3x ↗ 32: 10.6x ← 33: 10.6x ↘ 34: 10.5x ↘ 35: 9.8 ← Serie 51.8 Total 0.0
60 Skott		1: 10.1 ← 2: 10.4x ← 3: 10.2x ↘ 4: 10.3x ← 5: 10.1 ← 6: 10.5x ↑ 7: 10.0 ← 8: 10.5x ↗ 9: 10.6x ↗ 10: 10.5x ↘ Serie 103.2 Total 103.2	60 Skott  11: 10.0 ↘ 12: 10.9x ↗ 13: 10.6x ↘ 14: 9.4 ← 15: 9.3 ↗ 16: 9.4 ← 17: 10.4x ↘ 18: 10.1 ↘ 19: 9.9 ↓ 20: 10.0 ↘ Serie 100.0 Total 203.2
60 Skott		21: 10.2x ↑ 22: 10.3x ↑ 23: 10.3x ↘ 24: 10.4x ↗ 25: 10.5x ↗ 26: 10.8x ↗ 27: 9.7 ← 28: 10.0 ← 29: 9.9 ← 30: 10.5x ↘ Serie 102.6 Total 305.8	60 Skott  31: 10.5x ↑ 32: 10.5x ↗ 33: 10.8x ↘ 34: 9.9 ↘ 35: 10.2x ↘ 36: 10.6x ↘ 37: 10.3x ↗ 38: 10.7x → 39: 10.6x ↗ 40: 10.3x ↘ Serie 104.4 Total 410.2


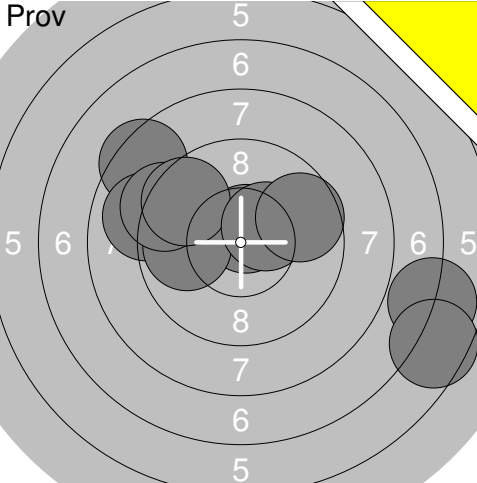
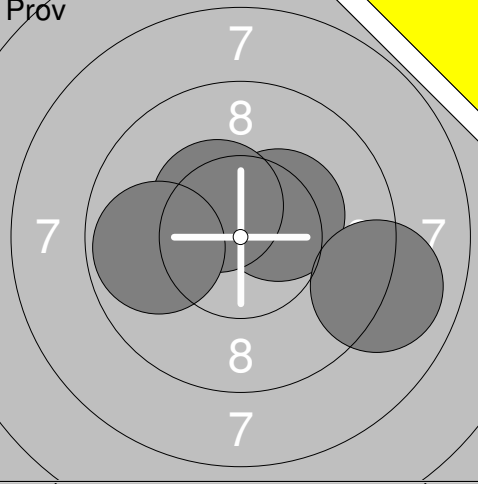
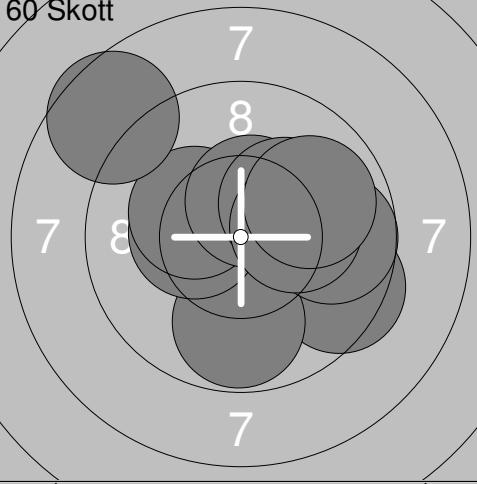
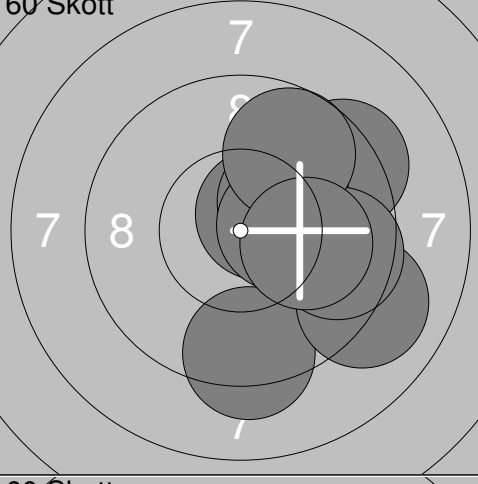
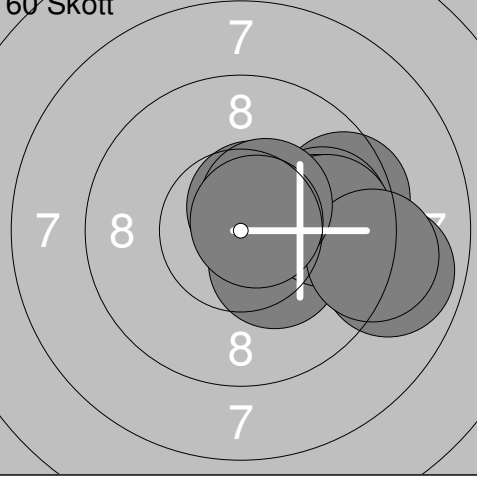
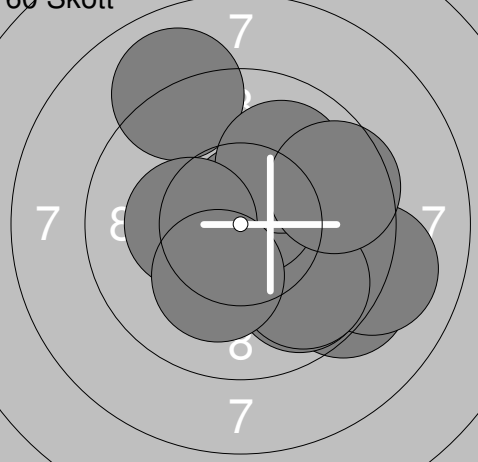
Skjutlag 3	Tavla 19	Uki Torkko	
S		IMAS (Fin)	
19.11.2016		Drängsmarksskyttet 2016	Umeå skytteallians
Prov		1: 9.9 → 2: 10.9x ↑ 3: 10.2x ← 4: 9.9 ← 5: 10.2x ← 6: 10.3x ↓ 7: 9.9 ↓ 8: 10.2x → 9: 10.1 ↓ 10: 10.2x ↓	11: 10.6x ↑ 12: 10.6x ↗ 13: 10.0 → 14: 10.4x ↓ 15: 10.8x → 16: 10.6x ↑ 17: 10.1 ↗ 18: 10.6x ↖ 19: 9.9 ↓ 20: 10.1 ↓
		Serie 101.8	Serie 103.7
		Total 0.0	Total 0.0
Prov		21: 10.1 ← 22: 9.4 ← 23: 10.3x ← 24: 10.8x ←	60 Skott
		Serie 40.6	Serie 101.8
		Total 0.0	Total 101.8
60 Skott		11: 9.9 ↓ 12: 10.6x ↓ 13: 10.2x → 14: 9.2 ↓ 15: 9.7 ↓ 16: 10.7x ↖ 17: 10.7x ↗ 18: 10.7x ↗ 19: 10.4x → 20: 10.5x ↗	60 Skott
		Serie 102.6	Serie 104.8
		Total 204.4	Total 309.2
60 Skott		31: 10.8x ← 32: 10.6x ↓ 33: 10.7x ↓ 34: 10.5x → 35: 10.7x → 36: 10.3x ↓ 37: 10.3x ↑ 38: 10.7x ↓ 39: 9.9 ↓ 40: 10.5x ↗	
		Serie 105.0	
		Total 414.2	

Skjutlag	Tavla	Henriika Hölsö	
3	20		
S	IMAS (Fin)		
19.11.2016	Drängsmarksskyttet 2016	Umeå skytteallians	
Prov		1: 10.5x → 2: 10.3x ↗ 3: 9.2 ← 4: 10.4x ↘ 5: 10.5x ↓ 6: 10.2x ← 7: 10.3x → 8: 10.4x ↗ 9: 10.2x ↖ 10: 9.4 ↙ Serie 101.4 Total 0.0	Prov  11: 10.2x ↑ 12: 10.7x ↖ 13: 9.9 → 14: 9.5 ← 15: 10.3x ↓ 16: 10.3x ↗ 17: 9.9 ↓ 18: 10.8x → 19: 10.6x → 20: 10.4x ↖ Serie 102.6 Total 0.0
Prov		21: 10.0 ↑ 22: 10.2x → 24: 10.5x ↘ 25: 10.0 ↘ 26: 10.7x ↓ Serie 51.4 Total 0.0	60 Skott  1: 10.6x ← 2: 10.5x → 3: 10.4x ↖ 4: 10.4x → 5: 10.5x ↗ 6: 10.3x ↖ 7: 9.8 → 8: 10.3x ↘ 9: 10.6x ↗ 10: 10.5x ↗ Serie 103.9 Total 103.9
60 Skott		11: 10.8x ↘ 12: 9.7 → 13: 9.7 ↘ 14: 10.1 ↓ 15: 9.9 → 16: 10.5x ← 17: 10.4x ↗ 18: 10.3x → 19: 10.3x → 20: 10.3x ↘ Serie 102.0 Total 205.9	60 Skott  21: 10.6x ↗ 22: 10.8x ↑ 23: 10.7x ↓ 24: 10.5x ↘ 25: 10.2x ↗ 26: 10.6x ↘ 27: 9.9 ↓ 28: 10.6x ↑ 29: 10.4x → 30: 10.1 → Serie 104.4 Total 310.3
60 Skott		31: 10.4x → 32: 10.2x ↗ 33: 10.6x ↗ 34: 10.5x ↘ 35: 10.4x ↘ 36: 9.9 ← 37: 10.4x ↘ 38: 10.6x ↗ 39: 10.7x ← 40: 10.9x ← Serie 104.6 Total 414.9	

Skjutlag	Tavla	Axel Vikström	
S	I 19 Uskf		
19.11.2016	Drängsmarksskyttet 2016	Umeå skytteallians	
Pröv 	1: 10.0 ↓ 3: 10.5x ↙ 4: 10.2x ↓ 5: 10.3x ↑ 6: 10.7x ↓ 7: 10.6x ← 8: 10.5x → 9: 10.4x ↗ 10: 10.7x ↗	Pröv 	11: 10.4x ↓ 12: 9.4 ↘ 13: 9.5 → 14: 10.6x → 15: 9.8 ↗ 16: 9.4 ↗ 17: 10.1 → 18: 10.1 ↗ 19: 10.2x ↙ 20: 10.4x ↗
	Serie 93.9		Serie 99.9
	Total 0.0		Total 0.0
Pröv 	21: 9.8 → 22: 10.9x ↗ 23: 10.1 ↖ 24: 9.9 ↓ 25: 10.3x ↗ 26: 10.7x ↓ 27: 10.0 ↑ 28: 9.8 ↑ 29: 10.3x ← 30: 10.6x ↑	Pröv 	31: 10.1 ↗ 32: 10.8x ↓ 33: 10.5x ↘ 34: 10.4x ↓ 35: 10.7x ↑ 36: 10.6x ↑ 37: 10.7x ↗ 38: 10.3x ↘ 39: 9.8 → 40: 10.3x →
	Serie 102.4		Serie 104.2
	Total 0.0		Total 0.0
Pröv 	41: 10.1 ↙	60 Skott 	1: 10.6x → 2: 10.6x → 3: 10.5x ↖ 4: 10.4x ↗ 5: 10.1 ↓ 6: 10.0 ↓ 7: 10.6x ↗ 8: 10.0 ↗ 9: 10.4x ↓ 10: 10.1 ↘
	Serie 10.1		Serie 103.3
	Total 0.0		Total 103.3
60 Skott 	11: 10.6x ↖ 12: 10.0 ↑ 13: 10.6x ↙ 14: 10.6x ↓ 15: 10.0 ↓ 16: 10.4x → 17: 10.2x ↗ 18: 10.6x ↖ 19: 10.3x ↗ 20: 10.7x ↓	60 Skott 	21: 10.3x ↖ 22: 10.4x ↑ 23: 10.4x ↗ 24: 10.3x ↓ 25: 10.5x ← 26: 10.5x → 27: 9.8 → 28: 10.9x ↖ 29: 10.1 ↑ 30: 10.5x ↖
	Serie 104.0		Serie 103.7
	Total 207.3		Total 311.0
60 Skott 	31: 10.1 → 32: 10.0 ↖ 33: 10.3x ↗ 34: 10.4x ↙ 35: 9.8 ↗ 36: 10.7x ↗ 37: 9.6 ↓ 38: 10.3x → 39: 10.1 ↘ 40: 10.5x ↗		
	Serie 101.8		
	Total 412.8		

Skjutlag 3	Tavla 22	Kaapo Torkko	
S		IMAS (Fin)	
19.11.2016	Drängsmarksskyttet 2016	Umeå skytteallians	
Prov		1: 9.3 ↓ 2: 9.0 ↓ 3: 9.8 ↓ 4: 9.8 ↓ 5: 10.5x ↗ 6: 10.7x ↓ 7: 10.6x ↑ 8: 9.9 ↗ 9: 10.6x → 10: 10.0 ↗ Serie 100.2 Total 0.0	12: 9.3 ↗ 13: 10.5x ← 14: 9.8 ← 15: 10.4x ↗ 16: 10.4x ← 17: 10.1 ↓ 18: 10.5x ← 19: 9.6 ↑ 20: 10.2x ↓ Serie 90.8 Total 0.0
Prov		21: 10.8x ↓ 22: 9.9 ↗ 23: 10.2x ↗ 24: 9.6 ↓ 25: 9.8 ↓ 26: 9.0 ↓ 27: 10.4x ↗ 28: 10.4x ↓ Serie 80.1 Total 0.0	60 Skott
			1: 10.5x ↗ 2: 10.2x ↓ 3: 10.3x ↗ 4: 10.8x ← 5: 10.1 ↑ 6: 10.0 ↗ 7: 10.1 ↗ 8: 10.5x ↑ 9: 10.5x ↗ 10: 9.9 ← Serie 102.9 Total 102.9
60 Skott		11: 10.1 ← 12: 10.7x ↗ 13: 10.1 ↓ 14: 10.6x ← 15: 10.0 ↑ 16: 10.3x ↗ 17: 10.5x → 18: 10.4x ← 19: 10.2x ↗ 20: 10.3x ↗ Serie 103.2 Total 206.1	60 Skott
			21: 10.5x ← 22: 10.4x ← 23: 10.2x ↓ 24: 9.5 ↓ 25: 10.2x → 26: 10.3x ↓ 27: 10.2x ↗ 28: 10.1 ← 29: 10.6x ↑ 30: 10.8x ↓ Serie 102.8 Total 308.9
60 Skott		31: 10.2x ↓ 32: 10.7x ↓ 33: 10.6x ↗ 34: 9.9 ↗ 35: 10.2x ← 36: 10.5x ↗ 37: 10.2x ↓ 38: 10.6x ↗ 39: 9.8 ↗ 40: 10.2x ↓ Serie 102.9 Total 411.8	

<p>Pröv</p>	<table border="1" style="width:100%; border-collapse: collapse;"> <tr><td>1:</td><td>10.0</td><td>↓</td></tr> <tr><td>2:</td><td>10.5x</td><td>↓</td></tr> <tr><td>3:</td><td>9.5</td><td>↓</td></tr> <tr><td>4:</td><td>9.4</td><td>↓</td></tr> <tr><td>5:</td><td>9.8</td><td>↑</td></tr> <tr><td>6:</td><td>10.4x</td><td>↓</td></tr> <tr><td>7:</td><td>10.4x</td><td>↓</td></tr> <tr><td>8:</td><td>9.6</td><td>←</td></tr> <tr><td>9:</td><td>10.1</td><td>←</td></tr> <tr><td>10:</td><td>10.7x</td><td>↗</td></tr> <tr><td colspan="2">Serie</td><td>100.4</td></tr> <tr><td colspan="2">Total</td><td>0.0</td></tr> </table>	1:	10.0	↓	2:	10.5x	↓	3:	9.5	↓	4:	9.4	↓	5:	9.8	↑	6:	10.4x	↓	7:	10.4x	↓	8:	9.6	←	9:	10.1	←	10:	10.7x	↗	Serie		100.4	Total		0.0	<p>Pröv</p>	<table border="1" style="width:100%; border-collapse: collapse;"> <tr><td>11:</td><td>10.2x</td><td>↓</td></tr> <tr><td>12:</td><td>9.4</td><td>↗</td></tr> <tr><td>13:</td><td>9.9</td><td>↓</td></tr> <tr><td>14:</td><td>9.1</td><td>↓</td></tr> <tr><td>15:</td><td>9.1</td><td>↑</td></tr> <tr><td>16:</td><td>10.0</td><td>↓</td></tr> <tr><td>17:</td><td>10.1</td><td>←</td></tr> <tr><td>19:</td><td>9.9</td><td>↑</td></tr> <tr><td>20:</td><td>9.4</td><td>→</td></tr> <tr><td colspan="2">Serie</td><td>87.1</td></tr> <tr><td colspan="2">Total</td><td>0.0</td></tr> </table>	11:	10.2x	↓	12:	9.4	↗	13:	9.9	↓	14:	9.1	↓	15:	9.1	↑	16:	10.0	↓	17:	10.1	←	19:	9.9	↑	20:	9.4	→	Serie		87.1	Total		0.0			
1:	10.0	↓																																																																									
2:	10.5x	↓																																																																									
3:	9.5	↓																																																																									
4:	9.4	↓																																																																									
5:	9.8	↑																																																																									
6:	10.4x	↓																																																																									
7:	10.4x	↓																																																																									
8:	9.6	←																																																																									
9:	10.1	←																																																																									
10:	10.7x	↗																																																																									
Serie		100.4																																																																									
Total		0.0																																																																									
11:	10.2x	↓																																																																									
12:	9.4	↗																																																																									
13:	9.9	↓																																																																									
14:	9.1	↓																																																																									
15:	9.1	↑																																																																									
16:	10.0	↓																																																																									
17:	10.1	←																																																																									
19:	9.9	↑																																																																									
20:	9.4	→																																																																									
Serie		87.1																																																																									
Total		0.0																																																																									
<p>Pröv</p>	<table border="1" style="width:100%; border-collapse: collapse;"> <tr><td>21:</td><td>9.5</td><td>↗</td></tr> <tr><td>22:</td><td>9.8</td><td>←</td></tr> <tr><td>23:</td><td>9.6</td><td>←</td></tr> <tr><td>24:</td><td>9.5</td><td>↗</td></tr> <tr><td>25:</td><td>9.5</td><td>↘</td></tr> <tr><td>26:</td><td>9.8</td><td>←</td></tr> <tr><td>27:</td><td>10.4x</td><td>↗</td></tr> <tr><td>28:</td><td>10.5x</td><td>↓</td></tr> <tr><td>29:</td><td>10.2x</td><td>↗</td></tr> <tr><td>30:</td><td>8.6</td><td>↓</td></tr> <tr><td colspan="2">Serie</td><td>97.4</td></tr> <tr><td colspan="2">Total</td><td>0.0</td></tr> </table>	21:	9.5	↗	22:	9.8	←	23:	9.6	←	24:	9.5	↗	25:	9.5	↘	26:	9.8	←	27:	10.4x	↗	28:	10.5x	↓	29:	10.2x	↗	30:	8.6	↓	Serie		97.4	Total		0.0	<p>60 Skott</p>	<table border="1" style="width:100%; border-collapse: collapse;"> <tr><td>1:</td><td>10.6x</td><td>←</td></tr> <tr><td>2:</td><td>9.9</td><td>↓</td></tr> <tr><td>3:</td><td>10.2x</td><td>↑</td></tr> <tr><td>4:</td><td>9.6</td><td>↗</td></tr> <tr><td>5:</td><td>9.7</td><td>↗</td></tr> <tr><td>6:</td><td>10.0</td><td>↑</td></tr> <tr><td>7:</td><td>10.1</td><td>↑</td></tr> <tr><td>8:</td><td>10.2x</td><td>←</td></tr> <tr><td>9:</td><td>9.7</td><td>↗</td></tr> <tr><td>10:</td><td>8.3</td><td>↑</td></tr> <tr><td colspan="2">Serie</td><td>98.3</td></tr> <tr><td colspan="2">Total</td><td>98.3</td></tr> </table>	1:	10.6x	←	2:	9.9	↓	3:	10.2x	↑	4:	9.6	↗	5:	9.7	↗	6:	10.0	↑	7:	10.1	↑	8:	10.2x	←	9:	9.7	↗	10:	8.3	↑	Serie		98.3	Total		98.3
21:	9.5	↗																																																																									
22:	9.8	←																																																																									
23:	9.6	←																																																																									
24:	9.5	↗																																																																									
25:	9.5	↘																																																																									
26:	9.8	←																																																																									
27:	10.4x	↗																																																																									
28:	10.5x	↓																																																																									
29:	10.2x	↗																																																																									
30:	8.6	↓																																																																									
Serie		97.4																																																																									
Total		0.0																																																																									
1:	10.6x	←																																																																									
2:	9.9	↓																																																																									
3:	10.2x	↑																																																																									
4:	9.6	↗																																																																									
5:	9.7	↗																																																																									
6:	10.0	↑																																																																									
7:	10.1	↑																																																																									
8:	10.2x	←																																																																									
9:	9.7	↗																																																																									
10:	8.3	↑																																																																									
Serie		98.3																																																																									
Total		98.3																																																																									
<p>60 Skott</p>	<table border="1" style="width:100%; border-collapse: collapse;"> <tr><td>11:</td><td>8.1</td><td>↗</td></tr> <tr><td>12:</td><td>9.5</td><td>↗</td></tr> <tr><td>13:</td><td>8.1</td><td>↗</td></tr> <tr><td>14:</td><td>10.6x</td><td>←</td></tr> <tr><td>15:</td><td>9.2</td><td>↗</td></tr> <tr><td>16:</td><td>8.9</td><td>←</td></tr> <tr><td>17:</td><td>9.6</td><td>←</td></tr> <tr><td>18:</td><td>10.5x</td><td>←</td></tr> <tr><td>19:</td><td>9.8</td><td>↑</td></tr> <tr><td>20:</td><td>10.2x</td><td>↗</td></tr> <tr><td colspan="2">Serie</td><td>94.5</td></tr> <tr><td colspan="2">Total</td><td>192.8</td></tr> </table>	11:	8.1	↗	12:	9.5	↗	13:	8.1	↗	14:	10.6x	←	15:	9.2	↗	16:	8.9	←	17:	9.6	←	18:	10.5x	←	19:	9.8	↑	20:	10.2x	↗	Serie		94.5	Total		192.8	<p>60 Skott</p>	<table border="1" style="width:100%; border-collapse: collapse;"> <tr><td>21:</td><td>10.6x</td><td>↗</td></tr> <tr><td>22:</td><td>10.4x</td><td>←</td></tr> <tr><td>23:</td><td>10.0</td><td>↗</td></tr> <tr><td>24:</td><td>8.1</td><td>↑</td></tr> <tr><td>25:</td><td>9.7</td><td>↑</td></tr> <tr><td>26:</td><td>10.0</td><td>←</td></tr> <tr><td>27:</td><td>9.4</td><td>↗</td></tr> <tr><td>28:</td><td>9.1</td><td>↗</td></tr> <tr><td>29:</td><td>8.4</td><td>←</td></tr> <tr><td>30:</td><td>10.2x</td><td>↑</td></tr> <tr><td colspan="2">Serie</td><td>95.9</td></tr> <tr><td colspan="2">Total</td><td>288.7</td></tr> </table>	21:	10.6x	↗	22:	10.4x	←	23:	10.0	↗	24:	8.1	↑	25:	9.7	↑	26:	10.0	←	27:	9.4	↗	28:	9.1	↗	29:	8.4	←	30:	10.2x	↑	Serie		95.9	Total		288.7
11:	8.1	↗																																																																									
12:	9.5	↗																																																																									
13:	8.1	↗																																																																									
14:	10.6x	←																																																																									
15:	9.2	↗																																																																									
16:	8.9	←																																																																									
17:	9.6	←																																																																									
18:	10.5x	←																																																																									
19:	9.8	↑																																																																									
20:	10.2x	↗																																																																									
Serie		94.5																																																																									
Total		192.8																																																																									
21:	10.6x	↗																																																																									
22:	10.4x	←																																																																									
23:	10.0	↗																																																																									
24:	8.1	↑																																																																									
25:	9.7	↑																																																																									
26:	10.0	←																																																																									
27:	9.4	↗																																																																									
28:	9.1	↗																																																																									
29:	8.4	←																																																																									
30:	10.2x	↑																																																																									
Serie		95.9																																																																									
Total		288.7																																																																									
<p>60 Skott</p>	<table border="1" style="width:100%; border-collapse: collapse;"> <tr><td>31:</td><td>10.2x</td><td>←</td></tr> <tr><td>32:</td><td>8.0</td><td>↗</td></tr> <tr><td>33:</td><td>8.3</td><td>↑</td></tr> <tr><td>34:</td><td>8.7</td><td>↗</td></tr> <tr><td>35:</td><td>8.5</td><td>←</td></tr> <tr><td>36:</td><td>9.9</td><td>↑</td></tr> <tr><td>37:</td><td>10.7x</td><td>↓</td></tr> <tr><td>38:</td><td>10.7x</td><td>↓</td></tr> <tr><td>39:</td><td>8.7</td><td>↗</td></tr> <tr><td>40:</td><td>10.1</td><td>↗</td></tr> <tr><td colspan="2">Serie</td><td>93.8</td></tr> <tr><td colspan="2">Total</td><td>382.5</td></tr> </table>	31:	10.2x	←	32:	8.0	↗	33:	8.3	↑	34:	8.7	↗	35:	8.5	←	36:	9.9	↑	37:	10.7x	↓	38:	10.7x	↓	39:	8.7	↗	40:	10.1	↗	Serie		93.8	Total		382.5																																						
31:	10.2x	←																																																																									
32:	8.0	↗																																																																									
33:	8.3	↑																																																																									
34:	8.7	↗																																																																									
35:	8.5	←																																																																									
36:	9.9	↑																																																																									
37:	10.7x	↓																																																																									
38:	10.7x	↓																																																																									
39:	8.7	↗																																																																									
40:	10.1	↗																																																																									
Serie		93.8																																																																									
Total		382.5																																																																									

Skjutlag 3	Tavla 24	Apeli Rinta-Kosk			
S		IMAS (Fin)			
19.11.2016		Drängsmarksskyttet 2016		Umeå skytteallians	
Prov		1: 9.8 ↘ 2: 10.3x → 3: 10.6x ↘ 4: 9.5 ↘ 5: 10.4x ↘ 6: 10.1 ↘ 7: 9.9 ↘ 8: 10.4x ↗ 9: 10.1 ↘ 10: 10.1 ↘	Prov		11: 8.4 ↗ 12: 9.0 ← 13: 10.7x ↗ 14: 9.9 ← 15: 9.2 ↗ 16: 9.6 ↗ 17: 6.9 → 18: 6.5 ↘ 19: 10.4x ↗ 20: 9.7 ↗
		Serie 101.2		Serie 90.3	
		Total 0.0		Total 0.0	
Prov		21: 10.4x ↗ 22: 10.4x ↗ 23: 9.8 ← 24: 9.0 →	60 Skott		1: 9.5 → 2: 9.8 ↓ 3: 10.3x ← 4: 10.2x ↗ 5: 10.5x ↗ 6: 9.7 → 7: 10.2x ↗ 8: 10.2x → 9: 9.9 ↗ 10: 8.6 ↗
		Serie 39.6		Serie 98.9	
		Total 0.0		Total 98.9	
60 Skott		11: 10.6x ↗ 12: 9.3 ↓ 13: 9.0 ↘ 14: 9.8 → 15: 9.3 ↗ 16: 10.2x ↗ 17: 9.6 → 18: 10.4x → 19: 9.7 ↗ 20: 10.0 →	60 Skott		21: 9.5 → 22: 10.6x ↗ 23: 8.9 → 24: 9.8 → 25: 9.9 → 26: 10.3x ↘ 27: 9.8 → 28: 9.1 → 29: 10.5x ↗ 30: 10.7x ↗
		Serie 97.9		Serie 99.1	
		Total 196.8		Total 295.9	
60 Skott		31: 9.0 ↗ 32: 9.3 ↘ 33: 9.1 → 34: 9.8 ↘ 35: 9.8 ↘ 36: 10.7x ↗ 37: 10.0 ↗ 38: 9.6 → 39: 10.3x ← 40: 10.2x ↘			
		Serie 97.8			
		Total 393.7			

	<p>1: 8.8 ↓</p> <p>2: 9.4 ↓</p> <p>3: 9.0 ↓</p> <p>4: 9.4 →</p> <p>5: 9.9 ↓</p> <p>6: 8.7 ↓</p> <p>7: 10.7x↓</p> <p>8: 10.1 ↓</p> <p>9: 10.1 ↓</p> <p>10: 10.5x↓</p> <p>Serie 96.6</p> <p>Total 0.0</p>		<p>11: 9.7 ↘</p> <p>12: 10.2x↖</p> <p>13: 8.2 ↓</p> <p>14: 10.2x↘</p> <p>15: 10.2x↖</p> <p>16: 10.3x→</p> <p>17: 10.6x↘</p> <p>18: 9.1 ↓</p> <p>Serie 78.5</p> <p>Total 0.0</p>
	<p>1: 10.2x↓</p> <p>2: 9.6 ↓</p> <p>3: 10.5x↖</p> <p>4: 10.2x↗</p> <p>5: 10.2x↓</p> <p>6: 9.6 ↗</p> <p>7: 9.2 ↓</p> <p>8: 9.9 →</p> <p>9: 10.1 ↗</p> <p>10: 9.8 →</p> <p>Serie 99.3</p> <p>Total 99.3</p>		<p>11: 10.5x↖</p> <p>12: 10.1 ↘</p> <p>13: 10.0 →</p> <p>14: 10.3x↓</p> <p>15: 10.4x→</p> <p>16: 10.2x↘</p> <p>17: 9.5 ↓</p> <p>18: 10.2x↓</p> <p>19: 10.0 ↖</p> <p>20: 10.3x→</p> <p>Serie 101.5</p> <p>Total 200.8</p>
	<p>21: 10.6x↖</p> <p>22: 10.6x→</p> <p>23: 9.6 ↗</p> <p>24: 10.6x↘</p> <p>25: 10.7x→</p> <p>26: 9.7 →</p> <p>27: 10.5x↖</p> <p>28: 10.6x↗</p> <p>29: 9.9 ↓</p> <p>30: 10.0 ↖</p> <p>Serie 102.8</p> <p>Total 303.6</p>		<p>31: 10.2x↓</p> <p>32: 10.5x→</p> <p>33: 10.3x↗</p> <p>34: 9.8 →</p> <p>35: 10.8x↑</p> <p>36: 10.4x→</p> <p>37: 10.6x→</p> <p>38: 10.1 ↘</p> <p>39: 9.8 ↓</p> <p>40: 10.6x↑</p> <p>Serie 103.1</p> <p>Total 406.7</p>

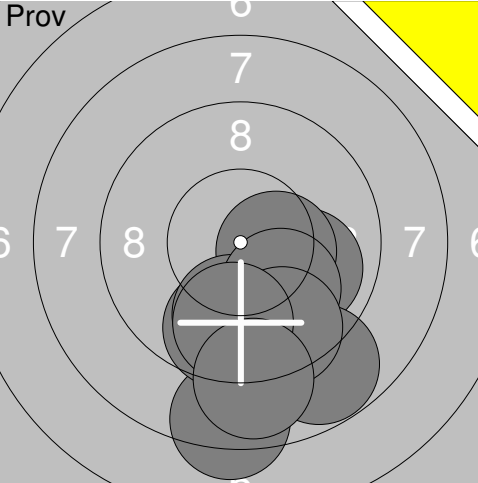
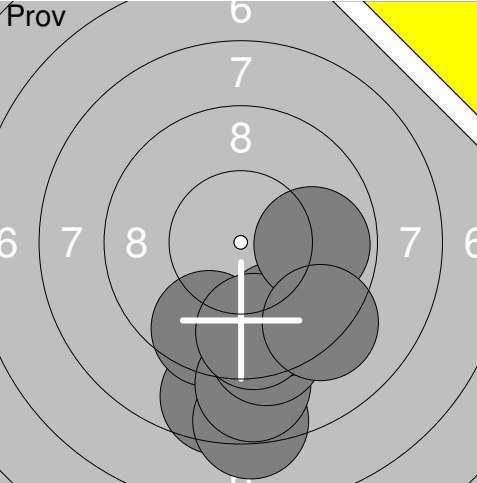
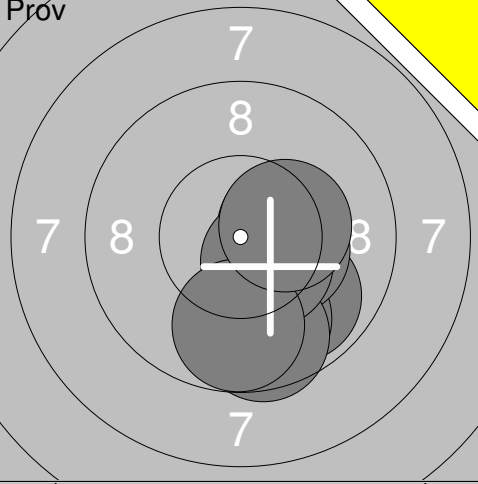
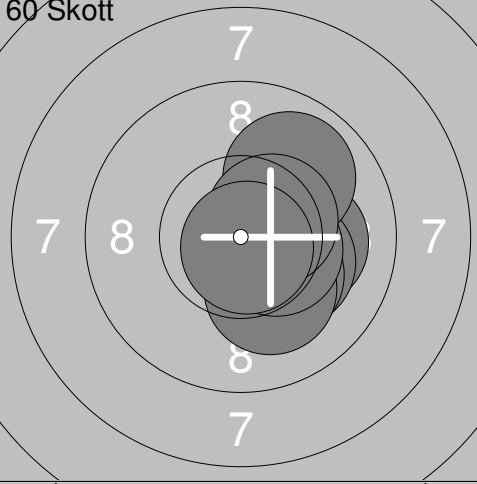
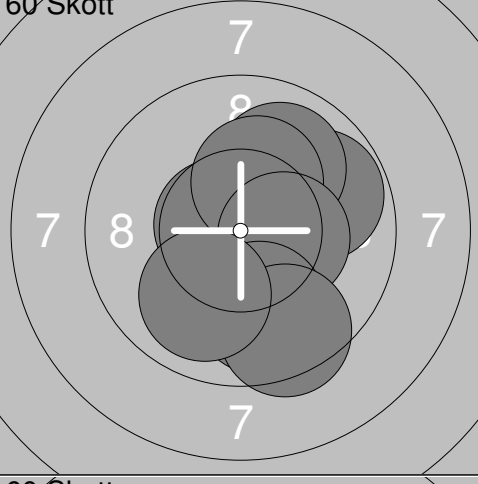
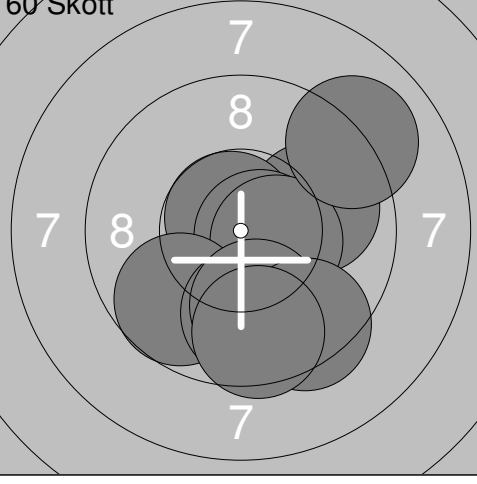

Skjuttlag	Tavla	Petter Asplund	
3	27		
S	I 19 Uskf		
19.11.2016	Drängsmarksskyttet 2016	Umeå skytteallians	
Pröv 	1: 10.2x ↘ 2: 10.4x ↘ 3: 10.4x ↗ 4: 10.4x ↘ 5: 10.3x ↘ 6: 10.4x ↘ 7: 10.3x ↗ 8: 10.3x ← 9: 10.5x ← 10: 10.8x ↗ Serie 104.0 Total 0.0	Pröv 	11: 10.7x ← 13: 10.3x ↘ 14: 10.6x ← 15: 10.7x ↘ 16: 10.5x ← 18: 10.6x ↘ 19: 10.2x ↘ 20: 10.6x ↘ Serie 84.2 Total 0.0
Pröv 	21: 10.2x ← 22: 10.1 ← 23: 9.9 ← 24: 10.8x ← 25: 10.0 ↘ 26: 10.8x ← 27: 10.3x ↘ 28: 9.9 ← 29: 10.7x ↗ 30: 10.6x ↗ Serie 103.3 Total 0.0	Pröv 	31: 10.2x ← 32: 10.6x ↗ Serie 20.8 Total 0.0
60 Skott 	1: 10.8x ↗ 2: 10.5x ← 3: 10.4x ← 4: 9.9 ↘ 5: 10.5x ↗ 6: 10.5x ← 7: 10.3x ↗ 8: 10.8x ↘ 9: 10.4x ← 10: 10.4x ↗ Serie 104.5 Total 104.5	60 Skott 	11: 10.7x ↘ 12: 10.6x ← 13: 10.2x ↘ 14: 10.6x ← 15: 10.7x ↗ 16: 10.7x ← 17: 10.5x ↗ 18: 10.7x ↘ 19: 10.3x ↗ 20: 10.5x ← Serie 105.5 Total 210.0
60 Skott 	21: 10.1 ← 22: 10.0 ← 23: 10.0 ↗ 24: 10.0 ↗ 25: 10.5x ← 26: 10.5x ↗ 27: 10.8x ↘ 28: 10.2x ← 29: 10.7x ↘ 30: 10.2x ↗ Serie 103.0 Total 313.0	60 Skott 	31: 10.2x ← 32: 10.1 ← 33: 10.6x ← 34: 10.4x ← 35: 10.4x ↗ 36: 10.4x ↗ 37: 10.3x ↘ 38: 10.7x ↘ 39: 10.6x ↗ 40: 10.5x ↗ Serie 104.2 Total 417.2

Skjuttlag	Tavla	Ella Hakala	
3	28		
S	IMAS (Fin)		
19.11.2016	Drängsmarksskyttet 2016	Umeå skytteallians	
	1: 10.1 ← 3: 10.0 ← 4: 10.2x ↓ 5: 10.1 ↖ 6: 10.8x ↘ 7: 10.9x ↘ 8: 10.5x ← 9: 10.5x ↘ 10: 10.6x ↓		11: 10.2x ↓ 12: 10.6x ↑ 13: 10.7x ↘ 14: 10.6x ↓ 15: 10.4x → 16: 10.4x ↑
	Serie 93.7		Serie 62.9
	Total 0.0		Total 0.0
	1: 10.2x ↓ 2: 10.5x ↘ 3: 10.3x → 4: 9.7 ↗ 5: 10.5x ↘ 6: 10.4x ↓ 7: 10.9x → 8: 10.3x ↑ 9: 10.4x ↘ 10: 10.2x →		11: 9.9 ↖ 12: 10.4x ↘ 13: 10.5x → 14: 10.8x ← 15: 10.7x ↘ 16: 10.2x ← 17: 10.4x ↘ 18: 10.8x ↓ 19: 10.6x ↑ 20: 10.5x →
	Serie 103.4		Serie 104.8
	Total 103.4		Total 208.2
	21: 10.7x ↘ 22: 10.5x ↘ 23: 10.5x → 24: 10.1 ↘ 25: 10.6x ↘ 26: 10.4x ← 27: 10.7x ↘ 28: 10.1 → 29: 10.2x ↘ 30: 10.7x ↓		31: 10.5x ↑ 32: 10.7x ↘ 33: 10.3x ↘ 34: 10.6x ↘ 35: 10.2x ← 36: 10.8x ↘ 37: 10.5x ↗ 38: 10.1 ↗ 39: 10.4x ↓ 40: 10.4x ←
	Serie 104.5		Serie 104.5
	Total 312.7		Total 417.2

	<p>1: 9.8 ↗ 2: 10.0 ↑ 3: 9.8 ↑ 4: 10.5↔ 5: 10.4x↑ 6: 10.5x↑ 7: 10.5↔ 8: 10.3x→ 9: 10.2x→ 10: 10.4x↑</p> <p>Serie 102.4 Total 0.0</p>		<p>11: 10.7x↑ 12: 10.7↔ 13: 10.6↔ 14: 10.4x→ 15: 10.8x↓</p> <p>Serie 53.2 Total 0.0</p>
	<p>1: 10.5x→ 2: 10.7↔ 3: 10.7x↓ 4: 10.8x↓ 5: 10.3↔ 6: 10.7x↓ 7: 10.8x→ 8: 10.7x→ 9: 9.8 ↑ 10: 10.6x↔</p> <p>Serie 105.6 Total 105.6</p>		<p>11: 9.7 → 12: 10.8x↑ 13: 10.2x↔ 14: 10.3x↔ 15: 10.5x→ 16: 10.6x↓ 17: 10.6x↔ 18: 10.6x↔ 19: 10.1 → 20: 10.4x↑</p> <p>Serie 103.8 Total 209.4</p>
	<p>21: 10.3x↓ 22: 10.5x↓ 23: 10.1 → 24: 10.2x→ 25: 9.9 → 26: 10.2x↔ 27: 10.5x→ 28: 10.7x→ 29: 10.7x↔ 30: 10.7x↓</p> <p>Serie 103.8 Total 313.2</p>		<p>31: 10.1 ↓ 32: 10.4x↔ 33: 9.4 ↑ 34: 10.0 → 35: 10.5x↔ 36: 10.4x↑ 37: 10.1 ↑ 38: 10.4x↔ 39: 10.8x↓ 40: 9.8 →</p> <p>Serie 101.9 Total 415.1</p>

Skjutlag 3	Tavla 31	Atu Rintamäki	
S		IMAS (Fin)	
19.11.2016		Drängsmarksskyttet 2016	
Umeå skytteallians			
Pröv 	1: 10.0 ↘ 2: 9.7 ↘ 3: 10.0 ← 4: 10.7x ↗ 5: 10.8x → 6: 9.9 ← 7: 10.4x ← 8: 9.1 ← 9: 9.7 ↘	Pröv 	11: 9.8 → 12: 10.7x → 13: 10.6x ← 14: 10.1 ↘ 15: 10.4x ← 16: 10.8x ← 17: 10.7x ↘ 18: 10.4x ↘ 19: 10.3x ← 20: 10.4x ↘
Serie 90.3		Serie 104.2	
Total 0.0		Total 0.0	
Pröv 	21: 10.5x ↗	60 Skott 	1: 10.6x ↘ 2: 10.8x ↘ 3: 10.2x ↗ 4: 10.4x ↘ 5: 9.9 ↘ 6: 10.4x ← 7: 10.5x ↘ 8: 10.2x ← 9: 10.6x ↗ 10: 10.5x ↘
Serie 10.5		Serie 104.1	
Total 0.0		Total 104.1	
60 Skott 	11: 10.5x ↘ 12: 10.4x ↘ 13: 10.7x ↘ 14: 10.0 ↘ 15: 10.7x ↘ 16: 10.8x ← 17: 10.0 ↘ 18: 10.8x ← 19: 10.7x → 20: 10.1 ↗	60 Skott 	21: 9.8 ← 22: 9.8 ↗ 23: 10.5x ↘ 24: 10.5x ↘ 25: 10.4x → 26: 10.7x → 27: 10.8x ↗ 28: 10.6x ↗ 29: 10.1 ↘ 30: 10.3x ↘
Serie 104.7		Serie 103.5	
Total 208.8		Total 312.3	
60 Skott 	31: 10.6x ↘ 32: 10.2x ↘ 33: 10.5x ↗ 34: 10.4x → 35: 10.2x ↗ 36: 10.7x ↘ 37: 10.8x → 38: 10.3x ↗ 39: 10.4x ↗ 40: 10.0 ↘		
Serie 104.1			
Total 416.4			

<p>Prov</p>	<p>1: 10.3x↓ 2: 10.3x→ 3: 9.4 ← 4: 9.6 ↓ 5: 9.4 ↗ 6: 10.1 ↖ 7: 9.4 → 8: 10.3x↓ 9: 9.5 ↗</p> <p>Serie 88.3 Total 0.0</p>	<p>Prov</p>	<p>11: 10.3x↖ 12: 9.8 ↖ 13: 9.2 ↖ 14: 9.5 ↖</p> <p>Serie 38.8 Total 0.0</p>
<p>60 Skott</p>	<p>1: 10.4x↖ 2: 8.5 ↖ 3: 8.9 ↗ 4: 9.7 ↗ 5: 10.5x↖ 6: 10.4x↗ 7: 9.8 ↖ 8: 9.9 ↖ 9: 9.9 ↗ 10: 9.8 ←</p> <p>Serie 97.8 Total 97.8</p>	<p>60 Skott</p>	<p>11: 10.2x↗ 12: 10.4x↖ 13: 10.7x↗ 14: 10.0 ↗ 15: 9.9 → 16: 10.4x↖ 17: 9.1 ↗ 18: 9.4 ↗ 19: 8.8 ← 20: 10.4x↓</p> <p>Serie 99.3 Total 197.1</p>
<p>60 Skott</p>	<p>21: 9.9 ← 22: 10.3x↗ 23: 9.5 ← 24: 9.8 ↖ 25: 9.7 ↖ 26: 9.4 ↖ 27: 9.1 ↗ 28: 9.6 ↖ 29: 9.6 ↗ 30: 10.9x↖</p> <p>Serie 97.8 Total 294.9</p>	<p>60 Skott</p>	<p>31: 10.3x↖ 32: 10.7x↖ 33: 9.9 ↖ 34: 10.1 ↗ 35: 8.8 ↗ 36: 10.3x↖ 37: 9.6 ↗ 38: 10.6x↗ 39: 8.8 ← 40: 9.4 ↗</p> <p>Serie 98.5 Total 393.4</p>

Skjutlag 3	Tavla 33	Jesse Riihimäki	
S		IMAS (Fin)	
19.11.2016		Drängsmarksskyttet 2016	
Umeå skytteallians			
Prov		1: 9.9 → 2: 10.4x → 3: 8.3 ↓ 4: 9.6 ↓ 5: 8.8 ↓ 6: 9.9 ↓ 7: 10.0 ↓ 8: 9.5 ↓ 9: 9.7 ↓ 10: 8.9 ↓ Serie 95.0 Total 0.0	Prov  12: 8.6 ↓ 13: 9.5 ↓ 14: 8.2 ↓ 15: 8.8 ↓ 16: 9.3 ↓ 17: 9.6 ↓ 18: 9.6 ↓ 19: 9.9 → 20: 9.2 ↓ Serie 82.7 Total 0.0
Prov		21: 10.4x → 22: 9.9 ↓ 23: 9.8 ↓ 24: 10.3x → 25: 9.6 ↓ 26: 10.5x ↓ 27: 9.8 ↓ 28: 10.3x → Serie 80.6 Total 0.0	60 Skott  1: 10.1 → 2: 10.6x ↓ 3: 10.2x → 4: 10.2x ↓ 5: 9.9 ↗ 6: 10.1 ↓ 7: 10.7x → 8: 10.4x → 9: 10.5x → 10: 10.8x ↓ Serie 103.5 Total 103.5
60 Skott		11: 9.9 ↓ 12: 10.7x ← 13: 10.1 ↓ 14: 9.8 → 15: 10.0 ↗ 16: 10.3x ↗ 17: 10.4x → 18: 9.9 ↓ 19: 9.5 ↓ 20: 10.0 ↓ Serie 100.6 Total 204.1	60 Skott  21: 9.9 → 22: 10.7x ↗ 23: 10.7x → 24: 10.4x → 25: 9.7 ↓ 26: 9.8 ↓ 27: 9.9 ↓ 28: 9.4 ↓ 29: 9.6 ↓ 30: 9.0 ↗ Serie 99.1 Total 303.2
60 Skott		31: 10.5x → 32: 10.4x ↓ 33: 10.4x ↓ 34: 10.3x ↓ 35: 10.5x ↗ 36: 10.7x ← 37: 9.9 ← 38: 10.0 ← 39: 10.4x ↓ 40: 10.5x ↓ Serie 103.6 Total 406.8	

1: 10.5x 2: 7.4 3: 10.7x 4: 9.0 5: 9.8 6: 9.5 7: 9.5 8: 9.5 9: 10.4x 10: 9.5 Serie 95.8 Total 0.0	11: 9.7 12: 9.5 13: 9.8 Serie 29.0 Total 0.0	

1: 10.7x 2: 10.0 3: 10.2x 4: 10.2x 5: 10.0 6: 10.5x 7: 9.3 8: 8.4 9: 8.0 10: 8.5 Serie 95.8 Total 95.8	11: 10.7x 12: 9.3 13: 9.6 14: 9.6 15: 10.6x 16: 6.7 17: 10.5x 18: 9.3 19: 10.1 20: 9.6 Serie 96.0 Total 191.8	

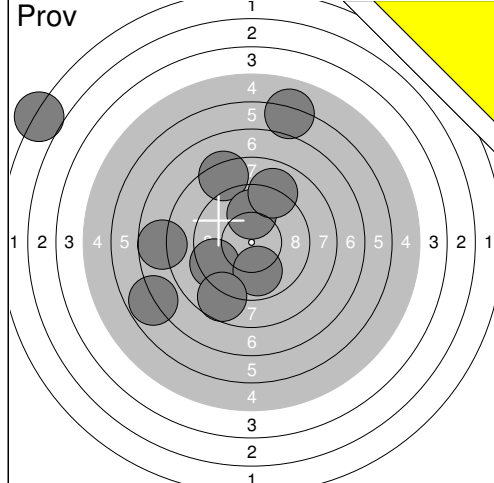
21: 8.2 22: 9.7 23: 10.3x 24: 8.0 25: 10.6x 26: 10.5x 27: 10.3x 28: 10.3x 29: 8.9 30: 10.1 Serie 96.9 Total 288.7	31: 10.0 32: 9.6 33: 9.9 34: 8.6 35: 9.2 36: 9.7 37: 9.8 38: 10.3x 39: 9.9 40: 7.6 Serie 94.6 Total 383.3	

<p>Prov</p>	<table style="width:100%; border-collapse: collapse;"> <tr><td>1:</td><td>9.3</td><td>↘</td></tr> <tr><td>2:</td><td>8.7</td><td>↗</td></tr> <tr><td>3:</td><td>6.0</td><td>←</td></tr> <tr><td>4:</td><td>2.8</td><td>←</td></tr> <tr><td>5:</td><td>8.4</td><td>↘</td></tr> <tr><td>6:</td><td>10.0</td><td>↘</td></tr> <tr><td>7:</td><td>7.0</td><td>←</td></tr> <tr><td>8:</td><td>8.2</td><td>→</td></tr> <tr><td>9:</td><td>10.0</td><td>↙</td></tr> <tr><td>10:</td><td>8.1</td><td>↗</td></tr> <tr style="border-top: 1px solid black;"><td colspan="2">Serie</td><td>78.5</td></tr> <tr style="border-top: 1px solid black;"><td colspan="2">Total</td><td>0.0</td></tr> </table>	1:	9.3	↘	2:	8.7	↗	3:	6.0	←	4:	2.8	←	5:	8.4	↘	6:	10.0	↘	7:	7.0	←	8:	8.2	→	9:	10.0	↙	10:	8.1	↗	Serie		78.5	Total		0.0	<p>Prov</p>	<table style="width:100%; border-collapse: collapse;"> <tr><td>11:</td><td>8.7</td><td>↘</td></tr> <tr><td>12:</td><td>7.8</td><td>↘</td></tr> <tr><td>13:</td><td>8.6</td><td>←</td></tr> <tr><td>15:</td><td>9.9</td><td>↗</td></tr> <tr><td>16:</td><td>9.2</td><td>↗</td></tr> <tr><td>17:</td><td>7.3</td><td>←</td></tr> <tr><td>18:</td><td>8.6</td><td>↗</td></tr> <tr><td>19:</td><td>9.7</td><td>↘</td></tr> <tr><td>20:</td><td>9.7</td><td>→</td></tr> <tr style="border-top: 1px solid black;"><td colspan="2">Serie</td><td>79.5</td></tr> <tr style="border-top: 1px solid black;"><td colspan="2">Total</td><td>0.0</td></tr> </table>	11:	8.7	↘	12:	7.8	↘	13:	8.6	←	15:	9.9	↗	16:	9.2	↗	17:	7.3	←	18:	8.6	↗	19:	9.7	↘	20:	9.7	→	Serie		79.5	Total		0.0
1:	9.3	↘																																																																						
2:	8.7	↗																																																																						
3:	6.0	←																																																																						
4:	2.8	←																																																																						
5:	8.4	↘																																																																						
6:	10.0	↘																																																																						
7:	7.0	←																																																																						
8:	8.2	→																																																																						
9:	10.0	↙																																																																						
10:	8.1	↗																																																																						
Serie		78.5																																																																						
Total		0.0																																																																						
11:	8.7	↘																																																																						
12:	7.8	↘																																																																						
13:	8.6	←																																																																						
15:	9.9	↗																																																																						
16:	9.2	↗																																																																						
17:	7.3	←																																																																						
18:	8.6	↗																																																																						
19:	9.7	↘																																																																						
20:	9.7	→																																																																						
Serie		79.5																																																																						
Total		0.0																																																																						

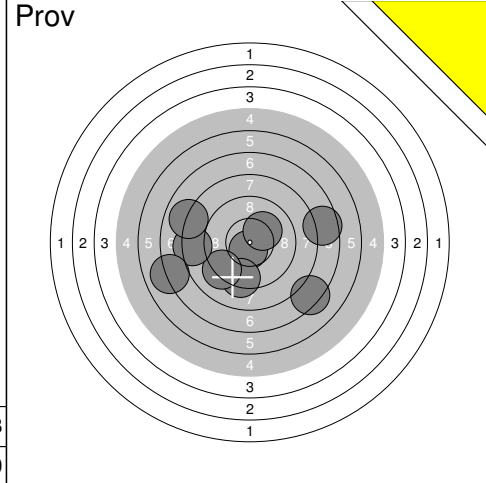
<p>Prov</p>	<table style="width:100%; border-collapse: collapse;"> <tr><td>21:</td><td>10.0</td><td>↗</td></tr> <tr><td>22:</td><td>9.2</td><td>↘</td></tr> <tr><td>23:</td><td>6.7</td><td>←</td></tr> <tr><td>24:</td><td>8.4</td><td>↘</td></tr> <tr><td>26:</td><td>9.0</td><td>→</td></tr> <tr><td>27:</td><td>9.6</td><td>↑</td></tr> <tr><td>28:</td><td>9.4</td><td>↑</td></tr> <tr><td>29:</td><td>9.0</td><td>→</td></tr> <tr><td>30:</td><td>7.0</td><td>→</td></tr> <tr style="border-top: 1px solid black;"><td colspan="2">Serie</td><td>78.3</td></tr> <tr style="border-top: 1px solid black;"><td colspan="2">Total</td><td>0.0</td></tr> </table>	21:	10.0	↗	22:	9.2	↘	23:	6.7	←	24:	8.4	↘	26:	9.0	→	27:	9.6	↑	28:	9.4	↑	29:	9.0	→	30:	7.0	→	Serie		78.3	Total		0.0	<p>Prov</p>	<table style="width:100%; border-collapse: collapse;"> <tr><td colspan="2">Serie</td><td>0.0</td></tr> <tr><td colspan="2">Total</td><td>0.0</td></tr> </table>	Serie		0.0	Total		0.0
21:	10.0	↗																																								
22:	9.2	↘																																								
23:	6.7	←																																								
24:	8.4	↘																																								
26:	9.0	→																																								
27:	9.6	↑																																								
28:	9.4	↑																																								
29:	9.0	→																																								
30:	7.0	→																																								
Serie		78.3																																								
Total		0.0																																								
Serie		0.0																																								
Total		0.0																																								

<p>60 Skott</p>	<table style="width:100%; border-collapse: collapse;"> <tr><td>1:</td><td>7.4</td><td>→</td></tr> <tr><td>2:</td><td>8.8</td><td>↘</td></tr> <tr><td>3:</td><td>9.2</td><td>→</td></tr> <tr><td>4:</td><td>10.3x</td><td>→</td></tr> <tr><td>5:</td><td>7.3</td><td>↗</td></tr> <tr><td>6:</td><td>8.9</td><td>↗</td></tr> <tr><td>7:</td><td>8.1</td><td>↘</td></tr> <tr><td>8:</td><td>10.6x</td><td>↘</td></tr> <tr><td>9:</td><td>10.1</td><td>↘</td></tr> <tr><td>10:</td><td>8.6</td><td>→</td></tr> <tr style="border-top: 1px solid black;"><td colspan="2">Serie</td><td>89.3</td></tr> <tr style="border-top: 1px solid black;"><td colspan="2">Total</td><td>89.3</td></tr> </table>	1:	7.4	→	2:	8.8	↘	3:	9.2	→	4:	10.3x	→	5:	7.3	↗	6:	8.9	↗	7:	8.1	↘	8:	10.6x	↘	9:	10.1	↘	10:	8.6	→	Serie		89.3	Total		89.3	<p>60 Skott</p>	<table style="width:100%; border-collapse: collapse;"> <tr><td>11:</td><td>9.8</td><td>↘</td></tr> <tr><td>12:</td><td>8.0</td><td>↘</td></tr> <tr><td>13:</td><td>9.8</td><td>←</td></tr> <tr><td>14:</td><td>8.5</td><td>→</td></tr> <tr><td>15:</td><td>9.3</td><td>↗</td></tr> <tr><td>16:</td><td>10.4x</td><td>→</td></tr> <tr><td>17:</td><td>8.1</td><td>→</td></tr> <tr><td>18:</td><td>8.7</td><td>↘</td></tr> <tr><td>19:</td><td>5.4</td><td>↘</td></tr> <tr><td>20:</td><td>9.8</td><td>↘</td></tr> <tr style="border-top: 1px solid black;"><td colspan="2">Serie</td><td>87.8</td></tr> <tr style="border-top: 1px solid black;"><td colspan="2">Total</td><td>177.1</td></tr> </table>	11:	9.8	↘	12:	8.0	↘	13:	9.8	←	14:	8.5	→	15:	9.3	↗	16:	10.4x	→	17:	8.1	→	18:	8.7	↘	19:	5.4	↘	20:	9.8	↘	Serie		87.8	Total		177.1
1:	7.4	→																																																																									
2:	8.8	↘																																																																									
3:	9.2	→																																																																									
4:	10.3x	→																																																																									
5:	7.3	↗																																																																									
6:	8.9	↗																																																																									
7:	8.1	↘																																																																									
8:	10.6x	↘																																																																									
9:	10.1	↘																																																																									
10:	8.6	→																																																																									
Serie		89.3																																																																									
Total		89.3																																																																									
11:	9.8	↘																																																																									
12:	8.0	↘																																																																									
13:	9.8	←																																																																									
14:	8.5	→																																																																									
15:	9.3	↗																																																																									
16:	10.4x	→																																																																									
17:	8.1	→																																																																									
18:	8.7	↘																																																																									
19:	5.4	↘																																																																									
20:	9.8	↘																																																																									
Serie		87.8																																																																									
Total		177.1																																																																									

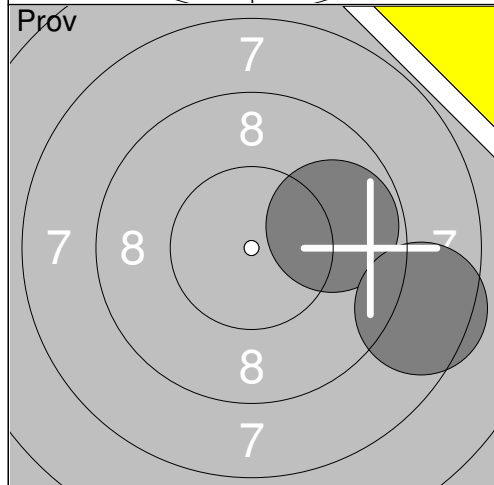
<p>60 Skott</p>	<table style="width:100%; border-collapse: collapse;"> <tr><td>21:</td><td>10.3x</td><td>↗</td></tr> <tr><td>22:</td><td>9.9</td><td>←</td></tr> <tr><td>23:</td><td>10.3x</td><td>↘</td></tr> <tr><td>24:</td><td>10.1</td><td>↗</td></tr> <tr><td>25:</td><td>9.9</td><td>→</td></tr> <tr><td>26:</td><td>9.1</td><td>↗</td></tr> <tr><td>27:</td><td>7.4</td><td>↑</td></tr> <tr><td>28:</td><td>9.0</td><td>↘</td></tr> <tr><td>29:</td><td>8.9</td><td>↘</td></tr> <tr><td>30:</td><td>7.9</td><td>↘</td></tr> <tr style="border-top: 1px solid black;"><td colspan="2">Serie</td><td>92.8</td></tr> <tr style="border-top: 1px solid black;"><td colspan="2">Total</td><td>269.9</td></tr> </table>	21:	10.3x	↗	22:	9.9	←	23:	10.3x	↘	24:	10.1	↗	25:	9.9	→	26:	9.1	↗	27:	7.4	↑	28:	9.0	↘	29:	8.9	↘	30:	7.9	↘	Serie		92.8	Total		269.9	<p>60 Skott</p>	<table style="width:100%; border-collapse: collapse;"> <tr><td>31:</td><td>8.4</td><td>↘</td></tr> <tr><td>32:</td><td>8.3</td><td>↗</td></tr> <tr><td>33:</td><td>9.9</td><td>↗</td></tr> <tr><td>34:</td><td>10.4x</td><td>↘</td></tr> <tr><td>35:</td><td>10.0</td><td>→</td></tr> <tr><td>36:</td><td>9.0</td><td>←</td></tr> <tr><td>37:</td><td>9.9</td><td>↗</td></tr> <tr><td>38:</td><td>7.1</td><td>→</td></tr> <tr><td>39:</td><td>10.4x</td><td>↗</td></tr> <tr><td>40:</td><td>8.9</td><td>↘</td></tr> <tr style="border-top: 1px solid black;"><td colspan="2">Serie</td><td>92.3</td></tr> <tr style="border-top: 1px solid black;"><td colspan="2">Total</td><td>362.2</td></tr> </table>	31:	8.4	↘	32:	8.3	↗	33:	9.9	↗	34:	10.4x	↘	35:	10.0	→	36:	9.0	←	37:	9.9	↗	38:	7.1	→	39:	10.4x	↗	40:	8.9	↘	Serie		92.3	Total		362.2
21:	10.3x	↗																																																																									
22:	9.9	←																																																																									
23:	10.3x	↘																																																																									
24:	10.1	↗																																																																									
25:	9.9	→																																																																									
26:	9.1	↗																																																																									
27:	7.4	↑																																																																									
28:	9.0	↘																																																																									
29:	8.9	↘																																																																									
30:	7.9	↘																																																																									
Serie		92.8																																																																									
Total		269.9																																																																									
31:	8.4	↘																																																																									
32:	8.3	↗																																																																									
33:	9.9	↗																																																																									
34:	10.4x	↘																																																																									
35:	10.0	→																																																																									
36:	9.0	←																																																																									
37:	9.9	↗																																																																									
38:	7.1	→																																																																									
39:	10.4x	↗																																																																									
40:	8.9	↘																																																																									
Serie		92.3																																																																									
Total		362.2																																																																									



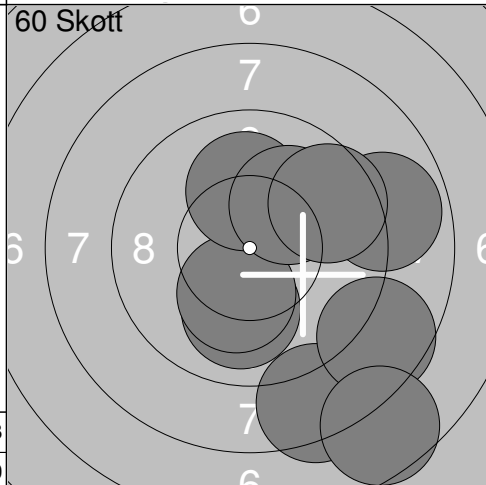
1:	7.7	←
2:	9.4	↙
3:	8.3	↗
4:	9.9	↑
5:	6.1	↗
6:	6.8	↙
7:	9.9	↓
8:	8.7	↓
9:	2.0	↗
10:	9.0	↗
Serie		77.8
Total		0.0



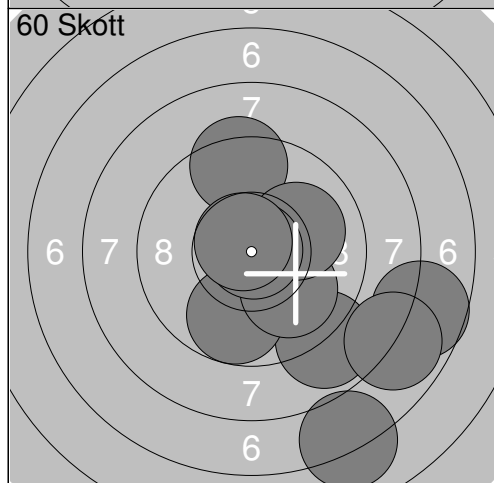
11:	10.6x	↓
12:	9.3	↓
13:	9.2	↙
14:	0.0	↓
15:	10.2x	↗
16:	8.3	←
17:	8.0	↙
18:	7.3	↘
19:	7.5	→
20:	7.0	↙
Serie		77.4
Total		0.0



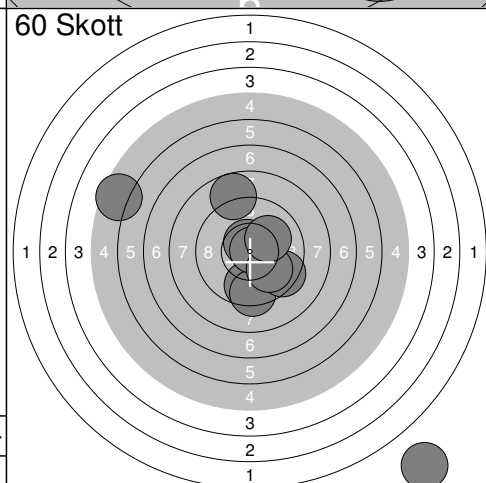
21:	9.8	→
22:	8.5	↘
Serie		18.3
Total		0.0



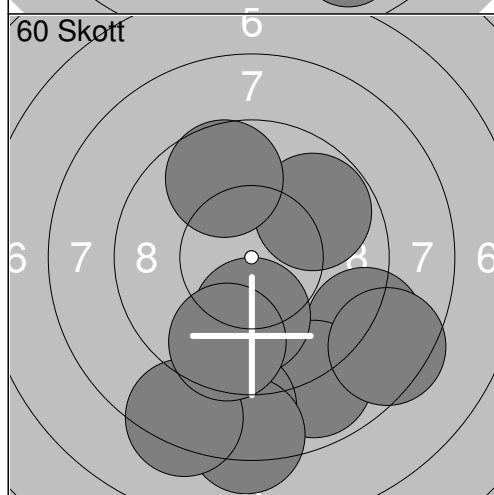
1:	10.0	↓
2:	10.2x	↓
3:	8.2	↘
4:	10.1	↑
5:	8.4	↘
6:	8.6	↘
7:	7.6	↘
8:	10.1	↗
9:	8.9	→
10:	9.6	↗
Serie		91.7
Total		91.7



11:	8.9	↘
12:	9.7	↓
13:	9.4	↑
14:	10.0	↘
15:	10.1	→
16:	10.9x	↗
17:	10.7x	↗
18:	7.7	↘
19:	7.1	↓
20:	7.9	↘
Serie		92.4
Total		184.1



21:	9.7	↓
22:	9.4	↓
23:	10.6x	↗
24:	5.5	↙
25:	10.8x	↗
26:	0.0	↓
27:	9.4	↘
28:	10.0	↓
29:	8.7	↑
30:	10.1	↗
Serie		84.2
Total		268.3



31:	8.9	↘
32:	8.9	↓
33:	8.7	↓
34:	8.2	↓
35:	9.8	↗
36:	8.3	↓
37:	10.1	↓
38:	8.5	↘
39:	9.7	↗
40:	9.6	↓
Serie		90.7
Total		359.0

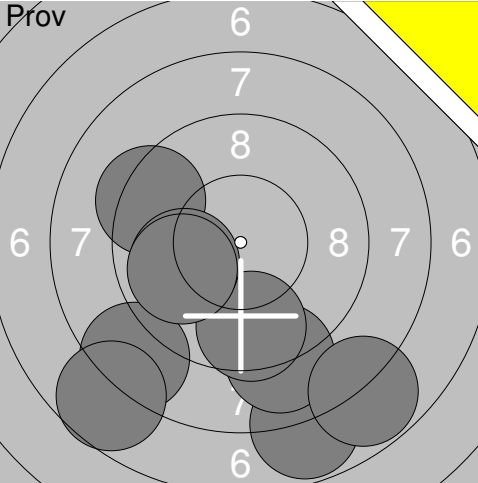
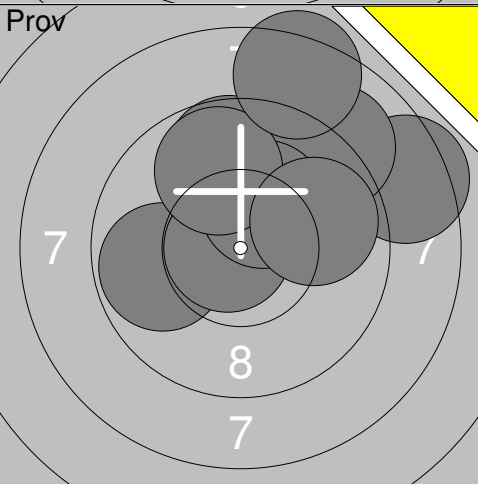
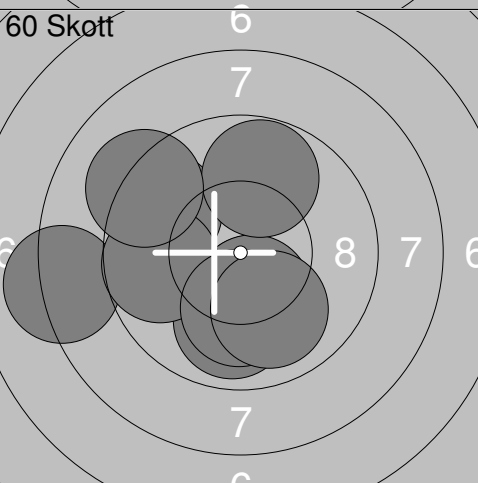
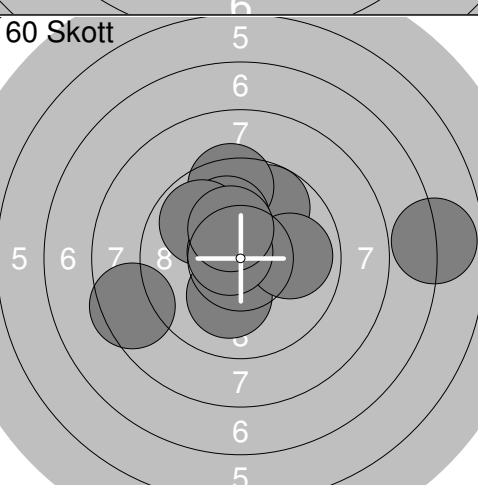
Skjuttag	Tavla	Jusi Ketolainen	
3	38		
S	IMAS (Fin)		
19.11.2016	Drängsmarksskyttet 2016	Umeå skytteallians	
Prov		1: 9.6 ↓ 2: 10.3x➔ 3: 9.2 ↙ 4: 10.2x↓ 5: 9.3 ← 6: 9.3 ← 7: 10.1 ➔ 8: 10.6x↗ 9: 10.8x↗ 10: 10.7x↖ Serie 100.1 Total 0.0	11: 10.1 ← 12: 10.1 ↙ 13: 9.5 ➔ 14: 10.2x↗ 15: 10.2x↘ 16: 10.1 ↗ Serie 60.2 Total 0.0
60 Skott		1: 9.9 ← 2: 10.3x↖ 3: 10.3x↓ 4: 10.0 ← 5: 10.2x↓ 6: 9.3 ➔ 7: 9.4 ← 8: 9.5 ← 9: 10.0 ↑ 10: 10.0 ↗ Serie 98.9 Total 98.9	11: 8.9 ← 12: 10.6x↖ 13: 10.2x← 14: 10.3x↗ 15: 9.7 ➔ 16: 10.5x↖ 17: 10.1 ↗ 18: 9.8 ↓ 19: 10.2x↗ 20: 10.6x↓ Serie 100.9 Total 199.8
60 Skott		21: 9.8 ← 22: 9.8 ↖ 23: 10.4x← 24: 10.4x↖ 25: 10.5x↖ 26: 10.2x↗ 27: 9.8 ← 28: 10.1 ↓ 29: 9.5 ➔ 30: 9.8 ← Serie 100.3 Total 300.1	31: 10.5x↗ 32: 9.7 ↖ 33: 10.0 ↗ 34: 9.9 ← 35: 10.4x← 36: 10.0 ↓ 37: 9.3 ↗ 38: 9.8 ← 39: 9.7 ↗ 40: 10.5x↖ Serie 99.8 Total 399.9

Pröv 	1: 10.1 ↗ 2: 9.2 ↓ 3: 9.2 → 4: 10.5x ↓ 6: 10.4x ↓ 7: 10.2x ← 8: 9.9 ← 9: 9.2 ↓ 10: 8.6 ↓	Pröv 	11: 9.5 ↘ 12: 9.8 ↓ 13: 9.9 ↗ 14: 10.0 ↗ 15: 10.0 ← 16: 10.6x ↗ 17: 8.8 ↗ 18: 10.8x ↑ 19: 10.5x ↗ 20: 10.2x ↖
	Serie 87.3		Serie 100.1
	Total 0.0		Total 0.0

Pröv 	21: 10.5x ↖	60 Skott 	1: 8.6 ↗ 2: 10.5x → 3: 10.4x ↓ 4: 10.3x ← 5: 9.9 ↓ 6: 10.1 ↓ 7: 8.7 ↗ 8: 10.2x → 9: 10.1 ↓ 10: 10.4x ↖
	Serie 10.5		Serie 99.2
	Total 0.0		Total 99.2

60 Skott 	11: 10.2x ↖ 12: 9.1 ← 13: 10.5x ↓ 14: 10.3x ↑ 15: 10.0 → 16: 9.9 ← 17: 9.3 ← 18: 8.7 ↗ 19: 10.2x ← 20: 10.6x →	60 Skott 	21: 10.6x ↓ 22: 9.5 ↓ 23: 9.5 ← 24: 10.6x ↗ 25: 10.3x ↖ 26: 10.2x ← 27: 10.3x ↗ 28: 10.2x → 29: 9.2 ← 30: 10.2x →
	Serie 98.8		Serie 100.6
	Total 198.0		Total 298.6

60 Skott 	31: 10.1 → 32: 10.8x ↗ 33: 10.1 ↑ 34: 9.8 ↗ 35: 10.5x ↗ 36: 9.0 ↓ 37: 9.3 ↓ 38: 9.6 ↓ 39: 9.2 ↑ 40: 9.7 ↓	
	Serie 98.1	
	Total 396.7	

Skjuttlag	Tavla	Tuuli Riihimääki	
3	40		
S	IMAS (Fin)		
19.11.2016	Drängsmarksskyttet 2016	Umeå skytteallians	
Prov		1: 7.8 ↘ 2: 9.0 ↘ 3: 9.3 ↗ 4: 7.8 ↘ 6: 8.4 ↘ 7: 7.7 ↘ 8: 9.6 ↘ 9: 10.0 ← 10: 9.9 ←	11: 7.3 → 12: 9.6 ↑ 13: 9.9 ← 14: 9.7 → 15: 5.3 → 16: 10.4x ↘ 17: 8.4 → 18: 10.0 → 19: 8.8 ↑ 20: 8.1 ↗
	Serie 79.5		Serie 87.5
	Total 0.0		Total 0.0
Prov		21: 9.8 ← 22: 9.7 ↑ 23: 8.4 → 24: 9.0 ↗ 25: 10.7x ↑ 26: 10.8x ← 27: 10.3x ↗ 28: 9.8 ↑ 29: 9.9 → 30: 8.4 ↑	31: 9.3 → 32: 8.7 ←
	Serie 96.8		Serie 18.0
	Total 0.0		Total 0.0
60 Skott		1: 9.6 ↗ 2: 9.9 ↘ 3: 10.3x ↘ 4: 8.2 ← 5: 10.3x ↘ 6: 9.7 ← 7: 10.1 ↘ 8: 10.0 ↘ 9: 9.8 ↑ 10: 9.2 ↗	11: 8.5 ↗ 12: 8.5 ↗ 13: 8.1 ↗ 14: 8.8 ↑ 15: 9.0 ↑ 16: 10.6x ↘ 17: 9.7 ↑ 18: 10.2x ↘ 19: 9.1 ↗ 20: 9.5 ←
	Serie 97.1		Serie 92.0
	Total 97.1		Total 189.1
60 Skott		21: 9.8 ↑ 22: 8.5 ← 23: 10.1 ↘ 24: 9.4 ↑ 25: 10.1 ↑ 26: 6.9 → 27: 9.9 ↗ 28: 9.9 → 29: 10.7x ↗ 30: 10.3x ↑	31: 9.1 ← 32: 8.8 ↑ 33: 10.3x → 34: 9.5 ← 35: 9.7 → 36: 10.3x ↑ 37: 10.2x → 38: 10.2x ↗ 39: 9.2 → 40: 6.8 →
	Serie 95.6		Serie 94.1
	Total 284.7		Total 378.8