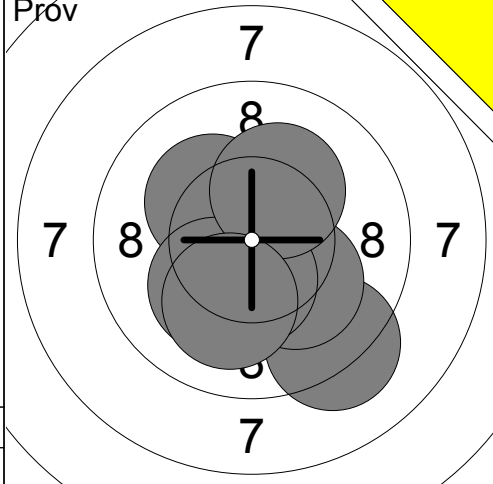
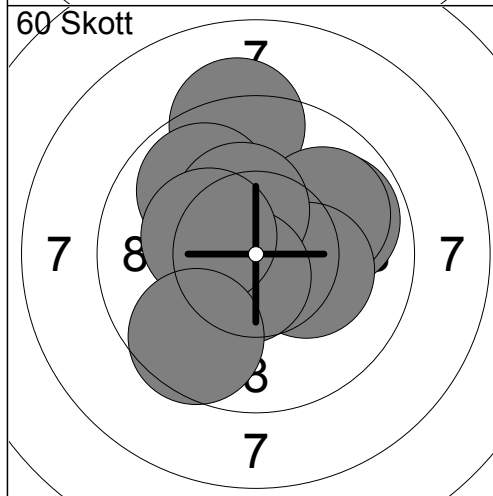


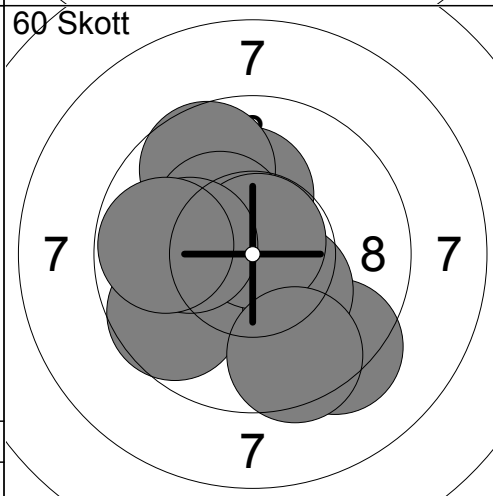
|       |       |       |
|-------|-------|-------|
| 1:    | 9.8   | ↘     |
| 2:    | 10.7x | ↓     |
| 3:    | 10.0  | →     |
| 4:    | 10.9x | →     |
| 5:    | 10.9x | ↗     |
| 6:    | 10.2x | ↓     |
| 7:    | 9.8   | ←     |
| 8:    | 9.8   | ↓     |
| 9:    | 10.3x | ↑     |
| 10:   | 9.7   | →     |
| Serie |       | 102.1 |
| Total |       | 0.0   |



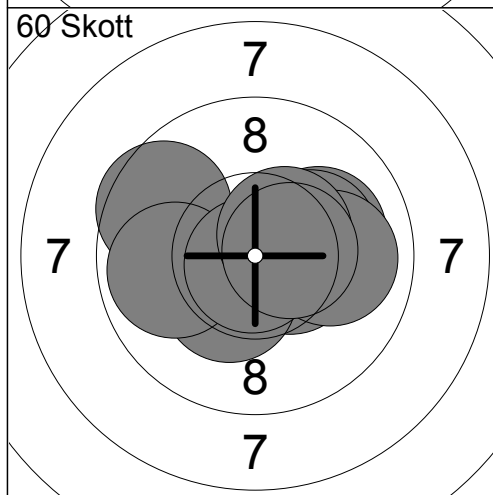
|       |       |      |
|-------|-------|------|
| 11:   | 10.6x | ↗    |
| 12:   | 9.2   | ↓    |
| 13:   | 10.2x | ↓    |
| 14:   | 10.4x | ↓    |
| 15:   | 10.2x | ↗    |
| 16:   | 10.2x | ↓    |
| 17:   | 10.2x | ↗    |
| 18:   | 10.1  | ↓    |
| Serie |       | 81.1 |
| Total |       | 0.0  |



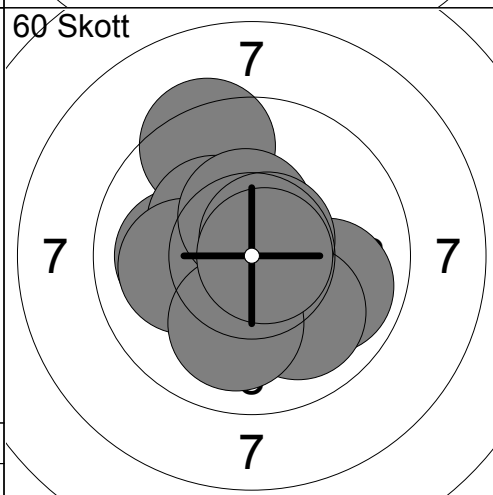
|       |       |       |
|-------|-------|-------|
| 1:    | 10.5x | ↗     |
| 2:    | 9.2   | ↑     |
| 3:    | 9.8   | ↗     |
| 4:    | 9.9   | ↗     |
| 5:    | 9.9   | ↗     |
| 6:    | 10.3x | →     |
| 7:    | 10.3x | ↑     |
| 8:    | 10.6x | ↓     |
| 9:    | 10.3x | ←     |
| 10:   | 9.6   | ↓     |
| Serie |       | 100.4 |
| Total |       | 100.4 |



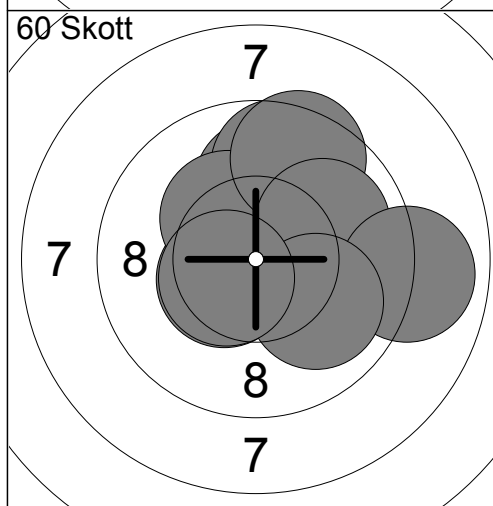
|       |       |       |
|-------|-------|-------|
| 11:   | 9.3   | ↓     |
| 12:   | 10.3x | ↓     |
| 13:   | 9.7   | ←     |
| 14:   | 10.2x | ↑     |
| 15:   | 9.7   | ↗     |
| 16:   | 10.3x | ↗     |
| 17:   | 10.8x | ↗     |
| 18:   | 9.5   | ↓     |
| 19:   | 10.1  | ←     |
| 20:   | 9.8   | ←     |
| Serie |       | 99.7  |
| Total |       | 200.1 |



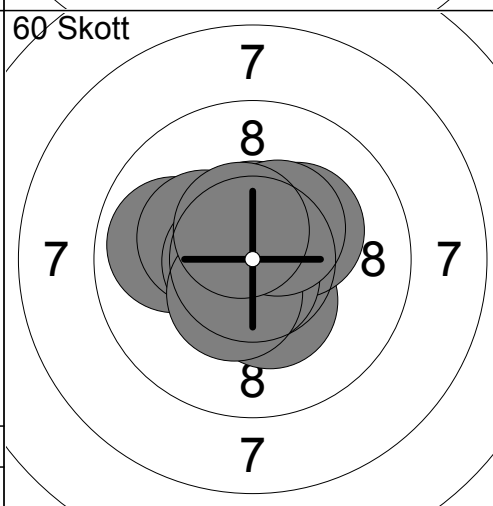
|       |       |       |
|-------|-------|-------|
| 21:   | 9.6   | ←     |
| 22:   | 10.5x | →     |
| 23:   | 10.1  | →     |
| 24:   | 10.2x | →     |
| 25:   | 10.0  | →     |
| 26:   | 10.3x | ↓     |
| 27:   | 9.9   | ←     |
| 28:   | 10.8x | ↓     |
| 29:   | 10.5x | ↗     |
| 30:   | 10.5x | →     |
| Serie |       | 102.4 |
| Total |       | 302.5 |



|       |       |       |
|-------|-------|-------|
| 31:   | 10.0  | ←     |
| 32:   | 9.4   | ↗     |
| 33:   | 10.3x | ↗     |
| 34:   | 10.1  | ←     |
| 35:   | 9.9   | →     |
| 36:   | 10.0  | ↓     |
| 37:   | 10.0  | ↓     |
| 38:   | 10.4x | ↑     |
| 39:   | 10.7x | ↗     |
| 40:   | 10.8x | →     |
| Serie |       | 101.6 |
| Total |       | 404.1 |



|       |       |       |
|-------|-------|-------|
| 41:   | 10.0  | ↑     |
| 42:   | 10.6x | ↑     |
| 43:   | 9.7   | ↑     |
| 44:   | 10.5x | ←     |
| 45:   | 10.3x | ↗     |
| 46:   | 9.5   | ↗     |
| 47:   | 10.0  | ↗     |
| 48:   | 8.9   | →     |
| 49:   | 10.0  | ↓     |
| 50:   | 10.5x | ←     |
| Serie |       | 100.0 |
| Total |       | 504.1 |



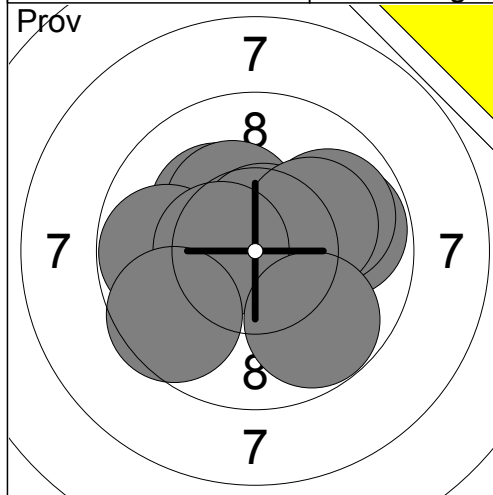
|       |       |       |
|-------|-------|-------|
| 51:   | 9.9   | ←     |
| 52:   | 10.4x | ↓     |
| 53:   | 10.3x | ↗     |
| 54:   | 10.7x | ↓     |
| 55:   | 10.6x | ↑     |
| 56:   | 10.3x | ←     |
| 57:   | 10.7x | ←     |
| 58:   | 10.4x | ↓     |
| 59:   | 10.4x | ↗     |
| 60:   | 10.5x | ↗     |
| Serie |       | 104.2 |
| Total |       | 608.3 |

|          |          |  |    |      |   |    |     |   |    |     |   |    |      |   |    |       |   |    |      |   |    |      |   |    |       |   |    |     |   |     |      |   |       |  |       |       |  |     |
|----------|----------|--|----|------|---|----|-----|---|----|-----|---|----|------|---|----|-------|---|----|------|---|----|------|---|----|-------|---|----|-----|---|-----|------|---|-------|--|-------|-------|--|-----|
| Pröv<br> | Pröv<br> | <table border="1" style="width:100%; border-collapse: collapse;"> <tr><td>1:</td><td>10.0</td><td>↓</td></tr> <tr><td>2:</td><td>9.7</td><td>→</td></tr> <tr><td>3:</td><td>9.5</td><td>↓</td></tr> <tr><td>4:</td><td>10.1</td><td>↓</td></tr> <tr><td>5:</td><td>10.3x</td><td>↖</td></tr> <tr><td>6:</td><td>10.1</td><td>→</td></tr> <tr><td>7:</td><td>10.1</td><td>↗</td></tr> <tr><td>8:</td><td>10.7x</td><td>→</td></tr> <tr><td>9:</td><td>9.5</td><td>↗</td></tr> <tr><td>10:</td><td>10.1</td><td>↗</td></tr> <tr><td colspan="2">Serie</td><td>100.1</td></tr> <tr><td colspan="2">Total</td><td>0.0</td></tr> </table> | 1: | 10.0 | ↓ | 2: | 9.7 | → | 3: | 9.5 | ↓ | 4: | 10.1 | ↓ | 5: | 10.3x | ↖ | 6: | 10.1 | → | 7: | 10.1 | ↗ | 8: | 10.7x | → | 9: | 9.5 | ↗ | 10: | 10.1 | ↗ | Serie |  | 100.1 | Total |  | 0.0 |
| 1:       | 10.0     | ↓  |    |      |   |    |     |   |    |     |   |    |      |   |    |       |   |    |      |   |    |      |   |    |       |   |    |     |   |     |      |   |       |  |       |       |  |     |
| 2:       | 9.7      | →  |    |      |   |    |     |   |    |     |   |    |      |   |    |       |   |    |      |   |    |      |   |    |       |   |    |     |   |     |      |   |       |  |       |       |  |     |
| 3:       | 9.5      | ↓  |    |      |   |    |     |   |    |     |   |    |      |   |    |       |   |    |      |   |    |      |   |    |       |   |    |     |   |     |      |   |       |  |       |       |  |     |
| 4:       | 10.1     | ↓  |    |      |   |    |     |   |    |     |   |    |      |   |    |       |   |    |      |   |    |      |   |    |       |   |    |     |   |     |      |   |       |  |       |       |  |     |
| 5:       | 10.3x    | ↖  |    |      |   |    |     |   |    |     |   |    |      |   |    |       |   |    |      |   |    |      |   |    |       |   |    |     |   |     |      |   |       |  |       |       |  |     |
| 6:       | 10.1     | →  |    |      |   |    |     |   |    |     |   |    |      |   |    |       |   |    |      |   |    |      |   |    |       |   |    |     |   |     |      |   |       |  |       |       |  |     |
| 7:       | 10.1     | ↗  |    |      |   |    |     |   |    |     |   |    |      |   |    |       |   |    |      |   |    |      |   |    |       |   |    |     |   |     |      |   |       |  |       |       |  |     |
| 8:       | 10.7x    | →  |    |      |   |    |     |   |    |     |   |    |      |   |    |       |   |    |      |   |    |      |   |    |       |   |    |     |   |     |      |   |       |  |       |       |  |     |
| 9:       | 9.5      | ↗  |    |      |   |    |     |   |    |     |   |    |      |   |    |       |   |    |      |   |    |      |   |    |       |   |    |     |   |     |      |   |       |  |       |       |  |     |
| 10:      | 10.1     | ↗  |    |      |   |    |     |   |    |     |   |    |      |   |    |       |   |    |      |   |    |      |   |    |       |   |    |     |   |     |      |   |       |  |       |       |  |     |
| Serie    |          | 100.1  |    |      |   |    |     |   |    |     |   |    |      |   |    |       |   |    |      |   |    |      |   |    |       |   |    |     |   |     |      |   |       |  |       |       |  |     |
| Total    |          | 0.0  |    |      |   |    |     |   |    |     |   |    |      |   |    |       |   |    |      |   |    |      |   |    |       |   |    |     |   |     |      |   |       |  |       |       |  |     |

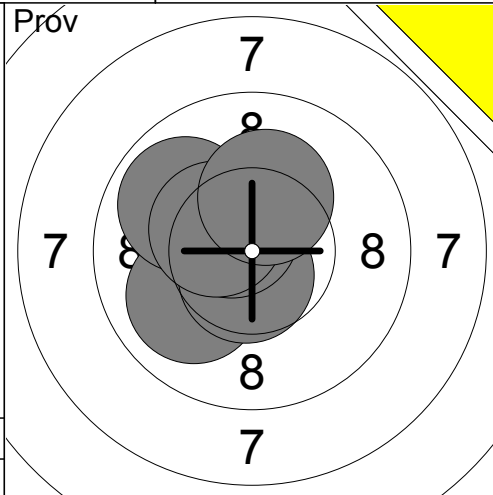
|              |              |  |     |       |   |     |       |   |     |       |   |     |       |   |     |       |   |     |       |   |     |       |   |     |     |   |     |       |   |     |       |   |       |  |       |       |  |       |
|--------------|--------------|--|-----|-------|---|-----|-------|---|-----|-------|---|-----|-------|---|-----|-------|---|-----|-------|---|-----|-------|---|-----|-----|---|-----|-------|---|-----|-------|---|-------|--|-------|-------|--|-------|
| 60 Skott<br> | 60 Skott<br> | <table border="1" style="width:100%; border-collapse: collapse;"> <tr><td>11:</td><td>10.8x</td><td>↗</td></tr> <tr><td>12:</td><td>10.4x</td><td>←</td></tr> <tr><td>13:</td><td>10.3x</td><td>↓</td></tr> <tr><td>14:</td><td>10.6x</td><td>↓</td></tr> <tr><td>15:</td><td>10.8x</td><td>←</td></tr> <tr><td>16:</td><td>10.6x</td><td>↗</td></tr> <tr><td>17:</td><td>10.6x</td><td>↓</td></tr> <tr><td>18:</td><td>9.9</td><td>↓</td></tr> <tr><td>19:</td><td>10.6x</td><td>↗</td></tr> <tr><td>20:</td><td>10.3x</td><td>→</td></tr> <tr><td colspan="2">Serie</td><td>104.9</td></tr> <tr><td colspan="2">Total</td><td>206.3</td></tr> </table> | 11: | 10.8x | ↗ | 12: | 10.4x | ← | 13: | 10.3x | ↓ | 14: | 10.6x | ↓ | 15: | 10.8x | ← | 16: | 10.6x | ↗ | 17: | 10.6x | ↓ | 18: | 9.9 | ↓ | 19: | 10.6x | ↗ | 20: | 10.3x | → | Serie |  | 104.9 | Total |  | 206.3 |
| 11:          | 10.8x        | ↗  |     |       |   |     |       |   |     |       |   |     |       |   |     |       |   |     |       |   |     |       |   |     |     |   |     |       |   |     |       |   |       |  |       |       |  |       |
| 12:          | 10.4x        | ←  |     |       |   |     |       |   |     |       |   |     |       |   |     |       |   |     |       |   |     |       |   |     |     |   |     |       |   |     |       |   |       |  |       |       |  |       |
| 13:          | 10.3x        | ↓  |     |       |   |     |       |   |     |       |   |     |       |   |     |       |   |     |       |   |     |       |   |     |     |   |     |       |   |     |       |   |       |  |       |       |  |       |
| 14:          | 10.6x        | ↓  |     |       |   |     |       |   |     |       |   |     |       |   |     |       |   |     |       |   |     |       |   |     |     |   |     |       |   |     |       |   |       |  |       |       |  |       |
| 15:          | 10.8x        | ←  |     |       |   |     |       |   |     |       |   |     |       |   |     |       |   |     |       |   |     |       |   |     |     |   |     |       |   |     |       |   |       |  |       |       |  |       |
| 16:          | 10.6x        | ↗  |     |       |   |     |       |   |     |       |   |     |       |   |     |       |   |     |       |   |     |       |   |     |     |   |     |       |   |     |       |   |       |  |       |       |  |       |
| 17:          | 10.6x        | ↓  |     |       |   |     |       |   |     |       |   |     |       |   |     |       |   |     |       |   |     |       |   |     |     |   |     |       |   |     |       |   |       |  |       |       |  |       |
| 18:          | 9.9          | ↓  |     |       |   |     |       |   |     |       |   |     |       |   |     |       |   |     |       |   |     |       |   |     |     |   |     |       |   |     |       |   |       |  |       |       |  |       |
| 19:          | 10.6x        | ↗  |     |       |   |     |       |   |     |       |   |     |       |   |     |       |   |     |       |   |     |       |   |     |     |   |     |       |   |     |       |   |       |  |       |       |  |       |
| 20:          | 10.3x        | →  |     |       |   |     |       |   |     |       |   |     |       |   |     |       |   |     |       |   |     |       |   |     |     |   |     |       |   |     |       |   |       |  |       |       |  |       |
| Serie        |              | 104.9  |     |       |   |     |       |   |     |       |   |     |       |   |     |       |   |     |       |   |     |       |   |     |     |   |     |       |   |     |       |   |       |  |       |       |  |       |
| Total        |              | 206.3  |     |       |   |     |       |   |     |       |   |     |       |   |     |       |   |     |       |   |     |       |   |     |     |   |     |       |   |     |       |   |       |  |       |       |  |       |

|              |              |   |     |       |   |     |       |   |     |       |   |     |     |   |     |     |   |     |     |   |     |       |   |     |      |   |     |     |   |     |       |   |       |  |       |       |  |       |
|--------------|--------------|---|-----|-------|---|-----|-------|---|-----|-------|---|-----|-----|---|-----|-----|---|-----|-----|---|-----|-------|---|-----|------|---|-----|-----|---|-----|-------|---|-------|--|-------|-------|--|-------|
| 60 Skott<br> | 60 Skott<br> | <table border="1" style="width:100%; border-collapse: collapse;"> <tr><td>21:</td><td>10.6x</td><td>↓</td></tr> <tr><td>22:</td><td>10.4x</td><td>↗</td></tr> <tr><td>23:</td><td>10.5x</td><td>↗</td></tr> <tr><td>24:</td><td>9.9</td><td>→</td></tr> <tr><td>25:</td><td>9.6</td><td>↗</td></tr> <tr><td>26:</td><td>9.9</td><td>←</td></tr> <tr><td>27:</td><td>10.3x</td><td>→</td></tr> <tr><td>28:</td><td>10.0</td><td>→</td></tr> <tr><td>29:</td><td>9.8</td><td>←</td></tr> <tr><td>30:</td><td>10.5x</td><td>↓</td></tr> <tr><td colspan="2">Serie</td><td>101.5</td></tr> <tr><td colspan="2">Total</td><td>307.8</td></tr> </table> | 21: | 10.6x | ↓ | 22: | 10.4x | ↗ | 23: | 10.5x | ↗ | 24: | 9.9 | → | 25: | 9.6 | ↗ | 26: | 9.9 | ← | 27: | 10.3x | → | 28: | 10.0 | → | 29: | 9.8 | ← | 30: | 10.5x | ↓ | Serie |  | 101.5 | Total |  | 307.8 |
| 21:          | 10.6x        | ↓   |     |       |   |     |       |   |     |       |   |     |     |   |     |     |   |     |     |   |     |       |   |     |      |   |     |     |   |     |       |   |       |  |       |       |  |       |
| 22:          | 10.4x        | ↗   |     |       |   |     |       |   |     |       |   |     |     |   |     |     |   |     |     |   |     |       |   |     |      |   |     |     |   |     |       |   |       |  |       |       |  |       |
| 23:          | 10.5x        | ↗   |     |       |   |     |       |   |     |       |   |     |     |   |     |     |   |     |     |   |     |       |   |     |      |   |     |     |   |     |       |   |       |  |       |       |  |       |
| 24:          | 9.9          | →   |     |       |   |     |       |   |     |       |   |     |     |   |     |     |   |     |     |   |     |       |   |     |      |   |     |     |   |     |       |   |       |  |       |       |  |       |
| 25:          | 9.6          | ↗   |     |       |   |     |       |   |     |       |   |     |     |   |     |     |   |     |     |   |     |       |   |     |      |   |     |     |   |     |       |   |       |  |       |       |  |       |
| 26:          | 9.9          | ←   |     |       |   |     |       |   |     |       |   |     |     |   |     |     |   |     |     |   |     |       |   |     |      |   |     |     |   |     |       |   |       |  |       |       |  |       |
| 27:          | 10.3x        | →   |     |       |   |     |       |   |     |       |   |     |     |   |     |     |   |     |     |   |     |       |   |     |      |   |     |     |   |     |       |   |       |  |       |       |  |       |
| 28:          | 10.0         | →   |     |       |   |     |       |   |     |       |   |     |     |   |     |     |   |     |     |   |     |       |   |     |      |   |     |     |   |     |       |   |       |  |       |       |  |       |
| 29:          | 9.8          | ←   |     |       |   |     |       |   |     |       |   |     |     |   |     |     |   |     |     |   |     |       |   |     |      |   |     |     |   |     |       |   |       |  |       |       |  |       |
| 30:          | 10.5x        | ↓   |     |       |   |     |       |   |     |       |   |     |     |   |     |     |   |     |     |   |     |       |   |     |      |   |     |     |   |     |       |   |       |  |       |       |  |       |
| Serie        |              | 101.5   |     |       |   |     |       |   |     |       |   |     |     |   |     |     |   |     |     |   |     |       |   |     |      |   |     |     |   |     |       |   |       |  |       |       |  |       |
| Total        |              | 307.8   |     |       |   |     |       |   |     |       |   |     |     |   |     |     |   |     |     |   |     |       |   |     |      |   |     |     |   |     |       |   |       |  |       |       |  |       |

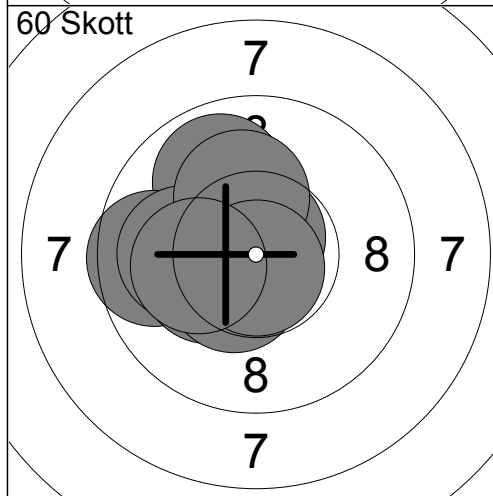
|              |              |   |     |       |   |     |     |   |     |     |   |     |      |   |     |      |   |     |       |   |     |       |   |     |       |   |     |       |   |     |      |   |       |  |       |       |  |       |
|--------------|--------------|---|-----|-------|---|-----|-----|---|-----|-----|---|-----|------|---|-----|------|---|-----|-------|---|-----|-------|---|-----|-------|---|-----|-------|---|-----|------|---|-------|--|-------|-------|--|-------|
| 60 Skott<br> | 60 Skott<br> | <table border="1" style="width:100%; border-collapse: collapse;"> <tr><td>31:</td><td>10.8x</td><td>→</td></tr> <tr><td>32:</td><td>9.8</td><td>←</td></tr> <tr><td>33:</td><td>9.1</td><td>→</td></tr> <tr><td>34:</td><td>10.0</td><td>↓</td></tr> <tr><td>35:</td><td>10.1</td><td>↓</td></tr> <tr><td>36:</td><td>10.6x</td><td>↓</td></tr> <tr><td>37:</td><td>10.2x</td><td>↓</td></tr> <tr><td>38:</td><td>10.5x</td><td>←</td></tr> <tr><td>39:</td><td>10.6x</td><td>↗</td></tr> <tr><td>40:</td><td>10.1</td><td>←</td></tr> <tr><td colspan="2">Serie</td><td>101.8</td></tr> <tr><td colspan="2">Total</td><td>409.6</td></tr> </table> | 31: | 10.8x | → | 32: | 9.8 | ← | 33: | 9.1 | → | 34: | 10.0 | ↓ | 35: | 10.1 | ↓ | 36: | 10.6x | ↓ | 37: | 10.2x | ↓ | 38: | 10.5x | ← | 39: | 10.6x | ↗ | 40: | 10.1 | ← | Serie |  | 101.8 | Total |  | 409.6 |
| 31:          | 10.8x        | →   |     |       |   |     |     |   |     |     |   |     |      |   |     |      |   |     |       |   |     |       |   |     |       |   |     |       |   |     |      |   |       |  |       |       |  |       |
| 32:          | 9.8          | ←   |     |       |   |     |     |   |     |     |   |     |      |   |     |      |   |     |       |   |     |       |   |     |       |   |     |       |   |     |      |   |       |  |       |       |  |       |
| 33:          | 9.1          | →   |     |       |   |     |     |   |     |     |   |     |      |   |     |      |   |     |       |   |     |       |   |     |       |   |     |       |   |     |      |   |       |  |       |       |  |       |
| 34:          | 10.0         | ↓   |     |       |   |     |     |   |     |     |   |     |      |   |     |      |   |     |       |   |     |       |   |     |       |   |     |       |   |     |      |   |       |  |       |       |  |       |
| 35:          | 10.1         | ↓   |     |       |   |     |     |   |     |     |   |     |      |   |     |      |   |     |       |   |     |       |   |     |       |   |     |       |   |     |      |   |       |  |       |       |  |       |
| 36:          | 10.6x        | ↓   |     |       |   |     |     |   |     |     |   |     |      |   |     |      |   |     |       |   |     |       |   |     |       |   |     |       |   |     |      |   |       |  |       |       |  |       |
| 37:          | 10.2x        | ↓   |     |       |   |     |     |   |     |     |   |     |      |   |     |      |   |     |       |   |     |       |   |     |       |   |     |       |   |     |      |   |       |  |       |       |  |       |
| 38:          | 10.5x        | ←   |     |       |   |     |     |   |     |     |   |     |      |   |     |      |   |     |       |   |     |       |   |     |       |   |     |       |   |     |      |   |       |  |       |       |  |       |
| 39:          | 10.6x        | ↗   |     |       |   |     |     |   |     |     |   |     |      |   |     |      |   |     |       |   |     |       |   |     |       |   |     |       |   |     |      |   |       |  |       |       |  |       |
| 40:          | 10.1         | ←   |     |       |   |     |     |   |     |     |   |     |      |   |     |      |   |     |       |   |     |       |   |     |       |   |     |       |   |     |      |   |       |  |       |       |  |       |
| Serie        |              | 101.8   |     |       |   |     |     |   |     |     |   |     |      |   |     |      |   |     |       |   |     |       |   |     |       |   |     |       |   |     |      |   |       |  |       |       |  |       |
| Total        |              | 409.6   |     |       |   |     |     |   |     |     |   |     |      |   |     |      |   |     |       |   |     |       |   |     |       |   |     |       |   |     |      |   |       |  |       |       |  |       |



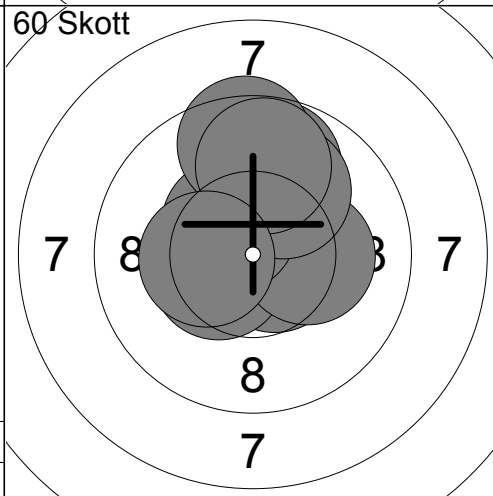
|       |       |       |
|-------|-------|-------|
| 1:    | 9.8   | →     |
| 2:    | 9.9   | →     |
| 3:    | 10.2x | ↗     |
| 4:    | 10.3x | ↗     |
| 5:    | 10.7x | ↗     |
| 6:    | 10.1  | →     |
| 7:    | 9.8   | ←     |
| 8:    | 10.5x | ←     |
| 9:    | 9.8   | ↘     |
| 10:   | 9.6   | ↘     |
| Serie |       | 100.7 |
| Total |       | 0.0   |



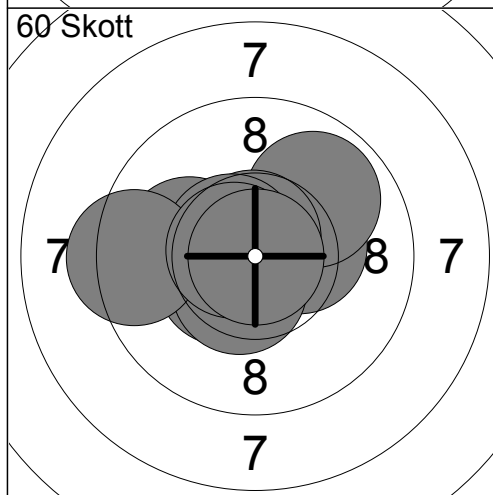
|       |       |      |
|-------|-------|------|
| 11:   | 10.0  | ↙    |
| 12:   | 10.6x | ↘    |
| 13:   | 10.6x | ↗    |
| 14:   | 9.9   | ↗    |
| 15:   | 10.4x | ↗    |
| 16:   | 10.2x | ↗    |
| Serie |       | 61.7 |
| Total |       | 0.0  |



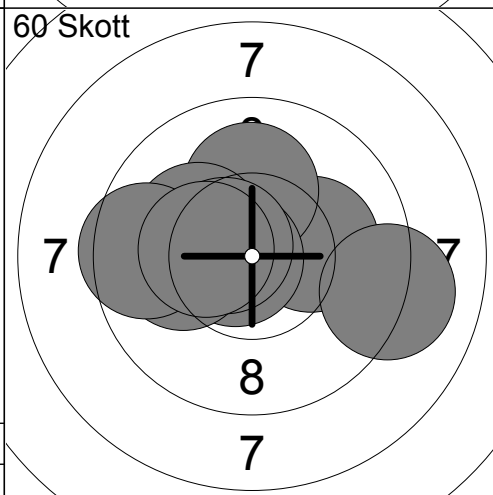
|       |       |       |
|-------|-------|-------|
| 1:    | 10.7x | ↑     |
| 2:    | 9.9   | ↗     |
| 3:    | 9.6   | ←     |
| 4:    | 10.3x | ←     |
| 5:    | 10.8x | ↙     |
| 6:    | 10.0  | ←     |
| 7:    | 10.5x | ↘     |
| 8:    | 10.2x | ↗     |
| 9:    | 10.8x | ↘     |
| 10:   | 10.2x | ←     |
| Serie |       | 103.0 |
| Total |       | 103.0 |



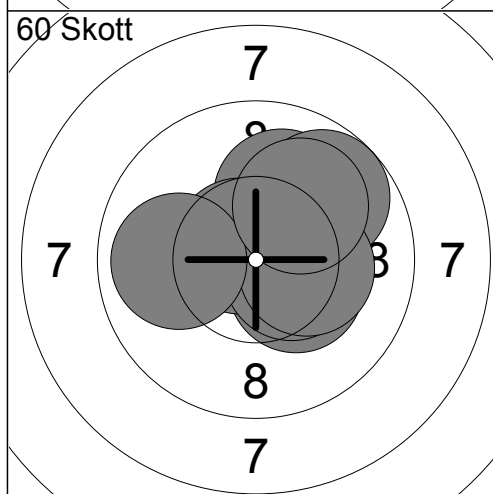
|       |       |       |
|-------|-------|-------|
| 11:   | 10.4x | →     |
| 12:   | 10.6x | →     |
| 13:   | 10.4x | ←     |
| 14:   | 10.2x | →     |
| 15:   | 10.5x | ↗     |
| 16:   | 9.8   | ↑     |
| 17:   | 9.5   | ↑     |
| 18:   | 10.0  | ↗     |
| 19:   | 9.8   | ↑     |
| 20:   | 10.3x | ←     |
| Serie |       | 101.5 |
| Total |       | 204.5 |



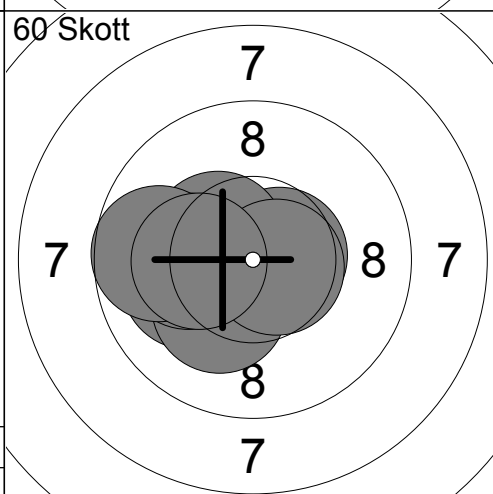
|       |       |       |
|-------|-------|-------|
| 21:   | 10.4x | →     |
| 22:   | 10.5x | ←     |
| 23:   | 10.1  | ←     |
| 24:   | 9.9   | ↗     |
| 25:   | 10.7x | ↑     |
| 26:   | 10.6x | ↗     |
| 27:   | 10.5x | ↘     |
| 28:   | 9.3   | ←     |
| 29:   | 10.7x | ←     |
| 30:   | 10.9x | ↘     |
| Serie |       | 103.6 |
| Total |       | 308.1 |



|       |       |       |
|-------|-------|-------|
| 31:   | 10.2x | →     |
| 32:   | 10.5x | ←     |
| 33:   | 10.1  | ↑     |
| 34:   | 10.2x | ↙     |
| 35:   | 10.7x | ←     |
| 36:   | 10.0  | ←     |
| 37:   | 10.6x | ↙     |
| 38:   | 9.5   | ←     |
| 39:   | 10.3x | ←     |
| 40:   | 9.1   | →     |
| Serie |       | 101.2 |
| Total |       | 409.3 |



|       |       |       |
|-------|-------|-------|
| 41:   | 10.1  | ↗     |
| 42:   | 9.8   | ↗     |
| 43:   | 10.3x | ↘     |
| 44:   | 10.7x | ↗     |
| 45:   | 10.6x | →     |
| 46:   | 10.7x | ↗     |
| 47:   | 10.4x | →     |
| 48:   | 10.3x | →     |
| 49:   | 9.9   | ←     |
| 50:   | 10.0  | ↗     |
| Serie |       | 102.8 |
| Total |       | 512.1 |



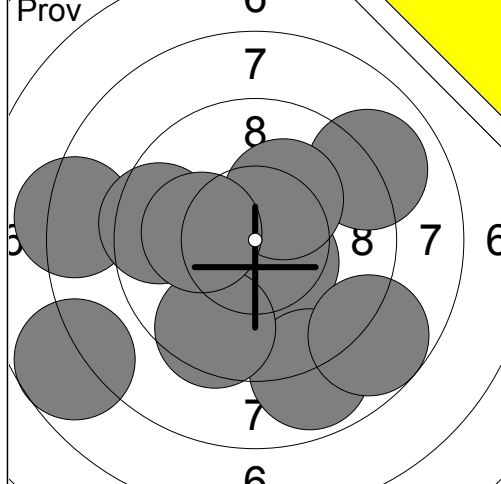
|       |       |       |
|-------|-------|-------|
| 51:   | 10.2x | ↙     |
| 52:   | 10.1  | ←     |
| 53:   | 10.6x | ↙     |
| 54:   | 10.6x | →     |
| 55:   | 10.4x | ↗     |
| 56:   | 10.2x | ↘     |
| 57:   | 10.1  | ←     |
| 58:   | 9.7   | ←     |
| 59:   | 10.6x | →     |
| 60:   | 10.2x | ←     |
| Serie |       | 102.7 |
| Total |       | 614.8 |

|             |  |             |   |
|-------------|--|-------------|---|
| <p>Pröv</p> | <p>1: 8.5 ↘<br/>2: 9.2 ↓<br/>3: 9.3 ←<br/>4: 10.8x ↗<br/>5: 10.4x ↓<br/>6: 9.3 ←<br/>7: 10.0 →<br/>8: 9.3 ←<br/>9: 10.0 ↓<br/>10: 10.1 →</p> <p>Serie 96.9<br/>Total 0.0</p> | <p>Pröv</p> | <p>11: 10.2x ←<br/>13: 9.0 ↗<br/>14: 9.1 ←<br/>15: 9.0 ↓<br/>16: 10.2x ↗<br/>17: 10.0 ←<br/>18: 9.6 ↘</p> <p>Serie 67.1<br/>Total 0.0</p> |
|-------------|--|-------------|---|

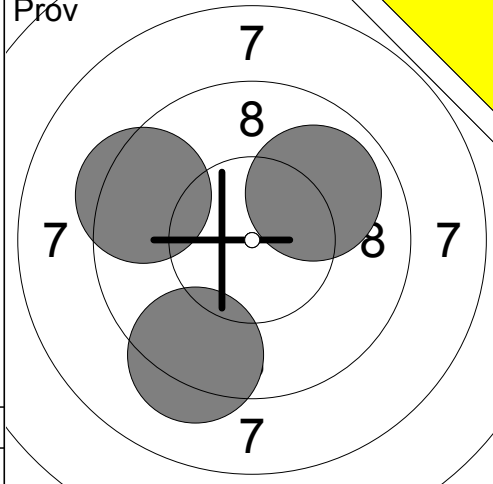
|                 |   |                 |   |
|-----------------|---|-----------------|---|
| <p>60 Skott</p> | <p>1: 10.0 ↓<br/>2: 9.7 ↗<br/>3: 10.2x ←<br/>4: 10.3x →<br/>5: 10.0 ←<br/>6: 10.7x ←<br/>7: 10.1 →<br/>8: 9.0 →<br/>9: 10.3x ←<br/>10: 9.9 ←</p> <p>Serie 100.2<br/>Total 100.2</p> | <p>60 Skott</p> | <p>11: 8.8 →<br/>12: 10.2x ↓<br/>13: 10.2x ←<br/>14: 10.1 ↗<br/>15: 9.4 ↓<br/>16: 9.0 ↗<br/>17: 10.5x ←<br/>18: 10.3x ↓<br/>19: 9.6 →<br/>20: 10.6x ↓</p> <p>Serie 98.7<br/>Total 198.9</p> |
|-----------------|---|-----------------|---|

|                 |  |                 |  |
|-----------------|--|-----------------|--|
| <p>60 Skott</p> | <p>21: 10.4x ↓<br/>22: 9.0 ←<br/>23: 10.2x ↓<br/>24: 9.7 ↓<br/>25: 9.2 ↓<br/>26: 8.3 →<br/>27: 10.4x ↗<br/>28: 9.9 ↘<br/>29: 10.3x ↗<br/>30: 9.9 ←</p> <p>Serie 97.3<br/>Total 296.2</p> | <p>60 Skott</p> | <p>31: 9.8 ↗<br/>32: 9.8 ↗<br/>33: 10.8x ↗<br/>34: 10.8x ↗<br/>35: 9.9 ↗<br/>36: 10.3x ↗<br/>37: 9.0 ←<br/>38: 9.9 →<br/>39: 10.7x ↓<br/>40: 10.0 ↘</p> <p>Serie 101.0<br/>Total 397.2</p> |
|-----------------|--|-----------------|--|

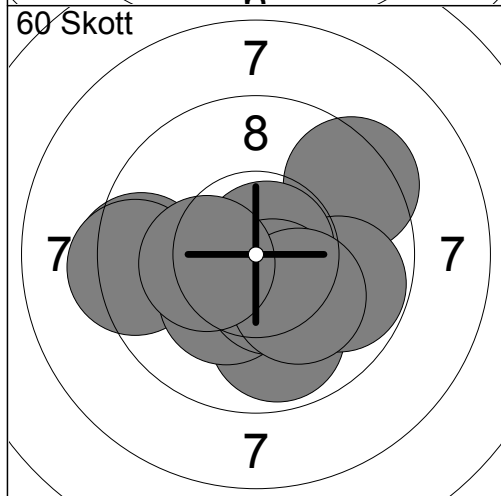
|                 |   |                 |  |
|-----------------|---|-----------------|--|
| <p>60 Skott</p> | <p>41: 10.0 ↓<br/>42: 9.7 ←<br/>43: 9.3 ↘<br/>44: 10.1 ↓<br/>45: 9.6 ↓<br/>46: 10.4x ↓<br/>47: 9.6 ↗<br/>48: 9.2 ↘<br/>49: 9.7 ↘<br/>50: 10.0 ↓</p> <p>Serie 97.6<br/>Total 494.8</p> | <p>60 Skott</p> | <p>51: 10.6x ↗<br/>52: 10.9x ↓<br/>53: 10.5x ↗<br/>54: 10.2x ↗<br/>55: 10.0 ↓<br/>56: 9.0 ↗<br/>57: 9.7 ←<br/>58: 10.2x ↓<br/>59: 10.2x ↗<br/>60: 9.5 ←</p> <p>Serie 100.8<br/>Total 595.6</p> |
|-----------------|---|-----------------|--|



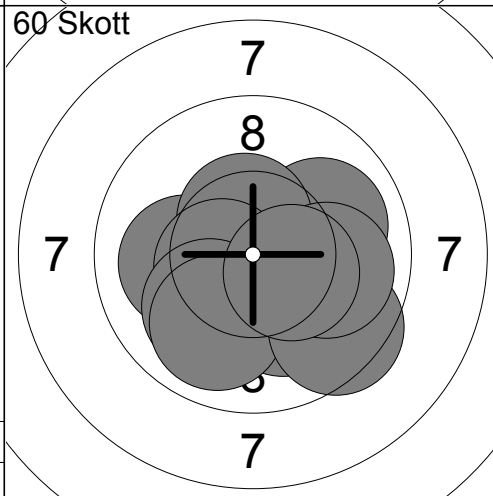
|       |       |      |
|-------|-------|------|
| 1:    | 8.2   | ←    |
| 2:    | 10.5x | ↓    |
| 3:    | 7.7   | ←    |
| 4:    | 8.9   | ↓    |
| 5:    | 9.5   | ↓    |
| 6:    | 9.0   | ↗    |
| 7:    | 8.7   | ↓    |
| 8:    | 9.5   | ←    |
| 9:    | 10.2x | ↗    |
| 10:   | 10.1  | ←    |
| Serie |       | 92.3 |
| Total |       | 0.0  |



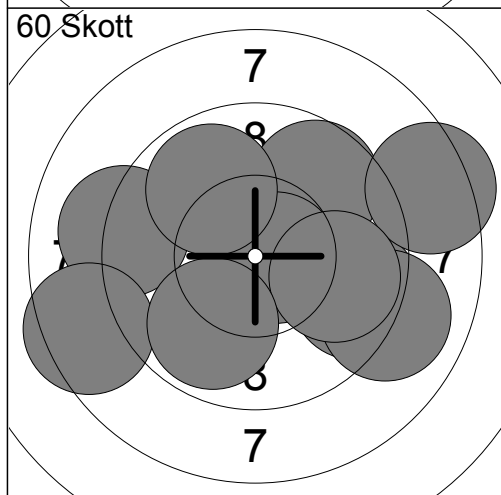
|       |     |      |
|-------|-----|------|
| 11:   | 9.9 | ↗    |
| 12:   | 9.3 | ↓    |
| 13:   | 9.4 | ←    |
| Serie |     | 28.6 |
| Total |     | 0.0  |



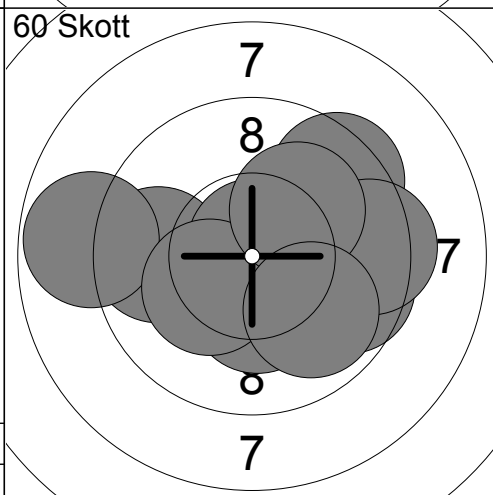
|       |       |      |
|-------|-------|------|
| 1:    | 9.4   | ←    |
| 2:    | 9.9   | ↓    |
| 3:    | 9.4   | ↗    |
| 4:    | 9.3   | ←    |
| 5:    | 10.3x | ↓    |
| 6:    | 9.8   | →    |
| 7:    | 10.8x | ↗    |
| 8:    | 10.5x | ↓    |
| 9:    | 10.2x | ↓    |
| 10:   | 10.3x | ←    |
| Serie |       | 99.9 |
| Total |       | 99.9 |



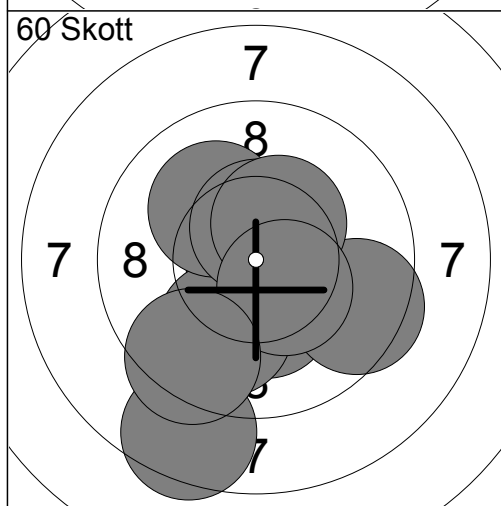
|       |       |       |
|-------|-------|-------|
| 11:   | 10.1  | ←     |
| 12:   | 10.0  | ↗     |
| 13:   | 10.1  | ↓     |
| 14:   | 10.5x | ↑     |
| 15:   | 10.5x | ←     |
| 16:   | 10.1  | ↓     |
| 17:   | 9.9   | ↓     |
| 18:   | 9.5   | ↓     |
| 19:   | 10.0  | →     |
| 20:   | 10.4x | ↗     |
| Serie |       | 101.1 |
| Total |       | 201.0 |



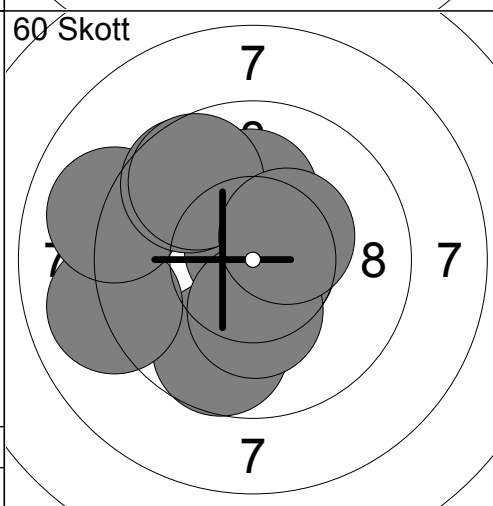
|       |       |       |
|-------|-------|-------|
| 21:   | 9.5   | →     |
| 22:   | 9.7   | ↗     |
| 23:   | 9.1   | ←     |
| 24:   | 10.7x | →     |
| 25:   | 9.9   | ↗     |
| 26:   | 8.4   | →     |
| 27:   | 8.5   | ←     |
| 28:   | 9.0   | →     |
| 29:   | 9.8   | →     |
| 30:   | 9.9   | ↓     |
| Serie |       | 94.5  |
| Total |       | 295.5 |



|       |       |       |
|-------|-------|-------|
| 31:   | 9.7   | ←     |
| 32:   | 10.8x | ↑     |
| 33:   | 10.3x | ↓     |
| 34:   | 9.4   | ↗     |
| 35:   | 8.8   | ←     |
| 36:   | 9.6   | →     |
| 37:   | 9.4   | →     |
| 38:   | 10.3x | ←     |
| 39:   | 10.1  | ↗     |
| 40:   | 9.9   | ↓     |
| Serie |       | 98.3  |
| Total |       | 393.8 |

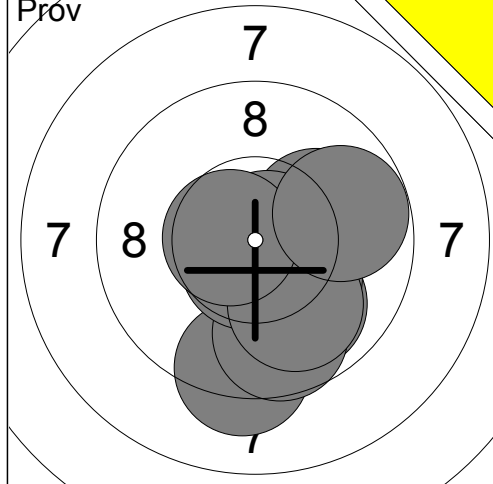


|       |       |       |
|-------|-------|-------|
| 41:   | 10.8x | ↓     |
| 42:   | 10.3x | ↓     |
| 43:   | 8.5   | ↓     |
| 44:   | 9.9   | ↓     |
| 45:   | 10.1  | ↗     |
| 46:   | 10.5x | ↑     |
| 47:   | 9.5   | →     |
| 48:   | 10.4x | ↗     |
| 49:   | 10.4x | ↓     |
| 50:   | 9.4   | ↓     |
| Serie |       | 99.8  |
| Total |       | 493.6 |

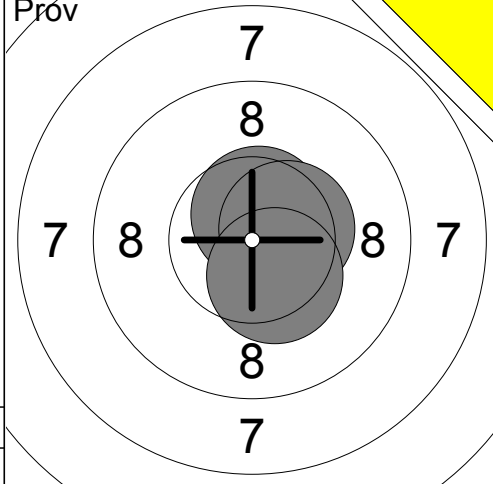


|       |       |       |
|-------|-------|-------|
| 51:   | 9.7   | ↓     |
| 52:   | 9.0   | ←     |
| 53:   | 10.7x | →     |
| 54:   | 9.0   | ←     |
| 55:   | 10.1  | ↑     |
| 56:   | 10.8x | ↑     |
| 57:   | 10.3x | ↓     |
| 58:   | 9.6   | ↗     |
| 59:   | 9.7   | ↗     |
| 60:   | 10.4x | ↗     |
| Serie |       | 99.3  |
| Total |       | 592.9 |

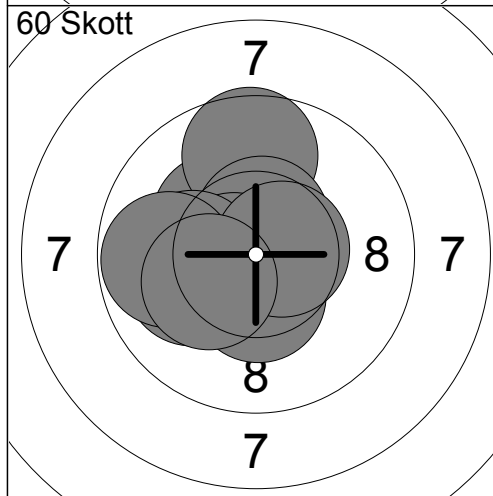




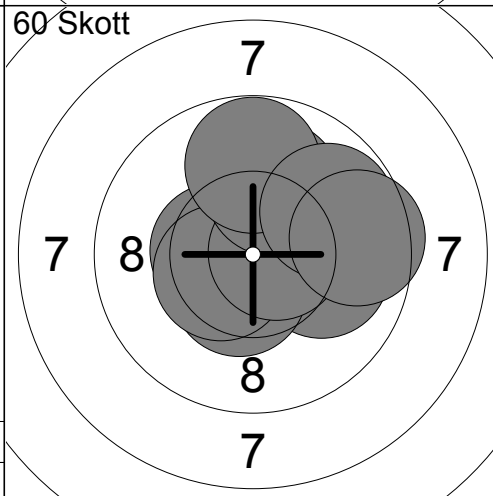
|       |       |       |
|-------|-------|-------|
| 1:    | 9.9   | ↘     |
| 2:    | 9.3   | ↓     |
| 3:    | 9.7   | ↘     |
| 4:    | 10.1  | →     |
| 5:    | 10.6x | ↘     |
| 6:    | 10.8x | →     |
| 7:    | 10.2x | ↘     |
| 8:    | 9.9   | ↘     |
| 9:    | 10.6x | ←     |
| 10:   | 9.8   | →     |
| Serie |       | 100.9 |
| Total |       | 0.0   |



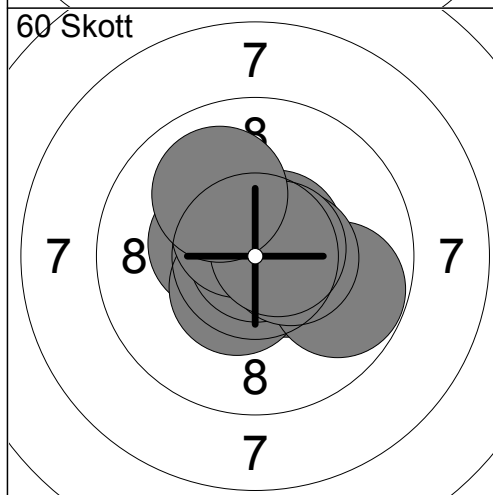
|       |       |      |
|-------|-------|------|
| 11:   | 10.6x | ↑    |
| 12:   | 10.5x | →    |
| 13:   | 10.4x | ↘    |
| Serie |       | 31.5 |
| Total |       | 0.0  |



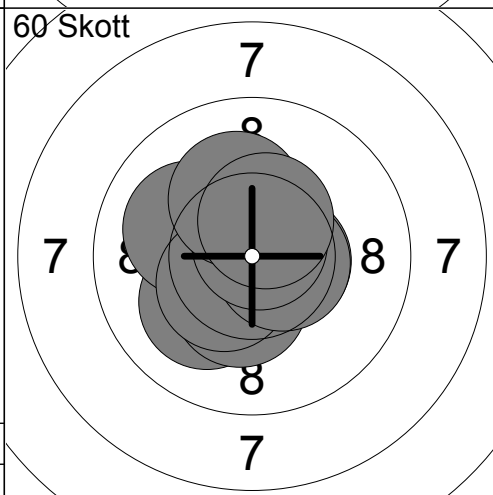
|       |       |       |
|-------|-------|-------|
| 1:    | 10.3x | ↖     |
| 2:    | 9.6   | ↑     |
| 3:    | 10.5x | ↑     |
| 4:    | 10.7x | ←     |
| 5:    | 10.1  | ←     |
| 6:    | 10.4x | ↓     |
| 7:    | 10.1  | ←     |
| 8:    | 10.6x | →     |
| 9:    | 9.8   | ←     |
| 10:   | 10.2x | ↙     |
| Serie |       | 102.3 |
| Total |       | 102.3 |



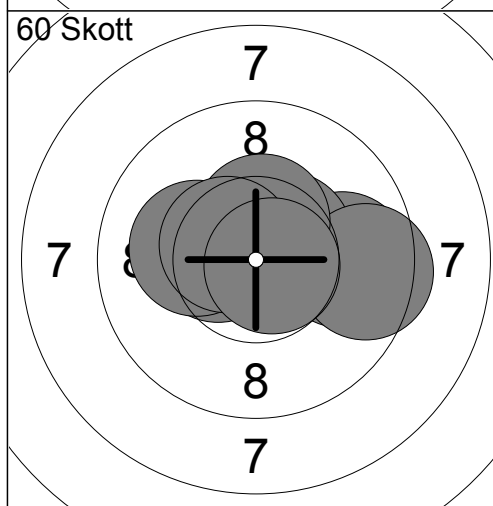
|       |       |       |
|-------|-------|-------|
| 11:   | 10.5x | ←     |
| 12:   | 10.8x | →     |
| 13:   | 10.0  | →     |
| 14:   | 10.5x | ↘     |
| 15:   | 10.5x | ←     |
| 16:   | 10.6x | →     |
| 17:   | 10.0  | ↑     |
| 18:   | 9.8   | ↑     |
| 19:   | 9.8   | ↗     |
| 20:   | 9.6   | →     |
| Serie |       | 102.1 |
| Total |       | 204.4 |



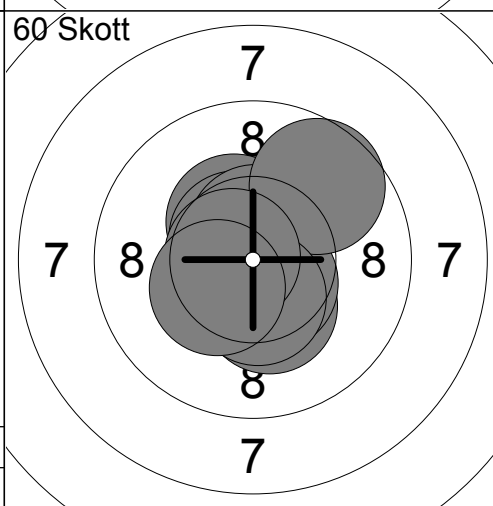
|       |       |       |
|-------|-------|-------|
| 21:   | 10.5x | →     |
| 22:   | 10.6x | ↗     |
| 23:   | 10.4x | ←     |
| 24:   | 10.5x | ↘     |
| 25:   | 10.9x | ↗     |
| 26:   | 9.8   | ↗     |
| 27:   | 10.5x | ↗     |
| 28:   | 10.5x | →     |
| 29:   | 10.6x | →     |
| 30:   | 10.0  | ↗     |
| Serie |       | 104.3 |
| Total |       | 308.7 |



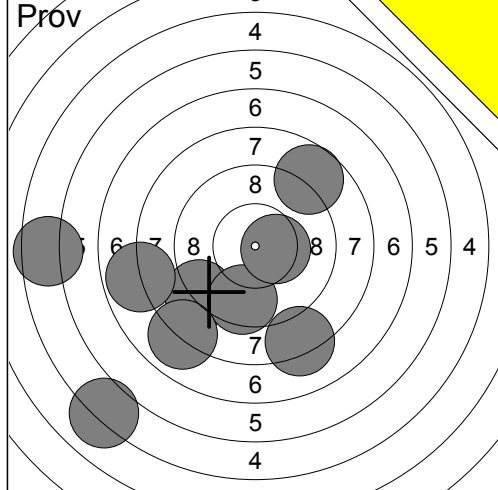
|       |       |       |
|-------|-------|-------|
| 31:   | 10.1  | ↙     |
| 32:   | 10.5x | ↗     |
| 33:   | 10.1  | ↖     |
| 34:   | 10.4x | ↘     |
| 35:   | 10.5x | →     |
| 36:   | 10.4x | ↙     |
| 37:   | 10.5x | →     |
| 38:   | 10.7x | ↗     |
| 39:   | 10.2x | ↑     |
| 40:   | 10.4x | ↗     |
| Serie |       | 103.8 |
| Total |       | 412.5 |



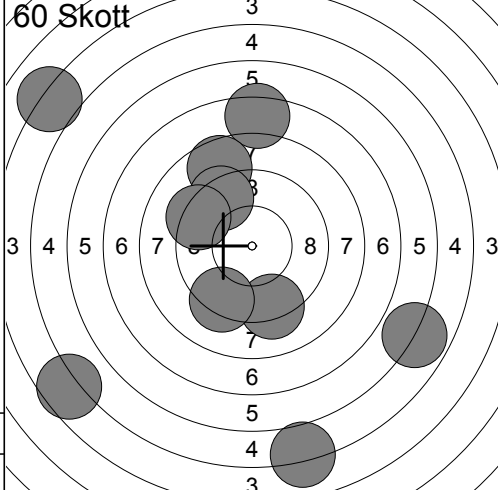
|       |       |       |
|-------|-------|-------|
| 41:   | 9.8   | →     |
| 42:   | 10.7x | →     |
| 43:   | 10.5x | ↗     |
| 44:   | 9.5   | →     |
| 45:   | 10.6x | ↗     |
| 46:   | 10.4x | ←     |
| 47:   | 10.2x | ←     |
| 48:   | 10.4x | ↑     |
| 49:   | 10.5x | ↖     |
| 50:   | 10.7x | ↘     |
| Serie |       | 103.3 |
| Total |       | 515.8 |



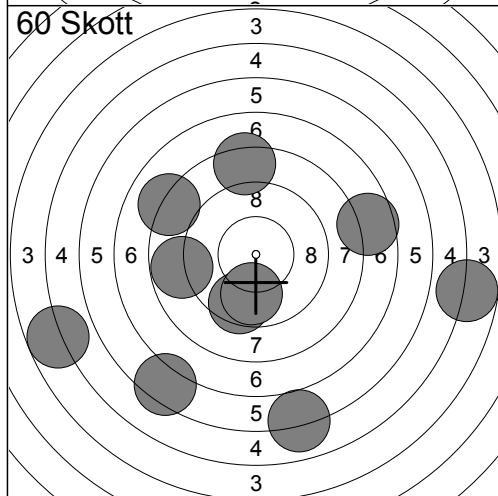
|       |       |       |
|-------|-------|-------|
| 51:   | 10.4x | ↗     |
| 52:   | 10.6x | ↗     |
| 53:   | 10.3x | ↘     |
| 54:   | 10.6x | ↑     |
| 55:   | 10.8x | ↘     |
| 56:   | 10.6x | ↘     |
| 57:   | 9.7   | ↗     |
| 58:   | 10.4x | ↓     |
| 59:   | 10.7x | ←     |
| 60:   | 10.4x | ↙     |
| Serie |       | 104.5 |
| Total |       | 620.3 |



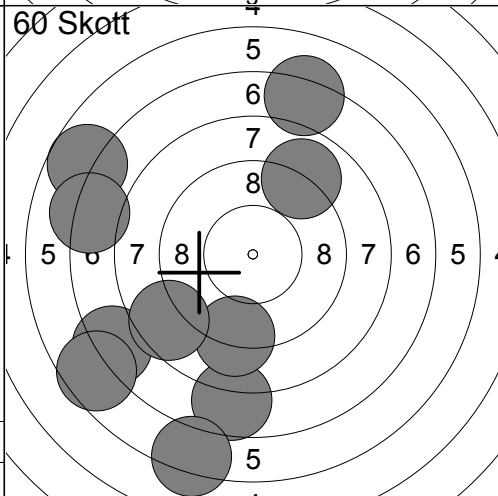
|       |       |      |
|-------|-------|------|
| 1:    | 5.5   | ←    |
| 2:    | 8.7   | ↗    |
| 3:    | 8.2   | ↓    |
| 4:    | 9.0   | ↙    |
| 5:    | 5.1   | ↘    |
| 6:    | 9.5   | ↓    |
| 7:    | 8.0   | ↘    |
| 8:    | 7.8   | ←    |
| 9:    | 10.4x | →    |
| Serie |       | 72.2 |
| Total |       | 0.0  |



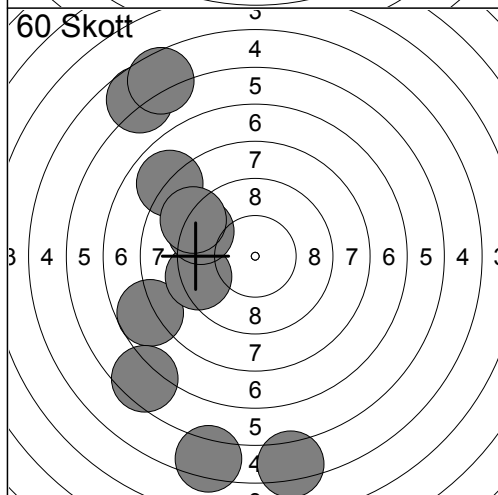
|       |     |      |
|-------|-----|------|
| 1:    | 4.1 | ↗    |
| 2:    | 7.4 | ↑    |
| 3:    | 9.2 | ↓    |
| 4:    | 4.6 | ↙    |
| 5:    | 5.8 | ↘    |
| 6:    | 8.6 | ↗    |
| 7:    | 9.3 | ↘    |
| 8:    | 9.4 | ↗    |
| 9:    | 9.3 | ↖    |
| 10:   | 5.0 | ↓    |
| Serie |     | 72.7 |
| Total |     | 72.7 |



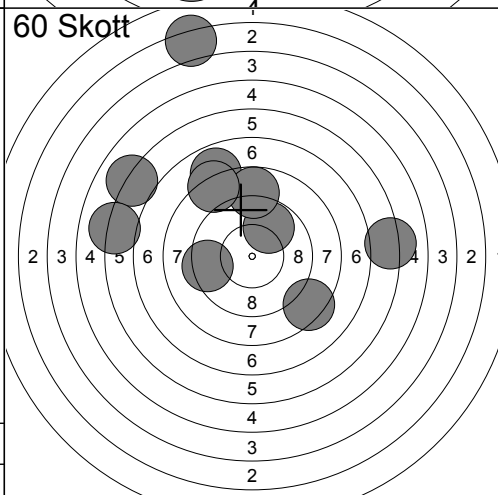
|       |     |       |
|-------|-----|-------|
| 11:   | 8.8 | ←     |
| 12:   | 4.8 | →     |
| 13:   | 6.0 | ↓     |
| 14:   | 9.5 | ↓     |
| 15:   | 8.3 | ↑     |
| 16:   | 8.1 | ↖     |
| 17:   | 7.6 | →     |
| 18:   | 9.8 | ↓     |
| 19:   | 4.8 | ←     |
| 20:   | 6.4 | ↘     |
| Serie |     | 74.1  |
| Total |     | 146.8 |



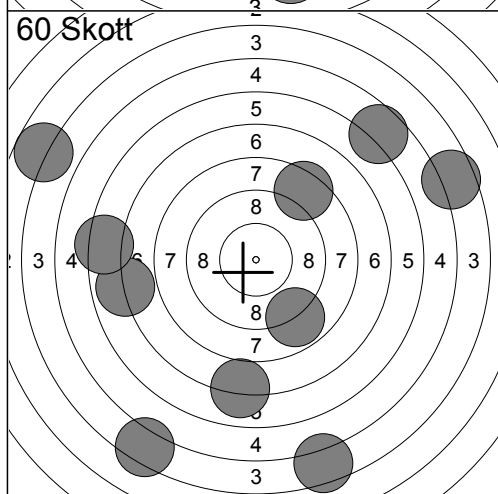
|       |     |       |
|-------|-----|-------|
| 21:   | 7.2 | ↙     |
| 22:   | 6.7 | ↖     |
| 23:   | 7.6 | ↓     |
| 24:   | 8.9 | ↗     |
| 25:   | 6.6 | ↙     |
| 26:   | 7.2 | ←     |
| 27:   | 9.1 | ↓     |
| 28:   | 7.2 | ↑     |
| 29:   | 6.2 | ↓     |
| 30:   | 8.6 | ↙     |
| Serie |     | 75.3  |
| Total |     | 222.1 |



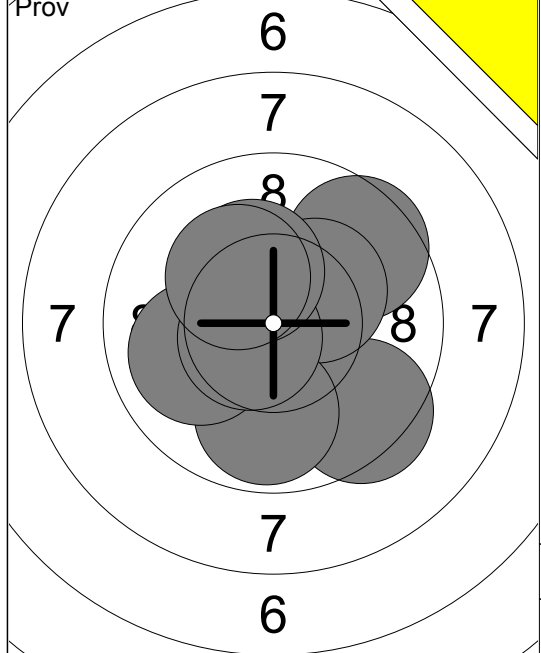
|       |     |       |
|-------|-----|-------|
| 31:   | 7.7 | ↙     |
| 32:   | 6.5 | ↙     |
| 33:   | 9.3 | ←     |
| 34:   | 5.3 | ↓     |
| 35:   | 7.9 | ↗     |
| 36:   | 5.7 | ↗     |
| 37:   | 9.3 | ←     |
| 38:   | 5.3 | ↓     |
| 39:   | 9.0 | ↖     |
| 40:   | 5.6 | ↗     |
| Serie |     | 71.6  |
| Total |     | 293.7 |



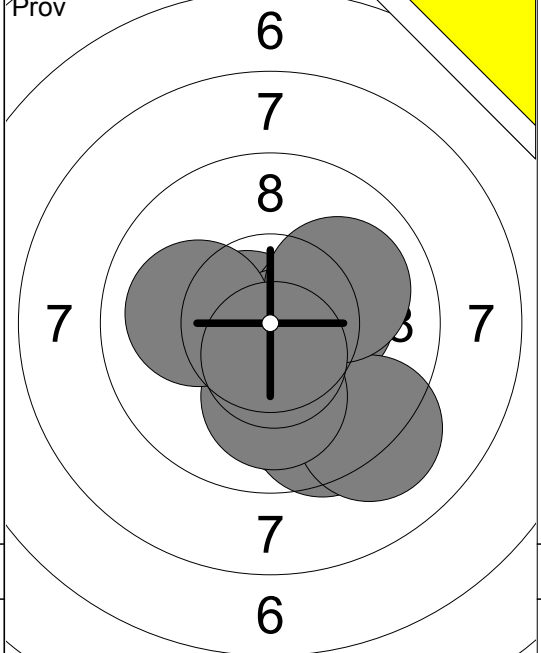
|       |     |       |
|-------|-----|-------|
| 41:   | 7.8 | ↗     |
| 42:   | 6.0 | ↖     |
| 43:   | 6.1 | →     |
| 44:   | 3.2 | ↑     |
| 45:   | 9.8 | ↗     |
| 46:   | 8.7 | ↑     |
| 47:   | 6.1 | ←     |
| 48:   | 9.4 | ←     |
| 49:   | 8.4 | ↘     |
| 50:   | 8.2 | ↗     |
| Serie |     | 73.7  |
| Total |     | 367.4 |



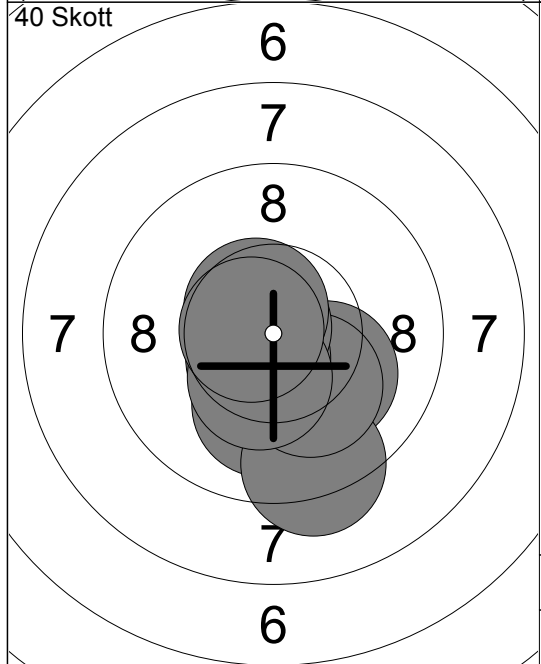
|       |     |       |
|-------|-----|-------|
| 51:   | 4.3 | ↘     |
| 52:   | 7.0 | ↓     |
| 53:   | 6.9 | ←     |
| 54:   | 8.8 | ↘     |
| 55:   | 6.3 | ←     |
| 56:   | 4.4 | ↘     |
| 57:   | 4.5 | ↗     |
| 58:   | 3.7 | ↖     |
| 59:   | 8.4 | ↗     |
| 60:   | 5.6 | ↗     |
| Serie |     | 59.9  |
| Total |     | 427.3 |



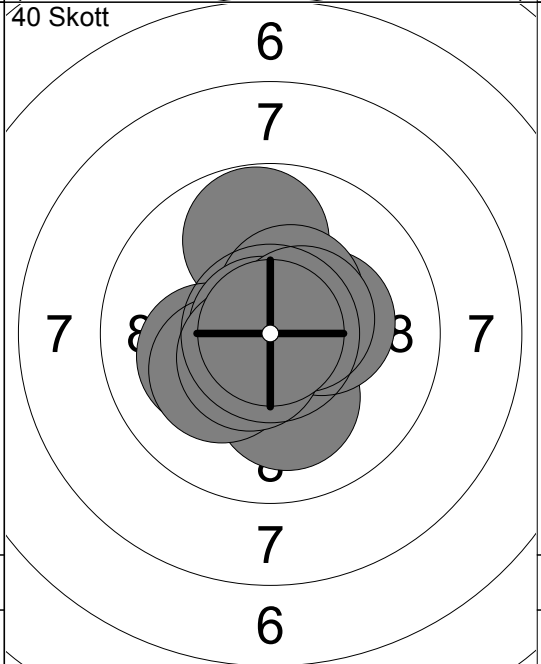
|       |          |
|-------|----------|
| 1:    | 9.6 ↗    |
| 2:    | 10.7 ✕   |
| 3:    | 10.6 ✕ ↓ |
| 4:    | 9.4 ↘    |
| 5:    | 10.3 ✕ ↗ |
| 6:    | 9.8 ↓    |
| 7:    | 10.0 ←   |
| 8:    | 10.6 ✕   |
| 9:    | 10.3 ✕ ↗ |
| 10:   | 10.2 ✕   |
| Serie | 101.5    |
| Total | 0.0      |



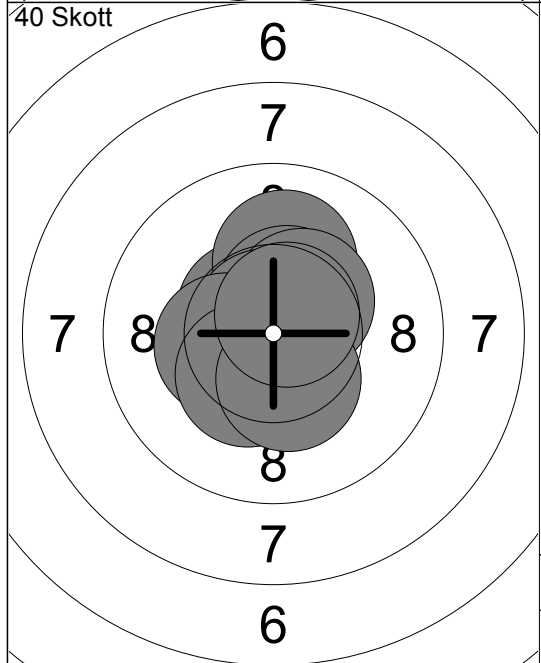
|       |          |
|-------|----------|
| 11:   | 10.7 ✕   |
| 12:   | 10.3 ✕ → |
| 13:   | 9.5 ↓    |
| 14:   | 10.6 ✕ ↓ |
| 15:   | 10.7 ✕ ↓ |
| 16:   | 9.2 ↓    |
| 17:   | 10.0 ↓   |
| 18:   | 10.1 ←   |
| 19:   | 10.0 ↗   |
| 20:   | 10.6 ✕ ↓ |
| Serie | 101.7    |
| Total | 0.0      |



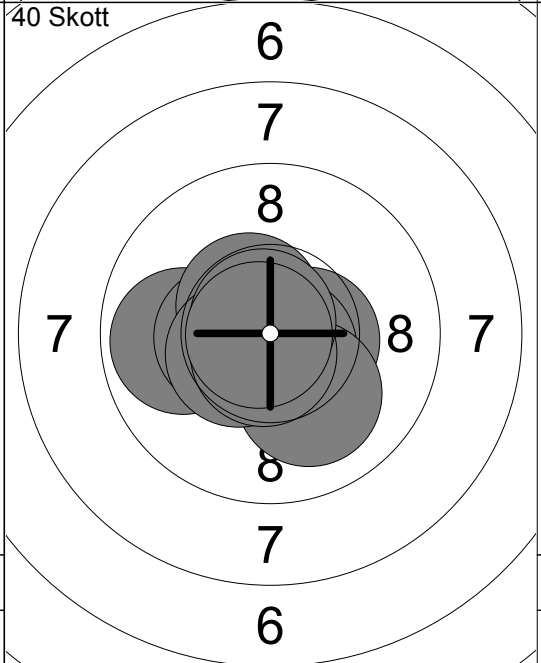
|       |          |
|-------|----------|
| 1:    | 10.4 ✕ ↓ |
| 2:    | 10.1 ↘   |
| 3:    | 10.1 ↓   |
| 4:    | 9.3 ↓    |
| 5:    | 10.2 ✕ ↓ |
| 6:    | 10.6 ✕ ↓ |
| 7:    | 10.8 ✕   |
| 8:    | 10.6 ✕   |
| 9:    | 10.4 ✕ ↓ |
| 10:   | 10.7 ✕   |
| Serie | 103.2    |
| Total | 103.2    |



|       |          |
|-------|----------|
| 11:   | 9.8 ↑    |
| 12:   | 10.1 ↓   |
| 13:   | 10.2 ✕   |
| 14:   | 10.3 ✕ → |
| 15:   | 10.4 ✕ ↗ |
| 16:   | 10.2 ✕   |
| 17:   | 10.8 ✕   |
| 18:   | 10.6 ✕   |
| 19:   | 10.5 ✕ ↗ |
| 20:   | 10.9 ✕ ↗ |
| Serie | 103.8    |
| Total | 207.0    |

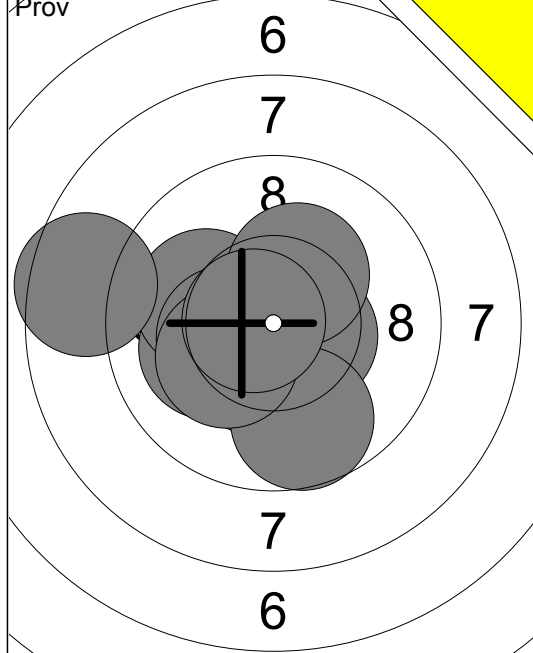


|       |          |
|-------|----------|
| 21:   | 10.5 ✕   |
| 22:   | 10.6 ✕   |
| 23:   | 10.1 ↑   |
| 24:   | 10.5 ✕ ↗ |
| 25:   | 10.4 ✕ ↗ |
| 26:   | 10.8 ✕   |
| 27:   | 10.4 ✕   |
| 28:   | 10.4 ✕   |
| 29:   | 10.4 ✕ ↓ |
| 30:   | 10.7 ✕ ↗ |
| Serie | 104.8    |
| Total | 311.8    |

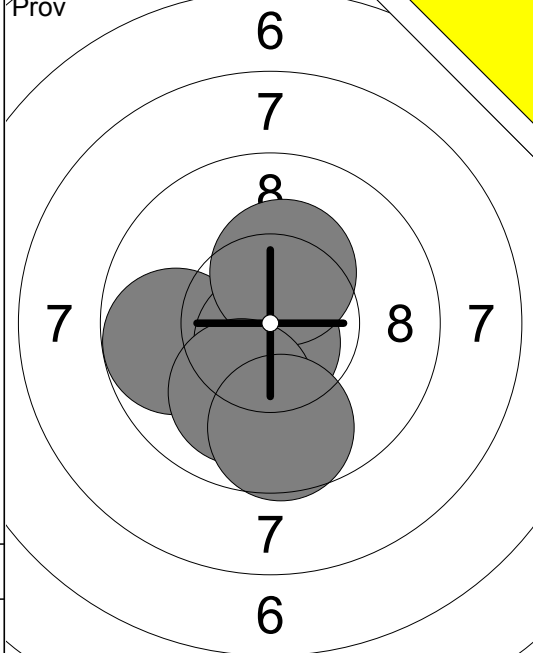


|       |          |
|-------|----------|
| 31:   | 9.9 ←    |
| 32:   | 10.4 ✕   |
| 33:   | 10.5 ✕ → |
| 34:   | 10.7 ✕ ↓ |
| 35:   | 10.5 ✕   |
| 36:   | 10.1 ↓   |
| 37:   | 10.5 ✕   |
| 38:   | 10.7 ✕ ↓ |
| 39:   | 10.8 ✕   |
| 40:   | 10.8 ✕   |
| Serie | 104.9    |
| Total | 416.7    |

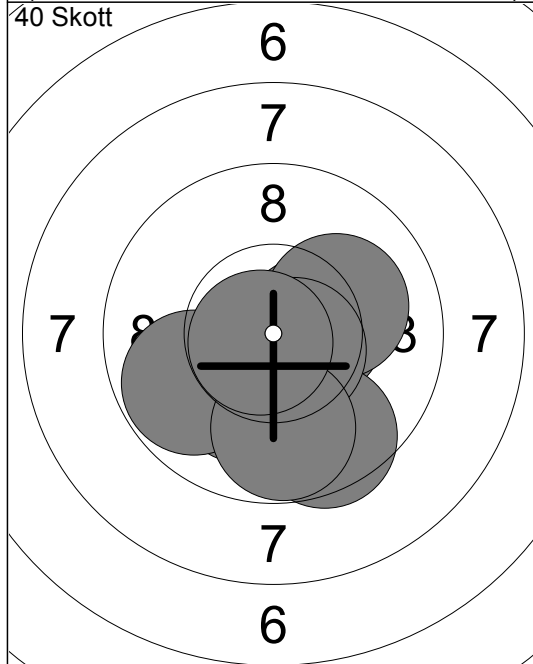




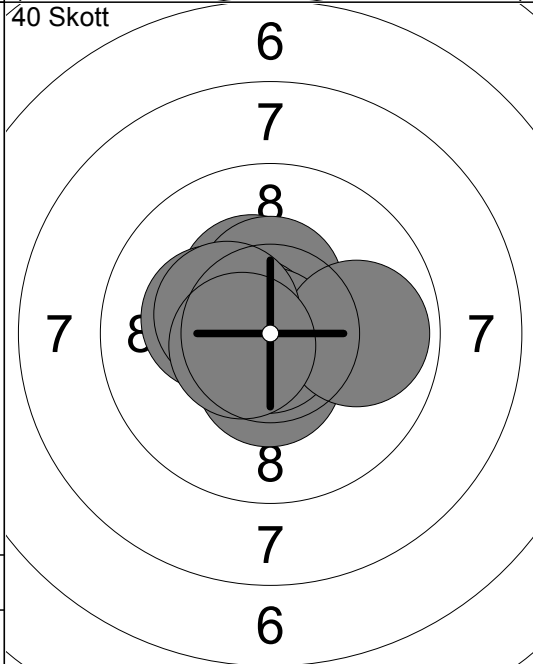
|             |
|-------------|
| 1: 10.4x    |
| 2: 10.1     |
| 3: 10.5x    |
| 4: 10.1     |
| 5: 8.6      |
| 6: 9.7      |
| 7: 10.4x    |
| 8: 10.2x    |
| 9: 10.3x    |
| 10: 10.7x   |
| Serie 101.0 |
| Total 0.0   |



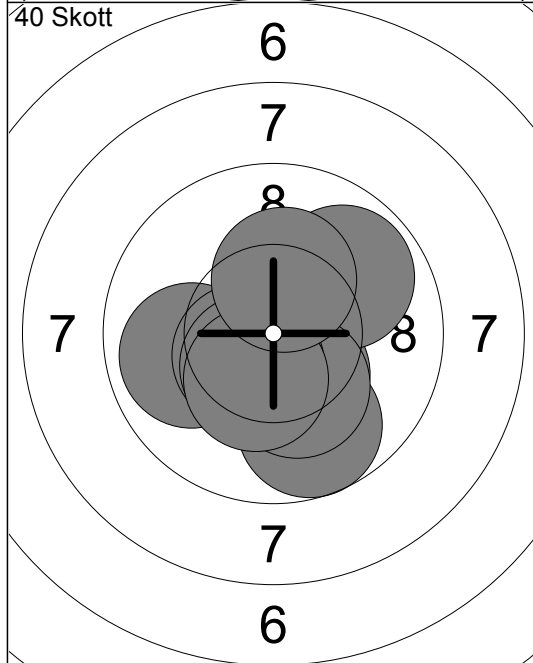
|            |
|------------|
| 11: 10.7x  |
| 12: 9.8    |
| 13: 10.7x  |
| 14: 10.3x  |
| 15: 10.0   |
| 16: 9.7    |
| Serie 61.2 |
| Total 0.0  |



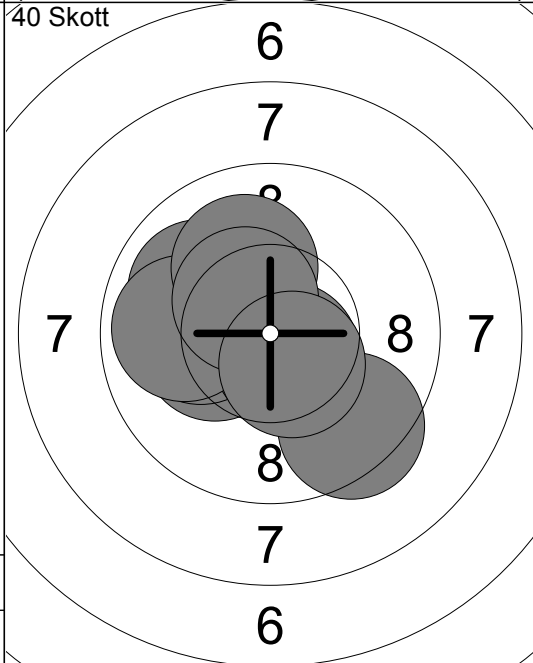
|             |
|-------------|
| 1: 10.5x    |
| 2: 10.7x    |
| 3: 10.1     |
| 4: 10.2x    |
| 5: 10.2x    |
| 6: 9.5      |
| 7: 9.8      |
| 8: 10.6x    |
| 9: 9.8      |
| 10: 10.7x   |
| Serie 102.1 |
| Total 102.1 |



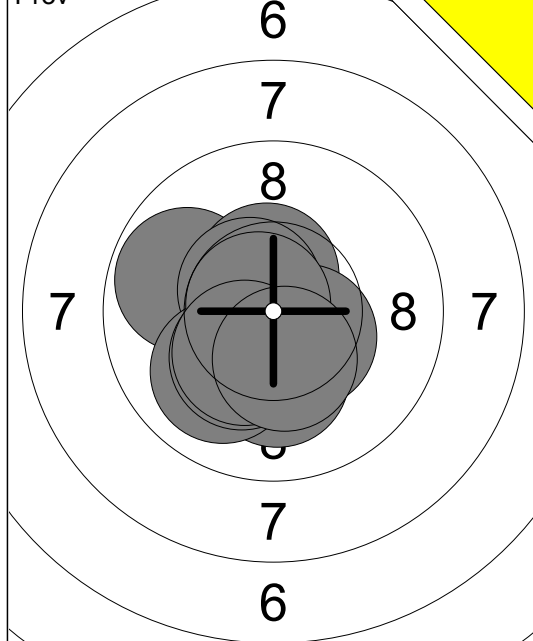
|             |
|-------------|
| 11: 10.5x   |
| 12: 10.3x   |
| 13: 10.7x   |
| 14: 10.4x   |
| 15: 10.7x   |
| 16: 10.9x   |
| 17: 9.9     |
| 18: 10.2x   |
| 19: 10.4x   |
| 20: 10.6x   |
| Serie 104.6 |
| Total 206.7 |



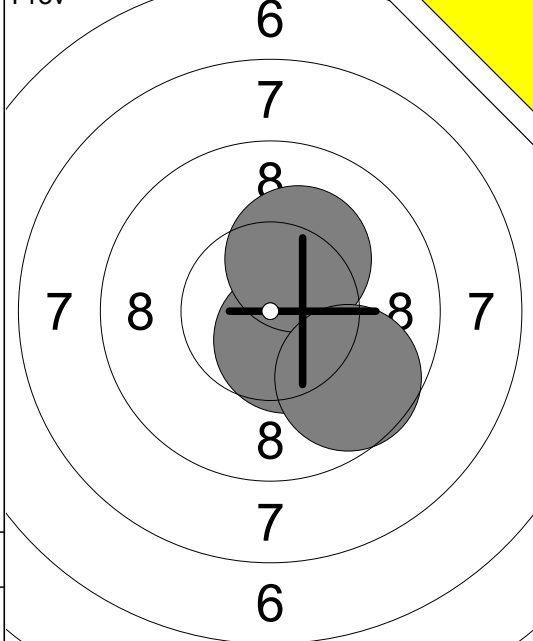
|             |
|-------------|
| 21: 10.4x   |
| 22: 10.4x   |
| 23: 9.7     |
| 24: 9.9     |
| 25: 10.2x   |
| 26: 9.9     |
| 27: 10.5x   |
| 28: 10.5x   |
| 29: 10.3x   |
| 30: 10.3x   |
| Serie 102.1 |
| Total 308.8 |



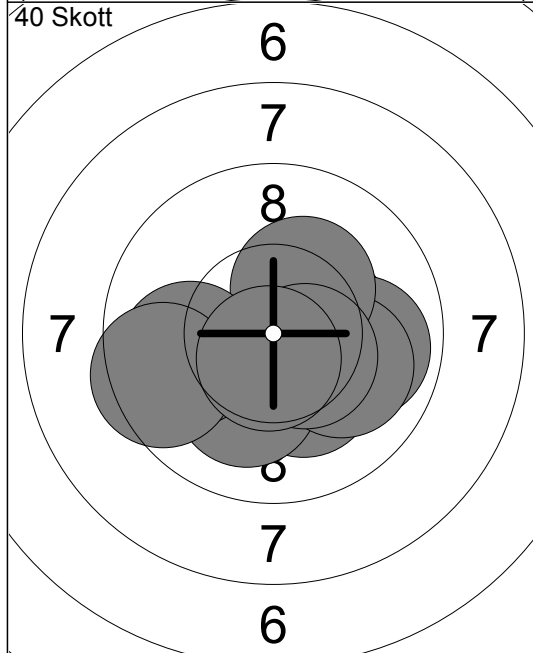
|             |
|-------------|
| 31: 10.0    |
| 32: 10.5x   |
| 33: 10.3x   |
| 34: 10.1    |
| 35: 10.6x   |
| 36: 9.9     |
| 37: 10.1    |
| 38: 10.4x   |
| 39: 9.4     |
| 40: 10.5x   |
| Serie 101.8 |
| Total 410.6 |



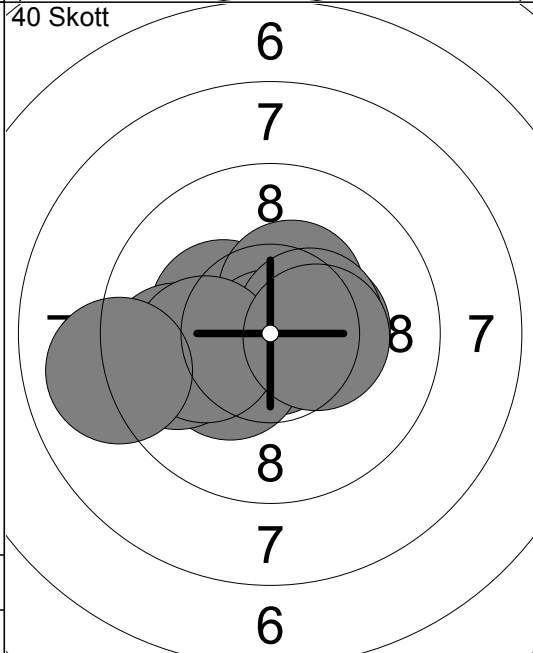
|       |        |
|-------|--------|
| 1:    | 10.2x↓ |
| 2:    | 9.8 ←  |
| 3:    | 10.5x↑ |
| 4:    | 10.6x↘ |
| 5:    | 10.0 ↓ |
| 6:    | 10.3x↓ |
| 7:    | 10.5x↘ |
| 8:    | 10.7x↘ |
| 9:    | 10.3x↓ |
| 10:   | 10.3x↓ |
| Serie | 103.2  |
| Total | 0.0    |



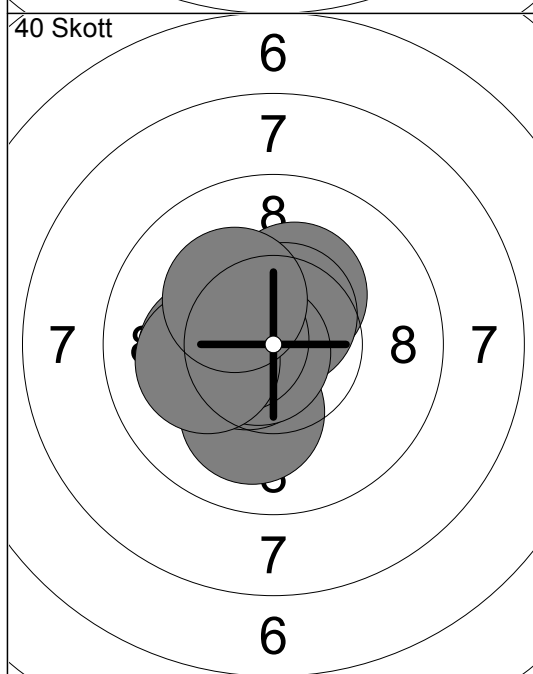
|       |        |
|-------|--------|
| 11:   | 10.5x↓ |
| 12:   | 10.2x↑ |
| 13:   | 9.7 ↘  |
| Serie | 30.4   |
| Total | 0.0    |



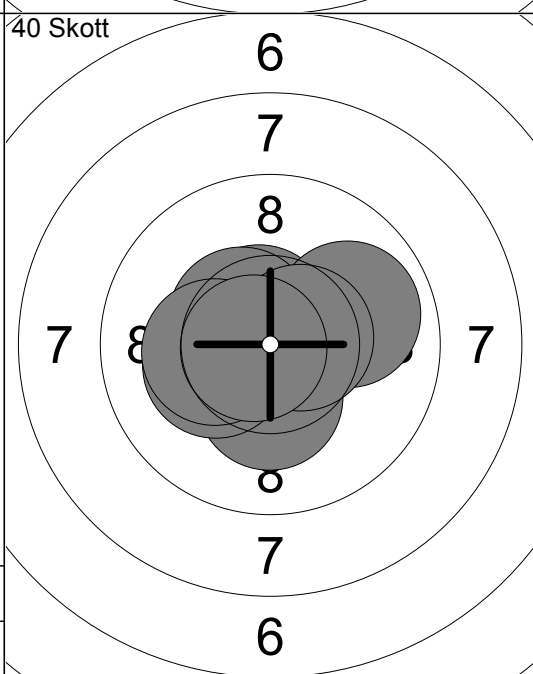
|       |        |
|-------|--------|
| 1:    | 10.4x→ |
| 2:    | 10.2x↓ |
| 3:    | 10.1 ↓ |
| 4:    | 9.9 →  |
| 5:    | 10.0 → |
| 6:    | 10.3x↑ |
| 7:    | 9.9 ←  |
| 8:    | 10.5x↘ |
| 9:    | 9.5 ←  |
| 10:   | 10.6x↓ |
| Serie | 101.4  |
| Total | 101.4  |



|       |        |
|-------|--------|
| 11:   | 10.3x↘ |
| 12:   | 10.4x↑ |
| 13:   | 10.8x↓ |
| 14:   | 10.3x↓ |
| 15:   | 9.8 ←  |
| 16:   | 10.4x→ |
| 17:   | 10.4x→ |
| 18:   | 10.1 ← |
| 19:   | 9.0 ←  |
| 20:   | 10.4x→ |
| Serie | 101.9  |
| Total | 203.3  |



|       |        |
|-------|--------|
| 21:   | 10.6x↑ |
| 22:   | 10.3x↑ |
| 23:   | 10.2x↘ |
| 24:   | 10.6x↑ |
| 25:   | 10.1 ↓ |
| 26:   | 10.6x↘ |
| 27:   | 10.7x↘ |
| 28:   | 10.5x↘ |
| 29:   | 10.1 ← |
| 30:   | 10.2x↘ |
| Serie | 103.9  |
| Total | 307.2  |

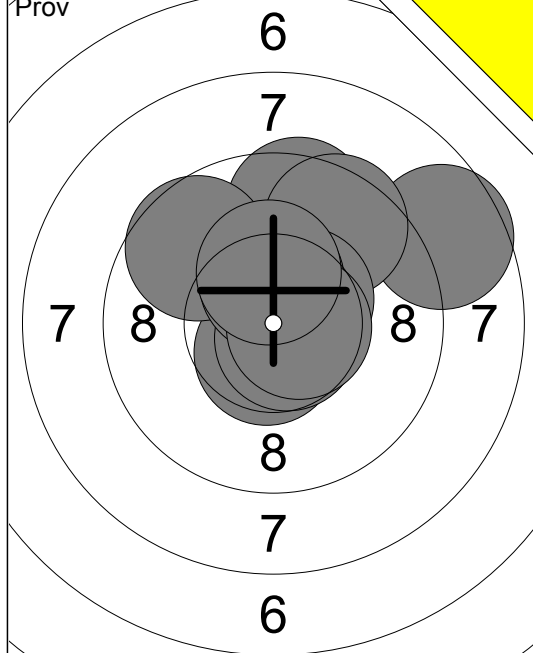


|       |        |
|-------|--------|
| 31:   | 10.7x↓ |
| 32:   | 10.3x↘ |
| 33:   | 10.6x↑ |
| 34:   | 10.5x↘ |
| 35:   | 9.9 →  |
| 36:   | 10.3x↓ |
| 37:   | 10.6x→ |
| 38:   | 10.2x↘ |
| 39:   | 10.3x↘ |
| 40:   | 10.7x↘ |
| Serie | 104.1  |
| Total | 411.3  |

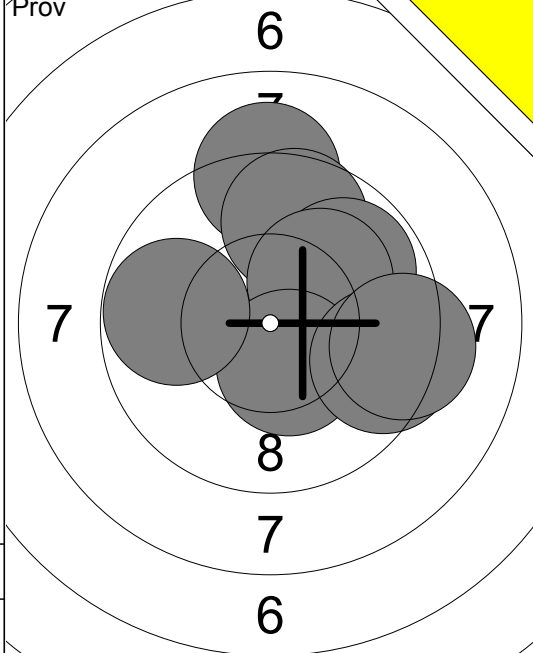
|          |  |              |   |
|----------|--|--------------|---|
| Prov<br> | 1: 10.0 ↙<br>2: 8.5 ➡<br>3: 9.5 ↘<br>4: 9.5 ➡<br>5: 10.1 ↓<br>6: 9.9 ↗<br>7: 10.0 ➡<br>8: 9.3 ←<br>9: 10.8 ✖<br>10: 9.9 ←<br>Serie 97.5<br>Total 0.0 | 40 Skott<br> | 1: 10.1 ↗<br>2: 9.7 ➡<br>3: 9.4 ←<br>4: 9.8 ↗<br>5: 10.0 ➡<br>6: 9.4 ➡<br>7: 10.1 ↘<br>8: 10.5 ✖<br>9: 9.6 ←<br>10: 9.8 ↘<br>Serie 98.4<br>Total 98.4 |
|----------|--|--------------|---|

|              |   |              |   |
|--------------|---|--------------|---|
| 40 Skott<br> | 11: 8.6 ←<br>12: 9.8 ↘<br>13: 9.7 ←<br>14: 10.5 ✖➡<br>15: 10.5 ✖<br>16: 10.4 ✖➡<br>17: 10.2 ✖<br>18: 10.1 ←<br>19: 10.0 ↙<br>20: 9.0 ←<br>Serie 98.8<br>Total 197.2 | 40 Skott<br> | 21: 10.3 ✖↗<br>22: 9.4 ←<br>23: 9.8 ↗<br>24: 9.9 ←<br>25: 8.9 ➡<br>26: 9.0 ➡<br>27: 9.9 ↗<br>28: 8.7 ➡<br>29: 10.8 ✖<br>30: 10.5 ✖<br>Serie 97.2<br>Total 294.4 |
|--------------|---|--------------|---|

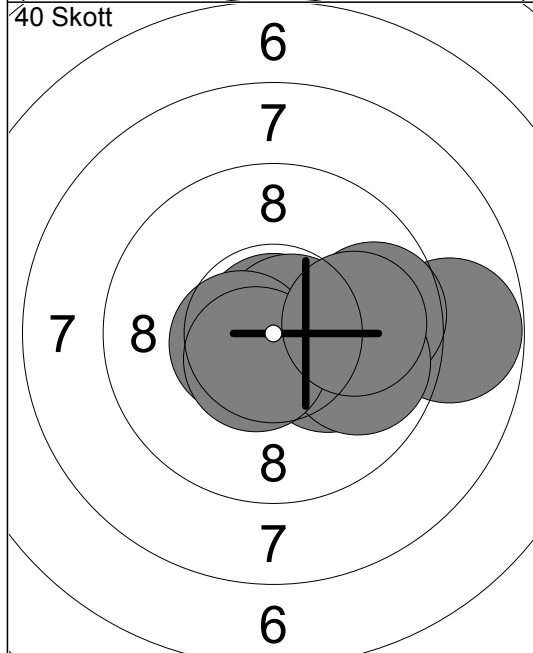
|              |   |  |  |
|--------------|---|--|--|
| 40 Skott<br> | 31: 10.3 ✖➡<br>32: 8.8 ➡<br>33: 10.1 ↓<br>34: 9.9 ➡<br>35: 9.4 ➡<br>36: 9.9 ➡<br>37: 9.9 ➡<br>38: 9.2 ←<br>39: 10.6 ✖<br>40: 8.6 ←<br>Serie 96.7<br>Total 391.1 |  |  |
|--------------|---|--|--|



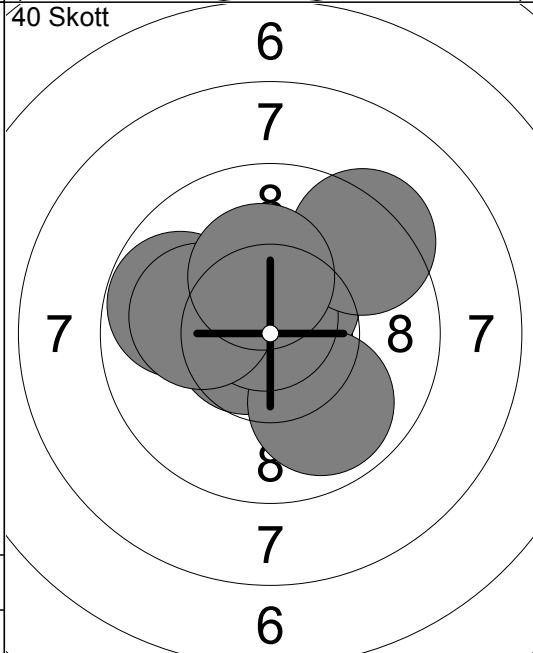
|       |        |
|-------|--------|
| 1:    | 10.6x↓ |
| 2:    | 8.6 →  |
| 3:    | 9.5 ↑  |
| 4:    | 10.7x↘ |
| 5:    | 9.5 ↑  |
| 6:    | 10.5x↗ |
| 7:    | 9.6 ↙  |
| 8:    | 10.4x↑ |
| 9:    | 10.6x→ |
| 10:   | 10.3x↑ |
| Serie | 100.3  |
| Total | 0.0    |



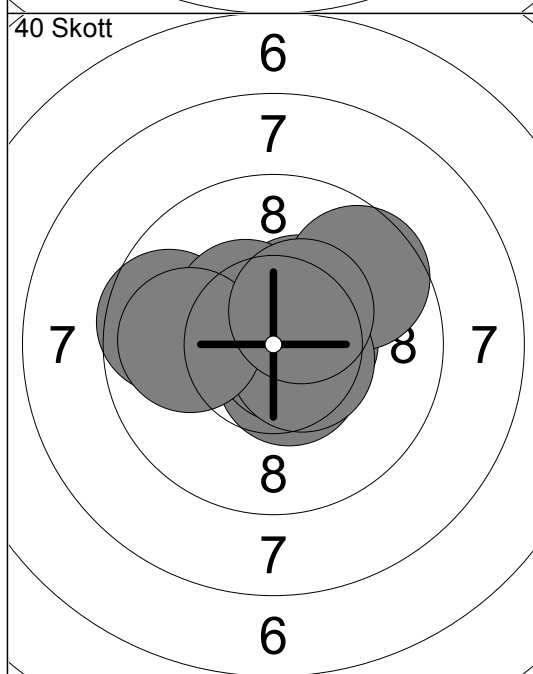
|       |        |
|-------|--------|
| 11:   | 9.1 ↑  |
| 12:   | 9.7 ↑  |
| 13:   | 9.8 ↗  |
| 14:   | 10.1 ↗ |
| 15:   | 10.4x↘ |
| 16:   | 9.5 →  |
| 17:   | 9.8 ←  |
| 18:   | 9.3 →  |
| Serie | 77.7   |
| Total | 0.0    |



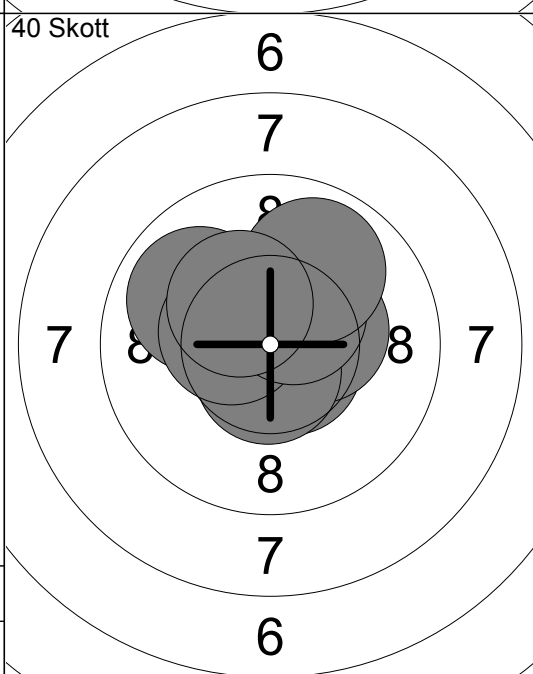
|       |        |
|-------|--------|
| 1:    | 8.8 →  |
| 2:    | 9.7 →  |
| 3:    | 10.2x↘ |
| 4:    | 10.9x↑ |
| 5:    | 10.8x↘ |
| 6:    | 10.7x↗ |
| 7:    | 10.5x↖ |
| 8:    | 9.8 →  |
| 9:    | 10.6x↘ |
| 10:   | 9.9 →  |
| Serie | 101.9  |
| Total | 101.9  |



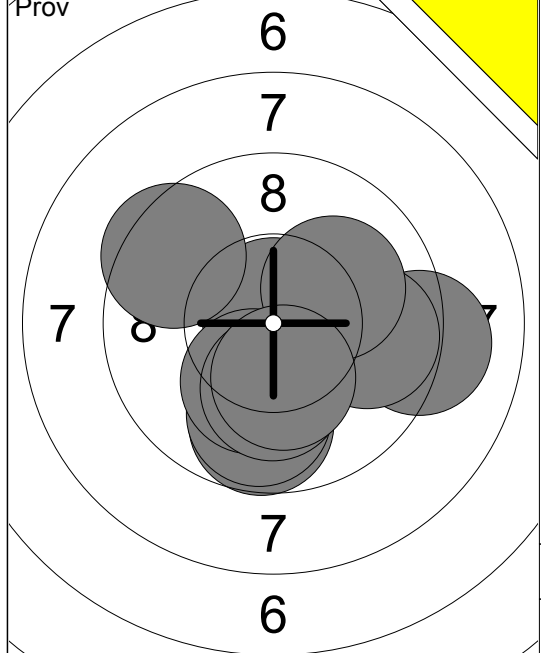
|       |        |
|-------|--------|
| 11:   | 10.8x↘ |
| 12:   | 10.6x↘ |
| 13:   | 9.8 ←  |
| 14:   | 10.5x↑ |
| 15:   | 10.7x↖ |
| 16:   | 9.9 ↓  |
| 17:   | 10.7x↑ |
| 18:   | 9.3 ↗  |
| 19:   | 10.1 ← |
| 20:   | 10.2x↑ |
| Serie | 102.6  |
| Total | 204.5  |



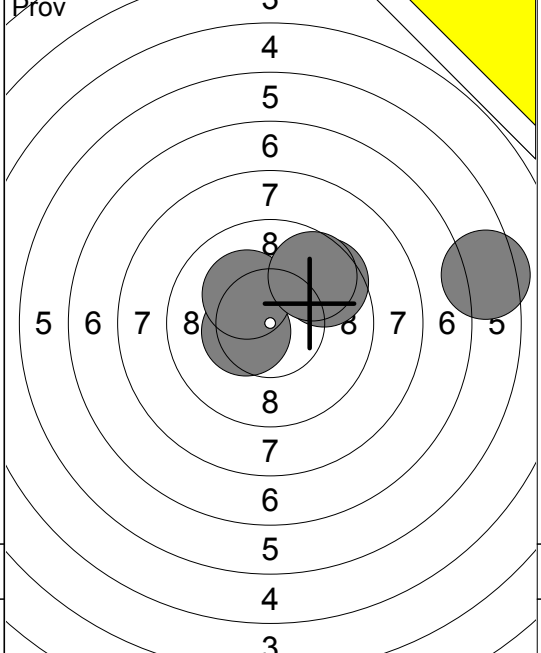
|       |        |
|-------|--------|
| 21:   | 10.4x↗ |
| 22:   | 10.5x→ |
| 23:   | 10.5x↘ |
| 24:   | 9.6 ←  |
| 25:   | 9.6 ↗  |
| 26:   | 10.8x↘ |
| 27:   | 10.4x↖ |
| 28:   | 10.6x↘ |
| 29:   | 9.9 ←  |
| 30:   | 10.4x↗ |
| Serie | 102.7  |
| Total | 307.2  |



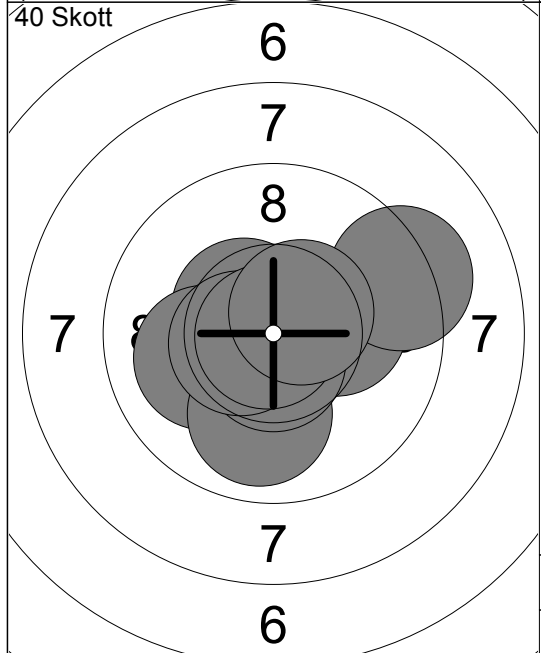
|       |        |
|-------|--------|
| 31:   | 10.6x↘ |
| 32:   | 9.9 ↙  |
| 33:   | 10.4x↗ |
| 34:   | 10.4x→ |
| 35:   | 10.5x↑ |
| 36:   | 10.6x↓ |
| 37:   | 10.4x↖ |
| 38:   | 10.4x↑ |
| 39:   | 9.9 ↑  |
| 40:   | 10.3x↖ |
| Serie | 103.4  |
| Total | 410.6  |



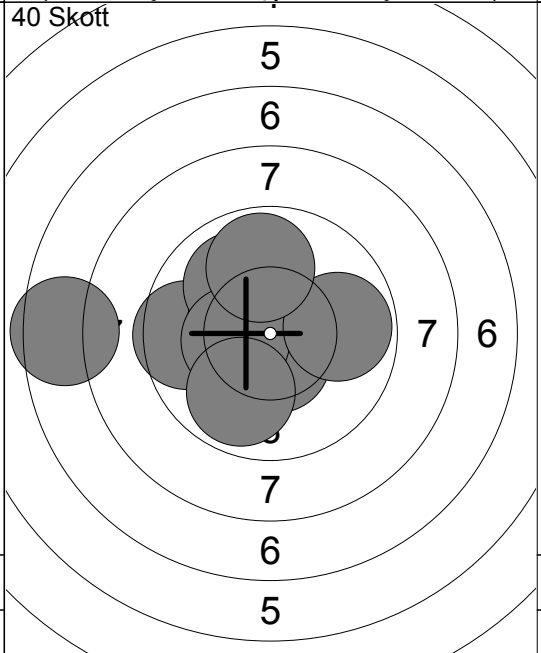
|       |         |
|-------|---------|
| 1:    | 10.8x ↗ |
| 2:    | 9.7 ↓   |
| 3:    | 9.8 ↓   |
| 4:    | 9.5 ↖   |
| 5:    | 10.2x ↘ |
| 6:    | 10.1 ↓  |
| 7:    | 9.1 →   |
| 8:    | 9.8 →   |
| 9:    | 10.1 ↗  |
| 10:   | 10.3x ↘ |
| Serie | 99.4    |
| Total | 0.0     |



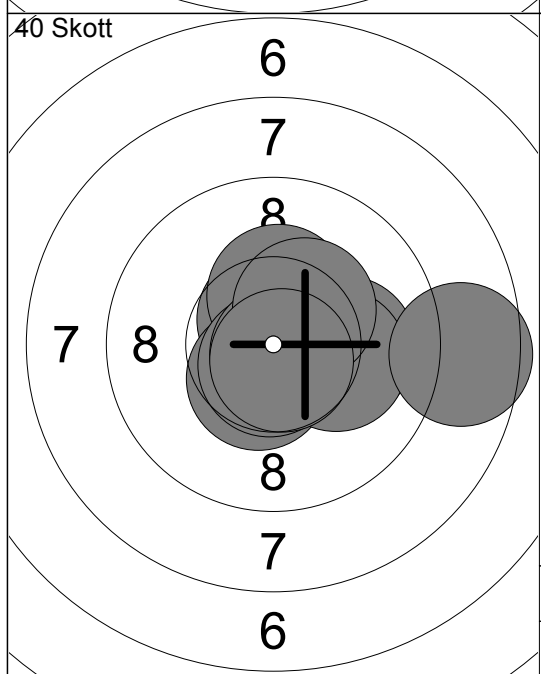
|       |         |
|-------|---------|
| 11:   | 9.6 ↗   |
| 12:   | 10.4x ↖ |
| 13:   | 10.2x ↖ |
| 14:   | 6.5 →   |
| 15:   | 9.7 ↗   |
| Serie | 46.4    |
| Total | 0.0     |



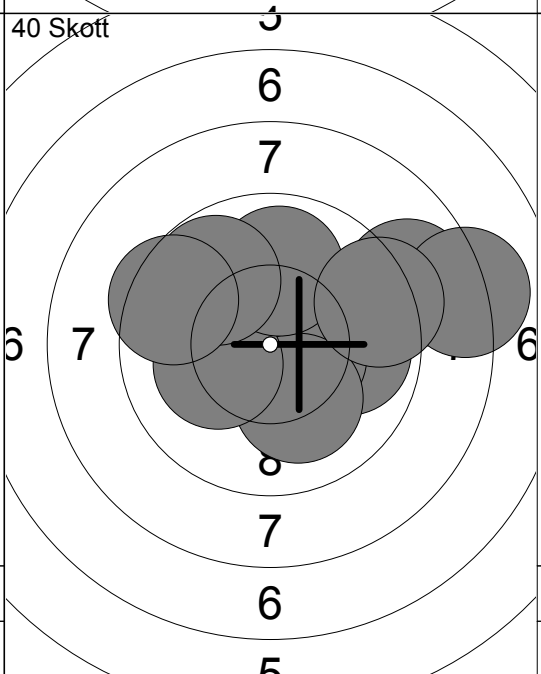
|       |         |
|-------|---------|
| 1:    | 10.5x ↖ |
| 2:    | 10.6x ↖ |
| 3:    | 10.2x → |
| 4:    | 10.1 ←  |
| 5:    | 10.0 ↓  |
| 6:    | 10.6x ↘ |
| 7:    | 10.5x ↖ |
| 8:    | 10.9x ↖ |
| 9:    | 9.2 →   |
| 10:   | 10.5x ↗ |
| Serie | 103.1   |
| Total | 103.1   |



|       |         |
|-------|---------|
| 11:   | 10.5x ↘ |
| 12:   | 9.6 ←   |
| 13:   | 10.5x ↘ |
| 14:   | 7.5 ←   |
| 15:   | 10.5x ↖ |
| 16:   | 10.0 ↖  |
| 17:   | 10.4x ↖ |
| 18:   | 9.8 →   |
| 19:   | 9.8 ↑   |
| 20:   | 9.9 ↘   |
| Serie | 98.5    |
| Total | 201.6   |

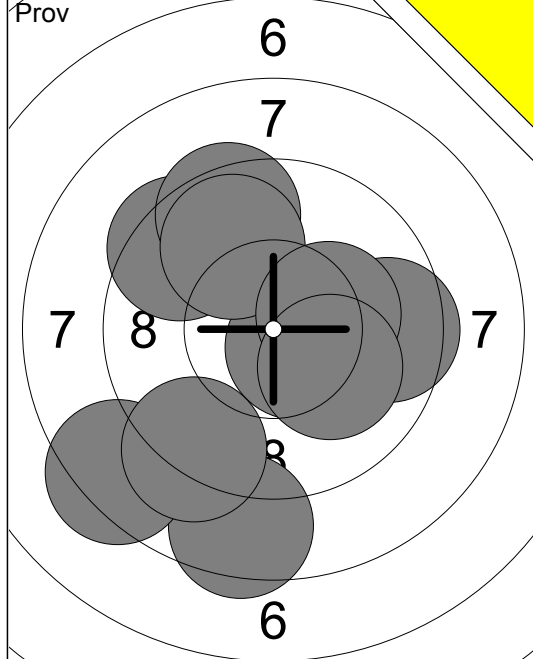


|       |         |
|-------|---------|
| 21:   | 10.1 →  |
| 22:   | 10.6x ↗ |
| 23:   | 10.3x ↗ |
| 24:   | 10.5x ↘ |
| 25:   | 10.7x ↘ |
| 26:   | 10.1 →  |
| 27:   | 8.6 →   |
| 28:   | 10.8x ↘ |
| 29:   | 10.4x ↗ |
| 30:   | 10.7x ↘ |
| Serie | 102.8   |
| Total | 304.4   |

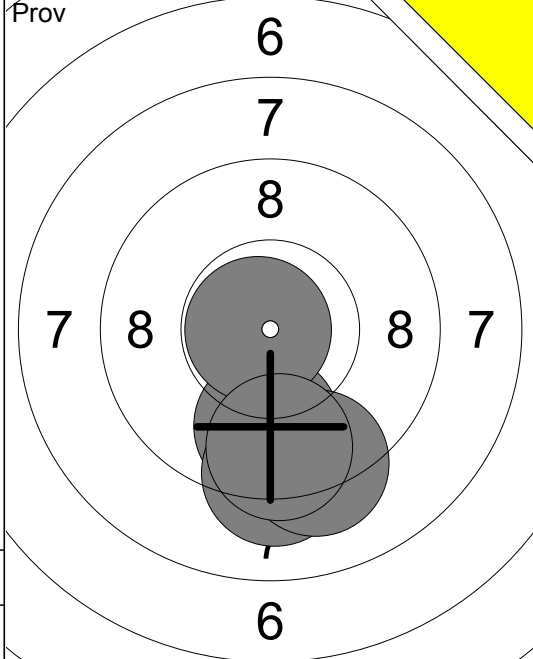


|       |         |
|-------|---------|
| 31:   | 9.9 →   |
| 32:   | 10.5x → |
| 33:   | 10.1 ↓  |
| 34:   | 10.2x ↖ |
| 35:   | 9.9 ↑   |
| 36:   | 8.9 →   |
| 37:   | 9.8 ↖   |
| 38:   | 8.1 →   |
| 39:   | 9.3 →   |
| 40:   | 9.5 ←   |
| Serie | 96.2    |
| Total | 400.6   |

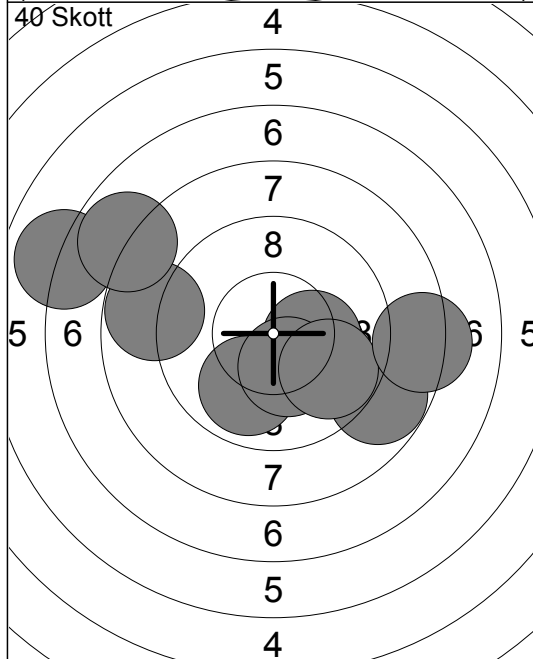




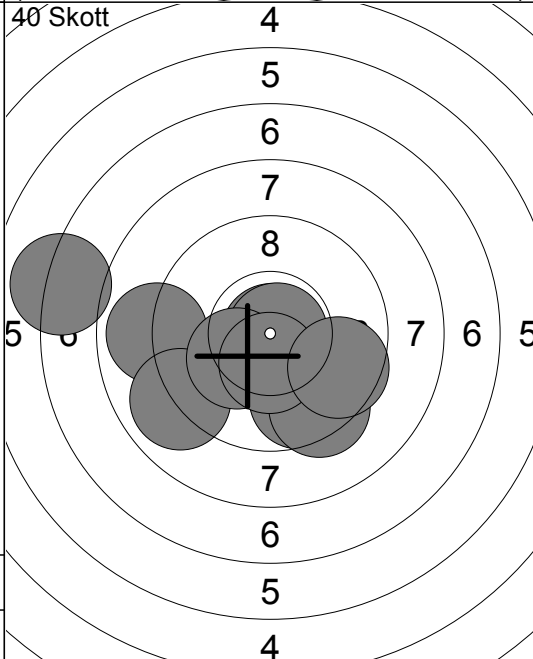
|            |        |
|------------|--------|
| 1:         | 9.4 ↖  |
| 2:         | 9.5 →  |
| 3:         | 9.4 ↗  |
| 4:         | 8.5 ↓  |
| 5:         | 10.6x↘ |
| 6:         | 9.8 ↗  |
| 7:         | 8.3 ↙  |
| 8:         | 10.2x→ |
| 9:         | 10.1 ↘ |
| 10:        | 9.2 ↙  |
| Serie 95.0 |        |
| Total 0.0  |        |



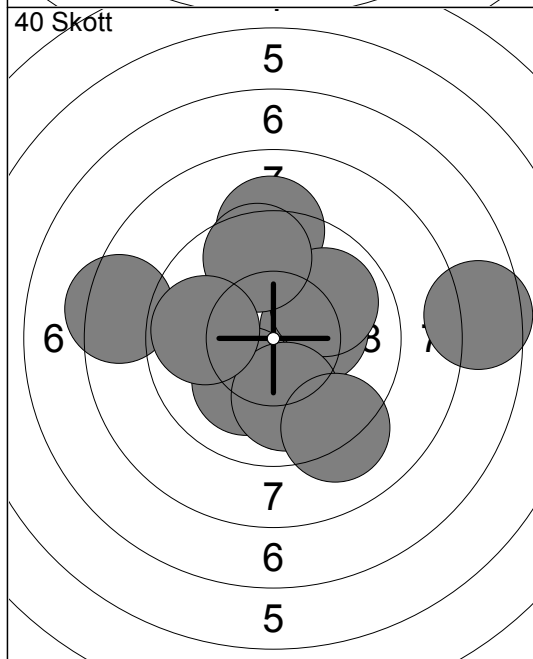
|            |        |
|------------|--------|
| 11:        | 9.8 ↓  |
| 12:        | 9.2 ↓  |
| 13:        | 9.2 ↓  |
| 14:        | 10.8x↖ |
| 15:        | 9.5 ↓  |
| Serie 48.5 |        |
| Total 0.0  |        |



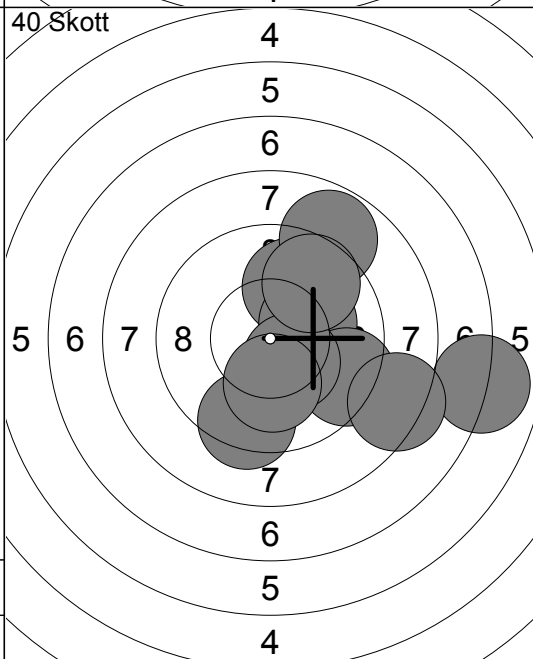
|            |        |
|------------|--------|
| 1:         | 9.9 ↓  |
| 2:         | 7.0 ←  |
| 3:         | 10.2x→ |
| 4:         | 10.2x→ |
| 5:         | 8.8 ↘  |
| 6:         | 8.8 ←  |
| 7:         | 7.9 ↗  |
| 8:         | 10.3x↓ |
| 9:         | 9.8 ↘  |
| 10:        | 8.3 →  |
| Serie 91.2 |        |
| Total 91.2 |        |



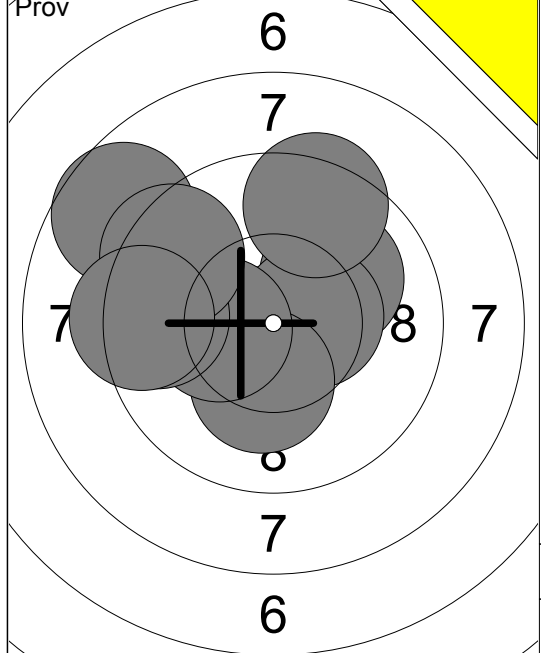
|             |        |
|-------------|--------|
| 11:         | 9.7 ↓  |
| 12:         | 8.9 ←  |
| 13:         | 10.9x↘ |
| 14:         | 9.4 ↓  |
| 15:         | 9.0 ↙  |
| 16:         | 10.8x→ |
| 17:         | 10.2x↖ |
| 18:         | 10.4x↓ |
| 19:         | 9.6 ↘  |
| 20:         | 7.1 ←  |
| Serie 96.0  |        |
| Total 187.2 |        |



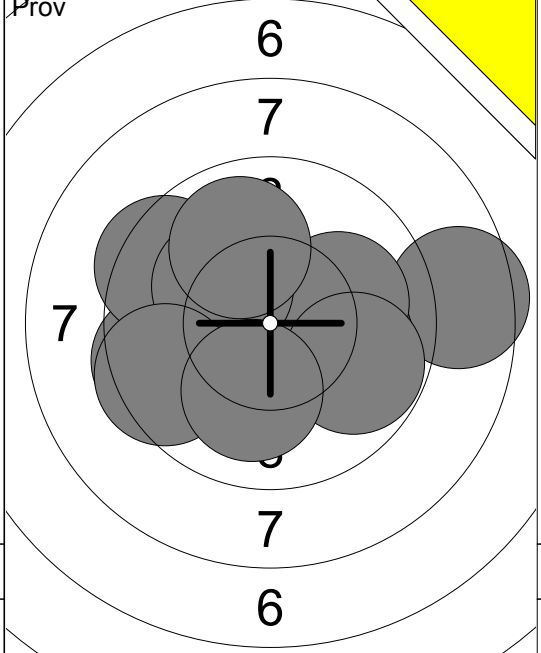
|             |        |
|-------------|--------|
| 21:         | 10.3x→ |
| 22:         | 9.2 ↑  |
| 23:         | 9.9 ↗  |
| 24:         | 10.1 ↙ |
| 25:         | 9.6 ↑  |
| 26:         | 8.4 ←  |
| 27:         | 10.0 ↓ |
| 28:         | 9.2 ↓  |
| 29:         | 9.8 ←  |
| 30:         | 7.6 →  |
| Serie 94.1  |        |
| Total 281.3 |        |



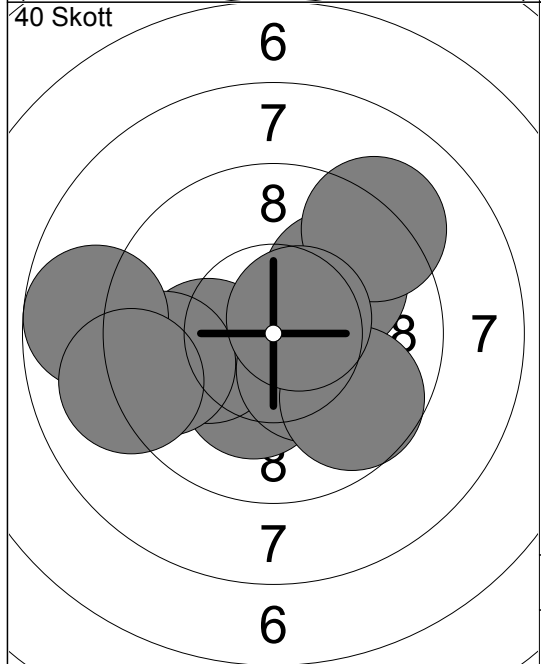
|             |        |
|-------------|--------|
| 31:         | 9.9 ↗  |
| 32:         | 7.0 →  |
| 33:         | 9.4 ↓  |
| 34:         | 8.8 ↗  |
| 35:         | 10.2x→ |
| 36:         | 9.4 ↘  |
| 37:         | 10.4x↘ |
| 38:         | 10.1 ↓ |
| 39:         | 8.3 ↘  |
| 40:         | 9.7 ↗  |
| Serie 93.2  |        |
| Total 374.5 |        |



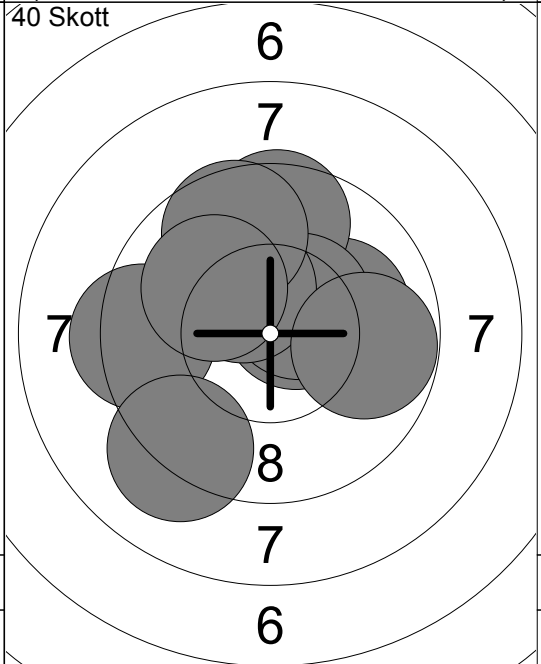
|            |         |
|------------|---------|
| 1:         | 10.6x ↘ |
| 2:         | 10.0 ↗  |
| 3:         | 10.5x ➤ |
| 4:         | 9.4 ↗   |
| 5:         | 8.7 ↖   |
| 6:         | 10.2x ↘ |
| 7:         | 10.3x ↘ |
| 8:         | 9.5 ←   |
| 9:         | 9.5 ↖   |
| 10:        | 9.3 ←   |
| Serie 98.0 |         |
| Total 0.0  |         |



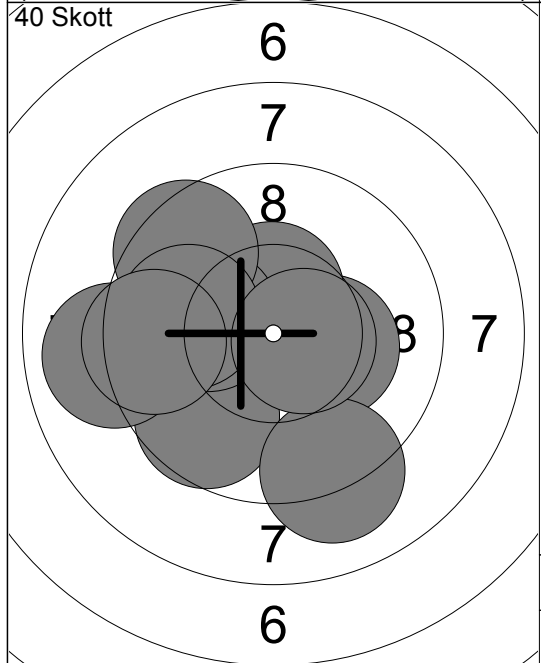
|            |         |
|------------|---------|
| 11:        | 9.5 ↖   |
| 12:        | 8.5 ➔   |
| 13:        | 10.0 ➔  |
| 14:        | 9.4 ↖   |
| 15:        | 10.1 ➔  |
| 16:        | 10.2x ↘ |
| 17:        | 9.8 ➔   |
| 18:        | 9.5 ↖   |
| 19:        | 10.1 ↘  |
| 20:        | 9.9 ↗   |
| Serie 97.0 |         |
| Total 0.0  |         |



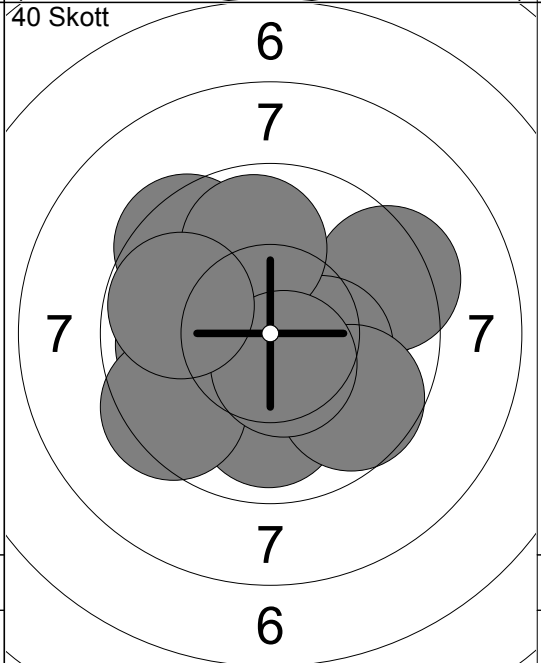
|            |         |
|------------|---------|
| 1:         | 10.3x ↘ |
| 2:         | 10.1 ↖  |
| 3:         | 10.0 ↗  |
| 4:         | 9.5 ↖   |
| 5:         | 9.2 ↗   |
| 6:         | 8.8 ↖   |
| 7:         | 10.3x ↘ |
| 8:         | 9.7 ➔   |
| 9:         | 9.1 ↖   |
| 10:        | 10.6x ↗ |
| Serie 97.6 |         |
| Total 97.6 |         |



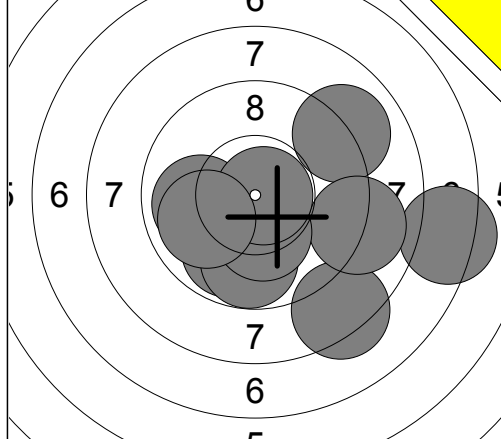
|             |         |
|-------------|---------|
| 11:         | 10.1 ➔  |
| 12:         | 10.6x ↗ |
| 13:         | 9.6 ↗   |
| 14:         | 10.5x ↗ |
| 15:         | 10.3x ↘ |
| 16:         | 9.4 ↖   |
| 17:         | 9.8 ➔   |
| 18:         | 9.6 ↗   |
| 19:         | 9.2 ↘   |
| 20:         | 10.1 ↖  |
| Serie 99.2  |         |
| Total 196.8 |         |



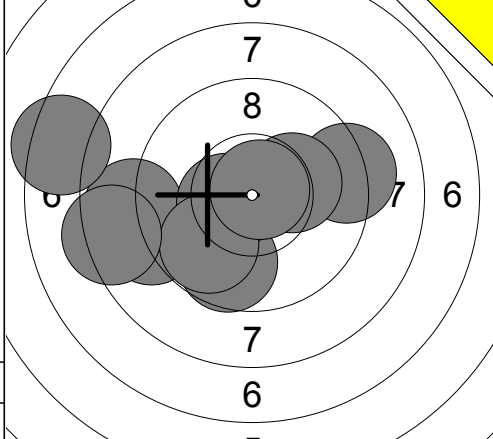
|             |         |
|-------------|---------|
| 21:         | 9.6 ↘   |
| 22:         | 10.3x ➤ |
| 23:         | 10.5x ↗ |
| 24:         | 9.0 ↖   |
| 25:         | 10.1 ↖  |
| 26:         | 9.5 ↖   |
| 27:         | 9.1 ↘   |
| 28:         | 9.9 ↖   |
| 29:         | 10.6x ➤ |
| 30:         | 9.5 ↖   |
| Serie 98.1  |         |
| Total 294.9 |         |



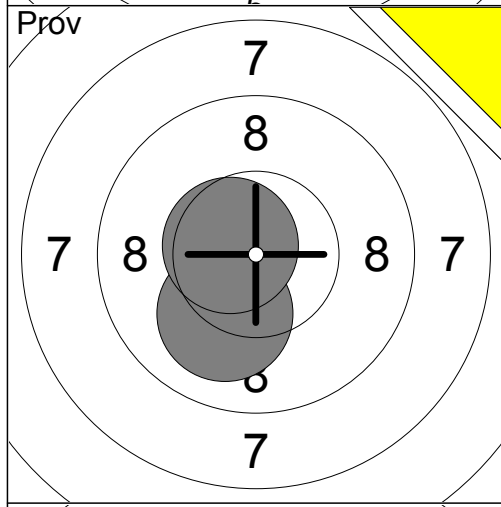
|             |         |
|-------------|---------|
| 31:         | 9.5 ↖   |
| 32:         | 9.4 ➔   |
| 33:         | 10.3x ➤ |
| 34:         | 9.9 ↗   |
| 35:         | 9.9 ↖   |
| 36:         | 10.0 ↘  |
| 37:         | 9.5 ↖   |
| 38:         | 9.7 ➔   |
| 39:         | 10.5x ↘ |
| 40:         | 9.8 ↖   |
| Serie 98.5  |         |
| Total 393.4 |         |



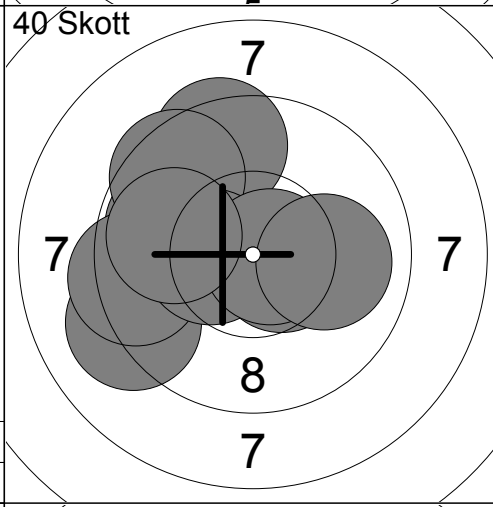
|       |       |      |
|-------|-------|------|
| 1:    | 7.3   | →    |
| 2:    | 8.3   | ↘    |
| 3:    | 9.9   | ←    |
| 4:    | 9.0   | ↗    |
| 5:    | 9.9   | ↓    |
| 6:    | 9.0   | →    |
| 7:    | 9.8   | ↓    |
| 8:    | 10.2x | ↓    |
| 9:    | 10.8x | →    |
| 10:   | 10.0  | ←    |
| Serie |       | 94.2 |
| Total |       | 0.0  |



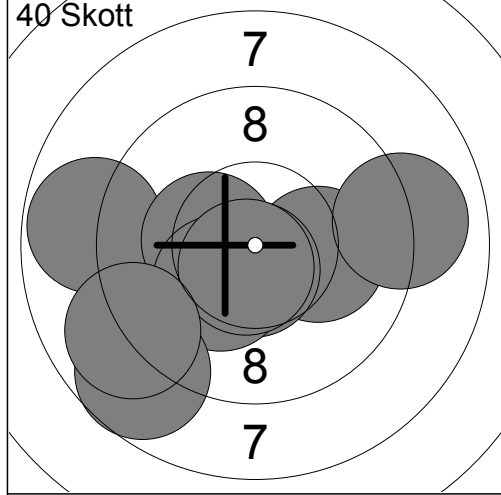
|       |       |      |
|-------|-------|------|
| 11:   | 9.7   | ↓    |
| 12:   | 9.2   | →    |
| 13:   | 9.0   | ←    |
| 14:   | 8.8   | ←    |
| 15:   | 10.5x | ←    |
| 16:   | 7.4   | ←    |
| 17:   | 10.2x | →    |
| 18:   | 9.8   | ↓    |
| 19:   | 10.8x | ↗    |
| 20:   | 8.3   | ←    |
| Serie |       | 93.7 |
| Total |       | 0.0  |



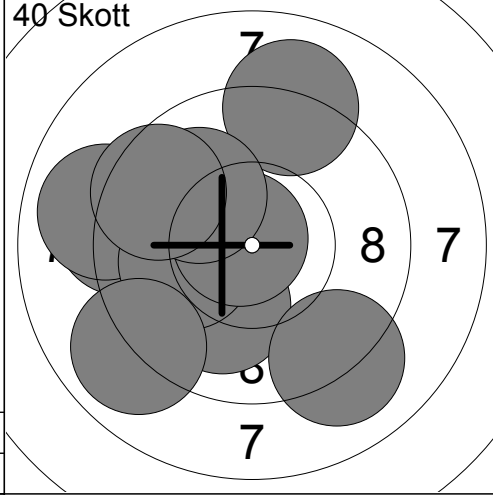
|       |       |      |
|-------|-------|------|
| 21:   | 10.1  | ↓    |
| 22:   | 10.6x | ←    |
| Serie |       | 20.7 |
| Total |       | 0.0  |



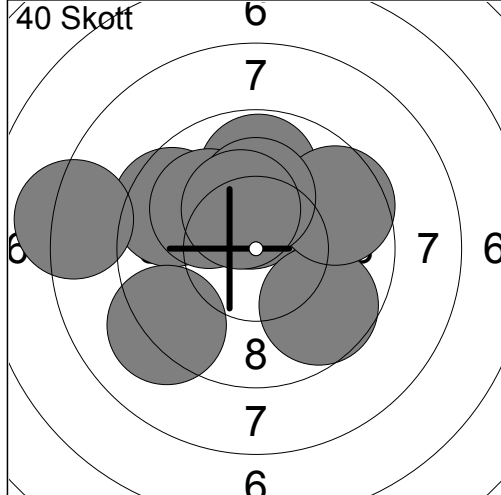
|       |       |      |
|-------|-------|------|
| 1:    | 9.1   | ←    |
| 2:    | 9.8   | ←    |
| 3:    | 10.5x | →    |
| 4:    | 9.4   | ↗    |
| 5:    | 9.4   | ←    |
| 6:    | 9.5   | ↗    |
| 7:    | 10.4x | ←    |
| 8:    | 10.7x | →    |
| 9:    | 10.0  | →    |
| 10:   | 9.9   | ←    |
| Serie |       | 98.7 |
| Total |       | 98.7 |



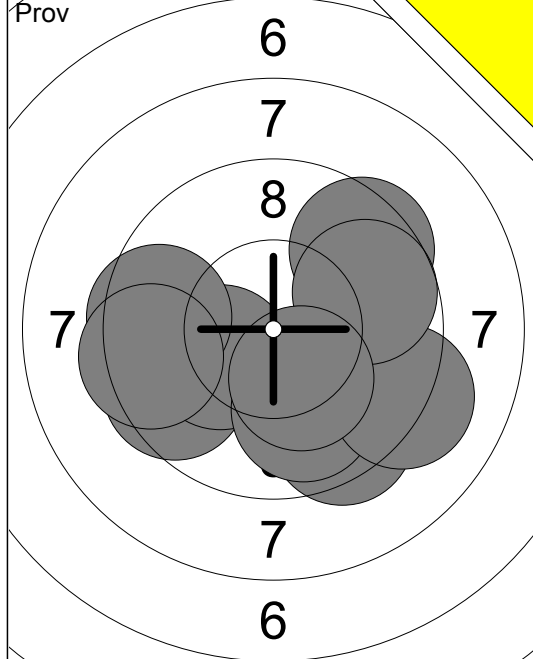
|       |       |       |
|-------|-------|-------|
| 11:   | 8.8   | ←     |
| 12:   | 10.1  | →     |
| 13:   | 10.3x | ↙     |
| 14:   | 10.3x | ←     |
| 15:   | 10.6x | ↓     |
| 16:   | 10.3x | ↙     |
| 17:   | 8.7   | ↙     |
| 18:   | 10.6x | ↓     |
| 19:   | 9.0   | ↙     |
| 20:   | 9.0   | →     |
| Serie |       | 97.7  |
| Total |       | 196.4 |



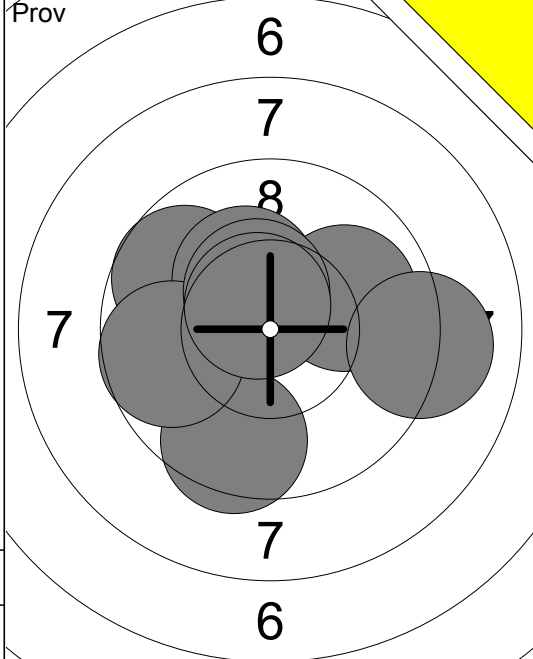
|       |       |       |
|-------|-------|-------|
| 21:   | 9.1   | ↗     |
| 22:   | 9.2   | ←     |
| 23:   | 10.1  | ↓     |
| 24:   | 9.0   | ←     |
| 25:   | 10.1  | ←     |
| 26:   | 10.8x | ↗     |
| 27:   | 9.1   | ↓     |
| 28:   | 8.9   | ↙     |
| 29:   | 10.0  | ↗     |
| 30:   | 9.5   | ↗     |
| Serie |       | 95.8  |
| Total |       | 292.2 |



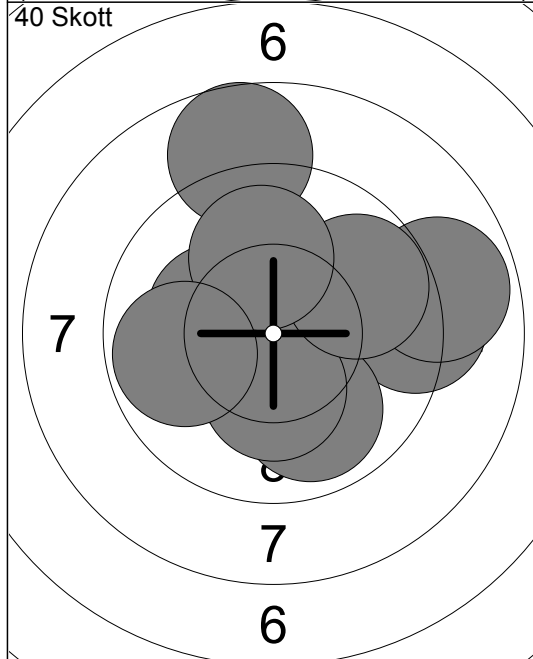
|       |       |       |
|-------|-------|-------|
| 31:   | 9.8   | ↑     |
| 32:   | 9.5   | ↙     |
| 33:   | 8.2   | ←     |
| 34:   | 10.3x | ↑     |
| 35:   | 9.7   | ↘     |
| 36:   | 9.2   | ↙     |
| 37:   | 10.0  | ↗     |
| 38:   | 9.6   | ↗     |
| 39:   | 10.2x | ↑     |
| 40:   | 10.3x | ↗     |
| Serie |       | 96.8  |
| Total |       | 389.0 |



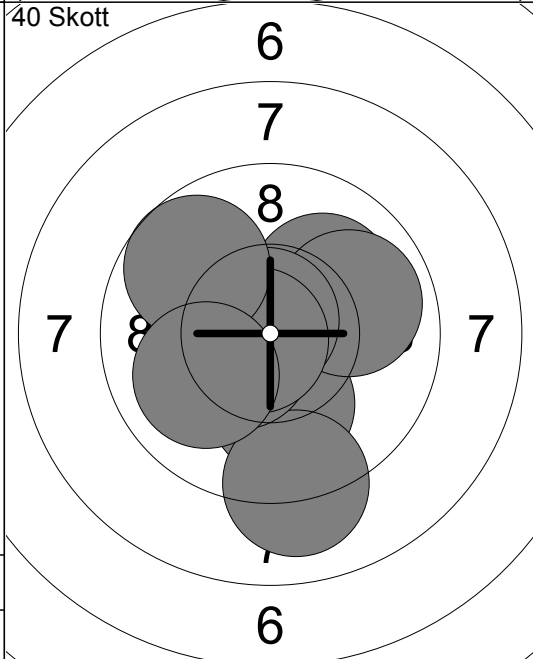
|            |        |
|------------|--------|
| 1:         | 9.5 ↙  |
| 2:         | 9.5 ↗  |
| 3:         | 10.2 ✕ |
| 4:         | 9.4 ↓  |
| 5:         | 9.5 ←  |
| 6:         | 9.4 ←  |
| 7:         | 9.9 ↓  |
| 8:         | 9.2 →  |
| 9:         | 9.7 →  |
| 10:        | 10.3 ✕ |
| Serie 96.6 |        |
| Total 0.0  |        |



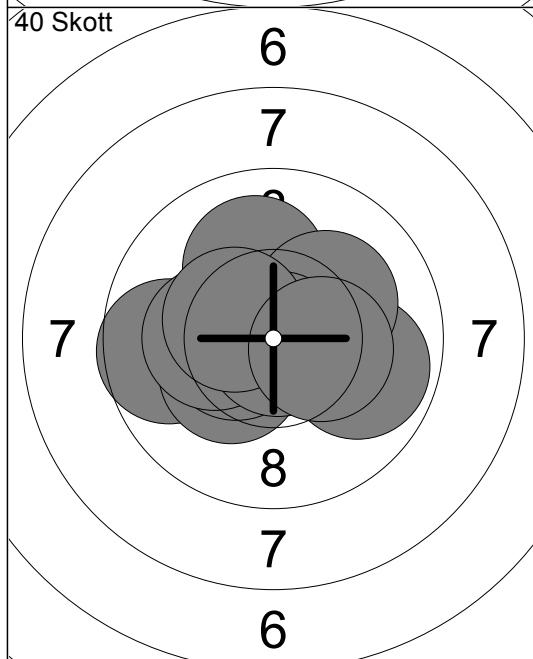
|            |        |
|------------|--------|
| 11:        | 9.5 ↓  |
| 12:        | 9.7 ↙  |
| 13:        | 10.3 ✕ |
| 14:        | 9.7 ←  |
| 15:        | 10.0 → |
| 16:        | 9.1 →  |
| 17:        | 10.5 ✕ |
| 18:        | 10.6 ✕ |
| Serie 79.4 |        |
| Total 0.0  |        |



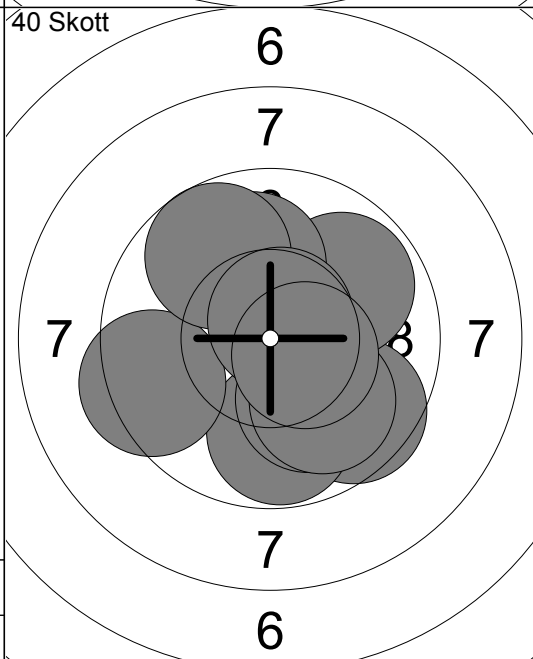
|            |        |
|------------|--------|
| 1:         | 10.4 ✕ |
| 2:         | 9.2 →  |
| 3:         | 8.7 ↑  |
| 4:         | 10.3 ✕ |
| 5:         | 8.9 →  |
| 6:         | 9.9 ↓  |
| 7:         | 10.3 ✕ |
| 8:         | 9.8 →  |
| 9:         | 10.0 ↑ |
| 10:        | 9.8 ←  |
| Serie 97.3 |        |
| Total 97.3 |        |



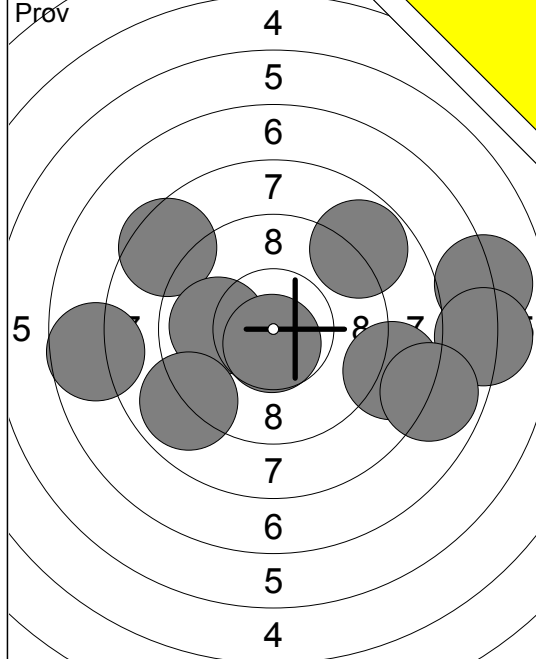
|             |        |
|-------------|--------|
| 11:         | 10.1 ↗ |
| 12:         | 10.4 ✕ |
| 13:         | 10.1 ↓ |
| 14:         | 9.9 →  |
| 15:         | 10.8 ✕ |
| 16:         | 9.1 ↓  |
| 17:         | 10.5 ✕ |
| 18:         | 10.7 ✕ |
| 19:         | 9.7 ↙  |
| 20:         | 10.0 ↙ |
| Serie 101.3 |        |
| Total 198.6 |        |



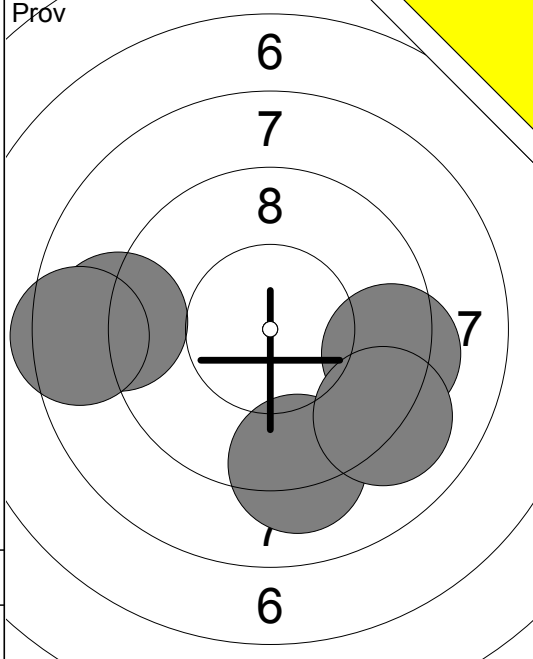
|             |        |
|-------------|--------|
| 21:         | 10.1 ↑ |
| 22:         | 9.9 →  |
| 23:         | 9.6 ←  |
| 24:         | 10.3 ✕ |
| 25:         | 10.5 ✕ |
| 26:         | 10.2 ✕ |
| 27:         | 10.2 ✕ |
| 28:         | 10.9 ✕ |
| 29:         | 10.4 ✕ |
| 30:         | 10.4 ✕ |
| Serie 102.5 |        |
| Total 301.1 |        |



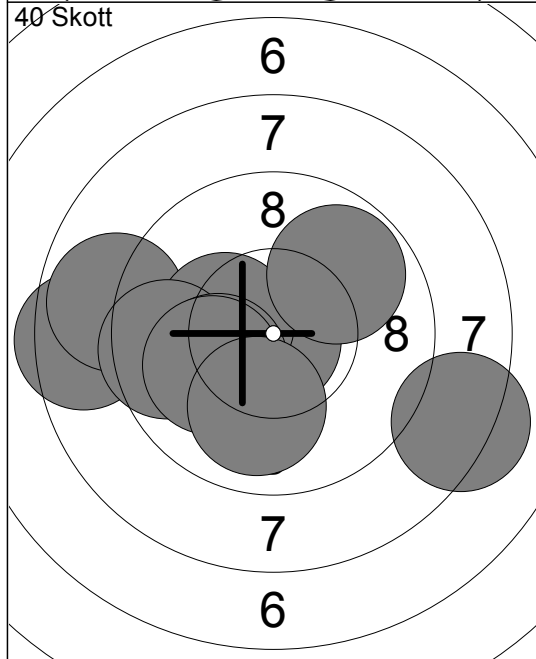
|             |        |
|-------------|--------|
| 31:         | 9.6 ↓  |
| 32:         | 9.8 ↓  |
| 33:         | 10.1 ↓ |
| 34:         | 9.9 ↗  |
| 35:         | 10.0 ↑ |
| 36:         | 9.9 ↓  |
| 37:         | 9.4 ←  |
| 38:         | 9.7 ↙  |
| 39:         | 10.7 ✕ |
| 40:         | 10.5 ✕ |
| Serie 99.6  |        |
| Total 400.7 |        |



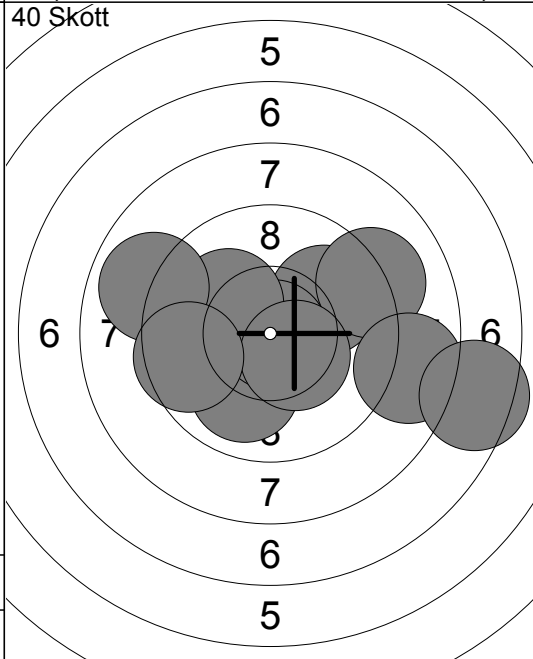
|                   |         |
|-------------------|---------|
| 1:                | 7.7 ←   |
| 2:                | 7.0 →   |
| 3:                | 8.6 →   |
| 4:                | 7.1 →   |
| 5:                | 8.8 ↗   |
| 6:                | 8.5 ↖   |
| 7:                | 9.9 ←   |
| 8:                | 7.9 →   |
| 9:                | 10.7x ↓ |
| 10:               | 8.9 ↙   |
| <b>Serie 85.1</b> |         |
| <b>Total 0.0</b>  |         |



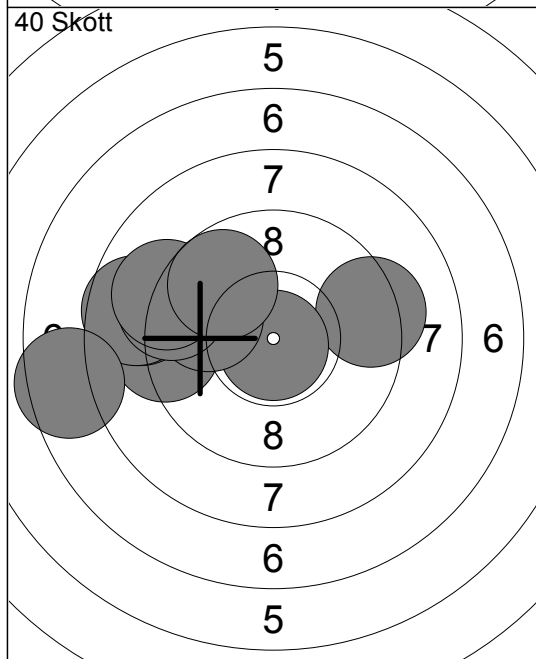
|                   |       |
|-------------------|-------|
| 11:               | 9.0 ← |
| 12:               | 9.2 ↓ |
| 13:               | 9.3 → |
| 14:               | 8.5 ← |
| 15:               | 9.1 ↘ |
| <b>Serie 45.1</b> |       |
| <b>Total 0.0</b>  |       |



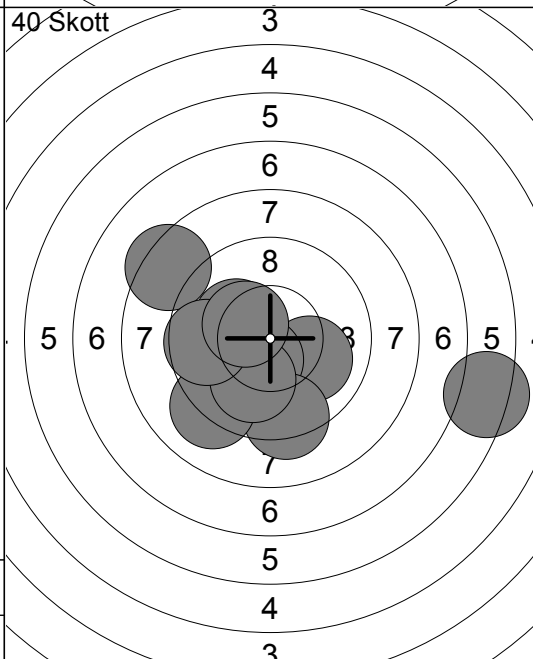
|                   |         |
|-------------------|---------|
| 1:                | 8.5 ←   |
| 2:                | 8.9 ←   |
| 3:                | 10.9x ↓ |
| 4:                | 10.3x ↘ |
| 5:                | 9.8 ↗   |
| 6:                | 9.6 ←   |
| 7:                | 10.1 ←  |
| 8:                | 8.3 →   |
| 9:                | 10.1 ←  |
| 10:               | 10.0 ↓  |
| <b>Serie 96.5</b> |         |
| <b>Total 96.5</b> |         |



|                    |         |
|--------------------|---------|
| 11:                | 9.9 ↗   |
| 12:                | 9.1 ↗   |
| 13:                | 10.0 ↓  |
| 14:                | 8.6 →   |
| 15:                | 10.9x ↘ |
| 16:                | 10.1 ↖  |
| 17:                | 10.4x ↘ |
| 18:                | 7.5 →   |
| 19:                | 8.9 ←   |
| 20:                | 9.6 ←   |
| <b>Serie 95.0</b>  |         |
| <b>Total 191.5</b> |         |



|                    |         |
|--------------------|---------|
| 21:                | 9.2 ←   |
| 22:                | 9.3 →   |
| 23:                | 8.7 ←   |
| 24:                | 10.8x ↓ |
| 25:                | 8.7 ←   |
| 26:                | 9.8 ←   |
| 27:                | 9.2 ←   |
| 28:                | 9.1 ←   |
| 29:                | 9.7 ↗   |
| 30:                | 7.5 ←   |
| <b>Serie 92.0</b>  |         |
| <b>Total 283.5</b> |         |



|                    |         |
|--------------------|---------|
| 31:                | 10.0 →  |
| 32:                | 10.2x ↘ |
| 33:                | 8.4 ↖   |
| 34:                | 10.5x ↓ |
| 35:                | 6.3 →   |
| 36:                | 9.3 ↓   |
| 37:                | 9.1 ↙   |
| 38:                | 10.0 ↓  |
| 39:                | 9.6 ←   |
| 40:                | 10.4x ↘ |
| <b>Serie 93.8</b>  |         |
| <b>Total 377.3</b> |         |