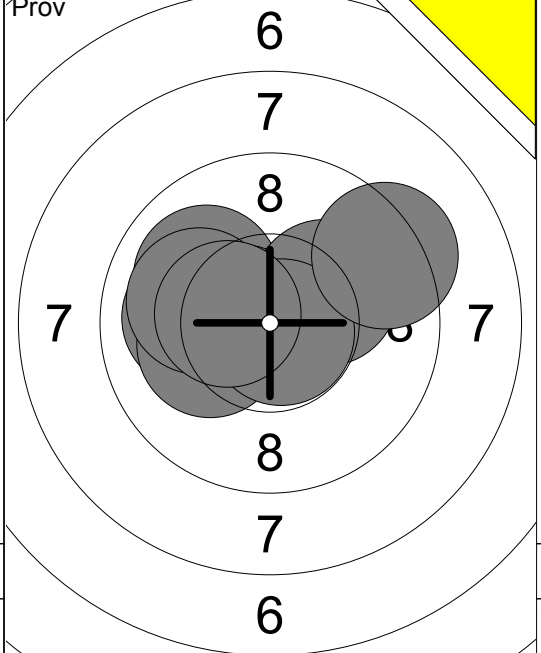
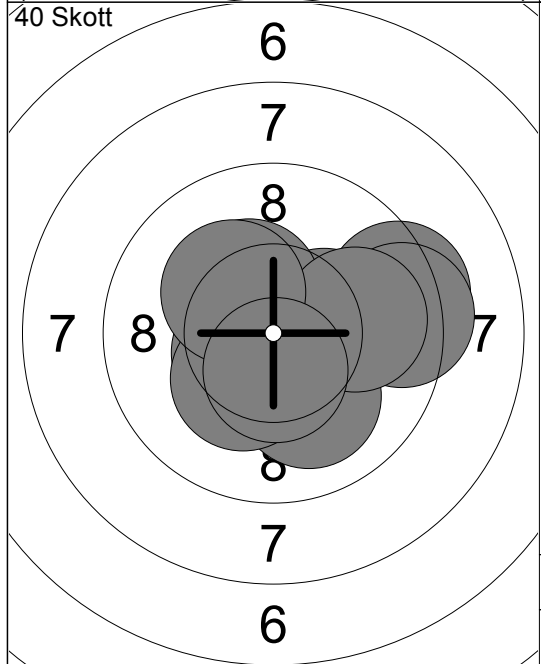


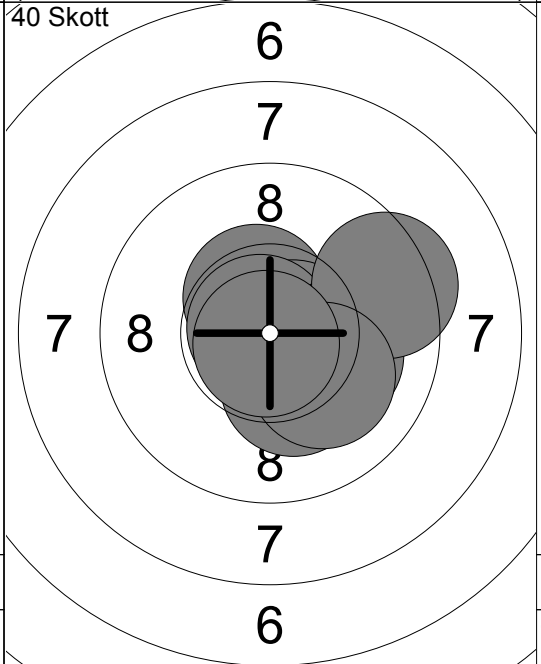
1:	10.6x↓
2:	10.3x>
3:	10.3x↖
4:	9.9 ↖
5:	10.8x↓
6:	10.4x↓
7:	10.6x↓
8:	10.5x↖
9:	10.6x↗
10:	10.0↙
Serie 104.0	
Total 0.0	



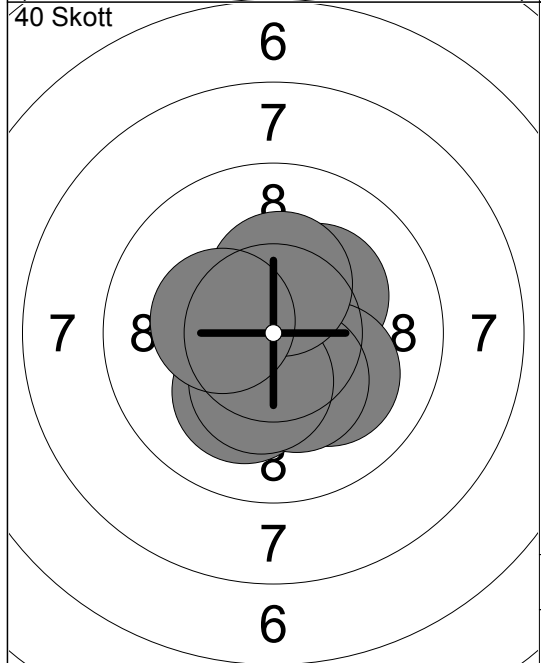
11:	10.0↖
12:	10.0↖
13:	10.6x↖
14:	10.2x↖
15:	10.0↖
16:	10.2x↗
17:	10.8x↓
18:	9.3 ↗
19:	10.4x↖
Serie 91.5	
Total 0.0	



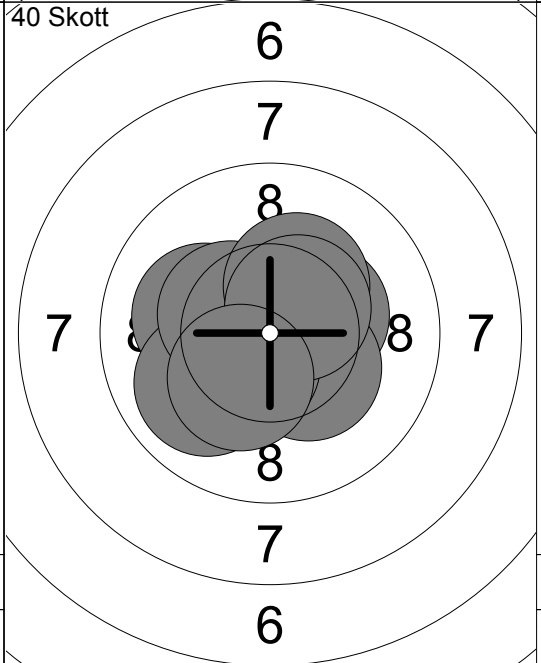
1:	9.3 ↗
2:	10.3x>
3:	10.1 ↓
4:	9.3 ↗
5:	10.4x↖
6:	10.5x↖
7:	10.3x↓
8:	9.9 ↗
9:	10.2x↖
10:	10.5x↓
Serie 100.8	
Total 100.8	



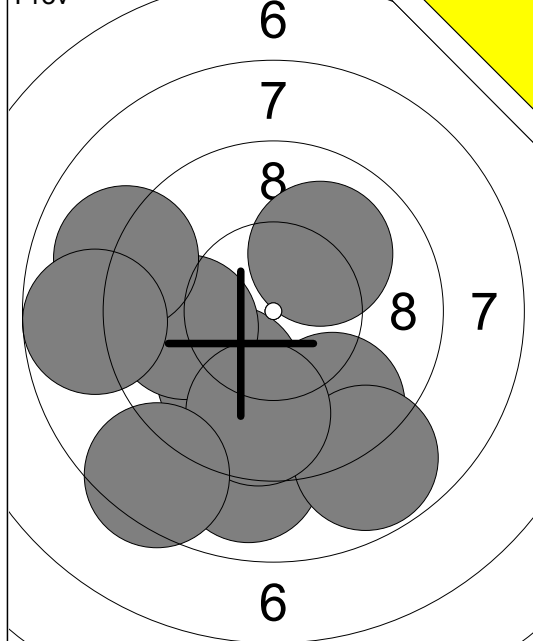
11:	10.6x↓
12:	10.5x↖
13:	10.4x>
14:	10.7x>
15:	10.3x↓
16:	10.8x↖
17:	10.2x>
18:	9.4 ↗
19:	10.1 ↓
20:	10.8x↓
Serie 103.8	
Total 204.6	



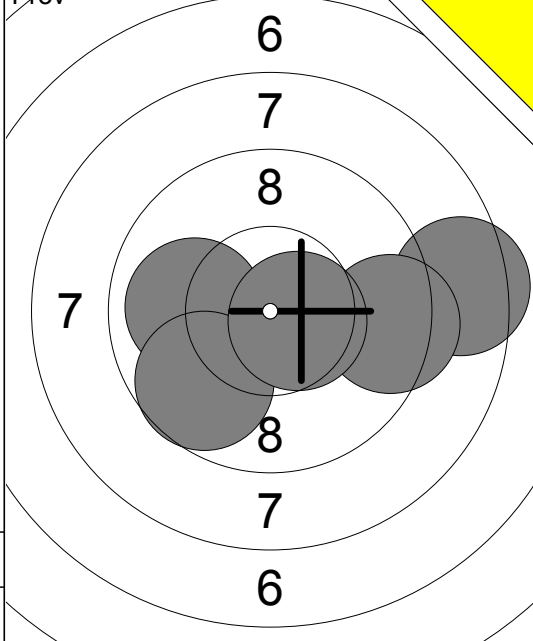
21:	10.5x>
22:	10.6x>
23:	10.2x↗
24:	10.5x↖
25:	10.1 ↓
26:	10.1 ↓
27:	10.3x↓
28:	10.3x↓
29:	10.3x↗
30:	10.3x↖
Serie 103.2	
Total 307.8	



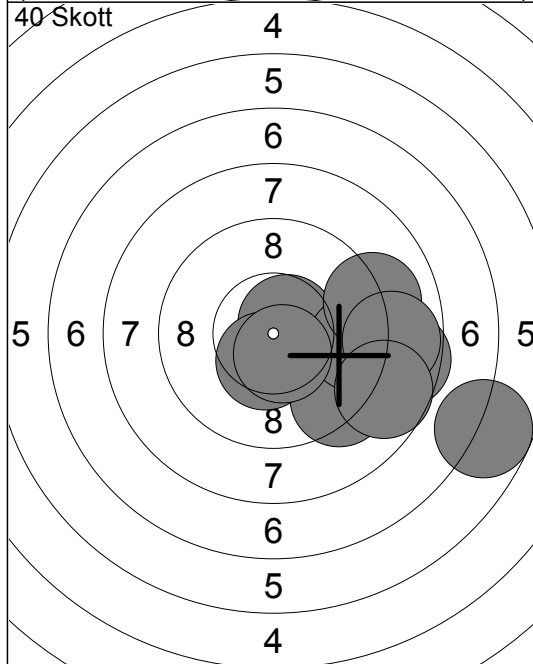
31:	10.7x>
32:	10.3x>
33:	10.1↖
34:	10.0↙
35:	10.3x↓
36:	10.5x↓
37:	10.4x↖
38:	10.3x↗
39:	10.5x↗
40:	10.3x↓
Serie 103.4	
Total 411.2	



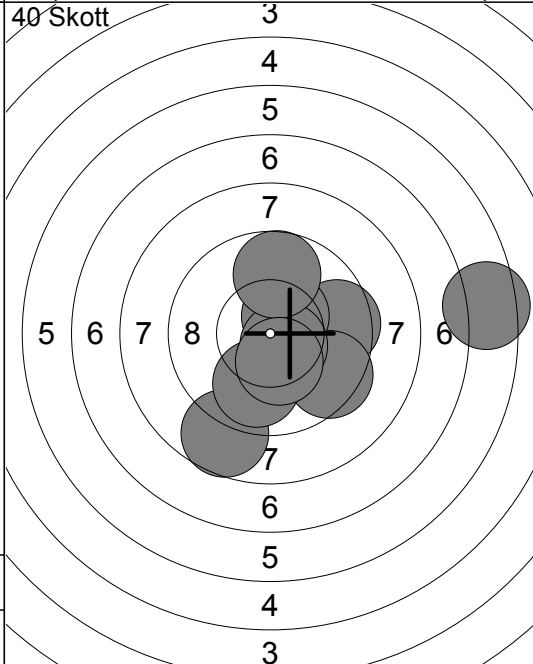
1:	10.0 ↗
2:	9.0 ↓
3:	10.0 ↘
4:	9.6 ↓
5:	8.8 ↓
6:	9.8 ←
7:	9.7 ↓
8:	9.0 ←
9:	8.5 ↓
10:	8.7 ←
Serie 93.1	
Total 0.0	



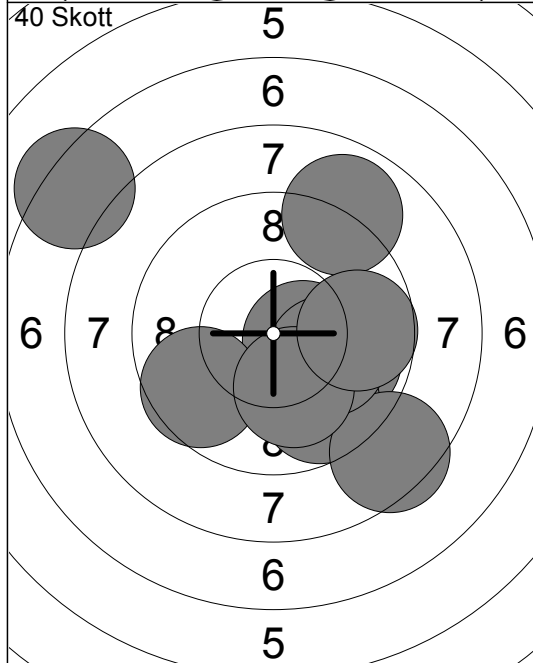
11:	8.5 →
12:	10.0 ←
13:	9.4 →
14:	9.7 ↘
15:	10.6x→
Serie 48.2	
Total 0.0	



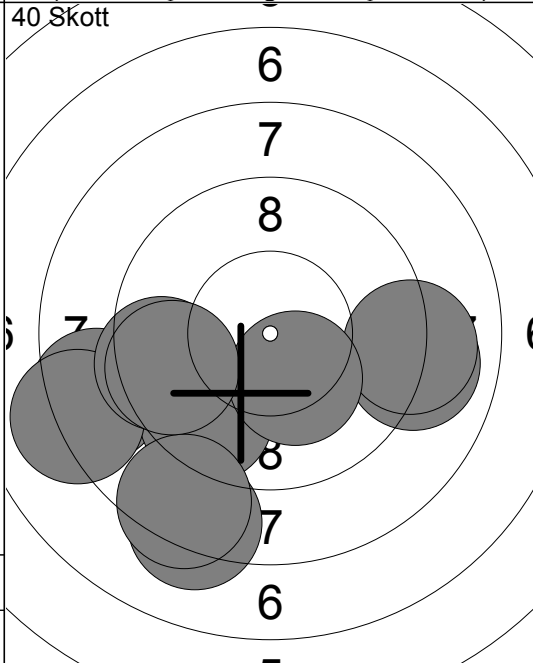
1:	9.3 ↘
2:	10.6x↗
3:	6.8 →
4:	8.6 →
5:	9.4 →
6:	9.1 →
7:	10.4x↘
8:	8.8 →
9:	8.7 →
10:	10.5x↘
Serie 92.2	
Total 92.2	



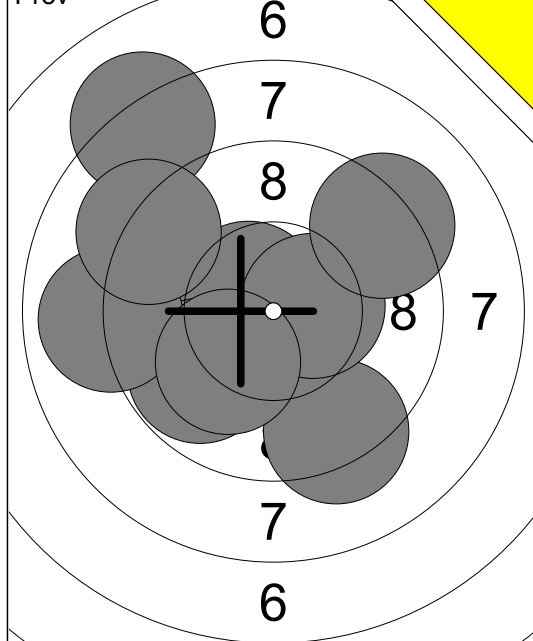
11:	8.7 ↓
12:	10.0 →
13:	9.6 →
14:	9.5 ↘
15:	10.5x↗
16:	10.6x↘
17:	9.7 ↑
18:	6.5 →
19:	9.9 ↓
20:	10.3x↘
Serie 95.3	
Total 187.5	



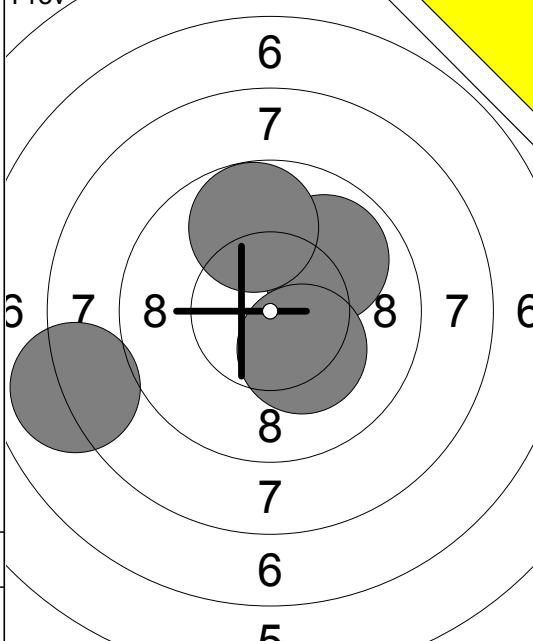
21:	9.9 →
22:	10.5x→
23:	7.3 ←
24:	9.7 ↓
25:	8.5 ↓
26:	9.6 ←
27:	10.1 →
28:	10.1 ↓
29:	8.9 ↑
30:	9.7 →
Serie 94.3	
Total 281.8	



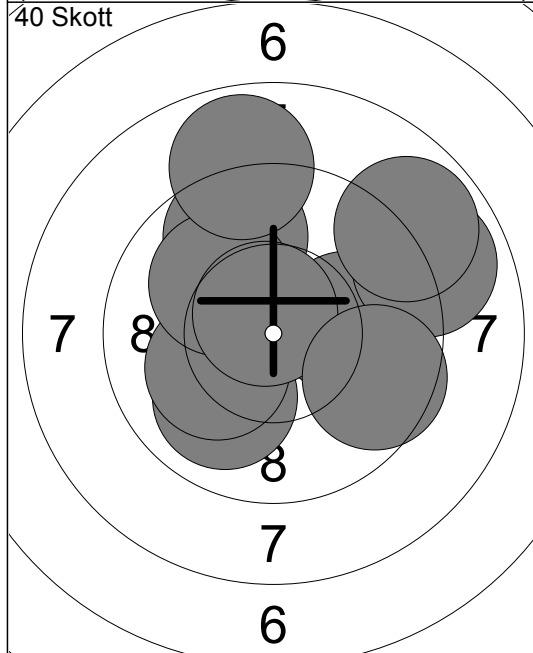
31:	8.5 ←
32:	9.0 →
33:	9.5 ↘
34:	8.1 ←
35:	8.2 ↓
36:	9.4 ←
37:	8.4 ↓
38:	9.1 →
39:	10.3x↘
40:	9.6 ←
Serie 90.1	
Total 371.9	



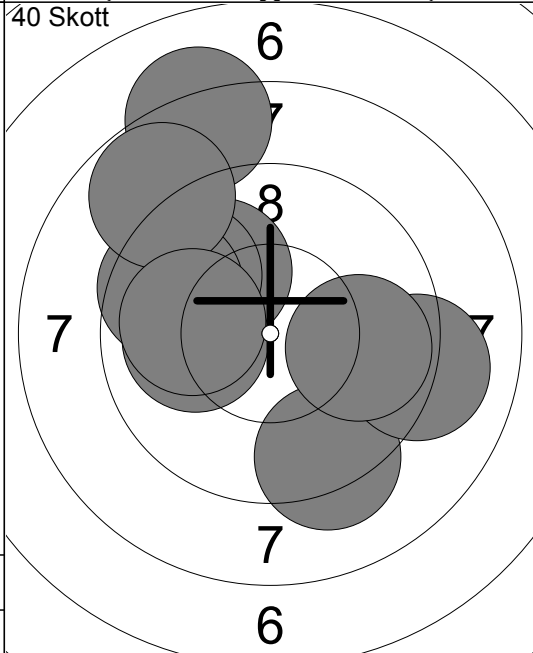
1:	10.4x↖
2:	9.3 ↓
3:	10.6x↖
4:	10.5x→
5:	9.8 ↙
6:	8.9 ←
7:	9.2 ↗
8:	10.1 ↙
9:	8.1 ↗
10:	9.1 ↖
Serie	96.0
Total	0.0



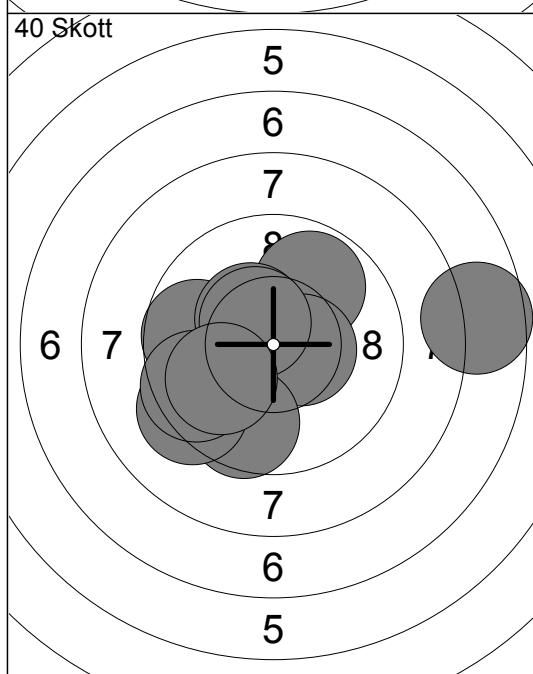
11:	8.0 ↙
12:	9.9 ↗
13:	9.8 ↑
14:	10.3x↘
Serie	38.0
Total	0.0



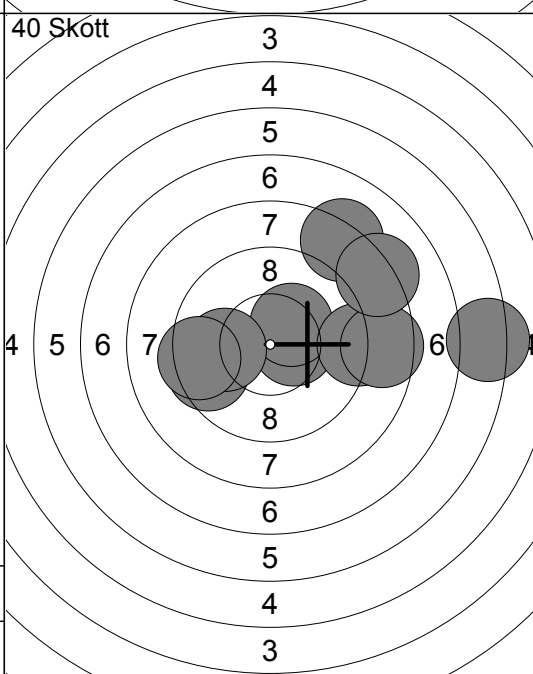
1:	9.7 ↗
2:	10.0 →
3:	8.9 ↗
4:	8.9 ↗
5:	10.0 ↙
6:	10.1 ↙
7:	10.1 ↖
8:	8.9 ↑
9:	10.7x↖
10:	9.6 →
Serie	96.9
Total	96.9



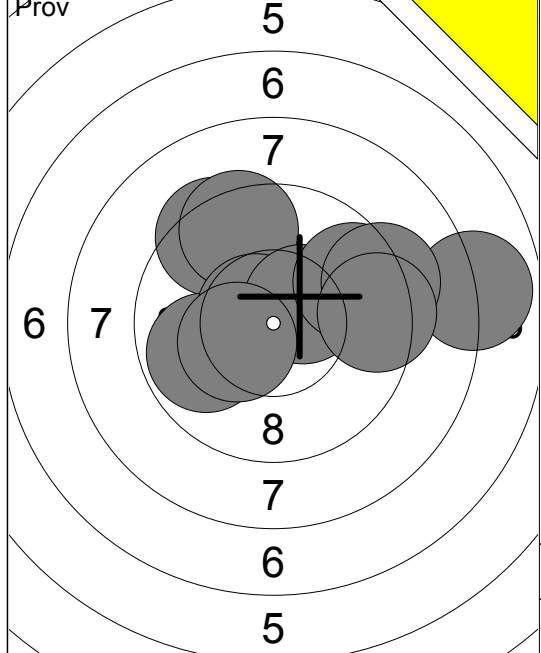
11:	10.0 ↖
12:	10.0 ←
13:	9.3 ↓
14:	9.1 →
15:	9.8 →
16:	8.2 ↑
17:	9.7 ↖
18:	9.6 ←
19:	8.8 ↗
20:	10.0 ←
Serie	94.5
Total	191.4



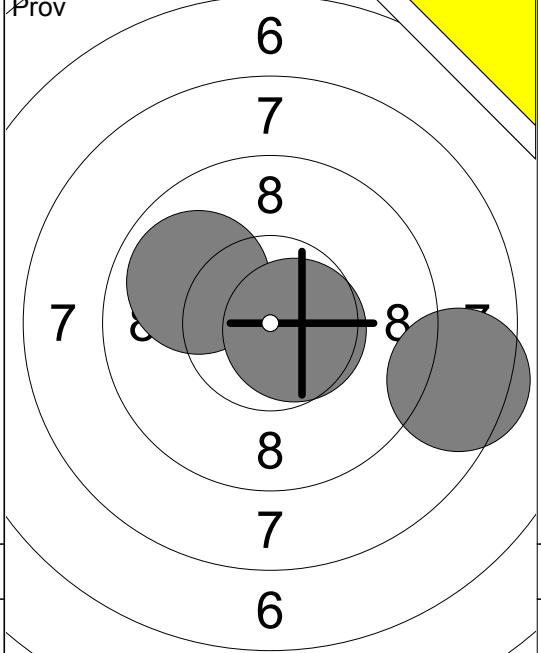
21:	9.7 ←
22:	7.6 →
23:	9.9 ↗
24:	10.5x→
25:	9.6 ↓
26:	10.4x↖
27:	10.5x↖
28:	9.3 ↙
29:	9.5 ↙
30:	9.9 ↙
Serie	96.9
Total	288.3



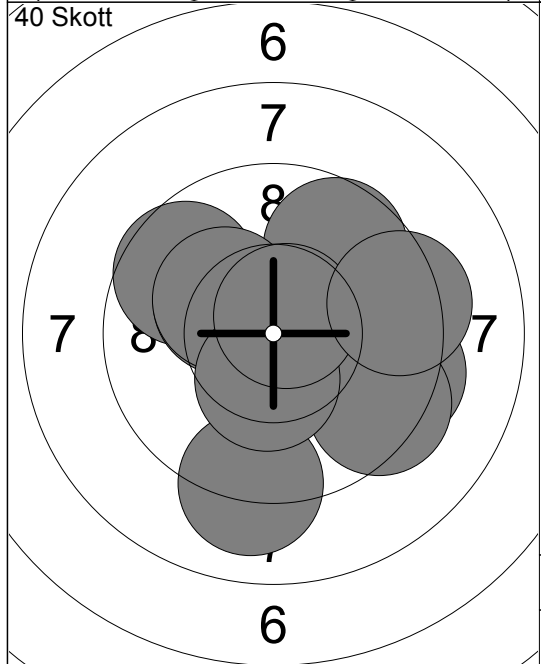
31:	10.5x→
32:	8.2 ↗
33:	10.3x↖
34:	9.5 ←
35:	10.0 ←
36:	6.2 →
37:	9.1 →
38:	8.5 →
39:	8.2 ↗
40:	9.4 ←
Serie	89.9
Total	378.2



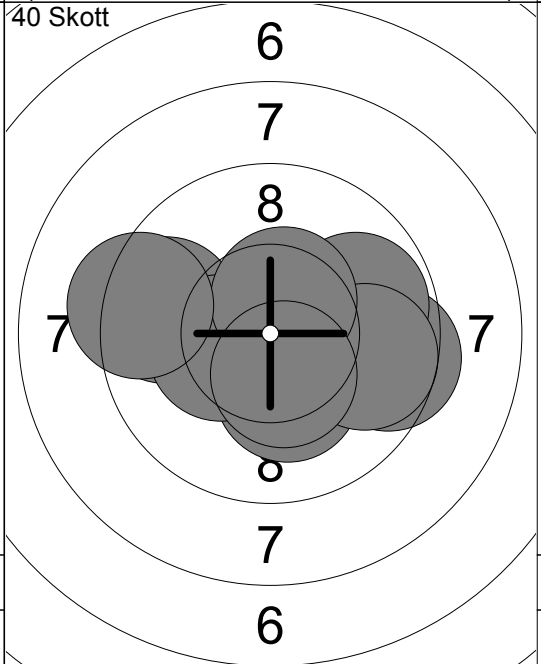
1:	7.9 →
2:	9.4 ↖
3:	9.5 ↗
4:	9.8 ↙
5:	10.6x ↘
6:	10.4x ↗
7:	9.6 →
8:	9.2 →
9:	10.3x ↘
10:	9.4 →
Serie	96.1
Total	0.0



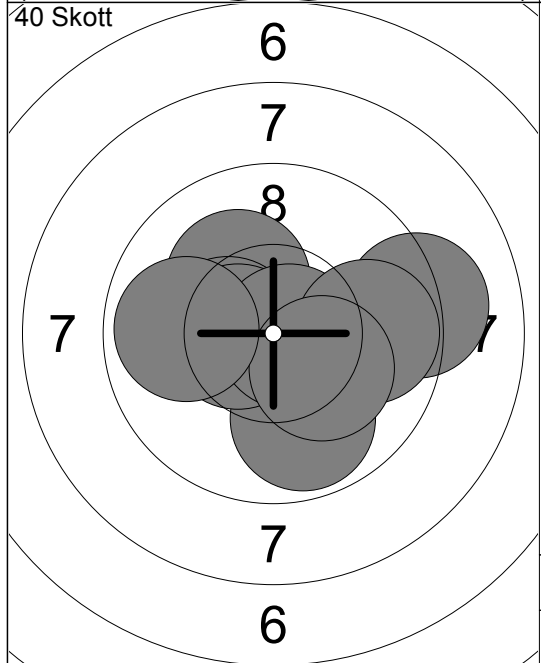
11:	9.9 ↖
12:	10.6x ↗
13:	8.5 →
Serie	29.0
Total	0.0



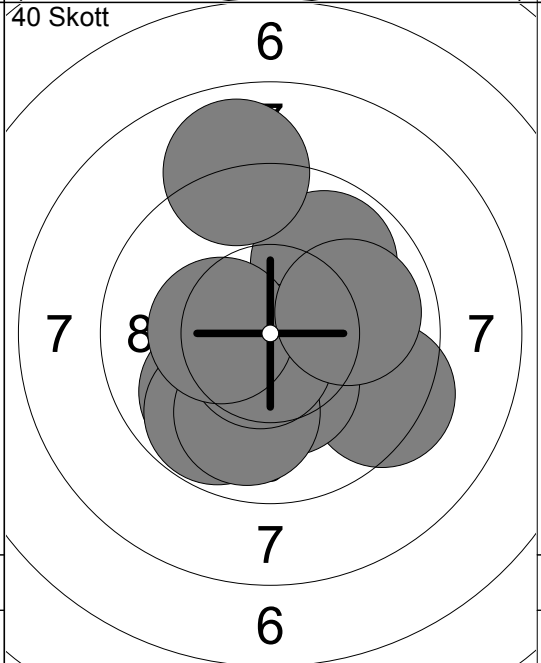
1:	9.1 ↓
2:	9.4 →
3:	9.6 ↖
4:	9.4 →
5:	9.7 ↗
6:	10.2x ↘
7:	10.2x ↘
8:	10.4x ↓
9:	10.7x ↗
10:	9.3 →
Serie	98.0
Total	98.0



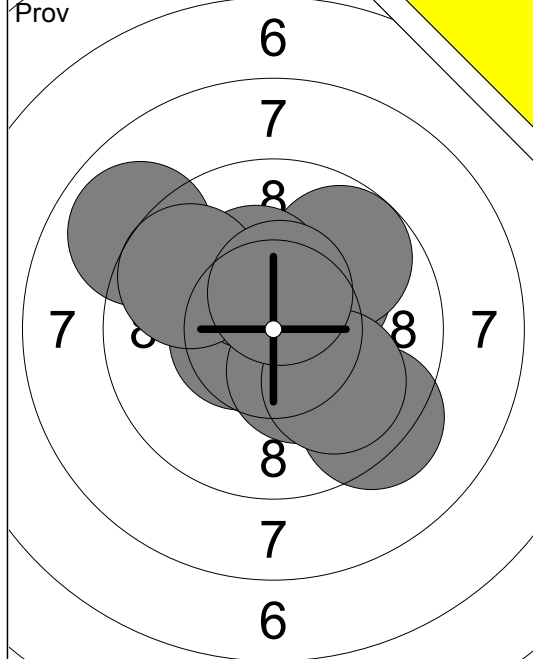
11:	9.6 ↙
12:	10.8x ↘
13:	10.2x ↓
14:	9.5 →
15:	9.8 →
16:	10.3x ↘
17:	9.8 →
18:	10.5x ↗
19:	9.3 ↙
20:	10.4x ↓
Serie	100.2
Total	198.2



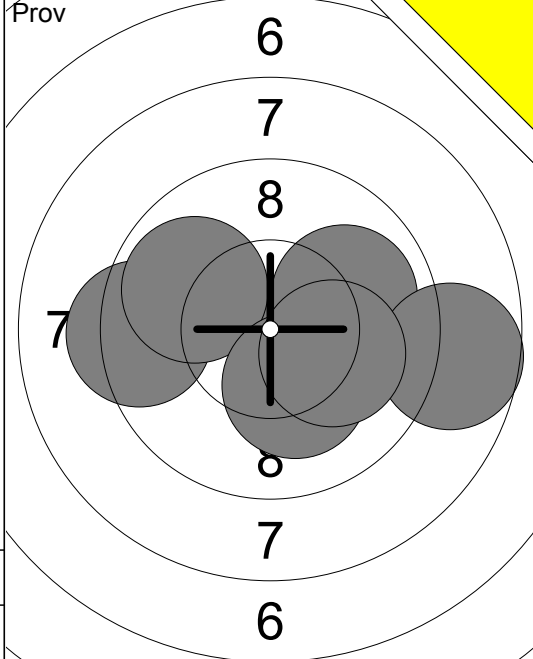
21:	10.2x ↘
22:	10.6x ↗
23:	10.4x ↘
24:	9.8 ↓
25:	10.5x ↘
26:	9.2 →
27:	10.7x ↗
28:	9.8 →
29:	10.2x ↗
30:	9.9 ↙
Serie	101.3
Total	299.5



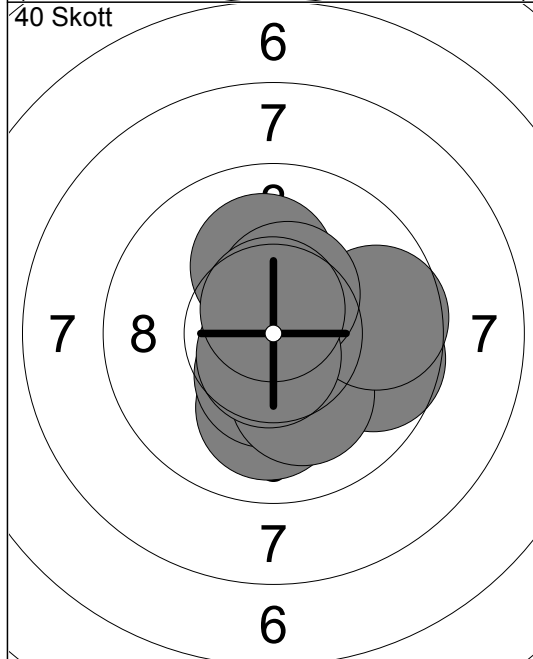
31:	9.9 ↗
32:	9.9 ↙
33:	8.9 ↗
34:	9.4 →
35:	10.3x ↓
36:	9.8 ↙
37:	9.9 ↓
38:	10.6x ↓
39:	10.3x ↘
40:	10.0 →
Serie	99.0
Total	398.5



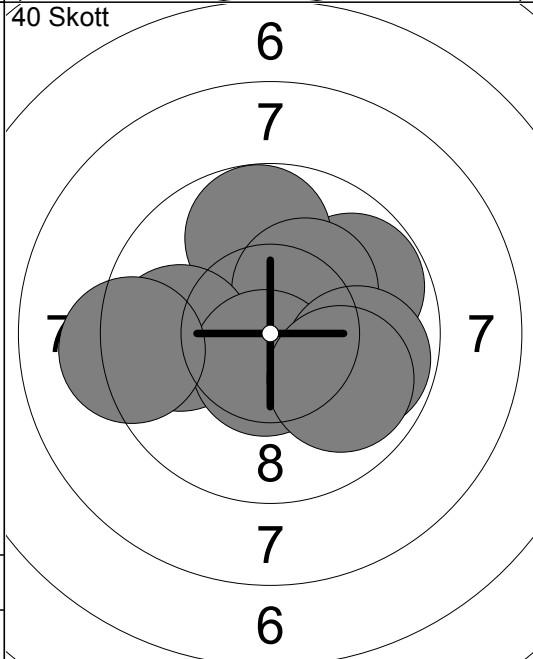
1:	9.3 ↘
2:	10.5x ↗
3:	10.3x ↘
4:	10.2x ↗
5:	9.8 ↗
6:	10.0 ↘
7:	10.3x ↗
8:	8.9 ↖
9:	9.7 ↖
10:	10.5x ↗
Serie 99.5	
Total 0.0	



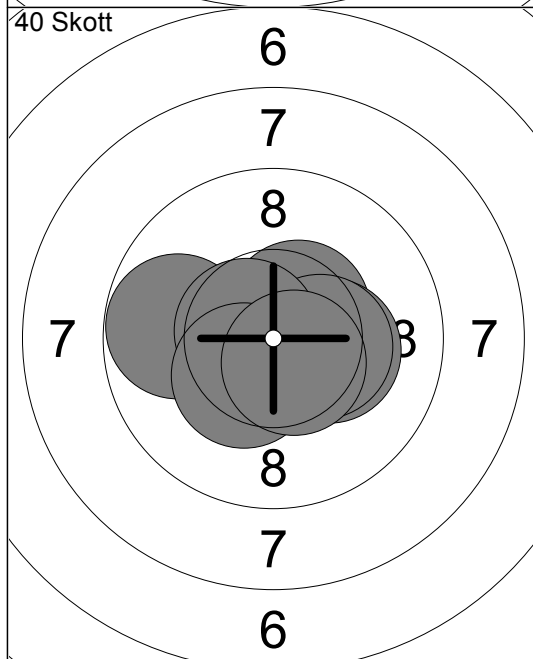
11:	9.3 ↖
12:	10.2x ↗
13:	9.9 ↖
14:	10.2x ↘
15:	10.0 ↗
16:	8.7 →
17:	10.1 ↗
Serie 68.4	
Total 0.0	



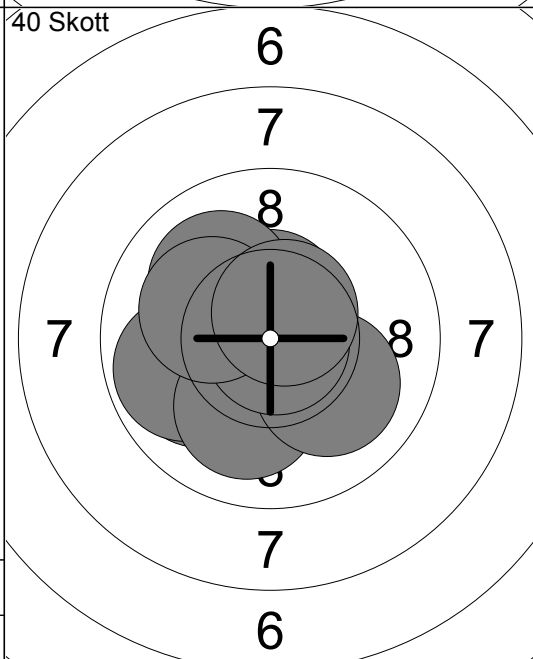
1:	10.0 ↓
2:	9.7 →
3:	10.4x ↓
4:	9.7 →
5:	10.1 ↓
6:	10.1 ↑
7:	9.7 →
8:	10.4x ↗
9:	10.7x ↓
10:	10.7x ↗
Serie 101.5	
Total 101.5	



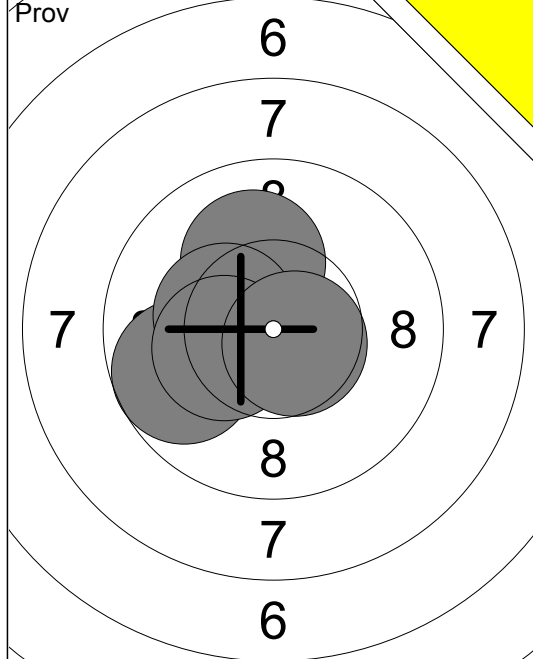
11:	10.5x ↗
12:	9.8 ↗
13:	10.4x ↗
14:	9.8 ↑
15:	10.3x ↗
16:	9.8 ↖
17:	10.6x ↓
18:	9.2 ↖
19:	9.8 →
20:	9.9 ↘
Serie 100.1	
Total 201.6	



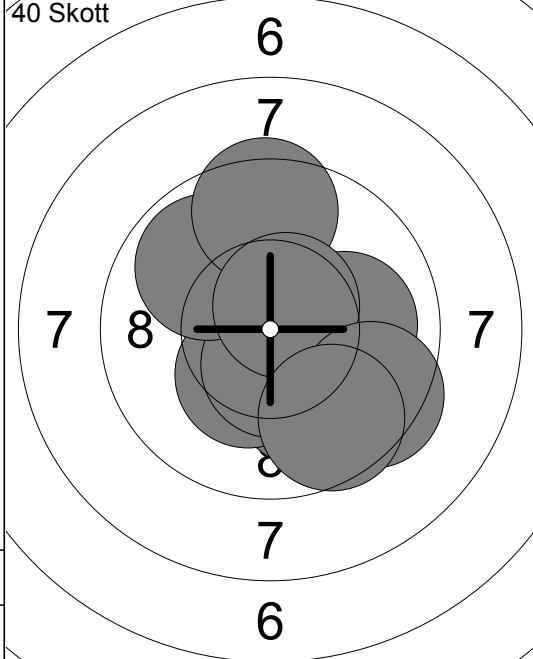
21:	10.8x ↗
22:	10.5x ↗
23:	10.5x ↗
24:	10.2x ↗
25:	9.8 ↖
26:	10.7x ↓
27:	10.4x ↗
28:	10.6x ↗
29:	10.4x ↓
30:	10.6x ↘
Serie 104.5	
Total 306.1	



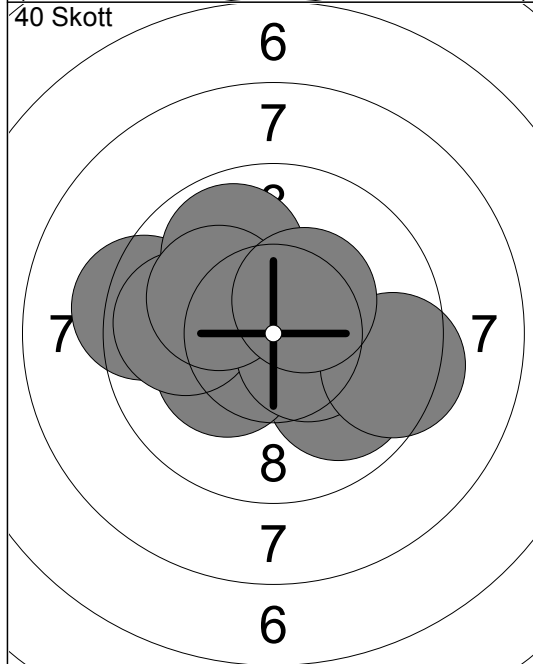
31:	10.0 ↖
32:	10.7x ↗
33:	10.5x ↗
34:	9.9 ↖
35:	10.1 ↓
36:	10.1 ↘
37:	10.9x ↗
38:	10.0 ↖
39:	10.1 ↖
40:	10.6x ↗
Serie 102.9	
Total 409.0	



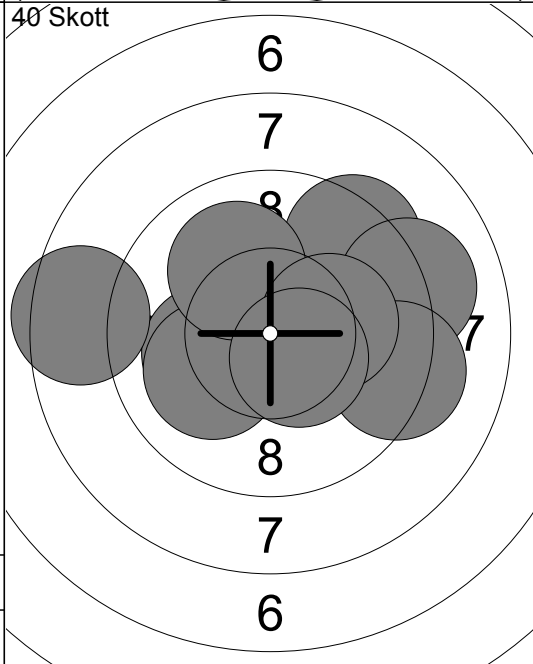
1:	9.7	←
2:	10.7	↘
3:	10.1	↑
4:	10.3	↘
5:	10.3	↘
6:	10.6	↘
Serie		61.7
Total		0.0



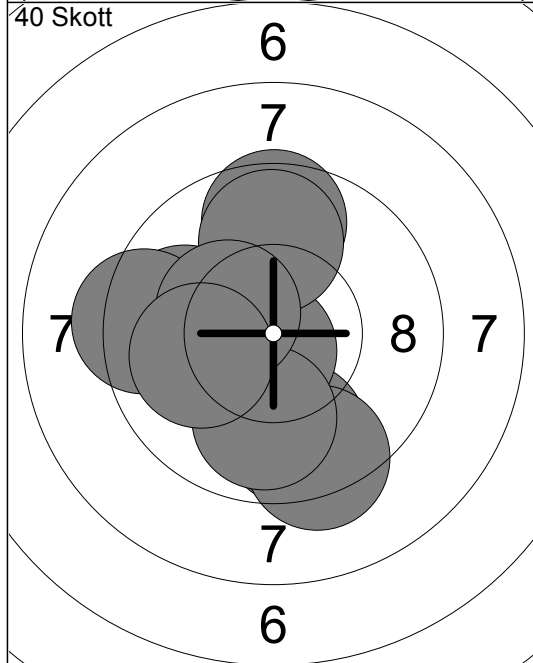
1:	10.5	↘
2:	10.0	↓
3:	10.3	↘
4:	10.5	↓
5:	9.9	↖
6:	9.5	↑
7:	10.0	→
8:	10.6	↗
9:	9.5	↘
10:	9.6	↓
Serie		100.4
Total		100.4



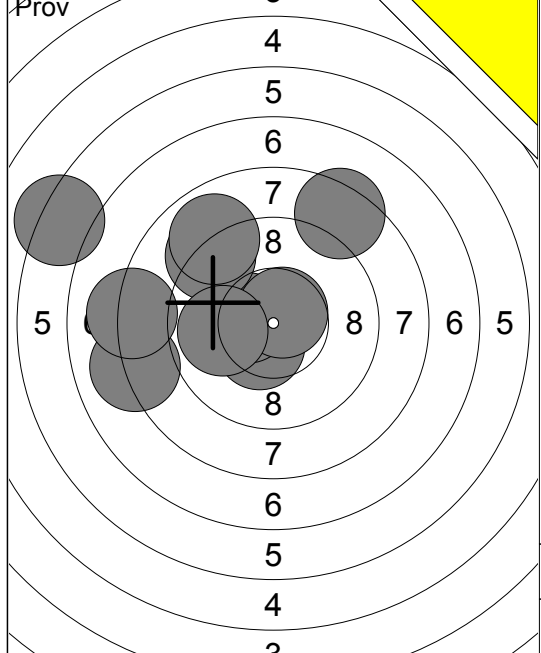
11:	10.2	↘
12:	9.9	↓
13:	10.3	↘
14:	9.3	←
15:	9.9	←
16:	10.5	↘
17:	9.9	↑
18:	10.1	↖
19:	9.4	→
20:	10.4	↗
Serie		99.9
Total		200.3



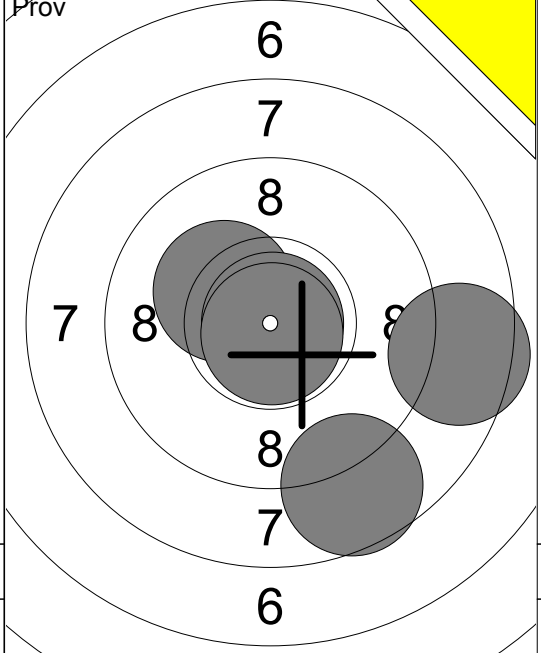
21:	9.4	↗
22:	9.4	↗
23:	10.2	↘
24:	10.1	↖
25:	9.1	→
26:	9.3	→
27:	8.5	←
28:	10.0	↖
29:	10.2	↗
30:	10.5	↘
Serie		96.7
Total		297.0



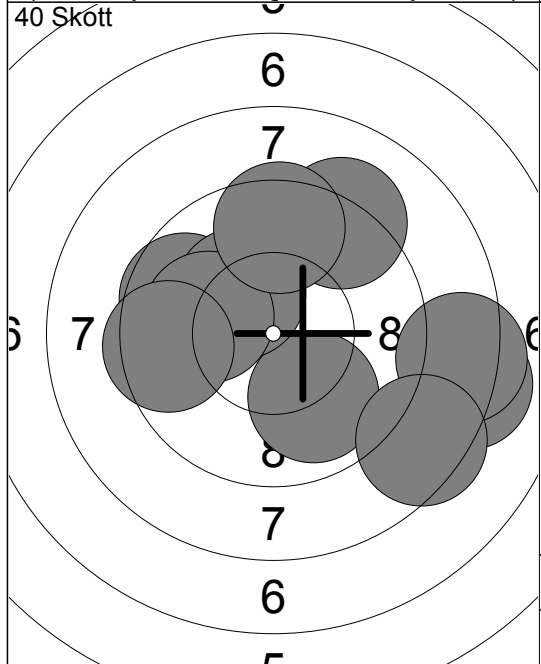
31:	9.7	↓
32:	9.8	←
33:	9.3	↓
34:	10.7	↘
35:	9.9	↓
36:	9.6	↑
37:	9.3	←
38:	9.8	↑
39:	10.3	↘
40:	10.0	←
Serie		98.4
Total		395.4



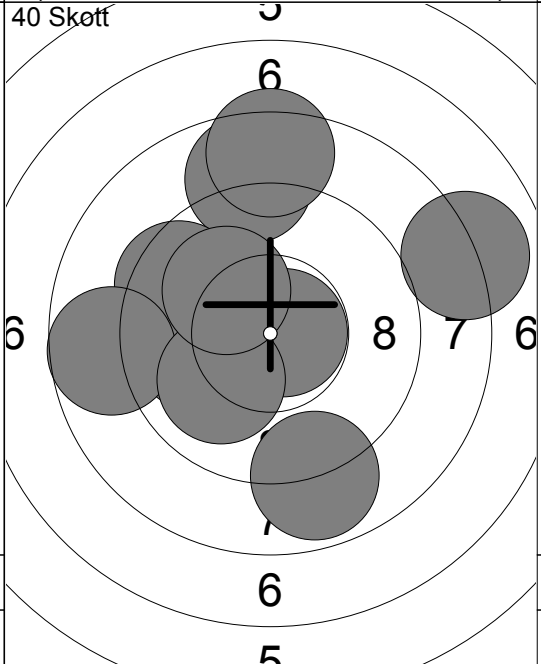
1:	6.2 ↖
2:	8.1 ←
3:	10.5x ↘
4:	10.4x ↗
5:	8.1 ←
6:	8.4 ↗
7:	9.1 ↖
8:	10.7x ↗
9:	9.9 ←
10:	8.9 ↖
Serie 90.3	
Total 0.0	



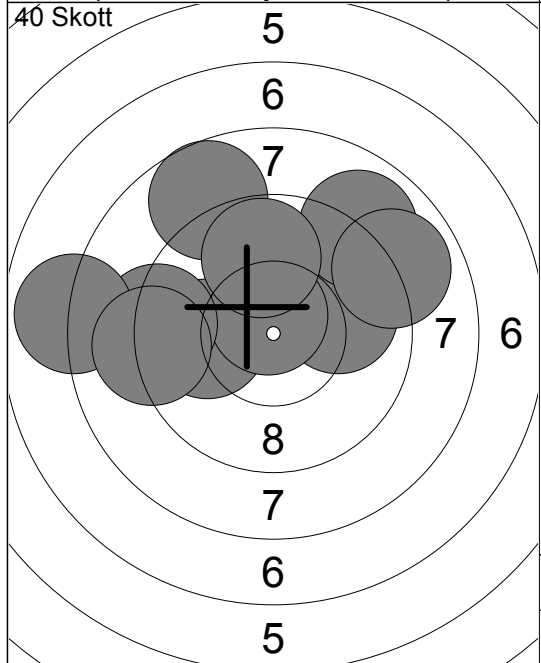
11:	8.5 →
12:	10.2x ↗
13:	8.6 ↓
14:	10.9x →
15:	10.8x ↘
Serie 49.0	
Total 0.0	



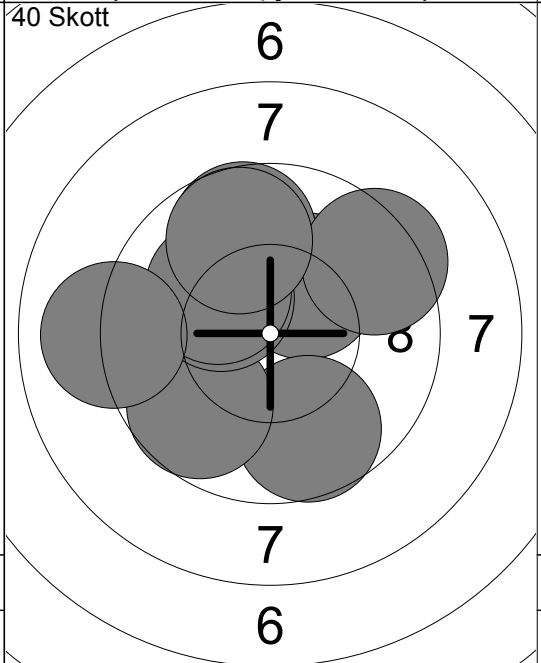
1:	8.2 →
2:	9.6 ←
3:	9.9 ↓
4:	10.2x ↗
5:	9.2 ↗
6:	8.4 →
7:	10.0 ←
8:	9.5 ↑
9:	9.5 ←
10:	8.5 ↓
Serie 93.0	
Total 93.0	



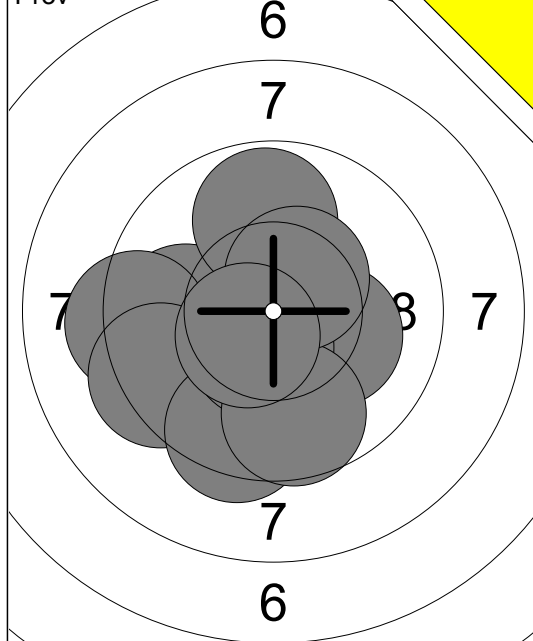
11:	8.8 ↑
12:	8.0 →
13:	9.9 ←
14:	8.9 ↓
15:	10.8x →
16:	9.5 ←
17:	8.7 ←
18:	10.0 ↘
19:	8.4 ↑
20:	10.1 ↖
Serie 93.1	
Total 186.1	



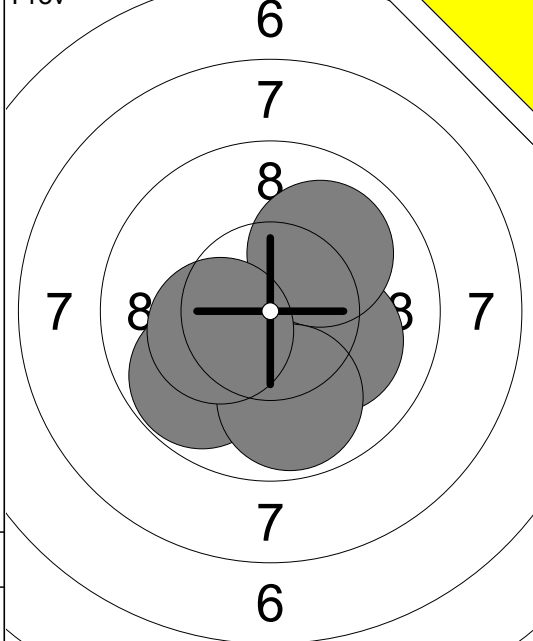
21:	10.0 ←
22:	8.7 ↖
23:	9.9 →
24:	8.9 ↗
25:	10.7x ↗
26:	9.2 ←
27:	9.8 ↑
28:	7.9 ←
29:	8.9 →
30:	9.1 ←
Serie 93.1	
Total 279.2	



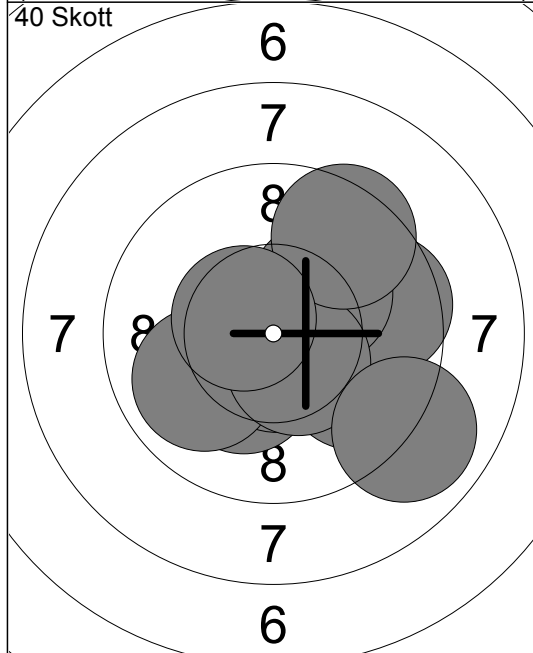
31:	10.2x ↗
32:	9.7 ↓
33:	9.7 ↑
34:	10.2x ↗
35:	9.7 ↘
36:	9.4 ↗
37:	10.2x ↗
38:	10.1 ↖
39:	9.7 ↑
40:	9.0 ←
Serie 97.9	
Total 377.1	



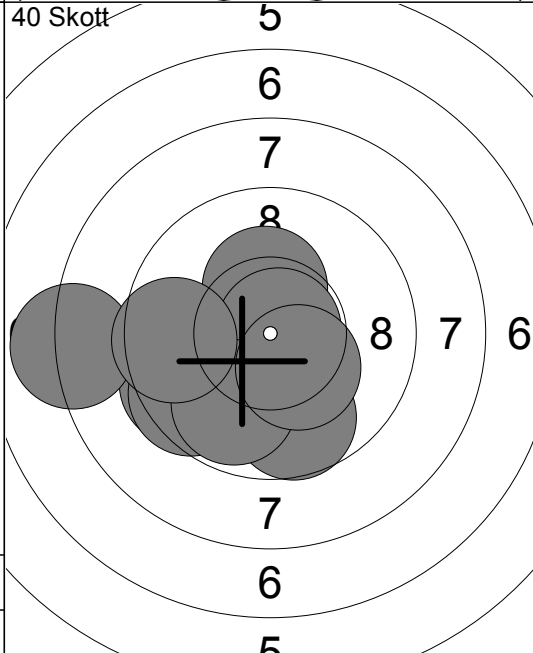
1:	9.9	←
2:	9.3	←
3:	9.3	↙
4:	9.4	↓
5:	10.2	→
6:	10.5	↘
7:	9.7	↓
8:	9.8	↑
9:	10.5	↗
10:	10.5	↘
Serie		99.1
Total		0.0



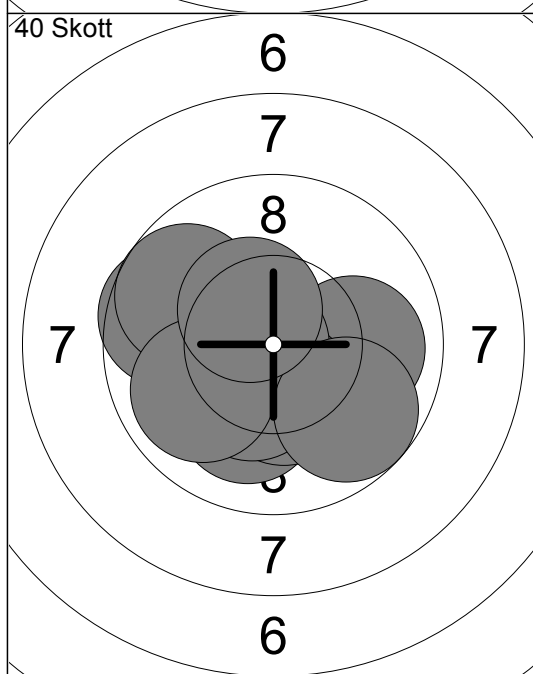
11:	10.1	→
12:	9.8	↙
13:	10.0	↗
14:	9.9	↓
15:	10.3	↘
Serie		50.1
Total		0.0



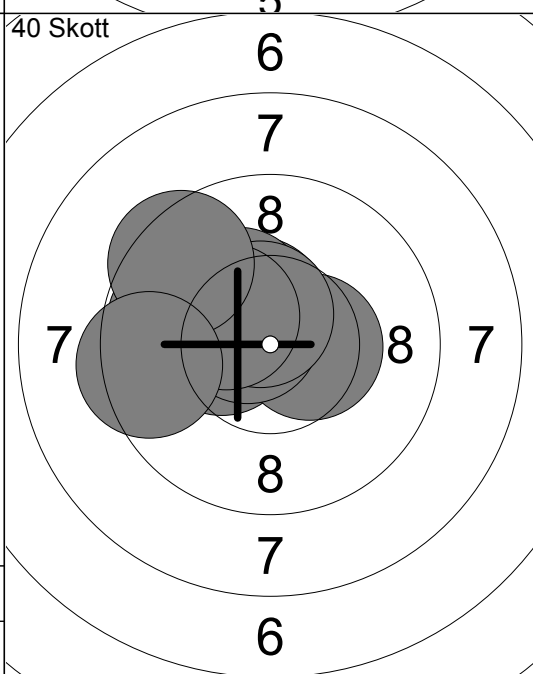
1:	9.8	→
2:	10.3	↘
3:	9.6	→
4:	10.2	↗
5:	10.6	↘
6:	9.9	↙
7:	10.5	↘
8:	9.5	↗
9:	9.0	→
10:	10.5	↘
Serie		99.9
Total		99.9



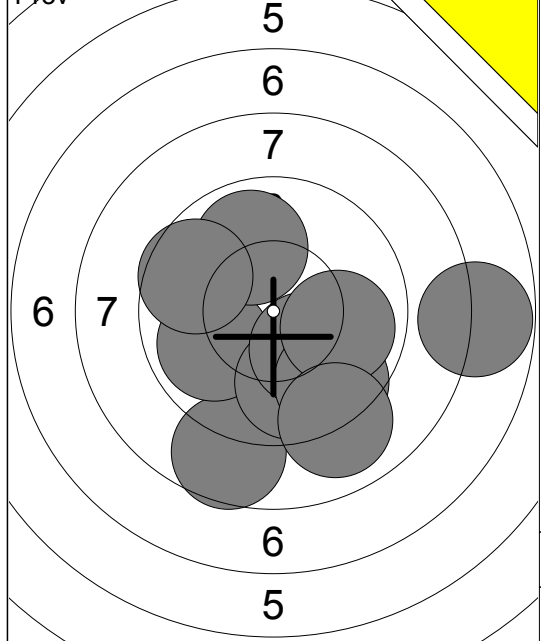
11:	10.3	↗
12:	10.4	↘
13:	9.7	↓
14:	9.5	↙
15:	8.1	←
16:	10.8	↗
17:	9.5	↙
18:	9.8	↓
19:	10.3	↘
20:	9.6	←
Serie		98.0
Total		197.9



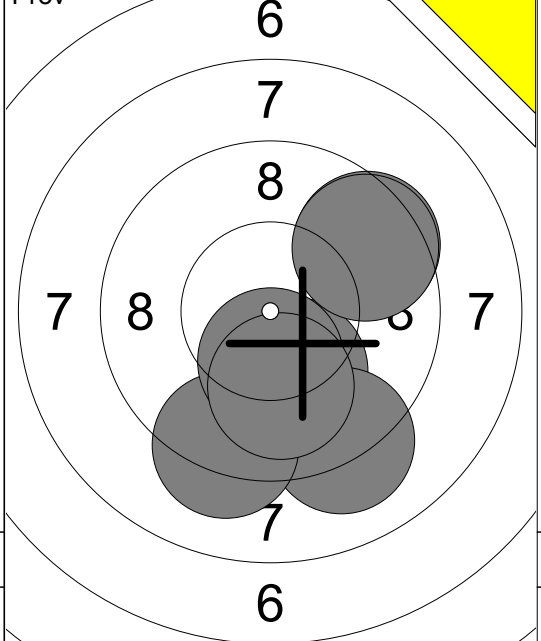
21:	10.0	→
22:	10.1	↓
23:	10.3	↘
24:	10.7	↘
25:	10.3	↘
26:	9.7	↓
27:	9.6	←
28:	9.7	↙
29:	9.9	↙
30:	10.4	↘
Serie		100.7
Total		298.6



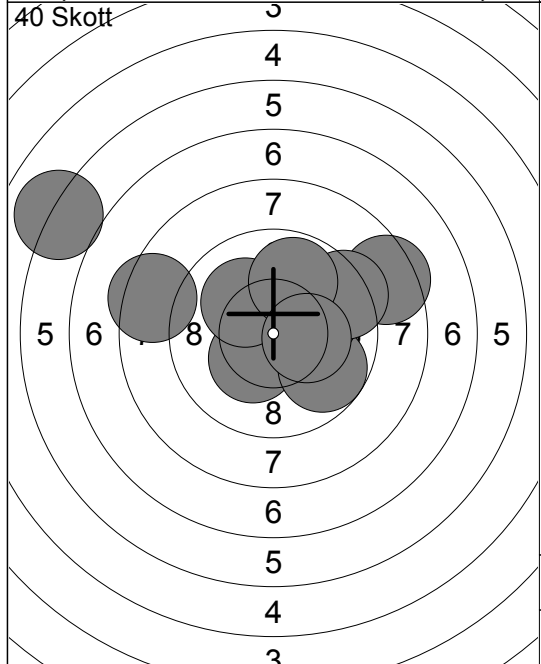
31:	10.5	↗
32:	10.4	↘
33:	10.5	→
34:	10.6	↘
35:	10.3	↘
36:	9.8	←
37:	10.6	↗
38:	10.3	↘
39:	9.5	↙
40:	9.4	←
Serie		101.9
Total		400.5



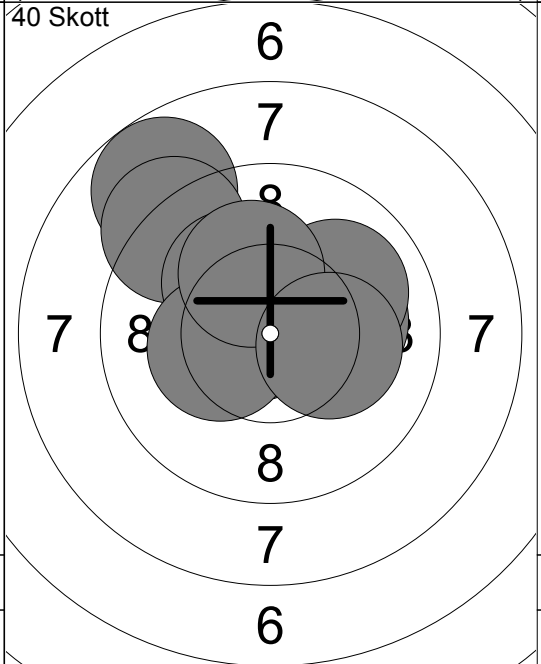
1:	8.6	↘
2:	9.9	↙
3:	9.8	↘
4:	10.2	↘
5:	9.5	↘
6:	7.8	→
7:	9.9	↗
8:	9.9	→
9:	9.0	↘
10:	9.6	↙
Serie		94.2
Total		0.0



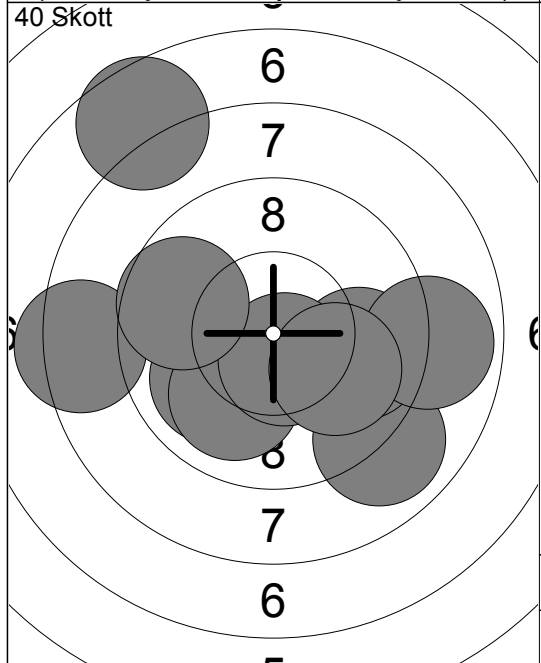
11:	9.5	↗
12:	10.2	↘
13:	9.1	↘
14:	9.2	↘
15:	10.3	↘
16:	10.0	↘
17:	9.5	↗
Serie		67.8
Total		0.0



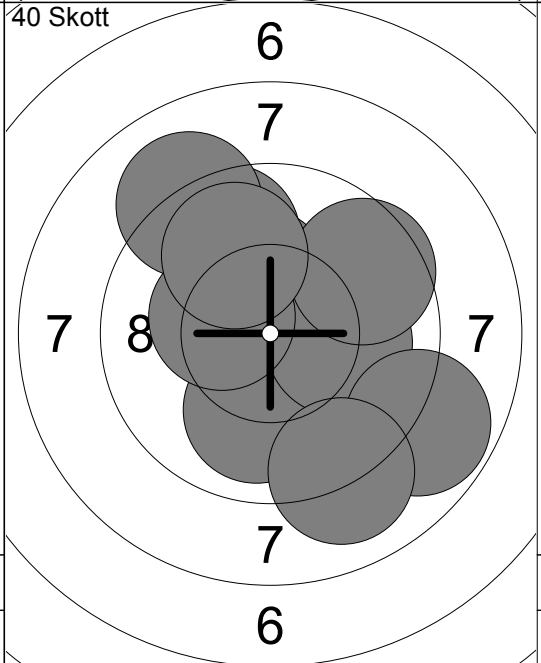
1:	6.0	↙
2:	10.3	↘
3:	9.8	↘
4:	10.0	↗
5:	8.4	↗
6:	8.4	↙
7:	10.1	↖
8:	9.3	↗
9:	9.8	↗
10:	10.3	↗
Serie		92.4
Total		92.4



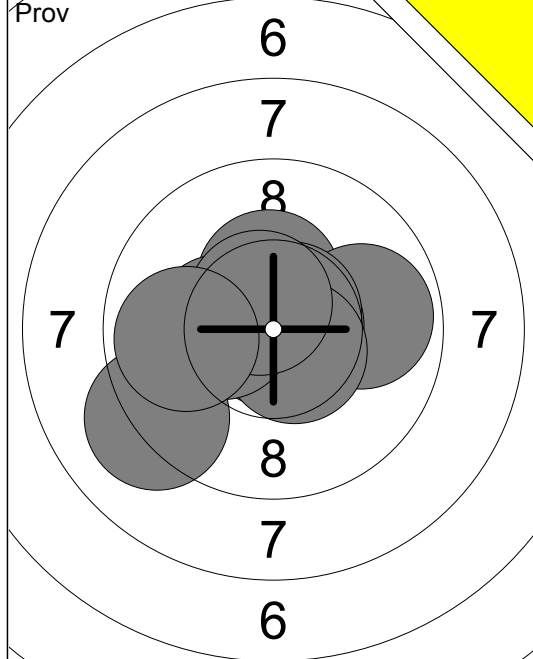
11:	8.8	↖
12:	9.2	↖
13:	10.1	→
14:	10.6	↗
15:	10.8	↘
16:	10.2	↘
17:	10.3	↘
18:	10.0	↗
19:	10.2	↗
20:	10.2	↗
Serie		100.4
Total		192.8



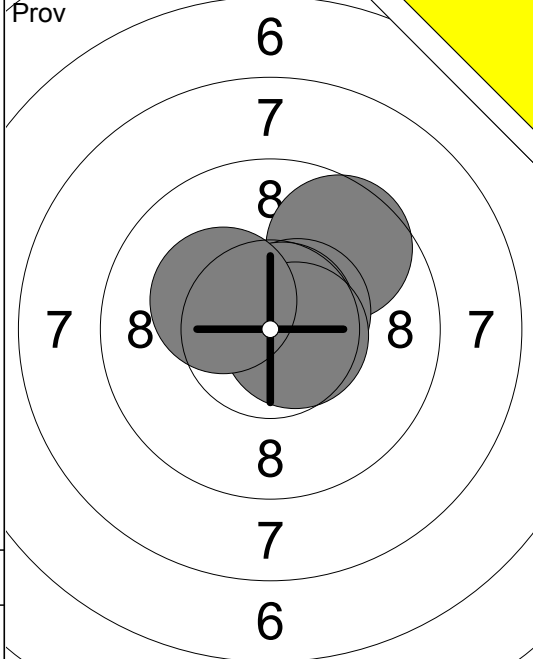
21:	10.0	↙
22:	8.9	↘
23:	9.8	→
24:	10.0	↘
25:	8.4	↙
26:	8.9	→
27:	10.6	↘
28:	7.6	↗
29:	10.0	↘
30:	9.7	↙
Serie		93.9
Total		286.7



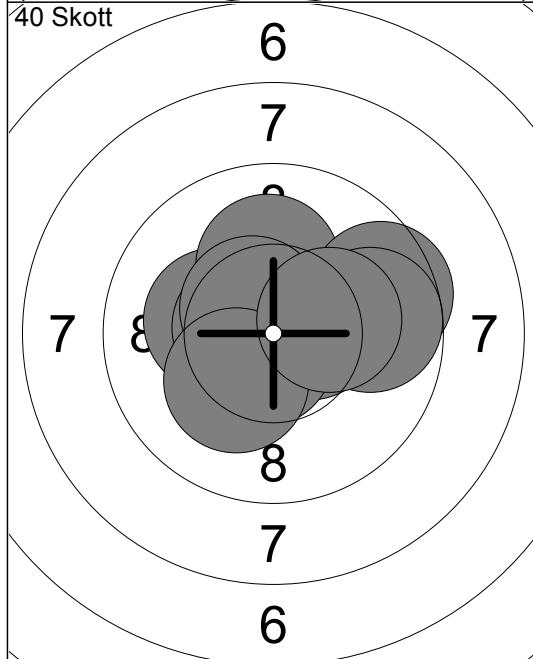
31:	10.3	↗
32:	10.0	↘
33:	10.1	→
34:	9.7	↗
35:	8.8	↘
36:	10.3	↘
37:	9.1	↖
38:	9.6	↗
39:	9.0	↘
40:	9.9	↗
Serie		96.8
Total		383.5



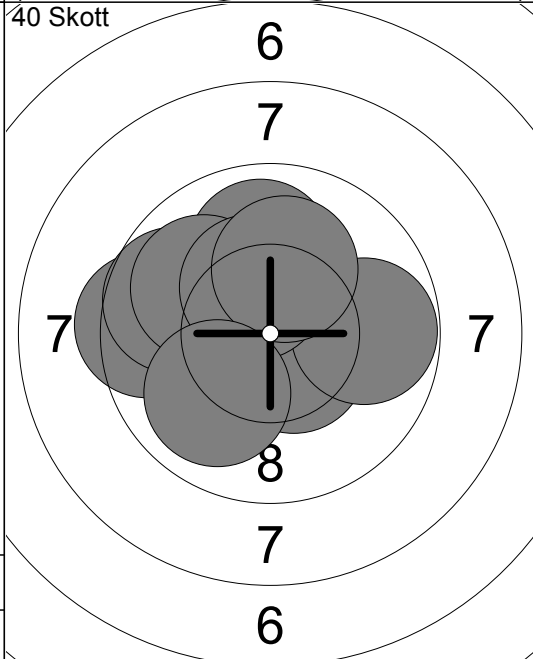
1:	10.4x ↗
2:	9.1 ↙
3:	9.8 →
4:	10.9x ↘
5:	10.7x ➤
6:	10.7x ↗
7:	10.6x ↘
8:	10.3x ↙
9:	10.6x ↗
10:	9.9 ←
Serie	103.0
Total	0.0



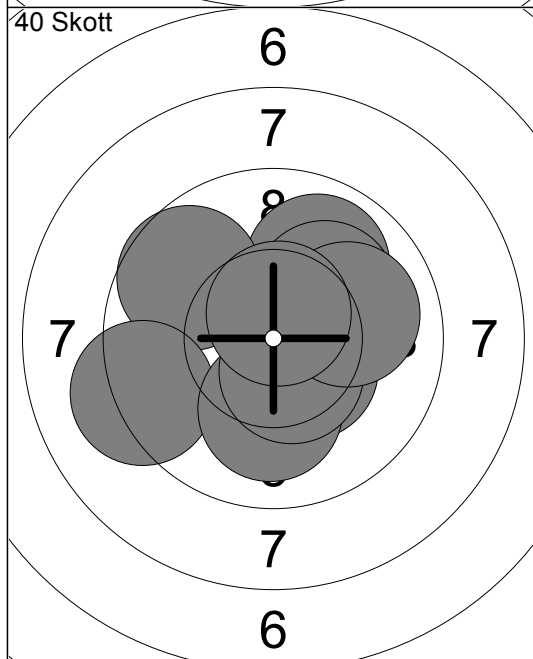
11:	9.6 ↗
12:	10.6x ↗
13:	10.7x ↗
14:	10.6x ➤
15:	10.3x ↙
Serie	51.8
Total	0.0



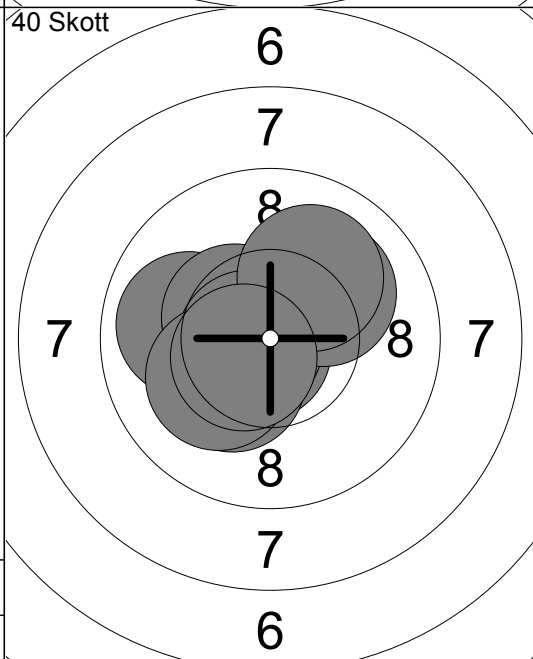
1:	10.2x ↙
2:	10.6x ↙
3:	10.5x ➤
4:	10.7x ↘
5:	10.1 ↑
6:	10.5x ↘
7:	9.5 →
8:	10.2x ↘
9:	9.7 →
10:	10.2x ➤
Serie	102.2
Total	102.2



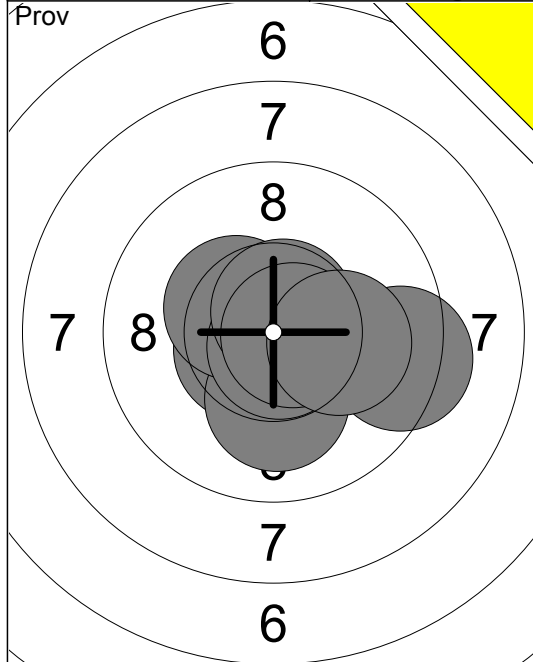
11:	9.4 ←
12:	9.9 ↑
13:	10.9x ↘
14:	9.7 ↙
15:	10.0 ↙
16:	10.5x ↘
17:	9.8 →
18:	10.3x ↗
19:	10.1 ↑
20:	10.0 ↘
Serie	100.6
Total	202.8



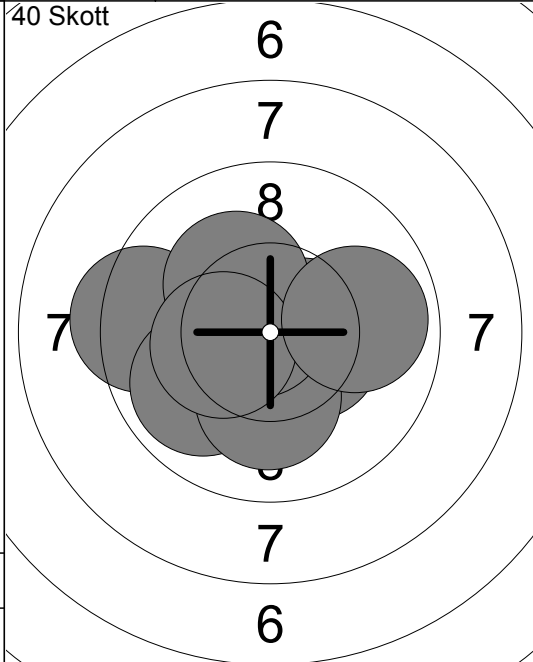
21:	9.9 ↗
22:	10.1 ↗
23:	9.7 ↙
24:	10.4x ↘
25:	9.2 ↙
26:	10.5x ➤
27:	10.1 ↘
28:	10.5x ↘
29:	10.0 →
30:	10.6x ↗
Serie	101.0
Total	303.8



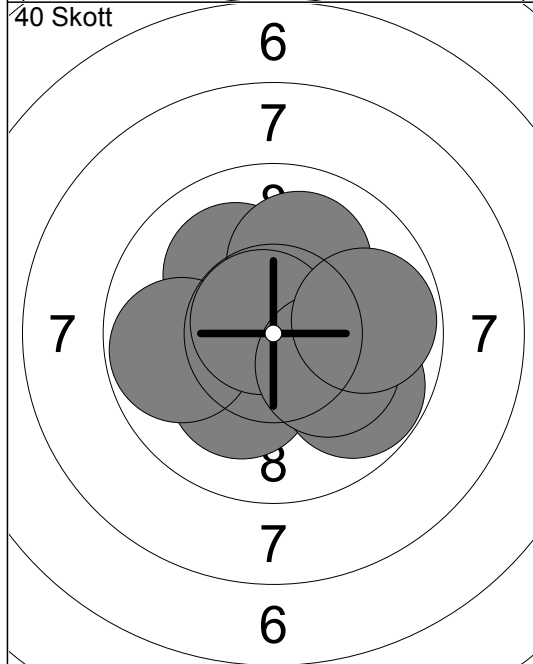
31:	9.9 ↙
32:	10.8x ↘
33:	10.5x ↙
34:	10.4x ↙
35:	10.7x ↙
36:	10.3x ↘
37:	10.1 ↗
38:	10.2x ↘
39:	10.1 ↗
40:	10.6x ↘
Serie	103.6
Total	407.4



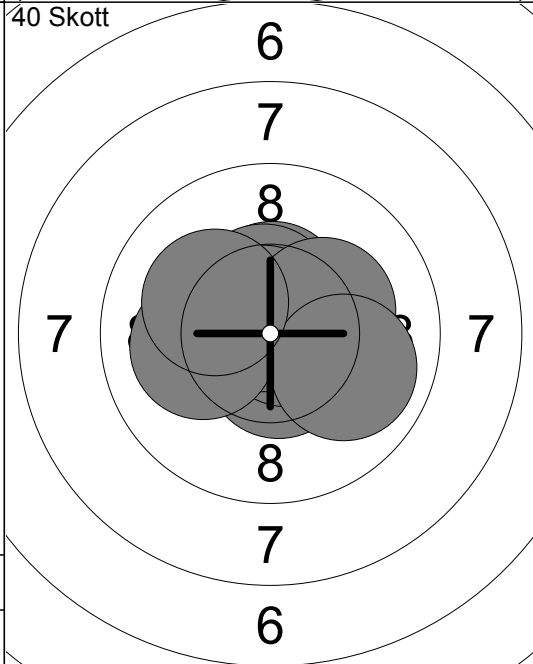
1:	9.3 →
2:	10.6x↓
3:	10.7x↘
4:	10.6x↘
5:	10.1 ↓
6:	10.4x↘
7:	10.8x↓
8:	10.7x↗
9:	10.7x→
10:	10.1 →
Serie	104.0
Total	0.0



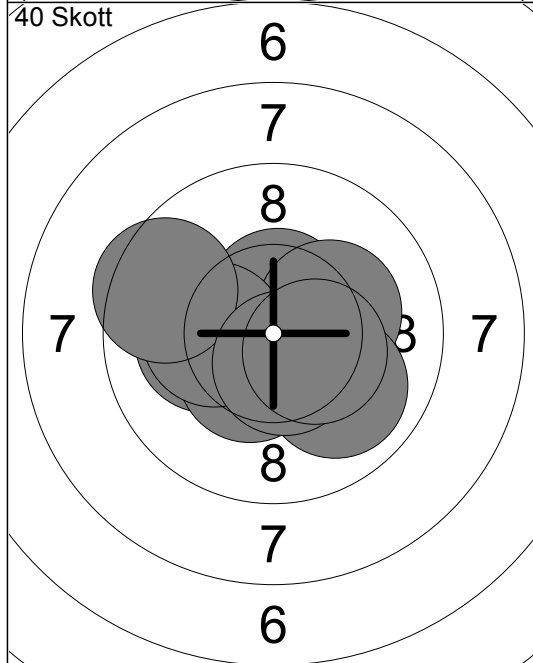
1:	10.6x→
2:	10.8x↓
3:	10.4x→
4:	9.4 ←
5:	9.9 ↙
6:	10.2x↓
7:	10.7x↘
8:	10.2x↖
9:	10.4x↘
10:	9.9 →
Serie	102.5
Total	102.5



11:	10.1 ↖
12:	10.5x→
13:	10.3x↘
14:	10.0 ↑
15:	10.2x↓
16:	9.8 ←
17:	9.8 →
18:	10.8x↖
19:	10.2x→
20:	9.8 →
Serie	101.5
Total	204.0



21:	10.5x↗
22:	10.5x↗
23:	10.5x↓
24:	10.7x→
25:	10.5x↗
26:	10.7x↖
27:	10.2x↗
28:	10.1 ←
29:	10.0 →
30:	10.2x↘
Serie	103.9
Total	307.9



31:	10.1 ←
32:	10.8x↗
33:	10.5x↗
34:	10.2x↗
35:	10.4x↓
36:	10.2x←
37:	10.0 →
38:	9.5 ←
39:	10.6x↓
40:	10.4x→
Serie	102.7
Total	410.6

<p>Pröv</p>	<table style="width:100%; border-collapse: collapse;"> <tr><td>1:</td><td>10.2x</td><td>↗</td></tr> <tr><td>2:</td><td>8.9</td><td>↑</td></tr> <tr><td>3:</td><td>9.8</td><td>↗</td></tr> <tr><td>4:</td><td>9.6</td><td>→</td></tr> <tr><td>5:</td><td>9.3</td><td>↗</td></tr> <tr><td>6:</td><td>9.5</td><td>↘</td></tr> <tr><td>7:</td><td>9.6</td><td>→</td></tr> <tr><td>8:</td><td>10.0</td><td>↗</td></tr> <tr><td>9:</td><td>10.4x</td><td>↘</td></tr> <tr><td>10:</td><td>9.3</td><td>↙</td></tr> </table> <table style="width:100%; border-collapse: collapse; margin-top: 5px;"> <tr><td style="border-top: 1px solid black;">Serie</td><td style="border-top: 1px solid black; text-align: right;">96.6</td></tr> <tr><td style="border-top: 1px solid black;">Total</td><td style="border-top: 1px solid black; text-align: right;">0.0</td></tr> </table>	1:	10.2x	↗	2:	8.9	↑	3:	9.8	↗	4:	9.6	→	5:	9.3	↗	6:	9.5	↘	7:	9.6	→	8:	10.0	↗	9:	10.4x	↘	10:	9.3	↙	Serie	96.6	Total	0.0	<p>Pröv</p>	<table style="width:100%; border-collapse: collapse;"> <tr><td>11:</td><td>9.4</td><td>←</td></tr> <tr><td>12:</td><td>10.1</td><td>↘</td></tr> <tr><td>13:</td><td>9.8</td><td>→</td></tr> <tr><td>14:</td><td>10.5x</td><td>↘</td></tr> <tr><td>15:</td><td>9.2</td><td>↘</td></tr> <tr><td>16:</td><td>10.7x</td><td>←</td></tr> <tr><td>17:</td><td>9.4</td><td>↗</td></tr> <tr><td>18:</td><td>9.7</td><td>←</td></tr> <tr><td>19:</td><td>10.6x</td><td>↗</td></tr> </table> <table style="width:100%; border-collapse: collapse; margin-top: 5px;"> <tr><td style="border-top: 1px solid black;">Serie</td><td style="border-top: 1px solid black; text-align: right;">89.4</td></tr> <tr><td style="border-top: 1px solid black;">Total</td><td style="border-top: 1px solid black; text-align: right;">0.0</td></tr> </table>	11:	9.4	←	12:	10.1	↘	13:	9.8	→	14:	10.5x	↘	15:	9.2	↘	16:	10.7x	←	17:	9.4	↗	18:	9.7	←	19:	10.6x	↗	Serie	89.4	Total	0.0
1:	10.2x	↗																																																																		
2:	8.9	↑																																																																		
3:	9.8	↗																																																																		
4:	9.6	→																																																																		
5:	9.3	↗																																																																		
6:	9.5	↘																																																																		
7:	9.6	→																																																																		
8:	10.0	↗																																																																		
9:	10.4x	↘																																																																		
10:	9.3	↙																																																																		
Serie	96.6																																																																			
Total	0.0																																																																			
11:	9.4	←																																																																		
12:	10.1	↘																																																																		
13:	9.8	→																																																																		
14:	10.5x	↘																																																																		
15:	9.2	↘																																																																		
16:	10.7x	←																																																																		
17:	9.4	↗																																																																		
18:	9.7	←																																																																		
19:	10.6x	↗																																																																		
Serie	89.4																																																																			
Total	0.0																																																																			

<p>60 Skott</p>	<table style="width:100%; border-collapse: collapse;"> <tr><td>1:</td><td>9.7</td><td>↗</td></tr> <tr><td>2:</td><td>9.8</td><td>↗</td></tr> <tr><td>3:</td><td>10.1</td><td>→</td></tr> <tr><td>4:</td><td>10.1</td><td>→</td></tr> <tr><td>5:</td><td>9.4</td><td>↗</td></tr> <tr><td>6:</td><td>9.4</td><td>↘</td></tr> <tr><td>7:</td><td>9.8</td><td>→</td></tr> <tr><td>8:</td><td>10.5x</td><td>↙</td></tr> <tr><td>9:</td><td>10.2x</td><td>↘</td></tr> <tr><td>10:</td><td>9.4</td><td>↗</td></tr> </table> <table style="width:100%; border-collapse: collapse; margin-top: 5px;"> <tr><td style="border-top: 1px solid black;">Serie</td><td style="border-top: 1px solid black; text-align: right;">98.4</td></tr> <tr><td style="border-top: 1px solid black;">Total</td><td style="border-top: 1px solid black; text-align: right;">98.4</td></tr> </table>	1:	9.7	↗	2:	9.8	↗	3:	10.1	→	4:	10.1	→	5:	9.4	↗	6:	9.4	↘	7:	9.8	→	8:	10.5x	↙	9:	10.2x	↘	10:	9.4	↗	Serie	98.4	Total	98.4	<p>60 Skott</p>	<table style="width:100%; border-collapse: collapse;"> <tr><td>11:</td><td>9.5</td><td>↙</td></tr> <tr><td>12:</td><td>9.5</td><td>↗</td></tr> <tr><td>13:</td><td>10.2x</td><td>↘</td></tr> <tr><td>14:</td><td>9.4</td><td>↘</td></tr> <tr><td>15:</td><td>10.6x</td><td>↗</td></tr> <tr><td>16:</td><td>9.5</td><td>→</td></tr> <tr><td>17:</td><td>10.3x</td><td>↘</td></tr> <tr><td>18:</td><td>9.9</td><td>↘</td></tr> <tr><td>19:</td><td>10.0</td><td>↗</td></tr> <tr><td>20:</td><td>10.4x</td><td>↘</td></tr> </table> <table style="width:100%; border-collapse: collapse; margin-top: 5px;"> <tr><td style="border-top: 1px solid black;">Serie</td><td style="border-top: 1px solid black; text-align: right;">99.3</td></tr> <tr><td style="border-top: 1px solid black;">Total</td><td style="border-top: 1px solid black; text-align: right;">197.7</td></tr> </table>	11:	9.5	↙	12:	9.5	↗	13:	10.2x	↘	14:	9.4	↘	15:	10.6x	↗	16:	9.5	→	17:	10.3x	↘	18:	9.9	↘	19:	10.0	↗	20:	10.4x	↘	Serie	99.3	Total	197.7
1:	9.7	↗																																																																					
2:	9.8	↗																																																																					
3:	10.1	→																																																																					
4:	10.1	→																																																																					
5:	9.4	↗																																																																					
6:	9.4	↘																																																																					
7:	9.8	→																																																																					
8:	10.5x	↙																																																																					
9:	10.2x	↘																																																																					
10:	9.4	↗																																																																					
Serie	98.4																																																																						
Total	98.4																																																																						
11:	9.5	↙																																																																					
12:	9.5	↗																																																																					
13:	10.2x	↘																																																																					
14:	9.4	↘																																																																					
15:	10.6x	↗																																																																					
16:	9.5	→																																																																					
17:	10.3x	↘																																																																					
18:	9.9	↘																																																																					
19:	10.0	↗																																																																					
20:	10.4x	↘																																																																					
Serie	99.3																																																																						
Total	197.7																																																																						

<p>60 Skott</p>	<table style="width:100%; border-collapse: collapse;"> <tr><td>21:</td><td>10.6x</td><td>←</td></tr> <tr><td>22:</td><td>9.6</td><td>↗</td></tr> <tr><td>23:</td><td>10.5x</td><td>→</td></tr> <tr><td>24:</td><td>10.2x</td><td>→</td></tr> <tr><td>25:</td><td>10.1</td><td>↗</td></tr> <tr><td>26:</td><td>9.5</td><td>↘</td></tr> <tr><td>27:</td><td>10.1</td><td>↗</td></tr> <tr><td>28:</td><td>10.8x</td><td>←</td></tr> <tr><td>29:</td><td>10.4x</td><td>→</td></tr> <tr><td>30:</td><td>10.3x</td><td>↖</td></tr> </table> <table style="width:100%; border-collapse: collapse; margin-top: 5px;"> <tr><td style="border-top: 1px solid black;">Serie</td><td style="border-top: 1px solid black; text-align: right;">102.1</td></tr> <tr><td style="border-top: 1px solid black;">Total</td><td style="border-top: 1px solid black; text-align: right;">299.8</td></tr> </table>	21:	10.6x	←	22:	9.6	↗	23:	10.5x	→	24:	10.2x	→	25:	10.1	↗	26:	9.5	↘	27:	10.1	↗	28:	10.8x	←	29:	10.4x	→	30:	10.3x	↖	Serie	102.1	Total	299.8	<p>60 Skott</p>	<table style="width:100%; border-collapse: collapse;"> <tr><td>31:</td><td>10.0</td><td>↑</td></tr> <tr><td>32:</td><td>10.0</td><td>↗</td></tr> <tr><td>33:</td><td>9.6</td><td>↖</td></tr> <tr><td>34:</td><td>10.4x</td><td>←</td></tr> <tr><td>35:</td><td>9.2</td><td>↗</td></tr> <tr><td>36:</td><td>10.3x</td><td>↗</td></tr> <tr><td>37:</td><td>9.7</td><td>↗</td></tr> <tr><td>38:</td><td>9.6</td><td>↑</td></tr> <tr><td>39:</td><td>8.7</td><td>↗</td></tr> <tr><td>40:</td><td>10.1</td><td>↖</td></tr> </table> <table style="width:100%; border-collapse: collapse; margin-top: 5px;"> <tr><td style="border-top: 1px solid black;">Serie</td><td style="border-top: 1px solid black; text-align: right;">97.6</td></tr> <tr><td style="border-top: 1px solid black;">Total</td><td style="border-top: 1px solid black; text-align: right;">397.4</td></tr> </table>	31:	10.0	↑	32:	10.0	↗	33:	9.6	↖	34:	10.4x	←	35:	9.2	↗	36:	10.3x	↗	37:	9.7	↗	38:	9.6	↑	39:	8.7	↗	40:	10.1	↖	Serie	97.6	Total	397.4
21:	10.6x	←																																																																					
22:	9.6	↗																																																																					
23:	10.5x	→																																																																					
24:	10.2x	→																																																																					
25:	10.1	↗																																																																					
26:	9.5	↘																																																																					
27:	10.1	↗																																																																					
28:	10.8x	←																																																																					
29:	10.4x	→																																																																					
30:	10.3x	↖																																																																					
Serie	102.1																																																																						
Total	299.8																																																																						
31:	10.0	↑																																																																					
32:	10.0	↗																																																																					
33:	9.6	↖																																																																					
34:	10.4x	←																																																																					
35:	9.2	↗																																																																					
36:	10.3x	↗																																																																					
37:	9.7	↗																																																																					
38:	9.6	↑																																																																					
39:	8.7	↗																																																																					
40:	10.1	↖																																																																					
Serie	97.6																																																																						
Total	397.4																																																																						

<p>60 Skott</p>	<table style="width:100%; border-collapse: collapse;"> <tr><td>41:</td><td>9.5</td><td>↗</td></tr> <tr><td>42:</td><td>10.4x</td><td>↖</td></tr> <tr><td>43:</td><td>10.7x</td><td>↘</td></tr> <tr><td>44:</td><td>9.9</td><td>→</td></tr> <tr><td>45:</td><td>8.9</td><td>→</td></tr> <tr><td>46:</td><td>9.7</td><td>↗</td></tr> <tr><td>47:</td><td>10.6x</td><td>↗</td></tr> <tr><td>48:</td><td>9.8</td><td>↗</td></tr> <tr><td>49:</td><td>10.6x</td><td>↑</td></tr> <tr><td>50:</td><td>10.4x</td><td>↗</td></tr> </table> <table style="width:100%; border-collapse: collapse; margin-top: 5px;"> <tr><td style="border-top: 1px solid black;">Serie</td><td style="border-top: 1px solid black; text-align: right;">100.5</td></tr> <tr><td style="border-top: 1px solid black;">Total</td><td style="border-top: 1px solid black; text-align: right;">497.9</td></tr> </table>	41:	9.5	↗	42:	10.4x	↖	43:	10.7x	↘	44:	9.9	→	45:	8.9	→	46:	9.7	↗	47:	10.6x	↗	48:	9.8	↗	49:	10.6x	↑	50:	10.4x	↗	Serie	100.5	Total	497.9	<p>60 Skott</p>	<table style="width:100%; border-collapse: collapse;"> <tr><td>51:</td><td>9.5</td><td>↘</td></tr> <tr><td>52:</td><td>9.3</td><td>↗</td></tr> <tr><td>53:</td><td>10.7x</td><td>↗</td></tr> <tr><td>54:</td><td>9.8</td><td>→</td></tr> <tr><td>55:</td><td>10.5x</td><td>→</td></tr> <tr><td>56:</td><td>10.4x</td><td>↗</td></tr> <tr><td>57:</td><td>8.4</td><td>←</td></tr> <tr><td>58:</td><td>10.9x</td><td>↘</td></tr> <tr><td>59:</td><td>9.7</td><td>→</td></tr> <tr><td>60:</td><td>10.1</td><td>↘</td></tr> </table> <table style="width:100%; border-collapse: collapse; margin-top: 5px;"> <tr><td style="border-top: 1px solid black;">Serie</td><td style="border-top: 1px solid black; text-align: right;">99.3</td></tr> <tr><td style="border-top: 1px solid black;">Total</td><td style="border-top: 1px solid black; text-align: right;">597.2</td></tr> </table>	51:	9.5	↘	52:	9.3	↗	53:	10.7x	↗	54:	9.8	→	55:	10.5x	→	56:	10.4x	↗	57:	8.4	←	58:	10.9x	↘	59:	9.7	→	60:	10.1	↘	Serie	99.3	Total	597.2
41:	9.5	↗																																																																					
42:	10.4x	↖																																																																					
43:	10.7x	↘																																																																					
44:	9.9	→																																																																					
45:	8.9	→																																																																					
46:	9.7	↗																																																																					
47:	10.6x	↗																																																																					
48:	9.8	↗																																																																					
49:	10.6x	↑																																																																					
50:	10.4x	↗																																																																					
Serie	100.5																																																																						
Total	497.9																																																																						
51:	9.5	↘																																																																					
52:	9.3	↗																																																																					
53:	10.7x	↗																																																																					
54:	9.8	→																																																																					
55:	10.5x	→																																																																					
56:	10.4x	↗																																																																					
57:	8.4	←																																																																					
58:	10.9x	↘																																																																					
59:	9.7	→																																																																					
60:	10.1	↘																																																																					
Serie	99.3																																																																						
Total	597.2																																																																						

Pröv 	1: 10.5x ↙ 2: 10.1 ↗ 3: 10.2x ← 4: 10.1 → 5: 10.4x ↘ 6: 10.6x ↗ 7: 10.5x ↖ 8: 10.3x ← 9: 10.5x → 10: 10.8x →	Pröv 	11: 10.5x ↖ 12: 10.1 ↓ 13: 9.7 ↑ 14: 10.6x ↘ 15: 10.1 ↗ 16: 9.8 ← 17: 10.3x → 18: 8.8 ↗ 19: 10.7x ↑
	Serie 104.0		Serie 90.6
	Total 0.0		Total 0.0

60 Skott 	1: 10.7x ↗ 2: 10.3x ↓ 3: 10.1 ↗ 4: 10.5x ← 5: 10.5x ↗ 6: 10.7x ← 7: 10.1 ↑ 8: 10.5x ← 9: 10.1 ← 10: 10.4x ↗	60 Skott 	11: 9.1 ↑ 12: 10.8x ← 13: 10.4x → 14: 10.1 ↗ 15: 10.6x ↑ 16: 10.4x ↑ 17: 10.9x ↑ 18: 10.2x ← 19: 10.5x ↓ 20: 8.9 ←
	Serie 103.9		Serie 101.9
	Total 103.9		Total 205.8

60 Skott 	21: 10.1 ↖ 22: 10.5x ↑ 23: 10.4x → 24: 10.5x → 25: 10.3x ← 26: 10.2x ↗ 27: 10.1 ↓ 28: 10.2x → 29: 10.5x → 30: 10.5x ↑	60 Skott 	31: 10.4x → 32: 9.4 ↑ 33: 10.6x ↖ 34: 10.2x ← 35: 10.7x → 36: 10.8x ↗ 37: 10.2x ↗ 38: 10.4x ← 39: 10.8x ↖ 40: 10.3x ↑
	Serie 103.3		Serie 103.8
	Total 309.1		Total 412.9

60 Skott 	41: 10.2x → 42: 10.6x → 43: 9.5 → 44: 10.2x ← 45: 10.0 ↑ 46: 10.1 ↗ 47: 9.8 ← 48: 9.2 ↗ 49: 10.6x ↗ 50: 10.3x ↗	60 Skott 	51: 9.8 ← 52: 10.7x ↓ 53: 10.1 ← 54: 10.3x ↑ 55: 10.2x ↖ 56: 10.8x ↑ 57: 9.7 → 58: 10.8x ↖ 59: 10.4x ↑ 60: 10.5x ↑
	Serie 100.5		Serie 103.3
	Total 513.4		Total 616.7

<p>Pröv</p>	<p>1: 9.3 ↘ 2: 9.0 ← 3: 8.7 ← 4: 8.8 ↘ 5: 8.7 ← 6: 9.2 ↘ 7: 10.1 → 8: 10.3x ↘ 9: 10.0 ↑ 10: 10.1 ←</p> <p>Serie 94.2 Total 0.0</p>	<p>60 Skott</p>	<p>1: 9.3 ↑ 2: 9.8 → 3: 10.5x ↘ 4: 9.4 ↘ 5: 9.1 → 6: 10.0 ↖ 7: 8.1 ↘ 8: 9.9 ↘ 9: 9.2 ↘ 10: 10.8x ↘</p> <p>Serie 96.1 Total 96.1</p>
-------------	--	-----------------	---

<p>60 Skott</p>	<p>11: 10.1 ↘ 12: 10.0 ↘ 13: 10.2x ← 14: 9.7 ↗ 15: 9.4 ← 16: 9.2 → 17: 10.3x ← 18: 10.5x ↘ 19: 10.4x ↗ 20: 9.7 ↗</p> <p>Serie 99.5 Total 195.6</p>	<p>60 Skott</p>	<p>21: 9.3 ↗ 22: 9.9 ↗ 23: 10.4x ↗ 24: 9.7 ↘ 25: 9.7 → 26: 10.6x ↖ 27: 10.5x ↑ 28: 8.4 → 29: 10.5x → 30: 7.7 ←</p> <p>Serie 96.7 Total 292.3</p>
-----------------	--	-----------------	--

<p>60 Skott</p>	<p>31: 10.7x ↗ 32: 9.9 → 33: 10.1 → 34: 9.5 ↘ 35: 10.0 ↘ 36: 10.0 ↗ 37: 10.1 ↑ 38: 10.4x ↘ 39: 9.9 ← 40: 9.1 ↗</p> <p>Serie 99.7 Total 392.0</p>	<p>60 Skott</p>	<p>41: 9.7 → 42: 9.9 → 43: 9.8 ↗ 44: 9.3 ← 45: 10.4x ↗ 46: 10.4x → 47: 9.7 ↘ 48: 8.3 ↖ 49: 9.8 ← 50: 8.8 ←</p> <p>Serie 96.1 Total 488.1</p>
-----------------	--	-----------------	--

<p>60 Skott</p>	<p>51: 10.1 ↘ 52: 8.3 ↗ 53: 10.1 ↘ 54: 9.1 ← 55: 9.0 ↘ 56: 9.7 → 57: 9.9 ↗ 58: 10.6x ↘ 59: 9.4 ← 60: 9.6 ←</p> <p>Serie 95.8 Total 583.9</p>		
-----------------	--	--	--