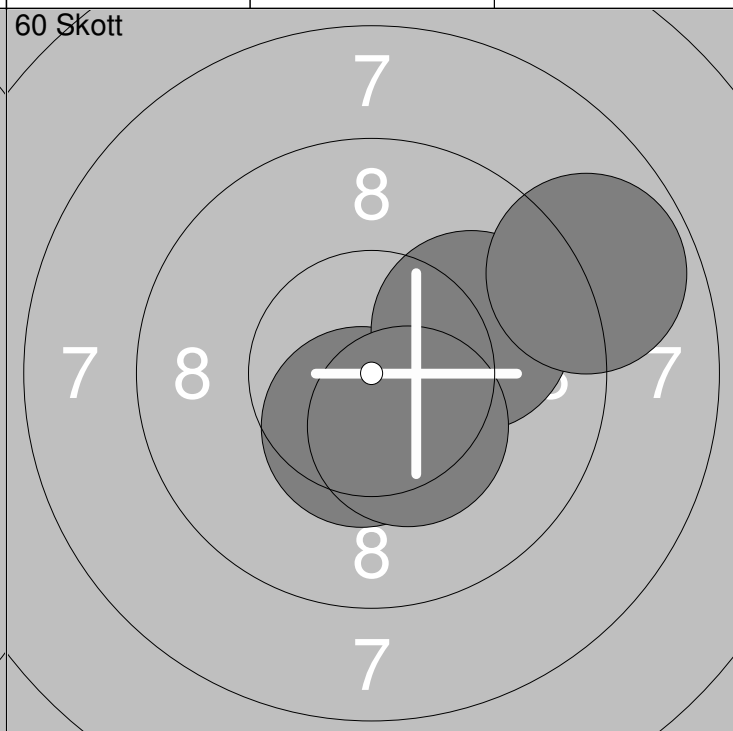
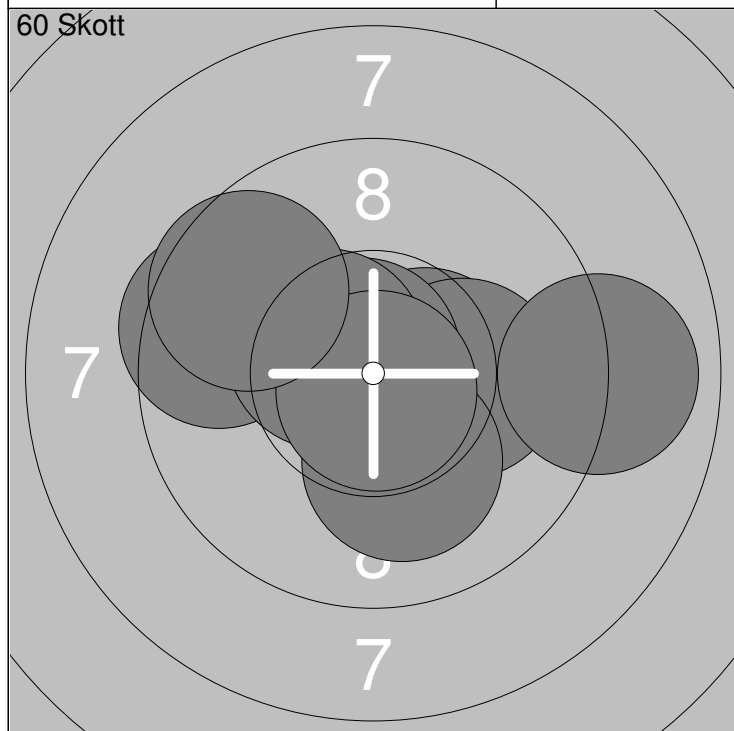


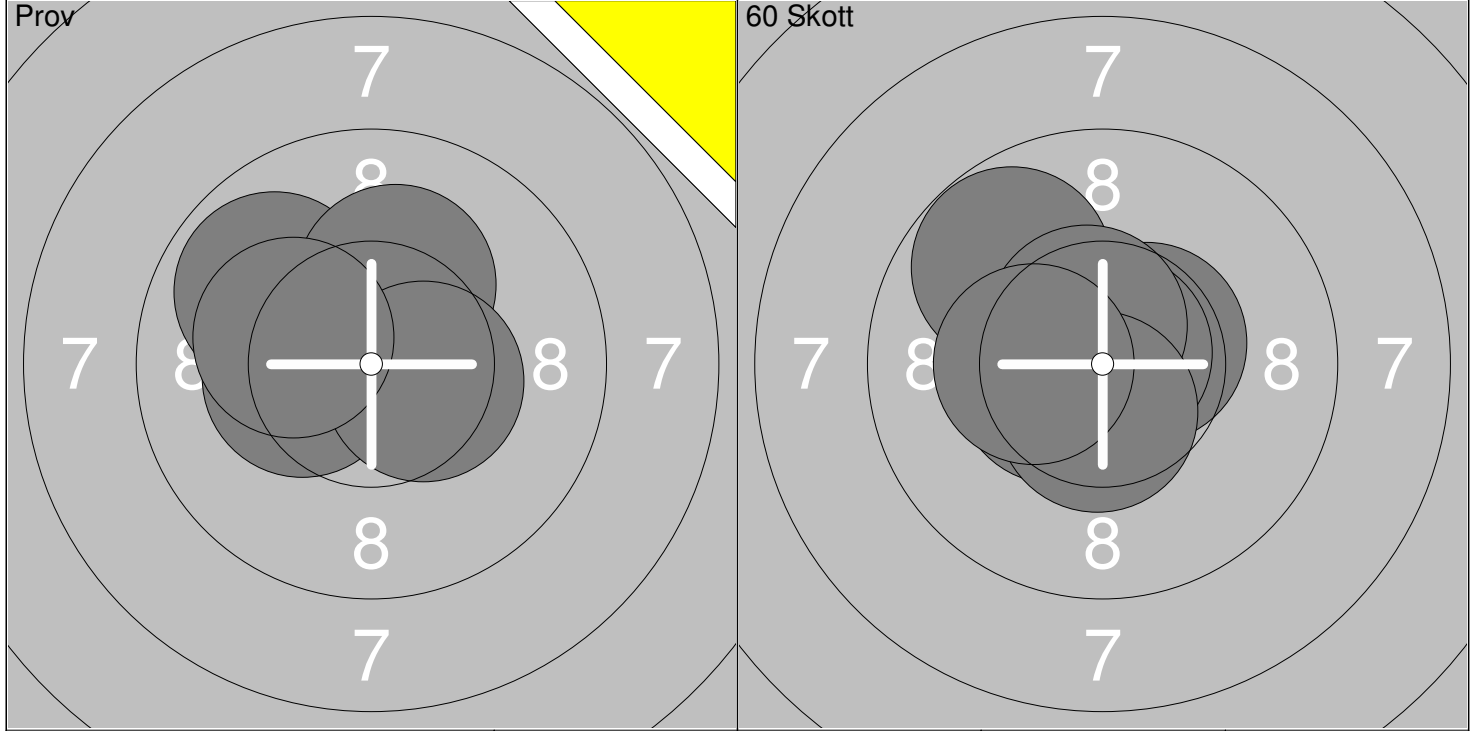
1: 10.6x ↓					
2: 10.4x ↓		Serie	51.9		
3: 10.2x ↑		Total	0.0		
4: 10.7x ↓					
5: 10.0 ↗					

1: 9.7 →					
2: 9.5 ←					
3: 10.2x →		Serie	99.1		
4: 10.6x ↓		Total	99.1		
5: 10.1 ↑					
6: 9.4 ←					
7: 10.0 ↓					
8: 8.9 →					
9: 10.4x →					
10: 10.3x ↗					

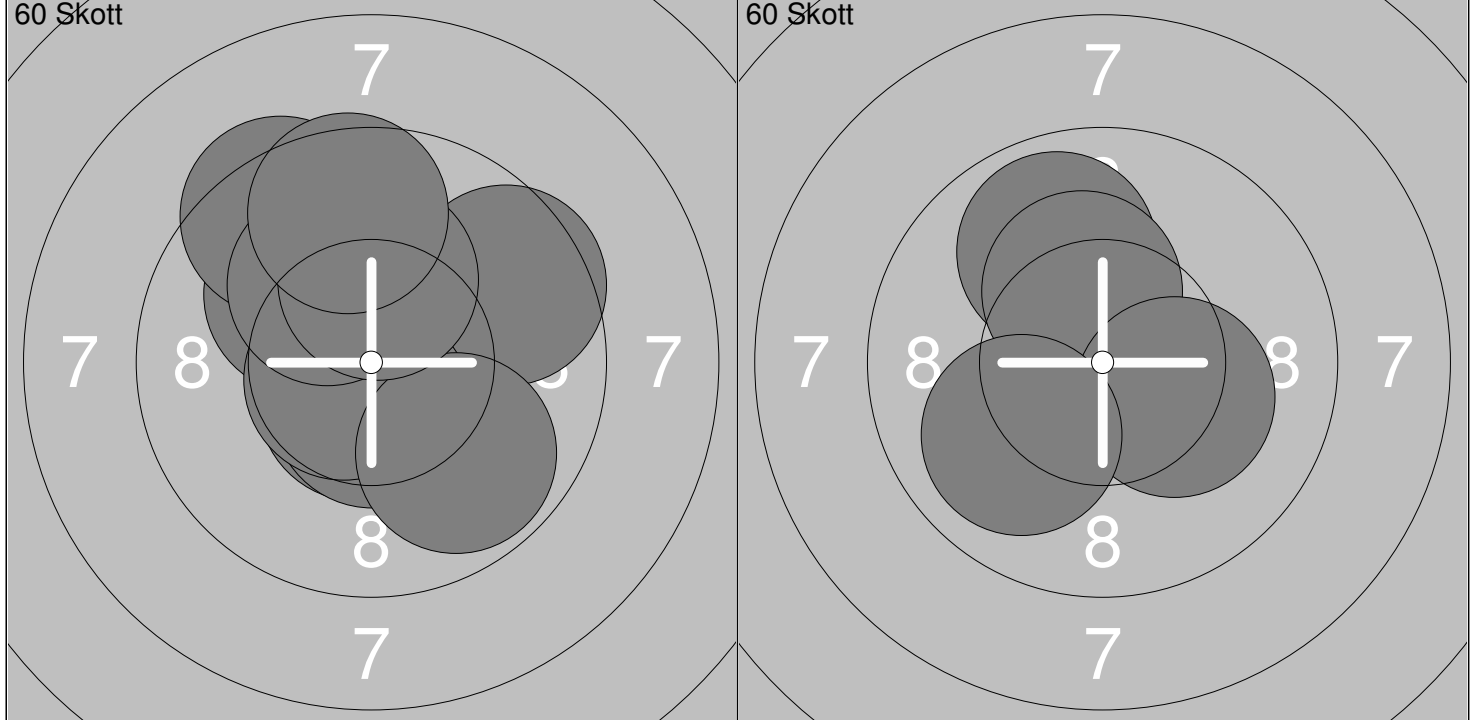


11: 10.5x ↓	16: 8.9 →			
12: 10.5x →	17: 10.8x ↗		Serie	101.4
13: 9.5 ←	18: 10.5x ↖		Total	200.5
14: 10.2x →	19: 10.8x ↓			
15: 10.1 ↓	20: 9.6 ↖			

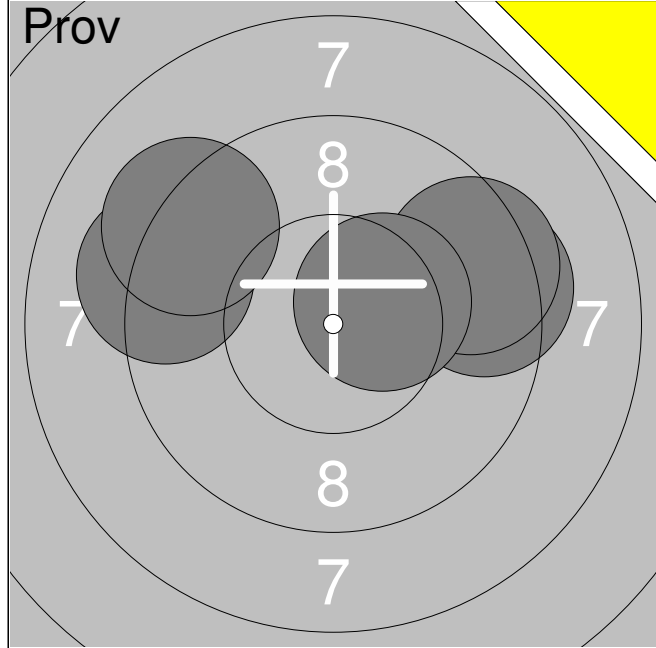
21: 10.5x ↓	26: 10.0 →			
22: 10.0 →	27: 10.4x ↓		Serie	39.7
23: 10.4x ↓	28: 8.8 →		Total	240.2
24: 8.8 →				



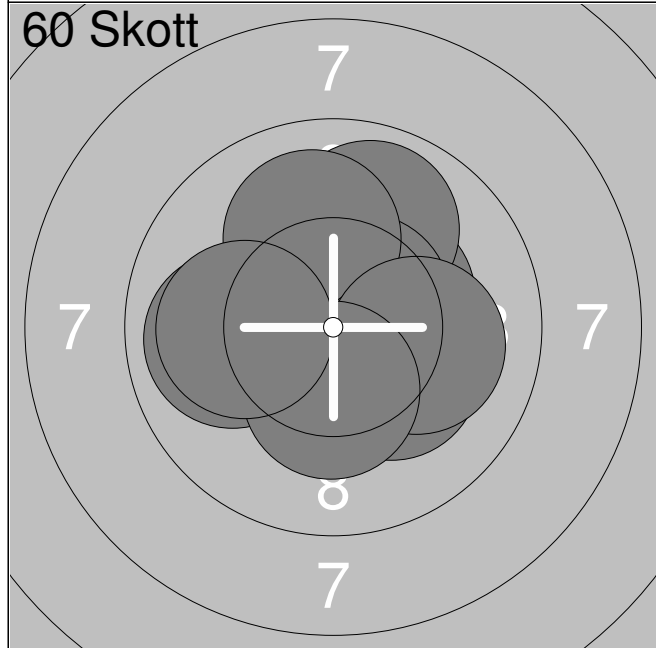
1: 10.3x ← 2: 9.9 ↗ 3: 10.2x ↑ 4: 10.5x → 5: 10.2x ←	Serie 51.1 <hr/> Total 0.0	6: 10.5x ← 7: 10.8x ↗ 8: 10.6x ↗ 9: 10.5x ↓ 10: 10.3x ←	Serie 105.2 <hr/> Total 105.2
--	-------------------------------	---	----------------------------------



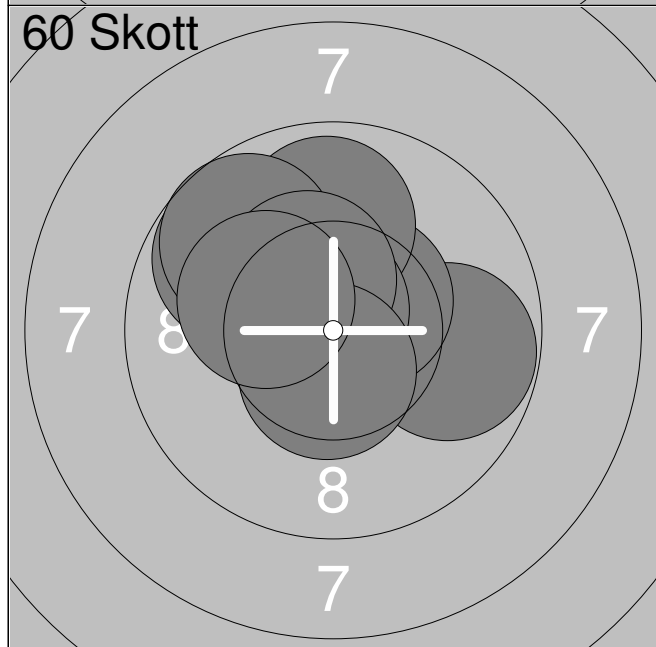
11: 10.1 ↗ 12: 9.4 ↗ 13: 9.6 → 14: 10.6x ↓ 15: 10.5x ↓	16: 10.7x ← 17: 10.2x ↗ 18: 9.8 ↓ 19: 10.2x ↑ 20: 9.6 ↑	Serie 100.7 <hr/> Total 205.9	21: 9.9 ↗ 22: 10.3x ↑ 23: 10.2x → 24: 10.0 ←	Serie 40.4 <hr/> Total 246.3
--	---	----------------------------------	---	---------------------------------



1:	9.4	→
2:	9.4	→
3:	9.2	←
4:	9.2	↗
5:	10.4x	→
<b>Serie</b>		<b>47.6</b>
<b>Total</b>		<b>0.0</b>



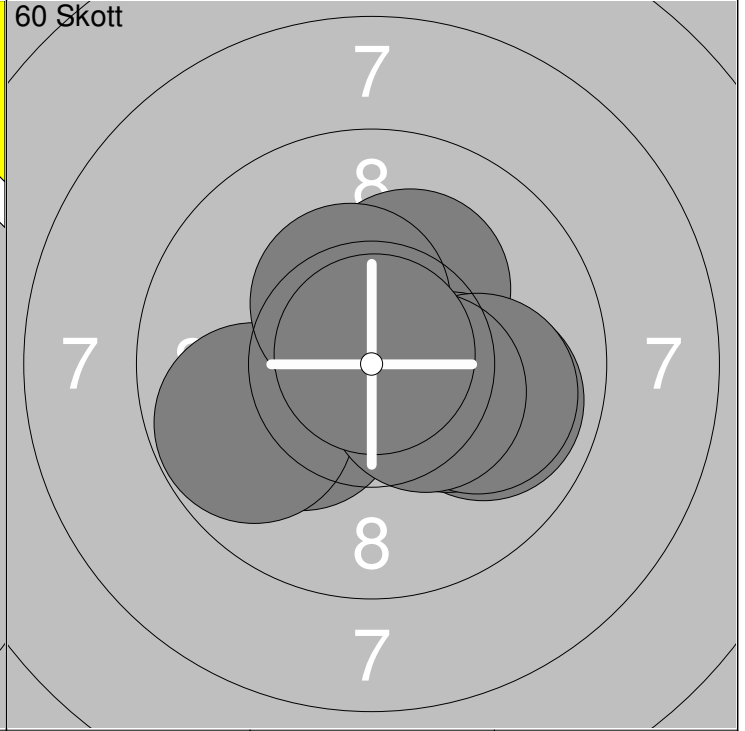
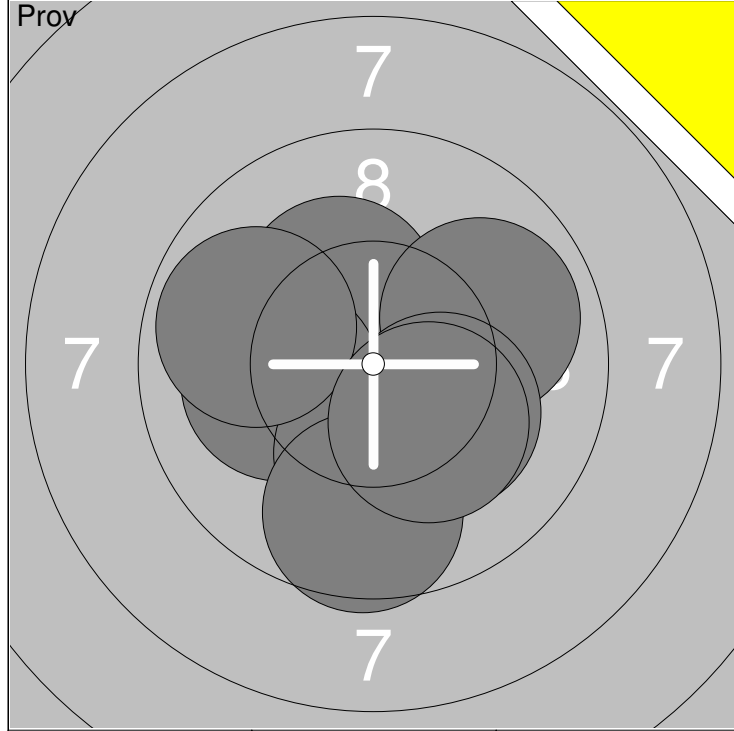
1:	10.3x	↗
2:	10.5x	↑
3:	9.9	↑
4:	10.6x	↗
5:	10.0	↑
6:	10.2x	↘
7:	10.1	→
8:	9.9	←
9:	10.3x	↓
10:	10.1	←
<b>Serie</b>		<b>101.9</b>
<b>Total</b>		<b>101.9</b>



11:	9.8	→
12:	10.5x	↗
13:	10.7x	←
14:	9.9	↑
15:	10.7x	↗
16:	9.8	↗
17:	9.7	↗
18:	10.4x	↗
19:	10.5x	↓
20:	10.2x	←
<b>Serie</b>		<b>102.2</b>
<b>Total</b>		<b>204.1</b>

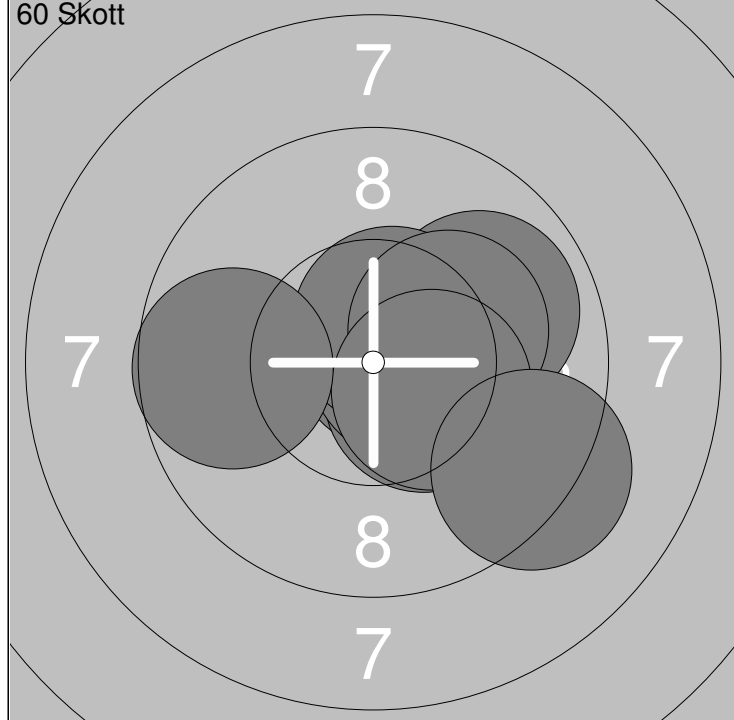
Skjutlag <b>3</b>	Tavla <b>24</b>	<b>Malin Stafås</b>	
S		Skoga-Ekshärad	
08.10.2017	Månadstest oktober 2017	Umeå skytteallians	
<b>Prov</b> 	1: 10.7x➤ 2: 10.1↗ 3: 9.7➤ 4: 9.9↘ 5: 10.2x↘ 6: 10.4x↙	<b>60 Skott</b> 	1: 9.6↗ 2: 10.0↙ 3: 10.8x↙ 4: 10.3x↙ 5: 10.1↗ 6: 10.1↙ 7: 9.6↙ 8: 10.3x↗ 9: 10.3x↙ 10: 9.2➔
	Serie 61.0		Serie 100.3
	Total 0.0		Total 100.3
<b>60 Skott</b> 	11: 10.8x↘ 12: 10.3x↙ 13: 10.8x➤ 14: 10.7x↘ 15: 10.2x↙ 16: 10.0↘ 17: 10.4x↘ 18: 10.4x↙ 19: 10.6x↘ 20: 10.5x↙	<b>60 Skott</b> 	21: 10.1➔ 22: 10.0↙ 23: 9.9↗ 24: 10.6x➤
	Serie 104.7		Serie 40.6
	Total 205.0		Total 245.6
<b>Extra</b> 	1: 10.4x➤		
	Serie 10.4		
	Total 245.6		





1: 10.3x ↖	6: 9.9 ←	Serie	80.4
2: 10.1 ←	7: 9.6 ↓		
3: 9.9 →	8: 10.2x ↘	Total	0.0
4: 10.2x ↓			
5: 10.2x ↘			

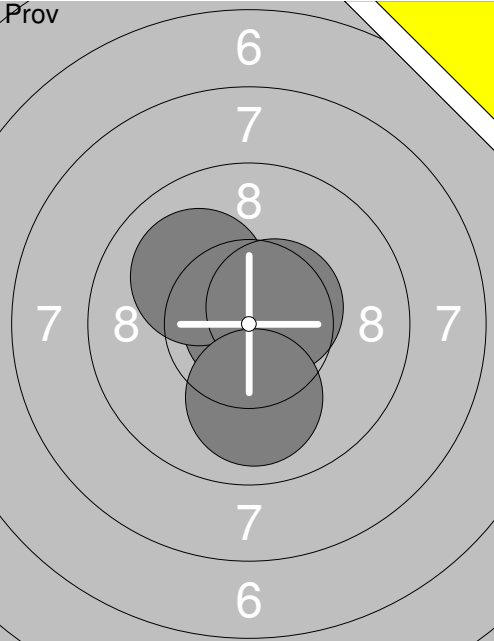
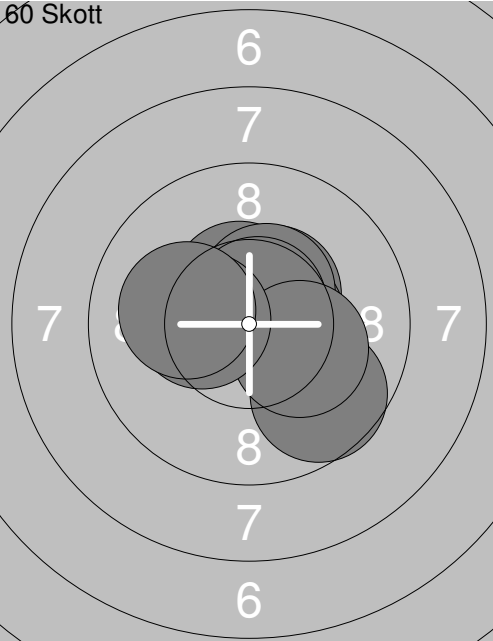
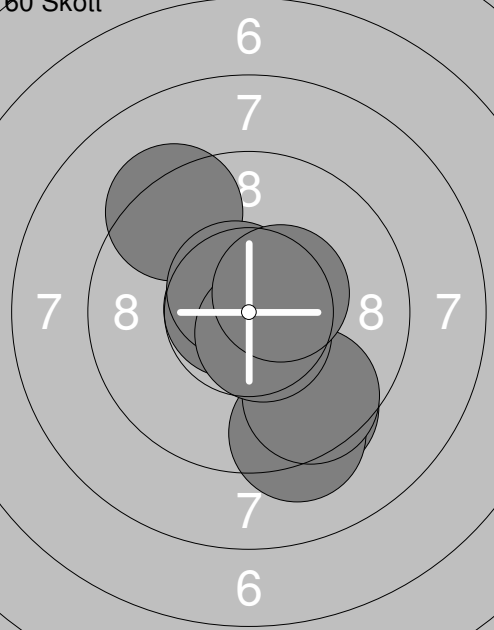
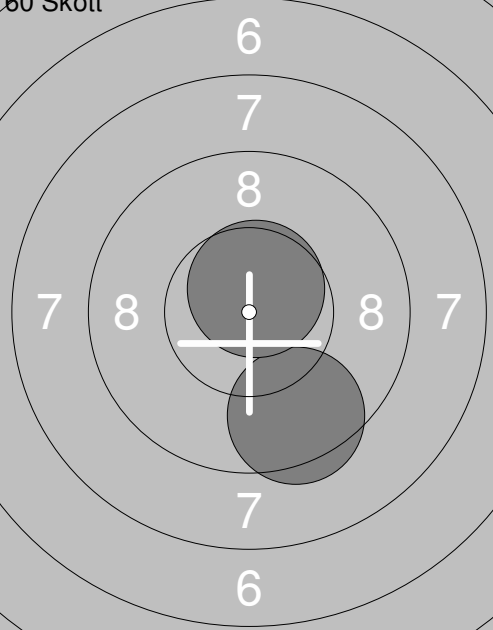
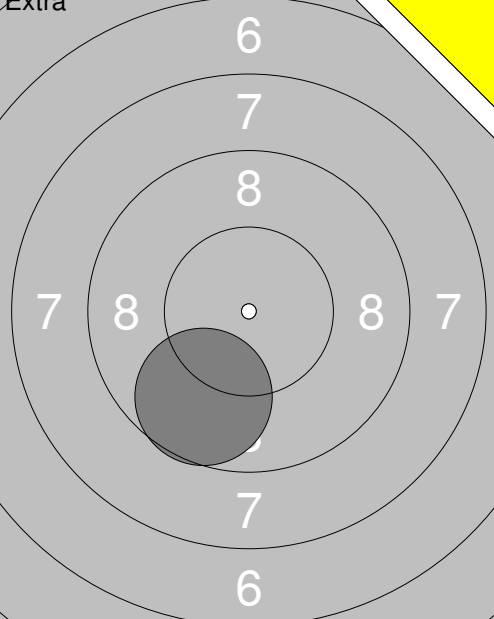
1: 10.2x ↙	6: 10.0 →	Serie	102.6
2: 9.9 →	7: 9.8 ←		
3: 10.6x ↗	8: 10.4x ↗	Total	102.6
4: 10.2x ↗	9: 10.4x →		
5: 10.2x →	10: 10.9x ↗		



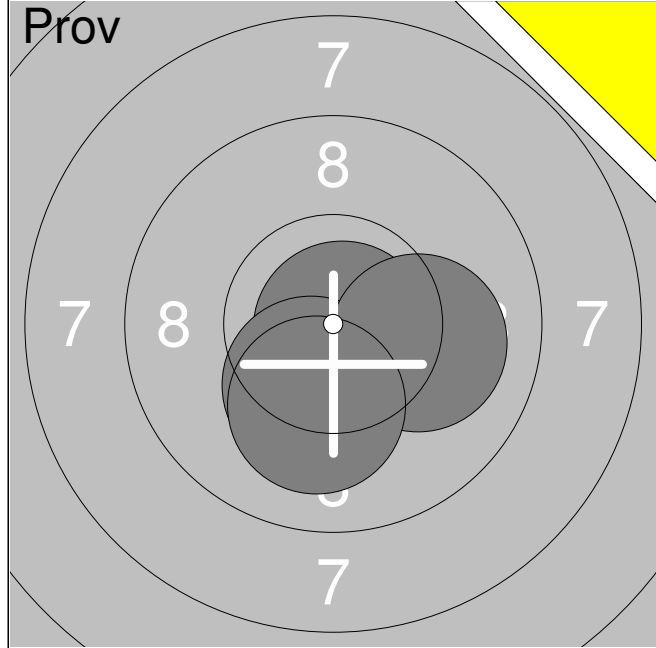
11: 9.9 →	16: 10.6x ↗	Serie	102.4
12: 10.6x →	17: 10.2x →		
13: 10.8x ↗	18: 10.4x →	Total	205.0
14: 10.4x ↘	19: 9.7 ←		
15: 10.6x →	20: 9.2 ↘		

21: 10.7x ↗	Serie	41.9
22: 10.9x ↙		
23: 10.0 ↗	Total	246.9
24: 10.3x ↗		

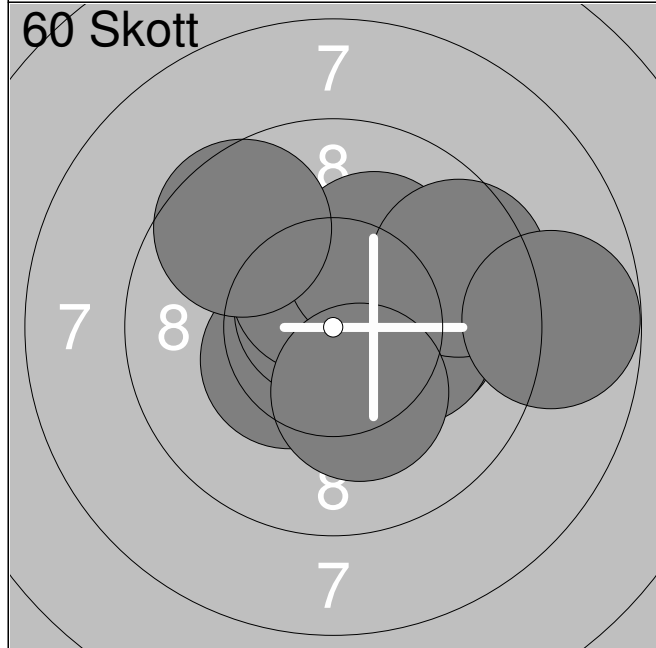


Skjuttag <b>3</b>	Tavla <b>28</b>	<b>Hanna Lundin</b>	
S		Umeå Skf	
08.10.2017	Månadstest oktober 2017	Umeå skytteallians	
<b>Prov</b> 	1: 10.9x ↗ 2: 10.1 ↖ 3: 10.6x ↗ 4: 10.0 ↓  <b>Serie 41.6</b> <b>Total 0.0</b>	<b>60 Skott</b> 	1: 10.4x ↗ 2: 10.5x ↖ 3: 10.6x ↗ 4: 10.7x ↗ 5: 10.5x ↗ 6: 10.7x ↗ 7: 9.7 ↓ 8: 10.2x ↘ 9: 10.3x ↖ 10: 10.1 ↖  <b>Serie 103.7</b> <b>Total 103.7</b>
<b>60 Skott</b> 	11: 10.7x ↖ 12: 9.3 ↗ 13: 10.6x ↘ 14: 9.5 ↓ 15: 10.7x ↗ 16: 9.2 ↓ 17: 9.6 ↓ 18: 10.6x ↗ 19: 10.6x ↘ 20: 10.5x ↗  <b>Serie 101.3</b> <b>Total 205.0</b>	<b>60 Skott</b> 	21: 9.5 ↓ 22: 10.6x ↗  <b>Serie 20.1</b> <b>Total 225.1</b>
<b>Extra</b> 	1: 9.7 ↓  <b>Serie 9.7</b> <b>Total 225.1</b>		

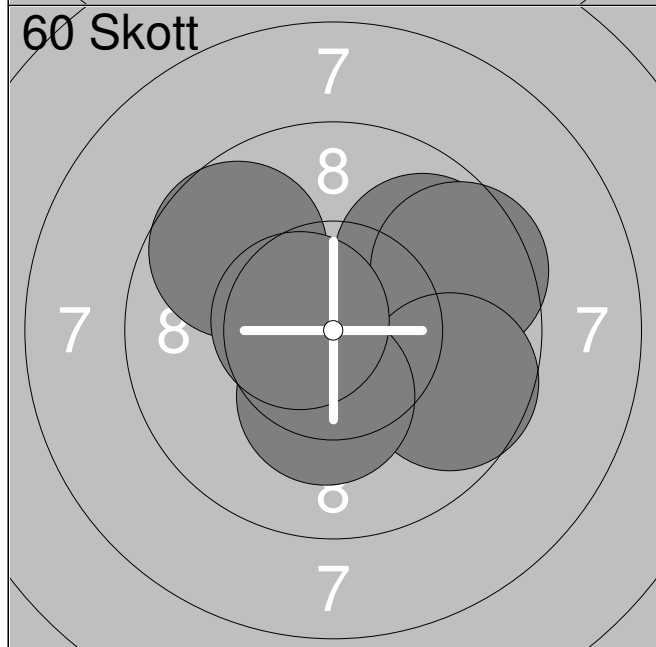




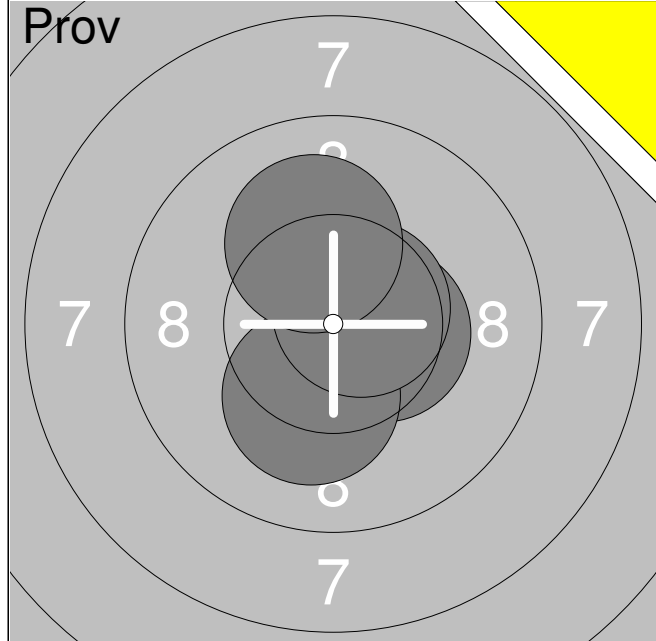
1:	10.8x	↘
2:	10.3x	↓
3:	10.1	→
4:	10.1	↓
<b>Serie</b>		<b>41.3</b>
<b>Total</b>		<b>0.0</b>



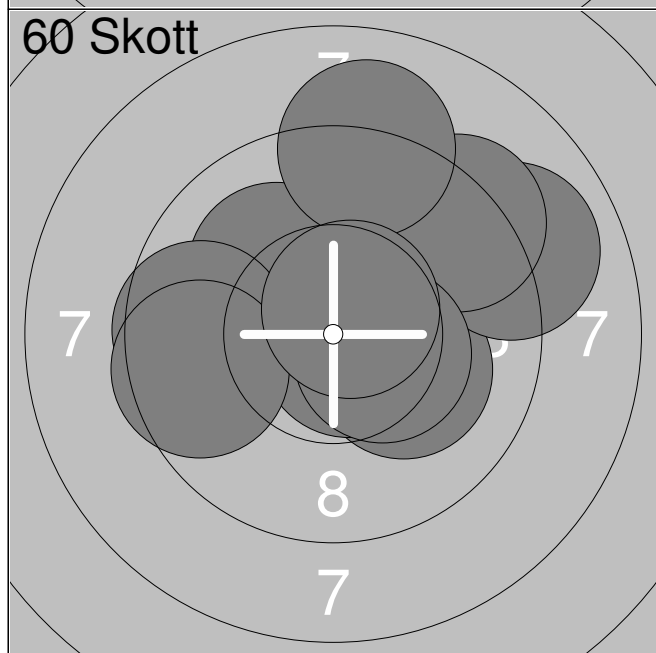
1:	10.4x	↙
2:	10.7x	↗
3:	10.2x	→
4:	10.5x	↗
5:	10.2x	→
6:	10.2x	↗
7:	9.6	→
8:	10.2x	↓
9:	9.6	↗
10:	8.8	→
<b>Serie</b>		<b>100.4</b>
<b>Total</b>		<b>100.4</b>



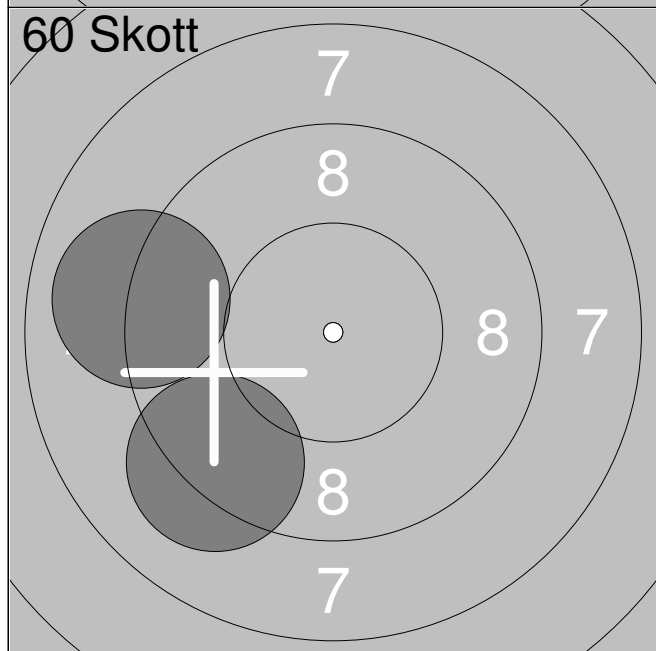
11:	9.8	↗
12:	9.5	→
13:	9.7	↘
14:	10.3x	↓
15:	9.7	↗
16:	10.6x	↙
<b>Serie</b>		<b>59.6</b>
<b>Total</b>		<b>160.0</b>



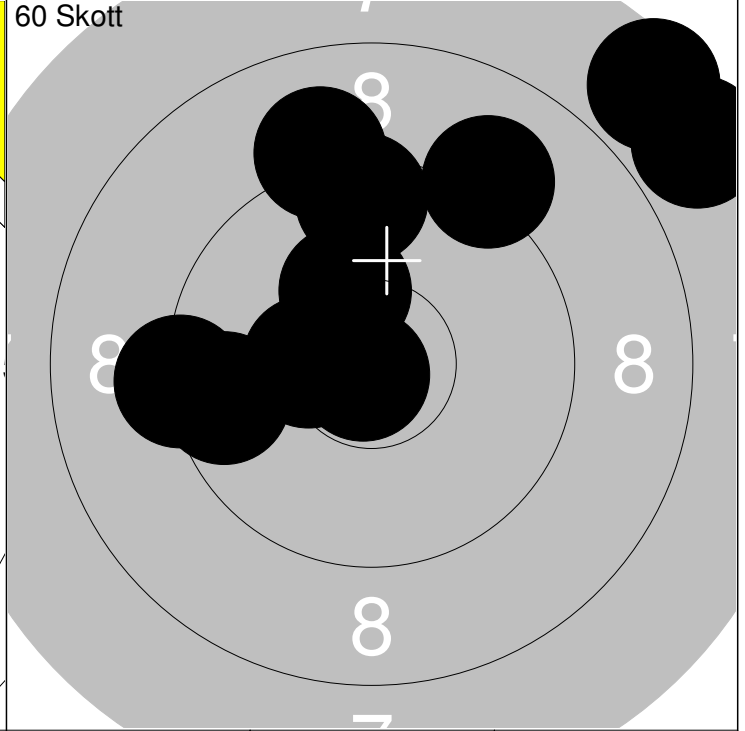
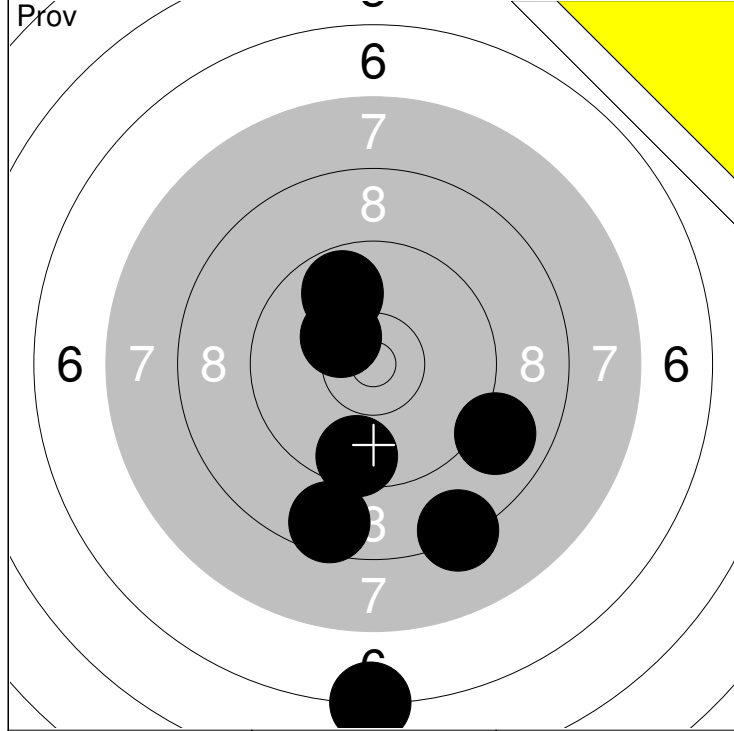
1:	10.5x	→
2:	10.2x	↓
3:	10.6x	↗
4:	10.1	↑
<b>Serie</b>		<b>41.4</b>
<b>Total</b>		<b>0.0</b>



1:	10.2x	↘
2:	9.0	↗
3:	10.1	↖
4:	9.3	↗
5:	9.6	←
6:	9.1	↑
7:	10.7x	↘
8:	10.4x	↘
9:	9.6	←
10:	10.6x	↗
<b>Serie</b>		<b>98.6</b>
<b>Total</b>		<b>98.6</b>

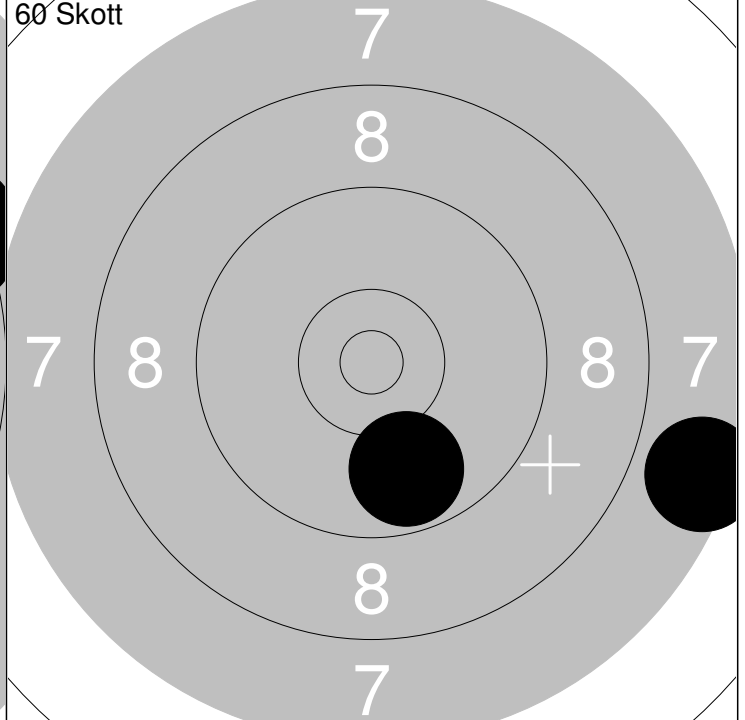
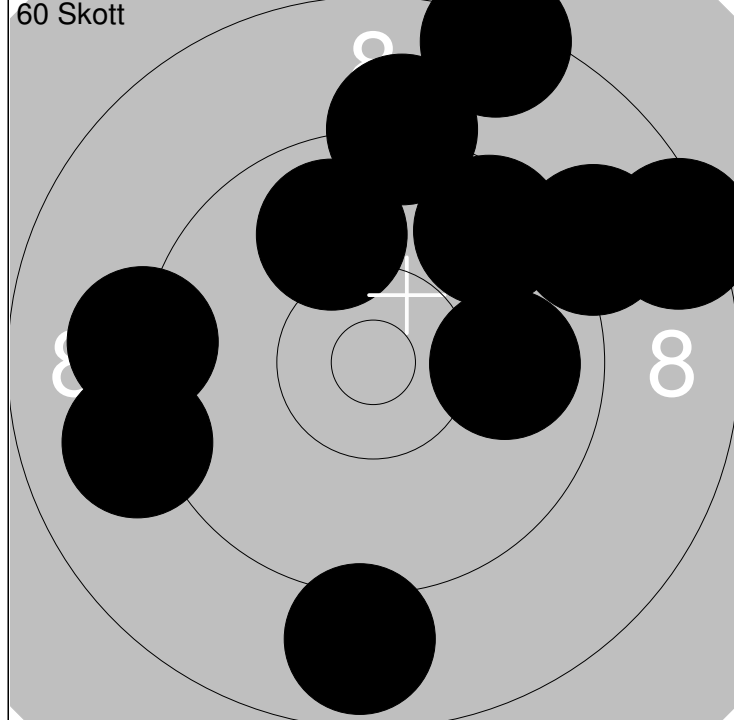


11:	9.2	↘
12:	9.0	←
<b>Serie</b>		<b>18.2</b>
<b>Total</b>		<b>116.8</b>



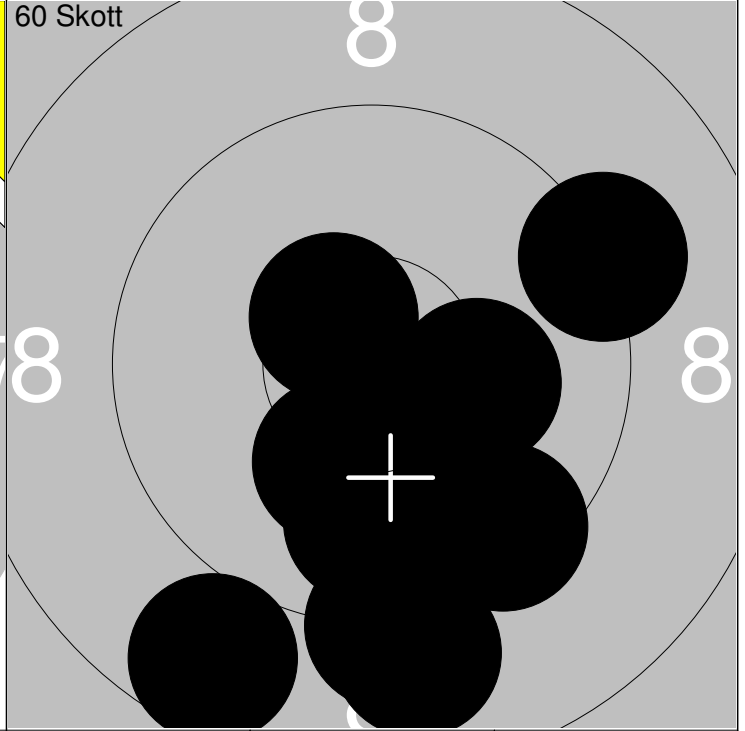
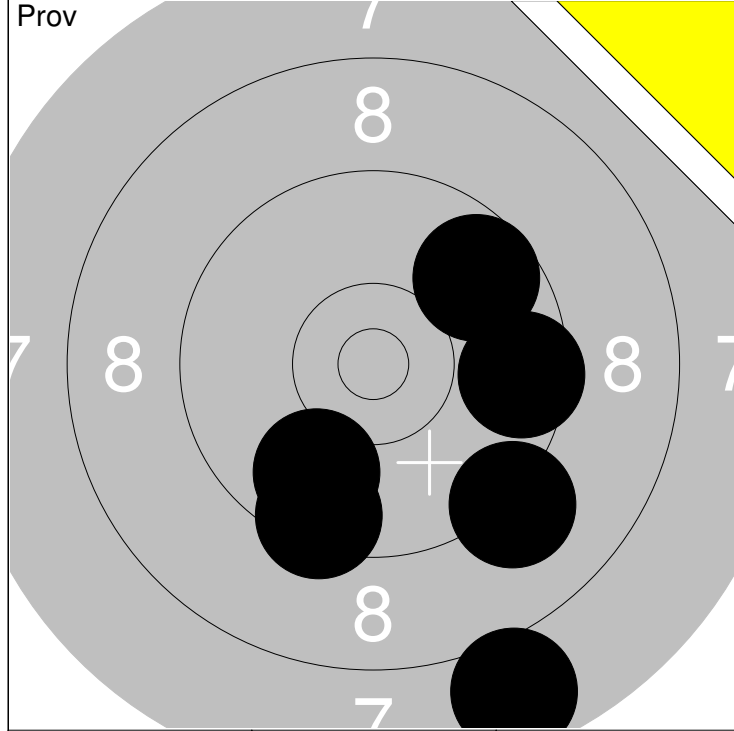
1: 6.2 ↓	6: 9.6 ↓	Serie	72.1
2: 8.4 ↓	7: 9.9 ↗		
3: 9.0 ↘	8: 8.7 ↓	Total	0.0
4: 9.9 ↗			
5: 10.4x ↖			

1: 9.1 ↗	6: 9.7 ←	Serie	93.4
2: 10.3 ↗	7: 10.4x ←		
3: 10.8x ↓	8: 9.5 ↑	Total	93.4
4: 9.3 ←	9: 7.6 ↗		
5: 7.6 ↗	10: 9.1 ↑		



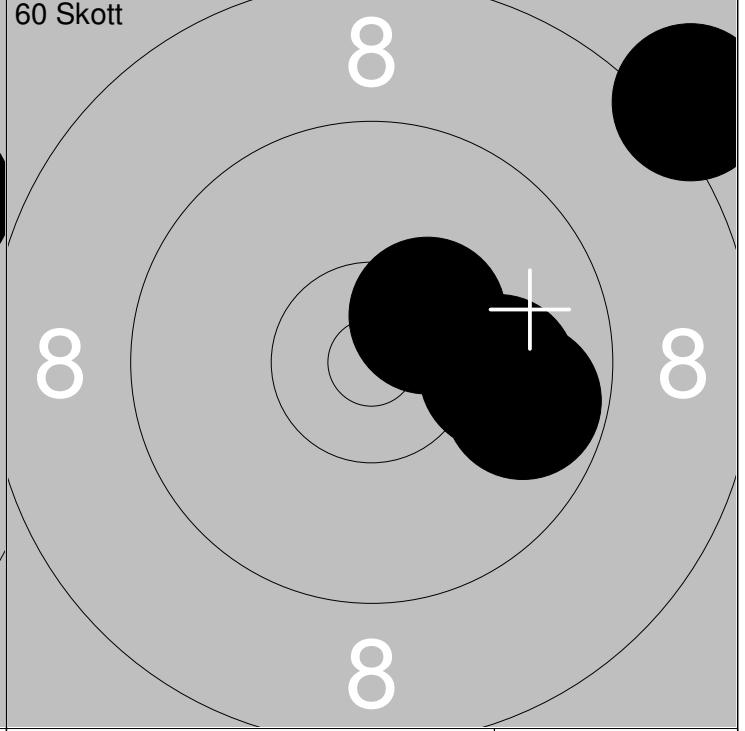
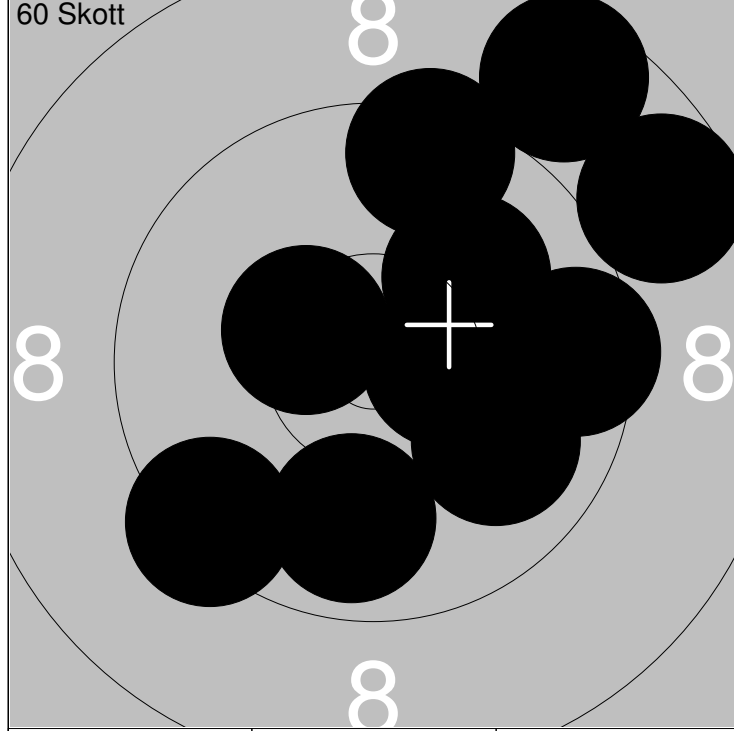
11: 8.5 ↗	16: 9.2 ←	Serie	91.9
12: 9.6 ↗	17: 8.4 ↗		
13: 9.1 ↗	18: 9.2 ↑	Total	185.3
14: 9.1 ←	19: 10.0 →		
15: 9.9 ↗	20: 8.9 ↓		

21: 7.5 →	Serie	17.4
22: 9.9 ↓		
	Total	202.7



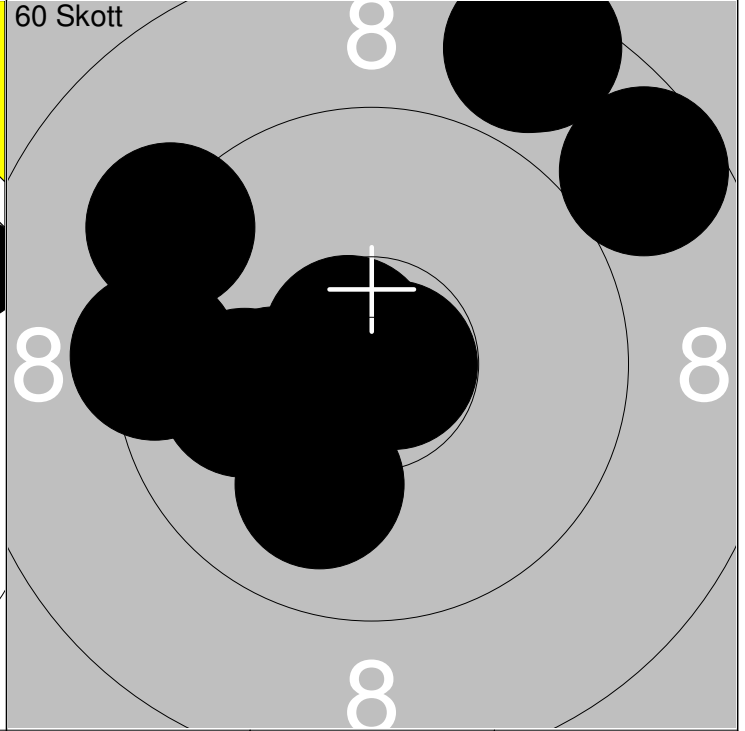
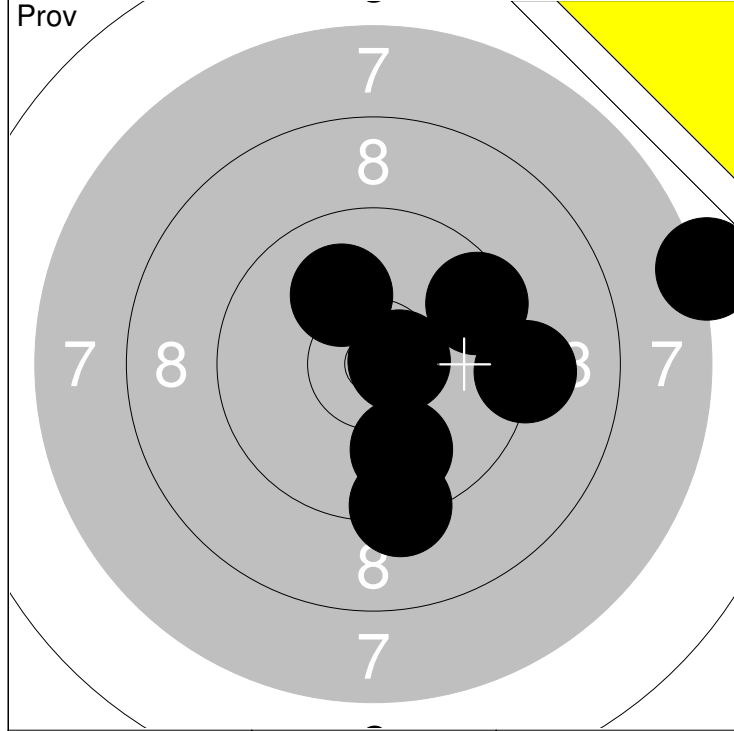
1: 9.5 ↓	6: 9.9 ↓	Serie	55.8
2: 7.8 ↓			
3: 9.8 ↗		Total	0.0
4: 9.6 →			
5: 9.2 ↓			

1: 8.7 ↓	6: 9.3 ↗	Serie	97.1
2: 9.6 ↓	7: 10.3 ↓		
3: 9.0 ↓	8: 10.6x ↗	Total	97.1
4: 9.2 ↓	9: 9.9 ↓		
5: 10.2 →	10: 10.3 ↓		



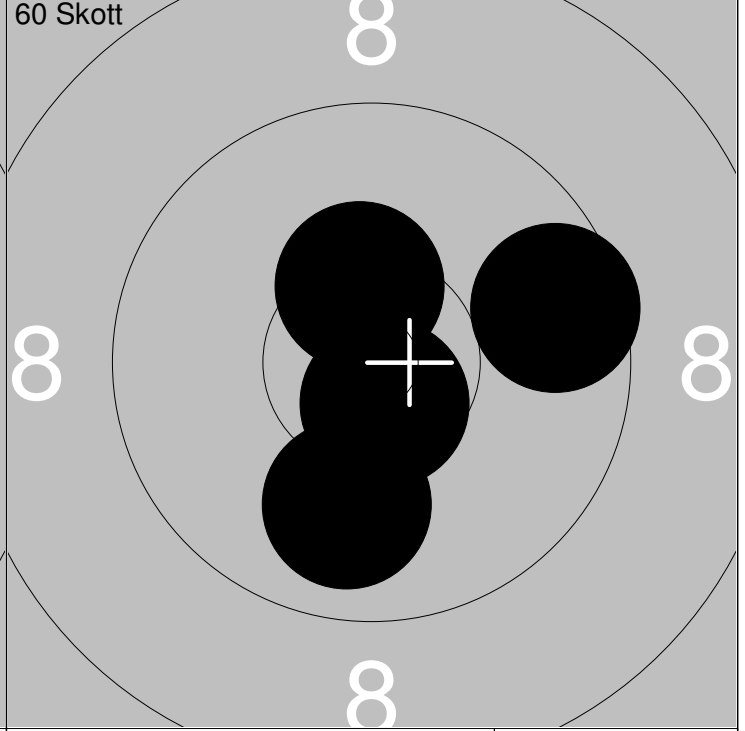
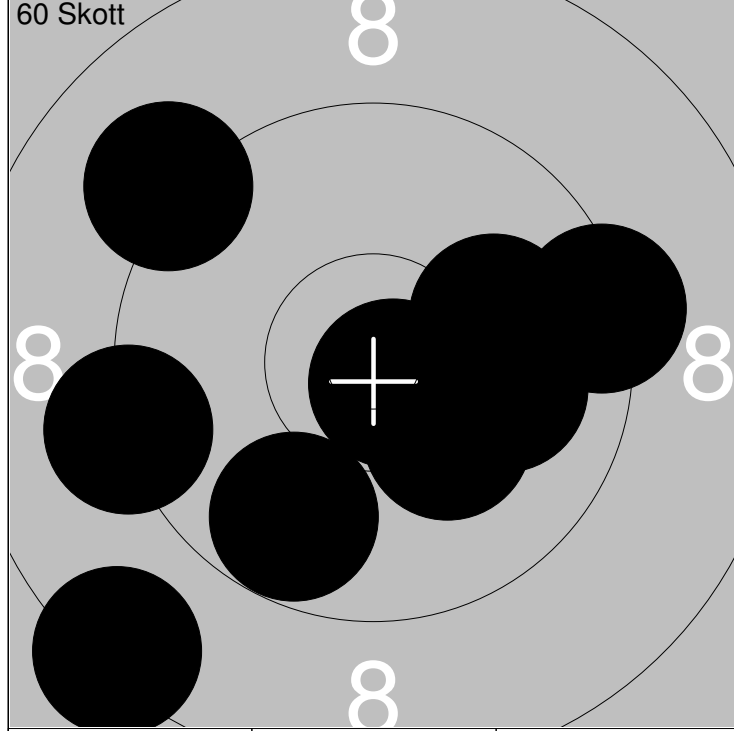
11: 9.5 ↑	16: 10.0 ↓	Serie	97.0
12: 8.8 ↗	17: 10.5x →		
13: 10.5x ↖	18: 10.1 ↗	Total	194.1
14: 9.4 ↓	19: 9.6 →		
15: 9.9 ↓	20: 8.7 ↗		

21: 8.0 ↗	Serie	38.2
22: 10.4x ↗		
23: 10.0 →	Total	232.3
24: 9.8 →		



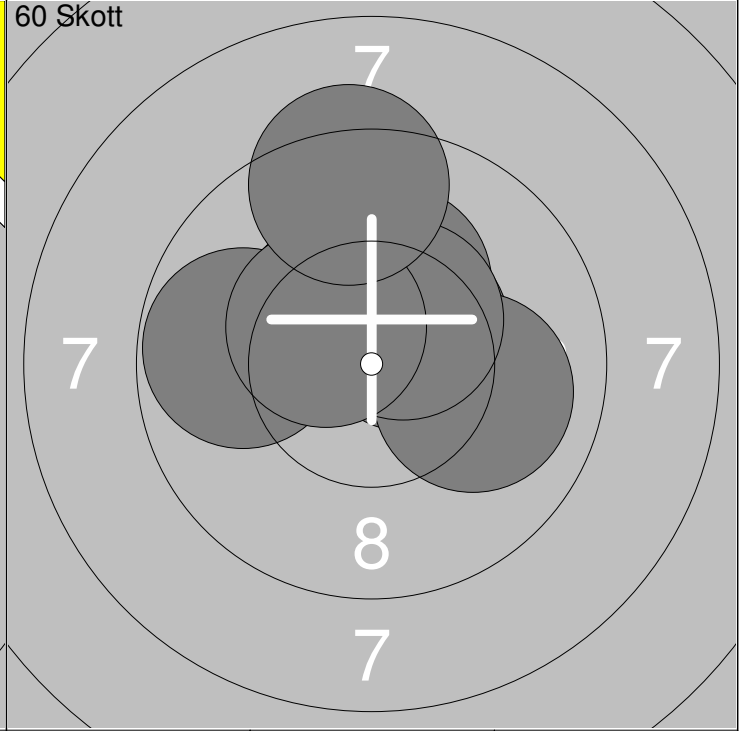
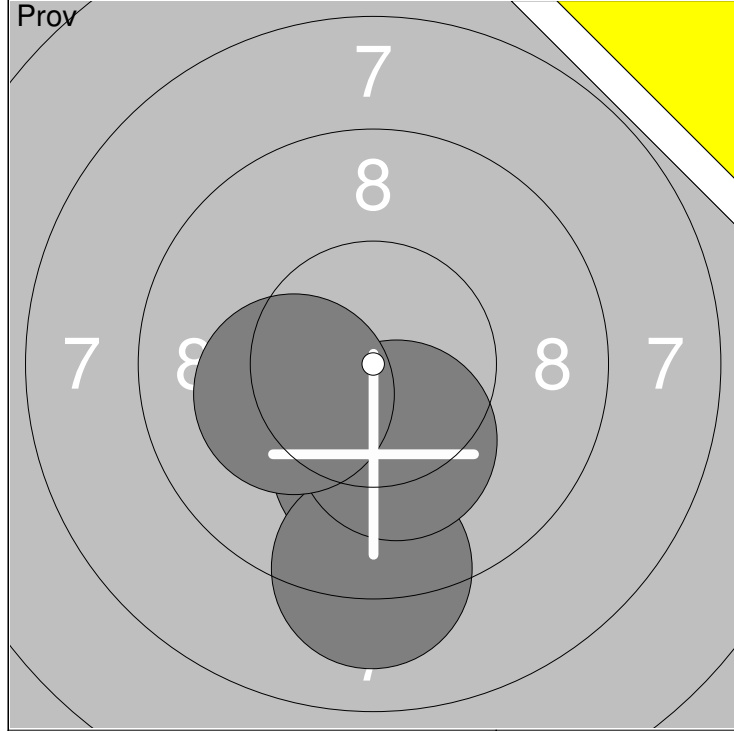
1: 9.3 →	6: 10.7x →	Serie	66.2
2: 9.4 ↓	7: 10.1 ↗		
3: 7.1 →		Total	0.0
4: 9.6 ↗			
5: 10.0 ↓			

1: 10.7x ↖	6: 10.8x →	Serie	96.7
2: 9.5 ←	7: 8.6 ↗		
3: 10.1 ←	8: 10.1 ↓	Total	96.7
4: 8.6 ↗	9: 10.3 ←		
5: 9.3 ↖	10: 8.7 ↗		



11: 10.1 →	16: 10.1 →	Serie	97.8
12: 9.2 ↖	17: 10.3 ↓		
13: 8.4 ↙	18: 9.8 ↓	Total	194.5
14: 9.3 ←	19: 10.4x →		
15: 10.8x ↓	20: 9.4 →		

21: 10.4x ↗	Serie	40.8
22: 10.0 ↓		
23: 9.7 →	Total	235.3
24: 10.7x ↓		



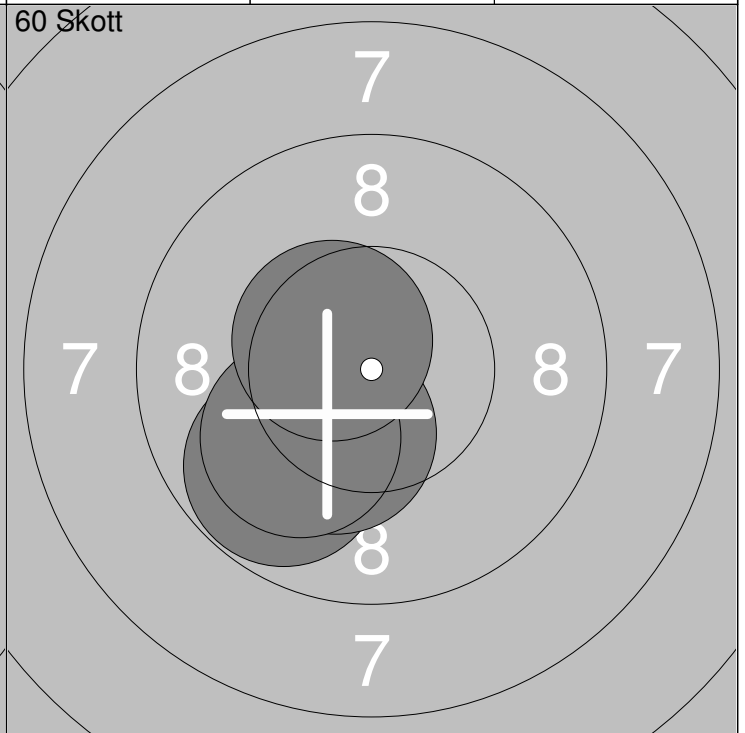
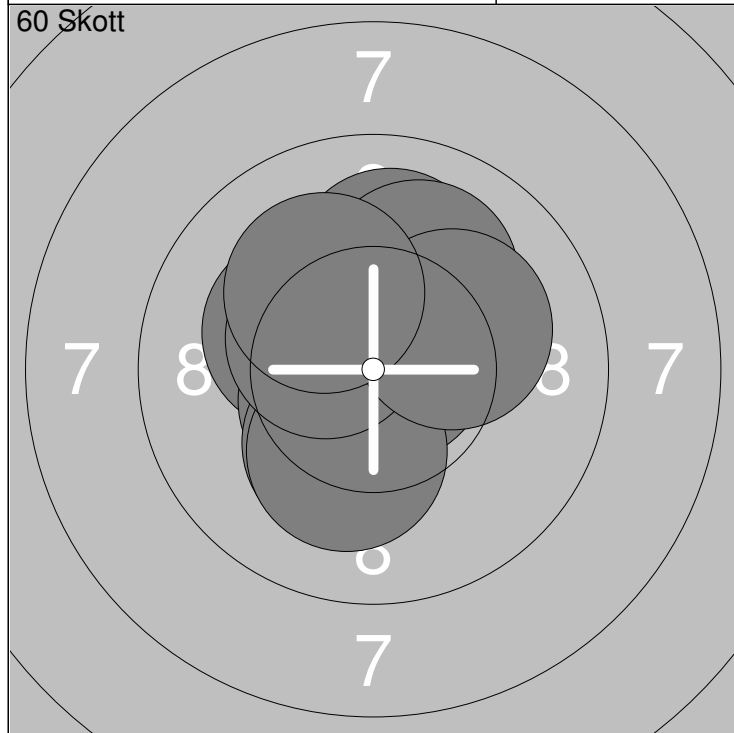
1:	10.1	↓
2:	9.1	↓
3:	10.2x	↓
4:	10.2x	←

Serie	39.6
Total	0.0

1:	10.2x	↑
2:	10.3x	↑
3:	10.5x	↗
4:	9.8	←
5:	10.2x	↑

6:	10.4x	↖
7:	10.0	→
8:	10.5x	↗
9:	10.4x	↖
10:	9.3	↑

Serie	101.6
Total	101.6



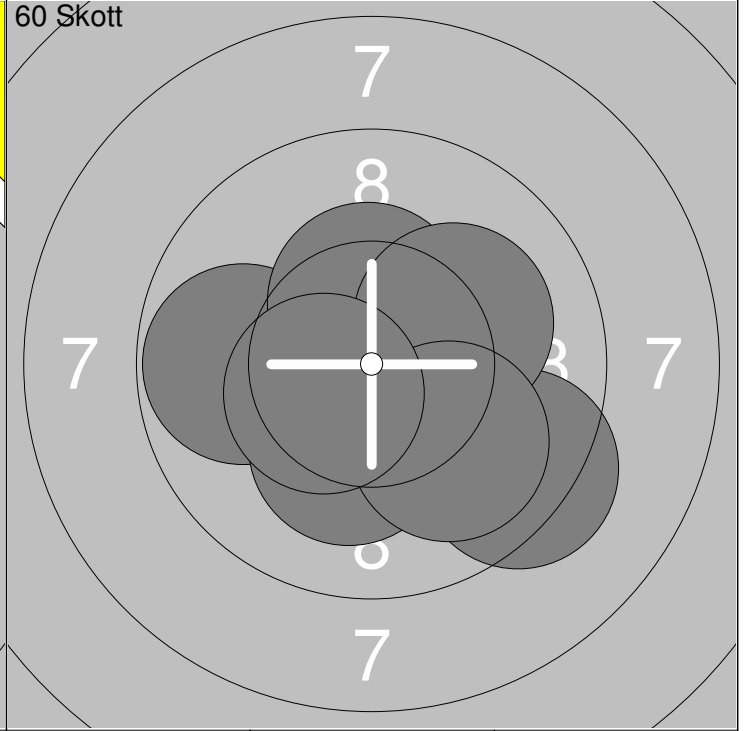
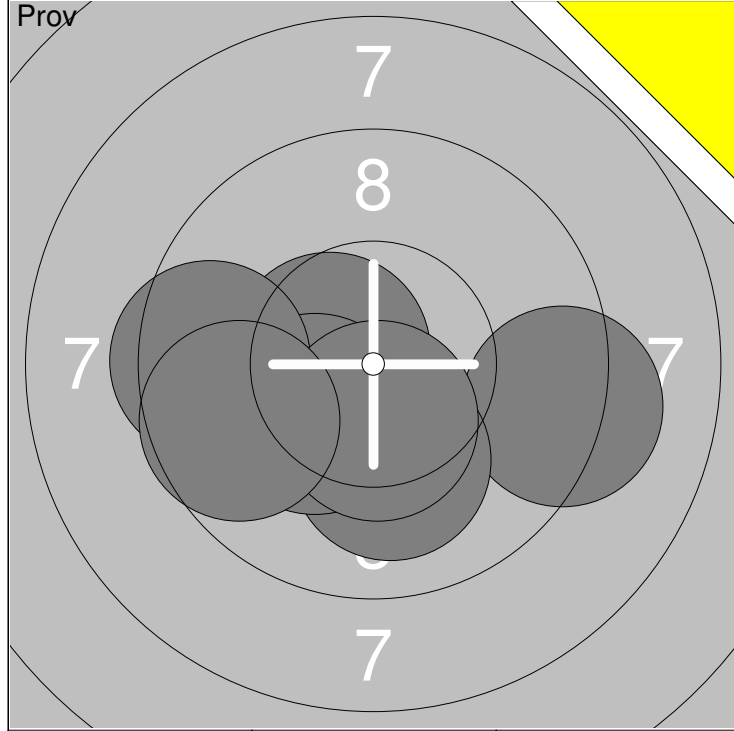
11:	10.8x	↗
12:	10.2x	↖
13:	10.5x	↙
14:	10.2x	↓
15:	10.2x	↓

16:	10.0	↑
17:	10.4x	↖
18:	10.1	↗
19:	10.2x	↗
20:	10.1	↖

Serie	102.7
Total	204.3

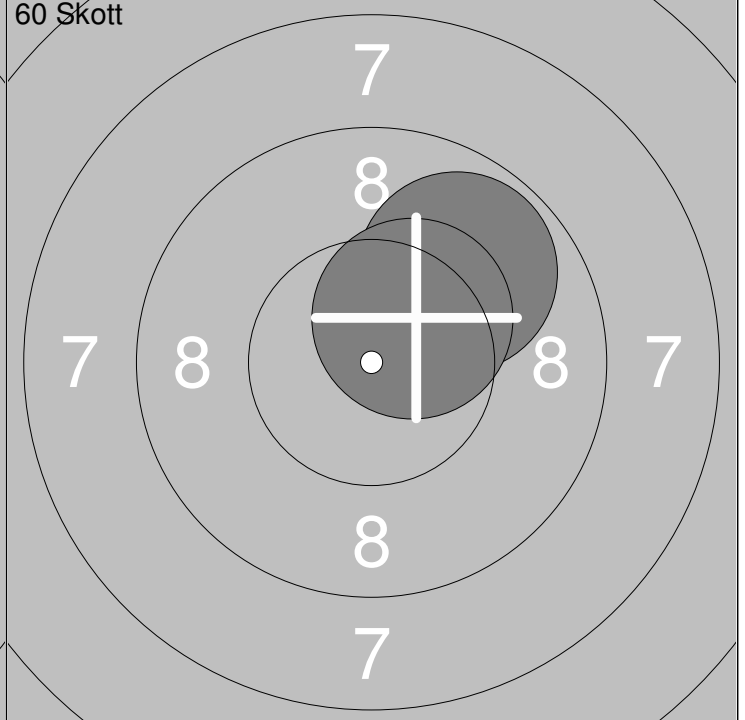
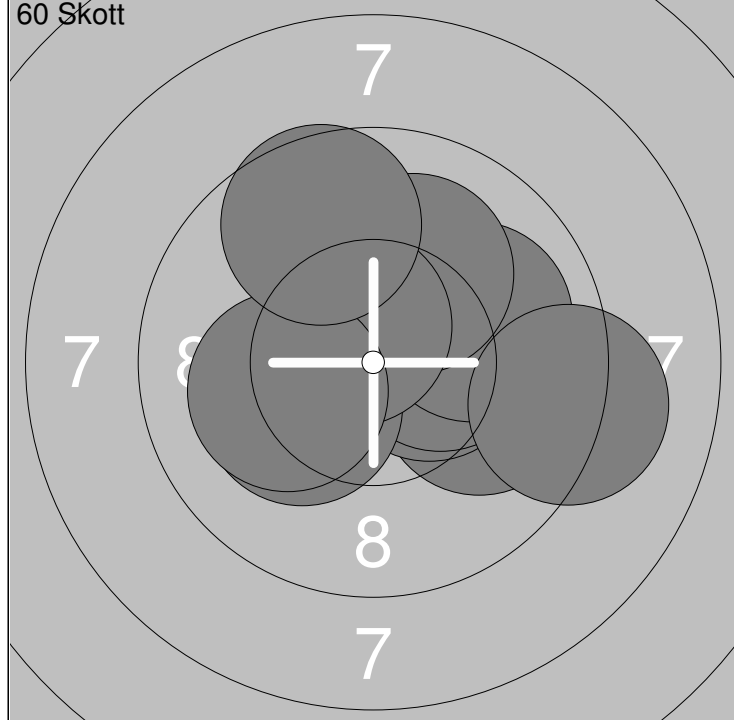
21:	9.8	↙
22:	10.3x	↓
23:	10.1	↙
24:	10.5x	↖

Serie	40.7
Total	245.0



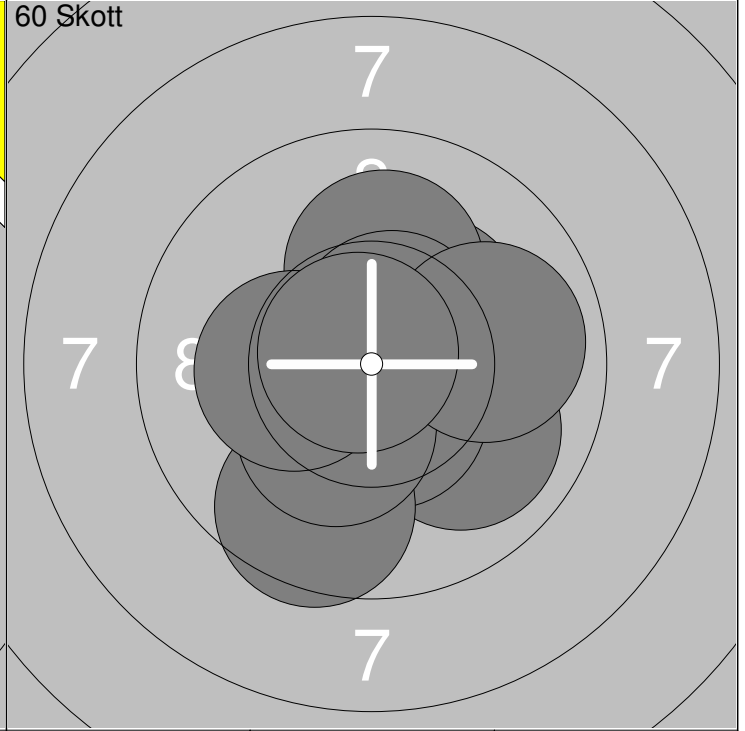
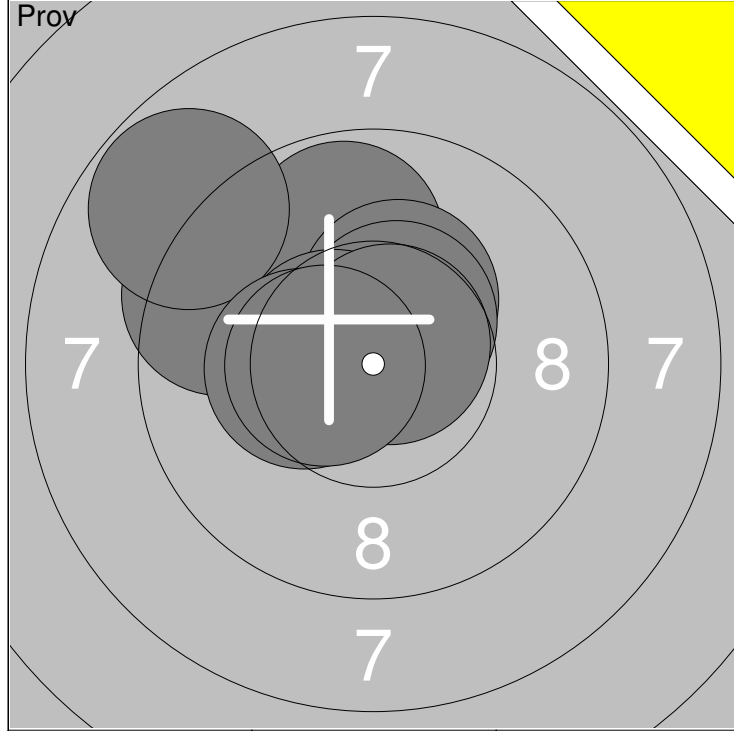
1: 10.6x ↙	6: 10.4x ↓	Serie	69.8
2: 9.2 →	7: 9.7 ↙		
3: 10.1 ↓		Total	0.0
4: 10.3x ↙			
5: 9.5 ←			

1: 10.9x ↗	6: 10.4x ↑	Serie	102.6
2: 9.8 ←	7: 10.2x ↓		
3: 10.6x ↘	8: 10.1 ↗	Total	102.6
4: 10.8x ↓	9: 10.0 ↘		
5: 9.3 ↘	10: 10.5x ↙		



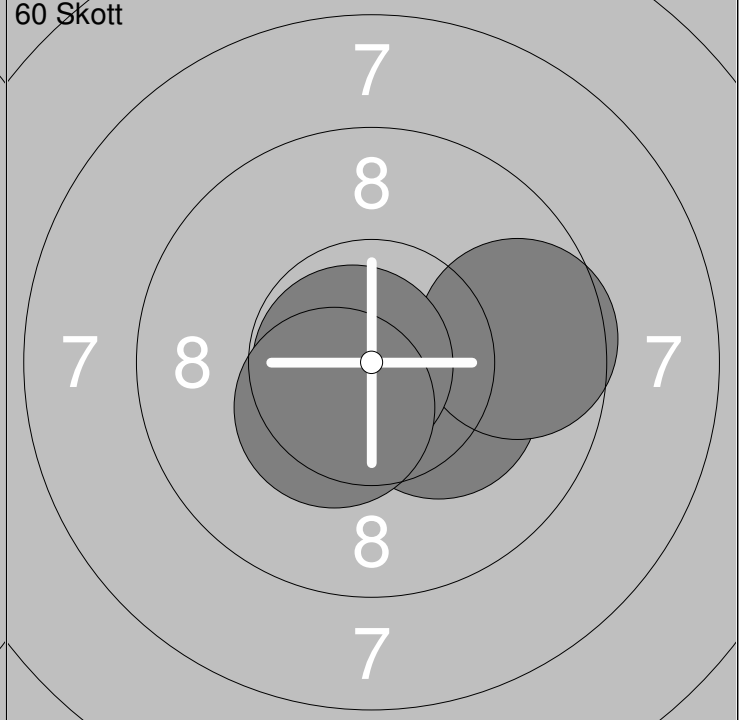
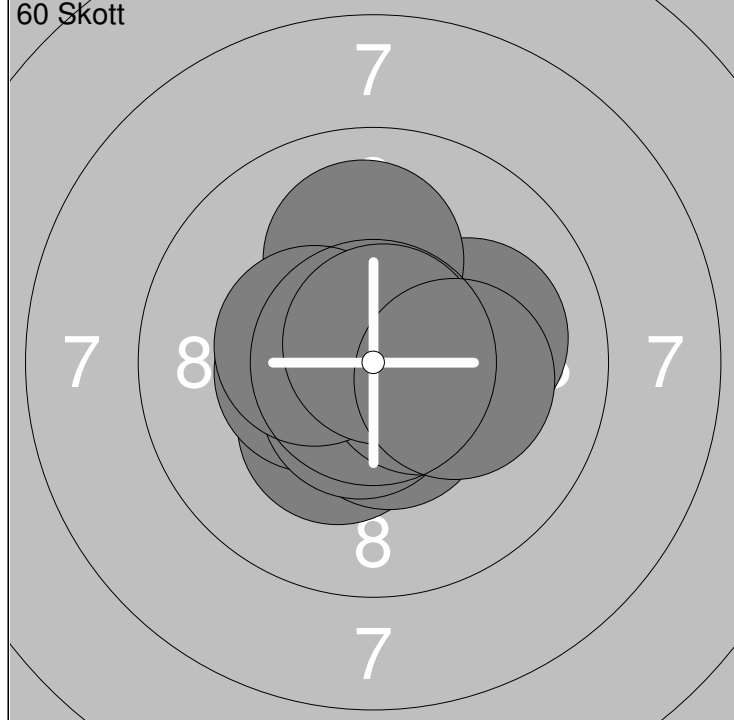
11: 10.0 →	16: 10.1 ↗	Serie	100.5
12: 10.4x →	17: 10.6x ↗		
13: 10.3x →	18: 10.1 ←	Total	203.1
14: 10.0 ↗	19: 9.2 →		
15: 10.2x ↙	20: 9.6 ↗		

21: 9.8 ↗	Serie	20.2
22: 10.4x ↗		
	Total	223.3



1: 9.5 ↙	6: 10.6x ↙	Serie	91.0
2: 9.8 ↑	7: 10.7x ↗		
3: 8.8 ↙	8: 10.3x ←	Total	0.0
4: 10.3x ↑	9: 10.5x ←		
5: 10.5x ↗			

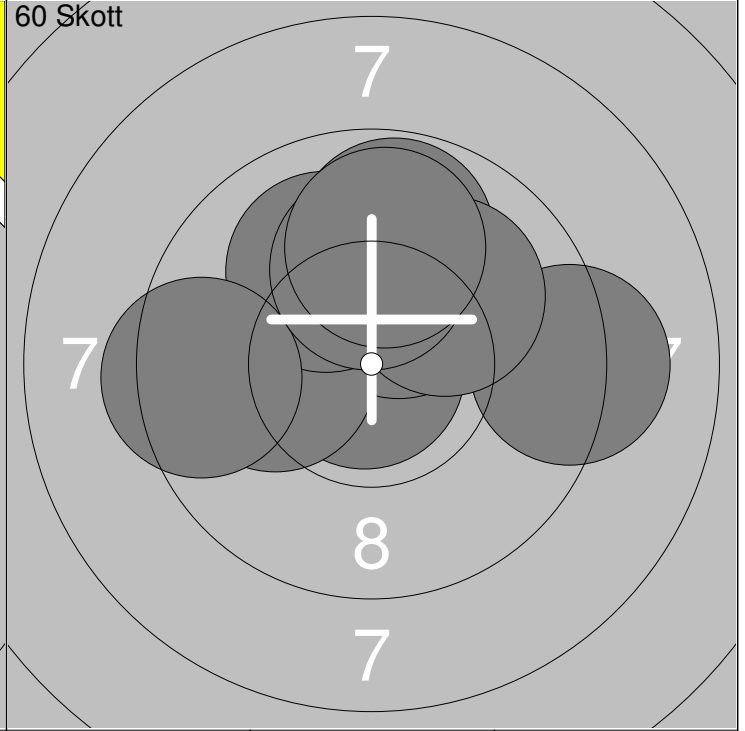
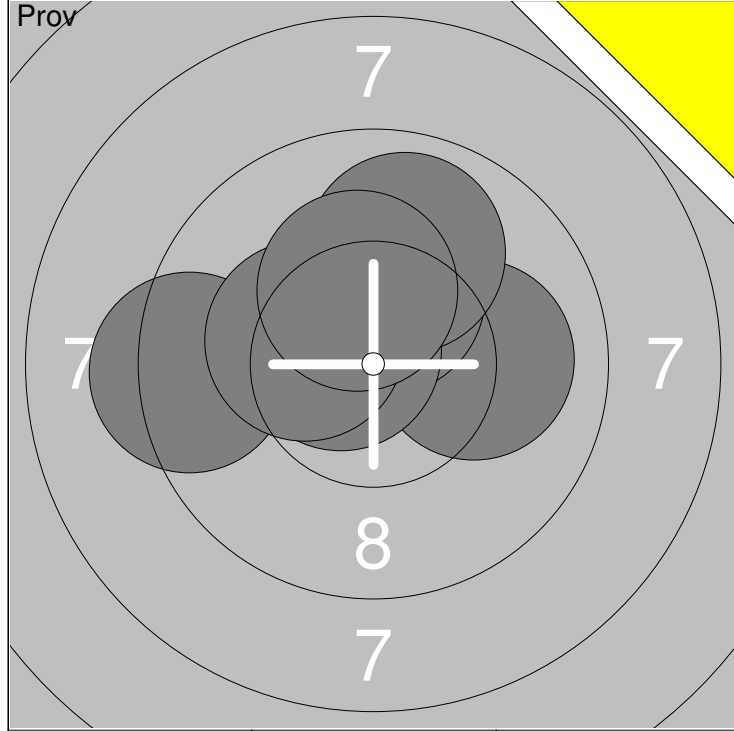
1: 10.3x ↗	6: 9.6 ↓	Serie	102.4
2: 10.0 ↘	7: 10.3x ↓		
3: 10.1 ↑	8: 10.3x ←	Total	102.4
4: 10.6x ↗	9: 9.9 →		
5: 10.5x ↓	10: 10.8x ↙		



11: 10.3x ↓	16: 10.6x ↓	Serie	103.8
12: 10.1 →	17: 10.5x →		
13: 10.5x ↓	18: 10.4x ←	Total	206.2
14: 10.0 ↑	19: 10.8x ↗		
15: 10.4x ←	20: 10.2x →		

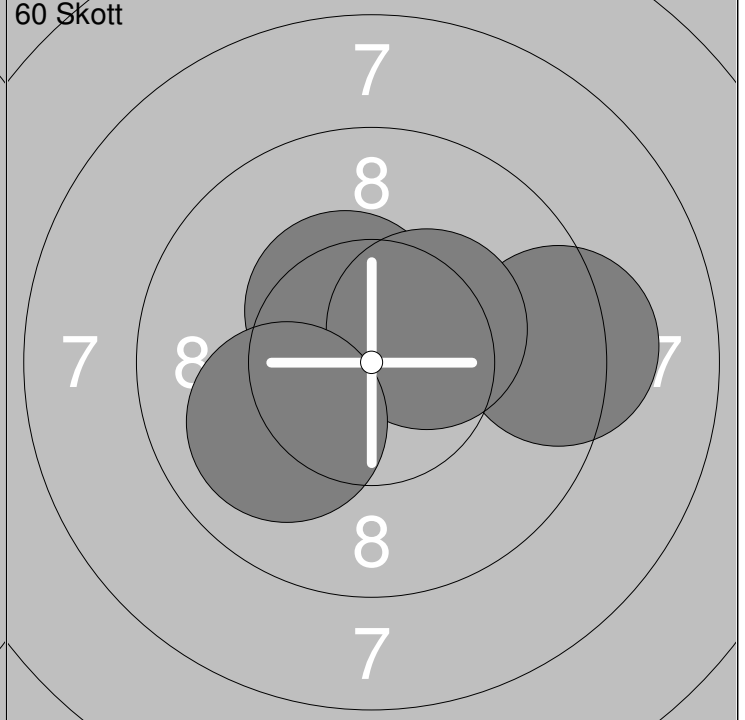
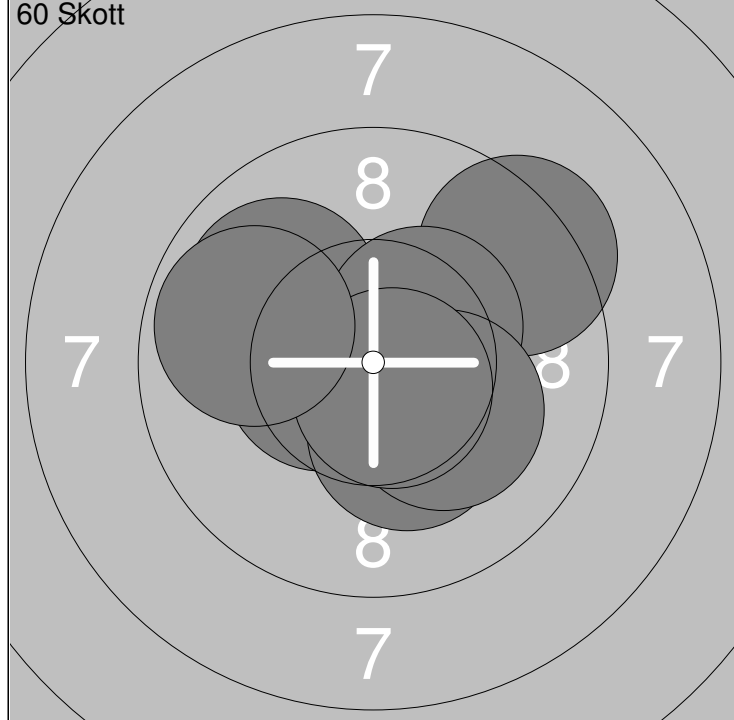
21: 10.3x →	Serie	41.1
22: 9.6 →		
23: 10.8x ←	Total	247.3
24: 10.4x ↓		





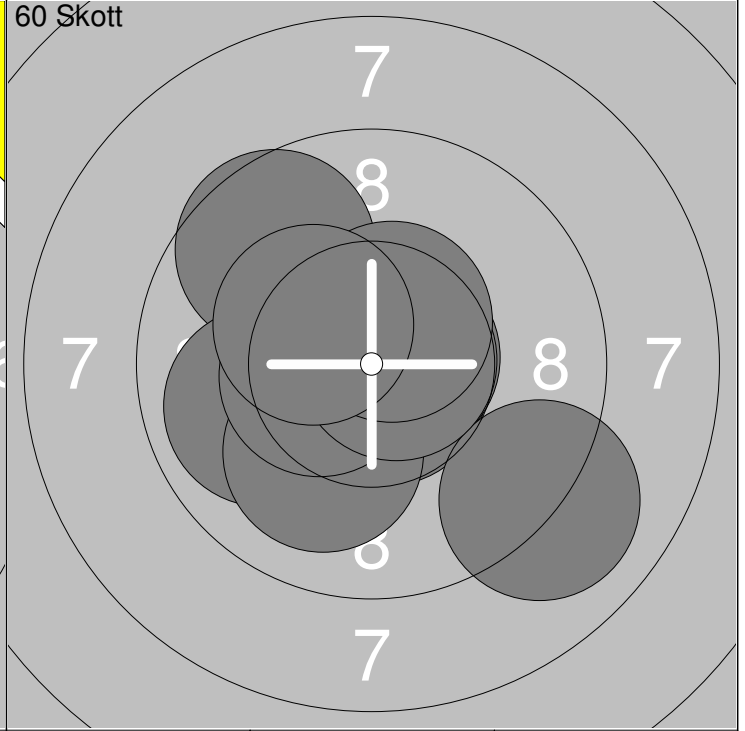
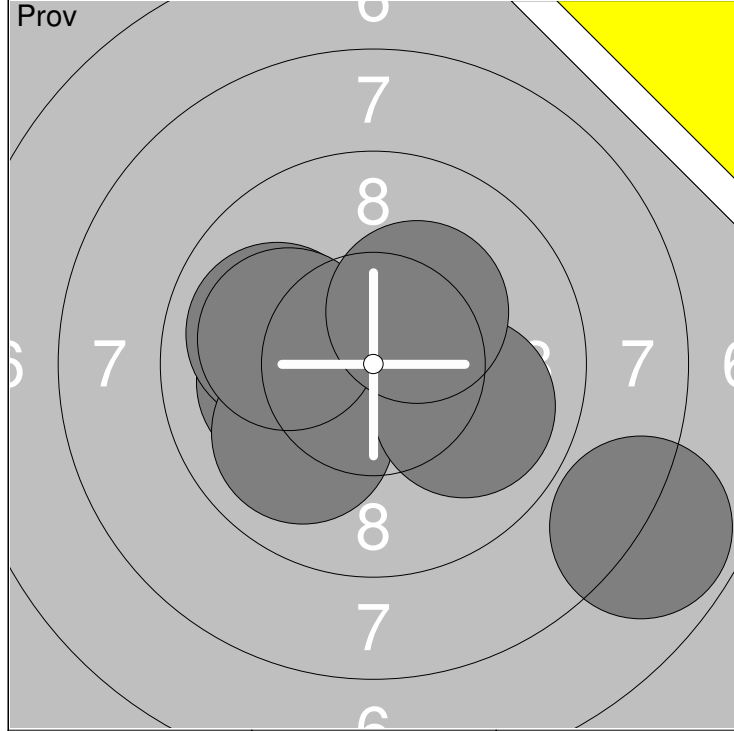
1: 10.1 →	6: 9.9 ↗	Serie	70.8
2: 10.3x ↗	7: 10.3x ↗		
3: 10.6x ↖		Total	0.0
4: 9.3 ←			
5: 10.3x ↖			

1: 10.9x ↖	6: 10.0 ↗	Serie	99.8
2: 9.8 ↗	7: 10.1 ↗		
3: 9.2 →	8: 9.4 ←	Total	99.8
4: 10.3x ↗	9: 10.1 ↗		
5: 10.1 ←	10: 9.9 ↗		



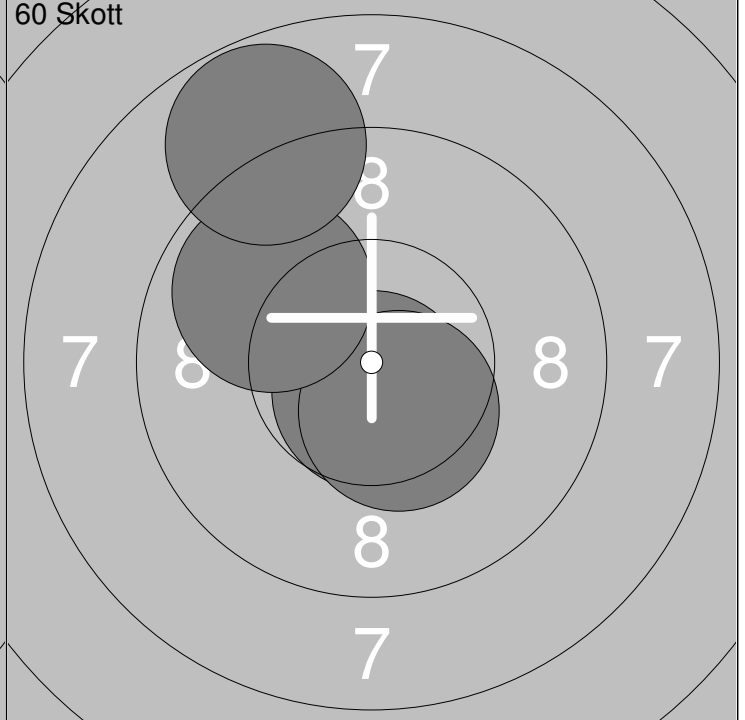
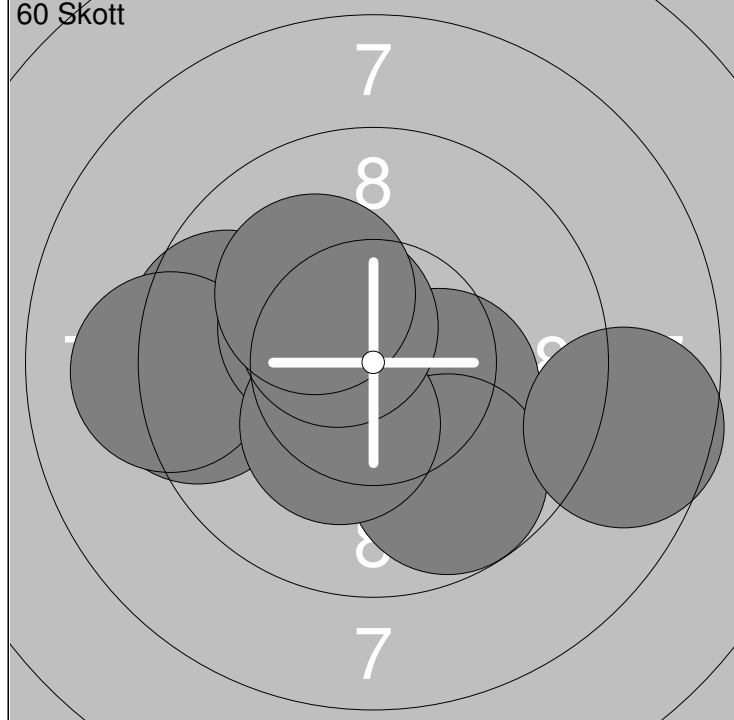
11: 10.8x ↗	16: 9.4 ↗	Serie	102.7
12: 10.6x →	17: 10.4x ↗		
13: 10.5x ←	18: 10.2x ↘	Total	202.5
14: 10.3x ↘	19: 10.7x ↘		
15: 10.0 ↗	20: 9.8 ←		

21: 10.4x ↖	Serie	40.1
22: 9.3 →		
23: 10.4x ↗	Total	242.6
24: 10.0 ↖		



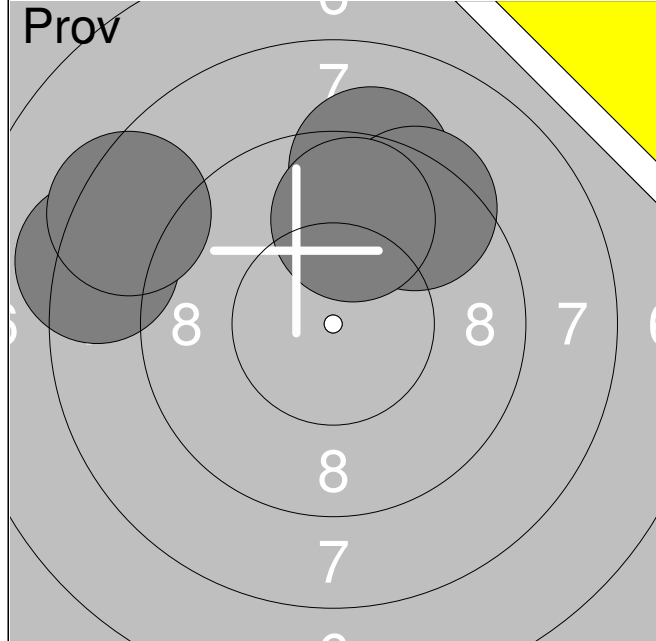
1: 10.1 ↙	6: 7.9 ↘	Serie	88.8
2: 10.1 ↙	7: 10.0 ↘		
3: 10.3x ↙	8: 10.1 ↙	Total	0.0
4: 10.0 ↙	9: 10.3x ↗		
5: 10.0 ↘			

1: 9.6 ↖	6: 10.7x →	Serie	102.0
2: 10.7x ↘	7: 9.0 ↘		
3: 9.9 ↙	8: 10.7x →	Total	102.0
4: 10.1 ↘	9: 10.5x ↗		
5: 10.5x ↙	10: 10.3x ↙		

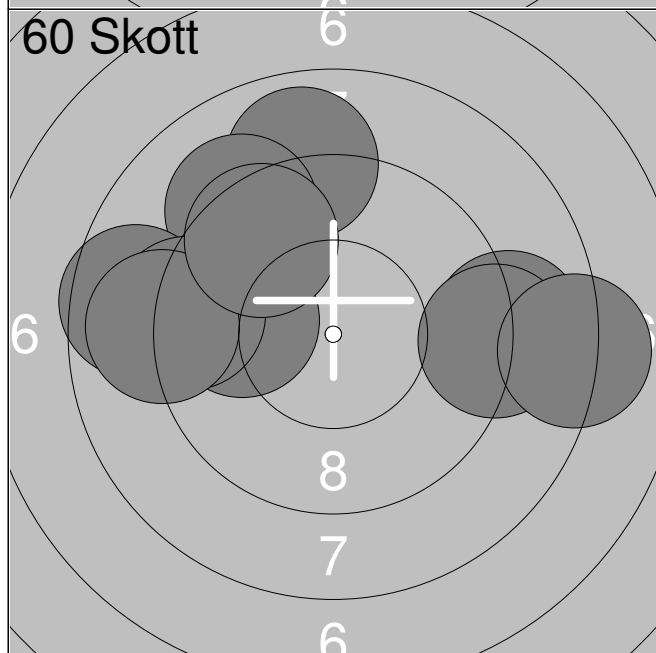


11: 10.3x →	16: 9.8 ↘	Serie	98.1
12: 9.4 ↙	17: 10.3x ↘		
13: 9.6 ↙	18: 8.6 →	Total	200.1
14: 9.1 ↙	19: 10.5x ↗		
15: 10.4x ↖	20: 10.1 ↗		

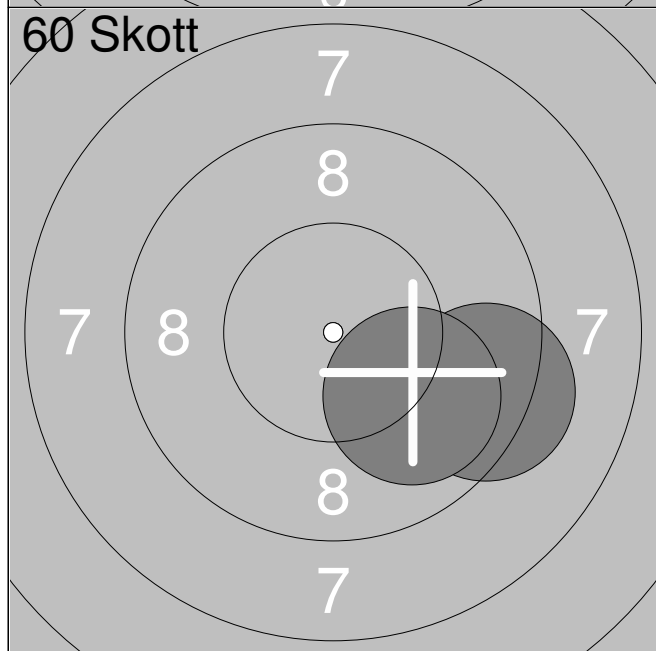
21: 10.7x ↘	Serie	39.9
22: 10.5x ↘		
23: 9.9 ↖	Total	240.0
24: 8.8 ↗		



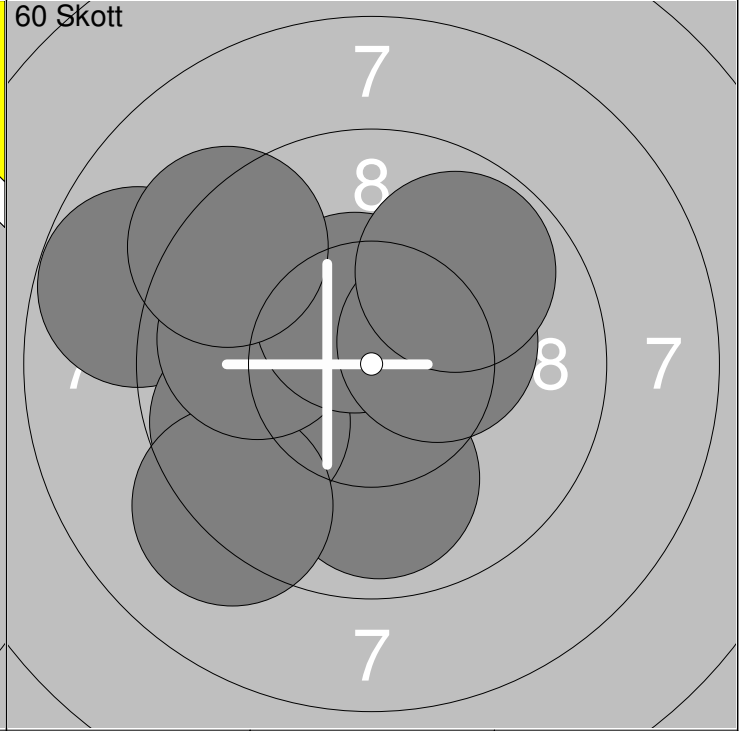
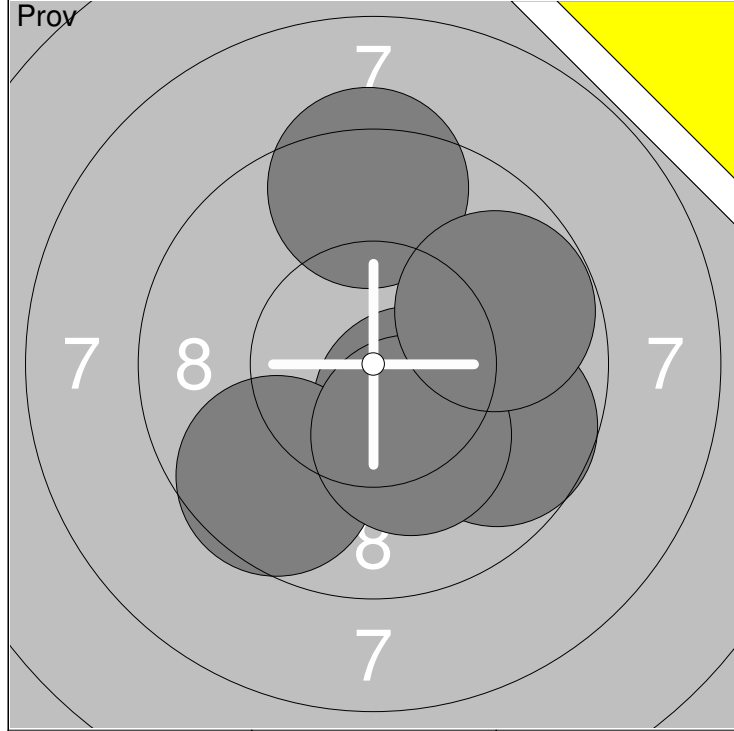
1:	9.2	↑
2:	8.3	←
3:	9.4	↗
4:	9.8	↑
5:	8.4	←
<b>Serie</b>	<b>45.1</b>	
<b>Total</b>	<b>0.0</b>	



1:	8.9	↑
2:	8.9	→
3:	9.1	→
4:	9.2	↗
5:	8.6	←
6:	9.9	←
7:	9.2	←
8:	9.0	←
9:	9.6	↗
10:	8.1	→
<b>Serie</b>	<b>90.5</b>	
<b>Total</b>	<b>90.5</b>	

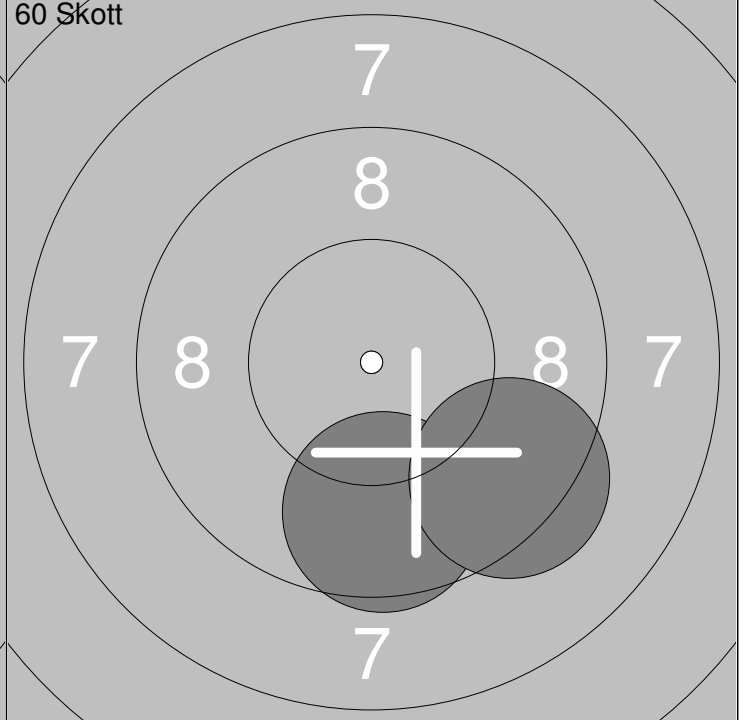
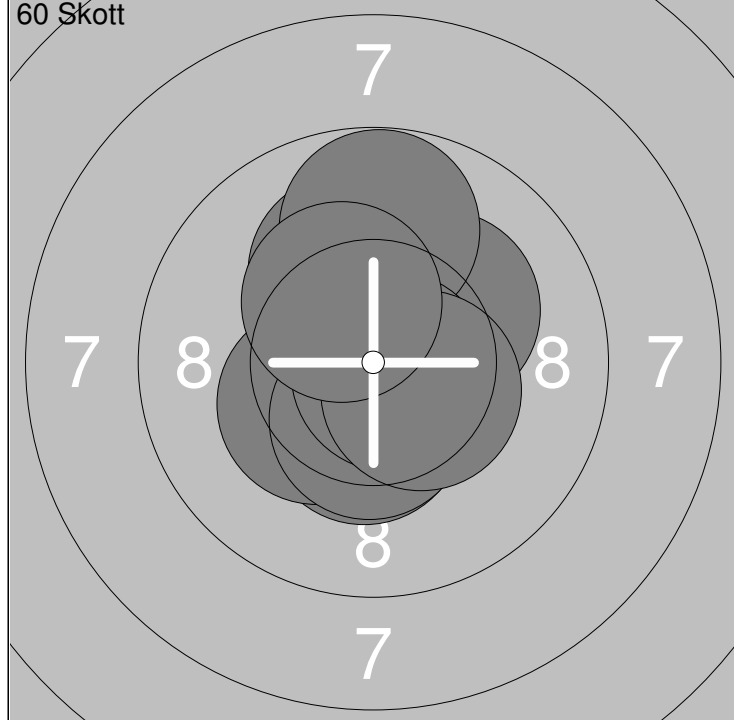


11:	9.3	↘
12:	9.9	↘
<b>Serie</b>	<b>19.2</b>	
<b>Total</b>	<b>109.7</b>	



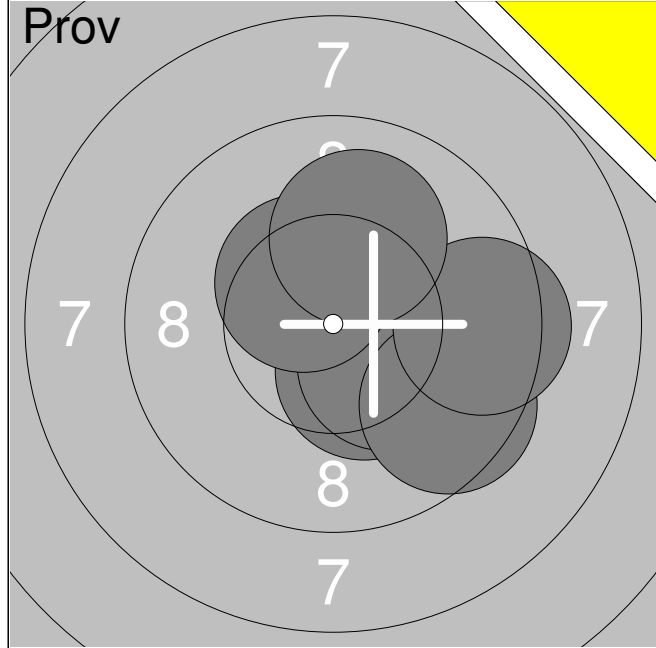
1: 10.4x ↘	6: 9.8 →		
2: 9.4 ↑		Serie	59.1
3: 9.6 ↙			
4: 9.7 →		Total	0.0
5: 10.2x ↘			

1: 10.6x →	6: 9.9 ←		
2: 9.9 ↓		Serie	98.0
3: 8.8 ←	7: 10.5x ↑		
4: 9.7 ←	8: 10.3x →	Total	98.0
5: 9.2 ↙	9: 9.3 ↖		
	10: 9.8 ↗		



11: 10.2x ↗	16: 9.8 ↑		
12: 10.4x ↓	17: 10.4x ↓	Serie	103.7
13: 10.9x →	18: 10.8x ↘		
14: 10.3x ↙	19: 10.5x ↘	Total	201.7
15: 10.1 ↑	20: 10.3x ↗		

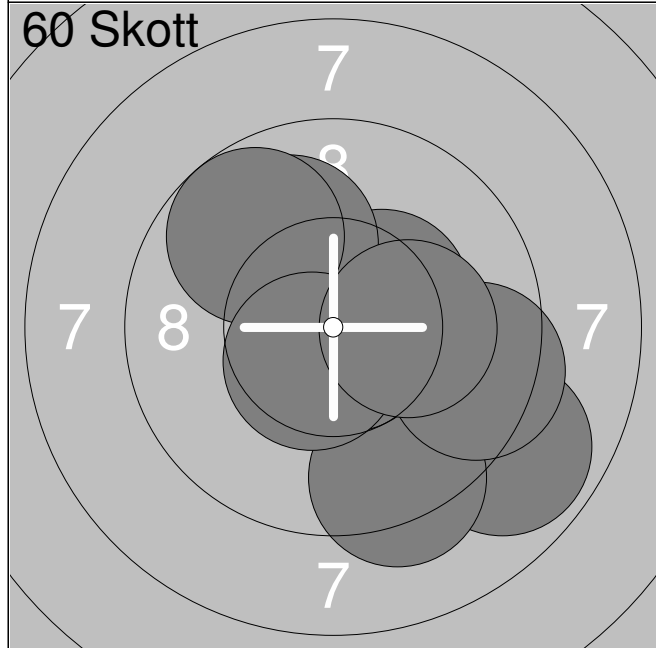
21: 9.6 ↓			
22: 9.3 ↓		Serie	18.9
		Total	220.6



1:	10.4x	↘
2:	10.3x	↘
3:	10.4x	↗
4:	9.5	↘
5:	9.5	→
6:	10.1	↗

<b>Serie</b>	<b>60.2</b>
--------------	-------------

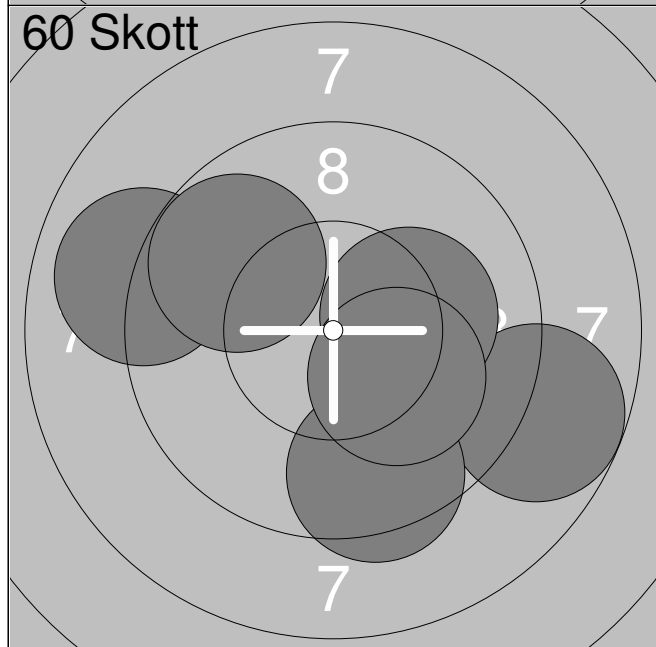
<b>Total</b>	<b>0.0</b>
--------------	------------



1:	10.4x	↗
2:	10.6x	↘
3:	8.9	↘
4:	9.3	↘
5:	10.7x	↘
6:	9.4	→
7:	10.0	↗
8:	9.8	↗
9:	10.5x	↘
10:	10.2x	→

<b>Serie</b>	<b>99.8</b>
--------------	-------------

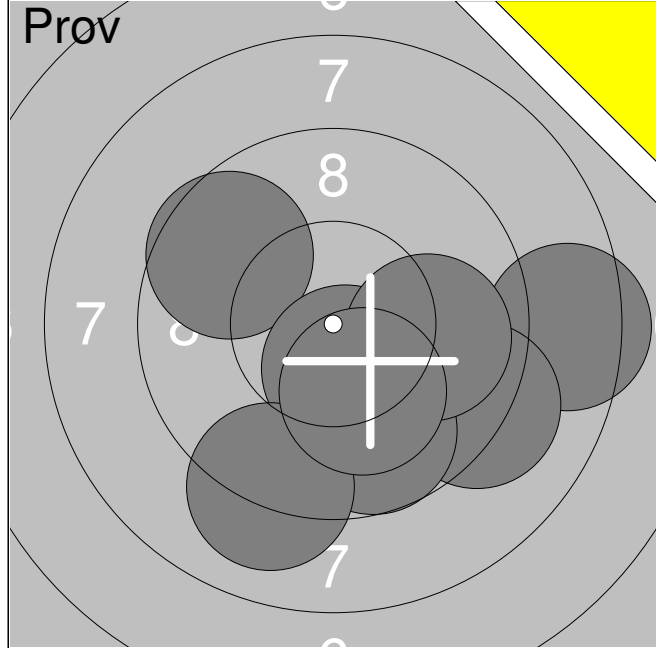
<b>Total</b>	<b>99.8</b>
--------------	-------------



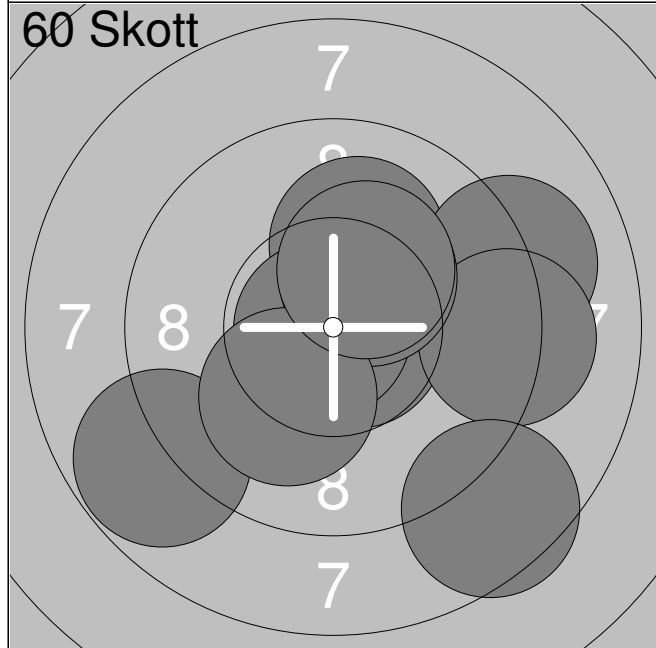
11:	8.8	↘
12:	9.0	←
13:	10.2x	→
14:	9.8	↗
15:	9.5	↘
16:	10.2x	↘

<b>Serie</b>	<b>57.5</b>
--------------	-------------

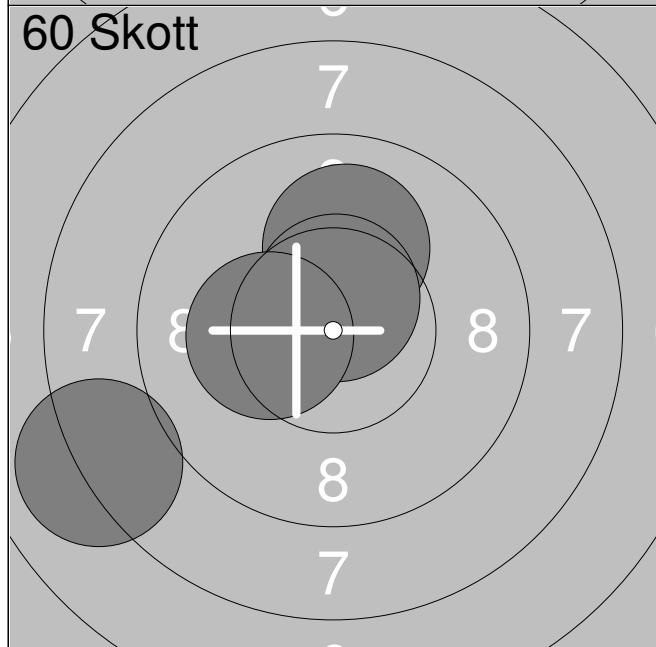
<b>Total</b>	<b>157.3</b>
--------------	--------------



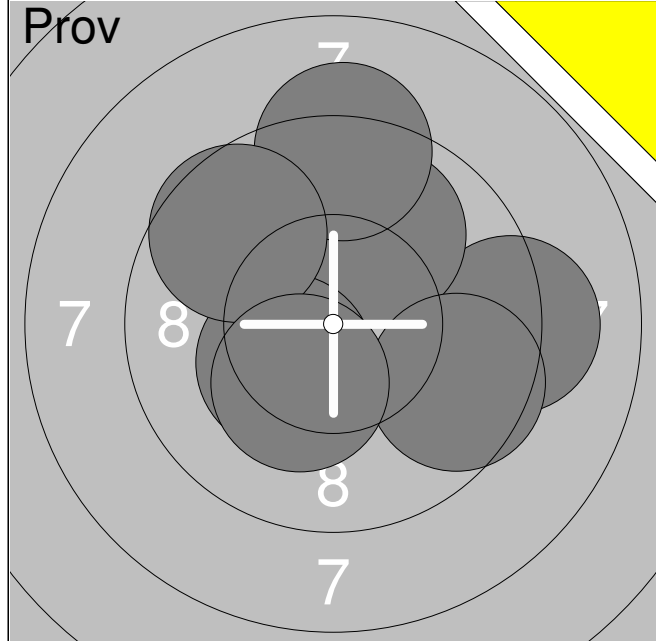
1:	8.4	→
2:	9.6	↗
3:	9.2	↘
4:	10.5x	↓
5:	9.7	↓
6:	9.1	↓
7:	9.9	→
8:	10.2x	↓
<b>Serie</b>		<b>76.6</b>
<b>Total</b>		<b>0.0</b>



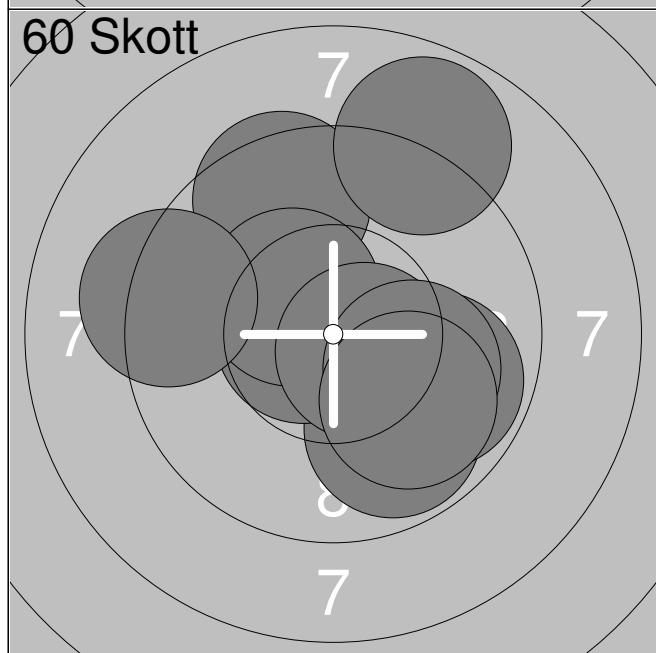
1:	10.1	↑
2:	9.1	→
3:	10.7x	↘
4:	8.8	↙
5:	9.2	→
6:	10.8x	←
7:	8.5	↘
8:	10.3x	↗
9:	10.1	↓
10:	10.3x	↗
<b>Serie</b>		<b>97.9</b>
<b>Total</b>		<b>97.9</b>



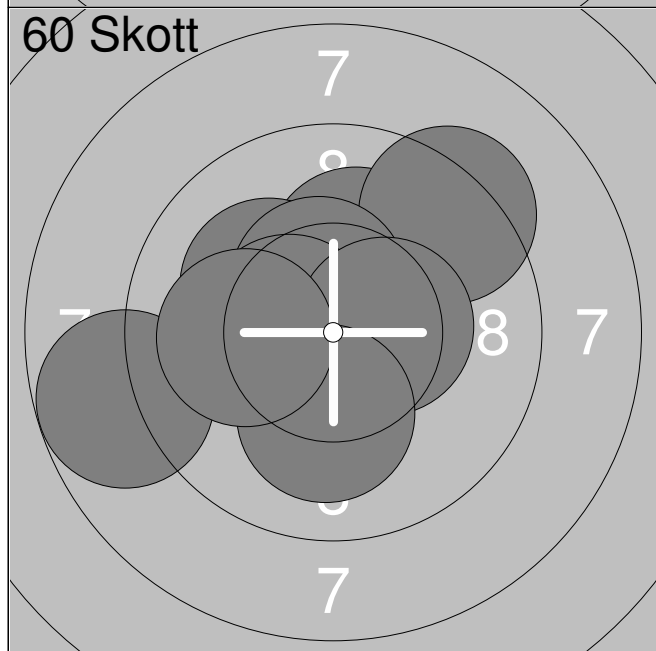
11:	10.1	↑
12:	8.1	↙
13:	10.6x	↑
14:	10.3x	←
<b>Serie</b>		<b>39.1</b>
<b>Total</b>		<b>137.0</b>



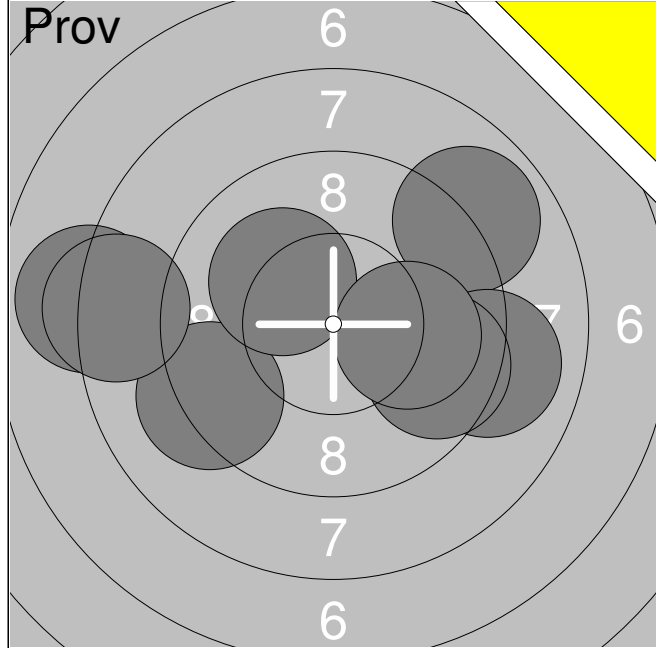
1:	9.2	→
2:	10.0	↑
3:	10.3x	↙
4:	9.2	↑
5:	9.6	↗
6:	9.6	→
7:	10.3x	↘
<b>Serie</b>	<b>68.2</b>	
<b>Total</b>	<b>0.0</b>	



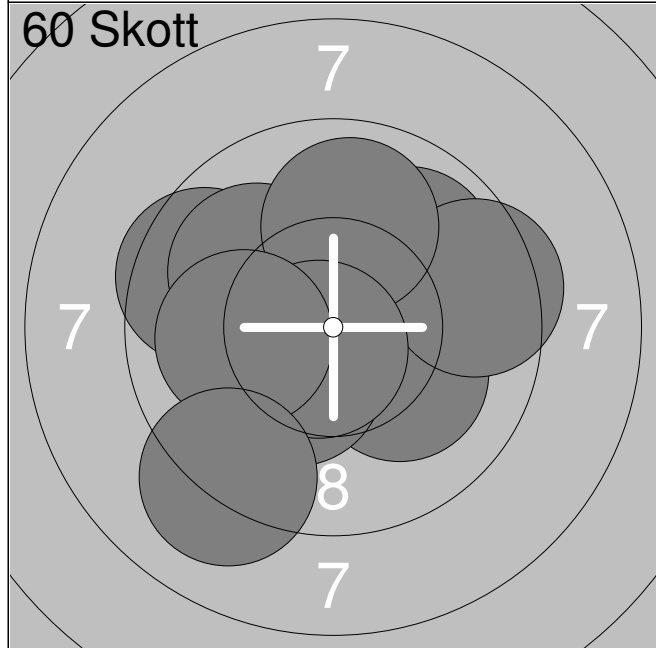
1:	9.5	↑
2:	9.8	↘
3:	10.7x	←
4:	10.4x	↗
5:	10.6x	↘
6:	8.9	↑
7:	9.3	←
8:	9.8	↘
9:	10.1	↘
10:	9.9	↘
<b>Serie</b>	<b>99.0</b>	
<b>Total</b>	<b>99.0</b>	



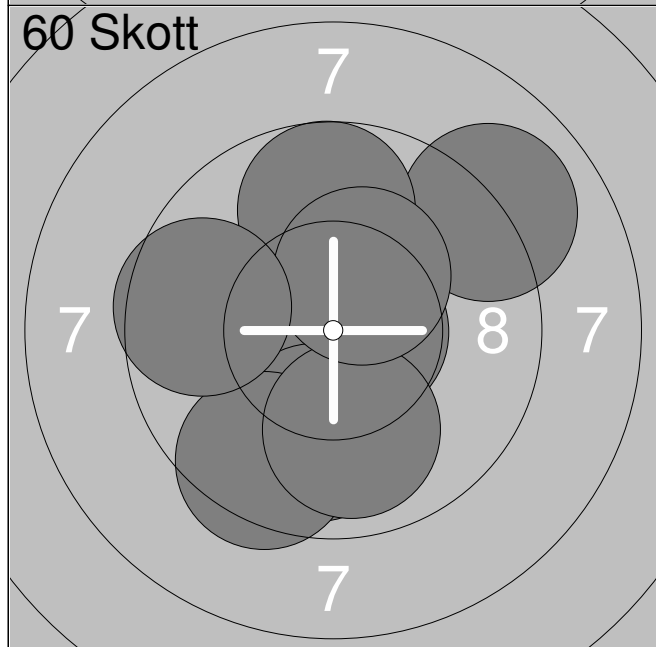
11:	10.4x	↑
12:	8.8	←
13:	10.1	↑
14:	9.3	↗
15:	10.2x	↖
16:	10.5x	↑
17:	10.5x	←
18:	10.4x	→
19:	10.1	↓
20:	10.1	←
<b>Serie</b>	<b>100.4</b>	
<b>Total</b>	<b>199.4</b>	



1:	8.0	←
2:	9.2	↙
3:	8.9	↗
4:	8.3	←
5:	9.0	→
6:	9.6	→
7:	10.1	↗
8:	10.0	→
<b>Serie</b>	<b>73.1</b>	
<b>Total</b>	<b>0.0</b>	



1:	10.1	↘
2:	9.9	↗
3:	9.5	→
4:	10.3x	↙
5:	9.6	←
6:	10.0	↖
7:	9.9	↑
8:	10.7x	↙
9:	10.0	←
10:	9.1	↙
<b>Serie</b>	<b>99.1</b>	
<b>Total</b>	<b>99.1</b>	



11:	9.0	↗
12:	10.7x	→
13:	9.9	↓
14:	9.5	↙
15:	9.9	↓
16:	9.7	↑
17:	10.3x	↗
18:	9.6	←
<b>Serie</b>	<b>78.6</b>	
<b>Total</b>	<b>177.7</b>	