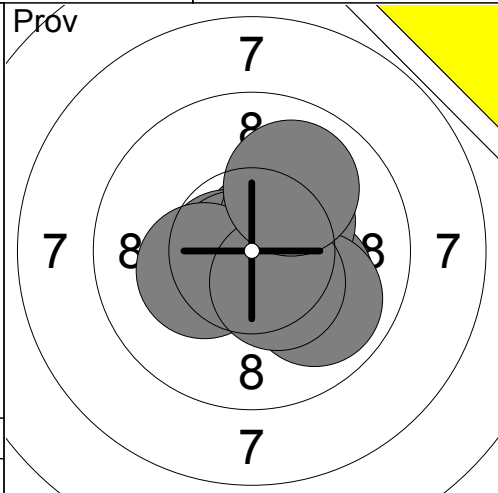


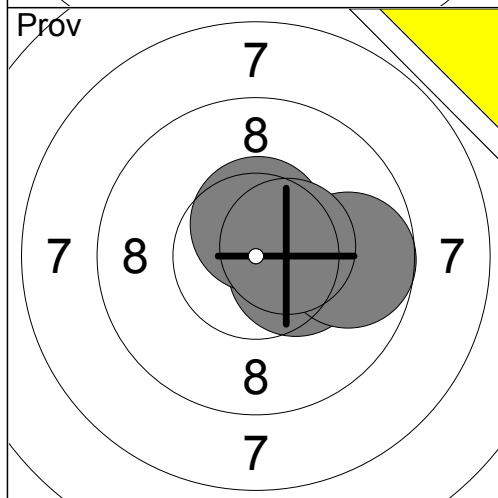
1:	10.3x	↑
2:	9.3	↑
3:	9.8	↗
4:	10.2x	→
5:	10.1	↑
6:	10.3x	↑
7:	10.3x	←
8:	10.2x	↑
9:	10.6x	→
10:	9.5	↗

Serie	97
Total	0



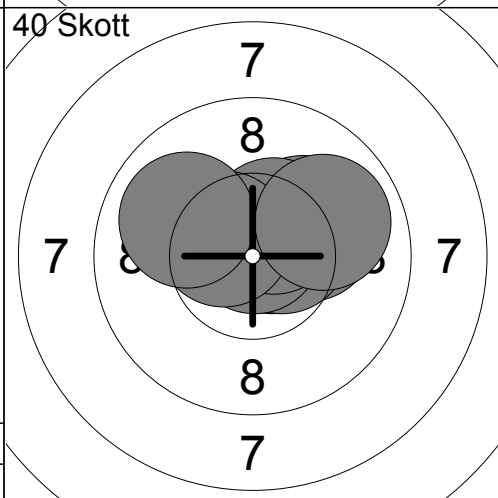
11:	10.1	↘
12:	10.7x	↘
13:	10.7x	↗
14:	10.6x	←
15:	10.7x	←
16:	10.3x	↗
17:	10.3x	←
18:	9.9	↘
19:	10.4x	↘
20:	10.0	↗

Serie	99
Total	0



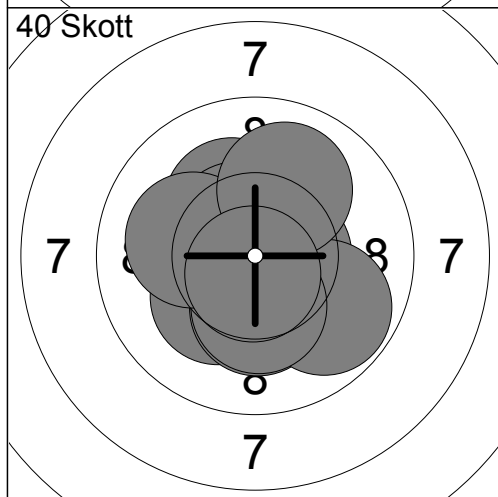
21:	10.4x	→
22:	9.7	→
23:	10.5x	↑
24:	10.5x	→

Serie	39
Total	0



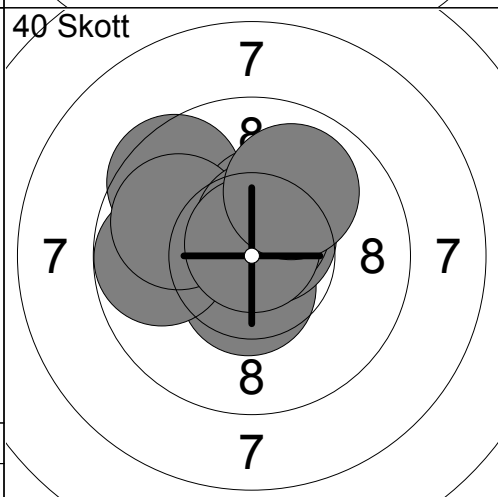
1:	10.1	↗
2:	10.2x	↗
3:	10.7x	↗
4:	10.2x	↗
5:	10.5x	→
6:	10.8x	↑
7:	10.5x	↗
8:	10.5x	←
9:	9.9	↗
10:	10.0	←

Serie	99
Total	99



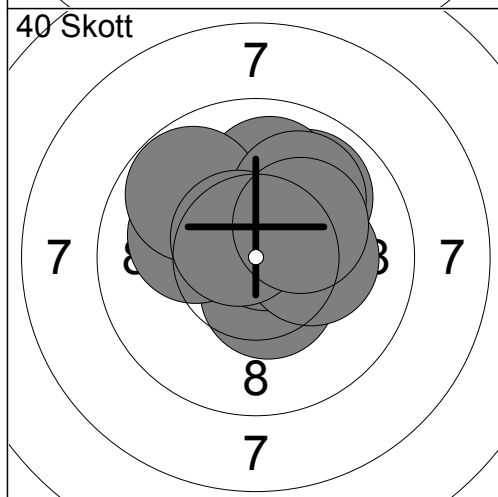
11:	10.2x	↗
12:	10.2x	↘
13:	10.3x	↘
14:	10.6x	→
15:	9.8	↘
16:	10.3x	↘
17:	10.5x	↗
18:	10.1	←
19:	10.0	↑
20:	10.7x	↘

Serie	99
Total	198



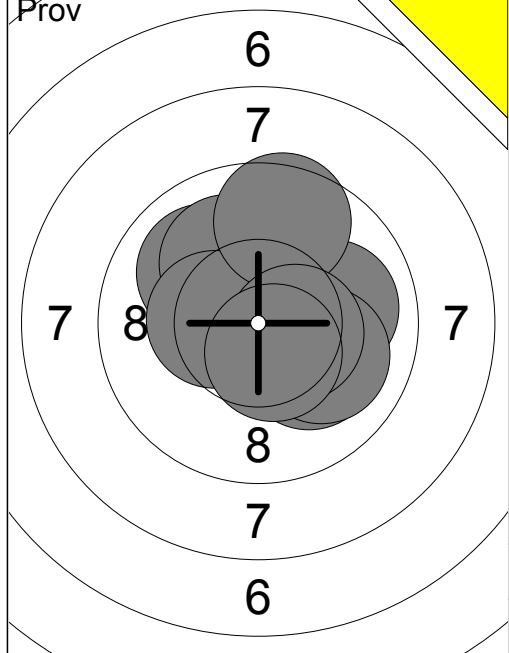
21:	10.9x	↖
22:	10.5x	↘
23:	9.5	↗
24:	10.4x	↑
25:	10.6x	↗
26:	9.8	←
27:	9.9	←
28:	10.5x	↑
29:	10.8x	↑
30:	10.0	↗

Serie	97
Total	295

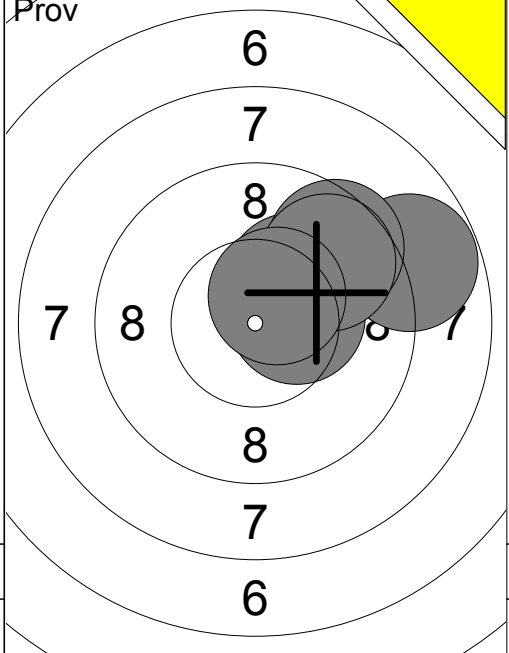


31:	10.5x	↘
32:	9.9	↗
33:	10.1	←
34:	10.7x	↗
35:	10.0	↑
36:	9.8	↗
37:	10.0	↗
38:	10.2x	→
39:	10.6x	↗
40:	10.2x	↗

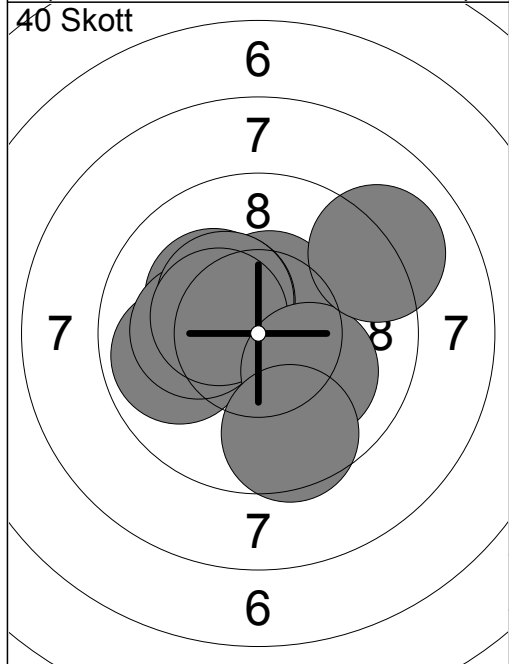
Serie	98
Total	393



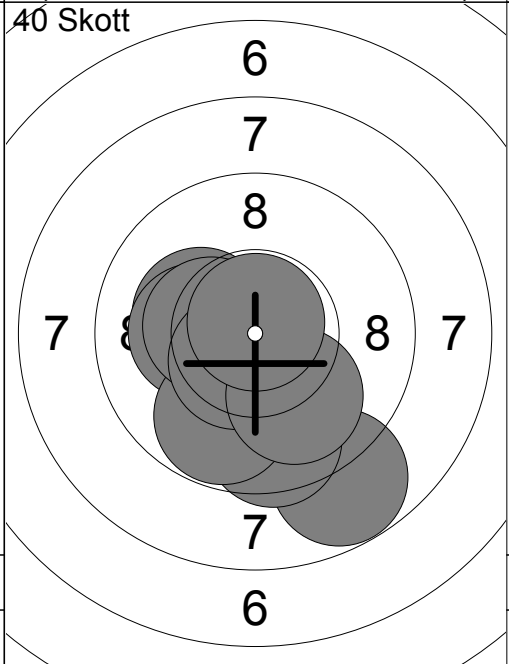
1:	10.0	↖
2:	10.1	↖
3:	10.1	↘
4:	10.3x	↗
5:	10.0	→
6:	10.4x	←
7:	9.6	↖
8:	10.0	↘
9:	10.5x	→
10:	10.5x	↘
Serie		99
Total		0



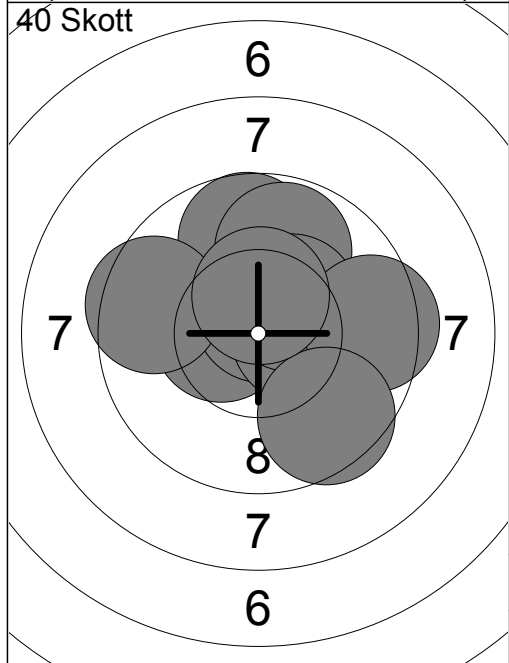
11:	8.8	→
12:	10.2x	↗
13:	9.5	↗
14:	10.4x	→
15:	9.7	↗
16:	10.5x	↗
Serie		56
Total		0



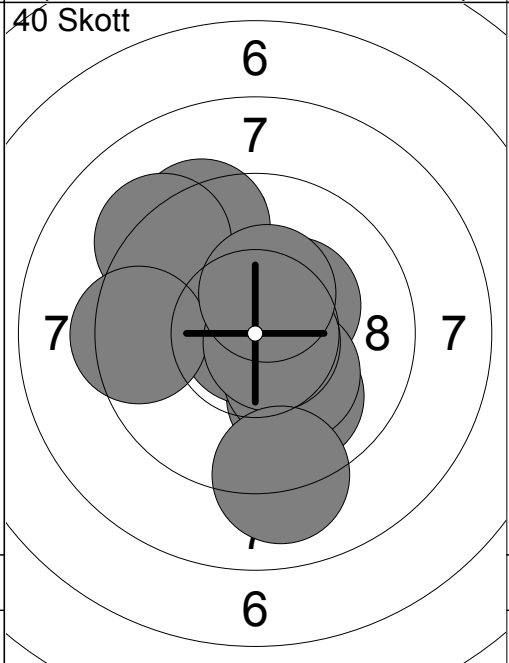
1:	10.5x	↖
2:	10.2x	↖
3:	9.9	←
4:	10.2x	←
5:	10.4x	↗
6:	10.3x	↖
7:	10.4x	↖
8:	10.1	↘
9:	9.1	↗
10:	9.6	↘
Serie		97
Total		97



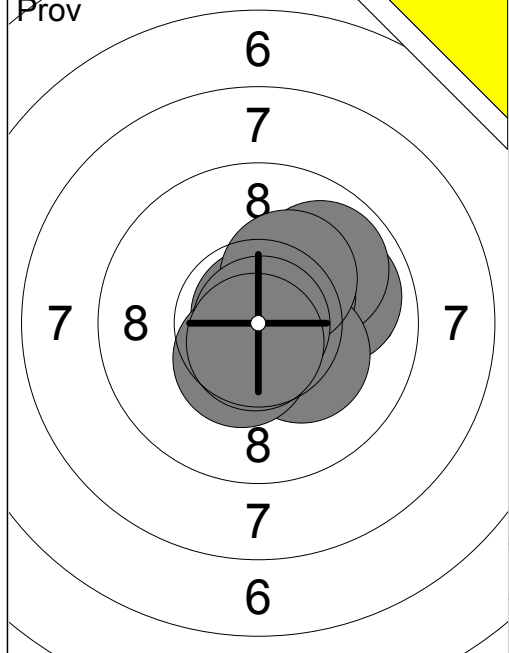
11:	10.5x	←
12:	10.2x	←
13:	8.8	↘
14:	9.6	↘
15:	10.2x	←
16:	9.8	↘
17:	10.4x	←
18:	10.5x	↘
19:	10.0	↘
20:	10.8x	↖
Serie		96
Total		193



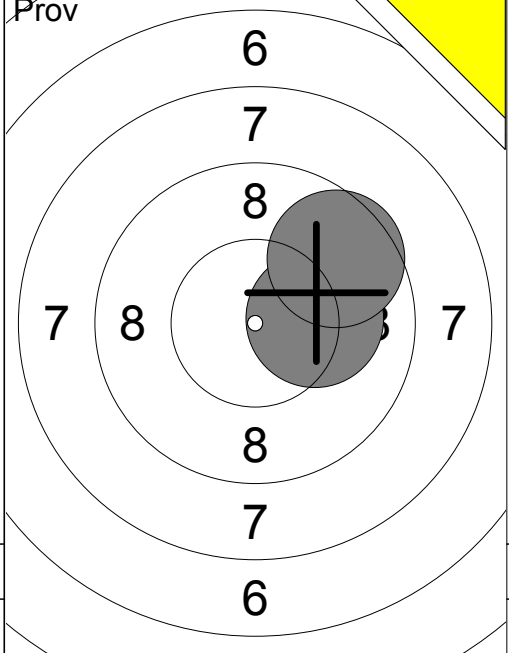
21:	10.5x	←
22:	9.7	↖
23:	10.7x	↖
24:	9.8	↖
25:	10.4x	→
26:	10.4x	↗
27:	9.5	→
28:	9.5	←
29:	9.6	↘
30:	10.4x	↖
Serie		95
Total		288



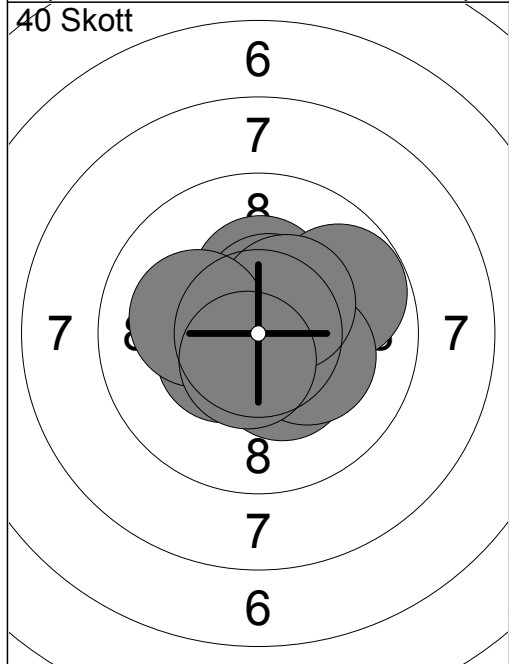
31:	10.0	↘
32:	9.4	↖
33:	10.3x	↗
34:	10.9x	←
35:	10.2x	↘
36:	9.3	↖
37:	9.4	←
38:	10.7x	↘
39:	9.1	↘
40:	10.4x	↖
Serie		96
Total		384



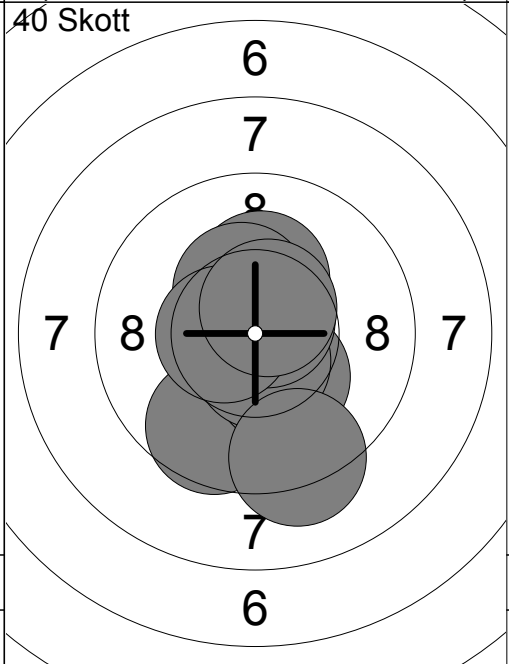
1:	9.9	→
2:	9.9	↗
3:	10.6x	↗
4:	10.8x	↑
5:	10.4x	↗
6:	10.3x	↘
7:	10.2x	↗
8:	10.4x	↘
9:	10.9x	↘
10:	10.7x	↘
Serie		98
Total		0



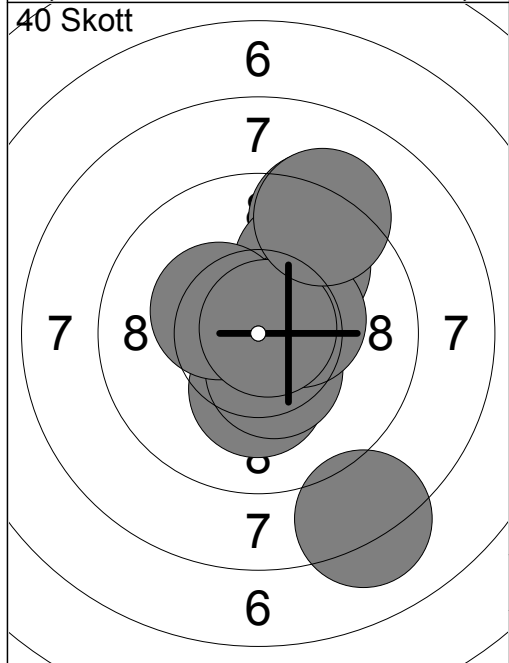
11:	10.2x	→
12:	9.6	↗
Serie		19
Total		0



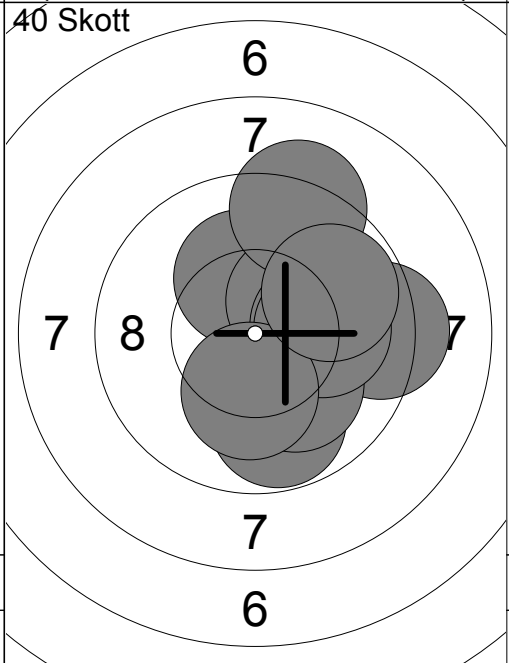
1:	10.4x	↘
2:	10.3x	↑
3:	10.5x	↗
4:	10.8x	↖
5:	10.4x	↖
6:	9.8	↗
7:	10.2x	↘
8:	10.4x	↗
9:	10.1	↖
10:	10.6x	↘
Serie		99
Total		99



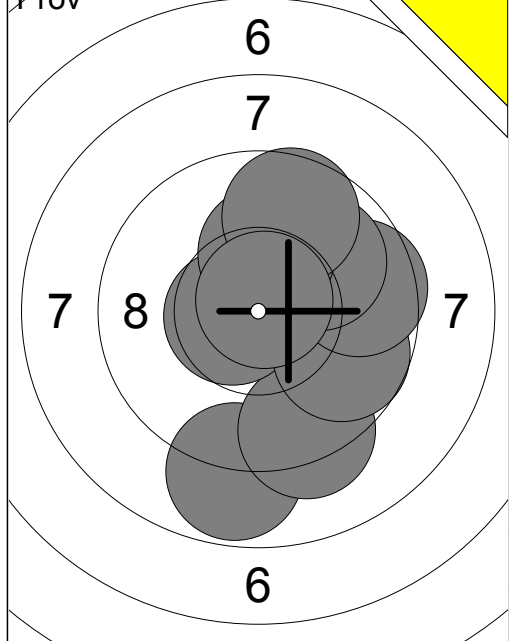
11:	10.2x	↑
12:	9.6	↘
13:	10.8x	↖
14:	10.4x	↗
15:	10.3x	↘
16:	10.6x	↘
17:	10.7x	↗
18:	9.2	↘
19:	10.5x	↖
20:	10.6x	↗
Serie		98
Total		197



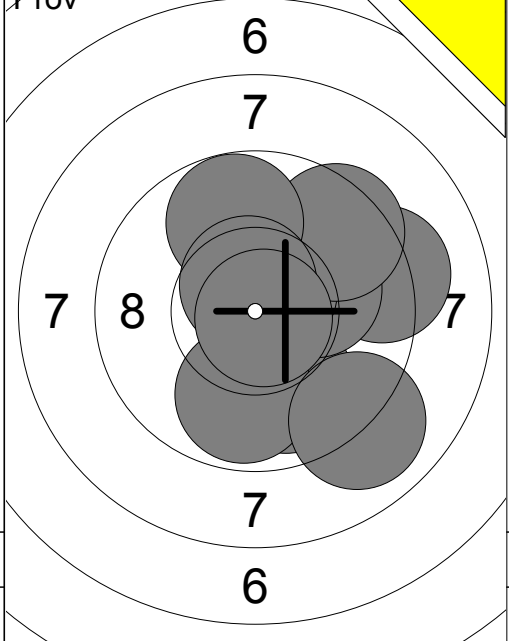
21:	10.2x	↘
22:	10.4x	↘
23:	9.3	↗
24:	10.4x	↗
25:	9.9	↗
26:	8.2	↘
27:	10.4x	→
28:	10.4x	↖
29:	10.8x	↗
30:	9.2	↗
Serie		95
Total		292



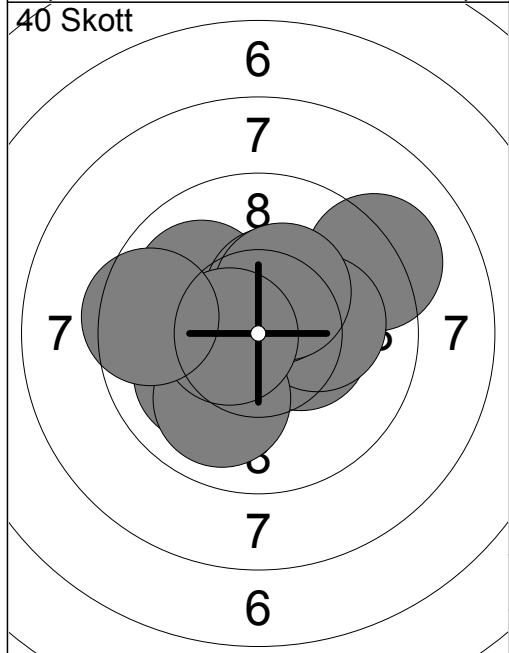
31:	9.3	→
32:	10.2x	↑
33:	9.8	↘
34:	10.3x	↗
35:	10.1	→
36:	9.2	↗
37:	10.1	↘
38:	10.1	→
39:	10.2x	↘
40:	9.8	↗
Serie		96
Total		388



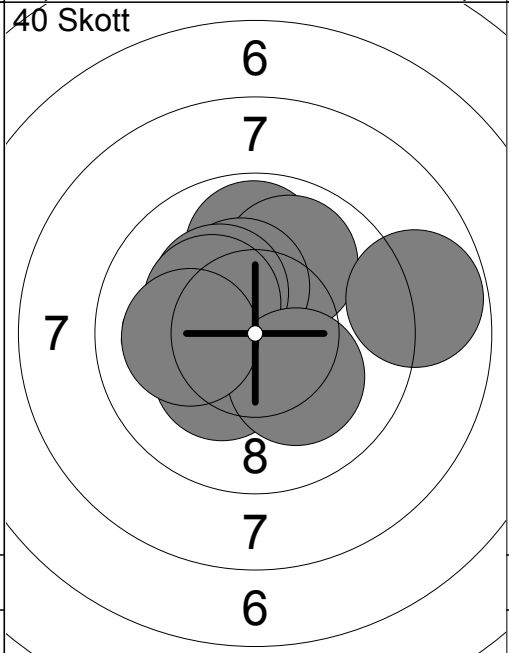
1:	8.8	↓
2:	9.3	↓
3:	10.6x	←
4:	9.7	→
5:	9.6	→
6:	10.0	↑
7:	9.9	↗
8:	10.2x	↑
9:	9.6	↑
10:	10.8x	↗
Serie		93
Total		0



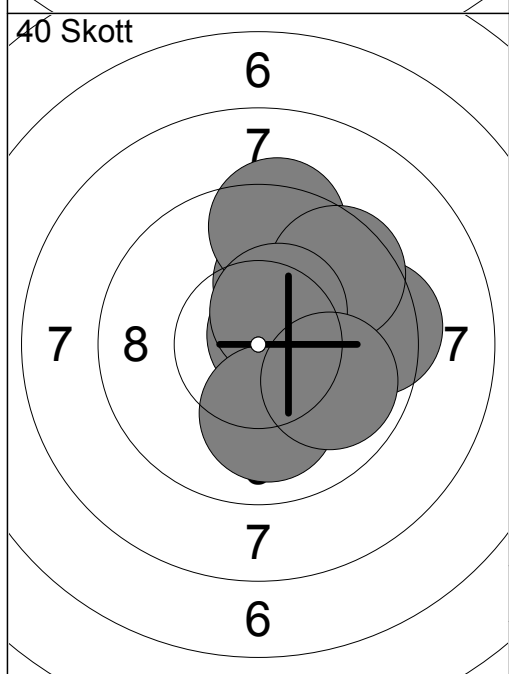
11:	9.9	↓
12:	9.8	↓
13:	9.0	↓
14:	9.2	→
15:	10.1	↗
16:	10.6x	↗
17:	9.5	↗
18:	9.8	↑
19:	10.6x	↑
20:	10.8x	↘
Serie		94
Total		0



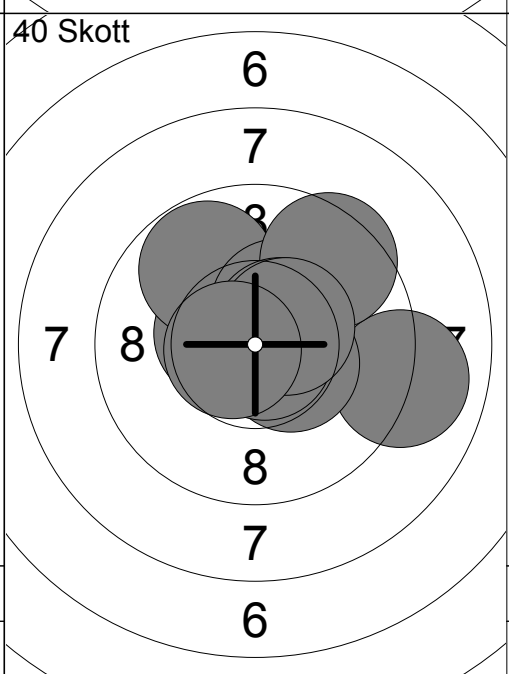
1:	9.2	↗
2:	10.0	↙
3:	10.4x	→
4:	10.2x	→
5:	10.0	↙
6:	10.0	↖
7:	10.4x	↗
8:	10.3x	↗
9:	10.6x	←
10:	9.5	←
Serie		98
Total		98



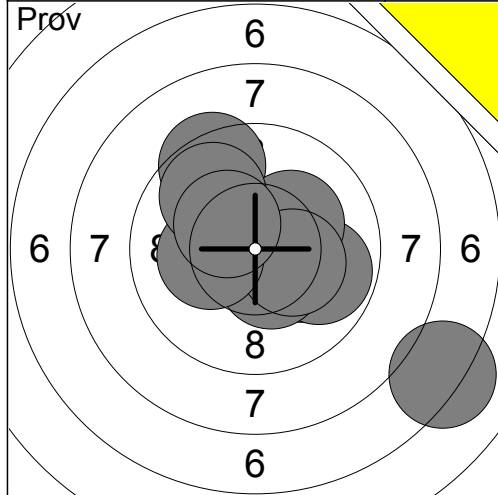
11:	10.3x	↙
12:	9.9	↑
13:	10.5x	↖
14:	9.9	↗
15:	10.3x	↑
16:	10.2x	↖
17:	10.3x	↖
18:	8.8	→
19:	10.2x	↘
20:	10.1	←
Serie		96
Total		194



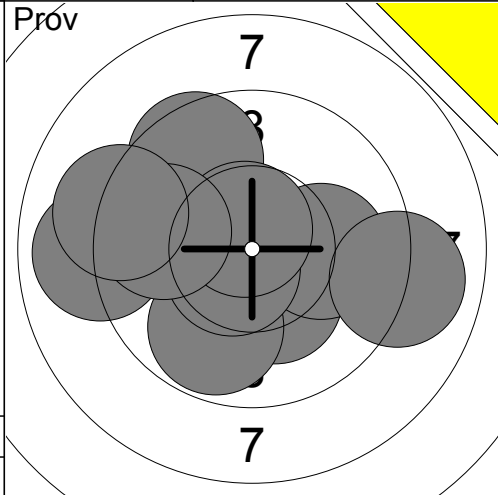
21:	10.7x	↗
22:	10.2x	→
23:	10.1	↑
24:	10.1	↗
25:	9.4	→
26:	9.4	↑
27:	9.6	↗
28:	10.4x	↗
29:	10.0	↓
30:	9.9	→
Serie		96
Total		290



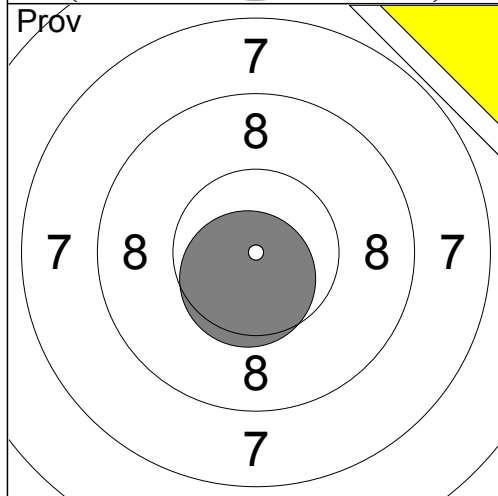
31:	10.5x	↖
32:	9.0	→
33:	9.8	↗
34:	10.4x	↘
35:	10.4x	↗
36:	9.5	↗
37:	10.5x	↗
38:	10.8x	↘
39:	10.5x	↗
40:	10.6x	←
Serie		97
Total		387



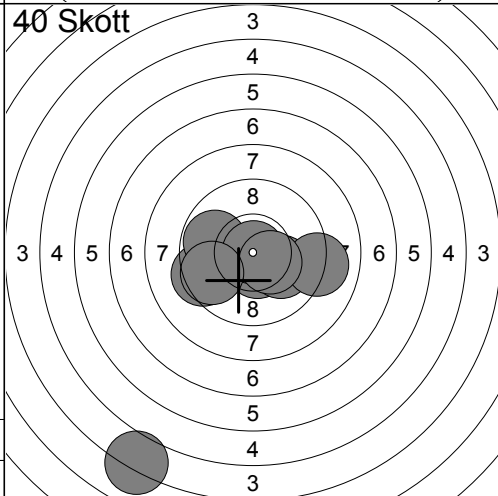
1:	9.4	↗
2:	10.1	→
3:	9.8	↘
4:	10.2x	↗
5:	10.4x	↘
6:	10.3x	→
7:	10.2x	←
8:	9.8	↗
9:	10.3x	↗
10:	7.2	↘
Serie		94
Total		0



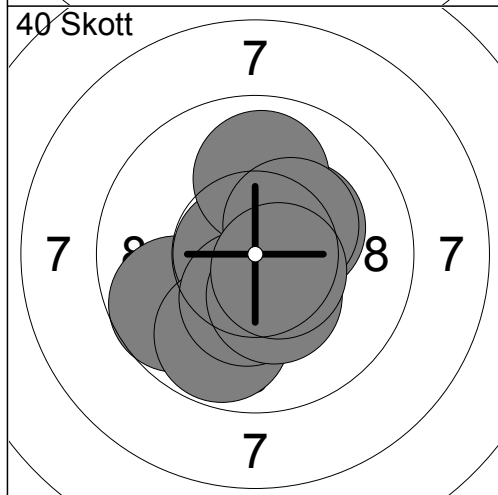
11:	10.3x	↘
12:	10.0	→
13:	8.9	←
14:	9.0	→
15:	9.6	↗
16:	9.8	↘
17:	10.6x	↘
18:	10.7x	↗
19:	9.8	←
20:	9.1	←
Serie		93
Total		0



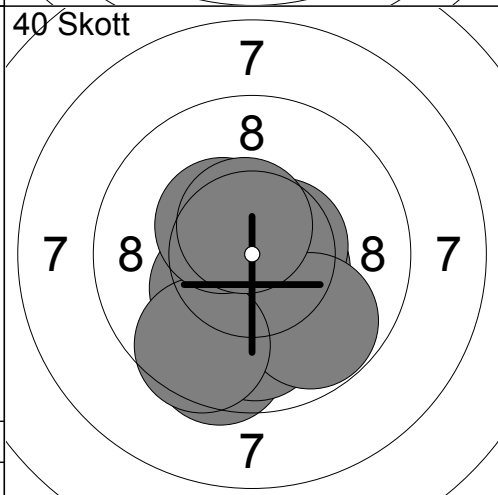
21:	10.6x	↘
Serie		10
Total		0



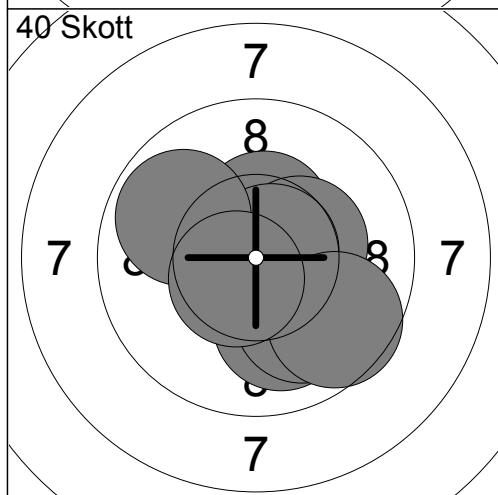
1:	10.5x	↘
2:	10.0	←
3:	9.4	←
4:	9.8	←
5:	10.9x	↘
6:	10.1	↘
7:	9.1	→
8:	10.4x	↘
9:	9.6	←
10:	4.1	↘
Serie		90
Total		90



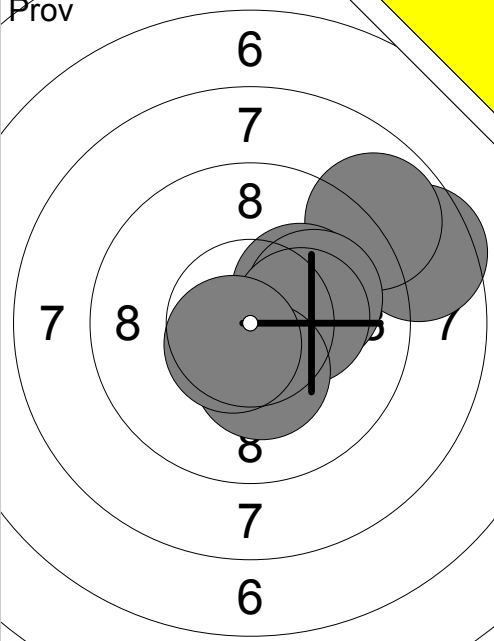
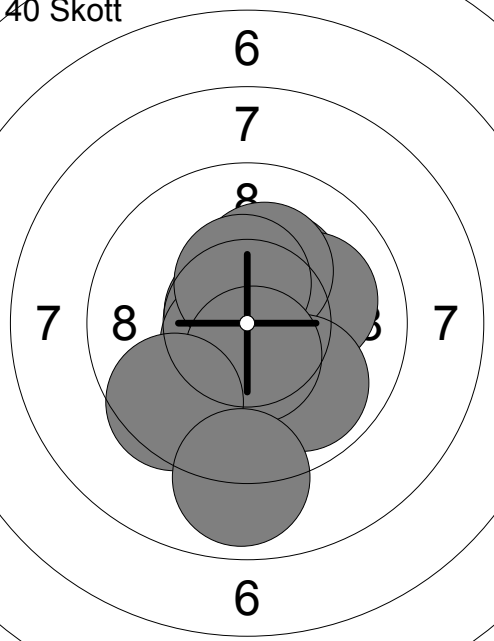
11:	9.7	←
12:	10.8x	←
13:	9.8	↘
14:	10.4x	↘
15:	10.3x	↗
16:	9.9	↑
17:	10.4x	↘
18:	10.3x	↗
19:	10.3x	↘
20:	10.6x	↘
Serie		97
Total		187



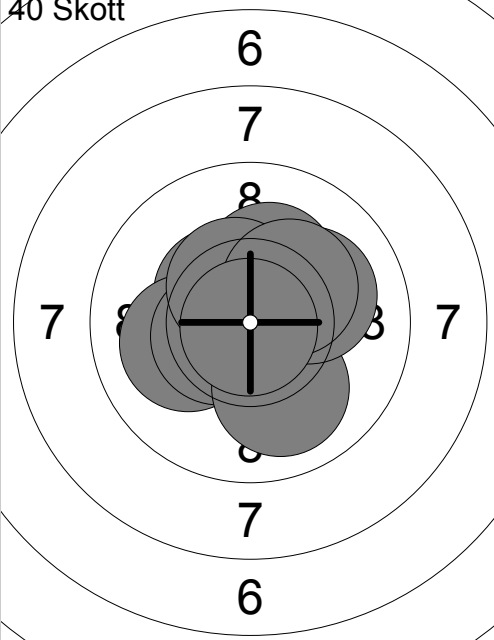
21:	9.5	↘
22:	10.5x	↘
23:	10.3x	↘
24:	10.6x	→
25:	10.3x	↘
26:	9.9	↘
27:	9.8	↘
28:	9.6	↘
29:	10.4x	↗
30:	10.6x	↑
Serie		96
Total		283

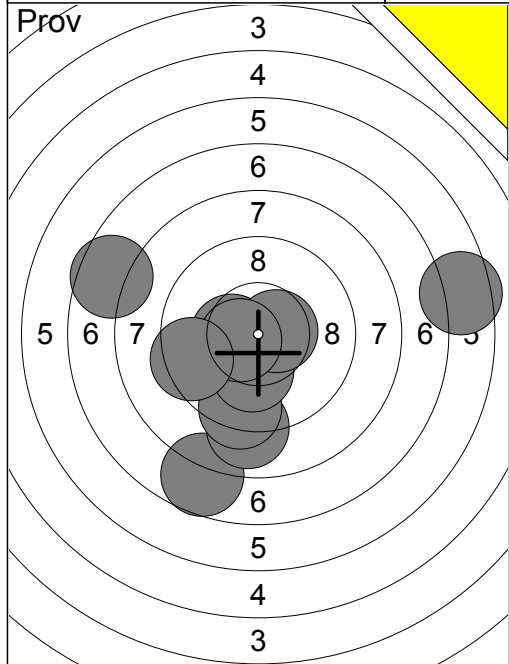


31:	10.7x	↑
32:	10.0	↘
33:	10.4x	↑
34:	10.3x	→
35:	10.0	↘
36:	10.9x	↑
37:	10.7x	↗
38:	9.6	↘
39:	9.8	←
40:	10.6x	↘
Serie		98
Total		381

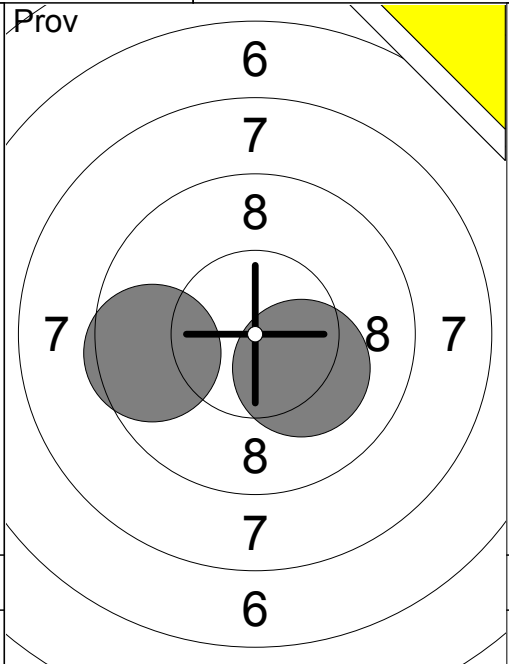
Pröv 	1: 8.6 → 2: 8.9 ↗ 3: 10.2x ↗ 4: 10.1 → 5: 10.3x → 6: 10.3x ↓ 7: 10.6x ↙ Serie 66 Total 0	40 Skott 	1: 10.3x ↗ 2: 10.1 → 3: 10.2x ↑ 4: 10.7x ↖ 5: 9.9 ↓ 6: 10.6x ↙ 7: 10.4x ↑ 8: 10.5x ↓ 9: 9.5 ↙ 10: 8.9 ↓ Serie 96 Total 96
------------------------------------------------------------------------------------------	------------------------------------------------------------------------------------------------------------------	------------------------------------------------------------------------------------------------	------------------------------------------------------------------------------------------------------------------------------------------------------------

40 Skott 	11: 10.7x → 12: 10.8x ↑ 13: 10.6x ↖ 14: 9.7 ↗ 15: 10.4x ↗ 16: 10.4x ↓ 17: 10.8x ↖ 18: 10.4x ↖ 19: 10.7x ↓ 20: 10.5x ↖ Serie 99 Total 195	40 Skott 	21: 10.4x → 22: 9.8 ↗ 23: 10.7x ↖ 24: 10.5x ↖ 25: 10.2x ↑ 26: 10.3x ↓ 27: 10.3x ↖ 28: 10.5x ↓ 29: 10.1 ↗ 30: 10.5x ↑ Serie 99 Total 294
-----------------------------------------------------------------------------------------------	---------------------------------------------------------------------------------------------------------------------------------------------------------------------------	-------------------------------------------------------------------------------------------------	--------------------------------------------------------------------------------------------------------------------------------------------------------------------------

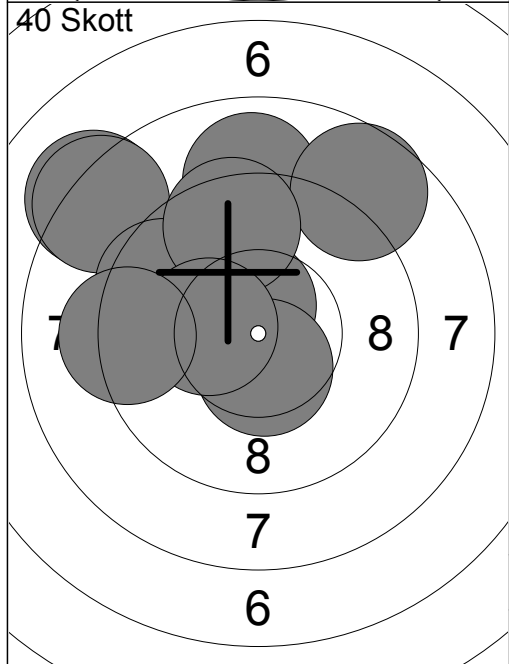
40 Skott 	31: 10.7x ↖ 32: 10.4x ↖ 33: 10.2x ↑ 34: 10.1 ← 35: 10.5x ↖ 36: 10.0 ↓ 37: 10.4x ↗ 38: 10.1 → 39: 10.3x ↗ 40: 10.9x ↓ Serie 100 Total 394		
------------------------------------------------------------------------------------------------	---------------------------------------------------------------------------------------------------------------------------------------------------------------------------	--	--



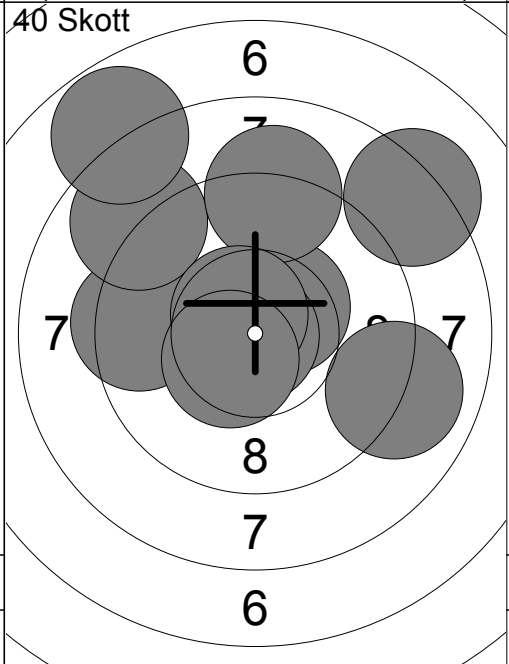
1:	7.7	↘
2:	8.9	↓
3:	6.5	→
4:	9.3	↓
5:	10.2x	↓
6:	10.4x	←
7:	10.5x	→
8:	7.6	←
9:	10.5x	←
10:	9.4	←
Serie		86
Total		0



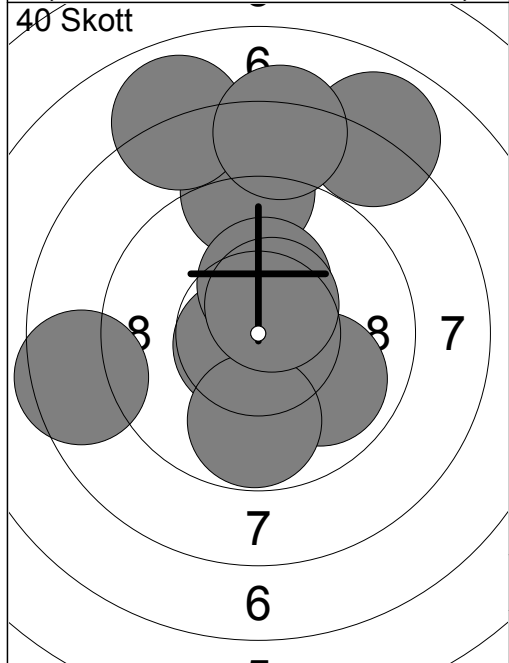
11:	9.6	←
12:	10.2x	↘
Serie		19
Total		0



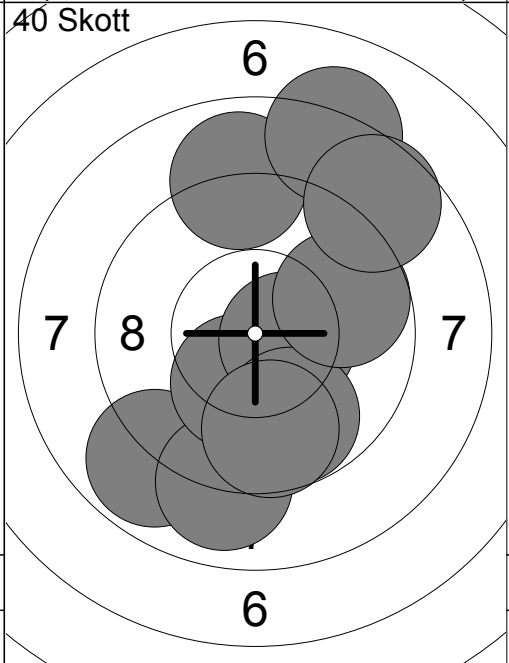
1:	10.6x	↗
2:	8.2	↖
3:	9.0	↑
4:	8.3	↖
5:	8.7	↗
6:	9.6	←
7:	10.5x	↓
8:	9.5	↑
9:	10.3x	←
10:	9.2	←
Serie		90
Total		90



11:	9.0	→
12:	10.5x	↗
13:	10.9x	←
14:	9.4	←
15:	8.2	↗
16:	8.8	↖
17:	7.8	↖
18:	9.1	↑
19:	10.6x	↖
20:	10.5x	↖
Serie		90
Total		180

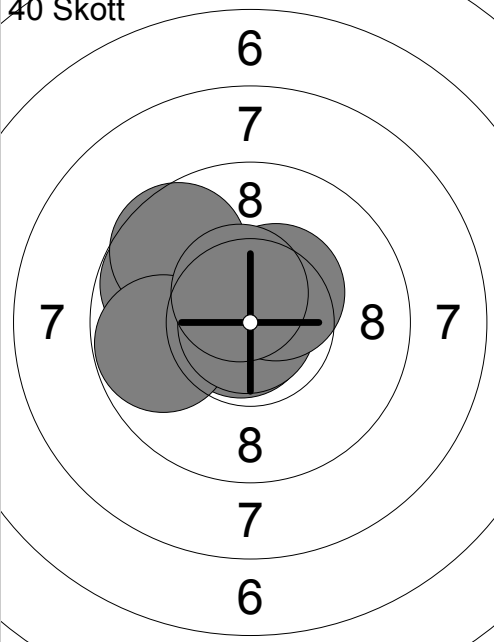
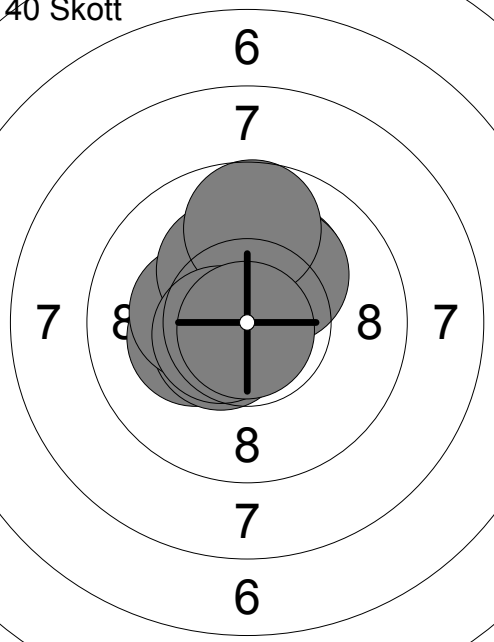


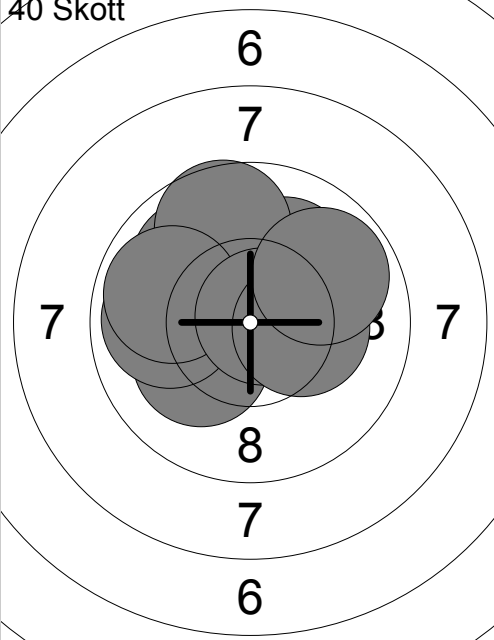
21:	10.7x	↖
22:	9.0	↑
23:	10.3x	↑
24:	7.9	↖
25:	7.9	↗
26:	9.9	↘
27:	8.5	←
28:	8.2	↑
29:	9.8	↓
30:	10.5x	↗
Serie		87
Total		267

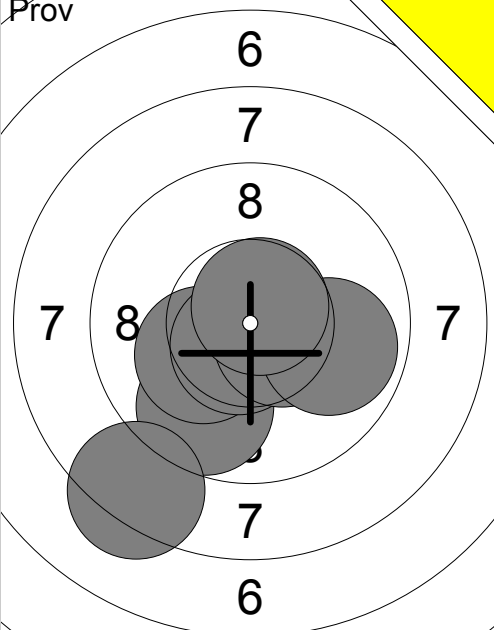
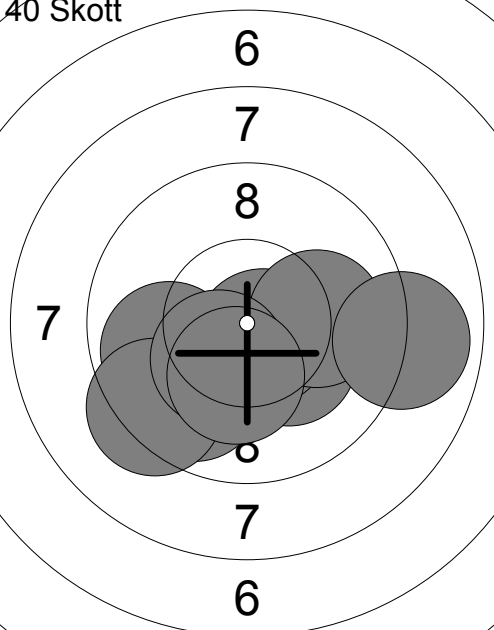


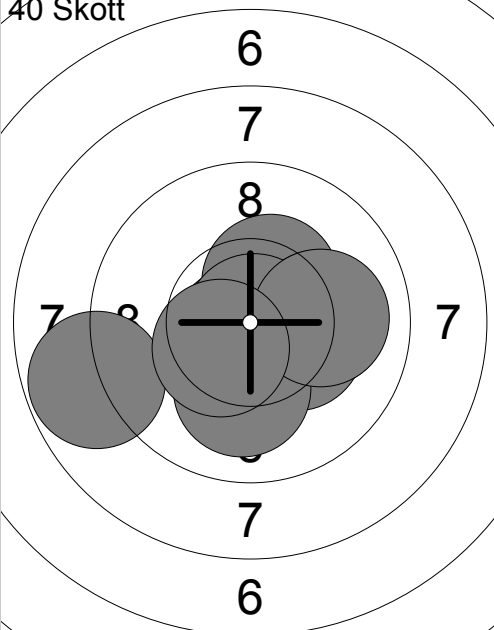
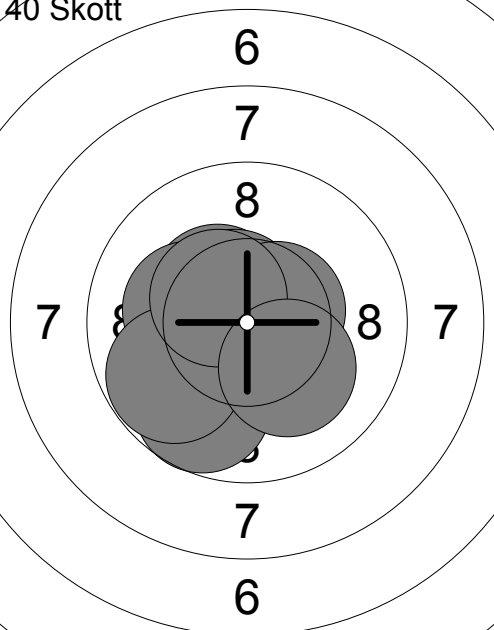
31:	8.9	↖
32:	9.0	↓
33:	10.3x	↓
34:	10.5x	→
35:	9.8	↓
36:	9.7	↓
37:	8.9	↑
38:	8.2	↑
39:	9.7	→
40:	8.7	↗
Serie		88
Total		355

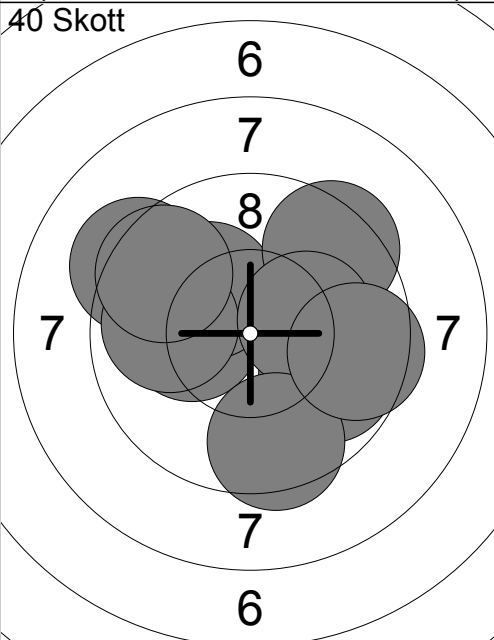
<p>Prov</p> 	<p>1: 9.9 → 2: 9.8 ↓ 3: 10.8x ↗</p> <p>Serie 28 Total 0</p>	<p>40 Skott</p>  <p>1: 10.0 ↗ 2: 10.3x ← 3: 10.5x ← 4: 9.6 ← 5: 10.4x ↓ 6: 10.9x ↗ 7: 9.7 ↗ 8: 9.3 ← 9: 9.5 ↓ 10: 9.6 ↗</p> <p>Serie 95 Total 95</p>
----------------------------------------------------------------------------------------------	-------------------------------------------------------------------------	--------------------------------------------------------------------------------------------------------------------------------------------------------------------------------------------------------------------------------------------------------------------------------

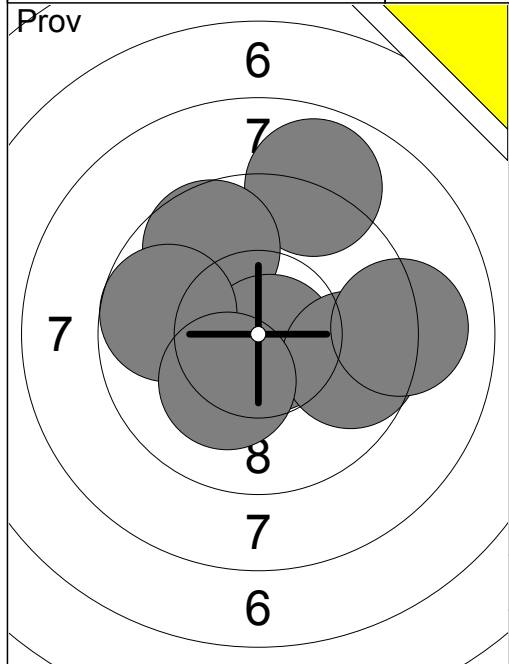
<p>40 Skott</p> 	<p>11: 10.6x ↗ 12: 10.4x ← 13: 10.8x ↗ 14: 10.8x ← 15: 9.8 ← 16: 9.6 ↗ 17: 9.8 ← 18: 10.9x ← 19: 10.4x ↗ 20: 10.5x ↗</p> <p>Serie 97 Total 192</p>	<p>40 Skott</p>  <p>21: 10.3x ← 22: 10.5x ← 23: 10.2x ↗ 24: 10.5x ← 25: 10.3x ← 26: 10.2x ↗ 27: 10.2x ↗ 28: 9.7 ↑ 29: 10.6x ← 30: 10.8x ↓</p> <p>Serie 99 Total 291</p>
---------------------------------------------------------------------------------------------------	--------------------------------------------------------------------------------------------------------------------------------------------------------------------------------------------	----------------------------------------------------------------------------------------------------------------------------------------------------------------------------------------------------------------------------------------------------------------------------------------------------

<p>40 Skott</p> 	<p>31: 10.2x ← 32: 10.1 ↗ 33: 10.0 ↗ 34: 9.9 ← 35: 10.6x ↗ 36: 9.7 ↗ 37: 9.9 ← 38: 10.8x → 39: 10.3x → 40: 9.9 ↗</p> <p>Serie 96 Total 387</p>	
----------------------------------------------------------------------------------------------------	----------------------------------------------------------------------------------------------------------------------------------------------------------------------------------------	--

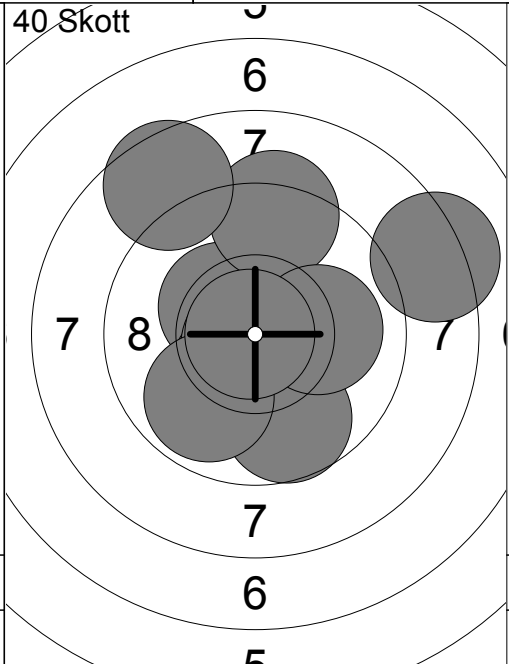
Prov 	1: 9.7 ↙ 2: 10.2x ↙ 3: 10.6x ↙ 4: 8.3 ↙ 5: 10.5x → 6: 9.9 → 7: 10.7x ↗ Serie 66 Total 0	40 Skott 	1: 10.2x ↙ 2: 10.2x ↘ 3: 9.8 ↙ 4: 10.7x ↘ 5: 9.9 ← 6: 9.3 ↙ 7: 10.0 → 8: 10.4x ↙ 9: 10.3x ↘ 10: 8.9 → Serie 95 Total 95
------------------------------------------------------------------------------------------	-----------------------------------------------------------------------------------------------------------------	------------------------------------------------------------------------------------------------	----------------------------------------------------------------------------------------------------------------------------------------------------------

40 Skott 	11: 10.7x ↙ 12: 10.4x ↗ 13: 10.4x ↘ 14: 10.0 → 15: 8.8 ← 16: 10.3x → 17: 10.9x → 18: 10.1 ↘ 19: 10.0 → 20: 10.4x ↙ Serie 98 Total 193	40 Skott 	21: 10.4x ↖ 22: 10.3x ↙ 23: 10.6x ↖ 24: 10.5x ↙ 25: 9.7 ↘ 26: 10.5x → 27: 10.2x ← 28: 9.8 ↙ 29: 10.5x ↖ 30: 10.2x ↘ Serie 98 Total 291
-----------------------------------------------------------------------------------------------	------------------------------------------------------------------------------------------------------------------------------------------------------------------------	-------------------------------------------------------------------------------------------------	-------------------------------------------------------------------------------------------------------------------------------------------------------------------------

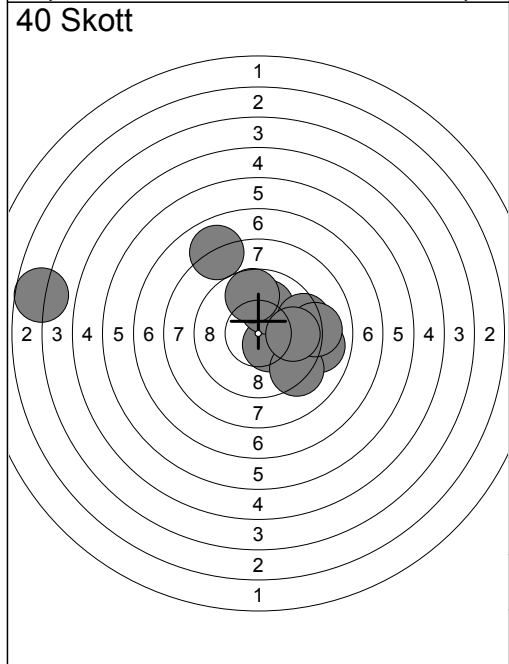
40 Skott 	31: 10.2x ← 32: 9.2 ↖ 33: 9.8 ↘ 34: 10.2x ↖ 35: 9.4 ↗ 36: 9.9 ← 37: 10.2x → 38: 9.6 ↖ 39: 9.5 ↘ 40: 9.5 → Serie 93 Total 384		
------------------------------------------------------------------------------------------------	---------------------------------------------------------------------------------------------------------------------------------------------------------------	--	--



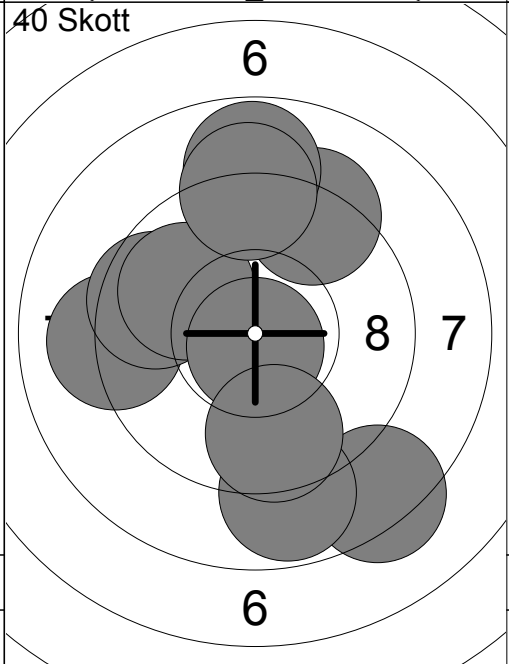
1:	8.9	↗
2:	9.7	↗
3:	10.8x	↘
4:	9.7	←
5:	9.7	→
6:	9.1	→
7:	10.2x	↘
Serie		64
Total		0



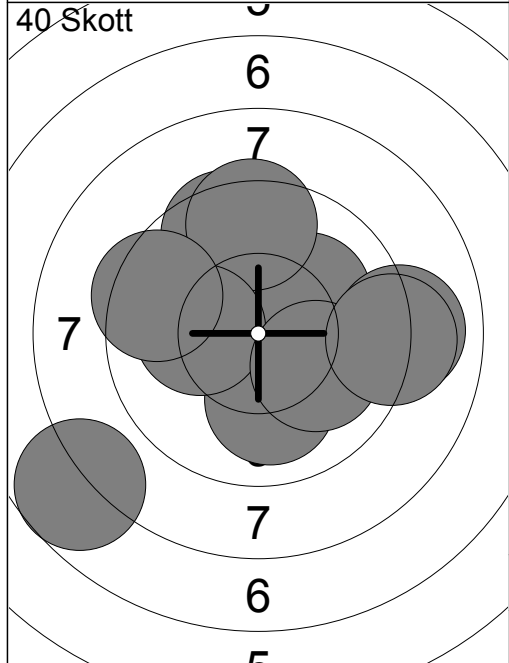
1:	10.4x	↖
2:	9.3	↗
3:	10.4x	↘
4:	8.2	→
5:	10.8x	↘
6:	9.7	↘
7:	10.1	→
8:	9.9	↘
9:	8.6	↗
10:	10.9x	←
Serie		93
Total		93



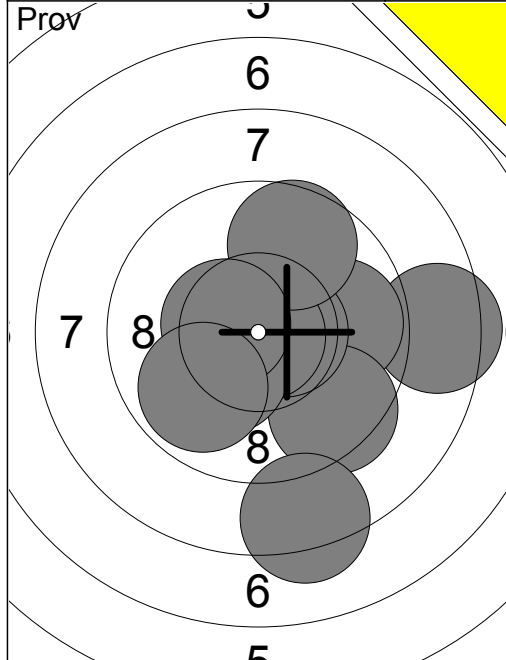
11:	10.4x	↘
12:	8.9	→
13:	10.0	↗
14:	9.7	↗
15:	9.4	→
16:	8.0	↗
17:	3.7	←
18:	9.2	↘
19:	9.1	→
20:	9.8	→
Serie		84
Total		177



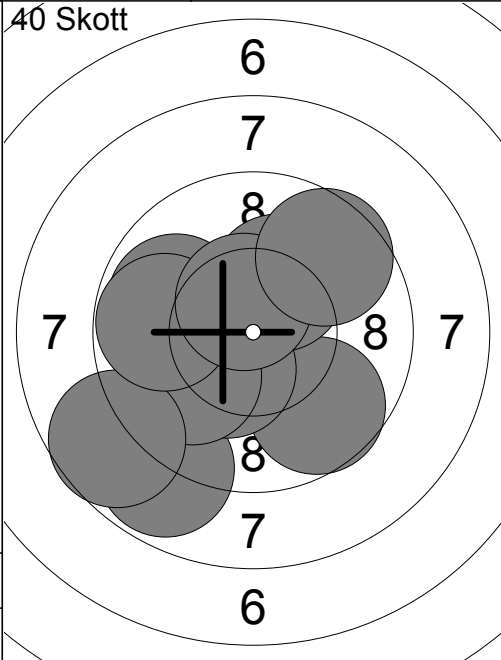
21:	9.1	←
22:	9.6	←
23:	9.2	↗
24:	9.9	←
25:	8.3	↘
26:	10.8x	↘
27:	8.8	↗
28:	9.1	↗
29:	8.8	↘
30:	9.6	↘
Serie		88
Total		265



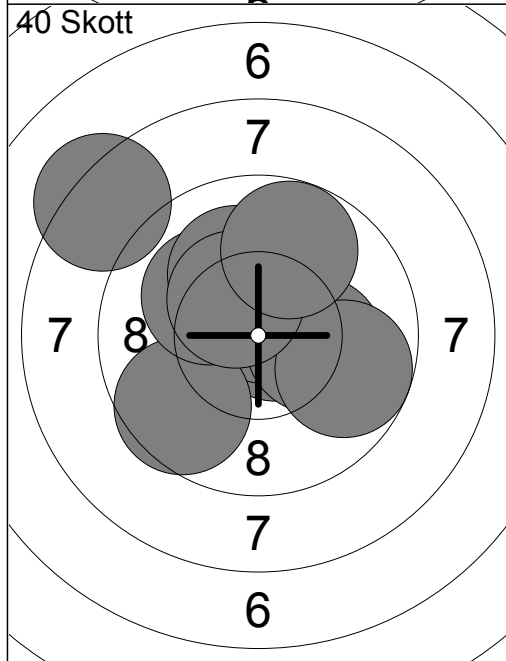
31:	9.5	↗
32:	10.1	↗
33:	9.4	↗
34:	10.0	↘
35:	10.1	←
36:	7.7	↘
37:	9.0	→
38:	10.0	↘
39:	9.5	←
40:	9.1	→
Serie		92
Total		357



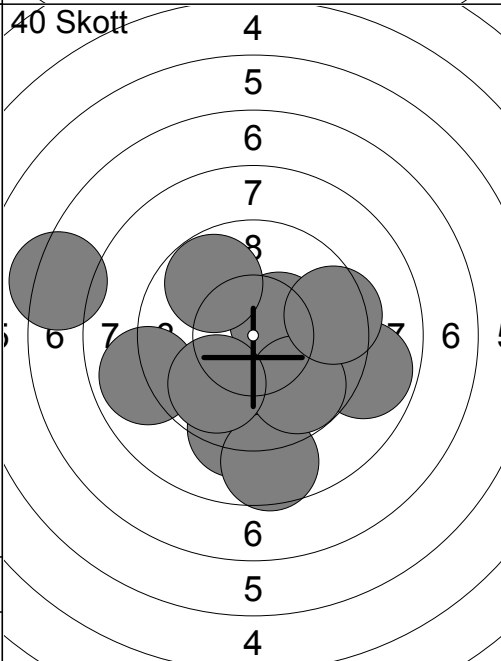
1:	8.5	→
2:	9.8	→
3:	9.5	↘
4:	10.6x	→
5:	10.9x	↘
6:	8.3	↘
7:	10.2x	↙
8:	9.6	↗
9:	10.5x	↙
10:	9.9	↙
Serie		92
Total		0



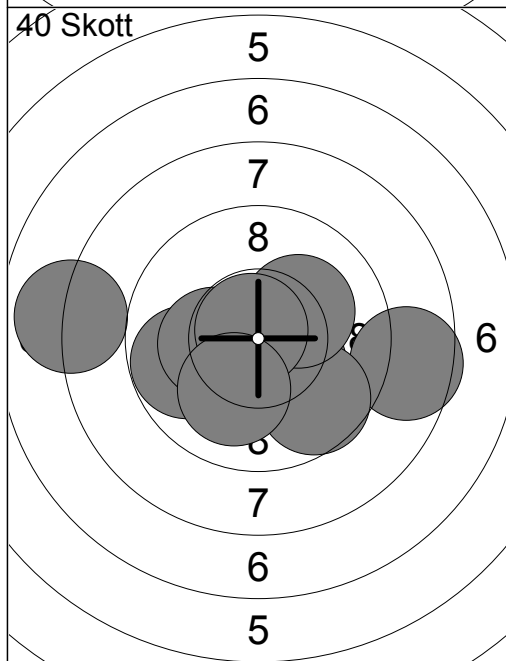
1:	9.7	↘
2:	9.9	↙
3:	10.2x	↗
4:	8.8	↘
5:	10.4x	↙
6:	10.0	↙
7:	8.7	↙
8:	9.8	↙
9:	10.5x	↗
10:	9.6	↗
Serie		92
Total		92



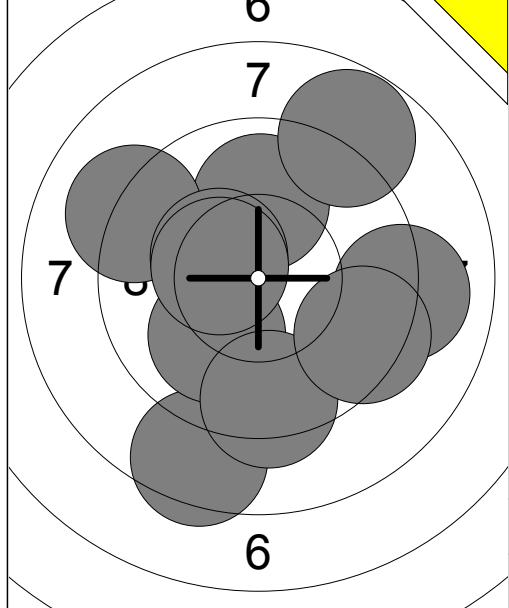
11:	10.7x	→
12:	10.7x	↗
13:	9.6	↙
14:	10.2x	→
15:	9.7	→
16:	8.3	↗
17:	10.1	↗
18:	10.1	↗
19:	10.4x	↗
20:	9.8	↗
Serie		95
Total		187



21:	9.2	↘
22:	7.3	↙
23:	10.4x	↗
24:	8.9	→
25:	8.9	↙
26:	8.6	↘
27:	9.7	↘
28:	9.9	↘
29:	9.4	→
30:	9.8	↖
Serie		86
Total		273

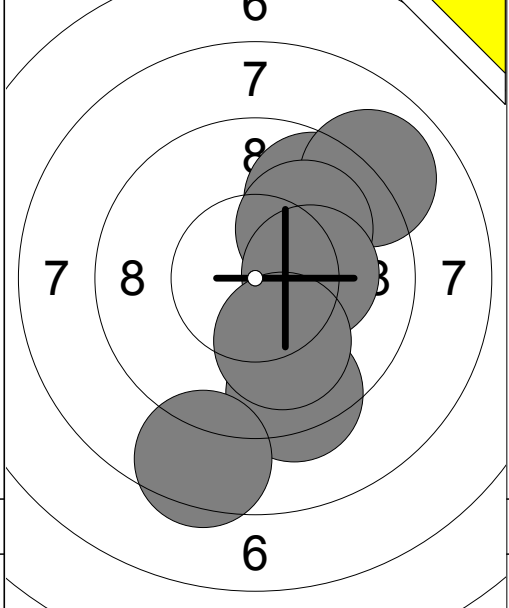


31:	9.8	↙
32:	8.0	↙
33:	8.6	→
34:	10.3x	↘
35:	10.3x	↙
36:	10.3x	↘
37:	9.7	↘
38:	10.2x	↗
39:	10.8x	↗
40:	10.1	↘
Serie		94
Total		367



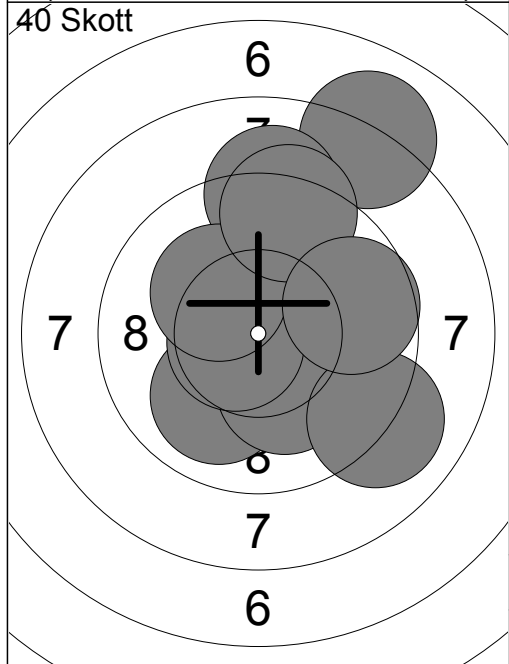
Prov

1:	8.5	↓
2:	10.0	↙
3:	10.0	↑
4:	9.1	↖
5:	9.4	↓
6:	10.4x	↖
7:	8.8	↗
8:	9.1	→
9:	10.4x	↖
10:	9.4	↘
Serie	92	
Total	0	



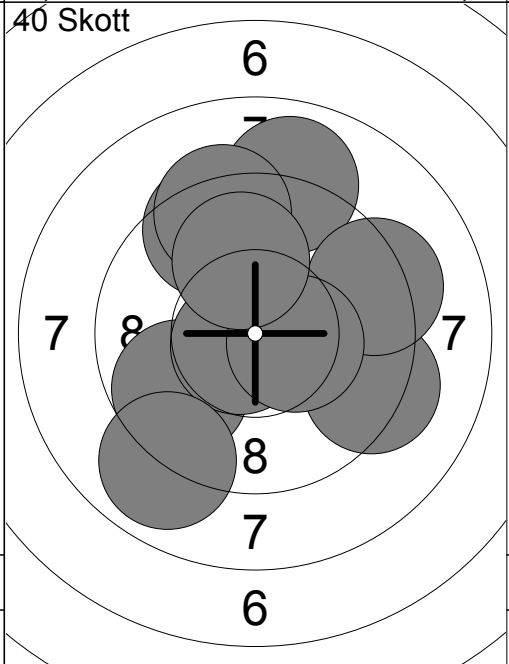
Prov

11:	9.4	↓
12:	8.5	↓
13:	9.7	↗
14:	9.0	↗
15:	10.0	↗
16:	10.2x	→
17:	10.1	↓
Serie	65	
Total	0	



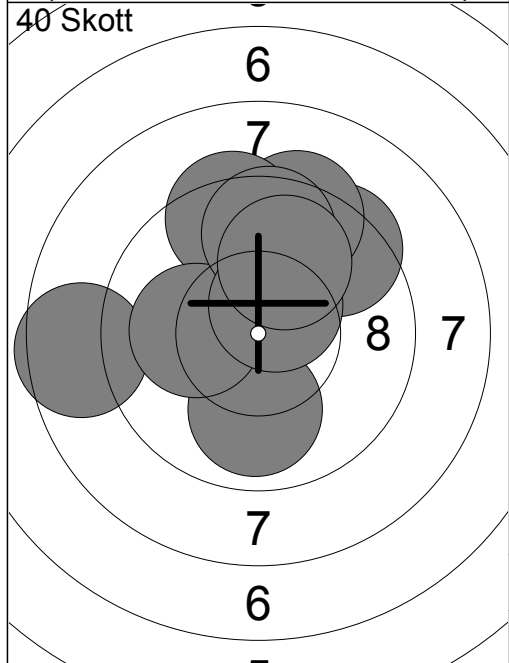
40 Skott

1:	10.0	↓
2:	10.4x	↖
3:	10.2x	↓
4:	8.0	↗
5:	10.6x	↖
6:	9.1	↑
7:	10.2x	↖
8:	9.0	↘
9:	9.3	↑
10:	9.7	→
Serie	94	
Total	94	



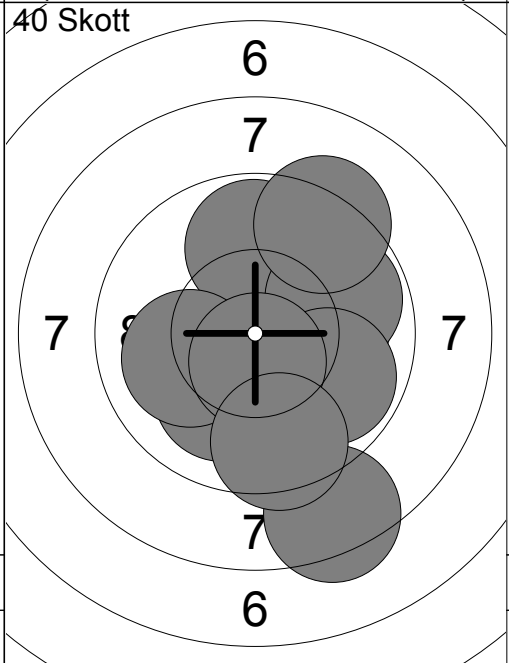
40 Skott

11:	9.0	↑
12:	9.7	↖
13:	9.3	→
14:	10.7x	↖
15:	8.9	↓
16:	9.5	↑
17:	9.3	→
18:	10.4x	→
19:	9.3	↑
20:	10.0	↑
Serie	92	
Total	186	



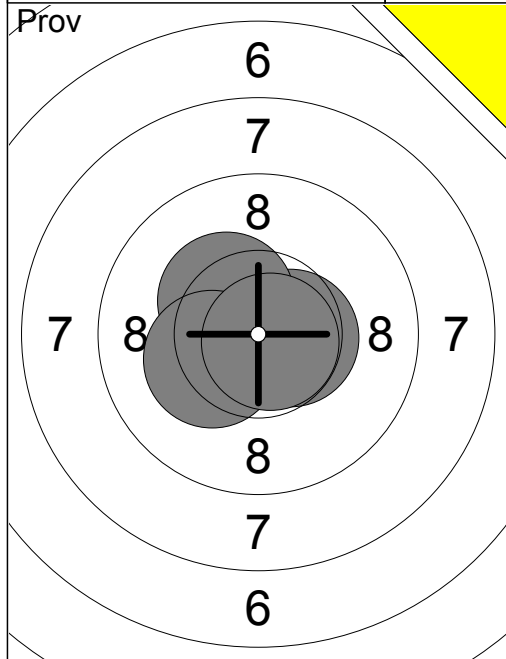
40 Skott

21:	8.6	←
22:	9.4	↗
23:	10.5x	↖
24:	9.3	↑
25:	9.9	↓
26:	9.4	↑
27:	10.1	←
28:	9.6	↑
29:	10.5x	↗
30:	9.9	↑
Serie	92	
Total	278	

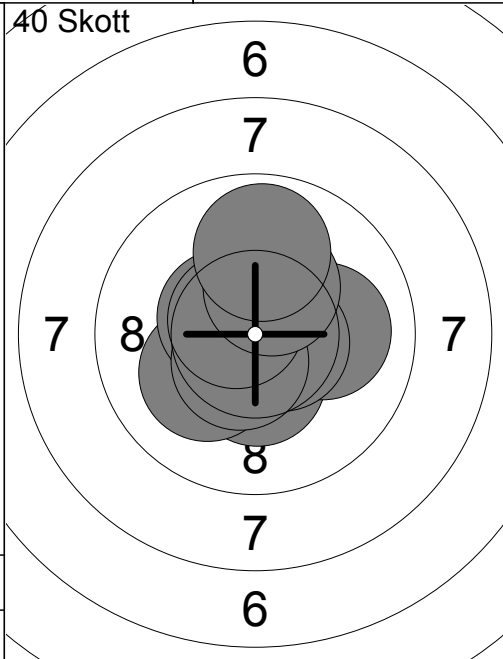


40 Skott

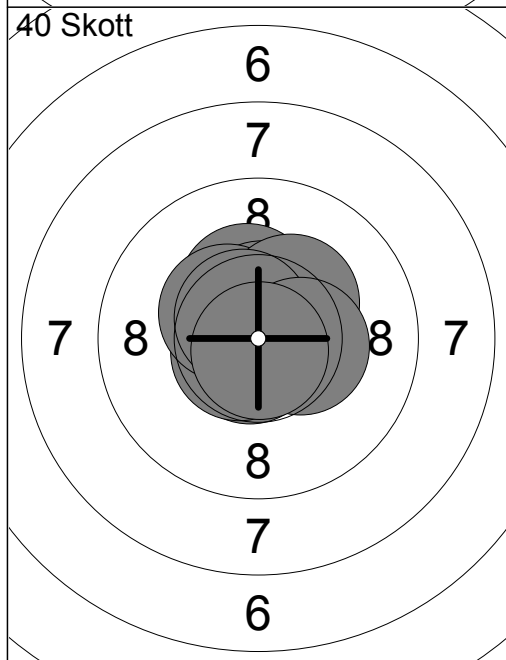
31:	9.9	↗
32:	9.8	↑
33:	9.8	→
34:	10.1	↓
35:	10.0	↖
36:	8.4	↓
37:	9.3	↗
38:	9.8	→
39:	10.6x	↓
40:	9.5	↓
Serie	92	
Total	370	



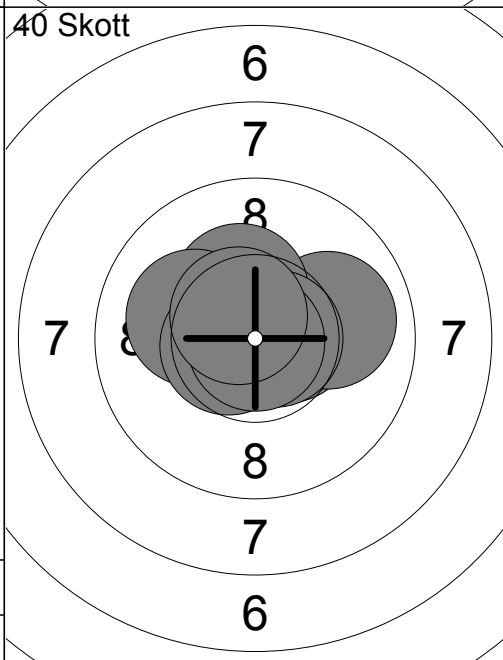
1:	10.5x →
2:	10.5x ↖
3:	10.3x ↖
4:	10.3x ↙
5:	10.8x ↘
40 Skott	
Serie	50
Total	0



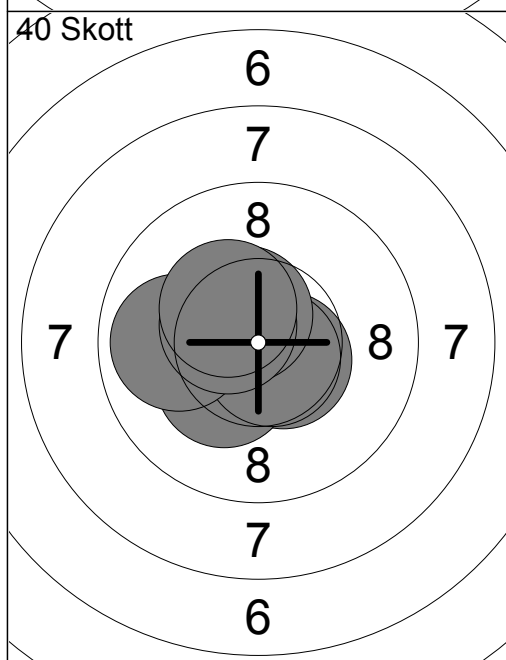
1:	10.4x ↓
2:	10.1 ↙
3:	10.4x ↗
4:	10.1 →
5:	10.6x →
6:	10.5x ↖
7:	10.5x ↓
8:	10.6x ↖
9:	10.3x ↗
10:	9.9 ↑
40 Skott	
Serie	99
Total	99



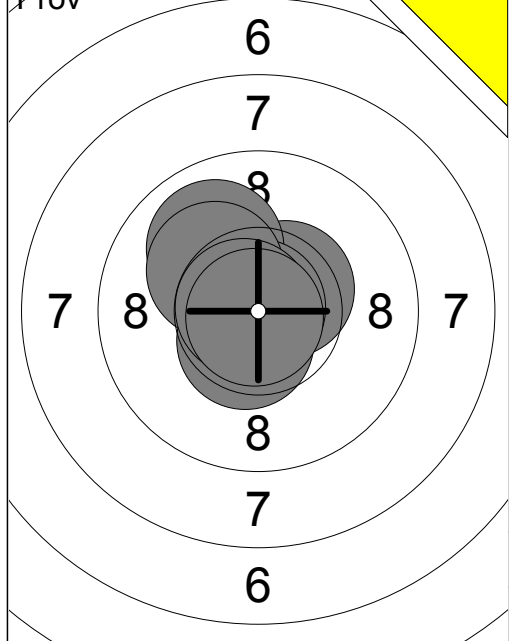
11:	10.3x ↑
12:	10.7x ↓
13:	10.6x ↙
14:	10.6x ↑
15:	10.7x ↗
16:	10.4x ↖
17:	10.3x ↗
18:	10.6x ↖
19:	10.4x →
20:	10.8x ↓
40 Skott	
Serie	100
Total	199



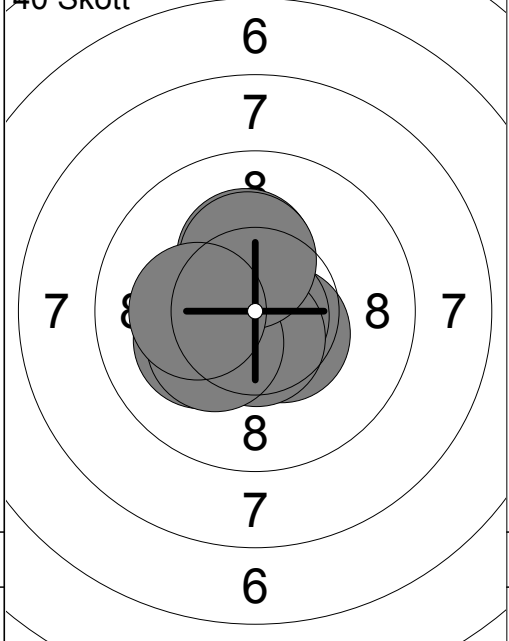
21:	10.5x →
22:	10.8x ↗
23:	10.0 →
24:	10.3x ↑
25:	10.6x ↖
26:	10.1 ↖
27:	10.7x →
28:	10.6x ↖
29:	10.9x ↓
30:	10.6x ↖
40 Skott	
Serie	100
Total	299



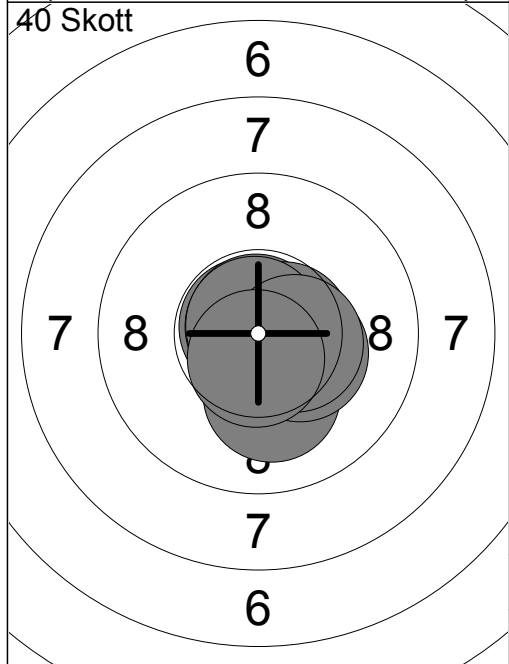
31:	10.3x ↙
32:	10.7x ↓
33:	10.8x ↖
34:	10.6x ↘
35:	10.3x ↙
36:	10.7x ↓
37:	10.5x ↗
38:	9.9 ←
39:	10.5x ↖
40:	10.4x ↖
40 Skott	
Serie	99
Total	398



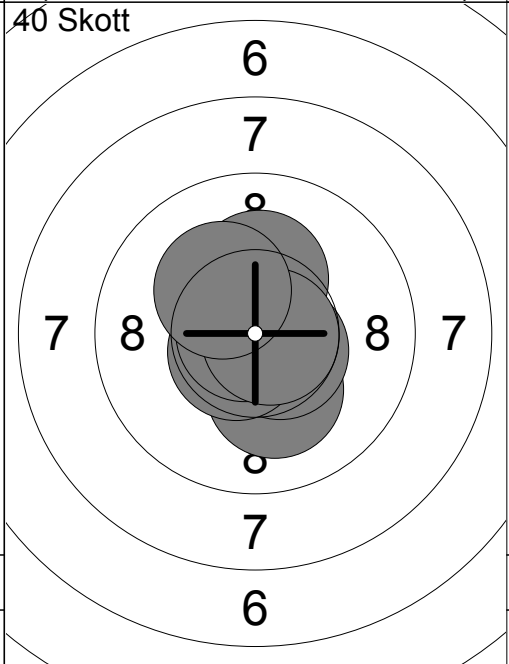
1:	10.5x ↗
2:	10.0 ↖
3:	10.5x ↘
4:	10.9x ↗
5:	10.2x ↖
6:	10.8x ←
7:	10.9x ↘
Serie 70	
Total 0	



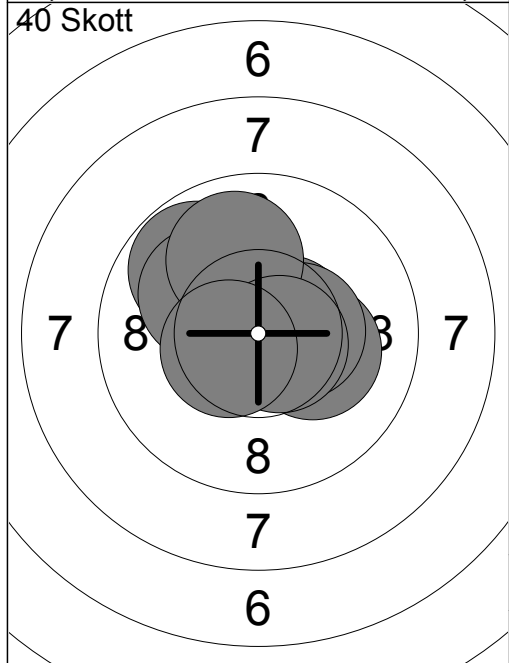
1:	10.4x ←
2:	10.7x ↘
3:	10.2x ↙
4:	10.5x ↘
5:	10.9x ↘
6:	10.2x ↑
7:	10.6x ↘
8:	10.3x ↙
9:	10.3x ↑
10:	10.2x ←
Serie 100	
Total 100	



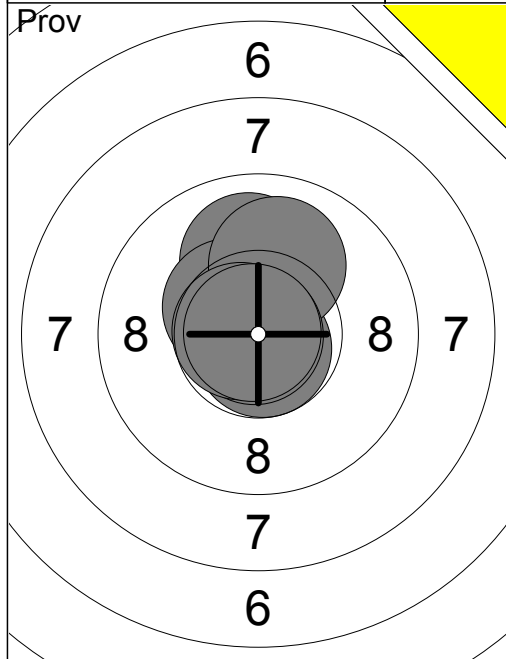
11:	10.8x ↖
12:	10.2x ↘
13:	10.5x ↗
14:	10.8x ↗
15:	10.8x ↑
16:	10.6x →
17:	10.8x ↗
18:	10.3x →
19:	10.5x →
20:	10.6x ↘
Serie 100	
Total 200	



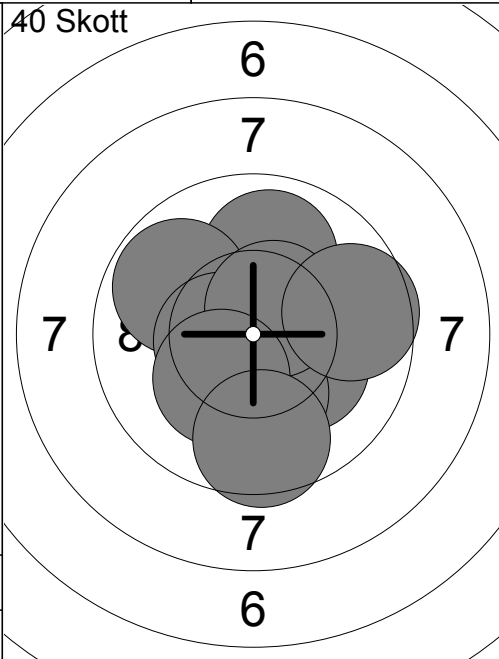
21:	10.8x ↙
22:	10.2x ↘
23:	10.4x ↑
24:	10.5x ↘
25:	10.6x ↙
26:	10.8x ←
27:	10.3x ↑
28:	10.2x ↑
29:	10.7x →
30:	10.2x ↖
Serie 100	
Total 300	



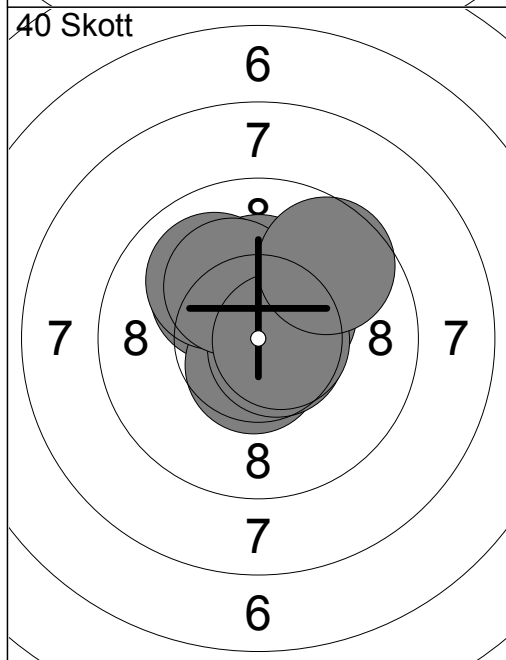
31:	9.8 ↖
32:	10.7x →
33:	10.6x →
34:	10.2x →
35:	10.4x →
36:	10.8x ←
37:	10.1 ↖
38:	9.9 ↑
39:	10.6x →
40:	10.5x ↙
Serie 98	
Total 398	



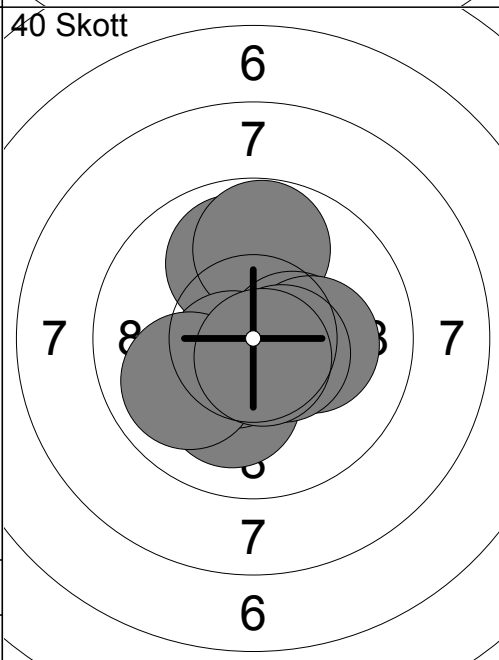
1:	10.8x	↓
2:	10.0	↑
3:	10.4x	↖
4:	10.0	↑
5:	10.9x	←
6:	10.7x	←
7:	10.9x	←
Serie		70
Total		0



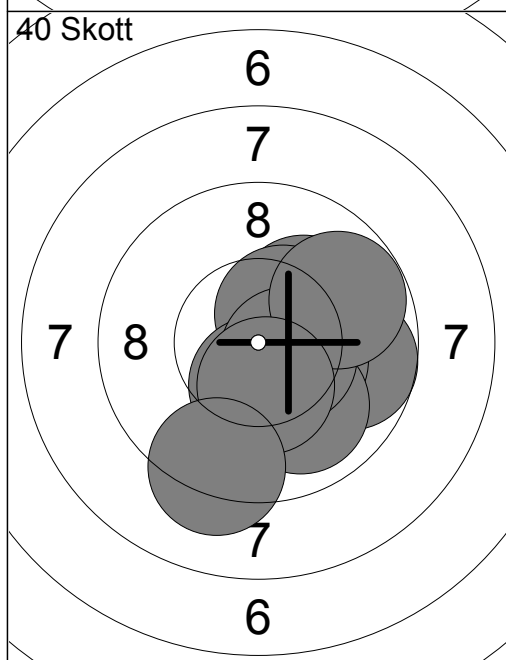
1:	10.7x	↑
2:	9.9	↑
3:	9.8	↖
4:	10.2x	→
5:	10.5x	←
6:	10.2x	↓
7:	10.5x	↗
8:	9.6	→
9:	10.2x	↙
10:	9.6	↓
Serie		96
Total		96



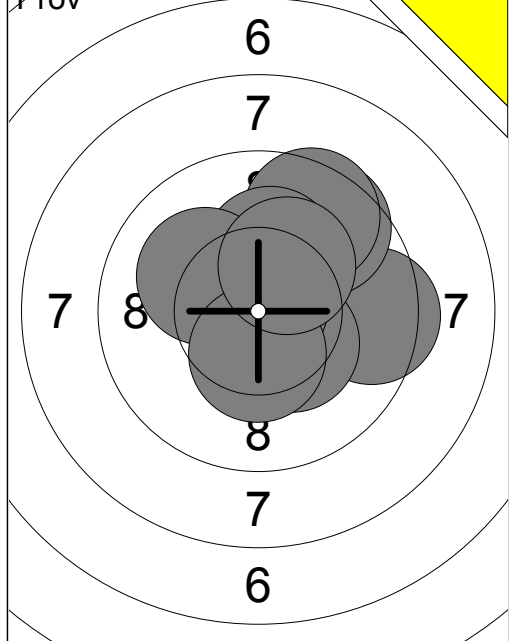
11:	10.2x	↖
12:	10.6x	↓
13:	10.4x	↑
14:	10.5x	↗
15:	10.2x	↑
16:	10.7x	→
17:	10.0	↖
18:	10.2x	↖
19:	10.6x	→
20:	9.6	↗
Serie		99
Total		195



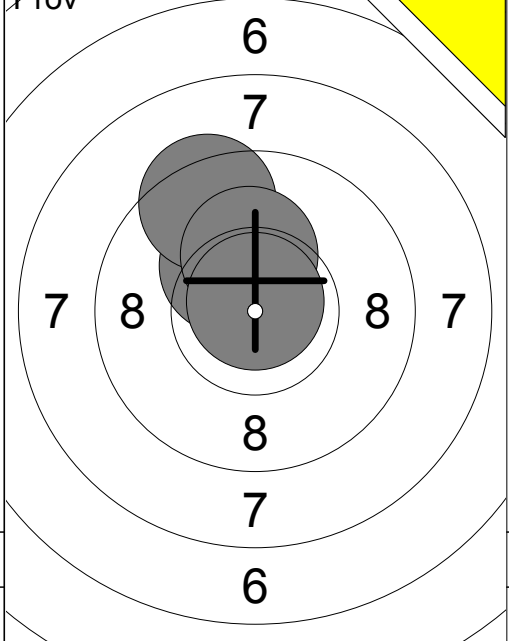
21:	10.5x	↑
22:	9.9	↑
23:	9.8	↑
24:	10.1	↓
25:	10.4x	→
26:	10.6x	↙
27:	10.0	↙
28:	10.2x	→
29:	10.5x	→
30:	10.7x	↓
Serie		98
Total		293



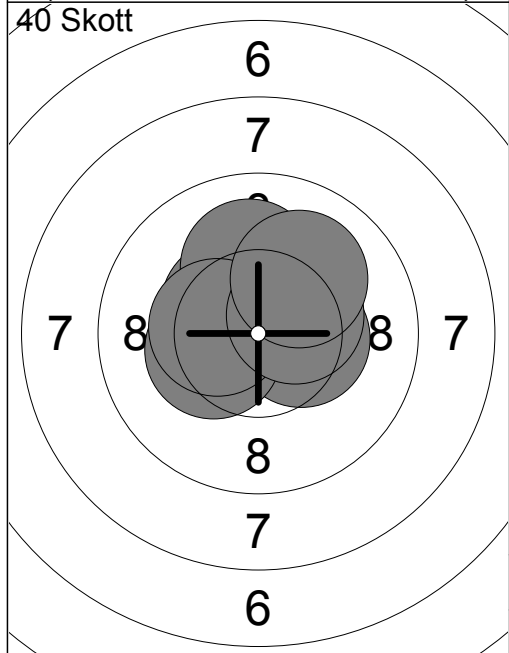
31:	10.2x	↗
32:	10.5x	↗
33:	10.4x	↓
34:	9.7	→
35:	10.4x	→
36:	10.0	↓
37:	10.5x	→
38:	9.8	↗
39:	10.4x	↓
40:	9.2	↓
Serie		97
Total		390



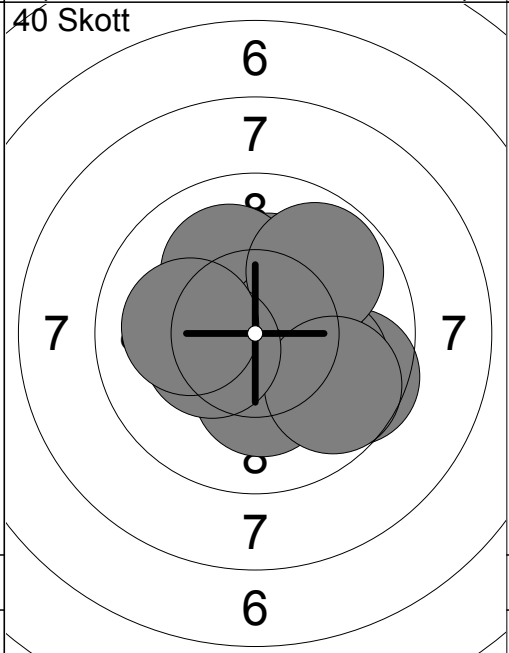
1:	9.5	→
2:	9.6	↗
3:	10.4x	↑
4:	9.5	↗
5:	10.2x	↑
6:	10.3x	↘
7:	10.9x	↑
8:	10.1	↖
9:	10.4x	↓
10:	10.2x	↗
Serie		97
Total		0



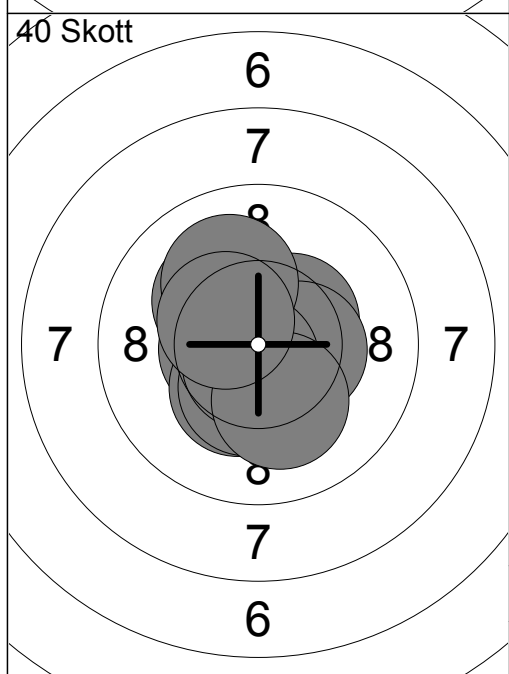
11:	10.3x	↖
12:	9.4	↖
13:	10.2x	↑
14:	10.8x	↑
Serie		39
Total		0



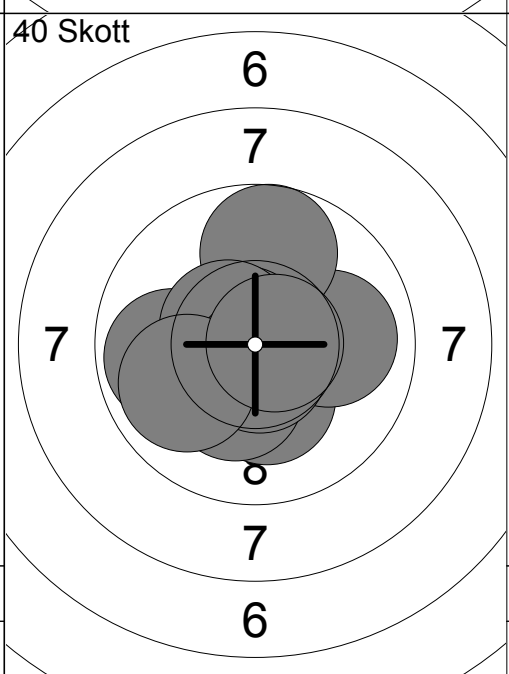
1:	10.4x	↖
2:	10.6x	↖
3:	10.5x	↗
4:	10.4x	↑
5:	10.4x	→
6:	10.3x	↖
7:	10.1	↑
8:	10.4x	↖
9:	10.4x	↗
10:	10.1	↗
Serie		100
Total		100



11:	10.3x	↑
12:	10.1	↖
13:	9.6	→
14:	10.0	→
15:	10.2x	↓
16:	10.4x	→
17:	9.8	↗
18:	9.7	↘
19:	10.3x	↖
20:	10.1	←
Serie		97
Total		197



21:	10.4x	↗
22:	10.5x	↖
23:	10.2x	↖
24:	10.4x	→
25:	10.3x	↘
26:	10.1	↖
27:	10.4x	↘
28:	10.7x	↘
29:	10.2x	↘
30:	10.4x	↖
Serie		100
Total		297

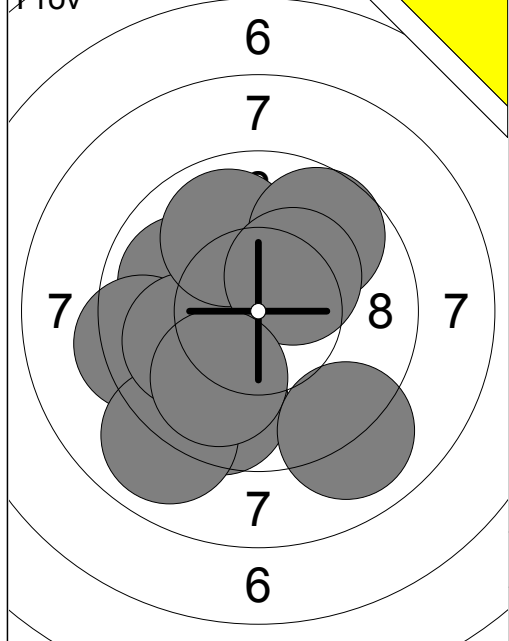


31:	10.3x	↓
32:	10.3x	↘
33:	9.9	←
34:	10.0	→
35:	9.7	↑
36:	10.7x	↖
37:	10.5x	↖
38:	10.7x	↓
39:	9.9	↖
40:	10.7x	→
Serie		97
Total		394

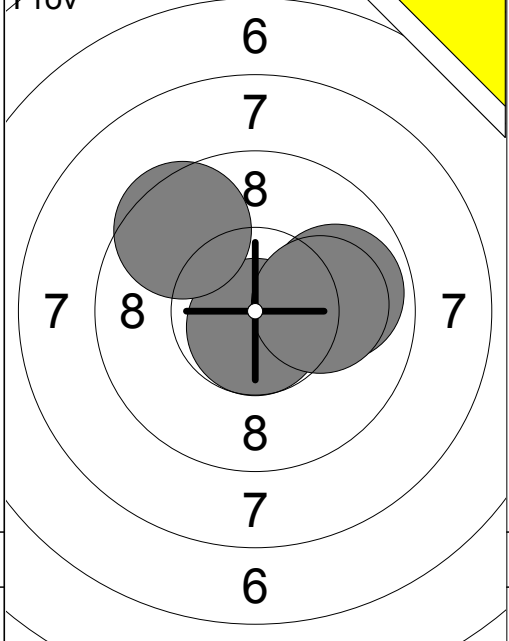
Prov 	1: 10.3x ↘ 2: 10.8x ↓ 3: 10.4x ↘ 4: 10.6x ↓ 5: 10.1 ↙ 6: 10.4x ↓ 7: 10.7x ↘ 8: 9.8 ↓ 9: 10.2x ↓ 10: 10.2x ↖ Serie 99 Total 0	Prov 	11: 10.4x ↘ 12: 10.1 ↓ 13: 10.6x ↓ 14: 10.0 ↓ 15: 10.0 ↓ 16: 10.9x ↘ 17: 10.3x ↙ 18: 10.5x ↙ Serie 80 Total 0
----------	---------------------------------------------------------------------------------------------------------------------------------------------------------------	----------	------------------------------------------------------------------------------------------------------------------------------------------

40 Skott 	1: 10.6x ↘ 2: 10.7x ↘ 3: 10.7x ↘ 4: 10.5x ↓ 5: 10.6x ↖ 6: 10.6x ↖ 7: 10.1 ↓ 8: 10.4x ↓ 9: 10.2x ↓ 10: 10.6x ↖ Serie 100 Total 100	40 Skott 	11: 9.8 ↖ 12: 10.9x ↓ 13: 10.3x ↙ 14: 10.2x ↖ 15: 10.6x ↑ 16: 10.7x ↓ 17: 10.4x → 18: 10.6x ↙ 19: 10.6x ↗ 20: 10.3x → Serie 99 Total 199
--------------	--------------------------------------------------------------------------------------------------------------------------------------------------------------------	--------------	---------------------------------------------------------------------------------------------------------------------------------------------------------------------------

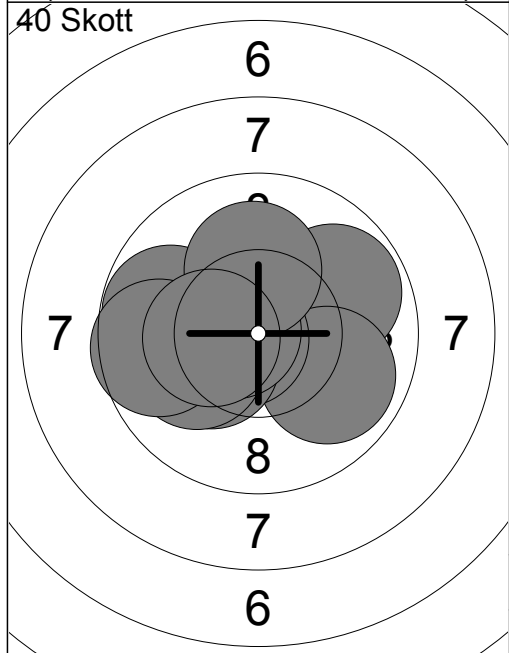
40 Skott 	21: 10.2x ↗ 22: 10.6x → 23: 10.3x → 24: 9.7 ↖ 25: 10.6x ↖ 26: 10.8x ↑ 27: 10.3x ↖ 28: 9.9 ↖ 29: 10.1 ↖ 30: 10.2x ↖ Serie 98 Total 297	40 Skott 	31: 10.7x ↖ 32: 10.6x ↗ 33: 9.9 ↖ 34: 10.2x → 35: 10.4x ↖ 36: 10.1 ↖ 37: 10.5x ↑ 38: 10.3x → 39: 10.4x ↖ 40: 10.5x ↑ Serie 99 Total 396
--------------	------------------------------------------------------------------------------------------------------------------------------------------------------------------------	--------------	--------------------------------------------------------------------------------------------------------------------------------------------------------------------------



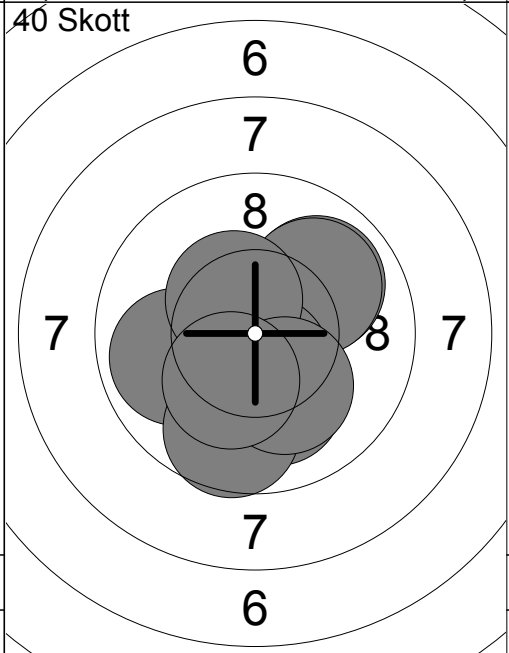
1:	9.9	↙
2:	9.4	←
3:	9.6	↘
4:	9.0	↘
5:	10.0	←
6:	9.9	↗
7:	9.7	↗
8:	10.3x	↗
9:	9.9	↘
10:	9.0	↘
Serie		92
Total		0



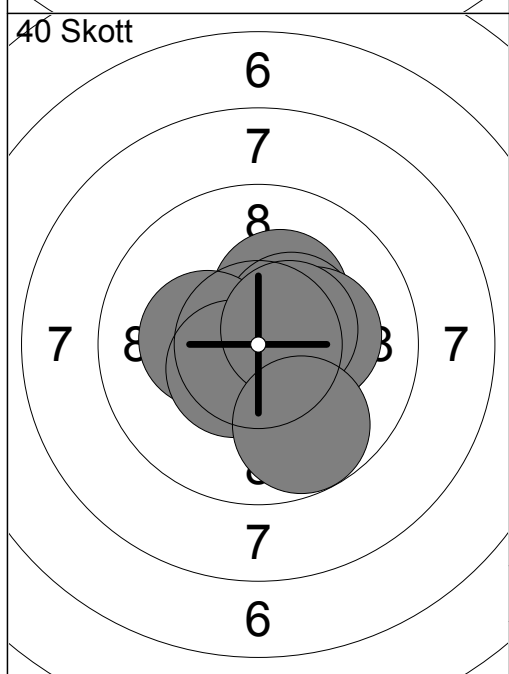
11:	10.7x	↓
12:	9.9	→
13:	9.5	↖
14:	10.1	→
Serie		38
Total		0



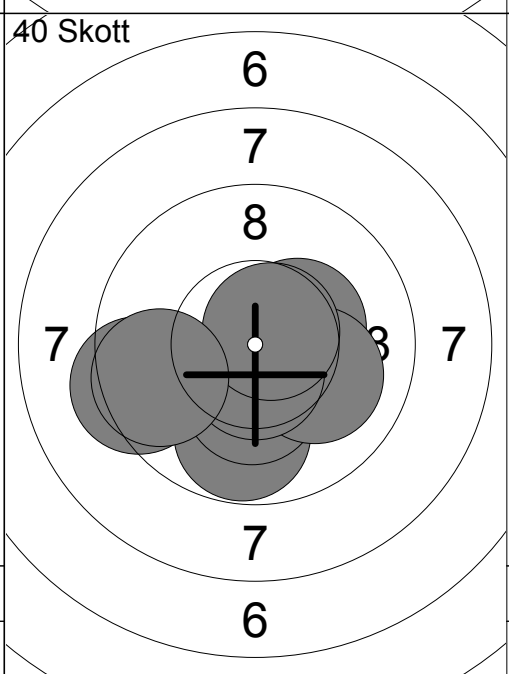
1:	9.8	↗
2:	9.9	↘
3:	10.7x	←
4:	10.2x	↙
5:	10.1	←
6:	9.8	←
7:	10.6x	←
8:	9.6	←
9:	10.1	↑
10:	10.3x	←
Serie		96
Total		96



11:	10.5x	↙
12:	9.9	←
13:	9.9	↗
14:	10.1	↓
15:	10.0	↗
16:	10.6x	↓
17:	10.4x	↖
18:	9.7	↓
19:	10.2x	↓
20:	10.3x	↓
Serie		97
Total		193



21:	10.3x	→
22:	10.3x	↗
23:	10.4x	↗
24:	10.3x	→
25:	10.3x	←
26:	10.6x	↘
27:	10.2x	→
28:	10.5x	↘
29:	10.5x	↗
30:	9.8	↘
Serie		99
Total		292

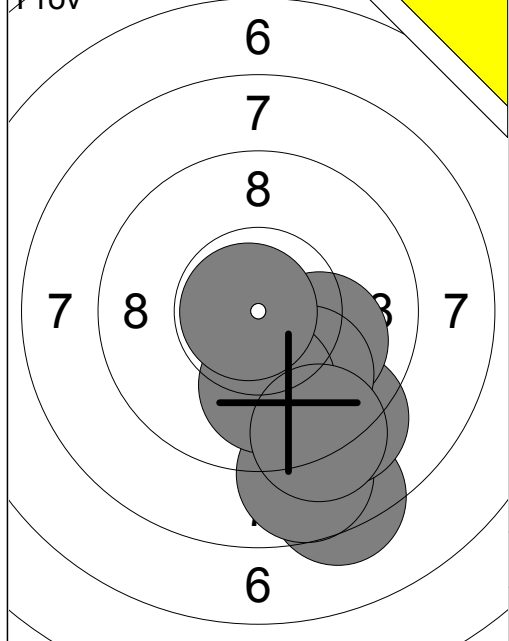


31:	9.9	↓
32:	9.8	↓
33:	10.3x	↓
34:	10.6x	↘
35:	10.3x	↗
36:	10.1	→
37:	9.3	←
38:	10.6x	↓
39:	10.7x	↗
40:	9.6	←
Serie		96
Total		388

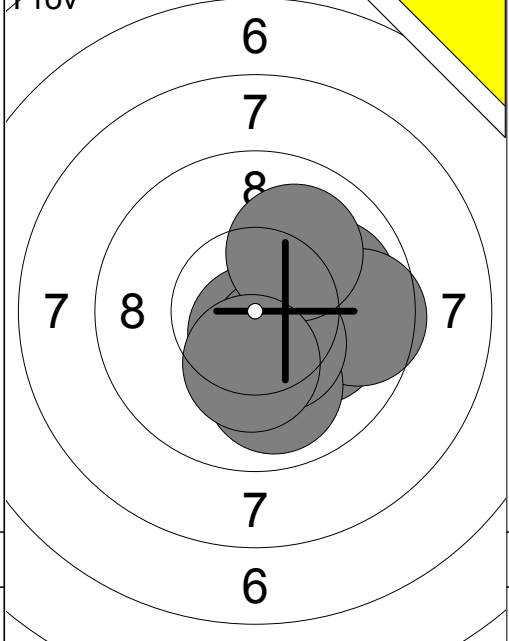
<p>Pröv</p>	<p>1: 10.5x ↗ 2: 10.6x → 3: 10.5x ↑ 4: 10.1 ↙ 5: 9.8 ← 6: 10.7x ↖ 7: 9.9 ← 8: 10.8x ← 9: 10.2x ↖ 10: 9.9 ↖</p> <p>Serie 97 Total 0</p>	<p>Pröv</p>	<p>11: 10.8x ↗ 12: 10.2x ← 13: 10.5x ↖ 14: 10.5x ← 15: 10.6x → 16: 10.5x ↑ 17: 10.7x ↖</p> <p>Serie 70 Total 0</p>
-------------	-----------------------------------------------------------------------------------------------------------------------------------------------------------------------------------------------------------------------------------------------------------------------------------------------------------------------------------------	-------------	------------------------------------------------------------------------------------------------------------------------------------------------------------------------------------------------------------------------------------------------------

<p>40 Skott</p>	<p>1: 10.7x ← 2: 10.6x ↖ 3: 10.4x ↑ 4: 10.0 ↑ 5: 10.2x → 6: 10.3x ← 7: 10.3x ↖ 8: 10.3x ↑ 9: 10.5x → 10: 10.4x ↙</p> <p>Serie 100 Total 100</p>	<p>40 Skott</p>	<p>11: 10.3x ← 12: 10.1 ← 13: 10.3x ↙ 14: 10.3x ← 15: 10.8x ↓ 16: 10.6x ← 17: 10.8x ↓ 18: 10.6x ↓ 19: 10.3x ← 20: 9.9 ↑</p> <p>Serie 99 Total 199</p>
-----------------	--------------------------------------------------------------------------------------------------------------------------------------------------------------------------------------------------------------------------------------------------------------------------------------------------------------------------------------------------	-----------------	--------------------------------------------------------------------------------------------------------------------------------------------------------------------------------------------------------------------------------------------------------------------------------------------------------------------------------------------------------

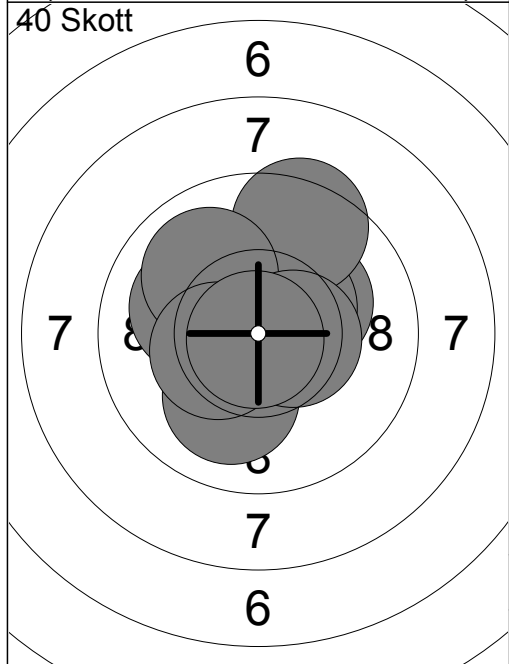
<p>40 Skott</p>	<p>21: 10.6x ↖ 22: 10.6x ← 23: 10.4x ← 24: 10.3x → 25: 10.3x ↖ 26: 10.5x ← 27: 9.8 ↑ 28: 10.3x → 29: 10.3x ↓ 30: 10.7x ↑</p> <p>Serie 99 Total 298</p>	<p>40 Skott</p>	<p>31: 10.6x ↑ 32: 10.3x → 33: 10.7x ↓ 34: 10.6x ← 35: 10.5x ↖ 36: 10.7x → 37: 10.5x ↑ 38: 10.4x ← 39: 10.1 ↙ 40: 10.5x ↙</p> <p>Serie 100 Total 398</p>
-----------------	---------------------------------------------------------------------------------------------------------------------------------------------------------------------------------------------------------------------------------------------------------------------------------------------------------------------------------------------------------	-----------------	-----------------------------------------------------------------------------------------------------------------------------------------------------------------------------------------------------------------------------------------------------------------------------------------------------------------------------------------------------------



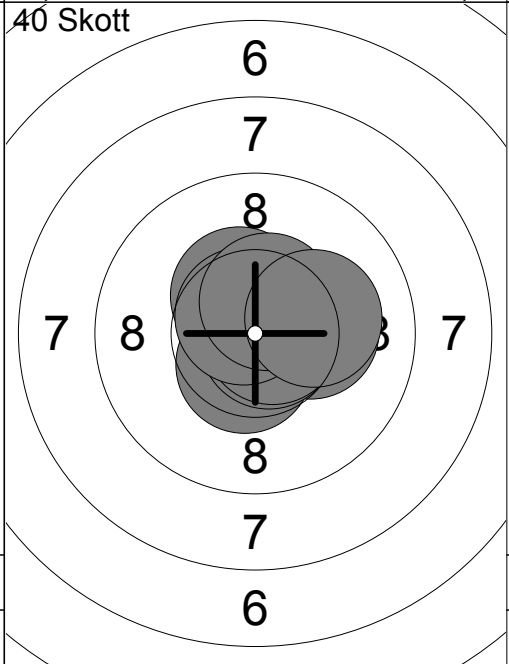
1:	9.1	↘
2:	8.3	↘
3:	8.7	↘
4:	9.4	↘
5:	9.2	↘
6:	10.1	↗
7:	9.9	↘
8:	10.0	↘
9:	9.2	↘
10:	10.8x	←
Serie		91
Total		0



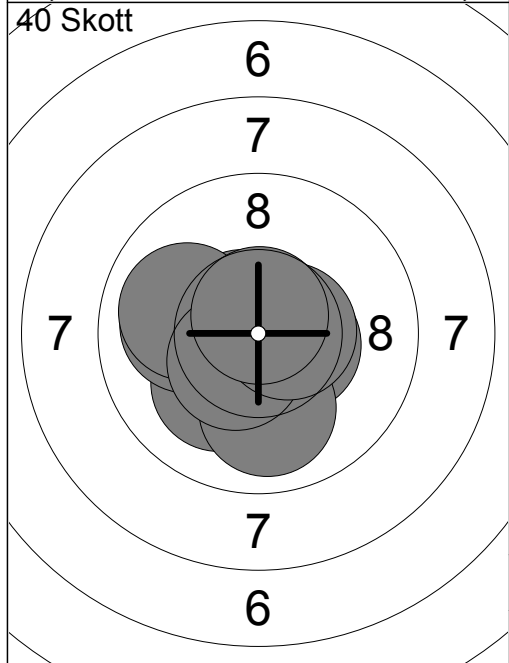
11:	10.2x	→
12:	10.1	↗
13:	10.3x	↗
14:	9.9	→
15:	9.6	→
16:	9.9	↘
17:	10.7x	↘
18:	10.4x	↘
19:	10.0	↗
20:	10.3x	↘
Serie		97
Total		0



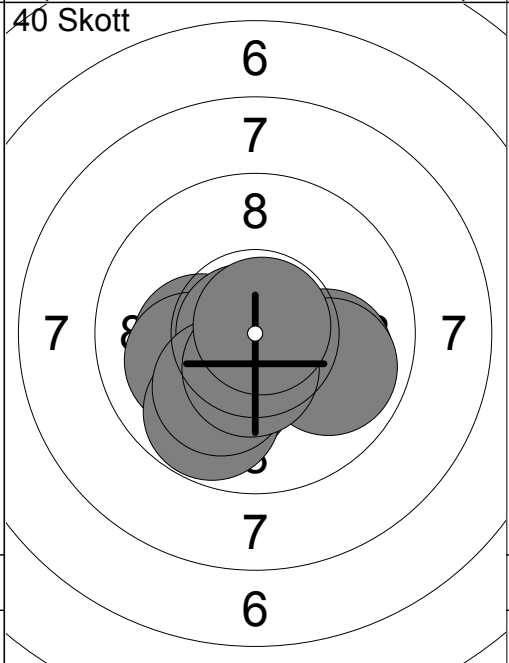
1:	10.2x	↗
2:	10.6x	↗
3:	10.4x	↗
4:	9.5	↗
5:	10.1	↖
6:	10.1	↘
7:	10.0	↗
8:	10.4x	←
9:	10.5x	→
10:	10.9x	↘
Serie		99
Total		99



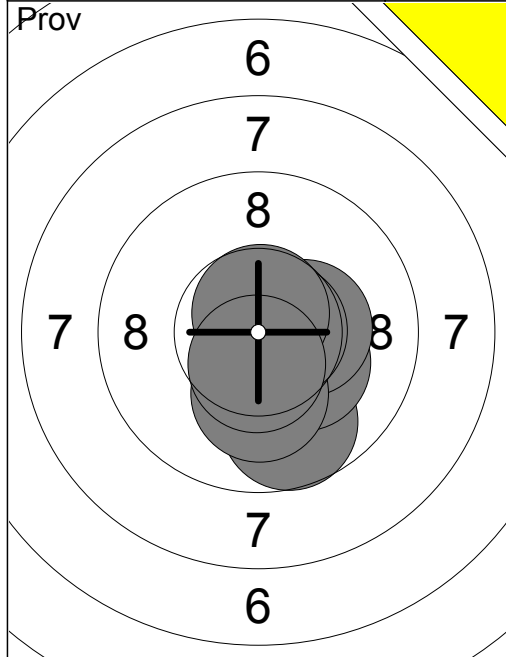
11:	10.2x	→
12:	10.4x	↗
13:	10.2x	→
14:	10.5x	↘
15:	10.6x	↗
16:	10.8x	↗
17:	10.7x	→
18:	10.7x	↖
19:	10.5x	↗
20:	10.2x	→
Serie		100
Total		199



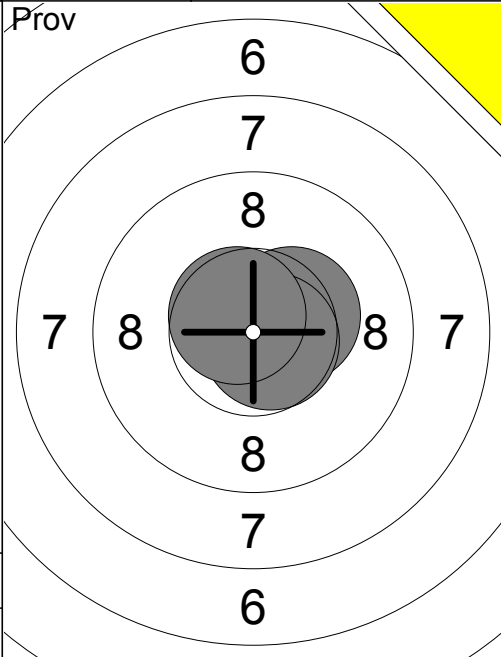
21:	10.7x	↖
22:	10.5x	→
23:	10.6x	↘
24:	10.1	↘
25:	10.0	↘
26:	10.0	←
27:	10.0	←
28:	10.5x	↘
29:	10.6x	→
30:	10.7x	↗
Serie		100
Total		299



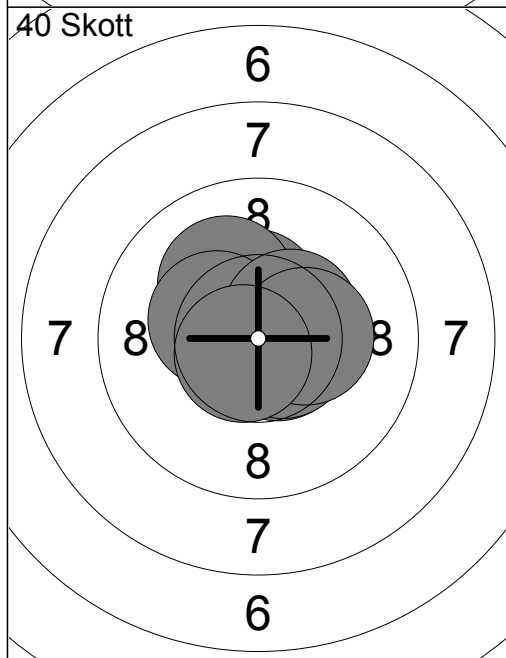
31:	10.0	↗
32:	10.2x	←
33:	10.1	←
34:	10.1	↘
35:	9.9	↗
36:	10.8x	←
37:	9.8	↘
38:	10.1	↘
39:	10.5x	↘
40:	10.8x	↗
Serie		98
Total		397



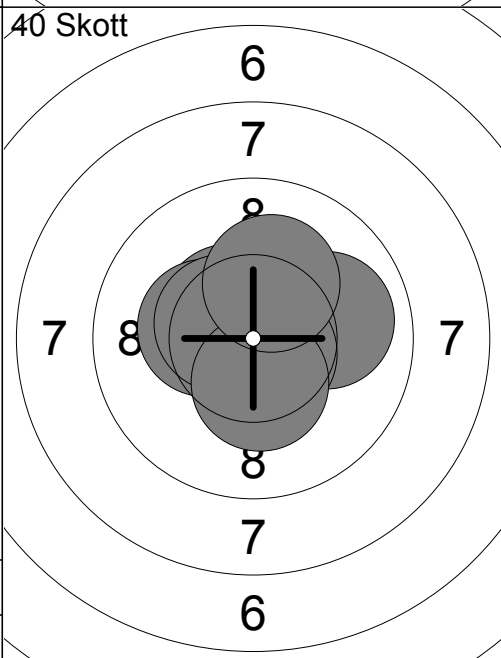
1:	10.3x ↓
2:	10.2x ↓
3:	9.7 ↓
4:	10.2x →
5:	10.8x ↗
6:	10.4x →
7:	10.1 ↓
8:	10.7x →
9:	10.7x ↑
10:	10.5x ↓
Serie	99
Total	0



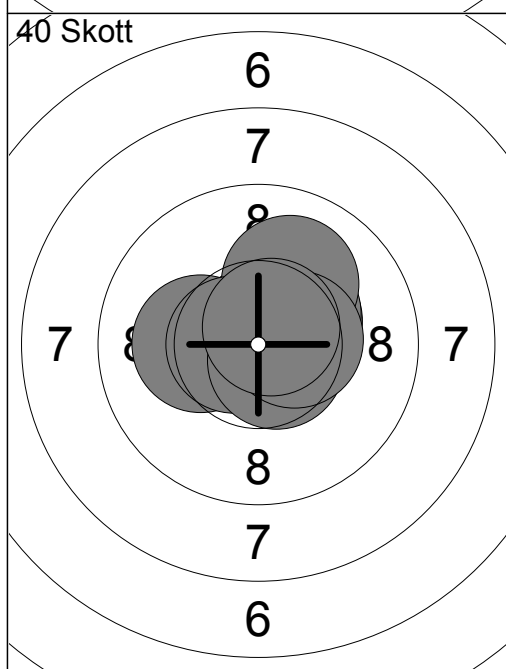
11:	10.4x →
12:	10.7x →
13:	10.6x ↖
Serie	30
Total	0



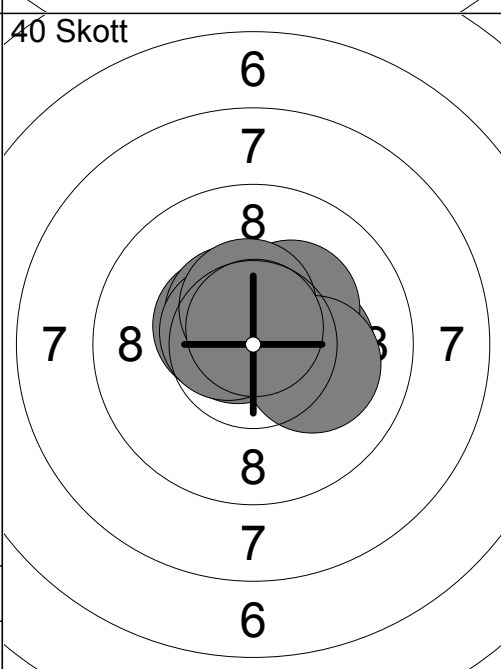
1:	10.6x →
2:	10.4x ↑
3:	10.6x →
4:	10.8x ↑
5:	10.1 ↖
6:	10.7x ←
7:	10.4x ↖
8:	10.4x ↗
9:	10.3x →
10:	10.7x ↙
Serie	100
Total	100



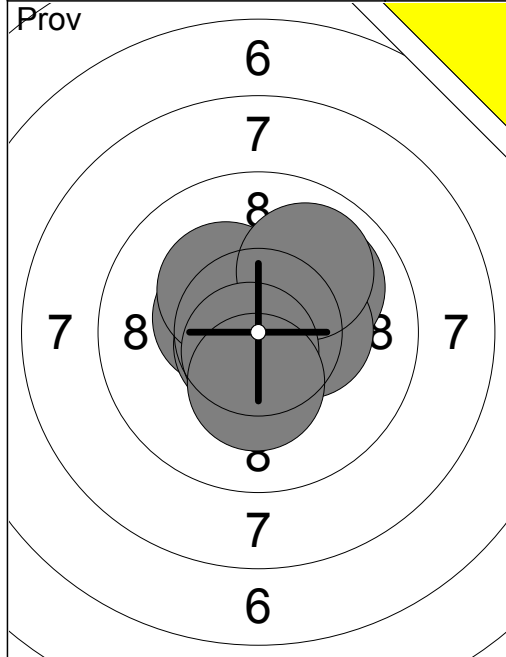
11:	10.7x ↓
12:	10.7x ↓
13:	10.5x ↖
14:	10.3x ←
15:	10.0 →
16:	10.8x ↑
17:	10.7x ↓
18:	10.5x ↖
19:	10.4x ↓
20:	10.2x ↑
Serie	100
Total	200



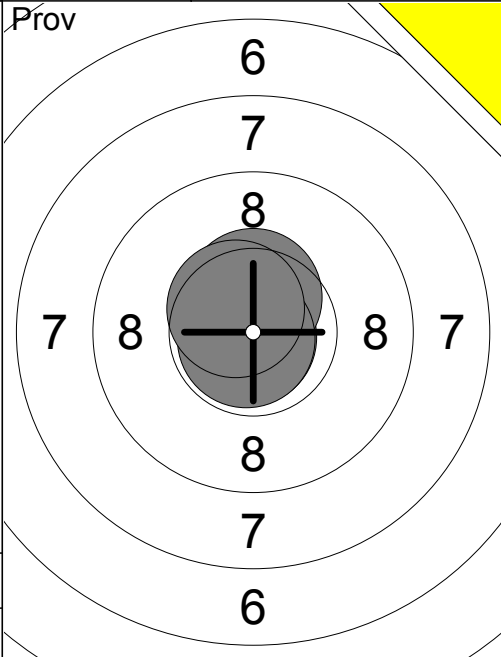
21:	10.8x ↑
22:	10.4x ↗
23:	10.3x ↗
24:	10.2x ←
25:	10.7x →
26:	10.1 ↑
27:	10.6x ←
28:	10.6x ↓
29:	10.5x →
30:	10.7x ↗
Serie	100
Total	300



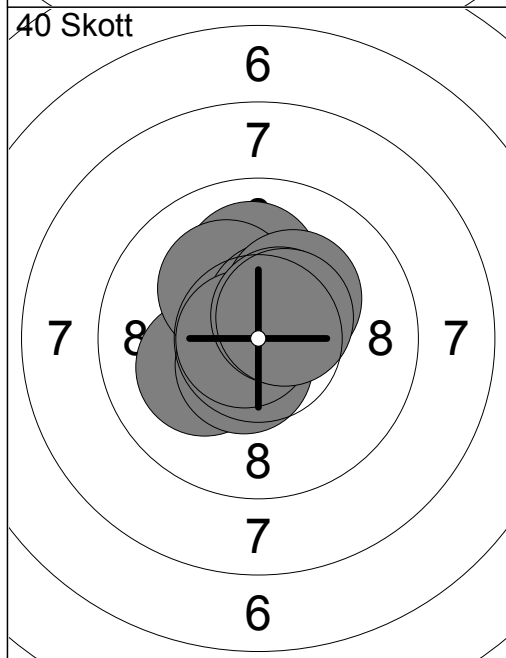
31:	10.7x ↖
32:	10.3x →
33:	10.3x ↗
34:	10.5x ↖
35:	10.5x ↖
36:	10.7x ↖
37:	10.6x ↖
38:	10.5x ↑
39:	10.1 →
40:	10.7x ↑
Serie	100
Total	400



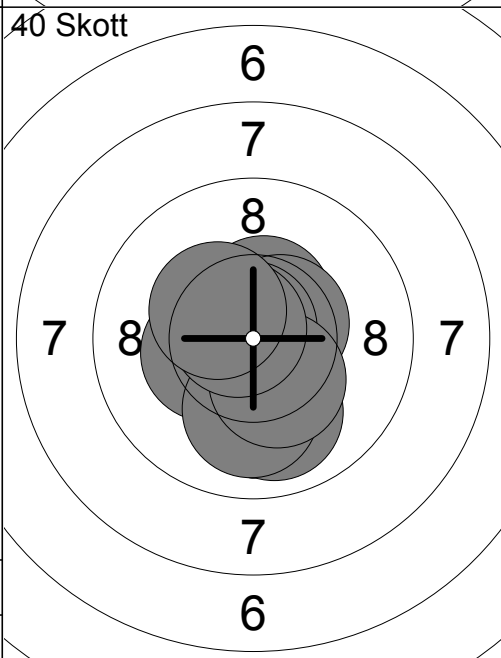
1:	10.2x ↗
2:	10.0 ↗
3:	10.7x ↓
4:	10.4x ↖
5:	10.3x →
6:	10.7x ↙
7:	10.3x ↖
8:	9.9 ↗
9:	10.7x ↓
10:	10.3x ↓
Serie 99	
Total 0	



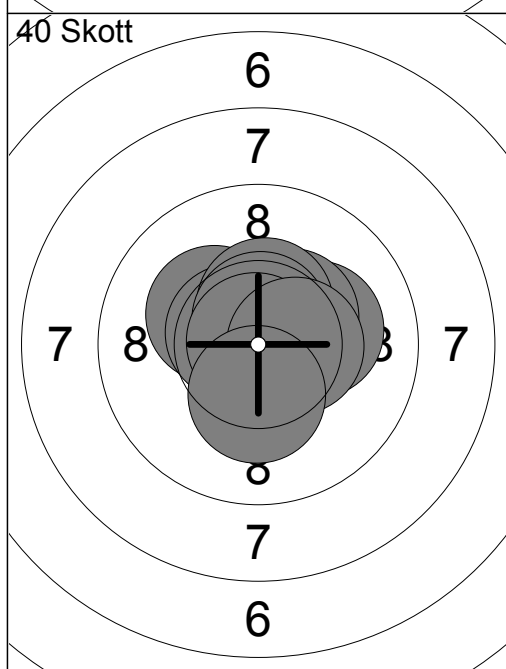
11:	10.9x ↘
12:	10.5x ↑
13:	10.8x ↘
14:	10.6x ↖
Serie 40	
Total 0	



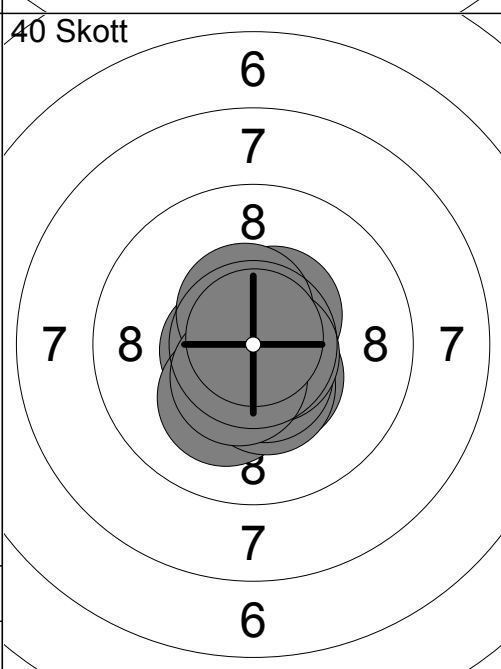
1:	10.2x ↙
2:	10.1 ↑
3:	10.6x ↓
4:	10.6x ↖
5:	10.2x ↖
6:	10.5x ↗
7:	10.8x ←
8:	10.3x ↗
9:	10.5x ↗
10:	10.5x ↗
Serie 100	
Total 100	



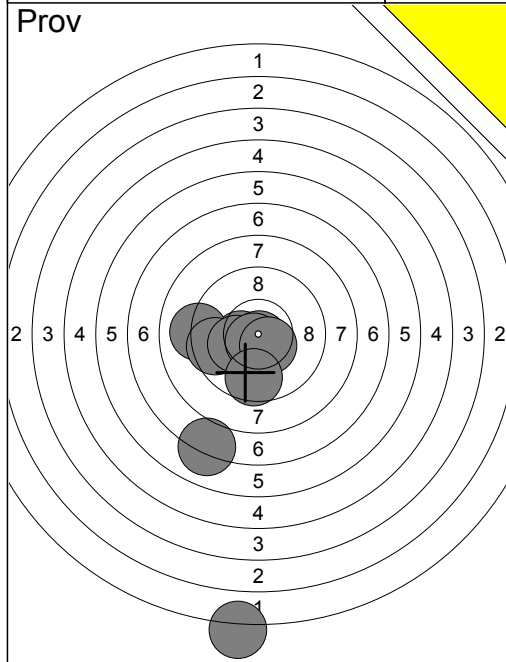
11:	10.2x ↓
12:	10.3x ↖
13:	9.9 ↓
14:	10.5x ↑
15:	10.0 ↓
16:	10.5x ↗
17:	10.8x ↖
18:	10.3x ↓
19:	10.7x ↖
20:	10.4x ↖
Serie 99	
Total 199	



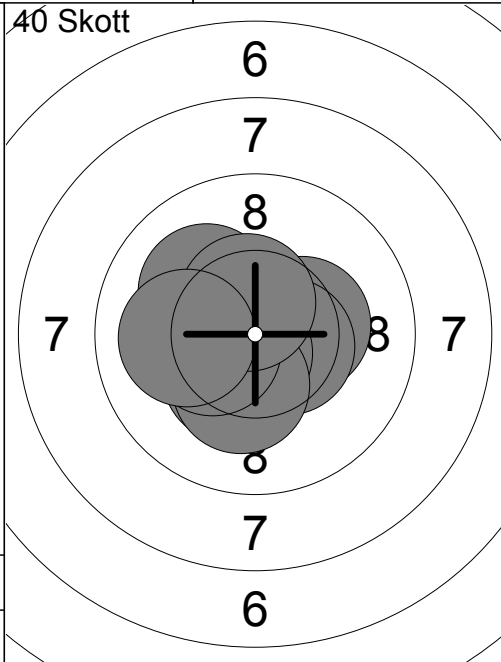
21:	10.3x ↖
22:	10.2x →
23:	10.5x ↗
24:	10.4x ↗
25:	10.6x ↖
26:	10.4x ↑
27:	10.6x ↑
28:	10.9x ↖
29:	10.5x →
30:	10.3x ↓
Serie 100	
Total 299	



31:	10.6x ←
32:	10.2x ↘
33:	10.4x ↓
34:	10.5x ↗
35:	10.5x ↑
36:	10.4x ↓
37:	10.5x ↓
38:	10.7x →
39:	10.5x ↓
40:	10.9x ↑
Serie 100	
Total 399	



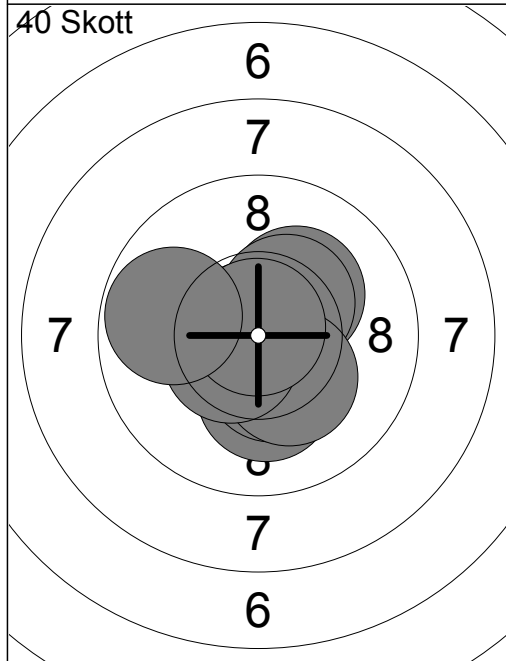
1:	10.4x ←
2:	7.1 ↓
3:	1.6 ↓
4:	9.1 ←
5:	9.5 ←
6:	10.2x ←
7:	10.8x ↓
8:	10.7x ↓
9:	10.5x ↓
10:	9.6 ↓



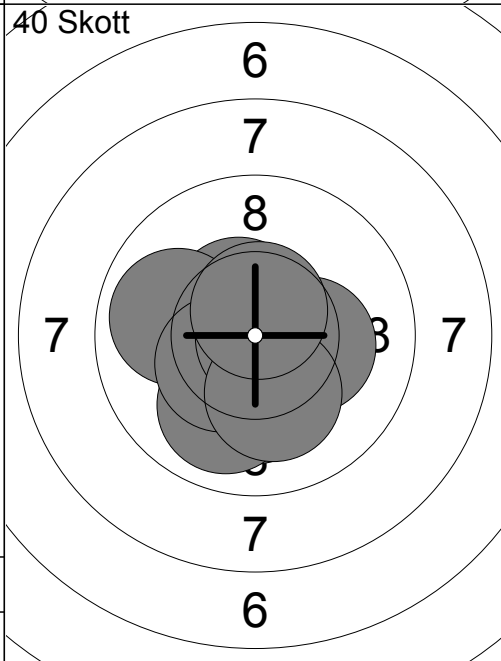
1:	10.3x →
2:	10.3x ↓
3:	10.1 ↖
4:	10.5x ↓
5:	10.5x →
6:	10.7x ↓
7:	10.3x ↓
8:	10.4x ←
9:	10.5x ↑
10:	10.1 ←

Serie	85
Total	0

Serie	100
Total	100



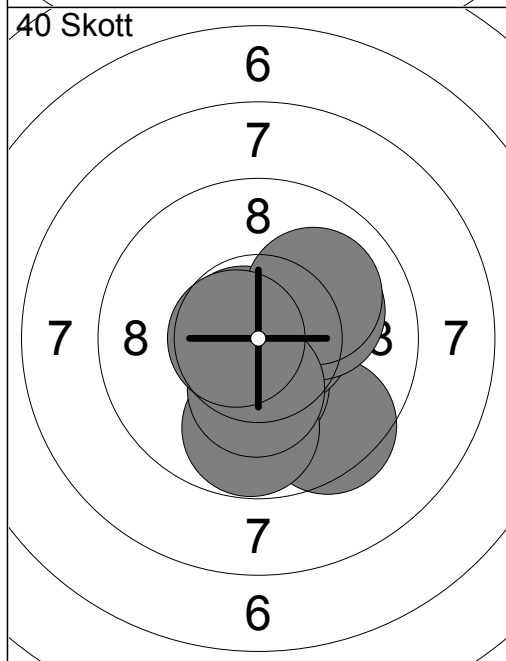
11:	10.2x ↗
12:	10.4x ↗
13:	10.6x ↓
14:	10.8x ←
15:	10.2x ↓
16:	10.4x ↓
17:	10.3x ↓
18:	10.5x ←
19:	10.8x ↑
20:	9.8 ←



21:	10.2x ↓
22:	10.5x ↖
23:	10.0 ↓
24:	10.5x ↓
25:	9.9 ←
26:	10.4x ←
27:	10.8x →
28:	10.3x →
29:	10.2x ↓
30:	10.6x ↑

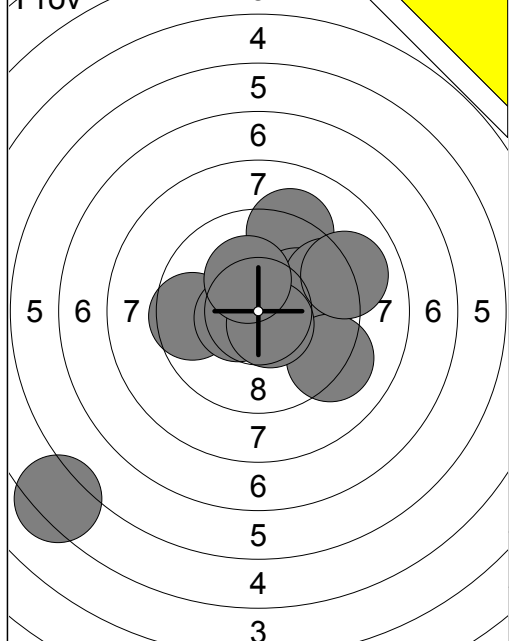
Serie	99
Total	199

Serie	99
Total	298

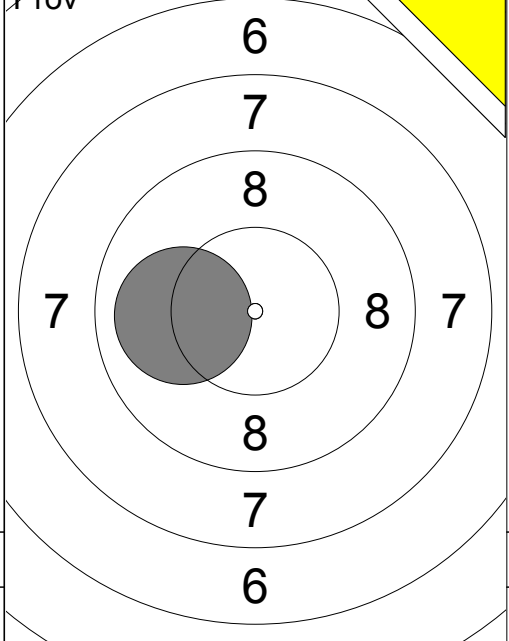


31:	9.5 ↓
32:	10.5x ↓
33:	10.3x ↓
34:	10.6x →
35:	9.8 ↓
36:	10.8x ←
37:	10.1 →
38:	10.0 ↗
39:	10.3x ↓
40:	10.7x ←

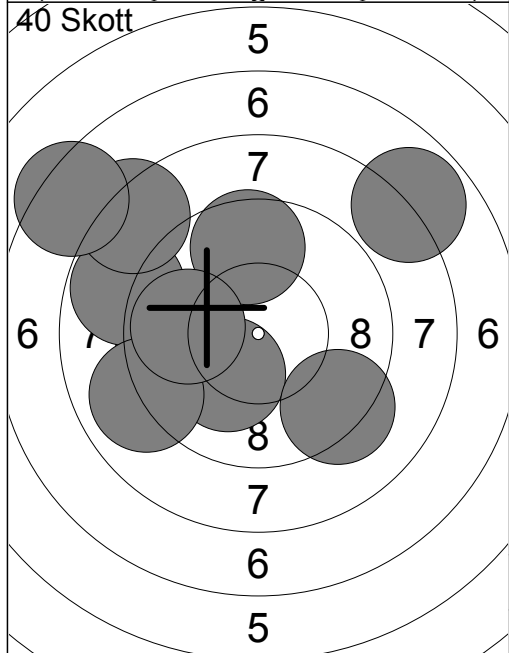
Serie	98
Total	396



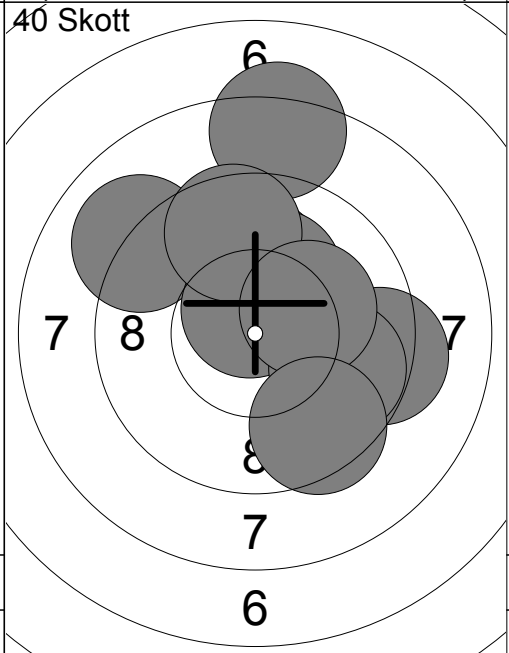
1:	9.6	←
2:	10.5x	←
3:	9.2	↑
4:	10.1	→
5:	9.4	→
6:	9.2	↘
7:	10.6x	↘
8:	5.3	↙
9:	9.0	→
10:	10.3x	↑
Serie		90
Total		0



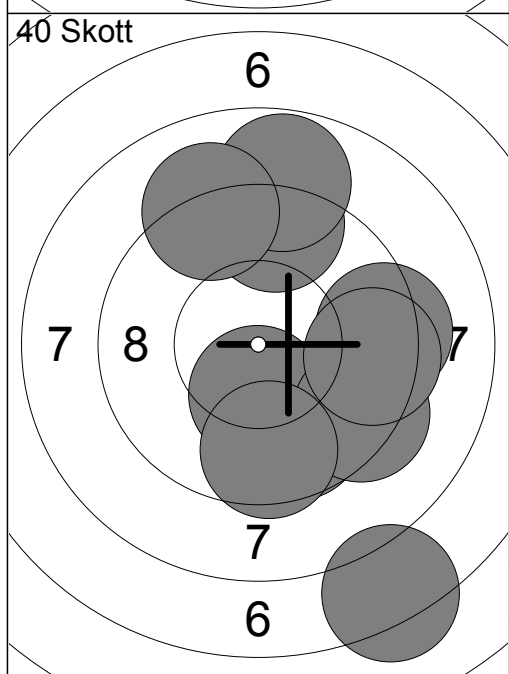
11:	10.0	←
Serie		10
Total		0



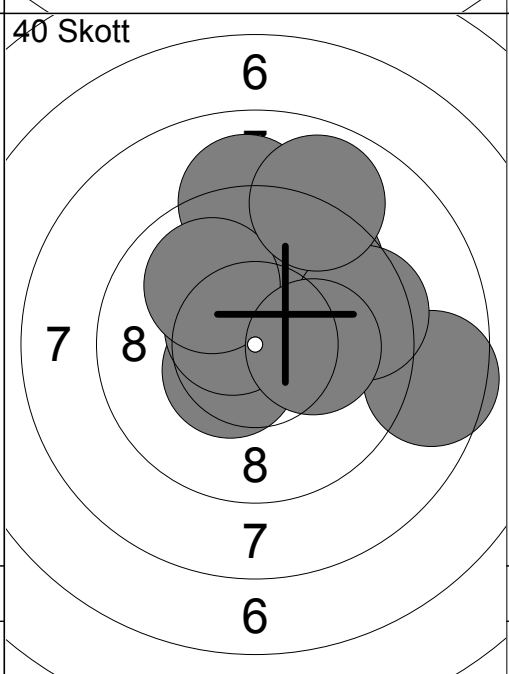
1:	9.6	←
2:	8.8	←
3:	10.2x	↘
4:	9.6	↑
5:	8.3	↑
6:	7.4	←
7:	9.0	↙
8:	9.3	↘
9:	7.9	→
10:	9.8	←
Serie		85
Total		85



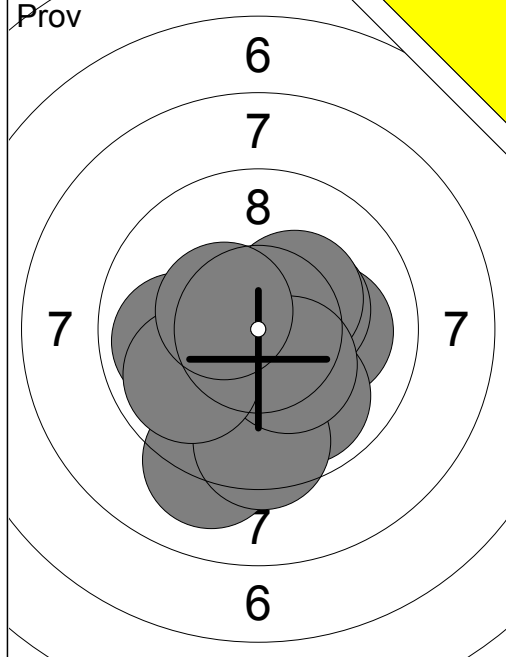
11:	10.1	↑
12:	8.3	↑
13:	9.0	↙
14:	10.2x	↑
15:	10.6x	↑
16:	9.6	↑
17:	9.3	→
18:	9.8	↘
19:	10.2x	→
20:	9.5	↘
Serie		93
Total		178



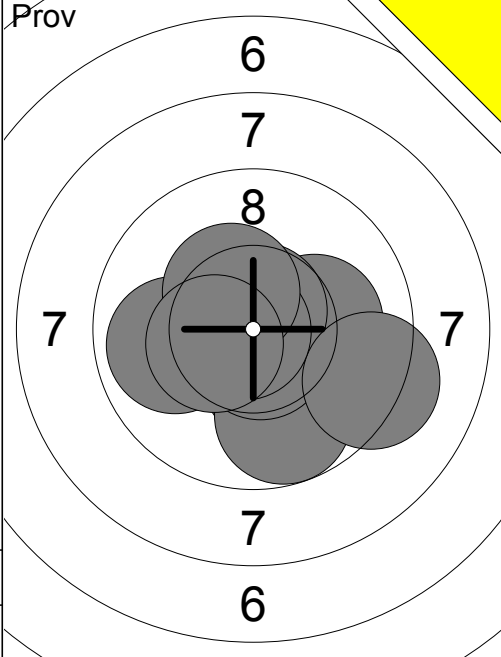
21:	9.4	↑
22:	8.8	↑
23:	9.3	→
24:	9.7	↘
25:	10.3x	↘
26:	9.3	↘
27:	9.4	→
28:	9.1	↑
29:	7.3	↘
30:	9.6	↘
Serie		88
Total		266



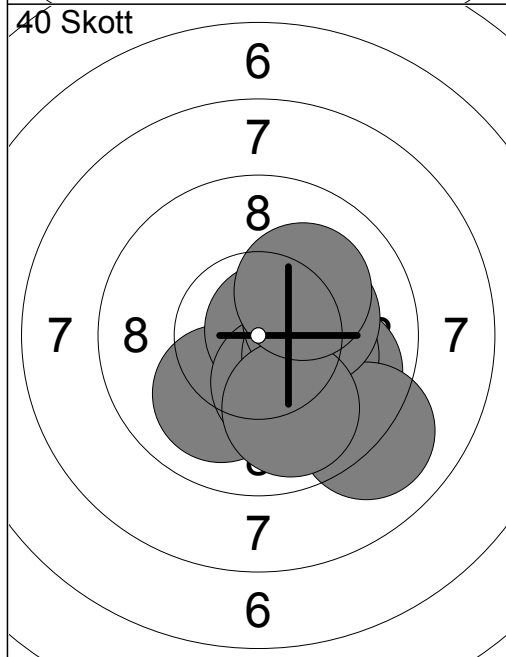
31:	9.1	↑
32:	10.4x	↗
33:	10.5x	↙
34:	10.6x	↖
35:	9.6	↗
36:	8.6	→
37:	10.0	↖
38:	9.5	→
39:	10.2x	→
40:	8.9	↑
Serie		93
Total		359



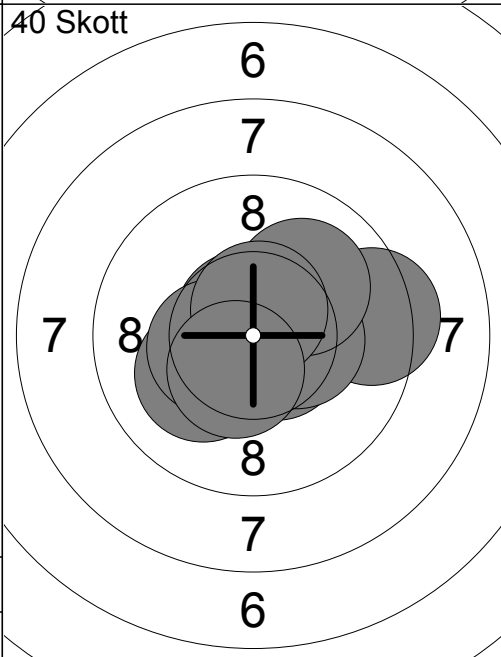
1:	9.1	↓
2:	10.1	→
3:	9.9	↓
4:	9.5	↓
5:	9.9	←
6:	10.3x	→
7:	10.3x	↗
8:	10.3x	↓
9:	9.9	↙
10:	10.4x	↖
Serie		99.7
Total		0.0



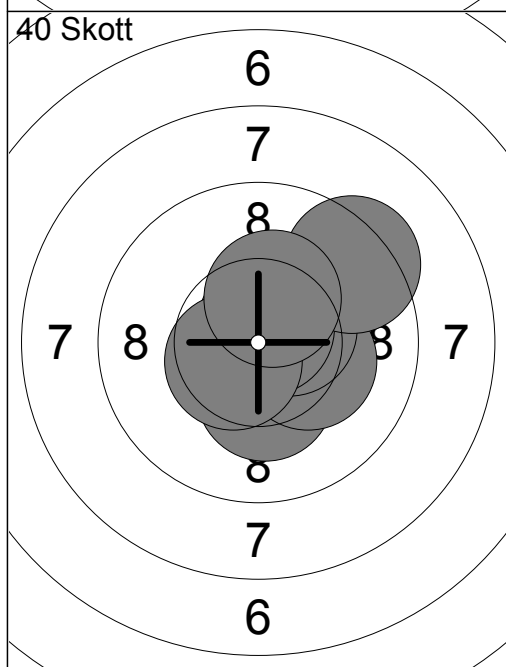
11:	10.3x	↓
12:	10.2x	→
13:	9.9	←
14:	9.8	↓
15:	10.6x	↓
16:	10.7x	↑
17:	9.3	→
18:	10.8x	←
19:	10.4x	↖
20:	10.4x	←
Serie		102.4
Total		0.0



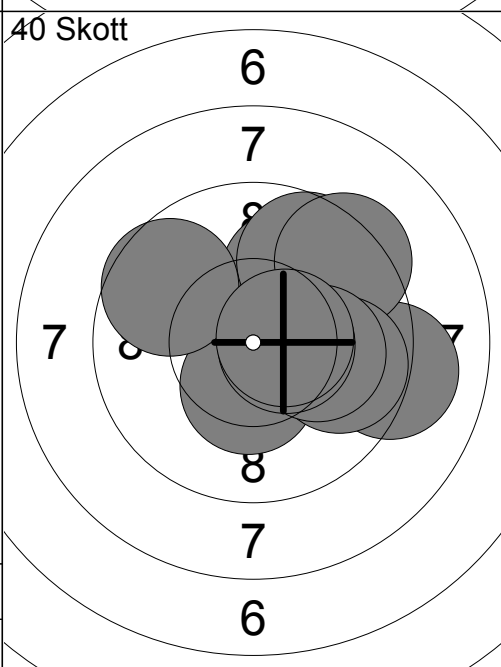
1:	10.6x	→
2:	10.0	↓
3:	9.9	→
4:	10.7x	→
5:	10.3x	↓
6:	10.2x	→
7:	9.1	↓
8:	10.2x	→
9:	9.9	↓
10:	10.1	↗
Serie		101.0
Total		101.0



11:	9.4	→
12:	10.7x	↖
13:	10.1	↙
14:	10.8x	→
15:	10.6x	↓
16:	10.4x	→
17:	10.1	↗
18:	10.4x	←
19:	10.6x	↑
20:	10.4x	↓
Serie		103.5
Total		204.5



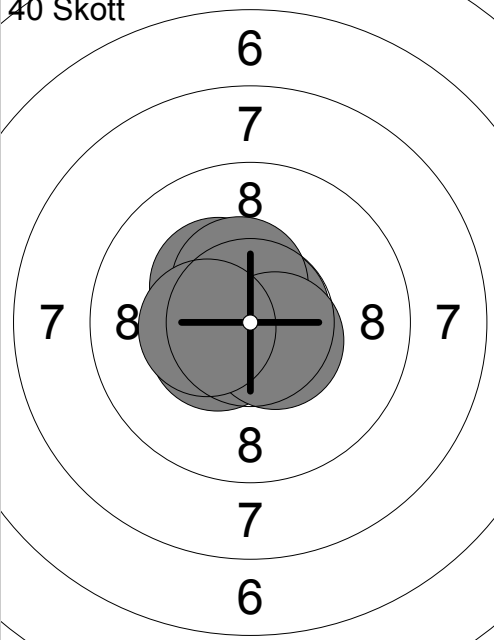
21:	10.6x	↓
22:	10.3x	↓
23:	10.6x	↗
24:	10.2x	→
25:	10.5x	↗
26:	10.5x	→
27:	10.7x	↗
28:	10.5x	↙
29:	9.4	↗
30:	10.3x	↗
Serie		103.6
Total		308.1

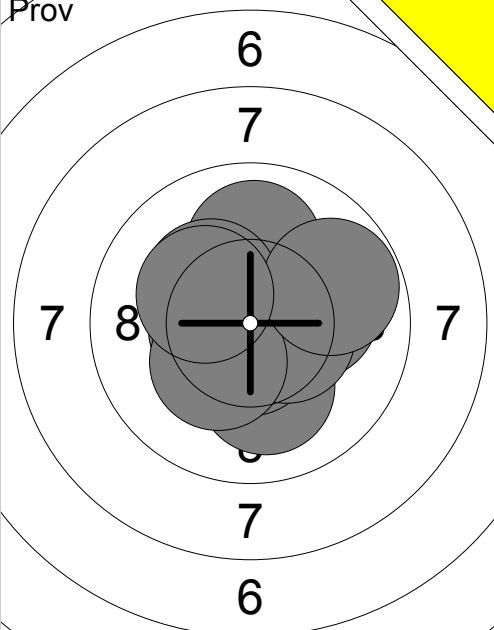
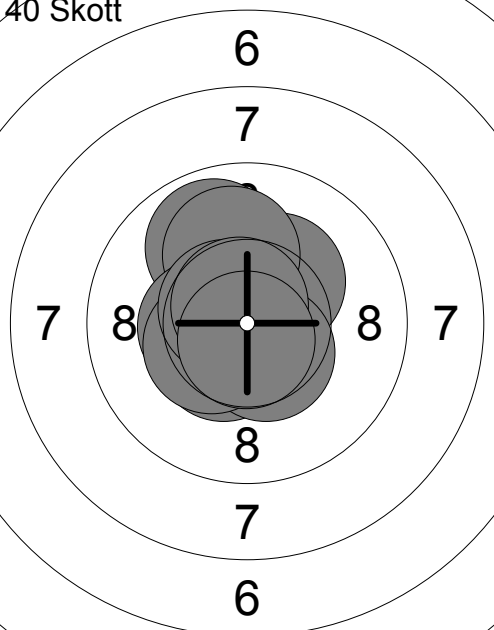


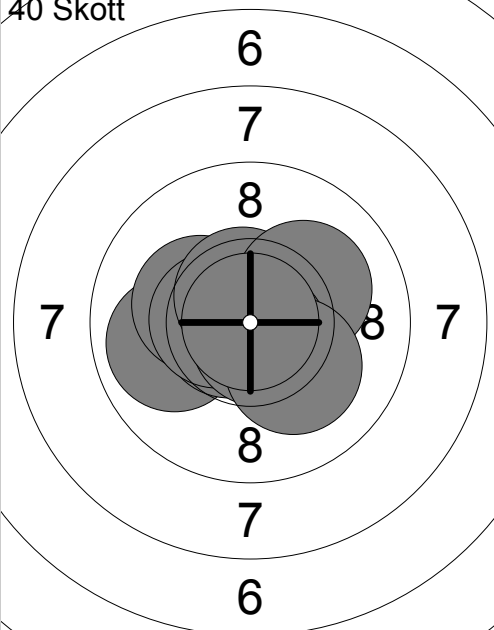
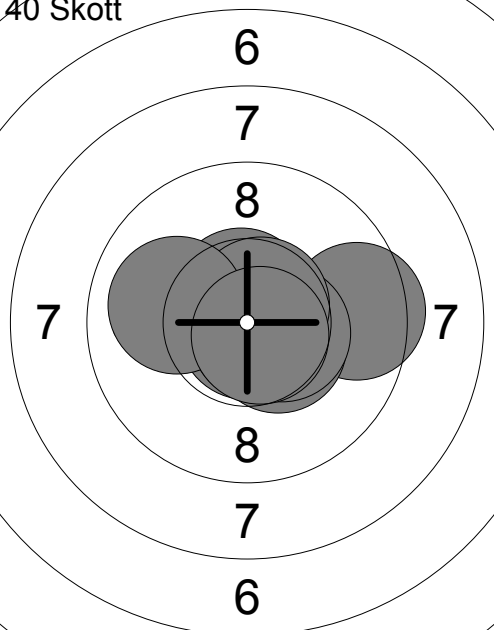
31:	10.0	↗
32:	9.7	↗
33:	10.4x	↓
34:	9.1	→
35:	9.4	↗
36:	9.8	→
37:	10.1	→
38:	9.6	↙
39:	10.5x	→
40:	10.5x	→
Serie		99.1
Total		407.2

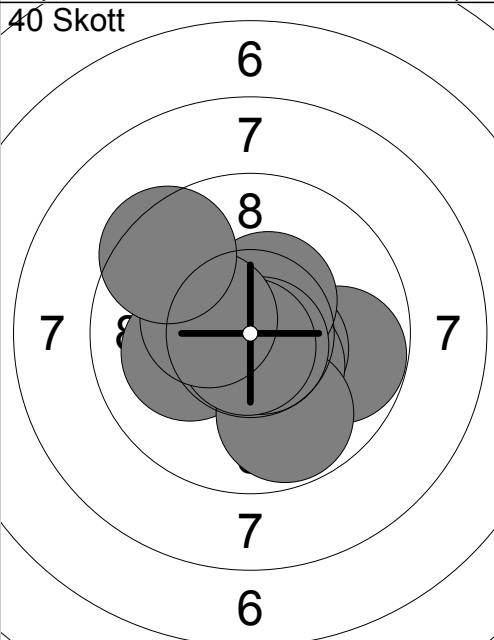
Pröv 	1: 10.0 ↘ 2: 10.0 ↓ 3: 10.1 → 4: 10.5x ↙ 5: 9.9 ↓ 6: 10.9x ↘ 7: 10.3x → 8: 10.5x ↑ 9: 10.6x ↘ Serie 92.8 Total 0.0	40 Skott 	1: 10.4x ↖ 2: 10.3x ← 3: 10.6x → 4: 10.0 ↓ 5: 10.5x → 6: 10.4x ↙ 7: 10.7x ↘ 8: 9.9 ↓ 9: 10.1 ↓ 10: 10.3x ↙ Serie 103.2 Total 103.2
------------------------------------------------------------------------------------------	--------------------------------------------------------------------------------------------------------------------------------------------------	------------------------------------------------------------------------------------------------	---------------------------------------------------------------------------------------------------------------------------------------------------------------------

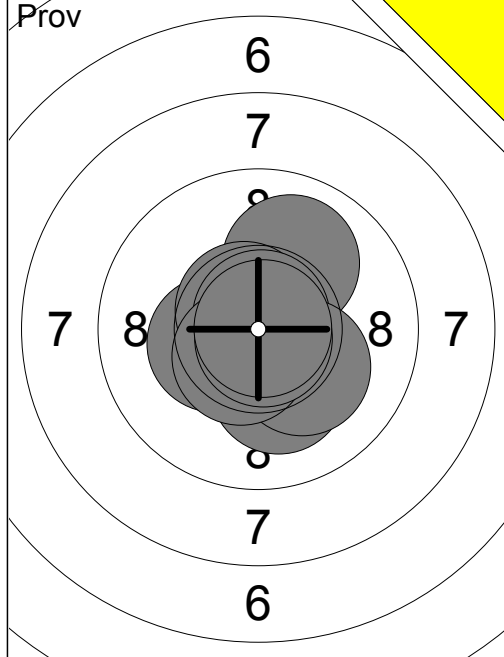
40 Skott 	11: 10.7x ↖ 12: 10.3x ↑ 13: 10.2x ← 14: 10.8x ↙ 15: 10.5x ↑ 16: 10.4x ↙ 17: 10.4x ← 18: 10.9x ↘ 19: 10.2x ↓ 20: 10.0 ↑ Serie 104.4 Total 207.6	40 Skott 	21: 10.7x ↖ 22: 9.9 ↗ 23: 10.7x ← 24: 10.6x ↓ 25: 10.9x ↘ 26: 10.4x ↙ 27: 10.4x ↘ 28: 10.5x ↖ 29: 9.7 ↑ 30: 10.0 ↖ Serie 103.8 Total 311.4
-----------------------------------------------------------------------------------------------	---------------------------------------------------------------------------------------------------------------------------------------------------------------------------------	-------------------------------------------------------------------------------------------------	-----------------------------------------------------------------------------------------------------------------------------------------------------------------------------

40 Skott 	31: 10.8x ↗ 32: 10.5x ↙ 33: 10.9x ← 34: 10.9x ↙ 35: 10.7x ↖ 36: 10.5x ← 37: 10.3x ↖ 38: 10.4x ↑ 39: 10.5x ↘ 40: 10.4x ← Serie 105.9 Total 417.3	
------------------------------------------------------------------------------------------------	----------------------------------------------------------------------------------------------------------------------------------------------------------------------------------	--

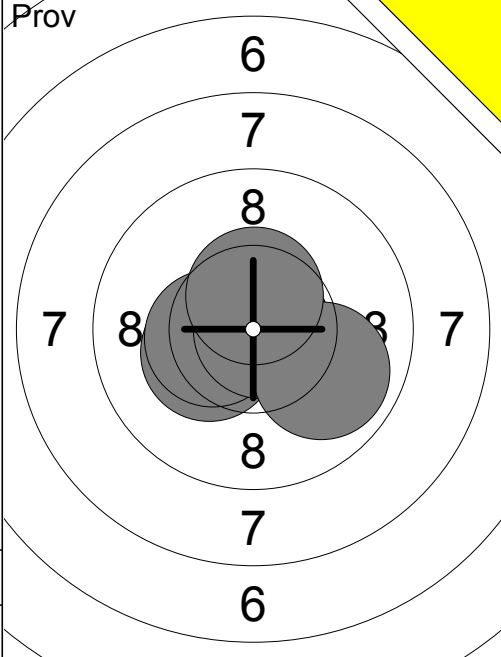
Pröv 	1: 10.5x ← 2: 10.1 ↓ 3: 10.6x ↓ 4: 10.2x → 5: 10.4x → 6: 10.0 ↑ 7: 10.3x ↖ 8: 10.3x ↙ 9: 9.8 → 10: 10.3x ↖ Serie 102.5 Total 0.0	40 Skott 	1: 9.9 ↗ 2: 10.5x ↙ 3: 10.3x ↗ 4: 10.0 ↑ 5: 10.4x ← 6: 10.5x ↘ 7: 10.4x ↙ 8: 10.6x ↖ 9: 10.7x ↗ 10: 10.7x ↓ Serie 104.0 Total 104.0
------------------------------------------------------------------------------------------	-------------------------------------------------------------------------------------------------------------------------------------------------------------------	------------------------------------------------------------------------------------------------	----------------------------------------------------------------------------------------------------------------------------------------------------------------------

40 Skott 	11: 9.9 ← 12: 10.3x ↖ 13: 10.8x ↗ 14: 10.7x ← 15: 10.5x ← 16: 10.6x ↑ 17: 10.1 → 18: 10.7x ↓ 19: 10.2x ↓ 20: 10.9x ↑ Serie 104.7 Total 208.7	40 Skott 	21: 10.8x ↓ 22: 10.7x ↘ 23: 10.7x → 24: 10.6x ↑ 25: 9.5 → 26: 10.5x ↘ 27: 10.5x → 28: 10.7x ↗ 29: 10.0 ← 30: 10.7x ↘ Serie 104.7 Total 313.4
-----------------------------------------------------------------------------------------------	-------------------------------------------------------------------------------------------------------------------------------------------------------------------------------	-------------------------------------------------------------------------------------------------	-------------------------------------------------------------------------------------------------------------------------------------------------------------------------------

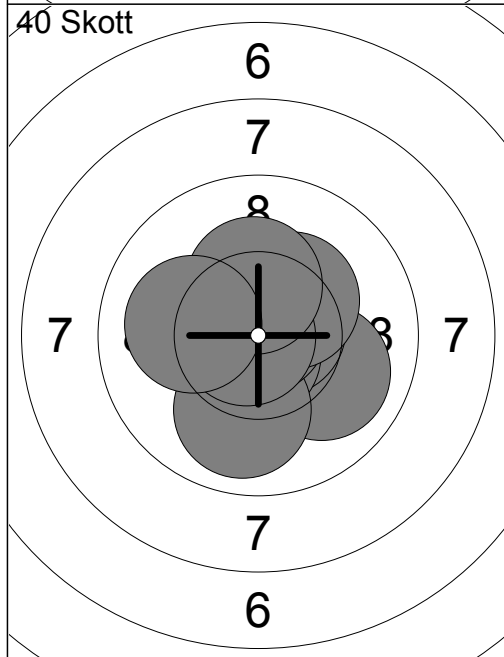
40 Skott 	31: 10.1 ← 32: 9.8 → 33: 10.5x → 34: 10.4x ↘ 35: 9.8 ↓ 36: 10.5x ↗ 37: 10.7x ↘ 38: 10.8x ↓ 39: 10.4x ↖ 40: 9.5 ↖ Serie 102.5 Total 415.9		
------------------------------------------------------------------------------------------------	---------------------------------------------------------------------------------------------------------------------------------------------------------------------------	--	--



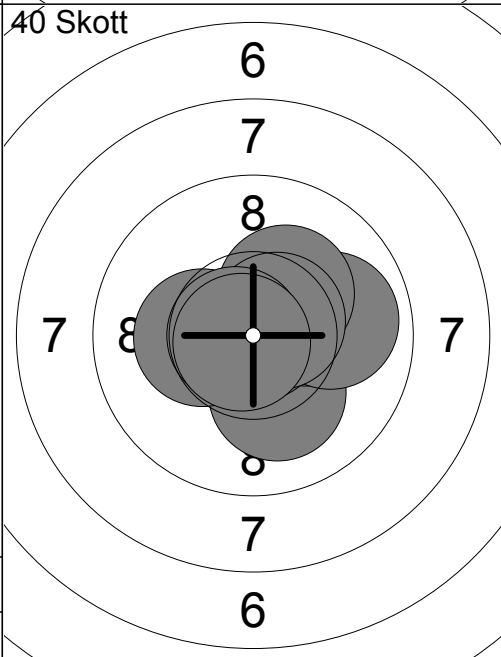
1:	10.4x ←
2:	10.0 ↗
3:	10.7x ↘
4:	10.2x ↓
5:	10.6x ↖
6:	10.8x ↗
7:	10.2x ↘
8:	10.5x ↘
9:	10.8x ↓
10:	10.9x →
Serie 105.1	
Total 0.0	



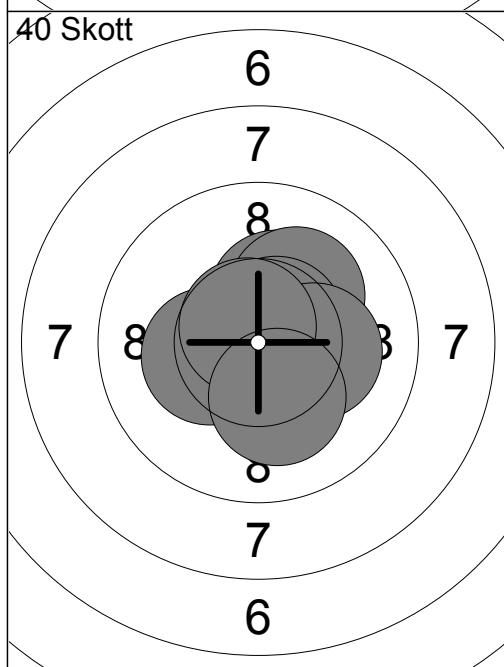
11:	10.3x ↘
12:	10.4x ←
13:	10.8x →
14:	9.9 ↘
15:	10.5x ↑
Serie 51.9	
Total 0.0	



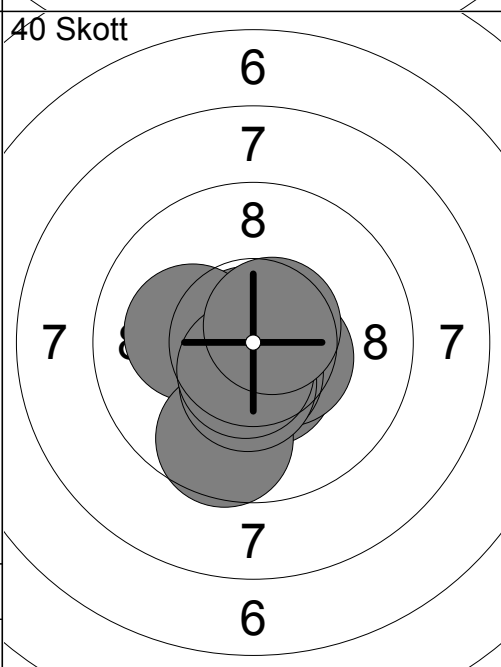
1:	10.0 →
2:	10.6x ↗
3:	10.7x →
4:	10.7x ↓
5:	10.0 ↓
6:	10.8x ↑
7:	10.3x ↗
8:	10.8x ←
9:	10.3x ↑
10:	10.1 ←
Serie 104.3	
Total 104.3	



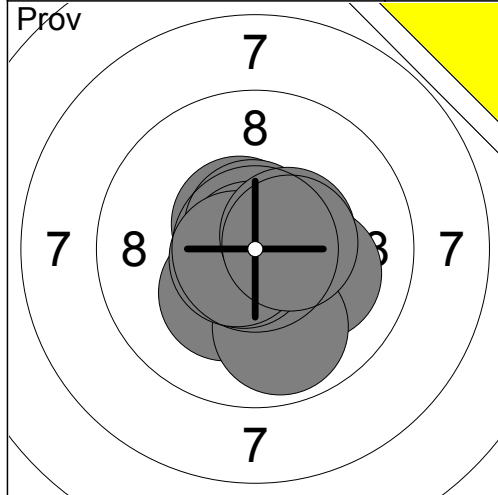
11:	10.1 ↓
12:	10.2x →
13:	10.3x ←
14:	9.9 →
15:	10.6x ↗
16:	10.9x ↗
17:	10.3x ↗
18:	10.6x ↗
19:	10.7x ←
20:	10.8x ↘
Serie 104.4	
Total 208.7	



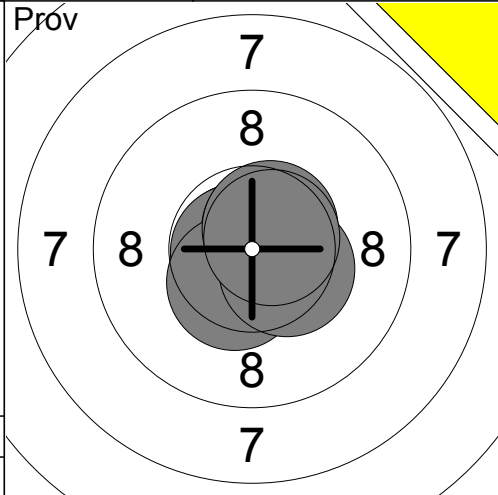
21:	10.3x ↗
22:	10.2x ↗
23:	10.6x ↓
24:	10.7x →
25:	10.8x ↘
26:	10.6x ↗
27:	10.2x →
28:	10.3x ←
29:	10.7x ↖
30:	10.2x ↓
Serie 104.6	
Total 313.3	



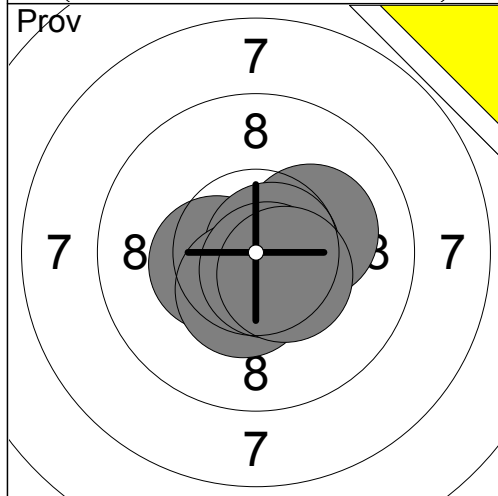
31:	10.5x ↓
32:	10.9x →
33:	10.8x ↖
34:	10.1 ←
35:	10.5x →
36:	10.6x ↓
37:	9.6 ↓
38:	10.4x ↓
39:	10.6x ↓
40:	10.6x ↗
Serie 104.6	
Total 417.9	



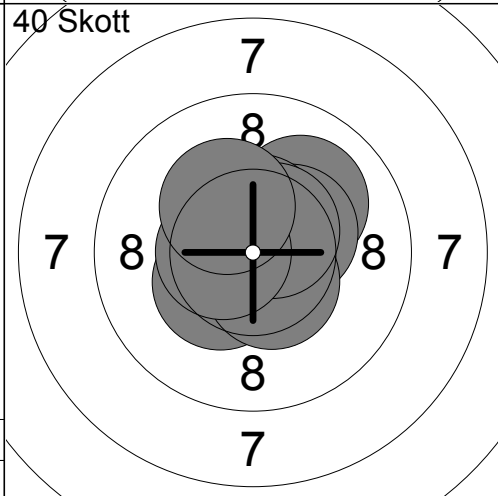
1:	10.3x	↙
2:	10.6x	↗
3:	10.7x	↑
4:	10.1	→
5:	9.9	↓
6:	10.7x	↙
7:	10.9x	←
8:	10.7x	↙
9:	10.5x	→
10:	10.5x	→
Serie		104.9
Total		0.0



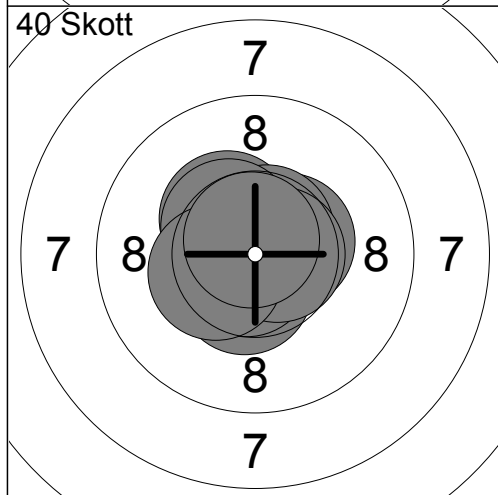
11:	10.8x	←
12:	10.9x	↓
13:	10.8x	←
14:	10.6x	↘
15:	10.6x	↗
16:	10.8x	→
17:	10.4x	↓
18:	10.4x	↘
19:	10.6x	↗
20:	10.7x	↗
Serie		106.6
Total		0.0



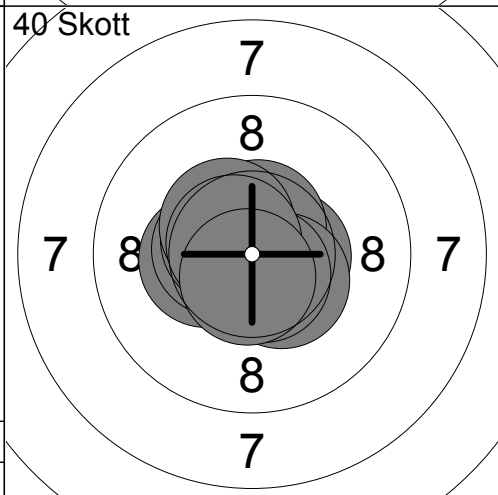
21:	10.4x	←
22:	10.2x	→
23:	10.7x	→
24:	10.4x	↓
25:	10.7x	↓
26:	10.5x	↓
Serie		62.9
Total		0.0



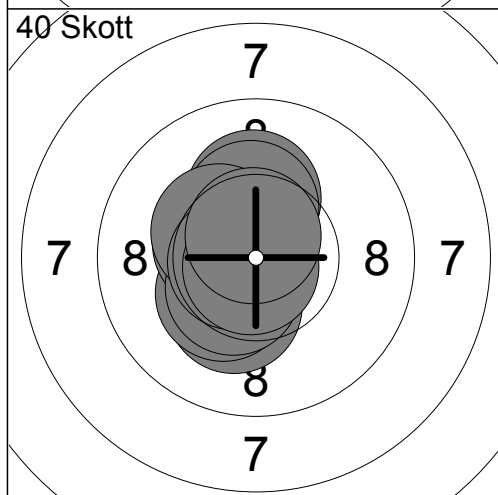
1:	10.7x	→
2:	10.4x	↙
3:	10.4x	↗
4:	10.1	↗
5:	10.4x	→
6:	10.5x	↓
7:	10.5x	↑
8:	10.6x	↗
9:	10.6x	←
10:	10.3x	↗
Serie		104.5
Total		104.5



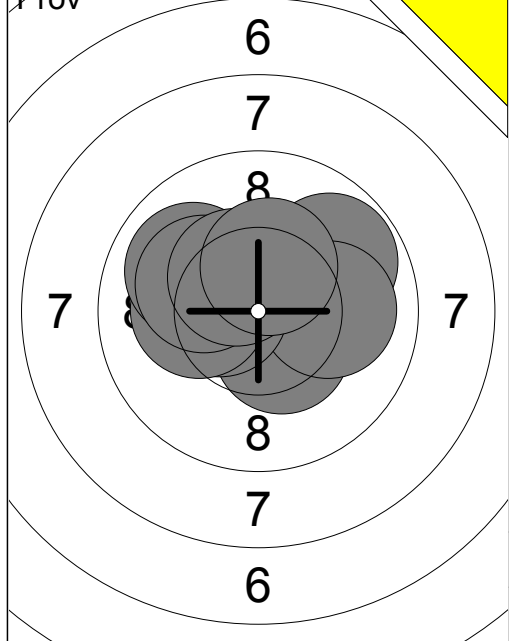
11:	10.6x	↗
12:	10.5x	→
13:	10.4x	↗
14:	10.5x	↓
15:	10.7x	↓
16:	10.6x	↗
17:	10.7x	→
18:	10.5x	↗
19:	10.4x	←
20:	10.7x	↑
Serie		105.6
Total		210.1



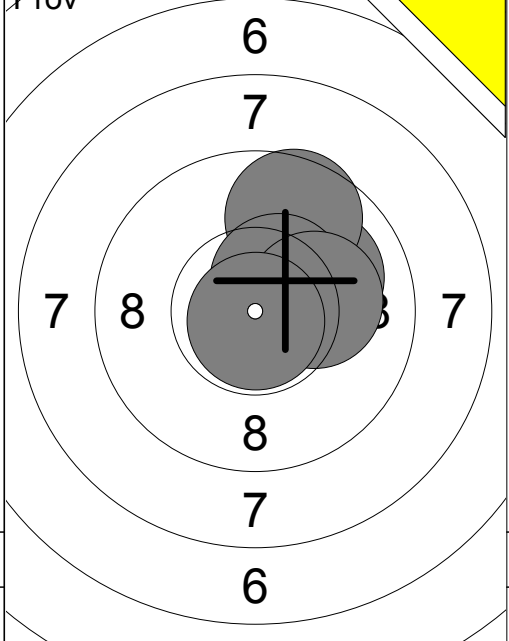
21:	10.5x	→
22:	10.6x	↑
23:	10.3x	←
24:	10.5x	←
25:	10.4x	↓
26:	10.6x	↗
27:	10.6x	↓
28:	10.5x	↗
29:	10.7x	↗
30:	10.6x	↓
Serie		105.3
Total		315.4



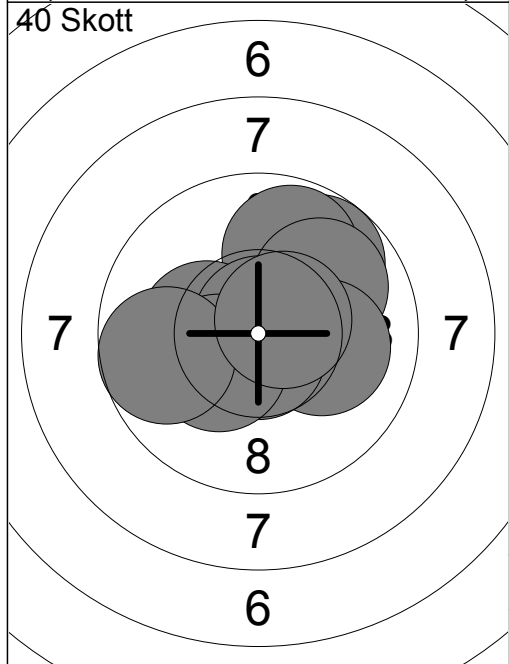
31:	10.3x	↓
32:	10.3x	↙
33:	10.2x	↑
34:	10.4x	↙
35:	10.3x	↑
36:	10.5x	↙
37:	10.4x	↗
38:	10.7x	←
39:	10.8x	↙
40:	10.7x	↑
Serie		104.6
Total		420.0



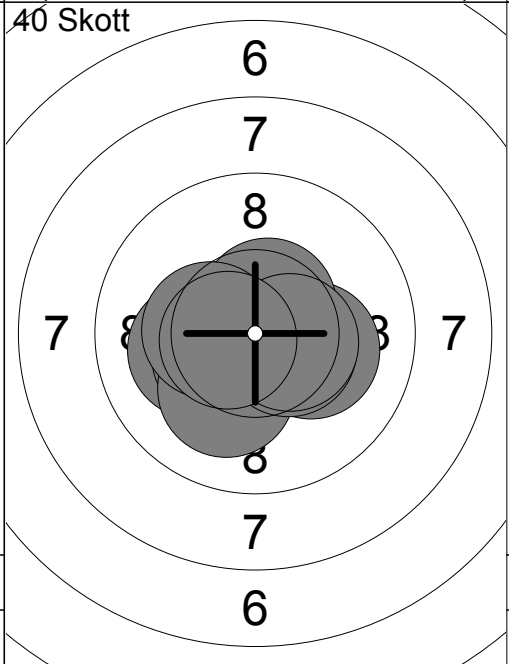
1:	10.3x ↗
2:	9.8 ↗
3:	10.4x ↘
4:	10.0 →
5:	10.4x ←
6:	10.2x ←
7:	9.9 ↖
8:	10.2x ↖
9:	10.4x ↖
10:	10.4x ↑
Serie 102.0	
Total 0.0	



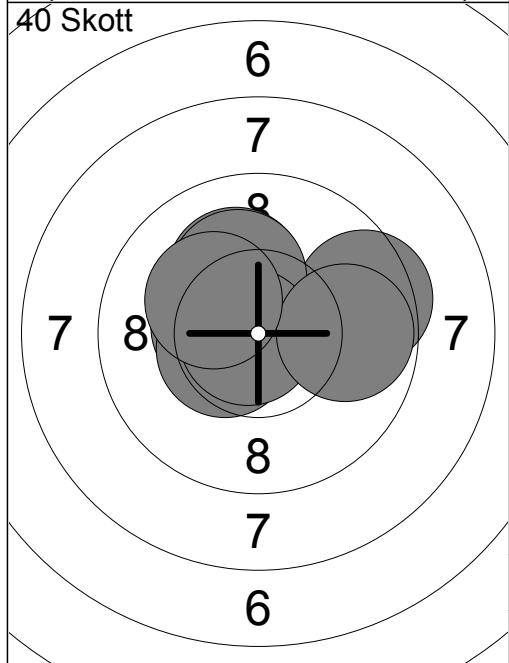
11:	10.0 ↗
12:	9.6 ↑
13:	10.5x ↗
14:	10.2x →
15:	10.8x ↘
Serie 51.1	
Total 0.0	



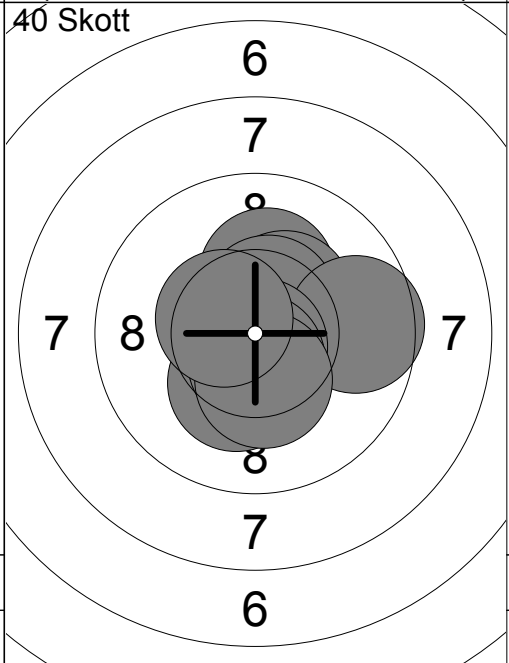
1:	9.8 ↗
2:	9.8 ↑
3:	10.3x ←
4:	9.9 ↗
5:	10.8x ↑
6:	10.1 →
7:	10.7x ↓
8:	10.3x ↙
9:	9.7 ←
10:	10.6x →
Serie 102.0	
Total 102.0	



11:	10.2x →
12:	10.1 ←
13:	10.6x ←
14:	10.6x ↑
15:	10.4x ↙
16:	10.1 ↓
17:	10.5x →
18:	10.4x ←
19:	10.5x →
20:	10.6x ←
Serie 104.0	
Total 206.0	



21:	10.4x ↑
22:	10.8x ←
23:	10.1 ↑
24:	10.4x ←
25:	9.5 →
26:	10.5x ←
27:	10.2x ↑
28:	10.8x ←
29:	9.8 →
30:	10.2x ↖
Serie 102.7	
Total 308.7	

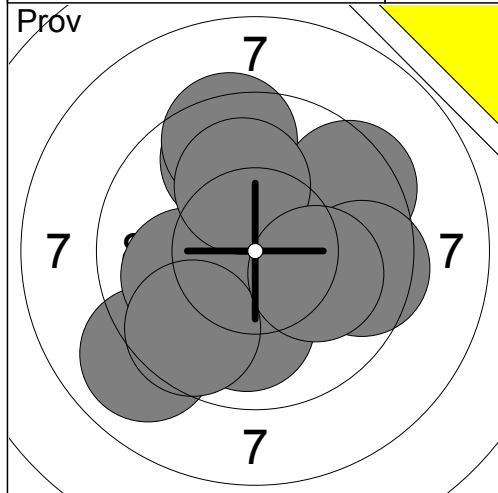


31:	10.2x ↑
32:	10.4x ↗
33:	10.7x ↑
34:	10.5x ↑
35:	9.6 →
36:	10.3x ↘
37:	10.8x ↓
38:	10.6x ↓
39:	10.3x ↓
40:	10.5x ↖
Serie 103.9	
Total 412.6	

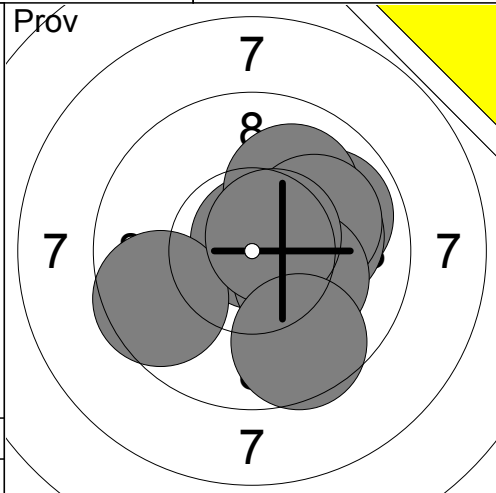
<p>Pröv</p>	<p>1: 9.9 → 2: 9.4 → 3: 10.4x ↖ 4: 10.3x ↙ 5: 10.8x ↙ 6: 10.5x ↙ 7: 10.7x ↘ 8: 10.7x ↘ 9: 10.7x ↘ 10: 10.4x ←</p> <p>Serie 103.8 Total 0.0</p>	<p>Pröv</p>	<p>11: 10.4x ↘ 12: 9.9 ↗ 13: 10.5x ← 14: 9.8 → 15: 9.8 ↑ 16: 10.5x →</p> <p>Serie 60.9 Total 0.0</p>
-------------	----------------------------------------------------------------------------------------------------------------------------------------------------------------------------------------	-------------	------------------------------------------------------------------------------------------------------------------------------

<p>40 Skott</p>	<p>1: 10.6x ↑ 2: 10.0 ↑ 3: 10.5x ↘ 4: 10.6x ↑ 5: 10.1 ↑ 6: 10.6x → 7: 10.3x ↑ 8: 10.7x ↘ 9: 10.6x ↖ 10: 10.7x ↘</p> <p>Serie 104.7 Total 104.7</p>	<p>40 Skott</p>	<p>11: 9.4 ← 12: 10.2x ↖ 13: 10.3x ↑ 14: 10.2x → 15: 10.2x ↘ 16: 9.9 ↑ 17: 9.9 → 18: 10.4x ↘ 19: 10.1 ↑ 20: 10.4x →</p> <p>Serie 101.0 Total 205.7</p>
-----------------	--------------------------------------------------------------------------------------------------------------------------------------------------------------------------------------------	-----------------	------------------------------------------------------------------------------------------------------------------------------------------------------------------------------------------------

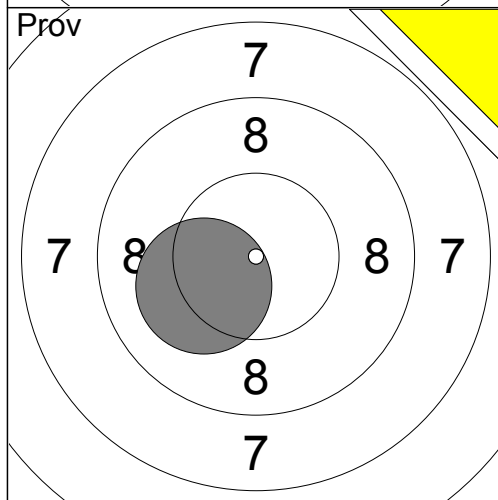
<p>40 Skott</p>	<p>21: 10.4x → 22: 10.5x ↑ 23: 10.3x ↑ 24: 10.8x → 25: 10.7x ↘ 26: 9.9 ← 27: 10.3x → 28: 10.3x ↖ 29: 10.2x ← 30: 10.5x ↗</p> <p>Serie 103.9 Total 309.6</p>	<p>40 Skott</p>	<p>31: 10.4x ↑ 32: 10.1 → 33: 10.6x ↖ 34: 10.6x ↘ 35: 10.4x ↙ 36: 10.4x ← 37: 10.7x ↑ 38: 10.8x ↖ 39: 10.6x ↗ 40: 9.9 ↖</p> <p>Serie 104.5 Total 414.1</p>
-----------------	-----------------------------------------------------------------------------------------------------------------------------------------------------------------------------------------------------	-----------------	----------------------------------------------------------------------------------------------------------------------------------------------------------------------------------------------------



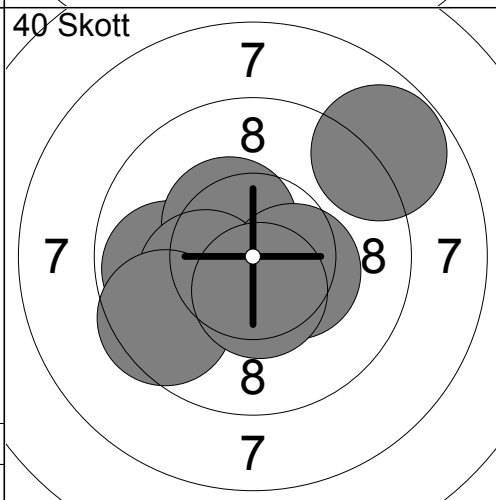
1:	9.7	↑
2:	9.0	↙
3:	9.4	↑
4:	10.0	↓
5:	9.5	↗
6:	10.0	←
7:	10.1	↑
8:	9.6	↙
9:	9.5	→
10:	10.1	→
Serie		96.9
Total		0.0



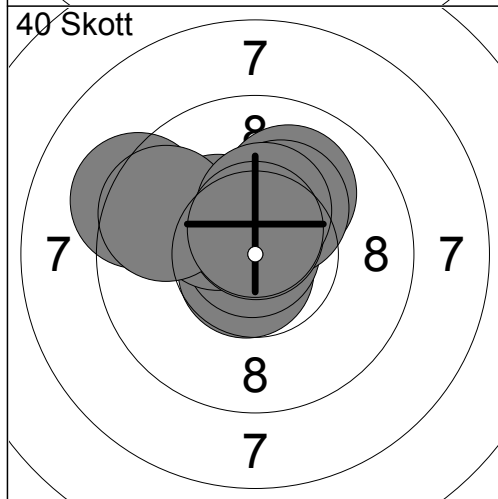
11:	10.3x	→
12:	10.8x	↗
13:	9.9	↗
14:	10.0	↗
15:	10.1	→
16:	10.0	↗
17:	10.2x	→
18:	9.6	←
19:	10.6x	↗
20:	9.6	↓
Serie		101.1
Total		0.0



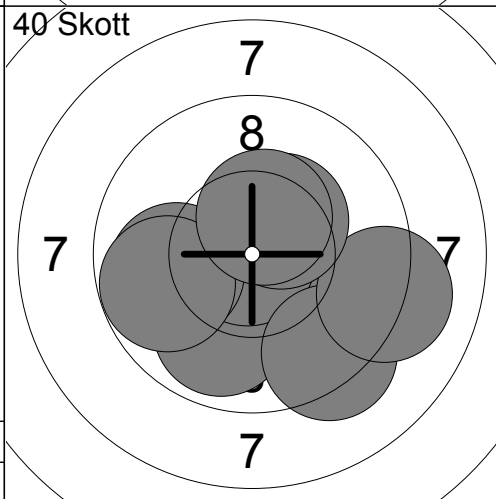
21:	10.2x	←
Serie		10.2
Total		0.0



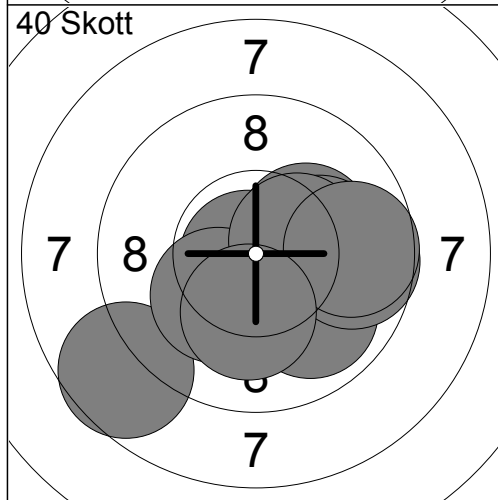
1:	10.6x	←
2:	10.1	←
3:	8.8	↗
4:	9.8	←
5:	10.8x	←
6:	10.4x	↗
7:	10.3x	←
8:	9.5	↙
9:	10.4x	→
10:	10.5x	↓
Serie		101.2
Total		101.2



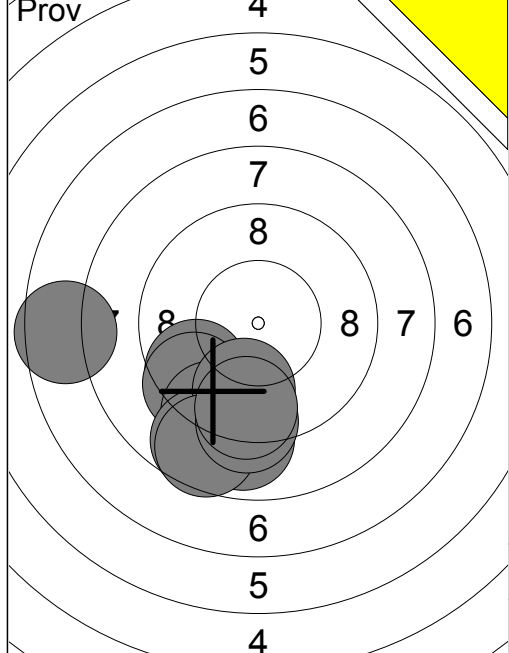
11:	10.7x	↙
12:	10.0	↗
13:	10.9x	↗
14:	10.2x	↗
15:	10.3x	↗
16:	9.2	↙
17:	10.6x	↑
18:	9.6	↙
19:	10.4x	↑
20:	10.6x	↑
Serie		102.5
Total		203.7



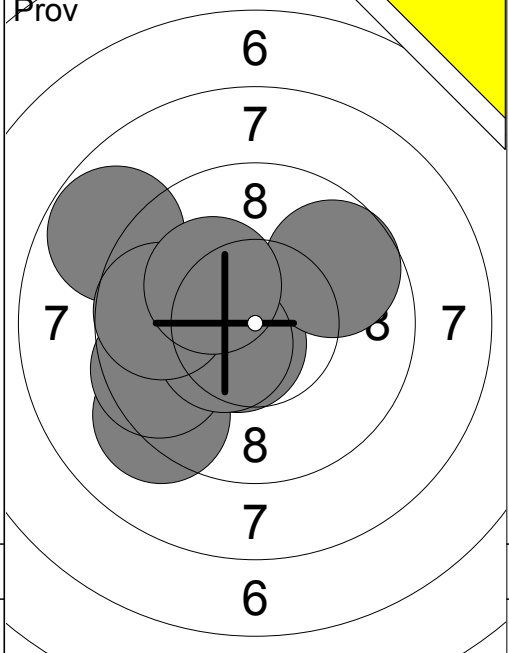
21:	10.8x	↗
22:	9.6	↘
23:	9.9	↓
24:	10.9x	↙
25:	9.9	←
26:	9.8	←
27:	9.3	↘
28:	9.1	→
29:	10.4x	↗
30:	10.4x	↑
Serie		100.1
Total		303.8



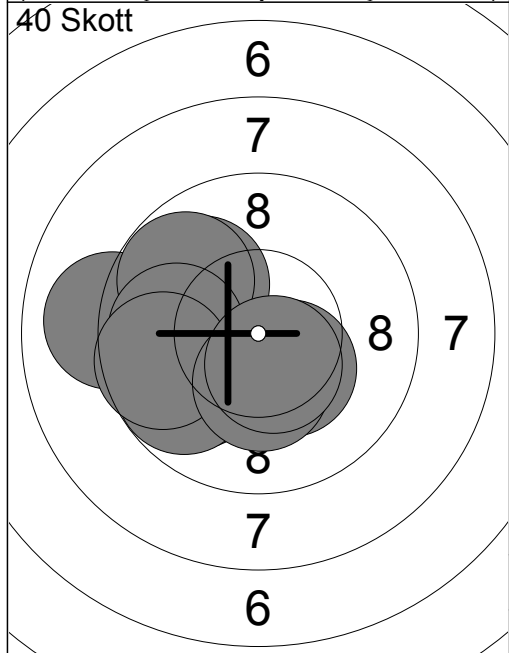
31:	10.8x	←
32:	10.2x	→
33:	8.6	↙
34:	10.1	→
35:	10.2x	↙
36:	9.9	↘
37:	9.7	→
38:	10.4x	→
39:	9.7	→
40:	10.2x	↓
Serie		99.8
Total		403.6



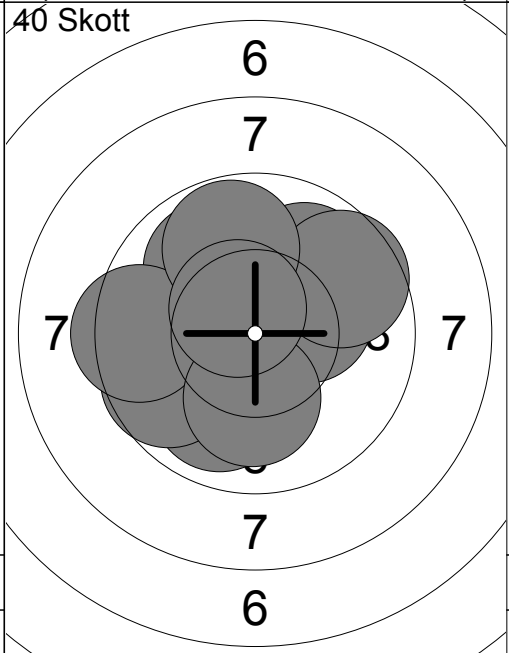
1:	9.6	↙
2:	9.4	↙
3:	9.2	↘
4:	8.7	↘
5:	8.9	↓
6:	9.8	↓
7:	8.6	↘
8:	7.6	←
9:	9.2	↓
10:	9.4	↓
Serie	90.4	
Total	0.0	



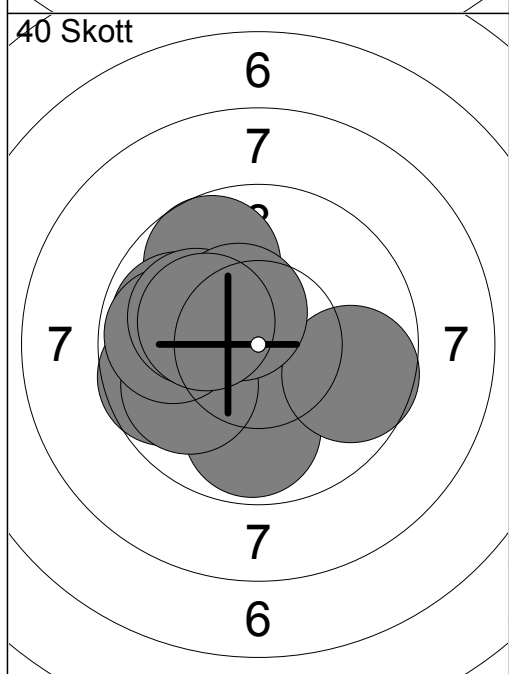
11:	8.8	↖
12:	9.2	↘
13:	9.6	↙
14:	10.6x	↘
15:	9.7	↗
16:	10.5x	↙
17:	9.7	←
18:	10.2x	↖
Serie	78.3	
Total	0.0	



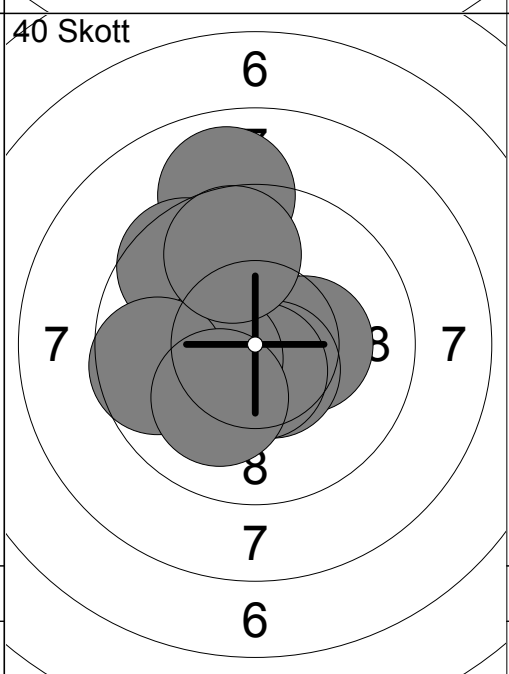
1:	9.0	←
2:	10.4x	↘
3:	10.0	↗
4:	9.8	↗
5:	9.9	↙
6:	9.8	↙
7:	9.9	←
8:	9.6	←
9:	10.3x	↓
10:	10.5x	↓
Serie	99.2	
Total	99.2	



11:	9.9	↘
12:	9.9	↖
13:	9.7	↙
14:	9.9	↗
15:	9.4	←
16:	10.3x	→
17:	9.6	↗
18:	9.8	↑
19:	10.1	↓
20:	10.6x	↖
Serie	99.2	
Total	198.4	



21:	9.7	←
22:	9.7	↗
23:	9.9	↓
24:	9.9	↙
25:	9.7	→
26:	9.9	↙
27:	9.8	←
28:	10.1	↖
29:	10.4x	↗
30:	10.2x	↖
Serie	99.3	
Total	297.7	

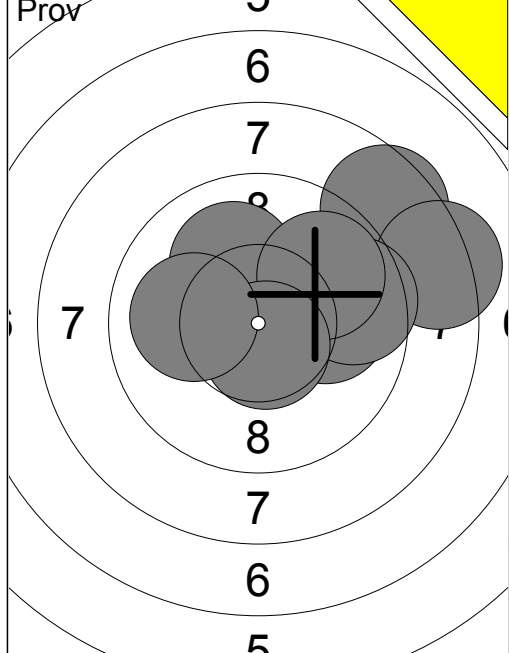


31:	10.4x	↖
32:	10.3x	→
33:	10.6x	↘
34:	10.6x	↓
35:	9.0	↑
36:	9.6	↖
37:	10.4x	↙
38:	9.6	←
39:	10.1	↘
40:	9.7	↑
Serie	100.3	
Total	398.0	

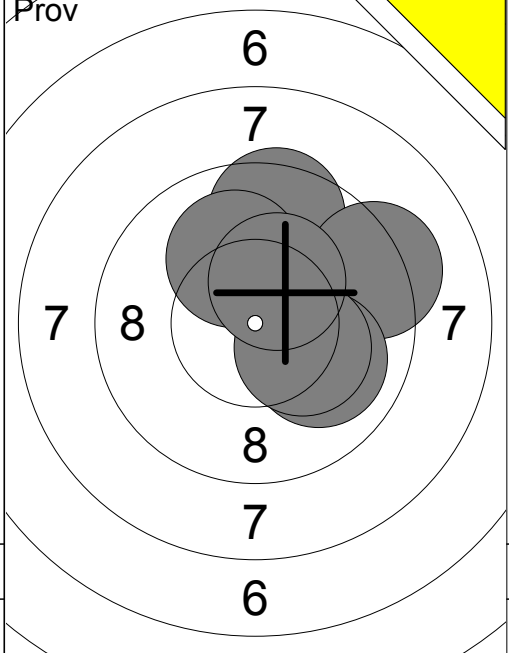
<p>Pröv</p>	<p>1: 9.3 ↙ 2: 9.4 ↓ 3: 10.2x ↑ 4: 10.2x → 5: 10.1 ↓ 6: 9.9 ↑ 7: 10.7x ↘ 8: 9.6 ↑ 9: 10.4x ↑ 10: 10.6x →</p> <p>Serie 100.4 Total 0.0</p>	<p>Pröv</p>	<p>11: 10.7x ↘ 12: 9.0 ↑ 13: 10.1 ↘ 14: 10.7x ↗ 15: 10.2x ↘</p> <p>Serie 50.7 Total 0.0</p>
-------------	--------------------------------------------------------------------------------------------------------------------------------------------------------------------------------------------------------------------------------------------------------------------------------------------------------------------------------------------	-------------	-------------------------------------------------------------------------------------------------------------------------------------------------------------------------------------

<p>40 Skott</p>	<p>1: 10.0 ↙ 2: 8.9 ← 3: 10.3x ← 4: 10.6x ↖ 5: 10.3x ↘ 6: 10.0 ↓ 7: 10.3x ↘ 8: 10.0 ↓ 9: 10.3x ↑ 10: 10.3x ↑</p> <p>Serie 101.0 Total 101.0</p>	<p>40 Skott</p>	<p>11: 10.3x ↑ 12: 10.6x → 13: 9.4 ↓ 14: 10.3x ↖ 15: 9.8 ↑ 16: 9.1 ↑ 17: 10.4x ← 18: 10.1 ↗ 19: 9.5 ← 20: 10.6x ↑</p> <p>Serie 100.1 Total 201.1</p>
-----------------	--------------------------------------------------------------------------------------------------------------------------------------------------------------------------------------------------------------------------------------------------------------------------------------------------------------------------------------------------	-----------------	-------------------------------------------------------------------------------------------------------------------------------------------------------------------------------------------------------------------------------------------------------------------------------------------------------------------------------------------------------

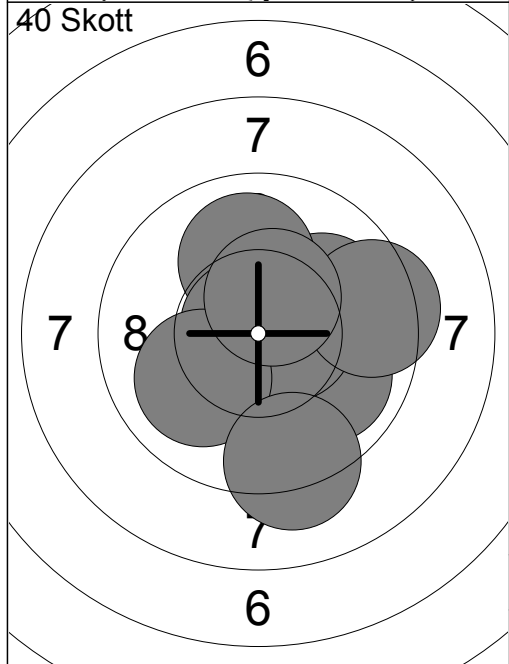
<p>40 Skott</p>	<p>21: 10.3x ↘ 22: 10.1 ↓ 23: 10.3x ← 24: 10.2x ↗ 25: 10.8x ↓ 26: 9.5 ↙ 27: 10.1 ↑ 28: 10.3x ↓ 29: 10.4x ↖ 30: 10.8x ↓</p> <p>Serie 102.8 Total 303.9</p>	<p>40 Skott</p>	<p>31: 10.0 ↖ 32: 9.7 ↖ 33: 10.1 ↓ 34: 10.6x ↖ 35: 10.6x ↗ 36: 10.2x ← 37: 9.6 ↙ 38: 10.2x ↘ 39: 10.4x ↘ 40: 10.1 →</p> <p>Serie 101.5 Total 405.4</p>
-----------------	------------------------------------------------------------------------------------------------------------------------------------------------------------------------------------------------------------------------------------------------------------------------------------------------------------------------------------------------------------	-----------------	---------------------------------------------------------------------------------------------------------------------------------------------------------------------------------------------------------------------------------------------------------------------------------------------------------------------------------------------------------



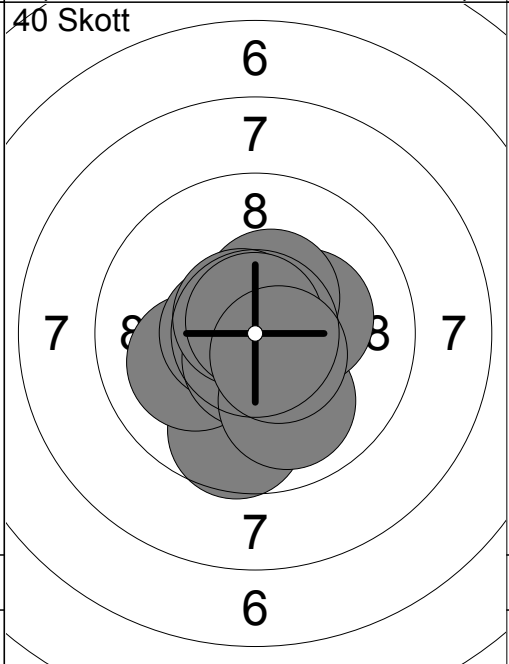
1:	9.7	→
2:	10.3x	→
3:	8.6	↗
4:	8.3	→
5:	10.0	→
6:	10.1	↖
7:	9.6	→
8:	9.8	↗
9:	10.6x	↓
10:	10.0	←
Serie		97.0
Total		0.0



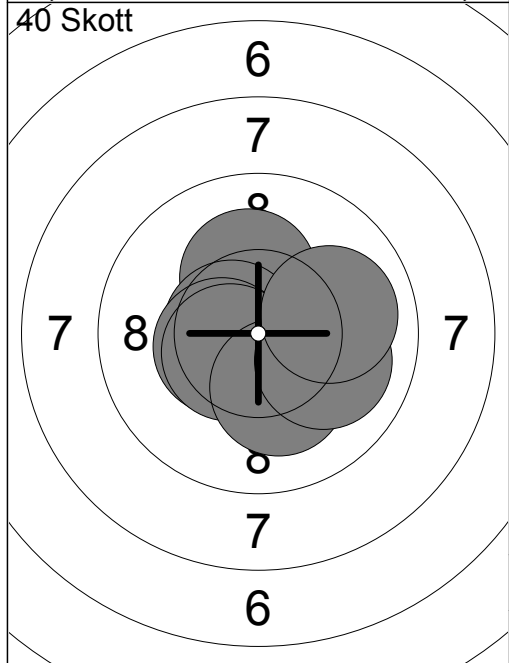
11:	9.5	↑
12:	9.2	→
13:	10.0	↘
14:	10.2x	↘
15:	10.1	↖
16:	10.3x	↗
Serie		59.3
Total		0.0



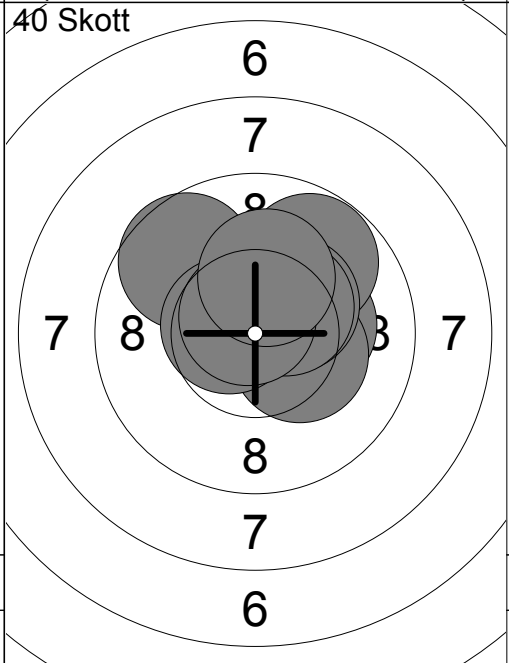
1:	10.4x	↘
2:	10.0	↗
3:	10.0	↖
4:	9.9	↘
5:	10.8x	↖
6:	10.6x	→
7:	10.0	↖
8:	9.4	→
9:	10.4x	↖
10:	9.2	↓
Serie		100.7
Total		100.7



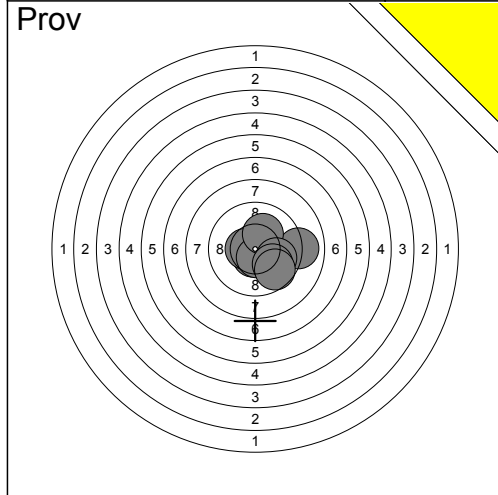
11:	9.7	↓
12:	10.1	←
13:	10.6x	←
14:	10.6x	↓
15:	10.0	↓
16:	10.3x	→
17:	10.4x	↖
18:	10.7x	↖
19:	10.8x	↖
20:	10.5x	↘
Serie		103.7
Total		204.4



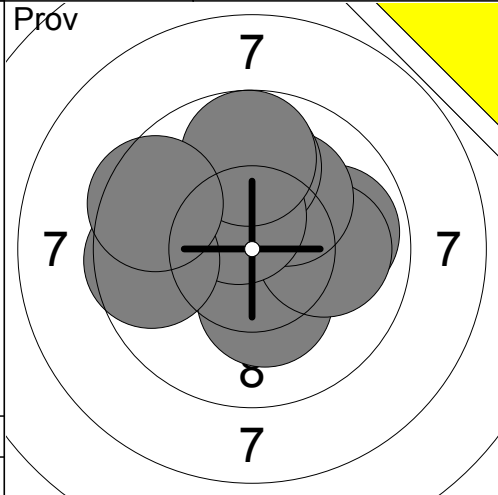
21:	10.4x	→
22:	10.6x	→
23:	10.2x	↖
24:	10.6x	←
25:	10.5x	←
26:	10.4x	↓
27:	10.5x	↖
28:	10.2x	↓
29:	10.0	→
30:	10.0	→
Serie		103.4
Total		307.8



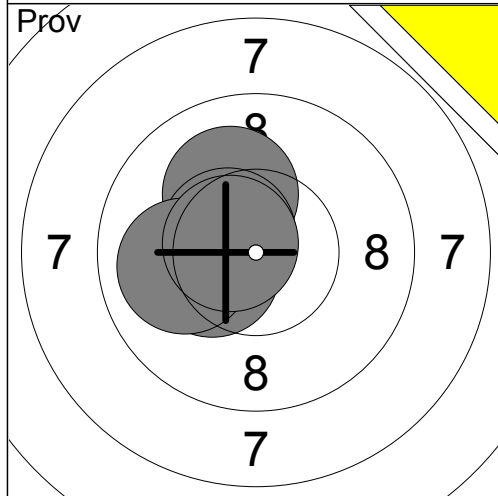
31:	10.7x	↖
32:	10.2x	→
33:	9.7	↖
34:	9.8	↖
35:	10.3x	↘
36:	10.6x	←
37:	10.3x	↗
38:	10.4x	↗
39:	10.7x	↖
40:	10.2x	↖
Serie		102.9
Total		410.7



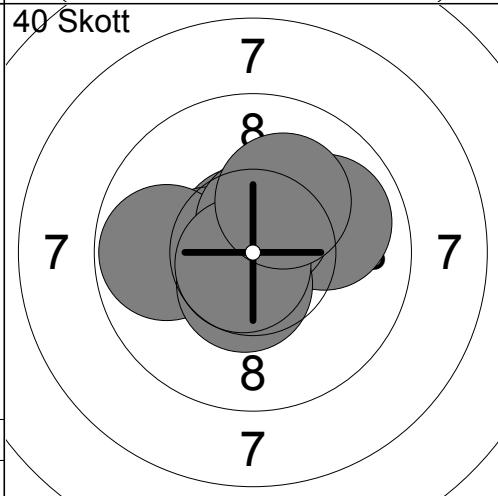
1:	10.6x	↓
2:	10.5x	←
3:	10.6x	↓
4:	9.0	→
5:	10.2x	↗
6:	9.9	↘
7:	9.9	↘
8:	9.7	↘
9:	0.0	↓
10:	0.0	↓
Serie		80.4
Total		0.0



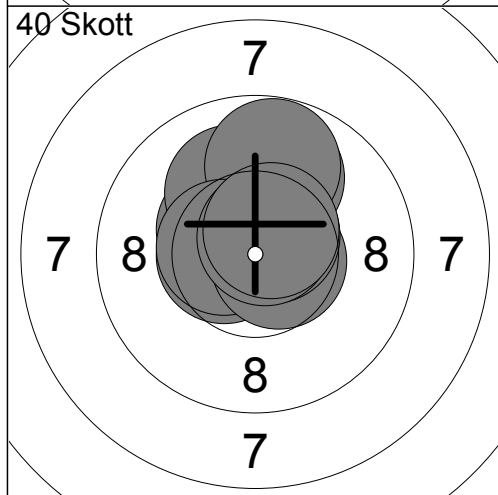
12:	10.3x	↓
13:	9.9	→
14:	10.0	→
15:	10.1	↗
16:	9.9	↑
17:	10.5x	↗
18:	9.6	←
19:	9.7	↑
20:	9.5	↖
Serie		89.5
Total		0.0



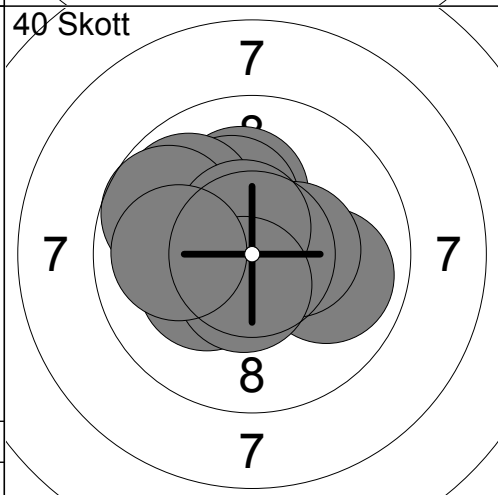
21:	10.1	↗
22:	10.3x	←
23:	10.5x	↗
24:	10.0	←
25:	10.6x	←
Serie		51.5
Total		0.0



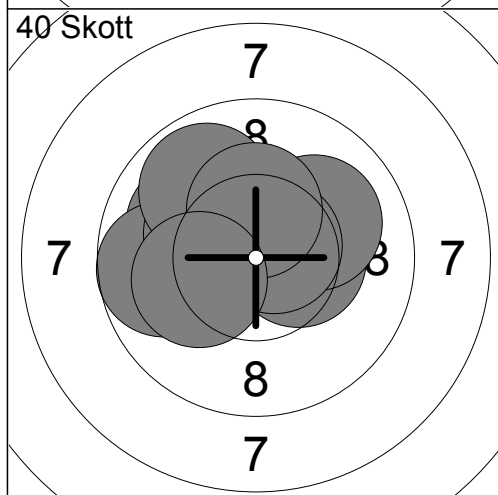
1:	10.7x	↗
2:	10.4x	←
3:	9.8	←
4:	10.9x	→
5:	10.3x	↗
6:	9.9	↗
7:	10.5x	↗
8:	10.5x	↓
9:	10.7x	↘
10:	10.2x	↗
Serie		103.9
Total		103.9



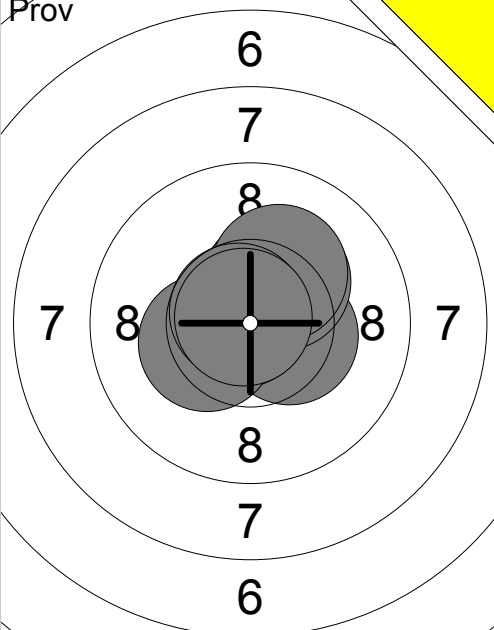
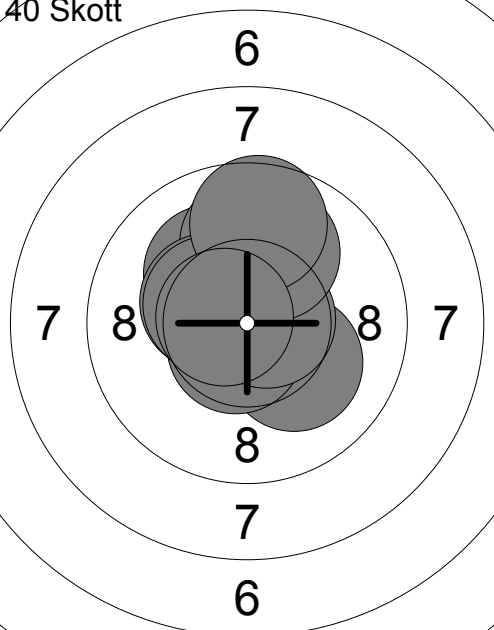
11:	10.4x	↗
12:	10.1	↗
13:	10.5x	←
14:	9.9	↑
15:	9.8	↑
16:	10.5x	←
17:	10.6x	→
18:	10.6x	↗
19:	10.7x	↗
20:	10.6x	↗
Serie		103.7
Total		207.6

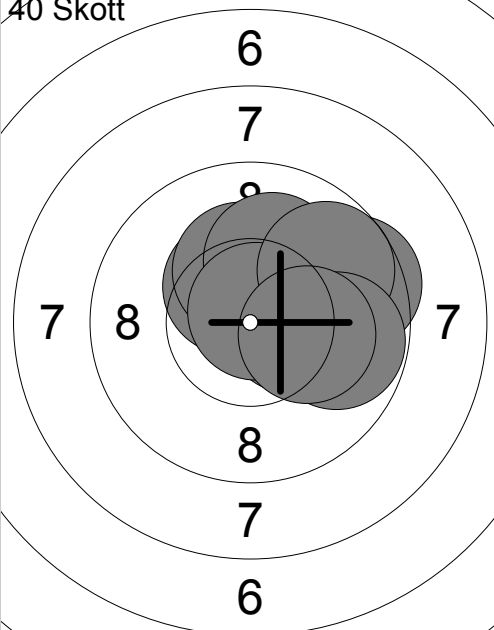
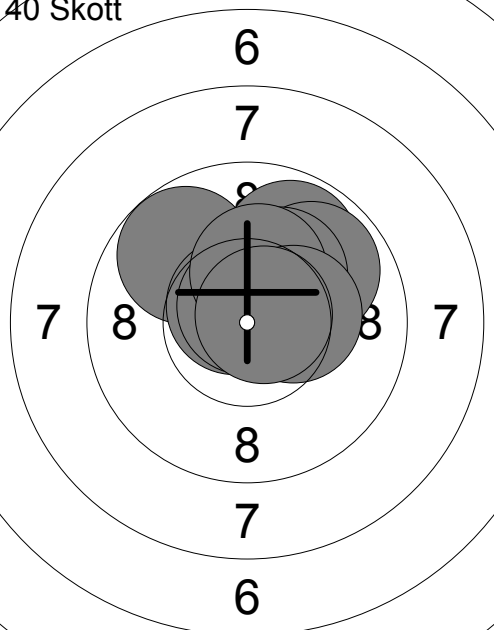


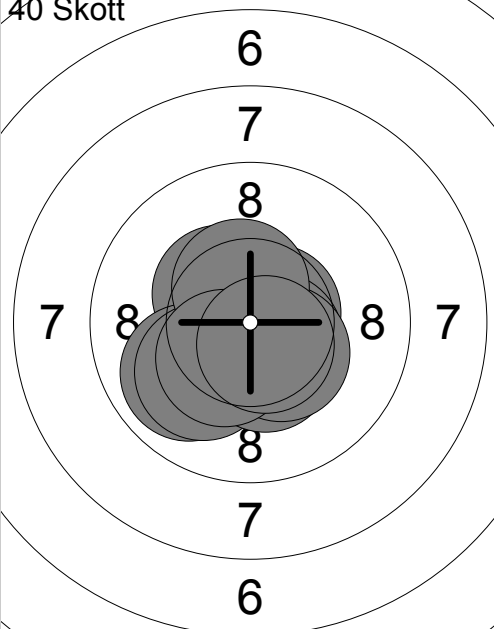
21:	10.2x	←
22:	10.1	↑
23:	10.2x	↗
24:	9.9	↗
25:	9.9	→
26:	9.7	↖
27:	10.4x	→
28:	10.6x	↗
29:	10.5x	↓
30:	10.0	←
Serie		101.5
Total		309.1



31:	10.4x	→
32:	10.0	←
33:	9.7	←
34:	10.5x	↗
35:	10.1	↗
36:	10.7x	↗
37:	10.3x	←
38:	9.9	↗
39:	10.3x	↑
40:	10.1	←
Serie		102.0
Total		411.1

Pröv 	1: 10.4x ↗ 2: 10.4x → 3: 10.3x ↗ 4: 10.2x ↗ 5: 10.8x ↖ 6: 10.3x ↖ 7: 10.7x ↖ 8: 10.8x ↖ Serie 83.9 Total 0.0	40 Skott 	1: 10.1 ↘ 2: 10.6x ↘ 3: 10.2x ↖ 4: 10.7x → 5: 9.9 ↑ 6: 10.4x ↖ 7: 10.4x ↖ 8: 10.0 ↑ 9: 9.6 ↑ 10: 10.6x ↖ Serie 102.5 Total 102.5
------------------------------------------------------------------------------------------	-----------------------------------------------------------------------------------------------------------------------------------------	------------------------------------------------------------------------------------------------	-------------------------------------------------------------------------------------------------------------------------------------------------------------------

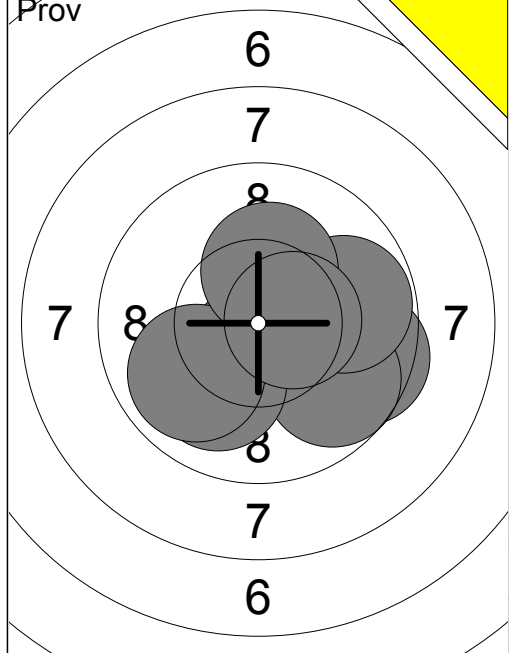
40 Skott 	11: 10.5x → 12: 10.4x ↖ 13: 10.3x ↑ 14: 10.1 ↑ 15: 9.5 → 16: 10.4x → 17: 10.8x ↗ 18: 9.7 ↗ 19: 9.8 → 20: 10.2x → Serie 101.7 Total 204.2	40 Skott 	21: 10.6x ↗ 22: 9.8 ↖ 23: 9.8 ↗ 24: 10.7x ↖ 25: 9.9 ↗ 26: 10.2x ↗ 27: 10.7x ↑ 28: 10.3x ↑ 29: 10.3x → 30: 10.7x → Serie 103.0 Total 307.2
-----------------------------------------------------------------------------------------------	---------------------------------------------------------------------------------------------------------------------------------------------------------------------------	-------------------------------------------------------------------------------------------------	----------------------------------------------------------------------------------------------------------------------------------------------------------------------------

40 Skott 	31: 10.4x ↖ 32: 10.6x → 33: 9.9 ↖ 34: 10.6x ↘ 35: 10.1 ↖ 36: 10.4x ↘ 37: 10.4x ↘ 38: 10.5x ↑ 39: 10.4x ↖ 40: 10.6x ↘ Serie 103.9 Total 411.1		
------------------------------------------------------------------------------------------------	-------------------------------------------------------------------------------------------------------------------------------------------------------------------------------	--	--

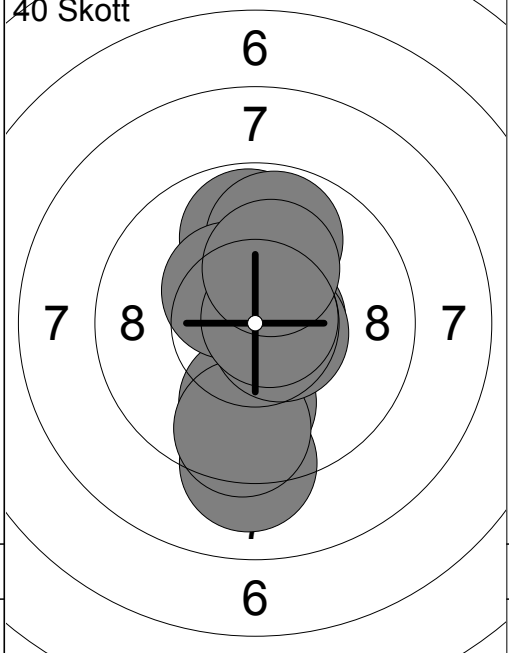
Prov 	40 Skott 	<table style="width:100%; border-collapse: collapse;"> <tr><td>1:</td><td>10.0</td><td>↗</td></tr> <tr><td>2:</td><td>10.3x</td><td>↗</td></tr> <tr><td>3:</td><td>9.9</td><td>↗</td></tr> <tr><td>4:</td><td>9.7</td><td>→</td></tr> <tr><td>5:</td><td>10.5x</td><td>↙</td></tr> <tr><td>6:</td><td>10.2x</td><td>↖</td></tr> <tr><td>7:</td><td>9.9</td><td>↗</td></tr> <tr><td>8:</td><td>9.5</td><td>↗</td></tr> <tr><td>9:</td><td>10.4x</td><td>→</td></tr> <tr><td>10:</td><td>10.3x</td><td>↗</td></tr> <tr><td colspan="2">Serie</td><td>100.7</td></tr> <tr><td colspan="2">Total</td><td>0.0</td></tr> </table>	1:	10.0	↗	2:	10.3x	↗	3:	9.9	↗	4:	9.7	→	5:	10.5x	↙	6:	10.2x	↖	7:	9.9	↗	8:	9.5	↗	9:	10.4x	→	10:	10.3x	↗	Serie		100.7	Total		0.0																																			
1:	10.0	↗																																																																							
2:	10.3x	↗																																																																							
3:	9.9	↗																																																																							
4:	9.7	→																																																																							
5:	10.5x	↙																																																																							
6:	10.2x	↖																																																																							
7:	9.9	↗																																																																							
8:	9.5	↗																																																																							
9:	10.4x	→																																																																							
10:	10.3x	↗																																																																							
Serie		100.7																																																																							
Total		0.0																																																																							
<table style="width:100%; border-collapse: collapse;"> <tr><td>11:</td><td>10.3x</td><td>↙</td></tr> <tr><td>12:</td><td>10.7x</td><td>↙</td></tr> <tr><td>13:</td><td>10.4x</td><td>→</td></tr> <tr><td>14:</td><td>10.4x</td><td>↙</td></tr> <tr><td>15:</td><td>10.8x</td><td>↓</td></tr> <tr><td>16:</td><td>10.8x</td><td>↗</td></tr> <tr><td>17:</td><td>10.2x</td><td>↘</td></tr> <tr><td>18:</td><td>10.5x</td><td>↙</td></tr> <tr><td>19:</td><td>10.8x</td><td>↓</td></tr> <tr><td>20:</td><td>10.4x</td><td>↙</td></tr> <tr><td colspan="2">Serie</td><td>105.3</td></tr> <tr><td colspan="2">Total</td><td>206.7</td></tr> </table>	11:	10.3x	↙	12:	10.7x	↙	13:	10.4x	→	14:	10.4x	↙	15:	10.8x	↓	16:	10.8x	↗	17:	10.2x	↘	18:	10.5x	↙	19:	10.8x	↓	20:	10.4x	↙	Serie		105.3	Total		206.7	<table style="width:100%; border-collapse: collapse;"> <tr><td>1:</td><td>10.5x</td><td>↙</td></tr> <tr><td>2:</td><td>10.3x</td><td>↗</td></tr> <tr><td>3:</td><td>9.7</td><td>↘</td></tr> <tr><td>4:</td><td>10.3x</td><td>↘</td></tr> <tr><td>5:</td><td>10.0</td><td>↙</td></tr> <tr><td>6:</td><td>10.3x</td><td>↗</td></tr> <tr><td>7:</td><td>9.3</td><td>↗</td></tr> <tr><td>8:</td><td>10.5x</td><td>↙</td></tr> <tr><td>9:</td><td>10.4x</td><td>↙</td></tr> <tr><td>10:</td><td>10.1</td><td>↘</td></tr> <tr><td colspan="2">Serie</td><td>101.4</td></tr> <tr><td colspan="2">Total</td><td>101.4</td></tr> </table>	1:	10.5x	↙	2:	10.3x	↗	3:	9.7	↘	4:	10.3x	↘	5:	10.0	↙	6:	10.3x	↗	7:	9.3	↗	8:	10.5x	↙	9:	10.4x	↙	10:	10.1	↘	Serie		101.4	Total		101.4
11:	10.3x	↙																																																																							
12:	10.7x	↙																																																																							
13:	10.4x	→																																																																							
14:	10.4x	↙																																																																							
15:	10.8x	↓																																																																							
16:	10.8x	↗																																																																							
17:	10.2x	↘																																																																							
18:	10.5x	↙																																																																							
19:	10.8x	↓																																																																							
20:	10.4x	↙																																																																							
Serie		105.3																																																																							
Total		206.7																																																																							
1:	10.5x	↙																																																																							
2:	10.3x	↗																																																																							
3:	9.7	↘																																																																							
4:	10.3x	↘																																																																							
5:	10.0	↙																																																																							
6:	10.3x	↗																																																																							
7:	9.3	↗																																																																							
8:	10.5x	↙																																																																							
9:	10.4x	↙																																																																							
10:	10.1	↘																																																																							
Serie		101.4																																																																							
Total		101.4																																																																							

40 Skott 	40 Skott 	<table style="width:100%; border-collapse: collapse;"> <tr><td>21:</td><td>10.0</td><td>↖</td></tr> <tr><td>22:</td><td>10.0</td><td>↘</td></tr> <tr><td>23:</td><td>9.8</td><td>↘</td></tr> <tr><td>24:</td><td>10.2x</td><td>↗</td></tr> <tr><td>25:</td><td>10.5x</td><td>↙</td></tr> <tr><td>26:</td><td>9.8</td><td>↗</td></tr> <tr><td>27:</td><td>9.4</td><td>↗</td></tr> <tr><td>28:</td><td>10.4x</td><td>↙</td></tr> <tr><td>29:</td><td>10.8x</td><td>↗</td></tr> <tr><td>30:</td><td>10.8x</td><td>↗</td></tr> <tr><td colspan="2">Serie</td><td>101.7</td></tr> <tr><td colspan="2">Total</td><td>308.4</td></tr> </table>	21:	10.0	↖	22:	10.0	↘	23:	9.8	↘	24:	10.2x	↗	25:	10.5x	↙	26:	9.8	↗	27:	9.4	↗	28:	10.4x	↙	29:	10.8x	↗	30:	10.8x	↗	Serie		101.7	Total		308.4
21:	10.0	↖																																				
22:	10.0	↘																																				
23:	9.8	↘																																				
24:	10.2x	↗																																				
25:	10.5x	↙																																				
26:	9.8	↗																																				
27:	9.4	↗																																				
28:	10.4x	↙																																				
29:	10.8x	↗																																				
30:	10.8x	↗																																				
Serie		101.7																																				
Total		308.4																																				

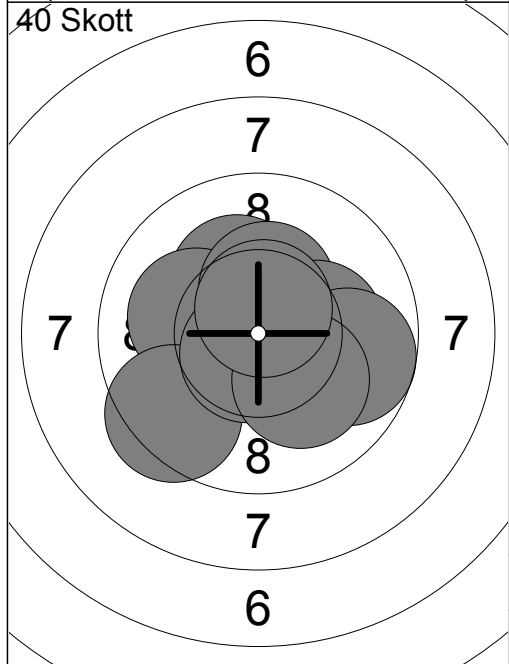
40 Skott 	<table style="width:100%; border-collapse: collapse;"> <tr><td>31:</td><td>9.4</td><td>↖</td></tr> <tr><td>32:</td><td>10.4x</td><td>↓</td></tr> <tr><td>33:</td><td>10.3x</td><td>↗</td></tr> <tr><td>34:</td><td>10.5x</td><td>↙</td></tr> <tr><td>35:</td><td>10.4x</td><td>↗</td></tr> <tr><td>36:</td><td>10.3x</td><td>↗</td></tr> <tr><td>37:</td><td>10.2x</td><td>→</td></tr> <tr><td>38:</td><td>9.8</td><td>↗</td></tr> <tr><td>39:</td><td>10.1</td><td>↖</td></tr> <tr><td>40:</td><td>10.4x</td><td>↙</td></tr> <tr><td colspan="2">Serie</td><td>101.8</td></tr> <tr><td colspan="2">Total</td><td>410.2</td></tr> </table>	31:	9.4	↖	32:	10.4x	↓	33:	10.3x	↗	34:	10.5x	↙	35:	10.4x	↗	36:	10.3x	↗	37:	10.2x	→	38:	9.8	↗	39:	10.1	↖	40:	10.4x	↙	Serie		101.8	Total		410.2	
31:	9.4	↖																																				
32:	10.4x	↓																																				
33:	10.3x	↗																																				
34:	10.5x	↙																																				
35:	10.4x	↗																																				
36:	10.3x	↗																																				
37:	10.2x	→																																				
38:	9.8	↗																																				
39:	10.1	↖																																				
40:	10.4x	↙																																				
Serie		101.8																																				
Total		410.2																																				



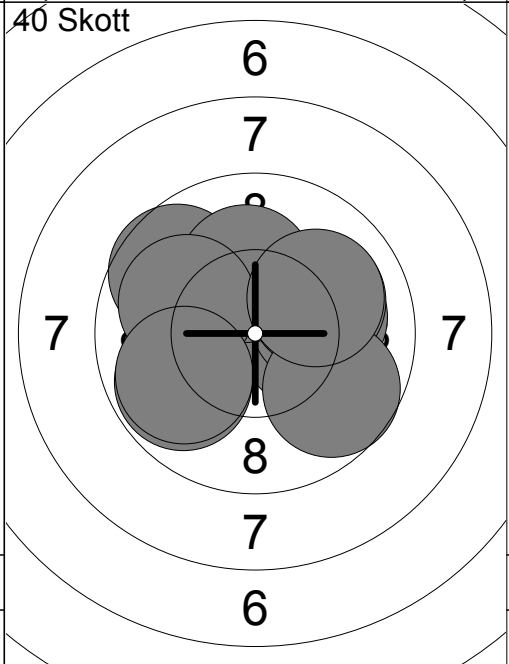
1:	10.6x ↓
2:	10.4x →
3:	9.5 →
4:	9.7 →
5:	10.0 ↙
6:	9.9 ↙
7:	9.8 →
8:	10.2x ↑
9:	10.5x →
Serie 86	
Total 0	



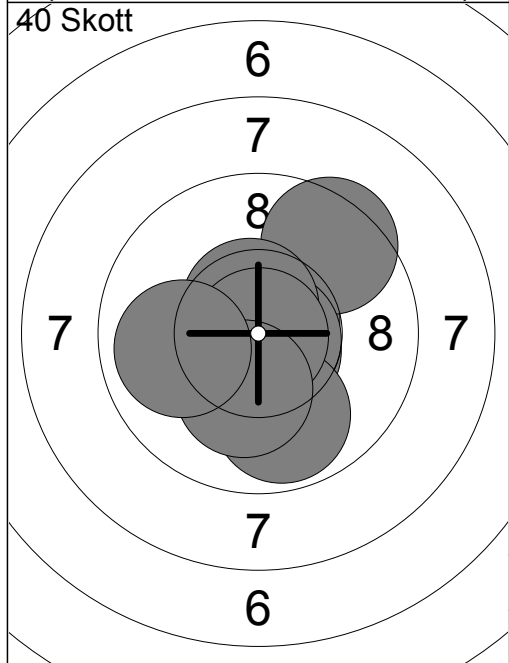
1:	9.1 ↓
2:	10.7x →
3:	9.9 ↓
4:	9.8 ↑
5:	9.6 ↓
6:	9.8 ↑
7:	10.4x ↖
8:	10.6x →
9:	10.8x →
10:	10.2x ↑
Serie 95	
Total 95	



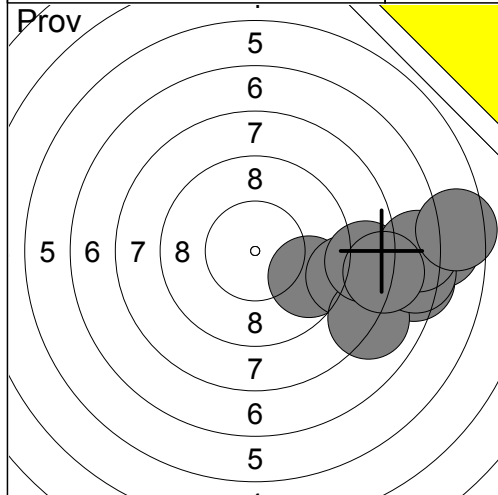
11:	10.2x ↖
12:	10.7x →
13:	10.1 ←
14:	9.4 ↙
15:	10.4x ↑
16:	10.7x ↙
17:	10.2x →
18:	9.7 →
19:	10.1 ↙
20:	10.6x ↑
Serie 98	
Total 193	



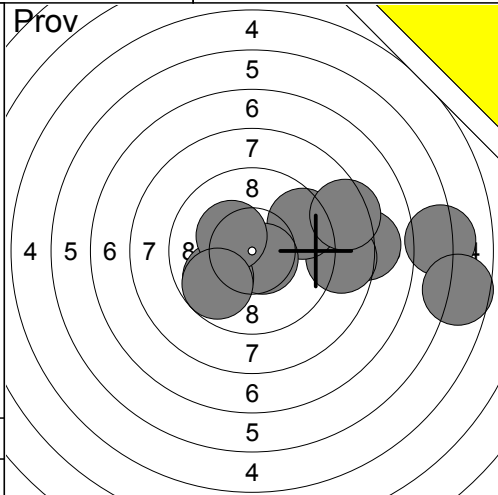
21:	10.2x →
22:	10.1 →
23:	10.0 →
24:	9.7 ↖
25:	10.2x ↑
26:	10.0 ↖
27:	9.7 ↙
28:	10.0 →
29:	9.8 ↙
30:	9.9 ↖
Serie 96	
Total 289	



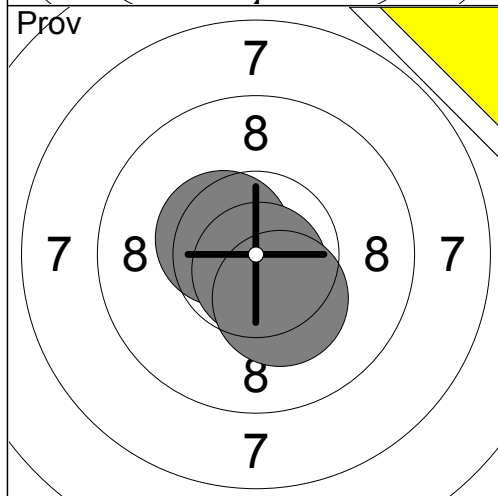
31:	10.7x ↙
32:	10.7x ↗
33:	9.5 ↗
34:	10.7x →
35:	10.6x ↑
36:	10.6x ↙
37:	9.8 ↓
38:	10.9x ↙
39:	10.2x ↙
40:	9.9 ←
Serie 97	
Total 386	



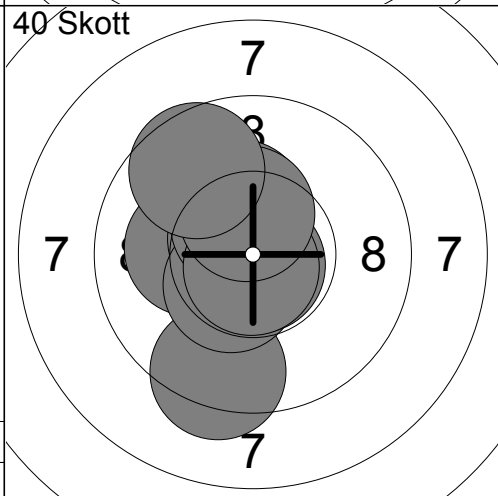
1:	7.4	→
2:	6.9	→
3:	9.6	↘
4:	8.9	→
5:	8.0	↘
6:	8.5	→
7:	7.4	→
8:	7.4	→
9:	8.1	→
10:	6.5	→
Serie		74
Total		0



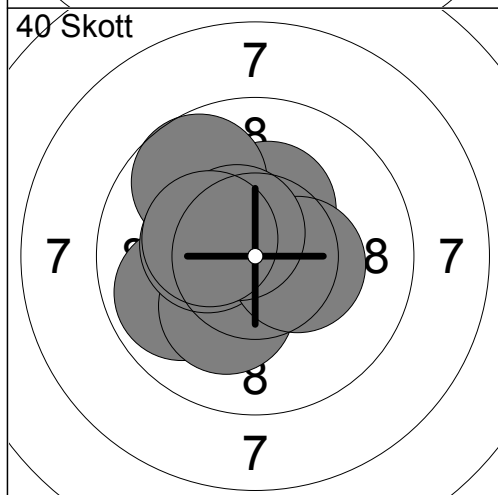
11:	6.2	→
12:	5.6	→
13:	8.1	→
14:	8.7	→
15:	9.5	↗
16:	10.6x	↘
17:	9.9	↙
18:	10.3x	↗
19:	8.4	→
20:	9.7	↘
Serie		82
Total		0



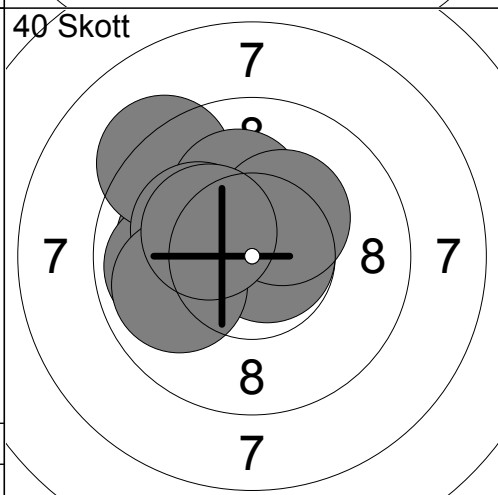
21:	10.5x	↖
22:	10.7x	↘
23:	10.3x	↘
Serie		30
Total		0



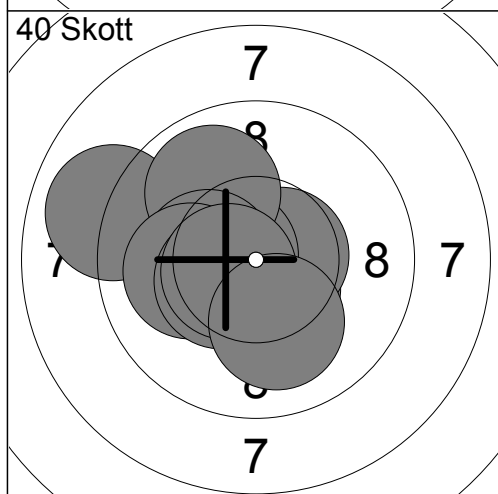
1:	10.1	↖
2:	10.6x	↗
3:	9.3	↘
4:	10.5x	↘
5:	10.3x	↗
6:	10.5x	↗
7:	10.8x	↘
8:	10.8x	↘
9:	10.4x	↗
10:	9.6	↗
Serie		98
Total		98



11:	9.9	↖
12:	10.4x	↗
13:	10.6x	↖
14:	10.3x	↗
15:	9.7	↗
16:	10.2x	↘
17:	10.3x	↖
18:	10.4x	→
19:	10.6x	↗
20:	10.3x	↖
Serie		98
Total		196



21:	10.0	↖
22:	9.9	↖
23:	9.3	↗
24:	10.1	↗
25:	10.2x	↖
26:	10.5x	↖
27:	10.7x	→
28:	10.3x	↗
29:	9.9	↖
30:	10.3x	↖
Serie		97
Total		293

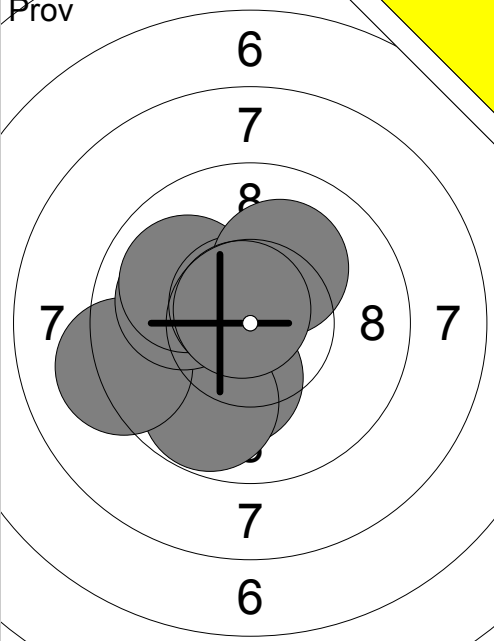
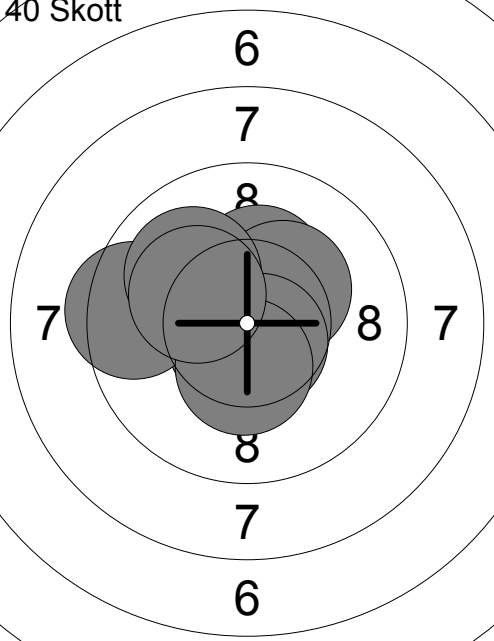


31:	10.5x	↘
32:	10.6x	→
33:	10.6x	↖
34:	9.0	↖
35:	9.9	↗
36:	10.3x	↖
37:	10.1	↖
38:	10.4x	↖
39:	10.6x	↖
40:	10.1	↘
Serie		98
Total		391

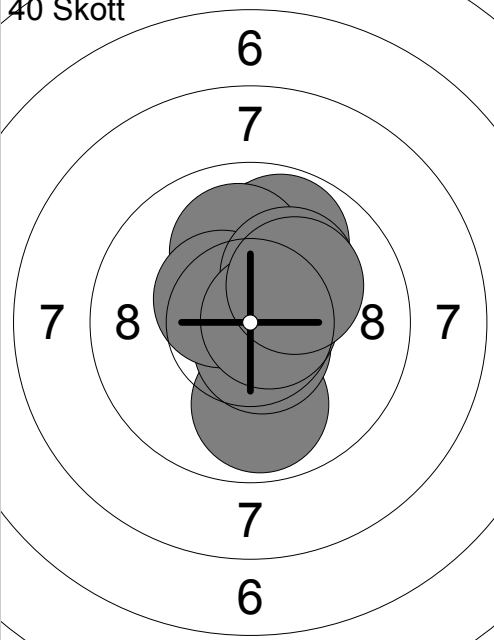
<p>Pröv</p>	<p>1: 10.3x ↘ 2: 10.0 ↘ 3: 9.4 → 4: 10.5x → 5: 10.2x ↘ 6: 10.1 ↘ 7: 10.4x → 8: 10.1 ↑ 9: 10.5x → 10: 10.5x ↘</p> <p>Serie 99 Total 0</p>	<p>Pröv</p>	<p>11: 10.6x → 12: 10.3x ↖ 13: 10.7x ↘</p> <p>Serie 30 Total 0</p>
-------------	-------------------------------------------------------------------------------------------------------------------------------------------------------------------------------------------------------------------------------------------------------------------------------------------------------------------------------------------	-------------	------------------------------------------------------------------------------------------------------------------

<p>40 Skott</p>	<p>1: 10.4x → 2: 10.2x ↖ 3: 10.0 → 4: 10.6x ↗ 5: 10.4x ↑ 6: 10.3x ↑ 7: 10.6x ↘ 8: 10.1 ↘ 9: 10.5x ↘ 10: 10.7x ←</p> <p>Serie 100 Total 100</p>	<p>40 Skott</p>	<p>11: 10.6x ← 12: 9.9 → 13: 10.2x ↘ 14: 10.3x ← 15: 9.4 ↘ 16: 9.9 ↘ 17: 10.7x ↖ 18: 10.6x → 19: 10.3x ↗ 20: 10.8x ↖</p> <p>Serie 97 Total 197</p>
-----------------	-------------------------------------------------------------------------------------------------------------------------------------------------------------------------------------------------------------------------------------------------------------------------------------------------------------------------------------------------	-----------------	-----------------------------------------------------------------------------------------------------------------------------------------------------------------------------------------------------------------------------------------------------------------------------------------------------------------------------------------------------

<p>40 Skott</p>	<p>21: 10.4x ← 22: 10.6x ↘ 23: 10.3x ↑ 24: 10.4x ↖ 25: 10.6x → 26: 10.7x ↘ 27: 9.9 → 28: 10.4x ↖ 29: 10.4x → 30: 10.3x ↑</p> <p>Serie 99 Total 296</p>	<p>40 Skott</p>	<p>31: 10.0 ↖ 32: 10.4x ← 33: 10.7x ← 34: 9.7 ↖ 35: 10.5x → 36: 10.7x → 37: 9.8 → 38: 10.8x ↖ 39: 10.4x → 40: 10.0 →</p> <p>Serie 98 Total 394</p>
-----------------	---------------------------------------------------------------------------------------------------------------------------------------------------------------------------------------------------------------------------------------------------------------------------------------------------------------------------------------------------------	-----------------	-----------------------------------------------------------------------------------------------------------------------------------------------------------------------------------------------------------------------------------------------------------------------------------------------------------------------------------------------------

Prov 	40 Skott 	1: 10.2x ↘ 2: 9.8 ↘ 3: 9.2 ← 4: 10.0 ← 5: 10.0 ↖ 6: 10.7x ↖ 7: 10.1 ↗ 8: 10.7x ↗ <hr/> Serie 78 Total 0	1: 10.8x ↘ 2: 10.8x ↘ 3: 10.3x ↗ 4: 10.3x ↗ 5: 10.7x ↘ 6: 10.7x ↘ 7: 9.5 ← 8: 10.4x ↓ 9: 10.0 ↖ 10: 10.2x ↖ <hr/> Serie 99 Total 99
------------------------------------------------------------------------------------------	------------------------------------------------------------------------------------------------	------------------------------------------------------------------------------------------------------------------------------------	----------------------------------------------------------------------------------------------------------------------------------------------------------------------

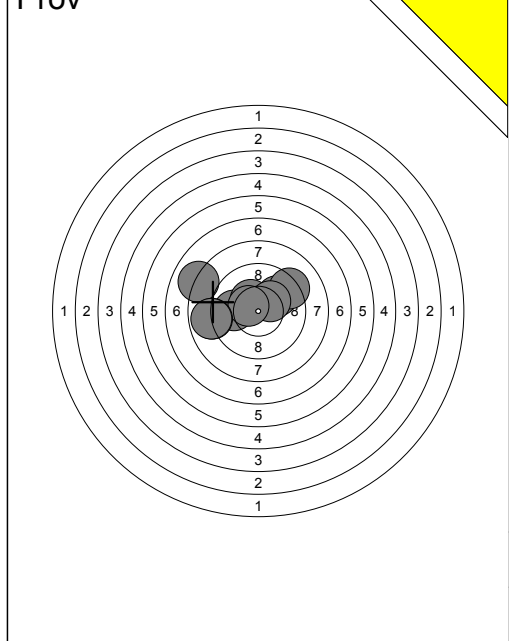
40 Skott 	40 Skott 	11: 9.9 ↑ 12: 9.3 ↗ 13: 10.0 → 14: 8.7 ← 15: 10.3x → 16: 9.7 ← 17: 9.7 ← 18: 9.7 ↗ 19: 10.4x ↗ 20: 10.7x → <hr/> Serie 93 Total 192	21: 10.6x ↖ 22: 10.3x ↖ 23: 10.3x ↓ 24: 9.9 → 25: 9.8 ↓ 26: 9.7 ↗ 27: 9.7 ↓ 28: 10.2x ↘ 29: 10.9x → 30: 10.1 → <hr/> Serie 96 Total 288
-----------------------------------------------------------------------------------------------	-------------------------------------------------------------------------------------------------	----------------------------------------------------------------------------------------------------------------------------------------------------------------------	--------------------------------------------------------------------------------------------------------------------------------------------------------------------------

40 Skott 	31: 9.8 ↗ 32: 10.6x ↖ 33: 10.0 ↑ 34: 9.9 ↓ 35: 10.6x ↖ 36: 10.6x ↓ 37: 10.5x ↖ 38: 10.2x ↗ 39: 10.7x → 40: 10.2x ↗ <hr/> Serie 98 Total 386		
------------------------------------------------------------------------------------------------	------------------------------------------------------------------------------------------------------------------------------------------------------------------------------	--	--

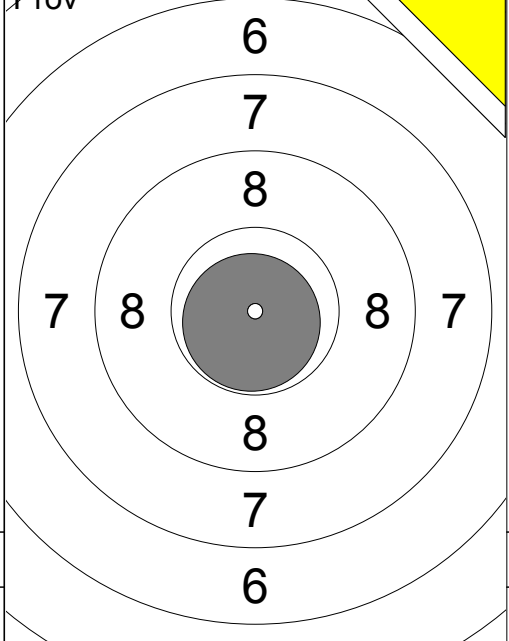
<p>Prov</p>	<p>1: 9.0 ← 2: 9.5 ← 3: 9.0 ← 4: 8.7 ← 5: 10.3x ← 6: 10.5x → 7: 10.5x → 8: 10.6x ↗ 9: 10.2x ↗ 10: 10.4x ↘</p> <p>Serie 95 Total 0</p>	<p>Prov</p>	<p>11: 9.6 ↖ 12: 10.8x ↗</p> <p>Serie 19 Total 0</p>
-------------	----------------------------------------------------------------------------------------------------------------------------------------------------------------------------------------------------------------------------------------------------------------------------------------------------------------------------------------	-------------	-------------------------------------------------------------------------------

<p>40 Skott</p>	<p>1: 10.7x → 2: 9.7 ← 3: 10.7x ↓ 4: 9.6 ← 5: 9.9 ← 6: 10.2x ↗ 7: 9.7 ← 8: 10.6x ↘ 9: 10.0 ↗ 10: 10.5x ←</p> <p>Serie 96 Total 96</p>	<p>40 Skott</p>	<p>11: 10.4x ↘ 12: 10.5x → 13: 10.4x ↘ 14: 10.3x → 15: 10.0 ← 16: 10.5x ↘ 17: 9.7 ↗ 18: 10.6x ↖ 19: 9.9 ↖ 20: 10.3x ↗</p> <p>Serie 98 Total 194</p>
-----------------	----------------------------------------------------------------------------------------------------------------------------------------------------------------------------------------------------------------------------------------------------------------------------------------------------------------------------------------	-----------------	------------------------------------------------------------------------------------------------------------------------------------------------------------------------------------------------------------------------------------------------------------------------------------------------------------------------------------------------------

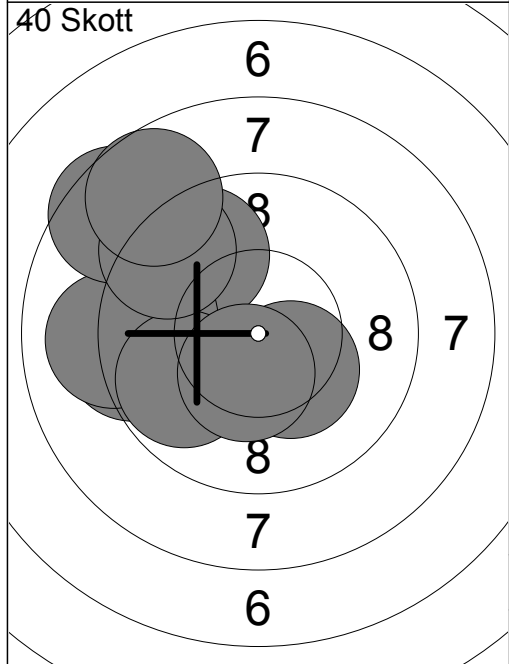
<p>40 Skott</p>	<p>21: 10.3x ← 22: 10.3x ↘ 23: 9.6 ↗ 24: 10.5x → 25: 9.8 ↗ 26: 10.5x ↗ 27: 10.8x ↗ 28: 10.5x ↗ 29: 10.3x ↗ 30: 10.3x ←</p> <p>Serie 98 Total 292</p>	<p>40 Skott</p>	<p>31: 10.7x → 32: 8.6 ← 33: 10.9x ↓ 34: 10.4x ↓ 35: 10.4x ↗ 36: 10.1 ↗ 37: 9.9 ← 38: 9.5 ↗ 39: 10.3x ↖ 40: 10.4x →</p> <p>Serie 96 Total 388</p>
-----------------	-------------------------------------------------------------------------------------------------------------------------------------------------------------------------------------------------------------------------------------------------------------------------------------------------------------------------------------------------------	-----------------	----------------------------------------------------------------------------------------------------------------------------------------------------------------------------------------------------------------------------------------------------------------------------------------------------------------------------------------------------



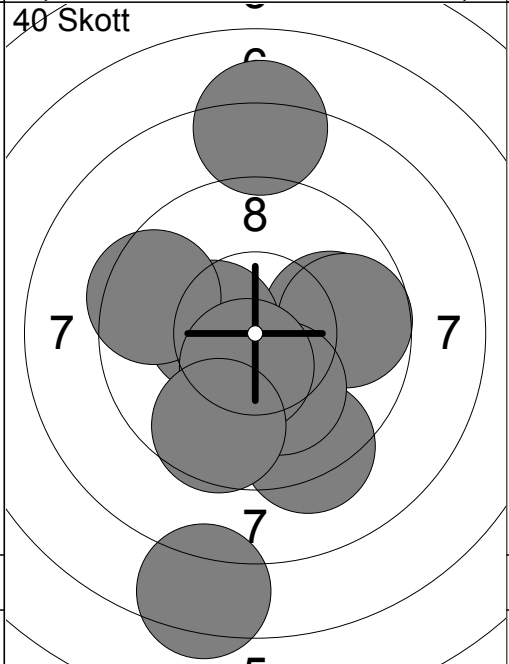
1:	9.9	←
2:	10.3x	↖
3:	9.9	↗
4:	9.3	↗
5:	10.3x	↗
6:	0.0	←
7:	10.5x	↖
8:	8.0	↖
9:	8.9	←
10:	8.9	←
Serie		81
Total		0



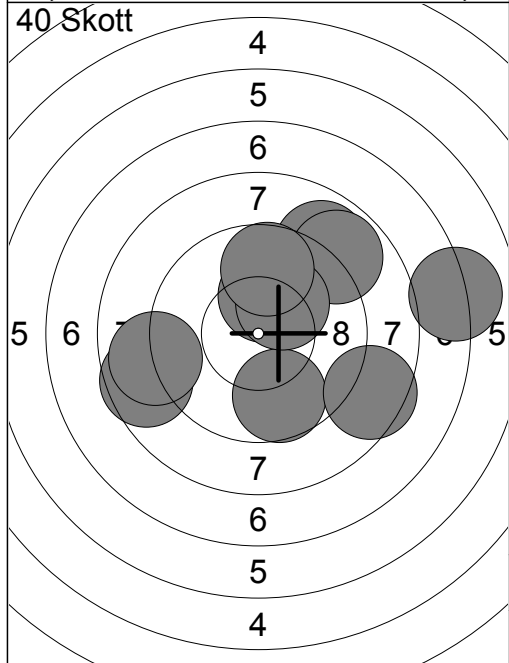
11:	10.8x	↓
Serie		10
Total		0



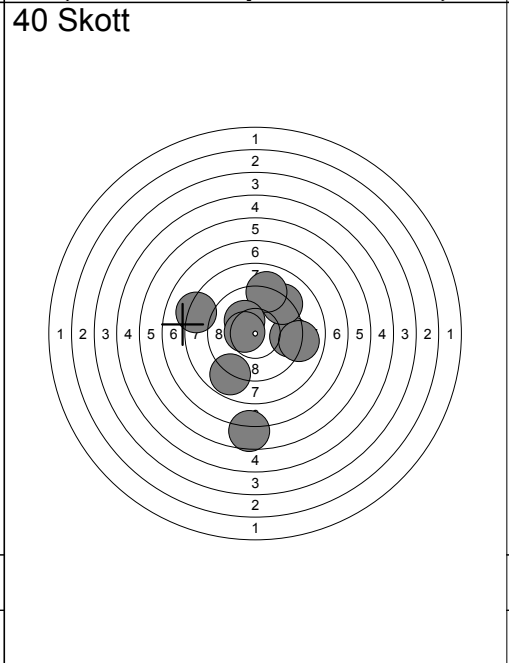
1:	9.3	←
2:	9.7	↖
3:	9.5	←
4:	9.1	←
5:	8.5	↖
6:	10.3x	↘
7:	9.8	←
8:	9.3	↖
9:	8.7	↖
10:	10.4x	↘
Serie		90
Total		90



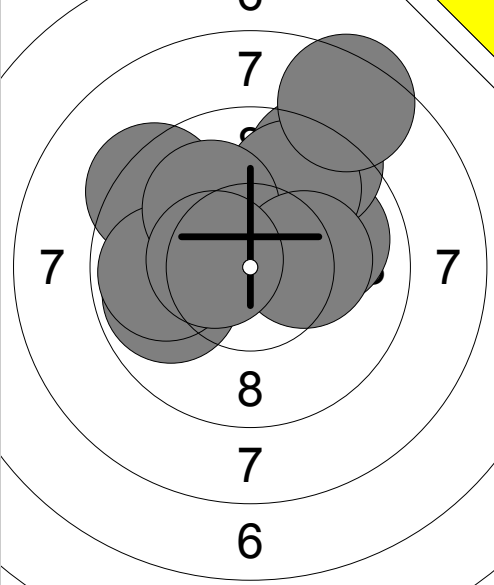
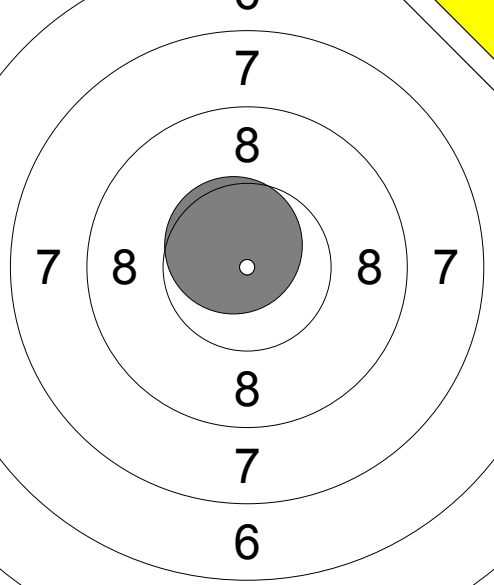
11:	9.9	→
12:	7.4	↓
13:	9.7	→
14:	10.4x	←
15:	9.3	↘
16:	8.2	↑
17:	10.1	↘
18:	9.5	←
19:	10.5x	↘
20:	9.6	↘
Serie		90
Total		180



21:	8.6	←
22:	10.2x	↑
23:	8.9	←
24:	9.7	↘
25:	8.9	↖
26:	8.8	↖
27:	10.2x	↖
28:	8.5	↘
29:	9.7	↑
30:	7.1	→
Serie		85
Total		265

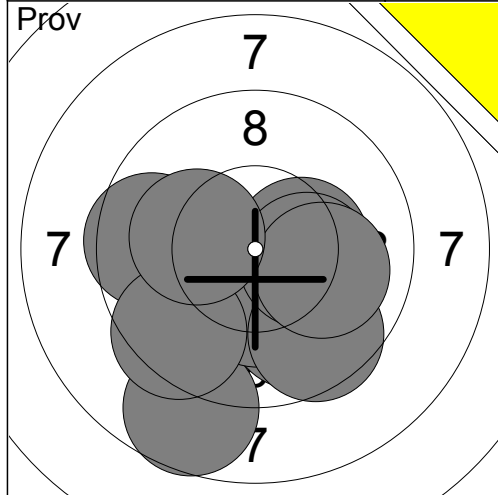


31:	9.4	→
32:	9.2	↗
33:	8.2	←
34:	9.1	↑
35:	9.0	→
36:	10.2x	↖
37:	6.6	↓
38:	8.8	↘
39:	0.0	←
40:	10.5x	←
Serie		78
Total		343

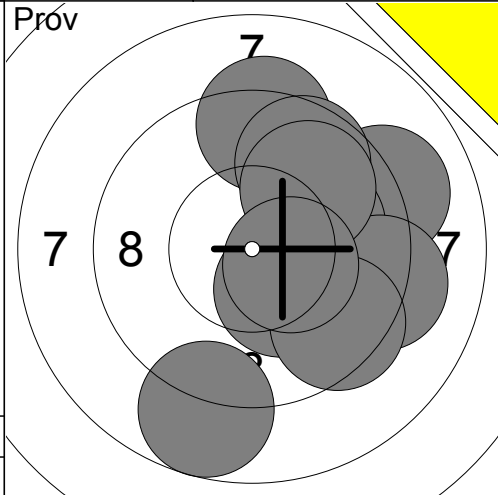
Prov 	1: 9.9 ← 2: 9.4 ↖ 3: 9.8 ← 4: 10.0 → 5: 9.4 ↗ 6: 9.8 ↗ 7: 10.0 ↖ 8: 8.5 ↗ 9: 10.2x → 10: 10.5x ← Serie 93 Total 0	Prov 	11: 10.6x ↖ Serie 10 Total 0
------------------------------------------------------------------------------------------	----------------------------------------------------------------------------------------------------------------------------------------------------	--------------------------------------------------------------------------------------------	------------------------------------

40 Skott 	1: 9.4 ↗ 2: 9.9 ← 3: 8.9 ← 4: 8.9 ↗ 5: 10.0 → 6: 10.5x ↖ 7: 8.5 → 8: 10.7x ↗ 9: 10.8x ↗ 10: 10.5x ↖ Serie 92 Total 92	40 Skott 	11: 8.9 ↖ 12: 10.5x ↗ 13: 9.8 ↖ 14: 10.3x ↗ 15: 10.6x ↖ 16: 10.5x ↗ 17: 9.5 → 18: 10.2x ↖ 19: 10.4x ↖ 20: 10.3x ↗ Serie 96 Total 188
-----------------------------------------------------------------------------------------------	--------------------------------------------------------------------------------------------------------------------------------------------------------	-------------------------------------------------------------------------------------------------	-----------------------------------------------------------------------------------------------------------------------------------------------------------------------

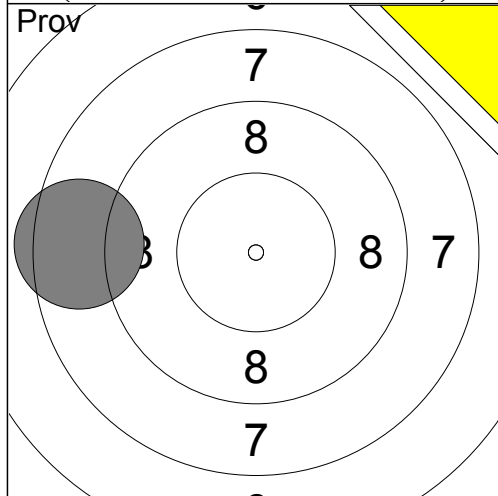
40 Skott 	21: 9.9 ← 22: 9.9 ↖ 23: 9.9 → 24: 10.1 ↗ 25: 10.1 ↗ 26: 10.3x ↖ 27: 10.4x → 28: 9.3 → 29: 10.3x ↗ 30: 8.8 ↗ Serie 94 Total 282	40 Skott 	31: 9.4 ← 32: 8.6 → 33: 9.8 ↖ 34: 10.7x ↖ 35: 9.7 ↗ 36: 9.4 ↗ 37: 9.9 ↖ 38: 10.4x ↖ 39: 10.0 ↖ 40: 10.8x ← Serie 93 Total 375
------------------------------------------------------------------------------------------------	-----------------------------------------------------------------------------------------------------------------------------------------------------------------	--------------------------------------------------------------------------------------------------	----------------------------------------------------------------------------------------------------------------------------------------------------------------



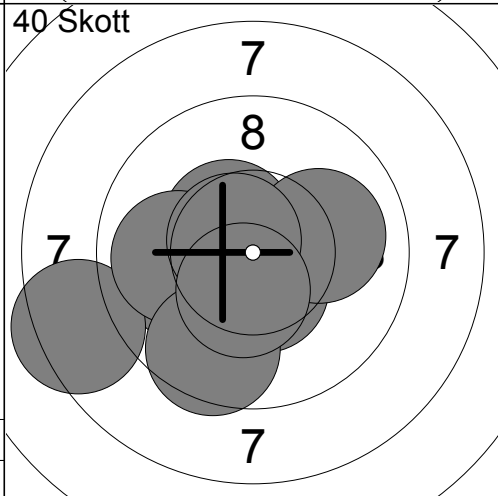
1:	8.7	↘
2:	9.8	↘
3:	10.3x	↓
4:	10.3x	→
5:	9.6	←
6:	9.5	↙
7:	9.6	↘
8:	10.3x	→
9:	10.0	→
10:	10.2x	←
Serie		94
Total		0



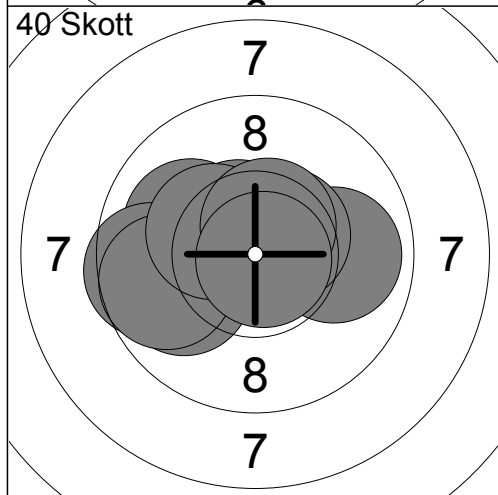
11:	9.1	→
12:	10.3x	↘
13:	9.3	↑
14:	9.6	↗
15:	10.0	→
16:	8.7	↘
17:	9.2	→
18:	9.9	↗
19:	9.5	↘
20:	10.4x	→
Serie		92
Total		0



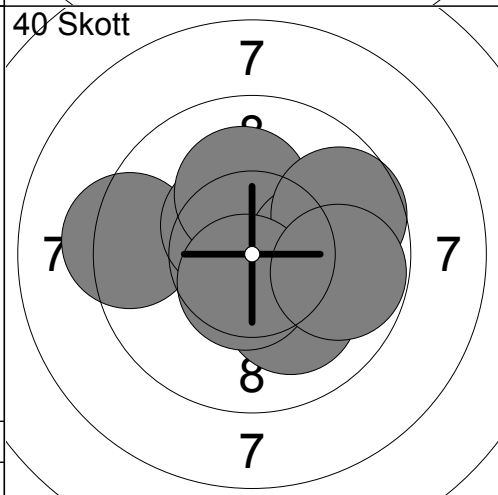
21:	8.5	←
Serie		8
Total		0



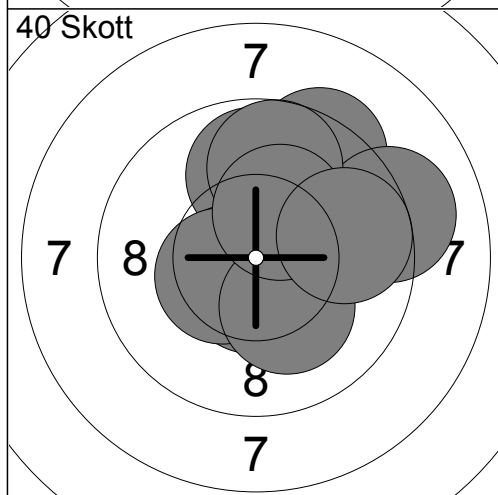
1:	10.5x	↗
2:	10.7x	↘
3:	10.5x	↓
4:	10.1	←
5:	8.4	←
6:	10.0	→
7:	9.9	←
8:	10.6x	↗
9:	9.6	↘
10:	10.4x	↓
Serie		96
Total		96



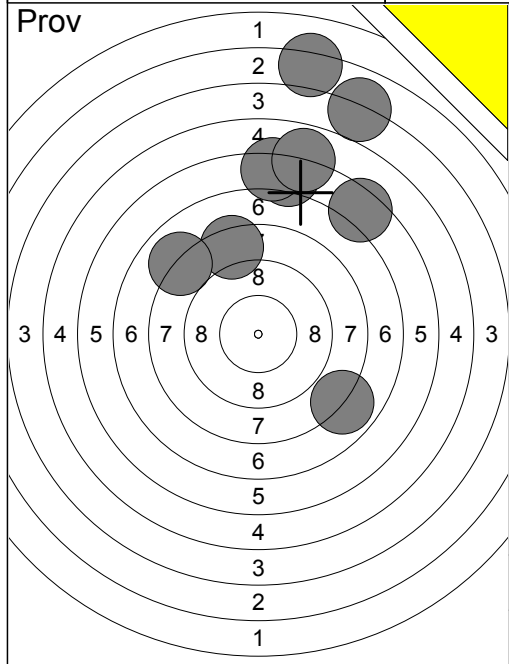
11:	10.0	←
12:	9.9	←
13:	9.6	←
14:	9.7	←
15:	10.5x	↗
16:	9.9	→
17:	10.5x	↗
18:	10.3x	↖
19:	10.5x	↗
20:	10.8x	↘
Serie		96
Total		192



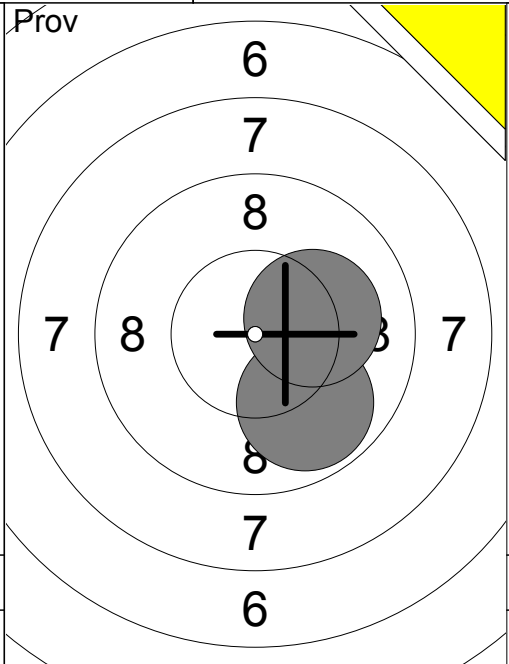
21:	9.3	←
22:	10.5x	↗
23:	10.8x	↘
24:	9.8	→
25:	10.1	↘
26:	10.1	↑
27:	10.1	→
28:	9.7	→
29:	10.6x	↘
30:	9.8	→
Serie		96
Total		288



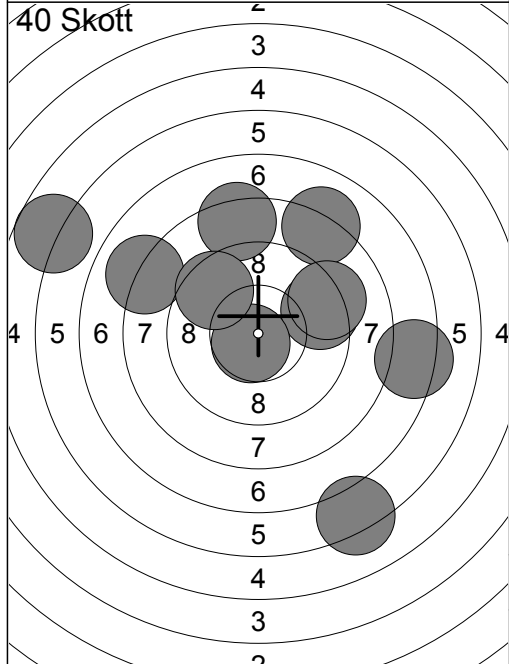
31:	9.9	↑
32:	9.4	↗
33:	10.6x	←
34:	9.1	→
35:	10.6x	↓
36:	10.4x	←
37:	10.2x	↘
38:	9.7	↑
39:	10.3x	↗
40:	9.7	→
Serie		95
Total		383



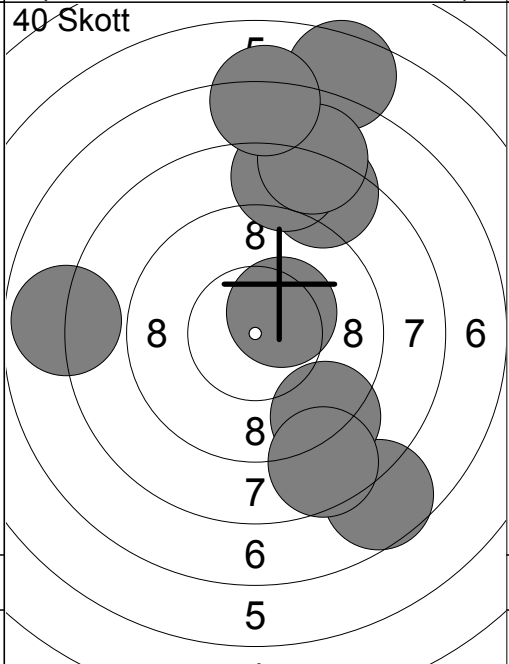
1:	1.3	↗
2:	6.4	↑
3:	7.9	↘
4:	8.4	↑
5:	8.0	↖
6:	4.0	↑
7:	3.2	↑
8:	6.3	↑
9:	5.9	↑
10:	6.4	↗
Serie		54
Total		0



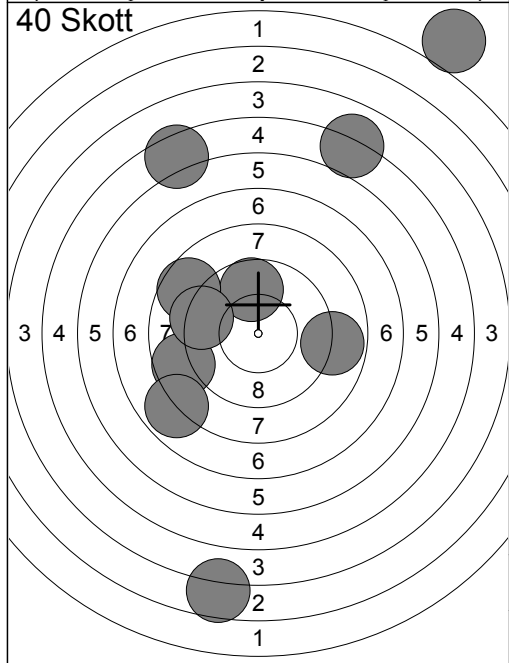
11:	9.8	↘
12:	10.2x	→
Serie		19
Total		0



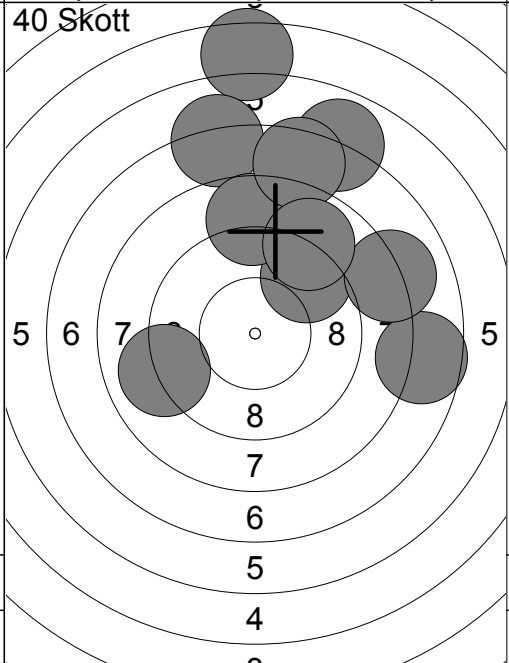
1:	6.2	↘
2:	7.3	→
3:	9.4	→
4:	8.1	↑
5:	9.2	→
6:	8.0	←
7:	10.7x	↘
8:	5.7	←
9:	8.3	↑
10:	9.5	↖
Serie		79
Total		79



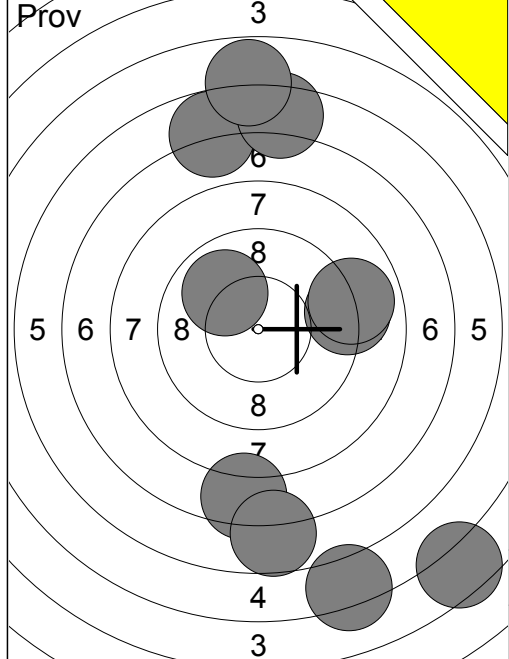
11:	7.6	↘
12:	6.5	↑
13:	10.4x	↗
14:	8.4	↑
15:	7.9	←
16:	9.2	↘
17:	8.3	↑
18:	8.0	↑
19:	8.6	↘
20:	7.2	↑
Serie		78
Total		157



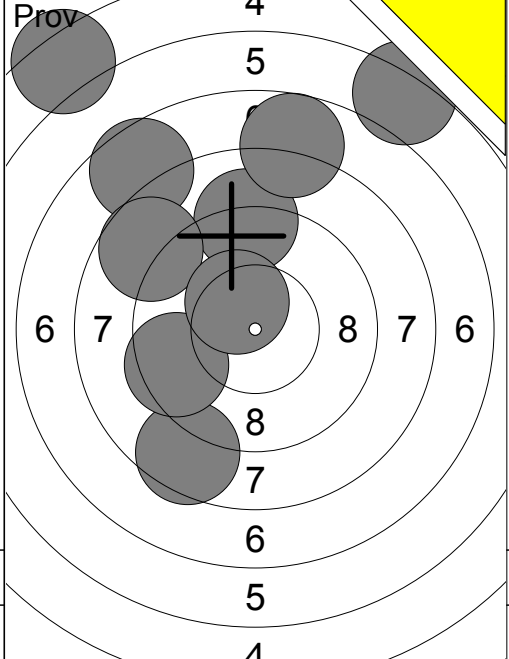
21:	9.7	↑
22:	8.7	←
23:	5.5	↑
24:	7.9	↘
25:	8.6	↖
26:	3.6	↘
27:	1.0	↗
28:	8.8	→
29:	5.0	↑
30:	9.3	←
Serie		63
Total		220



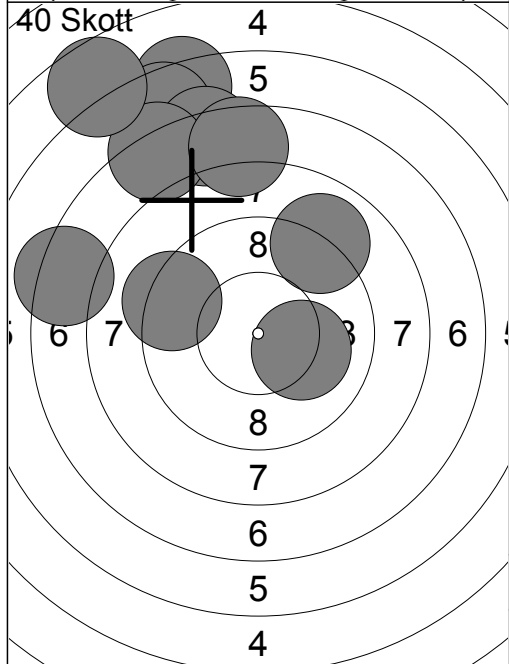
31:	5.5	↑
32:	9.5	↗
33:	6.9	↑
34:	7.1	↑
35:	8.7	↑
36:	7.6	→
37:	8.1	↗
38:	9.0	←
39:	7.5	↑
40:	8.9	↗
Serie		74
Total		294



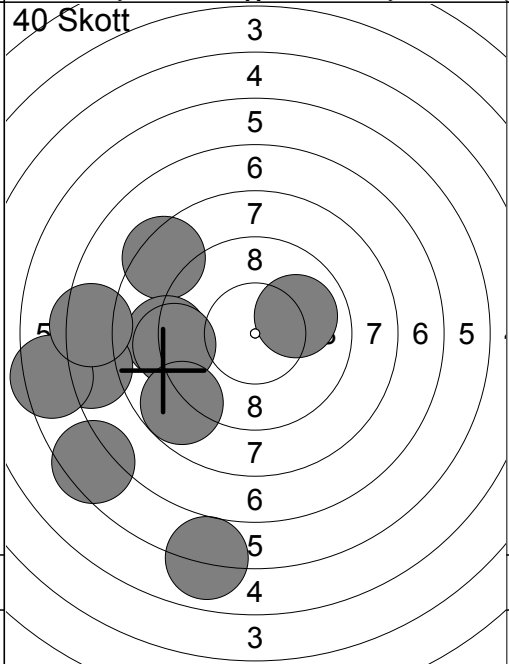
1:	7.4	↓
2:	5.2	↓
3:	6.7	↓
4:	9.1	→
5:	4.5	↓
6:	8.9	→
7:	9.9	↗
8:	6.8	↑
9:	6.5	↑
10:	5.8	↑
Serie	65	
Total	0	



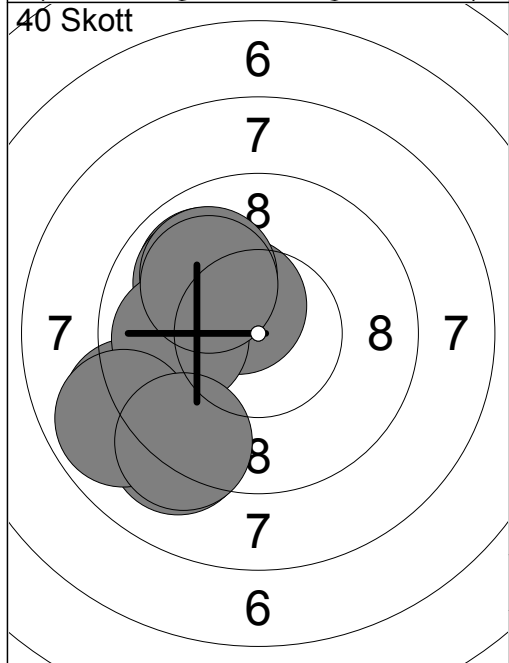
11:	5.3	↖
12:	8.5	↓
13:	7.6	↗
14:	9.1	↑
15:	8.7	↖
16:	6.1	↗
17:	9.5	↙
18:	7.7	↑
19:	10.4x	↖
Serie	69	
Total	0	



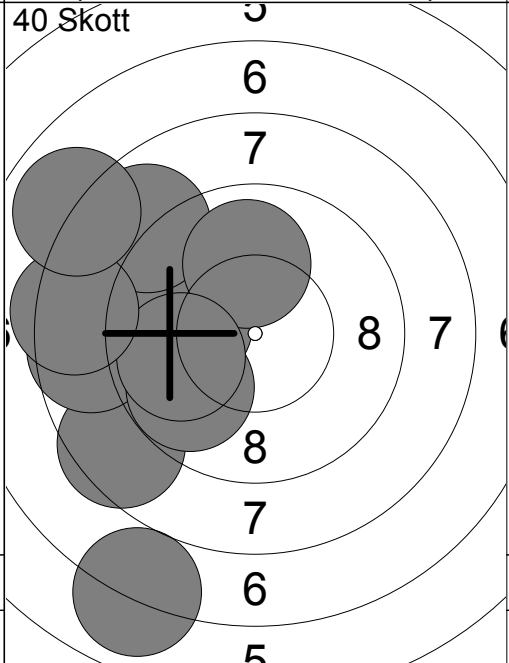
1:	6.3	↑
2:	9.0	↗
3:	6.6	↑
4:	10.1	→
5:	9.3	↙
6:	7.3	↑
7:	7.3	↙
8:	7.2	↑
9:	5.6	↑
10:	7.6	↑
Serie	73	
Total	73	



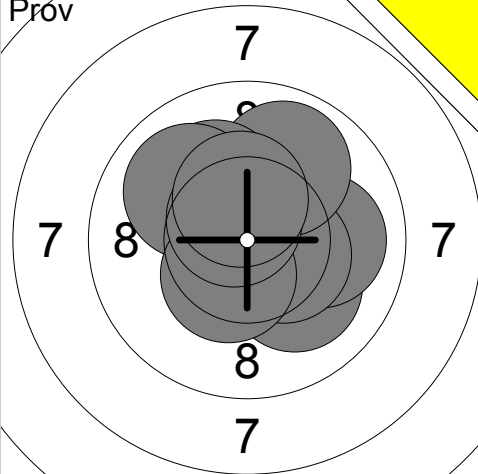
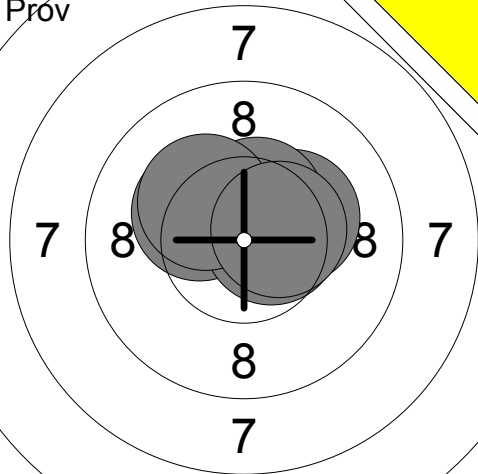
11:	8.4	↖
12:	9.0	↙
13:	9.2	↙
14:	8.8	↙
15:	7.3	↙
16:	6.4	↙
17:	6.0	↓
18:	10.0	→
19:	7.4	↙
20:	6.5	↙
Serie	76	
Total	149	

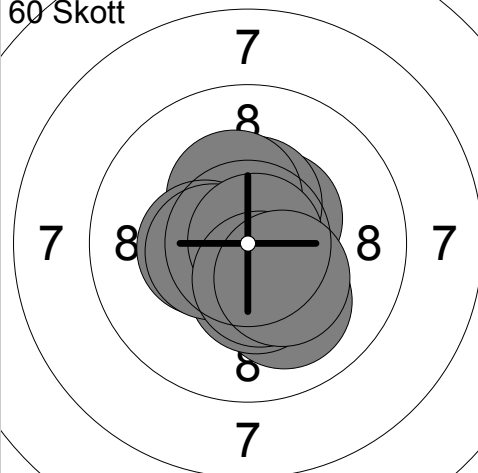
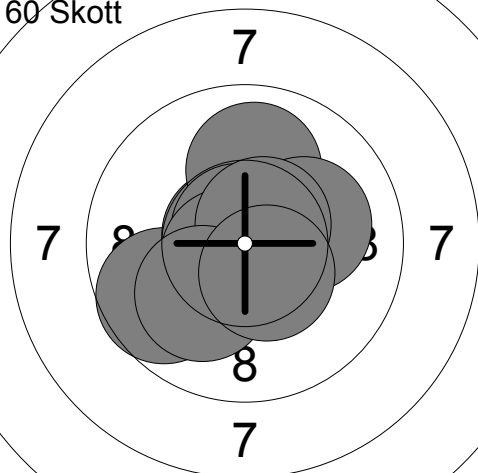


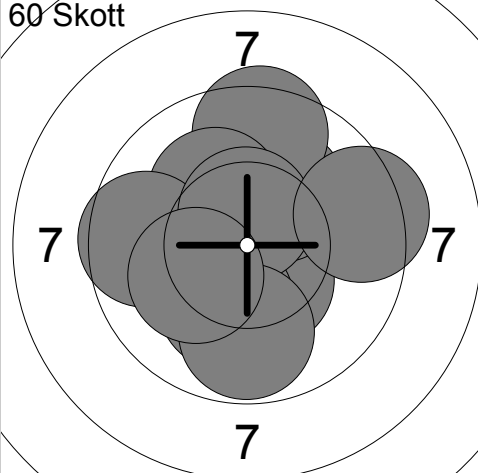
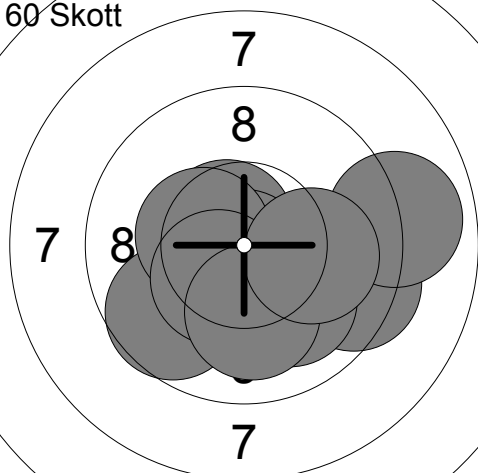
21:	9.9	↗
22:	10.0	↗
23:	10.5x	↗
24:	9.1	↓
25:	9.0	↙
26:	9.9	↗
27:	9.9	↙
28:	8.9	↙
29:	9.2	↓
30:	10.0	↖
Serie	92	
Total	241	

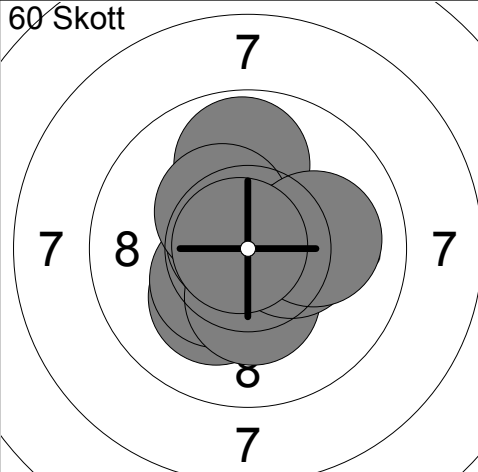
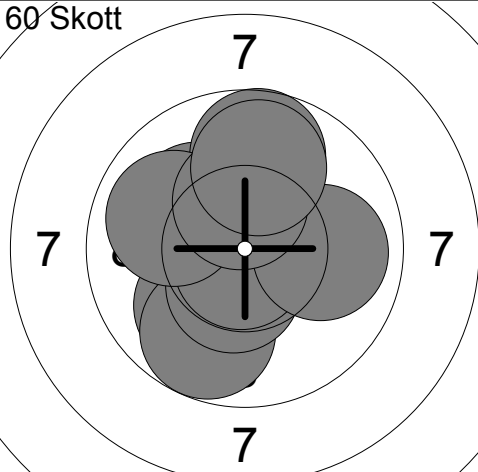


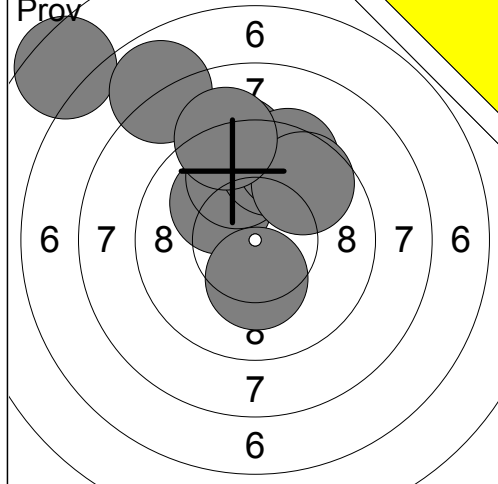
31:	8.5	↙
32:	8.6	↙
33:	10.0	↙
34:	9.8	↙
35:	8.8	↖
36:	10.0	↑
37:	9.9	↙
38:	8.4	↙
39:	7.9	↖
40:	7.0	↓
Serie	84	
Total	325	

Pröv 	1: 10.1 ↘ 2: 10.0 → 3: 10.4x ↘ 4: 9.9 ↗ 5: 10.5x ↗ 6: 10.1 ↗ 7: 10.0 ↗ 8: 10.4x ↘ 9: 10.6x ↗ 10: 10.4x ↑ <hr/> Serie 102.4 Total 0.0	Pröv 	11: 10.3x ↖ 12: 10.6x → 13: 10.3x ↗ 14: 10.5x ↗ 15: 10.2x ↗ 16: 10.5x → <hr/> Serie 62.4 Total 0.0
------------------------------------------------------------------------------------------	-----------------------------------------------------------------------------------------------------------------------------------------------------------------------	--------------------------------------------------------------------------------------------	-------------------------------------------------------------------------------------------------------------------------

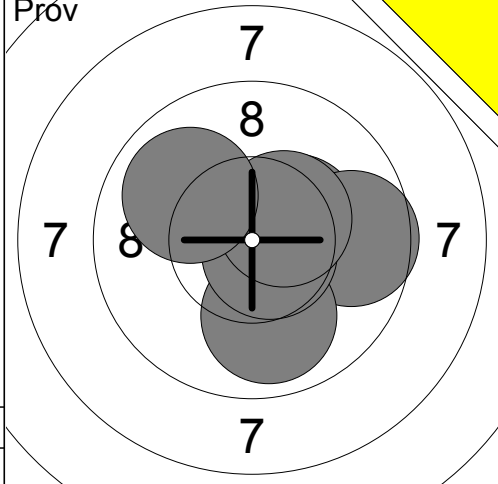
60 Skott 	1: 10.5x ↗ 2: 10.4x ↑ 3: 10.3x ↑ 4: 10.4x ← 5: 10.0 ↘ 6: 10.4x ↘ 7: 10.5x ← 8: 10.8x → 9: 10.5x ↘ 10: 10.3x ↘ <hr/> Serie 104.1 Total 104.1	60 Skott 	11: 10.4x → 12: 9.7 ↖ 13: 10.7x ↖ 14: 10.0 ↑ 15: 10.8x ↗ 16: 10.7x ↖ 17: 10.1 → 18: 10.6x ↗ 19: 10.1 ↘ 20: 10.5x ↘ <hr/> Serie 103.6 Total 207.7
-----------------------------------------------------------------------------------------------	------------------------------------------------------------------------------------------------------------------------------------------------------------------------------	-------------------------------------------------------------------------------------------------	-----------------------------------------------------------------------------------------------------------------------------------------------------------------------------------

60 Skott 	21: 10.4x ↘ 22: 10.2x ↗ 23: 9.5 ↑ 24: 10.2x ↗ 25: 10.1 ↘ 26: 9.6 ← 27: 10.6x ↑ 28: 9.8 ↘ 29: 10.2x ↖ 30: 9.4 → <hr/> Serie 100.0 Total 307.7	60 Skott 	31: 9.4 → 32: 10.6x ↗ 33: 9.7 ↖ 34: 10.8x ↘ 35: 10.4x ← 36: 10.4x ↘ 37: 8.9 → 38: 10.0 ↘ 39: 10.1 ↘ 40: 10.1 → <hr/> Serie 100.4 Total 408.1
------------------------------------------------------------------------------------------------	-------------------------------------------------------------------------------------------------------------------------------------------------------------------------------	--------------------------------------------------------------------------------------------------	-------------------------------------------------------------------------------------------------------------------------------------------------------------------------------

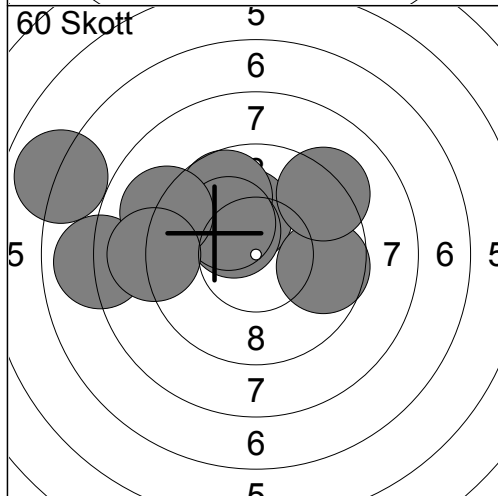
60 Skott 	41: 10.5x ↘ 42: 9.8 ↑ 43: 10.2x ↘ 44: 10.4x ↘ 45: 10.3x ↘ 46: 10.7x ↗ 47: 10.4x ↗ 48: 10.4x → 49: 10.1 → 50: 10.8x ↖ <hr/> Serie 103.6 Total 511.7	60 Skott 	51: 10.1 ↖ 52: 10.0 ↘ 53: 9.8 ↘ 54: 10.5x ↘ 55: 10.8x ↘ 56: 9.7 ↑ 57: 9.9 ↖ 58: 9.9 → 59: 10.3x ↑ 60: 9.9 ↑ <hr/> Serie 100.9 Total 612.6
------------------------------------------------------------------------------------------------	-------------------------------------------------------------------------------------------------------------------------------------------------------------------------------------	--------------------------------------------------------------------------------------------------	----------------------------------------------------------------------------------------------------------------------------------------------------------------------------



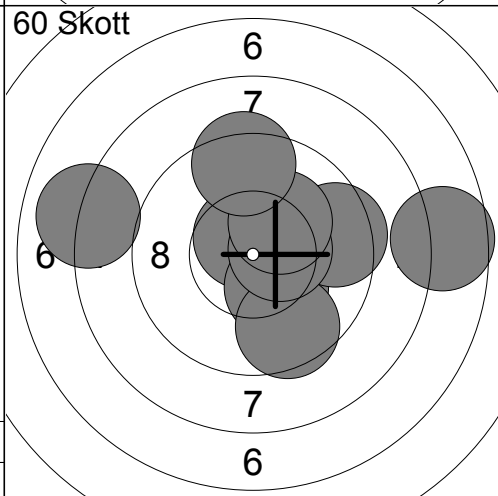
1:	10.1	↖
2:	6.5	↖
3:	9.3	↑
4:	9.8	↑
5:	9.6	↑
6:	9.4	↑
7:	7.9	↗
8:	9.7	↗
9:	9.1	↑
10:	10.3x	↓
Serie		91.7
Total		0.0



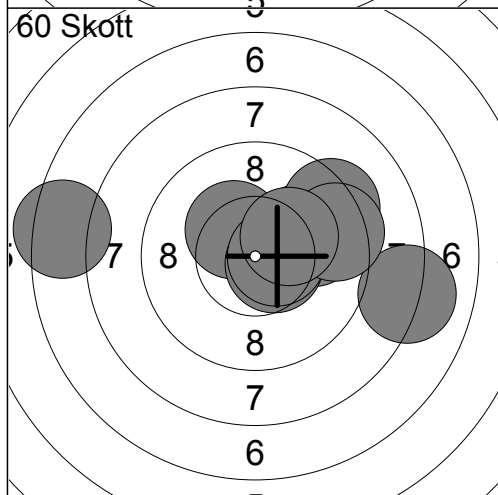
11:	10.3x	↗
12:	9.6	→
13:	9.9	↓
14:	10.7x	↘
15:	10.4x	↗
16:	9.9	↖
Serie		60.8
Total		0.0



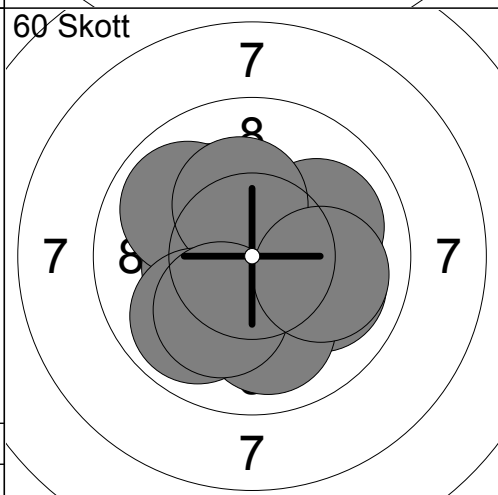
1:	6.9	↖
2:	10.2x	↑
3:	9.6	→
4:	8.0	↖
5:	9.7	↗
6:	10.3x	↗
7:	10.2x	↗
8:	9.1	↖
9:	9.2	↗
10:	9.0	↖
Serie		92.2
Total		92.2



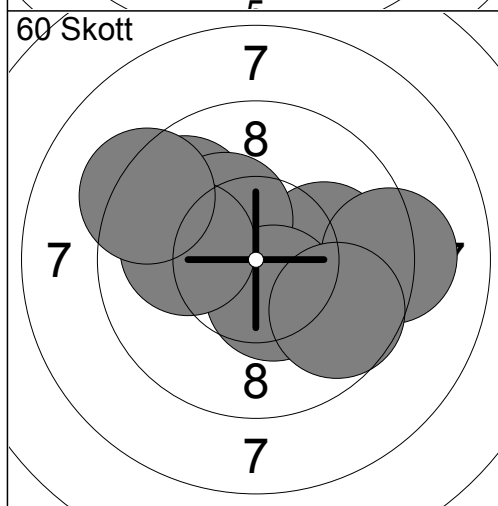
11:	10.1	↗
12:	7.6	→
13:	10.6x	↗
14:	10.3x	↘
15:	9.5	→
16:	9.6	↓
17:	10.5x	→
18:	8.0	↖
19:	10.2x	↗
20:	9.4	↑
Serie		95.8
Total		188.0



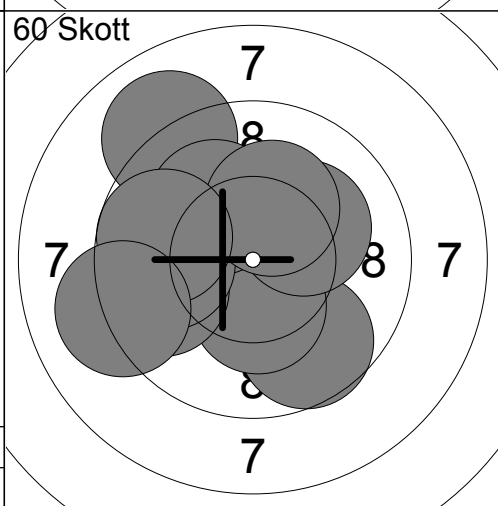
21:	10.0	↗
22:	10.3x	↗
23:	9.8	→
24:	10.6x	↘
25:	8.1	→
26:	9.3	↗
27:	10.6x	→
28:	9.4	→
29:	7.4	↖
30:	10.2x	↗
Serie		95.7
Total		283.7



31:	10.4x	↖
32:	10.0	→
33:	10.2x	↗
34:	10.0	→
35:	9.9	↗
36:	10.3x	↑
37:	10.0	↓
38:	9.9	↘
39:	10.1	↘
40:	10.0	→
Serie		100.8
Total		384.5



41:	10.2x	↘
42:	10.9x	↘
43:	10.0	→
44:	9.8	↗
45:	10.3x	↗
46:	9.2	→
47:	10.4x	↘
48:	9.7	↘
49:	10.0	↖
50:	9.3	↖
Serie		99.8
Total		484.3



51:	9.7	↘
52:	9.0	↗
53:	10.3x	↓
54:	10.1	↗
55:	10.2x	↗
56:	9.7	↖
57:	9.8	↖
58:	10.2x	↑
59:	9.7	↖
60:	9.1	↖
Serie		97.8
Total		582.1

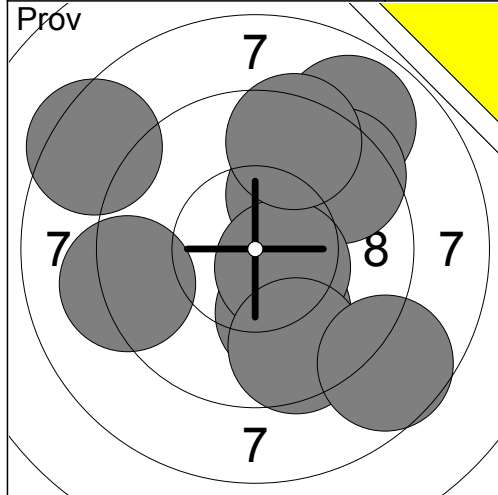
Prov 	1: 8.7 ← 2: 8.1 ← 3: 8.4 ← 4: 9.8 ← 5: 9.9 ↗ 6: 8.6 ← 7: 9.4 → 8: 9.9 ↓ 9: 10.2x ↓ 10: 9.1 ↗ Serie 92.1 Total 0.0	Prov 	11: 9.2 ↖ 12: 10.4x ↓ 13: 9.0 ↓ 14: 9.5 ↓ 15: 10.3x ↗ 16: 10.0 ↑ 17: 10.1 → 18: 9.8 ← Serie 78.3 Total 0.0
60 Skott 	1: 10.2x ← 2: 9.4 ↓ 3: 10.4x ↓ 4: 9.7 ↗ 5: 9.7 ↓ 6: 9.2 ↓ 7: 10.0 ← 8: 10.6x → 9: 10.1 ↗ 10: 9.5 ← Serie 98.8 Total 98.8	60 Skott 	11: 10.5x ↓ 12: 10.3x ← 13: 10.3x ↓ 14: 10.0 ← 15: 9.9 ↓ 16: 10.5x ↗ 17: 8.6 → 18: 10.5x → 19: 10.1 ↗ 20: 8.8 → Serie 99.5 Total 198.3
60 Skott 	21: 8.8 ↓ 22: 10.7x ← 23: 9.8 ↑ 24: 9.3 → 25: 9.8 → 26: 10.0 ← 27: 10.6x ↗ 28: 10.0 → 29: 10.4x ↓ 30: 9.9 ↓ Serie 99.3 Total 297.6	60 Skott 	31: 9.2 ↗ 32: 10.6x ↓ 33: 9.1 ← 34: 10.4x ↗ 35: 10.2x ↓ 36: 8.6 → 37: 9.7 → 38: 10.5x ↓ 39: 10.3x → 40: 9.9 ← Serie 98.5 Total 396.1
60 Skott 	41: 9.8 ↓ 42: 10.0 ↗ 43: 9.6 ↗ 44: 9.8 ← 45: 7.7 ↗ 46: 9.6 ↓ 47: 9.9 → 48: 9.9 ← 49: 9.7 ↓ 50: 10.7x → Serie 96.7 Total 492.8	60 Skott 	51: 9.2 → 52: 8.7 ← 53: 10.2x ↓ 54: 9.9 ↑ 55: 9.3 ↓ 56: 10.8x ← 57: 10.5x ↓ 58: 9.1 ↓ 59: 9.8 ↗ 60: 8.9 → Serie 96.4 Total 589.2

Pröv			Pröv
	1: 10.5x → 2: 10.7x ↗ 3: 10.6x ↓ 4: 9.7 → 5: 10.5x ↗ 6: 10.4x → 7: 10.0 → 8: 10.7x ↗ 9: 10.7x ↓ 10: 10.5x →		11: 10.2x → 12: 10.5x →
Serie 104.3		Serie 20.7	
Total 0.0		Total 0.0	

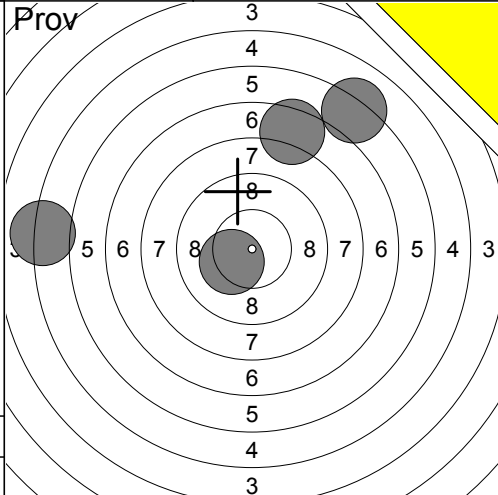
60 Skott		60 Skott	
	1: 10.4x ↗ 2: 10.1 ↗ 3: 9.9 → 4: 9.4 → 5: 10.6x ↓ 6: 10.4x → 7: 10.8x ↓ 8: 9.9 ← 9: 9.8 ↓ 10: 10.7x ←		11: 10.5x → 12: 10.3x ↓ 13: 10.7x ← 14: 10.2x ← 15: 10.8x ↓ 16: 10.2x ↗ 17: 10.5x ↗ 18: 10.4x ↓ 19: 10.6x ↗ 20: 10.1 ←
Serie 102.0		Serie 104.3	
Total 102.0		Total 206.3	

60 Skott		60 Skott	
	21: 10.2x ↗ 22: 10.1 ↗ 23: 10.4x ↓ 24: 10.6x → 25: 10.5x ↓ 26: 10.1 ↓ 27: 10.3x ← 28: 10.0 ↗ 29: 10.5x ↗ 30: 10.5x ↗		31: 9.8 ↗ 32: 10.9x ↖ 33: 9.7 ↑ 34: 10.4x → 35: 10.5x ↗ 36: 10.3x ↑ 37: 9.8 ↗ 38: 10.3x ← 39: 10.3x ← 40: 10.2x ↑
Serie 103.2		Serie 102.2	
Total 309.5		Total 411.7	

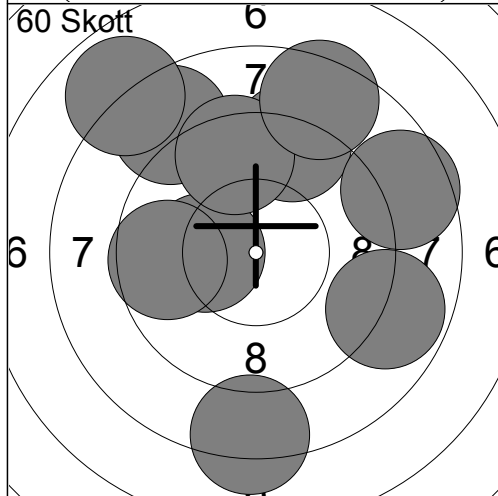
60 Skott		60 Skott	
	41: 10.0 ← 42: 10.8x ↓ 43: 10.4x ↖ 44: 10.0 ← 45: 10.7x ↑ 46: 10.8x ↗ 47: 10.1 → 48: 10.6x ↗ 49: 10.6x ↑ 50: 10.5x →		51: 10.4x ↗ 52: 10.5x ↗ 53: 10.8x ← 54: 10.9x ↖ 55: 10.4x ↗ 56: 10.4x ↖ 57: 10.4x ↗ 58: 10.5x ↓ 59: 10.3x ← 60: 10.1 ←
Serie 104.5		Serie 104.7	
Total 516.2		Total 620.9	



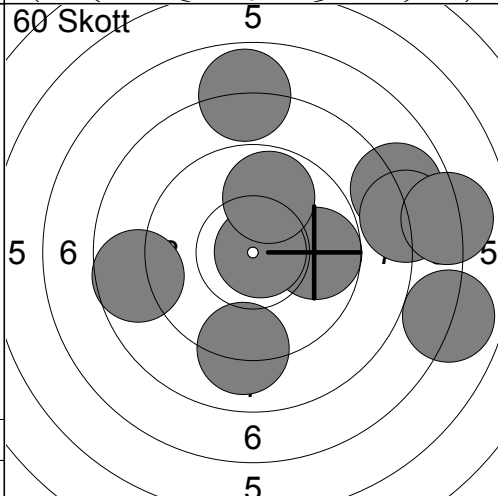
1:	8.9	↗
2:	10.1	↗
3:	9.5	↗
4:	10.0	↓
5:	10.5x	↓
6:	9.6	↓
7:	9.4	↑
8:	9.2	←
9:	8.7	↓
10:	8.4	↗
Serie		94.3
Total		0.0



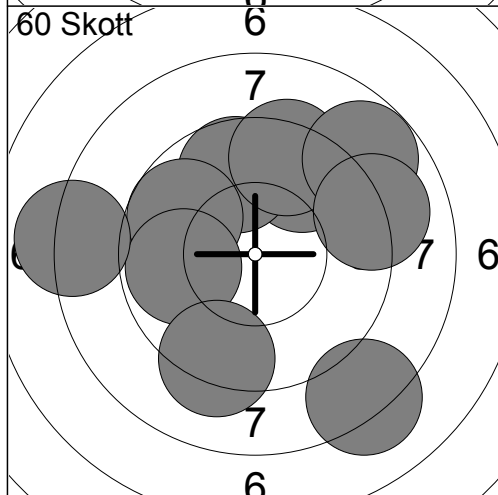
11:	5.1	←
12:	7.5	↑
13:	10.3x	↙
14:	6.2	↗
Serie		29.1
Total		0.0



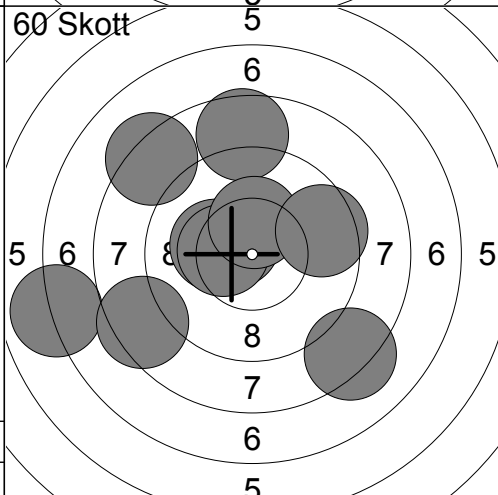
1:	8.6	↗
2:	9.2	↑
3:	8.2	↓
4:	10.2x	←
5:	9.4	↑
6:	8.8	→
7:	7.9	↗
8:	9.6	←
9:	8.5	↑
10:	8.6	→
Serie		89.0
Total		89.0



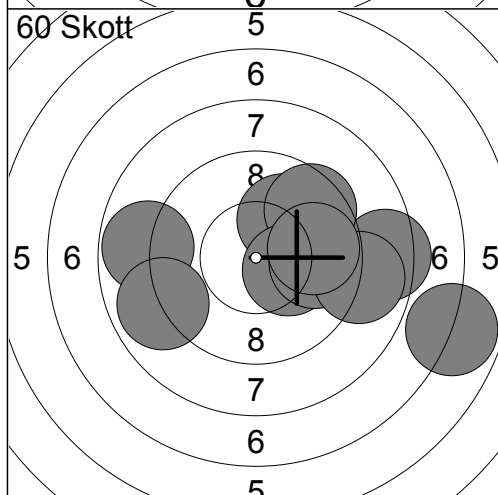
11:	9.7	→
12:	10.8x	→
13:	7.9	→
14:	6.9	→
15:	9.8	↑
16:	7.9	↑
17:	9.1	↓
18:	7.9	→
19:	7.1	→
20:	8.7	←
Serie		85.8
Total		174.8



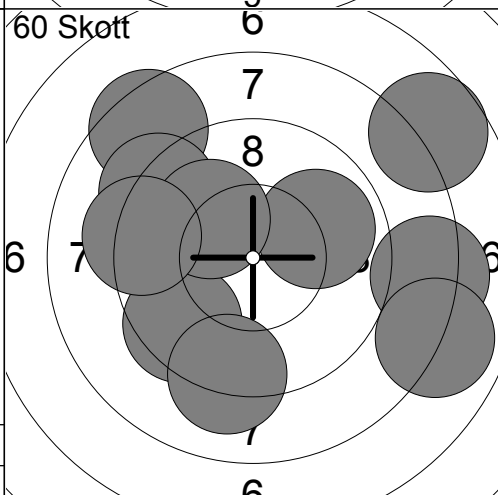
21:	9.5	↗
22:	8.2	↓
23:	9.7	↑
24:	9.4	↑
25:	8.8	↗
26:	9.7	←
27:	9.8	←
28:	9.2	↓
29:	9.0	→
30:	8.1	←
Serie		91.4
Total		266.2



31:	8.2	↓
32:	10.5x	↗
33:	7.0	←
34:	10.2x	←
35:	8.6	↑
36:	10.4x	←
37:	8.2	↗
38:	10.3x	↑
39:	9.5	→
40:	8.4	↙
Serie		91.3
Total		357.5



41:	10.0	↗
42:	8.4	→
43:	9.5	↗
44:	6.9	→
45:	10.3x	→
46:	9.8	→
47:	8.8	←
48:	8.9	→
49:	8.9	←
50:	9.8	→
Serie		91.3
Total		448.8



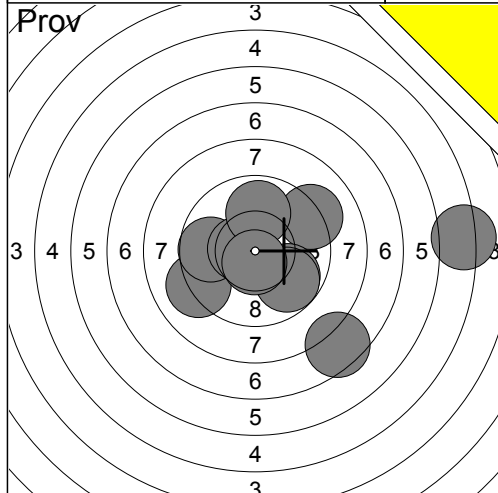
51:	9.5	↙
52:	8.5	↗
53:	9.9	→
54:	8.3	→
55:	9.2	↗
56:	7.7	↗
57:	9.2	↓
58:	10.1	↗
59:	9.2	←
60:	7.9	→
Serie		89.5
Total		538.3

Pröv			
	1: 10.0 ↑ 2: 10.0 ↑ 3: 9.6 ← 4: 10.5x ↑ 5: 10.2x ← 6: 9.8 ↑ 7: 10.7x ↓ 8: 10.0 ↓ 9: 9.8 ← 10: 10.2x ←		11: 9.9 ↓ 12: 9.8 → 13: 9.7 ← 14: 9.6 → 15: 10.2x ↓ 16: 10.0 → 17: 9.7 ↑ 18: 9.6 ↖
	Serie 100.8		Serie 78.5
	Total 0.0		Total 0.0

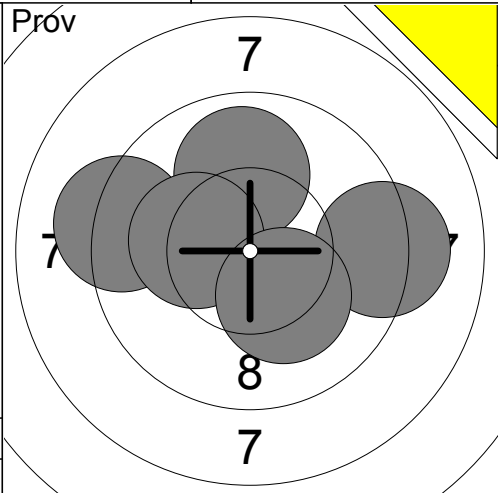
60 Skott		60 Skott	
	1: 8.9 ↓ 2: 9.5 → 3: 10.6x ↑ 4: 9.9 ← 5: 8.8 ↓ 6: 9.6 ← 7: 10.1 ↓ 8: 10.7x ↑ 9: 10.0 ↓ 10: 10.1 ↑		11: 10.7x → 12: 10.2x ↑ 13: 10.8x ↓ 14: 10.1 ↑ 15: 9.6 → 16: 9.7 ↓ 17: 9.8 ↓ 18: 9.2 → 19: 10.2x ↓ 20: 9.9 ←
	Serie 98.2		Serie 100.2
	Total 98.2		Total 198.4

60 Skott		60 Skott	
	21: 9.1 ↓ 22: 9.9 ↓ 23: 10.0 ← 24: 10.6x → 25: 10.7x → 26: 10.7x ↑ 27: 10.4x ↑ 28: 9.9 ← 29: 9.6 ↑ 30: 9.6 ←		31: 10.5x ↑ 32: 10.3x ← 33: 10.3x ↑ 34: 9.4 ↑ 35: 10.4x → 36: 10.6x ↑ 37: 10.2x ↓ 38: 10.2x ↑ 39: 10.6x ↓ 40: 10.4x →
	Serie 100.5		Serie 102.9
	Total 298.9		Total 401.8

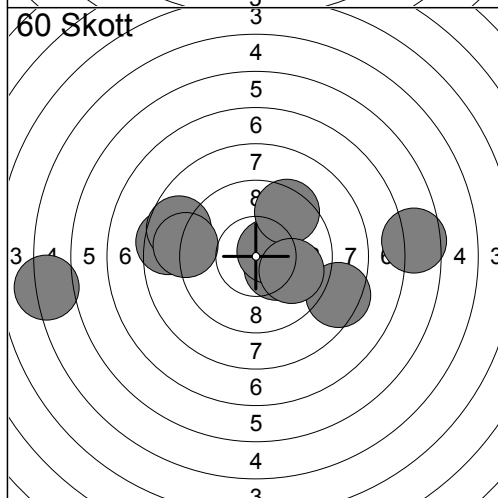
60 Skott		60 Skott	
	41: 10.2x ↑ 42: 10.1 ↑ 43: 10.8x ↑ 44: 10.1 ← 45: 10.3x ← 46: 10.0 ↑ 47: 10.5x ↑ 48: 10.8x ↑ 49: 10.0 ↓ 50: 9.8 ←		51: 9.5 ← 52: 10.1 ← 53: 9.9 → 54: 9.7 ← 55: 10.1 ↓ 56: 9.7 ← 57: 9.2 ↑ 58: 9.9 ↑ 59: 10.0 ↑ 60: 10.1 ↓
	Serie 102.6		Serie 98.2
	Total 504.4		Total 602.6



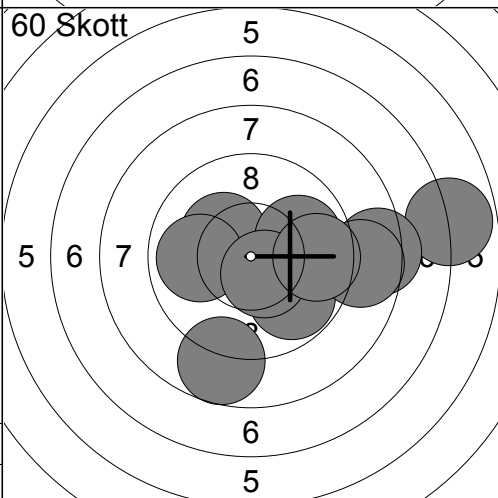
1:	7.5	↘
2:	5.2	→
3:	9.2	↗
4:	9.8	↘
5:	9.1	←
6:	9.7	←
7:	9.8	↘
8:	10.5x	←
9:	9.9	↑
10:	10.6x	↓
Serie		91.3
Total		0.0



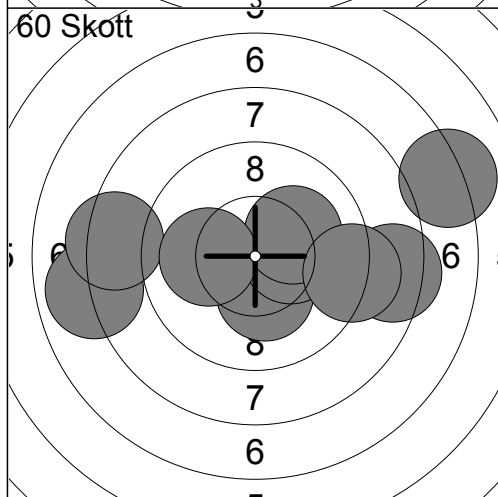
11:	9.9	↑
12:	9.2	←
13:	10.2x	←
14:	9.2	→
15:	10.2x	↘
Serie		48.7
Total		0.0



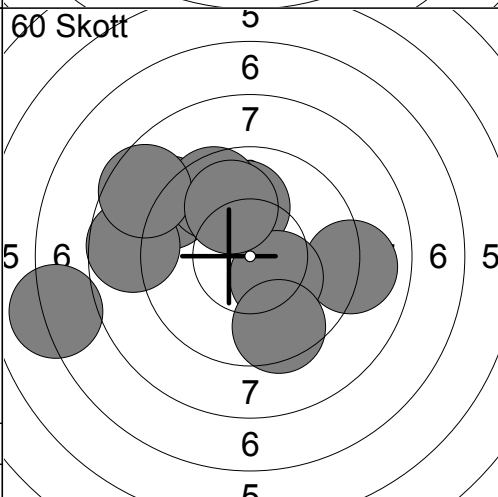
1:	8.5	↘
2:	5.1	←
3:	10.3x	↘
4:	10.5x	↗
5:	6.6	→
6:	9.4	↗
7:	8.5	←
8:	8.7	←
9:	9.9	↘
10:	9.0	←
Serie		86.5
Total		86.5



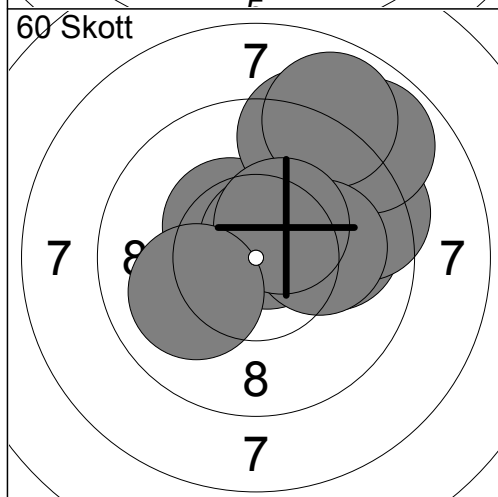
11:	6.8	→
12:	9.8	↘
13:	8.7	↘
14:	8.3	→
15:	10.2x	↗
16:	9.9	→
17:	8.7	→
18:	9.9	←
19:	10.5x	↘
20:	9.6	→
Serie		92.4
Total		178.9



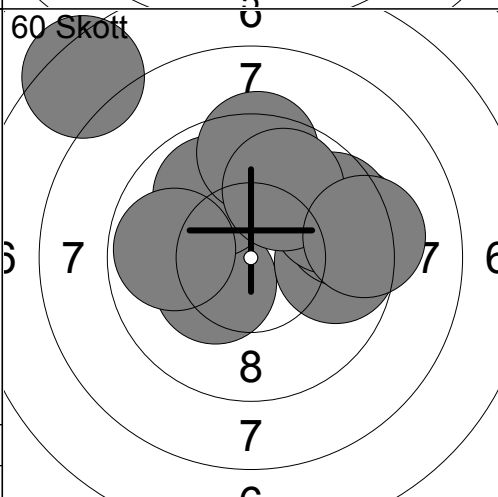
21:	10.6x	↘
22:	7.1	→
23:	7.9	←
24:	8.4	→
25:	10.3x	↘
26:	10.3x	→
27:	10.2x	↗
28:	8.3	←
29:	10.1	←
30:	9.1	→
Serie		92.3
Total		271.2



31:	9.1	↗
32:	9.0	→
33:	7.1	←
34:	8.7	←
35:	10.0	↑
36:	9.6	↗
37:	10.3x	↘
38:	9.5	↘
39:	8.6	↗
40:	9.9	↑
Serie		91.8
Total		363.0



41:	10.4x	↖
42:	10.7x	↗
43:	9.2	↗
44:	9.9	→
45:	9.4	→
46:	8.9	↗
47:	8.9	↗
48:	10.1	→
49:	10.4x	↗
50:	10.0	←
Serie		97.9
Total		460.9



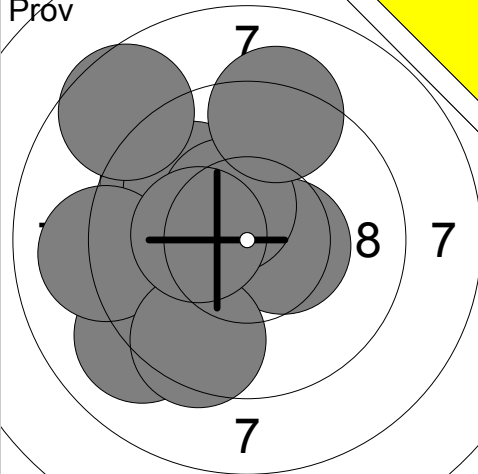
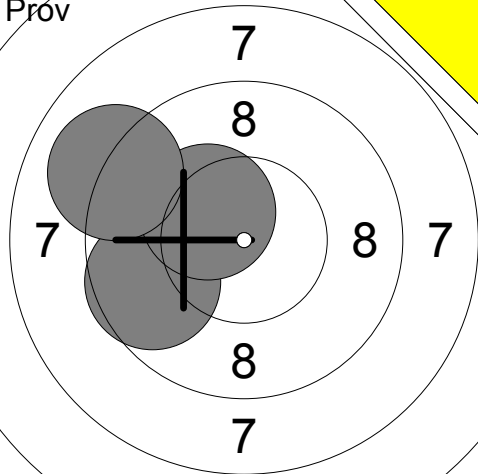
51:	7.3	↖
52:	10.3x	←
53:	9.7	→
54:	9.9	↗
55:	9.5	→
56:	9.6	↗
57:	9.4	↑
58:	9.8	←
59:	9.8	↗
60:	9.3	→
Serie		94.6
Total		555.5

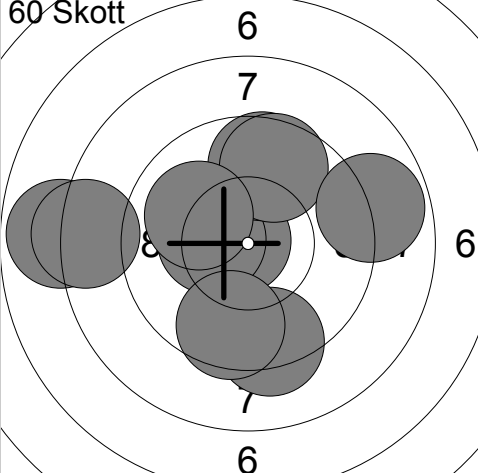
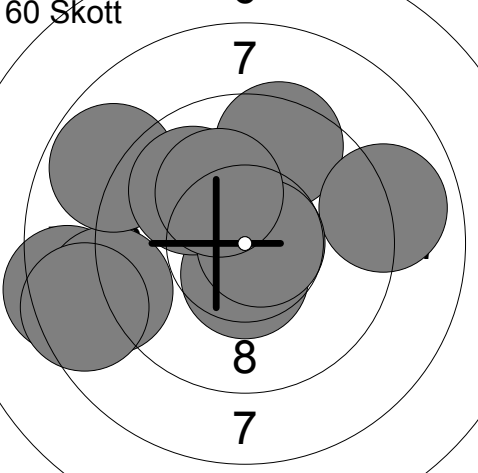
<p>Pröv</p>	<p>1: 9.5 → 2: 9.0 → 3: 9.6 ↗ 4: 9.7 ← 5: 8.9 ↗ 6: 10.5x ↑ 7: 10.6x ↓ 8: 10.2x ← 9: 10.3x ↗ 10: 9.5 →</p> <p>Serie 97.8 Total 0.0</p>	<p>Pröv</p>	<p>11: 9.0 ↑ 12: 10.2x ↑ 13: 9.7 ↗</p> <p>Serie 28.9 Total 0.0</p>
-------------	-------------------------------------------------------------------------------------------------------------------------------------------------------------------------------	-------------	--------------------------------------------------------------------------------

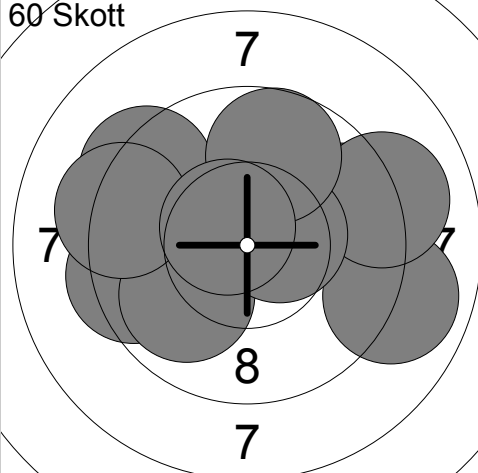
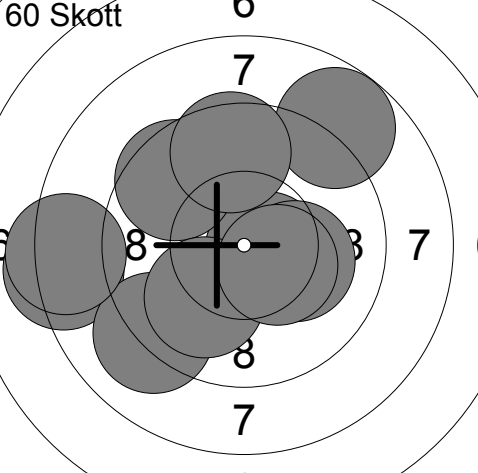
<p>60 Skott</p>	<p>1: 8.9 ↗ 2: 9.0 ← 3: 10.1 ← 4: 10.1 ↗ 5: 9.9 ↗ 6: 10.4x ↓ 7: 8.2 ← 8: 9.5 ↗ 9: 9.7 ↑ 10: 10.1 ↗</p> <p>Serie 95.9 Total 95.9</p>	<p>60 Skott</p>	<p>11: 9.6 ↑ 12: 10.1 ↗ 13: 9.5 ↗ 14: 10.3x ← 15: 10.1 ↓ 16: 9.7 ↗ 17: 10.2x ↓ 18: 9.1 ↘ 19: 10.4x ↑ 20: 9.0 ←</p> <p>Serie 98.0 Total 193.9</p>
-----------------	-----------------------------------------------------------------------------------------------------------------------------------------------------------------------------	-----------------	------------------------------------------------------------------------------------------------------------------------------------------------------------------------------------------

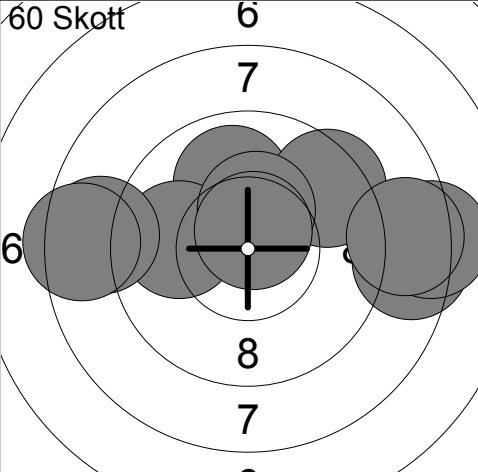
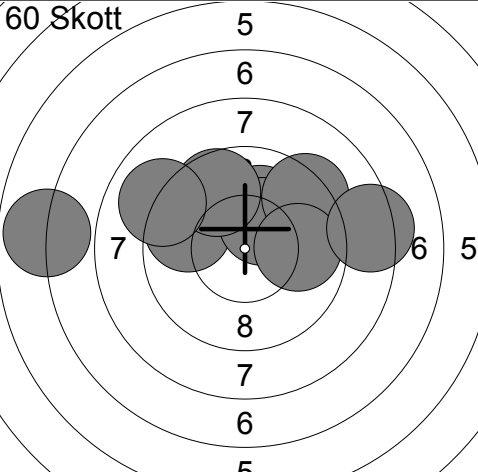
<p>60 Skott</p>	<p>21: 10.0 ↓ 22: 10.4x ↗ 23: 9.5 ← 24: 10.1 ↑ 25: 10.5x ← 26: 9.8 ↓ 27: 8.7 ↓ 28: 9.4 ↓ 29: 9.6 ↗ 30: 9.9 →</p> <p>Serie 97.9 Total 291.8</p>	<p>60 Skott</p>	<p>31: 9.6 ↓ 32: 10.6x ← 33: 9.7 ← 34: 9.7 ↗ 35: 9.8 ↓ 36: 8.9 → 37: 9.5 ↓ 38: 9.3 ← 39: 9.9 ← 40: 10.5x ↓</p> <p>Serie 97.5 Total 389.3</p>
-----------------	----------------------------------------------------------------------------------------------------------------------------------------------------------------------------------------	-----------------	--------------------------------------------------------------------------------------------------------------------------------------------------------------------------------------

<p>60 Skott</p>	<p>41: 10.3x ↓ 42: 10.4x ← 43: 9.7 ← 44: 9.5 ↘ 45: 10.0 ↓ 46: 10.5x ↓ 47: 10.0 ← 48: 10.2x ↗ 49: 10.5x ↗ 50: 10.0 ↓</p> <p>Serie 101.1 Total 490.4</p>	<p>60 Skott</p>	<p>51: 10.0 ↑ 52: 9.5 ← 53: 9.9 ↓ 54: 9.6 ← 55: 10.4x ↓ 56: 10.3x ↗ 57: 9.5 ↓ 58: 9.3 ← 59: 9.7 ↓ 60: 9.3 →</p> <p>Serie 97.5 Total 587.9</p>
-----------------	------------------------------------------------------------------------------------------------------------------------------------------------------------------------------------------------	-----------------	---------------------------------------------------------------------------------------------------------------------------------------------------------------------------------------

<p>Pröv</p> 	<p>1: 10.5x → 2: 9.7 ↗ 3: 10.0 ↗ 4: 8.6 ↗ 5: 9.1 ↙ 6: 9.1 ← 7: 10.4x ↗ 8: 9.5 ↓ 9: 9.2 ↑ 10: 10.3x ←</p> <p>Serie 96.4 Total 0.0</p>	<p>Pröv</p> 	<p>11: 9.6 ← 12: 10.3x ↗ 13: 9.0 ↗</p> <p>Serie 28.9 Total 0.0</p>
----------------------------------------------------------------------------------------------	---------------------------------------------------------------------------------------------------------------------------------------------------------------------------------------------------------------------------------------------------------------------------------------------------------------------------------------	------------------------------------------------------------------------------------------------	------------------------------------------------------------------------------------------------------------------

<p>60 Skott</p> 	<p>1: 9.3 ↓ 2: 10.8x ← 3: 10.3x ← 4: 7.8 ← 5: 9.6 ↓ 6: 9.7 ↑ 7: 9.6 ↑ 8: 10.0 ↗ 9: 8.3 ← 10: 8.8 →</p> <p>Serie 94.2 Total 94.2</p>	<p>60 Skott</p> 	<p>11: 10.5x ↓ 12: 8.4 ← 13: 9.5 ↗ 14: 8.9 ← 15: 8.9 → 16: 8.8 ↗ 17: 9.9 ↗ 18: 8.5 ← 19: 10.7x → 20: 10.2x ↗</p> <p>Serie 94.3 Total 188.5</p>
---------------------------------------------------------------------------------------------------	--------------------------------------------------------------------------------------------------------------------------------------------------------------------------------------------------------------------------------------------------------------------------------------------------------------------------------------	-----------------------------------------------------------------------------------------------------	-------------------------------------------------------------------------------------------------------------------------------------------------------------------------------------------------------------------------------------------------------------------------------------------------------------------------------------------------

<p>60 Skott</p> 	<p>21: 9.4 ← 22: 9.9 ↙ 23: 9.6 → 24: 9.3 ↗ 25: 8.9 → 26: 9.1 → 27: 10.5x → 28: 9.2 ← 29: 9.7 ↑ 30: 10.6x ↗</p> <p>Serie 96.2 Total 284.7</p>	<p>60 Skott</p> 	<p>31: 8.8 ↗ 32: 8.2 ← 33: 9.1 ↙ 34: 10.6x → 35: 10.2x → 36: 9.5 ↗ 37: 10.0 ↙ 38: 9.6 ↑ 39: 8.3 ← 40: 10.4x →</p> <p>Serie 94.7 Total 379.4</p>
----------------------------------------------------------------------------------------------------	-----------------------------------------------------------------------------------------------------------------------------------------------------------------------------------------------------------------------------------------------------------------------------------------------------------------------------------------------	------------------------------------------------------------------------------------------------------	--------------------------------------------------------------------------------------------------------------------------------------------------------------------------------------------------------------------------------------------------------------------------------------------------------------------------------------------------

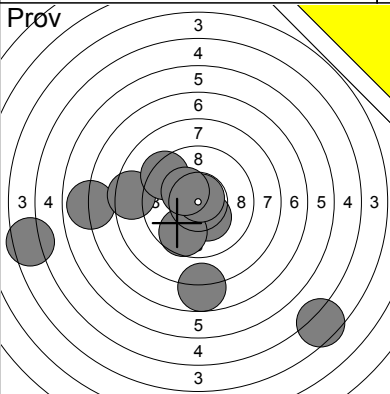
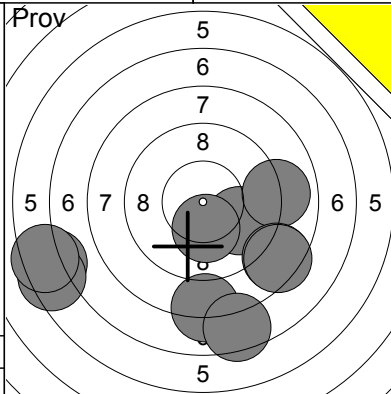
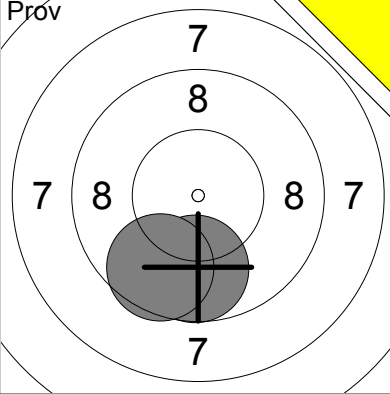
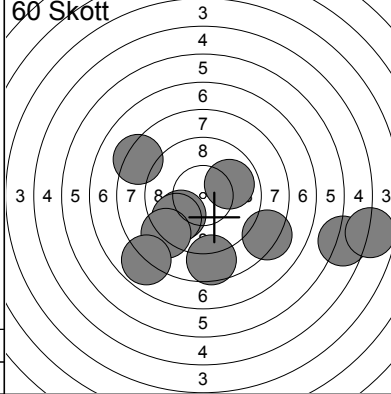
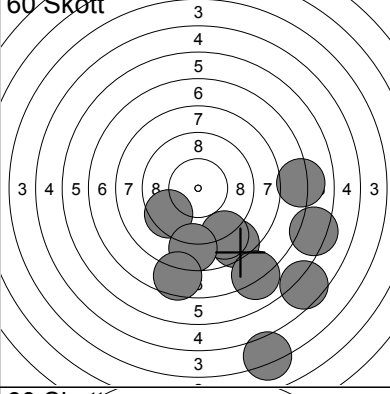
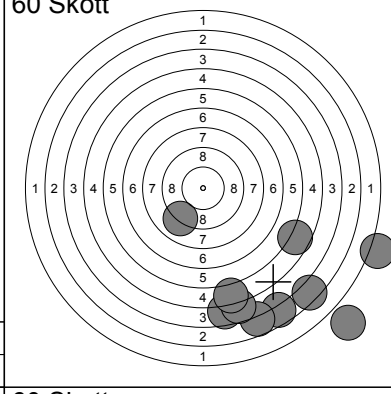
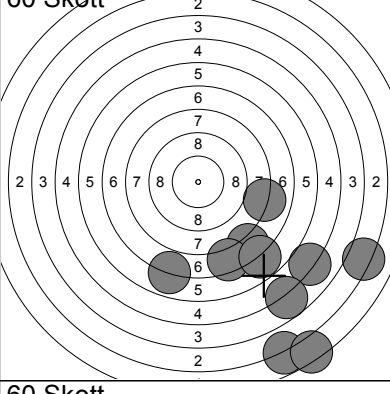
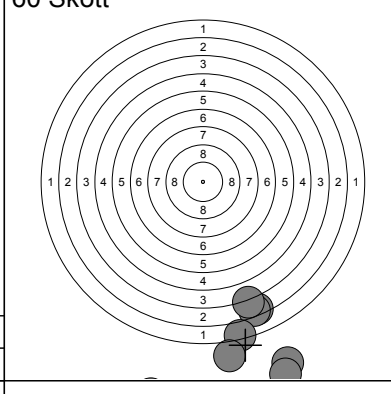
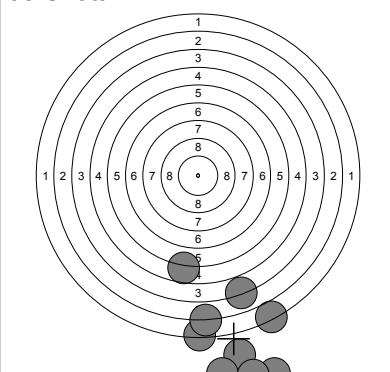
<p>60 Skott</p> 	<p>41: 8.5 → 42: 9.9 ↑ 43: 9.9 ← 44: 8.7 ← 45: 9.4 ↗ 46: 8.2 → 47: 10.3x ↑ 48: 8.6 → 49: 10.7x ↑ 50: 8.4 ←</p> <p>Serie 92.6 Total 472.0</p>	<p>60 Skott</p> 	<p>51: 9.5 ↗ 52: 10.1 ↑ 53: 9.7 ← 54: 10.3x ↗ 55: 9.7 ↗ 56: 6.9 ← 57: 9.3 ↗ 58: 9.9 → 59: 9.0 ← 60: 8.3 →</p> <p>Serie 92.7 Total 564.7</p>
----------------------------------------------------------------------------------------------------	-----------------------------------------------------------------------------------------------------------------------------------------------------------------------------------------------------------------------------------------------------------------------------------------------------------------------------------------------	------------------------------------------------------------------------------------------------------	----------------------------------------------------------------------------------------------------------------------------------------------------------------------------------------------------------------------------------------------------------------------------------------------------------------------------------------------

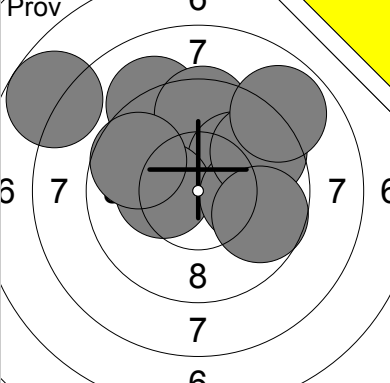
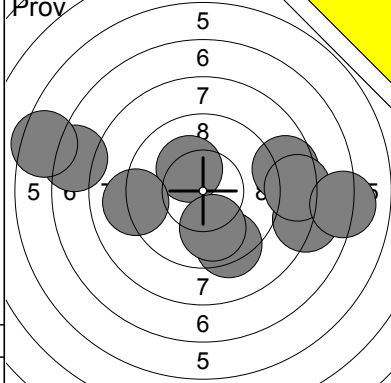
<p>Pröv</p>	<p>1: 9.5 ↘ 2: 10.2x ↓ 3: 10.8x ↘ 4: 9.6 ↙ 5: 10.0 ↑ 6: 10.1 → 7: 9.9 → 8: 10.3x ↙ 9: 9.5 → 10: 9.6 ↗</p> <p>Serie 99.5 Total 0.0</p>	<p>Pröv</p>	<p>11: 10.6x → 12: 10.4x → 13: 10.5x ↘ 14: 9.5 ↓ 15: 9.1 → 16: 9.7 ↙ 17: 10.3x ↑ 18: 10.5x ←</p> <p>Serie 80.6 Total 0.0</p>
-------------	-------------------------------------------------------------------------------------------------------------------------------------------------------------------------------	-------------	--------------------------------------------------------------------------------------------------------------------------------------------------------------

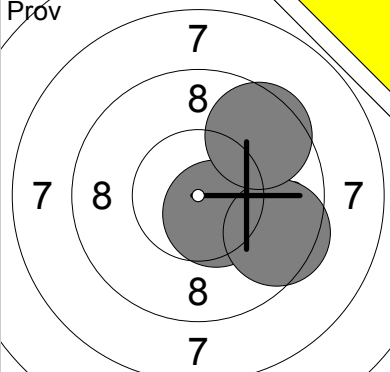
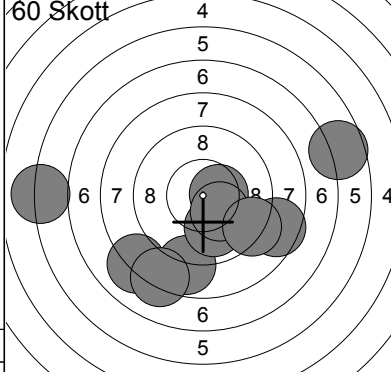
<p>60 Skott</p>	<p>1: 9.5 → 2: 10.2x ↘ 3: 9.4 ↘ 4: 9.6 → 5: 9.7 → 6: 8.6 ↘ 7: 10.2x ↗ 8: 9.9 ← 9: 9.2 ↗ 10: 10.2x ↘</p> <p>Serie 96.5 Total 96.5</p>	<p>60 Skott</p>	<p>11: 10.7x ↙ 12: 7.9 ← 13: 9.3 ← 14: 8.4 ↙ 15: 9.8 ↓ 16: 10.7x ↗ 17: 10.7x ↘ 18: 9.5 ← 19: 9.6 ↘ 20: 10.4x →</p> <p>Serie 97.0 Total 193.5</p>
-----------------	------------------------------------------------------------------------------------------------------------------------------------------------------------------------------	-----------------	------------------------------------------------------------------------------------------------------------------------------------------------------------------------------------------

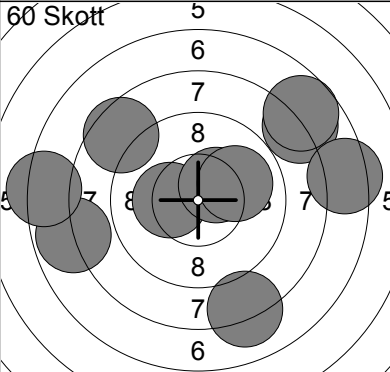
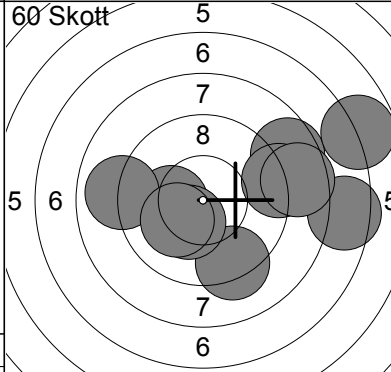
<p>60 Skott</p>	<p>21: 10.5x ↙ 22: 10.1 ↗ 23: 10.0 → 24: 8.5 ↘ 25: 9.8 ↗ 26: 8.3 ↘ 27: 10.6x ↑ 28: 10.6x ↗ 29: 9.0 ↘ 30: 10.3x ↘</p> <p>Serie 97.7 Total 291.2</p>	<p>60 Skott</p>	<p>31: 10.2x ↙ 32: 9.7 → 33: 10.4x ↘ 34: 10.6x ← 35: 9.8 ← 36: 8.8 ↘ 37: 10.3x ↘ 38: 10.0 ↘ 39: 8.9 ↘ 40: 9.8 ↗</p> <p>Serie 98.5 Total 389.7</p>
-----------------	--------------------------------------------------------------------------------------------------------------------------------------------------------------------------------------------	-----------------	-------------------------------------------------------------------------------------------------------------------------------------------------------------------------------------------

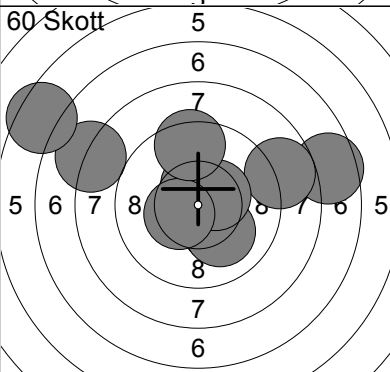
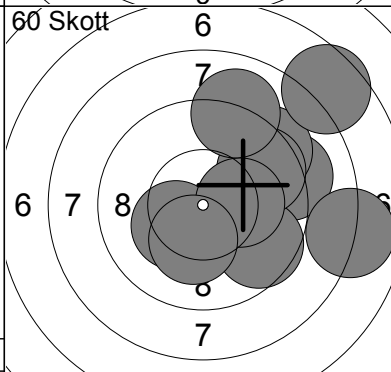
<p>60 Skott</p>	<p>41: 10.2x → 42: 8.8 → 43: 8.9 ↘ 44: 9.1 ↘ 45: 10.2x ↘ 46: 10.4x ↗ 47: 10.0 → 48: 8.6 → 49: 8.6 → 50: 10.4x ↘</p> <p>Serie 95.2 Total 484.9</p>	<p>60 Skott</p>	<p>51: 9.6 ↓ 52: 10.2x ← 53: 10.3x ↘ 54: 9.8 ↗ 55: 10.1 ↘ 56: 10.0 → 57: 10.2x ↘ 58: 10.8x ↗ 59: 10.2x ↘ 60: 10.3x ↑</p> <p>Serie 101.5 Total 586.4</p>
-----------------	-------------------------------------------------------------------------------------------------------------------------------------------------------------------------------------------	-----------------	-------------------------------------------------------------------------------------------------------------------------------------------------------------------------------------------------

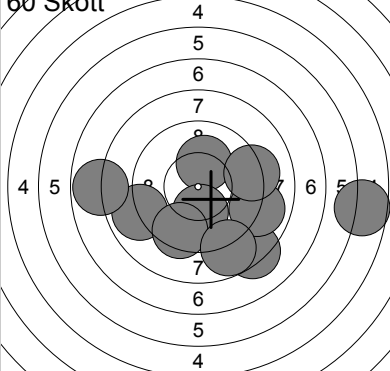
Ramselefors	Ramselefors	15S	Vb																																																																								
05.11.2017	Vindelnskottet 2017	Ramselefors SKF																																																																									
	<table border="1" style="width:100%; border-collapse: collapse;"> <tr><td>1:</td><td>4.5</td><td style="text-align: right;">↘</td></tr> <tr><td>2:</td><td>6.9</td><td style="text-align: right;">←</td></tr> <tr><td>3:</td><td>10.3x</td><td style="text-align: right;">↘</td></tr> <tr><td>4:</td><td>8.4</td><td style="text-align: right;">←</td></tr> <tr><td>5:</td><td>9.7</td><td style="text-align: right;">↘</td></tr> <tr><td>6:</td><td>10.8x</td><td style="text-align: right;">↗</td></tr> <tr><td>7:</td><td>4.5</td><td style="text-align: right;">←</td></tr> <tr><td>8:</td><td>7.8</td><td style="text-align: right;">↘</td></tr> <tr><td>9:</td><td>9.4</td><td style="text-align: right;">↗</td></tr> <tr><td>10:</td><td>10.3x</td><td style="text-align: right;">↗</td></tr> <tr><td colspan="2">Serie</td><td style="text-align: right;">82.6</td></tr> <tr><td colspan="2">Total</td><td style="text-align: right;">0.0</td></tr> </table>	1:	4.5	↘	2:	6.9	←	3:	10.3x	↘	4:	8.4	←	5:	9.7	↘	6:	10.8x	↗	7:	4.5	←	8:	7.8	↘	9:	9.4	↗	10:	10.3x	↗	Serie		82.6	Total		0.0		<table border="1" style="width:100%; border-collapse: collapse;"> <tr><td>11:</td><td>8.1</td><td style="text-align: right;">↓</td></tr> <tr><td>12:</td><td>6.6</td><td style="text-align: right;">←</td></tr> <tr><td>13:</td><td>9.8</td><td style="text-align: right;">↘</td></tr> <tr><td>14:</td><td>9.0</td><td style="text-align: right;">→</td></tr> <tr><td>15:</td><td>7.5</td><td style="text-align: right;">↘</td></tr> <tr><td>16:</td><td>6.4</td><td style="text-align: right;">←</td></tr> <tr><td>17:</td><td>6.5</td><td style="text-align: right;">←</td></tr> <tr><td>18:</td><td>8.5</td><td style="text-align: right;">↘</td></tr> <tr><td>19:</td><td>8.4</td><td style="text-align: right;">↘</td></tr> <tr><td>20:</td><td>10.2x</td><td style="text-align: right;">↓</td></tr> <tr><td colspan="2">Serie</td><td style="text-align: right;">81.0</td></tr> <tr><td colspan="2">Total</td><td style="text-align: right;">0.0</td></tr> </table>	11:	8.1	↓	12:	6.6	←	13:	9.8	↘	14:	9.0	→	15:	7.5	↘	16:	6.4	←	17:	6.5	←	18:	8.5	↘	19:	8.4	↘	20:	10.2x	↓	Serie		81.0	Total		0.0
1:	4.5	↘																																																																									
2:	6.9	←																																																																									
3:	10.3x	↘																																																																									
4:	8.4	←																																																																									
5:	9.7	↘																																																																									
6:	10.8x	↗																																																																									
7:	4.5	←																																																																									
8:	7.8	↘																																																																									
9:	9.4	↗																																																																									
10:	10.3x	↗																																																																									
Serie		82.6																																																																									
Total		0.0																																																																									
11:	8.1	↓																																																																									
12:	6.6	←																																																																									
13:	9.8	↘																																																																									
14:	9.0	→																																																																									
15:	7.5	↘																																																																									
16:	6.4	←																																																																									
17:	6.5	←																																																																									
18:	8.5	↘																																																																									
19:	8.4	↘																																																																									
20:	10.2x	↓																																																																									
Serie		81.0																																																																									
Total		0.0																																																																									
	<table border="1" style="width:100%; border-collapse: collapse;"> <tr><td>21:</td><td>9.7</td><td style="text-align: right;">↓</td></tr> <tr><td>22:</td><td>9.6</td><td style="text-align: right;">↓</td></tr> <tr><td colspan="2">Serie</td><td style="text-align: right;">19.3</td></tr> <tr><td colspan="2">Total</td><td style="text-align: right;">0.0</td></tr> </table>	21:	9.7	↓	22:	9.6	↓	Serie		19.3	Total		0.0		<table border="1" style="width:100%; border-collapse: collapse;"> <tr><td>1:</td><td>5.7</td><td style="text-align: right;">→</td></tr> <tr><td>2:</td><td>4.8</td><td style="text-align: right;">→</td></tr> <tr><td>3:</td><td>8.2</td><td style="text-align: right;">↘</td></tr> <tr><td>4:</td><td>9.9</td><td style="text-align: right;">→</td></tr> <tr><td>5:</td><td>9.9</td><td style="text-align: right;">↘</td></tr> <tr><td>6:</td><td>8.6</td><td style="text-align: right;">↓</td></tr> <tr><td>7:</td><td>9.7</td><td style="text-align: right;">↘</td></tr> <tr><td>8:</td><td>8.3</td><td style="text-align: right;">↗</td></tr> <tr><td>9:</td><td>9.1</td><td style="text-align: right;">↘</td></tr> <tr><td>10:</td><td>7.8</td><td style="text-align: right;">↘</td></tr> <tr><td colspan="2">Serie</td><td style="text-align: right;">82.0</td></tr> <tr><td colspan="2">Total</td><td style="text-align: right;">82.0</td></tr> </table>	1:	5.7	→	2:	4.8	→	3:	8.2	↘	4:	9.9	→	5:	9.9	↘	6:	8.6	↓	7:	9.7	↘	8:	8.3	↗	9:	9.1	↘	10:	7.8	↘	Serie		82.0	Total		82.0																								
21:	9.7	↓																																																																									
22:	9.6	↓																																																																									
Serie		19.3																																																																									
Total		0.0																																																																									
1:	5.7	→																																																																									
2:	4.8	→																																																																									
3:	8.2	↘																																																																									
4:	9.9	→																																																																									
5:	9.9	↘																																																																									
6:	8.6	↓																																																																									
7:	9.7	↘																																																																									
8:	8.3	↗																																																																									
9:	9.1	↘																																																																									
10:	7.8	↘																																																																									
Serie		82.0																																																																									
Total		82.0																																																																									
	<table border="1" style="width:100%; border-collapse: collapse;"> <tr><td>11:</td><td>9.5</td><td style="text-align: right;">↘</td></tr> <tr><td>12:</td><td>8.5</td><td style="text-align: right;">↘</td></tr> <tr><td>13:</td><td>7.1</td><td style="text-align: right;">→</td></tr> <tr><td>14:</td><td>8.9</td><td style="text-align: right;">↘</td></tr> <tr><td>15:</td><td>6.3</td><td style="text-align: right;">↘</td></tr> <tr><td>16:</td><td>8.7</td><td style="text-align: right;">↘</td></tr> <tr><td>17:</td><td>7.6</td><td style="text-align: right;">↘</td></tr> <tr><td>18:</td><td>5.6</td><td style="text-align: right;">↘</td></tr> <tr><td>19:</td><td>7.0</td><td style="text-align: right;">↘</td></tr> <tr><td>20:</td><td>4.1</td><td style="text-align: right;">↘</td></tr> <tr><td colspan="2">Serie</td><td style="text-align: right;">73.3</td></tr> <tr><td colspan="2">Total</td><td style="text-align: right;">155.3</td></tr> </table>	11:	9.5	↘	12:	8.5	↘	13:	7.1	→	14:	8.9	↘	15:	6.3	↘	16:	8.7	↘	17:	7.6	↘	18:	5.6	↘	19:	7.0	↘	20:	4.1	↘	Serie		73.3	Total		155.3		<table border="1" style="width:100%; border-collapse: collapse;"> <tr><td>21:</td><td>4.5</td><td style="text-align: right;">↓</td></tr> <tr><td>22:</td><td>3.6</td><td style="text-align: right;">↘</td></tr> <tr><td>23:</td><td>0.0</td><td style="text-align: right;">↘</td></tr> <tr><td>24:</td><td>3.7</td><td style="text-align: right;">↘</td></tr> <tr><td>25:</td><td>5.6</td><td style="text-align: right;">↘</td></tr> <tr><td>26:</td><td>4.7</td><td style="text-align: right;">↘</td></tr> <tr><td>27:</td><td>3.3</td><td style="text-align: right;">↘</td></tr> <tr><td>28:</td><td>1.5</td><td style="text-align: right;">↘</td></tr> <tr><td>29:</td><td>5.3</td><td style="text-align: right;">↘</td></tr> <tr><td>30:</td><td>9.0</td><td style="text-align: right;">↘</td></tr> <tr><td colspan="2">Serie</td><td style="text-align: right;">41.2</td></tr> <tr><td colspan="2">Total</td><td style="text-align: right;">196.5</td></tr> </table>	21:	4.5	↓	22:	3.6	↘	23:	0.0	↘	24:	3.7	↘	25:	5.6	↘	26:	4.7	↘	27:	3.3	↘	28:	1.5	↘	29:	5.3	↘	30:	9.0	↘	Serie		41.2	Total		196.5
11:	9.5	↘																																																																									
12:	8.5	↘																																																																									
13:	7.1	→																																																																									
14:	8.9	↘																																																																									
15:	6.3	↘																																																																									
16:	8.7	↘																																																																									
17:	7.6	↘																																																																									
18:	5.6	↘																																																																									
19:	7.0	↘																																																																									
20:	4.1	↘																																																																									
Serie		73.3																																																																									
Total		155.3																																																																									
21:	4.5	↓																																																																									
22:	3.6	↘																																																																									
23:	0.0	↘																																																																									
24:	3.7	↘																																																																									
25:	5.6	↘																																																																									
26:	4.7	↘																																																																									
27:	3.3	↘																																																																									
28:	1.5	↘																																																																									
29:	5.3	↘																																																																									
30:	9.0	↘																																																																									
Serie		41.2																																																																									
Total		196.5																																																																									
	<table border="1" style="width:100%; border-collapse: collapse;"> <tr><td>31:</td><td>8.0</td><td style="text-align: right;">→</td></tr> <tr><td>32:</td><td>5.0</td><td style="text-align: right;">↘</td></tr> <tr><td>33:</td><td>7.5</td><td style="text-align: right;">↘</td></tr> <tr><td>34:</td><td>3.2</td><td style="text-align: right;">↘</td></tr> <tr><td>35:</td><td>7.4</td><td style="text-align: right;">↘</td></tr> <tr><td>36:</td><td>6.8</td><td style="text-align: right;">↘</td></tr> <tr><td>37:</td><td>2.8</td><td style="text-align: right;">↘</td></tr> <tr><td>38:</td><td>6.9</td><td style="text-align: right;">↘</td></tr> <tr><td>39:</td><td>4.7</td><td style="text-align: right;">↘</td></tr> <tr><td>40:</td><td>2.3</td><td style="text-align: right;">↘</td></tr> <tr><td colspan="2">Serie</td><td style="text-align: right;">54.6</td></tr> <tr><td colspan="2">Total</td><td style="text-align: right;">251.1</td></tr> </table>	31:	8.0	→	32:	5.0	↘	33:	7.5	↘	34:	3.2	↘	35:	7.4	↘	36:	6.8	↘	37:	2.8	↘	38:	6.9	↘	39:	4.7	↘	40:	2.3	↘	Serie		54.6	Total		251.1		<table border="1" style="width:100%; border-collapse: collapse;"> <tr><td>41:</td><td>3.2</td><td style="text-align: right;">↘</td></tr> <tr><td>42:</td><td>0.0</td><td style="text-align: right;">↘</td></tr> <tr><td>43:</td><td>3.2</td><td style="text-align: right;">↘</td></tr> <tr><td>44:</td><td>3.7</td><td style="text-align: right;">↘</td></tr> <tr><td>45:</td><td>2.1</td><td style="text-align: right;">↘</td></tr> <tr><td>46:</td><td>1.1</td><td style="text-align: right;">↘</td></tr> <tr><td>47:</td><td>0.0</td><td style="text-align: right;">↘</td></tr> <tr><td>48:</td><td>☒</td><td style="text-align: right;">↘</td></tr> <tr><td>49:</td><td>0.0</td><td style="text-align: right;">↘</td></tr> <tr><td>50:</td><td>0.0</td><td style="text-align: right;">↘</td></tr> <tr><td colspan="2">Serie</td><td style="text-align: right;">13.3</td></tr> <tr><td colspan="2">Total</td><td style="text-align: right;">264.4</td></tr> </table>	41:	3.2	↘	42:	0.0	↘	43:	3.2	↘	44:	3.7	↘	45:	2.1	↘	46:	1.1	↘	47:	0.0	↘	48:	☒	↘	49:	0.0	↘	50:	0.0	↘	Serie		13.3	Total		264.4
31:	8.0	→																																																																									
32:	5.0	↘																																																																									
33:	7.5	↘																																																																									
34:	3.2	↘																																																																									
35:	7.4	↘																																																																									
36:	6.8	↘																																																																									
37:	2.8	↘																																																																									
38:	6.9	↘																																																																									
39:	4.7	↘																																																																									
40:	2.3	↘																																																																									
Serie		54.6																																																																									
Total		251.1																																																																									
41:	3.2	↘																																																																									
42:	0.0	↘																																																																									
43:	3.2	↘																																																																									
44:	3.7	↘																																																																									
45:	2.1	↘																																																																									
46:	1.1	↘																																																																									
47:	0.0	↘																																																																									
48:	☒	↘																																																																									
49:	0.0	↘																																																																									
50:	0.0	↘																																																																									
Serie		13.3																																																																									
Total		264.4																																																																									
	<table border="1" style="width:100%; border-collapse: collapse;"> <tr><td>51:</td><td>2.0</td><td style="text-align: right;">↘</td></tr> <tr><td>52:</td><td>2.0</td><td style="text-align: right;">↘</td></tr> <tr><td>53:</td><td>0.0</td><td style="text-align: right;">↘</td></tr> <tr><td>54:</td><td>0.0</td><td style="text-align: right;">↘</td></tr> <tr><td>55:</td><td>3.9</td><td style="text-align: right;">↘</td></tr> <tr><td>56:</td><td>5.7</td><td style="text-align: right;">↘</td></tr> <tr><td>57:</td><td>0.0</td><td style="text-align: right;">↘</td></tr> <tr><td>58:</td><td>0.0</td><td style="text-align: right;">↘</td></tr> <tr><td>59:</td><td>0.0</td><td style="text-align: right;">↘</td></tr> <tr><td>60:</td><td>2.8</td><td style="text-align: right;">↘</td></tr> <tr><td colspan="2">Serie</td><td style="text-align: right;">16.4</td></tr> <tr><td colspan="2">Total</td><td style="text-align: right;">280.8</td></tr> </table>	51:	2.0	↘	52:	2.0	↘	53:	0.0	↘	54:	0.0	↘	55:	3.9	↘	56:	5.7	↘	57:	0.0	↘	58:	0.0	↘	59:	0.0	↘	60:	2.8	↘	Serie		16.4	Total		280.8																																						
51:	2.0	↘																																																																									
52:	2.0	↘																																																																									
53:	0.0	↘																																																																									
54:	0.0	↘																																																																									
55:	3.9	↘																																																																									
56:	5.7	↘																																																																									
57:	0.0	↘																																																																									
58:	0.0	↘																																																																									
59:	0.0	↘																																																																									
60:	2.8	↘																																																																									
Serie		16.4																																																																									
Total		280.8																																																																									

Prov 	1: 9.1 ↗ 2: 9.5 ↑ 3: 10.0 ↗ 4: 10.3x ← 5: 9.7 ↗ 6: 10.0 → 7: 9.6 ↗ 8: 7.7 ↗ 9: 8.9 ↗ 10: 9.7 ↘	Prov 	11: 8.7 → 12: 8.1 ↘ 13: 8.4 → 14: 10.3x ↗ 15: 9.1 ← 16: 9.3 ↘ 17: 7.3 ↗ 18: 6.5 ↗ 19: 7.1 → 20: 9.9 ↘
Serie	94.5	Serie	84.7
Total	0.0	Total	0.0

Prov 	21: 10.5x ↘ 22: 9.5 ↘ 23: 9.5 ↗	60 Skott 	1: 10.5x → 2: 8.1 ↘ 3: 8.8 ↘ 4: 9.9 ↘ 5: 8.5 ↘ 6: 10.3x ↘ 7: 8.2 ↘ 8: 6.6 → 9: 6.0 ← 10: 9.2 ↘
Serie	29.5	Serie	86.1
Total	0.0	Total	86.1

60 Skott 	11: 7.9 ↗ 12: 7.8 ← 13: 10.3x ← 14: 10.4x ↗ 15: 8.5 ↗ 16: 7.7 ↗ 17: 7.4 → 18: 7.2 ← 19: 10.0 → 20: 8.1 ↘	60 Skott 	21: 10.2x ← 22: 7.5 → 23: 8.6 ↗ 24: 9.0 → 25: 9.0 ← 26: 9.2 ↘ 27: 6.8 → 28: 10.3x ↘ 29: 10.2x ↘ 30: 8.6 →
Serie	85.3	Serie	89.4
Total	171.4	Total	260.8

60 Skott 	31: 10.2x ↘ 32: 7.5 → 33: 10.5x ↑ 34: 8.7 → 35: 8.0 ↗ 36: 10.1 ↘ 37: 10.5x → 38: 10.4x ← 39: 9.4 ↑ 40: 6.5 ↗	60 Skott 	41: 9.1 → 42: 10.3x ↘ 43: 9.3 ↗ 44: 9.6 ↘ 45: 9.6 ↗ 46: 7.6 ↗ 47: 10.2x → 48: 8.0 → 49: 9.0 ↑ 50: 10.2x ↘
Serie	91.8	Serie	92.9
Total	352.6	Total	445.5

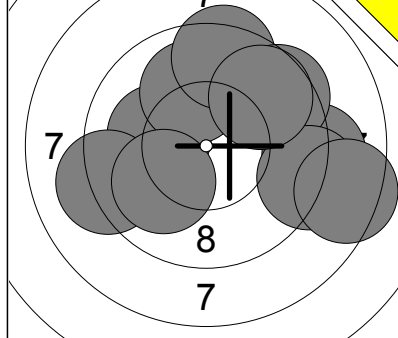
60 Skott 	51: 10.2x ↑ 52: 10.1 ↘ 53: 5.7 → 54: 8.3 ↘ 55: 8.9 ← 56: 9.4 ↘ 57: 8.9 ↘ 58: 9.2 → 59: 7.8 ← 60: 8.8 ↘		
Serie	87.3		
Total	532.8		

Pröv		Pröv	
	1: 10.3x → 2: 8.5 ← 3: 9.8 → 4: 10.8x ↑ 5: 9.5 → 6: 9.0 ← 7: 10.0 ↓ 8: 10.7x ← 9: 9.8 ↑ 10: 10.0 ←		11: 10.0 ↖ 12: 8.8 ↖ 13: 10.0 ↑ 14: 10.2x ↑ 15: 9.2 ← 16: 9.2 ↙ 17: 7.6 ←
Serie	98.4	Serie	65.0
Total	0.0	Total	0.0

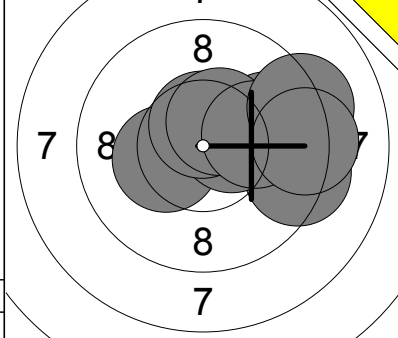
60 Skott		60 Skott	
	1: 10.3x ↑ 2: 10.1 ← 3: 9.0 ↙ 4: 10.5x ↘ 5: 10.3x ↘ 6: 10.8x ↗ 7: 10.5x ↑ 8: 10.3x ↗ 9: 9.9 ← 10: 10.6x ↘		11: 9.8 → 12: 10.1 → 13: 9.7 ↗ 14: 10.0 ↘ 15: 10.1 ↘ 16: 9.4 → 17: 9.8 ↗ 18: 9.9 ← 19: 10.5x ← 20: 10.3x ↘
Serie	102.3	Serie	99.6
Total	102.3	Total	201.9

60 Skott		60 Skott	
	21: 10.3x ↘ 22: 9.8 ↘ 23: 9.7 ↗ 24: 10.6x ← 25: 9.8 ↑ 26: 8.9 ↗ 27: 10.8x ↑ 28: 9.9 → 29: 10.5x → 30: 9.9 ↑		31: 10.6x ← 32: 10.0 ↘ 33: 9.8 ↗ 34: 10.5x ↖ 35: 10.0 ← 36: 9.7 ← 37: 9.0 ← 38: 10.1 ↑ 39: 10.5x ↑ 40: 10.1 ↘
Serie	100.2	Serie	100.3
Total	302.1	Total	402.4

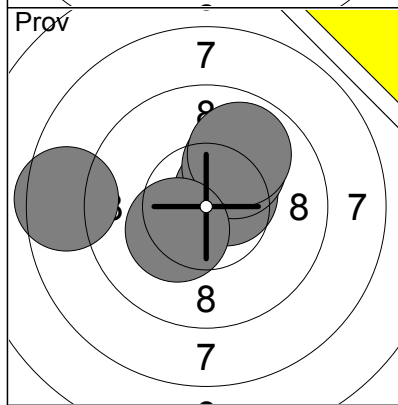
60 Skott		60 Skott	
	41: 9.8 ↑ 42: 9.0 → 43: 9.3 → 44: 10.0 → 45: 10.2x ↗ 46: 9.9 ← 47: 9.2 ← 48: 10.3x ↗ 49: 9.6 ← 50: 10.7x ↘		51: 9.3 ↖ 52: 10.3x ↗ 53: 10.0 → 54: 10.7x ↗ 55: 10.5x ↑ 56: 10.3x ↗ 57: 9.5 ← 58: 10.6x ↖ 59: 10.0 ← 60: 9.2 →
Serie	98.0	Serie	100.4
Total	500.4	Total	600.8



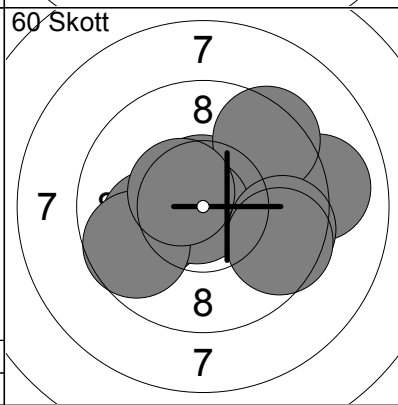
1:	10.1	←
2:	10.0	↑
3:	9.4	↑
4:	9.1	→
5:	9.5	↗
6:	9.1	→
7:	8.4	→
8:	9.1	←
9:	9.7	↗
10:	10.0	↙
Serie	94.4	
Total	0.0	



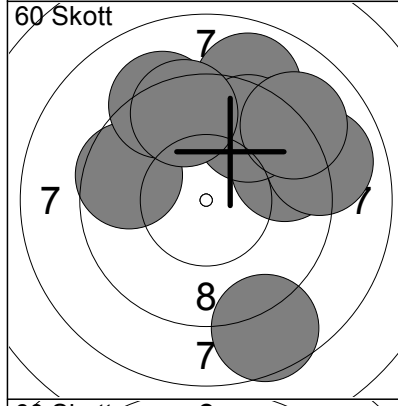
11:	10.3x	←
12:	9.3	→
13:	9.6	→
14:	10.5x	→
15:	10.6x	↑
16:	9.8	→
17:	10.5x	↗
18:	10.1	→
19:	9.2	→
20:	9.2	→
Serie	99.1	
Total	0.0	



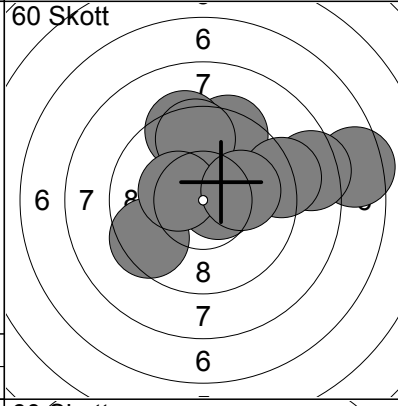
21:	8.5	←
22:	10.5x	↗
23:	10.1	↗
24:	9.9	↗
25:	10.3x	↙
Serie	49.3	
Total	0.0	



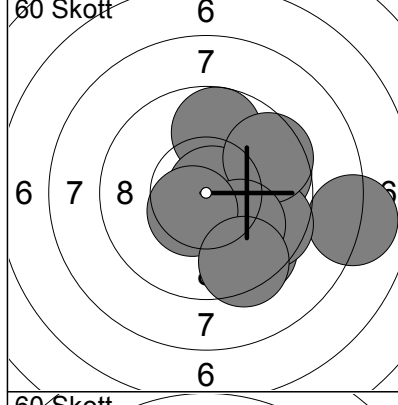
1:	10.0	→
2:	10.6x	↑
3:	10.1	←
4:	9.0	→
5:	9.4	↗
6:	10.8x	←
7:	9.6	→
8:	9.7	←
9:	9.6	→
10:	10.5x	↖
Serie	99.3	
Total	99.3	



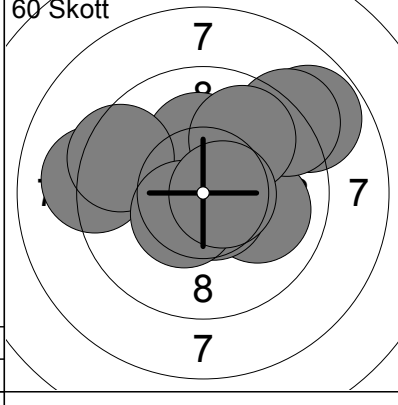
11:	9.6	←
12:	9.2	↑
13:	8.9	↑
14:	9.5	→
15:	9.1	↗
16:	9.0	→
17:	9.6	↗
18:	9.5	↑
19:	9.0	↗
20:	8.6	↓
Serie	92.0	
Total	191.3	



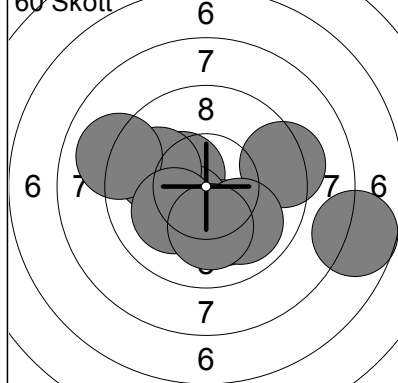
21:	9.4	↑
22:	7.5	→
23:	9.5	←
24:	9.3	↑
25:	8.4	→
26:	10.6x	→
27:	9.1	→
28:	9.6	↑
29:	10.4x	←
30:	10.1	→
Serie	93.9	
Total	285.2	



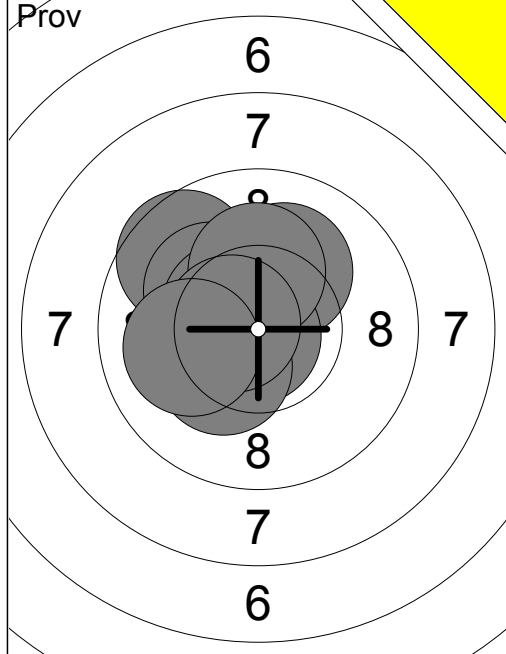
31:	9.5	↓
32:	9.7	↑
33:	9.7	→
34:	8.0	→
35:	9.6	→
36:	10.8x	→
37:	9.5	→
38:	10.0	↓
39:	10.5x	↙
40:	9.4	↓
Serie	96.7	
Total	381.9	



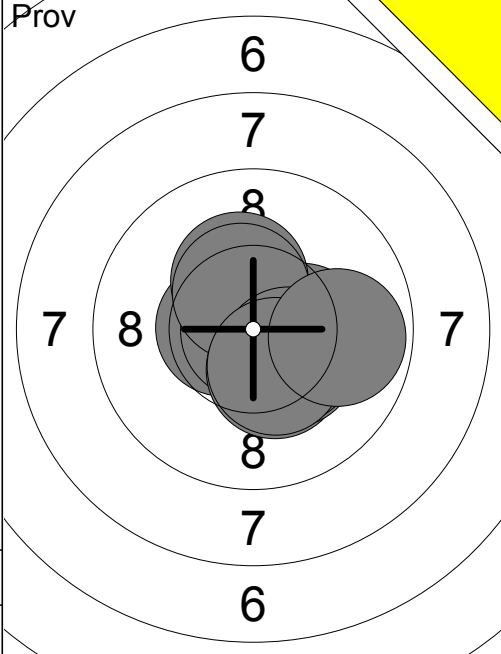
41:	8.8	↗
42:	10.2x	↑
43:	9.1	←
44:	10.0	→
45:	9.1	↗
46:	9.8	↗
47:	10.7x	↓
48:	9.5	←
49:	10.5x	↙
50:	10.6x	→
Serie	98.3	
Total	480.2	



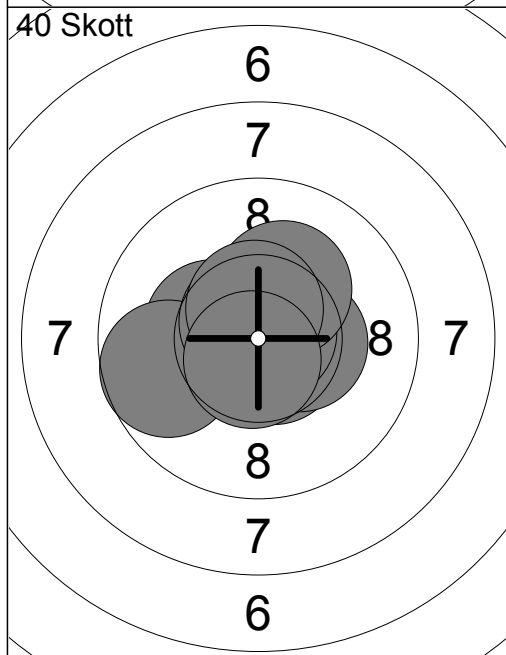
51:	10.4x	↗
52:	10.1	↓
53:	10.4x	↓
54:	7.7	→
55:	9.9	↗
56:	9.0	↗
57:	10.1	←
58:	9.3	→
59:	9.9	↓
60:	10.1	↓
Serie	96.9	
Total	577.1	



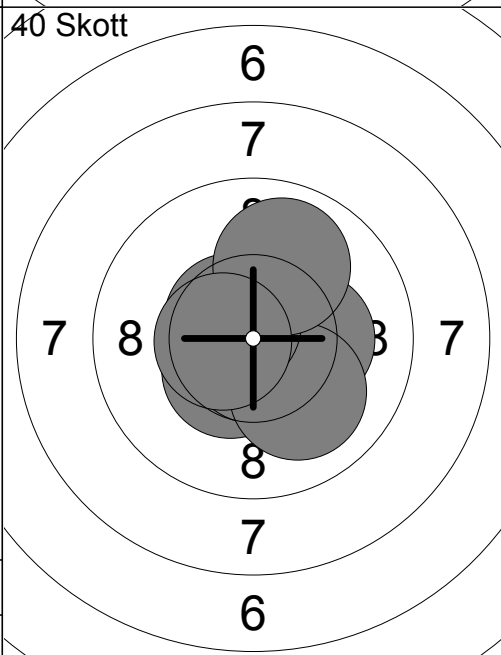
1:	10.1 ↗
2:	10.3x ↗
3:	9.6 ↗
4:	10.8x ↘
5:	10.2x ↖
6:	10.5x ↖
7:	10.3x ↘
8:	10.2x ↑
9:	10.6x ←
10:	10.0 ←
Serie 102.6	
Total 0.0	



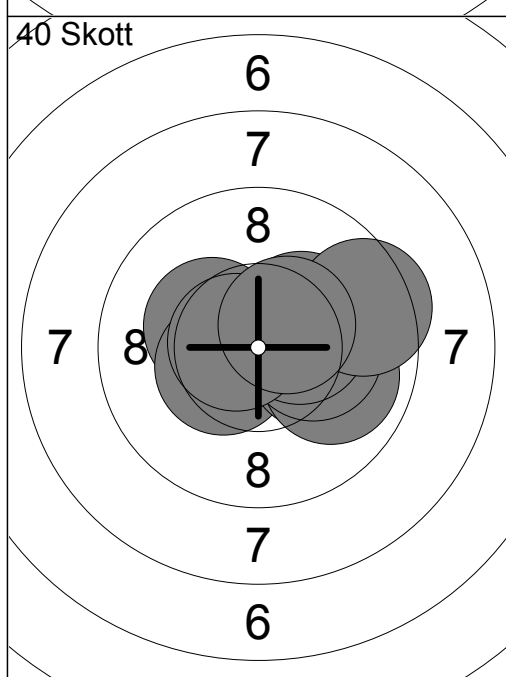
11:	10.6x ←
12:	10.3x →
13:	10.3x ↑
14:	10.9x ←
15:	10.4x ↑
16:	10.3x ↘
17:	10.3x ↘
18:	10.4x ↘
19:	10.4x ↘
20:	9.8 →
Serie 103.7	
Total 0.0	



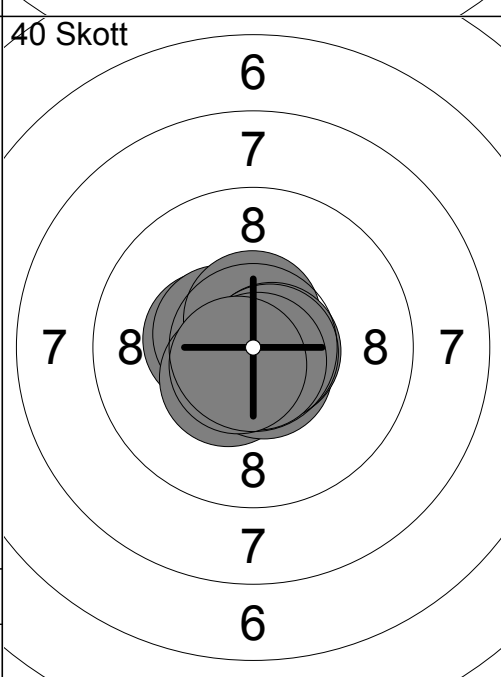
1:	10.3x ←
2:	10.6x ↘
3:	10.4x →
4:	10.7x ←
5:	9.7 ←
6:	10.8x ↗
7:	10.2x ↑
8:	10.7x ↗
9:	10.6x ↑
10:	10.7x ↘
Serie 104.7	
Total 104.7	



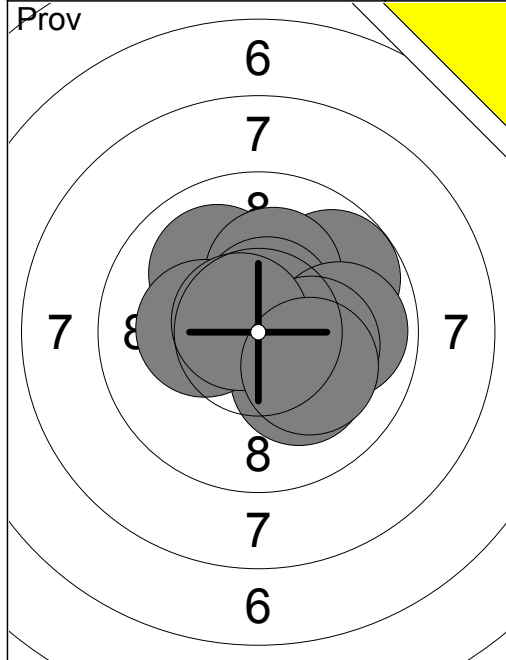
11:	10.8x ↗
12:	10.5x ↘
13:	10.6x →
14:	10.3x →
15:	10.4x ↘
16:	10.7x ↘
17:	10.0 ↘
18:	10.6x ↖
19:	9.9 ↑
20:	10.5x ←
Serie 104.3	
Total 209.0	



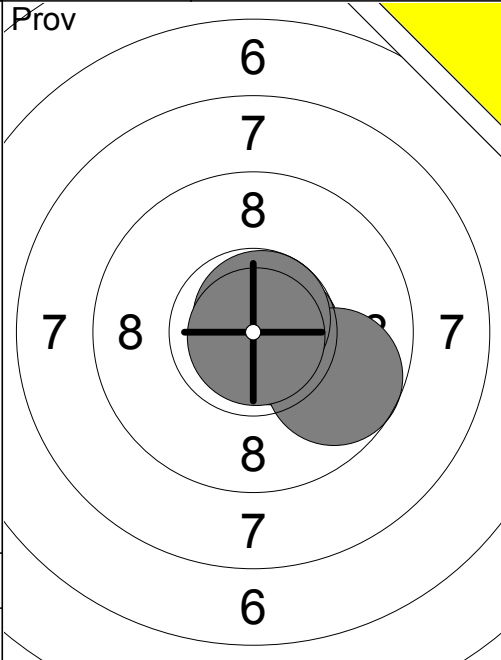
21:	10.3x ←
22:	10.4x ↘
23:	10.3x ↗
24:	10.2x →
25:	9.9 →
26:	10.2x →
27:	10.4x →
28:	9.5 →
29:	10.6x ←
30:	10.5x ↗
Serie 102.3	
Total 311.3	



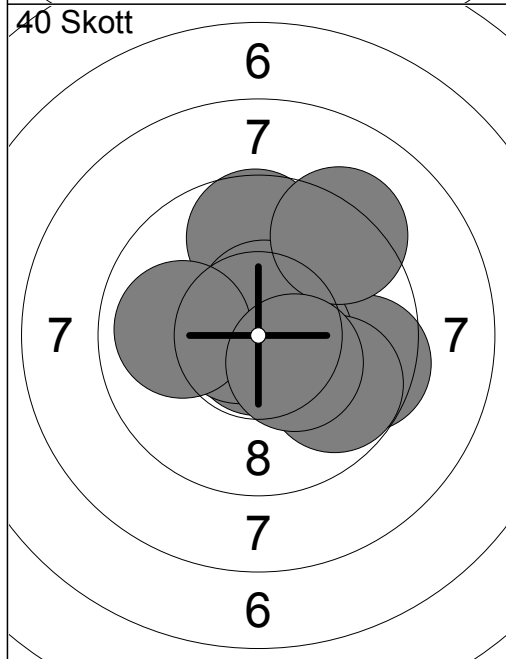
31:	10.4x ←
32:	10.5x ←
33:	10.6x ↑
34:	10.7x →
35:	10.4x ↘
36:	10.6x ↘
37:	10.7x →
38:	10.7x →
39:	10.8x ↘
40:	10.7x ↘
Serie 106.1	
Total 417.4	



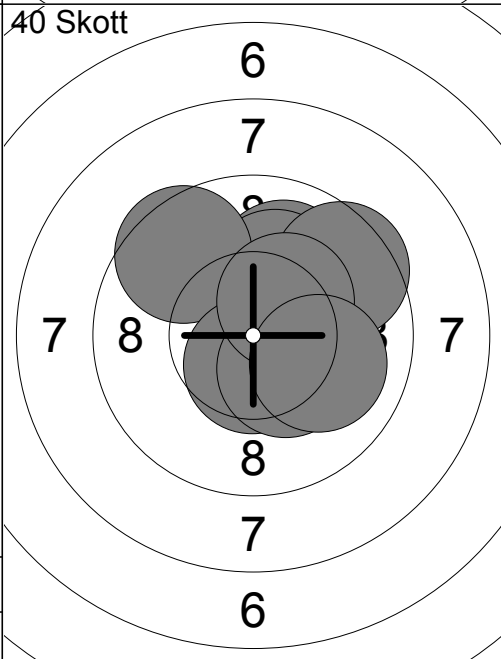
1:	9.8	↗
2:	10.0	↖
3:	10.2x	↗
4:	10.2x	↘
5:	10.6x	↗
6:	9.9	→
7:	10.2x	→
8:	10.2x	←
9:	10.7x	↖
10:	10.1	↘
Serie		101.9
Total		0.0



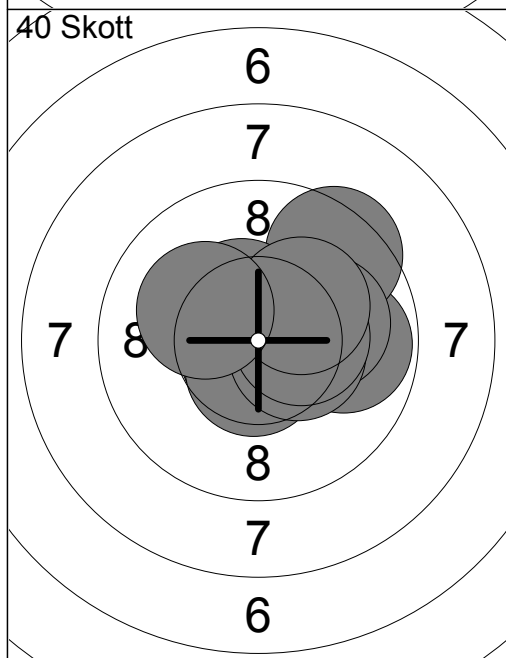
11:	10.7x	→
12:	9.7	↘
13:	10.8x	↗
14:	10.9x	↘
Serie		42.1
Total		0.0



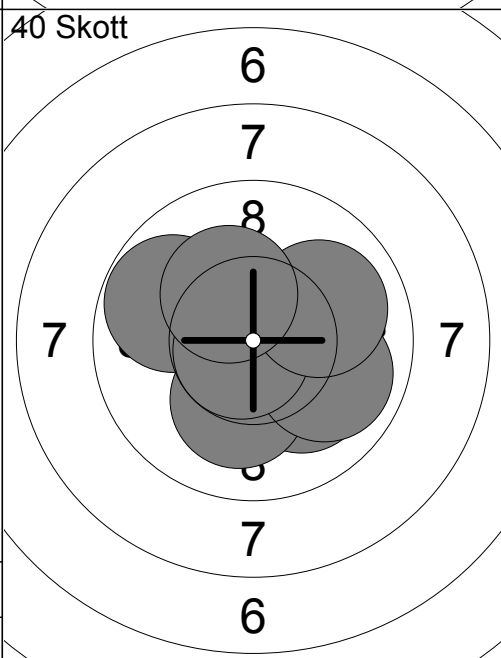
1:	9.5	→
2:	10.6x	→
3:	9.7	↑
4:	10.8x	↓
5:	9.8	↘
6:	10.7x	←
7:	10.6x	↗
8:	10.0	←
9:	9.3	↗
10:	10.4x	↘
Serie		101.4
Total		101.4



11:	10.0	↗
12:	10.6x	→
13:	10.2x	↗
14:	9.5	↗
15:	9.6	↖
16:	10.6x	↓
17:	10.3x	↘
18:	10.3x	↘
19:	10.3x	↗
20:	10.0	↘
Serie		101.4
Total		202.8

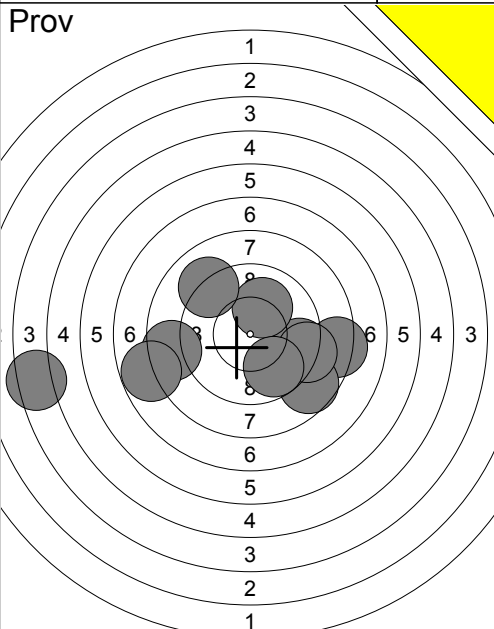
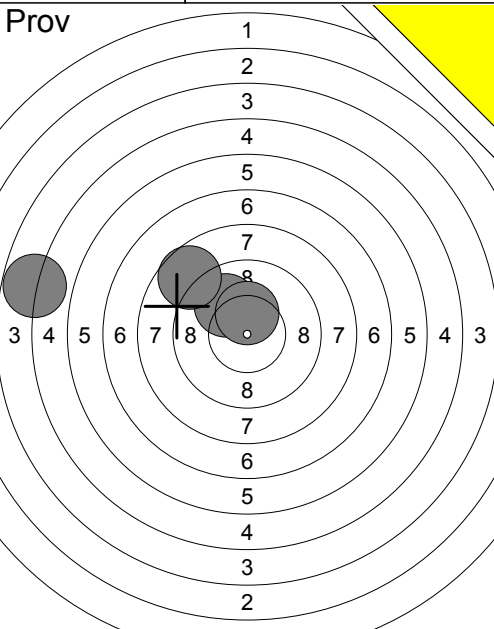
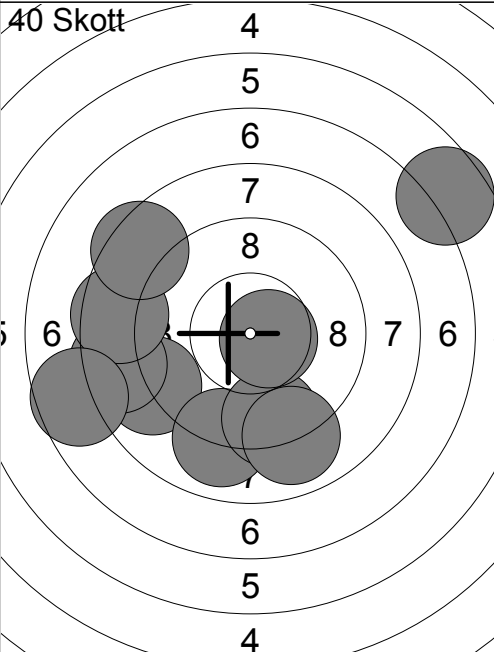
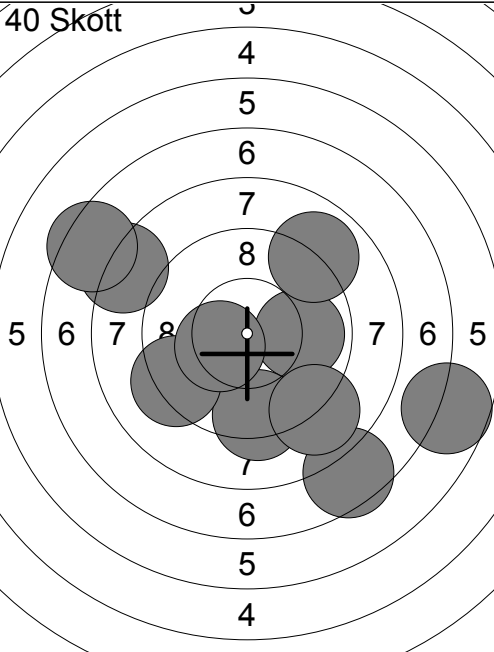
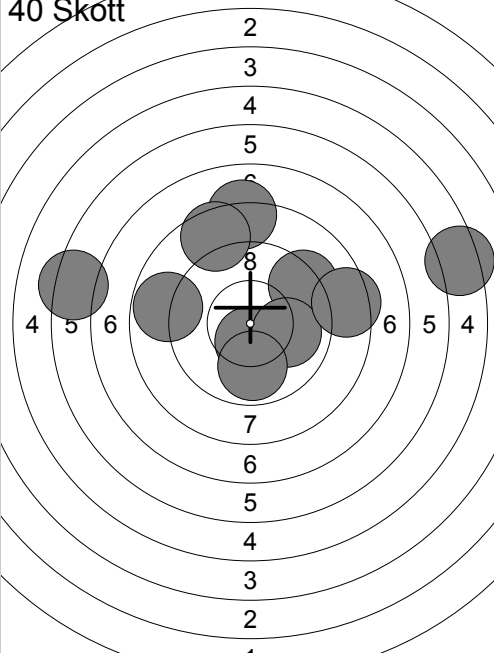
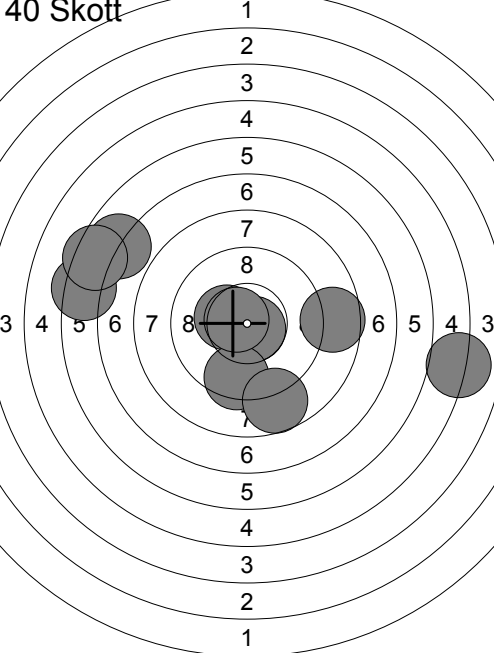


21:	9.8	→
22:	10.8x	↘
23:	9.5	↗
24:	10.5x	↖
25:	10.1	→
26:	10.6x	↓
27:	10.4x	→
28:	10.4x	→
29:	10.2x	↗
30:	10.1	↖
Serie		102.4
Total		305.2



31:	10.6x	↖
32:	9.8	↖
33:	10.5x	↖
34:	10.5x	↓
35:	10.1	↘
36:	10.2x	↓
37:	9.9	→
38:	10.8x	↘
39:	10.0	↗
40:	10.3x	↖
Serie		102.7
Total		407.9

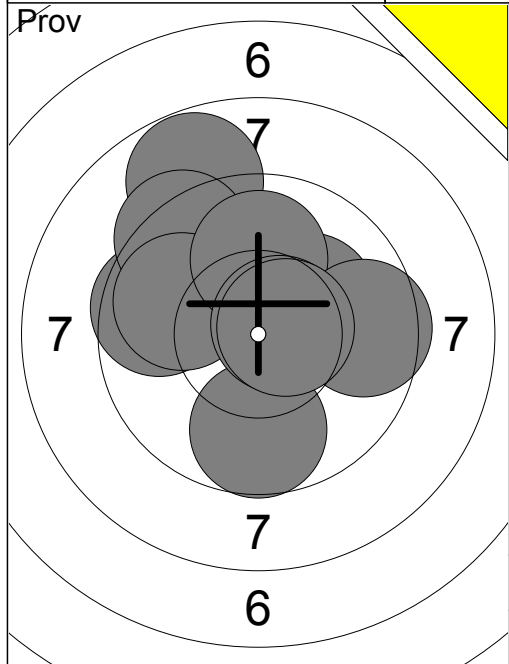
Ramselefors	Ramselefors	13S	Vb
05.11.2017	Vindelnskottet 2017	Ramselefors SKF	

Prov 	1: 8.3 → 2: 9.4 → 3: 10.1 ↗ 4: 9.1 ↗ 5: 8.7 ↘ 6: 8.5 ← 7: 9.2 → 8: 9.7 ↘ 9: 7.8 ← 10: 4.4 ← <hr/> Serie 85.2 Total 0.0	Prov 	11: 4.8 ← 12: 9.9 ↗ 13: 10.3x ↗ 14: 8.7 ↗ <hr/> Serie 33.7 Total 0.0
40 Skott 	1: 6.6 ↗ 2: 8.9 ← 3: 9.0 ↓ 4: 9.4 ↓ 5: 8.5 ← 6: 8.5 ← 7: 7.6 ← 8: 9.0 ↓ 9: 10.6x → 10: 8.4 ↗ <hr/> Serie 86.5 Total 86.5	40 Skott 	11: 9.9 → 12: 9.3 ↓ 13: 6.7 → 14: 7.5 ↓ 15: 9.2 ↙ 16: 8.2 ↙ 17: 7.4 ↗ 18: 8.9 ↓ 19: 10.4x ↙ 20: 8.9 ↗ <hr/> Serie 86.4 Total 172.9
40 Skott 	21: 9.3 ↗ 22: 10.5x ↓ 23: 5.3 → 24: 10.0 → 25: 9.9 ↓ 26: 8.1 ↑ 27: 8.8 ← 28: 8.4 → 29: 6.3 ← 30: 8.6 ↗ <hr/> Serie 85.2 Total 258.1	40 Skott 	31: 10.4x ← 32: 10.7x ↘ 33: 9.5 ↓ 34: 5.0 → 35: 6.8 ↗ 36: 10.6x ← 37: 8.7 ↓ 38: 6.4 ← 39: 8.6 → 40: 6.4 ← <hr/> Serie 83.1 Total 341.2

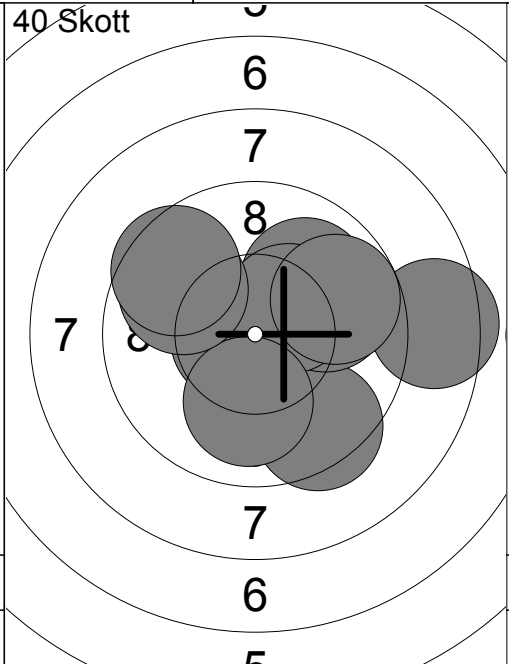
<p>Pröv</p>	<p>1: 10.2x ↖</p> <p>2: 10.0 →</p> <p>3: 10.8x ↖</p> <p>4: 9.7 ↘</p> <p>5: 10.7x ←</p> <p>6: 9.6 ←</p> <p>7: 10.7x ↗</p> <p>8: 10.1 →</p> <p>9: 10.2x ↗</p> <p>10: 9.8 ↘</p>	<p>Pröv</p>	<p>11: 9.2 →</p> <p>12: 10.2x ↖</p> <p>13: 10.4x ↑</p> <p>14: 10.0 ↘</p> <p>15: 10.5x ↖</p>
Serie	101.8	Serie	50.3
Total	0.0	Total	0.0

<p>40 Skott</p>	<p>1: 10.2x ↘</p> <p>2: 10.5x ↙</p> <p>3: 10.3x →</p> <p>4: 8.7 →</p> <p>5: 10.6x →</p> <p>6: 9.4 ↖</p> <p>7: 10.1 ↖</p> <p>8: 10.7x ↗</p> <p>9: 10.1 →</p> <p>10: 10.2x ↘</p>	<p>40 Skott</p>	<p>11: 8.5 ←</p> <p>12: 10.5x ↘</p> <p>13: 10.6x ↗</p> <p>14: 9.8 ↘</p> <p>15: 10.3x ↘</p> <p>16: 9.8 →</p> <p>17: 9.2 ↘</p> <p>18: 8.7 →</p> <p>19: 10.1 ↘</p> <p>20: 10.4x →</p>
Serie	100.8	Serie	97.9
Total	100.8	Total	198.7

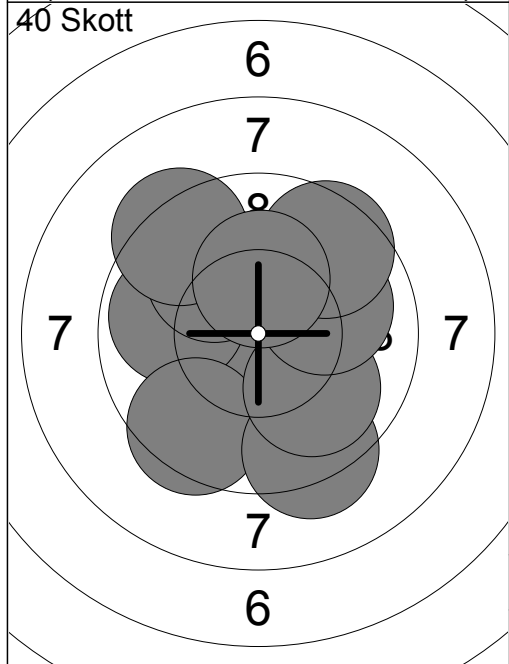
<p>40 Skott</p>	<p>21: 10.3x ↘</p> <p>22: 10.5x ↑</p> <p>23: 10.6x ↑</p> <p>24: 10.6x ←</p> <p>25: 10.5x ←</p> <p>26: 9.6 ↘</p> <p>27: 8.8 →</p> <p>28: 10.0 ↑</p> <p>29: 10.1 ↘</p> <p>30: 10.2x ↘</p>	<p>40 Skott</p>	<p>31: 9.7 ↑</p> <p>32: 10.1 ↖</p> <p>33: 9.0 →</p> <p>34: 9.8 →</p> <p>35: 9.8 ↑</p> <p>36: 8.8 ↘</p> <p>37: 10.5x ←</p> <p>38: 10.0 ↗</p> <p>39: 10.0 ↘</p> <p>40: 9.7 ↘</p>
Serie	101.2	Serie	97.4
Total	299.9	Total	397.3



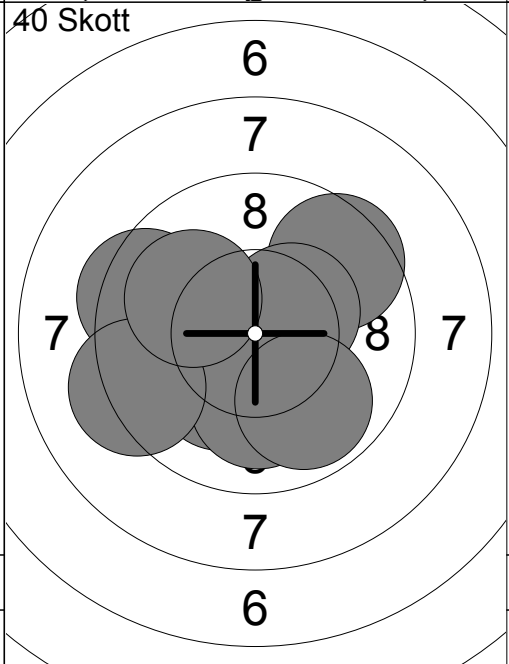
1:	9.7	↓
2:	8.8	↑
3:	10.2x	↗
4:	9.6	←
5:	9.4	↗
6:	9.9	↖
7:	10.0	↑
8:	9.6	→
9:	10.6x	↗
10:	10.6x	→
Serie		98.4
Total		0.0



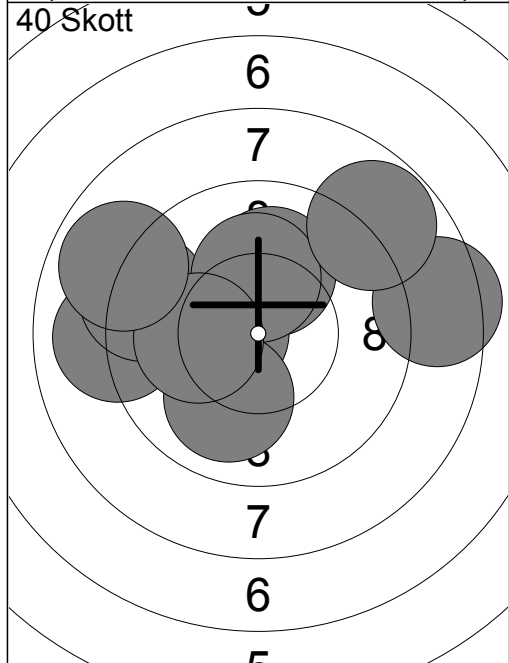
1:	10.7x	↖
2:	10.0	↗
3:	9.4	↓
4:	9.9	↗
5:	8.5	→
6:	10.4x	↗
7:	9.8	↗
8:	10.0	↓
9:	9.8	↖
10:	9.5	↖
Serie		98.0
Total		98.0



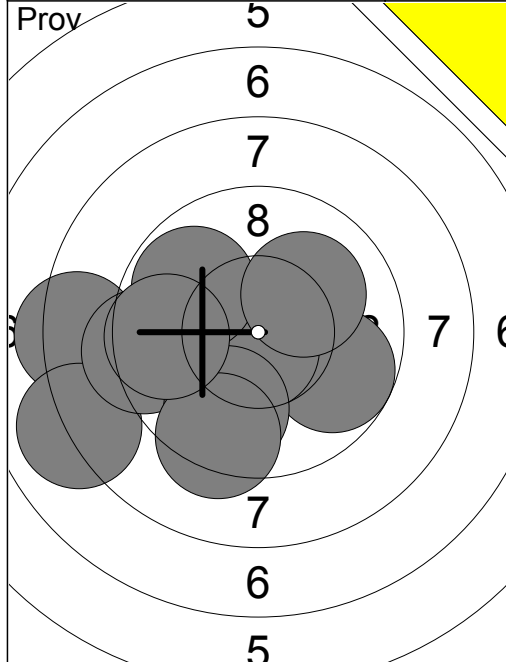
11:	10.7x	↗
12:	9.9	←
13:	9.5	↘
14:	10.0	↗
15:	9.3	↘
16:	9.9	↘
17:	9.3	↗
18:	10.0	↗
19:	9.5	↗
20:	10.2x	↑
Serie		98.3
Total		196.3



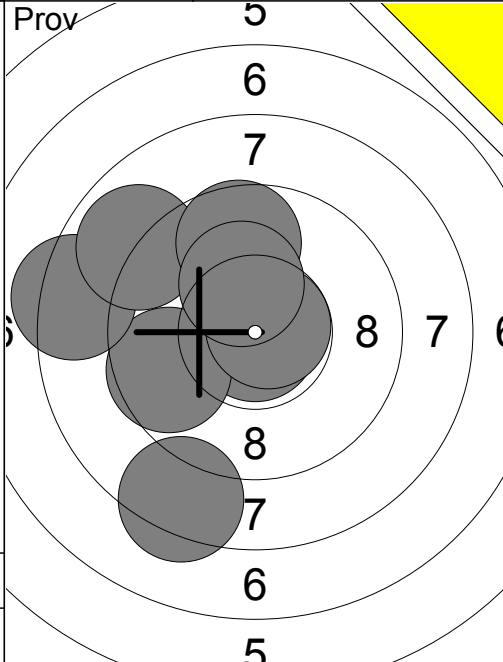
21:	9.5	↗
22:	10.2x	↘
23:	10.6x	↘
24:	10.7x	↘
25:	9.4	←
26:	10.4x	↗
27:	10.1	↓
28:	9.9	↘
29:	9.3	←
30:	10.0	↖
Serie		100.1
Total		296.4



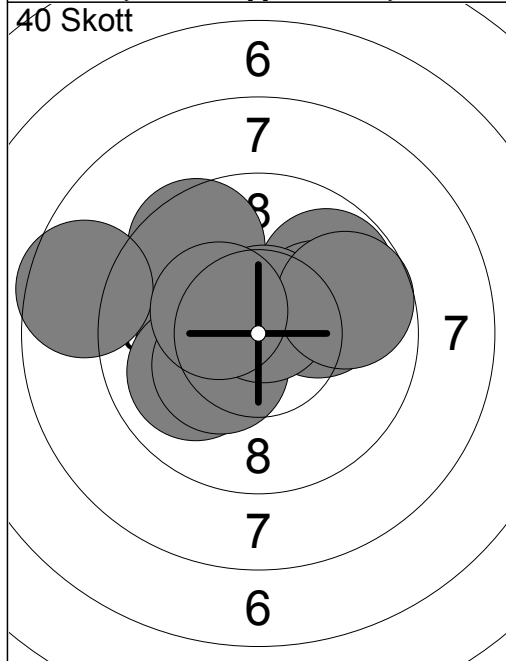
31:	10.1	↑
32:	10.5x	←
33:	9.0	←
34:	10.0	↘
35:	9.3	←
36:	10.2x	↑
37:	10.1	←
38:	8.5	→
39:	8.9	↖
40:	8.8	↗
Serie		95.4
Total		391.8



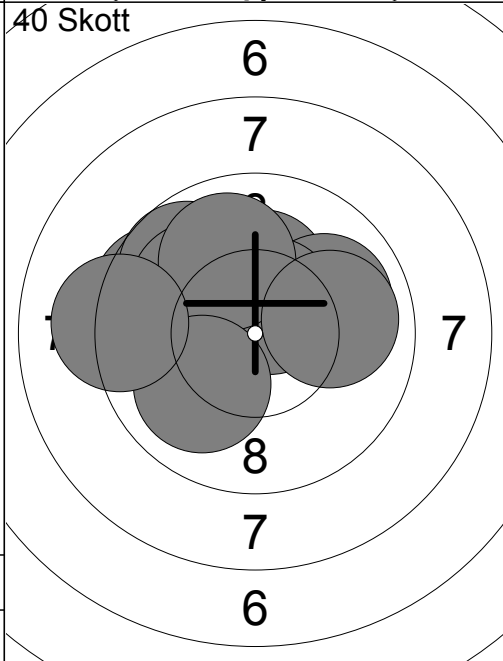
1:	9.8	➔
2:	8.3	←
3:	8.0	←
4:	10.7x	↓
5:	9.8	↖
6:	10.1	↗
7:	9.3	←
8:	9.8	↓
9:	9.4	↓
10:	9.6	←
Serie		94.8
Total		0.0



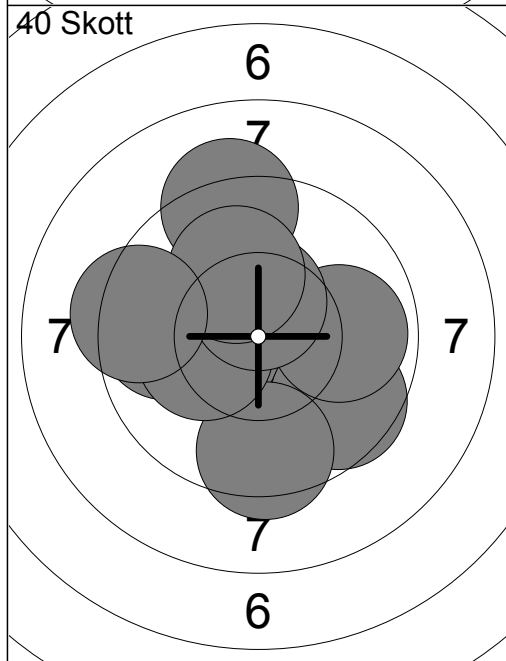
11:	10.9x	↓
12:	8.3	↓
13:	9.6	←
14:	8.3	←
15:	10.7x	↗
16:	8.9	↖
17:	9.7	↑
18:	10.2x	↑
Serie		76.6
Total		0.0



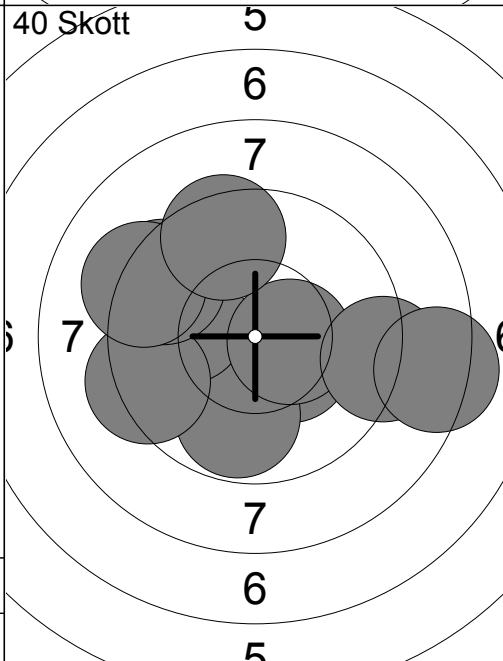
1:	10.2x	←
2:	9.8	↗
3:	9.6	↖
4:	10.1	↗
5:	10.0	←
6:	10.3x	↙
7:	10.7x	↑
8:	8.6	←
9:	9.7	↗
10:	10.4x	↙
Serie		99.4
Total		99.4



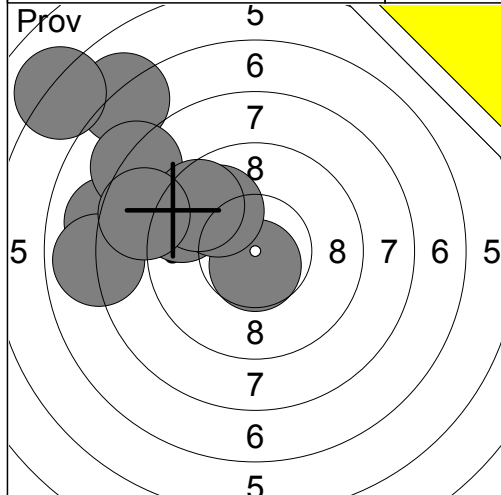
11:	9.6	←
12:	10.2x	↑
13:	9.7	↖
14:	10.0	←
15:	10.0	↗
16:	10.5x	↑
17:	9.9	↑
18:	10.0	↙
19:	9.2	←
20:	10.0	➔
Serie		99.1
Total		198.5



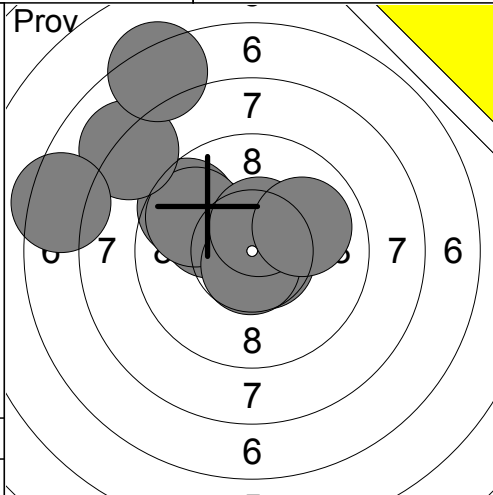
21:	9.2	↑
22:	10.4x	←
23:	9.6	➔
24:	9.9	➔
25:	9.8	←
26:	9.5	↓
27:	10.2x	←
28:	10.5x	↑
29:	10.1	↑
30:	9.4	←
Serie		98.6
Total		297.1



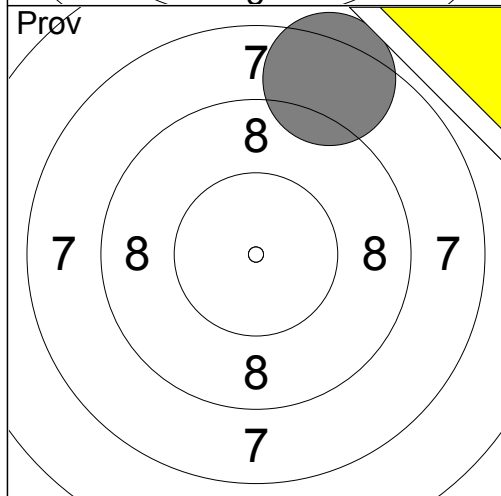
31:	10.4x	➔
32:	9.8	↓
33:	9.9	←
34:	9.3	←
35:	9.4	↖
36:	10.5x	➔
37:	9.2	←
38:	9.1	➔
39:	8.3	➔
40:	9.5	↑
Serie		95.4
Total		392.5



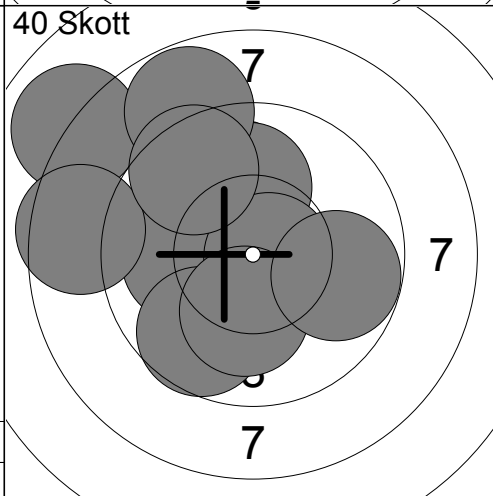
1:	7.1	↗
2:	8.1	←
3:	9.4	↗
4:	6.1	↗
5:	10.7x	↓
6:	9.9	↗
7:	7.9	←
8:	8.1	↗
9:	9.5	↗
10:	8.7	←
Serie	85.5	
Total	0.0	



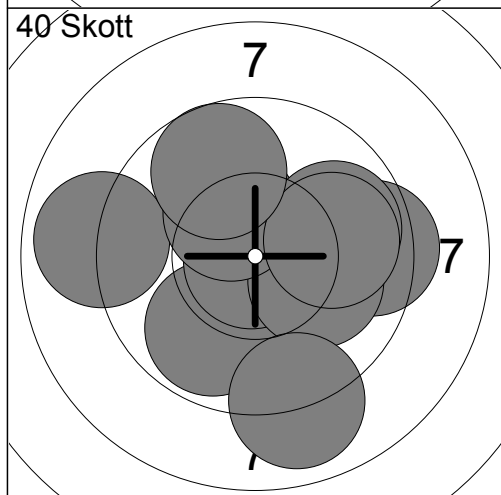
11:	10.7x	↘
12:	10.1	↖
13:	9.5	↗
14:	9.8	↗
15:	8.1	↗
16:	10.7x	↓
17:	10.5x	↑
18:	10.0	↗
19:	7.4	←
20:	7.3	↗
Serie	94.1	
Total	0.0	



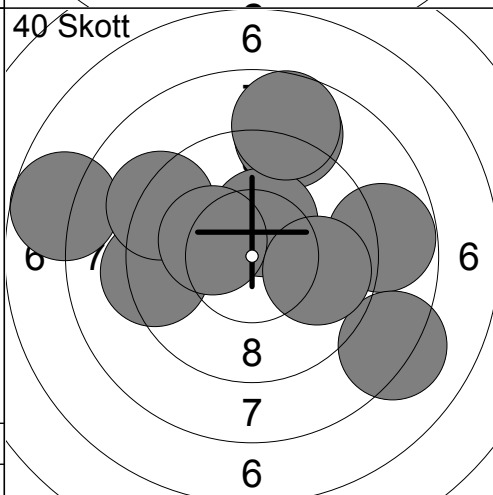
21:	8.4	↑
Serie	8.4	
Total	0.0	



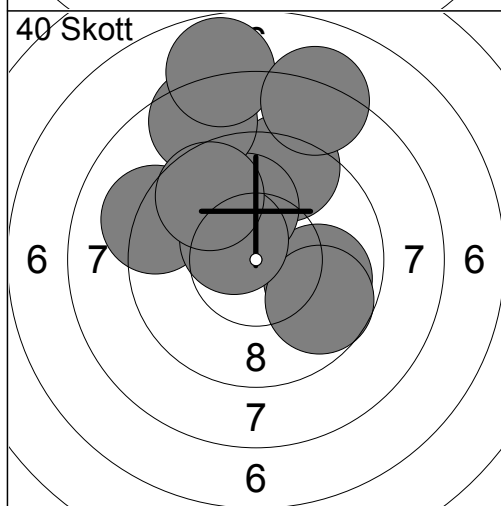
1:	8.0	↖
2:	10.0	↑
3:	10.0	←
4:	10.7x	→
5:	8.8	↗
6:	8.5	←
7:	9.5	↗
8:	9.7	↓
9:	10.2x	↓
10:	9.8	→
Serie	95.2	
Total	95.2	



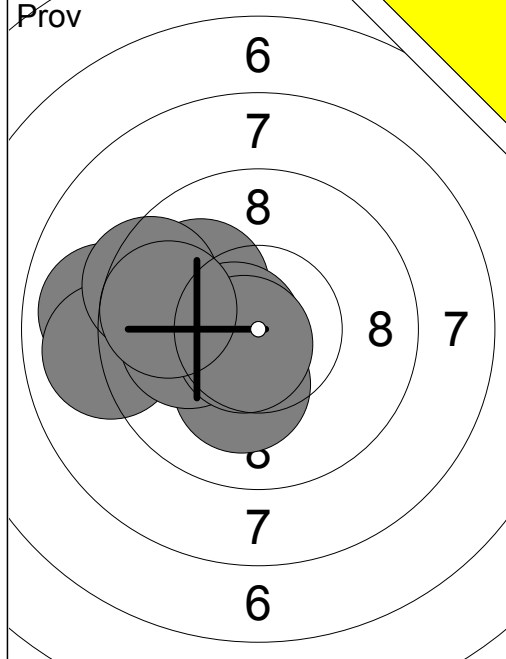
11:	8.9	←
12:	9.8	↓
13:	10.9x	↘
14:	9.4	→
15:	10.1	↘
16:	10.3x	↗
17:	9.0	↓
18:	9.8	→
19:	9.9	→
20:	9.7	↗
Serie	97.8	
Total	193.0	



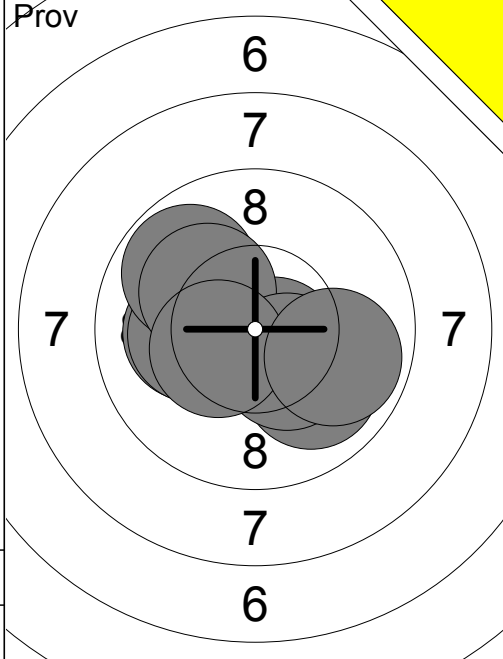
21:	8.8	↑
22:	7.7	←
23:	9.3	←
24:	8.8	→
25:	10.4x	↑
26:	8.2	↘
27:	9.2	↖
28:	8.7	↑
29:	10.2x	←
30:	9.8	→
Serie	91.1	
Total	284.1	



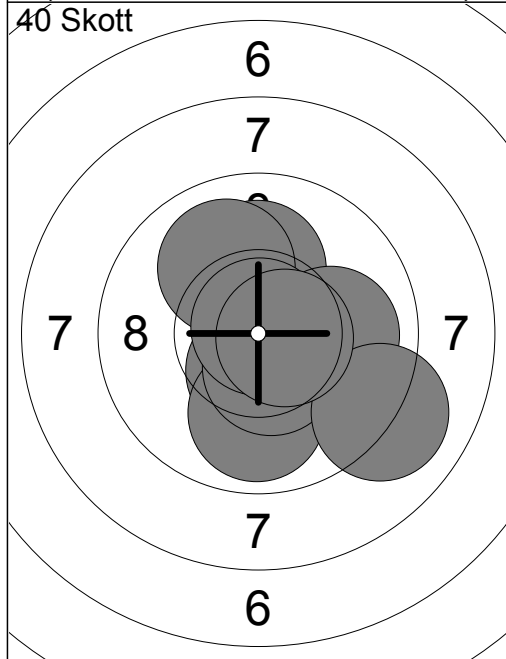
31:	9.4	↑
32:	9.9	→
33:	10.1	↑
34:	8.5	↗
35:	7.8	↑
36:	9.2	↖
37:	9.7	↘
38:	10.5x	↗
39:	8.2	↑
40:	9.7	↗
Serie	93.0	
Total	377.1	



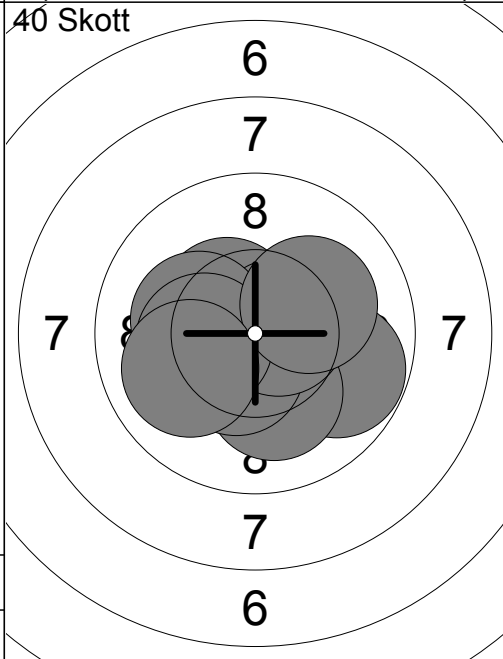
1:	10.2x ↓
2:	9.0 ←
3:	10.0 ↖
4:	10.6x ←
5:	10.0 ←
6:	9.0 ←
7:	10.0 ←
8:	9.4 ←
9:	10.7x ↓
10:	9.7 ←
Serie 98.6	
Total 0.0	



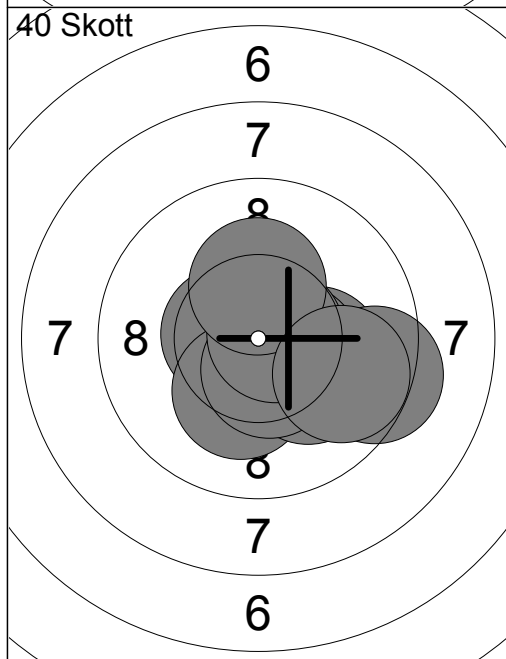
11:	10.6x ↓
12:	10.1 ←
13:	10.2x ←
14:	9.8 ↖
15:	10.2x ↖
16:	10.0 ↓
17:	10.4x ↓
18:	10.4x ↙
19:	9.9 →
Serie 91.6	
Total 0.0	



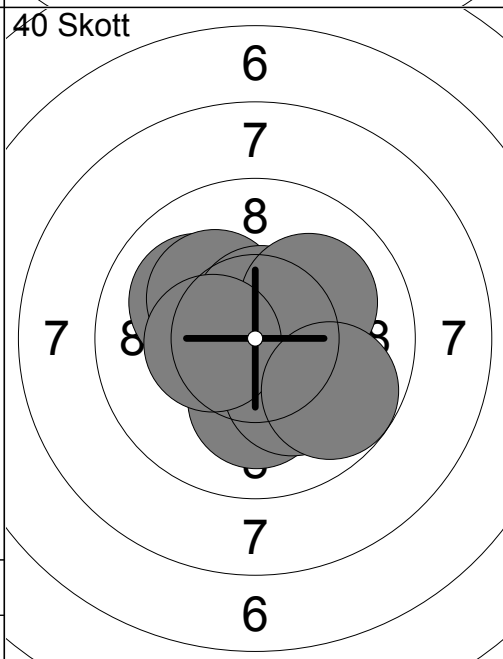
1:	10.1 ↑
2:	10.4x →
3:	10.5x ↓
4:	10.0 ↖
5:	9.9 ↓
6:	10.5x ↓
7:	10.9x ↑
8:	10.0 →
9:	9.1 ↘
10:	10.6x →
Serie 102.0	
Total 102.0	



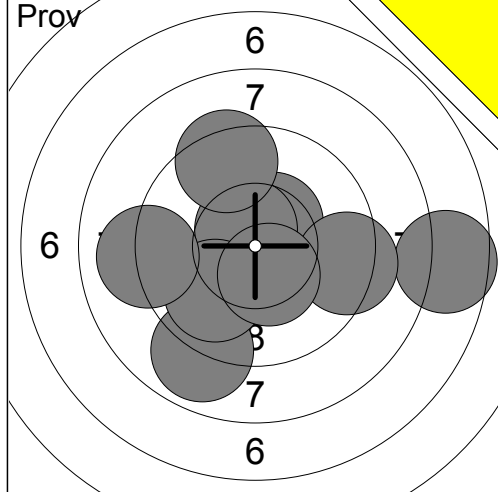
11:	9.8 →
12:	10.7x ↓
13:	10.4x ↖
14:	10.1 ↓
15:	10.5x ↓
16:	10.6x →
17:	10.2x ←
18:	10.3x ←
19:	10.2x ↗
20:	10.0 ↙
Serie 102.8	
Total 204.8	



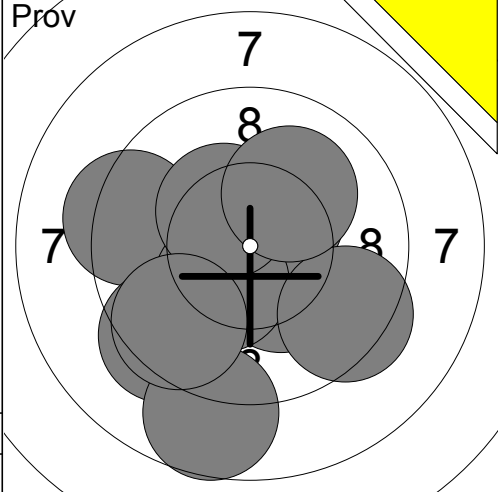
21:	10.2x →
22:	10.5x →
23:	10.6x ←
24:	9.4 →
25:	10.2x ↓
26:	10.1 ↘
27:	10.5x ↓
28:	10.7x →
29:	10.3x ↑
30:	9.8 →
Serie 102.3	
Total 307.1	



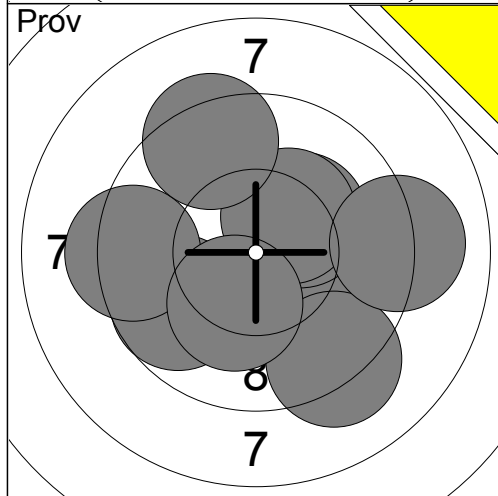
31:	10.1 ↖
32:	10.4x ↖
33:	10.2x ↖
34:	10.8x ←
35:	10.1 ↓
36:	10.6x ↑
37:	10.2x ↓
38:	10.1 ↗
39:	10.4x ←
40:	9.8 ↘
Serie 102.7	
Total 409.8	



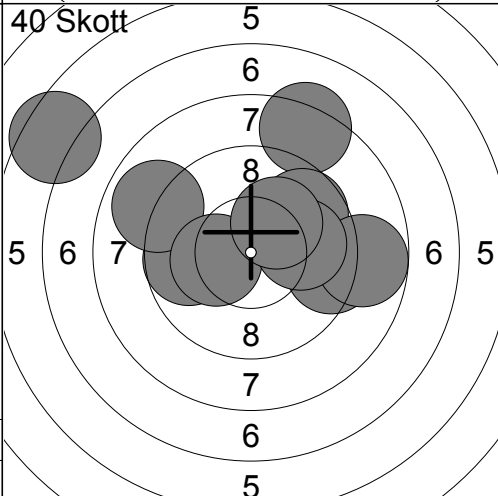
1:	10.5x	↘
2:	7.6	→
3:	8.9	↘
4:	10.5x	↗
5:	10.6x	↗
6:	9.4	↗
7:	9.3	→
8:	9.9	↘
9:	10.4x	↘
10:	9.1	←
Serie		96.2
Total		0.0



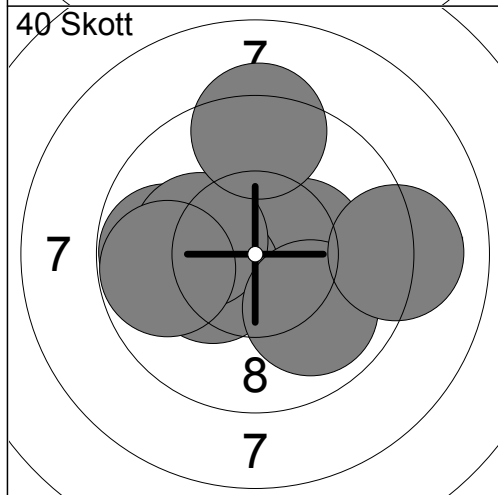
11:	9.3	←
12:	10.3x	↘
13:	10.4x	↗
14:	10.3x	↘
15:	9.3	↘
16:	10.4x	↗
17:	9.4	↘
18:	10.1	↗
19:	8.7	↘
20:	9.6	↘
Serie		97.8
Total		0.0



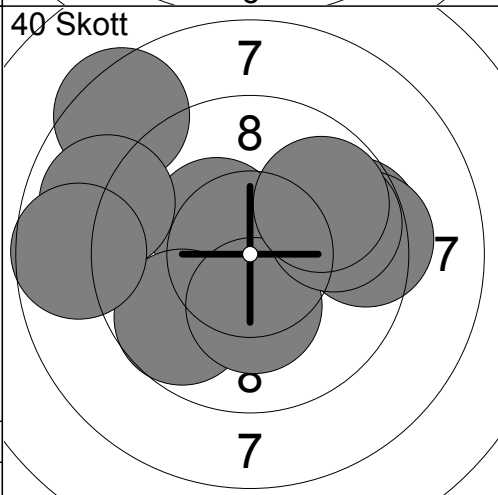
21:	10.4x	↘
22:	10.2x	↗
23:	9.7	←
24:	10.3x	↗
25:	9.2	↘
26:	9.3	←
27:	9.1	→
28:	10.2x	↘
29:	9.4	↗
Serie		87.8
Total		0.0



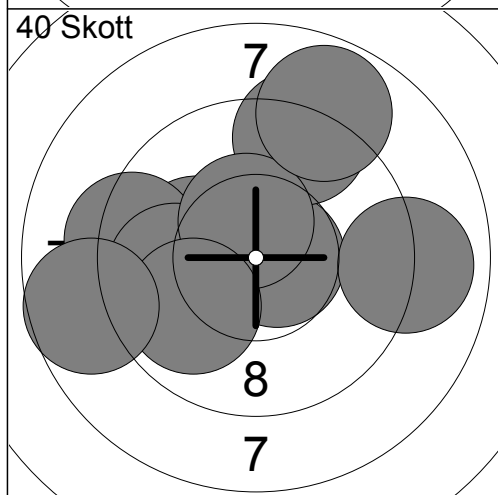
1:	6.5	←
2:	8.3	↗
3:	9.7	↗
4:	9.7	←
5:	8.9	←
6:	10.3x	←
7:	9.3	→
8:	8.8	→
9:	10.0	→
10:	10.2x	↗
Serie		91.7
Total		91.7



11:	10.5x	→
12:	9.8	←
13:	10.9x	↗
14:	10.4x	→
15:	10.3x	←
16:	10.2x	←
17:	9.9	↘
18:	9.8	←
19:	9.3	↑
20:	9.1	→
Serie		100.2
Total		191.9



21:	8.4	↗
22:	10.4x	↗
23:	8.9	←
24:	9.7	↘
25:	8.7	←
26:	10.3x	↘
27:	9.5	→
28:	9.4	→
29:	9.8	→
30:	9.8	↗
Serie		94.9
Total		286.8

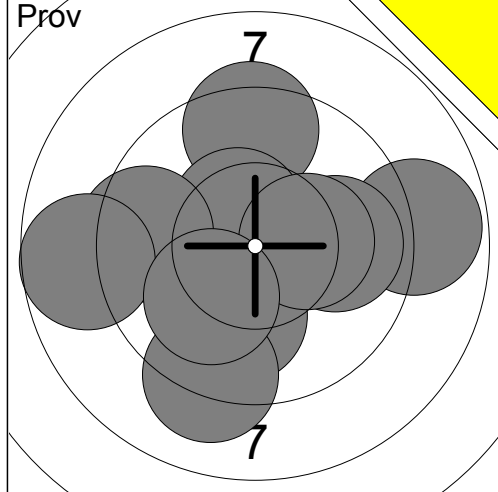


31:	10.1	←
32:	9.3	←
33:	9.9	←
34:	10.7x	→
35:	9.3	↗
36:	10.5x	↗
37:	9.9	↘
38:	8.8	↗
39:	8.7	←
40:	9.0	→
Serie		96.2
Total		383.0

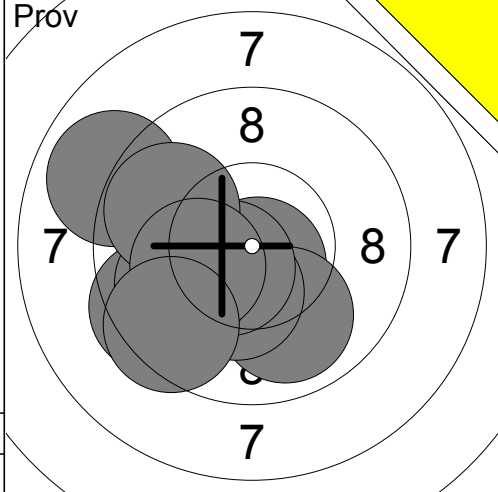
Prov 	1: 9.2 ↓ 2: 10.2x → 3: 9.5 ↓ 4: 9.6 ↑ 5: 9.5 ↑ 6: 10.0 → 7: 9.8 → 8: 9.3 ↗ 9: 10.9x ↖ 10: 8.6 ↘ <hr/> Serie 96.6 Total 0.0	Prov 	11: 10.4x ↑ 12: 9.9 ↖ 13: 10.3x ↗ <hr/> Serie 30.6 Total 0.0
----------	-------------------------------------------------------------------------------------------------------------------------------------------------------------	----------	--------------------------------------------------------------------------

40 Skott 	1: 9.7 ← 2: 9.5 ↖ 3: 9.2 ← 4: 9.3 ↖ 5: 10.2x ↗ 6: 8.5 → 7: 9.4 → 8: 10.0 → 9: 9.9 ↓ 10: 8.4 ← <hr/> Serie 94.1 Total 94.1	40 Skott 	11: 10.1 ↓ 12: 10.5x ↑ 13: 10.3x → 14: 9.7 ↗ 15: 9.8 ↖ 16: 8.9 → 17: 8.9 ↑ 18: 10.5x ↗ 19: 8.3 → 20: 8.8 ↓ <hr/> Serie 95.8 Total 189.9
--------------	------------------------------------------------------------------------------------------------------------------------------------------------------------	--------------	--------------------------------------------------------------------------------------------------------------------------------------------------------------------------

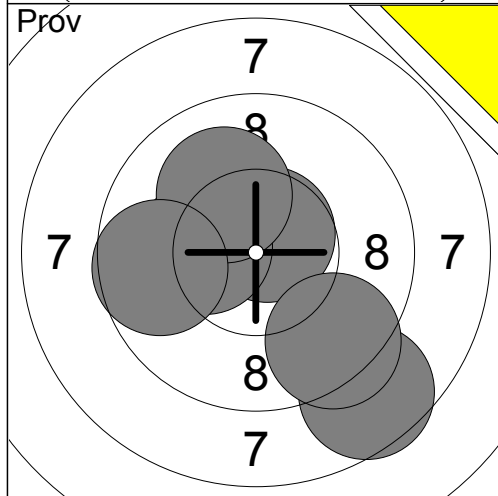
40 Skott 	21: 8.3 ↑ 22: 9.9 ← 23: 9.8 ↑ 24: 10.7x ↗ 25: 9.4 ↓ 26: 10.3x ↑ 27: 8.9 ↑ 28: 9.3 ← 29: 9.2 ↗ 30: 8.9 → <hr/> Serie 94.7 Total 284.6	40 Skott 	31: 8.8 → 32: 9.1 ← 33: 10.9x ↓ 34: 10.0 ← 35: 8.6 → 36: 10.6x ↖ 37: 10.4x → 38: 10.3x → 39: 8.8 → 40: 9.9 → <hr/> Serie 97.4 Total 382.0
--------------	-----------------------------------------------------------------------------------------------------------------------------------------------------------------------	--------------	----------------------------------------------------------------------------------------------------------------------------------------------------------------------------



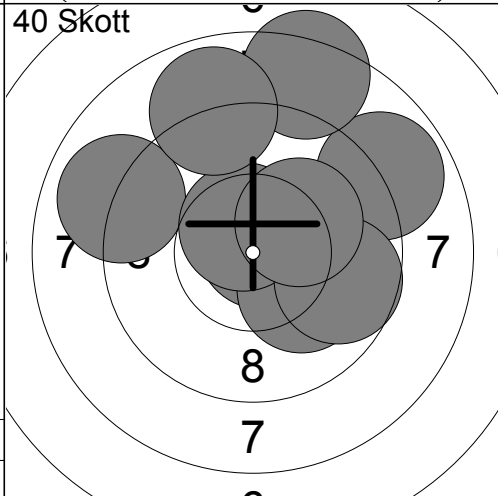
1:	9.4	↑
2:	10.0	↓
3:	9.1	↓
4:	10.5x	↗
5:	9.5	←
6:	8.8	→
7:	9.9	→
8:	8.7	←
9:	10.3x	→
10:	10.1	↙
Serie		96.3
Total		0.0



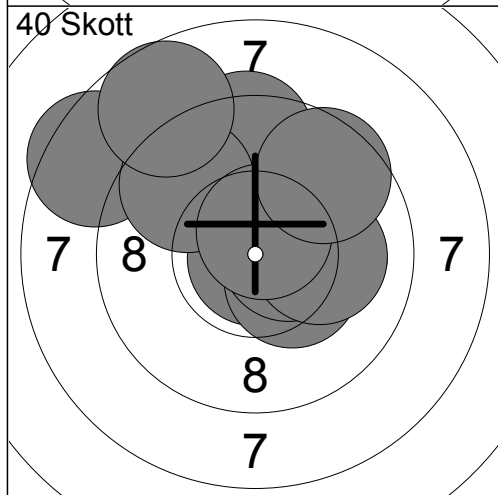
11:	10.7x	↓
12:	9.9	↓
13:	10.3x	↓
14:	10.5x	↙
15:	8.9	↖
16:	9.5	↙
17:	9.9	↙
18:	9.8	↖
19:	10.2x	↙
20:	9.5	↙
Serie		99.2
Total		0.0



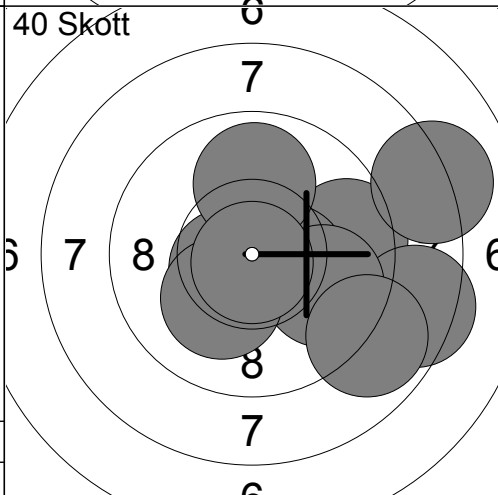
21:	10.7x	↗
22:	8.6	↓
23:	10.3x	←
24:	10.1	↗
25:	9.7	←
26:	9.4	↙
Serie		58.8
Total		0.0



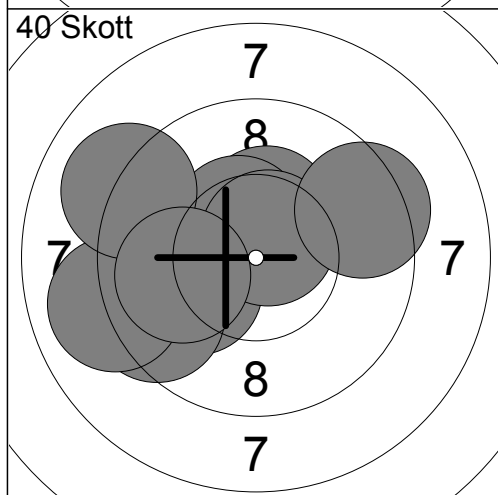
1:	10.8x	↗
2:	8.9	↗
3:	10.1	↘
4:	9.0	↖
5:	10.1	↘
6:	8.3	↑
7:	10.6x	↑
8:	9.7	→
9:	8.9	↑
10:	10.2x	↗
Serie		96.6
Total		96.6



11:	10.9x	↓
12:	8.5	↖
13:	10.4x	↘
14:	9.4	↑
15:	10.5x	→
16:	9.7	↗
17:	8.7	↗
18:	10.1	→
19:	10.6x	↑
20:	9.6	↗
Serie		98.4
Total		195.0



21:	9.5	→
22:	10.4x	→
23:	10.6x	↙
24:	8.4	→
25:	9.8	→
26:	8.9	↘
27:	9.9	↑
28:	8.1	→
29:	10.2x	↘
30:	10.8x	↓
Serie		96.6
Total		291.6

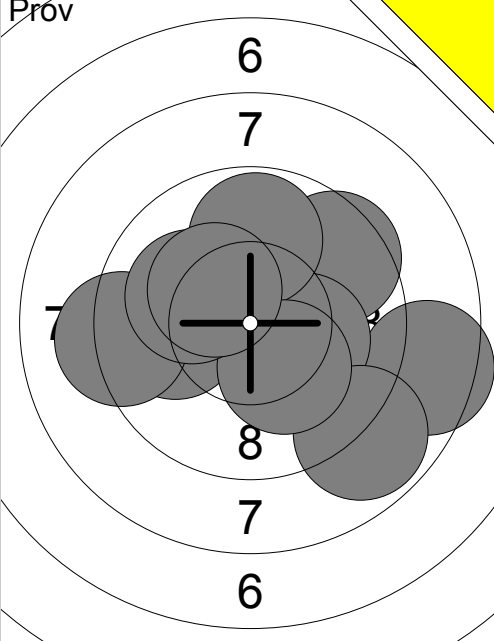
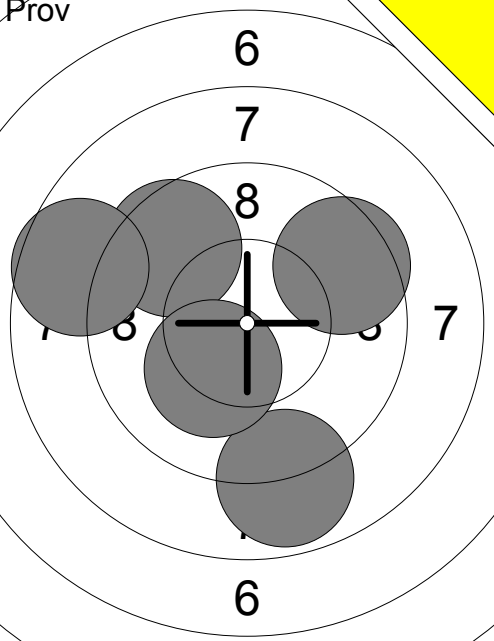


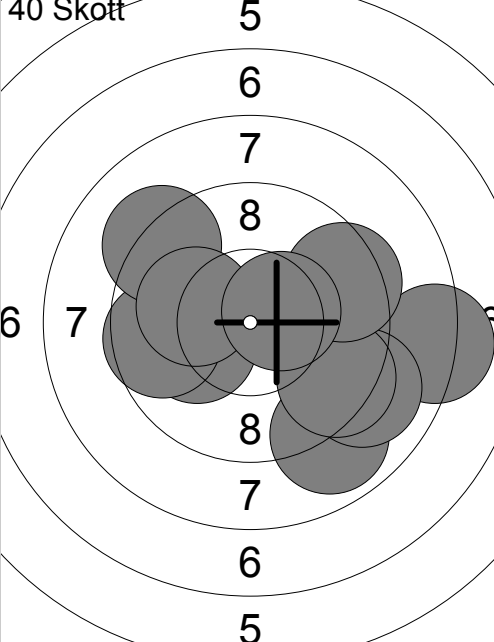
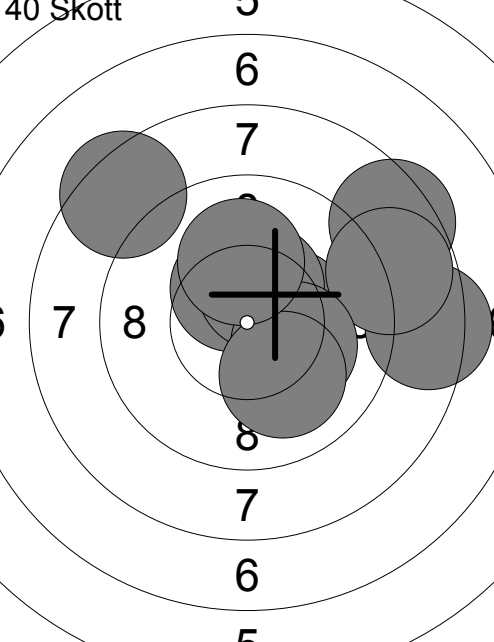
31:	10.5x	↖
32:	10.1	←
33:	10.4x	↑
34:	9.4	↙
35:	9.0	←
36:	10.4x	↗
37:	10.6x	↗
38:	9.1	↖
39:	9.4	→
40:	10.0	←
Serie		98.9
Total		390.5

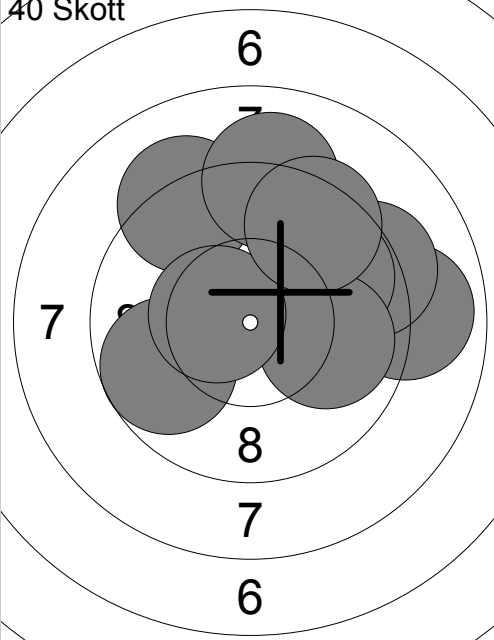
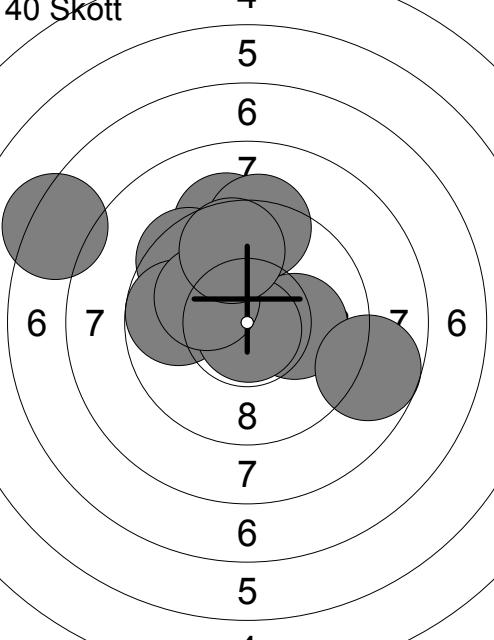
<p>Pröv</p>	<p>1: 8.8 ↗ 2: 10.1 ↑ 3: 9.8 ↘ 4: 9.6 ↗ 5: 8.8 ↑ 6: 8.9 ↗ 7: 10.3x ↖ 8: 9.7 ↑ 9: 9.4 ← 10: 8.4 ↗</p> <p>Serie 93.8 Total 0.0</p>	<p>Pröv</p>	<p>11: 9.0 ↑ 12: 10.1 ← 13: 10.0 → 14: 10.2x ↘</p> <p>Serie 39.3 Total 0.0</p>
-------------	--------------------------------------------------------------------------------------------------------------------------------------------------------------------------	-------------	------------------------------------------------------------------------------------------------

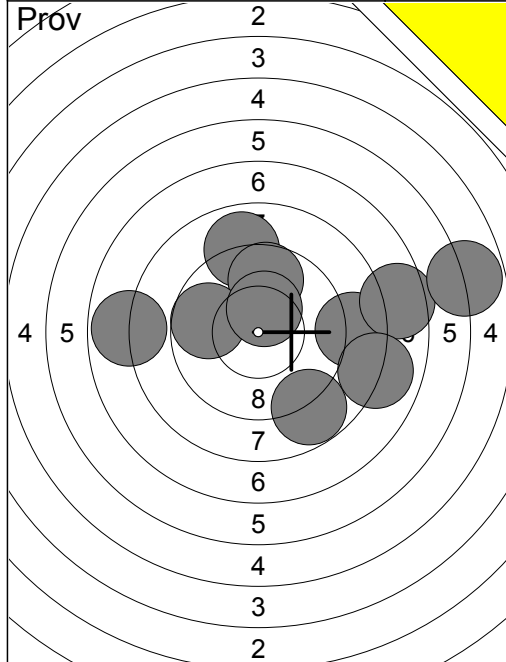
<p>40 Skott</p>	<p>1: 9.7 → 2: 10.3x → 3: 9.6 ← 4: 9.1 ↖ 5: 9.7 → 6: 9.6 → 7: 9.7 ↗ 8: 9.8 ↑ 9: 9.1 ← 10: 10.6x →</p> <p>Serie 97.2 Total 97.2</p>	<p>40 Skott</p>	<p>11: 10.0 ↓ 12: 10.2x ↓ 13: 10.5x ↖ 14: 10.2x → 15: 10.0 → 16: 9.3 ↑ 17: 10.3x ↗ 18: 9.9 ↖ 19: 9.9 ← 20: 10.4x ↘</p> <p>Serie 100.7 Total 197.9</p>
-----------------	----------------------------------------------------------------------------------------------------------------------------------------------------------------------------	-----------------	-----------------------------------------------------------------------------------------------------------------------------------------------------------------------------------------------

<p>40 Skott</p>	<p>21: 9.3 ← 22: 9.1 ↗ 23: 9.8 → 24: 10.5x ← 25: 9.7 ← 26: 9.6 ↗ 27: 10.5x ↑ 28: 8.8 ↑ 29: 10.2x ↗ 30: 9.7 ↗</p> <p>Serie 97.2 Total 295.1</p>	<p>40 Skott</p>	<p>31: 9.9 ↑ 32: 10.5x ↓ 33: 10.5x ↑ 34: 10.6x ← 35: 10.0 → 36: 10.5x ↓ 37: 10.4x ↖ 38: 9.6 → 39: 10.2x ← 40: 10.3x ↘</p> <p>Serie 102.5 Total 397.6</p>
-----------------	----------------------------------------------------------------------------------------------------------------------------------------------------------------------------------------	-----------------	--------------------------------------------------------------------------------------------------------------------------------------------------------------------------------------------------

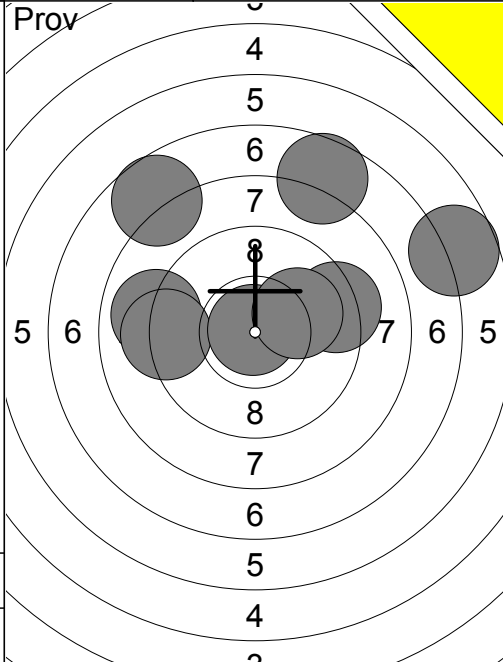
Pröv 	1: 8.5 → 2: 9.5 ↗ 3: 9.9 ← 4: 10.2x → 5: 8.9 ↘ 6: 9.8 ↑ 7: 10.2x ↘ 8: 9.2 ← 9: 10.1 ↖ 10: 10.3x ↗ <hr/> Serie 92 Total 0	Pröv 	11: 9.6 ↖ 12: 8.9 ↓ 13: 9.5 ↗ 14: 8.6 ← 15: 10.2x ↘ <hr/> Serie 44 Total 0
------------------------------------------------------------------------------------------	-----------------------------------------------------------------------------------------------------------------------------------------------------------	--------------------------------------------------------------------------------------------	----------------------------------------------------------------------------------------------

40 Skott 	1: 10.1 ← 2: 9.6 ← 3: 8.9 ↘ 4: 8.2 → 5: 9.0 ↘ 6: 9.4 ↘ 7: 9.2 ↗ 8: 10.1 ← 9: 9.4 → 10: 10.5x → <hr/> Serie 91 Total 91	40 Skott 	11: 8.4 ↖ 12: 8.4 ↗ 13: 8.4 → 14: 10.4x → 15: 8.8 → 16: 10.4x ↑ 17: 10.4x ↑ 18: 10.2x → 19: 10.0 ↓ 20: 10.1 ↑ <hr/> Serie 92 Total 183
-----------------------------------------------------------------------------------------------	---------------------------------------------------------------------------------------------------------------------------------------------------------	-------------------------------------------------------------------------------------------------	-------------------------------------------------------------------------------------------------------------------------------------------------------------------------

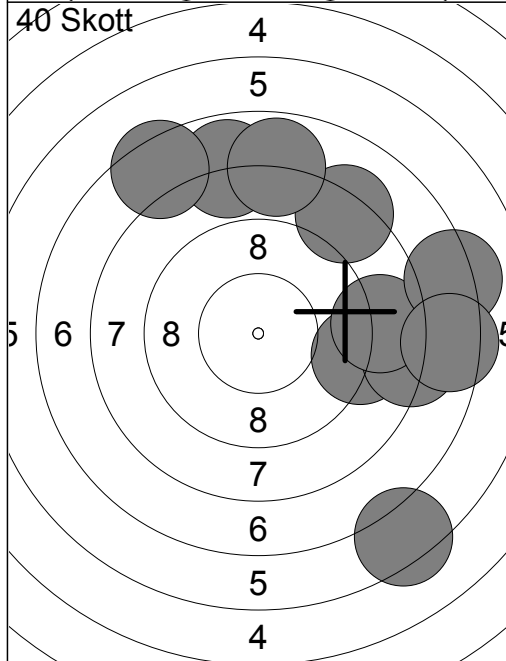
40 Skott 	21: 9.8 → 22: 8.9 → 23: 9.2 ↗ 24: 9.2 → 25: 9.7 ← 26: 9.1 ↑ 27: 9.8 ↗ 28: 9.9 → 29: 10.5x ← 30: 9.4 ↗ <hr/> Serie 90 Total 273	40 Skott 	31: 9.3 ↑ 32: 10.1 → 33: 9.3 ↑ 34: 9.5 ↗ 35: 9.8 ← 36: 10.8x ↓ 37: 10.1 ↖ 38: 7.3 ↖ 39: 9.7 ↑ 40: 8.7 → <hr/> Serie 90 Total 363
------------------------------------------------------------------------------------------------	-----------------------------------------------------------------------------------------------------------------------------------------------------------------	--------------------------------------------------------------------------------------------------	-------------------------------------------------------------------------------------------------------------------------------------------------------------------



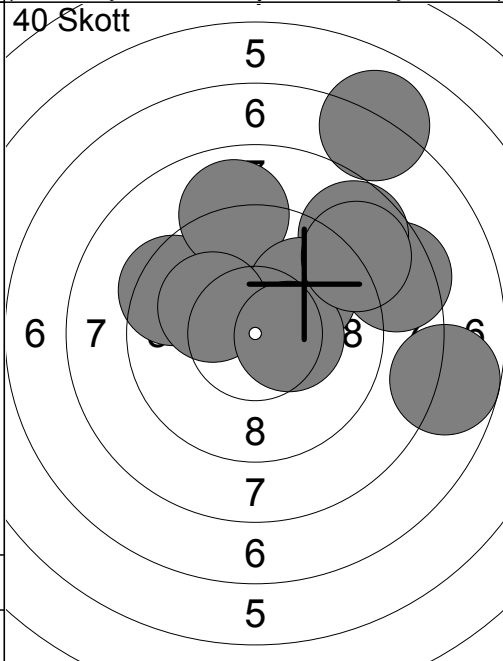
1:	8.7	→
2:	7.8	←
3:	8.9	↑
4:	7.5	→
5:	9.7	↑
6:	8.8	↘
7:	9.7	←
8:	10.4x	↑
9:	5.8	→
10:	8.0	→
Serie		79
Total		0



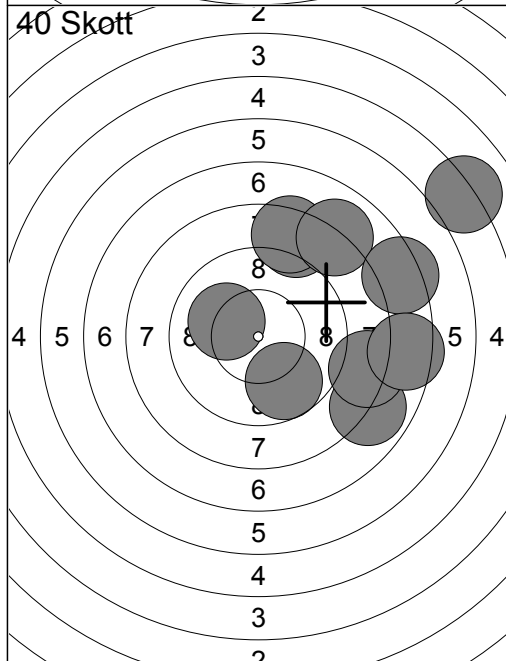
11:	7.6	↗
12:	9.3	→
13:	9.0	←
14:	9.2	←
15:	6.7	↗
16:	10.9x	↖
17:	10.0	↗
18:	7.7	↖
Serie		67
Total		0



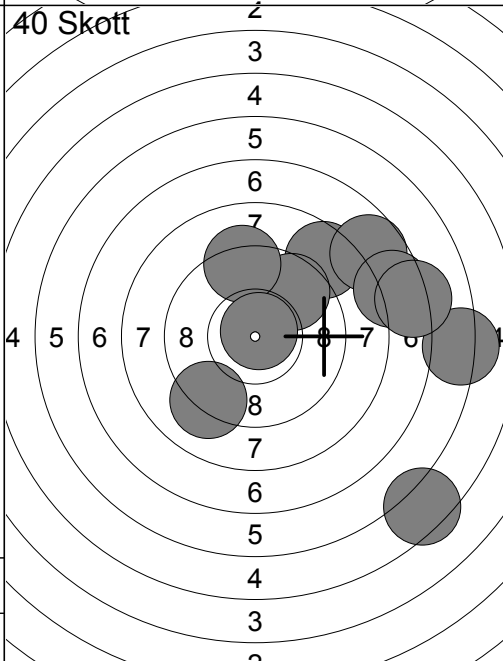
1:	8.2	↗
2:	9.0	→
3:	8.1	→
4:	8.7	→
5:	7.2	→
6:	7.9	↑
7:	7.4	→
8:	7.9	↑
9:	6.3	↘
10:	7.4	↖
Serie		74
Total		74



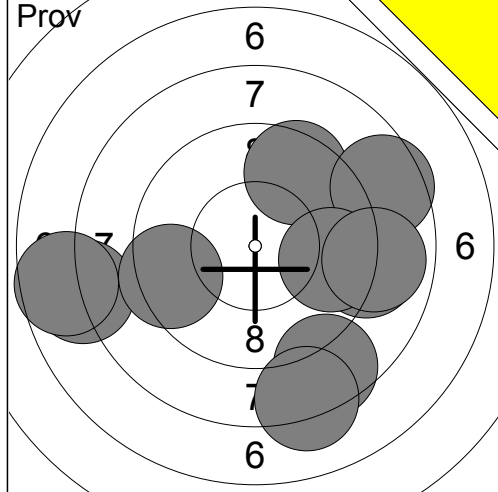
11:	8.5	→
12:	9.4	←
13:	8.7	↗
14:	9.0	↑
15:	9.9	↗
16:	7.0	↑
17:	7.8	→
18:	10.1	↖
19:	10.4x	→
20:	8.9	↗
Serie		85
Total		159



21:	8.5	↗
22:	8.4	↑
23:	7.9	↘
24:	9.8	↘
25:	8.0	↗
26:	10.1	↖
27:	7.3	→
28:	8.3	→
29:	5.1	↗
30:	7.5	→
Serie		77
Total		236

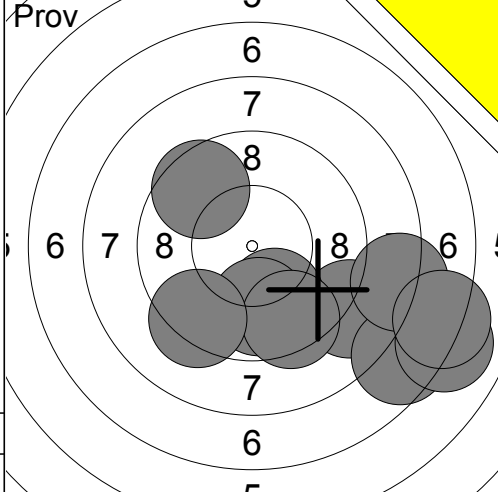


31:	8.6	↗
32:	9.1	↖
33:	5.4	↘
34:	7.7	↗
35:	6.2	→
36:	7.6	→
37:	9.6	↗
38:	7.2	→
39:	9.2	↑
40:	10.8x	↗
Serie		77
Total		313



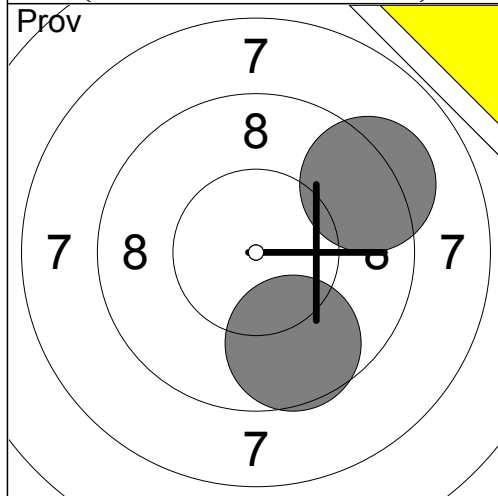
1:	7.9	←
2:	9.0	→
3:	7.6	←
4:	9.5	↗
5:	8.6	↘
6:	8.2	↘
7:	8.5	→
8:	9.4	←
9:	9.6	→
10:	8.9	→

Serie	82
Total	0



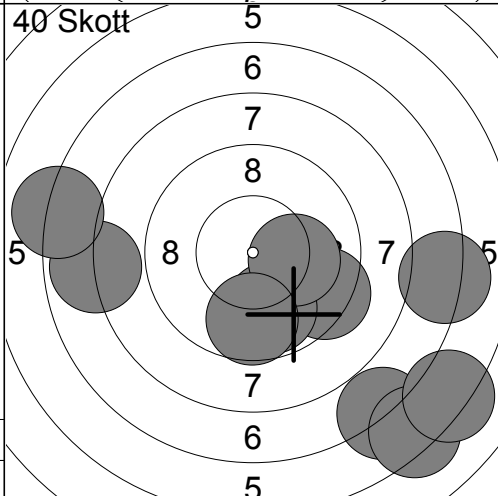
11:	8.8	↘
12:	7.6	↘
13:	9.9	↘
14:	7.0	↘
15:	9.8	↘
16:	9.5	↗
17:	8.2	→
18:	9.4	↘
19:	9.3	↘
20:	7.2	→

Serie	82
Total	0



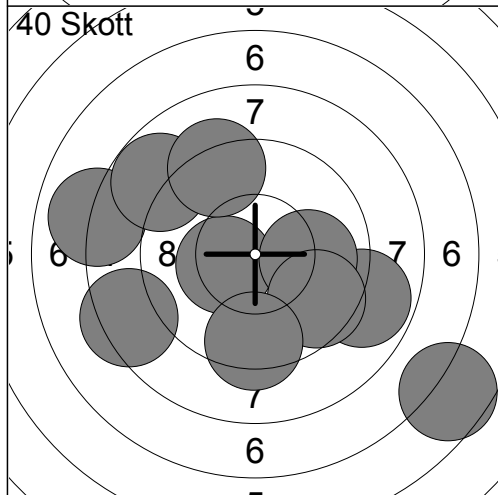
21:	9.7	↘
22:	9.2	↗

Serie	18
Total	0



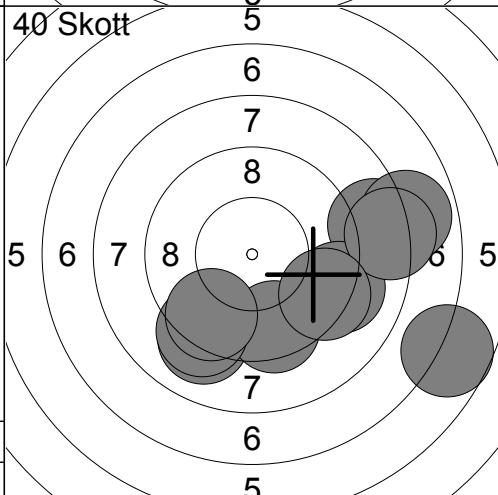
1:	7.9	←
2:	9.3	↘
3:	9.8	↘
4:	10.1	→
5:	7.1	←
6:	6.9	↘
7:	6.3	↘
8:	9.6	↘
9:	6.2	↘
10:	7.2	→

Serie	76
Total	76



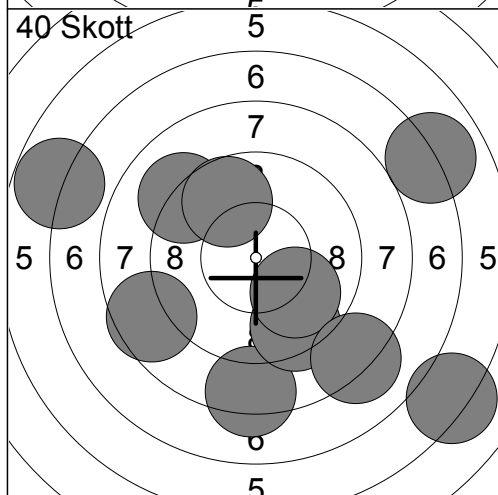
11:	10.4x	←
12:	8.8	→
13:	8.4	←
14:	8.0	←
15:	10.0	→
16:	9.6	↘
17:	9.4	↘
18:	8.8	↗
19:	9.2	↗
20:	6.6	↘

Serie	85
Total	161



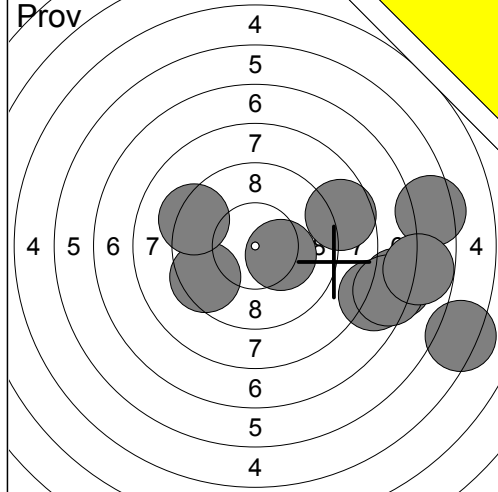
21:	9.1	↘
22:	8.5	→
23:	9.5	↘
24:	9.2	↘
25:	9.1	→
26:	6.7	↘
27:	7.9	→
28:	9.5	↘
29:	8.2	→
30:	9.3	↘

Serie	83
Total	244

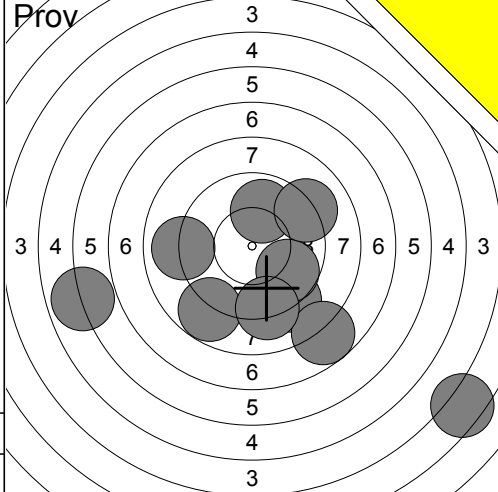


31:	9.1	↗
32:	7.0	↗
33:	6.2	↘
34:	8.3	↘
35:	8.6	←
36:	9.4	↘
37:	9.7	↗
38:	9.9	↘
39:	8.1	↘
40:	6.8	↖

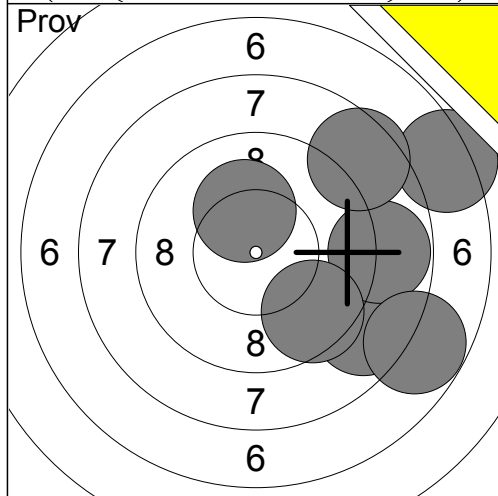
Serie	79
Total	323



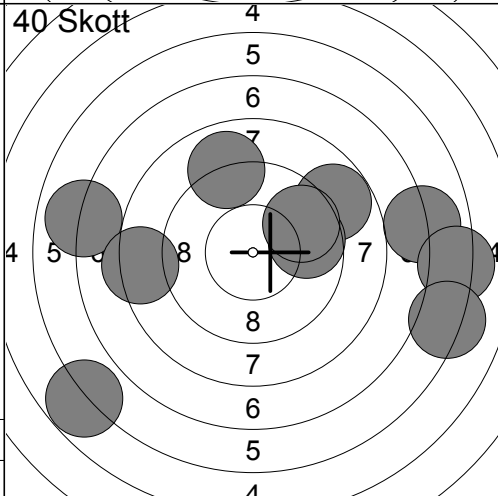
1:	9.5	↖
2:	7.2	→
3:	7.7	↘
4:	7.4	↘
5:	6.4	→
6:	10.3x	↘
7:	5.3	↘
8:	8.6	→
9:	6.8	→
10:	9.3	↖
Serie		74
Total		0



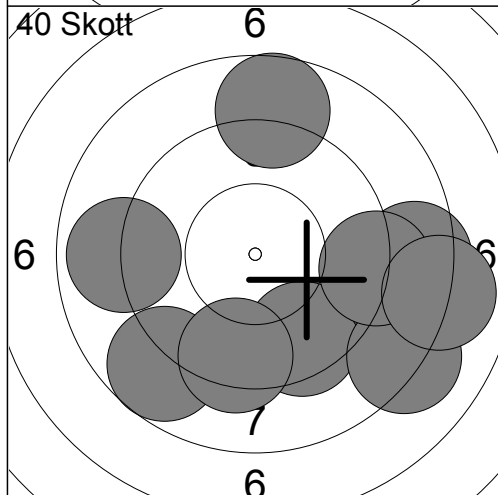
11:	9.1	↘
12:	9.9	↑
13:	7.8	↘
14:	5.9	←
15:	8.8	↘
16:	9.7	↘
17:	9.0	←
18:	9.1	↘
19:	9.1	↗
20:	3.4	↘
Serie		77
Total		0



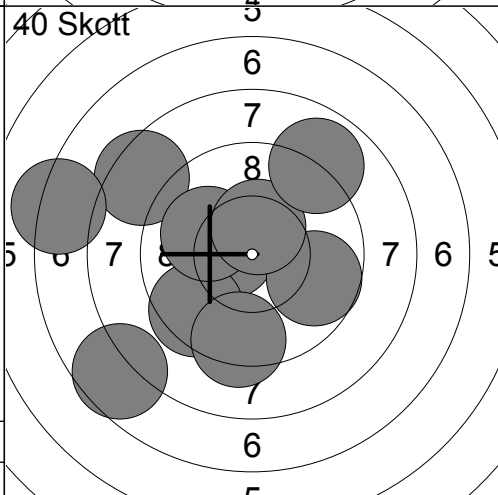
21:	7.3	↗
22:	8.7	↘
23:	8.8	→
24:	8.5	↗
25:	9.5	↘
26:	10.2x	↗
27:	7.8	↘
Serie		57
Total		0



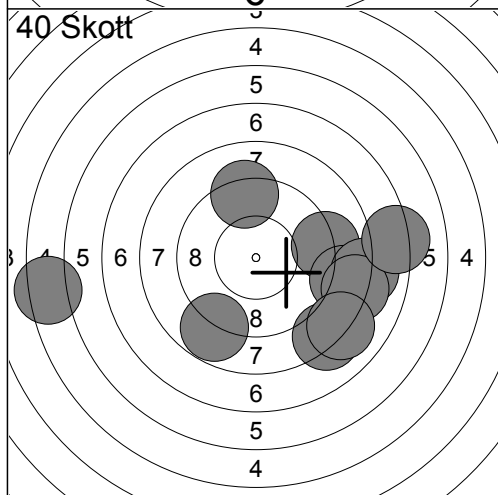
1:	7.0	→
2:	8.8	↗
3:	9.7	→
4:	6.2	→
5:	9.6	↗
6:	6.9	←
7:	5.8	↖
8:	8.9	↑
9:	8.3	←
10:	6.2	→
Serie		72
Total		72



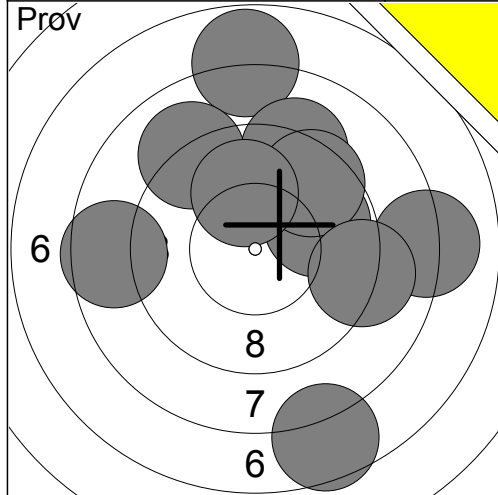
11:	8.7	↑
12:	8.5	→
13:	8.7	↘
14:	9.4	↘
15:	8.6	→
16:	8.1	↘
17:	8.9	←
18:	9.1	→
19:	8.0	→
20:	9.3	↘
Serie		83
Total		155



21:	8.4	↖
22:	10.5x	←
23:	9.7	↘
24:	7.2	←
25:	7.6	↖
26:	9.5	↖
27:	9.3	↘
28:	10.0	↖
29:	10.4x	↑
30:	8.9	↗
Serie		87
Total		242

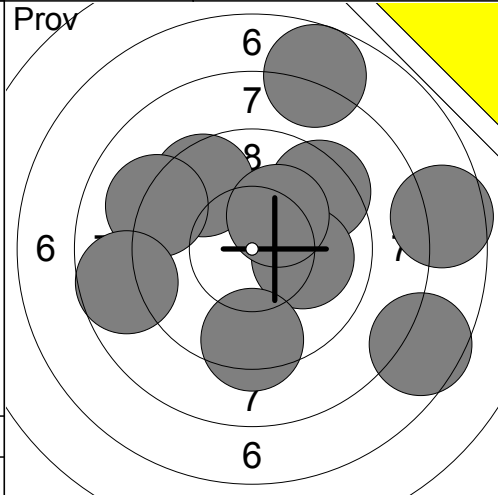


31:	8.8	↘
32:	9.2	↑
33:	9.1	→
34:	8.6	→
35:	8.0	→
36:	8.2	→
37:	7.2	→
38:	5.4	←
39:	8.2	↘
40:	8.1	↘
Serie		78
Total		320



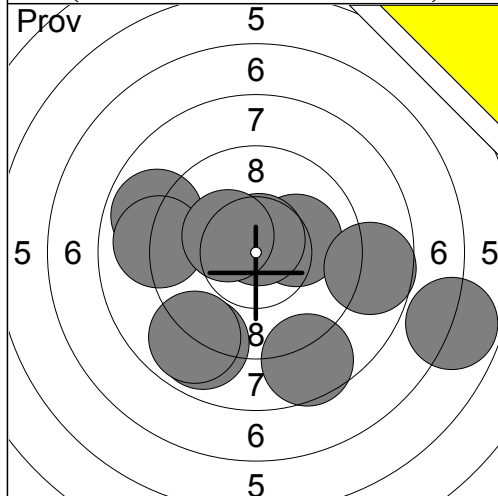
1:	7.8	↑
2:	9.2	↑
3:	9.8	→
4:	9.5	↗
5:	8.1	→
6:	9.0	↗
7:	7.6	↘
8:	10.0	↑
9:	8.6	←
10:	9.1	→

Serie	85
Total	0



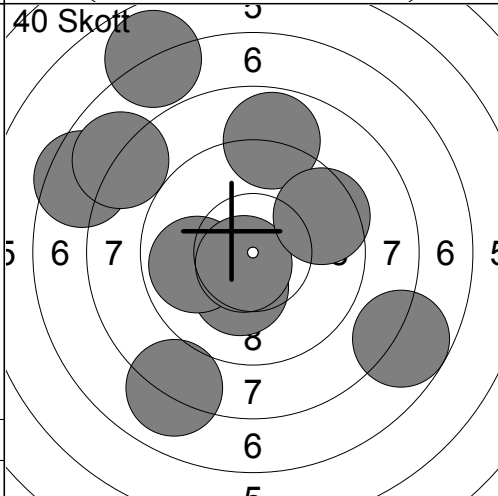
11:	7.6	↘
12:	7.7	↑
13:	9.4	↗
14:	10.1	→
15:	9.6	↗
16:	9.4	↓
17:	7.6	→
18:	9.1	↖
19:	10.2x	↗
20:	8.7	←

Serie	85
Total	0



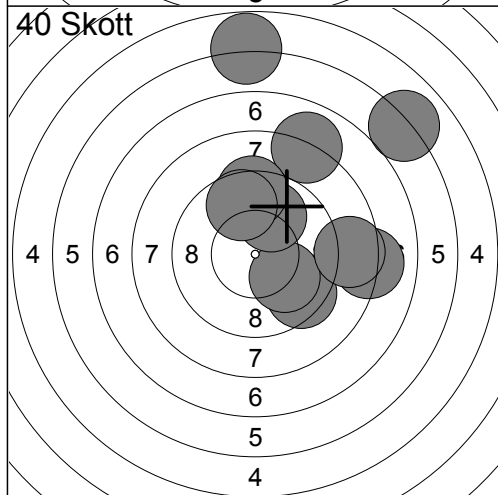
21:	6.8	↘
22:	8.9	←
23:	10.1	→
24:	8.7	→
25:	8.6	↘
26:	9.0	↖
27:	8.9	↘
28:	8.9	↘
29:	10.7x	↑
30:	10.3x	↖

Serie	85
Total	0



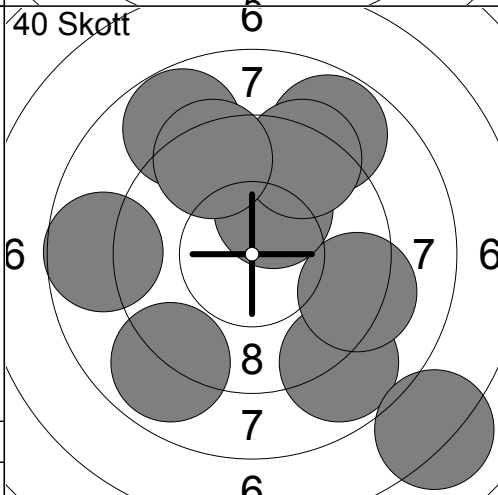
1:	7.5	↖
2:	10.3x	↓
3:	7.9	↖
4:	9.9	←
5:	10.7x	↘
6:	8.8	↑
7:	7.8	↘
8:	9.5	↗
9:	6.9	↑
10:	8.0	↘

Serie	81
Total	81



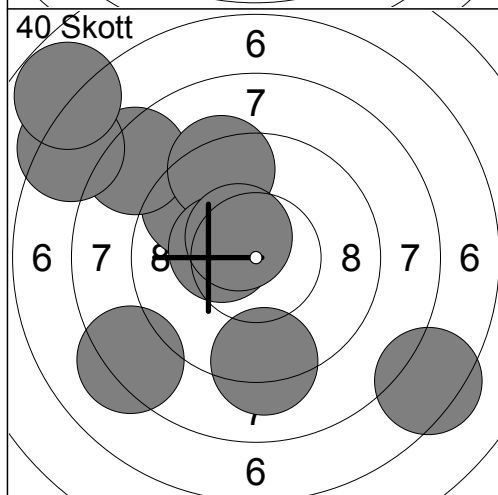
11:	9.4	↘
12:	8.1	→
13:	8.0	↑
14:	10.0	↘
15:	8.6	→
16:	9.9	↑
17:	6.0	↗
18:	9.4	↑
19:	5.8	↑
20:	9.7	↑

Serie	81
Total	162



21:	8.8	↘
22:	8.7	←
23:	9.3	→
24:	8.8	↗
25:	8.8	↗
26:	10.2x	↑
27:	7.1	↘
28:	8.9	↘
29:	9.3	↑
30:	9.4	↑

Serie	84
Total	246



31:	9.6	↗
32:	8.3	↗
33:	7.3	↗
34:	9.3	↗
35:	10.4x	←
36:	8.2	↖
37:	7.4	↘
38:	10.5x	↗
39:	6.8	↗
40:	9.2	↓

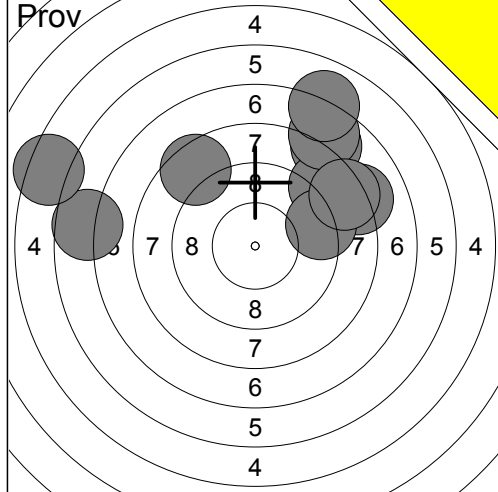
Serie	83
Total	329

Pröv	Pröv																																																																										
		<table border="1" style="width:100%; border-collapse: collapse;"> <tr><td>1:</td><td>8.6</td><td>→</td></tr> <tr><td>2:</td><td>10.0</td><td>←</td></tr> <tr><td>3:</td><td>10.1</td><td>↗</td></tr> <tr><td>4:</td><td>8.9</td><td>↗</td></tr> <tr><td>5:</td><td>9.4</td><td>→</td></tr> <tr><td>6:</td><td>8.9</td><td>↖</td></tr> <tr><td>7:</td><td>9.8</td><td>↗</td></tr> <tr><td>8:</td><td>9.6</td><td>↗</td></tr> <tr><td>9:</td><td>8.3</td><td>↘</td></tr> <tr><td>10:</td><td>9.2</td><td>↘</td></tr> <tr><td colspan="2">Serie</td><td>88</td></tr> <tr><td colspan="2">Total</td><td>0</td></tr> </table>	1:	8.6	→	2:	10.0	←	3:	10.1	↗	4:	8.9	↗	5:	9.4	→	6:	8.9	↖	7:	9.8	↗	8:	9.6	↗	9:	8.3	↘	10:	9.2	↘	Serie		88	Total		0	<table border="1" style="width:100%; border-collapse: collapse;"> <tr><td>11:</td><td>8.9</td><td>↘</td></tr> <tr><td>12:</td><td>9.9</td><td>↗</td></tr> <tr><td>13:</td><td>9.3</td><td>↗</td></tr> <tr><td>14:</td><td>9.2</td><td>↘</td></tr> <tr><td>15:</td><td>7.5</td><td>↘</td></tr> <tr><td>16:</td><td>9.7</td><td>↘</td></tr> <tr><td>17:</td><td>9.3</td><td>↘</td></tr> <tr><td>18:</td><td>9.2</td><td>↗</td></tr> <tr><td>19:</td><td>10.2x</td><td>→</td></tr> <tr><td>20:</td><td>9.0</td><td>→</td></tr> <tr><td colspan="2">Serie</td><td>88</td></tr> <tr><td colspan="2">Total</td><td>0</td></tr> </table>	11:	8.9	↘	12:	9.9	↗	13:	9.3	↗	14:	9.2	↘	15:	7.5	↘	16:	9.7	↘	17:	9.3	↘	18:	9.2	↗	19:	10.2x	→	20:	9.0	→	Serie		88	Total		0
1:	8.6	→																																																																									
2:	10.0	←																																																																									
3:	10.1	↗																																																																									
4:	8.9	↗																																																																									
5:	9.4	→																																																																									
6:	8.9	↖																																																																									
7:	9.8	↗																																																																									
8:	9.6	↗																																																																									
9:	8.3	↘																																																																									
10:	9.2	↘																																																																									
Serie		88																																																																									
Total		0																																																																									
11:	8.9	↘																																																																									
12:	9.9	↗																																																																									
13:	9.3	↗																																																																									
14:	9.2	↘																																																																									
15:	7.5	↘																																																																									
16:	9.7	↘																																																																									
17:	9.3	↘																																																																									
18:	9.2	↗																																																																									
19:	10.2x	→																																																																									
20:	9.0	→																																																																									
Serie		88																																																																									
Total		0																																																																									

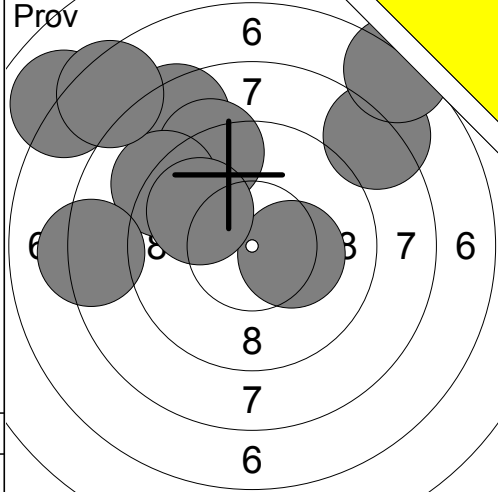
Pröv	40 Skott																																																		
		<table border="1" style="width:100%; border-collapse: collapse;"> <tr><td>21:</td><td>10.4x</td><td>←</td></tr> <tr><td>22:</td><td>10.1</td><td>←</td></tr> <tr><td colspan="2">Serie</td><td>20</td></tr> <tr><td colspan="2">Total</td><td>0</td></tr> </table>	21:	10.4x	←	22:	10.1	←	Serie		20	Total		0	<table border="1" style="width:100%; border-collapse: collapse;"> <tr><td>1:</td><td>9.8</td><td>↘</td></tr> <tr><td>2:</td><td>9.4</td><td>↘</td></tr> <tr><td>3:</td><td>8.4</td><td>←</td></tr> <tr><td>4:</td><td>8.9</td><td>↘</td></tr> <tr><td>5:</td><td>8.4</td><td>←</td></tr> <tr><td>6:</td><td>8.9</td><td>→</td></tr> <tr><td>7:</td><td>8.3</td><td>←</td></tr> <tr><td>8:</td><td>9.3</td><td>↑</td></tr> <tr><td>9:</td><td>8.5</td><td>↗</td></tr> <tr><td>10:</td><td>10.2x</td><td>↑</td></tr> <tr><td colspan="2">Serie</td><td>85</td></tr> <tr><td colspan="2">Total</td><td>85</td></tr> </table>	1:	9.8	↘	2:	9.4	↘	3:	8.4	←	4:	8.9	↘	5:	8.4	←	6:	8.9	→	7:	8.3	←	8:	9.3	↑	9:	8.5	↗	10:	10.2x	↑	Serie		85	Total		85
21:	10.4x	←																																																	
22:	10.1	←																																																	
Serie		20																																																	
Total		0																																																	
1:	9.8	↘																																																	
2:	9.4	↘																																																	
3:	8.4	←																																																	
4:	8.9	↘																																																	
5:	8.4	←																																																	
6:	8.9	→																																																	
7:	8.3	←																																																	
8:	9.3	↑																																																	
9:	8.5	↗																																																	
10:	10.2x	↑																																																	
Serie		85																																																	
Total		85																																																	

40 Skott	40 Skott																																																																										
		<table border="1" style="width:100%; border-collapse: collapse;"> <tr><td>11:</td><td>9.9</td><td>↘</td></tr> <tr><td>12:</td><td>10.4x</td><td>↗</td></tr> <tr><td>13:</td><td>9.1</td><td>↖</td></tr> <tr><td>14:</td><td>10.0</td><td>→</td></tr> <tr><td>15:</td><td>8.5</td><td>↖</td></tr> <tr><td>16:</td><td>10.0</td><td>↘</td></tr> <tr><td>17:</td><td>7.7</td><td>→</td></tr> <tr><td>18:</td><td>8.4</td><td>↗</td></tr> <tr><td>19:</td><td>9.7</td><td>↘</td></tr> <tr><td>20:</td><td>10.5x</td><td>↘</td></tr> <tr><td colspan="2">Serie</td><td>90</td></tr> <tr><td colspan="2">Total</td><td>175</td></tr> </table>	11:	9.9	↘	12:	10.4x	↗	13:	9.1	↖	14:	10.0	→	15:	8.5	↖	16:	10.0	↘	17:	7.7	→	18:	8.4	↗	19:	9.7	↘	20:	10.5x	↘	Serie		90	Total		175	<table border="1" style="width:100%; border-collapse: collapse;"> <tr><td>21:</td><td>9.2</td><td>↘</td></tr> <tr><td>22:</td><td>10.3x</td><td>←</td></tr> <tr><td>23:</td><td>9.8</td><td>↘</td></tr> <tr><td>24:</td><td>10.2x</td><td>↗</td></tr> <tr><td>25:</td><td>8.1</td><td>↘</td></tr> <tr><td>26:</td><td>9.5</td><td>↗</td></tr> <tr><td>27:</td><td>8.0</td><td>→</td></tr> <tr><td>28:</td><td>10.2x</td><td>↘</td></tr> <tr><td>29:</td><td>9.6</td><td>→</td></tr> <tr><td>30:</td><td>8.4</td><td>→</td></tr> <tr><td colspan="2">Serie</td><td>90</td></tr> <tr><td colspan="2">Total</td><td>265</td></tr> </table>	21:	9.2	↘	22:	10.3x	←	23:	9.8	↘	24:	10.2x	↗	25:	8.1	↘	26:	9.5	↗	27:	8.0	→	28:	10.2x	↘	29:	9.6	→	30:	8.4	→	Serie		90	Total		265
11:	9.9	↘																																																																									
12:	10.4x	↗																																																																									
13:	9.1	↖																																																																									
14:	10.0	→																																																																									
15:	8.5	↖																																																																									
16:	10.0	↘																																																																									
17:	7.7	→																																																																									
18:	8.4	↗																																																																									
19:	9.7	↘																																																																									
20:	10.5x	↘																																																																									
Serie		90																																																																									
Total		175																																																																									
21:	9.2	↘																																																																									
22:	10.3x	←																																																																									
23:	9.8	↘																																																																									
24:	10.2x	↗																																																																									
25:	8.1	↘																																																																									
26:	9.5	↗																																																																									
27:	8.0	→																																																																									
28:	10.2x	↘																																																																									
29:	9.6	→																																																																									
30:	8.4	→																																																																									
Serie		90																																																																									
Total		265																																																																									

40 Skott																																							
	<table border="1" style="width:100%; border-collapse: collapse;"> <tr><td>31:</td><td>10.1</td><td>←</td></tr> <tr><td>32:</td><td>8.7</td><td>↘</td></tr> <tr><td>33:</td><td>10.3x</td><td>↘</td></tr> <tr><td>34:</td><td>8.5</td><td>↘</td></tr> <tr><td>35:</td><td>8.7</td><td>↘</td></tr> <tr><td>36:</td><td>9.5</td><td>↘</td></tr> <tr><td>37:</td><td>8.9</td><td>↗</td></tr> <tr><td>38:</td><td>9.1</td><td>←</td></tr> <tr><td>39:</td><td>9.4</td><td>→</td></tr> <tr><td>40:</td><td>9.8</td><td>→</td></tr> <tr><td colspan="2">Serie</td><td>88</td></tr> <tr><td colspan="2">Total</td><td>353</td></tr> </table>	31:	10.1	←	32:	8.7	↘	33:	10.3x	↘	34:	8.5	↘	35:	8.7	↘	36:	9.5	↘	37:	8.9	↗	38:	9.1	←	39:	9.4	→	40:	9.8	→	Serie		88	Total		353		
31:	10.1	←																																					
32:	8.7	↘																																					
33:	10.3x	↘																																					
34:	8.5	↘																																					
35:	8.7	↘																																					
36:	9.5	↘																																					
37:	8.9	↗																																					
38:	9.1	←																																					
39:	9.4	→																																					
40:	9.8	→																																					
Serie		88																																					
Total		353																																					



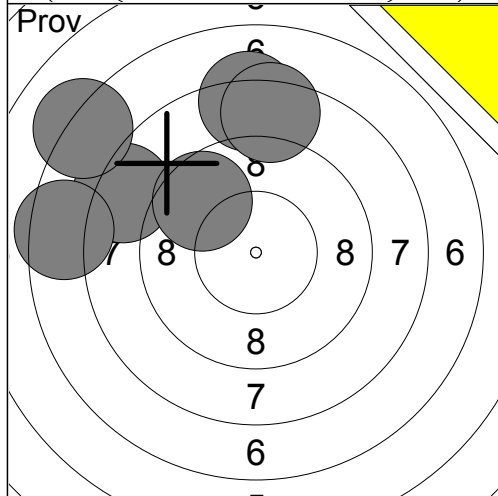
1:	8.1	→
2:	7.8	↗
3:	6.7	←
4:	5.4	↖
5:	8.6	↗
6:	7.6	↗
7:	9.2	→
8:	7.0	↗
9:	8.3	↗
10:	8.5	↖



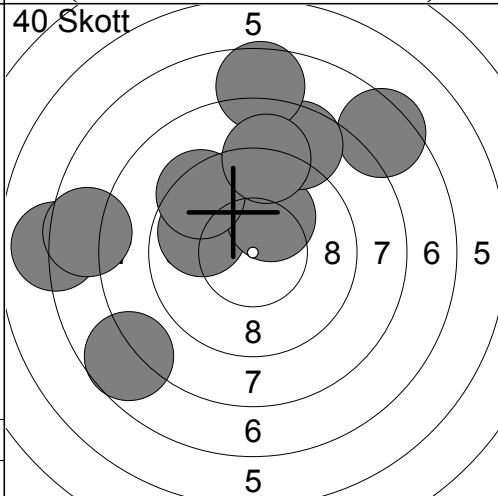
11:	8.4	↗
12:	9.2	↗
13:	9.1	↖
14:	8.1	↗
15:	7.1	↗
16:	8.2	←
17:	7.0	↗
18:	10.3x	→
19:	9.9	↗
20:	7.4	↗

Serie	73
Total	0

Serie	82
Total	0



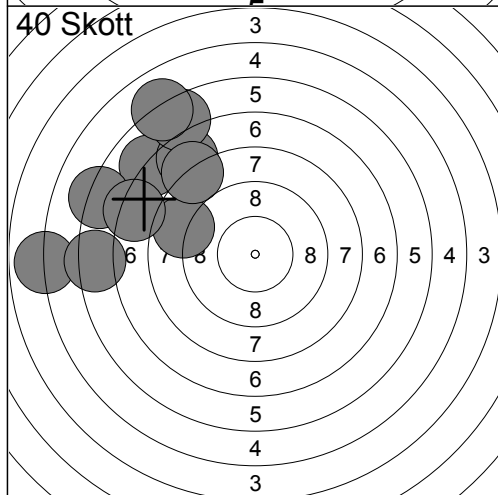
21:	8.3	←
22:	8.2	↑
23:	7.5	←
24:	7.1	↗
25:	8.4	↑
26:	9.6	↗



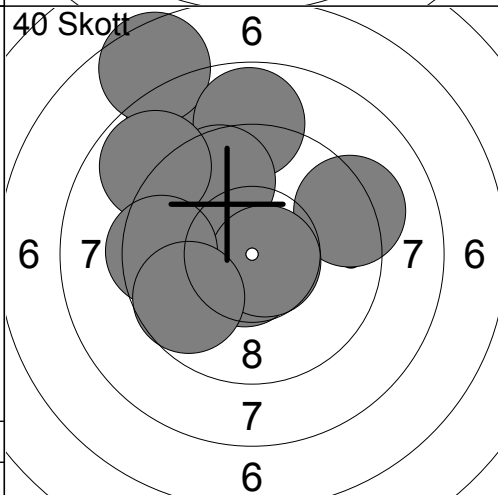
1:	7.0	←
2:	7.4	↗
3:	9.9	←
4:	10.2x	↗
5:	8.6	↗
6:	9.4	↖
7:	7.7	↖
8:	7.6	↑
9:	7.6	←
10:	9.1	↑

Serie	47
Total	0

Serie	80
Total	80



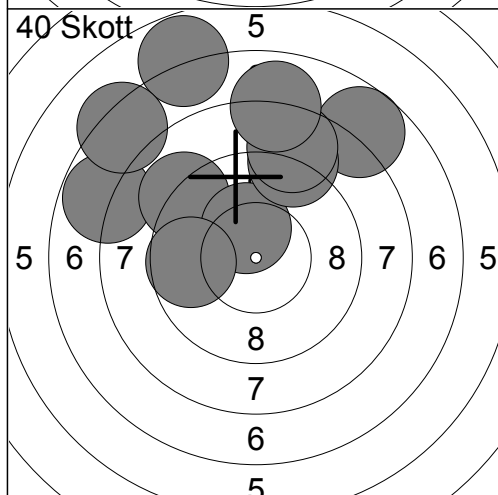
11:	7.0	↗
12:	7.6	↗
13:	8.7	↖
14:	6.5	↗
15:	4.9	←
16:	6.2	←
17:	7.3	←
18:	6.3	←
19:	6.0	↗
20:	8.0	↗



21:	10.6x	↘
22:	8.7	↗
23:	7.6	↗
24:	9.2	→
25:	8.8	↑
26:	9.7	↗
27:	10.7x	→
28:	8.8	↗
29:	9.5	←
30:	9.7	↖

Serie	65
Total	145

Serie	87
Total	232



31:	7.8	←
32:	6.8	↗
33:	9.1	↗
34:	10.3x	↗
35:	9.7	←
36:	7.7	↗
37:	8.9	↗
38:	8.6	↗
39:	7.9	↑
40:	7.3	↖

Serie	78
Total	310