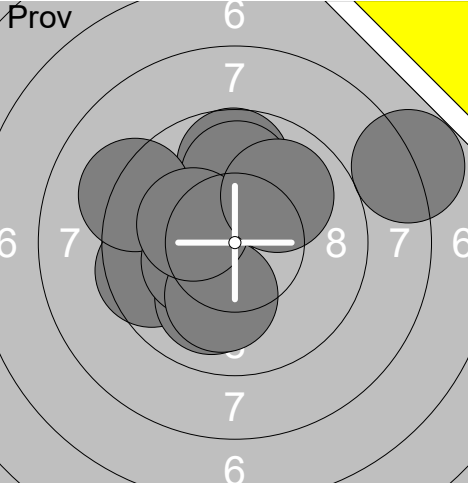
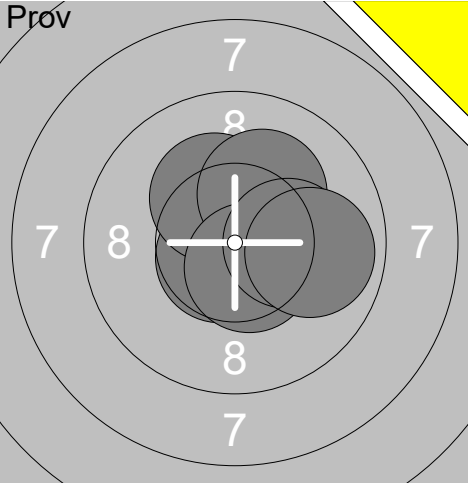
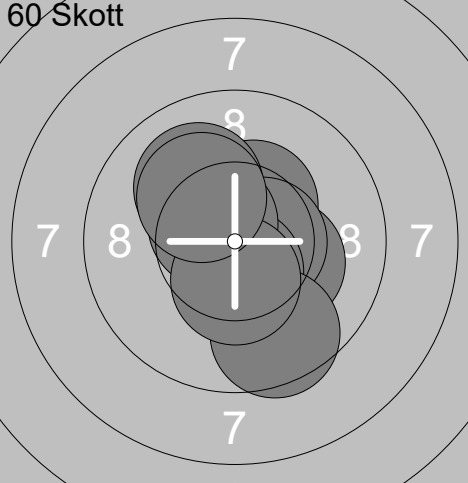
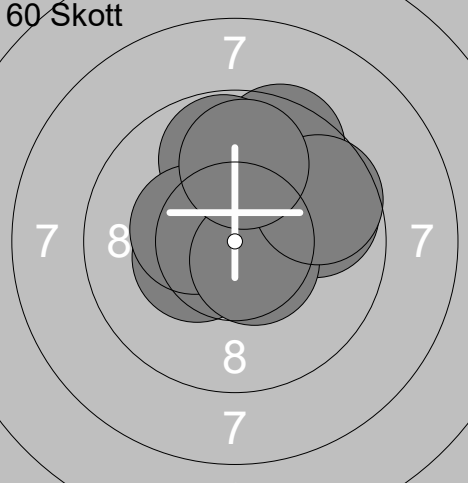
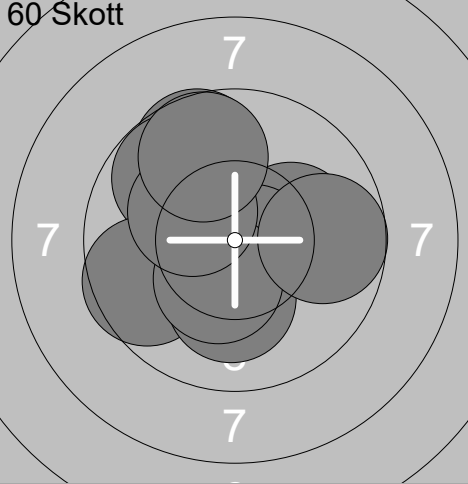
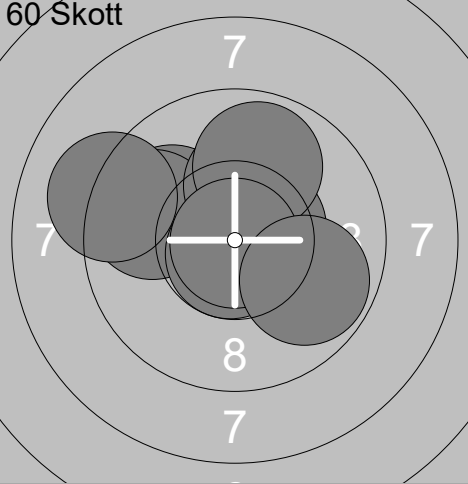
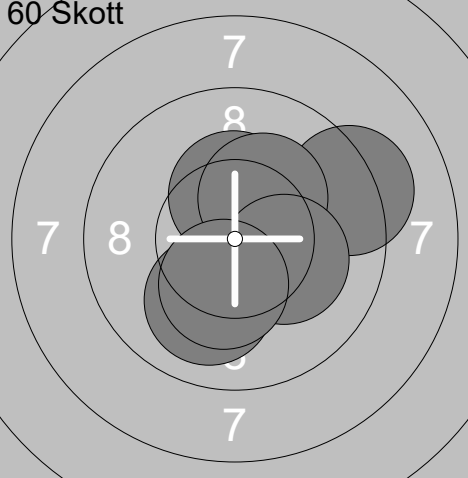
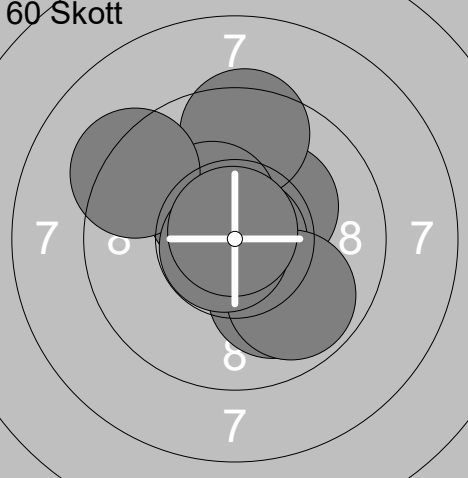
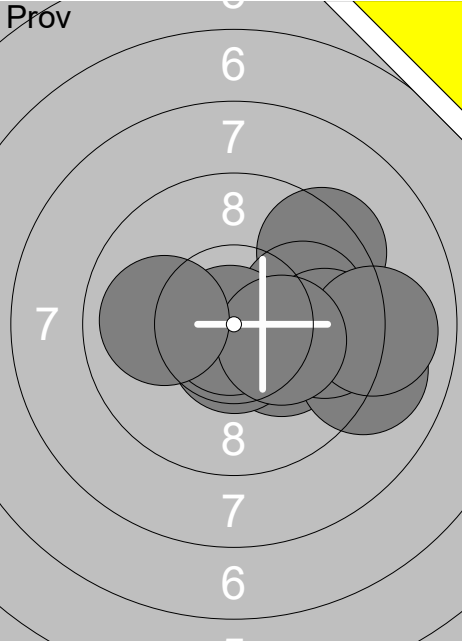
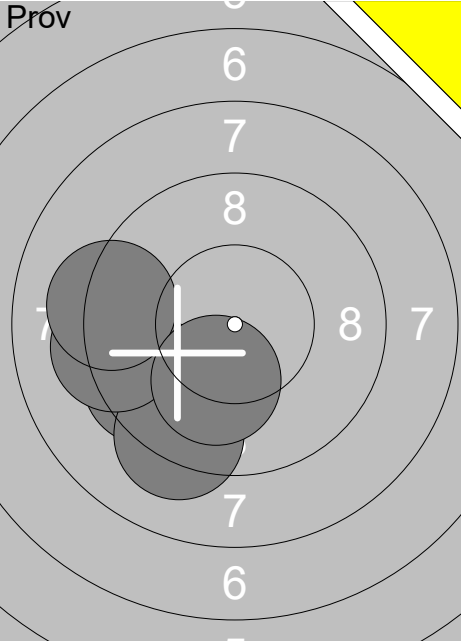
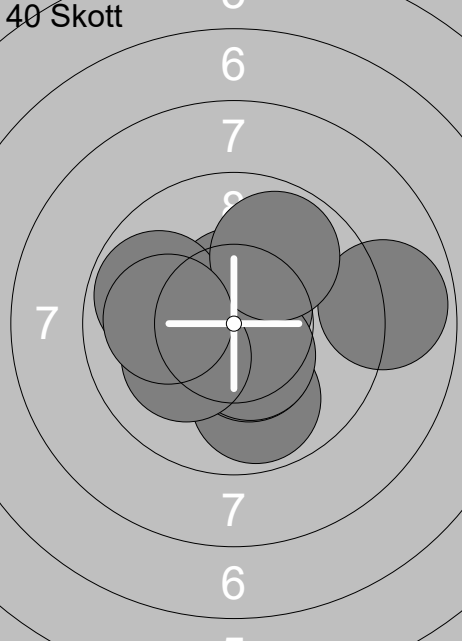
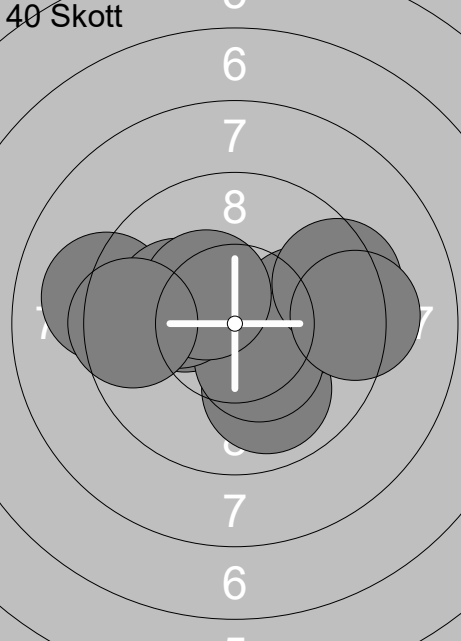
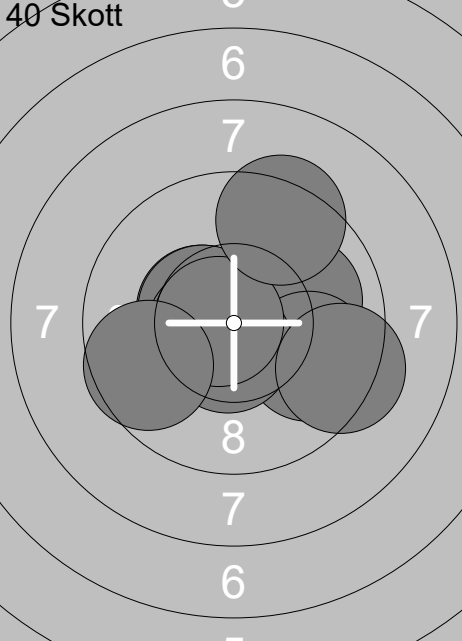
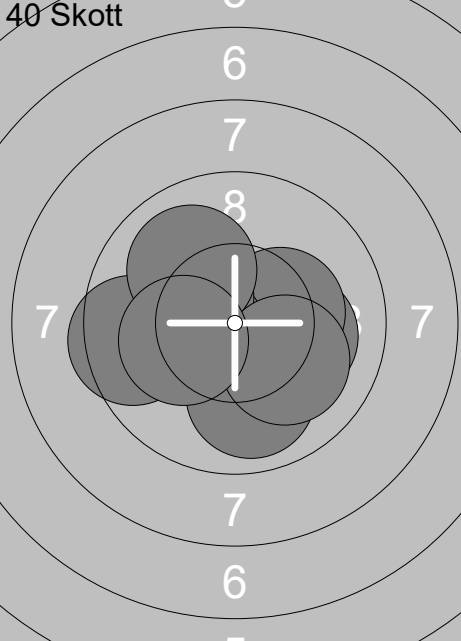
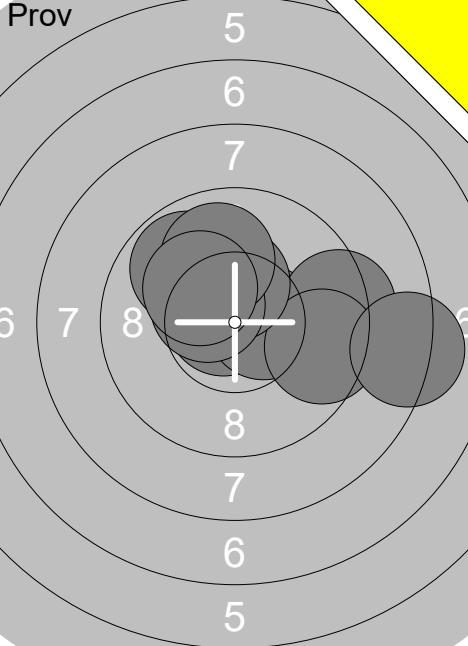
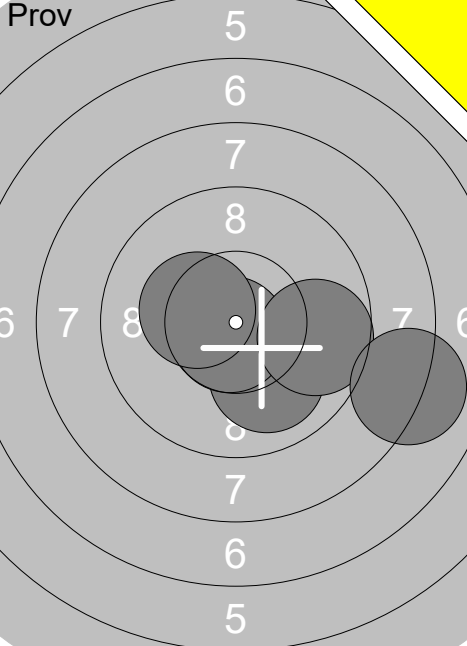
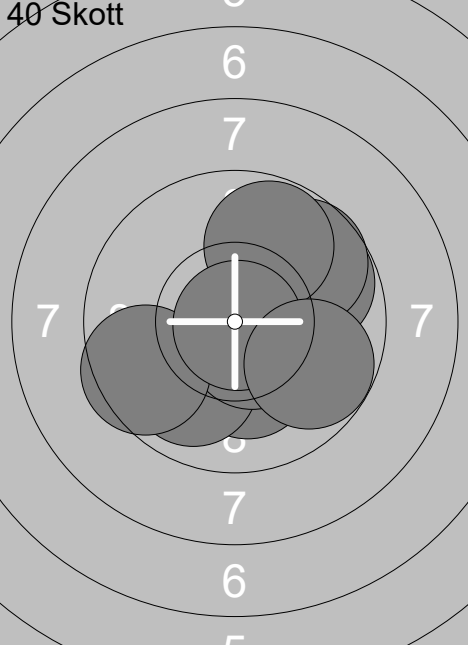
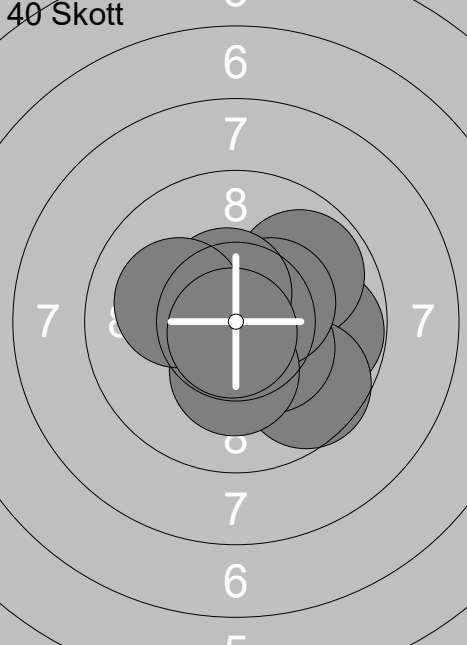
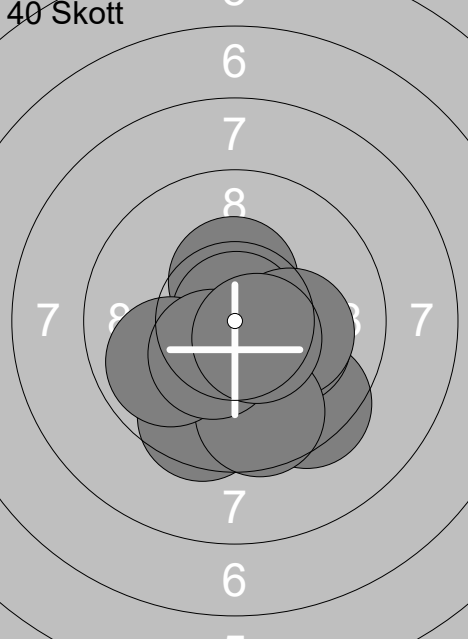
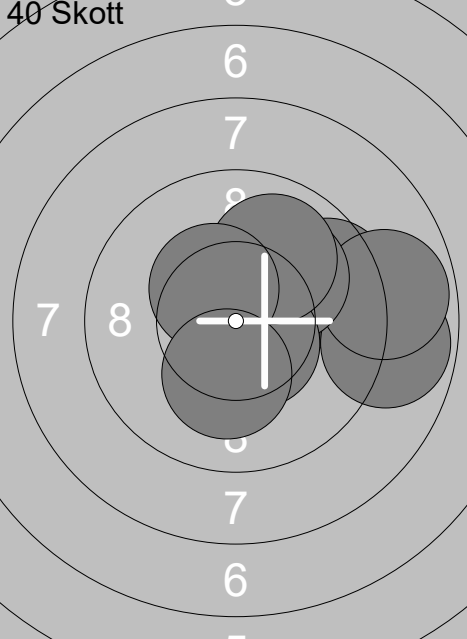


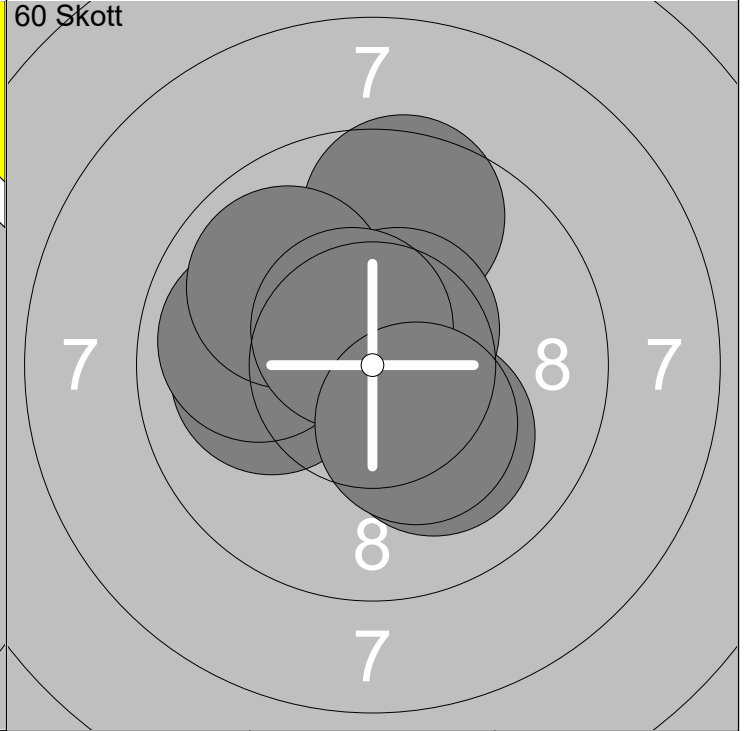
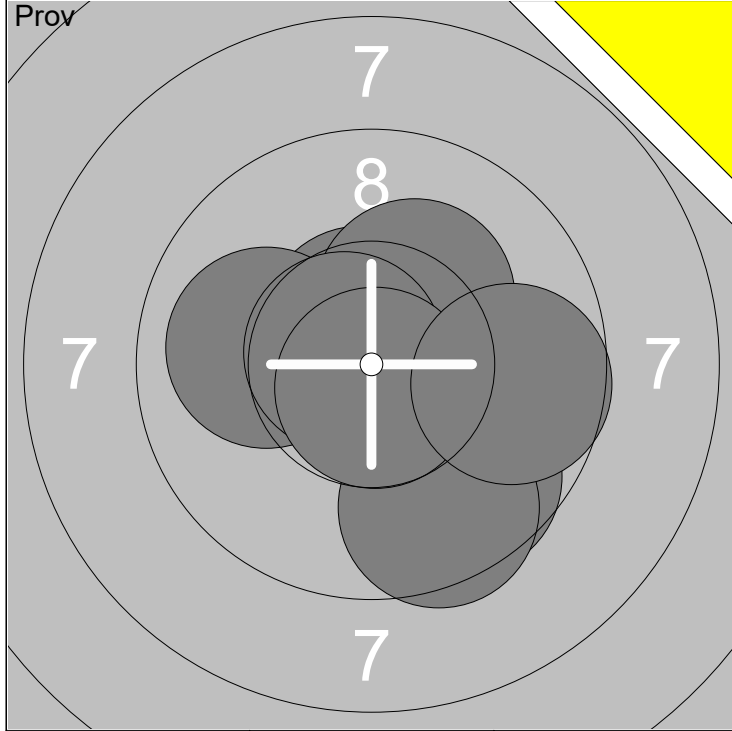
- 1)
- 2)
- 3) Saul Johansson
- 4)
- 5) Hanna Lundin
- 6) Nicolle Nygren
- 7)
- 8) Erika Bergqvist
- 9)
- 10)

Skjuttlag	Tavla		
1	3		
Ramselefors			
28.12.2017	Testtävling 2017-12-28	Ramselefors SKF	
Prov 	1: 9.7 ↑ 2: 9.9 ↑ 3: 9.6 ← 4: 9.2 ↗ 5: 10.0 ↓ 6: 10.3x ← 7: 10.1 ↓ 8: 8.0 → 9: 10.2x ↖ 10: 10.0 ↗ Serie 97.0 Total 0.0	Prov 	11: 10.7x ↙ 12: 10.3x ↗ 13: 10.2x ↗ 14: 10.5x ↓ 15: 10.2x → 16: 9.9 → Serie 61.8 Total 0.0
60 Skott 	1: 10.4x ↗ 2: 10.3x → 3: 10.9x ↓ 4: 10.1 ↗ 5: 10.6x → 6: 10.5x ↓ 7: 9.6 ↓ 8: 10.6x ↗ 9: 10.4x ↓ 10: 10.2x ↗ Serie 103.6 Total 103.6	60 Skott 	11: 10.4x ← 12: 10.6x ↗ 13: 9.8 → 14: 9.5 ↗ 15: 9.8 → 16: 9.8 ↑ 17: 10.4x ← 18: 10.6x ↓ 19: 9.7 → 20: 9.9 ↑ Serie 100.5 Total 204.1
60 Skott 	21: 9.6 ↗ 22: 10.2x → 23: 10.7x ↓ 24: 9.8 ↗ 25: 9.6 ← 26: 10.2x ↓ 27: 10.4x ↓ 28: 10.2x ↗ 29: 9.7 ↗ 30: 9.7 → Serie 100.1 Total 304.2	60 Skott 	31: 10.6x ↗ 32: 10.0 ← 33: 9.8 ← 34: 10.2x ↑ 35: 10.8x ↓ 36: 9.2 ← 37: 10.5x → 38: 9.9 ↑ 39: 10.9x ↓ 40: 9.8 → Serie 101.7 Total 405.9
60 Skott 	41: 10.2x ↗ 42: 9.2 → 43: 10.5x ↗ 44: 10.5x ↑ 45: 10.4x → 46: 10.3x ↑ 47: 10.3x ↗ 48: 10.2x → 49: 10.0 ↓ 50: 10.3x ↓ Serie 101.9 Total 507.8	60 Skott 	51: 10.0 ↓ 52: 10.3x ↗ 53: 9.5 ↑ 54: 10.8x → 55: 10.4x ↗ 56: 9.8 ↓ 57: 10.9x ← 58: 9.3 ↗ 59: 10.8x ← 60: 10.8x ↑ Serie 102.6 Total 610.4

Skjutlag	Tavla		
1	5		
Ramselefors			
28.12.2017	Testtävling 2017-12-28	Ramselefors SKF	
Prov	1: 10.5x ↘ 2: 8.8 → 3: 9.0 ↓ 4: 10.6x ↗ 5: 10.3x ↖ 6: 10.7x ↙ 7: 9.8 ← 8: 8.9 ↘ 9: 9.9 ↘ 10: 10.1 → Serie 98.6 Total 0.0	Prov	11: 10.2x ↘ 12: 10.3x ↘ 13: 10.4x ↙ 14: 10.3x ↖ 15: 9.9 ↙ Serie 51.1 Total 0.0
40 Skott	1: 10.4x ↗ 2: 9.9 ↓ 3: 10.3x → 4: 10.3x ↓ 5: 8.4 → 6: 9.4 → 7: 8.9 → 8: 9.5 ↗ 9: 10.2x → 10: 10.3x → Serie 97.6 Total 97.6	40 Skott	11: 10.4x ↖ 12: 10.3x ↘ 13: 10.5x → 14: 10.7x ↙ 15: 10.6x ↗ 16: 9.3 → 17: 9.7 → 18: 10.5x → 19: 9.7 ↗ 20: 8.9 → Serie 100.6 Total 198.2
40 Skott	21: 10.7x ↘ 22: 10.8x ↗ 23: 10.3x ↘ 24: 10.5x → 25: 10.4x ↘ 26: 10.3x ↗ 27: 9.7 → 28: 10.0 ↗ 29: 10.0 ↓ 30: 10.3x → Serie 103.0 Total 301.2	40 Skott	31: 10.0 ↓ 32: 10.6x ↓ 33: 10.2x → 34: 10.4x ↙ 35: 10.4x ↖ 36: 10.4x → 37: 10.9x ↙ 38: 10.4x ↙ 39: 9.9 → 40: 10.5x ↓ Serie 103.7 Total 404.9

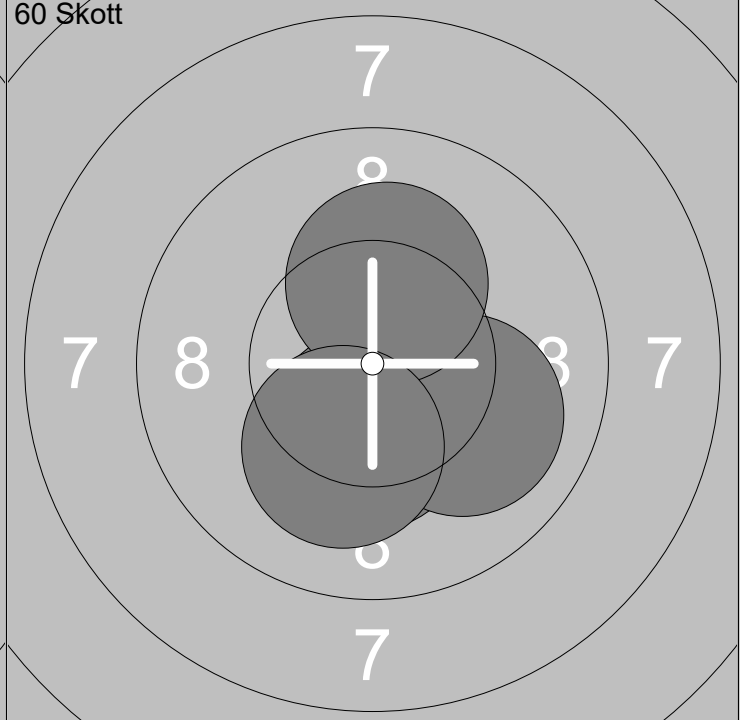
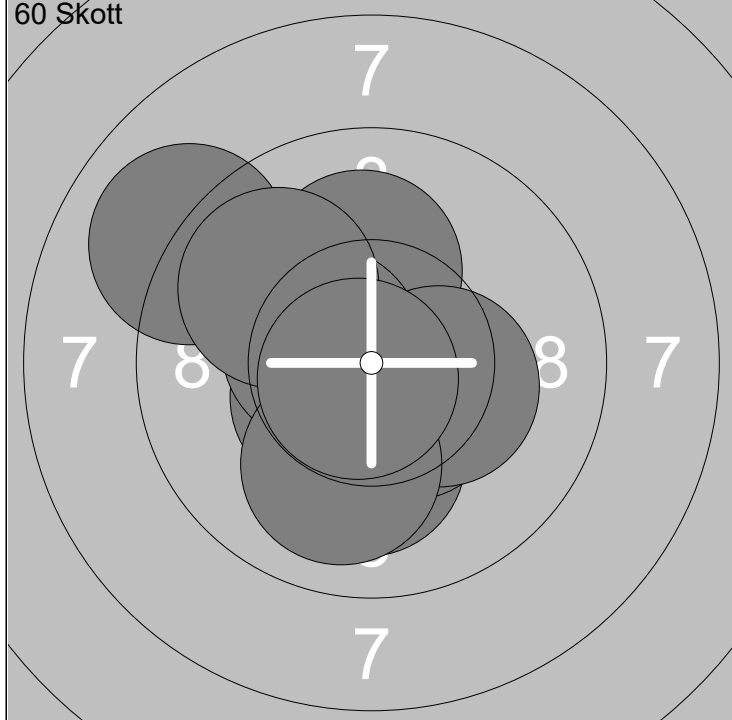
Skjutlag	Tavla				
1	6				
Ramselefors					
28.12.2017	Testtävling 2017-12-28	Ramselefors SKF			
Prov		1: 9.4 ↗ 2: 10.2x ➤ 3: 9.0 ➤ 4: 10.0 ➤ 5: 9.7 ➤ 6: 10.6x ↓ 7: 10.9x ↙ 8: 9.0 ➤ 9: 10.2x ➤ 10: 10.0 ← Serie 99.0 Total 0.0	Prov		11: 9.5 ↙ 12: 9.2 ↓ 13: 9.3 ← 14: 9.2 ← 15: 10.1 ↓ Serie 47.3 Total 0.0
40 Skott		1: 10.6x ↗ 2: 10.5x ↑ 3: 8.9 ➤ 4: 9.9 ↓ 5: 10.4x ↓ 6: 10.4x ↓ 7: 10.1 ← 8: 9.8 ← 9: 9.9 ↗ 10: 10.0 ← Serie 100.5 Total 100.5	40 Skott		11: 9.1 ← 12: 10.2x ↙ 13: 9.9 ↓ 14: 10.0 ➤ 15: 10.4x ↓ 16: 10.1 ← 17: 10.4x ↗ 18: 9.5 ← 19: 9.4 ➤ 20: 9.3 ➤ Serie 98.3 Total 198.8
40 Skott		21: 10.5x ↙ 22: 10.5x ↙ 23: 10.0 ➤ 24: 10.6x ↙ 25: 9.8 ➤ 26: 10.6x ↓ 27: 10.7x ↙ 28: 9.3 ➤ 29: 9.6 ← 30: 9.4 ↗ Serie 101.0 Total 299.8	40 Skott		31: 10.1 ➤ 32: 10.3x ➤ 33: 10.3x ↓ 34: 10.5x ↙ 35: 9.9 ↓ 36: 10.2x ↙ 37: 10.1 ↓ 38: 9.5 ← 39: 10.0 ↗ 40: 10.2x ↙ Serie 101.1 Total 400.9

Skjutlag	Tavla				
1	8				
Ramselefors					
28.12.2017	Testtävling 2017-12-28	Ramselefors SKF			
Prov		1: 10.8x ↙	Prov		11: 10.0 ↘
		2: 10.5x →			12: 10.7x ↘
		3: 9.3 →			13: 9.7 →
		4: 9.8 ↗			14: 10.3x ↙
		5: 9.5 →			15: 8.1 →
		6: 10.3x ↑			
		7: 8.2 →			
		8: 10.5x ↙			
		9: 9.9 ↑			
		10: 10.2x ↙			
		Serie 99.0			Serie 48.8
		Total 0.0			Total 0.0
40 Skott		1: 10.3x ↘	40 Skott		11: 9.8 →
		2: 10.2x ↘			12: 10.7x ↘
		3: 9.9 ↘			13: 9.9 ↗
		4: 9.8 →			14: 9.7 ↘
		5: 9.7 ↗			15: 10.4x ↘
		6: 10.6x ↘			16: 10.4x ↗
		7: 9.5 ↙			17: 10.5x ↑
		8: 9.8 ↗			18: 10.3x ↘
		9: 10.9x ↘			19: 10.1 ↙
		10: 9.8 ↘			20: 10.8x ↘
		Serie 100.5			Serie 102.6
		Total 100.5			Total 203.1
40 Skott		21: 10.4x ↑	40 Skott		31: 9.6 ↗
		22: 9.6 ↘			32: 8.8 →
		23: 9.4 ↘			33: 10.3x ↗
		24: 10.9x ↑			34: 10.6x ↘
		25: 10.2x ↘			35: 8.9 →
		26: 10.2x →			36: 10.0 ↗
		27: 9.6 ↘			37: 10.5x ↘
		28: 9.9 ↙			38: 10.0 ↗
		29: 10.4x ↘			39: 10.4x ↙
		30: 10.6x ↘			40: 10.2x ↘
		Serie 101.2			Serie 99.3
		Total 304.3			Total 403.6



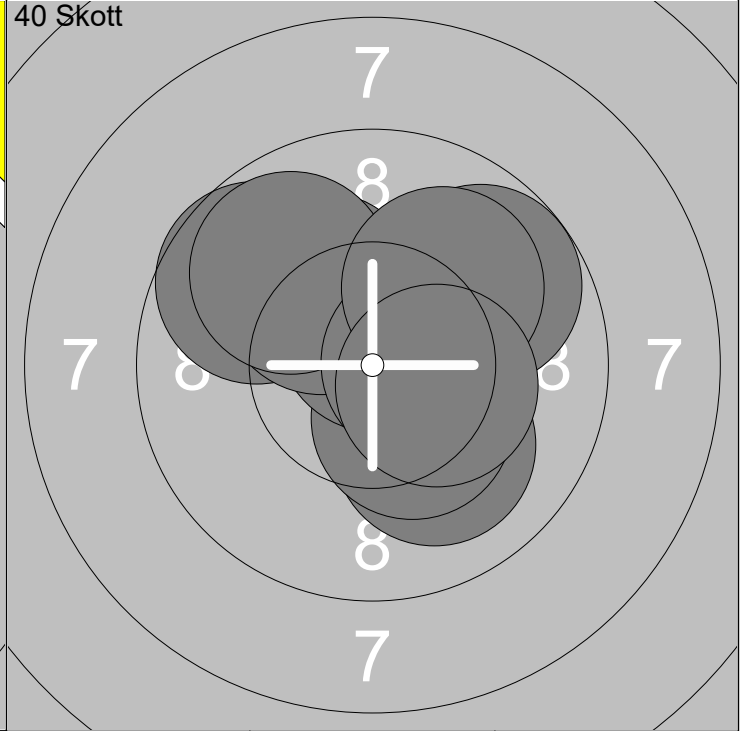
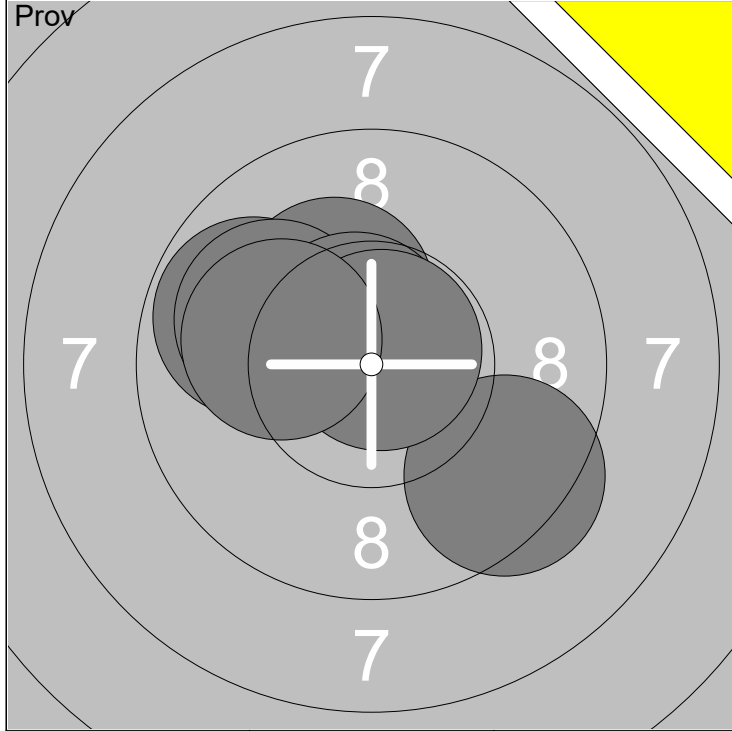
1: 10.6x ↗	6: 9.5 ↘	Serie	91.7
2: 10.0 ←	7: 10.7x ↖		
3: 10.5x ↘	8: 10.7x ↘	Total	0.0
4: 9.7 ↘	9: 9.7 →		
5: 10.3x ↗			

1: 10.5x ↗	6: 10.6x ↗	Serie	101.8
2: 10.1 ←	7: 9.9 ←		
3: 10.2x ↗	8: 9.9 ↗	Total	101.8
4: 10.1 ↘	9: 10.6x ↗		
5: 9.6 ↗	10: 10.3x ↘		



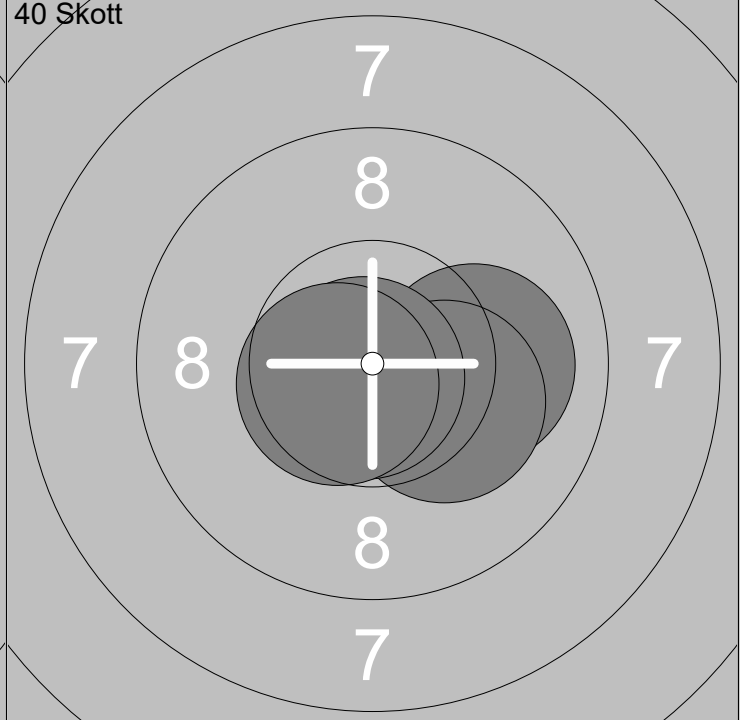
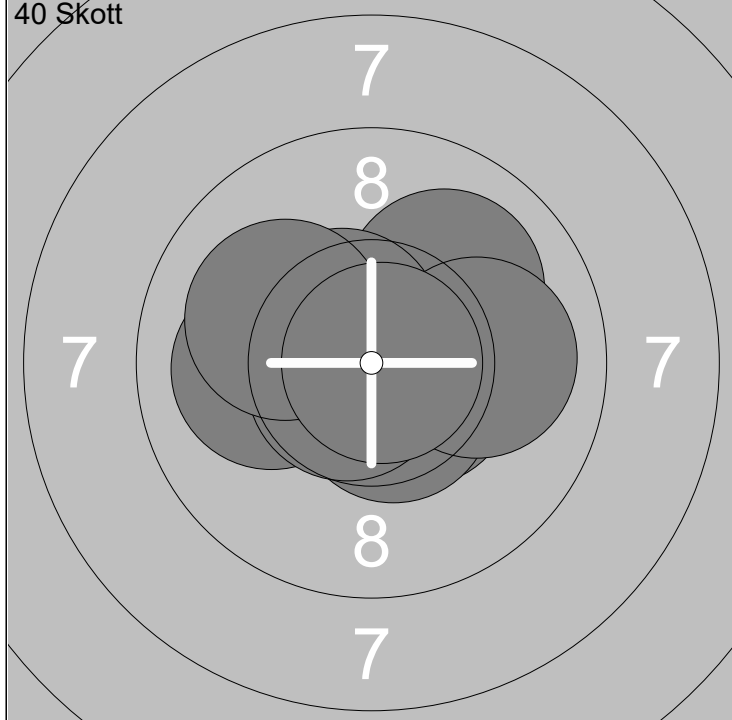
11: 10.1 ↘	16: 9.0 ↖	Serie	101.7
12: 10.5x ↘	17: 10.5x ↖		
13: 10.1 ↗	18: 10.0 ↘	Total	203.5
14: 10.5x ↖	19: 9.9 ↖		
15: 10.3x →	20: 10.8x ↘		

21: 10.4x ↘	Serie	40.8
22: 10.0 →		
23: 10.2x ↗	Total	244.3
24: 10.2x ↘		



1: 9.4 ↘	6: 10.8x ↗	Serie	71.0
2: 9.8 ↗	7: 10.1 ←		
3: 10.3x ↗		Total	0.0
4: 10.0 ↗			
5: 10.6x ↗			

1: 10.1 ↘	6: 9.8 ↗	Serie	101.5
2: 10.4x ↘	7: 9.9 ↗		
3: 9.7 ↗	8: 10.5x →	Total	101.5
4: 10.6x ↑	9: 10.0 ↗		
5: 10.2x ↗	10: 10.3x →		



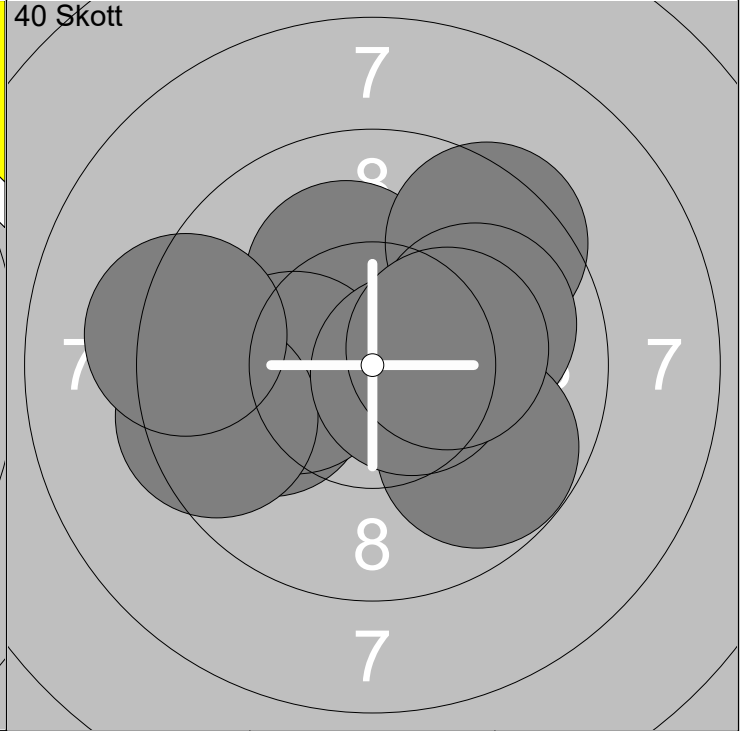
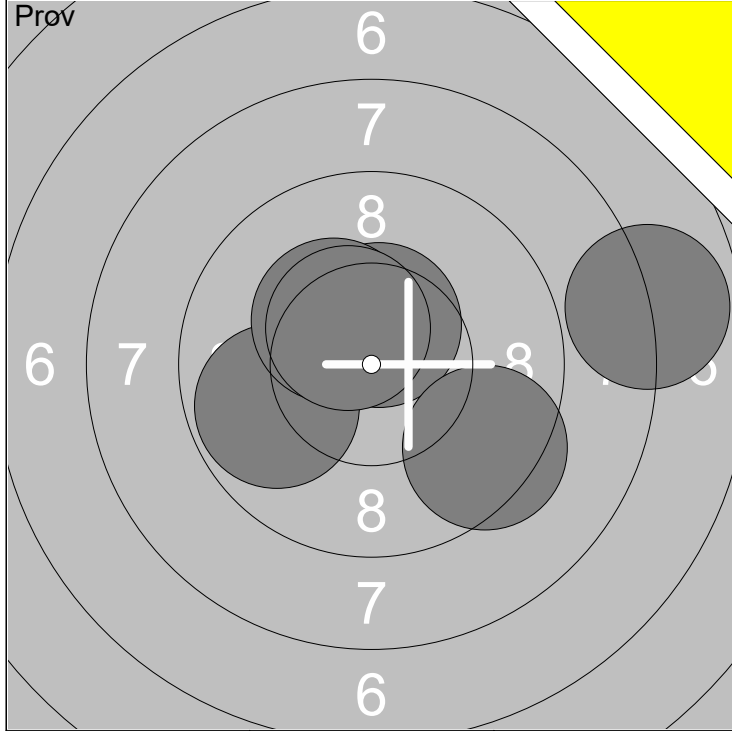
11: 10.1 ←	16: 10.7x ↙	Serie	104.1
12: 10.5x ↘	17: 10.6x ↗		
13: 10.0 ↗	18: 10.1 ←	Total	205.6
14: 10.7x ↙	19: 10.0 →		
15: 10.5x ↘	20: 10.9x →		

21: 10.0 →	Serie	41.6
22: 10.2x ↘		
23: 10.8x ↘	Total	247.2
24: 10.6x ↙		

Skjutlag 2	Tavla 6	
----------------------	-------------------	--

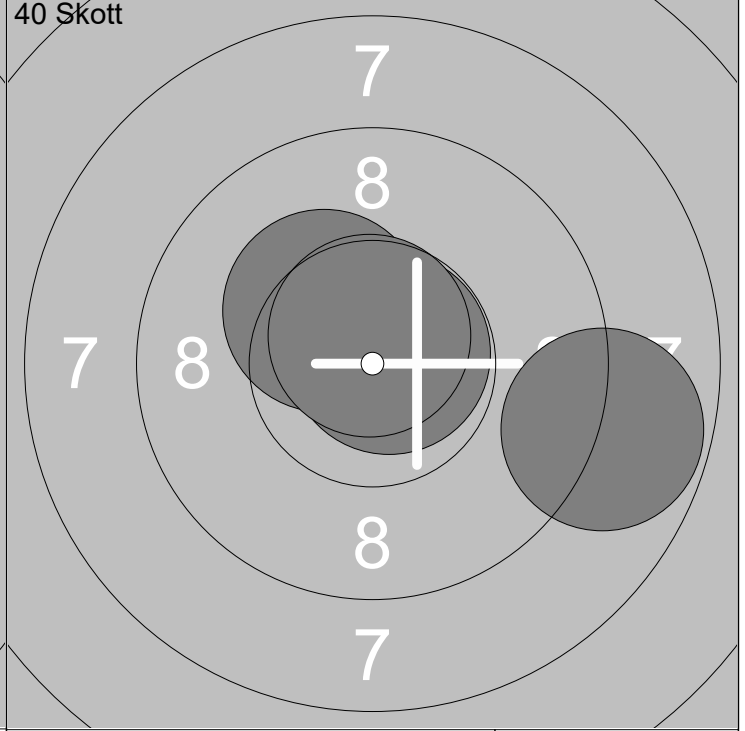
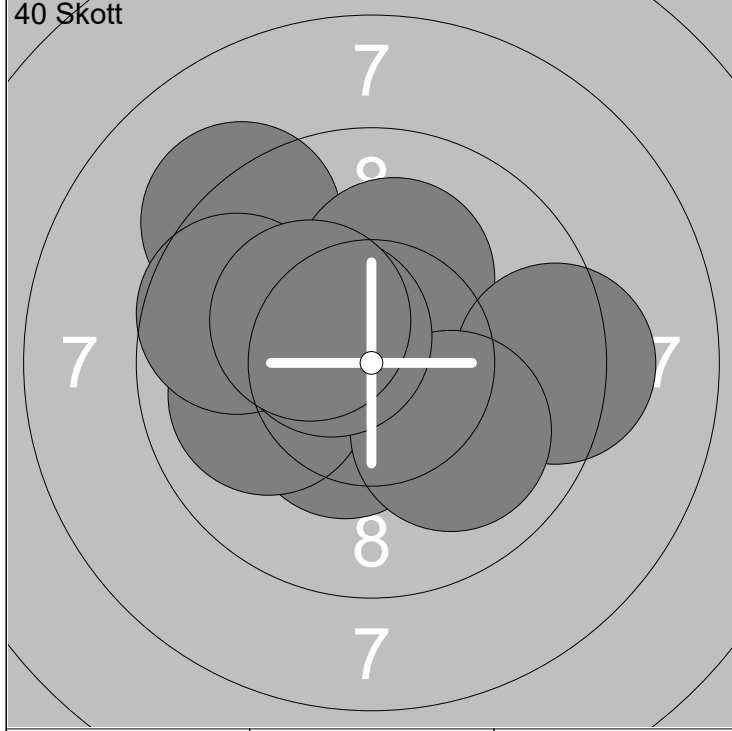
Ramselefors

28.12.2017 Testtävling 2017-12-28 Ramselefors SKF



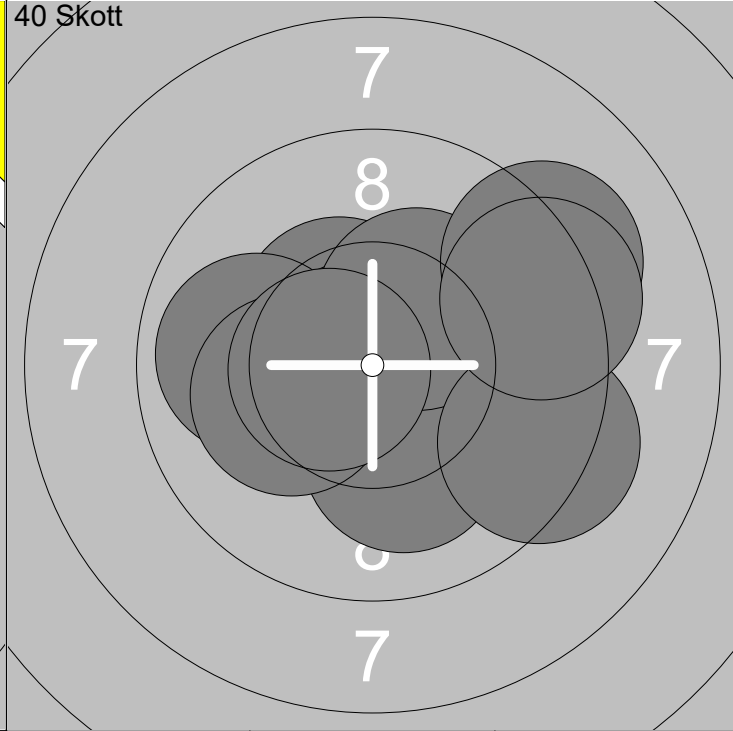
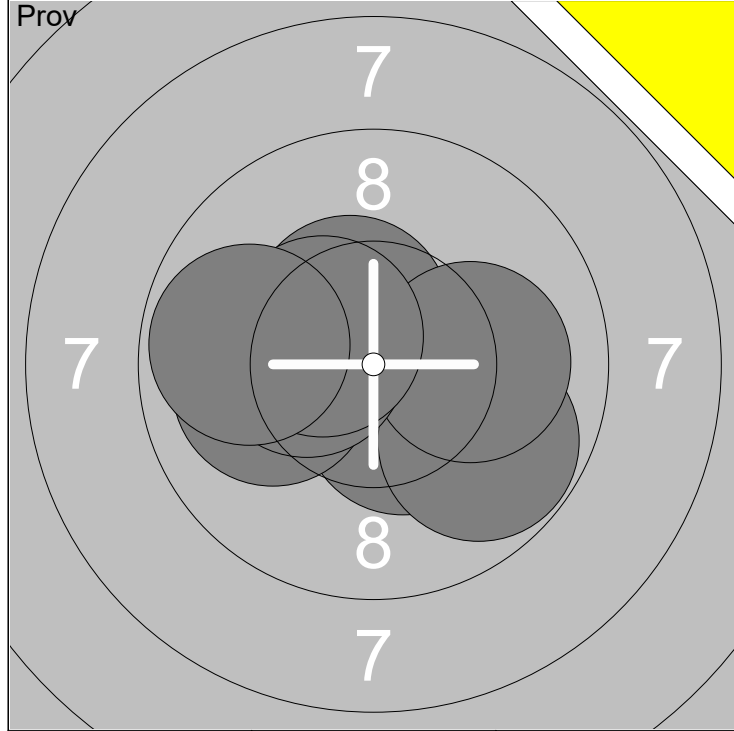
1: 7.9 →	6: 10.5x ↖	Serie	58.4
2: 10.5x ↑			
3: 9.4 ↘		Total	0.0
4: 9.8 ←			
5: 10.3x ↖			

1: 10.2x ↖	6: 9.5 ←	Serie	99.5
2: 10.0 ←	7: 9.8 ↘		
3: 9.5 ↗	8: 9.3 ←	Total	99.5
4: 10.0 →	9: 10.6x →		
5: 10.3x ←	10: 10.3x →		



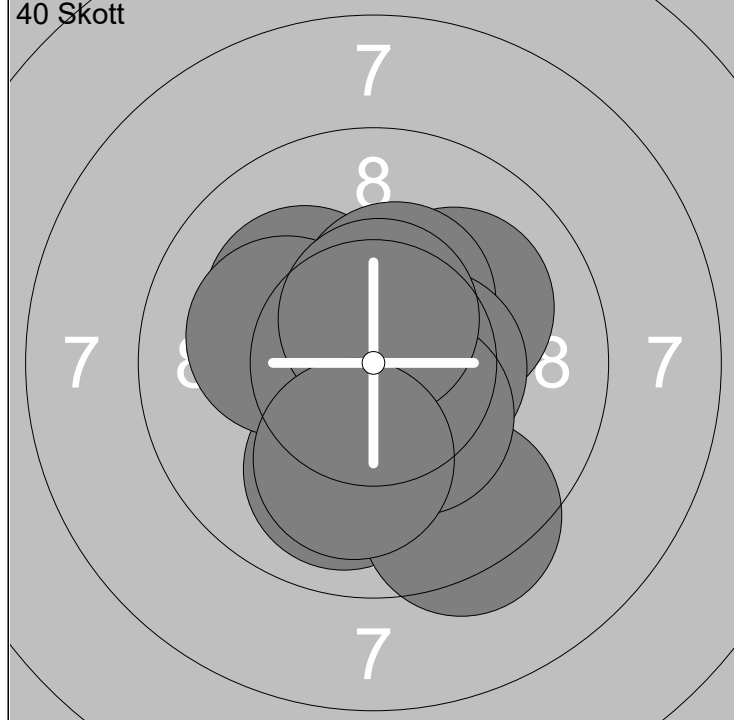
11: 10.9x ↘	16: 9.7 ←	Serie	100.5
12: 9.2 ↖	17: 9.3 →		
13: 10.2x ↑	18: 10.0 ↘	Total	200.0
14: 10.4x ↘	19: 10.5x ↖		
15: 10.0 ←	20: 10.3x ↖		

21: 10.3x ↖	Serie	40.6
22: 10.8x ↗		
23: 10.7x ↑	Total	240.6
24: 8.8 →		



1: 10.5x ↗	6: 10.4x ←	Serie	81.4
2: 10.4x ↘	7: 10.4x ↖		
3: 9.8 ↘	8: 9.8 ←	Total	0.0
4: 10.1 →			
5: 10.0 ←			

1: 10.4x ↗	6: 10.3x ↗	Serie	100.1
2: 10.8x ↖	7: 9.3 ↘		
3: 9.9 ←	8: 10.6x ←	Total	100.1
4: 10.1 ↘	9: 9.2 ↗		
5: 10.2x ←	10: 9.3 ↗		



11: 10.2x ↖	16: 10.4x ↗	Serie	101.8
12: 10.1 ↗	17: 10.5x →		
13: 10.0 ↘	18: 10.4x ↘	Total	201.9
14: 10.1 ←	19: 10.6x ↑		
15: 9.4 ↘	20: 10.1 ↘		

21: 9.8 →	Serie	41.0
22: 10.4x ↗		
23: 10.2x ↘	Total	242.9
24: 10.6x →		