

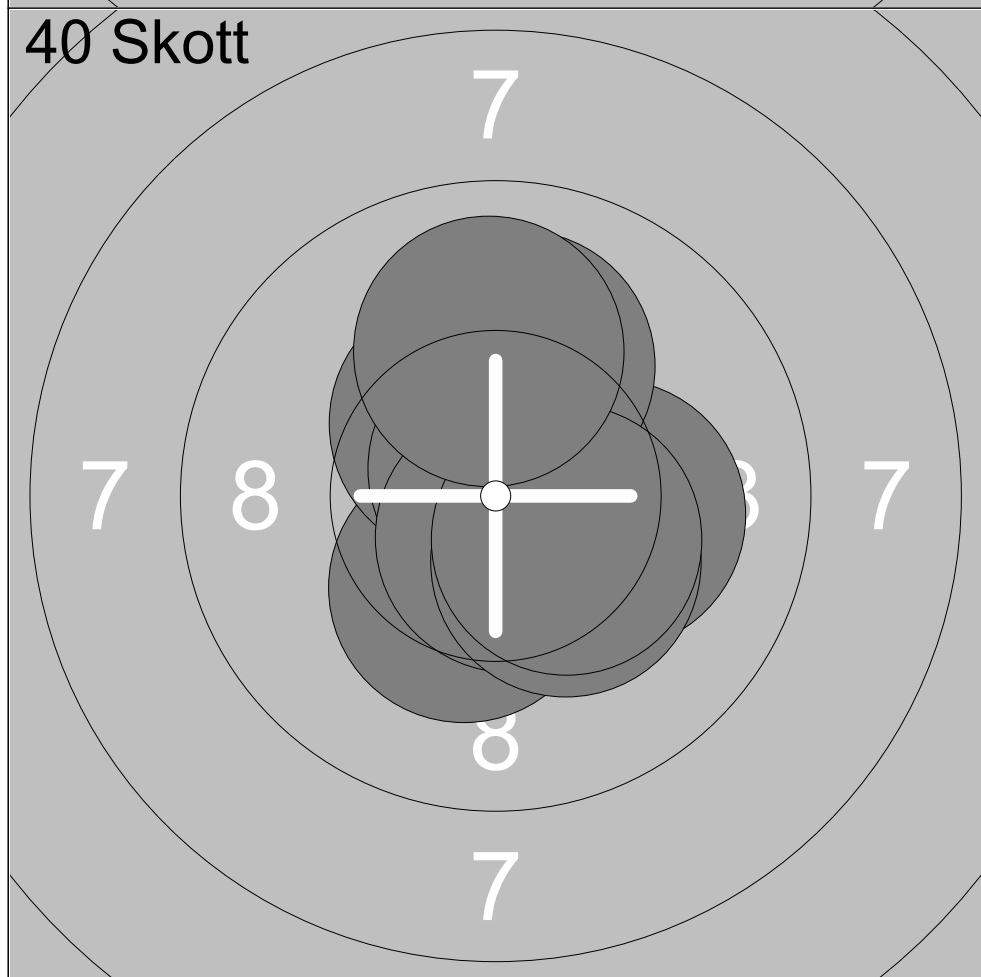
1:	10.3x	↗
2:	10.8x	↖
3:	10.8x	←
4:	10.4x	↖
5:	10.2x	↖
6:	10.5x	↙
Serie		63.0
Total		417.5



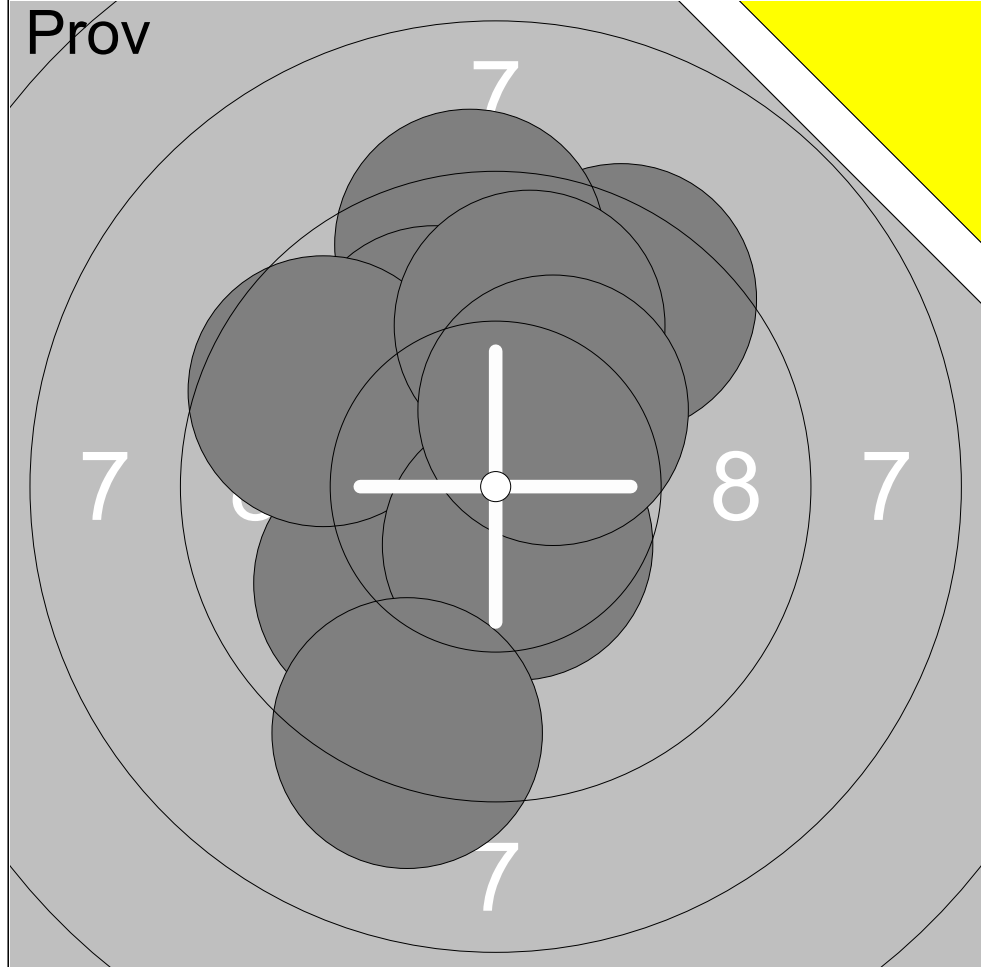
1:	10.5x	↖
2:	10.2x	↖
3:	10.5x	←
4:	10.8x	↓
5:	10.1	↖
6:	10.2x	↖
7:	10.5x	↖
8:	10.7x	←
9:	10.4x	↘
10:	10.2x	←
Serie		104.1
Total		521.6



1:	10.3x	→
2:	10.6x	↘
3:	10.2x	↑
4:	10.5x	↑
5:	10.6x	↘
6:	10.5x	↑
7:	10.5x	↙
8:	10.0	↘
9:	10.6x	↘
10:	9.7	↓
Serie		103.5
Total		413.5

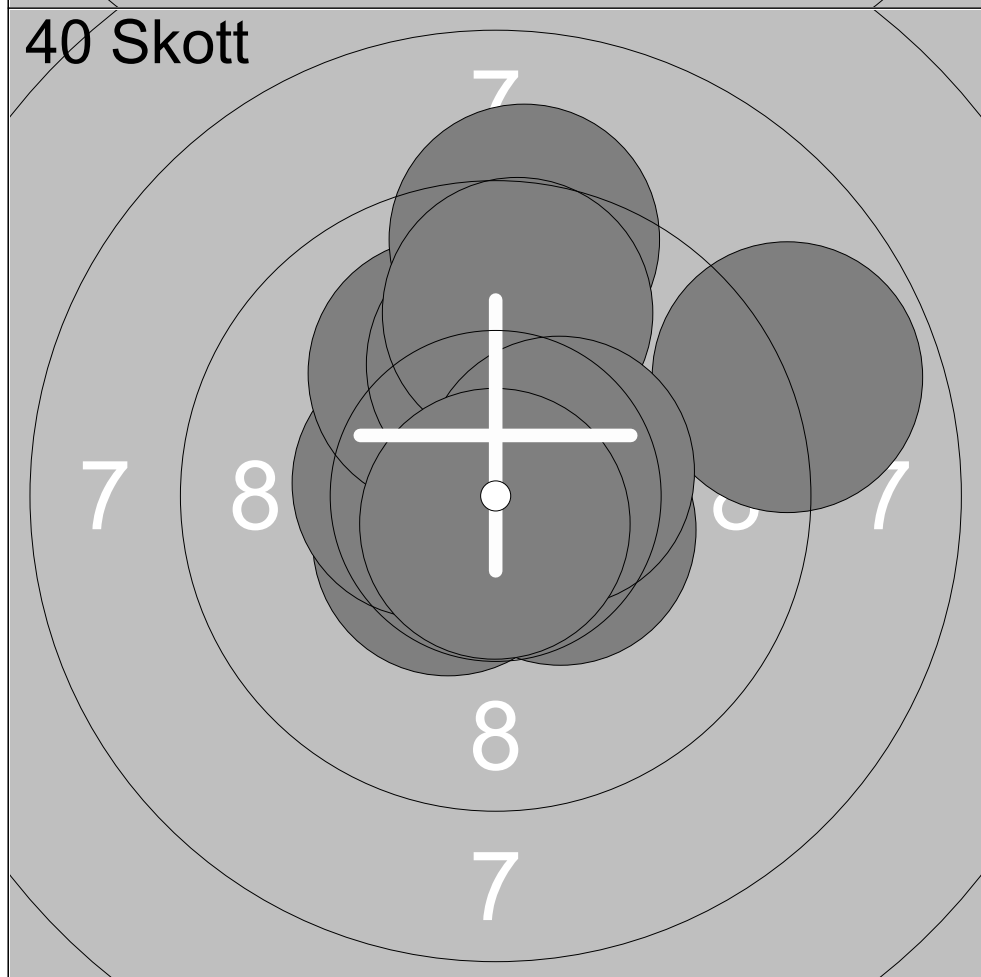


1:	10.6x	→
2:	10.3x	↘
3:	10.4x	↑
4:	10.8x	↑
5:	10.7x	↘
6:	10.2x	→
7:	10.3x	↘
8:	10.1	↑
9:	10.4x	↘
10:	10.0	↑
Serie		103.8
Total		517.3



1:	9.4	↗
2:	9.3	↑
3:	10.0	↖
4:	10.0	↙
5:	9.6	↖
6:	10.5x	↓
7:	9.9	↑
8:	9.2	↙
9:	10.3x	↗

Serie	88.2
Total	398.7



1:	10.5x	↙
2:	10.5x	←
3:	8.9	→
4:	10.1	↑
5:	9.2	↑
6:	10.1	↑
7:	10.5x	↘
8:	9.7	↑
9:	10.5x	↗
10:	10.8x	↓

Serie	100.8
Total	499.5