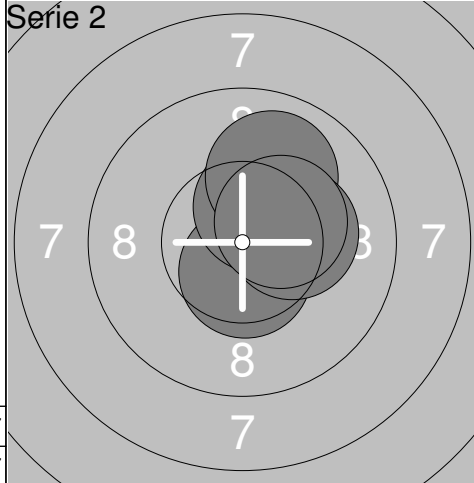


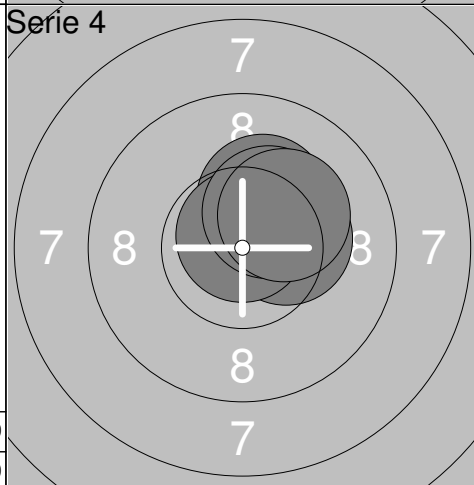
1:	10.2x	↗
2:	10.4x	↑
3:	9.6	↑
4:	9.5	↗
5:	10.0	→
Serie		49.7
Total		49.7



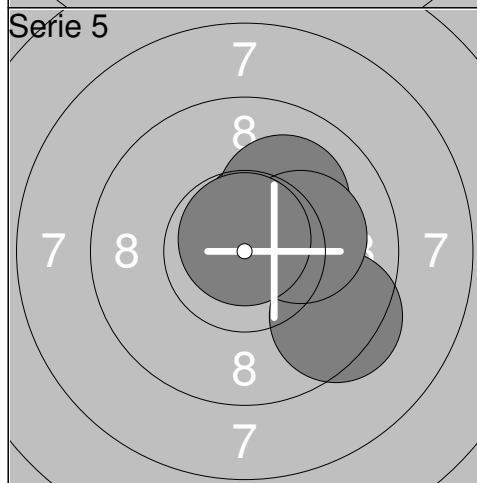
1:	10.5x	↓
2:	10.4x	↑
3:	10.0	↑
4:	10.2x	→
5:	10.3x	↗
Serie		51.4
Total		101.1



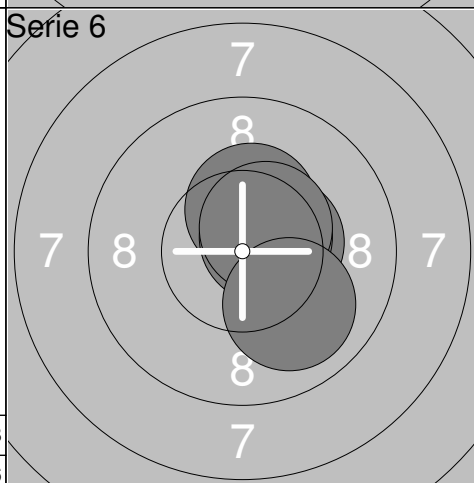
1:	9.5	→
2:	10.8x	↑
3:	10.4x	↑
4:	10.2x	→
5:	10.0	↑
Serie		50.9
Total		152.0



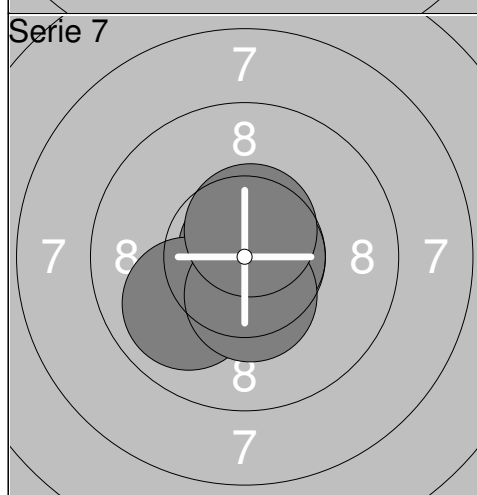
1:	10.2x	↑
2:	10.3x	→
3:	10.8x	↑
4:	10.3x	↑
5:	10.2x	↗
Serie		51.8
Total		203.8



1:	10.5x	↗
2:	9.4	↘
3:	10.0	↑
4:	10.1	→
5:	10.8x	↑
Serie		50.8
Total		254.6




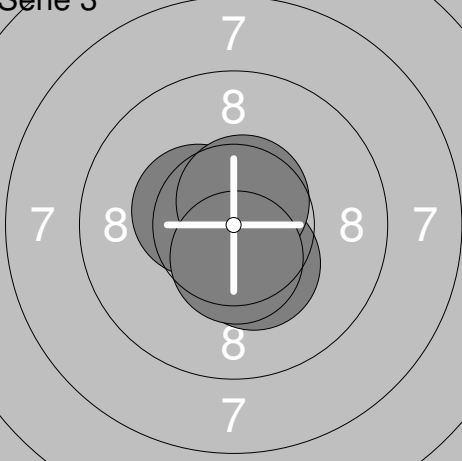

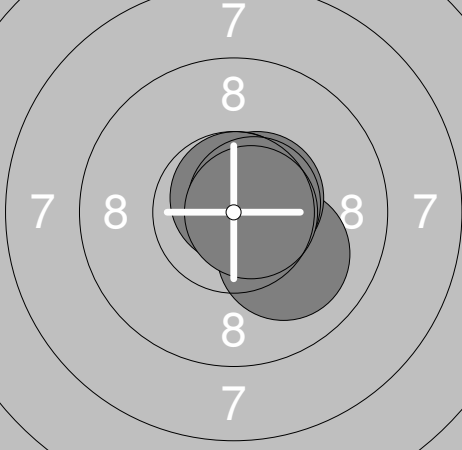
1:	10.4x	→
2:	10.4x	↑
3:	10.6x	↗
4:	10.5x	↗
5:	10.0	↘
Serie		51.9
Total		306.5


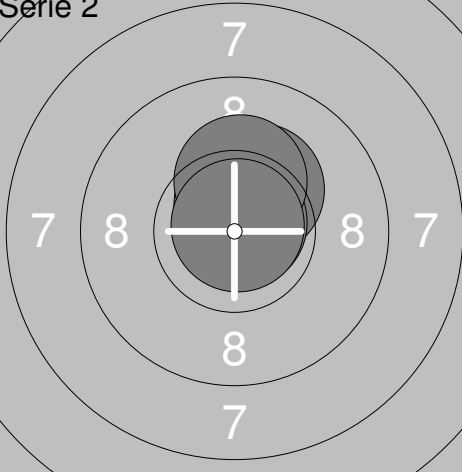
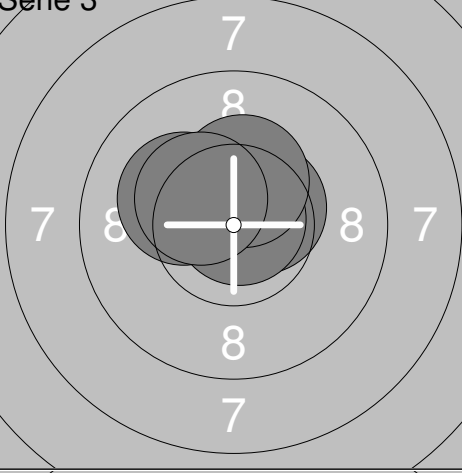
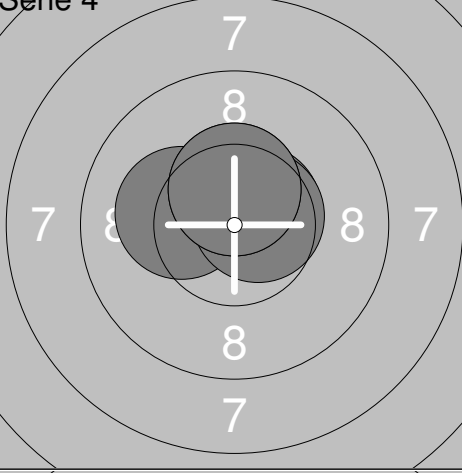
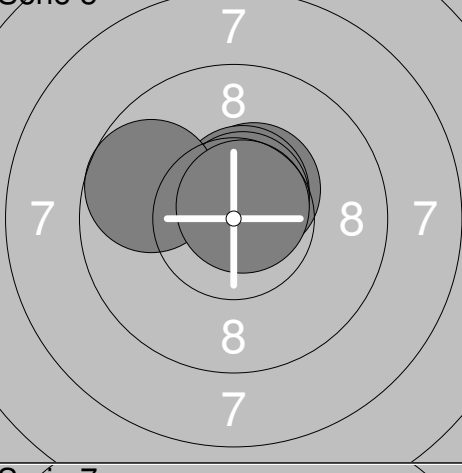
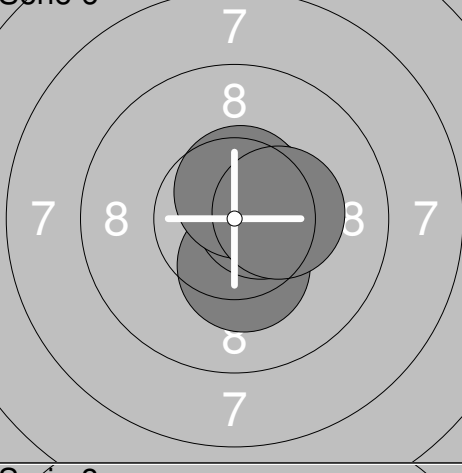




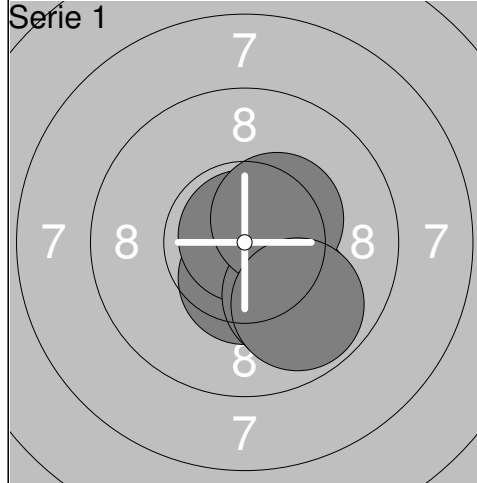
1:	10.8x	↑
2:	10.7x	→
3:	9.9	↙
4:	10.4x	↓
5:	10.5x	↑
Serie		52.3
Total		358.8



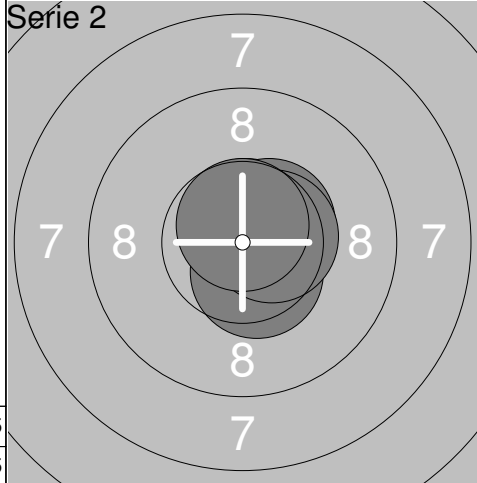
1:	10.5x	↓
2:	10.7x	↑
3:	10.5x	←
4:	10.1	↗
5:	10.5x	↓
Serie		52.3
Total		411.1

Skjutlag 1	Tavla 4	Andreas Christensson	
Kval sittande		Vellinge Skytteklubb	Sen sim
03.11.2018		SM luftgevär 2018	Öckerö Skytteförening
Serie 1		1: 10.7x → 2: 10.4x ↗ 3: 10.6x ↗ 4: 10.8x ↗ 5: 10.7x ↑	Serie 2
		Serie 53.2 Total 53.2	1: 10.4x → 2: 10.6x ↗ 3: 10.5x ↗ 4: 10.5x ← 5: 10.6x ↑
			Serie 52.6 Total 105.8
Serie 3		1: 10.3x ↓ 2: 10.9x ↗ 3: 10.4x ← 4: 10.6x ↑ 5: 10.5x ↓	Serie 4
		Serie 52.7 Total 158.5	1: 10.5x → 2: 10.3x ← 3: 10.7x → 4: 10.7x ↗ 5: 10.3x ←
			Serie 52.5 Total 211.0
Serie 5		1: 10.7x ↗ 2: 10.4x ↗ 3: 10.5x ↓ 4: 10.6x ↑ 5: 10.7x ↑	Serie 6
		Serie 52.9 Total 263.9	1: 10.7x → 2: 10.3x ↙ 3: 10.4x ↗ 4: 10.5x ↗ 5: 10.6x ↑
			Serie 52.5 Total 316.4
Serie 7		1: 10.1 ↘ 2: 10.5x ↗ 3: 10.7x ↑ 4: 10.6x → 5: 10.7x →	Serie 8
		Serie 52.6 Total 369.0	1: 10.2x ↓ 2: 10.7x → 3: 10.6x → 4: 10.4x ↘ 5: 10.7x ↑
			Serie 52.6 Total 421.6

Serie 1 	1: 10.6x ↑ 2: 10.6x → 3: 10.6x → 4: 10.5x → 5: 10.4x ←	Serie 2 	1: 10.6x ↑ 2: 10.3x ↑ 3: 10.8x ↑ 4: 10.3x ↑ 5: 10.9x ↑
	Serie 52.7		Serie 52.9
	Total 52.7		Total 105.6
Serie 3 	1: 10.5x → 2: 10.2x ← 3: 10.8x ↑ 4: 10.3x ↑ 5: 10.3x ←	Serie 4 	1: 10.6x → 2: 10.2x ← 3: 10.6x → 4: 10.4x ↑ 5: 10.4x ↑
	Serie 52.1		Serie 52.2
	Total 157.7		Total 209.9
Serie 5 	1: 10.4x ↑ 2: 10.6x ↑ 3: 10.6x ↑ 4: 9.7 ← 5: 10.7x ↑	Serie 6 	1: 10.6x ↑ 2: 10.3x ↓ 3: 10.6x → 4: 10.6x ↑ 5: 10.3x →
	Serie 52.0		Serie 52.4
	Total 261.9		Total 314.3
Serie 7 	1: 10.9x ↑ 2: 10.6x ↑ 3: 10.5x → 4: 10.8x ↑ 5: 10.6x ↑	Serie 8 	1: 10.9x 2: 10.8x ↑ 3: 10.4x ↑ 4: 10.8x → 5: 10.6x ↑
	Serie 53.4		Serie 53.5
	Total 367.7		Total 421.2



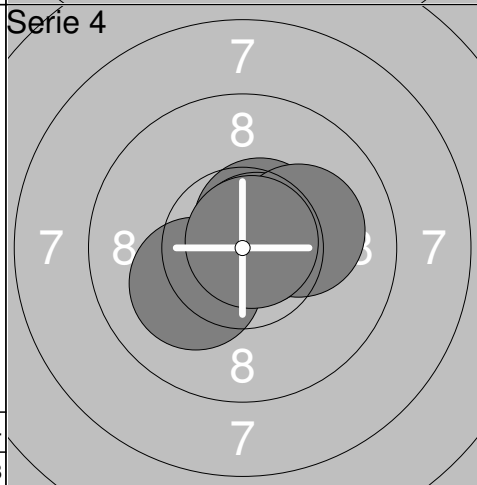
1:	10.5x	↓
2:	10.8x	↑
3:	10.0	↘
4:	10.4x	↗
5:	9.8	↘
Serie		51.5
Total		51.5



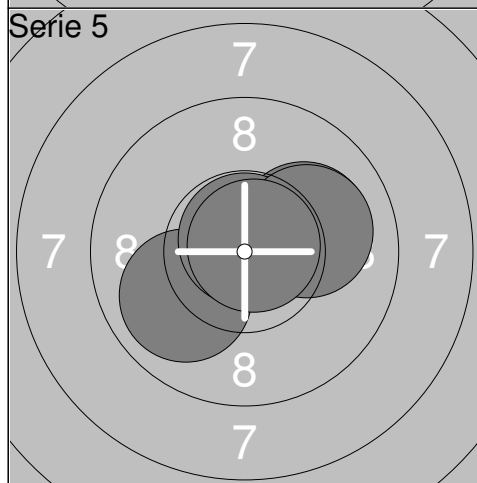
1:	10.7x	↑
2:	10.5x	↘
3:	10.5x	↗
4:	10.5x	→
5:	10.7x	↑
Serie		52.9
Total		104.4



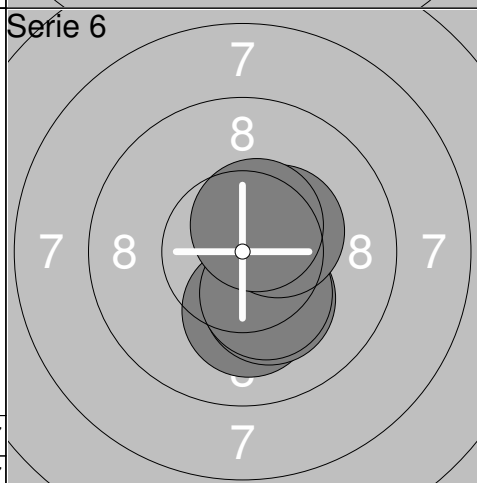
1:	10.3x	↘
2:	10.8x	↑
3:	10.8x	↗
4:	10.4x	→
5:	10.1	↗
Serie		52.4
Total		156.8



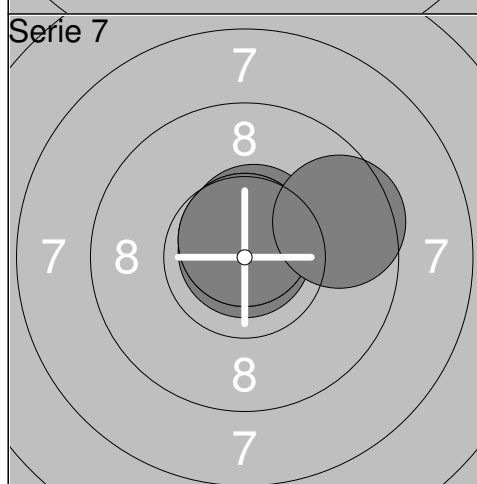
1:	10.5x	↗
2:	10.1	↖
3:	10.7x	↗
4:	10.1	→
5:	10.8x	↗
Serie		52.2
Total		209.0



1:	9.9	↖
2:	10.1	↗
3:	10.8x	↑
4:	10.1	→
5:	10.8x	↗
Serie		51.7
Total		260.7



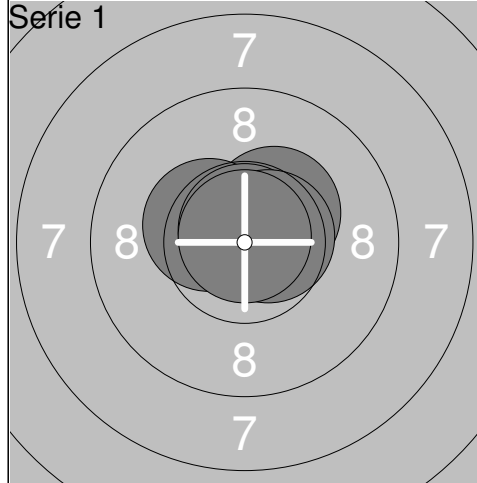
1:	10.1	↓
2:	10.2x	↘
3:	10.3x	↘
4:	10.4x	↗
5:	10.5x	↑
Serie		51.5
Total		312.2



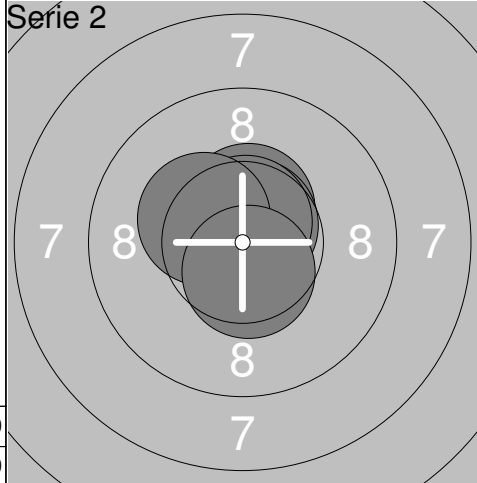
1:	10.5x	↑
2:	10.8x	↑
3:	10.7x	↑
4:	10.7x	↑
5:	9.6	→
Serie		52.3
Total		364.5



1:	10.3x	→
2:	10.5x	→
3:	10.6x	↗
4:	10.2x	↘
5:	10.5x	↘
Serie		52.1
Total		416.6



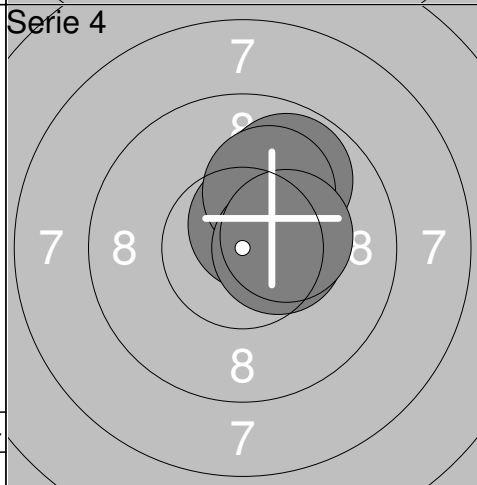
1:	10.4x	↗
2:	10.4x	↖
3:	10.8x	↑
4:	10.6x	→
5:	10.8x	↑
Serie		53.0
Total		53.0



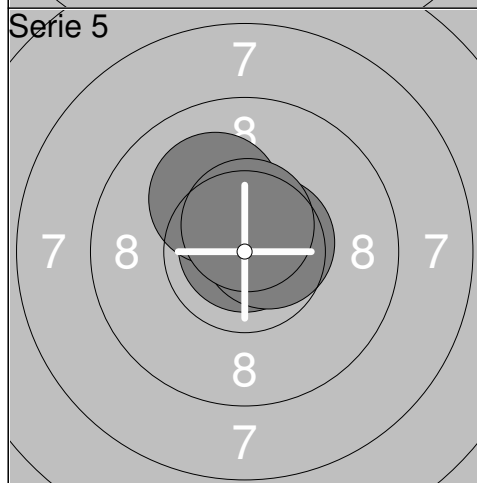
1:	10.5x	↑
2:	10.7x	↑
3:	10.7x	↑
4:	10.3x	↖
5:	10.5x	↓
Serie		52.7
Total		105.7



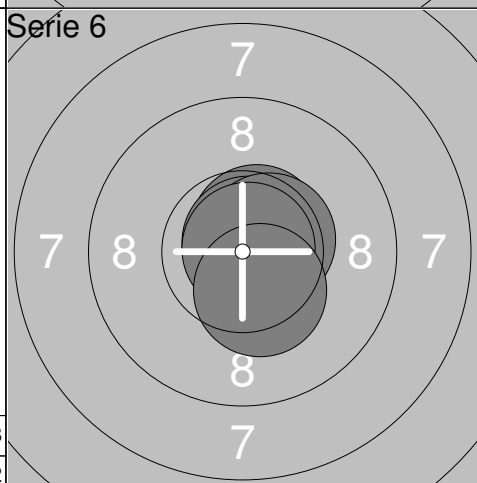
1:	10.5x	↓
2:	10.4x	→
3:	10.7x	→
4:	10.9x	→
5:	10.9x	→
Serie		53.4
Total		159.1



1:	10.6x	↑
2:	9.8	↑
3:	10.1	↑
4:	10.5x	→
5:	10.3x	→
Serie		51.3
Total		210.4



1:	10.7x	↑
2:	10.8x	↑
3:	10.1	↖
4:	10.6x	→
5:	10.6x	↑
Serie		52.8
Total		263.2



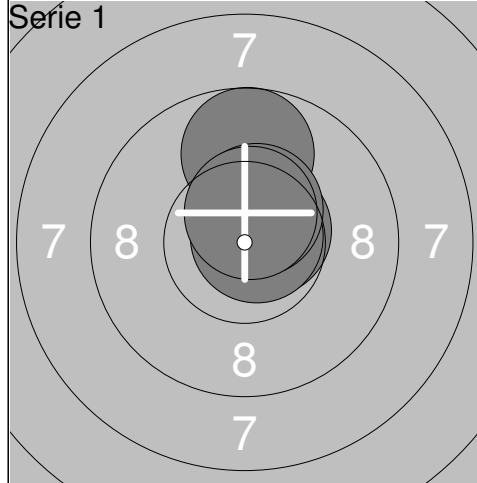
1:	10.6x	↑
2:	10.8x	↑
3:	10.5x	→
4:	10.9x	→
5:	10.4x	↓
Serie		53.2
Total		316.4



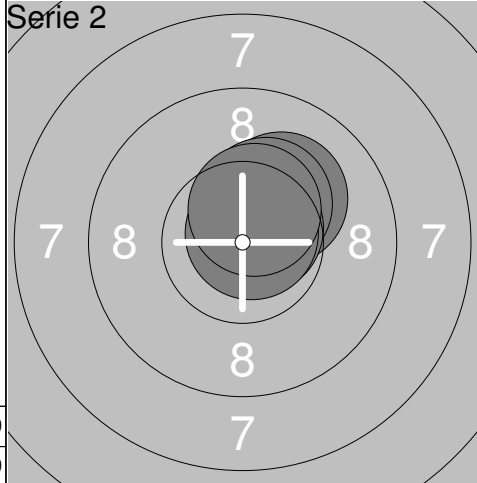
1:	10.1	↓
2:	10.6x	→
3:	10.7x	↑
4:	10.7x	→
5:	10.9x	↑
Serie		53.0
Total		369.4



1:	10.8x	↗
2:	10.7x	↑
3:	10.3x	↓
4:	10.6x	↗
5:	10.6x	↑
Serie		53.0
Total		422.4



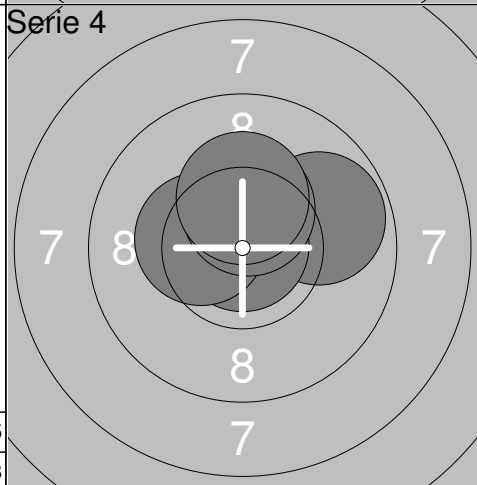
1:	10.6x	↗
2:	9.7	↑
3:	10.7x	↗
4:	10.4x	↑
5:	10.5x	↑
Serie		51.9
Total		51.9



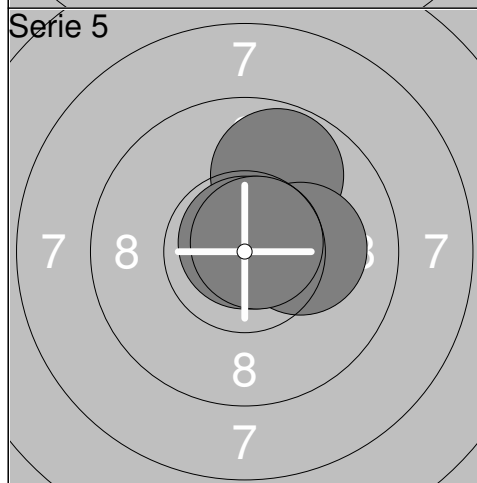
1:	10.1	↗
2:	10.3x	↗
3:	10.7x	↗
4:	10.8x	↗
5:	10.5x	↑
Serie		52.4
Total		104.3



1:	10.4x	←
2:	10.5x	↗
3:	10.6x	↗
4:	10.5x	↗
5:	10.5x	←
Serie		52.5
Total		156.8



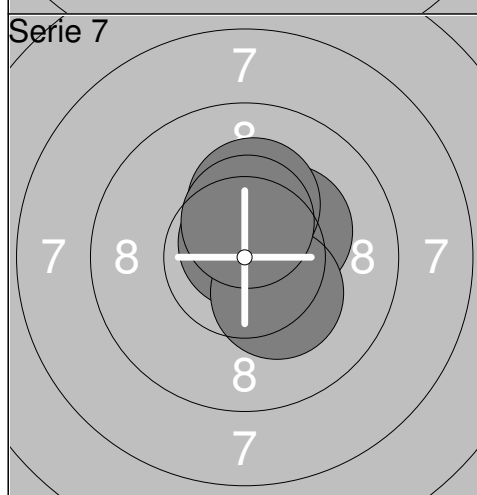
1:	9.8	↗
2:	10.9x	↑
3:	10.4x	←
4:	10.4x	↑
5:	10.3x	↑
Serie		51.8
Total		208.6



1:	9.8	↑
2:	10.8x	↗
3:	10.2x	→
4:	10.8x	↑
5:	10.7x	↗
Serie		52.3
Total		260.9



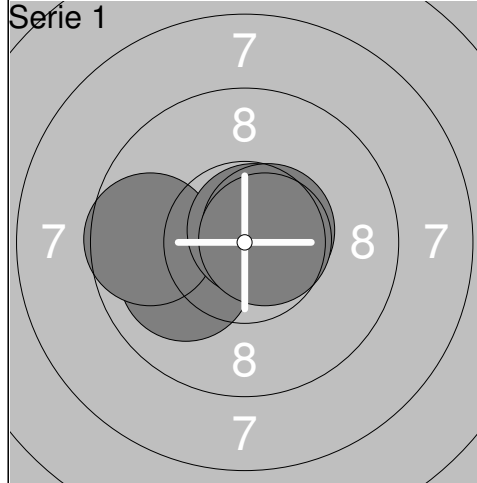
1:	10.3x	→
2:	10.4x	→
3:	10.7x	↑
4:	10.6x	↗
5:	10.5x	↗
Serie		52.5
Total		313.4



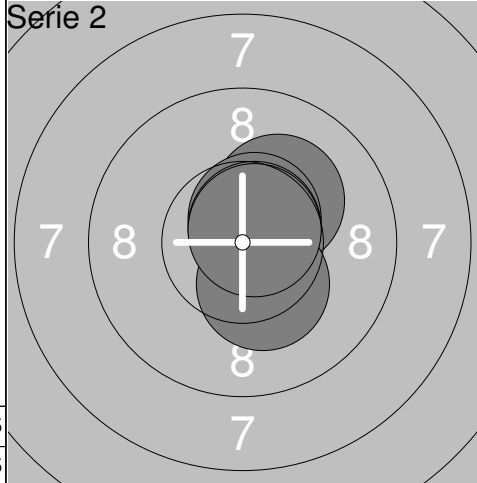
1:	10.3x	↗
2:	10.2x	↑
3:	10.7x	↑
4:	10.3x	↘
5:	10.4x	↑
Serie		51.9
Total		365.3



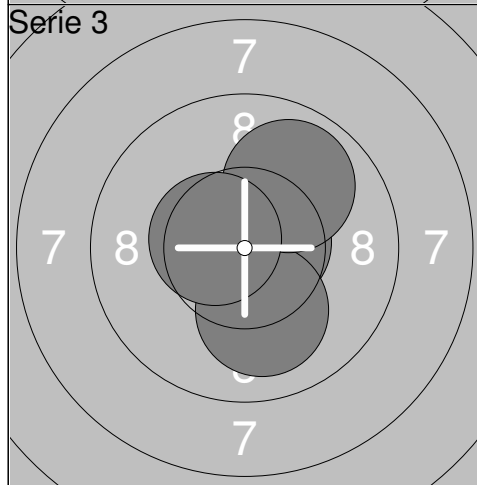
1:	10.6x	↗
2:	10.8x	↗
3:	10.6x	↗
4:	10.7x	↗
5:	10.5x	↑
Serie		53.2
Total		418.5



1:	10.0	↙
2:	9.6	←
3:	10.7x	↗
4:	10.6x	→
5:	10.6x	→
Serie		51.5
Total		51.5



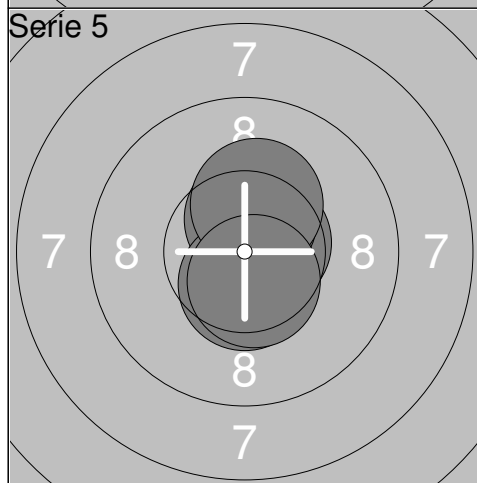
1:	10.2x	↗
2:	10.6x	↗
3:	10.7x	↗
4:	10.3x	↘
5:	10.7x	↗
Serie		52.5
Total		104.0



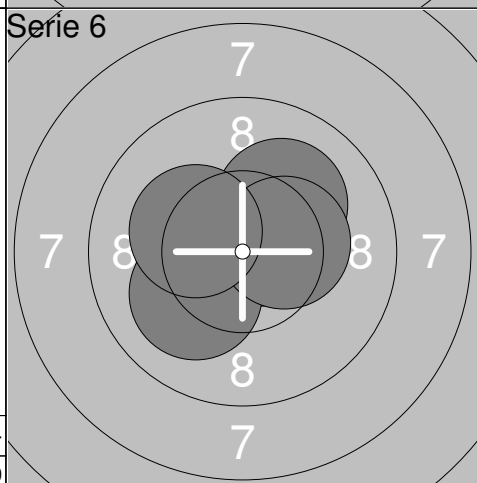
1:	10.9x	↑
2:	10.6x	→
3:	10.1	↘
4:	9.9	↗
5:	10.5x	←
Serie		52.0
Total		156.0



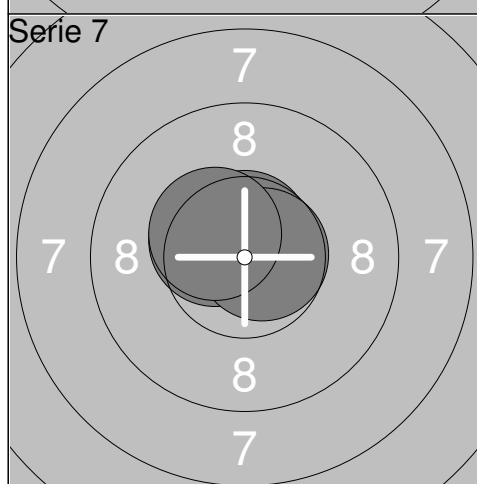
1:	10.6x	→
2:	10.9x	↑
3:	10.4x	↑
4:	10.4x	↗
5:	10.2x	↘
Serie		52.5
Total		208.5



1:	10.6x	→
2:	10.5x	↑
3:	10.5x	↘
4:	10.3x	↑
5:	10.5x	↘
Serie		52.4
Total		260.9



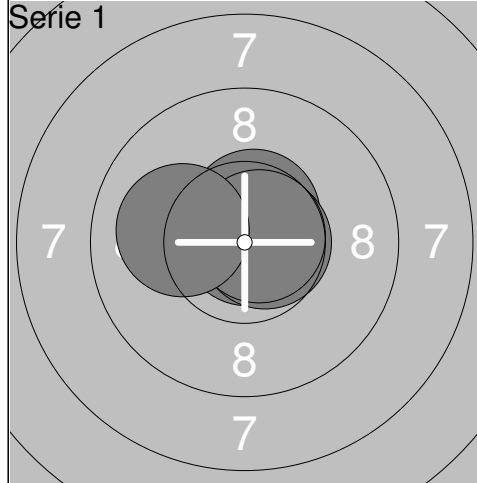
1:	10.6x	↗
2:	10.1	↙
3:	10.1	↗
4:	10.4x	→
5:	10.2x	↙
Serie		51.4
Total		312.3



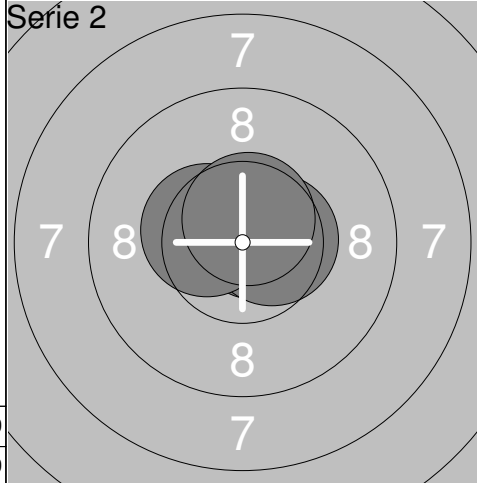
1:	10.7x	↑
2:	10.7x	↑
3:	10.4x	↖
4:	10.7x	→
5:	10.4x	↗
Serie		52.9
Total		365.2



1:	10.2x	↘
2:	10.6x	↗
3:	10.4x	↑
4:	10.6x	↗
5:	10.2x	↘
Serie		52.0
Total		417.2



1:	10.9x	↗
2:	10.6x	↑
3:	10.6x	→
4:	10.7x	↗
5:	10.1	←
Serie		52.9
Total		52.9



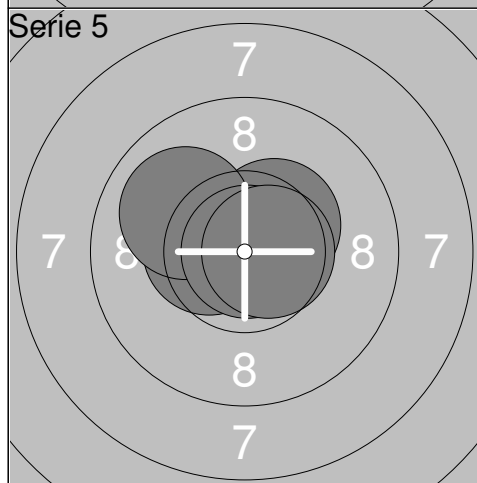
1:	10.7x	↑
2:	10.7x	↗
3:	10.5x	→
4:	10.4x	←
5:	10.6x	↑
Serie		52.9
Total		105.8



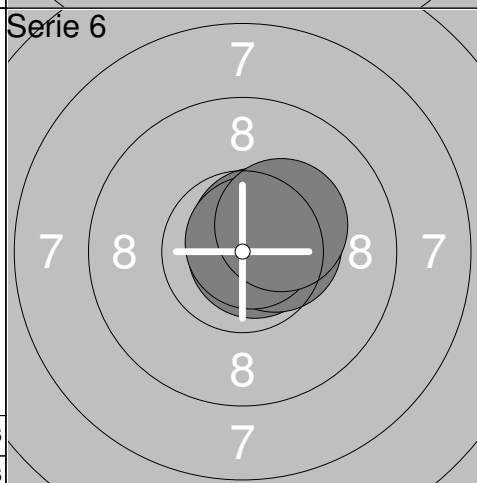
1:	10.9x	↗
2:	10.7x	↗
3:	10.5x	↗
4:	10.5x	↑
5:	10.4x	↓
Serie		53.0
Total		158.8



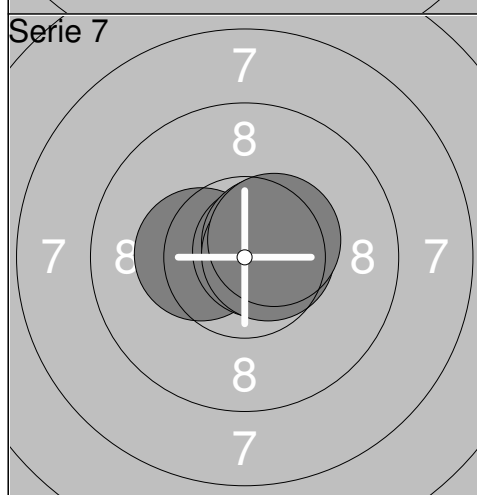
1:	10.4x	↑
2:	10.3x	↑
3:	10.7x	→
4:	10.6x	↗
5:	10.2x	←
Serie		52.2
Total		211.0



1:	10.4x	↗
2:	10.4x	←
3:	10.0	←
4:	10.9x	→
5:	10.6x	→
Serie		52.3
Total		263.3



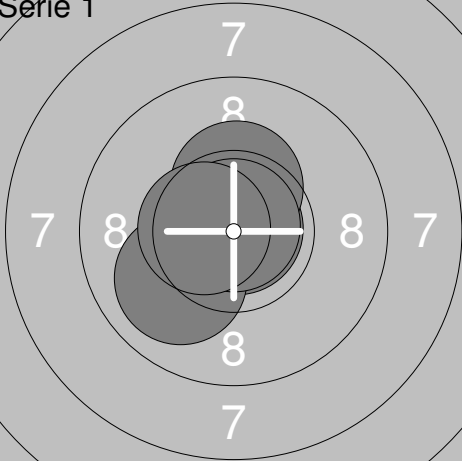

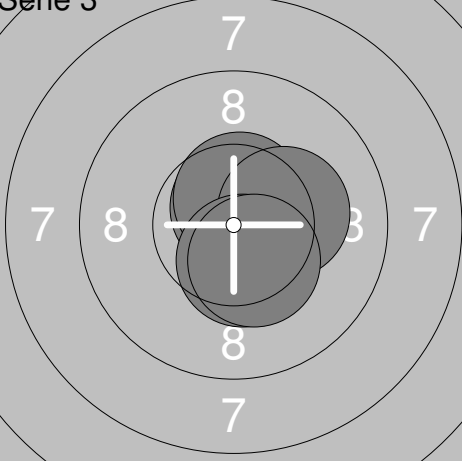
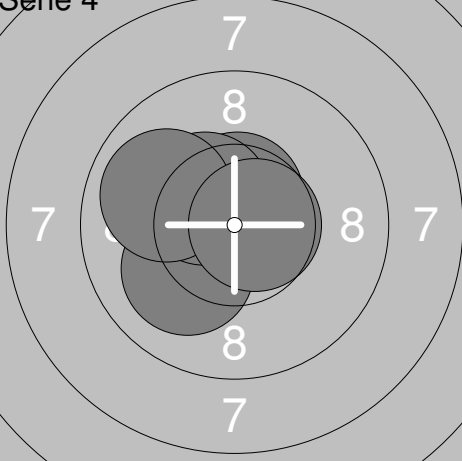

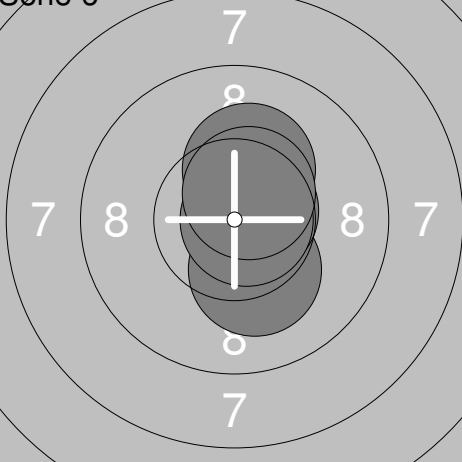

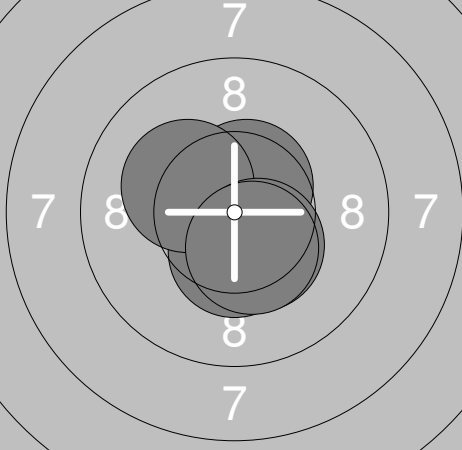
1:	10.8x	→
2:	10.5x	→
3:	10.6x	↗
4:	10.8x	↗
5:	10.3x	↗
Serie		53.0
Total		316.3


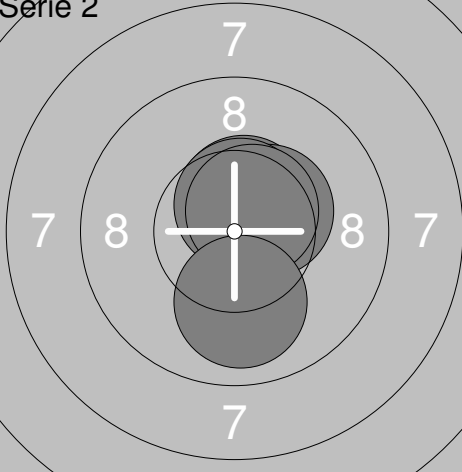
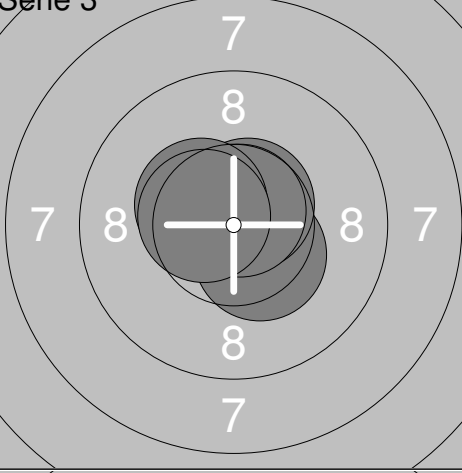

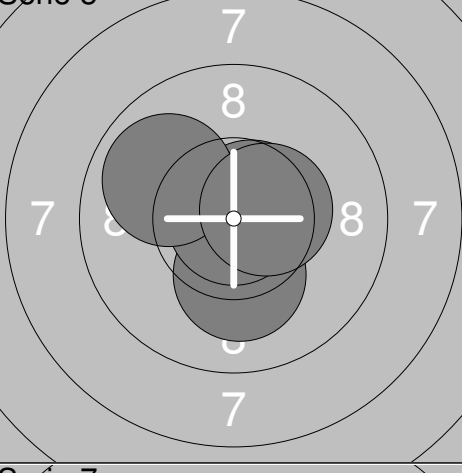
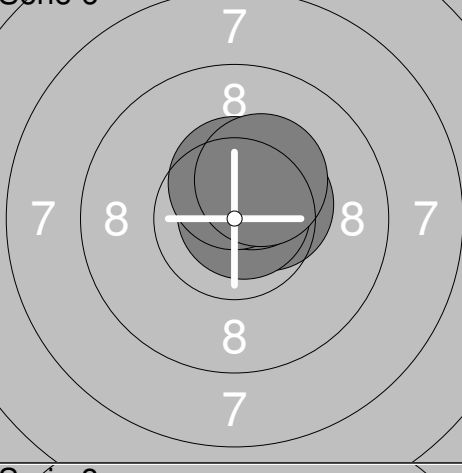

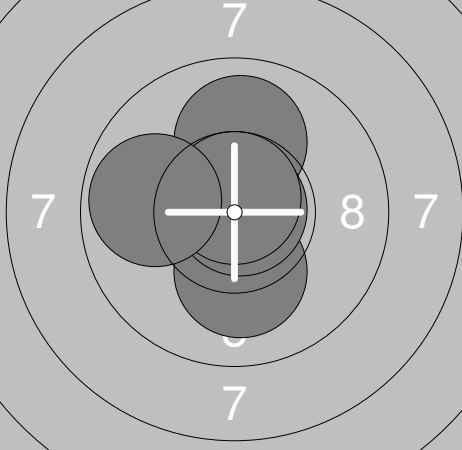


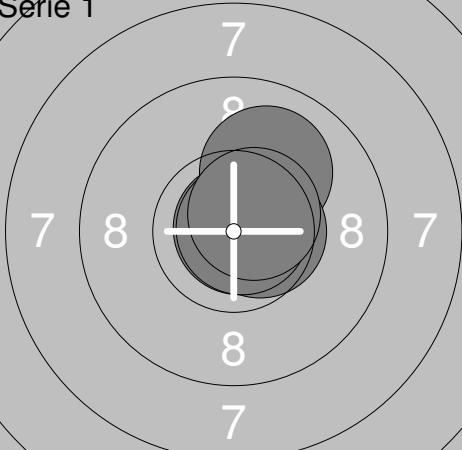
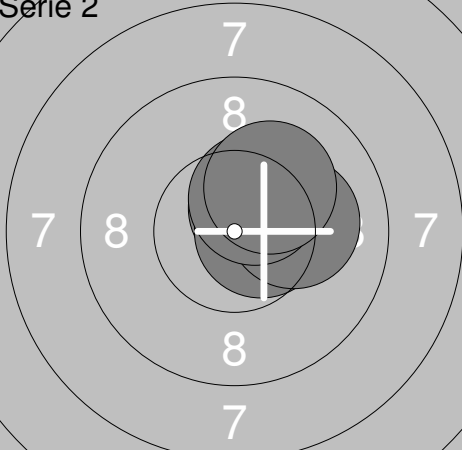
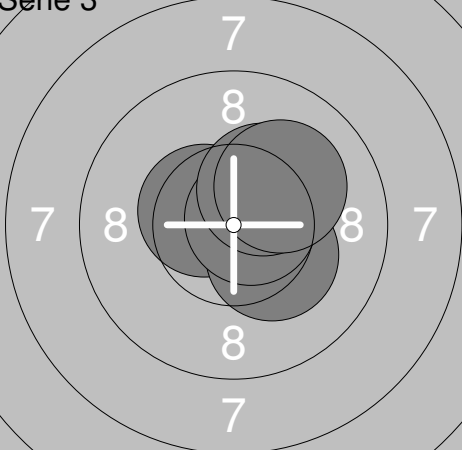
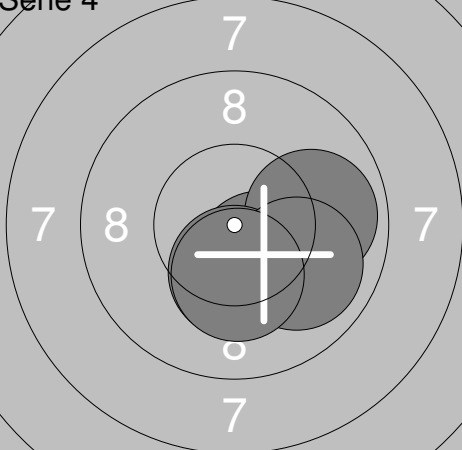
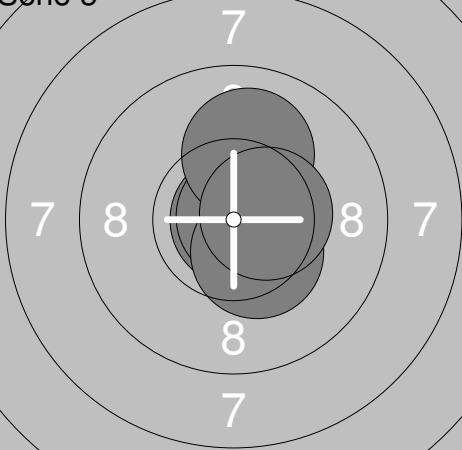
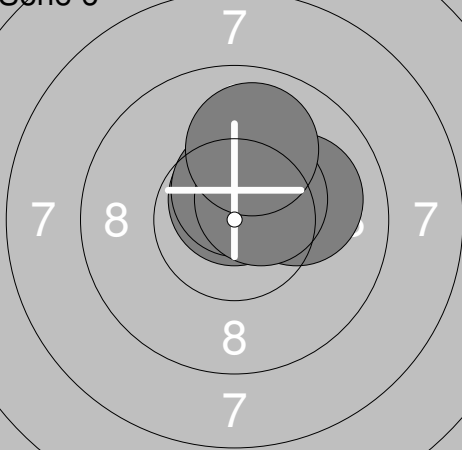
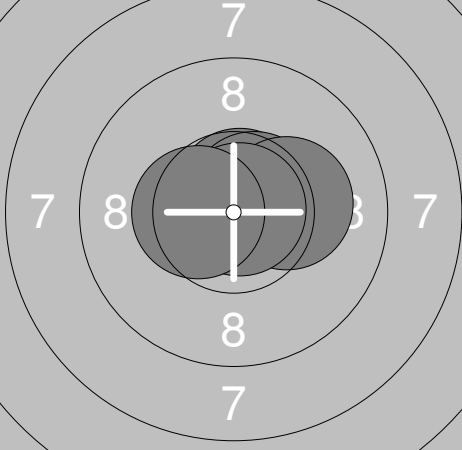
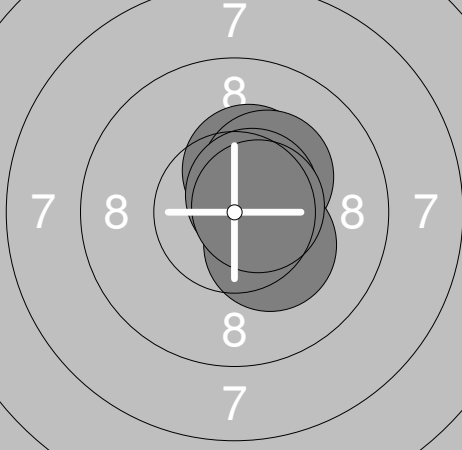
1:	10.3x	←
2:	10.7x	↗
3:	10.5x	↗
4:	10.6x	→
5:	10.5x	↗
Serie		52.6
Total		368.9

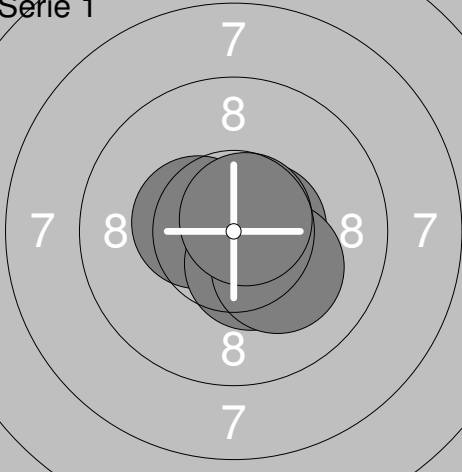
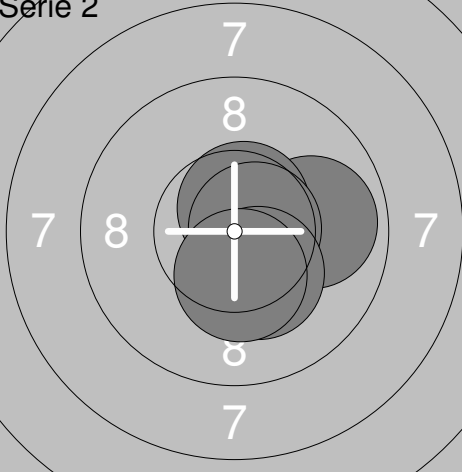
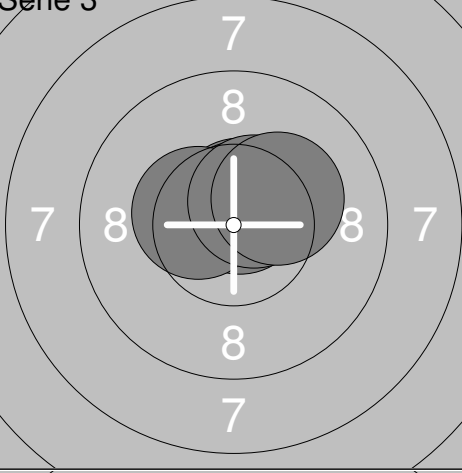
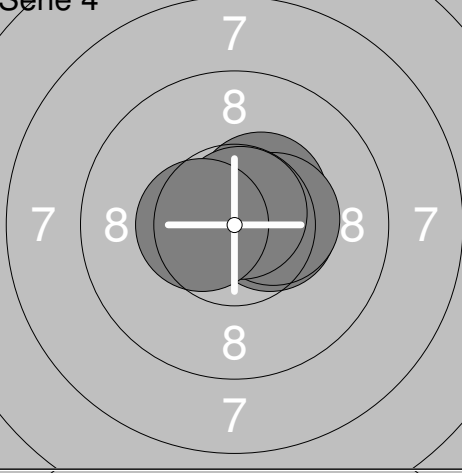
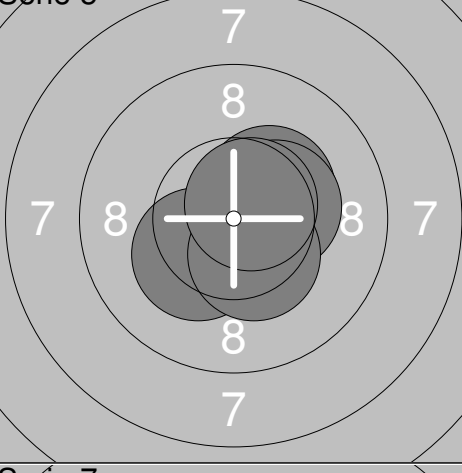
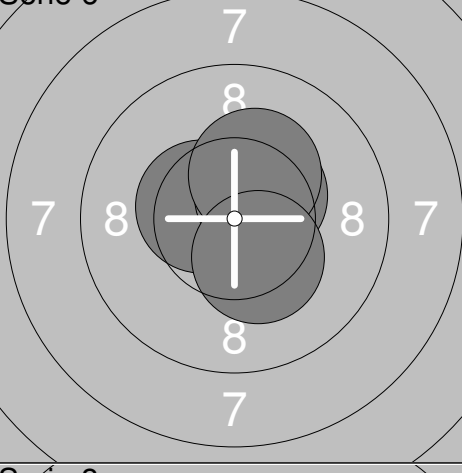
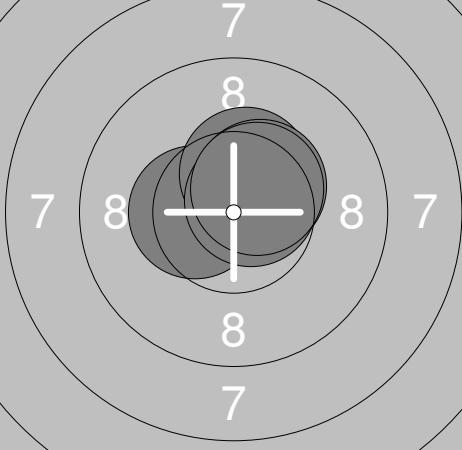
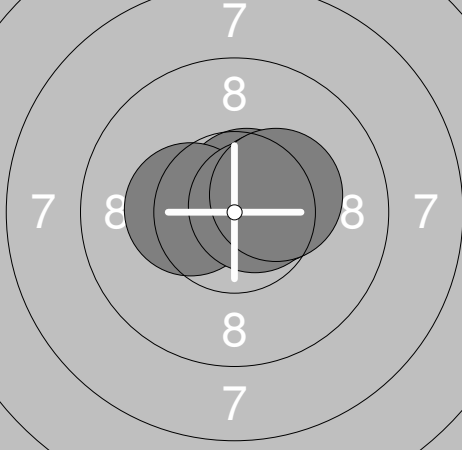


1:	10.3x	→
2:	10.8x	↑
3:	10.4x	←
4:	10.6x	↑
5:	10.1	←
Serie		52.2
Total		421.1

Skjutlag	Tavla	Håkan Christensson																															
1	12	Vellinge Skytteklubb	Sen sim																														
03.11.2018	SM luftgevär 2018	Öckerö Skytteförening																															
Serie 1	 <table> <tr><td>1:</td><td>10.9x</td><td>↗</td></tr> <tr><td>2:</td><td>10.3x</td><td>↑</td></tr> <tr><td>3:</td><td>10.0</td><td>↙</td></tr> <tr><td>4:</td><td>10.8x</td><td>↑</td></tr> <tr><td>5:</td><td>10.5x</td><td>←</td></tr> </table>	1:	10.9x	↗	2:	10.3x	↑	3:	10.0	↙	4:	10.8x	↑	5:	10.5x	←	Serie 2	 <table> <tr><td>1:</td><td>10.5x</td><td>→</td></tr> <tr><td>2:</td><td>10.7x</td><td>↑</td></tr> <tr><td>3:</td><td>10.8x</td><td>↑</td></tr> <tr><td>4:</td><td>10.7x</td><td>↗</td></tr> <tr><td>5:</td><td>10.6x</td><td>↑</td></tr> </table>	1:	10.5x	→	2:	10.7x	↑	3:	10.8x	↑	4:	10.7x	↗	5:	10.6x	↑
1:	10.9x	↗																															
2:	10.3x	↑																															
3:	10.0	↙																															
4:	10.8x	↑																															
5:	10.5x	←																															
1:	10.5x	→																															
2:	10.7x	↑																															
3:	10.8x	↑																															
4:	10.7x	↗																															
5:	10.6x	↑																															
	Serie 52.5		Serie 53.3																														
	Total 52.5		Total 105.8																														
Serie 3	 <table> <tr><td>1:</td><td>10.7x</td><td>↑</td></tr> <tr><td>2:</td><td>10.5x</td><td>↑</td></tr> <tr><td>3:</td><td>10.2x</td><td>→</td></tr> <tr><td>4:</td><td>10.4x</td><td>↓</td></tr> <tr><td>5:</td><td>10.4x</td><td>↘</td></tr> </table>	1:	10.7x	↑	2:	10.5x	↑	3:	10.2x	→	4:	10.4x	↓	5:	10.4x	↘	Serie 4	 <table> <tr><td>1:</td><td>10.0</td><td>↙</td></tr> <tr><td>2:</td><td>10.6x</td><td>↑</td></tr> <tr><td>3:</td><td>10.4x</td><td>↖</td></tr> <tr><td>4:</td><td>9.9</td><td>↖</td></tr> <tr><td>5:</td><td>10.7x</td><td>→</td></tr> </table>	1:	10.0	↙	2:	10.6x	↑	3:	10.4x	↖	4:	9.9	↖	5:	10.7x	→
1:	10.7x	↑																															
2:	10.5x	↑																															
3:	10.2x	→																															
4:	10.4x	↓																															
5:	10.4x	↘																															
1:	10.0	↙																															
2:	10.6x	↑																															
3:	10.4x	↖																															
4:	9.9	↖																															
5:	10.7x	→																															
	Serie 52.2		Serie 51.6																														
	Total 158.0		Total 209.6																														
Serie 5	 <table> <tr><td>1:</td><td>10.6x</td><td>↗</td></tr> <tr><td>2:</td><td>10.6x</td><td>→</td></tr> <tr><td>3:</td><td>10.3x</td><td>↖</td></tr> <tr><td>4:</td><td>10.8x</td><td>↑</td></tr> <tr><td>5:</td><td>10.6x</td><td>→</td></tr> </table>	1:	10.6x	↗	2:	10.6x	→	3:	10.3x	↖	4:	10.8x	↑	5:	10.6x	→	Serie 6	 <table> <tr><td>1:</td><td>10.2x</td><td>↓</td></tr> <tr><td>2:</td><td>10.7x</td><td>↗</td></tr> <tr><td>3:</td><td>10.2x</td><td>↑</td></tr> <tr><td>4:</td><td>10.8x</td><td>→</td></tr> <tr><td>5:</td><td>10.5x</td><td>↑</td></tr> </table>	1:	10.2x	↓	2:	10.7x	↗	3:	10.2x	↑	4:	10.8x	→	5:	10.5x	↑
1:	10.6x	↗																															
2:	10.6x	→																															
3:	10.3x	↖																															
4:	10.8x	↑																															
5:	10.6x	→																															
1:	10.2x	↓																															
2:	10.7x	↗																															
3:	10.2x	↑																															
4:	10.8x	→																															
5:	10.5x	↑																															
	Serie 52.9		Serie 52.4																														
	Total 262.5		Total 314.9																														
Serie 7	 <table> <tr><td>1:</td><td>10.2x</td><td>↗</td></tr> <tr><td>2:</td><td>10.6x</td><td>→</td></tr> <tr><td>3:</td><td>10.8x</td><td>→</td></tr> <tr><td>4:</td><td>10.3x</td><td>→</td></tr> <tr><td>5:</td><td>10.8x</td><td>↑</td></tr> </table>	1:	10.2x	↗	2:	10.6x	→	3:	10.8x	→	4:	10.3x	→	5:	10.8x	↑	Serie 8	 <table> <tr><td>1:</td><td>10.5x</td><td>↑</td></tr> <tr><td>2:</td><td>10.4x</td><td>↓</td></tr> <tr><td>3:</td><td>10.2x</td><td>↖</td></tr> <tr><td>4:</td><td>10.4x</td><td>↓</td></tr> <tr><td>5:</td><td>10.4x</td><td>↓</td></tr> </table>	1:	10.5x	↑	2:	10.4x	↓	3:	10.2x	↖	4:	10.4x	↓	5:	10.4x	↓
1:	10.2x	↗																															
2:	10.6x	→																															
3:	10.8x	→																															
4:	10.3x	→																															
5:	10.8x	↑																															
1:	10.5x	↑																															
2:	10.4x	↓																															
3:	10.2x	↖																															
4:	10.4x	↓																															
5:	10.4x	↓																															
	Serie 52.7		Serie 51.9																														
	Total 367.6		Total 419.5																														

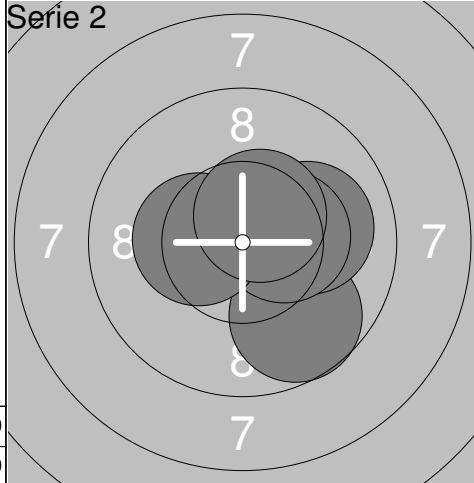
<p>Serie 1</p>  <table border="1" style="width:100%; border-collapse: collapse; margin-top: 10px;"> <tr> <td>1:</td><td>10.8x</td><td>↑</td></tr> <tr> <td>2:</td><td>10.7x</td><td>↑</td></tr> <tr> <td>3:</td><td>10.8x</td><td>↑</td></tr> <tr> <td>4:</td><td>10.9x</td><td>→</td></tr> <tr> <td>5:</td><td>10.6x</td><td>→</td></tr> <tr> <td colspan="2">Serie</td><td style="text-align: right;">53.8</td></tr> <tr> <td colspan="2">Total</td><td style="text-align: right;">53.8</td></tr> </table>	1:	10.8x	↑	2:	10.7x	↑	3:	10.8x	↑	4:	10.9x	→	5:	10.6x	→	Serie		53.8	Total		53.8	<p>Serie 2</p>  <table border="1" style="width:100%; border-collapse: collapse; margin-top: 10px;"> <tr> <td>1:</td><td>10.5x</td><td>↑</td></tr> <tr> <td>2:</td><td>10.4x</td><td>↗</td></tr> <tr> <td>3:</td><td>10.6x</td><td>↑</td></tr> <tr> <td>4:</td><td>10.5x</td><td>↗</td></tr> <tr> <td>5:</td><td>10.0</td><td>↓</td></tr> <tr> <td colspan="2">Serie</td><td style="text-align: right;">52.0</td></tr> <tr> <td colspan="2">Total</td><td style="text-align: right;">105.8</td></tr> </table>	1:	10.5x	↑	2:	10.4x	↗	3:	10.6x	↑	4:	10.5x	↗	5:	10.0	↓	Serie		52.0	Total		105.8
1:	10.8x	↑																																									
2:	10.7x	↑																																									
3:	10.8x	↑																																									
4:	10.9x	→																																									
5:	10.6x	→																																									
Serie		53.8																																									
Total		53.8																																									
1:	10.5x	↑																																									
2:	10.4x	↗																																									
3:	10.6x	↑																																									
4:	10.5x	↗																																									
5:	10.0	↓																																									
Serie		52.0																																									
Total		105.8																																									
<p>Serie 3</p>  <table border="1" style="width:100%; border-collapse: collapse; margin-top: 10px;"> <tr> <td>1:</td><td>10.4x</td><td>↘</td></tr> <tr> <td>2:</td><td>10.6x</td><td>↗</td></tr> <tr> <td>3:</td><td>10.7x</td><td>↑</td></tr> <tr> <td>4:</td><td>10.4x</td><td>↖</td></tr> <tr> <td>5:</td><td>10.5x</td><td>←</td></tr> <tr> <td colspan="2">Serie</td><td style="text-align: right;">52.6</td></tr> <tr> <td colspan="2">Total</td><td style="text-align: right;">158.4</td></tr> </table>	1:	10.4x	↘	2:	10.6x	↗	3:	10.7x	↑	4:	10.4x	↖	5:	10.5x	←	Serie		52.6	Total		158.4	<p>Serie 4</p>  <table border="1" style="width:100%; border-collapse: collapse; margin-top: 10px;"> <tr> <td>1:</td><td>10.7x</td><td>↗</td></tr> <tr> <td>2:</td><td>10.8x</td><td>→</td></tr> <tr> <td>3:</td><td>10.7x</td><td>↗</td></tr> <tr> <td>4:</td><td>10.4x</td><td>↗</td></tr> <tr> <td>5:</td><td>10.8x</td><td>↗</td></tr> <tr> <td colspan="2">Serie</td><td style="text-align: right;">53.4</td></tr> <tr> <td colspan="2">Total</td><td style="text-align: right;">211.8</td></tr> </table>	1:	10.7x	↗	2:	10.8x	→	3:	10.7x	↗	4:	10.4x	↗	5:	10.8x	↗	Serie		53.4	Total		211.8
1:	10.4x	↘																																									
2:	10.6x	↗																																									
3:	10.7x	↑																																									
4:	10.4x	↖																																									
5:	10.5x	←																																									
Serie		52.6																																									
Total		158.4																																									
1:	10.7x	↗																																									
2:	10.8x	→																																									
3:	10.7x	↗																																									
4:	10.4x	↗																																									
5:	10.8x	↗																																									
Serie		53.4																																									
Total		211.8																																									
<p>Serie 5</p>  <table border="1" style="width:100%; border-collapse: collapse; margin-top: 10px;"> <tr> <td>1:</td><td>10.6x</td><td>↗</td></tr> <tr> <td>2:</td><td>10.2x</td><td>↓</td></tr> <tr> <td>3:</td><td>10.9x</td><td></td></tr> <tr> <td>4:</td><td>9.9</td><td>↖</td></tr> <tr> <td>5:</td><td>10.5x</td><td>→</td></tr> <tr> <td colspan="2">Serie</td><td style="text-align: right;">52.1</td></tr> <tr> <td colspan="2">Total</td><td style="text-align: right;">263.9</td></tr> </table>	1:	10.6x	↗	2:	10.2x	↓	3:	10.9x		4:	9.9	↖	5:	10.5x	→	Serie		52.1	Total		263.9	<p>Serie 6</p>  <table border="1" style="width:100%; border-collapse: collapse; margin-top: 10px;"> <tr> <td>1:</td><td>10.4x</td><td>↗</td></tr> <tr> <td>2:</td><td>10.8x</td><td>↗</td></tr> <tr> <td>3:</td><td>10.4x</td><td>↑</td></tr> <tr> <td>4:</td><td>10.5x</td><td>↑</td></tr> <tr> <td>5:</td><td>10.3x</td><td>↗</td></tr> <tr> <td colspan="2">Serie</td><td style="text-align: right;">52.4</td></tr> <tr> <td colspan="2">Total</td><td style="text-align: right;">316.3</td></tr> </table>	1:	10.4x	↗	2:	10.8x	↗	3:	10.4x	↑	4:	10.5x	↑	5:	10.3x	↗	Serie		52.4	Total		316.3
1:	10.6x	↗																																									
2:	10.2x	↓																																									
3:	10.9x																																										
4:	9.9	↖																																									
5:	10.5x	→																																									
Serie		52.1																																									
Total		263.9																																									
1:	10.4x	↗																																									
2:	10.8x	↗																																									
3:	10.4x	↑																																									
4:	10.5x	↑																																									
5:	10.3x	↗																																									
Serie		52.4																																									
Total		316.3																																									
<p>Serie 7</p>  <table border="1" style="width:100%; border-collapse: collapse; margin-top: 10px;"> <tr> <td>1:</td><td>10.6x</td><td>↗</td></tr> <tr> <td>2:</td><td>10.2x</td><td>↓</td></tr> <tr> <td>3:</td><td>10.7x</td><td>↗</td></tr> <tr> <td>4:</td><td>10.5x</td><td>↑</td></tr> <tr> <td>5:</td><td>10.4x</td><td>↖</td></tr> <tr> <td colspan="2">Serie</td><td style="text-align: right;">52.4</td></tr> <tr> <td colspan="2">Total</td><td style="text-align: right;">368.7</td></tr> </table>	1:	10.6x	↗	2:	10.2x	↓	3:	10.7x	↗	4:	10.5x	↑	5:	10.4x	↖	Serie		52.4	Total		368.7	<p>Serie 8</p>  <table border="1" style="width:100%; border-collapse: collapse; margin-top: 10px;"> <tr> <td>1:</td><td>10.0</td><td>↑</td></tr> <tr> <td>2:</td><td>10.1</td><td>↓</td></tr> <tr> <td>3:</td><td>10.8x</td><td>↗</td></tr> <tr> <td>4:</td><td>10.7x</td><td>↑</td></tr> <tr> <td>5:</td><td>9.8</td><td>←</td></tr> <tr> <td colspan="2">Serie</td><td style="text-align: right;">51.4</td></tr> <tr> <td colspan="2">Total</td><td style="text-align: right;">420.1</td></tr> </table>	1:	10.0	↑	2:	10.1	↓	3:	10.8x	↗	4:	10.7x	↑	5:	9.8	←	Serie		51.4	Total		420.1
1:	10.6x	↗																																									
2:	10.2x	↓																																									
3:	10.7x	↗																																									
4:	10.5x	↑																																									
5:	10.4x	↖																																									
Serie		52.4																																									
Total		368.7																																									
1:	10.0	↑																																									
2:	10.1	↓																																									
3:	10.8x	↗																																									
4:	10.7x	↑																																									
5:	9.8	←																																									
Serie		51.4																																									
Total		420.1																																									

Skjutlag	Tavla	Johanna Klemmedsson		
1	14	Christianstads Skyttesällskap	Sen sim	
03.11.2018	SM luftgevär 2018	Öckerö Skytteförening		
Serie 1 	1: 10.0 ↗	Serie 2 	1: 10.5x ↗	
	2: 10.6x →		2: 10.6x →	
	3: 10.8x →		3: 10.1 →	
	4: 10.8x →		4: 10.4x ↗	
	5: 10.6x ↗		5: 10.2x ↗	
Serie	52.8	Serie	51.8	
Total	52.8	Total	104.6	
Serie 3 	1: 10.5x ↖	Serie 4 	1: 10.4x ↘	
	2: 10.3x ↘		2: 9.9 →	
	3: 10.7x →		3: 10.3x ↓	
	4: 10.3x ↗		4: 9.9 ↘	
	5: 10.1 ↗		5: 10.2x ↓	
Serie	51.9	Serie	50.7	
Total	156.5	Total	207.2	
Serie 5 	1: 10.9x →	Serie 6 	1: 10.7x ↑	
	2: 10.8x →		2: 10.1 →	
	3: 10.4x ↘		3: 10.5x ↑	
	4: 10.0 ↑		4: 10.5x ↗	
	5: 10.5x →		5: 9.9 ↑	
Serie	52.6	Serie	51.7	
Total	259.8	Total	311.5	
Serie 7 	1: 10.7x ↗	Serie 8 	1: 10.4x ↗	
	2: 10.6x ↗		2: 10.3x ↗	
	3: 10.2x →		3: 10.3x ↘	
	4: 10.9x ↗		4: 10.6x ↗	
	5: 10.5x ←		5: 10.6x →	
Serie	52.9	Serie	52.2	
Total	364.4	Total	416.6	

<p>Serie 1</p>  <table border="1" style="width:100%; border-collapse: collapse; margin-top: 10px;"> <tr> <td>1:</td><td>10.4x</td><td>←</td></tr> <tr> <td>2:</td><td>10.6x</td><td>→</td></tr> <tr> <td>3:</td><td>10.4x</td><td>↘</td></tr> <tr> <td>4:</td><td>10.2x</td><td>↘</td></tr> <tr> <td>5:</td><td>10.7x</td><td>↗</td></tr> <tr> <td colspan="2">Serie</td><td style="text-align: right;">52.3</td></tr> <tr> <td colspan="2">Total</td><td style="text-align: right;">52.3</td></tr> </table>	1:	10.4x	←	2:	10.6x	→	3:	10.4x	↘	4:	10.2x	↘	5:	10.7x	↗	Serie		52.3	Total		52.3	<p>Serie 2</p>  <table border="1" style="width:100%; border-collapse: collapse; margin-top: 10px;"> <tr> <td>1:</td><td>9.9</td><td>→</td></tr> <tr> <td>2:</td><td>10.6x</td><td>↑</td></tr> <tr> <td>3:</td><td>10.6x</td><td>→</td></tr> <tr> <td>4:</td><td>10.3x</td><td>↘</td></tr> <tr> <td>5:</td><td>10.3x</td><td>↓</td></tr> <tr> <td colspan="2">Serie</td><td style="text-align: right;">51.7</td></tr> <tr> <td colspan="2">Total</td><td style="text-align: right;">104.0</td></tr> </table>	1:	9.9	→	2:	10.6x	↑	3:	10.6x	→	4:	10.3x	↘	5:	10.3x	↓	Serie		51.7	Total		104.0
1:	10.4x	←																																									
2:	10.6x	→																																									
3:	10.4x	↘																																									
4:	10.2x	↘																																									
5:	10.7x	↗																																									
Serie		52.3																																									
Total		52.3																																									
1:	9.9	→																																									
2:	10.6x	↑																																									
3:	10.6x	→																																									
4:	10.3x	↘																																									
5:	10.3x	↓																																									
Serie		51.7																																									
Total		104.0																																									
<p>Serie 3</p>  <table border="1" style="width:100%; border-collapse: collapse; margin-top: 10px;"> <tr> <td>1:</td><td>10.6x</td><td>↑</td></tr> <tr> <td>2:</td><td>10.7x</td><td>↑</td></tr> <tr> <td>3:</td><td>10.4x</td><td>←</td></tr> <tr> <td>4:</td><td>10.5x</td><td>↗</td></tr> <tr> <td>5:</td><td>10.2x</td><td>↗</td></tr> <tr> <td colspan="2">Serie</td><td style="text-align: right;">52.4</td></tr> <tr> <td colspan="2">Total</td><td style="text-align: right;">156.4</td></tr> </table>	1:	10.6x	↑	2:	10.7x	↑	3:	10.4x	←	4:	10.5x	↗	5:	10.2x	↗	Serie		52.4	Total		156.4	<p>Serie 4</p>  <table border="1" style="width:100%; border-collapse: collapse; margin-top: 10px;"> <tr> <td>1:</td><td>10.4x</td><td>↗</td></tr> <tr> <td>2:</td><td>10.5x</td><td>→</td></tr> <tr> <td>3:</td><td>10.4x</td><td>→</td></tr> <tr> <td>4:</td><td>10.7x</td><td>↑</td></tr> <tr> <td>5:</td><td>10.5x</td><td>←</td></tr> <tr> <td colspan="2">Serie</td><td style="text-align: right;">52.5</td></tr> <tr> <td colspan="2">Total</td><td style="text-align: right;">208.9</td></tr> </table>	1:	10.4x	↗	2:	10.5x	→	3:	10.4x	→	4:	10.7x	↑	5:	10.5x	←	Serie		52.5	Total		208.9
1:	10.6x	↑																																									
2:	10.7x	↑																																									
3:	10.4x	←																																									
4:	10.5x	↗																																									
5:	10.2x	↗																																									
Serie		52.4																																									
Total		156.4																																									
1:	10.4x	↗																																									
2:	10.5x	→																																									
3:	10.4x	→																																									
4:	10.7x	↑																																									
5:	10.5x	←																																									
Serie		52.5																																									
Total		208.9																																									
<p>Serie 5</p>  <table border="1" style="width:100%; border-collapse: collapse; margin-top: 10px;"> <tr> <td>1:</td><td>10.2x</td><td>↙</td></tr> <tr> <td>2:</td><td>10.3x</td><td>↗</td></tr> <tr> <td>3:</td><td>10.3x</td><td>→</td></tr> <tr> <td>4:</td><td>10.4x</td><td>↘</td></tr> <tr> <td>5:</td><td>10.6x</td><td>↗</td></tr> <tr> <td colspan="2">Serie</td><td style="text-align: right;">51.8</td></tr> <tr> <td colspan="2">Total</td><td style="text-align: right;">260.7</td></tr> </table>	1:	10.2x	↙	2:	10.3x	↗	3:	10.3x	→	4:	10.4x	↘	5:	10.6x	↗	Serie		51.8	Total		260.7	<p>Serie 6</p>  <table border="1" style="width:100%; border-collapse: collapse; margin-top: 10px;"> <tr> <td>1:</td><td>10.7x</td><td>↑</td></tr> <tr> <td>2:</td><td>10.4x</td><td>←</td></tr> <tr> <td>3:</td><td>10.4x</td><td>↗</td></tr> <tr> <td>4:</td><td>10.3x</td><td>↑</td></tr> <tr> <td>5:</td><td>10.3x</td><td>↘</td></tr> <tr> <td colspan="2">Serie</td><td style="text-align: right;">52.1</td></tr> <tr> <td colspan="2">Total</td><td style="text-align: right;">312.8</td></tr> </table>	1:	10.7x	↑	2:	10.4x	←	3:	10.4x	↗	4:	10.3x	↑	5:	10.3x	↘	Serie		52.1	Total		312.8
1:	10.2x	↙																																									
2:	10.3x	↗																																									
3:	10.3x	→																																									
4:	10.4x	↘																																									
5:	10.6x	↗																																									
Serie		51.8																																									
Total		260.7																																									
1:	10.7x	↑																																									
2:	10.4x	←																																									
3:	10.4x	↗																																									
4:	10.3x	↑																																									
5:	10.3x	↘																																									
Serie		52.1																																									
Total		312.8																																									
<p>Serie 7</p>  <table border="1" style="width:100%; border-collapse: collapse; margin-top: 10px;"> <tr> <td>1:</td><td>10.4x</td><td>←</td></tr> <tr> <td>2:</td><td>10.4x</td><td>↑</td></tr> <tr> <td>3:</td><td>10.4x</td><td>↗</td></tr> <tr> <td>4:</td><td>10.7x</td><td>↗</td></tr> <tr> <td>5:</td><td>10.5x</td><td>↗</td></tr> <tr> <td colspan="2">Serie</td><td style="text-align: right;">52.4</td></tr> <tr> <td colspan="2">Total</td><td style="text-align: right;">365.2</td></tr> </table>	1:	10.4x	←	2:	10.4x	↑	3:	10.4x	↗	4:	10.7x	↗	5:	10.5x	↗	Serie		52.4	Total		365.2	<p>Serie 8</p>  <table border="1" style="width:100%; border-collapse: collapse; margin-top: 10px;"> <tr> <td>1:</td><td>10.7x</td><td>↗</td></tr> <tr> <td>2:</td><td>10.3x</td><td>←</td></tr> <tr> <td>3:</td><td>10.4x</td><td>→</td></tr> <tr> <td>4:</td><td>10.6x</td><td>→</td></tr> <tr> <td>5:</td><td>10.3x</td><td>→</td></tr> <tr> <td colspan="2">Serie</td><td style="text-align: right;">52.3</td></tr> <tr> <td colspan="2">Total</td><td style="text-align: right;">417.5</td></tr> </table>	1:	10.7x	↗	2:	10.3x	←	3:	10.4x	→	4:	10.6x	→	5:	10.3x	→	Serie		52.3	Total		417.5
1:	10.4x	←																																									
2:	10.4x	↑																																									
3:	10.4x	↗																																									
4:	10.7x	↗																																									
5:	10.5x	↗																																									
Serie		52.4																																									
Total		365.2																																									
1:	10.7x	↗																																									
2:	10.3x	←																																									
3:	10.4x	→																																									
4:	10.6x	→																																									
5:	10.3x	→																																									
Serie		52.3																																									
Total		417.5																																									



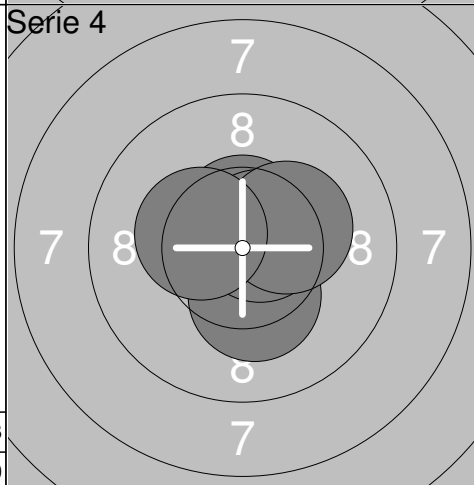
1:	10.7x	↗
2:	10.9x	
3:	10.8x	↑
4:	10.8x	↑
5:	10.7x	↑
Serie		53.9
Total		53.9



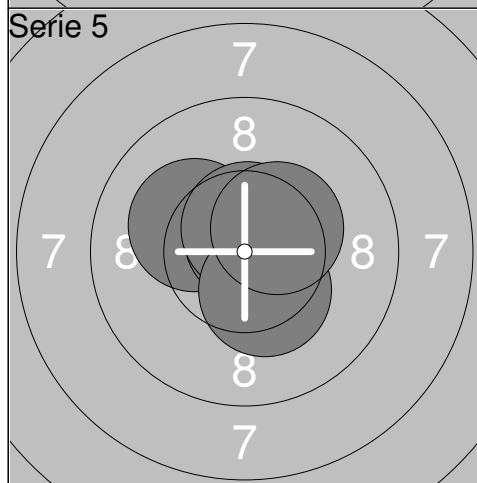
1:	9.7	↘
2:	10.0	→
3:	10.3x	→
4:	10.3x	←
5:	10.5x	↗
Serie		50.8
Total		104.7



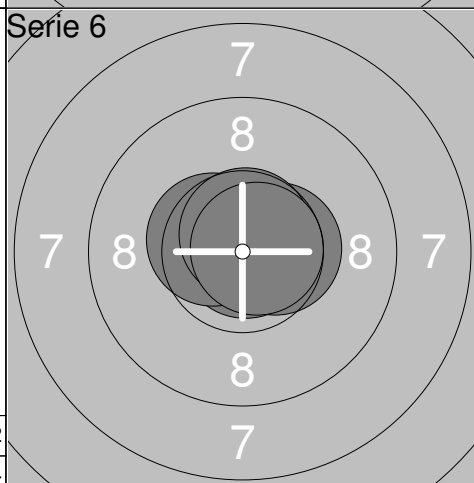
1:	10.7x	→
2:	10.7x	↑
3:	10.0	↘
4:	10.6x	↑
5:	10.3x	↘
Serie		52.3
Total		157.0



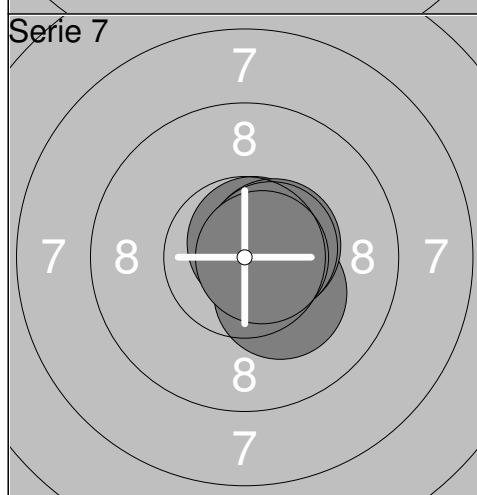
1:	10.3x	↘
2:	10.6x	↑
3:	10.7x	↗
4:	10.3x	→
5:	10.3x	←
Serie		52.2
Total		209.2



1:	10.2x	↖
2:	10.7x	↑
3:	10.6x	↑
4:	10.3x	↘
5:	10.4x	↗
Serie		52.2
Total		261.4



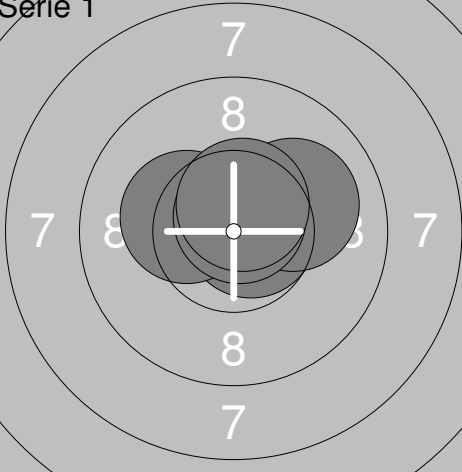
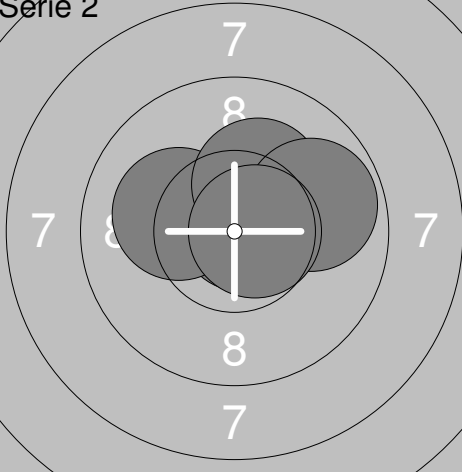

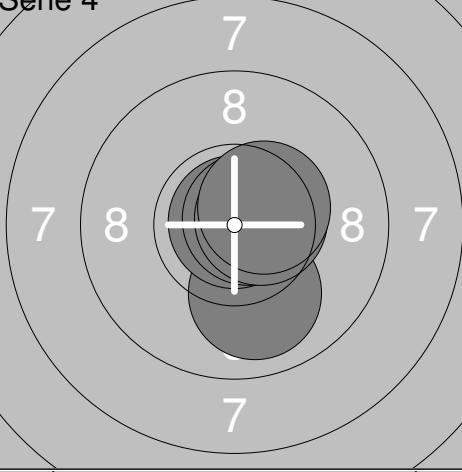
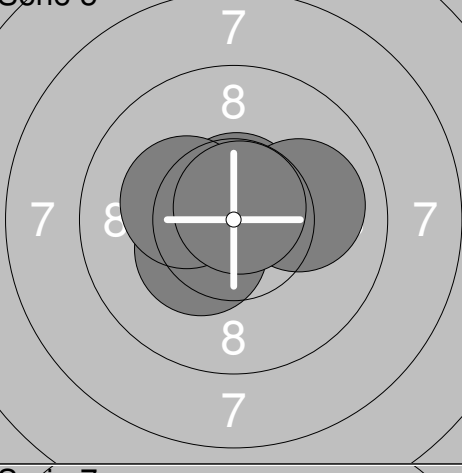
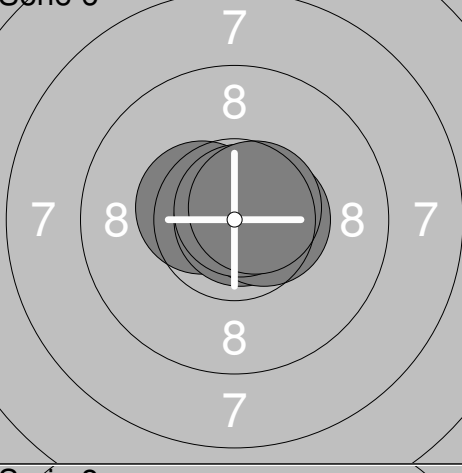
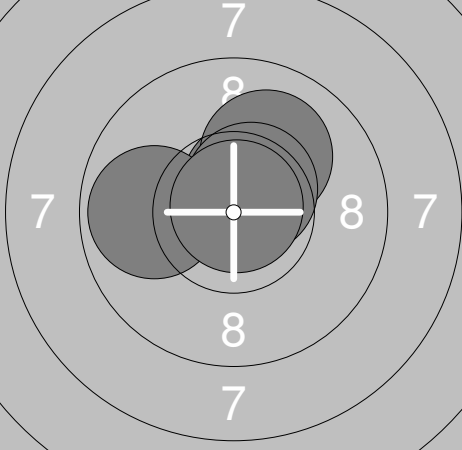
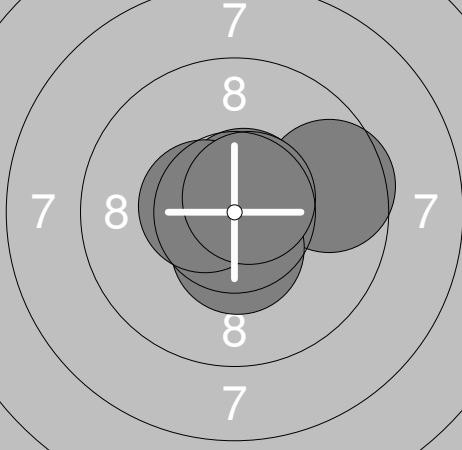
1:	10.5x	→
2:	10.9x	→
3:	10.5x	↖
4:	10.7x	↑
5:	10.7x	→
Serie		53.3
Total		314.7

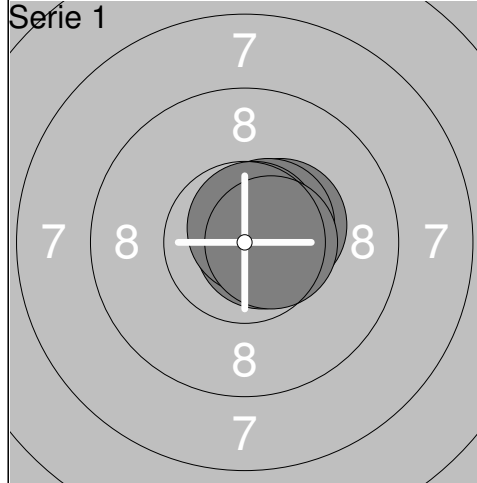


1:	10.2x	↘
2:	10.7x	↑
3:	10.5x	→
4:	10.5x	→
5:	10.7x	→
Serie		52.6
Total		367.3

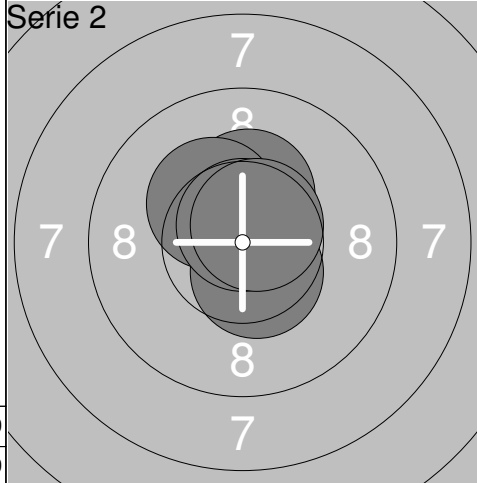


1:	10.5x	↗
2:	10.8x	→
3:	10.3x	↘
4:	10.7x	↑
5:	10.9x	↑
Serie		53.2
Total		420.5

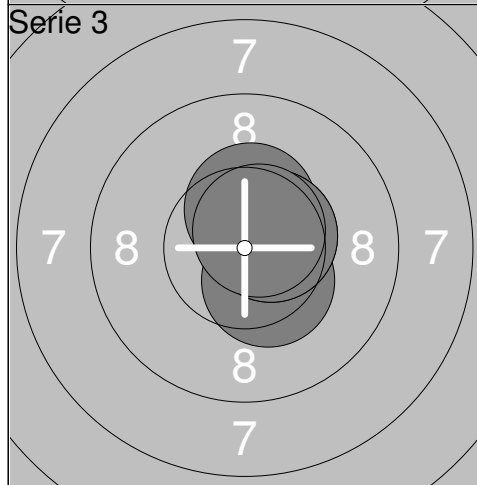
Skjutlag	Tavla	Mattias Jogmark		
1	17	Eslövs Skyttegille	Sen sim	
03.11.2018	SM luftgevär 2018	Öckerö Skytteförening		
Serie 1 	1: 10.7x →	Serie 2 	1: 10.8x ↗	
	2: 10.2x ←		2: 10.1 ←	
	3: 10.1 →		3: 10.2x ↗	
	4: 10.7x ↗		4: 9.8 →	
	5: 10.6x ↗		5: 10.7x →	
Serie	52.3	Serie	51.6	
Total	52.3	Total	103.9	
Serie 3 	1: 10.7x ↗	Serie 4 	1: 10.0 ↓	
	2: 10.4x ↗		2: 10.9x ↑	
	3: 10.3x ↓		3: 10.7x →	
	4: 10.9x ↗		4: 10.6x →	
	5: 10.2x ↓		5: 10.4x ↗	
Serie	52.5	Serie	52.6	
Total	156.4	Total	209.0	
Serie 5 	1: 10.3x ↙	Serie 6 	1: 10.5x ←	
	2: 10.6x ↑		2: 10.8x →	
	3: 10.0 →		3: 10.5x →	
	4: 10.2x ←		4: 10.8x ↗	
	5: 10.8x ↗		5: 10.6x ↗	
Serie	51.9	Serie	53.2	
Total	260.9	Total	314.1	
Serie 7 	1: 10.5x ↗	Serie 8 	1: 9.6 →	
	2: 10.0 ↗		2: 10.4x ↓	
	3: 9.8 ←		3: 10.7x ↗	
	4: 10.5x ↗		4: 10.5x ←	
	5: 10.8x ↗		5: 10.6x ↗	
Serie	51.6	Serie	51.8	
Total	365.7	Total	417.5	



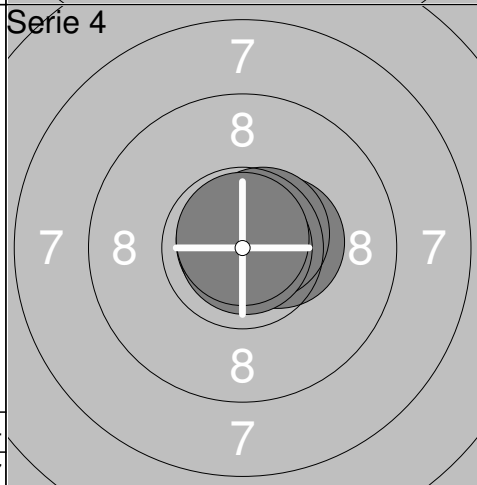
1:	10.4x	↗
2:	10.5x	↗
3:	10.7x	→
4:	10.7x	↗
5:	10.6x	→
Serie		52.9
Total		52.9



1:	10.5x	↘
2:	10.3x	↑
3:	10.3x	↖
4:	10.7x	↑
5:	10.6x	↗
Serie		52.4
Total		105.3



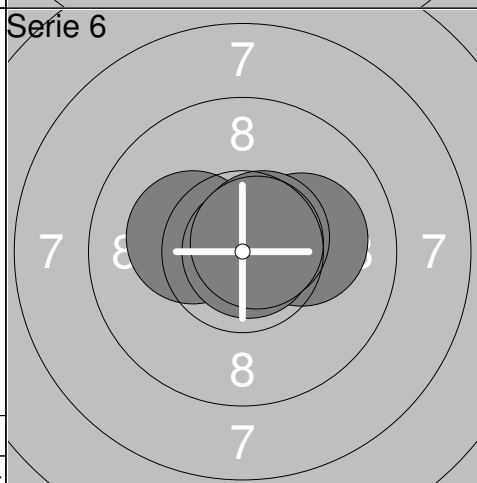
1:	10.4x	↘
2:	10.4x	↑
3:	10.5x	↗
4:	10.5x	↗
5:	10.6x	↗
Serie		52.4
Total		157.7



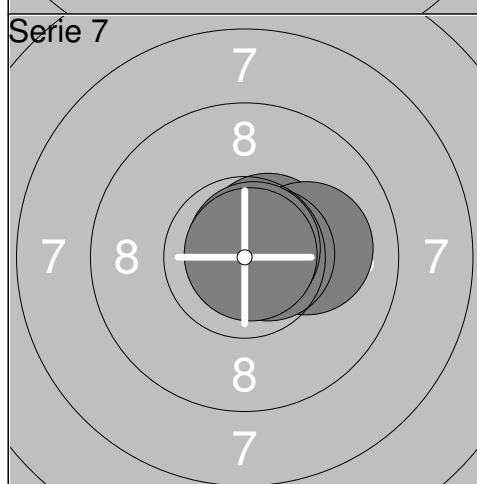
1:	10.4x	→
2:	10.9x	↑
3:	10.6x	↗
4:	10.9x	→
5:	10.8x	↑
Serie		53.6
Total		211.3



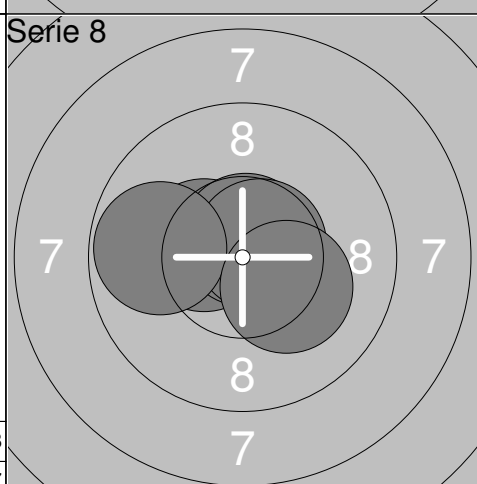
1:	10.9x	
2:	10.7x	↑
3:	10.6x	↗
4:	10.2x	←
5:	10.7x	↗
Serie		53.1
Total		264.4



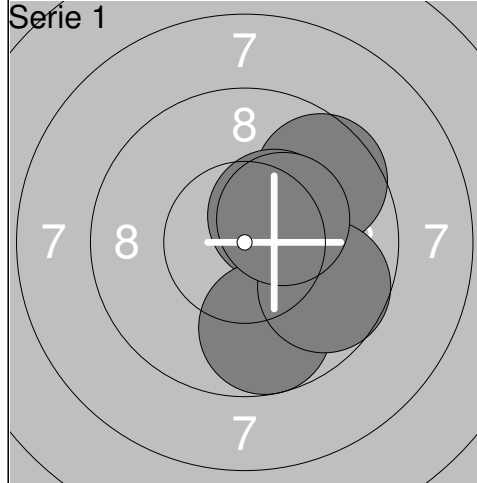
1:	10.1	→
2:	10.2x	←
3:	10.9x	→
4:	10.6x	↗
5:	10.7x	↗
Serie		52.5
Total		316.9



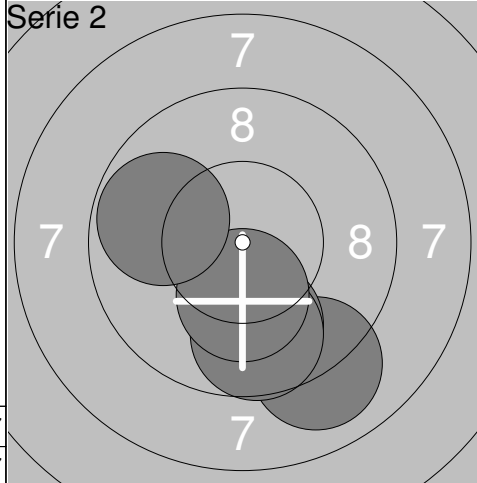
1:	10.5x	↗
2:	10.1	→
3:	10.6x	→
4:	10.8x	↗
5:	10.8x	↗
Serie		52.8
Total		369.7



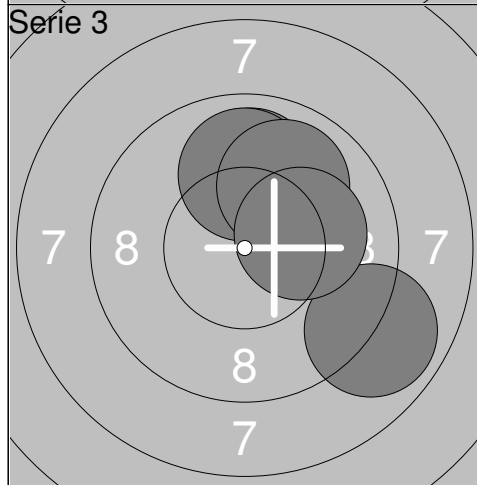
1:	10.4x	←
2:	10.7x	↑
3:	10.6x	↗
4:	9.8	←
5:	10.2x	↘
Serie		51.7
Total		421.4



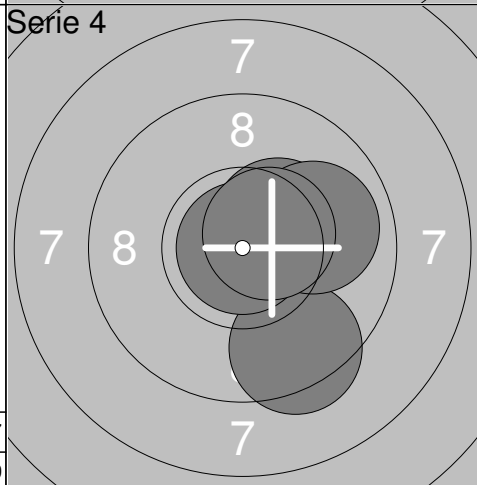
1:	9.6	↗
2:	10.4x	↗
3:	9.7	↓
4:	9.7	↘
5:	10.3x	↗
Serie		49.7
Total		49.7



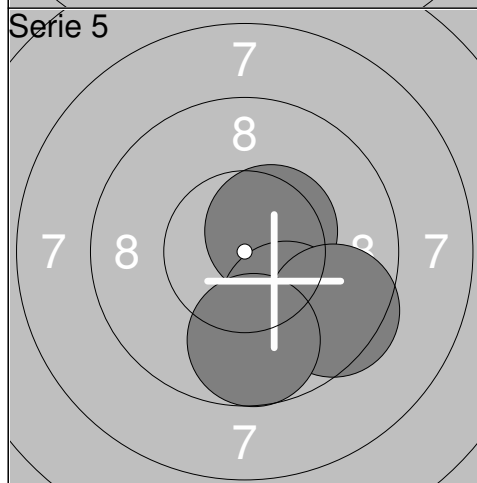
1:	9.0	↓
2:	9.8	↓
3:	9.7	↓
4:	10.2x	↓
5:	9.8	↖
Serie		48.5
Total		98.2



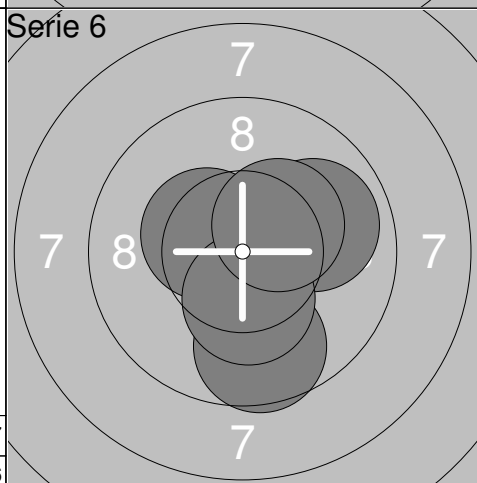
1:	9.9	↑
2:	9.9	↑
3:	8.9	↘
4:	9.9	↗
5:	10.1	→
Serie		48.7
Total		146.9



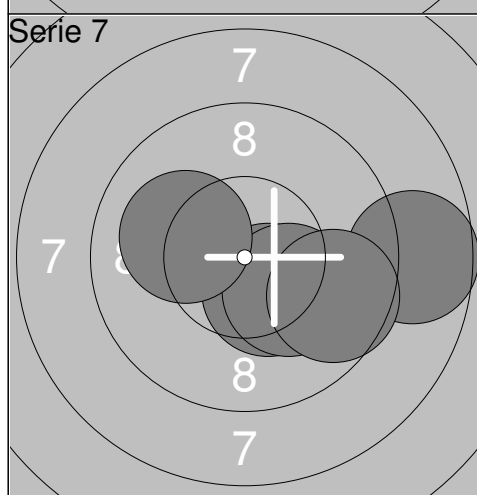
1:	10.3x	↗
2:	9.4	↓
3:	10.9x	
4:	9.9	→
5:	10.5x	↗
Serie		51.0
Total		197.9



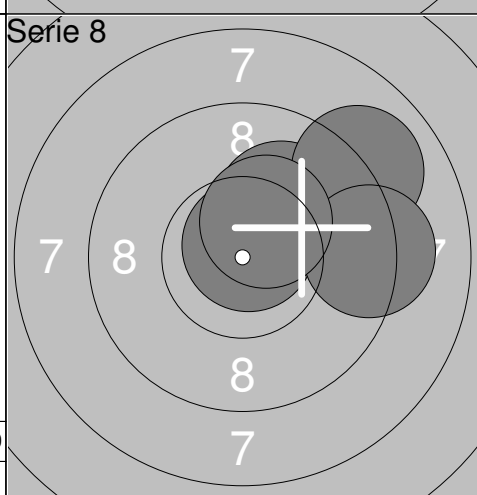
1:	10.0	↘
2:	10.5x	↗
3:	10.0	↓
4:	9.5	↘
5:	9.7	↓
Serie		49.7
Total		247.6



1:	10.4x	↖
2:	9.6	↓
3:	9.9	→
4:	10.3x	↓
5:	10.3x	↗
Serie		50.5
Total		298.1

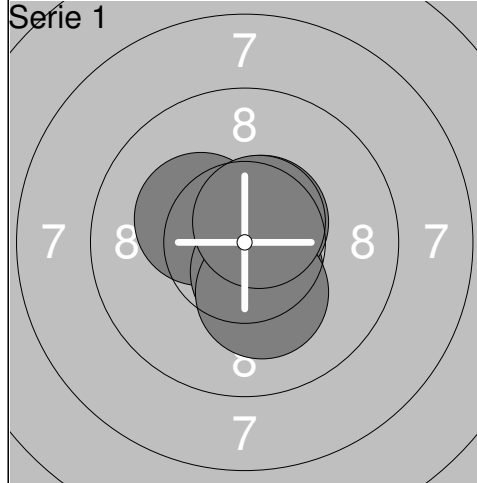


1:	8.7	→
2:	10.4x	↓
3:	10.2x	↓
4:	10.1	↗
5:	9.6	↓
Serie		49.0
Total		347.1

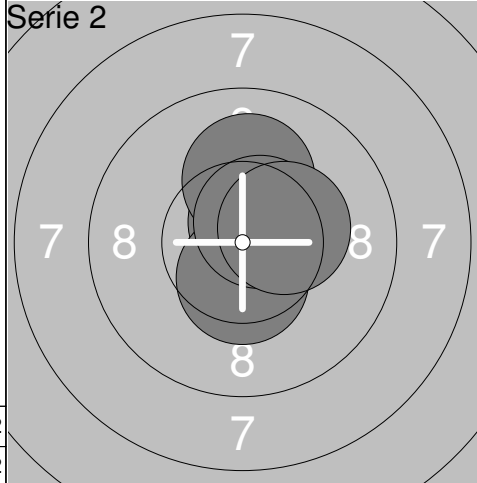


1:	10.8x	↗
2:	10.0	↗
3:	9.0	↗
4:	9.2	→
5:	10.3x	↗
Serie		49.3
Total		396.4

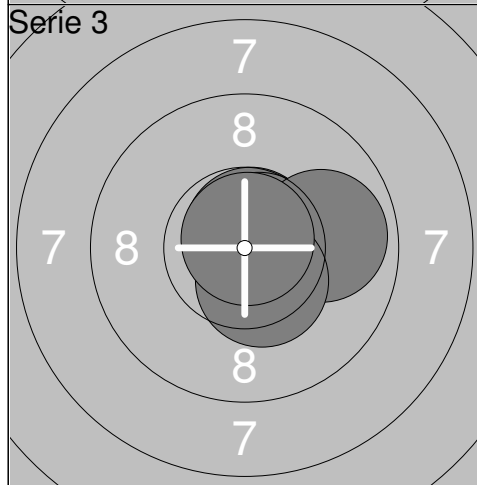
<p>Serie 1</p> <table border="1" style="width:100%; border-collapse: collapse;"> <tr><td>1:</td><td>10.3x</td><td>↗</td></tr> <tr><td>2:</td><td>10.8x</td><td>↑</td></tr> <tr><td>3:</td><td>10.5x</td><td>↗</td></tr> <tr><td>4:</td><td>10.8x</td><td>→</td></tr> <tr><td>5:</td><td>10.2x</td><td>←</td></tr> <tr><td colspan="2">Serie</td><td>52.6</td></tr> <tr><td colspan="2">Total</td><td>52.6</td></tr> </table>	1:	10.3x	↗	2:	10.8x	↑	3:	10.5x	↗	4:	10.8x	→	5:	10.2x	←	Serie		52.6	Total		52.6	<p>Serie 2</p> <table border="1" style="width:100%; border-collapse: collapse;"> <tr><td>1:</td><td>10.8x</td><td>↑</td></tr> <tr><td>2:</td><td>10.5x</td><td>↗</td></tr> <tr><td>3:</td><td>10.3x</td><td>↙</td></tr> <tr><td>4:</td><td>10.9x</td><td>↗</td></tr> <tr><td>5:</td><td>10.6x</td><td>→</td></tr> <tr><td colspan="2">Serie</td><td>53.1</td></tr> <tr><td colspan="2">Total</td><td>105.7</td></tr> </table>	1:	10.8x	↑	2:	10.5x	↗	3:	10.3x	↙	4:	10.9x	↗	5:	10.6x	→	Serie		53.1	Total		105.7	
1:	10.3x	↗																																										
2:	10.8x	↑																																										
3:	10.5x	↗																																										
4:	10.8x	→																																										
5:	10.2x	←																																										
Serie		52.6																																										
Total		52.6																																										
1:	10.8x	↑																																										
2:	10.5x	↗																																										
3:	10.3x	↙																																										
4:	10.9x	↗																																										
5:	10.6x	→																																										
Serie		53.1																																										
Total		105.7																																										
<p>Serie 3</p> <table border="1" style="width:100%; border-collapse: collapse;"> <tr><td>1:</td><td>10.7x</td><td>↗</td></tr> <tr><td>2:</td><td>9.9</td><td>↑</td></tr> <tr><td>3:</td><td>10.4x</td><td>↗</td></tr> <tr><td>4:</td><td>10.9x</td><td>↗</td></tr> <tr><td>5:</td><td>10.6x</td><td>→</td></tr> <tr><td colspan="2">Serie</td><td>52.5</td></tr> <tr><td colspan="2">Total</td><td>158.2</td></tr> </table>	1:	10.7x	↗	2:	9.9	↑	3:	10.4x	↗	4:	10.9x	↗	5:	10.6x	→	Serie		52.5	Total		158.2	<p>Serie 4</p> <table border="1" style="width:100%; border-collapse: collapse;"> <tr><td>1:</td><td>10.5x</td><td>↗</td></tr> <tr><td>2:</td><td>10.3x</td><td>→</td></tr> <tr><td>3:</td><td>10.6x</td><td>↗</td></tr> <tr><td>4:</td><td>10.7x</td><td>↗</td></tr> <tr><td>5:</td><td>10.8x</td><td>→</td></tr> <tr><td colspan="2">Serie</td><td>52.9</td></tr> <tr><td colspan="2">Total</td><td>211.1</td></tr> </table>	1:	10.5x	↗	2:	10.3x	→	3:	10.6x	↗	4:	10.7x	↗	5:	10.8x	→	Serie		52.9	Total		211.1	
1:	10.7x	↗																																										
2:	9.9	↑																																										
3:	10.4x	↗																																										
4:	10.9x	↗																																										
5:	10.6x	→																																										
Serie		52.5																																										
Total		158.2																																										
1:	10.5x	↗																																										
2:	10.3x	→																																										
3:	10.6x	↗																																										
4:	10.7x	↗																																										
5:	10.8x	→																																										
Serie		52.9																																										
Total		211.1																																										
<p>Serie 5</p> <table border="1" style="width:100%; border-collapse: collapse;"> <tr><td>1:</td><td>10.6x</td><td>→</td></tr> <tr><td>2:</td><td>10.3x</td><td>↘</td></tr> <tr><td>3:</td><td>10.6x</td><td>↗</td></tr> <tr><td>4:</td><td>10.9x</td><td></td></tr> <tr><td>5:</td><td>10.7x</td><td>→</td></tr> <tr><td colspan="2">Serie</td><td>53.1</td></tr> <tr><td colspan="2">Total</td><td>264.2</td></tr> </table>	1:	10.6x	→	2:	10.3x	↘	3:	10.6x	↗	4:	10.9x		5:	10.7x	→	Serie		53.1	Total		264.2	<p>Serie 6</p> <table border="1" style="width:100%; border-collapse: collapse;"> <tr><td>1:</td><td>10.6x</td><td>↑</td></tr> <tr><td>2:</td><td>10.6x</td><td>↑</td></tr> <tr><td>3:</td><td>10.9x</td><td></td></tr> <tr><td>4:</td><td>10.3x</td><td>←</td></tr> <tr><td>5:</td><td>10.5x</td><td>↘</td></tr> <tr><td colspan="2">Serie</td><td>52.9</td></tr> <tr><td colspan="2">Total</td><td>317.1</td></tr> </table>	1:	10.6x	↑	2:	10.6x	↑	3:	10.9x		4:	10.3x	←	5:	10.5x	↘	Serie		52.9	Total		317.1	
1:	10.6x	→																																										
2:	10.3x	↘																																										
3:	10.6x	↗																																										
4:	10.9x																																											
5:	10.7x	→																																										
Serie		53.1																																										
Total		264.2																																										
1:	10.6x	↑																																										
2:	10.6x	↑																																										
3:	10.9x																																											
4:	10.3x	←																																										
5:	10.5x	↘																																										
Serie		52.9																																										
Total		317.1																																										
<p>Serie 7</p> <table border="1" style="width:100%; border-collapse: collapse;"> <tr><td>1:</td><td>10.5x</td><td>↑</td></tr> <tr><td>2:</td><td>10.5x</td><td>←</td></tr> <tr><td>3:</td><td>10.8x</td><td>↗</td></tr> <tr><td>4:</td><td>10.5x</td><td>↗</td></tr> <tr><td>5:</td><td>10.5x</td><td>↑</td></tr> <tr><td colspan="2">Serie</td><td>52.8</td></tr> <tr><td colspan="2">Total</td><td>369.9</td></tr> </table>	1:	10.5x	↑	2:	10.5x	←	3:	10.8x	↗	4:	10.5x	↗	5:	10.5x	↑	Serie		52.8	Total		369.9	<p>Serie 8</p> <table border="1" style="width:100%; border-collapse: collapse;"> <tr><td>1:</td><td>10.7x</td><td>↗</td></tr> <tr><td>2:</td><td>10.3x</td><td>↖</td></tr> <tr><td>3:</td><td>10.2x</td><td>↗</td></tr> <tr><td>4:</td><td>10.5x</td><td>↑</td></tr> <tr><td>5:</td><td>10.2x</td><td>↘</td></tr> <tr><td colspan="2">Serie</td><td>51.9</td></tr> <tr><td colspan="2">Total</td><td>421.8</td></tr> </table>	1:	10.7x	↗	2:	10.3x	↖	3:	10.2x	↗	4:	10.5x	↑	5:	10.2x	↘	Serie		51.9	Total		421.8	
1:	10.5x	↑																																										
2:	10.5x	←																																										
3:	10.8x	↗																																										
4:	10.5x	↗																																										
5:	10.5x	↑																																										
Serie		52.8																																										
Total		369.9																																										
1:	10.7x	↗																																										
2:	10.3x	↖																																										
3:	10.2x	↗																																										
4:	10.5x	↑																																										
5:	10.2x	↘																																										
Serie		51.9																																										
Total		421.8																																										



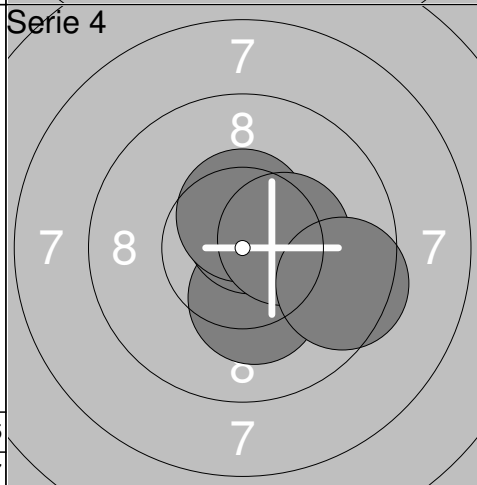
1:	10.3x	↖
2:	10.5x	↓
3:	10.6x	↗
4:	10.2x	↓
5:	10.6x	↗
Serie		52.2
Total		52.2



1:	10.6x	↗
2:	10.4x	↓
3:	10.1	↑
4:	10.6x	↗
5:	10.3x	→
Serie		52.0
Total		104.2



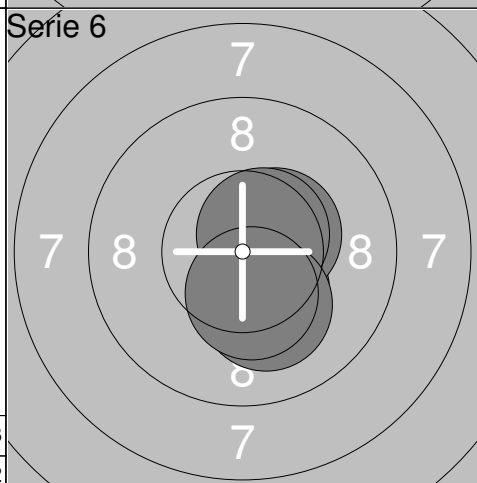
1:	10.7x	↑
2:	10.7x	↗
3:	9.9	→
4:	10.4x	↓
5:	10.8x	↑
Serie		52.5
Total		156.7



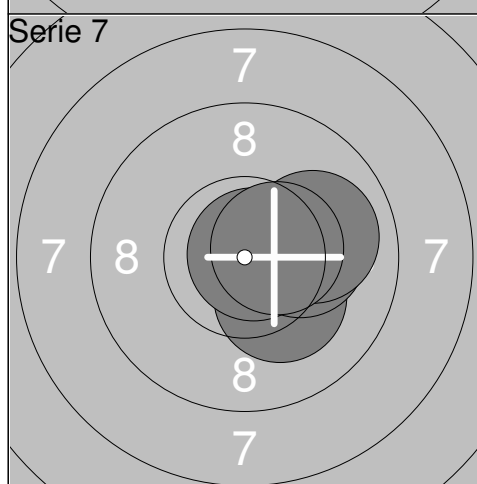
1:	10.2x	↓
2:	10.6x	↗
3:	10.5x	↑
4:	10.4x	→
5:	9.5	→
Serie		51.2
Total		207.9



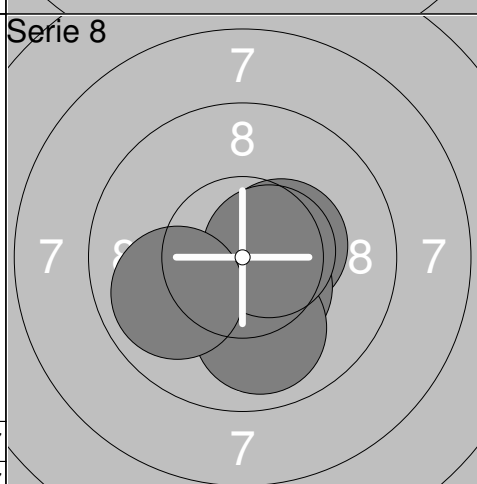
1:	10.6x	↗
2:	10.4x	→
3:	10.7x	↗
4:	10.8x	↗
5:	10.8x	→
Serie		53.3
Total		261.2



1:	10.3x	↓
2:	10.4x	↗
3:	10.6x	↗
4:	10.1	↓
5:	10.4x	↓
Serie		51.8
Total		313.0



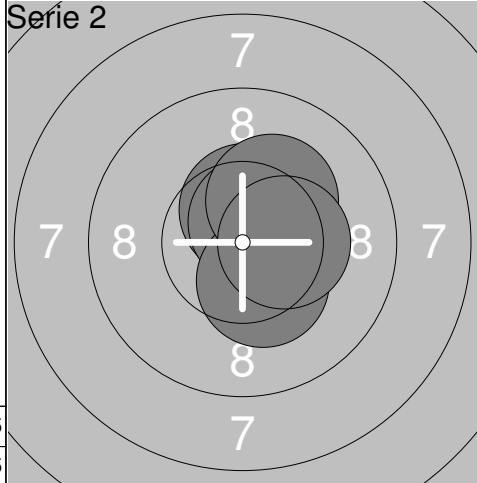
1:	10.2x	↓
2:	10.8x	→
3:	10.2x	→
4:	10.0	→
5:	10.5x	→
Serie		51.7
Total		364.7



1:	10.4x	→
2:	10.4x	↓
3:	9.9	↓
4:	10.6x	→
5:	9.9	↖
Serie		51.2
Total		415.9



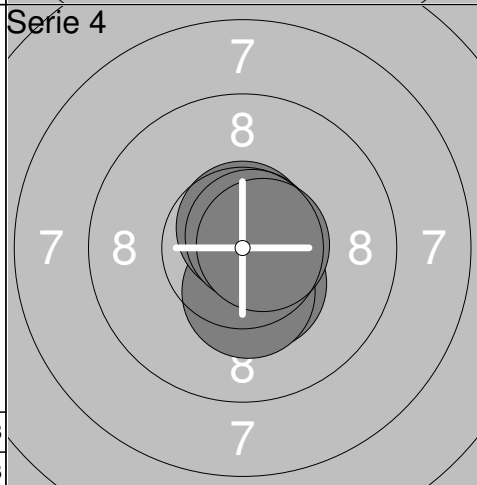
1:	10.3x	↖
2:	10.4x	↑
3:	10.8x	↑
4:	10.5x	↗
5:	10.5x	↗
Serie		52.5
Total		52.5



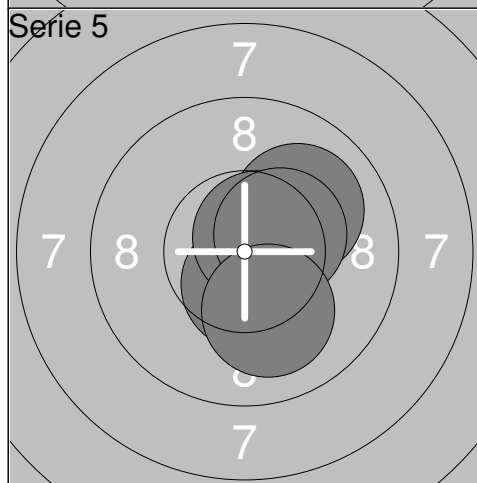
1:	10.5x	↑
2:	10.6x	↗
3:	10.3x	↘
4:	10.2x	↗
5:	10.4x	→
Serie		52.0
Total		104.5



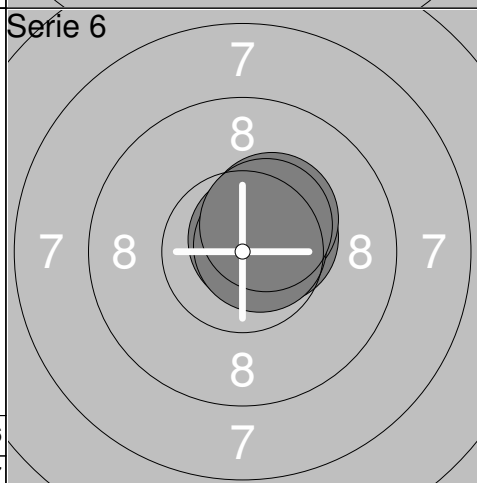
1:	10.8x	↗
2:	10.6x	→
3:	10.6x	↗
4:	10.0	↗
5:	10.8x	↑
Serie		52.8
Total		157.3



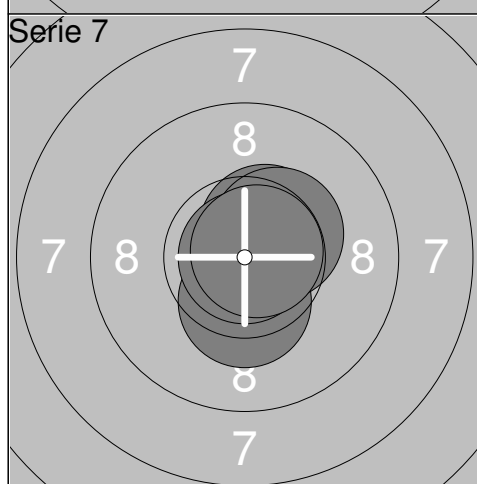
1:	10.4x	↘
2:	10.3x	↘
3:	10.7x	↑
4:	10.7x	↗
5:	10.7x	→
Serie		52.8
Total		210.1



1:	10.0	↗
2:	10.5x	↘
3:	10.6x	↗
4:	10.4x	→
5:	10.1	↘
Serie		51.6
Total		261.7



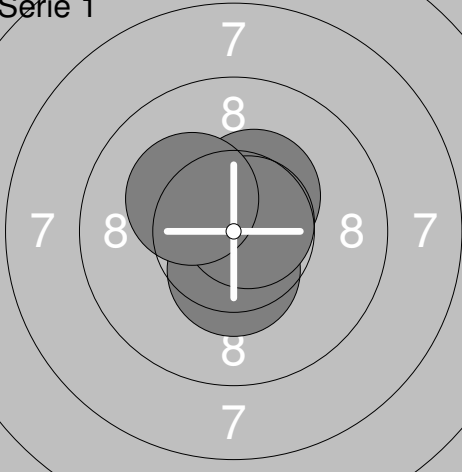
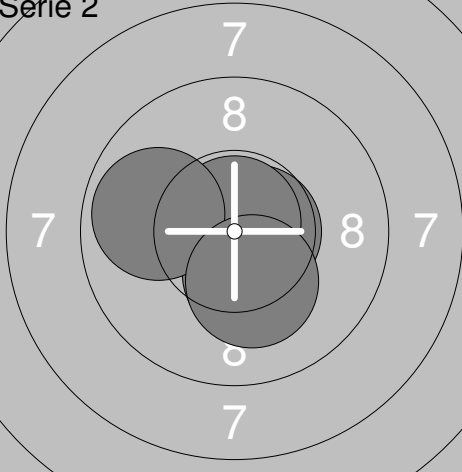

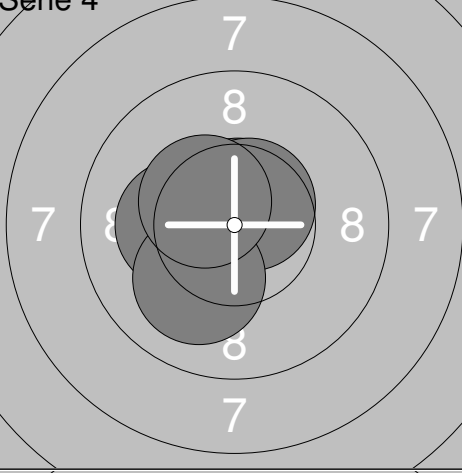
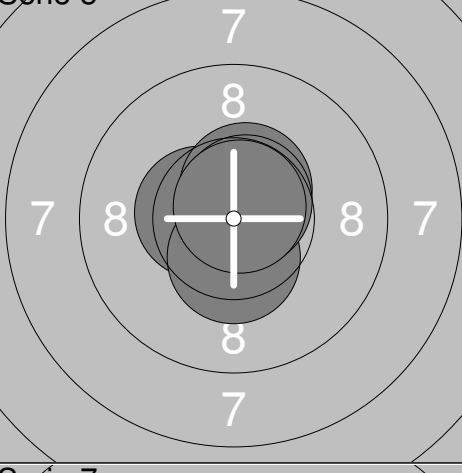
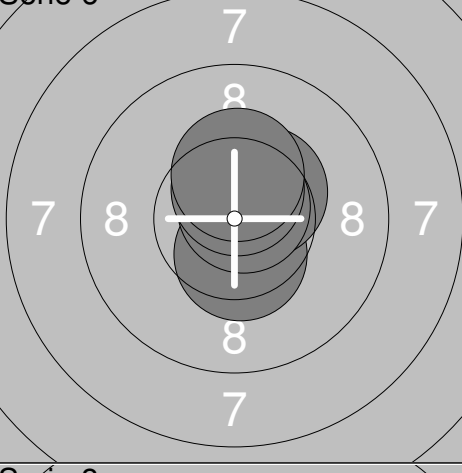
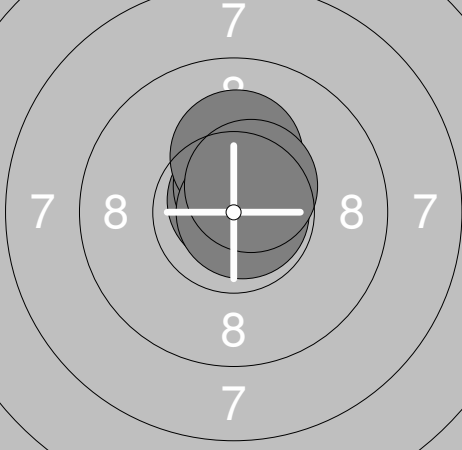

1:	10.7x	↗
2:	10.5x	→
3:	10.3x	↗
4:	10.7x	→
5:	10.5x	↗
Serie		52.7
Total		314.4

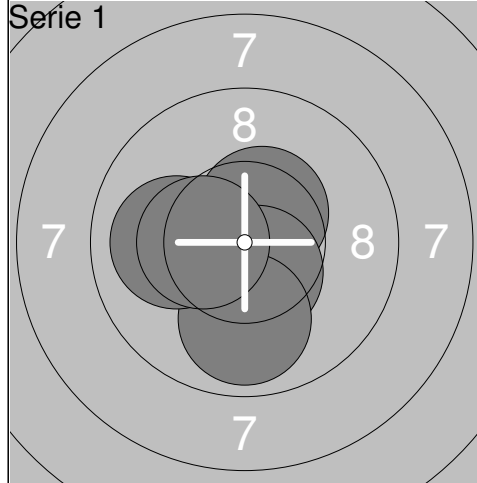


1:	10.5x	↗
2:	10.3x	↘
3:	10.4x	↗
4:	10.9x	
5:	10.7x	→
Serie		52.8
Total		367.2

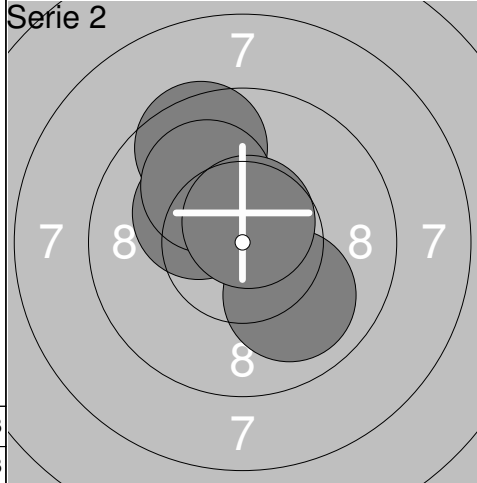


1:	10.6x	→
2:	10.6x	→
3:	10.4x	↗
4:	10.7x	↗
5:	10.4x	↑
Serie		52.7
Total		419.9

<p>Serie 1</p>  <table border="1" style="width:100%; border-collapse: collapse; margin-top: 10px;"> <tr> <td>1:</td><td>10.4x</td><td>↓</td></tr> <tr> <td>2:</td><td>10.7x</td><td>↑</td></tr> <tr> <td>3:</td><td>10.4x</td><td>↗</td></tr> <tr> <td>4:</td><td>10.7x</td><td>↘</td></tr> <tr> <td>5:</td><td>10.2x</td><td>↖</td></tr> <tr> <td colspan="2">Serie</td><td style="text-align: right;">52.4</td></tr> <tr> <td colspan="2">Total</td><td style="text-align: right;">52.4</td></tr> </table>	1:	10.4x	↓	2:	10.7x	↑	3:	10.4x	↗	4:	10.7x	↘	5:	10.2x	↖	Serie		52.4	Total		52.4	<p>Serie 2</p>  <table border="1" style="width:100%; border-collapse: collapse; margin-top: 10px;"> <tr> <td>1:</td><td>10.3x</td><td>↓</td></tr> <tr> <td>2:</td><td>10.7x</td><td>→</td></tr> <tr> <td>3:</td><td>10.8x</td><td>↑</td></tr> <tr> <td>4:</td><td>9.9</td><td>←</td></tr> <tr> <td>5:</td><td>10.2x</td><td>↓</td></tr> <tr> <td colspan="2">Serie</td><td style="text-align: right;">51.9</td></tr> <tr> <td colspan="2">Total</td><td style="text-align: right;">104.3</td></tr> </table>	1:	10.3x	↓	2:	10.7x	→	3:	10.8x	↑	4:	9.9	←	5:	10.2x	↓	Serie		51.9	Total		104.3
1:	10.4x	↓																																									
2:	10.7x	↑																																									
3:	10.4x	↗																																									
4:	10.7x	↘																																									
5:	10.2x	↖																																									
Serie		52.4																																									
Total		52.4																																									
1:	10.3x	↓																																									
2:	10.7x	→																																									
3:	10.8x	↑																																									
4:	9.9	←																																									
5:	10.2x	↓																																									
Serie		51.9																																									
Total		104.3																																									
<p>Serie 3</p>  <table border="1" style="width:100%; border-collapse: collapse; margin-top: 10px;"> <tr> <td>1:</td><td>10.7x</td><td>↘</td></tr> <tr> <td>2:</td><td>10.7x</td><td>→</td></tr> <tr> <td>3:</td><td>10.8x</td><td>↑</td></tr> <tr> <td>4:</td><td>10.6x</td><td>↗</td></tr> <tr> <td>5:</td><td>10.4x</td><td>↓</td></tr> <tr> <td colspan="2">Serie</td><td style="text-align: right;">53.2</td></tr> <tr> <td colspan="2">Total</td><td style="text-align: right;">157.5</td></tr> </table>	1:	10.7x	↘	2:	10.7x	→	3:	10.8x	↑	4:	10.6x	↗	5:	10.4x	↓	Serie		53.2	Total		157.5	<p>Serie 4</p>  <table border="1" style="width:100%; border-collapse: collapse; margin-top: 10px;"> <tr> <td>1:</td><td>10.2x</td><td>←</td></tr> <tr> <td>2:</td><td>10.6x</td><td>↑</td></tr> <tr> <td>3:</td><td>10.6x</td><td>↗</td></tr> <tr> <td>4:</td><td>10.1</td><td>↘</td></tr> <tr> <td>5:</td><td>10.4x</td><td>↖</td></tr> <tr> <td colspan="2">Serie</td><td style="text-align: right;">51.9</td></tr> <tr> <td colspan="2">Total</td><td style="text-align: right;">209.4</td></tr> </table>	1:	10.2x	←	2:	10.6x	↑	3:	10.6x	↗	4:	10.1	↘	5:	10.4x	↖	Serie		51.9	Total		209.4
1:	10.7x	↘																																									
2:	10.7x	→																																									
3:	10.8x	↑																																									
4:	10.6x	↗																																									
5:	10.4x	↓																																									
Serie		53.2																																									
Total		157.5																																									
1:	10.2x	←																																									
2:	10.6x	↑																																									
3:	10.6x	↗																																									
4:	10.1	↘																																									
5:	10.4x	↖																																									
Serie		51.9																																									
Total		209.4																																									
<p>Serie 5</p>  <table border="1" style="width:100%; border-collapse: collapse; margin-top: 10px;"> <tr> <td>1:</td><td>10.5x</td><td>←</td></tr> <tr> <td>2:</td><td>10.5x</td><td>↑</td></tr> <tr> <td>3:</td><td>10.4x</td><td>↓</td></tr> <tr> <td>4:</td><td>10.7x</td><td>↗</td></tr> <tr> <td>5:</td><td>10.7x</td><td>↗</td></tr> <tr> <td colspan="2">Serie</td><td style="text-align: right;">52.8</td></tr> <tr> <td colspan="2">Total</td><td style="text-align: right;">262.2</td></tr> </table>	1:	10.5x	←	2:	10.5x	↑	3:	10.4x	↓	4:	10.7x	↗	5:	10.7x	↗	Serie		52.8	Total		262.2	<p>Serie 6</p>  <table border="1" style="width:100%; border-collapse: collapse; margin-top: 10px;"> <tr> <td>1:</td><td>10.4x</td><td>↓</td></tr> <tr> <td>2:</td><td>10.4x</td><td>↗</td></tr> <tr> <td>3:</td><td>10.7x</td><td>↗</td></tr> <tr> <td>4:</td><td>10.5x</td><td>↑</td></tr> <tr> <td>5:</td><td>10.3x</td><td>↑</td></tr> <tr> <td colspan="2">Serie</td><td style="text-align: right;">52.3</td></tr> <tr> <td colspan="2">Total</td><td style="text-align: right;">314.5</td></tr> </table>	1:	10.4x	↓	2:	10.4x	↗	3:	10.7x	↗	4:	10.5x	↑	5:	10.3x	↑	Serie		52.3	Total		314.5
1:	10.5x	←																																									
2:	10.5x	↑																																									
3:	10.4x	↓																																									
4:	10.7x	↗																																									
5:	10.7x	↗																																									
Serie		52.8																																									
Total		262.2																																									
1:	10.4x	↓																																									
2:	10.4x	↗																																									
3:	10.7x	↗																																									
4:	10.5x	↑																																									
5:	10.3x	↑																																									
Serie		52.3																																									
Total		314.5																																									
<p>Serie 7</p>  <table border="1" style="width:100%; border-collapse: collapse; margin-top: 10px;"> <tr> <td>1:</td><td>10.8x</td><td>↑</td></tr> <tr> <td>2:</td><td>10.6x</td><td>↑</td></tr> <tr> <td>3:</td><td>10.2x</td><td>↑</td></tr> <tr> <td>4:</td><td>10.8x</td><td>→</td></tr> <tr> <td>5:</td><td>10.5x</td><td>↗</td></tr> <tr> <td colspan="2">Serie</td><td style="text-align: right;">52.9</td></tr> <tr> <td colspan="2">Total</td><td style="text-align: right;">367.4</td></tr> </table>	1:	10.8x	↑	2:	10.6x	↑	3:	10.2x	↑	4:	10.8x	→	5:	10.5x	↗	Serie		52.9	Total		367.4	<p>Serie 8</p>  <table border="1" style="width:100%; border-collapse: collapse; margin-top: 10px;"> <tr> <td>1:</td><td>10.3x</td><td>↑</td></tr> <tr> <td>2:</td><td>10.6x</td><td>↗</td></tr> <tr> <td>3:</td><td>10.5x</td><td>↗</td></tr> <tr> <td>4:</td><td>10.2x</td><td>↗</td></tr> <tr> <td>5:</td><td>10.2x</td><td>↑</td></tr> <tr> <td colspan="2">Serie</td><td style="text-align: right;">51.8</td></tr> <tr> <td colspan="2">Total</td><td style="text-align: right;">419.2</td></tr> </table>	1:	10.3x	↑	2:	10.6x	↗	3:	10.5x	↗	4:	10.2x	↗	5:	10.2x	↑	Serie		51.8	Total		419.2
1:	10.8x	↑																																									
2:	10.6x	↑																																									
3:	10.2x	↑																																									
4:	10.8x	→																																									
5:	10.5x	↗																																									
Serie		52.9																																									
Total		367.4																																									
1:	10.3x	↑																																									
2:	10.6x	↗																																									
3:	10.5x	↗																																									
4:	10.2x	↗																																									
5:	10.2x	↑																																									
Serie		51.8																																									
Total		419.2																																									



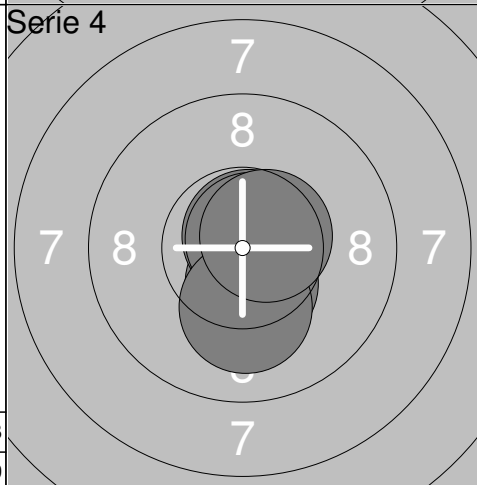
1:	10.5x	↗
2:	10.5x	↘
3:	9.9	↓
4:	10.0	←
5:	10.4x	←
Serie		51.3
Total		51.3



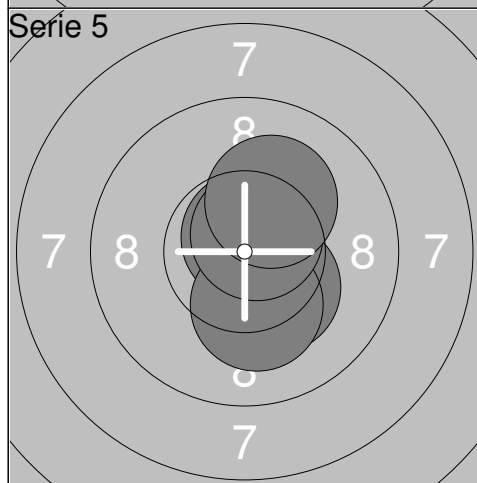
1:	10.2x	↖
2:	9.5	↗
3:	10.0	↗
4:	10.0	↘
5:	10.6x	↗
Serie		50.3
Total		101.6



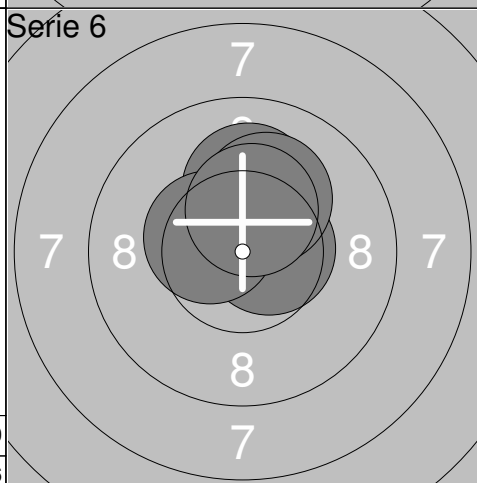
1:	10.3x	→
2:	10.4x	↗
3:	10.7x	↗
4:	10.3x	↓
5:	10.6x	↗
Serie		52.3
Total		153.9



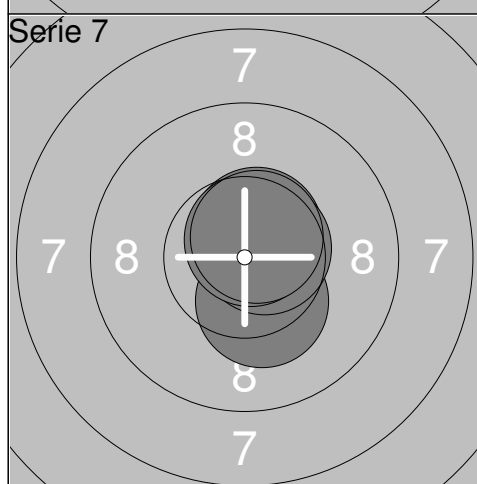
1:	10.4x	↓
2:	10.8x	↗
3:	10.8x	↗
4:	10.1	↓
5:	10.6x	↗
Serie		52.7
Total		206.6



1:	10.3x	↘
2:	10.7x	↗
3:	10.2x	↘
4:	10.6x	↗
5:	10.2x	↗
Serie		52.0
Total		258.6



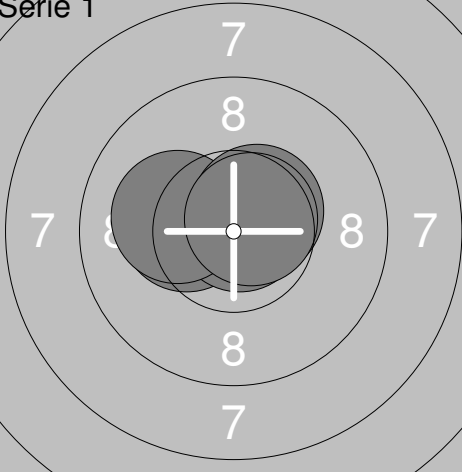

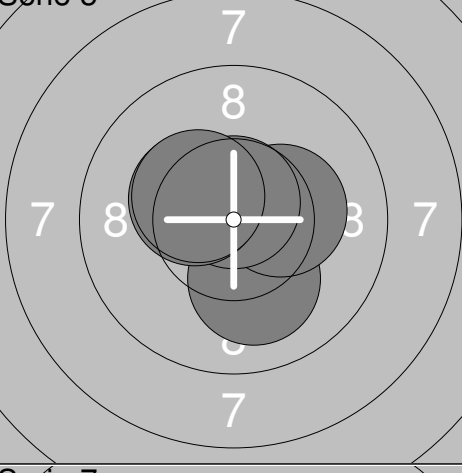

1:	10.6x	→
2:	10.1	↗
3:	10.1	↗
4:	10.4x	↖
5:	10.4x	↗
Serie		51.6
Total		310.2



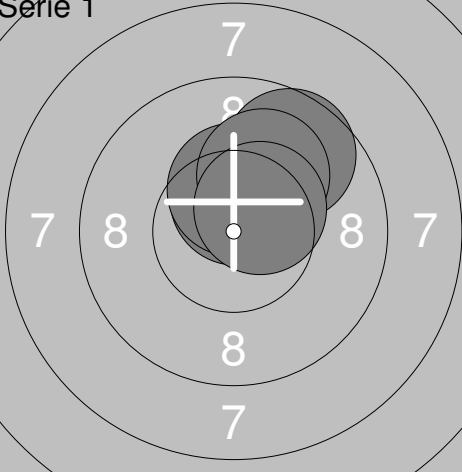
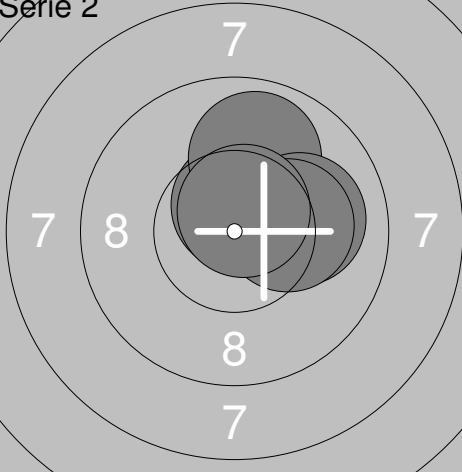
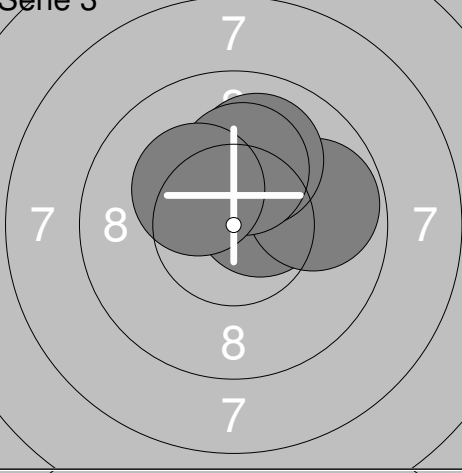
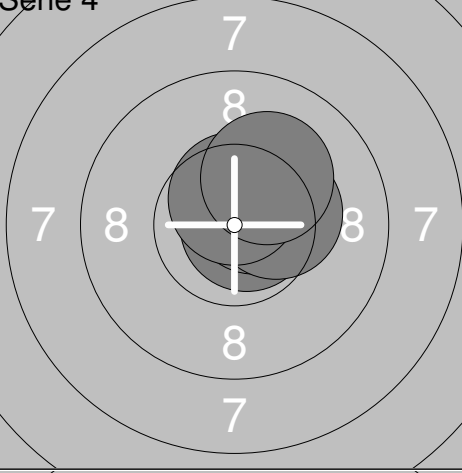
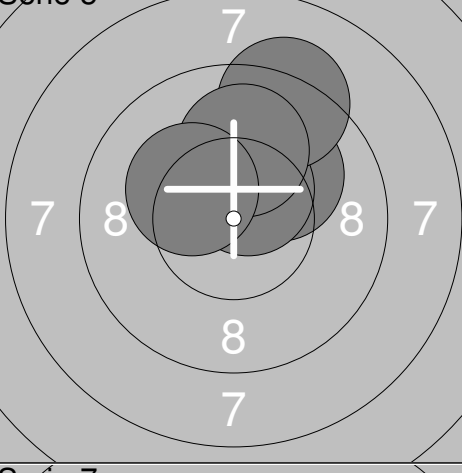
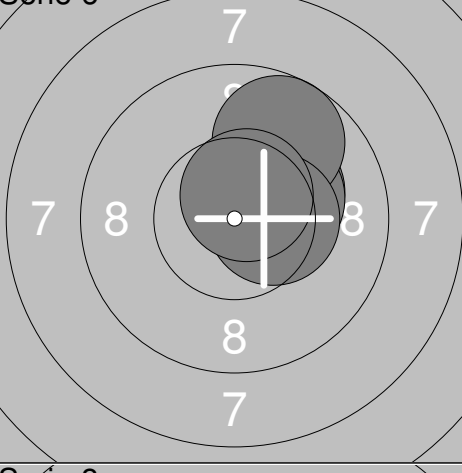
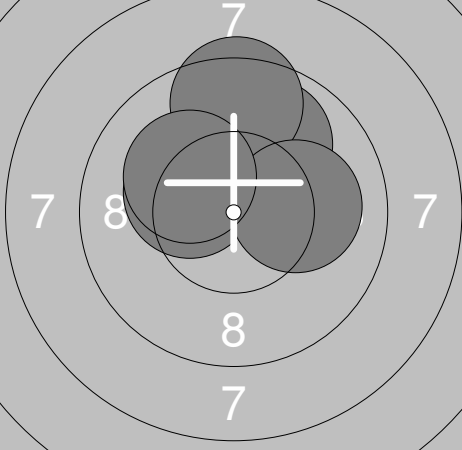
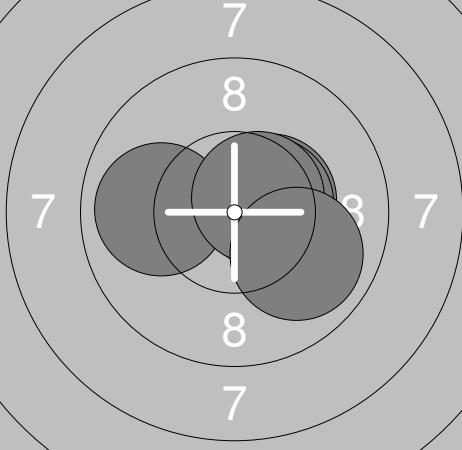
1:	10.3x	↘
2:	10.6x	↗
3:	10.6x	→
4:	10.7x	↗
5:	10.6x	↗
Serie		52.8
Total		363.0

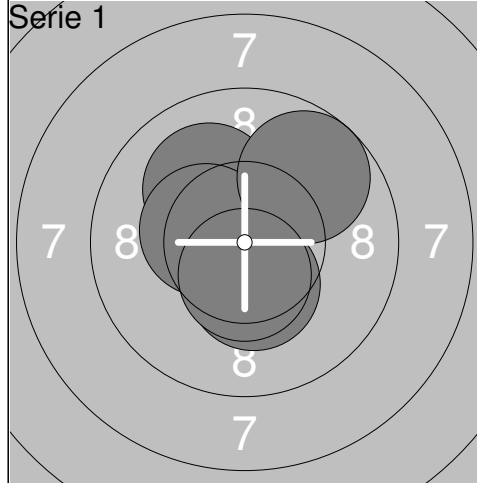


1:	10.4x	↖
2:	10.6x	↗
3:	10.7x	↗
4:	10.4x	↗
5:	10.6x	→
Serie		52.7
Total		415.7

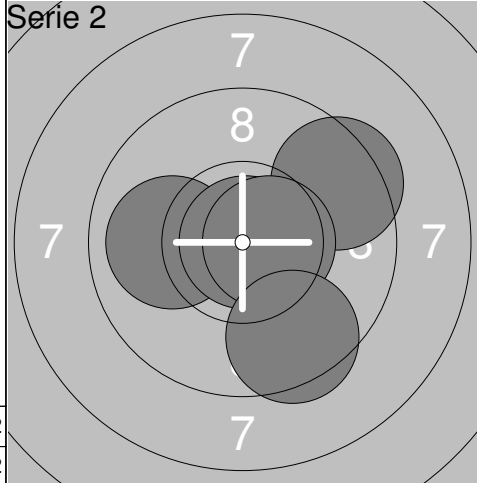
Skjutlag 2	Tavla 3	Annika Arvidsson	
Kval sittande		Skillingaryds Ungdomsskyttefö	Vet sim
03.11.2018		SM luftgevär 2018	Öckerö Skytteförening
Serie 1		1: 10.3x ← 2: 10.8x ↗ 3: 10.1 ← 4: 10.5x ↗ 5: 10.6x ↗	Serie 2
		Serie 52.3	1: 10.6x ↗ 2: 10.9x ↗ 3: 10.4x → 4: 10.8x ↑ 5: 10.5x ↗
		Total 52.3	Serie 53.2
			Total 105.5
Serie 3		1: 10.6x ↑ 2: 10.4x ↗ 3: 10.8x ↑ 4: 10.9x ↗ 5: 10.2x ←	Serie 4
		Serie 52.9	1: 10.2x ↖ 2: 10.7x ↗ 3: 10.6x → 4: 10.3x → 5: 10.5x →
		Total 158.4	Serie 52.3
			Total 210.7
Serie 5		1: 10.1 ↓ 2: 10.3x → 3: 10.7x ↑ 4: 10.4x ↖ 5: 10.3x ↖	Serie 6
		Serie 51.8	1: 10.2x → 2: 10.6x ↗ 3: 10.6x ↗ 4: 10.4x → 5: 9.3 →
		Total 262.5	Serie 51.1
			Total 313.6
Serie 7		1: 10.5x ↓ 2: 10.7x → 3: 10.8x → 4: 10.6x ↑ 5: 10.9x ↑	Serie 8
		Serie 53.5	1: 10.8x ↗ 2: 10.7x ↗ 3: 10.6x ↑ 4: 10.1 ↘ 5: 10.4x →
		Total 367.1	Serie 52.6
			Total 419.7

Skjutlag	Tavla	Bård Stafne		
2	4	Tvååkers Skyttegille		Vet sim
03.11.2018		SM luftgevär 2018		Öckerö Skytteförening
Serie 1 	1: 10.8x ↗	Serie 2 	1: 9.7 ↓	
	2: 10.3x ↖		2: 10.6x ↑	
	3: 9.7 ↓		3: 10.4x →	
	4: 9.9 ↖		4: 10.3x ↓	
	5: 10.3x ↓		5: 9.9 ↓	
Serie	51.0	Serie	50.9	
Total	51.0	Total	101.9	
Serie 3 	1: 10.7x ↑	Serie 4 	1: 9.6 ↓	
	2: 10.8x ↑		2: 10.7x →	
	3: 10.1 ↖		3: 10.4x ↓	
	4: 10.4x ↖		4: 10.1 ↓	
	5: 10.1 ↖		5: 10.3x ↓	
Serie	52.1	Serie	51.1	
Total	154.0	Total	205.1	
Serie 5 	1: 10.6x ↑	Serie 6 	1: 10.5x ↑	
	2: 10.3x →		2: 10.2x ↑	
	3: 10.7x →		3: 10.3x ↗	
	4: 10.6x ↑		4: 10.7x ↑	
	5: 10.3x →		5: 10.8x →	
Serie	52.5	Serie	52.5	
Total	257.6	Total	310.1	
Serie 7 	1: 10.3x ↗	Serie 8 	1: 10.8x →	
	2: 10.1 ↗		2: 10.4x ↓	
	3: 10.0 ↗		3: 10.2x ↓	
	4: 10.3x ↖		4: 10.3x ←	
	5: 10.4x ↑		5: 9.9 ←	
Serie	51.1	Serie	51.6	
Total	361.2	Total	412.8	

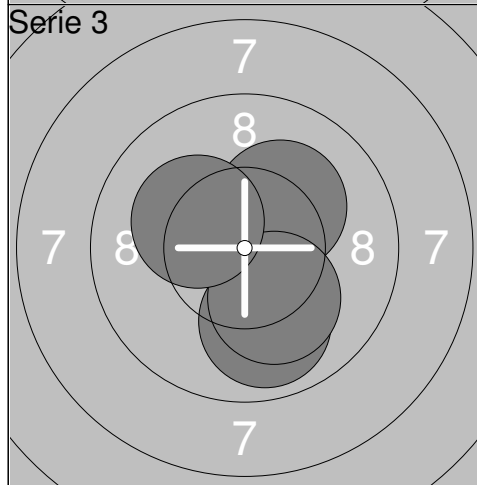
<p>Serie 1</p>  <table border="1" style="width:100%; border-collapse: collapse; margin-top: 10px;"> <tr><td>1:</td><td>9.7</td><td>↗</td></tr> <tr><td>2:</td><td>10.5x</td><td>↑</td></tr> <tr><td>3:</td><td>10.4x</td><td>↑</td></tr> <tr><td>4:</td><td>10.1</td><td>↗</td></tr> <tr><td>5:</td><td>10.4x</td><td>↗</td></tr> <tr><td colspan="2">Serie</td><td>51.1</td></tr> <tr><td colspan="2">Total</td><td>51.1</td></tr> </table>	1:	9.7	↗	2:	10.5x	↑	3:	10.4x	↑	4:	10.1	↗	5:	10.4x	↗	Serie		51.1	Total		51.1	<p>Serie 2</p>  <table border="1" style="width:100%; border-collapse: collapse; margin-top: 10px;"> <tr><td>1:</td><td>10.6x</td><td>↑</td></tr> <tr><td>2:</td><td>9.9</td><td>↑</td></tr> <tr><td>3:</td><td>10.0</td><td>→</td></tr> <tr><td>4:</td><td>10.2x</td><td>→</td></tr> <tr><td>5:</td><td>10.6x</td><td>↑</td></tr> <tr><td colspan="2">Serie</td><td>51.3</td></tr> <tr><td colspan="2">Total</td><td>102.4</td></tr> </table>	1:	10.6x	↑	2:	9.9	↑	3:	10.0	→	4:	10.2x	→	5:	10.6x	↑	Serie		51.3	Total		102.4
1:	9.7	↗																																									
2:	10.5x	↑																																									
3:	10.4x	↑																																									
4:	10.1	↗																																									
5:	10.4x	↗																																									
Serie		51.1																																									
Total		51.1																																									
1:	10.6x	↑																																									
2:	9.9	↑																																									
3:	10.0	→																																									
4:	10.2x	→																																									
5:	10.6x	↑																																									
Serie		51.3																																									
Total		102.4																																									
<p>Serie 3</p>  <table border="1" style="width:100%; border-collapse: collapse; margin-top: 10px;"> <tr><td>1:</td><td>10.5x</td><td>↗</td></tr> <tr><td>2:</td><td>9.8</td><td>→</td></tr> <tr><td>3:</td><td>10.0</td><td>↑</td></tr> <tr><td>4:</td><td>10.2x</td><td>↑</td></tr> <tr><td>5:</td><td>10.3x</td><td>↖</td></tr> <tr><td colspan="2">Serie</td><td>50.8</td></tr> <tr><td colspan="2">Total</td><td>153.2</td></tr> </table>	1:	10.5x	↗	2:	9.8	→	3:	10.0	↑	4:	10.2x	↑	5:	10.3x	↖	Serie		50.8	Total		153.2	<p>Serie 4</p>  <table border="1" style="width:100%; border-collapse: collapse; margin-top: 10px;"> <tr><td>1:</td><td>10.8x</td><td>→</td></tr> <tr><td>2:</td><td>10.5x</td><td>↗</td></tr> <tr><td>3:</td><td>10.3x</td><td>→</td></tr> <tr><td>4:</td><td>10.6x</td><td>↑</td></tr> <tr><td>5:</td><td>10.2x</td><td>↗</td></tr> <tr><td colspan="2">Serie</td><td>52.4</td></tr> <tr><td colspan="2">Total</td><td>205.6</td></tr> </table>	1:	10.8x	→	2:	10.5x	↗	3:	10.3x	→	4:	10.6x	↑	5:	10.2x	↗	Serie		52.4	Total		205.6
1:	10.5x	↗																																									
2:	9.8	→																																									
3:	10.0	↑																																									
4:	10.2x	↑																																									
5:	10.3x	↖																																									
Serie		50.8																																									
Total		153.2																																									
1:	10.8x	→																																									
2:	10.5x	↗																																									
3:	10.3x	→																																									
4:	10.6x	↑																																									
5:	10.2x	↗																																									
Serie		52.4																																									
Total		205.6																																									
<p>Serie 5</p>  <table border="1" style="width:100%; border-collapse: collapse; margin-top: 10px;"> <tr><td>1:</td><td>10.1</td><td>↗</td></tr> <tr><td>2:</td><td>10.5x</td><td>↑</td></tr> <tr><td>3:</td><td>9.2</td><td>↑</td></tr> <tr><td>4:</td><td>10.0</td><td>↑</td></tr> <tr><td>5:</td><td>10.2x</td><td>↖</td></tr> <tr><td colspan="2">Serie</td><td>50.0</td></tr> <tr><td colspan="2">Total</td><td>255.6</td></tr> </table>	1:	10.1	↗	2:	10.5x	↑	3:	9.2	↑	4:	10.0	↑	5:	10.2x	↖	Serie		50.0	Total		255.6	<p>Serie 6</p>  <table border="1" style="width:100%; border-collapse: collapse; margin-top: 10px;"> <tr><td>1:</td><td>10.2x</td><td>↗</td></tr> <tr><td>2:</td><td>10.3x</td><td>→</td></tr> <tr><td>3:</td><td>9.7</td><td>↑</td></tr> <tr><td>4:</td><td>10.4x</td><td>→</td></tr> <tr><td>5:</td><td>10.6x</td><td>↑</td></tr> <tr><td colspan="2">Serie</td><td>51.2</td></tr> <tr><td colspan="2">Total</td><td>306.8</td></tr> </table>	1:	10.2x	↗	2:	10.3x	→	3:	9.7	↑	4:	10.4x	→	5:	10.6x	↑	Serie		51.2	Total		306.8
1:	10.1	↗																																									
2:	10.5x	↑																																									
3:	9.2	↑																																									
4:	10.0	↑																																									
5:	10.2x	↖																																									
Serie		50.0																																									
Total		255.6																																									
1:	10.2x	↗																																									
2:	10.3x	→																																									
3:	9.7	↑																																									
4:	10.4x	→																																									
5:	10.6x	↑																																									
Serie		51.2																																									
Total		306.8																																									
<p>Serie 7</p>  <table border="1" style="width:100%; border-collapse: collapse; margin-top: 10px;"> <tr><td>1:</td><td>10.2x</td><td>↖</td></tr> <tr><td>2:</td><td>9.9</td><td>↑</td></tr> <tr><td>3:</td><td>9.4</td><td>↑</td></tr> <tr><td>4:</td><td>10.1</td><td>→</td></tr> <tr><td>5:</td><td>10.1</td><td>↖</td></tr> <tr><td colspan="2">Serie</td><td>49.7</td></tr> <tr><td colspan="2">Total</td><td>356.5</td></tr> </table>	1:	10.2x	↖	2:	9.9	↑	3:	9.4	↑	4:	10.1	→	5:	10.1	↖	Serie		49.7	Total		356.5	<p>Serie 8</p>  <table border="1" style="width:100%; border-collapse: collapse; margin-top: 10px;"> <tr><td>1:</td><td>10.4x</td><td>→</td></tr> <tr><td>2:</td><td>10.5x</td><td>→</td></tr> <tr><td>3:</td><td>9.9</td><td>←</td></tr> <tr><td>4:</td><td>10.5x</td><td>↗</td></tr> <tr><td>5:</td><td>9.9</td><td>↘</td></tr> <tr><td colspan="2">Serie</td><td>51.2</td></tr> <tr><td colspan="2">Total</td><td>407.7</td></tr> </table>	1:	10.4x	→	2:	10.5x	→	3:	9.9	←	4:	10.5x	↗	5:	9.9	↘	Serie		51.2	Total		407.7
1:	10.2x	↖																																									
2:	9.9	↑																																									
3:	9.4	↑																																									
4:	10.1	→																																									
5:	10.1	↖																																									
Serie		49.7																																									
Total		356.5																																									
1:	10.4x	→																																									
2:	10.5x	→																																									
3:	9.9	←																																									
4:	10.5x	↗																																									
5:	9.9	↘																																									
Serie		51.2																																									
Total		407.7																																									



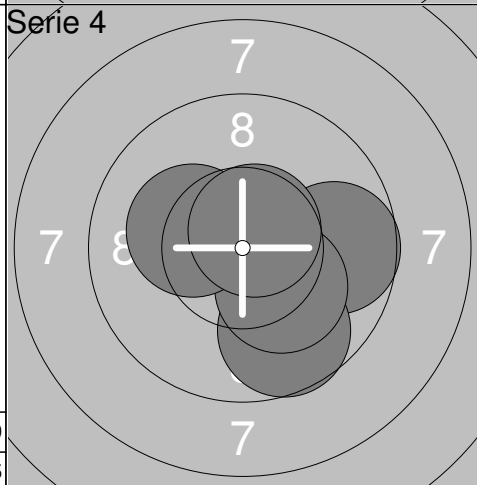
1:	10.1	↖
2:	10.4x	↙
3:	10.4x	↓
4:	9.8	↗
5:	10.5x	↓
Serie		51.2
Total		51.2



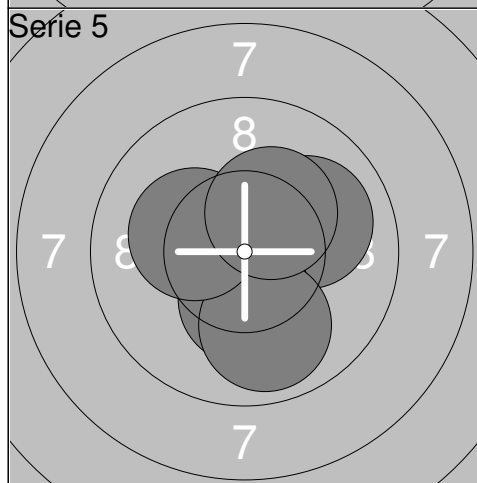
1:	10.0	←
2:	9.4	↗
3:	10.9x	→
4:	10.6x	→
5:	9.5	↓
Serie		50.4
Total		101.6



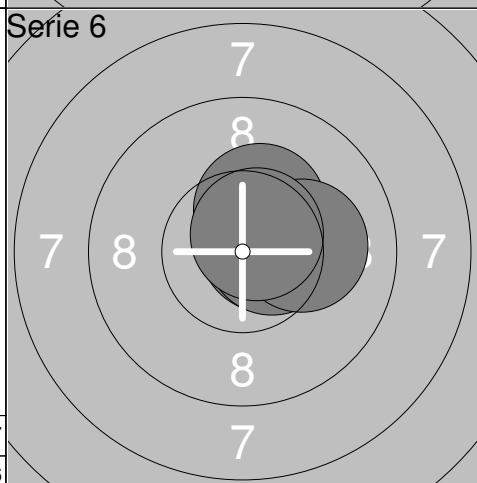
1:	10.5x	↗
2:	9.9	↓
3:	10.2x	↗
4:	10.1	↓
5:	10.2x	↖
Serie		50.9
Total		152.5



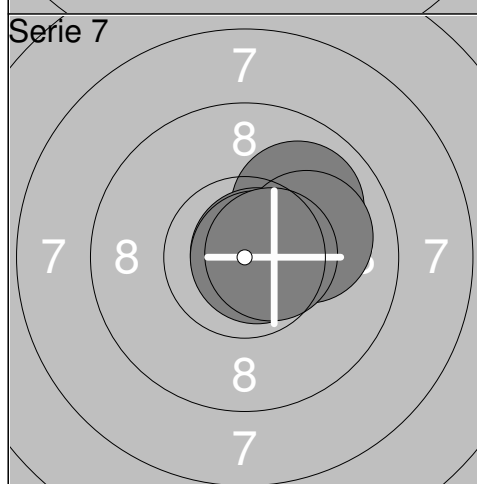
1:	9.7	→
2:	9.7	↓
3:	10.2x	↓
4:	10.2x	↖
5:	10.6x	↗
Serie		50.4
Total		202.9



1:	10.0	↗
2:	10.3x	↓
3:	9.9	↓
4:	10.2x	↖
5:	10.3x	↗
Serie		50.7
Total		253.6



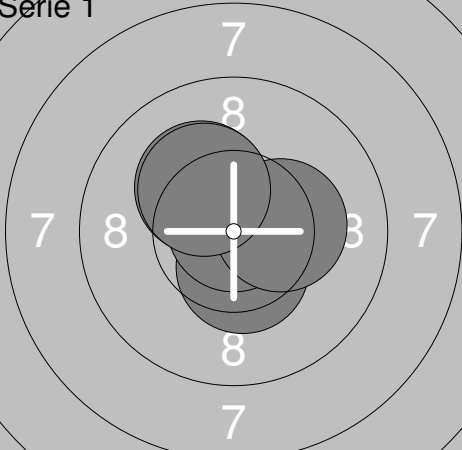

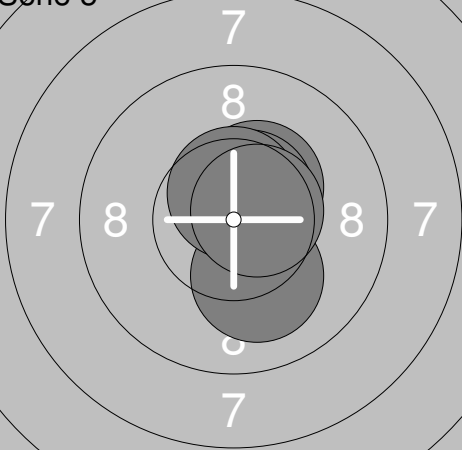
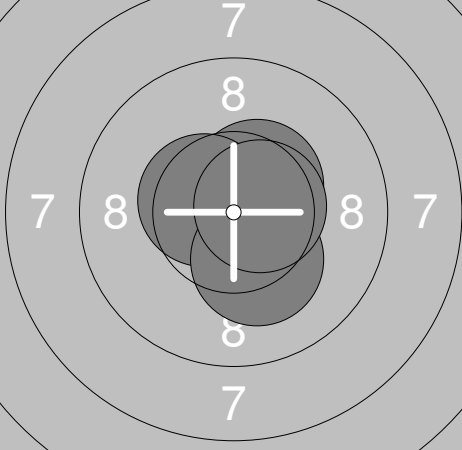
1:	10.6x	→
2:	10.5x	→
3:	10.3x	↗
4:	10.1	→
5:	10.6x	↗
Serie		52.1
Total		305.7




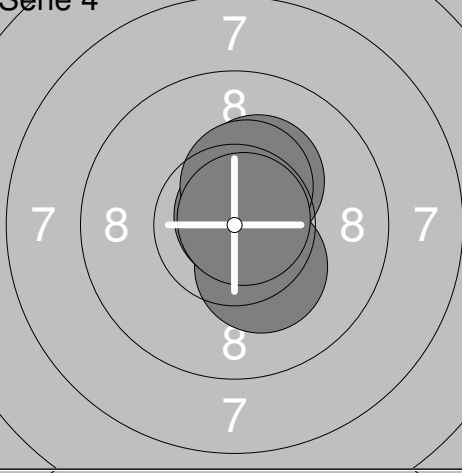
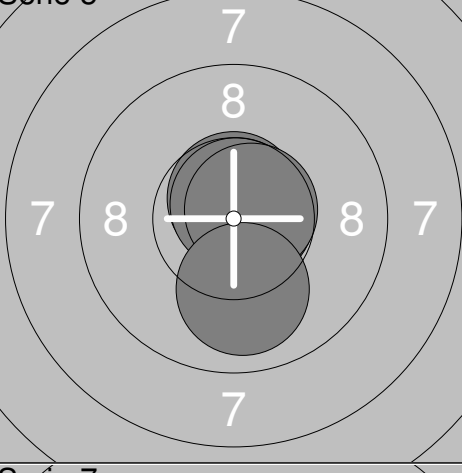
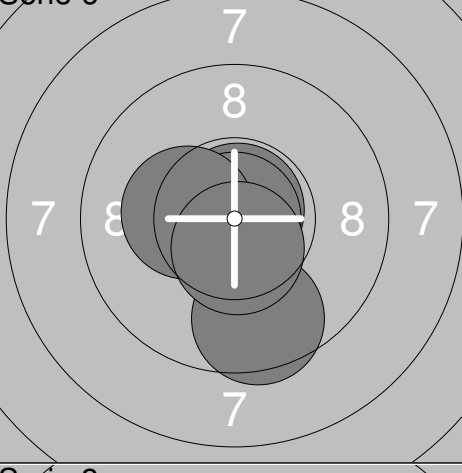
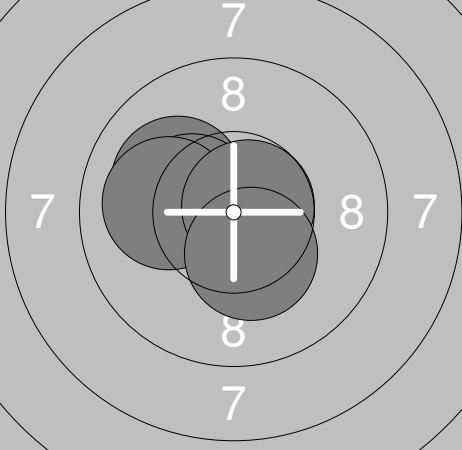



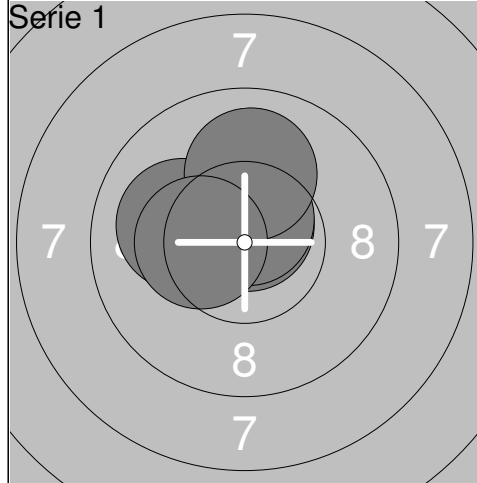
1:	9.9	↗
2:	10.8x	→
3:	10.0	→
4:	10.8x	→
5:	10.5x	→
Serie		52.0
Total		357.7



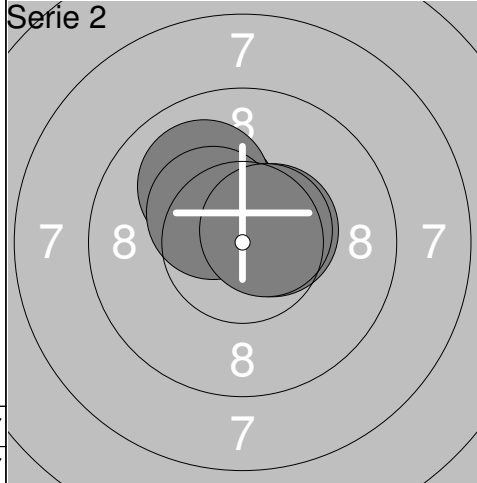
1:	10.8x	→
2:	10.2x	→
3:	10.4x	↗
4:	10.8x	→
5:	10.4x	↖
Serie		52.6
Total		410.3

Skjutlag 2	Tavla 9	Håkan Persson	
Kval sittande		Björksta Ungdomsskytteförening	Vet sim
03.11.2018		SM luftgevär 2018	Öckerö Skytteförening
Serie 1		1: 10.2x ↖ 2: 10.4x ↓ 3: 10.8x ↑ 4: 10.3x → 5: 10.3x ↖	Serie 2
		Serie 52.0	1: 10.8x ↑ 2: 10.5x ← 3: 10.5x ← 4: 10.5x ← 5: 10.4x →
		Total 52.0	Serie 52.7
			Total 104.7
Serie 3		1: 10.8x ↗ 2: 10.7x ↗ 3: 10.5x ↗ 4: 10.6x ↗ 5: 10.6x ↑	Serie 4
		Serie 53.2	1: 10.7x → 2: 10.3x ↙ 3: 10.8x ↗ 4: 10.4x ↗ 5: 10.4x ↓
		Total 157.9	Serie 52.6
			Total 210.5
Serie 5		1: 10.4x ↗ 2: 10.5x ↗ 3: 10.1 ↓ 4: 10.6x ↑ 5: 10.6x →	Serie 6
		Serie 52.2	1: 10.7x ↑ 2: 10.4x ↓ 3: 10.7x → 4: 10.7x → 5: 10.4x ↓
		Total 262.7	Serie 52.9
			Total 315.6
Serie 7		1: 10.8x → 2: 10.4x ↗ 3: 10.5x ← 4: 10.2x ↓ 5: 10.6x →	Serie 8
		Serie 52.5	1: 10.7x ↑ 2: 10.6x ↗ 3: 10.7x ↑ 4: 10.2x ↓ 5: 10.6x ↑
		Total 368.1	Serie 52.8
			Total 420.9

Serie 1 	<table style="width:100%; border-collapse: collapse;"> <tr><td>1: 10.5x</td><td>→</td></tr> <tr><td>2: 10.5x</td><td>↗</td></tr> <tr><td>3: 10.7x</td><td>↗</td></tr> <tr><td>4: 10.7x</td><td>↗</td></tr> <tr><td>5: 10.5x</td><td>↗</td></tr> </table>	1: 10.5x	→	2: 10.5x	↗	3: 10.7x	↗	4: 10.7x	↗	5: 10.5x	↗	Serie 2 	<table style="width:100%; border-collapse: collapse;"> <tr><td>1: 10.3x</td><td>↑</td></tr> <tr><td>2: 10.7x</td><td>↑</td></tr> <tr><td>3: 10.8x</td><td>→</td></tr> <tr><td>4: 10.3x</td><td>↗</td></tr> <tr><td>5: 10.9x</td><td>→</td></tr> </table>	1: 10.3x	↑	2: 10.7x	↑	3: 10.8x	→	4: 10.3x	↗	5: 10.9x	→
1: 10.5x	→																						
2: 10.5x	↗																						
3: 10.7x	↗																						
4: 10.7x	↗																						
5: 10.5x	↗																						
1: 10.3x	↑																						
2: 10.7x	↑																						
3: 10.8x	→																						
4: 10.3x	↗																						
5: 10.9x	→																						
	<table style="width:100%; border-collapse: collapse;"> <tr><td style="border-bottom: 1px solid black;">Serie</td><td style="border-bottom: 1px solid black;">52.9</td></tr> <tr><td style="border-bottom: 1px solid black;">Total</td><td style="border-bottom: 1px solid black;">52.9</td></tr> </table>	Serie	52.9	Total	52.9		<table style="width:100%; border-collapse: collapse;"> <tr><td style="border-bottom: 1px solid black;">Serie</td><td style="border-bottom: 1px solid black;">53.0</td></tr> <tr><td style="border-bottom: 1px solid black;">Total</td><td style="border-bottom: 1px solid black;">105.9</td></tr> </table>	Serie	53.0	Total	105.9												
Serie	52.9																						
Total	52.9																						
Serie	53.0																						
Total	105.9																						
Serie 3 	<table style="width:100%; border-collapse: collapse;"> <tr><td>1: 10.5x</td><td>↗</td></tr> <tr><td>2: 10.5x</td><td>→</td></tr> <tr><td>3: 10.5x</td><td>↗</td></tr> <tr><td>4: 10.9x</td><td>↗</td></tr> <tr><td>5: 10.6x</td><td>↗</td></tr> </table>	1: 10.5x	↗	2: 10.5x	→	3: 10.5x	↗	4: 10.9x	↗	5: 10.6x	↗	Serie 4 	<table style="width:100%; border-collapse: collapse;"> <tr><td>1: 10.2x</td><td>↘</td></tr> <tr><td>2: 10.8x</td><td>↗</td></tr> <tr><td>3: 10.2x</td><td>↗</td></tr> <tr><td>4: 10.4x</td><td>↗</td></tr> <tr><td>5: 10.8x</td><td>↗</td></tr> </table>	1: 10.2x	↘	2: 10.8x	↗	3: 10.2x	↗	4: 10.4x	↗	5: 10.8x	↗
1: 10.5x	↗																						
2: 10.5x	→																						
3: 10.5x	↗																						
4: 10.9x	↗																						
5: 10.6x	↗																						
1: 10.2x	↘																						
2: 10.8x	↗																						
3: 10.2x	↗																						
4: 10.4x	↗																						
5: 10.8x	↗																						
	<table style="width:100%; border-collapse: collapse;"> <tr><td style="border-bottom: 1px solid black;">Serie</td><td style="border-bottom: 1px solid black;">53.0</td></tr> <tr><td style="border-bottom: 1px solid black;">Total</td><td style="border-bottom: 1px solid black;">158.9</td></tr> </table>	Serie	53.0	Total	158.9		<table style="width:100%; border-collapse: collapse;"> <tr><td style="border-bottom: 1px solid black;">Serie</td><td style="border-bottom: 1px solid black;">52.4</td></tr> <tr><td style="border-bottom: 1px solid black;">Total</td><td style="border-bottom: 1px solid black;">211.3</td></tr> </table>	Serie	52.4	Total	211.3												
Serie	53.0																						
Total	158.9																						
Serie	52.4																						
Total	211.3																						
Serie 5 	<table style="width:100%; border-collapse: collapse;"> <tr><td>1: 10.7x</td><td>→</td></tr> <tr><td>2: 10.6x</td><td>↗</td></tr> <tr><td>3: 10.7x</td><td>↗</td></tr> <tr><td>4: 10.7x</td><td>→</td></tr> <tr><td>5: 10.0</td><td>↘</td></tr> </table>	1: 10.7x	→	2: 10.6x	↗	3: 10.7x	↗	4: 10.7x	→	5: 10.0	↘	Serie 6 	<table style="width:100%; border-collapse: collapse;"> <tr><td>1: 10.8x</td><td>↗</td></tr> <tr><td>2: 9.5</td><td>↘</td></tr> <tr><td>3: 10.9x</td><td></td></tr> <tr><td>4: 10.3x</td><td>←</td></tr> <tr><td>5: 10.5x</td><td>↘</td></tr> </table>	1: 10.8x	↗	2: 9.5	↘	3: 10.9x		4: 10.3x	←	5: 10.5x	↘
1: 10.7x	→																						
2: 10.6x	↗																						
3: 10.7x	↗																						
4: 10.7x	→																						
5: 10.0	↘																						
1: 10.8x	↗																						
2: 9.5	↘																						
3: 10.9x																							
4: 10.3x	←																						
5: 10.5x	↘																						
	<table style="width:100%; border-collapse: collapse;"> <tr><td style="border-bottom: 1px solid black;">Serie</td><td style="border-bottom: 1px solid black;">52.7</td></tr> <tr><td style="border-bottom: 1px solid black;">Total</td><td style="border-bottom: 1px solid black;">264.0</td></tr> </table>	Serie	52.7	Total	264.0		<table style="width:100%; border-collapse: collapse;"> <tr><td style="border-bottom: 1px solid black;">Serie</td><td style="border-bottom: 1px solid black;">52.0</td></tr> <tr><td style="border-bottom: 1px solid black;">Total</td><td style="border-bottom: 1px solid black;">316.0</td></tr> </table>	Serie	52.0	Total	316.0												
Serie	52.7																						
Total	264.0																						
Serie	52.0																						
Total	316.0																						
Serie 7 	<table style="width:100%; border-collapse: collapse;"> <tr><td>1: 10.1</td><td>↖</td></tr> <tr><td>2: 10.3x</td><td>←</td></tr> <tr><td>3: 10.1</td><td>←</td></tr> <tr><td>4: 10.7x</td><td>↗</td></tr> <tr><td>5: 10.3x</td><td>↘</td></tr> </table>	1: 10.1	↖	2: 10.3x	←	3: 10.1	←	4: 10.7x	↗	5: 10.3x	↘	Serie 8 	<table style="width:100%; border-collapse: collapse;"> <tr><td>1: 10.9x</td><td></td></tr> <tr><td>2: 10.5x</td><td>↘</td></tr> <tr><td>3: 10.1</td><td>↘</td></tr> <tr><td>4: 10.6x</td><td>→</td></tr> <tr><td>5: 10.6x</td><td>↗</td></tr> </table>	1: 10.9x		2: 10.5x	↘	3: 10.1	↘	4: 10.6x	→	5: 10.6x	↗
1: 10.1	↖																						
2: 10.3x	←																						
3: 10.1	←																						
4: 10.7x	↗																						
5: 10.3x	↘																						
1: 10.9x																							
2: 10.5x	↘																						
3: 10.1	↘																						
4: 10.6x	→																						
5: 10.6x	↗																						
	<table style="width:100%; border-collapse: collapse;"> <tr><td style="border-bottom: 1px solid black;">Serie</td><td style="border-bottom: 1px solid black;">51.5</td></tr> <tr><td style="border-bottom: 1px solid black;">Total</td><td style="border-bottom: 1px solid black;">367.5</td></tr> </table>	Serie	51.5	Total	367.5		<table style="width:100%; border-collapse: collapse;"> <tr><td style="border-bottom: 1px solid black;">Serie</td><td style="border-bottom: 1px solid black;">52.7</td></tr> <tr><td style="border-bottom: 1px solid black;">Total</td><td style="border-bottom: 1px solid black;">420.2</td></tr> </table>	Serie	52.7	Total	420.2												
Serie	51.5																						
Total	367.5																						
Serie	52.7																						
Total	420.2																						



1:	10.1	←
2:	10.7x	↑
3:	10.6x	↑
4:	10.0	↑
5:	10.3x	←
Serie		51.7
Total		51.7



1:	10.2x	↗
2:	10.0	↗
3:	10.4x	↗
4:	10.5x	→
5:	10.6x	→
Serie		51.7
Total		103.4



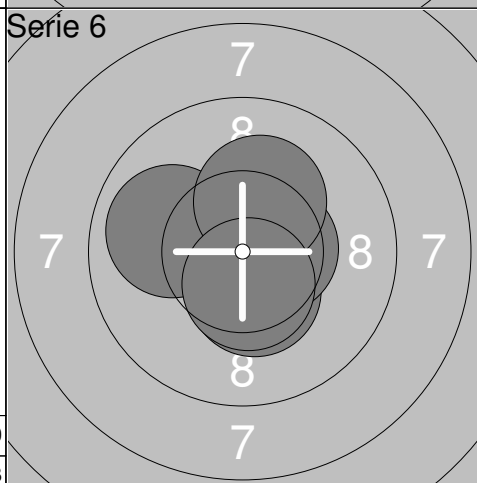
1:	10.3x	↗
2:	10.3x	→
3:	10.8x	↗
4:	10.8x	→
5:	10.5x	→
Serie		52.7
Total		156.1



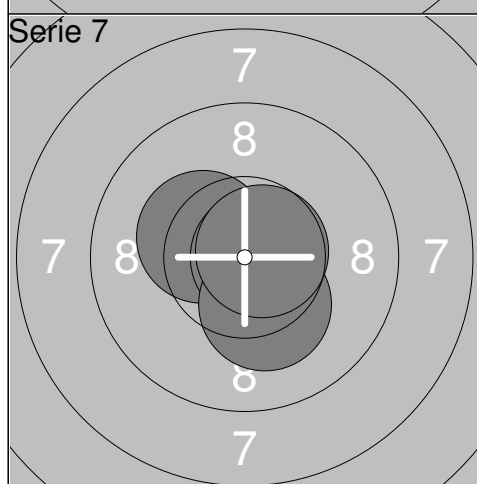
1:	10.6x	↗
2:	10.8x	↑
3:	10.7x	→
4:	10.3x	←
5:	10.8x	↗
Serie		53.2
Total		209.3



1:	10.3x	↓
2:	10.4x	←
3:	10.8x	↗
4:	10.7x	↑
5:	10.8x	→
Serie		53.0
Total		262.3



1:	9.9	←
2:	10.4x	↓
3:	10.5x	→
4:	10.2x	↑
5:	10.5x	↓
Serie		51.5
Total		313.8

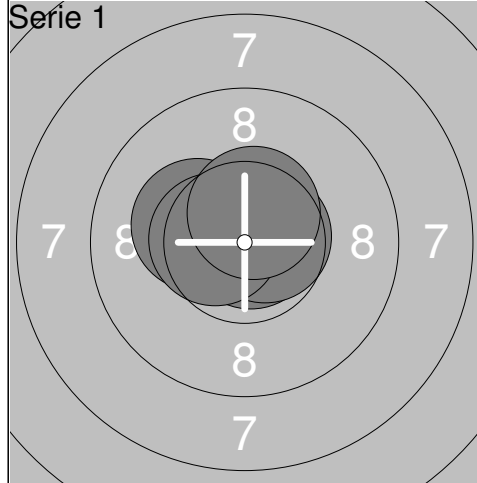


1:	10.9x	→
2:	10.3x	←
3:	10.8x	→
4:	10.2x	↓
5:	10.7x	→
Serie		52.9
Total		366.7

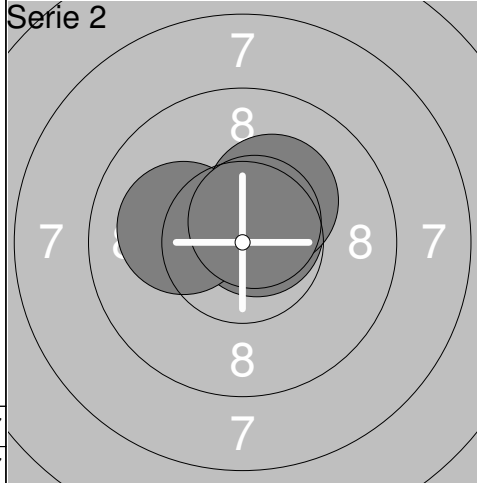


1:	10.6x	↗
2:	10.8x	→
3:	10.4x	↓
4:	10.7x	↗
5:	10.5x	↗
Serie		53.0
Total		419.7

<p>Serie 1</p>	<table style="width:100%; border-collapse: collapse;"> <tr><td>1: 10.7x</td><td>↑</td></tr> <tr><td>2: 10.0</td><td>→</td></tr> <tr><td>3: 10.5x</td><td>↑</td></tr> <tr><td>4: 10.1</td><td>↑</td></tr> <tr><td>5: 10.6x</td><td>→</td></tr> </table>	1: 10.7x	↑	2: 10.0	→	3: 10.5x	↑	4: 10.1	↑	5: 10.6x	→	<p>Serie 2</p>	<table style="width:100%; border-collapse: collapse;"> <tr><td>1: 10.4x</td><td>↖</td></tr> <tr><td>2: 10.4x</td><td>→</td></tr> <tr><td>3: 10.6x</td><td>→</td></tr> <tr><td>4: 10.0</td><td>↑</td></tr> <tr><td>5: 10.1</td><td>↑</td></tr> </table>	1: 10.4x	↖	2: 10.4x	→	3: 10.6x	→	4: 10.0	↑	5: 10.1	↑
1: 10.7x	↑																						
2: 10.0	→																						
3: 10.5x	↑																						
4: 10.1	↑																						
5: 10.6x	→																						
1: 10.4x	↖																						
2: 10.4x	→																						
3: 10.6x	→																						
4: 10.0	↑																						
5: 10.1	↑																						
	<table style="width:100%; border-collapse: collapse;"> <tr><td style="border-top: 1px solid black;">Serie</td><td style="border-top: 1px solid black; text-align: right;">51.9</td></tr> <tr><td style="border-top: 1px solid black;">Total</td><td style="border-top: 1px solid black; text-align: right;">51.9</td></tr> </table>	Serie	51.9	Total	51.9		<table style="width:100%; border-collapse: collapse;"> <tr><td style="border-top: 1px solid black;">Serie</td><td style="border-top: 1px solid black; text-align: right;">51.5</td></tr> <tr><td style="border-top: 1px solid black;">Total</td><td style="border-top: 1px solid black; text-align: right;">103.4</td></tr> </table>	Serie	51.5	Total	103.4												
Serie	51.9																						
Total	51.9																						
Serie	51.5																						
Total	103.4																						
<p>Serie 3</p>	<table style="width:100%; border-collapse: collapse;"> <tr><td>1: 10.4x</td><td>↑</td></tr> <tr><td>2: 10.7x</td><td>→</td></tr> <tr><td>3: 10.3x</td><td>↑</td></tr> <tr><td>4: 10.4x</td><td>→</td></tr> <tr><td>5: 10.7x</td><td>↑</td></tr> </table>	1: 10.4x	↑	2: 10.7x	→	3: 10.3x	↑	4: 10.4x	→	5: 10.7x	↑	<p>Serie 4</p>	<table style="width:100%; border-collapse: collapse;"> <tr><td>1: 9.8</td><td>→</td></tr> <tr><td>2: 10.7x</td><td>↑</td></tr> <tr><td>3: 10.3x</td><td>↓</td></tr> <tr><td>4: 10.3x</td><td>↓</td></tr> <tr><td>5: 10.2x</td><td>↓</td></tr> </table>	1: 9.8	→	2: 10.7x	↑	3: 10.3x	↓	4: 10.3x	↓	5: 10.2x	↓
1: 10.4x	↑																						
2: 10.7x	→																						
3: 10.3x	↑																						
4: 10.4x	→																						
5: 10.7x	↑																						
1: 9.8	→																						
2: 10.7x	↑																						
3: 10.3x	↓																						
4: 10.3x	↓																						
5: 10.2x	↓																						
	<table style="width:100%; border-collapse: collapse;"> <tr><td style="border-top: 1px solid black;">Serie</td><td style="border-top: 1px solid black; text-align: right;">52.5</td></tr> <tr><td style="border-top: 1px solid black;">Total</td><td style="border-top: 1px solid black; text-align: right;">155.9</td></tr> </table>	Serie	52.5	Total	155.9		<table style="width:100%; border-collapse: collapse;"> <tr><td style="border-top: 1px solid black;">Serie</td><td style="border-top: 1px solid black; text-align: right;">51.3</td></tr> <tr><td style="border-top: 1px solid black;">Total</td><td style="border-top: 1px solid black; text-align: right;">207.2</td></tr> </table>	Serie	51.3	Total	207.2												
Serie	52.5																						
Total	155.9																						
Serie	51.3																						
Total	207.2																						
<p>Serie 5</p>	<table style="width:100%; border-collapse: collapse;"> <tr><td>1: 9.6</td><td>↑</td></tr> <tr><td>2: 10.3x</td><td>↑</td></tr> <tr><td>3: 10.0</td><td>↑</td></tr> <tr><td>4: 9.9</td><td>→</td></tr> <tr><td>5: 10.0</td><td>→</td></tr> </table>	1: 9.6	↑	2: 10.3x	↑	3: 10.0	↑	4: 9.9	→	5: 10.0	→	<p>Serie 6</p>	<table style="width:100%; border-collapse: collapse;"> <tr><td>1: 10.4x</td><td>↑</td></tr> <tr><td>2: 10.5x</td><td>→</td></tr> <tr><td>3: 10.4x</td><td>←</td></tr> <tr><td>4: 10.0</td><td>↓</td></tr> <tr><td>5: 10.0</td><td>→</td></tr> </table>	1: 10.4x	↑	2: 10.5x	→	3: 10.4x	←	4: 10.0	↓	5: 10.0	→
1: 9.6	↑																						
2: 10.3x	↑																						
3: 10.0	↑																						
4: 9.9	→																						
5: 10.0	→																						
1: 10.4x	↑																						
2: 10.5x	→																						
3: 10.4x	←																						
4: 10.0	↓																						
5: 10.0	→																						
	<table style="width:100%; border-collapse: collapse;"> <tr><td style="border-top: 1px solid black;">Serie</td><td style="border-top: 1px solid black; text-align: right;">49.8</td></tr> <tr><td style="border-top: 1px solid black;">Total</td><td style="border-top: 1px solid black; text-align: right;">257.0</td></tr> </table>	Serie	49.8	Total	257.0		<table style="width:100%; border-collapse: collapse;"> <tr><td style="border-top: 1px solid black;">Serie</td><td style="border-top: 1px solid black; text-align: right;">51.3</td></tr> <tr><td style="border-top: 1px solid black;">Total</td><td style="border-top: 1px solid black; text-align: right;">308.3</td></tr> </table>	Serie	51.3	Total	308.3												
Serie	49.8																						
Total	257.0																						
Serie	51.3																						
Total	308.3																						
<p>Serie 7</p>	<table style="width:100%; border-collapse: collapse;"> <tr><td>1: 10.5x</td><td>↖</td></tr> <tr><td>2: 9.8</td><td>↖</td></tr> <tr><td>3: 10.0</td><td>↖</td></tr> <tr><td>4: 10.5x</td><td>↑</td></tr> <tr><td>5: 10.9x</td><td>↑</td></tr> </table>	1: 10.5x	↖	2: 9.8	↖	3: 10.0	↖	4: 10.5x	↑	5: 10.9x	↑	<p>Serie 8</p>	<table style="width:100%; border-collapse: collapse;"> <tr><td>1: 10.5x</td><td>↑</td></tr> <tr><td>2: 10.2x</td><td>←</td></tr> <tr><td>3: 10.6x</td><td>→</td></tr> <tr><td>4: 10.8x</td><td>→</td></tr> <tr><td>5: 10.6x</td><td>→</td></tr> </table>	1: 10.5x	↑	2: 10.2x	←	3: 10.6x	→	4: 10.8x	→	5: 10.6x	→
1: 10.5x	↖																						
2: 9.8	↖																						
3: 10.0	↖																						
4: 10.5x	↑																						
5: 10.9x	↑																						
1: 10.5x	↑																						
2: 10.2x	←																						
3: 10.6x	→																						
4: 10.8x	→																						
5: 10.6x	→																						
	<table style="width:100%; border-collapse: collapse;"> <tr><td style="border-top: 1px solid black;">Serie</td><td style="border-top: 1px solid black; text-align: right;">51.7</td></tr> <tr><td style="border-top: 1px solid black;">Total</td><td style="border-top: 1px solid black; text-align: right;">360.0</td></tr> </table>	Serie	51.7	Total	360.0		<table style="width:100%; border-collapse: collapse;"> <tr><td style="border-top: 1px solid black;">Serie</td><td style="border-top: 1px solid black; text-align: right;">52.7</td></tr> <tr><td style="border-top: 1px solid black;">Total</td><td style="border-top: 1px solid black; text-align: right;">412.7</td></tr> </table>	Serie	52.7	Total	412.7												
Serie	51.7																						
Total	360.0																						
Serie	52.7																						
Total	412.7																						



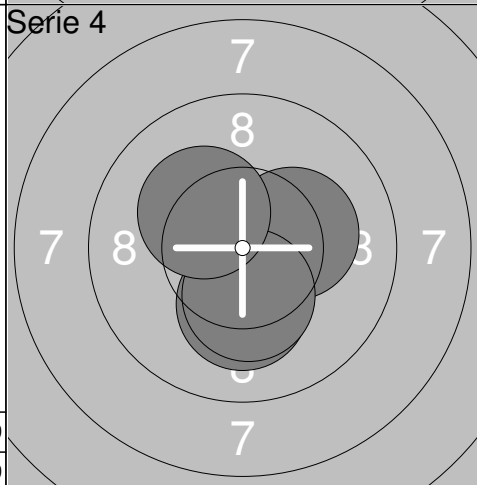
1:	10.3x	←
2:	10.8x	→
3:	10.6x	→
4:	10.5x	←
5:	10.5x	↑
Serie		52.7
Total		52.7



1:	10.7x	↑
2:	10.7x	↗
3:	10.1	←
4:	10.2x	↗
5:	10.6x	↗
Serie		52.3
Total		105.0



1:	10.8x	↗
2:	10.9x	
3:	9.8	↗
4:	10.5x	↗
5:	9.9	↗
Serie		51.9
Total		156.9



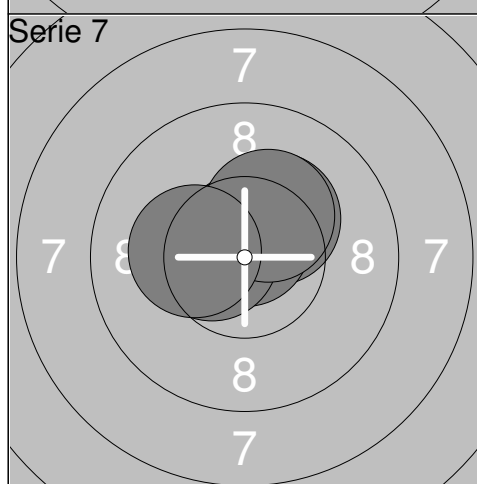
1:	10.7x	↗
2:	10.2x	↓
3:	10.2x	→
4:	10.3x	↓
5:	10.2x	↖
Serie		51.6
Total		208.5



1:	10.5x	↗
2:	10.8x	↗
3:	10.6x	↗
4:	10.1	↓
5:	10.6x	↑
Serie		52.6
Total		261.1



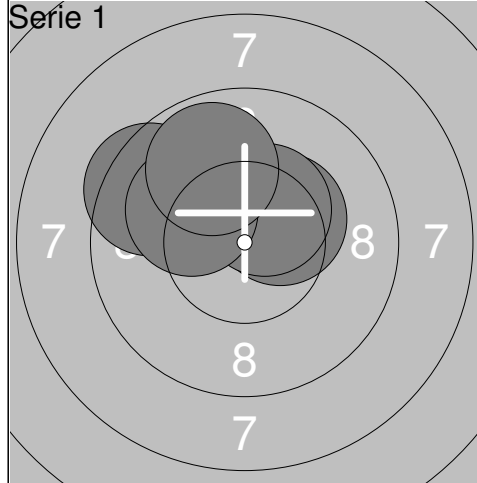
1:	10.8x	↗
2:	10.7x	↗
3:	10.7x	→
4:	10.5x	→
5:	10.8x	↗
Serie		53.5
Total		314.6



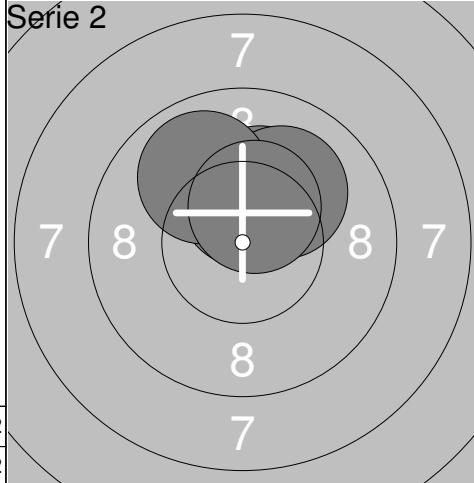
1:	10.3x	↗
2:	10.7x	↑
3:	10.5x	←
4:	10.3x	↗
5:	10.3x	←
Serie		52.1
Total		366.7



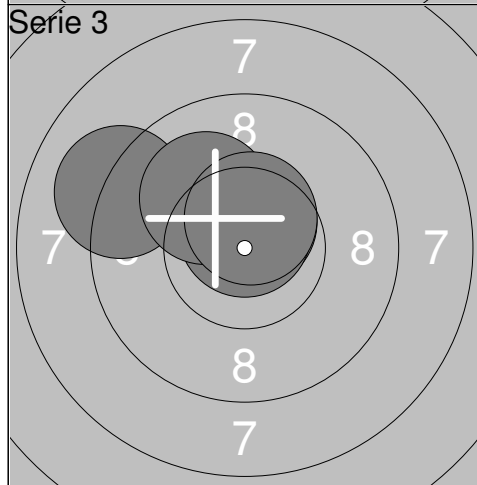
1:	10.1	↗
2:	10.2x	↗
3:	10.2x	↖
4:	10.4x	↖
5:	10.7x	→
Serie		51.6
Total		418.3



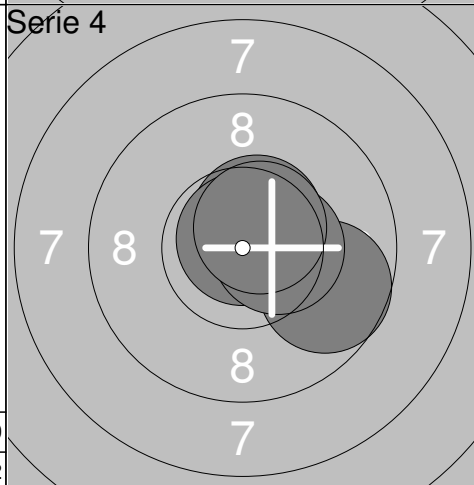
Serie	50.2
Total	50.2



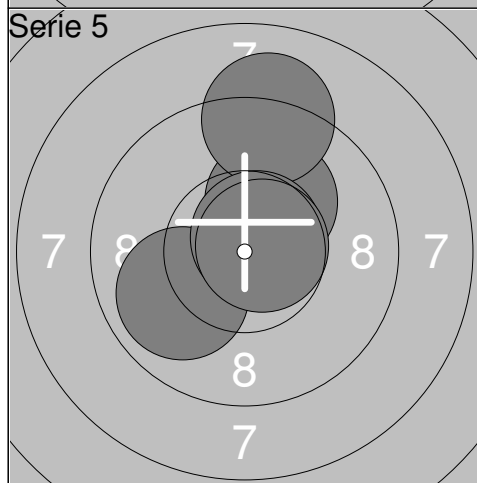
Serie	51.0
Total	101.2



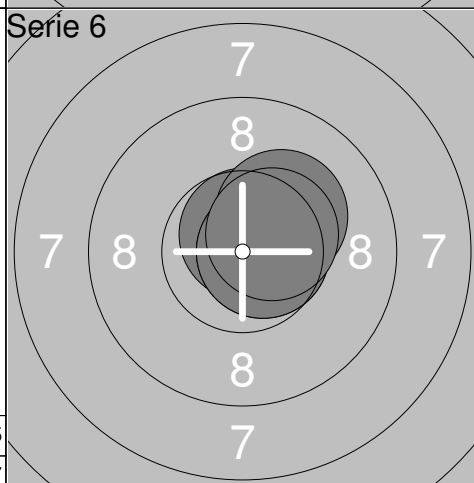
Serie	51.0
Total	152.2



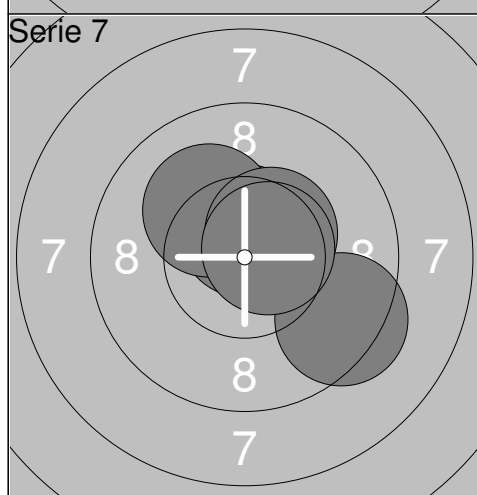
Serie	52.0
Total	204.2



Serie	50.5
Total	254.7



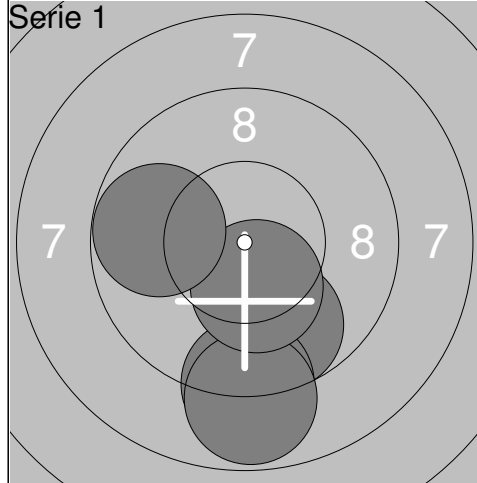
Serie	52.8
Total	307.5



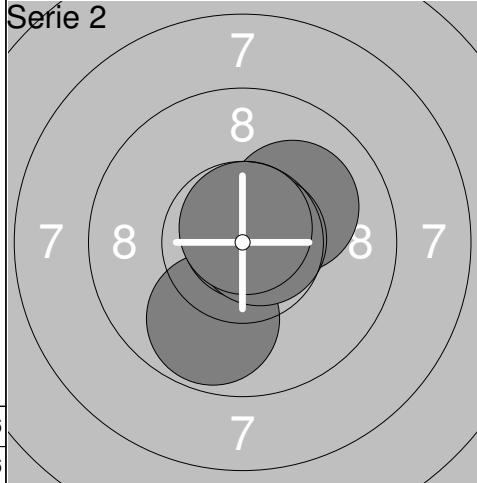
Serie	51.1
Total	358.6



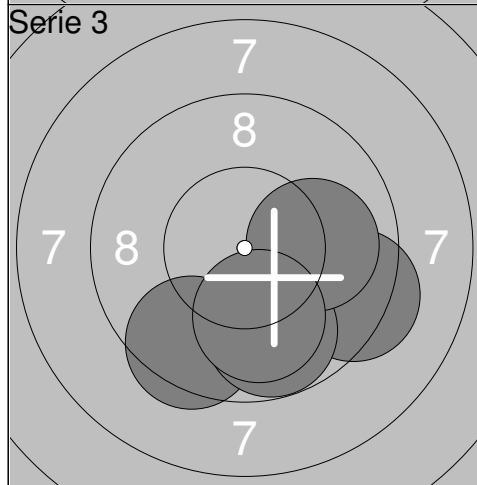
Serie	51.9
Total	410.5



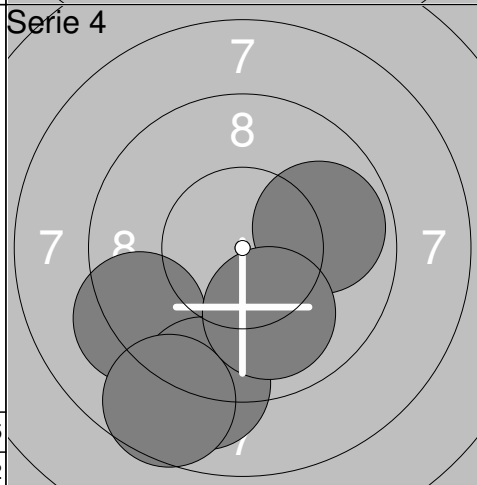
1:	9.7	↓
2:	9.0	↓
3:	8.8	↓
4:	10.3x	↓
5:	9.8	←
Serie		47.6
Total		47.6



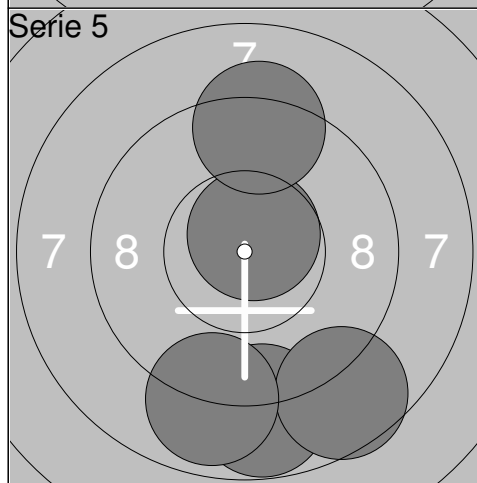
1:	10.1	↗
2:	9.8	↓
3:	10.8x	↗
4:	10.7x	→
5:	10.7x	↑
Serie		52.1
Total		99.7



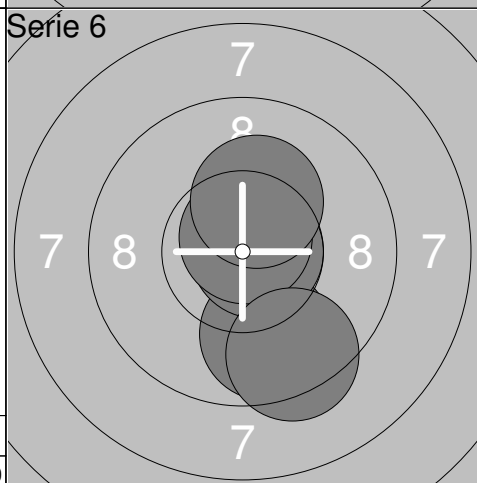
1:	9.3	→
2:	9.4	↓
3:	9.8	↓
4:	10.0	→
5:	10.0	↓
Serie		48.5
Total		148.2



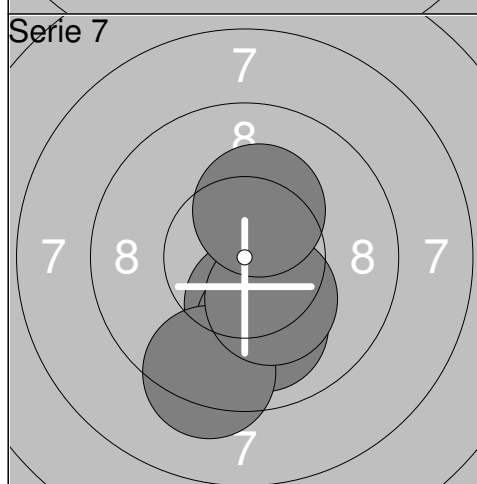
1:	9.2	↙
2:	9.9	→
3:	9.0	↓
4:	8.6	↓
5:	10.0	↓
Serie		46.7
Total		194.9



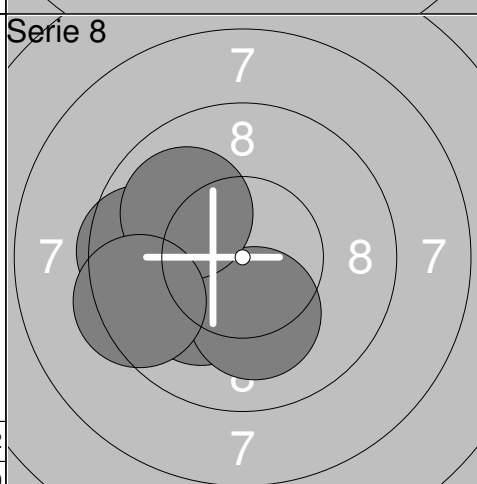
1:	8.7	↓
2:	10.7x	↗
3:	8.6	↓
4:	9.2	↑
5:	8.9	↓
Serie		46.1
Total		241.0



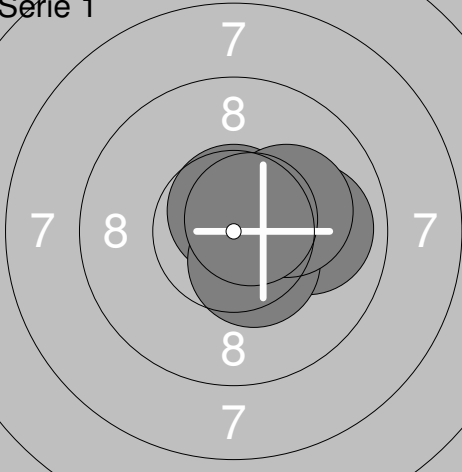
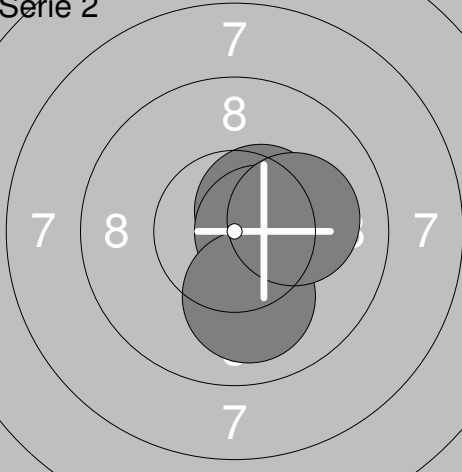
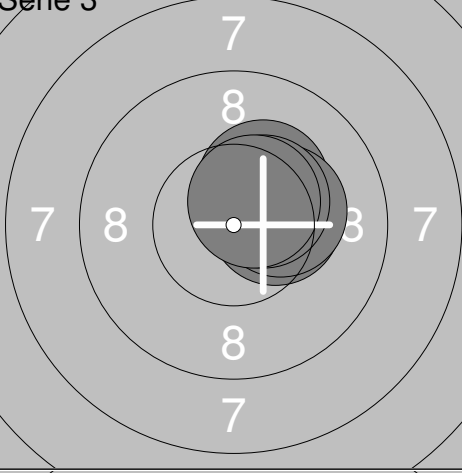
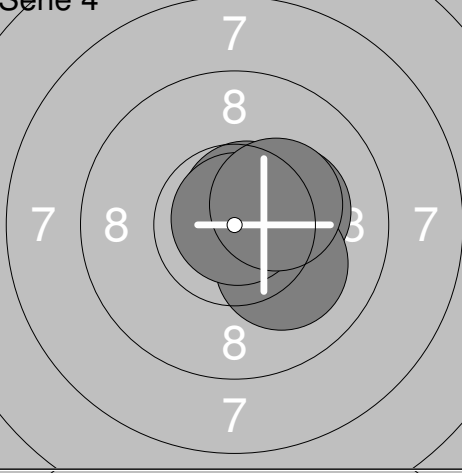
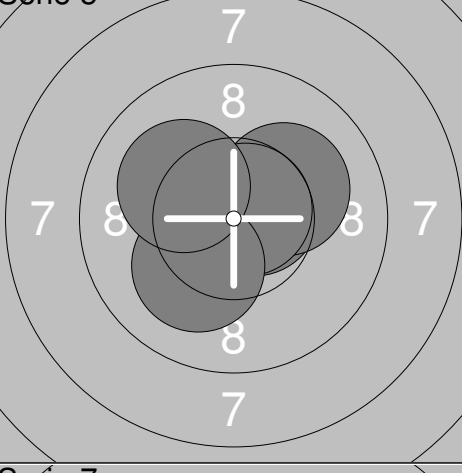
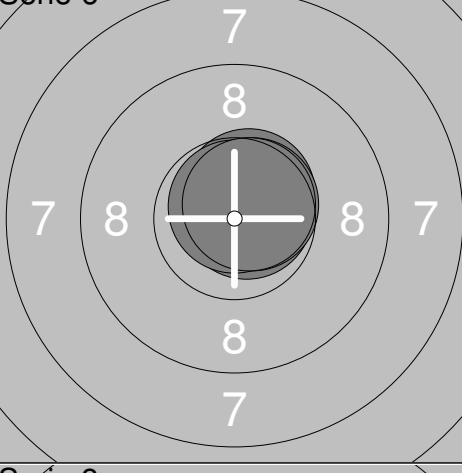

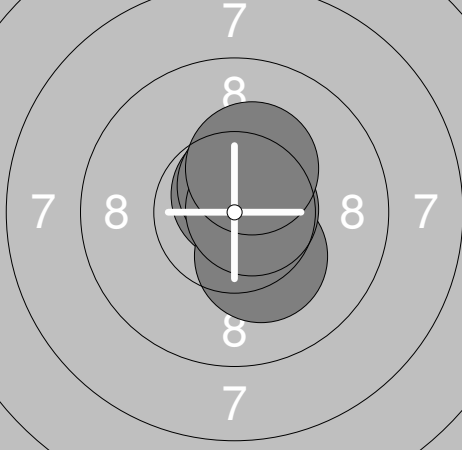
1:	9.8	↓
2:	10.7x	→
3:	10.7x	↑
4:	9.4	↓
5:	10.2x	↑
Serie		50.8
Total		291.8

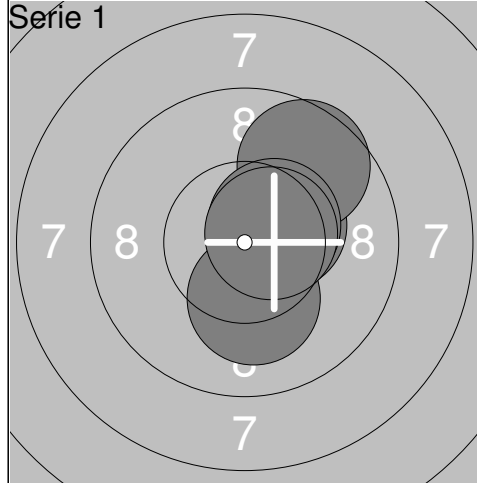


1:	10.3x	↓
2:	10.0	↓
3:	9.3	↓
4:	10.3x	↓
5:	10.3x	↑
Serie		50.2
Total		342.0

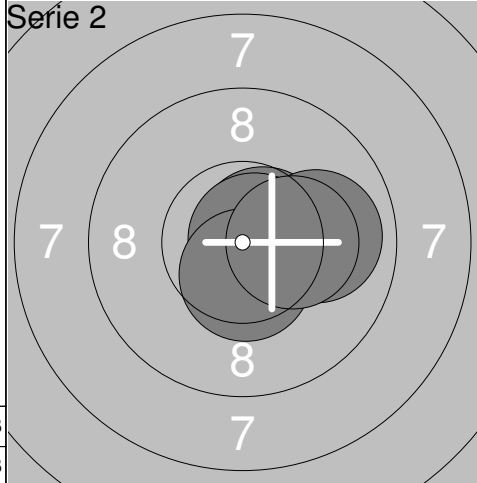


1:	9.6	←
2:	10.1	↙
3:	10.2x	↓
4:	9.9	↗
5:	9.4	↙
Serie		49.2
Total		391.2

<p>Serie 1</p>  <table border="1" style="width:100%; border-collapse: collapse; margin-top: 10px;"> <tr><td>1: 10.7x</td><td>↑</td></tr> <tr><td>2: 9.9</td><td>→</td></tr> <tr><td>3: 10.4x</td><td>↘</td></tr> <tr><td>4: 10.1</td><td>→</td></tr> <tr><td>5: 10.6x</td><td>↗</td></tr> <tr><td colspan="2">Serie 51.7</td></tr> <tr><td colspan="2">Total 51.7</td></tr> </table>	1: 10.7x	↑	2: 9.9	→	3: 10.4x	↘	4: 10.1	→	5: 10.6x	↗	Serie 51.7		Total 51.7		<p>Serie 2</p>  <table border="1" style="width:100%; border-collapse: collapse; margin-top: 10px;"> <tr><td>1: 10.5x</td><td>→</td></tr> <tr><td>2: 10.5x</td><td>↗</td></tr> <tr><td>3: 10.6x</td><td>→</td></tr> <tr><td>4: 10.0</td><td>↘</td></tr> <tr><td>5: 10.1</td><td>→</td></tr> <tr><td colspan="2">Serie 51.7</td></tr> <tr><td colspan="2">Total 103.4</td></tr> </table>	1: 10.5x	→	2: 10.5x	↗	3: 10.6x	→	4: 10.0	↘	5: 10.1	→	Serie 51.7		Total 103.4	
1: 10.7x	↑																												
2: 9.9	→																												
3: 10.4x	↘																												
4: 10.1	→																												
5: 10.6x	↗																												
Serie 51.7																													
Total 51.7																													
1: 10.5x	→																												
2: 10.5x	↗																												
3: 10.6x	→																												
4: 10.0	↘																												
5: 10.1	→																												
Serie 51.7																													
Total 103.4																													
<p>Serie 3</p>  <table border="1" style="width:100%; border-collapse: collapse; margin-top: 10px;"> <tr><td>1: 10.4x</td><td>→</td></tr> <tr><td>2: 10.3x</td><td>↗</td></tr> <tr><td>3: 10.3x</td><td>→</td></tr> <tr><td>4: 10.4x</td><td>↗</td></tr> <tr><td>5: 10.5x</td><td>↗</td></tr> <tr><td colspan="2">Serie 51.9</td></tr> <tr><td colspan="2">Total 155.3</td></tr> </table>	1: 10.4x	→	2: 10.3x	↗	3: 10.3x	→	4: 10.4x	↗	5: 10.5x	↗	Serie 51.9		Total 155.3		<p>Serie 4</p>  <table border="1" style="width:100%; border-collapse: collapse; margin-top: 10px;"> <tr><td>1: 10.2x</td><td>→</td></tr> <tr><td>2: 10.1</td><td>↘</td></tr> <tr><td>3: 10.6x</td><td>↗</td></tr> <tr><td>4: 10.9x</td><td>↗</td></tr> <tr><td>5: 10.3x</td><td>→</td></tr> <tr><td colspan="2">Serie 52.1</td></tr> <tr><td colspan="2">Total 207.4</td></tr> </table>	1: 10.2x	→	2: 10.1	↘	3: 10.6x	↗	4: 10.9x	↗	5: 10.3x	→	Serie 52.1		Total 207.4	
1: 10.4x	→																												
2: 10.3x	↗																												
3: 10.3x	→																												
4: 10.4x	↗																												
5: 10.5x	↗																												
Serie 51.9																													
Total 155.3																													
1: 10.2x	→																												
2: 10.1	↘																												
3: 10.6x	↗																												
4: 10.9x	↗																												
5: 10.3x	→																												
Serie 52.1																													
Total 207.4																													
<p>Serie 5</p>  <table border="1" style="width:100%; border-collapse: collapse; margin-top: 10px;"> <tr><td>1: 10.6x</td><td>↗</td></tr> <tr><td>2: 10.2x</td><td>↗</td></tr> <tr><td>3: 10.7x</td><td>↗</td></tr> <tr><td>4: 10.1</td><td>↘</td></tr> <tr><td>5: 10.1</td><td>↖</td></tr> <tr><td colspan="2">Serie 51.7</td></tr> <tr><td colspan="2">Total 259.1</td></tr> </table>	1: 10.6x	↗	2: 10.2x	↗	3: 10.7x	↗	4: 10.1	↘	5: 10.1	↖	Serie 51.7		Total 259.1		<p>Serie 6</p>  <table border="1" style="width:100%; border-collapse: collapse; margin-top: 10px;"> <tr><td>1: 10.5x</td><td>↗</td></tr> <tr><td>2: 10.7x</td><td>↗</td></tr> <tr><td>3: 10.6x</td><td>↗</td></tr> <tr><td>4: 10.8x</td><td>↑</td></tr> <tr><td>5: 10.6x</td><td>↗</td></tr> <tr><td colspan="2">Serie 53.2</td></tr> <tr><td colspan="2">Total 312.3</td></tr> </table>	1: 10.5x	↗	2: 10.7x	↗	3: 10.6x	↗	4: 10.8x	↑	5: 10.6x	↗	Serie 53.2		Total 312.3	
1: 10.6x	↗																												
2: 10.2x	↗																												
3: 10.7x	↗																												
4: 10.1	↘																												
5: 10.1	↖																												
Serie 51.7																													
Total 259.1																													
1: 10.5x	↗																												
2: 10.7x	↗																												
3: 10.6x	↗																												
4: 10.8x	↑																												
5: 10.6x	↗																												
Serie 53.2																													
Total 312.3																													
<p>Serie 7</p>  <table border="1" style="width:100%; border-collapse: collapse; margin-top: 10px;"> <tr><td>1: 10.7x</td><td>↗</td></tr> <tr><td>2: 10.8x</td><td>→</td></tr> <tr><td>3: 10.8x</td><td>↗</td></tr> <tr><td>4: 10.5x</td><td>→</td></tr> <tr><td>5: 10.5x</td><td>↗</td></tr> <tr><td colspan="2">Serie 53.3</td></tr> <tr><td colspan="2">Total 365.6</td></tr> </table>	1: 10.7x	↗	2: 10.8x	→	3: 10.8x	↗	4: 10.5x	→	5: 10.5x	↗	Serie 53.3		Total 365.6		<p>Serie 8</p>  <table border="1" style="width:100%; border-collapse: collapse; margin-top: 10px;"> <tr><td>1: 10.7x</td><td>↑</td></tr> <tr><td>2: 10.2x</td><td>↘</td></tr> <tr><td>3: 10.6x</td><td>↗</td></tr> <tr><td>4: 10.7x</td><td>→</td></tr> <tr><td>5: 10.3x</td><td>↗</td></tr> <tr><td colspan="2">Serie 52.5</td></tr> <tr><td colspan="2">Total 418.1</td></tr> </table>	1: 10.7x	↑	2: 10.2x	↘	3: 10.6x	↗	4: 10.7x	→	5: 10.3x	↗	Serie 52.5		Total 418.1	
1: 10.7x	↗																												
2: 10.8x	→																												
3: 10.8x	↗																												
4: 10.5x	→																												
5: 10.5x	↗																												
Serie 53.3																													
Total 365.6																													
1: 10.7x	↑																												
2: 10.2x	↘																												
3: 10.6x	↗																												
4: 10.7x	→																												
5: 10.3x	↗																												
Serie 52.5																													
Total 418.1																													



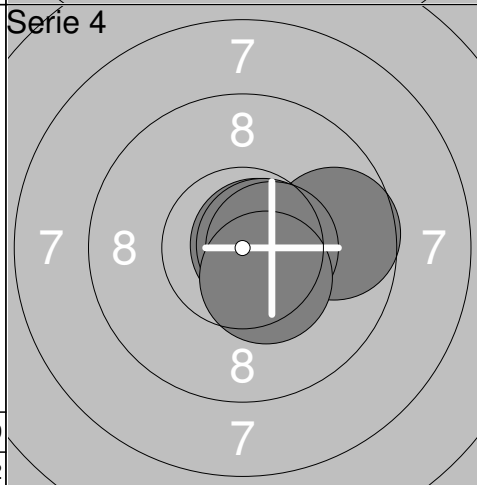
1:	10.2x	↓
2:	10.4x	→
3:	9.6	↗
4:	10.5x	↗
5:	10.6x	→
Serie		51.3
Total		51.3



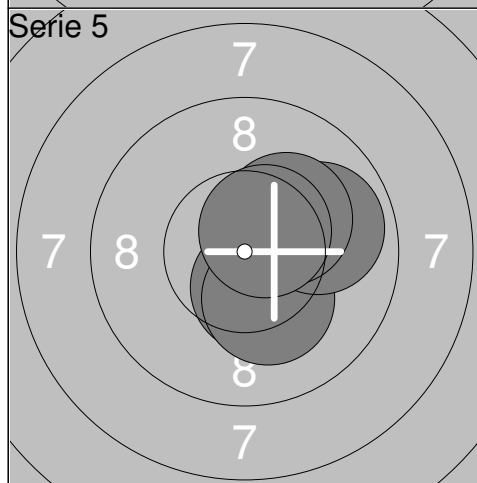
1:	10.6x	→
2:	9.9	→
3:	10.8x	→
4:	10.5x	↓
5:	10.2x	→
Serie		52.0
Total		103.3



1:	10.6x	↗
2:	10.3x	↗
3:	10.2x	→
4:	10.7x	→
5:	10.1	→
Serie		51.9
Total		155.2



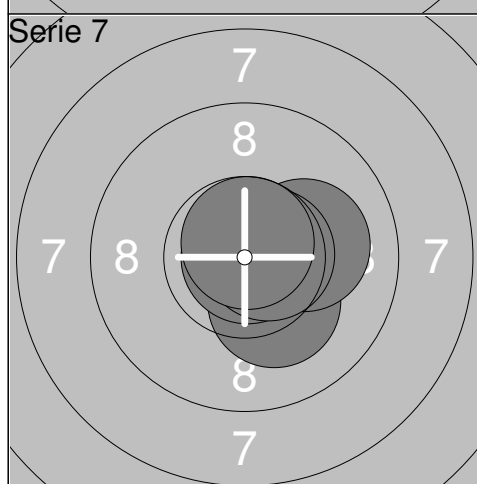
1:	10.7x	→
2:	9.7	→
3:	10.7x	→
4:	10.5x	→
5:	10.4x	↘
Serie		52.0
Total		207.2



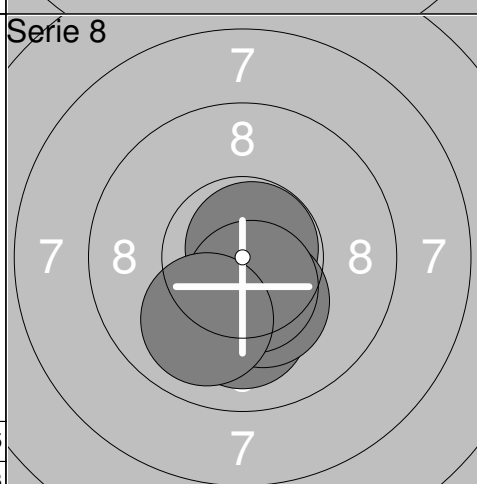
1:	10.4x	↓
2:	10.2x	↓
3:	9.9	→
4:	10.2x	↗
5:	10.5x	↗
Serie		51.2
Total		258.4



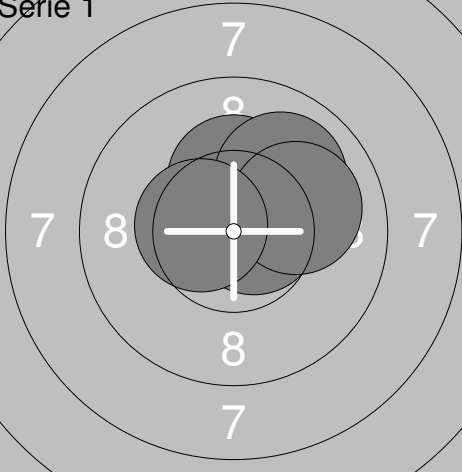
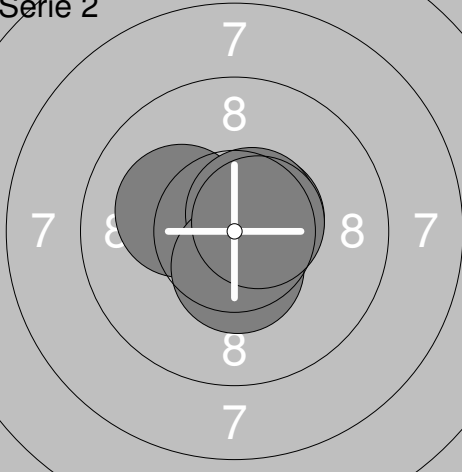
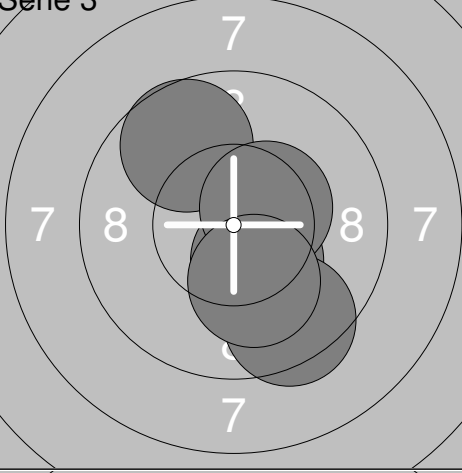
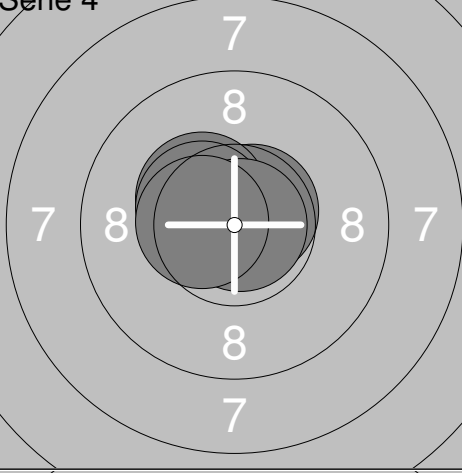
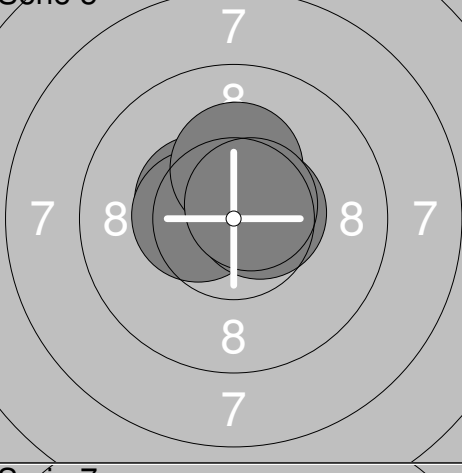
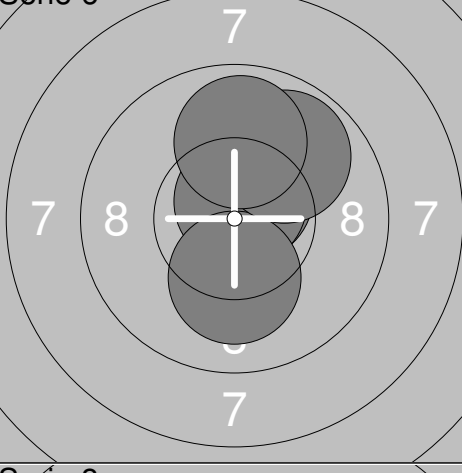
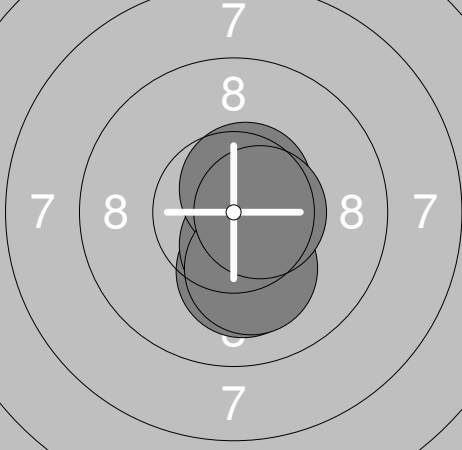
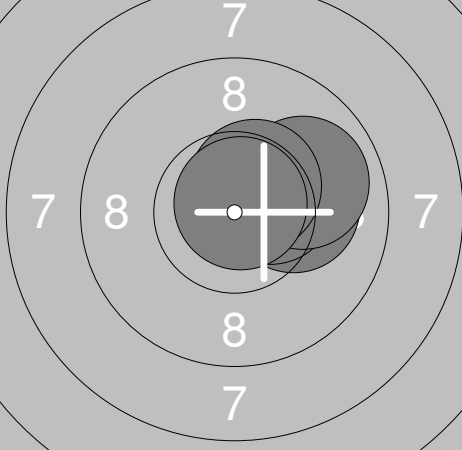
1:	10.5x	↗
2:	10.3x	→
3:	10.7x	↗
4:	10.6x	→
5:	10.3x	→
Serie		52.4
Total		310.8

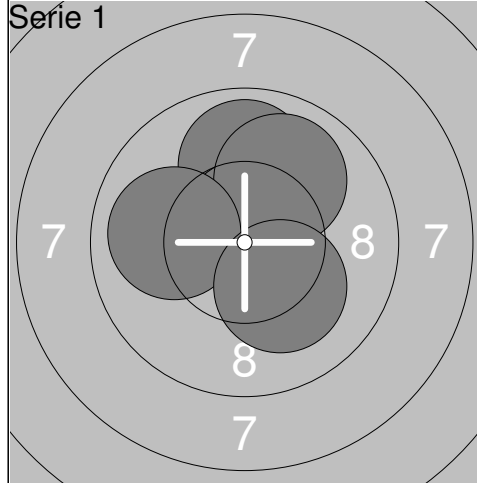


1:	10.2x	↘
2:	10.9x	→
3:	10.1	→
4:	10.6x	→
5:	10.7x	↗
Serie		52.5
Total		363.3



1:	10.8x	↗
2:	10.1	↓
3:	10.3x	↘
4:	10.5x	↘
5:	10.0	↘
Serie		51.7
Total		415.0

<p>Serie 1</p>  <table border="1" style="width:100%; border-collapse: collapse; margin-top: 10px;"> <tr><td>1:</td><td>10.6x</td><td>→</td></tr> <tr><td>2:</td><td>10.2x</td><td>↑</td></tr> <tr><td>3:</td><td>10.0</td><td>↗</td></tr> <tr><td>4:</td><td>10.0</td><td>→</td></tr> <tr><td>5:</td><td>10.5x</td><td>←</td></tr> <tr><td colspan="2">Serie</td><td style="text-align: right;">51.3</td></tr> <tr><td colspan="2">Total</td><td style="text-align: right;">51.3</td></tr> </table>	1:	10.6x	→	2:	10.2x	↑	3:	10.0	↗	4:	10.0	→	5:	10.5x	←	Serie		51.3	Total		51.3	<p>Serie 2</p>  <table border="1" style="width:100%; border-collapse: collapse; margin-top: 10px;"> <tr><td>1:</td><td>10.2x</td><td>←</td></tr> <tr><td>2:</td><td>10.6x</td><td>→</td></tr> <tr><td>3:</td><td>10.6x</td><td>↗</td></tr> <tr><td>4:</td><td>10.4x</td><td>↓</td></tr> <tr><td>5:</td><td>10.6x</td><td>→</td></tr> <tr><td colspan="2">Serie</td><td style="text-align: right;">52.4</td></tr> <tr><td colspan="2">Total</td><td style="text-align: right;">103.7</td></tr> </table>	1:	10.2x	←	2:	10.6x	→	3:	10.6x	↗	4:	10.4x	↓	5:	10.6x	→	Serie		52.4	Total		103.7
1:	10.6x	→																																									
2:	10.2x	↑																																									
3:	10.0	↗																																									
4:	10.0	→																																									
5:	10.5x	←																																									
Serie		51.3																																									
Total		51.3																																									
1:	10.2x	←																																									
2:	10.6x	→																																									
3:	10.6x	↗																																									
4:	10.4x	↓																																									
5:	10.6x	→																																									
Serie		52.4																																									
Total		103.7																																									
<p>Serie 3</p>  <table border="1" style="width:100%; border-collapse: collapse; margin-top: 10px;"> <tr><td>1:</td><td>9.7</td><td>↗</td></tr> <tr><td>2:</td><td>10.4x</td><td>↓</td></tr> <tr><td>3:</td><td>9.4</td><td>↓</td></tr> <tr><td>4:</td><td>10.4x</td><td>↗</td></tr> <tr><td>5:</td><td>10.1</td><td>↓</td></tr> <tr><td colspan="2">Serie</td><td style="text-align: right;">50.0</td></tr> <tr><td colspan="2">Total</td><td style="text-align: right;">153.7</td></tr> </table>	1:	9.7	↗	2:	10.4x	↓	3:	9.4	↓	4:	10.4x	↗	5:	10.1	↓	Serie		50.0	Total		153.7	<p>Serie 4</p>  <table border="1" style="width:100%; border-collapse: collapse; margin-top: 10px;"> <tr><td>1:</td><td>10.6x</td><td>↗</td></tr> <tr><td>2:</td><td>10.4x</td><td>↖</td></tr> <tr><td>3:</td><td>10.4x</td><td>↖</td></tr> <tr><td>4:</td><td>10.8x</td><td>→</td></tr> <tr><td>5:</td><td>10.5x</td><td>←</td></tr> <tr><td colspan="2">Serie</td><td style="text-align: right;">52.7</td></tr> <tr><td colspan="2">Total</td><td style="text-align: right;">206.4</td></tr> </table>	1:	10.6x	↗	2:	10.4x	↖	3:	10.4x	↖	4:	10.8x	→	5:	10.5x	←	Serie		52.7	Total		206.4
1:	9.7	↗																																									
2:	10.4x	↓																																									
3:	9.4	↓																																									
4:	10.4x	↗																																									
5:	10.1	↓																																									
Serie		50.0																																									
Total		153.7																																									
1:	10.6x	↗																																									
2:	10.4x	↖																																									
3:	10.4x	↖																																									
4:	10.8x	→																																									
5:	10.5x	←																																									
Serie		52.7																																									
Total		206.4																																									
<p>Serie 5</p>  <table border="1" style="width:100%; border-collapse: collapse; margin-top: 10px;"> <tr><td>1:</td><td>10.4x</td><td>←</td></tr> <tr><td>2:</td><td>10.4x</td><td>←</td></tr> <tr><td>3:</td><td>10.2x</td><td>↑</td></tr> <tr><td>4:</td><td>10.6x</td><td>→</td></tr> <tr><td>5:</td><td>10.6x</td><td>↗</td></tr> <tr><td colspan="2">Serie</td><td style="text-align: right;">52.2</td></tr> <tr><td colspan="2">Total</td><td style="text-align: right;">258.6</td></tr> </table>	1:	10.4x	←	2:	10.4x	←	3:	10.2x	↑	4:	10.6x	→	5:	10.6x	↗	Serie		52.2	Total		258.6	<p>Serie 6</p>  <table border="1" style="width:100%; border-collapse: collapse; margin-top: 10px;"> <tr><td>1:</td><td>10.6x</td><td>↗</td></tr> <tr><td>2:</td><td>10.7x</td><td>↑</td></tr> <tr><td>3:</td><td>10.1</td><td>↓</td></tr> <tr><td>4:</td><td>9.8</td><td>↗</td></tr> <tr><td>5:</td><td>9.9</td><td>↑</td></tr> <tr><td colspan="2">Serie</td><td style="text-align: right;">51.1</td></tr> <tr><td colspan="2">Total</td><td style="text-align: right;">309.7</td></tr> </table>	1:	10.6x	↗	2:	10.7x	↑	3:	10.1	↓	4:	9.8	↗	5:	9.9	↑	Serie		51.1	Total		309.7
1:	10.4x	←																																									
2:	10.4x	←																																									
3:	10.2x	↑																																									
4:	10.6x	→																																									
5:	10.6x	↗																																									
Serie		52.2																																									
Total		258.6																																									
1:	10.6x	↗																																									
2:	10.7x	↑																																									
3:	10.1	↓																																									
4:	9.8	↗																																									
5:	9.9	↑																																									
Serie		51.1																																									
Total		309.7																																									
<p>Serie 7</p>  <table border="1" style="width:100%; border-collapse: collapse; margin-top: 10px;"> <tr><td>1:</td><td>10.1</td><td>↓</td></tr> <tr><td>2:</td><td>10.5x</td><td>↓</td></tr> <tr><td>3:</td><td>10.6x</td><td>↗</td></tr> <tr><td>4:</td><td>10.1</td><td>↓</td></tr> <tr><td>5:</td><td>10.6x</td><td>→</td></tr> <tr><td colspan="2">Serie</td><td style="text-align: right;">51.9</td></tr> <tr><td colspan="2">Total</td><td style="text-align: right;">361.6</td></tr> </table>	1:	10.1	↓	2:	10.5x	↓	3:	10.6x	↗	4:	10.1	↓	5:	10.6x	→	Serie		51.9	Total		361.6	<p>Serie 8</p>  <table border="1" style="width:100%; border-collapse: collapse; margin-top: 10px;"> <tr><td>1:</td><td>10.1</td><td>→</td></tr> <tr><td>2:</td><td>10.4x</td><td>↗</td></tr> <tr><td>3:</td><td>9.9</td><td>→</td></tr> <tr><td>4:</td><td>10.5x</td><td>↗</td></tr> <tr><td>5:</td><td>10.8x</td><td>↗</td></tr> <tr><td colspan="2">Serie</td><td style="text-align: right;">51.7</td></tr> <tr><td colspan="2">Total</td><td style="text-align: right;">413.3</td></tr> </table>	1:	10.1	→	2:	10.4x	↗	3:	9.9	→	4:	10.5x	↗	5:	10.8x	↗	Serie		51.7	Total		413.3
1:	10.1	↓																																									
2:	10.5x	↓																																									
3:	10.6x	↗																																									
4:	10.1	↓																																									
5:	10.6x	→																																									
Serie		51.9																																									
Total		361.6																																									
1:	10.1	→																																									
2:	10.4x	↗																																									
3:	9.9	→																																									
4:	10.5x	↗																																									
5:	10.8x	↗																																									
Serie		51.7																																									
Total		413.3																																									



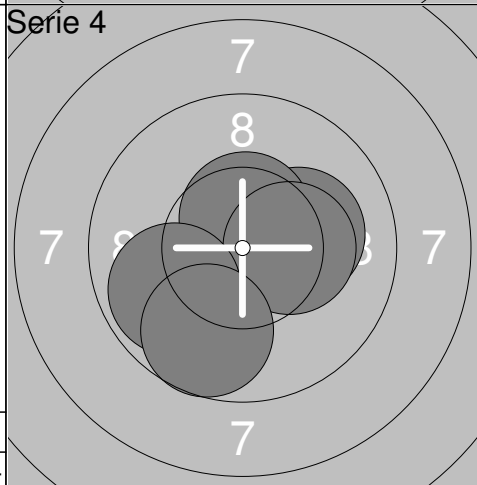
1:	9.9	↑
2:	10.7x	↑
3:	9.9	↗
4:	10.0	←
5:	10.2x	↘
Serie		50.7
Total		50.7



1:	10.5x	↗
2:	10.2x	↓
3:	10.8x	↑
4:	10.3x	←
5:	10.8x	→
Serie		52.6
Total		103.3



1:	10.6x	↑
2:	10.9x	↑
3:	10.7x	↗
4:	10.8x	→
5:	10.1	↓
Serie		53.1
Total		156.4



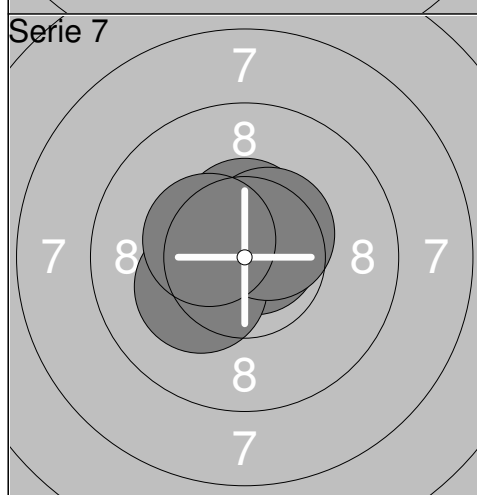
1:	10.1	→
2:	10.5x	↑
3:	10.3x	→
4:	9.9	↙
5:	9.7	↓
Serie		50.5
Total		206.9



1:	10.6x	↑
2:	10.2x	↓
3:	10.8x	↑
4:	10.6x	↑
5:	10.7x	→
Serie		52.9
Total		259.8



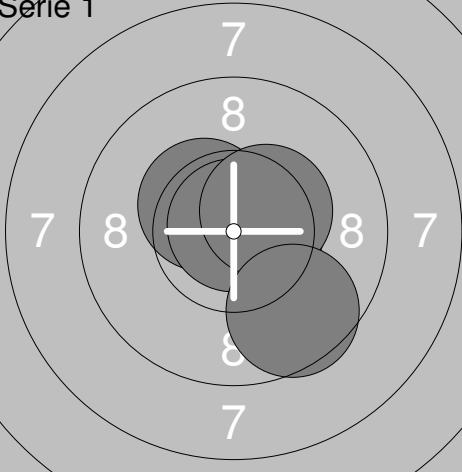
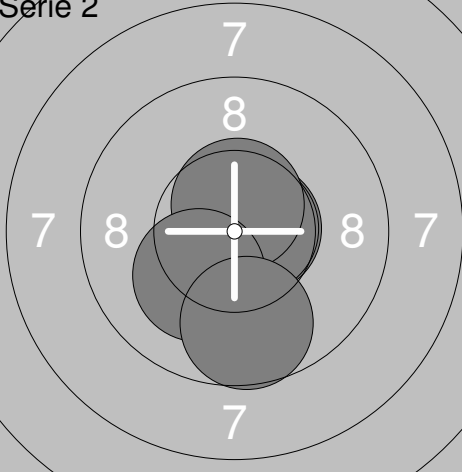
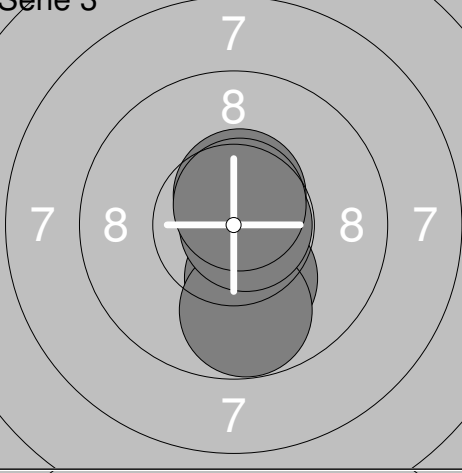
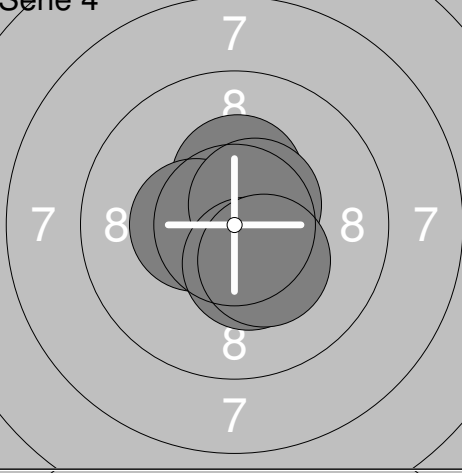
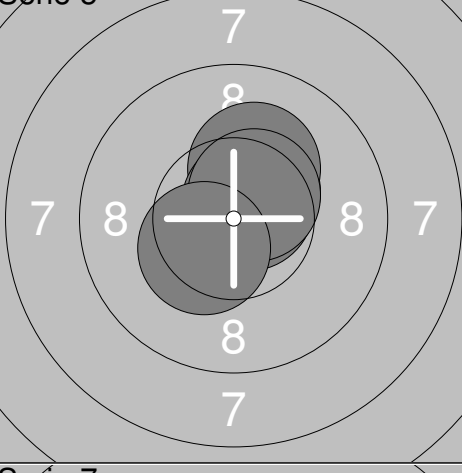
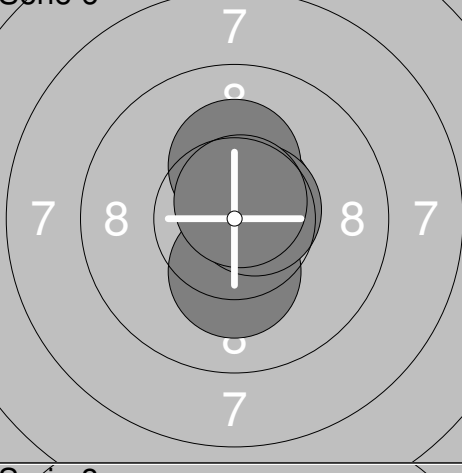
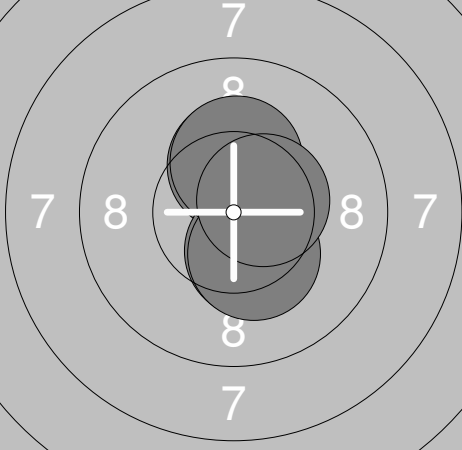
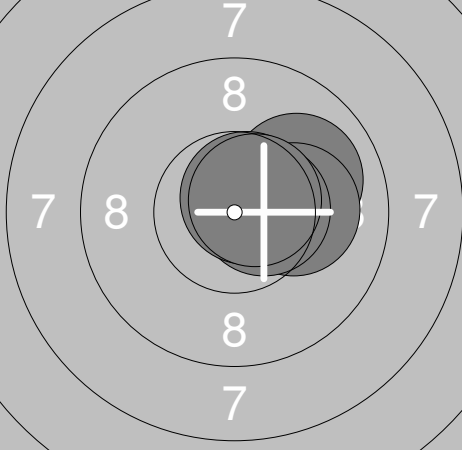
1:	10.5x	↗
2:	10.5x	↑
3:	10.8x	→
4:	10.7x	→
5:	10.4x	↙
Serie		52.9
Total		312.7

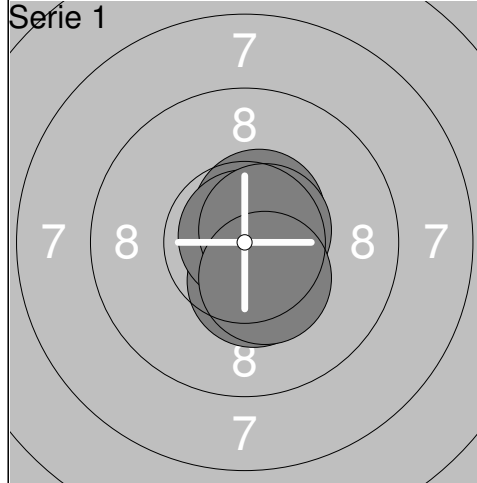


1:	10.8x	↗
2:	10.5x	↑
3:	10.2x	↙
4:	10.5x	↗
5:	10.4x	↙
Serie		52.4
Total		365.1

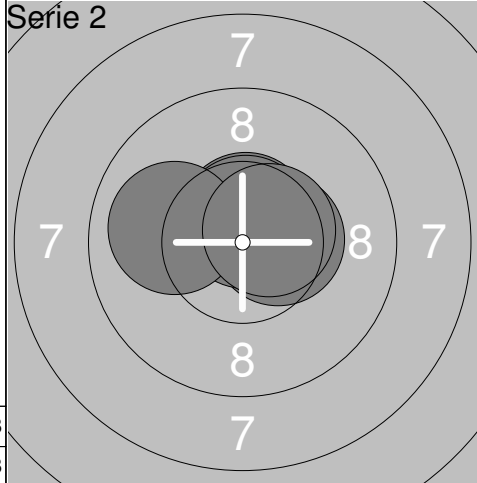


1:	10.8x	↑
2:	10.2x	↗
3:	10.8x	↗
4:	10.3x	↘
5:	10.6x	↑
Serie		52.7
Total		417.8

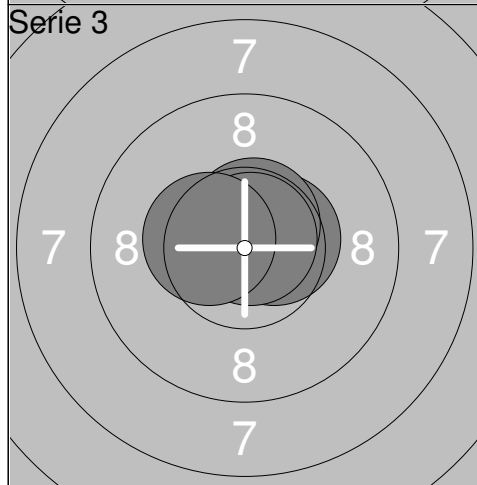
<p>Serie 1</p>  <table border="1" style="width:100%; border-collapse: collapse; margin-top: 10px;"> <tr><td>1:</td><td>10.4x</td><td>↖</td></tr> <tr><td>2:</td><td>10.6x</td><td>→</td></tr> <tr><td>3:</td><td>10.8x</td><td>↑</td></tr> <tr><td>4:</td><td>10.4x</td><td>↗</td></tr> <tr><td>5:</td><td>9.6</td><td>↘</td></tr> <tr><td colspan="2">Serie</td><td style="text-align: right;">51.8</td></tr> <tr><td colspan="2">Total</td><td style="text-align: right;">51.8</td></tr> </table>	1:	10.4x	↖	2:	10.6x	→	3:	10.8x	↑	4:	10.4x	↗	5:	9.6	↘	Serie		51.8	Total		51.8	<p>Serie 2</p>  <table border="1" style="width:100%; border-collapse: collapse; margin-top: 10px;"> <tr><td>1:</td><td>10.6x</td><td>→</td></tr> <tr><td>2:</td><td>10.7x</td><td>→</td></tr> <tr><td>3:</td><td>10.6x</td><td>↑</td></tr> <tr><td>4:</td><td>10.2x</td><td>↙</td></tr> <tr><td>5:</td><td>9.7</td><td>↘</td></tr> <tr><td colspan="2">Serie</td><td style="text-align: right;">51.8</td></tr> <tr><td colspan="2">Total</td><td style="text-align: right;">103.6</td></tr> </table>	1:	10.6x	→	2:	10.7x	→	3:	10.6x	↑	4:	10.2x	↙	5:	9.7	↘	Serie		51.8	Total		103.6
1:	10.4x	↖																																									
2:	10.6x	→																																									
3:	10.8x	↑																																									
4:	10.4x	↗																																									
5:	9.6	↘																																									
Serie		51.8																																									
Total		51.8																																									
1:	10.6x	→																																									
2:	10.7x	→																																									
3:	10.6x	↑																																									
4:	10.2x	↙																																									
5:	9.7	↘																																									
Serie		51.8																																									
Total		103.6																																									
<p>Serie 3</p>  <table border="1" style="width:100%; border-collapse: collapse; margin-top: 10px;"> <tr><td>1:</td><td>10.2x</td><td>↘</td></tr> <tr><td>2:</td><td>9.8</td><td>↘</td></tr> <tr><td>3:</td><td>10.8x</td><td>→</td></tr> <tr><td>4:</td><td>10.5x</td><td>↑</td></tr> <tr><td>5:</td><td>10.6x</td><td>↑</td></tr> <tr><td colspan="2">Serie</td><td style="text-align: right;">51.9</td></tr> <tr><td colspan="2">Total</td><td style="text-align: right;">155.5</td></tr> </table>	1:	10.2x	↘	2:	9.8	↘	3:	10.8x	→	4:	10.5x	↑	5:	10.6x	↑	Serie		51.9	Total		155.5	<p>Serie 4</p>  <table border="1" style="width:100%; border-collapse: collapse; margin-top: 10px;"> <tr><td>1:</td><td>10.3x</td><td>↑</td></tr> <tr><td>2:</td><td>10.4x</td><td>←</td></tr> <tr><td>3:</td><td>10.5x</td><td>↗</td></tr> <tr><td>4:</td><td>10.4x</td><td>↘</td></tr> <tr><td>5:</td><td>10.3x</td><td>↘</td></tr> <tr><td colspan="2">Serie</td><td style="text-align: right;">51.9</td></tr> <tr><td colspan="2">Total</td><td style="text-align: right;">207.4</td></tr> </table>	1:	10.3x	↑	2:	10.4x	←	3:	10.5x	↗	4:	10.4x	↘	5:	10.3x	↘	Serie		51.9	Total		207.4
1:	10.2x	↘																																									
2:	9.8	↘																																									
3:	10.8x	→																																									
4:	10.5x	↑																																									
5:	10.6x	↑																																									
Serie		51.9																																									
Total		155.5																																									
1:	10.3x	↑																																									
2:	10.4x	←																																									
3:	10.5x	↗																																									
4:	10.4x	↘																																									
5:	10.3x	↘																																									
Serie		51.9																																									
Total		207.4																																									
<p>Serie 5</p>  <table border="1" style="width:100%; border-collapse: collapse; margin-top: 10px;"> <tr><td>1:</td><td>10.5x</td><td>↗</td></tr> <tr><td>2:</td><td>10.2x</td><td>↑</td></tr> <tr><td>3:</td><td>10.6x</td><td>↗</td></tr> <tr><td>4:</td><td>10.5x</td><td>↗</td></tr> <tr><td>5:</td><td>10.4x</td><td>↙</td></tr> <tr><td colspan="2">Serie</td><td style="text-align: right;">52.2</td></tr> <tr><td colspan="2">Total</td><td style="text-align: right;">259.6</td></tr> </table>	1:	10.5x	↗	2:	10.2x	↑	3:	10.6x	↗	4:	10.5x	↗	5:	10.4x	↙	Serie		52.2	Total		259.6	<p>Serie 6</p>  <table border="1" style="width:100%; border-collapse: collapse; margin-top: 10px;"> <tr><td>1:</td><td>10.6x</td><td>↗</td></tr> <tr><td>2:</td><td>10.2x</td><td>↘</td></tr> <tr><td>3:</td><td>10.2x</td><td>↑</td></tr> <tr><td>4:</td><td>10.6x</td><td>↗</td></tr> <tr><td>5:</td><td>10.7x</td><td>↑</td></tr> <tr><td colspan="2">Serie</td><td style="text-align: right;">52.3</td></tr> <tr><td colspan="2">Total</td><td style="text-align: right;">311.9</td></tr> </table>	1:	10.6x	↗	2:	10.2x	↘	3:	10.2x	↑	4:	10.6x	↗	5:	10.7x	↑	Serie		52.3	Total		311.9
1:	10.5x	↗																																									
2:	10.2x	↑																																									
3:	10.6x	↗																																									
4:	10.5x	↗																																									
5:	10.4x	↙																																									
Serie		52.2																																									
Total		259.6																																									
1:	10.6x	↗																																									
2:	10.2x	↘																																									
3:	10.2x	↑																																									
4:	10.6x	↗																																									
5:	10.7x	↑																																									
Serie		52.3																																									
Total		311.9																																									
<p>Serie 7</p>  <table border="1" style="width:100%; border-collapse: collapse; margin-top: 10px;"> <tr><td>1:</td><td>10.3x</td><td>↑</td></tr> <tr><td>2:</td><td>10.3x</td><td>↘</td></tr> <tr><td>3:</td><td>10.3x</td><td>↑</td></tr> <tr><td>4:</td><td>10.3x</td><td>↘</td></tr> <tr><td>5:</td><td>10.5x</td><td>→</td></tr> <tr><td colspan="2">Serie</td><td style="text-align: right;">51.7</td></tr> <tr><td colspan="2">Total</td><td style="text-align: right;">363.6</td></tr> </table>	1:	10.3x	↑	2:	10.3x	↘	3:	10.3x	↑	4:	10.3x	↘	5:	10.5x	→	Serie		51.7	Total		363.6	<p>Serie 8</p>  <table border="1" style="width:100%; border-collapse: collapse; margin-top: 10px;"> <tr><td>1:</td><td>10.0</td><td>↗</td></tr> <tr><td>2:</td><td>10.1</td><td>→</td></tr> <tr><td>3:</td><td>10.5x</td><td>→</td></tr> <tr><td>4:</td><td>10.7x</td><td>↗</td></tr> <tr><td>5:</td><td>10.6x</td><td>↗</td></tr> <tr><td colspan="2">Serie</td><td style="text-align: right;">51.9</td></tr> <tr><td colspan="2">Total</td><td style="text-align: right;">415.5</td></tr> </table>	1:	10.0	↗	2:	10.1	→	3:	10.5x	→	4:	10.7x	↗	5:	10.6x	↗	Serie		51.9	Total		415.5
1:	10.3x	↑																																									
2:	10.3x	↘																																									
3:	10.3x	↑																																									
4:	10.3x	↘																																									
5:	10.5x	→																																									
Serie		51.7																																									
Total		363.6																																									
1:	10.0	↗																																									
2:	10.1	→																																									
3:	10.5x	→																																									
4:	10.7x	↗																																									
5:	10.6x	↗																																									
Serie		51.9																																									
Total		415.5																																									



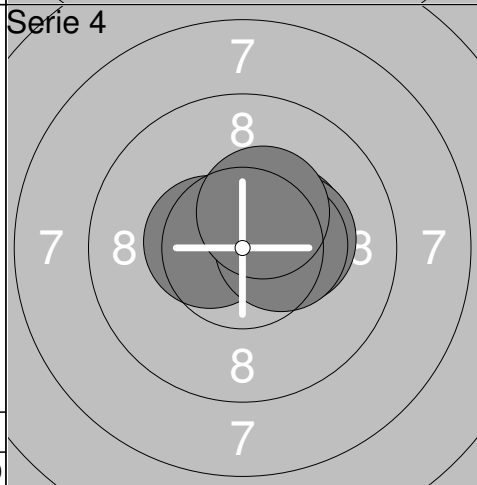
1:	10.5x	↗
2:	10.4x	↓
3:	10.9x	↑
4:	10.6x	↗
5:	10.4x	↓
Serie		52.8
Total		52.8



1:	10.4x	→
2:	10.6x	↑
3:	10.6x	↑
4:	10.0	←
5:	10.5x	↗
Serie		52.1
Total		104.9



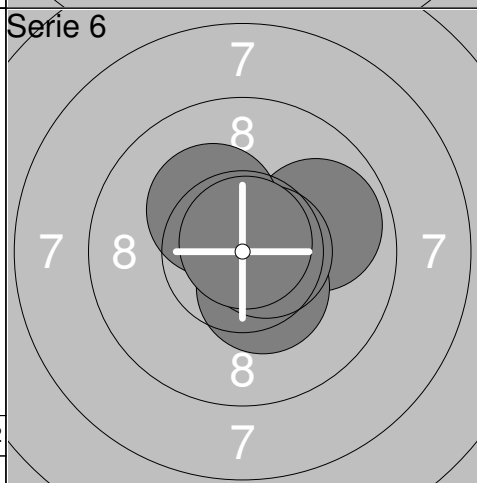
1:	10.5x	↗
2:	10.8x	↑
3:	10.6x	↑
4:	10.8x	↗
5:	10.4x	←
Serie		53.1
Total		158.0



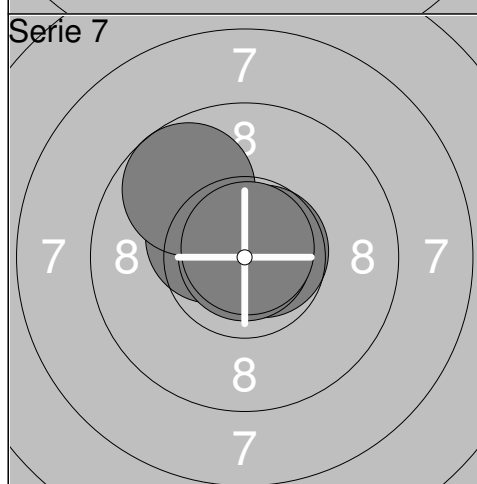
1:	10.5x	←
2:	10.3x	↗
3:	10.3x	→
4:	10.4x	→
5:	10.4x	↑
Serie		51.9
Total		209.9



1:	10.8x	↗
2:	10.9x	
3:	10.6x	↗
4:	10.6x	↑
5:	10.3x	↓
Serie		53.2
Total		263.1



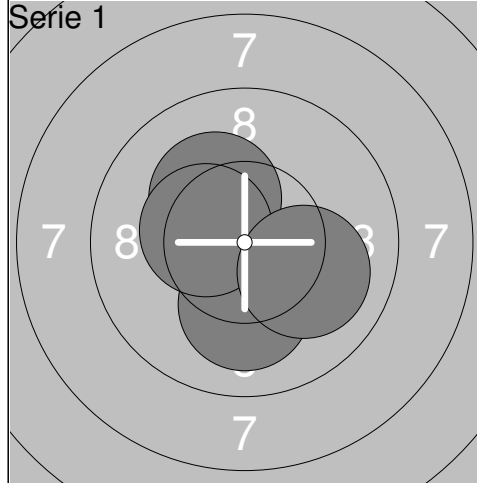
1:	9.9	↗
2:	10.3x	↓
3:	10.2x	↗
4:	10.6x	→
5:	10.8x	↑
Serie		51.8
Total		314.9



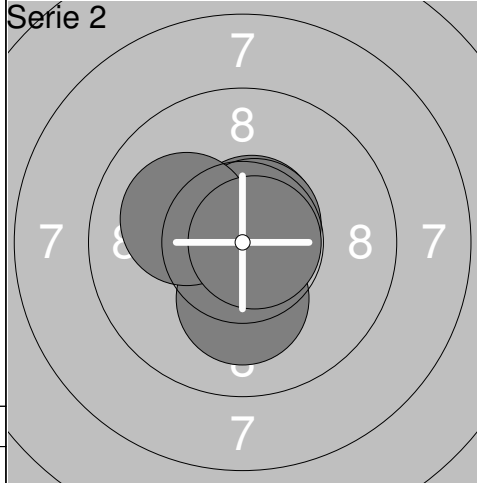
1:	10.4x	↖
2:	10.7x	↗
3:	10.9x	↑
4:	9.7	↖
5:	10.8x	↑
Serie		52.5
Total		367.4



1:	10.6x	↑
2:	10.6x	↗
3:	10.6x	↑
4:	10.1	↖
5:	10.4x	↑
Serie		52.3
Total		419.7



1:	10.1	↓
2:	10.4x	↖
3:	10.2x	↗
4:	10.4x	↖
5:	10.0	↘
Serie		51.1
Total		51.1



1:	10.6x	↗
2:	10.2x	↓
3:	10.6x	↗
4:	10.1	↖
5:	10.8x	→
Serie		52.3
Total		103.4



1:	10.2x	↘
2:	10.6x	↑
3:	10.3x	→
4:	10.4x	↑
5:	10.1	↓
Serie		51.6
Total		155.0



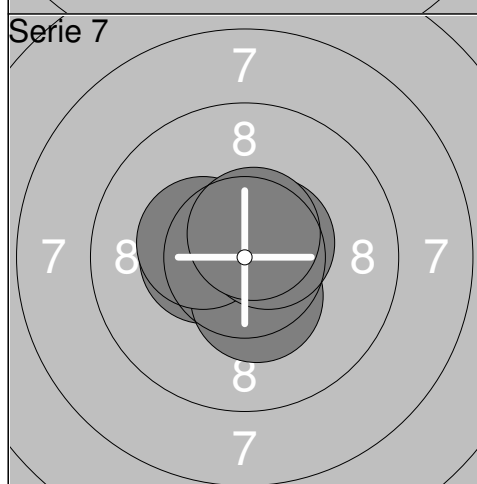
1:	10.9x	↑
2:	10.2x	→
3:	10.8x	↗
4:	10.7x	↑
5:	10.6x	↗
Serie		53.2
Total		208.2



1:	9.7	↗
2:	10.4x	↗
3:	10.4x	↑
4:	10.3x	↑
5:	10.3x	→
Serie		51.1
Total		259.3



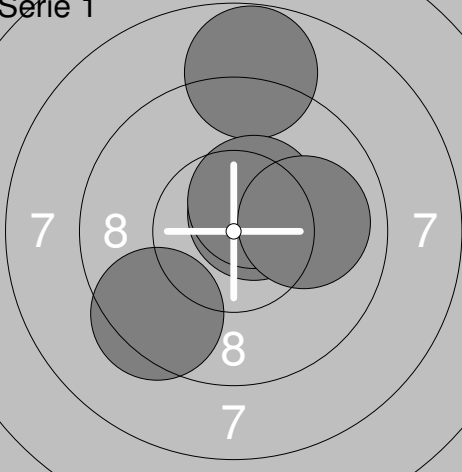
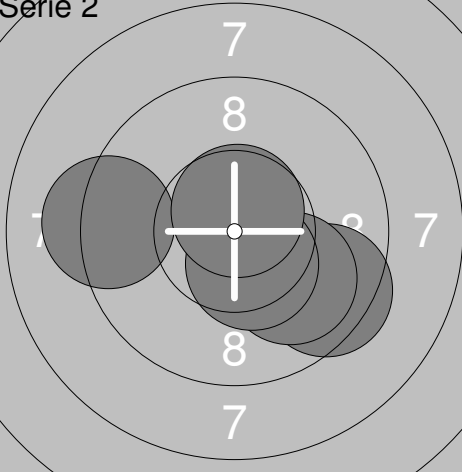
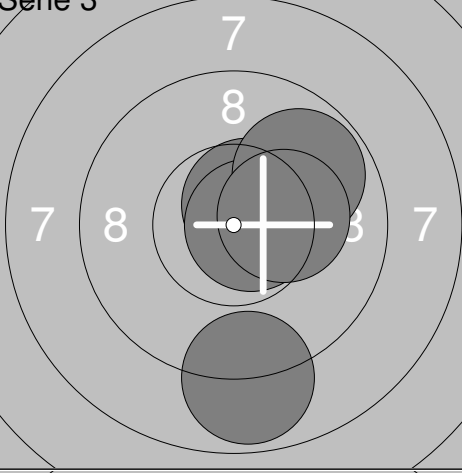
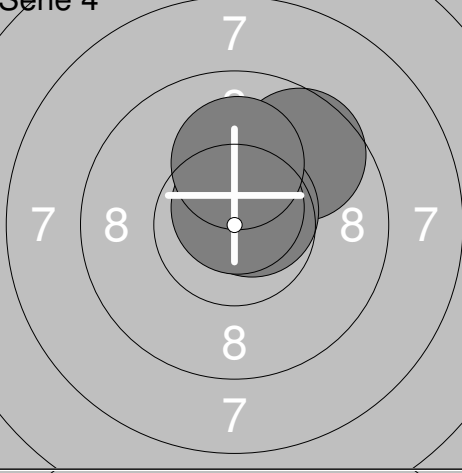
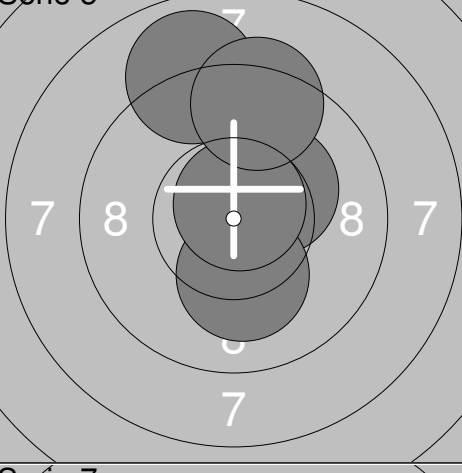
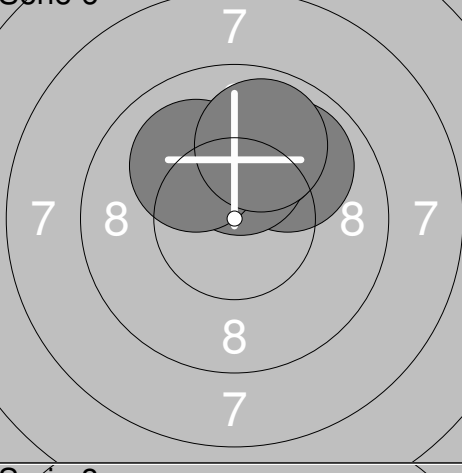
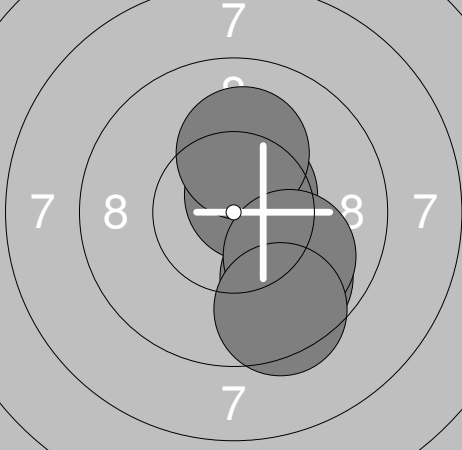
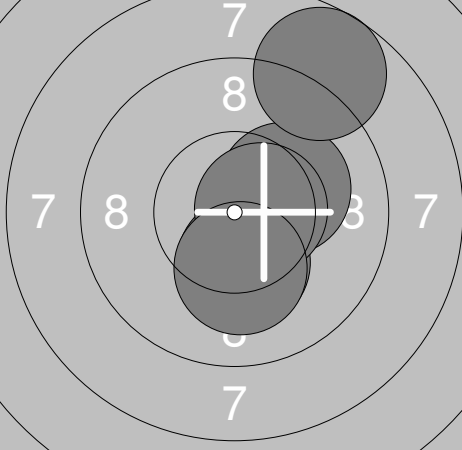
1:	10.7x	→
2:	10.7x	↗
3:	10.2x	↖
4:	10.8x	↑
5:	10.8x	→
Serie		53.2
Total		312.5

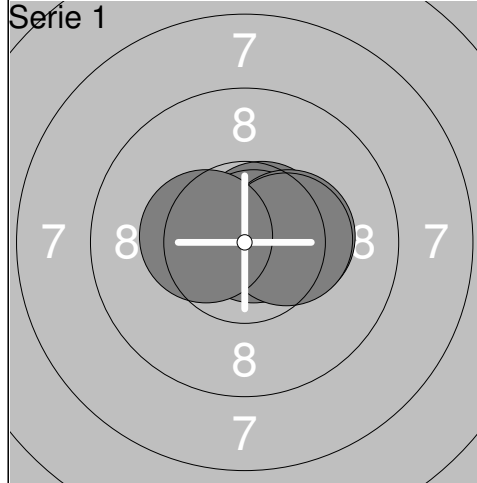


1:	10.4x	↖
2:	10.4x	↓
3:	10.3x	↖
4:	10.5x	↗
5:	10.6x	↗
Serie		52.2
Total		364.7

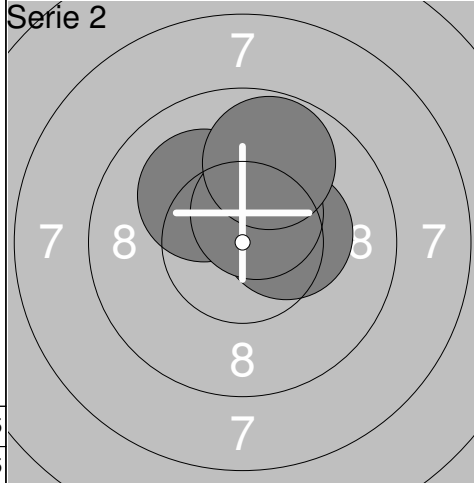


1:	10.6x	↑
2:	10.4x	↓
3:	10.5x	↘
4:	10.6x	↗
5:	10.7x	↗
Serie		52.8
Total		417.5

<p>Serie 1</p>  <table border="1" style="width:100%; border-collapse: collapse;"> <tr><td>1:</td><td>8.8</td><td>↑</td></tr> <tr><td>2:</td><td>10.6x</td><td>↗</td></tr> <tr><td>3:</td><td>10.4x</td><td>↗</td></tr> <tr><td>4:</td><td>10.0</td><td>→</td></tr> <tr><td>5:</td><td>9.4</td><td>↘</td></tr> <tr><td colspan="2">Serie</td><td>49.2</td></tr> <tr><td colspan="2">Total</td><td>49.2</td></tr> </table>	1:	8.8	↑	2:	10.6x	↗	3:	10.4x	↗	4:	10.0	→	5:	9.4	↘	Serie		49.2	Total		49.2	<p>Serie 2</p>  <table border="1" style="width:100%; border-collapse: collapse;"> <tr><td>1:</td><td>9.5</td><td>↘</td></tr> <tr><td>2:</td><td>9.2</td><td>←</td></tr> <tr><td>3:</td><td>9.9</td><td>↘</td></tr> <tr><td>4:</td><td>10.4x</td><td>↘</td></tr> <tr><td>5:</td><td>10.7x</td><td>↑</td></tr> <tr><td colspan="2">Serie</td><td>49.7</td></tr> <tr><td colspan="2">Total</td><td>98.9</td></tr> </table>	1:	9.5	↘	2:	9.2	←	3:	9.9	↘	4:	10.4x	↘	5:	10.7x	↑	Serie		49.7	Total		98.9
1:	8.8	↑																																									
2:	10.6x	↗																																									
3:	10.4x	↗																																									
4:	10.0	→																																									
5:	9.4	↘																																									
Serie		49.2																																									
Total		49.2																																									
1:	9.5	↘																																									
2:	9.2	←																																									
3:	9.9	↘																																									
4:	10.4x	↘																																									
5:	10.7x	↑																																									
Serie		49.7																																									
Total		98.9																																									
<p>Serie 3</p>  <table border="1" style="width:100%; border-collapse: collapse;"> <tr><td>1:</td><td>10.6x</td><td>↗</td></tr> <tr><td>2:</td><td>8.8</td><td>↓</td></tr> <tr><td>3:</td><td>10.7x</td><td>→</td></tr> <tr><td>4:</td><td>9.8</td><td>↗</td></tr> <tr><td>5:</td><td>10.2x</td><td>→</td></tr> <tr><td colspan="2">Serie</td><td>50.1</td></tr> <tr><td colspan="2">Total</td><td>149.0</td></tr> </table>	1:	10.6x	↗	2:	8.8	↓	3:	10.7x	→	4:	9.8	↗	5:	10.2x	→	Serie		50.1	Total		149.0	<p>Serie 4</p>  <table border="1" style="width:100%; border-collapse: collapse;"> <tr><td>1:</td><td>9.6</td><td>↗</td></tr> <tr><td>2:</td><td>10.7x</td><td>↑</td></tr> <tr><td>3:</td><td>10.6x</td><td>↗</td></tr> <tr><td>4:</td><td>10.7x</td><td>↑</td></tr> <tr><td>5:</td><td>10.1</td><td>↑</td></tr> <tr><td colspan="2">Serie</td><td>51.7</td></tr> <tr><td colspan="2">Total</td><td>200.7</td></tr> </table>	1:	9.6	↗	2:	10.7x	↑	3:	10.6x	↗	4:	10.7x	↑	5:	10.1	↑	Serie		51.7	Total		200.7
1:	10.6x	↗																																									
2:	8.8	↓																																									
3:	10.7x	→																																									
4:	9.8	↗																																									
5:	10.2x	→																																									
Serie		50.1																																									
Total		149.0																																									
1:	9.6	↗																																									
2:	10.7x	↑																																									
3:	10.6x	↗																																									
4:	10.7x	↑																																									
5:	10.1	↑																																									
Serie		51.7																																									
Total		200.7																																									
<p>Serie 5</p>  <table border="1" style="width:100%; border-collapse: collapse;"> <tr><td>1:</td><td>10.3x</td><td>↗</td></tr> <tr><td>2:</td><td>8.9</td><td>↑</td></tr> <tr><td>3:</td><td>10.1</td><td>↓</td></tr> <tr><td>4:</td><td>10.7x</td><td>↑</td></tr> <tr><td>5:</td><td>9.3</td><td>↑</td></tr> <tr><td colspan="2">Serie</td><td>49.3</td></tr> <tr><td colspan="2">Total</td><td>250.0</td></tr> </table>	1:	10.3x	↗	2:	8.9	↑	3:	10.1	↓	4:	10.7x	↑	5:	9.3	↑	Serie		49.3	Total		250.0	<p>Serie 6</p>  <table border="1" style="width:100%; border-collapse: collapse;"> <tr><td>1:</td><td>9.9</td><td>↗</td></tr> <tr><td>2:</td><td>9.9</td><td>↑</td></tr> <tr><td>3:</td><td>10.2x</td><td>↑</td></tr> <tr><td>4:</td><td>10.0</td><td>↖</td></tr> <tr><td>5:</td><td>9.9</td><td>↑</td></tr> <tr><td colspan="2">Serie</td><td>49.9</td></tr> <tr><td colspan="2">Total</td><td>299.9</td></tr> </table>	1:	9.9	↗	2:	9.9	↑	3:	10.2x	↑	4:	10.0	↖	5:	9.9	↑	Serie		49.9	Total		299.9
1:	10.3x	↗																																									
2:	8.9	↑																																									
3:	10.1	↓																																									
4:	10.7x	↑																																									
5:	9.3	↑																																									
Serie		49.3																																									
Total		250.0																																									
1:	9.9	↗																																									
2:	9.9	↑																																									
3:	10.2x	↑																																									
4:	10.0	↖																																									
5:	9.9	↑																																									
Serie		49.9																																									
Total		299.9																																									
<p>Serie 7</p>  <table border="1" style="width:100%; border-collapse: collapse;"> <tr><td>1:</td><td>10.6x</td><td>↗</td></tr> <tr><td>2:</td><td>10.1</td><td>↑</td></tr> <tr><td>3:</td><td>9.8</td><td>↘</td></tr> <tr><td>4:</td><td>10.0</td><td>↘</td></tr> <tr><td>5:</td><td>9.5</td><td>↘</td></tr> <tr><td colspan="2">Serie</td><td>50.0</td></tr> <tr><td colspan="2">Total</td><td>349.9</td></tr> </table>	1:	10.6x	↗	2:	10.1	↑	3:	9.8	↘	4:	10.0	↘	5:	9.5	↘	Serie		50.0	Total		349.9	<p>Serie 8</p>  <table border="1" style="width:100%; border-collapse: collapse;"> <tr><td>1:</td><td>10.2x</td><td>↓</td></tr> <tr><td>2:</td><td>10.2x</td><td>↗</td></tr> <tr><td>3:</td><td>10.6x</td><td>→</td></tr> <tr><td>4:</td><td>8.7</td><td>↑</td></tr> <tr><td>5:</td><td>10.2x</td><td>↓</td></tr> <tr><td colspan="2">Serie</td><td>49.9</td></tr> <tr><td colspan="2">Total</td><td>399.8</td></tr> </table>	1:	10.2x	↓	2:	10.2x	↗	3:	10.6x	→	4:	8.7	↑	5:	10.2x	↓	Serie		49.9	Total		399.8
1:	10.6x	↗																																									
2:	10.1	↑																																									
3:	9.8	↘																																									
4:	10.0	↘																																									
5:	9.5	↘																																									
Serie		50.0																																									
Total		349.9																																									
1:	10.2x	↓																																									
2:	10.2x	↗																																									
3:	10.6x	→																																									
4:	8.7	↑																																									
5:	10.2x	↓																																									
Serie		49.9																																									
Total		399.8																																									



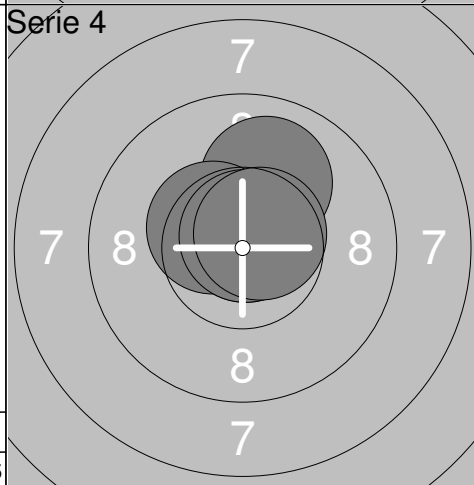
1:	10.6x	↗
2:	10.8x	↗
3:	10.3x	→
4:	10.4x	→
5:	10.4x	←
Serie		52.5
Total		52.5



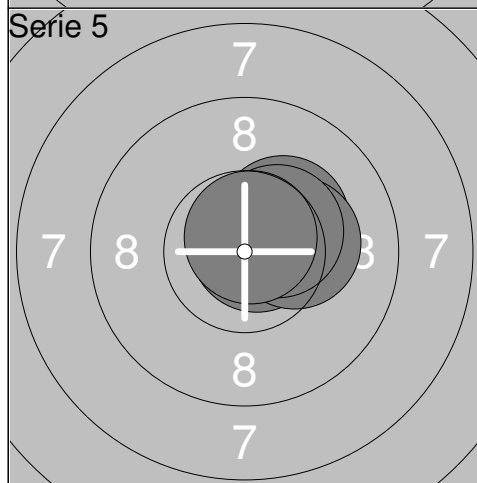
1:	10.2x	↑
2:	10.3x	→
3:	10.1	↖
4:	10.5x	↑
5:	9.8	↑
Serie		50.9
Total		103.4



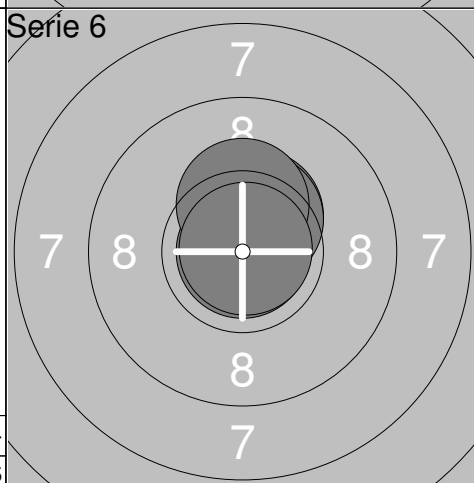
1:	10.4x	→
2:	10.7x	↑
3:	10.3x	↖
4:	10.3x	↗
5:	10.4x	↗
Serie		52.1
Total		155.5



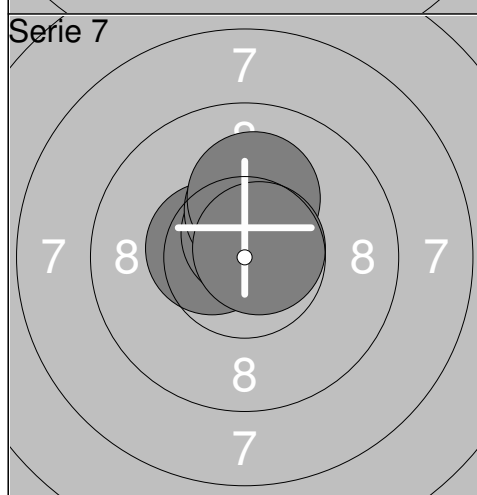
1:	10.0	↑
2:	10.8x	↑
3:	10.4x	↖
4:	10.8x	↑
5:	10.6x	↗
Serie		52.6
Total		208.1



1:	10.3x	↗
2:	10.8x	↗
3:	10.2x	→
4:	10.4x	↗
5:	10.7x	↑
Serie		52.4
Total		260.5



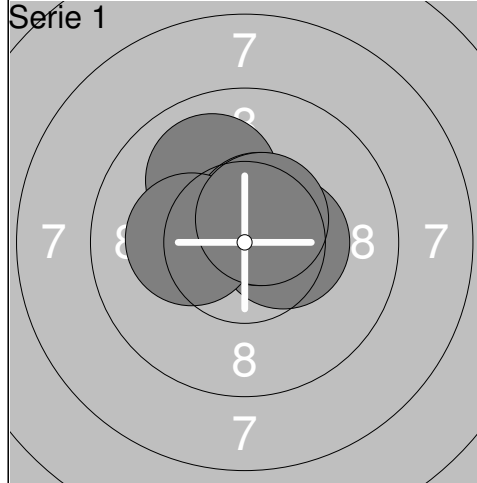
1:	10.4x	↑
2:	10.4x	↑
3:	10.9x	
4:	10.3x	↑
5:	10.9x	↗
Serie		52.9
Total		313.4



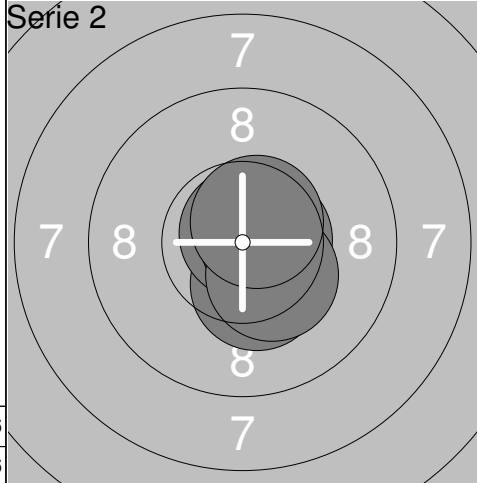
1:	10.5x	←
2:	10.6x	↑
3:	10.3x	↑
4:	10.1	↑
5:	10.7x	↗
Serie		52.2
Total		365.6



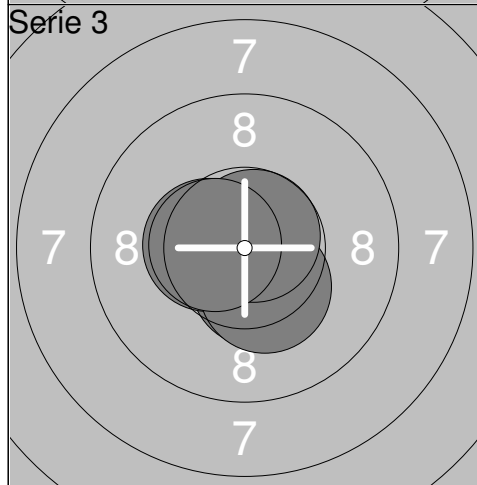
1:	10.3x	↓
2:	10.7x	→
3:	10.6x	↗
4:	10.3x	↖
5:	10.4x	→
Serie		52.3
Total		417.9



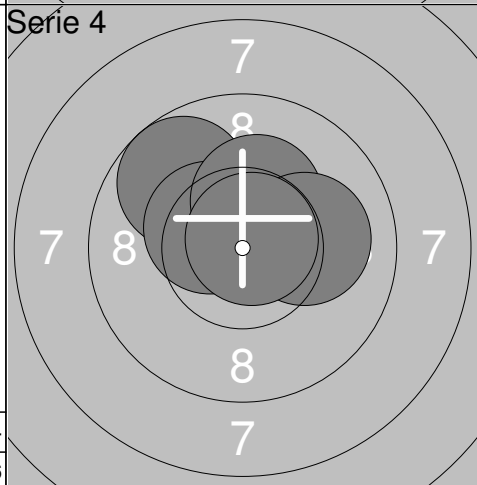
1:	10.0	↖
2:	10.4x	→
3:	10.5x	↗
4:	10.2x	←
5:	10.5x	↗
Serie		51.6
Total		51.6



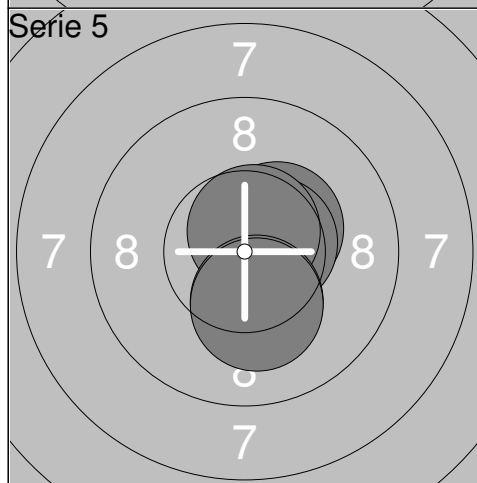
1:	10.3x	↘
2:	10.8x	↗
3:	10.6x	→
4:	10.3x	↘
5:	10.6x	↗
Serie		52.6
Total		104.2



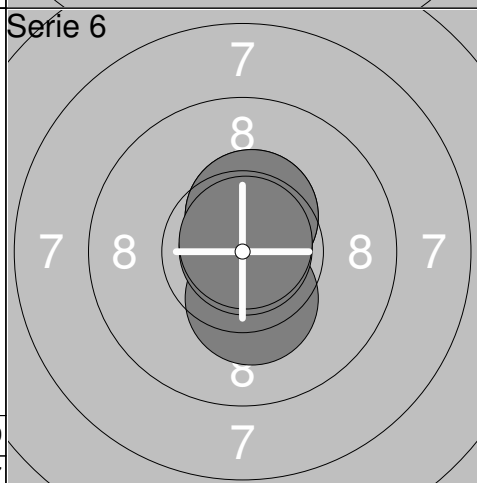
1:	10.5x	↘
2:	10.4x	←
3:	10.3x	↘
4:	10.7x	↗
5:	10.5x	←
Serie		52.4
Total		156.6



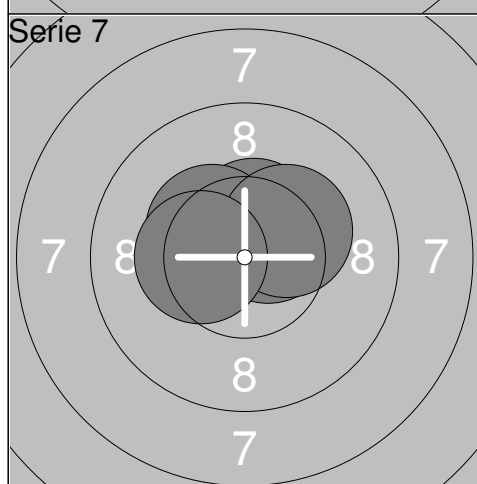
1:	9.7	↖
2:	10.4x	↖
3:	10.3x	↗
4:	10.1	→
5:	10.7x	↗
Serie		51.2
Total		207.8



1:	10.4x	↗
2:	10.5x	→
3:	10.6x	↗
4:	10.2x	↘
5:	10.2x	↘
Serie		51.9
Total		259.7



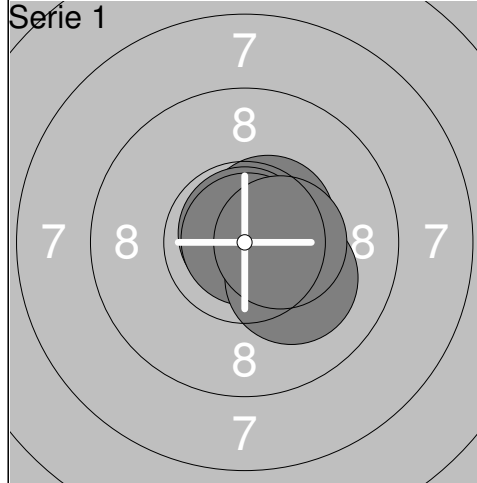
1:	10.4x	↗
2:	10.3x	↘
3:	10.4x	↗
4:	10.9x	↗
5:	10.8x	↗
Serie		52.8
Total		312.5



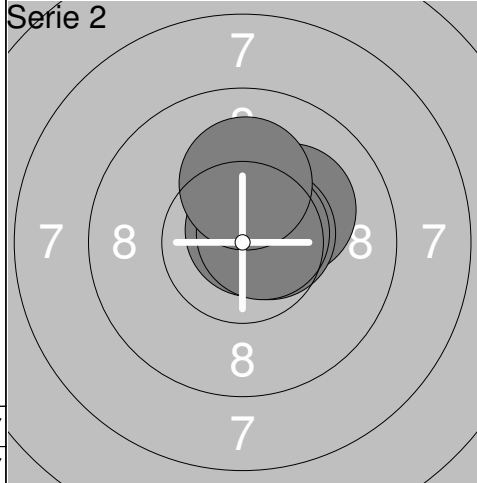
1:	10.5x	↗
2:	10.5x	↗
3:	10.4x	↖
4:	10.3x	↗
5:	10.3x	←
Serie		52.0
Total		364.5



1:	10.2x	←
2:	10.3x	→
3:	10.8x	→
4:	10.2x	↗
5:	10.2x	→
Serie		51.7
Total		416.2



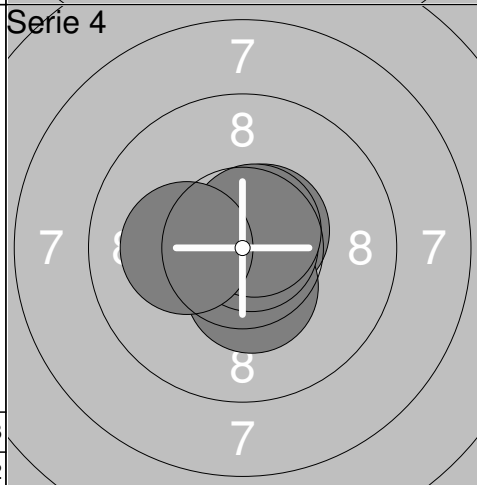
1:	10.5x	↗
2:	10.8x	↑
3:	10.9x	↗
4:	10.1	↘
5:	10.4x	→
Serie		52.7
Total		52.7



1:	10.2x	↗
2:	10.8x	↑
3:	10.5x	→
4:	10.6x	↗
5:	10.1	↑
Serie		52.2
Total		104.9



1:	10.7x	↑
2:	10.6x	↑
3:	10.7x	↗
4:	10.7x	→
5:	10.6x	→
Serie		53.3
Total		158.2



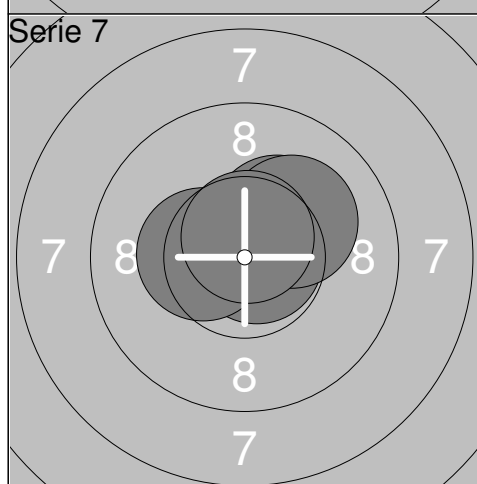
1:	10.6x	↗
2:	10.4x	↘
3:	10.8x	→
4:	10.6x	↗
5:	10.2x	←
Serie		52.6
Total		210.8



1:	10.1	↘
2:	10.5x	→
3:	10.5x	↗
4:	10.3x	↘
5:	10.4x	↖
Serie		51.8
Total		262.6



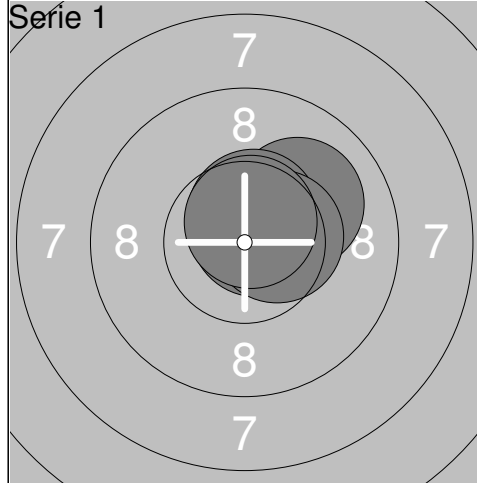
1:	10.8x	→
2:	10.6x	↑
3:	10.2x	←
4:	10.9x	↗
5:	10.7x	↗
Serie		53.2
Total		315.8



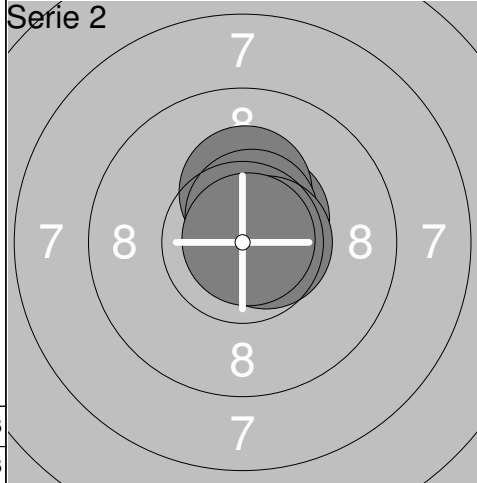
1:	10.3x	↗
2:	10.8x	→
3:	10.1	↗
4:	10.4x	←
5:	10.6x	↑
Serie		52.2
Total		368.0



1:	10.4x	←
2:	10.6x	→
3:	10.8x	→
4:	10.4x	←
5:	10.2x	↑
Serie		52.4
Total		420.4



1:	10.7x	↗
2:	10.0	↗
3:	10.5x	↑
4:	10.5x	→
5:	10.6x	↑
Serie		52.3
Total		52.3



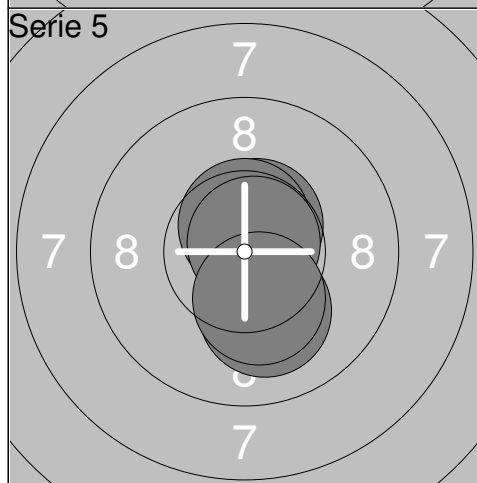
1:	10.5x	↗
2:	10.3x	↑
3:	10.6x	↑
4:	10.6x	→
5:	10.8x	↗
Serie		52.8
Total		105.1



1:	10.6x	↑
2:	10.6x	↗
3:	10.3x	↗
4:	10.4x	←
5:	10.5x	→
Serie		52.4
Total		157.5



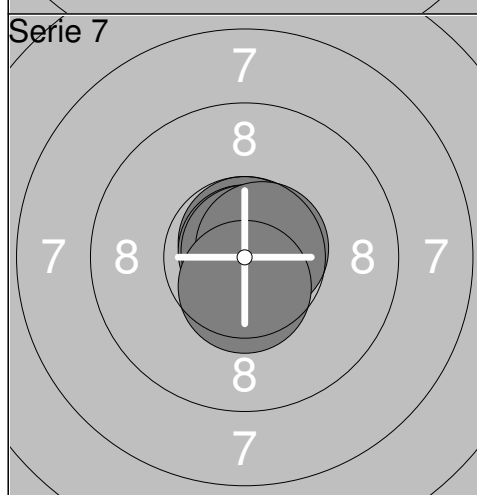
1:	10.8x	↗
2:	10.3x	←
3:	10.5x	↓
4:	10.9x	↑
5:	10.8x	→
Serie		53.3
Total		210.8



1:	10.5x	↑
2:	10.1	↓
3:	10.6x	↑
4:	10.8x	↗
5:	10.3x	↓
Serie		52.3
Total		263.1



1:	10.8x	↗
2:	10.9x	↗
3:	10.4x	←
4:	10.8x	↗
5:	10.8x	↗
Serie		53.7
Total		316.8

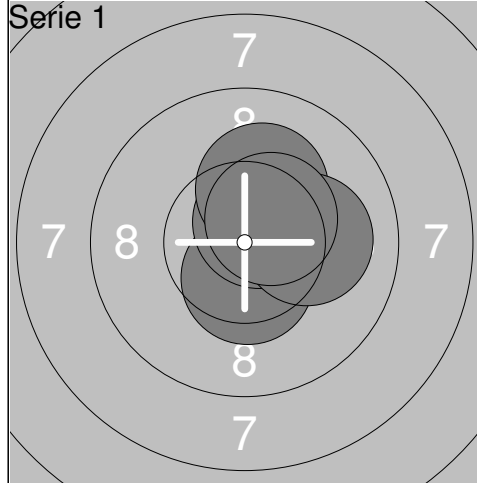


1:	10.7x	↑
2:	10.8x	↑
3:	10.8x	↗
4:	10.7x	↗
5:	10.5x	↓
Serie		53.5
Total		370.3

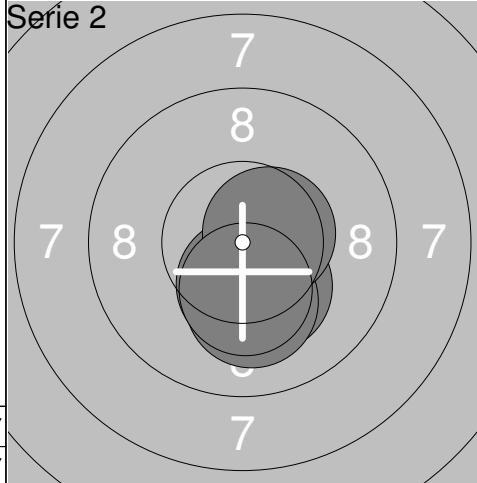


1:	10.3x	←
2:	10.3x	←
3:	10.6x	→
4:	10.7x	↑
5:	10.3x	↓
Serie		52.2
Total		422.5

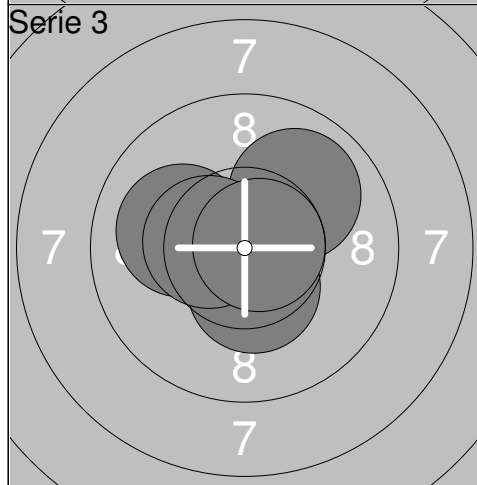
<p>Serie 1</p>	<table style="width:100%; border-collapse: collapse;"> <tr><td>1: 10.8x ↗</td></tr> <tr><td>2: 10.5x ↓</td></tr> <tr><td>3: 10.6x ↗</td></tr> <tr><td>4: 10.3x ↓</td></tr> <tr><td>5: 10.6x ↗</td></tr> </table> <table style="width:100%; border-collapse: collapse; margin-top: 5px;"> <tr><td style="border-top: 1px solid black;">Serie</td><td style="border-top: 1px solid black; text-align: right;">52.8</td></tr> <tr><td style="border-top: 1px solid black;">Total</td><td style="border-top: 1px solid black; text-align: right;">52.8</td></tr> </table>	1: 10.8x ↗	2: 10.5x ↓	3: 10.6x ↗	4: 10.3x ↓	5: 10.6x ↗	Serie	52.8	Total	52.8	<p>Serie 2</p>	<table style="width:100%; border-collapse: collapse;"> <tr><td>1: 10.4x ↗</td></tr> <tr><td>2: 10.6x ↗</td></tr> <tr><td>3: 10.8x ↗</td></tr> <tr><td>4: 10.6x ↗</td></tr> <tr><td>5: 10.5x ↗</td></tr> </table> <table style="width:100%; border-collapse: collapse; margin-top: 5px;"> <tr><td style="border-top: 1px solid black;">Serie</td><td style="border-top: 1px solid black; text-align: right;">52.9</td></tr> <tr><td style="border-top: 1px solid black;">Total</td><td style="border-top: 1px solid black; text-align: right;">105.7</td></tr> </table>	1: 10.4x ↗	2: 10.6x ↗	3: 10.8x ↗	4: 10.6x ↗	5: 10.5x ↗	Serie	52.9	Total	105.7
1: 10.8x ↗																					
2: 10.5x ↓																					
3: 10.6x ↗																					
4: 10.3x ↓																					
5: 10.6x ↗																					
Serie	52.8																				
Total	52.8																				
1: 10.4x ↗																					
2: 10.6x ↗																					
3: 10.8x ↗																					
4: 10.6x ↗																					
5: 10.5x ↗																					
Serie	52.9																				
Total	105.7																				
<p>Serie 3</p>	<table style="width:100%; border-collapse: collapse;"> <tr><td>1: 10.8x ↑</td></tr> <tr><td>2: 10.4x ↓</td></tr> <tr><td>3: 10.3x ←</td></tr> <tr><td>4: 9.7 ↗</td></tr> <tr><td>5: 10.3x ←</td></tr> </table> <table style="width:100%; border-collapse: collapse; margin-top: 5px;"> <tr><td style="border-top: 1px solid black;">Serie</td><td style="border-top: 1px solid black; text-align: right;">51.5</td></tr> <tr><td style="border-top: 1px solid black;">Total</td><td style="border-top: 1px solid black; text-align: right;">157.2</td></tr> </table>	1: 10.8x ↑	2: 10.4x ↓	3: 10.3x ←	4: 9.7 ↗	5: 10.3x ←	Serie	51.5	Total	157.2	<p>Serie 4</p>	<table style="width:100%; border-collapse: collapse;"> <tr><td>1: 10.6x ↑</td></tr> <tr><td>2: 10.3x ←</td></tr> <tr><td>3: 10.3x ↑</td></tr> <tr><td>4: 10.2x ↑</td></tr> <tr><td>5: 10.6x ↑</td></tr> </table> <table style="width:100%; border-collapse: collapse; margin-top: 5px;"> <tr><td style="border-top: 1px solid black;">Serie</td><td style="border-top: 1px solid black; text-align: right;">52.0</td></tr> <tr><td style="border-top: 1px solid black;">Total</td><td style="border-top: 1px solid black; text-align: right;">209.2</td></tr> </table>	1: 10.6x ↑	2: 10.3x ←	3: 10.3x ↑	4: 10.2x ↑	5: 10.6x ↑	Serie	52.0	Total	209.2
1: 10.8x ↑																					
2: 10.4x ↓																					
3: 10.3x ←																					
4: 9.7 ↗																					
5: 10.3x ←																					
Serie	51.5																				
Total	157.2																				
1: 10.6x ↑																					
2: 10.3x ←																					
3: 10.3x ↑																					
4: 10.2x ↑																					
5: 10.6x ↑																					
Serie	52.0																				
Total	209.2																				
<p>Serie 5</p>	<table style="width:100%; border-collapse: collapse;"> <tr><td>1: 10.3x ↑</td></tr> <tr><td>2: 9.9 ←</td></tr> <tr><td>3: 10.3x ↓</td></tr> <tr><td>4: 10.3x ←</td></tr> <tr><td>5: 10.1 ↗</td></tr> </table> <table style="width:100%; border-collapse: collapse; margin-top: 5px;"> <tr><td style="border-top: 1px solid black;">Serie</td><td style="border-top: 1px solid black; text-align: right;">50.9</td></tr> <tr><td style="border-top: 1px solid black;">Total</td><td style="border-top: 1px solid black; text-align: right;">260.1</td></tr> </table>	1: 10.3x ↑	2: 9.9 ←	3: 10.3x ↓	4: 10.3x ←	5: 10.1 ↗	Serie	50.9	Total	260.1	<p>Serie 6</p>	<table style="width:100%; border-collapse: collapse;"> <tr><td>1: 10.8x ↗</td></tr> <tr><td>2: 10.3x ↗</td></tr> <tr><td>3: 9.9 ↑</td></tr> <tr><td>4: 10.0 ↗</td></tr> <tr><td>5: 10.5x ↗</td></tr> </table> <table style="width:100%; border-collapse: collapse; margin-top: 5px;"> <tr><td style="border-top: 1px solid black;">Serie</td><td style="border-top: 1px solid black; text-align: right;">51.5</td></tr> <tr><td style="border-top: 1px solid black;">Total</td><td style="border-top: 1px solid black; text-align: right;">311.6</td></tr> </table>	1: 10.8x ↗	2: 10.3x ↗	3: 9.9 ↑	4: 10.0 ↗	5: 10.5x ↗	Serie	51.5	Total	311.6
1: 10.3x ↑																					
2: 9.9 ←																					
3: 10.3x ↓																					
4: 10.3x ←																					
5: 10.1 ↗																					
Serie	50.9																				
Total	260.1																				
1: 10.8x ↗																					
2: 10.3x ↗																					
3: 9.9 ↑																					
4: 10.0 ↗																					
5: 10.5x ↗																					
Serie	51.5																				
Total	311.6																				
<p>Serie 7</p>	<table style="width:100%; border-collapse: collapse;"> <tr><td>1: 10.4x ↗</td></tr> <tr><td>2: 10.0 →</td></tr> <tr><td>3: 10.3x ↗</td></tr> <tr><td>4: 9.7 ↓</td></tr> <tr><td>5: 10.4x ↑</td></tr> </table> <table style="width:100%; border-collapse: collapse; margin-top: 5px;"> <tr><td style="border-top: 1px solid black;">Serie</td><td style="border-top: 1px solid black; text-align: right;">50.8</td></tr> <tr><td style="border-top: 1px solid black;">Total</td><td style="border-top: 1px solid black; text-align: right;">362.4</td></tr> </table>	1: 10.4x ↗	2: 10.0 →	3: 10.3x ↗	4: 9.7 ↓	5: 10.4x ↑	Serie	50.8	Total	362.4	<p>Serie 8</p>	<table style="width:100%; border-collapse: collapse;"> <tr><td>1: 10.5x ↗</td></tr> <tr><td>2: 10.3x ↑</td></tr> <tr><td>3: 10.5x ←</td></tr> <tr><td>4: 10.2x ↓</td></tr> <tr><td>5: 10.3x ↓</td></tr> </table> <table style="width:100%; border-collapse: collapse; margin-top: 5px;"> <tr><td style="border-top: 1px solid black;">Serie</td><td style="border-top: 1px solid black; text-align: right;">51.8</td></tr> <tr><td style="border-top: 1px solid black;">Total</td><td style="border-top: 1px solid black; text-align: right;">414.2</td></tr> </table>	1: 10.5x ↗	2: 10.3x ↑	3: 10.5x ←	4: 10.2x ↓	5: 10.3x ↓	Serie	51.8	Total	414.2
1: 10.4x ↗																					
2: 10.0 →																					
3: 10.3x ↗																					
4: 9.7 ↓																					
5: 10.4x ↑																					
Serie	50.8																				
Total	362.4																				
1: 10.5x ↗																					
2: 10.3x ↑																					
3: 10.5x ←																					
4: 10.2x ↓																					
5: 10.3x ↓																					
Serie	51.8																				
Total	414.2																				



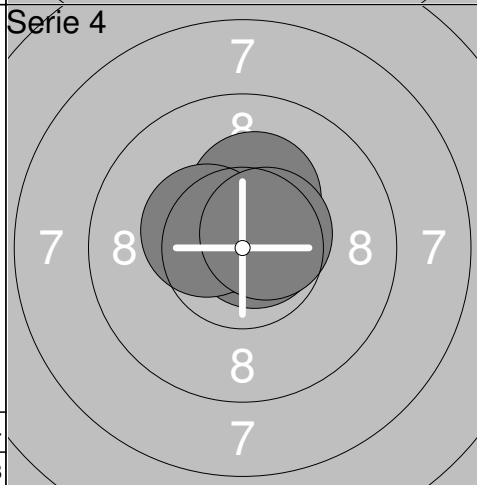
1:	10.4x	↓
2:	10.6x	↗
3:	10.1	↑
4:	10.1	→
5:	10.5x	↗
Serie		51.7
Total		51.7



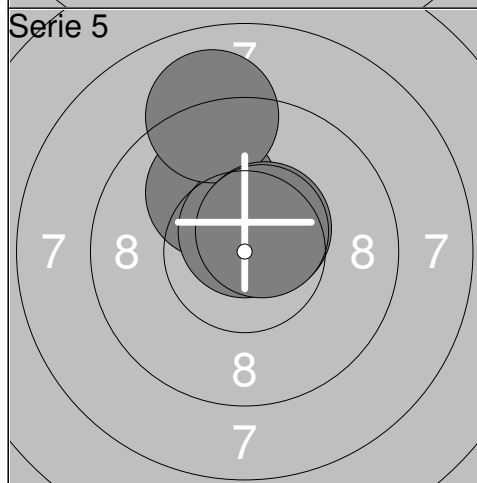
1:	10.3x	↓
2:	10.1	↓
3:	10.4x	↓
4:	10.6x	→
5:	10.3x	↓
Serie		51.7
Total		103.4



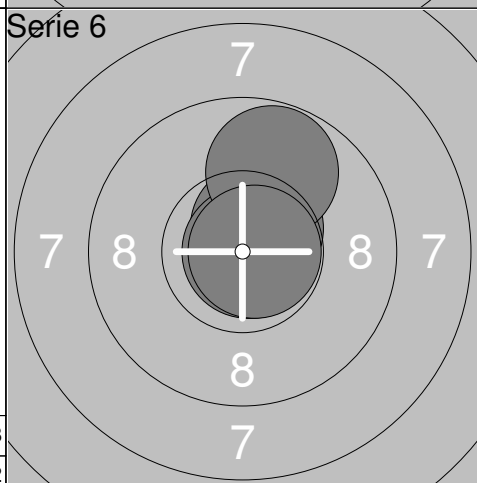
1:	10.0	←
2:	9.9	↗
3:	10.4x	↓
4:	10.4x	←
5:	10.7x	→
Serie		51.4
Total		154.8



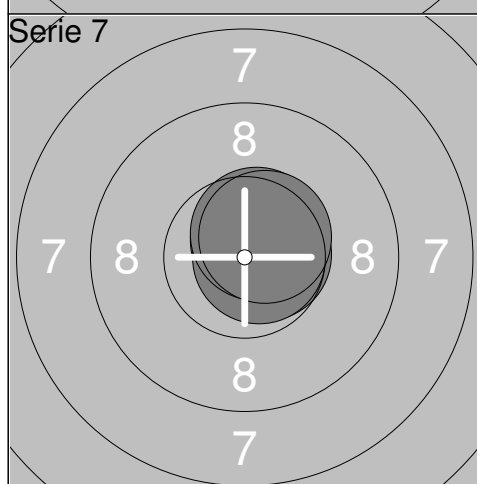
1:	10.7x	↗
2:	10.7x	↑
3:	10.2x	↑
4:	10.4x	←
5:	10.6x	↗
Serie		52.6
Total		207.4



1:	10.0	↖
2:	10.7x	↑
3:	9.0	↑
4:	10.5x	↗
5:	10.6x	↗
Serie		50.8
Total		258.2



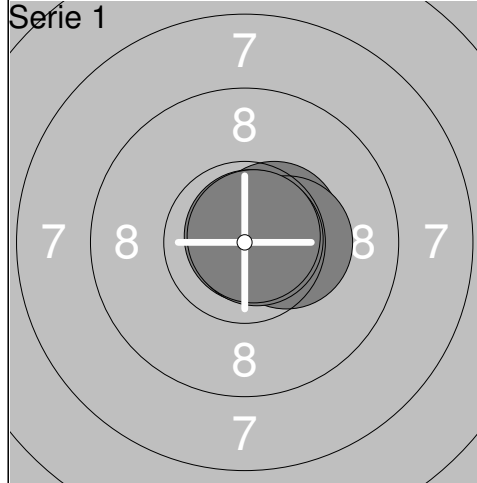
1:	10.8x	→
2:	10.6x	↗
3:	10.9x	→
4:	9.8	↑
5:	10.8x	→
Serie		52.9
Total		311.1



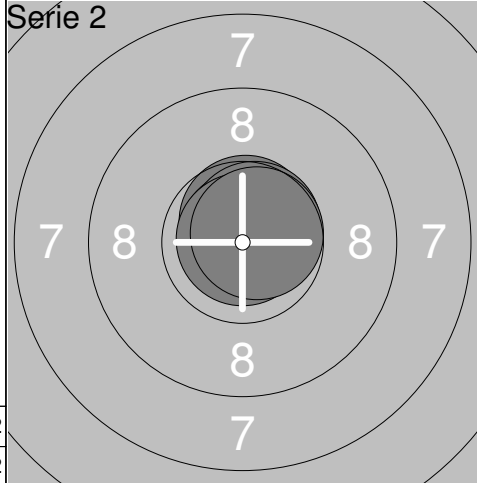
1:	10.7x	→
2:	10.6x	↗
3:	10.7x	→
4:	10.6x	↗
5:	10.5x	↗
Serie		53.1
Total		364.2



1:	9.9	↑
2:	10.1	↓
3:	9.9	←
4:	10.1	↓
5:	10.0	↓
Serie		50.0
Total		414.2



1:	10.5x	➔
2:	10.4x	➔
3:	10.8x	↗
4:	10.7x	➔
5:	10.8x	↗
Serie		53.2
Total		53.2



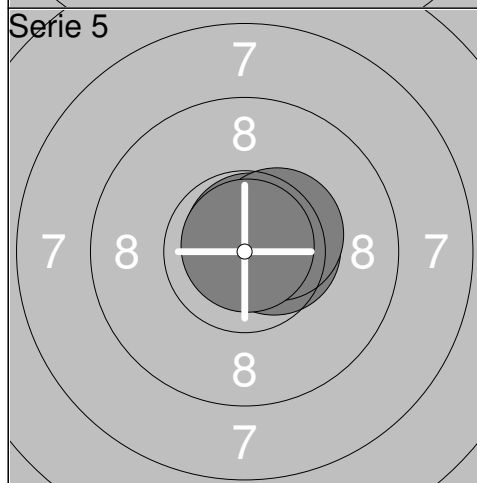
1:	10.7x	↑
2:	10.9x	↗
3:	10.7x	↗
4:	10.9x	↑
5:	10.7x	↗
Serie		53.9
Total		107.1



1:	10.7x	➔
2:	10.2x	↗
3:	10.7x	➔
4:	10.7x	↗
5:	10.5x	➔
Serie		52.8
Total		159.9



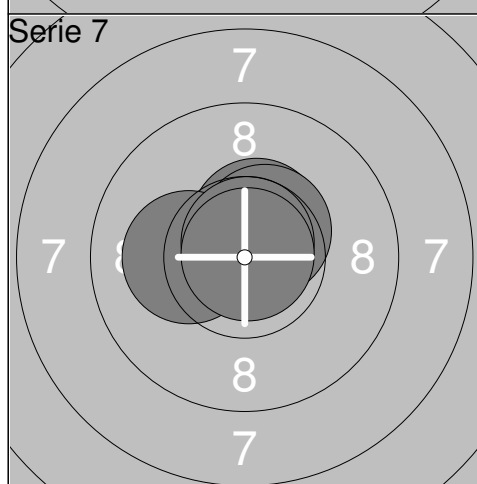
1:	10.8x	↗
2:	10.3x	↗
3:	10.9x	➔
4:	10.6x	↗
5:	10.4x	↗
Serie		53.0
Total		212.9



1:	10.7x	➔
2:	10.5x	➔
3:	10.7x	↗
4:	10.4x	➔
5:	10.8x	↗
Serie		53.1
Total		266.0



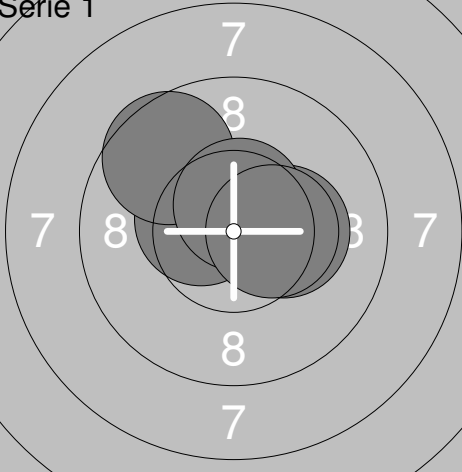
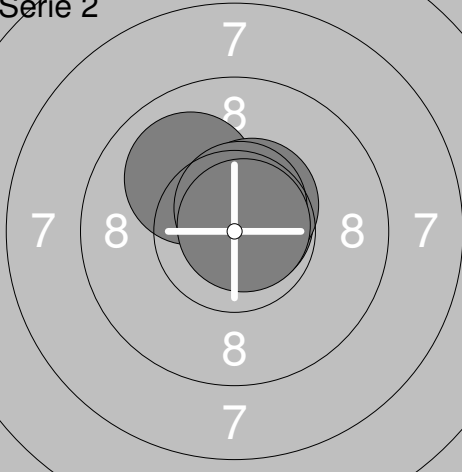
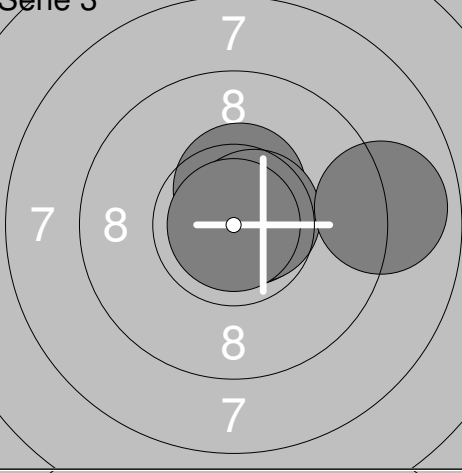

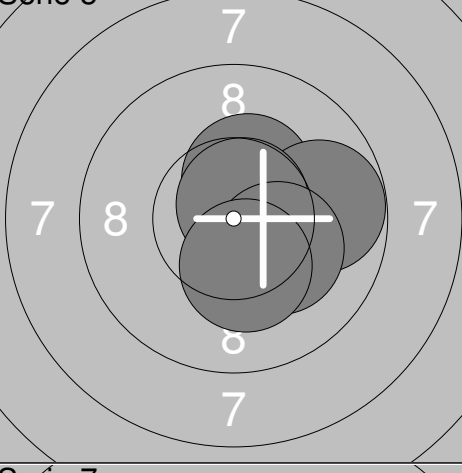
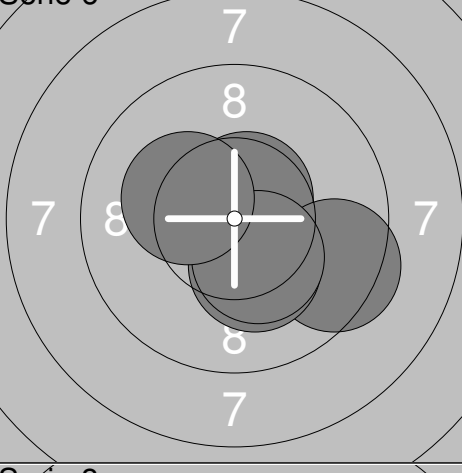
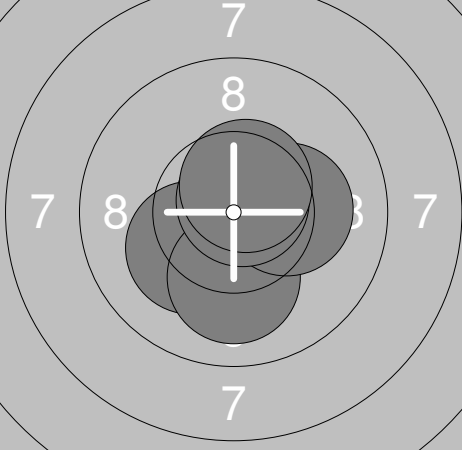
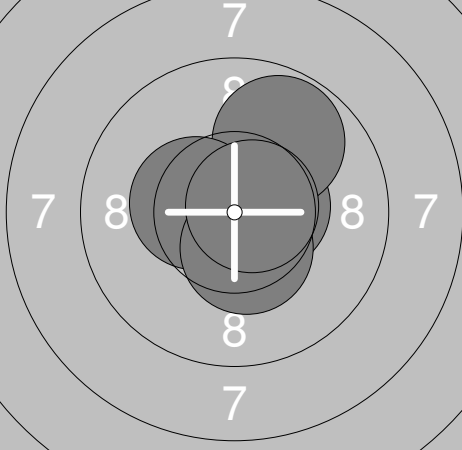
1:	10.7x	➔
2:	10.5x	↗
3:	10.2x	↖
4:	10.4x	↑
5:	10.6x	↗
Serie		52.4
Total		318.4

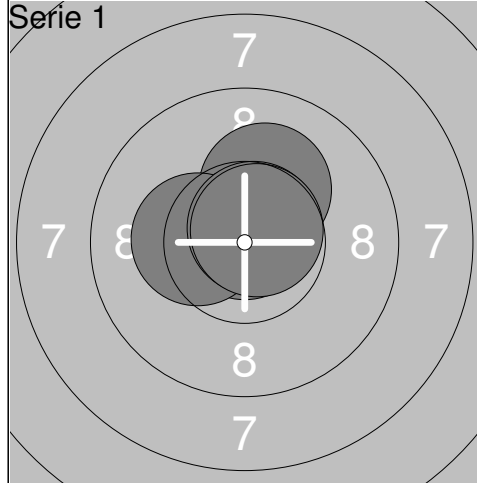


1:	10.5x	↗
2:	10.2x	↖
3:	10.5x	↗
4:	10.7x	↑
5:	10.9x	↗
Serie		52.8
Total		371.2

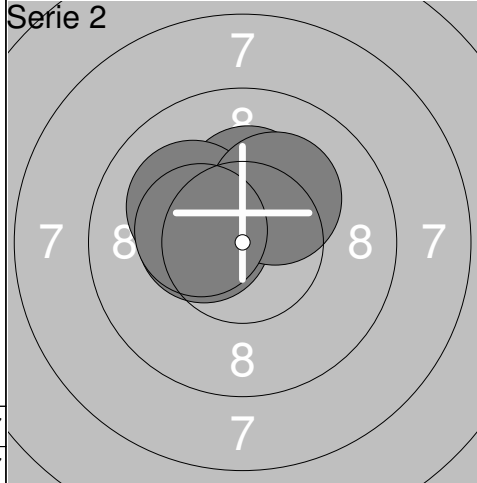


1:	10.7x	↑
2:	10.7x	↑
3:	10.5x	➔
4:	10.6x	➔
5:	10.7x	↑
Serie		53.2
Total		424.4

<p>Serie 1</p>  <table border="1" style="width:100%; border-collapse: collapse; margin-top: 10px;"> <tr><td>1:</td><td>10.2x</td><td>→</td></tr> <tr><td>2:</td><td>10.5x</td><td>↙</td></tr> <tr><td>3:</td><td>9.6</td><td>↗</td></tr> <tr><td>4:</td><td>10.6x</td><td>↑</td></tr> <tr><td>5:</td><td>10.4x</td><td>→</td></tr> <tr><td colspan="2">Serie</td><td style="text-align: right;">51.3</td></tr> <tr><td colspan="2">Total</td><td style="text-align: right;">51.3</td></tr> </table>	1:	10.2x	→	2:	10.5x	↙	3:	9.6	↗	4:	10.6x	↑	5:	10.4x	→	Serie		51.3	Total		51.3	<p>Serie 2</p>  <table border="1" style="width:100%; border-collapse: collapse; margin-top: 10px;"> <tr><td>1:</td><td>10.7x</td><td>↗</td></tr> <tr><td>2:</td><td>10.0</td><td>↖</td></tr> <tr><td>3:</td><td>10.5x</td><td>↗</td></tr> <tr><td>4:</td><td>10.6x</td><td>↑</td></tr> <tr><td>5:</td><td>10.8x</td><td>↗</td></tr> <tr><td colspan="2">Serie</td><td style="text-align: right;">52.6</td></tr> <tr><td colspan="2">Total</td><td style="text-align: right;">103.9</td></tr> </table>	1:	10.7x	↗	2:	10.0	↖	3:	10.5x	↗	4:	10.6x	↑	5:	10.8x	↗	Serie		52.6	Total		103.9
1:	10.2x	→																																									
2:	10.5x	↙																																									
3:	9.6	↗																																									
4:	10.6x	↑																																									
5:	10.4x	→																																									
Serie		51.3																																									
Total		51.3																																									
1:	10.7x	↗																																									
2:	10.0	↖																																									
3:	10.5x	↗																																									
4:	10.6x	↑																																									
5:	10.8x	↗																																									
Serie		52.6																																									
Total		103.9																																									
<p>Serie 3</p>  <table border="1" style="width:100%; border-collapse: collapse; margin-top: 10px;"> <tr><td>1:</td><td>10.4x</td><td>↑</td></tr> <tr><td>2:</td><td>10.7x</td><td>↗</td></tr> <tr><td>3:</td><td>10.6x</td><td>↗</td></tr> <tr><td>4:</td><td>8.9</td><td>→</td></tr> <tr><td>5:</td><td>10.9x</td><td></td></tr> <tr><td colspan="2">Serie</td><td style="text-align: right;">51.5</td></tr> <tr><td colspan="2">Total</td><td style="text-align: right;">155.4</td></tr> </table>	1:	10.4x	↑	2:	10.7x	↗	3:	10.6x	↗	4:	8.9	→	5:	10.9x		Serie		51.5	Total		155.4	<p>Serie 4</p>  <table border="1" style="width:100%; border-collapse: collapse; margin-top: 10px;"> <tr><td>1:</td><td>10.4x</td><td>↑</td></tr> <tr><td>2:</td><td>10.8x</td><td>↗</td></tr> <tr><td>3:</td><td>10.4x</td><td>↖</td></tr> <tr><td>4:</td><td>10.5x</td><td>↑</td></tr> <tr><td>5:</td><td>10.8x</td><td>→</td></tr> <tr><td colspan="2">Serie</td><td style="text-align: right;">52.9</td></tr> <tr><td colspan="2">Total</td><td style="text-align: right;">208.3</td></tr> </table>	1:	10.4x	↑	2:	10.8x	↗	3:	10.4x	↖	4:	10.5x	↑	5:	10.8x	→	Serie		52.9	Total		208.3
1:	10.4x	↑																																									
2:	10.7x	↗																																									
3:	10.6x	↗																																									
4:	8.9	→																																									
5:	10.9x																																										
Serie		51.5																																									
Total		155.4																																									
1:	10.4x	↑																																									
2:	10.8x	↗																																									
3:	10.4x	↖																																									
4:	10.5x	↑																																									
5:	10.8x	→																																									
Serie		52.9																																									
Total		208.3																																									
<p>Serie 5</p>  <table border="1" style="width:100%; border-collapse: collapse; margin-top: 10px;"> <tr><td>1:</td><td>10.4x</td><td>↑</td></tr> <tr><td>2:</td><td>9.8</td><td>→</td></tr> <tr><td>3:</td><td>10.7x</td><td>↗</td></tr> <tr><td>4:</td><td>10.2x</td><td>↘</td></tr> <tr><td>5:</td><td>10.3x</td><td>↘</td></tr> <tr><td colspan="2">Serie</td><td style="text-align: right;">51.4</td></tr> <tr><td colspan="2">Total</td><td style="text-align: right;">259.7</td></tr> </table>	1:	10.4x	↑	2:	9.8	→	3:	10.7x	↗	4:	10.2x	↘	5:	10.3x	↘	Serie		51.4	Total		259.7	<p>Serie 6</p>  <table border="1" style="width:100%; border-collapse: collapse; margin-top: 10px;"> <tr><td>1:</td><td>10.6x</td><td>↗</td></tr> <tr><td>2:</td><td>9.4</td><td>→</td></tr> <tr><td>3:</td><td>10.2x</td><td>↘</td></tr> <tr><td>4:</td><td>10.3x</td><td>↘</td></tr> <tr><td>5:</td><td>10.2x</td><td>↖</td></tr> <tr><td colspan="2">Serie</td><td style="text-align: right;">50.7</td></tr> <tr><td colspan="2">Total</td><td style="text-align: right;">310.4</td></tr> </table>	1:	10.6x	↗	2:	9.4	→	3:	10.2x	↘	4:	10.3x	↘	5:	10.2x	↖	Serie		50.7	Total		310.4
1:	10.4x	↑																																									
2:	9.8	→																																									
3:	10.7x	↗																																									
4:	10.2x	↘																																									
5:	10.3x	↘																																									
Serie		51.4																																									
Total		259.7																																									
1:	10.6x	↗																																									
2:	9.4	→																																									
3:	10.2x	↘																																									
4:	10.3x	↘																																									
5:	10.2x	↖																																									
Serie		50.7																																									
Total		310.4																																									
<p>Serie 7</p>  <table border="1" style="width:100%; border-collapse: collapse; margin-top: 10px;"> <tr><td>1:</td><td>10.2x</td><td>↖</td></tr> <tr><td>2:</td><td>10.0</td><td>↓</td></tr> <tr><td>3:</td><td>10.2x</td><td>→</td></tr> <tr><td>4:</td><td>10.7x</td><td>↗</td></tr> <tr><td>5:</td><td>10.5x</td><td>↗</td></tr> <tr><td colspan="2">Serie</td><td style="text-align: right;">51.6</td></tr> <tr><td colspan="2">Total</td><td style="text-align: right;">362.0</td></tr> </table>	1:	10.2x	↖	2:	10.0	↓	3:	10.2x	→	4:	10.7x	↗	5:	10.5x	↗	Serie		51.6	Total		362.0	<p>Serie 8</p>  <table border="1" style="width:100%; border-collapse: collapse; margin-top: 10px;"> <tr><td>1:</td><td>10.5x</td><td>→</td></tr> <tr><td>2:</td><td>9.8</td><td>↗</td></tr> <tr><td>3:</td><td>10.4x</td><td>↖</td></tr> <tr><td>4:</td><td>10.4x</td><td>↘</td></tr> <tr><td>5:</td><td>10.7x</td><td>→</td></tr> <tr><td colspan="2">Serie</td><td style="text-align: right;">51.8</td></tr> <tr><td colspan="2">Total</td><td style="text-align: right;">413.8</td></tr> </table>	1:	10.5x	→	2:	9.8	↗	3:	10.4x	↖	4:	10.4x	↘	5:	10.7x	→	Serie		51.8	Total		413.8
1:	10.2x	↖																																									
2:	10.0	↓																																									
3:	10.2x	→																																									
4:	10.7x	↗																																									
5:	10.5x	↗																																									
Serie		51.6																																									
Total		362.0																																									
1:	10.5x	→																																									
2:	9.8	↗																																									
3:	10.4x	↖																																									
4:	10.4x	↘																																									
5:	10.7x	→																																									
Serie		51.8																																									
Total		413.8																																									



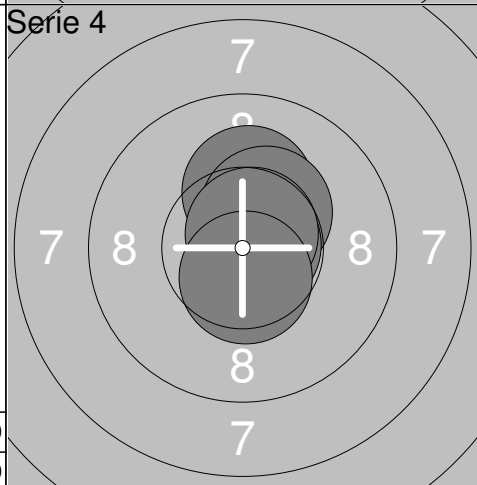
Serie	52.7
Total	52.7



Serie	51.2
Total	103.9



Serie	52.0
Total	155.9



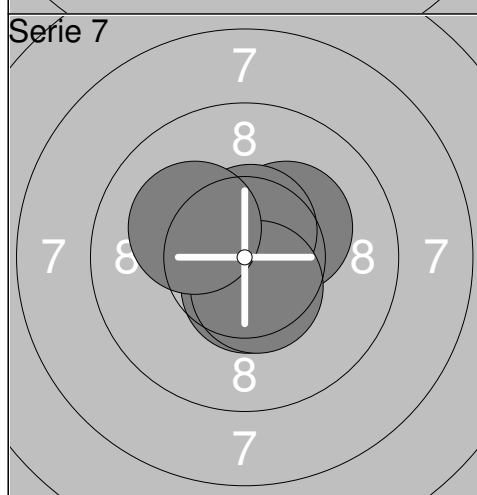
Serie	52.5
Total	208.4



Serie	53.3
Total	261.7



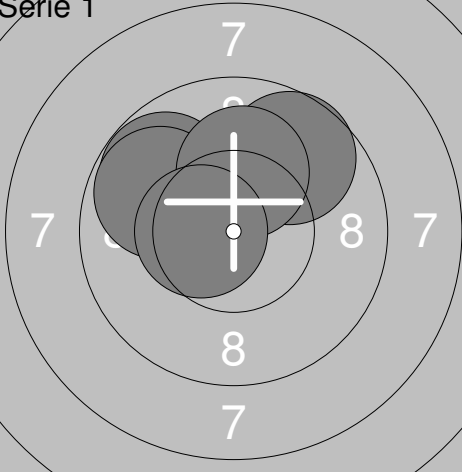
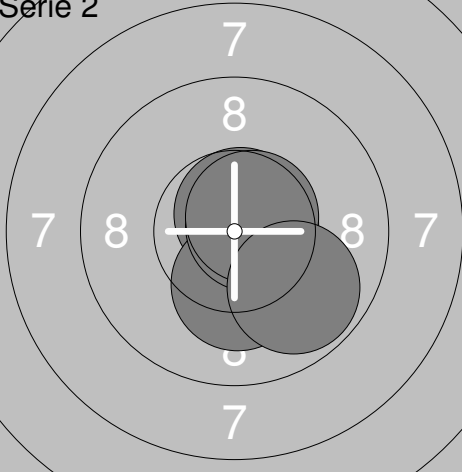
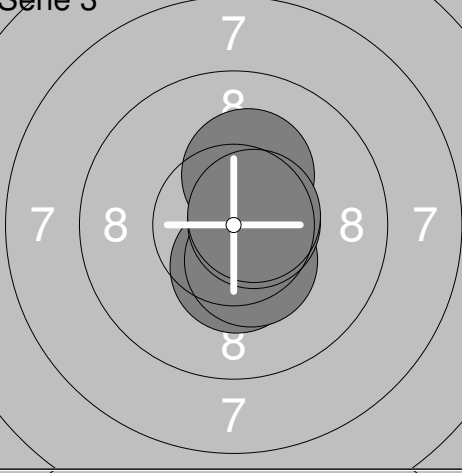

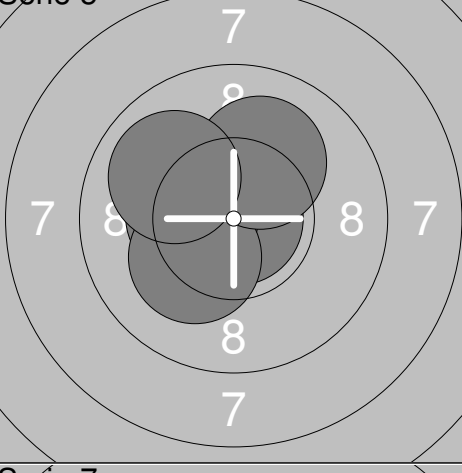
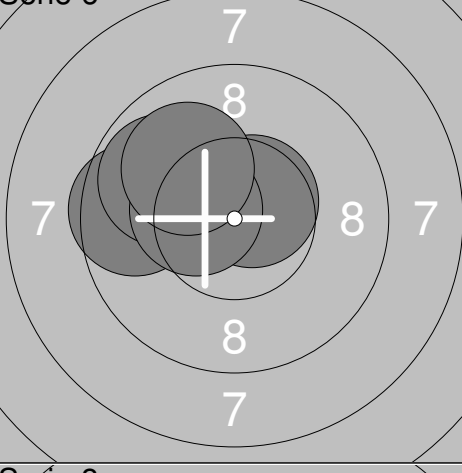
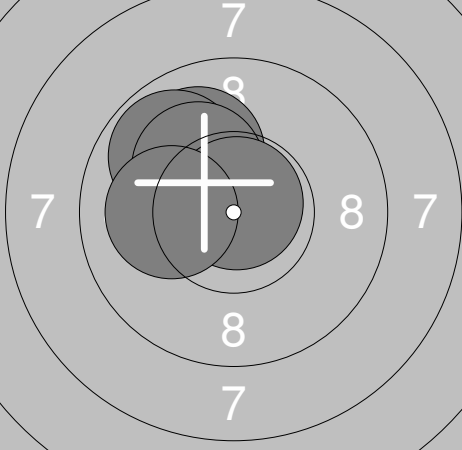

Serie	52.7
Total	314.4

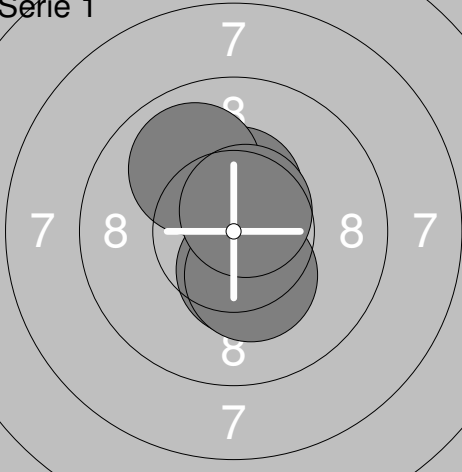
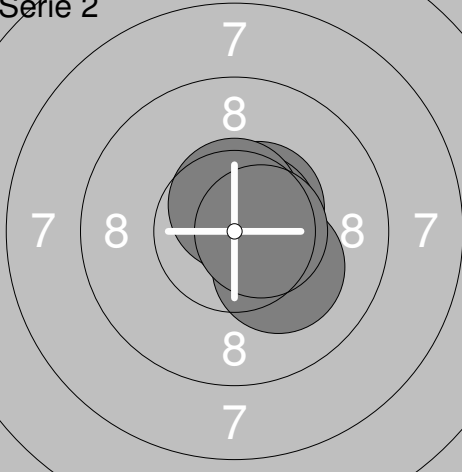
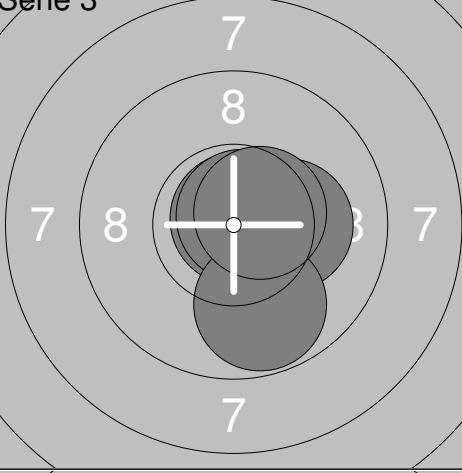
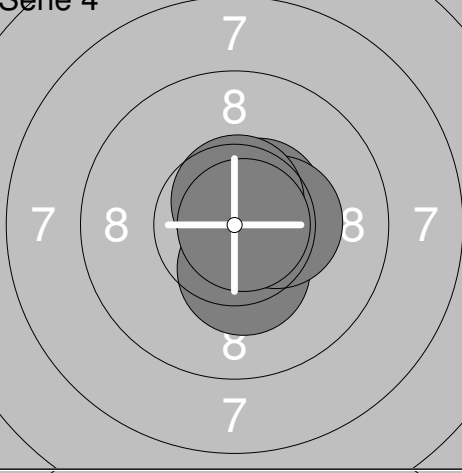
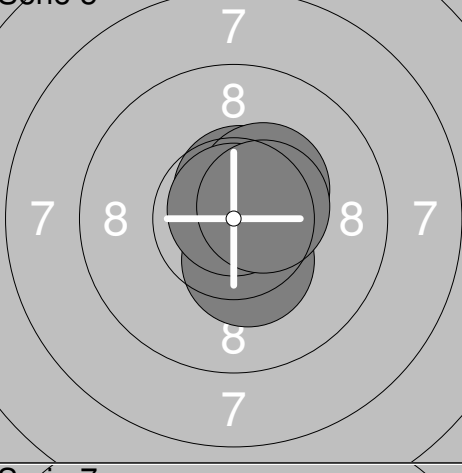
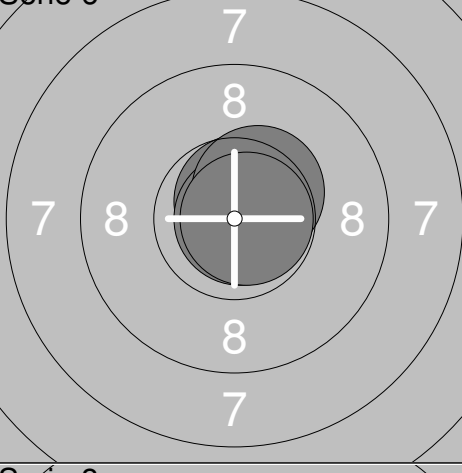

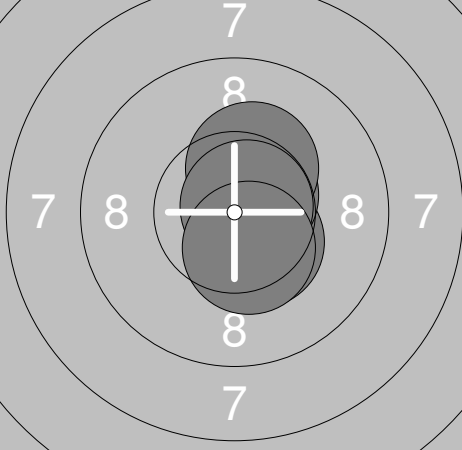


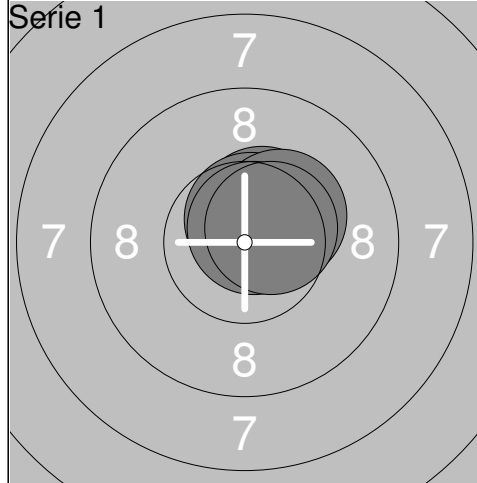
Serie	51.9
Total	366.3



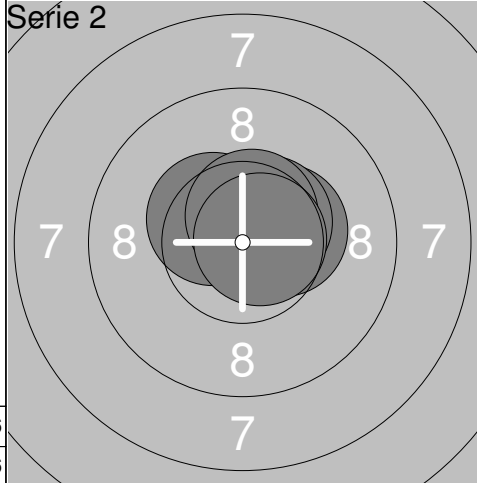
Serie	52.2
Total	418.5

<p>Serie 1</p>  <table border="1" style="width:100%; border-collapse: collapse;"> <tr><td>1:</td><td>9.8</td><td>↖</td></tr> <tr><td>2:</td><td>9.8</td><td>↖</td></tr> <tr><td>3:</td><td>9.7</td><td>↗</td></tr> <tr><td>4:</td><td>10.1</td><td>↑</td></tr> <tr><td>5:</td><td>10.5x</td><td>←</td></tr> <tr><td colspan="2">Serie</td><td>49.9</td></tr> <tr><td colspan="2">Total</td><td>49.9</td></tr> </table>	1:	9.8	↖	2:	9.8	↖	3:	9.7	↗	4:	10.1	↑	5:	10.5x	←	Serie		49.9	Total		49.9	<p>Serie 2</p>  <table border="1" style="width:100%; border-collapse: collapse;"> <tr><td>1:</td><td>10.7x</td><td>↗</td></tr> <tr><td>2:</td><td>10.2x</td><td>↓</td></tr> <tr><td>3:</td><td>10.7x</td><td>→</td></tr> <tr><td>4:</td><td>10.6x</td><td>↗</td></tr> <tr><td>5:</td><td>9.8</td><td>↘</td></tr> <tr><td colspan="2">Serie</td><td>52.0</td></tr> <tr><td colspan="2">Total</td><td>101.9</td></tr> </table>	1:	10.7x	↗	2:	10.2x	↓	3:	10.7x	→	4:	10.6x	↗	5:	9.8	↘	Serie		52.0	Total		101.9
1:	9.8	↖																																									
2:	9.8	↖																																									
3:	9.7	↗																																									
4:	10.1	↑																																									
5:	10.5x	←																																									
Serie		49.9																																									
Total		49.9																																									
1:	10.7x	↗																																									
2:	10.2x	↓																																									
3:	10.7x	→																																									
4:	10.6x	↗																																									
5:	9.8	↘																																									
Serie		52.0																																									
Total		101.9																																									
<p>Serie 3</p>  <table border="1" style="width:100%; border-collapse: collapse;"> <tr><td>1:</td><td>10.4x</td><td>↓</td></tr> <tr><td>2:</td><td>10.2x</td><td>↑</td></tr> <tr><td>3:</td><td>10.4x</td><td>↘</td></tr> <tr><td>4:</td><td>10.6x</td><td>→</td></tr> <tr><td>5:</td><td>10.6x</td><td>→</td></tr> <tr><td colspan="2">Serie</td><td>52.2</td></tr> <tr><td colspan="2">Total</td><td>154.1</td></tr> </table>	1:	10.4x	↓	2:	10.2x	↑	3:	10.4x	↘	4:	10.6x	→	5:	10.6x	→	Serie		52.2	Total		154.1	<p>Serie 4</p>  <table border="1" style="width:100%; border-collapse: collapse;"> <tr><td>1:</td><td>10.5x</td><td>↗</td></tr> <tr><td>2:</td><td>10.4x</td><td>↗</td></tr> <tr><td>3:</td><td>10.7x</td><td>↑</td></tr> <tr><td>4:</td><td>10.7x</td><td>↗</td></tr> <tr><td>5:</td><td>10.6x</td><td>↑</td></tr> <tr><td colspan="2">Serie</td><td>52.9</td></tr> <tr><td colspan="2">Total</td><td>207.0</td></tr> </table>	1:	10.5x	↗	2:	10.4x	↗	3:	10.7x	↑	4:	10.7x	↗	5:	10.6x	↑	Serie		52.9	Total		207.0
1:	10.4x	↓																																									
2:	10.2x	↑																																									
3:	10.4x	↘																																									
4:	10.6x	→																																									
5:	10.6x	→																																									
Serie		52.2																																									
Total		154.1																																									
1:	10.5x	↗																																									
2:	10.4x	↗																																									
3:	10.7x	↑																																									
4:	10.7x	↗																																									
5:	10.6x	↑																																									
Serie		52.9																																									
Total		207.0																																									
<p>Serie 5</p>  <table border="1" style="width:100%; border-collapse: collapse;"> <tr><td>1:</td><td>10.9x</td><td>→</td></tr> <tr><td>2:</td><td>10.4x</td><td>←</td></tr> <tr><td>3:</td><td>10.2x</td><td>↙</td></tr> <tr><td>4:</td><td>10.1</td><td>↗</td></tr> <tr><td>5:</td><td>9.9</td><td>↖</td></tr> <tr><td colspan="2">Serie</td><td>51.5</td></tr> <tr><td colspan="2">Total</td><td>258.5</td></tr> </table>	1:	10.9x	→	2:	10.4x	←	3:	10.2x	↙	4:	10.1	↗	5:	9.9	↖	Serie		51.5	Total		258.5	<p>Serie 6</p>  <table border="1" style="width:100%; border-collapse: collapse;"> <tr><td>1:</td><td>9.6</td><td>←</td></tr> <tr><td>2:</td><td>9.8</td><td>↖</td></tr> <tr><td>3:</td><td>10.6x</td><td>↗</td></tr> <tr><td>4:</td><td>10.4x</td><td>←</td></tr> <tr><td>5:</td><td>10.0</td><td>↖</td></tr> <tr><td colspan="2">Serie</td><td>50.4</td></tr> <tr><td colspan="2">Total</td><td>308.9</td></tr> </table>	1:	9.6	←	2:	9.8	↖	3:	10.6x	↗	4:	10.4x	←	5:	10.0	↖	Serie		50.4	Total		308.9
1:	10.9x	→																																									
2:	10.4x	←																																									
3:	10.2x	↙																																									
4:	10.1	↗																																									
5:	9.9	↖																																									
Serie		51.5																																									
Total		258.5																																									
1:	9.6	←																																									
2:	9.8	↖																																									
3:	10.6x	↗																																									
4:	10.4x	←																																									
5:	10.0	↖																																									
Serie		50.4																																									
Total		308.9																																									
<p>Serie 7</p>  <table border="1" style="width:100%; border-collapse: collapse;"> <tr><td>1:</td><td>10.0</td><td>↗</td></tr> <tr><td>2:</td><td>9.8</td><td>↗</td></tr> <tr><td>3:</td><td>10.1</td><td>↗</td></tr> <tr><td>4:</td><td>10.8x</td><td>↑</td></tr> <tr><td>5:</td><td>10.1</td><td>←</td></tr> <tr><td colspan="2">Serie</td><td>50.8</td></tr> <tr><td colspan="2">Total</td><td>359.7</td></tr> </table>	1:	10.0	↗	2:	9.8	↗	3:	10.1	↗	4:	10.8x	↑	5:	10.1	←	Serie		50.8	Total		359.7	<p>Serie 8</p>  <table border="1" style="width:100%; border-collapse: collapse;"> <tr><td>1:</td><td>10.6x</td><td>↗</td></tr> <tr><td>2:</td><td>10.6x</td><td>↗</td></tr> <tr><td>3:</td><td>10.0</td><td>↑</td></tr> <tr><td>4:</td><td>10.6x</td><td>↗</td></tr> <tr><td>5:</td><td>10.6x</td><td>↑</td></tr> <tr><td colspan="2">Serie</td><td>52.4</td></tr> <tr><td colspan="2">Total</td><td>412.1</td></tr> </table>	1:	10.6x	↗	2:	10.6x	↗	3:	10.0	↑	4:	10.6x	↗	5:	10.6x	↑	Serie		52.4	Total		412.1
1:	10.0	↗																																									
2:	9.8	↗																																									
3:	10.1	↗																																									
4:	10.8x	↑																																									
5:	10.1	←																																									
Serie		50.8																																									
Total		359.7																																									
1:	10.6x	↗																																									
2:	10.6x	↗																																									
3:	10.0	↑																																									
4:	10.6x	↗																																									
5:	10.6x	↑																																									
Serie		52.4																																									
Total		412.1																																									

<p>Serie 1</p>  <table border="1" style="width:100%; border-collapse: collapse;"> <tr> <td>1: 10.4x</td><td>↑</td></tr> <tr> <td>2: 10.4x</td><td>↓</td></tr> <tr> <td>3: 9.9</td><td>↗</td></tr> <tr> <td>4: 10.3x</td><td>↓</td></tr> <tr> <td>5: 10.6x</td><td>↗</td></tr> <tr> <td>Serie</td><td>51.6</td></tr> <tr> <td>Total</td><td>51.6</td></tr> </table>	1: 10.4x	↑	2: 10.4x	↓	3: 9.9	↗	4: 10.3x	↓	5: 10.6x	↗	Serie	51.6	Total	51.6	<p>Serie 2</p>  <table border="1" style="width:100%; border-collapse: collapse;"> <tr> <td>1: 10.5x</td><td>↗</td></tr> <tr> <td>2: 10.6x</td><td>↗</td></tr> <tr> <td>3: 10.1</td><td>↘</td></tr> <tr> <td>4: 10.6x</td><td>↑</td></tr> <tr> <td>5: 10.6x</td><td>→</td></tr> <tr> <td>Serie</td><td>52.4</td></tr> <tr> <td>Total</td><td>104.0</td></tr> </table>	1: 10.5x	↗	2: 10.6x	↗	3: 10.1	↘	4: 10.6x	↑	5: 10.6x	→	Serie	52.4	Total	104.0
1: 10.4x	↑																												
2: 10.4x	↓																												
3: 9.9	↗																												
4: 10.3x	↓																												
5: 10.6x	↗																												
Serie	51.6																												
Total	51.6																												
1: 10.5x	↗																												
2: 10.6x	↗																												
3: 10.1	↘																												
4: 10.6x	↑																												
5: 10.6x	→																												
Serie	52.4																												
Total	104.0																												
<p>Serie 3</p>  <table border="1" style="width:100%; border-collapse: collapse;"> <tr> <td>1: 10.8x</td><td>↗</td></tr> <tr> <td>2: 10.8x</td><td>↗</td></tr> <tr> <td>3: 10.2x</td><td>→</td></tr> <tr> <td>4: 9.8</td><td>↓</td></tr> <tr> <td>5: 10.5x</td><td>↗</td></tr> <tr> <td>Serie</td><td>52.1</td></tr> <tr> <td>Total</td><td>156.1</td></tr> </table>	1: 10.8x	↗	2: 10.8x	↗	3: 10.2x	→	4: 9.8	↓	5: 10.5x	↗	Serie	52.1	Total	156.1	<p>Serie 4</p>  <table border="1" style="width:100%; border-collapse: collapse;"> <tr> <td>1: 10.3x</td><td>↓</td></tr> <tr> <td>2: 10.5x</td><td>↗</td></tr> <tr> <td>3: 10.4x</td><td>→</td></tr> <tr> <td>4: 10.6x</td><td>↑</td></tr> <tr> <td>5: 10.8x</td><td>→</td></tr> <tr> <td>Serie</td><td>52.6</td></tr> <tr> <td>Total</td><td>208.7</td></tr> </table>	1: 10.3x	↓	2: 10.5x	↗	3: 10.4x	→	4: 10.6x	↑	5: 10.8x	→	Serie	52.6	Total	208.7
1: 10.8x	↗																												
2: 10.8x	↗																												
3: 10.2x	→																												
4: 9.8	↓																												
5: 10.5x	↗																												
Serie	52.1																												
Total	156.1																												
1: 10.3x	↓																												
2: 10.5x	↗																												
3: 10.4x	→																												
4: 10.6x	↑																												
5: 10.8x	→																												
Serie	52.6																												
Total	208.7																												
<p>Serie 5</p>  <table border="1" style="width:100%; border-collapse: collapse;"> <tr> <td>1: 10.6x</td><td>↑</td></tr> <tr> <td>2: 10.4x</td><td>↗</td></tr> <tr> <td>3: 10.3x</td><td>↓</td></tr> <tr> <td>4: 10.8x</td><td>↑</td></tr> <tr> <td>5: 10.5x</td><td>↗</td></tr> <tr> <td>Serie</td><td>52.6</td></tr> <tr> <td>Total</td><td>261.3</td></tr> </table>	1: 10.6x	↑	2: 10.4x	↗	3: 10.3x	↓	4: 10.8x	↑	5: 10.5x	↗	Serie	52.6	Total	261.3	<p>Serie 6</p>  <table border="1" style="width:100%; border-collapse: collapse;"> <tr> <td>1: 10.7x</td><td>↗</td></tr> <tr> <td>2: 10.7x</td><td>↑</td></tr> <tr> <td>3: 10.8x</td><td>→</td></tr> <tr> <td>4: 10.4x</td><td>↗</td></tr> <tr> <td>5: 10.8x</td><td>→</td></tr> <tr> <td>Serie</td><td>53.4</td></tr> <tr> <td>Total</td><td>314.7</td></tr> </table>	1: 10.7x	↗	2: 10.7x	↑	3: 10.8x	→	4: 10.4x	↗	5: 10.8x	→	Serie	53.4	Total	314.7
1: 10.6x	↑																												
2: 10.4x	↗																												
3: 10.3x	↓																												
4: 10.8x	↑																												
5: 10.5x	↗																												
Serie	52.6																												
Total	261.3																												
1: 10.7x	↗																												
2: 10.7x	↑																												
3: 10.8x	→																												
4: 10.4x	↗																												
5: 10.8x	→																												
Serie	53.4																												
Total	314.7																												
<p>Serie 7</p>  <table border="1" style="width:100%; border-collapse: collapse;"> <tr> <td>1: 10.5x</td><td>↑</td></tr> <tr> <td>2: 10.7x</td><td>↗</td></tr> <tr> <td>3: 10.5x</td><td>→</td></tr> <tr> <td>4: 10.3x</td><td>→</td></tr> <tr> <td>5: 10.6x</td><td>→</td></tr> <tr> <td>Serie</td><td>52.6</td></tr> <tr> <td>Total</td><td>367.3</td></tr> </table>	1: 10.5x	↑	2: 10.7x	↗	3: 10.5x	→	4: 10.3x	→	5: 10.6x	→	Serie	52.6	Total	367.3	<p>Serie 8</p>  <table border="1" style="width:100%; border-collapse: collapse;"> <tr> <td>1: 10.4x</td><td>↘</td></tr> <tr> <td>2: 10.6x</td><td>↗</td></tr> <tr> <td>3: 10.3x</td><td>↑</td></tr> <tr> <td>4: 10.7x</td><td>↗</td></tr> <tr> <td>5: 10.4x</td><td>↓</td></tr> <tr> <td>Serie</td><td>52.4</td></tr> <tr> <td>Total</td><td>419.7</td></tr> </table>	1: 10.4x	↘	2: 10.6x	↗	3: 10.3x	↑	4: 10.7x	↗	5: 10.4x	↓	Serie	52.4	Total	419.7
1: 10.5x	↑																												
2: 10.7x	↗																												
3: 10.5x	→																												
4: 10.3x	→																												
5: 10.6x	→																												
Serie	52.6																												
Total	367.3																												
1: 10.4x	↘																												
2: 10.6x	↗																												
3: 10.3x	↑																												
4: 10.7x	↗																												
5: 10.4x	↓																												
Serie	52.4																												
Total	419.7																												



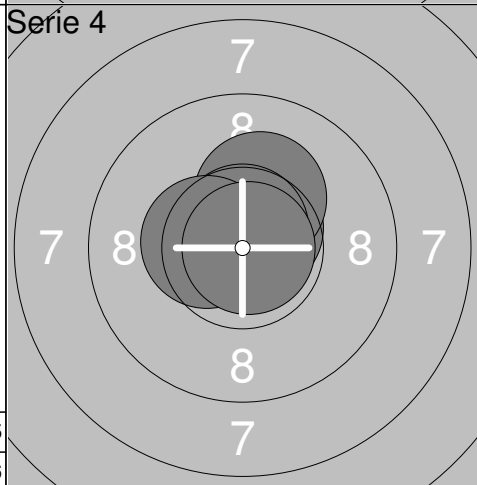
1:	10.5x	↗
2:	10.6x	↑
3:	10.3x	↗
4:	10.7x	↑
5:	10.5x	↗
Serie		52.6
Total		52.6



1:	10.4x	→
2:	10.5x	↗
3:	10.4x	↖
4:	10.5x	↑
5:	10.7x	→
Serie		52.5
Total		105.1



1:	10.5x	↓
2:	10.7x	→
3:	10.6x	↗
4:	10.4x	↗
5:	10.3x	↗
Serie		52.5
Total		157.6



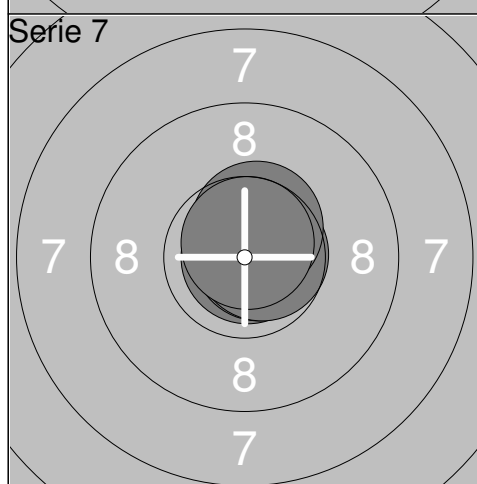
1:	10.6x	↗
2:	10.2x	↑
3:	10.7x	↑
4:	10.4x	←
5:	10.9x	→
Serie		52.8
Total		210.4



1:	10.7x	↑
2:	10.8x	→
3:	10.2x	↗
4:	10.8x	→
5:	10.7x	↗
Serie		53.2
Total		263.6



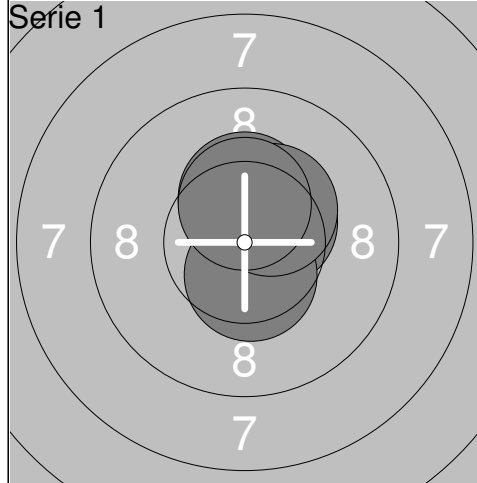
1:	10.4x	↑
2:	10.8x	↗
3:	10.8x	↑
4:	10.5x	←
5:	10.4x	↑
Serie		52.9
Total		316.5



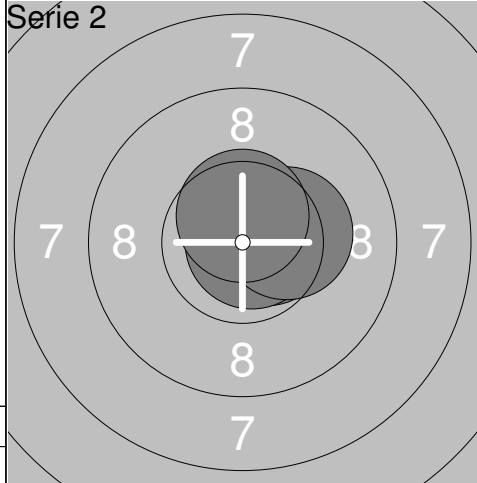
1:	10.9x	→
2:	10.7x	→
3:	10.7x	→
4:	10.5x	↑
5:	10.7x	↑
Serie		53.5
Total		370.0



1:	10.7x	↗
2:	10.7x	↗
3:	10.5x	↗
4:	10.8x	↗
5:	10.7x	→
Serie		53.4
Total		423.4



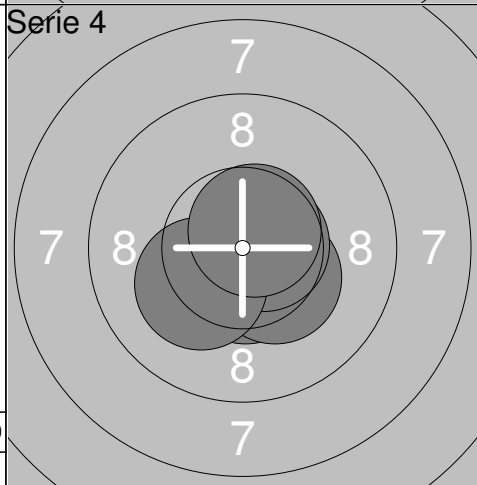
1:	10.5x	↗
2:	10.3x	↑
3:	10.5x	↓
4:	10.4x	↗
5:	10.4x	↑
Serie		52.1
Total		52.1



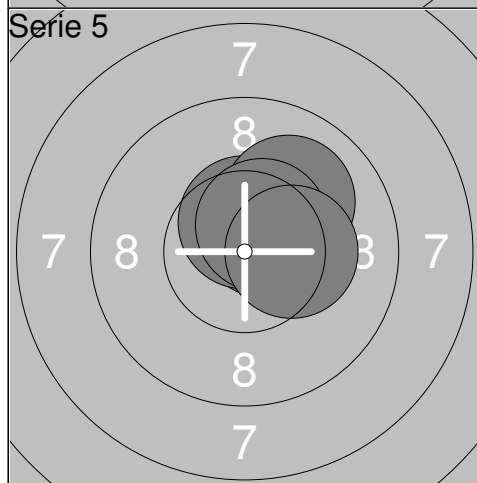
1:	10.6x	→
2:	10.7x	→
3:	10.8x	→
4:	10.3x	→
5:	10.6x	↑
Serie		53.0
Total		105.1



1:	10.9x	↑
2:	10.6x	↗
3:	10.8x	→
4:	10.4x	↓
5:	10.3x	↘
Serie		53.0
Total		158.1



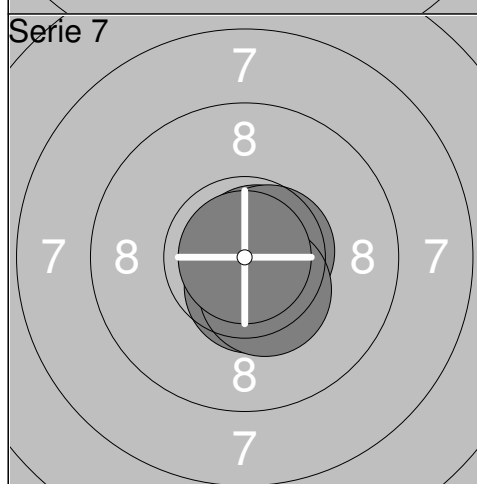
1:	10.5x	↓
2:	10.3x	↘
3:	10.6x	→
4:	10.2x	↙
5:	10.6x	↗
Serie		52.2
Total		210.3



1:	10.5x	↗
2:	10.5x	↑
3:	10.0	↗
4:	10.5x	↗
5:	10.3x	→
Serie		51.8
Total		262.1



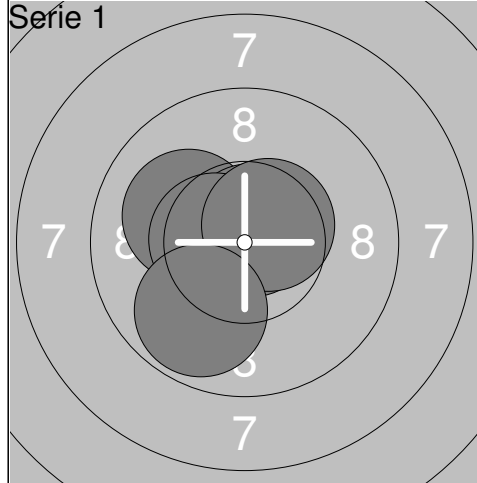
1:	10.6x	↗
2:	10.7x	↗
3:	10.5x	↗
4:	10.7x	↗
5:	10.7x	↗
Serie		53.2
Total		315.3



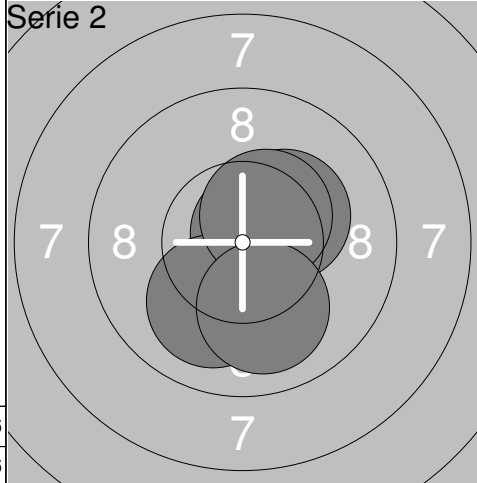
1:	10.7x	↗
2:	10.6x	→
3:	10.5x	↓
4:	10.4x	↘
5:	10.9x	
Serie		53.1
Total		368.4



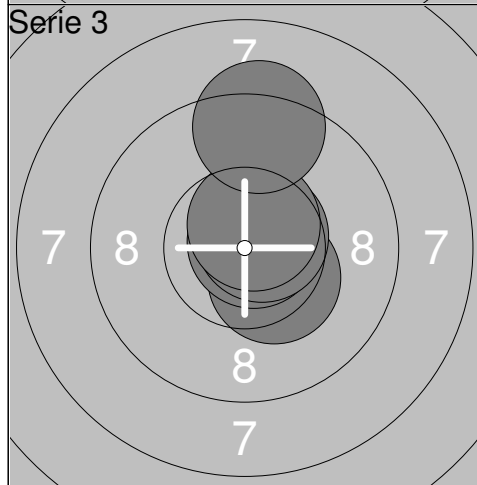
1:	10.9x	→
2:	10.7x	↗
3:	10.9x	↑
4:	10.6x	↗
5:	10.4x	↙
Serie		53.5
Total		421.9



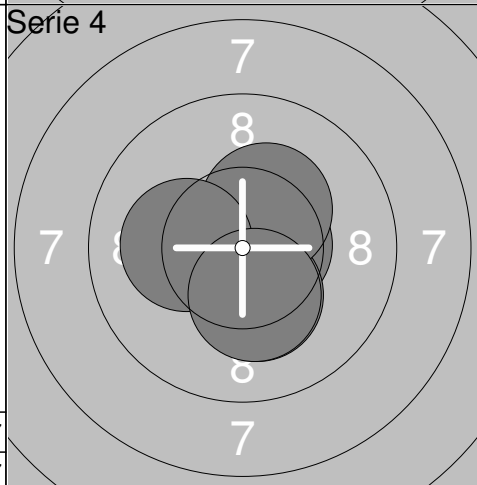
1:	10.1	↖
2:	10.7x	↗
3:	10.5x	↖
4:	10.5x	↗
5:	9.8	↘
Serie		51.6
Total		51.6



1:	10.7x	↗
2:	10.0	↘
3:	10.3x	↗
4:	10.4x	↗
5:	10.0	↘
Serie		51.4
Total		103.0



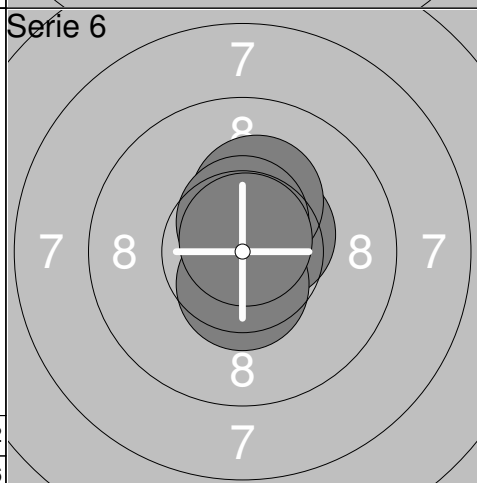
1:	10.4x	↘
2:	10.8x	↗
3:	10.6x	↗
4:	10.6x	↗
5:	9.3	↗
Serie		51.7
Total		154.7



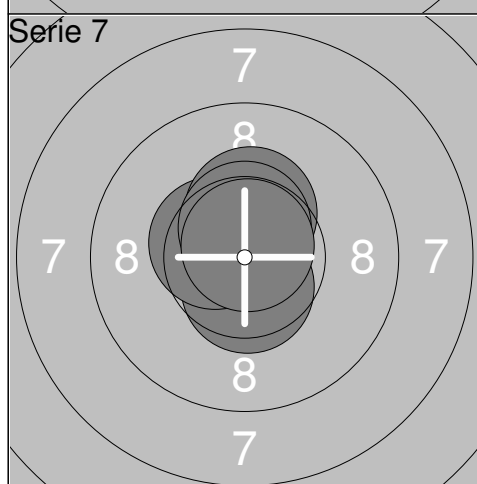
1:	10.6x	→
2:	10.3x	↘
3:	10.3x	↗
4:	10.2x	↖
5:	10.3x	↘
Serie		51.7
Total		206.4



1:	10.2x	↘
2:	10.6x	↗
3:	10.2x	↗
4:	9.7	↗
5:	10.5x	↖
Serie		51.2
Total		257.6



1:	10.5x	↗
2:	10.2x	↗
3:	10.5x	↘
4:	10.5x	↗
5:	10.8x	↗
Serie		52.5
Total		310.1



1:	10.5x	↘
2:	10.5x	↖
3:	10.3x	↗
4:	10.5x	↗
5:	10.8x	↗
Serie		52.6
Total		362.7



1:	10.6x	↗
2:	10.6x	→
3:	10.6x	↗
4:	10.0	↗
5:	10.6x	→
Serie		52.4
Total		415.1



1:	10.7x	↑
2:	10.8x	↑
3:	10.7x	→
4:	10.5x	↗
5:	10.8x	→
Serie		53.5
Total		53.5



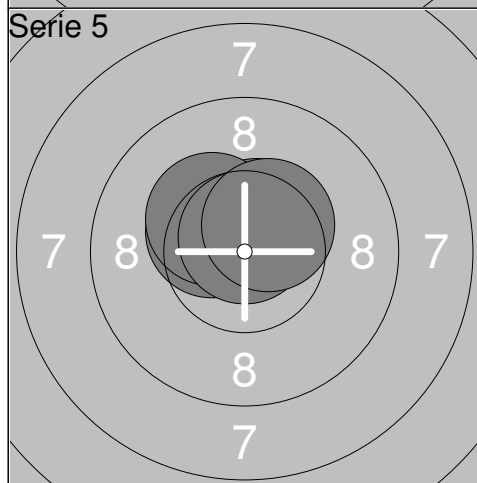
1:	10.6x	↗
2:	10.8x	→
3:	10.8x	↑
4:	10.7x	↑
5:	10.5x	↗
Serie		53.4
Total		106.9



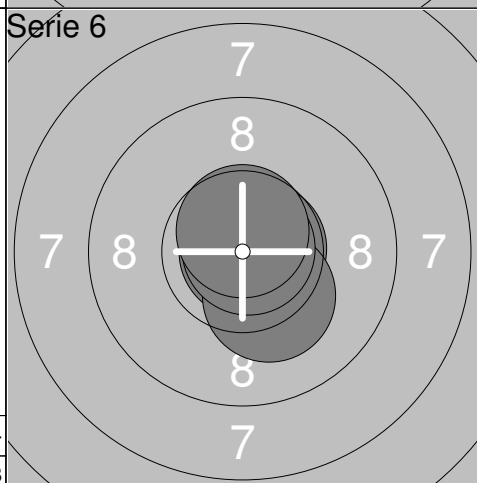
1:	10.8x	↑
2:	10.2x	↙
3:	10.5x	←
4:	10.8x	↑
5:	10.8x	↑
Serie		53.1
Total		160.0



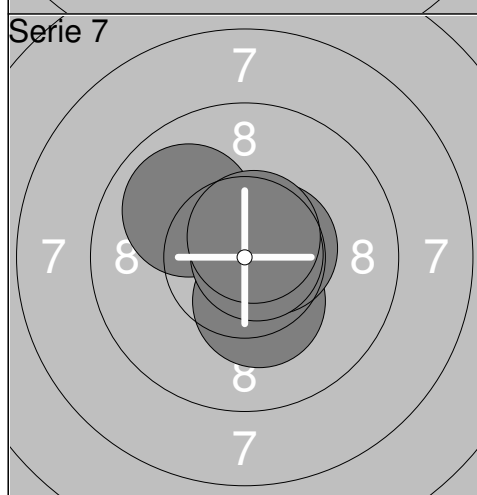
1:	10.4x	←
2:	10.8x	↑
3:	10.8x	→
4:	10.8x	↑
5:	10.6x	↑
Serie		53.4
Total		213.4



1:	10.5x	↑
2:	10.4x	↖
3:	10.3x	↖
4:	10.7x	↑
5:	10.5x	↗
Serie		52.4
Total		265.8



1:	10.7x	→
2:	10.9x	→
3:	10.2x	↘
4:	10.8x	↗
5:	10.6x	↑
Serie		53.2
Total		319.0

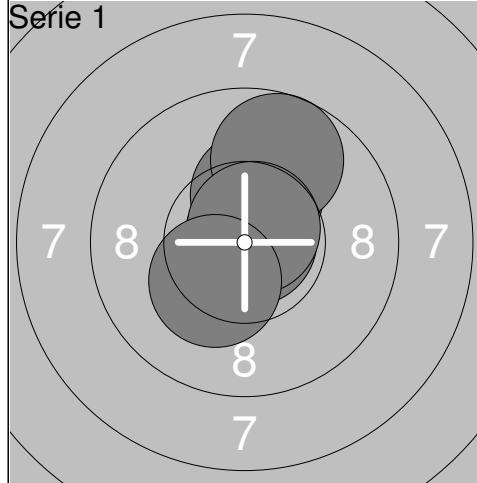


1:	9.9	↖
2:	10.3x	↓
3:	10.6x	→
4:	10.7x	→
5:	10.6x	↑
Serie		52.1
Total		371.1

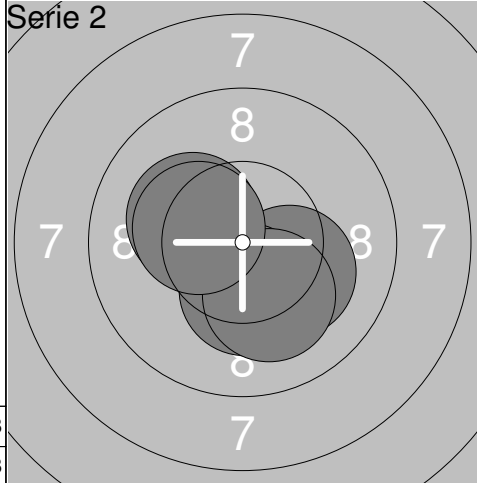


1:	10.8x	↗
2:	10.9x	↑
3:	10.8x	↑
4:	10.8x	↑
5:	10.7x	↑
Serie		54.0
Total		425.1

<p>Serie 1</p> <table border="1" style="width:100%; border-collapse: collapse;"> <tr><td>1:</td><td>10.5x</td><td>↗</td></tr> <tr><td>2:</td><td>10.4x</td><td>→</td></tr> <tr><td>3:</td><td>10.4x</td><td>→</td></tr> <tr><td>4:</td><td>10.9x</td><td>↑</td></tr> <tr><td>5:</td><td>10.6x</td><td>↑</td></tr> <tr><td colspan="2">Serie</td><td>52.8</td></tr> <tr><td colspan="2">Total</td><td>52.8</td></tr> </table>	1:	10.5x	↗	2:	10.4x	→	3:	10.4x	→	4:	10.9x	↑	5:	10.6x	↑	Serie		52.8	Total		52.8	<p>Serie 2</p> <table border="1" style="width:100%; border-collapse: collapse;"> <tr><td>1:</td><td>10.9x</td><td>↗</td></tr> <tr><td>2:</td><td>10.4x</td><td>←</td></tr> <tr><td>3:</td><td>9.9</td><td>↓</td></tr> <tr><td>4:</td><td>10.2x</td><td>←</td></tr> <tr><td>5:</td><td>10.5x</td><td>→</td></tr> <tr><td colspan="2">Serie</td><td>51.9</td></tr> <tr><td colspan="2">Total</td><td>104.7</td></tr> </table>	1:	10.9x	↗	2:	10.4x	←	3:	9.9	↓	4:	10.2x	←	5:	10.5x	→	Serie		51.9	Total		104.7	
1:	10.5x	↗																																										
2:	10.4x	→																																										
3:	10.4x	→																																										
4:	10.9x	↑																																										
5:	10.6x	↑																																										
Serie		52.8																																										
Total		52.8																																										
1:	10.9x	↗																																										
2:	10.4x	←																																										
3:	9.9	↓																																										
4:	10.2x	←																																										
5:	10.5x	→																																										
Serie		51.9																																										
Total		104.7																																										
<p>Serie 3</p> <table border="1" style="width:100%; border-collapse: collapse;"> <tr><td>1:</td><td>10.3x</td><td>←</td></tr> <tr><td>2:</td><td>10.0</td><td>←</td></tr> <tr><td>3:</td><td>10.5x</td><td>↗</td></tr> <tr><td>4:</td><td>10.4x</td><td>←</td></tr> <tr><td>5:</td><td>10.3x</td><td>↘</td></tr> <tr><td colspan="2">Serie</td><td>51.5</td></tr> <tr><td colspan="2">Total</td><td>156.2</td></tr> </table>	1:	10.3x	←	2:	10.0	←	3:	10.5x	↗	4:	10.4x	←	5:	10.3x	↘	Serie		51.5	Total		156.2	<p>Serie 4</p> <table border="1" style="width:100%; border-collapse: collapse;"> <tr><td>1:</td><td>10.2x</td><td>←</td></tr> <tr><td>2:</td><td>10.4x</td><td>↘</td></tr> <tr><td>3:</td><td>10.2x</td><td>↘</td></tr> <tr><td>4:</td><td>10.0</td><td>↑</td></tr> <tr><td>5:</td><td>10.2x</td><td>←</td></tr> <tr><td colspan="2">Serie</td><td>51.0</td></tr> <tr><td colspan="2">Total</td><td>207.2</td></tr> </table>	1:	10.2x	←	2:	10.4x	↘	3:	10.2x	↘	4:	10.0	↑	5:	10.2x	←	Serie		51.0	Total		207.2	
1:	10.3x	←																																										
2:	10.0	←																																										
3:	10.5x	↗																																										
4:	10.4x	←																																										
5:	10.3x	↘																																										
Serie		51.5																																										
Total		156.2																																										
1:	10.2x	←																																										
2:	10.4x	↘																																										
3:	10.2x	↘																																										
4:	10.0	↑																																										
5:	10.2x	←																																										
Serie		51.0																																										
Total		207.2																																										
<p>Serie 5</p> <table border="1" style="width:100%; border-collapse: collapse;"> <tr><td>1:</td><td>9.6</td><td>↖</td></tr> <tr><td>2:</td><td>10.3x</td><td>↗</td></tr> <tr><td>3:</td><td>10.5x</td><td>↑</td></tr> <tr><td>4:</td><td>10.6x</td><td>↑</td></tr> <tr><td>5:</td><td>10.2x</td><td>↗</td></tr> <tr><td colspan="2">Serie</td><td>51.2</td></tr> <tr><td colspan="2">Total</td><td>258.4</td></tr> </table>	1:	9.6	↖	2:	10.3x	↗	3:	10.5x	↑	4:	10.6x	↑	5:	10.2x	↗	Serie		51.2	Total		258.4	<p>Serie 6</p> <table border="1" style="width:100%; border-collapse: collapse;"> <tr><td>1:</td><td>10.6x</td><td>↗</td></tr> <tr><td>2:</td><td>10.9x</td><td>→</td></tr> <tr><td>3:</td><td>10.2x</td><td>↓</td></tr> <tr><td>4:</td><td>10.8x</td><td>↑</td></tr> <tr><td>5:</td><td>9.9</td><td>↓</td></tr> <tr><td colspan="2">Serie</td><td>52.4</td></tr> <tr><td colspan="2">Total</td><td>310.8</td></tr> </table>	1:	10.6x	↗	2:	10.9x	→	3:	10.2x	↓	4:	10.8x	↑	5:	9.9	↓	Serie		52.4	Total		310.8	
1:	9.6	↖																																										
2:	10.3x	↗																																										
3:	10.5x	↑																																										
4:	10.6x	↑																																										
5:	10.2x	↗																																										
Serie		51.2																																										
Total		258.4																																										
1:	10.6x	↗																																										
2:	10.9x	→																																										
3:	10.2x	↓																																										
4:	10.8x	↑																																										
5:	9.9	↓																																										
Serie		52.4																																										
Total		310.8																																										
<p>Serie 7</p> <table border="1" style="width:100%; border-collapse: collapse;"> <tr><td>1:</td><td>10.4x</td><td>←</td></tr> <tr><td>2:</td><td>10.2x</td><td>↘</td></tr> <tr><td>3:</td><td>10.9x</td><td>↑</td></tr> <tr><td>4:</td><td>10.1</td><td>→</td></tr> <tr><td>5:</td><td>10.5x</td><td>↘</td></tr> <tr><td colspan="2">Serie</td><td>52.1</td></tr> <tr><td colspan="2">Total</td><td>362.9</td></tr> </table>	1:	10.4x	←	2:	10.2x	↘	3:	10.9x	↑	4:	10.1	→	5:	10.5x	↘	Serie		52.1	Total		362.9	<p>Serie 8</p> <table border="1" style="width:100%; border-collapse: collapse;"> <tr><td>1:</td><td>10.4x</td><td>→</td></tr> <tr><td>2:</td><td>10.4x</td><td>←</td></tr> <tr><td>3:</td><td>10.4x</td><td>←</td></tr> <tr><td>4:</td><td>10.0</td><td>→</td></tr> <tr><td>5:</td><td>10.8x</td><td>↗</td></tr> <tr><td colspan="2">Serie</td><td>52.0</td></tr> <tr><td colspan="2">Total</td><td>414.9</td></tr> </table>	1:	10.4x	→	2:	10.4x	←	3:	10.4x	←	4:	10.0	→	5:	10.8x	↗	Serie		52.0	Total		414.9	
1:	10.4x	←																																										
2:	10.2x	↘																																										
3:	10.9x	↑																																										
4:	10.1	→																																										
5:	10.5x	↘																																										
Serie		52.1																																										
Total		362.9																																										
1:	10.4x	→																																										
2:	10.4x	←																																										
3:	10.4x	←																																										
4:	10.0	→																																										
5:	10.8x	↗																																										
Serie		52.0																																										
Total		414.9																																										



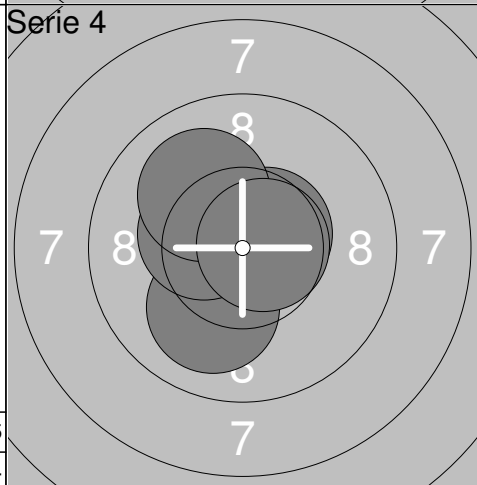
1:	10.3x	↑
2:	9.7	↑
3:	10.8x	→
4:	10.7x	↑
5:	10.3x	↙
Serie		51.8
Total		51.8



1:	10.2x	⇒
2:	10.3x	↓
3:	10.1	↓
4:	10.2x	↖
5:	10.3x	↖
Serie		51.1
Total		102.9



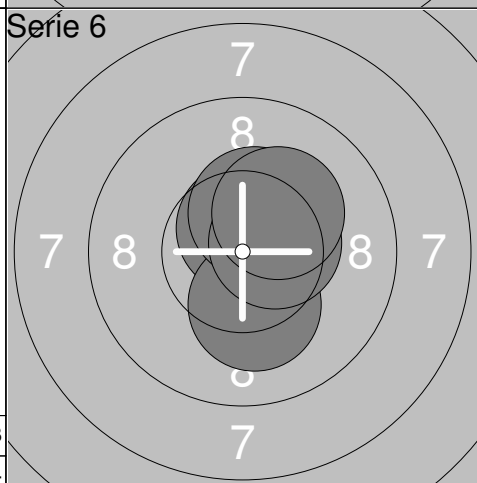
1:	10.7x	↗
2:	10.4x	↗
3:	10.7x	↗
4:	10.5x	↑
5:	10.2x	↘
Serie		52.5
Total		155.4



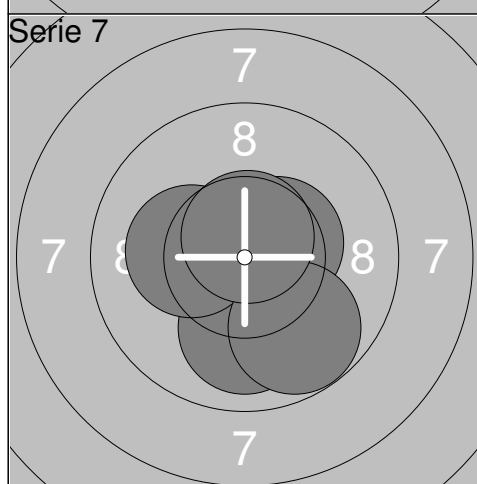
1:	10.0	↓
2:	10.4x	↖
3:	10.6x	↗
4:	10.0	↖
5:	10.7x	→
Serie		51.7
Total		207.1



1:	10.6x	↑
2:	10.4x	↑
3:	10.4x	↗
4:	10.2x	↖
5:	10.7x	↑
Serie		52.3
Total		259.4



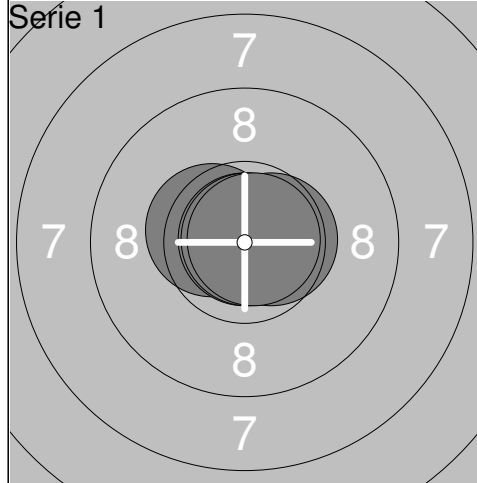
1:	10.6x	↑
2:	10.2x	↓
3:	10.4x	↑
4:	10.5x	→
5:	10.2x	↗
Serie		51.9
Total		311.3



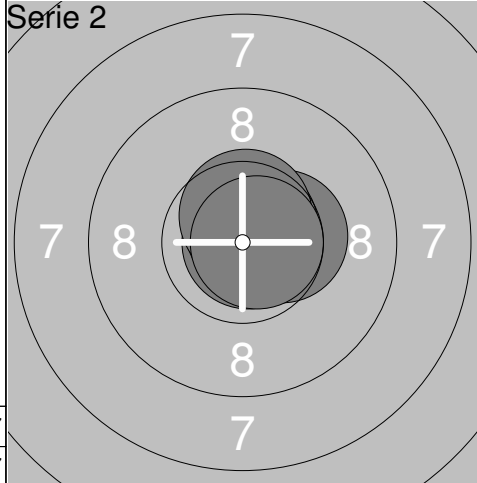
1:	10.5x	→
2:	10.0	↓
3:	10.2x	←
4:	9.8	↘
5:	10.6x	↑
Serie		51.1
Total		362.4



1:	10.6x	↑
2:	10.1	↗
3:	10.6x	↑
4:	9.8	↗
5:	10.3x	→
Serie		51.4
Total		413.8



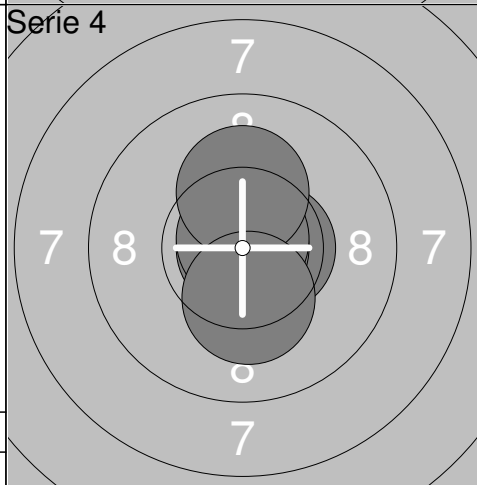
1:	10.6x	→
2:	10.5x	←
3:	10.9x	↑
4:	10.9x	↗
5:	10.8x	→
Serie		53.7
Total		53.7



1:	10.4x	→
2:	10.9x	→
3:	10.7x	↗
4:	10.6x	↑
5:	10.7x	→
Serie		53.3
Total		107.0



1:	10.4x	↗
2:	10.6x	↗
3:	10.6x	↑
4:	10.9x	↗
5:	10.6x	↑
Serie		53.1
Total		160.1



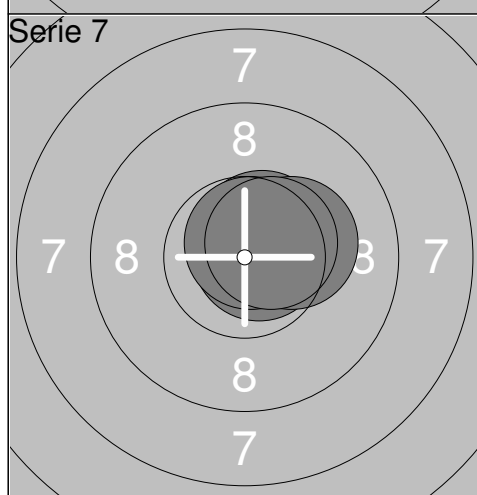
1:	10.6x	→
2:	10.9x	
3:	10.8x	↑
4:	10.2x	↑
5:	10.2x	↓
Serie		52.7
Total		212.8



1:	10.4x	←
2:	10.6x	→
3:	10.8x	↑
4:	10.5x	↗
5:	10.8x	↗
Serie		53.1
Total		265.9



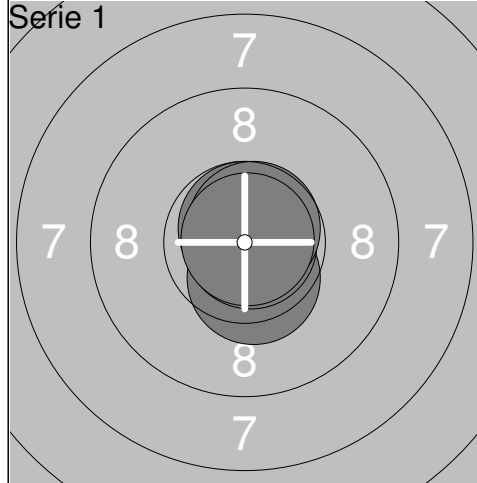
1:	10.6x	↗
2:	10.6x	↑
3:	10.7x	↗
4:	10.6x	→
5:	10.8x	↗
Serie		53.3
Total		319.2



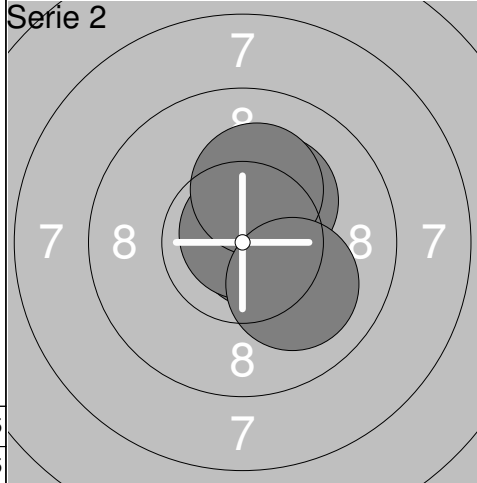
1:	10.7x	→
2:	10.6x	↗
3:	10.7x	↑
4:	10.3x	→
5:	10.5x	↗
Serie		52.8
Total		372.0



1:	10.8x	↑
2:	10.7x	↗
3:	10.9x	↑
4:	10.7x	↑
5:	10.5x	↗
Serie		53.6
Total		425.6



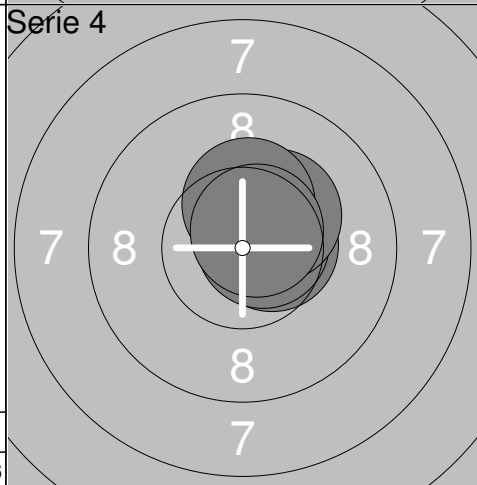
1:	10.4x	↓
2:	10.8x	→
3:	10.7x	↑
4:	10.7x	↗
5:	10.9x	↗
Serie		53.5
Total		53.5



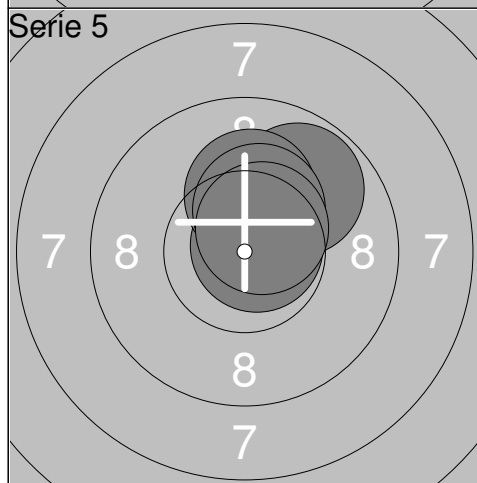
1:	10.7x	→
2:	10.2x	↗
3:	10.8x	↑
4:	10.2x	↑
5:	10.1	↘
Serie		52.0
Total		105.5



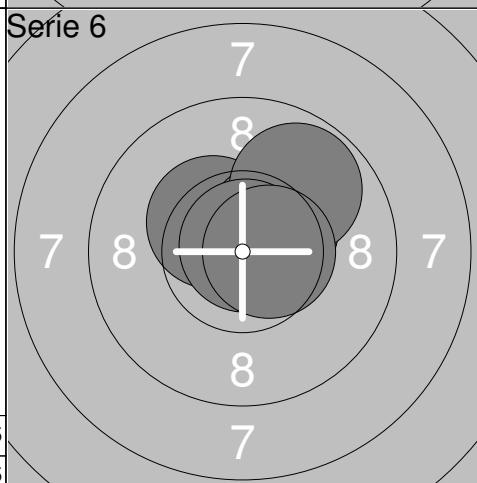
1:	10.3x	↓
2:	10.4x	↑
3:	10.7x	↑
4:	10.3x	↑
5:	10.4x	↗
Serie		52.1
Total		157.6



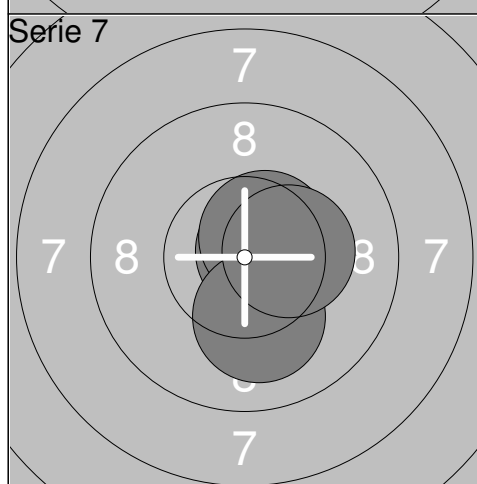
1:	10.5x	→
2:	10.7x	→
3:	10.3x	↗
4:	10.3x	↑
5:	10.6x	↗
Serie		52.4
Total		210.0



1:	9.8	↗
2:	10.7x	→
3:	10.2x	↑
4:	10.3x	↑
5:	10.5x	↗
Serie		51.5
Total		261.5



1:	10.4x	↖
2:	10.4x	↗
3:	9.8	↗
4:	10.8x	↑
5:	10.6x	→
Serie		52.0
Total		313.5



1:	10.5x	↗
2:	10.7x	→
3:	10.5x	↗
4:	10.1	↓
5:	10.3x	→
Serie		52.1
Total		365.6



1:	10.5x	→
2:	10.7x	↑
3:	10.0	↘
4:	10.5x	↗
5:	10.5x	↑
Serie		52.2
Total		417.8

Skjutlag	Tavla	Håkan Röö		
3	22	Trollhättans Skarpskyttefören		Vet sim
03.11.2018		SM luftgevär 2018		Öckerö Skytteförening
Serie 1 	1: 10.5x ←	Serie 2 	1: 9.9 ↙	
	2: 9.7 ←		2: 10.5x ↗	
	3: 10.3x →		3: 10.4x ↑	
	4: 10.3x ↙		4: 10.6x →	
	5: 10.8x →		5: 10.6x ↑	
	Serie 51.6		Serie 52.0	
	Total 51.6		Total 103.6	
Serie 3 	1: 10.7x ↑	Serie 4 	1: 10.7x ↑	
	2: 10.4x ↑		2: 9.9 →	
	3: 10.7x ↗		3: 10.2x ↗	
	4: 10.5x →		4: 9.9 ↗	
	5: 10.2x ↙		5: 10.5x ←	
	Serie 52.5		Serie 51.2	
	Total 156.1		Total 207.3	
Serie 5 	1: 10.8x ↗	Serie 6 	1: 10.6x →	
	2: 10.4x ↑		2: 10.3x ↓	
	3: 9.8 ←		3: 10.5x ↑	
	4: 10.3x ↙		4: 9.7 →	
	5: 10.6x →		5: 10.5x ←	
	Serie 51.9		Serie 51.6	
	Total 259.2		Total 310.8	
Serie 7 	1: 10.7x ↗	Serie 8 	1: 10.6x ↑	
	2: 10.8x →		2: 10.4x ↓	
	3: 10.3x ↙		3: 10.7x ↗	
	4: 10.6x ↗		4: 10.1 ↗	
	5: 10.3x ↑		5: 10.9x →	
	Serie 52.7		Serie 52.7	
	Total 363.5		Total 416.2	

<p>Serie 1</p> <table border="1" style="width:100%; border-collapse: collapse;"> <tr><td>1:</td><td>10.6x</td><td>→</td></tr> <tr><td>2:</td><td>10.0</td><td>↖</td></tr> <tr><td>3:</td><td>10.5x</td><td>↑</td></tr> <tr><td>4:</td><td>10.9x</td><td>↑</td></tr> <tr><td>5:</td><td>10.5x</td><td>↗</td></tr> <tr><td colspan="2">Serie</td><td>52.5</td></tr> <tr><td colspan="2">Total</td><td>52.5</td></tr> </table>	1:	10.6x	→	2:	10.0	↖	3:	10.5x	↑	4:	10.9x	↑	5:	10.5x	↗	Serie		52.5	Total		52.5	<p>Serie 2</p> <table border="1" style="width:100%; border-collapse: collapse;"> <tr><td>1:</td><td>10.6x</td><td>↗</td></tr> <tr><td>2:</td><td>10.7x</td><td>↗</td></tr> <tr><td>3:</td><td>10.6x</td><td>↑</td></tr> <tr><td>4:</td><td>10.3x</td><td>↖</td></tr> <tr><td>5:</td><td>10.1</td><td>↓</td></tr> <tr><td colspan="2">Serie</td><td>52.3</td></tr> <tr><td colspan="2">Total</td><td>104.8</td></tr> </table>	1:	10.6x	↗	2:	10.7x	↗	3:	10.6x	↑	4:	10.3x	↖	5:	10.1	↓	Serie		52.3	Total		104.8	
1:	10.6x	→																																										
2:	10.0	↖																																										
3:	10.5x	↑																																										
4:	10.9x	↑																																										
5:	10.5x	↗																																										
Serie		52.5																																										
Total		52.5																																										
1:	10.6x	↗																																										
2:	10.7x	↗																																										
3:	10.6x	↑																																										
4:	10.3x	↖																																										
5:	10.1	↓																																										
Serie		52.3																																										
Total		104.8																																										
<p>Serie 3</p> <table border="1" style="width:100%; border-collapse: collapse;"> <tr><td>1:</td><td>10.2x</td><td>↓</td></tr> <tr><td>2:</td><td>10.1</td><td>→</td></tr> <tr><td>3:</td><td>10.8x</td><td>↑</td></tr> <tr><td>4:</td><td>10.6x</td><td>↗</td></tr> <tr><td>5:</td><td>10.5x</td><td>↗</td></tr> <tr><td colspan="2">Serie</td><td>52.2</td></tr> <tr><td colspan="2">Total</td><td>157.0</td></tr> </table>	1:	10.2x	↓	2:	10.1	→	3:	10.8x	↑	4:	10.6x	↗	5:	10.5x	↗	Serie		52.2	Total		157.0	<p>Serie 4</p> <table border="1" style="width:100%; border-collapse: collapse;"> <tr><td>1:</td><td>10.7x</td><td>→</td></tr> <tr><td>2:</td><td>10.5x</td><td>↗</td></tr> <tr><td>3:</td><td>10.1</td><td>↓</td></tr> <tr><td>4:</td><td>10.9x</td><td>↗</td></tr> <tr><td>5:</td><td>10.5x</td><td>→</td></tr> <tr><td colspan="2">Serie</td><td>52.7</td></tr> <tr><td colspan="2">Total</td><td>209.7</td></tr> </table>	1:	10.7x	→	2:	10.5x	↗	3:	10.1	↓	4:	10.9x	↗	5:	10.5x	→	Serie		52.7	Total		209.7	
1:	10.2x	↓																																										
2:	10.1	→																																										
3:	10.8x	↑																																										
4:	10.6x	↗																																										
5:	10.5x	↗																																										
Serie		52.2																																										
Total		157.0																																										
1:	10.7x	→																																										
2:	10.5x	↗																																										
3:	10.1	↓																																										
4:	10.9x	↗																																										
5:	10.5x	→																																										
Serie		52.7																																										
Total		209.7																																										
<p>Serie 5</p> <table border="1" style="width:100%; border-collapse: collapse;"> <tr><td>1:</td><td>10.1</td><td>↗</td></tr> <tr><td>2:</td><td>10.3x</td><td>→</td></tr> <tr><td>3:</td><td>10.2x</td><td>↓</td></tr> <tr><td>4:</td><td>10.3x</td><td>↓</td></tr> <tr><td>5:</td><td>10.5x</td><td>↗</td></tr> <tr><td colspan="2">Serie</td><td>51.4</td></tr> <tr><td colspan="2">Total</td><td>261.1</td></tr> </table>	1:	10.1	↗	2:	10.3x	→	3:	10.2x	↓	4:	10.3x	↓	5:	10.5x	↗	Serie		51.4	Total		261.1	<p>Serie 6</p> <table border="1" style="width:100%; border-collapse: collapse;"> <tr><td>1:</td><td>10.2x</td><td>↖</td></tr> <tr><td>2:</td><td>10.4x</td><td>↗</td></tr> <tr><td>3:</td><td>10.5x</td><td>↑</td></tr> <tr><td>4:</td><td>10.8x</td><td>→</td></tr> <tr><td>5:</td><td>10.4x</td><td>↑</td></tr> <tr><td colspan="2">Serie</td><td>52.3</td></tr> <tr><td colspan="2">Total</td><td>313.4</td></tr> </table>	1:	10.2x	↖	2:	10.4x	↗	3:	10.5x	↑	4:	10.8x	→	5:	10.4x	↑	Serie		52.3	Total		313.4	
1:	10.1	↗																																										
2:	10.3x	→																																										
3:	10.2x	↓																																										
4:	10.3x	↓																																										
5:	10.5x	↗																																										
Serie		51.4																																										
Total		261.1																																										
1:	10.2x	↖																																										
2:	10.4x	↗																																										
3:	10.5x	↑																																										
4:	10.8x	→																																										
5:	10.4x	↑																																										
Serie		52.3																																										
Total		313.4																																										
<p>Serie 7</p> <table border="1" style="width:100%; border-collapse: collapse;"> <tr><td>1:</td><td>10.5x</td><td>→</td></tr> <tr><td>2:</td><td>10.7x</td><td>↑</td></tr> <tr><td>3:</td><td>10.3x</td><td>↖</td></tr> <tr><td>4:</td><td>10.1</td><td>→</td></tr> <tr><td>5:</td><td>10.6x</td><td>↑</td></tr> <tr><td colspan="2">Serie</td><td>52.2</td></tr> <tr><td colspan="2">Total</td><td>365.6</td></tr> </table>	1:	10.5x	→	2:	10.7x	↑	3:	10.3x	↖	4:	10.1	→	5:	10.6x	↑	Serie		52.2	Total		365.6	<p>Serie 8</p> <table border="1" style="width:100%; border-collapse: collapse;"> <tr><td>1:</td><td>10.1</td><td>↖</td></tr> <tr><td>2:</td><td>10.5x</td><td>↑</td></tr> <tr><td>3:</td><td>10.7x</td><td>↗</td></tr> <tr><td>4:</td><td>10.6x</td><td>↑</td></tr> <tr><td>5:</td><td>10.7x</td><td>↗</td></tr> <tr><td colspan="2">Serie</td><td>52.6</td></tr> <tr><td colspan="2">Total</td><td>418.2</td></tr> </table>	1:	10.1	↖	2:	10.5x	↑	3:	10.7x	↗	4:	10.6x	↑	5:	10.7x	↗	Serie		52.6	Total		418.2	
1:	10.5x	→																																										
2:	10.7x	↑																																										
3:	10.3x	↖																																										
4:	10.1	→																																										
5:	10.6x	↑																																										
Serie		52.2																																										
Total		365.6																																										
1:	10.1	↖																																										
2:	10.5x	↑																																										
3:	10.7x	↗																																										
4:	10.6x	↑																																										
5:	10.7x	↗																																										
Serie		52.6																																										
Total		418.2																																										

Skjutlag	Tavla	Peo Andersson			
3	24	Trollhättans Skarpskyttefören		Sen sim	
03.11.2018		SM luftgevär 2018		Öckerö Skytteförening	
Serie 1		1: 9.9 ←	Serie 2		1: 10.7x ↑
		2: 10.3x ↖			2: 10.7x ↗
		3: 10.7x →			3: 10.6x ↗
		4: 10.3x ↓			4: 10.6x →
		5: 10.3x ↖			5: 10.6x ↗
	Serie 51.5		Serie 53.2		
	Total 51.5		Total 104.7		
Serie 3		1: 10.8x ↑	Serie 4		1: 10.3x ←
		2: 10.3x ←			2: 10.2x ↑
		3: 10.5x ↗			3: 10.7x →
		4: 10.9x ↗			4: 10.3x ↗
		5: 10.5x →			5: 10.7x →
	Serie 53.0		Serie 52.2		
	Total 157.7		Total 209.9		
Serie 5		1: 10.5x ↗	Serie 6		1: 10.7x ↗
		2: 10.7x →			2: 9.9 ↓
		3: 10.5x →			3: 10.5x ↑
		4: 10.7x →			4: 10.3x ↖
		5: 10.4x ↑			5: 10.9x →
	Serie 52.8		Serie 52.3		
	Total 262.7		Total 315.0		
Serie 7		1: 10.0 ↓	Serie 8		1: 10.5x ↓
		2: 10.7x ↗			2: 10.9x ↓
		3: 10.7x ↗			3: 10.2x ↓
		4: 10.2x ↓			4: 10.5x ↗
		5: 10.8x ↗			5: 10.6x ↑
	Serie 52.4		Serie 52.7		
	Total 367.4		Total 420.1		