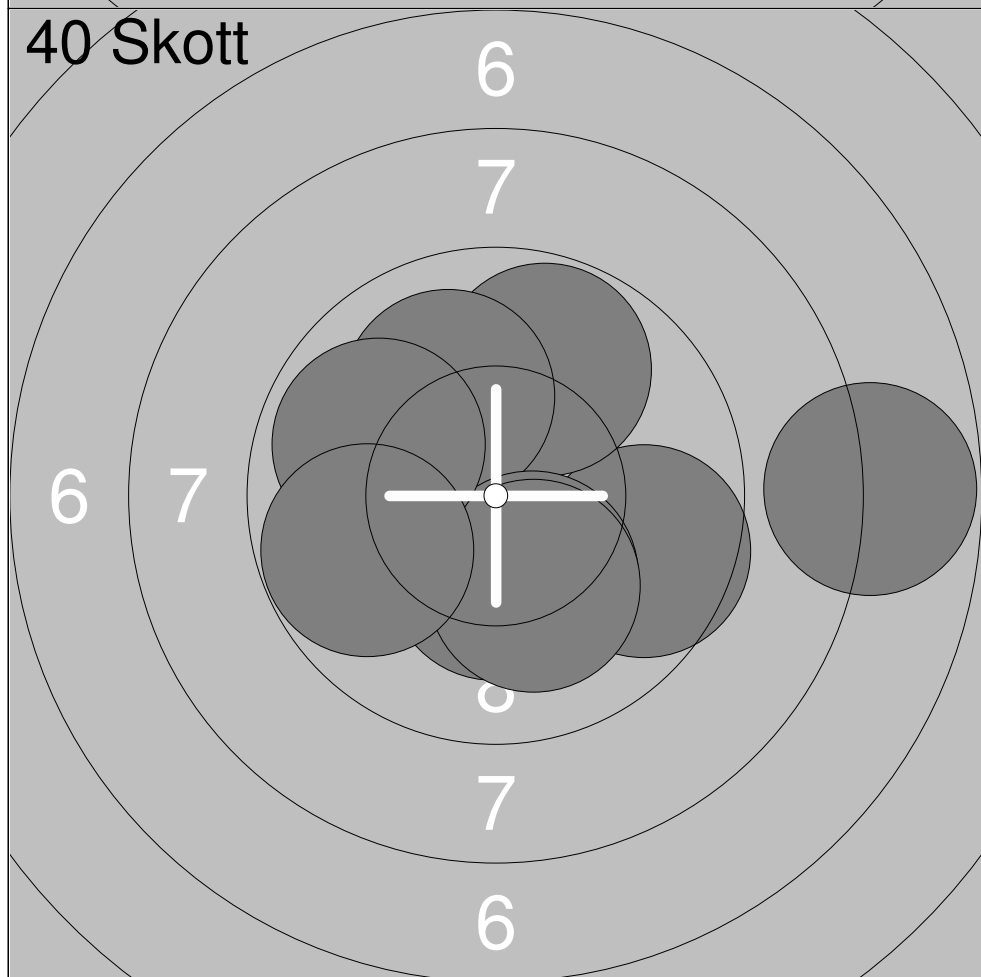




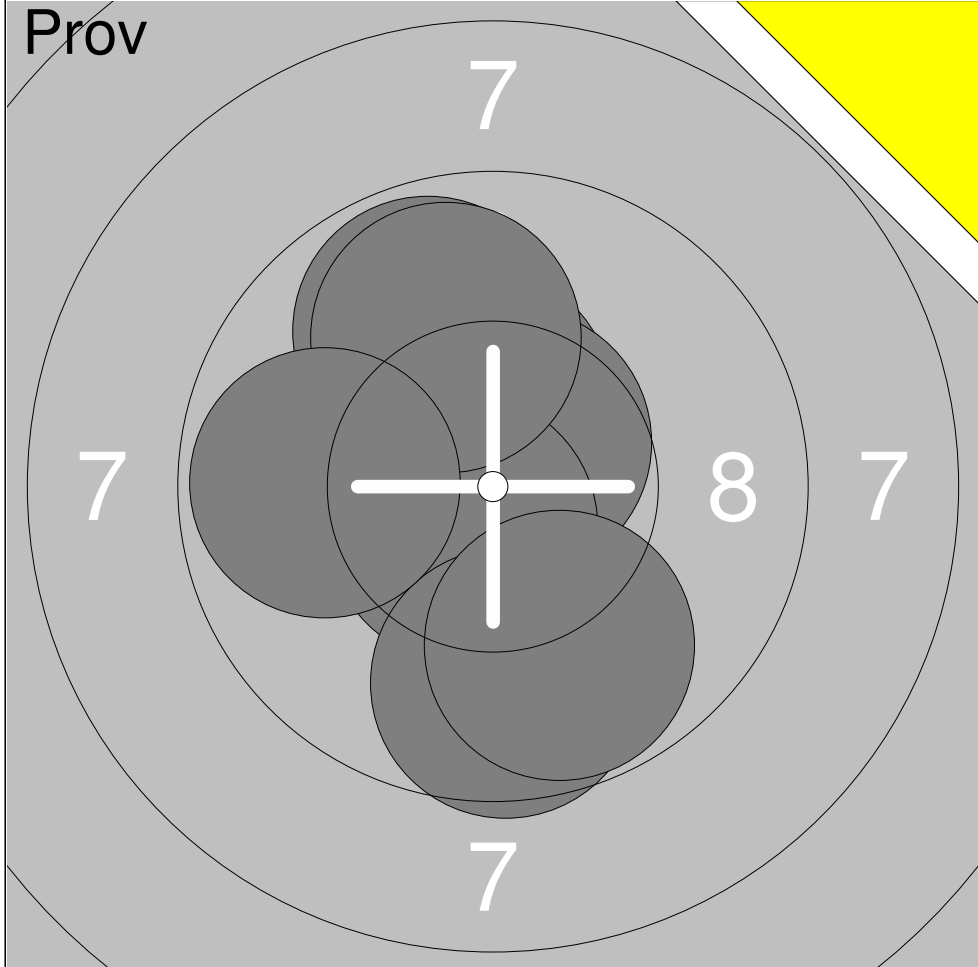
1:	9.0	↑
2:	9.5	↖
3:	10.5x	↗
4:	10.4x	↗
5:	9.6	↗
6:	9.7	↖
7:	10.0	↑

Serie	68.7
Total	372.0

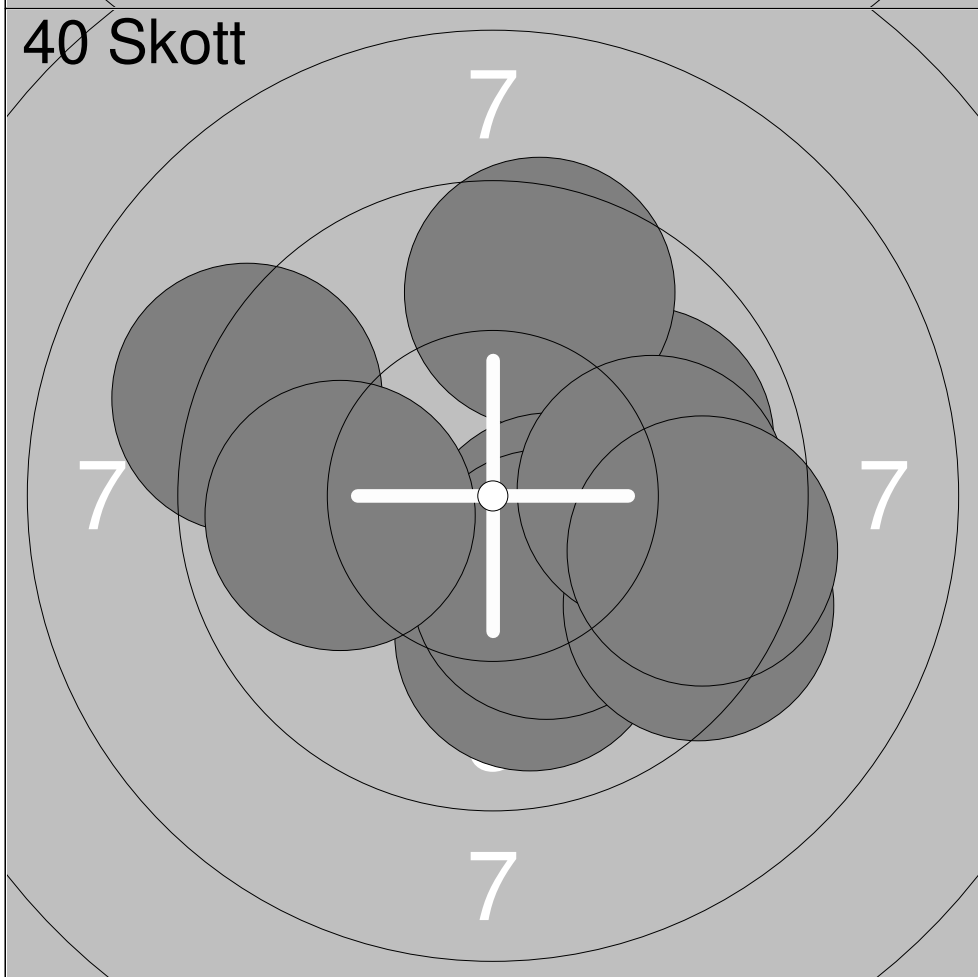


1:	9.6	→
2:	10.3x	↓
3:	10.5x	↖
4:	9.8	↗
5:	10.0	↗
6:	10.2x	↘
7:	10.1	↘
8:	9.9	↖
9:	7.8	→
10:	9.8	↖

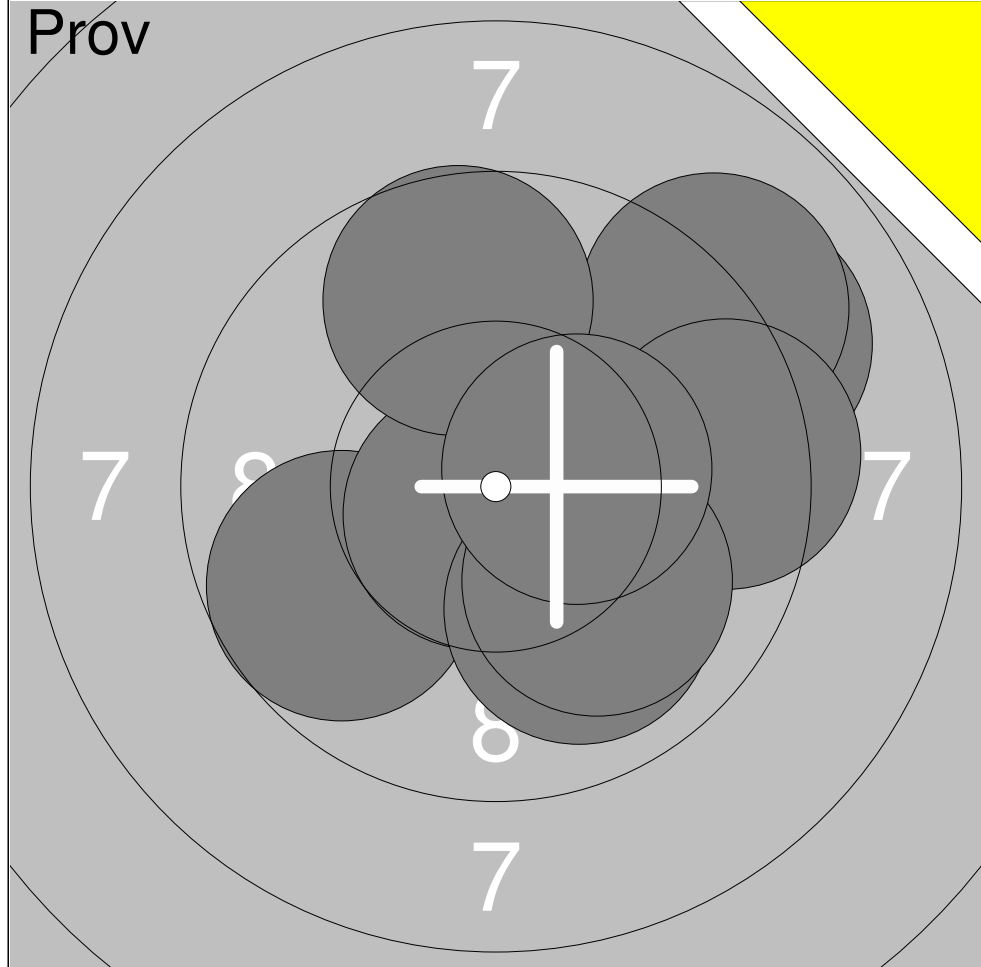
Serie	98.0
Total	470.0



1:	9.8	↗
2:	10.0	←
3:	10.4x	↗
4:	10.3x	←
5:	10.6x	↗
6:	10.6x	↘
7:	9.6	↓
8:	9.9	↗
9:	9.8	↘
10:	9.8	←
Serie		100.8
Total		375.0

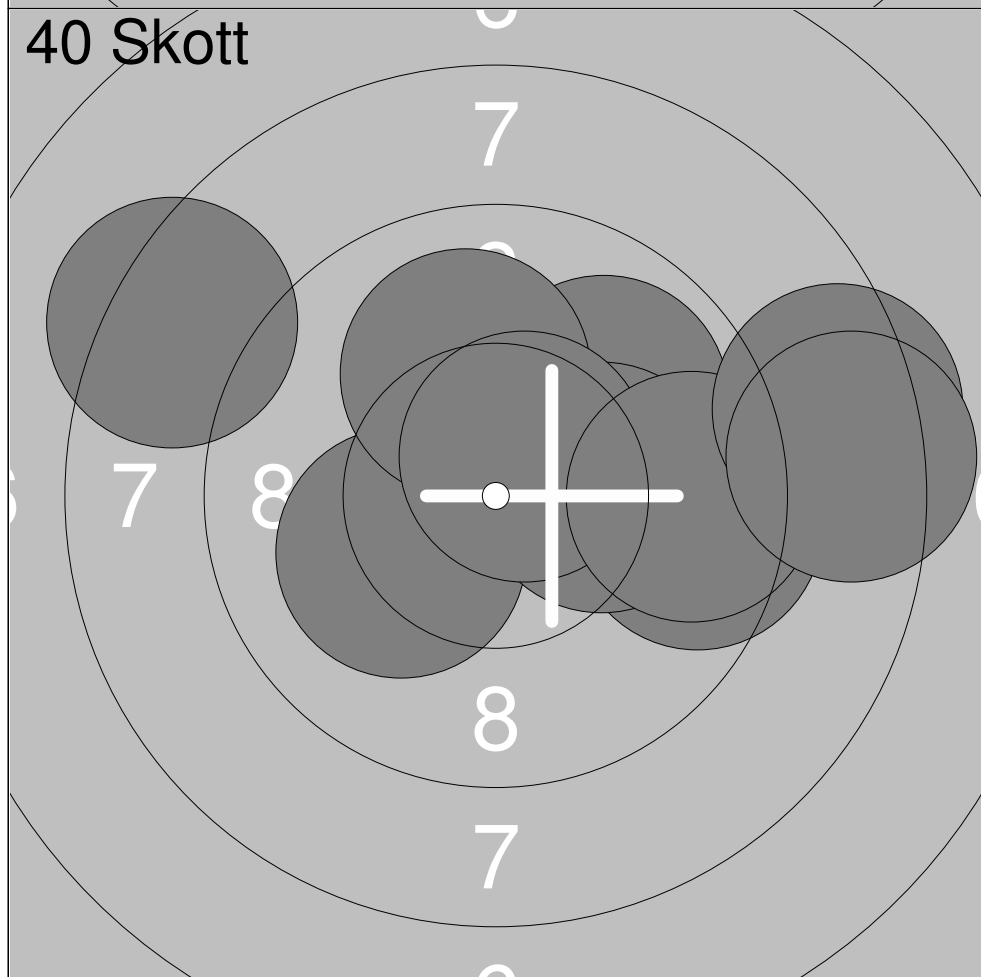


1:	9.9	↗
2:	9.6	↗
3:	10.4x	↘
4:	10.0	↘
5:	10.3x	↘
6:	9.4	↘
7:	9.2	↗
8:	9.9	→
9:	9.5	↘
10:	9.9	←
Serie		98.1
Total		473.1



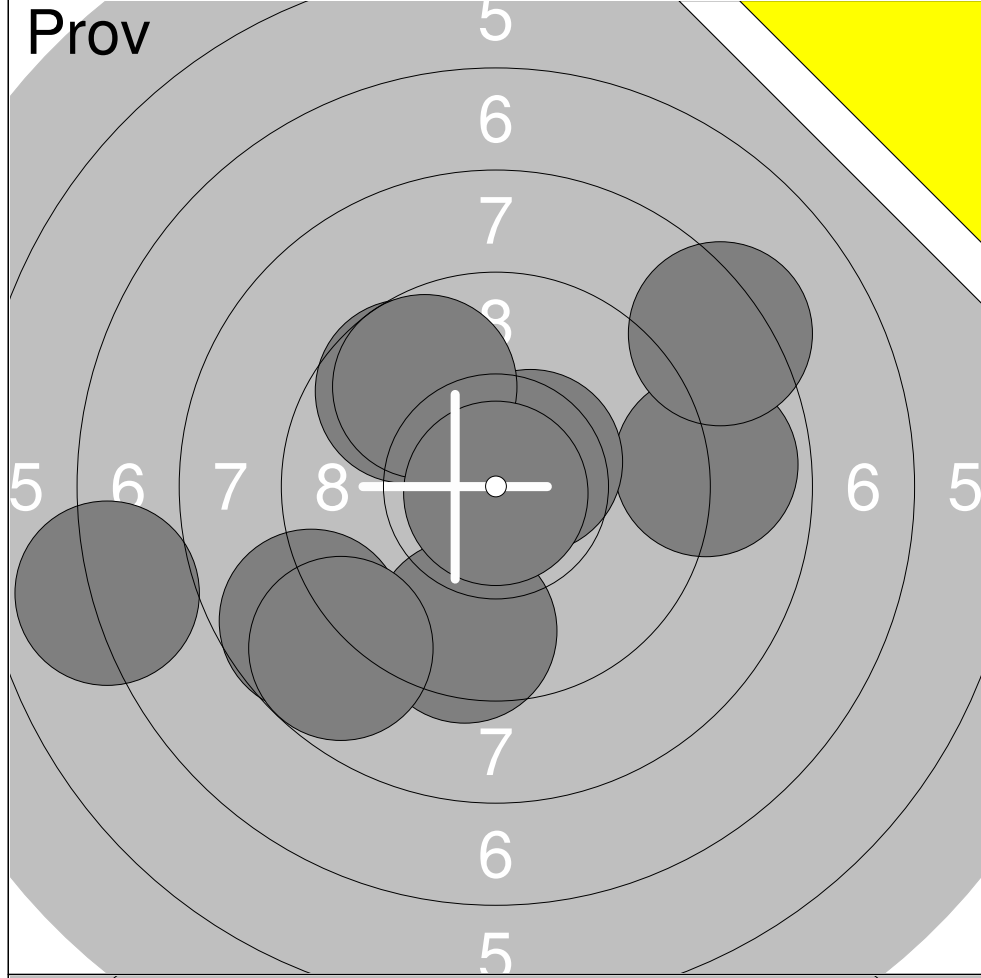
1:	9.7	↙
2:	9.1	↗
3:	10.0	→
4:	9.1	↗
5:	9.4	→
6:	10.7x	↙
7:	9.7	↑
8:	10.0	↘
9:	10.0	↘
10:	10.4x	→

Serie	98.1
Total	379.0



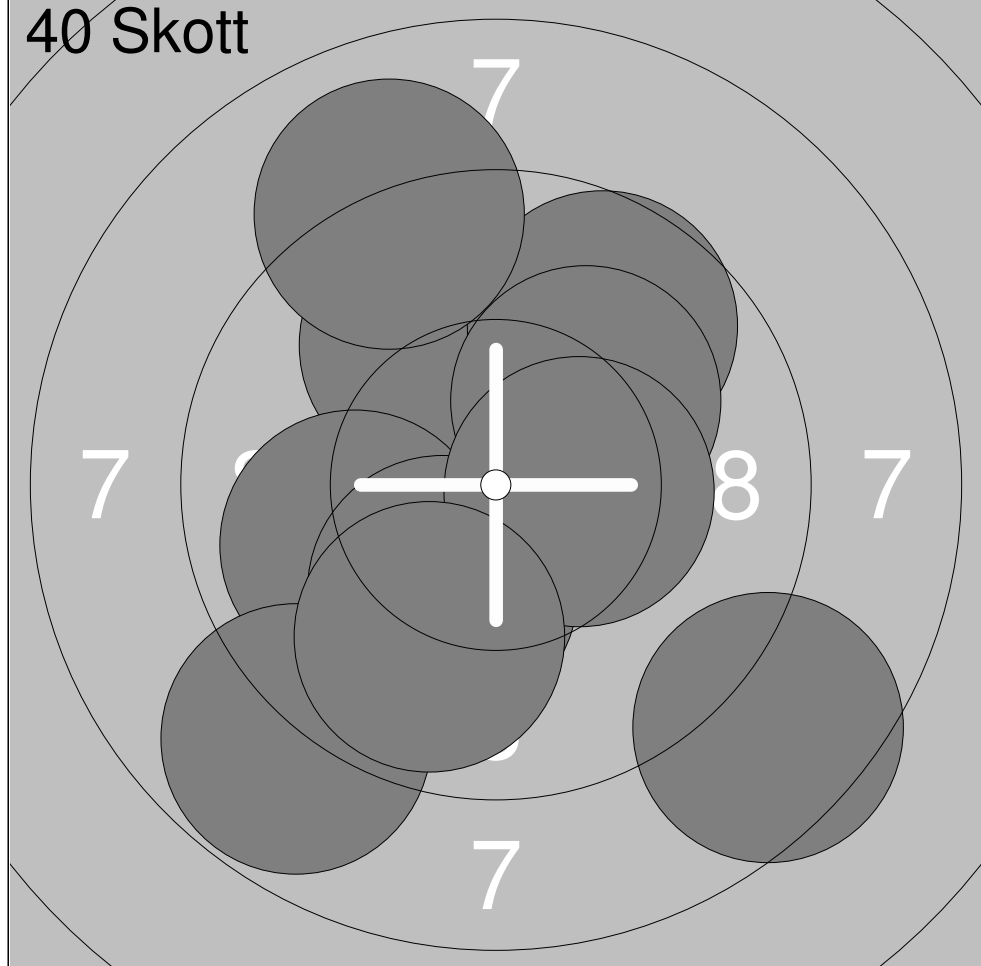
1:	10.2x	↙
2:	8.3	↙
3:	9.9	↗
4:	9.5	→
5:	10.0	↑
6:	10.2x	→
7:	10.6x	↗
8:	9.5	→
9:	8.4	↗
10:	8.4	→

Serie	95.0
Total	474.0



1:	8.9	→
2:	8.3	↗
3:	9.5	↓
4:	10.5x	↗
5:	9.7	↖
6:	9.7	↖
7:	8.7	↙
8:	10.9x	↓
9:	7.0	←
10:	8.8	↙

Serie	92.0
Total	376.0



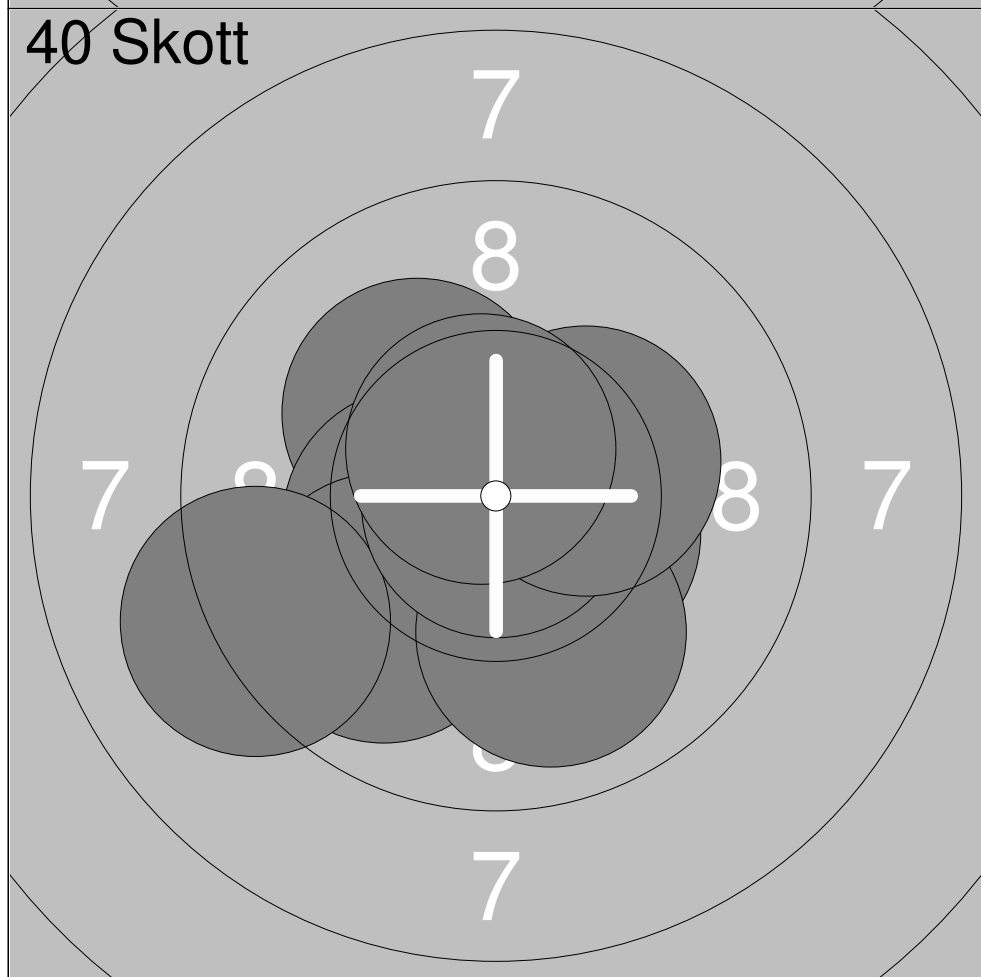
1:	9.9	↖
2:	9.7	↗
3:	9.9	↙
4:	8.5	↘
5:	10.2x	↓
6:	10.1	↗
7:	10.4x	→
8:	8.8	↙
9:	9.0	↖
10:	9.8	↘

Serie	96.3
Total	472.3



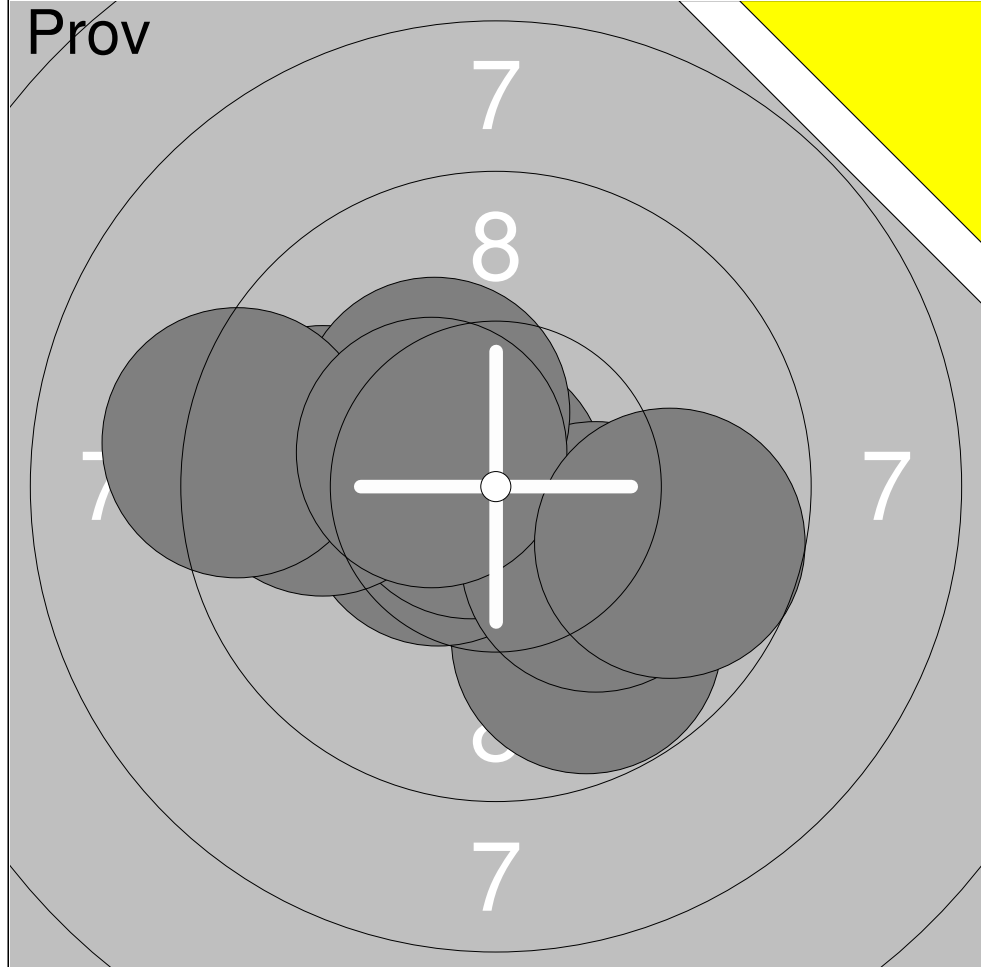
1:	9.8	→
2:	10.4x	←
3:	10.5x	↗
4:	9.8	←
5:	9.9	↙
6:	10.3x	↘
7:	9.6	←
9:	9.7	←

Serie	80.0
Total	387.0



1:	10.4x	↘
2:	10.2x	↗
3:	10.9x	↓
4:	10.4x	←
5:	9.9	↙
6:	10.0	↓
7:	9.1	←
8:	10.9x	↓
9:	10.3x	↗
10:	10.6x	↖

Serie	102.7
Total	489.7



1:	9.8	↘
2:	10.5x	←
3:	10.8x	←
4:	10.1	↘
5:	9.8	←
6:	10.3x	↗
7:	9.2	←
8:	10.5x	↗
9:	9.7	↘

Serie	90.7
Total	392.0



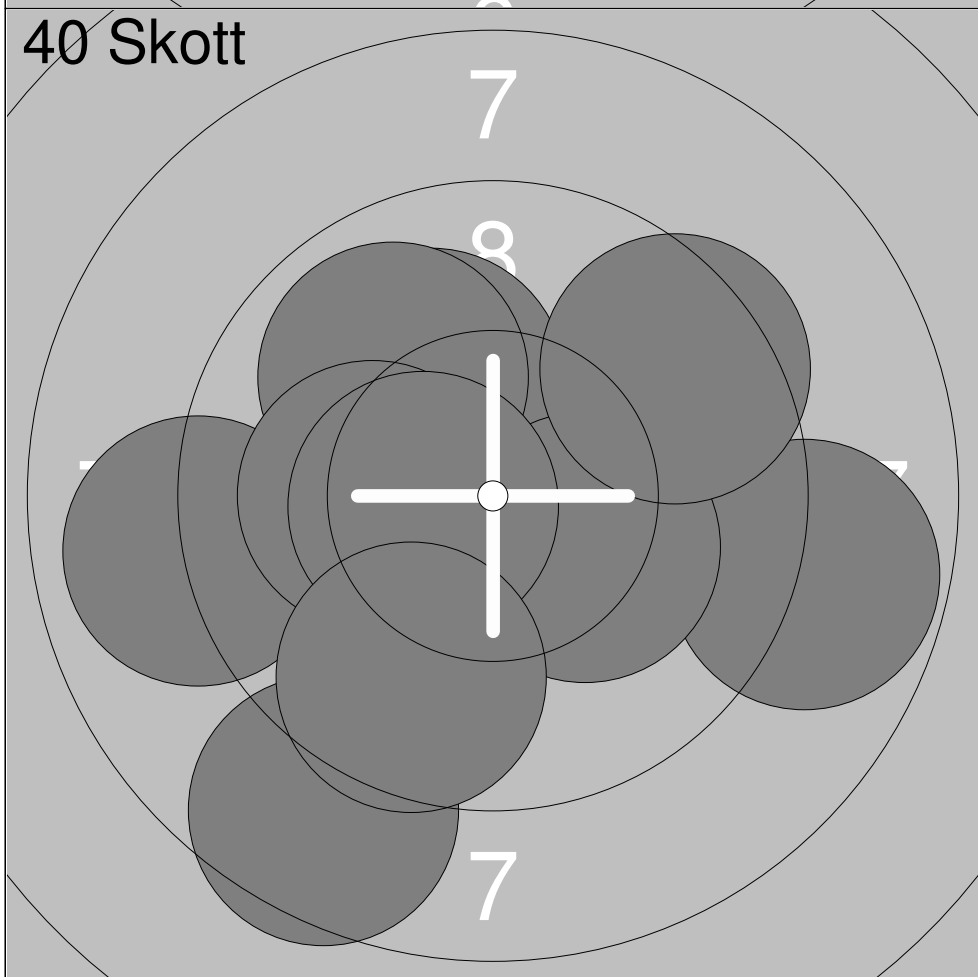
1:	10.2x	←
2:	10.3x	←
3:	10.7x	←
4:	10.4x	→
5:	10.3x	↑
6:	10.5x	←
7:	10.5x	↗
8:	10.0	←
9:	10.4x	→
10:	10.5x	↙

Serie	103.8
Total	495.8



1:	9.1	↗
2:	8.4	→
3:	10.9x	↘
4:	9.1	→
5:	10.1	↖
6:	10.4x	↘
7:	10.7x	↖

Serie	68.7
Total	384.0



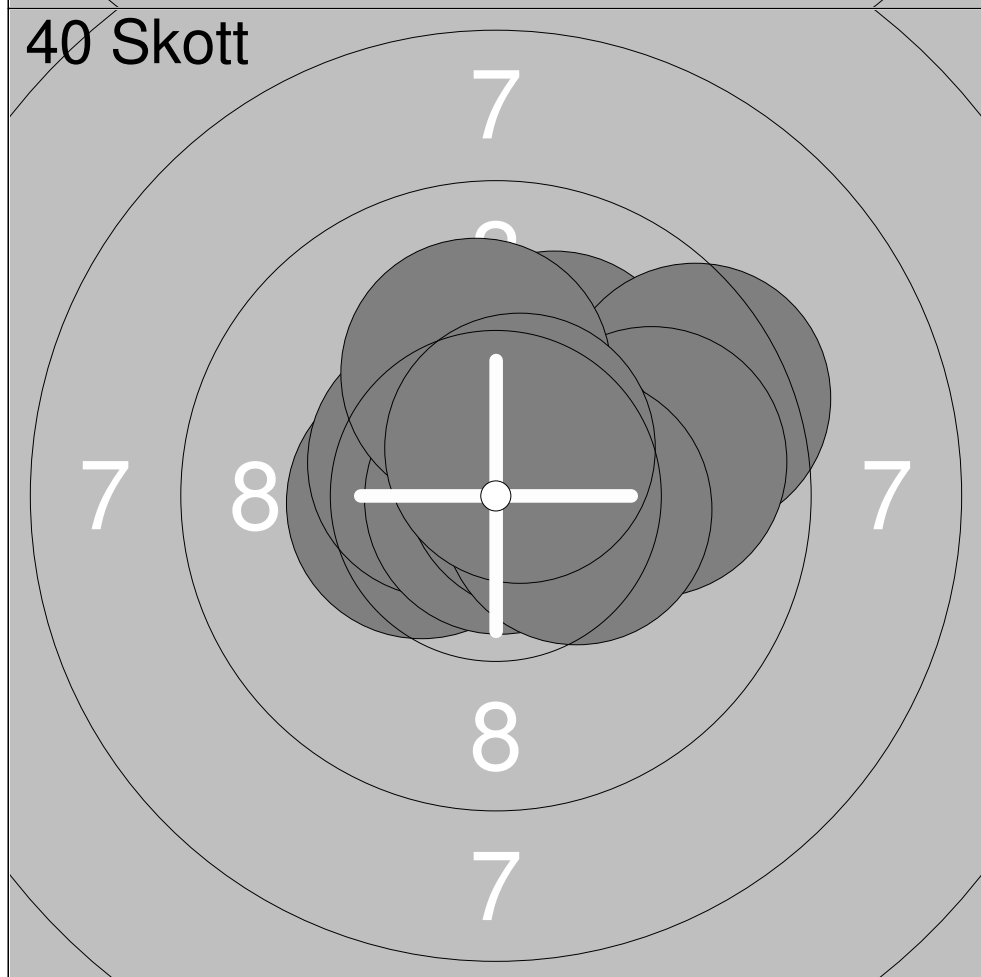
1:	8.8	→
2:	10.1	↖
3:	9.0	←
4:	9.9	↖
5:	10.1	←
6:	8.6	↘
7:	10.2x	↘
8:	10.5x	←
9:	9.5	↗
10:	9.6	↘

Serie	96.3
Total	480.3



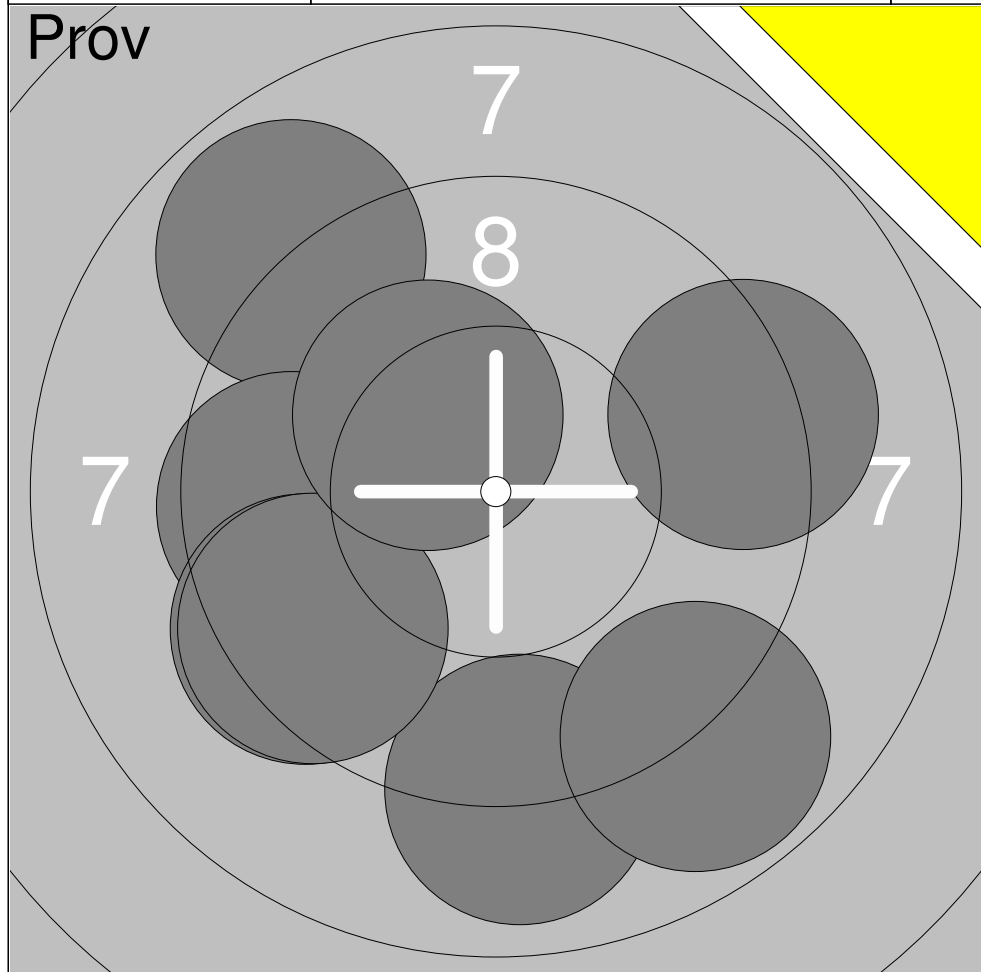
1:	9.9	↙
2:	9.9	↙
3:	10.1	↑
4:	10.2x	↖
5:	10.1	↖
6:	10.1	→
7:	10.5x	↘
8:	10.3x	↑

Serie	81.1
Total	395.0



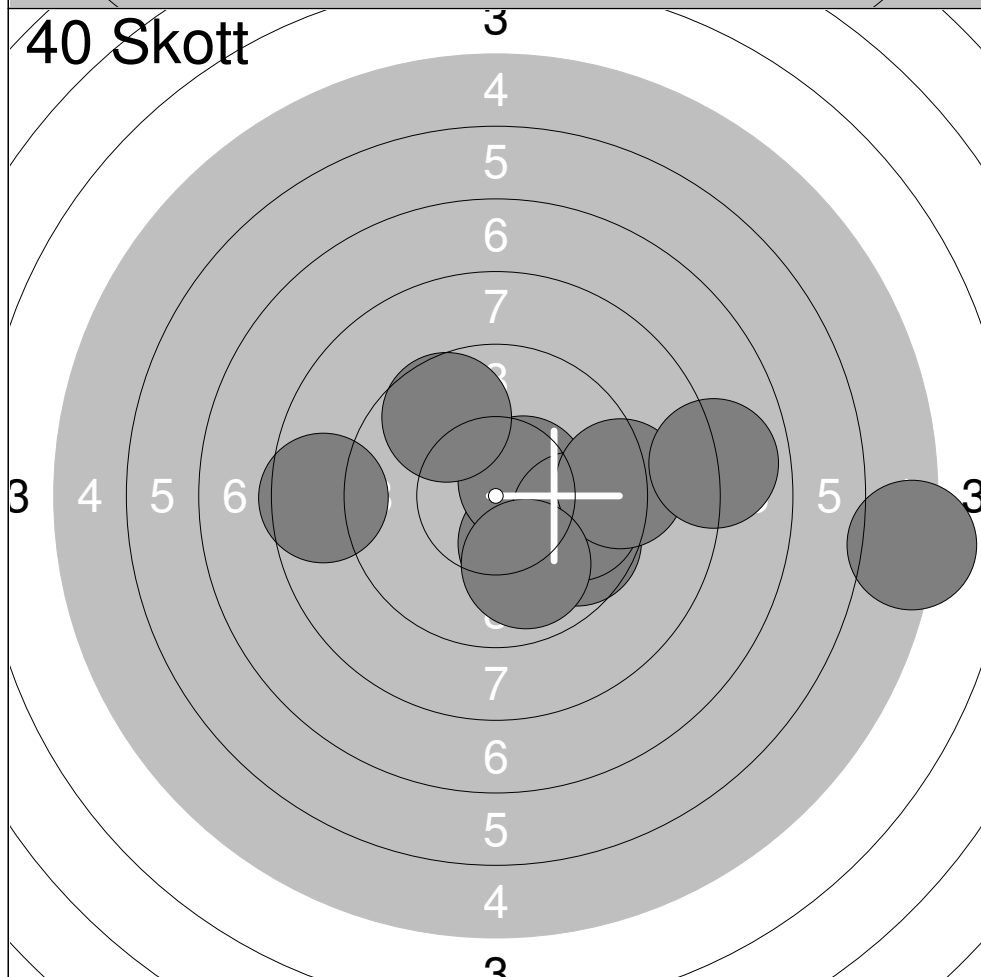
1:	10.5x	←
2:	10.5x	↖
3:	10.9x	↘
4:	10.1	↗
5:	9.5	↗
6:	9.9	→
7:	10.1	↑
8:	10.6x	↗
9:	10.4x	→
10:	10.6x	↗

Serie	103.1
Total	498.1



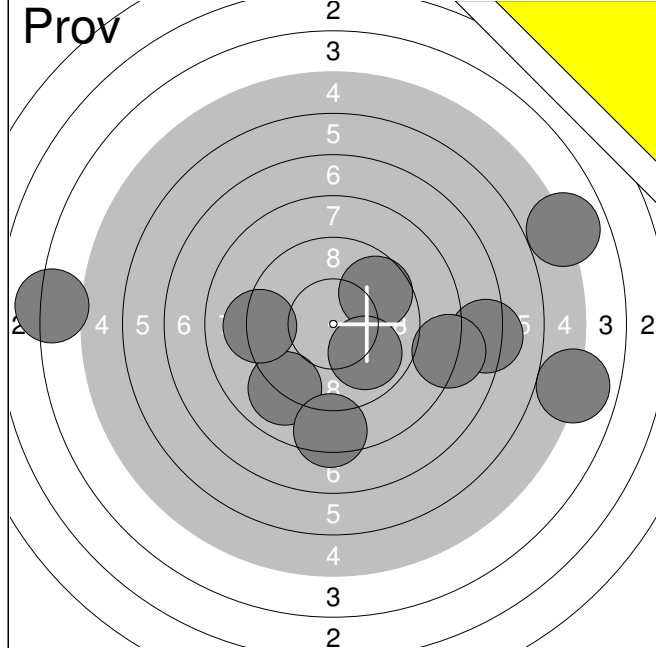
1:	8.9	↗
2:	9.6	←
3:	9.0	↓
4:	9.4	↙
5:	9.2	→
6:	8.8	↘
7:	9.4	↖
8:	10.3x	↗

Serie	74.6
Total	364.0

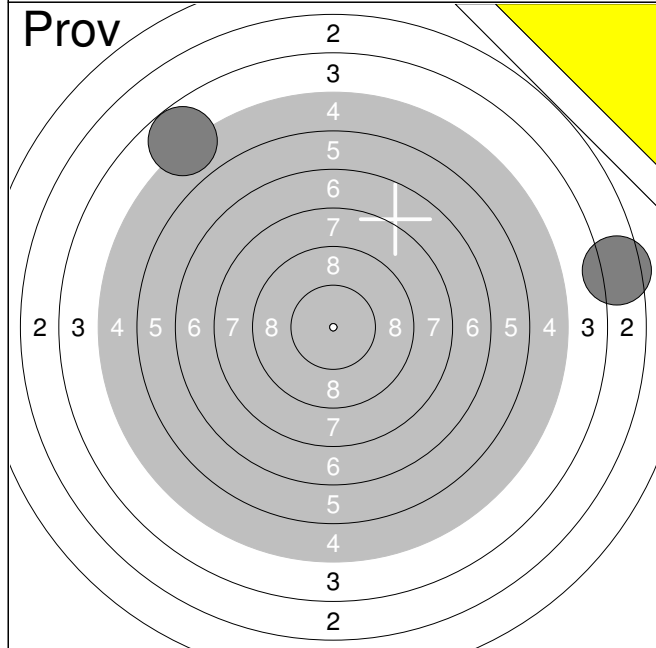


1:	9.7	↘
2:	10.2x	↘
3:	10.5x	↗
4:	9.7	↗
5:	9.8	→
6:	9.2	→
7:	8.6	←
8:	7.9	→
9:	9.9	↘
10:	5.2	→

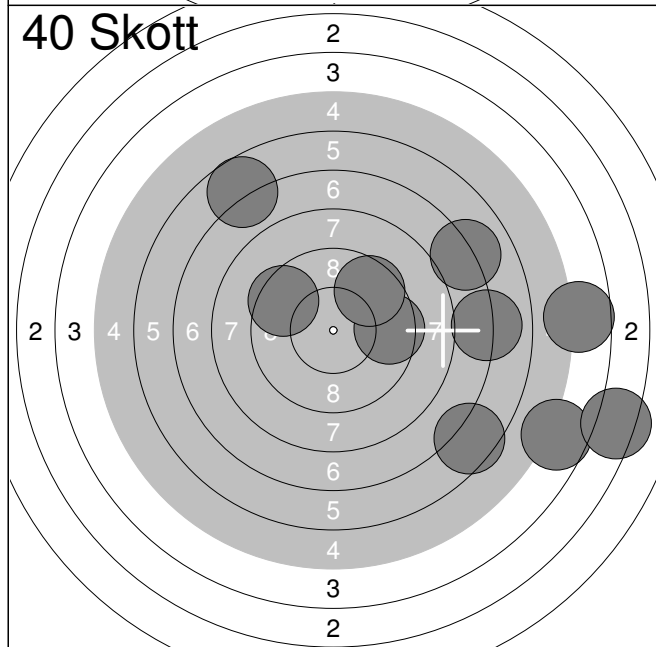
Serie	90.7
Total	454.7



1:	9.0	↙
2:	7.2	→
3:	9.7	↗
4:	8.4	↓
5:	8.1	→
6:	9.9	↙
7:	5.0	→
8:	9.2	←
9:	4.1	←
10:	4.9	→
Serie	75.5	
Total	218.0	

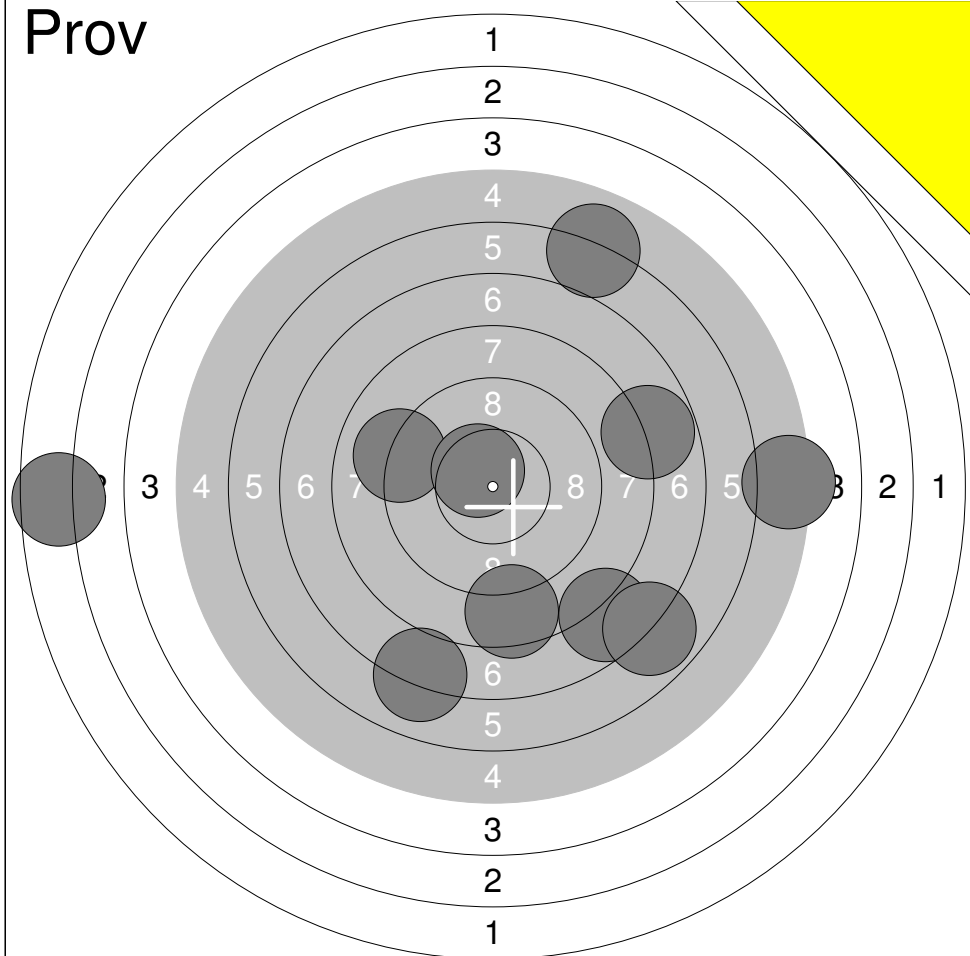


11:	4.7	↗
12:	3.5	→
Serie	8.2	
Total	218.0	



1:	7.0	→
2:	9.5	→
3:	6.5	↙
4:	6.7	↗
5:	4.7	↙
6:	9.5	↗
7:	3.3	→
8:	9.6	↗
9:	7.1	↗
10:	4.7	→
Serie	68.6	
Total	286.6	

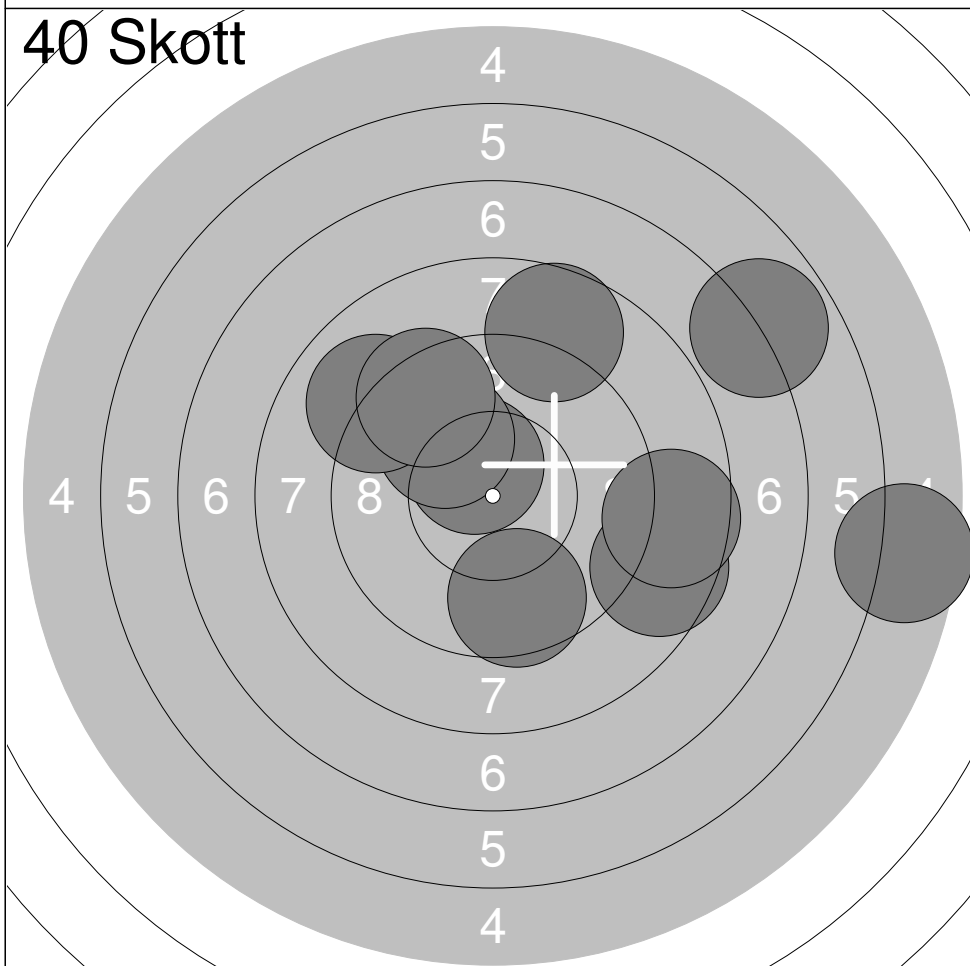
Prov



1:	2.6	←
2:	7.7	↘
3:	5.3	→
4:	8.5	↘
5:	7.8	↗
6:	7.1	↘
7:	6.9	↘
8:	9.1	←
9:	6.0	↗
10:	10.5x	↗

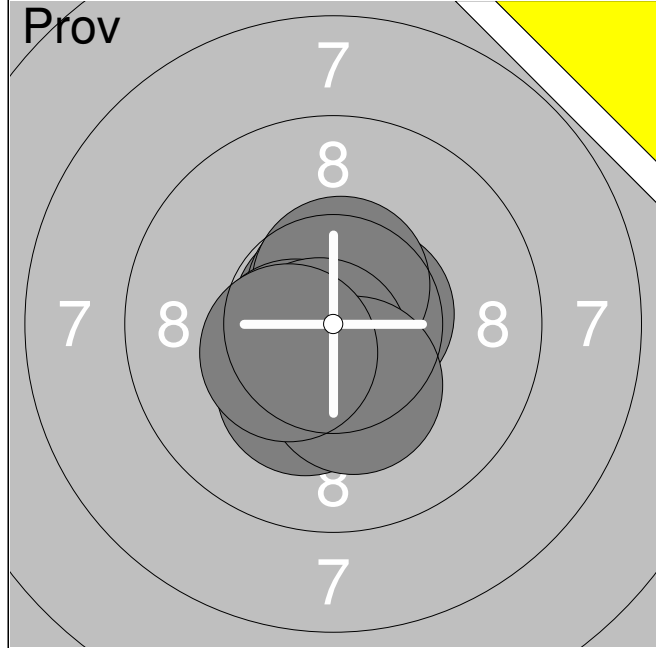
Serie	71.5
Total	311.0

40 Skott



1:	8.7	↗
2:	6.9	↗
3:	5.5	→
4:	10.5x	↗
5:	8.6	↘
6:	10.0	↗
7:	8.6	→
8:	9.0	↗
9:	9.4	↗
10:	9.6	↘

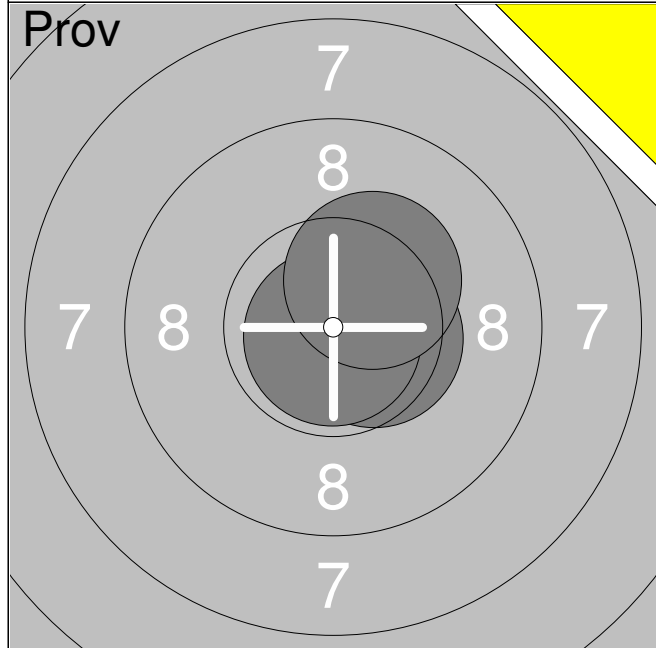
Serie	86.8
Total	397.8



1:	10.6x	→
2:	10.3x	↓
3:	10.8x	↖
4:	10.7x	↑
5:	10.6x	↙
6:	10.6x	↑
7:	10.5x	↖
8:	10.7x	↙
9:	10.3x	↓
10:	10.4x	↖

Serie	105.5
-------	-------

Total	425.1
-------	-------



11:	10.5x	→
12:	10.8x	↓
13:	10.3x	↗

Serie	31.6
-------	------

Total	425.1
-------	-------

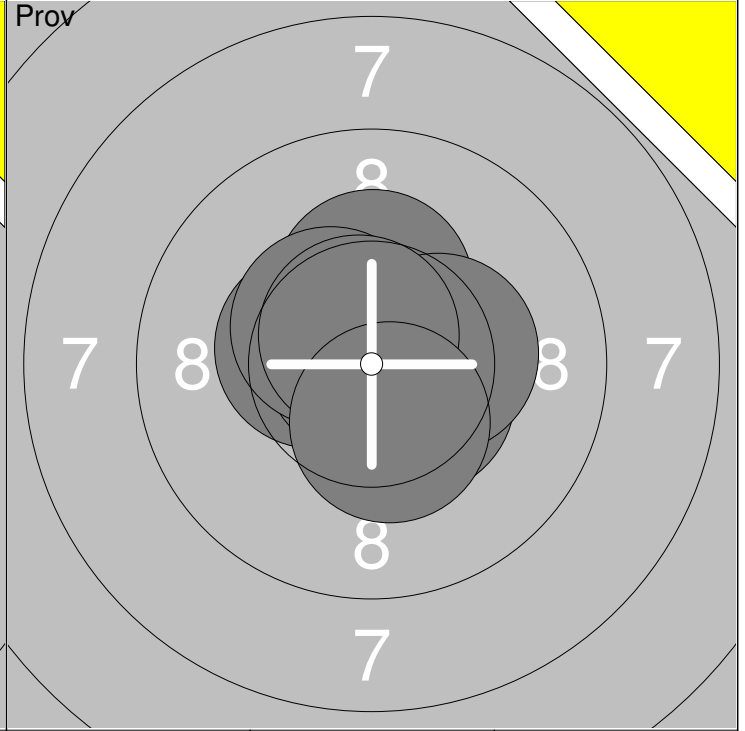
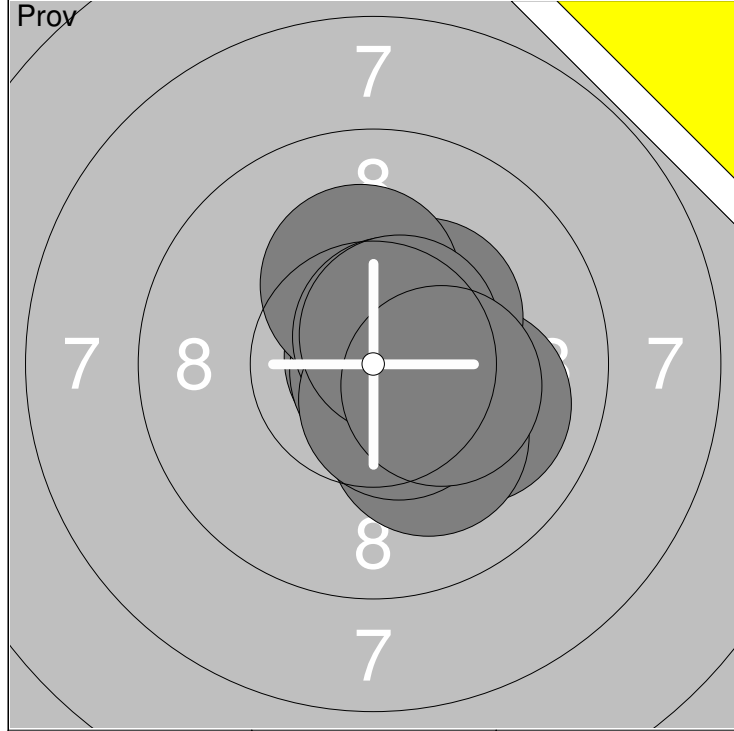


1:	10.3x	→
2:	10.5x	↑
3:	10.7x	↖
4:	10.8x	→
5:	10.8x	↑
6:	10.6x	↖
7:	10.8x	←
8:	10.5x	↓
9:	10.3x	↑
10:	10.6x	↙

Serie	105.9
-------	-------

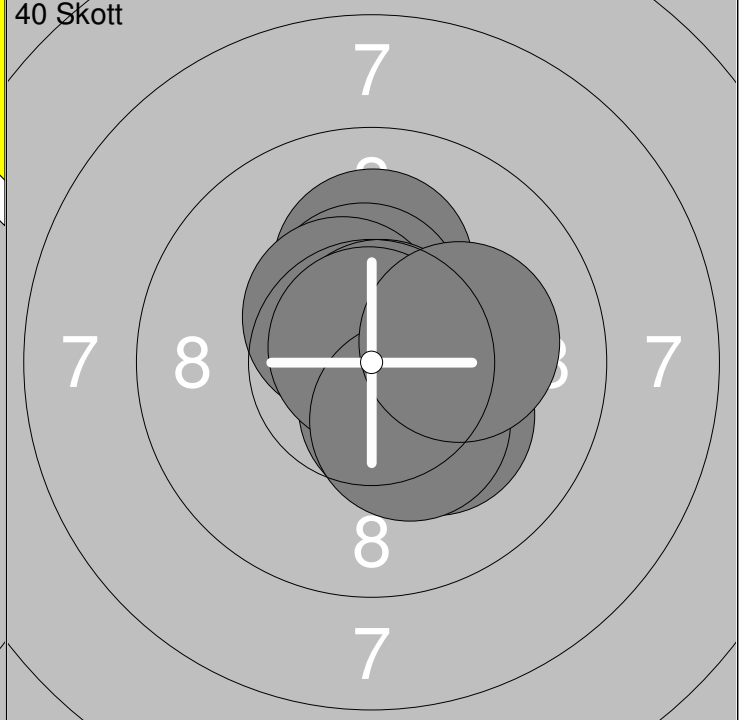
Total	531.0
-------	-------

Skjuttag	Tavla	Rådgärd Chen Brinkstam		
3	29	Umeå Skytteförening		JunSitt
31.10.2020	Nationella SM 2020	Umeå skytteallians		
Prov 	1:	10.4x	↘	
	2:	9.8	→	
	3:	10.1	↘	
	4:	10.7x	↘	
	5:	10.7x	↘	
	6:	10.4x	↗	
	7:	10.4x	↗	
	8:	10.1	→	
	9:	10.6x	↘	
	10:	10.6x	↘	
	Serie			103.8
Total			418.6	
Prov 	11:	10.6x	↗	
	12:	10.4x	→	
	13:	10.5x	↑	
	14:	10.3x	↗	
Serie			41.8	
Total			418.6	
40 Skott 	1:	10.5x	→	
	2:	10.4x	↘	
	3:	10.5x	→	
	4:	10.7x	↗	
	5:	10.7x	↘	
	6:	10.6x	↑	
	7:	10.3x	↑	
	8:	10.1	↗	
	9:	10.7x	↗	
	10:	10.1	↖	
Serie			104.6	
Total			523.2	



1: 10.0 →	6: 10.2x ↑	Serie	104.4
2: 10.8x ↗	7: 10.7x ↗		
3: 10.8x →	8: 10.6x ↓	Total	416.4
4: 10.3x ↗	9: 10.6x ↗		
5: 10.1 ↓	10: 10.3x →		

11: 10.5x ↘	16: 10.3x ↑	Serie	105.8
12: 10.4x ↖	17: 10.5x ↖		
13: 10.9x ↖	18: 10.4x →	Total	416.4
14: 10.8x →	19: 10.7x ↑		
15: 10.9x ↗	20: 10.4x ↓		



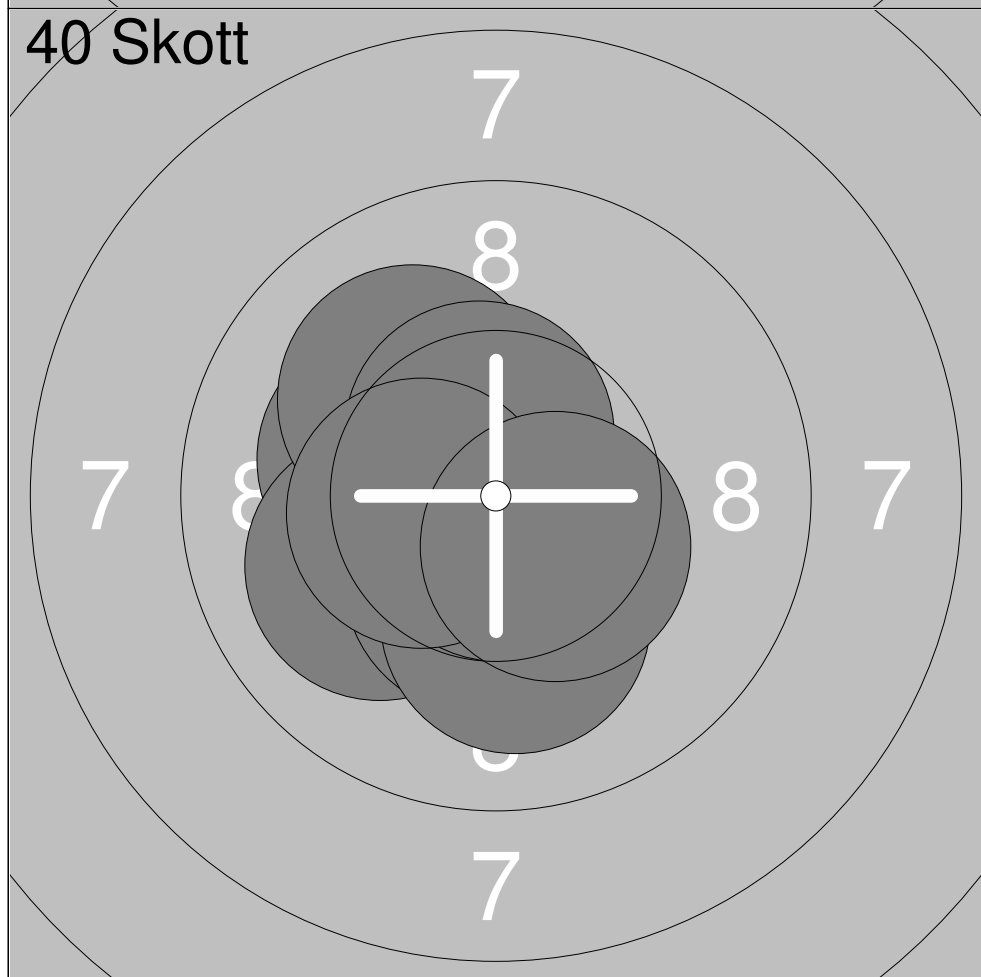
22: 10.3x ↗	Serie	20.7
23: 10.4x ↑		
	Total	416.4

1: 10.1 ↑	6: 10.8x →	Serie	104.4
2: 10.5x ↓	7: 10.7x ↗		
3: 10.4x ↑	8: 10.8x ↑	Total	520.8
4: 10.2x ↓	9: 10.3x ↓		
5: 10.5x ↗	10: 10.1 →		



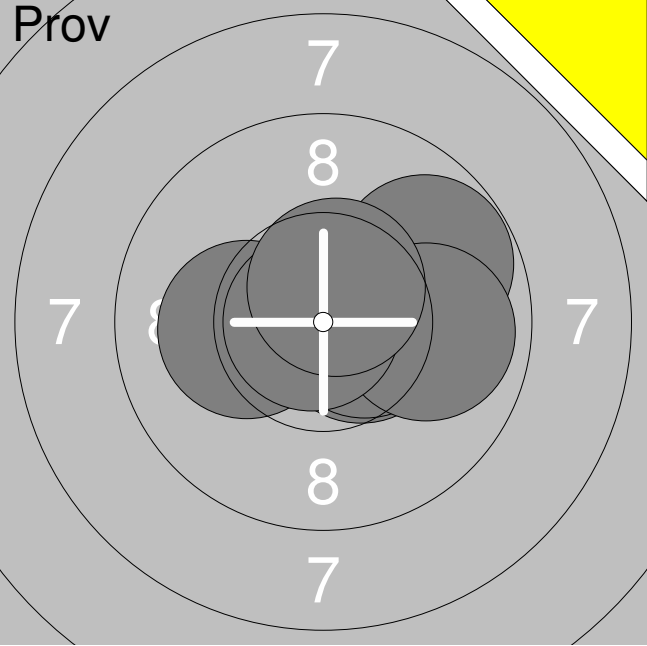


1:	9.6	↘
2:	10.5x	↙
3:	10.7x	→
4:	10.7x	↓
5:	10.7x	↓
6:	10.3x	↙
7:	10.5x	↙

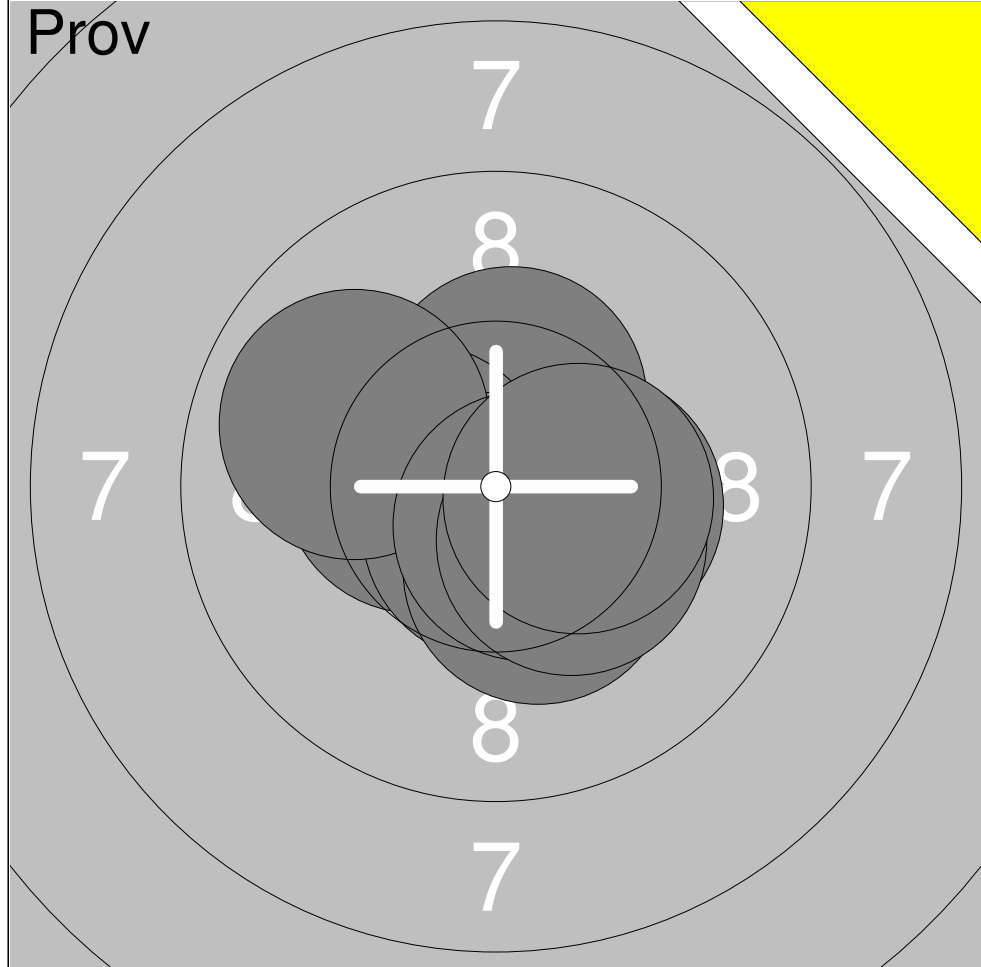
Serie	73.0
Total	419.6



1:	10.8x	↘
2:	10.2x	↙
3:	10.1	↙
4:	10.1	↗
5:	10.4x	↓
6:	10.1	↓
7:	10.7x	↓
8:	10.5x	↗
9:	10.4x	↙
10:	10.4x	↘

Serie	103.7
Total	523.3

Skjuttag 3	Tavla 35	Linda Holmlund		
S		Umeå Skytteförening		SenSitt
31.10.2020		Nationella SM 2020		Umeå skytteallians
Prov				
		1:	10.2x	→
		2:	10.6x	→
		3:	10.7x	↑
		4:	10.2x	←
		5:	9.8	↗
		6:	10.5x	→
		7:	10.6x	↑
		8:	9.9	→
		9:	10.8x	←
		10:	10.6x	↑
		Serie		103.9
		Total		416.3
Prov				
		11:	10.3x	↑
		12:	10.1	→
		13:	10.1	↘
		14:	10.4x	↓
		Serie		40.9
		Total		416.3
40 Skott				
		1:	10.8x	↖
		2:	10.8x	→
		3:	10.4x	↑
		4:	10.8x	↓
		5:	10.7x	←
		6:	10.3x	↑
		7:	10.3x	↑
		8:	10.6x	→
		9:	10.1	←
		10:	10.1	↘
		Serie		104.9
		Total		521.2



1:	10.7x	↗
2:	10.4x	↗
3:	10.4x	↖
4:	10.7x	↘
5:	10.3x	→
6:	10.3x	↘
7:	9.9	↗
8:	10.6x	↘
9:	10.3x	↘
10:	10.4x	→

Serie	104.0
Total	415.9



1:	10.6x	↗
2:	10.7x	↖
3:	10.1	→
4:	10.7x	↘
5:	10.0	↘
6:	10.7x	→
7:	10.3x	↗
8:	10.7x	↗
9:	10.5x	↗
10:	10.7x	↘

Serie	105.0
Total	520.9



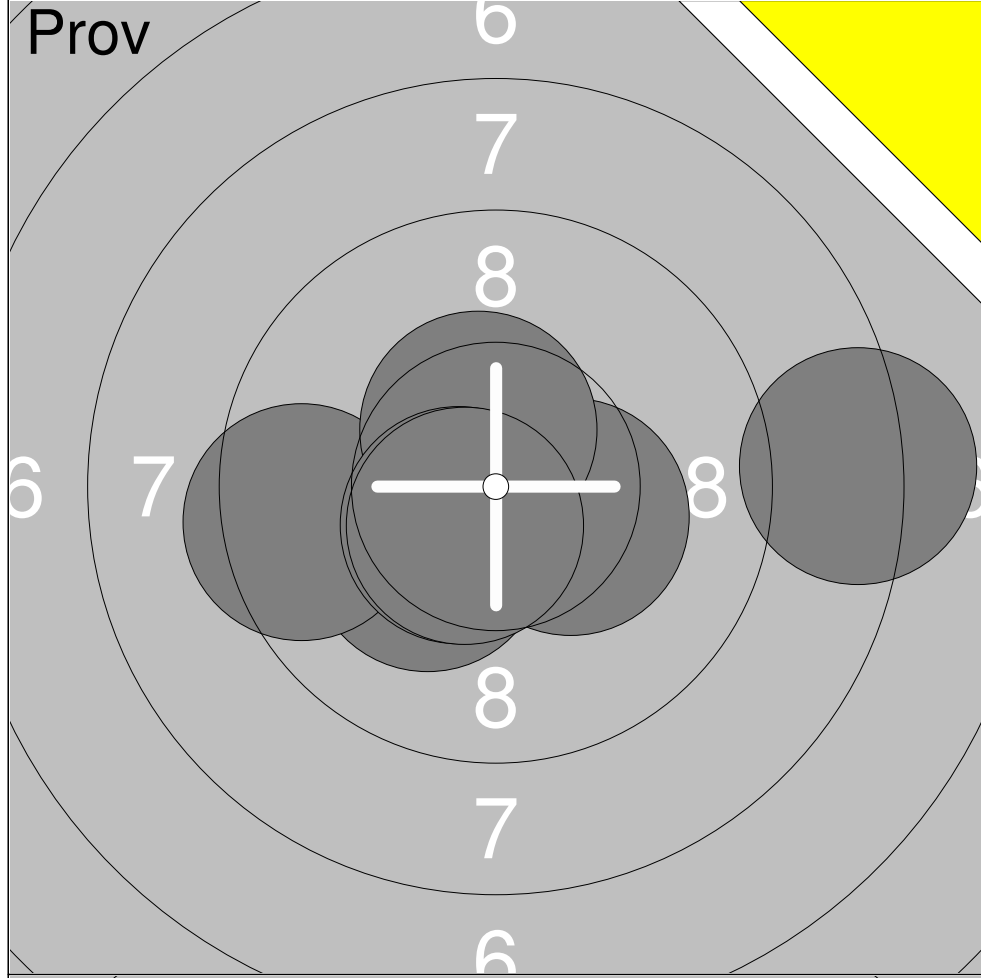
1:	10.4x	↙
2:	10.5x	↗
4:	10.7x	↓
5:	10.4x	↖
6:	10.1	↙
7:	10.3x	↙
8:	10.1	↙

Serie	72.5
Total	382.0



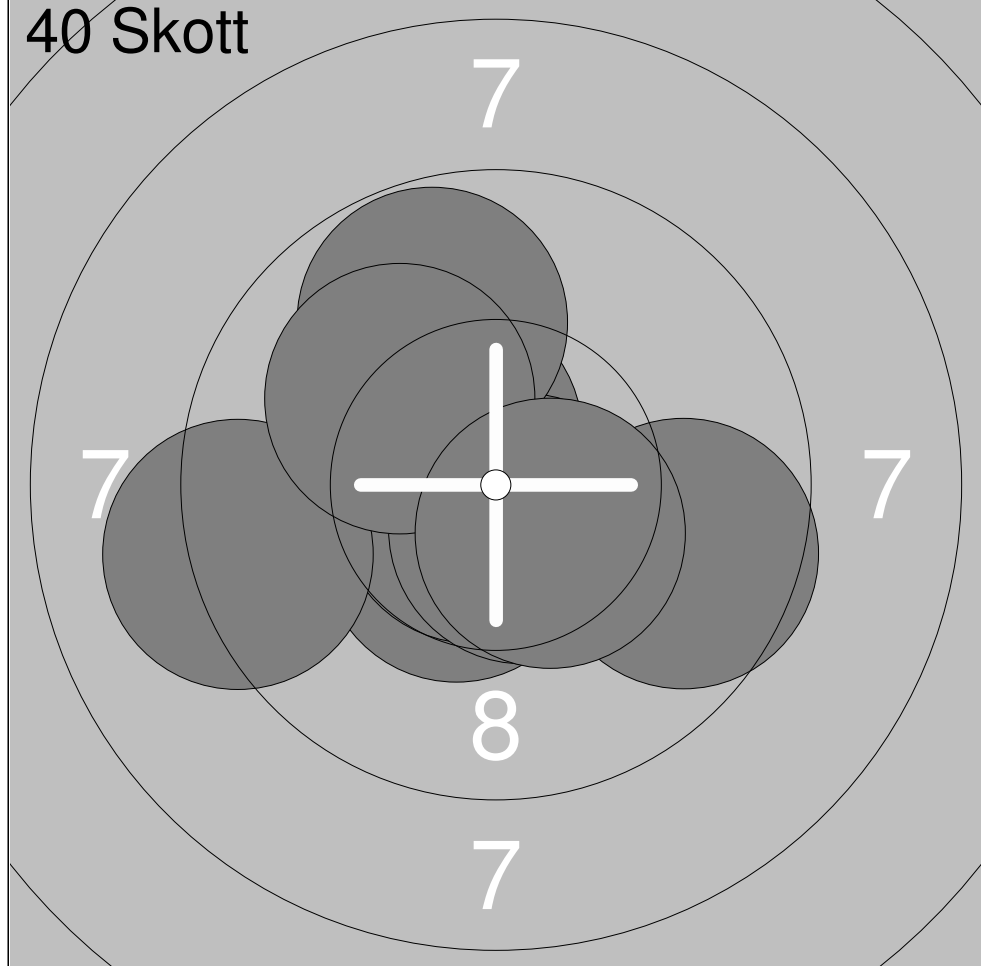
1:	10.0	→
2:	10.6x	↓
3:	10.0	↓
4:	10.3x	↙
5:	10.9x	↗
6:	10.0	→
7:	9.6	↗
8:	10.3x	←
9:	10.8x	↑
10:	10.4x	↘

Serie	102.9
Total	484.9



1:	10.2x	↙
2:	10.3x	→
3:	9.4	←
4:	10.5x	↑
5:	10.5x	↘
6:	8.2	→
7:	10.6x	↙

Serie	69.7
Total	386.0



1:	10.4x	←
2:	9.6	→
3:	10.5x	↗
4:	10.5x	↘
5:	10.7x	↘
6:	10.6x	↘
7:	9.8	↗
8:	9.2	←
9:	10.1	↗
10:	10.5x	↘

Serie	101.9
Total	487.9