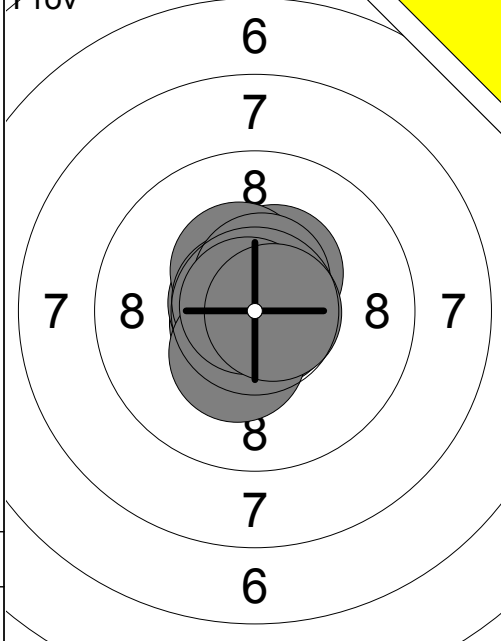
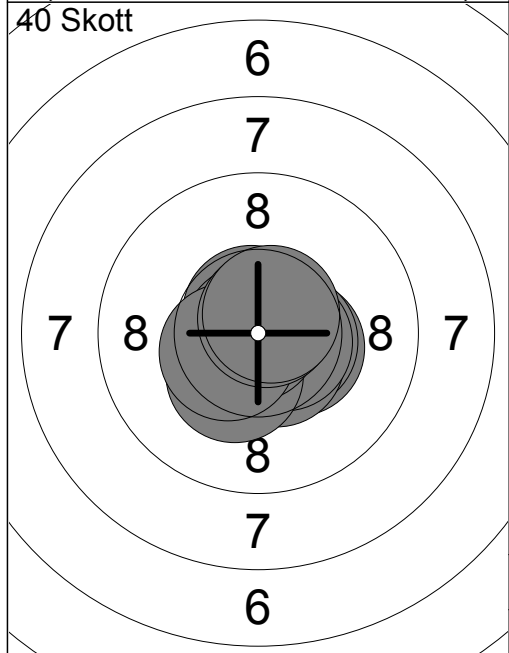


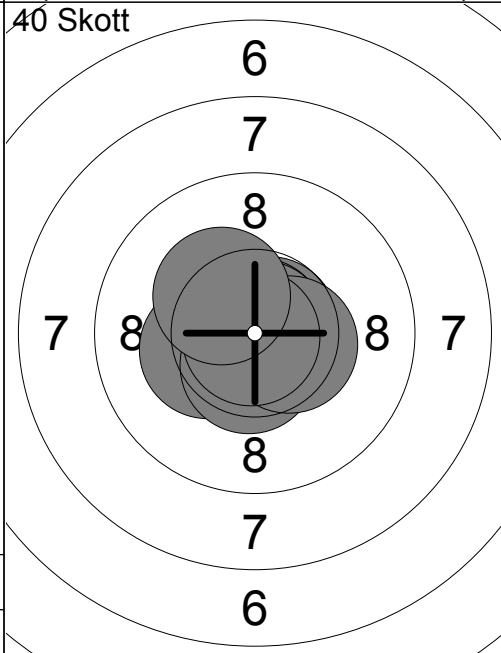
1:	10.6x ←
2:	10.5x →
3:	10.6x ↗
4:	10.4x ↙
5:	10.8x ↗
6:	10.4x ↙
7:	10.6x ↘
8:	10.5x ↘
9:	10.6x ↘
10:	10.7x ↘
Serie	100
Total	0



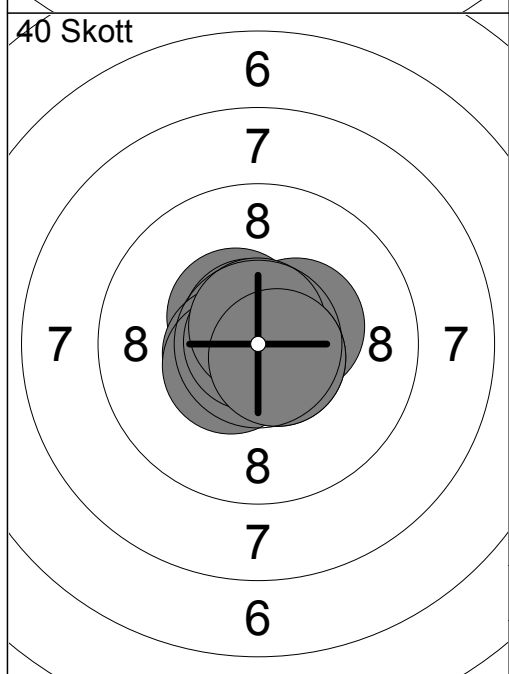
11:	10.7x ↘
12:	10.4x ↗
13:	10.8x ↘
14:	10.7x ↙
15:	10.4x ↗
16:	10.7x ↙
17:	10.6x ↗
18:	10.4x ↘
19:	10.8x ↙
20:	10.7x →
Serie	100
Total	0



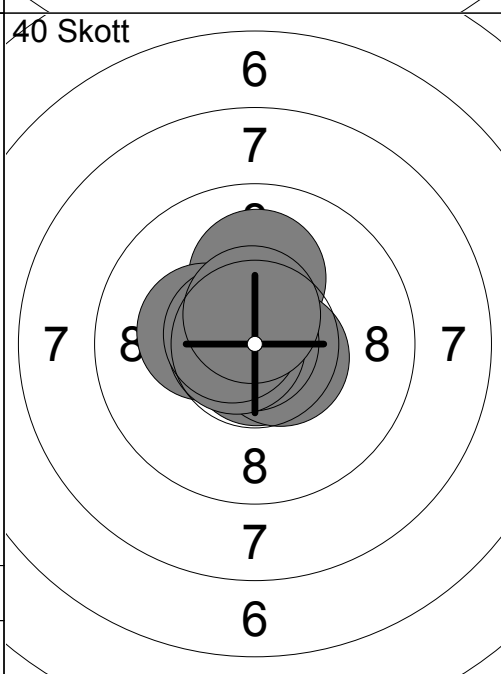
1:	10.7x ↗
2:	10.4x →
3:	10.5x →
4:	10.5x ↘
5:	10.6x →
6:	10.3x ↘
7:	10.9x ←
8:	10.5x ↙
9:	10.7x ↗
10:	10.7x ↗
Serie	100
Total	100



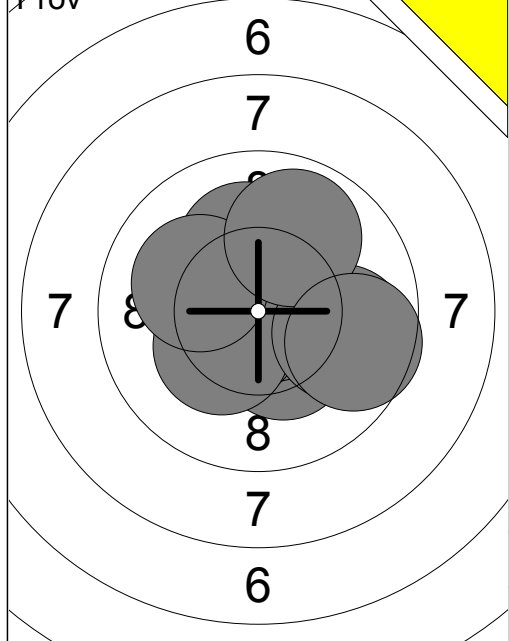
11:	10.6x ↙
12:	10.3x ↙
13:	10.6x ↘
14:	10.7x ↗
15:	10.9x ↗
16:	10.5x ↘
17:	10.9x ↗
18:	10.5x →
19:	10.9x ↙
20:	10.3x ↙
Serie	100
Total	200



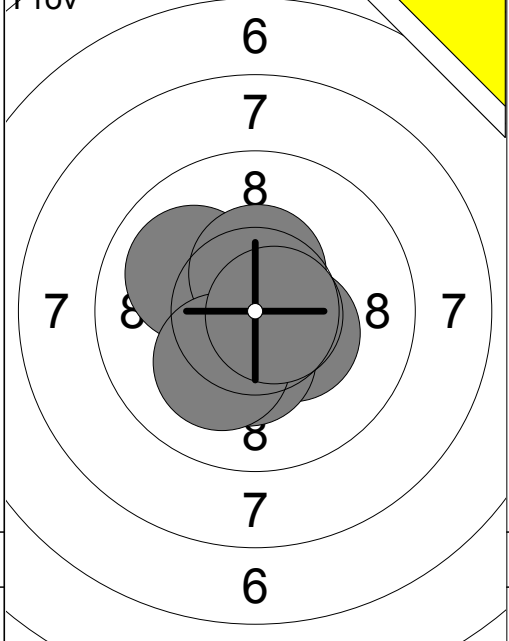
21:	10.5x ↙
22:	10.6x →
23:	10.4x →
24:	10.6x ↘
25:	10.7x ↗
26:	10.6x ↙
27:	10.5x ↙
28:	10.9x ↙
29:	10.7x ↗
30:	10.6x ↘
Serie	100
Total	300



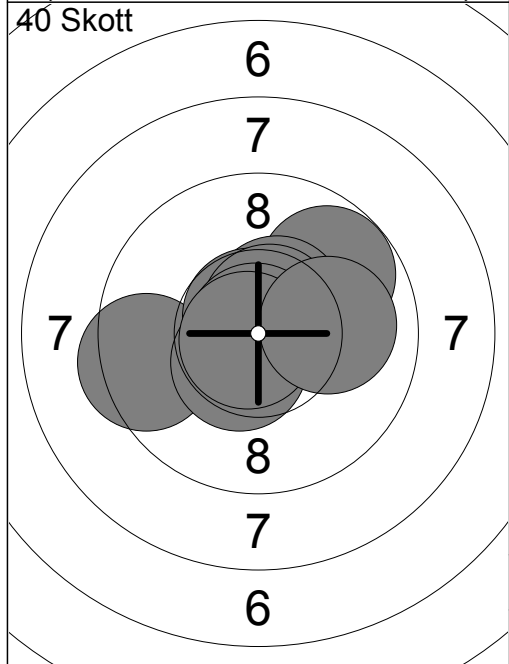
31:	10.6x ↙
32:	10.8x ↘
33:	10.1 ↗
34:	10.6x ↘
35:	10.8x ↙
36:	10.9x ↙
37:	10.3x ↙
38:	10.7x ↙
39:	10.6x ↙
40:	10.6x ↗
Serie	100
Total	400



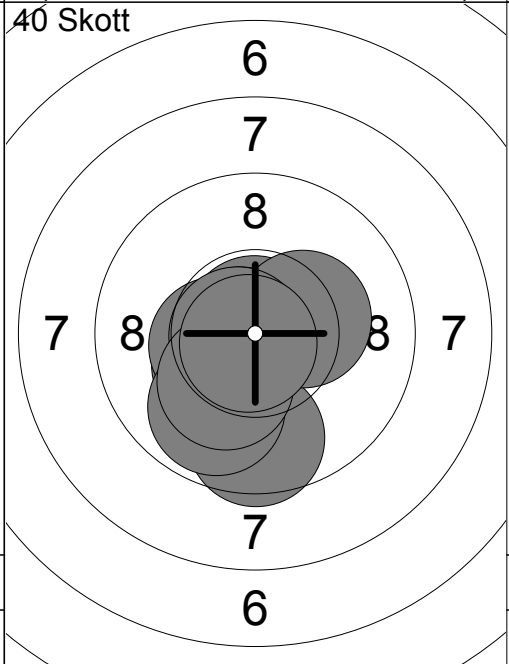
1:	10.3x ↘
2:	10.5x ↗
3:	10.8x →
4:	10.1 ↗
5:	10.5x ↙
6:	10.3x ↙
7:	9.8 →
8:	10.1 ↖
9:	9.9 ↗
10:	9.6 →
<b>Serie 97</b>	
<b>Total 0</b>	



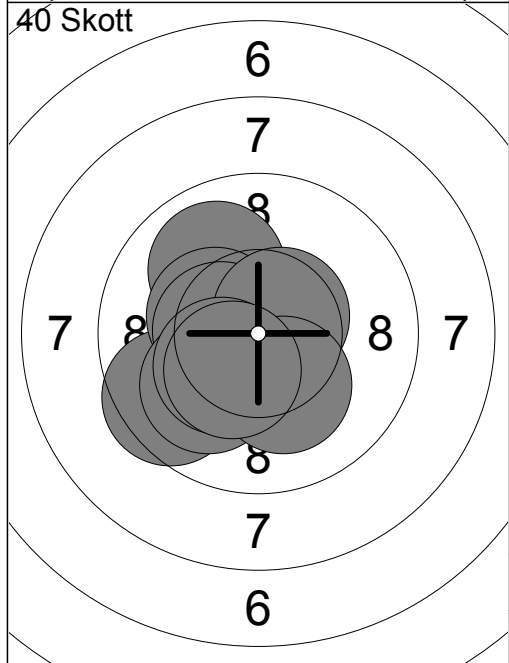
11:	10.4x ↘
12:	10.0 ↖
13:	10.3x ↓
14:	10.4x ↑
15:	10.2x ↙
16:	10.7x →
<b>Serie 60</b>	
<b>Total 0</b>	



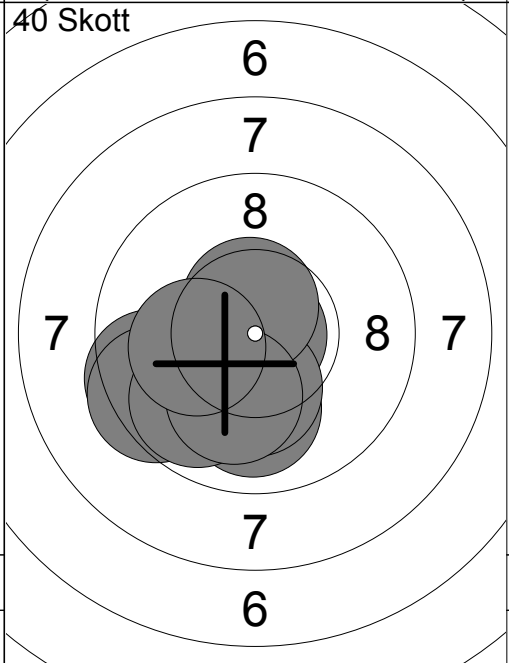
1:	9.8 ↗
2:	9.4 ←
3:	10.5x ↗
4:	10.5x ↙
5:	10.8x ↗
6:	10.7x ↗
7:	10.6x ↗
8:	10.9x ↖
9:	10.8x ↙
10:	10.0 →
<b>Serie 98</b>	
<b>Total 98</b>	



11:	10.8x ↑
12:	10.3x ↙
13:	10.4x ←
14:	9.6 ↓
15:	9.9 ↙
16:	10.8x ←
17:	10.3x →
18:	10.7x ←
19:	10.2x ↙
20:	10.8x ↙
<b>Serie 98</b>	
<b>Total 196</b>	



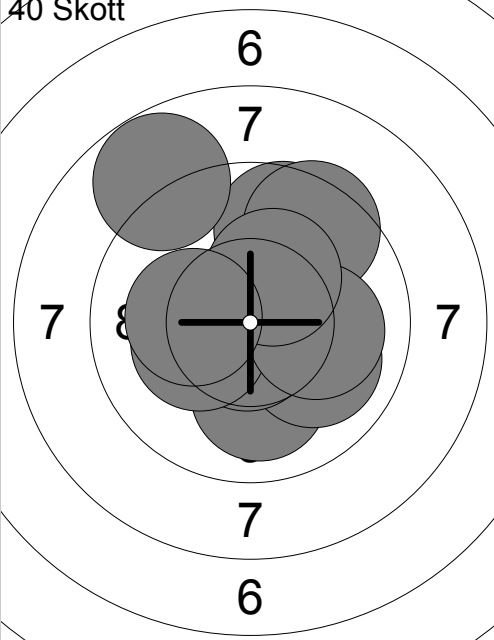
21:	10.0 ↖
22:	9.5 ↙
23:	10.3x ↖
24:	10.5x ↓
25:	10.5x ←
26:	10.6x ↗
27:	10.0 ↙
28:	10.2x ↓
29:	10.3x ↙
30:	10.4x ↙
<b>Serie 99</b>	
<b>Total 295</b>	

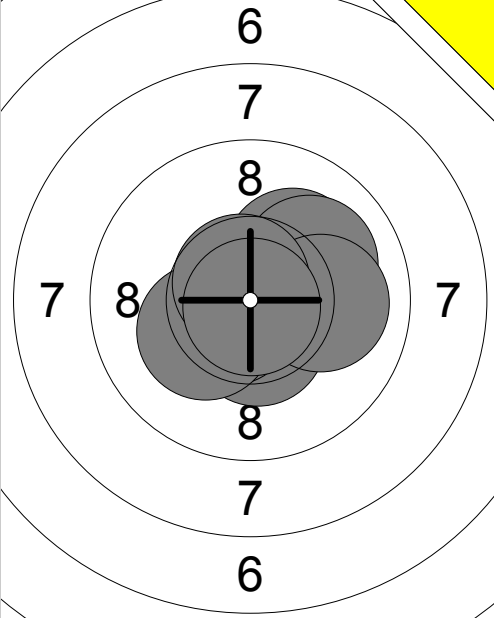
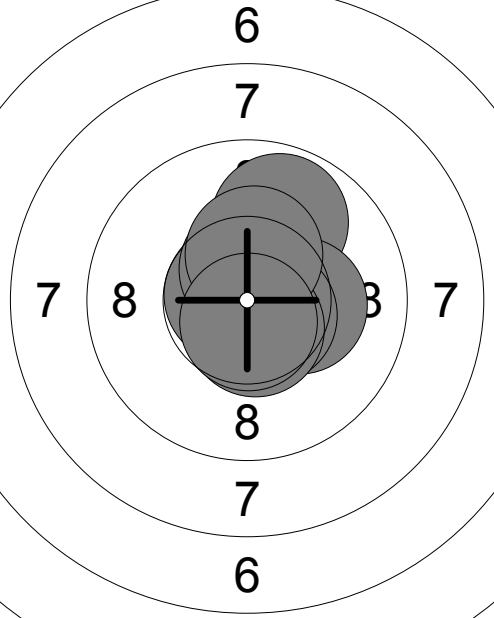


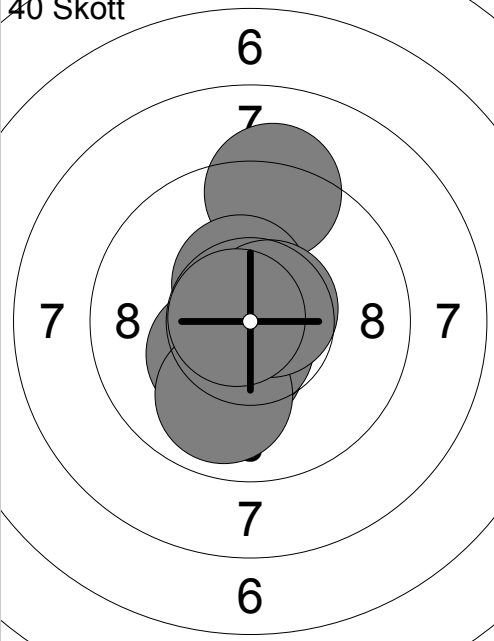
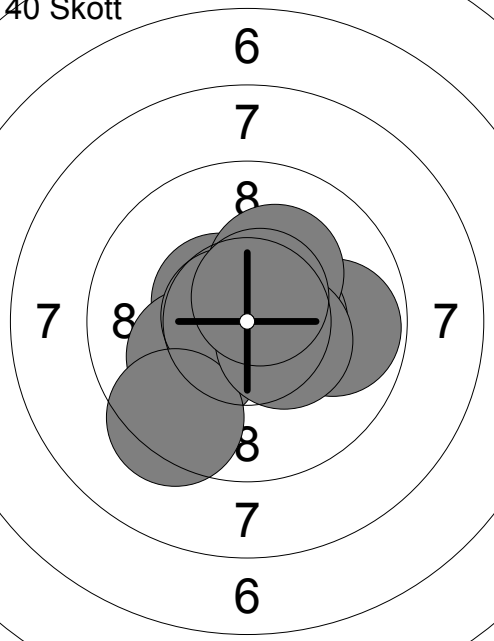
31:	10.1 ←
32:	9.5 ←
33:	10.9x →
34:	9.4 ↙
35:	10.0 ↓
36:	10.2x ↓
37:	9.8 ↙
38:	10.6x ↑
39:	10.1 ↓
40:	10.2x ←
<b>Serie 97</b>	
<b>Total 392</b>	

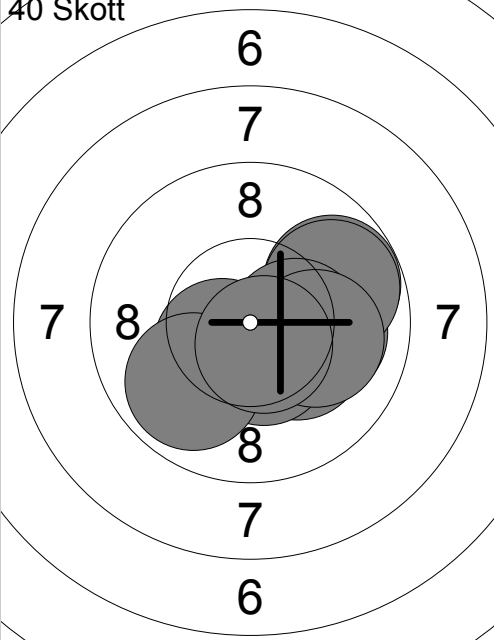
Prov 	40 Skott 	1: 10.3x ↗ 2: 9.9 ↗ 3: 10.6x ↖ 4: 10.4x ↖ 5: 10.8x ↘ 1: 9.4 ↗ 2: 10.8x → 3: 10.0 → 4: 10.7x ↑ 5: 10.7x → 6: 10.8x ← 7: 10.6x ↓ 8: 10.4x ↖ 9: 10.4x ↖ 10: 10.1 ↗ Serie 49 Total 0 Serie 99 Total 99
--	--	--

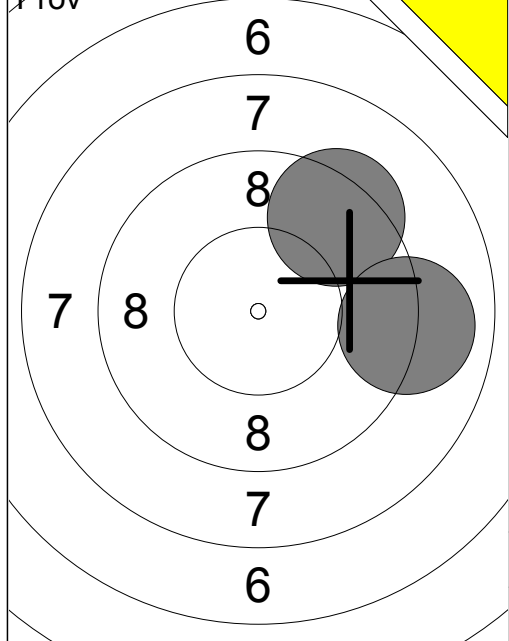
40 Skott 	40 Skott 	11: 9.7 ↖ 12: 9.9 → 13: 10.0 → 14: 10.4x ↑ 15: 10.3x ← 16: 10.7x ↘ 17: 9.8 ↗ 18: 10.5x ← 19: 9.5 ↑ 20: 9.2 → 21: 9.5 ← 22: 10.6x ↓ 23: 10.4x → 24: 10.2x ← 25: 10.5x → 26: 9.6 ↖ 27: 10.1 ↑ 28: 10.2x ← 29: 10.1 ↗ 30: 10.2x → Serie 95 Total 194 Serie 98 Total 292
---	---	---

40 Skott 	31: 10.0 ↓ 32: 9.7 ↗ 33: 10.0 → 34: 10.7x ↓ 35: 10.2x ← 36: 9.5 ↗ 37: 10.1 → 38: 10.3x ↗ 39: 10.2x ← 40: 8.8 ↖ Serie 96 Total 388	
--	--	--

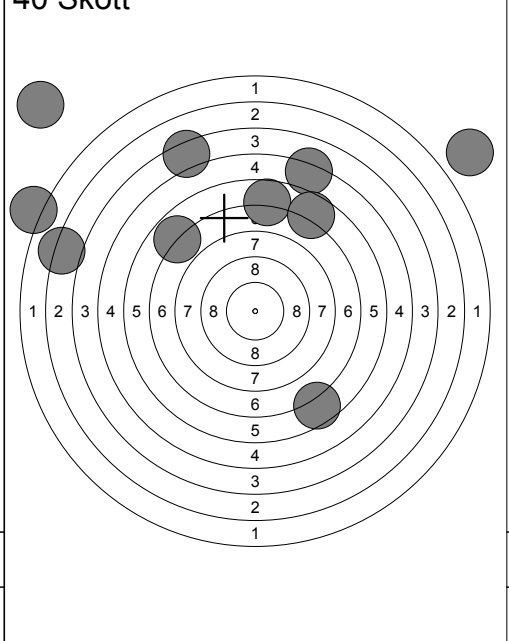
<p>Prov</p> 	<p>40 Skott</p> 	<table style="width:100%; border-collapse: collapse;"> <tr><td>1: 10.2x ↗</td><td>1: 10.7x ↘</td></tr> <tr><td>2: 10.0 →</td><td>2: 10.7x ↑</td></tr> <tr><td>3: 10.5x ↓</td><td>3: 10.8x ↙</td></tr> <tr><td>4: 10.6x ↙</td><td>4: 9.8 ↑</td></tr> <tr><td>5: 10.9x ↘</td><td>5: 10.5x ↑</td></tr> <tr><td>6: 10.2x ↙</td><td>6: 10.3x →</td></tr> <tr><td>7: 10.0 →</td><td>7: 10.6x ↘</td></tr> <tr><td>8: 10.7x ↗</td><td>8: 10.6x ↓</td></tr> <tr><td>9: 10.9x ↓</td><td>9: 10.3x ↑</td></tr> <tr><td></td><td>10: 10.7x ↓</td></tr> <tr><td><b>Serie</b> 90</td><td><b>Serie</b> 99</td></tr> <tr><td><b>Total</b> 0</td><td><b>Total</b> 99</td></tr> </table>	1: 10.2x ↗	1: 10.7x ↘	2: 10.0 →	2: 10.7x ↑	3: 10.5x ↓	3: 10.8x ↙	4: 10.6x ↙	4: 9.8 ↑	5: 10.9x ↘	5: 10.5x ↑	6: 10.2x ↙	6: 10.3x →	7: 10.0 →	7: 10.6x ↘	8: 10.7x ↗	8: 10.6x ↓	9: 10.9x ↓	9: 10.3x ↑		10: 10.7x ↓	<b>Serie</b> 90	<b>Serie</b> 99	<b>Total</b> 0	<b>Total</b> 99
1: 10.2x ↗	1: 10.7x ↘																									
2: 10.0 →	2: 10.7x ↑																									
3: 10.5x ↓	3: 10.8x ↙																									
4: 10.6x ↙	4: 9.8 ↑																									
5: 10.9x ↘	5: 10.5x ↑																									
6: 10.2x ↙	6: 10.3x →																									
7: 10.0 →	7: 10.6x ↘																									
8: 10.7x ↗	8: 10.6x ↓																									
9: 10.9x ↓	9: 10.3x ↑																									
	10: 10.7x ↓																									
<b>Serie</b> 90	<b>Serie</b> 99																									
<b>Total</b> 0	<b>Total</b> 99																									

<p>40 Skott</p> 	<p>40 Skott</p> 	<table style="width:100%; border-collapse: collapse;"> <tr><td>11: 10.7x ↙</td><td>21: 10.5x ↙</td></tr> <tr><td>12: 9.2 ↑</td><td>22: 10.5x ↗</td></tr> <tr><td>13: 10.4x ↓</td><td>23: 9.8 →</td></tr> <tr><td>14: 10.3x ↙</td><td>24: 10.5x →</td></tr> <tr><td>15: 10.9x ↓</td><td>25: 10.1 ↙</td></tr> <tr><td>16: 10.6x ↓</td><td>26: 10.2x ↑</td></tr> <tr><td>17: 9.9 ↓</td><td>27: 10.7x ↙</td></tr> <tr><td>18: 10.4x ↑</td><td>28: 9.4 ↙</td></tr> <tr><td>19: 10.7x ↗</td><td>29: 10.4x ↘</td></tr> <tr><td>20: 10.8x ↙</td><td>30: 10.6x ↑</td></tr> <tr><td><b>Serie</b> 98</td><td><b>Serie</b> 98</td></tr> <tr><td><b>Total</b> 197</td><td><b>Total</b> 295</td></tr> </table>	11: 10.7x ↙	21: 10.5x ↙	12: 9.2 ↑	22: 10.5x ↗	13: 10.4x ↓	23: 9.8 →	14: 10.3x ↙	24: 10.5x →	15: 10.9x ↓	25: 10.1 ↙	16: 10.6x ↓	26: 10.2x ↑	17: 9.9 ↓	27: 10.7x ↙	18: 10.4x ↑	28: 9.4 ↙	19: 10.7x ↗	29: 10.4x ↘	20: 10.8x ↙	30: 10.6x ↑	<b>Serie</b> 98	<b>Serie</b> 98	<b>Total</b> 197	<b>Total</b> 295
11: 10.7x ↙	21: 10.5x ↙																									
12: 9.2 ↑	22: 10.5x ↗																									
13: 10.4x ↓	23: 9.8 →																									
14: 10.3x ↙	24: 10.5x →																									
15: 10.9x ↓	25: 10.1 ↙																									
16: 10.6x ↓	26: 10.2x ↑																									
17: 9.9 ↓	27: 10.7x ↙																									
18: 10.4x ↑	28: 9.4 ↙																									
19: 10.7x ↗	29: 10.4x ↘																									
20: 10.8x ↙	30: 10.6x ↑																									
<b>Serie</b> 98	<b>Serie</b> 98																									
<b>Total</b> 197	<b>Total</b> 295																									

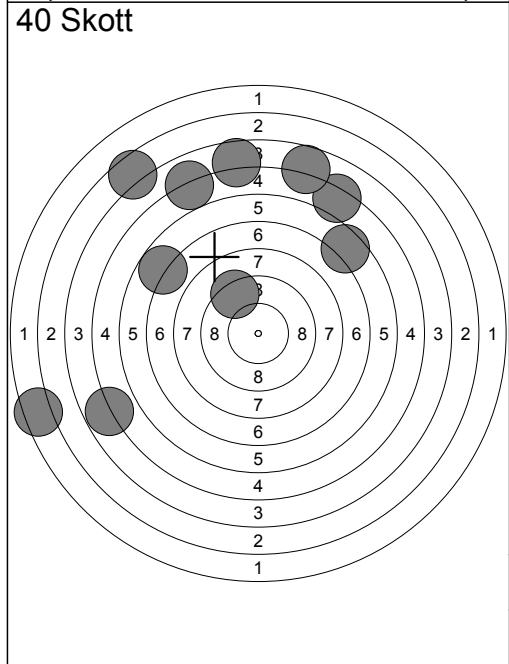
<p>40 Skott</p> 	<table style="width:100%; border-collapse: collapse;"> <tr><td>31: 10.0 →</td></tr> <tr><td>32: 10.5x ↙</td></tr> <tr><td>33: 9.8 →</td></tr> <tr><td>34: 10.2x ↘</td></tr> <tr><td>35: 9.8 →</td></tr> <tr><td>36: 10.5x ↓</td></tr> <tr><td>37: 10.4x →</td></tr> <tr><td>38: 9.9 ↙</td></tr> <tr><td>39: 10.1 →</td></tr> <tr><td>40: 10.6x ↓</td></tr> <tr><td><b>Serie</b> 97</td></tr> <tr><td><b>Total</b> 392</td></tr> </table>	31: 10.0 →	32: 10.5x ↙	33: 9.8 →	34: 10.2x ↘	35: 9.8 →	36: 10.5x ↓	37: 10.4x →	38: 9.9 ↙	39: 10.1 →	40: 10.6x ↓	<b>Serie</b> 97	<b>Total</b> 392	
31: 10.0 →														
32: 10.5x ↙														
33: 9.8 →														
34: 10.2x ↘														
35: 9.8 →														
36: 10.5x ↓														
37: 10.4x →														
38: 9.9 ↙														
39: 10.1 →														
40: 10.6x ↓														
<b>Serie</b> 97														
<b>Total</b> 392														



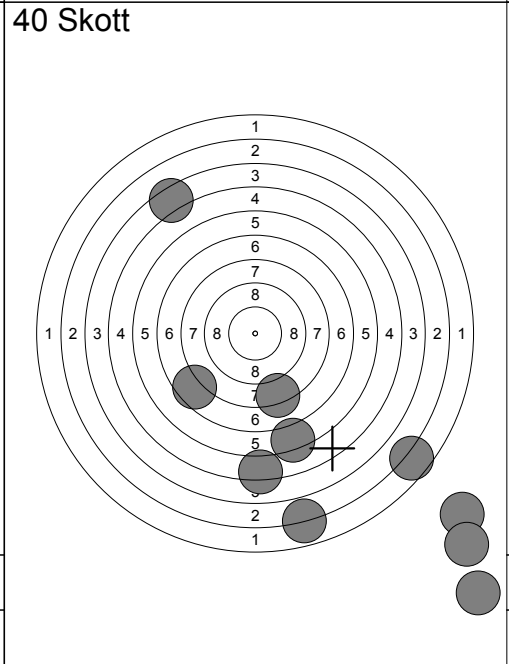
1:	9.4	↗
2:	9.0	→
<b>Serie</b>		<b>18</b>
<b>Total</b>		<b>0</b>



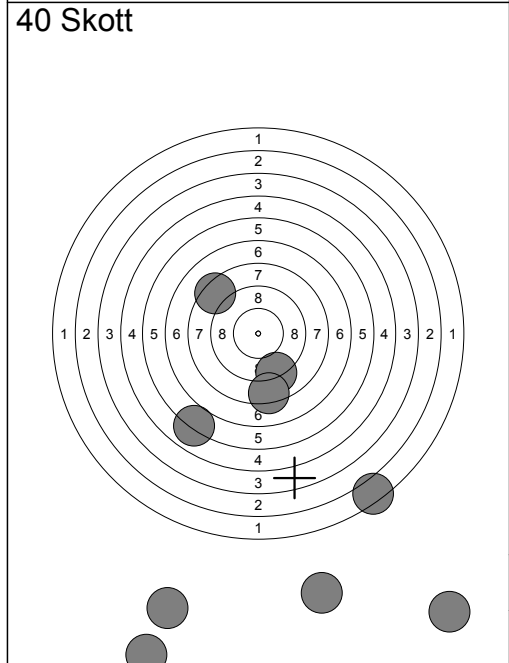
1:	6.6	↘
2:	6.7	↑
3:	3.1	↖
4:	5.2	↑
5:	0.0	↗
6:	0.0	↗
7:	4.3	↑
8:	1.5	↖
9:	6.7	↑
10:	6.8	↗
<b>Serie</b>		<b>37</b>
<b>Total</b>		<b>37</b>



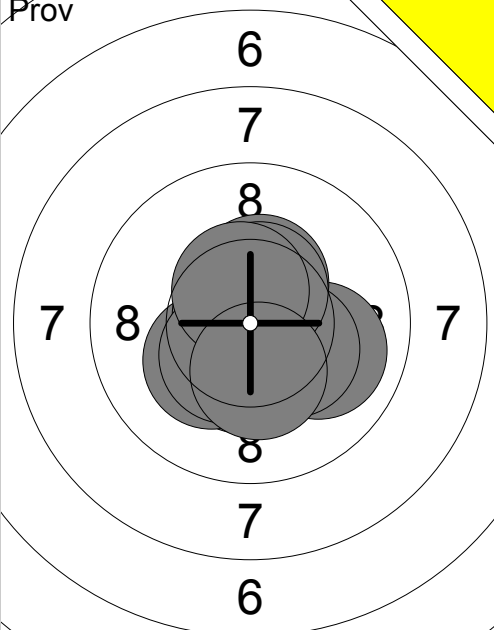
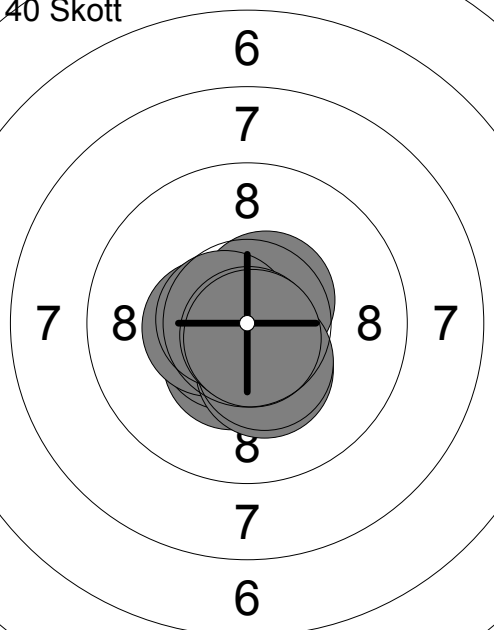
11:	4.6	↑
12:	5.2	↗
13:	6.5	↗
14:	3.5	↗
15:	4.8	↖
16:	4.9	↗
17:	9.3	↗
18:	6.7	↖
19:	4.7	↑
20:	2.4	↖
<b>Serie</b>		<b>47</b>
<b>Total</b>		<b>84</b>

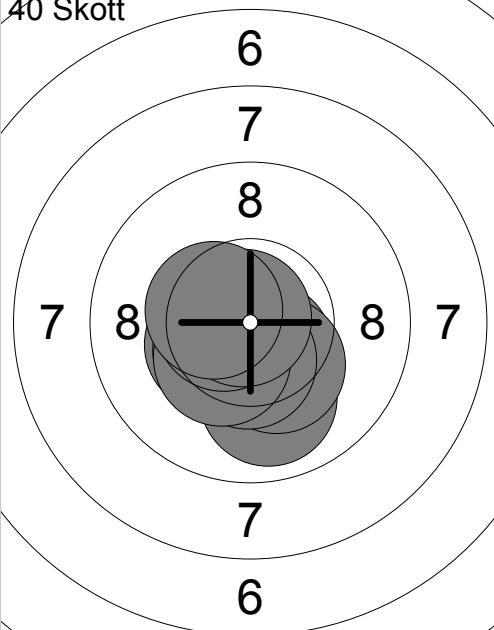
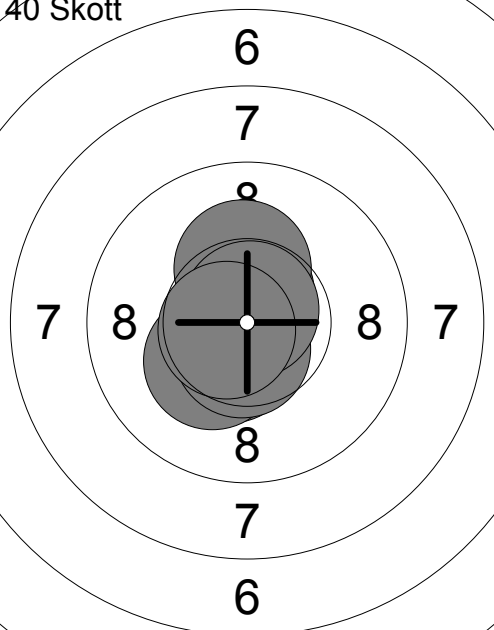


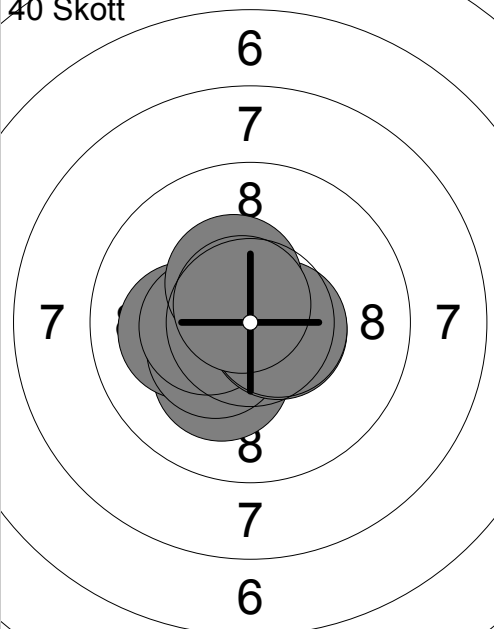
21:	7.6	↖
22:	4.4	↗
23:	2.6	↘
24:	6.2	↘
25:	5.2	↘
26:	8.2	↘
27:	0.0	↘
28:	0.0	↘
29:	0.0	↘
30:	2.9	↘
<b>Serie</b>		<b>34</b>
<b>Total</b>		<b>118</b>



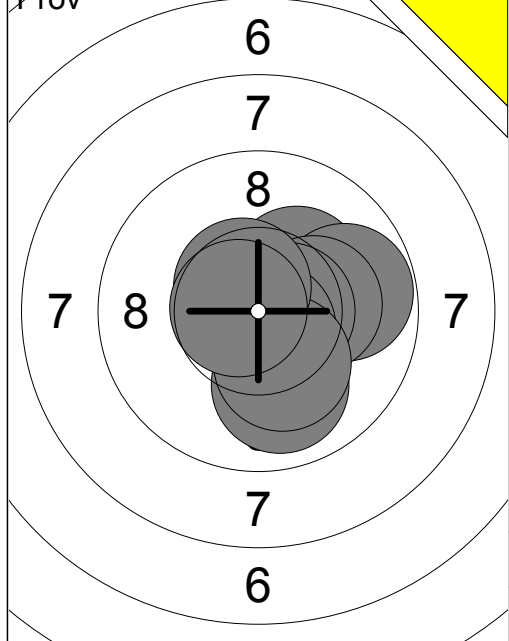
31:	8.3	↗
32:	0.0	↘
33:	0.0	↘
34:	0.0	→
35:	6.0	↖
36:	0.0	↘
37:	2.2	↘
38:	0.0	↘
39:	9.0	↘
40:	8.3	↘
<b>Serie</b>		<b>33</b>
<b>Total</b>		<b>151</b>

Prov 	40 Skott 	1: 10.0 → 2: 10.3x → 3: 10.4x ↓ 4: 10.3x ↙ 5: 10.4x ↑ 6: 10.8x ↖ 7: 10.5x ↑ 8: 10.4x ↙ 9: 10.5x ↑ 10: 10.3x ↓ Serie 100 Total 0	1: 10.6x ↗ 2: 10.4x ↓ 3: 10.6x ↙ 4: 10.6x ↙ 5: 10.5x ← 6: 10.3x ↓ 7: 10.7x ← 8: 10.4x ↓ 9: 10.8x ↓ 10: 10.7x ↓ Serie 100 Total 100
--	--	--	---

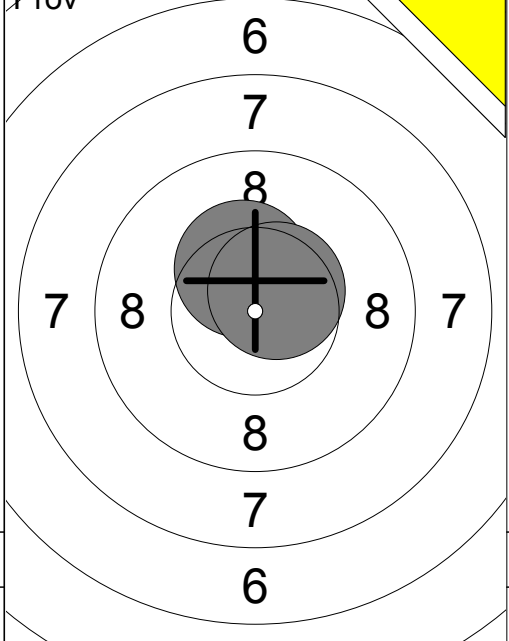
40 Skott 	40 Skott 	11: 9.9 ↓ 12: 10.5x ↓ 13: 10.3x ↓ 14: 10.4x ↙ 15: 10.4x ↙ 16: 10.5x ↓ 17: 10.4x ↙ 18: 10.6x ← 19: 10.8x ↖ 20: 10.5x ↖ Serie 99 Total 199	21: 10.5x ↓ 22: 10.8x ↑ 23: 10.3x ↙ 24: 10.6x ↓ 25: 10.6x ↑ 26: 10.8x ↖ 27: 10.7x ↑ 28: 10.2x ↑ 29: 10.8x ↑ 30: 10.7x ← Serie 100 Total 299
---	---	---	--

40 Skott 	31: 10.6x ↗ 32: 10.2x ↓ 33: 10.1 ← 34: 10.5x ↙ 35: 10.4x ↙ 36: 10.4x ← 37: 10.6x → 38: 10.6x → 39: 10.4x ↗ 40: 10.7x ↗ Serie 100 Total 399		
--	---	--	--

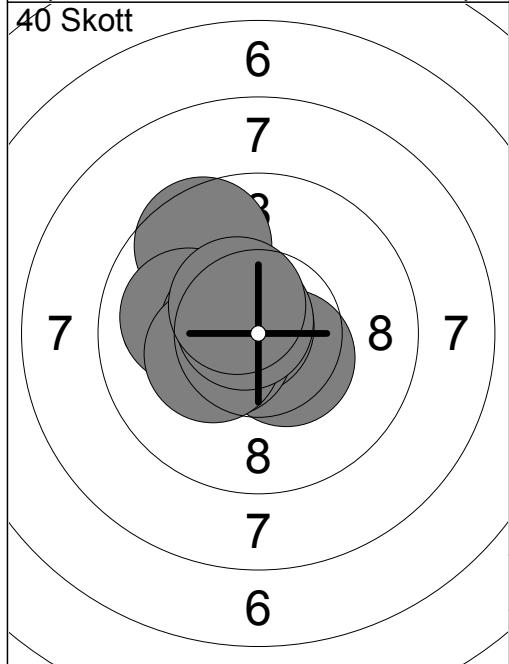




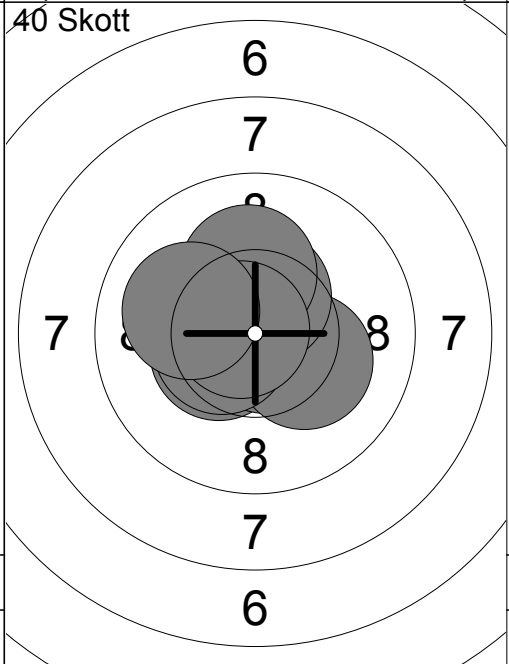
1:	10.3x ↗
2:	9.8 →
3:	10.2x →
4:	9.9 ↓
5:	10.7x ↓
6:	10.6x →
7:	10.7x ↓
8:	10.2x ↓
9:	10.6x ↗
10:	10.7x ←
Serie 98	
Total 0	



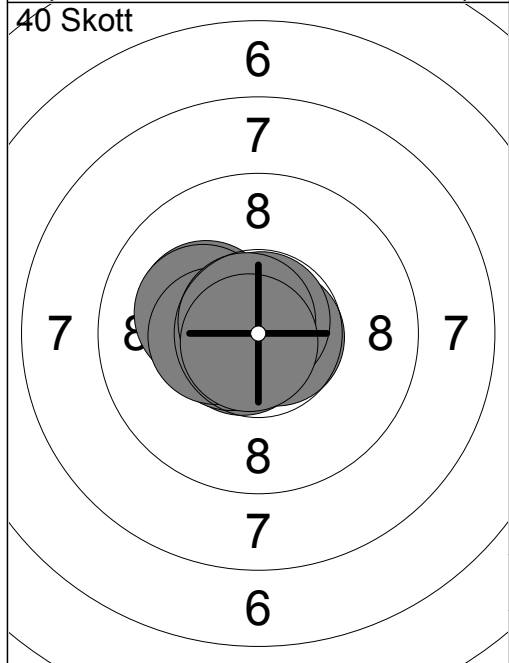
11:	10.4x ↗
12:	10.6x ↗
Serie 20	
Total 0	



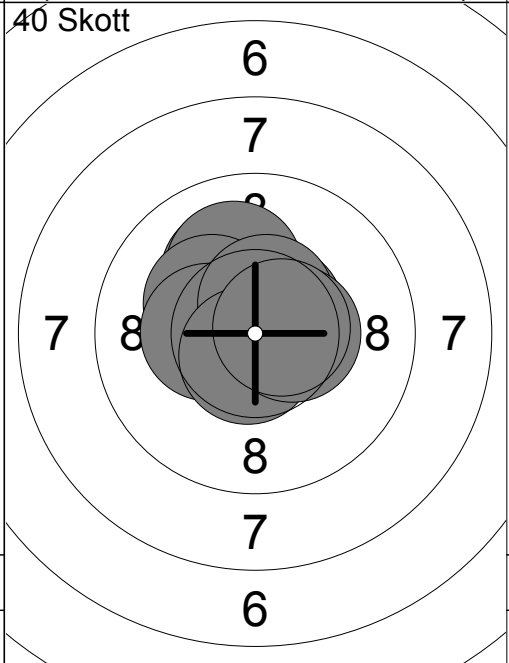
1:	9.6 ↗
2:	10.0 ←
3:	10.7x ←
4:	10.5x ↓
5:	10.6x ←
6:	10.8x ←
7:	10.5x ←
8:	10.3x ←
9:	10.7x ↗
10:	10.5x ↗
Serie 99	
Total 99	



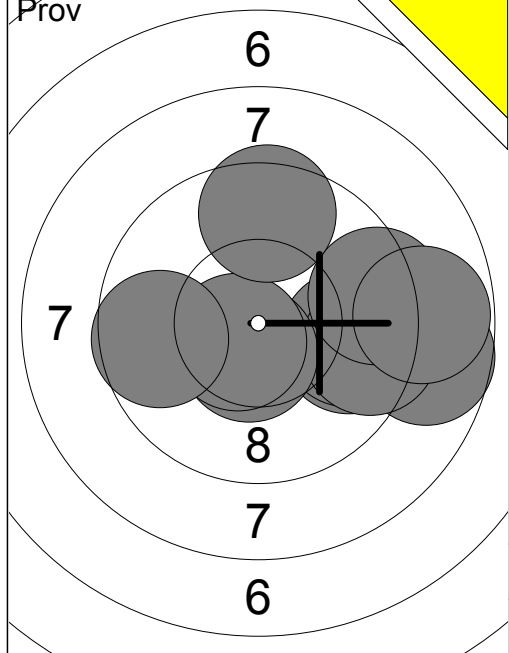
11:	10.4x ↙
12:	10.8x ↓
13:	10.7x ↓
14:	10.2x →
15:	10.5x ←
16:	10.5x ↑
17:	10.5x ←
18:	10.2x ↑
19:	10.8x ←
20:	10.1 ←
Serie 100	
Total 199	



21:	10.8x →
22:	10.7x ↙
23:	10.6x ←
24:	10.7x →
25:	10.8x ↑
26:	10.2x ←
27:	10.2x ←
28:	10.4x ←
29:	10.7x ↗
30:	10.8x ↙
Serie 100	
Total 299	

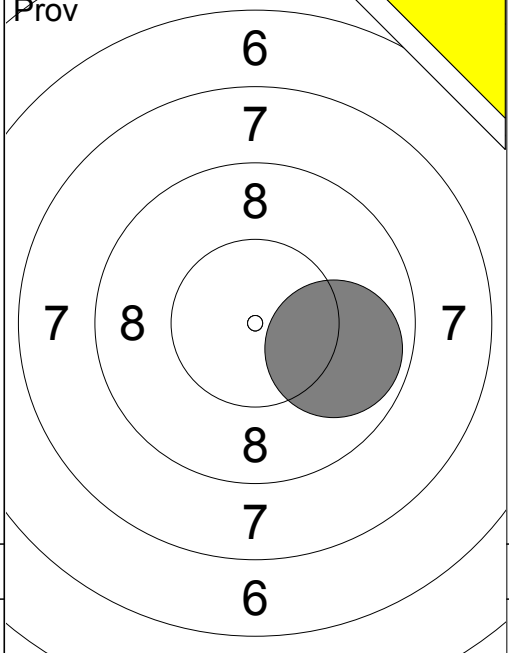


31:	10.1 ↗
32:	10.1 ↗
33:	10.3x ↙
34:	10.6x ↗
35:	10.8x ↗
36:	10.3x ←
37:	10.5x ↑
38:	10.6x ↓
39:	10.5x →
40:	10.6x →
Serie 100	
Total 399	



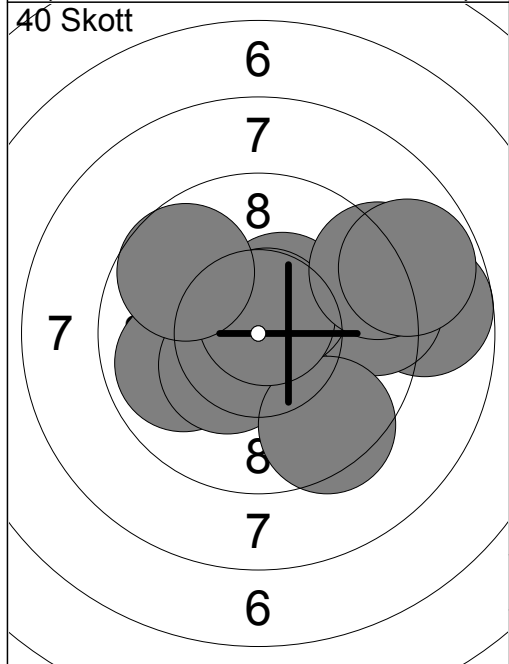
1: 8.7 →  
 2: 9.7 →  
 3: 9.7 →  
 4: 9.4 →  
 5: 9.4 →  
 6: 8.8 →  
 7: 10.5x ↓  
 8: 10.6x ↙  
 9: 9.6 ←  
 10: 9.5 ↑

Serie 90  
 Total 0



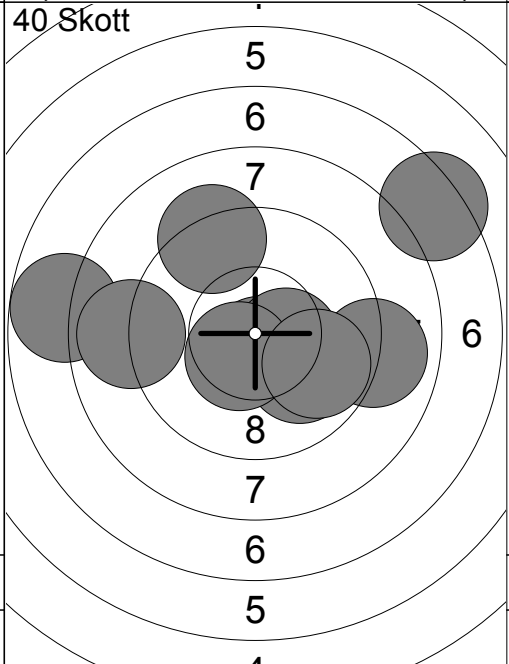
11: 9.9 →

Serie 9  
 Total 0



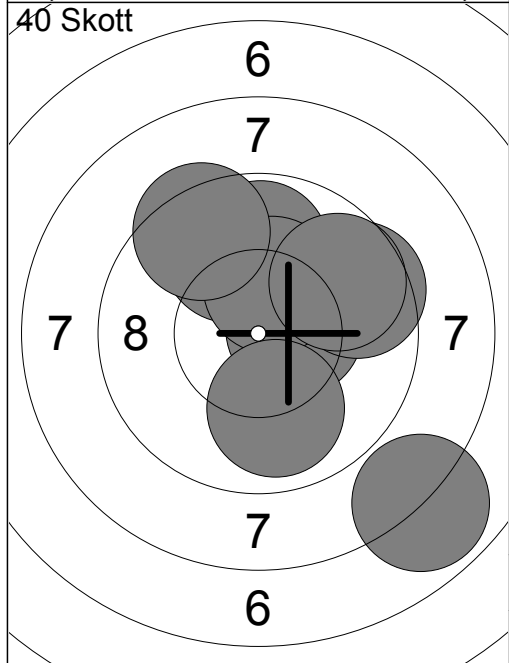
1: 9.9 ←  
 2: 8.7 →  
 3: 10.4x ↙  
 4: 9.4 →  
 5: 9.5 ↓  
 6: 10.4x ↗  
 7: 10.7x ↗  
 8: 9.2 →  
 9: 8.8 →  
 10: 9.7 ↖

Serie 91  
 Total 91



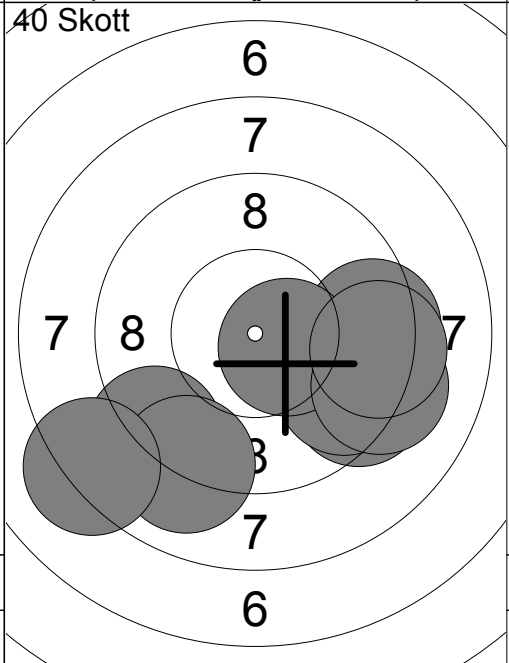
11: 7.3 ↗  
 12: 10.6x ↓  
 13: 10.0 ↘  
 14: 10.4x →  
 15: 9.0 →  
 16: 10.5x ↘  
 17: 9.8 →  
 18: 7.8 ←  
 19: 9.2 ↑  
 20: 8.9 ←

Serie 89  
 Total 180



21: 7.9 ↓  
 22: 10.2x ↗  
 23: 10.5x →  
 24: 9.8 ↑  
 25: 9.5 →  
 26: 9.9 ↑  
 27: 10.3x ↗  
 28: 9.4 ↖  
 29: 9.9 ↓  
 30: 9.7 ↗

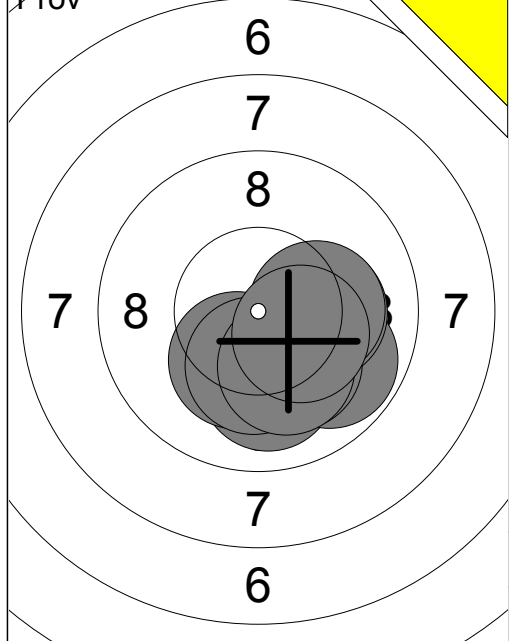
Serie 91  
 Total 271



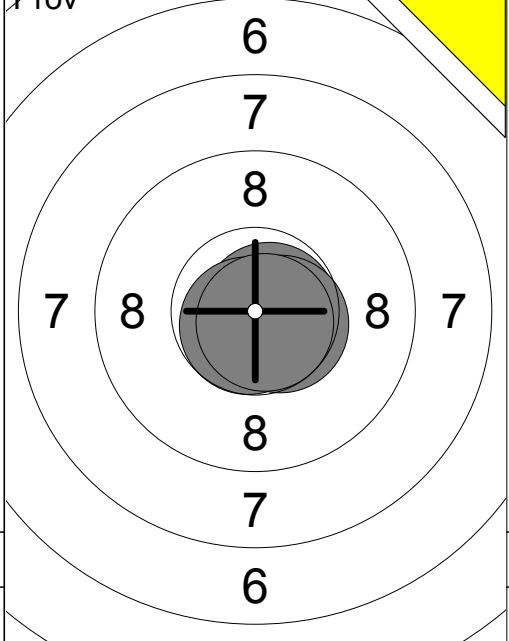
31: 9.4 →  
 32: 9.1 ↘  
 33: 9.3 ↘  
 34: 9.6 →  
 35: 9.6 →  
 36: 9.0 ↘  
 37: 10.5x →  
 38: 8.2 ↘  
 39: 9.2 →  
 40: 9.3 →

Serie 90  
 Total 361

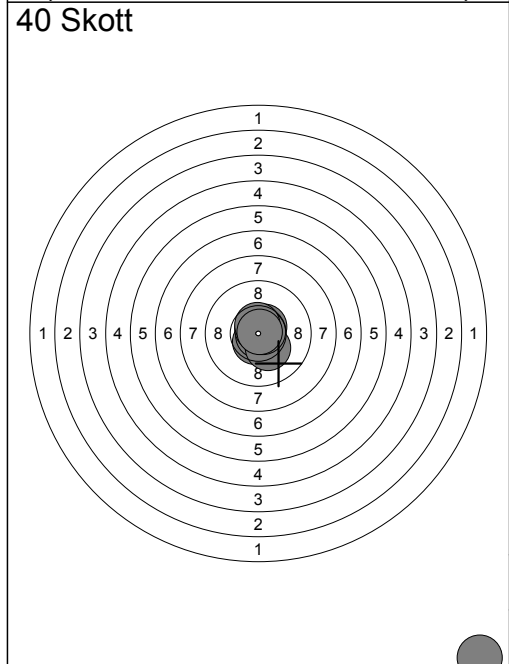




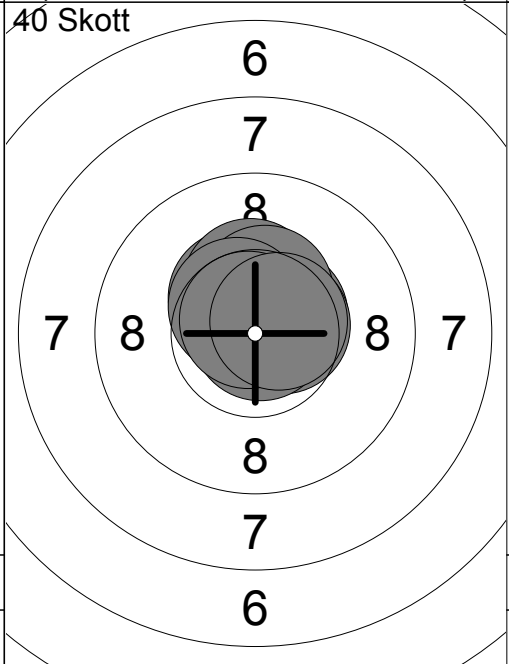
1:	10.2x	↘
2:	10.0	↓
3:	10.2x	↘
4:	10.2x	↓
5:	9.8	↘
6:	10.1	↘
7:	10.1	↘
8:	10.2x	→
9:	10.2x	→
10:	10.3x	↘
Serie		99
Total		0



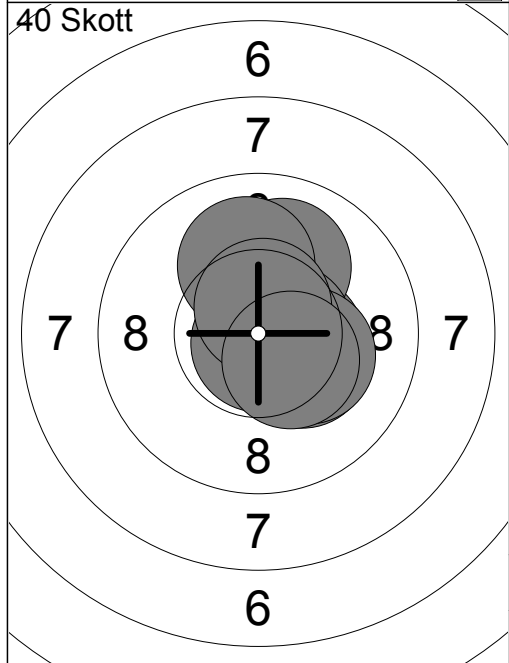
11:	10.8x	→
12:	10.6x	↘
13:	10.7x	↘
14:	10.8x	↘
Serie		40
Total		0



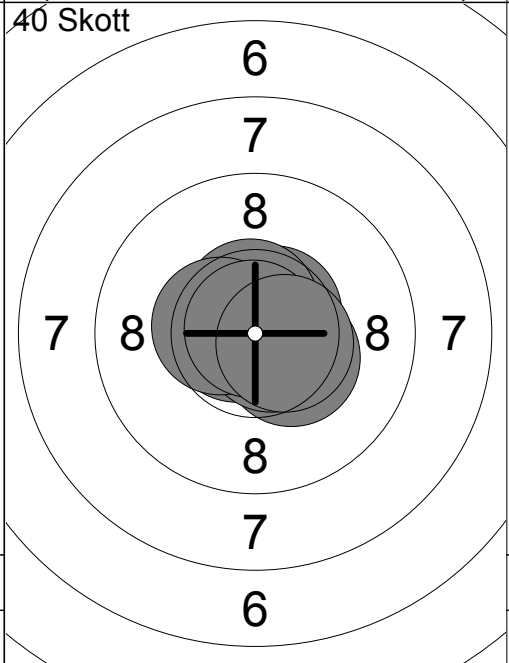
1:	10.8x	→
2:	10.6x	↓
3:	0.0	↓
4:	10.8x	↓
5:	10.6x	↗
6:	10.3x	↓
7:	10.8x	→
8:	10.8x	↑
9:	10.6x	↑
10:	10.9x	↗
Serie		90
Total		90



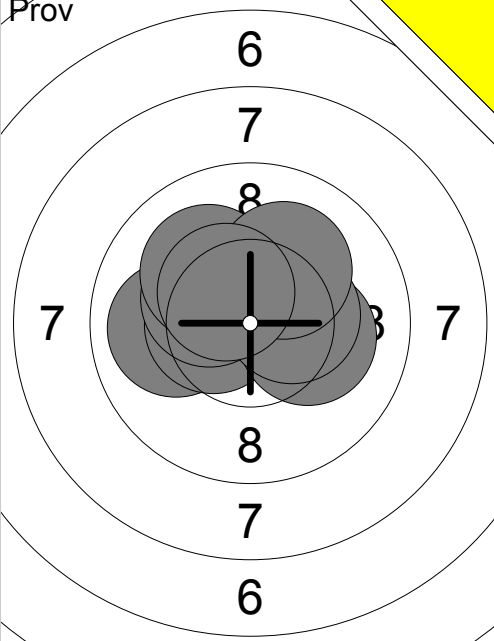
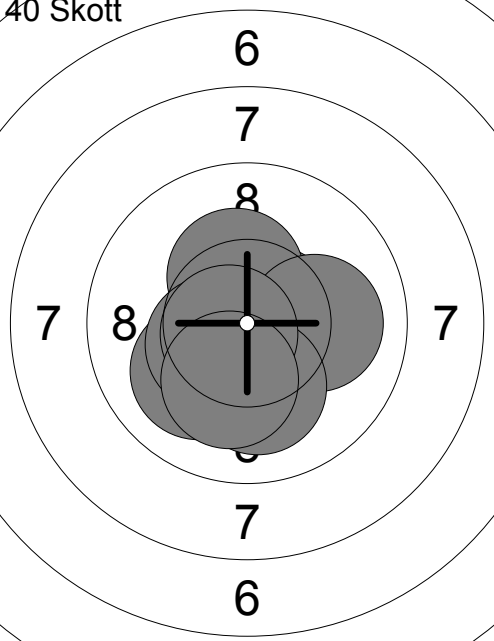
11:	10.7x	↗
12:	10.6x	↗
13:	10.4x	↖
14:	10.6x	→
15:	10.9x	→
16:	10.3x	↑
17:	10.4x	↑
18:	10.5x	↖
19:	10.8x	↖
20:	10.6x	↗
Serie		100
Total		190

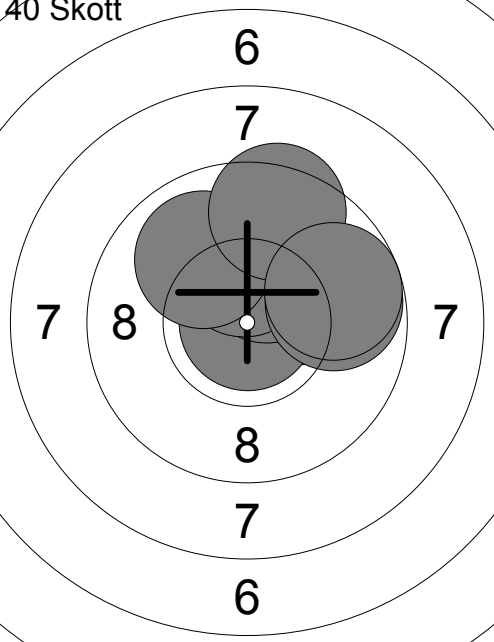


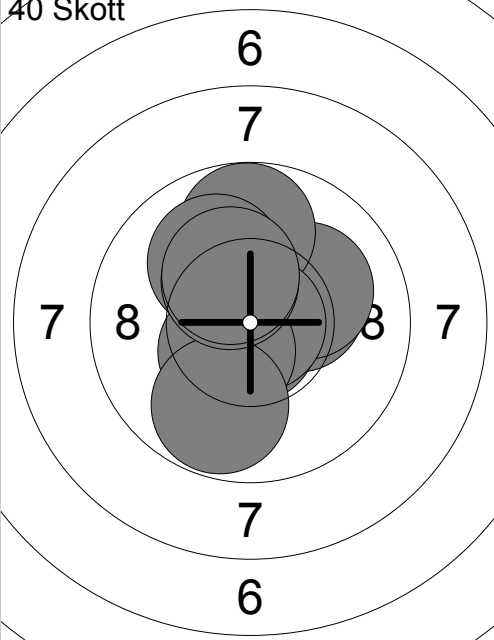
21:	10.4x	→
22:	10.6x	→
23:	10.3x	↘
24:	10.0	↑
25:	10.6x	→
26:	10.8x	↓
27:	10.0	↑
28:	10.3x	↘
29:	10.6x	↑
30:	10.4x	↘
Serie		100
Total		290

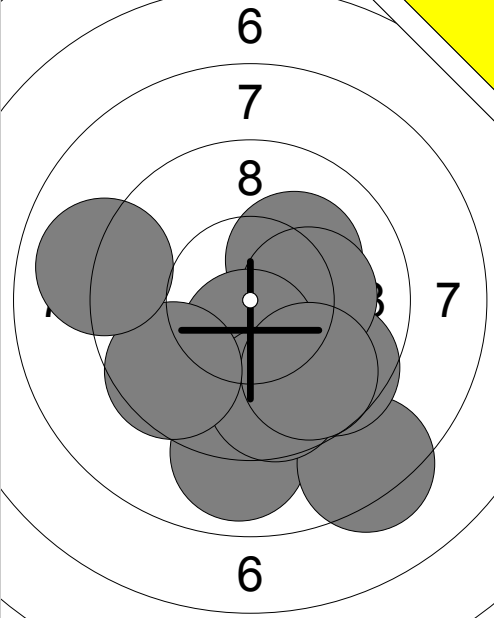
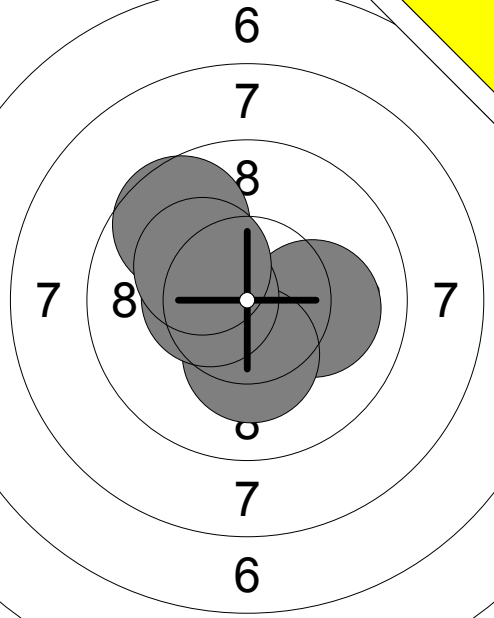


31:	10.6x	↗
32:	10.7x	←
33:	10.4x	↘
34:	10.7x	↘
35:	10.8x	↑
36:	10.8x	↖
37:	10.6x	↑
38:	10.5x	←
39:	10.9x	↖
40:	10.5x	↘
Serie		100
Total		390

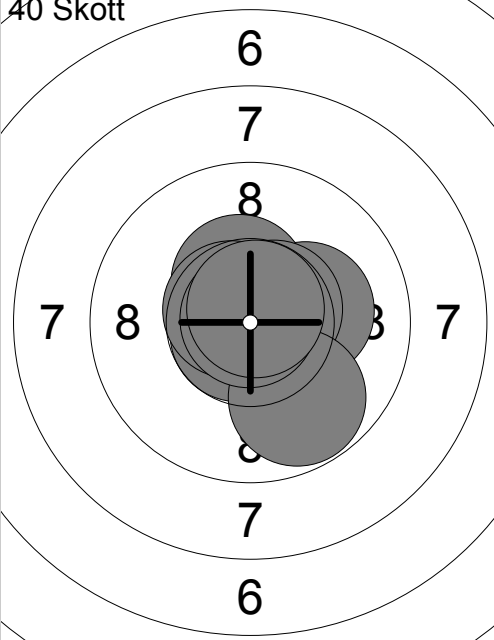
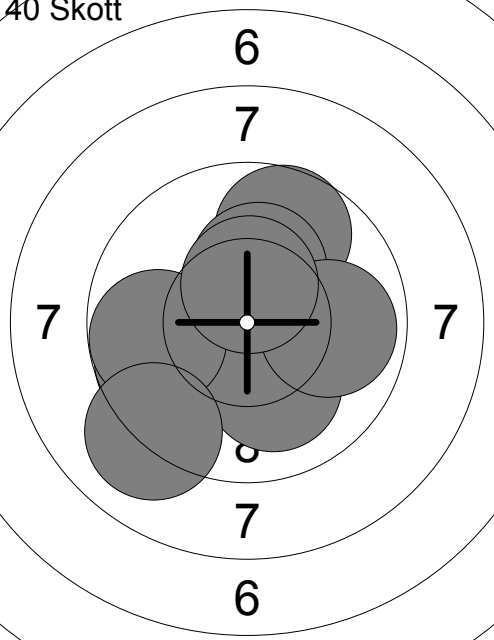
Prov 	40 Skott 	1: 10.5x → 2: 10.0 ← 3: 10.5x ← 4: 10.4x ↗ 5: 10.3x ↖ 6: 10.2x → 7: 10.4x → 8: 10.1 ↖ 9: 10.1 ↗ 10: 10.4x ↖ Serie 100 Total 0	1: 10.9x ↗ 2: 10.6x → 3: 10.7x ↖ 4: 10.3x ↗ 5: 10.1 → 6: 10.1 ↙ 7: 10.1 ↓ 8: 10.4x ↙ 9: 10.7x ↙ 10: 10.2x ↓ Serie 100 Total 100
--	--	--	--

40 Skott 	40 Skott 	11: 9.8 ↓ 12: 9.9 ↙ 13: 9.7 ↓ 14: 10.5x ↓ 15: 9.9 ← 16: 10.7x ↗ 17: 10.8x ↖ 18: 10.4x ↙ 19: 10.2x ↖ 20: 10.3x ↓ Serie 96 Total 196	21: 10.2x → 22: 10.5x ↗ 23: 10.7x ↗ 24: 10.9x ↗ 25: 10.3x ↗ 26: 10.2x ↑ 27: 10.0 ↖ 28: 9.5 ↑ 29: 9.8 → 30: 9.7 → Serie 97 Total 293
---	---	---	--

40 Skott 	1: 10.3x → 2: 10.1 ↗ 3: 9.8 ↑ 4: 10.8x ↓ 5: 10.0 ↖ 6: 10.9x → 7: 10.5x ↙ 8: 9.8 ↓ 9: 10.3x ↖ 10: 10.3x ↗ Serie 98 Total 391		
--	--	--	--

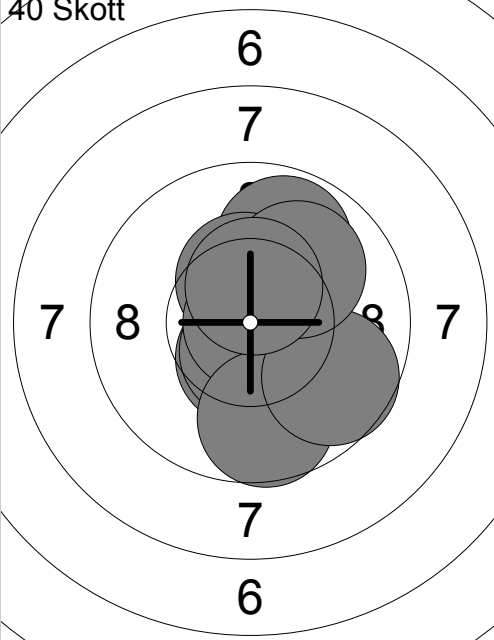
<p>Prov</p> 	<p>1: 8.9 ↓                  2: 8.3 ↓                  3: 10.2x ↗                  4: 9.6 ↓                  5: 10.2x →                  6: 10.4x ↓                  7: 9.7 ↓                  8: 9.7 ↓                  9: 9.6 ↙                  10: 9.0 ←</p> <p>Serie 91 Total 0</p>	<p>Prov</p> 	<p>11: 9.6 ↖                  12: 10.1 →                  13: 10.2x ↓                  14: 10.5x ←                  15: 10.2x ↖</p> <p>Serie 49 Total 0</p>
--	--	--	---

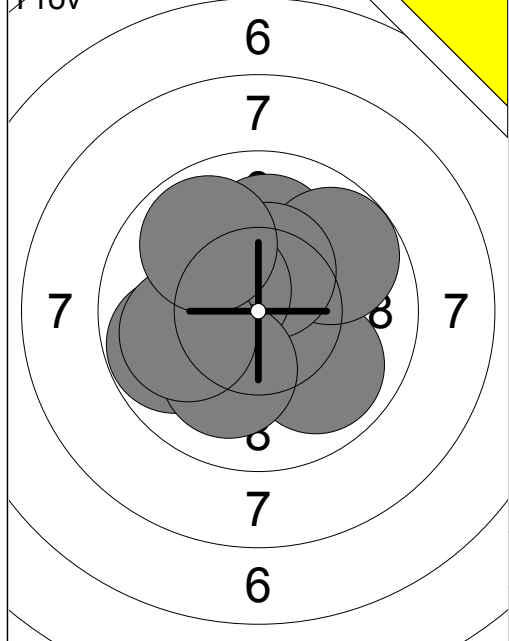
<p>40 Skott</p> 	<p>1: 10.7x ↖                  2: 9.9 ↗                  3: 10.6x ←                  4: 10.4x ↖                  5: 10.5x ↖                  6: 10.0 ←                  7: 10.7x ↓                  8: 10.4x ↗                  9: 10.7x ↓                  10: 10.4x →</p> <p>Serie 99 Total 99</p>	<p>40 Skott</p> 	<p>11: 10.1 →                  12: 10.5x ↑                  13: 9.8 ↗                  14: 10.7x →                  15: 9.6 ↗                  16: 10.4x ↓                  17: 10.8x ↗                  18: 10.5x ↖                  19: 10.4x →                  20: 10.4x ↖</p> <p>Serie 98 Total 197</p>
---	--	---	--

<p>40 Skott</p> 	<p>21: 10.2x →                  22: 10.4x ↑                  23: 10.8x ←                  24: 10.8x ↖                  25: 10.7x ↓                  26: 10.6x ↖                  27: 10.6x ↗                  28: 9.8 ↓                  29: 10.9x ↑                  30: 10.8x ↑</p> <p>Serie 99 Total 296</p>	<p>40 Skott</p> 	<p>31: 10.3x ↓                  32: 9.7 ←                  33: 10.1 →                  34: 9.7 ↑                  35: 10.1 ↓                  36: 10.3x ↑                  37: 9.9 →                  38: 9.8 ←                  39: 10.5x ↑                  40: 9.1 ↙</p> <p>Serie 95 Total 391</p>
--	---	--	---

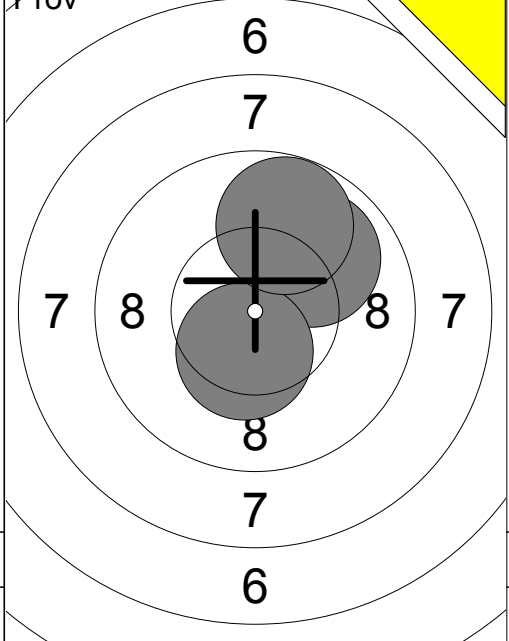
Pröv 	1: 8.3 → 2: 10.4x → 3: 10.5x ↑ 4: 10.1 ↓ 5: 10.1 → 6: 10.0 ↓ 7: 9.9 ← 8: 10.7x ← Serie 77 Total 0	40 Skott 	1: 10.6x ↑ 2: 10.0 ← 3: 10.2x ↖ 4: 9.4 ↓ 5: 10.2x → 6: 10.5x ↗ 7: 9.7 ← 8: 10.3x ↖ 9: 10.3x ↓ 10: 10.3x → Serie 98 Total 98
--	--	--	--

40 Skott 	11: 9.9 ↗ 12: 10.0 ↓ 13: 10.5x ↓ 14: 10.3x ← 15: 10.5x ↓ 16: 9.8 ↓ 17: 10.7x → 18: 10.0 ↑ 19: 9.9 → 20: 10.1 ↓ Serie 97 Total 195	40 Skott 	21: 9.9 → 22: 10.6x → 23: 10.3x ↗ 24: 10.1 ↓ 25: 9.8 ↓ 26: 10.6x ← 27: 10.6x ↗ 28: 10.3x ↖ 29: 10.4x ← 30: 10.8x → Serie 98 Total 293
---	--	---	--

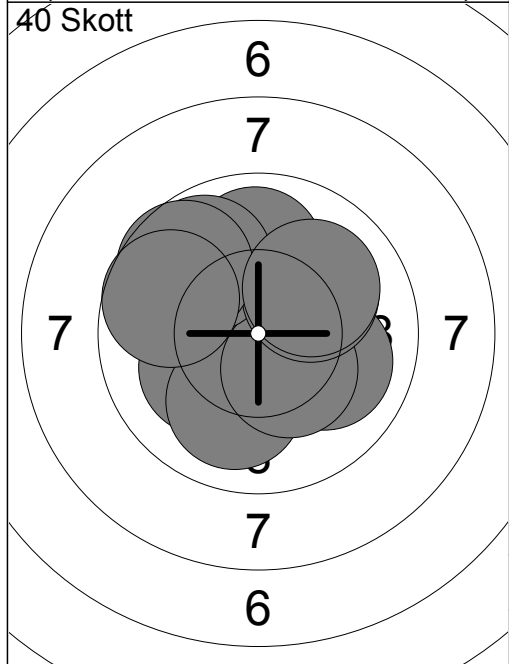
40 Skott 	31: 9.8 ↑ 32: 10.5x ↓ 33: 10.6x ↓ 34: 10.4x ↑ 35: 10.4x ↑ 36: 10.9x → 37: 9.7 ↓ 38: 9.7 → 39: 10.0 ↗ 40: 10.5x ↑ Serie 97 Total 390		
--	--	--	--



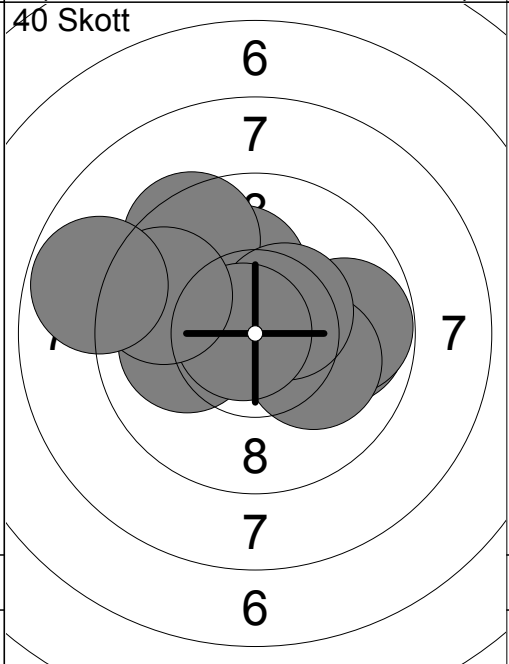
1:	9.9	↘
2:	10.0	↑
3:	10.4x	←
4:	9.8	↗
5:	10.4x	↑
6:	9.8	←
7:	10.4x	↘
8:	10.1	↘
9:	10.0	←
10:	9.9	↗
Serie		96
Total		0



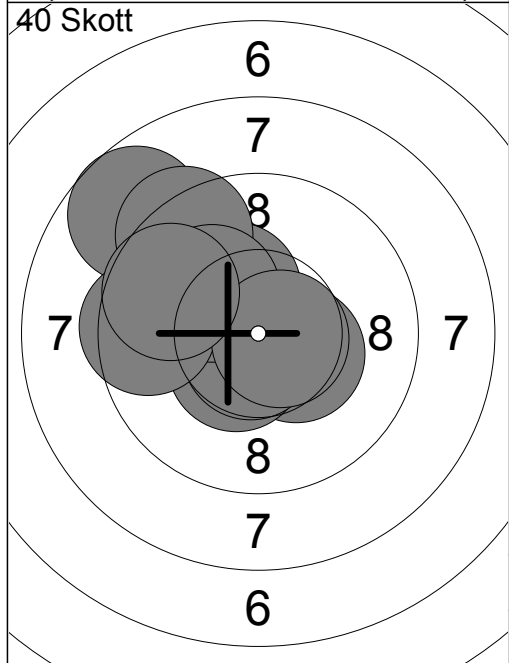
11:	9.9	↗
12:	10.4x	↘
13:	9.8	↑
Serie		28
Total		0



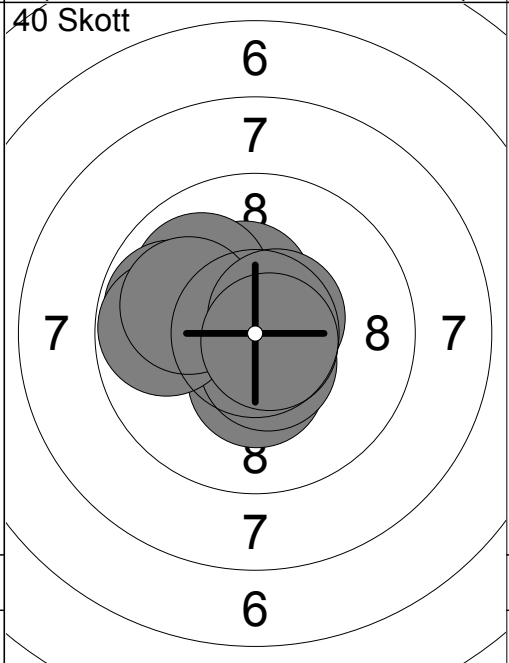
1:	10.0	→
2:	9.9	↑
3:	10.2x	↘
4:	10.0	↘
5:	10.3x	↘
6:	9.8	↗
7:	10.1	↗
8:	9.7	↗
9:	9.7	←
10:	10.0	↗
Serie		96
Total		96



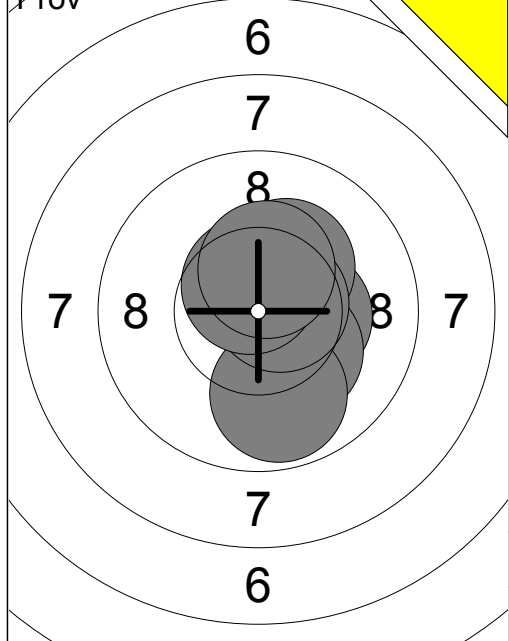
11:	9.9	→
12:	10.1	↑
13:	9.8	→
14:	10.1	→
15:	10.0	←
16:	9.5	↗
17:	10.5x	↗
18:	10.8x	←
19:	9.7	←
20:	8.8	←
Serie		94
Total		190



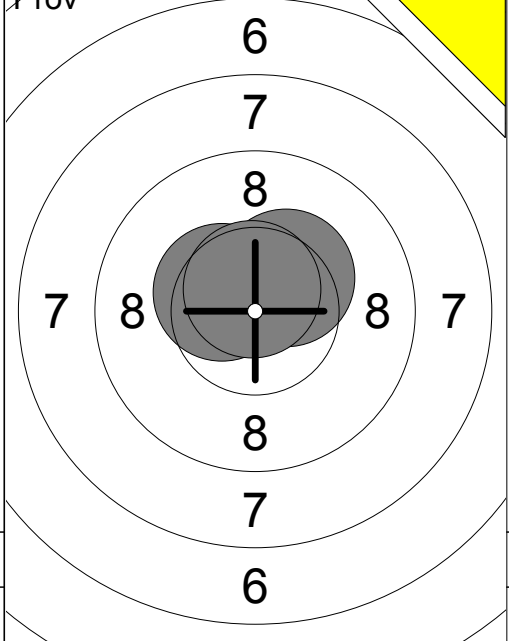
21:	10.3x	↗
22:	8.7	↗
23:	9.3	↗
24:	10.4x	→
25:	10.5x	↘
26:	10.7x	↘
27:	10.1	↗
28:	9.5	←
29:	10.6x	→
30:	9.7	←
Serie		95
Total		285



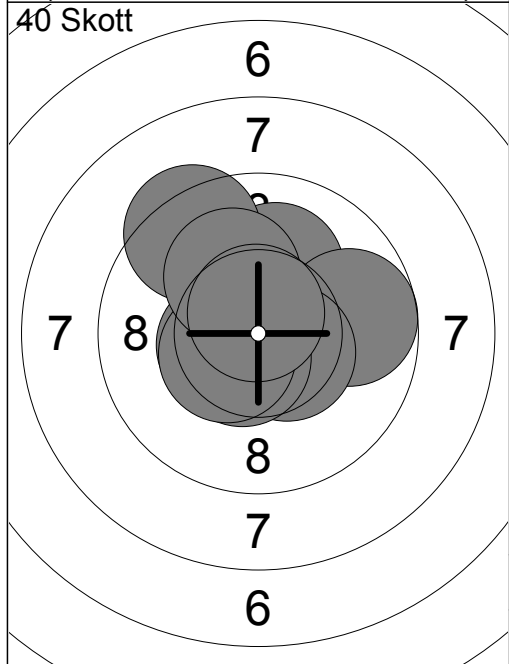
31:	10.6x	↗
32:	10.4x	↑
33:	10.4x	↘
34:	10.0	↗
35:	10.5x	↘
36:	9.8	←
37:	9.8	←
38:	10.0	←
39:	10.6x	↗
40:	10.7x	→
Serie		98
Total		383



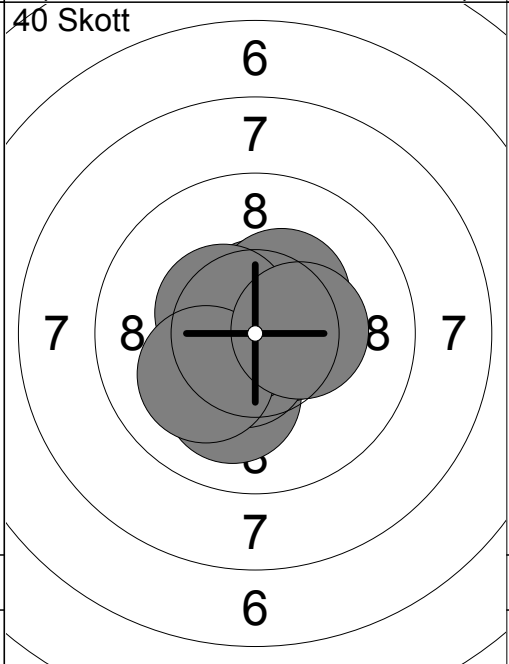
1:	10.7x ↗
2:	10.3x →
3:	10.3x ↘
4:	9.8 ↓
5:	10.7x ↗
6:	10.4x ↑
7:	10.3x ↗
8:	10.6x →
9:	10.6x ↑
10:	10.4x ↑
Serie 99	
Total 0	



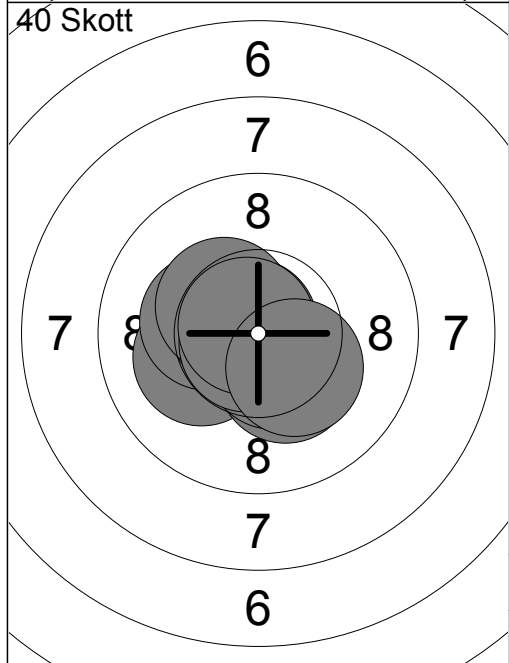
11:	10.4x ↖
12:	10.4x ↗
13:	10.7x ↑
Serie 30	
Total 0	



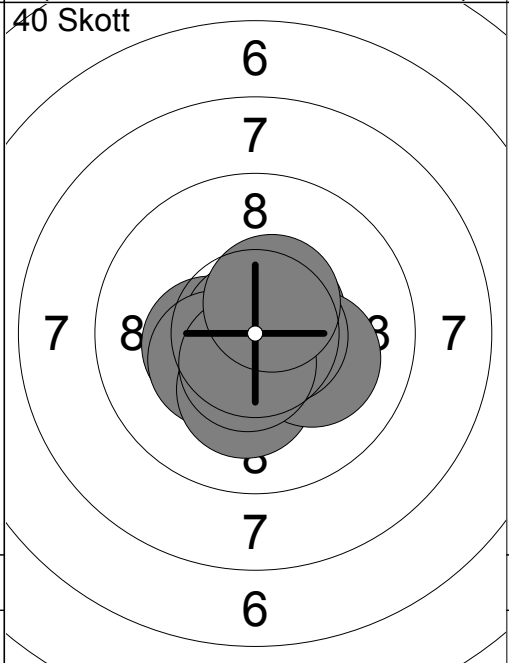
1:	10.1 ↑
2:	10.5x →
3:	9.7 →
4:	10.5x ↘
5:	10.5x ↙
6:	9.4 ↖
7:	10.6x ↘
8:	10.5x ↙
9:	10.1 ↑
10:	10.7x ↑
Serie 98	
Total 98	



11:	10.2x ↙
12:	10.1 ↓
13:	10.6x →
14:	10.6x ↘
15:	10.6x ↑
16:	10.4x ↗
17:	10.8x ↙
18:	10.5x ↖
19:	10.1 ↙
20:	10.4x →
Serie 100	
Total 198	

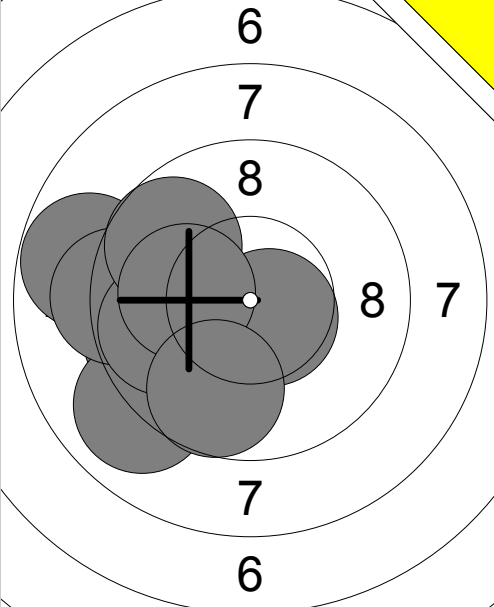
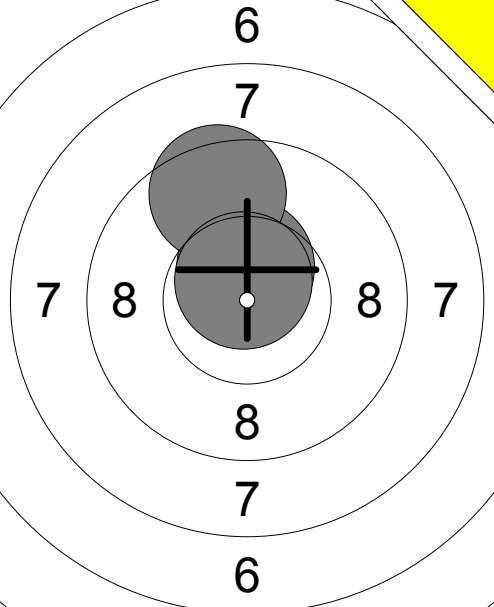


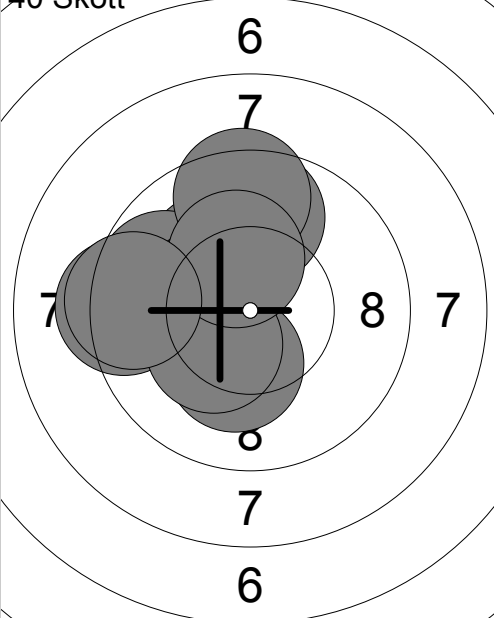
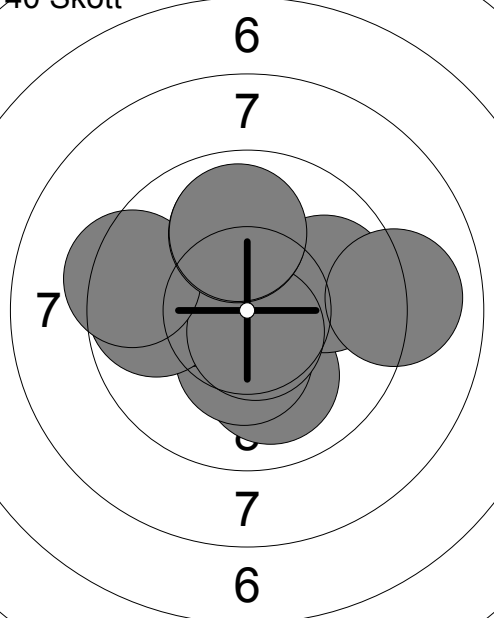
21:	10.1 ↙
22:	10.3x ↘
23:	10.8x ↖
24:	10.3x ↙
25:	10.6x ↖
26:	10.5x ↘
27:	10.4x ↖
28:	10.8x ↙
29:	10.8x ↖
30:	10.3x ↘
Serie 100	
Total 298	

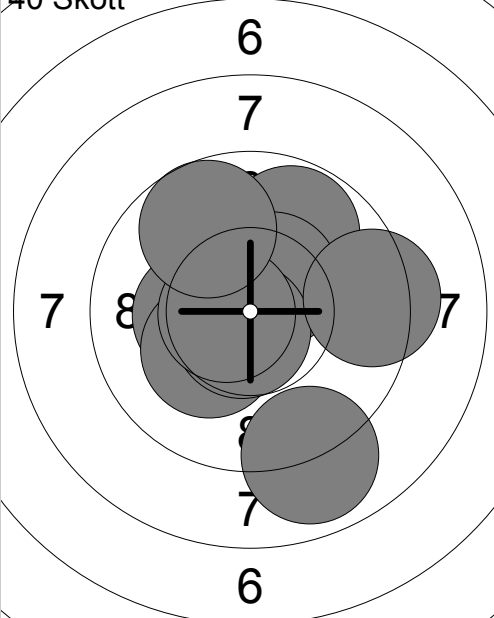
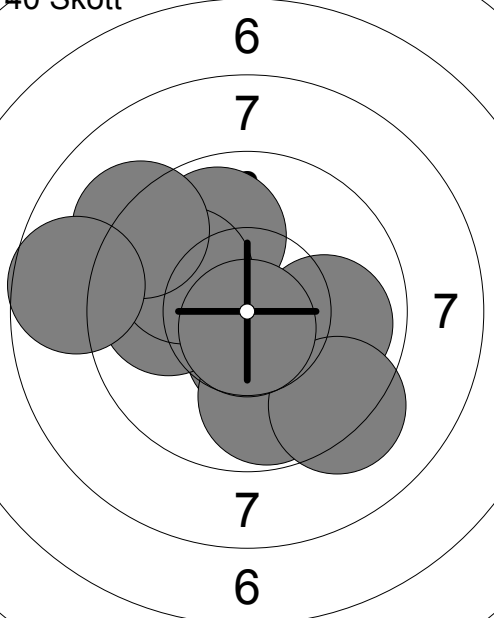


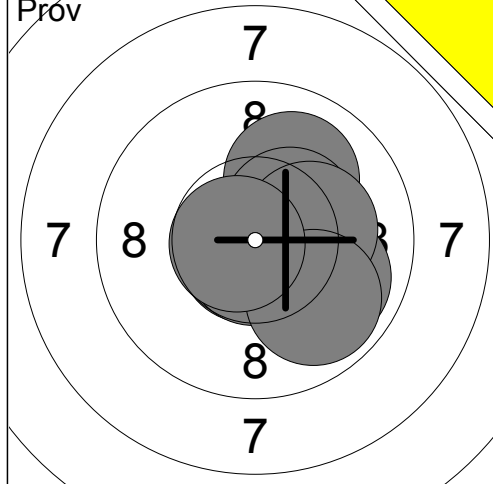
31:	10.3x ↙
32:	10.9x ↖
33:	10.3x ↙
34:	10.4x →
35:	10.6x ↗
36:	10.2x ↓
37:	10.1 →
38:	10.6x →
39:	10.5x ↘
40:	10.5x ↑
Serie 100	
Total 398	



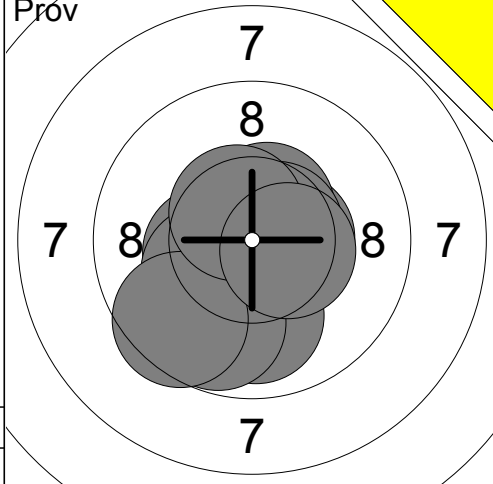
<p>Prov</p>  <p style="text-align: center;">6 7 8 8 7 7 6</p>	<p>1: 10.0 ← 2: 10.6x ↘ 3: 9.6 ← 4: 8.8 ← 5: 9.0 ↙ 6: 9.2 ← 7: 9.8 ← 8: 9.7 ↗ 9: 10.1 ← 10: 9.7 ↘</p> <p>Serie 92 Total 0</p>	<p>Prov</p>  <p style="text-align: center;">6 7 8 7 8 7 8 7 6</p> <p>11: 10.5x ↑ 12: 9.5 ↑ 13: 10.7x ↑</p> <p>Serie 29 Total 0</p>
---	---	--

<p>40 Skott</p>  <p style="text-align: center;">6 7 8 7 8 7 6 7 6</p>	<p>1: 9.7 ↑ 2: 10.1 ↗ 3: 9.8 ← 4: 9.5 ↑ 5: 10.2x ↘ 6: 10.3x ← 7: 9.3 ← 8: 10.3x ↙ 9: 10.3x ↑ 10: 9.4 ←</p> <p>Serie 95 Total 95</p>	<p>40 Skott</p>  <p style="text-align: center;">6 7 8 7 8 7 8 7 6</p> <p>11: 10.0 ↘ 12: 9.9 → 13: 10.3x ↘ 14: 10.2x ← 15: 9.8 ← 16: 10.7x ↘ 17: 9.4 ← 18: 9.9 ↑ 19: 9.0 → 20: 9.9 ↑</p> <p>Serie 94 Total 189</p>
--	---	--

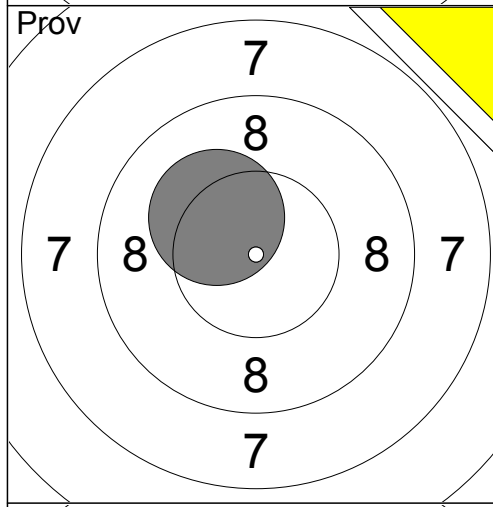
<p>40 Skott</p>  <p style="text-align: center;">6 7 8 7 8 7 8 7 6</p>	<p>21: 9.8 ↗ 22: 8.9 ↘ 23: 10.7x ↑ 24: 10.5x ↗ 25: 10.3x ← 26: 10.2x ↙ 27: 10.7x ↘ 28: 10.6x ← 29: 9.7 ↗ 30: 9.3 →</p> <p>Serie 95 Total 284</p>	<p>40 Skott</p>  <p style="text-align: center;">6 7 8 7 8 7 8 7 6</p> <p>31: 10.5x ↘ 32: 9.9 ↑ 33: 9.8 ↘ 34: 9.9 ← 35: 10.0 ↙ 36: 9.9 → 37: 9.2 ↗ 38: 8.7 ← 39: 9.3 ↘ 40: 10.7x ↘</p> <p>Serie 92 Total 376</p>
---	--	---



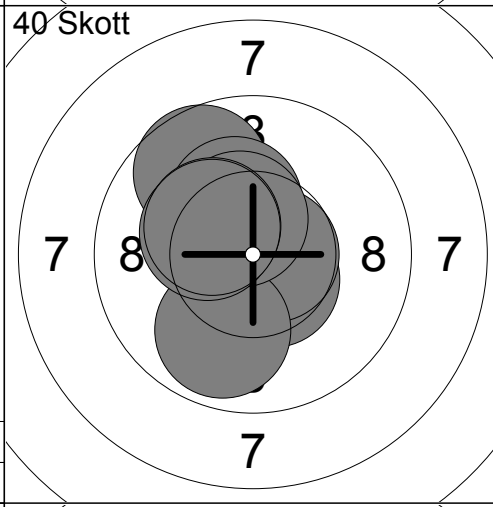
1:	10.3x	→
2:	10.7x	↙
3:	10.0	↗
4:	9.9	↘
5:	10.7x	↓
6:	10.5x	→
7:	10.4x	↗
8:	10.2x	→
9:	9.9	↘
10:	10.7x	←
Serie		98
Total		0



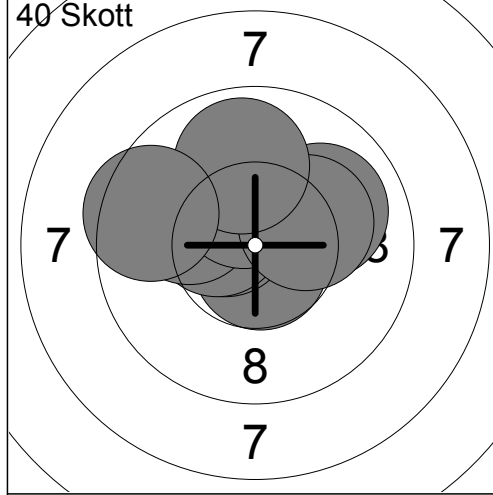
11:	9.9	↓
12:	10.5x	→
13:	10.4x	←
14:	10.2x	↙
15:	10.5x	↗
16:	9.8	↓
17:	10.6x	↗
18:	9.5	↘
19:	10.5x	↗
20:	10.5x	→
Serie		97
Total		0



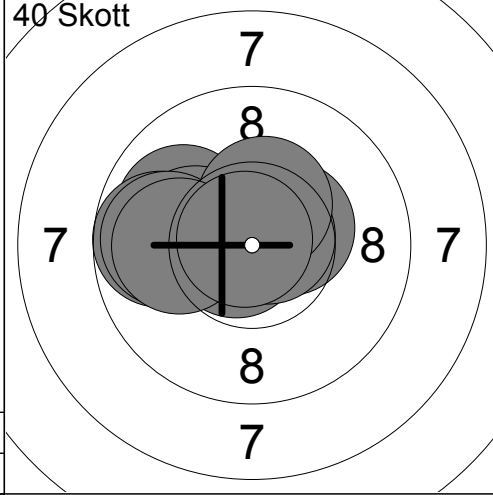
21:	10.2x	↖
Serie		10
Total		0



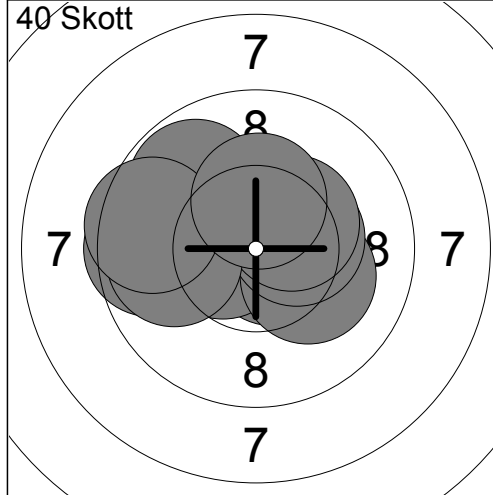
1:	10.7x	→
2:	10.5x	↙
3:	9.7	↗
4:	10.7x	→
5:	10.2x	↗
6:	9.9	↓
7:	10.5x	↗
8:	10.3x	↗
9:	10.3x	↗
10:	10.3x	↗
Serie		98
Total		98



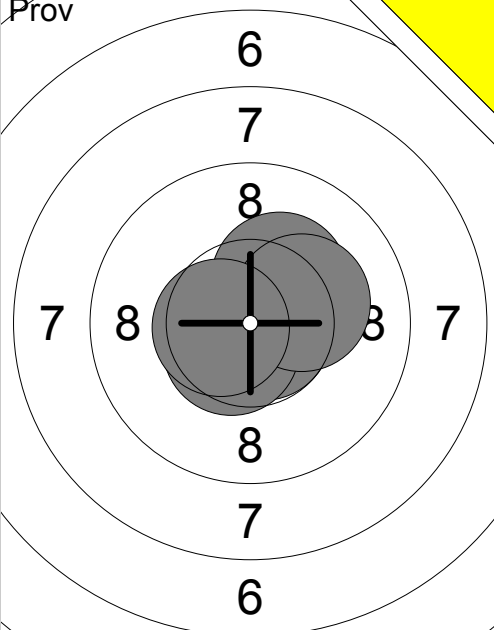
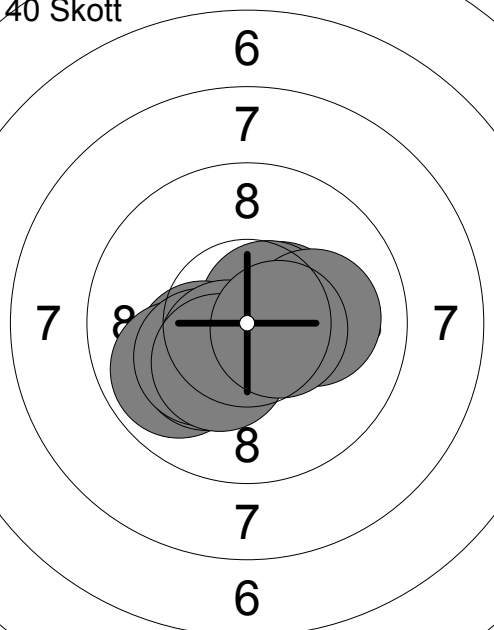
11:	10.6x	↗
12:	10.7x	↓
13:	10.5x	↖
14:	10.0	↗
15:	10.4x	↖
16:	10.0	↖
17:	10.3x	↗
18:	10.2x	↗
19:	9.9	↗
20:	9.5	←
Serie		98
Total		196

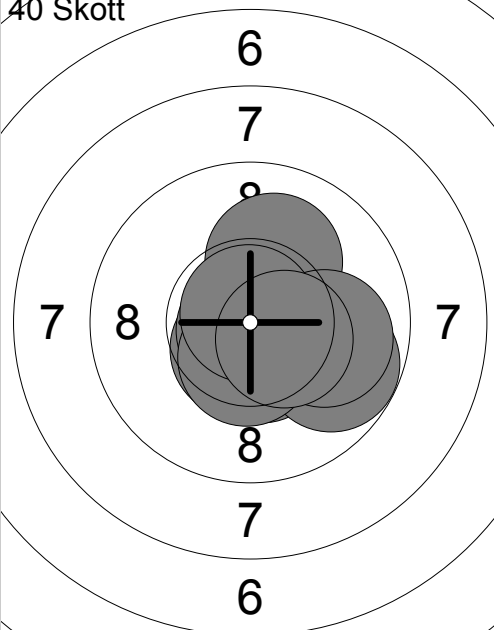
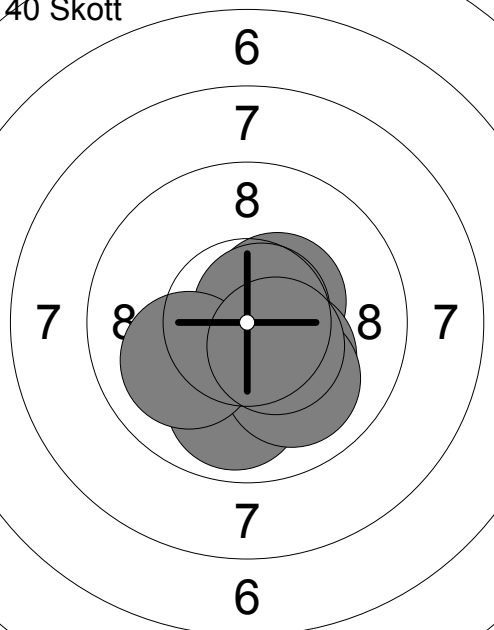


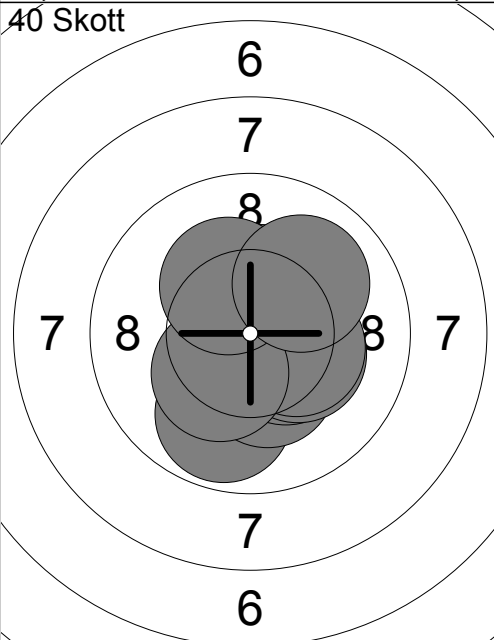
21:	10.4x	↗
22:	9.9	↖
23:	10.7x	←
24:	10.7x	↗
25:	10.2x	←
26:	9.7	←
27:	9.8	←
28:	10.4x	↗
29:	10.0	←
30:	10.8x	↗
Serie		97
Total		293

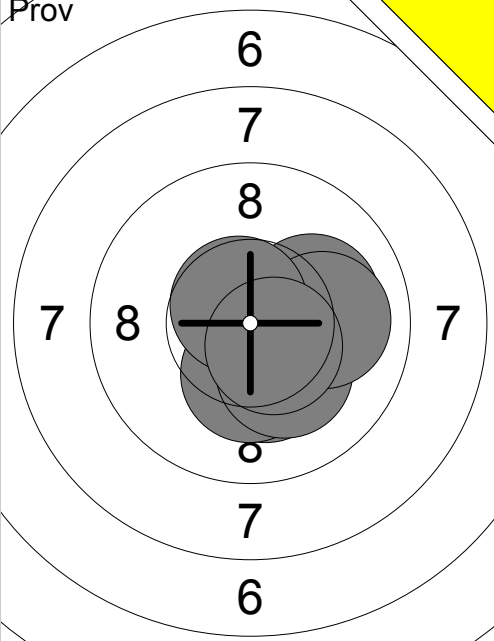
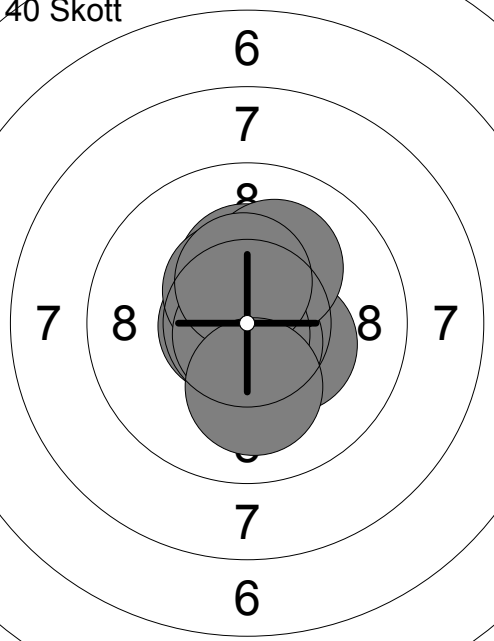


31:	10.7x	↘
32:	10.5x	←
33:	10.2x	↘
34:	9.6	←
35:	10.4x	→
36:	9.8	↗
37:	10.4x	↗
38:	9.9	←
39:	9.5	←
40:	10.3x	↗
Serie		96
Total		389

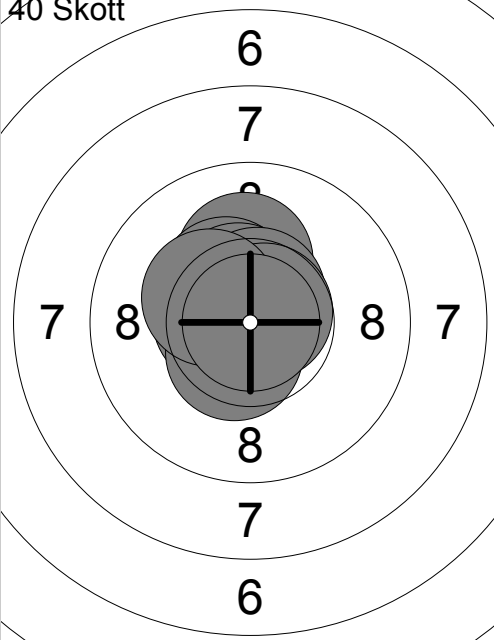
Prov 	1: 10.3x ↗ 2: 10.8x ➡ 3: 10.5x ↘ 4: 10.2x ➡ 5: 10.6x ←	40 Skott 	1: 10.5x ➡ 2: 10.6x ➡ 3: 10.1 ➡ 4: 10.3x ↘ 5: 9.9 ↙ 6: 10.2x ↘ 7: 10.2x ↘ 8: 10.5x ↘ 9: 10.3x ↘ 10: 10.5x ➡
Serie	50	Serie	99
Total	0	Total	99

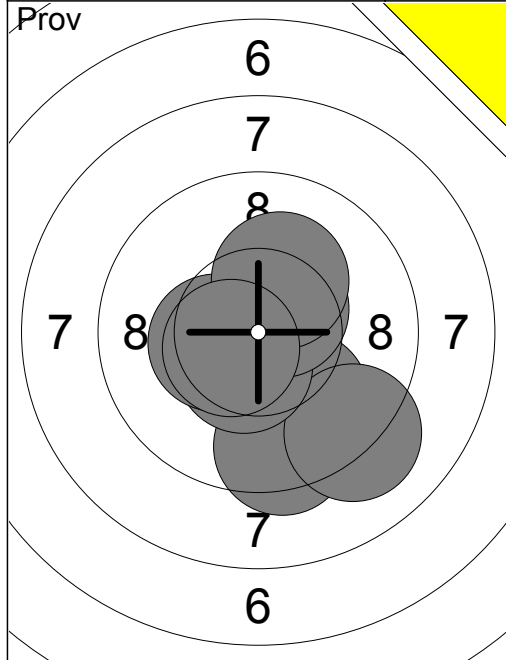
40 Skott 	11: 10.5x ↘ 12: 9.8 ➡ 13: 10.1 ↗ 14: 10.6x ↘ 15: 10.8x ↘ 16: 10.8x ➡ 17: 10.0 ➡ 18: 10.5x ↘ 19: 10.8x ↗ 20: 10.5x ➡	40 Skott 	21: 10.4x ↘ 22: 10.5x ↘ 23: 10.6x ↘ 24: 10.5x ➡ 25: 9.9 ↓ 26: 10.3x ↘ 27: 10.0 ↘ 28: 10.7x ➡ 29: 10.0 ↙ 30: 10.5x ↘
Serie	99	Serie	99
Total	198	Total	297

40 Skott 	31: 9.8 ↓ 32: 10.4x ↗ 33: 10.6x ↗ 34: 10.3x ↘ 35: 10.4x ➡ 36: 10.3x ➡ 37: 10.3x ➡ 38: 10.3x ↘ 39: 10.3x ↗ 40: 10.0 ↗		
Serie	99		
Total	396		

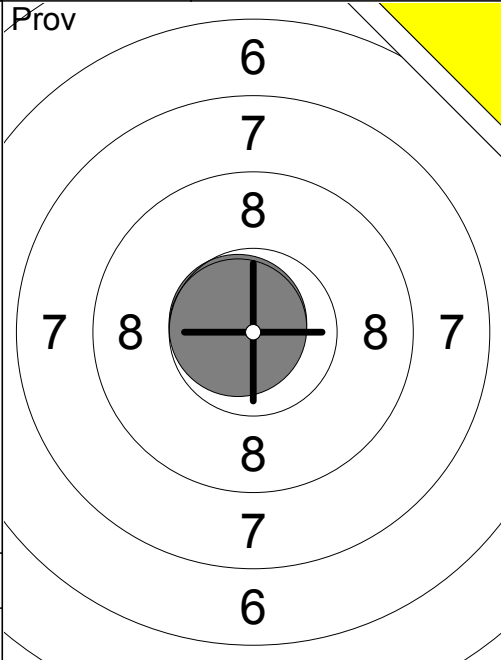
<p>Pröv</p> 	<p>40 Skott</p> 	<p>1: 10.3x ↓</p> <p>2: 10.1 →</p> <p>3: 10.3x ↓</p> <p>4: 10.2x ↓</p> <p>5: 10.0 →</p> <p>6: 10.7x ↗</p> <p>7: 10.5x ↓</p> <p>Serie 70</p> <p>Total 0</p>	<p>1: 10.5x ↗</p> <p>2: 10.3x ↘</p> <p>3: 10.3x ↗</p> <p>4: 10.7x ↓</p> <p>5: 10.1 ↗</p> <p>6: 10.7x ←</p> <p>7: 10.5x ↖</p> <p>8: 10.8x ↓</p> <p>9: 10.4x ↗</p> <p>10: 10.1 ↓</p> <p>Serie 100</p> <p>Total 100</p>
--	--	---	---

<p>40 Skott</p> 	<p>40 Skott</p> 	<p>11: 10.3x ↗</p> <p>12: 10.1 ↓</p> <p>13: 10.5x →</p> <p>14: 10.7x ←</p> <p>15: 10.2x ←</p> <p>16: 10.4x →</p> <p>17: 10.5x ↗</p> <p>18: 10.1 ↗</p> <p>19: 10.4x ↗</p> <p>20: 10.5x ↘</p> <p>Serie 100</p> <p>Total 200</p>	<p>21: 10.5x ↗</p> <p>22: 10.7x ↘</p> <p>23: 10.6x ↖</p> <p>24: 10.2x ←</p> <p>25: 10.7x ←</p> <p>26: 9.9 ←</p> <p>27: 10.2x ↗</p> <p>28: 10.4x →</p> <p>29: 10.5x ↖</p> <p>30: 10.8x ↓</p> <p>Serie 99</p> <p>Total 299</p>
---	---	--	---

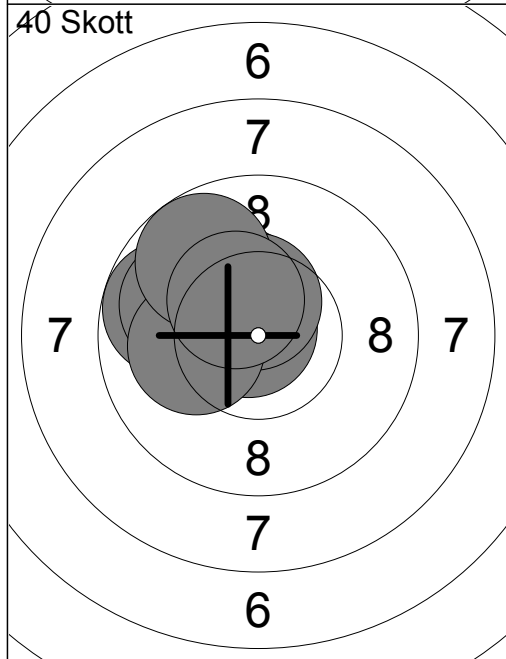
<p>40 Skott</p> 	<p>31: 10.6x ←</p> <p>32: 10.7x ←</p> <p>33: 10.1 ↗</p> <p>34: 10.4x ↖</p> <p>35: 10.5x ↖</p> <p>36: 10.6x ↗</p> <p>37: 10.5x ↓</p> <p>38: 10.7x ↗</p> <p>39: 10.3x ↖</p> <p>40: 10.9x →</p> <p>Serie 100</p> <p>Total 399</p>		
--	---	--	--



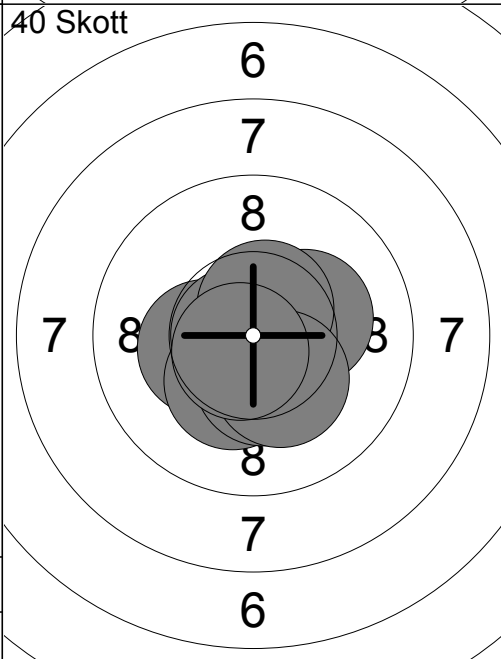
1:	9.9	↘
2:	9.4	↓
3:	9.1	↘
4:	10.6x	↙
5:	10.5x	↘
6:	10.4x	↗
7:	10.4x	↙
8:	10.5x	↗
9:	10.2x	↗
10:	10.5x	↙
Serie		97
Total		0



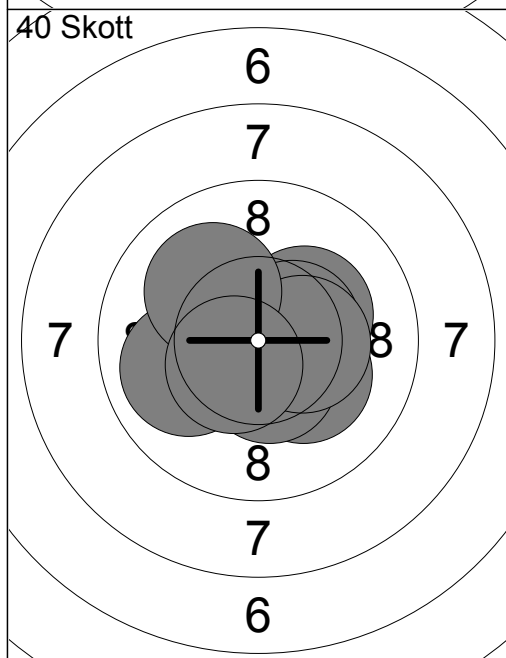
11:	10.7x	↖
12:	10.7x	↙
Serie		20
Total		0



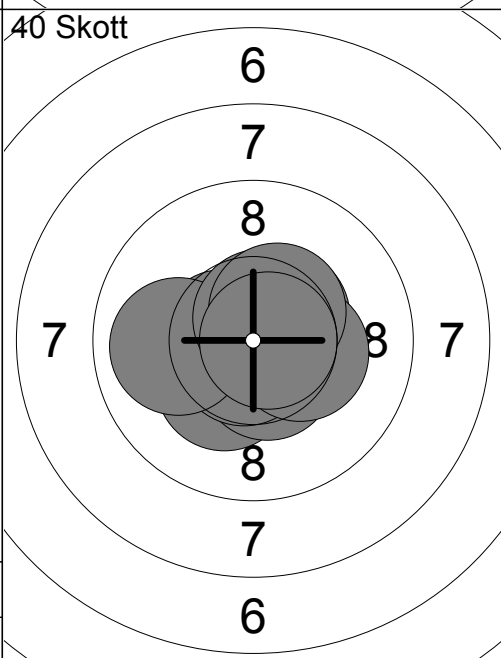
1:	10.3x	↗
2:	9.8	↙
3:	10.6x	↗
4:	10.8x	↙
5:	9.9	↙
6:	10.3x	↗
7:	10.5x	↗
8:	10.1	↙
9:	9.8	↗
10:	10.4x	↗
Serie		97
Total		97



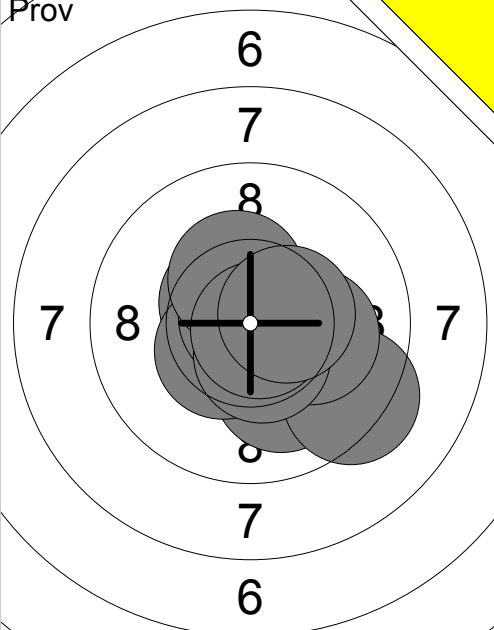
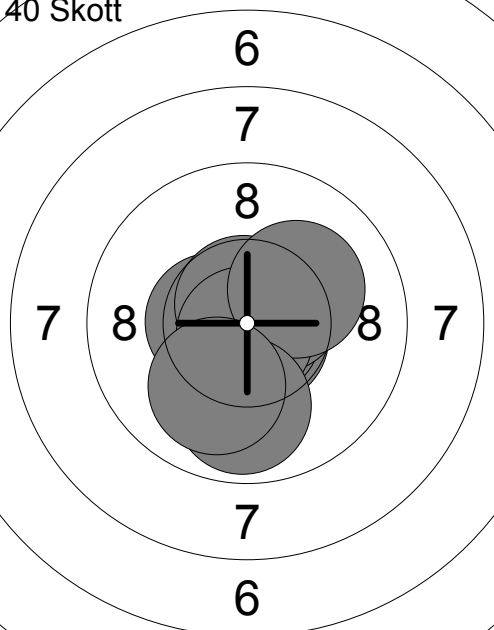
11:	10.6x	↗
12:	10.3x	↙
13:	10.8x	↙
14:	10.6x	→
15:	10.3x	↘
16:	10.2x	→
17:	10.6x	↗
18:	10.4x	↘
19:	10.3x	↘
20:	10.7x	↘
Serie		100
Total		197

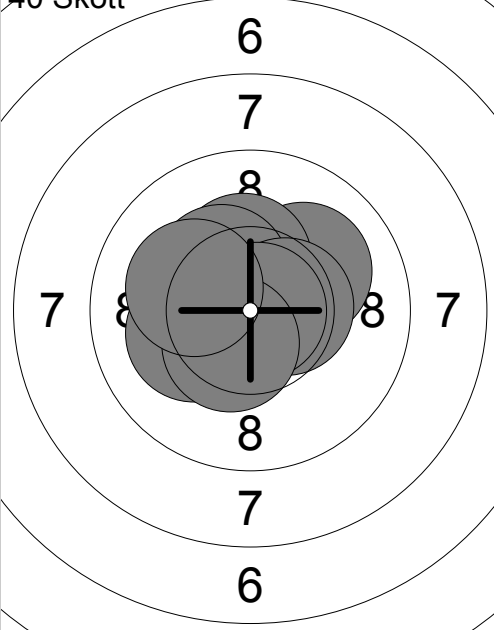
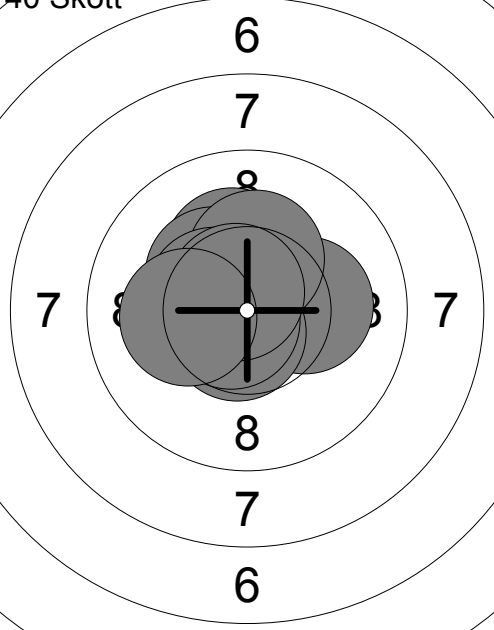


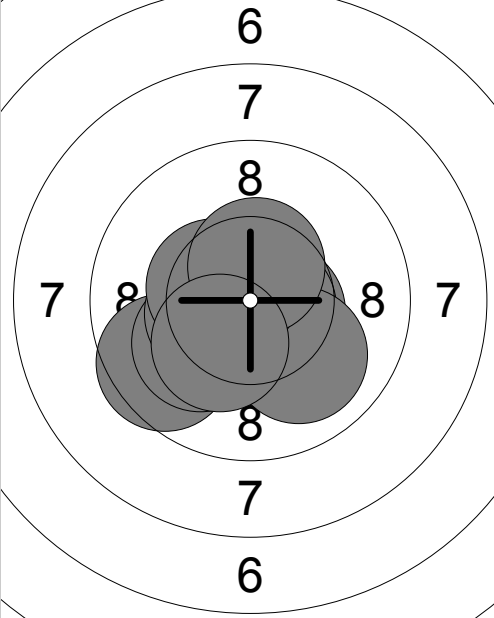
21:	10.4x	↘
22:	10.2x	↘
23:	10.3x	↗
24:	10.5x	→
25:	10.0	↙
26:	10.8x	↙
27:	10.5x	↘
28:	10.4x	→
29:	10.1	↖
30:	10.5x	↙
Serie		100
Total		297



31:	10.6x	↙
32:	10.3x	↘
33:	10.5x	↘
34:	10.7x	↘
35:	10.5x	↗
36:	10.0	↙
37:	10.6x	↗
38:	10.3x	→
39:	10.5x	↗
40:	10.8x	→
Serie		100
Total		397

<p>Pröv</p> 	<p>40 Skott</p> 	<p>1: 10.1 ↘</p> <p>2: 9.3 ↘</p> <p>3: 10.1 →</p> <p>4: 10.6x ↖</p> <p>5: 10.4x ↙</p> <p>6: 10.8x ↗</p> <p>7: 10.4x ↗</p> <p>8: 10.5x ↘</p> <p>9: 10.8x ↘</p> <p>10: 10.5x →</p>
Serie 99	Serie 99	1: 10.5x ↗
Total 0	Total 99	2: 10.7x ↘
		3: 10.8x ↘
		4: 10.5x ↗
		5: 10.5x ↖
		6: 10.7x ↗
		7: 10.8x ↘
		8: 10.2x ↗
		9: 9.9 ↘
		10: 10.0 ↘

<p>40 Skott</p> 	<p>40 Skott</p> 	<p>11: 10.1 ↗</p> <p>12: 10.3x ↗</p> <p>13: 10.3x ↖</p> <p>14: 10.9x ↘</p> <p>15: 10.5x ↙</p> <p>16: 10.2x ↙</p> <p>17: 10.5x →</p> <p>18: 10.8x →</p> <p>19: 10.4x ↘</p> <p>20: 10.2x ↖</p>
Serie 100	Serie 100	21: 10.2x ↗
Total 199	Total 299	22: 10.6x ↖
		23: 10.2x →
		24: 10.6x ↘
		25: 10.3x ↖
		26: 10.3x ↗
		27: 10.7x ↙
		28: 10.5x ↖
		29: 10.7x ↖
		30: 10.2x ↖

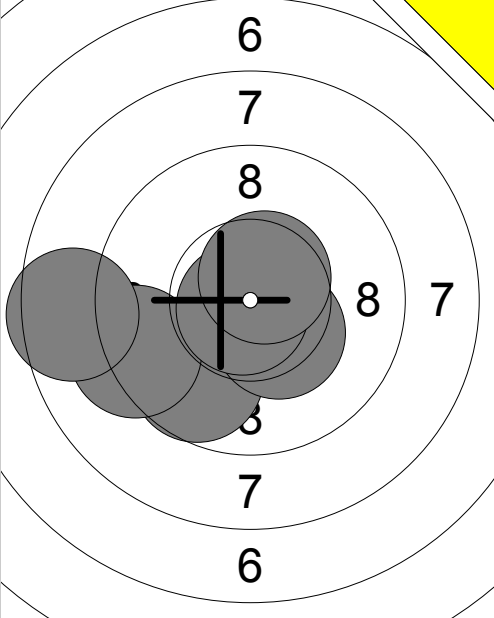
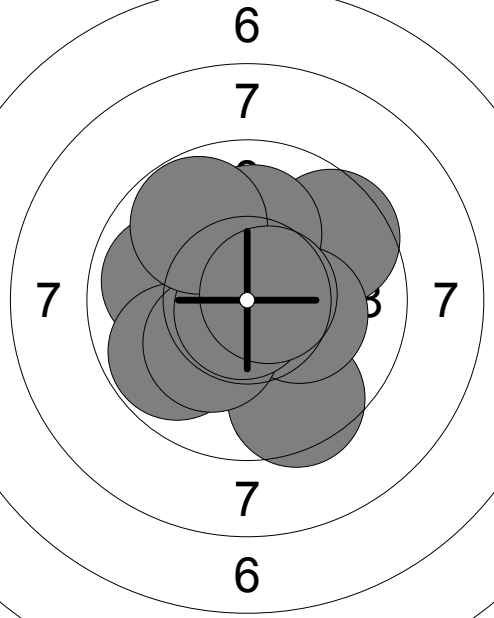
<p>40 Skott</p> 	<p>31: 10.6x →</p> <p>32: 9.6 ↙</p> <p>33: 10.1 ↙</p> <p>34: 10.7x →</p> <p>35: 10.4x ↙</p> <p>36: 10.0 ↘</p> <p>37: 10.7x ↖</p> <p>38: 10.5x ↖</p> <p>39: 10.5x ↗</p> <p>40: 10.3x ↘</p>	
Serie 99	Serie 99	
Total 398	Total 398	



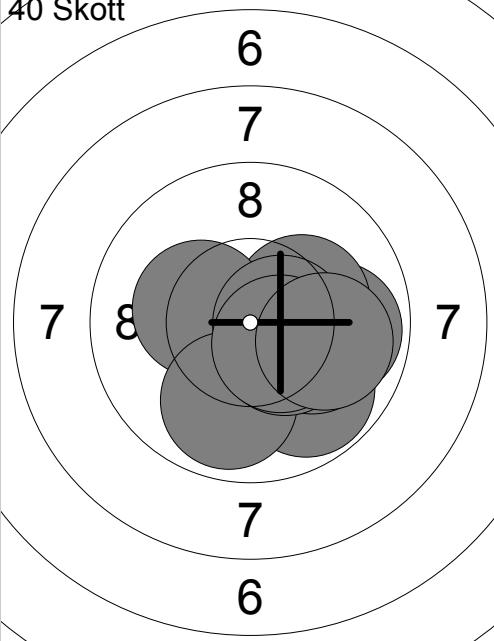
<p>Prov</p>	<p>1: 10.6x →</p> <p>2: 10.2x ←</p> <p>3: 10.0 ↓</p> <p>4: 10.1 ↗</p> <p>5: 9.0 →</p> <p>6: 10.3x ↑</p> <p>7: 10.1 ↘</p> <p>8: 10.6x ↘</p> <p>9: 9.6 →</p> <p>10: 10.5x ↓</p>	<p>Prov</p>	<p>11: 10.3x ↓</p> <p>12: 9.7 ↘</p> <p>13: 10.4x ←</p> <p>14: 9.4 ←</p>
Serie	98	Serie	38
Total	0	Total	0

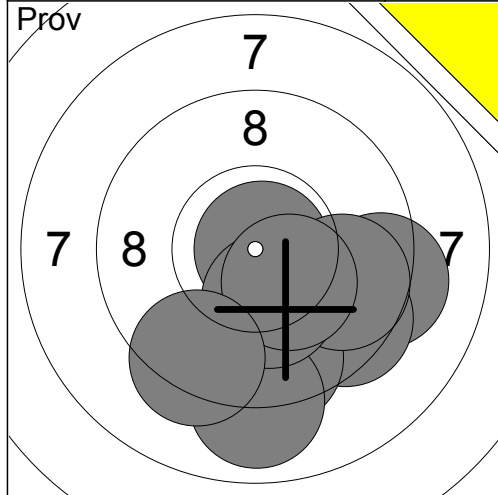
<p>40 Skott</p>	<p>1: 10.4x ↖</p> <p>2: 10.3x ↘</p> <p>3: 9.9 ↖</p> <p>4: 10.5x ↗</p> <p>5: 9.4 ↘</p> <p>6: 10.1 ↗</p> <p>7: 10.5x ←</p> <p>8: 10.0 ↓</p> <p>9: 10.8x ←</p> <p>10: 10.7x ↓</p>	<p>40 Skott</p>	<p>11: 9.8 ↗</p> <p>12: 10.5x ←</p> <p>13: 10.1 ↘</p> <p>14: 10.0 ↗</p> <p>15: 10.5x →</p> <p>16: 10.0 ↖</p> <p>17: 10.4x ←</p> <p>18: 10.7x ↖</p> <p>19: 10.0 ↑</p> <p>20: 10.7x ↓</p>
Serie	98	Serie	99
Total	98	Total	197

<p>40 Skott</p>	<p>21: 10.3x →</p> <p>22: 10.7x ↘</p> <p>23: 9.4 ↗</p> <p>24: 10.0 ↓</p> <p>25: 10.5x ↘</p> <p>26: 9.9 ↗</p> <p>27: 10.7x →</p> <p>28: 8.4 ↘</p> <p>29: 9.8 ↗</p> <p>30: 10.0 ↑</p>	<p>40 Skott</p>	<p>31: 9.7 ←</p> <p>32: 9.7 ↑</p> <p>33: 10.4x ←</p> <p>34: 10.5x ←</p> <p>35: 9.5 ↗</p> <p>36: 9.9 ↗</p> <p>37: 10.0 ←</p> <p>38: 10.3x ↑</p> <p>39: 9.5 ←</p> <p>40: 10.3x ↗</p>
Serie	95	Serie	95
Total	292	Total	387

Pröv 	1: 9.7 ↘ 2: 9.2 ← 3: 10.4x ↘ 4: 8.5 ← 5: 10.8x ↘ 6: 10.6x ↗	40 Skott 	1: 9.6 ↗ 2: 9.9 ← 3: 10.1 ↑ 4: 9.8 ← 5: 9.5 ↘ 6: 10.2x → 7: 10.2x ↘ 8: 10.8x ↘ 9: 9.8 ↗ 10: 10.7x →
Serie	56	Serie	95
Total	0	Total	95

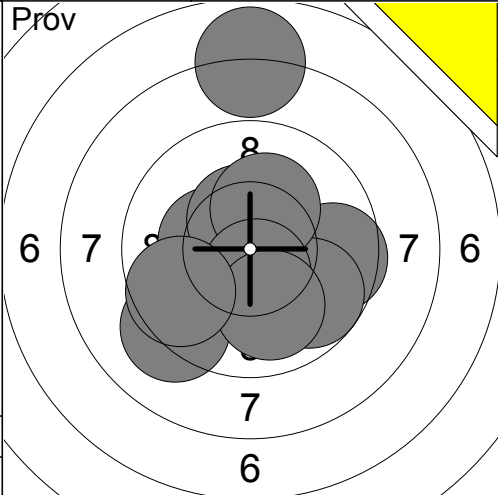
40 Skott 	11: 10.3x ↘ 12: 7.3 ↘ 13: 9.3 ← 14: 8.9 → 15: 9.8 ↘ 16: 8.8 → 17: 10.9x ↗ 18: 10.2x ← 19: 9.9 ← 20: 10.0 ↘	40 Skott 	21: 10.7x ← 22: 10.8x ↗ 23: 10.8x ↑ 24: 9.9 ← 25: 10.6x → 26: 10.1 ← 27: 10.8x ↗ 28: 10.7x → 29: 10.7x → 30: 9.1 ↘
Serie	90	Serie	98
Total	185	Total	283

40 Skott 	31: 9.9 → 32: 9.8 ↘ 33: 10.2x → 34: 10.3x ← 35: 9.9 ↘ 36: 10.5x → 37: 10.1 → 38: 10.4x ↘ 39: 10.5x ↘ 40: 9.9 →		
Serie	96		
Total	379		



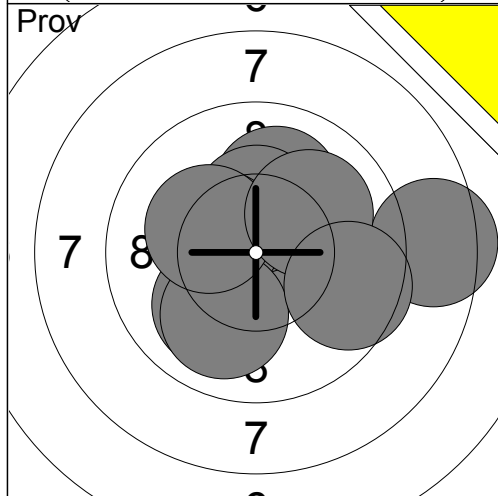
1:	9.2	→
2:	9.8	↙
3:	9.4	↙
4:	9.5	↓
5:	8.9	↓
6:	10.9x	→
7:	9.7	→
8:	10.2x	↙
9:	10.3x	↙
10:	9.3	↙

Serie	92
Total	0



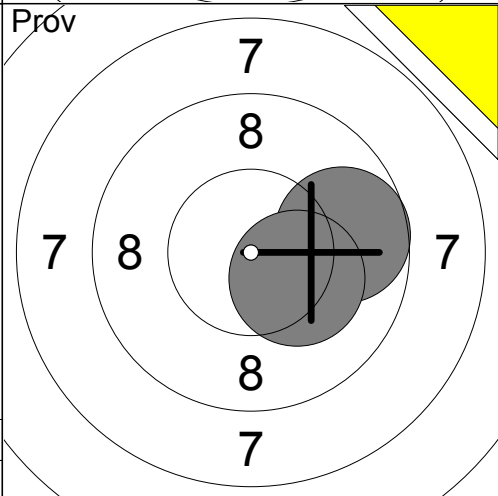
11:	9.6	→
12:	10.3x	←
13:	9.7	↙
14:	7.9	↑
15:	10.4x	↑
16:	10.2x	↑
17:	10.5x	↓
18:	9.2	↙
19:	10.0	↓
20:	9.6	↙

Serie	93
Total	0



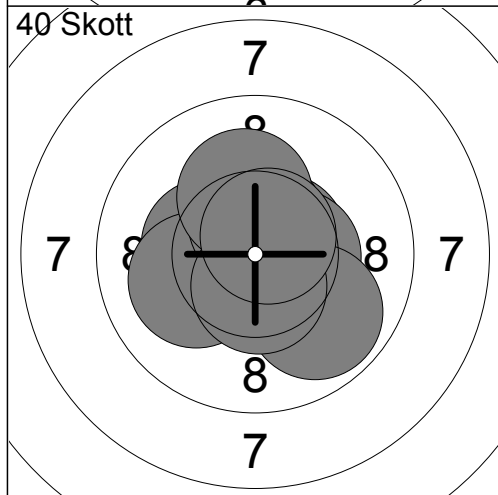
21:	10.0	↑
22:	8.5	→
23:	10.7x	←
24:	10.3x	↑
25:	10.0	↙
26:	10.4x	↖
27:	10.0	↓
28:	10.2x	↖
29:	10.0	↗
30:	9.6	↘

Serie	97
Total	0



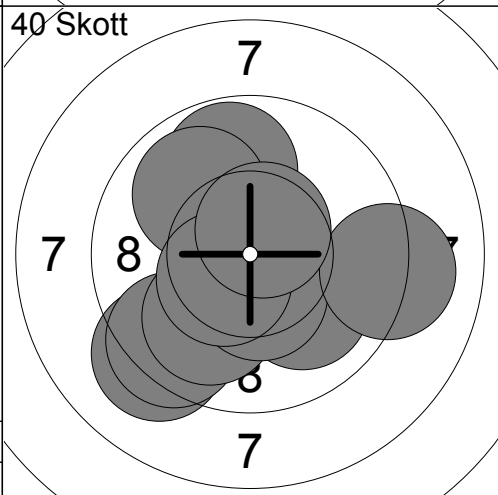
31:	9.7	→
32:	10.3x	↘

Serie	19
Total	0



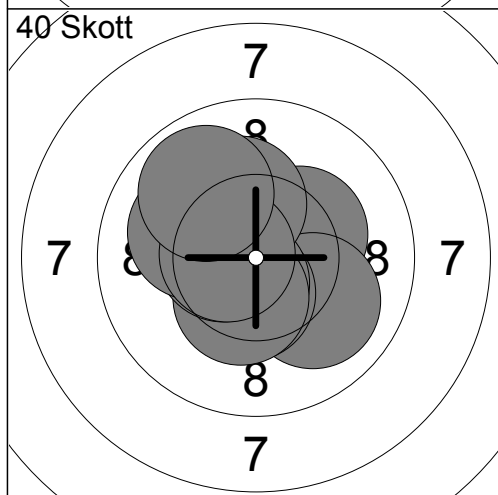
1:	10.8x	←
2:	10.3x	←
3:	10.6x	↗
4:	10.1	←
5:	10.5x	↑
6:	10.2x	↑
7:	10.4x	→
8:	9.9	↙
9:	10.5x	↓
10:	10.7x	↗

Serie	99
Total	99



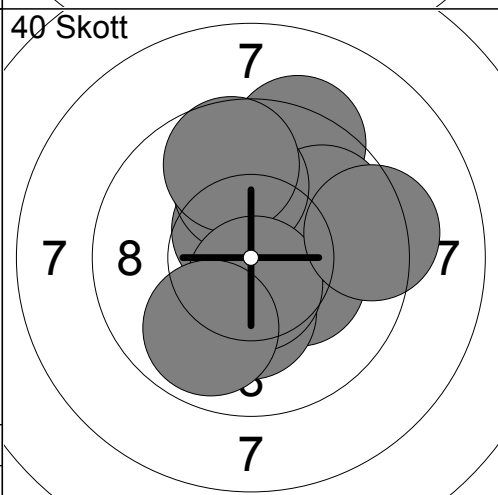
11:	9.2	↙
12:	9.4	↙
13:	9.8	↑
14:	10.0	↘
15:	10.0	↙
16:	10.4x	↓
17:	9.9	↗
18:	10.5x	↙
19:	9.1	→
20:	10.6x	↗

Serie	95
Total	194



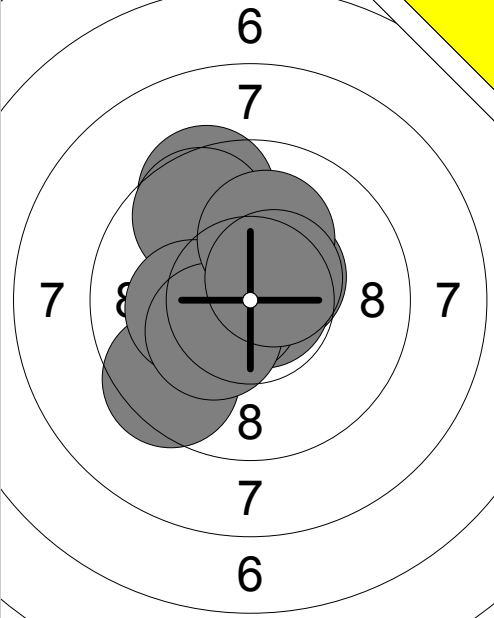
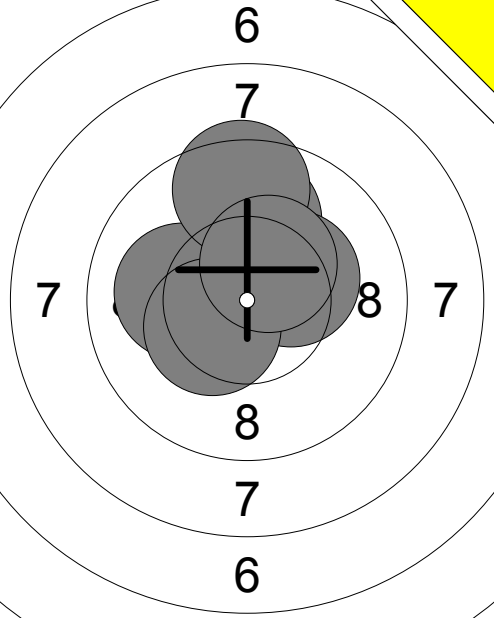
21:	10.3x	↗
22:	10.0	↘
23:	10.5x	↓
24:	10.6x	↓
25:	10.4x	↓
26:	10.2x	↑
27:	10.5x	←
28:	10.1	↖
29:	10.6x	←
30:	9.9	↗

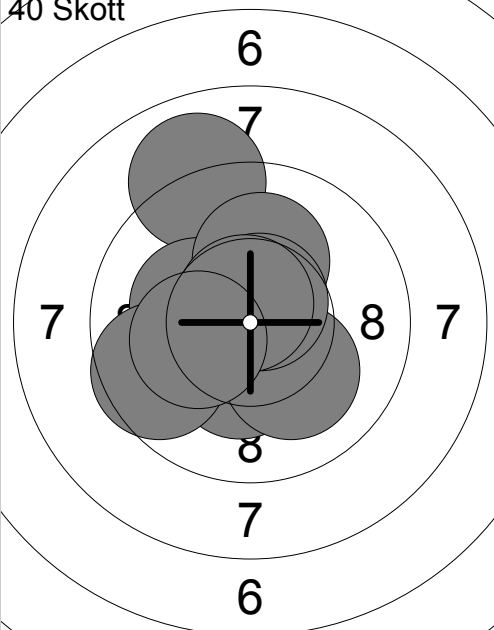
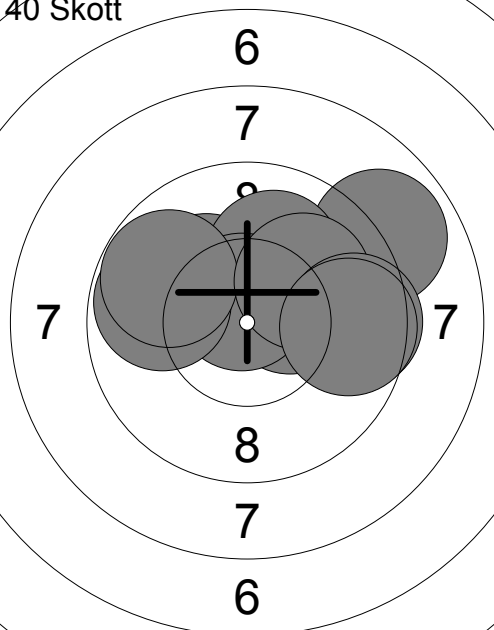
Serie	99
Total	293

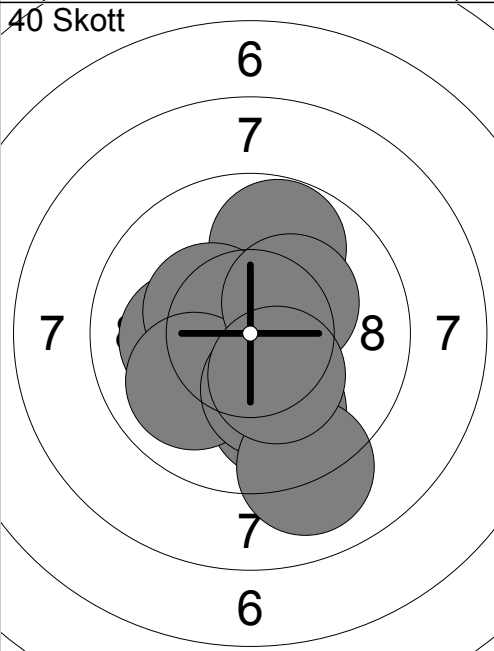
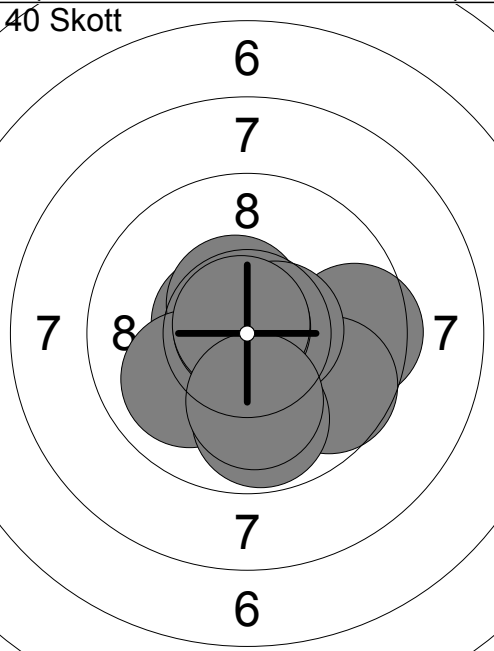


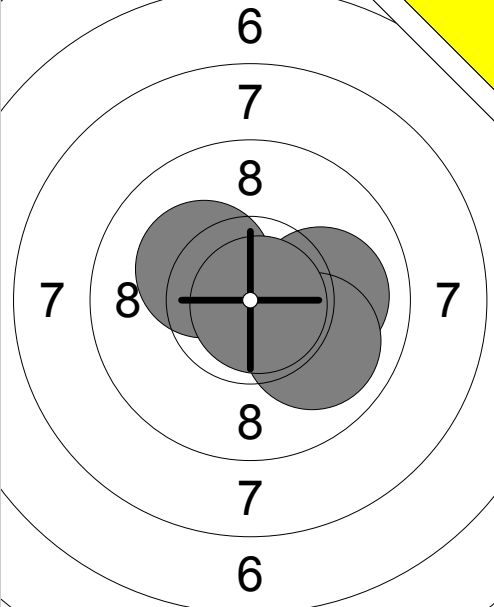
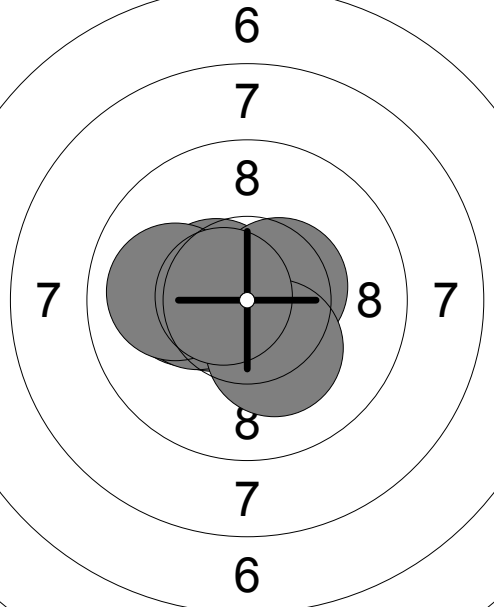
31:	10.6x	↖
32:	10.3x	→
33:	9.3	↖
34:	9.8	↗
35:	10.0	↑
36:	9.7	↑
37:	10.2x	↓
38:	10.6x	↓
39:	9.9	↙
40:	9.3	→

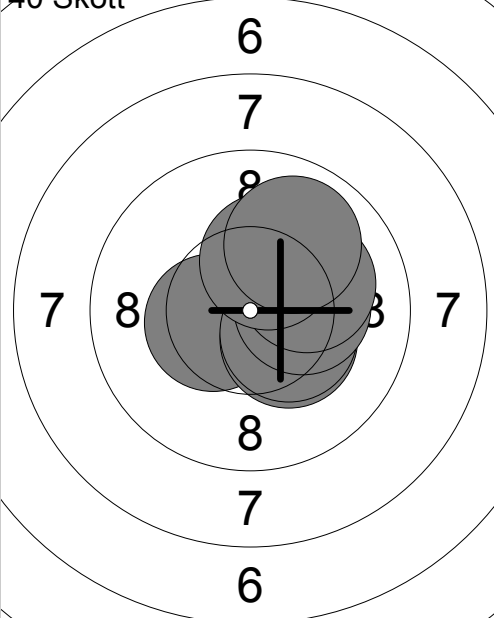
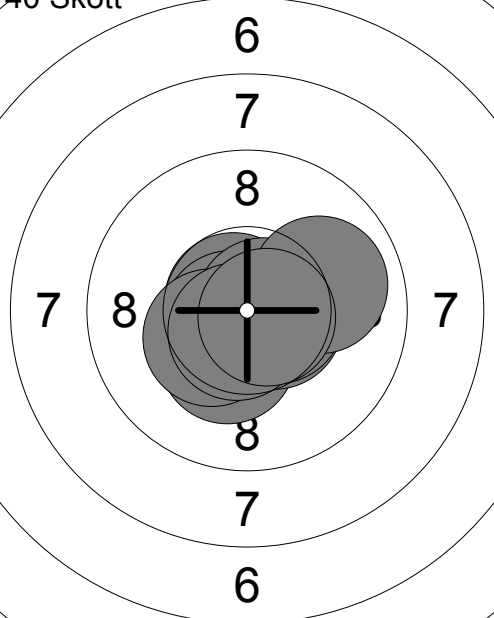
Serie	95
Total	388

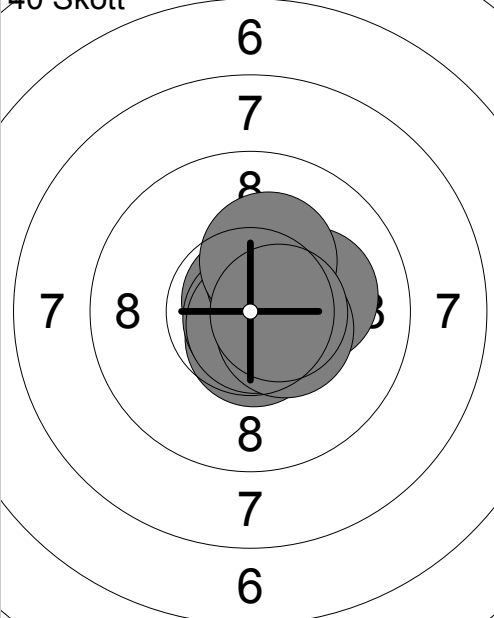
Prov 	1: 9.5 ↗ 2: 9.7 ↗ 3: 9.5 ↘ 4: 10.5x ↗ 5: 10.8x → 6: 10.7x ↙ 7: 10.2x ↙ 8: 10.3x ↘ 9: 10.1 ↑ 10: 10.5x ↗ Serie 97 Total 0	Prov 	11: 10.5x ↙ 12: 9.9 ↑ 13: 10.3x ↗ 14: 10.1 ↙ 15: 9.5 ↑ 16: 10.4x ↘ 17: 10.4x ↗ Serie 68 Total 0
--	---	--	---

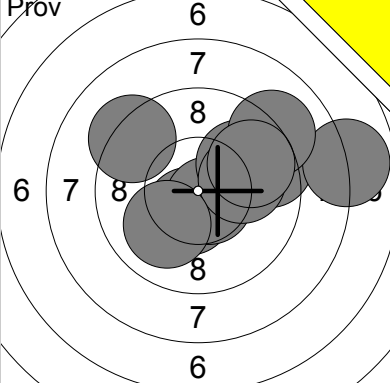
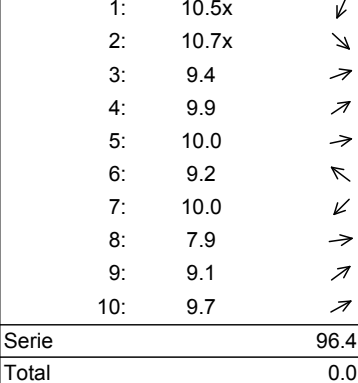
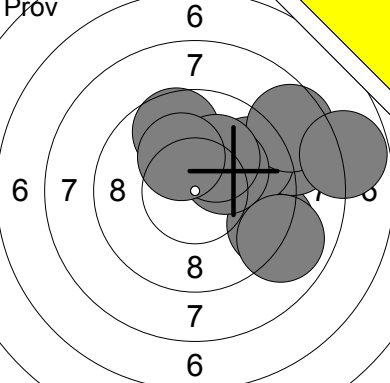
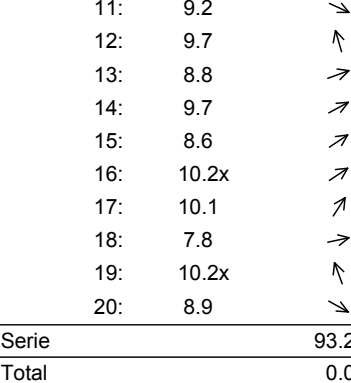
40 Skott 	1: 10.5x ↙ 2: 9.0 ↑ 3: 10.2x ↙ 4: 10.3x ↓ 5: 10.1 ↑ 6: 10.1 ↓ 7: 10.7x ↑ 8: 9.6 ↙ 9: 10.7x ↑ 10: 10.2x ↙ Serie 98 Total 98	40 Skott 	11: 10.3x ↗ 12: 10.2x ↘ 13: 8.9 ↗ 14: 10.1 ↑ 15: 10.7x ↑ 16: 9.8 ↙ 17: 9.8 ↘ 18: 10.0 ↗ 19: 9.5 → 20: 9.6 → Serie 94 Total 192
---	---	---	---

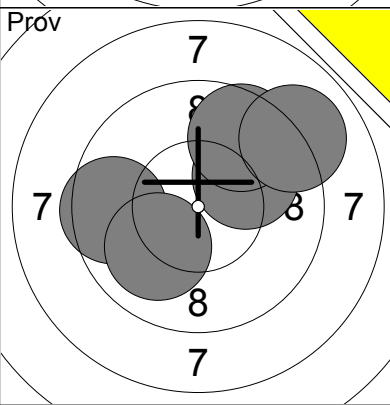
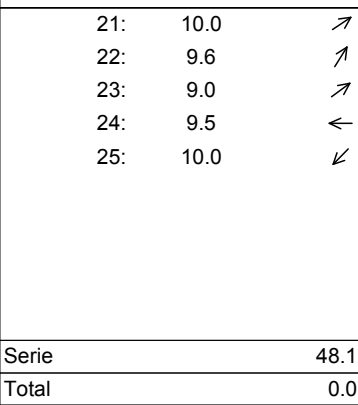
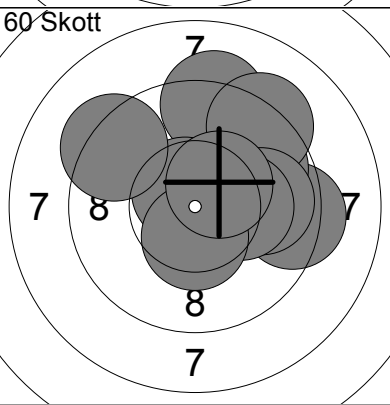
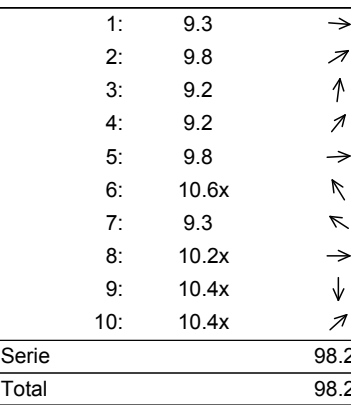
40 Skott 	21: 10.6x ↘ 22: 10.1 ↙ 23: 9.8 ↑ 24: 10.4x ↘ 25: 9.9 ↓ 26: 10.0 ↙ 27: 10.2x ↓ 28: 9.1 ↓ 29: 10.3x ↗ 30: 10.3x ↓ Serie 97 Total 289	40 Skott 	31: 10.6x ↙ 32: 10.5x ↑ 33: 10.0 ↙ 34: 9.5 → 35: 9.7 ↘ 36: 10.6x → 37: 9.8 ↓ 38: 10.8x ↗ 39: 10.8x ↗ 40: 10.1 ↓ Serie 97 Total 386
--	---	--	---

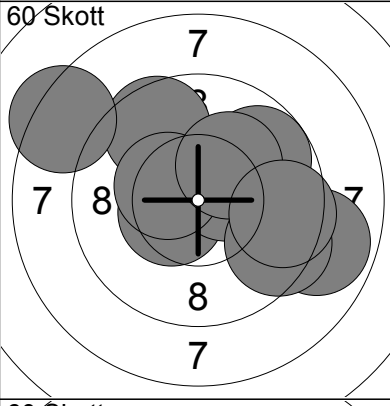
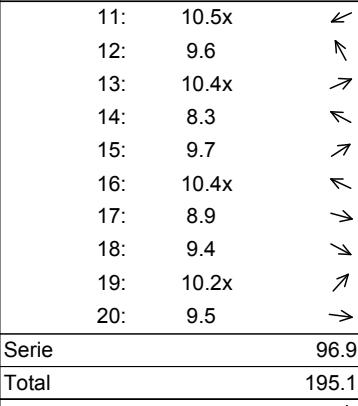
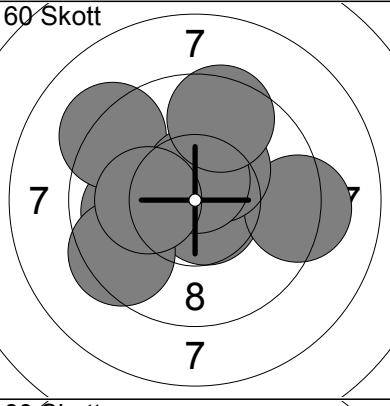
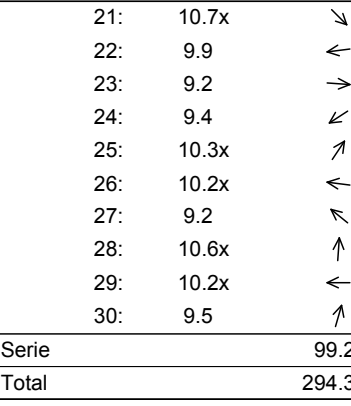
Prov 	1: 10.0 → 2: 10.0 ↘ 3: 10.2x ↖ 4: 10.8x →  Serie 40 Total 0	40 Skott 	1: 10.5x ← 2: 10.2x ← 3: 10.5x ← 4: 10.8x → 5: 10.5x ← 6: 10.3x ← 7: 10.0 ← 8: 10.5x → 9: 10.2x ↓ 10: 10.6x ←  Serie 100 Total 100
--	---	--	--

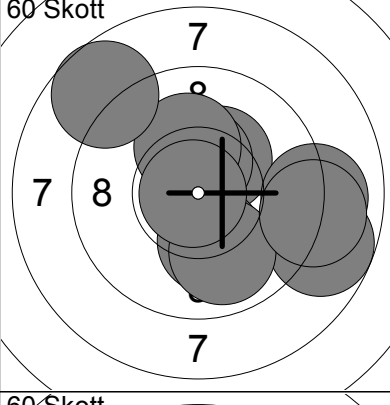
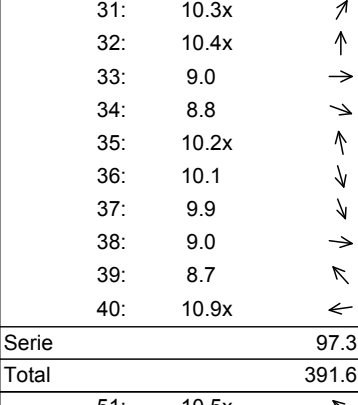
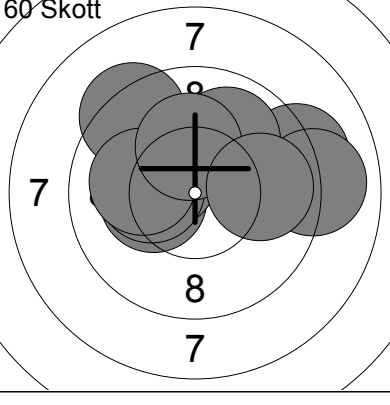
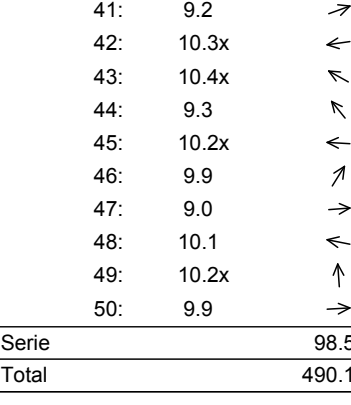
40 Skott 	11: 10.2x ↗ 12: 10.4x ← 13: 10.3x ↘ 14: 10.3x → 15: 10.4x ↘ 16: 10.2x ↗ 17: 10.3x → 18: 10.1 → 19: 10.3x ↑ 20: 9.9 ↗  Serie 99 Total 199	40 Skott 	21: 10.7x ↖ 22: 10.3x ↓ 23: 10.6x → 24: 10.7x ← 25: 10.4x ↙ 26: 10.6x → 27: 10.7x → 28: 10.0 → 29: 10.6x ↓ 30: 10.7x →  Serie 100 Total 299
---	--	---	---

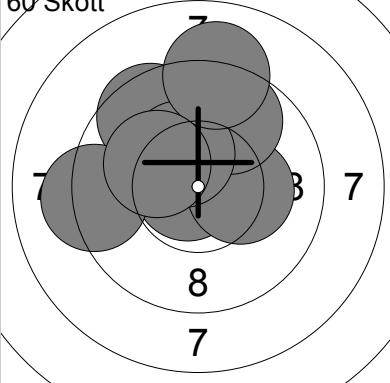
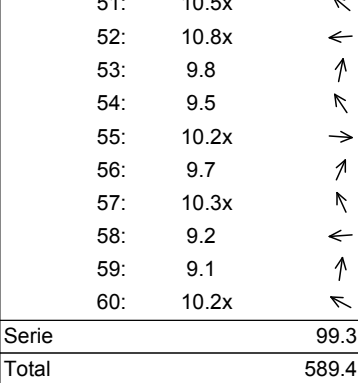


40 Skott 	31: 10.8x ↑ 32: 10.6x ↘ 33: 10.6x ↓ 34: 10.9x ↓ 35: 10.8x ↓ 36: 10.4x ↗ 37: 10.1 → 38: 10.4x ↘ 39: 10.2x ↗ 40: 10.6x →  Serie 100 Total 399		
--	---	--	--

Pröv	Pröv	Pröv	Pröv
			
6 7 8 6 7 8 8 7 6	1: 10.5x ↘ 2: 10.7x ↘ 3: 9.4 → 4: 9.9 → 5: 10.0 → 6: 9.2 ↗ 7: 10.0 ↗ 8: 7.9 → 9: 9.1 ↗ 10: 9.7 ↗	6 7 8 6 7 8 8 7 6	11: 9.2 → 12: 9.7 ↑ 13: 8.8 → 14: 9.7 → 15: 8.6 ↗ 16: 10.2x ↗ 17: 10.1 ↗ 18: 7.8 → 19: 10.2x ↑ 20: 8.9 ↘
Serie 96.4	Total 0.0	Serie 93.2	Total 0.0

Pröv	60 Skott	60 Skott	60 Skott
			
7 8 7 8 7 8 7	21: 10.0 ↗ 22: 9.6 ↗ 23: 9.0 ↗ 24: 9.5 ← 25: 10.0 ↘	7 8 7 8 7 8 7	1: 9.3 → 2: 9.8 ↗ 3: 9.2 ↑ 4: 9.2 ↗ 5: 9.8 → 6: 10.6x ↗ 7: 9.3 ↗ 8: 10.2x → 9: 10.4x ↓ 10: 10.4x ↗
Serie 48.1	Total 0.0	Serie 98.2	Total 98.2

60 Skott	60 Skott	60 Skott	60 Skott
			
7 8 7 8 7 8 7	11: 10.5x ← 12: 9.6 ↗ 13: 10.4x → 14: 8.3 ↗ 15: 9.7 ↗ 16: 10.4x ↗ 17: 8.9 → 18: 9.4 ↘ 19: 10.2x ↗ 20: 9.5 →	7 8 7 8 7 8 7	21: 10.7x ↘ 22: 9.9 ← 23: 9.2 → 24: 9.4 ← 25: 10.3x ↗ 26: 10.2x ← 27: 9.2 ↗ 28: 10.6x ↑ 29: 10.2x ← 30: 9.5 ↑
Serie 96.9	Total 195.1	Serie 99.2	Total 294.3

60 Skott	60 Skott	60 Skott	60 Skott
			
7 8 7 8 8 7	31: 10.3x ↗ 32: 10.4x ↑ 33: 9.0 → 34: 8.8 → 35: 10.2x ↗ 36: 10.1 ↘ 37: 9.9 ↘ 38: 9.0 → 39: 8.7 ↗ 40: 10.9x ←	7 8 7 8 8 7	41: 9.2 → 42: 10.3x ← 43: 10.4x ↗ 44: 9.3 ↗ 45: 10.2x ← 46: 9.9 ↗ 47: 9.0 → 48: 10.1 ← 49: 10.2x ↑ 50: 9.9 →
Serie 97.3	Total 391.6	Serie 98.5	Total 490.1

60 Skott	60 Skott	60 Skott	60 Skott
			
7 8 7 8 7 8 7	51: 10.5x ↗ 52: 10.8x ← 53: 9.8 ↑ 54: 9.5 ↗ 55: 10.2x → 56: 9.7 ↗ 57: 10.3x ↗ 58: 9.2 ← 59: 9.1 ↑ 60: 10.2x ↗	7 8 7 8 7 8 7	51: 10.5x ↗ 52: 10.8x ← 53: 9.8 ↑ 54: 9.5 ↗ 55: 10.2x → 56: 9.7 ↗ 57: 10.3x ↗ 58: 9.2 ← 59: 9.1 ↑ 60: 10.2x ↗
Serie 99.3	Total 589.4	Serie 99.3	Total 589.4

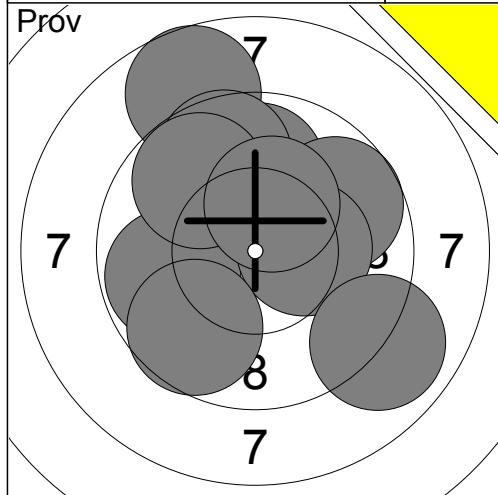


<p>Pröv</p>	<p>1: 9.2 →</p> <p>2: 9.5 ↗</p> <p>3: 10.1 ↘</p> <p>4: 10.6x ↘</p> <p>5: 8.6 →</p> <p>6: 9.3 ↙</p> <p>7: 8.8 →</p> <p>8: 10.1 ↗</p> <p>9: 10.0 ↘</p> <p>10: 9.9 ↖</p>	<p>Pröv</p>	<p>11: 8.3 →</p> <p>12: 8.8 ↗</p> <p>13: 9.0 ↖</p> <p>14: 10.8x ↘</p>
Serie	96.1	Serie	36.9
Total	0.0	Total	0.0

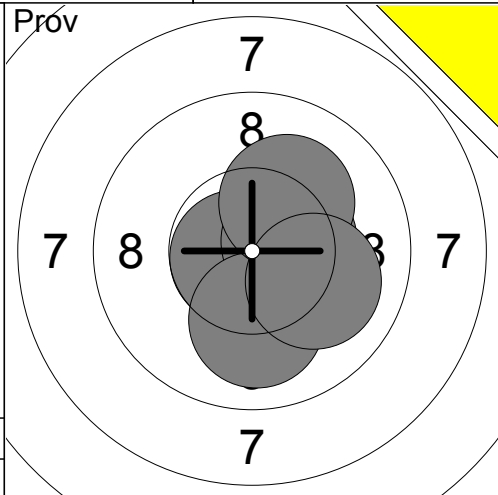
<p>60 Skott</p>	<p>1: 9.9 ↘</p> <p>2: 9.8 ↘</p> <p>3: 8.5 ↘</p> <p>4: 8.7 ↘</p> <p>5: 9.8 ↗</p> <p>6: 9.6 ↙</p> <p>7: 9.4 ↙</p> <p>8: 10.5x →</p> <p>9: 8.4 ↘</p> <p>10: 10.5x ↘</p>	<p>60 Skott</p>	<p>11: 8.5 ↖</p> <p>12: 10.1 ↖</p> <p>13: 9.8 ↘</p> <p>14: 8.3 ↘</p> <p>15: 8.8 ↗</p> <p>16: 10.2x →</p> <p>17: 9.1 ↘</p> <p>18: 10.2x ↗</p> <p>19: 10.4x ↗</p> <p>20: 9.7 ↘</p>
Serie	95.1	Serie	95.1
Total	95.1	Total	190.2

<p>60 Skott</p>	<p>21: 9.6 ↖</p> <p>22: 10.3x ↘</p> <p>23: 10.7x ↘</p> <p>24: 8.8 ↖</p> <p>25: 9.8 ↖</p> <p>26: 10.2x ↘</p> <p>27: 8.8 ↖</p> <p>28: 10.6x →</p> <p>29: 9.2 ↘</p> <p>30: 10.4x ↘</p>	<p>60 Skott</p>	<p>31: 9.6 ↖</p> <p>32: 10.6x ↘</p> <p>33: 9.2 ↘</p> <p>34: 10.4x ↘</p> <p>35: 10.4x ↗</p> <p>36: 10.2x ↗</p> <p>37: 9.3 ↘</p> <p>38: 9.5 ↘</p> <p>39: 9.9 ↘</p> <p>40: 10.2x ↘</p>
Serie	98.4	Serie	99.3
Total	288.6	Total	387.9

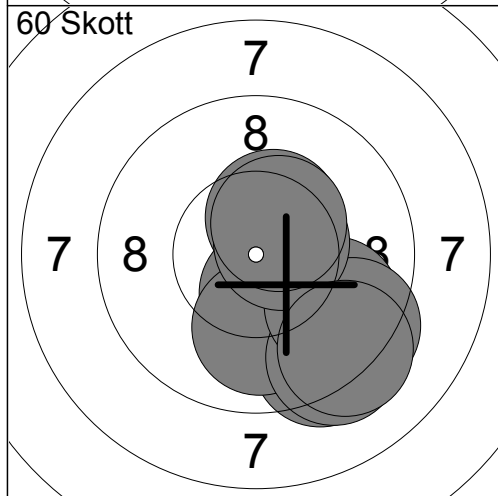
<p>60 Skott</p>	<p>41: 10.3x ↘</p> <p>42: 10.5x ↘</p> <p>43: 9.5 →</p> <p>44: 9.9 ↖</p> <p>45: 7.5 ↘</p> <p>46: 10.0 →</p> <p>47: 10.0 ↖</p> <p>48: 10.6x ↘</p> <p>49: 10.6x ↘</p> <p>50: 9.6 ↘</p>	<p>60 Skott</p>	<p>51: 9.9 ↘</p> <p>52: 10.0 ↘</p> <p>53: 10.8x ↗</p> <p>54: 9.3 ↘</p> <p>55: 8.9 →</p> <p>56: 8.9 ↗</p> <p>57: 9.0 ↘</p> <p>58: 9.6 ↘</p> <p>59: 10.5x ↗</p> <p>60: 9.9 ↖</p>
Serie	98.5	Serie	96.8
Total	486.4	Total	583.2



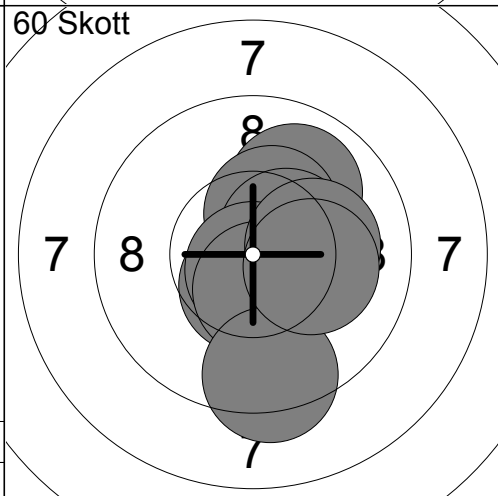
1:	9.9	↑
2:	8.7	↗
3:	9.6	↑
4:	9.8	←
5:	9.7	↗
6:	9.8	↗
7:	10.3x	→
8:	10.3x	↑
9:	8.9	↘
10:	9.7	↘
Serie		96.7
Total		0.0



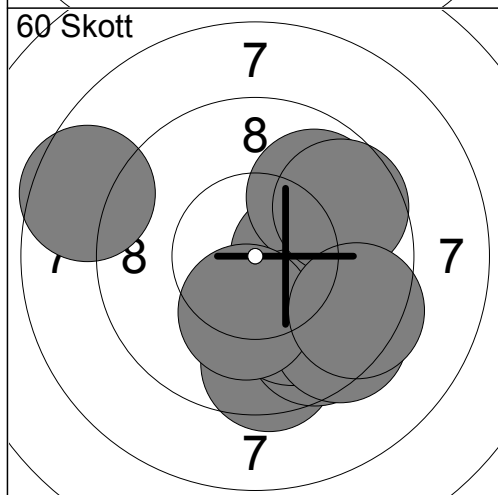
11:	10.7x	↖
12:	10.4x	→
13:	10.0	↓
14:	10.2x	↗
15:	10.0	↘
Serie		51.3
Total		0.0



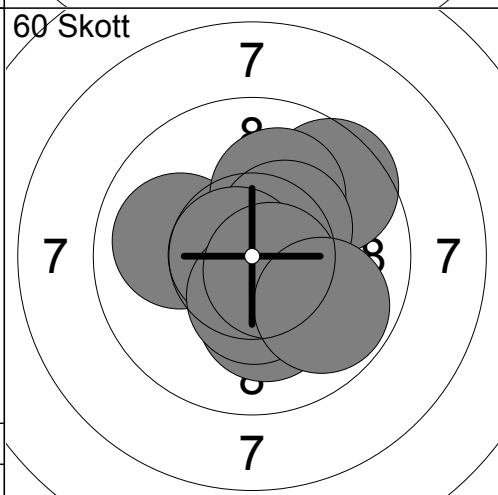
1:	10.4x	↓
2:	10.4x	↗
3:	9.3	↘
4:	10.0	↘
5:	9.2	↘
6:	9.7	↘
7:	9.4	↘
8:	10.6x	↗
9:	9.2	↘
10:	10.4x	↗
Serie		98.6
Total		98.6



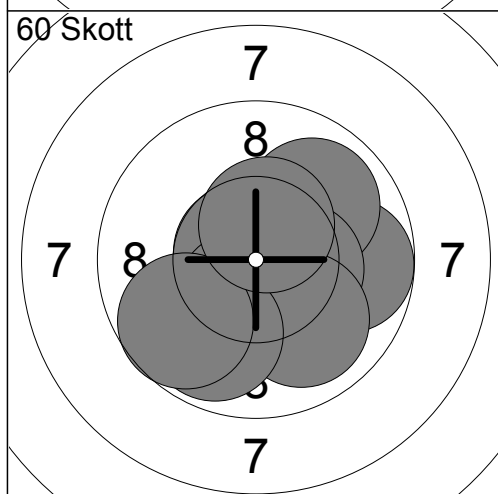
11:	10.0	↗
12:	10.4x	↗
13:	10.6x	↓
14:	10.5x	↓
15:	10.4x	↗
16:	10.8x	↓
17:	10.5x	↓
18:	9.3	↓
19:	10.2x	→
20:	10.2x	→
Serie		102.9
Total		201.5



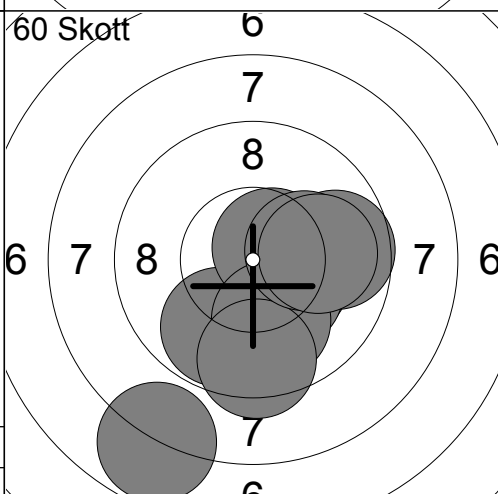
21:	10.4x	→
22:	9.5	↓
23:	9.8	↗
24:	9.6	↘
25:	8.6	↗
26:	10.0	↘
27:	9.4	↘
28:	10.2x	↓
29:	9.6	↗
30:	9.4	↘
Serie		96.5
Total		298.0



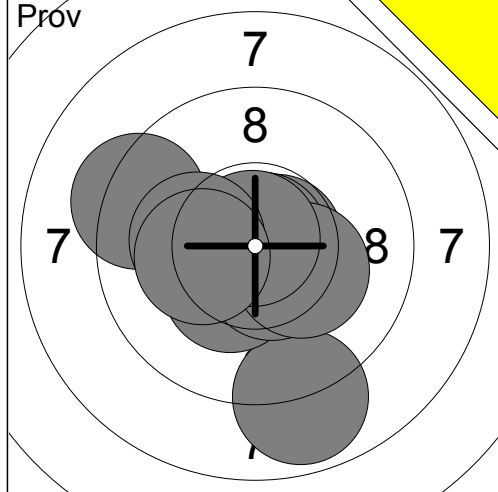
31:	9.6	↗
32:	10.2x	↓
33:	10.0	↖
34:	10.1	↗
35:	10.8x	→
36:	10.4x	↗
37:	10.7x	↖
38:	10.4x	↓
39:	10.6x	↘
40:	9.8	↘
Serie		102.6
Total		400.6



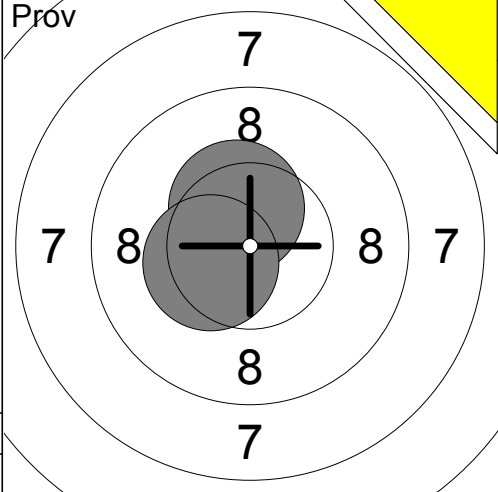
41:	9.8	→
42:	9.9	↗
43:	10.8x	↓
44:	10.7x	↖
45:	10.4x	↓
46:	10.4x	→
47:	10.0	↘
48:	9.8	↓
49:	9.7	↖
50:	10.5x	↑
Serie		102.0
Total		502.6



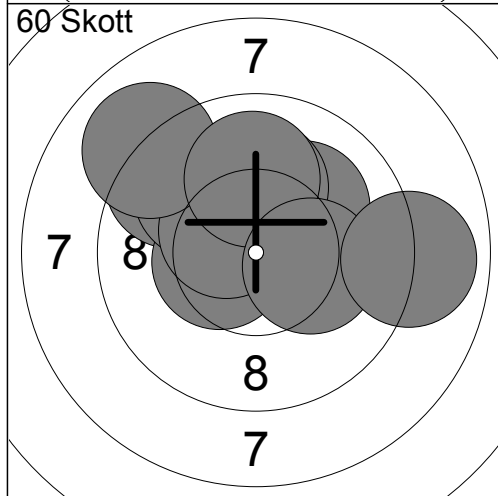
51:	9.8	↓
52:	10.3x	↘
53:	10.3x	↘
54:	9.7	→
55:	10.6x	↗
56:	10.0	↓
57:	9.5	↓
58:	7.8	↓
59:	10.2x	→
60:	10.0	→
Serie		98.2
Total		600.8



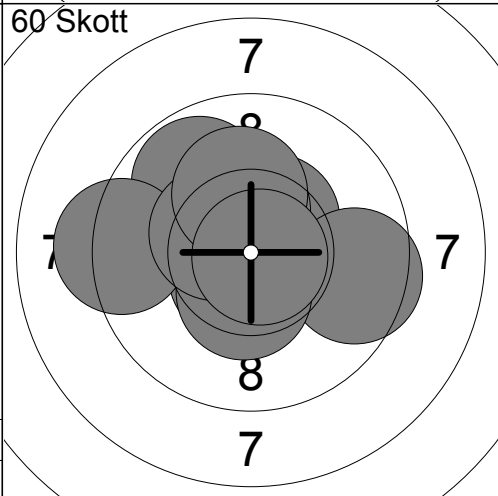
1:	8.9	↓
2:	10.7x	→
3:	10.8x	↗
4:	10.3x	↓
5:	10.5x	↓
6:	10.3x	↓
7:	9.3	←
8:	10.8x	↗
9:	10.2x	←
10:	10.2x	←
<b>Serie</b>		<b>102.0</b>
<b>Total</b>		<b>0.0</b>



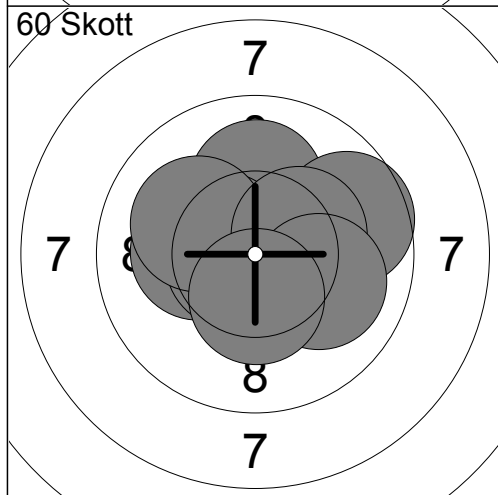
11:	10.4x	↗
12:	10.4x	←
<b>Serie</b>		<b>20.8</b>
<b>Total</b>		<b>0.0</b>



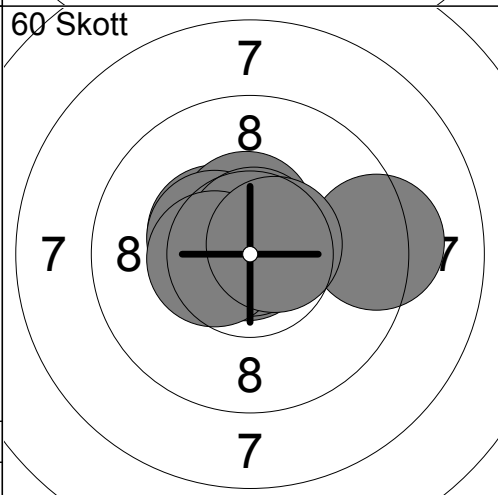
1:	9.5	↖
2:	10.5x	←
3:	10.1	↗
4:	10.1	↑
5:	9.9	↗
6:	10.5x	↗
7:	9.0	↗
8:	10.0	↑
9:	10.2x	→
10:	8.9	→
<b>Serie</b>		<b>98.7</b>
<b>Total</b>		<b>98.7</b>



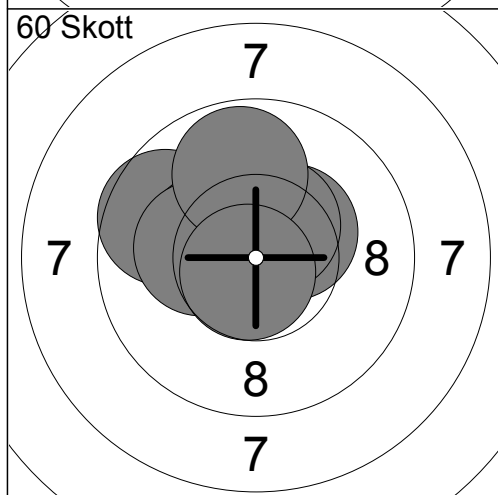
11:	10.4x	↗
12:	9.5	→
13:	10.6x	↓
14:	9.8	↗
15:	9.2	←
16:	10.4x	↓
17:	10.4x	↑
18:	10.4x	↖
19:	10.2x	↑
20:	10.8x	→
<b>Serie</b>		<b>101.7</b>
<b>Total</b>		<b>200.4</b>



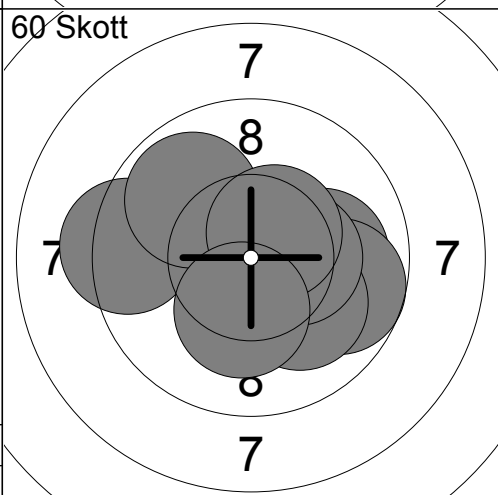
21:	10.1	↑
22:	10.7x	↓
23:	10.5x	↖
24:	10.2x	←
25:	10.6x	←
26:	10.1	↖
27:	9.7	→
28:	10.3x	→
29:	10.0	→
30:	10.4x	↓
<b>Serie</b>		<b>102.6</b>
<b>Total</b>		<b>303.0</b>



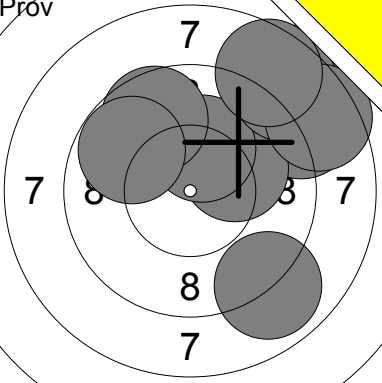
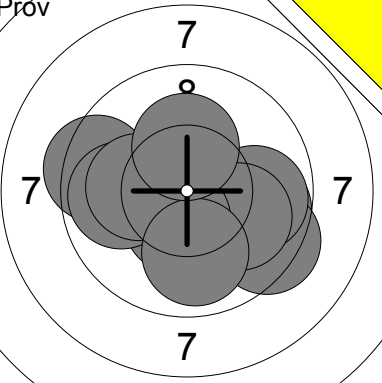
31:	10.4x	↖
32:	10.9x	←
33:	10.9x	↑
34:	10.5x	↑
35:	10.6x	←
36:	10.4x	↖
37:	10.7x	↑
38:	10.5x	←
39:	9.3	→
40:	10.6x	→
<b>Serie</b>		<b>104.8</b>
<b>Total</b>		<b>407.8</b>

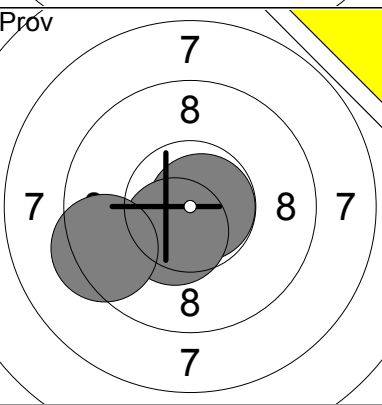
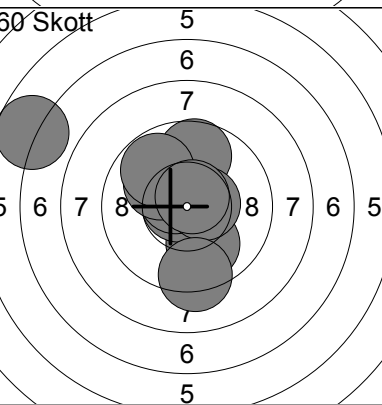


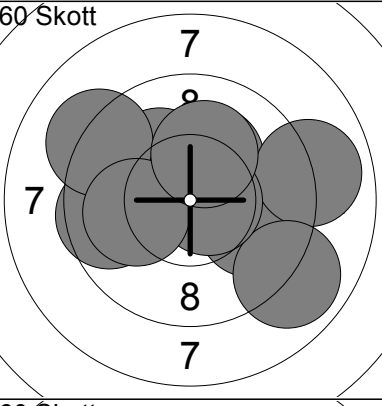
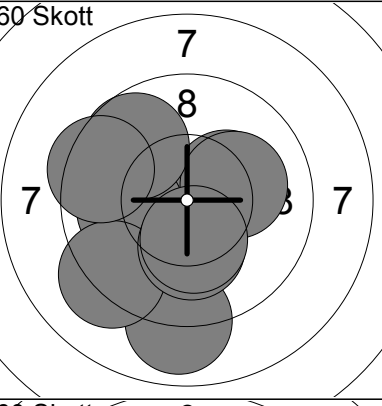
41:	10.9x	↓
42:	9.6	←
43:	10.6x	↖
44:	10.3x	←
45:	10.8x	↗
46:	10.4x	↗
47:	10.2x	←
48:	10.5x	↗
49:	9.8	↑
50:	10.7x	↓
<b>Serie</b>		<b>103.8</b>
<b>Total</b>		<b>511.6</b>

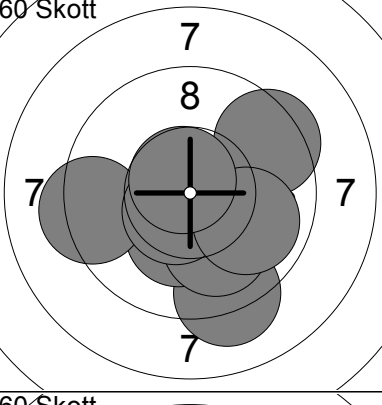
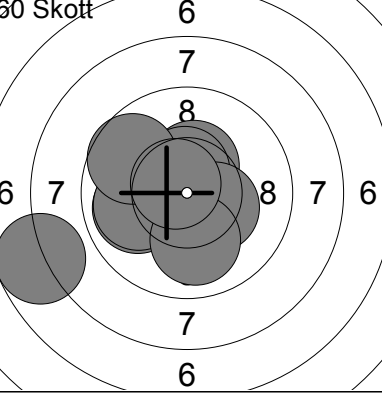


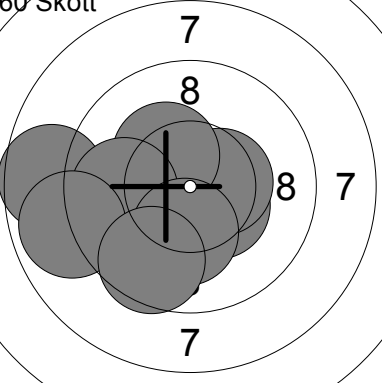
51:	9.3	←
52:	10.0	→
53:	10.2x	→
54:	10.6x	↗
55:	9.7	→
56:	9.9	↗
57:	10.1	↓
58:	10.4x	→
59:	10.5x	↗
60:	10.2x	↓
<b>Serie</b>		<b>100.9</b>
<b>Total</b>		<b>612.5</b>

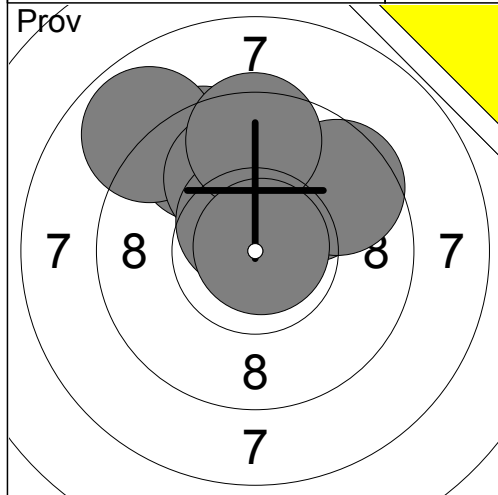
Pröv		Pröv	
	1: 8.9 ↘ 2: 8.8 ↗ 3: 8.2 ↗ 4: 10.1 ↗ 5: 10.2x ↑ 6: 8.6 ↗ 7: 8.5 ↗ 8: 9.6 ↗ 9: 8.6 ↗ 10: 9.8 ↗		11: 9.7 → 12: 9.4 ↘ 13: 9.8 → 14: 10.0 ↘ 15: 9.4 ↖ 16: 10.4x ↘ 17: 9.9 ← 18: 10.2x ← 19: 9.9 ↓ 20: 10.2x ↑
Serie	91.3	Serie	98.9
Total	0.0	Total	0.0

Pröv		60 Skott	
	21: 10.8x → 22: 10.5x ↘ 23: 9.4 ←		1: 10.0 ↓ 2: 6.7 ↖ 3: 10.7x ← 4: 9.7 ↑ 5: 10.6x ↗ 6: 10.1 ↗ 7: 10.5x → 8: 9.8 ↗ 9: 10.7x ↗ 10: 9.3 ↓
Serie	30.7	Serie	98.1
Total	0.0	Total	98.1

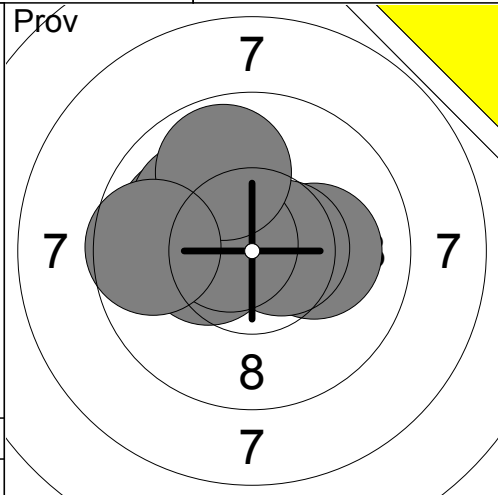
60 Skott		60 Skott	
	11: 9.6 ← 12: 10.1 ↗ 13: 9.2 ↗ 14: 10.2x ↗ 15: 9.8 → 16: 8.9 → 17: 8.9 ↘ 18: 10.6x → 19: 10.0 ← 20: 10.1 ↑		21: 10.2x → 22: 10.7x ↓ 23: 10.1 → 24: 10.0 ← 25: 8.9 ↓ 26: 9.2 ↘ 27: 10.2x ↓ 28: 10.3x ↓ 29: 9.7 ↗ 30: 9.4 ↖
Serie	97.4	Serie	98.7
Total	195.5	Total	294.2

60 Skott		60 Skott	
	31: 9.4 ↗ 32: 9.2 ↓ 33: 10.4x ↓ 34: 10.3x ↓ 35: 9.3 ← 36: 10.8x ↓ 37: 10.0 ↓ 38: 10.6x ↓ 39: 9.9 ↘ 40: 10.7x ↗		41: 10.4x ← 42: 10.4x ↑ 43: 9.9 ← 44: 10.5x ↑ 45: 10.0 ← 46: 10.3x → 47: 9.7 ↗ 48: 10.0 ↓ 49: 7.8 ← 50: 10.7x ↗
Serie	100.6	Serie	99.7
Total	394.8	Total	494.5

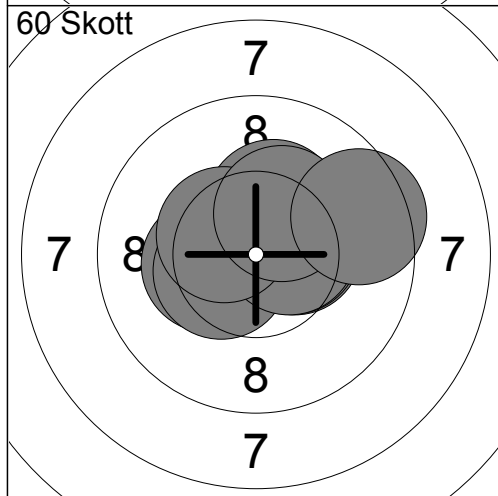
60 Skott			
	51: 10.2x ↓ 52: 10.4x ↓ 53: 10.5x → 54: 9.6 ← 55: 8.6 ← 56: 10.3x ↗ 57: 9.8 ← 58: 10.2x ↓ 59: 8.9 ← 60: 9.6 ↓		
Serie	98.1		
Total	592.6		



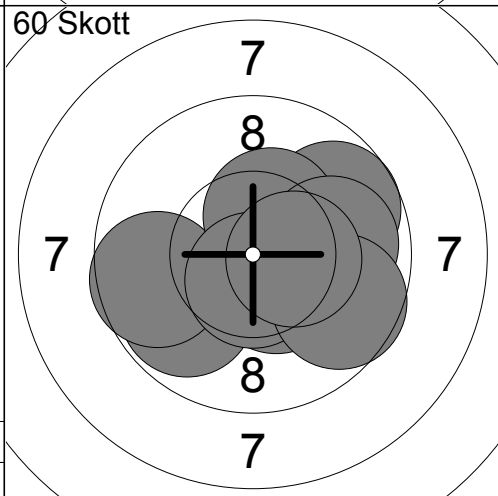
1:	9.7	↑
2:	9.5	↖
3:	8.9	↖
4:	9.9	↑
5:	9.9	↗
6:	9.9	↑
7:	10.5x	↑
8:	9.6	↗
9:	9.5	↑
10:	10.8x	↗
Serie		98.2
Total		0.0



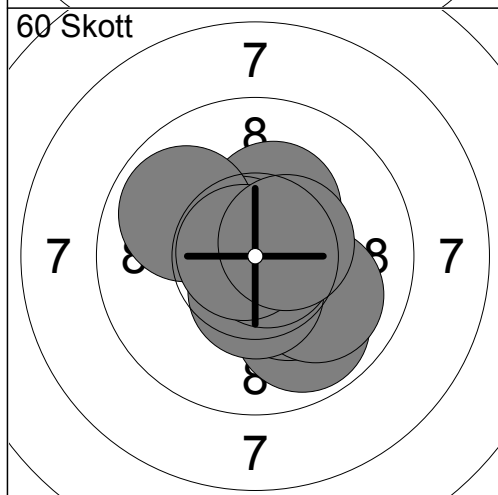
11:	10.1	→
12:	10.0	↖
13:	10.4x	←
14:	10.0	↗
15:	10.6x	→
16:	10.6x	↖
17:	9.8	↑
18:	9.6	←
Serie		81.1
Total		0.0



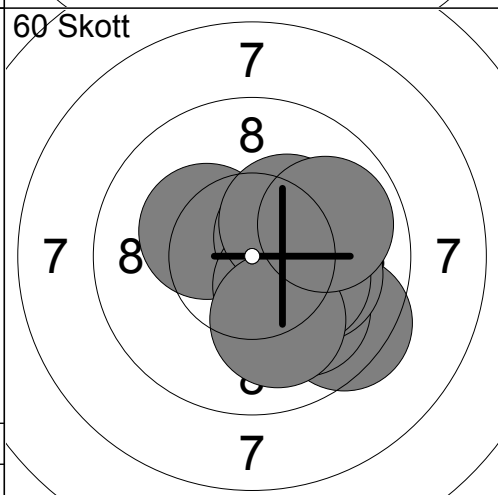
1:	10.6x	↑
2:	10.4x	→
3:	10.3x	←
4:	10.4x	↖
5:	10.5x	→
6:	10.3x	↑
7:	10.5x	→
8:	10.5x	↖
9:	10.3x	↗
10:	9.5	→
Serie		103.3
Total		103.3



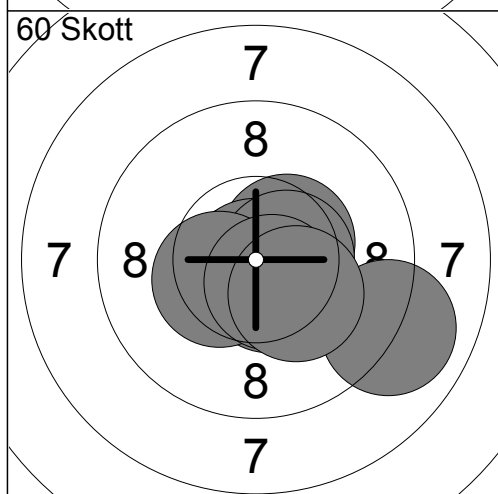
11:	9.8	↖
12:	9.6	←
13:	9.7	↗
14:	10.4x	↘
15:	10.5x	→
16:	10.4x	↗
17:	9.9	→
18:	10.6x	↘
19:	9.6	↘
20:	10.4x	→
Serie		100.9
Total		204.2



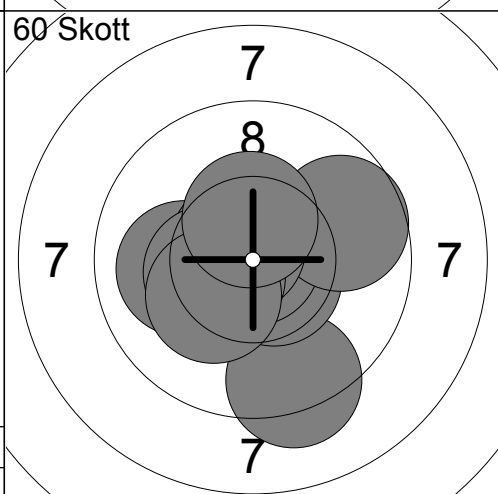
21:	9.9	↘
22:	10.3x	↘
23:	10.0	↘
24:	10.3x	↑
25:	10.7x	↗
26:	10.5x	↘
27:	9.9	↗
28:	10.8x	↘
29:	10.8x	←
30:	10.5x	→
Serie		103.7
Total		307.9



31:	10.3x	↖
32:	10.5x	↗
33:	10.4x	↘
34:	9.4	↘
35:	10.0	↘
36:	10.1	→
37:	10.2x	→
38:	10.3x	↗
39:	10.0	↘
40:	9.9	→
Serie		101.1
Total		409.0

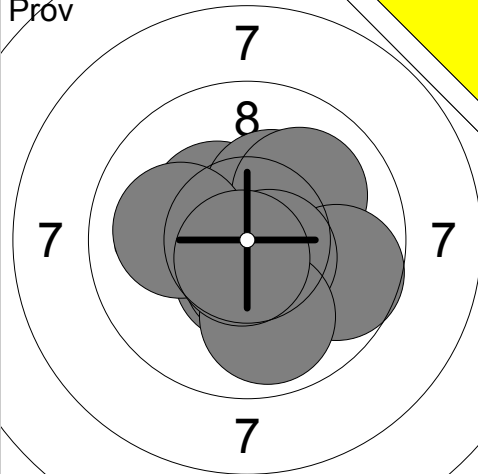


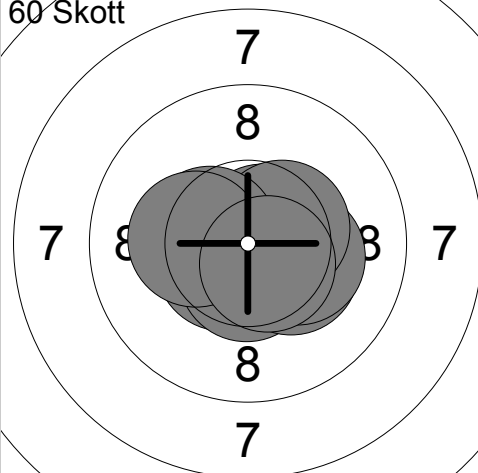
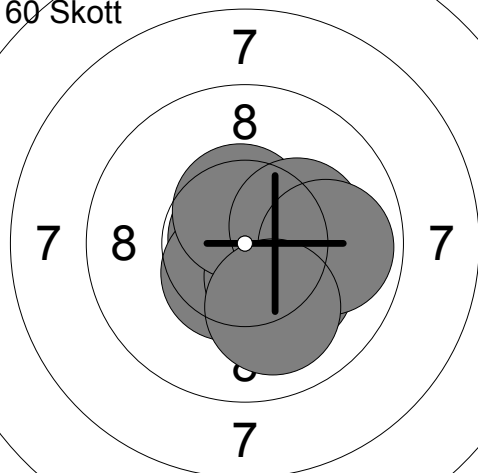
41:	10.8x	↘
42:	10.6x	↘
43:	10.7x	↖
44:	10.5x	↗
45:	10.9x	↘
46:	10.6x	→
47:	10.4x	←
48:	9.0	↘
49:	10.6x	↘
50:	10.3x	↘
Serie		104.4
Total		513.4

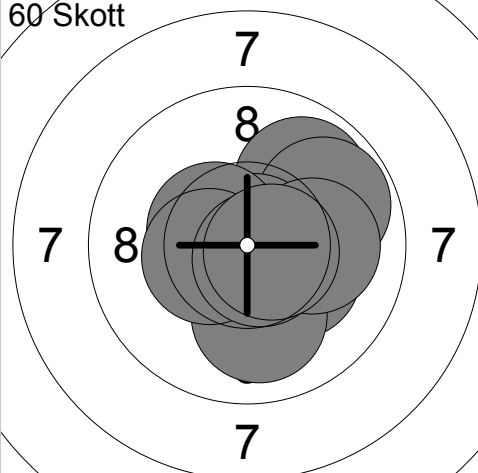
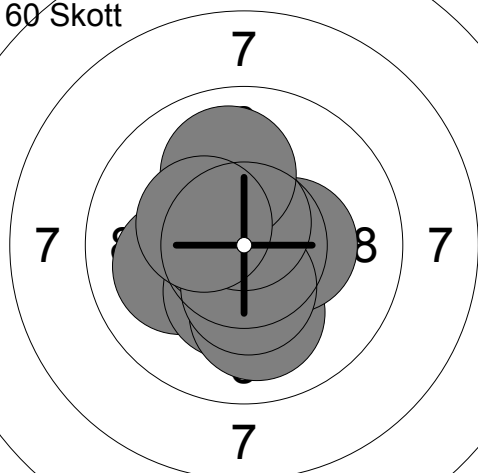


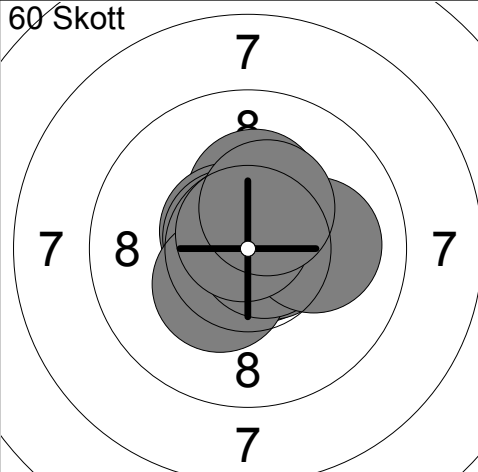
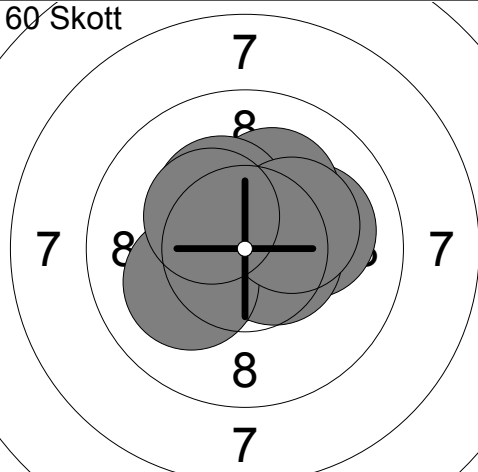
51:	9.3	↘
52:	10.6x	↘
53:	10.9x	↑
54:	10.0	←
55:	9.7	→
56:	10.7x	↖
57:	10.4x	←
58:	10.4x	←
59:	10.3x	↖
60:	10.4x	↑
Serie		102.7
Total		616.1



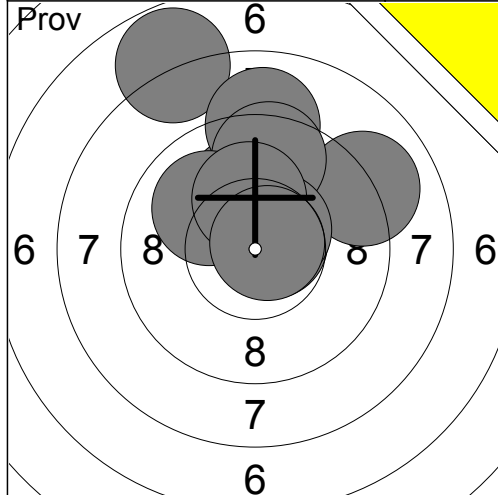
Pröv			
	1: 10.4x ↖ 2: 10.3x ↗ 3: 10.0 ↗ 4: 9.7 → 5: 10.5x ↓ 6: 10.5x ↓ 7: 10.6x ↓ 8: 9.9 ↓ 9: 10.1 ← 10: 10.7x ↓	Pröv	11: 10.1 → 12: 10.5x ↗ 13: 10.5x ↗ 14: 10.0 → 15: 10.3x → 16: 10.7x ↓ 17: 10.5x ↓
	Serie 102.7		Serie 72.6
	Total 0.0		Total 0.0

60 Skott		60 Skott	
	1: 10.6x → 2: 10.5x ↙ 3: 10.5x ↓ 4: 10.7x ↗ 5: 10.3x ↘ 6: 10.3x → 7: 10.5x → 8: 10.4x ← 9: 10.3x ← 10: 10.6x ↘		11: 10.8x ↖ 12: 10.5x ↙ 13: 10.2x → 14: 10.4x ↙ 15: 10.2x ↙ 16: 10.3x → 17: 10.5x ↑ 18: 10.2x → 19: 9.9 → 20: 10.0 ↓
	Serie 104.7		Serie 103.0
	Total 104.7		Total 207.7

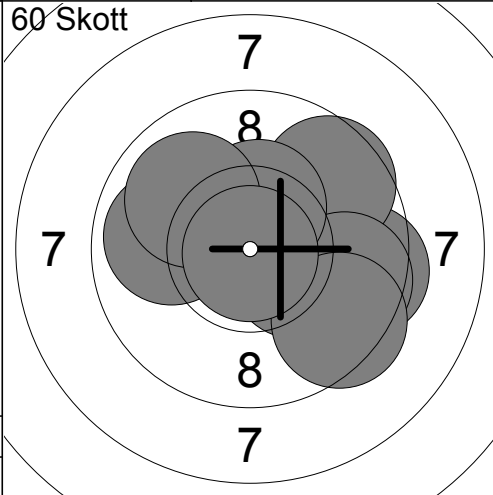
60 Skott		60 Skott	
	21: 10.2x → 22: 9.9 ↗ 23: 10.0 ↓ 24: 9.8 ↗ 25: 10.8x ↗ 26: 10.5x ↖ 27: 10.4x ← 28: 10.7x ↙ 29: 10.1 → 30: 10.6x ↘		31: 10.4x ↓ 32: 10.1 ← 33: 10.3x ↓ 34: 10.0 ↓ 35: 10.4x → 36: 10.7x ↖ 37: 10.4x ↓ 38: 10.7x ↑ 39: 10.0 ↑ 40: 10.3x ↖
	Serie 103.0		Serie 103.3
	Total 310.7		Total 414.0

60 Skott		60 Skott	
	41: 10.8x ↘ 42: 10.7x → 43: 10.3x ↑ 44: 10.6x ↗ 45: 10.7x ↗ 46: 10.4x ↙ 47: 10.7x → 48: 10.1 → 49: 10.7x ↑ 50: 10.4x ↗		51: 10.6x ↑ 52: 10.6x ← 53: 10.3x ↗ 54: 10.1 → 55: 10.2x ↗ 56: 10.3x ↗ 57: 10.5x → 58: 10.1 ← 59: 10.3x ↗ 60: 10.3x ↖
	Serie 105.4		Serie 103.3
	Total 519.4		Total 622.7

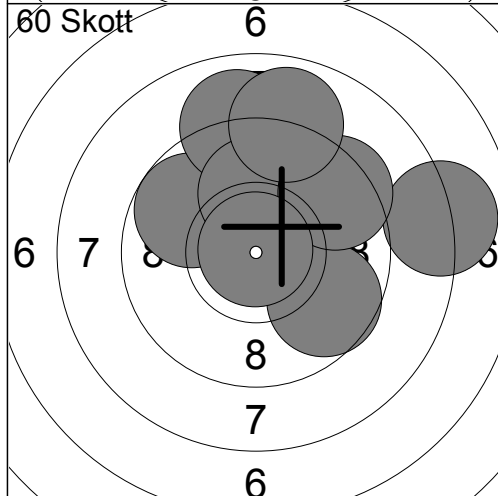




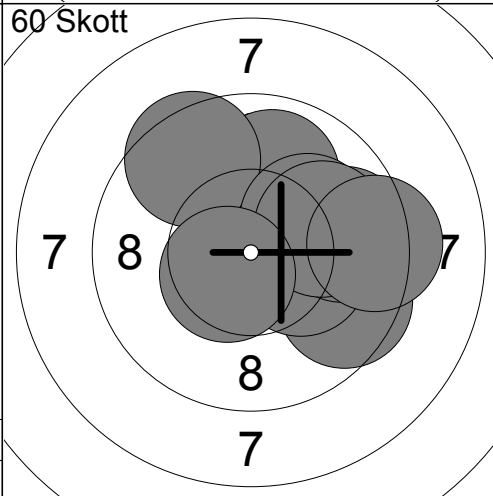
1:	10.7x	↗
2:	10.0	↑
3:	9.0	↗
4:	7.8	↖
5:	9.0	↑
6:	9.5	↑
7:	10.5x	↗
8:	10.0	↖
9:	10.2x	↑
10:	10.7x	↗
Serie		97.4
Total		0.0



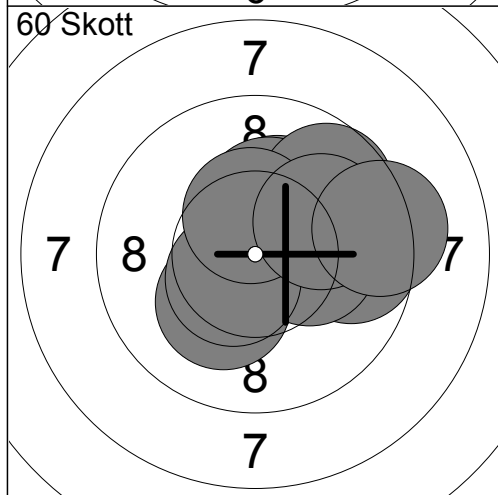
1:	10.5x	↗
2:	9.9	←
3:	9.5	→
4:	10.3x	↘
5:	9.6	↗
6:	9.6	→
7:	10.4x	↑
8:	9.9	↗
9:	9.4	↘
10:	10.9x	↓
Serie		100.0
Total		100.0



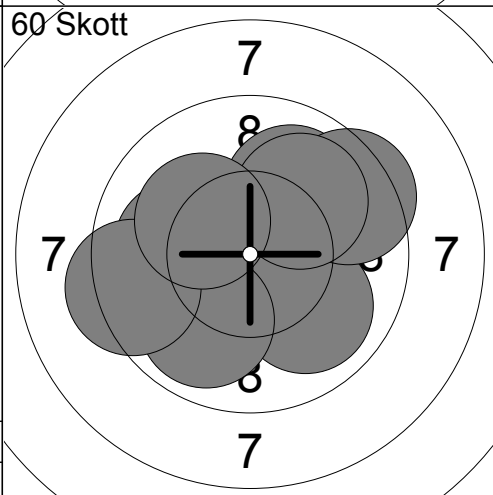
11:	9.8	↖
12:	10.3x	↗
13:	9.6	↗
14:	9.7	↘
15:	9.0	↑
16:	8.0	→
17:	10.0	↑
18:	9.4	↗
19:	10.9x	↖
20:	8.9	↑
Serie		95.6
Total		195.6



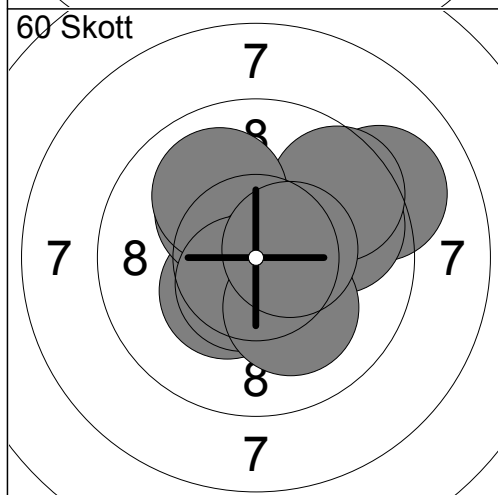
21:	9.9	↑
22:	9.5	↗
23:	9.6	↘
24:	10.3x	→
25:	10.3x	↘
26:	10.1	↗
27:	9.7	→
28:	10.0	→
29:	10.5x	↙
30:	9.3	→
Serie		99.2
Total		294.8



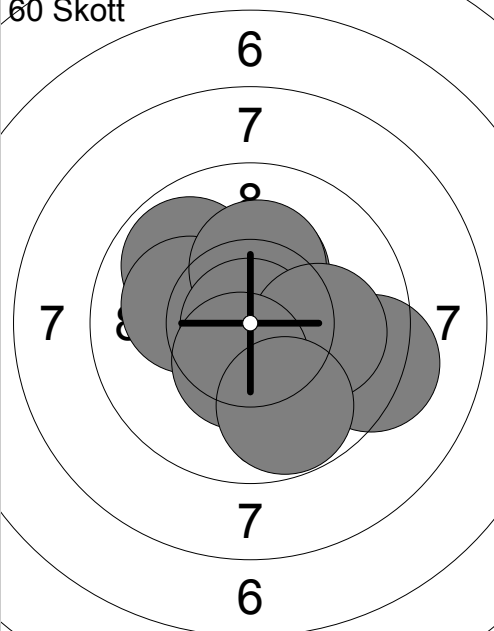
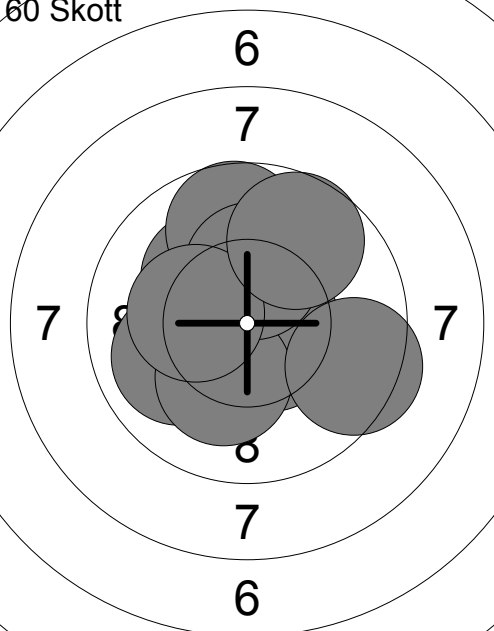
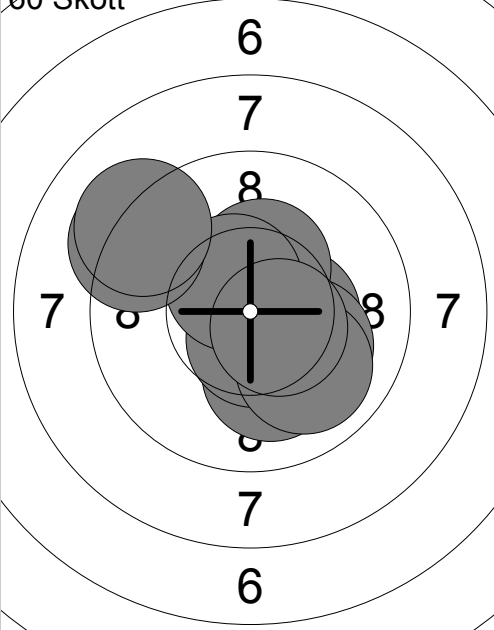
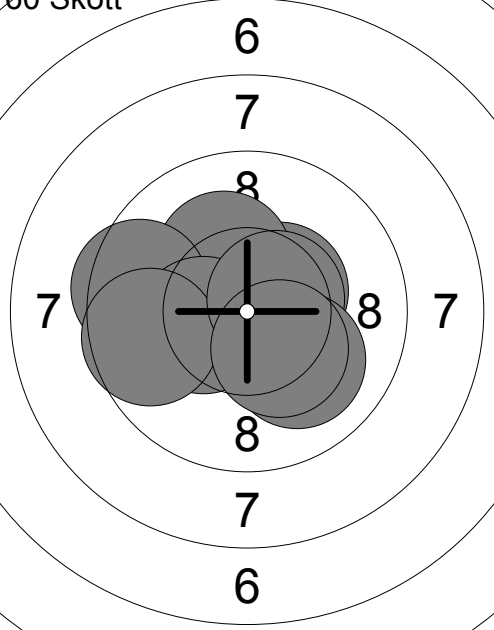
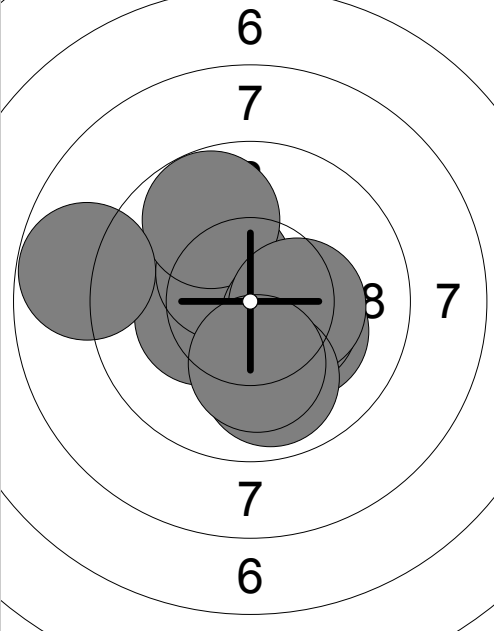
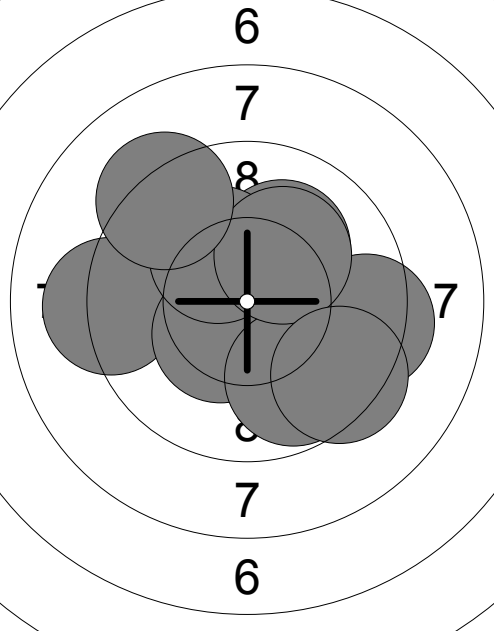
31:	10.2x	↑
32:	10.3x	↑
33:	10.2x	↘
34:	9.7	↗
35:	9.7	→
36:	10.2x	→
37:	10.5x	↘
38:	10.4x	↑
39:	10.0	↗
40:	9.3	→
Serie		100.5
Total		395.3

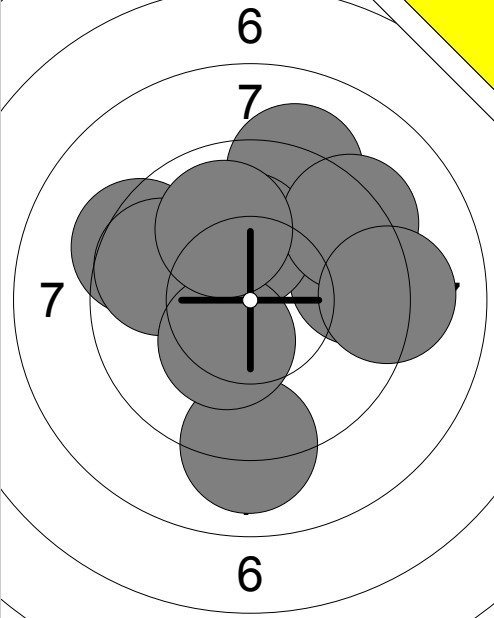
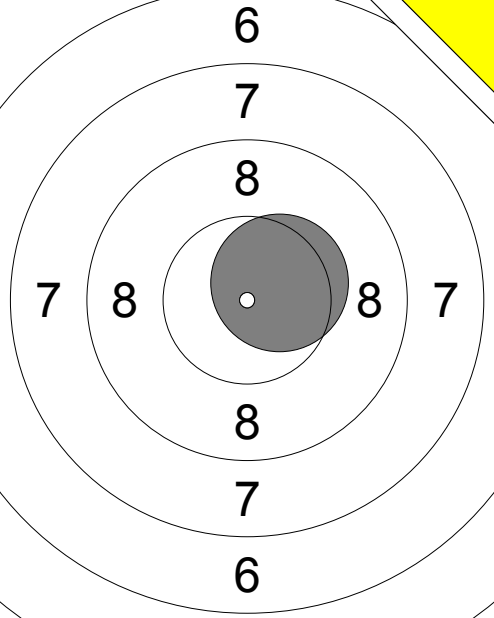


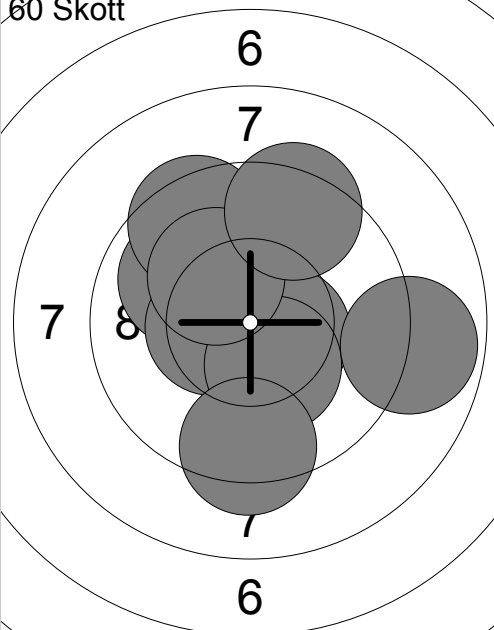
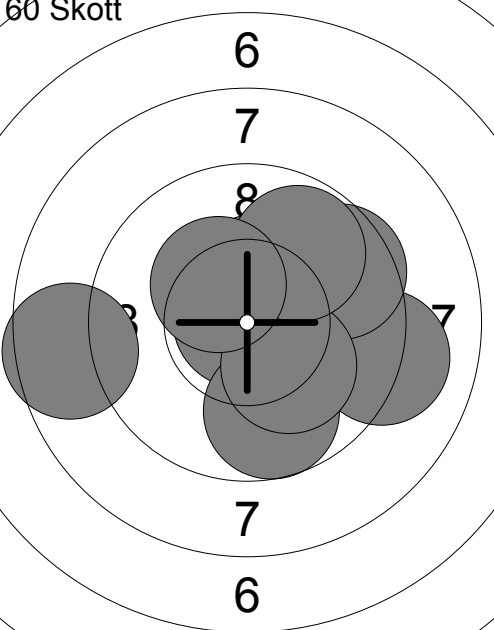
41:	10.0	↗
42:	10.7x	←
43:	10.6x	↘
44:	9.9	↘
45:	9.4	↗
46:	10.0	↗
47:	10.0	←
48:	9.9	↘
49:	9.3	←
50:	10.2x	↖
Serie		100.0
Total		495.3

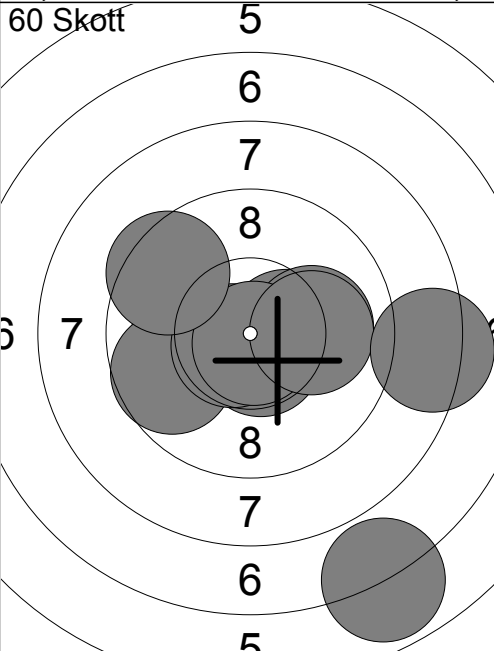
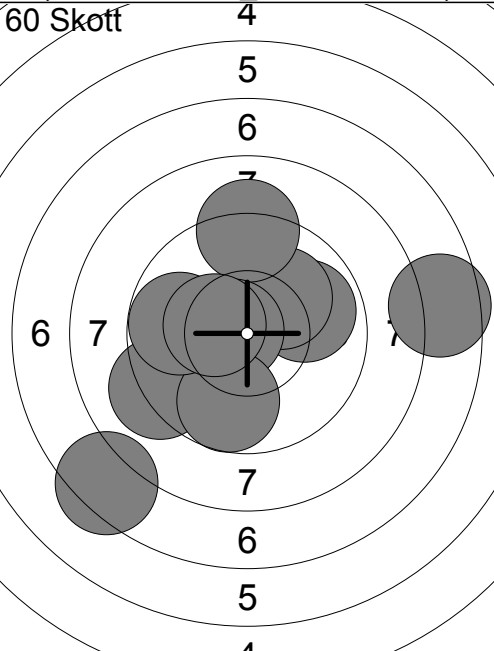


51:	10.4x	↘
52:	9.1	↗
53:	10.2x	↖
54:	9.8	↗
55:	9.6	↗
56:	10.0	↖
57:	10.7x	↘
58:	10.6x	↘
59:	10.1	↘
60:	10.5x	→
Serie		101.0
Total		596.3

Ramselefors		Ramselefors				Sen	Vb		
01.11.2020		Vindelnskyttet 2020			Ramselefors SKF				
60 Skott		1: 9.9 ↖ 2: 10.3x ↑ 3: 10.4x ↙ 4: 10.1 ← 5: 10.2x ↑ 6: 10.9x ↓ 7: 9.3 → 8: 10.0 → 9: 10.4x ↓ 10: 9.8 ↓	60 Skott		11: 10.6x → 12: 10.0 ↙ 13: 10.2x ↖ 14: 9.7 ↑ 15: 10.6x ↘ 16: 10.2x ↓ 17: 10.3x ↑ 18: 9.4 → 19: 10.3x ↙ 20: 9.7 ↗	Serie	101.3	Serie	101.0
		Total	101.3			Total	202.3		
60 Skott		21: 10.4x → 22: 10.4x ↑ 23: 10.1 ↓ 24: 10.6x ↓ 25: 10.1 ↓ 26: 10.0 ↓ 27: 10.5x ↗ 28: 9.2 ↖ 29: 10.5x ↘ 30: 9.2 ↖	60 Skott		31: 10.8x ↓ 32: 10.7x ↑ 33: 10.5x ↗ 34: 10.2x ↖ 35: 9.5 ← 36: 10.3x ↙ 37: 9.6 ← 38: 10.5x → 39: 10.0 ↓ 40: 10.3x ↓	Serie	101.0	Serie	102.4
		Total	303.3			Total	405.7		
60 Skott		41: 10.7x ↓ 42: 10.3x ↙ 43: 10.4x ↖ 44: 9.8 ↖ 45: 10.2x ↘ 46: 10.4x → 47: 10.3x → 48: 9.9 ↓ 49: 10.1 ↓ 50: 8.8 ←	60 Skott		51: 10.4x ↖ 52: 9.2 ← 53: 10.1 ↗ 54: 10.4x ↙ 55: 10.2x ↖ 56: 9.4 → 57: 9.8 ↓ 58: 10.2x ↗ 59: 9.4 ↓ 60: 9.3 ↖	Serie	100.9	Serie	98.4
		Total	506.6			Total	605.0		

Prov 	1: 9.5 → 2: 9.3 ↖ 3: 9.2 ↗ 4: 9.1 ↓ 5: 9.7 ↖ 6: 10.2x ↑ 7: 9.3 ↗ 8: 10.3x ↘ 9: 10.0 ↑ 10: 9.2 → <hr/> Serie 93 Total 0	Prov 	11: 10.5x ↗ <hr/> Serie 10 Total 0
--	---	--	--

60 Skott 	1: 9.9 ↖ 2: 9.5 ↗ 3: 10.4x ↘ 4: 10.5x ↖ 5: 10.5x → 6: 10.3x ↘ 7: 8.8 → 8: 9.3 ↓ 9: 10.2x ↗ 10: 9.4 ↗ <hr/> Serie 94 Total 94	60 Skott 	11: 9.9 → 12: 8.6 ↖ 13: 10.4x ↑ 14: 9.1 → 15: 10.9x ↖ 16: 9.6 ↗ 17: 9.7 ↓ 18: 10.2x ↘ 19: 9.8 ↗ 20: 10.3x ↖ <hr/> Serie 93 Total 187
---	---	---	---

60 Skott 	21: 10.4x → 22: 9.7 ↖ 23: 10.6x ↘ 24: 10.1 → 25: 10.6x ↖ 26: 10.8x ↘ 27: 10.1 → 28: 6.9 ↓ 29: 9.5 ↗ 30: 8.3 → <hr/> Serie 92 Total 279	60 Skott 	31: 9.9 ↗ 32: 10.1 ↗ 33: 7.6 → 34: 9.2 ↖ 35: 9.2 ↑ 36: 7.4 ↖ 37: 10.7x ↖ 38: 9.7 ↓ 39: 9.8 ↖ 40: 10.4x ↖ <hr/> Serie 89 Total 368
--	---	--	--

<p>Prov</p>	<p>1: 9.1 →</p> <p>2: 10.2x ↓</p> <p>3: 9.3 ↓</p> <p>4: 10.5x ↙</p> <p>5: 9.8 ↓</p> <p>6: 9.6 ↓</p> <p>7: 10.7x ↖</p> <p>8: 10.1 ↓</p> <p>9: 10.1 →</p> <p>10: 10.4x ↙</p> <p>Serie 96</p> <p>Total 0</p>	<p>Prov</p>	<p>11: 9.8 ↘</p> <p>12: 10.0 →</p> <p>13: 8.1 →</p> <p>14: 9.0 ↗</p> <p>15: 10.2x ↖</p> <p>Serie 46</p> <p>Total 0</p>
-------------	---	-------------	--

<p>60 Skott</p>	<p>1: 9.0 ↓</p> <p>2: 9.7 ↓</p> <p>3: 10.0 →</p> <p>4: 10.2x ↗</p> <p>5: 8.5 →</p> <p>6: 9.5 ↗</p> <p>7: 7.6 →</p> <p>8: 10.5x ↖</p> <p>9: 9.9 ↑</p> <p>10: 8.3 →</p> <p>Serie 89</p> <p>Total 89</p>	<p>60 Skott</p>	<p>11: 10.7x →</p> <p>12: 9.1 →</p> <p>13: 9.1 ↗</p> <p>14: 8.1 →</p> <p>15: 8.0 →</p> <p>16: 9.2 ↗</p> <p>17: 9.2 ↓</p> <p>18: 8.7 →</p> <p>19: 9.6 →</p> <p>20: 9.7 →</p> <p>Serie 88</p> <p>Total 177</p>
-----------------	---	-----------------	--

<p>60 Skott</p>	<p>21: 10.5x ↗</p> <p>22: 8.0 ↓</p> <p>23: 9.1 →</p> <p>24: 8.2 ↗</p> <p>25: 9.4 ↑</p> <p>26: 9.2 →</p> <p>27: 10.4x ↗</p> <p>28: 10.3x ↗</p> <p>29: 9.1 →</p> <p>30: 10.4x ↑</p> <p>Serie 92</p> <p>Total 269</p>	<p>60 Skott</p>	<p>31: 10.4x ↙</p> <p>32: 9.4 →</p> <p>33: 8.2 ↘</p> <p>34: 8.4 →</p> <p>35: 9.9 →</p> <p>36: 8.8 →</p> <p>37: 9.6 ↗</p> <p>38: 10.6x ↙</p> <p>39: 10.0 ↓</p> <p>40: 9.9 →</p> <p>Serie 90</p> <p>Total 359</p>
-----------------	--	-----------------	---

<b>Pröv</b>			
	1: 9.2 ↗ 2: 9.2 ↗ 3: 10.1 ↗ 4: 9.8 → 5: 9.9 ↗ 6: 9.9 ↗ 7: 10.2x ↗ 8: 9.6 ↖ 9: 10.6x ↗ 10: 10.4x ↘		11: 10.6x ↗ 12: 9.1 ← 13: 10.2x → 14: 9.7 ↘
	Serie 98.9		Serie 39.6
	Total 0.0		Total 0.0

<b>60 Skott</b>		<b>60 Skott</b>	
	1: 10.7x → 2: 10.0 ↓ 3: 10.7x ↓ 4: 10.8x ← 5: 10.5x ↓ 6: 10.6x ↑ 7: 9.8 → 8: 10.9x → 9: 9.6 ← 10: 10.8x ↗		11: 10.4x ↘ 12: 9.8 ↗ 13: 9.5 ← 14: 10.1 ↓ 15: 10.9x ↓ 16: 10.0 ← 17: 9.2 → 18: 10.1 → 19: 10.5x ↘ 20: 9.7 →
	Serie 104.4		Serie 100.2
	Total 104.4		Total 204.6

<b>60 Skott</b>		<b>60 Skott</b>	
	21: 9.4 ↗ 22: 9.6 → 23: 9.3 ↗ 24: 10.2x ← 25: 8.4 ↖ 26: 9.9 → 27: 10.3x ↑ 28: 10.5x → 29: 9.3 ↖ 30: 10.1 ←		31: 10.2x ↘ 32: 9.9 ← 33: 10.3x → 34: 10.5x ↓ 35: 9.9 ← 36: 10.3x ← 37: 10.5x → 38: 10.4x ↗ 39: 9.8 ← 40: 10.8x ↑
	Serie 97.0		Serie 102.6
	Total 301.6		Total 404.2

<b>60 Skott</b>		<b>60 Skott</b>	
	41: 10.0 ← 42: 10.1 ↗ 43: 10.0 ↗ 44: 9.5 ↗ 45: 10.1 ↗ 46: 10.0 ↑ 47: 10.6x ↗ 48: 8.5 → 49: 10.5x ← 50: 10.3x ↘		51: 8.8 → 52: 9.2 → 53: 10.0 ↗ 54: 10.6x ↓ 55: 9.7 ↘ 56: 9.3 ← 57: 9.5 ↘ 58: 10.0 ↓ 59: 10.4x ↓ 60: 8.8 ↘
	Serie 99.6		Serie 96.3
	Total 503.8		Total 600.1