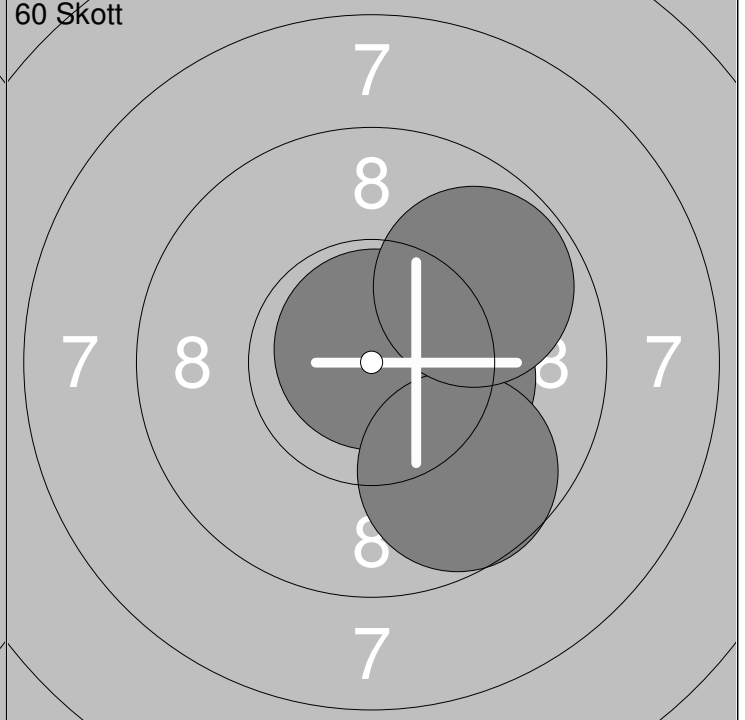
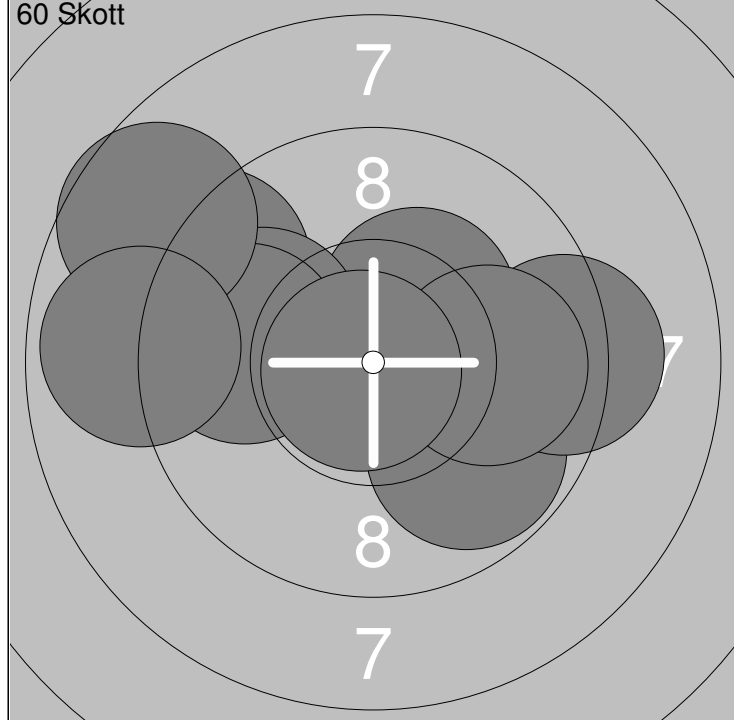


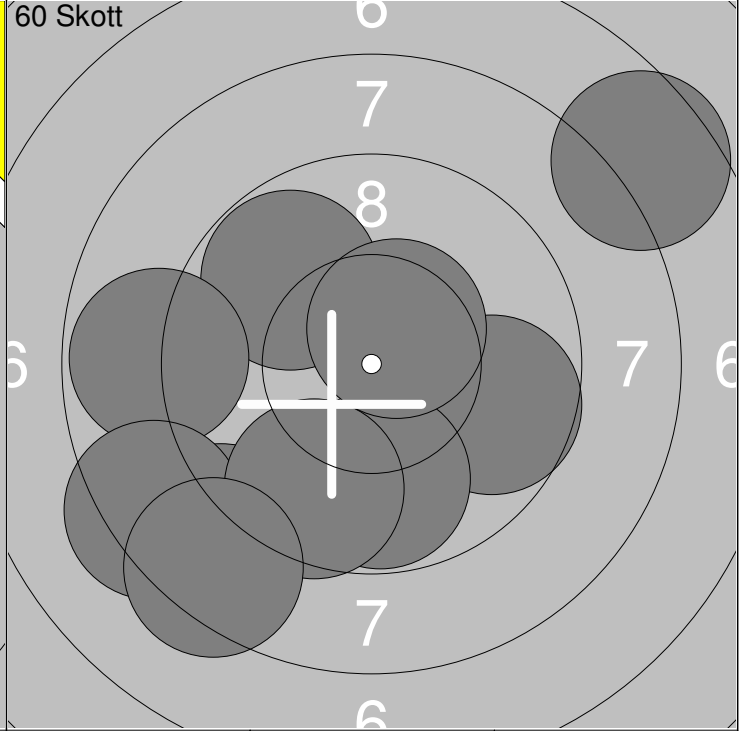
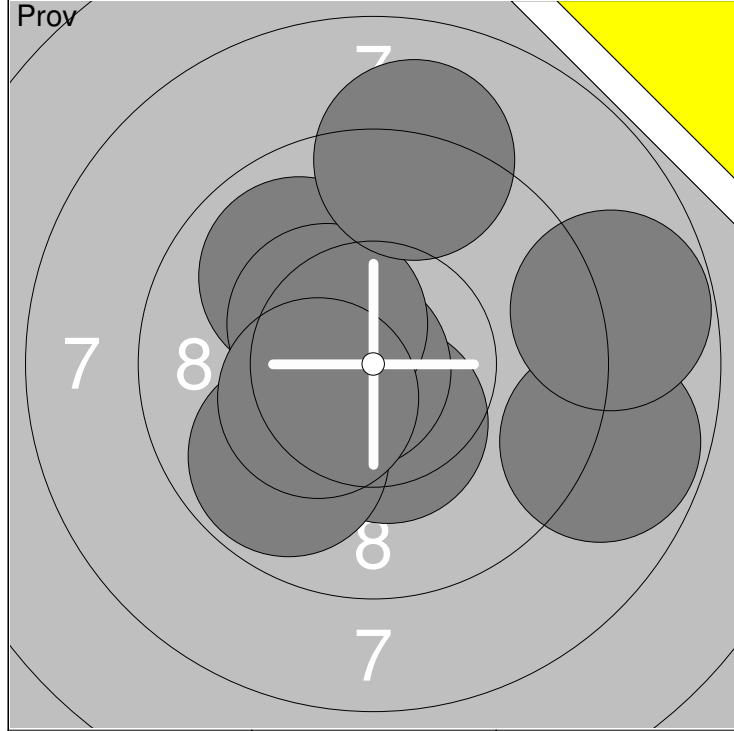
1: 10.3x ↗	6: 9.7 ↓	Serie	60.3
2: 10.7x ↓			
3: 9.6 ↓		Total	0.0
4: 9.4 ↓			
5: 10.6x ↓			

1: 9.8 ↙	6: 9.4 ↗	Serie	97.1
2: 10.2x ↖	7: 9.0 →		
3: 9.4 ↘	8: 9.5 ↗	Total	97.1
4: 9.5 ↖	9: 10.4x ←		
5: 9.3 ↑	10: 10.6x ↙		



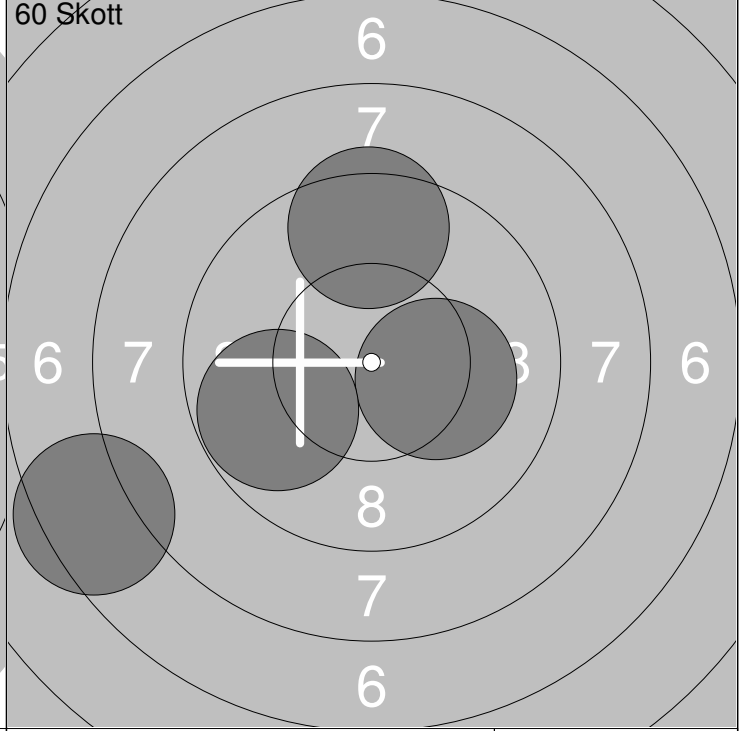
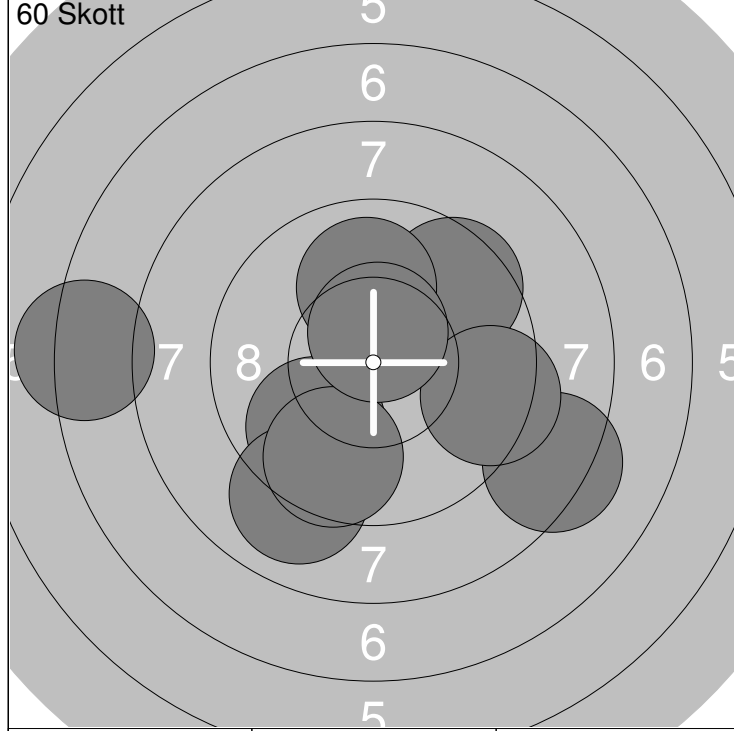
11: 10.3x ↗	16: 9.8 ↖	Serie	96.6
12: 9.3 ↗	17: 9.9 →		
13: 9.9 ↖	18: 8.7 ↖	Total	193.7
14: 9.8 ↓	19: 8.9 ←		
15: 9.2 →	20: 10.8x ↙		

21: 10.4x →	Serie	40.7
22: 10.8x ↑		
23: 9.7 ↓	Total	234.4
24: 9.8 ↗		



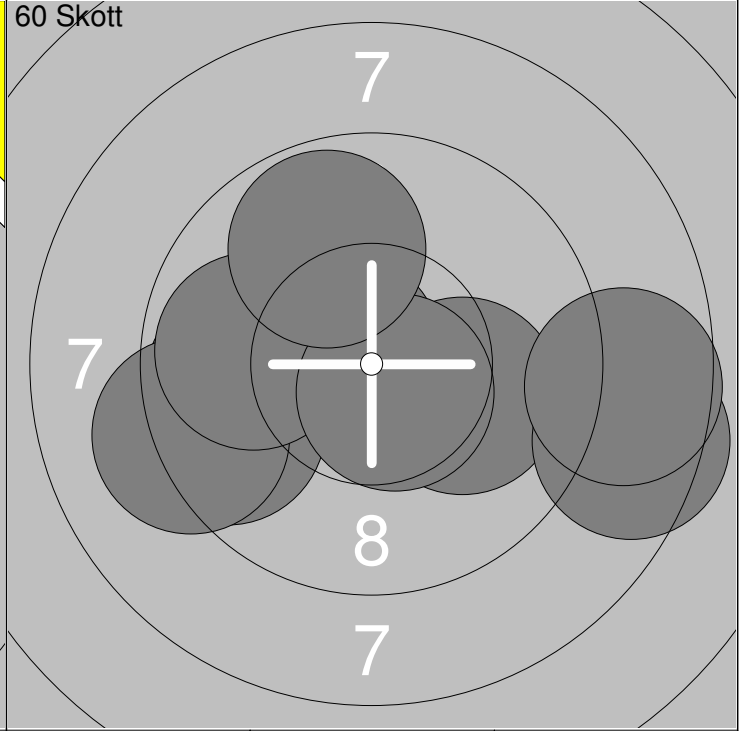
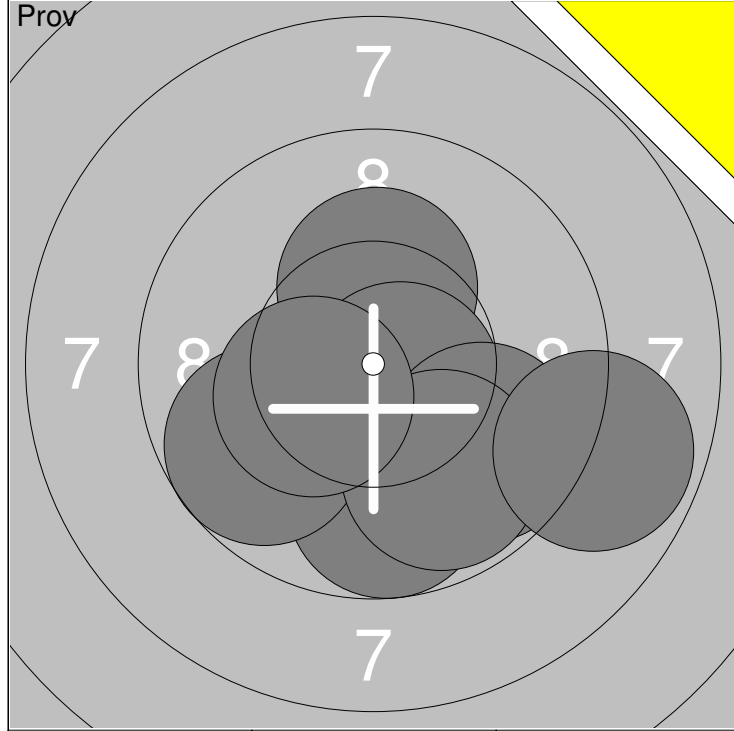
1: 10.4x ↓	6: 9.8 ↙	Serie	88.3
2: 8.8 →	7: 10.4x ↘		
3: 9.9 ↗	8: 10.4x ↙	Total	0.0
4: 8.8 →	9: 9.1 ↑		
5: 10.7x ←			

1: 8.7 ↙	6: 8.8 ←	Serie	91.2
2: 9.7 →	7: 8.3 ↙		
3: 9.8 ↓	8: 9.6 ↓	Total	91.2
4: 7.6 ↗	9: 10.5x ↗		
5: 9.8 ↖	10: 8.4 ↓		



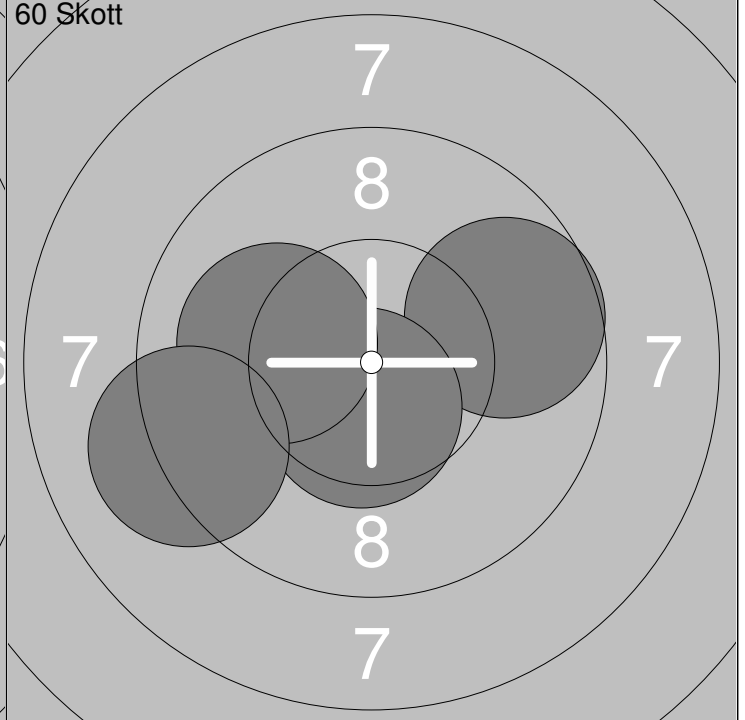
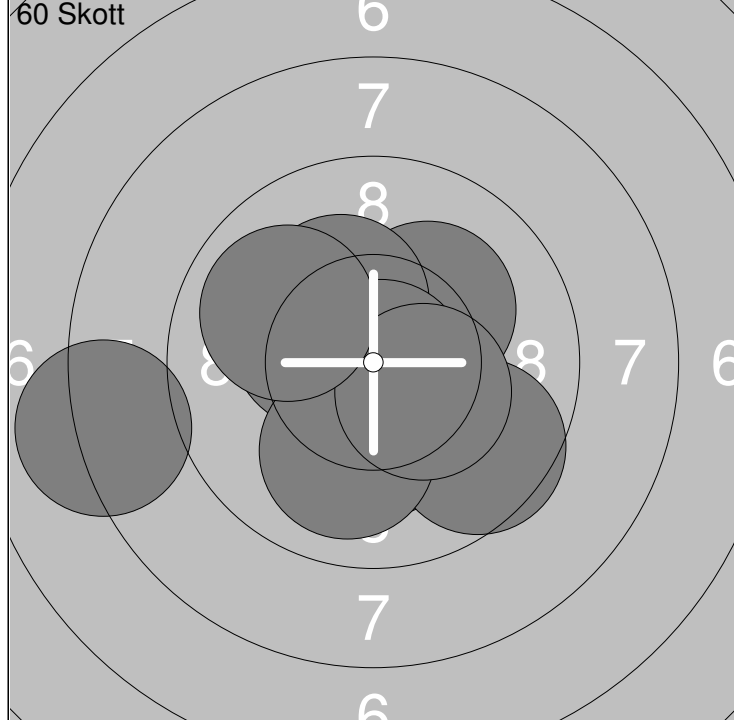
11: 10.2x ↗	16: 10.0 ↑	Serie	93.6
12: 9.8 ↙	17: 9.4 →		
13: 9.5 ↗	18: 9.0 ↙	Total	184.8
14: 7.2 ←	19: 9.6 ↙		
15: 8.3 ↘	20: 10.6x ↑		

21: 7.4 ↙	Serie	36.8
22: 10.2x →		
23: 9.4 ↑	Total	221.6
24: 9.8 ↙		



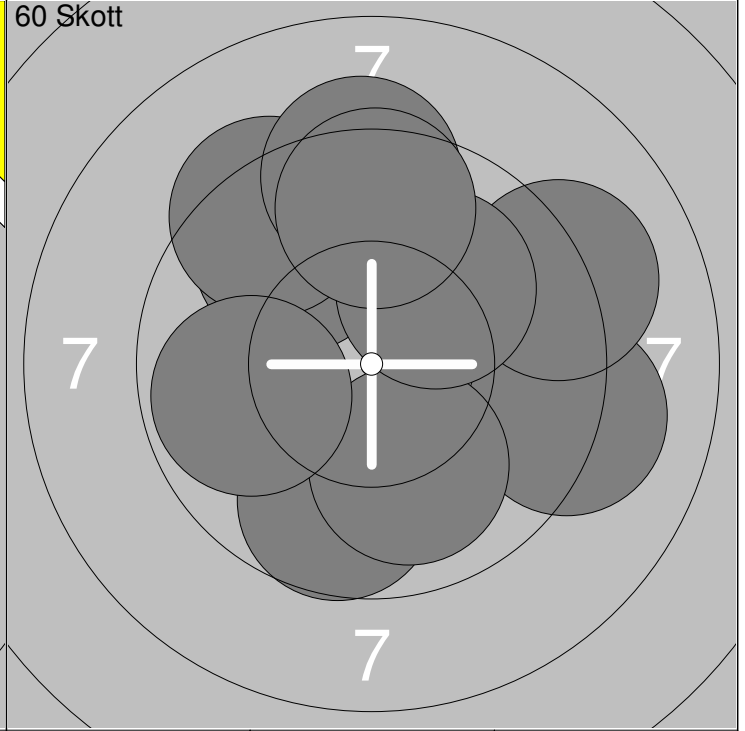
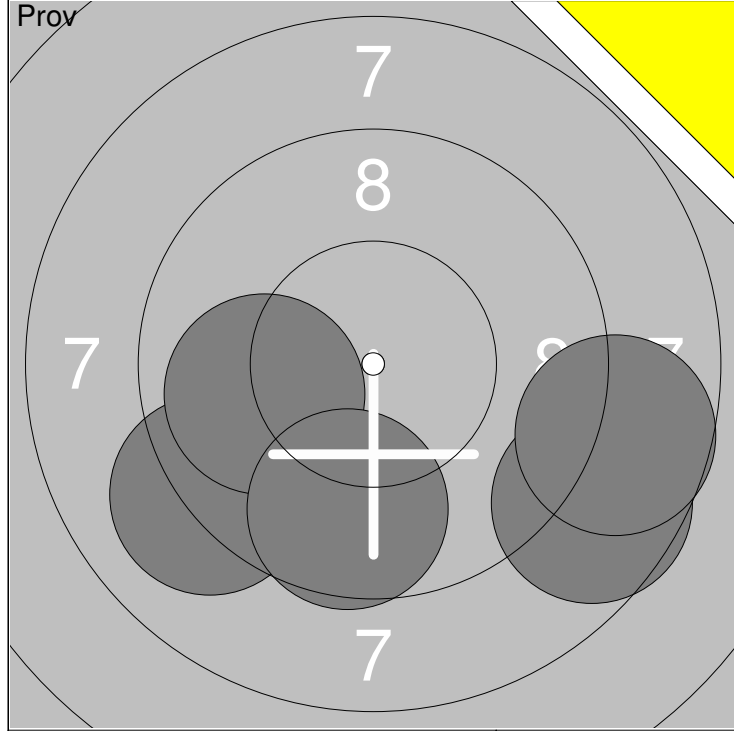
1: 10.3x ↑	6: 9.8 ↓	Serie	79.1
2: 10.7x ↘	7: 8.8 ↘		
3: 9.7 ↓	8: 10.3x ↙	Total	0.0
4: 9.8 ↘			
5: 9.7 ↙			

1: 10.1 →	6: 8.7 →	Serie	96.8
2: 10.7x ↖	7: 9.2 ←		
3: 8.5 →	8: 9.9 ←	Total	96.8
4: 9.8 ←	9: 10.6x ↘		
5: 9.5 ←	10: 9.8 ↗		



11: 10.2x ↗	16: 10.9x ↘	Serie	100.1
12: 10.4x ↖	17: 10.0 ↓		
13: 10.3x ↓	18: 10.4x ↘	Total	196.9
14: 9.6 ↘	19: 9.9 ↖		
15: 10.3x ↗	20: 8.1 ←		

21: 9.7 →	Serie	39.5
22: 10.5x ↓		
23: 10.1 ←	Total	236.4
24: 9.2 ←		



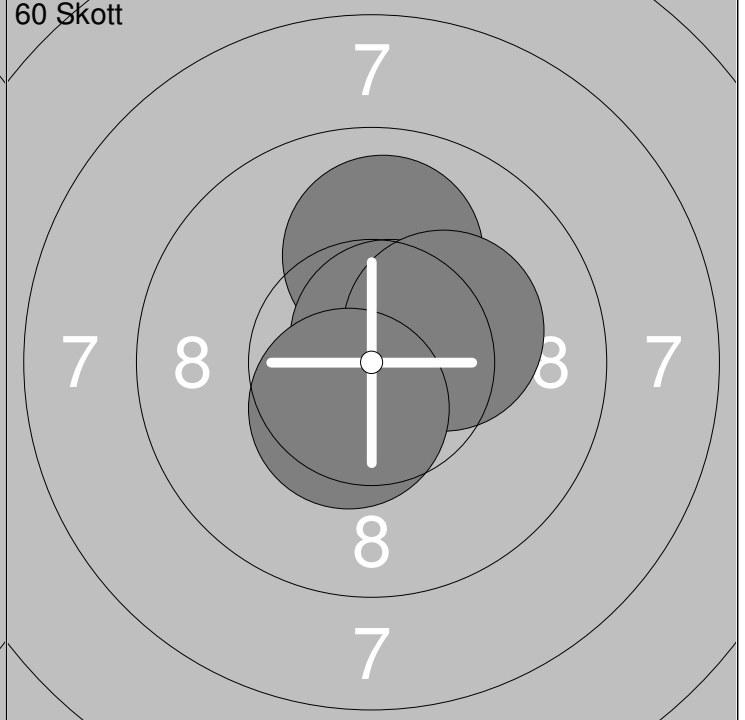
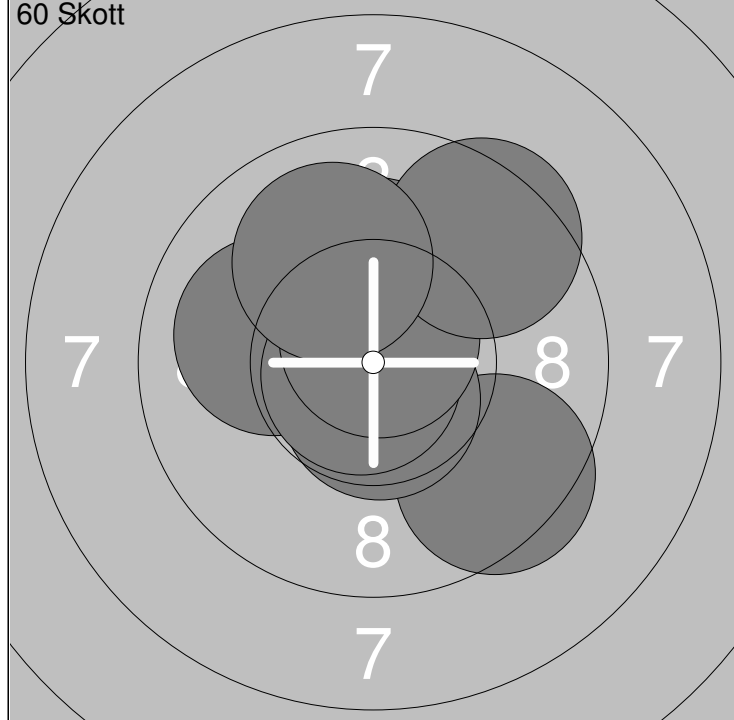
1:	9.1	↙
2:	9.9	←
3:	9.6	↓
4:	8.6	↘
5:	8.7	→

Serie	45.9
Total	0.0

1:	9.2	→
2:	9.7	↓
3:	10.0	↓
4:	9.7	↖
5:	9.1	→

6:	10.1	↗
7:	9.4	↖
8:	9.3	↑
9:	9.6	↑
10:	9.8	←

Serie	95.9
Total	95.9



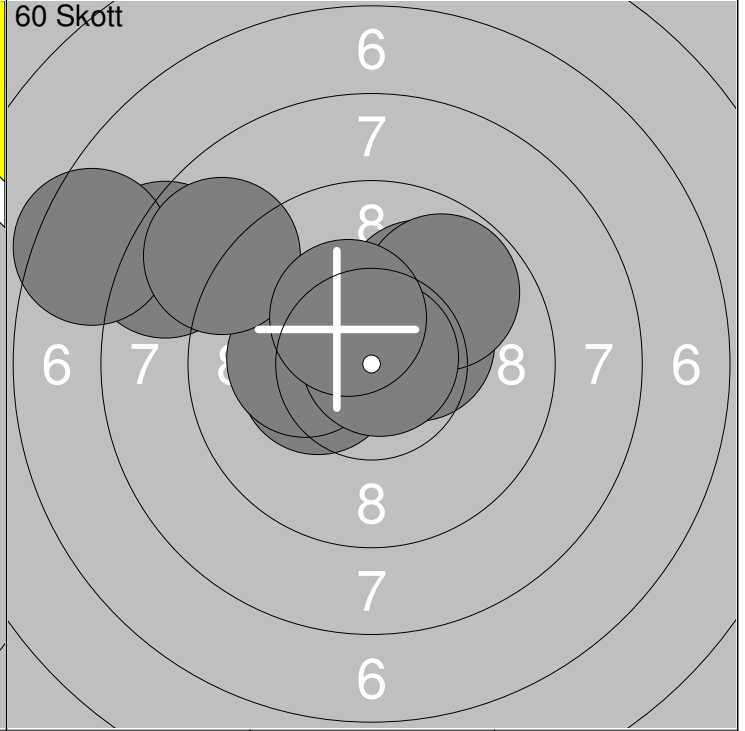
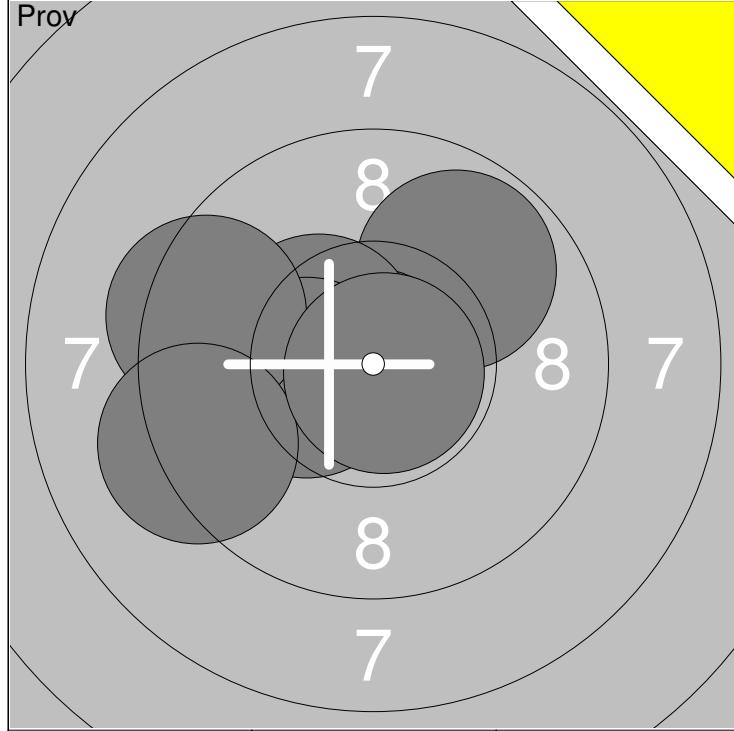
11:	10.5x	↖
12:	10.8x	←
13:	9.5	↘
14:	10.2x	↑
15:	10.0	←

16:	10.6x	↓
17:	10.8x	↙
18:	10.7x	↑
19:	9.5	↗
20:	10.0	↖

Serie	102.6
Total	198.5

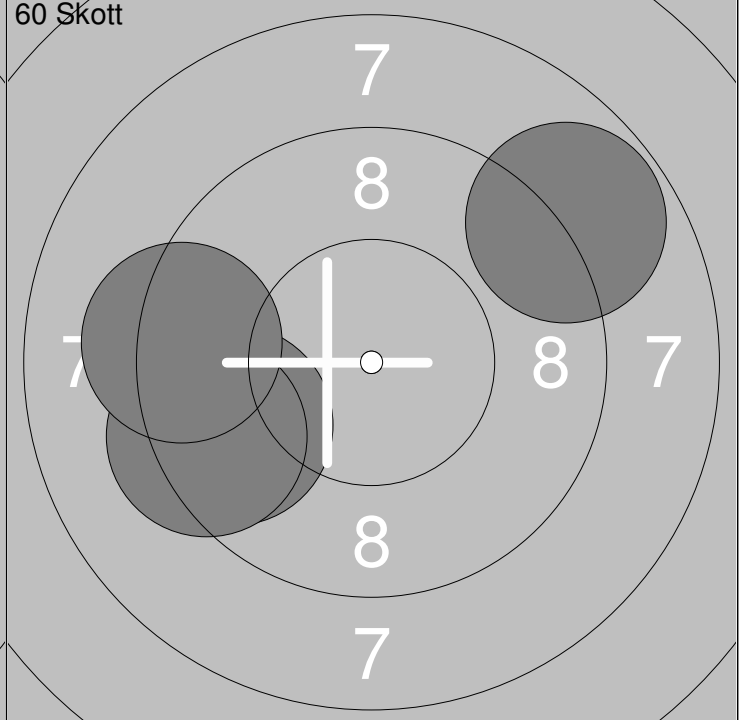
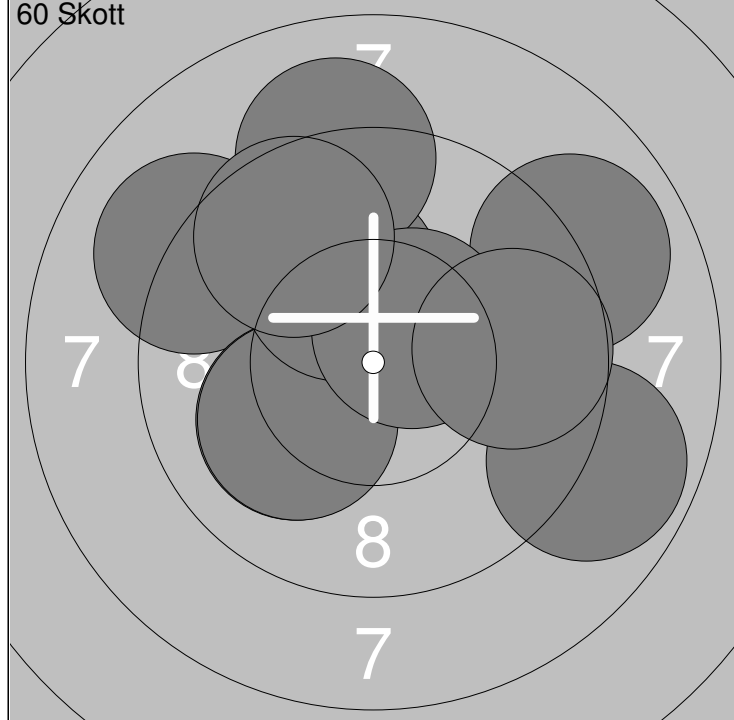
21:	10.0	↑
22:	10.7x	↗
23:	10.2x	→
24:	10.5x	↓

Serie	41.4
Total	239.9



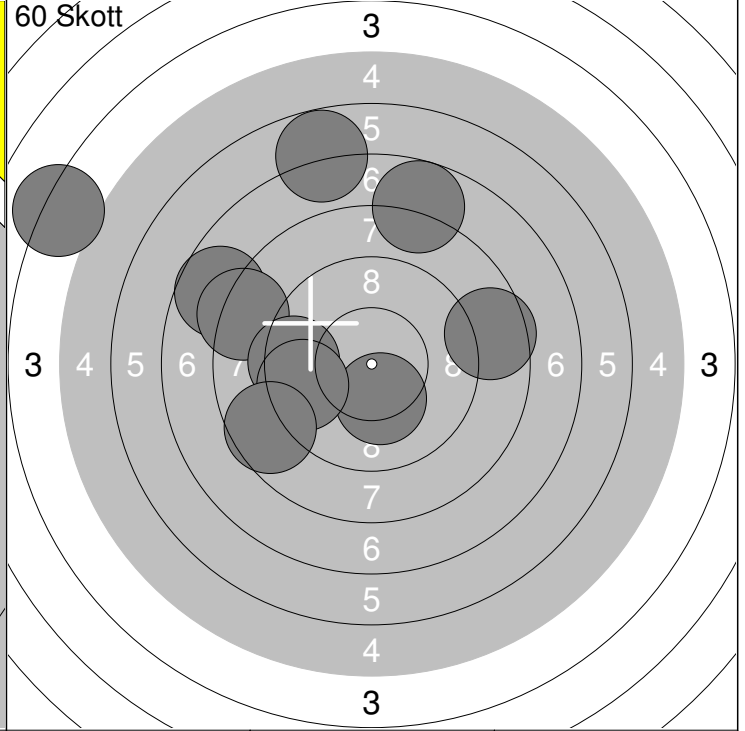
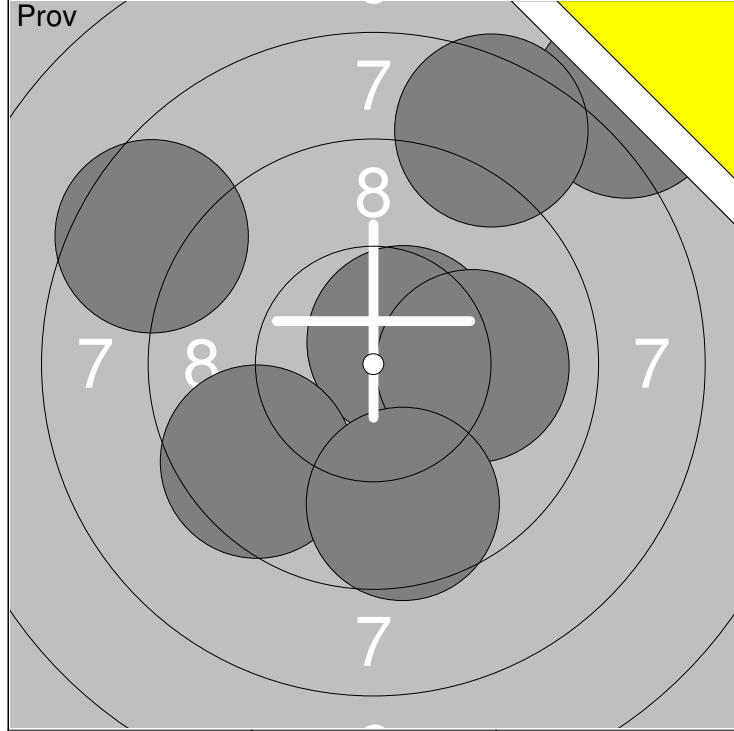
1: 9.8 ↗	6: 9.2 ←	Serie	70.8
2: 10.9x ↙	7: 10.8x ↘		
3: 10.4x ↖		Total	0.0
4: 10.3x ←			
5: 9.4 ←			

1: 8.3 ↖	6: 9.8 ↗	Serie	96.5
2: 10.0 ↗	7: 10.2x ←		
3: 7.5 ↖	8: 10.8x ↗	Total	96.5
4: 10.3x ←	9: 8.8 ↖		
5: 10.4x →	10: 10.4x ↗		



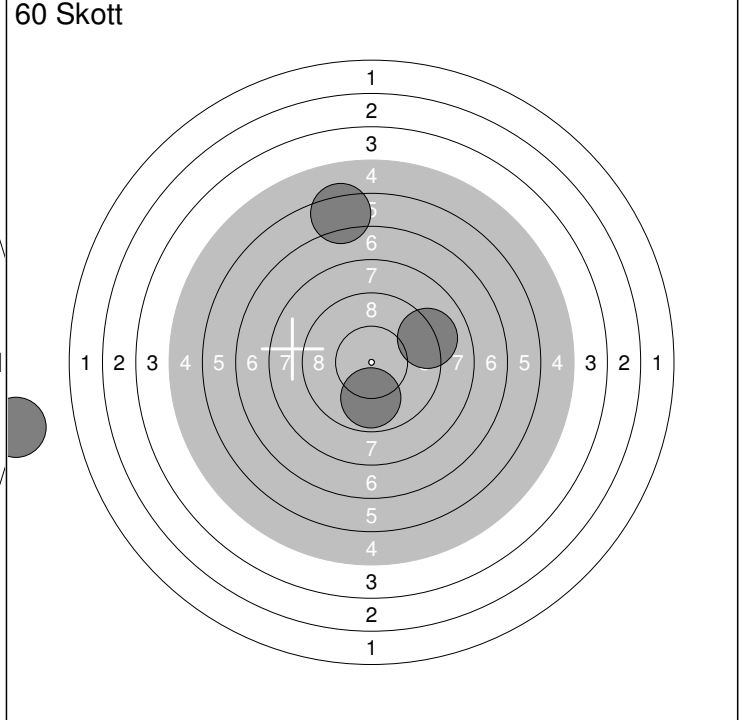
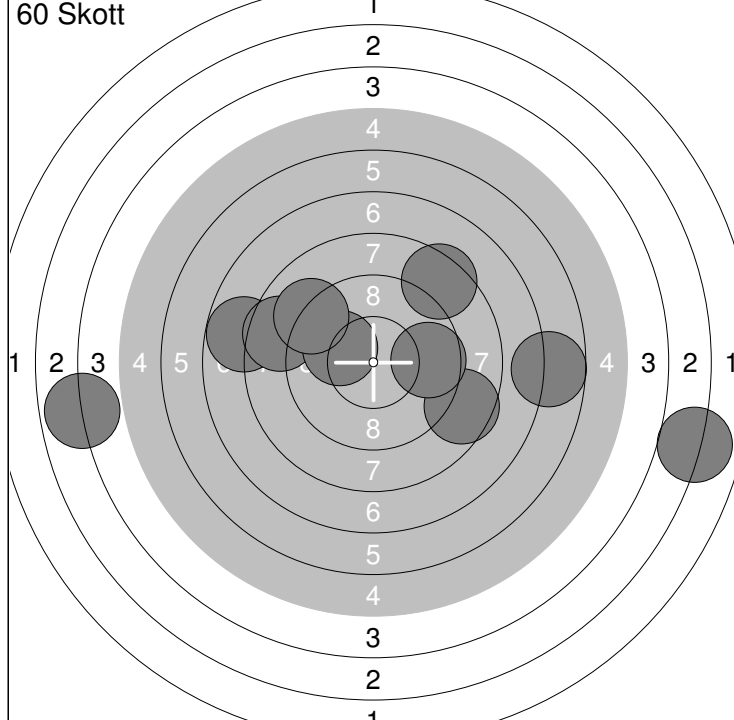
11: 9.1 ↖	16: 10.2x ↗	Serie	96.3
12: 9.0 ↗	17: 9.1 ↗		
13: 8.9 →	18: 10.5x ↗	Total	192.8
14: 10.1 ↖	19: 9.7 →		
15: 10.1 ↖	20: 9.6 ↗		

21: 9.6 ←		Serie	36.9
22: 9.3 ←			
23: 9.2 ←		Total	229.7
24: 8.8 ↗			



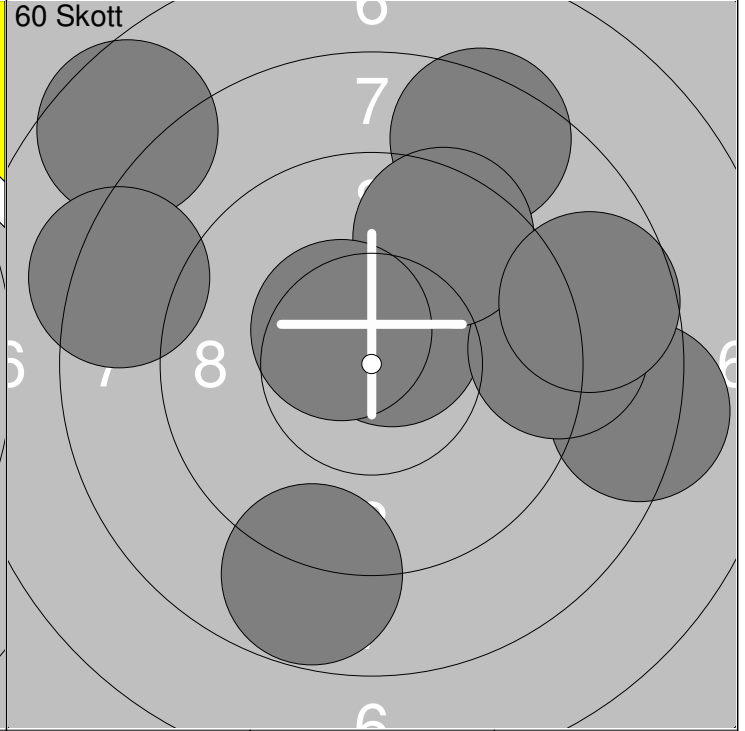
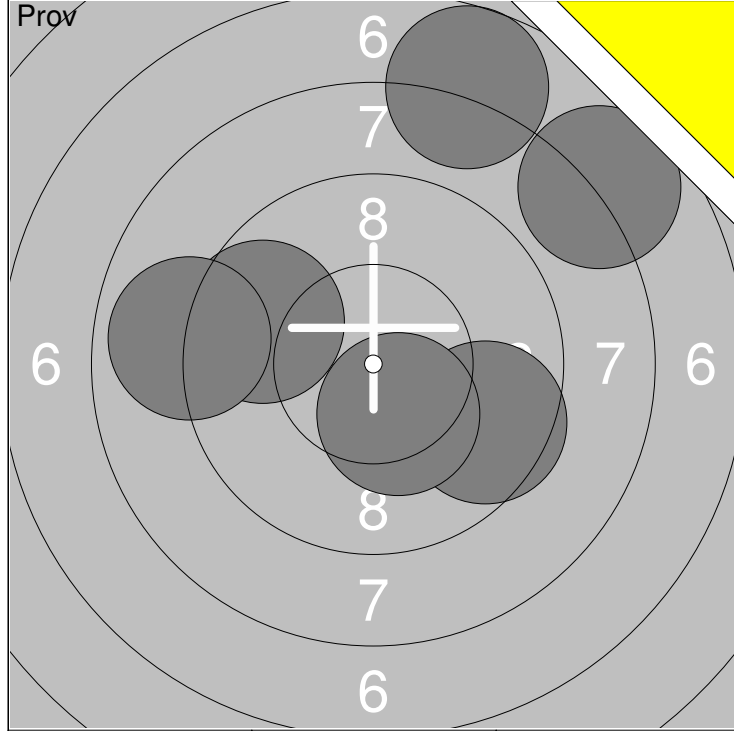
1: 10.6x ↗	6: 9.6 ↓	Serie	64.3
2: 10.0 →	7: 8.5 ↗		
3: 9.5 ↘		Total	0.0
4: 8.6 ↖			
5: 7.5 ↗			

1: 6.8 ↗	6: 10.3x ↓	Serie	81.1
2: 8.6 →	7: 7.8 ↗		
3: 7.7 ↖	8: 9.4 ←	Total	81.1
4: 8.3 ↖	9: 9.5 ←		
5: 4.1 ↖	10: 8.6 ↘		



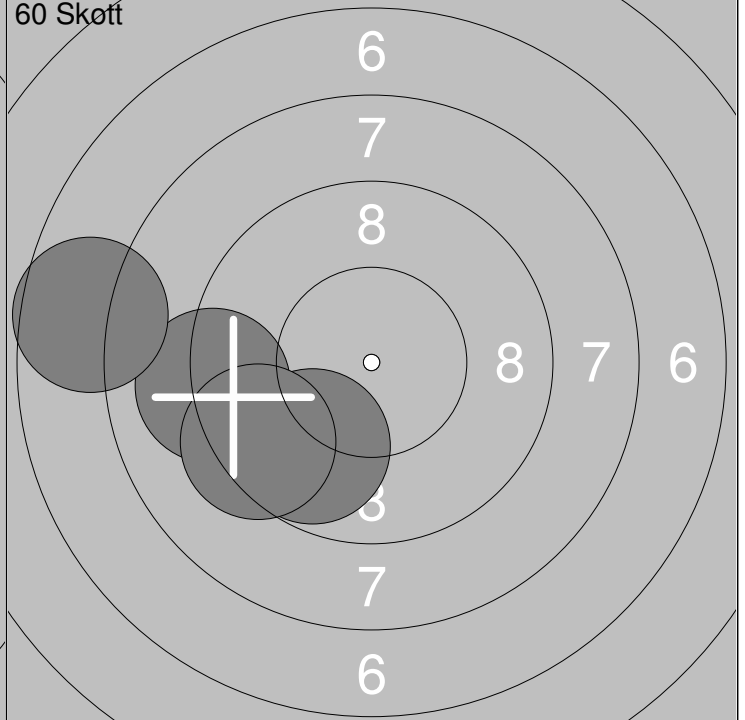
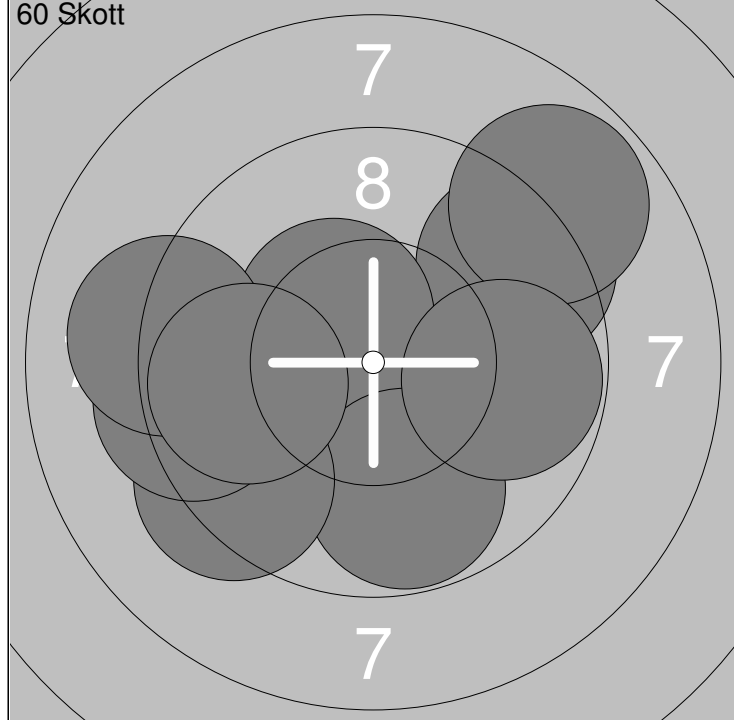
11: 7.8 ←	16: 3.9 ←	Serie	75.8
12: 8.6 ←	17: 9.6 →		
13: 8.6 →	18: 6.7 →	Total	156.9
14: 10.1 ↖	19: 9.1 ↖		
15: 8.4 ↗	20: 3.0 →		

21: 9.1 →	Serie	25.4
22: 9.9 ↓		
23: 6.4 ↗	Total	182.3
24: 0.0 ←		



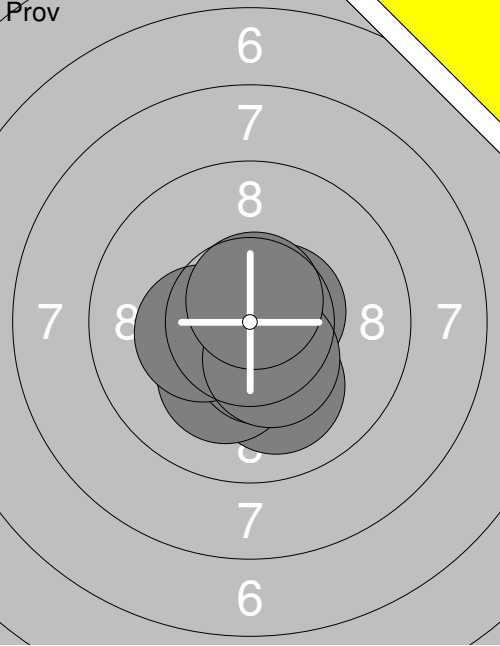

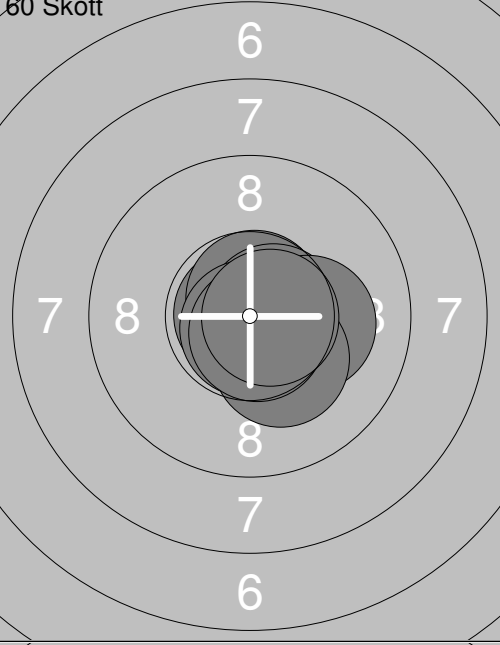
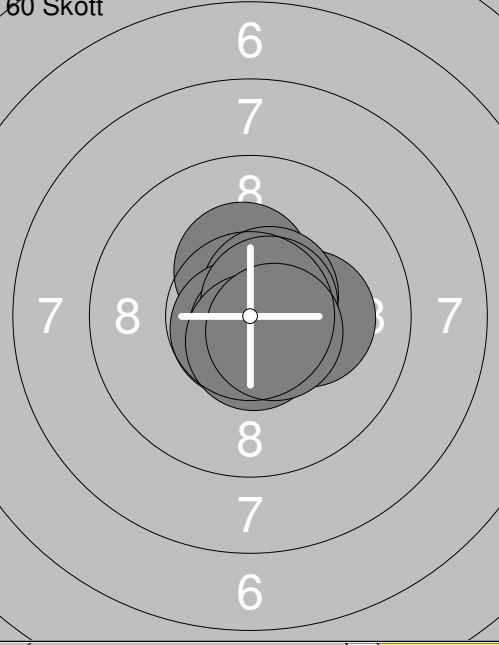
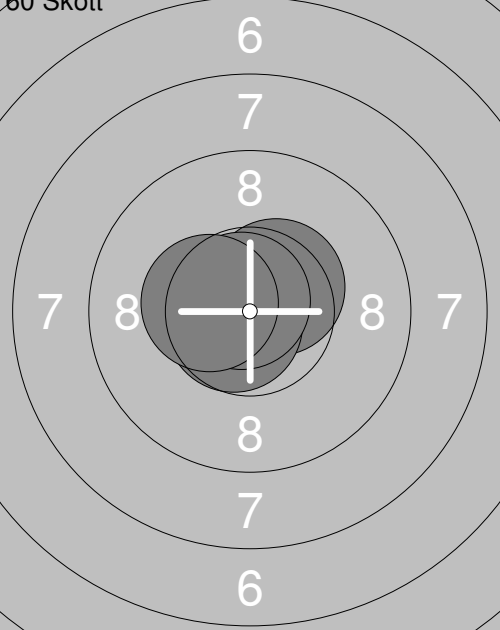

1: 7.7 ↗	6: 7.8 ↗		Serie	53.9
2: 9.6 →			Total	0.0
3: 9.6 ↖				
4: 10.3x ↓				
5: 8.9 ←				

1: 8.5 ↗	6: 9.5 ↗		Serie	89.9
2: 8.3 →	7: 8.7 →		Total	89.9
3: 8.8 ↓	8: 10.5x ↖			
4: 10.6x ↗	9: 7.6 ↖			
5: 9.1 →	10: 8.3 ←			

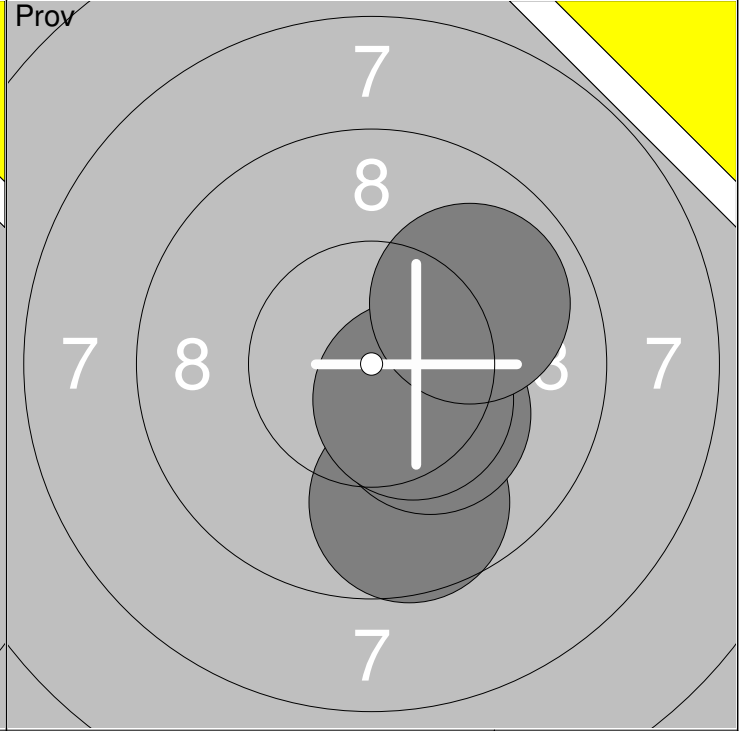
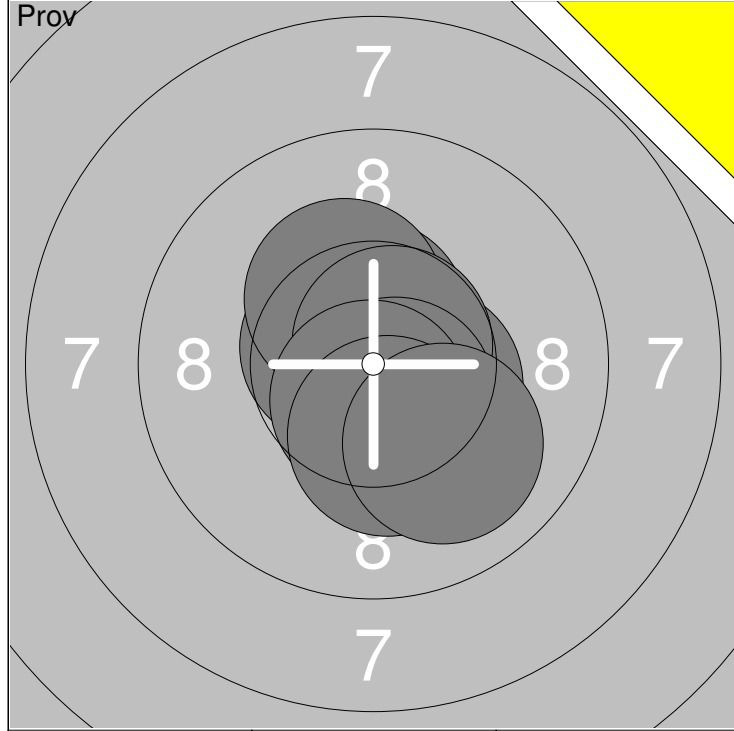


11: 9.4 ↗	16: 9.3 ←		Serie	95.2
12: 9.4 ←	17: 9.1 ←		Total	185.1
13: 10.4x ↖	18: 9.8 ←			
14: 9.8 ↓	19: 8.9 ↗			
15: 9.3 ↙	20: 9.8 →			

21: 9.8 ↓		Serie	35.9
22: 9.1 ←		Total	221.0
23: 9.3 ↙			
24: 7.7 ←			

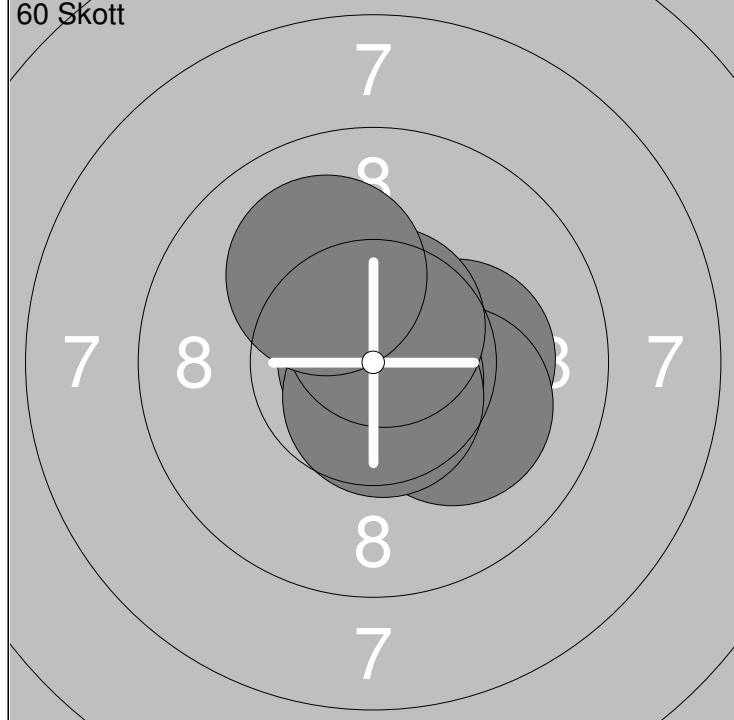
Skjuttlag	Tavla	Rasmus Alfredsson			
3	21	Umeå Skf		Si	Vb
04.12.2021	UME-Skottet 2021	Umeå skytteallians			
Prov		1: 10.8x↘ 2: 10.0 ↓ 3: 10.6x➤ 4: 10.6x↘ 5: 10.2x↘ 6: 10.5x↘ 7: 10.5x↘ 8: 10.3x↘ 9: 10.4x↘ 10: 10.7x↗	Prov		11: 10.6x↗ 12: 10.8x↘
	Serie 104.6 Total 0.0			Serie 21.4 Total 0.0	
60 Skott		1: 10.6x↘ 2: 10.8x↘ 3: 10.7x↗ 4: 10.5x↘ 5: 10.6x➤ 6: 10.8x↘ 7: 10.2x➤ 8: 10.3x↘ 9: 10.7x↘ 10: 10.7x➤	60 Skott		11: 10.6x➤ 12: 10.2x➤ 13: 10.8x↘ 14: 10.3x↗ 15: 10.6x↗ 16: 10.7x↘ 17: 10.7x↘ 18: 10.7x➤ 19: 10.6x↘ 20: 10.6x↘
	Serie 105.9 Total 105.9			Serie 105.8 Total 211.7	
60 Skott		21: 10.5x↗ 22: 10.7x↘ 23: 10.8x↘ 24: 10.4x↘	Extra		1: 10.9x↘
	Serie 42.4 Total 254.1			Serie 10.9 Total 254.1	





1: 10.5x ↑	6: 10.7x ↗	Serie	104.5
2: 10.6x ↖	7: 10.6x ↓		
3: 10.4x ↓	8: 10.6x ↓	Total	0.0
4: 10.5x ↘	9: 10.3x ↓		
5: 10.3x ↗	10: 10.0 ↓		

11: 9.7 ↓	Serie	40.4
12: 10.3x ↘		
13: 10.5x ↘	Total	0.0
14: 9.9 ↗		



1: 10.6x ↗	6: 10.8x ↓	Serie	104.9
2: 10.4x ↘	7: 10.9x ↗		
3: 10.2x →	8: 10.6x ↓	Total	104.9
4: 10.6x ↓	9: 10.6x ↑		
5: 10.1 ↓	10: 10.1 ↗		

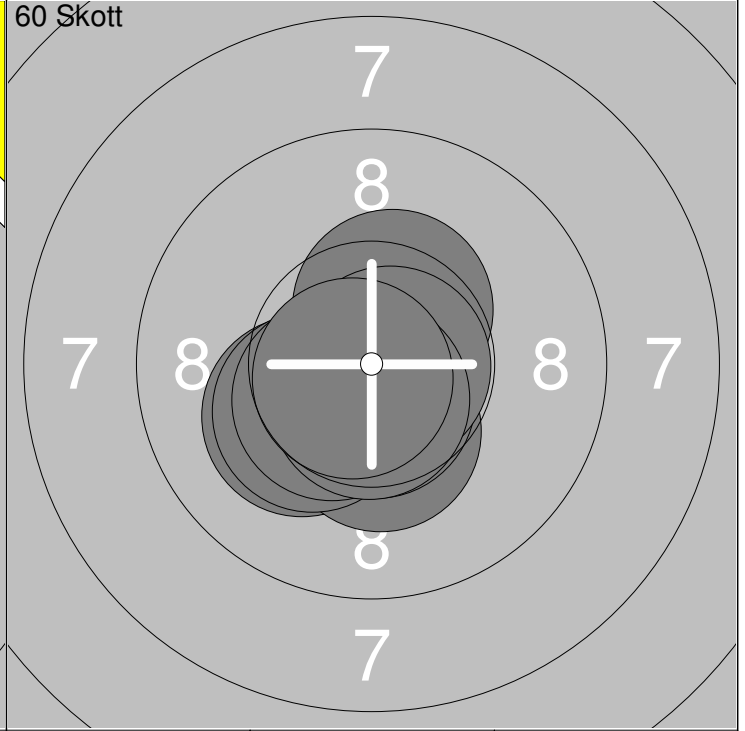
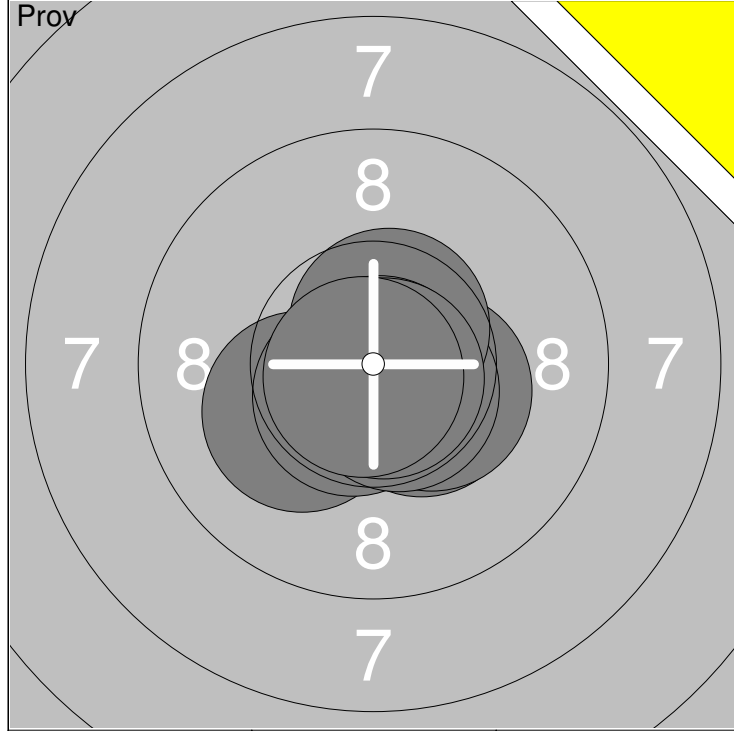
11: 10.5x ↑	16: 10.8x ↖	Serie	104.6
12: 10.4x ↖	17: 10.4x ↗		
13: 10.5x ↖	18: 10.5x ↓	Total	209.5
14: 10.1 ↓	19: 10.4x ↖		
15: 10.4x ↖	20: 10.6x ↗		

<p>Prov</p>	<p>80 Skott</p>	<p>1: 10.2x↘</p> <p>2: 10.1 ↑</p> <p>3: 10.7x←</p> <p>4: 10.8x↓</p> <p>5: 10.8x↘</p> <p>6: 10.7x↗</p> <p>7: 10.6x↘</p> <p>8: 10.9x←</p>
Serie 84.8	Serie 106.5	
Total 0.0	Total 106.5	

<p>80 Skott</p>	<p>80 Skott</p>	<p>11: 10.2x↑</p> <p>12: 10.7x↗</p> <p>13: 10.9x↘</p> <p>14: 10.5x↗</p> <p>15: 10.3x←</p> <p>16: 10.7x↗</p> <p>17: 10.5x←</p> <p>18: 10.7x↗</p> <p>19: 10.4x←</p> <p>20: 10.4x↓</p>
Serie 105.3	Serie 42.3	
Total 211.8	Total 254.1	

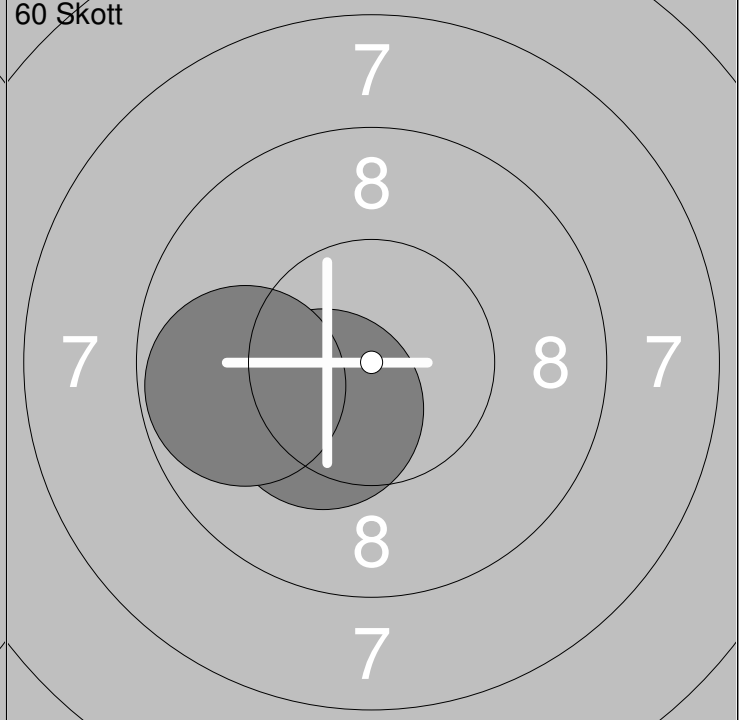
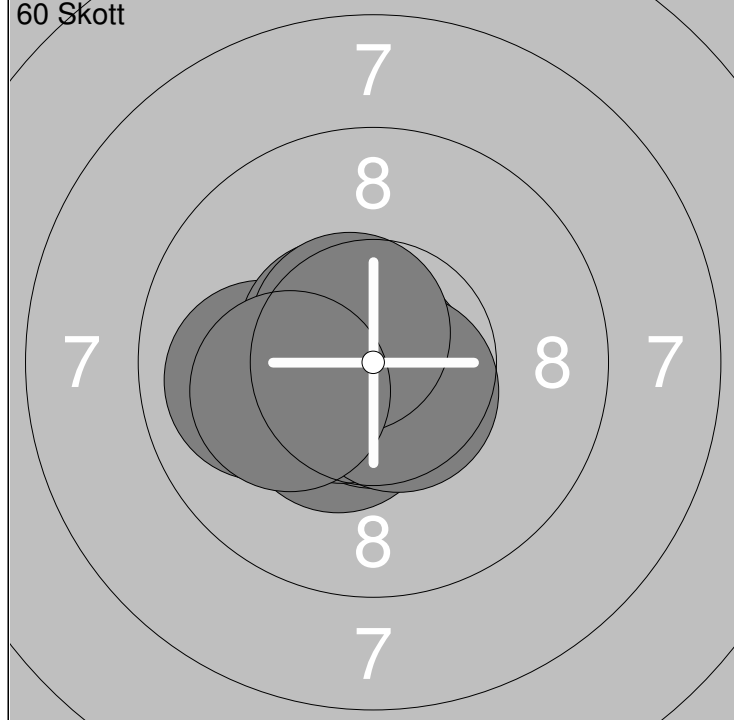
<p>Extra</p>		<p>1: 10.3x↑</p>
Serie 10.3		
Total 254.1		

Skjutlag	Tavla	Tore Tiburzi		
3	24	Drängsmarks Skf		Si Vb
04.12.2021	UME-Skottet 2021	Umeå skytteallians		
<b>Prov</b> 	1:	10.2x	←	
	2:	9.3	↓	
	3:	10.1	↙	
	5:	10.3x	↓	
	6:	9.7	↗	
	7:	10.3x	↗	
	8:	10.1	↗	
	9:	10.2x	←	
	10:	10.4x	→	
	<b>Serie</b>	<b>90.6</b>		
	<b>Total</b>	<b>0.0</b>		
<b>60 Skott</b> 	1:	10.6x	→	
	2:	10.4x	↓	
	3:	10.2x	←	
	4:	10.6x	←	
	5:	10.4x	↓	
	6:	10.8x	↗	
	7:	10.7x	↙	
	8:	10.1	↙	
	9:	10.3x	↓	
	10:	9.9	↙	
	<b>Serie</b>	<b>104.0</b>		
<b>Total</b>	<b>104.0</b>			
<b>60 Skott</b> 	11:	10.8x	↗	
	12:	10.5x	←	
	13:	10.5x	←	
	14:	10.5x	←	
	15:	10.2x	←	
	16:	10.1	←	
	<b>Serie</b>	<b>62.6</b>		
<b>Total</b>	<b>166.6</b>			



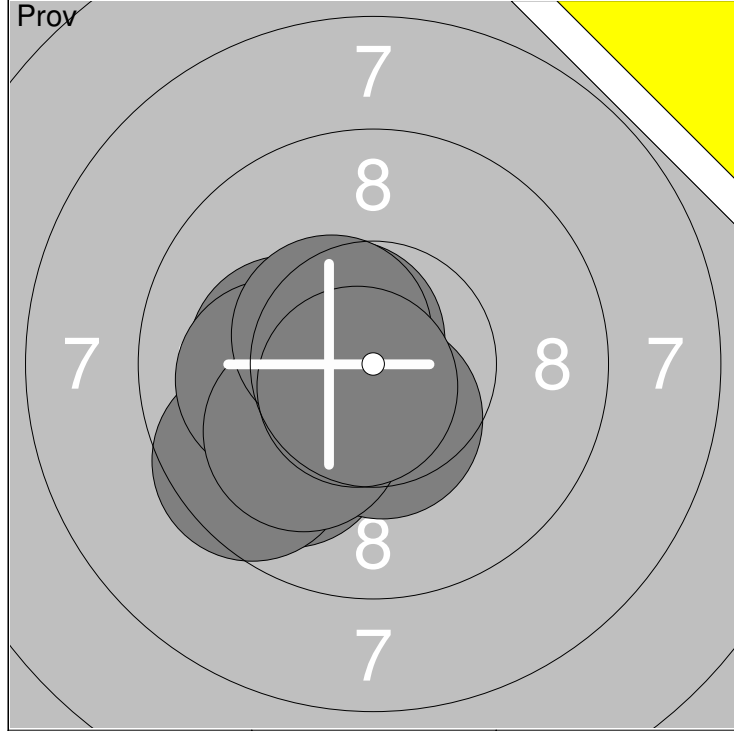
1: 10.4x ↘	6: 10.6x ↘	Serie	106.0
2: 10.8x ↘	7: 10.6x ↗		
3: 10.4x ↘	8: 10.8x ↘	Total	0.0
4: 10.2x ↙	9: 10.8x ↘		
5: 10.6x ↙	10: 10.8x ↘		

1: 10.4x ↗	6: 10.8x →	Serie	104.8
2: 10.4x ↘	7: 10.3x ↙		
3: 10.2x ↙	8: 10.5x ↙	Total	104.8
4: 10.3x ↘	9: 10.6x ↘		
5: 10.6x ↘	10: 10.7x ↙		



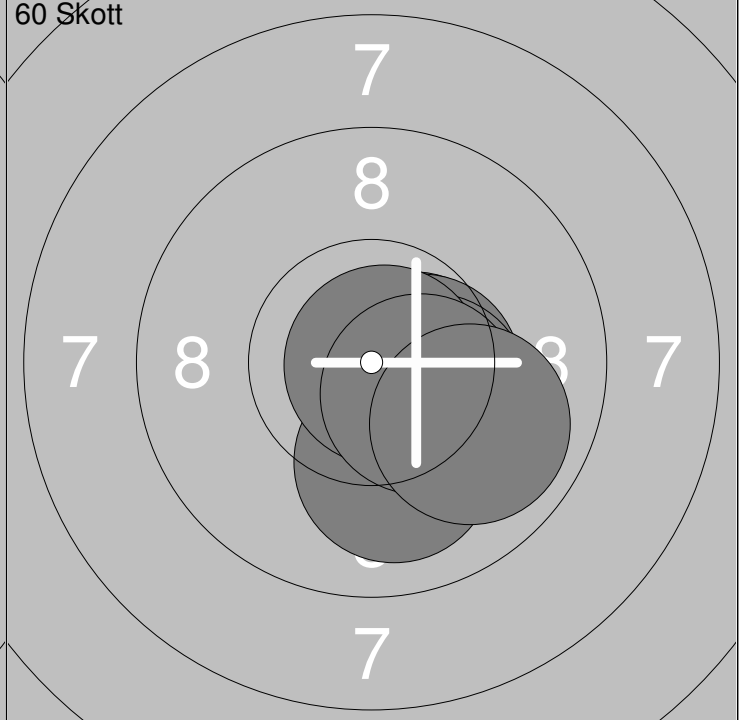
11: 10.4x ↙	16: 10.6x ↖	Serie	105.4
12: 10.0 ←	17: 10.6x ↙		
13: 10.9x ↙	18: 10.6x ↘	Total	210.2
14: 10.7x ↘	19: 10.6x ↗		
15: 10.8x ↘	20: 10.2x ←		

21: 10.3x ↙	Serie	20.1
22: 9.8 ←		
Total		230.3



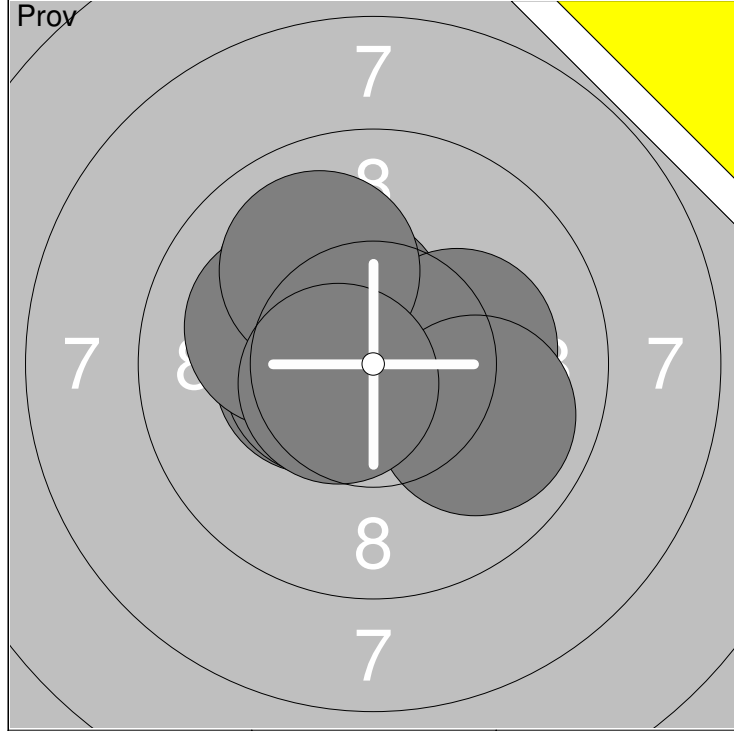
1: 10.2x ↙	6: 10.1 ↙	Serie	102.5
2: 9.9 ↘	7: 10.5x ↓		
3: 10.3x ↙	8: 10.1 ↘	Total	0.0
4: 9.6 ↘	9: 10.5x ↖		
5: 10.6x ↖	10: 10.7x ↘		

11: 10.3x ↙	Serie	20.8
12: 10.5x ↓		
Total		0.0



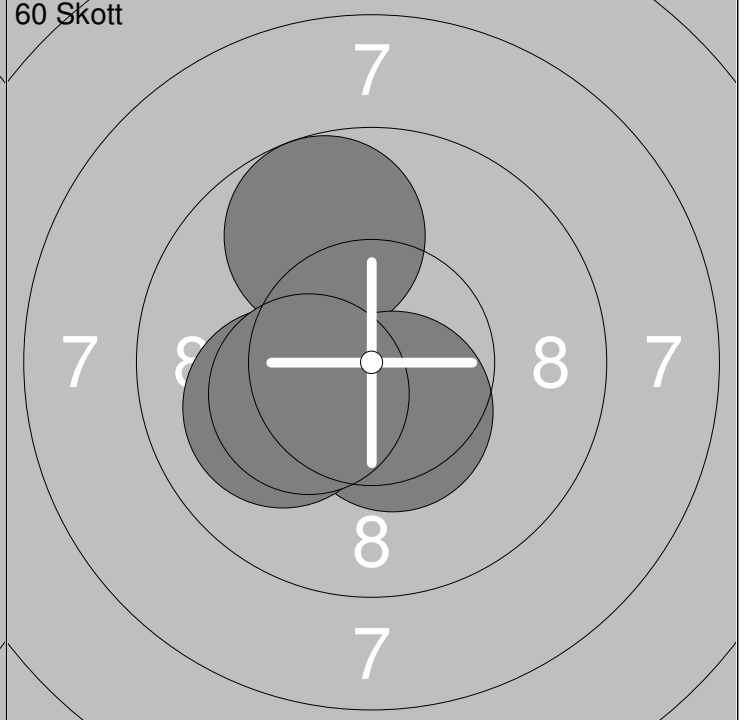
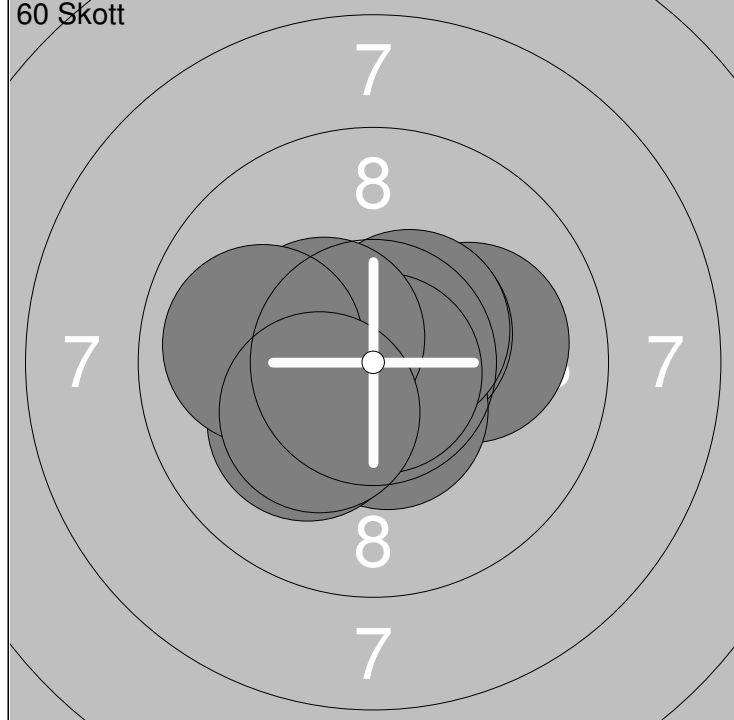
1: 10.8x ↖	6: 10.2x →	Serie	105.0
2: 10.5x ↓	7: 10.1 ↓		
3: 10.6x →	8: 10.9x ↖	Total	105.0
4: 10.6x ↑	9: 10.8x ↘		
5: 10.3x →	10: 10.2x ↑		

11: 10.6x →	16: 10.8x →	Serie	83.2
12: 10.0 ↓	17: 10.4x ↘		
13: 10.6x →	18: 9.9 ↓	Total	188.2
14: 10.5x →			
15: 10.4x ↘			



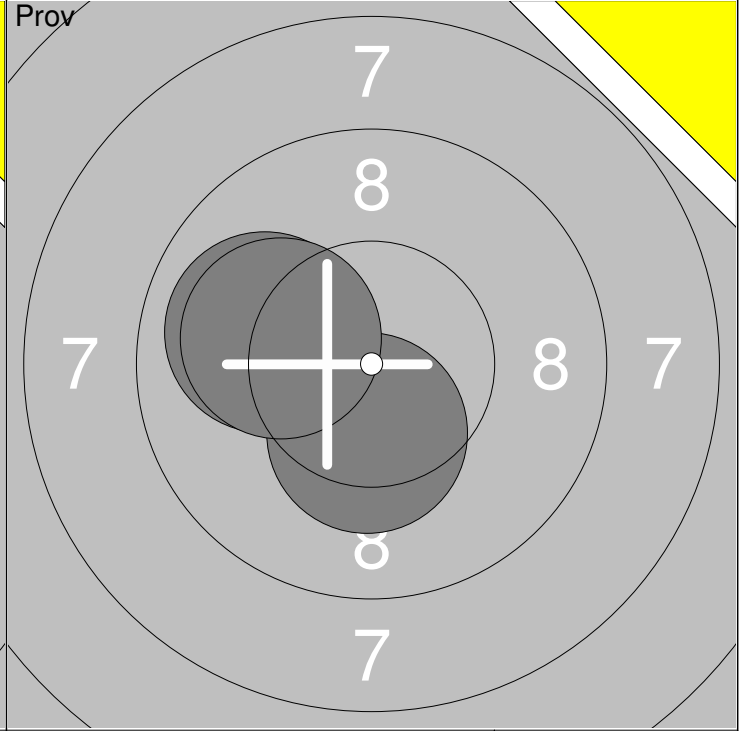
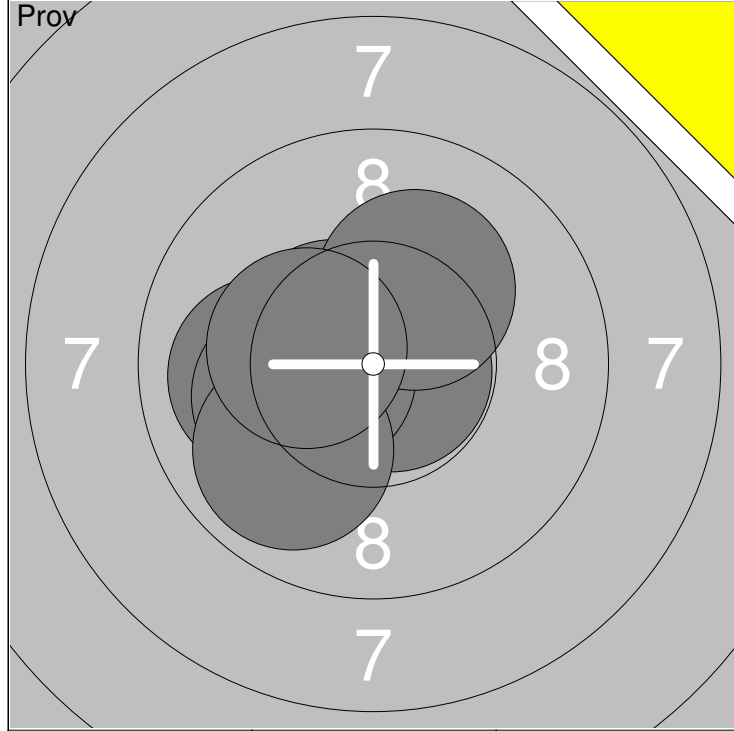
1: 10.1 ↗	6: 10.1 ↖	Serie	102.7
2: 10.4x ↗	7: 10.2x →		
3: 10.4x ↖	8: 9.9 ↘	Total	0.0
4: 10.5x ↖	9: 10.0 ↗		
5: 10.5x ↖	10: 10.6x ↖		

11: 10.3x ↖	Serie	30.7
12: 10.2x ↗		
13: 10.2x ↑	Total	0.0



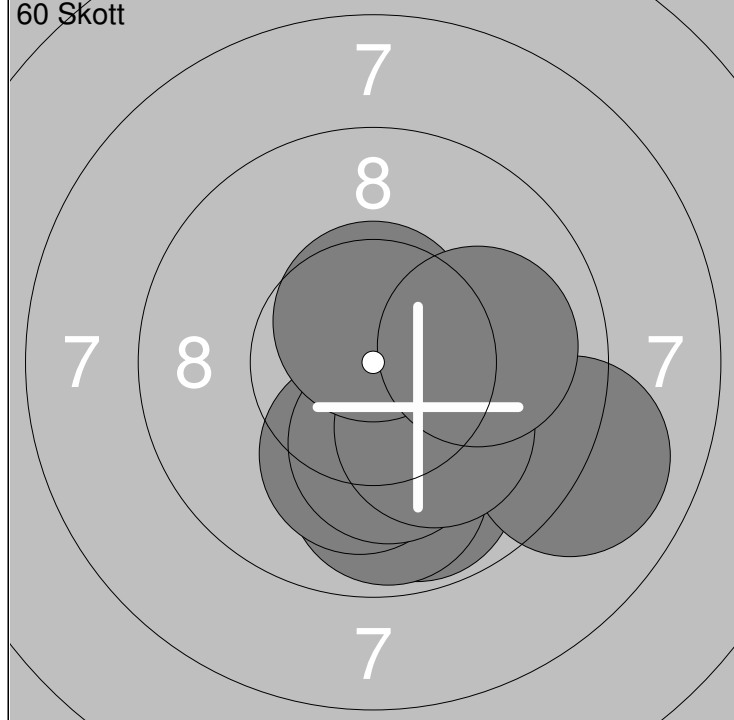
1: 10.1 →	6: 10.2x ↖	Serie	104.0
2: 10.6x ↖	7: 10.8x ↘		
3: 10.5x ↗	8: 10.5x ↖	Total	104.0
4: 10.5x ↓	9: 10.0 ↖		
5: 10.5x ↗	10: 10.3x ↖		

11: 9.7 ↗	Serie	40.6
12: 10.5x ↓		
13: 10.1 ↖	Total	144.6
14: 10.3x ↖		



1: 10.0 ←	6: 10.2x ←	Serie	103.6
2: 10.9x ↗	7: 10.4x ←		
3: 10.5x ↖	8: 10.2x ↗	Total	0.0
4: 10.8x →	9: 9.9 ↘		
5: 10.4x ←	10: 10.3x ←		

11: 10.0 ←	Serie	30.4
12: 10.3x ↓		
13: 10.1 ←	Total	0.0



1: 10.4x ↘	6: 10.4x →	Serie	100.6
2: 9.8 ↓	7: 10.2x ↓		
3: 9.9 ↓	8: 10.2x ↘	Total	100.6
4: 9.0 →	9: 10.6x ↗		
5: 10.1 ↓	10: 10.0 →		

11: 10.7x ↗	Serie	21.5
12: 10.8x →		
	Total	122.1